

Spare Parts Catalogue

4812156178

Valid from serial number:
10000330x0A012572 -



*Diesel engines:
Kubota D1703*

Published catalogue issues valid for these rollers:

<i>Catalogue</i>	<i>Issue date</i>	<i>Valid for serial numbers</i>
4812156178	2014-04	10000330x0A012572 -

RESERVDLSBESTÄLLNING

Följande uppgifter ska lämnas vid beställning av reservdelar för att undvika leveransfel:

1. Maskintyp.
2. Vältens serienummer.
3. Antal av önskad reservdel.
4. Reserdelens artikelnummer.
5. Reservdelens benämning.
6. Måttuppgifter vid beställning av metervara.

ORDERING SPARE PARTS

To avoid errors in delivery, please give the following information when ordering spare parts:

1. Type of machine.
2. Roller serial number.
3. Quantity required.
4. Part number.
5. Parts denomination.
6. Dimensions when ordering per length.

ERSATZTEILBESTELLUNG

Zur Vermeidung von Fehllieferungen sind bei der Bestellung von Ersatzteilen folgende Angaben zu machen:

1. Maschinentyp.
2. Herstellungsnummer.
3. Bestellmenge. (Quantity)
4. Ersatzteilnummer. (Part N°)
5. Ersatzteilbenennung. (Denomination)
6. Massangaben bei Bestellung von Meterware.

ORDINI DI RICAMBI

Per evitare errori nelle consegne di ricambi, Vi preghiamo di comunicarci le seguenti informazioni al momento dell'ordinazione:

1. Tipo di macchina.
2. Numero di serie della macchina.
3. Quantità dei pezzi desiderati. (Quantity)
4. Numero di codice del pezzo. (Part N°)
5. Descrizione del pezzo di ricambio. (Denomination)
6. Misura, in caso di ordine per metro.

PEDIDO DE RECAMBIOS

Para evitar errores en las entregas, deberán indicarse los siguientes datos al hacer un pedido de recambios:

1. Tipo de máquina.
2. Número de serie.
3. Cantidad de piezas deseadas. (Quantity)
4. Número de artículo de la pieza de recambio. (Part N°)
5. Denominación de la pieza. (Denomination)
6. Indíquese la medida al solicitar un artículo que se expide por metros.

COMMANDE DE PIECES DE RECHANGE

Les indications suivantes doivent être fournies lors de la commande de pièces de rechange, afin d'éviter toute erreur de livraison:

1. Type de machine.
2. Numéro de série.
3. Quantité désirée de pièce de rechange. (Quantity)
4. Numéro de la pièce de rechange. (Part N°)
5. Dénomination de la pièce de rechange. (Denomination)
6. Longueur en cas de commande au mètre.

YOUR AGENT/DEALER:

Text pages

The text pages is structured as the picture on the right.

1. This is the remarks for specific items and the descriptions of the remarks is at the bottom of the parts list.

2. Parts indicated by a dot and moved to the right are included when buying the assembled unit above.

3. Spare parts Class code for a specific part.
 "A" = 3 or more units/year,
 "B" = 2 or more units/year,
 "C" = 1 or more units/year,
 "D" = at least 1 unit/year.

DYNAPAC <small>Part of the Atlas Copco Group</small>		Dynapac Compaction Equipment AB		
Engine cover, left				
Item	Part No	Rem Qty	Description	Code
	4700396684	1	Engine cover, cpl	
1		1	. Cover	③
2	4700396607	1	. Lock	
	4700902866	1	. Key Marked "455"	A
3	4700624020	4	. Blind rivet	
4	4700379976	①	. Cover	
5	4700792325	10	. Blind rivet	
7	4700202057	B	1XL . Edge trim	D
8	4700902166	C	1XL . Edge trim	D
9	4700903953	D	1XL . Edge trim	D
11	4700390365	1	. Spacer	
12	4700924875	2	. Screw	
13	4700904228	2	. Washer 6,4x12x1,5	C
14	4700586002	2	. Lock nut M6 -8	C
15	4700390545	1	. Strap	
16	4700904735	1	. Washer	C
17	4700500059	1	. Screw	

①	B)	L=0.625m
	C)	L=0.6m
	D)	L=1.2m

Changes

PARTS INFO	SERVICE INFO	GROUP	PAGE	NOTES

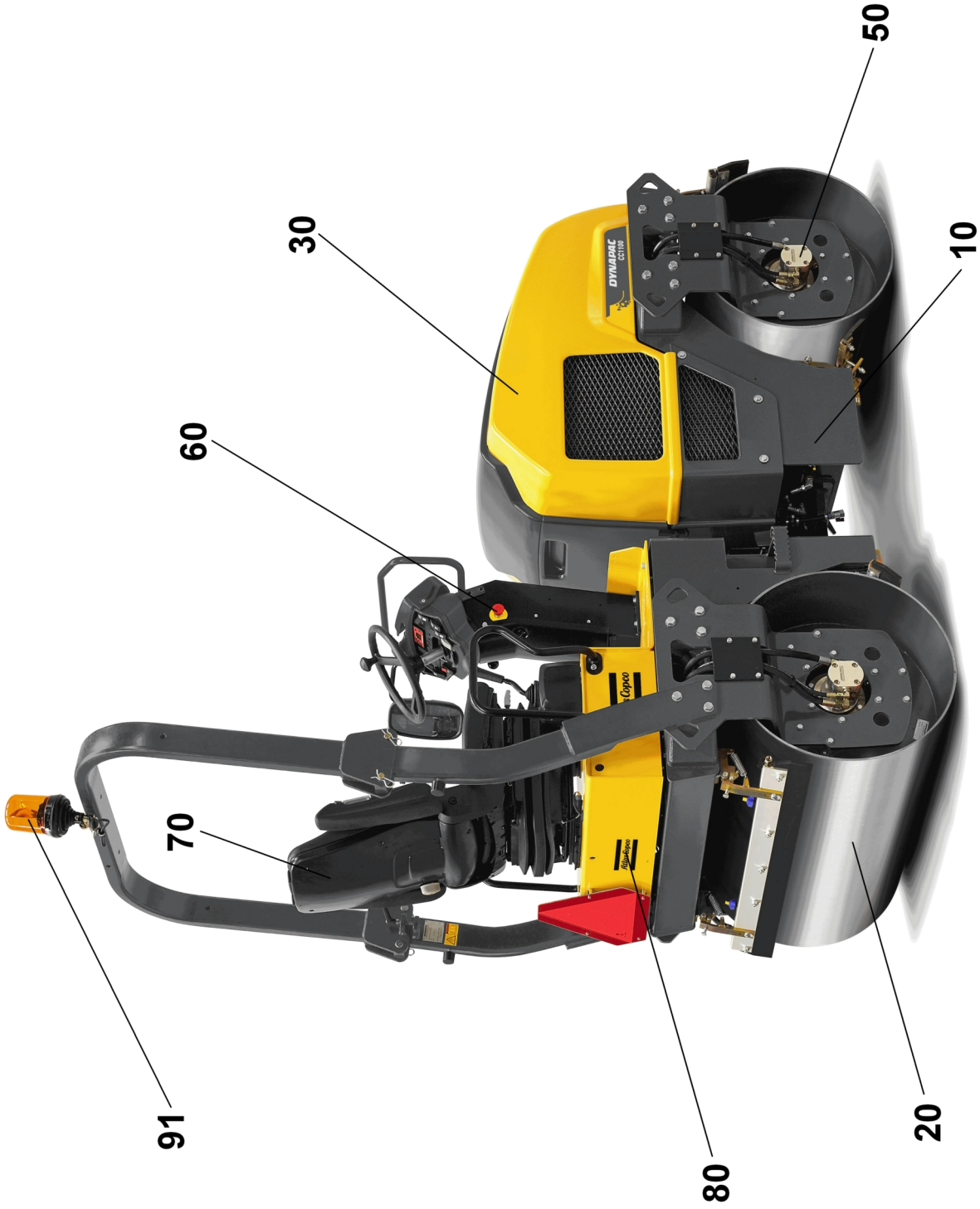
Notes

TABLE OF CONTENTS	Page
CC1100 Plus S/N 10000330x0A012572 -	2
Service kits	4
4812156265 Service kit 50h	6
4812159563 Service kit 50h Plus	8
4812156288 Service kit 250 / 750 h	10
4812159564 Service kit 250/750h Plus	12
4812156266 Service kit 500h	14
4812159565 Service kit 500h Plus	16
4812156267 Service kit 1000 h	18
4812159566 Service kit 1000h Plus	20
4812159570 Start-up kit	22
4812159563 Service kit 50h Plus	8
4812159564 Service kit 250/750h Plus	12
4812159565 Service kit 500h Plus	16
4812159566 Service kit 1000h Plus	20
Repair kits	24
4700938908 Eccentric shaft kit	26
4700938892 Drum rotation kit	28
4812159962 Scraper kit	30
4700938885 Shock absorber kit, drum	32
Steering hitch kit	34
Frame	36
Frame, front	38
Steering hitch	40
Frame, rear	42
Steering hitch	40
Scraper	44
Scrapers, spring loaded (option)	46
Sprinkler system	48
Towing device (option)	52
Drum	54
Engine room	56
Engine module	58
4812110881 Diesel engine Kubota D1703	60
Exhaust system	62
Fan	64
Air filter	66
Expansion tank	68
Water cooler	70

TABLE OF CONTENTS		Page
4812118163	Engine hood, cpl	72
	Casing	74
	Fuel system Up to 0A013025	76
	Fuel system From 0A013026	78
	Cooler hoses	80
	Air hoses	82
	Fuel hoses	84
Hydraulic system		86
	Propulsion system	88
4700390742	Hydraulic motor, propulsion, drum Up to 0A012964	92
4700390742	Hydraulic motor, propulsion, drum From 0A012966	92
	Rotating group, valves, charge pump	94
	Vibration system	96
4812112054	Hydraulic pump Up to 0A012584	100
4812112054	Hydraulic pump From 0A012586 Up to 0A012606	100
4812112054	Hydraulic pump From 0A012611 Up to 0A012667	100
4700391270	Hydraulic motor	102
	Steering system	104
4700374603	Steering cylinder Up to 0A012768	106
4700374603	Steering cylinder From 0A012993	106
4700374603	Steering cylinder From 0A012996	106
4700374603	Steering cylinder From 0A012998 Up to 0A013002	106
	Brake system	108
	Flow divider (option)	110
	Vibration shut-off Front drum (option)	112
Electrical equipment		114
	Horn module	116
	Battery module	118
	Battery disconnecter	120
	Cable harness	122
	Working lights	124
	Working lights front	126
	Working light rear	128
	Working light (option) rear	130
	Casing rear	132
	Cover plate rear	134
	Rotating beacon for ROPS (option)	136
	Rotating beacon for ROPS ignition controlled (option)	138
	Rotating beacon, without rops (option)	140
	Driving lights Front RH (option)	142
	Driving lights Front	144
	Driving lights Rear (option)	146
	Driving lights Front LH (option)	148

TABLE OF CONTENTS		Page
Driving lights Front		150
Driving lights Rear (option)		146
Driving lights Rear (option)		146
Direction indicator (option)		152
Back-up alarm		154
Drivers platform		156
Platform module		158
Platform mount		160
Instrument panel module		162
Steering wheel		164
Control module		166
Standard ECU module		168
Forward-Reverse control module		170
4812113676 Forward and reverse control handle		172
Forward-reverse control left (option)		174
Cover plate, Dual F&R-control left side		176
Throttle control, cpl		178
Throttle control cpl, Dual frequency (option)		180
Arm rests, seat belt, laterally adjusting		182
Step (option)		184
Driver seat, Std		186
Driver seat, Luxury (option)		188
Driver's seat, without armrests (option)		190
Seat belt module 2"		192
Rear view mirror (option)		194
ROPS, foldable (option)		196
Rops (option)		198
Canopy (option)		200
Decals		202
Decals		204
Optional equipment		206
Fire extinguisher		208
Tool equipment		210
SMV-sign and Licence plate		212
Brake release, propulsion motor Poclairn		214
Brake release, "high torque" drum drive		216
High torque drum drive " Short"		218
4700380594 Hydraulic motor, propulsion, drum		220

CC1100 Plus S/N 10000330x0A012572 -



CC1100 Plus S/N 10000330x0A012572 -

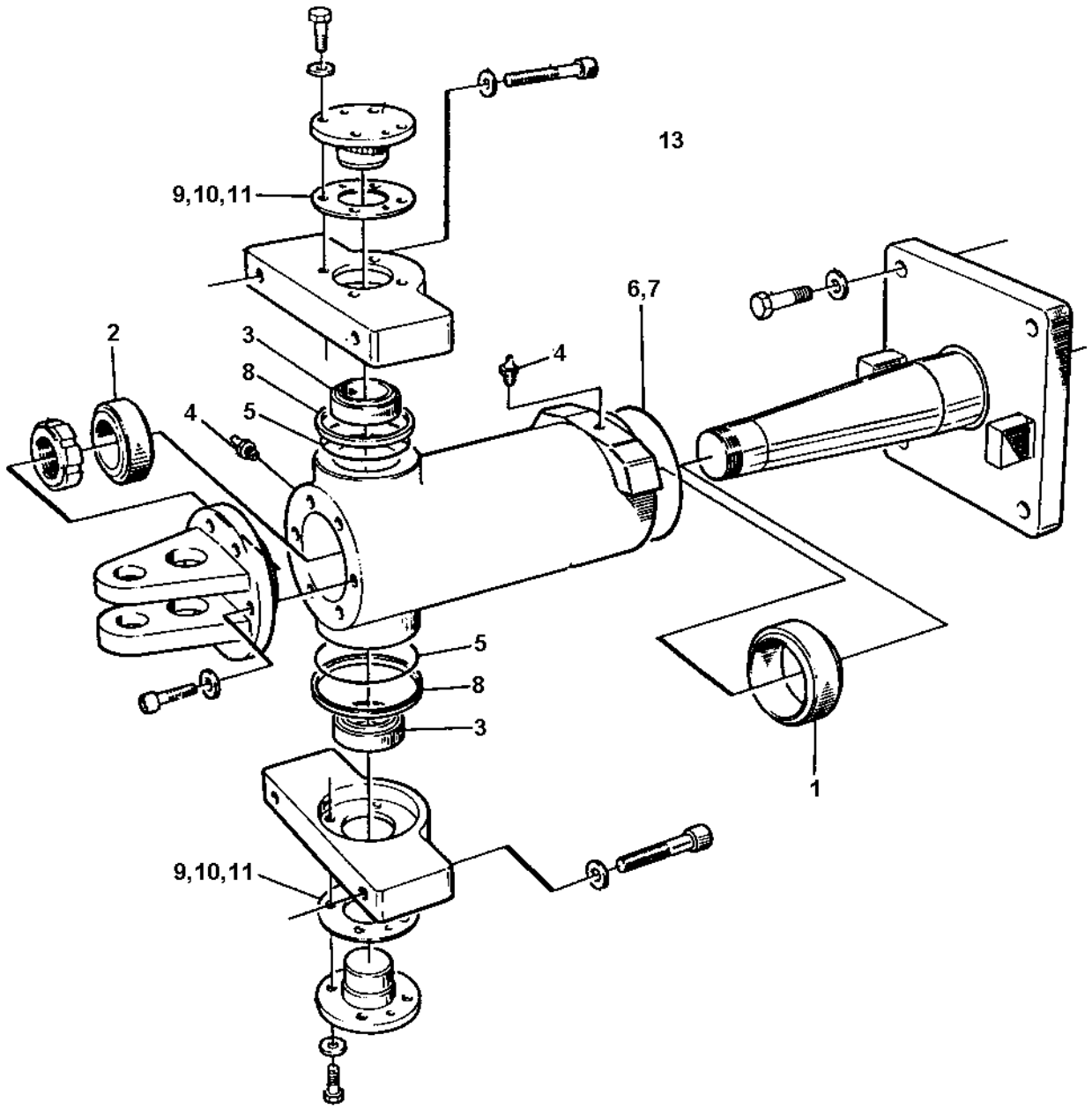
Item	Part No	Rem Qty	Description	Code
		1	Service kits (Page 4)	
		1	Repair kits (Page 24)	
10		1	Frame (Page 36)	
20		2	Drum (Page 54)	
30		1	Engine room (Page 56)	
50		1	Hydraulic system (Page 86)	
60		1	Electrical equipment (Page 114)	
70		1	Drivers platform (Page 156)	
80		1	Decals (Page 202)	
91		1	Optional equipment (Page 206)	

Service kits

Service kits

Item	Part No	Rem Qty	Description	Code
1	4812156265	1	Service kit 50h (Page 6)	
2	4812159563	1	Service kit 50h Plus (Page 8)	
3	4812156288	1	Service kit 250 / 750 h (Page 10)	
4	4812159564	1	Service kit 250/750h Plus (Page 12)	
5	4812156266	1	Service kit 500h (Page 14)	
6	4812159565	1	Service kit 500h Plus (Page 16)	
7	4812156267	1	Service kit 1000 h (Page 18)	
8	4812159566	1	Service kit 1000h Plus (Page 20)	
9	4812159570	1	Start-up kit (Page 22)	

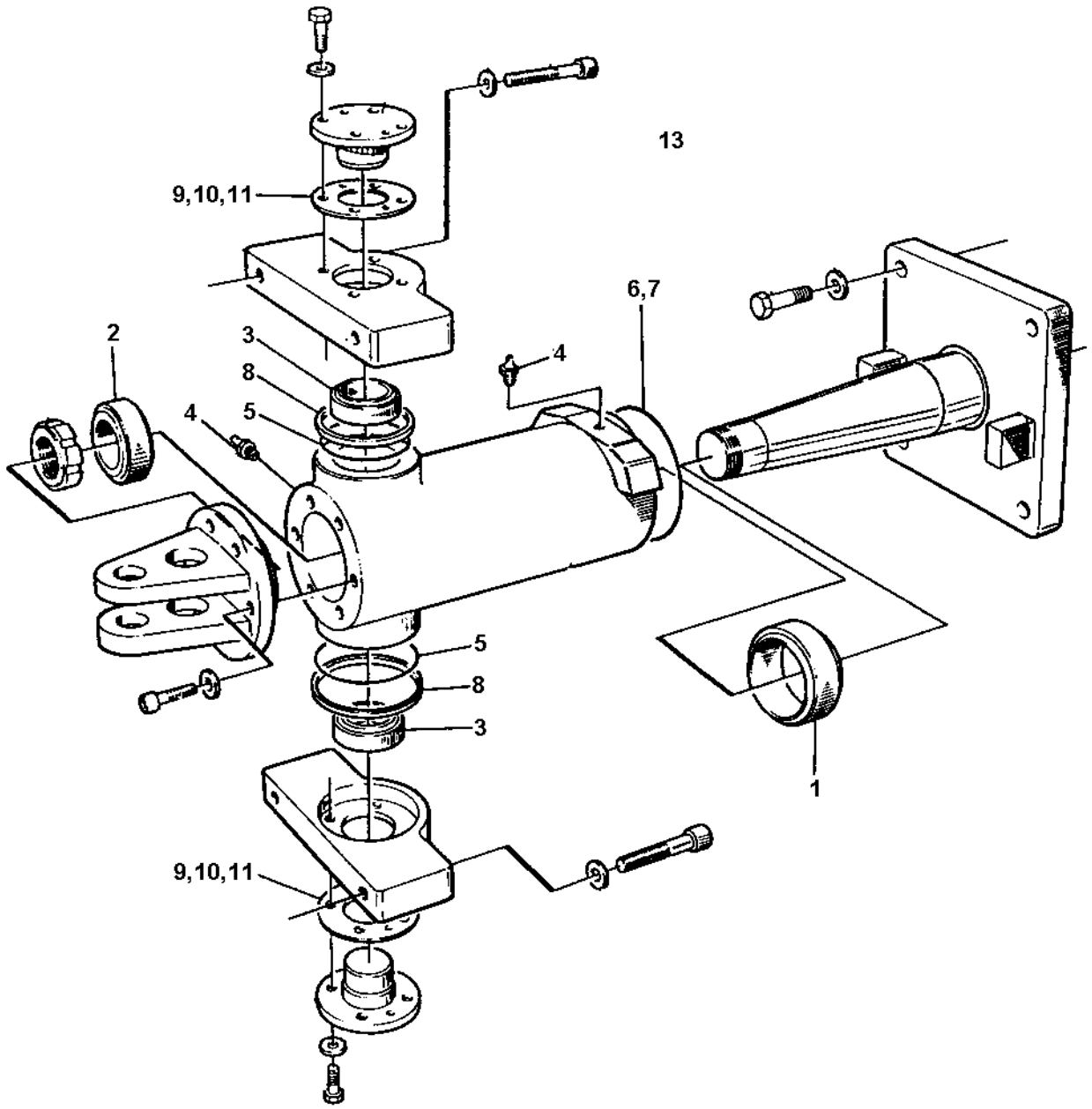
4812156265 Service kit 50h



4812156265 Service kit 50h

Item	Part No	Rem Qty	Description	Code
2	4812156259	1	Engine oil filter element	
3	4812156263	1	Fuel filter element	
4	4812156264	1	Pre-fuel filter element	
5	4812113328	1	Hydraulic oil filter element	

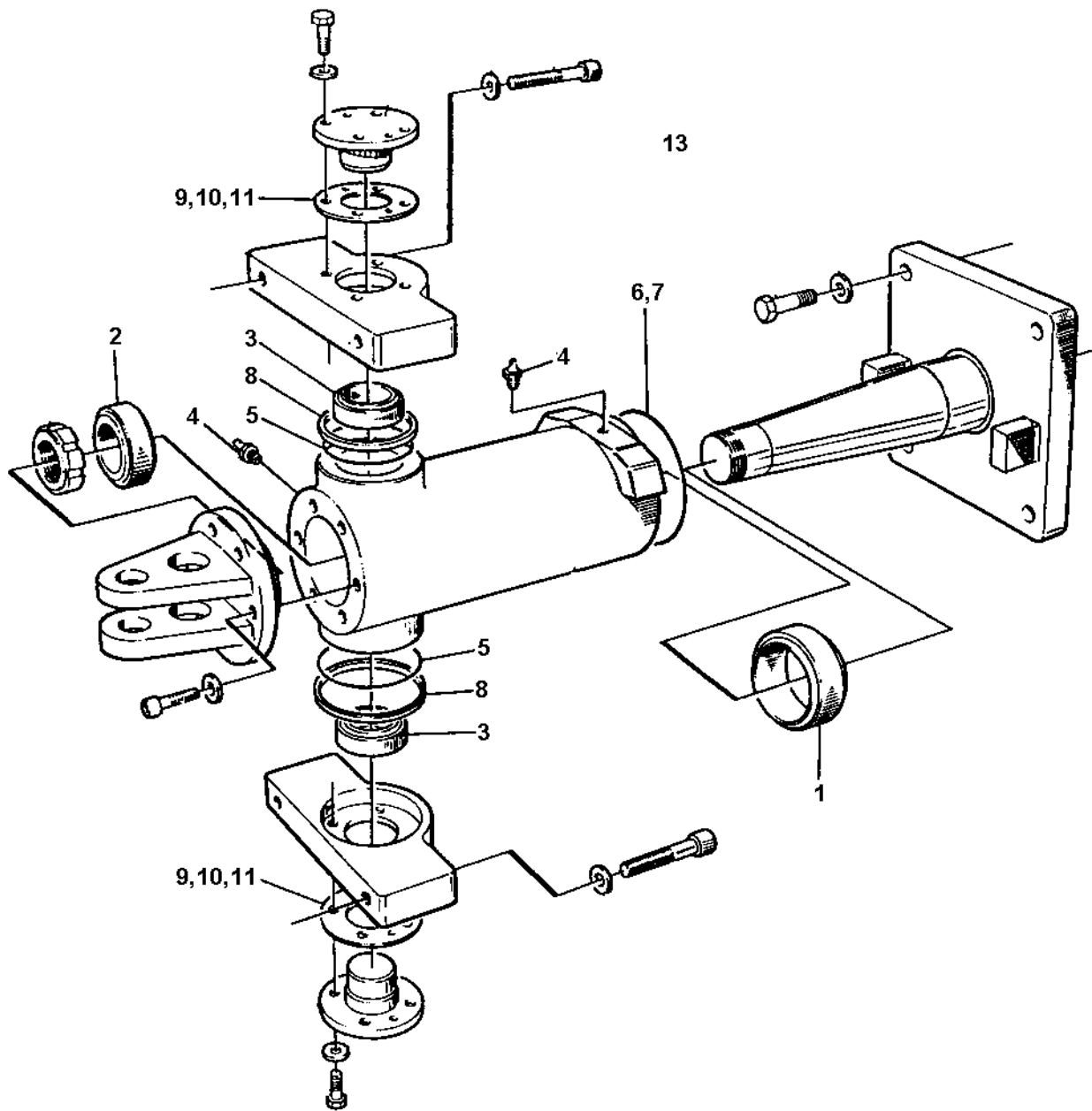
4812159563 Service kit 50h Plus



4812159563 Service kit 50h Plus

Item	Part No	Rem Qty	Description	Code
1	4812156259	1	Engine oil filter element	
2	4812156263	1	Fuel filter element	
3	4812156264	1	Pre-fuel filter element	
4	4812113328	1	Hydraulic oil filter element	
5	5580020624	2	Atlas Copco fluid engine 100 5 liters	
6	9106230330	2	Atlas Copco fluid hydraulic oil 300 20 liters	
7	4812030096	1	Dynapac Roller Grease	

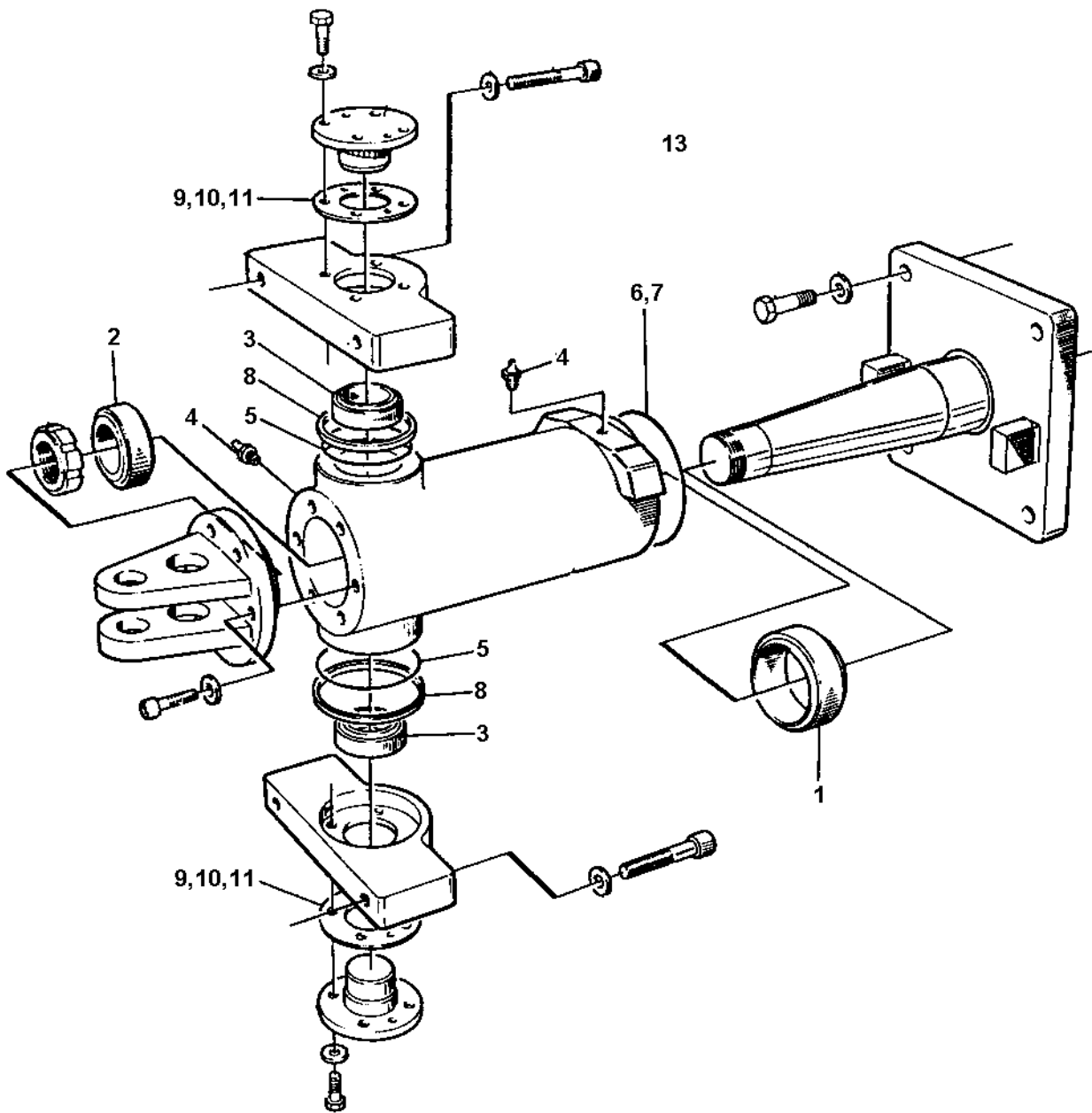
4812156288 Service kit 250 / 750 h



4812156288 Service kit 250 / 750 h

Item	Part No	Rem Qty	Description	Code
2	4812156259	1	Engine oil filter element	

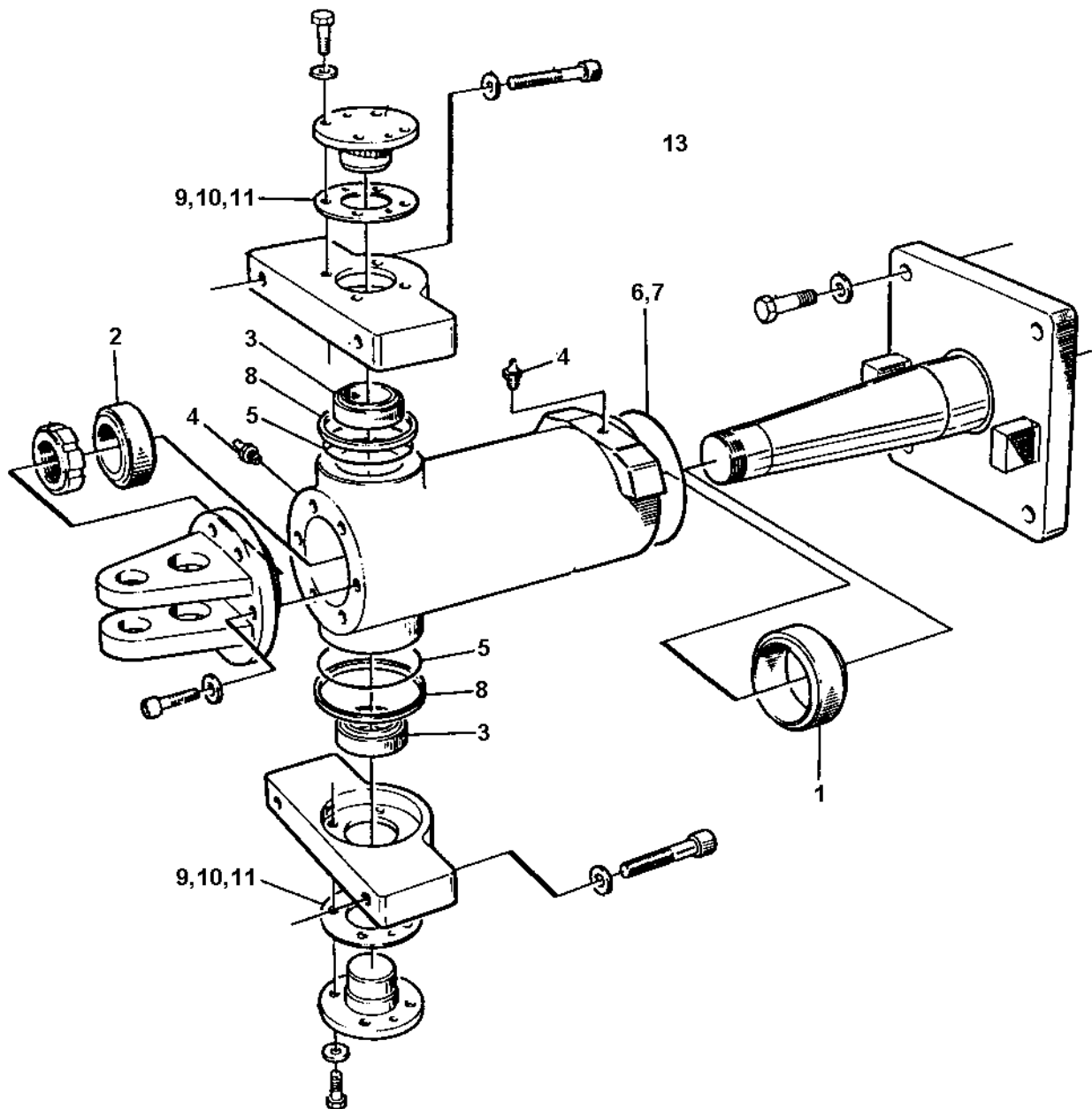
4812159564 Service kit 250/750h Plus



4812159564 Service kit 250/750h Plus

Item	Part No	Rem Qty	Description	Code
1	4812156259	1	Engine oil filter element	
2	5580020624	2	Atlas Copco fluid engine 100 5 liters	

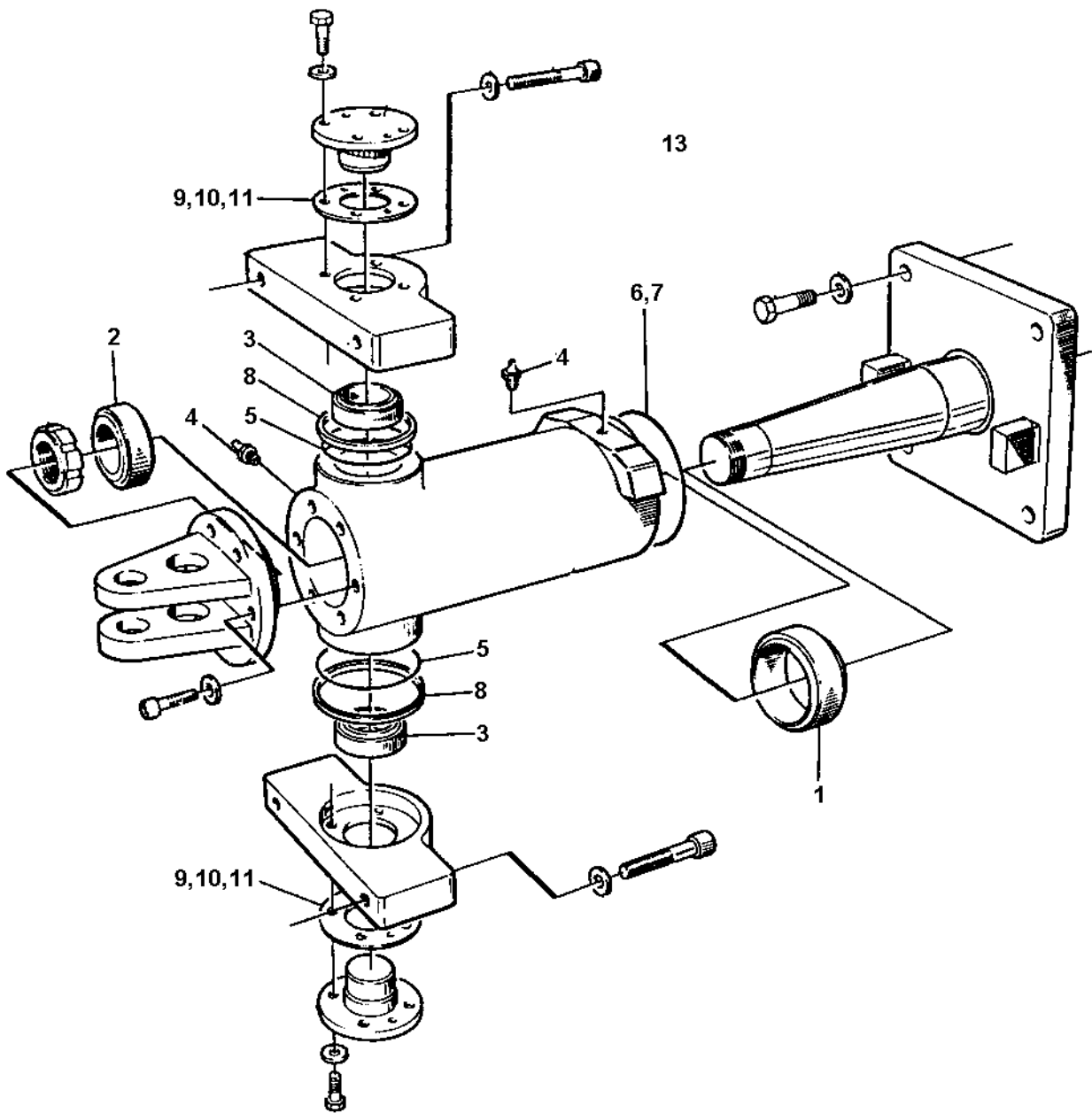
4812156266 Service kit 500h



4812156266 Service kit 500h

Item	Part No	Rem Qty	Description	Code
2	4812156259	1	Engine oil filter element	
3	4812156263	1	Fuel filter element	
4	4812156264	1	Pre-fuel filter element	
5	4812156260	1	V-belt	

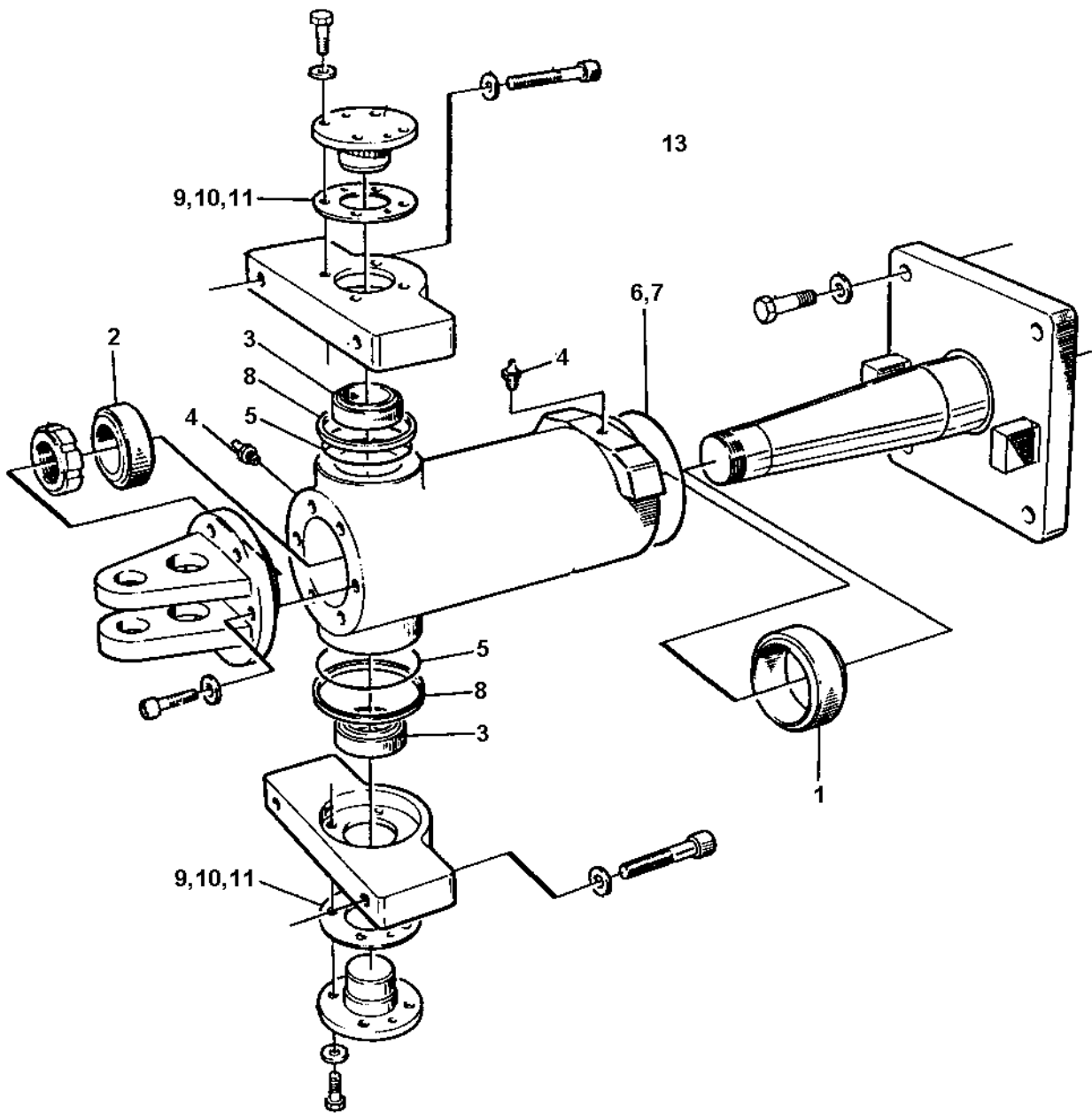
4812159565 Service kit 500h Plus



4812159565 Service kit 500h Plus

Item	Part No	Rem Qty	Description	Code
1	4812156259	1	Engine oil filter element	
2	4812156263	1	Fuel filter element	
3	4812156264	1	Pre-fuel filter element	
4	4812156260	1	V-belt	
5	4812030096	1	Dynapac Roller Grease	

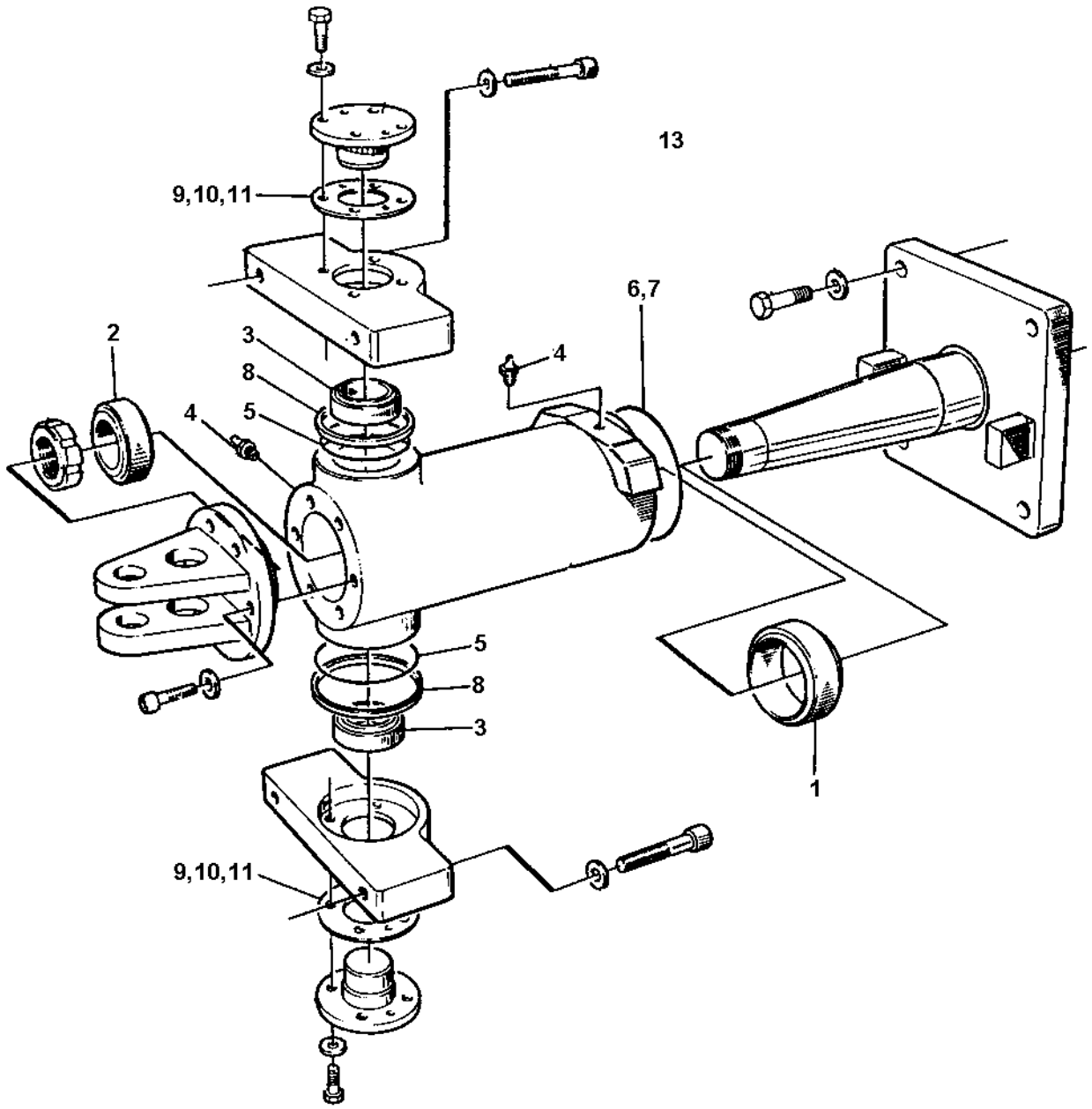
4812156267 Service kit 1000 h



4812156267 Service kit 1000 h

Item	Part No	Rem Qty	Description	Code
2	4812156259	1	Engine oil filter element	
3	4812156263	1	Fuel filter element	
4	4812156264	1	Pre-fuel filter element	
5	4812156260	1	V-belt	
6	4812113328	1	Hydraulic oil filter element	
7	4700939802	1	Air filter element Main	
8	4700939803	1	Air filter element Safety	
9	4700357138	1	Ventilating filter	
10	4812156261	1	Valve cover gasket	

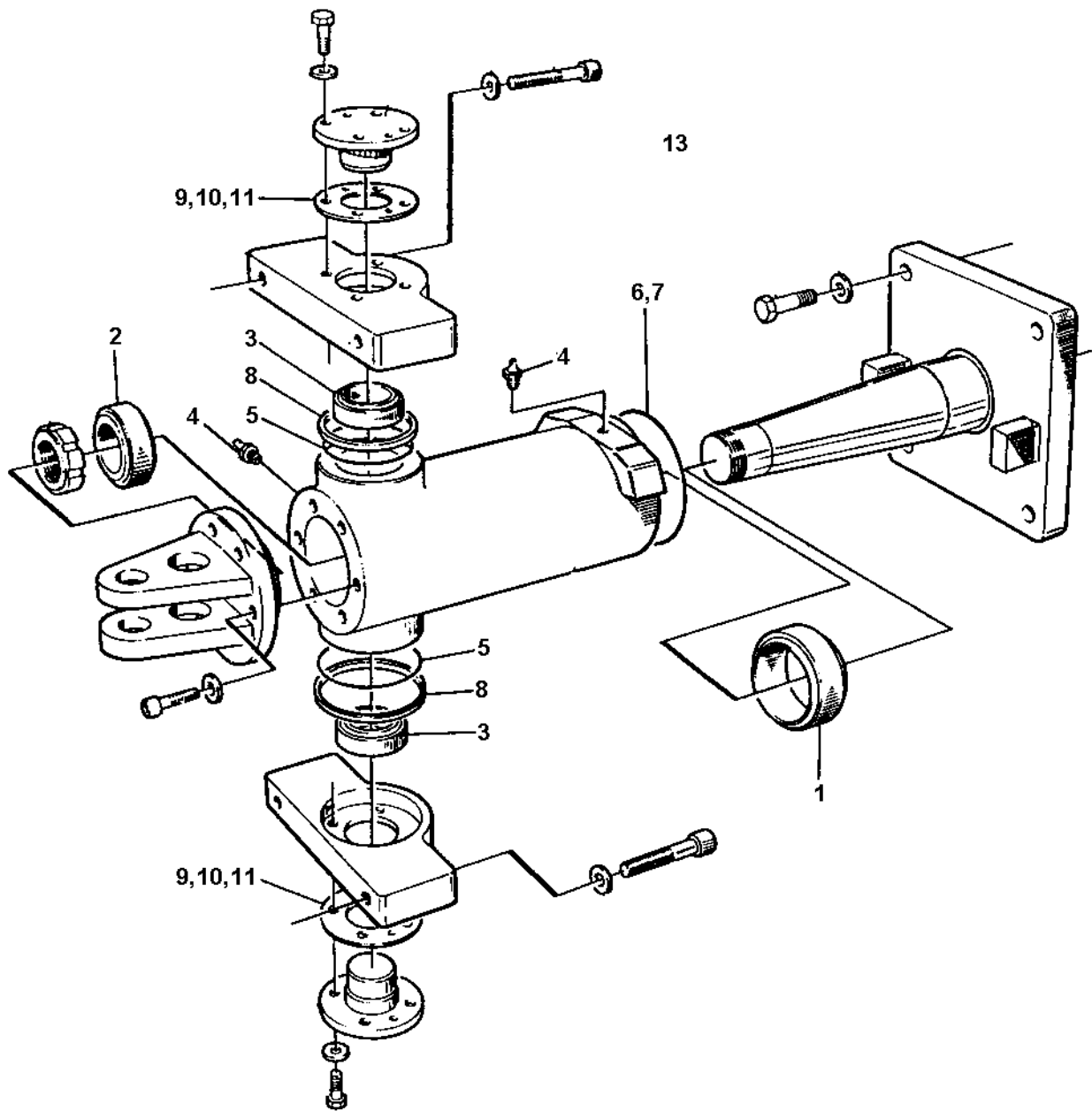
4812159566 Service kit 1000h Plus



4812159566 Service kit 1000h Plus

Item	Part No	Rem Qty	Description	Code
1	4812156259	1	Engine oil filter element	
2	4812156263	1	Fuel filter element	
3	4812156264	1	Pre-fuel filter element	
4	4812156260	1	V-belt	
5	4812113328	1	Hydraulic oil filter element	
6	4700939802	1	Air filter element Main	
7	4700939803	1	Air filter element Safety	
8	4700357138	1	Ventilating filter	
9	4812156261	1	Valve cover gasket	
10	5580020624	2	Atlas Copco fluid engine 100 5 liters	
11	9106230330	3	Atlas Copco fluid hydraulic oil 300 20 liters	
12	4812030756	3	Gear Oil 300 5 liters	

4812159570 Start-up kit



4812159570 Start-up kit

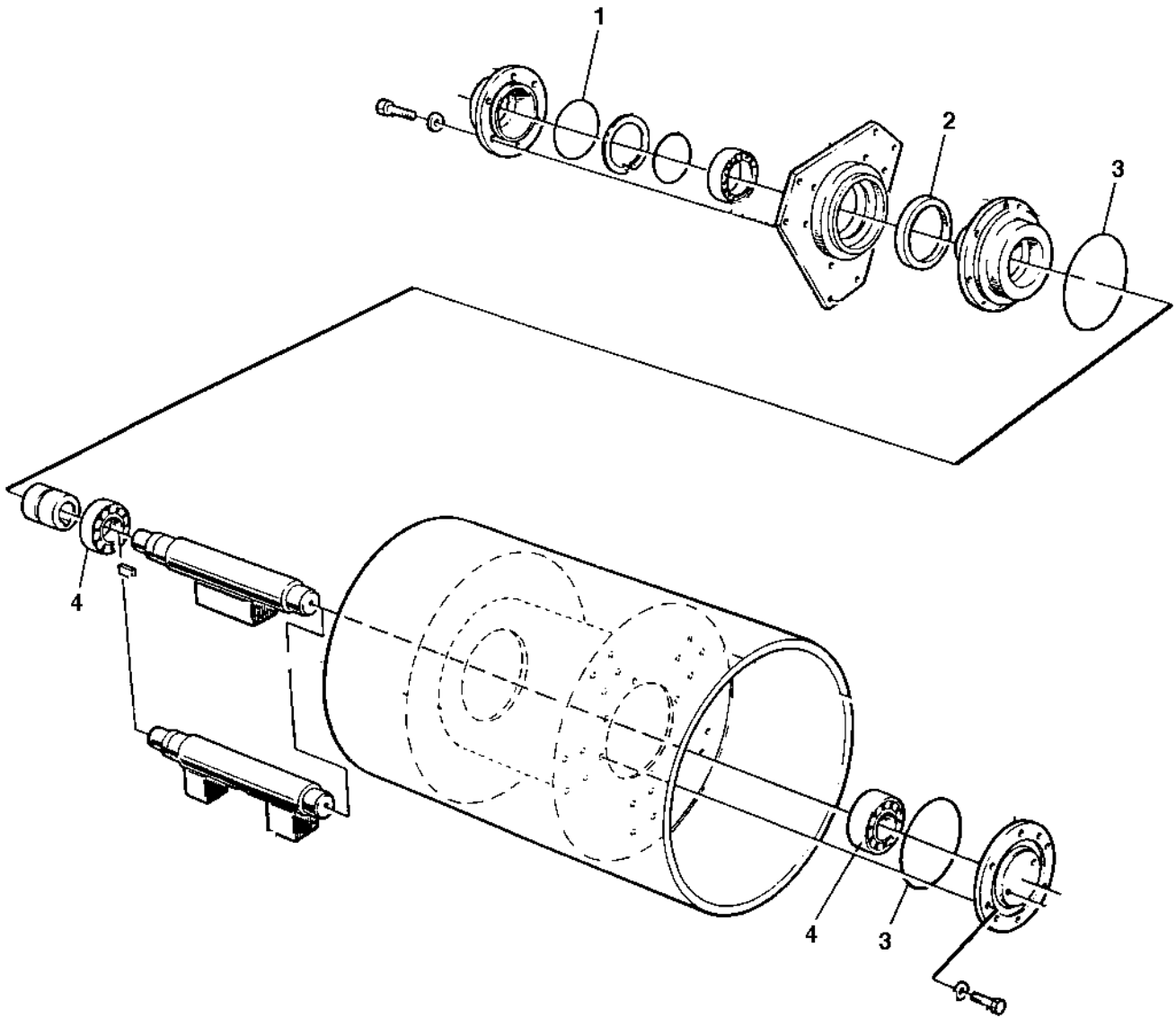
Item	Part No	Rem Qty	Description	Code
1	4812159563	1	Service kit 50h Plus (Page 8)	
2	4812159564	2	Service kit 250/750h Plus (Page 12)	
3	4812159565	1	Service kit 500h Plus (Page 16)	
4	4812159566	1	Service kit 1000h Plus (Page 20)	

Repair kits

Repair kits

Item	Part No	Rem Qty	Description	Code
1	4700938908	2	Eccentric shaft kit (Page 26)	
2	4700938892	2	Drum rotation kit (Page 28)	
3	4812159962		Scraper kit (Page 30)	
4	4700938885	2	Shock absorber kit, drum (Page 32)	
5			Steering hitch kit (Page 34)	

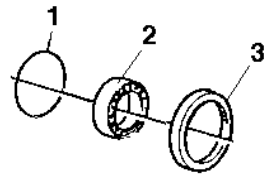
4700938908 Eccentric shaft kit



4700938908 Eccentric shaft kit

Item	Part No	Rem Qty	Description	Code
	4700938908		Eccentric shaft kit (Page 26)	
1	4700160132	1	O-ring 124, 50x3, 00	
2	4700163049	1	Sealing	
3	4700923951	2	O-ring	
4	4700904258	2	Spherical roller bearing	

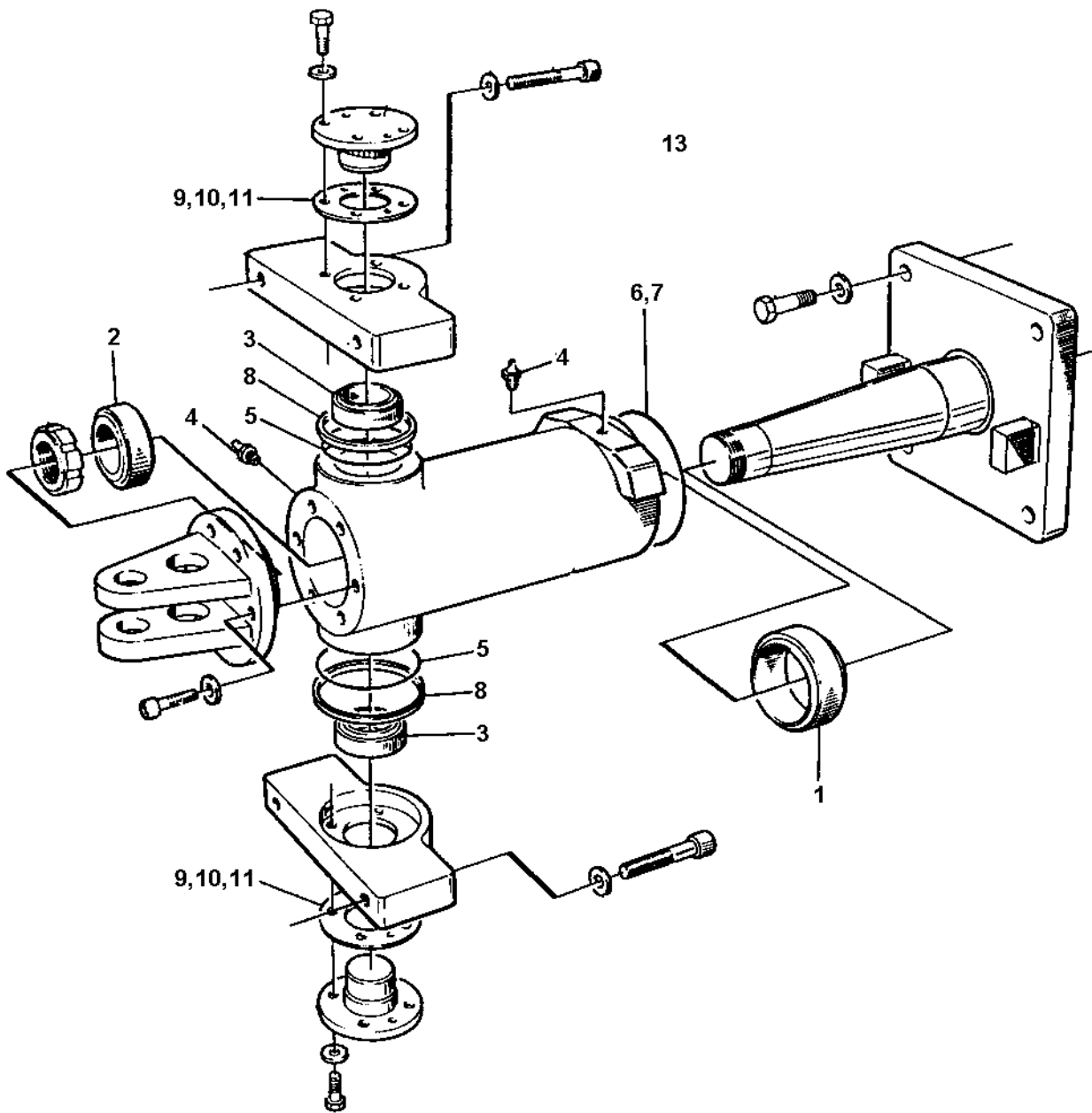
4700938892 Drum rotation kit



4700938892 Drum rotation kit

Item	Part No	Rem Qty	Description	Code
	4700938892		Drum rotation kit (Page 28)	
1	4700160132	1	O-ring 124, 50x3, 00	
2	4700111018	1	Ball bearing	
3	4700163049	1	Sealing	

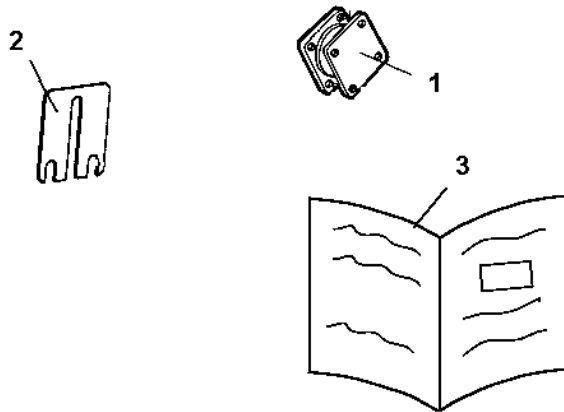
4812159962 Scraper kit



4812159962 Scraper kit

Item	Part No	Rem Qty	Description	Code
	4812159962	1	Scraper kit (Page 30)	
1	4812119785	4	Scraper blade	

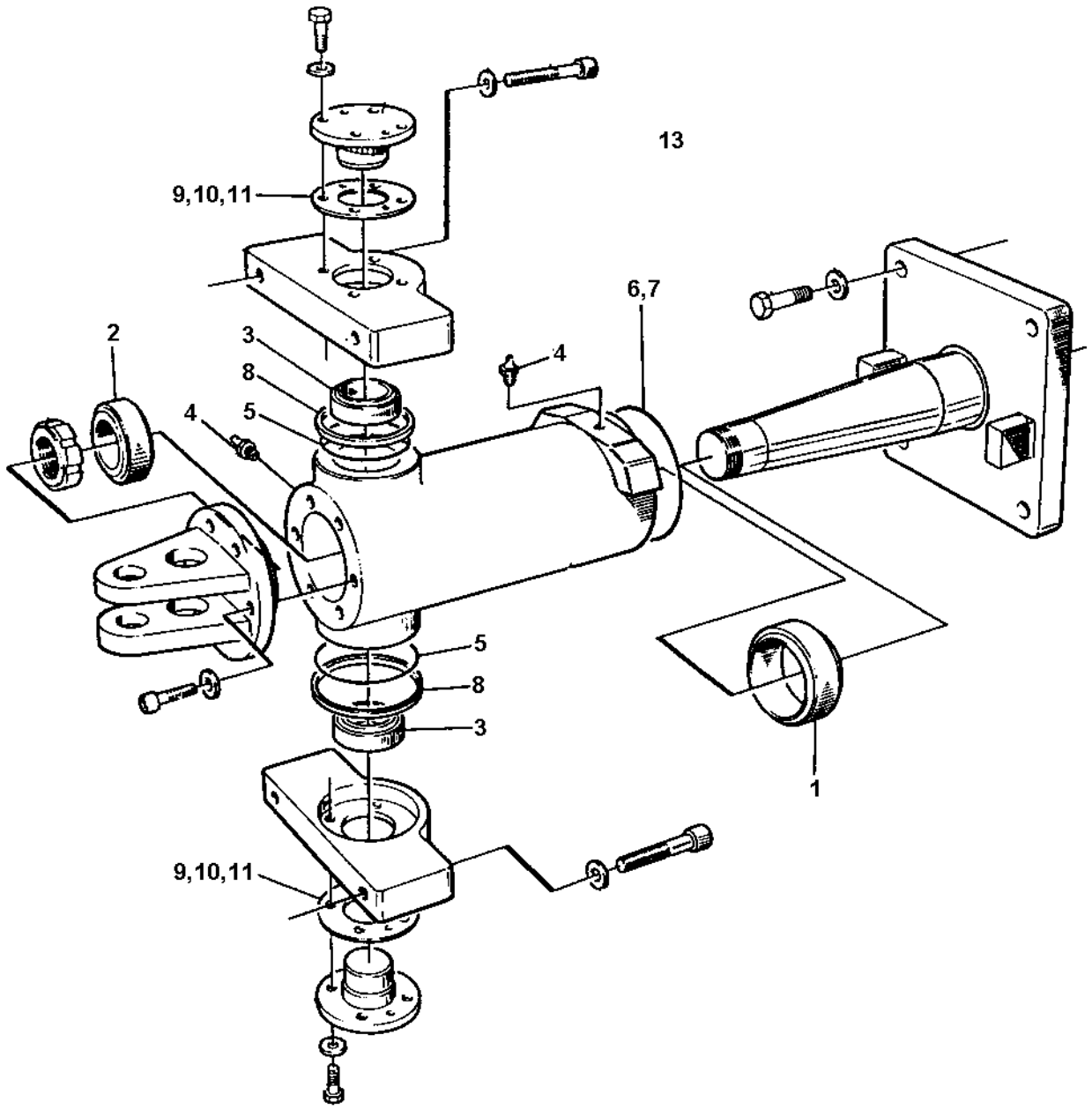
4700938885 Shock absorber kit, drum



4700938885 Shock absorber kit, drum

Item	Part No	Rem Qty	Description	Code
	4700938885		Shock absorber kit, drum (Page 32)	
1	4700345215	8	Shock absorber	
2	4700357222	4	Shim T=1 mm	
3	4812156170	1	Instructions	

Steering hitch kit

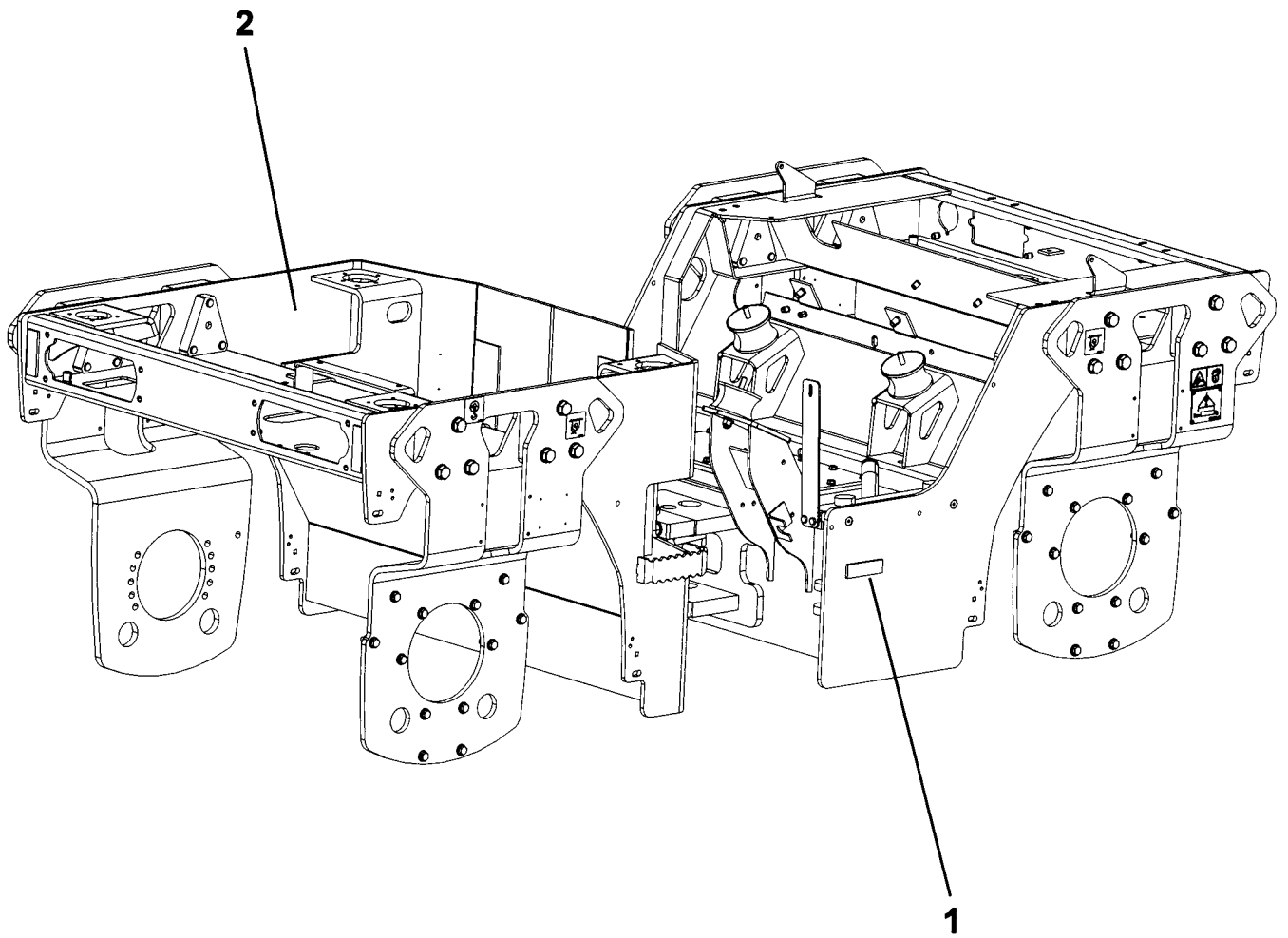


Steering hitch kit

Item	Part No	Rem	Qty	Description	Code
Steering hitch kit (Page 34)					
1	4700902063		1	Bushing	
2	4700902062		1	Bushing	
3	4700902061		2	Bushing	
4	4700926214		1	Grease fitting	
5	4700167044	A	2	V-ring	
6	4700160112		1	O-ring	
7	4700892179		1	O-ring	
8	4700357418		2	Sealing	
9	4700347153		2	Shim	T=0,2 mm
10	4700347154		2	Shim	T=0,4 mm
11	4700347155		2	Shim	T=0,8 mm
13	4700938534		1	Lube grease	
14			1	Workshop manual W1048***	

A) For improved function this replaces earlier used 4700160032

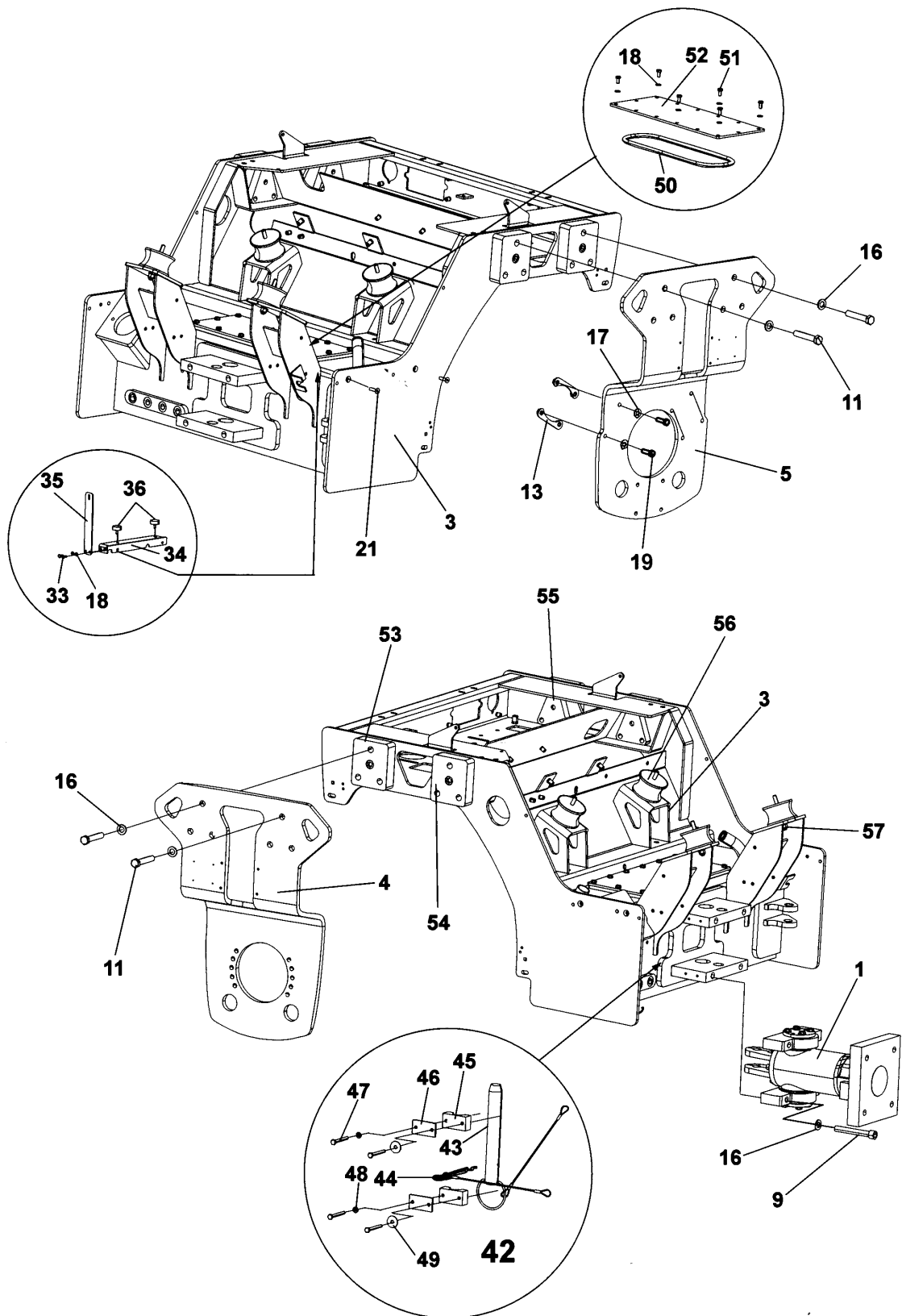
Frame



Frame

Item	Part No	Rem Qty	Description	Code
1		1	Frame, front (Page 38)	
2		1	Frame, rear (Page 42)	
4		2	Scraper (Page 44)	
5		2	Scrapers, spring loaded (option) (Page 46)	
6		1	Sprinkler system (Page 48)	
7		1	Towing device (option) (Page 52)	

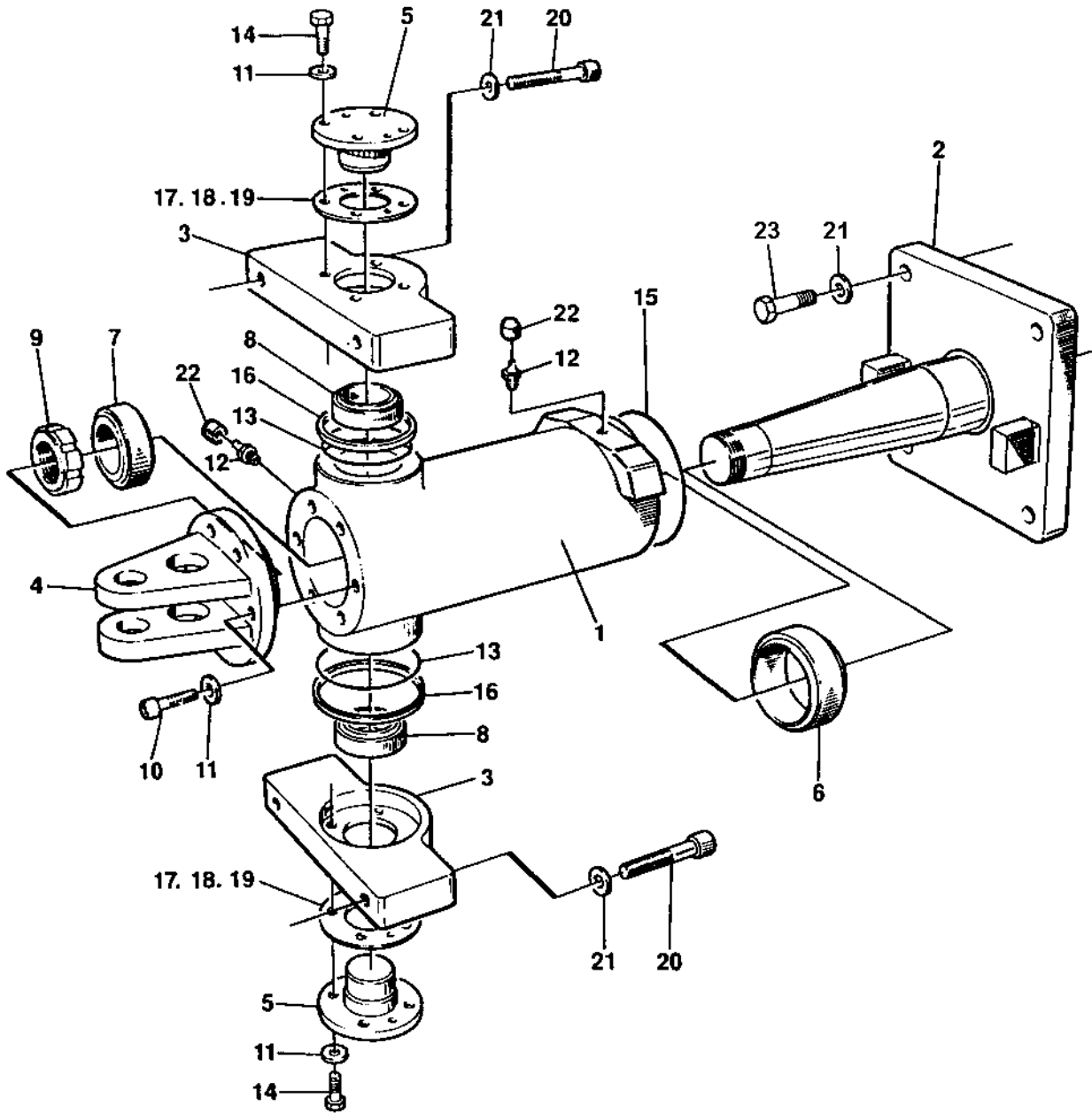
Frame, front



Frame, front

Item	Part No	Rem Qty	Description	Code
1		1	Steering hitch (Page 40)	
3	4812119733	1	Frame, front	
4	4812120578	1	Fork	
5	4812120579	1	Fork	
9	4700902100	4	Screw	
11	4700500107	12	Screw M16x100	
13	4700379179	6	Holder	
16	4700904232	16	Washer	
17	4700904230	16	Steel plain washer	
18	4700904229	16	Steel plain washer 8,4x16x1,5	
19	4812110288	12	Screw	
21	4700902520	2	Screw	
33	4700500100	2	Screw	
34	4812116681	1	Bracket	
35	4812113080	1	Bracket	
36	4700792601	2	Shock absorber	
42		1	Steering hitch lock	
43	4700357487	1	. Shaft	
44	4700357489	1	. Hair pin	
45	4700902171	2	. Clamp	
46	4700902172	2	. Cover plate	
47	4700500016	4	. Screw M6x55 8.8 A2K	
48	4700600004	2	. Washer	
49	4700615076	2	. Washer 7,0x25x1,5	
50	4700349880	1	O-ring	
51	4700500019	14	Screw M8x16H 8.8 A2K	
52	4700349879	1	Cover	
53	4812120932	4	Spacer block	
54	4700508065	4	Screw	
55	4700393540	4	Threaded plate	
56	4812113018	4	Shock absorber	
57	4700586018	4	Hexagon lock nut M10	

Steering hitch

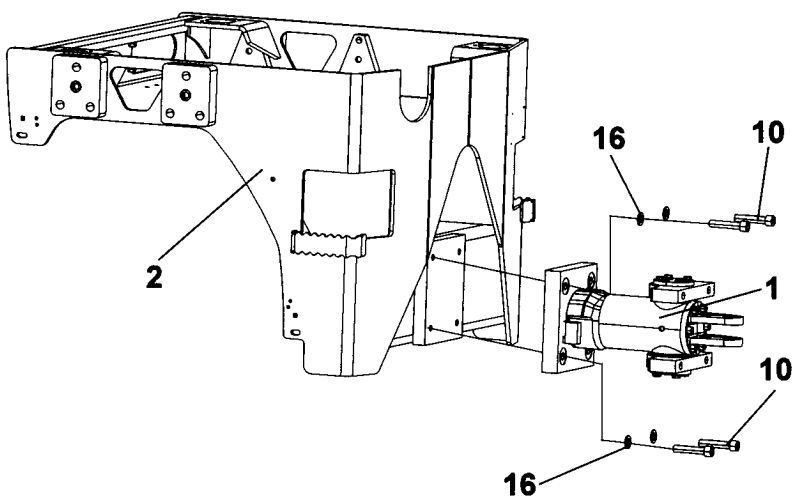
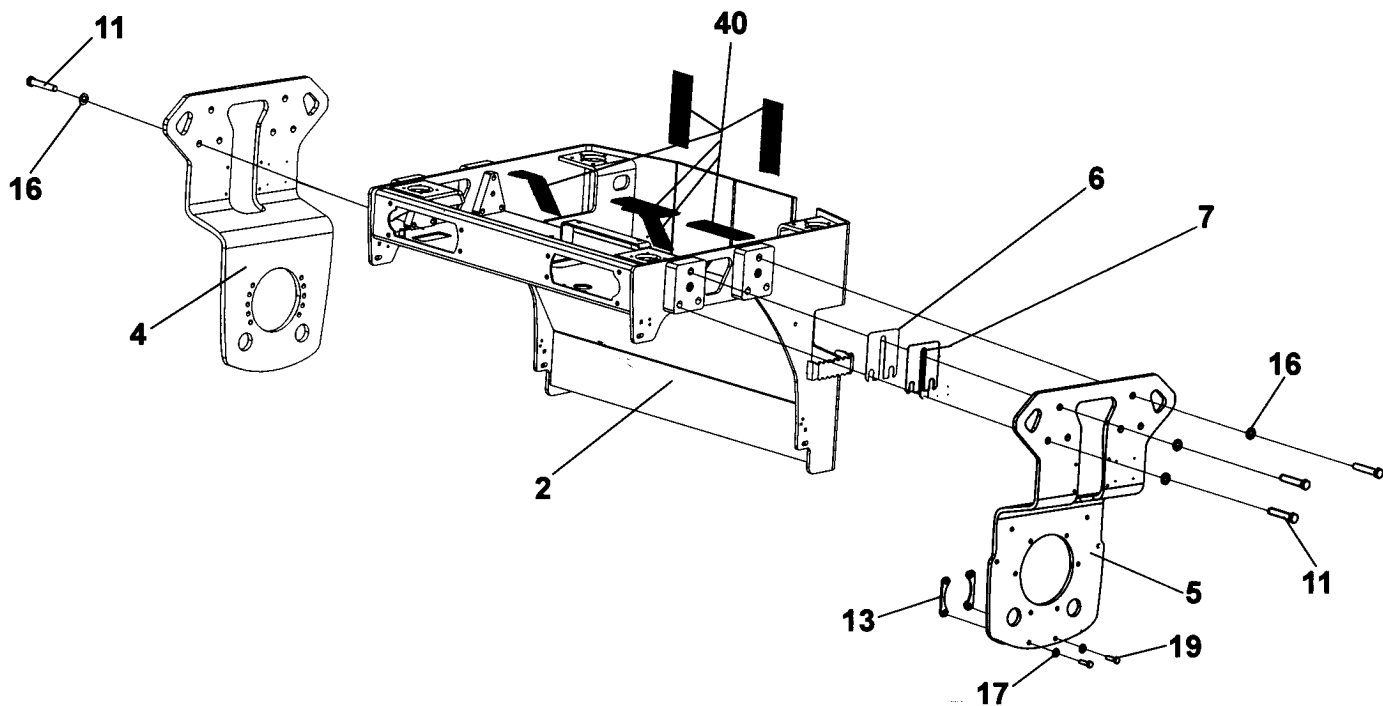


Steering hitch

Item	Part No	Rem Qty	Description	Code
	4700358975	1	Steering hitch, cpl.	
1	4700358976	1	. Bearing housing	
2	4700358978	1	. Hitch shaft	
3	4700357031	2	. Bracket	
4	4700357038	1	. Bracket	
5	4700357039	2	. Shaft	
6	4700902063	1	. Bushing	
7	4700902062	1	. Bushing	
8	4700902061	2	. Bushing	
9	4700902060	1	. Lock nut	
10	4700902059	6	. Screw	
11	4700600008	14	. Washer	
12	4700926214	2	. Grease fitting	
13	4700167044	A 2	. V-ring	
14	4700500028	8	. Screw	
15	4700892179	1	. O-ring	
16	4700357418	2	. Sealing	
17	4700347153	N	. Shim	T=0,2 mm
18	4700347154	N	. Shim	T=0,4 mm
19	4700347155	N	. Shim	T=0,8 mm
20	4700902100	4	. Screw	
21	4700904232	8	. Washer	
22	4700902576	2	. Cover	
23	4700927396	4	. Screw	

A) For improved function this replaces earlier used 4700160032

Frame, rear

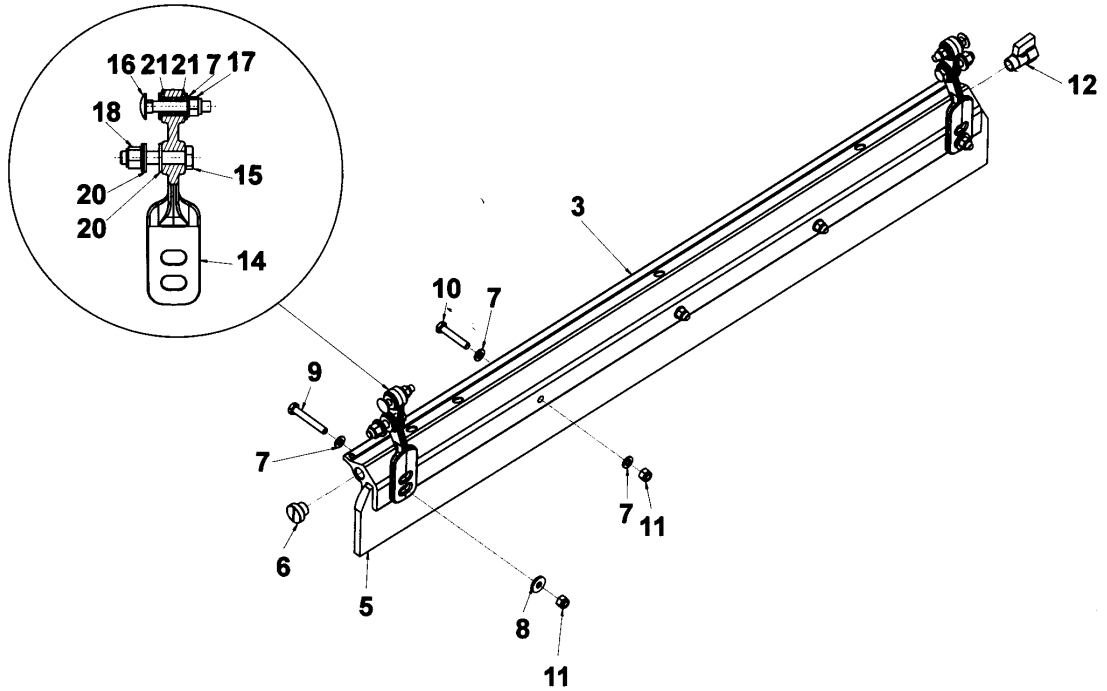


Frame, rear

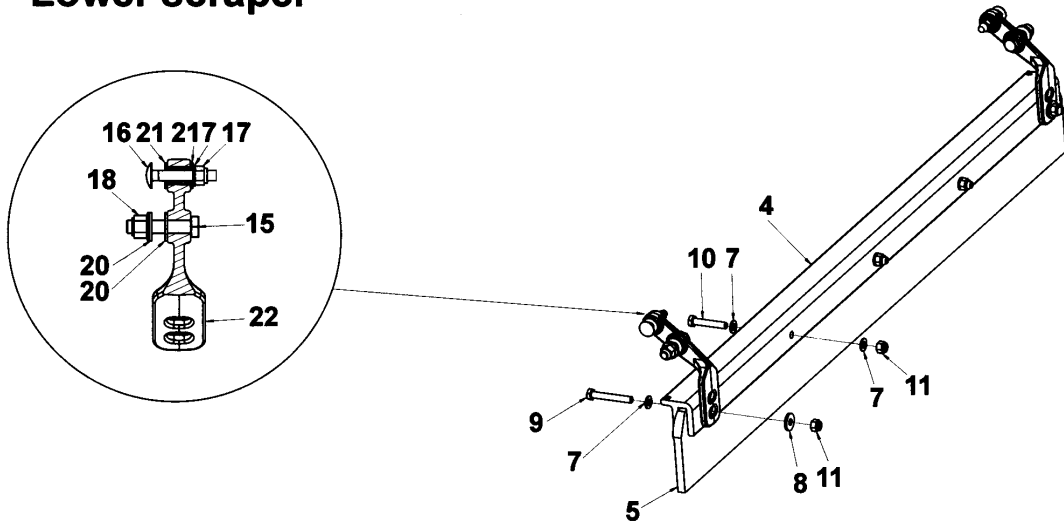
Item	Part No	Rem Qty	Description	Code
1		1	Steering hitch (Page 40)	
2	4812119732	1	Frame, rear	
4	4812120578	1	Fork	
5	4812120579	1	Fork	
6	4700357222	N	Shim T=1 mm	
7	4700357221	N	Shim T=3 mm	
10	4700927396	4	Screw	
11	4700500107	12	Screw M16x100	
13	4700379179	6	Holder	
16	4700904232	16	Washer	
17	4700904230	12	Steel plain washer	
19	4812110288	12	Screw	
40	4700357459	6	Rubber cloth	
41	4812120932	4	Spacer block	
42	4700508065	4	Screw	
43	4700393540	4	Threaded plate	

Scraper

Upper scraper



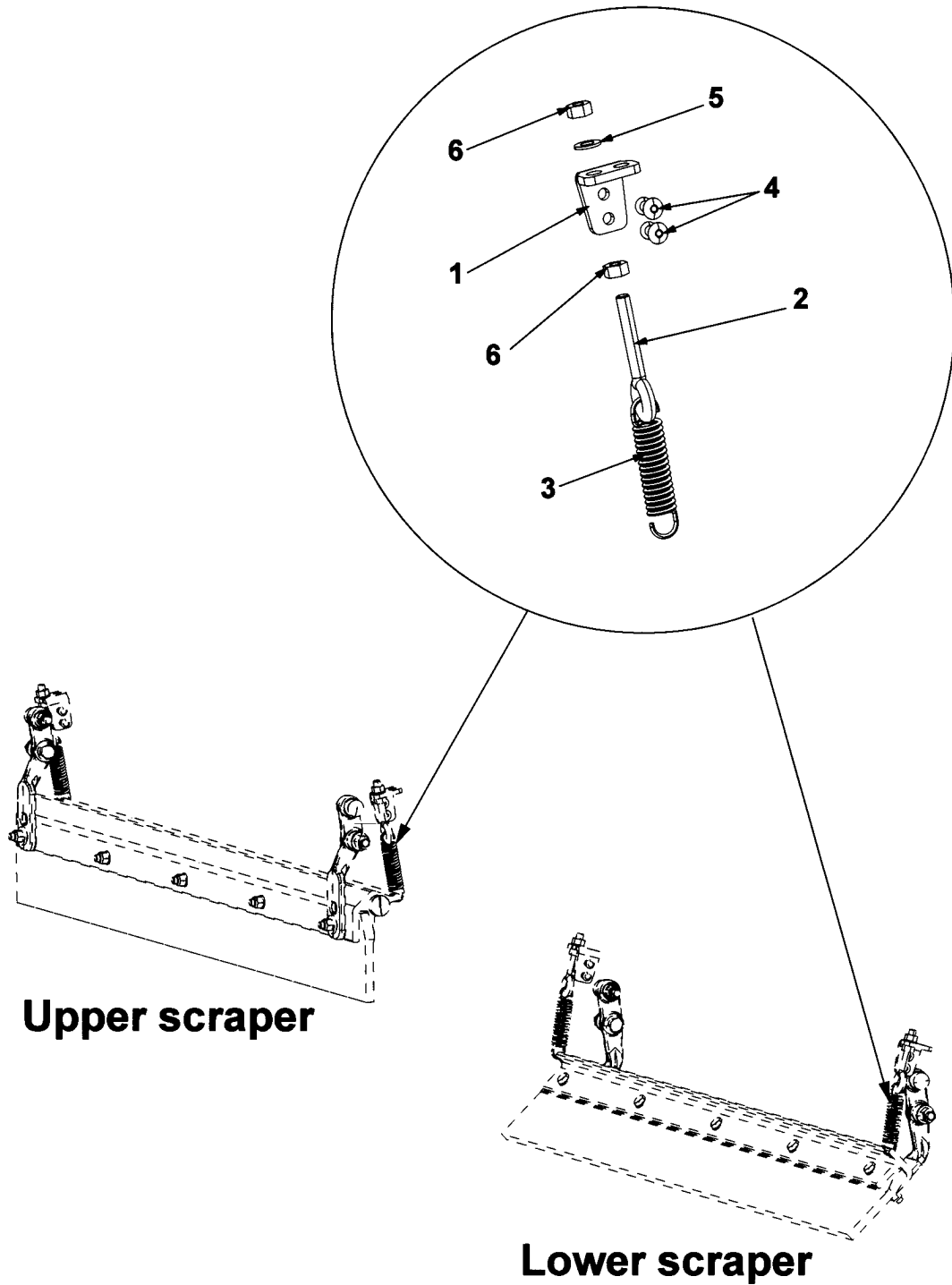
Lower scraper



Scraper

Item	Part No	Rem Qty	Description	Code
3	4812119784	2	Sprinkler pipe	
4	4812119786	2	Bracket	
5	4812119785	4	Scraper blade	
6	4700792072	2	End plug	
7	4700904229	36	Steel plain washer 8,4x16x1,5	
8	4700904640	8	Washer 8,4x22x3	
9	4700500067	8	Screw M8-1,25x55 8,8	
10	4700500024	12	Screw M8x45	
11	4700586003	20	Lock nut M8	
12	4700233215	2	Ball valve	
14	4812119773	2	Bracket	
15	4700500105	4	Hexagon screw M10x50	
16	4700792134	4	Bolt	
17	4700586003	4	Lock nut M8	
18	4700902287	4	Hexagon lock nut	
20	4700791938	8	Washer	
21	4700791939	8	Bushing	
22	4812119778	2	Bracket	

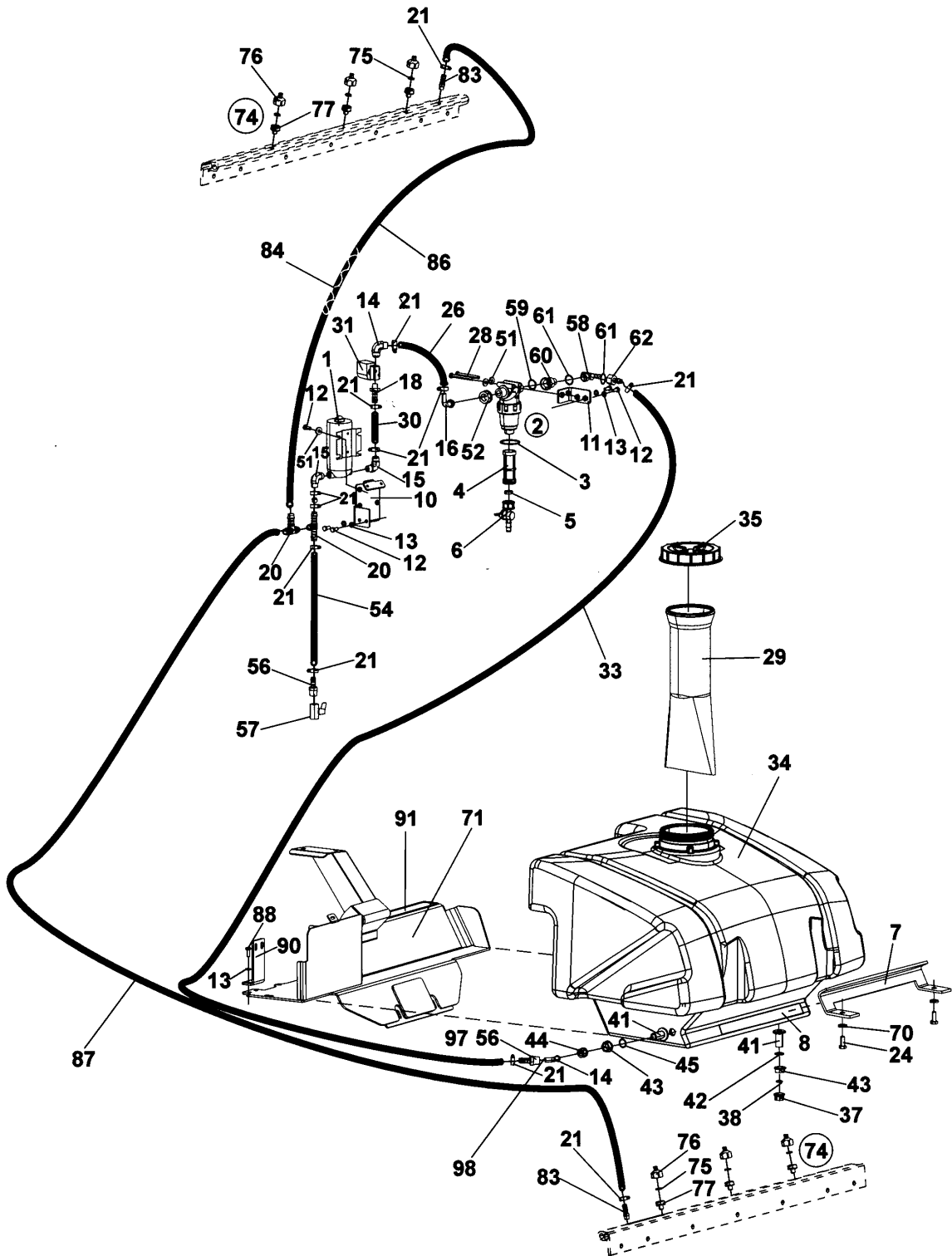
Scrapers, spring loaded (option)



Scrapers, spring loaded (option)

Item	Part No	Rem Qty	Description	Code
1	4812120026	4	Bracket	
2	4700792189	4	Eye bolt	
3	4700359043	4	Spring	
4	4700791666	8	Blind rivet	
5	4700904229	4	Steel plain washer 8,4x16x1,5	
6	4700570005	8	Nut M8	

Sprinkler system

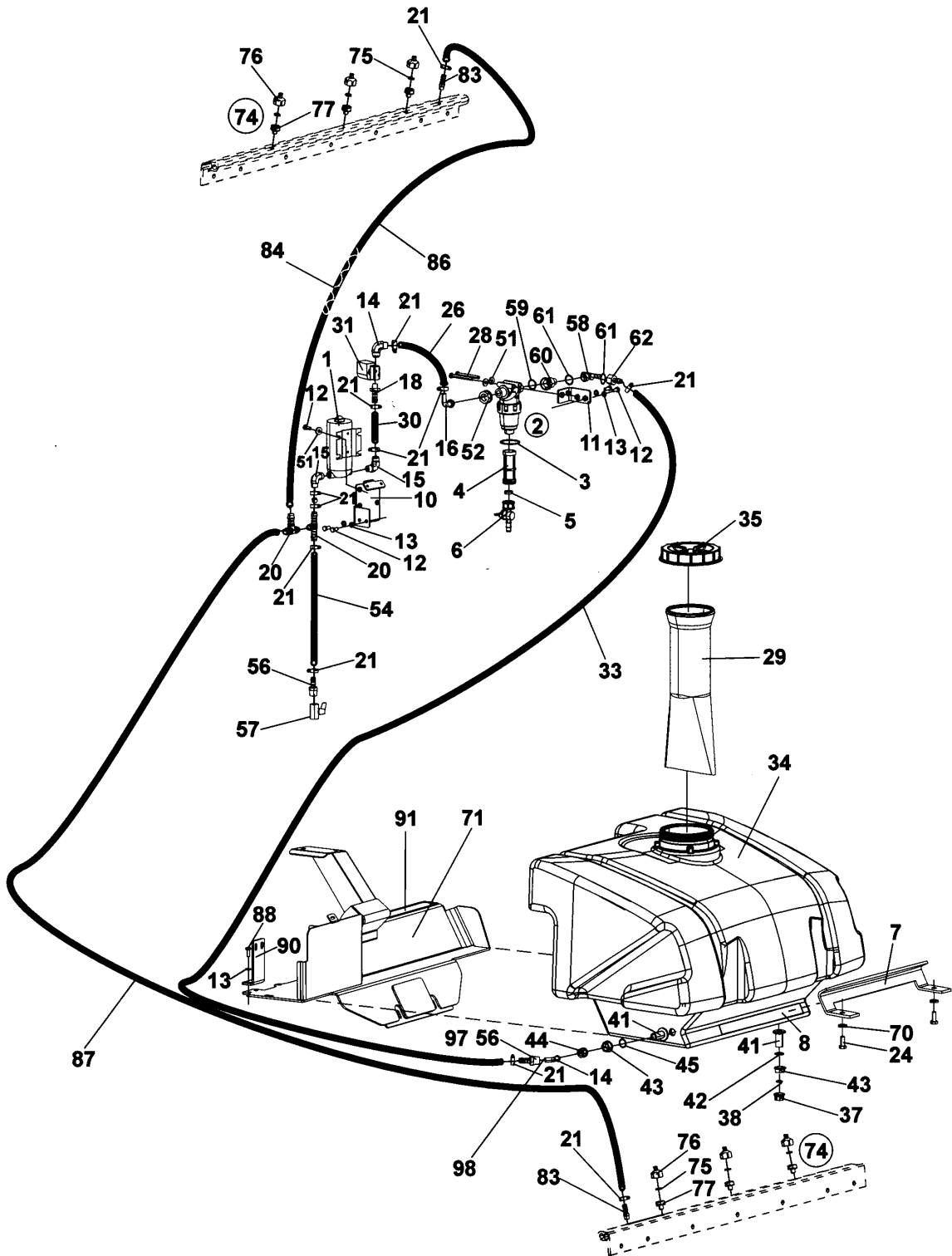


Sprinkler system

Item	Part No	Rem	Qty	Description	Code
1	4812113822		1	Water pump	
2	4812111325		1	Water strainer, cpl	
3	4700791959		1	. O-ring	
4	4700791949		1	. Filter element	
5	4700791568		1	. Gasket	
6	4700379009		1	. Valve	
7	4700357395		1	Holder plate	
8	4700926911	A	1XL	Rubber strip 25x10	
10	4812113066		1	Bracket	
11	4812113067		1	Bracket	
12	4700500053		8	Screw M8x20H 8.8	
13	4700904229		6	Steel plain washer 8,4x16x1,5	
14	4700901431		1	Hose connection	
15	4700923734		2	Hose connection	
16	4812111330		1	Hose connection swivel	
18	4700901432		1	Hose connection	
20	4700923735		2	Hose connection	
21	4700313002		16	Hose clamp 13-20 mm	
22	4700903478	B	1XL	Absorbent	
24	4700500028		4	Screw	
26	4812112074	D	1XL	Plastic hose	
28	4700500190		2	Screw	
29	4700358846		1	Strainer	
30	4812112074	E	1XL	Plastic hose	
31	4700287713		1	Solenoid valve	
33	4812112074	C	1XL	Plastic hose	
34	4812111969		1	Sprinkler tank, cpl.	
35	4700359003		1	. Cap	
36	4700937053		1	. Plug, cpl	
37	4811000168		1	. . Cap	
38	4700392229		1	. . Plane gasket	
41	4700392230		2	. . Grommet	
42	4700160219		2	. . O-ring	
43	4700392232		2	. . Nut	
44	4700392227		1	. . Swivel nut	
51	4700904640		6	Washer 8,4x22x3	
52	4700792779		1	Swivel nut	
54	4812112074	H	1XL	Plastic hose	
56	4700924544		2	Hose connection	
57	4700925599		1	Ball valve	
58	4812112831		1	Ball valve	
59	4700160313		1	O-ring 70	
60	4812111331		1	Reducer nipple	
61	4700379753		4	Gasket	
62	4812112451		1	Hose connection	
70	4700904557		4	Steel plain washer	
71	4812113575		1	Heat protection	
74	4700392011		6	Spraying nozzle, cpl	
75	4700392509		6	. Retainer, nozzle, strainer, yellow 0.8	

- A) L = 0,43 m
 B) L = 1,00 m
 C) L = 1,80 m
 D) L = 0,22 m
 E) L = 0,21 m
 H) L = 0,15 m

Sprinkler system



Sprinkler system

Item	Part No	Rem	Qty	Description	Code
76	4700392510		6	. Gasket	
77	4700392508		6	. Housing	
83	4700791977		2	Hose connection	
84	4700901191	J	1	Protective hose	
86	4812112074	K	1	Plastic hose	
87	4812112074	L	1	Plastic hose	
88	4700500020		2	Screw M8-1,25x22 8,8	
90	4812112994		1	Bracket	
91	4812113781		1	Rubber strip	
92	4700313041	M	2	Cable ties L=200 mm	
93	4700791182		2	Lock nut M8	
94	4700480852		1	O-ring 70	
95	4700500022		2	Screw M8x30H 8.8	
96	4700904640		8	Washer 8,4x22x3	
97	4700393542		1	Hose connection swivel	
98	4700792600		1	O-ring 70	

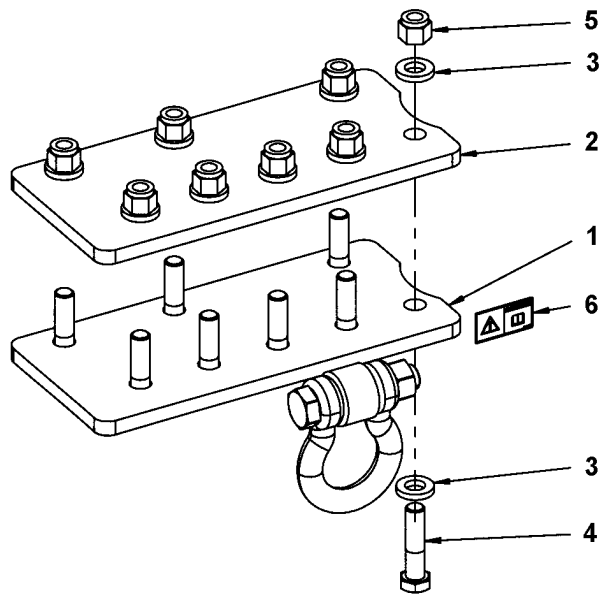
J) L = 0,34 m

K) L = 2,10 m

L) L = 1,40 m

M) Not shown in illustration

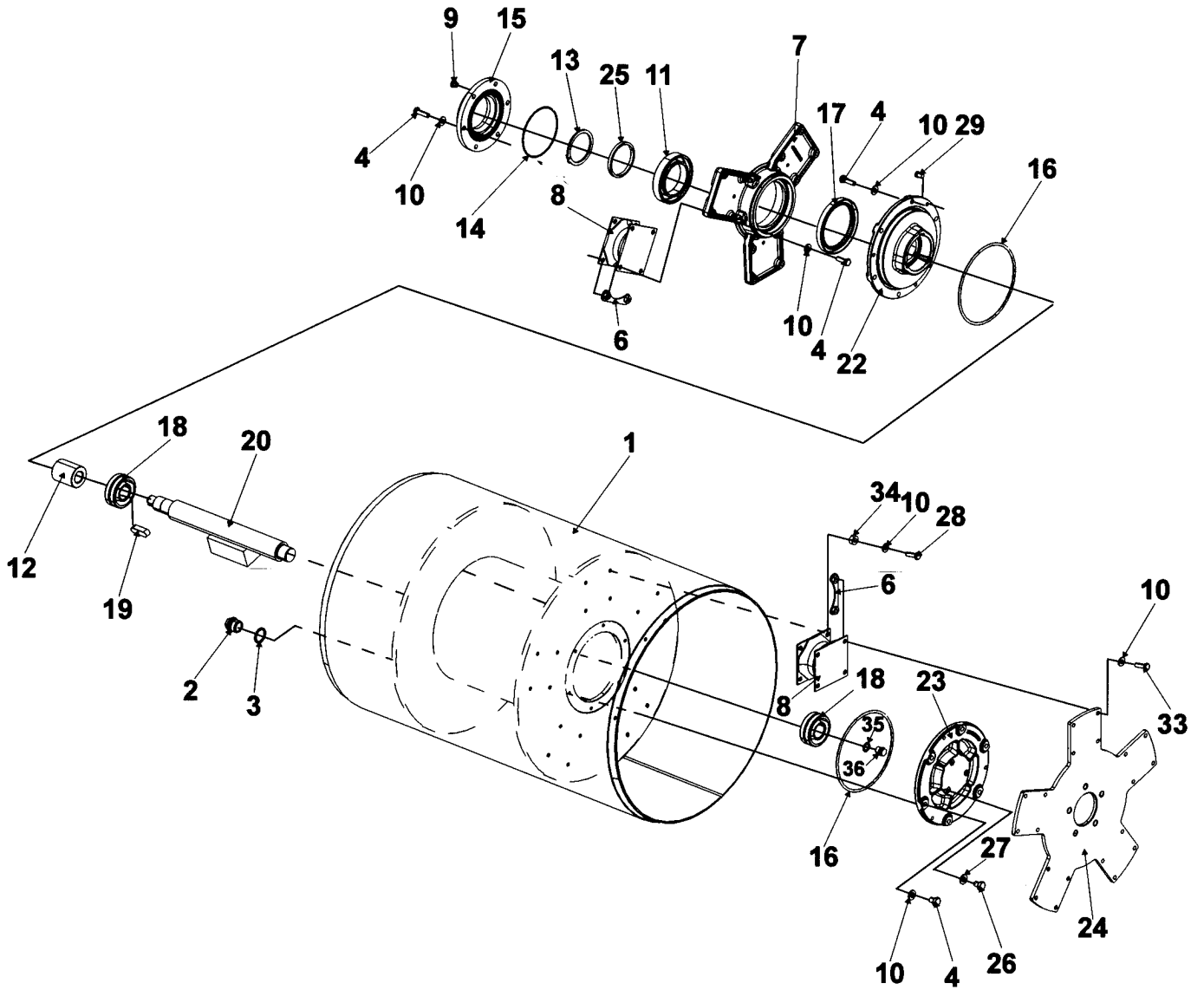
Towing device (option)



Towing device (option)

Item	Part No	Rem Qty	Description	Code
1	4812115567	1	Towing device	
2	4812115419	1	Plate	
3	4700904703	16	Steel plain washer	
4	4700500195	8	Screw	
5	4700586019	8	Lock nut	
6	4700904367	1	Decal "SAFETY"	

Drum

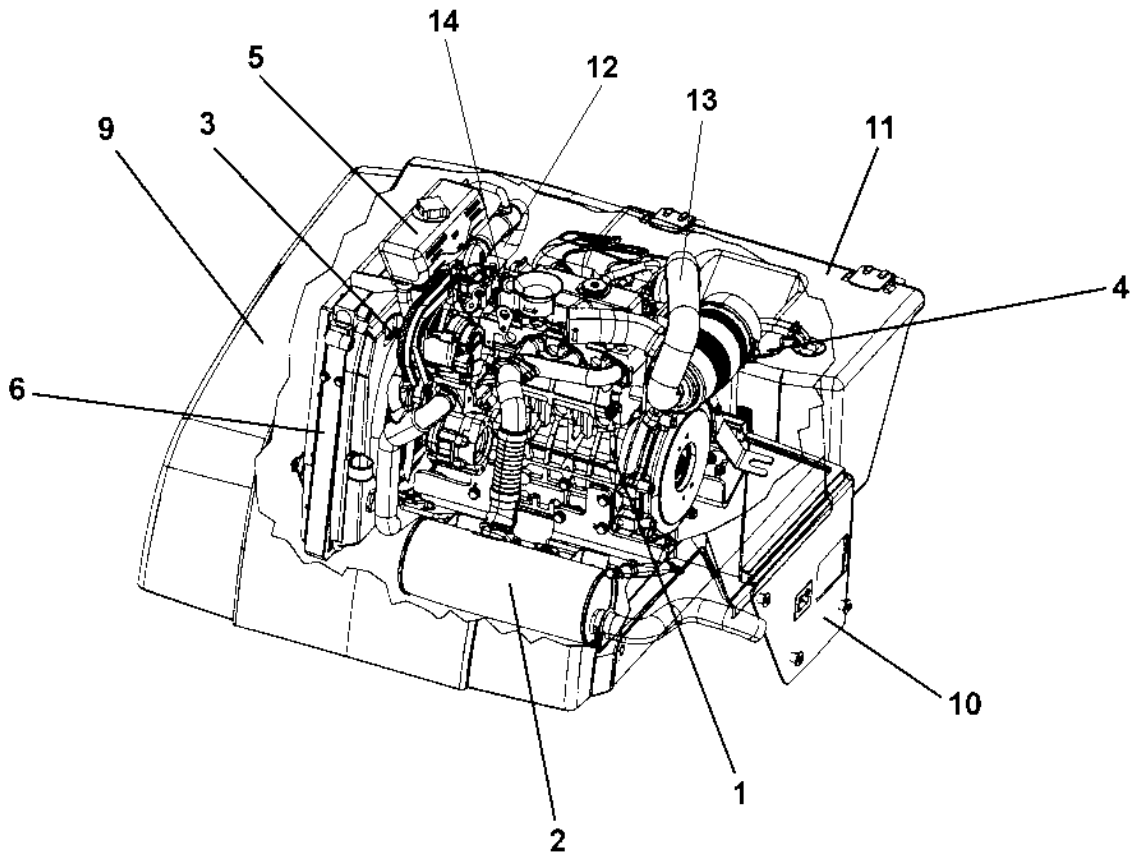


Drum

Item	Part No	Rem Qty	Description	Code
1	4700357049	1	Drum	
2	4700343744	1	Magnetic plug	
3	4700162017	1	Seal ring	
4	4700500030	12	Screw M10x035H 8.8 A3K	
6	4700379179	10	Holder	
7	4812120391	1	Bearing housing	
8	4700345215	8	Shock absorber	
9	4700343490	1	Air breather	
10	4700904230	70	Steel plain washer	
11	4700111018	1	Ball bearing	
12	4700349202	A	Coupling	
	4700391929	1	. Rubber cross	
13	4700903154	1	Retaining ring	
14	4700160132	1	O-ring 124, 50x3, 00	
15	4700358666	1	Adapter	
16	4700923951	2	O-ring	
17	4700163049	1	Sealing	
18	4700904258	2	Spherical roller bearing	
19	4700350029	1	Key	
20	4700357054	1	Eccentric shaft	
22	4812118694	1	Bearing housing	
23	4812118692	1	Bearing housing	
24	4700357055	1	Drive disc	
25	4700358689	1	Spacer ring	
26	4700500044	3	Screw M6x8	
27	4700904228	3	Washer 6,4x12x1,5	
28	4812110639	32	Hexagon socket head cap screw M10x030H 8.8	
29	4700903287	6	Plug	
33	4812110620	26	Hexagon head screw M10x30H 8.8 A3K	
34	4812110673	20	Spacer	
35	4700162011	1	Washer, sealing	
36	4700232143	1	Plug	

A) CPL

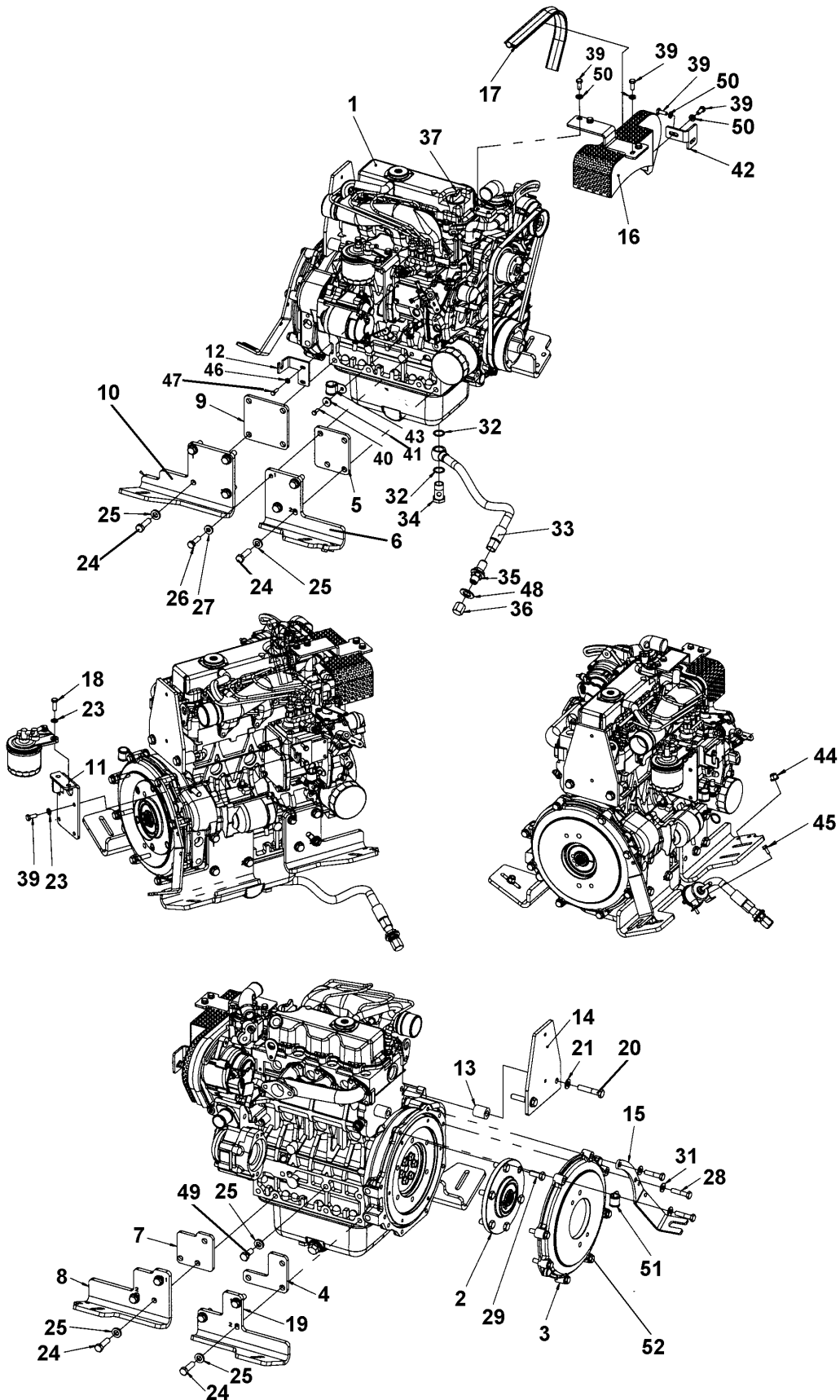
Engine room



Engine room

Item	Part No	Rem Qty	Description	Code
1			Engine module (Page 58)	
2			Exhaust system (Page 62)	
3			Fan (Page 64)	
4			Air filter (Page 66)	
5			Expansion tank (Page 68)	
6			Water cooler (Page 70)	
9	4812118163		Engine hood, cpl (Page 72)	
10			Casing (Page 74)	
11			Fuel system Up to 0A013025 (Page 76)	
			Fuel system From 0A013026 (Page 78)	
12			Cooler hoses (Page 80)	
13			Air hoses (Page 82)	
14			Fuel hoses (Page 84)	

Engine module

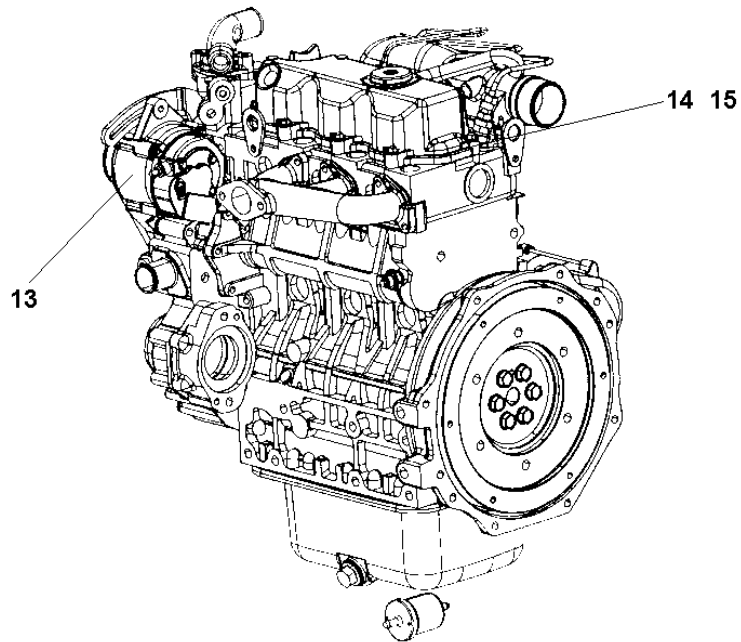
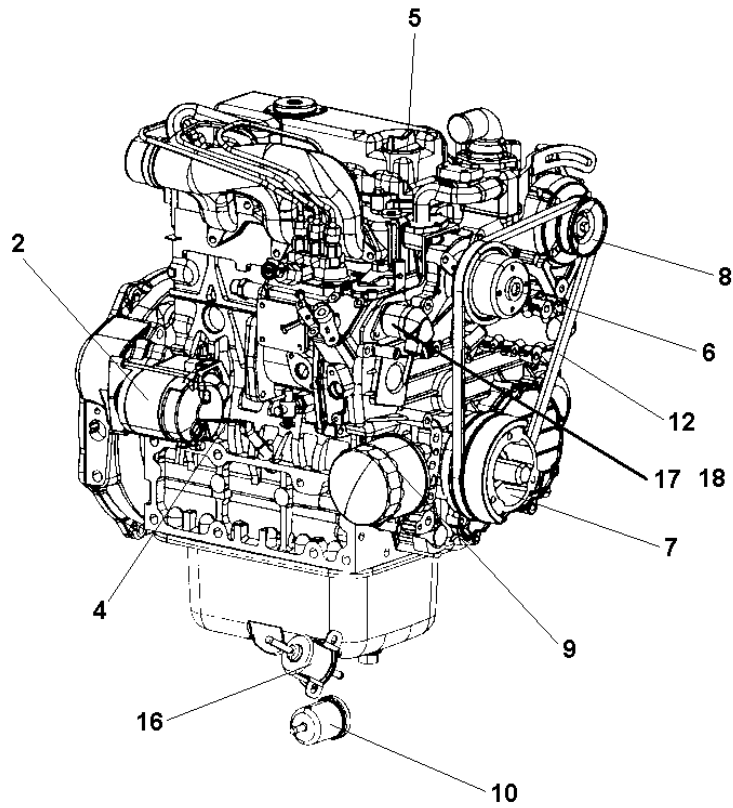


Engine module

Item	Part No	Rem Qty	Description	Code
1	4812110881	1	Diesel engine Kubota D1703 (Page 60)	
	4812120584	1	Diesel engine Kubota D1703-M-E3B	
2	4812112390	1	Clutch	
3	4812112391	1	Bracket	
4	4812113780	1	Shim	
5	4812111868	1	Shim	
6	4812111865	1	Bracket	
7	4812111866	1	Shim	
8	4812111863	1	Bracket	
9	4812111867	1	Shim	
10	4812111899	1	Bracket	
11	4812111883	1	Bracket	
12	4812111880	1	Bracket	
13	4812113235	2	Spacer sleeve	
14	4812113233	1	Bracket	
15	4812113566	1	Bracket	
16	4812113468	1	Belt guard	
17	4700288129	A	Edge strip	
18	4700500021	2	Screw M8-1,25x25 8.8	
19	4812111900	1	Bracket	
20	4812113980	2	Screw	
21	4700904231	2	Washer 13x24x2 300 HV	
23	4700904229	6	Steel plain washer 8,4x16x1,5	
24	4812113022	13	Screw	
25	4700904703	14	Steel plain washer	
26	4812113044	1	Screw	
27	4700904557	1	Steel plain washer	
28	4811000456	2	Screw M10x1,25x045 8.8	
29	4700500046	6	Screw M12x025H	
30	4812156263	1	Fuel filter element	
31	4700904230	8	Steel plain washer	
32	4700330333	2	Copper washer	
33	4812111905	1	Engine oil drain hose	
34	4700330081	1	Screw	
35	4700230515	1	Connector	
36	4700330383	1	Cap hydraulic	
39	4700500053	10	Screw M8x20H 8.8	
40	4700500013	1	Screw M6-1x16 8,8	
41	4700904735	1	Washer	
42	4812114177	1	Bracket	
43	4700921116	1	Clamp	
44	4700792119	2	Hexagon screw	
45	4700902287	4	Hexagon lock nut	
46	4700904228	2	Washer 6,4x12x1,5	
47	4700500040	2	Screw M6-1x20 8,8	
48	4700904233	2	Washer 21x36x3	
49	4700792250	1	Screw	
50	4700904556	6	Washer 8,4x16x3,0	
51	4700921104	1	Clamp	
52	4811000285	6	Screw	

A) L = 0,33 m

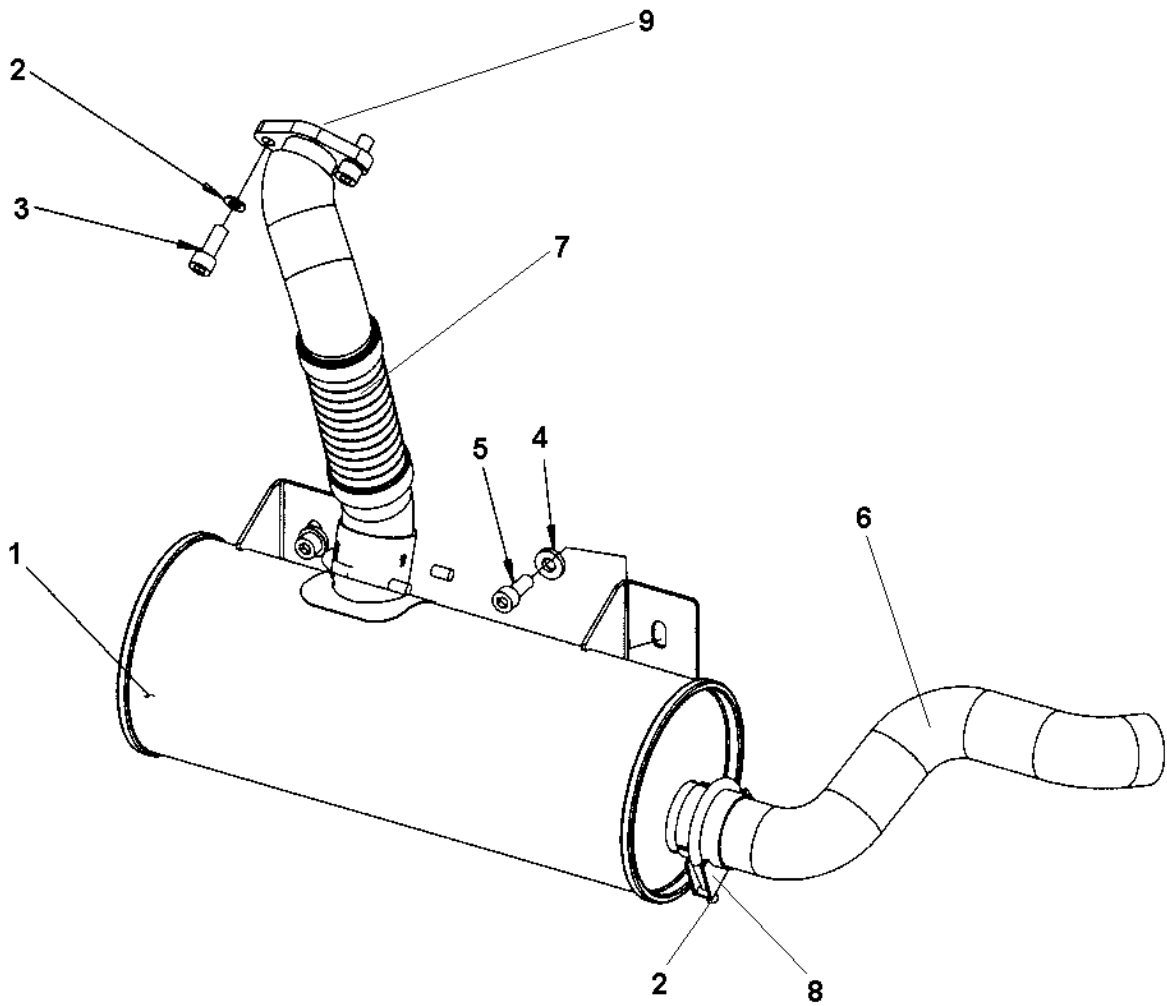
4812110881 Diesel engine Kubota D1703



4812110881 Diesel engine Kubota D1703

Item	Part No	Rem Qty	Description	Code
2	4812156355	1	Starter	
4	4812156357	1	Oil dipstick	
5	4812156358	1	Oil cap	
	4812156359	1	. O-ring	
6	4812156360	1	Pulley, V-belt	
7	4812156362	1	Alternator, Fan	
8	4812156363	1	Pulley, alternator	
9	4812156259	1	Engine oil filter element	
10	4812156264	1	Pre-fuel filter element	
11	4812156263	1	Fuel filter element	
12	4812156260	1	V-belt	
13	4812156364	1	Alternator	
14	4812156261	1	Valve cover gasket	
15	4812156356	1	Piston ring set	
16	4812156389	1	Fuel pump	
17	4812157598	1	Fuel solenoid	
18	4812157680	1	O-ring	

Exhaust system

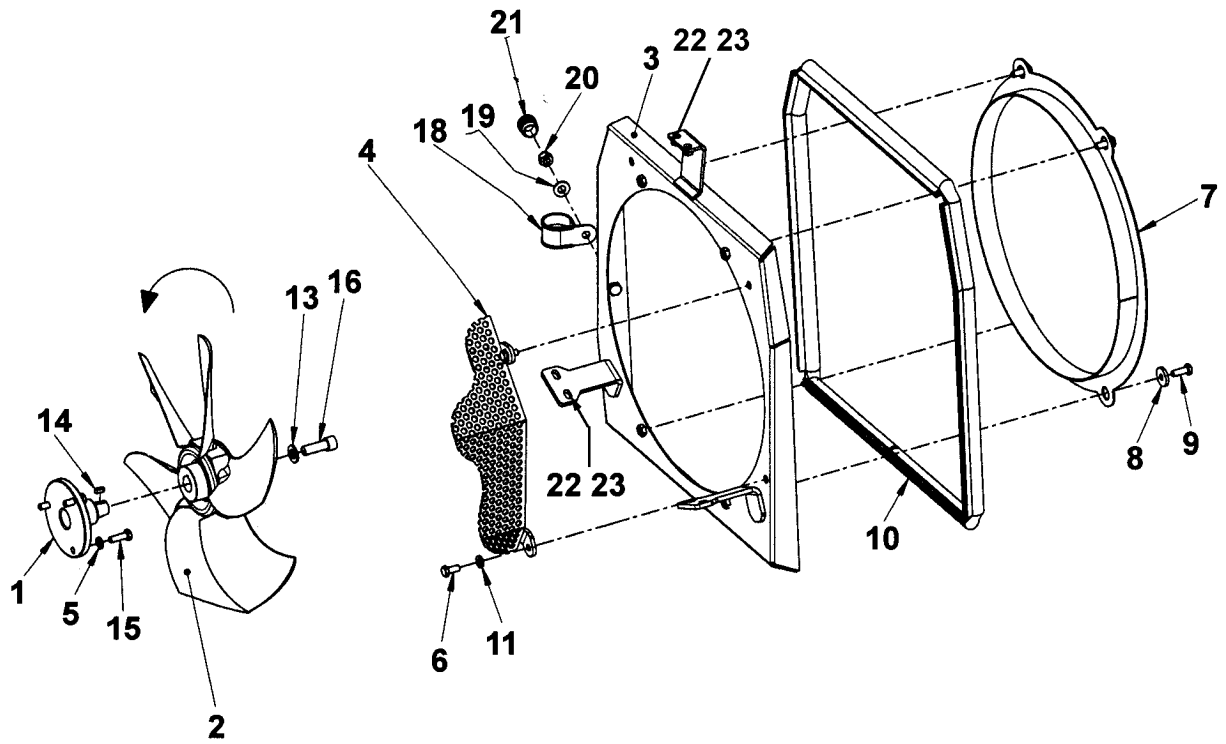


Exhaust system

Item	Part No	Rem	Qty	Description	Code
1	4812112019		1	Muffler	
2	4700904229		6	Steel plain washer 8,4x16x1,5	
3	4811000389		2	Screw	
4	4700904557		2	Steel plain washer	
5	4700508096		2	Screw	
6	4812113228		1	End pipe	
7	4812112021		1	Flexible pipe	
8	4700904475		2	Clamp	
9	4812159753	A	1	Gasket	

A) Supplied with the engine

Fan



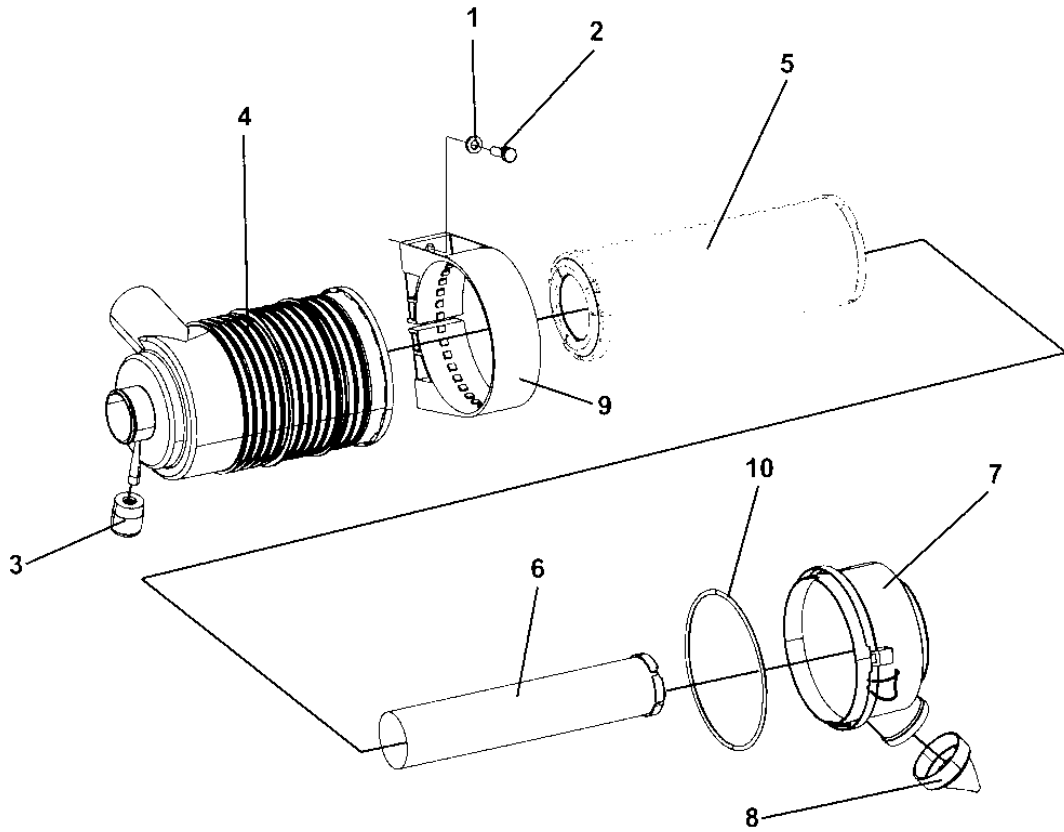
Fan

Item	Part No	Rem Qty	Description	Code
1	4812113691	1	Fan hub	
2	4812118595	1	Fan	
3	4812113472	1	Fan shroud	
4	4812112029	1	Fan protection	
5	4700904229	3	Steel plain washer 8,4x16x1,5	
6	4700500100	2	Screw	
7	4812118517	H	Fan ring	
8	4700904734	4	Washer 8,4x26x4	
9	4700500020	4	Screw M8-1,25x22 8,8	
10	4700288129	A	Edge strip	
11	4700904556	2	Washer 8,4x16x3,0	
13	4700904231	1	Washer 13x24x2 300 HV	
14	4700350009	1	Flat key	
15	4700500021	3	Screw M8-1,25x25 8.8	
16	4700508079	1	Screw M12-1,75x35H 8,8	
18	4700923008	1	Clamp	
19	4700904230	1	Steel plain washer	
20	4700586018	1	Hexagon lock nut M10	
21	4812118907	1	Plastic plug	
	4812121186	1	Protective plug	
22	4700904556	4	Washer 8,4x16x3,0	
23	4700500053	4	Screw M8x20H 8.8	

A) L = 1,80 m

H) Illustration D, Interchangeable together with pos. 2

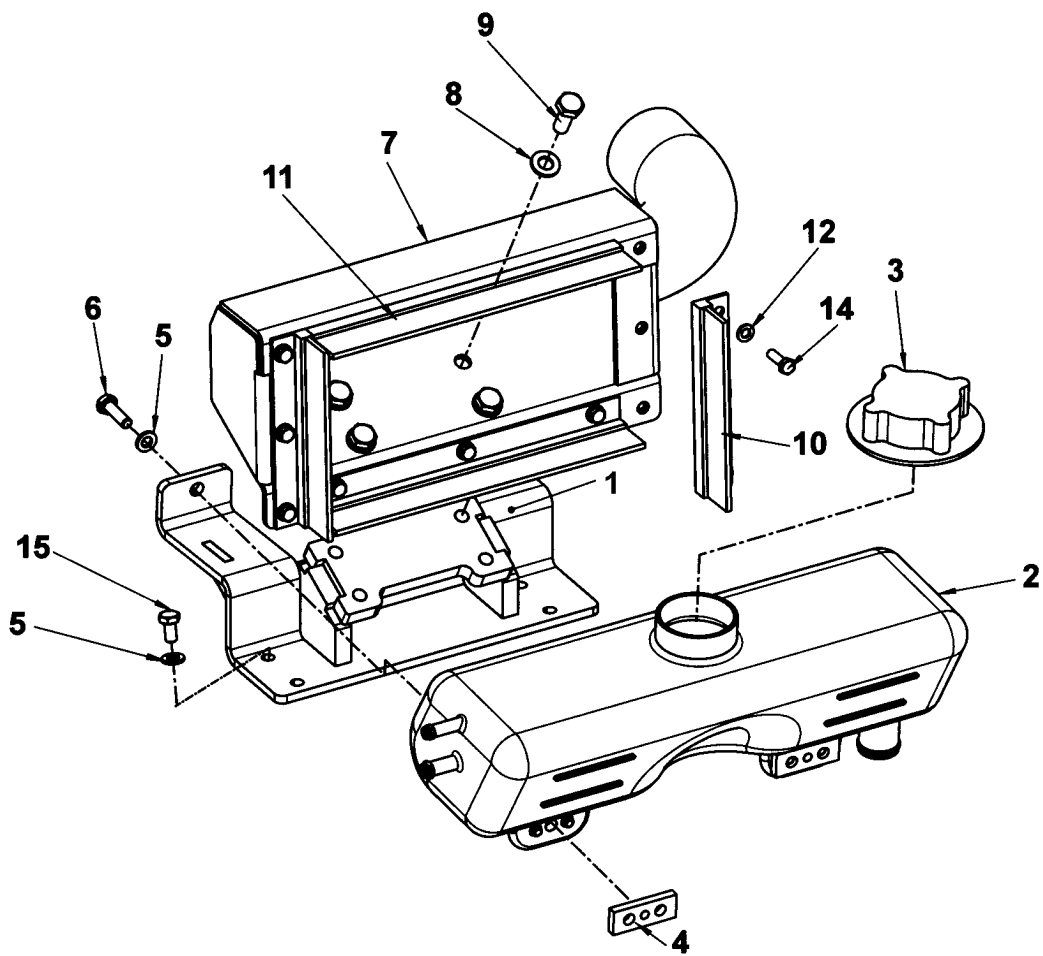
Air filter



Air filter

Item	Part No	Rem Qty	Description	Code
1	4700904556	2	Washer 8,4x16x3,0	
2	4700508019	2	Screw M8x25 8.8	
3	4700499497	1	Indicator	
4	4700386951	1	Air filter	
5	4700939802	1	. Air filter element Main	
6	4700939803	1	. Air filter element Safety	
7	4700939804	1	. Dust cap	
8	4700939805	1	. Vacuator cap	
9	4700939806	1	. Plastic mounting band	
10	4700939807	1	. O-ring	

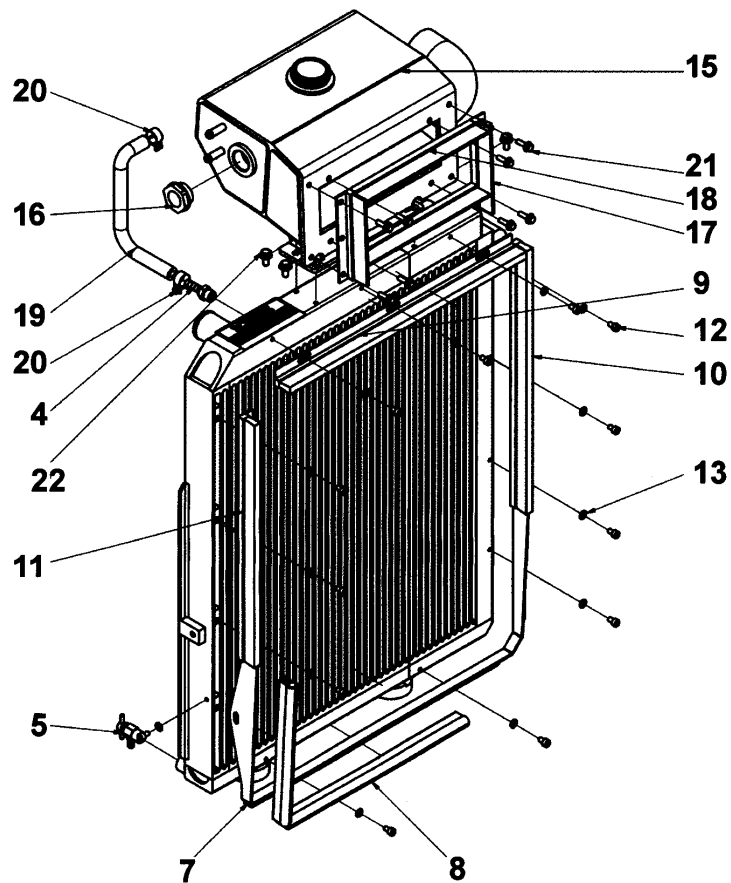
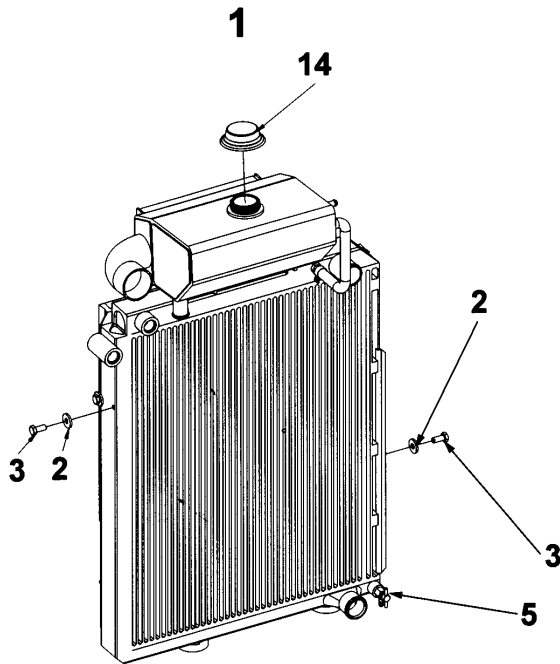
Expansion tank



Expansion tank

Item	Part No	Rem Qty	Description	Code
1	4812117254	1	Bracket	
2	4700386893	1	Expansion reservoir	
3	4700903714	1	Cap	
4	4700387428	2	Plate	
5	4700904228	6	Washer 6,4x12x1,5	
6	4700500040	2	Screw M6-1x20 8,8	
7	4812117771	1	Air intake	
8	4700904229	4	Steel plain washer 8,4x16x1,5	
9	4700500053	4	Screw M8x20H 8.8	
10	4812118175	2	Sealing brush	
11	4812118174	2	Sealing brush	
12	4700904281	12	Washer 5,3x10x1 300HV	
14	4700500006	12	Screw M5x16	
15	4700500012	4	Screw M6x12	

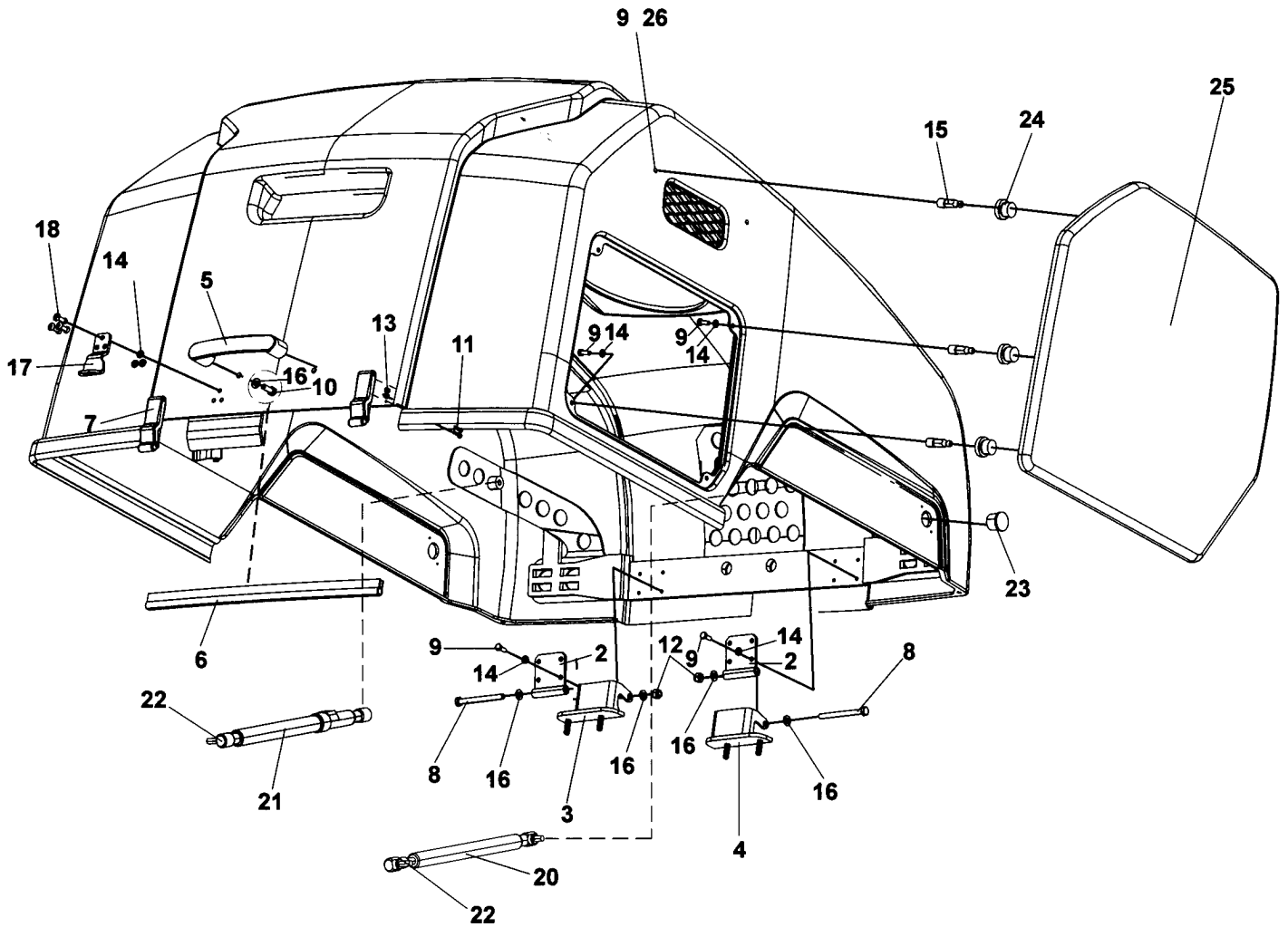
Water cooler



Water cooler

Item	Part No	Rem Qty	Description	Code
1	4812116710	1	Water/Oil cooler, cpl	
2	4700904640	3	. Washer 8,4x22x3	
3	4700500100	3	. Screw	
4	4812157872	1	. Hose connection	
5	4812157873	1	. Drain valve	
6	4812157870	1	. Water/Oil cooler matrix	
7	4812157871	1	. Bracket	
8	4812157874	1	. Sealing	
9	4812157875	1	. Brush	
10	4812157876	1	. Brush	
11	4812157877	1	. Brush	
12		13	. Hexagon socket head cap screw M5x8	
13		13	. Washer A5,3	
14	4700903714	1	. Cap	
15	4812160251	1	. Expansion tank	
16	4812160252	1	. Level gauge	
17	4812160253	2	. Brush	
18	4812160254	2	. Brush	
19		1	. Hose	
20		2	. Hose clamp	
21		8	. Bolt M5x16	
22		4	. Bolt M6x12	

4812118163 Engine hood, cpl



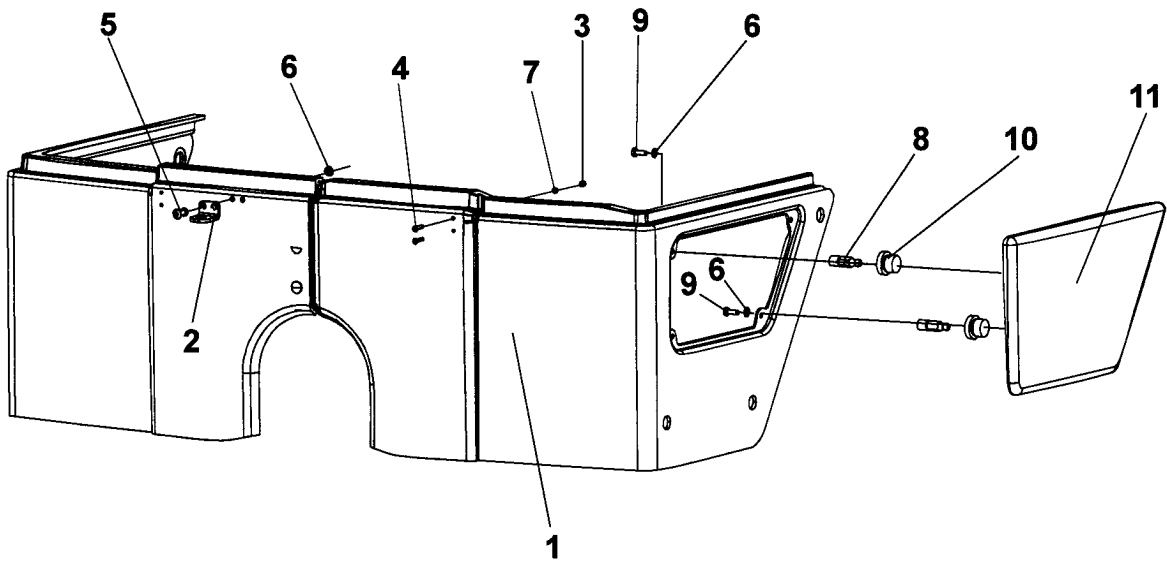
4812118163 Engine hood, cpl

Item	Part No	Rem Qty	Description	Code
	4812118163	1	Engine hood, cpl (Page 72)	
2	4812113598	2	. Hinge	
3	4812113626	1	. Hinge	
4	4812113627	1	. Hinge	
5	4700387948	1	. Handle	
6	4700902166	A 1	. Edge trim	
7	4700388846	2	. Latch	
8	4700500115	2	. Hexagon head screw M8x90 8.8	
9	4700500013	14	. Screw M6-1x16 8,8	
10	4700500053	2	. Screw M8x20H 8.8	
11	4811000425	4	. Screw M4x16 10,9 A2'K	
12	4700586003	2	. Lock nut M8	
13	4700923976	4	. Nut	
14	4700904228	15	. Washer 6,4x12x1,5	
15	4811000488	6	. Ball stud	
16	4700904229	6	. Steel plain washer 8,4x16x1,5	
17	4700377061	1	. Lock plate	
18	4700791666	3	. Blind rivet	
20	4812114152	1	. Gas spring Right	
21	4812114153	1	. Gas spring Left	
22	4700902286	2	. Hexagon lock nut with flange	
23	4700902890	2	. Plug	
24	4811000489	4	. Coupling	
25	4812118165	1	. Cover	
26	4700928381	B 1	. Washer 6,4x18x1,6	

A) L = 0,50 m

B) Not shown in illustration. Placed inside the hood.

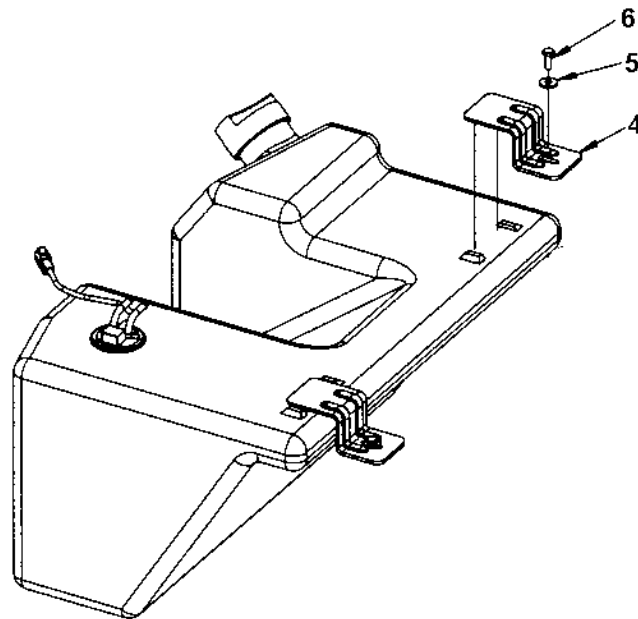
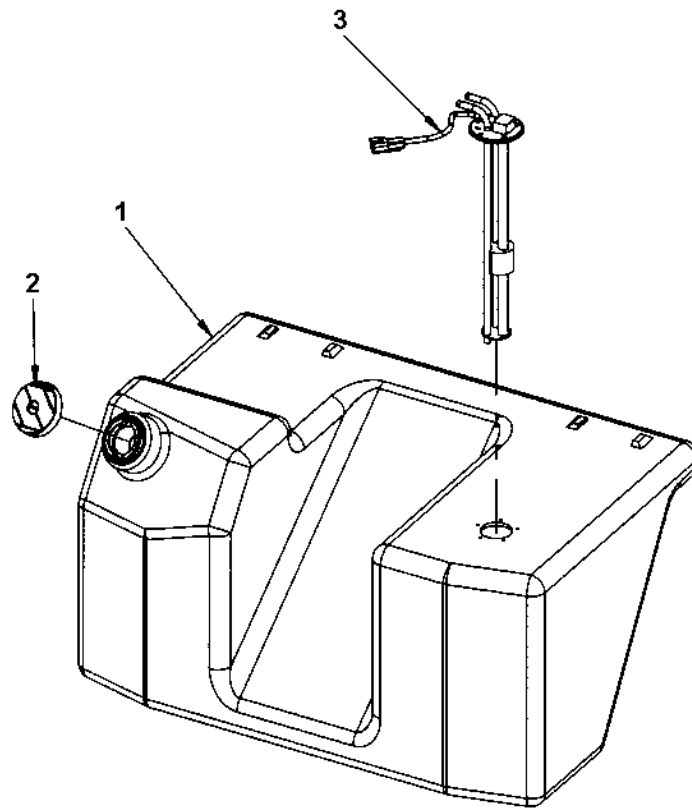
Casing



Casing

Item	Part No	Rem Qty	Description	Code
1		1	Casing (Page 74)	
2	4700388852	1	. Lock plate	
3	4700923976	4	. Nut	
4	4811000426	4	. Screw M4x20 10.9 A2K	
5	4700791666	2	. Blind rivet	
6	4700904228	6	. Washer 6,4x12x1,5	
7	4700904698	4	. Washer 4,3x8x0,8	
8	4811000488	4	. Ball stud	
9	4700500013	4	. Screw M6-1x16 8,8	
10	4811000489	4	. Coupling	
11	4812114962	1	. Cover	

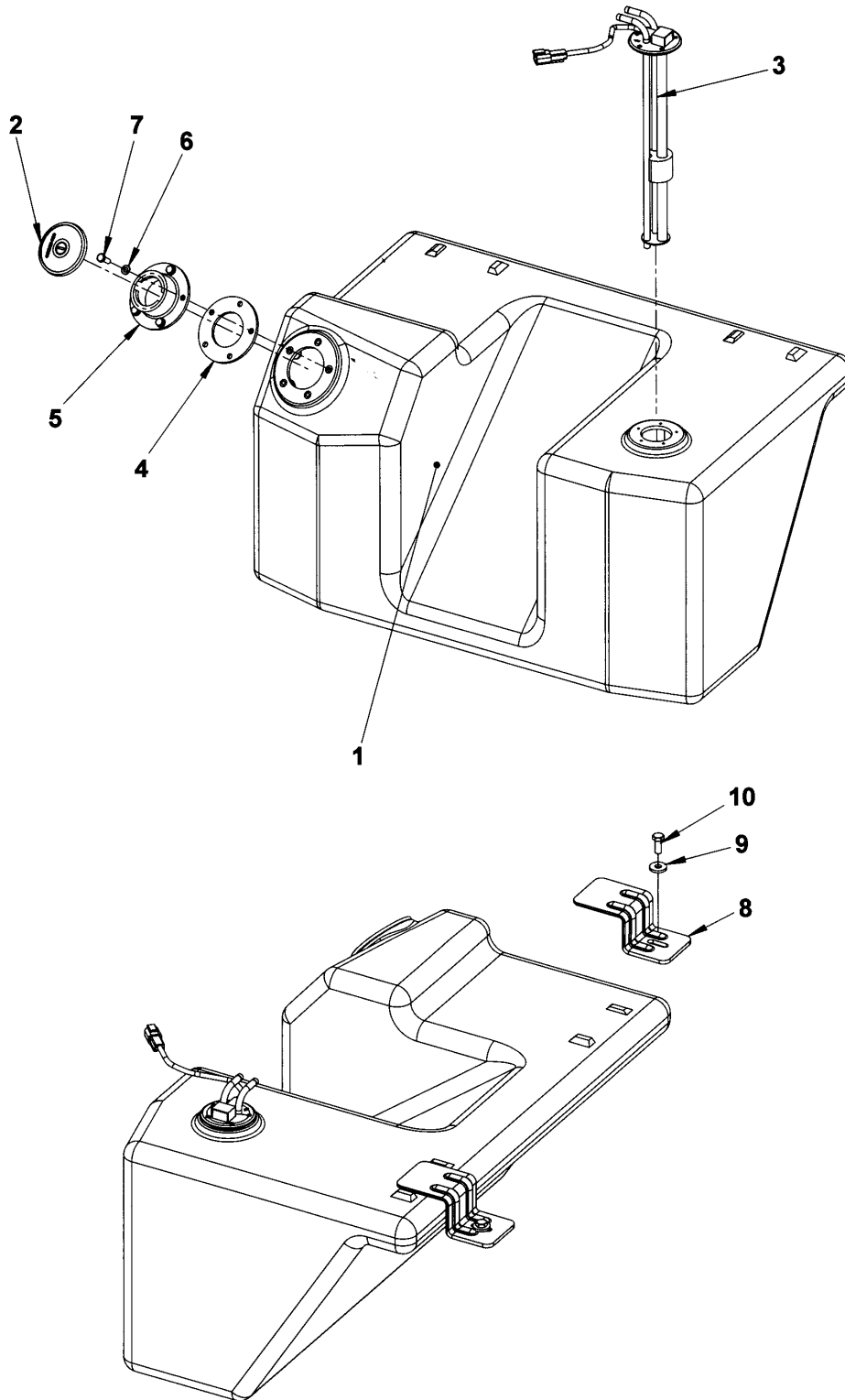
Fuel system



Fuel system

Item	Part No	Rem Qty	Description	Code
1	4812113207	1	Fuel tank	
2	4700394253	1	Fuel cap	
	4700945753	1	. Key 2PCS "921"	
3	4700387552	1	Level gauge	
4	4700357466	2	Holder plate	
5	4700904640	2	Washer 8,4x22x3	
6	4700500053	2	Screw M8x20H 8.8	

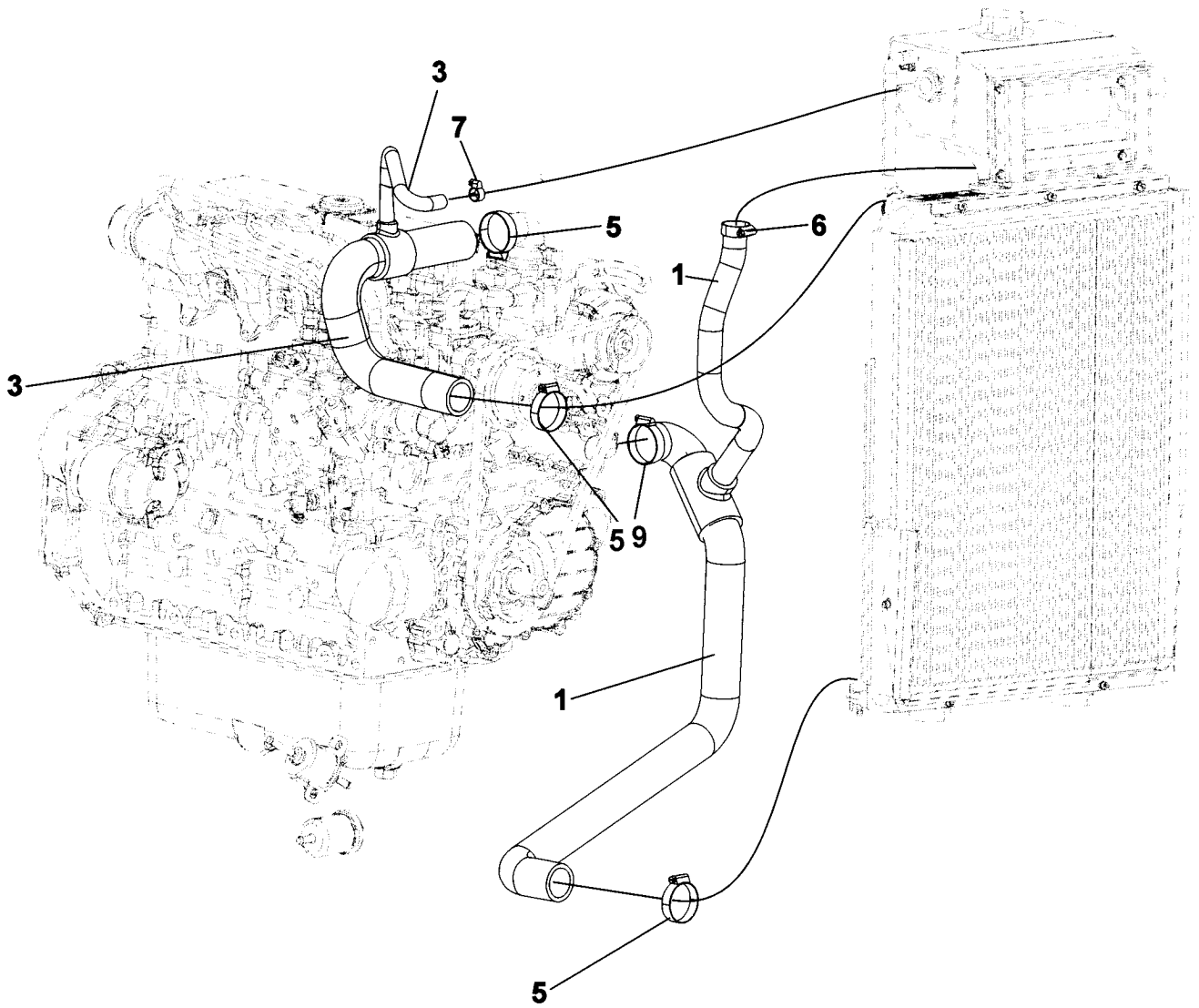
Fuel system



Fuel system

Item	Part No	Rem Qty	Description	Code
1	4812118133	1	Fuel tank	
2	4812118459	1	Fuel cap	
	4812118885	1	Key 2 pcs "044"	
3	4700387552	1	Level gauge	
4	4812118126	1	Flange gasket	
5	4812118125	1	Filler neck end	
6	4700904228	5	Washer 6,4x12x1,5	
7	4700500013	5	Screw M6-1x16 8,8	
8	4700357466	2	Holder plate	
9	4700904640	2	Washer 8,4x22x3	
10	4700500053	2	Screw M8x20H 8.8	

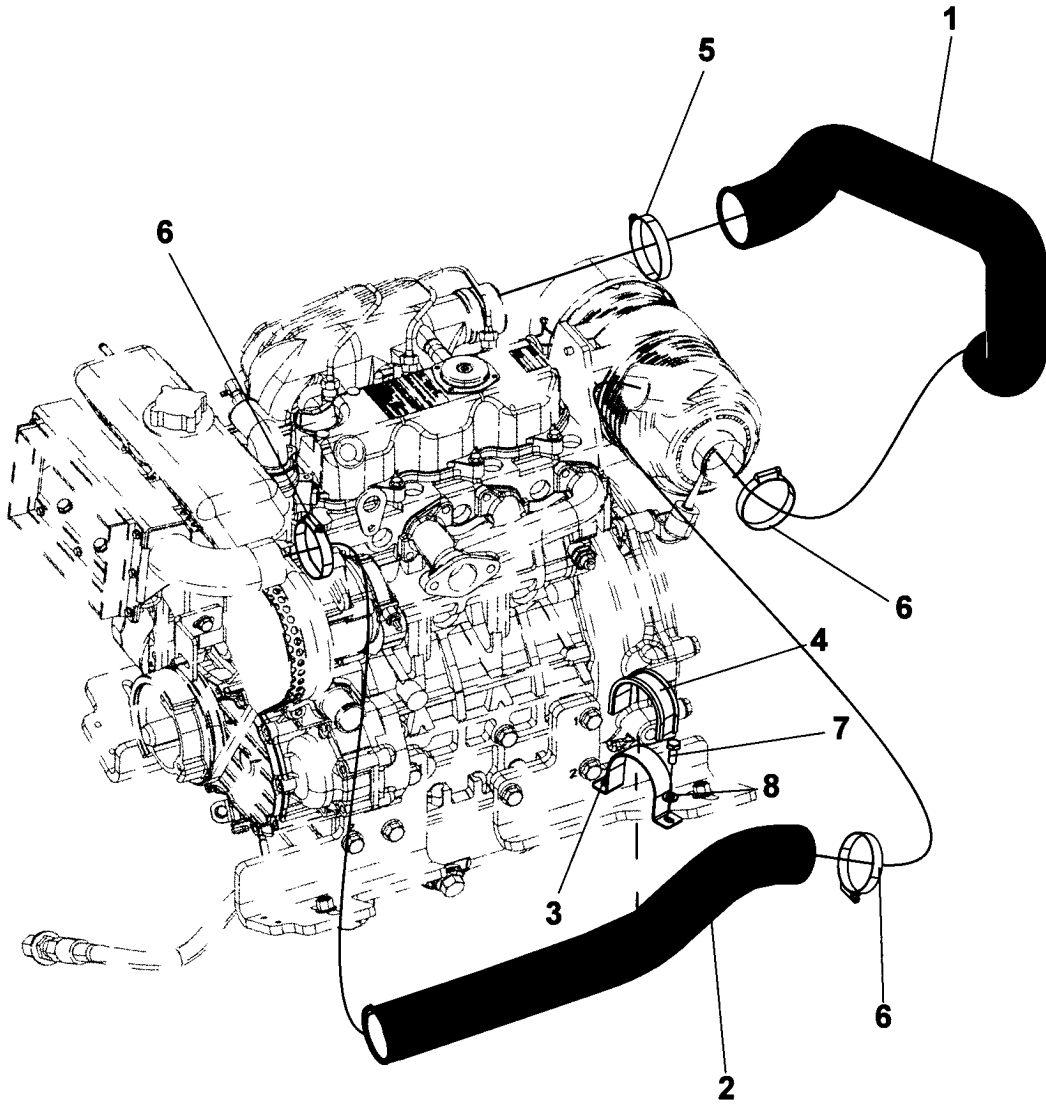
Cooler hoses



Cooler hoses

Item	Part No	Rem Qty	Description	Code
1	4812113697	1	Cooler hose	
3	4812113694	1	Cooler hose	
5	4700313008	3	Hose clamp	
6	4700313004	1	Hose clamp 19-29mm	
7	4700313108	1	Hose clamp	
9	4700902295	1	Clamp	

Air hoses

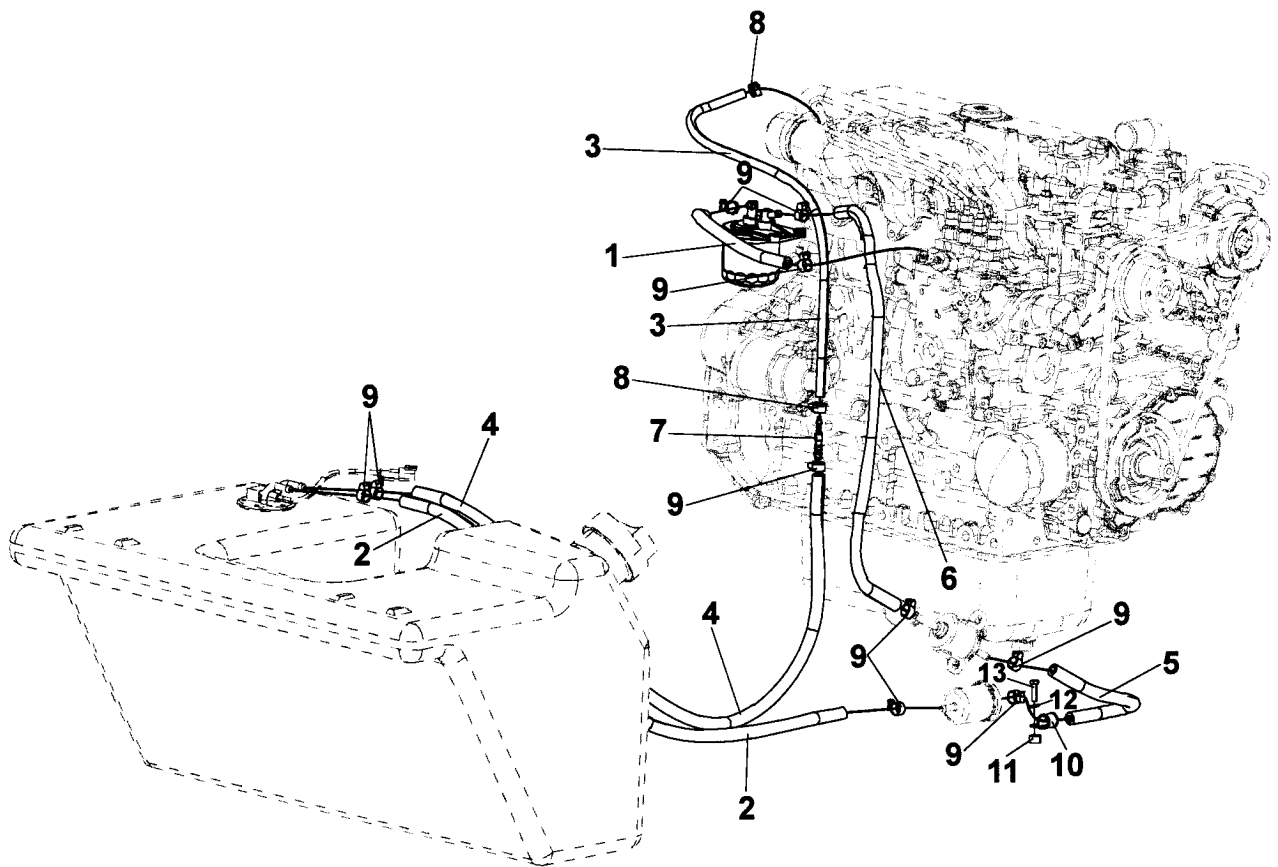


Air hoses

Item	Part No	Rem Qty	Description	Code
1	4812111877	1	Air inlet hose	
2	4812118375	1	Air hose	
3	4812117802	1	Clamp	
4	4812117602	A	Rubber strip	
5	4700313023	1	Hose clamp	
6	4700313010	3	Hose clamp	
7	4700500053	2	Screw M8x20H 8.8	
8	4700904229	2	Steel plain washer 8,4x16x1,5	

A) L = 0.14 m

Fuel hoses



Fuel hoses

Item	Part No	Rem	Qty	Description	Code
1	4700904984	A	1	Fuel hose	
2	4700904984	B	1	Fuel hose	
3	4700791422	C	1	Hose	
4	4700904984	D	1	Fuel hose	
5	4700904984	E	1	Fuel hose	
6	4700904984	F	1	Fuel hose	
7	4700791774		1	Hose connection	
8	4700313075		2	Hose clamp	
9	4700313108		10	Hose clamp	
10	4700921116		1	Clamp	
11	4700355869		1	Spacer sleeve	
12	4700904229		1	Steel plain washer 8,4x16x1,5	
13	4700500022		1	Screw M8x30H 8.8	

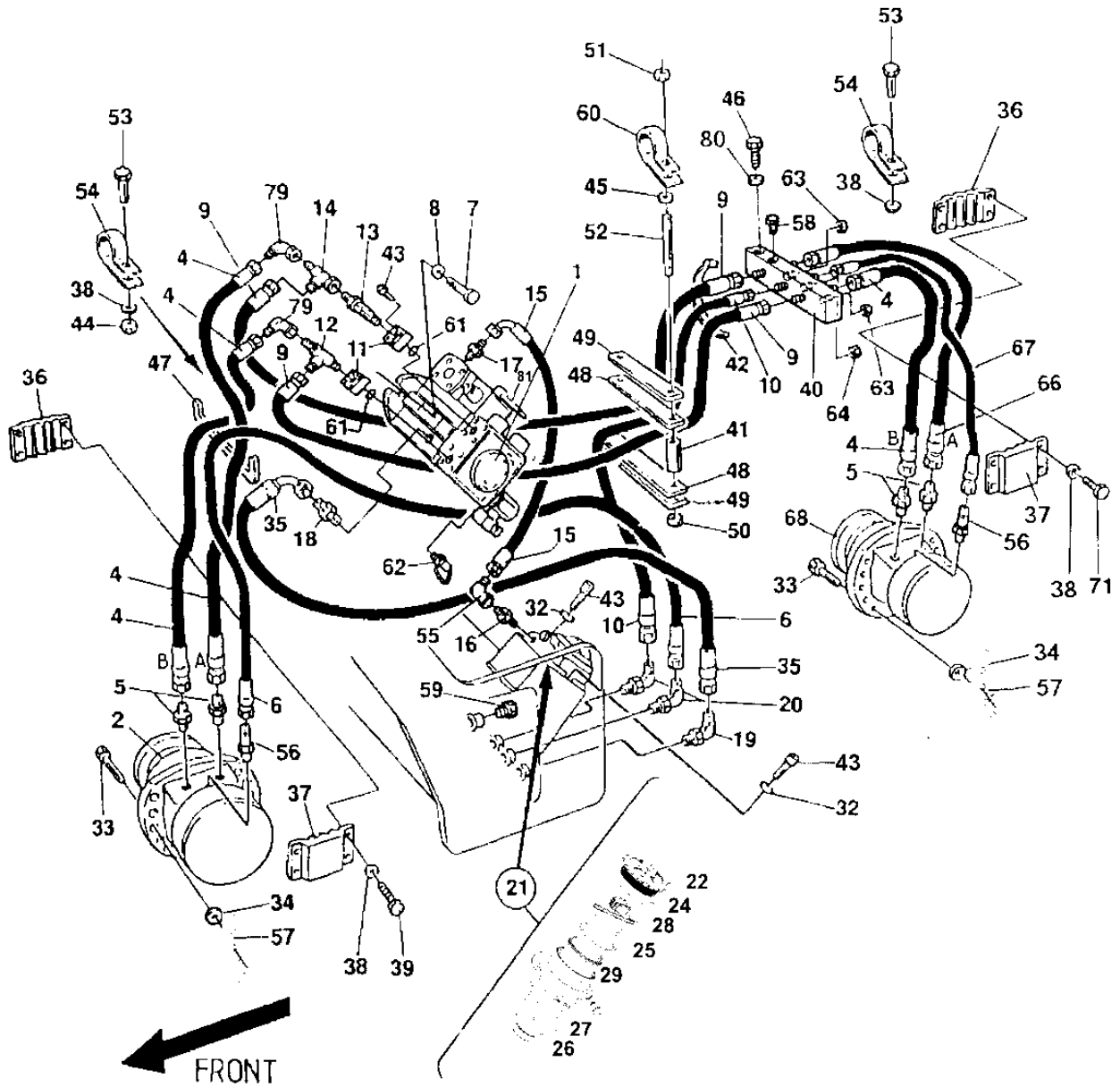
- A) L = 0,20 m
- B) L = 0.97 m
- C) L = 0.62 m
- D) L = 0.80 m
- E) L = 0.30 m
- F) L = 0.60 m

Hydraulic system

Hydraulic system

Item	Part No	Rem Qty	Description	Code
10			Propulsion system (Page 88)	
15			Rotating group, valves, charge pump (Page 94)	
20			Vibration system (Page 96)	
40			Steering system (Page 104)	
80			Brake system (Page 108)	
91			Flow divider (option) (Page 110)	
92			Vibration shut-off Front drum (option) (Page 112)	

Propulsion system



Propulsion system

Item	Part No	Rem	Qty	Description	Code
1	4700372352		1	Hydraulic pump, propulsion	
2	4700390742		1	Hydraulic motor, propulsion, drum Up to 0A012964 (Page 92)	
	4812120558		1	Hydraulic motor, propulsion, drum From 0A012965	
	4700390742		1	Hydraulic motor, propulsion, drum From 0A012966 (Page 92)	
	4812120558		1	Hydraulic motor, propulsion, drum From 0A012967	
4	4700482998	B	3	Hydraulic hose	
5	4700334134		4	Connector	
6	4700482830	F	1	Hydraulic hose	
7	4700500037		2	Screw	
8	4700904703		2	Steel plain washer	
9	4811000084	C	2	Hydraulic hose	
10	4700482452	D	1	Hydraulic hose	
11	4700373402		2	Flange	
12	4700234218		1	Tee-connector	
13	4700813444		1	Elbow 90, O-ring	
14	4700334135		1	Tee-connector	
15	4700483118		1	Hydraulic hose	
16	4700334156		1	Adapter	
17	4700901156		1	Connector	
18	4700903925		1	Connector	
19	4700334238		1	Elbow 90°, O-ring	
20	4700334235		2	Elbow 90°	
21	4812113327		1	Hydraulic oil filter	
22	4812156882		1	. Cover	
24	4812156881		1	. O-ring	
25	4812156880		1	. O-ring	
26	4812156878		1	. O-ring	
27	4812156877		1	. O-ring	
28	4812113328		1	. Hydraulic oil filter element	
29	4812156879		1	. Plug	
32	4700904637		2	Washer	
33	4700500269		20	Screw	
34	4700904231		20	Washer 13x24x2 300 HV	
35	4700482553		1	Hydraulic hose	
36	4700371313		2	Hose clamp	
37	4700371314		2	Hose clamp	
38	4700904229		11	Steel plain washer 8,4x16x1,5	
39	4700500020		4	Screw M8-1,25x22 8,8	
40	4812110281		1	Junction block	
41	4700375616		2	Spacer sleeve	
42	4700313102		N	Cable ties	
43	4700508096		10	Screw	
44	4700586003		1	Lock nut M8	
45	4700904230		4	Steel plain washer	
46	4700500068		2	Screw M08x65	
47	4700902379	A	1XL	Edge trim	
48	4700357111		2	Rubber cloth	
49	4700357112		2	Cover plate	
50	4700355869		2	Spacer sleeve	
51	4700586018		4	Hexagon lock nut M10	
52	4700902233		2	Threaded stud	
53	4700500047		1	Hexagon head screw	
54	4700921022		1	Hose clamp	
55	4700334155		1	Elbow 90°	

A) L=0,185 m

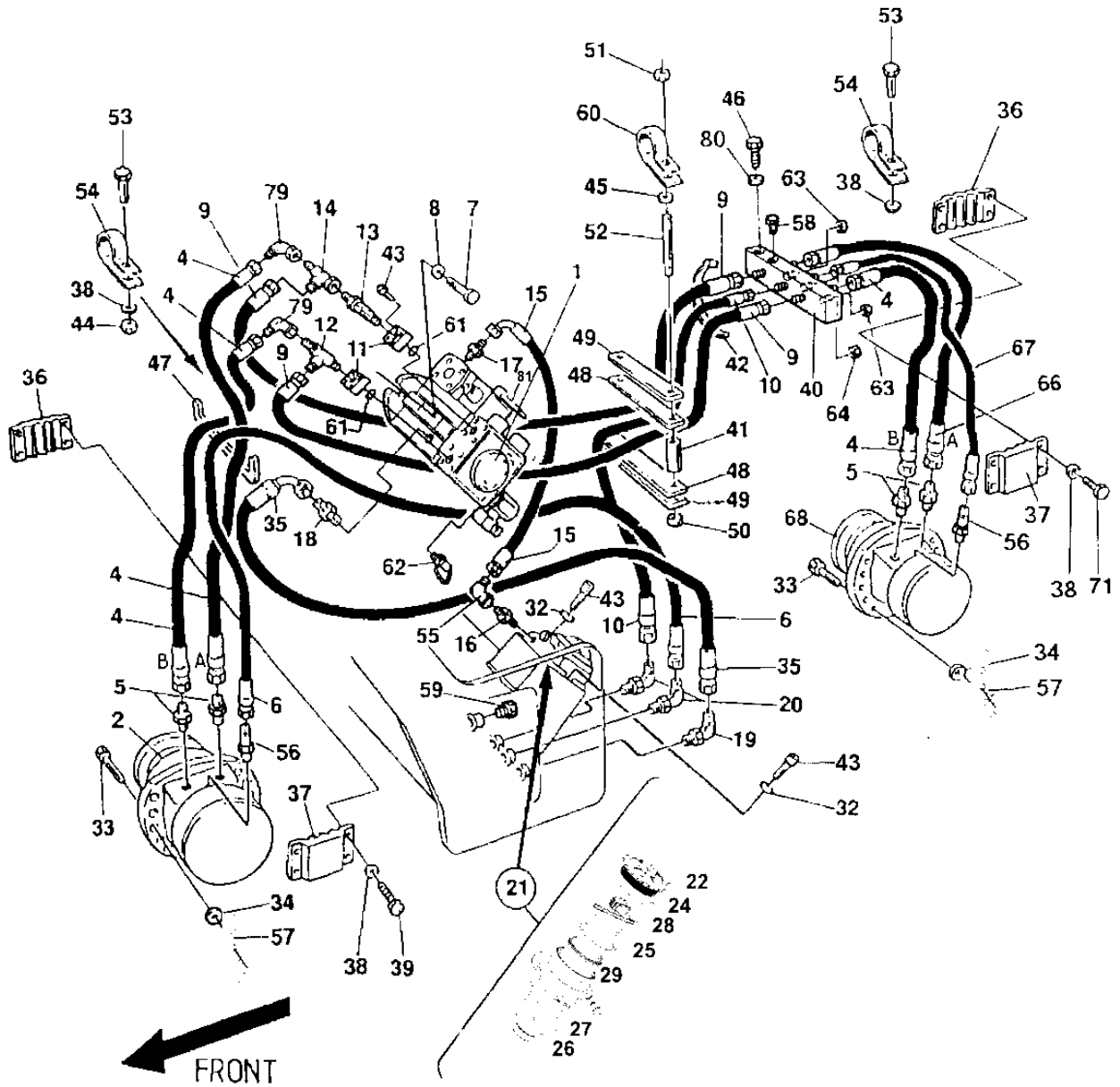
B) L = 1,18 m

C) L = 1,80 m

D) L = 1,25 m

F) L = 1,70 m

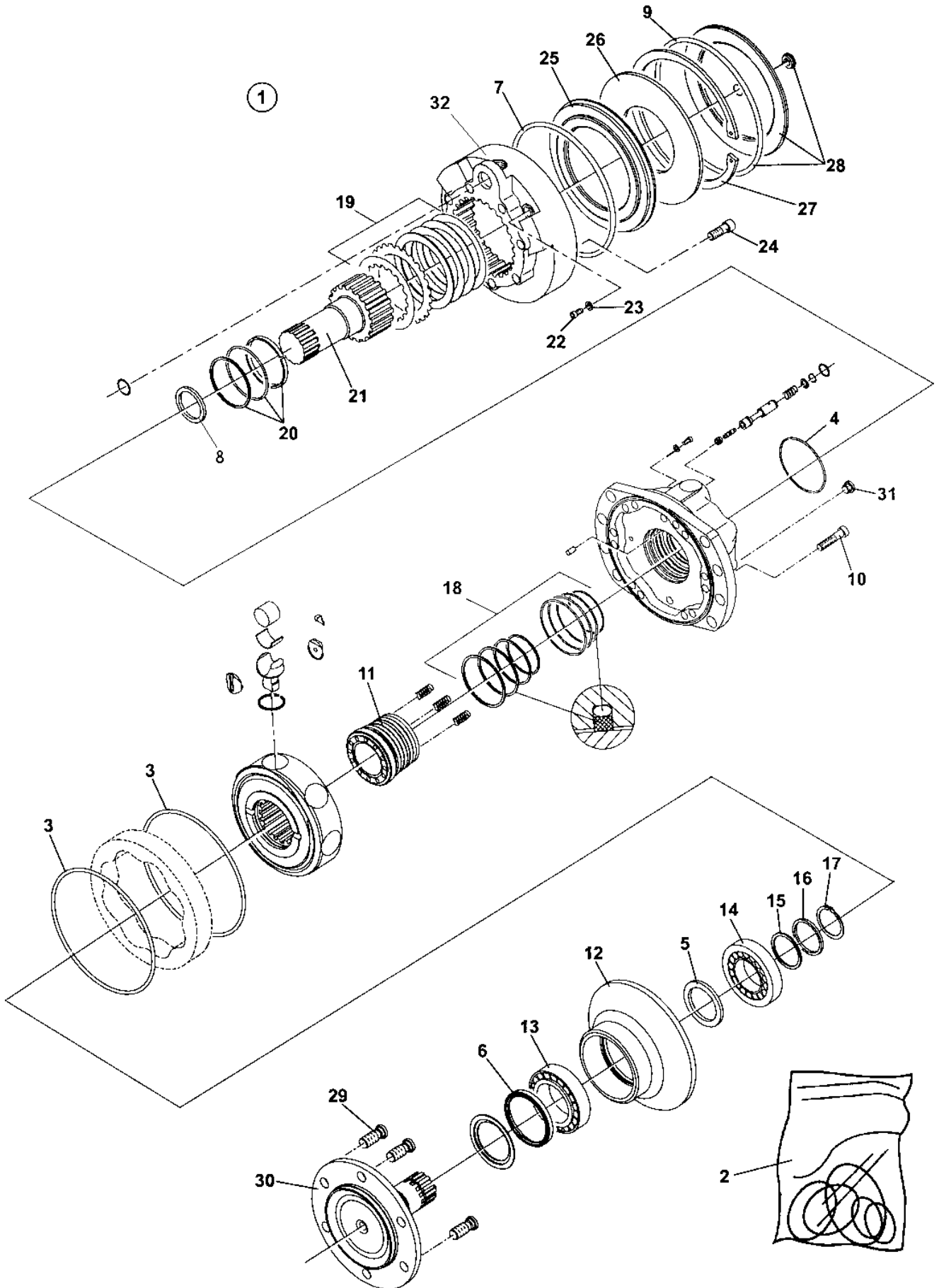
Propulsion system



Propulsion system

Item	Part No	Rem Qty	Description	Code
56	4700924731	2	Connector	
57	4812110490	2	Holder	
58	4700232070	3	Plug	
59	4700892446	1	Plug	
60	4700921099	1	Clamp	
61	4700813443	2	O-ring	
62	4700901157	2	Measuring nipple	
63	4700330383	2	Cap hydraulic	
64	4700230400	1	Cap	
66	4700483164	1	Hydraulic hose	
67	4700483069	1	Hydraulic hose	
68	4700390742	1	Hydraulic motor, propulsion, drum (Page 92)	
71	4700500053	1	Screw M8x20H 8.8	
79	4700334197	2	Elbow 90°	
80	4700904640	2	Washer 8,4x22x3	
81	4812118374	1	Control arm	

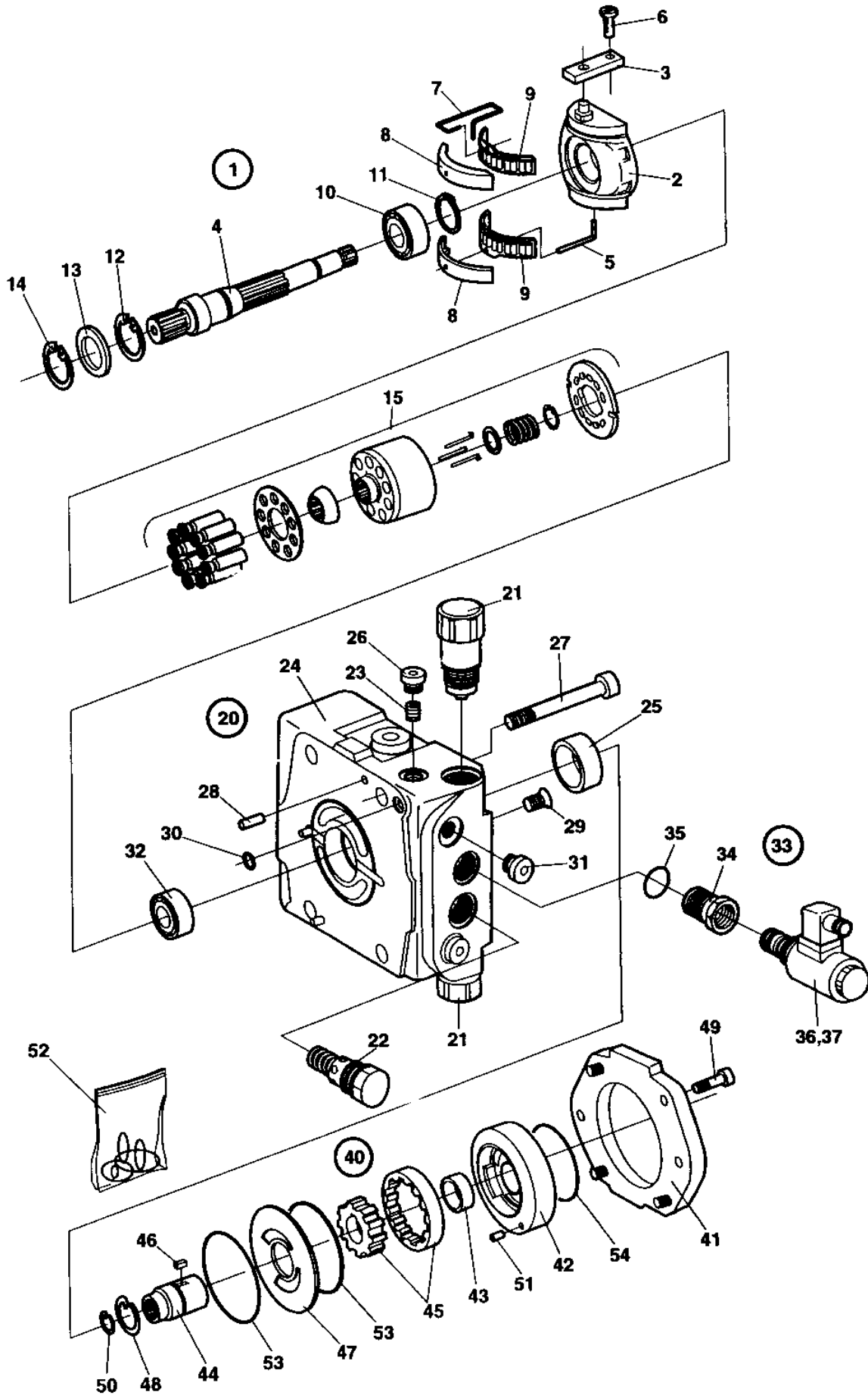
4700390742 Hydraulic motor, propulsion, drum



4700390742 Hydraulic motor, propulsion, drum

Item	Part No	Rem Qty	Description	Code
1	4700390742	1	Hydraulic motor, propulsion, drum (Page 92)	
2	4700950414	1	. Seal kit	
3		2	. . O-ring	
4		1	. . O-ring	
5		1	. . Seal kit	
6		1	. . Seal	
7	4700950293	1	. . O-ring	
8		1	. . Seal	
9		1	. . O-ring	
10		12	. Screw	
11	4812158054	1	. Distributor	
12	4812158055	1	. Bearing support	
13	4812156164	1	. Bearing	
14	4812156165	1	. Bearing	
15		1	. Shim kit	
16		1	. Supporting plate	
17		1	. Snap ring	
18	4700950416	1	. Seal kit	
19	4700950415	1	. Brake disc kit	
20		1	. Seal kit	
21		1	. Shaft	
22		1	. Screw	
23		1	. Bonded seal	
24		8	. Screw	
25	4812156755	1	. Brake piston	
26	4812159789	1	. Spring washer	
27	4812159788	1	. Snap ring	
28	4700950226	1	. End cap kit	
29		1	. Set of studs	
30	4812157787	1	. Shaft	
31		1	. Plug	
32	4812155168	1	. Brake housing	

Rotating group, valves, charge pump



Rotating group, valves, charge pump

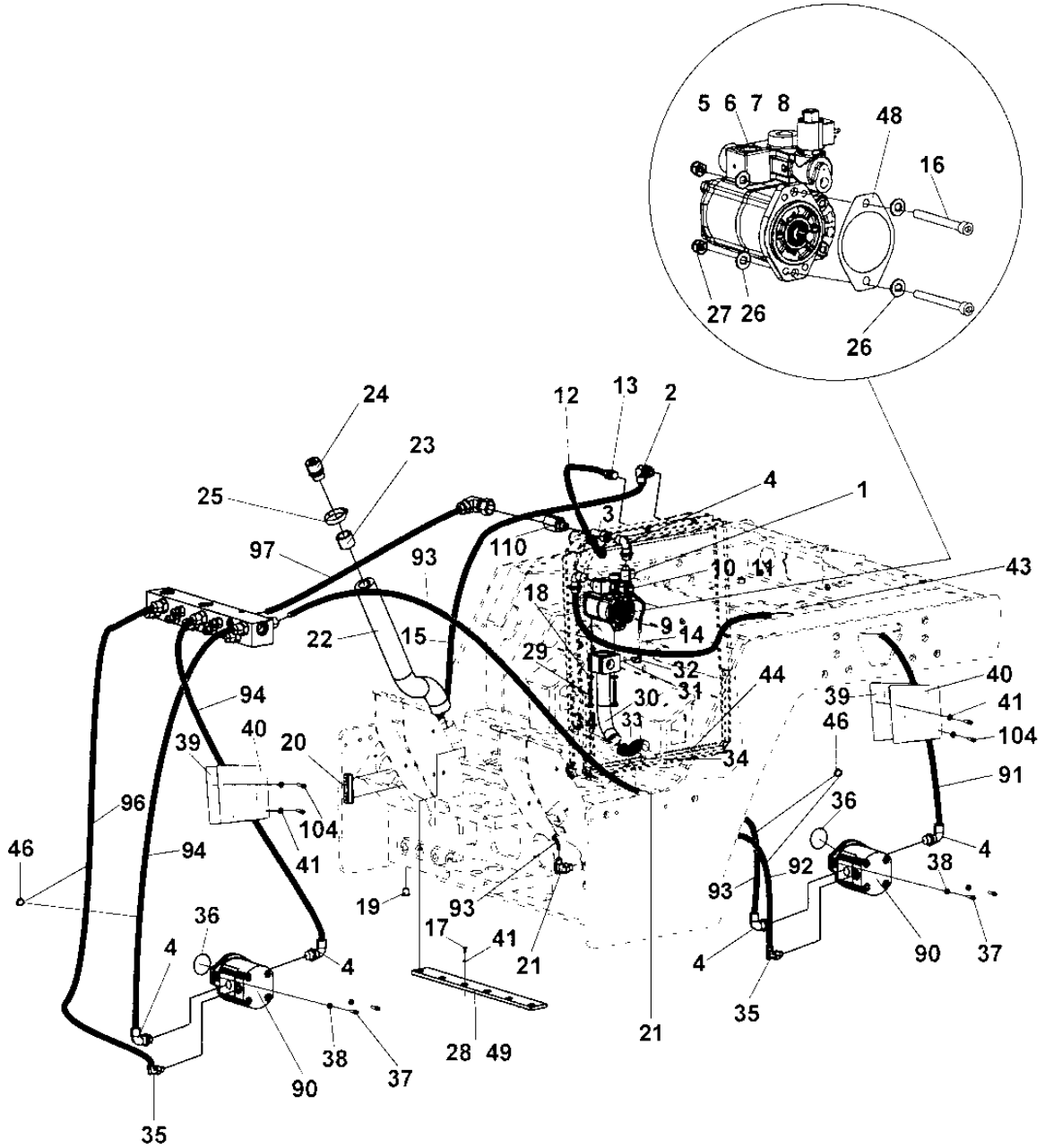
Item	Part No	Rem Qty	Description	Code
1	4700935161	1	Rotating group	
2	4700935171	1	. Cradle	
3	4700935162	1	. Ring	
4	4700935163	1	. Shaft	
5	4700902644	1	. Wire pin	
6	4700935164	1	. Pin	
7	4700935165	1	. Wire pin	
8	4700935166	A	. Bearing liner	
9	4700902620	1	. Cradle bearing assy (Set)	
10	4700902619	1	. Roller bearing	
11	4700901750	1	. Retaining ring	
12	4700935170	1	. Retaining ring	
13	4700936691	1	. Seal ring	
14	4700935170	1	. Retaining ring	
15	4700935167	1	. Cylinder with pistons, cpl	
20		1	Valve block	
21	4700935172	2	. Pressure relief valve 350 bar	
22	4700903471	1	. Relief valve	
23	4700936692	1	. Check valve	
24	4700936693	1	. Valve block	
25	4700903557	1	. Bearing bushing	
26	4700935176	1	. Plug	
27	4700935177	4	. Screw	
28	4700908384	2	. Pin	
29	4700909514	2	. Double break-off pin	
30	4700902641	2	. O-ring	
31	4700902625	2	. Plug	
32	4700901744	1	. Roller bearing	
33		B	. Solenoid valve	
34	4700935178	1	. . Adapter	
35	4700927278	1	. . O-ring	
36	4700935179	1	. . Valve, cpl	
37		C	. . . Solenoid	
40	4700935181	1	Charge pump	
41	4700935182	1	. Cover	
42	4700935183	1	. Housing	
43	4700903557	1	. Bearing bushing	
44	4700935184	1	. Shaft	
45	4700936706	1	. Wheel set	
46	4700935186	1	. Key	
47	4700935187	1	. Wear plate	
48	4700902654	1	. Retaining ring	
49	4700935188	4	. Screw	
50	4700935189	1	. Retaining ring	
51	4700935190	1	. Cylindrical pin	
52	4700935191	1	. Seal kit	
53		2	. . Seal	
54		1	. . O-ring	

A) One pair

B) CPL

C) Does not sales separatly. Included in the valve.

Vibration system

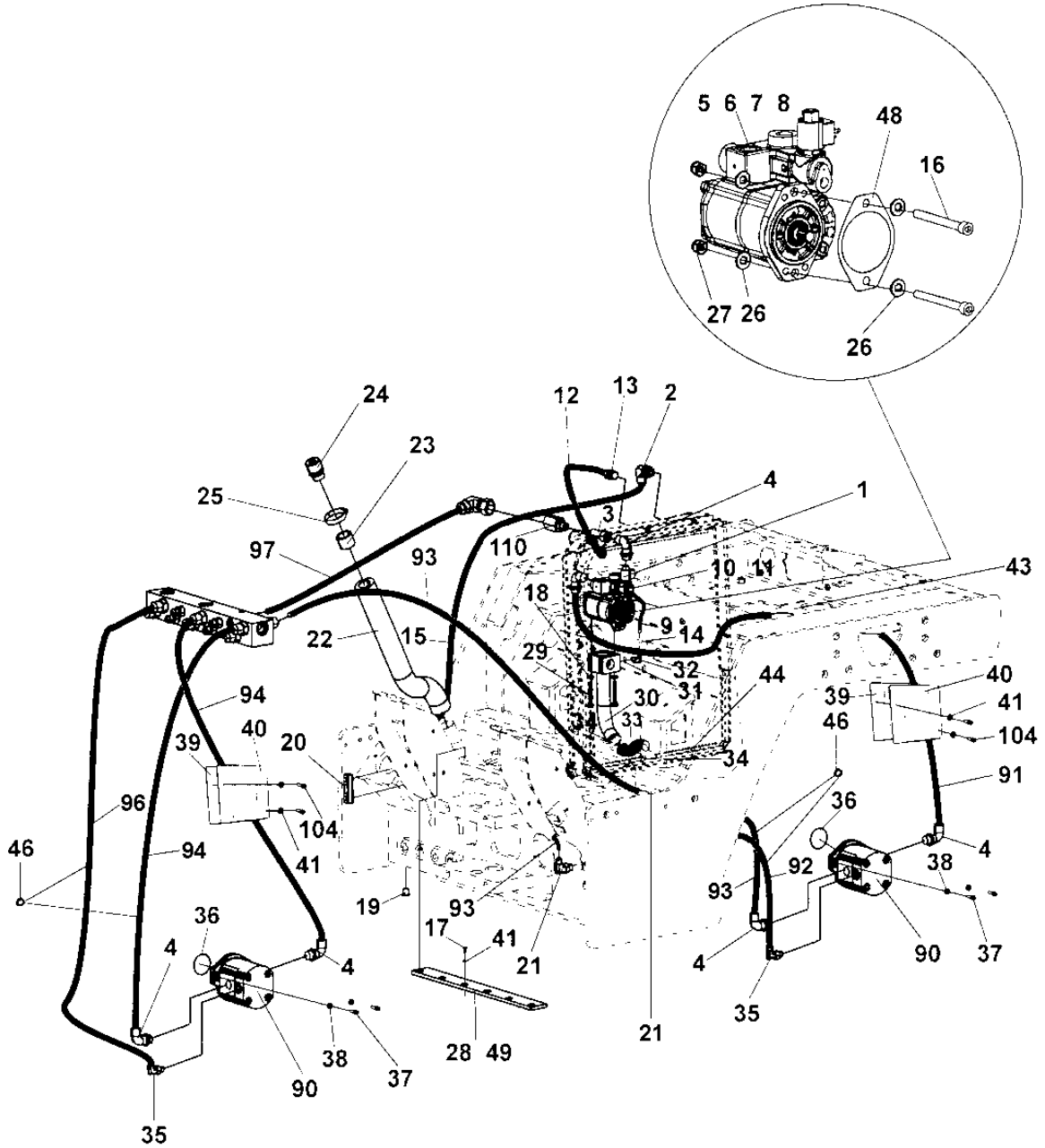


Vibration system

Item	Part No	Rem	Qty	Description	Code
1	4812112054		1	Hydraulic pump Up to 0A012584 (Page 100)	
	4812119251		1	Hydraulic pump From 0A012585 Up to 0A012585	
	4812112054		1	Hydraulic pump From 0A012586 Up to 0A012606 (Page 100)	
	4812119251		1	Hydraulic pump From 0A012607 Up to 0A012610	
	4812112054		1	Hydraulic pump From 0A012611 Up to 0A012667 (Page 100)	
	4812119251		1	Hydraulic pump From 0A012668	
2	4700927459		1	Adapter	
3	4700334135		2	Tee-connector	
4	4700334238		5	Elbow 90°, O-ring	
5	4700234390		1	Connector	
6	4700334524		1	Connector	
7	D433830401		1	Connector	
8	4700910161		1	Measuring nipple	
9	4700386134		1	Hydraulic hose	
10	4700901692		1	Screw	
11	4700480124		2	Washer	
12	4700482306		1	Hydraulic hose	
13	4700334121		1	Straight connector	
14	4700923371		1	Adapter	
15	4811000383		1	Hydraulic hose	
16	4700500078		2	Screw	
17	4700500019		2	Screw M8x16H 8.8 A2K	
18	4700904556		8	Washer 8,4x16x3,0	
19	4700232122		1	Steel plug threaded	
20	4700989151		1	Oil level glass	
21	4700334235		1	Elbow 90°	
22	4700373478		1	Rubber hose	
23	4700357139		1	Connector	
24	4700357138		1	Ventilating filter	
25	4700313008		2	Hose clamp	
26	4700904230		2	Steel plain washer	
27	4700902287		2	Hexagon lock nut	
28	4700358486		1	Rubber strip	
29	4700500067		4	Screw M8-1,25x55 8,8	
30	4812113333		1	Flange	
31	4700160016		1	O-ring	
32	4700234341		1	Elbow 45°	
33	4811000372	H	1XL	Hydraulic hose	
34	4700902295		2	Clamp	
35	4700234481		1	Connector	
36	4700160031		2	O-ring	
37	4700508029		2	Screw M10-1,5x30H 8,8	
38	4700904557		2	Steel plain washer	
39	4700371313		1	Hose clamp	
40	4700371314		1	Hose clamp	
41	4700904229		9	Steel plain washer 8,4x16x1,5	
43	4700902379		1XL	Edge trim	
44	4700902379		1XL	Edge trim	
46	4700313102		N	Cable ties	
48	4700379458		1	Gasket	
49	4700904901		2XL	Tape	
90	4700391270		2	Hydraulic motor (Page 102)	
	4700903431		1	. Seal kit	
91	4700482242		1	Hydraulic hose	

H) L = 0,26 m

Vibration system

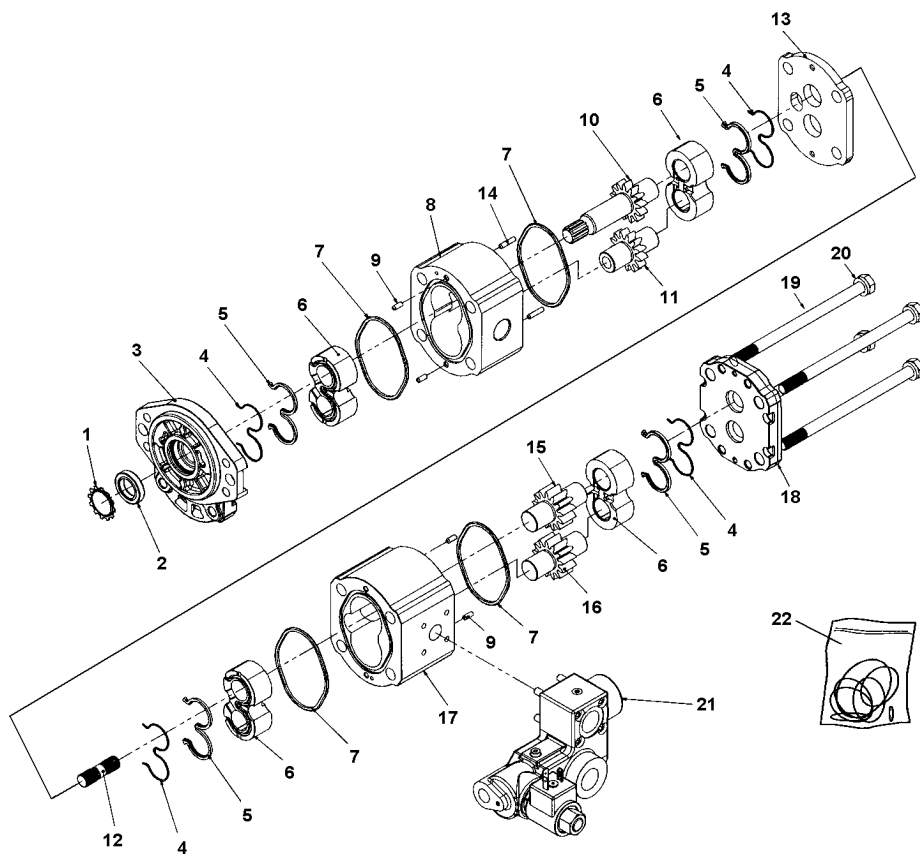


Vibration system

Item	Part No	Rem	Qty	Description	Code
92	4811000382		1	Hydraulic hose	
93	4700483155	A	1	Hydraulic hose	
94	4700483157	B	1	Hydraulic hose	
96	4700483162	C	1	Hydraulic hose	
97	4700482525	K	1	Hydraulic hose	
99	4700334238		2	Elbow 90°, O-ring	
100	4700234481		1	Connector	
101	4700371313		1	Hose clamp	
102	4700371314		1	Hose clamp	
104	4700500053		5	Screw M8x20H 8.8	
106	4700508029		2	Screw M10-1,5x30H 8,8	
107	4700603018		2	Washer 10x18x4	
110	4700357543		1	Valve	
111	4700921119		1	Pipe clamp	
112	4700500053		1	Screw M8x20H 8.8	

- A) L = 1,80 m
- B) L = 1,05 m
- C) L = 1,20 m
- K) L = 1,80 m

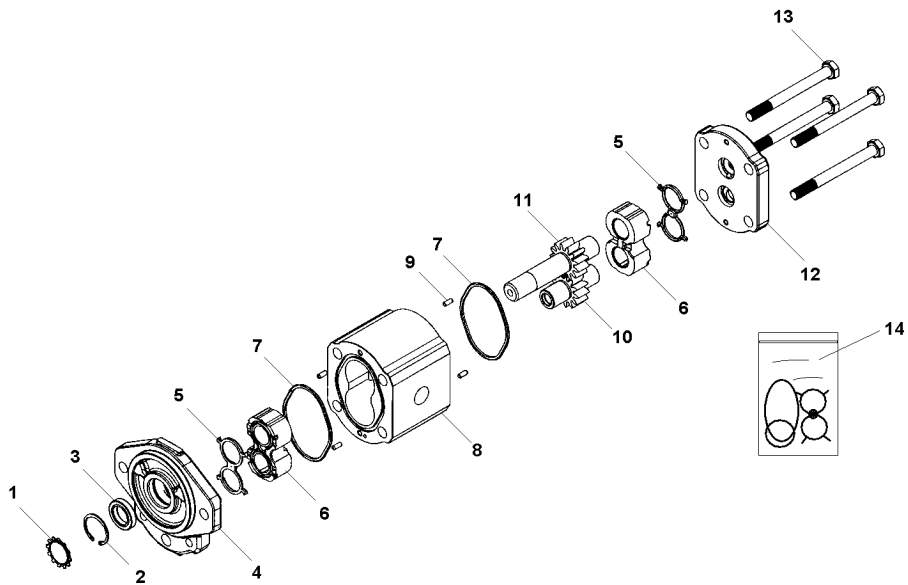
4812112054 Hydraulic pump



4812112054 Hydraulic pump

Item	Part No	Rem Qty	Description	Code
1		1	. Star ring	
2		1	. Shaft seal	
3		1	. Mounting flange	
4		4	. Back-up ring	
5		4	. Seal	
6		4	. Bearing block	
7		4	. O-ring	
8		1	. Gear housing 1	
9		4	. Dowel pin 1	
10		1	. Drive gear 1	
11		1	. Idler gear 1	
12		1	. Coupling	
13		1	. Distance plate	
14		2	. Dowel pin 2	
15		1	. Drive gear 2	
16		1	. Idler gear 2	
17		1	. Gear housing 2	
18		1	. End cover	
19		4	. Bolt	
20		4	. Washer	
21	4700903637	1	. Valve	
	4700903330	1	. . Solenoid valve	
	4700902810	1	. Seal kit	
22	4700903430	1	. Seal kit	

4700391270 Hydraulic motor



4700391270 Hydraulic motor

Item	Part No	Rem Qty	Description	Code
1		1	Toothed ring	
2		1	Snap ring	
3		1	Shaft seal	
4		1	Mounting flange	
5		2	Seal	
6		2	Bearing block	
7		2	O-ring	
8		1	Gear housing	
9		4	Dowel pin	
10		1	Idler gear	
11		1	Drive gear	
12		1	End cover	
13		4	Bolt	
14	4700945312	1	Seal kit	

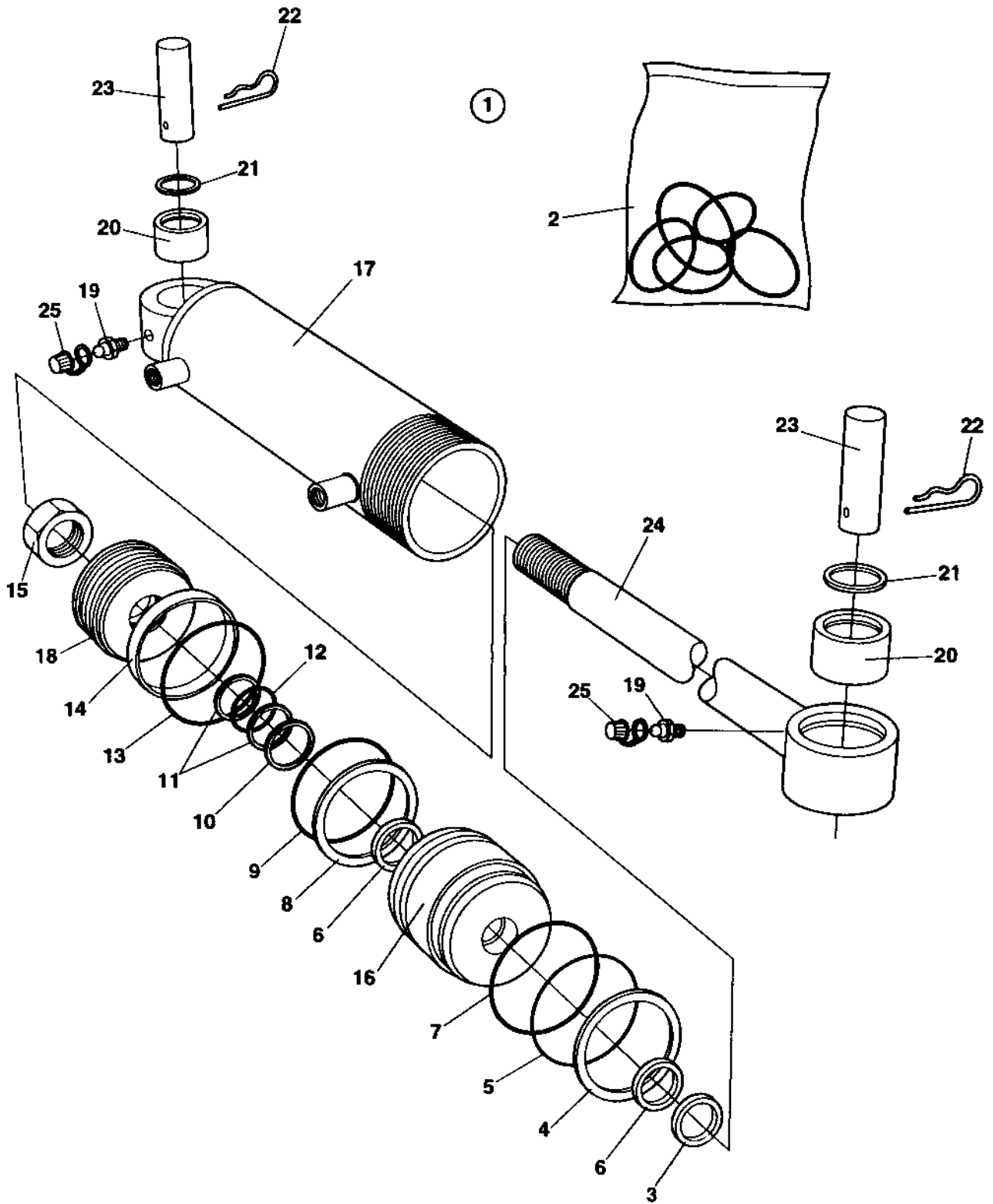
Steering system

Item	Part No	Rem	Qty	Description	Code
1	4700374603		1	Steering cylinder Up to 0A012768 (Page 106)	
	4812120737		1	Steering cylinder From 0A012769 Up to 0A012992	
	4700374603		1	Steering cylinder From 0A012993 (Page 106)	
	4812120737		1	Steering cylinder From 0A012994 Up to 0A012995	
	4700374603		1	Steering cylinder From 0A012996 (Page 106)	
	4812120737		1	Steering cylinder From 0A012997	
	4700374603		1	Steering cylinder From 0A012998 Up to 0A013002 (Page 106)	
	4812120737		1	Steering cylinder From 0A013003	
2	4700791398		3	Elbow 90°, O-ring	
3	4700483765	A	2	Hydraulic hose	
4	4811000428	B	2	Hydraulic hose	
5	4700630019		4	Cotter pin	
6	4700313102		2	Cable ties	
13	4812112109		1	Steering valve	
17	4700791405		1	Straight o-ring connector	
19	4700600016		4	Washer 26x45x4	
20	4700791401		2	Elbow 90, O-ring with swivel	
21	4700791414		1	T-connection, O-ring with swivel	
22	4700791847		1	Straight connector	
23	4700923405		1	Measuring nipple	

A) L = 1,99 m

B) L = 1,96 m

4700374603 Steering cylinder

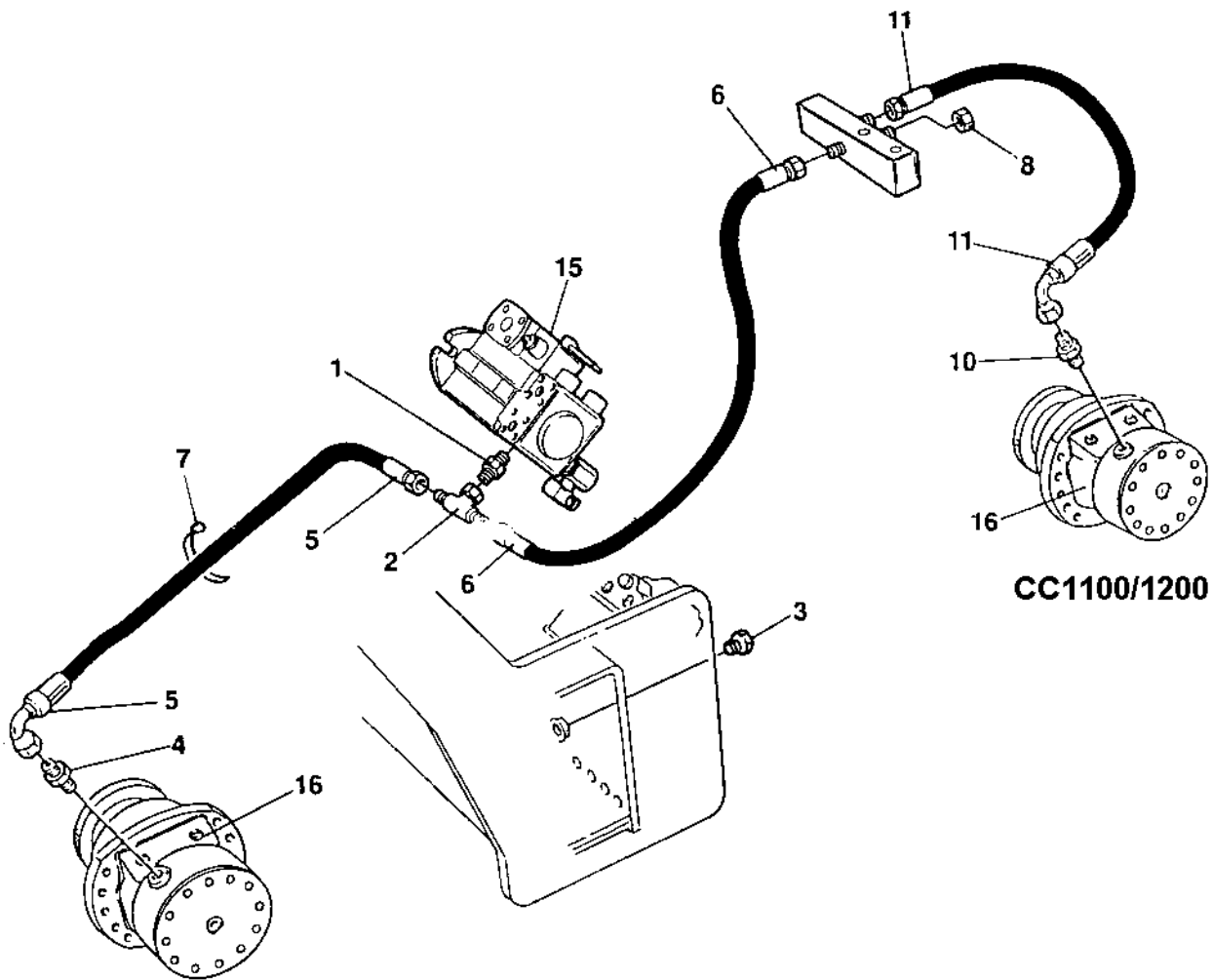


4700374603 Steering cylinder

Item	Part No	Rem Qty	Description	Code
1		A	1 Steering cylinder	
2	4700909760	1	. Seal kit	
3		1	.. Scraper ring	
4		1	.. Retaining ring	
5		1	.. O-ring	
6		2	.. Guide ring	
7		1	.. Lock ring	
8		1	.. Sealing	
9	4700160025	1	.. O-ring	
10		1	.. Sealing	
11		2	.. Back-up ring	
12		1	.. O-ring	
13		1	.. Sealing	
14		1	.. Guide ring	
15		1	.. Nut	
16	4700909766	1	. Guide	
17	4700909765	1	. Cylinder tube	
18	4700909764	1	. Piston block	
19	4700926214	2	. Grease fitting	
20	4700238272	2	. Slide bearing	
21	4700151012	2	. Retaining ring	
22	4700635061	4	. Hair clip	
23	4700909761	2	. Shaft	
24	4700909759	1	. Piston rod	
25	4700902576	2	. Cover	

A) CPL

Brake system



CC1100/1200

Brake system

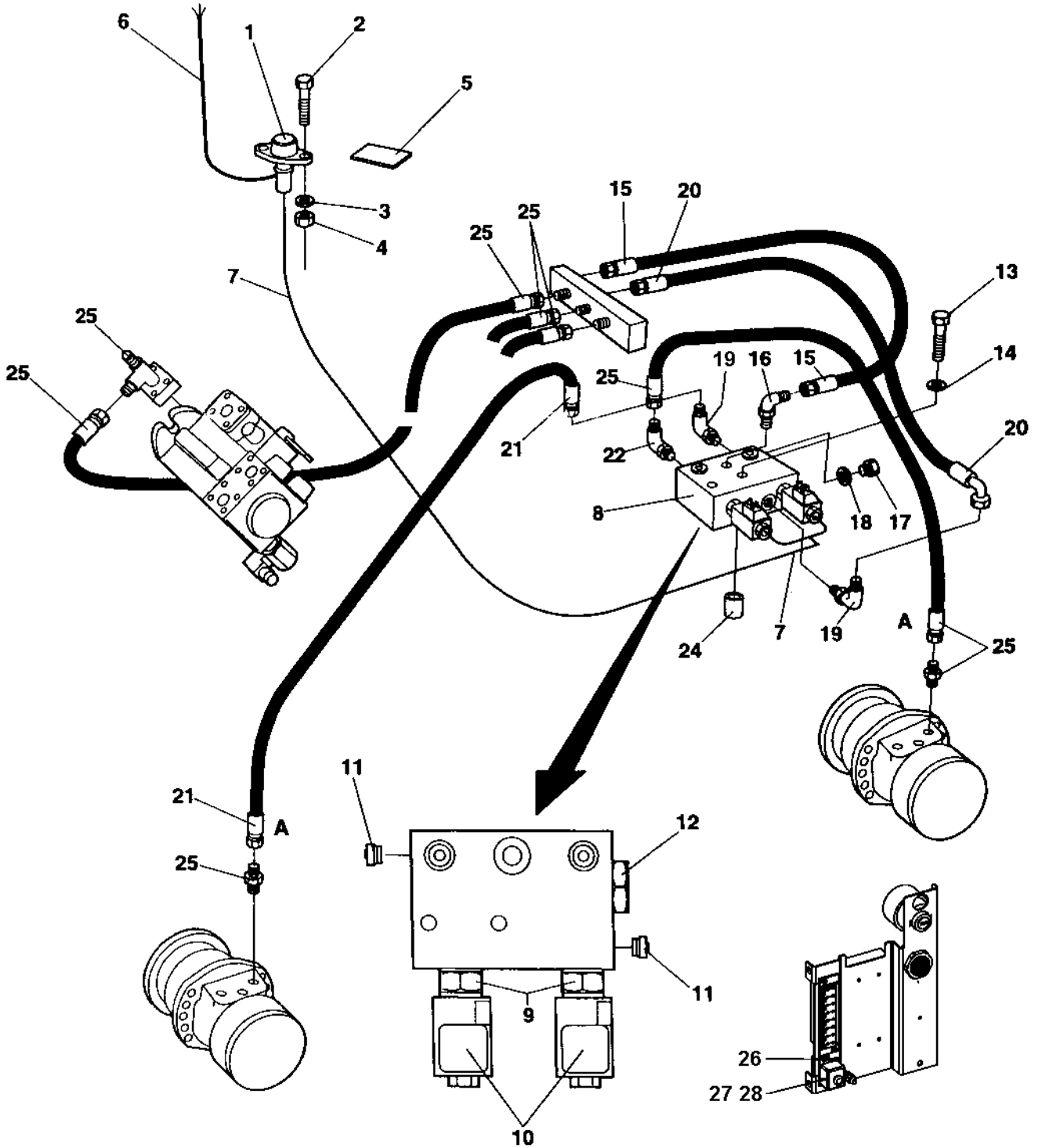
Item	Part No	Rem	Qty	Description	Code
1	4700334463		1	Connector	
2	4700234888		1	Tee-connector	
4	4700234233		1	Adapter	
5	4700483420	A	1	Hydraulic hose	
6	4700483404	B	1	Hydraulic hose	
7	4700313102		N	Cable ties	
8	4700230400		1	Cap	
10	4700234233		1	Adapter	
11	4700482483	C	1	Hydraulic hose	
15			1	Hydraulic pump, propulsion	
16			2	Hydraulic motor, propulsion	

A) L = 1,18 m

B) L = 1,60 m

C) L = 1,25 m

Flow divider (option)

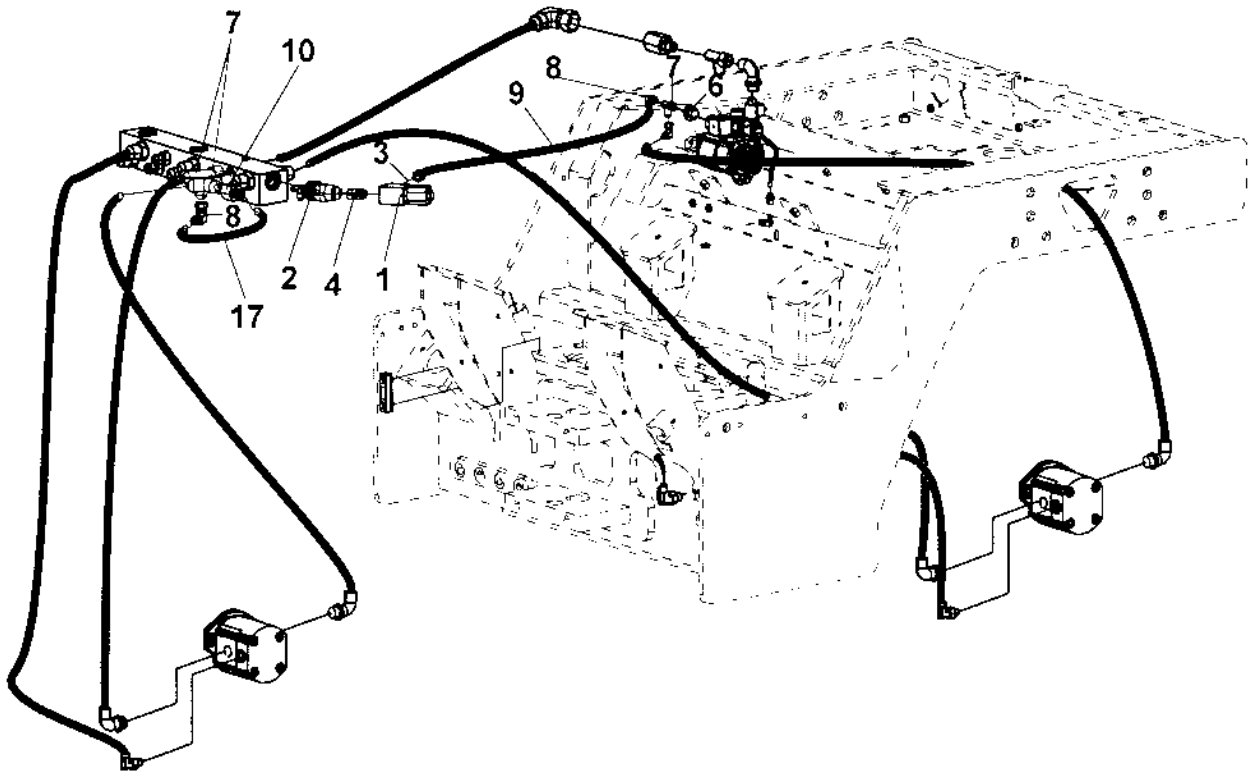
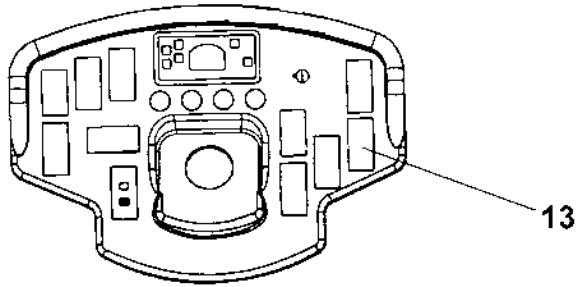


Flow divider (option)

Item	Part No	Rem Qty	Description	Code
1	4812113326	1	Contact	
2	4700533016	2	Screw	
3	4700600002	2	Washer	
4	4700923976	2	Nut	
5	4700355981	1	Decal	
6	4812112470	1	Cable harness	
7	4812112566	1	Cable harness	
8	4700358003	1	Flow divider	
9	4700903141	2	. Valve	
10	4700903142	2	. Coil	
11	4700903144	2	. Check valve	
12	4700903143	1	. Valve	
13	4700500034	2	Screw M10-1,5x100 8,8	
14	4700904230	2	Steel plain washer	
15	4700482773	1	Hydraulic hose	
16	4700334235	1	Elbow 90°	
17	4700332038	2	Plug	
18	4700162004	2	Sealing	
19	4700923407	2	Adapter	
20	4700482208	1	Hydraulic hose	
21	4700482214	A	Hydraulic hose	
22	4700904175	1	Connector	
24	4700355869	2	Spacer sleeve	
25		N	Hydraulic details	
26	4700901767	2	Screw ST3,5x9,5 Black	
27	4700901225	1	Fuse 5A	
28	4700792091	1	Fuse holder	

A) L = 2,8 m

Vibration shut-off Front drum (option)

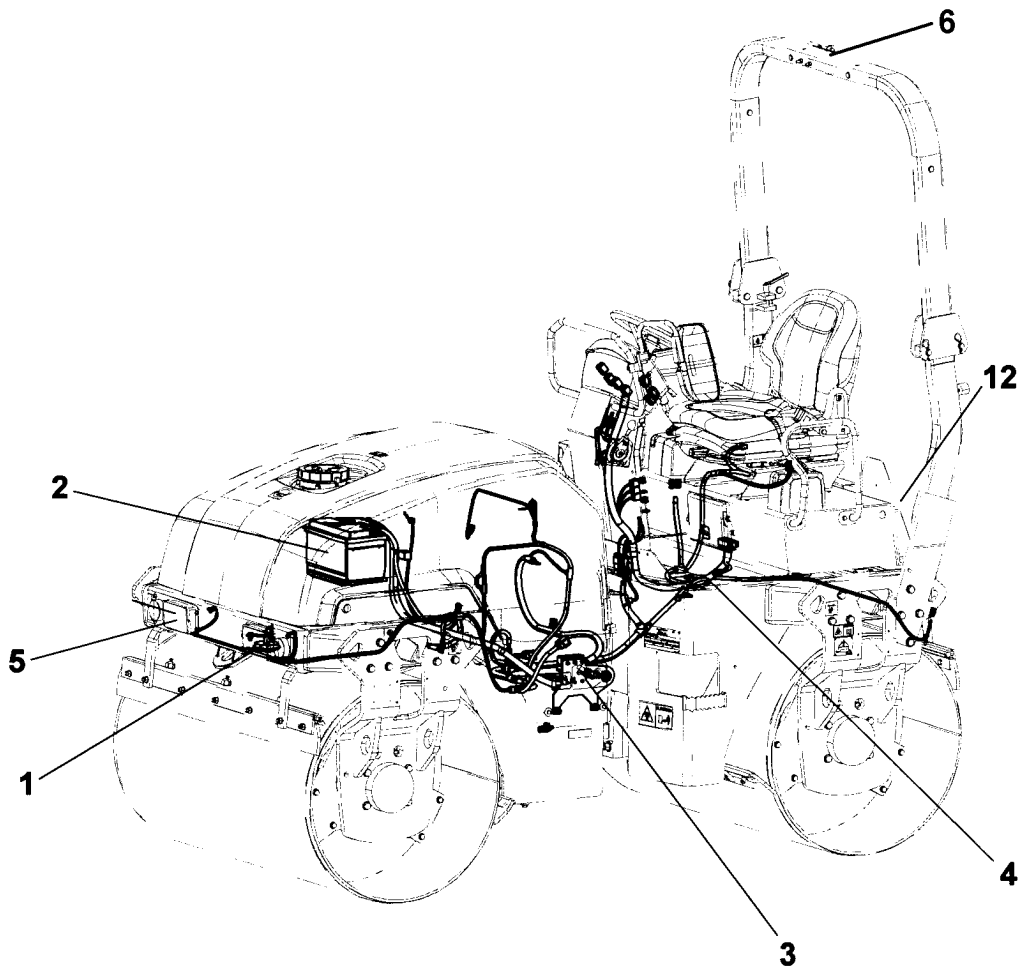


Vibration shut-off Front drum (option)

Item	Part No	Rem Qty	Description	Code
1	4700357934	1	Solenoid valve	
2	4700813500	1	Elbow 45, O-ring	
3	4700334165	1	Adapter	
4	4700923406	1	Connector	
6	4700334116	1	Straight o-ring connector	
7	4700334135	3	Tee-connector	
8	4700334197	2	Elbow 90°	
9	4700482898	A	Hydraulic hose	
10	4700357543	2	Valve	
13	4811000347	1	Switch Vibration shut-off	
17	4700483585	1	Hydraulic hose	

A) L = 1,70 m

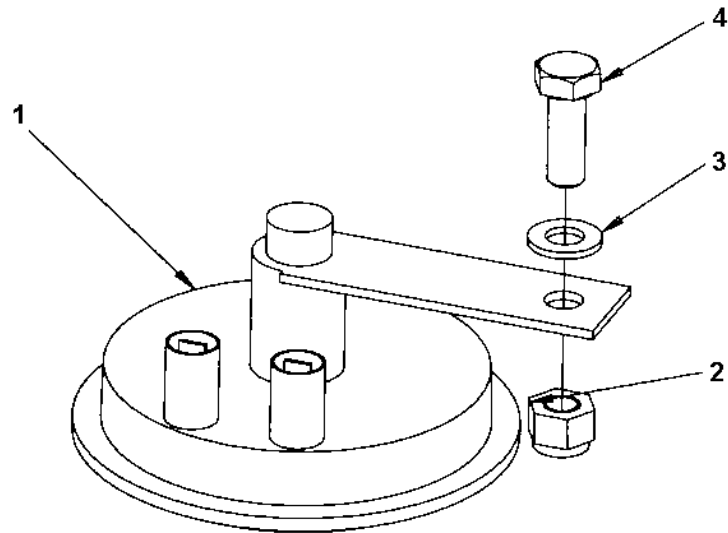
Electrical equipment



Electrical equipment

Item	Part No	Rem Qty	Description	Code
1			Horn module (Page 116)	
2			Battery module (Page 118)	
3			Battery disconnecter (Page 120)	
4			Cable harness (Page 122)	
5			Working lights (Page 124)	
6			Rotating beacon for ROPS (option) (Page 136)	
			Rotating beacon for ROPS ignition controlled (option) (Page 138)	
			Rotating beacon, without rops (option) (Page 140)	
9			Driving lights Front RH (option) (Page 142)	
			Driving lights Front LH (option) (Page 148)	
10			Driving lights Rear (option) (Page 146)	
11			Direction indicator (option) (Page 152)	
12			Back-up alarm (Page 154)	

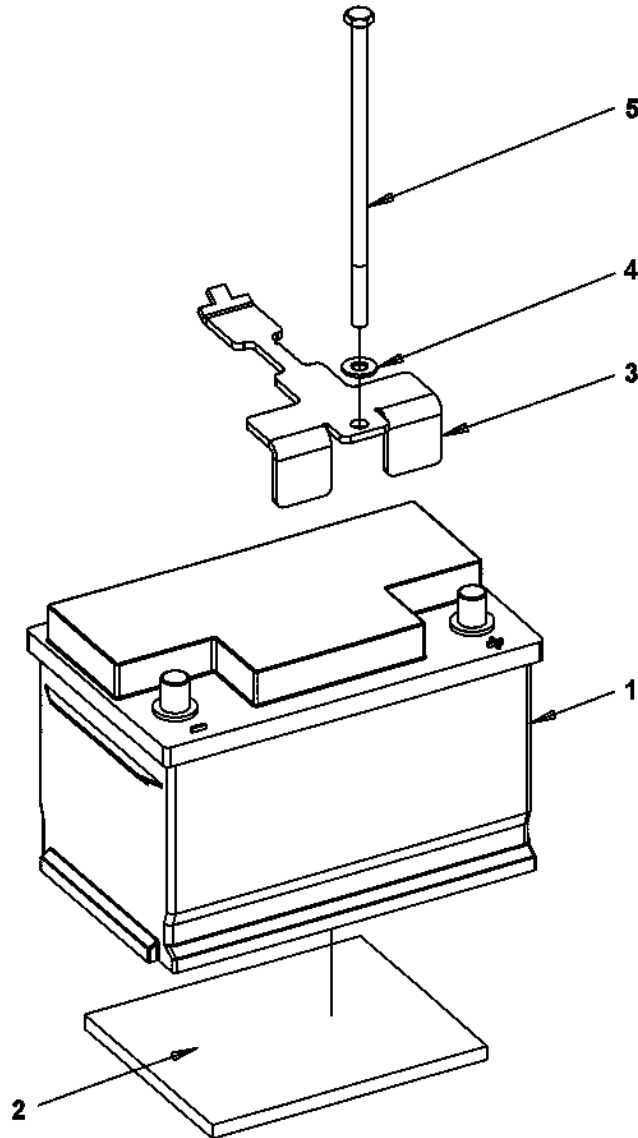
Horn module



Horn module

Item	Part No	Rem Qty	Description	Code
1	4700999027	1	Horn	
2	4700586003	1	Lock nut M8	
3	4700904229	1	Steel plain washer 8,4x16x1,5	
4	4700500020	1	Screw M8-1,25x22 8,8	

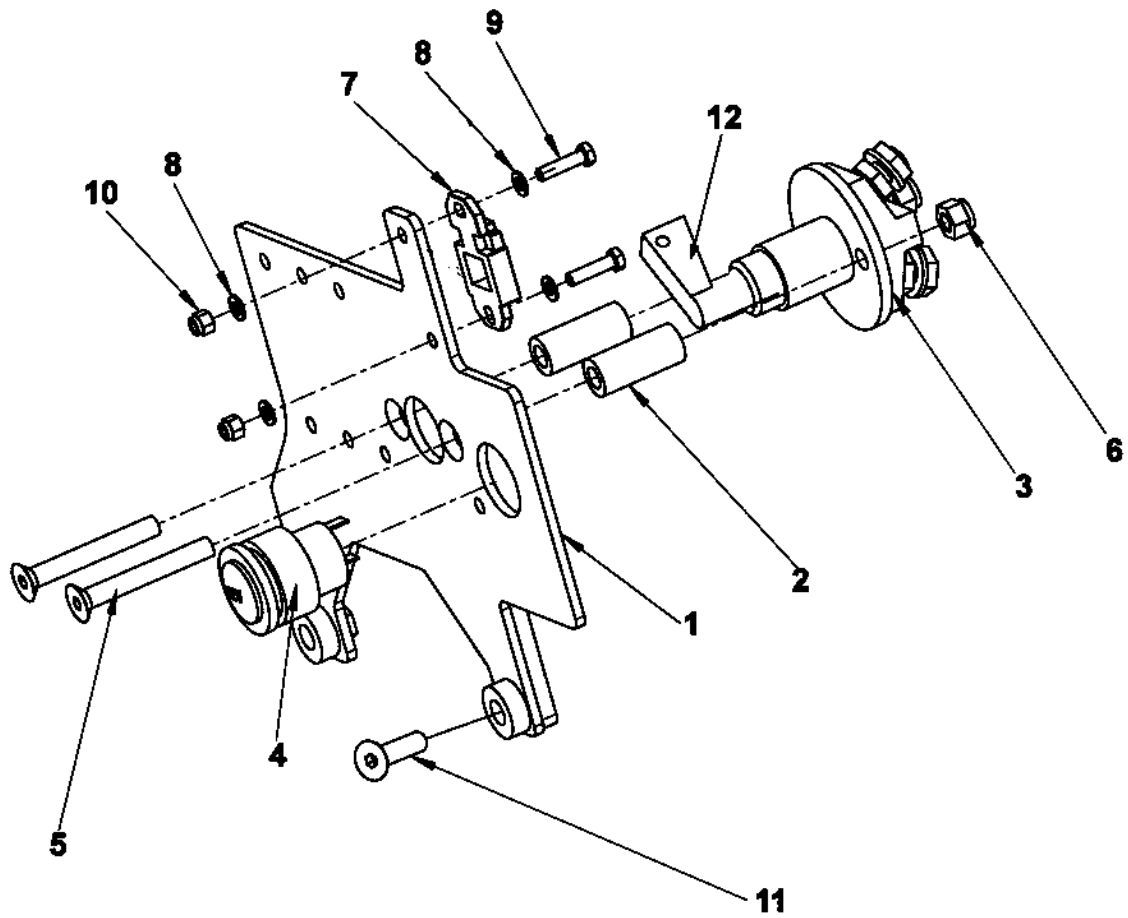
Battery module



Battery module

Item	Part No	Rem Qty	Description	Code
1		1	Battery	
2	4812114557	1	Rubber cloth	
3	4812113557	1	Holder	
4	4700904230	1	Steel plain washer	
5	0147195880	1	Hexagon screw M10x220, 8.8	

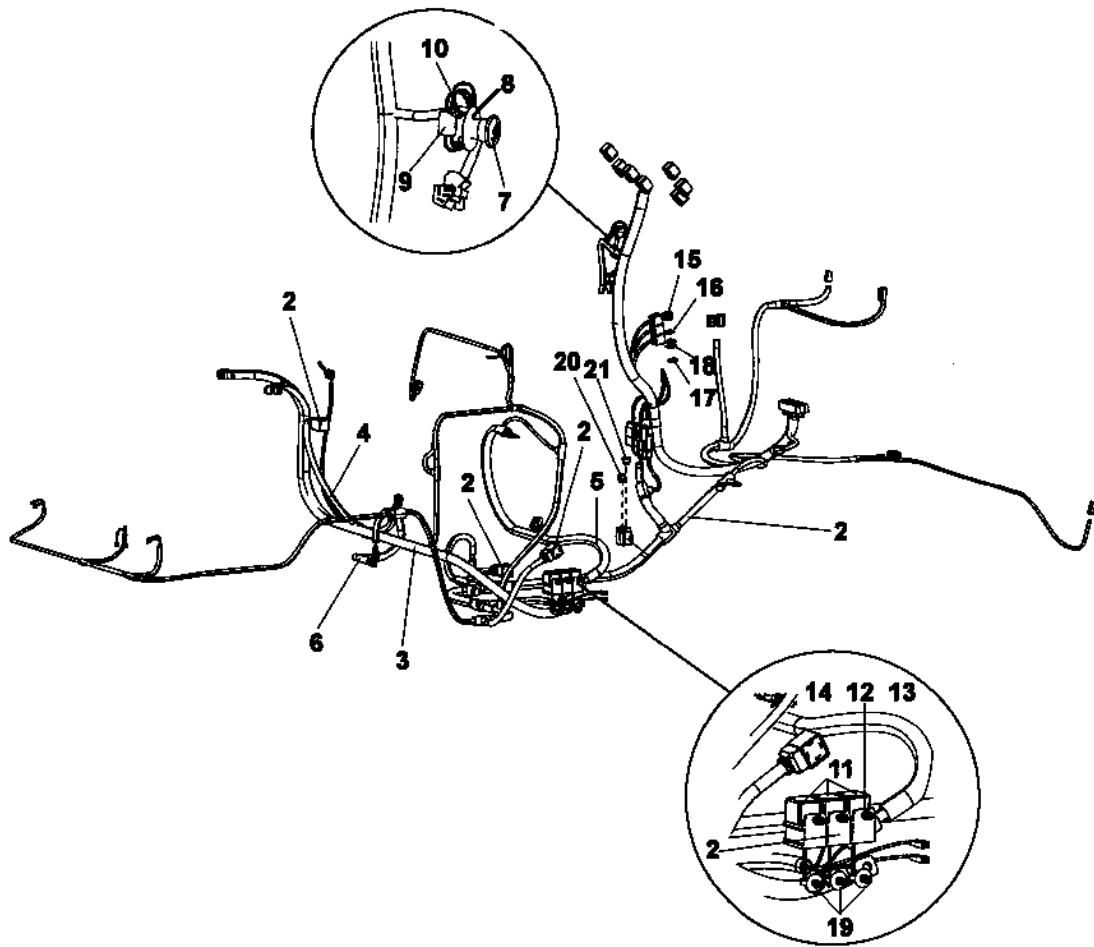
Battery disconnect



Battery disconnecter

Item	Part No	Rem Qty	Description	Code
1	4812115926	1	Bracket	
2	4700391115	2	Spacer sleeve	
3	4700357567	1	Battery switch, cpl	
4	4812110560	1	Power socket 12V 16A	
5	4700903732	2	Screw	
6	4700586003	2	Lock nut M8	
7	4700904056	1	Stud	
8	4700904281	4	Washer 5,3x10x1 300HV	
9	4700500060	2	Screw M5-0,8x20 8.8	
10	4700586001	2	Lock nut	
11	4700902520	2	Screw	
12	4700902560	1	Handle	

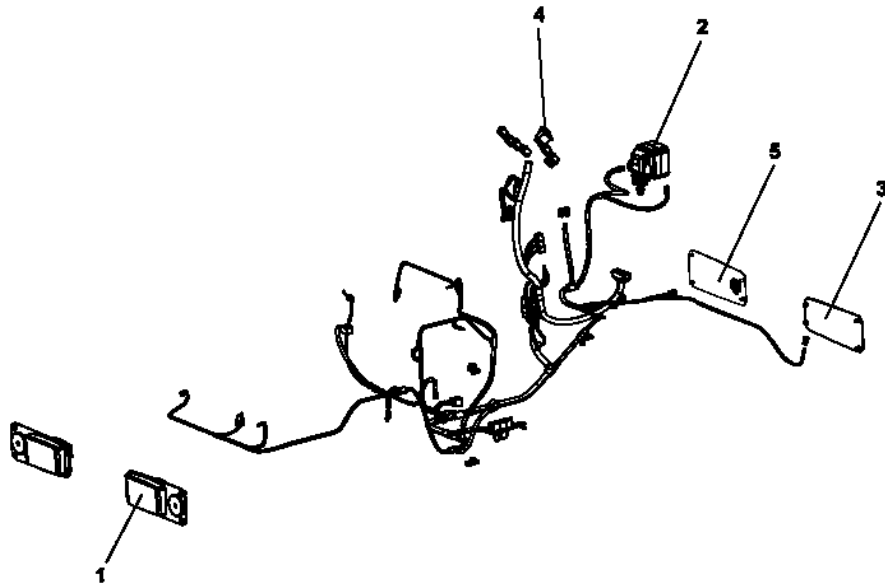
Cable harness



Cable harness

Item	Part No	Rem Qty	Description	Code
2	4812119569	1	Cable harness	
3	4811000320	1	Battery cable (+)	
4	4811000321	1	Battery cable (-)	
5	4811000323	1	Connection cable	
6	4811000322	1	Connection cable	
7	4700791739	1	Emergency stop	
8	4811000128	1	Decal	
9	4700389840	1	Connector	
10	4700791723	1	Connector N/C	
11	4700903956	3	Relay 30A	
12	4700904281	6	Washer 5,3x10x1 300HV	
13	4700500006	3	Screw M5x16	
14	4700586001	3	Lock nut	
15	4700903741	1	Fuse 20A Yellow Medium	
16	4700901227	2	Fuse 10A	
17	4700901225	1	Fuse 5A	
18	4700901228	2	Fuse 15A	
19	4700792441	3	Cable tie with holder	
20	4700901230	1	Fuse 30A	
21	4700904039	1	Fuse 50A Red High	

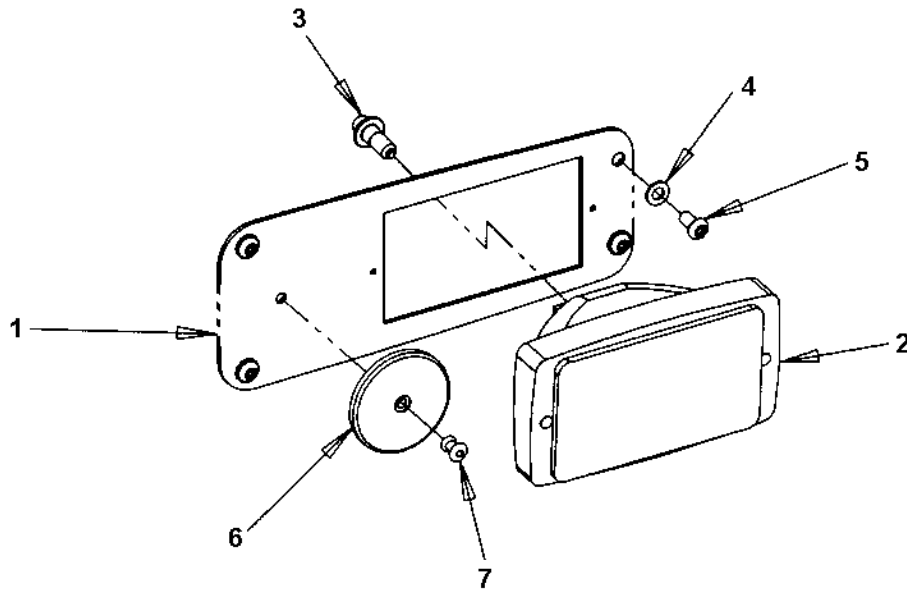
Working lights



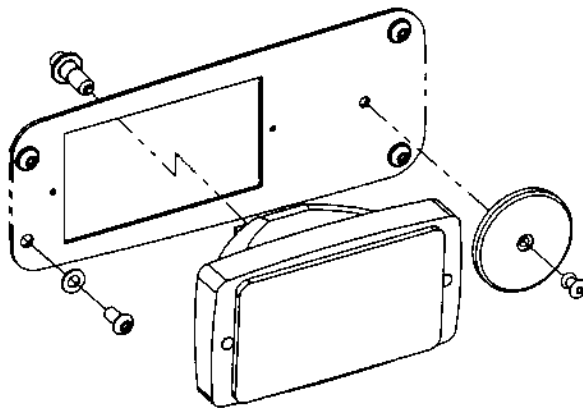
Working lights

Item	Part No	Rem Qty	Description	Code
1		2	Working lights front (Page 126)	
2		1	Working light rear (Page 128)	
		1	Working light (option) rear (Page 130)	
3		2	Casing rear (Page 132)	
4	4700791587	1	Switch, working light	
5		1	Cover plate rear (Page 134)	

Working lights front



Right side mount



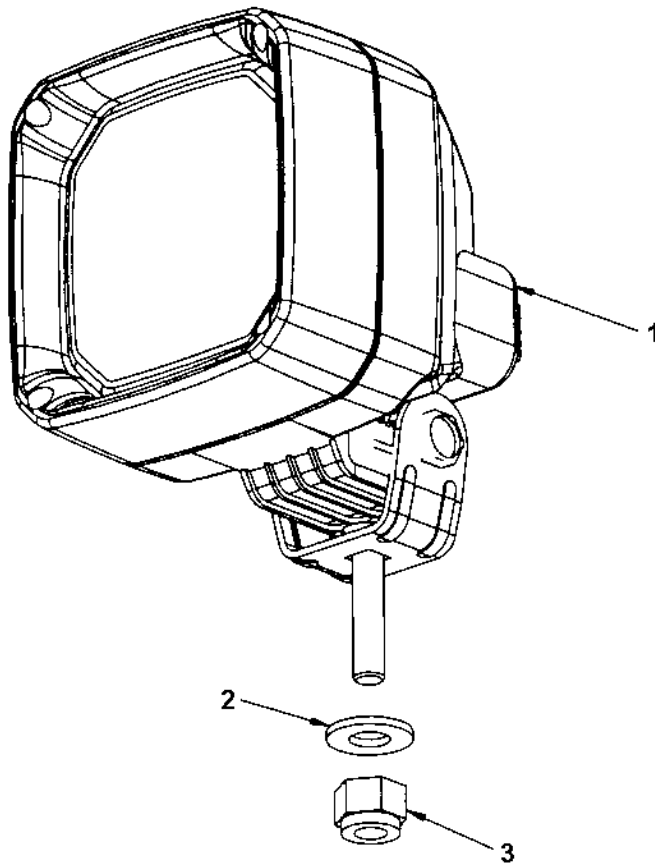
Left side mount

Working lights front

Item	Part No	Rem	Qty	Description	Code
1	4812113531		1	Bracket	
2	4700902227		1	Work light	
3	4700901369	A	1	. Bulb 55w H3	
4	4700904229		4	Steel plain washer 8,4x16x1,5	
5	4700904956		4	Screw	
6	4700791957		1	Reflector, white	
7	4700791754		1	Blind rivet	

A) Included in work light (p/n 4700902227)

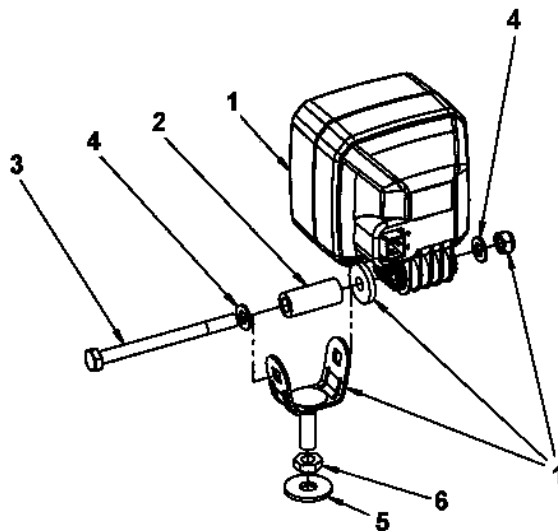
Working light rear



Working light rear

Item	Part No	Rem Qty	Description	Code
1	4812110216	1	Work lamp	
2	4700904230	1	Steel plain washer	
3	4700586018	1	Hexagon lock nut M10	

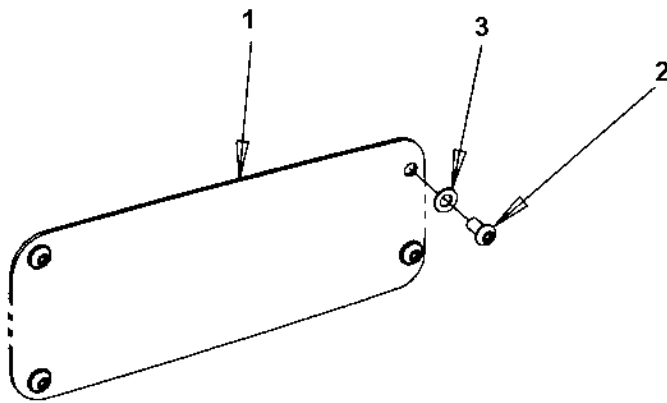
Working light (option) rear



Working light (option) rear

Item	Part No	Rem Qty	Description	Code
1	4812110216	1	Work lamp	
2	4700391115	1	Spacer sleeve	
3	4700500096	1	Screw	
4	4700904229	2	Steel plain washer 8,4x16x1,5	
5	4700928441	1	Washer	
6	4700573005	1	Nut	

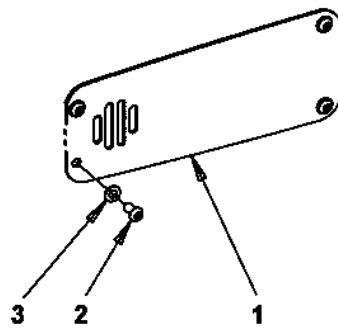
Casing rear



Casing rear

Item	Part No	Rem Qty	Description	Code
1	4812111950	1	Cover plate	
2	4700904956	4	Screw	
3	4700904229	4	Steel plain washer 8,4x16x1,5	

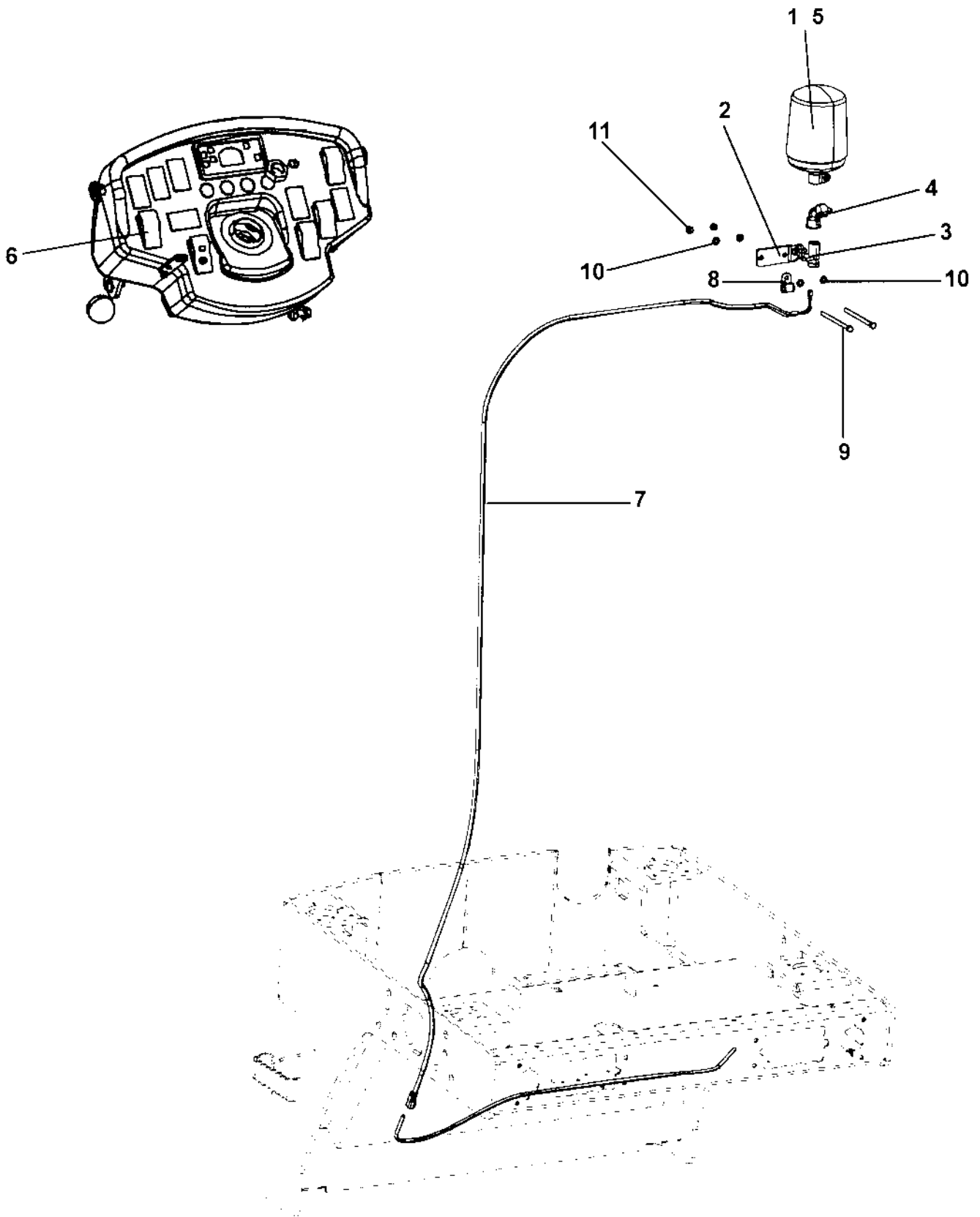
Cover plate rear



Cover plate rear

Item	Part No	Rem Qty	Description	Code
1	4812114872	1	Cover plate	
2	4700904956	4	Screw	
3	4700904229	4	Steel plain washer 8,4x16x1,5	

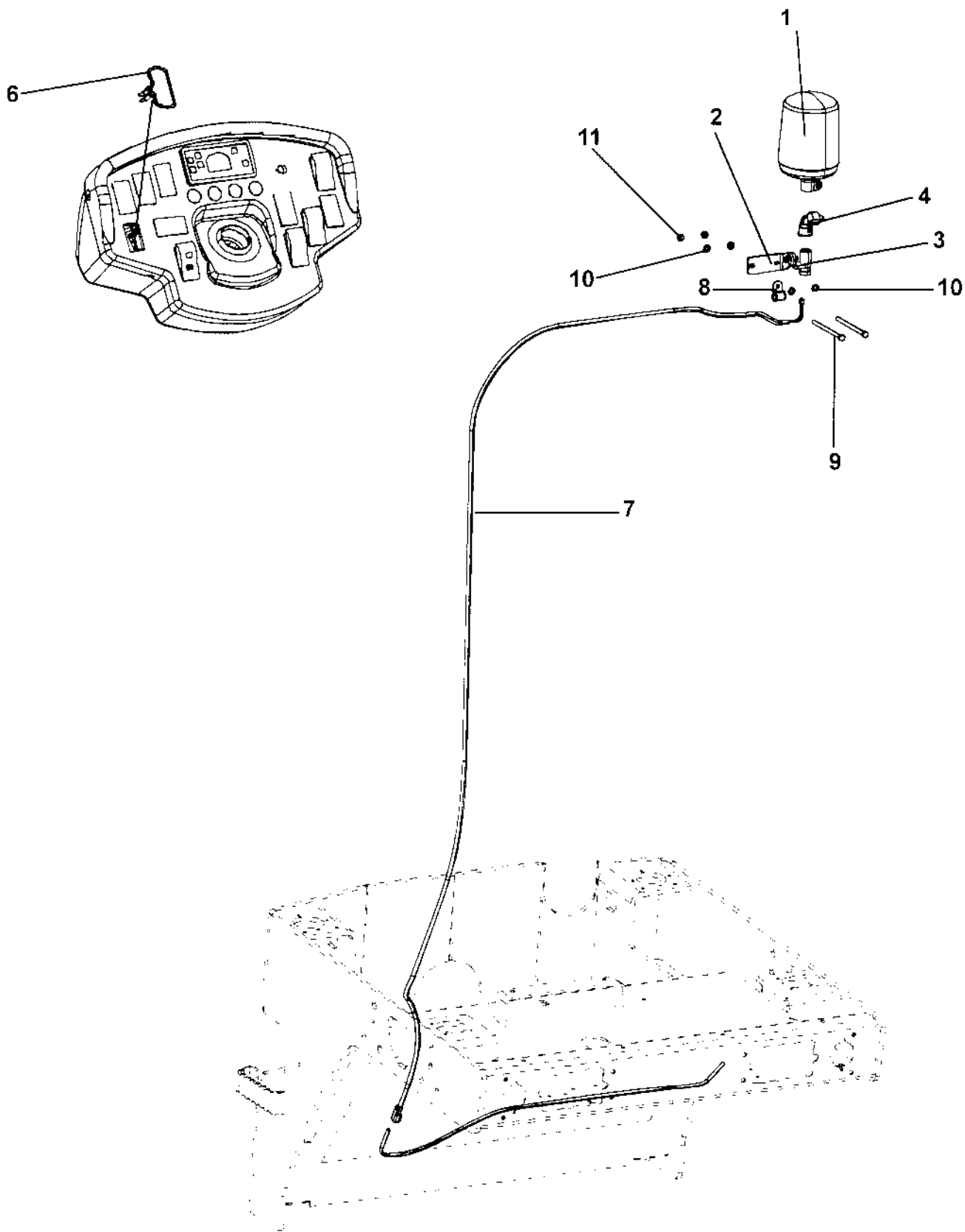
Rotating beacon for ROPS (option)



Rotating beacon for ROPS (option)

Item	Part No	Rem Qty	Description	Code
1	4700389577	1	Rotating beacon 12V	
2	4700389561	1	Bracket	
3	4700791981	1	Connector plug	
4	4700791980	1	Rubber protection	
5	4700985126	1	Bulb	
6	4700791585	1	Switch, rotating beacon	
7	4812113077	1	Cable harness	
8	4700921072	1	Clamp	
9	4700500143	2	Screw	
10	4700904229	4	Steel plain washer 8,4x16x1,5	
11	4700586003	2	Lock nut M8	
12	4700313041	N	Cable ties L=200 mm	

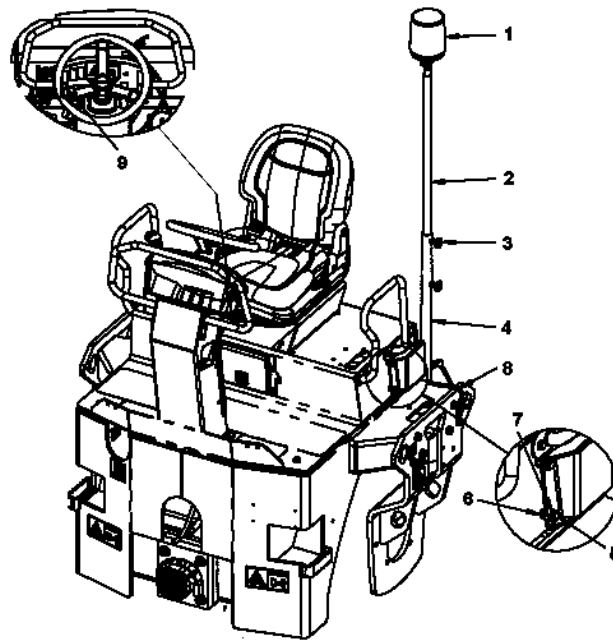
Rotating beacon for ROPS ignition controlled (option)



Rotating beacon for ROPS ignition controlled (option)

Item	Part No	Rem Qty	Description	Code
1	4700389577	1	Rotating beacon 12V	
	4700985126	1	. Bulb	
2	4700389561	1	Bracket	
3	4700791981	1	Connector plug	
4	4700791980	1	Rubber protection	
6	4811000077	1	Connection cable	
7	4812113077	1	Cable harness	
8	4700921072	1	Clamp	
9	4700500143	2	Screw	
10	4700904229	4	Steel plain washer 8,4x16x1,5	
11	4700586003	2	Lock nut M8	
12	4700313041	N	Cable ties L=200 mm	

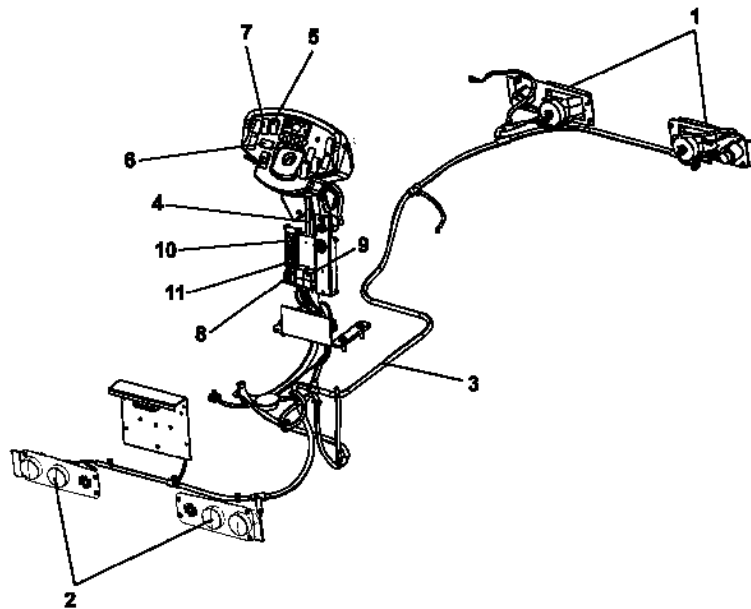
Rotating beacon, without rops (option)



Rotating beacon, without rops (option)

Item	Part No	Rem Qty	Description	Code
1	4700389577	1	Rotating beacon 12V	
	4700985126	1	Bulb	
2	4700357663	1	Lamp holder	
3	4700499162	2	Hand knob	
4	4700357679	1	Lamp holder	
5	4700500028	2	Screw	
6	4700586018	2	Hexagon lock nut M10	
7	4700904230	2	Steel plain washer	
8	4812113077	1	Cable harness	
9	4700791585	1	Switch, rotating beacon	
10	4700313041	N	Cable ties L=200 mm	

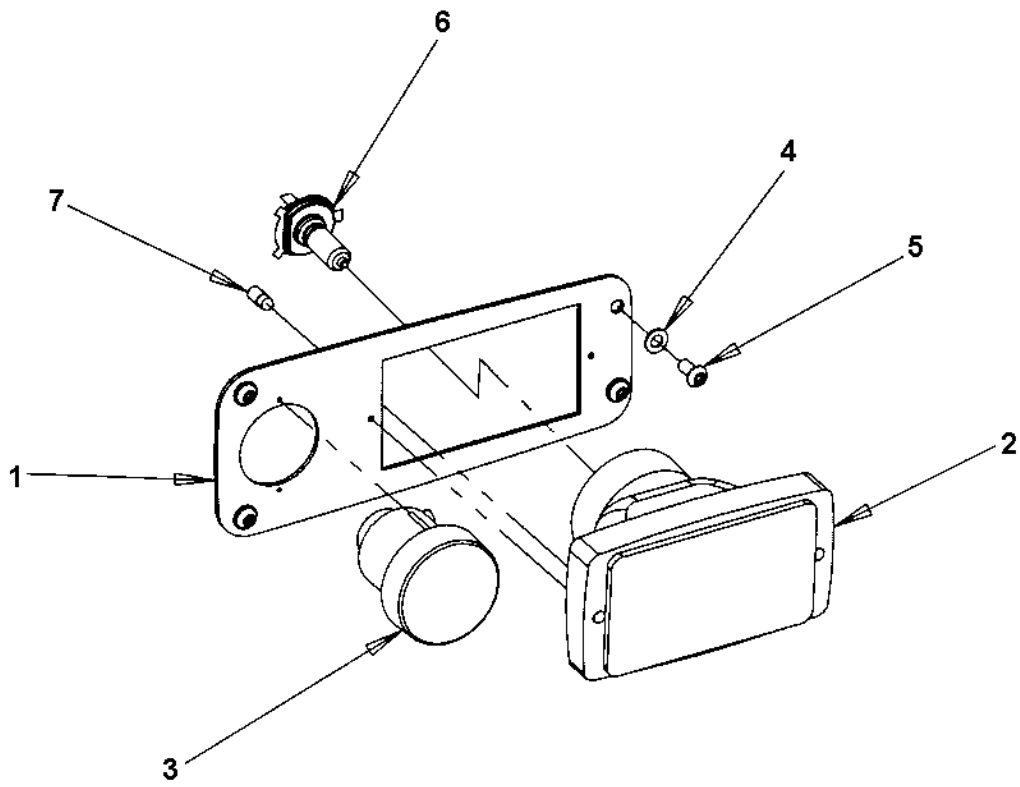
Driving lights Front RH (option)



Driving lights Front RH (option)

Item	Part No	Rem Qty	Description	Code
1		2	Driving lights Front (Page 144)	
2		2	Driving lights Rear (option) (Page 146)	
3	4812112472	1	Cable harness	
4	4812112468	1	Cable harness	
5	4700791584	1	Switch, hazard flashers	
6	4700792413	1	Switch, drive direction	
7	4700791583	1	Switch, driving light	
8	4700904989	1	Flash relay	
9	4700903956	1	Relay 30A	
10	4700901225	2	Fuse 5A	
11	4700901227	1	Fuse 10A	
12	4700791916	2	Screw	
13	4700313041	N	Cable ties L=200 mm	

Driving lights Front

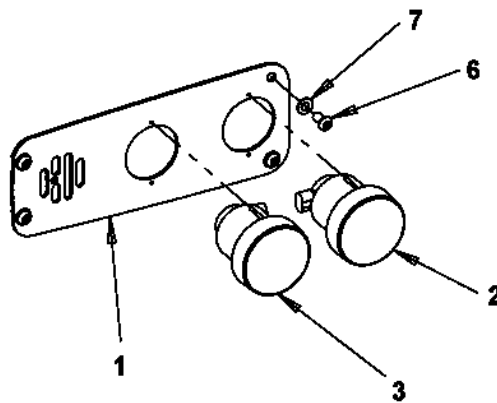


Driving lights Front

Item	Part No	Rem	Qty	Description	Code
1	4812111951		1	Light bracket	
2	4700791951		1	Headlight w parking light Right hand asym	
3	4700791953		1	Direction indicator	
4	4700904229		4	Steel plain washer 8,4x16x1,5	
5	4700904956		4	Screw	
6	4700900790	A	1	Bulb 60/55w H4	
7	4700985012	A	1	Bulb 2w	

A) Included in head light (p/n 4700791951)

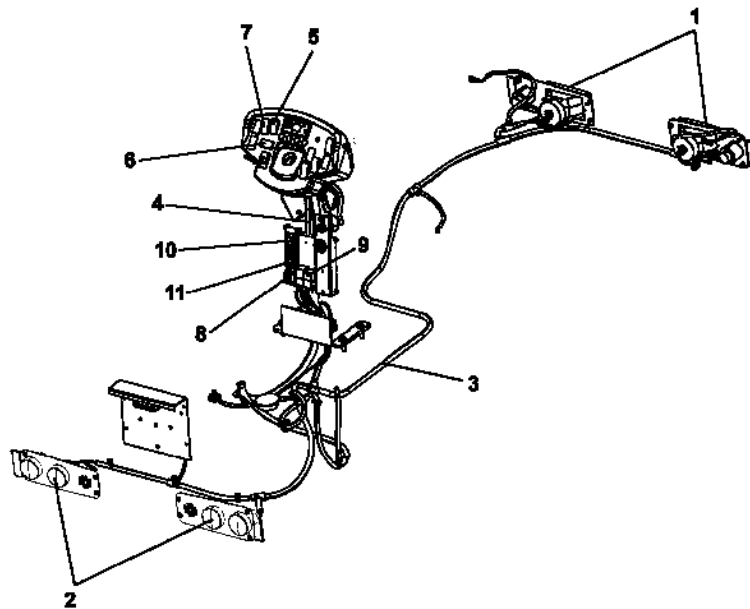
Driving lights Rear (option)



Driving lights Rear (option)

Item	Part No	Rem Qty	Description	Code
1	4812111952	1	Bracket	
2	4700791954	1	Direction indicator	
3	4700791955	1	Brake/position light	
6	4700904229	4	Steel plain washer 8,4x16x1,5	
7	4700904956	4	Screw	

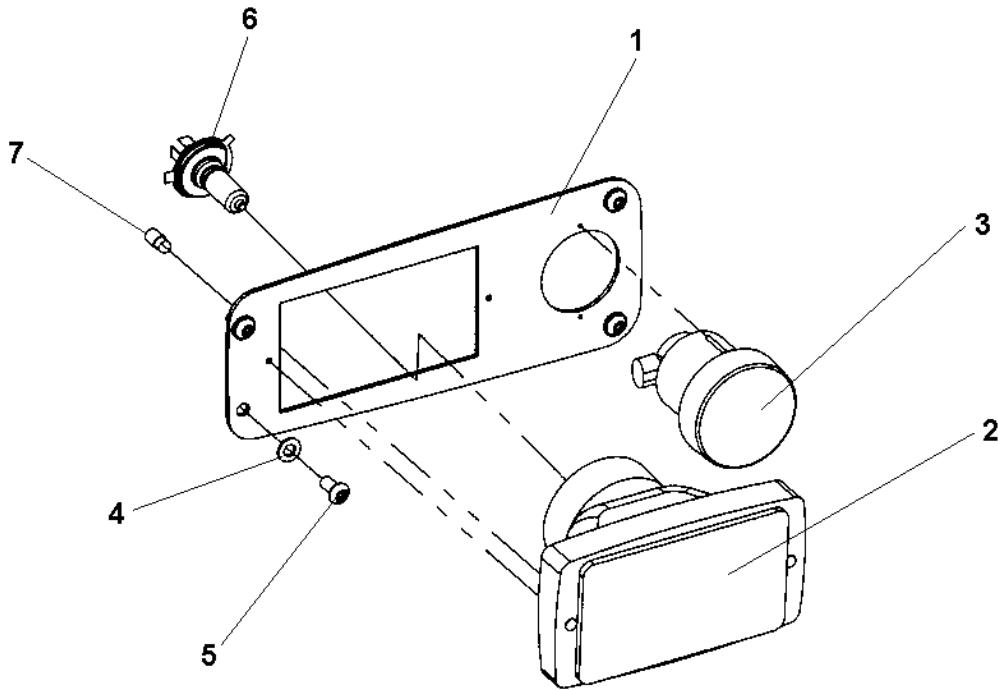
Driving lights Front LH (option)



Driving lights Front LH (option)

Item	Part No	Rem Qty	Description	Code
1		2	Driving lights Front (Page 150)	
2		2	Driving lights Rear (option) (Page 146)	
3	4812112472	1	Cable harness	
4	4812112468	1	Cable harness	
5	4700791584	1	Switch, hazard flashers	
6	4700792413	1	Switch, drive direction	
7	4700791583	1	Switch, driving light	
8	4700904989	1	Flash relay	
9	4700903956	1	Relay 30A	
10	4700901225	2	Fuse 5A	
11	4700901227	1	Fuse 10A	
12	4700791916	2	Screw	
13	4700313041	N	Cable ties L=200 mm	

Driving lights Front

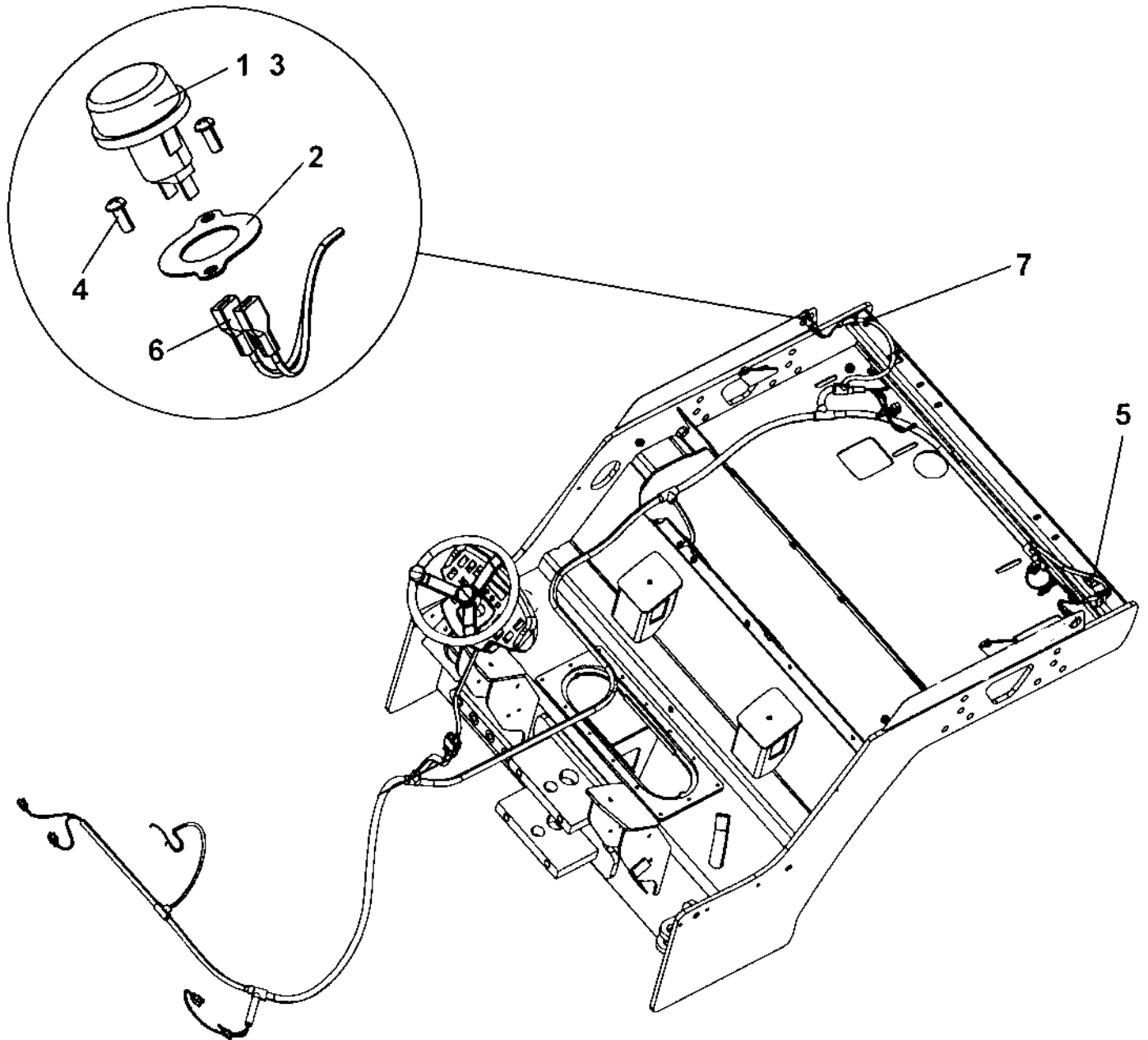


Driving lights Front

Item	Part No	Rem	Qty	Description	Code
1	4812111951		1	Light bracket	
2	4700792059		1	Headlight w parking light Left hand asym	
3	4700791953		1	Direction indicator	
4	4700904229		4	Steel plain washer 8,4x16x1,5	
5	4700904956		4	Screw	
6	4700900790	A	1	Bulb 60/55w H4	
7	4700985012	A	1	Bulb 2w	

A) Included in head light (p/n 4700792059)

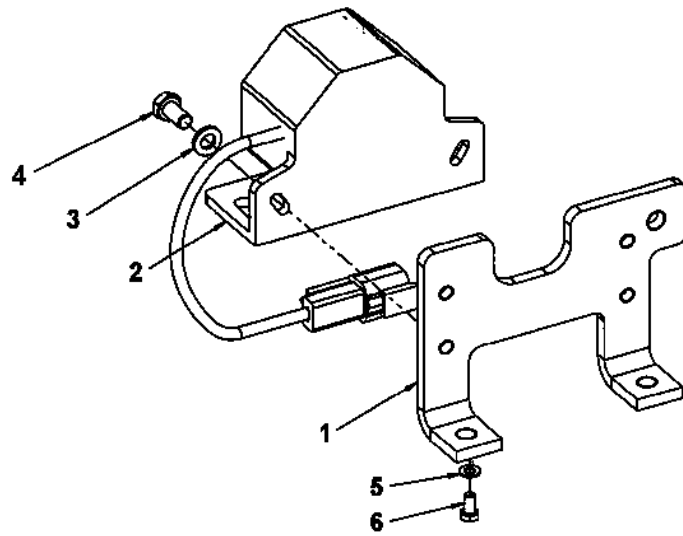
Direction indicator (option)



Direction indicator (option)

Item	Part No	Rem Qty	Description	Code
1	4700791704	2	Side direction light	
2	4700388382	2	Holder side light	
3	4700904889	2	Bulb	
4	4700791643	4	Screw	
5	4700903810	4	Cable tie holder	
6	4700960079	4	Connector	
7	4700313041	N	Cable ties L=200 mm	

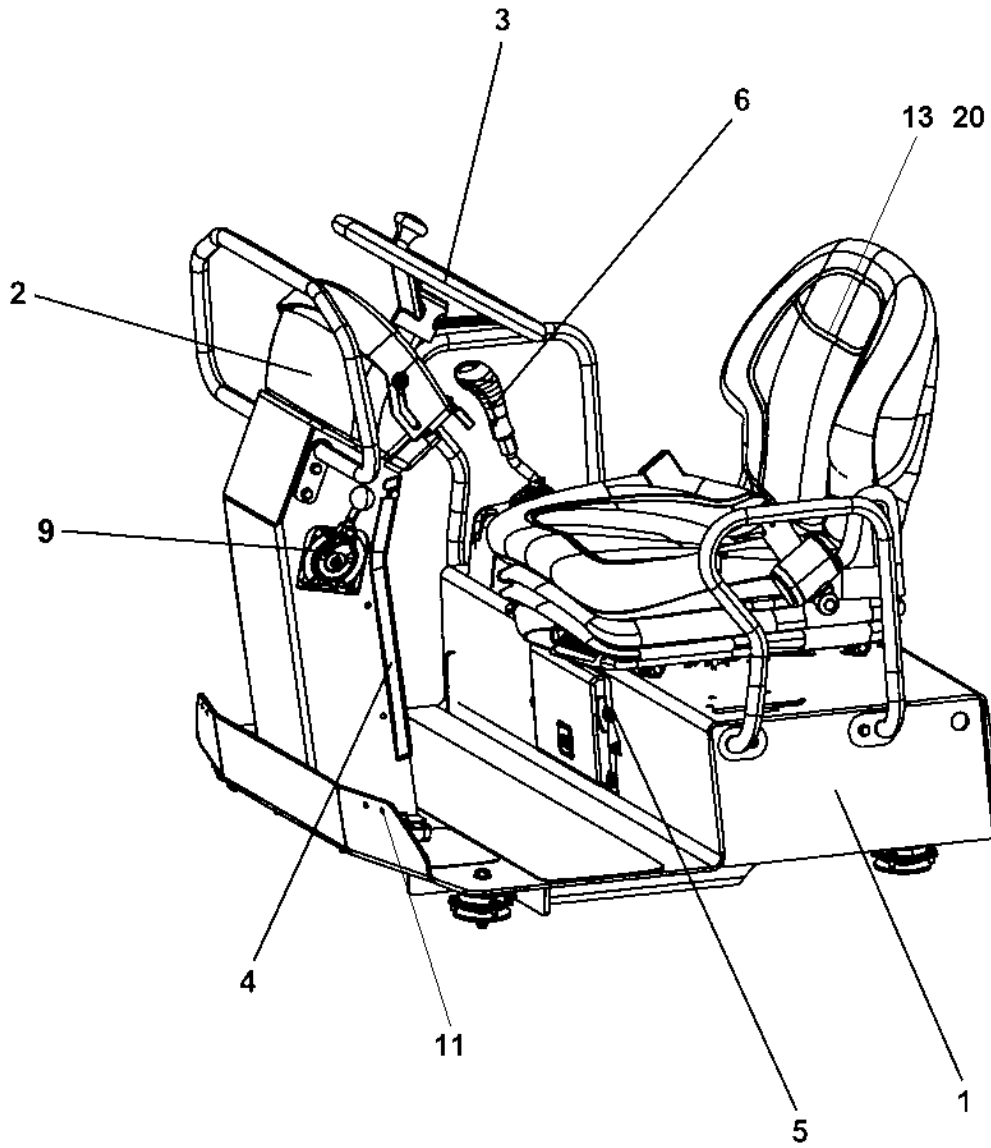
Back-up alarm



Back-up alarm

Item	Part No	Rem Qty	Description	Code
1	4700396768	1	Bracket	
2	4700792098	1	Back-up alarm	
3	4700904228	2	Washer 6,4x12x1,5	
4	4700500012	2	Screw M6x12	
5	4700904229	2	Steel plain washer 8,4x16x1,5	
6	4700500019	2	Screw M8x16H 8.8 A2K	

Drivers platform

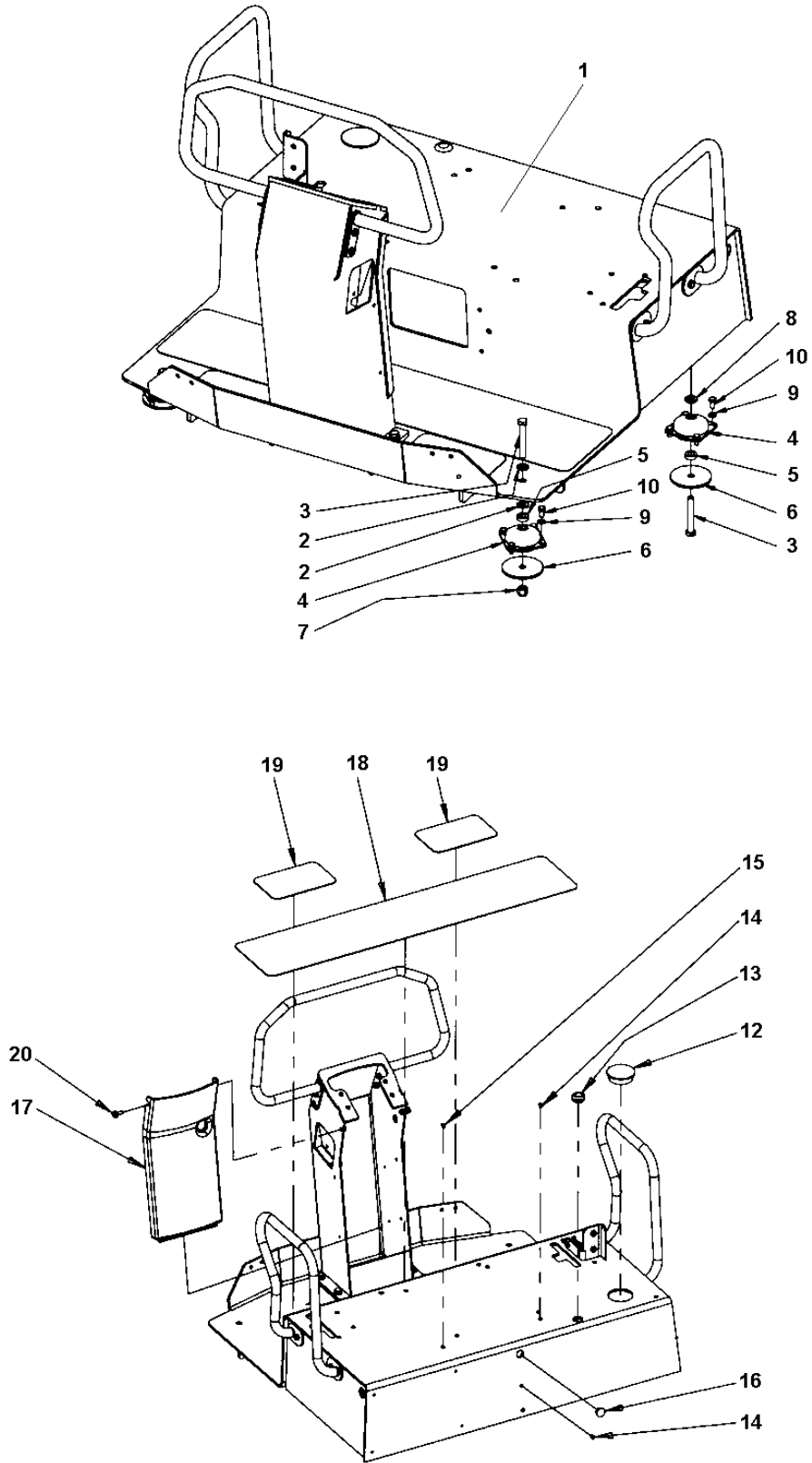


Drivers platform

Item	Part No	Rem	Qty	Description	Code
1				Platform module (Page 158)	
2				Instrument panel module (Page 162)	
3				Steering wheel (Page 164)	
4				Control module (Page 166)	
5				Standard ECU module (Page 168)	
6				Forward-Reverse control module (Page 170)	
				Forward-reverse control left (option) (Page 174)	
8				Cover plate, Dual F&R-control left side (Page 176)	
9				Throttle control, cpl (Page 178)	
				Throttle control cpl, Dual frequency (option) (Page 180)	
11				Arm rests, seat belt, laterally adjusting (Page 182)	
12				Step (option) (Page 184)	
13				Driver seat, Std (Page 186)	
				Driver seat, Luxury (option) (Page 188)	
				Driver's seat, without armrests (option) (Page 190)	
14	4700379637			Seat belt kit, static 3"	
				Seat belt module 3"	
15				Seat belt module 2" (Page 192)	
16				Rear view mirror (option) (Page 194)	
17				ROPS, foldable (option) (Page 196)	
18				Rops (option) (Page 198)	
19				Canopy (option) (Page 200)	
20	4700348331	A	1	Seat cover	

A) For driver seat 4812118730 only.

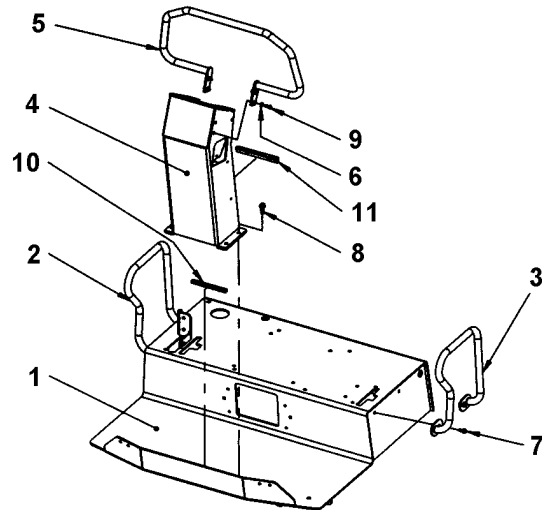
Platform module



Platform module

Item	Part No	Rem Qty	Description	Code
1		1	Platform mount (Page 160)	
2	4700904231	4	Washer 13x24x2 300 HV	
3	4700500117	4	Screw M12x80H 8,8	
4	4700902797	4	Shock absorber	
5	4700902892	4	Washer	
6	4700358232	4	Washer	
7	4700586019	2	Lock nut	
8	4700904703	2	Steel plain washer	
9	4700904229	16	Steel plain washer 8,4x16x1,5	
10	4700500019	16	Screw M8x16H 8.8 A2K	
12	4700923844	1	Plug	
13	4700903192	2	Grommet	
14	4700926215	4	Protective plug	
15	4700902919	2	Plug	
16	4700904225	1	Plug	
17	4700387226	1	Column cover	
18	4700357604	1	Protection	
19	4700357605	2	Protection	
20	4700500505	2	Screw M8x20 8.8	

Platform mount



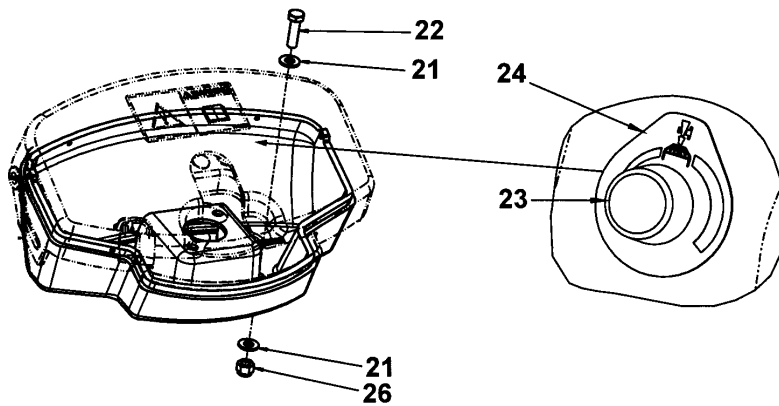
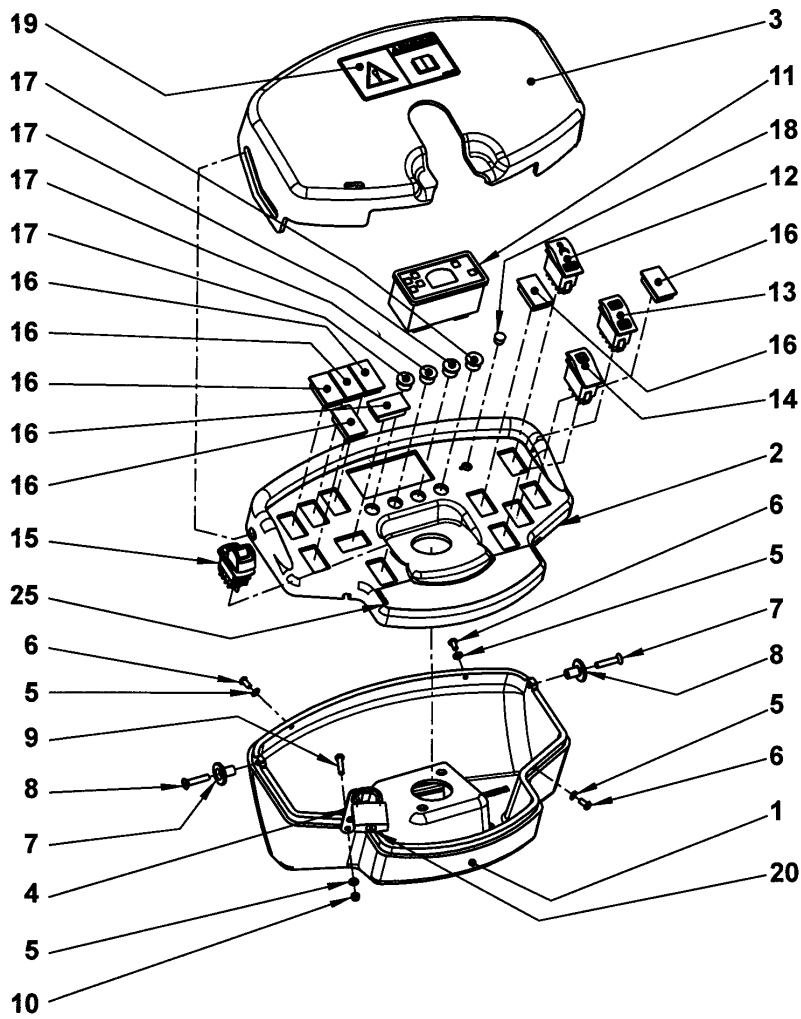
Platform mount

Item	Part No	Rem	Qty	Description	Code
1	4812111164		1	Platform	
2	4812113106		1	Hand rail Right	
3	4812113107		1	Hand rail Left	
4	4812112091		1	Steering column	
5	4812112532		1	Hand rail Front	
6	4700904556		4	Washer 8,4x16x3,0	
7	4700500505		4	Screw M8x20 8.8	
8	4700791343		4	Screw	
9	4700791333		4	Screw	
10	4700902379	A	1	Edge trim	
11	4700902166	B	1	Edge trim	

A) L = 0,15 m

B) L = 0,18 m

Instrument panel module

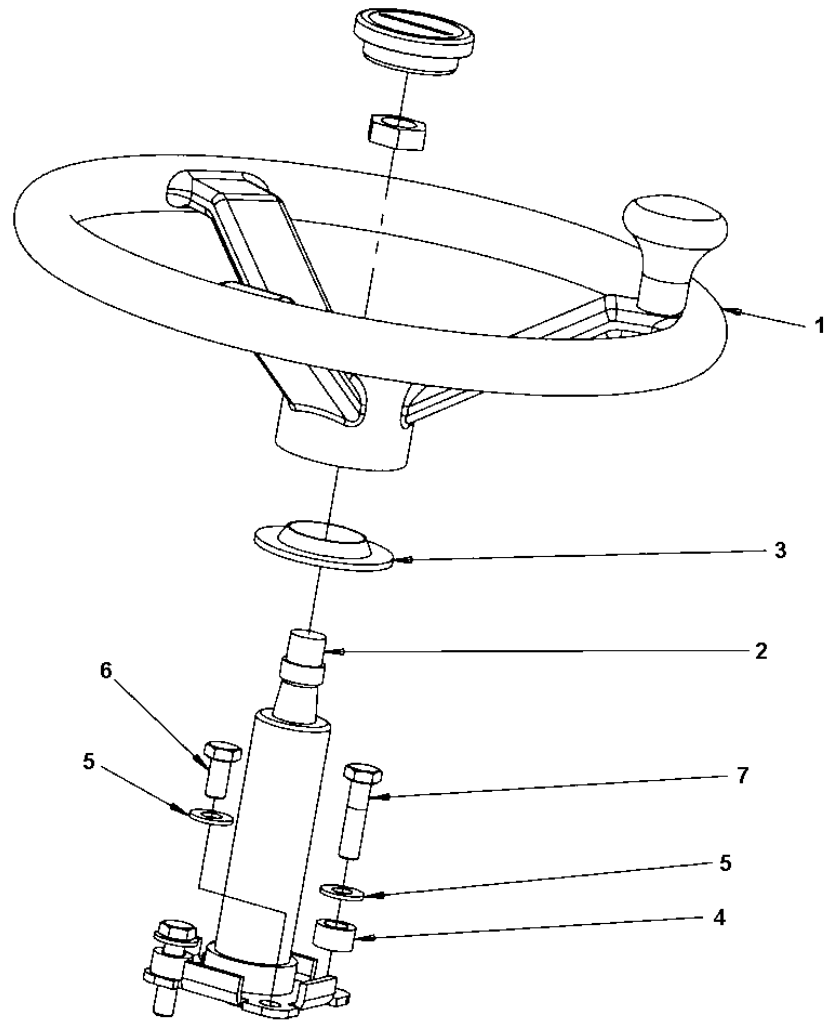


Instrument panel module

Item	Part No	Rem Qty	Description	Code
1	4812118686	1	Control panel	
2	4700391784	1	Control panel	
3	4700387227	1	Control panel cover	
4	4700387545	1	Latch	
5	4700904281	4	Washer 5,3x10x1 300HV	
6	4700903658	3	Screw M5x10	
7	4700357855	2	Bushing	
8	4700513017	2	Screw M6x30H 10,9	
9	4700500007	1	Screw M5-0,8x22H 8,8	
10	4700791476	1	Nut M5 -8	
11	4700395394	1	Control panel	
12	4700791579	1	Switch, sprinkler	
13	4700791580	1	Switch, vibration	
14	4700791578	1	Switch, horn	
15	4812118697	1	Switch, parking brake	
16	4700791588	7	Panel plug	
17	4700792320	4	Plug	
18	4700792083	1	Plug	
19	4700903459	1	Decal "SAFETY"	
20	4700358881	1	Pad lock	
21	4700904230	8	Steel plain washer	
22	4700500030	4	Screw M10x035H 8.8 A3K	
23	4700388737	A	Potentiometer	
24	4700377139	A	Decal	
25	4812115918	1	Decal "Starting instruction"	
26	4700586018	4	Hexagon lock nut M10	

A) Option on CC1100 and CC1200

Steering wheel

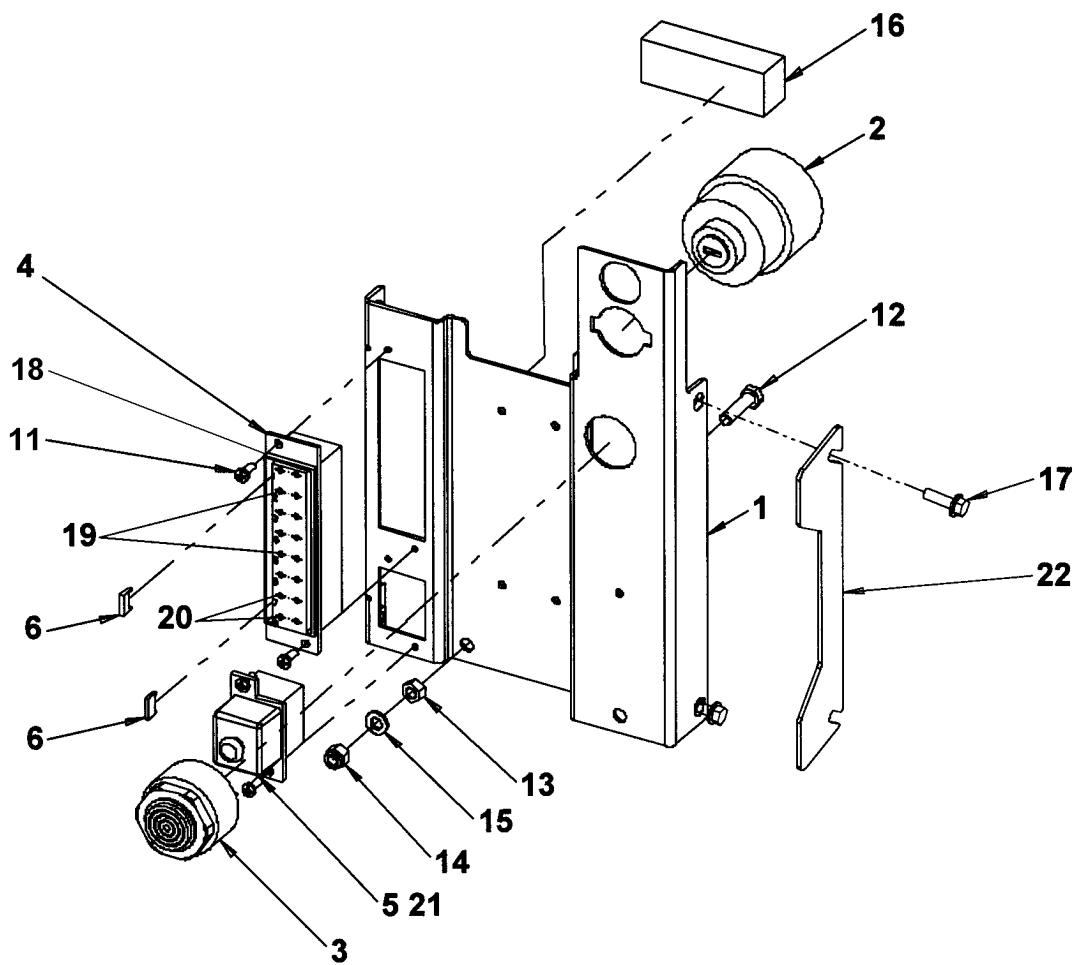


Steering wheel

Item	Part No	Rem	Qty	Description	Code
1	4700372964		1	Steering wheel, cpl	
	4700935614		1	. Turning knob	
	4700935613		1	. Cover	
2	4700902123	A	1	Steering column	
3	4700928830		1	Rubber washer	
4	4700355869		2	Spacer sleeve	
5	4700904230		4	Steel plain washer	
6	4700500048		2	Screw M10-1,5x20 8,8	
7	4700500031		2	Screw M10x040 8.8	

A) Cap/Nut supplied with steering wheel/column only.

Control module



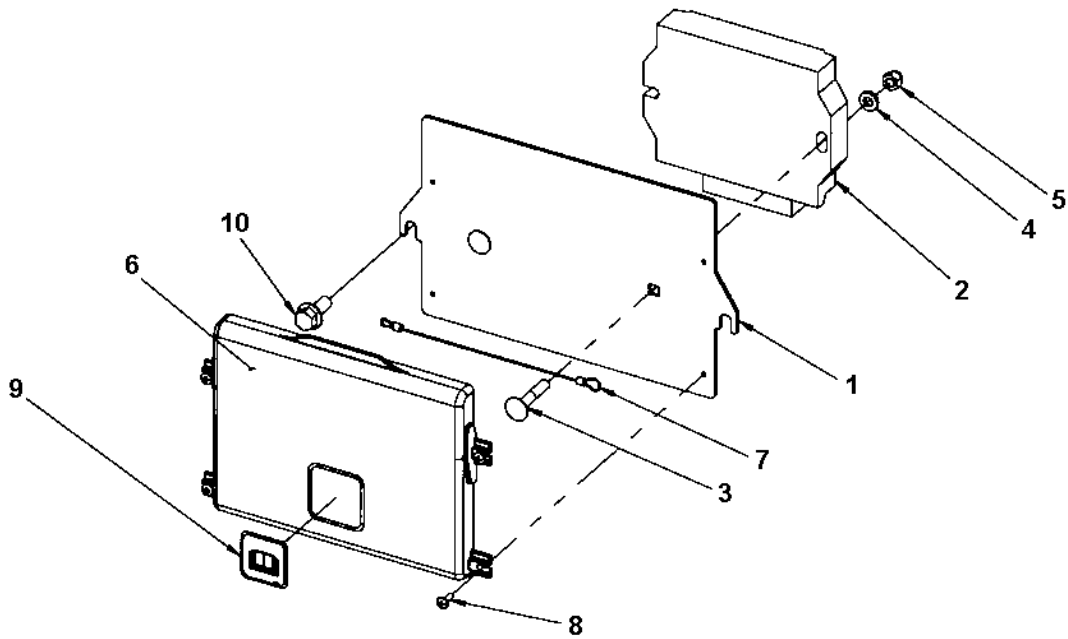
Control module

Item	Part No	Rem Qty	Description	Code
1	4700387683	1	Distribution control plate	
2	4700238158	1	Ignition switch	
	4700940451	1	. Key	
3	4700385599	1	Buzzer	
4	4700791185	1	Fuse box	
5	4700792091	B	Fuse holder	
6	4700791211	2	Contact bridge	
11	4700901767	4	Screw ST3,5x9,5 Black	
12	4700500075	1	Screw M6-1,0x25 8.8	
13	4700570004	1	Nut M6X1,00 -8 A2K	
14	4700586002	1	Lock nut M6 -8	
15	4700904228	1	Washer 6,4x12x1,5	
16	4700202042	A	N Rubber strip	
17	4812117868	4	Screw M05x16	
18	4700903741	1	Fuse 20A Yellow Medium	
19	4700901227	2	Fuse 10A	
20	4700901228	2	Fuse 15A	
21	4700901225	1	Fuse 5A	
22	4812117864	2	Shim	

A) L = 0,07 m

B) Available on Combi rollers and tandem rollers equipped with flow divider (option) only.

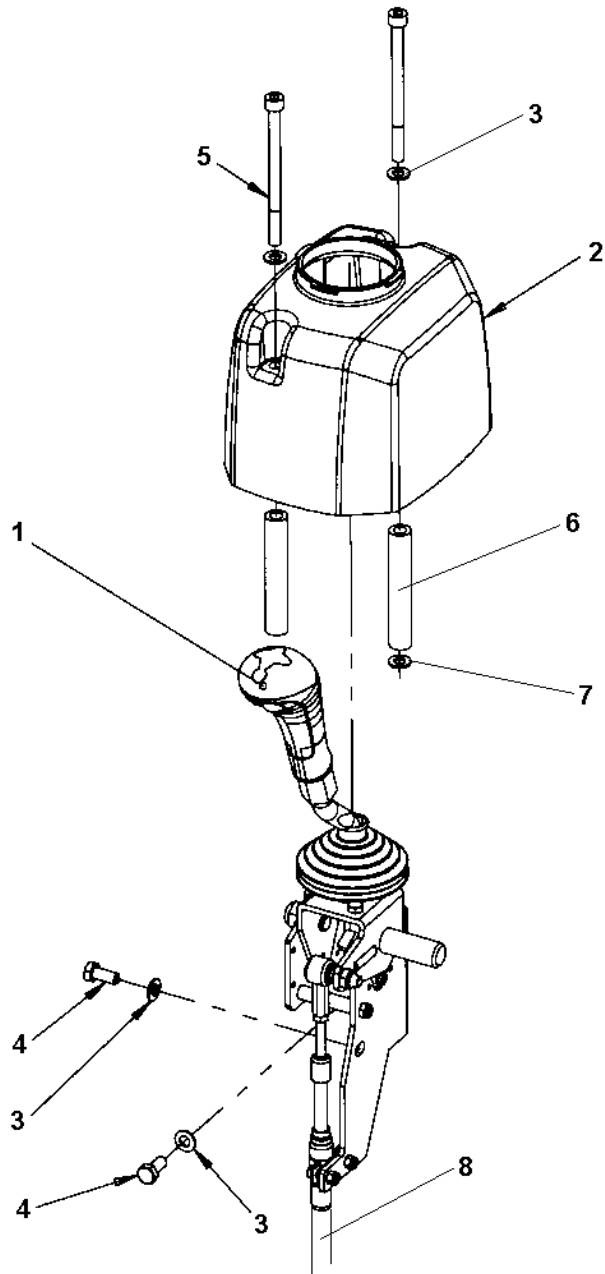
Standard ECU module



Standard ECU module

Item	Part No	Rem Qty	Description	Code
1	4700388447	1	Cover	
2	4812114386	1	Control unit, ECU	
3	4700791775	2	Bolt	
4	4700904556	2	Washer 8,4x16x3,0	
5	4700586003	2	Lock nut M8	
6	4700383705	1	Instruction book holder	
7	4700357643	1	Wire	
8	4700791226	4	Screw	
9	4700903425	1	Decal "SAFETY MANUAL"	
10	4700500505	2	Screw M8x20 8.8	

Forward-Reverse control module

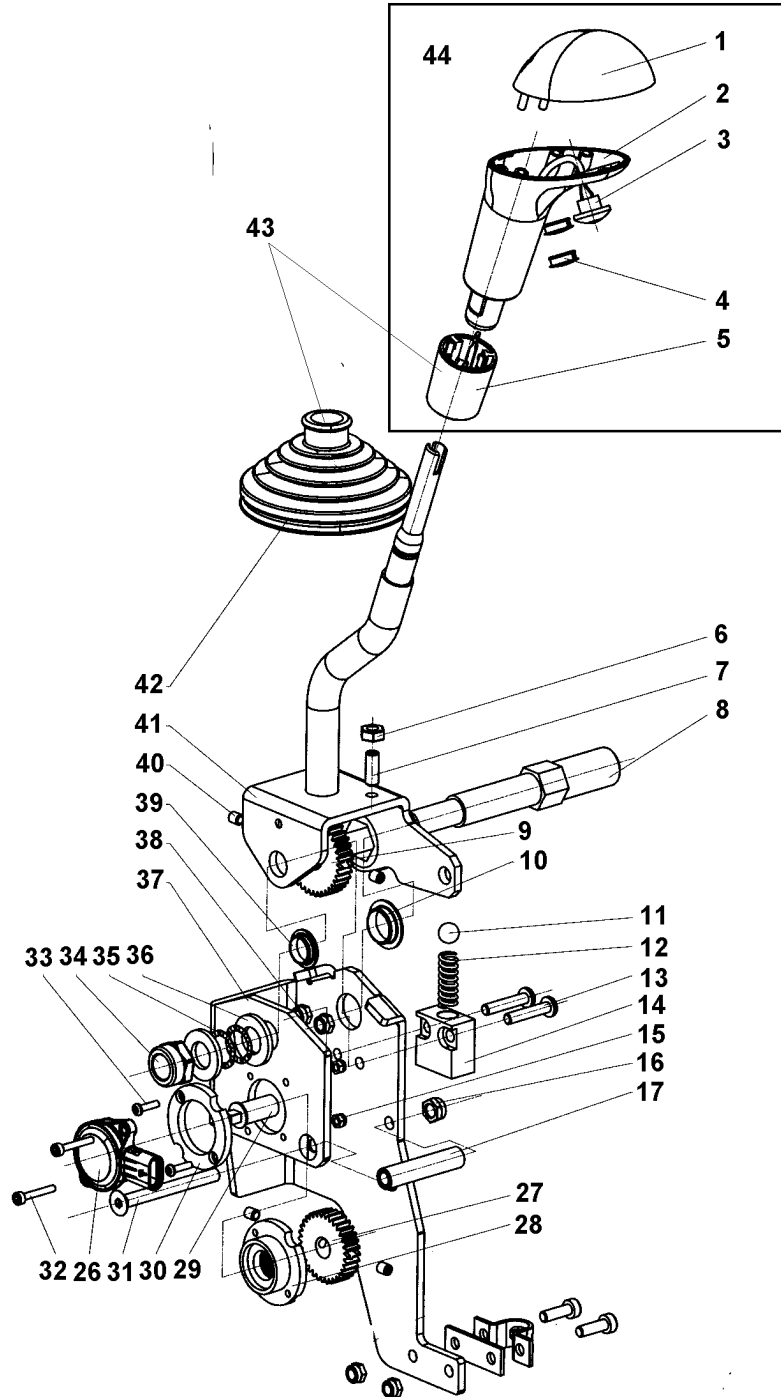


Forward-Reverse control module

Item	Part No	Rem Qty	Description	Code
1	4812113676	1	Forward and reverse control handle (Page 172)	
2	4812111128	1	Casing	
3	4700904229	5	Steel plain washer 8,4x16x1,5	
4	4700508092	3	Screw	
5	4700500180	2	Hexagon screw m	
6	4812113523	2	Spacer sleeve	
7	4700904044	2	Lock washer	
8	4812156577	A 1	Cable	

A) L = 2,80 m

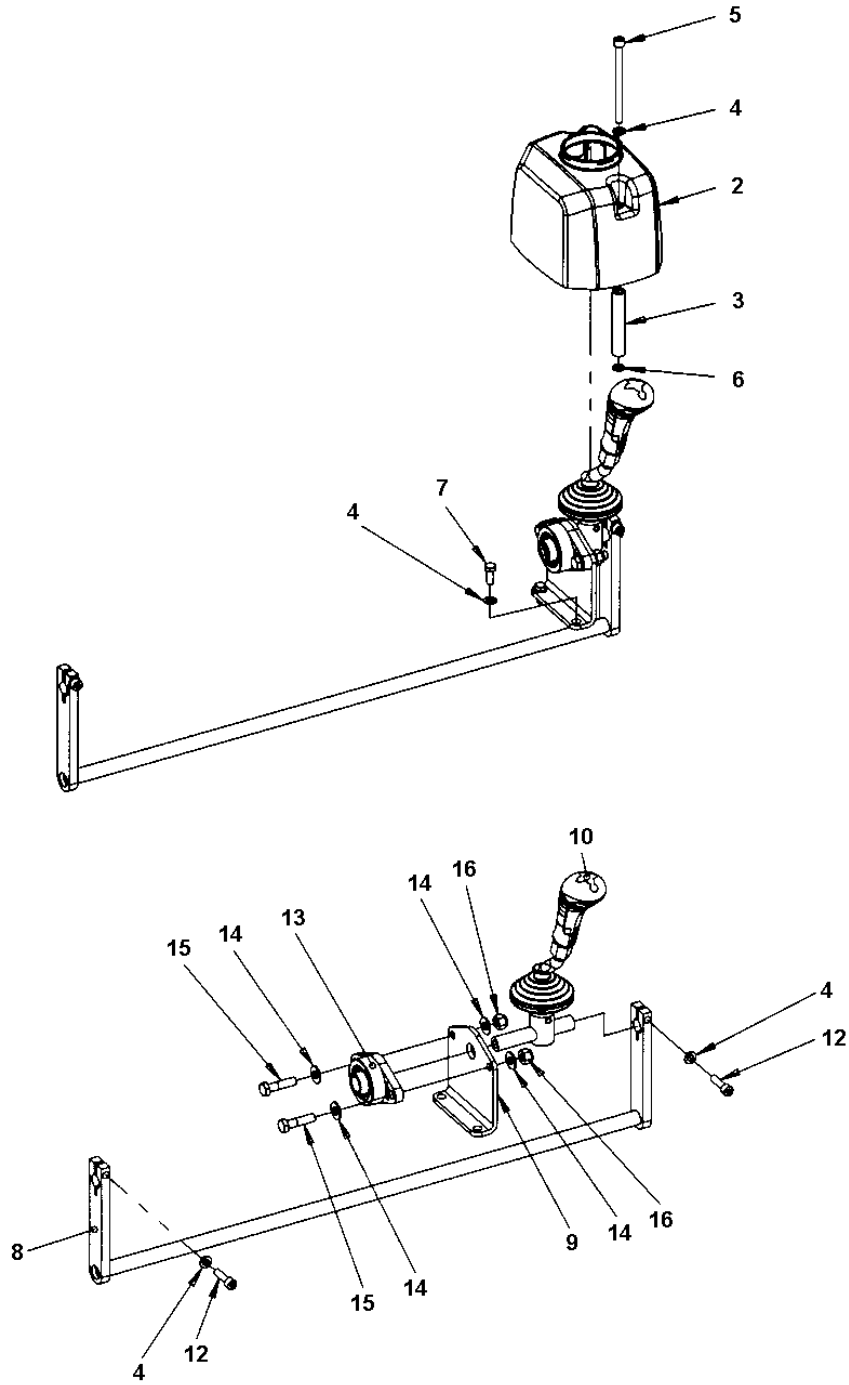
4812113676 Forward and reverse control handle



4812113676 Forward and reverse control handle

Item	Part No	Rem Qty	Description	Code
	4812113676	1	Forward and reverse control handle	
1	4812156558	1	. Handle top	
2	4812156559	1	. Handle	
3	4812156560	1	. Push button switch with cable	
4	4812156561	2	. Protection plug	
5	4812156562	1	. Sleeve (knob)	
6	4812159290	2	. Nut M5	
7	4812159291	2	. Screw M5	
8	4812156563	1	. Central shaft	
9	4812156564	1	. . Gear	
10	4812158258	1	. Bushing	
11	4812156565	1	. Sphere	
12	4812156566	1	. Spring	
13		2	. Screw M5	
14	4812156567	1	. Spring house	
15		4	. Lock nut M3	
16		1	. Lock nut M6	
17	4812156568	1	. Spacer	
26	4812156490	1	. Potentiometer	
27	4812156569	1	. . Gear	
28	4812156570	1	. . Internal spacer	
29	4812156571	1	. . Shaft	
30	4812156572	1	. . External spacer	
31	4812159197	1	. Screw M6	
32	4812159198	2	. Screw M3	
33	4812159199	2	. Screw M3	
34	4812159251	2	. Lock nut M12	
35	4812156573	2	. Sealing	
36	4812158260	2	. Washer	
37	4812156574	1	. Bracket	
38		2	. Lock nut M5	
39	4812158259	1	. Bushing	
40	4812159292	4	. Screw M5	
41	4812156575	1	. Lever	
42	4812156576	1	. Bellow	
43	4812157556	1	. Bellows kit	
	4812156562	1	. _Sleeve (knob)	
_42	4812156576	1	. _Bellow	
44	4812158267	1	Handle top + Button kit	
	4812156558	1	_Handle top	
	4812156559	1	_Handle	
	4812156560	1	_Push button switch with cable	
	4812156561	2	_Protection plug	
	4812156562	1	_Sleeve (knob)	

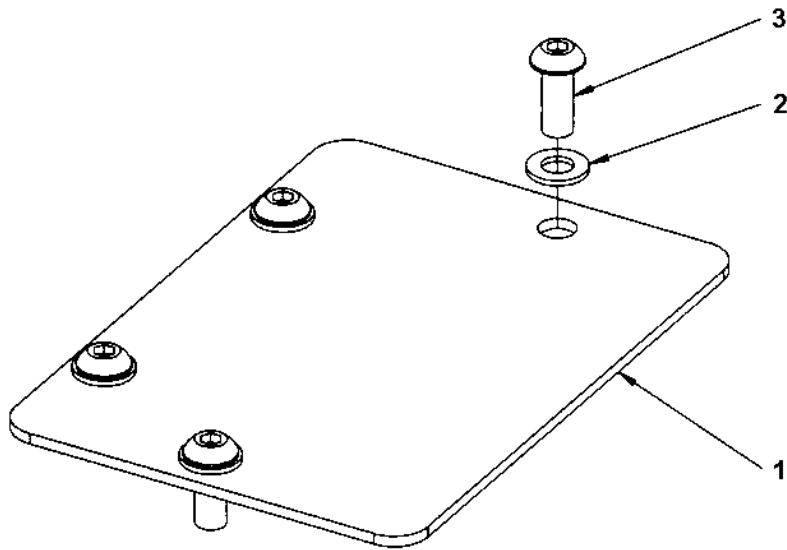
Forward-reverse control left (option)



Forward-reverse control left (option)

Item	Part No	Rem Qty	Description	Code
2	4812111128	1	Casing	
3	4812113523	1	Spacer sleeve	
4	4700904229	6	Steel plain washer 8,4x16x1,5	
5	4700500180	2	Hexagon screw m	
6	4700904044	2	Lock washer	
7	4700500053	2	Screw M8x20H 8.8	
8	4812112014	1	Connection link	
9	4812112013	1	Bracket	
10	4812113677	1	Forward-reverse control	
12	4700508048	2	Hexagon socket head cap screw	
13	4700791926	1	Y-bearing unit	
14	4700904230	4	Steel plain washer	
15	4700500031	2	Screw M10x040 8.8	
16	4700586018	2	Hexagon lock nut M10	

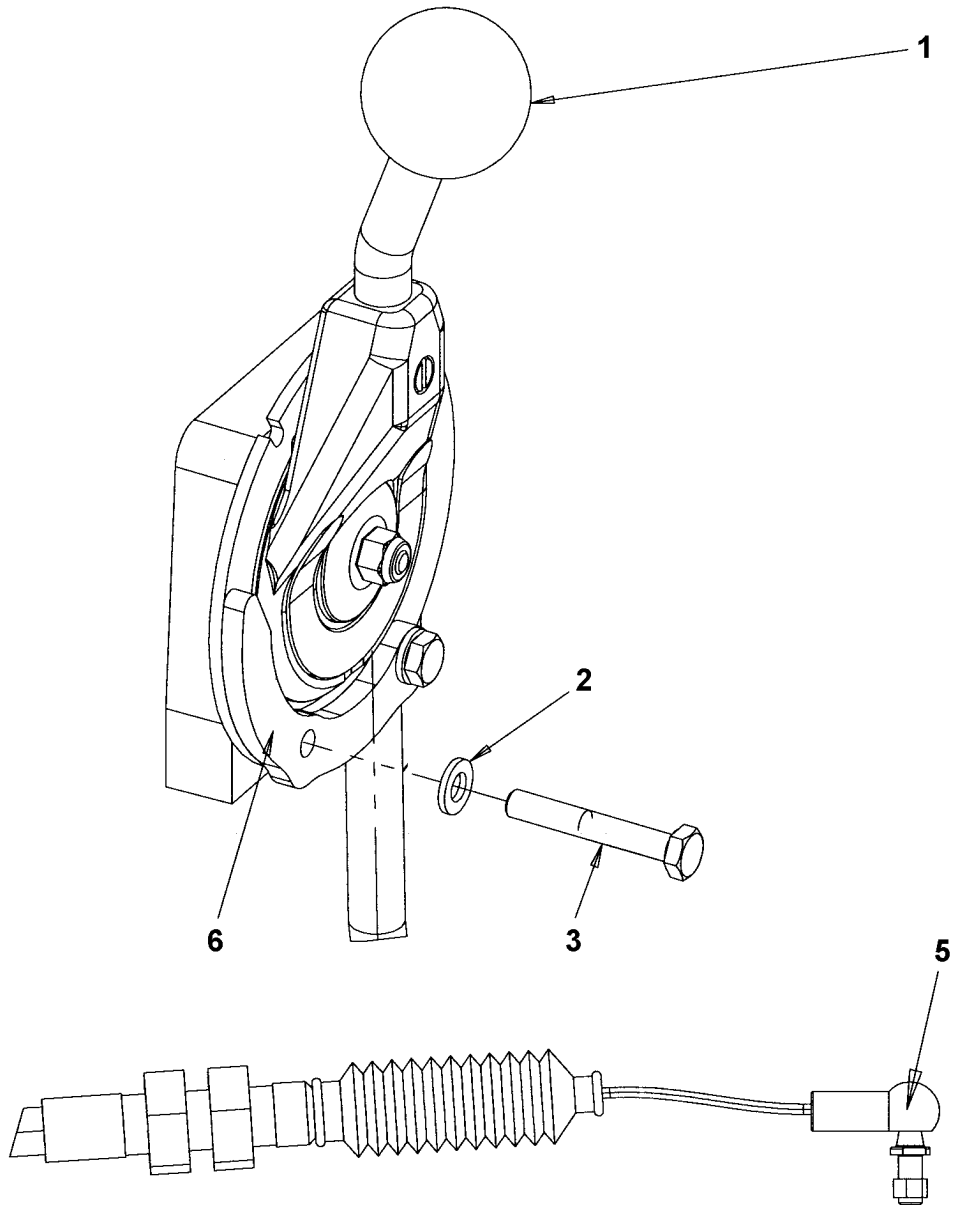
Cover plate, Dual F&R-control left side



Cover plate, Dual F&R-control left side

Item	Part No	Rem Qty	Description	Code
1	4812113987	1	Cover plate	
2	4700904229	4	Steel plain washer 8,4x16x1,5	
3	4700791333	4	Screw	

Throttle control, cpl

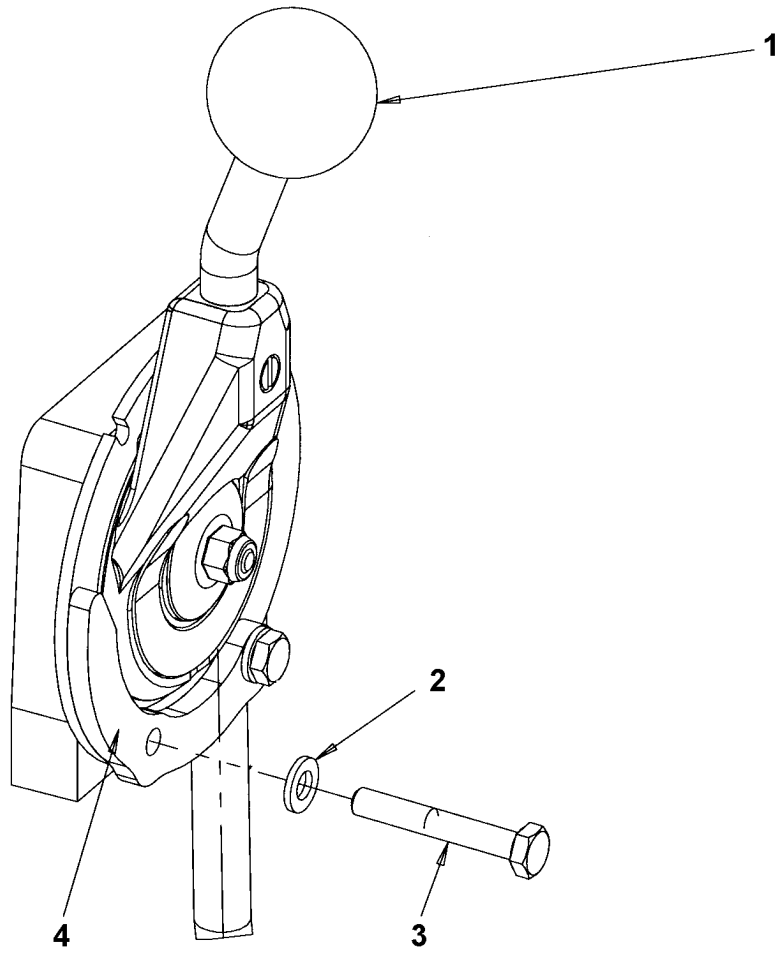


Throttle control, cpl

Item	Part No	Rem Qty	Description	Code
1	4812113165	1	Throttle control	
	4700389177	1	. Snap plate	
	4700382349	1	. Bellows	
		1	. Connection	
	4700396215	1	. Control	
2	4700904228	2	Washer 6,4x12x1,5	
3	4700500088	2	Screw M6x40	
4	4812113164	A	. Cable	
5	4700416034	1	Ball joint	
6	4812115865	1	Stop plate	

A) L = 2,23 m

Throttle control cpl, Dual frequency (option)

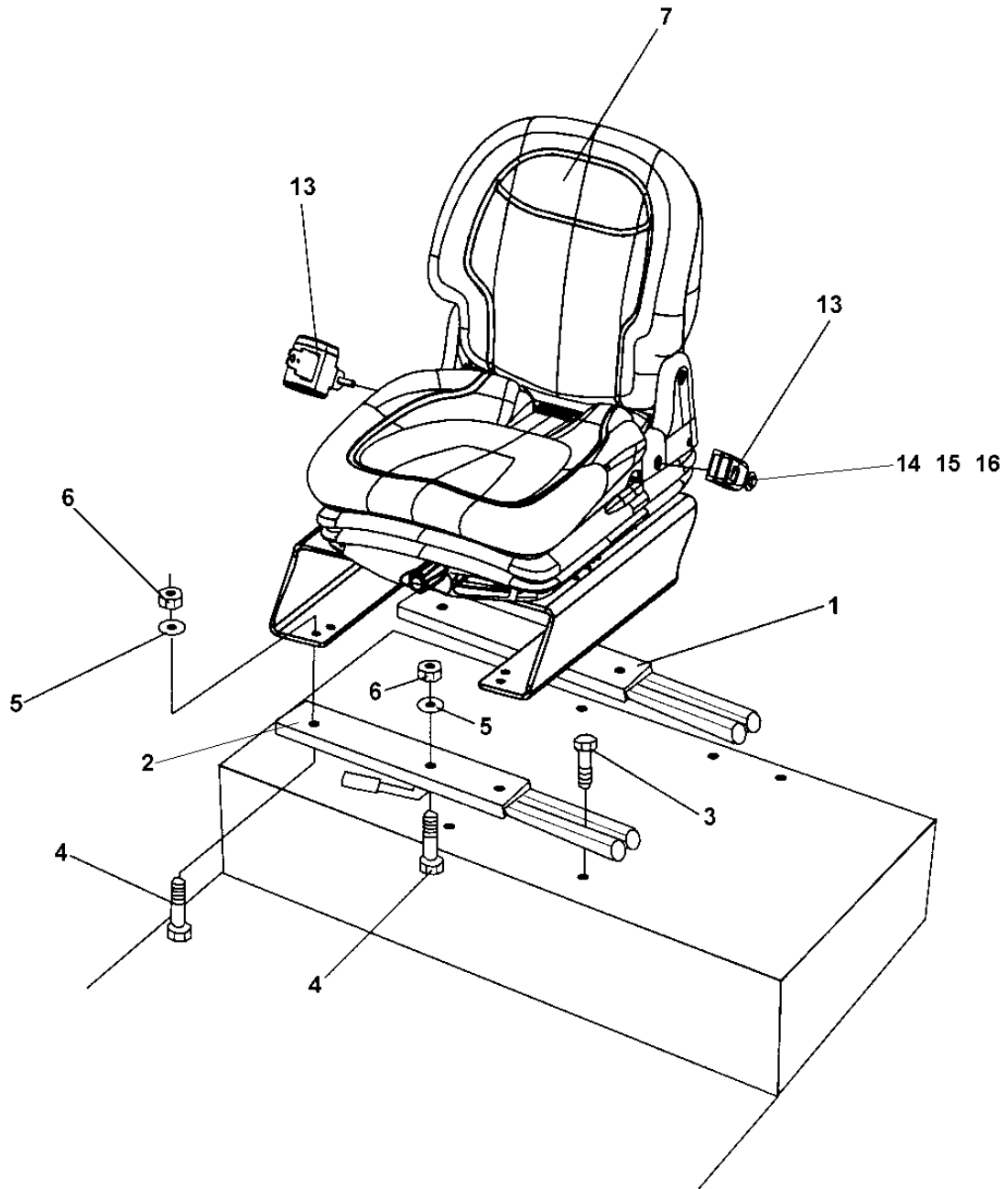


Throttle control cpl, Dual frequency (option)

Item	Part No	Rem	Qty	Description	Code
1	4812113166		1	Throttle control	
	4812113164	A	1	. Cable	
	4812113937		1	. Snap plate	
	4700382349		1	. Bellows	
			1	. Connection	
	4700396215		1	. Control	
2	4700904228		2	Washer 6,4x12x1,5	
3	4700500088		2	Screw M6x40	
4	4812115865		1	Stop plate	

A) L = 2,23 m

Arm rests, seat belt, laterally adjusting

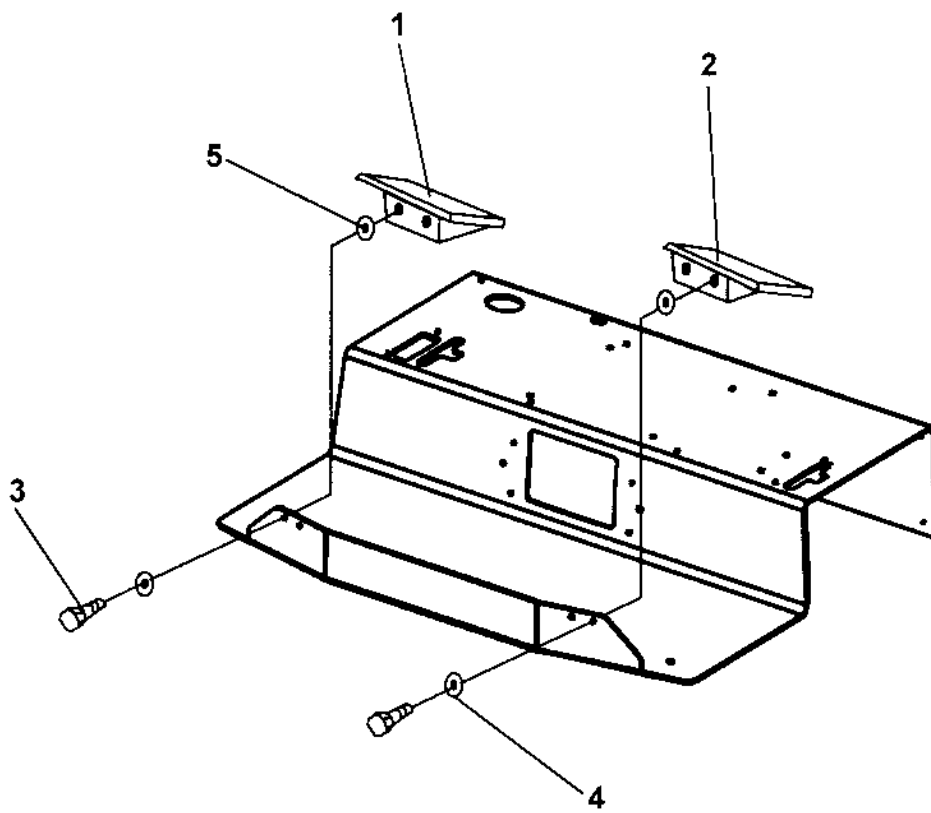


Arm rests, seat belt, laterally adjusting

Item	Part No	Rem	Qty	Description	Code
1	4700909536	A	1	Sliding rail Right	
2	4700909535	B	1	Sliding rail Left	
3	4700508092		10	Screw	
4	4700500020		4	Screw M8-1,25x22 8,8	
5	4700904229		6	Steel plain washer 8,4x16x1,5	
6	4700586003		4	Lock nut M8	
7	4700377518		1	Drivers seat, cpl	
	4700945622		1	. Seat switch	
13	4700377677	F	1	Seat belt 2"	
	4700379637	G	1	Seat belt kit, static 3"	
14			2	. Screw	
15			2	. Nut	
16			2	. Protection cap	

- A) Rear
- B) Front
- F) CPL
- G) Option, 3 "

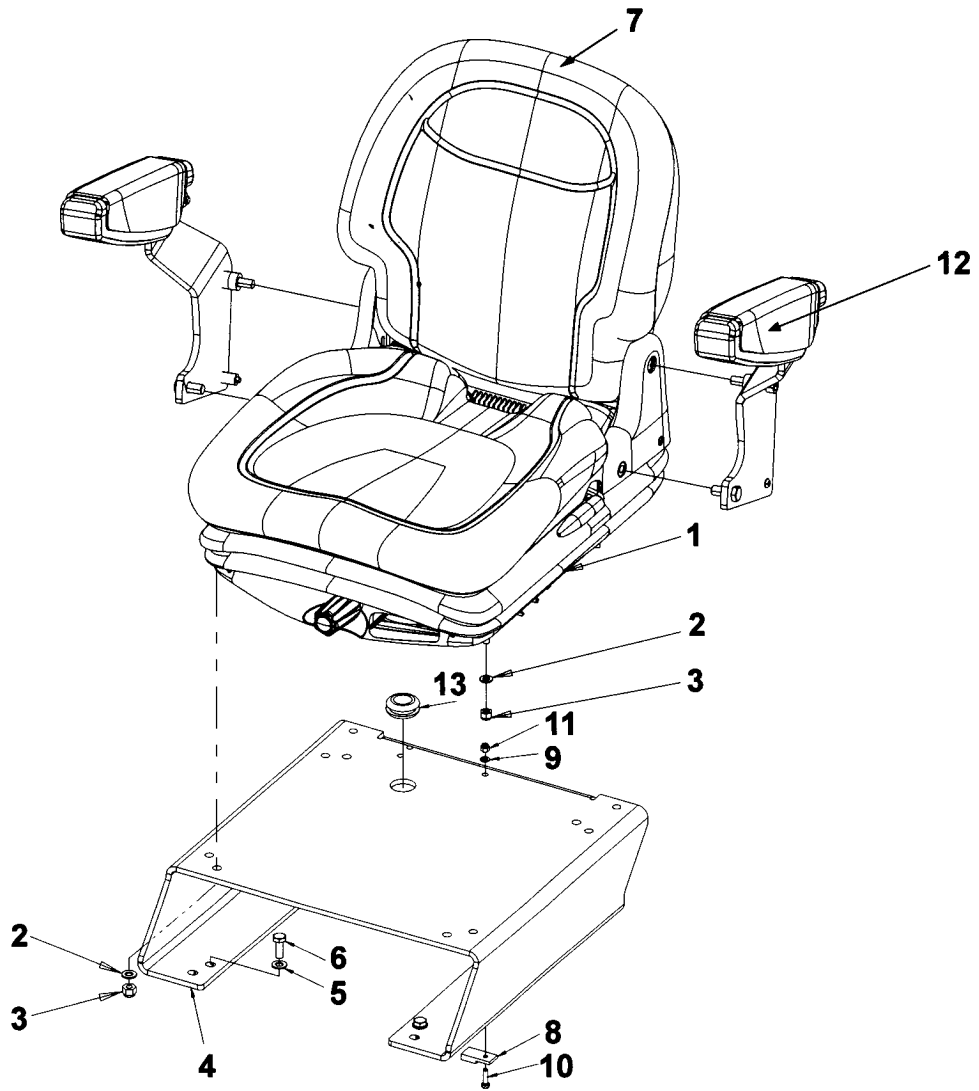
Step (option)



Step (option)

Item	Part No	Rem Qty	Description	Code
1	4700374132	1	Step	
2	4700374133	1	Step	
3	4700500021	4	Screw M8-1,25x25 8.8	
4	4700904229	4	Steel plain washer 8,4x16x1,5	
5	4700603009	4	Washer	

Driver seat, Std

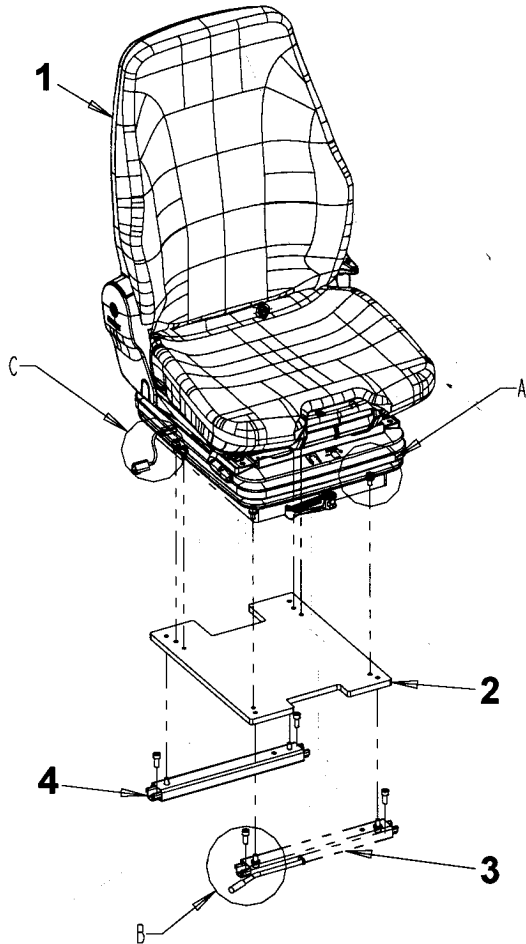


Driver seat, Std

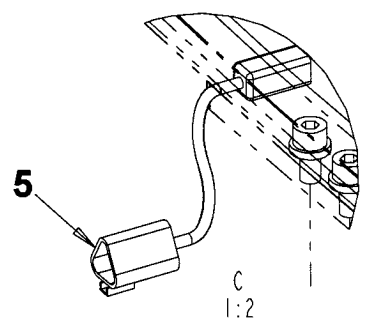
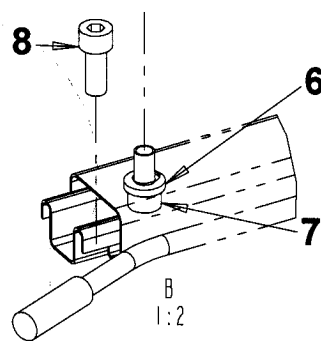
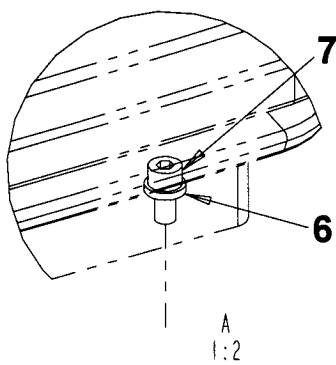
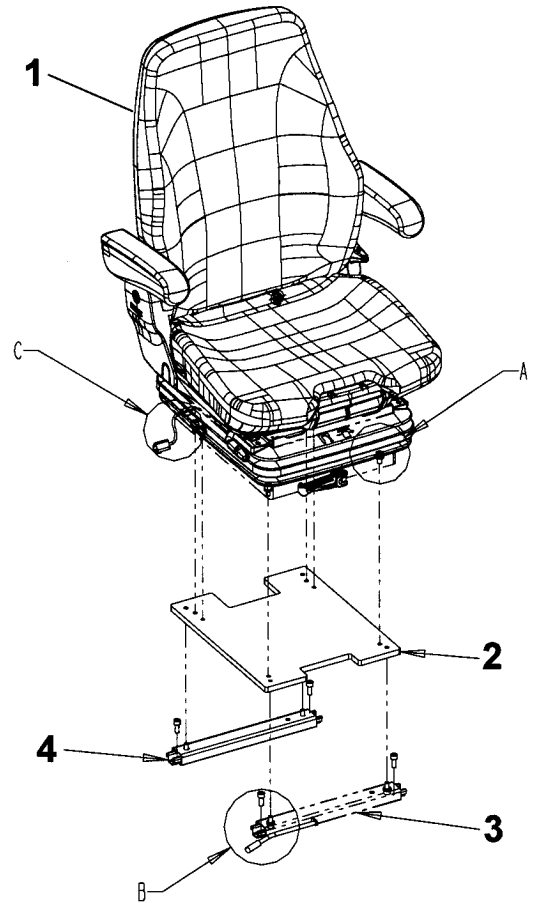
Item	Part No	Rem Qty	Description	Code
1	4700377518	1	Drivers seat, cpl	
	4700945622	1	. Seat switch	
2	4700904229	4	Steel plain washer 8,4x16x1,5	
3	4700586003	4	Lock nut M8	
4	4812112669	1	Seat frame	
5	4700904229	4	Steel plain washer 8,4x16x1,5	
6	4700500020	4	Screw M8-1,25x22 8,8	
7	4700348331	1	Seat cover	
8	4700904218	1	Holder	
9	4700904281	1	Washer 5,3x10x1 300HV	
10	4700533070	1	Screw	
11	4700586001	1	Lock nut	
12	4700390963	2	Arm rest kit	
13	4700903192	1	Grommet	

Driver seat, Luxury (option)

A



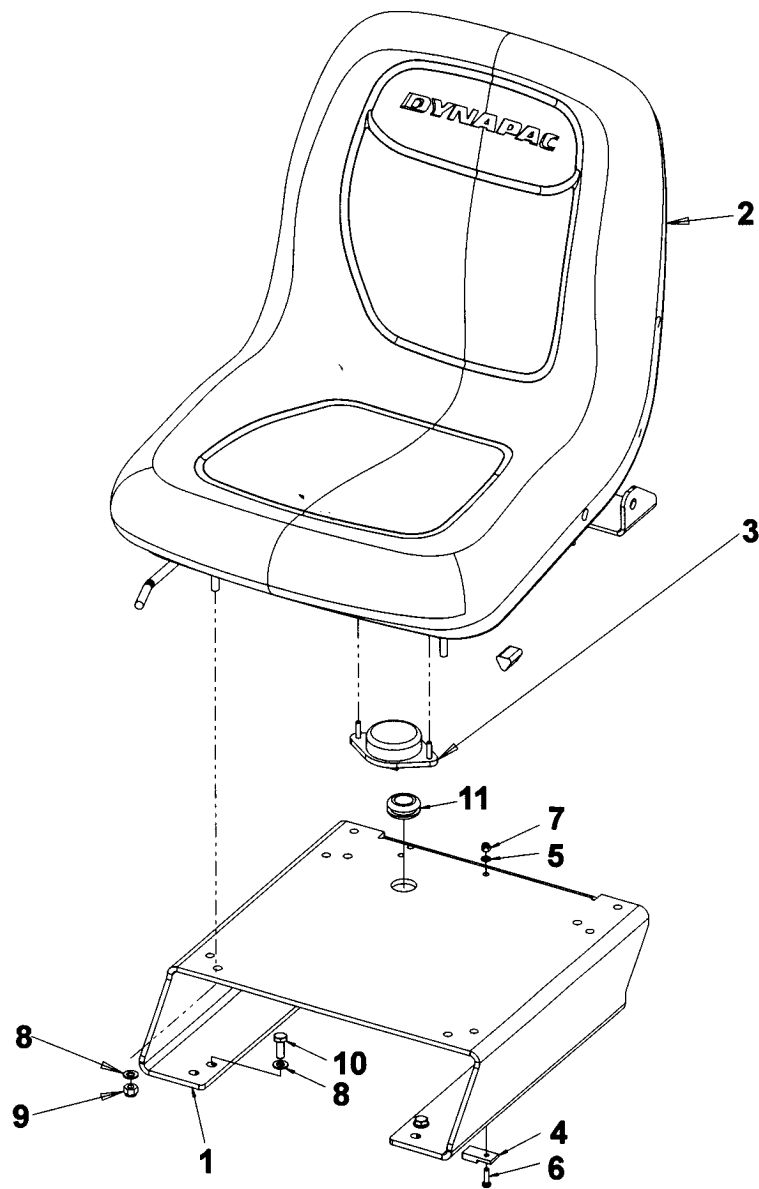
B



Driver seat, Luxury (option)

Item	Part No	Rem Qty	Description	Code
1	4812114975	1	Driver seat (without armrests)	
	4700381750	1	Drivers seat (with armrests)	
	4812160157	1	. Armrest Right	
	4812160158	1	. Armrest Left	
	4700938740	1	. Seat switch	
2	4700382237	1	Bracket	
3	4700909535	1	Sliding rail Left	
4	4700909536	1	Sliding rail Right	
5	4812115001	1	Cable harness	
6	4700904556	10	Washer 8,4x16x3,0	
7	4700508005	10	Screw	
8	4700508092	4	Screw	
9	4700386075	1	Seat protection	

Driver's seat, without armrests (option)

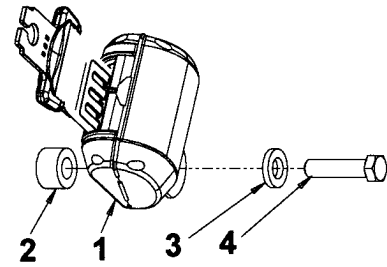
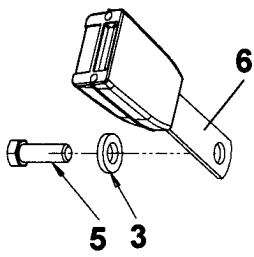


Driver's seat, without armrests (option)

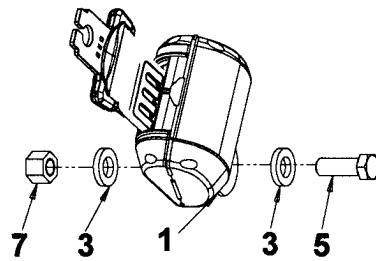
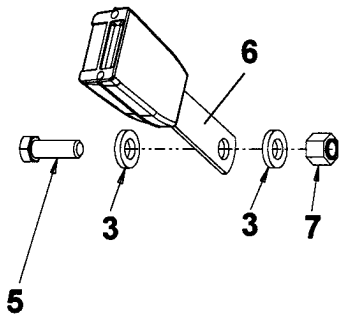
Item	Part No	Rem Qty	Description	Code
1	4812112669	1	Seat frame	
2	4812114466	1	Drivers seat, cpl	
3	4700379636	1	Seat switch	
4	4700904218	1	Holder	
5	4700904281	1	Washer 5,3x10x1 300HV	
6	4700533070	1	Screw	
7	4700586001	1	Lock nut	
8	4700904229	8	Steel plain washer 8,4x16x1,5	
9	4700586003	4	Lock nut M8	
10	4700500020	4	Screw M8-1,25x22 8,8	
11	4700903192	1	Grommet	

Seat belt module 2"

For seat 4700377518



For seat 4812114466



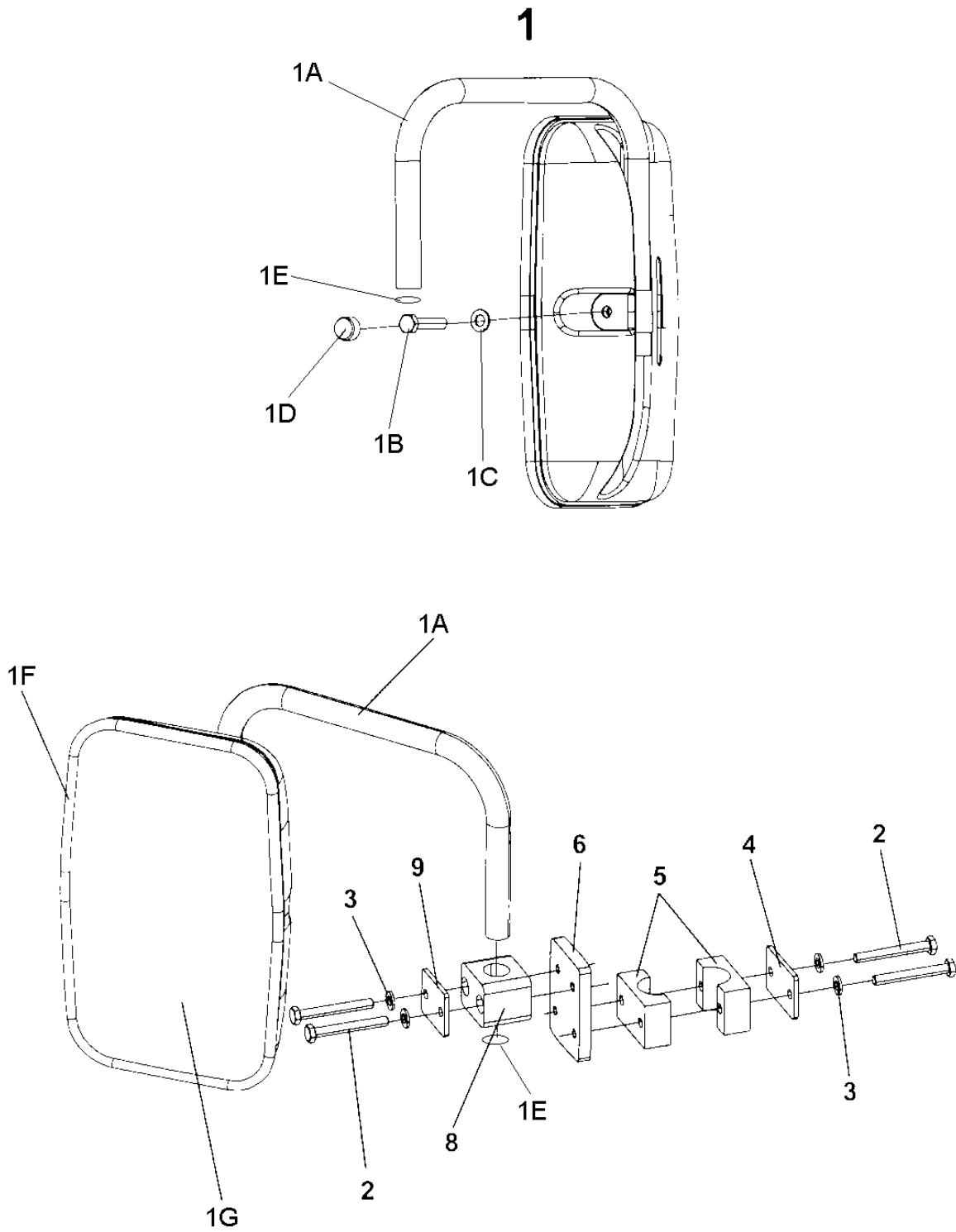
Seat belt module 2"

Item	Part No	Rem	Qty	Description	Code
1	4812117922		1	Seat belt	
2	4700791572		1	Spacer washer	
3	4700904703		4	Steel plain washer	
4	4700792527	A	1	Screw	
5	4700928347	A	1	Hexagon screw	
	4700928347	B	2	Hexagon screw	
6	4812117924		1	Buckle	
7	4700586020		2	Lock nut	

A) Used with seat 4700377518.

B) Used with seat 4812114466.

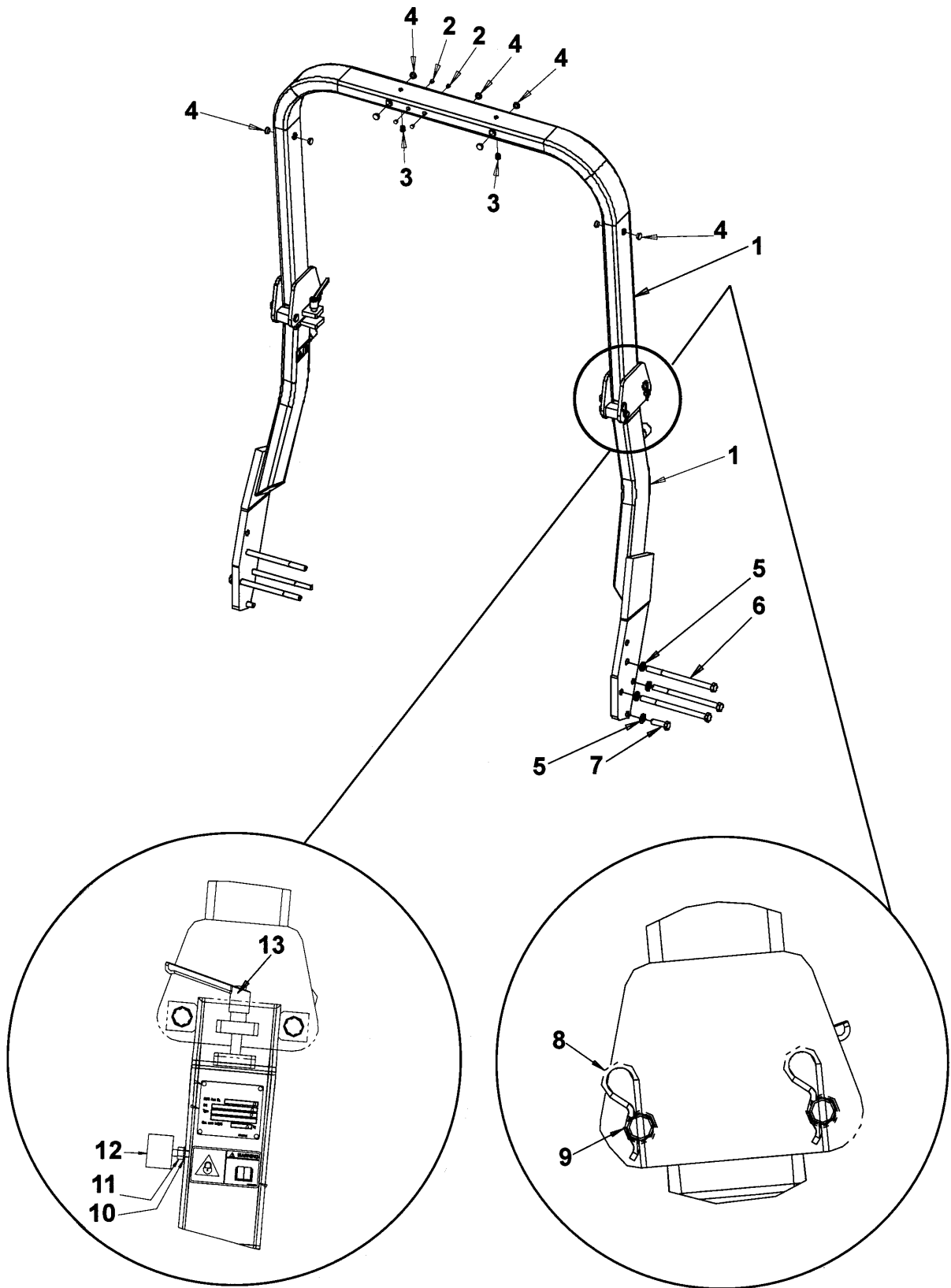
Rear view mirror (option)



Rear view mirror (option)

Item	Part No	Rem Qty	Description	Code
1	4700393204	1	Rear mirror	
1-A	4700359661	1	. Arm	
1-B	4700500023	1	. Screw M8-1,25x40 8,8	
1-C	4700904229	1	. Steel plain washer 8,4x16x1,5	
1-D	4700904203	1	. Nut protection	
1-E	4700900519	2	. Plug	
1-F	4700393206	1	. Edge trim	
1-G	4700903722	1	. Mirror glass	
2	4700500079	4	Screw M6-1x50 8,8	
3	4700904228	4	Washer 6,4x12x1,5	
4	4700923859	1	Cover plate	
5	4700902496	1	Clamp	
6	4812110283	1	Bracket	
8	4700791453	1	Pipe clamp block	
9	4700791454	1	Cover plate	

ROPS, foldable (option)



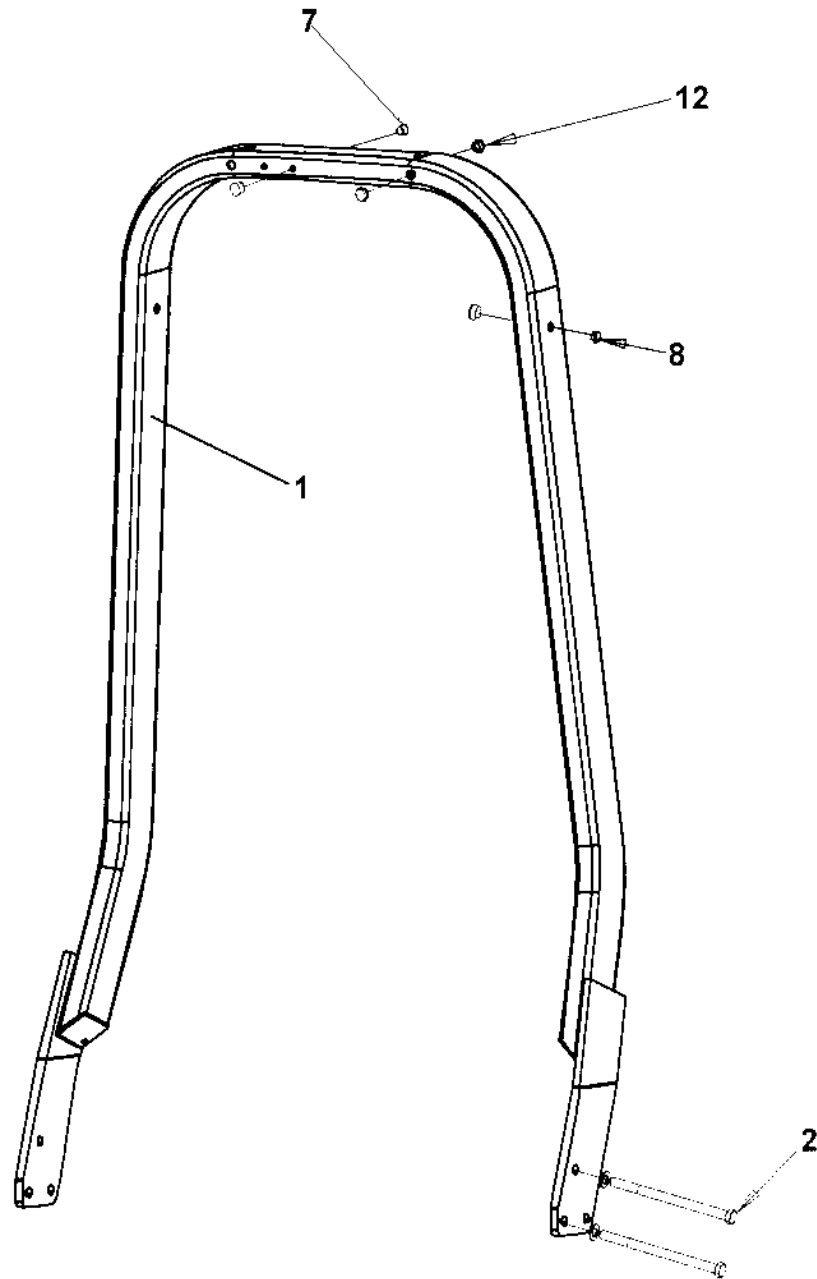
ROPS, foldable (option)

Item	Part No	Rem	Qty	Description	Code
1		A,B	1	Rops lower part	
		A,B	1	upper part	
2	4700900986		4	Plug	
3	4700902203		3	Plug	
4	4700791396		8	Plug	
5				n/a on this model	
6	4700904564		6	Screw	
7				n/a on this model	
8	4700635061		4	Hair clip	
9	4700374009		4	Shaft	
10	4700904229		2	Steel plain washer 8,4x16x1,5	
11	4700570005		2	Nut M8	
12	4700288357		2	Shock absorber	
13	4700904429		2	Lock handle	

A) Not sold separately due to safety regulations

B) Only available as a complete ROPS kit, please check the machine SN, and contact Dynapac for valid PN

Rops (option)

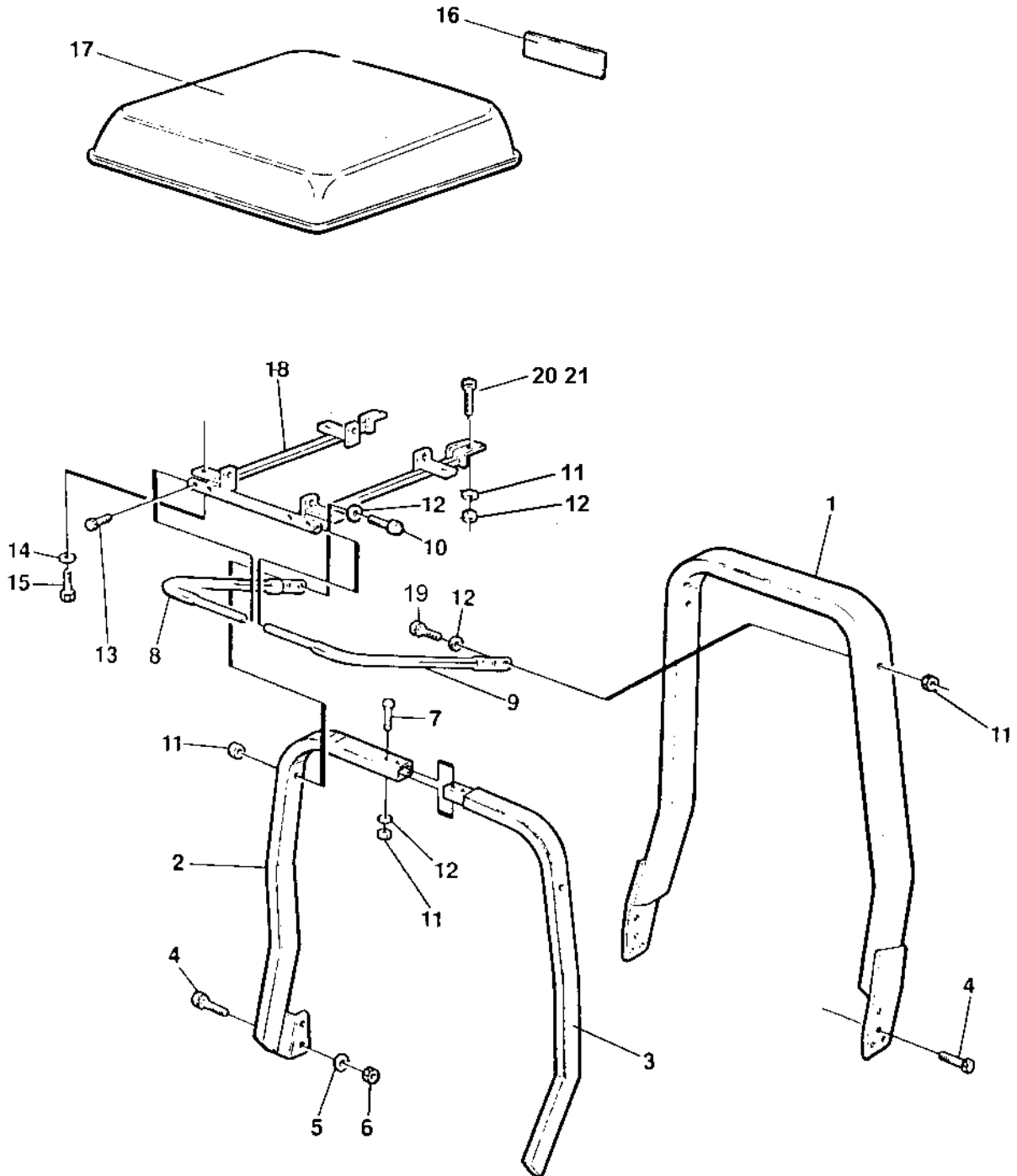


Rops (option)

Item	Part No	Rem	Qty	Description	Code
1		A,B	1	Rops	
2	4700904564		6	Screw	
7	4700900986		4	Plug	
8	4700902203		5	Plug	
12	4700791396		8	Plug	

- A) Not sold separately due to safety regulations
- B) Only available as a complete ROPS kit; please check the machine SN, and contact Dynapac for valid PN

Canopy (option)



Canopy (option)

Item	Part No	Rem	Qty	Description	Code
1			1	Rops	
2	4700358801	A	1	Frame	
3	4700358802	B	1	Frame	
4	4700500030		4	Screw M10x035H 8.8 A3K	
5	4700600008		6	Washer	
6	4700586018		2	Hexagon lock nut M10	
7	4700500195		2	Screw	
8	4700358789	A	1	Frame	
9	4700358790	B	1	Frame	
11	4700586019	2	4	Lock nut	
12	4700904231		6	Washer 13x24x2 300 HV	
	4700904231	2	8	Washer 13x24x2 300 HV	
13	4700516042		4	Stop screw	
14	4700904229		4	Steel plain washer 8,4x16x1,5	
15	4700500021		4	Screw M8-1,25x25 8.8	
16	4700904094		1	Decal "DYNAPAC" L=670 mm	
17	4700358782		1	Canopy	
18	4700358783		1	Frame	
19	4700500071	2	4	Screw M12-1,75x75 8,8	
20	4700904703		2	Steel plain washer	
21	4700500196		2	Screw M12-1,75x80 8.8	

- 1) Rops, see section " Rops "
- 2) Canopy for rops
- A) Right
- B) Left

Decals

Decals

Item	Part No	Rem Qty	Description	Code
1			Decals (Page 204)	

Decals

Item	Part No	Rem	Qty	Description	Code
1	4700903459	A	1	Decal "SAFETY"	
3	4700903425		1	Decal "SAFETY MANUAL"	
7	4700904870		2	Lifting sign	
8	4700357587		2	Decal "LIFT POINT"	
10	4812120127		1	Decal "COMPACTING ROCKS" Right side	
11	4812120313		1	Decal "COMPACTING ROCKS" Left side	
12	4700991657		1	Decal "WATER"	
13	4700903422	B	2	Decal "SAFETY"	
14	4700991658		1	Decal "FUEL"	
20	4812120413		2	Decal "MODEL CODE" CC1100	
26	4700903423	C	2	Decal "SAFETY"	
27	4700903424		2	Decal "HOT SURFACE"	
28	4700272372		1	Decal "HYDRAULIC OIL"	
33	4700908229		2	Safety decal	
34	4700382751		4	Decal "TIE DOWN POINT"	
35	4700904835		1	Decal "BATTERY POWER"	
36	4700377742		2	Reflector, red	
37	4700377744		2	Reflector, yellow	
38	4700377743		2	Reflector, white	
40	4700791274		1	Decal "Sound power level" 104 dB	
42	4811000128		1	Decal	
44	4700791642		1	Decal "WARNING" Use of starting fluid prohib.	
45	4700272373		1	Decal "HYDRAULIC OIL"	
46	4700791094		1	Decal "RUS 127 approved" Option	
47	4812115918		1	Decal "Starting instruction"	
48	4700904399		2	Decal "Risk location"	
49	4700904396		2	Decal "Risk location"	
50	4812120118		1	Decal "Atlas Copco" White	
51	4812120119		3	Decal "Atlas Copco" Black	

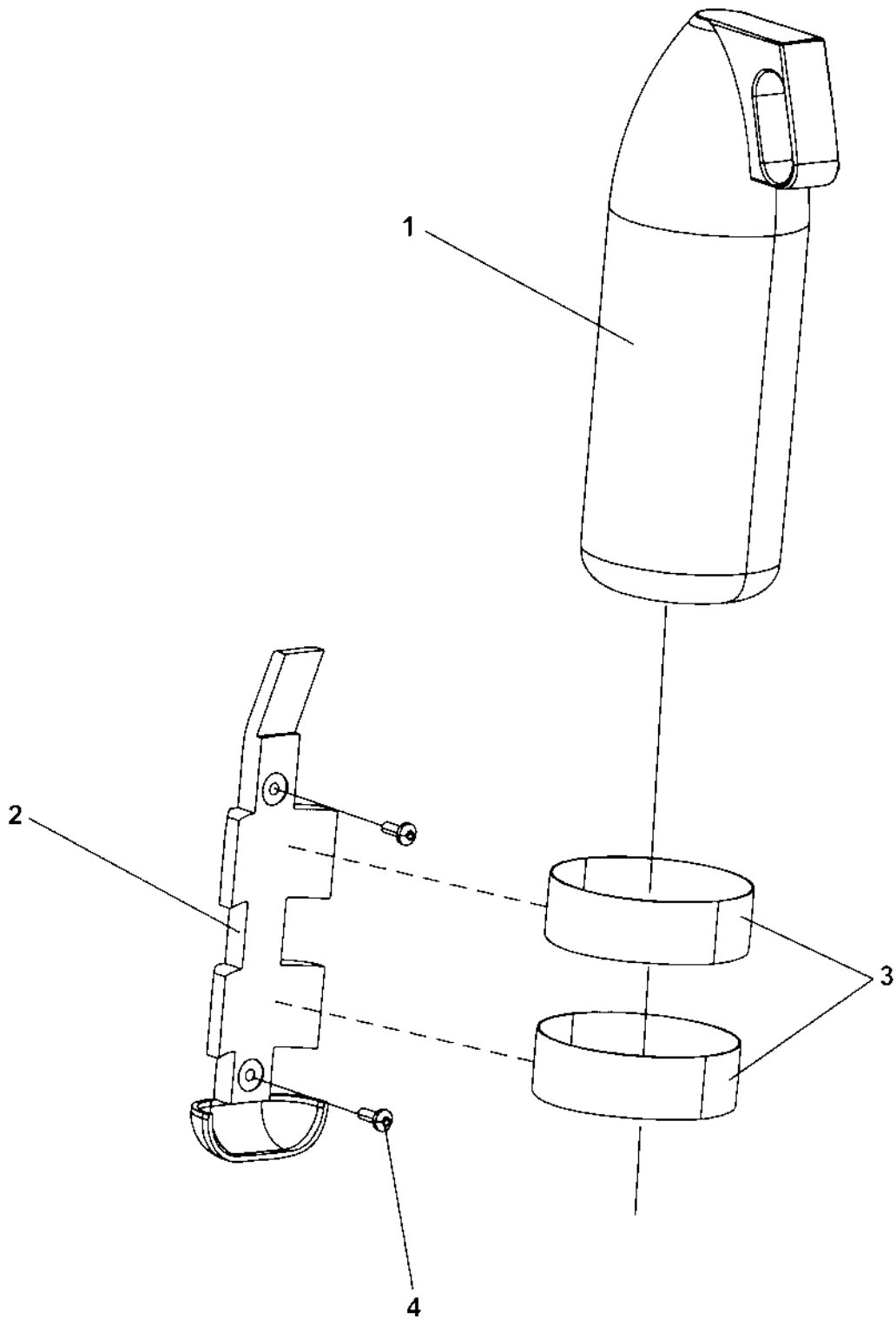
- A) Read instruction manual
- B) Hazardous area
- C) Engine fan

Optional equipment

Optional equipment

Item	Part No	Rem Qty	Description	Code
7		1	Fire extinguisher (Page 208)	
10		1	Tool equipment (Page 210)	
65		1	SMV-sign and Licence plate (Page 212)	
67		1	Brake release, propulsion motor Poclain (Page 214)	
68		1	Brake release, "high torque" drum drive (Page 216)	
69		1	High torque drum drive " Short" (Page 218)	

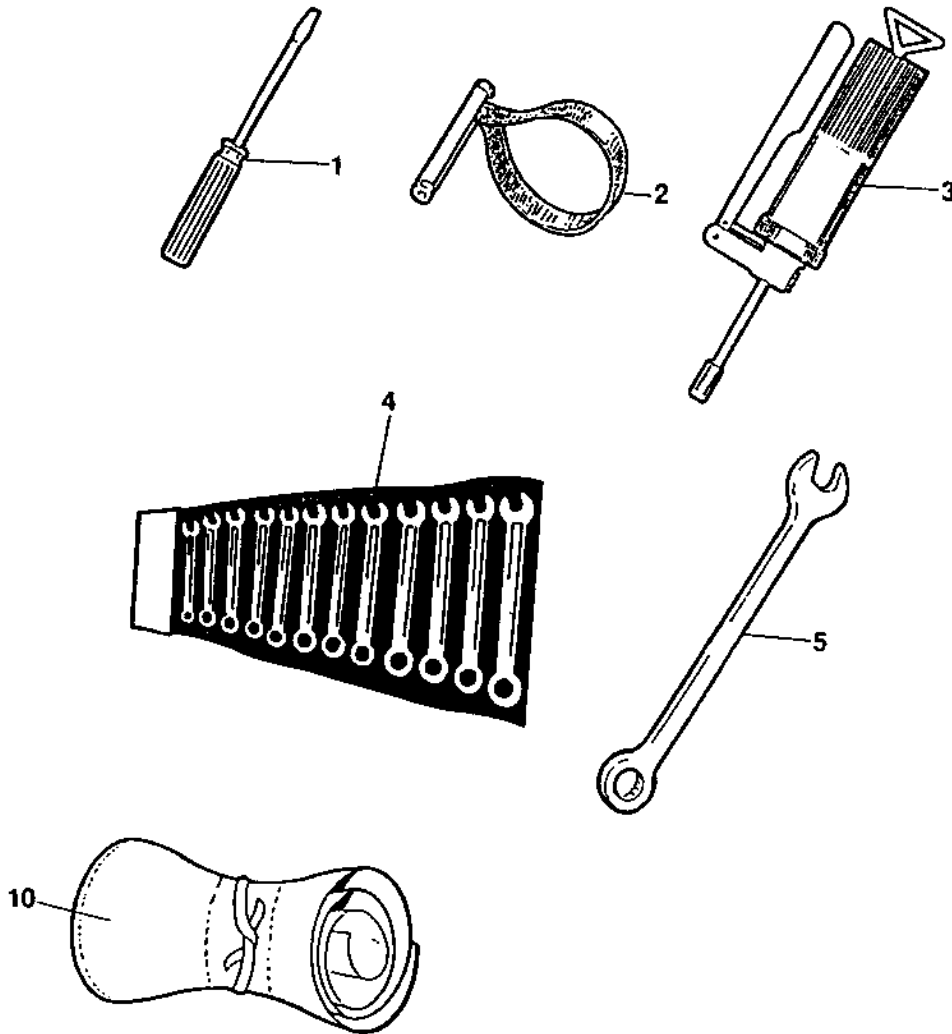
Fire extinguisher



Fire extinguisher

Item	Part No	Rem Qty	Description	Code
1		1	Fire extinguisher	
2	4700378857	1	Holder	
3	4700378858	2	Strap	
4	4700792185	2	Screw M6x16	

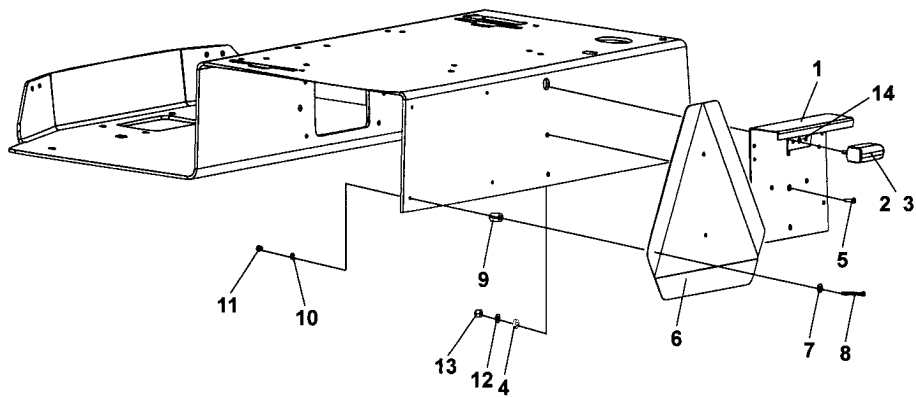
Tool equipment



Tool equipment

Item	Part No	Rem Qty	Description	Code
1	4700485019	1	Screw driver	
2	4700902610	1	Belt pliers	
3	4700311016	1	Grease gun	
4	4700792137	1	Open end spanner 10 mm	
	4700792138	1	Open end spanner 13 mm	
	4700792139	1	Open end spanner 16 mm	
	4700792140	1	Open end spanner 18 mm	
5	4700792141	1	Wrench 250 mm	
10	4700277992	1	Tool bag	

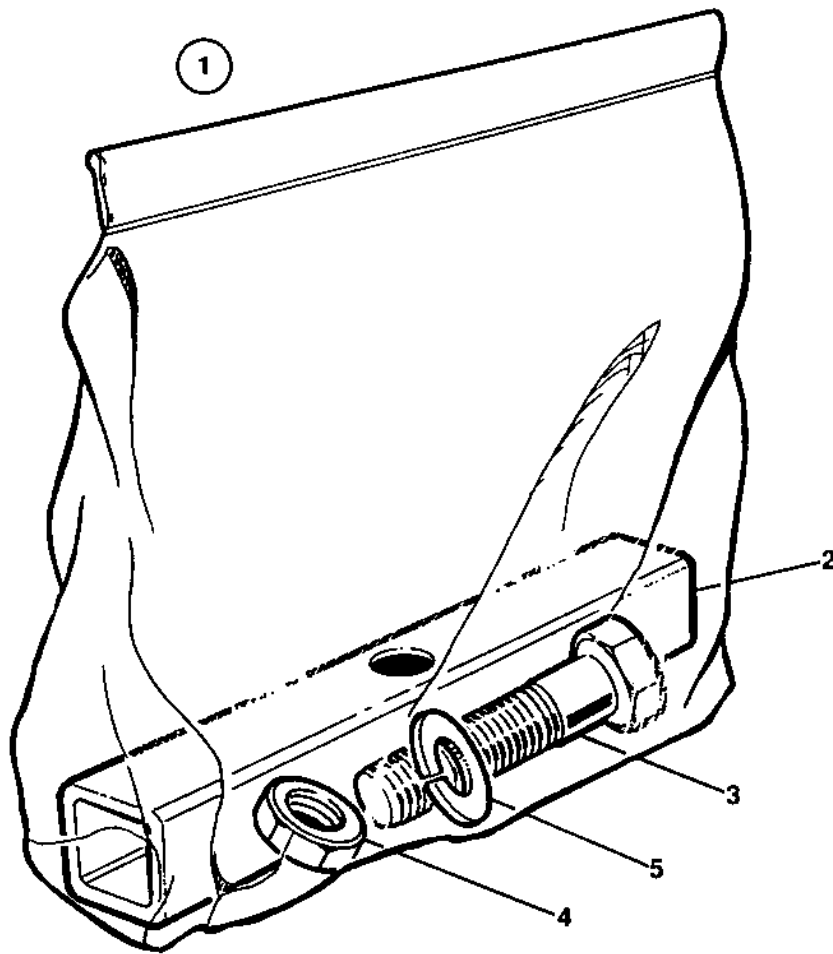
SMV-sign and Licence plate



SMV-sign and Licence plate

Item	Part No	Rem Qty	Description	Code
1	4700355797	1	Licence plate holder	
2	4700929455	1	Licence plate light	
3	4700985013	1	Bulb 12V,5W	
4	4700394301	2	Spacer sleeve	
5	4700535008	2	Screw M5x20	
6	4700476019	1	SMV-sign	
7	4700601001	4	Washer	
8	4700500080	4	Screw	
9	4700355704	4	Spacer sleeve	
10	4700904281	4	Washer 5,3x10x1 300HV	
11	4700586001	4	Lock nut	
12	4700904228	2	Washer 6,4x12x1,5	
13	4700586002	2	Lock nut M6 -8	
14	4812114665	1	Cable harness	

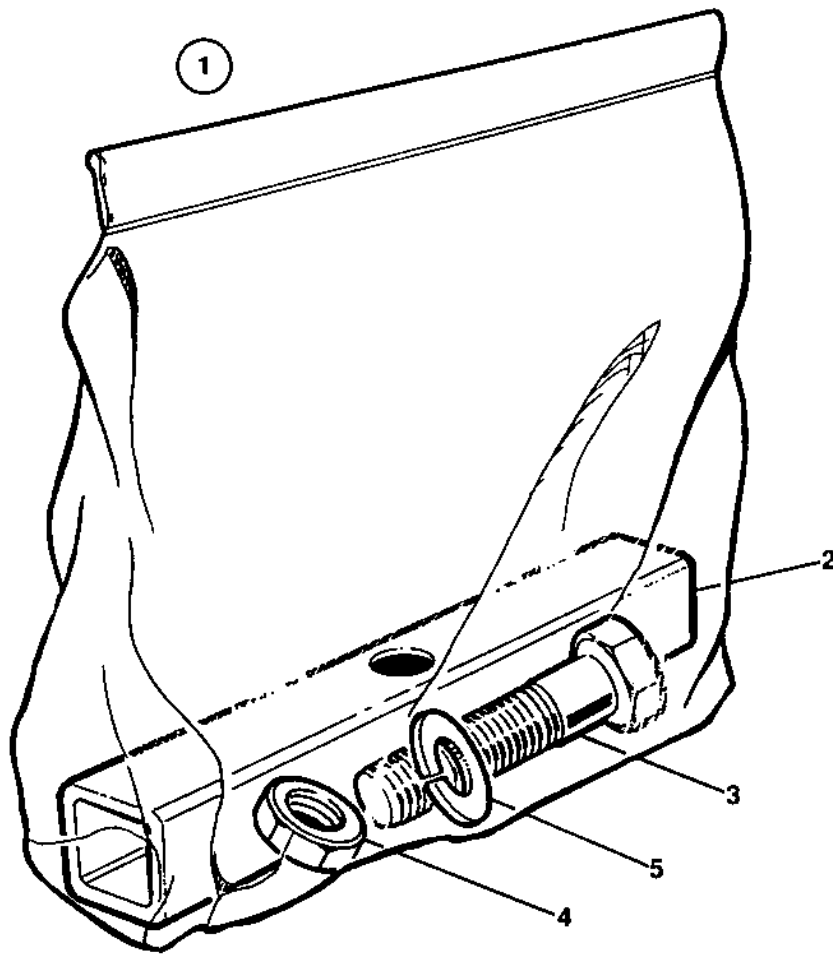
Brake release, propulsion motor Poclairn



Brake release, propulsion motor Poclairn

Item	Part No	Rem Qty	Description	Code
1	4700392070	1	Brake release kit	
2	4700357892	2	. Stirrup	
3	4700792550	2	. Screw M12x100 10.9	
4	4700928849	2	. Nut M12-1,75	
5	4700904213	4	. Washer	

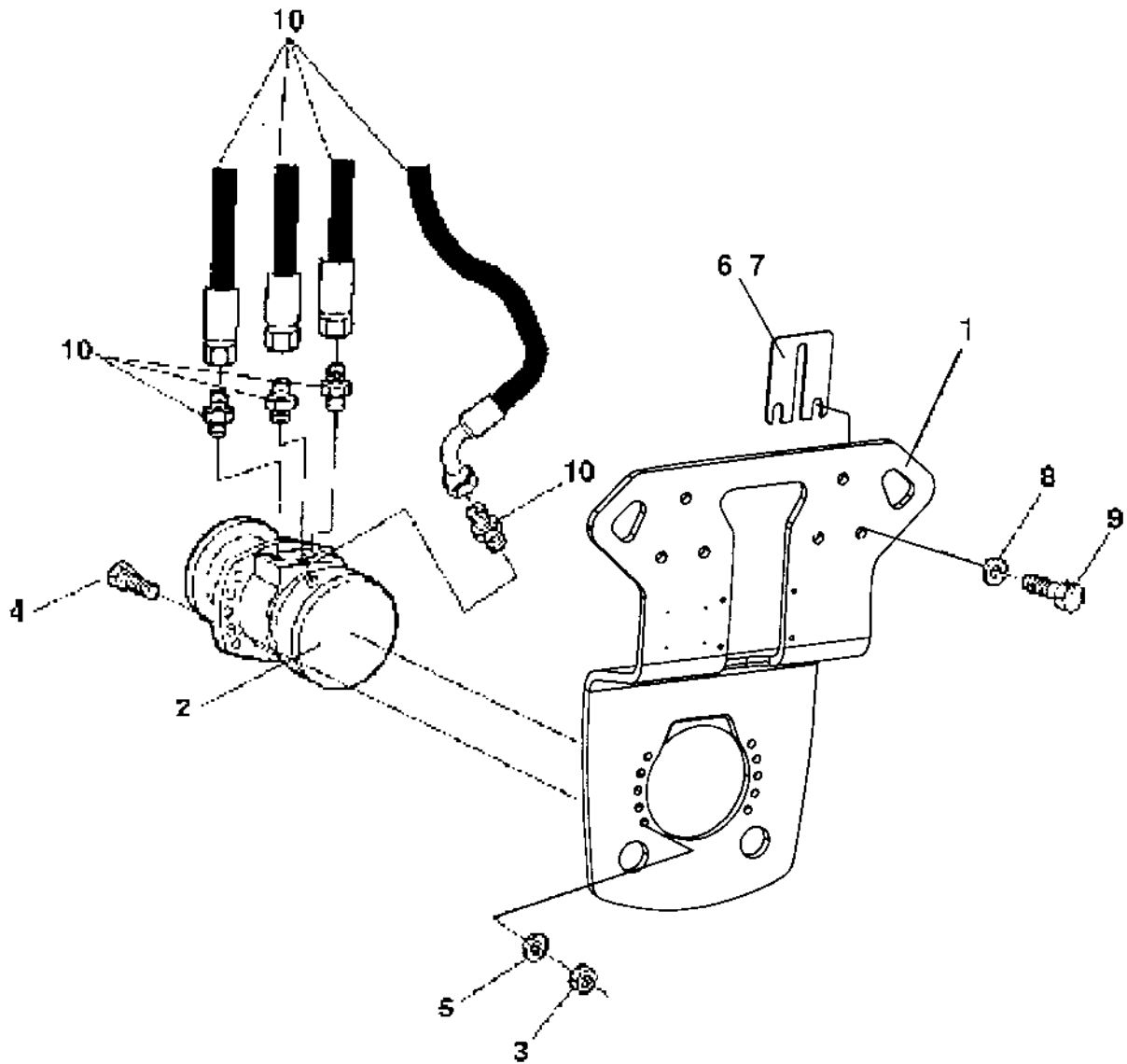
Brake release, "high torque" drum drive



Brake release, "high torque" drum drive

Item	Part No	Rem Qty	Description	Code
2	4700357892	1	. Stirrup	
3	4700792550	1	. Screw M12x100 10.9	
4	4700928849	1	. Nut M12-1,75	
5	4700904213	2	. Washer	

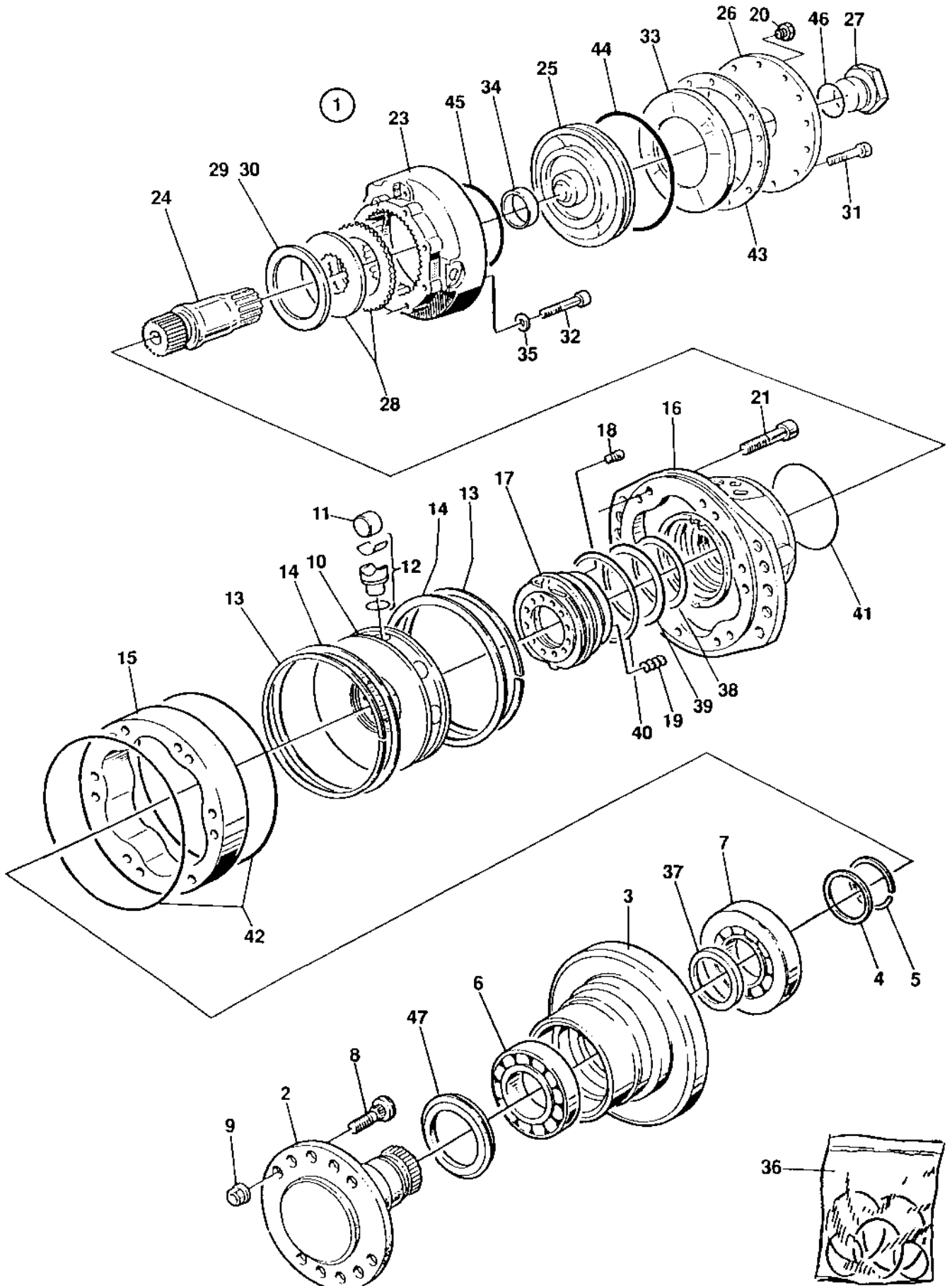
High torque drum drive " Short"



High torque drum drive " Short"

Item	Part No	Rem Qty	Description	Code
1	4812113950	1	Fork	
2	4700380594	1	Hydraulic motor, propulsion, drum (Page 220)	
3	4700586019	10	Lock nut	
4	4700500056	10	Screw	
5	4700904231	14	Washer 13x24x2 300 HV	
6	4700357222	2	Shim T=1 mm	
7	4700357221	2	Shim T=3 mm	
8	4700904232	6	Washer	
9	4700500094	6	Screw M16x090	
10		N	Hydraulic details	

4700380594 Hydraulic motor, propulsion, drum



4700380594 Hydraulic motor, propulsion, drum

Item	Part No	Rem	Qty	Description	Code
1		A	1	Hydraulic motor	
2	4700908788		1	. Shaft	
3	4700937875		1	. Housing	
4	4700902387		1	. Washer T=2,0 mm	
5	4700902388		1	. Split ring	
6	4700902389		1	. Bearing	
7	4700902390		1	. Bearing	
8	4700902391		5	. Wheel stud	
9	4700902392		5	. Wheel nut	
10	4700937876		1	. Cylinder block	
11	4700903453		8	. Roller	
12	4700937091		8	. Piston	
13	4700937092		2	. Circlip	
14	4700937877		2	. Retaining ring	
15	4700937878		1	. Piston cam	
16	4700937879		1	. Housing	
17	4700937880		1	. Distributor ring	
18	4700902397		1	. Pin	
19	4700902398		9	. Spring	
20	4700902399	A	1	. Plug	
21	4700937881		10	. Screw	
23	4700937882		1	. Brake housing	
24	4700908791		1	. Shaft	
25	4700908792		1	. Piston	
26	4700908328	A	1	. End cover	
27	4700903295		1	. Plug	
28	4700908800	B	1	. Disc kit	
29	4700902410		N	. Shim	T=0,1 mm
30	4700902411		N	. Shim	T=0,3 mm
31	4700902412		12	. Screw	
32	4700902413		8	. Screw	
33	4700902416		1	. Spring	
34	4700908794		1	. Nylon buch	
35	4700903450		8	. Washer	
36	4700937089		1	. Seal kit	
37	4700903324		1	. . Shaft seal	
38			1	. . Sealing	
39			1	. . Sealing	
40			1	. . Sealing	
41			1	. . O-ring	
42			1	. . O-ring	
43	4700902800		1	. . Gasket	
44	4700903455		1	. . Quad ring	
45	4700937812		1	. . Sealing	
46	4700903327		1	. . O-ring	
47	4700937090		1	. . Face seal	

A) CPL
 B) 15+13 pcs

NUMERICAL INDEX

Part Number	Page	Part Number	Page	Part Number	Page
0147195880	119	4700334524	97	4700359003	49
4700111018	29,55	4700343490	55	4700359043	47
4700151012	107	4700343744	55	4700359661	195
4700160016	97	4700345215	33,55	4700371313	89,97,99
4700160025	107	4700347153	35,41	4700371314	89,97,99
4700160031	97	4700347154	35,41	4700372352	89
4700160112	35	4700347155	35,41	4700372964	165
4700160132	27,29,55	4700348331	157,187	4700373402	89
4700160219	49	4700349202	55	4700373478	97
4700160313	49	4700349879	39	4700374009	197
4700162004	111	4700349880	39	4700374132	185
4700162011	55	4700350009	65	4700374133	185
4700162017	55	4700350029	55	4700374603	105,107
4700163049	27,29,55	4700355704	213	4700375616	89
4700167044	35,41	4700355797	213	4700377061	73
4700202042	167	4700355869	85,89,111,165	4700377139	163
4700230400	91,109	4700355981	111	4700377518	183,187
4700230515	59	4700357031	41	4700377677	183
4700232070	91	4700357038	41	4700377742	205
4700232122	97	4700357039	41	4700377743	205
4700232143	55	4700357049	55	4700377744	205
4700233215	45	4700357054	55	4700378857	209
4700234218	89	4700357055	55	4700378858	209
4700234233	109	4700357111	89	4700379009	49
4700234341	97	4700357112	89	4700379179	39,43,55
4700234390	97	4700357138	19,21,97	4700379458	97
4700234481	97,99	4700357139	97	4700379636	191
4700234888	109	4700357221	43,219	4700379637	157,183
4700238158	167	4700357222	33,43,219	4700379753	49
4700238272	107	4700357395	49	4700380594	219,221
4700272372	205	4700357418	35,41	4700381750	189
4700272373	205	4700357459	43	4700382237	189
4700277992	211	4700357466	77,79	4700382349	179,181
4700287713	49	4700357487	39	4700382751	205
4700288129	59,65	4700357489	39	4700383705	169
4700288357	197	4700357543	99,113	4700385599	167
4700311016	211	4700357567	121	4700386075	189
4700313002	49	4700357587	205	4700386134	97
4700313004	81	4700357604	159	4700386893	69
4700313008	81,97	4700357605	159	4700386951	67
4700313010	83	4700357643	169	4700387226	159
4700313023	83	4700357663	141	4700387227	163
4700313041	51,137,139,141 143,149,153	4700357679	141	4700387428	69
		4700357855	163	4700387545	163
4700313075	85	4700357892	215,217	4700387552	77,79
4700313102	89,97,105,109	4700357934	113	4700387683	167
4700313108	81,85	4700358003	111	4700387948	73
4700330081	59	4700358232	159	4700388382	153
4700330333	59	4700358486	97	4700388447	169
4700330383	59,91	4700358666	55	4700388737	163
4700332038	111	4700358689	55	4700388846	73
4700334116	113	4700358782	201	4700388852	75
4700334121	97	4700358783	201	4700389177	179
4700334134	89	4700358789	201	4700389561	137,139
4700334135	89,97,113	4700358790	201	4700389577	137,139,141
4700334155	89	4700358801	201	4700389840	123
4700334156	89	4700358802	201	4700390742	89,91,93
4700334165	113	4700358846	49	4700390963	187
4700334197	91,113	4700358881	163	4700391115	121,131
4700334235	89,97,111	4700358975	41	4700391270	97,103
4700334238	89,97,99	4700358976	41	4700391784	163
4700334463	109	4700358978	41	4700391929	55

NUMERICAL INDEX

Part Number	Page	Part Number	Page	Part Number	Page
4700392011	49	4700500034	111	4700600008	41,201
4700392070	215	4700500037	89	4700600016	105
4700392227	49	4700500040	59,69	4700601001	213
4700392229	49	4700500044	55	4700603009	185
4700392230	49	4700500046	59	4700603018	99
4700392232	49	4700500047	89	4700615076	39
4700392508	51	4700500048	165	4700630019	105
4700392509	49	4700500053	49,59,65,69,73	4700635061	107,197
4700392510	49		77,79,83,91,99	4700791094	205
4700393204	195		175	4700791182	51
4700393206	195	4700500056	219	4700791185	167
4700393540	39,43	4700500060	121	4700791211	167
4700393542	51	4700500067	45,97	4700791226	169
4700394253	77	4700500068	89	4700791274	205
4700394301	213	4700500071	201	4700791333	161,177
4700395394	163	4700500075	167	4700791343	161
4700396215	179,181	4700500078	97	4700791396	197,199
4700396768	155	4700500079	195	4700791398	105
4700416034	179	4700500080	213	4700791401	105
4700476019	213	4700500088	179,181	4700791405	105
4700480124	97	4700500094	219	4700791414	105
4700480852	51	4700500096	131	4700791422	85
4700482208	111	4700500100	39,65,71	4700791453	195
4700482214	111	4700500105	45	4700791454	195
4700482242	97	4700500107	39,43	4700791476	163
4700482306	97	4700500115	73	4700791568	49
4700482452	89	4700500117	159	4700791572	193
4700482483	109	4700500143	137,139	4700791578	163
4700482525	99	4700500180	171,175	4700791579	163
4700482553	89	4700500190	49	4700791580	163
4700482773	111	4700500195	53,201	4700791583	143,149
4700482830	89	4700500196	201	4700791584	143,149
4700482898	113	4700500269	89	4700791585	137,141
4700482998	89	4700500505	159,161,169	4700791587	125
4700483069	91	4700508005	189	4700791588	163
4700483118	89	4700508019	67	4700791642	205
4700483155	99	4700508029	97,99	4700791643	153
4700483157	99	4700508048	175	4700791666	47,73,75
4700483162	99	4700508065	39,43	4700791704	153
4700483164	91	4700508079	65	4700791723	123
4700483404	109	4700508092	171,183,189	4700791739	123
4700483420	109	4700508096	63,89	4700791754	127
4700483585	113	4700513017	163	4700791774	85
4700483765	105	4700516042	201	4700791775	169
4700485019	211	4700533016	111	4700791847	105
4700499162	141	4700533070	187,191	4700791916	143,149
4700499497	67	4700535008	213	4700791926	175
4700500006	69,123	4700570004	167	4700791938	45
4700500007	163	4700570005	47,197	4700791939	45
4700500012	69,155	4700573005	131	4700791949	49
4700500013	59,73,75,79	4700586001	121,123,187,191	4700791951	145
4700500016	39		213	4700791953	145,151
4700500019	39,97,155,159	4700586002	167,213	4700791954	147
4700500020	51,65,89,117,183	4700586003	45,73,89,117,121	4700791955	147
	187,191		137,139,169,183	4700791957	127
4700500021	59,65,185,201		187,191	4700791959	49
4700500022	51,85	4700586018	39,65,89,129,141	4700791977	51
4700500023	195		163,175,201	4700791980	137,139
4700500024	45	4700586019	53,159,201,219	4700791981	137,139
4700500028	41,49,141	4700586020	193	4700792059	151
4700500030	55,163,201	4700600002	111	4700792072	45
4700500031	165,175	4700600004	39	4700792083	163

NUMERICAL INDEX

Part Number	Page	Part Number	Page	Part Number	Page
4700792091	111,167	4700902389	221	4700904039	123
4700792098	155	4700902390	221	4700904044	171,175
4700792119	59	4700902391	221	4700904056	121
4700792134	45	4700902392	221	4700904094	201
4700792137	211	4700902397	221	4700904175	111
4700792138	211	4700902398	221	4700904203	195
4700792139	211	4700902399	221	4700904213	215,217
4700792140	211	4700902410	221	4700904218	187,191
4700792141	211	4700902411	221	4700904225	159
4700792185	209	4700902412	221	4700904228	55,59,69,73,75 79,155,167,179
4700792189	47	4700902413	221		181,195,213
4700792250	59	4700902416	221	4700904229	39,45,47,49,59 63,65,69,73,83
4700792320	163	4700902496	195		85,89,97,117,127
4700792413	143,149	4700902520	39,121		131,133,135,137
4700792441	123	4700902560	121		139,145,147,151
4700792527	193	4700902576	41,107		155,159,171,175
4700792550	215,217	4700902610	211		177,183,185,187
4700792600	51	4700902619	95		191,195,197,201
4700792601	39	4700902620	95	4700904230	39,43,55,59,65 89,97,111,119
4700792779	49	4700902625	95		129,141,163,165
4700813443	91	4700902641	95		175
4700813444	89	4700902644	95		59,65,89,159,201
4700813500	113	4700902654	95		219
4700892179	35,41	4700902797	159	4700904231	39,41,43,219
4700892446	91	4700902800	221		59
4700900519	195	4700902810	101	4700904232	27,55
4700900790	145,151	4700902890	73	4700904233	69,121,123,163
4700900986	197,199	4700902892	159	4700904258	187,191,213
4700901156	89	4700902919	159		53
4700901157	91	4700903141	111	4700904367	205
4700901191	51	4700903142	111	4700904396	205
4700901225	111,123,143,149 167	4700903143	111	4700904399	205
4700901227	123,143,149,167	4700903144	111	4700904429	197
4700901228	123,167	4700903154	55	4700904475	63
4700901230	123	4700903192	159,187,191	4700904556	59,65,67,97,161 169,189
4700901369	127	4700903287	55	4700904557	49,59,63,97
4700901431	49	4700903295	221	4700904564	197,199
4700901432	49	4700903324	221	4700904637	89
4700901432	49	4700903327	221	4700904640	45,49,51,71,77 79,91
4700901692	97	4700903330	101	4700904698	75
4700901744	95	4700903422	205	4700904703	53,59,89,159,193
4700901750	95	4700903423	205		201
4700901767	111,167	4700903424	205	4700904734	65
4700902059	41	4700903425	169,205	4700904735	59
4700902060	41	4700903430	101	4700904835	205
4700902061	35,41	4700903431	97	4700904870	205
4700902062	35,41	4700903450	221	4700904889	153
4700902063	35,41	4700903453	221	4700904901	97
4700902100	39,41	4700903455	221	4700904956	127,133,135,145 147,151
4700902123	165	4700903459	163,205		85
4700902166	73,161	4700903471	95	4700904984	85
4700902171	39	4700903478	49	4700904989	143,149
4700902172	39	4700903557	95	4700908229	205
4700902203	197,199	4700903637	101	4700908328	221
4700902227	127	4700903658	163	4700908384	95
4700902233	89	4700903714	69,71	4700908788	221
4700902286	73	4700903722	195	4700908791	221
4700902287	45,59,97	4700903732	121	4700908792	221
4700902287	45,59,97	4700903732	121		
4700902295	81,97	4700903741	123,167		
4700902379	89,97,161	47009037810	153		
4700902387	221	4700903925	89		
4700902388	221	4700903956	123,143,149		

NUMERICAL INDEX

Part Number	Page	Part Number	Page	Part Number	Page
4700908794	221	4700935186	95	4811000323	123
4700908800	221	4700935187	95	4811000347	113
4700909514	95	4700935188	95	4811000372	97
4700909535	183,189	4700935189	95	4811000382	97
4700909536	183,189	4700935190	95	4811000383	97
4700909759	107	4700935191	95	4811000389	63
4700909760	107	4700935613	165	4811000425	73
4700909761	107	4700935614	165	4811000426	75
4700909764	107	4700936691	95	4811000428	105
4700909765	107	4700936692	95	4811000456	59
4700909766	107	4700936693	95	4811000488	73,75
4700910161	97	4700936706	95	4811000489	73,75
4700921022	89	4700937053	49	4812030096	9,17
4700921072	137,139	4700937089	221	4812030756	21
4700921099	91	4700937090	221	4812110216	129,131
4700921104	59	4700937091	221	4812110281	89
4700921116	59,85	4700937092	221	4812110283	195
4700921119	99	4700937812	221	4812110288	39,43
4700923008	65	4700937875	221	4812110490	91
4700923371	97	4700937876	221	4812110560	121
4700923405	105	4700937877	221	4812110620	55
4700923406	113	4700937878	221	4812110639	55
4700923407	111	4700937879	221	4812110673	55
4700923734	49	4700937880	221	4812110881	59,61
4700923735	49	4700937881	221	4812111128	171,175
4700923844	159	4700937882	221	4812111164	161
4700923859	195	4700938534	35	4812111325	49
4700923951	27,55	4700938740	189	4812111330	49
4700923976	73,75,111	4700938885	25,33	4812111331	49
4700924544	49	4700938892	25,29	4812111863	59
4700924731	89	4700938908	25,27	4812111865	59
4700925599	49	4700939802	19,21,67	4812111866	59
4700926214	35,41,107	4700939803	19,21,67	4812111867	59
4700926215	159	4700939804	67	4812111868	59
4700926911	49	4700939805	67	4812111877	83
4700927278	95	4700939806	67	4812111880	59
4700927396	41,43	4700939807	67	4812111883	59
4700927459	97	4700940451	167	4812111899	59
4700928347	193	4700945312	103	4812111900	59
4700928381	73	4700945622	183,187	4812111905	59
4700928441	131	4700945753	77	4812111950	133
4700928830	165	4700950226	93	4812111951	145,151
4700928849	215,217	4700950293	93	4812111952	147
4700929455	213	4700950414	93	4812111969	49
4700935161	95	4700950415	93	4812112013	175
4700935162	95	4700950416	93	4812112014	175
4700935163	95	4700960079	153	4812112019	63
4700935164	95	4700985012	145,151	4812112021	63
4700935165	95	4700985013	213	4812112029	65
4700935166	95	4700985126	137,139,141	4812112054	97,101
4700935167	95	4700989151	97	4812112074	49,51
4700935170	95	4700991657	205	4812112091	161
4700935171	95	4700991658	205	4812112109	105
4700935172	95	4700999027	117	4812112390	59
4700935176	95	4811000077	139	4812112391	59
4700935177	95	4811000084	89	4812112451	49
4700935178	95	4811000128	123,205	4812112468	143,149
4700935179	95	4811000168	49	4812112470	111
4700935181	95	4811000285	59	4812112472	143,149
4700935182	95	4811000320	123	4812112532	161
4700935183	95	4811000321	123	4812112566	111
4700935184	95	4811000322	123	4812112669	187,191

NUMERICAL INDEX

Part Number	Page	Part Number	Page	Part Number	Page
4812112831	49	4812117254	69	4812156266	5,15
4812112994	51	4812117602	83	4812156267	5,19
4812113018	39	4812117771	69	4812156288	5,11
4812113022	59	4812117802	83	4812156355	61
4812113044	59	4812117864	167	4812156356	61
4812113066	49	4812117868	167	4812156357	61
4812113067	49	4812117922	193	4812156358	61
4812113077	137,139,141	4812117924	193	4812156359	61
4812113080	39	4812118125	79	4812156360	61
4812113106	161	4812118126	79	4812156362	61
4812113107	161	4812118133	79	4812156363	61
4812113164	179,181	4812118163	57,73	4812156364	61
4812113165	179	4812118165	73	4812156389	61
4812113166	181	4812118174	69	4812156490	173
4812113207	77	4812118175	69	4812156558	173
4812113228	63	4812118374	91	4812156559	173
4812113233	59	4812118375	83	4812156560	173
4812113235	59	4812118459	79	4812156561	173
4812113326	111	4812118517	65	4812156562	173
4812113327	89	4812118595	65	4812156563	173
4812113328	7,9,19,21,89	4812118686	163	4812156564	173
4812113333	97	4812118692	55	4812156565	173
4812113468	59	4812118694	55	4812156566	173
4812113472	65	4812118697	163	4812156567	173
4812113523	171,175	4812118885	79	4812156568	173
4812113531	127	4812118907	65	4812156569	173
4812113557	119	4812119251	97	4812156570	173
4812113566	59	4812119569	123	4812156571	173
4812113575	49	4812119732	43	4812156572	173
4812113598	73	4812119733	39	4812156573	173
4812113626	73	4812119773	45	4812156574	173
4812113627	73	4812119778	45	4812156575	173
4812113676	171,173	4812119784	45	4812156576	173
4812113677	175	4812119785	31,45	4812156577	171
4812113691	65	4812119786	45	4812156755	93
4812113694	81	4812120026	47	4812156877	89
4812113697	81	4812120118	205	4812156878	89
4812113780	59	4812120119	205	4812156879	89
4812113781	51	4812120127	205	4812156880	89
4812113822	49	4812120313	205	4812156881	89
4812113937	181	4812120391	55	4812156882	89
4812113950	219	4812120413	205	4812157556	173
4812113980	59	4812120558	89	4812157598	61
4812113987	177	4812120578	39,43	4812157680	61
4812114152	73	4812120579	39,43	4812157787	93
4812114153	73	4812120584	59	4812157870	71
4812114177	59	4812120737	105	4812157871	71
4812114386	169	4812120932	39,43	4812157872	71
4812114466	191	4812121186	65	4812157873	71
4812114557	119	4812155168	93	4812157874	71
4812114665	213	4812156164	93	4812157875	71
4812114872	135	4812156165	93	4812157876	71
4812114962	75	4812156170	33	4812157877	71
4812114975	189	4812156259	7,9,11,13,15,17	4812158054	93
4812115001	189		19,21,61	4812158055	93
4812115419	53	4812156260	15,17,19,21,61	4812158258	173
4812115567	53	4812156261	19,21,61	4812158259	173
4812115865	179,181	4812156263	7,9,15,17,19,21	4812158260	173
4812115918	163,205		59,61	4812158267	173
4812115926	121	4812156264	7,9,15,17,19,21	4812159197	173
4812116681	39		61	4812159198	173
4812116710	71	4812156265	5,7	4812159199	173

NUMERICAL INDEX

Part Number	Page	Part Number	Page	Part Number	Page
4812159251	173				
4812159290	173				
4812159291	173				
4812159292	173				
4812159563	5,9,23				
4812159564	5,13,23				
4812159565	5,17,23				
4812159566	5,21,23				
4812159570	5,23				
4812159753	63				
4812159788	93				
4812159789	93				
4812159962	25,31				
4812160157	189				
4812160158	189				
4812160251	71				
4812160252	71				
4812160253	71				
4812160254	71				
5580020624	9,13,21				
9106230330	9,21				
D433830401	97				



Dynapac Compaction Equipment AB

Atlas Copco Road Construction Equipment AB
Box 504, SE 371 23 Karlskrona, Sweden
Phone.+46 (0) 455 30 60 00 Fax. +46 (0)455 30 60 30
www.atlascopco.com