

CC1200 Plus

Spare parts list

Vibratory roller

CC1200 Plus s/n 10000332xxA012669 -

Engine: Kubota D1703



General information

Use only authorized parts. Any damage or malfunction caused by the use of unauthorized parts is not covered by Warranty or Product Liability. Any unauthorized use or copying of the contents or any part thereof is prohibited. This applies in particular to trademarks, model denominations, part numbers, and drawings.

Instructions for use

This spare parts list contains no safety regulations and is merely intended to assist in the ordering of spare parts.

For information about operating, servicing, or repairing, the relevant Safety and operating instructions must be consulted at all costs.

Please observe the safety instructions listed in the relevant Safety and operating instructions!

Contents

CC1200 Plus S/N 10000332xxA012669 -	1
Service kits	
4812156265 Service kit 50h	3
4812159563 Service kit 50h Plus	5
4812156288 Service kit 250 / 750 h	7
4812159564 Service kit 250/750h Plus	9
4812156266 Service kit 500h	11
4812159565 Service kit 500h Plus	13
4812156267 Service kit 1000 h	15
4812159566 Service kit 1000h Plus	17
4812159571 Start-up kit	19
Repair kits	
4700938908 Eccentric shaft kit	21
4700938892 Drum rotation kit	23
4700938885 Shock absorber kit, drum	25
4700938575 Steering hitch kit	27
4812159961 Scraper kit	29
General - Keys and others	
Keys	31
Fuses	33
Frame	
Frames To A014775	
Frame, front	35
Frame, rear	37
Frames From A014776	
Frame, front	39
Frame, rear	41
Sprinkler system	43
Scraper	48
Scrapers, spring loaded (option)	51
Towing device (option)	53
Steering hitch To A014837 (incl. 14840-14888)	
4700358975 Steering hitch	55
Steering hitch From A014838 (excl. 14840-14888)	
4812120871 Steering hitch	57
Protective plate, front lights (Option)	59
Drum	
Drum	61
Engine room	
Engine room	64
Engine module	67
4812110881 Diesel engine Kubota D1703	71
Exhaust system	73
Fan	75
Air filter	77
Water cooler To A015094	
Water cooler	79
Water cooler From A015095	
Water cooler	81
Engine hood, cpl	83
Casing	85

Cooler hoses	87
Air hoses	89
Fuel hoses	91
Fuel system To A013025	
Fuel system	93
Fuel system From A013026	
Fuel system	95
Hydraulic system	
Propulsion system To A015094	
Propulsion system	97
4700372352 Hydraulic pump, propulsion	
4700372352 Hydraulic pump, propulsion	102
Rotating group, valves, charge pump	106
Control unit, cpl	111
4812110281 Junction block	114
4700390742 Hydraulic motor, propulsion, drum To A012964 (incl. 12966)	
4700390742 Hydraulic motor, propulsion, drum	117
Propulsion system From A015095	
Propulsion system	119
4812120928 Connection block	123
Vibration system To A015094	
Vibration system	125
4812160957 Seal kit	129
4812119251 Hydraulic pump To A012667 (excl. 12607-12610, incl. 12754)	
4812119251 Hydraulic pump	131
4812112054 Hydraulic pump From A012668 (incl. 12607-12610, excl. 12754)	
4812112054 Hydraulic pump	133
Vibration system From A015095	
Vibration system	135
4812121617 Hydraulic pump	139
4812160957 Seal kit	See page 129
Steering system	
Steering system	141
Steering cylinder To A013002 (excl. 12769, 12994, 12997)	
4700374603 Steering cylinder	143
Steering cylinder From A013003 (incl. 12769, 12994, 12997)	
4812120737 Hydraulic cylinder	145
Flow divider To A015108	
Flow divider (option)	147
Flow divider From A015109	
Flow divider (option)	149
Brake system To A015094	
Brake system	151
Brake system From A015095 To A016077	
Brake system	153

Brake system From A016078	
Brake system	155
Vibration shut-off Front drum (option)	157
Electrical equipment	
Cable harness To A015127 (excl. 15110, 15112-15113, 15119, 15122, 15125)	
Cable harness	159
Cable harness From A015128 (incl. 15110, 15112-15113, 15119, 15122, 15125)	
Cable harness	161
Horn module	163
Battery module	165
Battery disconnecter	167
Working lights	
Working lights	169
Working lights front	171
Working light rear	173
Working light (option) rear	175
Casing rear	177
Cover plate rear	179
Driving lights Front RH (option)	
Driving lights Front RH (option)	181
Driving lights Front	183
Driving lights Rear (option)	185
Driving lights Front LH (option)	
Driving lights Front LH (option)	187
Driving lights Front	189
Driving lights Rear (option)	See page 185
Rotating beacon	
Rotating beacon for ROPS (option)	191
Rotating beacon for ROPS ignition controlled (option)	193
Rotating beacon, without rops (option)	195
Direction indicator (option)	197
Back-up alarm	199
Drivers platform	
Drivers platform	201
Platform module To A014353	
Platform module	203
Platform mount	205
Platform module From A014354	
Platform	207
Platform module	209
Platform module	
Instrument panel module	211
Steering wheel	213
Control module	215
Standard ECU module	217
Forward-Reverse control module To A014358	
Forward-Reverse control module	219
4812113676 Forward and reverse control handle	221
Forward-reverse control left (option)	225
Cover plate, Dual F&R-control left side	227

Forward-Reverse control module From A014359 To A015764

Forward-reverse control, Right side, single	229
4812121384 Forward & Reverse control	231
Cover plate, Dual F&R-control, left side	235
Forward-Reverse Control module, Dual lever (option)	237

Forward-Reverse control module From A015765

Forward-Reverse control module	239
4812122939 Forward & Reverse control	241
4812121384 Forward & Reverse control	See page 231
Cover plate, Dual F&R-control, left side	See page 235
Forward-Reverse Control module, Dual lever (option)	245
Throttle control, cpl	247

Throttle control cpl - Dual frequency To A014939

Throttle control cpl, Dual frequency	249
--------------------------------------	-----

Throttle control cpl - Dual frequency From A014940

Throttle control cpl, Dual frequency (option)	251
Seat laterally adjusting	253
Step (option)	255
Driver seat, Std	257
Driver seat, Luxury (option)	259
Driver's seat, without armrests	261
Seat belt module 3"	263
Seat belt module 2"	265
Rear view mirror (option)	267
ROPS, foldable	269
Rops (option)	271
Canopy (option)	273

Decals

Decals	275
--------	-----

Optional equipment

Fire extinguisher	277
Tool equipment	279
SMV-sign and Licence plate	281
Brake release, propulsion motor Poclairn	283
Brake release, "high torque" drum drive	285

High torque drum drive " Short"

High torque drum drive " Short"	287
4700380594 Hydraulic motor, propulsion, drum	289
Appendix B:Parts Index	293

CC1200 Plus S/N 10000332xxA012669 -

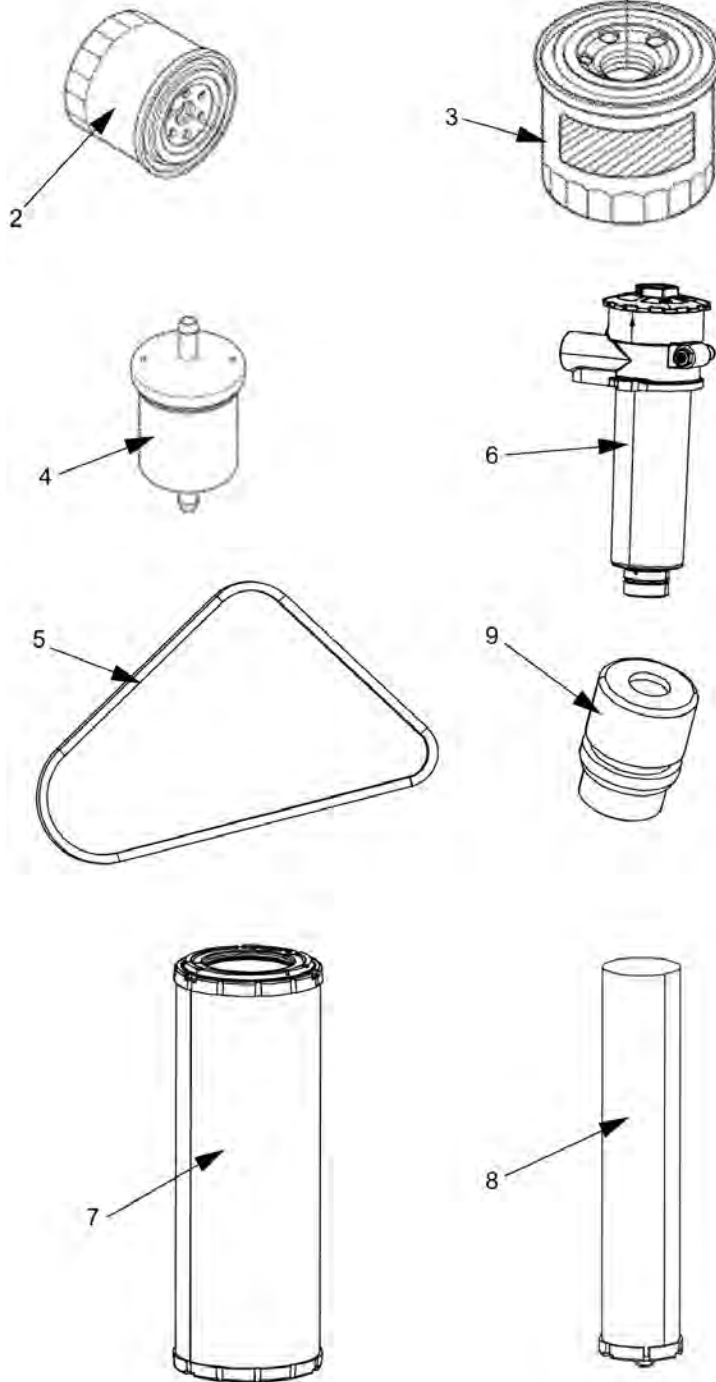


Refer to Parts Online for the most up to date information. The printed information might be outdated.

Thu Apr 21 05:51:02 MDT 2016

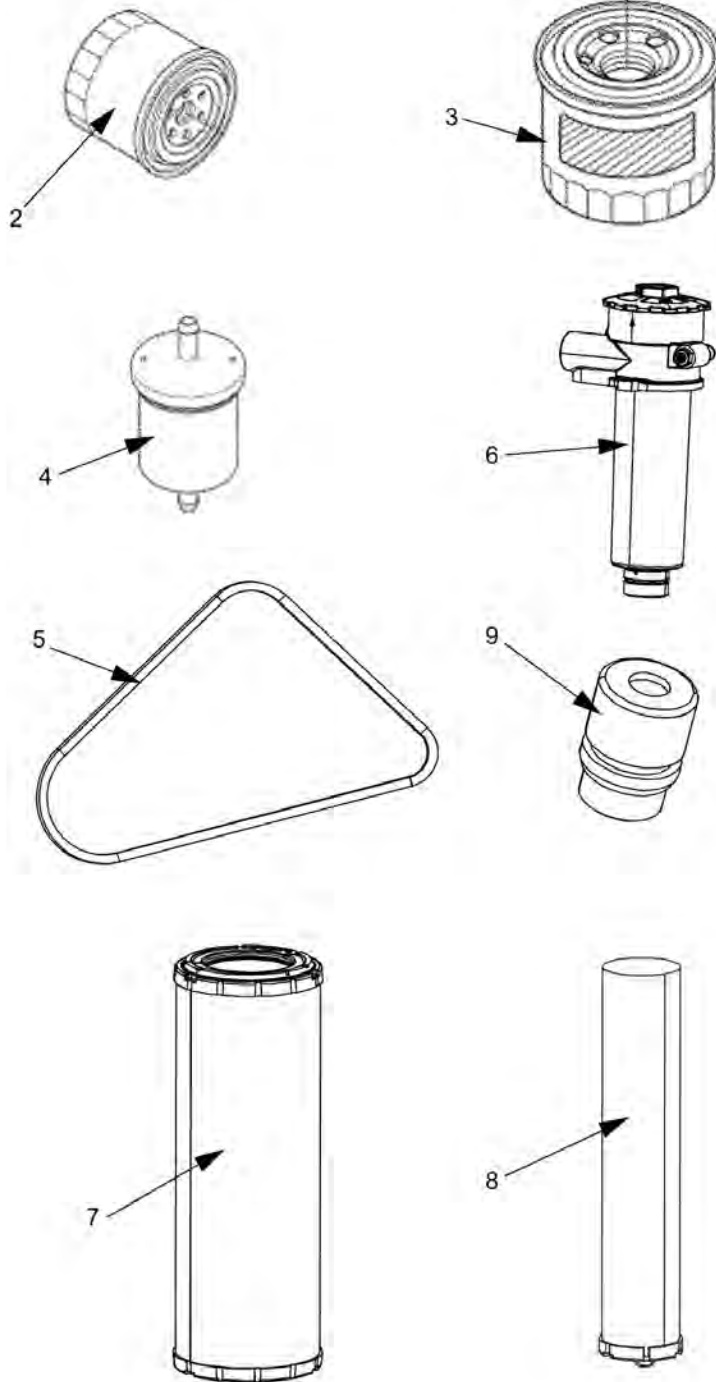
Item	Part No.	Name	Qty	L	SN INFO
0	-	Service kits	1		
0	-	Repair kits	1		
10	-	Frame	1		
20	-	Drum	2		
30	-	Engine room	1		
50	-	Hydraulic system	1		
60	-	Electric equipment	1		
70	-	Drivers platform	1		
80	-	Decals	1		
91	-	Optional equipment	1		

Service kits 4812156265 Service kit 50h



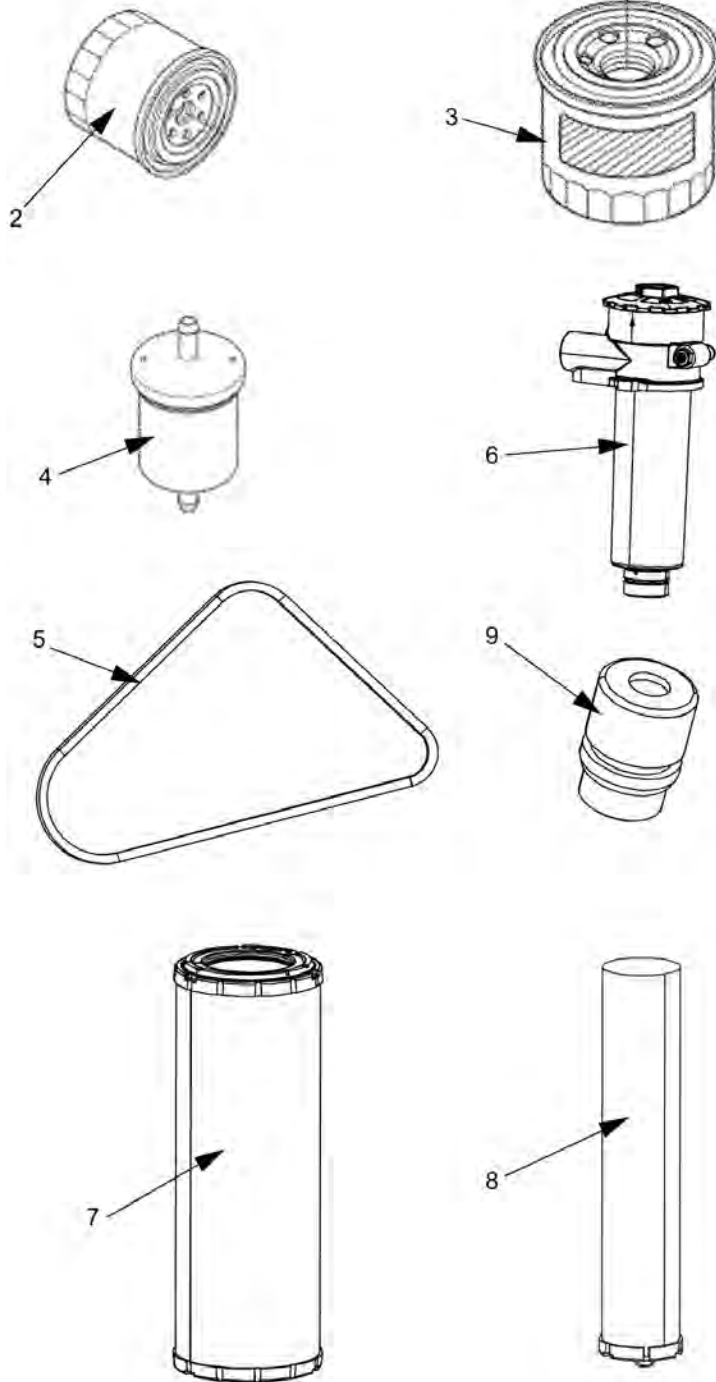
Item	Part No.	Name	Qty	L	SN INFO
0	4812156265	Service kit 50h	1		
2	4812156259	Engine oil filter element	1		
3	4812156263	Fuel filter element	1		
4	4812156264	Pre-fuel filter element	1		
6	4812113328	Hydraulic oil filter element	1		

Service kits 4812159563 Service kit 50h Plus



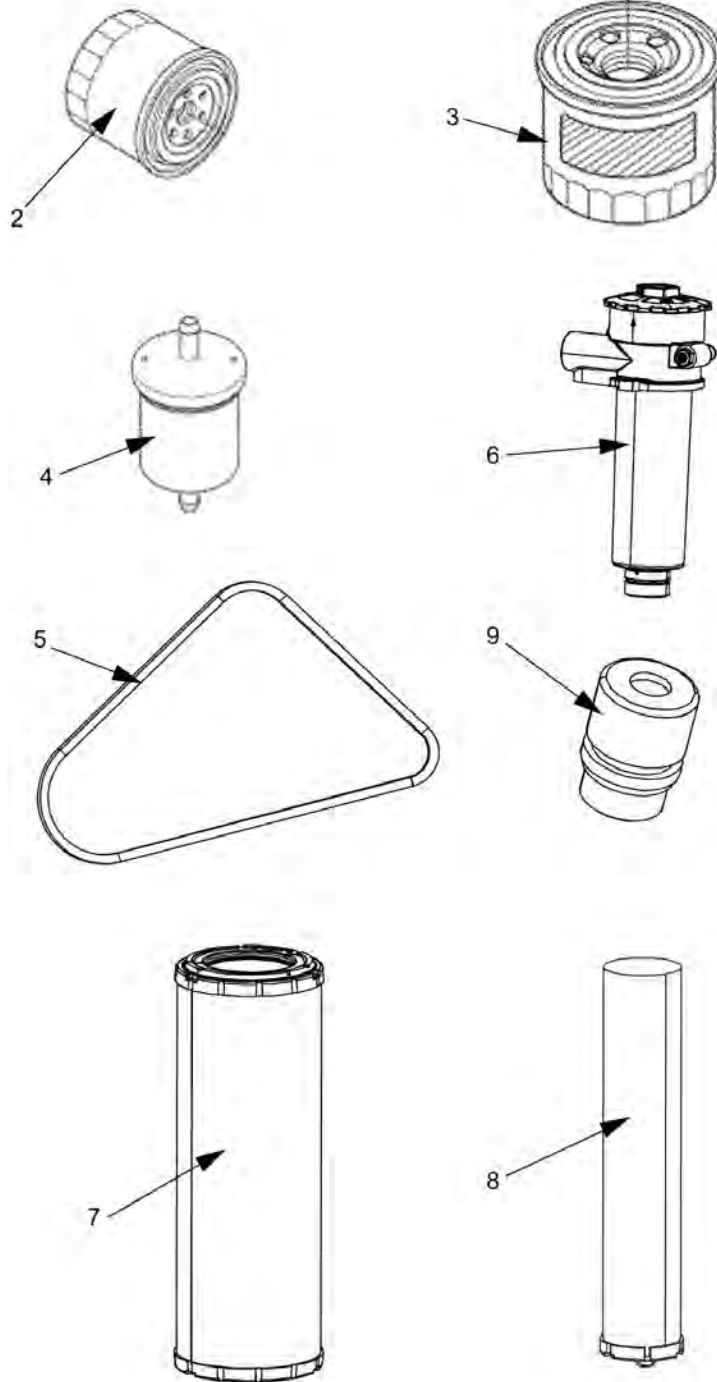
Item	Part No.	Name	Qty	L	SN INFO
0	4812159563	Service kit 50h Plus			
2	4812156259	Engine oil filter element	1		
3	4812156263	Fuel filter element	1		
4	4812156264	Pre-fuel filter element	1		
6	4812113328	Hydraulic oil filter element	1		
10	5580020624	Engine oil 100 / 5 ltr.	2		
11	4812030096	Dynapac Roller Grease	1		

Service kits 4812156288 Service kit 250 / 750 h



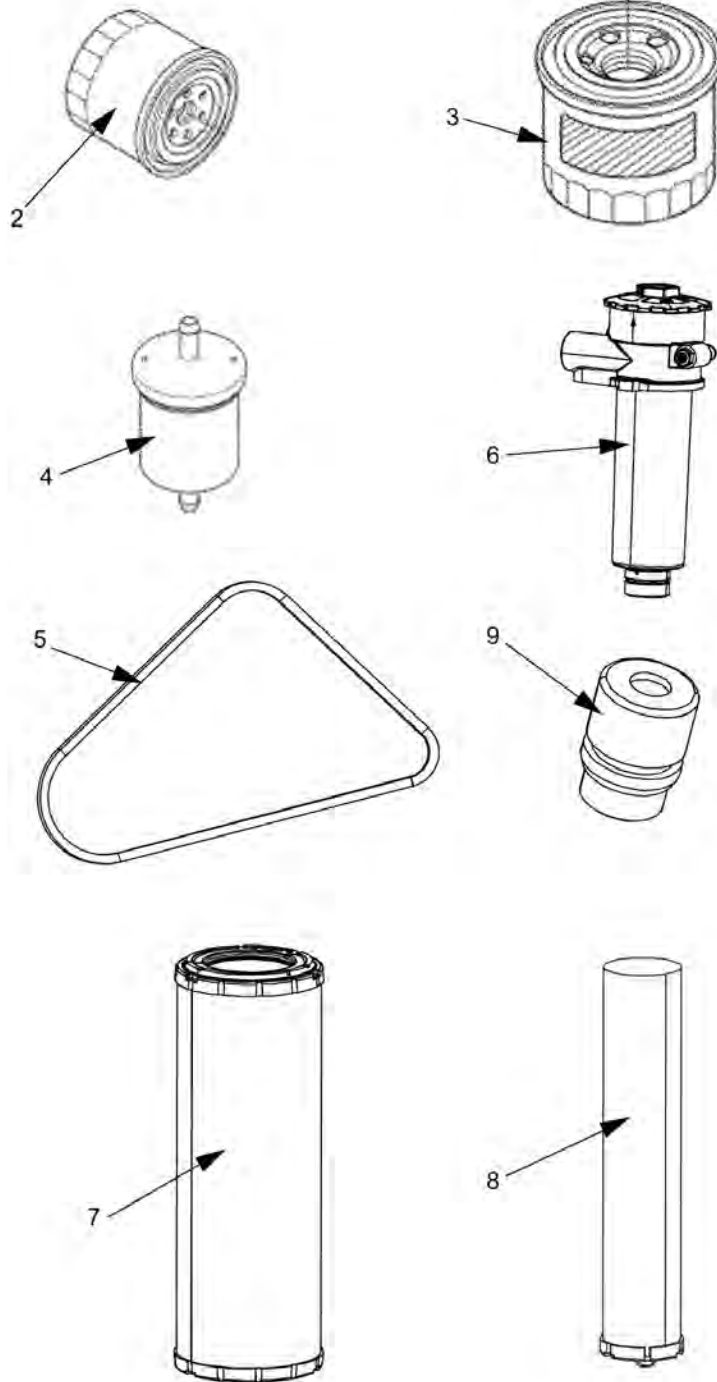
Item	Part No.	Name	Qty	L	SN INFO
0	4812156288	Service kit 250 / 750 h	1		
2	4812156259	Engine oil filter element	1		

Service kits 4812159564 Service kit 250/750h Plus



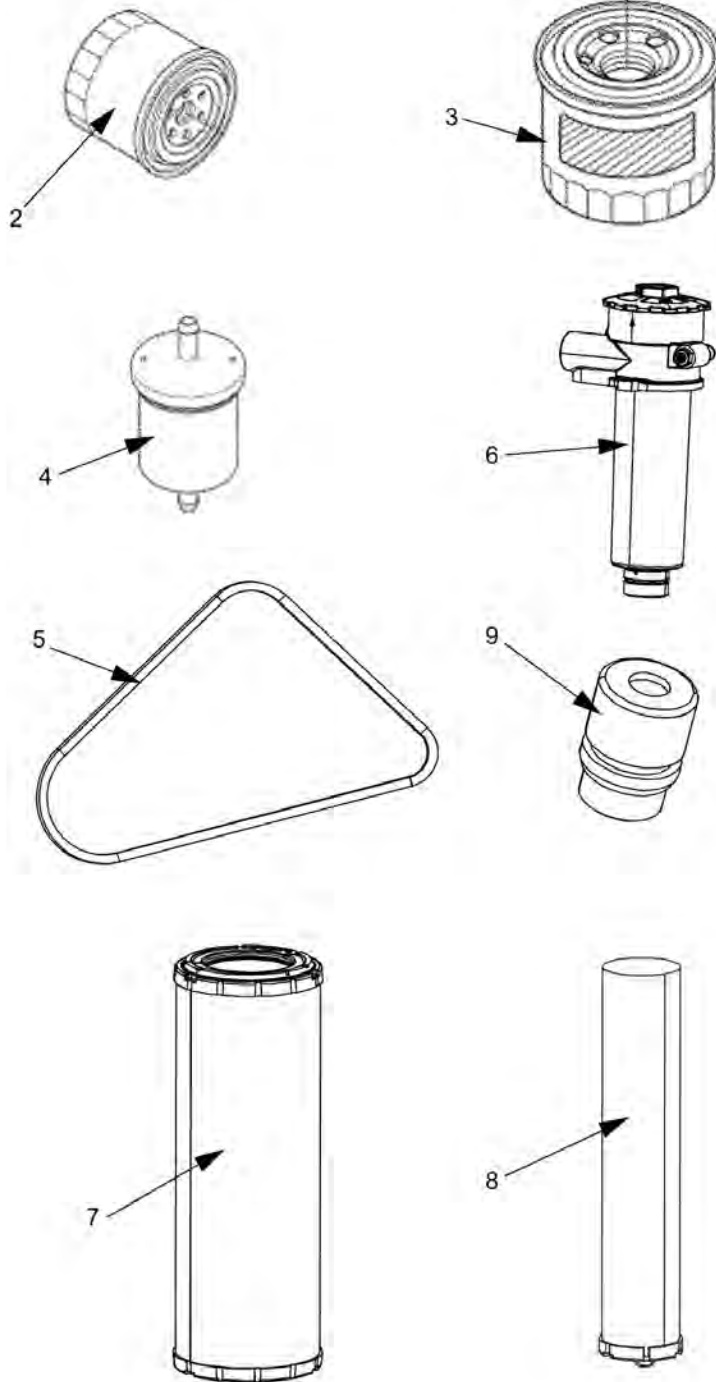
Item	Part No.	Name	Qty	L	SN INFO
0	4812159564	Service kit 250/750h Plus			
2	4812156259	Engine oil filter element	1		
10	5580020624	Engine oil 100 / 5 ltr.	2		

Service kits 4812156266 Service kit 500h



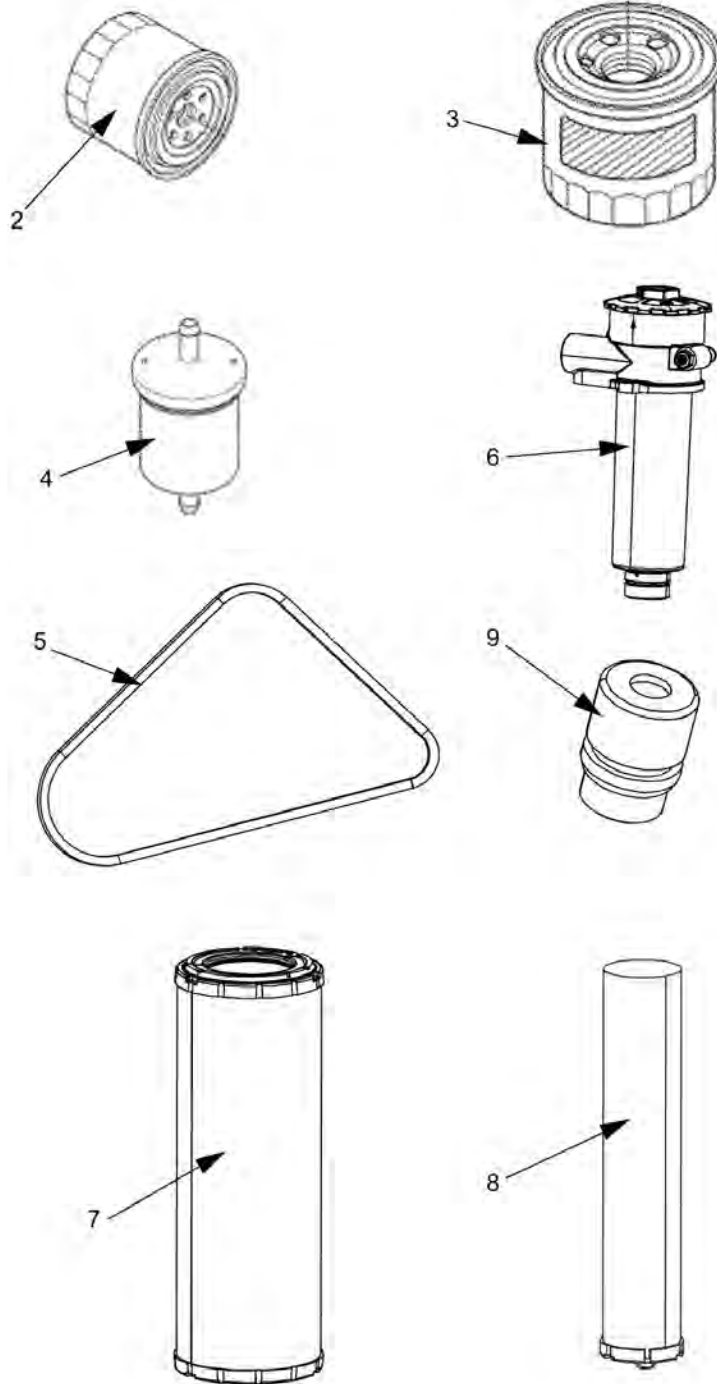
Item	Part No.	Name	Qty	L	SN INFO
0	4812156266	Service kit 500h	1		
2	4812156259	Engine oil filter element	1		
3	4812156263	Fuel filter element	1		
4	4812156264	Pre-fuel filter element	1		
5	4812156260	V-belt	1		

Service kits 4812159565 Service kit 500h Plus



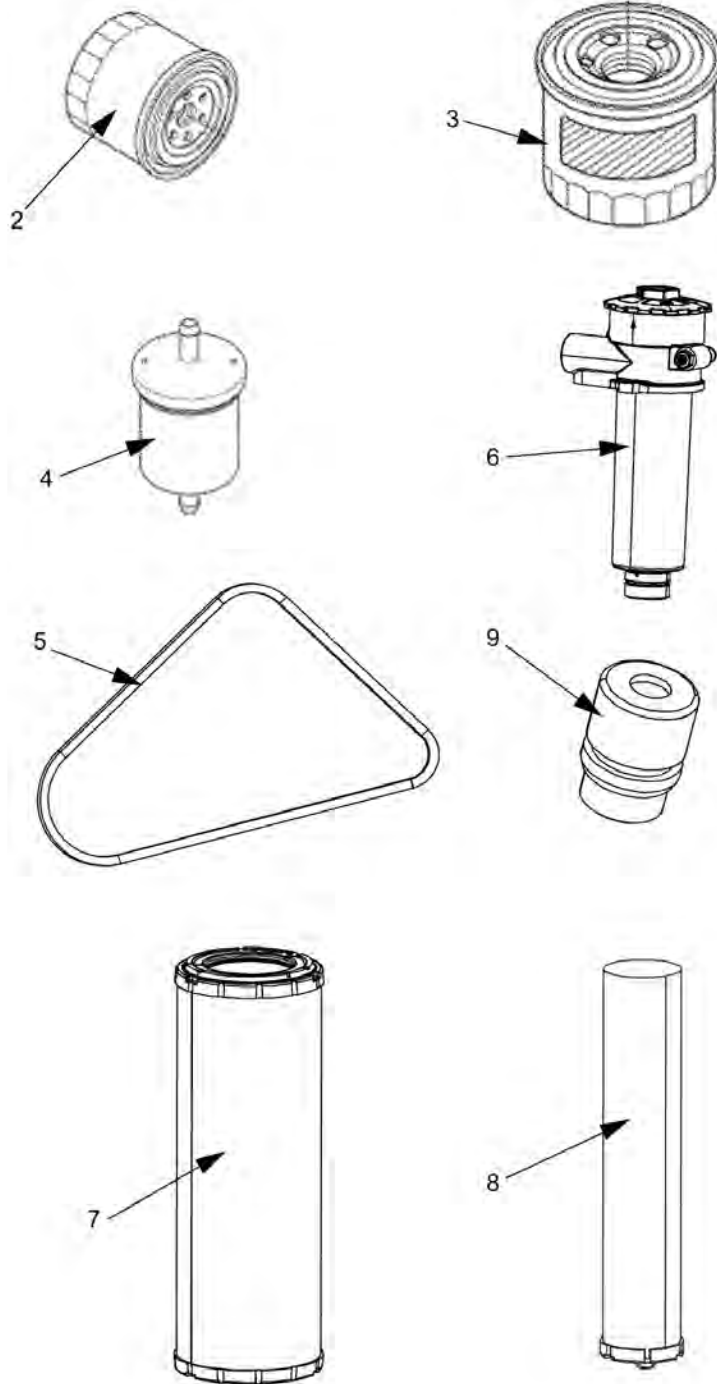
Item	Part No.	Name	Qty	L	SN INFO
0	4812159565	Service kit 500h Plus			
2	4812156259	Engine oil filter element	1		
3	4812156263	Fuel filter element	1		
4	4812156264	Pre-fuel filter element	1		
5	4812156260	V-belt	1		
10	4812030096	Dynapac Roller Grease	1		

Service kits 4812156267 Service kit 1000 h



Item	Part No.	Name	Qty	L	SN INFO
0	4812156267	Service kit 1000 h	1		
2	4812156259	Engine oil filter element	1		
3	4812156263	Fuel filter element	1		
4	4812156264	Pre-fuel filter element	1		
5	4812156260	V-belt	1		
6	4812113328	Hydraulic oil filter element	1		
7	4700939802	Air filter element Main	1		
8	4700939803	Air filter element Safety	1		
9	4700357138	Ventilating filter	1		
10	4812156261	Valve cover gasket	1		

Service kits 4812159566 Service kit 1000h Plus



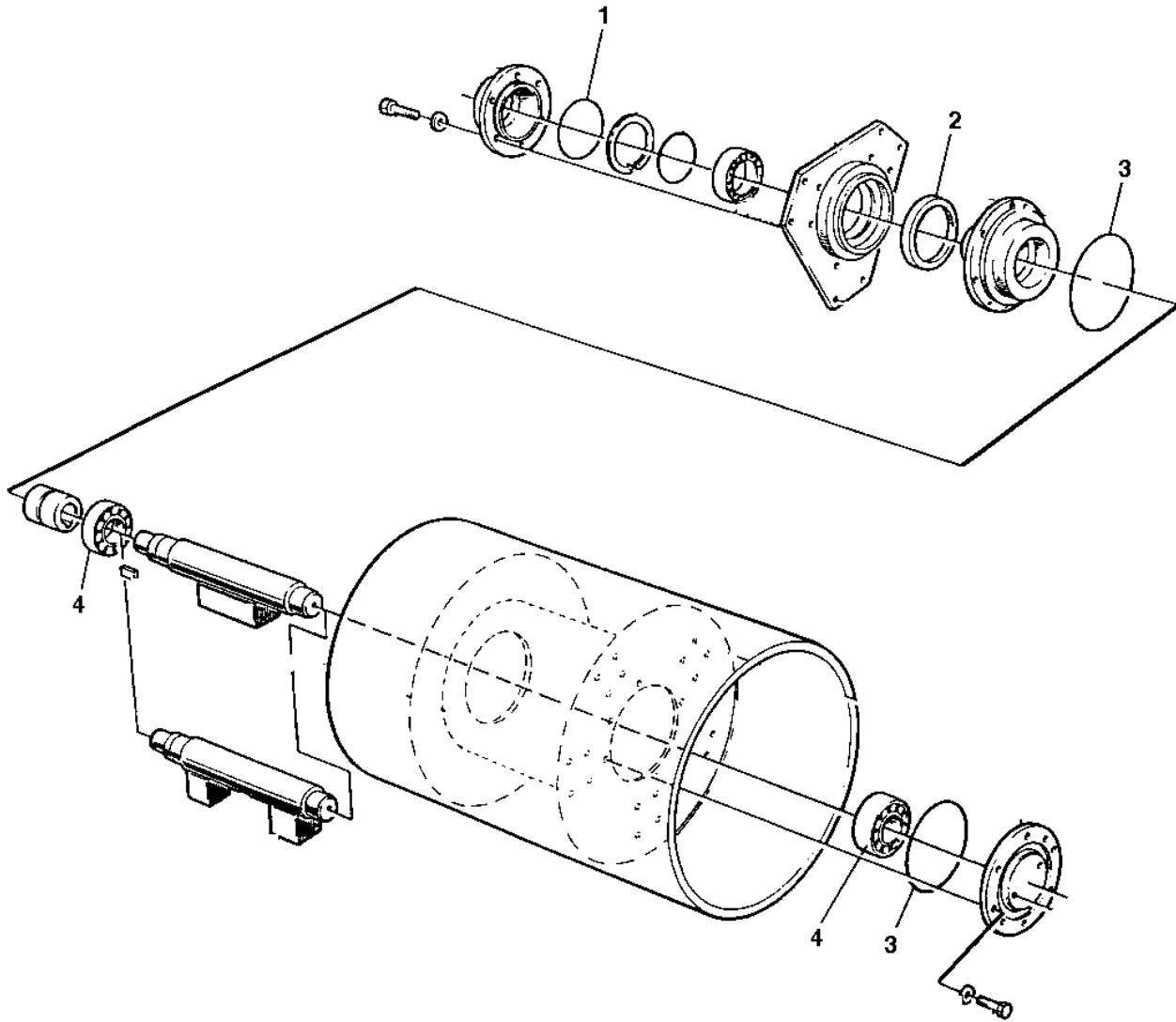
Item	Part No.	Name	Qty	L	SN INFO
0	4812159566	Service kit 1000h Plus			
2	4812156259	Engine oil filter element	1		
3	4812156263	Fuel filter element	1		
4	4812156264	Pre-fuel filter element	1		
5	4812156260	V-belt	1		
6	4812113328	Hydraulic oil filter element	1		
7	4700939802	Air filter element Main	1		
8	4700939803	Air filter element Safety	1		
9	4700357138	Ventilating filter	1		
10	4812156261	Valve cover gasket	1		
11	5580020624	Engine oil 100 / 5 ltr.	2		
12	9106230330	Atlas Copco fluid hydraulic oil 300 20 liters	3		
13	4812008274	AC Fluid Gearbox 100 / 5 ltr.	3		

Service kits 4812159571 Start-up kit

NO EXPLODED VIEW
AVAILABLE
FOR THIS BOM

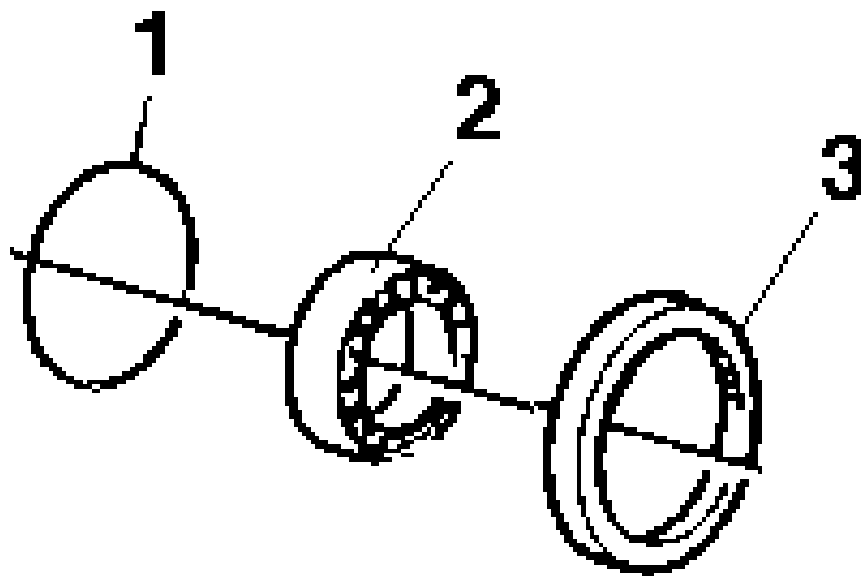
Item	Part No.	Name	Qty	L	SN INFO
0	4812159571	Start-up kit			
1	4812159563	Service kit 50h Plus	1		
2	4812159564	Service kit 250/750h Plus	2		
3	4812159565	Service kit 500h Plus	1		
4	4812159568	Service kit 1000h Plus	1		

Repair kits 4700938908 Eccentric shaft kit



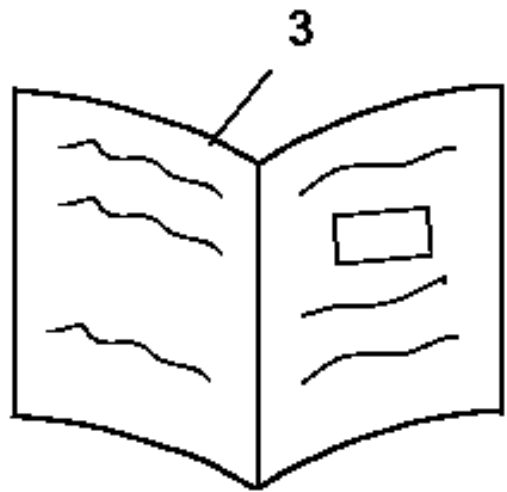
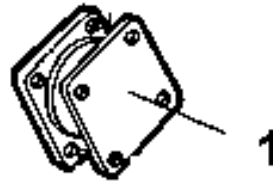
Item	Part No.	Name	Qty	L	SN INFO
0	4700938908	Eccentric shaft kit			
1	4700160132	O-ring 70	1		
2	4700163049	Radial lip-type seal	1		
3	4700923951	O-ring	2		
4	4700904258	Spherical roller bearing	2		

Repair kits 4700938892 Drum rotation kit



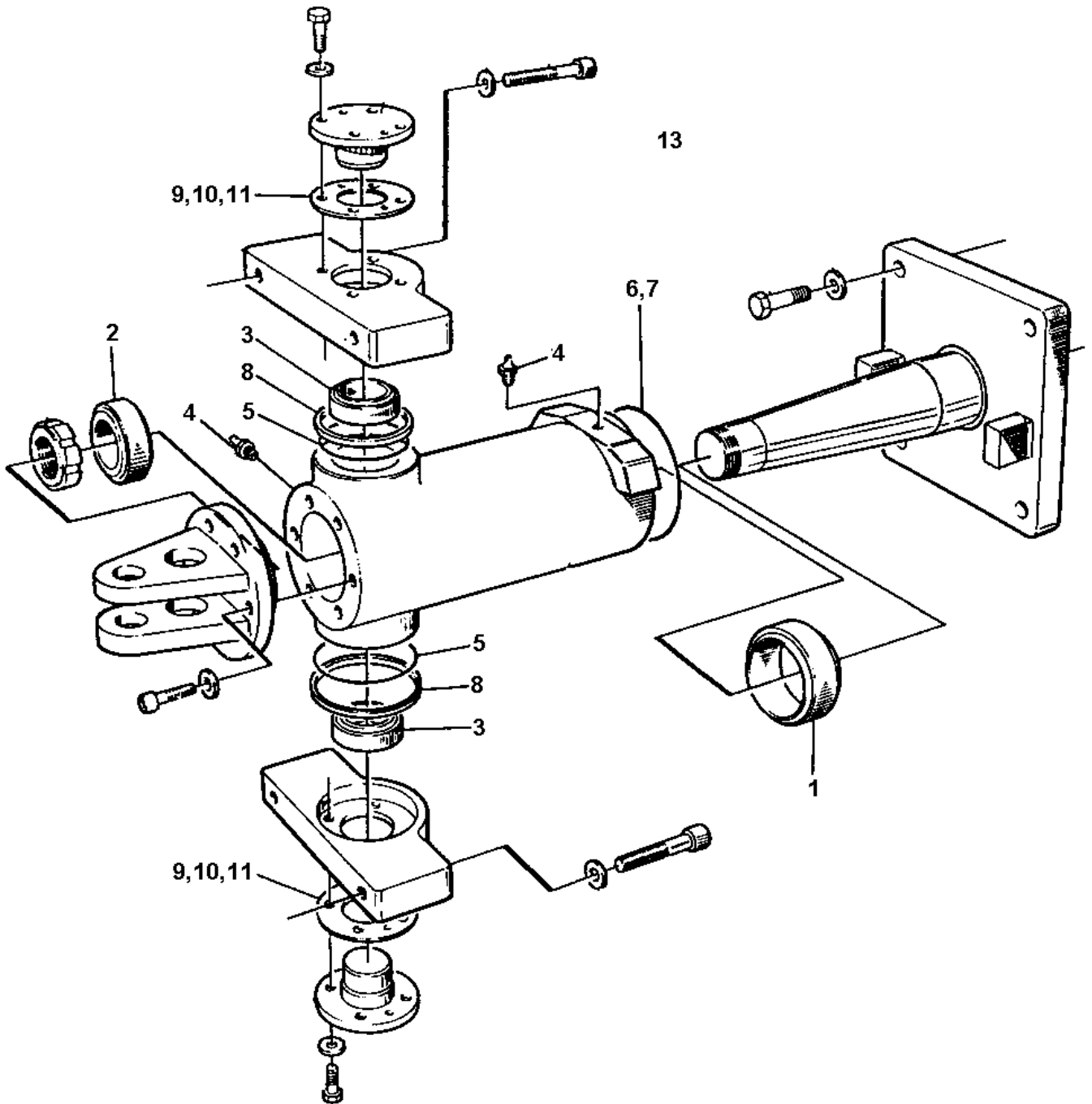
Item	Part No.	Name	Qty	L	SN INFO
0	4700938892	Drum rotation kit			
1	4700160132	O-ring 70	1		
2	4700111018	Ball bearing	1		
3	4700163049	Radial lip-type seal	1		

Repair kits 4700938885 Shock absorber kit, drum



Item	Part No.	Name	Qty	L	SN INFO
0	4700938885	Shock absorber kit, drum			
1	4700345215	Shock absorber	8		
2	4700357222	Shim T=1 mm	4		
3	4812156170	Instructions	1		

Repair kits 4700938575 Steering hitch kit



Refer to Parts Online for the most up to date information. The printed information might be outdated.

Thu Apr 21 05:51:12 MDT 2016

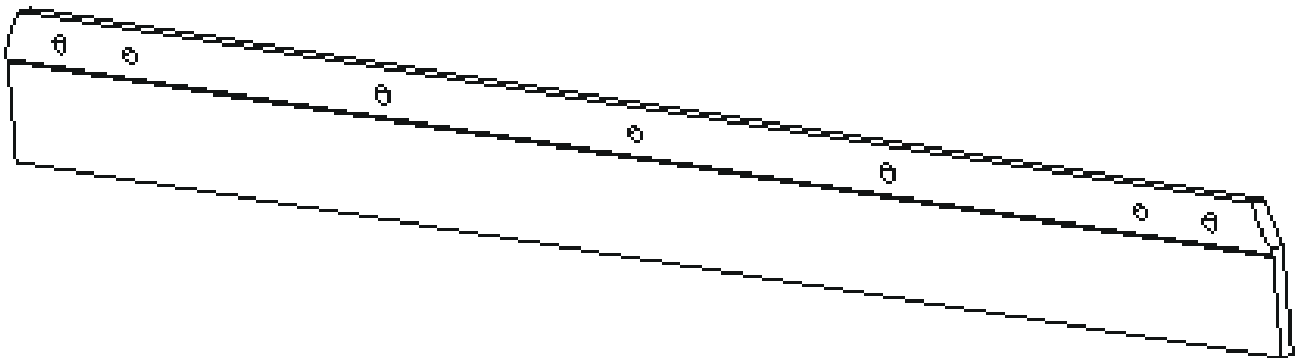
Item	Part No.	Name	Qty	L	SN INFO
0	4700938575	Steering hitch kit			
1	4700902063	Bushing	1		
2	4700902062	Bushing	1		
3	4700902061	Bushing	2		
4	4700926214	Grease fitting	1		
5	4700167044	V-ring	2	A	
6	4700160112	O-ring	1		
7	4700892179	O-ring	1		
8	4700357418	Sealing	2		
9	4700347153	Shim T=0,2 mm	2		
10	4700347154	Shim T=0,4 mm	2		
11	4700347155	Shim T=0,8 mm	2		
13	4700938534	Lube grease	1		

Comments for Page: 4700938575 Steering hitch kit

(L)OCAL REMARKS

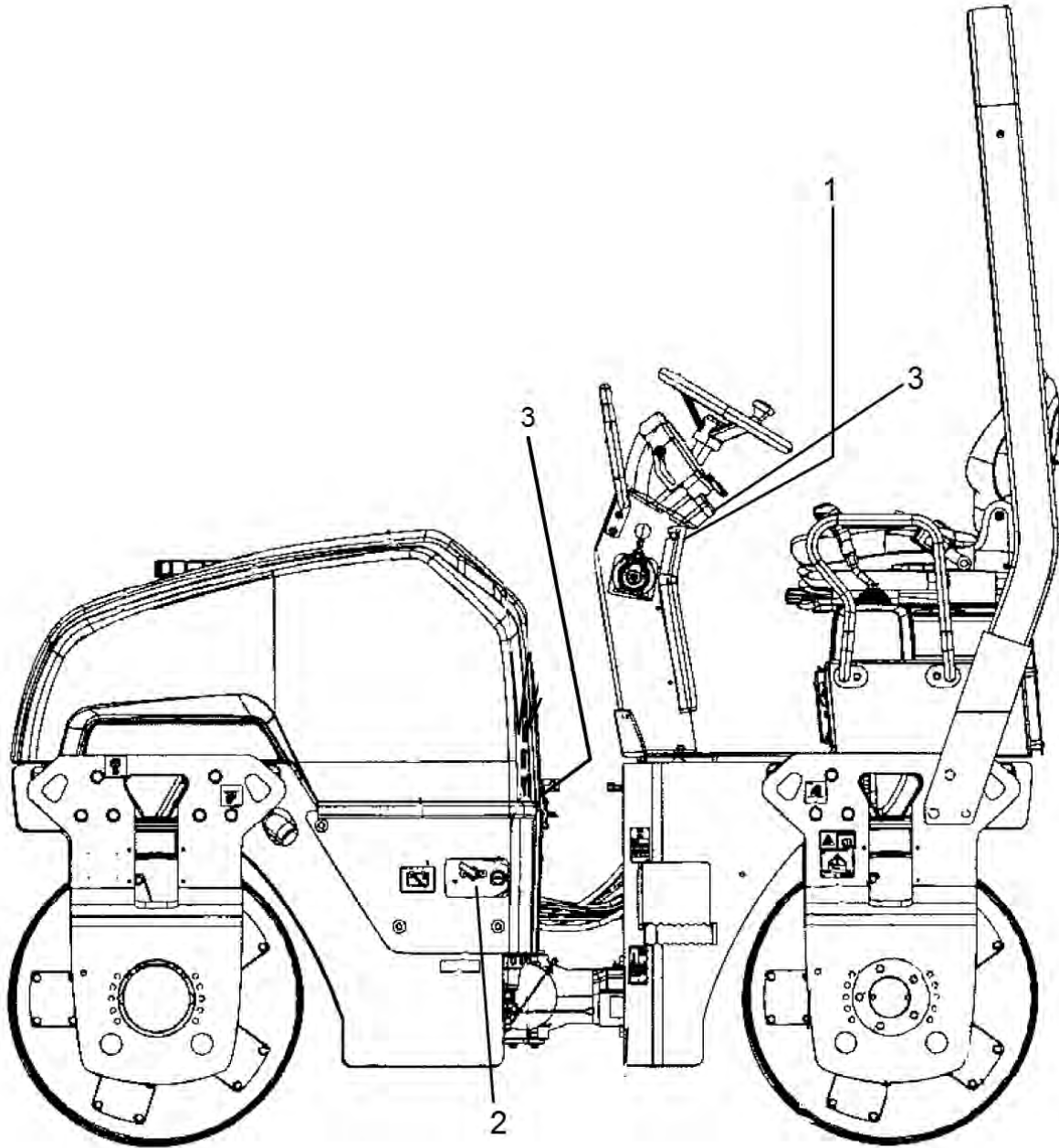
A | en_US | For improved function this replaces earlier used 4700160032

Repair kits 4812159961 Scraper kit



Item	Part No.	Name	Qty	L	SN INFO
0	4812159961	Scraper kit	1		
1	4812120024	Scraper blade	4		

General - Keys and others Keys

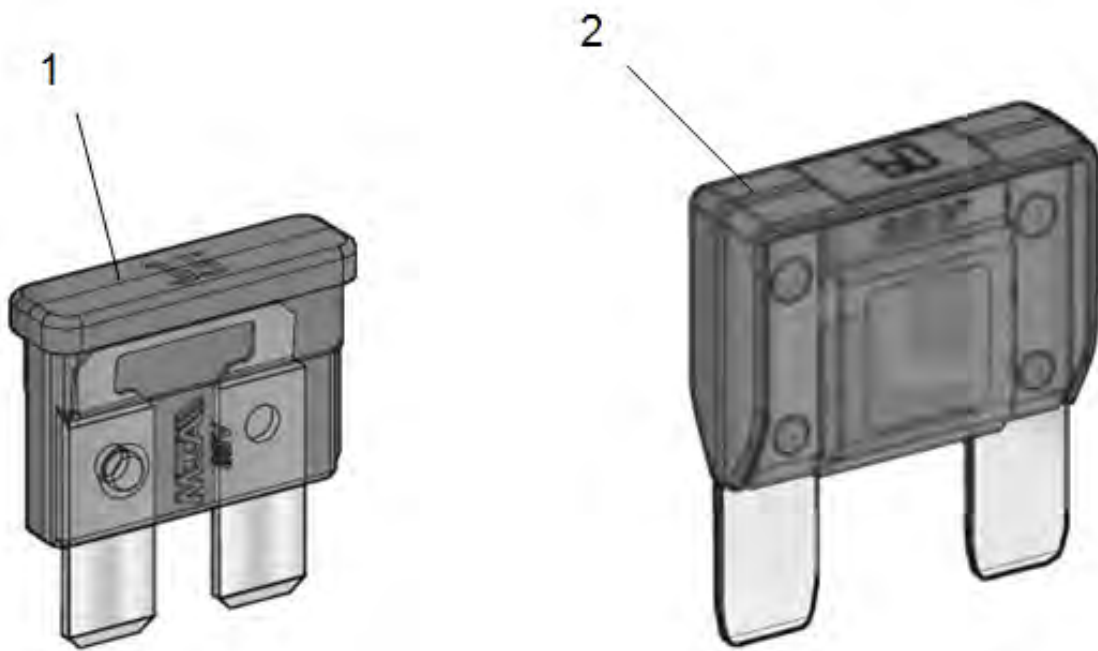


Refer to Parts Online for the most up to date information. The printed information might be outdated.

Thu Apr 21 05:51:14 MDT 2016

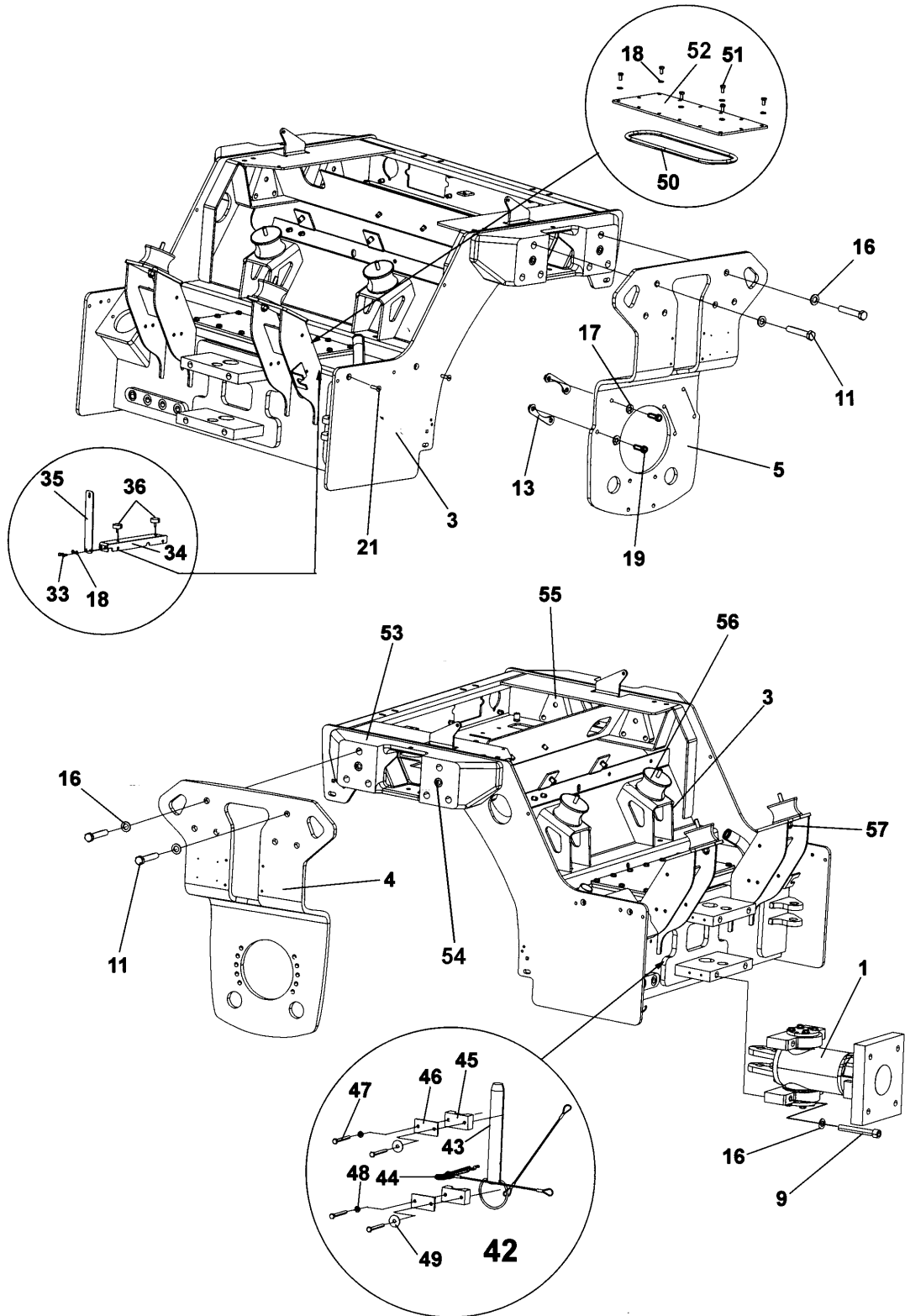
Item	Part No.	Name	Qty	L	SN INFO
1	-	Ignition switch			
1	4700940451	Ignition key			
2	-	Fuel cap			
2	4700945753	Key 2 pcs "044"			To 0A012700
2	4812118885	Key "044"			From 0A012701
3	4700358881	Pad lock			

General - Keys and others Fuses



Item	Part No.	Name	Qty	L	SN INFO
1	-	Fuse, blade type Medium			
1	4700901224	Fuse, 3A Violet			
1	4700901225	Fuse 5A Tan			
1	4700901226	Fuse 7.5A Brown			
1	4700901227	Fuse 10A Red			
1	4700901228	Fuse, 15A Blue			
1	4700903741	Fuse 20A Yellow			
1	4700901229	Fuse, 25A Natural			
1	4700901230	Fuse, 30A Green			
2	-	Fuse, blade typ High			
2	4700904294	Fuse 20A Yellow			
2	4700904037	Fuse 30A Green			
2	4700904038	Fuse 40A Orange			
2	4700904039	Fuse 50A Red			
2	4700904040	Fuse 60A Blue			
2	4700904041	Fuse 70A Tan			
2	4700904042	Fuse 80A Natural (White)			

Frames To A014775 Frame, front

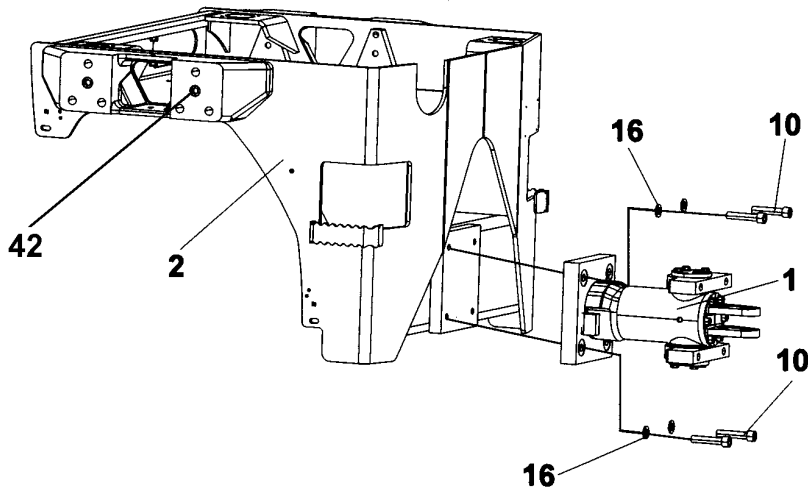
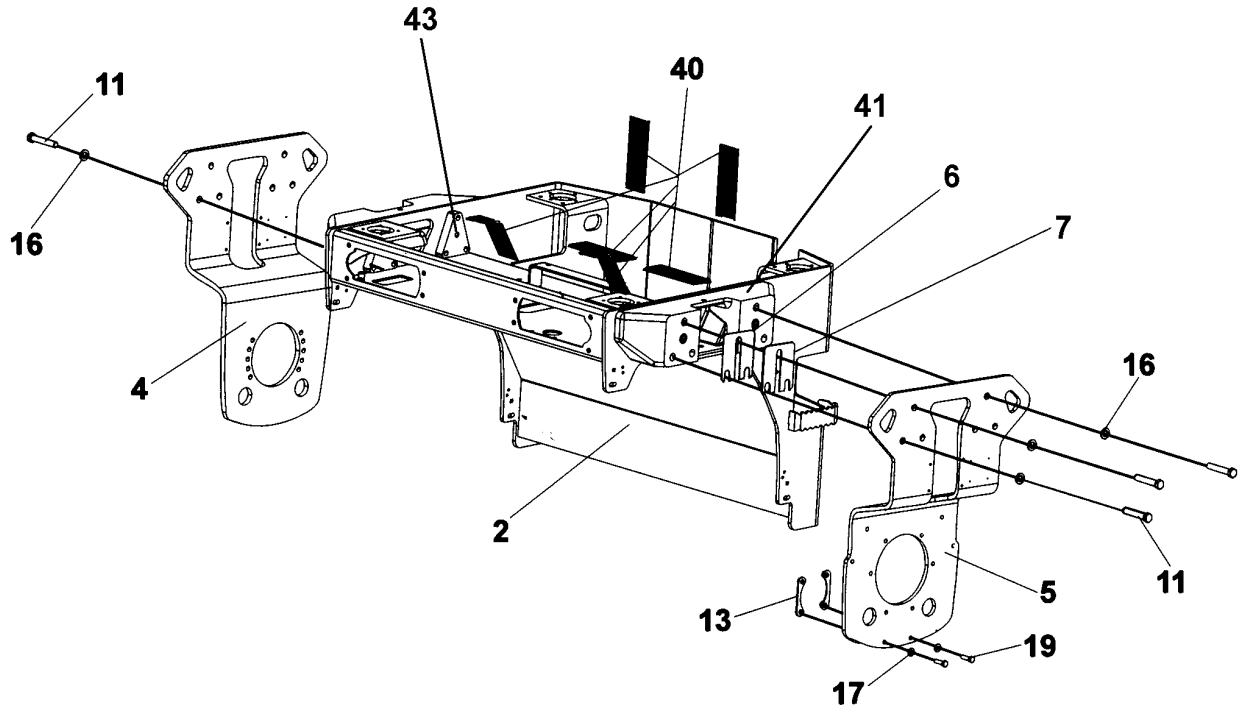


Refer to Parts Online for the most up to date information. The printed information might be outdated.

Thu Apr 21 05:51:18 MDT 2016

Item	Part No.	Name	Qty	L	SN INFO
1	-	Steering hitch	1		
3	4812119733	Frame, front	1		
4	4812120578	Fork	1		
5	4812120579	Fork	1		
9	4700902100	Screw	4		
11	4700923247	Screw M16x160	12		
13	4700379179	Holder	6		
16	4700904232	Steel plain washer	16		
17	4700904230	Washer 10.5x22x2 mm 300 HV	12		
18	4700904229	Steel plain washer 8.4X16X1.5	16		
19	4812110288	Screw	12		
21	4700902520	Screw	2		
33	4700500100	Hexagon screw	2		
34	4812116681	Bracket	1		
35	4812113080	Bracket	1		
36	4700792601	Shock absorber	2		
42	-	Steering hitch lock	1		
43	4700357487	Shaft	1		
44	4700357489	Hair pin	1		
45	4700902171	Clamp	2		
46	4700902172	Cover plate	2		
47	4700500016	Screw M6x55 8.8 A2K	4		
48	4700600004	Washer	2		
49	4700615076	Washer 7,0x25x1,5	2		
50	4700349880	O Ring	1		
51	4700500019	Hex. screw	14		
52	4700349879	Cover	1		
53	4812113924	Spacer block	2		To 0A013002
53	4812120470	Spacer block	2		From 0A013003
54	4700902101	Screw	4		
55	4700393540	Threaded plate	4		
56	4812113018	Shock absorber	4		
57	4700586018	Lock nut, M10	4		

Frames To A014775 Frame, rear

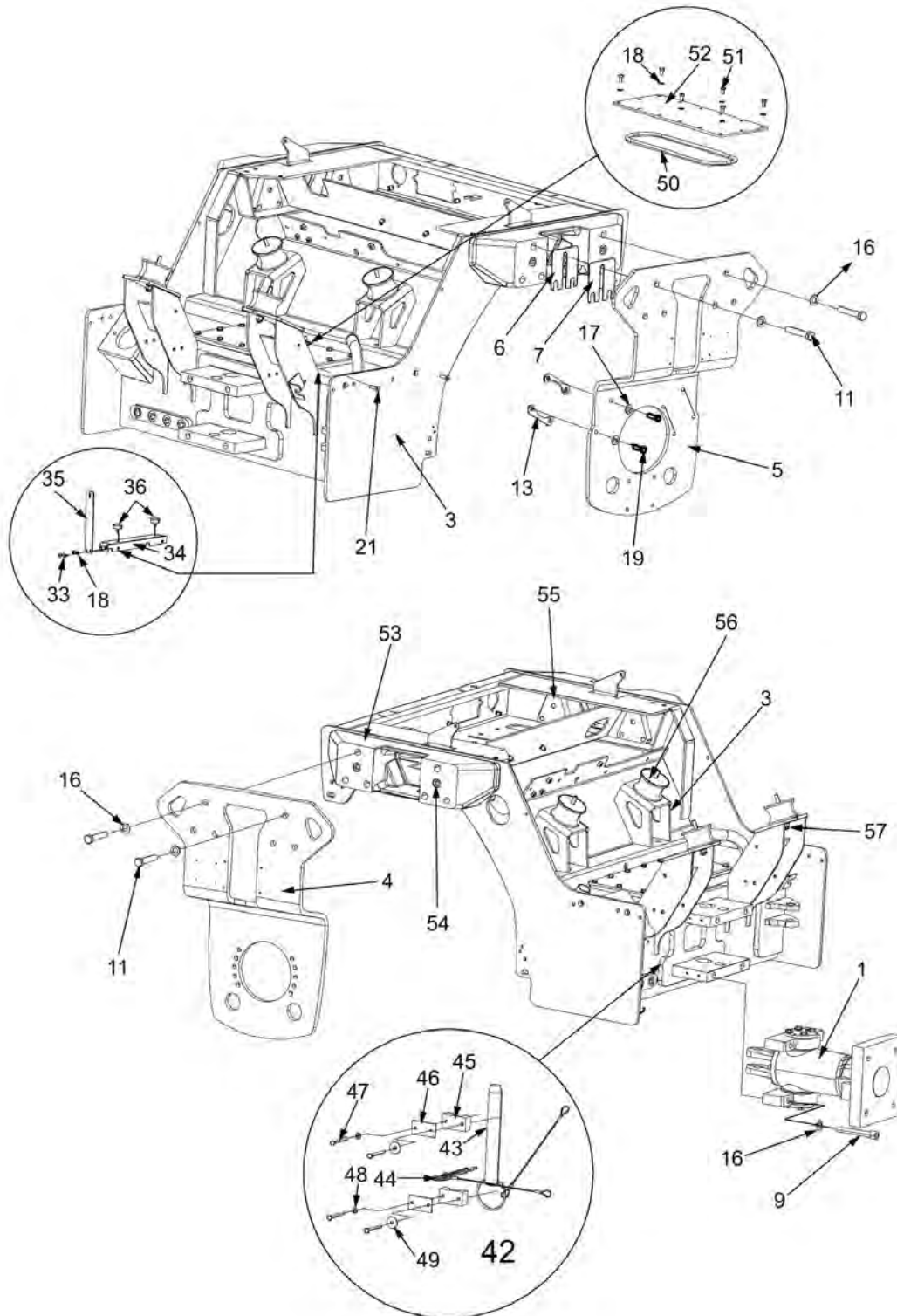


Refer to Parts Online for the most up to date information. The printed information might be outdated.

Thu Apr 21 05:51:18 MDT 2016

Item	Part No.	Name	Qty	L	SN INFO
1	-	Steering hitch	1		
2	4812119732	Frame, rear	1		
4	4812120578	Fork	1		
5	4812120579	Fork	1		
6	4700357222	Shim T=1 mm	N		
7	4700357221	Shim T=3 mm	N		
10	4700927396	Screw	4		
11	4700923247	Screw M16x160	12		
13	4700379179	Holder	6		
16	4700904232	Steel plain washer	16		
17	4700904230	Washer 10.5x22x2 mm 300 HV	12		
19	4812110288	Screw	12		
40	4700357459	Rubber cloth	6		
41	4812120470	Spacer block	2		
42	4700902101	Screw	4		
43	4700393540	Threaded plate	4		

Frames From A014776 Frame, front



Refer to Parts Online for the most up to date information. The printed information might be outdated.

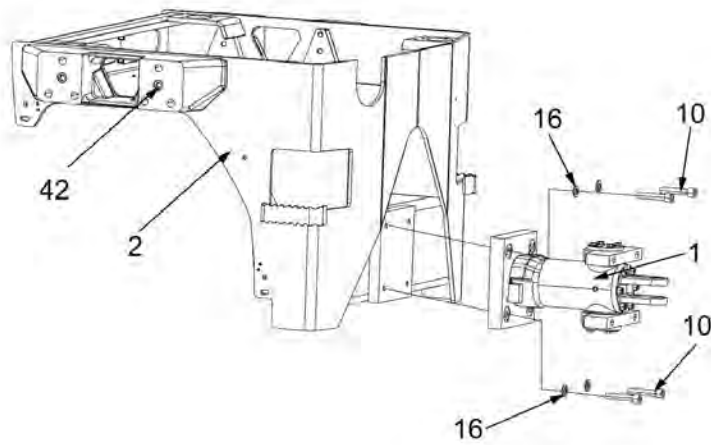
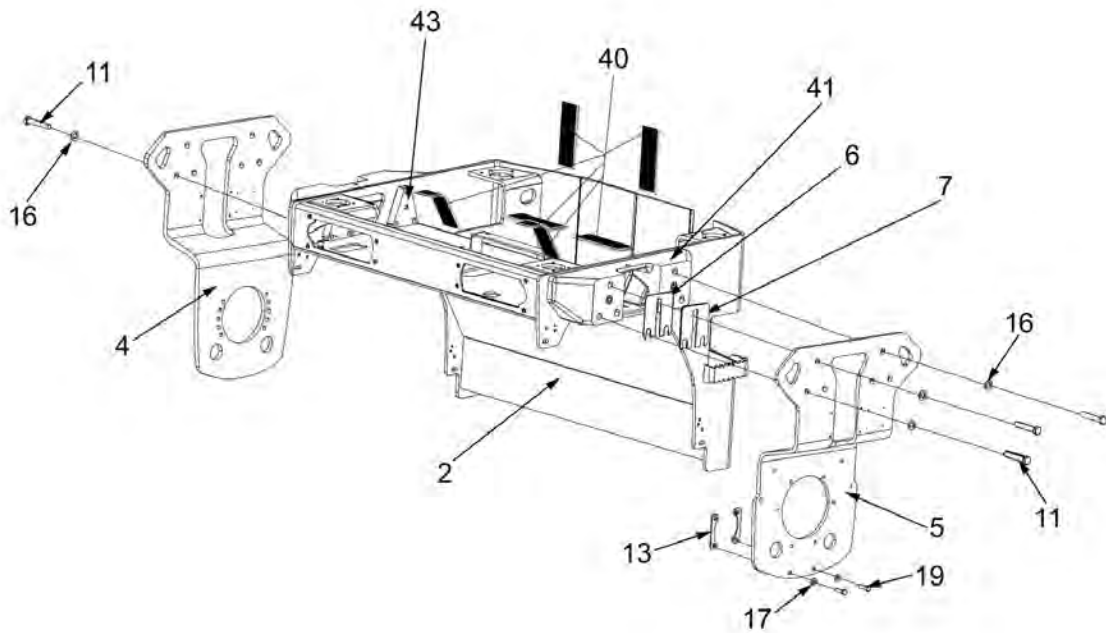
Thu Apr 21 05:51:20 MDT 2016

Item	Part No.	Name	Qty	L	SN INFO
1	-	Steering hitch	1		
3	4812122477	Frame, front	1		
4	4812120578	Fork	1		
5	4812120579	Fork	1		
6	4700357222	Shim T=1 mm	N		
7	4700357221	Shim T=3 mm	N		
9	4700902100	Screw	4		
11	4700923247	Screw M16x160	12		
13	4700379179	Holder	6		
16	4700904232	Steel plain washer	16		
17	4700904230	Washer 10.5x22x2 mm 300 HV	16		
18	4700904229	Steel plain washer 8.4X16X1.5	16		
19	4812110288	Screw	12		
21	4700902520	Screw	2		
33	4700500100	Hexagon screw	2		
34	4812116681	Bracket	1		
35	4812113080	Bracket	1		
36	4700792601	Shock absorber	2		
42	-	Steering hitch lock	1		
43	4700357487	Shaft	1		
44	4700357489	Hair pin	1		
45	4700902171	Clamp	2		
46	4700902172	Cover plate	2		
47	4700500016	Screw M6x55 8.8 A2K	4		
48	4700600004	Washer	2		
49	4700615076	Washer 7,0x25x1,5	2		
50	4700349880	O Ring	1		
51	4700500019	Hex. screw	14		
52	4700349879	Cover	1		
53	4812120470	Spacer block	2		
54	4700902101	Screw	4		
55	4700393540	Threaded plate	4		
56	4812113018	Shock absorber	4		
57	4700586018	Lock nut, M10	4		

Refer to Parts Online for the most up to date information. The printed information might be outdated.

Thu Apr 21 05:51:20 MDT 2016

Frames From A014776 Frame, rear

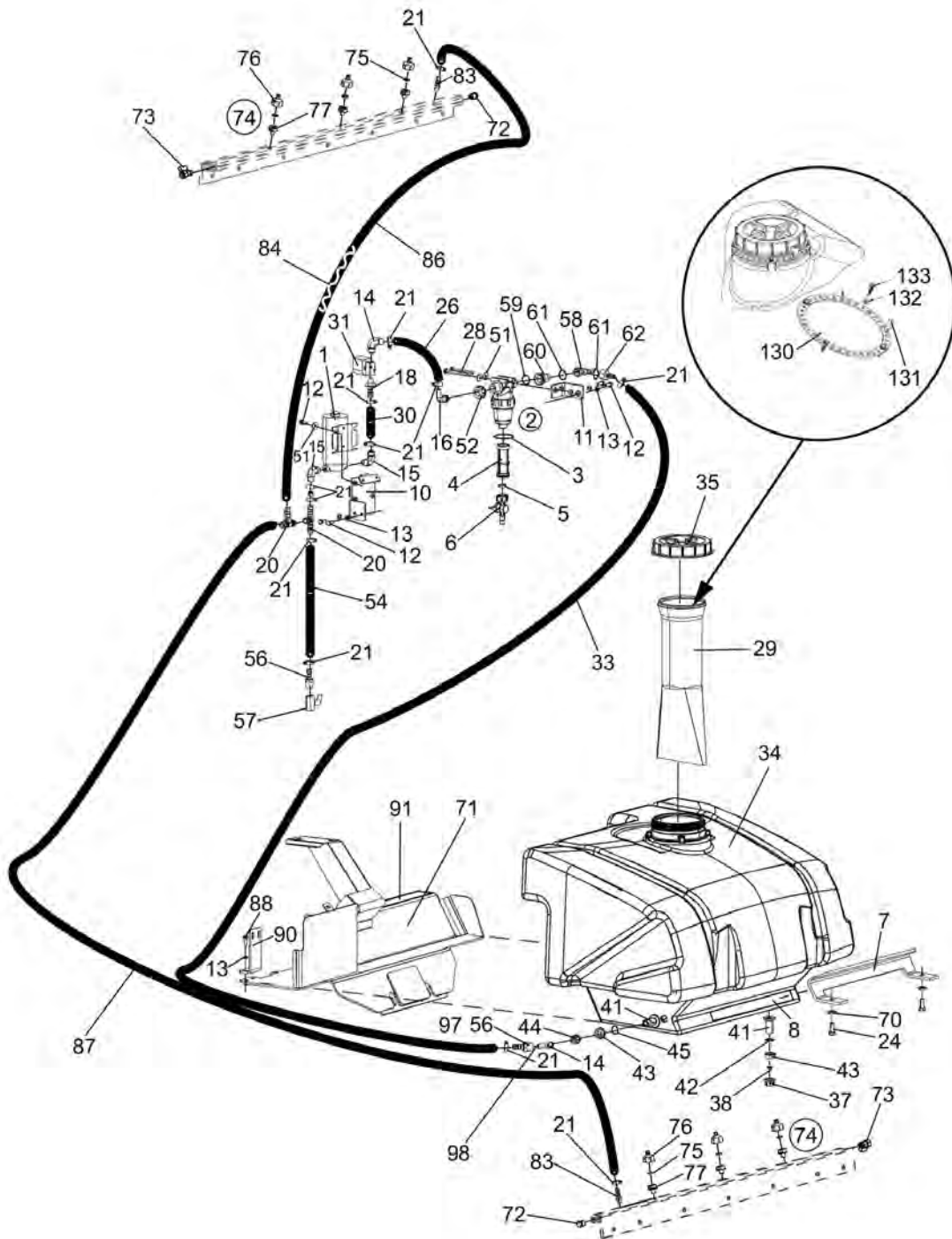


Refer to Parts Online for the most up to date information. The printed information might be outdated.

Thu Apr 21 05:51:21 MDT 2016

Item	Part No.	Name	Qty	L	SN INFO
1	-	Steering hitch	1		
2	4812120184	Frame, rear	1		
4	4812120578	Fork	1		
5	4812120579	Fork	1		
6	4700357222	Shim T=1 mm	N		
7	4700357221	Shim T=3 mm	N		
10	4700927396	Screw	4		
11	4700923247	Screw M16x160	12		
13	4700379179	Holder	6		
16	4700904232	Steel plain washer	16		
17	4700904230	Washer 10.5x22x2 mm 300 HV	12		
19	4812110288	Screw	12		
40	4700357459	Rubber cloth	6		
41	4812120470	Spacer block	2		
42	4700902101	Screw	4		
43	4700393540	Threaded plate	4		

Frame Sprinkler system



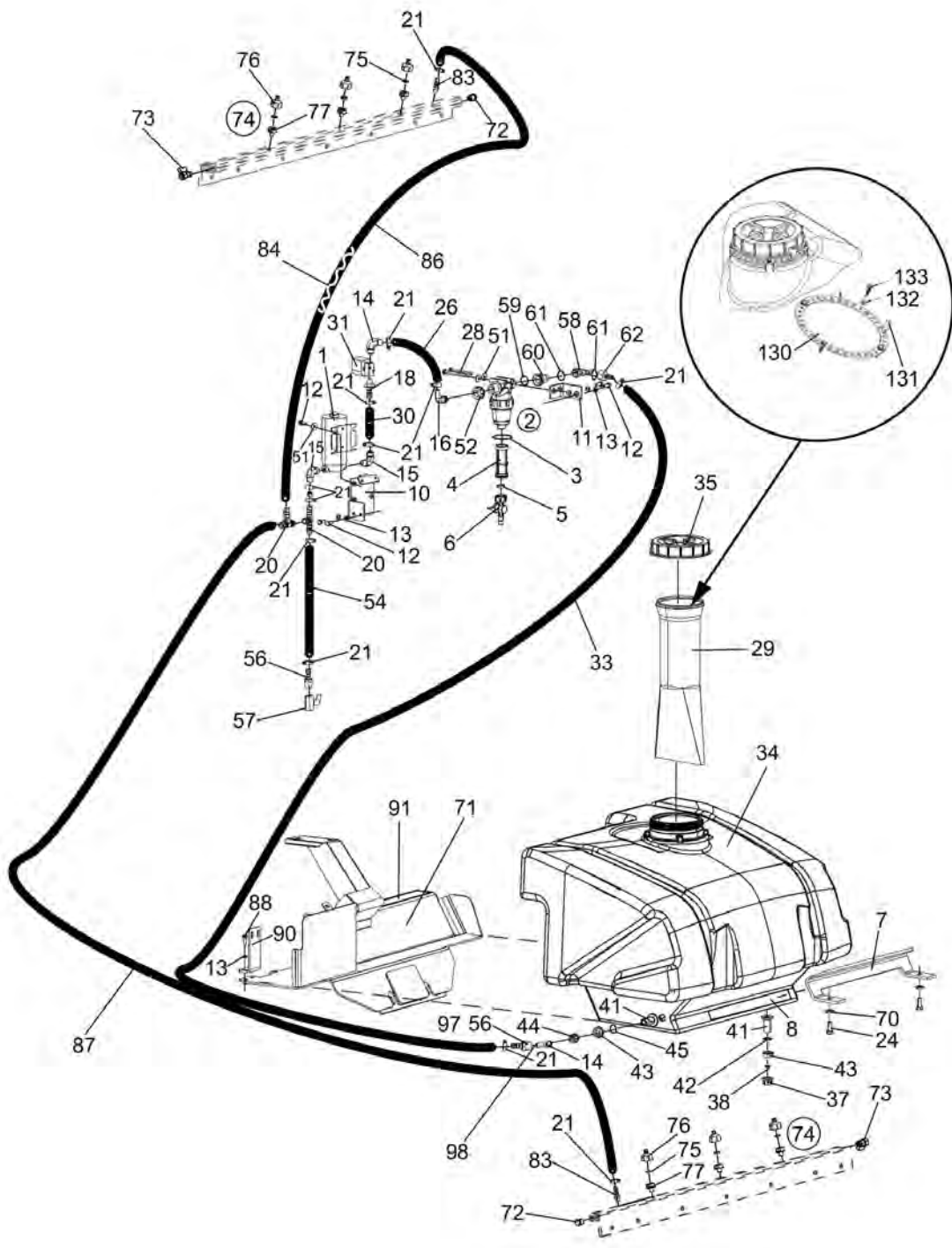
Refer to Parts Online for the most up to date information. The printed information might be outdated.

Thu Apr 21 05:51:24 MDT 2016

Item	Part No.	Name	Qty	L	SN INFO
1	4812113822	Water pump	1		
2	4812111325	Water filter	1		
3	4700791959	O-ring	1		
4	4700791949	Filter element	1		
5	4700791568	Gasket	1		
6	4700379009	Valve	1		
7	4700357395	Holder plate	1		
8	4700926911	Rubber strip	1XL	A	
10	4812113066	Bracket	1		
11	4812113067	Bracket	1		
12	4700500053	Screw, M8x20 mm 8.8 A2K	15		
13	4700904229	Steel plain washer 8.4X16X1.5	6		
14	4700901431	Hose connection	1		
15	4700923734	Hose connection	2		
16	4812111330	Hose connection	1		
18	4700901432	Hose connection	1		
20	4700923735	Hose connection	2		
21	4700313002	Hose clamp	16		
22	4700903478	Fabric Tape	1XL	B	
24	4700500028	Hexagon head screw M10x025H, 8.8	4		
26	4812112074	Plastic hose (x m)	1XL	D	
28	4700500190	Screw	2		
29	4700358846	Strainer	1		
30	4812112074	Plastic hose (x m)	1XL	E	
31	4700287713	Solenoid valve	1		
33	4812112074	Plastic hose (x m)	1XL	C	
34	4812111969	Sprinkler tank, cpl.	1		
35	4700359003	Tank Cap	1		
36	4700937053	Plug, cpl	1		
37	4811000168	Cap	1		
38	4700392229	Plane gasket	1		
41	4700392230	Grommet	2		
42	4700160219	O-ring	2		
43	4700392232	Nut	2		
44	4700392227	Swivel nut	1		
51	4700904640	Washer, 8.4x22x3 mm 300HV	6		
52	4700792779	Swivel nut	1		

Refer to Parts Online for the most up to date information. The printed information might be outdated.

Thu Apr 21 05:51:24 MDT 2016



Refer to Parts Online for the most up to date information. The printed information might be outdated.

Thu Apr 21 05:51:24 MDT 2016

Item	Part No.	Name	Qty	L	SN INFO
54	4812112074	Plastic hose (x m)	1XL	H	
56	4700924544	Hose connection	2		
57	4700925599	Ball valve	1		
58	4812112831	Ball valve	1		
59	4700160313	O-ring 70	1		
60	4812111331	Reducer nipple	1		
61	4700379753	Gasket	4		
62	4812112451	Hose connection	1		
70	4700904557	Washer, 10.5x22x4 mm 300 HV	4		
71	4812117746	Heat protection	1		
72	4700792072	End plug	2		
73	4700233215	Ball valve	2		
74	4700392011	Spraying nozzle, cpl	6		
75	4700392509	Retainer, nozzle, strainer, yellow	6		
76	4700392510	Gasket	6		
77	4700392508	Housing	6		
83	4700791977	Hose connection	2		
84	4700901191	Protective hose	1	J	
86	4812112074	Plastic hose (x m)	1	K	
87	4812112074	Plastic hose (x m)	1	L	
88	4700500020	Hex. screw	2		
90	4812112994	Bracket	1		
91	4812113781	Rubber strip	1		
92	4700313041	Cable ties, L=200 mm	2	M	
93	4700791182	Nut, M8 -8 DIN985	2		
94	4700480852	O-ring 70	1		
95	4700500022	Screw	2		
96	4700904640	Washer, 8.4x22x3 mm 300HV	8		
97	4700393542	Hose connection	1		
98	4700792600	O-ring 70	1		
130	4812118056	Lock plate	1		
131	4700370699	Lock w key	1		
132	4700904228	Washer 6.4x12x1.5 mm 300 HV	4		
133	4811000457	Thread rolling screw	4		

Comments for Page: Sprinkler system

(L)OCAL REMARKS

A | L = 0,43 m

B | L = 1,00 m

C | L = 1,80 m

D | L = 0,22 m

E | L = 0,21 m

H | L = 0,15 m

J | L = 0,34 m

K | L = 2,10 m

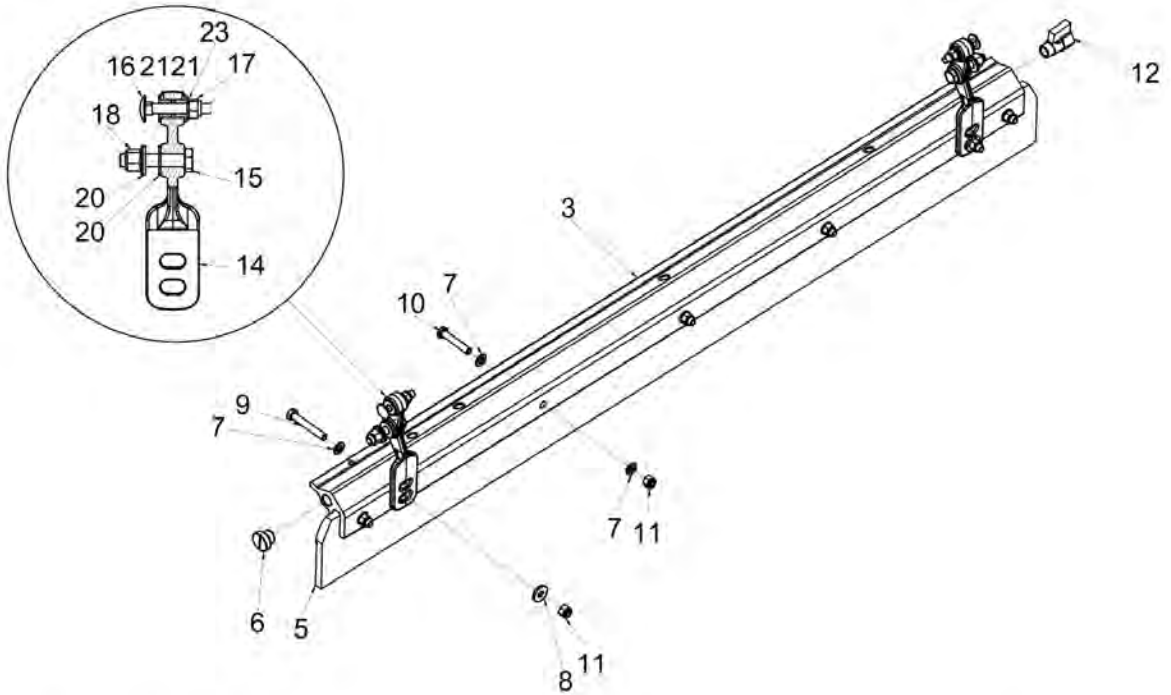
L | L = 1,40 m

M | en_US | Not shown in illustration

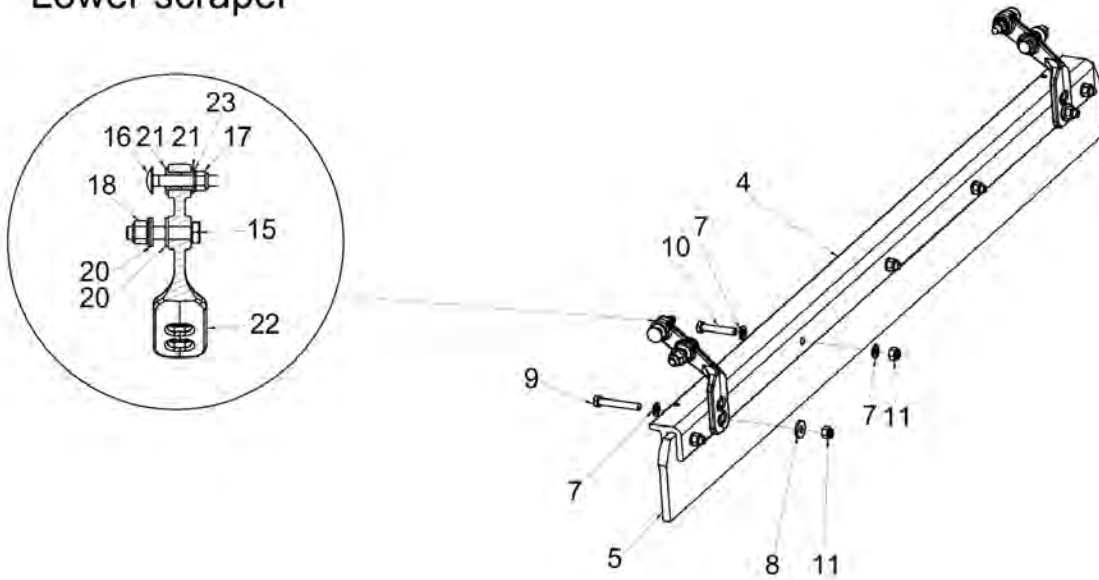
This page intentionally left blank

Frame Scraper

Upper scraper

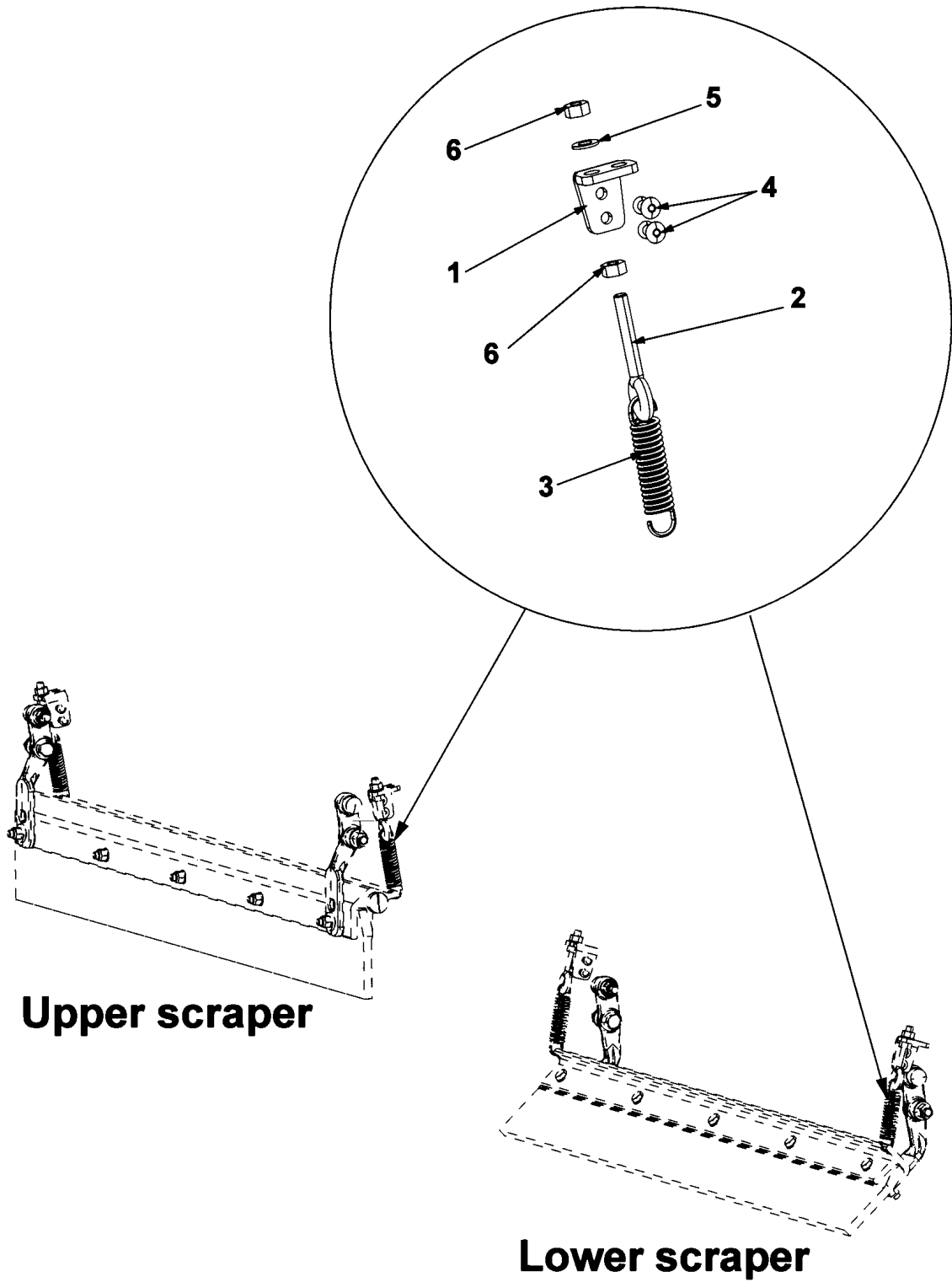


Lower scraper



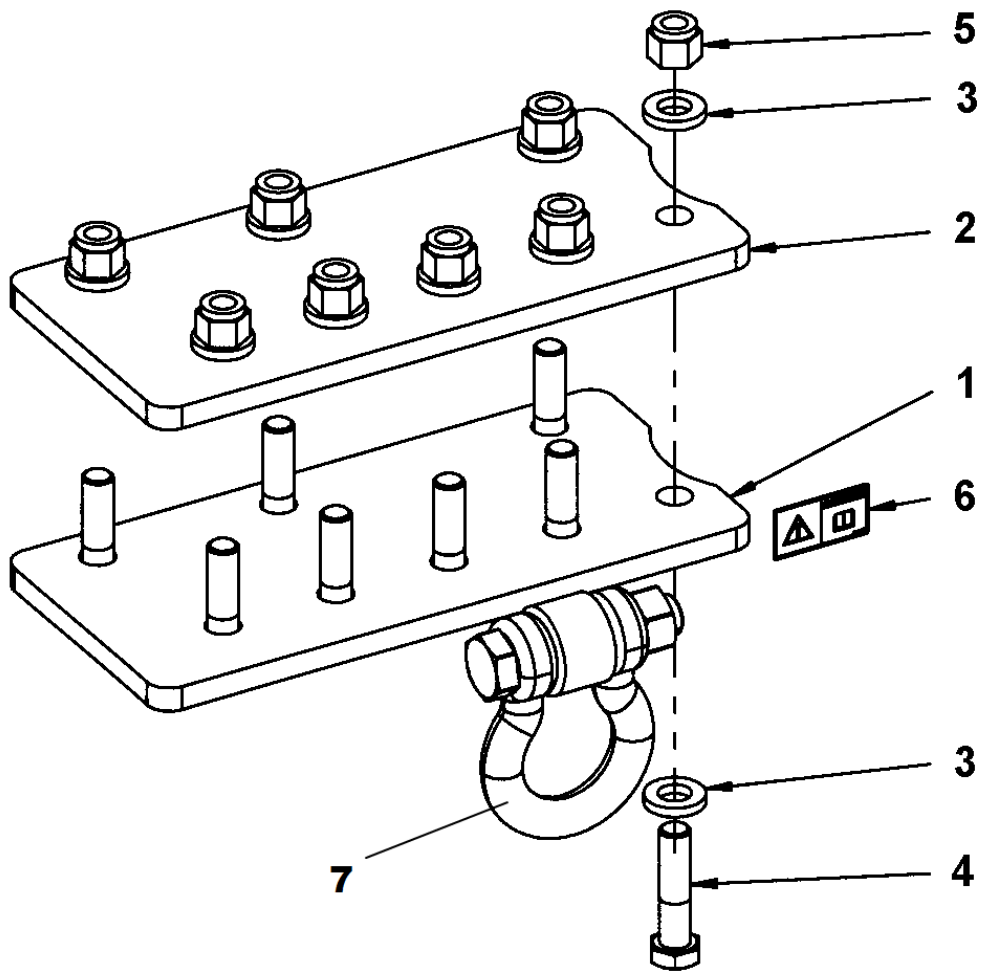
Item	Part No.	Name	Qty	L	SN INFO
3	4812120017	Sprinkler pipe	2		
4	4812120023	Bracket	2		
5	4812120024	Scraper blade	4		
6	4700792072	End plug	2		
7	4700904229	Steel plain washer 8.4X16X1.5	32		
8	4700904640	Washer, 8.4x22x3 mm 300HV	8		
9	4700500067	Screw	8		
10	4700500024	Screw M8x45	12		
11	4700586003	Nut, M8	20		
12	4700233215	Ball valve	2		
14	4812121856	Bracket	2		
15	4700500105	Hex. screw	4		
16	4700792134	Bolt	4		
17	4700586003	Nut, M8	4		
18	4700902287	Nut, M10	4		
20	4700791938	Washer	8		
21	4700791939	Bushing	8		
22	4812121858	Bracket	2		
23	4700791304	Steel plain washer	4		

Frame Scrapers, spring loaded (option)



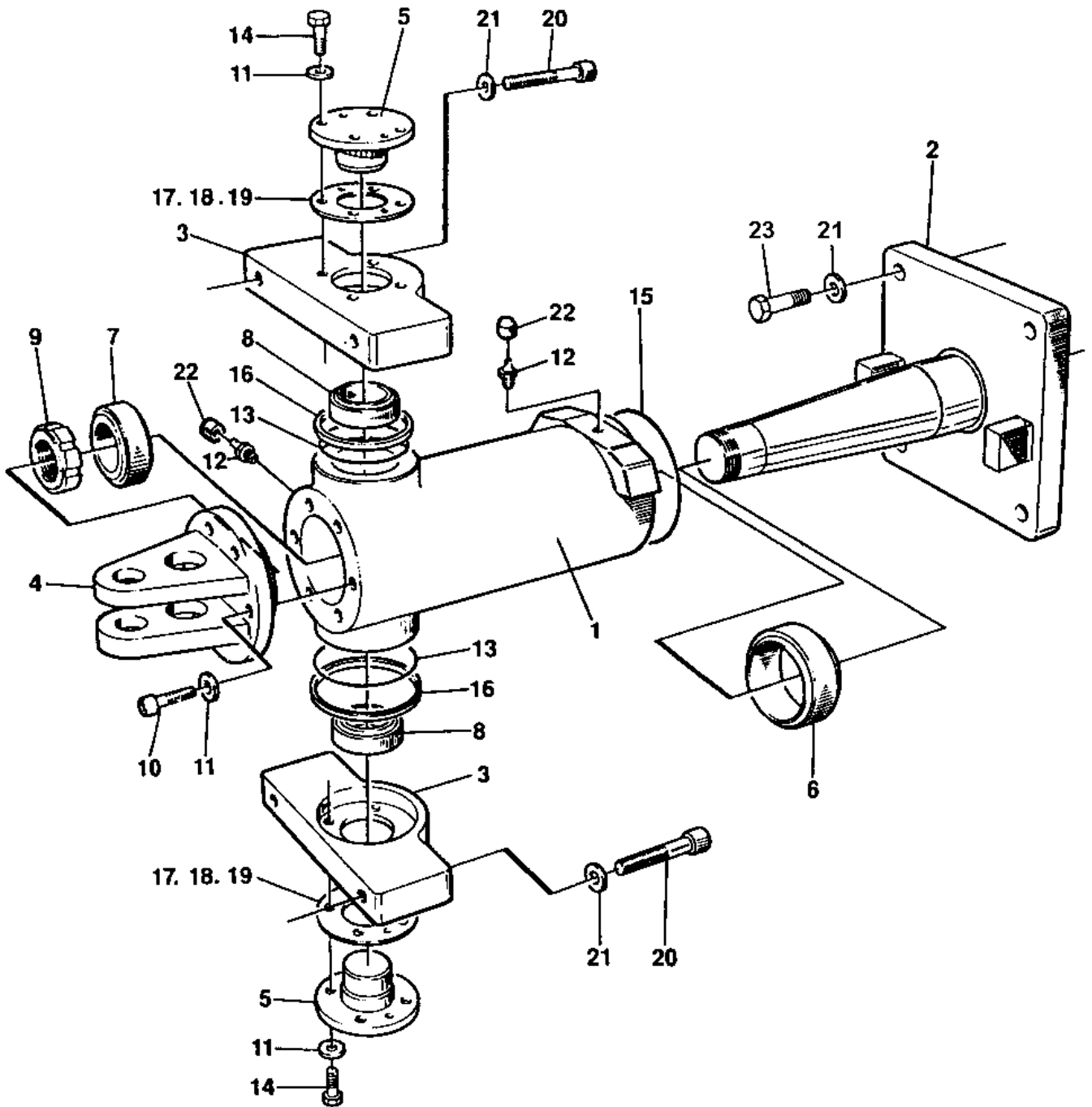
Item	Part No.	Name	Qty	L	SN INFO
1	4812120026	Bracket	4		
2	4700792189	Eye bolt	4		
3	4700359043	Spring	4		
4	4700791666	Blind rivet	8		
5	4700904229	Steel plain washer 8.4X16X1.5	4		
6	4700570005	Hexagon nut	8		

Frame Towing device (option)



Item	Part No.	Name	Qty	L	SN INFO
1	4812115567	Towing device	1		
2	4812115419	Plate	1		
3	4700904703	Plain washer 13x24x4 mm	16		
4	4700500195	Screw	8		
5	4700586019	Lock nut, M12	8		
6	4700904367	Decal "SAFETY"	1		
7	4811000484	Schackle	1		

Steering hitch To A014837 (incl. 14840-14888) 4700358975 Steering hitch



Refer to Parts Online for the most up to date information. The printed information might be outdated.

Thu Apr 21 05:51:29 MDT 2016

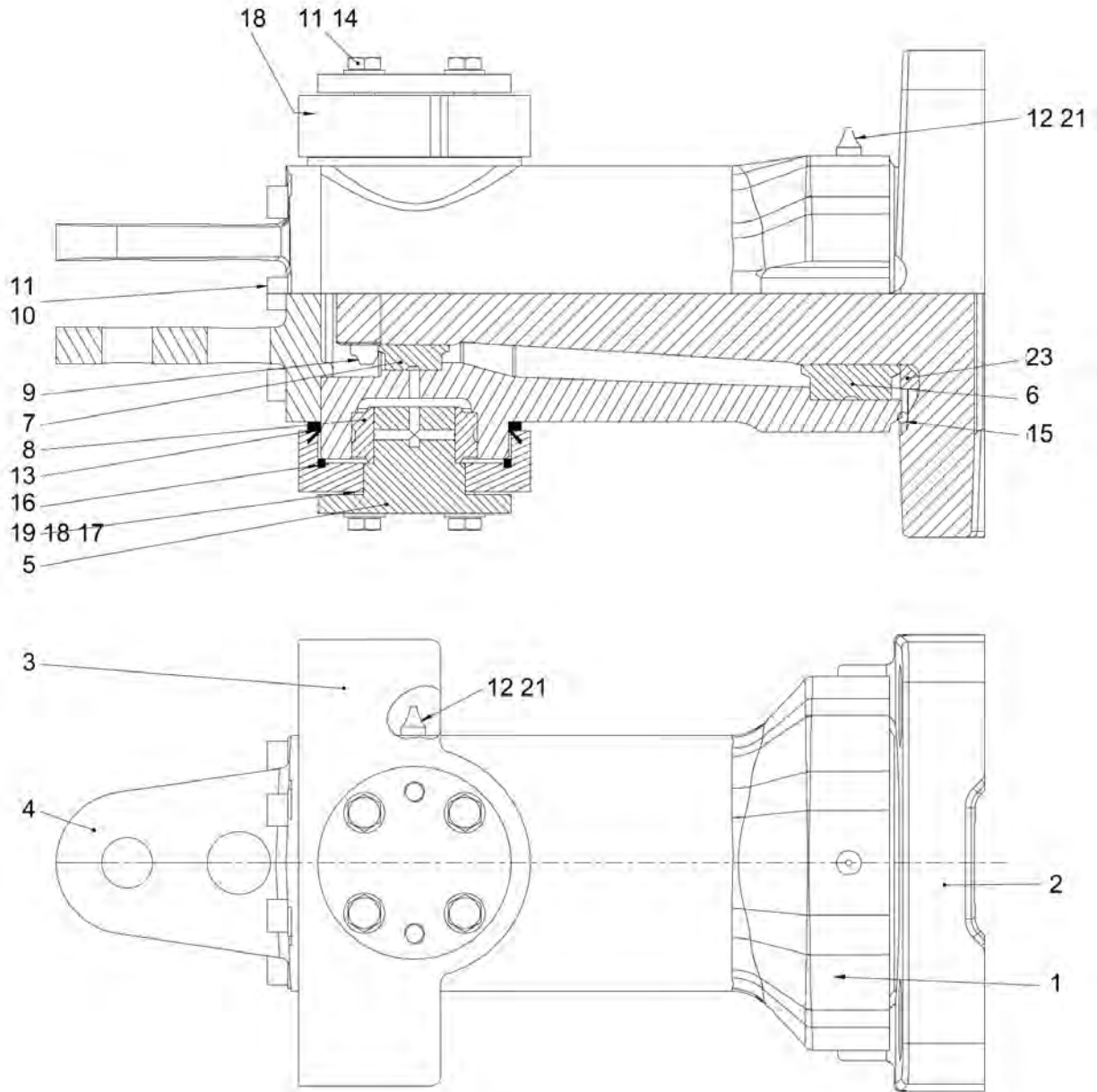
Item	Part No.	Name	Qty	L	SN INFO
0	4700358975	Steering hitch, cpl.	1		
1	4700358976	Bearing housing	1		
2	4700358978	Hitch shaft	1		
3	4700357031	Bracket	2		
4	4700357038	Bracket	1		
5	4700357039	Shaft	2		
6	4700902063	Bushing	1		
7	4700902062	Bushing	1		
8	4700902061	Bushing	2		
9	4700902060	Lock nut	1		
10	4700902059	Screw	6		
11	4700600008	Washer	14		
12	4700926214	Grease fitting	2		
13	4700167044	V-ring	2	A	
14	4700500028	Hexagon head screw M10x025H, 8.8	8		
15	4700892179	O-ring	1		
16	4700357418	Sealing	2		
17	4700347153	Shim T=0,2 mm	N		
18	4700347154	Shim T=0,4 mm	N		
19	4700347155	Shim T=0,8 mm	N		
20	4700902100	Screw	4		
21	4700904232	Steel plain washer	8		
22	4700902576	Cover	2		
23	4700927396	Screw	4		

Comments for Page: 4700358975 Steering hitch

(L)OCAL REMARKS

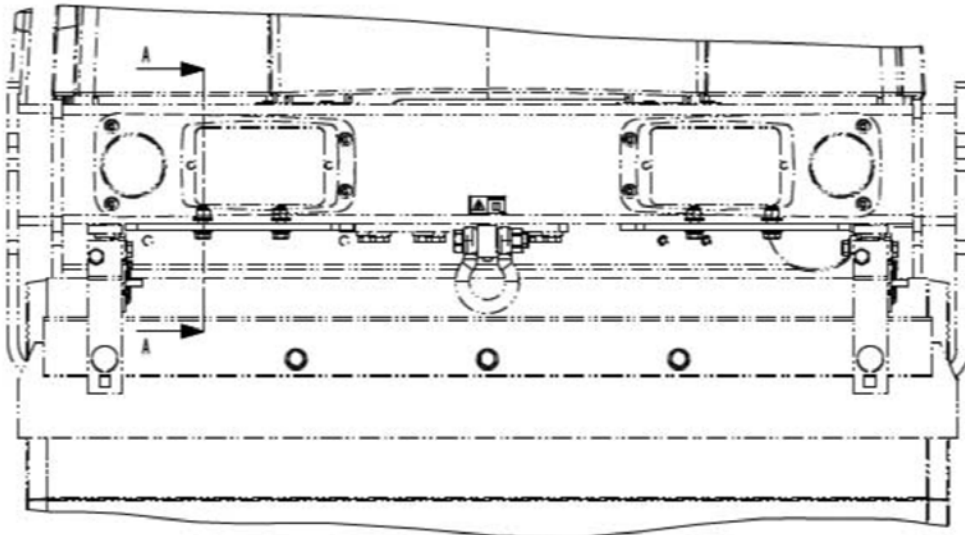
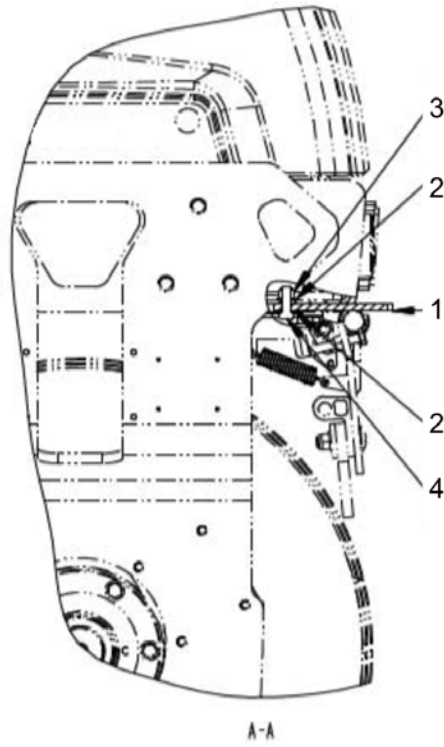
A | en_US | For improved function this replaces earlier used 4700160032

Steering hitch From A014838 (excl. 14840-14888) 4812120871 Steering hitch

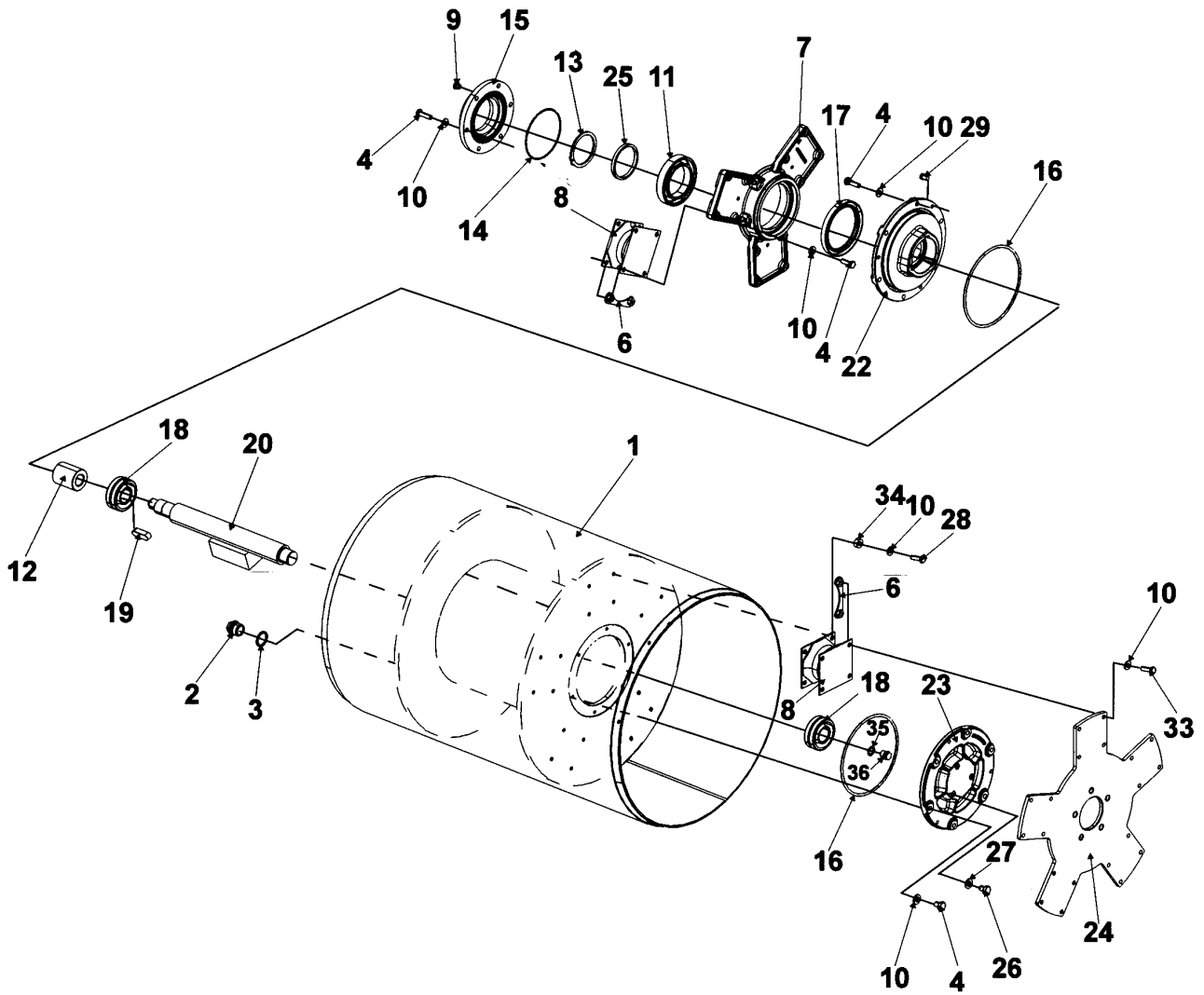


Item	Part No.	Name	Qty	L	SN INFO
1	4700358976	Bearing housing	1		
2	4812120586	Shaft	1		
3	4700357031	Bracket	2		
4	4700357038	Bracket	1		
5	4700357039	Shaft	2		
6	4700902063	Bushing	1		
7	4700902062	Bushing	1		
8	4700902061	Bushing	2		
9	4700902060	Lock nut	1		
10	4700902059	Screw	6		
11	4812122654	Steel plain washer	14		
12	4700926214	Grease fitting	2		
13	4700167044	V-ring	2		
14	4700500028	Hexagon head screw M10x025H, 8.8	8		
15	4700892179	O-ring	1		
16	4700357418	Sealing	2		
17	4700347153	Shim T=0,2 mm	1		
18	4700347154	Shim T=0,4 mm	1		
19	4700347155	Shim T=0,8 mm	1		
21	4700902576	Cover	2		
23	4812120874	Spacer ring	1		

Frame Protective plate, front lights (Option)



Item	Part No.	Name	Qty	L	SN INFO
1	4812117591	Protective plate	2		
2	4700904230	Washer 10.5x22x2 mm 300 HV	8		
3	4700586018	Lock nut, M10	4		
4	4700500029	Hex. screw	4		

Drum Drum

Refer to Parts Online for the most up to date information. The printed information might be outdated.

Thu Apr 21 05:51:37 MDT 2016

Item	Part No.	Name	Qty	L	SN INFO
1	4700357058	Drum	1		
2	4700343744	Magnetic plug	1		
3	4700162017	Seal ring	1		
4	4700500030	Hexagon head screw M	12		
6	4700379179	Holder	10	B	
7	4812120391	Bearing housing	1		
8	4812121607	Shock absorber	8		
9	4700343490	Air breather	1		
10	4700904230	Washer 10.5x22x2 mm 300 HV	70		
11	4700111018	Ball bearing	1		
12	4700349202	Coupling	1	A	
12	4700391929	Rubber cross	1		
13	4700903154	Retaining ring	1		
14	4700160132	O-ring 70	1		
15	4700358666	Adapter	1		
16	4700923951	O-ring	2		
17	4700163049	Radial lip-type seal	1		
18	4700904258	Spherical roller bearing	2		
19	4700350029	Feather key	1		
20	4700357060	Eccentric shaft	1		To A016100 (incl. 16129, 16161)
20	4812119822	Eccentric shaft	1		From A016101 (excl. 16129, 16161)
22	4812118694	Bearing housing	1		
23	4812118692	Bearing housing	1		
24	4700357055	Drive disc	1		
25	4700358689	Spacer ring	1		
26	4700500044	Screw M6x8	3		
27	4700904228	Washer 6.4x12x1.5 mm 300 HV	3		
28	4812110639	Hexagon socket head cap screw M10x030H 8.8	32		
29	4700903287	Plug	6		
33	4812110620	Hexagon head screw M10x30H 8.8 A3K	26		
34	4812110673	Spacer	20		
35	4700162011	Washer, 16.7x24x1.5 mm Type A M16	1		
36	4700232143	Plug, M16	1		

Comments for Page: Drum

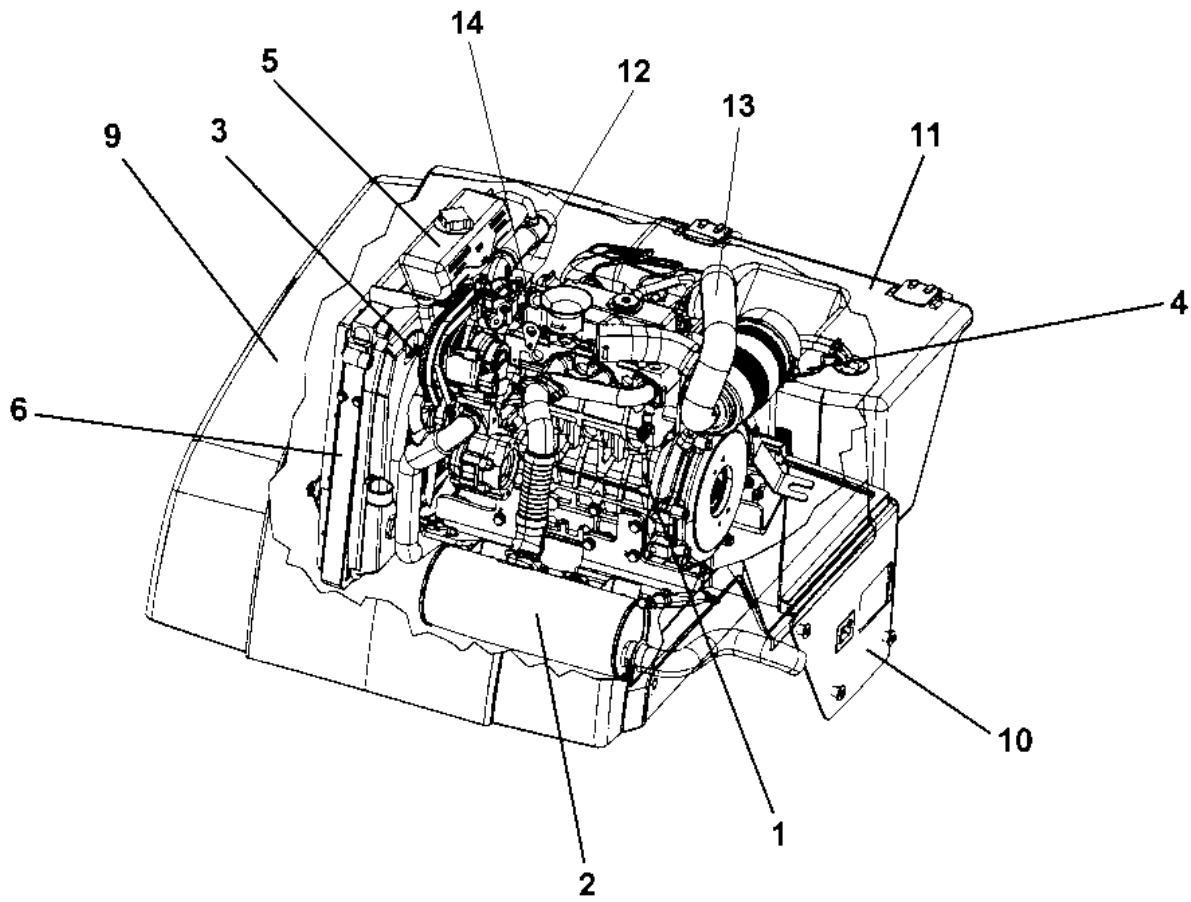
(L)OCAL REMARKS

A | en_US | CPL

B | en_US | Replaces earlier used Lock nut 4700586018; each holder has two nuts

This page intentionally left blank

Engine room Engine room

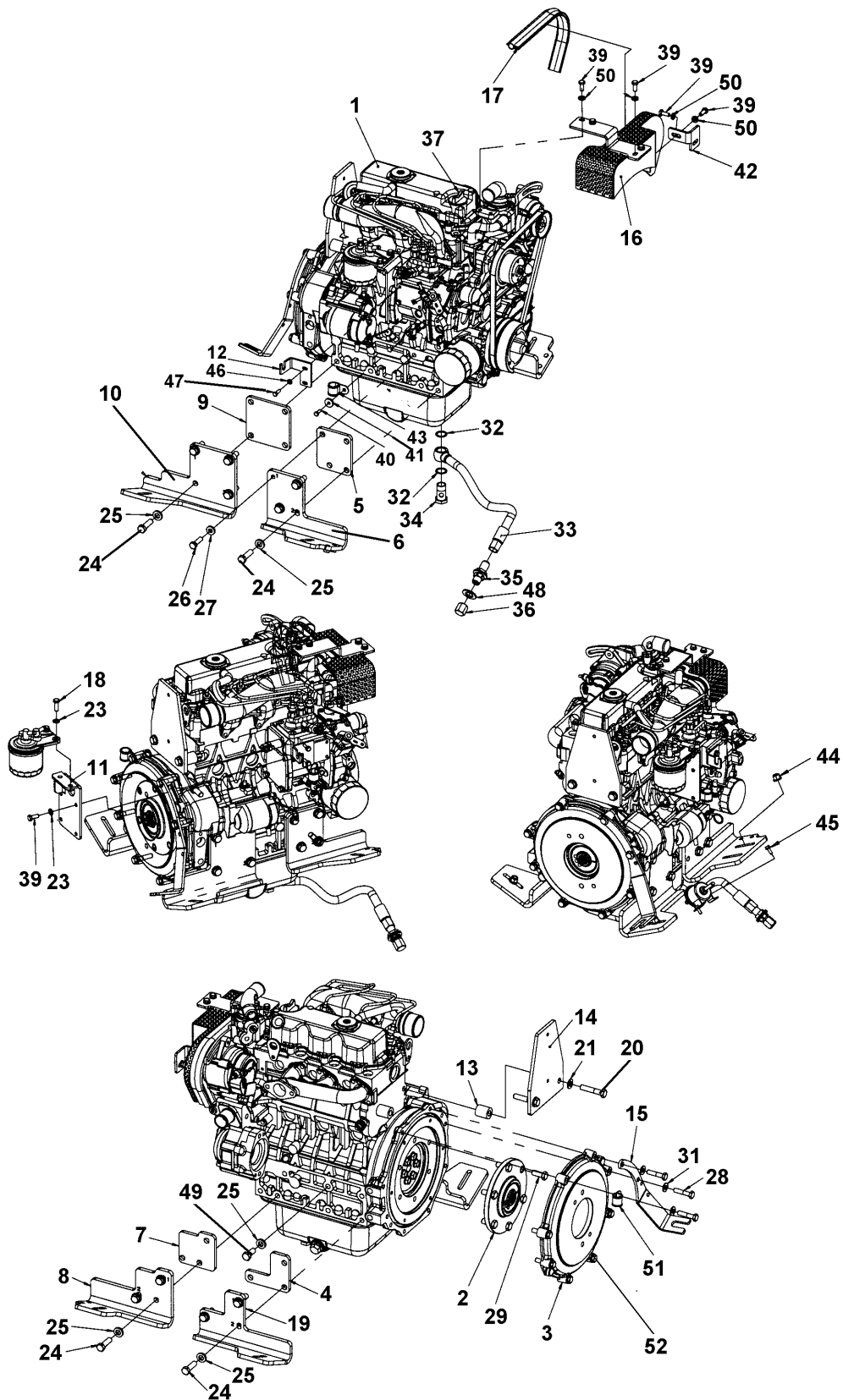


Refer to Parts Online for the most up to date information. The printed information might be outdated.

Thu Apr 21 05:51:38 MDT 2016

Item	Part No.	Name	Qty	L	SN INFO
1	-	Engine Module			
2	-	Exhaust system			
3	-	Fan			
4	-	Air filter			
5	-	Expansion tank			
6	-	Water cooler			
9	4812118163	Engine hood, cpl			
10	-	Casing			
11	-	Fuel system			
12	-	Cooler hoses			
13	-	Air hoses			
14	-	Fuel hoses			

Engine room Engine module



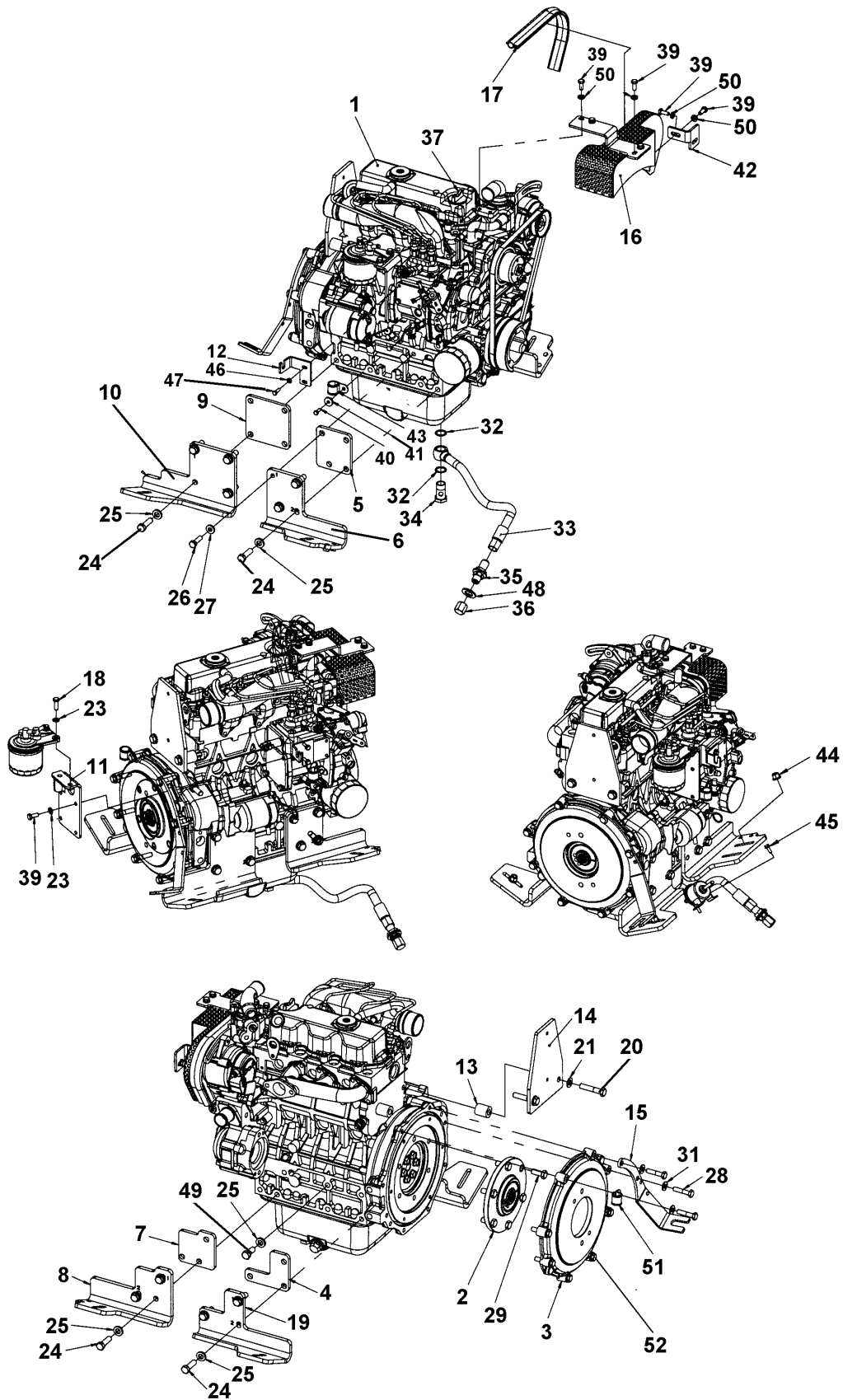
Refer to Parts Online for the most up to date information. The printed information might be outdated.

Thu Apr 21 05:51:40 MDT 2016

Item	Part No.	Name	Qty	L	SN INFO
1	4812110881	Diesel engine Kubota D1703	1		
1	4812120584	Diesel engine Kubota D1703-M-E3B	1		
2	4812112390	Clutch	1		
3	4812112391	Bracket	1		
4	4812113780	Shim	1		
5	4812111868	Shim	1		
6	4812111865	Bracket	1		
7	4812111866	Shim	1		
8	4812111863	Bracket	1		
9	4812111867	Shim	1		
10	4812111899	Bracket	1		
11	4812111883	Bracket	1		
12	4812111880	Bracket	1		
13	4812113235	Spacer sleeve	2		
14	4812113233	Bracket	1		
15	4812113566	Bracket	1		To A013589
16	4812113468	Belt guard	1		
17	4700288129	Rubber edge trim	1	A	
18	4700500021	Hex. screw	2		
19	4812111900	Bracket	1		
20	4812113980	Screw	2		
21	4700904231	Steel plain washer, 13x24x2 mm 300 HV	2		
23	4700904229	Steel plain washer 8.4X16X1.5	6		
24	4812113022	Screw	13		
25	4700904703	Plain washer 13x24x4 mm	14		
26	4812113044	Screw	1		
27	4700904557	Washer, 10.5x22x4 mm 300 HV	1		
28	4811000456	Screw M10x1,25x045 8.8	2		To A013589
29	4700500046	Hex. head screw M12x030H	6		
30	4812156263	Fuel filter element	1		
31	4700904230	Washer 10.5x22x2 mm 300 HV	8		To A013589
32	4700330333	Copper washer	2		
33	4812111905	Engine oil drain hose	1		
34	4700330081	Screw, M22x1,5	1		
35	4700230515	Connector	1		
36	4700330383	Cap JIC, steel	1		
39	4700500053	Screw, M8x20 mm 8.8 A2K	10		

Refer to Parts Online for the most up to date information. The printed information might be outdated.

Thu Apr 21 05:51:40 MDT 2016



Refer to Parts Online for the most up to date information. The printed information might be outdated.

Thu Apr 21 05:51:40 MDT 2016

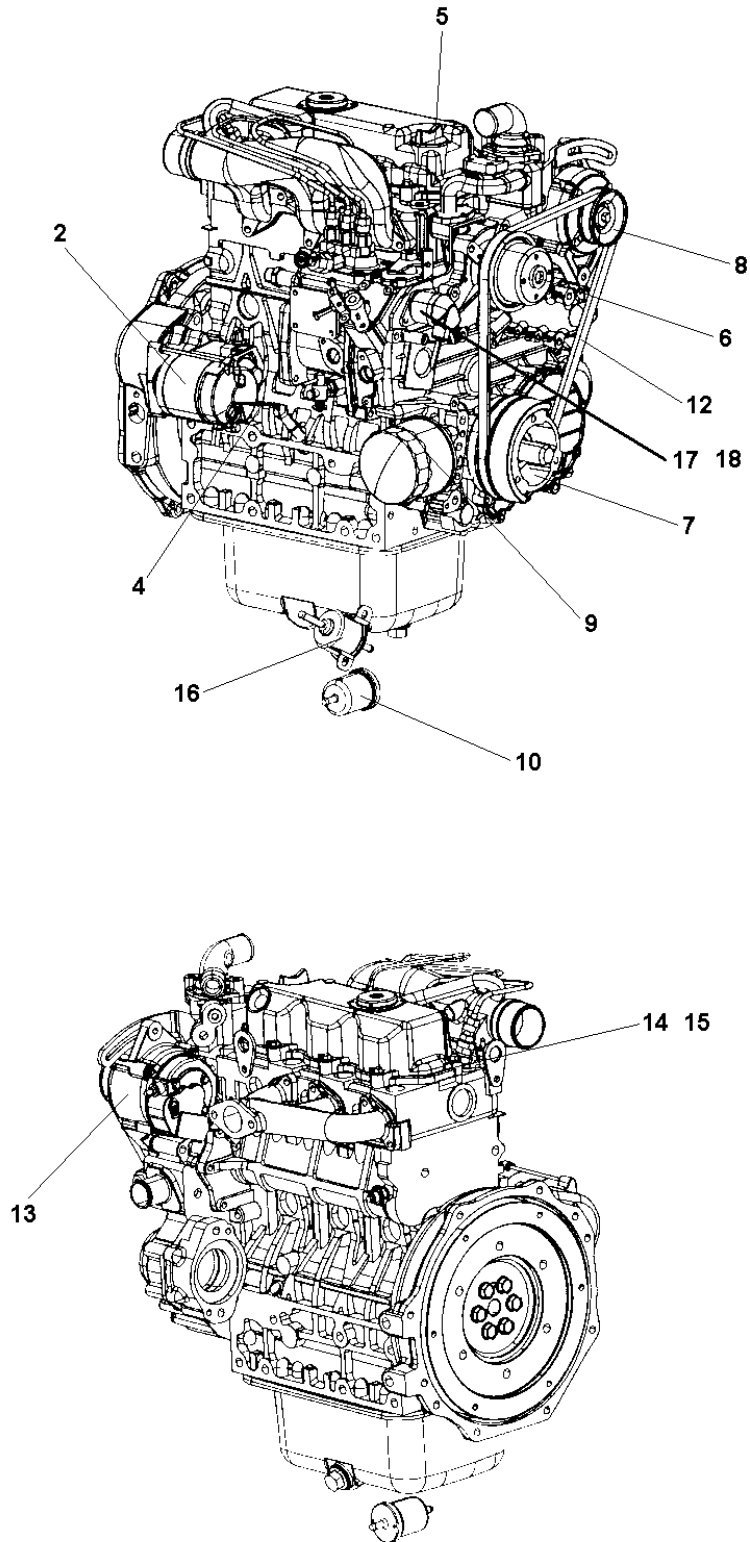
Item	Part No.	Name	Qty	L	SN INFO
40	4700500013	Hex. screw	1		
41	4700904735	Steel plain washer	1		
42	4812114177	Bracket	1		
43	4700921116	Clamp	1		
44	4700792119	Screw, M6x16 mm 8.8 A2K	2		
45	4700902287	Nut, M10	4		
46	4700904228	Washer 6.4x12x1.5 mm 300 HV	2		
47	4700500040	Screw, M6x20 mm 8.8 A2K	2		
48	4700904233	Steel plain washer 21x36x3	2		
49	4700792250	Screw	1		
50	4700904556	Steel plain washer	6		
51	4700921104	Pipe clamp	1		
52	4811000285	Screw	6		

Comments for Page: Engine module

(L)OCAL REMARKS

A | en_US | L = 0,33 m

Engine room 4812110881 Diesel engine Kubota D1703

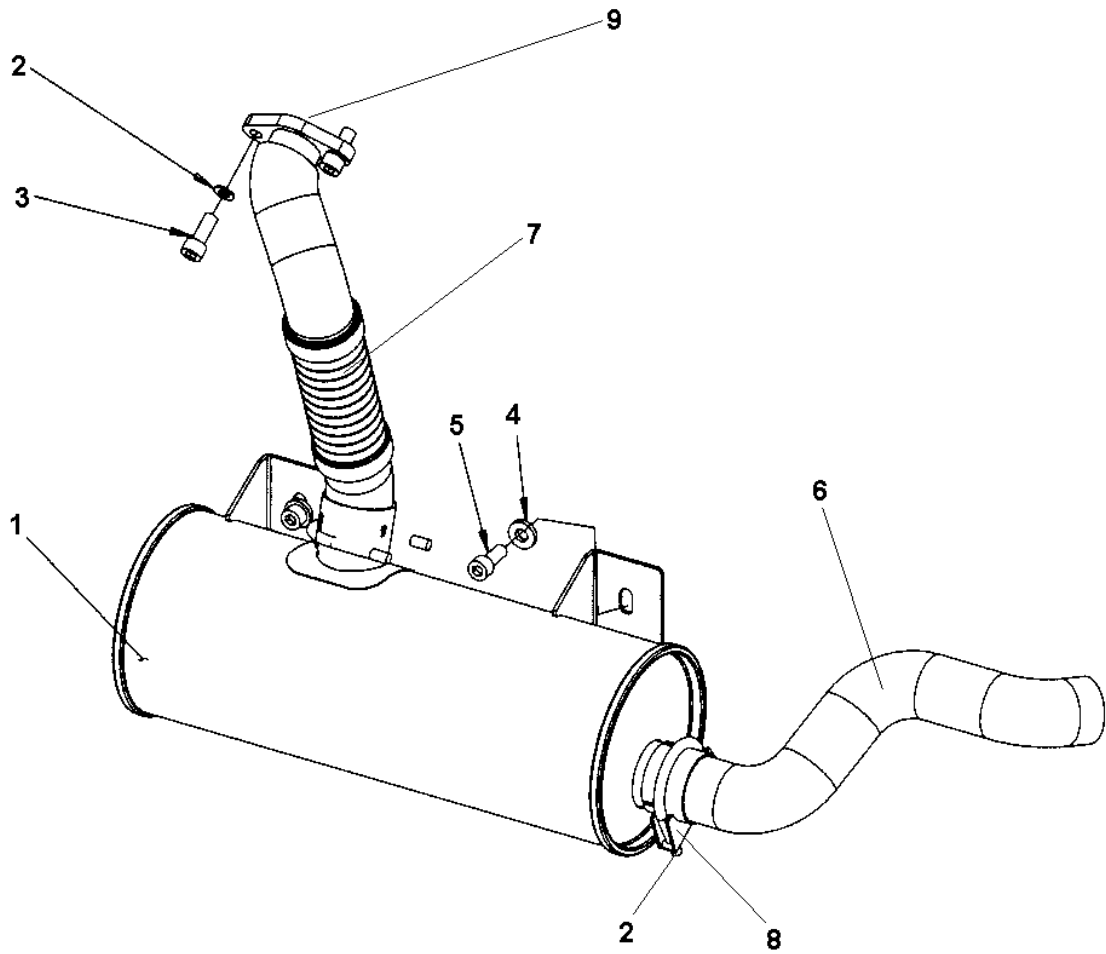


Refer to Parts Online for the most up to date information. The printed information might be outdated.

Thu Apr 21 05:51:41 MDT 2016

Item	Part No.	Name	Qty	L	SN INFO
2	4812156355	Starter	1		
4	4812156357	Oil dipstick	1		
5	4812156358	Oil cap	1		
5	4812156359	O-ring	1		
6	4812156360	Pulley, V-belt	1		
7	4812156362	Alternator, Fan	1		
8	4812156363	Pulley, alternator	1		
9	4812156259	Engine oil filter element	1		
10	4812156264	Pre-fuel filter element	1		
11	4812156263	Fuel filter element	1		
12	4812156260	V-belt	1		
13	4812156364	Alternator	1		
14	4812156261	Valve cover gasket	1		
15	4812156356	Piston ring set	1		
16	4812156389	Fuel pump	1		
17	4812157598	Fuel solenoid	1		
18	4812157680	O-ring	1		

Engine room Exhaust system



Refer to Parts Online for the most up to date information. The printed information might be outdated.

Thu Apr 21 05:51:41 MDT 2016

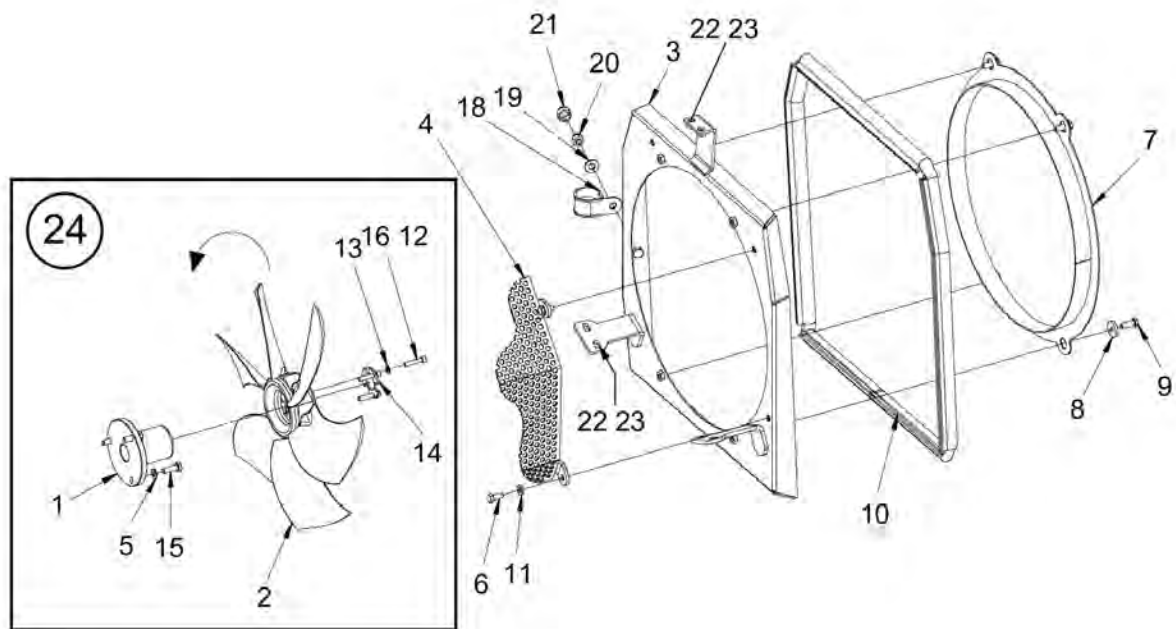
Item	Part No.	Name	Qty	L	SN INFO
1	4812112019	Muffler	1		
2	4700904229	Steel plain washer 8.4X16X1.5	6		
3	4811000389	Screw	2		
4	4700904557	Washer, 10.5x22x4 mm 300 HV	2		
5	4700508096	Hexagon socket head cap screw	2		
6	4812113228	End pipe	1		
7	4812112021	Flexible pipe	1		
8	4700904475	Clamp	2		
9	4812159753	Gasket	1	A	

Comments for Page: Exhaust system

(L)OCAL REMARKS

A | en_US | Supplied with the engine

Engine room Fan



Item	Part No.	Name	Qty	L	SN INFO
1	4812122208	Fan hub	1	C	
2	4812122207	Fan	1	C	
3	4812113472	Fan shroud	1		
4	4812112029	Fan protection	1		
5	4700904229	Steel plain washer 8.4X16X1.5	3		
6	4700500100	Hexagon screw	2		
7	4812118517	Fan ring	1	H	
8	4700904734	Washer	4		
9	4700500020	Hex. screw	4		
10	4700288129	Rubber edge trim	1	A	
11	4700904556	Steel plain washer	2		
13	4700904231	Steel plain washer, 13x24x2 mm 300 HV	1		
14	4812122334	Shim	1		
15	4700500021	Hex. screw	3		
16	4700508018	Screw	3		
18	4700923008	Clamp	1		
19	4700904230	Washer 10.5x22x2 mm 300 HV	1		
20	4700586018	Lock nut, M10	1		
21	4812121186	Protective plug	1		
22	4700904556	Steel plain washer	4		
23	4700500053	Screw, M8x20 mm 8.8 A2K	4	L	
24	4812161085	Fan kit	1	B	

Comments for Page: Fan

(L)OCAL REMARKS

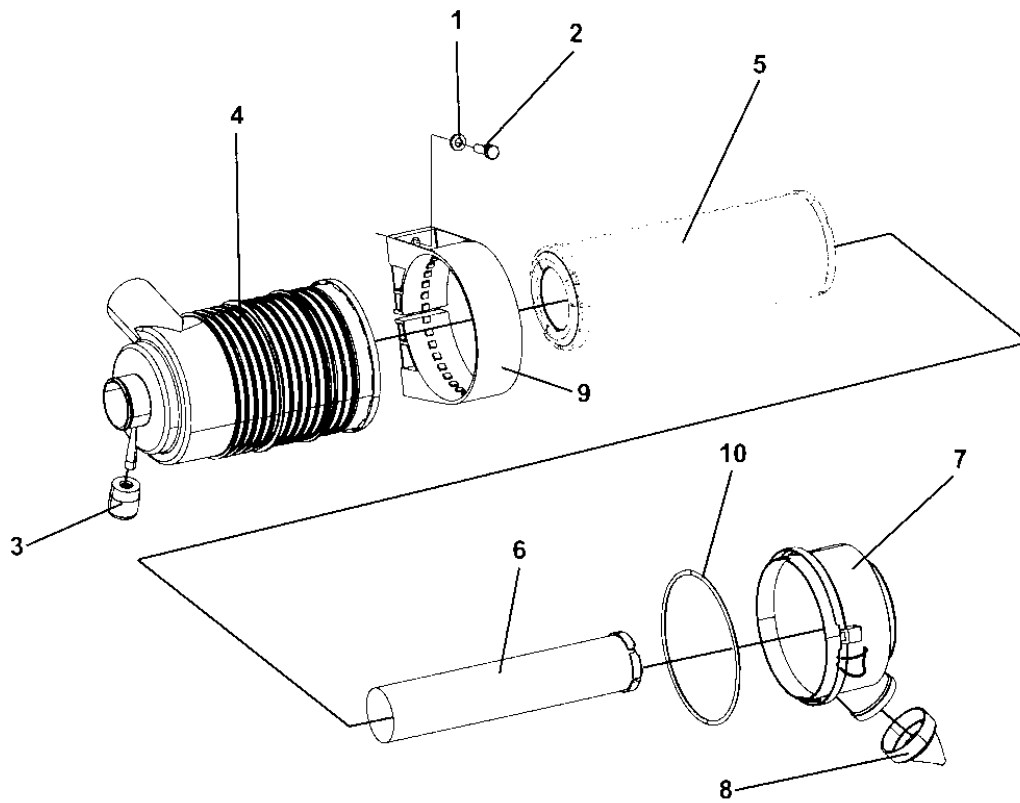
A | L = 1,80 m

B | Contains items; 1, 2, 5, 13, 14, 15, 16

C | For machines up to s/n 0A012585 please use fan kit 4812160757

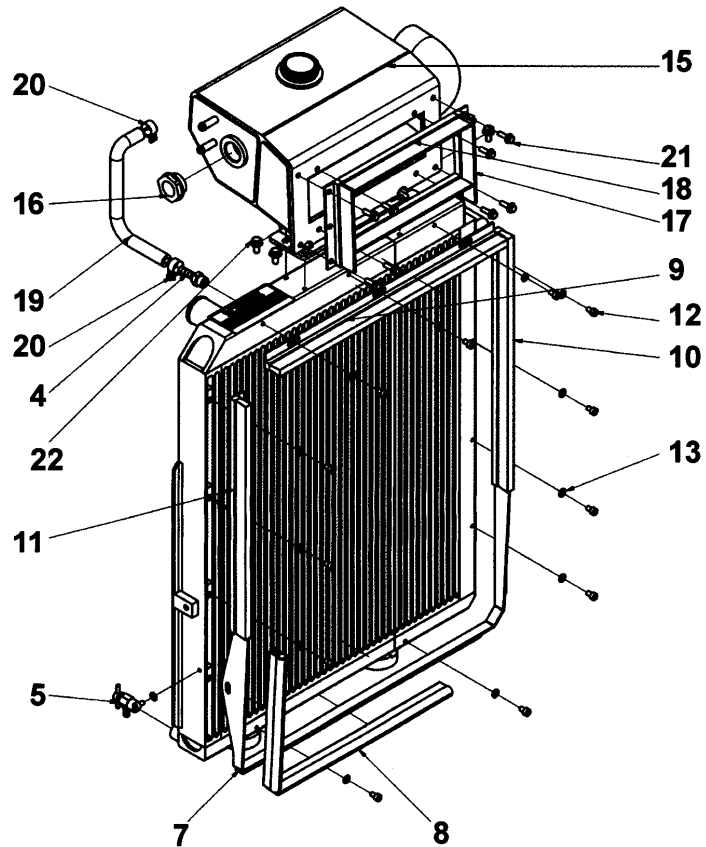
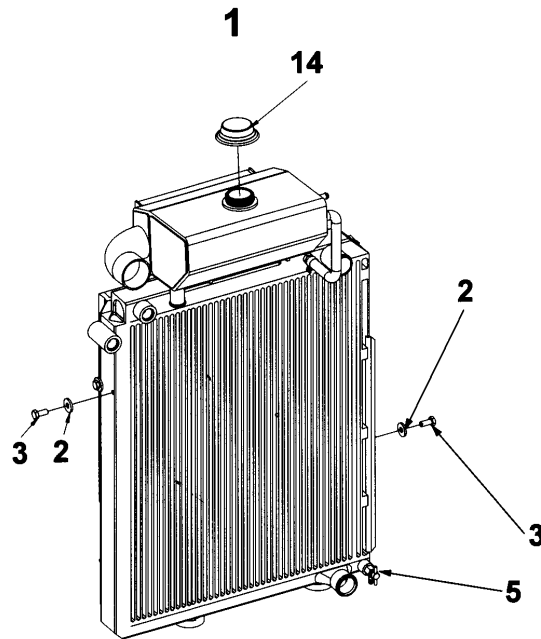
L | Not shown in illustration

Engine room Air filter



Item	Part No.	Name	Qty	L	SN INFO
1	4700904556	Steel plain washer	2		
2	4700508019	Cylinder screw	2		
3	4700499497	Indicator	1		
4	4700386951	Air filter	1		
5	4700939802	Air filter element Main	1		
6	4700939803	Air filter element Safety	1		
7	4700939804	Dust cap	1		
8	4700939805	Vacuator cap	1		
9	4700939806	Plastic mounting band	1		
10	4700939807	O-ring	1		

Water cooler To A015094 Water cooler

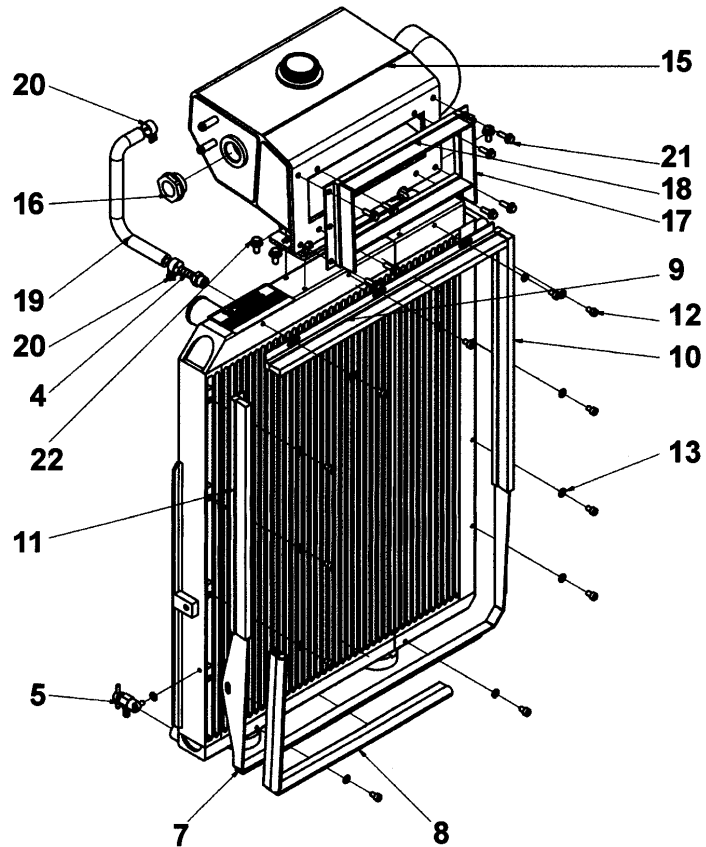
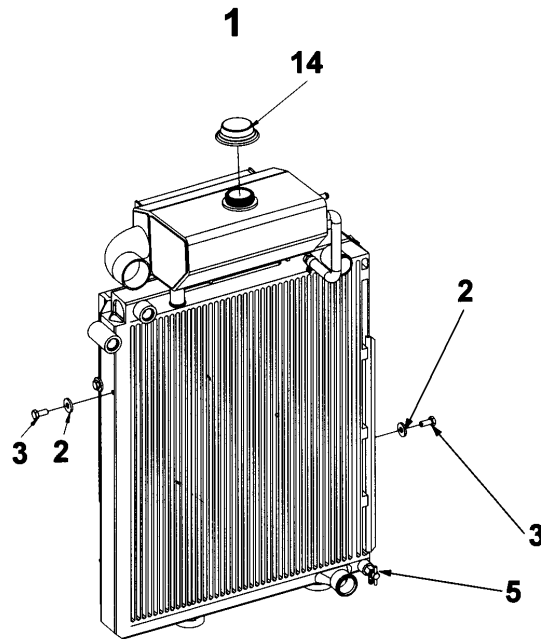


Refer to Parts Online for the most up to date information. The printed information might be outdated.

Thu Apr 21 05:51:48 MDT 2016

Item	Part No.	Name	Qty	L	SN INFO
1		Water/Oil cooler, cpl	1		
2	4700904640	Washer, 8.4x22x3 mm 300HV	3		
3	4700500100	Hexagon screw	3		
4	4812157872	Hose connection	1		
5	4812157873	Drain valve	1		
6	4812157870	Water/Oil cooler matrix	1		
7	4812157871	Bracket	1		
8	4812157874	Sealing	1		
9	4812157875	Brush	1		
10	4812157876	Brush	1		
11	4812157877	Brush	1		
12	-	Hexagon socket head cap screw M5x8	13		
13	-	Hose clamp	13		
14	4700903714	Cooler cap	1		
15	4812160251	Expansion tank	1		
16	4812160252	Level gauge	1		
17	4812160253	Brush	2		
18	4812160254	Brush	2		
19	-	Hose clamp	1		
20	-	Hose clamp	2		
21	-	Bolt M5x16	8		
22	-	Bolt M6x12	4		

Water cooler From A015095 Water cooler

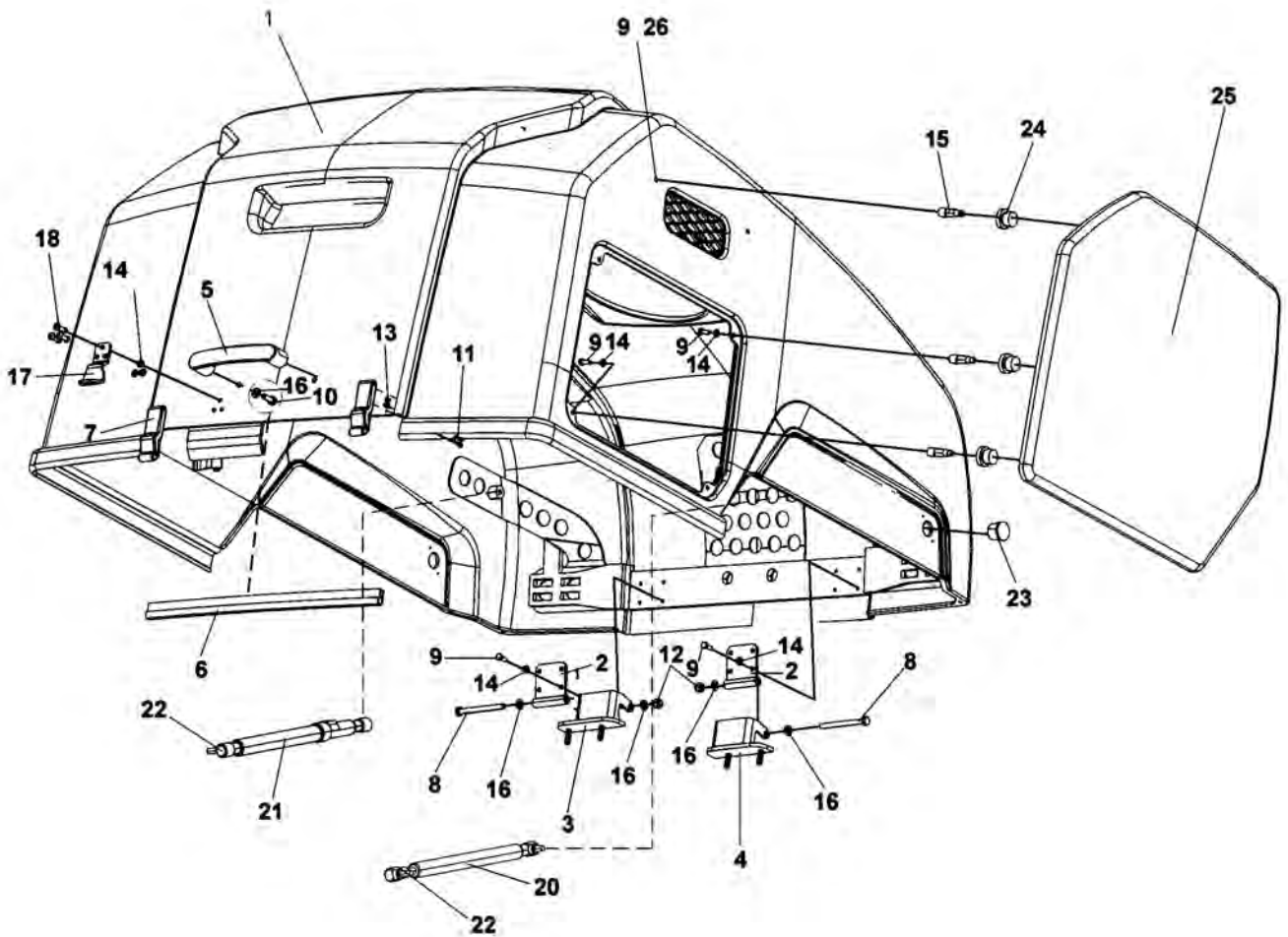


Refer to Parts Online for the most up to date information. The printed information might be outdated.

Thu Apr 21 05:51:50 MDT 2016

Item	Part No.	Name	Qty	L	SN INFO
1	4812124272	Water/Oil cooler, cpl	1		
2	4700904640	Washer, 8.4x22x3 mm 300HV	3		
3	4700500100	Hexagon screw	3		
4	4812157872	Hose connection	1		
5	4812157873	Drain valve	1		
6	4812161079	Water / Oil cooler	1		
7	4812157871	Bracket	1		
8	4812157874	Sealing	1		
9	4812157875	Brush	1		
10	4812157876	Brush	1		
11	4812157877	Brush	1		
12	-	Hexagon socket head cap screw M5x8	13		
13	-	Hose clamp	13		
14	4700903714	Cooler cap	1		
15	4812160251	Expansion tank	1		
16	4812160252	Level gauge	1		
17	4812160253	Brush	2		
18	4812160254	Brush	2		
19	-	Hose clamp	1		
20	-	Hose clamp	2		
21	-	Bolt M5x16	8		
22	-	Bolt M6x12	4		

Engine room Engine hood, cpl



Refer to Parts Online for the most up to date information. The printed information might be outdated.

Thu Apr 21 05:51:51 MDT 2016

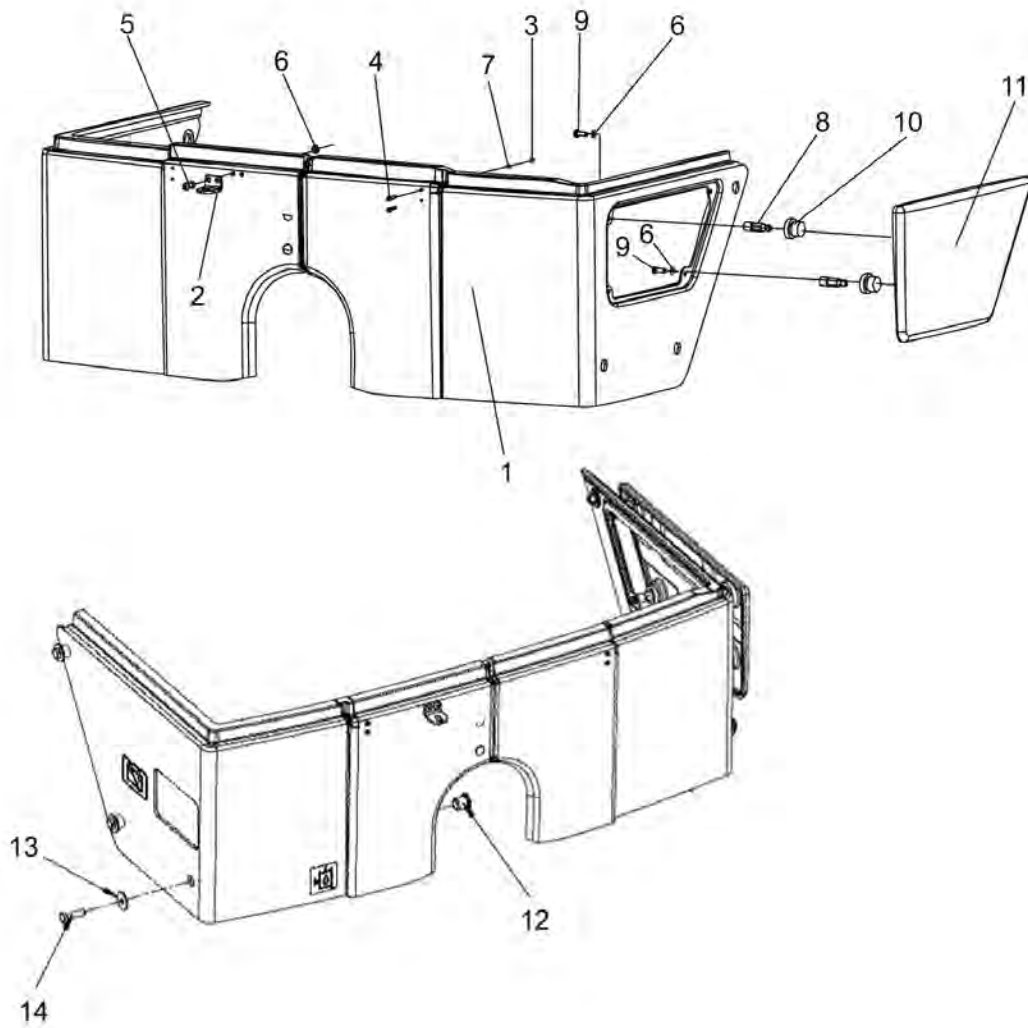
Item	Part No.	Name	Qty	L	SN INFO
0	4812123608	Engine hood, cpl	1		
1	4812120571	Engine hood	1		
2	4812113598	Hinge	2		
3	4812113626	Hinge	1		
4	4812113627	Hinge	1		
5	4700387948	Handle	1		
6	4700902166	Edge trim	1	A	
7	4700388846	Latch, complete	2		
8	4700500115	Screw	2		
9	4700500013	Hex. screw	14		
10	4700500053	Screw, M8x20 mm 8.8 A2K	2		
11	4811000425	Screw M4x16 10,9 A2'K	4		
12	4700586003	Nut, M8	2		
13	4700923976	Lock nut	4		
14	4700904228	Washer 6.4x12x1.5 mm 300 HV	15		
15	4811000488	Ball stud	6		
16	4700904229	Steel plain washer 8.4X16X1.5	6		
17	4700377061	Lock plate	1		
18	4700791666	Blind rivet	3		
20	4812114152	Gas spring Right	1		
21	4812114153	Gas spring Left	1		
22	4700902286	Lock nut, M8x1.25 mm A2K	2		
23	4700902890	Plug	2		
24	4811000489	Coupling	4		
25	4812118165	Cover	1		
26	4700928381	Washer, 6.4x18x1.6 mm	1	B	

Comments for Page: Engine hood, cpl

(L)OCAL REMARKS

A | en_US | L = 0,50 m

B | en_US | Not shown in illustration. Placed inside the hood.

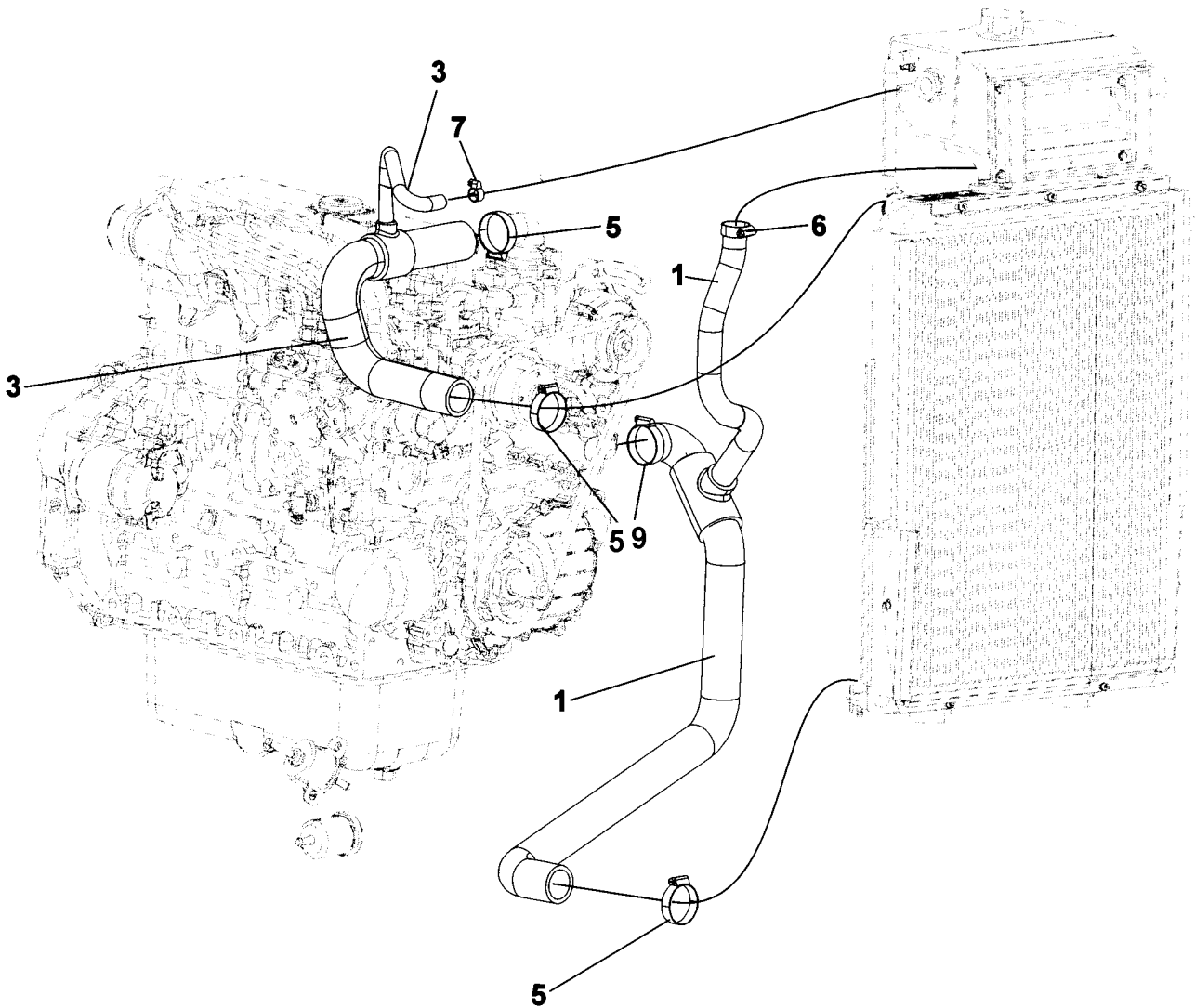
Engine room Casing

Refer to Parts Online for the most up to date information. The printed information might be outdated.

Thu Apr 21 05:51:53 MDT 2016

Item	Part No.	Name	Qty	L	SN INFO
1	4812115560	Casing, cpl.	1		
2	4812118203	Shock absorber	6		
2	4700388852	Lock plate	1		
3	4700928441	Washer, 21 x 45 mm	6		
3	4700923976	Lock nut	4		
4	4700500030	Hexagon head screw M	6		
4	4811000426	Screw M4x20 10.9 A2K	4		
5	4700388852	Lock plate	1		
5	4700791666	Blind rivet	2		
6	4700923976	Lock nut	4		
6	4700904228	Washer 6.4x12x1.5 mm 300 HV	6		
7	4811000426	Screw M4x20 10.9 A2K	4		
7	4700904698	Steel plain washer	4		
8	4700791666	Blind rivet	2		
8	4811000488	Ball stud	4		
9	4700904228	Washer 6.4x12x1.5 mm 300 HV	2		
9	4700500013	Hex. screw	4		
10	4700904698	Steel plain washer	4		
10	4811000489	Coupling	4		
11	4812114962	Cover	1		
12	4812118203	Shock absorber	6		
13	4700928441	Washer, 21 x 45 mm	6		
14	4700500030	Hexagon head screw M	6		

Engine room Cooler hoses

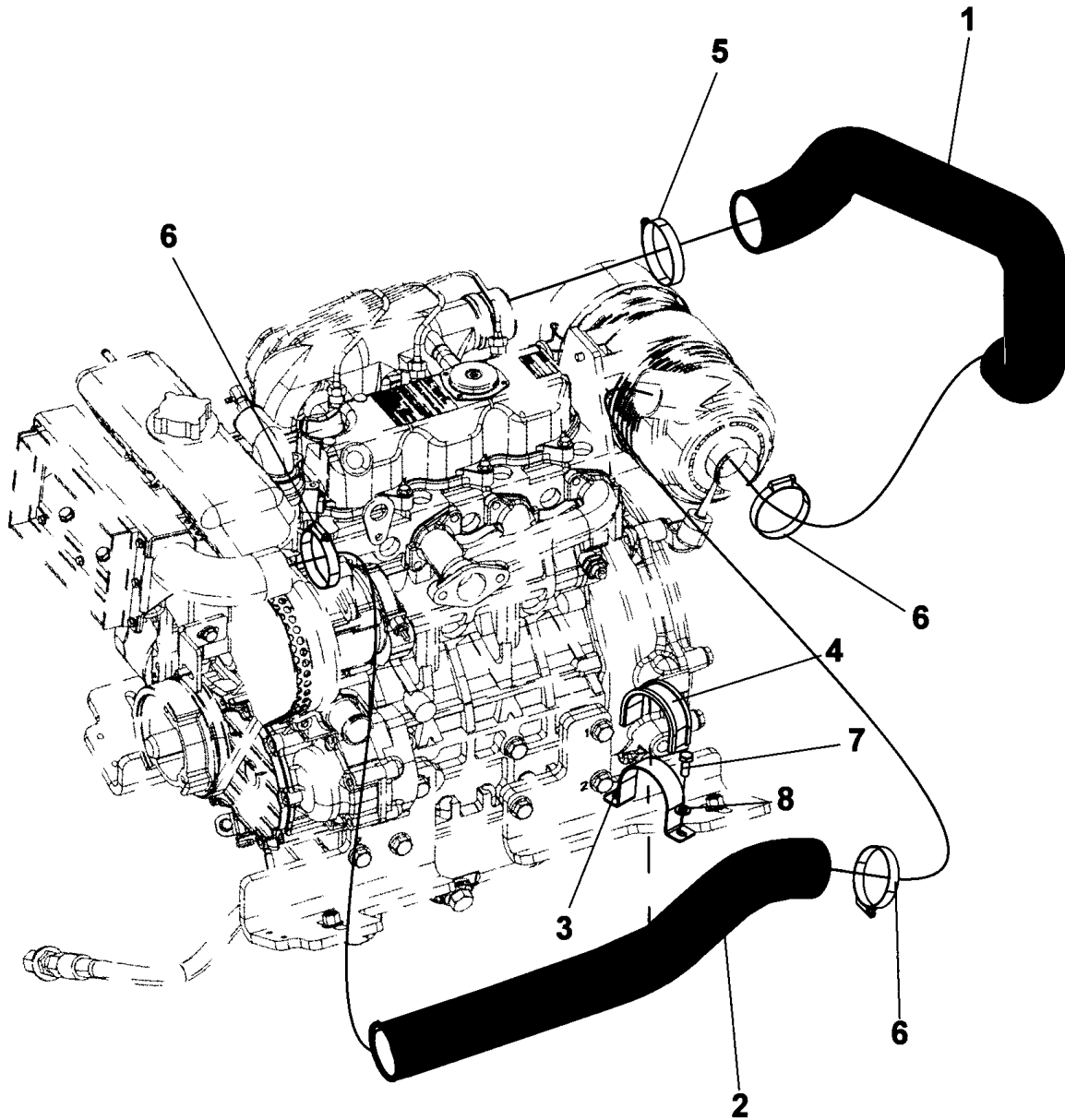


Refer to Parts Online for the most up to date information. The printed information might be outdated.

Thu Apr 21 05:51:54 MDT 2016

Item	Part No.	Name	Qty	L	SN INFO
1	4812113697	Cooler hose	1		
3	4812113694	Cooler hose	1		
5	4700313008	Hose clamp	3		
6	4700313004	Hose clamp 19-29mm	1		
7	4700313108	Hose clamp	1		
9	4700902295	Hose clamp	1		

Engine room Air hoses



Refer to Parts Online for the most up to date information. The printed information might be outdated.

Thu Apr 21 05:51:54 MDT 2016

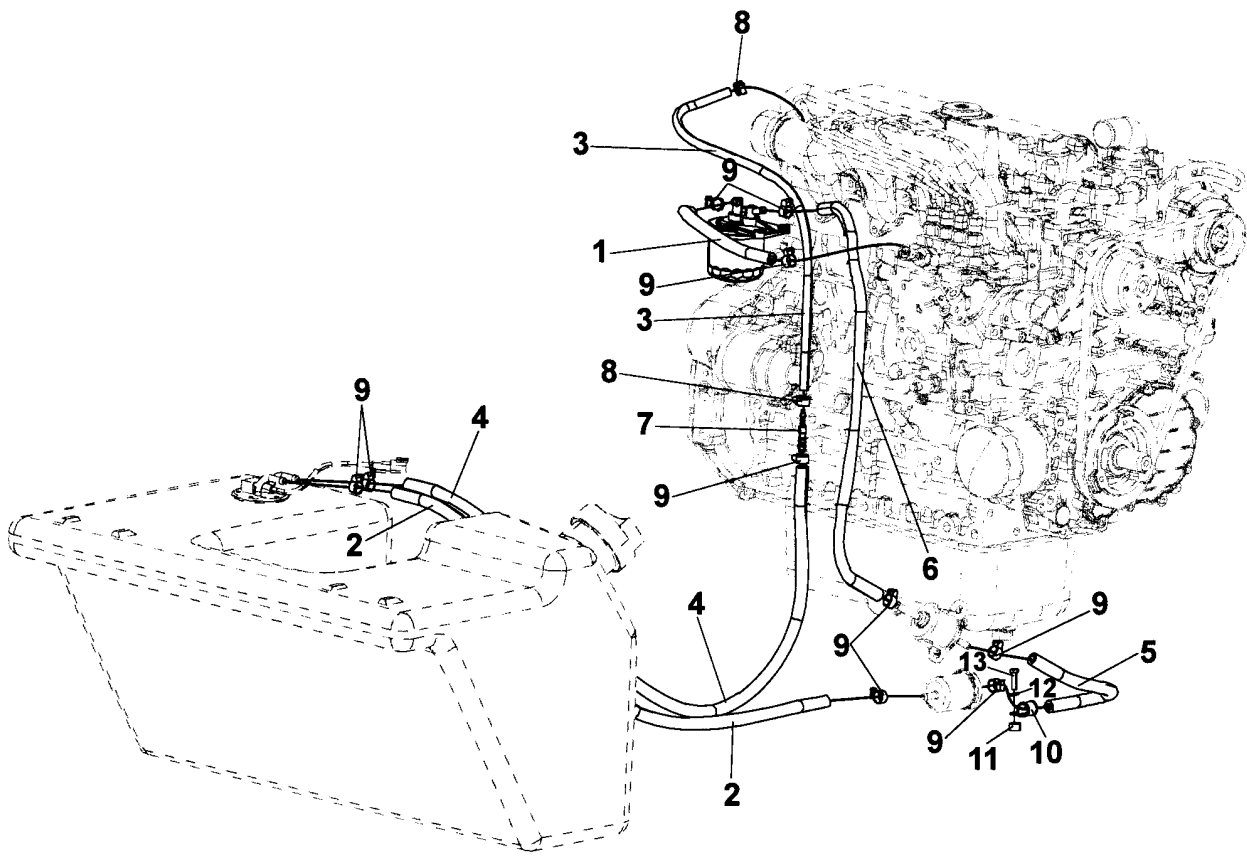
Item	Part No.	Name	Qty	L	SN INFO
1	4812111877	Air inlet hose	1		
2	4812118375	Air hose	1		
3	4812117802	Clamp	1		
4	4812117602	Strip	1	A	
5	4700313023	Hose clamp	1		
6	4700313010	Hose clamp	3		
7	4700500053	Screw, M8x20 mm 8.8 A2K	2		
8	4700904229	Steel plain washer 8.4X16X1.5	2		

Comments for Page: Air hoses

(L)OCAL REMARKS

A | en_US | L = 0.14 m

Engine room Fuel hoses



Refer to Parts Online for the most up to date information. The printed information might be outdated.

Thu Apr 21 05:51:56 MDT 2016

Item	Part No.	Name	Qty	L	SN INFO
1	4700904984	Fuel hose	1	A	
2	4700904984	Fuel hose	1	B	
3	4700791422	Hose	1	C	
4	4700904984	Fuel hose	1	D	
5	4700904984	Fuel hose	1	E	
6	4700904984	Fuel hose	1	F	
7	4700791774	Hose connection	1		
8	4700313075	Hose clamp	2		
9	4700313108	Hose clamp	10		
10	4700921116	Clamp	1		
11	4700355869	Spacer sleeve	1		
12	4700904229	Steel plain washer 8.4X16X1.5	1		
13	4700500022	Screw	1		

Comments for Page: Fuel hoses

(L)OCAL REMARKS

A | en_US | L = 0,20 m

B | en_US | L = 0.97 m

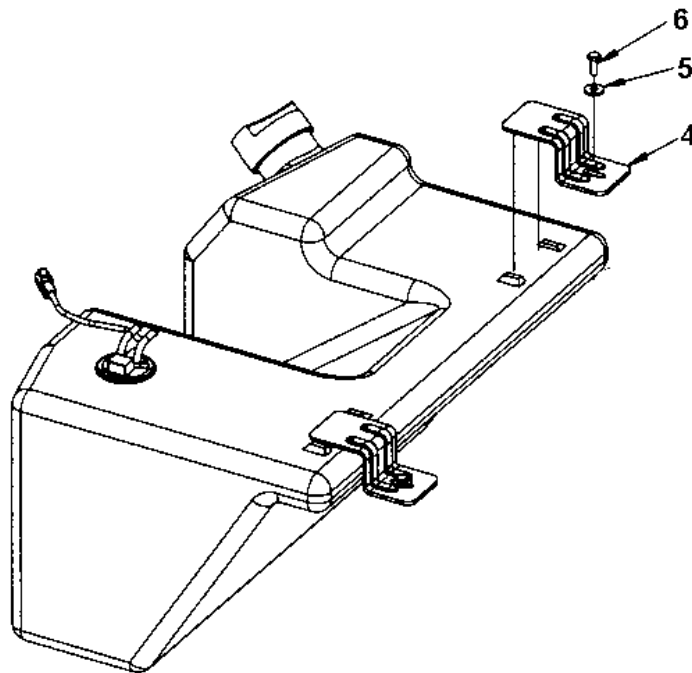
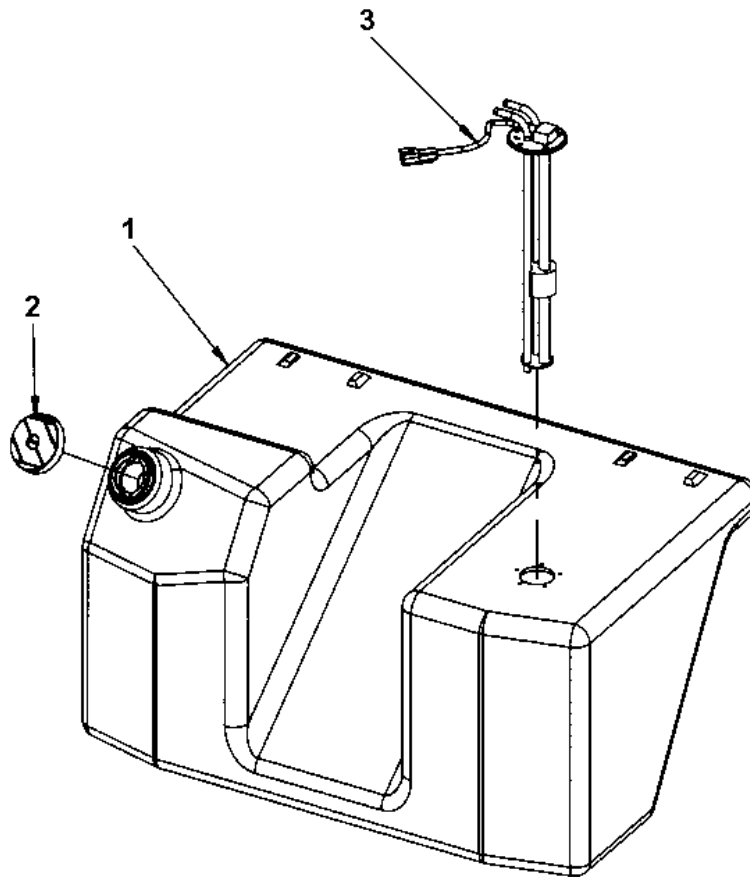
C | en_US | L = 0.62 m

D | en_US | L = 0.80 m

E | en_US | L = 0.30 m

F | en_US | L = 0.60 m

Fuel system To A013025 Fuel system

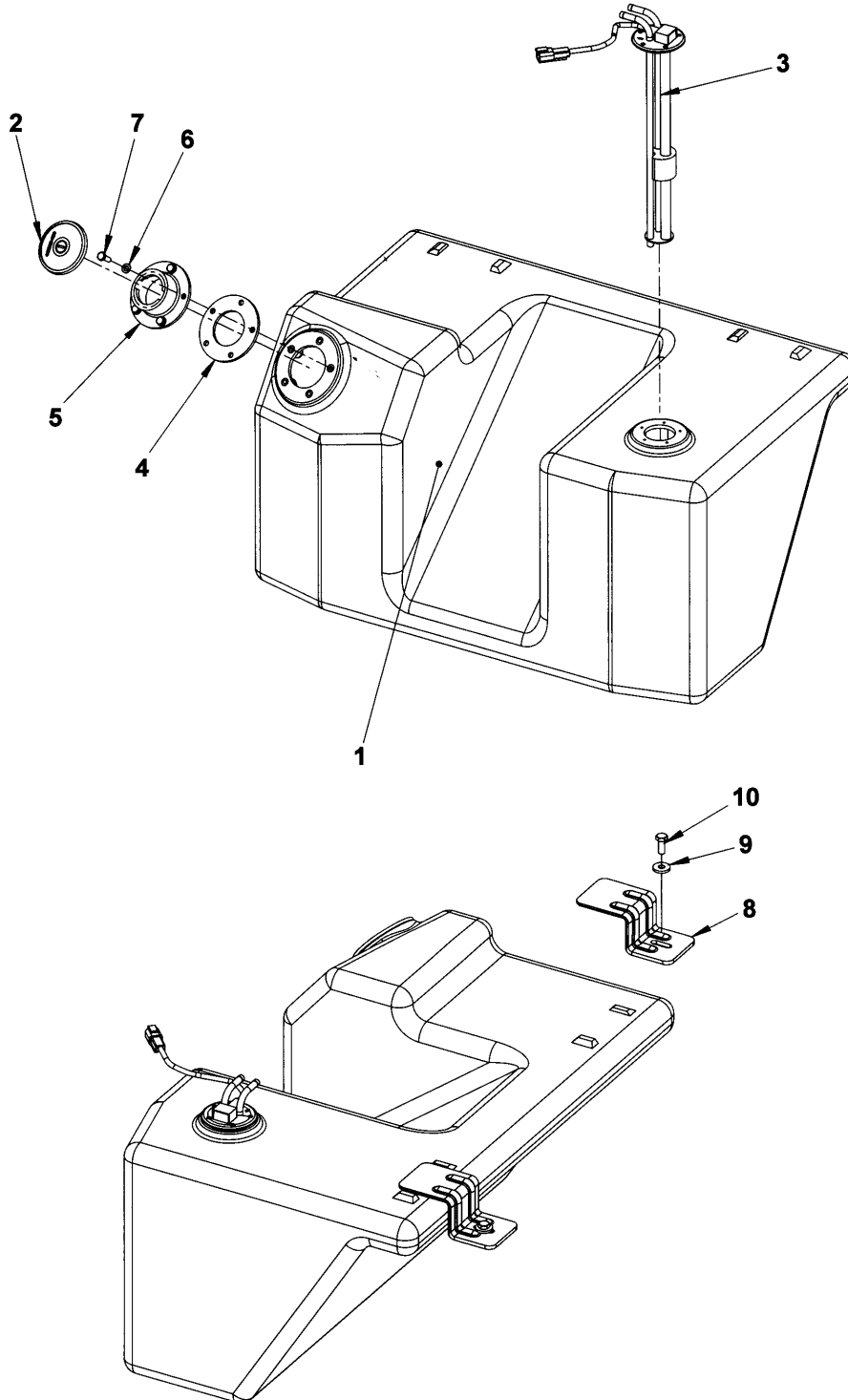


Refer to Parts Online for the most up to date information. The printed information might be outdated.

Thu Apr 21 05:51:57 MDT 2016

Item	Part No.	Name	Qty	L	SN INFO
1	4812113207	Fuel tank	1		
2	4700394253	Fuel cap	1		
2	4700945753	Key 2 pcs "044"	1		
3	4700387552	Level gauge	1		
4	4700357466	Holder plate	2		
5	4700904640	Washer, 8.4x22x3 mm 300HV	2		
6	4700500053	Screw, M8x20 mm 8.8 A2K	2		

Fuel system From A013026 Fuel system

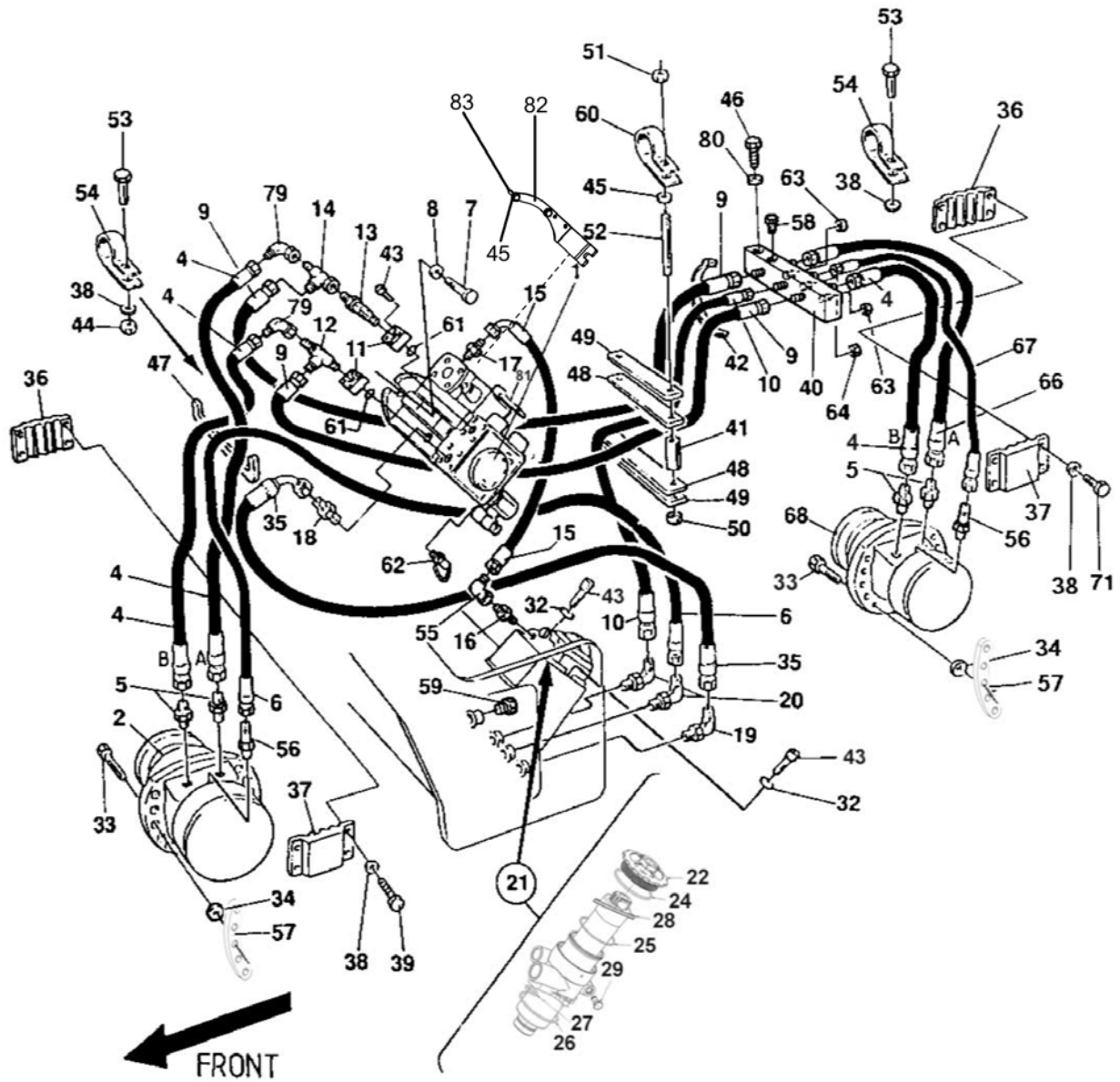


Refer to Parts Online for the most up to date information. The printed information might be outdated.

Thu Apr 21 05:51:59 MDT 2016

Item	Part No.	Name	Qty	L	SN INFO
1	4812118133	Fuel tank	1		
2	4812118459	Fuel cap	1		
2	4812118885	Key "044"	2		
3	4700387552	Level gauge	1		
4	4812118126	Flange gasket	1		
5	4812118125	Filler neck end	1		
6	4700904228	Washer 6.4x12x1.5 mm 300 HV	5		
7	4700500013	Hex. screw	5		
8	4700357466	Holder plate	2		
9	4700904640	Washer, 8.4x22x3 mm 300HV	2		
10	4700500053	Screw, M8x20 mm 8.8 A2K	2		

Propulsion system To A015094 Propulsion system



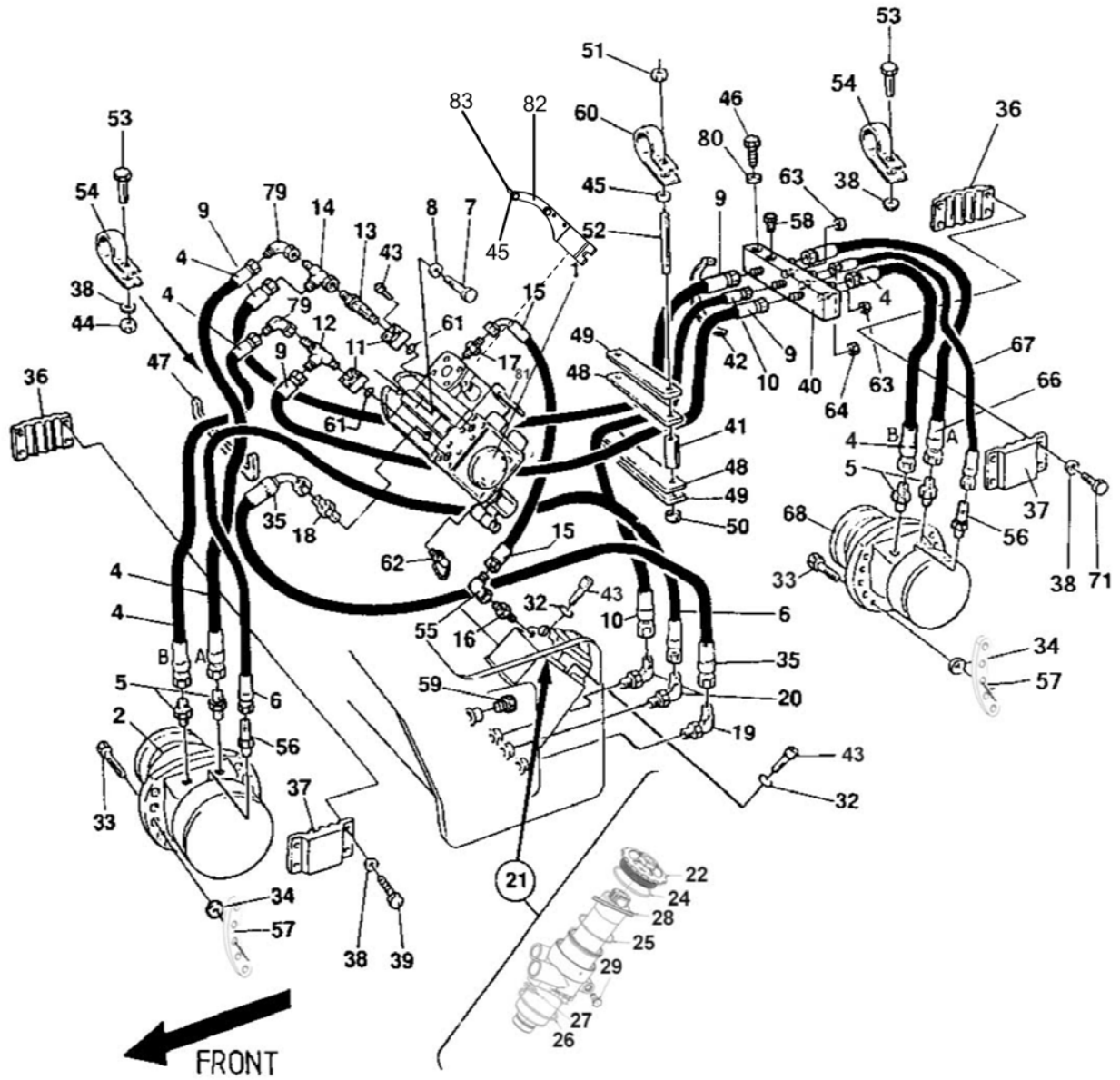
Refer to Parts Online for the most up to date information. The printed information might be outdated.

Thu Apr 21 05:52:02 MDT 2016

Item	Part No.	Name	Qty	L	SN INFO
1	4700372352	Hydraulic pump, propulsion	1		
2	4700390742	Hydraulic motor, propulsion, drum	1		To A012964 (incl. A012966)
2	4812120558	Hydraulic motor	1		From A012965 (excl. A012966)
4	4700482998	Hydraulic hose	3	B	
5	4700334134	Connector	4		
6	4700482830	Hydraulic hose	1	F	
7	4700500037	Hex. screw	2		
8	4700904703	Plain washer 13x24x4 mm	2		
9	4811000084	Hydraulic hose	2	C	
10	4700482452	Hydraulic hose	1	D	
11	4700373402	Flange	2		
12	4700234218	Tee-connector JIC	1		
13	4700813444	Connector elbow 90 JIC	1		
14	4700334135	Tee-connector	1		
15	4700483118	Hydraulic hose	1		
16	4700334156	Straight connector JIC	1		
17	4700901156	Connector	1		
18	4700903925	Connector	1		
19	4700334238	Elbow 90 o-ring	1		
20	4700334235	Elbow 90	2		
21	4812113327	Hydraulic oil filter	1		
22	4812156882	Cover	1		
24	4812156881	O-ring	1		
25	4812156880	Safety ring	1		
26	4812156878	O-ring	1		
27	4812156877	O-ring	1		
28	4812113328	Hydraulic oil filter element	1		
29	4812156879	Plug	1		
32	4700904637	Washer	2		
33	4700500269	Screw	20		
34	4700904231	Steel plain washer, 13x24x2 mm 300 HV	20		
35	4700482553	Hydraulic hose	1		
36	4700371313	Hose clamp	2		
37	4700371314	Hose clamp	2		
38	4700904229	Steel plain washer 8.4X16X1.5	11		
39	4700500020	Hex. screw	4		
40	4812110281	Junction block	1		

Refer to Parts Online for the most up to date information. The printed information might be outdated.

Thu Apr 21 05:52:02 MDT 2016



Refer to Parts Online for the most up to date information. The printed information might be outdated.

Thu Apr 21 05:52:02 MDT 2016

Item	Part No.	Name	Qty	L	SN INFO
41	4700375616	Spacer sleeve	2		
42	4700313102	Cable ties	N		
43	4700508096	Hexagon socket head cap screw	10		
44	4700586003	Nut, M8	1		
45	4700904230	Washer 10.5x22x2 mm 300 HV	4		To A013589
45	4700904230	Washer 10.5x22x2 mm 300 HV	6		From A013590
46	4700500068	Screw M08x65	2		
47	4700902379	Edge trim	1XL	A	
48	4700357111	Rubber cloth	2		
49	4700357112	Cover plate	2		
50	4700355869	Spacer sleeve	2		
51	4700586018	Lock nut, M10	4		
52	4700902233	Threaded stud	2		
53	4700500047	Hexagon head screw	1		
54	4700921022	Hose clamp	1		
55	4700334155	Elbow 90°	1		
56	4700924731	Connector	2		
57	4812110490	Holder	2		
58	4700232070	Plug	3		
59	4700892446	Plug	1		
60	4700921099	Clamp	1		
61	4700813443	O-ring	2		
62	4700901157	Measuring nipple	2		
63	4700330383	Cap JIC, steel	2		
64	4700230400	Cap	1		
66	4700483164	Hydraulic hose	1		
67	4700483069	Hydraulic hose	1		
68	4700390742	Hydraulic motor, propulsion, drum	1		
71	4700500053	Screw, M8x20 mm 8.8 A2K	1		
79	4700334197	Connector elbow 90 JIC	2		
80	4700904640	Washer, 8.4x22x3 mm 300HV	2		
81	4812118374	Control arm	1		
82	4812111881	Bracket	1		From A013590
83	4811000456	Screw M10x1,25x045 8.8	1		From A013590

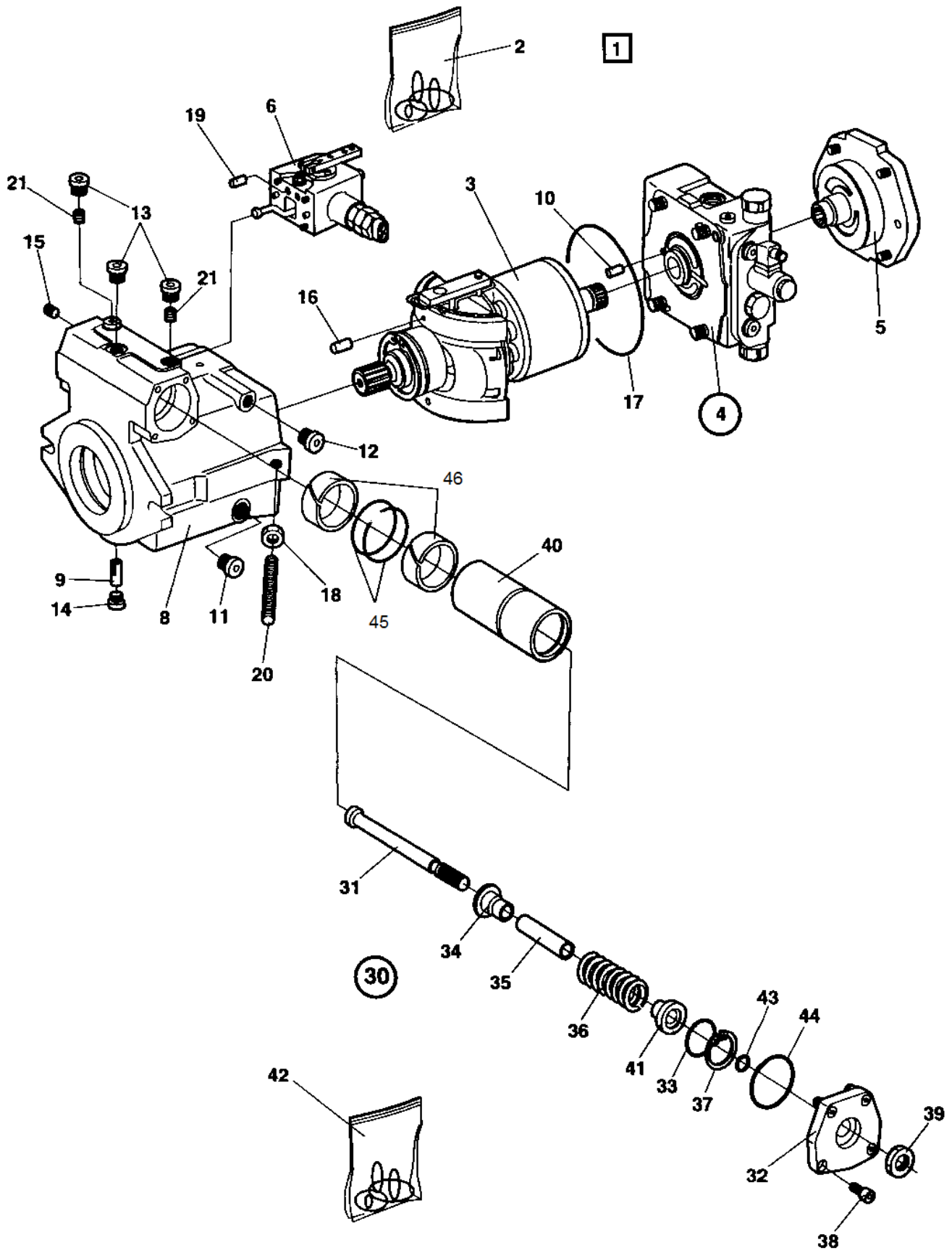
Comments for Page: Propulsion system

(L)OCAL REMARKS

- A | en_US | L=0,185 m
- B | en_US | L = 1,18 m
- C | en_US | L = 1,80 m
- D | en_US | L = 1,25 m
- F | en_US | L = 1,70 m

This page intentionally left blank

4700372352 Hydraulic pump, propulsion 4700372352 Hydraulic pump, propulsion



Refer to Parts Online for the most up to date information. The printed information might be outdated.

Thu Apr 21 05:52:05 MDT 2016

Item	Part No.	Name	Qty	L	SN INFO
1	-	Hydraulic pump	1	A	
2	4700936690	Seal kit	1	1	
3	--	Rotating group, cpl	1	2	
4	--	Valve block, cpl	1	2	
5	--	Charge pump, cpl	1	2	
6	--	Control unit, cpl	1		
8	--	Housing	1		
9	4700935158	Pin	1		
10	4700902670	Pin	1		
11	4700935219	Plug	1		
12	4700902724	Plug	1		
13	4700902625	Plug	3		
14	4700902624	Screw	1		
15	4700909514	Double break-off pin	1		
16	4700902792	Pin	1		
17	4700935159	O-ring	1		
18	4700902695	Nut	1		
19	4700935160	Orifice	1		
20	4700902687	Pin	1		
21	4700902696	Orifice 0,8	2		
30	4700909757	Control valve	1		
31	---	Rod	1		
32	---	Cover	1		
33	---	Ring	1		
34	---	Spring collar	1		
35	---	Spacer	1		
36	---	Spring	1		
37	---	Snap ring	1		
38	---	Screw	4		
39	---	Nut	1		
40	---	Piston	1		
41	---	Spring collar	1		
42	4700909758	Seal kit hydraulic control	1		
43	----	O-ring	1		
44	----	O-ring	1		
45	----	Seal ring	2		
46	4812157794	Guide ring	2		

Refer to Parts Online for the most up to date information. The printed information might be outdated.

Thu Apr 21 05:52:06 MDT 2016

Comments for Page: 4700372352 Hydraulic pump, propulsion

(L)OCAL REMARKS

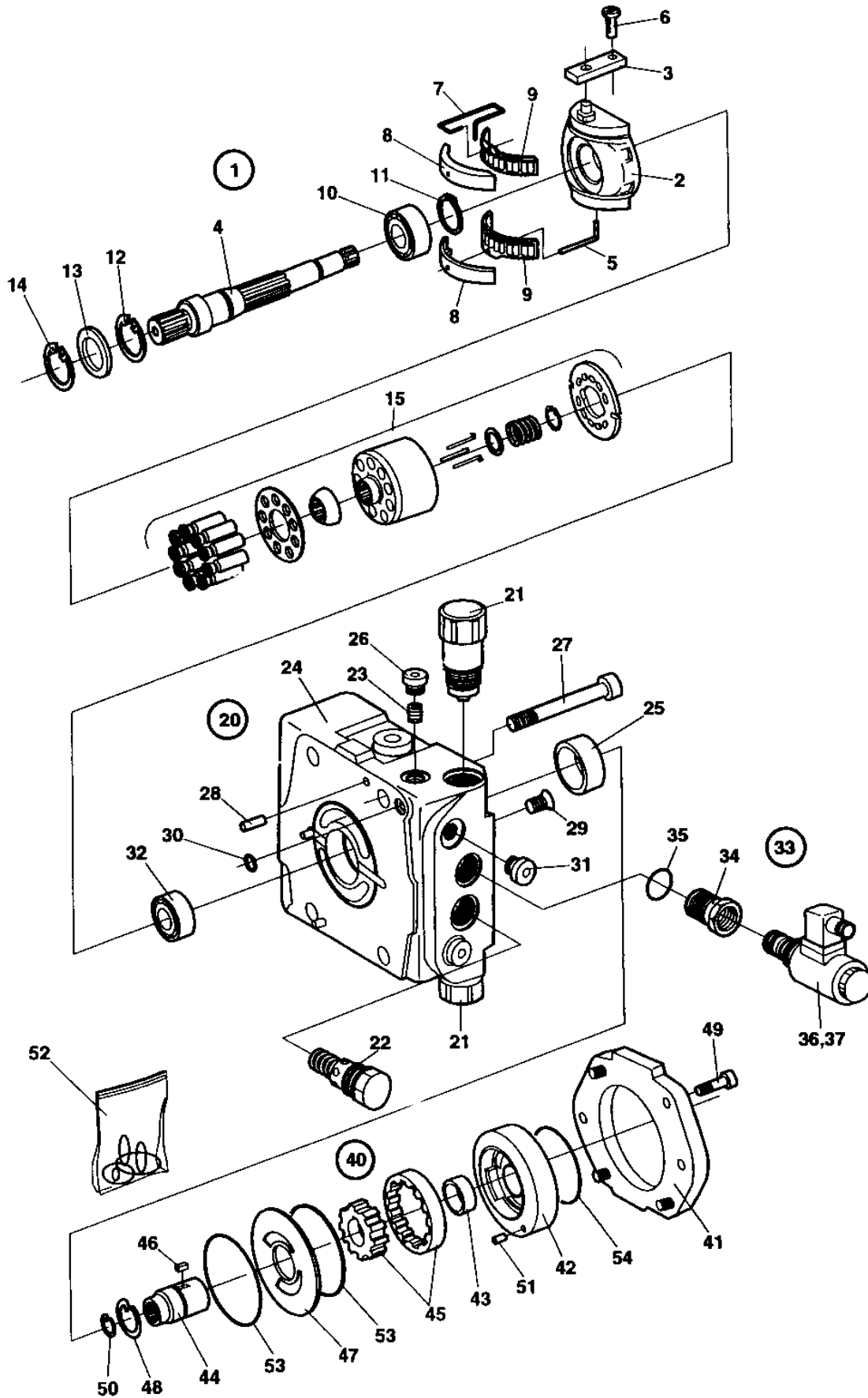
A | en_US | CPL

1 | en_US | Includes all gaskets and o-rings for the hydraulic pump

2 | en_US | Exploded in section "Rotating group, valves, charge pump

This page intentionally left blank

4700372352 Hydraulic pump, propulsion Rotating group, valves, charge pump



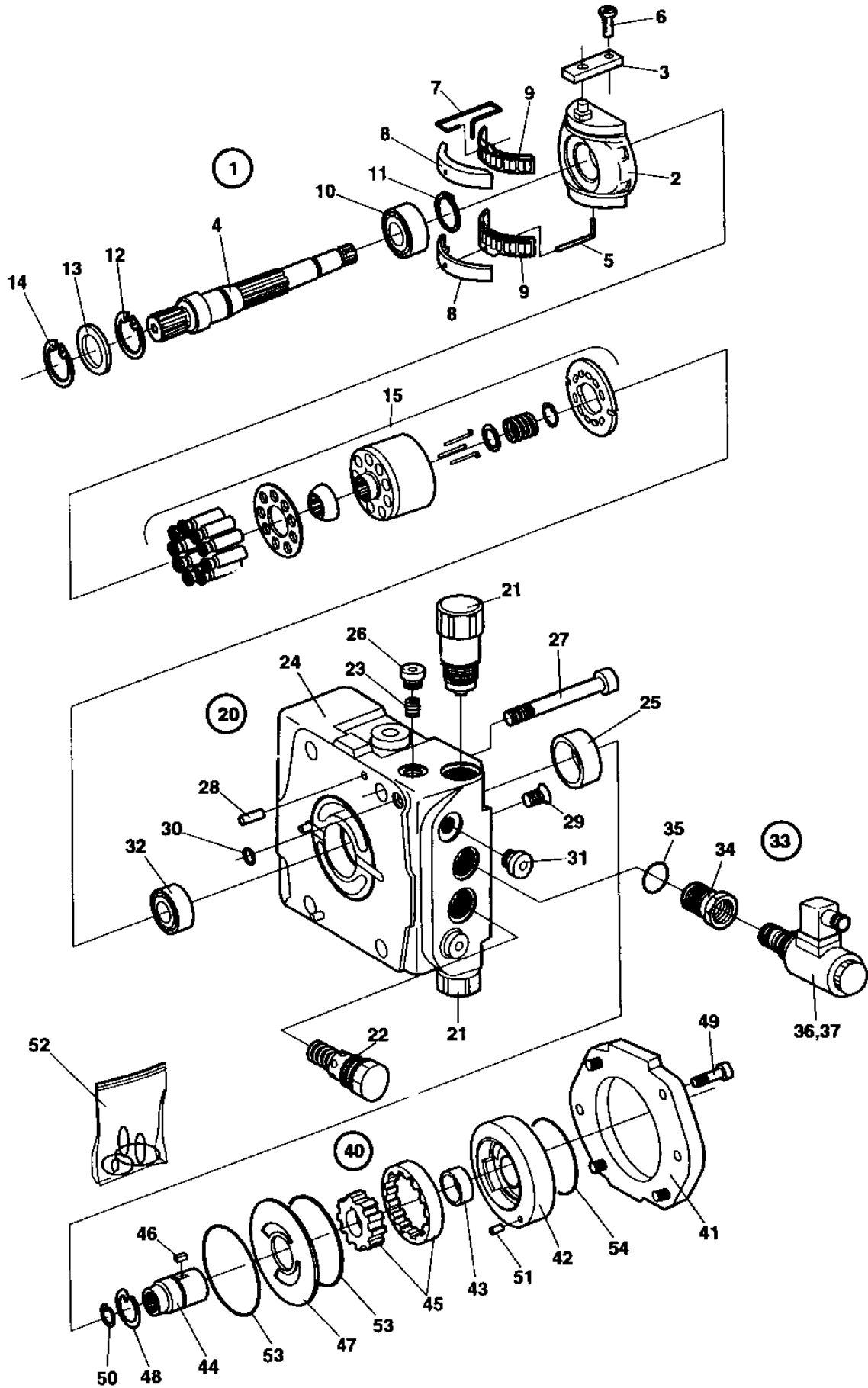
Refer to Parts Online for the most up to date information. The printed information might be outdated.

Thu Apr 21 05:52:08 MDT 2016

Item	Part No.	Name	Qty	L	SN INFO
1	4700935161	Rotating group	1		
2	4700935171	Cradle	1		
3	4700935162	Ring	1		
4	4700935163	Shaft	1		
5	4700902644	Wire pin	1		
6	4700935164	Pin	1		
7	4700935165	Wire pin	1		
8	4700935166	Bearing liner	1	A	
9	4700902620	Cradle bearing assy (Set)	1		
10	4700902619	Roller bearing	1		
11	4700901750	Retaining ring	1		
12	4700935170	Retaining ring	1		
13	4700936691	Seal ring	1		
14	4700935170	Retaining ring	1		
15	4700935167	Cylinder with pistons, cpl	1		
20	-	Valve block	1		
21	4700935172	Pressure relief valve 350 bar	2		
22	4700903471	Relief valve	1		
23	4700936692	Check valve	1		
24	4700936693	Valve block	1		
25	4700903557	Bearing bushing	1		
26	4700935176	Plug	1		
27	4700935177	Screw	4		
28	4700908384	Pin	2		
29	4700909514	Double break-off pin	2		
30	4700902641	O-ring	2		
31	4700902625	Plug	2		
32	4700901744	Plain roller bearing	1		
33	-	Solenoid valve	1	B	
34	4700935178	Adapter	1		
35	4700927278	O-ring	1		
36	4700935179	Valve, cpl	1		
37	-	Solenoid	1	C	
40	4700935181	Charge pump	1		
41	4700935182	Cover	1		
42	4700935183	Housing	1		
43	4700903557	Bearing bushing	1		

Refer to Parts Online for the most up to date information. The printed information might be outdated.

Thu Apr 21 05:52:08 MDT 2016



Refer to Parts Online for the most up to date information. The printed information might be outdated.

Thu Apr 21 05:52:08 MDT 2016

Item	Part No.	Name	Qty	L	SN INFO
44	4700935184	Shaft	1		
45	4700936706	Wheel set	1		
46	4700935186	Key	1		
47	4700935187	Wear plate	1		
48	4700902654	Retaining ring	1		
49	4700935188	Screw	4		
50	4700935189	Retaining ring	1		
51	4700935190	Cylindrical pin	1		
52	4700935191	Seal kit	1		
53	-	Seal	2		
54	-	O-ring	1		

Comments for Page: Rotating group, valves, charge pump

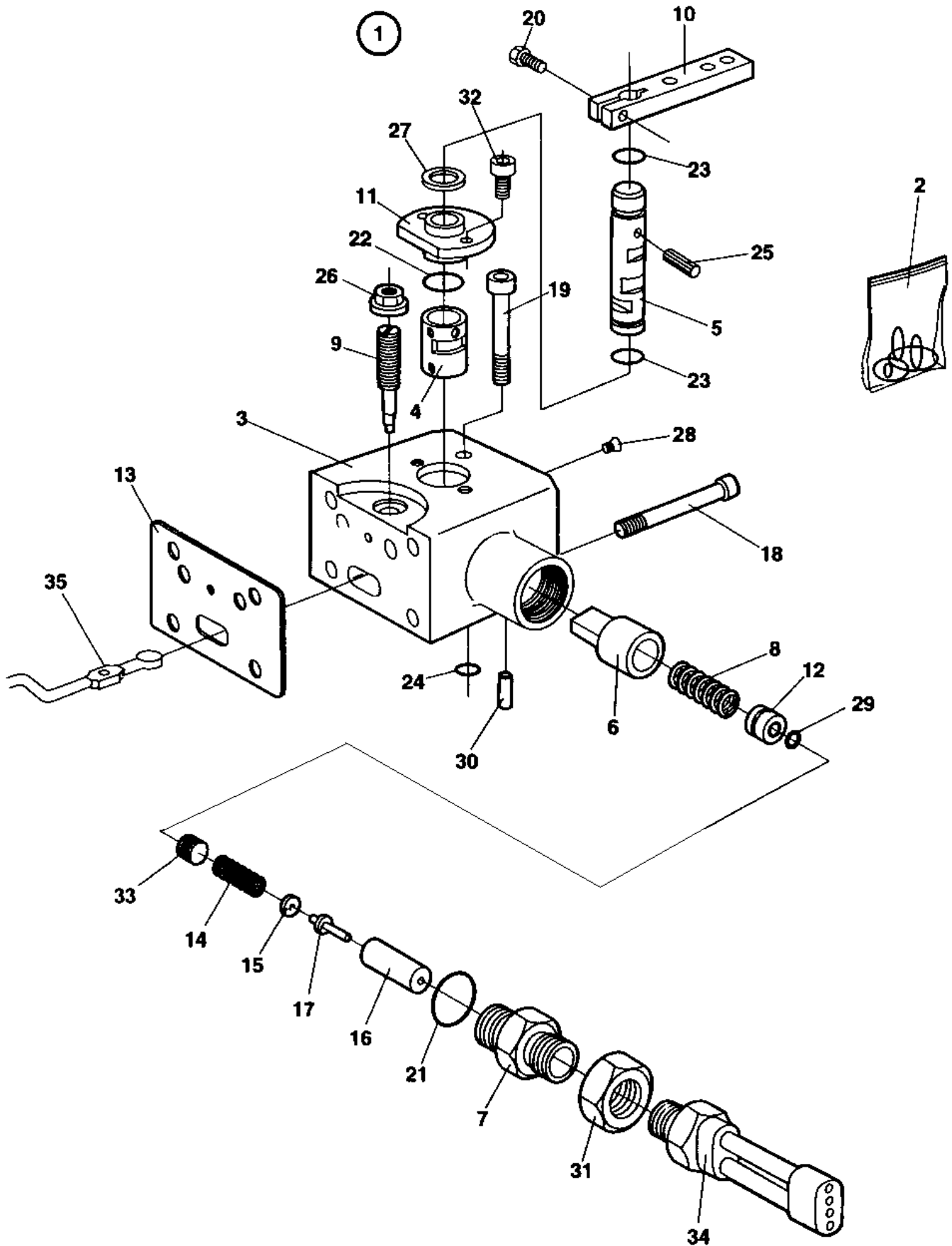
(L)OCAL REMARKS

A | en_US | One pair

B | en_US | CPL

C | en_US | Does not sales separatly. Included in the valve.

4700372352 Hydraulic pump, propulsion Control unit, cpl



Refer to Parts Online for the most up to date information. The printed information might be outdated.

Thu Apr 21 05:52:11 MDT 2016

Item	Part No.	Name	Qty	L	SN INFO
1	4700935194	Control unit	1	A	
2	4700935195	Seal kit	1		
3	4700935196	Housing	1		
4	4700935197	Bushing	1		
5	4700935198	Shaft	1		
6	4700935199	Spring bush	1		
7	4700935201	Adapter	1		
8	4700935202	Pressure spring	1		
9	4700935203	Eccentric pin	1		
10	-	Lever	1		
11	4700935204	Cover	1		
12	4700935205	Bushing	1		
13	4700935218	Gasket	1	B	
14	4700935206	Spring	1		
15	4700935207	Spring collar	1		
16	4700935208	Spring cage	1		
17	4700935209	Pin	1		
18	4700935210	Screw	4		
19	4700935211	Screw	1		
20	4700902770	Screw	1		
21	-	O-ring	1	B	
22	-	O-ring	1	B	
23	-	O-ring	3	B	
24	-	O-ring	1	B	
25	4700902767	Needle roller	1		
26	-	Nut	1	B	
27	4700902773	Shim	1		
28	4700935212	Pin	1		
29	-	O-ring	1	B	
30	4700935190	Cylindrical pin	1		
31	4700935214	Nut	1		
32	4700902771	Screw	2		
33	4700935215	Plug	1		
34	4700935200	Neutral start switch Cpl.	1		
35	4700935216	Lever	1		

Comments for Page: Control unit, cpl

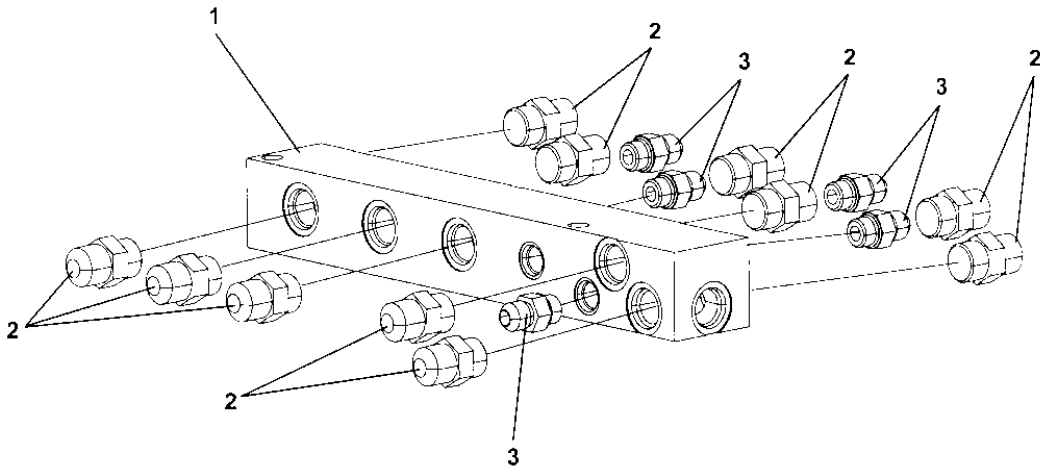
(L)OCAL REMARKS

A | en_US | CPL

B | en_US | Incl. in item 2

This page intentionally left blank

Propulsion system To A015094 4812110281 Junction block

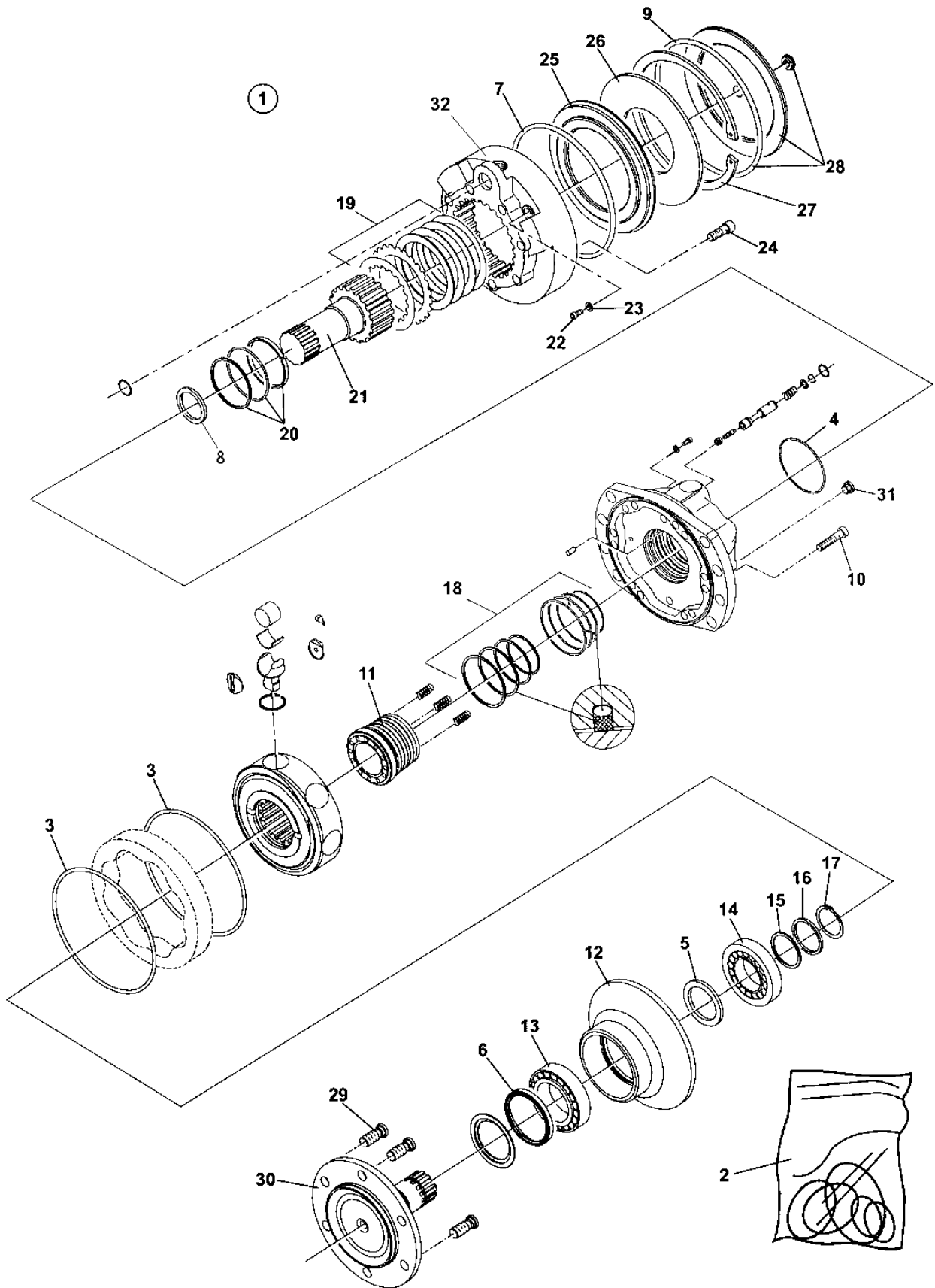


Refer to Parts Online for the most up to date information. The printed information might be outdated.

Thu Apr 21 05:52:12 MDT 2016

Item	Part No.	Name	Qty	L	SN INFO
1	4812110282	Junction block	1		
2	4700334121	Straight connector	11		
3	4700234233	Adapter	5		

4700390742 Hydraulic motor, propulsion, drum To A012964 (incl. 12966) 4700390742 Hydraulic motor, propulsion, drum

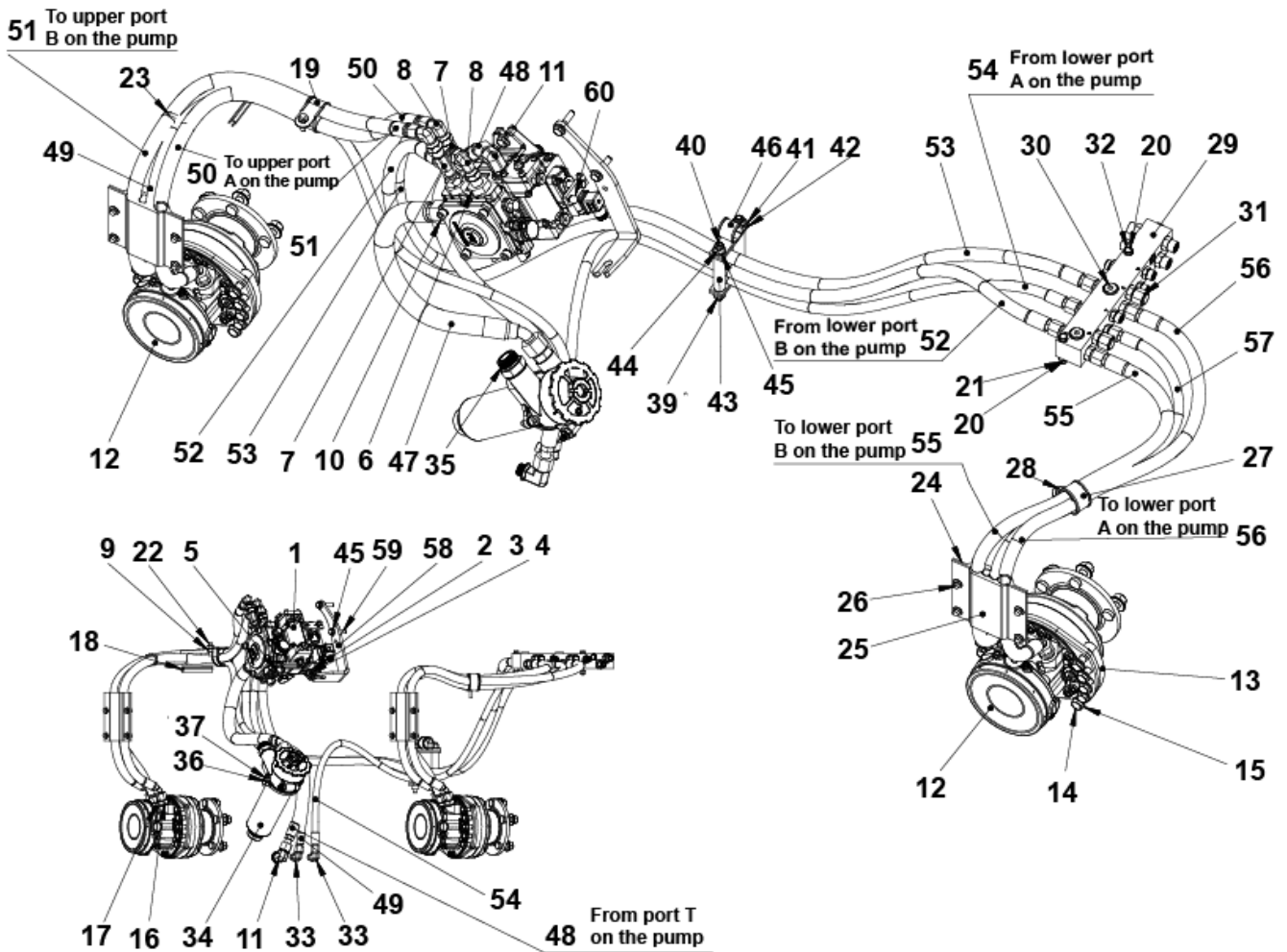


Refer to Parts Online for the most up to date information. The printed information might be outdated.

Thu Apr 21 05:52:14 MDT 2016

Item	Part No.	Name	Qty	L	SN INFO
1	4700390742	Hydraulic motor, propulsion, drum	1		
2	4700950414	Seal kit	1		
3	---	O-ring	2		
4	---	O-ring	1		
5	---	Seal kit	1		
6	---	Seal	1		
7	4700950293	O-ring	1		
8	---	Seal	1		
9	---	O-ring	1		
10	--	Screw	12		
11	4812158054	Distributor	1		
12	4812158055	Bearing support	1		
13	4812156164	Bearing	1		
14	4812156165	Bearing	1		
15	--	Shim kit	1		
16	--	Supporting plate	1		
17	--	Snap ring	1		
18	4700950416	Seal kit	1		
19	4700950415	Brake disc kit	1		
20	4812160854	Seal kit	1		
21	--	Shaft	1		
22	--	Screw	1		
23	--	Bonded seal	1		
24	--	Screw	1		
25	4812156755	Brake piston	1		
26	4812159789	Spring washer	1		
27	4812159788	Snap ring	1		
28	4700950226	End cap kit	1		
29	--	Set of studs	1		
30	4812157787	Shaft	1		
31	--	Plug	1		
32	4812155168	Brake housing	1		

Propulsion system From A015095 Propulsion system



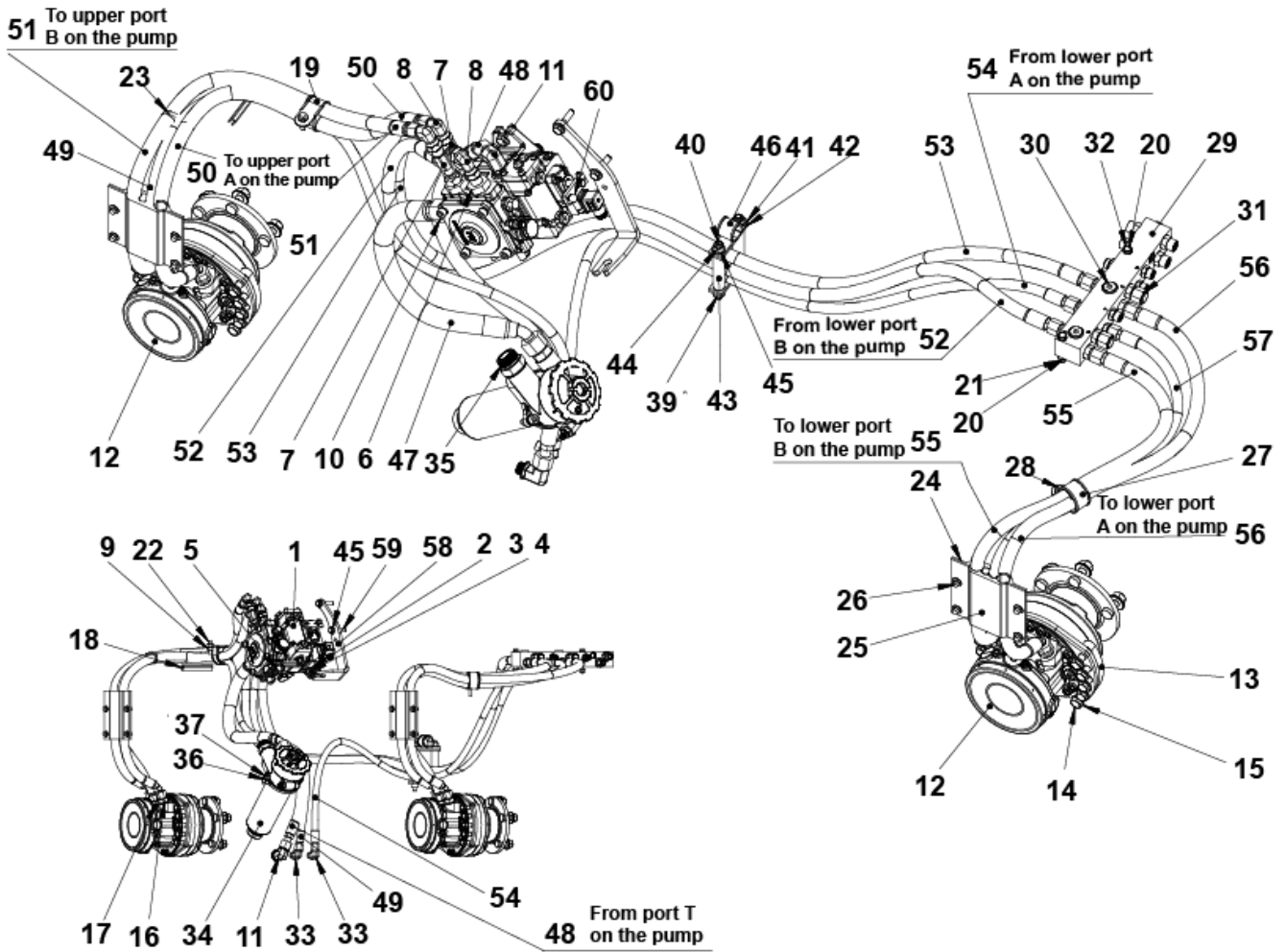
Refer to Parts Online for the most up to date information. The printed information might be outdated.

Thu Apr 21 05:52:16 MDT 2016

Item	Part No.	Name	Qty	L	SN INFO
1	4812120091	Hydraulic pump	1		
2	4700904703	Plain washer 13x24x4 mm	2		
3	4700500037	Hex. screw	2		
5	4700923405	Measuring nipple	2		
6	4700791408	Straight o-ring connector	2		
7	4700791798	Adapter	2		
8	4700791745	Elbow 90, O-ring with swivel	3		
9	4700902286	Lock nut, M8x1.25 mm A2K	1		
10	4700904728	Straight connector ORFS	2		
11	4700792332	Elbow 90 orfs	2		
12	4812120558	Hydraulic motor	2		
13	4812110490	Holder	4		
14	4700500269	Screw	20		
15	4700904231	Steel plain washer, 13x24x2 mm 300 HV	20		
16	4700791410	Straight o-ring connector	4		
17	4700791828	Adapter	2		
18	4700902379	Edge trim	0,18 5		
19	4700921022	Hose clamp	1		
20	4700904229	Steel plain washer 8.4X16X1.5	4		
21	4700586003	Nut, M8	2		
22	4700500506	Screw, M8 x 30 mm 8.8 A2K	1		
23	4700313102	Cable ties	1		
24	4700371313	Hose clamp	2		
25	4700371314	Hose clamp	2		
26	4700901832	Screw, M08x16, 8.8	8		
27	4700921119	Pipe clamp	1		
28	4700902041	Screw, M8x25mm 8.8 A2K	1		
29	4812120928	Connection block	1		
30	4700792512	Steel plug threaded	3		
31	4700791851	Plug ORFS	2		
32	4700500068	Screw M08x65	2		
33	4700791398	Elbow 90, O-ring	2		
34	4812113327	Hydraulic oil filter	1		
35	4700792338	Adapter	1		
36	4700904637	Washer	2		
37	4700508096	Hexagon socket head cap screw	2		
39	4700355869	Spacer sleeve	2		

Refer to Parts Online for the most up to date information. The printed information might be outdated.

Thu Apr 21 05:52:16 MDT 2016

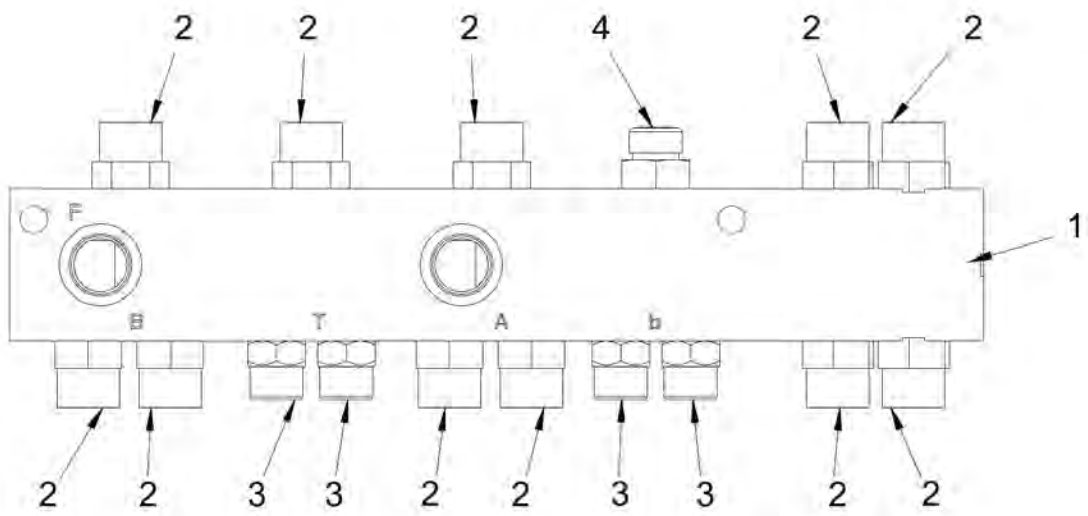


Refer to Parts Online for the most up to date information. The printed information might be outdated.

Thu Apr 21 05:52:16 MDT 2016

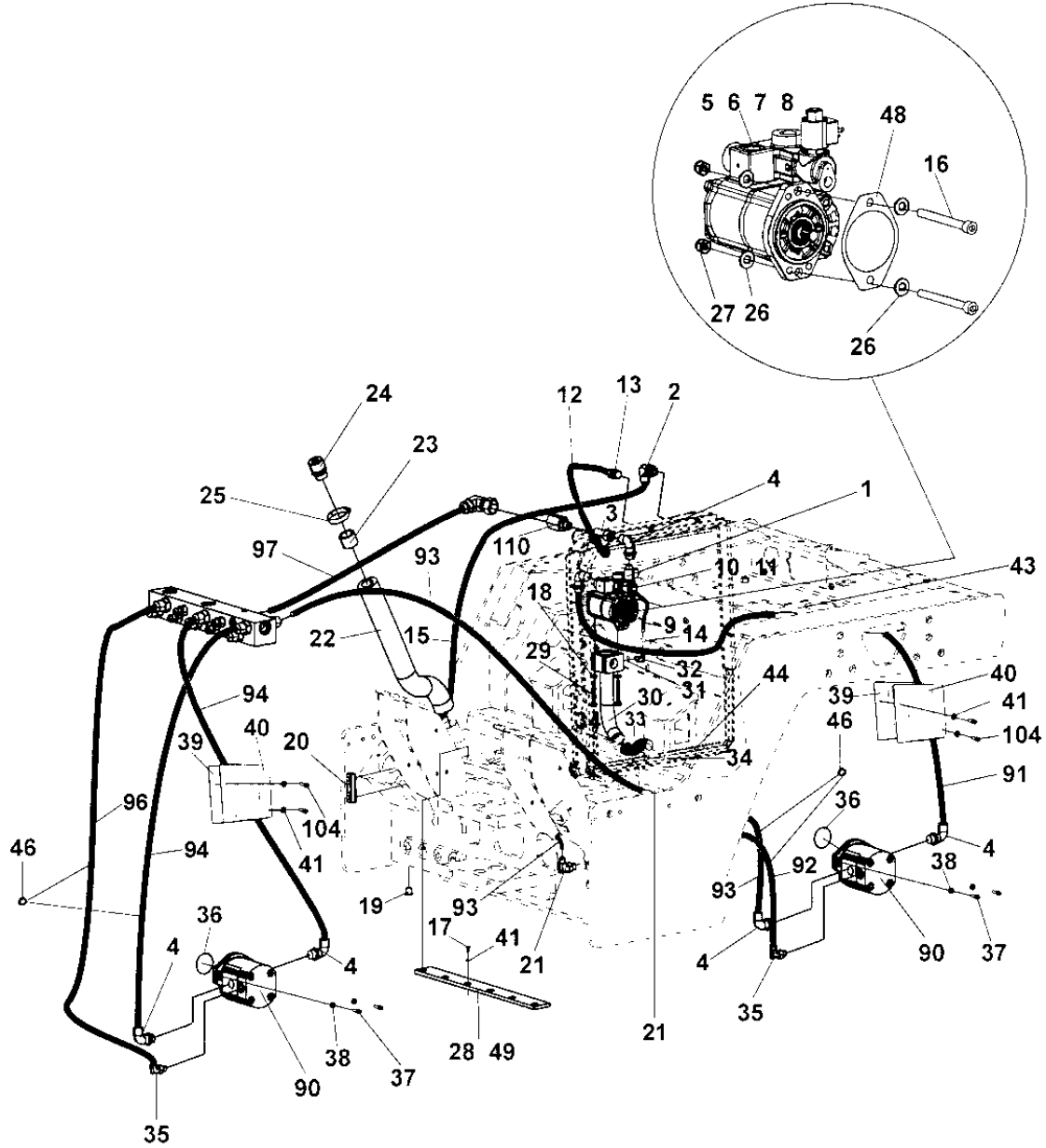
Item	Part No.	Name	Qty	L	SN INFO
40	4700902233	Threaded stud	2		
41	4700357112	Cover plate	2		
42	4700357111	Rubber cloth	2		
43	4700357113	Spacer sleeve	2		
44	4700586018	Lock nut, M10	2		
45	4700904230	Washer 10.5x22x2 mm 300 HV	4		
46	4700921099	Clamp	1		
47	4812120885	Hydraulic hose	1		
48	4812121228	Hydraulic hose	1		
49	4700484092	Hydraulic hose	1		
50	4700484316	Hydraulic hose	1		
51	4700484316	Hydraulic hose	1		
52	4812121226	Hydraulic hose	1		
53	4812121226	Hydraulic hose	1		
54	4812121769	Hydraulic hose	1		
55	4812121785	Hydraulic hose	1		
56	4812121785	Hydraulic hose	1		
57	4812121229	Hydraulic hose	1		
58	4812121463	Bracket	1		
59	4811000456	Screw M10x1,25x045 8.8	2		
60	4700416034	Universal joint, M6	1		From A015765

Propulsion system From A015095 4812120928 Connection block



Item	Part No.	Name	Qty	L	SN INFO
1	-	Connection block	1		
2	4700791799	Straight connector orfs	11		
3	4700791409	Straight connector orfs	4		
4	4700791828	Adapter	1		

Vibration system To A015094 Vibration system



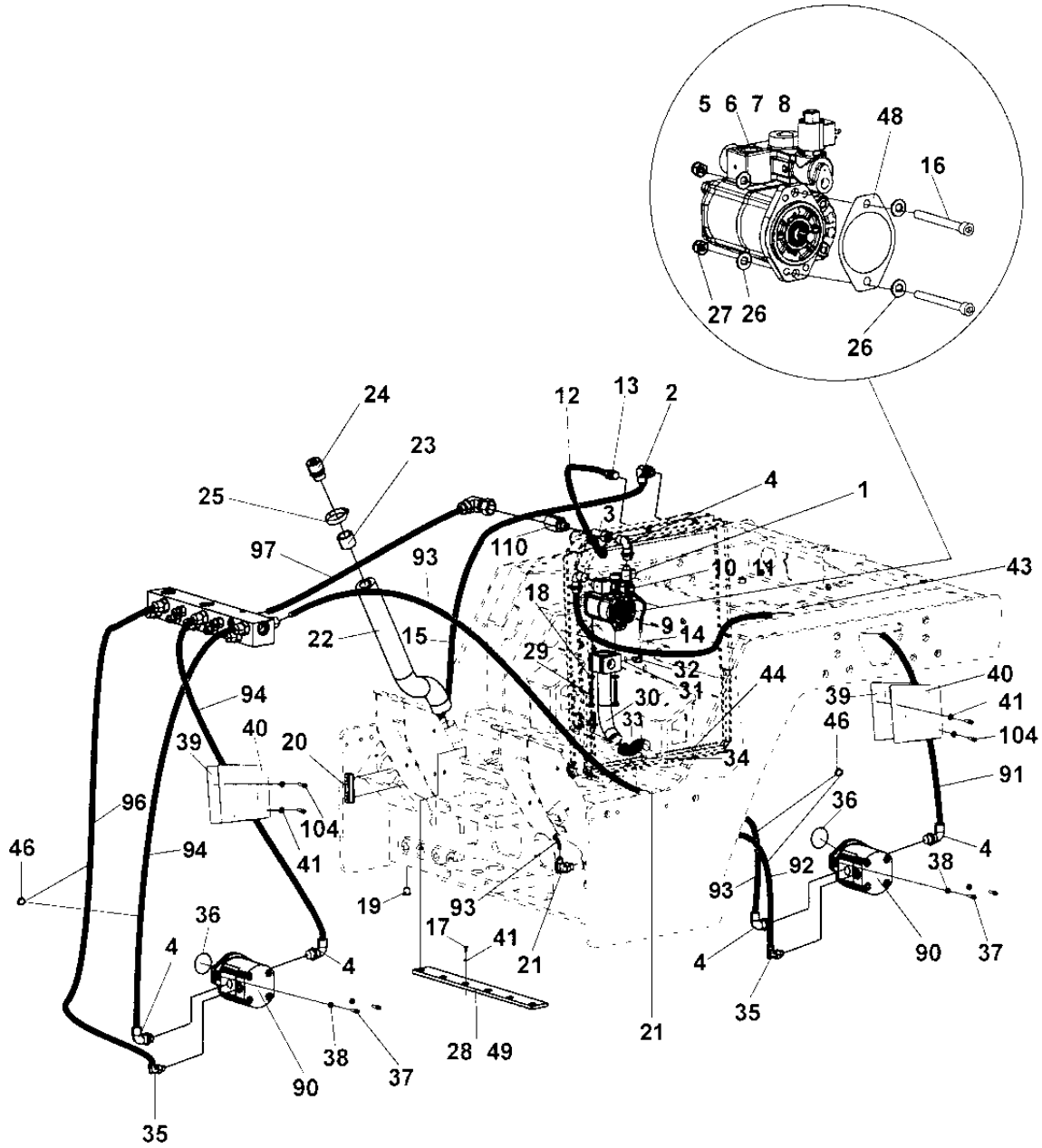
Refer to Parts Online for the most up to date information. The printed information might be outdated.

Thu Apr 21 05:52:19 MDT 2016

Item	Part No.	Name	Qty	L	SN INFO
1	4812112054	Hydraulic pump	1		To A012667 (excl. 12607-12610, incl. 12754)
1	4812119251	Hydraulic pump	1		From A012668 (incl. 12607-12610, excl. 12754)
2	4700927459	Elbow with O-ring	1		
3	4700334135	Tee-connector	2		
4	4700334238	Elbow 90 o-ring	5		
5	4700234390	Connector	1		
6	4700334524	Elbow 90°	1		
7	D433830401	Connector	1		
8	4700910161	Measuring nipple	1		
9	4700386134	Hydraulic hose	1		
10	4700901692	Screw	1		
11	4700480124	Washer	2		
12	4700482306	Hydraulic hose	1		
13	4700334121	Straight connector	1		
14	4700923371	Straight connector JIC	1		
15	4811000383	Hydraulic hose	1		
16	4700500078	Hex. screw	2		
17	4700500019	Hex. screw	2		
18	4700904556	Steel plain washer	8		
19	4700232122	Steel plug threaded	1		
20	4700989151	Oil level glass	1		
21	4700334235	Elbow 90	1		
22	4700373478	Rubber hose	1		
23	4700357139	Connector	1		
24	4700357138	Ventilating filter	1		
25	4700313008	Hose clamp	2		
26	4700904230	Washer 10.5x22x2 mm 300 HV	2		
27	4700902287	Nut, M10	2		
28	4700358486	Rubber strip	1		
29	4700500067	Screw	4		
30	4812113333	Flange	1		
31	4700160016	O-ring	1		
32	4700234341	Elbow 45°	1		
33	4811000372	Hydraulic hose	1XL	H	
34	4700902295	Hose clamp	2		
35	4700234481	Connector	1		
36	4700160031	O-ring	2		

Refer to Parts Online for the most up to date information. The printed information might be outdated.

Thu Apr 21 05:52:19 MDT 2016



Refer to Parts Online for the most up to date information. The printed information might be outdated.

Thu Apr 21 05:52:20 MDT 2016

Item	Part No.	Name	Qty	L	SN INFO
37	4700508029	Cylinder screw	2		
38	4700904557	Washer, 10.5x22x4 mm 300 HV	2		
39	4700371313	Hose clamp	1		
40	4700371314	Hose clamp	1		
41	4700904229	Steel plain washer 8.4X16X1.5	9		
43	4700902379	Edge trim	1XL		
44	4700902379	Edge trim	1XL		
46	4700313102	Cable ties	N		
48	4700379458	Gasket	1		
49	4700904901	Tape	2XL		
90	4812118172	Hydraulic motor	2		
91	4700482242	Hydraulic hose	1		
92	4811000382	Hydraulic hose	1		
93	4700483155	Hydraulic hose	1	A	
94	4700483157	Hydraulic hose	1	B	
96	4700483162	Hydraulic hose	1	C	
97	4700482525	Hydraulic hose	1	K	
99	4700334238	Elbow 90 o-ring	2		
100	4700234481	Connector	1		
101	4700371313	Hose clamp	1		
102	4700371314	Hose clamp	1		
104	4700500053	Screw, M8x20 mm 8.8 A2K	5		
106	4700508029	Cylinder screw	2		
107	4700603018	Washer 10x18x4	2		
110	4700357543	Valve	1		
111	4700921119	Pipe clamp	1		
112	4700500053	Screw, M8x20 mm 8.8 A2K	1		

Comments for Page: Vibration system

(L)OCAL REMARKS

A | en_US | L = 1,80 m

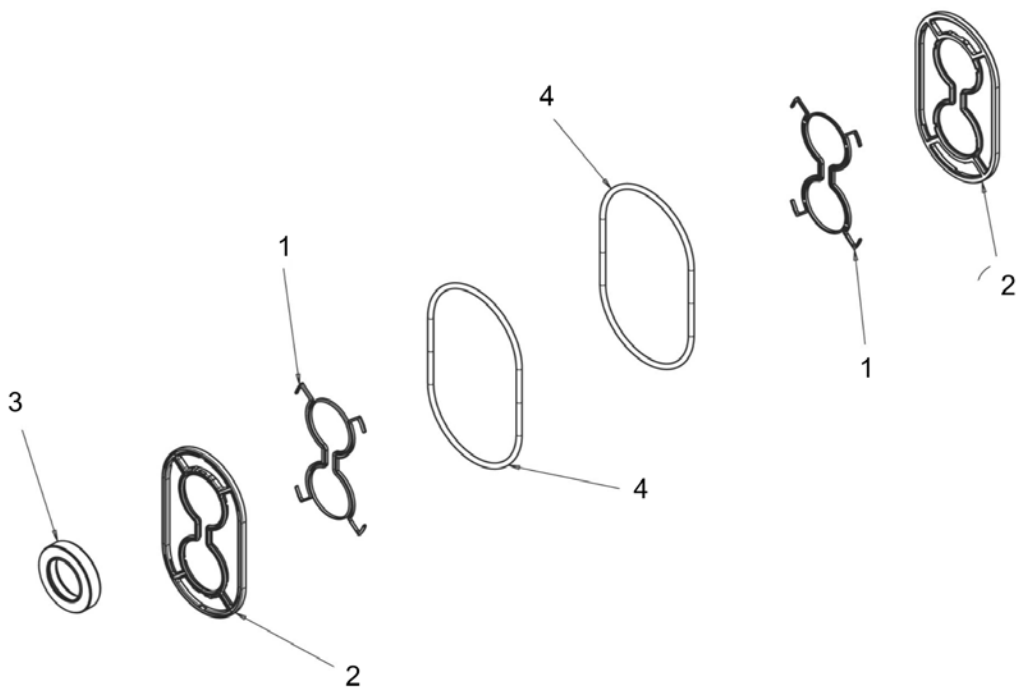
B | en_US | L = 1,05 m

C | en_US | L = 1,20 m

H | en_US | L = 0,26 m

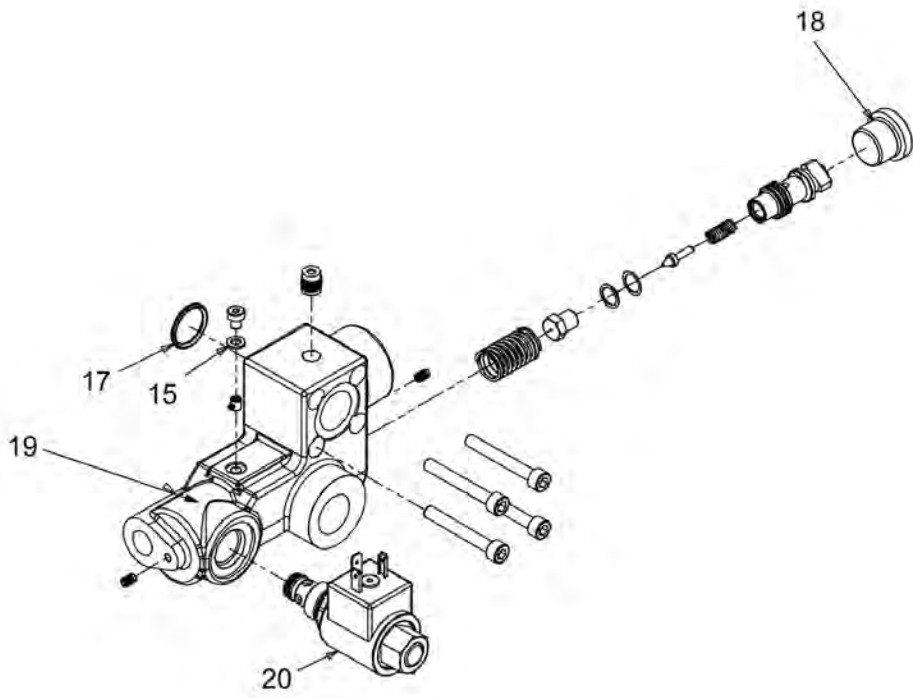
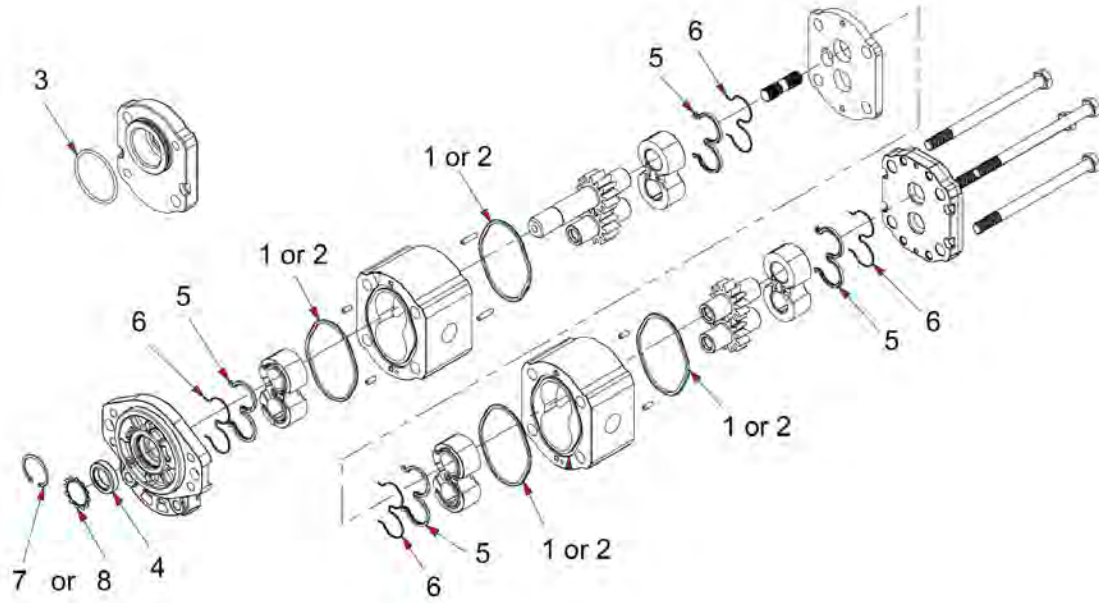
K | en_US | L = 1,80 m

Vibration system To A015094 4812160957 Seal kit



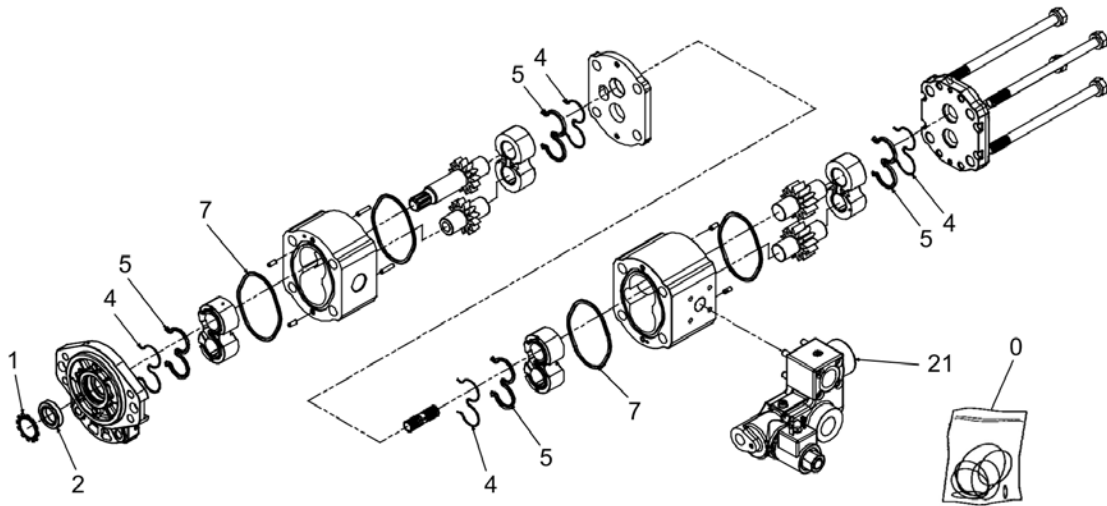
Item	Part No.	Name	Qty	L	SN INFO
0	4812160957	Seal kit	1		
1	-	Backing ring	2		
2	-	Pressure seal	2		
3	-	Shaft seal	1		
4	-	O-ring seal	2		

4812119251 Hydraulic pump To A012667 (excl. 12607-12610, incl. 12754) 4812119251 Hydraulic pump



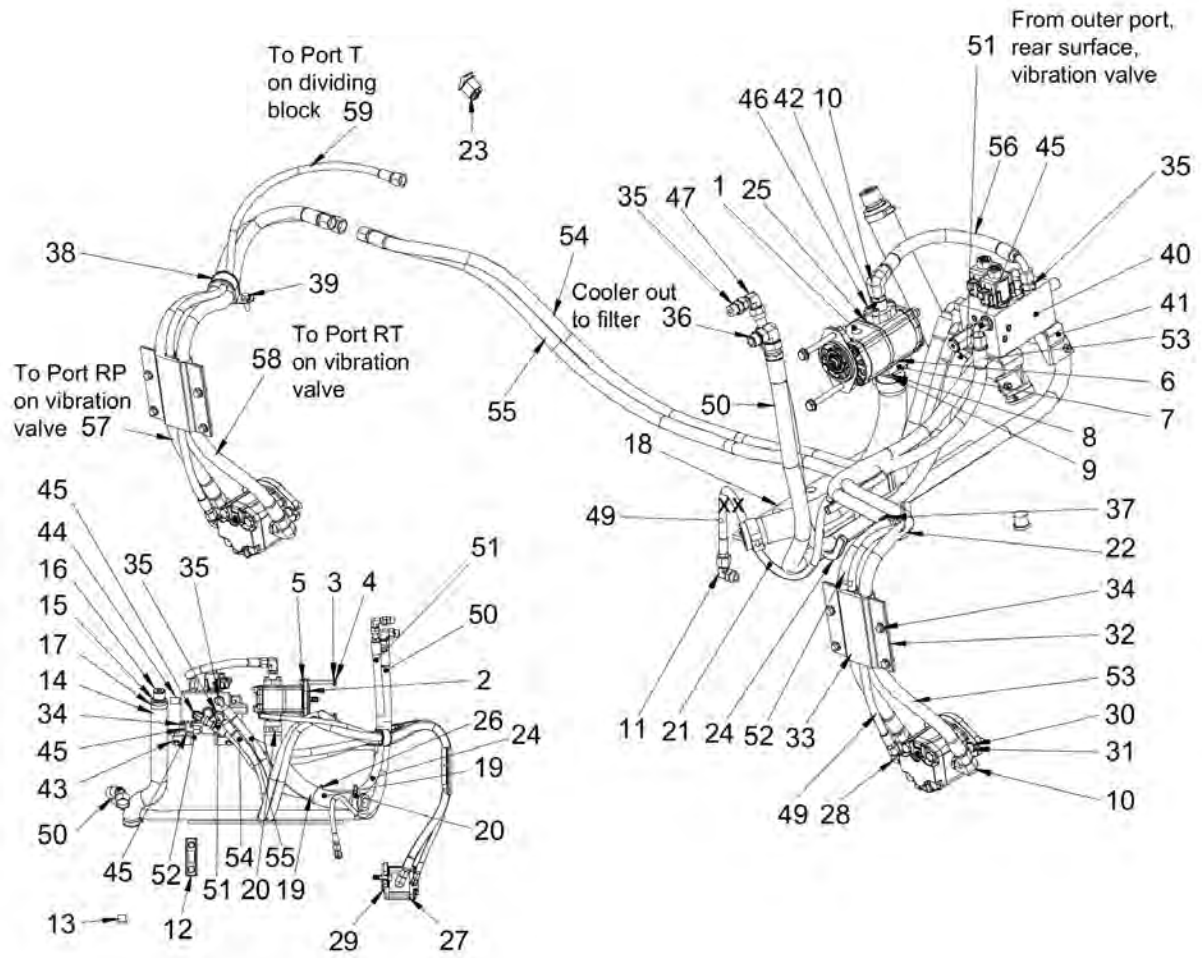
Item	Part No.	Name	Qty	L	SN INFO
0	4812160796	Seal kit			
1	--	O-ring	4		
2	--	O-ring	4		
3	--	O-ring	1		
4	--	Shaft seal	1		
5	--	Seal	4		
6	--	Backup ring	4		
7	--	Snap ring	1		
8	--	Toothed ring	1		
14	4700902810	Seal kit			
15	--	Seal	2		
17	--	O-ring	1		
18	--	Plug	1		
19	4700903637	Valve	1		
20	4700903330	Solenoid valve	1		

4812112054 Hydraulic pump From A012668 (incl. 12607-12610, excl. 12754) 4812112054 Hydraulic pump



Item	Part No.	Name	Qty	L	SN INFO
0	4700903430	Seal kit	1		
1	--	Star ring	1		
2	--	Shaft seal	1		
4	--	Back-up ring	4		
5	--	Seal	4		
7	--	O-ring	4		
21	4700903637	Valve	1		
21	4700903330	Solenoid valve	1		
21	4700902810	Seal kit	1		

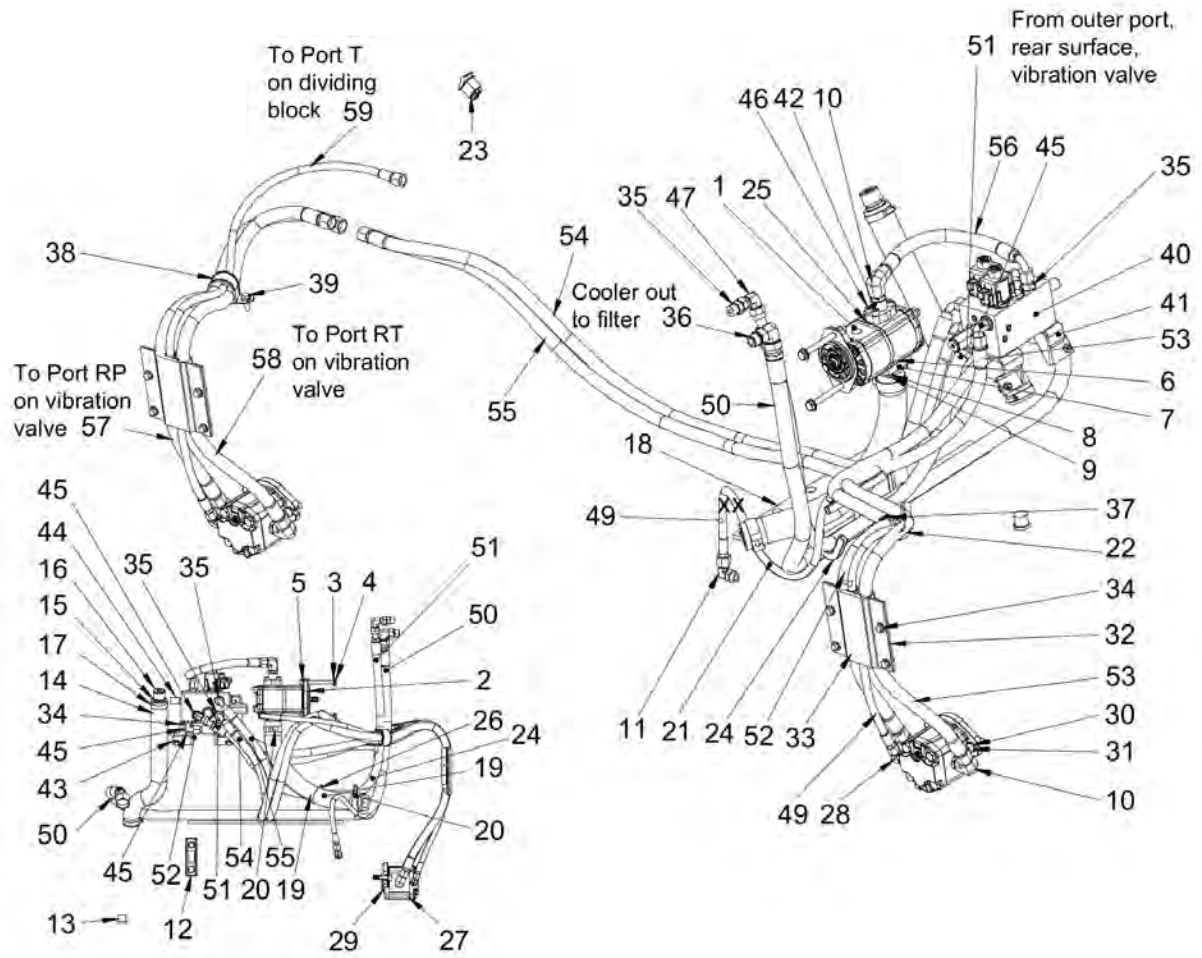
Vibration system From A015095 Vibration system



Item	Part No.	Name	Qty	L	SN INFO
1	4812121617	Hydraulic pump	1		
2	4700379458	Gasket	1		
3	4700904230	Washer 10.5x22x2 mm 300 HV	2		
4	4700500078	Hex. screw	2		
5	4700902287	Nut, M10	2		
6	4700160016	O-ring	1		
7	4812121711	Flange connector	1		
8	4700904556	Steel plain washer	4		
9	4700500022	Screw	4		
10	4700791699	Elbow 90	5		
11	4700791398	Elbow 90, O-ring	1		
12	4700989151	Oil level glass	1		
13	4700232122	Steel plug threaded	1		
14	4700373478	Rubber hose	1		
15	4700357139	Connector	1		
16	4700357138	Ventilating filter	1		
17	4700313008	Hose clamp	2		
18	4700358486	Rubber strip	2		
19	4812121710	Hydraulic hose	1		
19	4812122581	Hydraulic hose	1		
20	4700902295	Hose clamp	2		
21	4700902379	Edge trim	0,15		
22	4700902379	Edge trim	0,30		
23	4700791581	Switch	1		
24	4700902379	Edge trim	0,11		
24	4700904623	Hose guard	0,30		
25	4700904774	O-ring	1		
26	4700902379	Edge trim	0,11		
27	4812118172	Hydraulic motor	2		
28	4700791397	Elbow 90, O-ring	2		
29	4700160031	O-ring	2		
30	4700603018	Washer 10x18x4	4		
31	4700508029	Cylinder screw	4		
32	4700371313	Hose clamp	2		
33	4700371314	Hose clamp	2		
34	4700901832	Screw, M08x16, 8.8	10		
35	4700791799	Straight connector orfs	4		To A015852

Refer to Parts Online for the most up to date information. The printed information might be outdated.

Thu Apr 21 05:52:25 MDT 2016



Item	Part No.	Name	Qty	L	SN INFO
35-1	4700791799	Straight connector orfs	2		From A015853
36	4700791843	Elbow 90, O-ring with swivel	1		
37	4700313102	Cable ties	1		
38	4700921119	Pipe clamp	1		
39	4700902041	Screw, M8x25mm 8.8 A2K	1		
40	4812121508	Hydraulic valve	1		
41	4812122182	Bracket	1		
42	4812117698	Flange connector	1		
43	4700500505	Screw, M8x20 mm 8.8 A2K	2		
44	4700900229	Measuring fitting	1		
45	4700791841	Elbow 90 orfs	3		To A015852
45-1	4700791841	Elbow 90 orfs	5	A	From A015853
46	4700508048	Hexagon socket head cap screw M	4		
47	4700791745	Elbow 90, O-ring with swivel	1		
49	4812120878	Hydraulic hose	1		
50	4812121219	Hydraulic hose	1		
51	4812121708	Hydraulic hose	1		
52	4812121214	Hydraulic hose	1		
53	4812120877	Hydraulic hose	1		
54	4812121220	Hydraulic hose	1		To A015852
54	4812123096	Hydraulic hose	1	B	From A015853
55	4812121220	Hydraulic hose	1		To A015852
55	4812123096	Hydraulic hose	1	B	From A015853
56	4812121709	Hydraulic hose	1		
57	4812121215	Hydraulic hose	1		
58	4700483854	Hydraulic hose	1		
59	4700483875	Hydraulic hose	1		

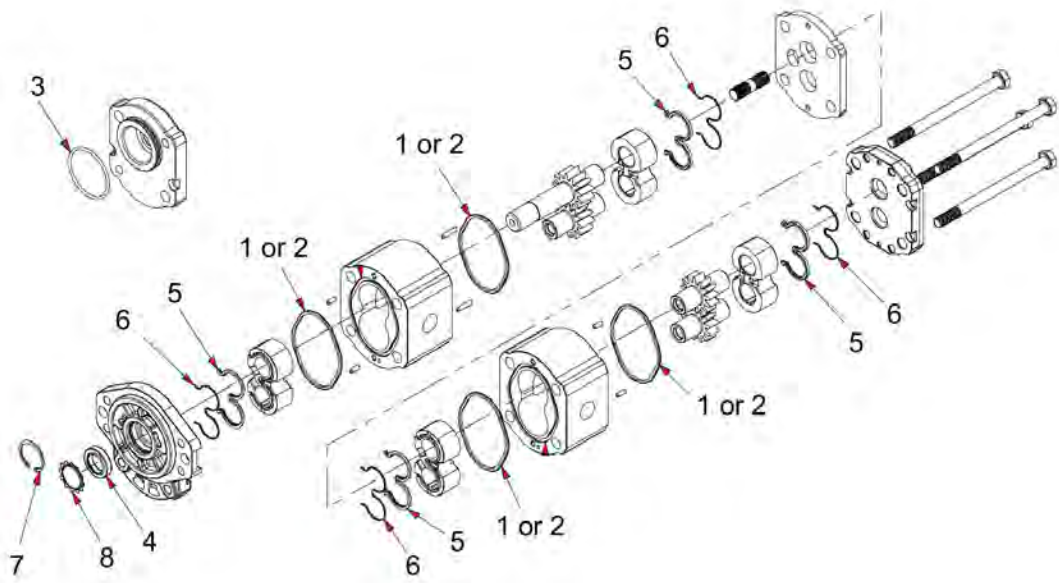
Comments for Page: Vibration system

(L)OCAL REMARKS

A | Interchangeable together with item 54 and 55.

B | Interchangeable together with item 45.

Vibration system From A015095 4812121617 Hydraulic pump

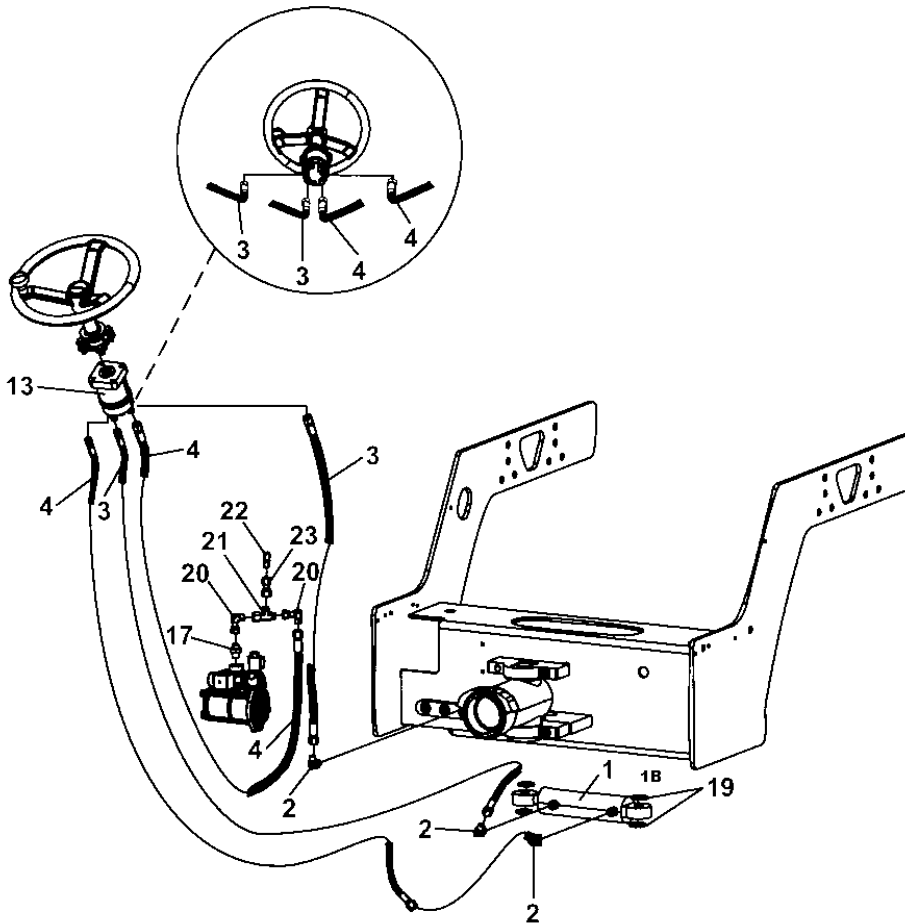


Refer to Parts Online for the most up to date information. The printed information might be outdated.

Thu Apr 21 05:52:27 MDT 2016

Item	Part No.	Name	Qty	L	SN INFO
0	4812160797	Seal kit, cpl	1		
1	--	O-ring	4		
2	--	O-ring	4		
3	--	O-ring	1		
4	--	Shaft seal	1		
5	--	Seal	4		
6	--	Back-up ring	4		
7	--	Snap ring	1		
8	--	Toothed ring	1		

Steering system Steering system



Refer to Parts Online for the most up to date information. The printed information might be outdated.

Thu Apr 21 05:52:28 MDT 2016

Item	Part No.	Name	Qty	L	SN INFO
1A	4700374603	Steering cylinder	1		To A013002 (excl. 12769, 12994, 12997)
1B	4812120737	Steering cylinder	1		From A013003 (incl. 12769, 12994, 12997)
2	4700791398	Elbow 90, O-ring	3		
3	4700483765	Hydraulic hose	2	A	
4	4811000428	Hydraulic hose	2	B	
5	4700630019	Split pin	4		
6	4700313102	Cable ties	2		
13	4812112109	Steering valve	1		
17	4700791405	Straight o-ring connector	1		
19	4700600016	Steel plain washer	4		
20	4700791401	Elbow 90, O-ring with swivel	2		
21	4700791414	T-connection, O-ring with swivel	1		
22	4700791847	Straight connector	1		
23	4700923405	Measuring nipple	1		

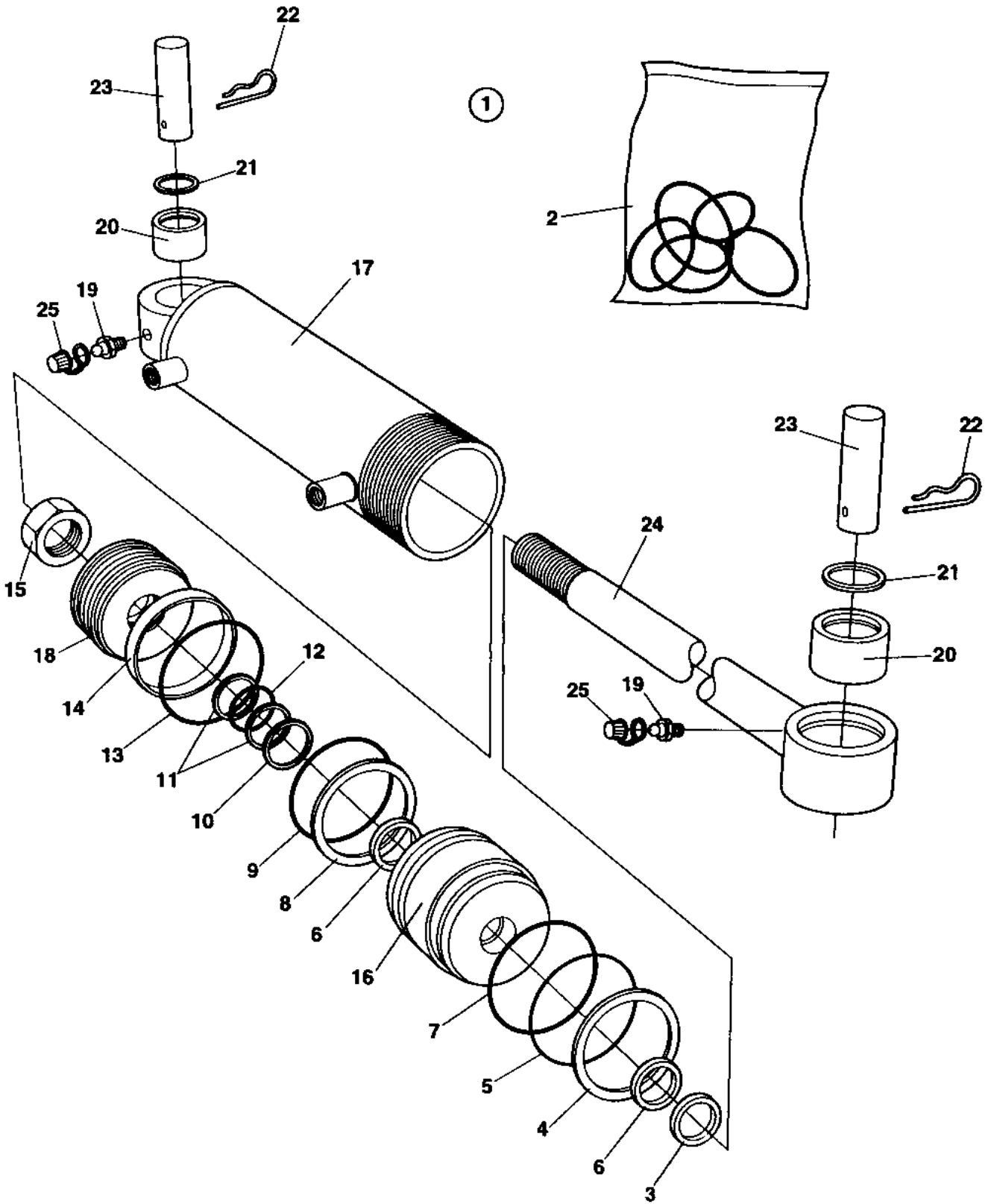
Comments for Page: Steering system

(L)OCAL REMARKS

A | en_US | L = 1,99 m

B | en_US | L = 1,96 m

Steering cylinder To A013002 (excl. 12769, 12994, 12997) 4700374603 Steering cylinder



Refer to Parts Online for the most up to date information. The printed information might be outdated.

Thu Apr 21 05:52:29 MDT 2016

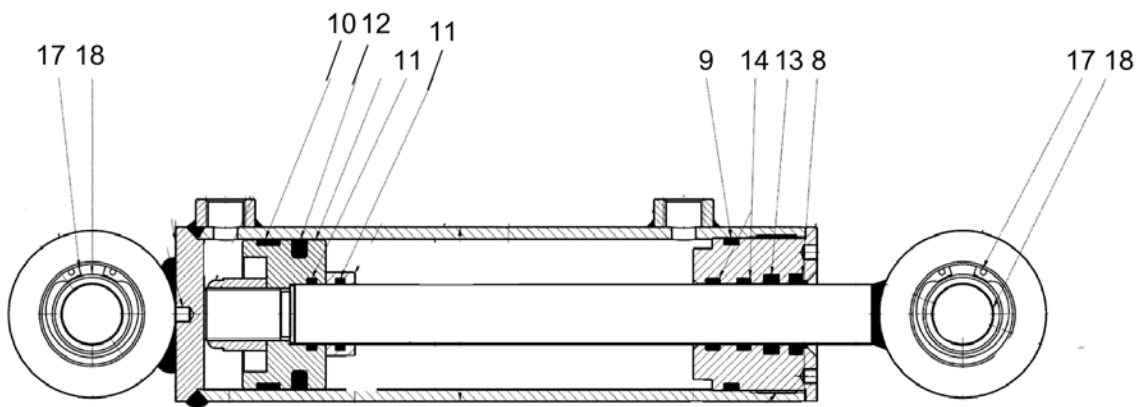
Item	Part No.	Name	Qty	L	SN INFO
1	4700374603	Steering cylinder	1	A	
2	4700909760	Seal kit	1		
3	--	Scraper ring	1		
4	--	Retaining ring	1		
5	--	O-ring	1		
6	--	Guide Ring	2		
7	--	Lock ring	1		
8	--	Sealing	1		
9	4700160025	O-ring	1		
10	--	Sealing	1		
11	--	Back-up ring	2		
12	--	O-ring	1		
13	--	Sealing	1		
14	--	Guide Ring	1		
15	--	Nut	1		
16	4700909766	Guide	1		
17	4700909765	Cylinder tube	1		
18	4700909764	Piston block	1		
19	4700926214	Grease fitting	2		
20	4700238272	Slide bearing	2		
21	4700151012	Retaining ring	2		
22	4700635061	Hair clip	4		
23	4700909761	Shaft	2		
24	4700909759	Piston rod	1		
25	4700902576	Cover	2		

Comments for Page: 4700374603 Steering cylinder

(L)OCAL REMARKS

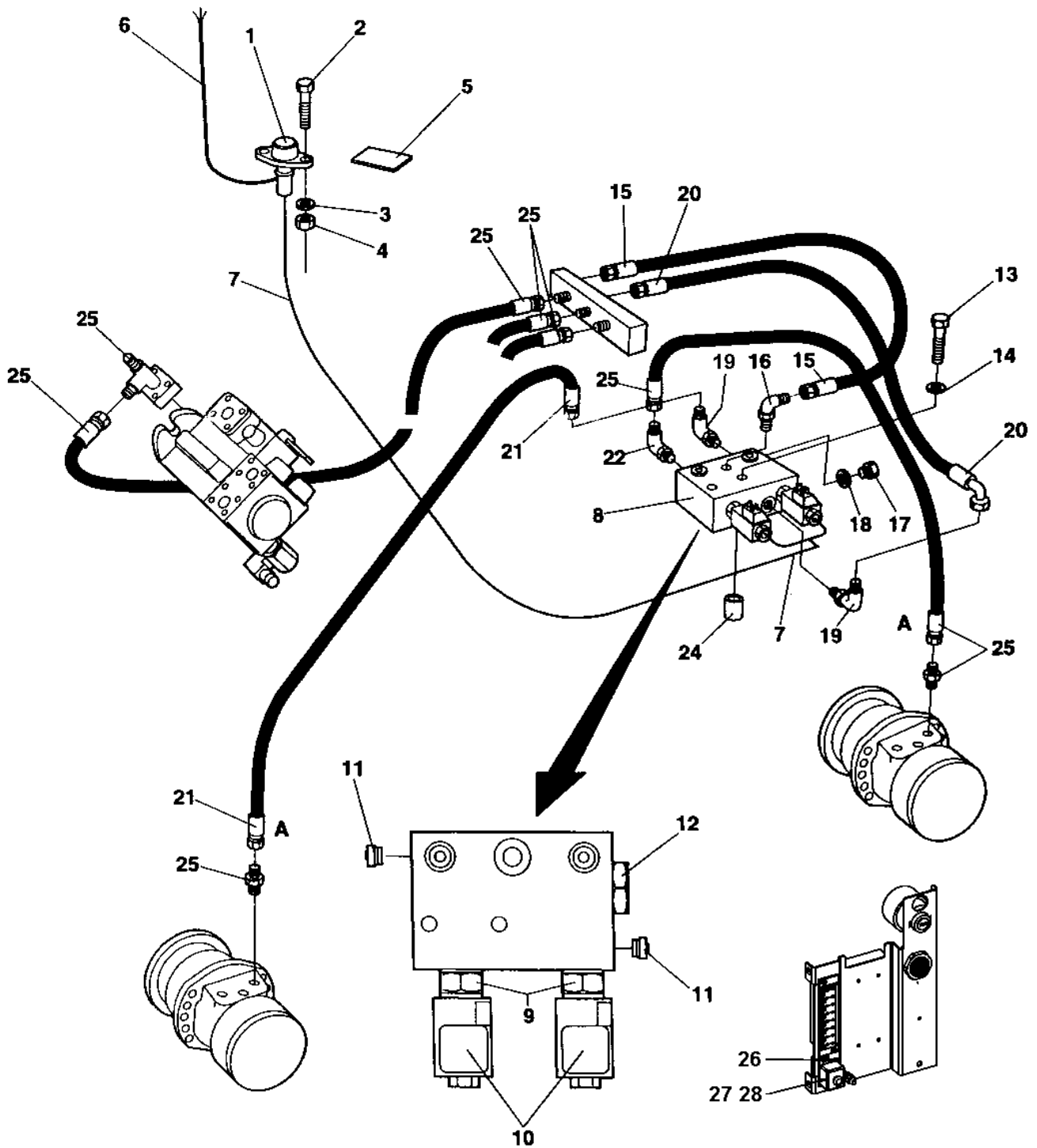
A | en_US | CPL

Steering cylinder From A013003 (incl. 12769, 12994, 12997) 4812120737 Hydraulic cylinder



Item	Part No.	Name	Qty	L	SN INFO
0	4812120737	Steering cylinder	1		
1	4812160651	Seal kit	1		
8	-	O-ring	1		
9	-	Rod seal	1		
10	-	Piston guides	1		
11	-	Seal o-ring	1		
12	-	Rod seal	1		
13	-	Rod seal	1		
14	-	Rod guides	2		
17	4812160656	Snap ring	4		
18	4812160657	Bearing	2		

Flow divider To A015108 Flow divider (option)



Refer to Parts Online for the most up to date information. The printed information might be outdated.

Thu Apr 21 05:52:32 MDT 2016

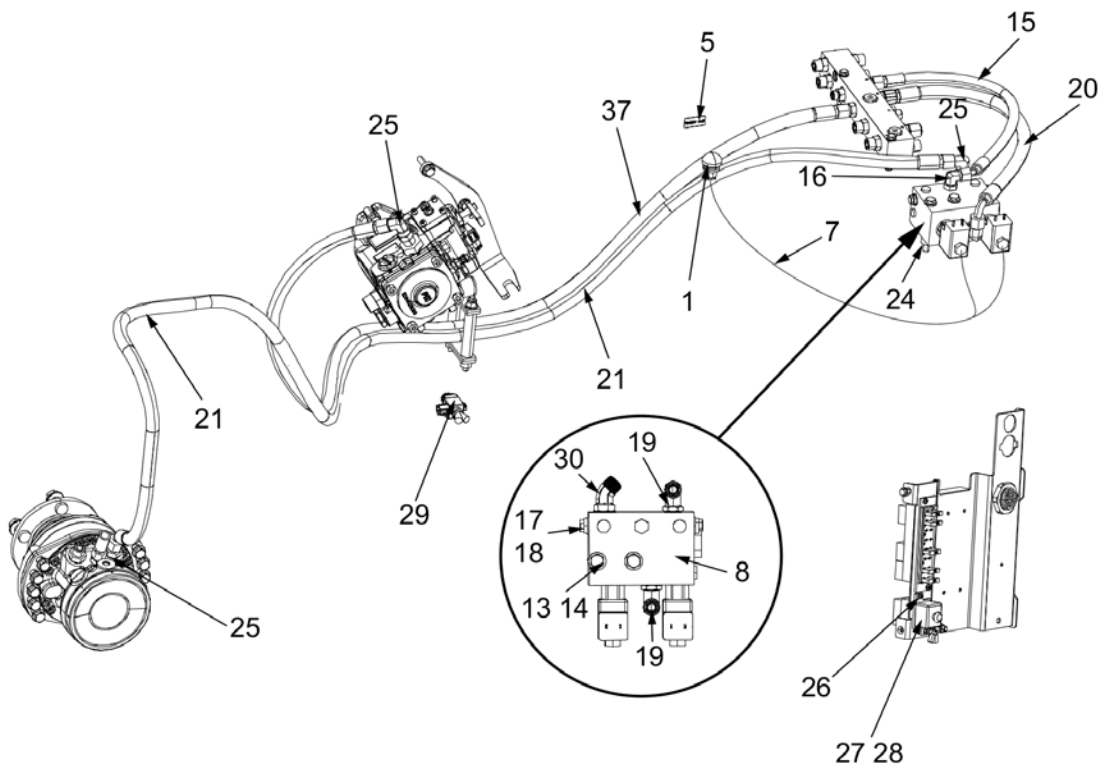
Item	Part No.	Name	Qty	L	SN INFO
1	4812113326	Contact	1		
2	4700533016	Screw	2		
3	4700600002	Washer	2		
4	4700923976	Lock nut	2		
5	4700355981	Decal	1		
6	4812112470	Cable harness	1		
7	4812112566	Cable harness	1		
8	4700358003	Flow divider	1		
9	4700903141	Valve	2		
10	4700903142	Coil	2		
11	4700903144	Check valve	2		
12	4700903143	Valve	1		
13	4700500034	Screw M10-1,5x100 8,8	2		
14	4700904230	Washer 10.5x22x2 mm 300 HV	2		
15	4700482773	Hydraulic hose	1		
16	4700334235	Elbow 90	1		
17	4700332038	Plug	2		
18	4700162004	Sealing	2		
19	4700923407	Adapter	2		
20	4700482208	Hydraulic hose	1		
21	4700482214	Hydraulic hose	1	A	
22	4700904175	Connector	1		
24	4700355869	Spacer sleeve	2		
25	-	Hydraulic details	N		
26	4700901767	Screw	2		
27	4700901225	Fuse 5A Tan	1		
28	4700792091	Fuse holder	1		

Comments for Page: Flow divider (option)

(L)OCAL REMARKS

A | en_US | L = 2,8 m

Flow divider From A015109 Flow divider (option)

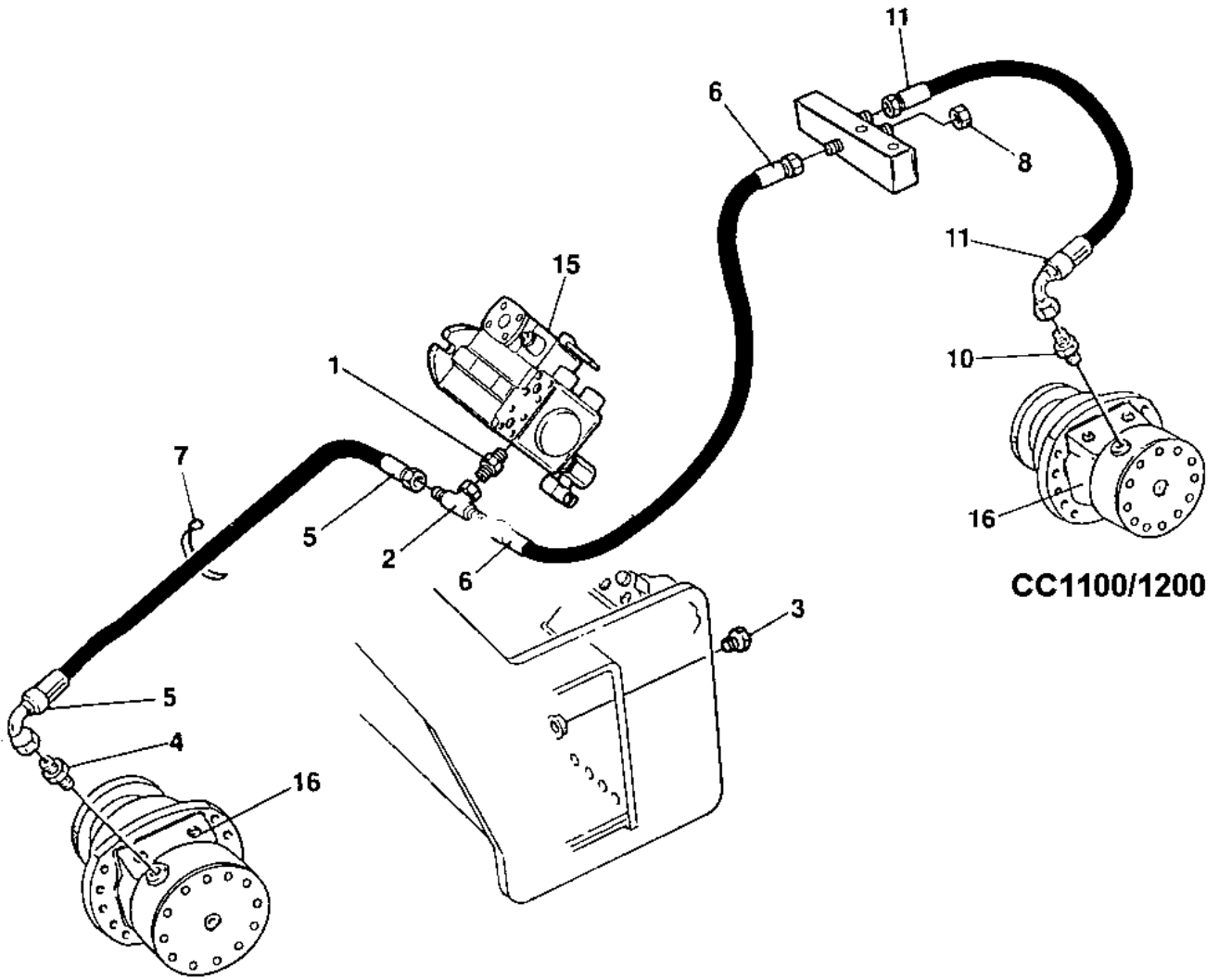


Refer to Parts Online for the most up to date information. The printed information might be outdated.

Thu Apr 21 05:52:34 MDT 2016

Item	Part No.	Name	Qty	L	SN INFO
1	4812113326	Contact	1		
5	4700355981	Decal	1		
7	4812112566	Cable harness	1		
8	4700358003	Flow divider	1		
9	4700903141	Valve	2		
10	4700903142	Coil	2		
11	4700903144	Check valve	2		
12	4700903143	Valve	1		
13	4700500034	Screw M10-1,5x100 8,8	2		
14	4700904230	Washer 10.5x22x2 mm 300 HV	2		
15	4812123024	Hydraulic hose	1		
16	4700791398	Elbow 90, O-ring	1		
17	4700332038	Plug	2		
18	4700162004	Sealing	2		
19	4700791845	Elbow 90, O-ring with swivel	2		
20	4700484346	Hydraulic hose	1		
21	4812123023	Hydraulic hose	1		
24	4700355869	Spacer sleeve	2		
25	-	Hydraulic details	N		
26	4700901767	Screw	2		
27	4700901225	Fuse 5A Tan	1		
28	4700792091	Fuse holder	1		
29	4812112470	Cable harness	1		
30	4812122719	Elbow 45	1		
37	4812121226	Hydraulic hose	1		

Brake system To A015094 Brake system



Item	Part No.	Name	Qty	L	SN INFO
1	4700334463	Connector	1		
2	4700234888	Tee-connector	1		
4	4700234233	Adapter	1		
5	4700483420	Hydraulic hose	1	A	
6	4700483404	Hydraulic hose	1	B	
7	4700313102	Cable ties	N		
8	4700230400	Cap	1		
10	4700234233	Adapter	1		
11	4700482483	Hydraulic hose	1	C	
15	-	Hydraulic pump, propulsion	1		
16	-	Hydraulic motor, propulsion	2		

Comments for Page: Brake system

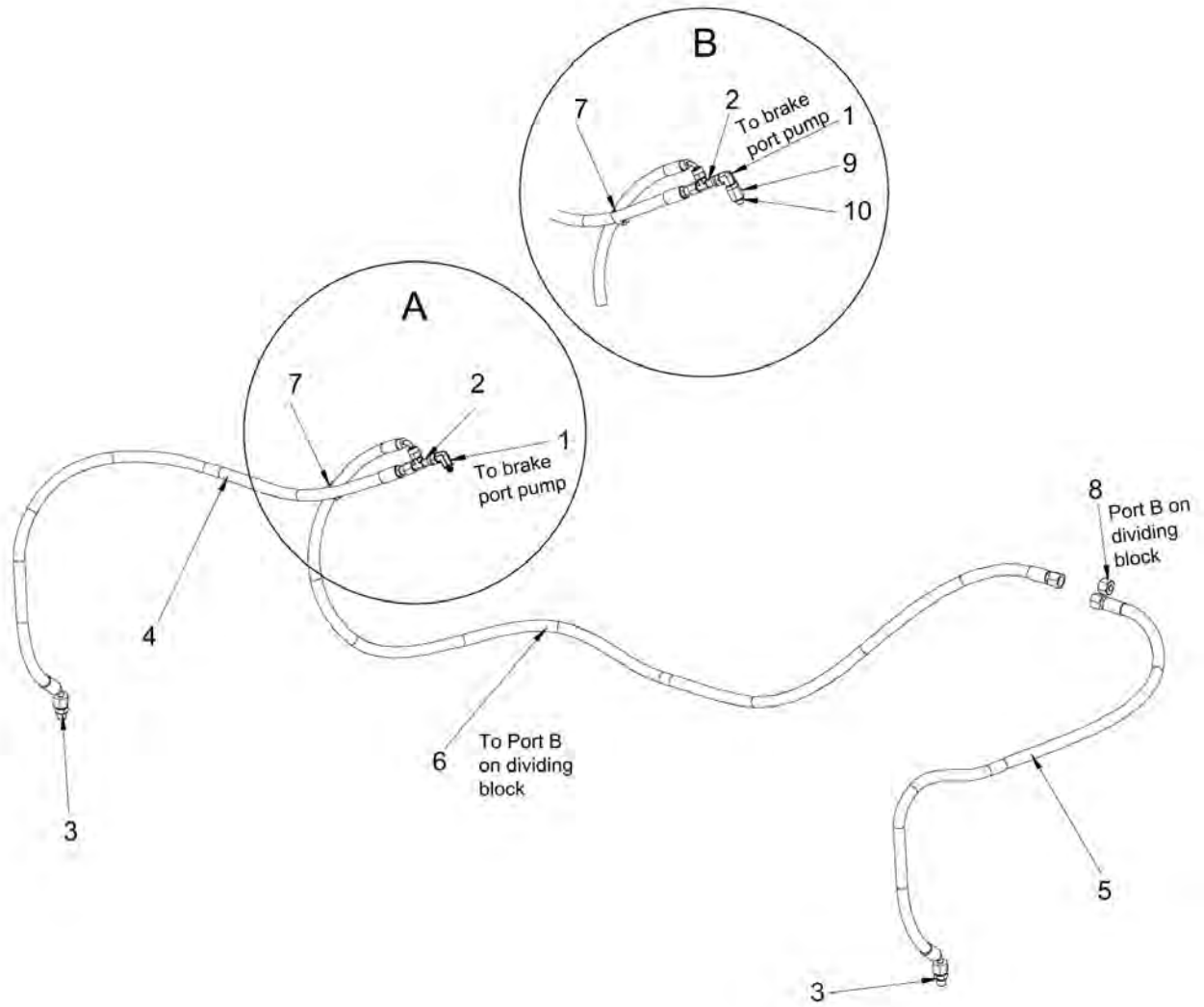
(L)OCAL REMARKS

A | en_US | L = 1,18 m

B | en_US | L = 1,60 m

C | en_US | L = 1,25 m

Brake system From A015095 To A016077 Brake system



Item	Part No.	Name	Qty	L	SN INFO
1	0570704138	Connector elbow 90 orfs	1	A	
1	4700791397	Elbow 90, O-ring	1	B	
2	4812121239	T-Connector	1		
3	4700791409	Straight connector orfs	2		
4	4812121236	HYDRAULIC HOSE	1		
5	4700484080	Hydraulic hose	1		
6	4812121235	HYDRAULIC HOSE	1		
7	4700313102	Cable ties	0		
8	4700791820	Plug	1		
9	4700792551	Adapter	1	B	
10	4700792552	Sealing	1	B	

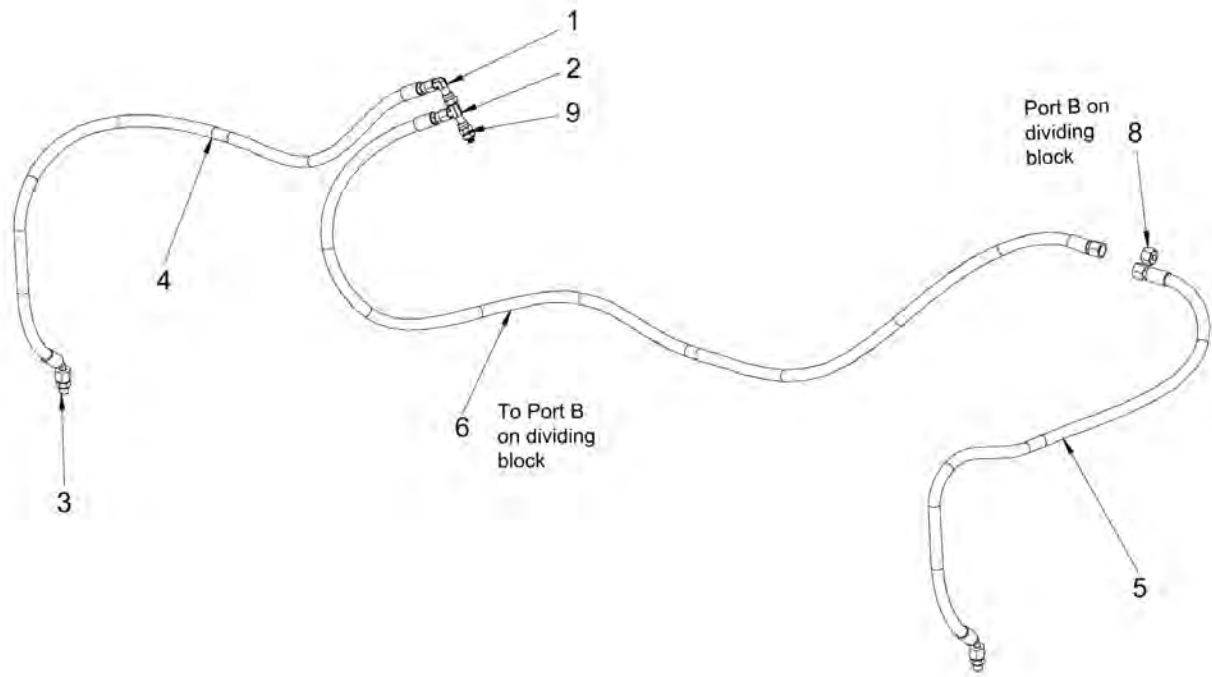
Comments for Page: Brake system

(L)OCAL REMARKS

A | See figure A

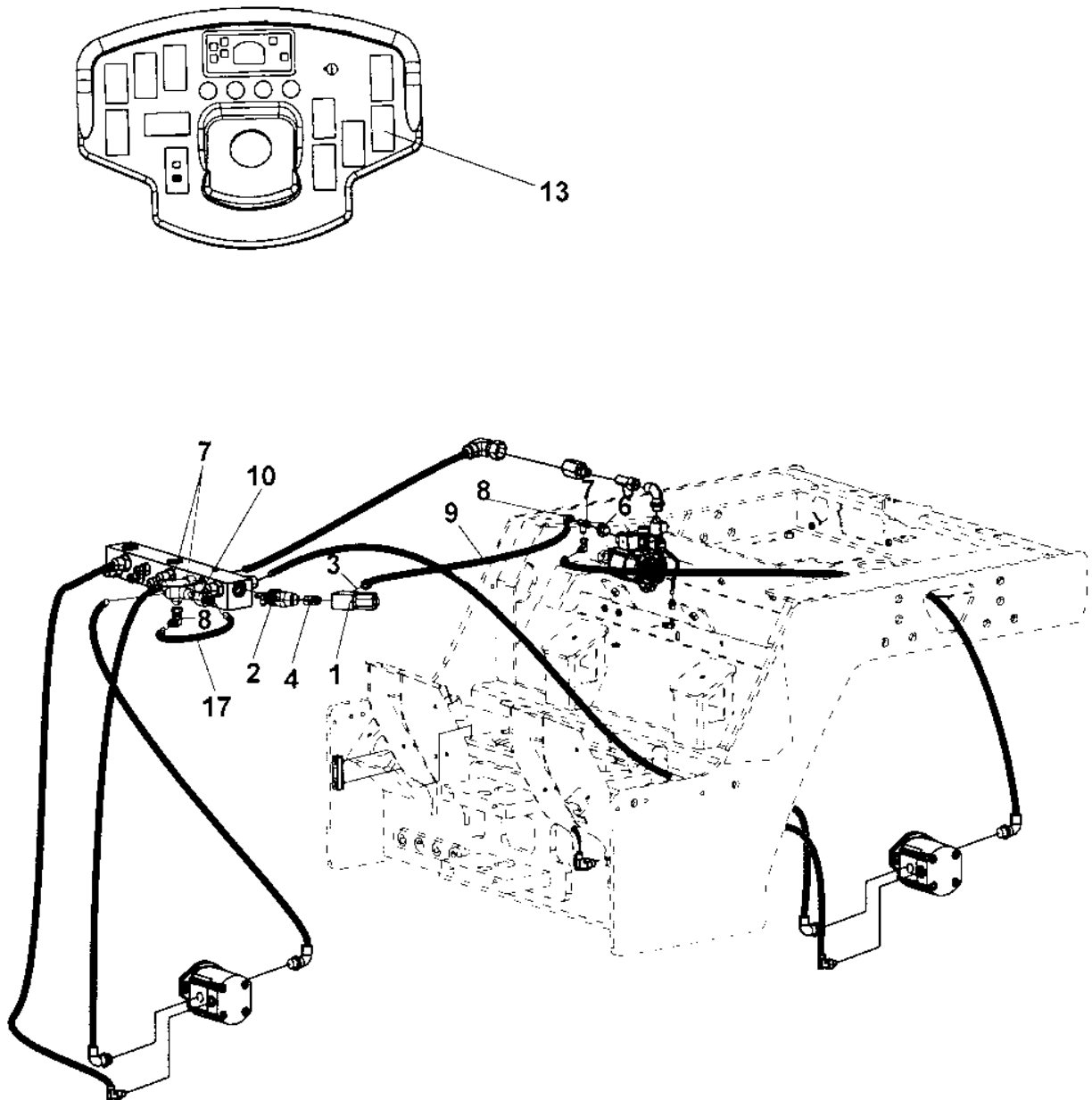
B | See figure B

Brake system From A016078 Brake system



Item	Part No.	Name	Qty	L	SN INFO
1	4812113110	Adapter	1		
2	4812121239	T-Connector	1		
3	4700791409	Straight connector orfs	2		
4	4812121236	HYDRAULIC HOSE	1		
5	4700484080	Hydraulic hose	1		
6	4812123537	Hydraulic hose	1		
8	4700791820	Plug	1		
9	4812123538	Straight connector orfs	1		

Hydraulic system Vibration shut-off Front drum (option)



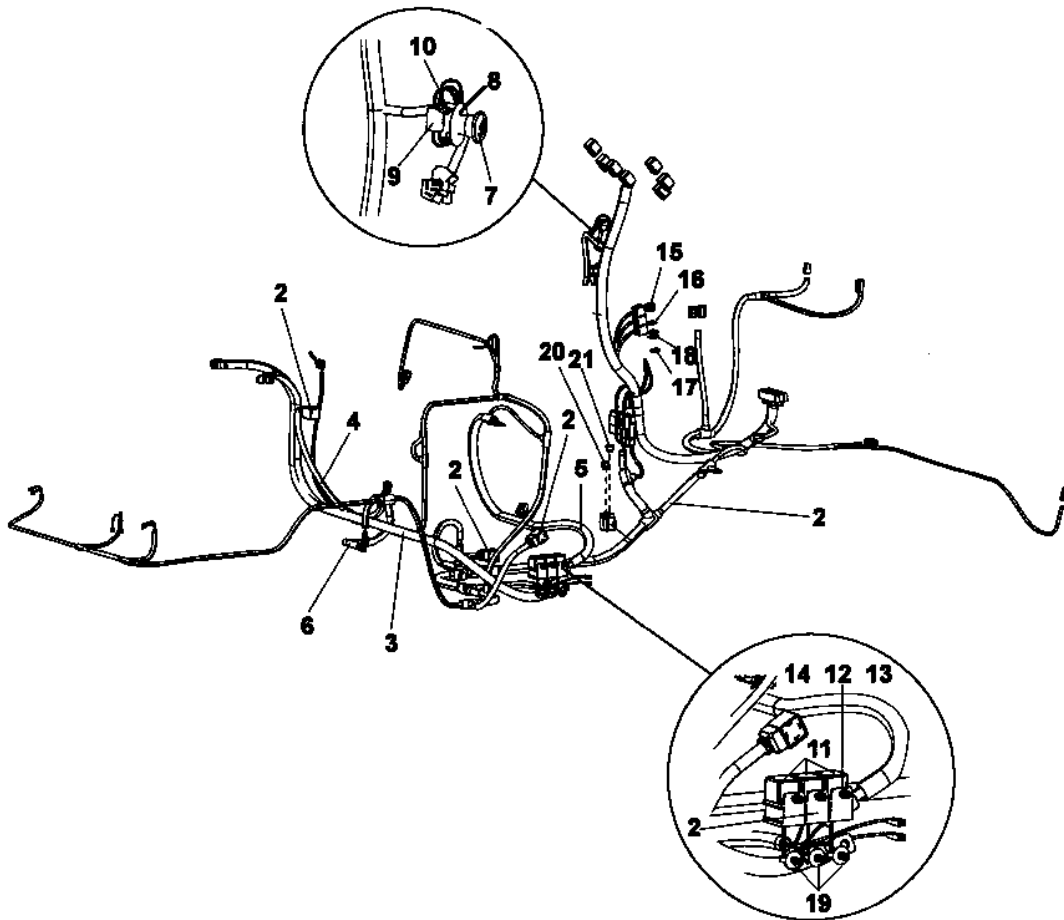
Item	Part No.	Name	Qty	L	SN INFO
1	4700357934	Solenoid valve	1		To A013944
1	4812120392	Solenoid valve	1		From A013945
2	4700813500	Elbow 45, O-ring	1		
3	4700334165	Adapter	1		
4	4700923406	Connector	1		
6	4700334116	Straight o-ring connector	1		
7	4700334135	Tee-connector	3		
8	4700334197	Connector elbow 90 JIC	2		
9	4700482898	Hydraulic hose	1	A	
10	4700357543	Valve	2		
13	4811000347	Switch Vibration shut-off	1		
17	4700483585	Hydraulic hose	0,23 m		

Comments for Page: Vibration shut-off Front drum (option)

(L)OCAL REMARKS

A | en_US | L = 1,70 m

Cable harness To A015127 (excl. 15110, 15112-15113, 15119, 15122, 15125) Cable harness

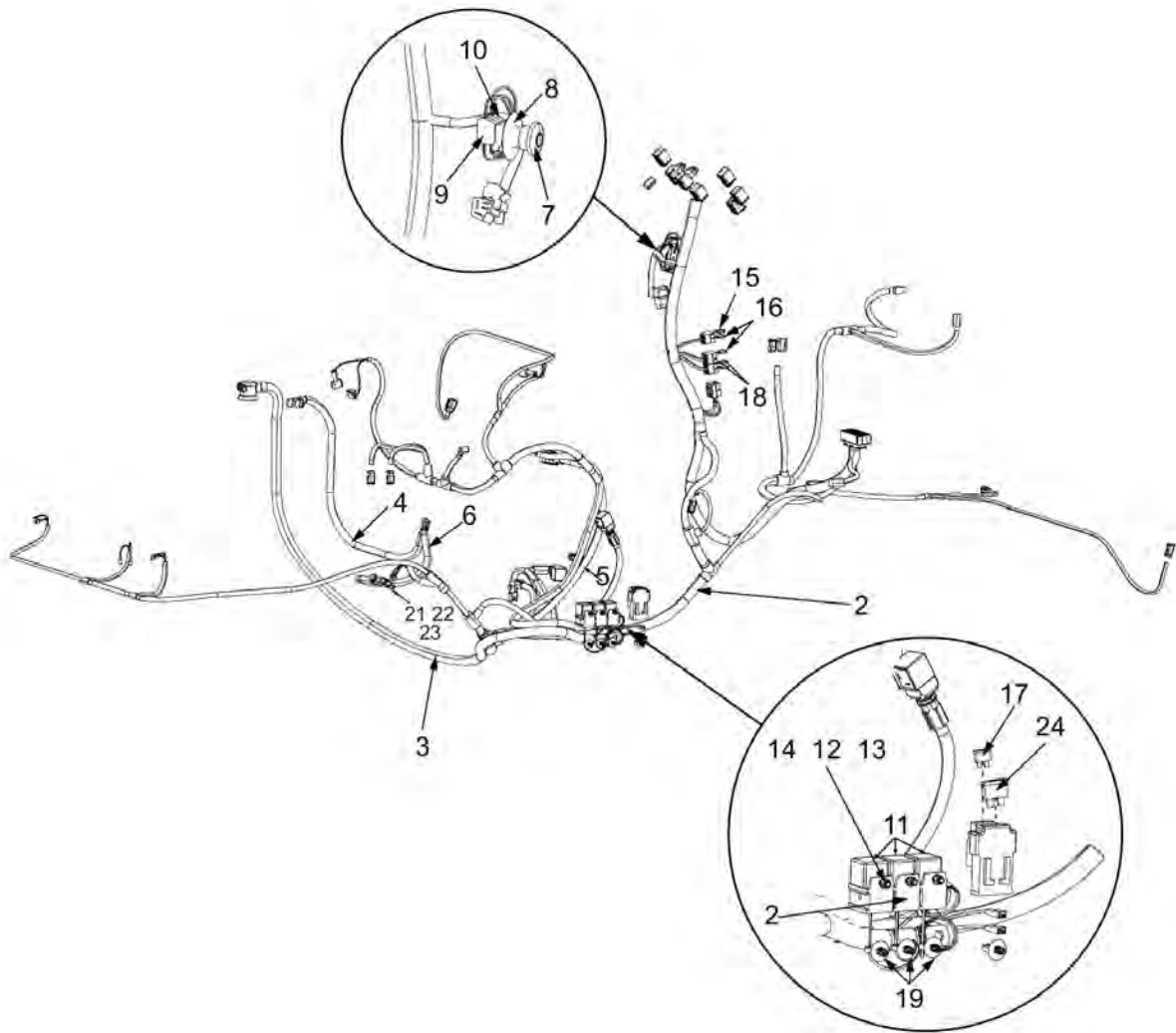


Refer to Parts Online for the most up to date information. The printed information might be outdated.

Thu Apr 21 05:52:46 MDT 2016

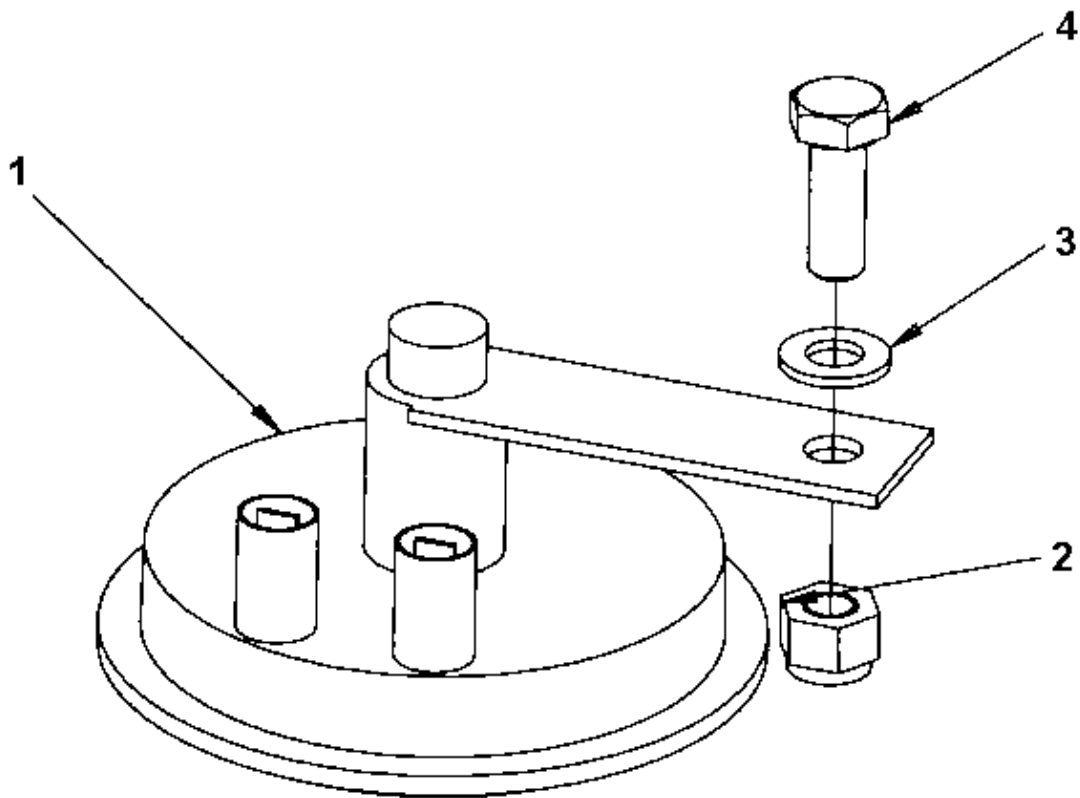
Item	Part No.	Name	Qty	L	SN INFO
2	4700960796	Connector black, MPM 182 09 ND	4		
2	4700357562	Relay holder	3		
2	4812119569	Cable harness	1		
3	4811000320	Battery cable (+)	1		
4	4811000321	Battery cable (-)	1		
5	4811000323	Connection cable	1		
6	4811000322	Connection cable	1		
7	4700791739	Emergency stop	1		
8	4811000128	Contrast plate, yellow	1		
9	4700389840	Connector	1		
10	4700791723	Connector N/C	1		
11	4700903956	Relay	3		
12	4700904281	Washer, 5,3x10x1 300HV	6		
13	4700500006	Hex. screw	3		
14	4700586001	Lock nut	3		
15	4700903741	Fuse 20A Yellow	1		
16	4700901227	Fuse 10A Red	2		
17	4700901225	Fuse 5A Tan	1		
18	4700901228	Fuse, 15A Blue	2		
19	4700792441	Cable tie with holder	3		
20	4700901230	Fuse, 30A Green	1		
21	4700904039	Fuse 50A Red	1		

Cable harness From A015128 (incl. 15110, 15112-15113, 15119, 15122, 15125) Cable harness



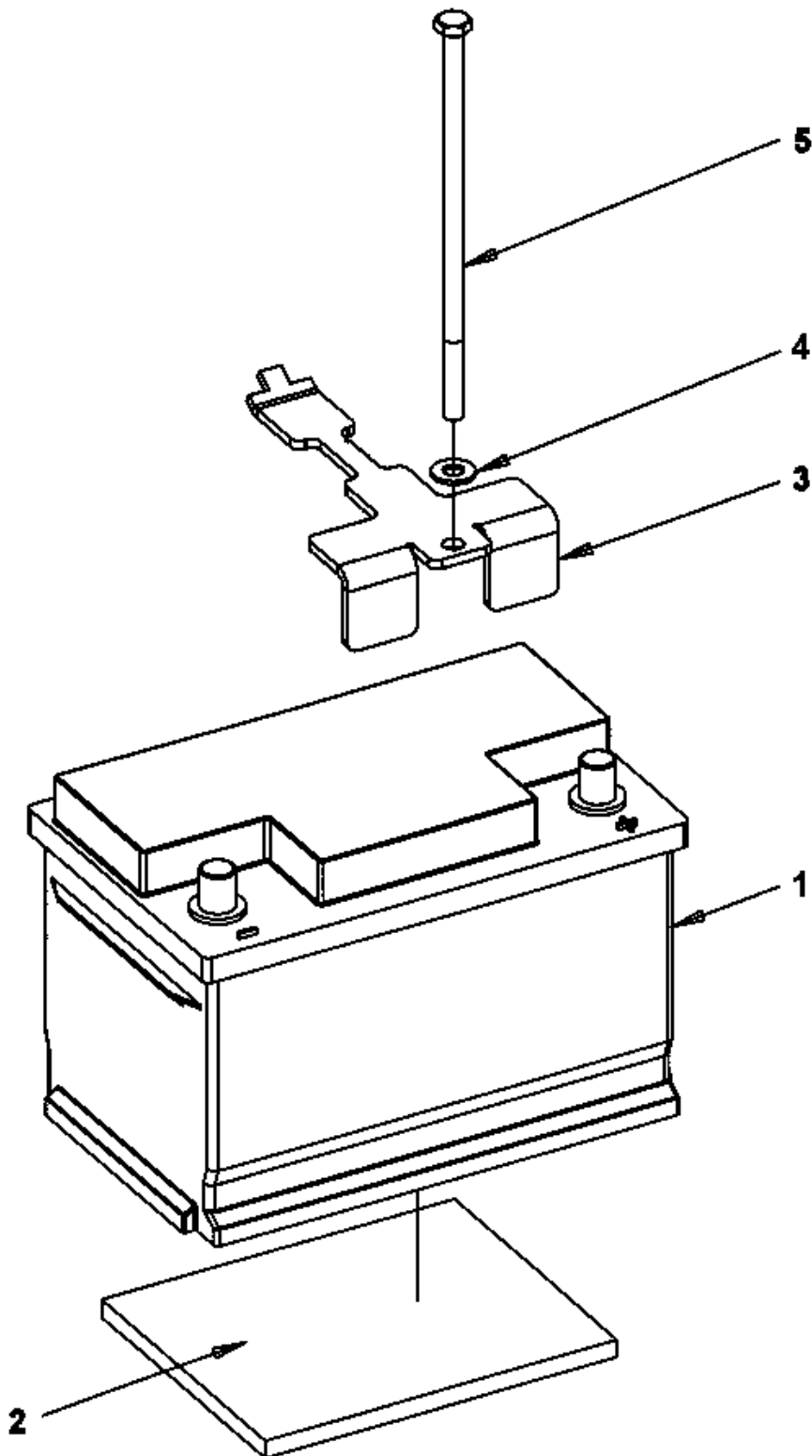
Item	Part No.	Name	Qty	L	SN INFO
2	4812121849	Cable harness	1		
2	4700960796	Connector black, MPM 182 09 ND	2		
2	4700357562	Relay holder	3		
3	4811000320	Battery cable (+)	1		
4	4811000321	Battery cable (-)	1		
5	4811000323	Connection cable	1		
6	4811000322	Connection cable	1		
7	4700791739	Emergency stop	1		
8	4811000128	Contrast plate, yellow	1		
9	4700389840	Connector	1		
10	4700791723	Connector N/C	1		
11	4700903956	Relay	3		
12	4700904281	Washer, 5,3x10x1 300HV	6		
13	4700500006	Hex. screw	3		
14	4700586001	Lock nut	3		
15	4700903741	Fuse 20A Yellow	1		
16	4700901227	Fuse 10A Red	2		
17	4700901230	Fuse, 30A Green	1		
18	4700901228	Fuse, 15A Blue	2		
19	4700792441	Cable tie with holder	3		
20	4700313041	Cable ties, L=200 mm	N		
21	4700904229	Steel plain washer 8.4X16X1.5	4		
22	4700500022	Screw	2		
23	4700586003	Nut, M8	2		
24	4700904039	Fuse 50A Red	1		

Electrical equipment Horn module



Item	Part No.	Name	Qty	L	SN INFO
1	4700999027	Horn	1		
2	4700586003	Nut, M8	1		
3	4700904229	Steel plain washer 8.4X16X1.5	1		
4	4700500020	Hex. screw	1		

Electrical equipment Battery module

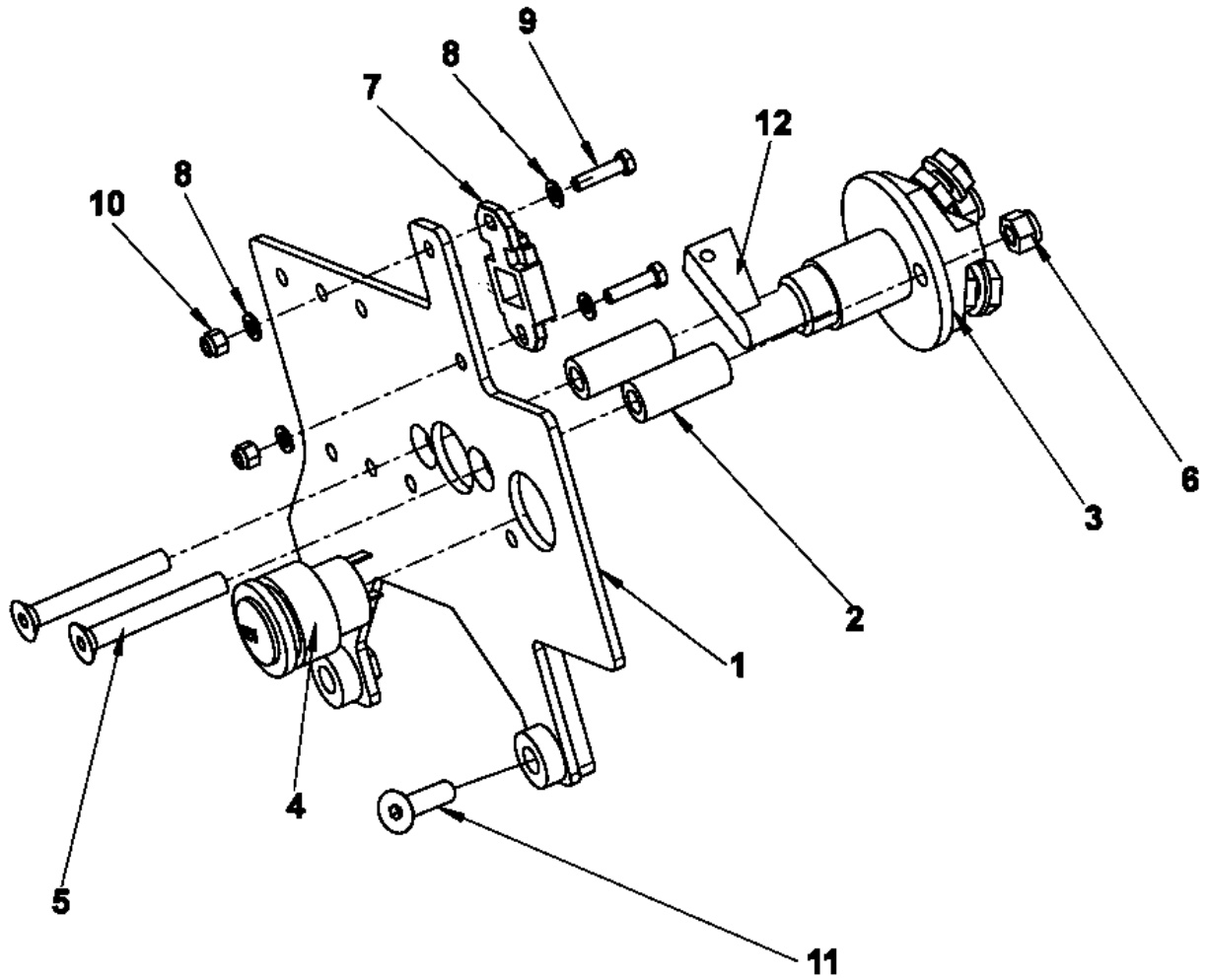


Refer to Parts Online for the most up to date information. The printed information might be outdated.

Thu Apr 21 05:52:48 MDT 2016

Item	Part No.	Name	Qty	L	SN INFO
1	-	Battery	1		
2	4812114557	Rubber cloth	1		
3	4812113557	Holder	1		
4	4700904230	Washer 10.5x22x2 mm 300 HV	1		
5	0147195880	Hexagon screw M10x220, 8.8	1		

Electrical equipment Battery disconnect

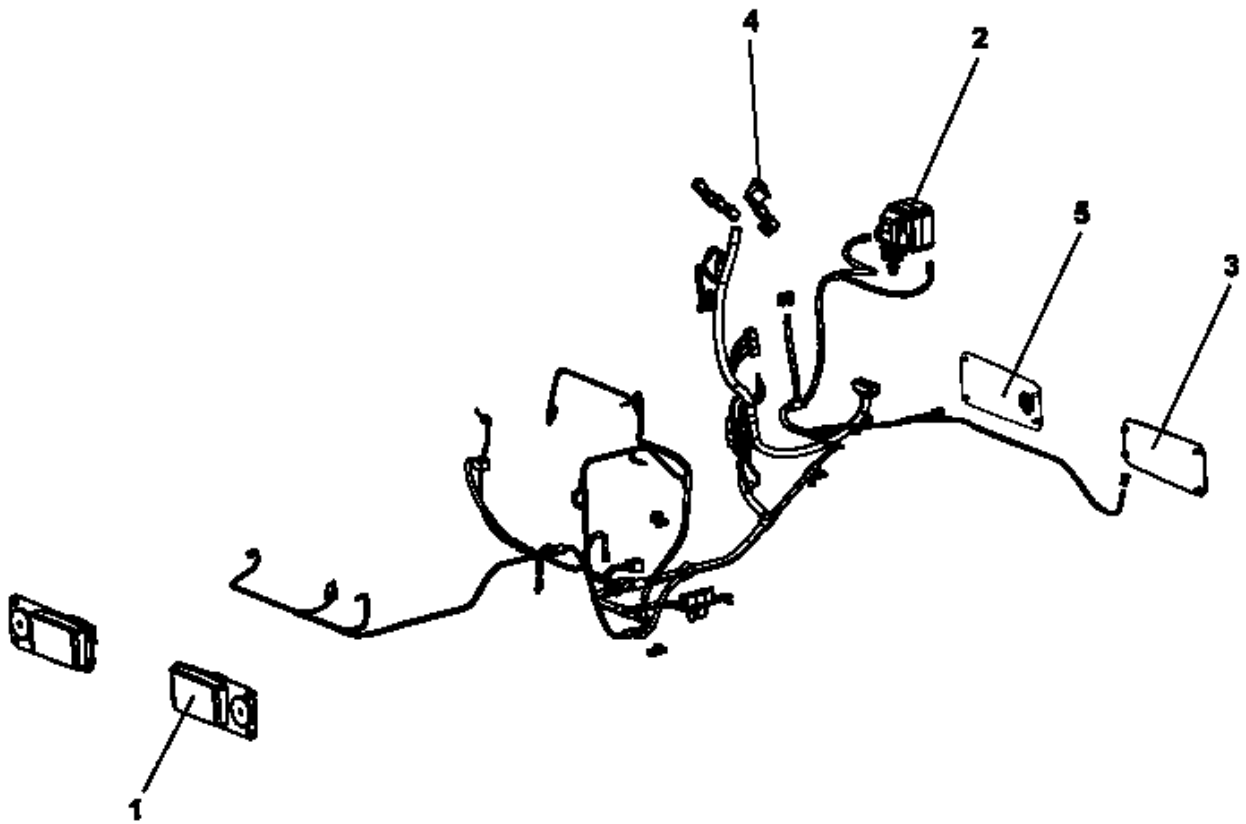


Refer to Parts Online for the most up to date information. The printed information might be outdated.

Thu Apr 21 05:52:48 MDT 2016

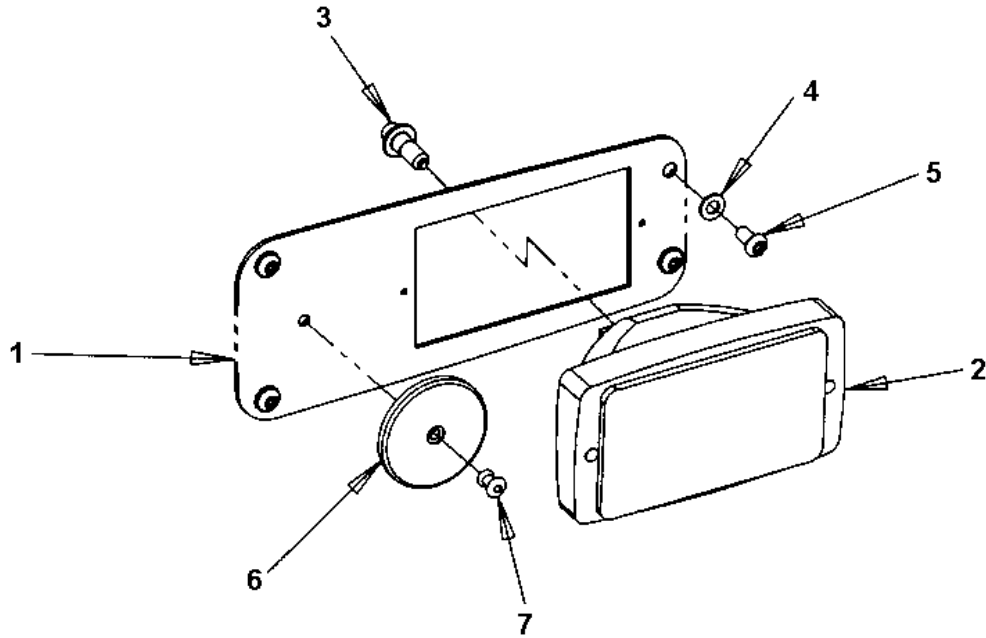
Item	Part No.	Name	Qty	L	SN INFO
1	4812115926	Bracket	1		
2	4700391115	Spacer sleeve	2		
3	4700357567	Battery switch, cpl	1		
4	4812110560	Power socket 12V	1		
5	4700903732	Screw	2		
6	4700586003	Nut, M8	2		
7	4700904036	Bracket	1		
8	4700904281	Washer, 5,3x10x1 300HV	4		
9	4700500060	Screw M5-0,8x20 8.8	2		
10	4700586001	Lock nut	2		
11	4700902520	Screw	2		
12	4700902560	Handle	1		

Working lights Working lights

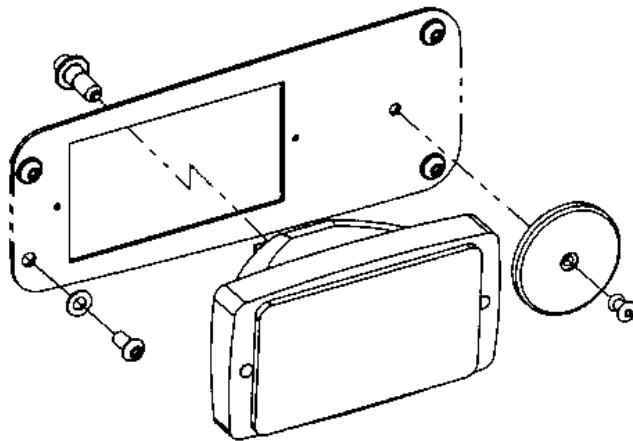


Item	Part No.	Name	Qty	L	SN INFO
1	-	Working lights front	2		
2	-	Working light rear	1		
2	-	Working light (option) rear	1		
3	-	Casing rear	2		
4	4700791587	Switch, working light	1		
5	-	Cover plate rear	1		

Working lights Working lights front



Right side mount



Left side mount

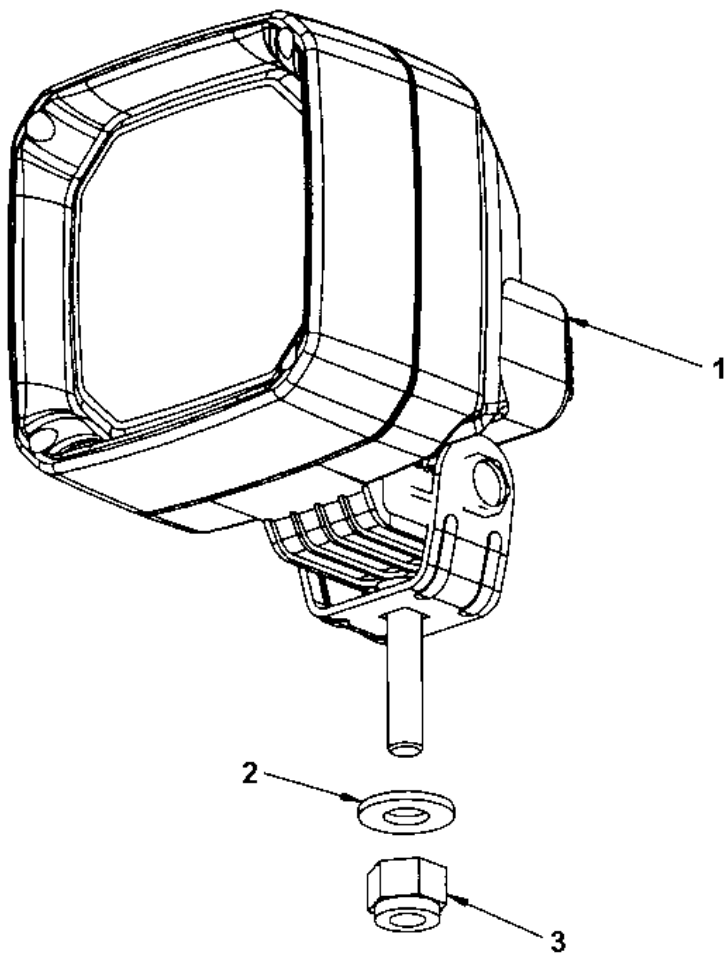
Item	Part No.	Name	Qty	L	SN INFO
1	4812113531	Bracket	1		
2	4700902227	Work light	1		
3	4700901369	Bulb 55w H3	1	A	
4	4700904229	Steel plain washer 8.4X16X1.5	4		
5	4700904956	Screw	4		
6	4700791957	Reflector, white	1		
7	4700791754	Blind rivet	1		

Comments for Page: Working lights front

(L)OCAL REMARKS

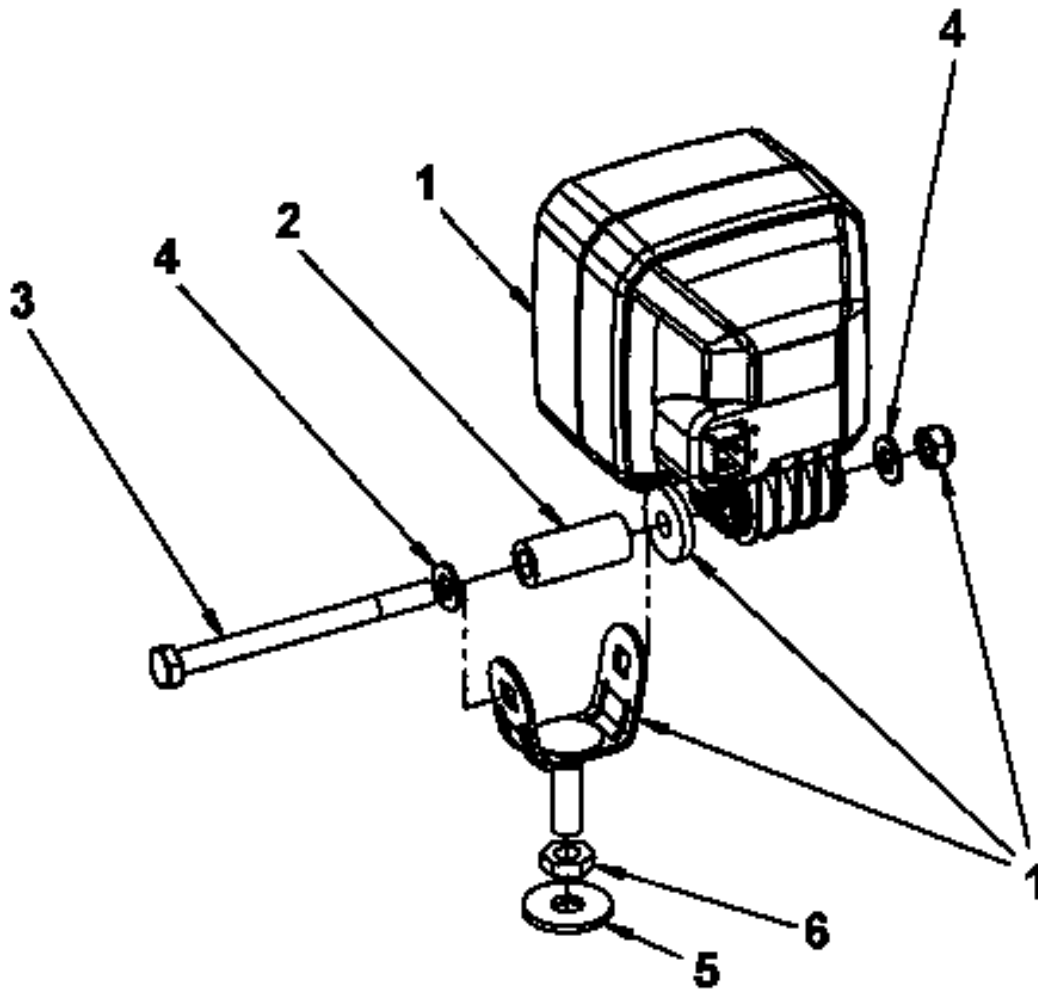
A | en_US | Included in work light (p/n 4700902227)

Working lights Working light rear



Item	Part No.	Name	Qty	L	SN INFO
1	4812110216	Work lamp	1		
2	4700904230	Washer 10.5x22x2 mm 300 HV	1		
3	4700586018	Lock nut, M10	1		

Working lights Working light (option) rear

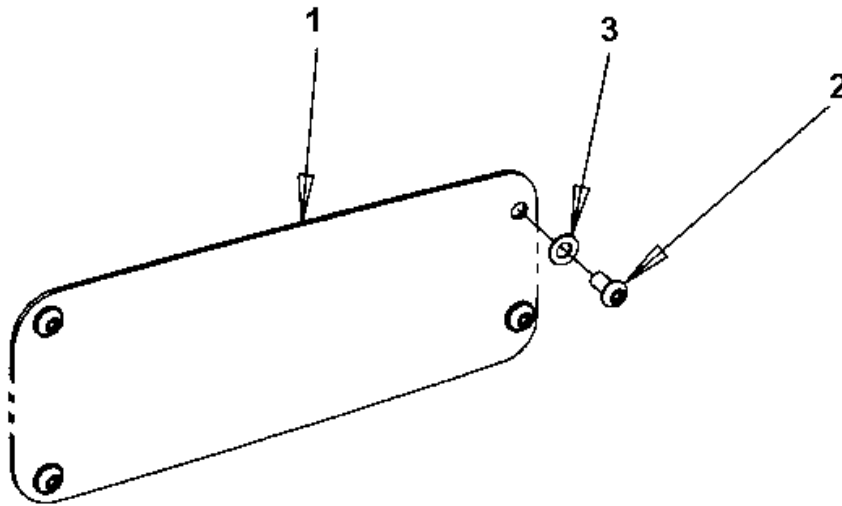


Refer to Parts Online for the most up to date information. The printed information might be outdated.

Thu Apr 21 05:52:51 MDT 2016

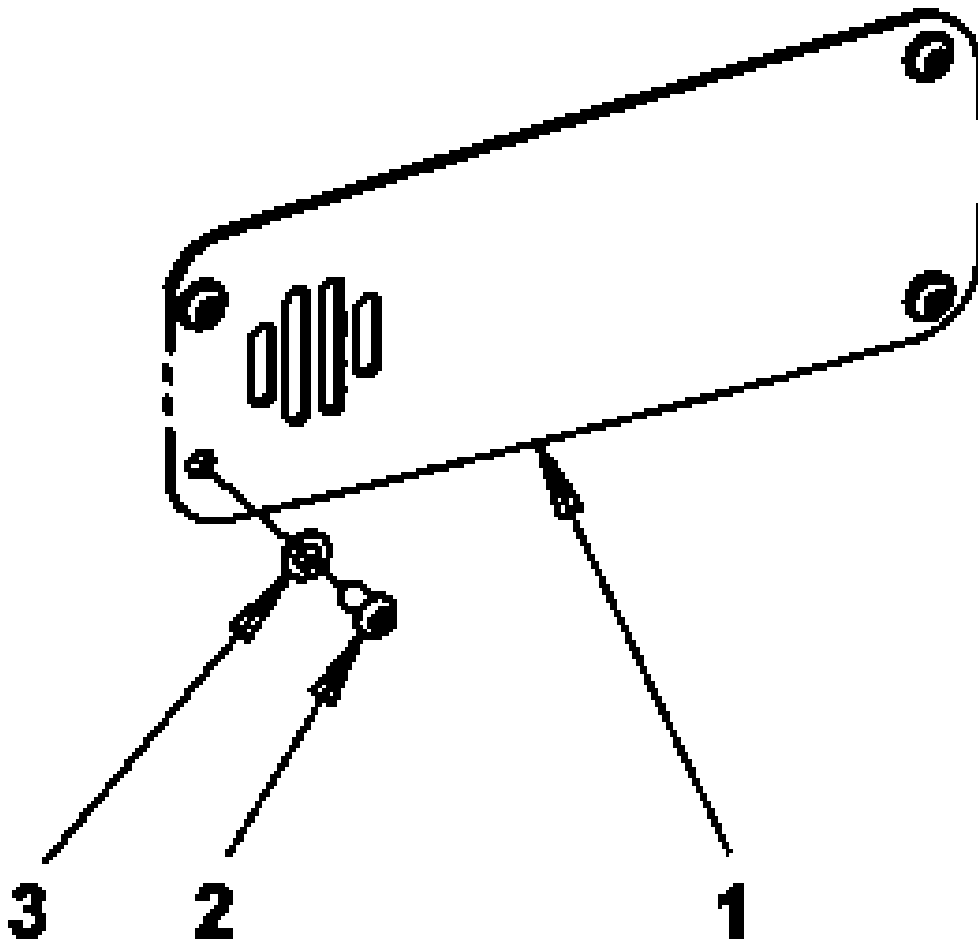
Item	Part No.	Name	Qty	L	SN INFO
1	4812110216	Work lamp	1		
2	4700391115	Spacer sleeve	1		
3	4700500096	Screw	1		
4	4700904229	Steel plain washer 8.4X16X1.5	2		
5	4700928441	Washer, 21 x 45 mm	1		
6	4700573005	Nut	1		

Working lights Casing rear



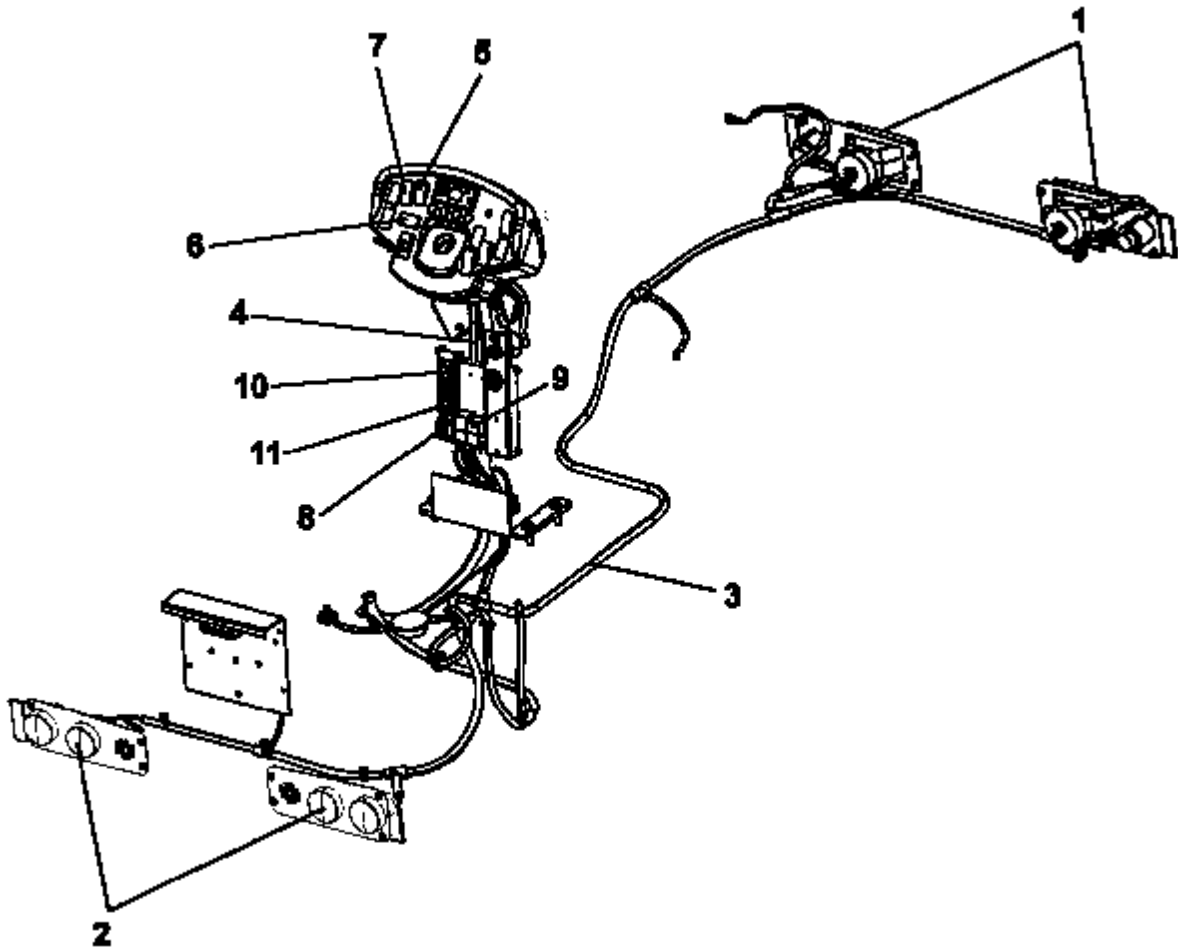
Item	Part No.	Name	Qty	L	SN INFO
1	4812111950	Cover plate	1		
2	4700904956	Screw	4		
3	4700904229	Steel plain washer 8.4X16X1.5	4		

Working lights Cover plate rear



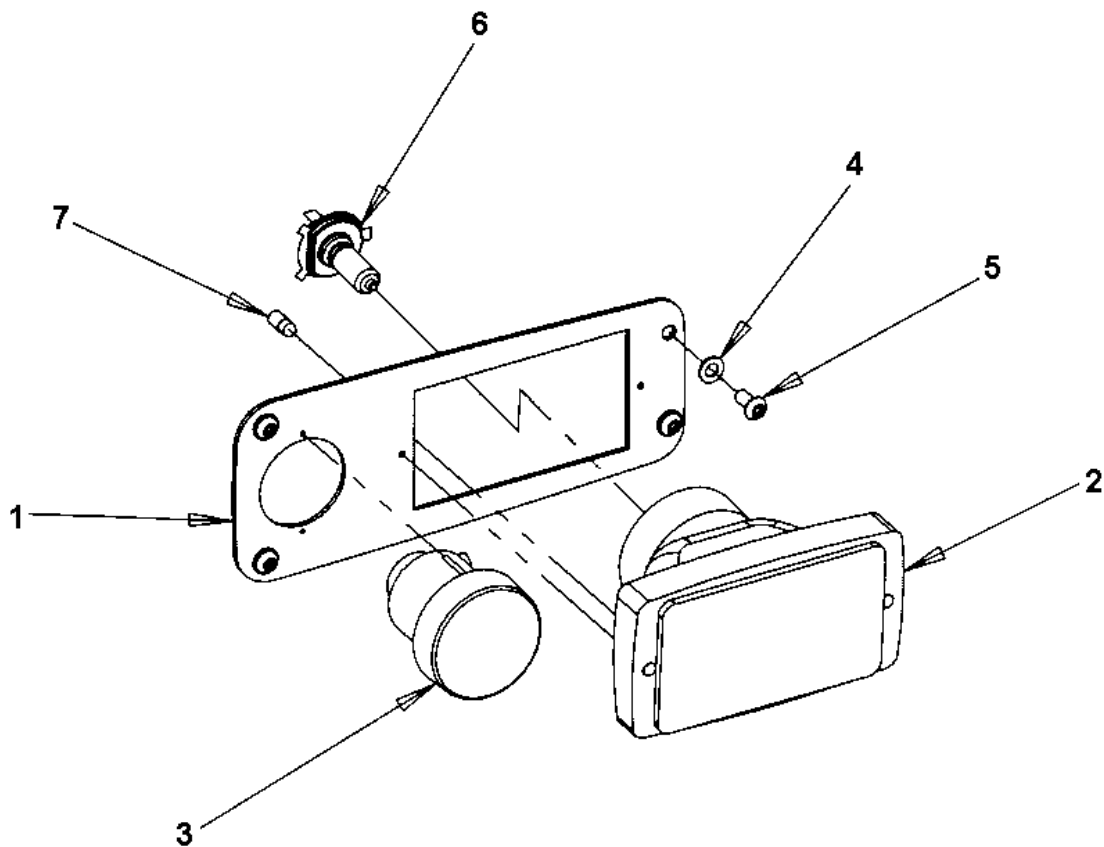
Item	Part No.	Name	Qty	L	SN INFO
1	4812114872	Cover plate	1		
2	4700904956	Screw	4		
3	4700904229	Steel plain washer 8.4X16X1.5	4		

Driving lights Front RH (option) Driving lights Front RH (option)



Item	Part No.	Name	Qty	L	SN INFO
1	-	Driving lights Front	2		
2	-	Driving lights Rear (option)	2		
3	4812112472	Cable harness	1		
4	4812112468	Cable harness	1		
5	4700791584	Switch, hazard flashers	1		
6	4700792413	Switch, drive direction	1		
7	4700791583	Switch, driving light	1		
8	4700904989	Relay	1		
9	4700903956	Relay	1		
10	4700901225	Fuse 5A Tan	2		
11	4700901227	Fuse 10A Red	1		
12	4700791916	Screw	2		
13	4700313041	Cable ties, L=200 mm	N		

Driving lights Front RH (option) Driving lights Front



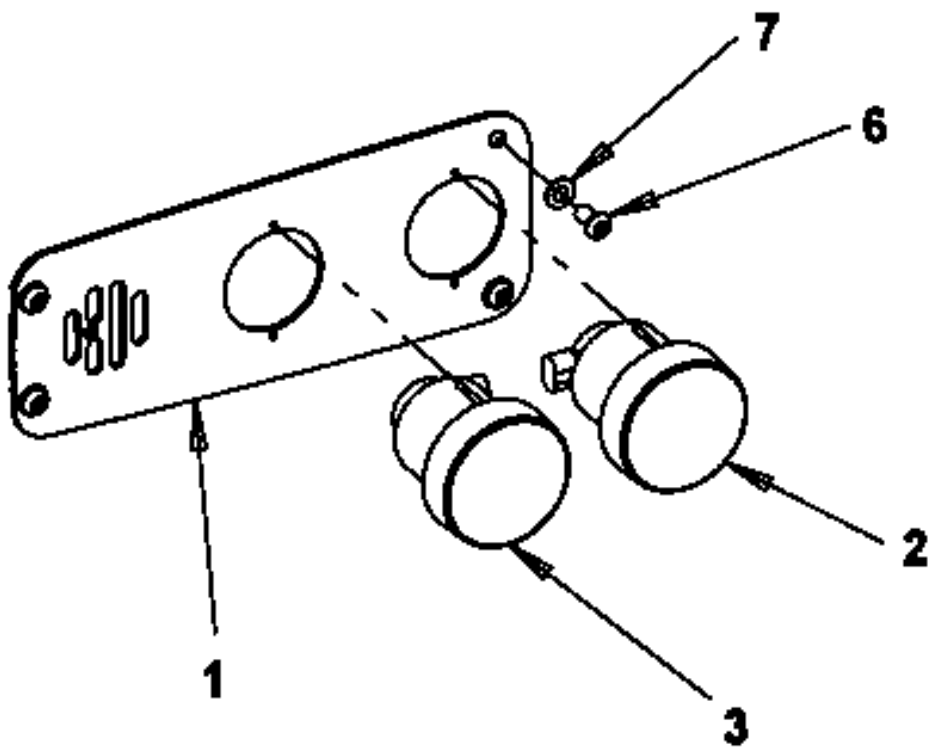
Item	Part No.	Name	Qty	L	SN INFO
1	4812111951	Light bracket	1		
2	4700791951	Headlight right hand asym. with parking light	1		
3	4700791953	Direction indicator	1		
4	4700904229	Steel plain washer 8.4X16X1.5	4		
5	4700904956	Screw	4		
6	4700900790	Bulb 60/55w H4	1	A	
7	4700985012	Bulb	1	A	

Comments for Page: Driving lights Front

(L)OCAL REMARKS

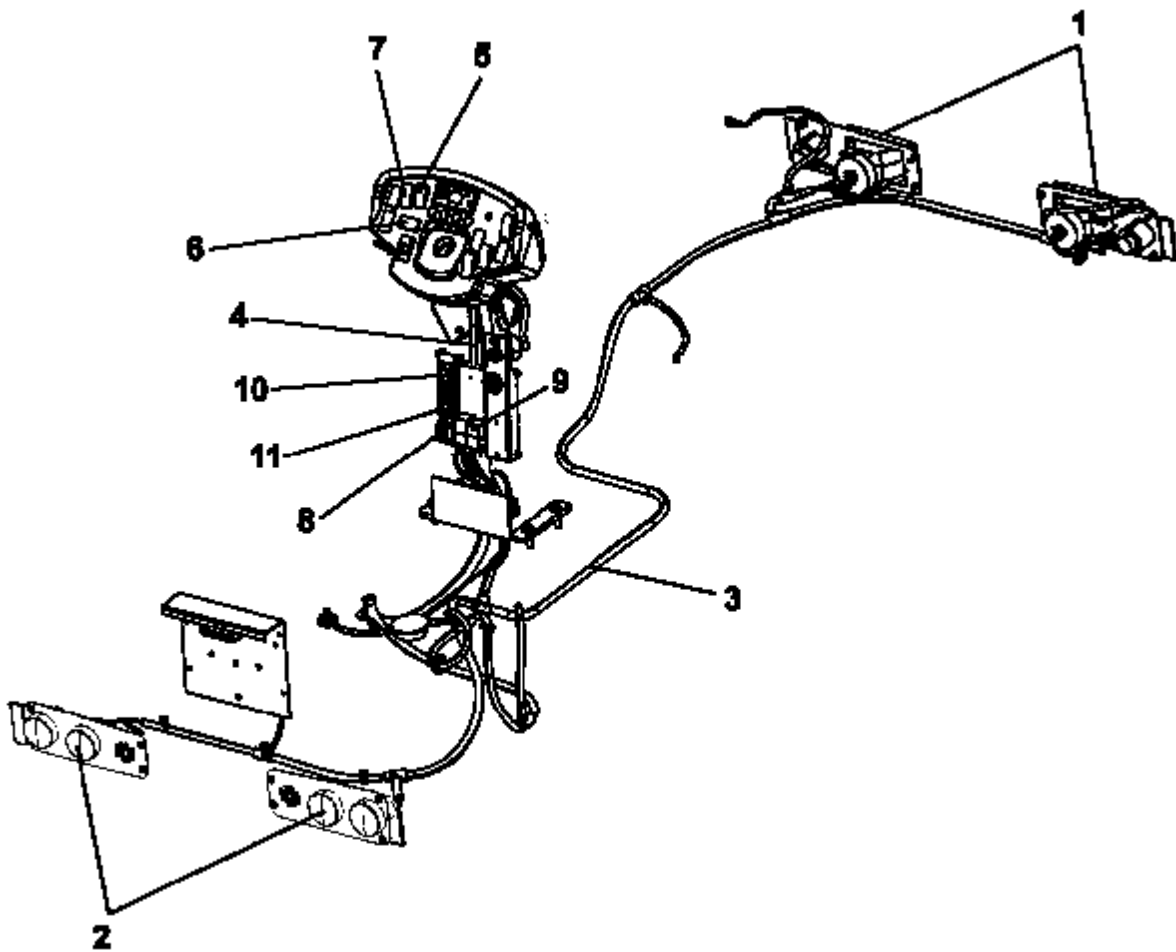
A | en_US | Included in head light (p/n 4700791951)

Driving lights Front RH (option) Driving lights Rear (option)



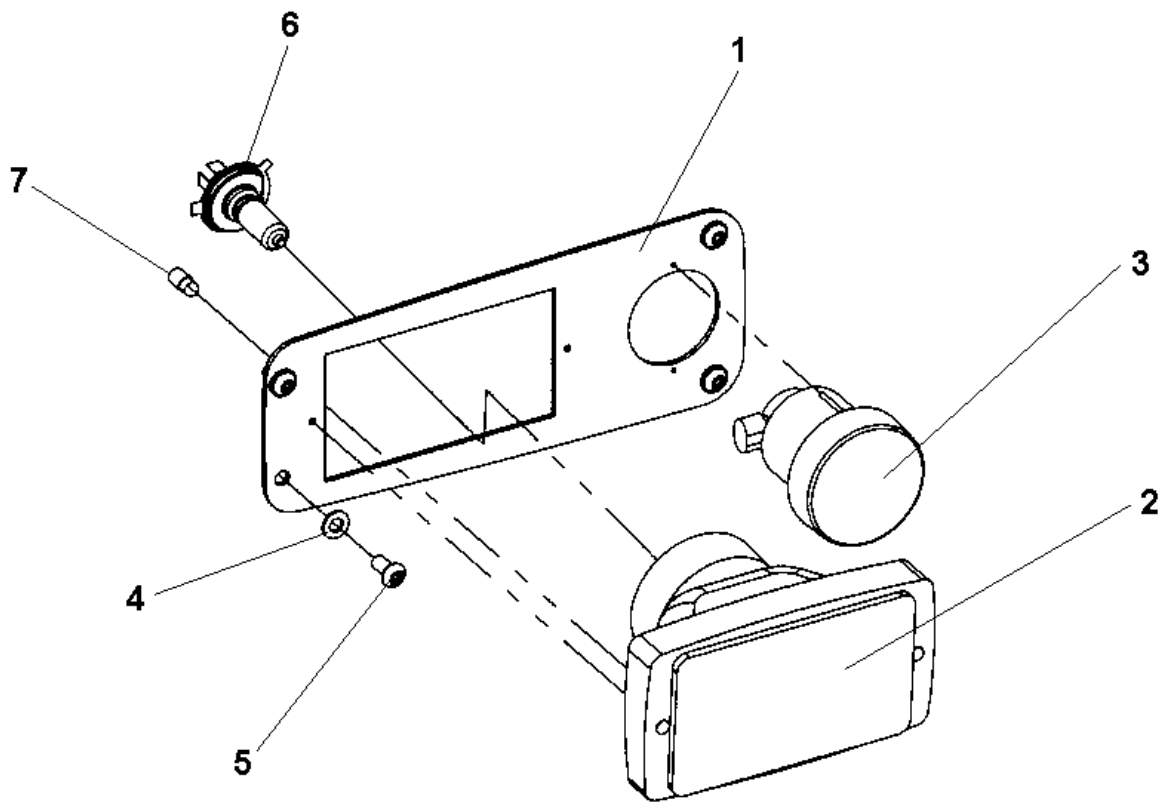
Item	Part No.	Name	Qty	L	SN INFO
1	4812111952	Bracket	1		
2	4700791954	Direction indicator	1		
3	4700791955	Brake/position light	1		
6	4700904229	Steel plain washer 8.4X16X1.5	4		
7	4700904956	Screw	4		

Driving lights Front LH (option) Driving lights Front LH (option)



Item	Part No.	Name	Qty	L	SN INFO
1	-	Driving lights Front	2		
2	-	Driving lights Rear (option)	2		
3	4812112472	Cable harness	1		
4	4812112468	Cable harness	1		
5	4700791584	Switch, hazard flashers	1		
6	4700792413	Switch, drive direction	1		
7	4700791583	Switch, driving light	1		
8	4700904989	Relay	1		
9	4700903956	Relay	1		
10	4700901225	Fuse 5A Tan	2		
11	4700901227	Fuse 10A Red	1		
12	4700791916	Screw	2		
13	4700313041	Cable ties, L=200 mm	N		

Driving lights Front LH (option) Driving lights Front



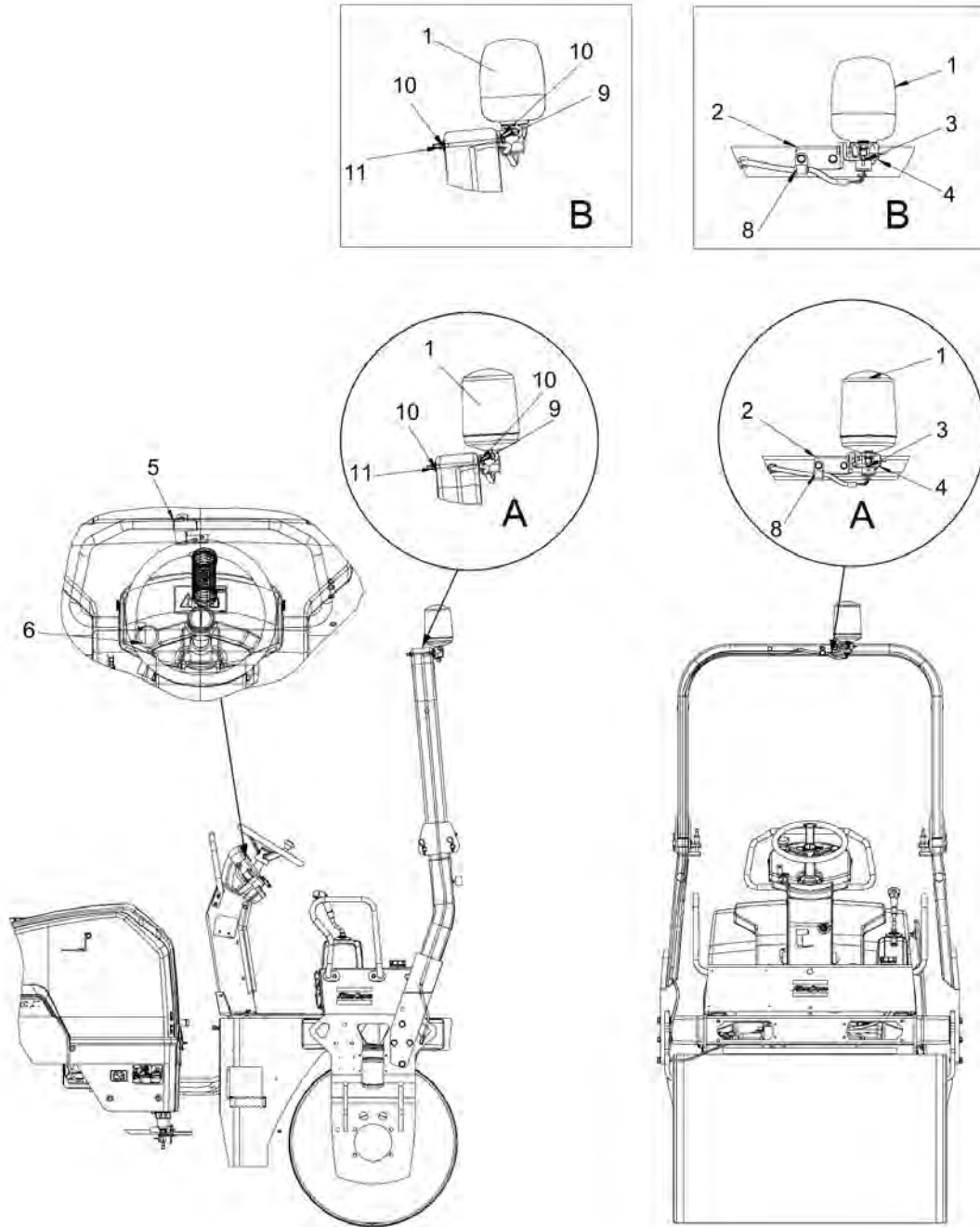
Item	Part No.	Name	Qty	L	SN INFO
1	4812111951	Light bracket	1		
2	4700792059	Headlight left hand asym. with parking light	1		
3	4700791953	Direction indicator	1		
4	4700904229	Steel plain washer 8.4X16X1.5	4		
5	4700904956	Screw	4		
6	4700900790	Bulb 60/55w H4	1	A	
7	4700985012	Bulb	1	A	

Comments for Page: Driving lights Front

(L)OCAL REMARKS

A | en_US | Included in head light (p/n 4700792059)

Rotating beacon Rotating beacon for ROPS (option)



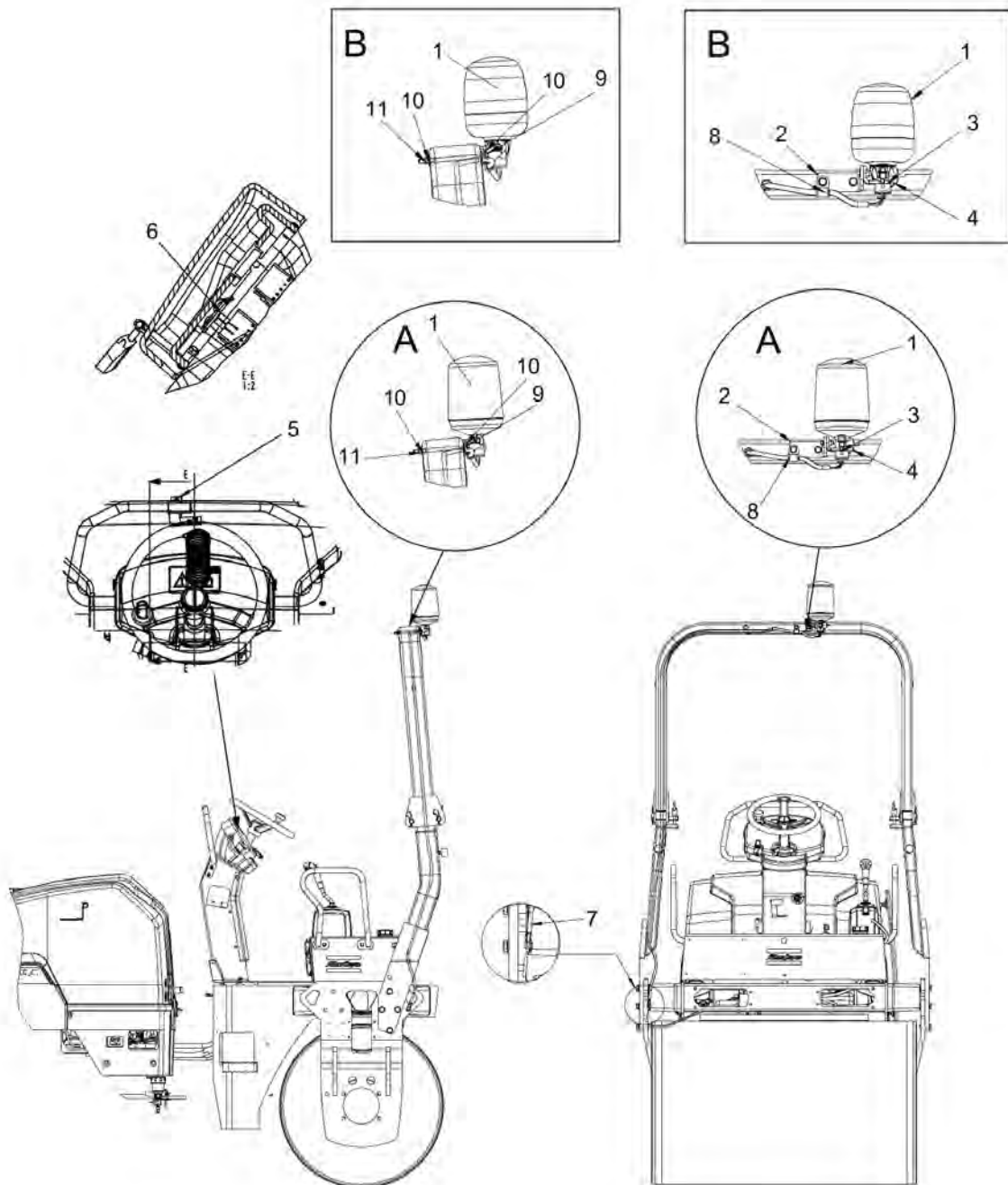
Item	Part No.	Name	Qty	L	SN INFO
1	4700389577	Rotating beacon 12V	1	A	To A016521
1	4812122610	Rotating beacon 12V	1	B	From A016522
2	4700389561	Bracket	1		
3	4700791981	Connector plug	1		
4	4700791980	Rubber protection	1		
5	4812121272	Holder	1		
6	4700791585	Switch, rotating beacon	1		
7	4812113077	Cable harness	1		
8	4700921072	Clamp	1		
9	4700500143	Screw	2		
10	4700904229	Steel plain washer 8.4X16X1.5	4		
11	4700586003	Nut, M8	2		
12	4700313041	Cable ties, L=200 mm	N		

Comments for Page: Rotating beacon for ROPS (option)

(L)OCAL REMARKS

A | See figure A

B | See figure B

Rotating beacon Rotating beacon for ROPS ignition controlled (option)

Refer to Parts Online for the most up to date information. The printed information might be outdated.

Thu Apr 21 05:52:58 MDT 2016

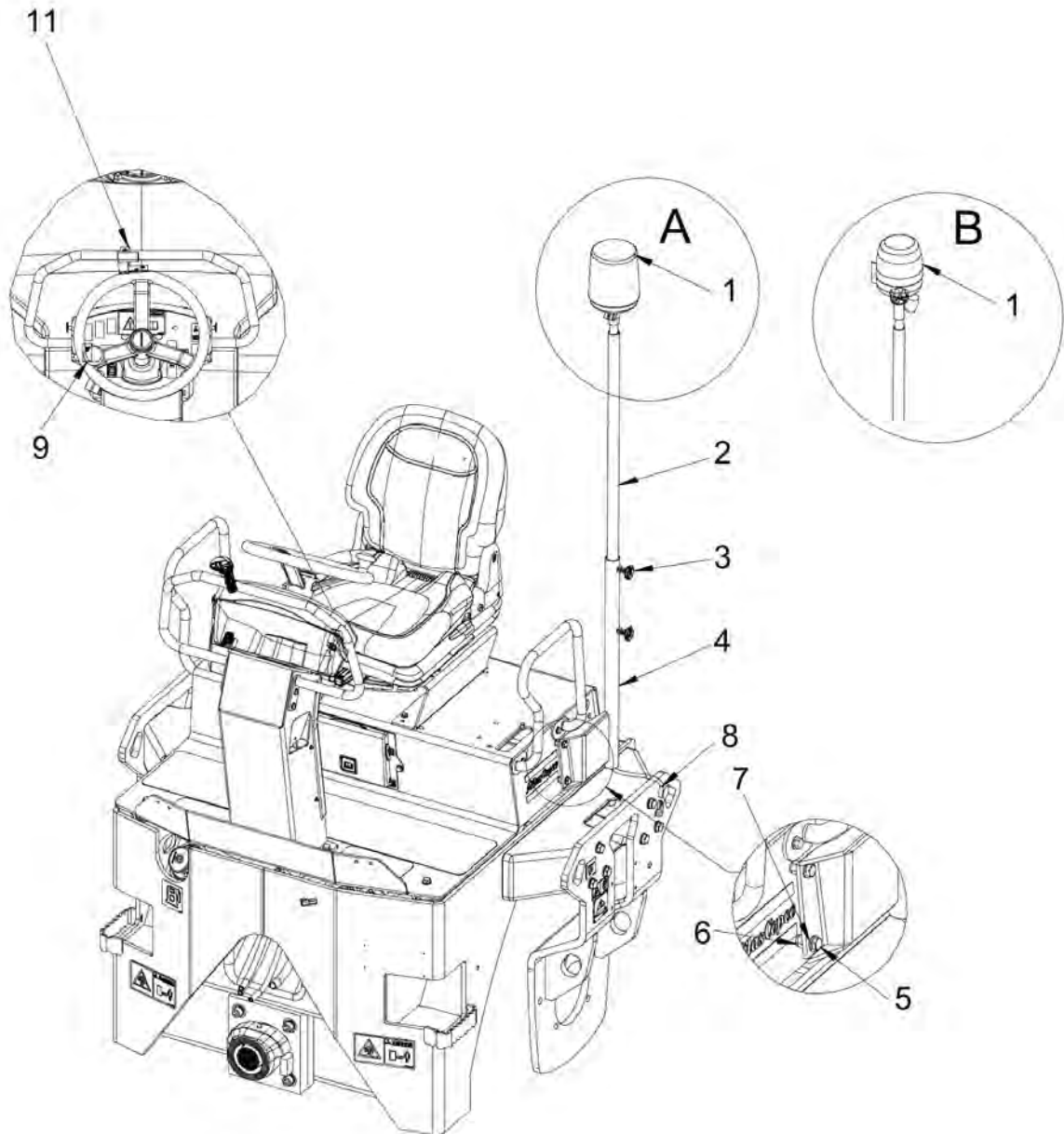
Item	Part No.	Name	Qty	L	SN INFO
1	4700389577	Rotating beacon 12V	1	A	To A016521
1	4812122610	Rotating beacon 12V	1	B	From A016522
1	4700985126	Bulb	1		
2	4700389561	Bracket	1		
3	4700791981	Connector plug	1		
4	4700791980	Rubber protection	1		
5	4812121272	Holder	1		
6	4811000077	Connection cable	1		
7	4812113077	Cable harness	1		
8	4700921072	Clamp	1		
9	4700500143	Screw	2		
10	4700904229	Steel plain washer 8.4X16X1.5	4		
11	4700586003	Nut, M8	2		
12	4700313041	Cable ties, L=200 mm	N	A	

Comments for Page: Rotating beacon for ROPS ignition controlled (option)

(L)OCAL REMARKS

A | See figure A

B | See figure B

Rotating beacon Rotating beacon, without rops (option)

Refer to Parts Online for the most up to date information. The printed information might be outdated.

Thu Apr 21 05:53:00 MDT 2016

Item	Part No.	Name	Qty	L	SN INFO
1	4700389577	Rotating beacon 12V	1	A	To A016521
1	4812122610	Rotating beacon 12V	1	B	From A016522
1	4700985126	Bulb	1		
2	4700357663	Lamp holder	1		
3	4700499162	Turning knob	2		
4	4700357679	Lamp holder	1		
5	4700500028	Hexagon head screw M10x025H, 8.8	2		
6	4700586018	Lock nut, M10	2		
7	4700904230	Washer 10.5x22x2 mm 300 HV	2		
8	4812113077	Cable harness	1		
9	4700791585	Switch, rotating beacon	1		
10	4700313041	Cable ties, L=200 mm	N		
11	4812121272	Holder	1		

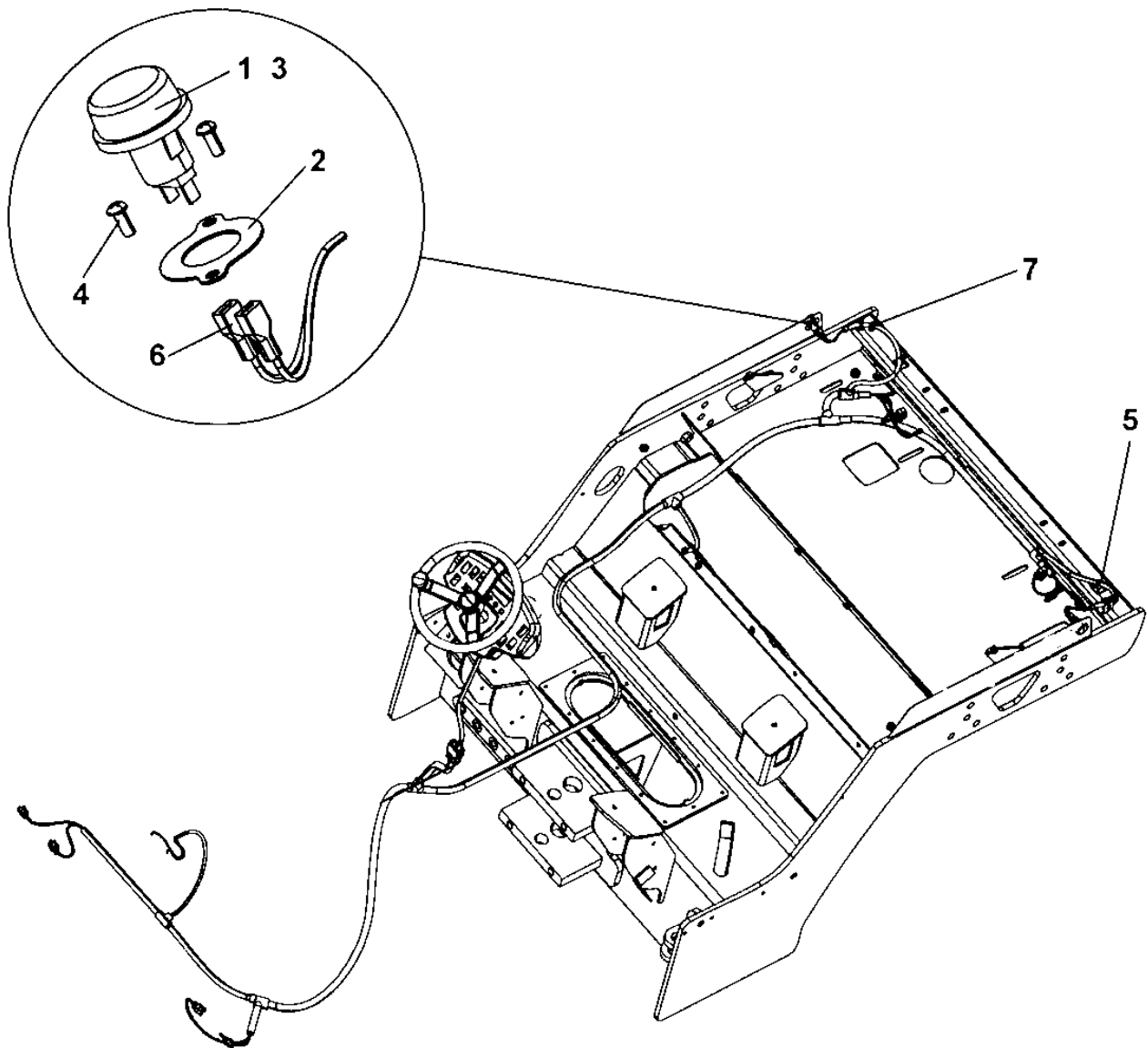
Comments for Page: Rotating beacon, without rops (option)

(L)OCAL REMARKS

A | See figure A

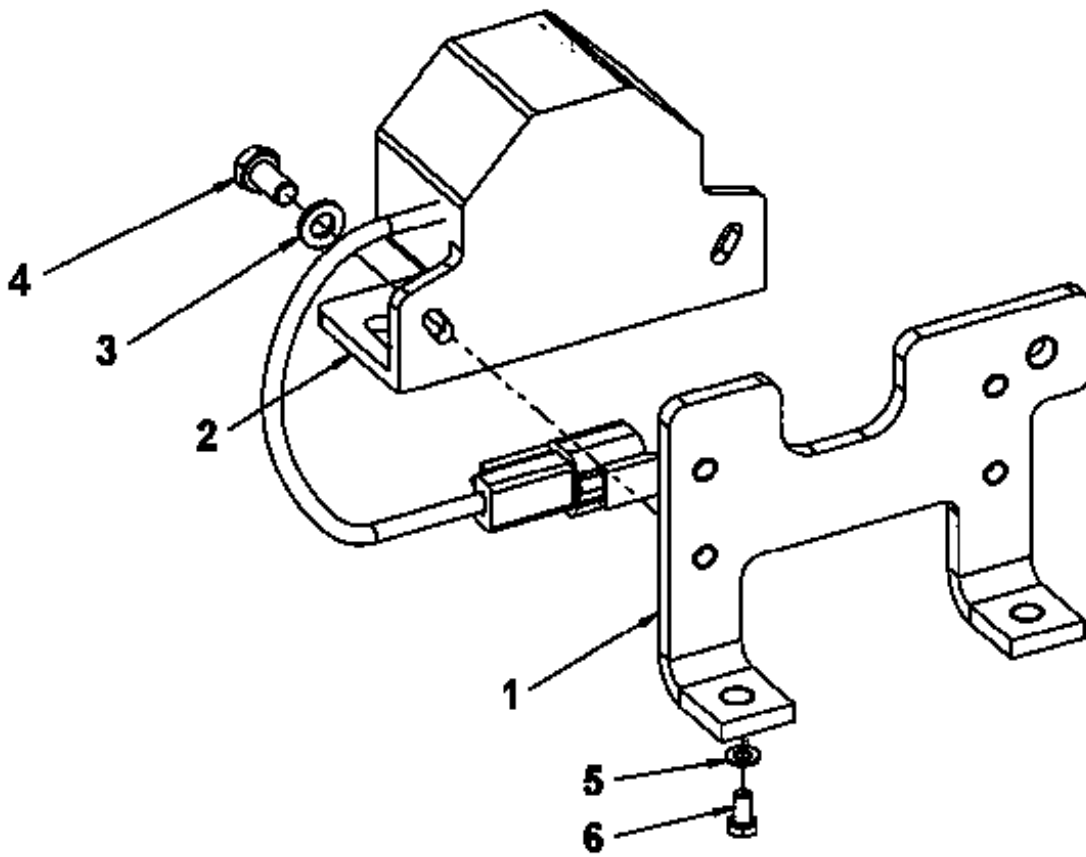
B | See figure B

Electrical equipment Direction indicator (option)



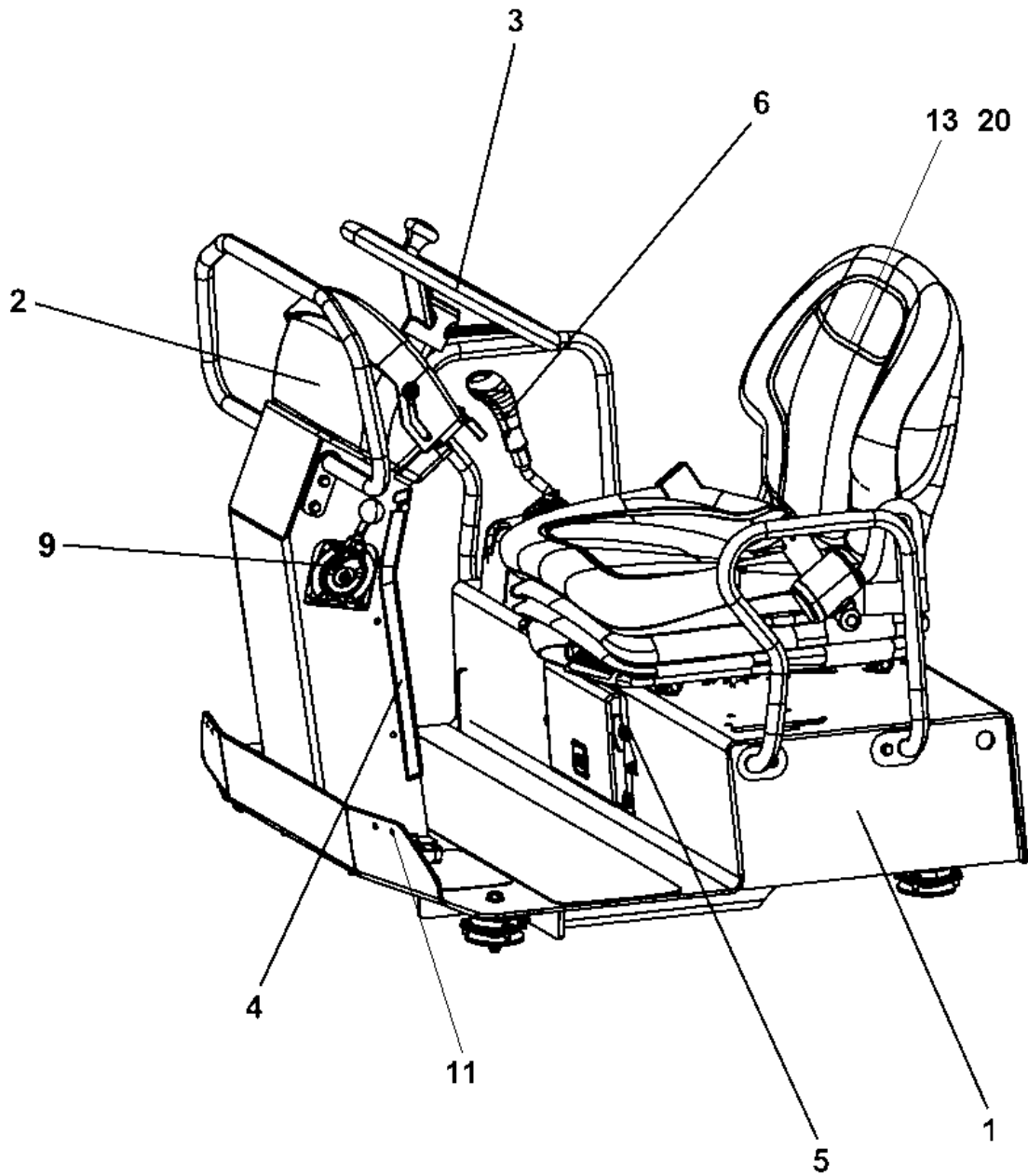
Item	Part No.	Name	Qty	L	SN INFO
1	4700791704	Side direction light	2		
2	4700388382	Holder side light	2		
3	4700904889	Bulb	2		
4	4700791643	Screw	4		
5	4700903810	Cable tie holder	4		
6	4700960079	Connector	4		
7	4700313041	Cable ties, L=200 mm	N		

Electrical equipment Back-up alarm



Item	Part No.	Name	Qty	L	SN INFO
1	4700396768	Bracket	1		
2	4700792098	Back-up alarm	1		
3	4700904228	Washer 6.4x12x1.5 mm 300 HV	2		
4	4700500012	Hex. screw	2		
5	4700904229	Steel plain washer 8.4X16X1.5	2		
6	4700500019	Hex. screw	2		

Drivers platform Drivers platform

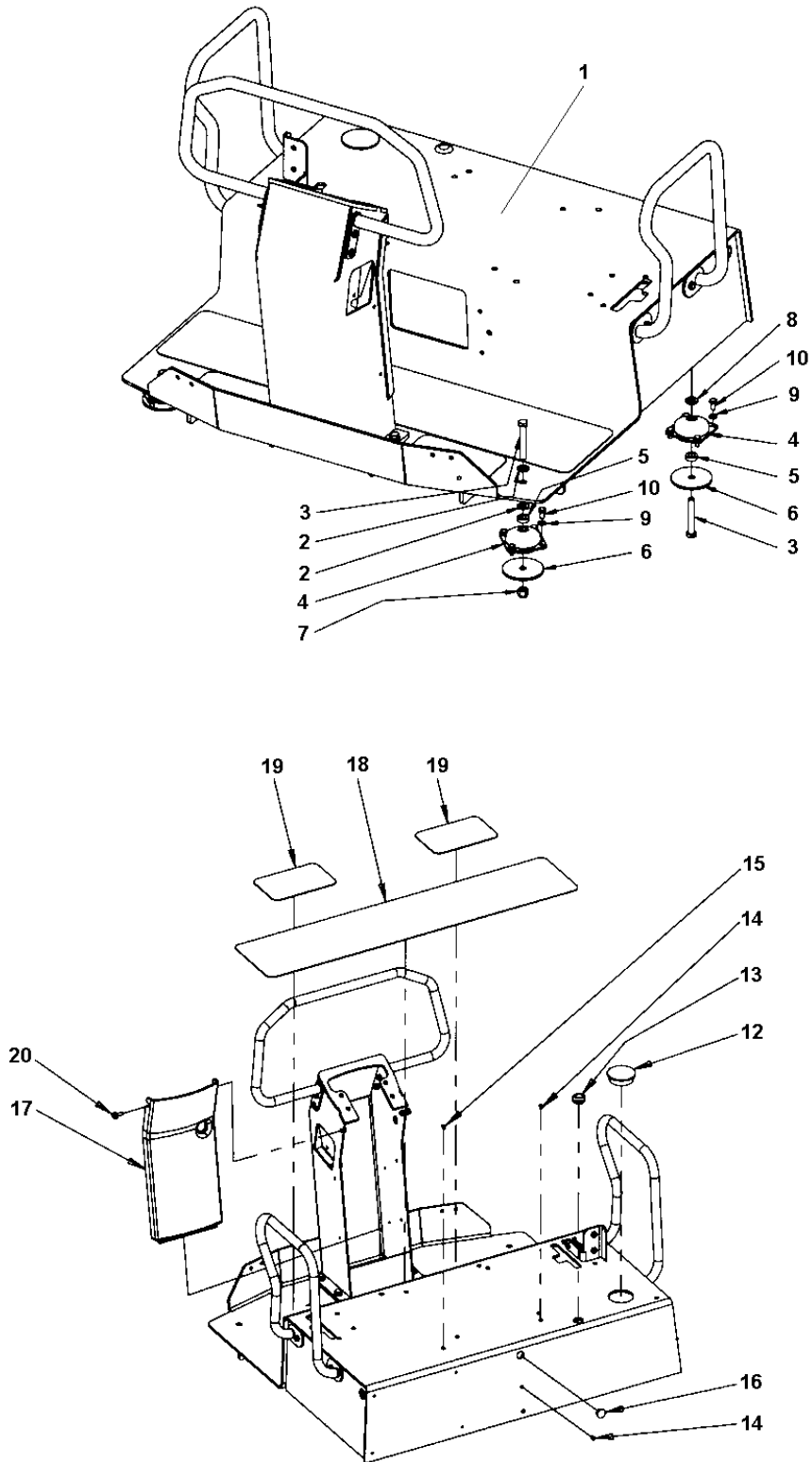


Refer to Parts Online for the most up to date information. The printed information might be outdated.

Thu Apr 21 05:53:02 MDT 2016

Item	Part No.	Name	Qty	L	SN INFO
1	-	Platform module			
2	-	Instrument panel module			
3	-	Steering wheel			
4	-	Control module			
5	-	Standard ECU module			
6	-	Forward-Reverse control module			
6	-	Forward-reverse control left (option)			
8	-	Cover plate, Dual F&R-control left side			
9	-	Throttle control, cpl			
9	-	Throttle control cpl, Dual frequency (option)			
11	-	Arm rests, seat belt, laterally adjusting			
12	-	Step (option)			
13	-	Driver seat, Std			
13	-	Driver seat, Luxury (option)			
13	-	Driver's seat, without armrests (option)			
14	4700379637	Seat belt kit, static 3"			
14	-	Seat belt module 3"			
15	-	Seat belt module 2"			
16	-	Rear view mirror (option)			
17	-	ROPS, foldable (option)			
18	-	Rops (option)			
19	-	Canopy (option)			
20	4700348331	Seat protector	1		

Platform module To A014353 Platform module

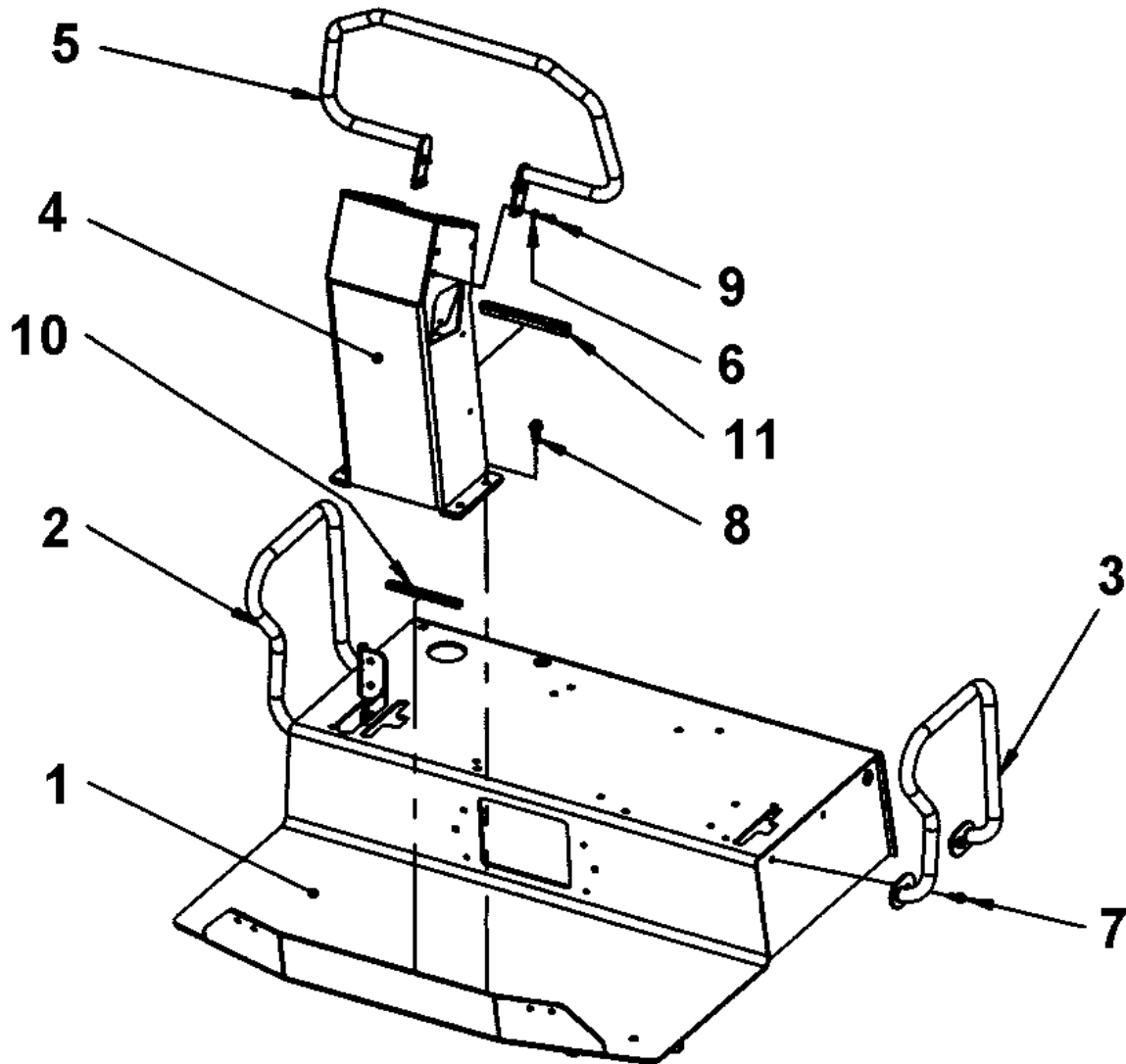


Refer to Parts Online for the most up to date information. The printed information might be outdated.

Thu Apr 21 05:53:04 MDT 2016

Item	Part No.	Name	Qty	L	SN INFO
1	-	Platform mount	1		
2	4700904231	Steel plain washer, 13x24x2 mm 300 HV	4		
3	4700500117	Screw M12x80H 8.8	4		
4	4700902797	Shock absorber	4		
5	4700902892	Washer	4		
6	4700358232	Washer	4		
7	4700586019	Lock nut, M12	2		
8	4700904703	Plain washer 13x24x4 mm	2		
9	4700904229	Steel plain washer 8.4X16X1.5	16		
10	4700500019	Hex. screw	16		
12	4700923844	Shutter	1		
13	4700903192	Grommet	2		
14	4700926215	Protective plug	4		
15	4700902919	Plug	2		
16	4700904225	Plug	1		
17	4700387226	Column cover	1		
18	4700357604	Protection	1		
19	4700357605	Slip protection	2		
20	4700500505	Screw, M8x20 mm 8.8 A2K	2		

Platform module To A014353 Platform mount



Refer to Parts Online for the most up to date information. The printed information might be outdated.

Thu Apr 21 05:53:04 MDT 2016

Item	Part No.	Name	Qty	L	SN INFO
1	4812111164	Platform	1		
2	4812113106	Hand rail Right	1		
3	4812113107	Hand rail Left	1		
4	4812112091	Steering column	1		
5	4812112532	Hand rail Front	1		
6	4700904556	Steel plain washer	4		
7	4700500505	Screw, M8x20 mm 8.8 A2K	4		
8	4700791343	Screw	4		
9	4700791333	Screw, M8 x 20 mm A2-70	4		
10	4700902379	Edge trim	1	A	
11	4700902166	Edge trim	1	B	

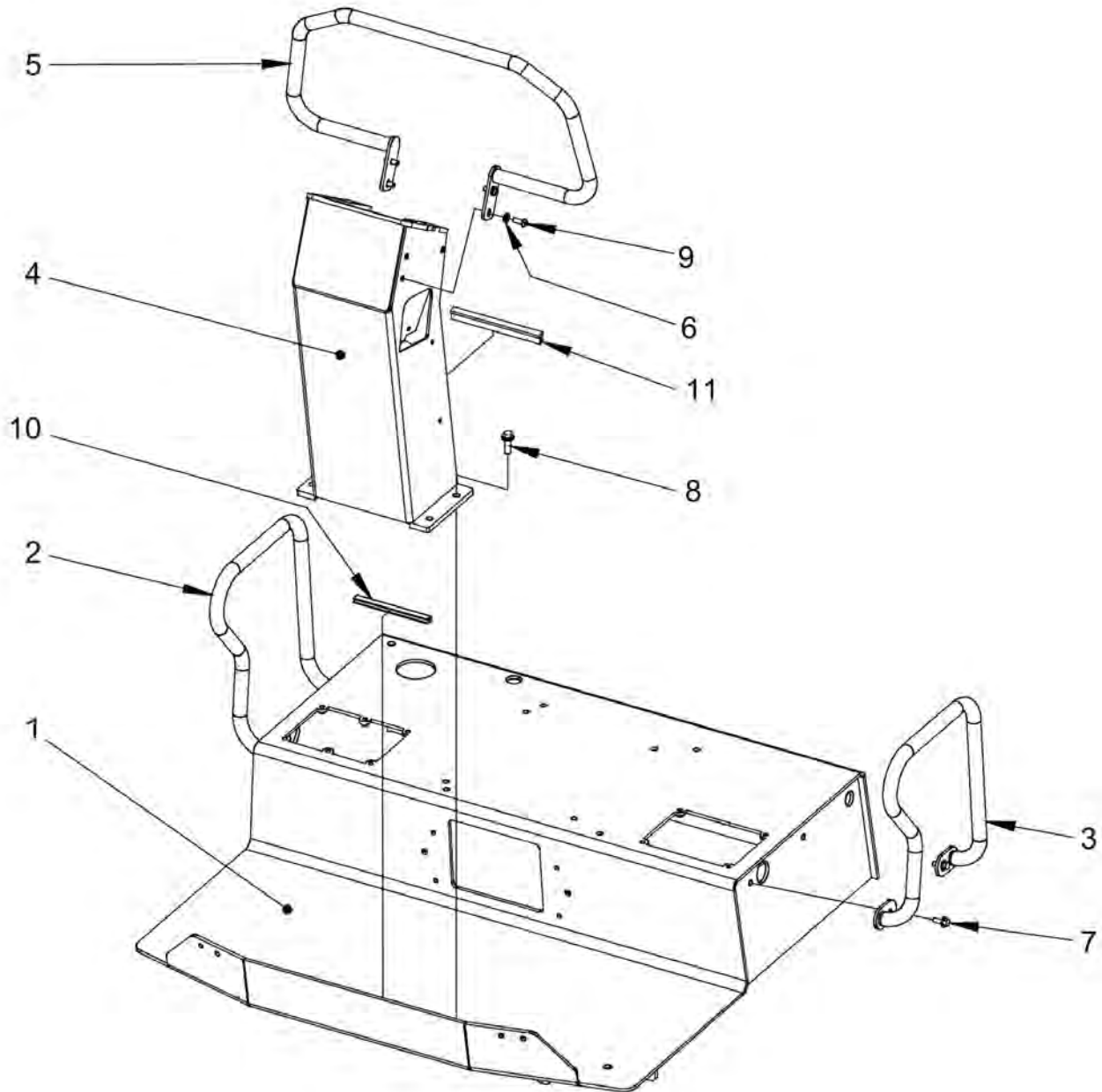
Comments for Page: Platform mount

(L)OCAL REMARKS

A | en_US | L = 0,15 m

B | en_US | L = 0,18 m

Platform module From A014354 Platform



Refer to Parts Online for the most up to date information. The printed information might be outdated.

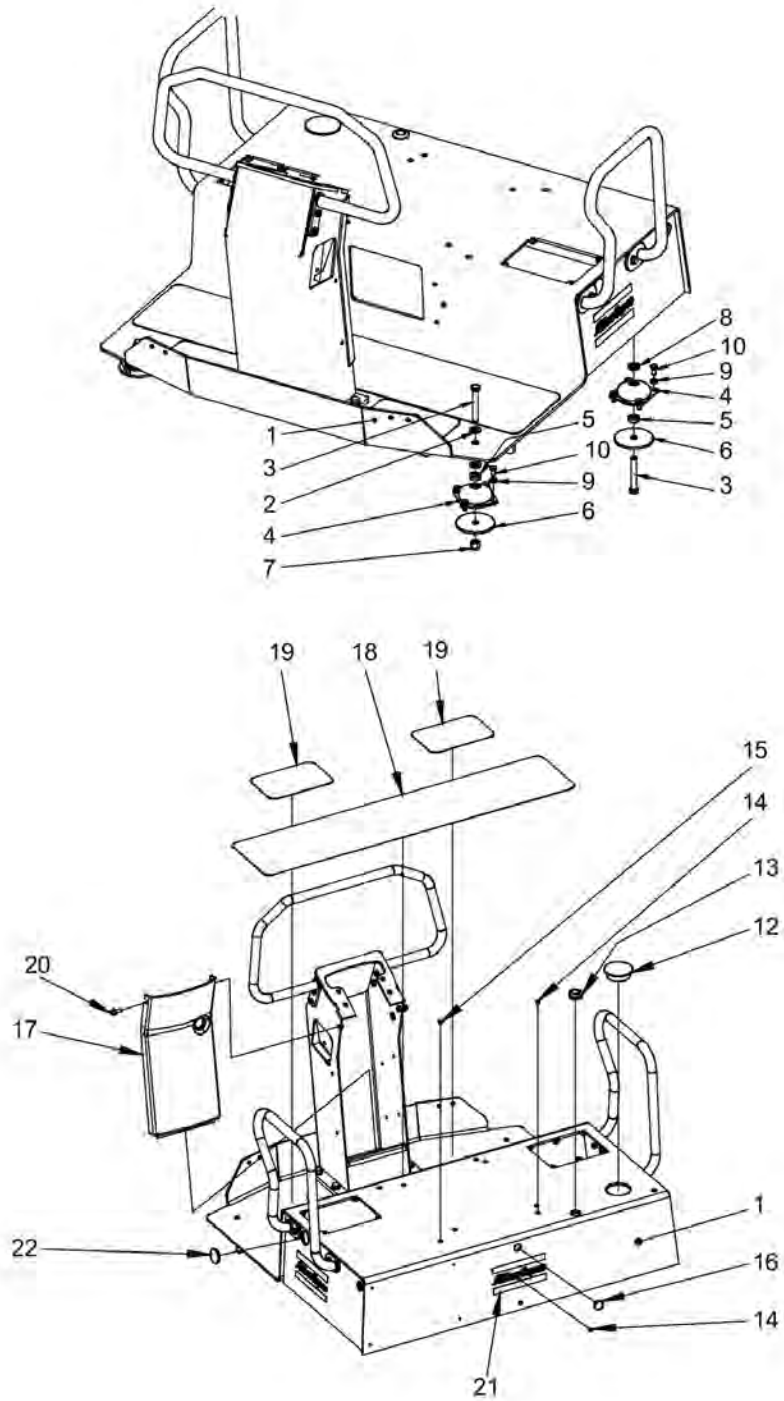
Thu Apr 21 05:53:07 MDT 2016

Item	Part No.	Name	Qty	L	SN INFO
1	4812121464	Platform	1		
2	4812113106	Hand rail Right	1		
3	4812113107	Hand rail Left	1		
4	4812112091	Steering column	1		
5	4812112532	Hand rail Front	1		
6	4700904556	Steel plain washer	4		
7	4700500505	Screw, M8x20 mm 8.8 A2K	4		
8	4700791343	Screw	4		
9	4700791333	Screw, M8 x 20 mm A2-70	4		
10	4700902379	Edge trim	1	A	
11	4700902166	Edge trim	1	B	

Comments for Page: Platform

A | L = 0,15 m

B | L = 0,18 m

Platform module From A014354 Platform module

Refer to Parts Online for the most up to date information. The printed information might be outdated.

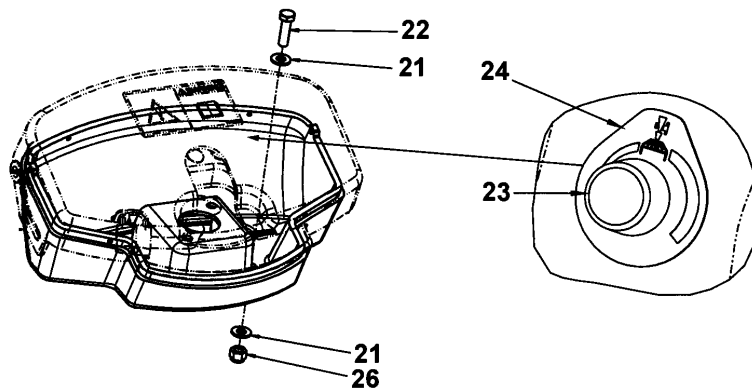
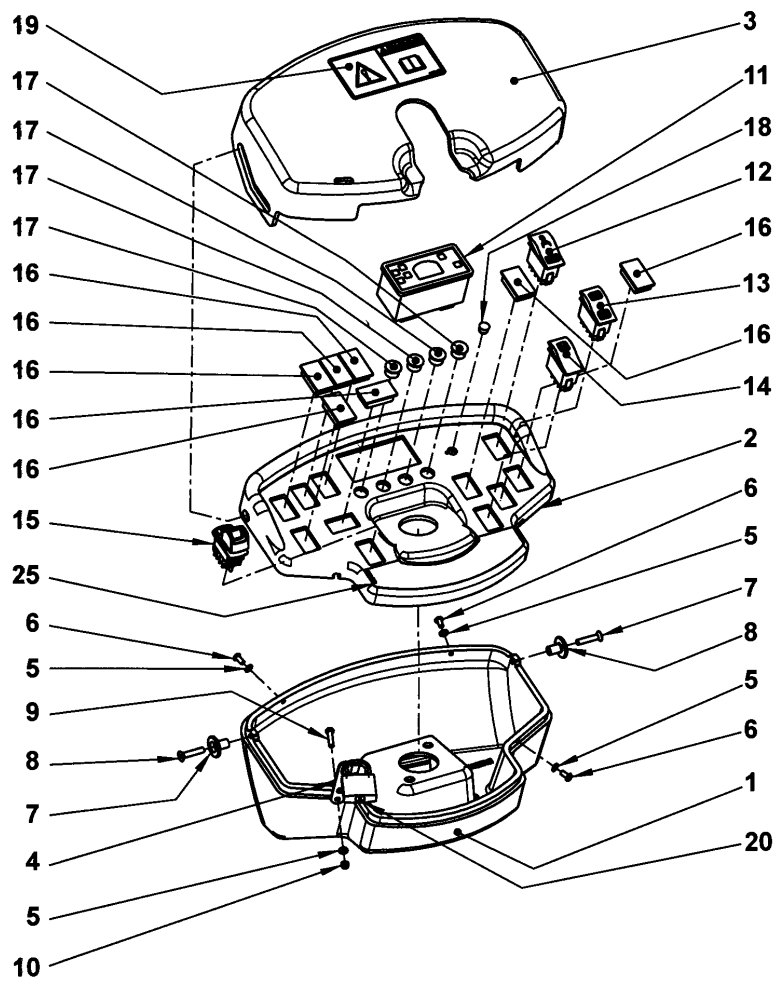
Thu Apr 21 05:53:09 MDT 2016

Item	Part No.	Name	Qty	L	SN INFO
1	4812121376	Platform	1		
2	4700904231	Steel plain washer, 13x24x2 mm 300 HV	4		
3	4700500117	Screw M12x80H 8.8	4		
4	4700902797	Shock absorber	4		
5	4700902892	Washer	4		
6	4700358232	Washer	4		
7	4700586019	Lock nut, M12	2		
8	4700904703	Plain washer 13x24x4 mm	2		
9	4700904229	Steel plain washer 8.4X16X1.5	16		
10	4700500019	Hex. screw	16		
12	4700923844	Shutter	1		
13	4700903192	Grommet	2		
14	4700926215	Protective plug	4		
15	4700902919	Plug	2		
16	4700904225	Plug	1		
17	4700387226	Column cover	1		
18	4700357604	Protection	1		
19	4700357605	Slip protection	2		
20	4700500505	Screw, M8x20 mm 8.8 A2K	2		
21	-	Decal	3	A	
22	4700921849	Plug	2		

Comments for Page: Platform module

A | See section Decals

Drivers platform Instrument panel module



Refer to Parts Online for the most up to date information. The printed information might be outdated.

Thu Apr 21 05:53:11 MDT 2016

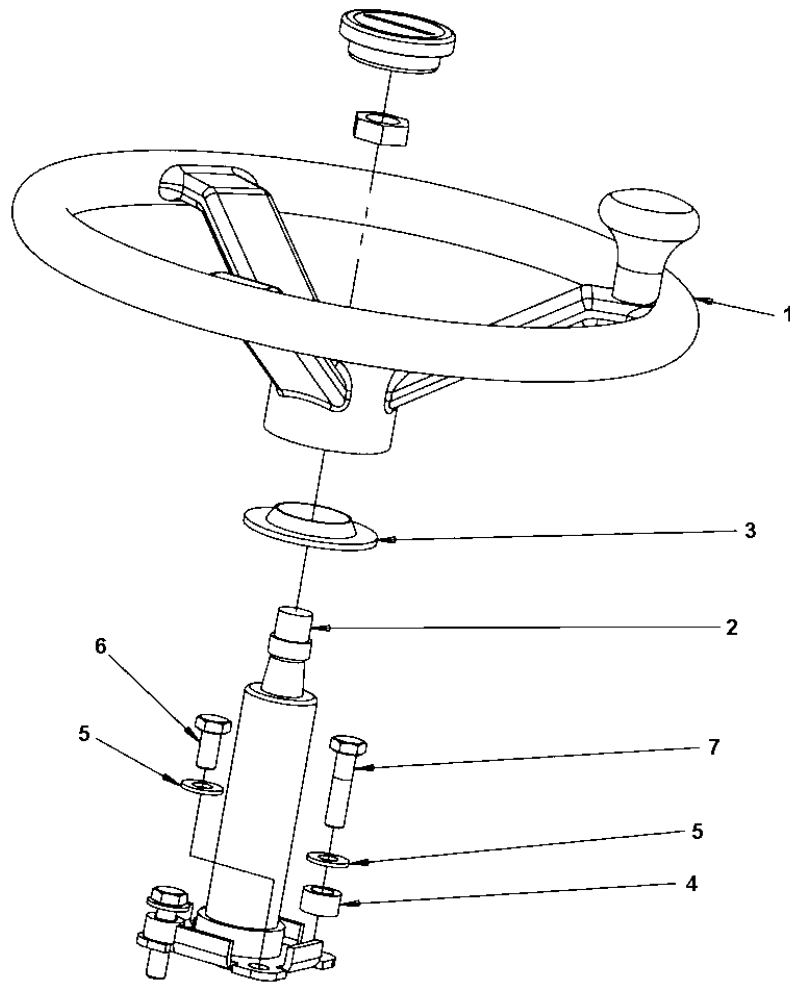
Item	Part No.	Name	Qty	L	SN INFO
1	4812118686	Control panel	1		
2	4700391784	Control panel	1		
3	4700387227	Control panel cover	1		
4	4700387545	Latch	1		
5	4700904281	Washer, 5,3x10x1 300HV	4		
6	4700903658	Screw M5x10	3		
7	4700357855	Bushing	2		
8	4700513017	Screw	2		
9	4700500007	Hex. screw	1		
10	4700791476	Lock nut	1		
11	4700395394	Control panel	1		
12	4700791579	Switch, sprinkler	1		
13	4700791580	Switch, vibration	1		
14	4700791578	Switch, horn	1		
15	4812118697	Switch, parking brake	1		
16	4700791588	Panel plug	7		
17	4700792320	Plug	4		
18	4700792083	Plug	1		
19	4700903459	Decal "SAFETY"	1		
20	4700358881	Pad lock	1		
21	4700904230	Washer 10.5x22x2 mm 300 HV	8		
22	4700500030	Hexagon head screw M	4		
23	4700388737	Potentiometer	1	A	
24	4700377139	Decal	1	A	
25	4812115918	Decal "Starting instruction"	1		
26	4700586018	Lock nut, M10	4		

Comments for Page: Instrument panel module

(L)OCAL REMARKS

A | en_US | Option on CC1100 and CC1200

Drivers platform Steering wheel



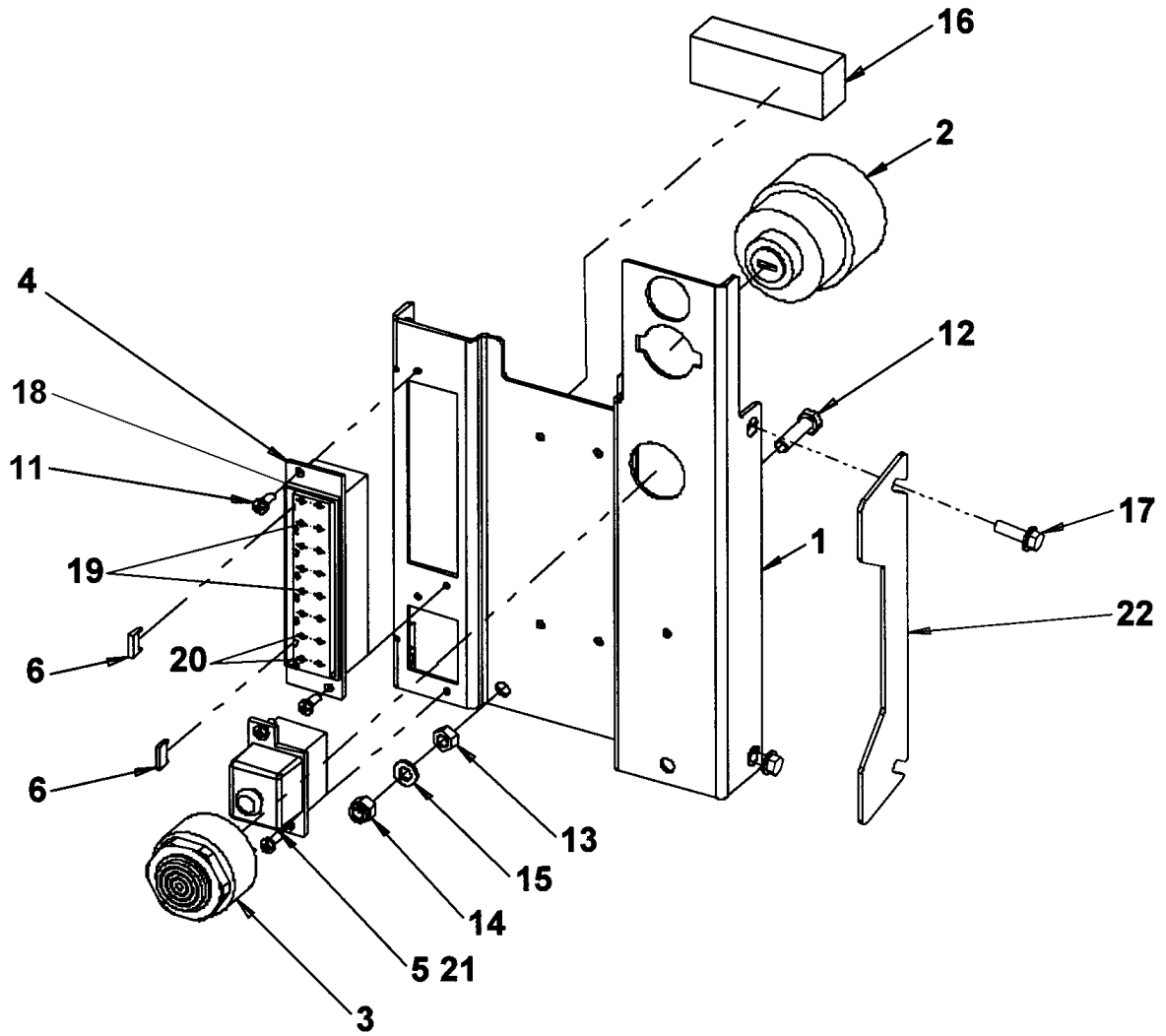
Item	Part No.	Name	Qty	L	SN INFO
1	4700372964	Steering wheel	1		
1	4700935614	Turning knob	1		
1	4700935613	Cover	1		
2	4700902123	Steering column	1	A	
3	4700928830	Rubber part	1		
4	4700355869	Spacer sleeve	2		
5	4700904230	Washer 10.5x22x2 mm 300 HV	4		
6	4700500048	Screw, M10x20 mm 8.8 A3K	2		
7	4700500031	Screw	2		

Comments for Page: Steering wheel

(L)OCAL REMARKS

A | en_US | Cap/Nut supplied with steering wheel/column only.

Drivers platform Control module



Refer to Parts Online for the most up to date information. The printed information might be outdated.

Thu Apr 21 05:53:16 MDT 2016

Item	Part No.	Name	Qty	L	SN INFO
1	4700387683	Distribution control plate	1		
2	4700238158	Ignition switch	1		To A016518 (excl. 16459-16464)
2	4812110901	Ignition switch	1		From A016519 (incl. 16459-16464)
2	4700940451	Ignition key	1		
3	4700385599	Buzzer	1		
4	4700791185	Fuse box	1		
5	4700792091	Fuse holder	1	B	
6	4700791211	Contact bridge	2		
11	4700901767	Screw	4		
12	4700500075	Screw, M6-1,0x25 mm 8.8	1		
13	4700570004	Hex. nut	1		
14	4700586002	Lock nut M6 -8	1		
15	4700904228	Washer 6.4x12x1.5 mm 300 HV	1		
16	4700202042	Rubber strip	N	A	
17	4812117868	Screw M05x16	4		
18	4700903741	Fuse 20A Yellow	1		
19	4700901227	Fuse 10A Red	2		
20	4700901228	Fuse, 15A Blue	2		
21	4700901225	Fuse 5A Tan	1		
22	4812117864	Shim	2		

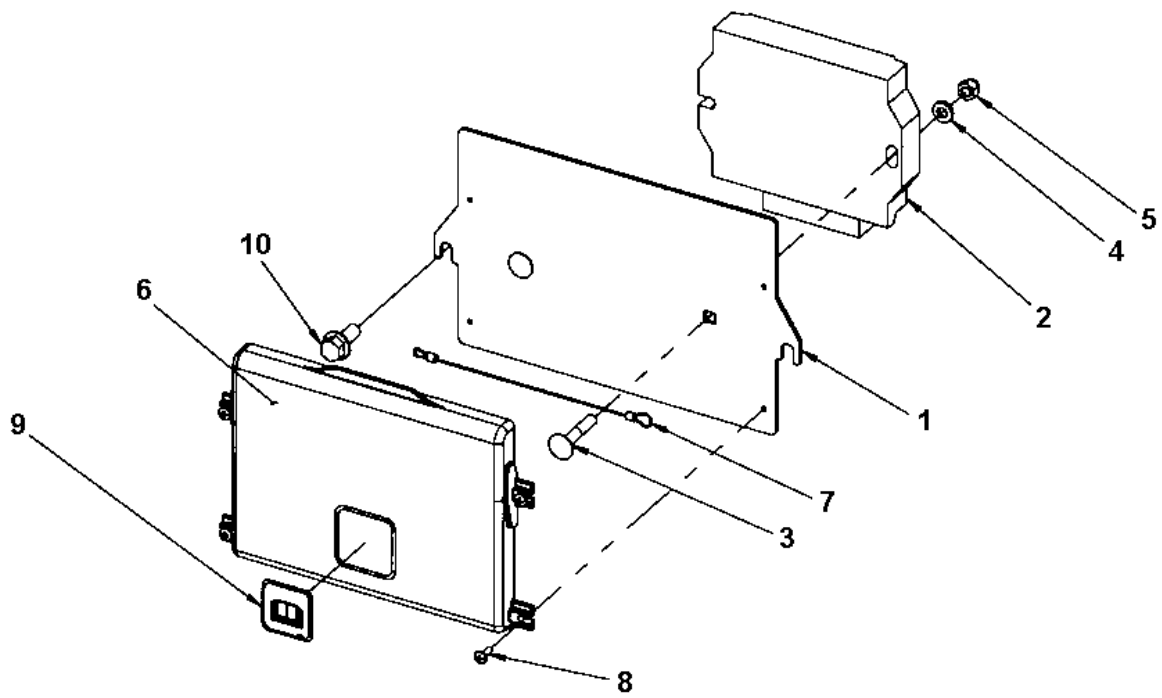
Comments for Page: Control module

(L)OCAL REMARKS

A | en_US | L = 0,07 m

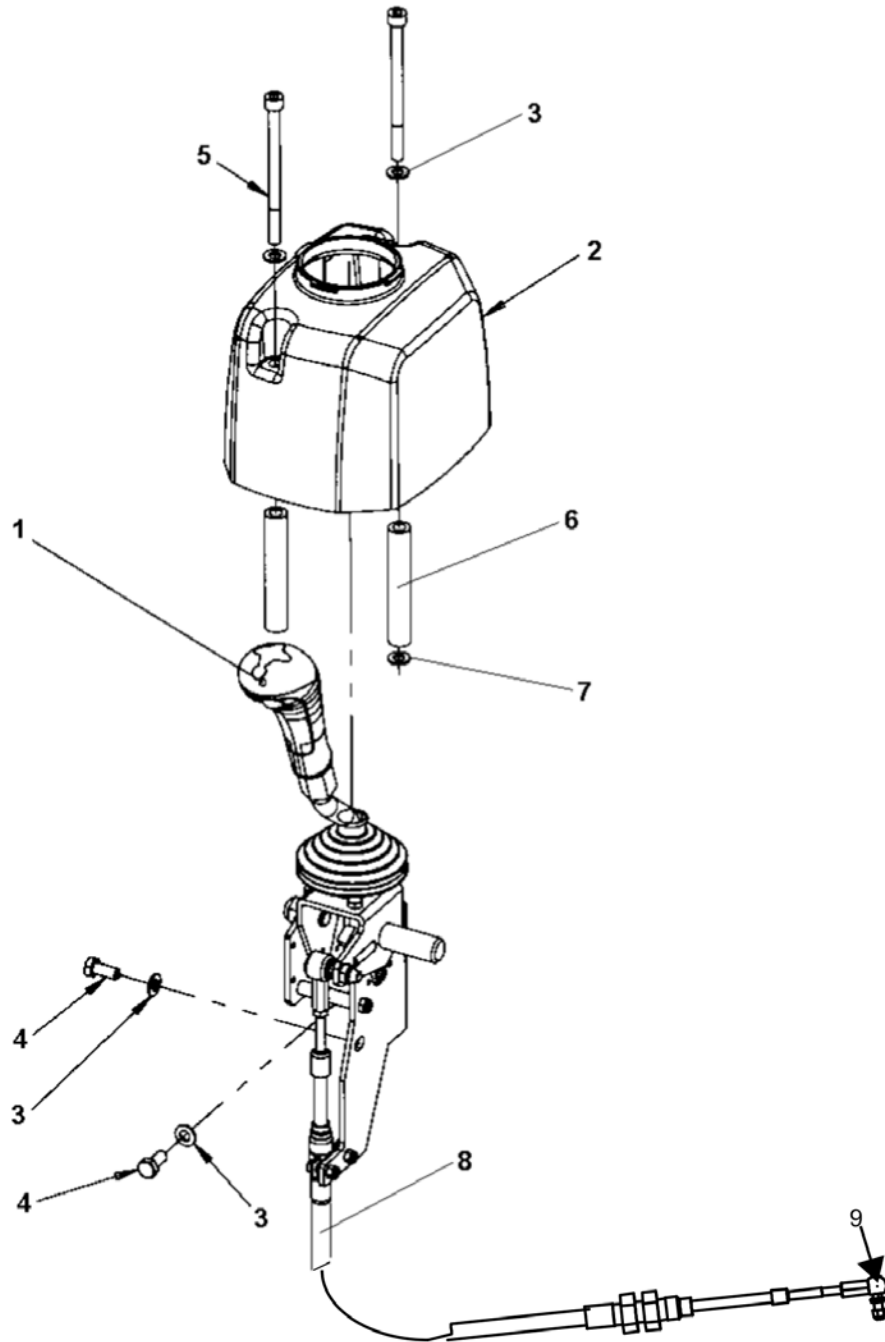
B | en_US | Available on Combi rollers and tandem rollers equipped with flow divider (option) only.

Drivers platform Standard ECU module



Item	Part No.	Name	Qty	L	SN INFO
1	4700388447	Cover	1		
2	4812114386	Control unit, ECU	1		
3	4700791775	Bolt	2		
4	4700904556	Steel plain washer	2		
5	4700586003	Nut, M8	2		
6	4700383705	Instruction manual box	1		
7	4700357643	Wire	1		
8	4700791226	Screw	4		
9	4700903425	Safety decal "READ SAFETY INSTRUCTIONS"	1		
10	4700500505	Screw, M8x20 mm 8.8 A2K	2		

Forward-Reverse control module To A014358 Forward-Reverse control module



Refer to Parts Online for the most up to date information. The printed information might be outdated.

Thu Apr 21 05:53:18 MDT 2016

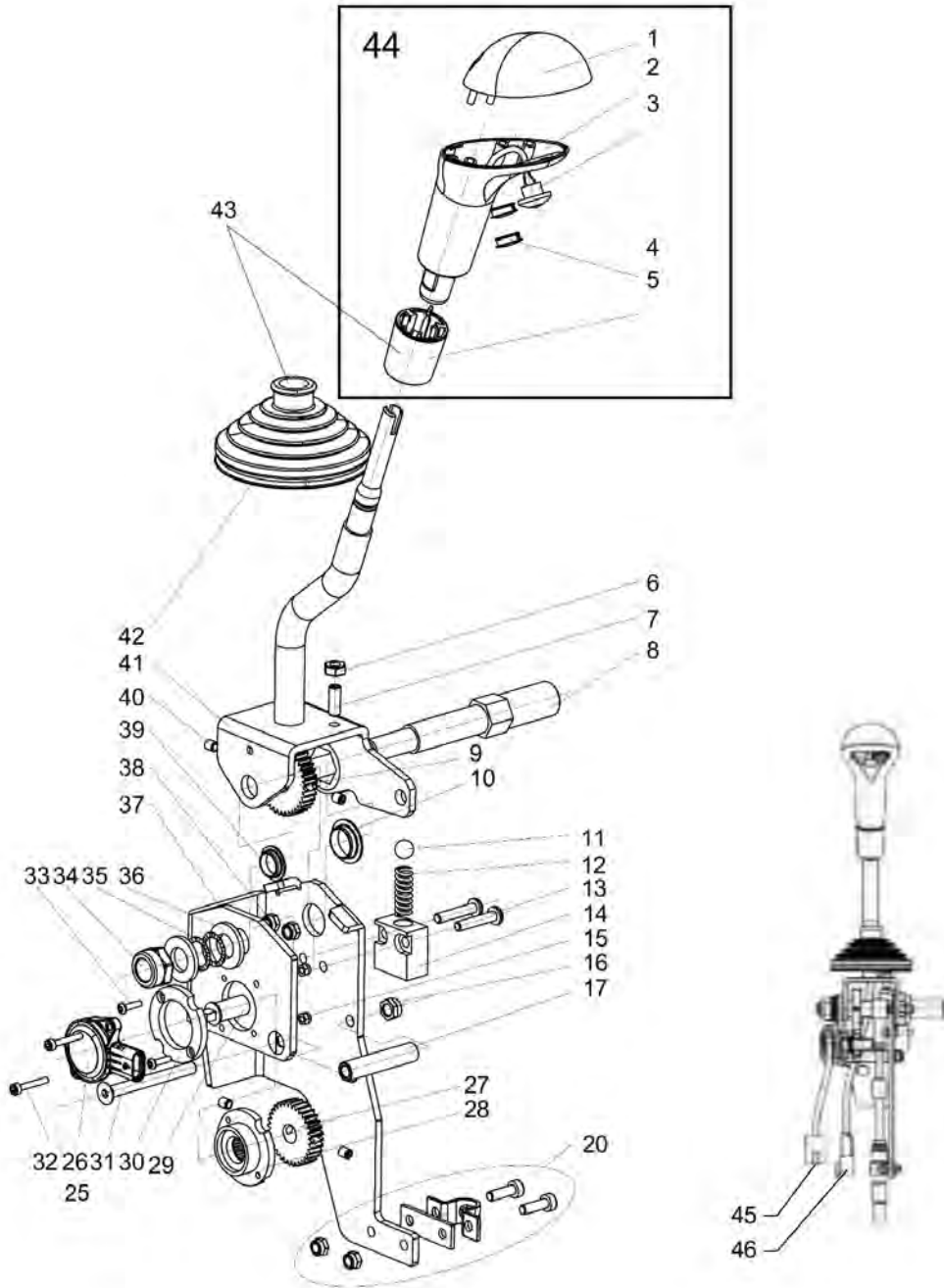
Item	Part No.	Name	Qty	L	SN INFO
1	4812113676	Forward and reverse control handle	1		
2	4812111128	Casing	1		
3	4700904229	Steel plain washer 8.4X16X1.5	5		
4	4700508092	Screw	3		
5	4700500180	Hex. screw	2		
6	4812113523	Spacer sleeve	2		
7	4700904044	Lock washer	2		
8	4812156577	Cable	1	A	
9	4700416034	Universal joint, M6	1		

Comments for Page: Forward-Reverse control module

(L)OCAL REMARKS

A | en_US | L = 2,80 m

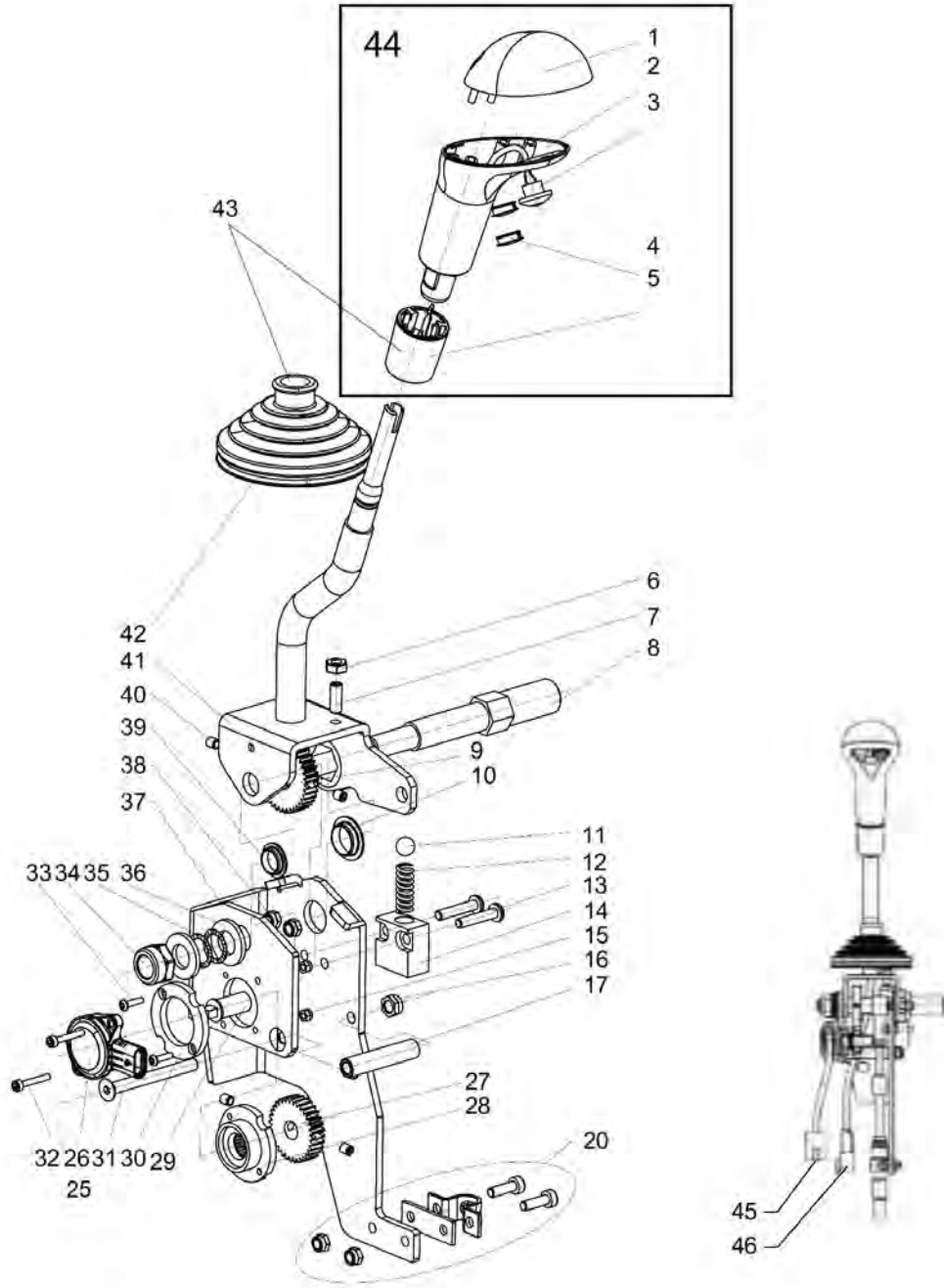
Forward-Reverse control module To A014358 4812113676 Forward and reverse control handle



Item	Part No.	Name	Qty	L	SN INFO
0	4812113676	Forward and reverse control handle	1		
1	4812156558	Handle top	1		
2	4812156559	Handle	1		
3	4812156560	Push button switch with cable	1		
4	4812156561	Protection plug	2		
5	4812156562	Sleeve (knob)	1		
6	4812159290	Nut M5	2		
7	4812159291	Screw M5	2		
8	4812156563	Central shaft	1		
9	4812156564	Gear	1		
10	4812158258	Bushing	1		
11	4812156565	Sphere	1		
12	4812156566	Spring	1		
13	-	Screw M5	2		
14	4812156567	Spring house	1		
15	-	Lock nut M3	4		
16	-	Lock nut M6	1		
17	4812156568	Spacer	1		
20	4700902189	Bracket	1		
25	4812160381	Cable	1		
26	4812156490	Potentiometer	1		
27	4812156569	Gear	1		
28	4812156570	Internal spacer	1		
29	4812156571	Shaft	1		
30	4812156572	External spacer	1		
31	4812159197	Screw M6	1		
32	4812159198	Screw M3	2		
33	4812159199	Screw M3	2		
34	4812159251	Lock nut M12	2		
35	4812156573	Sealing	2		
36	4812158260	Washer	2		
37	4812156574	Bracket	1		
38	-	Lock nut M5	2		
39	4812158259	Bushing	1		
40	4812159292	Screw M5	4		
41	4812156575	Lever	1		
42	4812156576	Bellow	1		

Refer to Parts Online for the most up to date information. The printed information might be outdated.

Thu Apr 21 05:53:20 MDT 2016

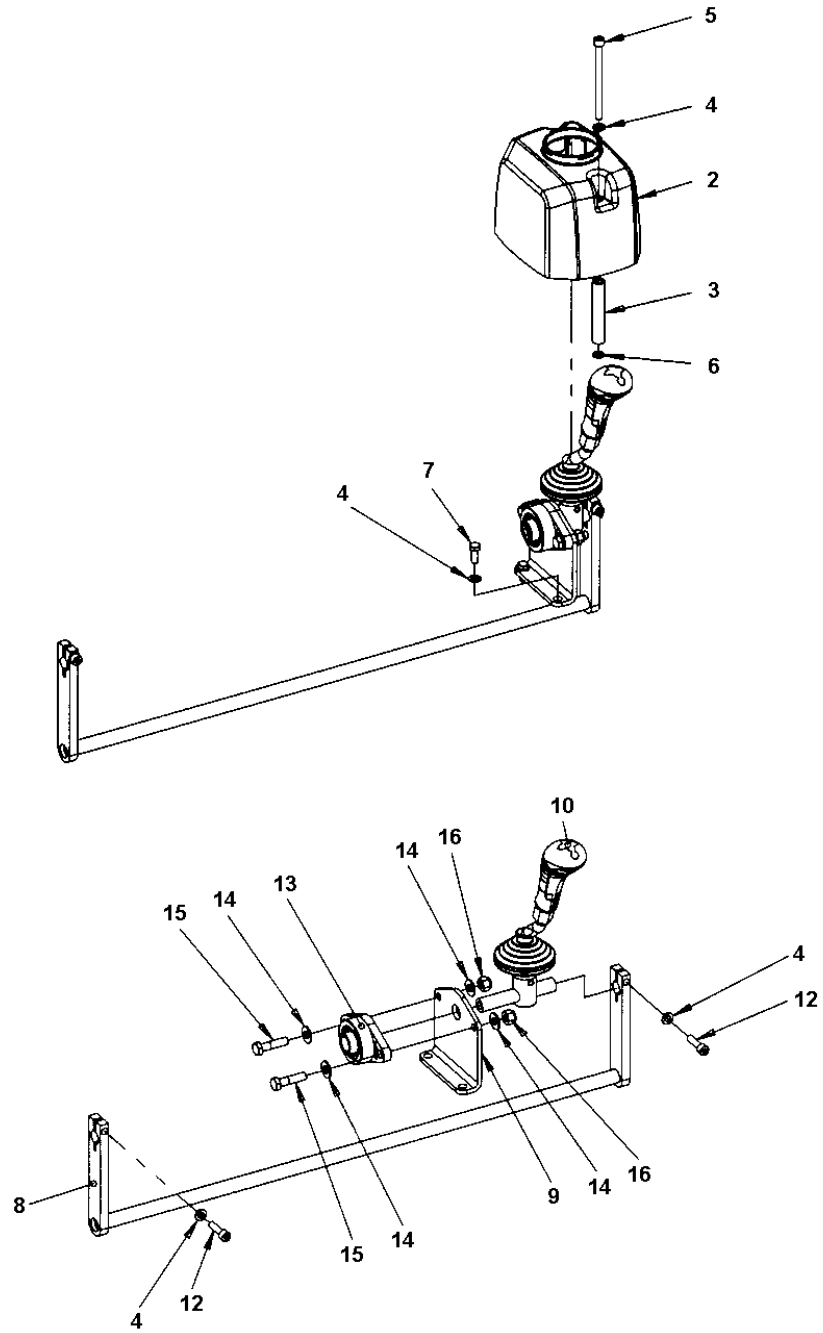


Refer to Parts Online for the most up to date information. The printed information might be outdated.

Thu Apr 21 05:53:20 MDT 2016

Item	Part No.	Name	Qty	L	SN INFO
43	4812157556	Bellows kit	1		
43_05	4812156562	Sleeve (knob)	1		
43_42	4812156576	Bellow	1		
44	4812158267	Handle top + Button kit	1		
44	4812156558	Handle top	1		
44	4812156559	Handle	1		
44	4812156560	Push button switch with cable	1		
44	4812156561	Protection plug	2		
44	4812156562	Sleeve (knob)	1		
45	4812160593	Connector, 3-poles	1		
46	4812160594	Connector, 2-poles	1		

Forward-Reverse control module To A014358 Forward-reverse control left (option)

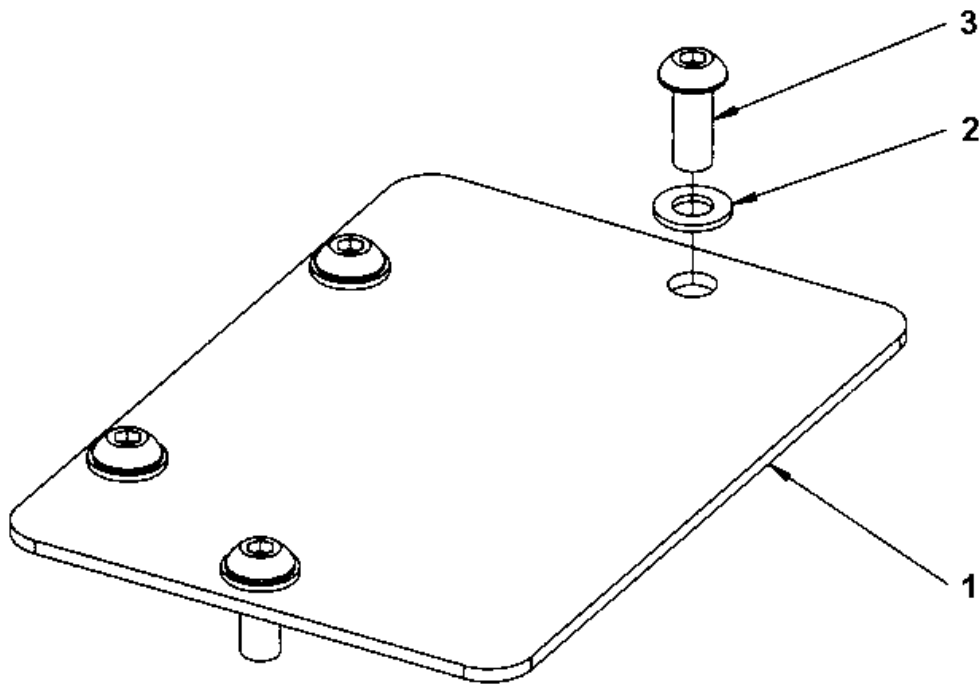


Refer to Parts Online for the most up to date information. The printed information might be outdated.

Thu Apr 21 05:53:21 MDT 2016

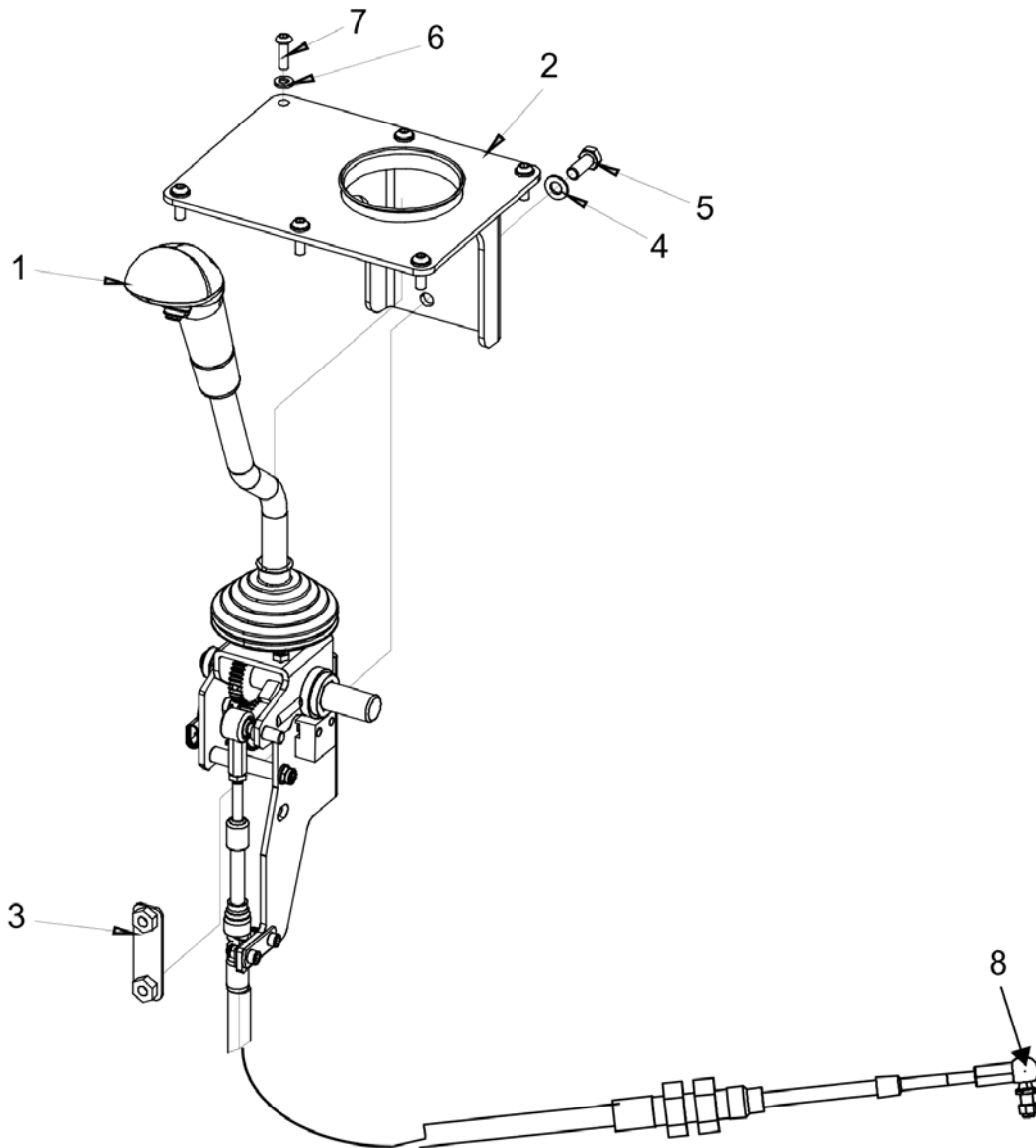
Item	Part No.	Name	Qty	L	SN INFO
2	4812111128	Casing	1		
3	4812113523	Spacer sleeve	1		
4	4700904229	Steel plain washer 8.4X16X1.5	6		
5	4700500180	Hex. screw	2		
6	4700904044	Lock washer	2		
7	4700500053	Screw, M8x20 mm 8.8 A2K	2		
8	4812112014	Connection link	1		
9	4812112013	Bracket	1		
10	4812113677	Forward-reverse control	1		
12	4700508048	Hexagon socket head cap screw M	2		
13	4700791926	Y-bearing unit	1		
14	4700904230	Washer 10.5x22x2 mm 300 HV	4		
15	4700500031	Screw	2		
16	4700586018	Lock nut, M10	2		

Forward-Reverse control module To A014358 Cover plate, Dual F&R-control left side



Item	Part No.	Name	Qty	L	SN INFO
1	4812113987	Cover plate	1		
2	4700904229	Steel plain washer 8.4X16X1.5	4		
3	4700791333	Screw, M8 x 20 mm A2-70	4		

Forward-Reverse control module From A014359 To A015764 Forward-reverse control, Right side, single



Refer to Parts Online for the most up to date information. The printed information might be outdated.

Thu Apr 21 05:53:22 MDT 2016

Item	Part No.	Name	Qty	L	SN INFO
1	4812121384	Forward and reverse control handle	1		
2	4812121386	Bracket	1		
3	4812117990	Bracket	1		
4	4700904229	Steel plain washer 8.4X16X1.5	2		
5	4700500053	Screw, M8x20 mm 8.8 A2K	2		
6	4700904228	Washer 6.4x12x1.5 mm 300 HV	6		
7	4700791524	Screw, M6 x 20 mm A2-70	6		
8	4812156577	Cable	1		
8	4700416034	Universal joint, M6	1	A	
8	4812160389	Universal joint, M8	1	B	

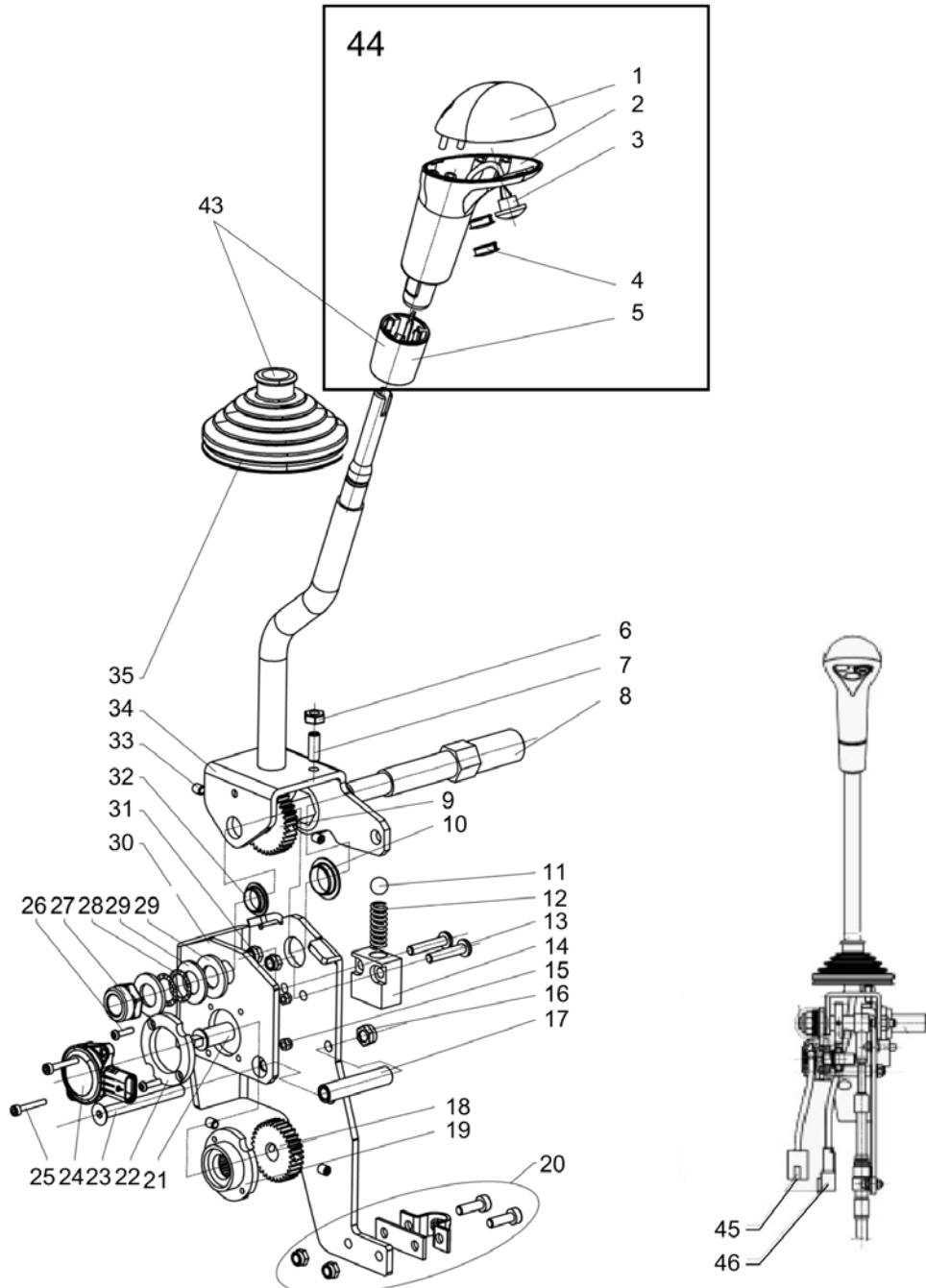
Comments for Page: Forward-reverse control, Right side, single

(L)OCAL REMARKS

A | For "PLUS"-versions only.

B | For "CC"-versions only.

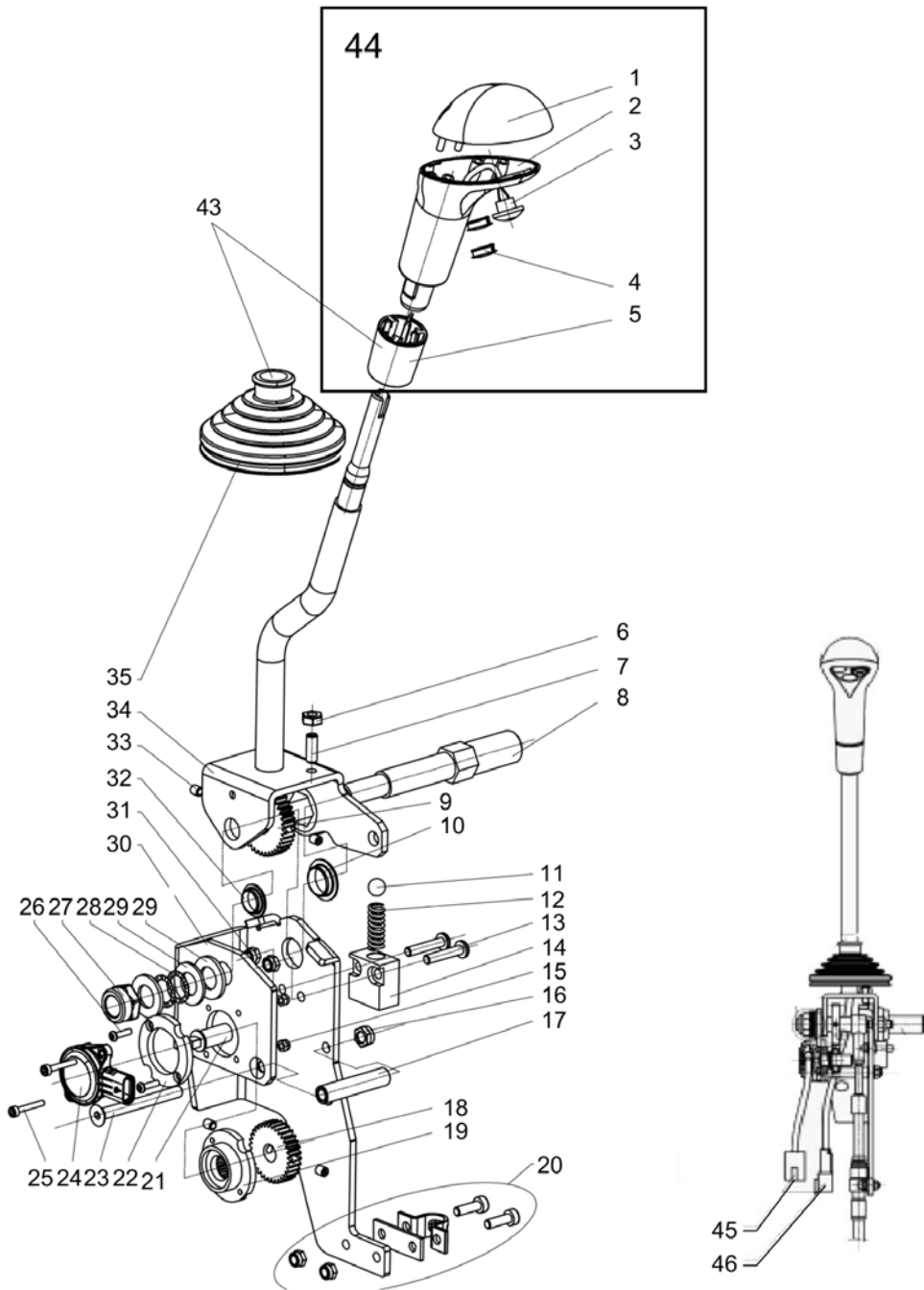
Forward-Reverse control module From A014359 To A015764 4812121384 Forward & Reverse control



Item	Part No.	Name	Qty	L	SN INFO
1	4812156558	Handle top	1		
2	4812156559	Handle	1		
3	4812156560	Push button switch with cable	1		
4	4812156561	Protection plug	2		
5	4812156562	Sleeve (knob)	1		
6	4812159290	Nut M5	2		
7	4812159291	Screw M5	2		
8	4812156563	Central shaft	1		
9	4812156564	Gear	1		
10	4812158258	Bushing	1		
11	4812156565	Sphere	1		
12	4812156566	Spring	1		
13	4812160082	Screw M5	2		
14	4812160379	Spring house	1		
15	4812160083	Nut M3	1		
16	4812160084	Nut M6	1		
17	4812156568	Spacer	1		
18	4812156569	Gear	1		
19	4812156570	Internal spacer	1		
20	4700902189	Bracket	1		
21	4812156571	Shaft	1		
22	4812156572	External spacer	1		
23	4812159197	Screw M6	1		
24	4812156490	Potentiometer	1		
25	4812159198	Screw M3	2		
26	4812159199	Screw M3	2		
27	4812159251	Lock nut M12	1		
28	4812156573	Sealing	2		
29	4812158260	Washer	2		
30	4812156574	Bracket	1		
31	4812160087	Nut M5	2		
32	4812158259	Bushing	1		
33	4812160380	Screw M5	4		
34	4812160263	Lever	1		
35	4812156576	Bellow	1		
36	4812160381	Cable	1		
43	4812157556	Bellows kit	1		

Refer to Parts Online for the most up to date information. The printed information might be outdated.

Thu Apr 21 05:53:24 MDT 2016

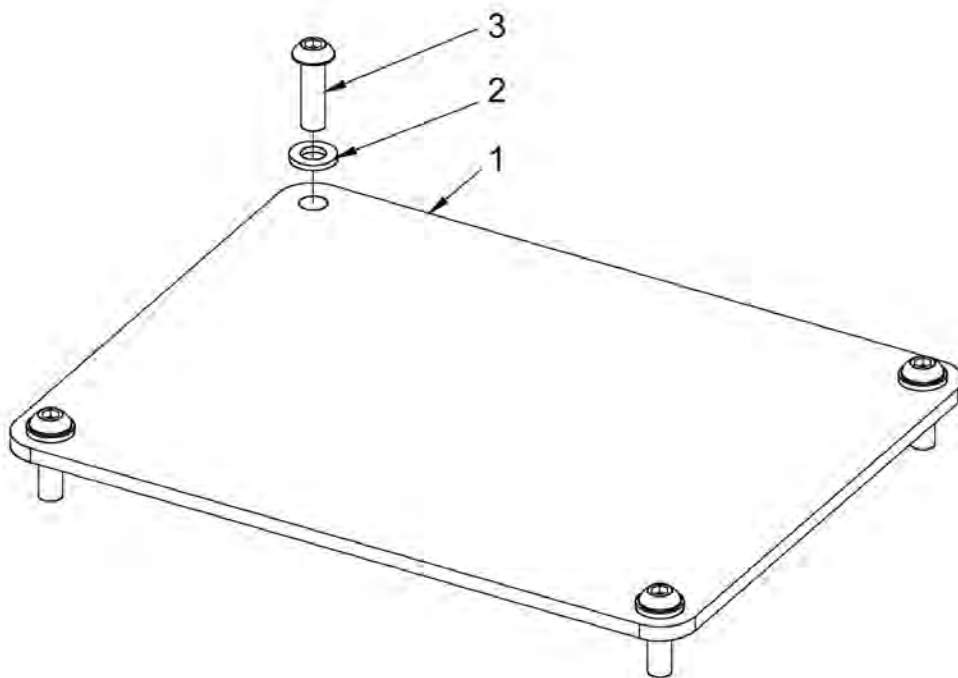


Refer to Parts Online for the most up to date information. The printed information might be outdated.

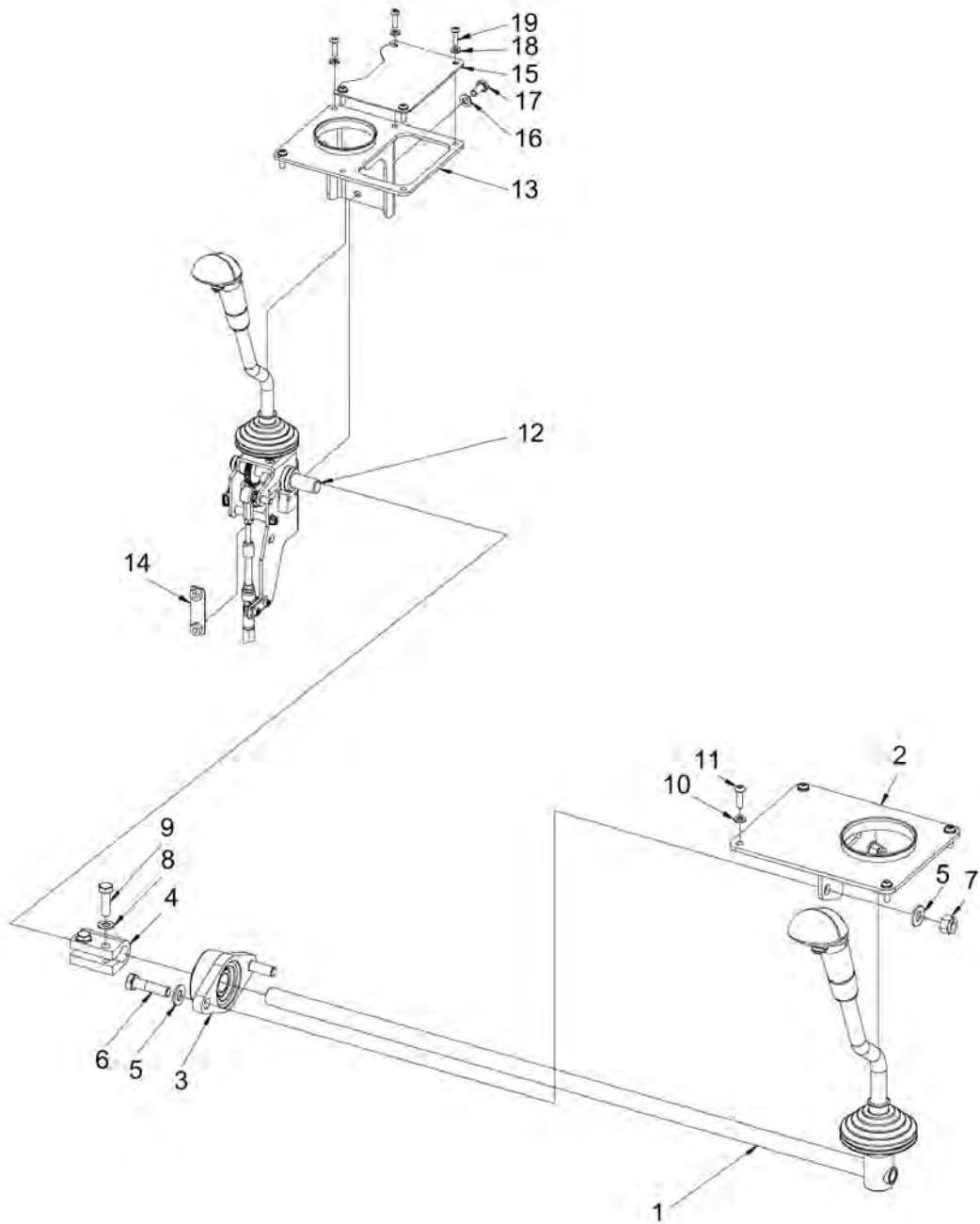
Thu Apr 21 05:53:24 MDT 2016

Item	Part No.	Name	Qty	L	SN INFO
43	4812156562	Sleeve (knob)	1		
43	4812156576	Bellow	1		
44	4812158267	Handle top + Button kit	1		
44	4812156558	Handle top	1		
44	4812156559	Handle	1		
44	4812156560	Push button switch with cable	1		
44	4812156561	Protection plug	2		
44	4812156562	Sleeve (knob)	1		
45	4812160593	Connector, 3-poles	1		
46	4812160594	Connector, 2-poles	1		

Forward-Reverse control module From A014359 To A015764 Cover plate, Dual F&R-control, left side



Item	Part No.	Name	Qty	L	SN INFO
1	4812121387	Cover plate	1		
2	4700904228	Washer 6.4x12x1.5 mm 300 HV	4		
3	4700791524	Screw, M6 x 20 mm A2-70	4		

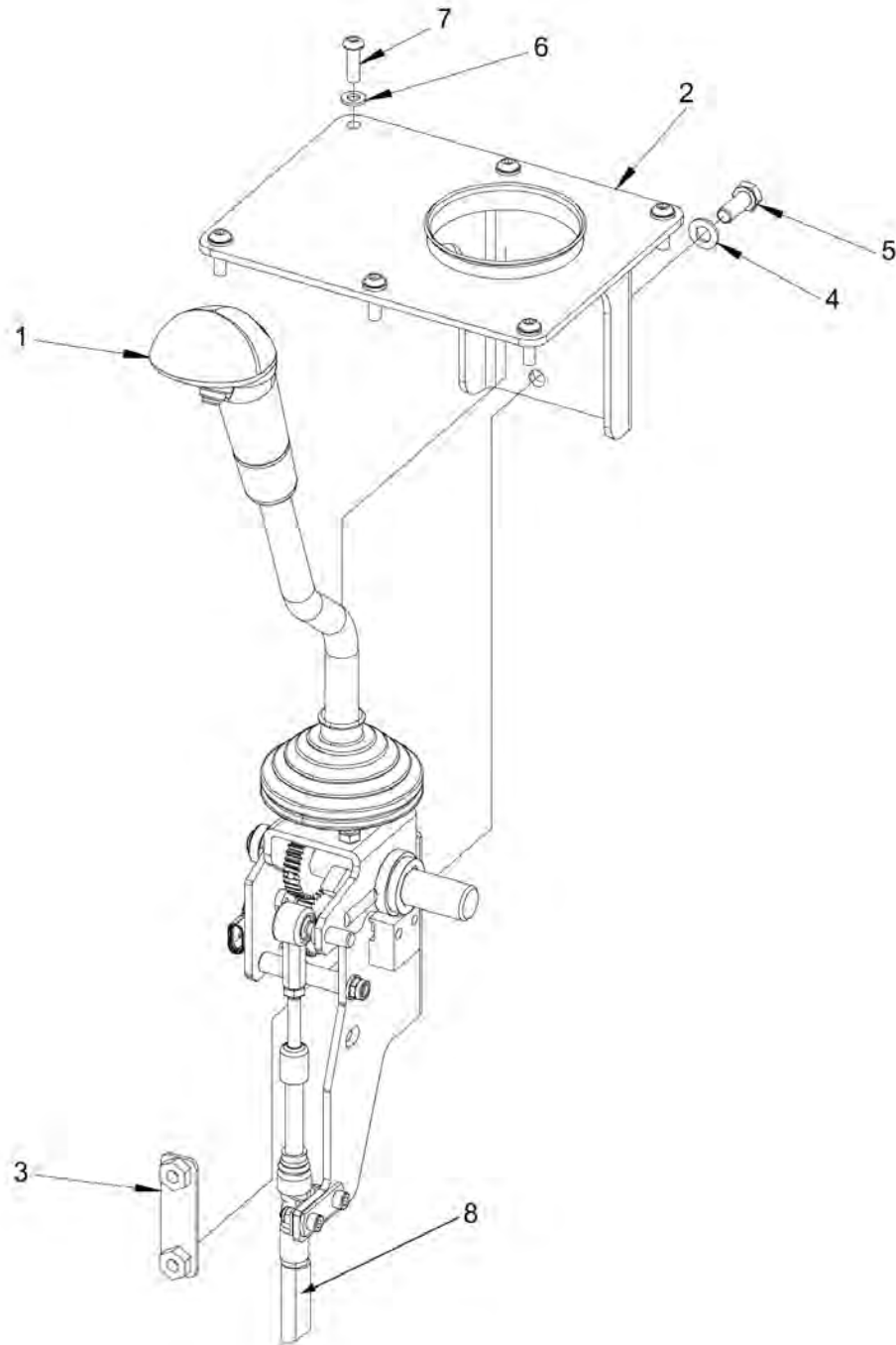
Forward-Reverse control module From A014359 To A015764 Forward-Reverse Control module, Dual lever (option)

Refer to Parts Online for the most up to date information. The printed information might be outdated.

Thu Apr 21 05:53:26 MDT 2016

Item	Part No.	Name	Qty	L	SN INFO
1	4812121385	Forward and reverse control handle	1		
2	4812121207	Bracket	1		
3	4700791926	Y-bearing unit	1		
4	4700346420	Coupling	1		
5	4700904230	Washer 10.5x22x2 mm 300 HV	4		
6	4700500031	Screw	2		
7	4700586018	Lock nut, M10	2		
8	4700904229	Steel plain washer 8.4X16X1.5	2		
9	4700500022	Screw	2		
10	4700904228	Washer 6.4x12x1.5 mm 300 HV	4		
11	4700791524	Screw, M6 x 20 mm A2-70	4		
12	4812121384	Forward and reverse control handle	1		
13	4812121206	Bracket	1		
14	4812117990	Bracket	1		
15	4812121379	Cover plate	1		
16	4700904229	Steel plain washer 8.4X16X1.5	2		
17	4700500053	Screw, M8x20 mm 8.8 A2K	2		
18	4700904228	Washer 6.4x12x1.5 mm 300 HV	6		
19	4700791524	Screw, M6 x 20 mm A2-70	6		

Forward-Reverse control module From A015765 Forward-Reverse control module

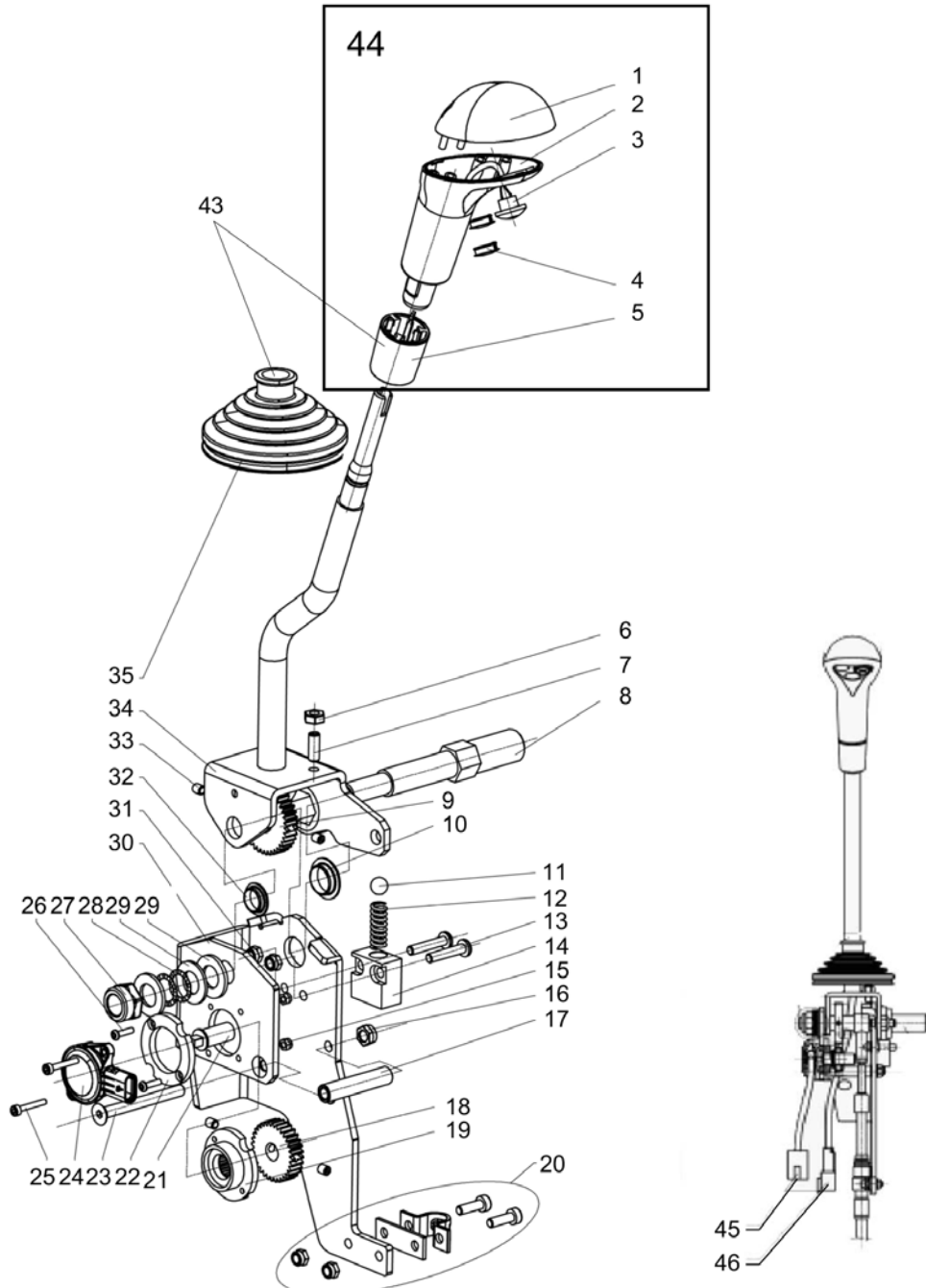


Refer to Parts Online for the most up to date information. The printed information might be outdated.

Thu Apr 21 05:53:27 MDT 2016

Item	Part No.	Name	Qty	L	SN INFO
1	4812122939	Forward and reverse control handle	1		
2	4812121386	Bracket	1		
3	4812117990	Bracket	1		
4	4700904229	Steel plain washer 8.4X16X1.5	2		
5	4700500053	Screw, M8x20 mm 8.8 A2K	2		
6	4700904228	Washer 6.4x12x1.5 mm 300 HV	6		
7	4700791524	Screw, M6 x 20 mm A2-70	6		
8	4812156577	Cable	1		

Forward-Reverse control module From A015765 4812122939 Forward & Reverse control



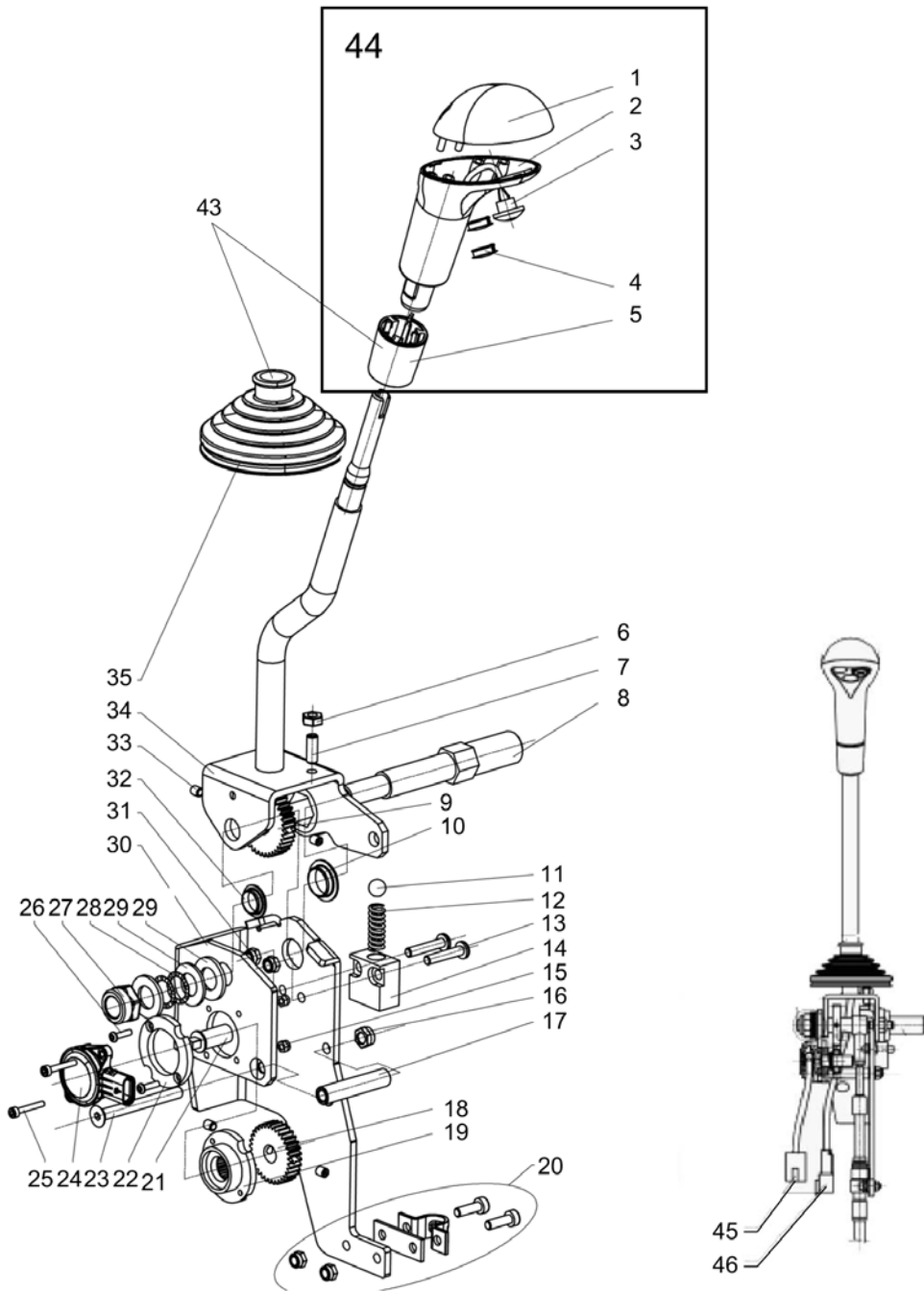
Refer to Parts Online for the most up to date information. The printed information might be outdated.

Thu Apr 21 05:53:28 MDT 2016

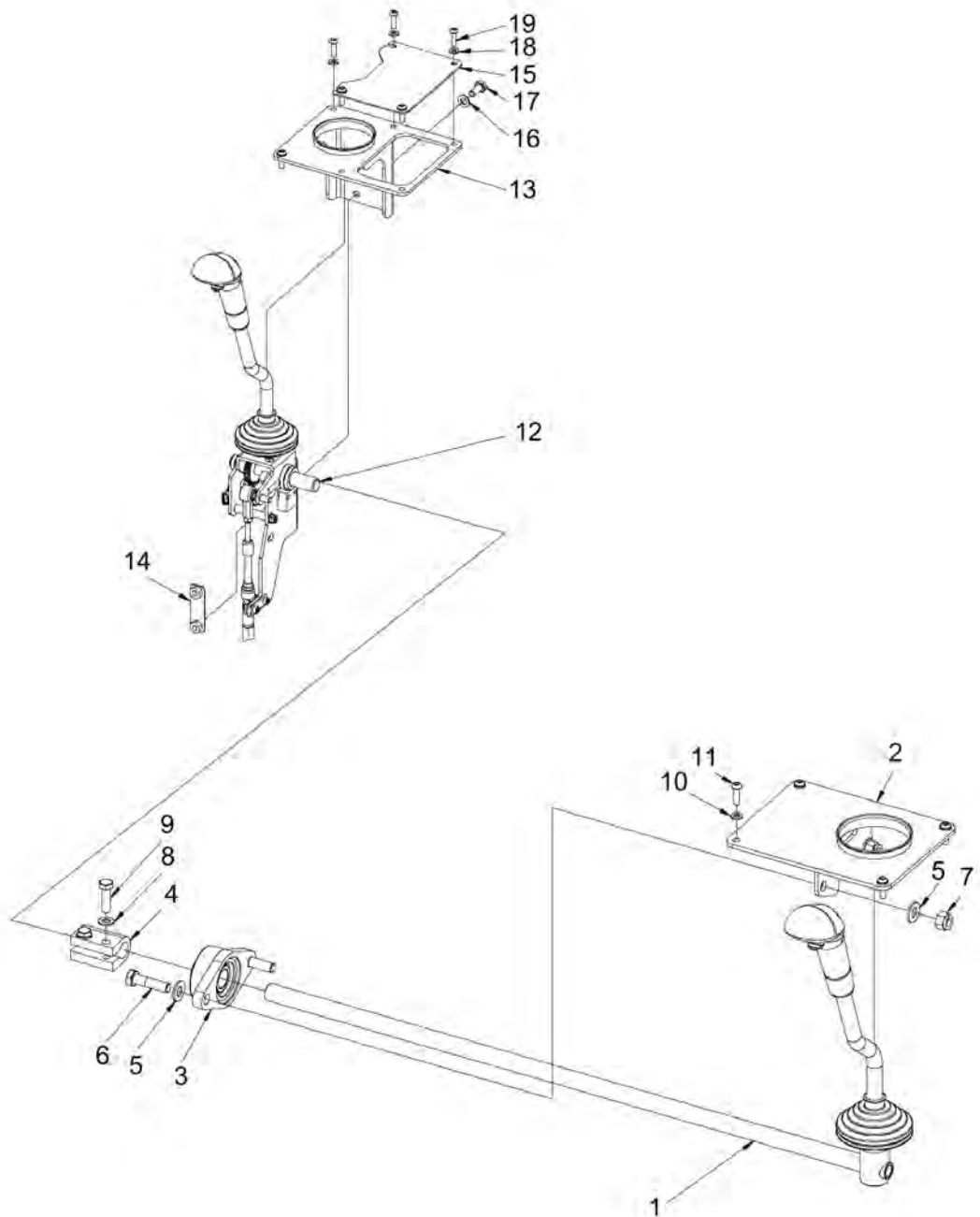
Item	Part No.	Name	Qty	L	SN INFO
1	4812156558	Handle top	1		
2	4812156559	Handle	1		
3	4812156560	Push button switch with cable	1		
4	4812156561	Protection plug	2		
5	4812156562	Sleeve (knob)	1		
6	4812159290	Nut M5	2		
7	4812159291	Screw M5	2		
8	4812156563	Central shaft	1		
9	4812156564	Gear	1		
10	4812158258	Bushing	1		
11	4812156565	Sphere	1		
12	4812156566	Spring	1		
13	4812160082	Screw M5	2		
14	4812160379	Spring house	1		
15	4812160083	Nut M3	1		
16	4812160084	Nut M6	1		
17	4812156568	Spacer	1		
18	4812156569	Gear	1		
19	4812156570	Internal spacer	1		
20	4700902189	Bracket	1		
21	4812156571	Shaft	1		
22	4812156572	External spacer	1		
23	4812159197	Screw M6	1		
24	4812156490	Potentiometer	1		
24	4812160381	Cable	1		
25	4812159198	Screw M3	2		
26	4812159199	Screw M3	2		
27	4812159251	Lock nut M12	1		
28	4812156573	Sealing	2		
29	4812158260	Washer	2		
30	4812156574	Bracket	1		
31	4812160087	Nut M5	2		
32	4812158259	Bushing	1		
33	4812160380	Screw M5	4		
34	4812160263	Lever	1		
35	4812156576	Bellow	1		
43	4812157556	Bellows kit	1		

Refer to Parts Online for the most up to date information. The printed information might be outdated.

Thu Apr 21 05:53:28 MDT 2016



Item	Part No.	Name	Qty	L	SN INFO
43	4812156562	Sleeve (knob)	1		
43	4812156576	Bellow	1		
44	4812158267	Handle top + Button kit	1		
44	4812156558	Handle top	1		
44	4812156559	Handle	1		
44	4812156560	Push button switch with cable	1		
44	4812156561	Protection plug	2		
44	4812156562	Sleeve (knob)	1		
45	4812160593	Connector, 3-poles	1		
46	4812160594	Connector, 2-poles	1		

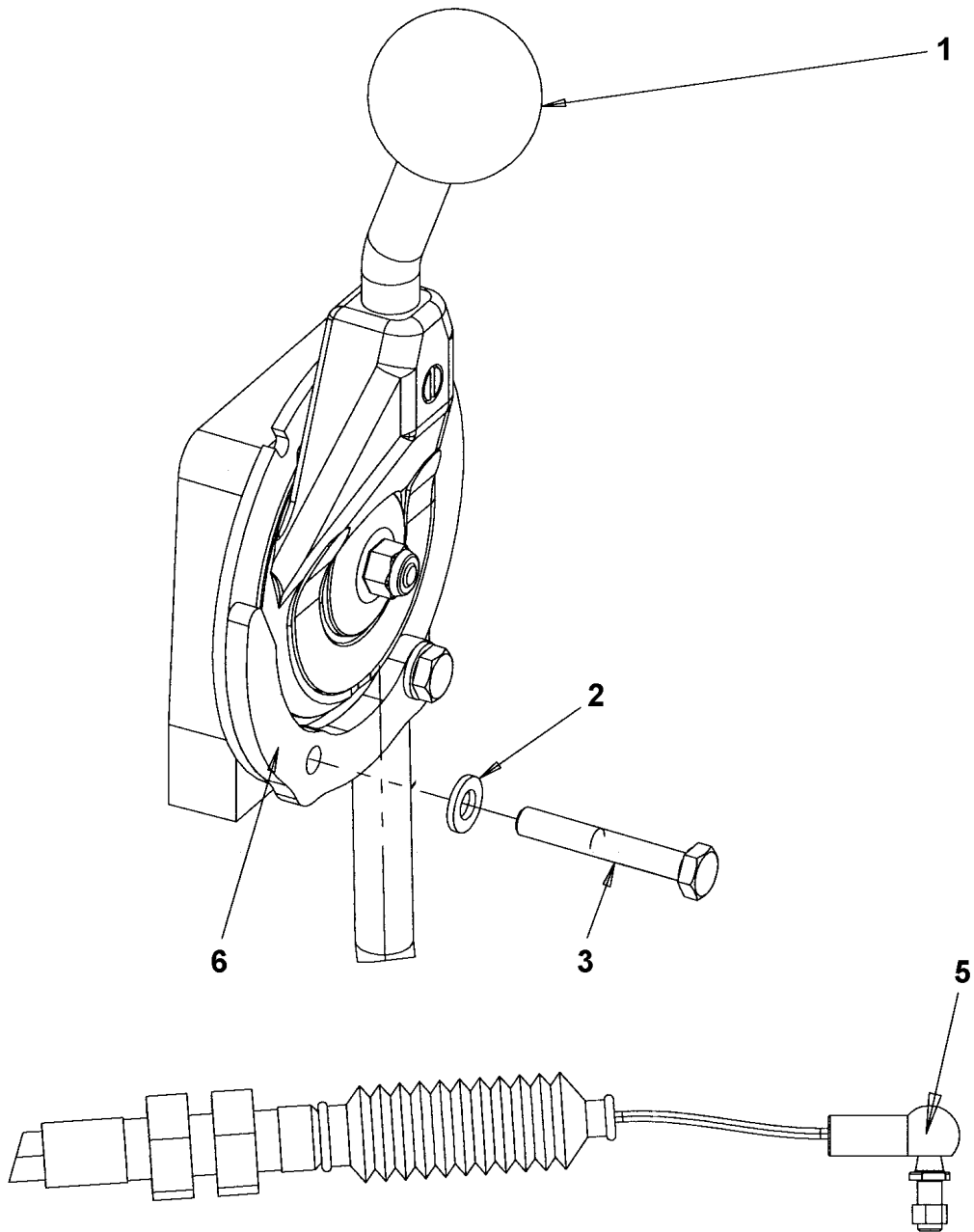
Forward-Reverse control module From A015765 Forward-Reverse Control module, Dual lever (option)

Refer to Parts Online for the most up to date information. The printed information might be outdated.

Thu Apr 21 05:53:29 MDT 2016

Item	Part No.	Name	Qty	L	SN INFO
1	4812121385	Forward and reverse control handle	1		
2	4812121207	Bracket	1		
3	4700791926	Y-bearing unit	1		
4	4700346420	Coupling	1		
5	4700904230	Washer 10.5x22x2 mm 300 HV	4		
6	4700500031	Screw	2		
7	4700586018	Lock nut, M10	2		
8	4700904229	Steel plain washer 8.4X16X1.5	2		
9	4700500022	Screw	2		
10	4700904228	Washer 6.4x12x1.5 mm 300 HV	4		
11	4700791524	Screw, M6 x 20 mm A2-70	4		
12	4812122939	Forward and reverse control handle	1		
13	4812121206	Bracket	1		
14	4812117990	Bracket	1		
15	4812121379	Cover plate	1		
16	4700904229	Steel plain washer 8.4X16X1.5	2		
17	4700500053	Screw, M8x20 mm 8.8 A2K	2		
18	4700904228	Washer 6.4x12x1.5 mm 300 HV	6		
19	4700791524	Screw, M6 x 20 mm A2-70	6		

Drivers platform Throttle control, cpl



Refer to Parts Online for the most up to date information. The printed information might be outdated.

Thu Apr 21 05:53:30 MDT 2016

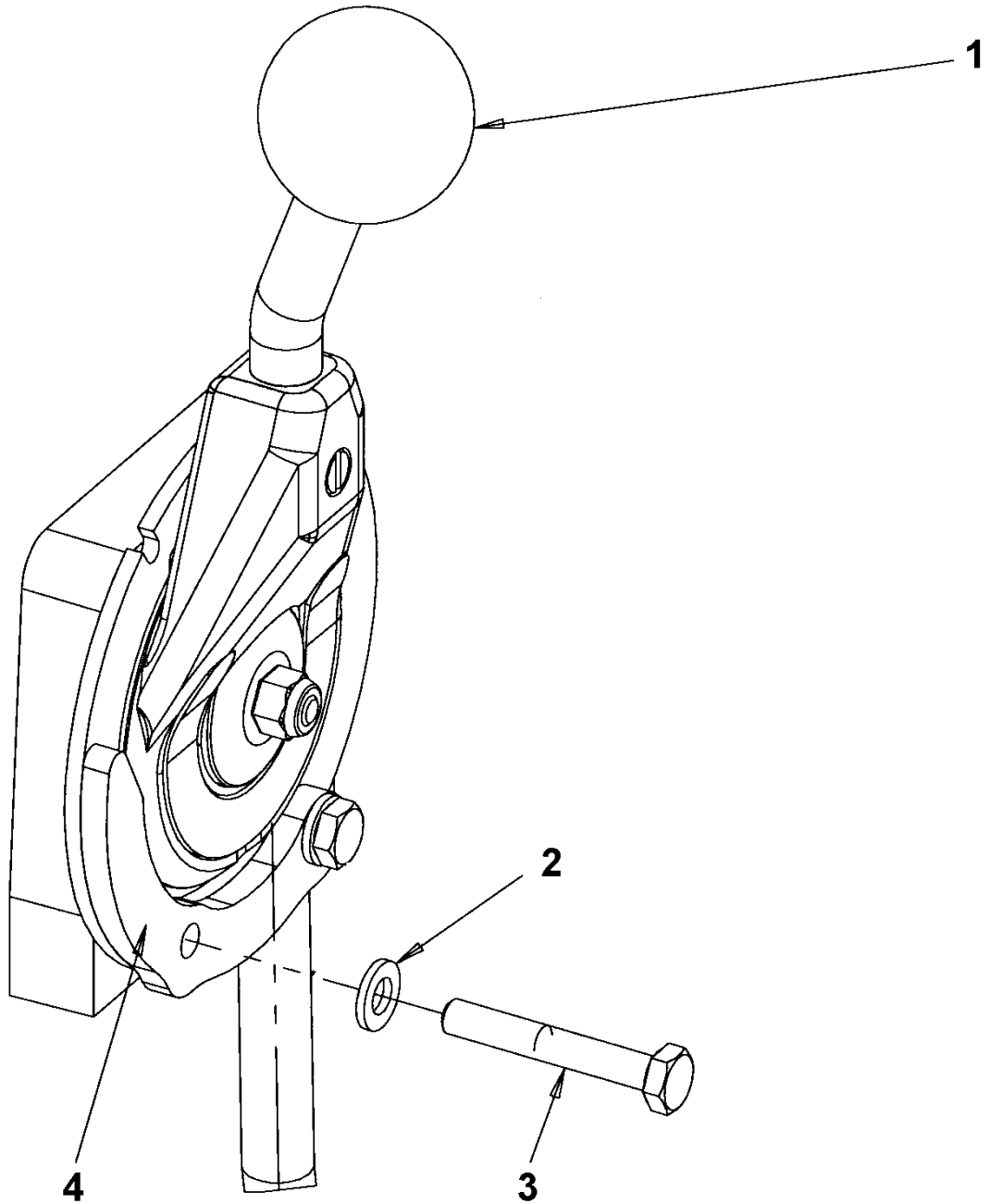
Item	Part No.	Name	Qty	L	SN INFO
1	4812113165	Throttle control	1		
1	4812113164	Cable	1	A	
1	4700389177	Snap plate	1		
1	4700382349	Bellows	1		
1	-	Connection	1		
1	4700396215	Control	1		
2	4700904228	Washer 6.4x12x1.5 mm 300 HV	2		
3	4700500088	Screw M6x40	2		
5	4700416034	Universal joint, M6	1		
6	4812115865	Stop plate	1		

Comments for Page: Throttle control, cpl

(L)OCAL REMARKS

A | en_US | L = 2,23 m

Throttle control cpl - Dual frequency To A014939 Throttle control cpl, Dual frequency



Refer to Parts Online for the most up to date information. The printed information might be outdated.

Thu Apr 21 05:53:31 MDT 2016

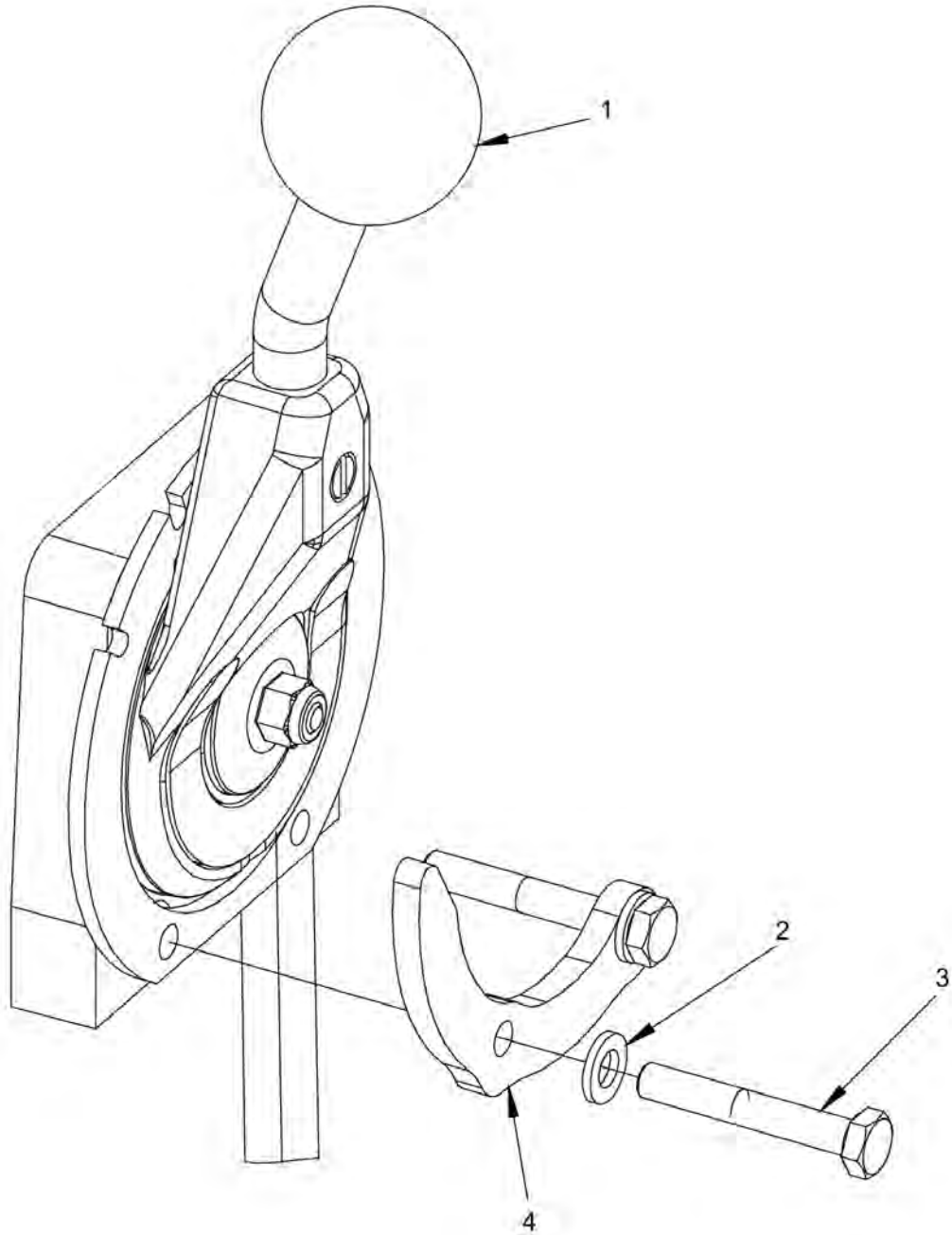
Item	Part No.	Name	Qty	L	SN INFO
1	4812113166	Throttle control	1		
1	4812113164	Cable	1	A	
1	4812113937	Snap plate	1		
1	4700382349	Bellows	1		
1	-	Connection	1		
1	4700396215	Control	1		
2	4700904228	Washer 6.4x12x1.5 mm 300 HV	2		
3	4700500088	Screw M6x40	2		
4	4812115865	Stop plate	1		

Comments for Page: Throttle control cpl, Dual frequency

(L)OCAL REMARKS

A | en_US | L = 2,23 m

Throttle control cpl - Dual frequency From A014940 Throttle control cpl, Dual frequency (option)



Refer to Parts Online for the most up to date information. The printed information might be outdated.

Thu Apr 21 05:53:34 MDT 2016

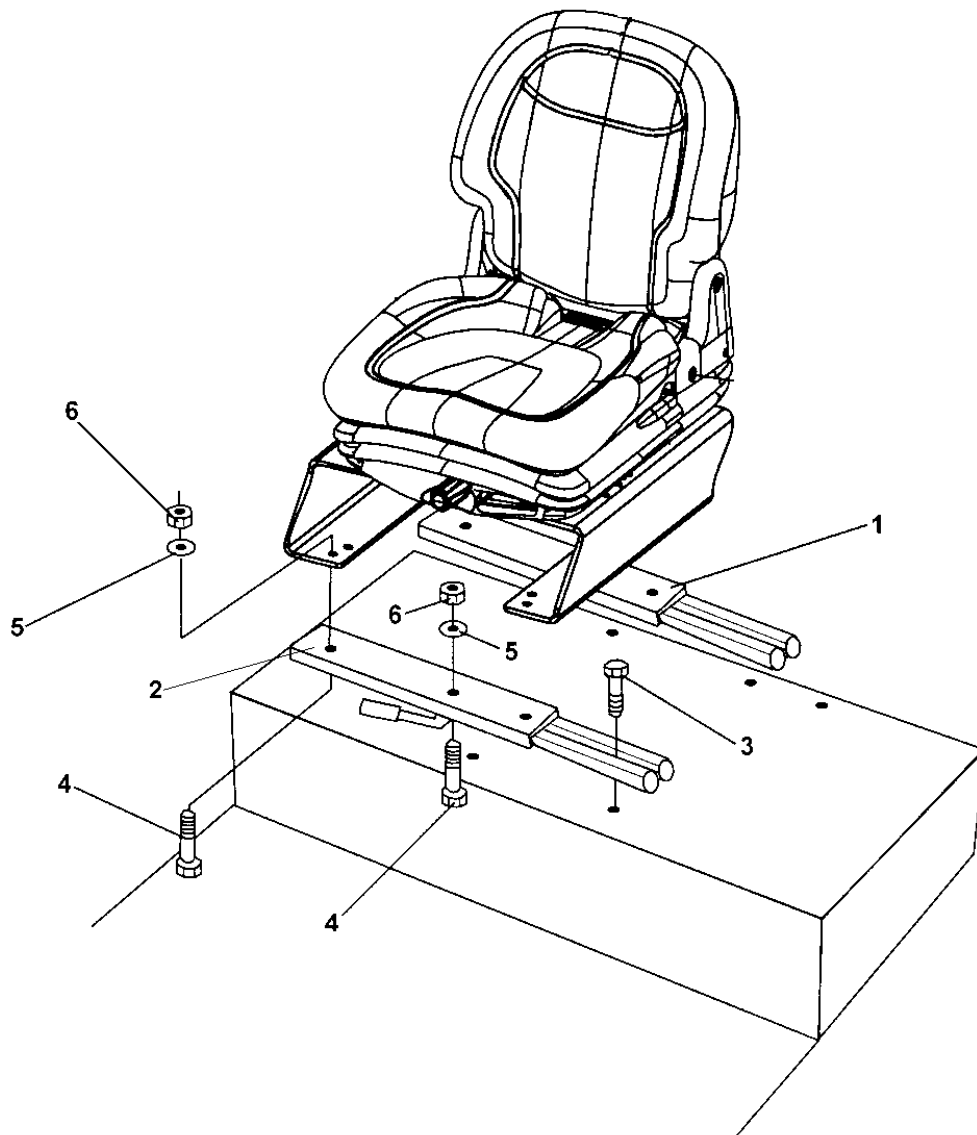
Item	Part No.	Name	Qty	L	SN INFO
1	4812121703	Throttle control	1		
1	4812113164	Cable	1	A	
1	4700389187	Snap plate	1		
1	4700382349	Bellows	1		
1	-	Connection	1		
1	4700396215	Control	1		
2	4700904228	Washer 6.4x12x1.5 mm 300 HV	2		
3	4700500088	Screw M6x40	2		
4	4812115865	Stop plate	1		

Comments for Page: Throttle control cpl, Dual frequency (option)

(L)OCAL REMARKS

A | en_US | L = 2,23 m

Drivers platform Seat laterally adjusting



Refer to Parts Online for the most up to date information. The printed information might be outdated.

Thu Apr 21 05:53:35 MDT 2016

Item	Part No.	Name	Qty	L	SN INFO
1	4700909536	Sliding rail	1	A	
2	4700909535	Sliding rail	1	B	
3	4700508092	Screw	10		
4	4700500020	Hex. screw	4		
5	4700904229	Steel plain washer 8.4X16X1.5	6		
6	4700586003	Nut, M8	4		

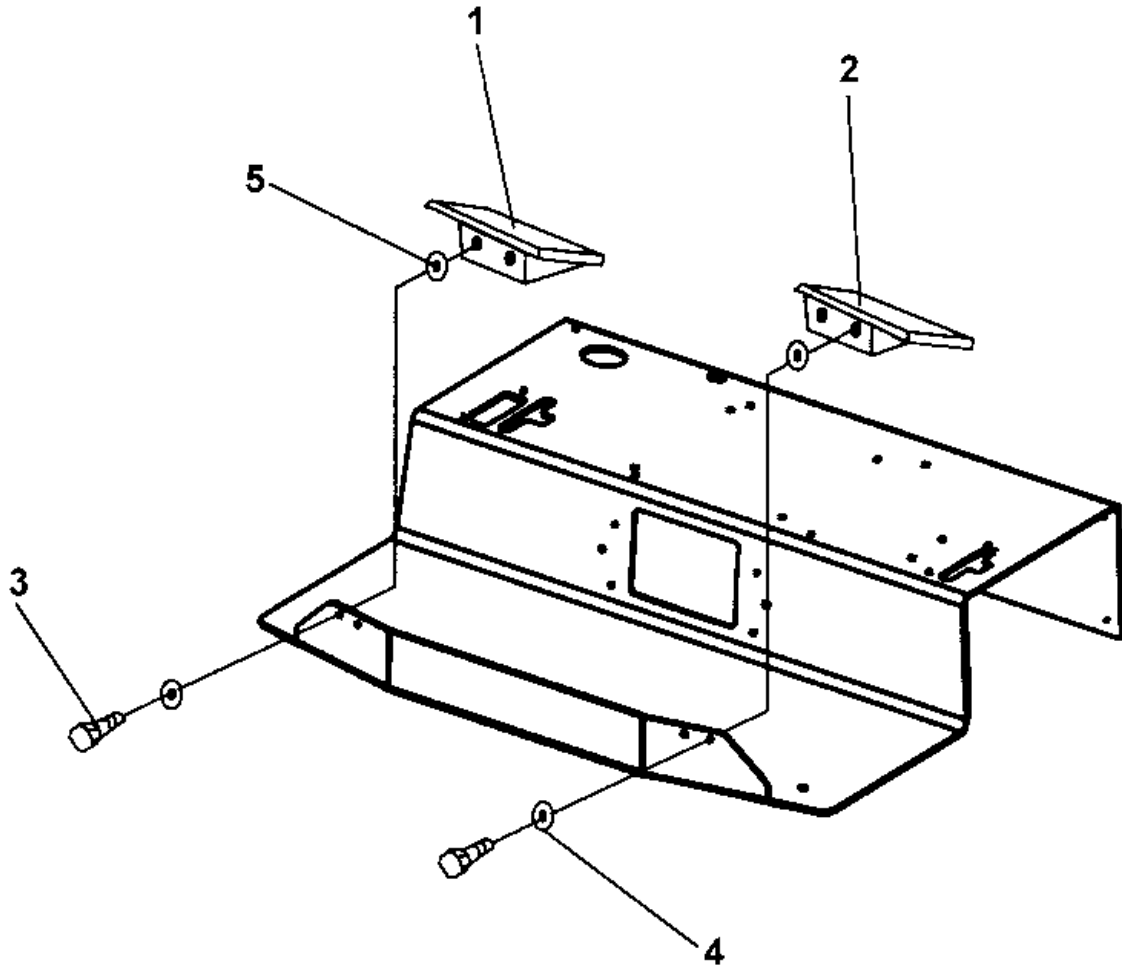
Comments for Page: Seat laterally adjusting

(L)OCAL REMARKS

A | en_US | Rear

B | en_US | Front

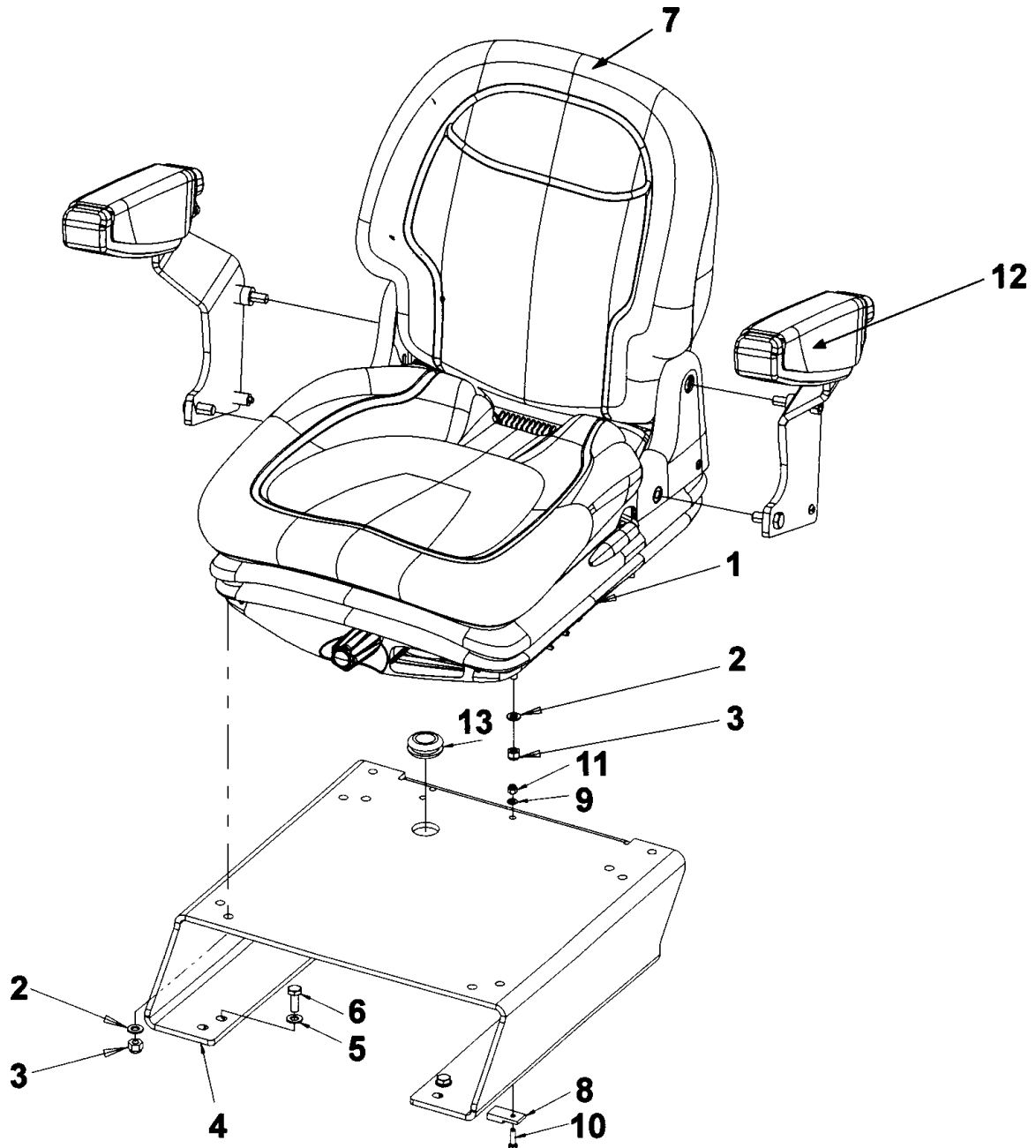
Drivers platform Step (option)



Refer to Parts Online for the most up to date information. The printed information might be outdated.

Thu Apr 21 05:53:37 MDT 2016

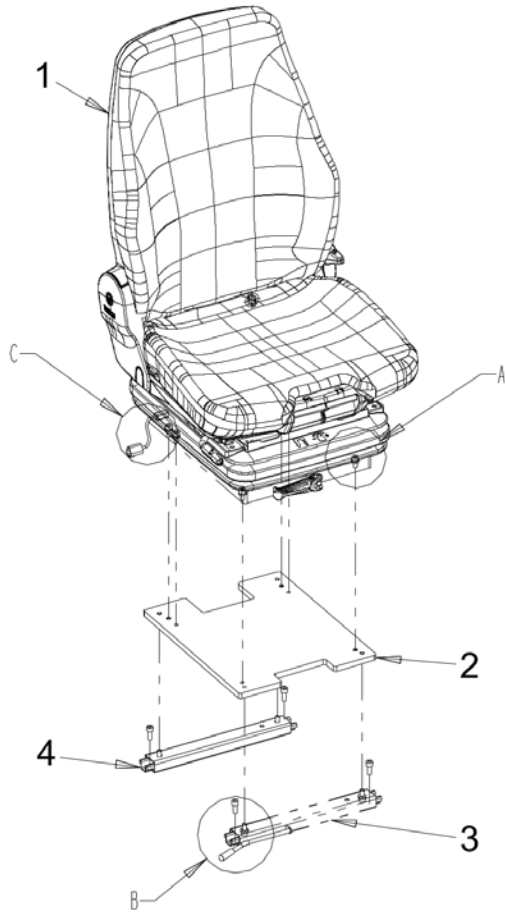
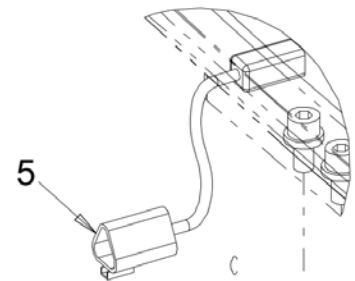
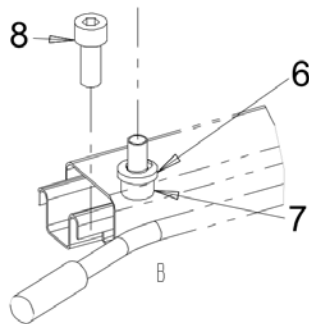
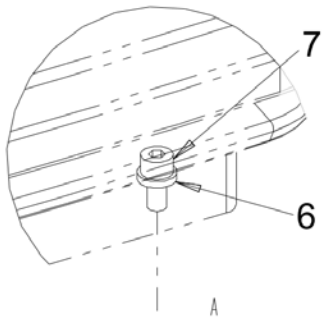
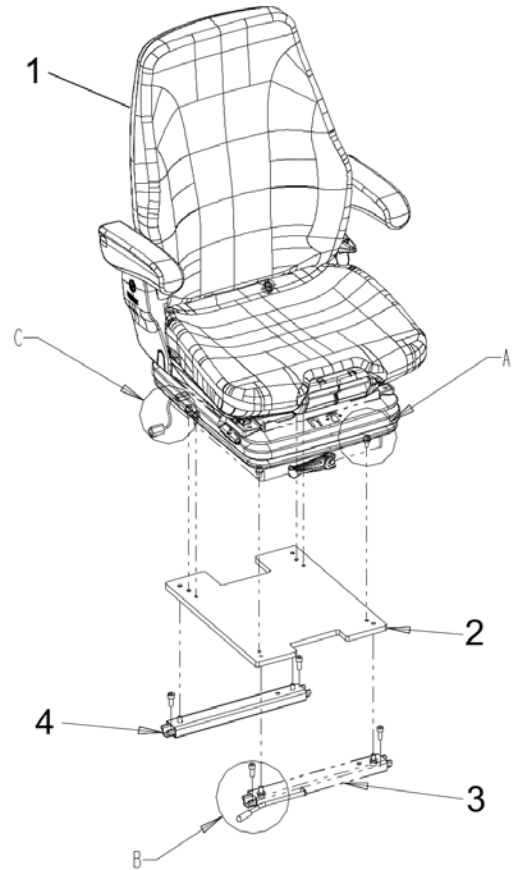
Item	Part No.	Name	Qty	L	SN INFO
1	4700374132	Step	1		
2	4700374133	Step	1		
3	4700500021	Hex. screw	4		
4	4700904229	Steel plain washer 8.4X16X1.5	4		
5	4700603009	Washer, 8.4x26x5 mm	4		

Drivers platform Driver seat, Std

Refer to Parts Online for the most up to date information. The printed information might be outdated.

Thu Apr 21 05:53:38 MDT 2016

Item	Part No.	Name	Qty	L	SN INFO
1	4700377518	Seat, galon suspensioned	1		
1	4700945622	Seat switch	1		
1	4700945660	Seat cushion	1		
1	4700945661	Adjuster kit	1		
2	4700904229	Steel plain washer 8.4X16X1.5	4		
3	4700586003	Nut, M8	4		
4	4812112669	Seat frame	1		
5	4700904229	Steel plain washer 8.4X16X1.5	4		
6	4700500020	Hex. screw	4		
7	4700348331	Seat protector	1		
8	4700904218	Holder	1		
9	4700904281	Washer, 5,3x10x1 300HV	1		
10	4700533070	Screw	1		
11	4700586001	Lock nut	1		
12	4700390963	Arm rest kit	2		
13	4700903192	Grommet	1		

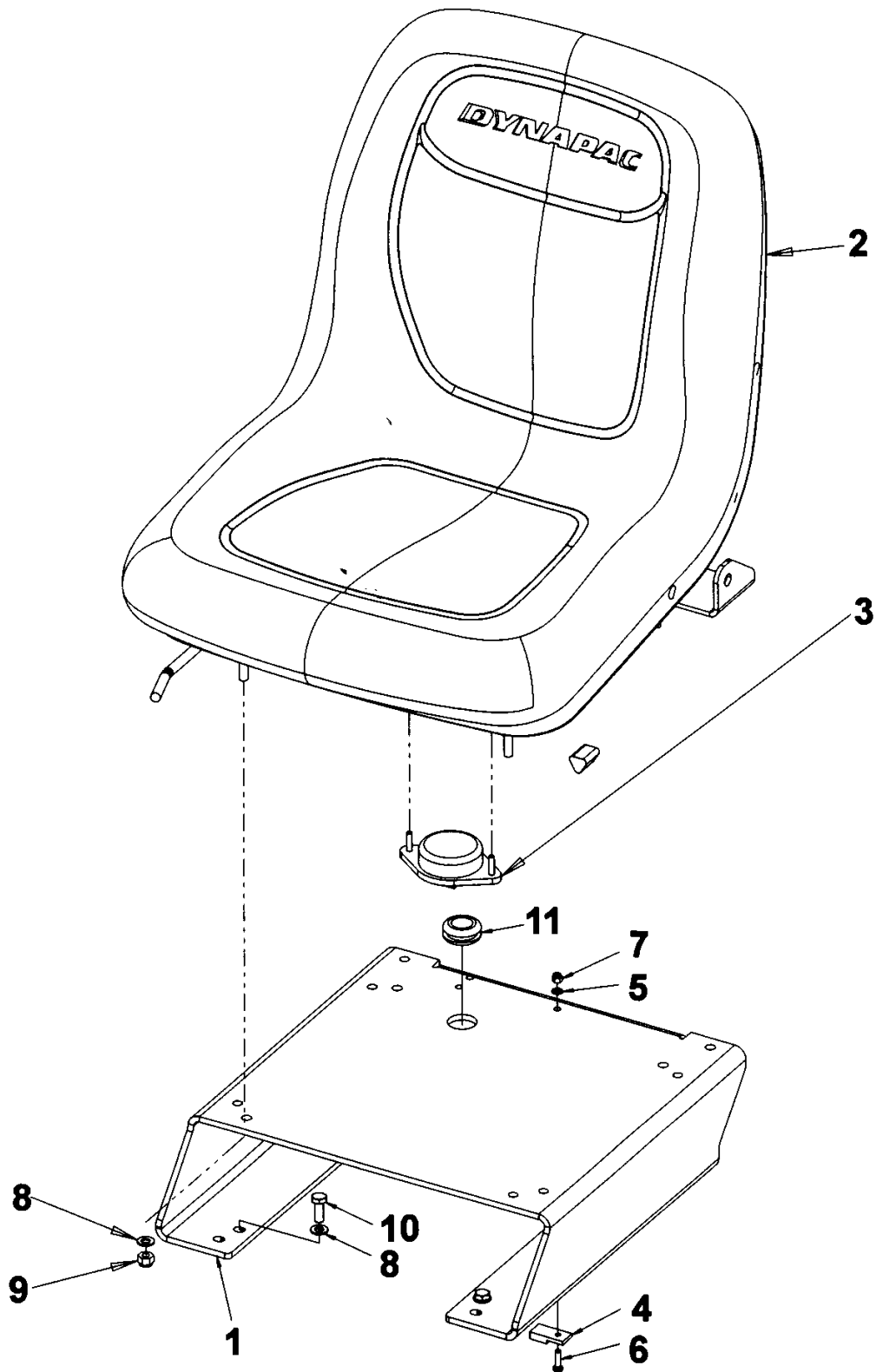
Drivers platform Driver seat, Luxury (option)**A****B**

Refer to Parts Online for the most up to date information. The printed information might be outdated.

Thu Apr 21 05:53:39 MDT 2016

Item	Part No.	Name	Qty	L	SN INFO
1	4812114975	Driver seat (without armrests)	1		
1	4700381750	Drivers seat (with armrests)	1		
1	4812160157	Armrest, right	1		
1	4812160158	Armrest, left	1		
1	4700938740	Seat switch	1		
2	4700382237	Bracket	1		
3	4700909535	Sliding rail	1		
4	4700909536	Sliding rail	1		
5	4812115001	Cable harness	1		
6	4700904556	Steel plain washer	10		
7	4700508005	Screw	10		
8	4700508092	Screw	4		
9	4700386075	Seat protection	1		

Drivers platform Driver's seat, without armrests



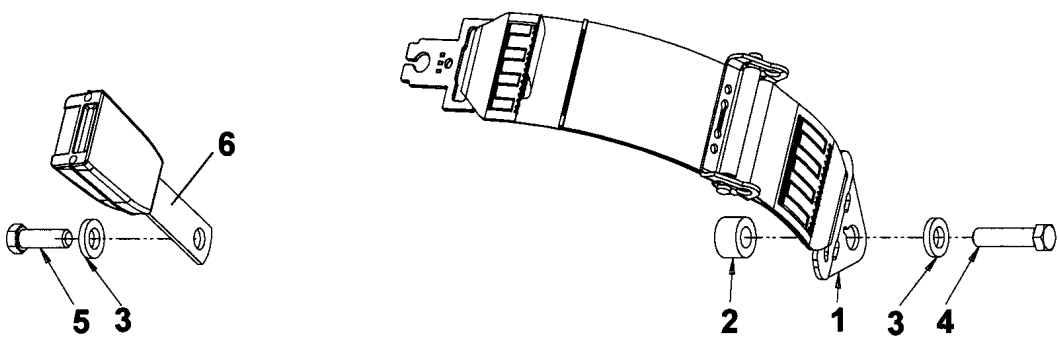
Refer to Parts Online for the most up to date information. The printed information might be outdated.

Thu Apr 21 05:53:39 MDT 2016

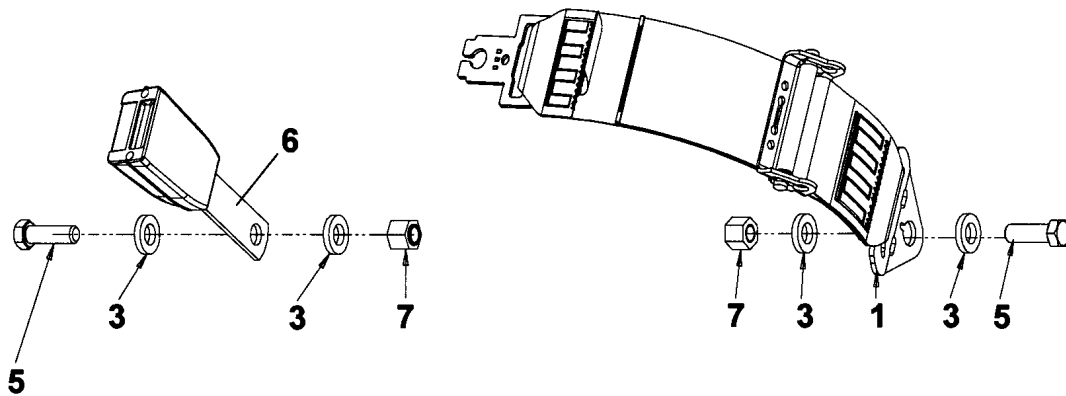
Item	Part No.	Name	Qty	L	SN INFO
1	4812112669	Seat frame	1		
2	4812114466	Drivers seat, cpl	1		
3	4700379636	Seat switch	1		
4	4700904218	Holder	1		
5	4700904281	Washer, 5,3x10x1 300HV	1		
6	4700533070	Screw	1		
7	4700586001	Lock nut	1		
8	4700904229	Steel plain washer 8.4X16X1.5	8		
9	4700586003	Nut, M8	4		
10	4700500020	Hex. screw	4		
11	4700903192	Grommet	1		

Drivers platform Seat belt module 3"

For seat 4700377518



For seat 4812114466



Item	Part No.	Name	Qty	L	SN INFO
1	4812117923	Seat belt	1		
2	4700791572	Spacer washer	1		
3	4700904703	Plain washer 13x24x4 mm	4		
4	4700792527	Screw	1	A	
5	4700928347	Hexagon screw	1	A, B	
6	4812117924	Buckle	1		
7	4700586020	Lock nut	2		

Comments for Page: Seat belt module 3"

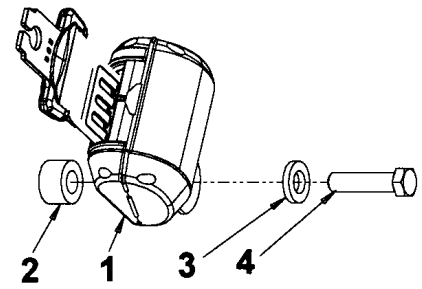
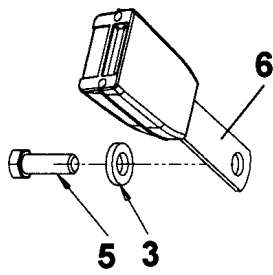
(L)OCAL REMARKS

A | en_US | Used with seat 4700377518.

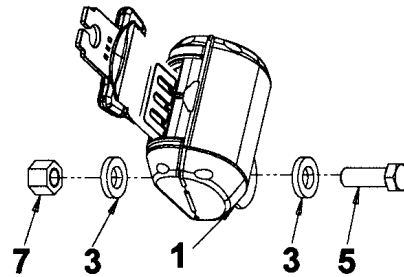
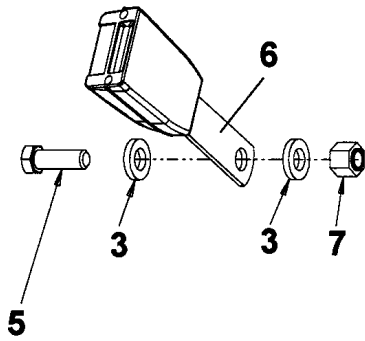
B | en_US | Used with seat 4812114466.

Drivers platform Seat belt module 2"

For seat 4700377518



For seat 4812114466



Item	Part No.	Name	Qty	L	SN INFO
1	4812117922	Seat belt 2"	1		
2	4700791572	Spacer washer	1		
3	4700904703	Plain washer 13x24x4 mm	4		
4	4700792527	Screw	1	A	
5	4700928347	Hexagon screw	1	A, B	
6	4812117924	Buckle	1		
7	4700586020	Lock nut	2		

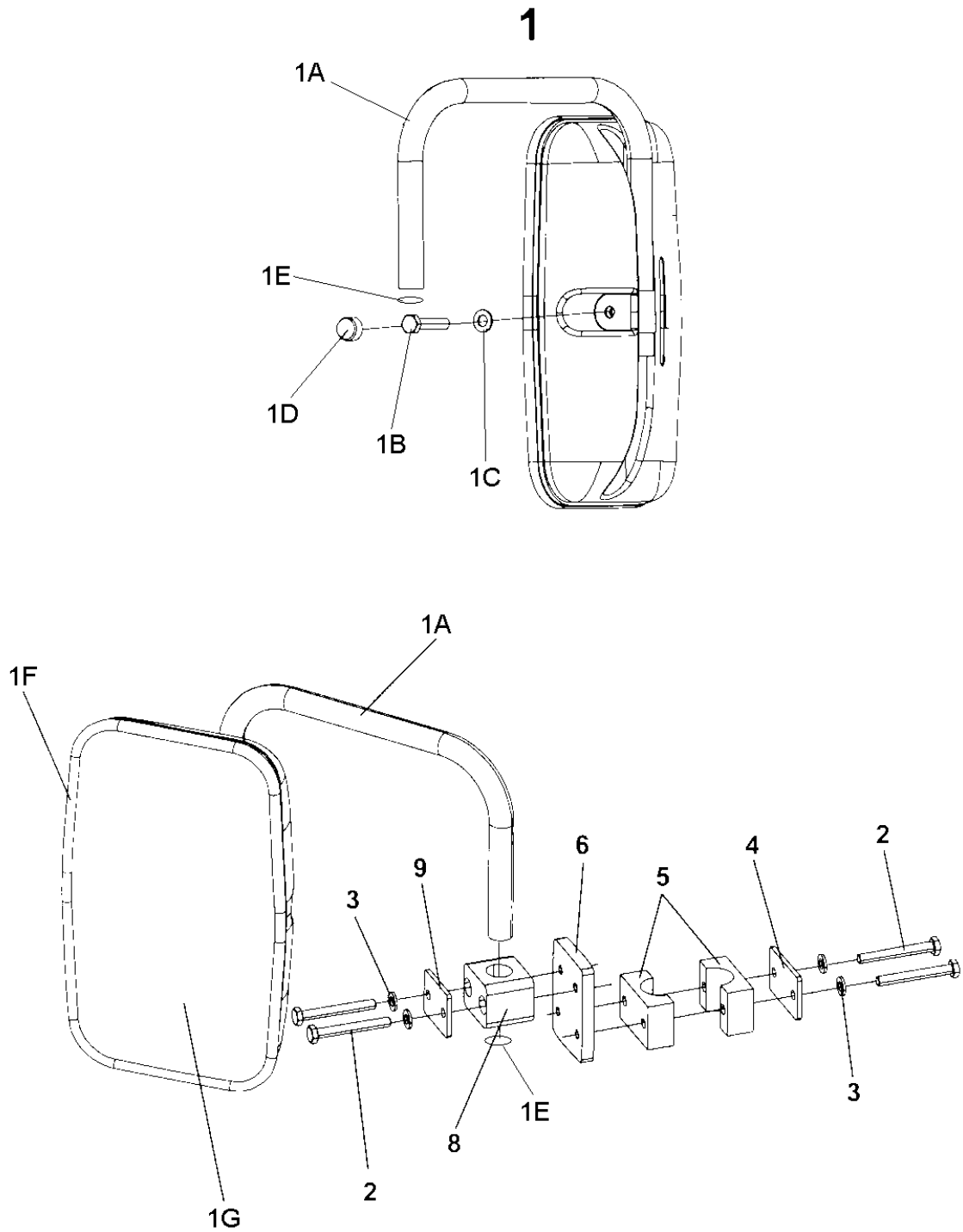
Comments for Page: Seat belt module 2"

(L)OCAL REMARKS

A | en_US | Used with seat 4700377518

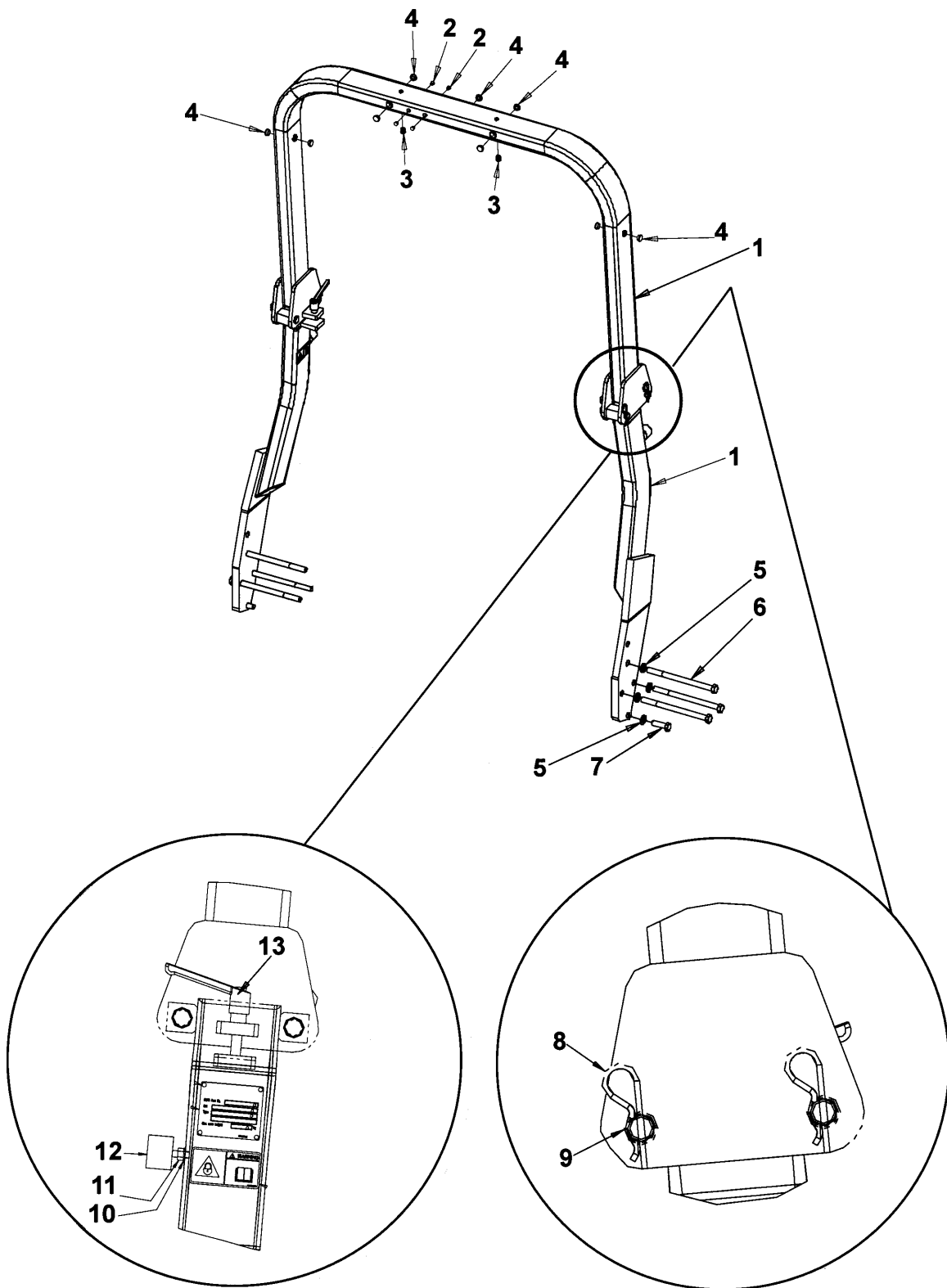
B | en_US | Used with seat 4812114466

Drivers platform Rear view mirror (option)



Item	Part No.	Name	Qty	L	SN INFO
1	4700393204	Rear mirror	1		
1-A	4700359661	Arm	1		
1-B	4700500023	Screw, M8x40 mm 8.8 A2K	1		
1-C	4700904229	Steel plain washer 8.4X16X1.5	1		
1-D	4700904203	Nut protection	1		
1-E	4700900519	Plug	2		
1-F	4700393206	Edge trim	1		
1-G	4700903722	Mirror glass	1		
2	4700500079	Screw M6-1x50 8,8	4		
3	4700904228	Washer 6.4x12x1.5 mm 300 HV	4		
4	4700923859	Cover plate	1		
5	4700902496	Clamp	1		
6	4812110283	Bracket	1		
8	4700791453	Pipe clamp block	1		
9	4700791454	Cover plate	1		

Drivers platform ROPS, foldable



Refer to Parts Online for the most up to date information. The printed information might be outdated.

Thu Apr 21 05:53:45 MDT 2016

Item	Part No.	Name	Qty	L	SN INFO
1	-	Rops lower part	1	A, B	
1	-	Rops upper part	1	A, B	
2	4700900986	Plug	4		
3	4700902203	Plug	3		
4	4700791396	Protective plug	8		
5	-	n/a on this model	1		
6	4700903634	Screw	6		
7	-	n/a on this model	1		
8	4700635061	Hair clip	4		
9	4700374009	Shaft	4		
10	4700904229	Steel plain washer 8.4X16X1.5	2		
11	4700570005	Hexagon nut	2		
12	4700288357	Shock absorber	2		
13	4700904429	Lock handle	2		

Comments for Page: ROPS, foldable

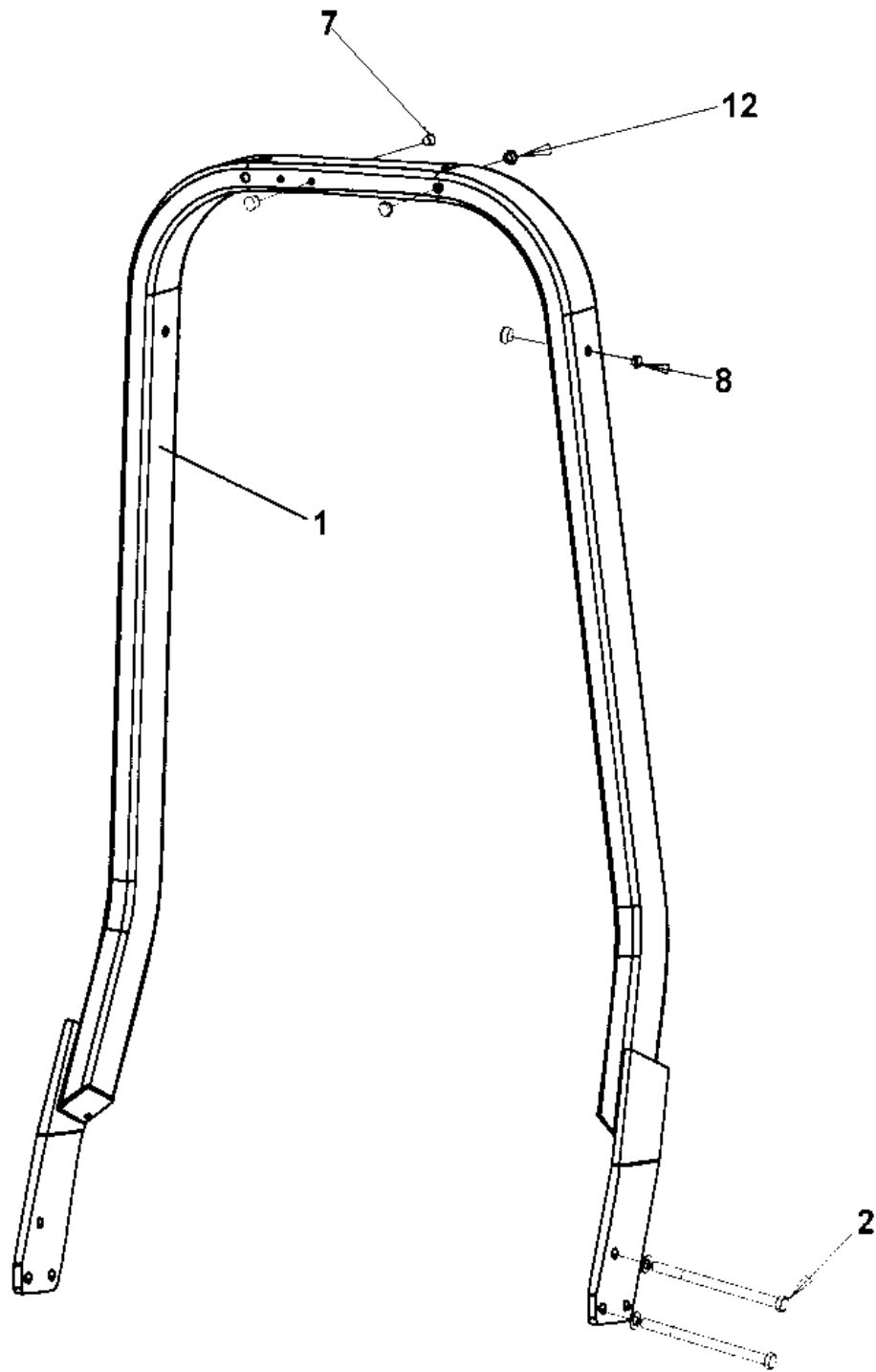
(L)OCAL REMARKS

A | en_US | Not sold separately due to safety regulations

B | en_US | Only available as a complete ROPS kit; please check the machine SN.

Please contact your local OEM representative (Dealer / Customer Center / Product Company) for valid PN.

Drivers platform Rops (option)



Refer to Parts Online for the most up to date information. The printed information might be outdated.

Thu Apr 21 05:53:46 MDT 2016

Item	Part No.	Name	Qty	L	SN INFO
1	-	ROPS	1	A, B	
2	4700903634	Screw	6		
7	4700900986	Plug	4		
8	4700902203	Plug	5		
12	4700791396	Protective plug	8		

Comments for Page: Rops (option)

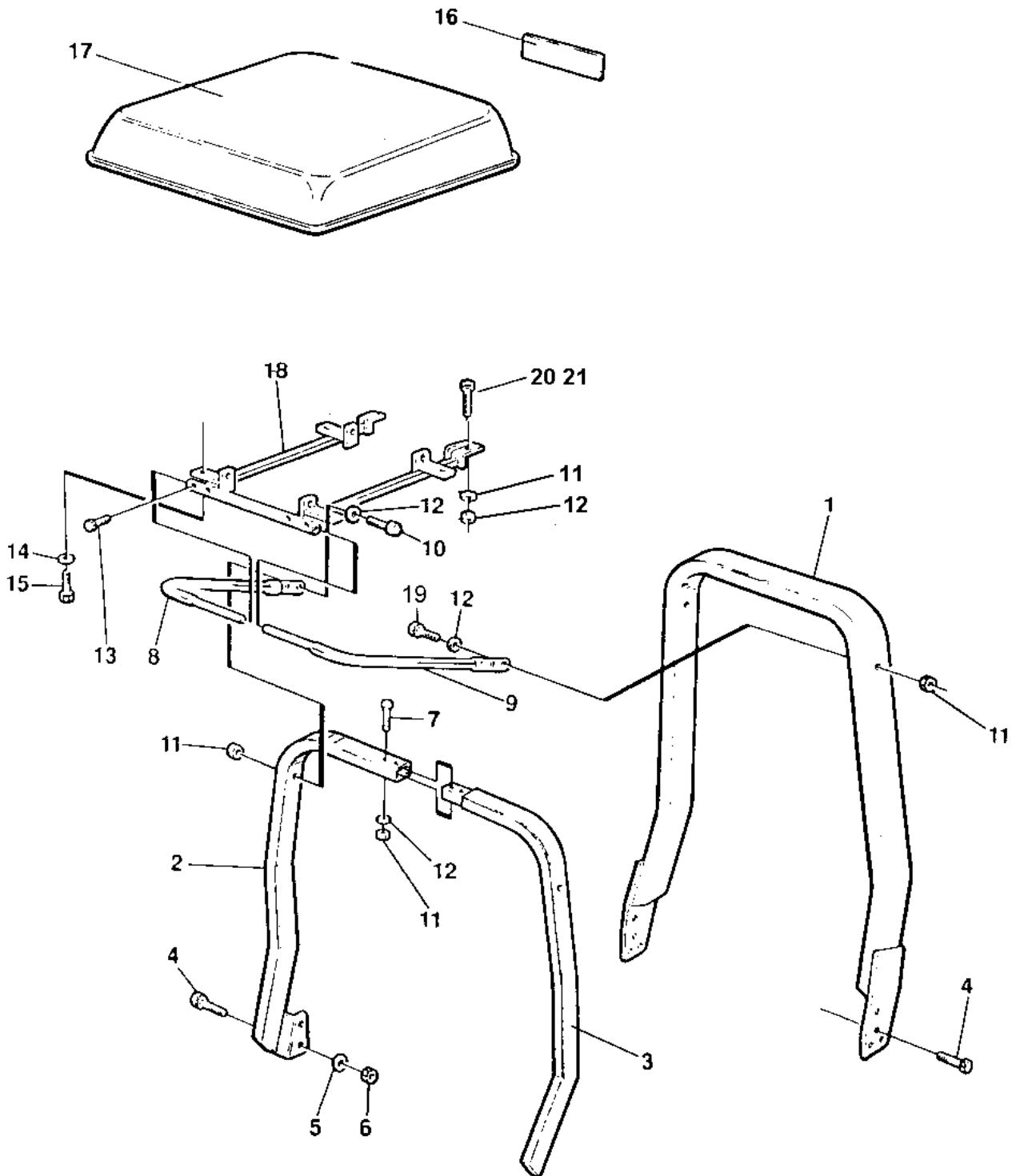
(L)OCAL REMARKS

A | en_US | Not sold separately due to safety regulations

B | en_US | Only available as a complete ROPS kit; please check the machine SN.

Please contact your local OEM representative (Dealer / Customer Center / Product Company) for valid PN.

Drivers platform Canopy (option)



Refer to Parts Online for the most up to date information. The printed information might be outdated.

Thu Apr 21 05:53:47 MDT 2016

Item	Part No.	Name	Qty	L	SN INFO
1	-	ROPS		1	
2	4700358801	Frame	1	A	
3	4700358802	Frame	1	B	
4	4700500030	Hexagon head screw M	4		
5	4700600008	Washer	6		
6	4700586018	Lock nut, M10	2		
7	4700500195	Screw	2		
8	4700358789	Frame	1	A	
9	4700358790	Frame	1	B	
11	4700586019	Lock nut, M12	4	2	
12	4700904231	Steel plain washer, 13x24x2 mm 300 HV	6	2	
13	4700516042	Screw	4		
14	4700904229	Steel plain washer 8.4X16X1.5	4		
15	4700500021	Hex. screw	4		
16	4700904094	Decal "DYNAPAC" L=670 mm	1		
17	4700358782	Canopy	1		
18	4700358783	Frame	1		
19	4700500071	Screw	4	2	
20	4700904703	Plain washer 13x24x4 mm	2		
21	4700500196	Screw M12-1,75x80 8.8	2		

Comments for Page: Canopy (option)

(L)OCAL REMARKS

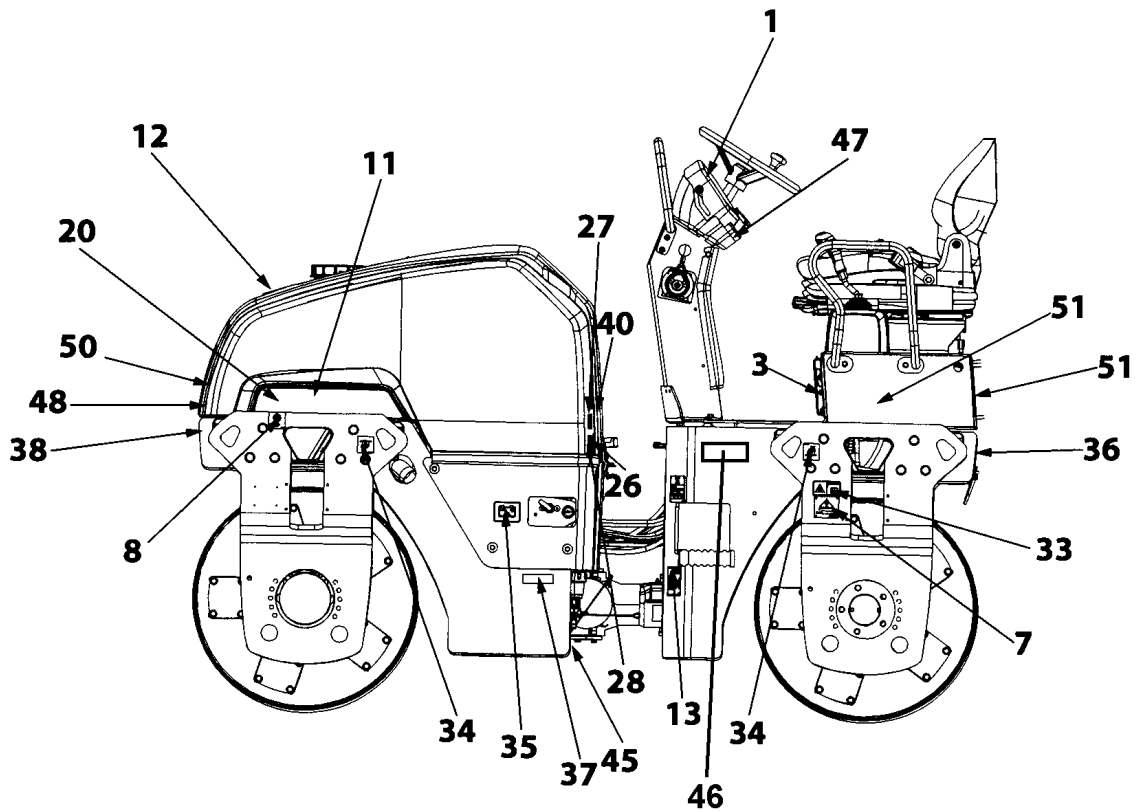
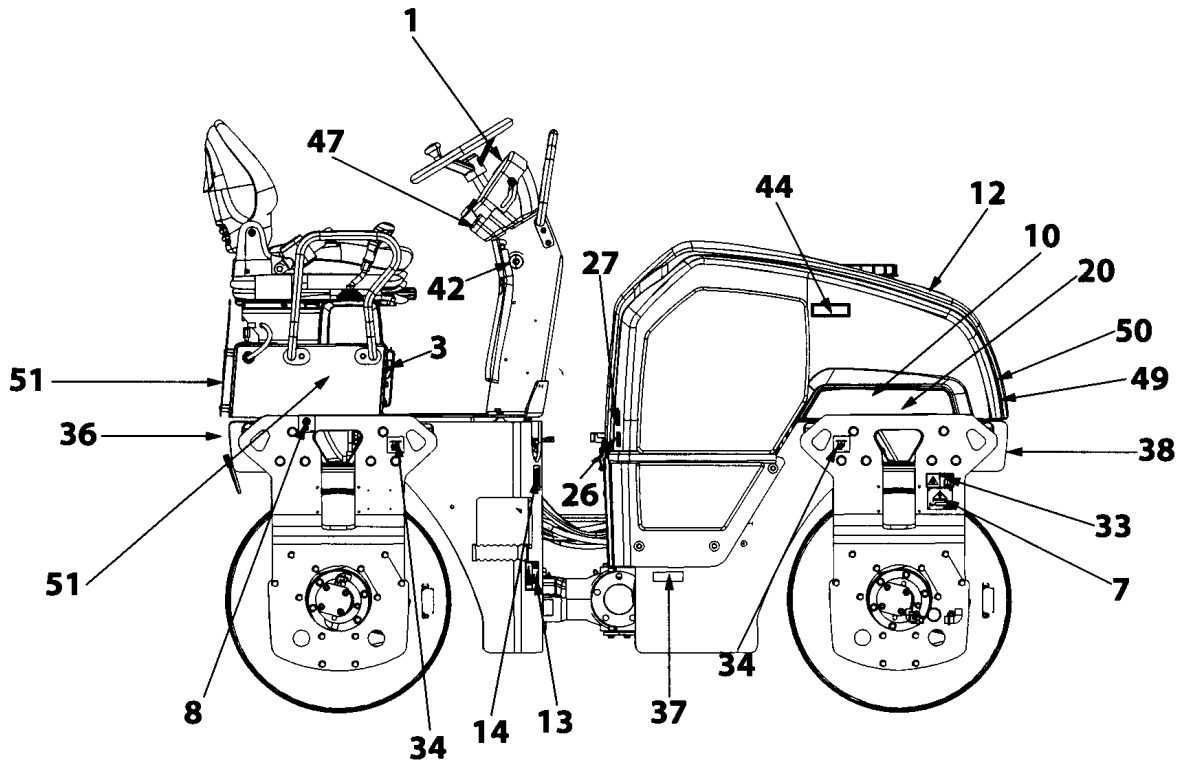
A | en_US | Right

B | en_US | Left

1 | en_US | Rops, see section " Rops "

2 | en_US | Canopy for rops

Decals Decals



Refer to Parts Online for the most up to date information. The printed information might be outdated.

Thu Apr 21 05:53:49 MDT 2016

Item	Part No.	Name	Qty	L	SN INFO
1	4700903459	Decal "SAFETY"	1		
3	4700903425	Safety decal "READ SAFETY INSTRUCTIONS"	1		
7	4700904870	Lifting data plate	2		
8	4700357587	Label lifting point	2		
10	4812120127	Decal "COMPACTING ROCKS" Right side	1		
11	4812120313	Decal "COMPACTING ROCKS" Left side	1		
12	4700991657	Decal "WATER"	1		
13	4700903422	Safety decal "CRUSH AREA"	2		
14	4700991658	Decal "FUEL"	1		
20	4812120109	Decal "MODEL CODE" CC1200	2		
26	4700903423	Safety label, Rotating engine components	2		
27	4700903424	Safety label, hot surfaces	2		
28	4700272372	Decal "HYDRAULIC OIL"	1		
33	4700908229	Safety decal	2		
34	4700382751	Decal "SECURING POINT/TIE DOWN"	4		
35	4700904835	Decal "BATTERY POWER"	1		
36	4700377742	Reflector, red	2		
37	4700377744	Reflector, yellow	2		
38	4700377743	Reflector, white	2		
40	4700791274	Decal "Sound power level" 104 dB	1		
42	4811000128	Contrast plate, yellow	1		
45	4700272373	Label, hydraulic oil level	1		
47	4812115918	Decal "Starting instruction"	1		
48	4700904399	Decal "Risk location"	2		
49	4700904396	Decal "Risk location"	2		
50	4812120118	Decal "Atlas Copco" White	1	A	
50	4812120122	Decal "AC logotype" White, H=190	1	B	
51	4812120119	Decal "Atlas Copco" Black	1	A	
51	4812120123	Decal "Atlas Copco" Black, H=118	1	C	

Comments for Page: Decals

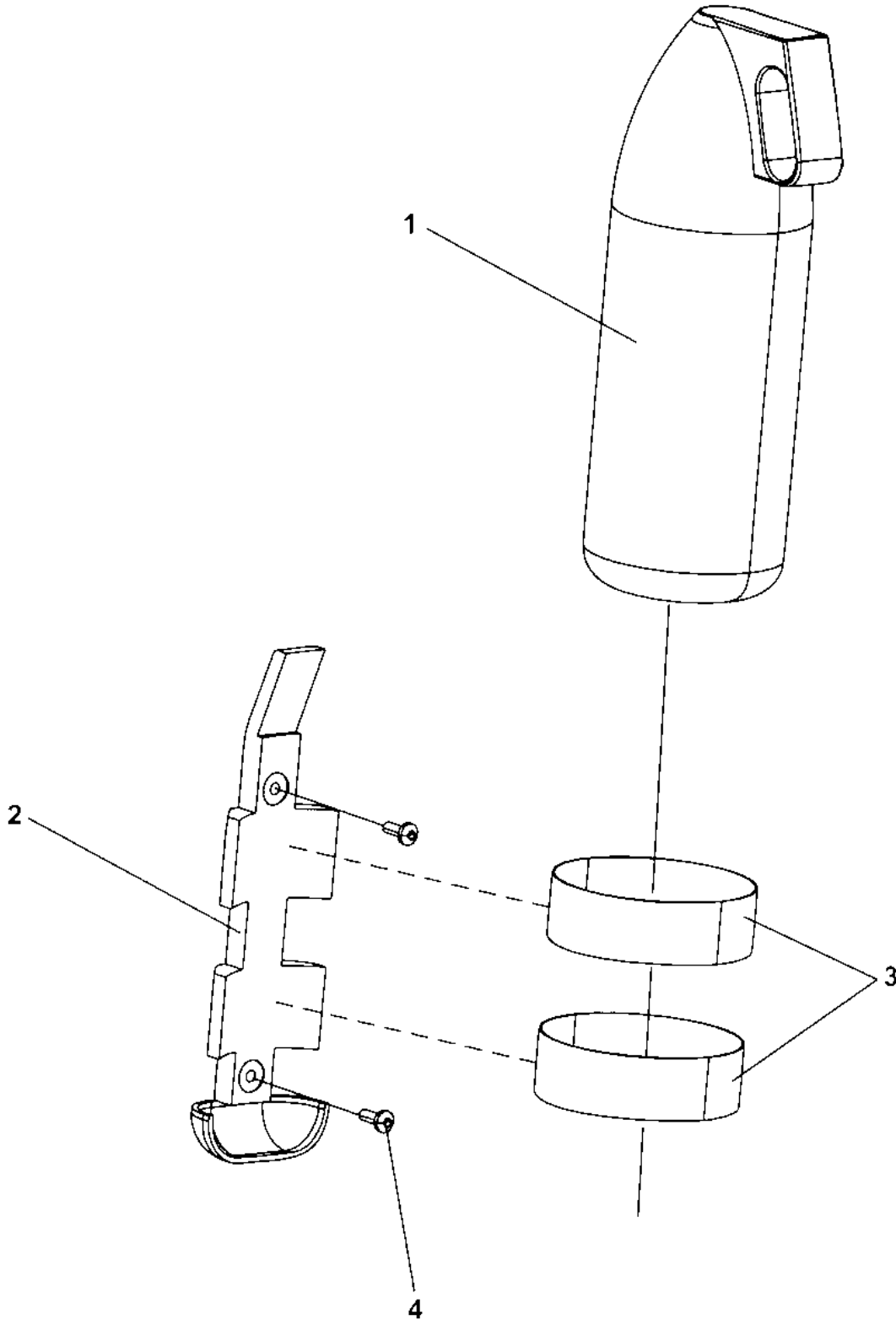
(L)OCAL REMARKS

A | H = 80 mm

B | H = 118 mm

C | H = 107 mm

Optional equipment Fire extinguisher

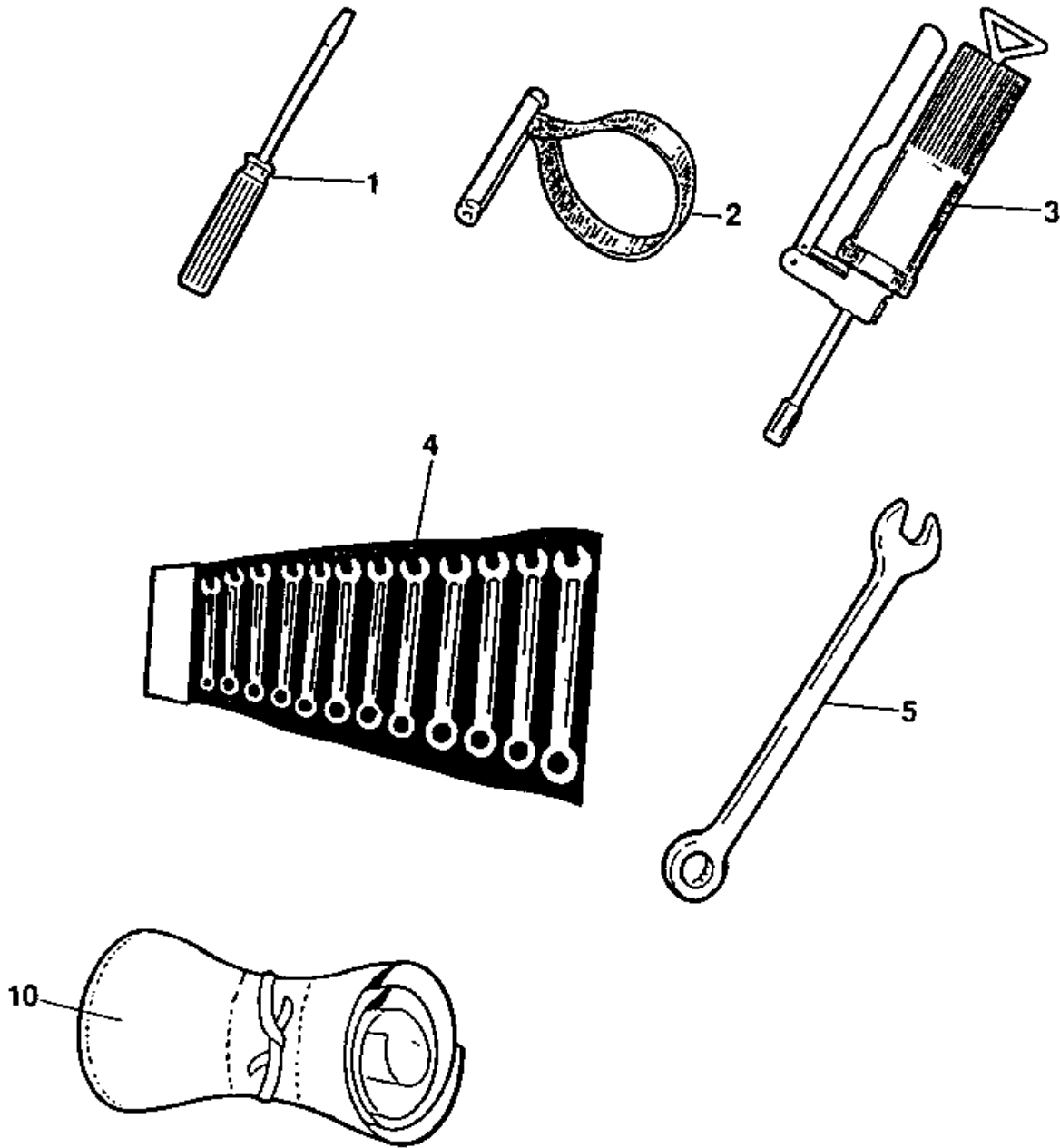


Refer to Parts Online for the most up to date information. The printed information might be outdated.

Thu Apr 21 05:53:50 MDT 2016

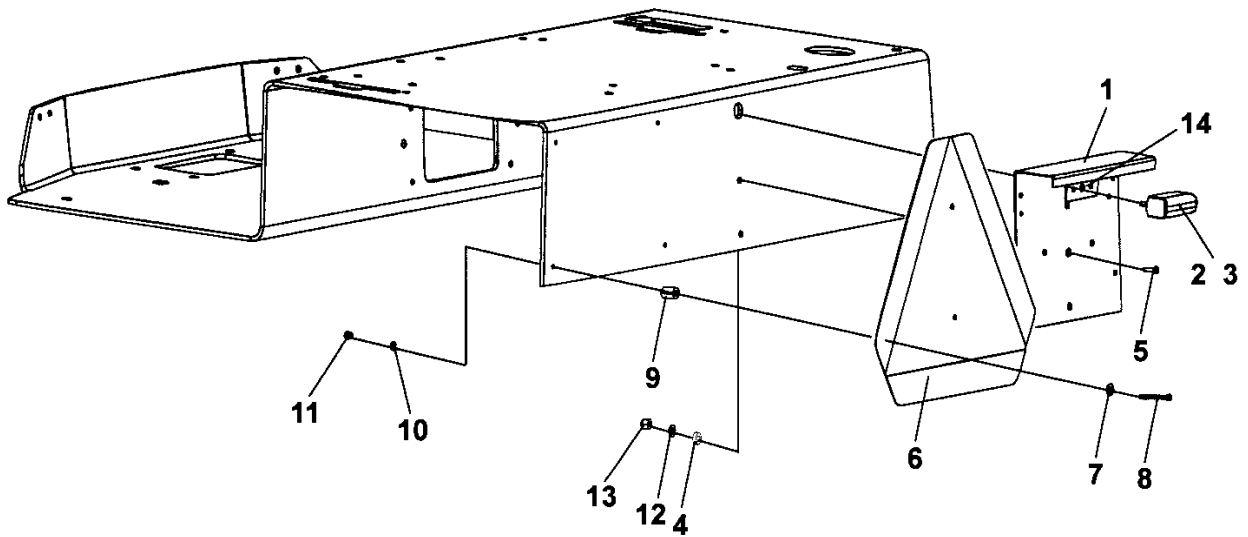
Item	Part No.	Name	Qty	L	SN INFO
1	-	Fire extinguisher	1		
2	4700378857	Holder	1		
3	4700378858	Strap	2		
4	4700792185	Screw M6x16	2		

Optional equipment Tool equipment



Item	Part No.	Name	Qty	L	SN INFO
1	4700485019	Screw driver	1		
2	4700902610	Belt pliers	1		
3	4700311016	Grease gun	1		
4	4700792137	Open end spanner 10 mm	1		
4	4700792138	Open end spanner 13 mm	1		
4	4700792139	Open end spanner 16 mm	1		
4	4700792140	Open end spanner 18 mm	1		
5	4700792141	Wrench 250 mm	1		
10	4700277992	Tool bag	1		

Optional equipment SMV-sign and Licence plate

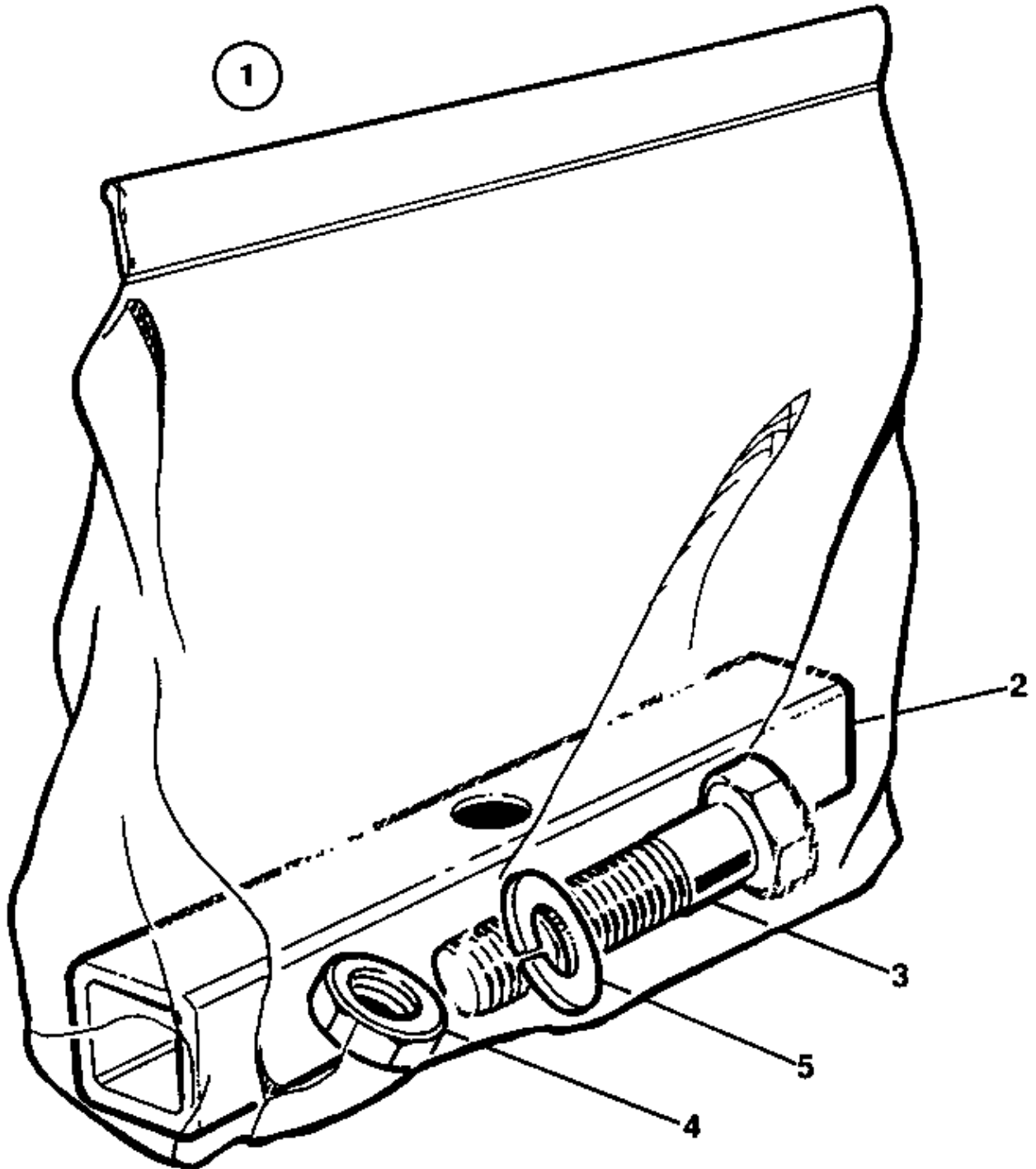


Refer to Parts Online for the most up to date information. The printed information might be outdated.

Thu Apr 21 05:53:50 MDT 2016

Item	Part No.	Name	Qty	L	SN INFO
1	4700355797	Licence plate holder	1		
2	4700929455	Licence plate light	1		
3	4700985013	Bulb 12V,5W	1		
4	4700394301	Spacer sleeve	2		
5	4700535008	Screw M5x20	2		
6	4700476019	SMV-sign	1		
7	4700601001	Washer	4		
8	4700500080	Screw	4		
9	4700355704	Spacer sleeve	4		
10	4700904281	Washer, 5,3x10x1 300HV	4		
11	4700586001	Lock nut	4		
12	4700904228	Washer 6.4x12x1.5 mm 300 HV	2		
13	4700586002	Lock nut M6 -8	2		
14	4812114665	Cable harness	1		

Optional equipment Brake release, propulsion motor Poclairn

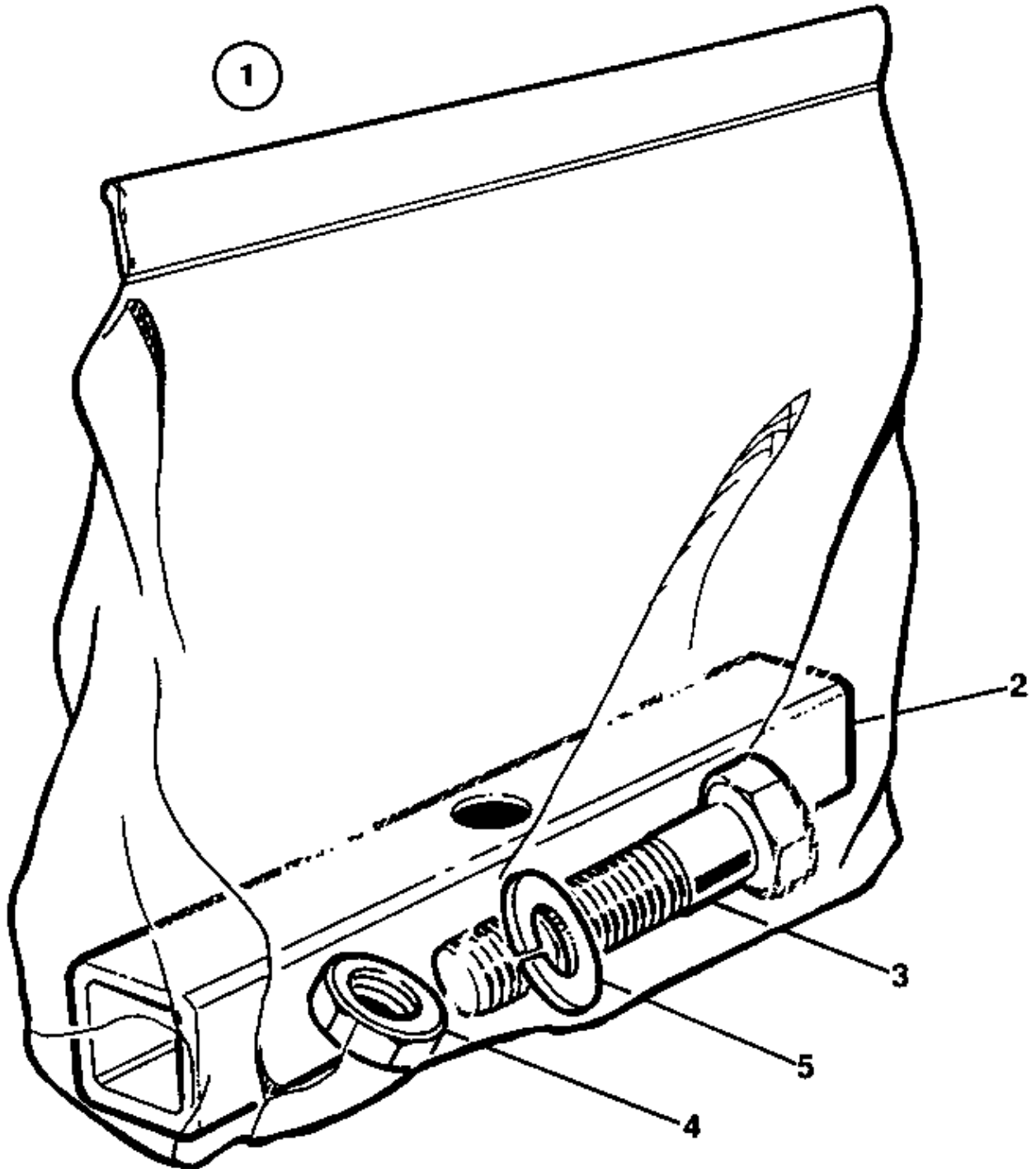


Refer to Parts Online for the most up to date information. The printed information might be outdated.

Thu Apr 21 05:53:51 MDT 2016

Item	Part No.	Name	Qty	L	SN INFO
1	4700392070	Brake release kit	1		
2	4700357892	Stirrup	2		
3	4700792550	Screw M12x100 10.9	2		
4	4700928849	Nut	2		
5	4700904213	Steel plain washer M12 13X30X4	4		

Optional equipment Brake release, "high torque" drum drive

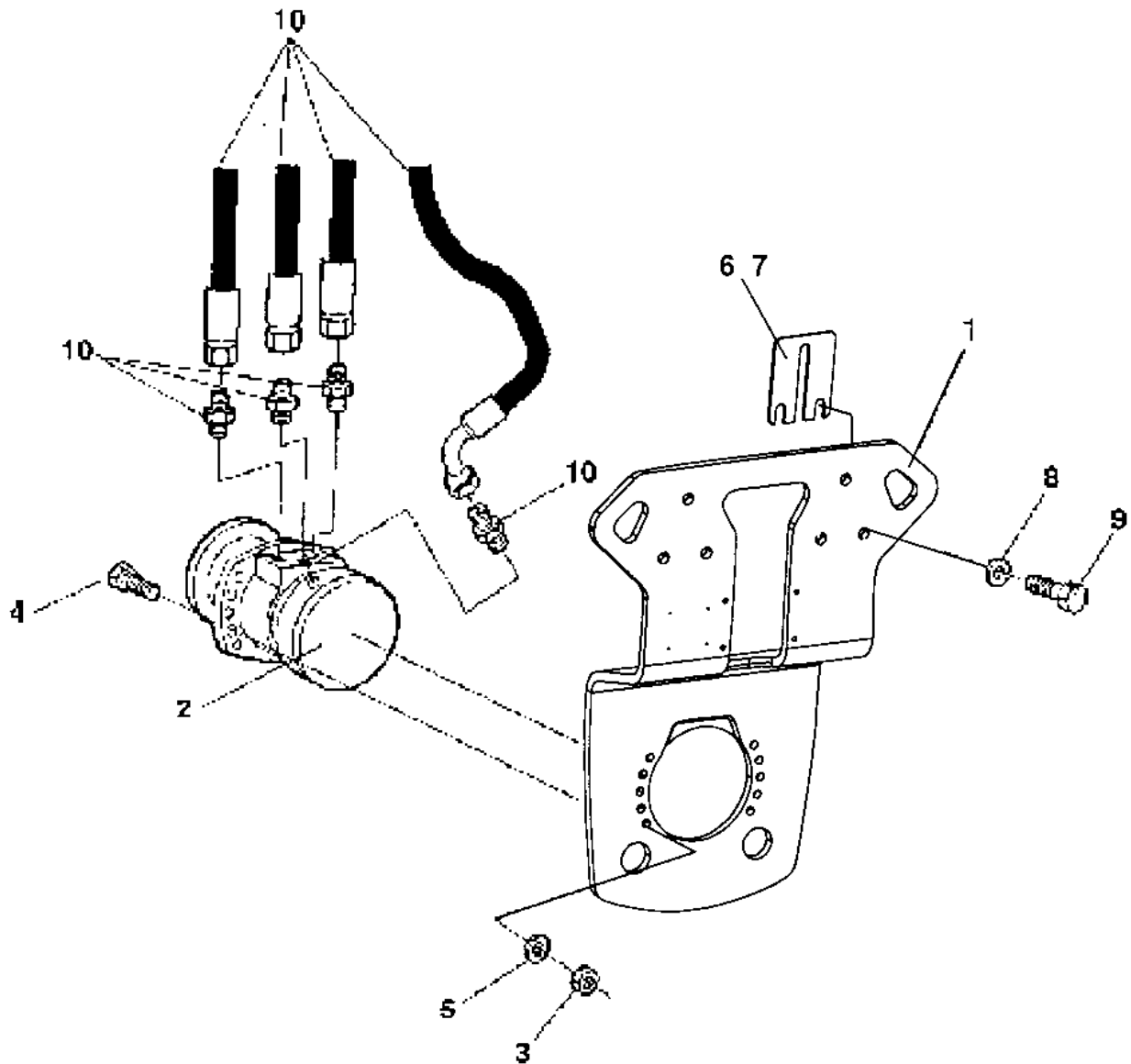


Refer to Parts Online for the most up to date information. The printed information might be outdated.

Thu Apr 21 05:53:51 MDT 2016

Item	Part No.	Name	Qty	L	SN INFO
2	4700357892	Stirrup	1		
3	4700792550	Screw M12x100 10.9	1		
4	4700928849	Nut	1		
5	4700904213	Steel plain washer M12 13X30X4	2		

High torque drum drive " Short" High torque drum drive " Short"

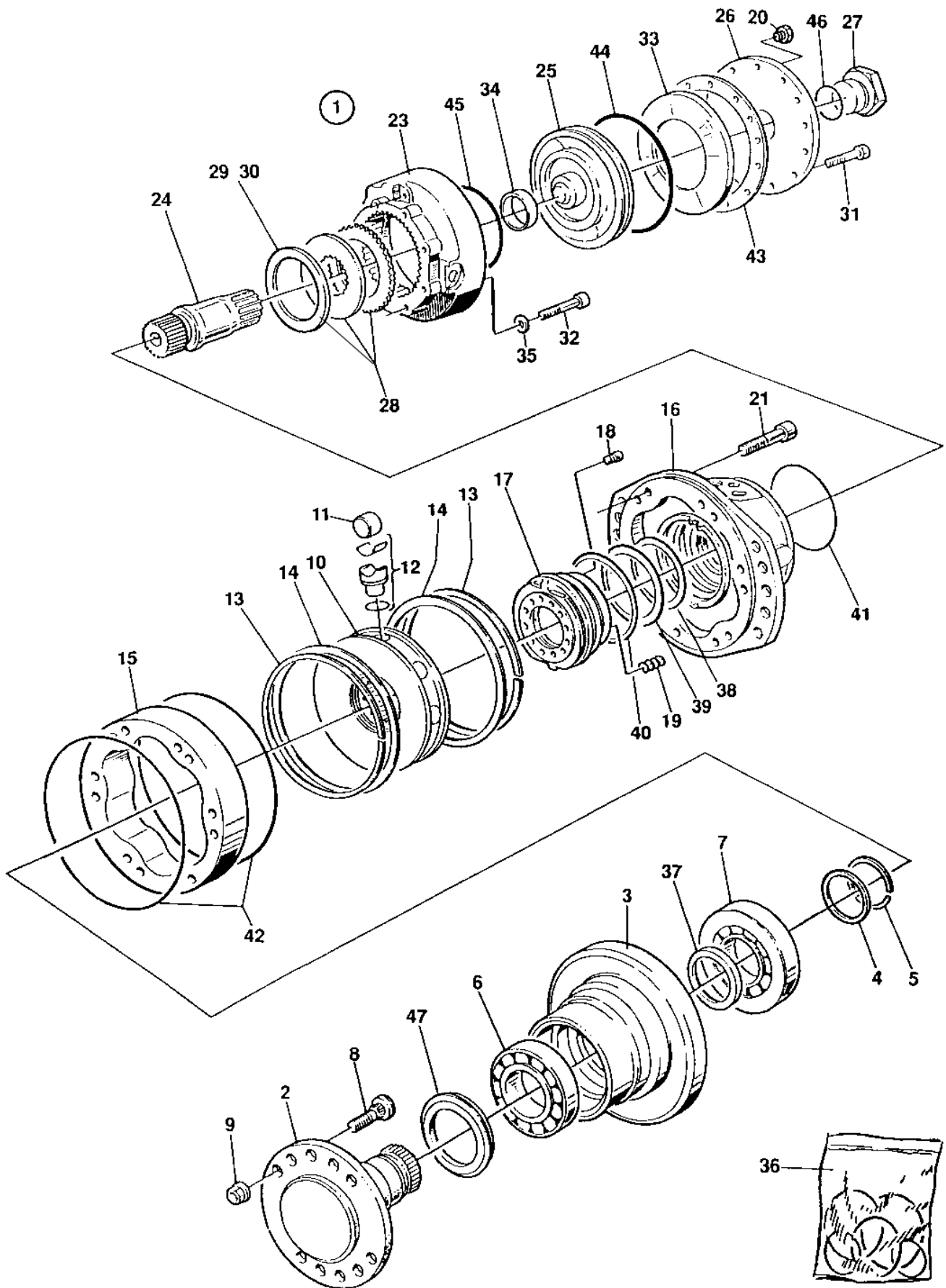


Refer to Parts Online for the most up to date information. The printed information might be outdated.

Thu Apr 21 05:53:52 MDT 2016

Item	Part No.	Name	Qty	L	SN INFO
1	4812113950	Fork	1		
2	4700380594	Hydraulic motor, propulsion, drum	1		
3	4700586019	Lock nut, M12	10		
4	4700500056	Screw, M12x45 mm 8.8 A3K	10		
5	4700904231	Steel plain washer, 13x24x2 mm 300 HV	14		
6	4700357222	Shim T=1 mm	2		
7	4700357221	Shim T=3 mm	2		
8	4700904232	Steel plain washer	6		
9	4700500094	Hex. screw	6		
10	-	Hydraulic details	N		

High torque drum drive " Short" 4700380594 Hydraulic motor, propulsion, drum



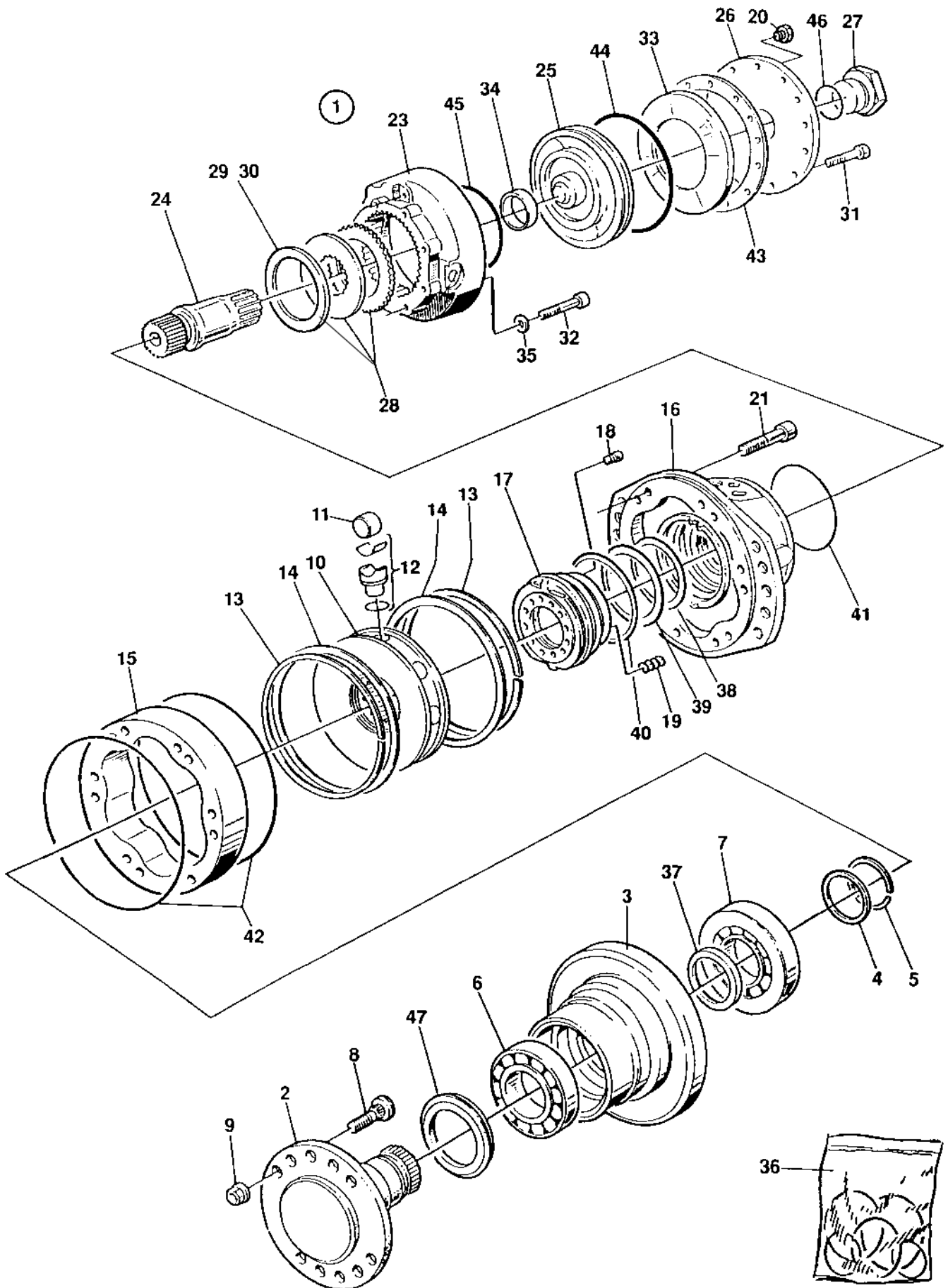
Refer to Parts Online for the most up to date information. The printed information might be outdated.

Thu Apr 21 05:53:54 MDT 2016

Item	Part No.	Name	Qty	L	SN INFO
1	-	Hydraulic motor	1	A	
2	4700908788	Shaft	1		
3	4700937875	Housing	1		
4	4700902387	Washer T=2,0 mm	1		
5	4700902388	Split ring	1		
6	4700902389	Bearing	1		
7	4700902390	Bearing	1		
8	4700902391	Wheel stud	5		
9	4700902392	Wheel nut	5		
10	4700937876	Cylinder block	1		
11	4700903453	Roller	8		
12	4700937091	Piston	8		
13	4700937092	Circlip	2		
14	4700937877	Retaining ring	2		
15	4700937878	Piston cam	1		
16	4700937879	Housing	1		
17	4700937880	Distributor ring	1		
18	4700902397	Pin	1		
19	4700902398	Spring	9		
20	4700902399	Plug	1	A	
21	4700937881	Screw	10		
23	4700937882	Brake housing	1		
24	4700908791	Shaft	1		
25	4700908792	Piston	1		
26	4700908328	End cover	1	A	
27	4700903295	Plug	1		
28	4812161096	Brake pack	1		
28	4700908800	Disc kit	1	B	
29	4700902410	Shim T=0,1 mm	1		
30	4700902411	Shim T=0,3 mm	1		
31	4700902412	Screw	12		
32	4700902413	Screw	8		
33	4700902416	Spring	1		
34	4700908794	Nylon buch	1		
35	4700903450	Washer	8		
36	4700937089	Seal kit	1		
37	4700903324	Shaft seal	1		

Refer to Parts Online for the most up to date information. The printed information might be outdated.

Thu Apr 21 05:53:54 MDT 2016



Refer to Parts Online for the most up to date information. The printed information might be outdated.

Thu Apr 21 05:53:54 MDT 2016

Item	Part No.	Name	Qty	L	SN INFO
38	---	Sealing	1		
39	---	Sealing	1		
40	---	Sealing	1		
41	---	O-ring	1		
42	---	O-ring	1		
43	4700902800	Gasket	1		
44	4700903455	Quad ring	1		
45	4700937812	Sealing	1		
46	4700903327	O-ring	1		
47	4700937090	Face seal	1		

Comments for Page: 4700380594 Hydraulic motor, propulsion, drum

(L)OCAL REMARKS

A | en_US | CPL

B | en_US | 15+13 pcs

Appendix B:Parts Index			
0147195880	166	4700332038	148, 150
0570704138	154	4700334116	158
4700111018	24, 62	4700334121	116, 126
4700151012	144	4700334134	98
4700160016	126, 136	4700334135	98, 126, 158
4700160025	144	4700334155	100
4700160031	126, 136	4700334156	98
4700160112	28	4700334165	158
4700160132	22, 24, 62	4700334197	100, 158
4700160219	44	4700334235	98, 126, 148
4700160313	46	4700334238	98, 126, 128
4700162004	148, 150	4700334463	152
4700162011	62	4700334524	126
4700162017	62	4700343490	62
4700163049	22, 24, 62	4700343744	62
4700167044	28, 56, 58	4700345215	26
4700202042	216	4700346420	238, 246
4700230400	100, 152	4700347153	28, 56, 58
4700230515	68	4700347154	28, 56, 58
4700232070	100	4700347155	28, 56, 58
4700232122	126, 136	4700348331	202, 258
4700232143	62	4700349202	62
4700233215	46, 50	4700349879	36, 40
4700234218	98	4700349880	36, 40
4700234233	116, 152, 152	4700350029	62
4700234341	126	4700355704	282
4700234390	126	4700355797	282
4700234481	126, 128	4700355869	92, 100, 120, 148, 150, 214
4700234888	152	4700355981	148, 150
4700238158	216	4700357031	56, 58
4700238272	144	4700357038	56, 58
4700272372	276	4700357039	56, 58
4700272373	276	4700357055	62
4700277992	280	4700357058	62
4700287713	44	4700357060	62
4700288129	68, 76	4700357111	100, 122
4700288357	270	4700357112	100, 122
4700311016	280	4700357113	122
4700313002	44	4700357138	16, 18, 126, 136
4700313004	88	4700357139	126, 136
4700313008	88, 126, 136	4700357221	38, 40, 42, 288
4700313010	90	4700357222	26, 38, 40, 42, 288
4700313023	90	4700357395	44
4700313041	46, 162, 182, 188, 192, 194, 196, 198	4700357418	28, 56, 58
4700313075	92	4700357459	38, 42
4700313102	100, 120, 128, 138, 142, 152, 154	4700357466	94, 96
4700313108	88, 92	4700357487	36, 40
4700330081	68	4700357489	36, 40
4700330333	68	4700357543	128, 158
4700330383	68, 100	4700357562	160, 162
		4700357567	168

4700357587	276	4700379636	262
4700357604	204, 210	4700379637	202
4700357605	204, 210	4700379753	46
4700357643	218	4700380594	288
4700357663	196	4700381750	260
4700357679	196	4700382237	260
4700357855	212	4700382349	248, 250, 252
4700357892	284, 286	4700382751	276
4700357934	158	4700383705	218
4700358003	148, 150	4700385599	216
4700358232	204, 210	4700386075	260
4700358486	126, 136	4700386134	126
4700358666	62	4700386951	78
4700358689	62	4700387226	204, 210
4700358782	274	4700387227	212
4700358783	274	4700387545	212
4700358789	274	4700387552	94, 96
4700358790	274	4700387683	216
4700358801	274	4700387948	84
4700358802	274	4700388382	198
4700358846	44	4700388447	218
4700358881	32, 212	4700388737	212
4700358975	56	4700388846	84
4700358976	56, 58	4700388852	86, 86
4700358978	56	4700389177	248
4700359003	44	4700389187	252
4700359043	52	4700389561	192, 194
4700359661	268	4700389577	192, 194, 196
4700370699	46	4700389840	160, 162
4700371313	98, 120, 128, 128, 136	4700390742	98, 100, 118
4700371314	98, 120, 128, 128, 136	4700390963	258
4700372352	98	4700391115	168, 176
4700372964	214	4700391784	212
4700373402	98	4700391929	62
4700373478	126, 136	4700392011	46
4700374009	270	4700392070	284
4700374132	256	4700392227	44
4700374133	256	4700392229	44
4700374603	142, 144	4700392230	44
4700375616	100	4700392232	44
4700377061	84	4700392508	46
4700377139	212	4700392509	46
4700377518	258	4700392510	46
4700377742	276	4700393204	268
4700377743	276	4700393206	268
4700377744	276	4700393540	36, 38, 40, 42
4700378857	278	4700393542	46
4700378858	278	4700394253	94
4700379009	44	4700394301	282
4700379179	36, 38, 40, 42, 62	4700395394	212
4700379458	128, 136	4700396215	248, 250, 252

4700396768	200	4700500034	148, 150
4700416034	122, 220, 230, 248	4700500037	98, 120
4700476019	282	4700500040	70
4700480124	126	4700500044	62
4700480852	46	4700500046	68
4700482208	148	4700500047	100
4700482214	148	4700500048	214
4700482242	128	4700500053	44, 68, 76, 84, 90, 94, 96, 100, 128, 128, 226, 230, 238, 240, 246
4700482306	126	4700500056	288
4700482452	98	4700500060	168
4700482483	152	4700500067	50, 126
4700482525	128	4700500068	100, 120
4700482553	98	4700500071	274
4700482773	148	4700500075	216
4700482830	98	4700500078	126, 136
4700482898	158	4700500079	268
4700482998	98	4700500080	282
4700483069	100	4700500088	248, 250, 252
4700483118	98	4700500094	288
4700483155	128	4700500096	176
4700483157	128	4700500100	36, 40, 76, 80, 82
4700483162	128	4700500105	50
4700483164	100	4700500115	84
4700483404	152	4700500117	204, 210
4700483420	152	4700500143	192, 194
4700483585	158	4700500180	220, 226
4700483765	142	4700500190	44
4700483854	138	4700500195	54, 274
4700483875	138	4700500196	274
4700484080	154, 156	4700500269	98, 120
4700484092	122	4700500505	138, 204, 206, 208, 210, 218
4700484316	122, 122	4700500506	120
4700484346	150	4700508005	260
4700485019	280	4700508018	76
4700499162	196	4700508019	78
4700499497	78	4700508029	128, 128, 136
4700500006	160, 162	4700508048	138, 226
4700500007	212	4700508092	220, 254, 260
4700500012	200	4700508096	74, 100, 120
4700500013	70, 84, 86, 96	4700513017	212
4700500016	36, 40	4700516042	274
4700500019	36, 40, 126, 200, 204, 210	4700533016	148
4700500020	46, 76, 98, 164, 254, 258, 262	4700533070	258, 262
4700500021	68, 76, 256, 274	4700535008	282
4700500022	46, 92, 136, 162, 238, 246	4700570004	216
4700500023	268	4700570005	52, 270
4700500024	50	4700573005	176
4700500028	44, 56, 58, 196	4700586001	160, 162, 168, 258, 262, 282
4700500029	60	4700586002	216, 282
4700500030	62, 86, 86, 212, 274	4700586003	50, 50, 84, 100, 120, 162, 164, 168, 192, 194, 218, 254, 258,
4700500031	214, 226, 238, 246		

262		4700791704	198
4700586018	36, 40, 60, 76, 100, 122, 174, 196, 212, 226, 238, 246, 274	4700791723	160, 162
4700586019	54, 204, 210, 274, 288	4700791739	160, 162
4700586020	264, 266	4700791745	120, 138
4700600002	148	4700791754	172
4700600004	36, 40	4700791774	92
4700600008	56, 274	4700791775	218
4700600016	142	4700791798	120
4700601001	282	4700791799	124, 136, 138
4700603009	256	4700791820	154, 156
4700603018	128, 136	4700791828	120, 124
4700615076	36, 40	4700791841	138, 138
4700630019	142	4700791843	138
4700635061	144, 270	4700791845	150
4700791182	46	4700791847	142
4700791185	216	4700791851	120
4700791211	216	4700791916	182, 188
4700791226	218	4700791926	226, 238, 246
4700791274	276	4700791938	50
4700791304	50	4700791939	50
4700791333	206, 208, 228	4700791949	44
4700791343	206, 208	4700791951	184
4700791396	270, 272	4700791953	184, 190
4700791397	136, 154	4700791954	186
4700791398	120, 136, 142, 150	4700791955	186
4700791401	142	4700791957	172
4700791405	142	4700791959	44
4700791408	120	4700791977	46
4700791409	124, 154, 156	4700791980	192, 194
4700791410	120	4700791981	192, 194
4700791414	142	4700792059	190
4700791422	92	4700792072	46, 50
4700791453	268	4700792083	212
4700791454	268	4700792091	148, 150, 216
4700791476	212	4700792098	200
4700791524	230, 236, 238, 238, 240, 246, 246	4700792119	70
4700791568	44	4700792134	50
4700791572	264, 266	4700792137	280
4700791578	212	4700792138	280
4700791579	212	4700792139	280
4700791580	212	4700792140	280
4700791581	136	4700792141	280
4700791583	182, 188	4700792185	278
4700791584	182, 188	4700792189	52
4700791585	192, 196	4700792250	70
4700791587	170	4700792320	212
4700791588	212	4700792332	120
4700791643	198	4700792338	120
4700791666	52, 84, 86, 86	4700792413	182, 188
4700791699	136	4700792441	160, 162
		4700792512	120

4700792527	264, 266	4700902287	50, 70, 126, 136
4700792550	284, 286	4700902295	88, 126, 136
4700792551	154	4700902379	100, 120, 128, 128, 136, 136, 136, 206, 208
4700792552	154	4700902387	290
4700792600	46	4700902388	290
4700792601	36, 40	4700902389	290
4700792779	44	4700902390	290
4700813443	100	4700902391	290
4700813444	98	4700902392	290
4700813500	158	4700902397	290
4700892179	28, 56, 58	4700902398	290
4700892446	100	4700902399	290
4700900229	138	4700902410	290
4700900519	268	4700902411	290
4700900790	184, 190	4700902412	290
4700900986	270, 272	4700902413	290
4700901156	98	4700902416	290
4700901157	100	4700902496	268
4700901191	46	4700902520	36, 40, 168
4700901224	34	4700902560	168
4700901225	34, 148, 150, 160, 182, 188, 216	4700902576	56, 58, 144
4700901226	34	4700902610	280
4700901227	34, 160, 162, 182, 188, 216	4700902619	108
4700901228	34, 160, 162, 216	4700902620	108
4700901229	34	4700902624	104
4700901230	34, 160, 162	4700902625	104, 108
4700901369	172	4700902641	108
4700901431	44	4700902644	108
4700901432	44	4700902654	110
4700901692	126	4700902670	104
4700901744	108	4700902687	104
4700901750	108	4700902695	104
4700901767	148, 150, 216	4700902696	104
4700901832	120, 136	4700902724	104
4700902041	120, 138	4700902767	112
4700902059	56, 58	4700902770	112
4700902060	56, 58	4700902771	112
4700902061	28, 56, 58	4700902773	112
4700902062	28, 56, 58	4700902792	104
4700902063	28, 56, 58	4700902797	204, 210
4700902100	36, 40, 56	4700902800	292
4700902101	36, 38, 40, 42	4700902810	132, 134
4700902123	214	4700902890	84
4700902166	84, 206, 208	4700902892	204, 210
4700902171	36, 40	4700902919	204, 210
4700902172	36, 40	4700903141	148, 150
4700902189	222, 232, 242	4700903142	148, 150
4700902203	270, 272	4700903143	148, 150
4700902227	172	4700903144	148, 150
4700902233	100, 122	4700903154	62
4700902286	84, 120	4700903192	204, 210, 258, 262

4700903287	62	4700904233	70
4700903295	290	4700904258	22, 62
4700903324	290	4700904281	160, 162, 168, 212, 258, 262, 282
4700903327	292	4700904294	34
4700903330	132, 134	4700904367	54
4700903422	276	4700904396	276
4700903423	276	4700904399	276
4700903424	276	4700904429	270
4700903425	218, 276	4700904475	74
4700903430	134	4700904556	70, 76, 76, 78, 126, 136, 206, 208, 218, 260
4700903450	290	4700904557	46, 68, 74, 128
4700903453	290	4700904623	136
4700903455	292	4700904637	98, 120
4700903459	212, 276	4700904640	44, 46, 50, 80, 82, 94, 96, 100
4700903471	108	4700904698	86, 86
4700903478	44	4700904703	54, 68, 98, 120, 204, 210, 264, 266, 274
4700903557	108, 108	4700904728	120
4700903634	270, 272	4700904734	76
4700903637	132, 134	4700904735	70
4700903658	212	4700904774	136
4700903714	80, 82	4700904835	276
4700903722	268	4700904870	276
4700903732	168	4700904889	198
4700903741	34, 160, 162, 216	4700904901	128
4700903810	198	4700904956	172, 178, 180, 184, 186, 190
4700903925	98	4700904984	92, 92, 92, 92, 92
4700903956	160, 162, 182, 188	4700904989	182, 188
4700904036	168	4700908229	276
4700904037	34	4700908328	290
4700904038	34	4700908384	108
4700904039	34, 160, 162	4700908788	290
4700904040	34	4700908791	290
4700904041	34	4700908792	290
4700904042	34	4700908794	290
4700904044	220, 226	4700908800	290
4700904094	274	4700909514	104, 108
4700904175	148	4700909535	254, 260
4700904203	268	4700909536	254, 260
4700904213	284, 286	4700909757	104
4700904218	258, 262	4700909758	104
4700904225	204, 210	4700909759	144
4700904228	46, 62, 70, 84, 86, 86, 96, 200, 216, 230, 236, 238, 238, 240, 246, 246, 248, 250, 252, 268, 282	4700909760	144
4700904229	36, 40, 44, 50, 52, 68, 74, 76, 84, 90, 92, 98, 120, 128, 162, 164, 172, 176, 178, 180, 184, 186, 190, 192, 194, 200, 204, 210, 220, 226, 228, 230, 238, 238, 240, 246, 246, 254, 256, 258, 258, 262, 268, 270, 274	4700909761	144
4700904230	36, 38, 40, 42, 60, 62, 68, 76, 100, 100, 122, 126, 136, 148, 150, 166, 174, 196, 212, 214, 226, 238, 246	4700909764	144
4700904231	68, 76, 98, 120, 204, 210, 274, 288	4700909765	144
4700904232	36, 38, 40, 42, 56, 288	4700909766	144
		4700910161	126
		4700921022	100, 120
		4700921072	192, 194
		4700921099	100, 122
		4700921104	70

4700921116	70, 92	4700935186	110
4700921119	120, 128, 138	4700935187	110
4700921849	210	4700935188	110
4700923008	76	4700935189	110
4700923247	36, 38, 40, 42	4700935190	110, 112
4700923371	126	4700935191	110
4700923405	120, 142	4700935194	112
4700923406	158	4700935195	112
4700923407	148	4700935196	112
4700923734	44	4700935197	112
4700923735	44	4700935198	112
4700923844	204, 210	4700935199	112
4700923859	268	4700935200	112
4700923951	22, 62	4700935201	112
4700923976	84, 86, 86, 148	4700935202	112
4700924544	46	4700935203	112
4700924731	100	4700935204	112
4700925599	46	4700935205	112
4700926214	28, 56, 58, 144	4700935206	112
4700926215	204, 210	4700935207	112
4700926911	44	4700935208	112
4700927278	108	4700935209	112
4700927396	38, 42, 56	4700935210	112
4700927459	126	4700935211	112
4700928347	264, 266	4700935212	112
4700928381	84	4700935214	112
4700928441	86, 86, 176	4700935215	112
4700928830	214	4700935216	112
4700928849	284, 286	4700935218	112
4700929455	282	4700935219	104
4700935158	104	4700935613	214
4700935159	104	4700935614	214
4700935160	104	4700936690	104
4700935161	108	4700936691	108
4700935162	108	4700936692	108
4700935163	108	4700936693	108
4700935164	108	4700936706	110
4700935165	108	4700937053	44
4700935166	108	4700937089	290
4700935167	108	4700937090	292
4700935170	108, 108	4700937091	290
4700935171	108	4700937092	290
4700935172	108	4700937812	292
4700935176	108	4700937875	290
4700935177	108	4700937876	290
4700935178	108	4700937877	290
4700935179	108	4700937878	290
4700935181	108	4700937879	290
4700935182	108	4700937880	290
4700935183	108	4700937881	290
4700935184	110	4700937882	290

4700938534	28	4811000488	84, 86
4700938575	28	4811000489	84, 86
4700938740	260	4812008274	18
4700938885	26	4812030096	6, 14
4700938892	24	4812110216	174, 176
4700938908	22	4812110281	98
4700939802	16, 18, 78	4812110282	116
4700939803	16, 18, 78	4812110283	268
4700939804	78	4812110288	36, 38, 40, 42
4700939805	78	4812110490	100, 120
4700939806	78	4812110560	168
4700939807	78	4812110620	62
4700940451	32, 216	4812110639	62
4700945622	258	4812110673	62
4700945660	258	4812110881	68
4700945661	258	4812110901	216
4700945753	32, 94	4812111128	220, 226
4700950226	118	4812111164	206
4700950293	118	4812111325	44
4700950414	118	4812111330	44
4700950415	118	4812111331	46
4700950416	118	4812111863	68
4700960079	198	4812111865	68
4700960796	160, 162	4812111866	68
4700985012	184, 190	4812111867	68
4700985013	282	4812111868	68
4700985126	194, 196	4812111877	90
4700989151	126, 136	4812111880	68
4700991657	276	4812111881	100
4700991658	276	4812111883	68
4700999027	164	4812111899	68
4811000077	194	4812111900	68
4811000084	98	4812111905	68
4811000128	160, 162, 276	4812111950	178
4811000168	44	4812111951	184, 190
4811000285	70	4812111952	186
4811000320	160, 162	4812111969	44
4811000321	160, 162	4812112013	226
4811000322	160, 162	4812112014	226
4811000323	160, 162	4812112019	74
4811000347	158	4812112021	74
4811000372	126	4812112029	76
4811000382	128	4812112054	126
4811000383	126	4812112074	44, 44, 44, 46, 46, 46
4811000389	74	4812112091	206, 208
4811000425	84	4812112109	142
4811000426	86, 86	4812112390	68
4811000428	142	4812112391	68
4811000456	68, 100, 122	4812112451	46
4811000457	46	4812112468	182, 188
4811000484	54	4812112470	148, 150

4812112472	182, 188	4812114386	218
4812112532	206, 208	4812114466	262
4812112566	148, 150	4812114557	166
4812112669	258, 262	4812114665	282
4812112831	46	4812114872	180
4812112994	46	4812114962	86
4812113018	36, 40	4812114975	260
4812113022	68	4812115001	260
4812113044	68	4812115419	54
4812113066	44	4812115560	86
4812113067	44	4812115567	54
4812113077	192, 194, 196	4812115865	248, 250, 252
4812113080	36, 40	4812115918	212, 276
4812113106	206, 208	4812115926	168
4812113107	206, 208	4812116681	36, 40
4812113110	156	4812117591	60
4812113164	248, 250, 252	4812117602	90
4812113165	248	4812117698	138
4812113166	250	4812117746	46
4812113207	94	4812117802	90
4812113228	74	4812117864	216
4812113233	68	4812117868	216
4812113235	68	4812117922	266
4812113326	148, 150	4812117923	264
4812113327	98, 120	4812117924	264, 266
4812113328	4, 6, 16, 18, 98	4812117990	230, 238, 240, 246
4812113333	126	4812118056	46
4812113468	68	4812118125	96
4812113472	76	4812118126	96
4812113523	220, 226	4812118133	96
4812113531	172	4812118163	66
4812113557	166	4812118165	84
4812113566	68	4812118172	128, 136
4812113598	84	4812118203	86, 86
4812113626	84	4812118374	100
4812113627	84	4812118375	90
4812113676	220, 222	4812118459	96
4812113677	226	4812118517	76
4812113694	88	4812118686	212
4812113697	88	4812118692	62
4812113780	68	4812118694	62
4812113781	46	4812118697	212
4812113822	44	4812118885	32, 96
4812113924	36	4812119251	126
4812113937	250	4812119569	160
4812113950	288	4812119732	38
4812113980	68	4812119733	36
4812113987	228	4812119822	62
4812114152	84	4812120017	50
4812114153	84	4812120023	50
4812114177	70	4812120024	30, 50

4812120026	52	4812121703	252
4812120091	120	4812121708	138
4812120109	276	4812121709	138
4812120118	276	4812121710	136
4812120119	276	4812121711	136
4812120122	276	4812121769	122
4812120123	276	4812121785	122, 122
4812120127	276	4812121849	162
4812120184	42	4812121856	50
4812120313	276	4812121858	50
4812120391	62	4812122182	138
4812120392	158	4812122207	76
4812120470	36, 38, 40, 42	4812122208	76
4812120478	80	4812122334	76
4812120558	98, 120	4812122477	40
4812120571	84	4812122581	136
4812120578	36, 38, 40, 42	4812122610	192, 194, 196
4812120579	36, 38, 40, 42	4812122654	58
4812120584	68	4812122719	150
4812120586	58	4812122939	240, 246
4812120737	142, 146	4812123023	150
4812120874	58	4812123024	150
4812120877	138	4812123096	138, 138
4812120878	138	4812123537	156
4812120885	122	4812123538	156
4812120928	120	4812123608	84
4812121186	76	4812124272	82
4812121206	238, 246	4812155168	118
4812121207	238, 246	4812156164	118
4812121214	138	4812156165	118
4812121215	138	4812156170	26
4812121219	138	4812156259	4, 6, 8, 10, 12, 14, 16, 18, 72
4812121220	138, 138	4812156260	12, 14, 16, 18, 72
4812121226	122, 122, 150	4812156261	16, 18, 72
4812121228	122	4812156263	4, 6, 12, 14, 16, 18, 68, 72
4812121229	122	4812156264	4, 6, 12, 14, 16, 18, 72
4812121235	154	4812156265	4
4812121236	154, 156	4812156266	12
4812121239	154, 156	4812156267	16
4812121272	192, 194, 196	4812156288	8
4812121376	210	4812156355	72
4812121379	238, 246	4812156356	72
4812121384	230, 238	4812156357	72
4812121385	238, 246	4812156358	72
4812121386	230, 240	4812156359	72
4812121387	236	4812156360	72
4812121463	122	4812156362	72
4812121464	208	4812156363	72
4812121508	138	4812156364	72
4812121607	62	4812156389	72
4812121617	136	4812156490	222, 232, 242

4812156558	222, 224, 232, 234, 242, 244	4812159291	222, 232, 242
4812156559	222, 224, 232, 234, 242, 244	4812159292	222
4812156560	222, 224, 232, 234, 242, 244	4812159563	6, 20
4812156561	222, 224, 232, 234, 242, 244	4812159564	10, 20
4812156562	222, 224, 224, 232, 234, 234, 242, 244, 244	4812159565	14, 20
4812156563	222, 232, 242	4812159566	18
4812156564	222, 232, 242	4812159568	20
4812156565	222, 232, 242	4812159571	20
4812156566	222, 232, 242	4812159753	74
4812156567	222	4812159788	118
4812156568	222, 232, 242	4812159789	118
4812156569	222, 232, 242	4812159961	30
4812156570	222, 232, 242	4812160082	232, 242
4812156571	222, 232, 242	4812160083	232, 242
4812156572	222, 232, 242	4812160084	232, 242
4812156573	222, 232, 242	4812160087	232, 242
4812156574	222, 232, 242	4812160157	260
4812156575	222	4812160158	260
4812156576	222, 224, 232, 234, 242, 244	4812160251	80, 82
4812156577	220, 230, 240	4812160252	80, 82
4812156755	118	4812160253	80, 82
4812156877	98	4812160254	80, 82
4812156878	98	4812160263	232, 242
4812156879	98	4812160379	232, 242
4812156880	98	4812160380	232, 242
4812156881	98	4812160381	222, 232, 242
4812156882	98	4812160389	230
4812157556	224, 232, 242	4812160593	224, 234, 244
4812157598	72	4812160594	224, 234, 244
4812157680	72	4812160651	146
4812157787	118	4812160656	146
4812157794	104	4812160657	146
4812157870	80	4812160796	132
4812157871	80, 82	4812160797	140
4812157872	80, 82	4812160854	118
4812157873	80, 82	4812160957	130
4812157874	80, 82	4812161079	82
4812157875	80, 82	4812161085	76
4812157876	80, 82	4812161096	290
4812157877	80, 82	5580020624	6, 10, 18
4812158054	118	9106230330	18
4812158055	118	D433830401	126
4812158258	222, 232, 242		
4812158259	222, 232, 242		
4812158260	222, 232, 242		
4812158267	224, 234, 244		
4812159197	222, 232, 242		
4812159198	222, 232, 242		
4812159199	222, 232, 242		
4812159251	222, 232, 242		
4812159290	222, 232, 242		

Any unauthorized use or copying of the contents or any part thereof is prohibited.
This applies in particular to trademarks, model denominations, part numbers, and drawings.

