

# Spare Parts Catalogue

4812157594.pdf

*Valid from roller serial number:*

**10000135x0A008900 -**



*Diesel engines:*

**Deutz TCD 6.1 L6 (IIIA/T3)**

*Published catalogue issues valid for these rollers:*

<i>Catalogue</i>	<i>Issue date</i>	<i>Valid for serial numbers</i>
4812157594.pdf	2012-01	<b>10000135x0A008900 -</b>



**RESERVDLSBESTÄLLNING**

Följande uppgifter ska lämnas vid beställning av reservdelar för att undvika leveransfel:

1. Maskintyp.
2. Vältens serienummer.
3. Antal av önskad reservdel.
4. Reserdelens artikelnummer.
5. Reservdelens benämning.
6. Måttuppgifter vid beställning av metervara.

**ORDERING SPARE PARTS**

To avoid errors in delivery, please give the following information when ordering spare parts:

1. Type of machine.
2. Roller serial number.
3. Quantity required.
4. Part number.
5. Parts denomination.
6. Dimensions when ordering per length.

**ERSATZTEILBESTELLUNG**

Zur Vermeidung von Fehllieferungen sind bei der Bestellung von Ersatzteilen folgende Angaben zu machen:

1. Maschinentyp.
2. Herstellungsnummer.
3. Bestellmenge. (Quantity)
4. Ersatzteilnummer. (Part N°)
5. Ersatzteilbenennung. (Denomination)
6. Massangaben bei Bestellung von Meterware.

**ORDINI DI RICAMBI**

Per evitare errori nelle consegne di ricambi, Vi preghiamo di comunicarci le seguenti informazioni al momento dell'ordinazione:

1. Tipo di macchina.
2. Numero di serie della macchina.
3. Quantità dei pezzi desiderati. (Quantity)
4. Numero di codice del pezzo. (Part N°)
5. Descrizione del pezzo di ricambio. (Denomination)
6. Misura, in caso di ordine per metro.

**PEDIDO DE RECAMBIOS**

Para evitar errores en las entregas, deberán indicarse los siguientes datos al hacer un pedido de recambios:

1. Tipo de máquina.
2. Número de serie.
3. Cantidad de piezas deseadas. (Quantity)
4. Número de artículo de la pieza de recambio. (Part N°)
5. Denominación de la pieza. (Denomination)
6. Indíquese la medida al solicitar un artículo que se expide por metros.

**COMMANDE DE PIECES DE RECHANGE**

Les indications suivantes doivent être fournies lors de la commande de pièces de rechange, afin d'éviter toute erreur de livraison:

1. Type de machine.
2. Numéro de série.
3. Quantité désirée de pièce de rechange. (Quantity)
4. Numéro de la pièce de rechange. (Part N°)
5. Dénomination de la pièce de rechange. (Denomination)
6. Longueur en cas de commande au mètre.

**YOUR AGENT/DEALER:**





## PÄRMETIKETT

För att undvika fel vid reservdelsbeställning finns här nedan två etiketter som passar i fickorna på pärmarnas ryggar. På dessa kan man se från vilket vältnummer av aktuell maskin reservdelskatalogen gäller. Gör så här:

1. Tag denna sida ur pärmen.
2. Klipp ut etiketten till **VÄNSTER** (1) och sätt in den i fickan på **DENNA** pärmens rygg.
3. Finns det en etikett till **HÖGER** (2), kan denna användas på pärmen för **FÖREGÅENDE** utgåva av denna katalog.
4. Kasta detta papper.

## KATALOG-BESCHRIFTUNG

Zur Vermeidung von Fehlern bei der Ersatzteilbestellung benutzen Sie bitte die unteren Beschriftungen, um die Kataloge auf der Rückseite zu kennzeichnen. Auf der Beschriftung ist angegeben, für welche Maschinennummern der jeweilige Katalog gültig ist. Ablauf:

1. Nehmen Sie dieses Blatt aus dem Katalog.
2. Schneiden Sie die **LINKE** Beschriftung (1) aus. Schieben Sie die Beschriftung in die tasche auf **DEM** Katalogrücke.
3. Sollte die Beschriftung unten **RECHTS** (2) mitgeliefert werden, kennzeichnen Sie damit bitte die **ÄLTERE** Ausführung dieses Kataloges.
4. Den Rest dieses Blattes bitte vernichten.

## ETIQUETA PARA LA CARPETA

Para evitar errores al pedir repuestos utilicen las etiquetas abajo descritas para identificar los catálogos en la parte trasera de la carpeta. En la etiqueta se ven los números de referencia de la serie para la cual es válido el catálogo. Instrucciones:

1. Quitar esta página de la carpeta.
2. Corta la etiqueta **IZQUIERDA** (1) y ponerla en **ESTA** carpeta en la parte trasera.
3. Si hay una etiqueta en la parte **DERECHA** (2) se puede utilizar en la carpeta para el catálogo que **PRECEDE** a esta.
4. Tirar esta hoja.

## BINDER LABEL

To avoid errors when ordering spare parts use the labels below to identify the catalogues on the back of the binder. The label contain the serial number range for which the catalogue is valid. Do like this:

1. Remove this page from the binder.
2. Cut out the **LEFT** label (1) and put it on **THIS** binders back.
3. If there is a label to the **RIGHT** (2), it can be used on the binder for **PRECEDING** issue of this catalogue.
4. Throw away this paper.

## ETICHETTAPOSTASULRACCOGLITORE

Per evitare errori quando ordinate pezzi di ricambio, usate le etichette in calce che servono ad identificare i cataloghi sul retro del raccoglitore. L'etichetta indica il numero di matricola delle macchine prese in considerazione nel catalogo.

1. Rimuovete questa pagina dal raccoglitore.
2. Ritagliate l'etichetta posta a **SINISTRA** (1) e ponetela sul retro **DEL** raccoglitore.
3. Se trovate anche un'etichetta sulla **DESTRA** (2), ritagliatela e ponetela sul raccoglitore relativo alla **PRECEDENTE** edizione del catalogo.
4. Distruggete questo foglio.

## ETIQUETAGE DU CATALOGUE

Afin d'éviter des erreurs lors de commandes de pièces de rechange, nous vous conseillons d'apposer les marquages ci-dessous à l'arrière du classeur, pour identifier les catalogues. Ce marquage indique les numéros de série pour lesquels le catalogue est adapté. Il convient de procéder de la façon suivante:

1. Retirez cette page du classeur.
2. Découpez l'étiquette de **GAUCHE** (1), et apposez-la à l'arrière de **CE** catalogue.
3. Si il y a une étiquette à **DROITE** (2), vous pourrez l'apposer sur le classeur de l'édition **PRECEDENTE** du catalogue.
4. Détruire cette feuille.

1.





**TABLE OF CONTENTS**

**Page**

<b>CA6000D/PD (IIIA/T3) SN 10000135x 0A008900 -</b>	<b>2</b>
<b>Service kits</b>	<b>4</b>
4812156993 Service kit, 50h incl. oil	6
4812156994 Service kit, 500h	8
4812157363 Service kit, 500h incl. oil	10
4812156995 Service kit, 1000h	12
4812157277 Service kit, 1000h incl. oil	14
4812157254 Service kit, up to 1000h	16
4812156993 Service kit, 50h incl. oil	6
4812157363 Service kit, 500h incl. oil	10
4812157277 Service kit, 1000h incl. oil	14
4812158052 Service kit, 2000h	18
4812157597 Service kit, 2000h incl. oil	20
<b>Repair kits</b>	<b>22</b>
Eccentric shaft kit	24
4812157275 Drum rotation kit	26
4812157276 Shock absorber kit, drum	28
Steering hitch kits	30
<b>Frame</b>	<b>32</b>
Frame, front	34
4812113132 Steering hitch, cpl	36
Scrapers, option	38
Scraper module	40
Scraper module Vulcolane	42
Scraper assy	44
Scraper module PD	46
Scraper module PD Heavy duty	48
Scraper mount	50
Frame, rear	52
Frame rear module	54
Cover Assy	56
Articulated Joint Module	58
Step module	60
Step assy	62
Bumper module	64
Bumper module, rear lights, option	66
Tool box module, Option	68
Engine structure	70
Engine hood module	72
Fender module	74

**TABLE OF CONTENTS**

**Page**

Hinge module .....	76
Lock handle module .....	78
4812114363 Lock handle, cpl .....	80
Gas spring module .....	82
Safety link module .....	84
<b>Drum .....</b>	<b>86</b>
Drum, cpl .....	88
4812111831 Drum gear, cpl .....	90
4812157393 Drum cartridge, vibration side (D/PD version) .....	92
4812157784 Drum cartridge with shaft nut, vibration side (D/PD version) .....	94
4812157390 Drum cartridge, drive side (D/PD version) .....	96
Tooth wheel module .....	98
Vibration motor adapter .....	100
<b>Engine .....</b>	<b>102</b>
Engine .....	104
Diesel engine .....	106
Belt guard module .....	108
Bracket module .....	110
Cooling system .....	112
Cooler stand module .....	114
Hose kit .....	116
Hoses .....	118
Air cleaner .....	120
Air cleaner module .....	122
Fuel system .....	124
Fuel tank module .....	126
Fuel tank .....	128
Brackets assy .....	130
Hoses .....	132
Draining module, option .....	134
Exhaust system .....	136
Expansion tank module .....	138
<b>Transmission .....</b>	<b>140</b>
Rear axle and wheels .....	142
4812111833 Rear axle No-Spin, Option .....	144
Differential with no-spin .....	146
Differential housing and brakes .....	148
Planet gear .....	150
4812111832 Rear axle Limited-Slip .....	152
Differential .....	154
Central housing and brakes .....	156
Hub reduction .....	158
<b>Hydraulic systems .....</b>	<b>160</b>



**TABLE OF CONTENTS**

Hydraulic system, drum	162
Hydraulic motor	164
4812112217 Hydraulic motor	166
Rotary group	168
Pilot valve	170
4812157180 Flush & boost pressure valve	172
Lock ring	174
Hydraulic motor	176
4812112200 Drum motor	178
Loop flushing	180
Hydraulic system, drum Anti-spin option	182
Hydraulic motor	164
4812112217 Hydraulic motor	166
Rotary group	168
Pilot valve	170
4812157180 Flush & boost pressure valve	172
Lock ring	174
Hydraulic motor	184
4812112202 Drum motor	186
Drum motor. Front section	188
Loop flushing	190
Drum motor. Rear section	192
Hydraulic system, steering	194
Hydraulic cylinder	196
4812112508 Hydraulic cylinder	198
Steering valve module	200
Hydraulic system, rear axle	202
Hydraulic motor	204
4812112211 Rear axle motor	206
Loop flusing	208
Hose holder	210
Hydraulic system, rear axle Anti-spin option	212
Hydraulic motor	214
4812112213 Rear axle motor	216
Front section	218
Loop flushing	220
Rear section	222
Hose holder	210
Hydraulic system, oil tank	224
Hydraulic oil tank assy	226
Hydraulic valve module	228
Hose holder assy kit	230
Fan module	232
Fan module	234
Hydraulic system, engine	236
Hydraulic pump module	238

**TABLE OF CONTENTS**

**Page**

4812112171	Hydraulic pump	240
	Hydraulic pump	242
	Hydraulic pump module	244
4812112175	Hydraulic motor	246
	Rotary group	248
	Hydraulic adjustment	250
	4/3 Pilot valve	252
	Hydraulic oil filter assy	254
	Hydraulic pump module	256
	Hydraulic system, engine Adjustable frequency, Eco opti	258
	Hydraulic pump module	238
4812112171	Hydraulic pump	240
	Hydraulic pump	242
	Hydraulic pump	260
4812112181	Hydraulic pump	262
	Control hydraulic & Positioning piston	264
	Control module	266
	Rotary group	268
	Pressure override valve	270
	Hydraulic oil filter assy	254
	Hydraulic pump module	272
	Hydraulic pump module	256
	Hydraulic system, frame rear	274
	Connector kit	276
	Connector kit	278
	Hydraulic hoses, steering	280
	Emergency steering option	282
4812112188	Hydraulic pump Emergency steering unit	284
4812112236	Hydraulic valve	286
	<b>Electrical equipment</b>	<b>288</b>
	Electric cables, power supply	290
	Battery module	292
	Battery disconnecter module	294
	Electric cables, power supply, 2-pole, option	296
	Battery module	292
	Battery disconnecter, 2-pole	298
	Electrical cables, engine ECU, horn, back-up alarm	300
	ECU, inclination sensor, power converter	302
	Standard ECU assembly	304
	Power converter module	306
	Inclination sensor module	308
	Horn module	310
	Back-up alarm module	312
	Wiring harness kit Power supply cab	314
	Driving & side direction lights, option	316

**TABLE OF CONTENTS**

**Page**

Steering column switch module	318
Wiring harness kit	320
Registration plate light module	322
Registration plate light	324
Holder module Registration plate light	326
GPS equipment module, option	328
Holder	330
GPS equipment module	332
GPS equipment assy	334
Tachograph, option	336
Holder module	338
Holder assy	340
Power supply module	342
Speed sensor, frequency sensor, option	344
Pulse sensor module	346
Pre-heater installation, option	348
Rotating beacon, working light	350
Rotating beacon module	352
Rotating beacon	354
Working light module H3	356
Wiring harness, power park, Option	358
Regenerating delay, displacement shift	360
Compaction meter	362
Power supply	364
<b>Drivers platform</b>	<b>366</b>
Platform, rops	368
Platform with 4-post ROPS	370
Basic kit Rops, roof, front handrail	372
Rear cover	374
Handrail	376
Cab, basic kit	378
Manual box	380
Cab symmetric module	382
4812112275 Cab, cpl Comfort	384
Screens	386
4812115202 Cab door, cpl	388
4812115200 Sliding screen, left hand	390
Windshield wiper	392
Roof	394
Hose kit heater	396
Cab Interior	398
Cab cabel harness	400
Cab, electrical equipment	402
Emergency hammer, hook	404
Cab, rear cover	406

**TABLE OF CONTENTS**

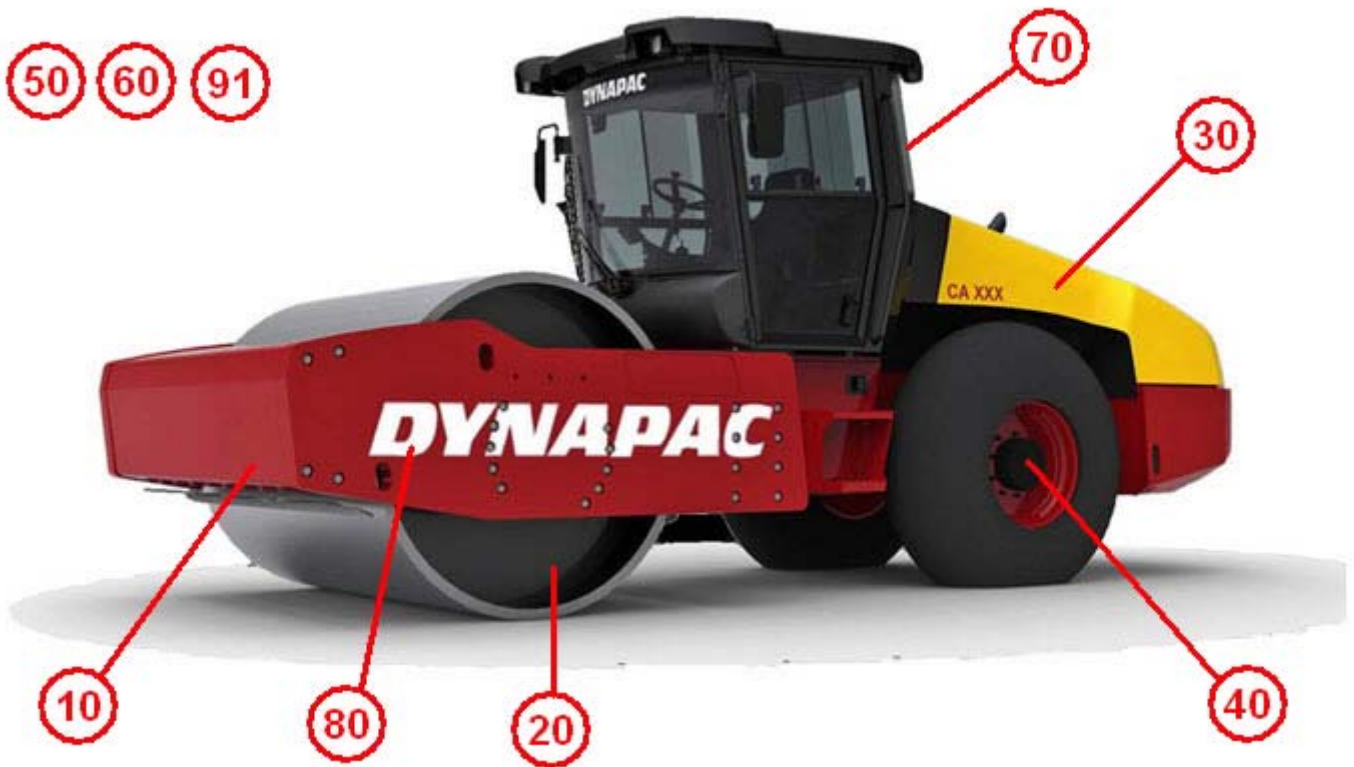
**Page**

	Cab, front cover .....	408
	Floor mat .....	410
	Step light, wiper switch .....	412
	Cab, basic kit .....	378
	Air channel .....	414
	Sun-blind, inner light .....	416
4812112276	Cab, cpl Basic .....	418
	Screens .....	386
4812115202	Cab door, cpl .....	388
4812115200	Sliding screen, left hand .....	390
	Windshield wiper .....	392
	Roof .....	394
	Hose kit heater .....	396
	Cab Interior .....	398
	Cab cabel harness .....	400
	Cab, electrical equipment .....	402
	Emergency hammer, hook .....	404
	Cab, rear cover .....	420
	Cab, front cover .....	422
	Wiper switch, front .....	424
	Cab, basic kit .....	378
	Manual box .....	380
	Drivers seat .....	426
	Seat frame structure .....	428
4700391163	Steering column .....	430
	Seat frame adapter module, rotating .....	432
	Seat frame adapter module, fixed .....	434
	Floor cassette module .....	436
	Seat, fabric suspensioned (option) .....	438
	Seat, galon suspensioned .....	440
	Control module .....	442
	Forward reverse control module .....	444
	Display unit .....	446
	Reading light .....	448
	Control panel cover .....	450
	Car stereo module .....	452
	Antenna bracket module, option .....	454
	Rear view mirror .....	456
	Hose assy kit, heater .....	458
	<b>Decals .....</b>	<b>460</b>
	Decals .....	462
	Decals .....	464
	<b>Optional equipment .....</b>	<b>466</b>
4812112422	Level sensor module Option .....	468

**TABLE OF CONTENTS**

**Page**

Fire extinguisher/First Aid Cushion .....	470
Fire extinguisher .....	472
SMV-sign .....	474
Air conditioning .....	476
Drying filter module .....	478
Condensor assembly .....	480
ACC module .....	482
AC module .....	484
Hose assy kit for AC .....	486
4812114973 Compressor kit .....	488
Hose assy kit for AC .....	490



CA6000D/PD (IIIA/T3) SN 10000135x 0A008900 -

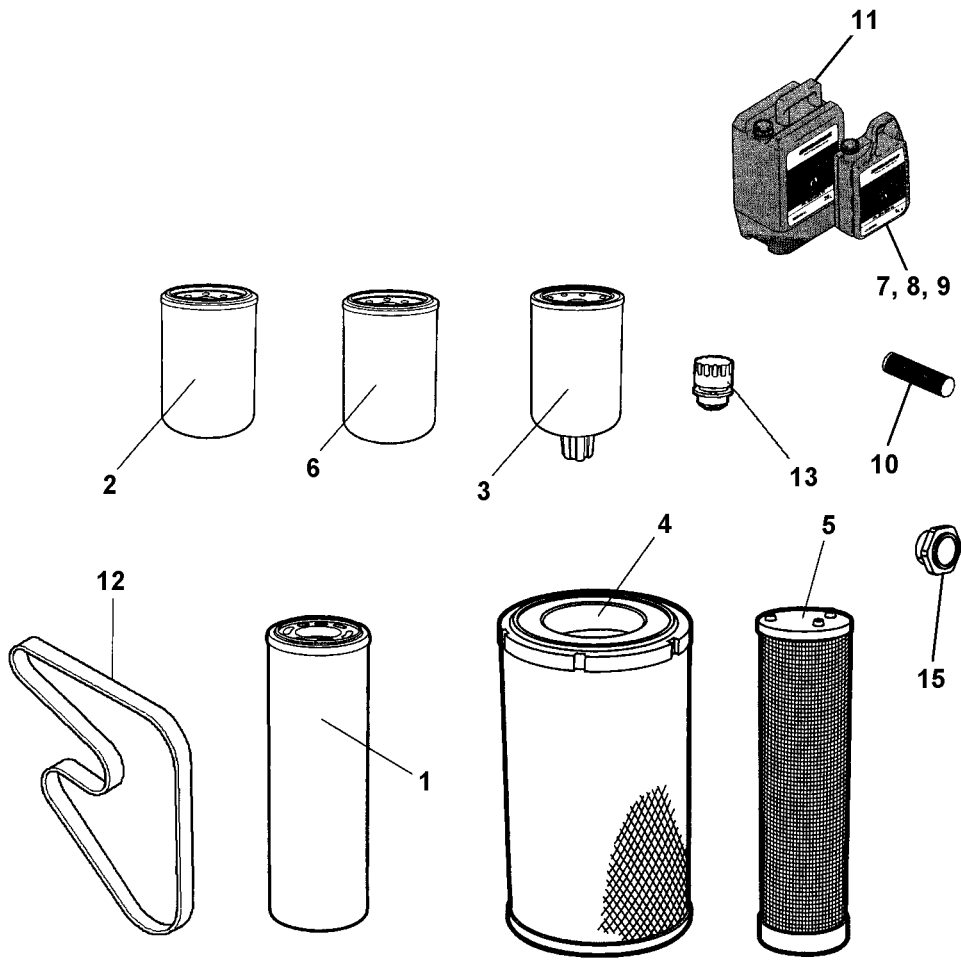
Item	Part No	Rem Qty	Description	Code
1		1	Service kits ( Page 4 )	
2		1	Repair kits ( Page 22 )	
10		1	Frame ( Page 32 )	
20		1	Drum ( Page 86 )	
30		1	Engine ( Page 102 )	
40		1	Transmission ( Page 140 )	
50		1	Hydraulic systems ( Page 160 )	
60		1	Electrical equipment ( Page 288 )	
70		1	Drivers platform ( Page 366 )	
80		1	Decals ( Page 460 )	
91		1	Optional equipment ( Page 466 )	





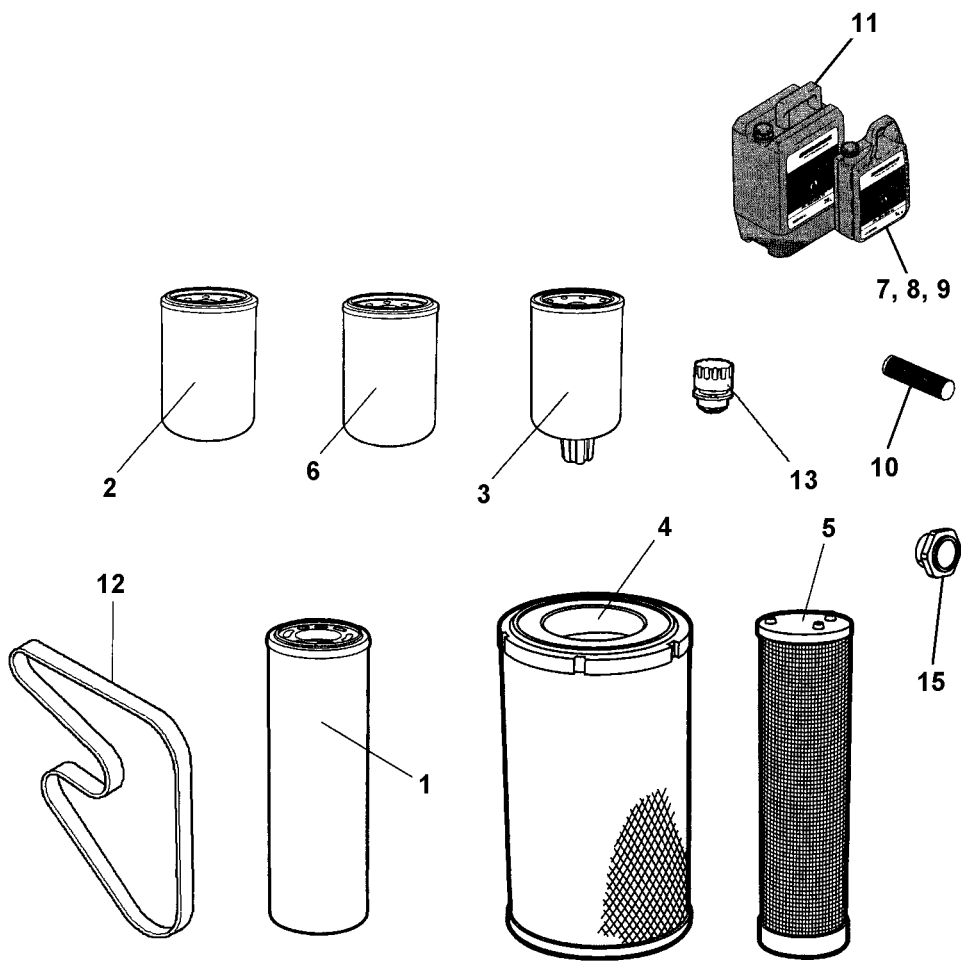
**Service kits**

<b>Item</b>	<b>Part No</b>	<b>Rem Qty</b>	<b>Description</b>	<b>Code</b>
1	4812156993	1	Service kit, 50h incl. oil ( Page 6 )	A
2	4812156994	1	Service kit, 500h ( Page 8 )	A
3	4812157363	1	Service kit, 500h incl. oil ( Page 10 )	A
4	4812156995	1	Service kit, 1000h ( Page 12 )	A
5	4812157277	1	Service kit, 1000h incl. oil ( Page 14 )	A
6	4812157254	1	Service kit, up to 1000h ( Page 16 )	A
7	4812158052	1	Service kit, 2000h ( Page 18 )	A
8	4812157597	1	Service kit, 2000h incl. oil ( Page 20 )	A



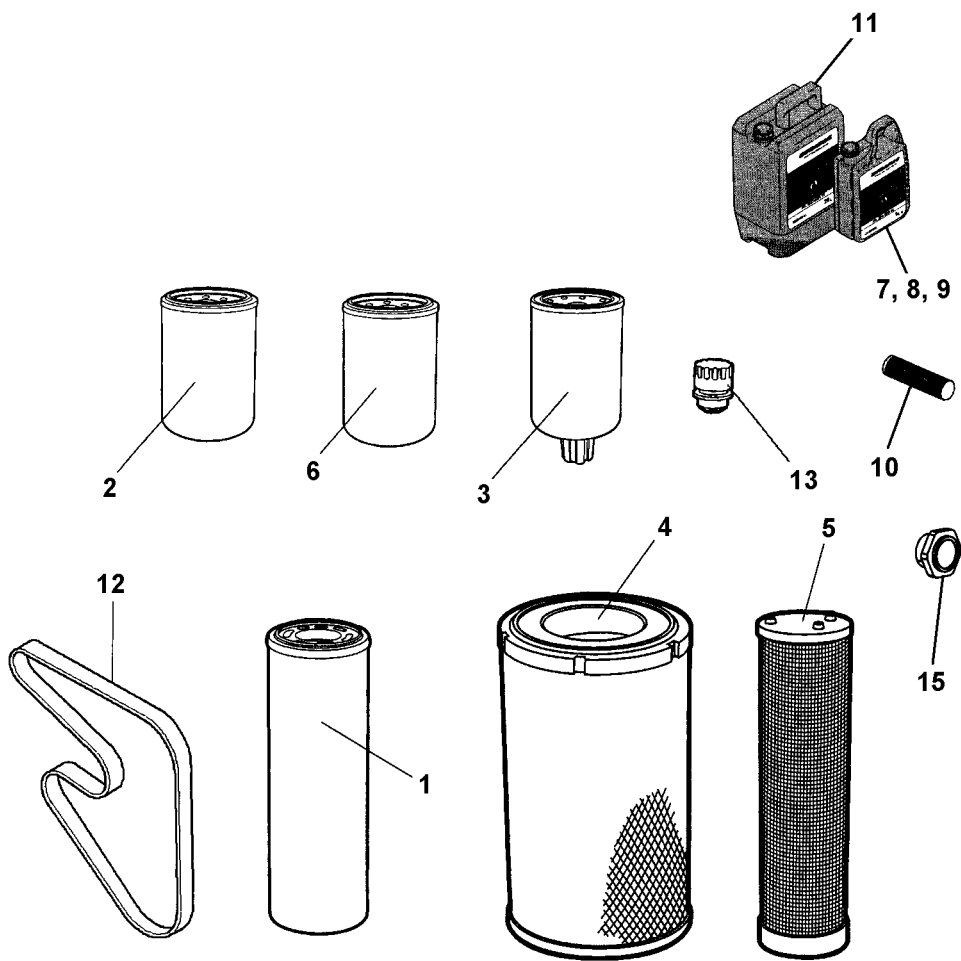
**4812156993 Service kit, 50h incl. oil**

<b>Item</b>	<b>Part No</b>	<b>Rem Qty</b>	<b>Description</b>	<b>Code</b>
1	4812112262	1	Hydraulic oil filter element	A
7	4812156456	1	Dynapac drum oil 1000 5l	A
8	4812030117	1	Gear Oil 300 / 20 ltr.	



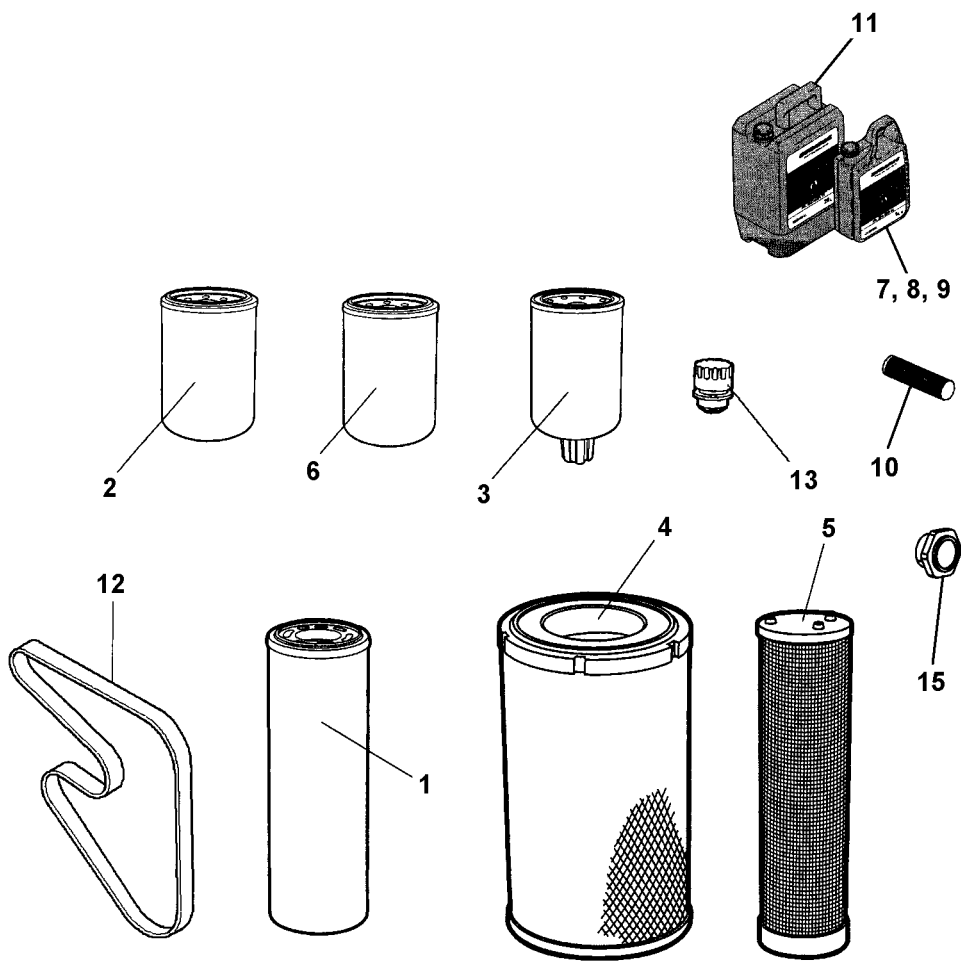
**4812156994 Service kit, 500h**

<b>Item</b>	<b>Part No</b>	<b>Rem Qty</b>	<b>Description</b>	<b>Code</b>
2	4700950568	2	Fuel filter	A
3	4812031626	1	Pre Fuel filter element	A
4	4700394688	1	Air filter element, main	A
6	4700903942	1	Oil filter element	A



**4812157363 Service kit, 500h incl. oil**

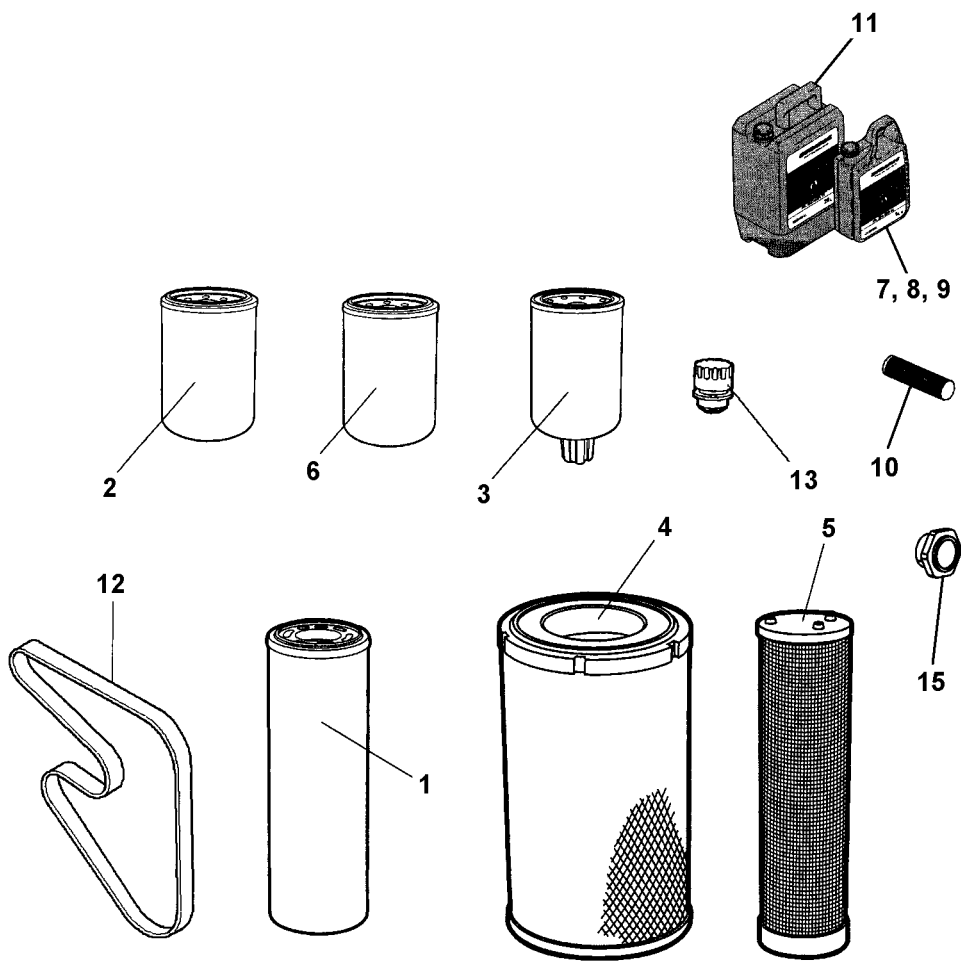
<b>Item</b>	<b>Part No</b>	<b>Rem Qty</b>	<b>Description</b>	<b>Code</b>
2	4700950568	2	Fuel filter	A
3	4812031626	1	Pre Fuel filter element	A
4	4700394688	1	Air filter element, main	A
6	4700903942	1	Oil filter element	A
9	5580020624	3	Atlas Copco fluid engine 100 5l	A





**4812156995 Service kit, 1000h**

<b>Item</b>	<b>Part No</b>	<b>Rem Qty</b>	<b>Description</b>	<b>Code</b>
1	4812112262	1	Hydraulic oil filter element	A
2	4700950568	2	Fuel filter	A
3	4812031626	1	Pre Fuel filter element	A
4	4700394688	1	Air filter element, main	A
5	4700394689	1	Air filter element, safety	A
6	4700903942	1	Oil filter element	A
13	4700357138	1	Ventilating filter	A



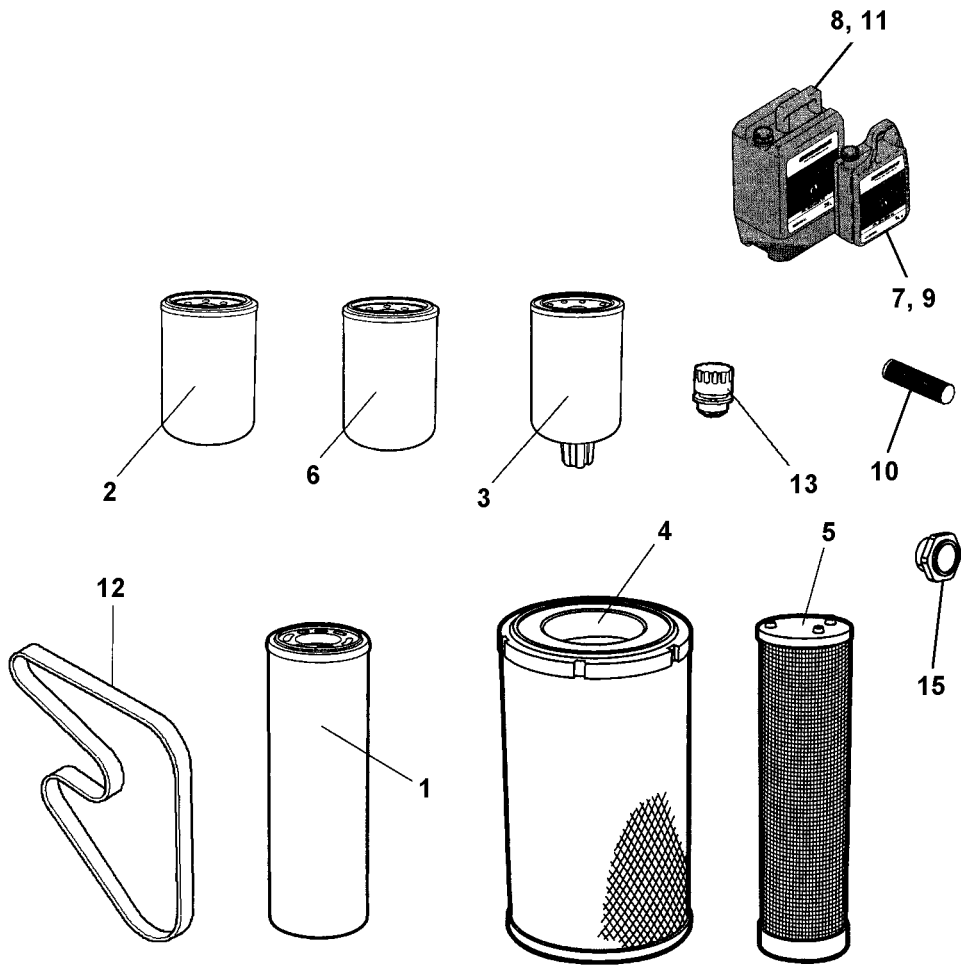
**4812157277 Service kit, 1000h incl. oil**

<b>Item</b>	<b>Part No</b>	<b>Rem Qty</b>	<b>Description</b>	<b>Code</b>
1	4812112262	1	Hydraulic oil filter element	A
2	4700950568	2	Fuel filter	A
3	4812031626	1	Pre Fuel filter element	A
4	4700394688	1	Air filter element, main	A
5	4700394689	1	Air filter element, safety	A
6	4700903942	1	Oil filter element	A
8	4812030117	1	Gear Oil 300 / 20 ltr.	
9	5580020624	3	Atlas Copco fluid engine 100 5l	A
10	4812030096	1	Dynapac Roller Grease	A
13	4700357138	1	Ventilating filter	A



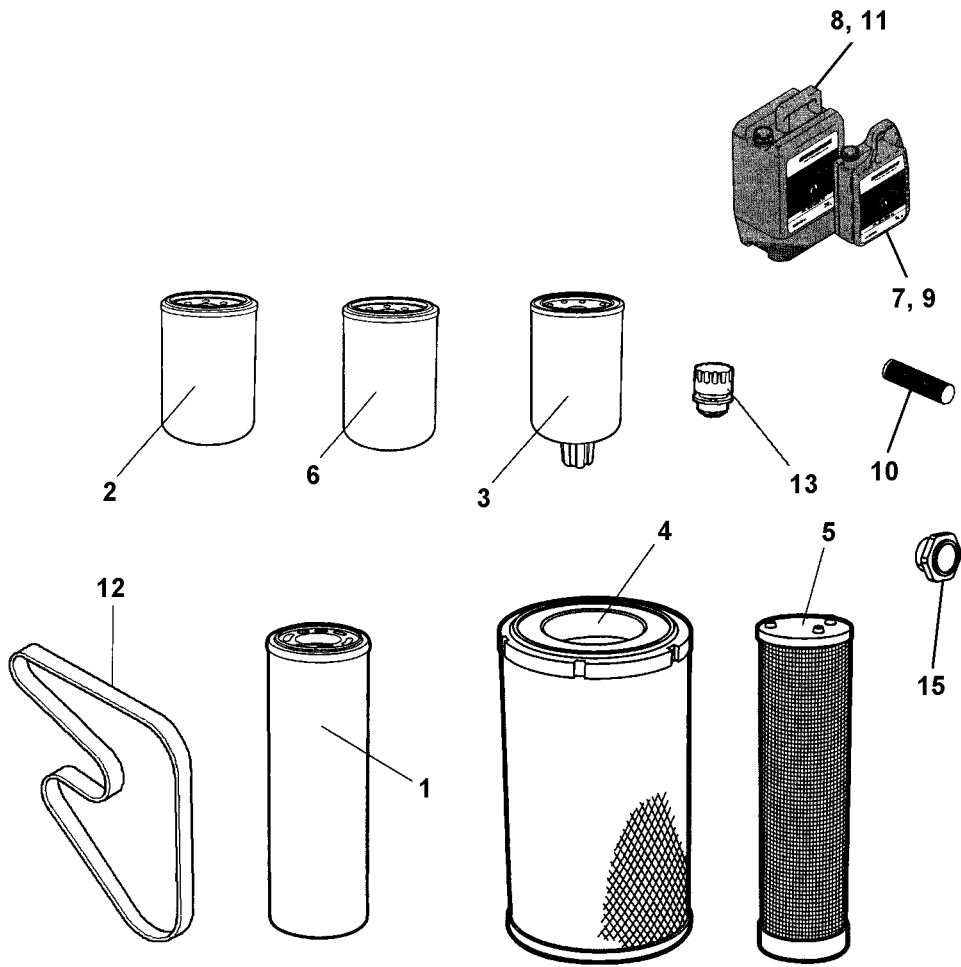
**4812157254 Service kit, up to 1000h**

<b>Item</b>	<b>Part No</b>	<b>Rem Qty</b>	<b>Description</b>	<b>Code</b>
1	4812156993	1	Service kit, 50h incl. oil ( Page 6 )	A
2	4812157363	1	Service kit, 500h incl. oil ( Page 10 )	A
3	4812157277	1	Service kit, 1000h incl. oil ( Page 14 )	A



**4812158052 Service kit, 2000h**

<b>Item</b>	<b>Part No</b>	<b>Rem Qty</b>	<b>Description</b>	<b>Code</b>
1	4812112262	1	Hydraulic oil filter element	A
2	4700950568	2	Fuel filter	A
3	4812031626	1	Pre Fuel filter element	A
4	4700394688	1	Air filter element, main	A
5	4700394689	1	Air filter element, safety	A
6	4700903942	1	Oil filter element	A
12	4812157596	1	V-belt	A
13	4700357138	1	Ventilating filter	A
15	4700922552	2	Oil level glass	B





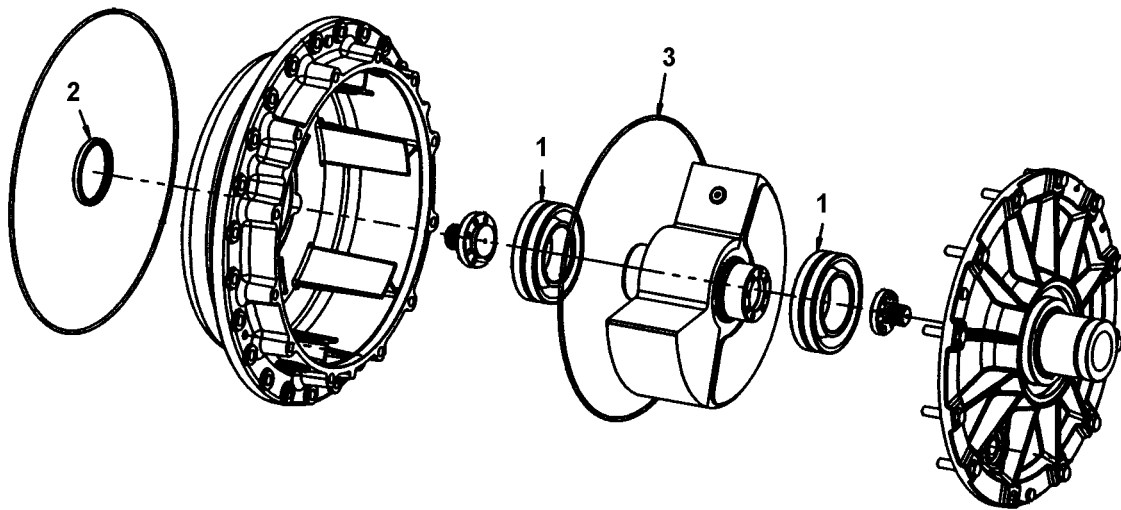
**4812157597 Service kit, 2000h incl. oil**

<b>Item</b>	<b>Part No</b>	<b>Rem Qty</b>	<b>Description</b>	<b>Code</b>
1	4812112262	1	Hydraulic oil filter element	A
2	4700950568	2	Fuel filter	A
3	4812031626	1	Pre Fuel filter element	A
4	4700394688	1	Air filter element, main	A
5	4700394689	1	Air filter element, safety	A
6	4700903942	1	Oil filter element	A
7	4812156456	1	Dynapac drum oil 1000 5l	A
8	4812030117	1	Gear Oil 300 / 20 ltr.	A
9	5580020624	3	Atlas Copco fluid engine 100 5l	A
10	4812030096	1	Dynapac Roller Grease	A
11	9106230330	3	Atlas Copco fluid hydraulic 300 20l	A
12	4812157596	1	V-belt	A
13	4700357138	1	Ventilating filter	A
15	4700922552	2	Oil level glass	B



**Repair kits**

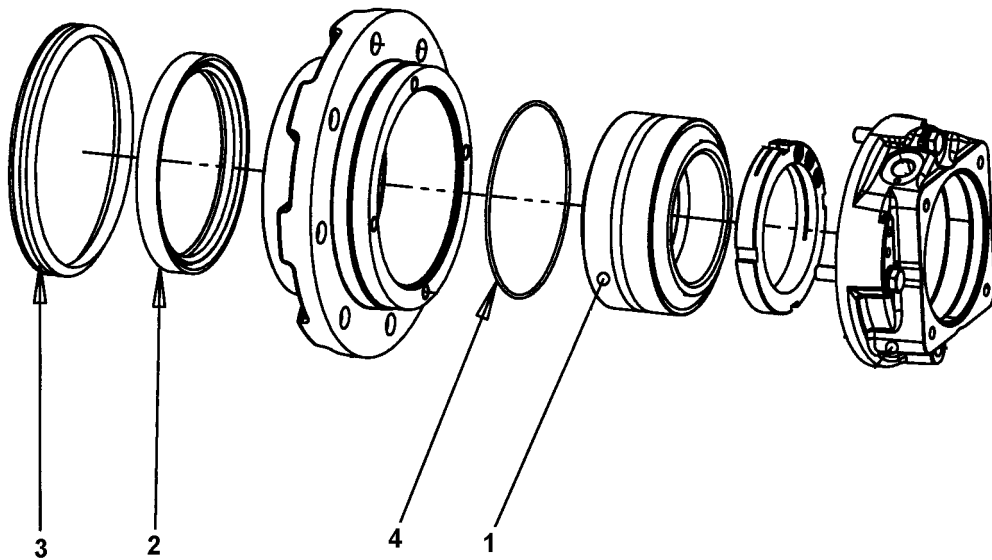
<b>Item</b>	<b>Part No</b>	<b>Rem Qty</b>	<b>Description</b>	<b>Code</b>
2		1	Eccentric shaft kit ( Page 24 )	C
3	4812157275	1	Drum rotation kit ( Page 26 )	C
4	4812157276	1	Shock absorber kit, drum ( Page 28 )	A
5		1	Steering hitch kits ( Page 30 )	C



**Eccentric shaft kit**

<b>Item</b>	<b>Part No</b>	<b>Rem Qty</b>	<b>Description</b>	<b>Code</b>
	4700945657	1	Eccentric shaft kit	
1	4700390896	2	. Spherical roller bearing	B
2	4700900782	1	. Seal ring	D
3	4700900776	1	. O-ring	D

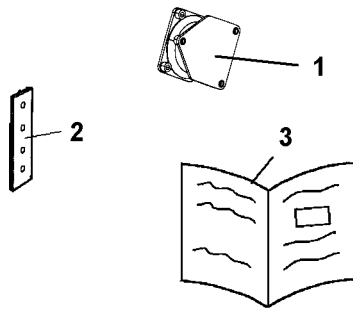
**4812157275 Drum rotation kit**



**4812157275 Drum rotation kit**

<b>Item</b>	<b>Part No</b>	<b>Rem Qty</b>	<b>Description</b>	<b>Code</b>
1	4700116041	1	Taper roller bearing	B
2	4700167023	1	Seal ring	B
3	4700929447	1	V-ring	B
4	4700160105	1	O-ring 70	C

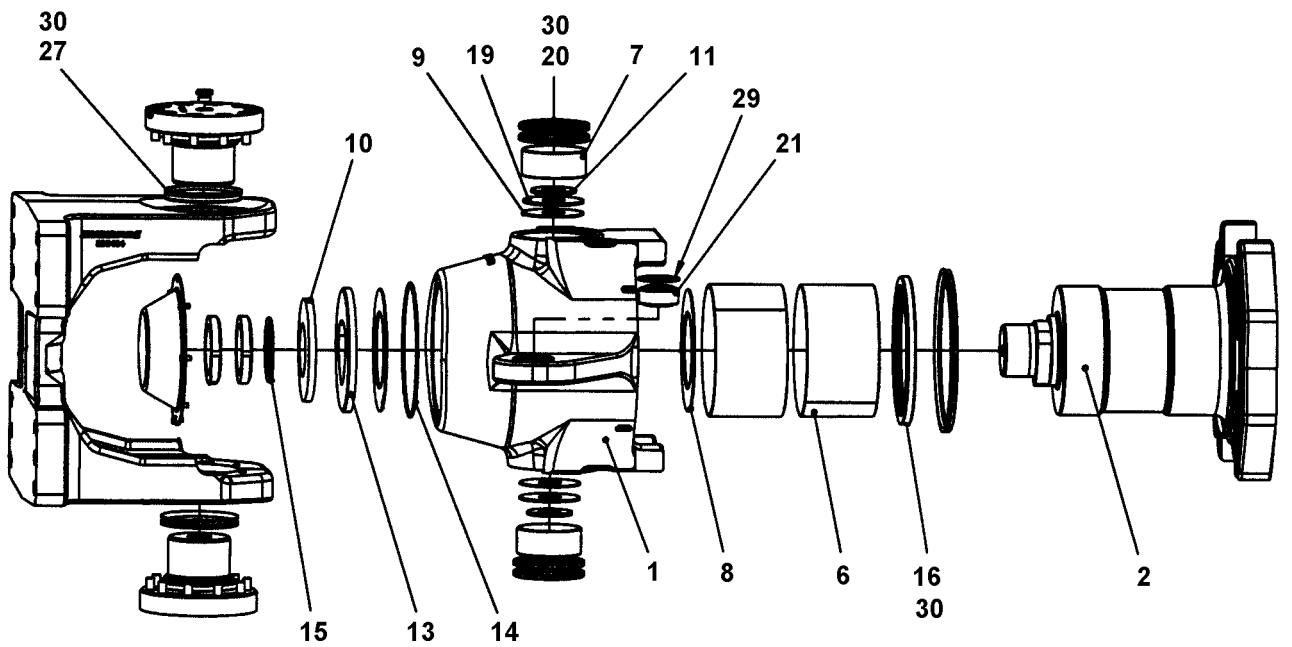
**4812157276 Shock absorber kit, drum**





**4812157276 Shock absorber kit, drum**

<b>Item</b>	<b>Part No</b>	<b>Rem Qty</b>	<b>Description</b>	<b>Code</b>
1	4812111046	22	Shock absorber	A
2	4812113168	4	Shim t = 1 mm	D
3	4812156170	1	Instructions	



**Steering hitch kits**

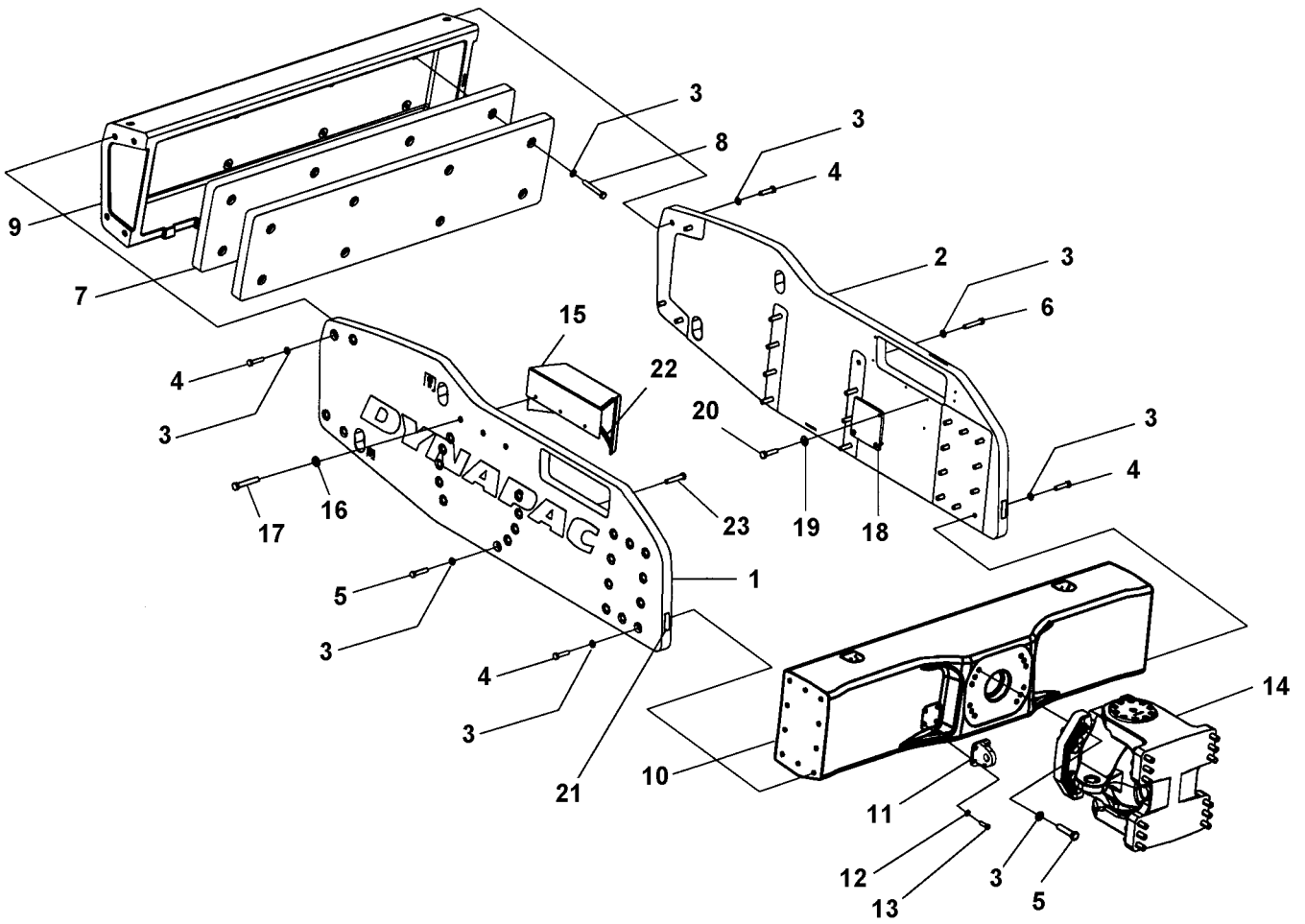
<b>Item</b>	<b>Part No</b>	<b>Rem Qty</b>	<b>Description</b>	<b>Code</b>
	4812157779	1	Steering hitch kit, tilt	C
	4812113133	1	_Yoke	
	4812113137	1	_Shaft	D
	4700396588	2	_Sleeve bearing	B
	4700393523	2	_Slide washer	D
_10	4700390542	1	_Disc spring	D
_13	4700393115	1	_Thrust washer	D
_14	4700160277	1	_O-ring	D
_15	4700393218	1	_Back-up ring	C
_16	4700391031	1	_Radial lip-type seal	D
_30	4812030096	1	_Dynapac Roller Grease	A
	4812157780	1	Steering hitch kit, turn	C
	4700390539	2	_Sleeve bearing	B
	4700390541	2	_Slide washer	D
_11	4700390543	2	_Disc spring	D
_19	4700391566	2	_Washer	D
_20	4812113135	4	_Radial lip-type seal	D
_21	4700792611	4	_Radial spherical plain bearing	D
_27	4700167009	2	_V-ring	D
_29	4700151021	2	_Snap ring	B
_30	4812030096	1	_Dynapac Roller Grease	A



**Frame**

<b>Item</b>	<b>Part No</b>	<b>Rem Qty</b>	<b>Description</b>	<b>Code</b>
2		1	Frame, front ( Page 34 )	
3		1	Scrapers, option ( Page 38 )	
4		1	Frame, rear ( Page 52 )	
5		1	Engine structure ( Page 70 )	

Frame, front

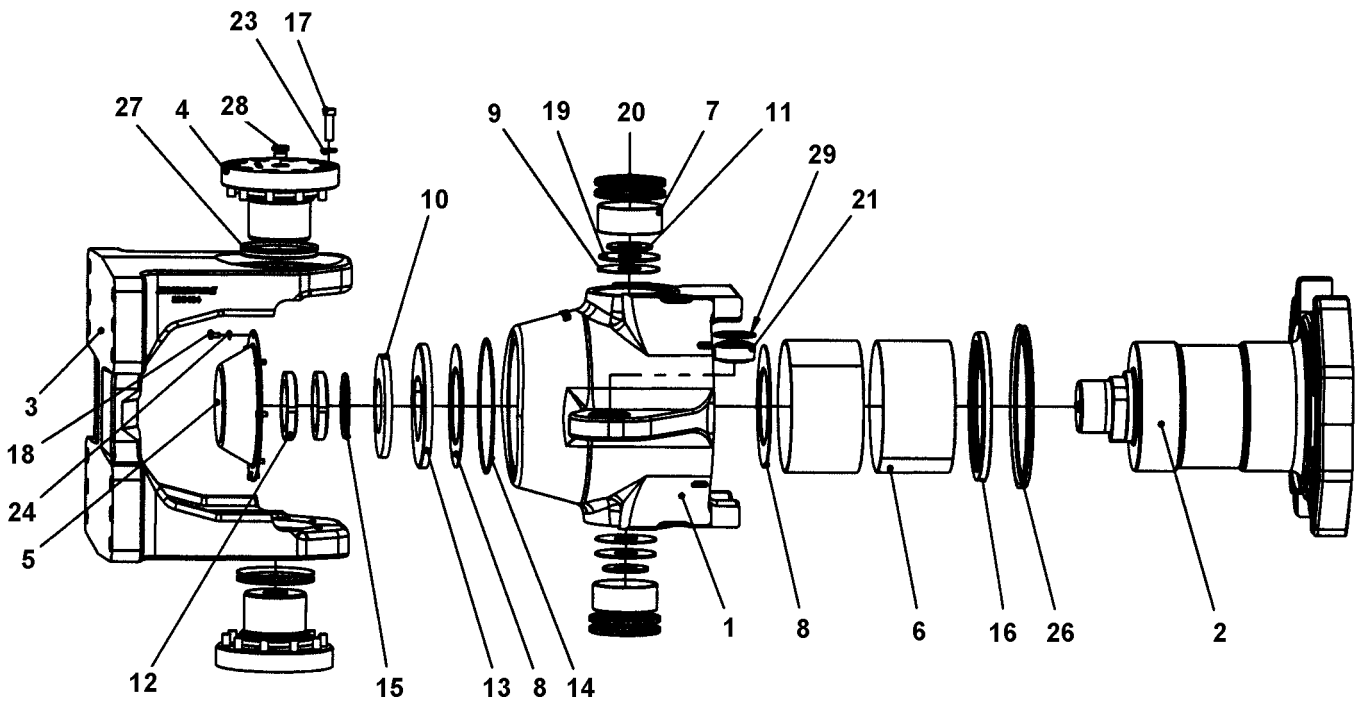


Frame, front

Item	Part No	Rem Qty	Description	Code
1	4812112143	1	Side plate	D
2	4812112142	1	Side plate	D
3	4700904233	78	Washer 21x36x3	C
4	4700500287	28	Screw M20x80 10,9	C
5	4700925208	34	Screw M20x90	D
6	4700901381	8	Screw	D
7	4812112159	2	Ballast weight	D
8	4700904487	8	Screw M20x140 10,9 FZB	C
9	4812111653	1	Cross beam	D
10	4812114726	1	Cross beam	D
11	4812114910	1	Bracket	D
12	4700904232	4	Washer	C
13	4700500070	4	Screw M16x50	C
14	4812113132	1	Steering hitch, cpl ( Page 36 )	D
15	4812112535	1	Protective hood	
16	4700904230	3	Steel plain washer	C
17	4700500192	3	Screw M10x80	C
18	4812113607	2	Bracket	
19	4700904230	8	Steel plain washer	C
20	4700500031	4	Screw M10x040 8.8	C
21	4700377742	2	Reflector, red	D
22	4700902166	A 1XL	Edge trim	D
23	4700500029	4	Hexagon head screw	C

A) L=0.37m

4812113132 Steering hitch, cpl





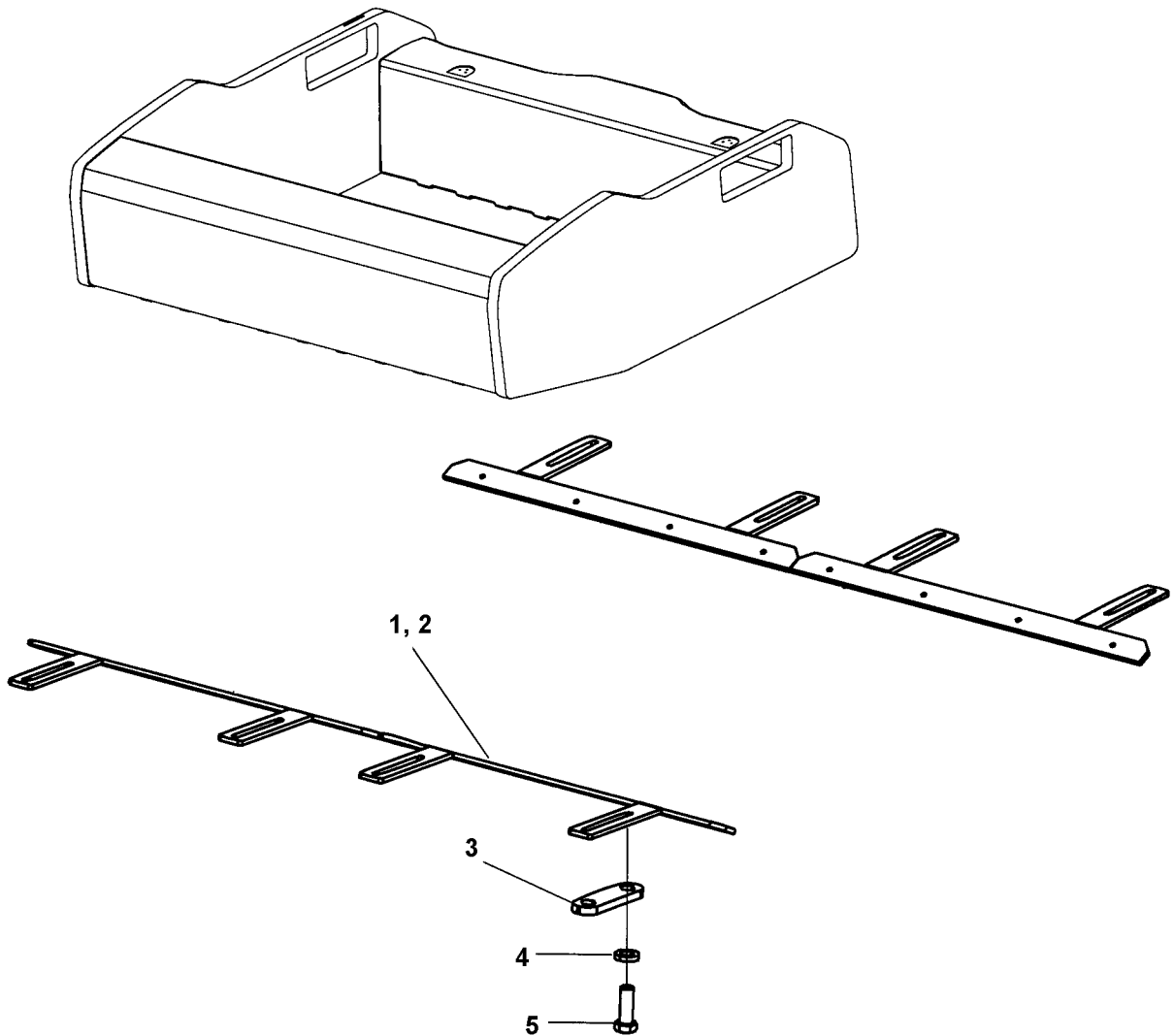
**4812113132 Steering hitch, cpl**

Item	Part No	Rem Qty	Description	Code
1	4812113133	1	Yoke	
2	4812113137	1	Shaft	D
3	4812112770	1	Hitch holder	D
4	4812113131	2	Shaft	D
5	4700392550	1	Cover	D
6	4700396588	2	Sleeve bearing	B
7	4700390539	2	Sleeve bearing	B
8	4700393523	2	Slide washer	D
9	4700390541	2	Slide washer	D
10	4700390542	1	Disc spring	D
11	4700390543	2	Disc spring	D
12	4700135015	2	Shaft nut	D
13	4700393115	1	Thrust washer	D
14	4700160277	1	O-ring	D
15	4700393218	1	Back-up ring	C
16	4700391031	1	Radial lip-type seal	D
17	4700792394	20	Screw	D
18	4700500012	8	Screw M6x12	C
19	4700391566	2	Washer	D
20	4812113135	4	Radial lip-type seal	D
21	4700792611	2	Radial spherical plain bearing	D
23	4700904231	20	Washer 13x24x2 300 HV	C
24	4700904228	8	Washer 6,4x12x1,5	C
26	4700792515	1	Sealing, v-ring	D
27	4700167009	2	V-ring	D
28	4700792295	2	Steel plug	D
29	4700151021	2	Snap ring	B



**Scrapers, option**

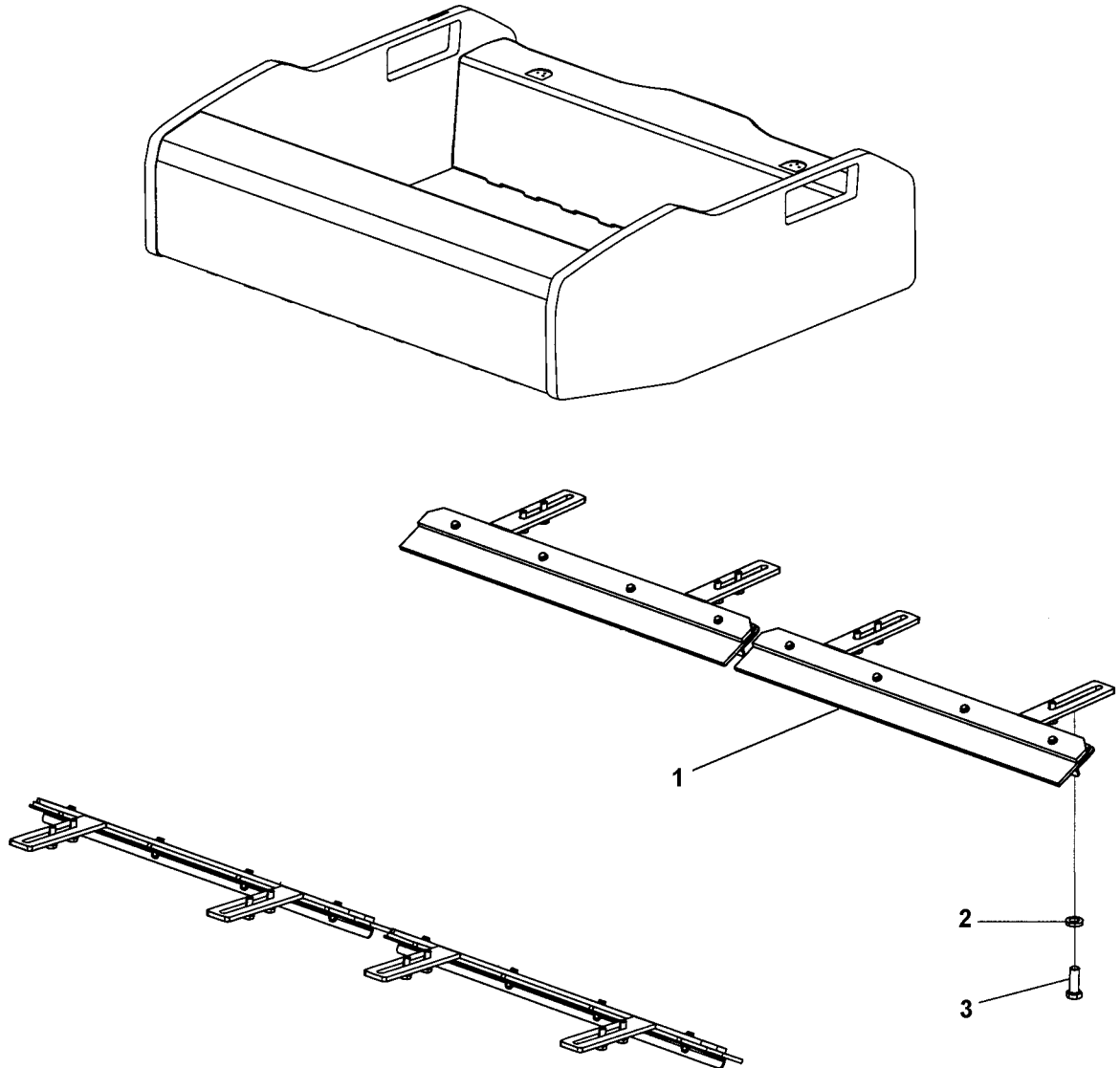
<b>Item</b>	<b>Part No</b>	<b>Rem Qty</b>	<b>Description</b>	<b>Code</b>
1		4	Scraper module ( Page 40 )	
2		4	Scraper module Vulcolane ( Page 42 )	
3		18	Scraper module PD ( Page 46 )	
4		2	Scraper module PD Heavy duty ( Page 48 )	



**Scraper module**

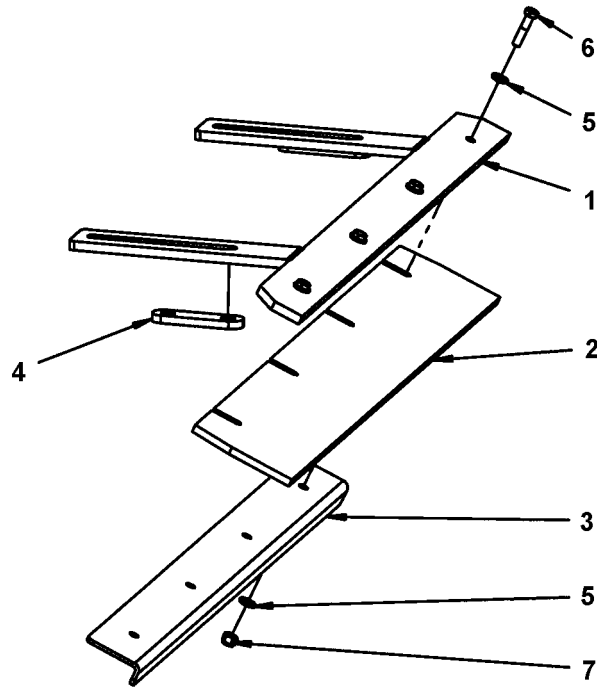
<b>Item</b>	<b>Part No</b>	<b>Rem</b>	<b>Qty</b>	<b>Description</b>	<b>Code</b>
1	4812111020		1	Scraper, hardox	B
2	4812112614	A	1	Scraper, steel	B
3	4812111103		2	Holder	C
4	4700904558		4	Washer 17X30X6 300HV	C
5	4700500102		4	Screw M16x45	D

A) Replaced by item 1 p/n 4812111020.



Scraper module Vulcolane

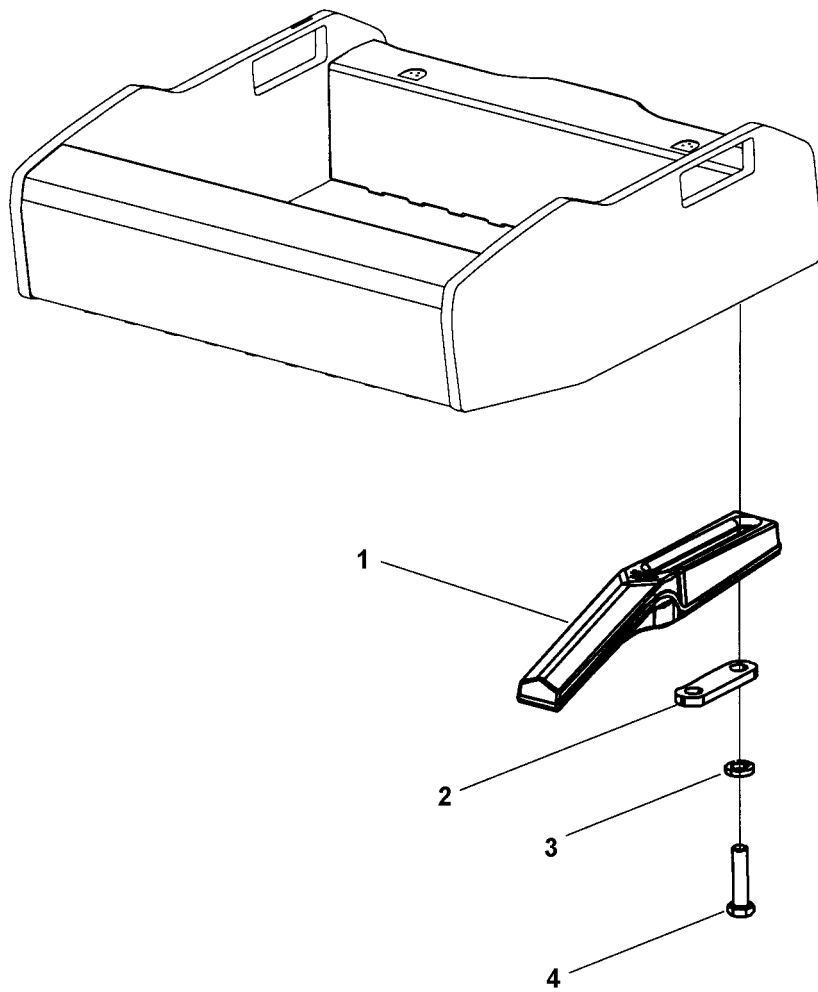
Item	Part No	Rem Qty	Description	Code
1		1	Scraper assy ( Page 44 )	
2	4700904558	4	Washer 17X30X6 300HV	C
3	4700500102	4	Screw M16x45	D





**Scraper assy**

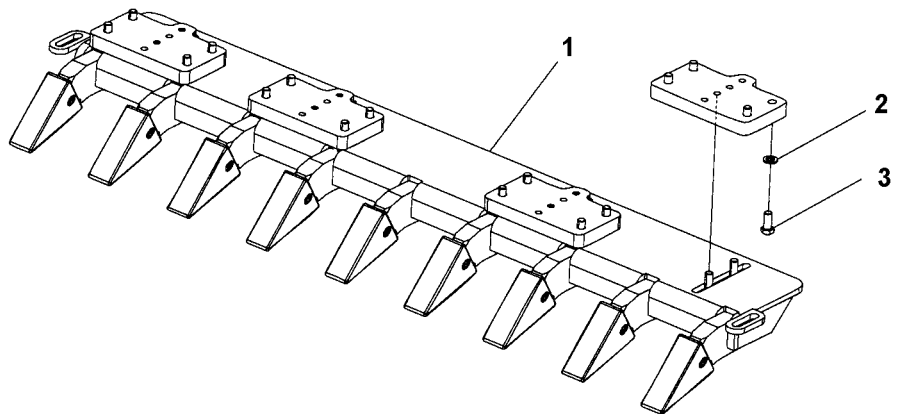
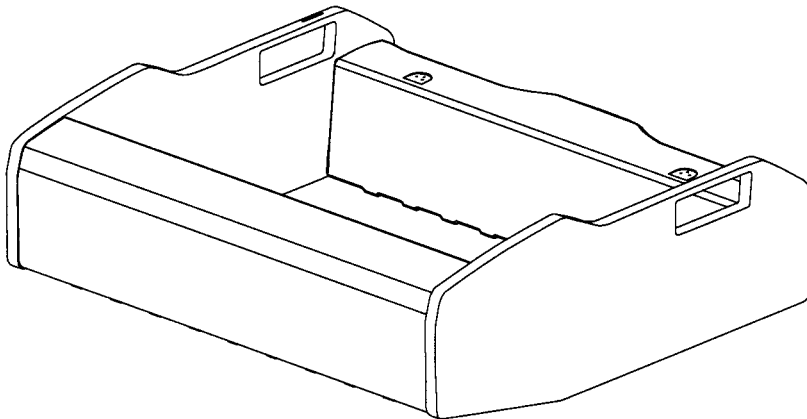
<b>Item</b>	<b>Part No</b>	<b>Rem Qty</b>	<b>Description</b>	<b>Code</b>
1	4812111020	1	Scraper, hardox	B
2	4812114833	1	Scraper blade	
3	4812111092	1	Bracket	
4	4812111103	2	Holder	C
5	4700904230	8	Steel plain washer	C
6	4700500161	4	Hexagon head screw	C
7	4700586018	4	Hexagon lock nut	C



Scraper module PD

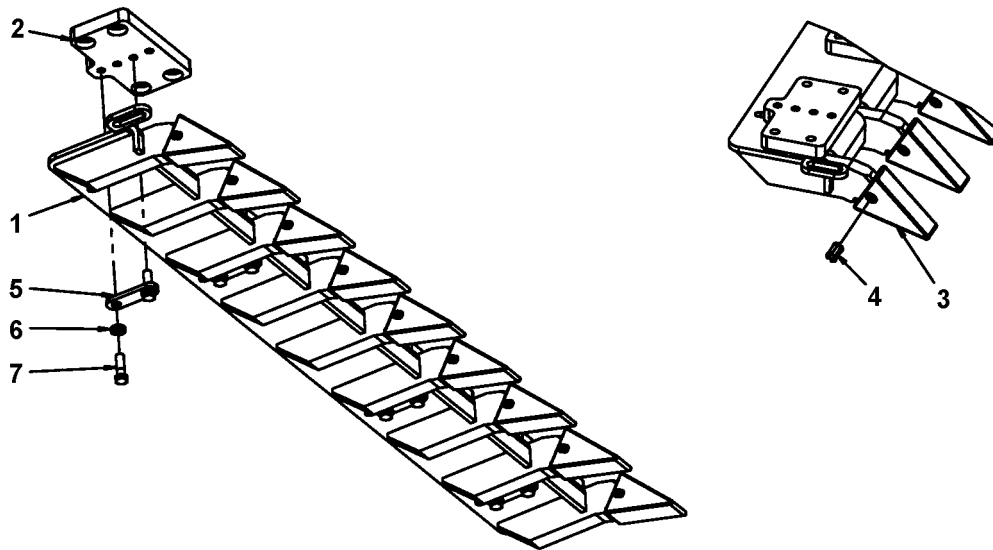
Item	Part No	Rem Qty	Description	Code
1	4700397305	1	Scraper tooth	B
2	4812111103	1	Holder	C
3	4700904558	2	Washer 17X30X6 300HV	C
4	4811000109	2	Screw	D

Scraper module PD Heavy duty



Scraper module PD Heavy duty

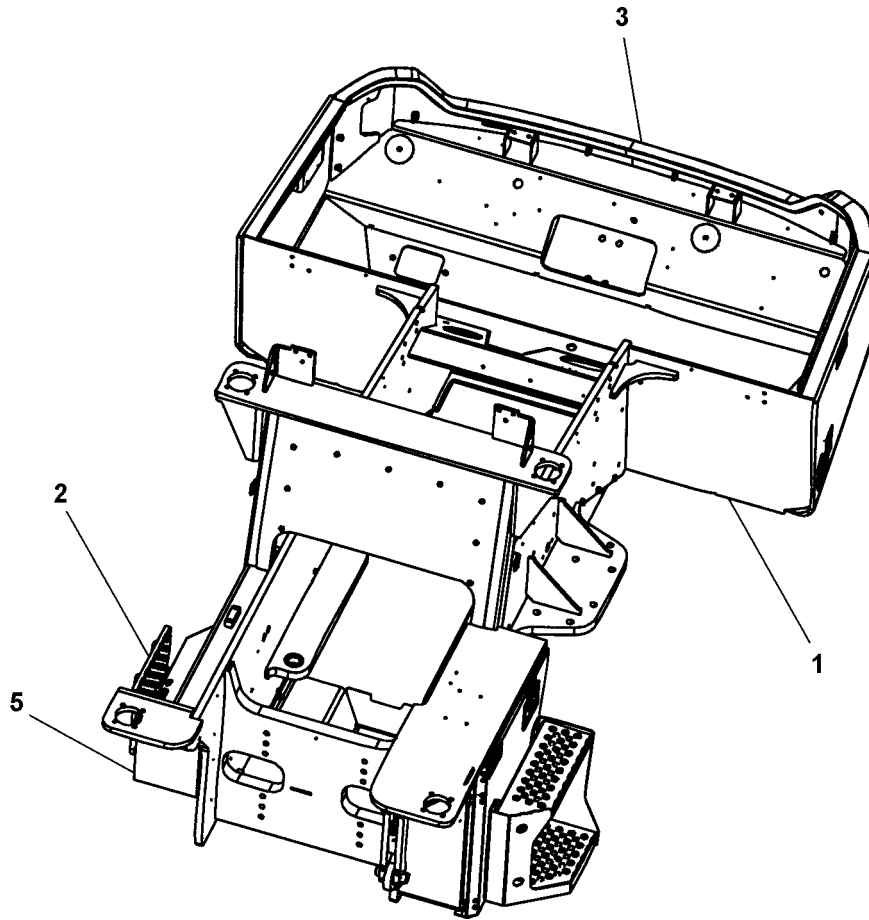
Item	Part No	Rem Qty	Description	Code
1		1	Scraper mount ( Page 50 )	
2	4700904232	16	Washer	C
3	4700500123	16	Screw M16x35	D



**Scraper mount**

<b>Item</b>	<b>Part No</b>	<b>Rem Qty</b>	<b>Description</b>	<b>Code</b>
1	4812116617	1	Scraper assy	
2	4812115508	4	Adapter	
3	4700383844	9	Tooth	B
4	4700801631	9	Flexible pin 56,5x40	D
5	4812111103	4	Holder	C
6	4700904558	8	Washer 17X30X6 300HV	C
7	4700947698	8	Screw M16x55 10.9	C

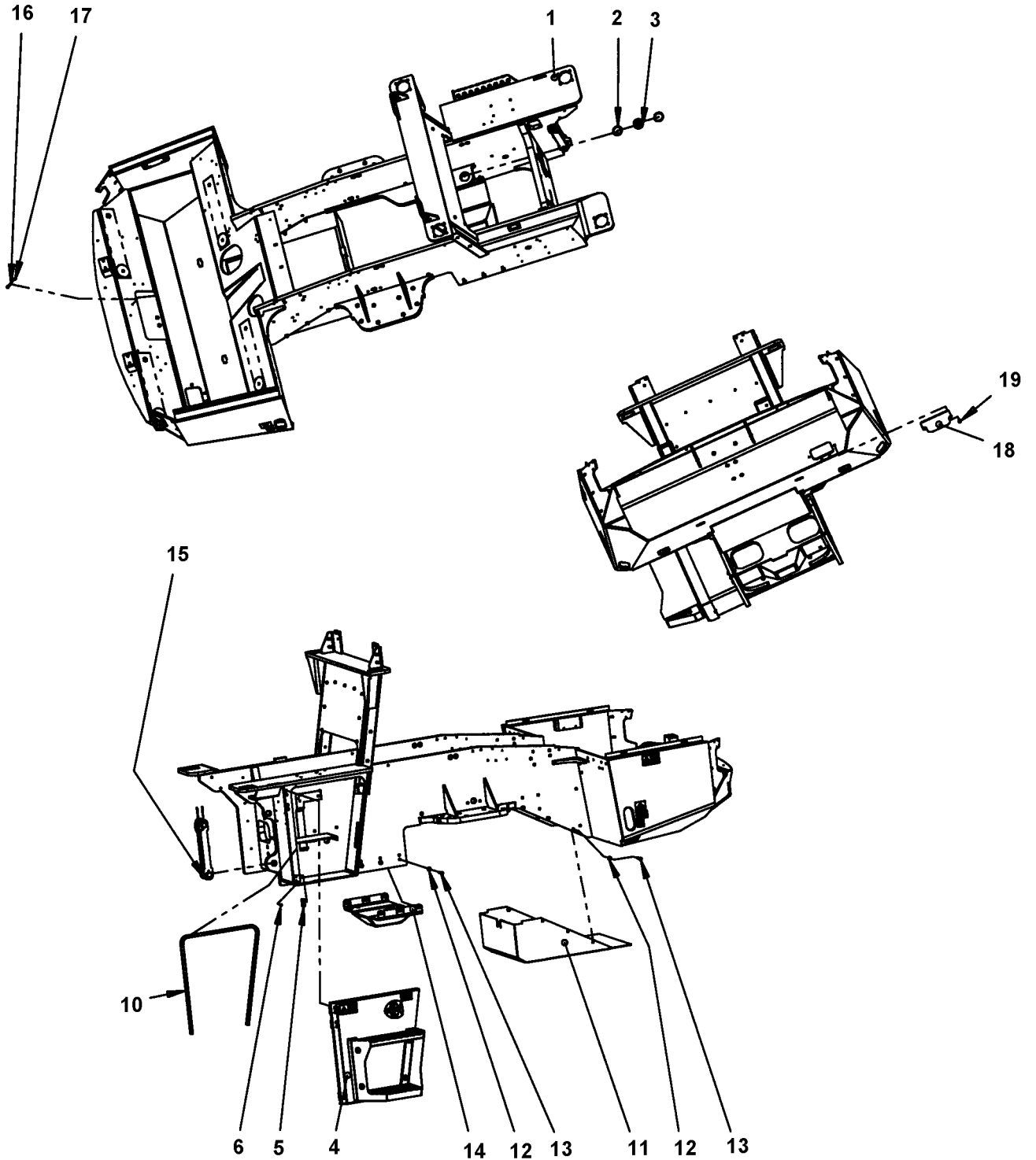
Frame, rear





**Frame, rear**

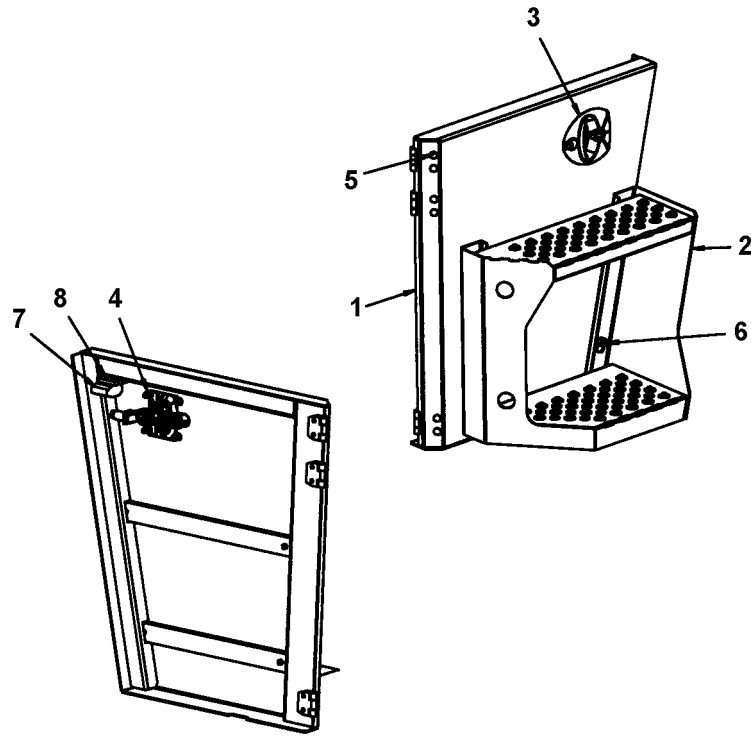
<b>Item</b>	<b>Part No</b>	<b>Rem Qty</b>	<b>Description</b>	<b>Code</b>
1		1	Frame rear module ( Page 54 )	
2		1	Step module ( Page 60 )	
3		1	Bumper module ( Page 64 )	
		1	Bumper module, rear lights, option ( Page 66 )	
5		1	Tool box module, Option ( Page 68 )	



## Frame rear module

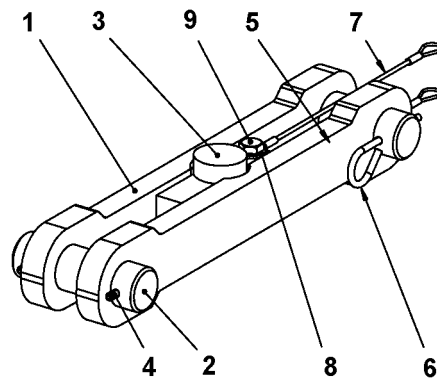
Item	Part No	Rem	Qty	Description	Code
1	4812114663		1	Frame, rear	D
2	4700151021		4	Snap ring	B
3	4700792611		2	Radial spherical plain bearing	D
4			1	Cover Assy ( Page 56 )	
5	4700389857		3	Threaded plate	D
6	4700513012		6	Screw M6x20 10,9	D
10	4700202057	A	1XL	Edge trim	D
11	4812111010		1	Cover plate	D
12	4700904557		12	Steel plain washer	C
13	4700500091		12	Screw	C
14	4812112439		1	Protective plate	D
15			1	Articulated Joint Module ( Page 58 )	B
16	4700500239		1	Screw M8x50H 8,8	C
17	4700570005		1	Nut M8	C
18	4812113904		1	Cover plate	D
19	4700901832		2	Screw	C

A) L=1.83m



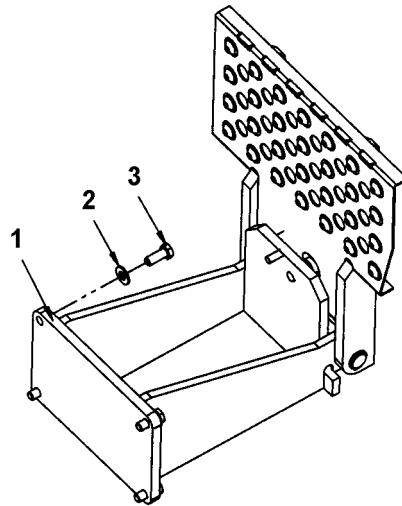
**Cover Assy**

<b>Item</b>	<b>Part No</b>	<b>Rem Qty</b>	<b>Description</b>	<b>Code</b>
1	4812112058	1	Cover	D
2	4812112059	1	Step assy	C
3	4812115745	1	Lock with bracket	D
4	4700902284	4	Nut M5	C
5	4700921723	6	Plug	C
6	4700508096	4	Screw	C
7	4700390365	1	Spacer	D
8	4700513017	2	Screw M6x30H 10,9	C



**Articulated Joint Module**

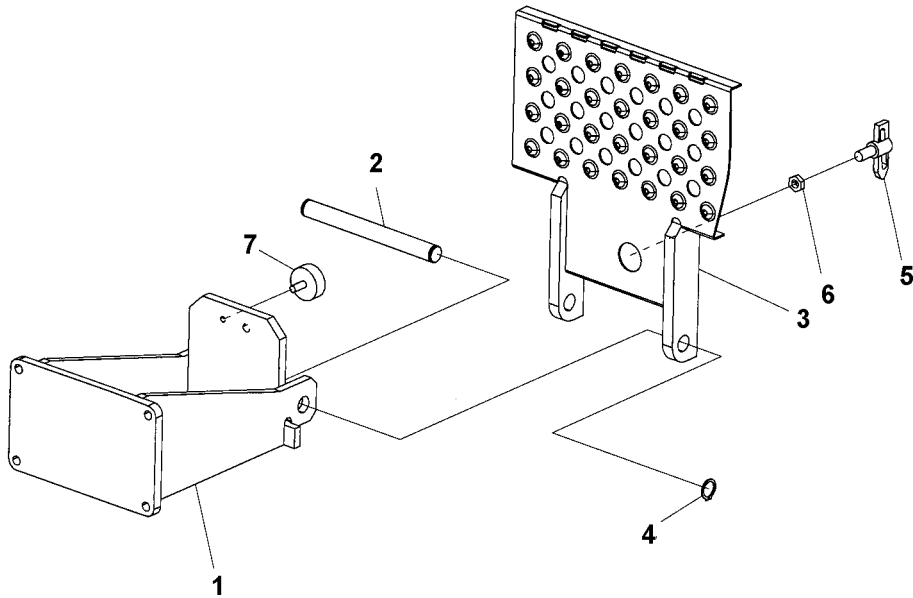
<b>Item</b>	<b>Part No</b>	<b>Rem Qty</b>	<b>Description</b>	<b>Code</b>
1	4812114801	1	Articulated joint lock	D
2	4812112764	2	Shaft	D
3	4700792601	1	Shock absorber	D
4	4700629061	2	Expanding pin	D
5	4700357488	1	Spring	D
6	4700635057	1	Hair pin	D
7	4700381619	2	Wire	D
8	4700904230	2	Steel plain washer	C
9	4700500043	2	Screw M10x16H 8,8	D





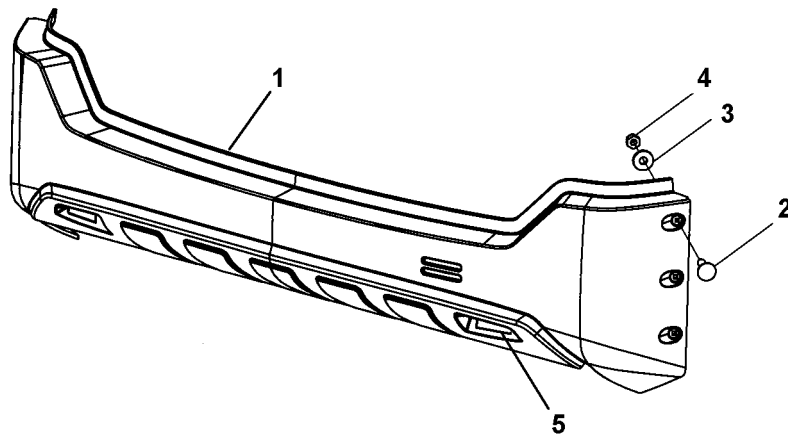
Step module

Item	Part No	Rem Qty	Description	Code
1		1	Step assy ( Page 62 )	D
2	4700904230	4	Steel plain washer	C
3	4700500028	4	Screw	C



**Step assy**

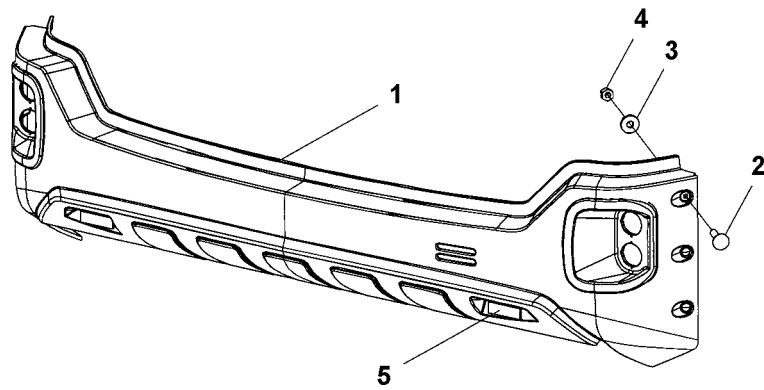
Item	Part No	Rem Qty	Description	Code
1	4812114759	1	Bracket	
2	4812114761	1	Shaft	
3	4812114760	1	Step	
4	4700150008	2	Snap ring	
5	4700475064	1	Lock	D
6	4700927233	1	Nut	C
7	4700792601	1	Shock absorber	D



**Bumper module**

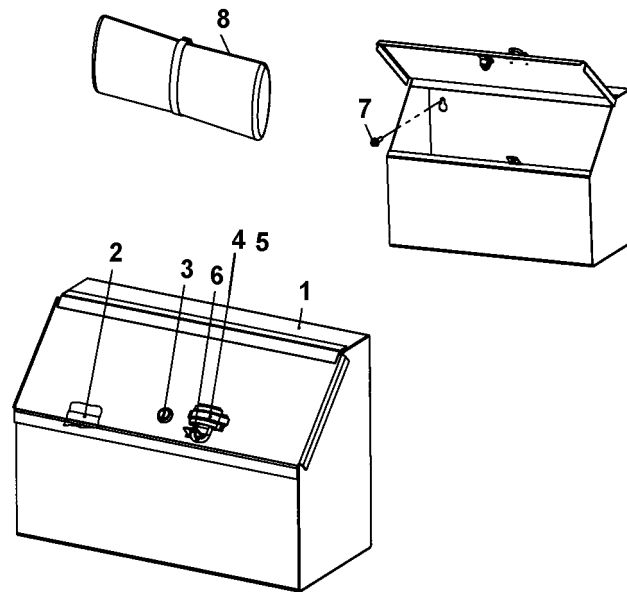
<b>Item</b>	<b>Part No</b>	<b>Rem Qty</b>	<b>Description</b>	<b>Code</b>
1	4812113969	1	Bumper	C
2	4812117106	6	Cup square neck bolt	C
3	4700904640	6	Washer 8,4x22x3	C
4	4700586003	6	Lock nut M8	C
5	4700377742	2	Reflector, red	D

Bumper module, rear lights, option



**Bumper module, rear lights, option**

<b>Item</b>	<b>Part No</b>	<b>Rem Qty</b>	<b>Description</b>	<b>Code</b>
1	4812113970	1	Bumper	C
2	4812117106	6	Cup square neck bolt	C
3	4700904640	6	Washer 8,4x22x3	C
4	4700586003	6	Lock nut M8	C
5	4700377742	2	Reflector, red	D

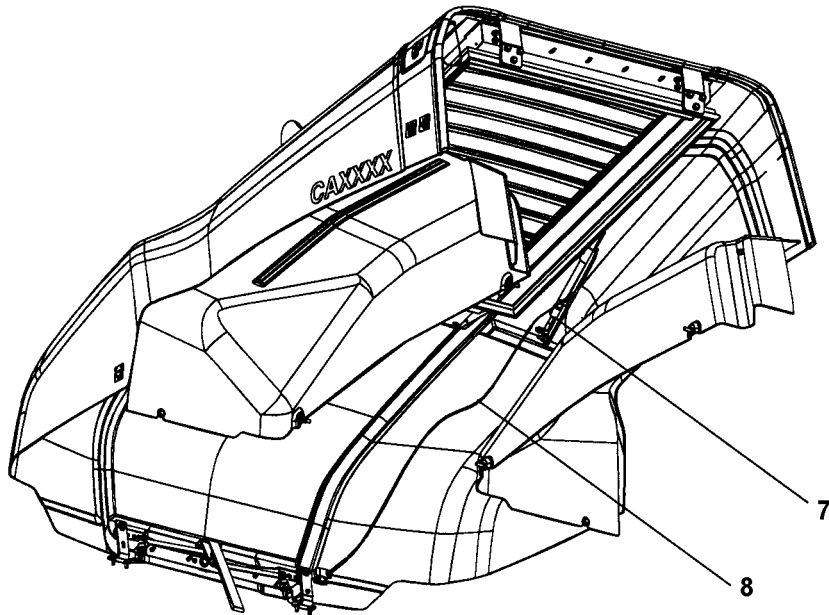
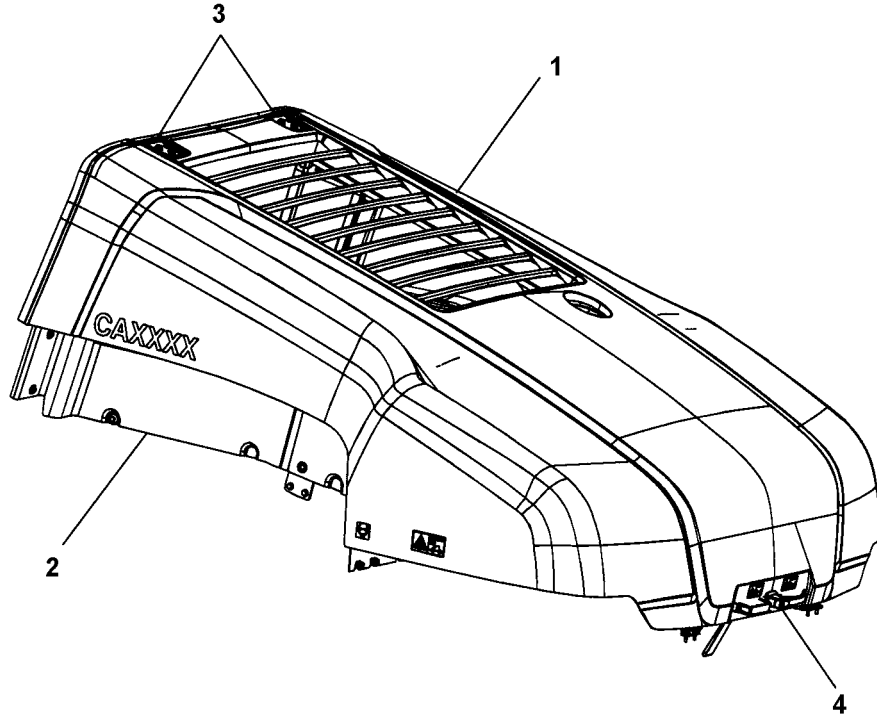




**Tool box module, Option**

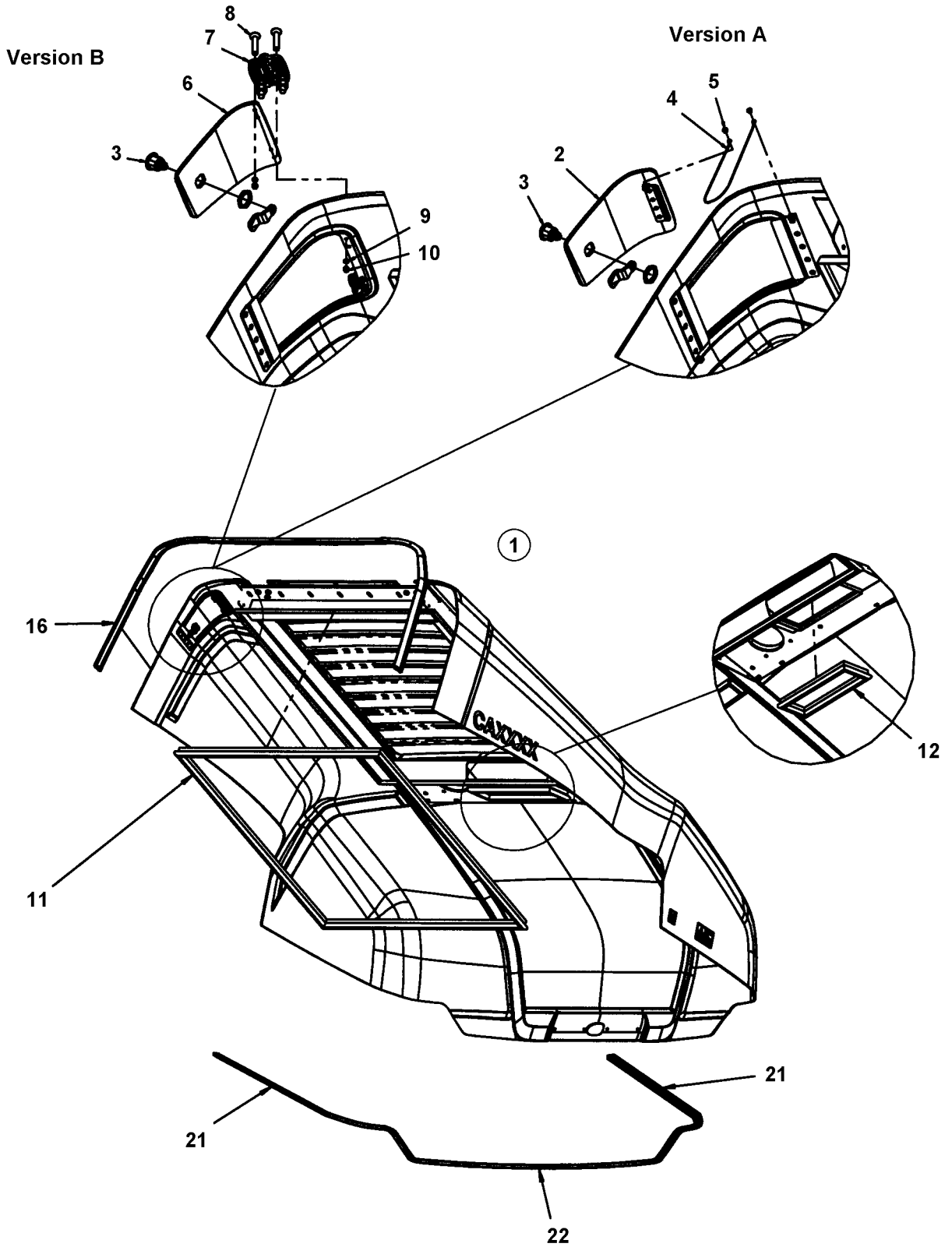
<b>Item</b>	<b>Part No</b>	<b>Rem</b>	<b>Qty</b>	<b>Description</b>	<b>Code</b>
1	4812114756		1	Tool box	
2	4700903615	A	1XL	Rubber strip	D
3	4700372658		1	Lock	D
4	4700394536		1	Wiring clip	D
5	4700624018		2	Blind rivet	D
6	4700358881		1	Pad lock	D
7	4700902041		3	Screw M8 x 25	
8	4700355889		1	Tool set Cpl	D

A) L=0.48m



**Engine structure**

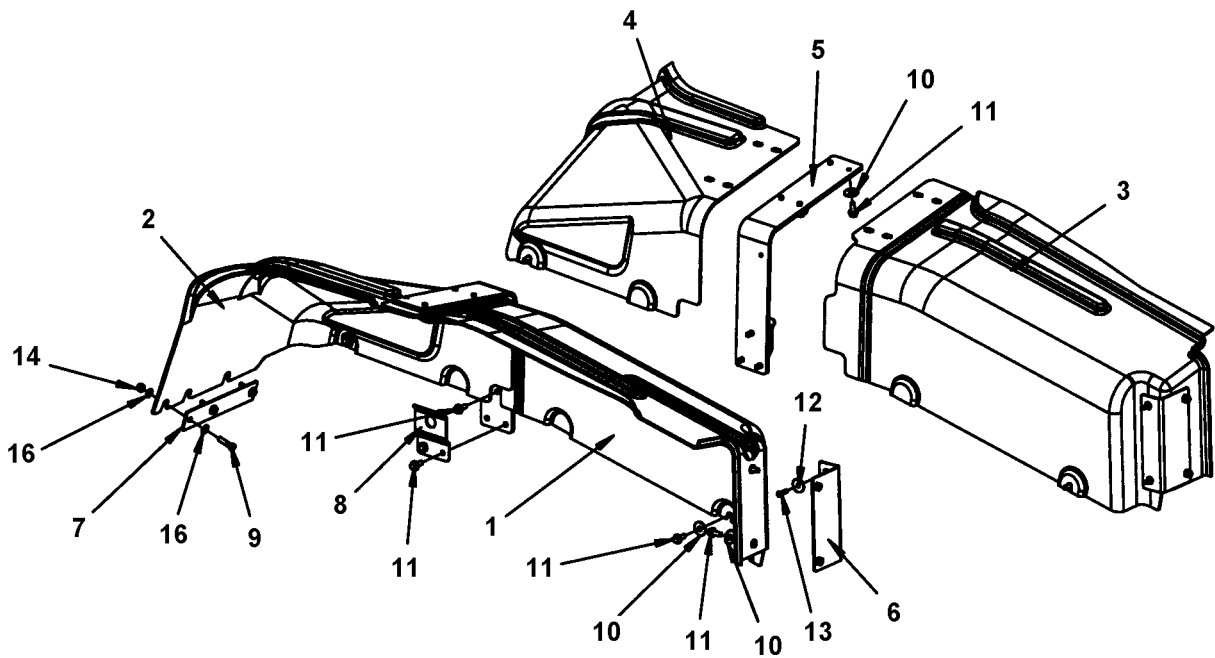
<b>Item</b>	<b>Part No</b>	<b>Rem Qty</b>	<b>Description</b>	<b>Code</b>
1		1	Engine hood module ( Page 72 )	
2		1	Fender module ( Page 74 )	
3		1	Hinge module ( Page 76 )	
4		1	Lock handle module ( Page 78 )	
7		1	Gas spring module ( Page 82 )	
8		1	Safety link module ( Page 84 )	



Engine hood module

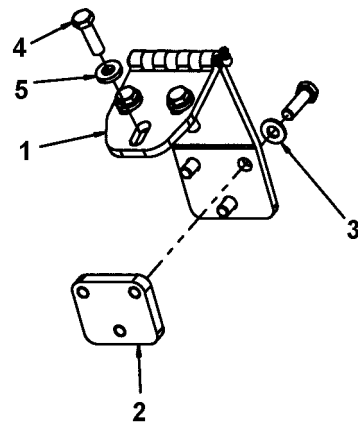
Item	Part No	Rem	Qty	Description	Code
1	4812115515		1	Engine hood Cpl	D
2	4812112832	A	1	. Cover	C
3	4812112834	A,B	1	. Lock	D
4	4700377253	A	1	. Wire	D
5	4700904855	A	2	. Blind rivet	D
6	4812116993	B	1	. Cover	
7	4812116862	B	2	. Hinge	
8	4812116985	B	8	. Hexagon socket flat cap screw	
9	4700904698	B	8	. Washer 4,3x8x0,8	C
10	4700923976	B	8	. Nut	C
11	4812114811		1	Sealing strip	C
12	4812114812		1	Sealing strip	C
16	4812114814		1	Sealing strip	C
21	4812116284	C	1XL	Sealing strip	
22	4812116284	D	1XL	Sealing strip	

- A) Verison A.
- B) Version B.
- C) L=0.74m
- D) L=2.07m



**Fender module**

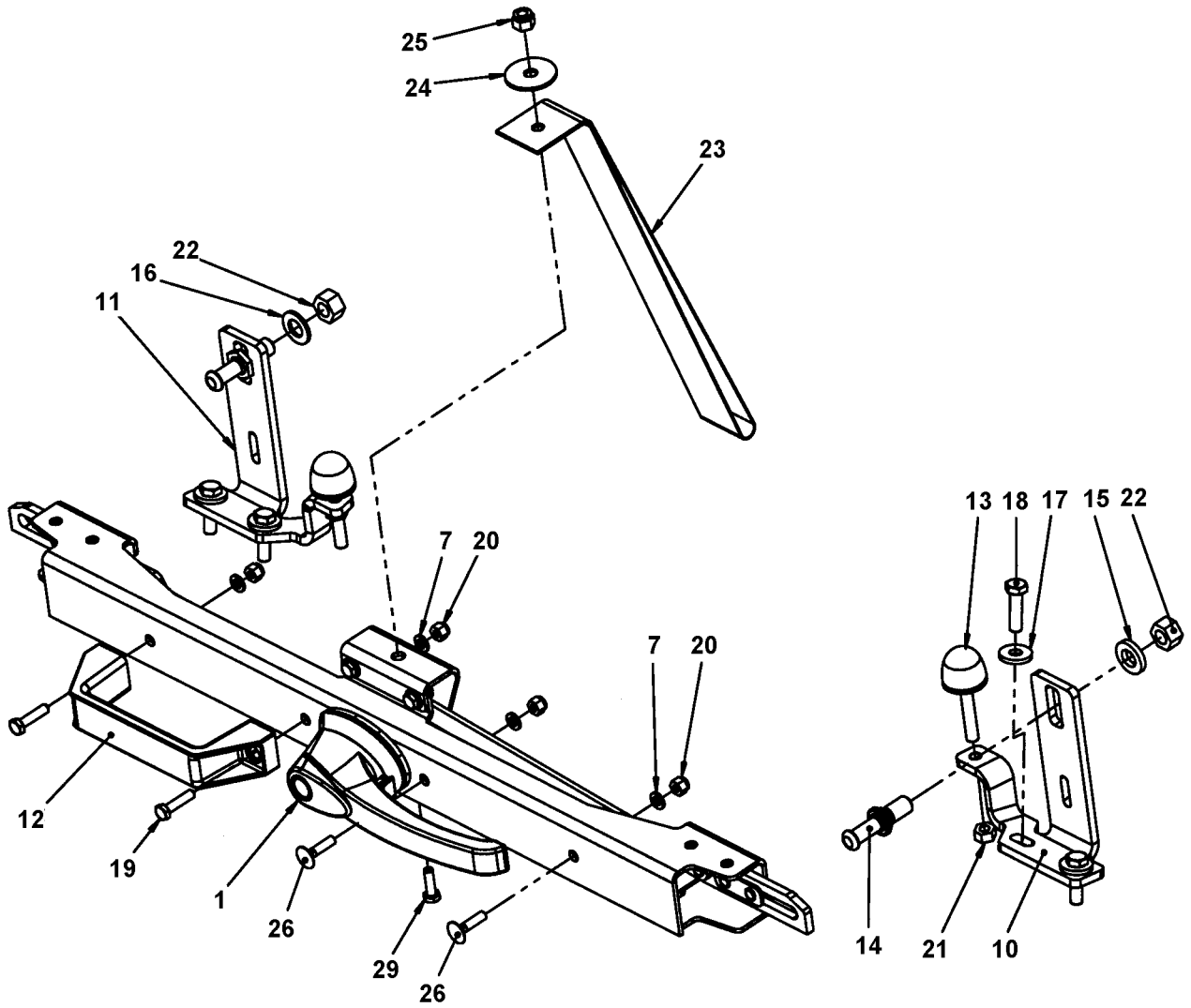
<b>Item</b>	<b>Part No</b>	<b>Rem Qty</b>	<b>Description</b>	<b>Code</b>
1	4812115066	1	Fender	D
2	4812115067	1	Fender	D
3	4812115068	1	Fender	D
4	4812115069	1	Fender	D
5	4812115022	2	Bracket	D
6	4812115722	2	Bracket	D
7	4812115723	2	Bracket	D
8	4812116308	2	Bracket	
9	4700500031	6	Screw M10x040 8.8	C
10	4700615061	16	Steel plain washer	C
11	4700500509	22	Hexagon screw with flange	D
12	4700615050	4	Washer	C
13	4700500021	4	Screw M8-1,25x25 8.8	C
14	4700586018	5	Hexagon lock nut	C
16	4700904230	11	Steel plain washer	C





Hinge module

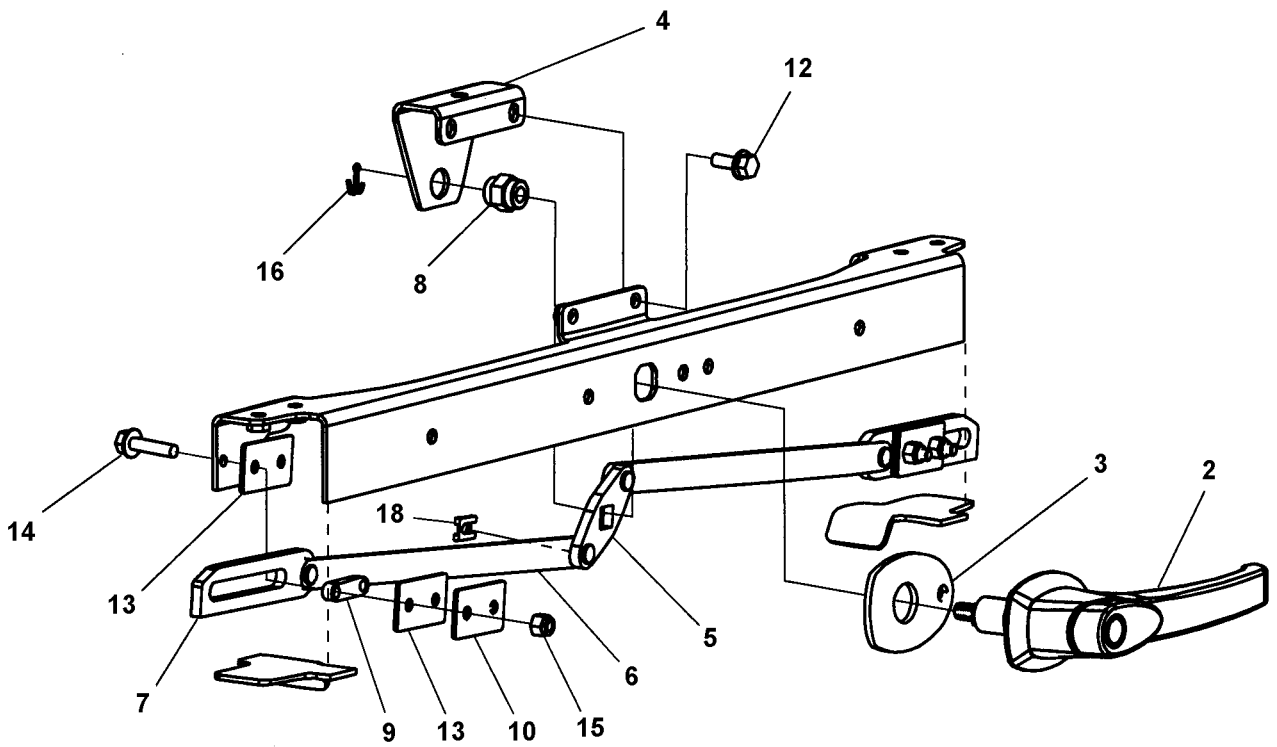
Item	Part No	Rem Qty	Description	Code
1	4812112402	2	Hinge	D
2	4700374799	2	Holder plate	C
3	4700904230	6	Steel plain washer	C
4	4700500030	12	Screw M10x035H 8.8 A3K	C
5	4700904557	6	Steel plain washer	C



## Lock handle module

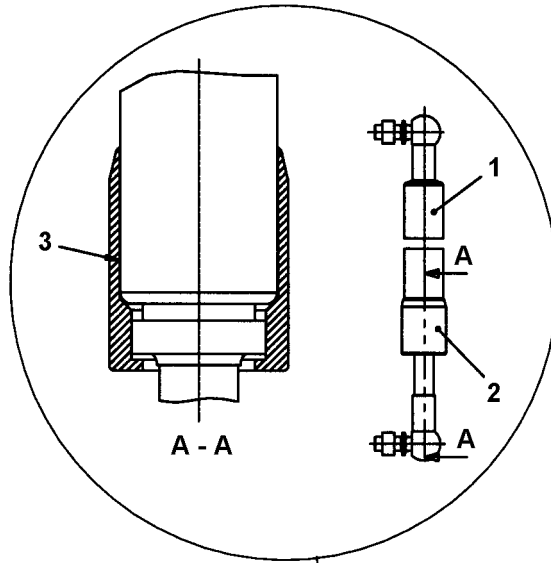
Item	Part No	Rem Qty	Description	Code
1	4812114363	1	Lock handle, cpl ( Page 80 )	
7	4700904228	4	Washer 6,4x12x1,5	C
10	4812112845	1	Holder	D
11	4812112846	1	Holder	D
12	4812112404	1	Grab handle	C
13	4812114318	2	Shock absorber	C
14	4812115010	1	Lock pin	D
15	4700904703	1	Washer	B
16	4700904231	1	Washer 13x24x2 300 HV	C
17	4700904640	4	Washer 8,4x22x3	C
18	4700500022	4	Screw M8x30H 8.8 A2K	C
19	4700500075	3	Screw M6-1,0x25 8.8	C
20	4700586002	4	Lock nut M6 -8	C
21	4700570005	2	Nut M8	C
22	4700570007	2	Hexagon nut M12	C
23	4700374854	1	Grab handle	D
24	4700615050	1	Washer	C
25	4700586003	1	Lock nut M8	C
26	4700903923	2	Bolt, cup square neck M6x25H 4,6 FZB	C
29	4700500040	1	Screw M6-1x20 8,8	C

4812114363 Lock handle, cpl

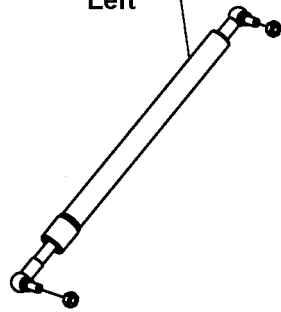


**4812114363 Lock handle, cpl**

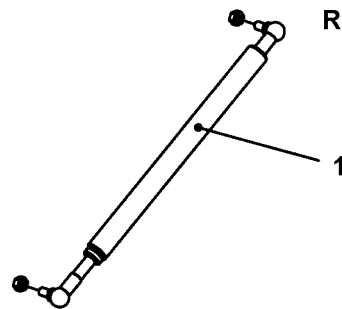
Item	Part No	Rem Qty	Description	Code
1	4812114363	1	Lock handle, cpl ( Page 80 )	
2	4812112403	1	. Lock handle	B
	4700902866	1	. . Key Marked "455"	
3	4812114828	1	. Spacer washer	C
4	4812114827	1	. Holder	D
5	4812114829	1	. Coupling link	D
6	4812114830	2	. Lock lever	D
7	4812112843	2	. Lock lever	D
8	4812114831	1	. Lock nut	D
9	4812112884	2	. Slide plate	
10	4812116793	2	. Thrust washer	D
12	4700792119	2	. Screw	C
13	4812116792	4	. Slide plate	
14	4700500502	4	. Hexagon screw with flange M6 -25	C
15	4700586002	4	. Lock nut M6 -8	C
16	4700630003	1	. Cotter pin	D
18	4812117473	4	. Locking clip for shaft	



Left



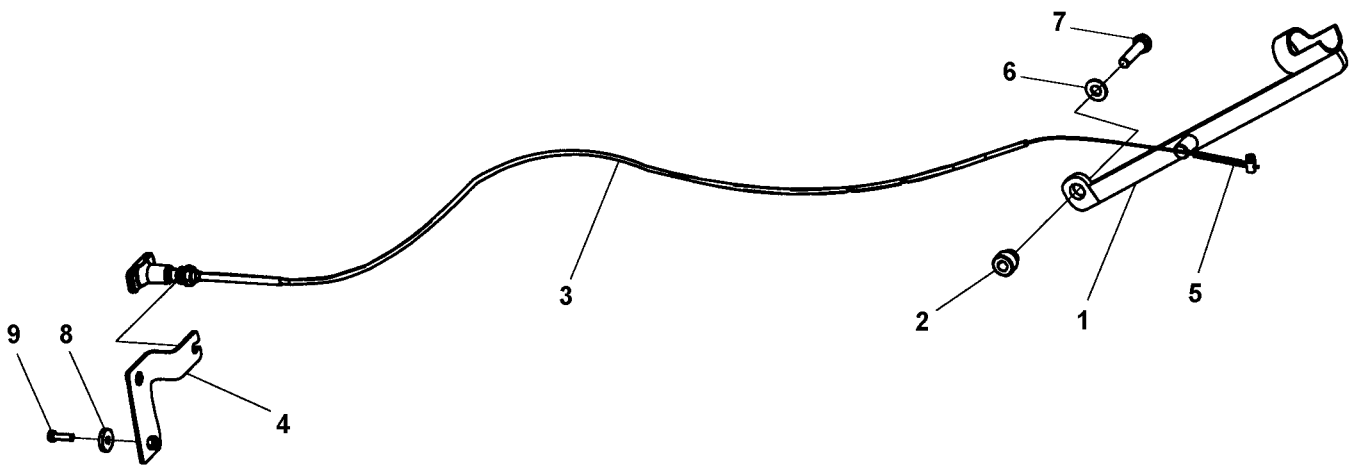
Right



**Gas spring module**

<b>Item</b>	<b>Part No</b>	<b>Rem</b>	<b>Qty</b>	<b>Description</b>	<b>Code</b>
1	4812112405		2	Gas spring	B
2	4700382383	A	1	Gas spring protection	B
3			N	Loctite 638	

A) Only on left side.





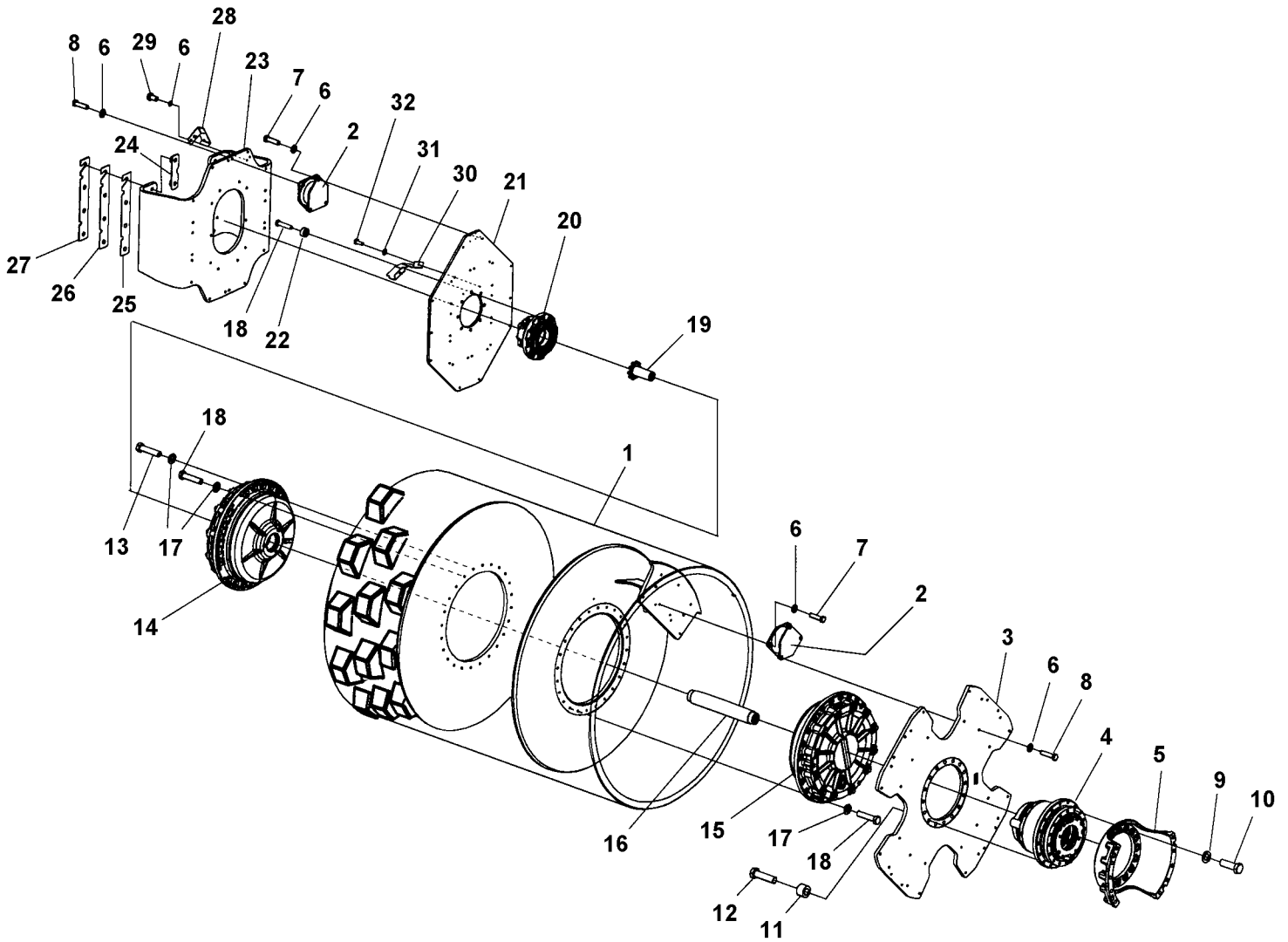
**Safety link module**

<b>Item</b>	<b>Part No</b>	<b>Rem Qty</b>	<b>Description</b>	<b>Code</b>
1	4812112736	1	Safety link	
2	4812112952	1	Spacer	C
3	4812112950	1	Control wire	D
4	4812112951	1	Holder	D
5	4811000462	1	Compression spring	D
6	4700904230	1	Steel plain washer	C
7	4700500031	1	Screw M10x040 8.8	C
8	4700904735	1	Washer	C
9	4700500040	1	Screw M6-1x20 8,8	C



**Drum**

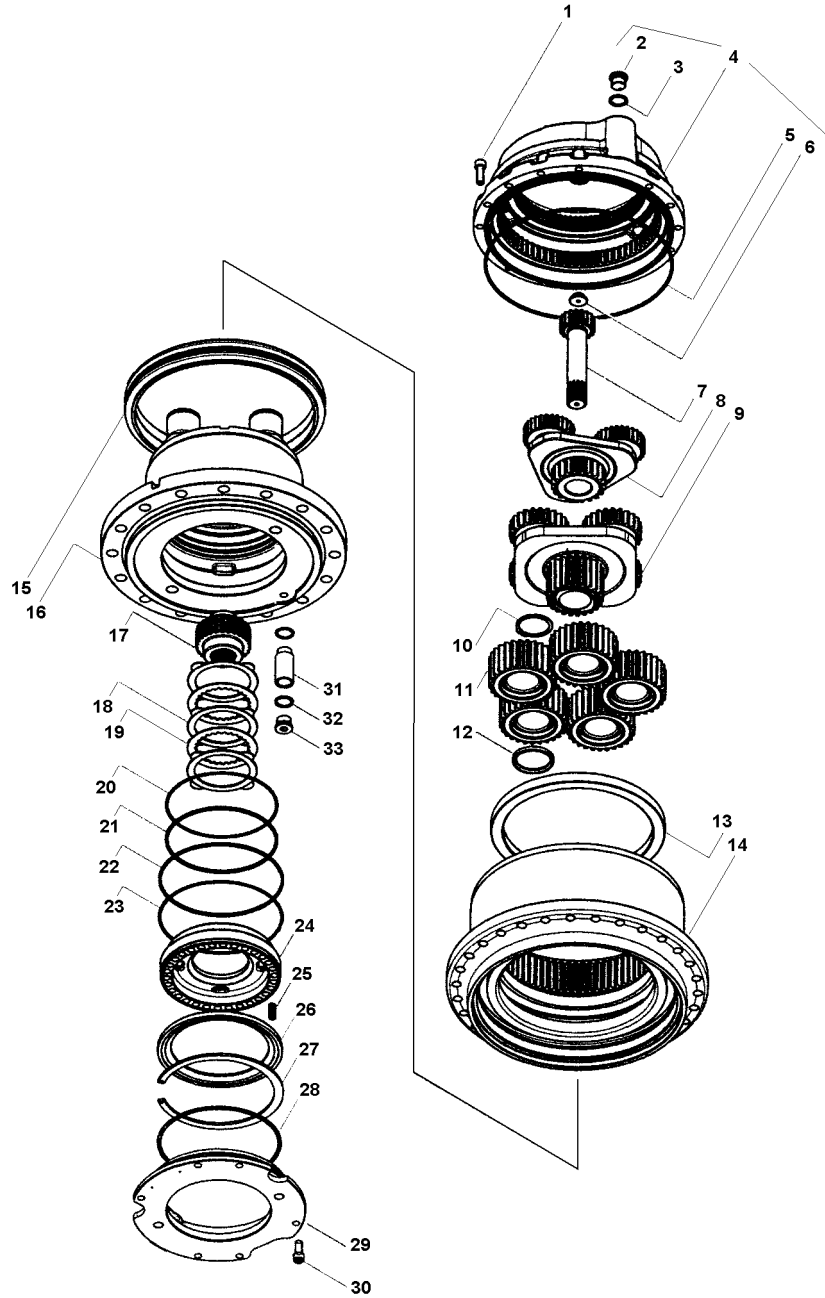
<b>Item</b>	<b>Part No</b>	<b>Rem Qty</b>	<b>Description</b>	<b>Code</b>
1		1	Drum, cpl ( Page 88 )	



Drum, cpl

Item	Part No	Rem Qty	Description	Code
1	4812112043	1	Drum	D
	4812112044	1	Drum, pad	
2	4812111046	22	Shock absorber	A
3	4812112111	1	Driving disc	D
4	4812111831	1	Drum gear, cpl ( Page 90 )	
5	4812111167	1	Bracket	D
6	4700904231	134	Washer 13x24x2 300 HV	C
7	4812110642	66	Hexagon screw w Tuflok M12x45 10.9 Geomet	C
8	4812110644	66	Hexagon screw w Tuflok M12x50 10.9 GEOMET	C
9	4700904233	16	Washer 21x36x3	C
10	4700929409	16	Hexagon head screw	C
11	4812114777	16	Spacer	C
12	4811000311	16	Hexagon head screw	C
13	4700384121	1	Air breather screw	B
14	4812157393	1	Drum cartridge, vibration side (D/PD version) ( Page 92 )	
	4812157784	1	Drum cartridge with shaft nut, vibration side (D/PD version) ( Page 94 )	
15	4812157390	1	Drum cartridge, drive side (D/PD version) ( Page 96 )	
16	4812112465	1	Driving shaft	D
17	4700904232	48	Washer	C
18	4700500082	55	Screw M16x70 8,8	D
19		1	Tooth wheel module ( Page 98 )	
20		1	Vibration motor adapter ( Page 100 )	
21	4812114969	1	Bracket	D
22	4700384114	8	Spacer	A
23	4812114971	1	Bracket	D
24	4812112438	4	Nut-plate	C
25	4812113168	N	Shim t = 1 mm	D
26	4812113169	N	Shim t = 3 mm	D
27	4812113170	N	Shim t = 5 mm	D
28	4812113090	1	Bracket	
29	4700500035	2	Screw M12x020H	
30	4812116029	1	Protective casing	
31	4700904556	2	Washer 8,4x16x3,0	C
32	4700500053	2	Screw M8x20H 8.8	C

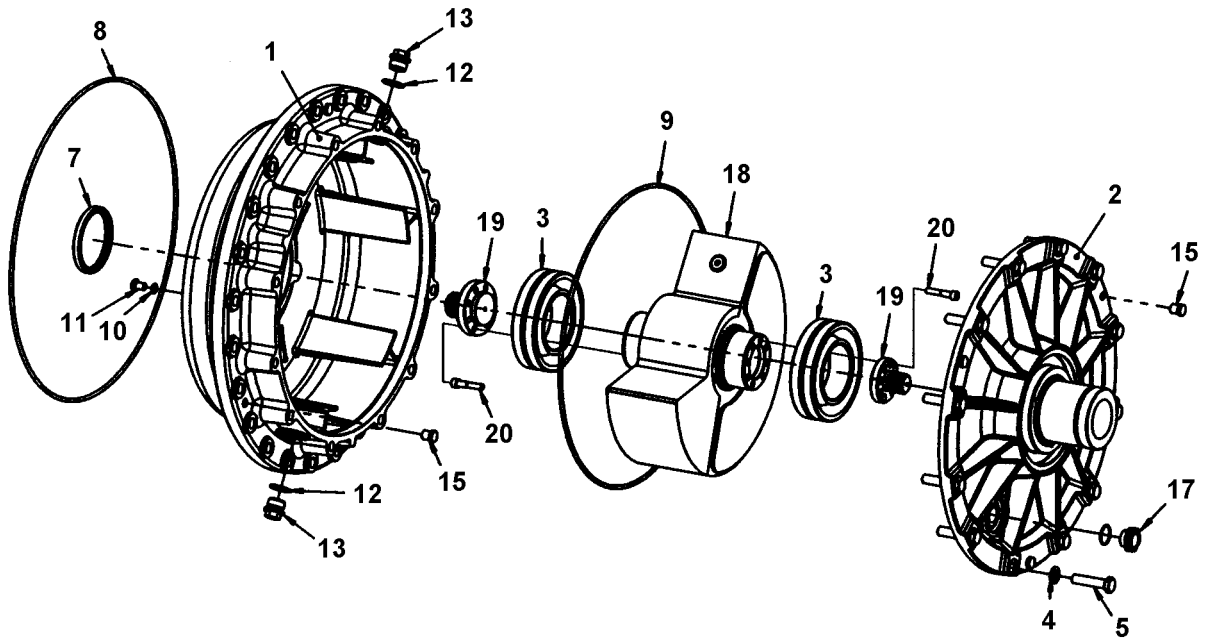
4812111831 Drum gear, cpl



## 4812111831 Drum gear, cpl

Item	Part No	Rem Qty	Description	Code
1		13	Screw	
2		2	Oil breather plug	
3		2	Wascher	
4		1	Cover assembly	
5	4812157157	1	O-ring	
6		1	Pad	
7		1	Sun gear	
8		1	1st Red assembly	
9		1	2nd red assembly	
10		5	Circlip	
11		5	Planetary assembly	
12		5	Spacer	
13		1	Nut	
14	4812157158	1	Housing and bearing	
15	4812157159	1	Lifetime seal	
16		1	Hub	
17		1	Brake shaft	
18		7	Sintered disc	
19		6	Steel disc	
20		1	Backup ring	
21	4812157160	1	O-ring	
22	4812157161	1	O-ring	
23		1	Backup ring	
24		1	Brake piston	
25		17	Spring	
26		1	Spring retainer plati	
27		1	Circlip	
28	4812157162	1	O-ring	
29		1	Motor adaptor	
30		6	Screw	
31		1	Extension	
32		4	Wascher	
33		3	Plug	

4812157393 Drum cartridge, vibration side (D/PD version)

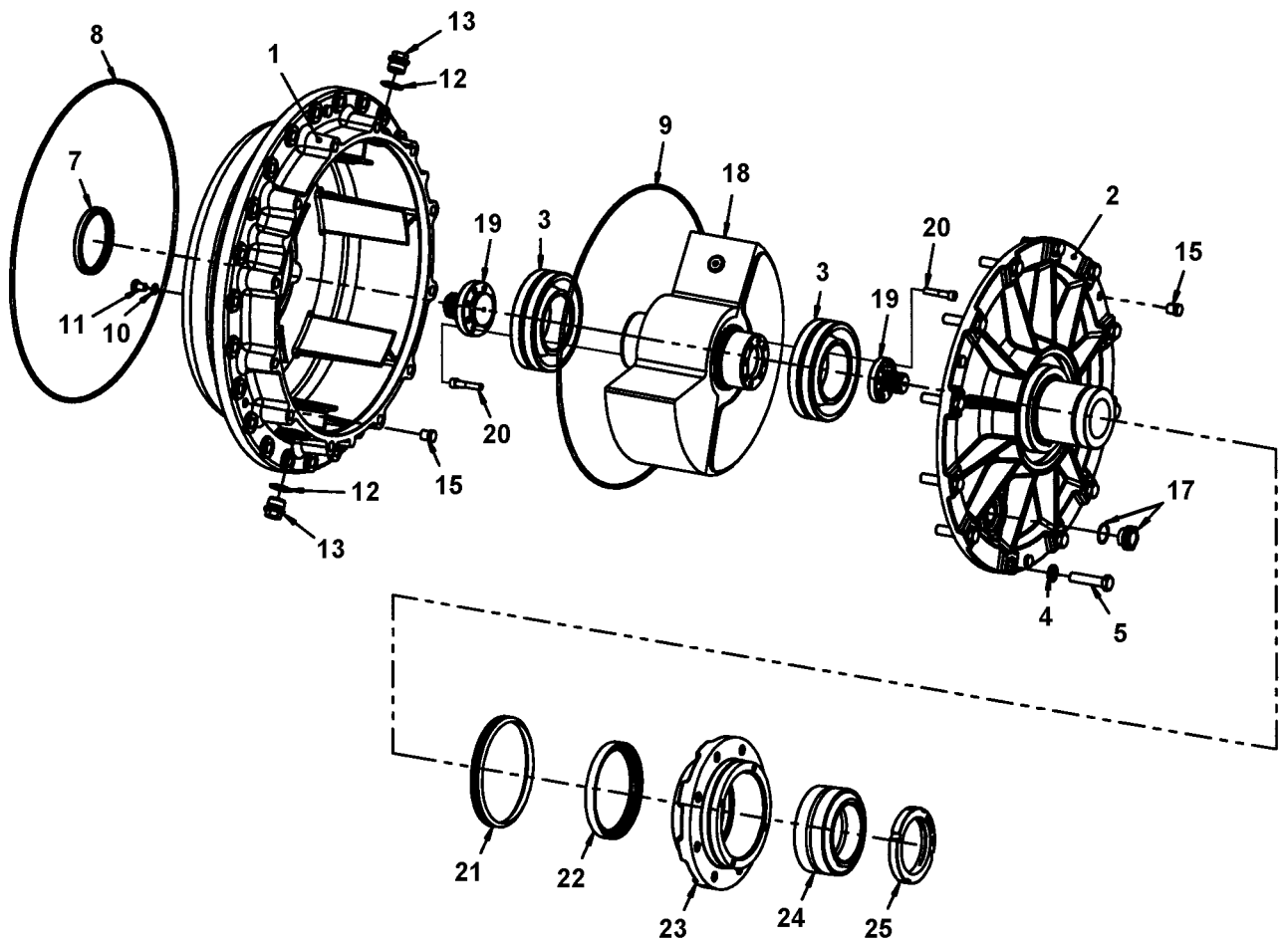




**4812157393 Drum cartridge, vibration side (D/PD version)**

<b>Item</b>	<b>Part No</b>	<b>Rem Qty</b>	<b>Description</b>	<b>Code</b>
1	4812112784	1	Housing	D
2	4812112455	1	Bearing housing	D
3	4700390896	2	Spherical roller bearing	B
4	4700904232	12	Washer	C
5	4700500082	12	Screw M16x70 8,8	D
7	4700900782	1	Seal ring	D
8	4700900776	1	O-ring	D
9	4700900776	1	O-ring	D
10	4700162027	3	Sealing	B
11	4700500163	3	Screw M12x16	D
12	4700162017	2	Seal ring	B
13	4700343744	1	Magnetic plug	C
15	4700900775	6	Plug	C
17	4700922552	1	Oil level glass	B
18	4812112138	1	Eccentric shaft	D
19	4700380018	2	Splined shaft	D
20	4700791156	16	Screw M10-1,5x55 12,9	D

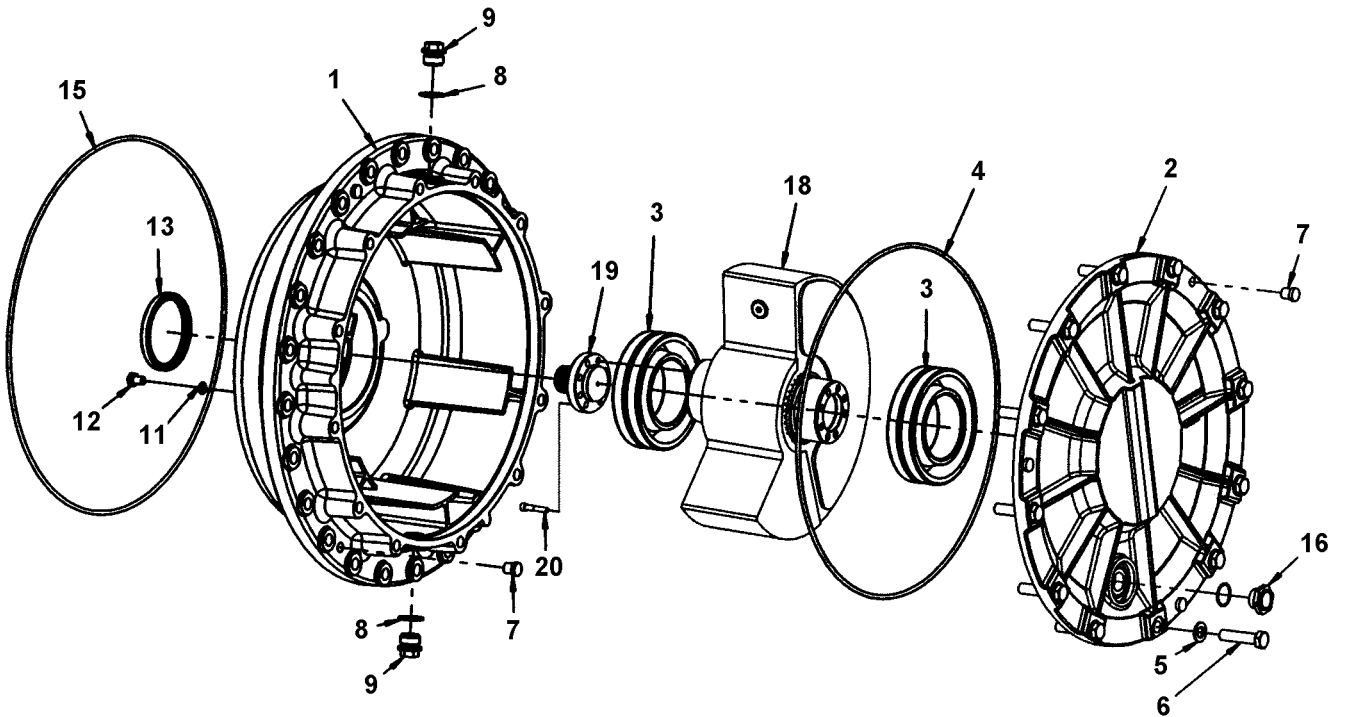
4812157784 Drum cartridge with shaft nut, vibration side (D/PD version)



**4812157784 Drum cartridge with shaft nut, vibration side (D/PD version)**

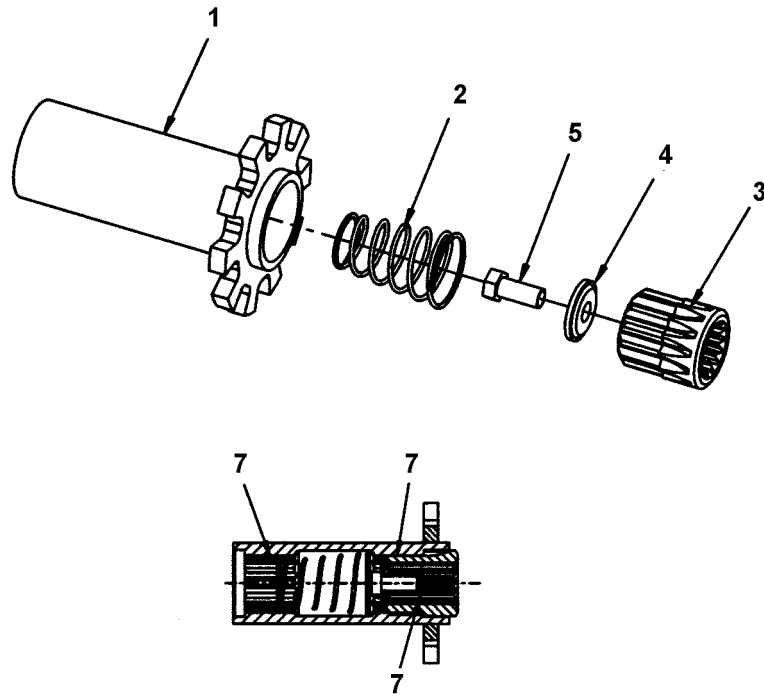
<b>Item</b>	<b>Part No</b>	<b>Rem Qty</b>	<b>Description</b>	<b>Code</b>
1	4812112784	1	Housing	D
2	4812112455	1	Bearing housing	D
3	4700390896	2	Spherical roller bearing	B
4	4700904232	12	Washer	C
5	4700500082	12	Screw M16x70 8,8	D
7	4700900782	1	Seal ring	D
8	4700900776	1	O-ring	D
9	4700900776	1	O-ring	D
10	4700162027	3	Sealing	B
11	4700500163	3	Screw M12x16	D
12	4700162017	2	Seal ring	B
13	4700343744	1	Magnetic plug	C
15	4700900775	6	Plug	C
17	4700922552	1	Oil level glass	B
18	4812112138	1	Eccentric shaft	D
19	4700380018	2	Splined shaft	D
20	4700791156	16	Screw M10-1,5x55 12,9	D
21	4700929447	1	V-ring	B
22	4700167023	1	Seal ring	B
23	4700343318	1	Bearing housing	D
24	4700116041	1	Taper roller bearing	B
25	4812112413	1	Shaft nut	C

4812157390 Drum cartridge, drive side (D/DPD version)



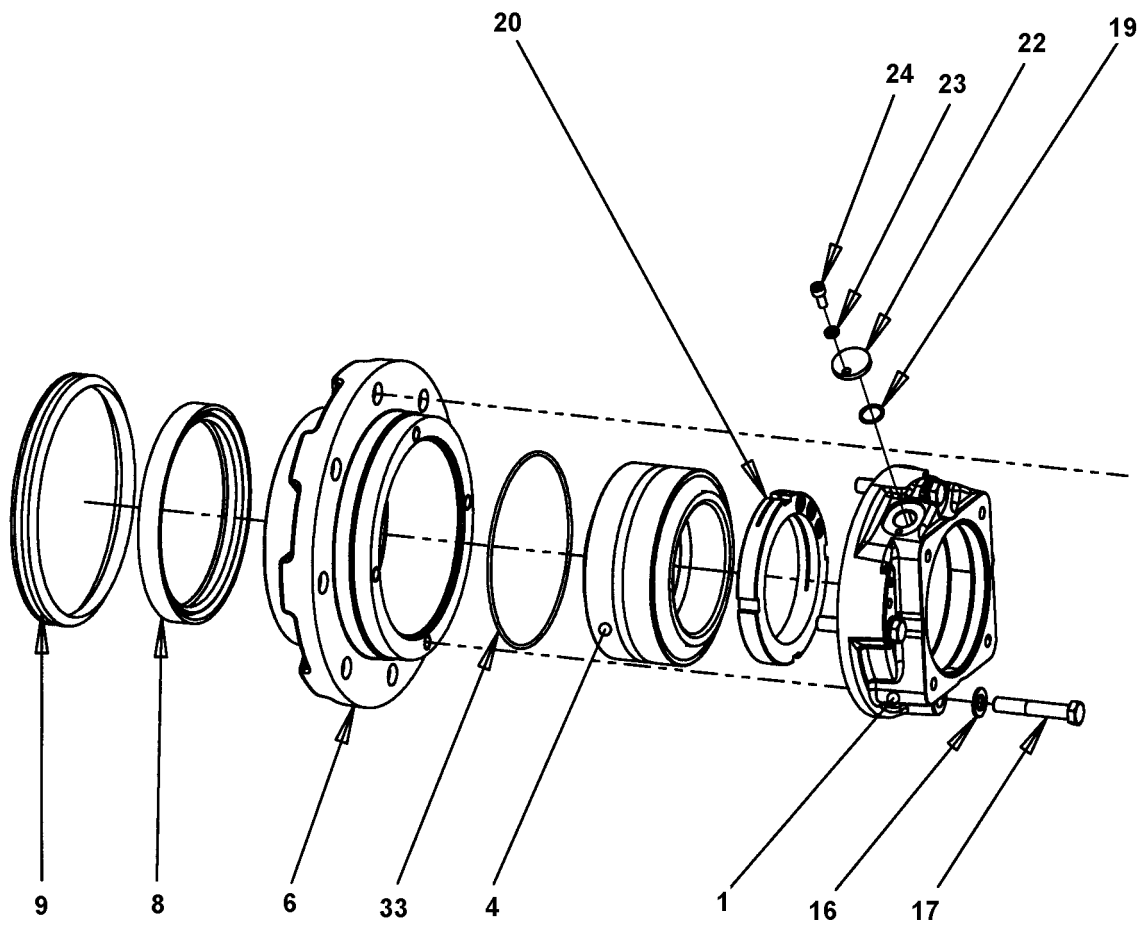
**4812157390 Drum cartridge, drive side (D/PD version)**

<b>Item</b>	<b>Part No</b>	<b>Rem Qty</b>	<b>Description</b>	<b>Code</b>
1	4812112784	1	Housing	D
2	4812111122	1	Bearing housing	D
3	4700390896	2	Spherical roller bearing	B
4	4700900776	1	O-ring	D
5	4700904232	12	Washer	C
6	4700500082	12	Screw M16x70 8,8	D
7	4700900775	6	Plug	C
8	4700162017	2	Seal ring	B
9	4700343744	2	Magnetic plug	C
11	4700162027	3	Sealing	B
12	4700500163	3	Screw M12x16	D
13	4700900782	1	Seal ring	D
15	4700900776	1	O-ring	D
16	4700922552	1	Oil level glass	B
18	4812112138	1	Eccentric shaft	D
19	4700380018	1	Splined shaft	D
20	4700791156	8	Screw M10-1,5x55 12,9	D



**Tooth wheel module**

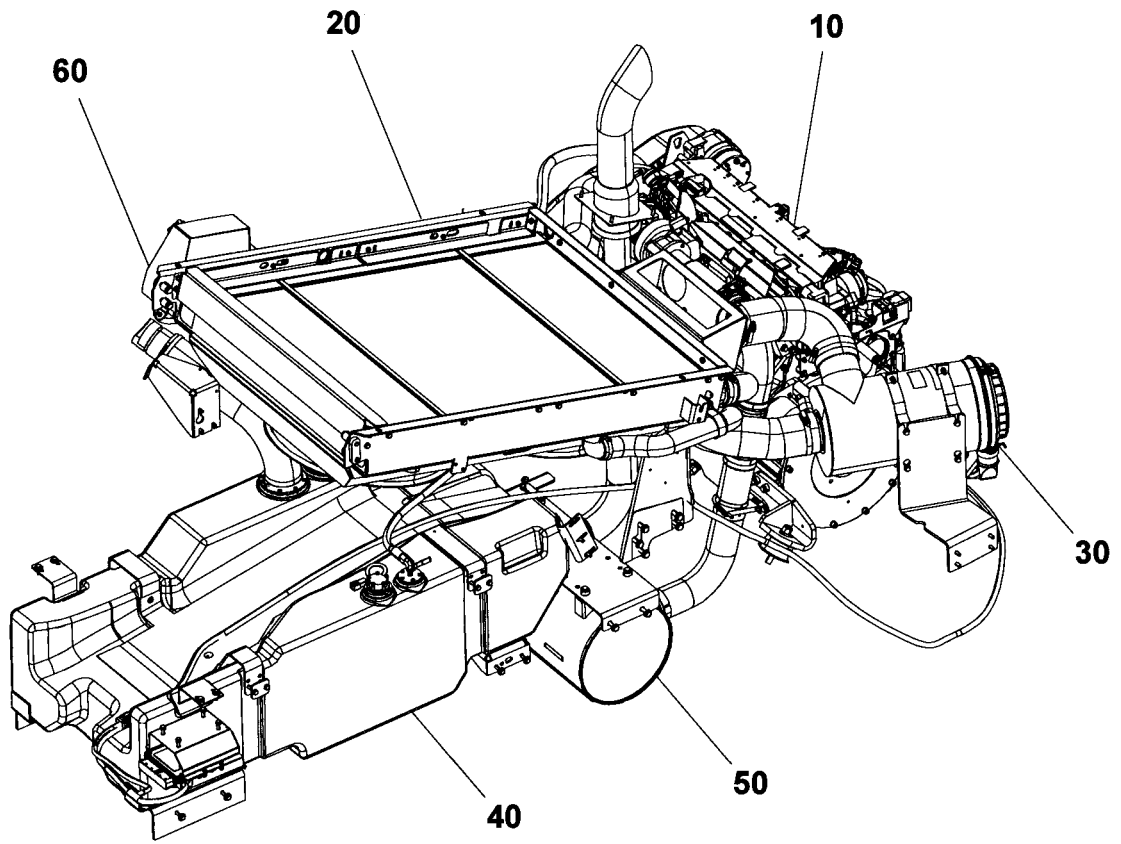
<b>Item</b>	<b>Part No</b>	<b>Rem Qty</b>	<b>Description</b>	<b>Code</b>
1	4812114223	1	Wheel	D
2	4700349715	1	Spring	D
3	4700340863	1	Splined sleeve	D
4	4812113832	1	Washer	
5	4700502053	1	Screw	D
7	4812030096	N	Dynapac Roller Grease	A





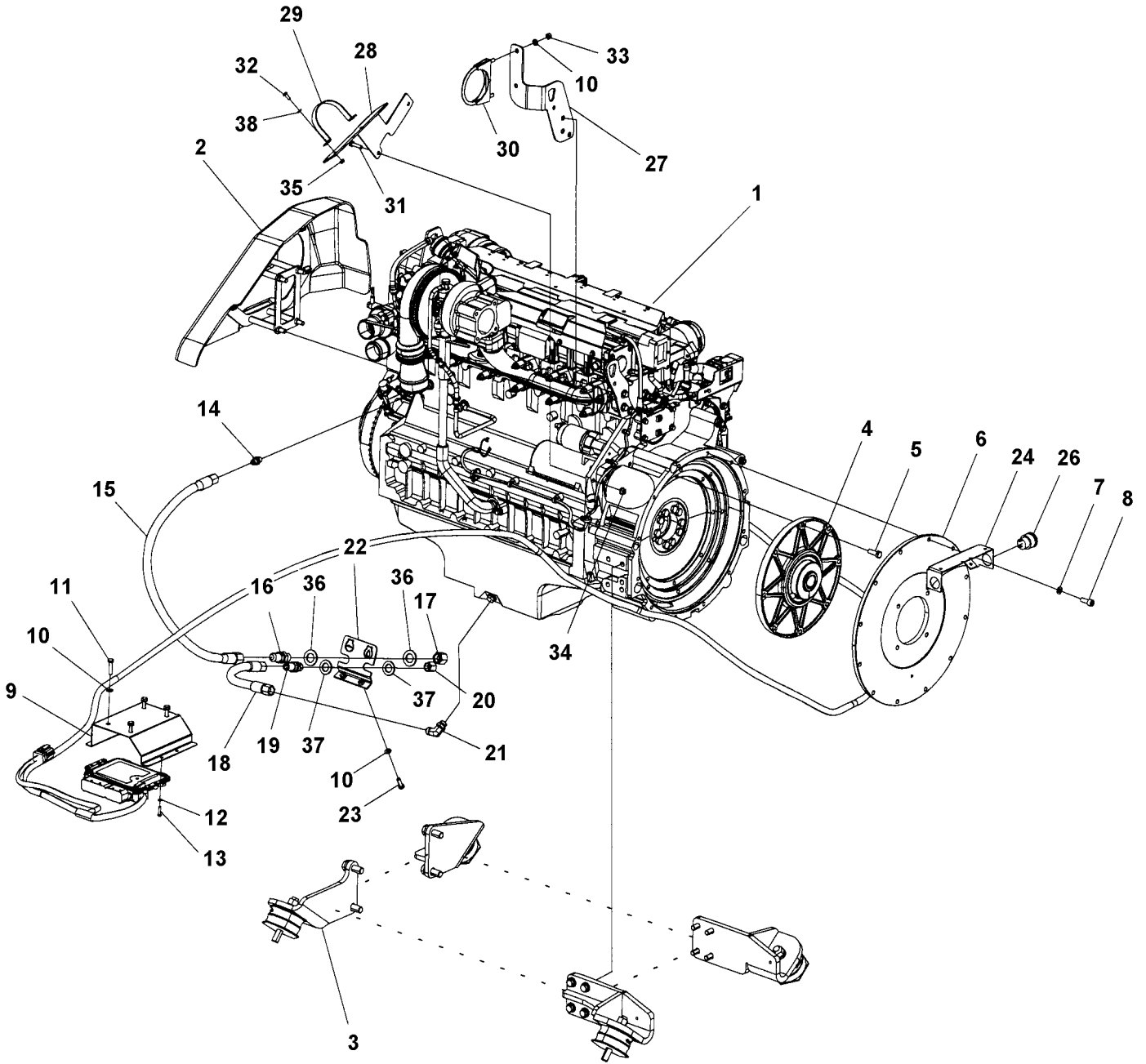
## Vibration motor adapter

Item	Part No	Rem Qty	Description	Code
1	4812116023	1	Adapter	C
4	4700116041	1	Taper roller bearing	B
6	4700343318	1	Bearing housing	D
8	4700167023	1	Seal ring	B
9	4700929447	1	V-ring	B
16	4700904231	4	Washer 13x24x2 300 HV	C
17	4700500133	4	Screw	C
19	4812113903	1	O-ring	B
20	4812112413	1	Shaft nut	C
22	4812113476	1	Plug	C
23	4700904228	1	Washer 6,4x12x1,5	C
24	4700903795	1	Screw	C
33	4700160105	1	O-ring 70	C



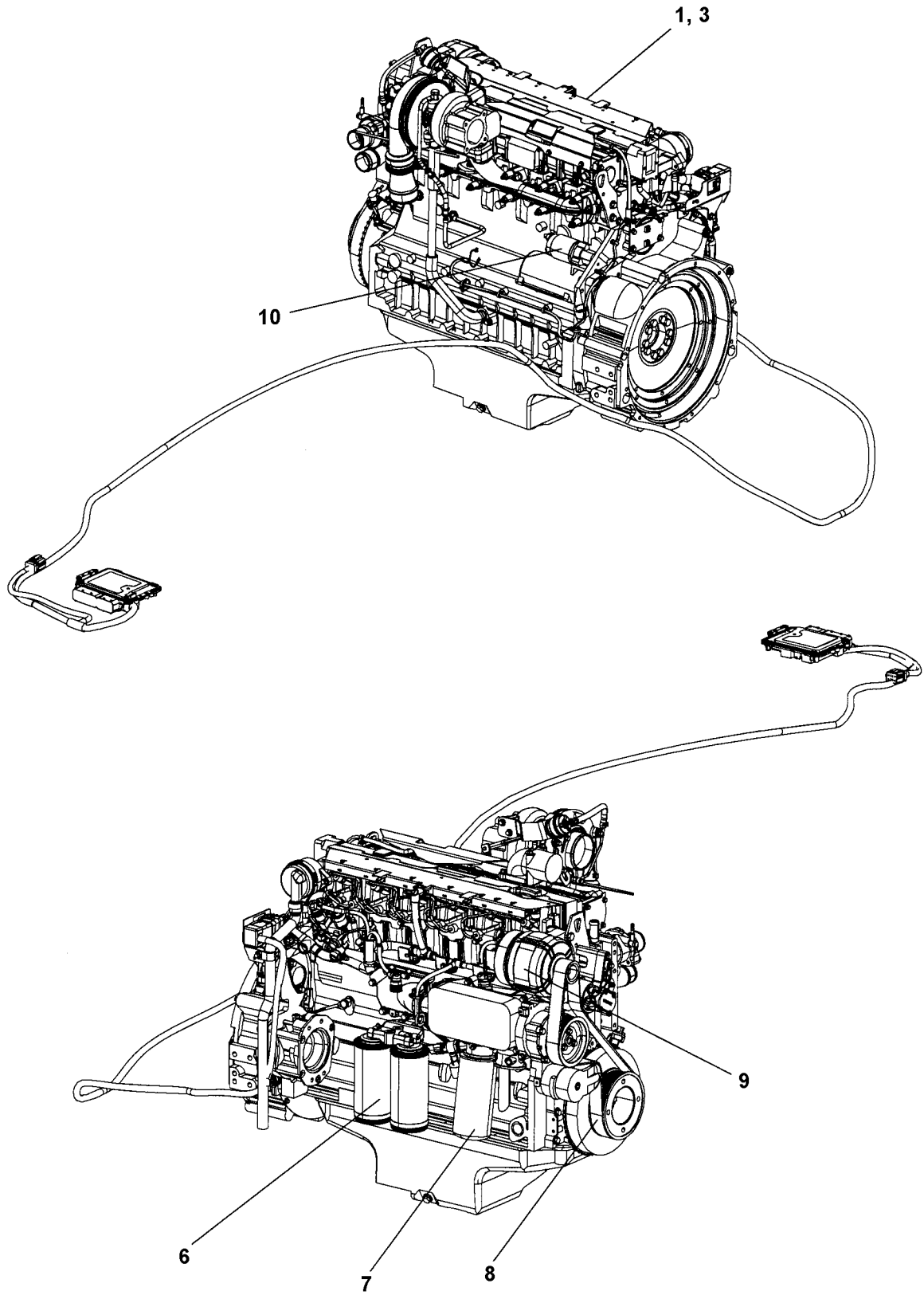
**Engine**

<b>Item</b>	<b>Part No</b>	<b>Rem Qty</b>	<b>Description</b>	<b>Code</b>
10		1	Engine ( Page 104 )	
20		1	Cooling system ( Page 112 )	
30		1	Air cleaner ( Page 120 )	
40		1	Fuel system ( Page 124 )	
50		1	Exhaust system ( Page 136 )	
60		1	Expansion tank module ( Page 138 )	



**Engine**

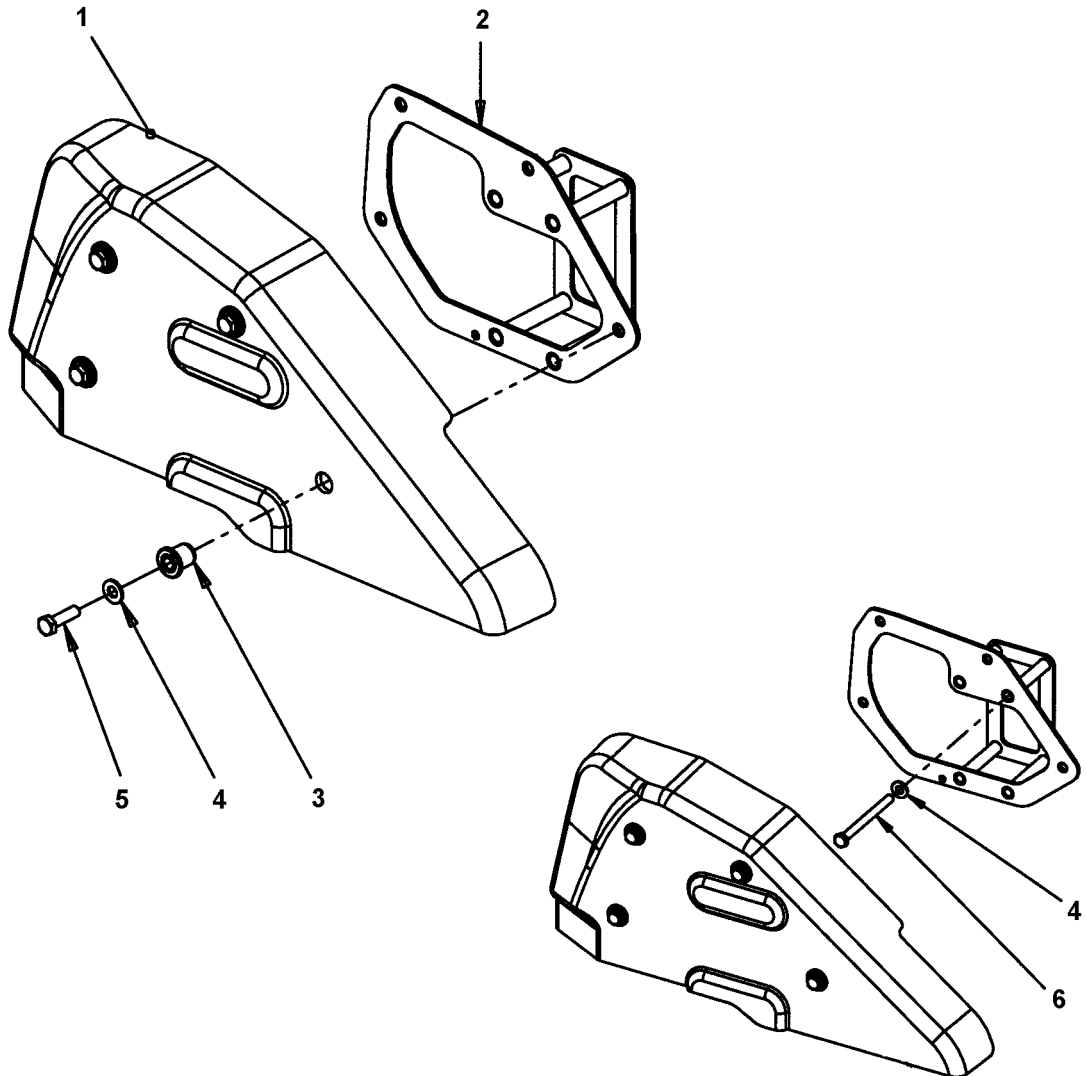
Item	Part No	Rem Qty	Description	Code
1		1	Diesel engine ( Page 106 )	
2		1	Belt guard module ( Page 108 )	
3		1	Bracket module ( Page 110 )	
4	4812112015	1	Coupling	D
5	4700500029	8	Hexagon head screw	C
6	4700372772	1	Bracket	C
7	4700904637	12	Washer	C
8	4700508096	12	Screw	C
9	4812113959	1	Holer	
10	4700904229	8	Steel plain washer 8,4x16x1,5	C
11	4700500047	4	Hexagon head screw	C
12	4700904281	4	Washer 5,3x10x1 300HV	C
13	4700500007	4	Screw M5-0,8x22H 8,8	C
14	4700791145	1	Straight adapter	
15	4811000149	1	Hydraulic hose	
16	4700230516	1	Adapter	
17	4700230384	1	Cap	
18	4811000150	1	Hydraulic hose	
19	4700230515	1	Connector	C
20	4700330383	1	Cap hydraulic	
21	4700791431	1	Elbow 90, O-ring	C
22	4812112073	1	Bracket	
23	4700500021	2	Screw M8-1,25x25 8.8	C
24	4812112355	1	Holder	
26	4700395816	1	Plug socket 24V	
27	4812114221	1	Bracket	
28	4812114220	1	Bracket	
29	4700392742	1	Clamp	D
30	4700904489	1	Pipe clamp	D
31	4700500022	2	Screw M8x30H 8.8 A2K	C
32	4700500013	2	Screw M6-1x16 8,8	C
33	4700570005	2	Nut M8	C
34	4700903586	2	Nut	C
35	4700904563	2	Lock nut M6	C
36	4700904260	2	Washer	
37	4700904233	2	Washer 21x36x3	C
38	4700904228	2	Washer 6,4x12x1,5	C



**Diesel engine**

<b>Item</b>	<b>Part No</b>	<b>Rem</b>	<b>Qty</b>	<b>Description</b>	<b>Code</b>
1	4812113819		1	Diesel engine Deutz TCD2012 L06 2V 150kW -3A	
3	4812115147	A	1	Diesel engine Deutz TCD2012 L06 2V 150kW -3A	
6	4700950568		2	. Fuel filter	A
7	4700903942		1	. Oil filter element	A
8	4812157596		1	. V-belt	A
9	D900505654		1	. Alternator	C
10	4812028097		1	. Starter	C

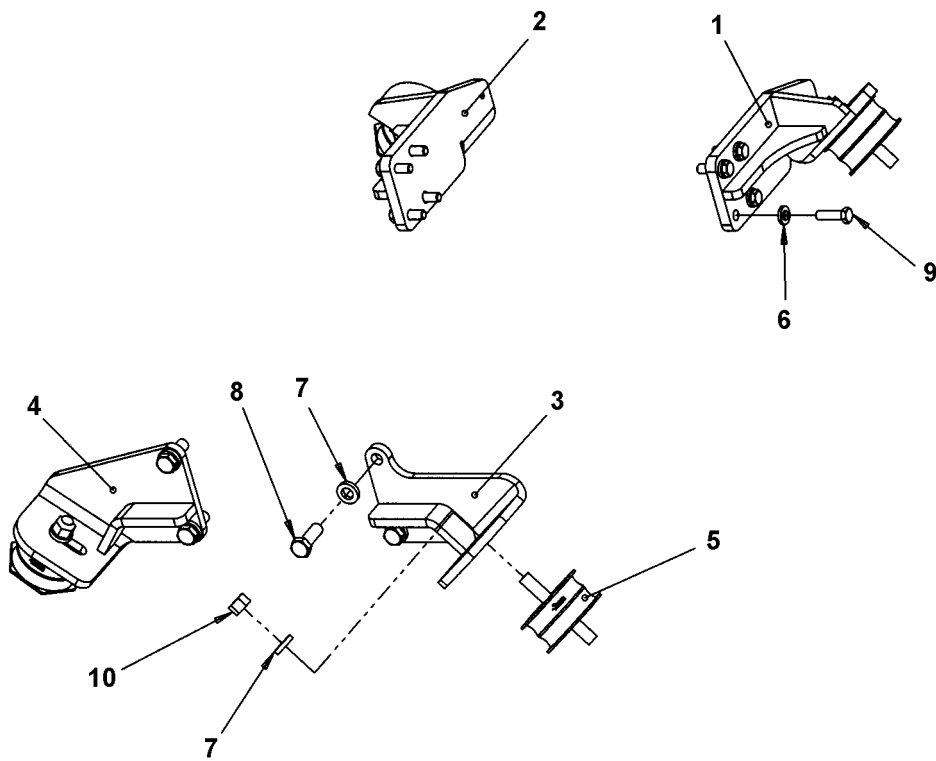
A) Replaced by item 1.





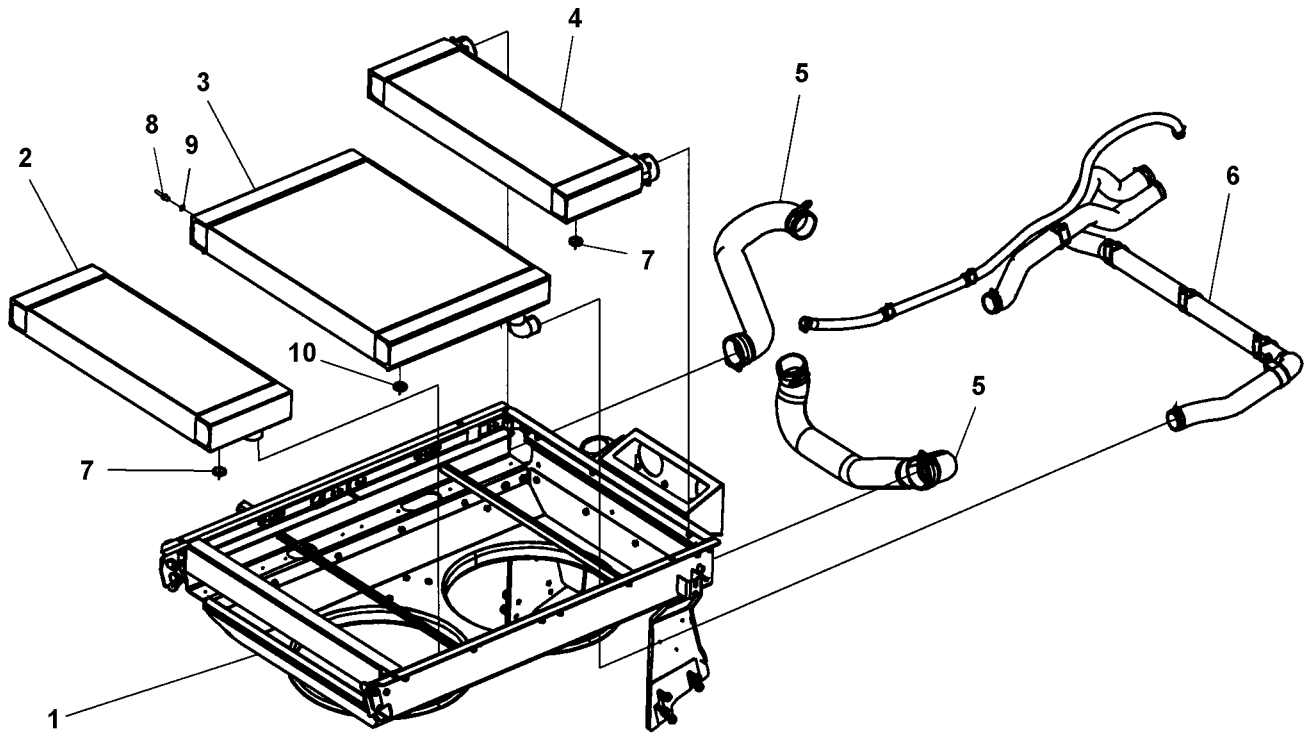
**Belt guard module**

<b>Item</b>	<b>Part No</b>	<b>Rem Qty</b>	<b>Description</b>	<b>Code</b>
1	4812117043	1	Belt guard	C
2	4812117054	1	Bracket	D
3	4812113226	4	Shock absorber	A
4	4700904230	8	Steel plain washer	C
5	4700500030	4	Screw M10x035H 8.8 A3K	C
6	4700500055	4	Screw	C



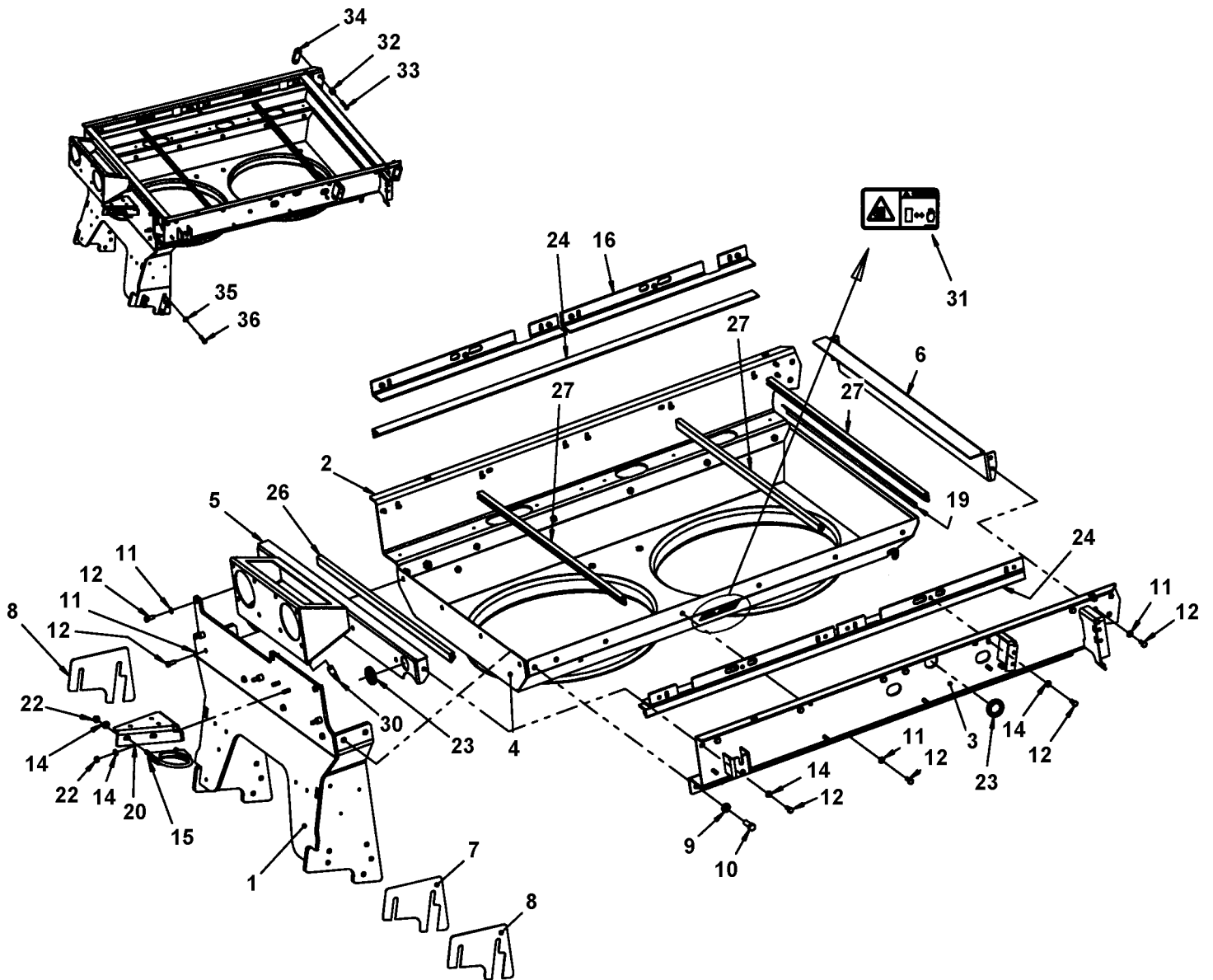
**Bracket module**

<b>Item</b>	<b>Part No</b>	<b>Rem Qty</b>	<b>Description</b>	<b>Code</b>
1	4812114545	1	Bracket	D
2	4812114546	1	Bracket	D
3	4812114547	1	Bracket	D
4	4812114548	1	Bracket	D
5	4812114397	4	Shock absorber	C
6	4700375132	8	Steel spacer	
7	4700904558	8	Washer 17X30X6 300HV	C
8	4700500102	4	Screw M16x45	D
9	4700500056	8	Screw	
10	4700586021	4	Nut M16	



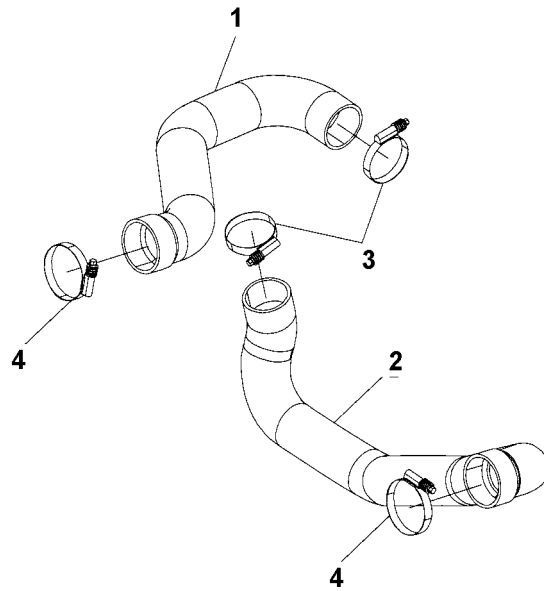
**Cooling system**

<b>Item</b>	<b>Part No</b>	<b>Rem Qty</b>	<b>Description</b>	<b>Code</b>
1		1	Cooler stand module ( Page 114 )	
2	4812110772	1	Hydraulic oil cooler	D
3	4812114284	1	Water cooler	
4	4812110770	1	Charge air cooler	D
5		1	Hose kit ( Page 116 )	
6		1	Hoses ( Page 118 )	D
7	4812112097	8	Shock absorber	C
8	4700792322	1	Hose connection	C
9	4700162004	1	Sealing	B
10	4812114280	6	Shock absorber	



Cooler stand module

Item	Part No	Rem	Qty	Description	Code
1	4812113650		1	Cooler stand	D
2	4812110768		1	Bracket	D
3	4812110769		1	Bracket	D
4	4812110843		1	Fan casing	D
5	4812113572		1	Air intake frame	D
6	4812111264		1	Cover plate	D
7	4812113878		N	Shim	D
8	4812113879		N	Shim	D
9	4700904231		4	Washer 13x24x2 300 HV	C
10	4700500037		4	Screw	C
11	4700904229		21	Steel plain washer 8,4x16x1,5	C
12	4700500053		35	Screw M8x20H 8.8	C
14	4700904556		18	Washer 8,4x16x3,0	C
15	4811000481		1	Pipe clamp	
16	4700392075		4	Bracket	D
19	4700791460	A	1XL	Edge strip	D
20	4812110945		1	Bracket	D
22	4700570005		4	Nut M8	C
23	4812114465		2	Grommet with membrane	D
24	4812113708	B	2XL	Rubber strip	D
26	4700391299	C	1XL	Rubber strip	D
27	4700391299	D	3XL	Rubber strip	D
30	4700938636		2	Drain valve	C
31	4700903423		2	Decal "SAFETY"	D
32	4700383024		4	Spacer sleeve	C
33	4700925519		4	Screw M12x55 10.9 GEOMET	D
34	4812110930		2	Nut-plate	C
35	4700904231		10	Washer 13x24x2 300 HV	C
36	4700947690		10	Screw	D
A)	L=0.77m				
B)	L=1.24m				
C)	L=0.785m				
D)	L=0.85m				

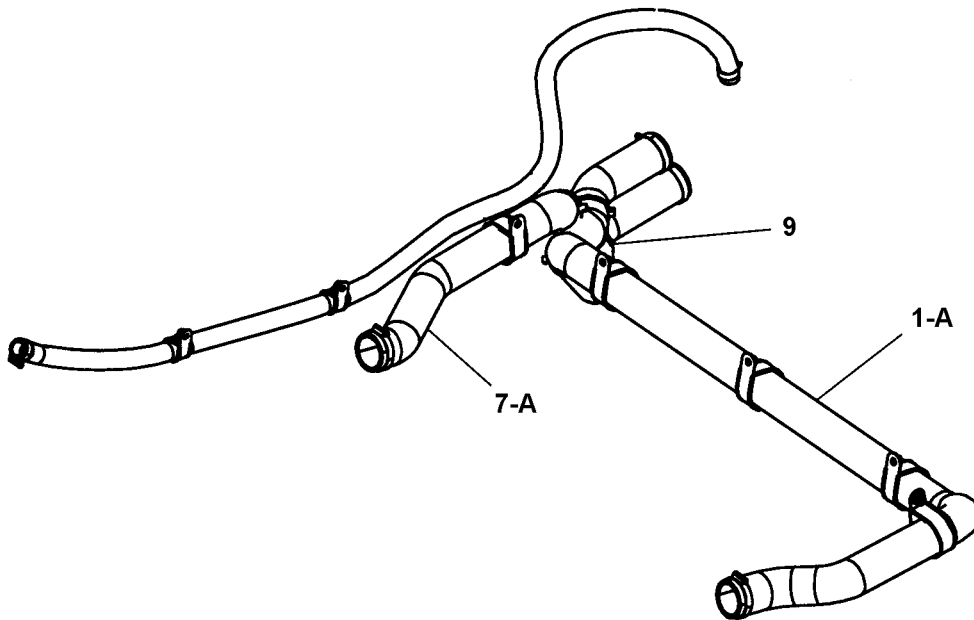
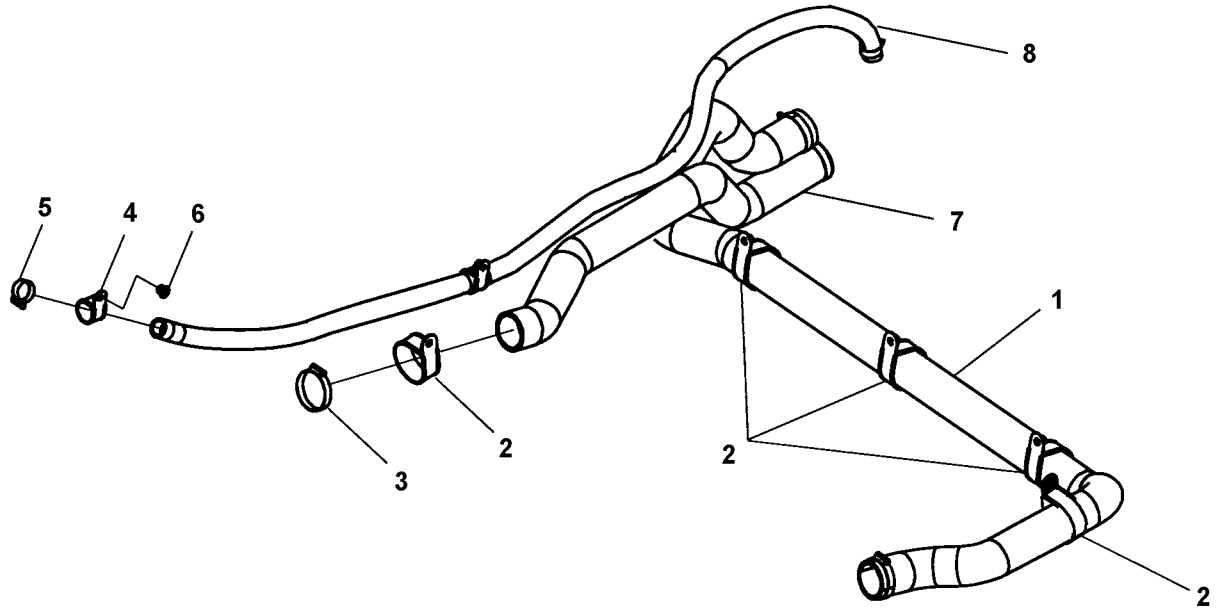




Hose kit

Item	Part No	Rem Qty	Description	Code
1	4812113897	1	Charge air hose	
2	4812113898	1	Charge air hose	
3	4700386966	2	Hose clamp 2.3/4"-3.5/8"	B
4	4700392810	2	Hose clamp	D

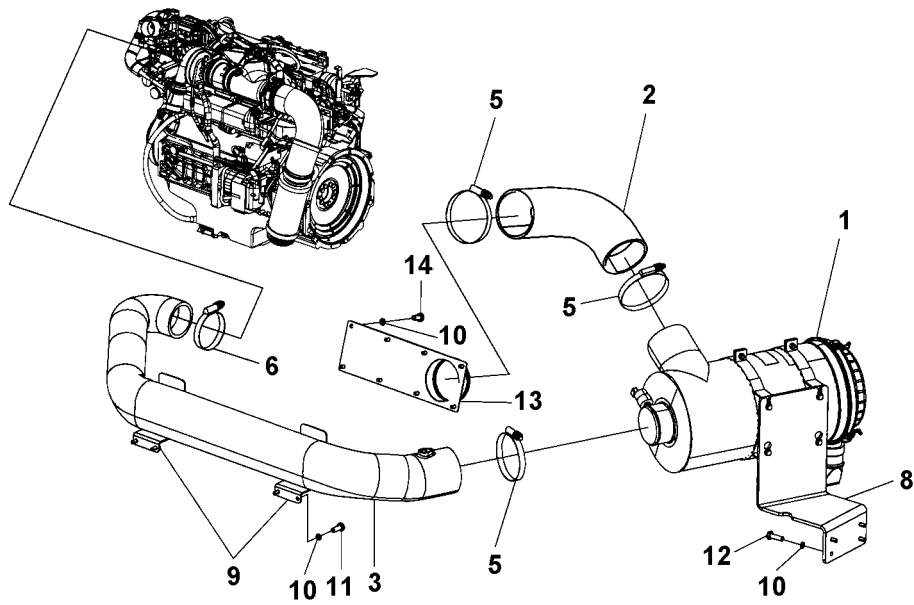
**Hoses**



Hoses

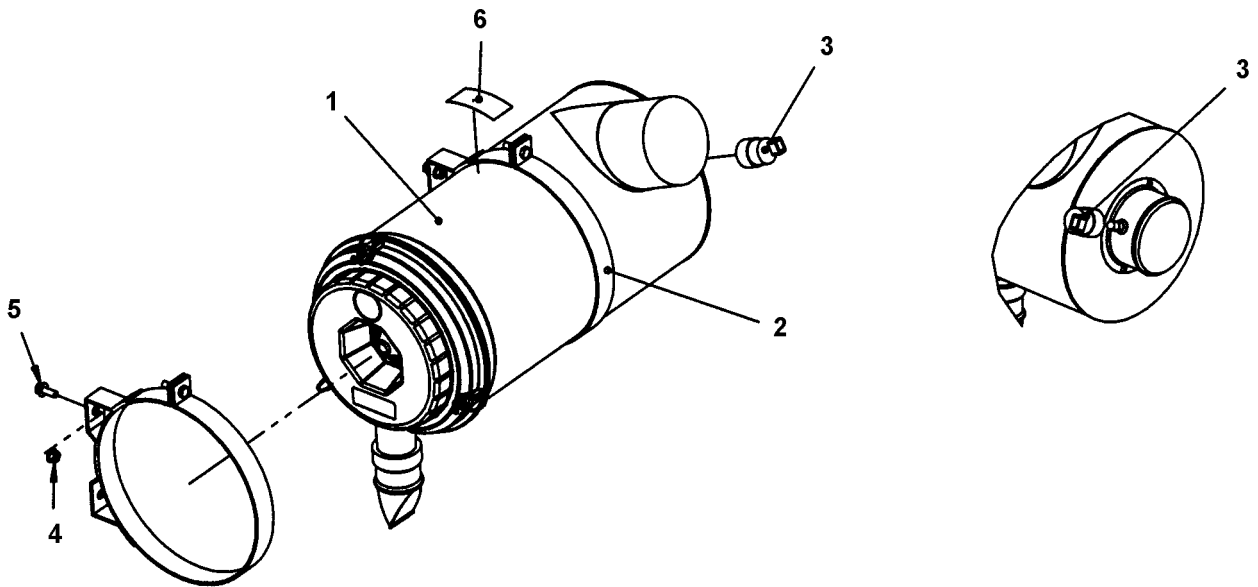
Item	Part No	Rem	Qty	Description	Code
1	4812114266	A	1	Cooler hose	C
1-A	4812117026	B	1	Cooler hose	C
2	4700903703		5	Clamp	D
3	4700313010		4	Hose clamp	C
4	4700921050		2	Clamp	C
5	4700313006		2	Hose clamp	D
6	4700902286		7	Hexagon lock nut with flange	C
7	4812114267	C	1	Cooler hose	C
7-A	4812117027	D	1	Cooler hose	C
8	4700205027	E	1XL	Coolant hose	D
9	4812117248		2	Cable tie with holder	

- A) Used with item 7.
- B) Used with item 7-A.
- C) Used with item 1.
- D) Used with item 1-A.
- E) L=1.77m



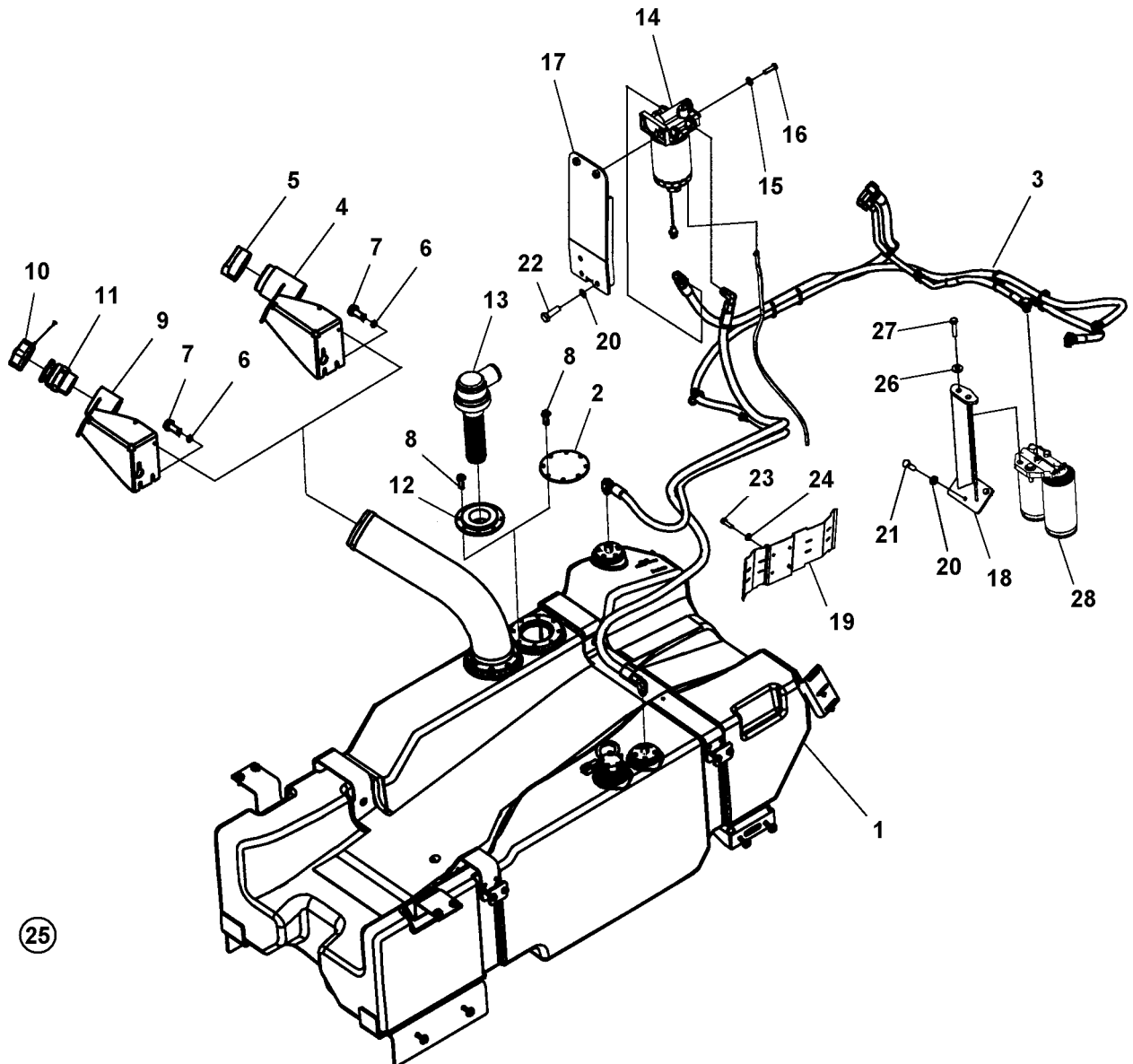
**Air cleaner**

<b>Item</b>	<b>Part No</b>	<b>Rem Qty</b>	<b>Description</b>	<b>Code</b>
1		1	Air cleaner module ( Page 122 )	
2	4812114107	1	Air intake hose	C
3	4812113926	1	Air intake hose	
5	4700389600	3	Hose clamp	D
6	4700378712	1	Clamp	D
8	4812112487	1	Bracket	
9	4812112550	2	Hose holder	
10	4700904229	16	Steel plain washer 8,4x16x1,5	C
11	4700500053	4	Screw M8x20H 8.8	C
12	4700500021	4	Screw M8-1,25x25 8.8	C
13	4812113573	1	Air intake duct	
14	4700500019	8	Hexagon head screw M8x16H 8,8	C



**Air cleaner module**

<b>Item</b>	<b>Part No</b>	<b>Rem Qty</b>	<b>Description</b>	<b>Code</b>
1	4700394682	1	Air cleaner Cpl	D
	4700908399	1	. Vacuator valve	A
	4700394688	1	. Air filter element, main	A
	4700394689	1	. Air filter element, safety	A
	4700395022	1	. Cover	D
2	4700813791	2	Mounting band	D
3	4700904575	1	Indicator	C
4	4700903586	4	Nut	C
5	4700500505	4	Screw M8x20 8.8	C
6	4700791642	1	Decal "WARNING" Use of starting fluid prohib.	D

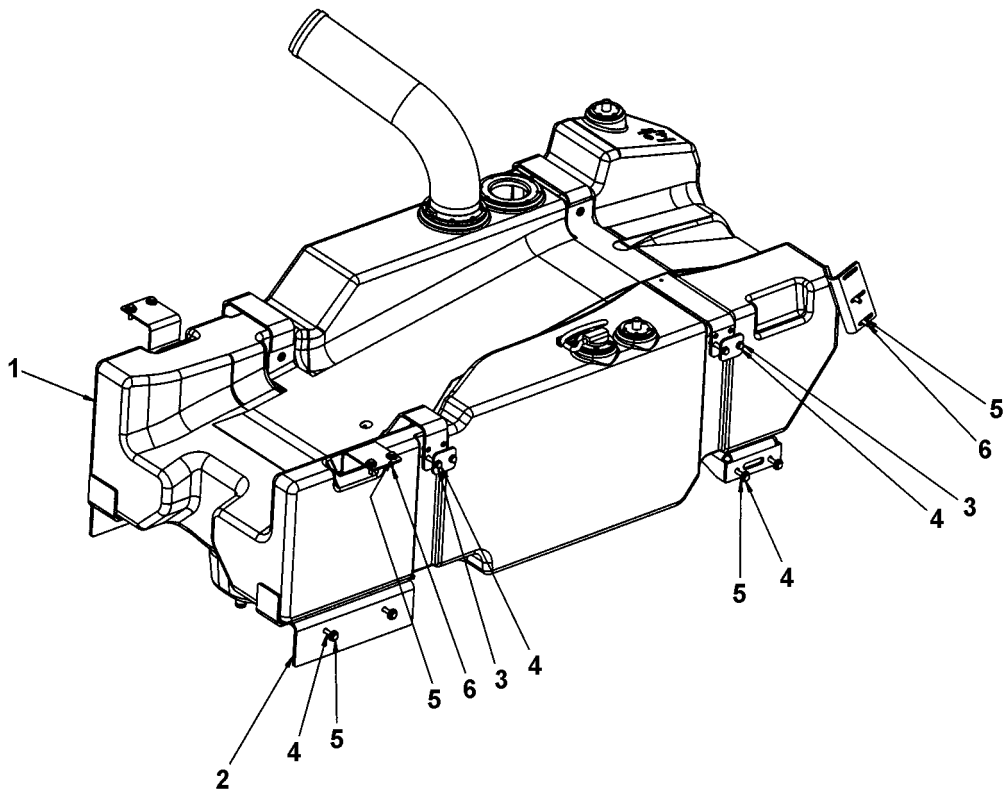




**Fuel system**

Item	Part No	Rem	Qty	Description	Code
1			1	Fuel tank module ( Page 126 )	
2	4812112864		1	Cover	D
3			1	Hoses ( Page 132 )	D
4	4812112863		1	Bracket	D
5	4700380436		1	Fuel cap	D
6	4700904556		3	Washer 8,4x16x3,0	C
7	4700500053		3	Screw M8x20H 8.8	C
8	4700904206		8	Screw	C
9	4812113070	A	1	Bracket	D
10	4812113074	A	1	Cap	B
11	4812113073	A	1	Adapter	C
12	4812113071	A	1	Flange adapter	C
13	4812113072	A	1	Ventilating filter	A
14	4812156451		1	Pre fuel filter cpl.	C
	4812031626		1	. Pre Fuel filter element	A
15	4700904557		2	Steel plain washer	C
16	4700500030		2	Screw M10x035H 8.8 A3K	C
17	4812117040		1	Bracket	
18	4812110913		1	Bracket	
19	4812114212		1	Bracket	
20	4700904229		5	Steel plain washer 8,4x16x1,5	C
21	4700500021		3	Screw M8-1,25x25 8.8	C
22	4700500029		2	Hexagon head screw	C
23	4700508025		2	Screw M6x20	
24	4700603010		2	Washer 6,4X12X3	C
25			1	Draining module, option ( Page 134 )	
26	4700904213		2	Washer	C
27	4700500195		2	Screw	C
28		B	1	Fuel filter	

- A) Option, quick filling.
- B) See diesel engine section.



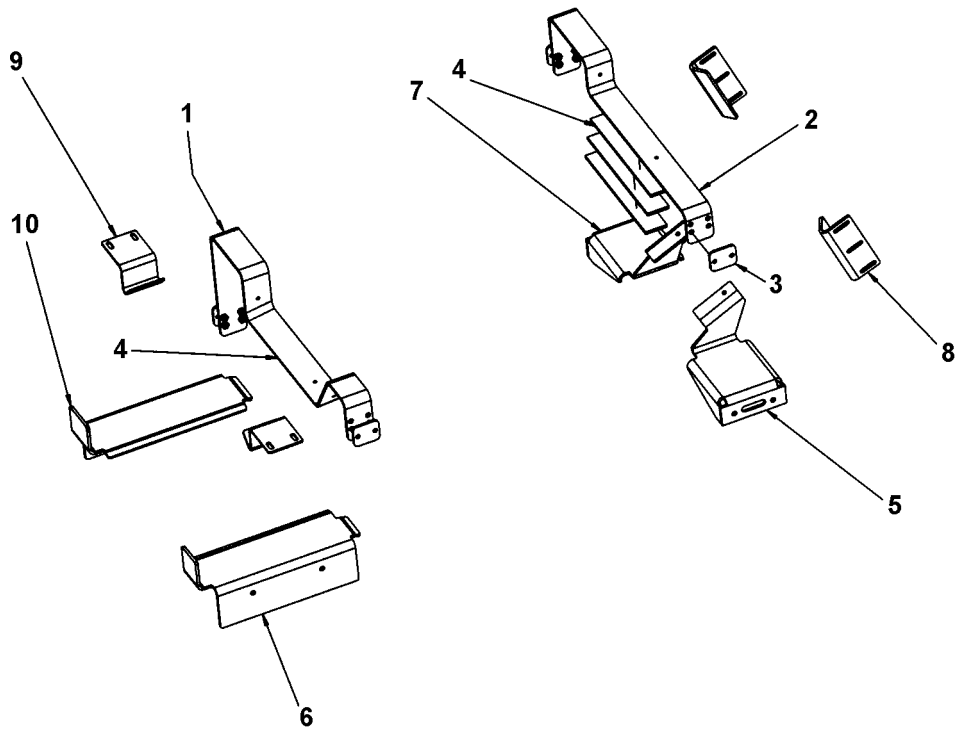
**Fuel tank module**

<b>Item</b>	<b>Part No</b>	<b>Rem Qty</b>	<b>Description</b>	<b>Code</b>
1		1	Fuel tank ( Page 128 )	
2		1	Brackets assy ( Page 130 )	
3	4700904229	8	Steel plain washer 8,4x16x1,5	C
4	4700500024	16	Screw M8x45	D
5	4700904640	16	Washer 8,4x22x3	C
6	4700500021	8	Screw M8-1,25x25 8.8	C



**Fuel tank**

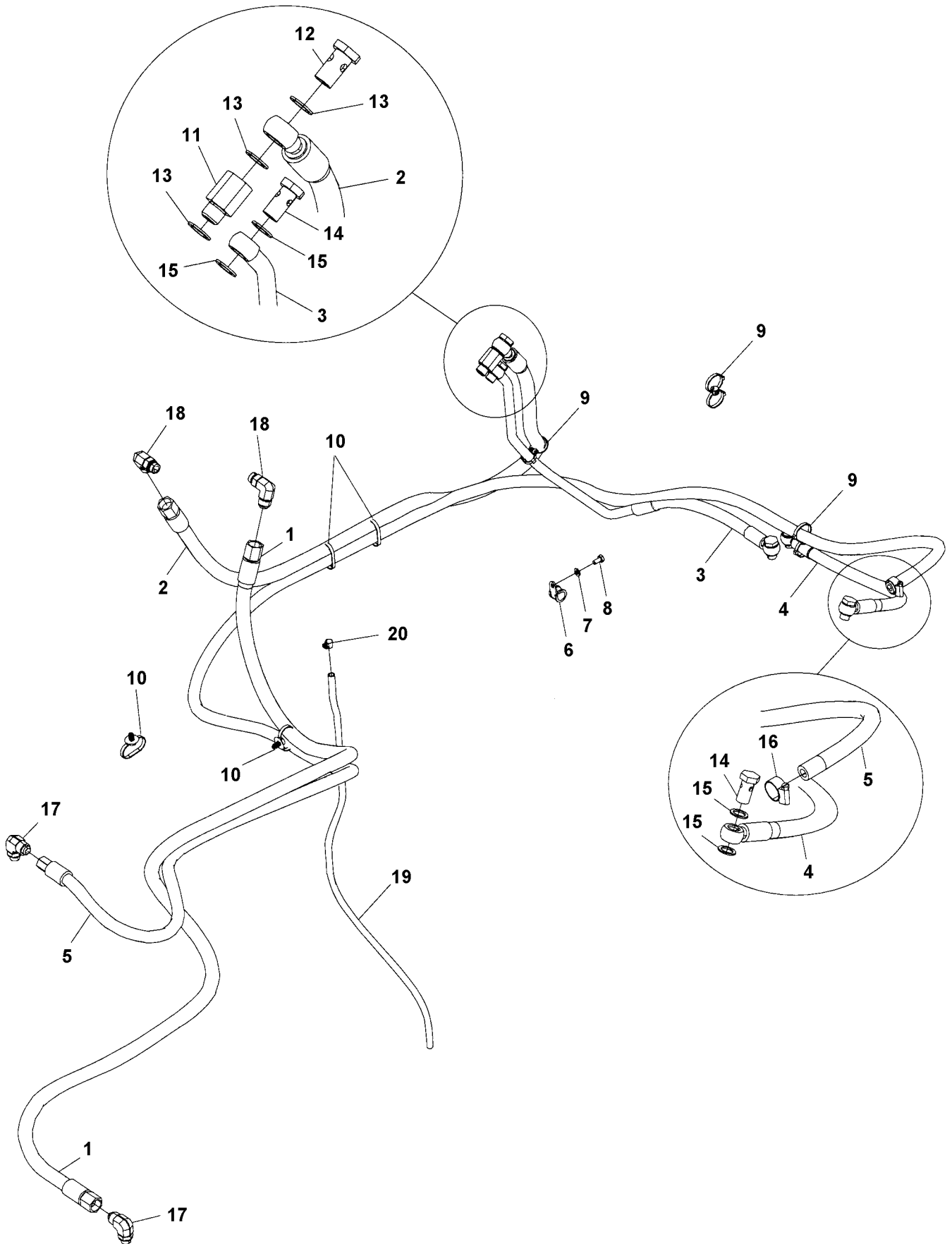
<b>Item</b>	<b>Part No</b>	<b>Rem Qty</b>	<b>Description</b>	<b>Code</b>
1	4812112357	1	Fuel tank	D
2	4812114949	1	Gasket	D
3	4812114813	1	Adapter	C
4	4812114935	1	Level sensor	C
5	4700904281	5	Washer 5,3x10x1 300HV	C
6	4700904206	8	Screw	C
7	4700513012	5	Screw M6x20 10,9	D
8	4700378589	2	Gasket	D
9	4812112653	2	Fuel pipe	D
10	4700904698	10	Washer 4,3x8x0,8	C
11	4700903236	10	Screw, Thread rolling K40x20	C
12	4812112655	2	Flange gasket	D
13	4812112656	1	Flange connection	D
14	4812114909	1	Fuel hose	C
15	4700313033	2	Hose clamp	D
17	4700500009	5	Hexagon head screw	
19	4812112729	1	Rubber cloth	
20	4700395785	3	Screw	D



**Brackets assy**

<b>Item</b>	<b>Part No</b>	<b>Rem Qty</b>	<b>Description</b>	<b>Code</b>
1	4812112343	1	Bracket	D
2	4812112344	1	Bracket	D
3	4812112639	4	Spacer	D
4	4812112761	6	Rubber cloth	
5	4812113640	1	Bracket	D
6	4812112647	1	Bracket	D
7	4812113641	1	Bracket	D
8	4812112777	2	Bracket	D
9	4812112776	2	Bracket	D
10	4812114913	1	Bracket	D

**Hoses**

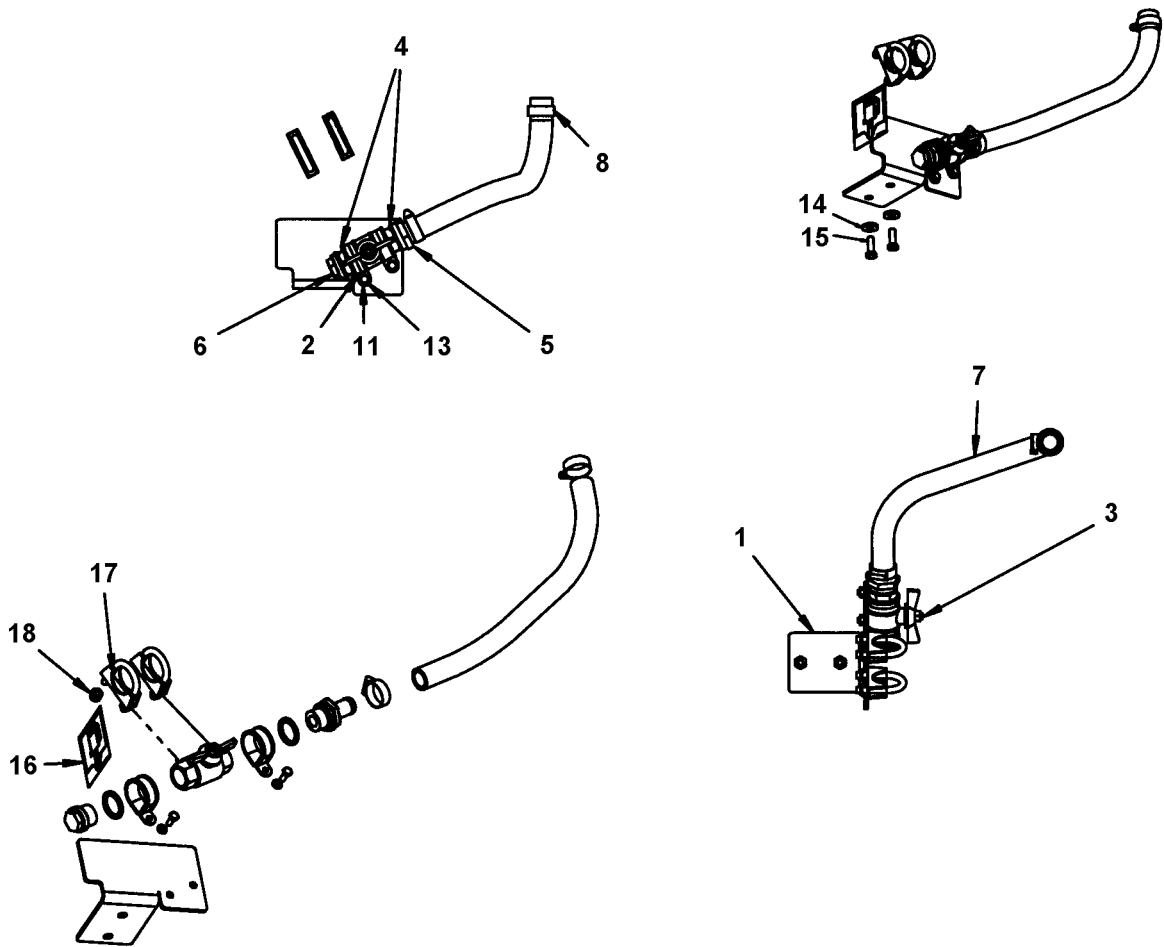




Hoses

Item	Part No	Rem Qty	Description	Code
1	4812113113	1	Fuel hose	
2	4812113112	1	Fuel hose	
3	4812113007	1	Fuel hose	
4	4700355524	1	Fuel hose	D
5	4812113009	1	Fuel hose	
6	4700921046	1	Clamp	
7	4700904228	1	Washer 6,4x12x1,5	C
8	4700500012	1	Screw M6x12	C
9	4700792686	3	Cable tie with holder	
10	4700792441	4	Cable tie with holder	C
11	4812113111	1	Straight connector	
12	4700234928	1	Hollow screw	
13	4700330330	3	Copper washer	
14	4700330171	4	Hollow screw	C
15	4700747282	8	Copper washer	C
16	4700313004	1	Hose clamp	D
17	4700904979	2	Elbow	D
18	4700928908	2	Adapter	C
19	4700902160	A 1XL	Plastic hose	D
20	4700904394	1	Hose clamp	

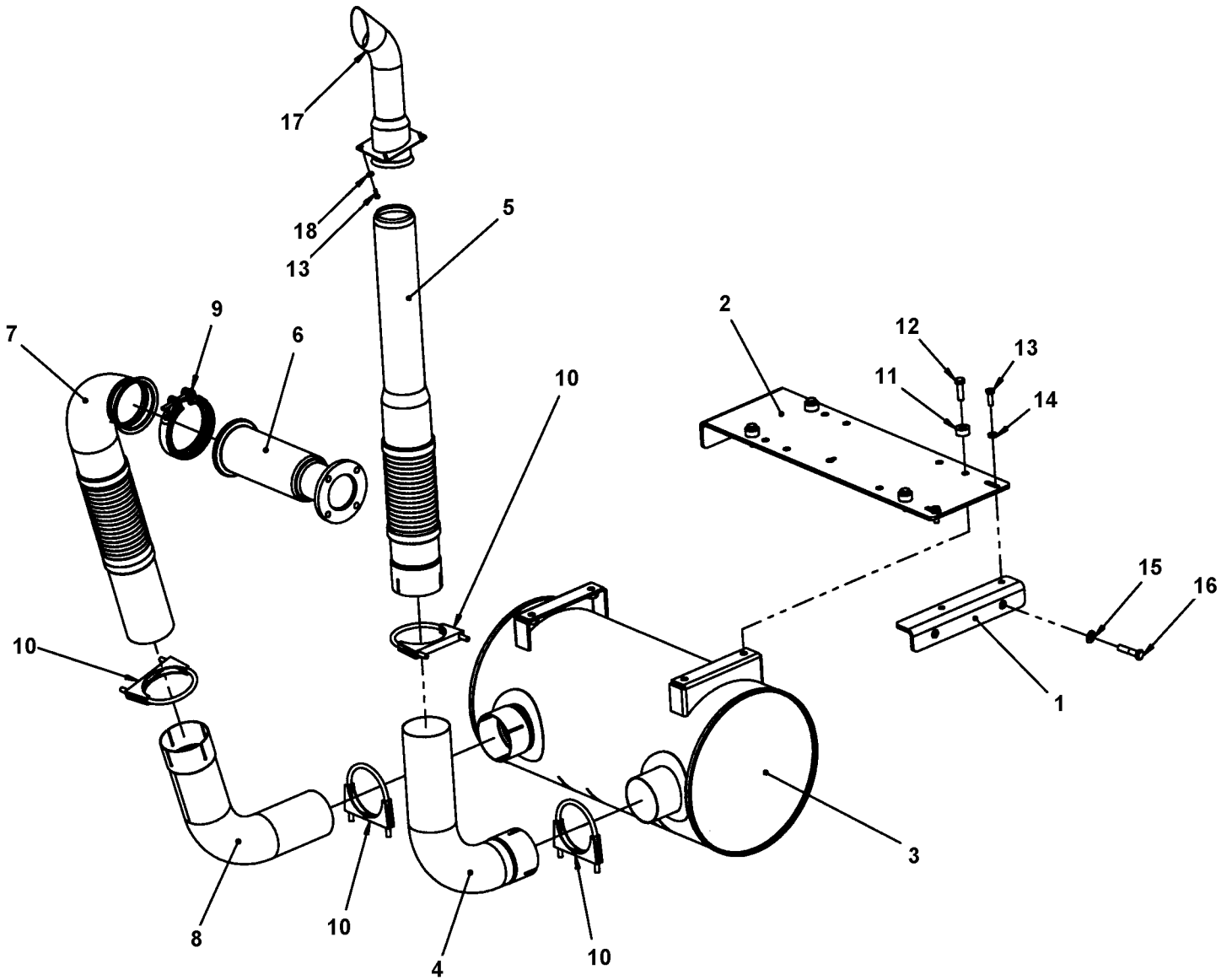
A) L=0.74m



Draining module, option

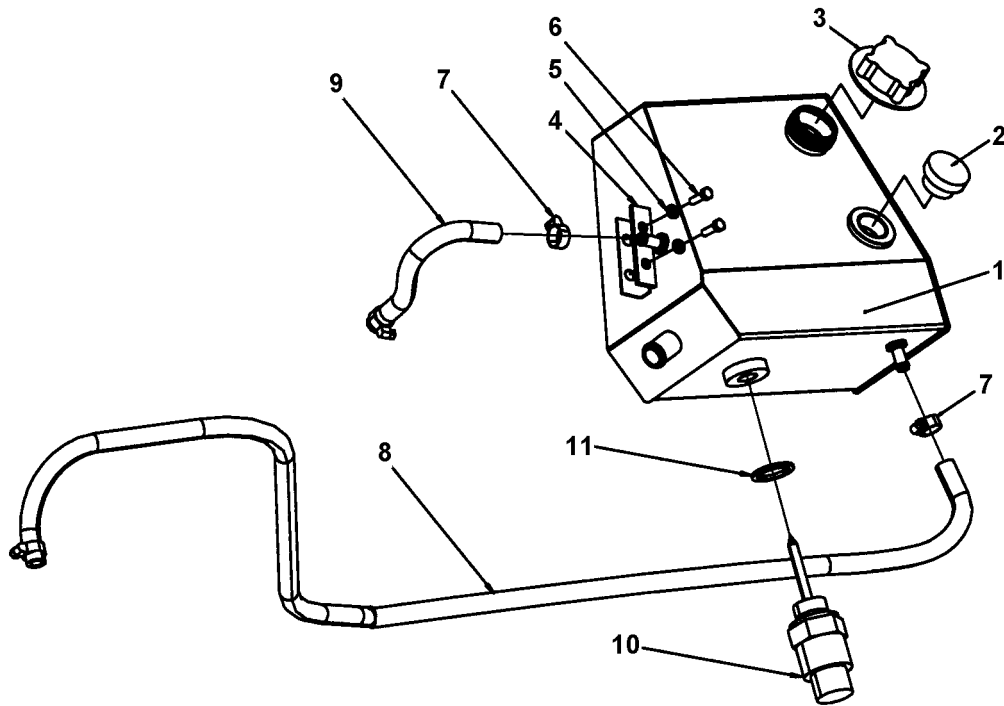
Item	Part No	Rem	Qty	Description	Code
1	4812114424	A	1	Bracket	
2	4700921057		2	Pipe clamp covered	
3	4700233304		1	Ball valve	C
4	4700791120		2	Sealing washer	
5	4812113181		1	Connection	
6	4700232039		1	Plug G3/4	C
7	4700904988	B	1XL	Fuel hose	
8	4700313006		2	Hose clamp	D
11	4700904228		2	Washer 6,4x12x1,5	C
13	4700500013		2	Screw M6-1x16 8,8	C
14	4700904640		2	Washer 8,4x22x3	C
15	4700500021		2	Screw M8-1,25x25 8.8	C
16	4811000443		1	Information decal "FUEL DRAIN"	
17	4700922944	C	2	Tube clamp	
18	4700586003		4	Lock nut M8	C

- A) Only used when protection plate 4812112439 is mounted on the machine.
- B) L=0.39m
- C) Used instead of item 4 when protection plate 4812117048 is mounted on the machine.



**Exhaust system**

<b>Item</b>	<b>Part No</b>	<b>Rem Qty</b>	<b>Description</b>	<b>Code</b>
1	4812116342	1	Bracket	
2	4812116341	1	Bracket	
3	4812114228	1	Muffler	
4	4812114227	1	Exhaust pipe	
5	4812113040	1	Exhaust pipe	
6	4812114224	1	Exhaust pipe	
7	4812114225	1	Exhaust pipe	
8	4812114226	1	Exhaust pipe	
9	4812112710	1	Clamp	B
10	4700927857	4	Pipe clamp	D
11	4700359989	4	Spacer sleeve	D
12	4700500030	4	Screw M10x035H 8.8 A3K	C
13	4700500021	6	Screw M8-1,25x25 8.8	C
14	4700904556	2	Washer 8,4x16x3,0	C
15	4700904230	4	Steel plain washer	C
16	4700500161	4	Hexagon head screw	C
17	4812112479	1	Exhaust pipe	
18	4700904640	4	Washer 8,4x22x3	C



**Expansion tank module**

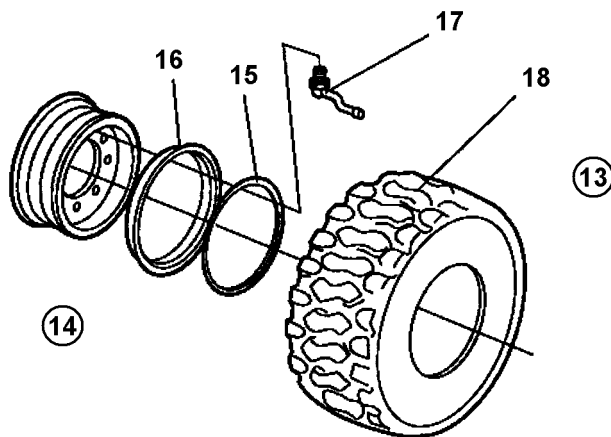
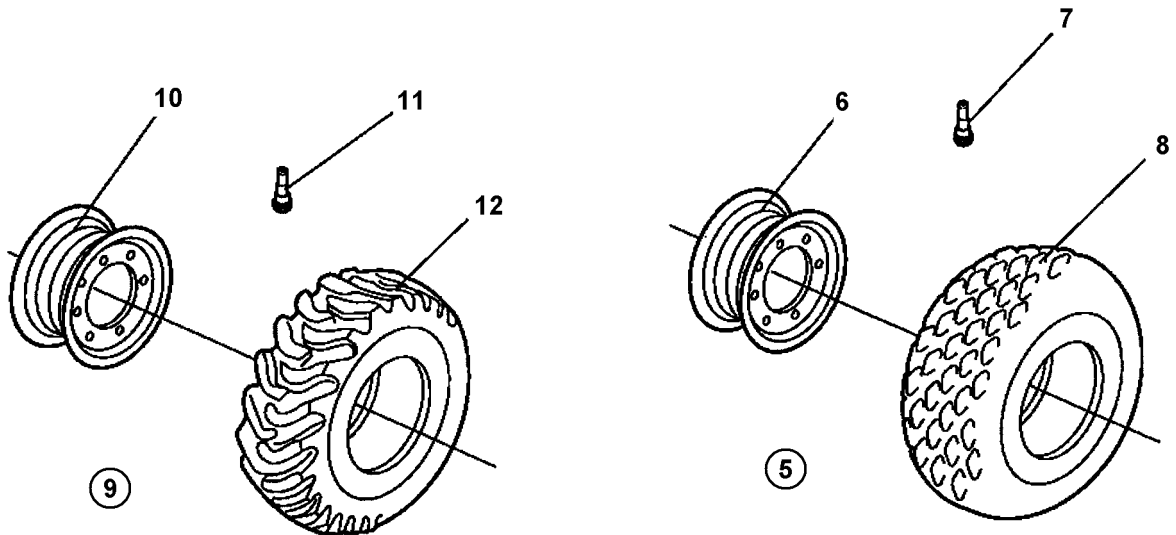
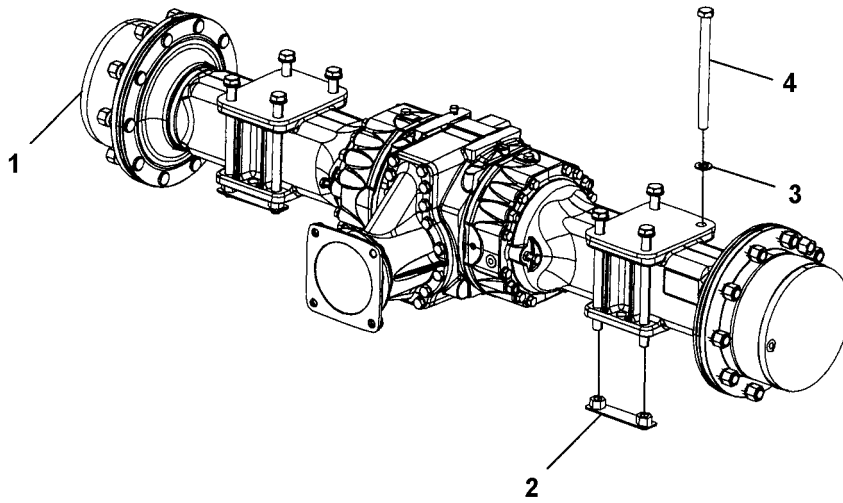
<b>Item</b>	<b>Part No</b>	<b>Rem</b>	<b>Qty</b>	<b>Description</b>	<b>Code</b>
1	4812110931		1	Expansion tank	
2	4700372597		1	Level glass	C
3	4700903714		1	Cap	
4	4700381413		2	Washer	
5	4700904228		4	Washer 6,4x12x1,5	C
6	4700500040		4	Screw M6-1x20 8,8	C
7	4700313001		4	Hose clamp	C
8	4700246069	A	1XL	Fuel hose 3/8"	C
9	4700246069	B	1XL	Fuel hose 3/8"	C
10	4812112421		1	Level sensor	
11	4700162015		1	Seal ring	D
A)	L=2.1m				
B)	L=0.18m				





**Transmission**

<b>Item</b>	<b>Part No</b>	<b>Rem Qty</b>	<b>Description</b>	<b>Code</b>
1		1	Rear axle and wheels ( Page 142 )	

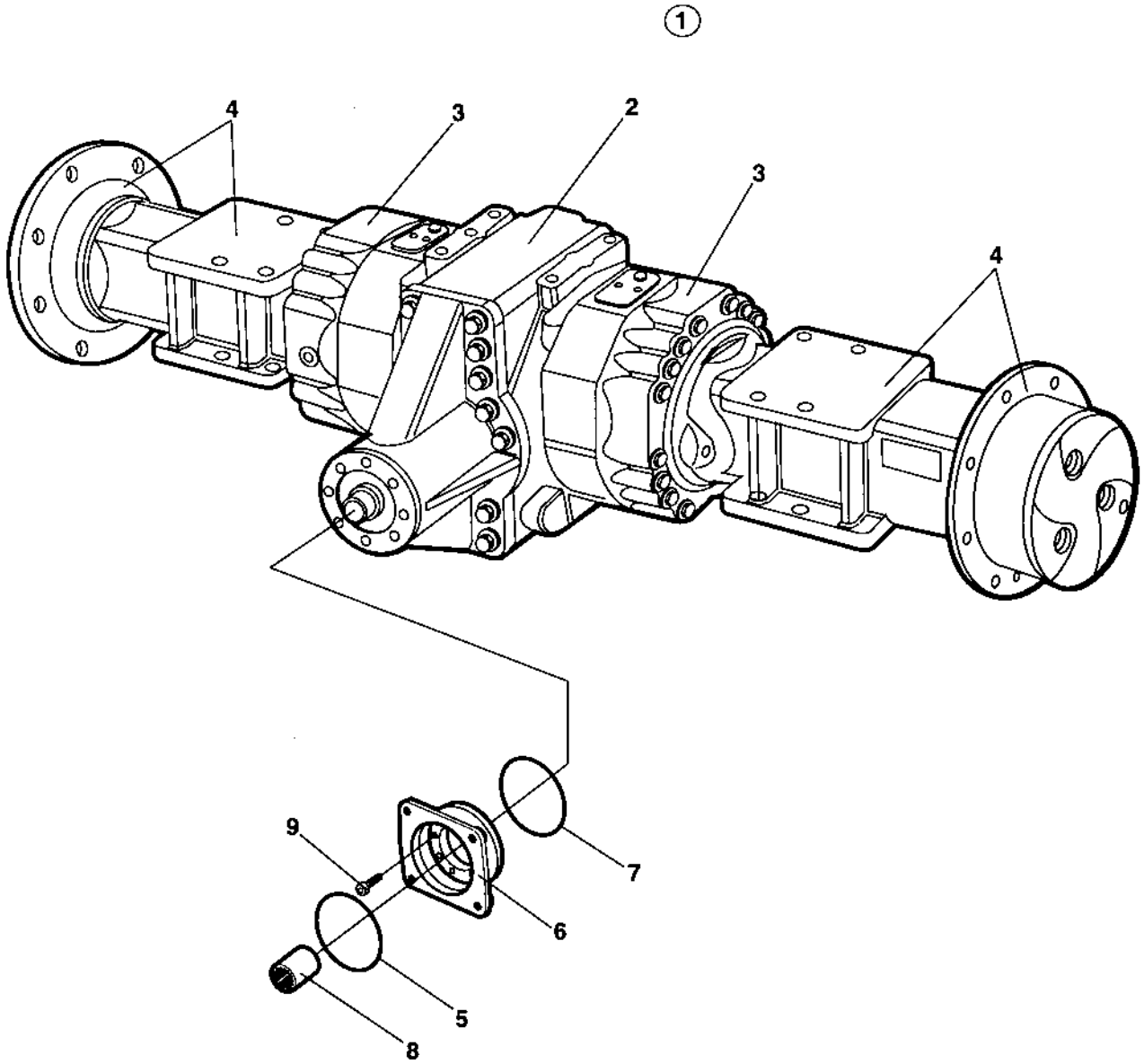


Rear axle and wheels

Item	Part No	Rem	Qty	Description	Code
1	4812111833		1	Rear axle No-Spin, Option ( Page 144 )	D
	4812111832		1	Rear axle Limited-Slip ( Page 152 )	
2	4812112393		4	Nut-plate	C
3	4700904233		8	Washer 21x36x3	C
4	4700929217		8	Screw	D
5		A	2	Wheel, cpl	
6	4700393335		1	. Rim	D
7	4700792261		1	. Air charging valve Straight	B
8	4812116039		1	. Tyre	
9			2	Tractor wheel, cpl	
10	4700393335		1	. Rim	D
11	4700792261		1	. Air charging valve Straight	B
12	4700390589		1	. Tyre	D
13		F	2	Wheel, cpl	
14	4700383955		1	. Rim cpl	D
15	4700901443		1	. . Snap ring	
16	4700901444		1	. . Side ring	
17	4700791175		1	. Air charging valve	B
	4700791176		1	. Valve foot	D
18	4700901218		1	. Tyre	D

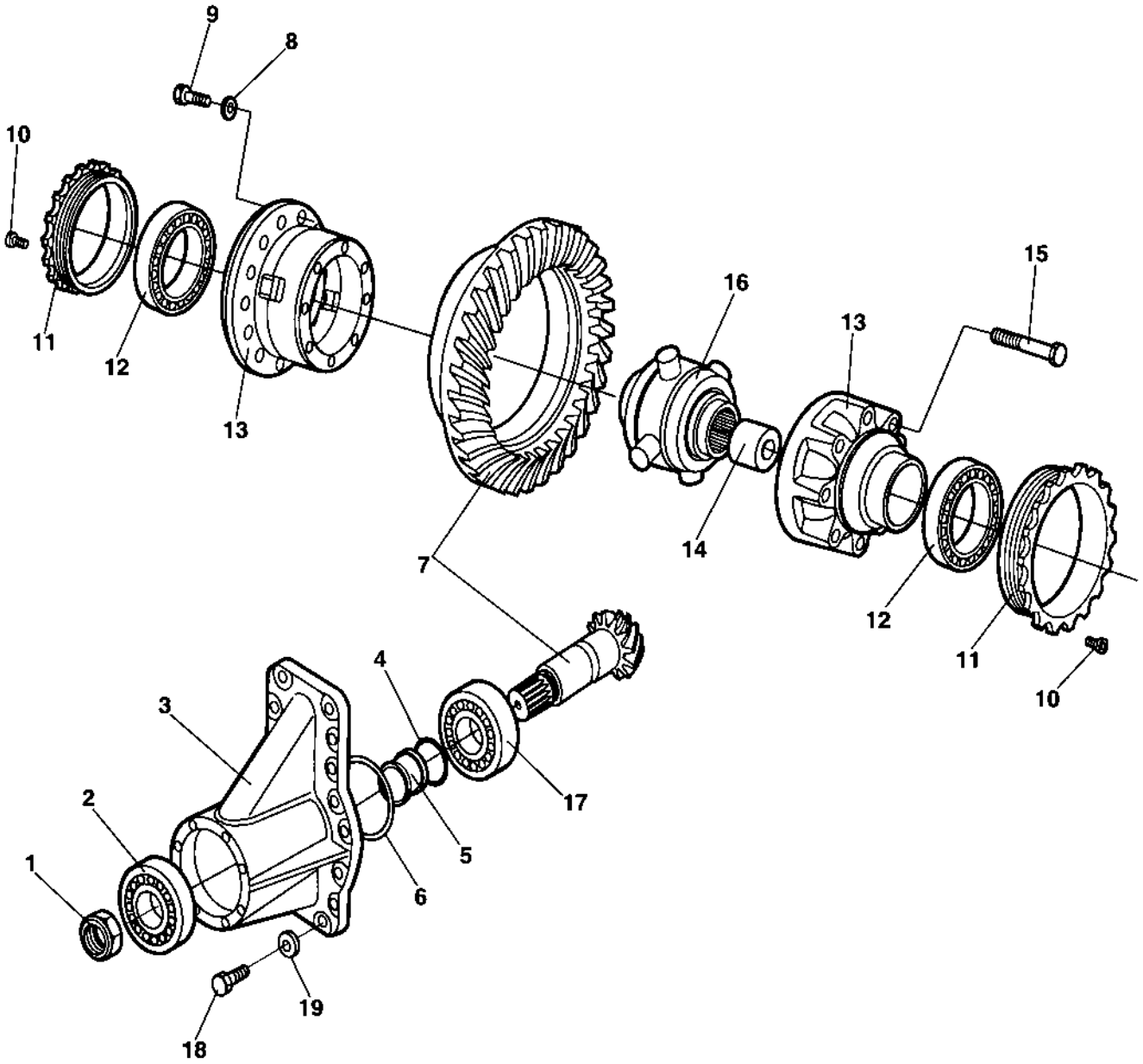
- A) All-weather wheel.  
F) Premium.

4812111833 Rear axle No-Spin, Option



**4812111833 Rear axle No-Spin, Option**

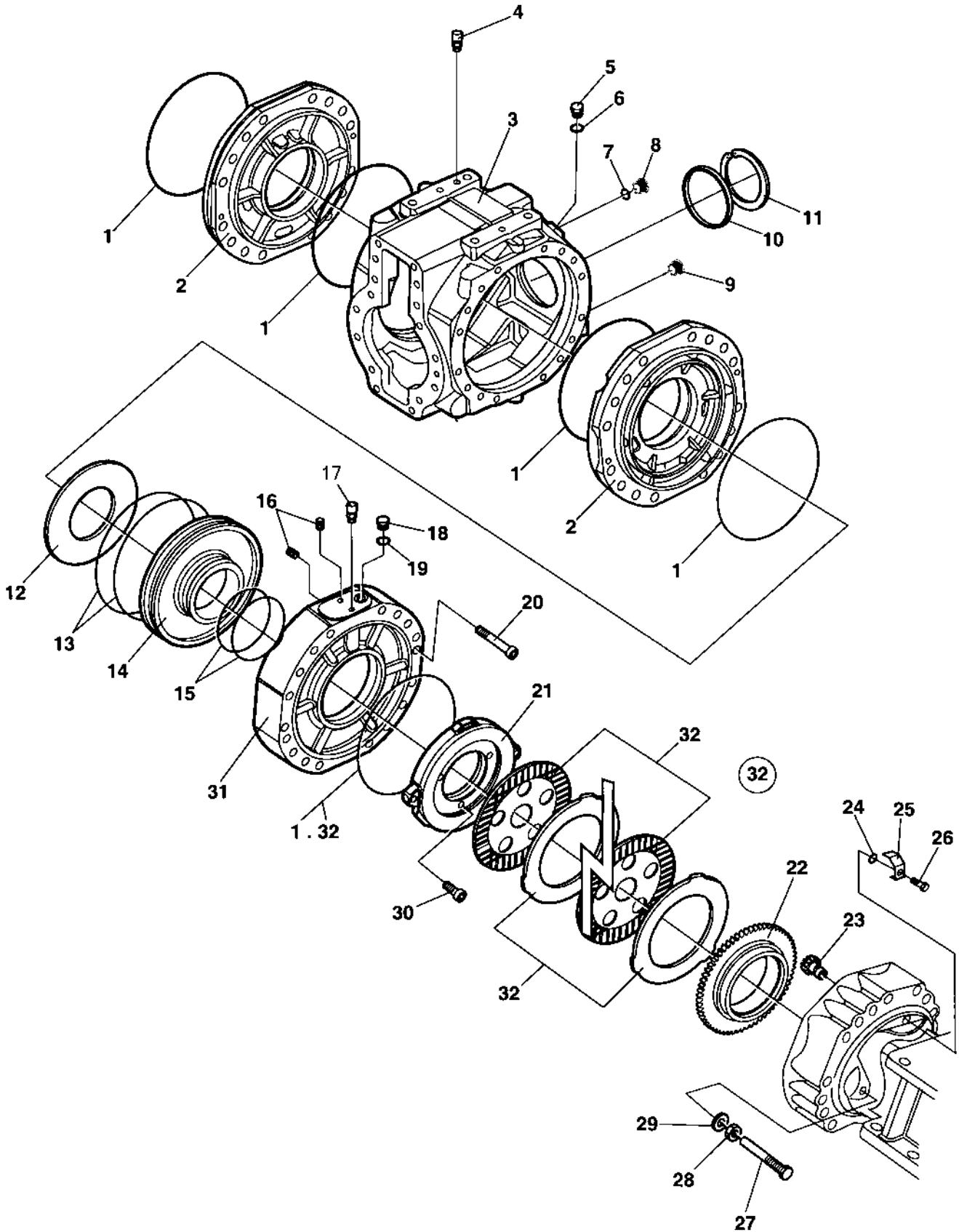
<b>Item</b>	<b>Part No</b>	<b>Rem Qty</b>	<b>Description</b>	<b>Code</b>
1		1	Rear axle	
2		1	. Differential with no-spin ( Page 146 )	
3		2	. Differential housing and brakes ( Page 148 )	
4		2	. Planet gear ( Page 150 )	
5	4700909584	1	O-ring	D
6	4700900255	1	Flange	D
7	4700929648	1	O-ring	D
8	4812156887	1	Splined sleeve	
9	4812156888	8	Screw	



Differential with no-spin

Item	Part No	Rem Qty	Description	Code
1	4700929638	1	Nut	D
2	4700909574	1	Tapper roller bearing	
3	4700908485	1	Housing	D
4	4700939259	1	Shim t = 0.15mm	
	4700909580	1	Shim t = 0.20mm	
	4700909576	1	Shim t = 0.30mm	
	4700929644	1	Shim t = 0.40mm	
	4700939260	1	Shim t = 0.50mm	
5	4700909567	1	Spacer	
6	4700909568	1	Shim t = 0.10mm	
	4700909569	1	Shim t = 0.20mm	
	4700909570	1	Shim t = 0.50mm	
	4700939258	1	Shim t = 0.15mm	
7	4700212553	1	Bevel gear set	
9	4700938991	16	Bolt	D
10	4700938989	2	Bolt	
11	4700939261	2	Ring nut	
12	4700923342	1	Tapper roller bearing	
13	4700929630	1	Differential case	D
14	4700929631	1	Spacer	D
15	4812156885	8	Screw	C
16	4700929626	1	Non-spin unit	D
17	4700909581	1	Tapper roller bearing	
18	4812156886	16	Bolt	
19	4700909572	16	Spring washer	

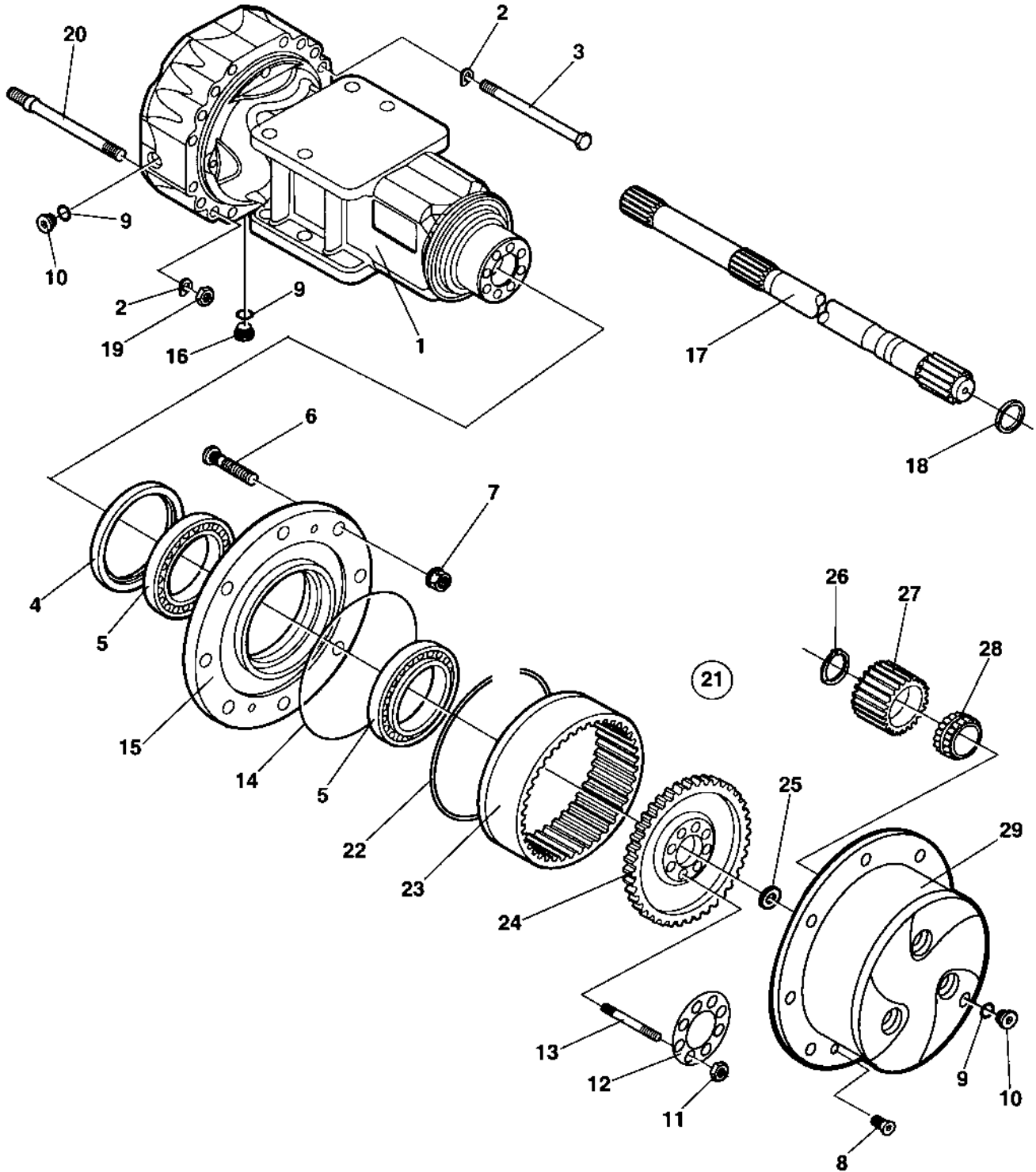
Differential housing and brakes





Differential housing and brakes

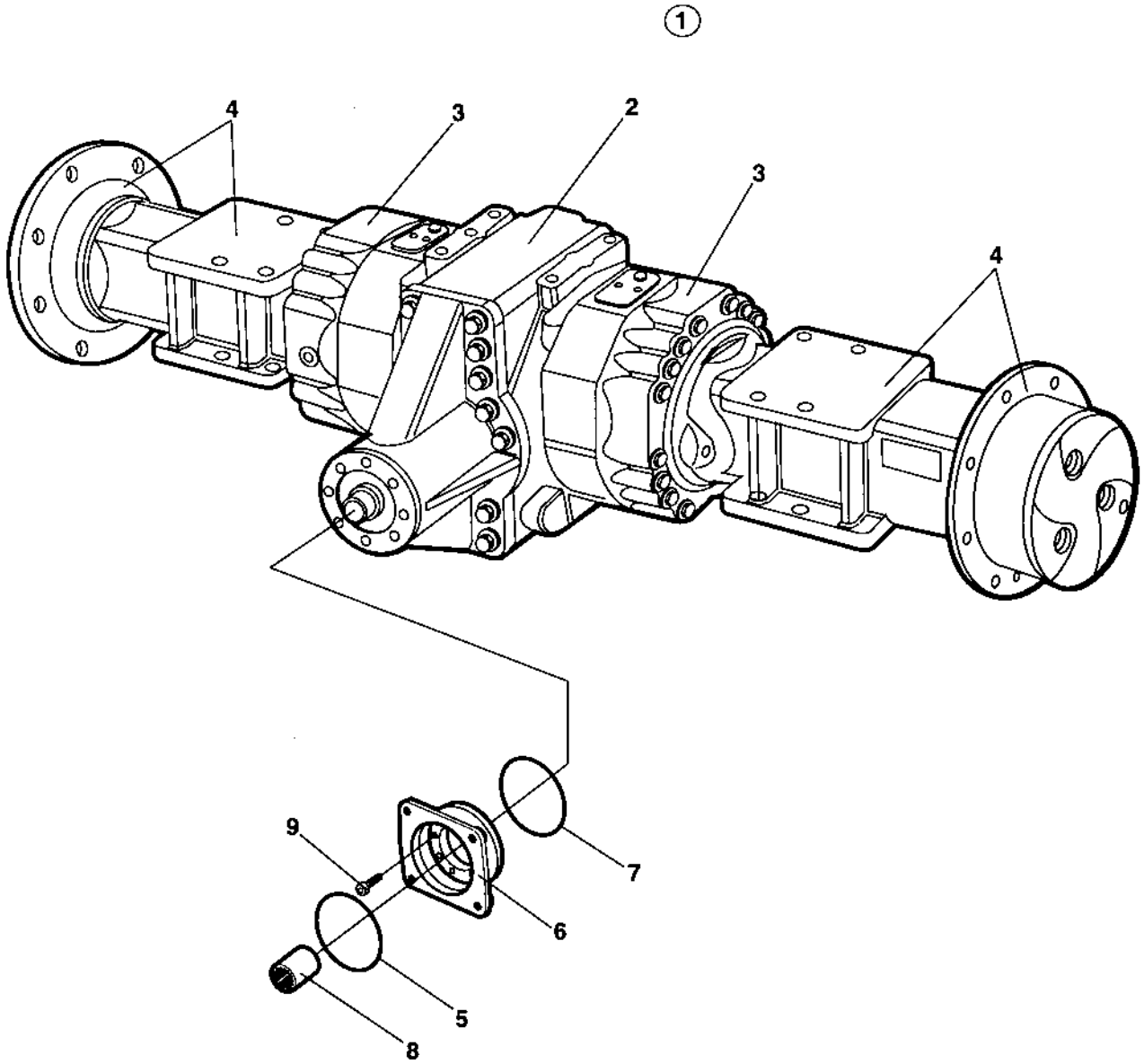
Item	Part No	Rem Qty	Description	Code
1	4700909609	6	O-ring	D
2	4700939255	2	Cover	D
3	4700939256	1	Housing	D
4	4700938984	1	Vent nipple	
5	4700909544	2	Screw	
6	4700938983	2	Sealing washer	
7	4700330333	1	Copper washer	D
8	4700909596	1	Plug	C
9	4700926810	1	Magnetic plug	
10	4700938296	1	Plug	
11	4700929617	1	Lock ring	D
12	4700909616	2	Spring	
13	4700909618	4	O-ring	D
14	4700939280	2	Piston	C
15	4700909619	4	O-ring	D
16	4700939281	4	Bolt	C
17	4700938984	2	Vent nipple	
18	4700939282	2	Bolt	
19	4700939036	2	Sealing washer	C
20	4700939035	4	Screw	C
21	4700939283	2	Disc	C
22	4700939285	2	Ring	D
23	4700909622	2	Pinion	D
24	4700900966	2	O-ring	D
25	4700939286	2	Lock plate	D
26	4700909624	2	Screw	C
27	4700909626	4	Bolt	
28	4700900957	4	Nut	D
29	4700926847	4	Sealing washer	
30	4700939026	6	Screw	C
31	4700939287	2	Cover	C
32	4700939284	2	Brake disc kit	C
		12	. Brake disc	
		12	. Brake disc	
	4700909609	2	. O-ring	D



**Planet gear**

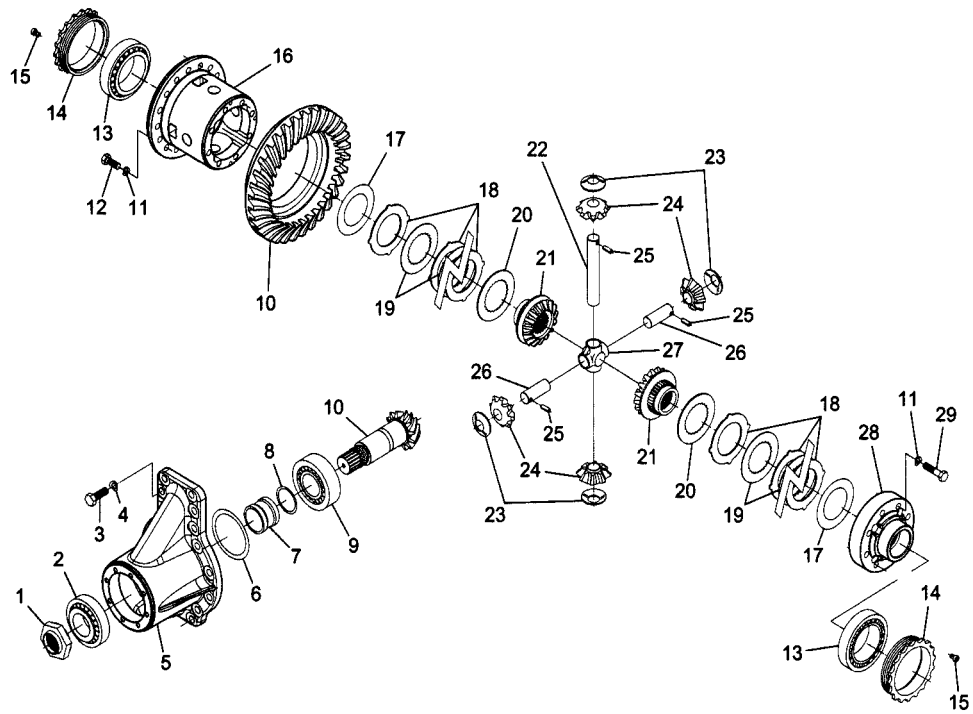
Item	Part No	Rem Qty	Description	Code
1	4700939263	2	Axle case	D
2	4700939003	32	Spring washer	C
3	4700939264	24	Bolt	C
4	4700939265	2	Seal	
5	4700939266	4	Bearing	
6	4700926781	20	Wheel screw	
7	4700901987	20	Wheel nut	
8	4700939015	4	Screw	
9	4700330333	6	Copper washer	D
10	4700909596	4	Plug	C
11	4700939016	20	Nut	D
12	4700939275	2	Lock plate	
13	4700939017	20	Stud	D
14	4700909609	2	O-ring	D
15	4700939276	2	Wheel hub	
16	4700939350	2	Magnetic plug	
17	4700939277	2	Half shaft	D
18	4700909586	2	Seal	D
19	4700939019	8	Nut	D
20	4700939278	8	Stud	D
21	4700939351	2	Planet gear carrier Cpl.	D
22	4700939267	2	. Circlip	
23	4700939268	2	. Ring gear	D
24	4700939269	2	. Ring gear support	
25	4700939270	2	. Washer	
26	4700939271	8	. Seal	
27	4700939272	8	. Planet gear	
28	4700939273	8	. Bearing	
29	4700939349	2	. Planet gear carrier Cpl.	

4812111832 Rear axle Limited-Slip



**4812111832 Rear axle Limited-Slip**

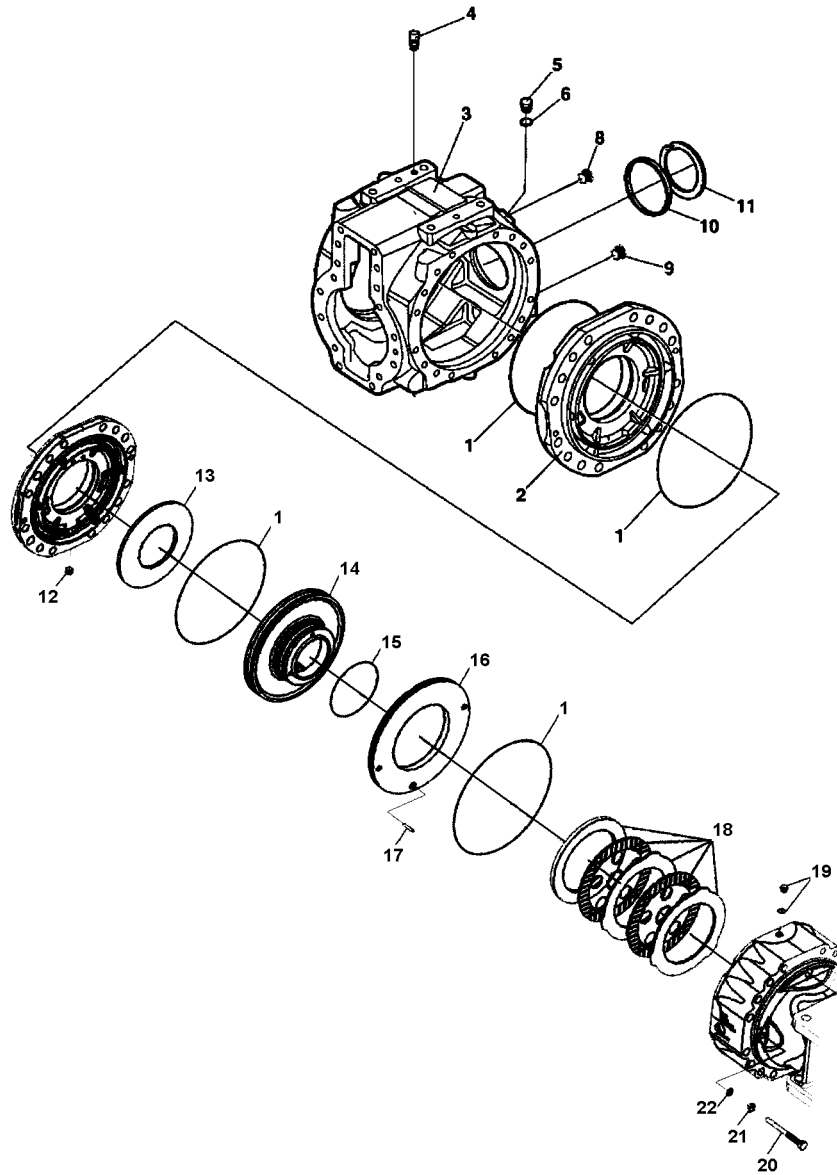
<b>Item</b>	<b>Part No</b>	<b>Rem Qty</b>	<b>Description</b>	<b>Code</b>
1		1	Rear axle	
2		1	. Differential ( Page 154 )	
3		2	. Central housing and brakes ( Page 156 )	
4		2	. Hub reduction ( Page 158 )	
5	4700909584	1	O-ring	D
6	4700900255	1	Flange	D
7	4700929648	1	O-ring	D
8	4812156887	1	Splined sleeve	
9	4812156888	8	Screw	



Differential

Item	Part No	Rem Qty	Description	Code
1	4700929638	1	Nut	D
2	4700909574	1	Tapper roller bearing	
3	4812156886	16	Bolt	
4	4700909572	16	Spring washer	
5	4700908485	1	Housing	D
6	4700909568	1	Shim t = 0.10mm	
	4700909569	1	Shim t = 0.20mm	
	4700909570	1	Shim t = 0.50mm	
	4700939258	1	Shim t = 0.15mm	
7	4700909567	1	Spacer	
8	4700939259	1	Shim t = 0.15mm	
	4700909580	1	Shim t = 0.20mm	
	4700909576	1	Shim t = 0.30mm	
	4700929644	1	Shim t = 0.40mm	
	4700939260	1	Shim t = 0.50mm	
9	4700909581	1	Tapper roller bearing	
10	4700212553	1	Bevel gear set	
12	4700938991	16	Bolt	D
13	4700923342	2	Tapper roller bearing	
14	4700939261	2	Ring nut	
15	4700938989	2	Bolt	
16	4700909550	1	Differential carrier	D
17	4700909551	1	Shim t = 0.30mm	
	4700909553	1	Shim t = 0.10mm	
	4700909552	1	Shim t = 0.40mm	
19	4700909554	8	Disc	
20	4700909557	2	Disc	
21	4700909558	2	Differential side gear	
22	4812156962	1	Pin	
23	4812156963	4	Friction washer	
24	4700926757	4	Differential pinion	
25	4700909561	3	Roll pin	
26	4812156964	2	Differential Shaft	
27	4700909565	1	Shaft retainer	
28	4700909562	1	Differential carrier cover	
29	4812156965	8	Bolt	

Central housing and brakes

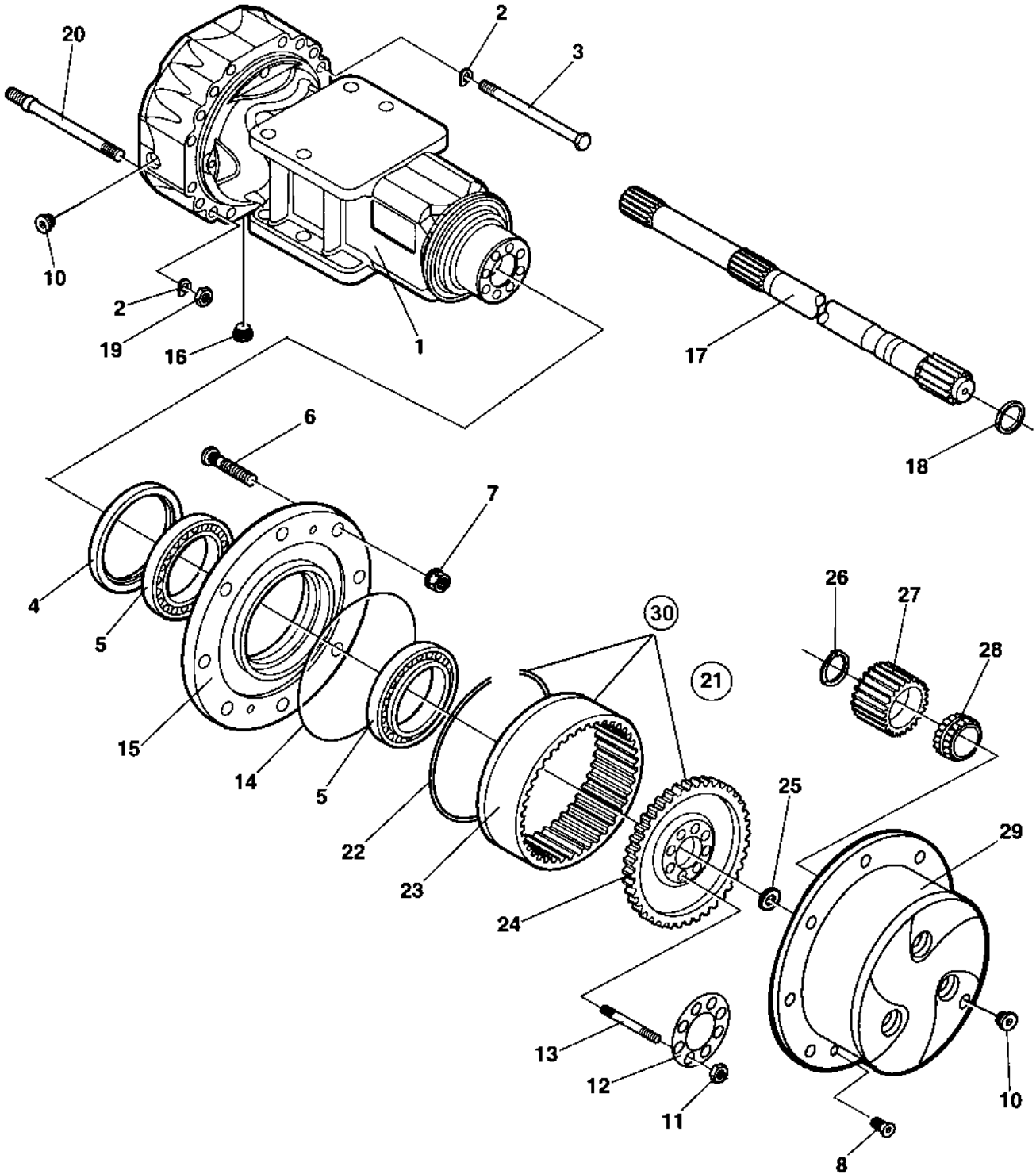




**Central housing and brakes**

<b>Item</b>	<b>Part No</b>	<b>Rem Qty</b>	<b>Description</b>	<b>Code</b>
1	4700909609	8	O-ring	D
2	4812156883	2	Cover	
3	4812156884	1	Housing	
4	4700938984	1	Vent nipple	
5	4700909544	2	Screw	
6	4700938983	2	Sealing washer	
8	4700939348	1	Plug	
9	4700926810	1	Magnetic plug	
10	4700938296	1	Plug	
11	4700929617	1	Lock ring	D
12	4812156959	2	Bolt	
13	4700909616	2	Spring	
14	4812156953	2	Piston	
15	4812156954	2	O-ring	D
16	4812156955	2	Ring	
17	4812156956	2	Dowel	
18	4812156957	2	Brake disc kit	
19	4812156958	2	Plug	
20	4700909626	4	Bolt	
21	4700900957	4	Nut	D
22	4700926847	4	Sealing washer	

Hub reduction



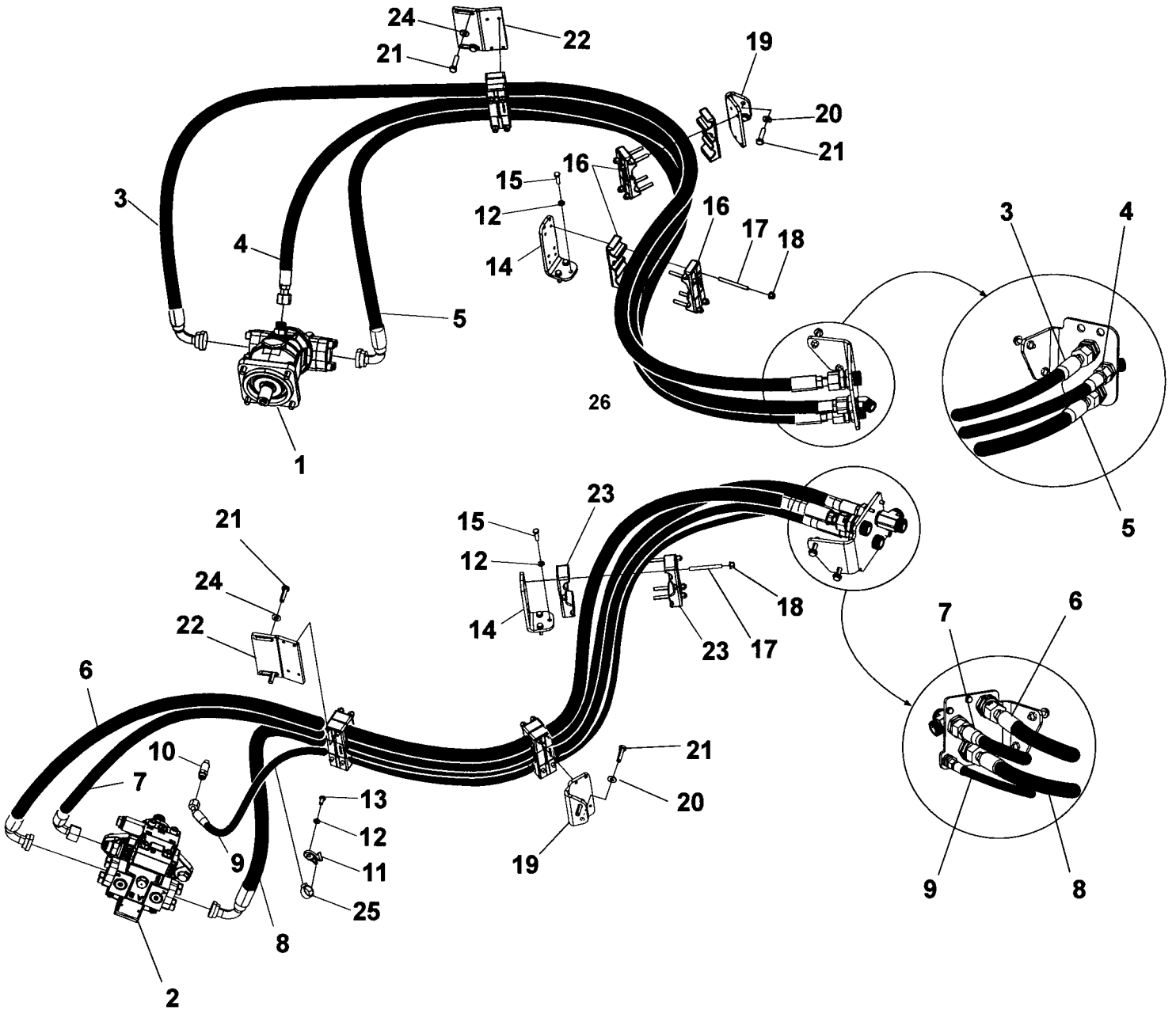
Hub reduction

Item	Part No	Rem Qty	Description	Code
1	4812156892	2	Axle case	
2	4812156893	32	Spring washer	
3	4812156894	24	Bolt	
4	4700939265	2	Seal	
5	4700939266	4	Bearing	
6	4700926781	20	Wheel screw	
7	4700901987	20	Wheel nut	
8	4700939015	4	Screw	
10	4700939348	4	Plug	
11	4812156896	20	Nut	
12	4700939275	2	Lock plate	
13	4812156897	20	Stud	
14	4700909609	2	O-ring	D
15	4700939276	2	Wheel hub	
16	4700939350	2	Magnetic plug	
17	4812156898	2	Half shaft	
18	4700909586	2	Seal	D
19	4700926813	8	Nut	
20	4812156899	8	Stud	
21	4700939349	2	Planet gear carrier Cpl.	
22	4700939267	2	. Circlip	
23	4812156895	2	. Ring gear	
24	4700939269	2	. Ring gear support	
25	4700939270	2	. Washer	
26	4700939271	8	. Seal	
27	4700939272	8	. Planet gear	
28	4700939273	8	. Bearing	
29	4812156951	2	. Planet gear carrier	
30	4812156952	2	. Ring gear support, Cpl	



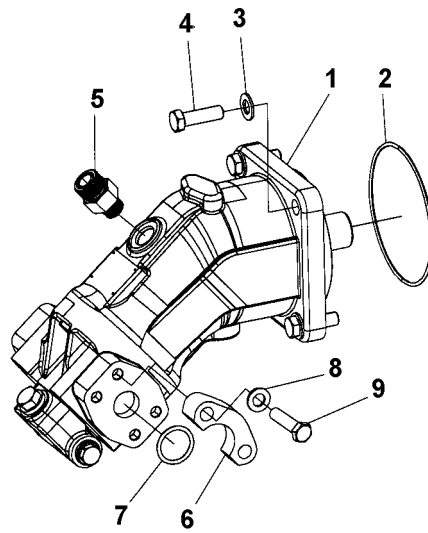
**Hydraulic systems**

<b>Item</b>	<b>Part No</b>	<b>Rem Qty</b>	<b>Description</b>	<b>Code</b>
1		1	Hydraulic system, drum ( Page 162 )	
2		1	Hydraulic system, drum Anti-spin option ( Page 182 )	
3		1	Hydraulic system, steering ( Page 194 )	
4		1	Hydraulic system, rear axle ( Page 202 )	
5		1	Hydraulic system, rear axle Anti-spin option ( Page 212 )	
6		1	Hydraulic system, oil tank ( Page 224 )	
7		1	Hydraulic system, engine ( Page 236 )	
8		1	Hydraulic system, engine Adjustable frequency, Eco opti ( Page 258 )	
9		1	Hydraulic system, frame rear ( Page 274 )	
10		1	Hydraulic hoses, steering ( Page 280 )	
11		1	Emergency steering option ( Page 282 )	



## Hydraulic system, drum

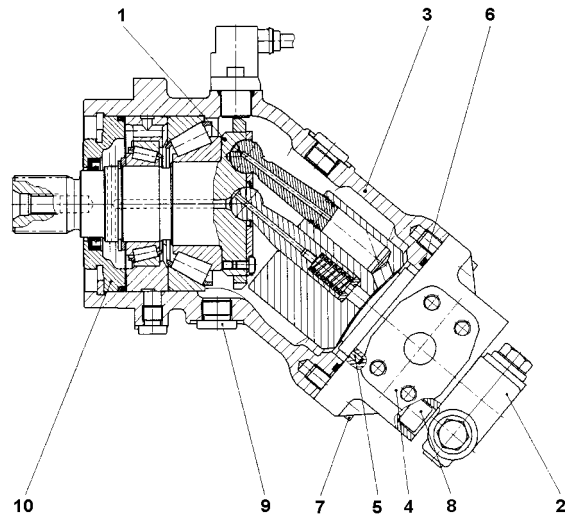
Item	Part No	Rem Qty	Description	Code
1		1	Hydraulic motor ( Page 164 )	
2		1	Hydraulic motor ( Page 176 )	
3	4811000238	1	Hydraulic hose	C
4	4811000239	1	Hydraulic hose	C
5	4811000240	1	Hydraulic hose	C
6	4811000235	1	Hydraulic hose	C
7	4811000234	1	Hydraulic hose	C
8	4811000236	1	Hydraulic hose	C
9	4811000237	1	Hydraulic hose	C
10	4811000416	1	Straight connector orfs	D
11	4812117326	1	Cable tie holder	D
12	4700904229	7	Steel plain washer 8,4x16x1,5	C
13	4700500019	1	Hexagon head screw M8x16H 8,8	C
14	4812112308	2	Bracket	
15	4700500022	6	Screw M8x30H 8.8 A2K	C
16	4812112304	6	Hose holder	
17	4700791860	24	Stud	D
18	4700902286	24	Hexagon lock nut with flange	C
19	4812113963	2	Bracket	
20	4700904230	4	Steel plain washer	C
21	4700500029	8	Hexagon head screw	C
22	4812113569	2	Bracket	
23	4812112306	6	Hose holder	
24	4700904557	4	Steel plain washer	C
25	4812117325	1	Cable tie	
26	4812115835	N	Cable tie	





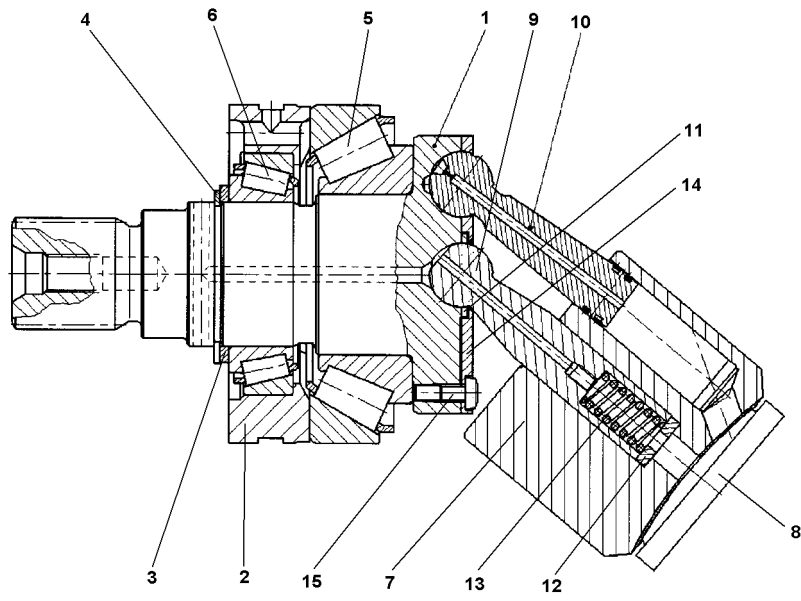
**Hydraulic motor**

<b>Item</b>	<b>Part No</b>	<b>Rem Qty</b>	<b>Description</b>	<b>Code</b>
1	4812112217	1	Hydraulic motor ( Page 166 )	
2	4700160132	1	O-ring 124, 50x3, 00	B
3	4700904231	4	Washer 13x24x2 300 HV	C
4	4700500194	4	Screw	C
5	4700792465	1	Straight connector orfs	D
6	4700923384	4	Flange half	C
7	4700904005	2	O-ring	B
8	4700904638	8	Washer 12x22x2	C
9	4700903906	8	Screw	C



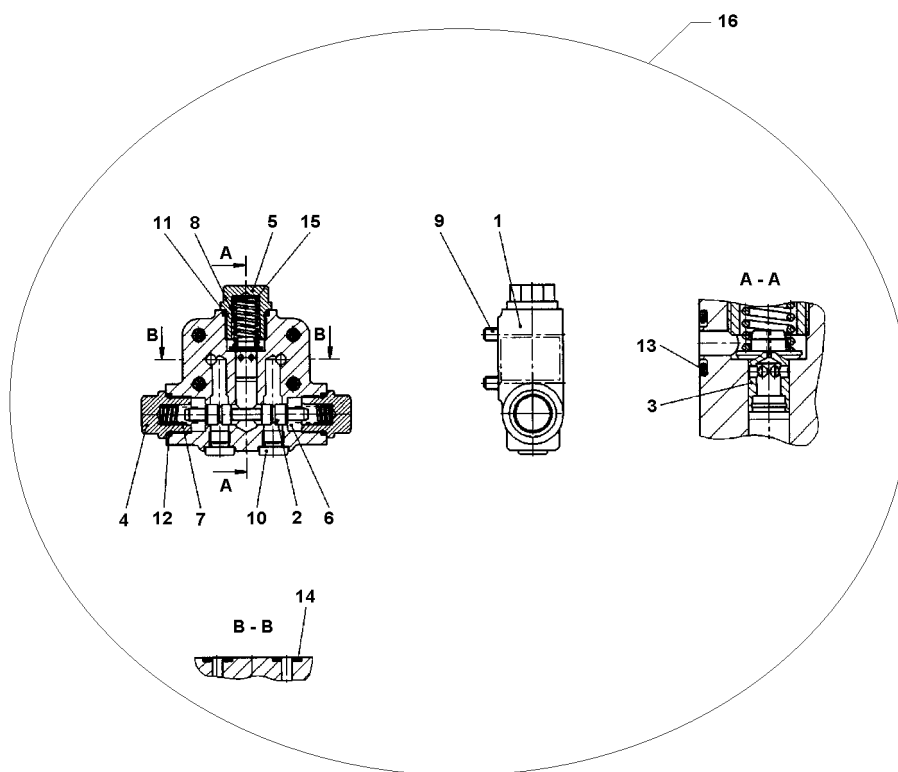
**4812112217 Hydraulic motor**

<b>Item</b>	<b>Part No</b>	<b>Rem Qty</b>	<b>Description</b>	<b>Code</b>
1		1	Rotary group ( Page 168 )	
2		1	Pilot valve ( Page 170 )	
3		1	Housing	
4		1	Subplate	
5		1	Dowel	
6	4700950634	1	O-ring	
7		2	Cap screw	
8		4	Cap screw	
9		1	Screw	
10		1	Lock ring ( Page 174 )	



**Rotary group**

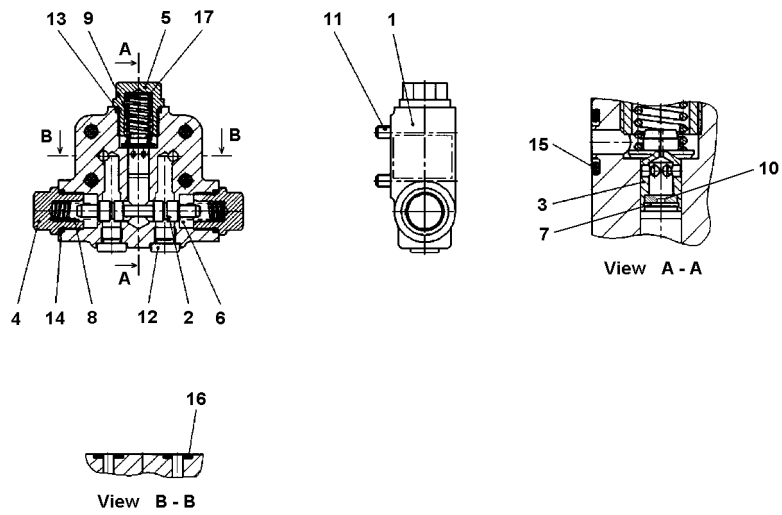
<b>Item</b>	<b>Part No</b>	<b>Rem Qty</b>	<b>Description</b>	<b>Code</b>
1		1	Drive shaft	
2	4700950631	1	Bearing ring	
3		1	Supporting disc	
4		1	Circlip	
5	4700950632	1	Bearing	
6	4812157182	1	Bearing	
7		1	Cylinder	
8		1	Control panel	
9		1	Center pin	
10		7	Piston with piston rings	
11		1	Washer	
12		1	Shim	
13		1	Pressure spring	
14		1	Retaining plate	
15		7	Slotted screw	



**Pilot valve**

<b>Item</b>	<b>Part No</b>	<b>Rem Qty</b>	<b>Description</b>	<b>Code</b>
1		1	Housing	
2		1	Piston	
3		1	Piston valve	
4		2	Screw	
5		1	Screw	
6		2	Washer	
7		2	Pressure spring	
8		1	Pressure spring	
9		4	Cap screw	
10		2	Screw	
11	4812157183	1	O-ring	
12	4812157170	2	O-ring	
13	4812157184	1	O-ring	
14	4812157186	2	Shaft sealing ring	
15		1	Shim	
16	4812157180	1	Flush & boost pressure valve ( Page 172 )	

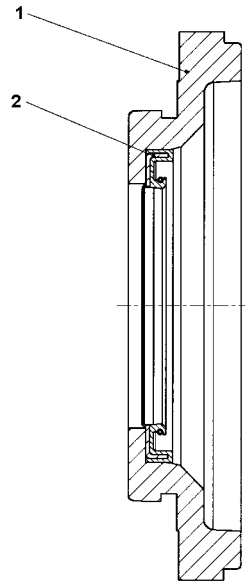
**4812157180 Flush & boost pressure valve**





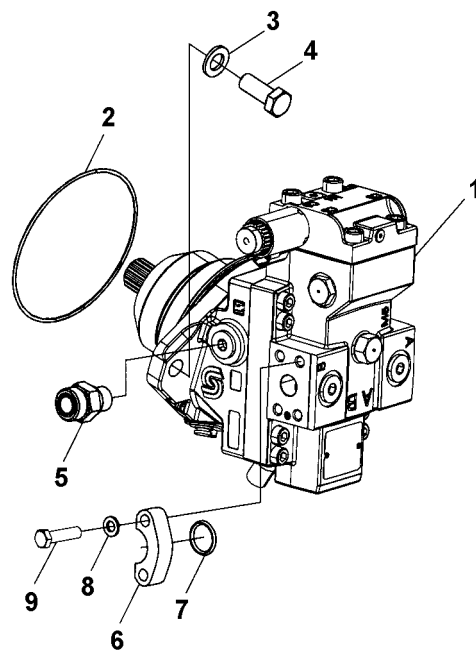
**4812157180 Flush & boost pressure valve**

Item	Part No	Rem Qty	Description	Code
1		1	. Housing	
2		1	. Flushing piston	
3		1	. Valve piston	
4		2	. Locking screw	
5		1	. Locking screw	
6		2	. Washer	
7		1	. Retaining ring	
8		2	. Pressure spring	
9		1	. Pressure spring	
10		1	. Orifice	
11		4	. Socket head screw	
12		2	. Locking screw	
13	4812157460	1	. O-ring	
14	4812157170	2	. O-ring	
15	4812157184	1	. O-ring	
16	4812157185	2	. O-ring	
17		1	. Shim	



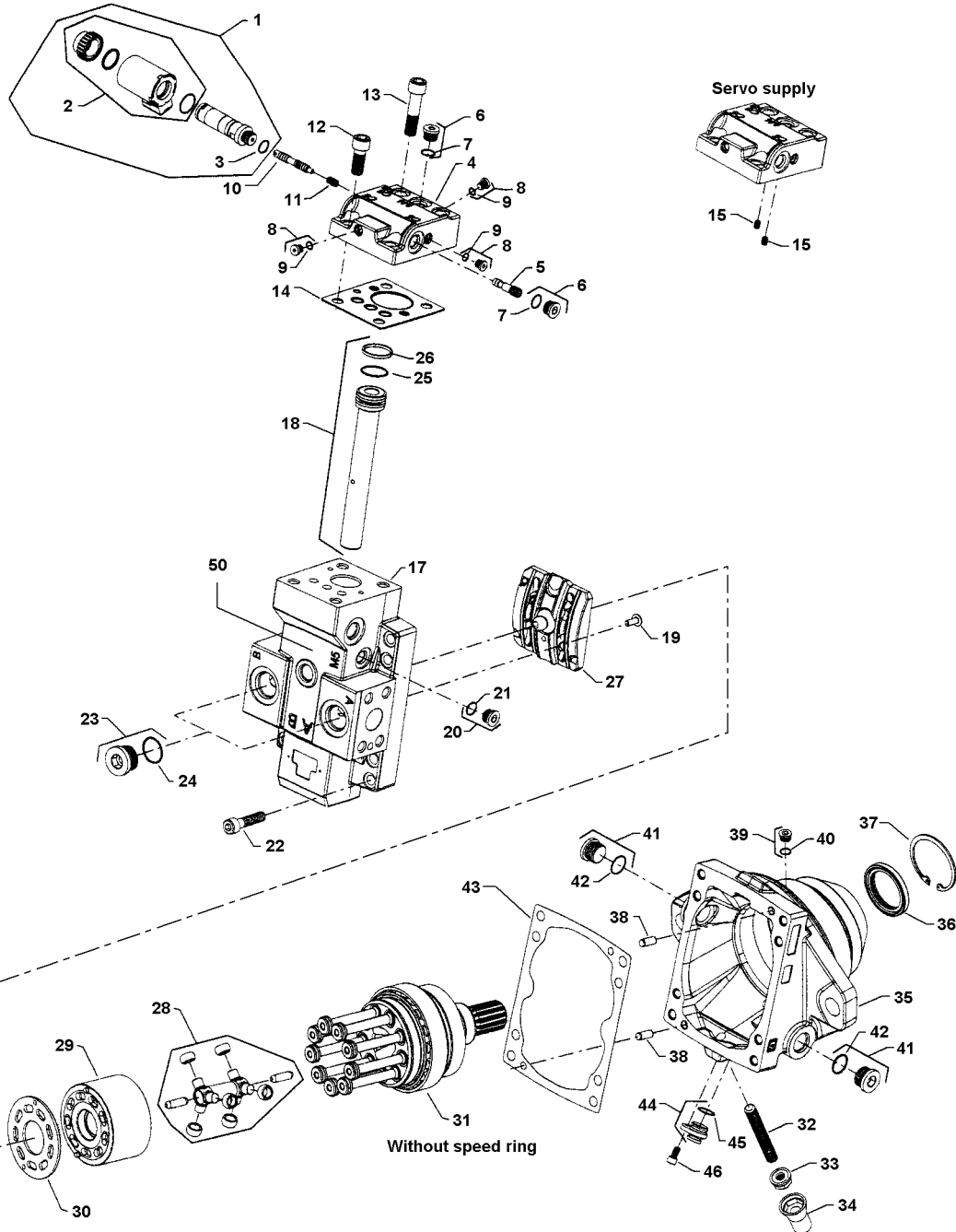
**Lock ring**

<b>Item</b>	<b>Part No</b>	<b>Rem Qty</b>	<b>Description</b>	<b>Code</b>
1	4812157187	1	Lock ring	
2	4812157186	1	Shaft sealing ring	



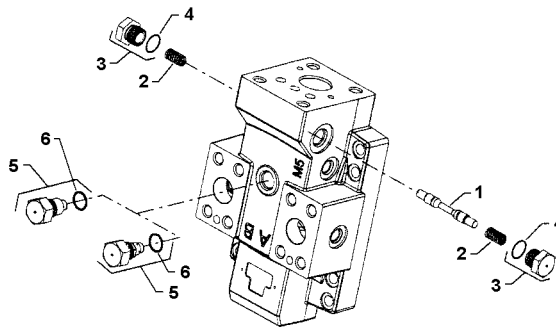
**Hydraulic motor**

<b>Item</b>	<b>Part No</b>	<b>Rem Qty</b>	<b>Description</b>	<b>Code</b>
1	4812112200	1	Drum motor ( Page 178 )	
2	4700160043	1	O-ring	D
3	4700904232	2	Washer	C
4	4700500093	2	Screw M16x40	C
5	4700791539	1	Straight connector	C
6	4700929226	4	Flange half	C
7	4700904004	2	O-ring	C
8	4700904637	8	Washer	C
9	4700500030	8	Screw M10x035H 8.8 A3K	C



4812112200 Drum motor

Item	Part No	Rem Qty	Description	Code
1	4812156997	1	Solenoid, on/off, 12 volt	
2	4812156998	1	Coil kit, 12 volt	
3		1	O-ring	
4		1	Control Housing, 2 positon	
5	4812156999	1	Shuttle valve assembly	C
6		2	Plug assembly	
7		2	O-ring	
8		3	Plug assembly	
9		3	O-ring	
10	4812157051	1	Spool	
11	4812157052	1	Spring	
12		2	Screw	
13		2	Screw	
14	4812157053	1	Control seal	
15		1	Orifice plug, 1.2 mm	
		1	Orifice plug, 1.2 mm	
17		1	End cap	
18	4812157054	1	Servo piston	
19		1	Button head screw	
20		1	Plug assembly	
21		1	O-ring	
22		8	Screw	
23		2	Plug assembly	
24		2	O-ring	
25		1	O-ring	
26		1	Piston ring	
27	4812157055	1	Valve segment assembly	C
28		1	Synch shaft assembly	
29		1	Cylinder block assembly	
30	4812157056	1	Bearing plate	
31		1	Shaft assembly, 14 tooth, DIN	
32		1	Set screw, 0-19cc, M12x65mm	
33	4700909525	1	Seal nut	
34	4700902996	1	Plastic cap, green	
35		1	Housing, cartridge with speed sensor port	
36	4812157058	1	Lip seal	
37	4812157059	1	Retaining ring	
38		2	Pin	
39		1	Plug assembly	
40		1	O-ring	
41		2	Plug assembly	
42		2	O-ring	
43	4812157064	1	Gasket	
44		1	PPU Plug assembly	
45	4812157057	1	O-ring	
46		1	Screw	
50		1	Loop flushing ( Page 180 )	

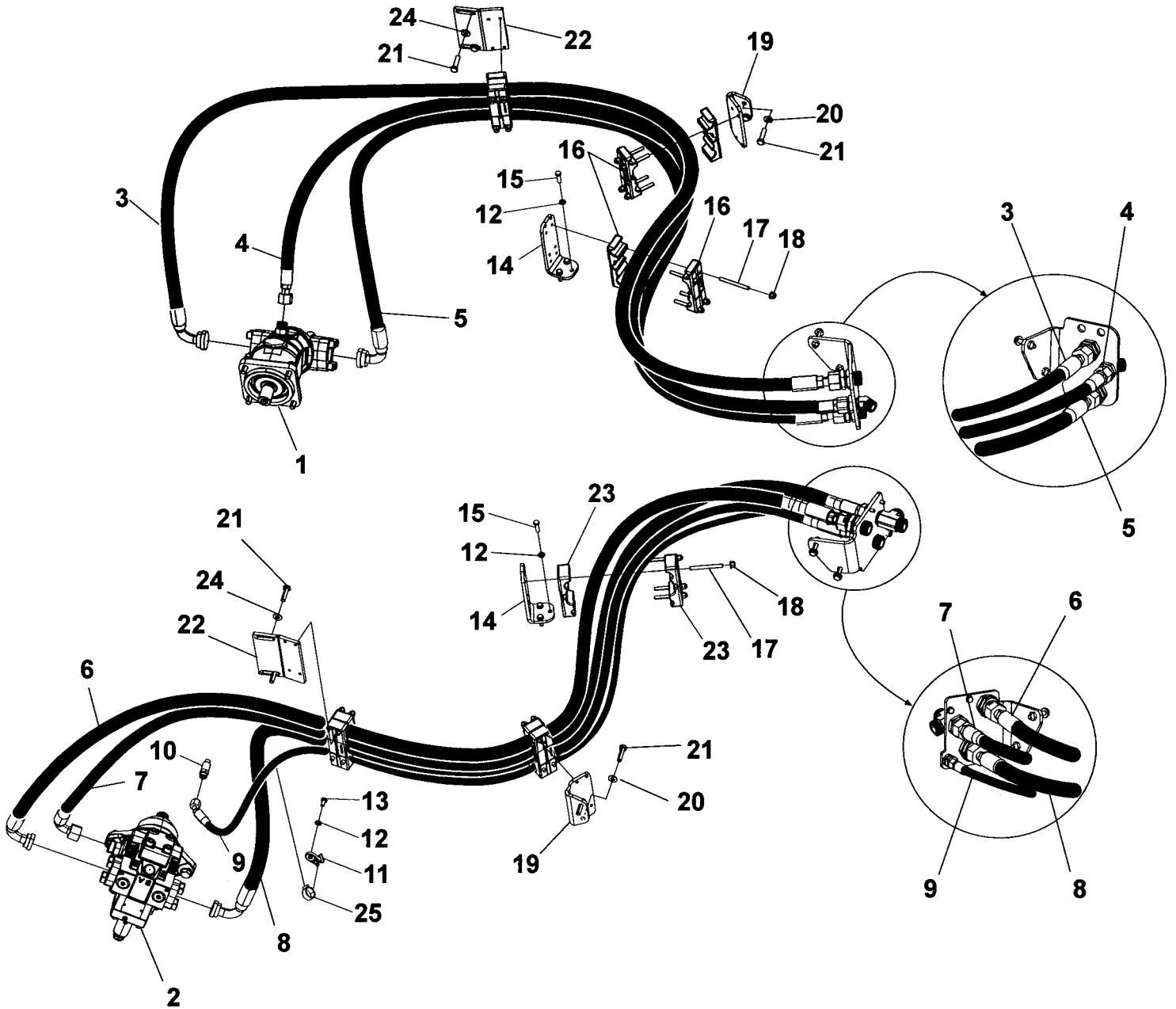




**Loop flushing**

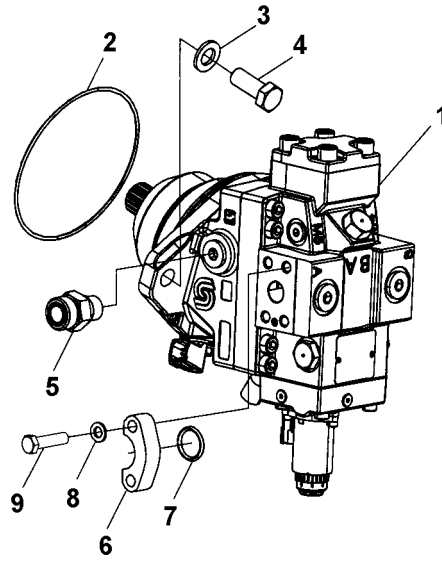
<b>Item</b>	<b>Part No</b>	<b>Rem Qty</b>	<b>Description</b>	<b>Code</b>
1	4812157060	1	Spool	
2	4812157061	2	Spring	
3		2	Plug assembly	
4		2	O-ring	
5	4812157062	1	Loop flushing relief valve, 10 l/min	
6	4812157063	1	O-ring	

Hydraulic system, drum Anti-spin option



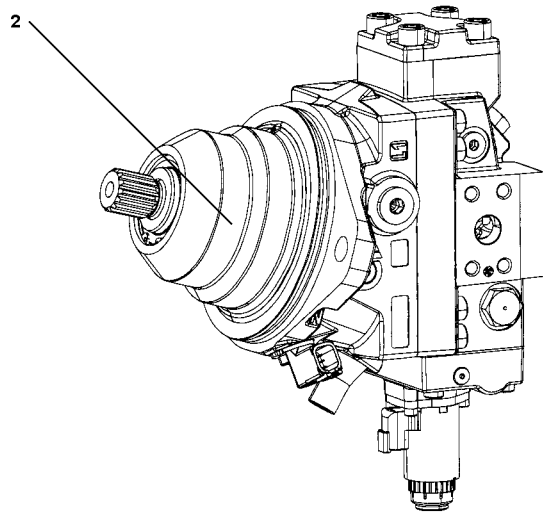
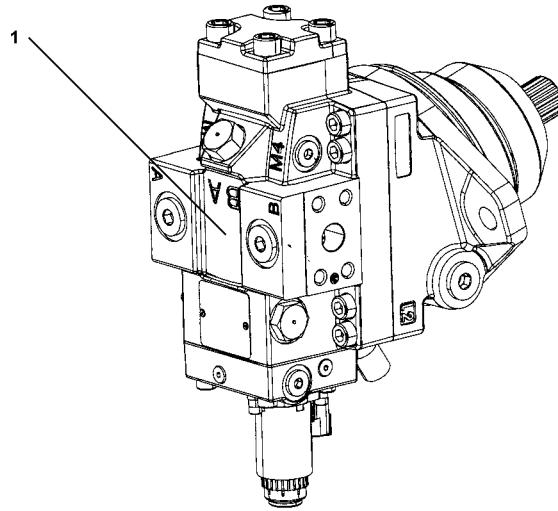
**Hydraulic system, drum Anti-spin option**

<b>Item</b>	<b>Part No</b>	<b>Rem Qty</b>	<b>Description</b>	<b>Code</b>
1		1	Hydraulic motor ( Page 164 )	
2		1	Hydraulic motor ( Page 184 )	
3	4811000238	1	Hydraulic hose	C
4	4811000239	1	Hydraulic hose	C
5	4811000240	1	Hydraulic hose	C
6	4811000235	1	Hydraulic hose	C
7	4811000234	1	Hydraulic hose	C
8	4811000236	1	Hydraulic hose	C
9	4811000237	1	Hydraulic hose	C
10	4811000416	1	Straight connector orfs	D
11	4812117326	1	Cable tie holder	D
12	4700904229	7	Steel plain washer 8,4x16x1,5	C
13	4700500019	1	Hexagon head screw M8x16H 8,8	C
14	4812112308	2	Bracket	
15	4700500022	6	Screw M8x30H 8.8 A2K	C
16	4812112304	6	Hose holder	
17	4700791860	24	Stud	D
18	4700902286	24	Hexagon lock nut with flange	C
19	4812113963	2	Bracket	
20	4700904230	4	Steel plain washer	C
21	4700500029	8	Hexagon head screw	C
22	4812113569	2	Bracket	
23	4812112306	6	Hose holder	
24	4700904557	4	Steel plain washer	C
25	4812117325	1	Cable tie	



**Hydraulic motor**

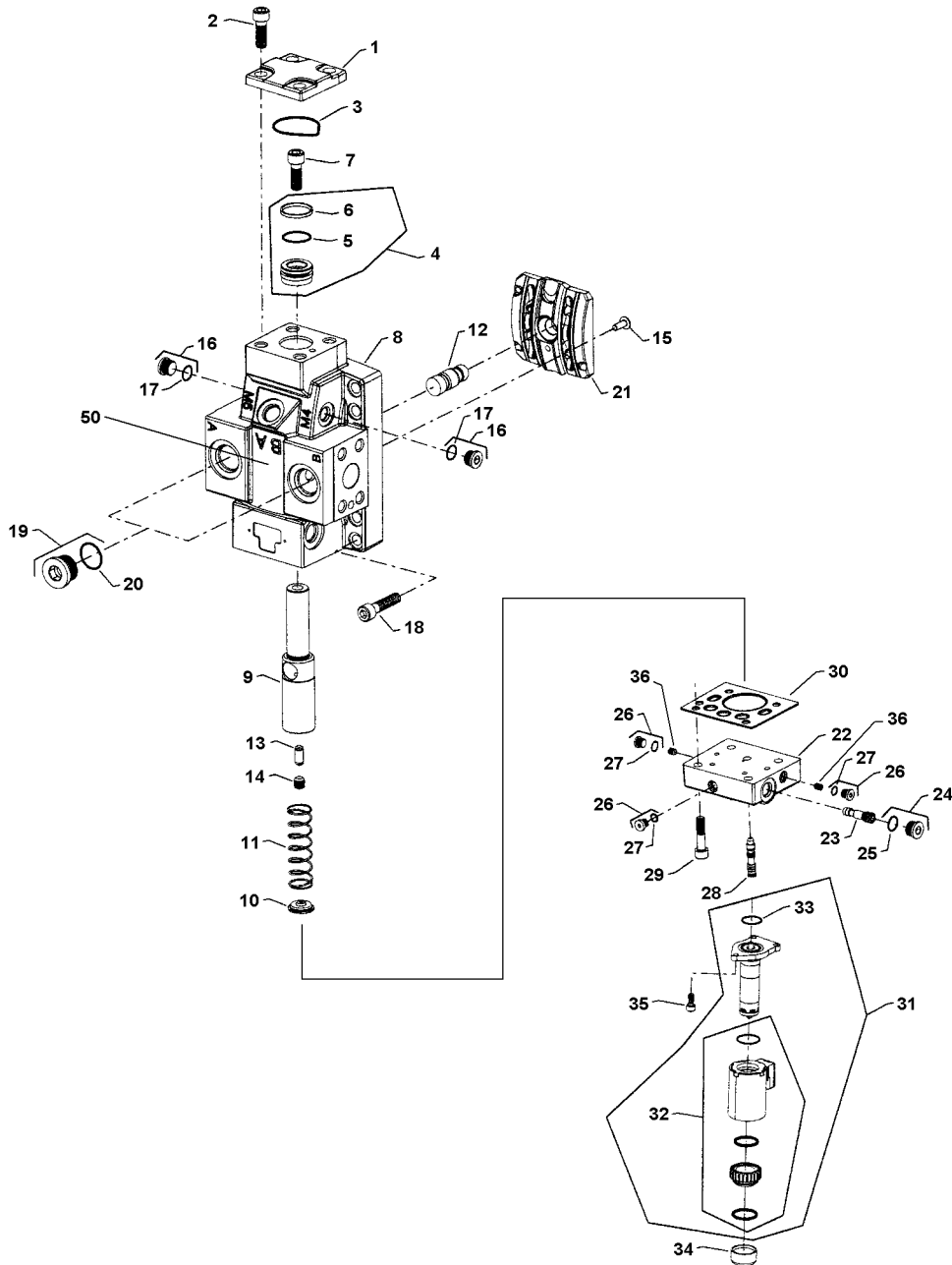
<b>Item</b>	<b>Part No</b>	<b>Rem Qty</b>	<b>Description</b>	<b>Code</b>
1	4812112202	1	Drum motor ( Page 186 )	C
2	4700160043	1	O-ring	D
3	4700904232	2	Washer	C
4	4700500093	2	Screw M16x40	C
5	4700791539	1	Straight connector	C
6	4700929226	4	Flange half	C
7	4700904004	2	O-ring	C
8	4700904637	8	Washer	C
9	4700500030	8	Screw M10x035H 8.8 A3K	C



4812112202 Drum motor

Item	Part No	Rem Qty	Description	Code
1		1	Drum motor. Front section ( Page 188 )	
2		1	Drum motor. Rear section ( Page 192 )	

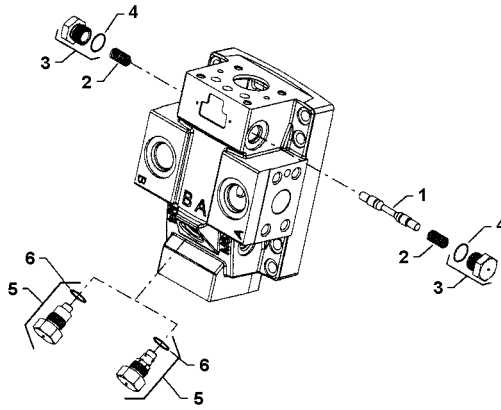
**Drum motor. Front section**





**Drum motor. Front section**

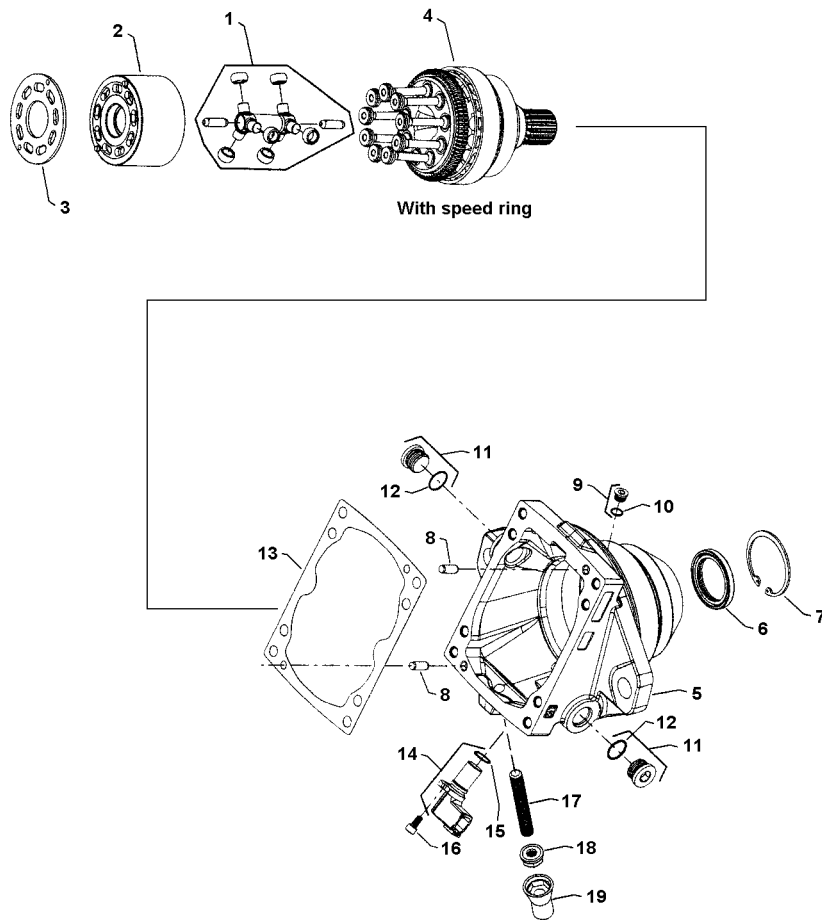
Item	Part No	Rem Qty	Description	Code
1		1	Servo piston cover	
2		4	Screw	
3	4812157065	1	O-ring	
4		1	Servo piston assembly	
5	4812157066	1	O-ring	
6	4812157067	1	Piston ring	
7		1	Screw	
8		1	End cap	
9		1	Servo piston	
10		1	Spring guide	
11		1	Spring	
12		1	Setting lug	
13	4812157068	1	Setting lug pin	
14		1	Set screw	
15		1	Button head screw	
16		2	Plug assembly	
17		2	O-ring	
18		8	Screw	
19		2	Plug assembly	
20		2	O-ring	
21	4812157069	1	Valve segment assembly	C
22		1	Control housing, proportional	
23	4812156999	1	Shuttle valve assembly	C
24		1	Plug assembly	
25		1	O-ring	
26		3	Plug assembly	
27		3	O-ring	
28	4812157070	1	Spool	
29		4	Screw	
30		1	Control seal	
31	4812157071	1	Solenoid proportional valve, 24 volt	
32	4812157072	1	Coil kit, 24 volt	
33		1	O-ring	
34		1	Plastic cap	
35		3	Screw	
36		2	Orifice plug 1.2 mm	
50		1	Loop flushing ( Page 190 )	



**Loop flushing**

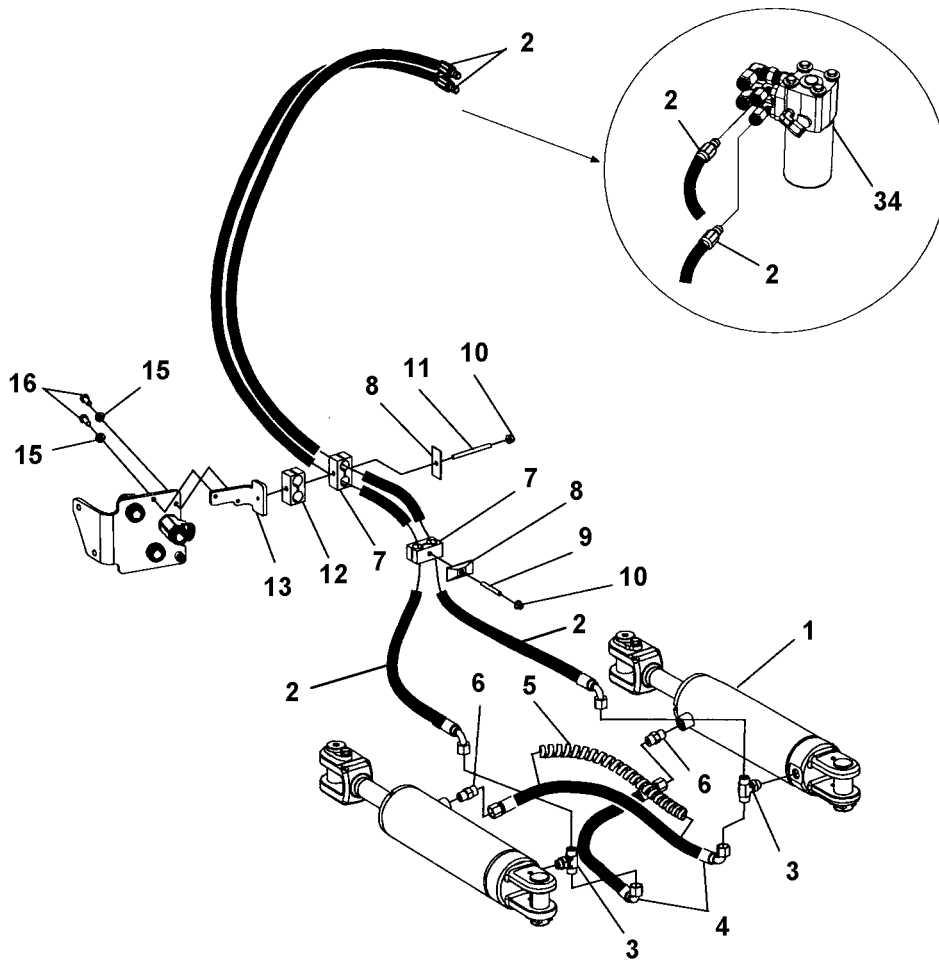
<b>Item</b>	<b>Part No</b>	<b>Rem Qty</b>	<b>Description</b>	<b>Code</b>
1	4812157060	1	Spool	
2	4812157061	2	Spring	
3		2	Plug assembly	
4		2	O-ring	
5	4812157062	1	Loop flushing relief valve, 10 l/min	
6	4812157063	1	O-ring	

**Drum motor. Rear section**



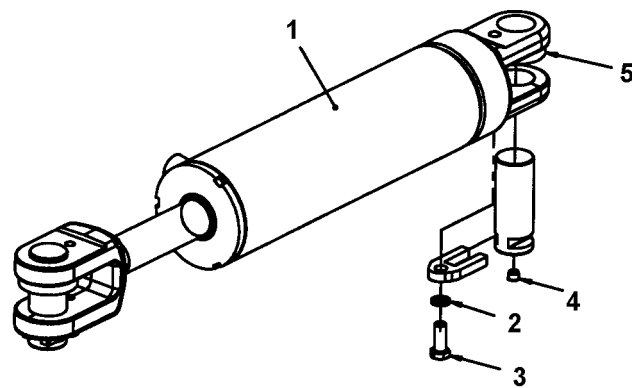
**Drum motor. Rear section**

<b>Item</b>	<b>Part No</b>	<b>Rem Qty</b>	<b>Description</b>	<b>Code</b>
1		1	Synch shaft assembly	
2		1	Cylinder block assembly	
3	4812157056	1	Bearing plate	
4		1	Shaft assembly, 14 tooth, DIN, speed ring	
5		1	Housing, cartridge with speed sensor port	
6	4812157058	1	Lip seal	
7	4812157059	1	Retaining ring	
8		2	Pin	
9		1	Plug assembly	
10		1	O-ring	
11		2	Plug assembly	
12		2	O-ring	
13	4812157064	1	Gasket	
14	4812157073	1	Speed sensor	
15	4812157057	1	O-ring	
16		1	Screw	
17		1	Set screw, 0-19 cc, M12x65mm	
18	4700909525	1	Seal nut	
19	4700902996	1	Plastic cap, green	



Hydraulic system, steering

Item	Part No	Rem	Qty	Description	Code
1			2	Hydraulic cylinder ( Page 196 )	
2	4811000207		2	Hydraulic hose	C
3	4700792586		2	T-connector ORFS	D
4	4811000206		2	Hydraulic hose	C
5	4700904623	A	1XL	Hose guard	D
6	4700791799		2	Straight connector orfs	D
7	4700903456		2	Pipe clamp	D
8	4700904872		2	Cover plate	D
9	4700792500		1	Stud	D
10	4700902286		2	Hexagon lock nut with flange	C
11	4700791807		1	Stud	D
12	4700287295		1	Clamp	D
13	4812113983		1	Bracket	D
15	4700904229		2	Steel plain washer 8,4x16x1,5	C
16	4700500053		2	Screw M8x20H 8.8	C
34			1	Steering valve module ( Page 200 )	
A)	L=0.4m				

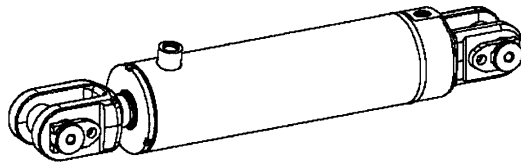
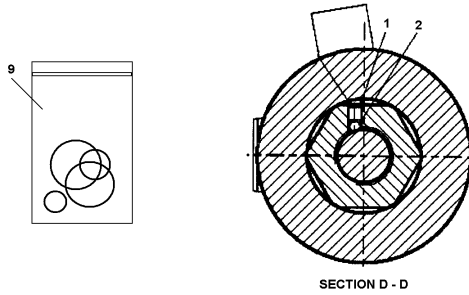
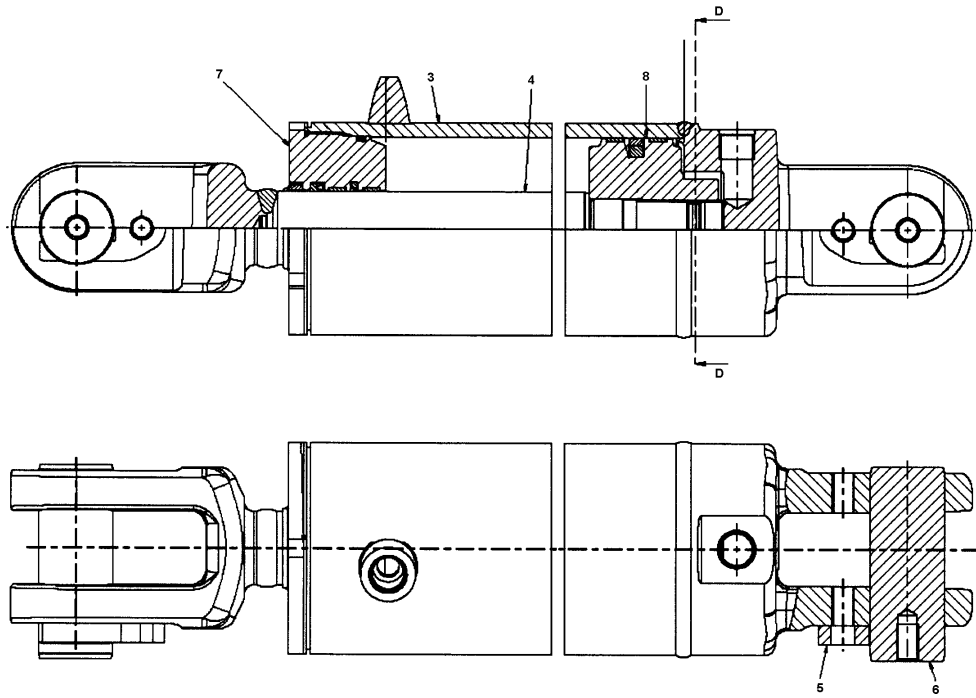




**Hydraulic cylinder**

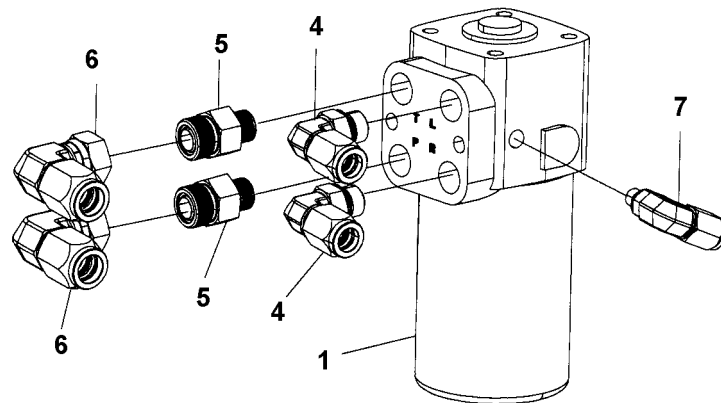
<b>Item</b>	<b>Part No</b>	<b>Rem Qty</b>	<b>Description</b>	<b>Code</b>
1	4812112508	1	Hydraulic cylinder ( Page 198 )	
2	4700900994	2	Lock washer	D
3	4700500046	2	Screw M12x025H	C
4	4700792083	3	Plug	D
5	4812117297	2	Sealing strip	

**4812112508 Hydraulic cylinder**



**4812112508 Hydraulic cylinder**

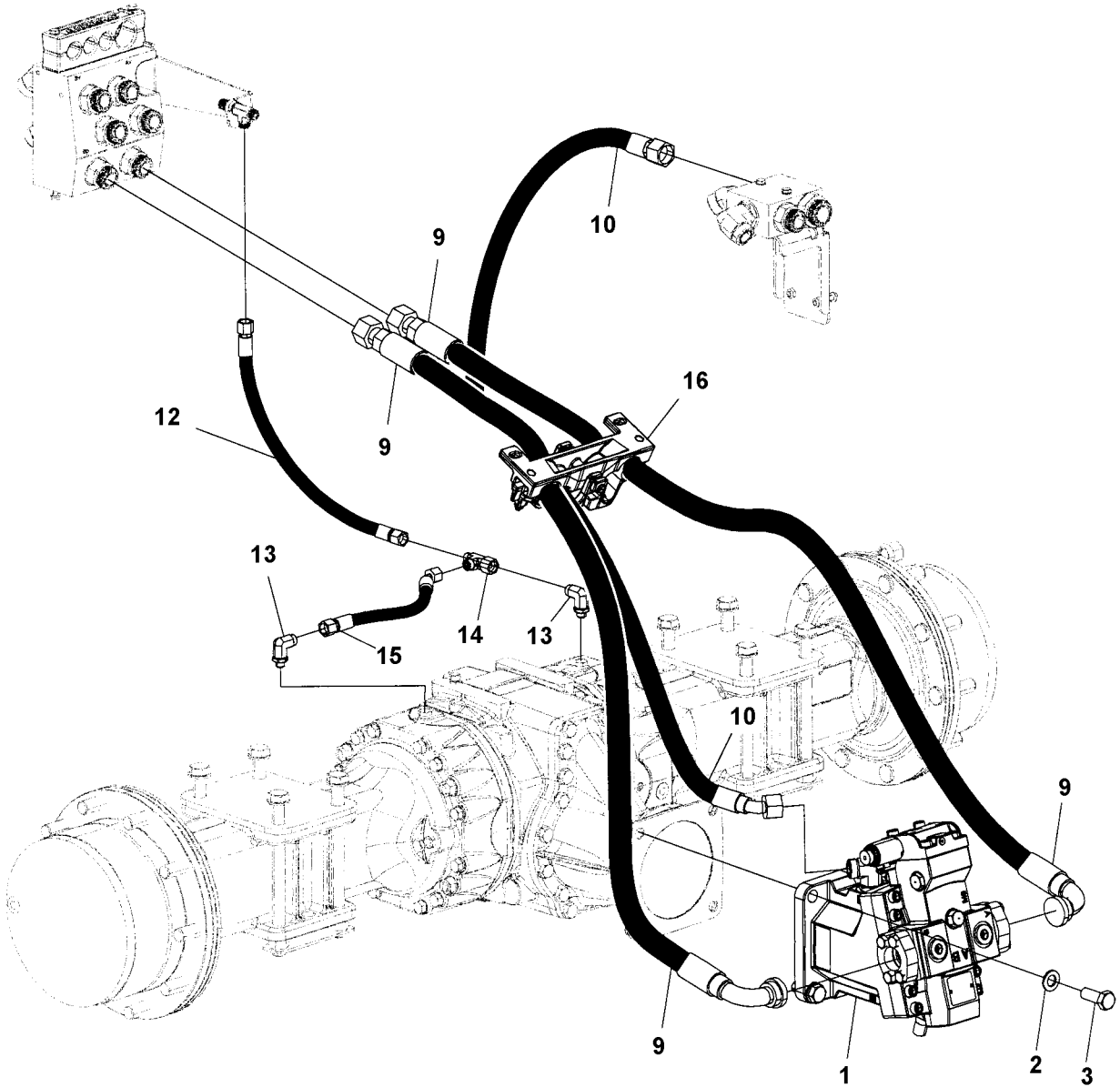
<b>Item</b>	<b>Part No</b>	<b>Rem Qty</b>	<b>Description</b>	<b>Code</b>
1		1	. Screw	
2	4812157758	1	. Ball	
3		1	. Cylinder tube	
4		1	. Piston rod	
5	4812157759	2	. Locking fork	
6	4812157760	2	. Locking pin	
7		1	. Cylinder head	
8		1	. Piston	
9	4812157761	1	. Seal kit	



**Steering valve module**

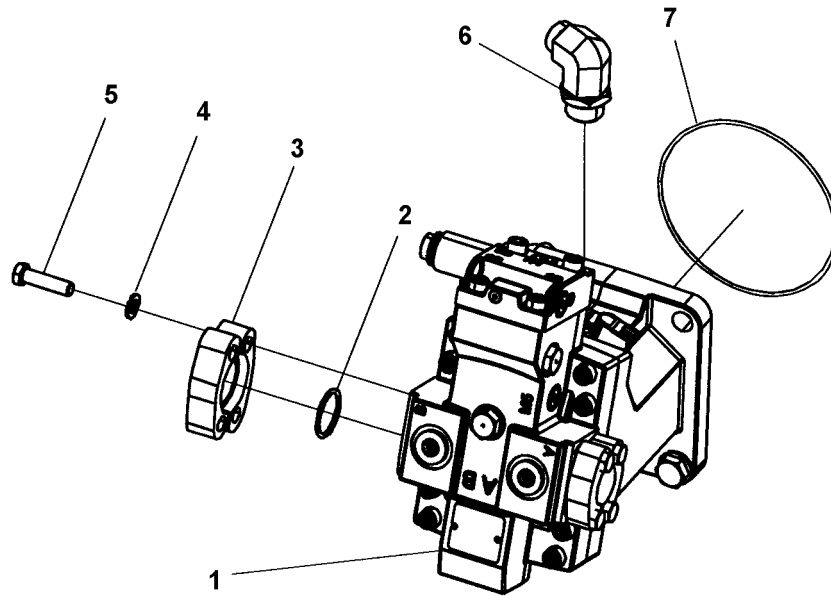
<b>Item</b>	<b>Part No</b>	<b>Rem Qty</b>	<b>Description</b>	<b>Code</b>
1	4812112290	1	Steering valve	D
4	4812115063	2	Elbow connector 90	C
5	4811000074	2	Straight connector orfs	D
6	4812115064	2	Elbow connector 90	C
7	4812115065	1	Elbow connector 90	C

Hydraulic system, rear axle



**Hydraulic system, rear axle**

<b>Item</b>	<b>Part No</b>	<b>Rem Qty</b>	<b>Description</b>	<b>Code</b>
1		1	Hydraulic motor ( Page 204 )	
2	4700904793	4	Washer 19x34x3	C
3	4811000310	4	Hexagon head screw	C
9	4811000227	2	Hydraulic hose	
10	4811000230	1	Hydraulic hose	C
12	4811000228	1	Hydraulic hose	C
13	4811000086	2	Elbow 90 orfs	C
14	4700791414	1	T-connection, O-ring with swivel	C
15	4811000229	1	Hydraulic hose	C
16		1	Hose holder ( Page 210 )	

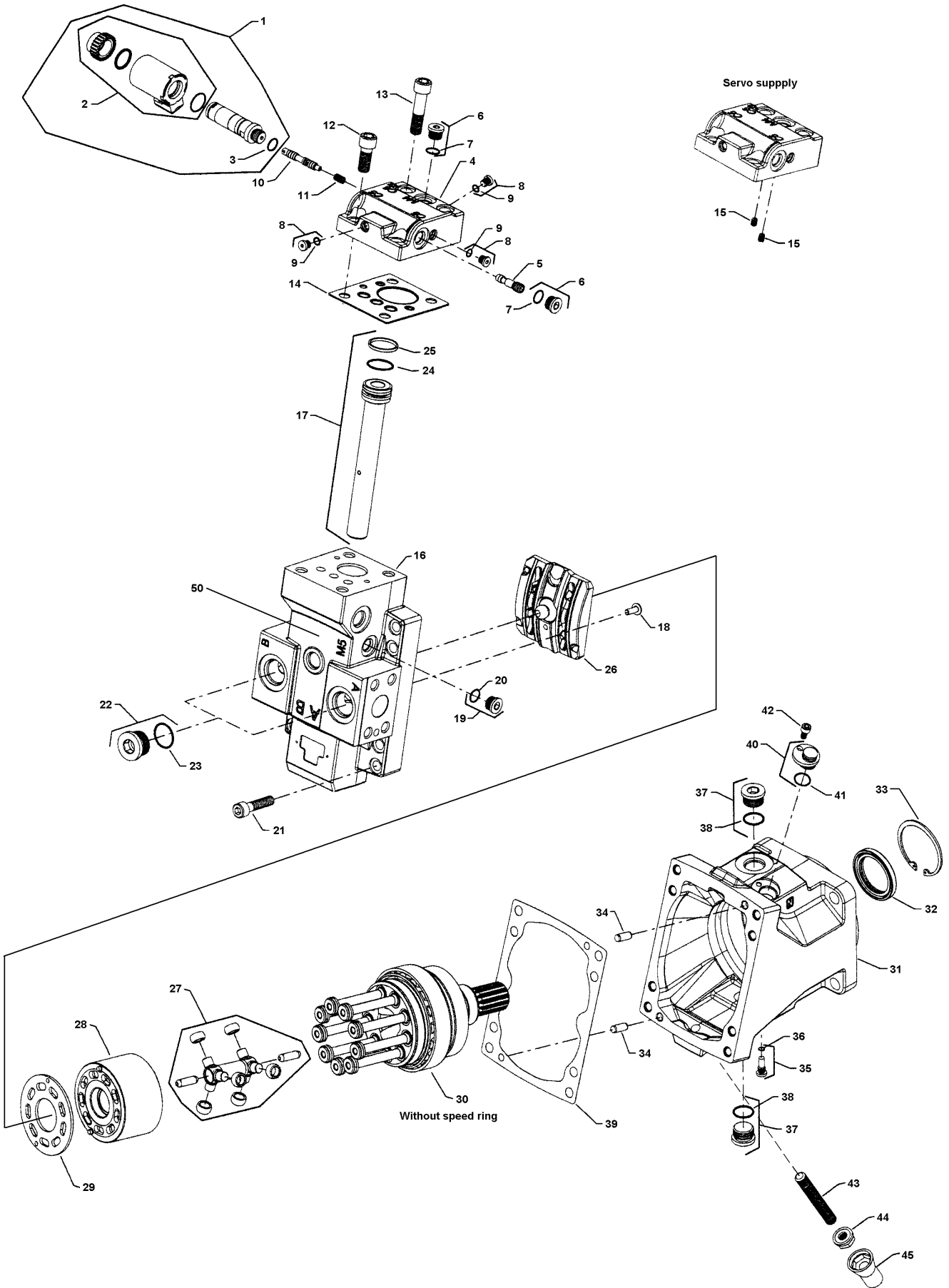




**Hydraulic motor**

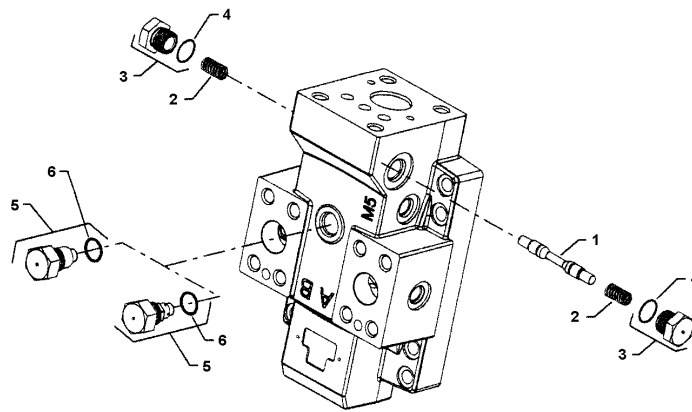
<b>Item</b>	<b>Part No</b>	<b>Rem Qty</b>	<b>Description</b>	<b>Code</b>
1	4812112211	1	Rear axle motor ( Page 206 )	
2	4700904005	2	O-ring	B
3	4700923384	4	Flange half	C
4	4700904638	8	Washer 12x22x2	C
5	4700928791	8	Screw	D
6	4700791231	1	Elbow 90	D
7	4700160043	1	O-ring	D

**4812112211 Rear axle motor**



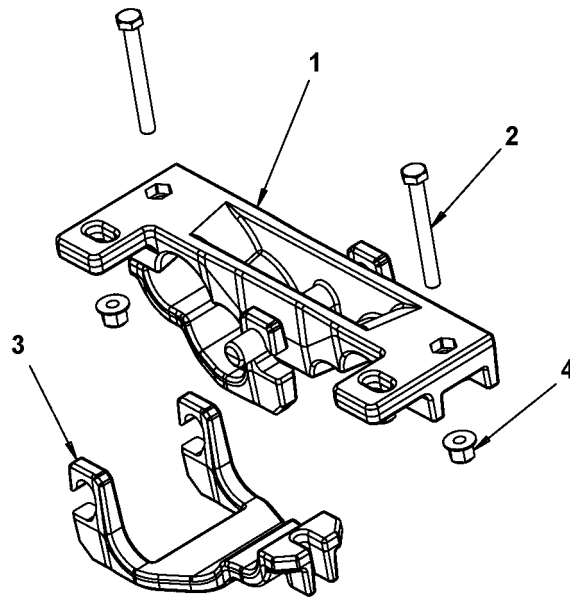
**4812112211 Rear axle motor**

Item	Part No	Rem Qty	Description	Code
1	4812157074	1	Solenoid, on/off, 24 volt	
2	4812157075	1	Coil kit, 24 volt	
3		1	O-ring	
4		1	Control housing, 2 position	
5	4812156999	1	Shuttle valve assembly	C
6		2	Plug assembly	
7		2	O-ring	
8		3	Plug assembly	
9		3	O-ring	
10	4812157051	1	Spool	
11	4812157052	1	Spring	
12		2	Screw	
13		2	Screw	
14	4812157053	1	Control seal	
15		2	Orifice plug, 1.2 mm	
16		1	End cap	
17	4812157076	1	Servo piston	
18		1	Button head screw	
19		1	Plug assembly	
20		1	O-ring	
21		8	Screw	
22		2	Plug assembly	
23		2	O-ring	
24		1	O-ring	
25		1	Piston ring	
26	4812157077	1	Valve segment assembly	C
27		1	Synch shaft assembly	
28		1	Cylinder block assembly	
29	4700902930	1	Bearing plate	
30		1	Shaft assembly, 13 tooth, 8/12 pitch	
31		1	Housing, SAE flange with speed sensor port	
32	4700945757	1	Shaft seal 55x70x7	
33	4812157078	1	Retaining ring	
34		2	Pin	
35		1	Shaft locating plug assembly	
36		1	O-ring	
37		2	Plug assembly	
38		2	O-ring	
39	4812157079	1	Gasket	
40		1	PPU Plug assembly	
41	4812157057	1	O-ring	
42		1	Screw	
43		1	Set screw, 32-60cc, M12x90mm	
44	4700909525	1	Seal nut	
45	4700902996	1	Plastic cap, green	
50		1	Loop flusing ( Page 208 )	



**Loop flusing**

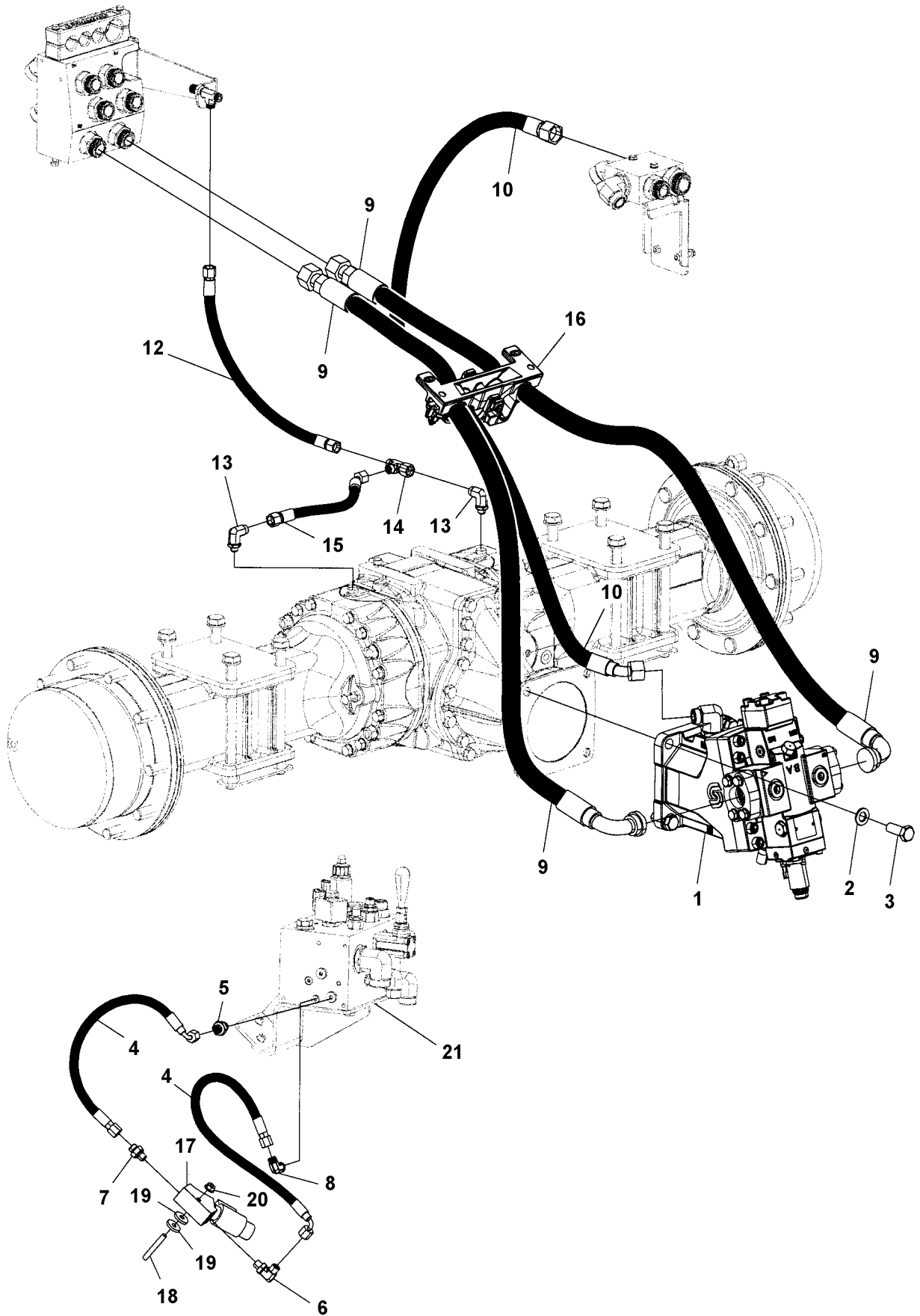
<b>Item</b>	<b>Part No</b>	<b>Rem Qty</b>	<b>Description</b>	<b>Code</b>
1	4812157060	1	Spool	
2	4812157061	2	Spring	
3		2	Plug assembly	
4		2	O-ring	
5	4812157062	1	Loop flushing relief valve, 10 l/min	
6	4812157063	1	O-ring	



Hose holder

Item	Part No	Rem Qty	Description	Code
1	4812114652	1	Hose holder	C
2	4700500189	2	Screw	C
3	4812114623	2	Hose holder	
4	4700902286	4	Hexagon lock nut with flange	C

Hydraulic system, rear axle Anti-spin option

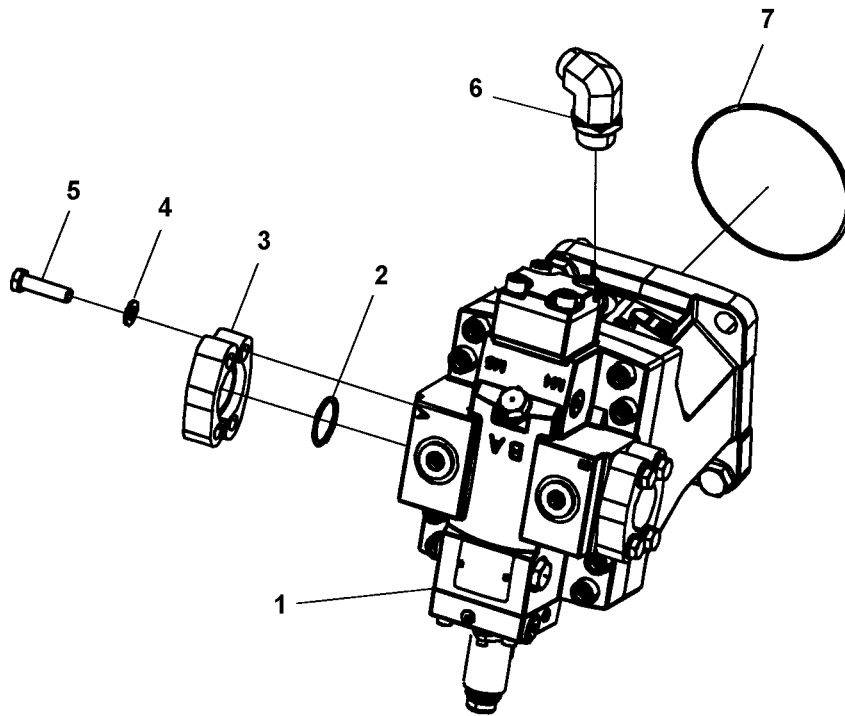




Hydraulic system, rear axle Anti-spin option

Item	Part No	Rem Qty	Description	Code
1		1	Hydraulic motor ( Page 214 )	
2	4700904793	4	Washer 19x34x3	C
3	4811000310	4	Hexagon head screw	C
4	4812116921	2	Hydraulic hose	
5	4700791542	1	Straight connector	D
6	4700791397	1	Elbow 90, O-ring	D
7	4700791541	1	Straight connector	D
8	0570704138	1	Connector elbow 90 orfs	
9	4811000242	2	Hydraulic hose	C
10	4811000230	1	Hydraulic hose	C
12	4811000228	1	Hydraulic hose	C
13	4811000086	2	Elbow 90 orfs	C
14	4700791414	1	T-connection, O-ring with swivel	C
15	4811000229	1	Hydraulic hose	C
16		1	Hose holder ( Page 210 )	
17	4812116687	1	Hydraulic valve	
18	4700791858	1	Stud	D
19	4700904734	2	Steel plain washer	
20	4700903586	1	Nut	C
21		A	Hydraulic valve	

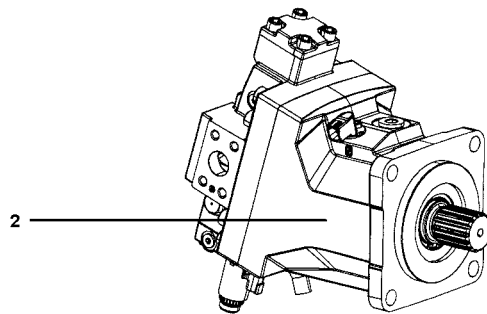
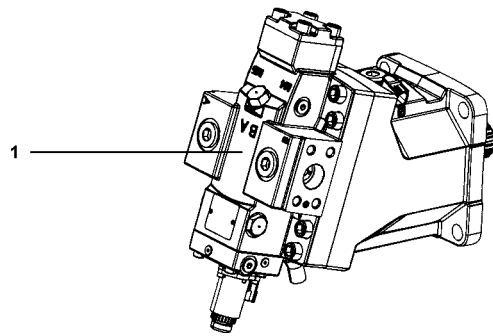
A) See section Hydraulic system, oil tank.



**Hydraulic motor**

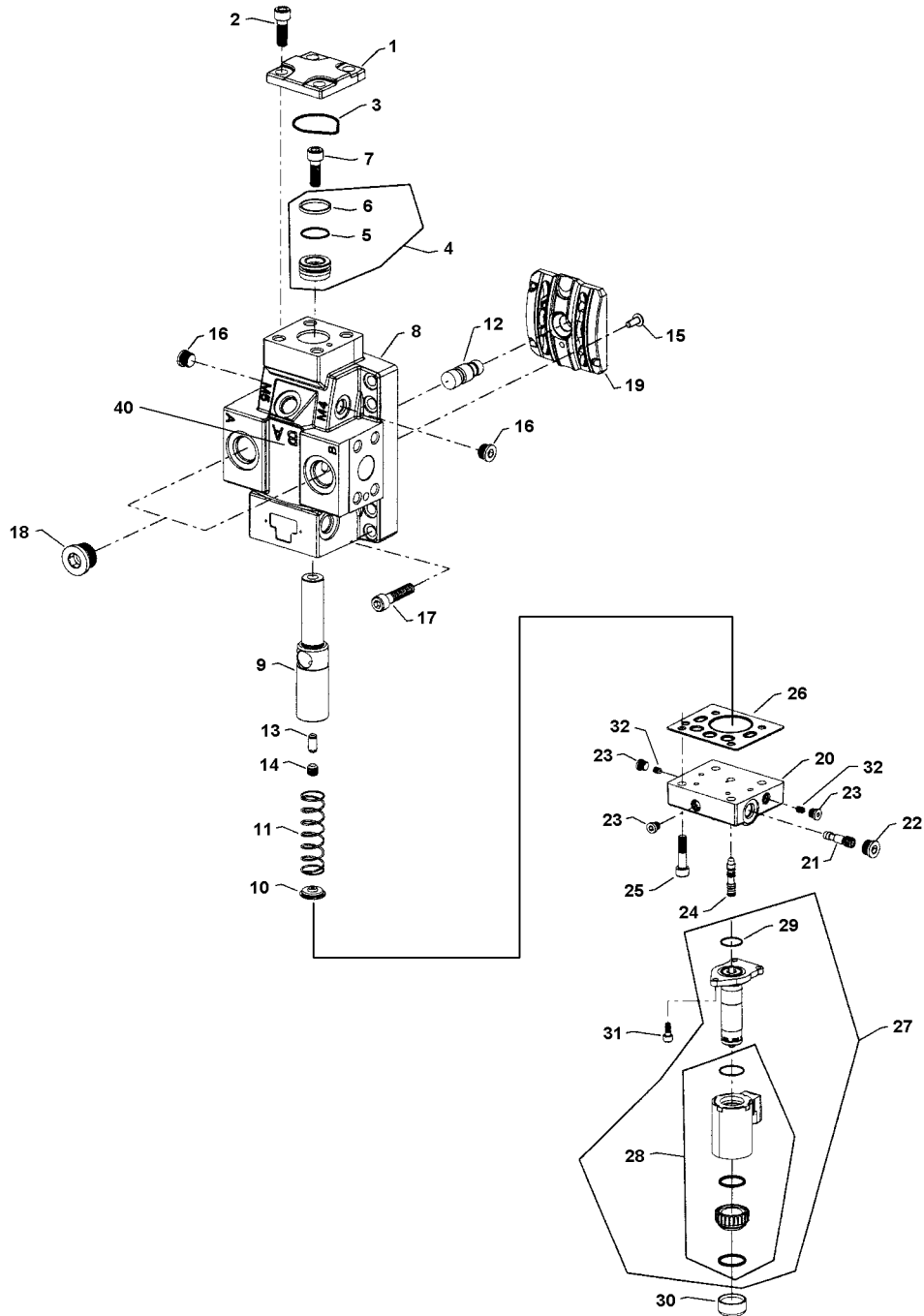
<b>Item</b>	<b>Part No</b>	<b>Rem Qty</b>	<b>Description</b>	<b>Code</b>
1	4812112213	1	Rear axle motor ( Page 216 )	C
2	4700904171	2	O-ring	C
3	4700900342	4	Split flange	D
4	4700904638	8	Washer 12x22x2	C
5	4700928791	8	Screw	D
6	4700791231	1	Elbow 90	D
7	4700160043	1	O-ring	D

4812112213 Rear axle motor



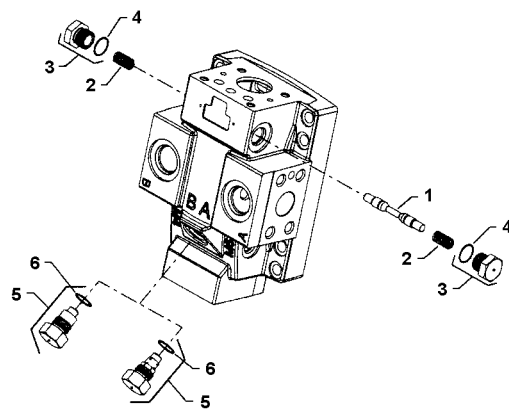
**4812112213 Rear axle motor**

<b>Item</b>	<b>Part No</b>	<b>Rem Qty</b>	<b>Description</b>	<b>Code</b>
1		1	Front section ( Page 218 )	
2		1	Rear section ( Page 222 )	



Front section

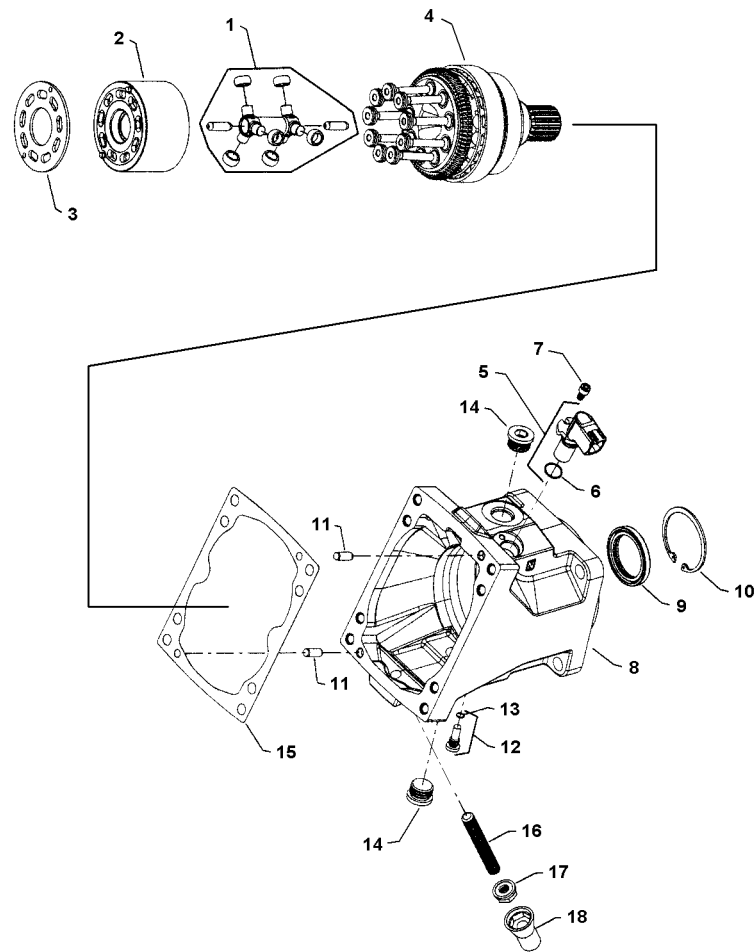
Item	Part No	Rem Qty	Description	Code
1		1	Servo piston cover	
2		4	Screw	
3	4812157065	1	O-ring	
4		1	Servo piston assembly	
5	4812157083	1	O-ring	
6	4812157084	1	Piston ring	
7		1	Screw	
8		1	End cap	
9		1	Servo piston	
10		1	Spring guide	
11		1	Spring	
12		1	Setting lug	
13	4812157068	1	Setting lug pin	
14		1	Set screw	
15		1	Button head screw	
16		2	Plug assembly	
17		8	Screw	
18		2	Plug assembly	
19	4812157081	1	Valve segment assembly	C
20		1	Control housing, proportional	
21	4812156999	1	Shuttle valve assembly	C
22		1	Plug assembly	
23		3	Plug assembly	
24	4812157070	1	Spool	
25		4	Screw	
26	4812157080	1	Control seal	
27	4812157071	1	Solenoid proportional valve, 24 volt	
28	4812157072	1	Coil kit, 24 volt	
29		1	O-ring	
30		1	Plastic cap	
31		3	Screw	
32		2	Orifice plug, 1.2 mm	
40		1	Loop flushing ( Page 220 )	





**Loop flushing**

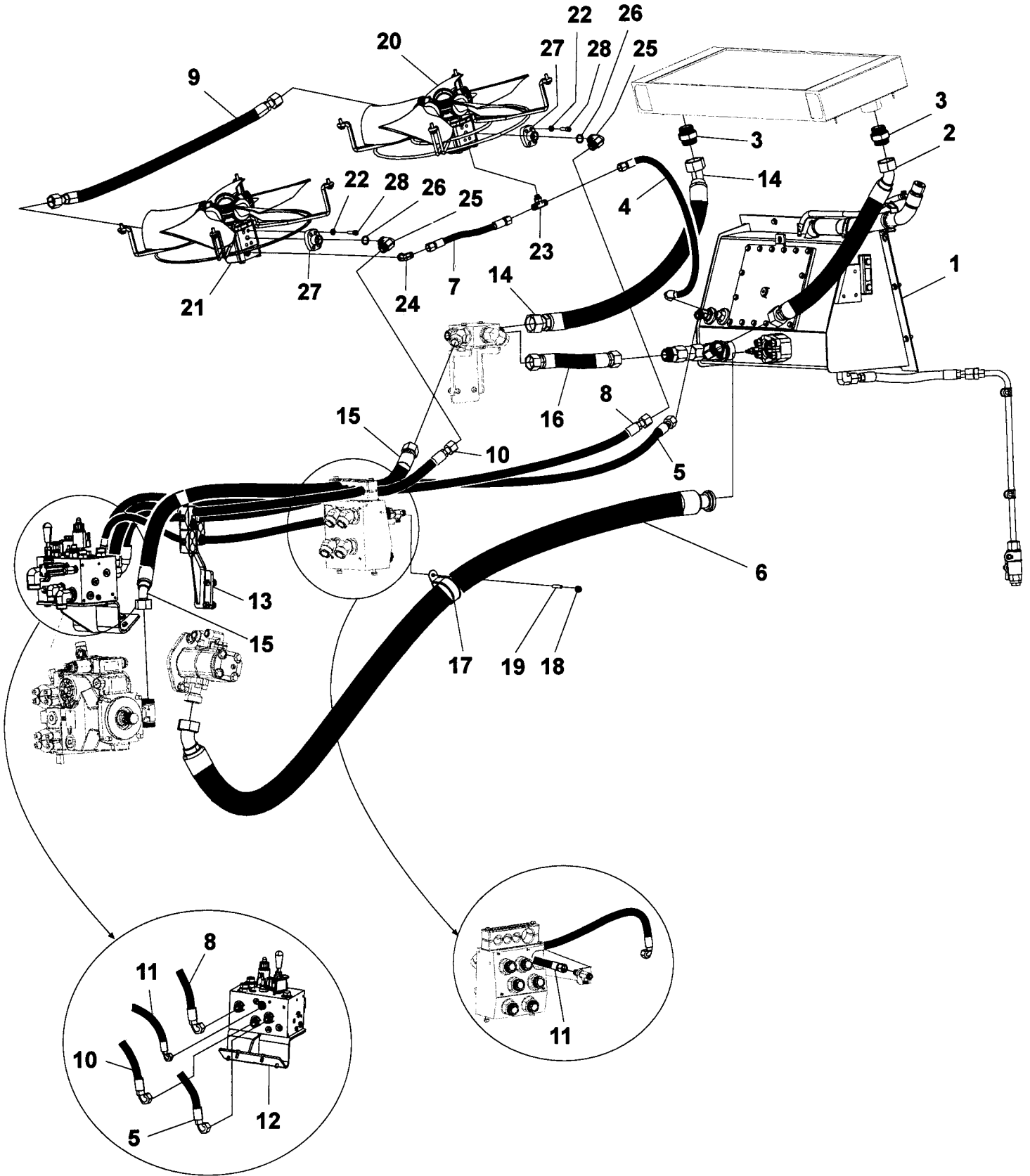
<b>Item</b>	<b>Part No</b>	<b>Rem Qty</b>	<b>Description</b>	<b>Code</b>
1	4812157060	1	Spool	
2	4812157061	2	Spring	
3		2	Plug assembly	
4		2	O-ring	
5	4812157062	1	Loop flushing relief valve, 10 l/min	
6	4812157063	1	O-ring	



**Rear section**

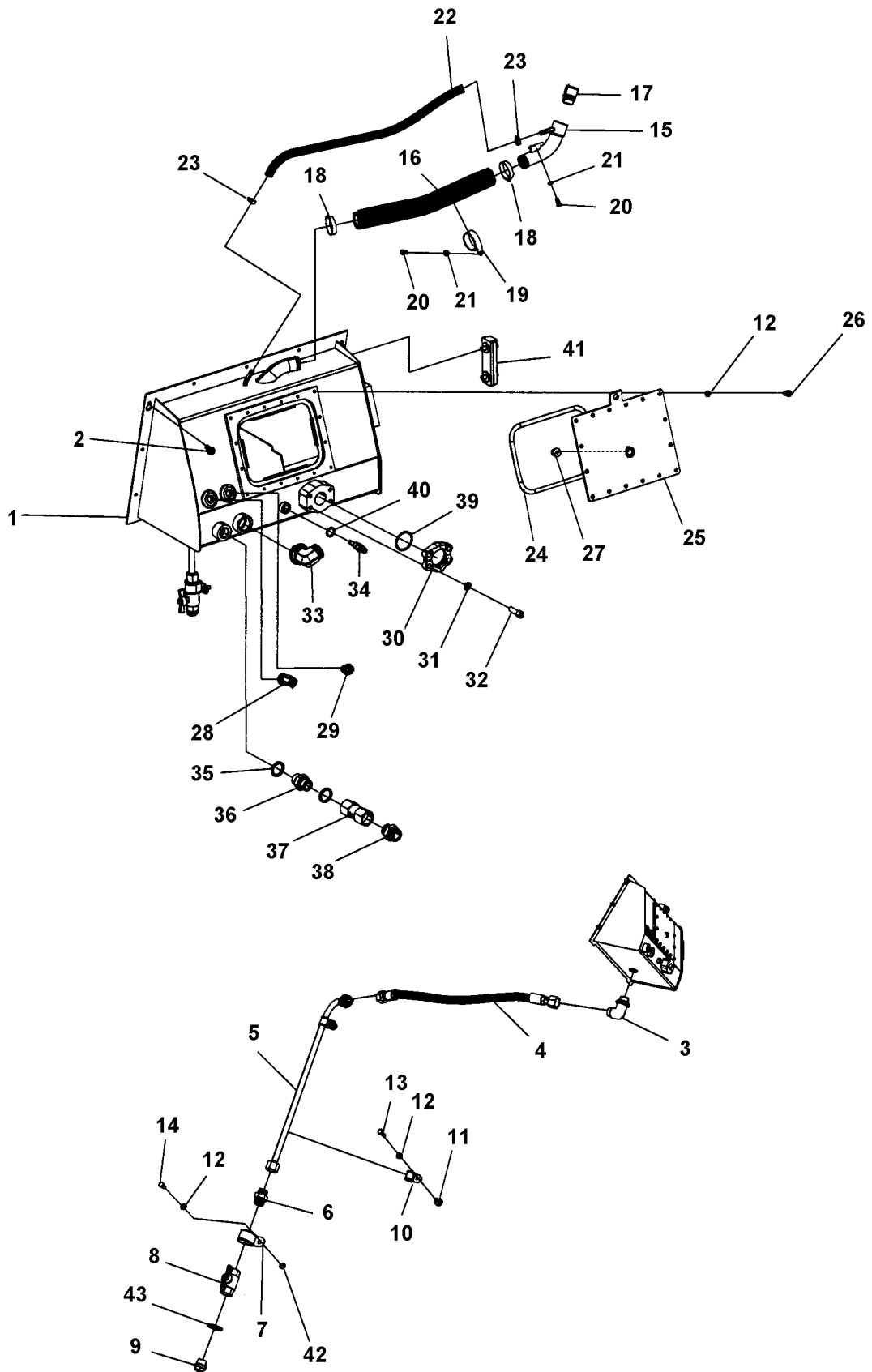
<b>Item</b>	<b>Part No</b>	<b>Rem Qty</b>	<b>Description</b>	<b>Code</b>
1		1	Synch shaft assembly	
2		1	Cylinder block assembly	
3	4812157082	1	Bearing plate	
4		1	Shaft assembly, 13 tooth, 8/12 pitch, speed ring	
5	4812157073	1	Speed sensor	
6	4812157057	1	O-ring	
7		1	Screw	
8		1	Housing, SAE flange with speed sensor port	
9	4700945757	1	Shaft seal 55x70x7	
10	4812157078	1	Retaining ring	
11		2	Pin	
12		1	Shaft locating plug assembly	
13		1	O-ring	
14		2	Plug assembly	
15	4812157085	1	Gasket	
16		1	Set screw, 0-43cc, M12x75mm	
17	4700909525	1	Seal nut	
18	4700902996	1	Plastic cap, green	

Hydraulic system, oil tank



## Hydraulic system, oil tank

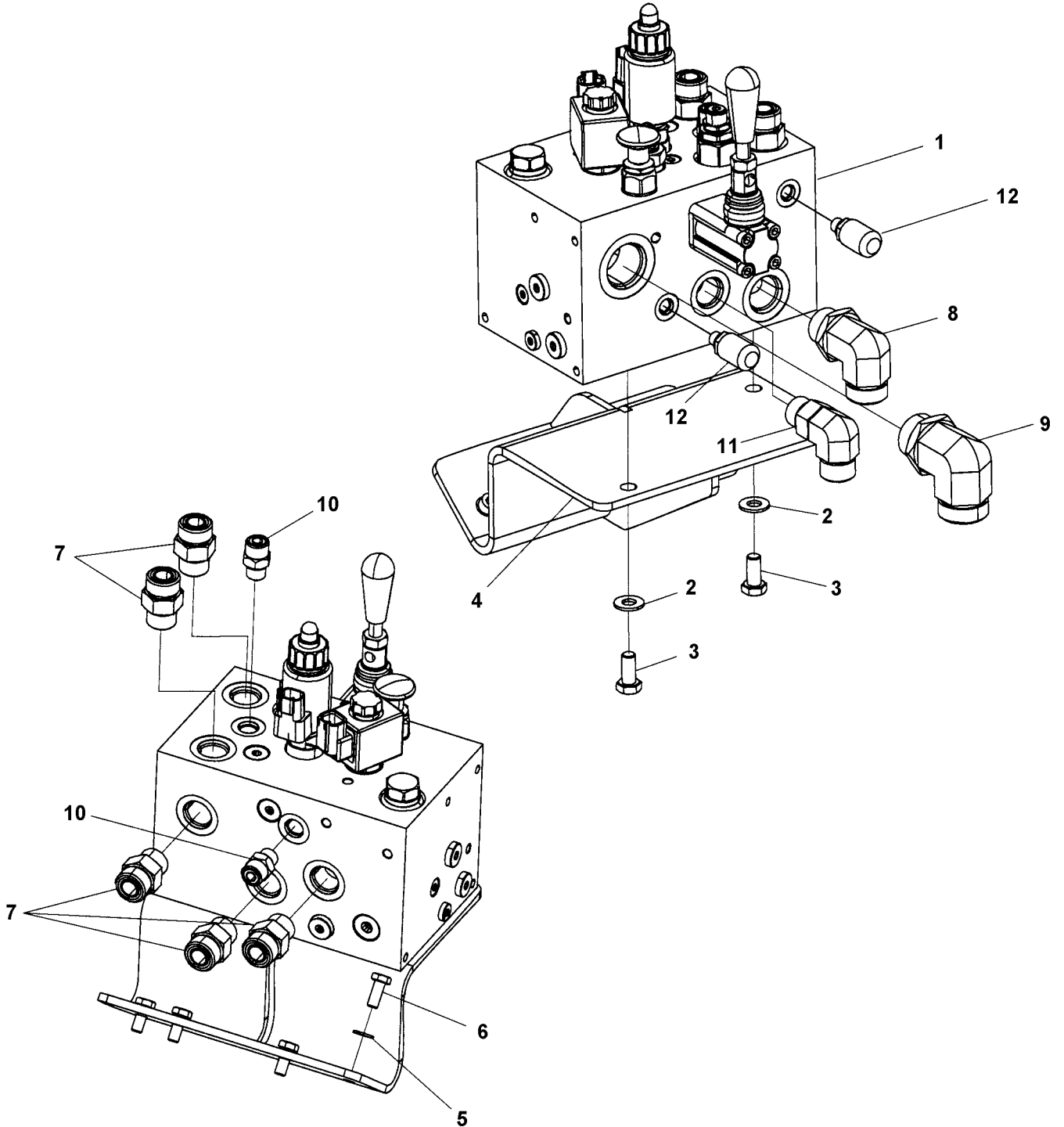
Item	Part No	Rem Qty	Description	Code
1		1	Hydraulic oil tank assy ( Page 226 )	
2	4811000197	1	Hydraulic hose	C
3	4812112555	2	Straight connector orfs	D
4	4811000210	1	Hydraulic hose	C
5	4811000214	1	Hydraulic hose	C
6	4811000217	1	Hydraulic hose	C
7	4811000209	1	Hydraulic hose	C
8	4811000213	1	Hydraulic hose	C
9	4812117702	1	Hydraulic hose	C
10	4811000219	1	Hydraulic hose	C
11	4811000215	1	Hydraulic hose	C
12		1	Hydraulic valve module ( Page 228 )	
13		1	Hose holder assy kit ( Page 230 )	D
14	4811000198	1	Hydraulic hose	C
15	4811000211	1	Hydraulic hose	C
16	4811000199	1	Hydraulic hose	C
17	4700903703	1	Clamp	D
18	4700902286	1	Hexagon lock nut with flange	C
19	4700516053	1	Socket screw	C
20		1	Fan module ( Page 232 )	
21		1	Fan module ( Page 234 )	
22	4700904229	16	Steel plain washer 8,4x16x1,5	C
23	4700792675	1	T-connector	
24	0570704101	1	Elbow 90	
25	4700792332	4	Elbow 90 orfs	
26	4700904774	4	O-ring	D
27	4812117698	4	Flange connector	D
28	4700508048	16	Hexagon socket head cap screw	C



Hydraulic oil tank assy

Item	Part No	Rem	Qty	Description	Code
1	4812112361	A	1	Hydraulic oil tank, cpl	
2	4700500505		9	Screw M8x20 8.8	C
3	4700792068		1	Elbow 90	D
4	4811000202		1	Hydraulic hose	C
5	4812114205		1	Hydraulic pipe	D
6	D570702503		1	Straight connector orfs	D
7	4700923008		1	Clamp	D
8	4700233304		1	Ball valve	C
9	4700232039		1	Plug G3/4	C
10	4700904346		2	Clamp	D
11	4700343748		2	Spacer sleeve	C
12	4700904229	D	19	Steel plain washer 8,4x16x1,5	C
13	4700500022		2	Screw M8x30H 8.8 A2K	C
14	4700500053		1	Screw M8x20H 8.8	C
15	4812112648		1	Pipe assembly	C
16	4812116645		1	Rubber hose	
17	4700357138		1	Ventilating filter	A
18	4700313009		2	Hose clamp	D
19	4700921090		1	Pipe clamp covered	
20	4700500013		2	Screw M6-1x16 8,8	C
21	4700904228		2	Washer 6,4x12x1,5	C
22	4700246069	B	1XL	Fuel hose 3/8"	C
23	4700313001		2	Hose clamp	C
24	4700390926	C	1	O-ring	D
25	4812112329	C	1	Cover	D
26	4700500019	C	16	Hexagon head screw M8x16H 8,8	C
27	4700792295	C	1	Steel plug	D
28	4700792809		1	Elbow 90 orfs	D
29	4700791405		1	Straight o-ring connector	C
30	4700232118		2	Flange half	D
31	4700904638		4	Washer 12x22x2	C
32	4700508063		4	Screw	D
33	4812112556		1	Connector elbow 90 orfs	D
34	4700792276		1	Temperature sensor	D
35	4700162008		2	Seal washer	B
36	4700792264		1	Straight connector	D
37	4700374059		1	Check valve	C
38	4700792338		1	Straight connector	D
39	4700160191		1	O-ring	D
40	4700330331		1	Washer 18,2x23,9x1,5	C
41	4700989151		1	Oil level glass	C
42	4700904556		1	Washer 8,4x16x3,0	C
43	4700791120		1	Sealing washer	

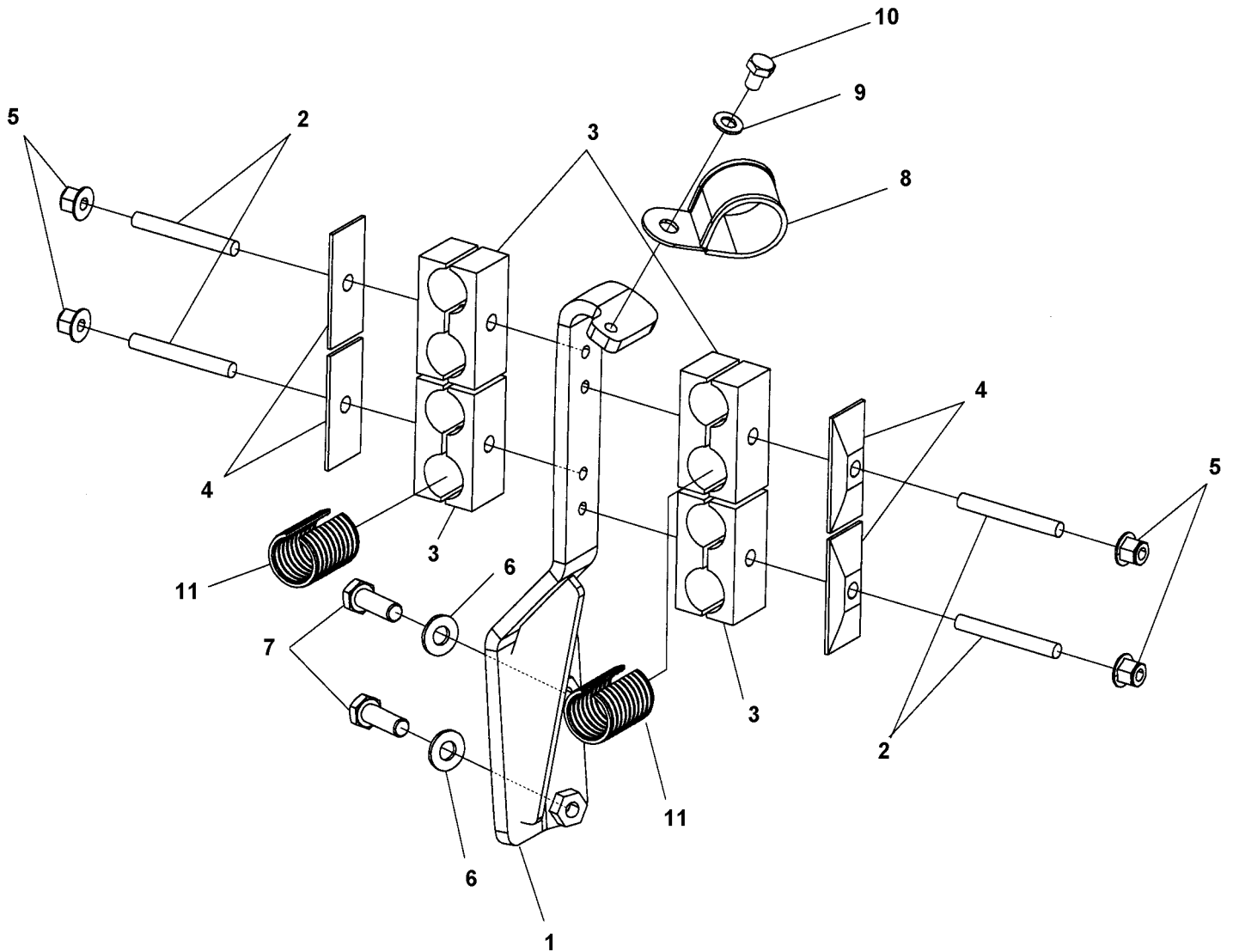
- A) Includes item 24, 25, 26, 27 and 12 (16 pcs).
- B) L=0.67m
- C) Part of item 1.
- D) 16 pcs part of item 1.





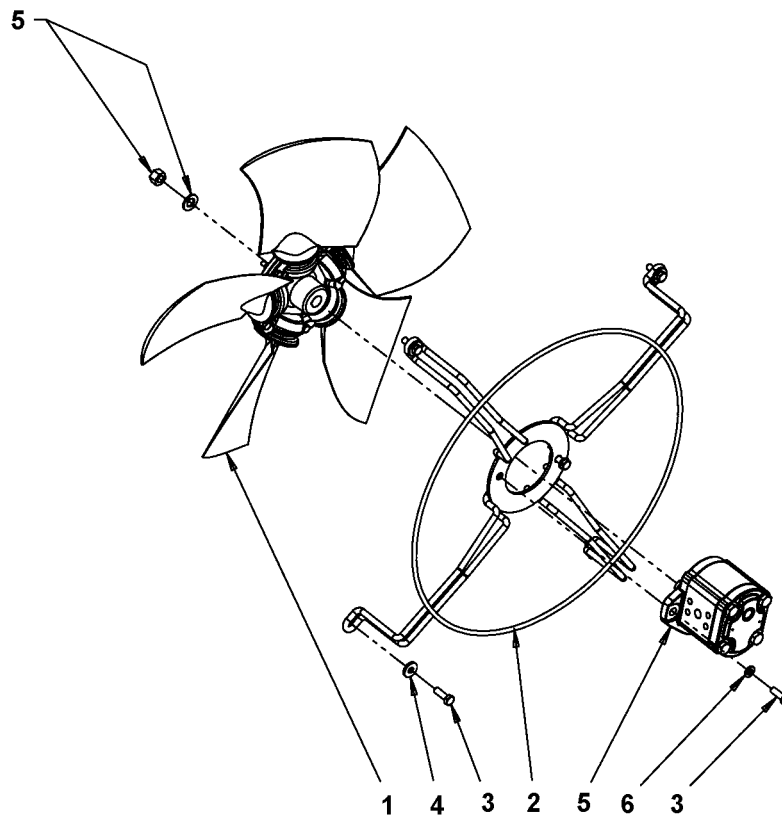
**Hydraulic valve module**

<b>Item</b>	<b>Part No</b>	<b>Rem Qty</b>	<b>Description</b>	<b>Code</b>
1	4812112238	1	Hydraulic valve	
2	4700904230	2	Steel plain washer	C
3	4700500027	2	Screw M10-1,55x22 8.8	D
4	4812114434	1	Bracket	
5	4700904229	4	Steel plain washer 8,4x16x1,5	C
6	4700508092	4	Screw	C
7	4700791743	5	Straight connector orfs	D
8	4700791231	1	Elbow 90	D
9	4700792299	1	Elbow 90	
10	4700791409	2	Straight connector orfs	C
11	4700791843	1	Elbow 90, O-ring with swivel	D
12	4700910162	2	Measuring nipple	D



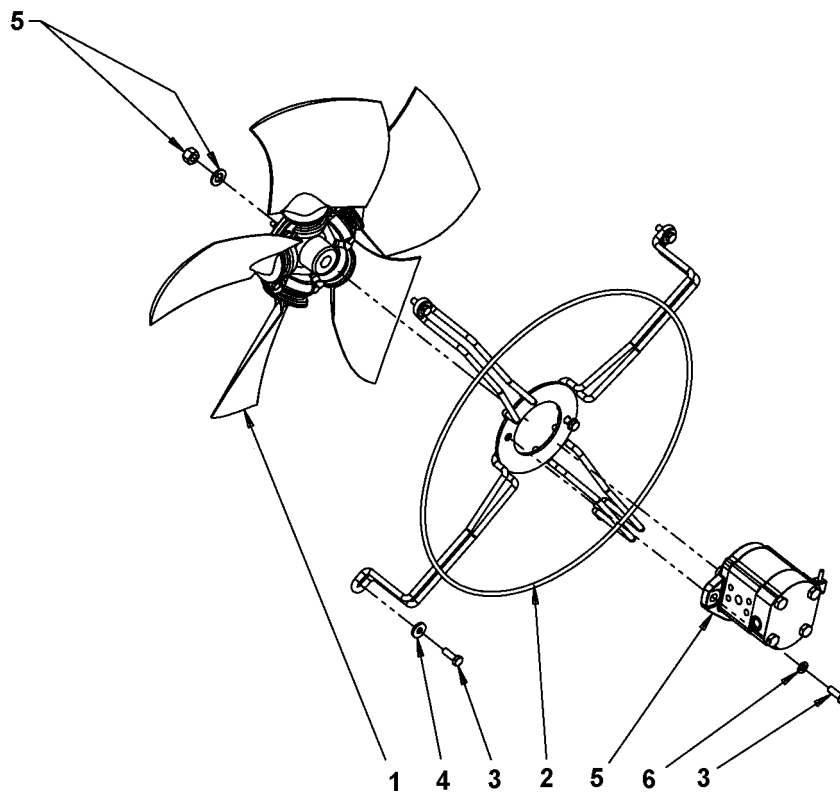
**Hose holder assy kit**

<b>Item</b>	<b>Part No</b>	<b>Rem Qty</b>	<b>Description</b>	<b>Code</b>
1	4812112542	1	Bracket	
2	4700792500	4	Stud	D
3	4700287295	4	Clamp	D
4	4700904872	4	Cover plate	D
5	4700902286	4	Hexagon lock nut with flange	C
6	4700904230	2	Steel plain washer	C
7	4700500029	2	Hexagon head screw	C
8	4700923008	1	Clamp	D
9	4700904229	1	Steel plain washer 8,4x16x1,5	C
10	4700500018	1	Screw M8-1,25x12 8,8	C
11	4812113941	2	Hose holder clip	D



**Fan module**

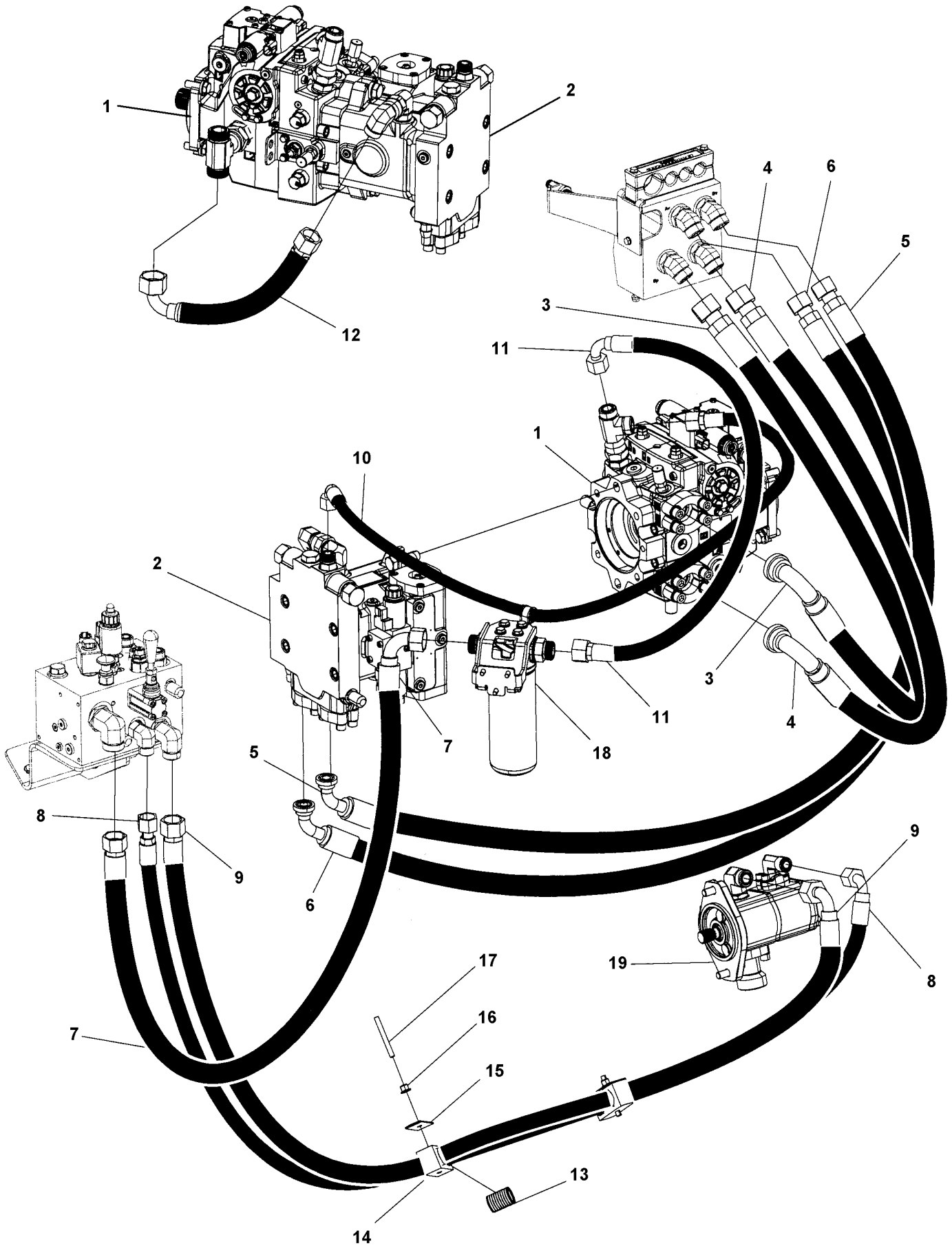
<b>Item</b>	<b>Part No</b>	<b>Rem Qty</b>	<b>Description</b>	<b>Code</b>
1	4812111035	1	Fan	
2	4812110905	1	Bracket	
3	4700500021	6	Screw M8-1,25x25 8.8	C
4	4700904640	4	Washer 8,4x22x3	C
5	4812112107	1	Hydraulic motor	
6	4700904229	2	Steel plain washer 8,4x16x1,5	C



**Fan module**

<b>Item</b>	<b>Part No</b>	<b>Rem Qty</b>	<b>Description</b>	<b>Code</b>
1	4812111035	1	Fan	
2	4812110905	1	Bracket	
3	4700500021	6	Screw M8-1,25x25 8.8	C
4	4700904640	4	Washer 8,4x22x3	C
5	4812112106	1	Hydraulic motor	
6	4700904229	2	Steel plain washer 8,4x16x1,5	C

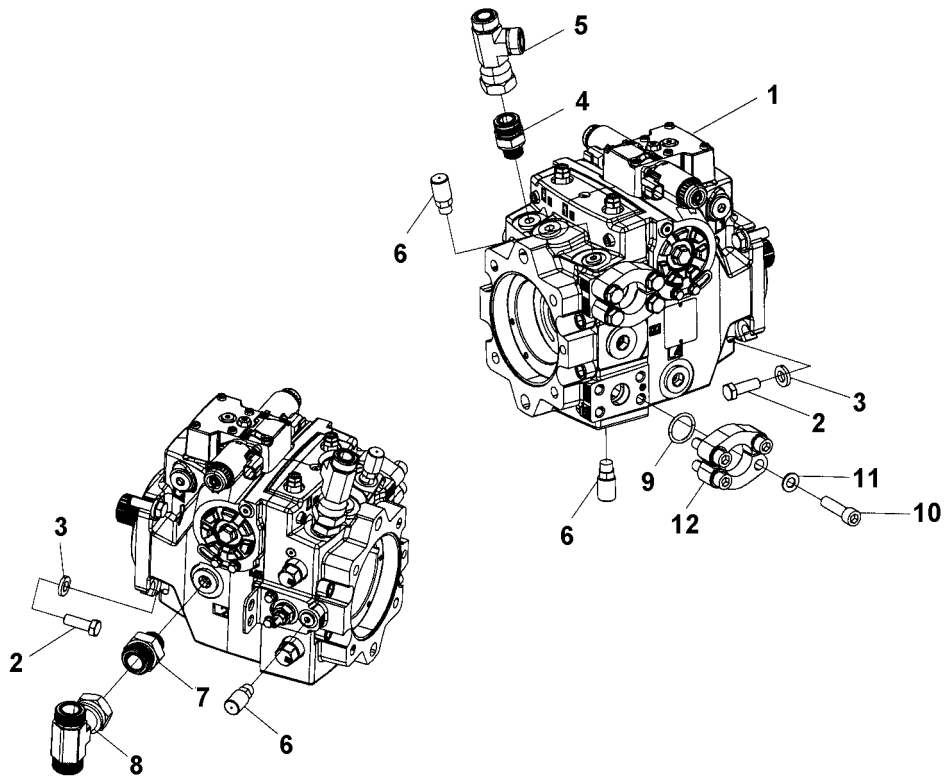
Hydraulic system, engine





## Hydraulic system, engine

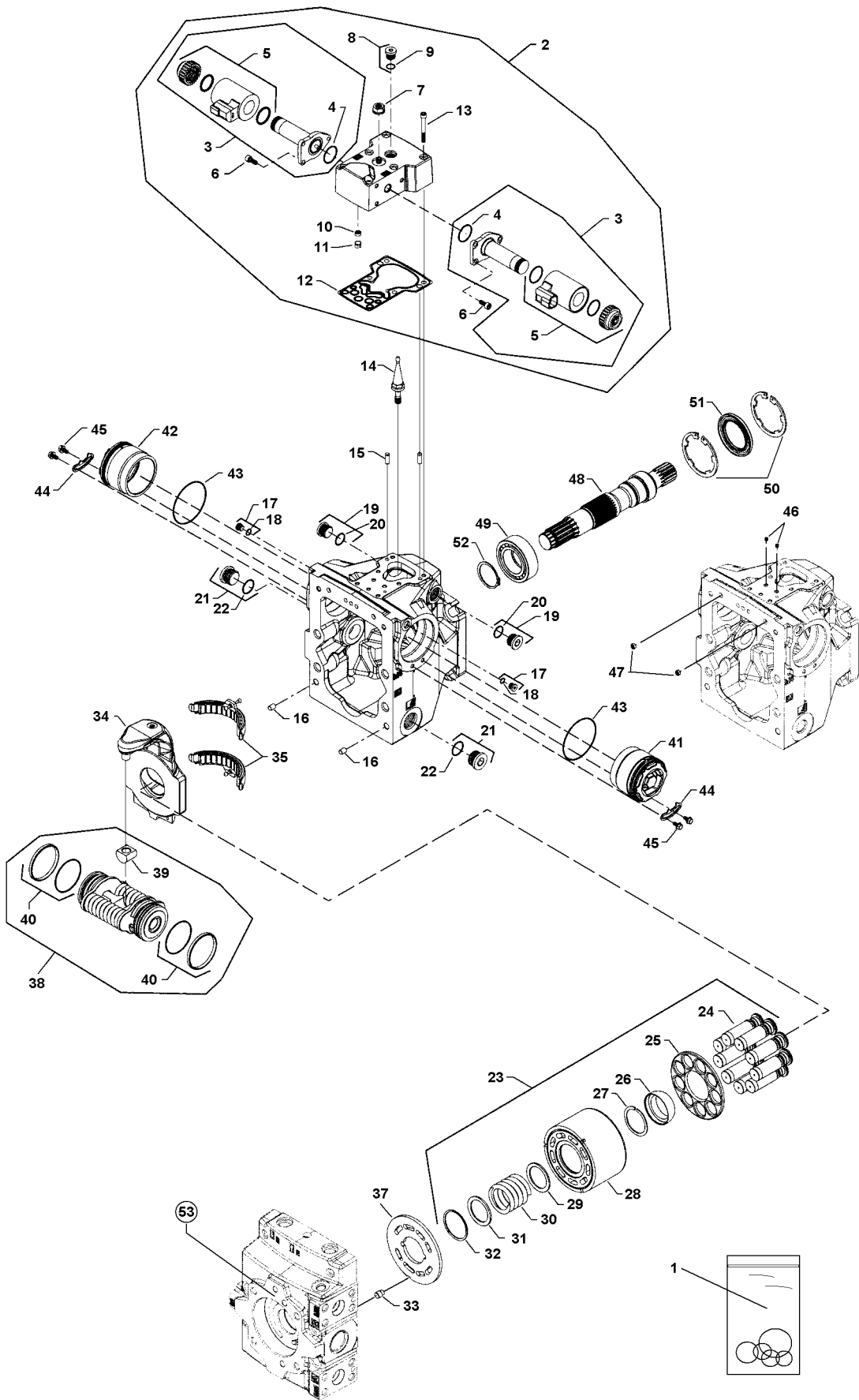
Item	Part No	Rem Qty	Description	Code
1		1	Hydraulic pump module ( Page 238 )	
2		1	Hydraulic pump module ( Page 244 )	
3	4811000221	1	Hydraulic hose	C
4	4811000220	1	Hydraulic hose	C
5	4812114101	1	Hydraulic hose	C
6	4812114100	1	Hydraulic hose	C
7	4811000212	1	Hydraulic hose	C
8	4811000218	1	Hydraulic hose	C
9	4811000216	1	Hydraulic hose	C
10	4812115399	1	Hydraulic hose	C
11	4811000222	1	Hydraulic hose	C
12	4812114519	1	Hydraulic hose	C
13	4812113941	2	Hose holder clip	D
14	4700791711	2	Pipe clamp	D
15	4700791712	2	Cover plate	D
16	4700902286	2	Hexagon lock nut with flange	C
17	4700791805	2	Stud	D
18		1	Hydraulic oil filter assy ( Page 254 )	
19		1	Hydraulic pump module ( Page 256 )	



**Hydraulic pump module**

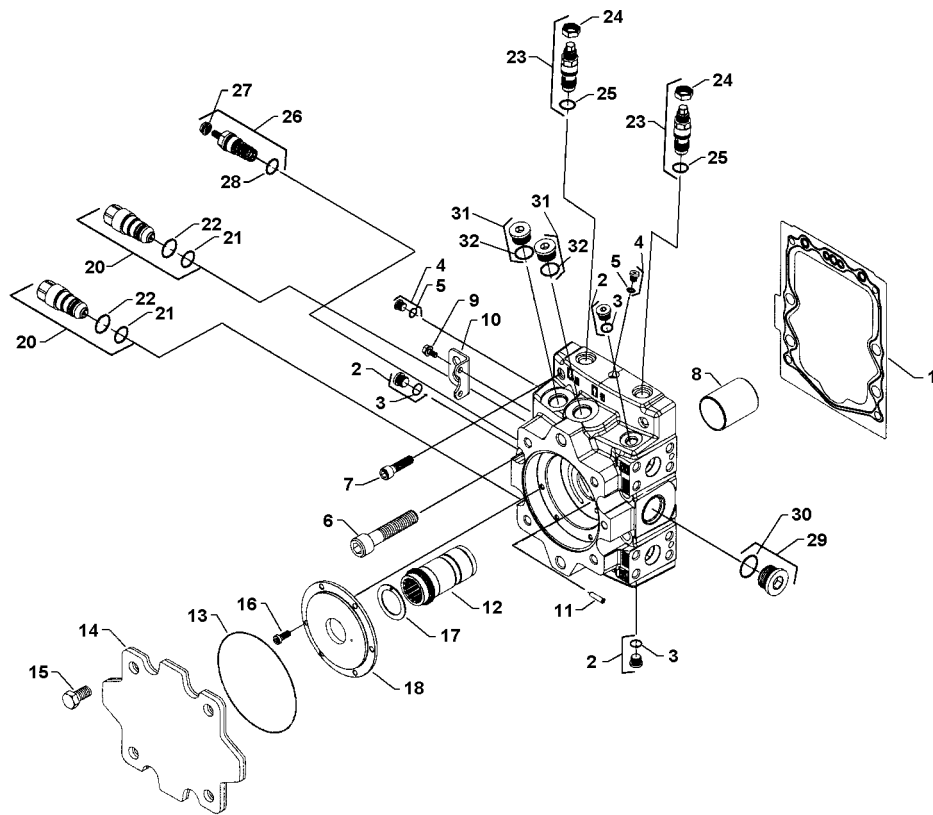
<b>Item</b>	<b>Part No</b>	<b>Rem Qty</b>	<b>Description</b>	<b>Code</b>
1	4812112171	1	Hydraulic pump ( Page 240 )	
2	4700500037	4	Screw	C
3	4700904703	4	Washer	B
4	4812115051	1	Straight connector orfs	
5	4700904496	1	Connector	C
6	4700900229	3	Measuring nipple	C
7	4812112560	1	Straight connector orfs	
8	4812112561	1	T-adapter	
9	4700904005	2	O-ring	B
10	4700928791	8	Screw	D
11	4700904638	8	Washer 12x22x2	C
12	4700923384	4	Flange half	C

**4812112171 Hydraulic pump**



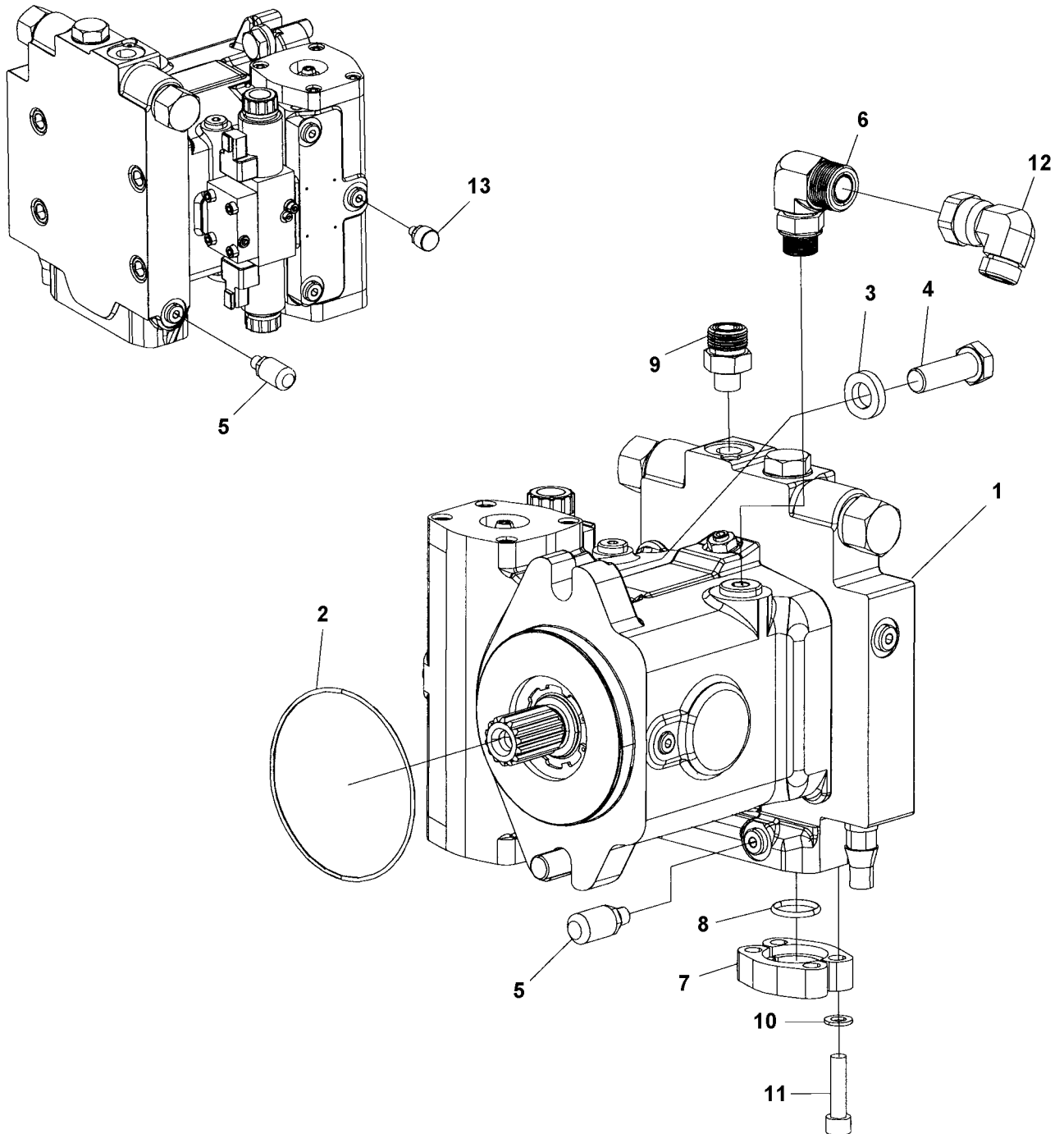
**4812112171 Hydraulic pump**

Item	Part No	Rem Qty	Description	Code
	4812112171	1	Hydraulic pump	
1	4812157365	1	. Seal kit	
2	4812157369	1	. EDC kit, 24V,high gain spool,manual overdrive	
3	4812157370	2	. . Proportional solenoid,24V	
4	4812157371	2	. . . O-ring	
5	4812157372	2	. . . Coil kit,24V	
6		6	. . Screw	
7		1	. . Seal nut	
8		1	. . Plug	
9		1	. . . O-ring	
10		1	. . Screen	
11		1	. . Locking ring	
12	4812157373	1	. . Control gasket,H1	
13		6	. . Screw	
14		1	. Swashplate feedback link	
15		2	. Dowel pin	
16		2	. Dowel pin	
17		2	. Plug assy	
18		2	. . O-ring	
19		2	. Plug assy	
20		2	. . O-ring	
21		2	. Plug assy	
22		2	. . O-ring	
23	4812157366	1	. Cylinder block kit, 78cc	
24		1	. . Slipper/piston kit, 78cc	
25		1	. . Slipper retainer	
26		1	. . Slipper retainer ball guide	
27		1	. . Spring washer	
28		1	. . Cylinder block assembly, 78cc	
29		1	. . Washer	
30		1	. . Cylinder block spring	
31		1	. . Washer	
32		1	. . Retaining ring	
33		1	. Valve plate pin	
34	4812157367	1	. Swashplate	
35	4812157368	1	. Swashplate bearing kit	
37		1	. Valve plate	
38		1	. Servo piston assy	
39	4812157374	1	. . Slider block	
40		2	. . Piston seal ring kit	
41		1	. Servo cylinder	
42		1	. Servo cylinder	
43	4812157375	2	. O-ring	
44		2	. Locking plate	
45		4	. Screw	
46	4812157376	2	. Orifice, 1.3,M6x0.75mm	
47		2	. Screen 8 mm, 125 micron	
48	4812157379	1	. Shaft, 21 tooth spline, 16/32 pitch	
49	4812157380	1	. Roller bearing	
50		2	. Retaining ring	
51	4812157381	1	. Lip seal	
52		1	. Retaining ring	
53		1	Hydraulic pump ( Page 242 )	



Hydraulic pump

Item	Part No	Rem Qty	Description	Code
1	4812157377	1	. Endcap gasket	
2		3	. Plug assy	
3		3	. . O-ring	
4		2	. Plug assy	
5		2	. . O-ring	
6		6	. Screw	
7		2	. Screw	
8	4812157378	1	. Bearing journal	
9		2	. Screw	
10		1	. Lifting bracket	
11		1	. Lubrication orifice	
12	4812157382	1	. Coupling, 14 tooth, 12/24 pitch	
13		1	. O-ring	
14		1	. Flange cover	
15		4	. Screw	
16		6	. Screw	
17	4812157383	1	. Thrust washer	
18		1	. Charge pump cover	
20	4812157384	2	. High pressure relief valve 400 bar	
21		2	. . O-ring	
22		2	. . O-ring	
23	4812157385	2	. Pressure limiter kit, adjustable	
24		2	. . Seal nut	
25		2	. . O-ring	
26	4812157386	1	. Charge relief valve kit	
27	4812157387	1	. . Seal nut	
28	4812157388	1	. . O-ring	
29		1	. Plug assy	
30		1	. . O-ring	
31		2	. Plug assy	
32		2	. . O-ring	

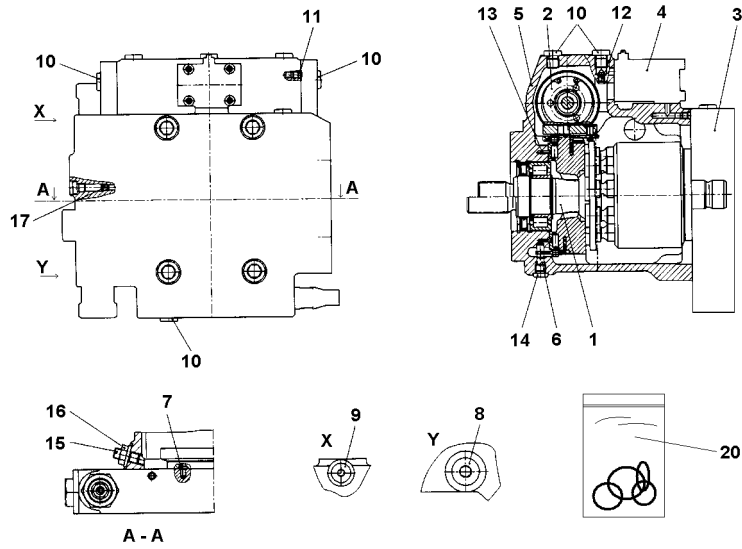




## Hydraulic pump module

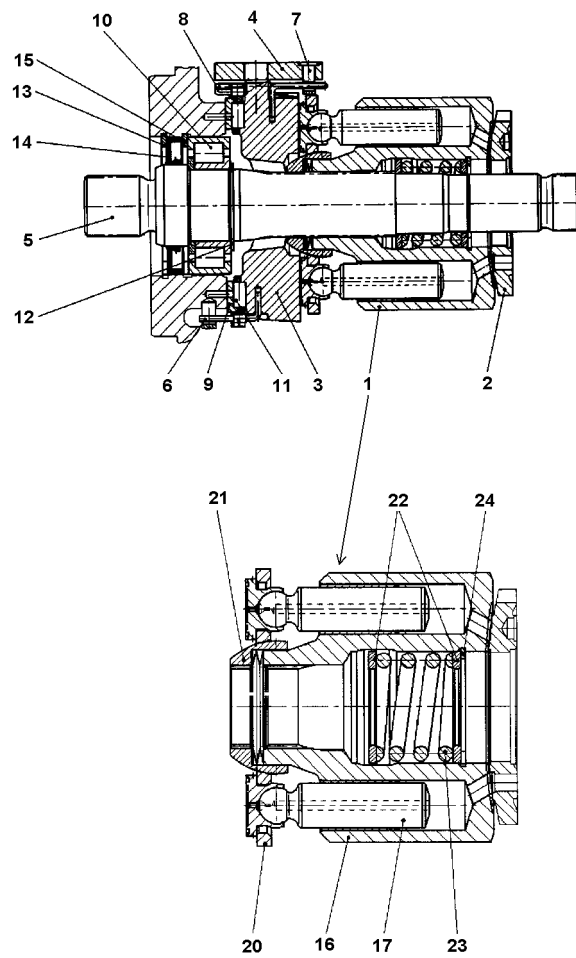
Item	Part No	Rem Qty	Description	Code
1	4812112175	1	Hydraulic motor ( Page 246 )	
2	4700160231	1	O-ring 120,32x2,62	D
3	4700904558	2	Washer 17X30X6 300HV	C
4	4700500070	2	Screw M16x50	C
5	4700901157	2	Measuring nipple	C
6	4811000417	1	Connector elbow 90 orfs	
7	4700929226	4	Flange half	C
8	4700904004	2	O-ring	C
9	4700792465	1	Straight connector orfs	D
10	4700904637	8	Washer	C
11	4700508080	8	Screw	
12	4700904584	1	Elbow connector 90	C
13	4812116781	1	Oil filling plug	

**4812112175 Hydraulic motor**



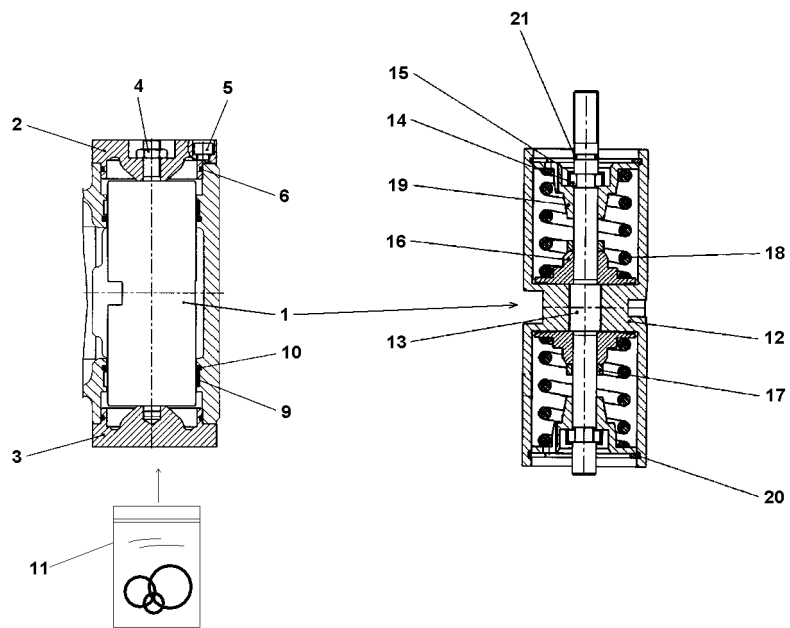
**4812112175 Hydraulic motor**

<b>Item</b>	<b>Part No</b>	<b>Rem Qty</b>	<b>Description</b>	<b>Code</b>
1		1	Rotary group ( Page 248 )	
2		1	Hydraulic adjustment ( Page 250 )	
3		1	Subplate	
4		1	4/3 Pilot valve ( Page 252 )	
5		1	Housing	
6		1	Hinge pin	
7		1	Fixing pin	
8		1	Locking screw	
9		1	Locking screw	
10		4	Locking screw	
11		2	Double break of pin	
12		2	Orifice	
13		2	Clamping pin	
14		1	Locking screw	
15		1	Set screw	
16		1	Collar nut	
17		1	Orifice	
20	4700940676	1	Seal kit	B

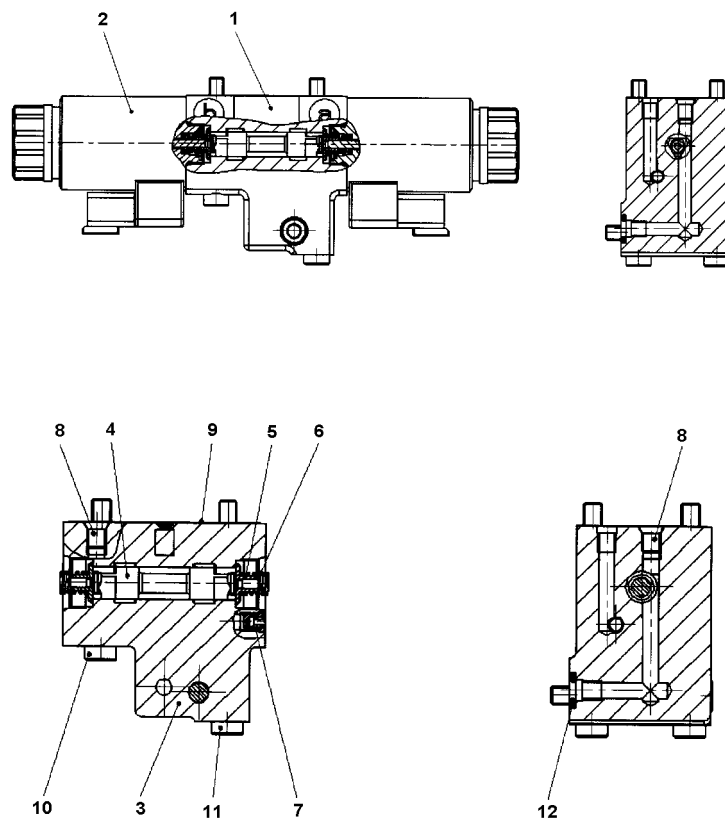


**Rotary group**

<b>Item</b>	<b>Part No</b>	<b>Rem Qty</b>	<b>Description</b>	<b>Code</b>
1		1	Engine hydraulic part	
2		1	Control panel	
3		1	Cradle	
4		1	Sliding ring	
5		1	Drive shaft	
6		1	Wire	
7		1	Hinge pin	
8		1	Wire	
9	4812157193	1	Bearing pair	
10	4812157194	1	Cylindrical roller bearings	
11	4812157195	1	Cage pair	
12		1	Circlip	
13		1	Circlip	
14		1	Shaft sealing ring	
15		1	Circlip	
16		1	. Cylinder with bushing	
17		9	. Piston slipper pad	
20	4812157196	1	. Retaining plate	
21	4812157197	1	. Retaining ball	
22		2	. Washer	
23		1	. Pressure spring	
24		1	. Circlip	



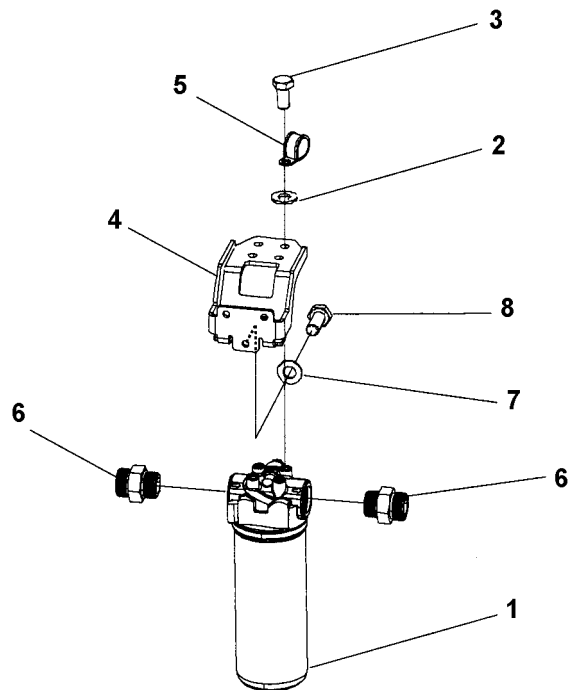
<b>Item</b>	<b>Part No</b>	<b>Rem Qty</b>	<b>Description</b>	<b>Code</b>
1		1	Positioning piston	
2		1	Cover	
3		1	Cover	
4		1	Hexagon nut	
5		8	Socket head screw	
6	4812157198	2	O-ring	
9		2	Guide ring	
10		2	Rod seal kit	
11	4812157199	1	Hydraulic seal kit	
12		1	Control piston	
13		1	Rod	
14		2	Ring	
15		2	Retaining ring	
16		2	Spring plate	
17		2	Spacer	
18		2	Pressure spring	
19		2	Spring plate	
20		2	Circlip	
21	4812157251	1	O-ring	





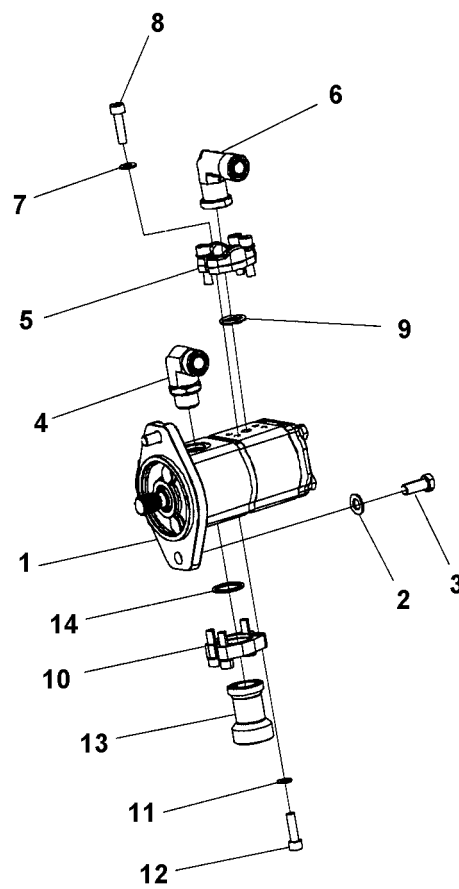
**4/3 Pilot valve**

<b>Item</b>	<b>Part No</b>	<b>Rem Qty</b>	<b>Description</b>	<b>Code</b>
1	4812157252	1	Valve with accesories	
2	4812156157	2	Solenoid	
3		1	. Valve house	
4		1	. Spool	
5		2	. Spring plate	
6		2	. Pressure spring	
7		1	. Plug	
8		2	. Double break of pin	
9		1	. Gasket	
10		3	. Cap screw	
11		2	. Cap screw	
12	4812157253	1	. O-ring	



**Hydraulic oil filter assy**

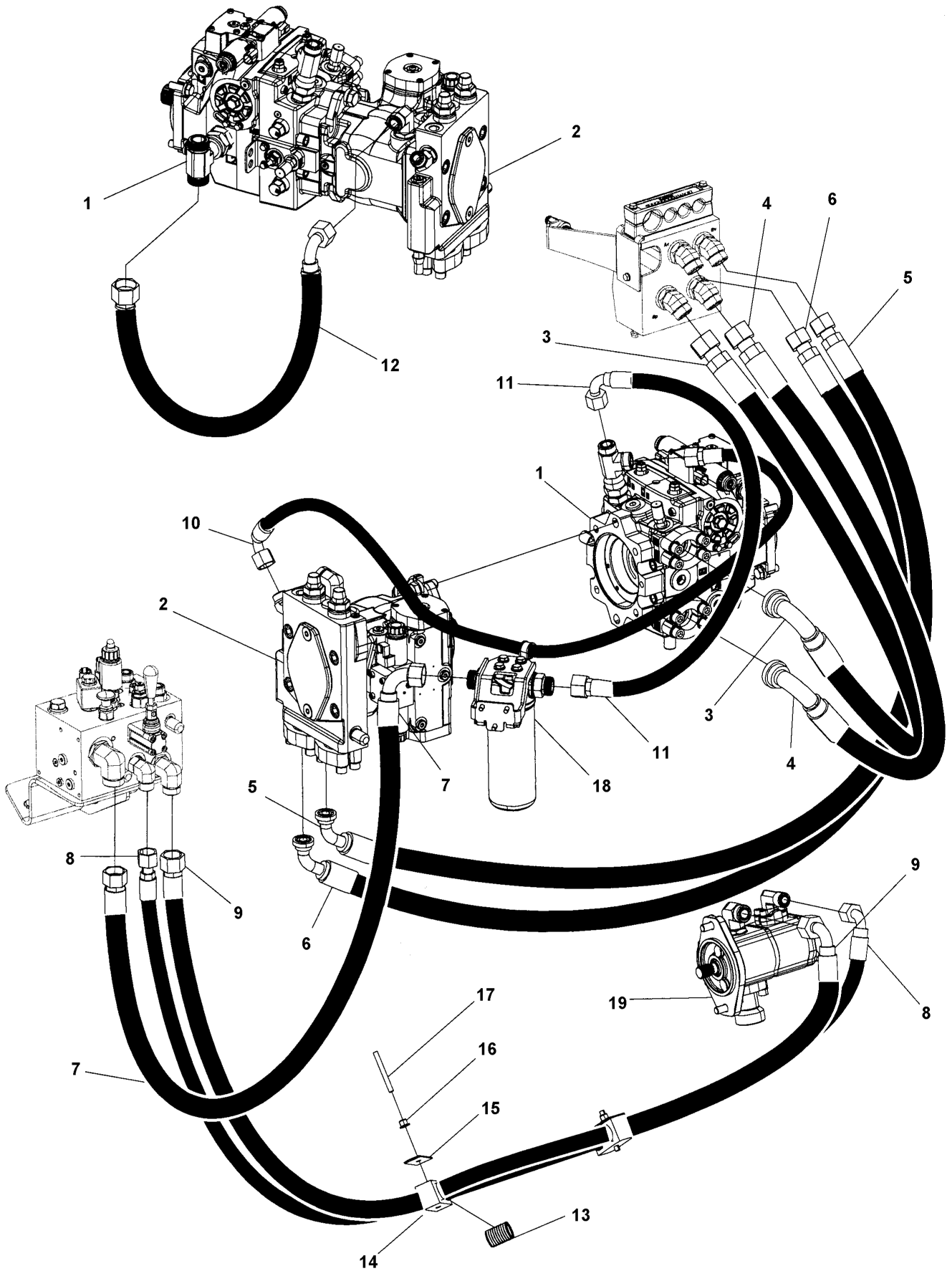
<b>Item</b>	<b>Part No</b>	<b>Rem Qty</b>	<b>Description</b>	<b>Code</b>
1	4812112260	1	Hydraulic oil filter	C
	4812112262	1	. Hydraulic oil filter element	A
2	4700904230	4	Steel plain washer	C
3	4700500048	4	Screw M10-1,5x20 8,8	C
4	4812113953	1	Bracket	D
5	4700921161	1	Clamp	C
6	4700792339	2	Straight connector orfs	D
7	4700904229	3	Steel plain washer 8,4x16x1,5	C
8	4700508092	3	Screw	C



## Hydraulic pump module

Item	Part No	Rem Qty	Description	Code
1	4812110927	1	Hydraulic pump	C
2	4700904231	2	Washer 13x24x2 300 HV	C
3	4700500046	2	Screw M12x025H	C
4	4700791231	1	Elbow 90	D
5	4700232145	2	Split flange	D
6	4812112108	1	Flange fitting 90	C
7	4700904229	4	Steel plain washer 8,4x16x1,5	C
8	4700508048	4	Hexagon socket head cap screw	C
9	4700904774	1	O-ring	D
10	4700232097	2	Flange half	C
11	4700904637	4	Washer	C
12	4700508053	4	Screw	D
13	4812111214	1	Flange connector	C
14	4700813429	1	O-ring	C

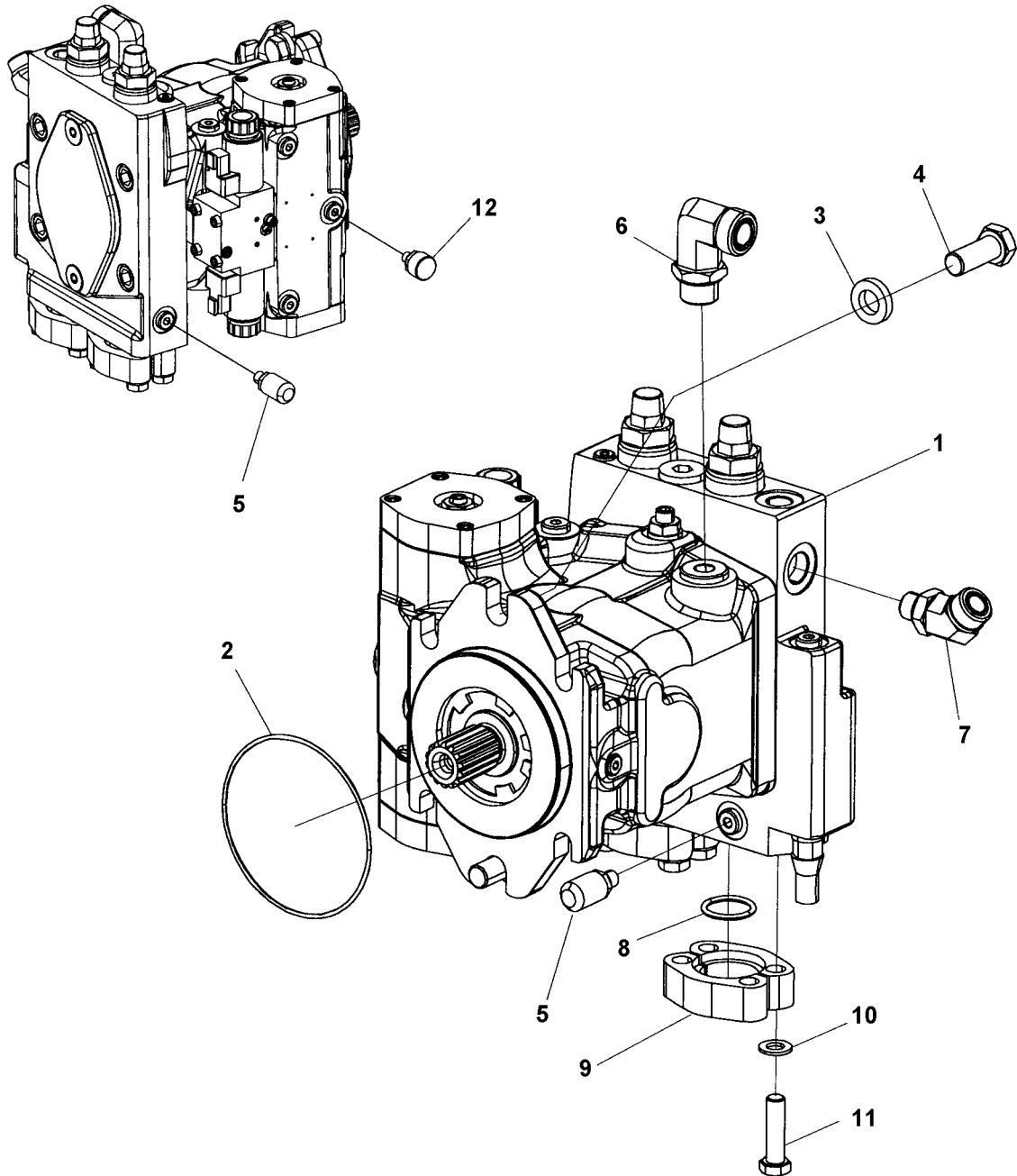
Hydraulic system, engine Adjustable frequency, Eco opti



Hydraulic system, engine Adjustable frequency, Eco opti

Item	Part No	Rem	Qty	Description	Code
1			1	Hydraulic pump module ( Page 238 )	
2			1	Hydraulic pump ( Page 260 )	
3	4811000221		1	Hydraulic hose	C
4	4811000220		1	Hydraulic hose	C
5	4811000223		1	Hydraulic hose	C
6	4811000224		1	Hydraulic hose	C
7	4811000212		1	Hydraulic hose	C
8	4811000218		1	Hydraulic hose	C
9	4811000216		1	Hydraulic hose	C
10	4811000226		1	Hydraulic hose	C
11	4811000222		1	Hydraulic hose	C
12	4811000225		2	Hydraulic hose	C
13	4812113941		2	Hose holder clip	D
14	4700791711		2	Pipe clamp	D
15	4700791712		2	Cover plate	D
16	4700902286		2	Hexagon lock nut with flange	C
17	4700791805		2	Stud	D
18			1	Hydraulic oil filter assy ( Page 254 )	
19		A	1	Hydraulic pump module ( Page 272 )	
		B	1	Hydraulic pump module ( Page 256 )	

- A) Eco option
- B) Adjustable frequency option

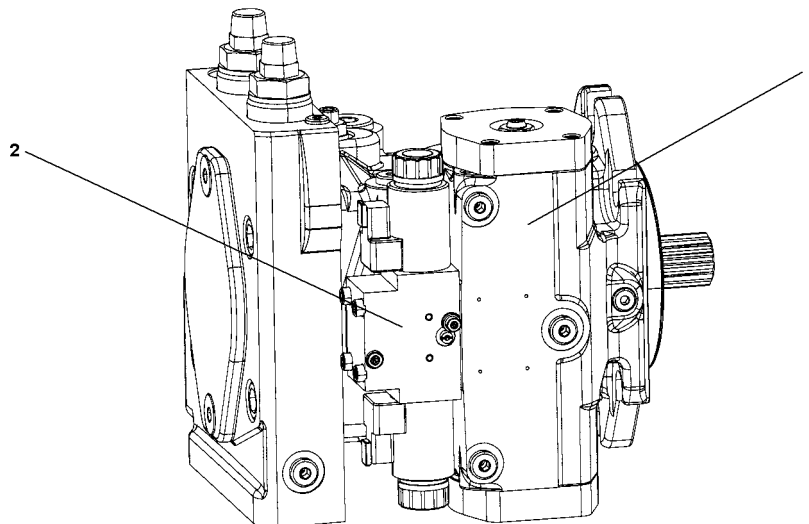
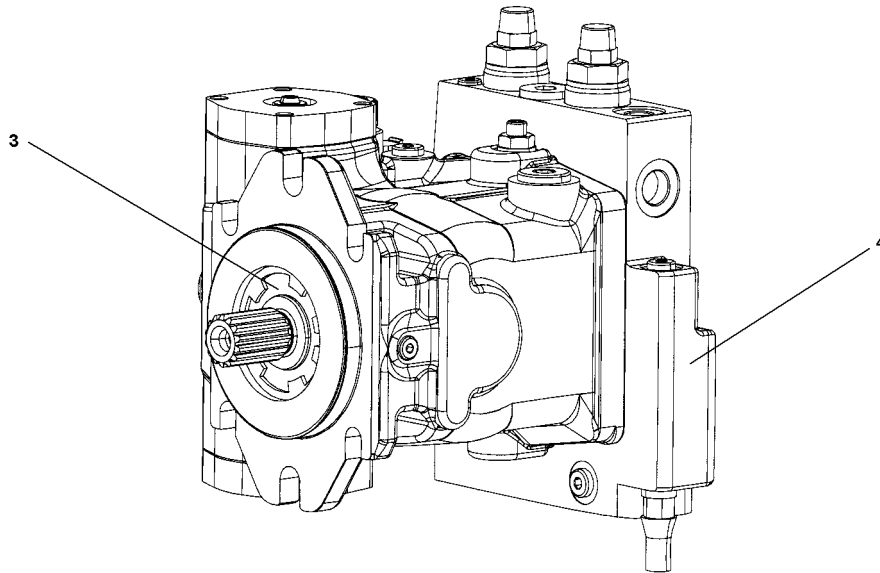




**Hydraulic pump**

<b>Item</b>	<b>Part No</b>	<b>Rem Qty</b>	<b>Description</b>	<b>Code</b>
1	4812112181	1	Hydraulic pump ( Page 262 )	
2	4700160231	1	O-ring 120,32x2,62	D
3	4700904558	2	Washer 17X30X6 300HV	C
4	4700500093	2	Screw M16x40	C
5	4700901157	2	Measuring nipple	C
6	4700791549	1	Elbow adapter 90	D
7	4700791835	1	Elbow connector 45 orfs	
8	4700904005	2	O-ring	B
9	4700923384	4	Flange half	C
10	4700904638	8	Washer 12x22x2	C
11	4700928791	8	Screw	D
12	4812116781	1	Oil filling plug	

**4812112181 Hydraulic pump**

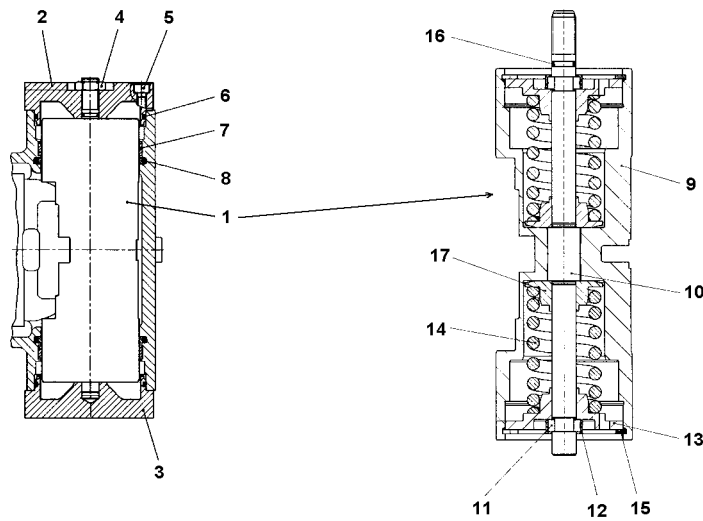


**4812112181 Hydraulic pump**

<b>Item</b>	<b>Part No</b>	<b>Rem Qty</b>	<b>Description</b>	<b>Code</b>
1		1	Control hydraulic & Positioning piston ( Page 264 )	
2		1	Control module ( Page 266 )	
3		1	Rotary group ( Page 268 )	
4		1	Pressure override valve ( Page 270 )	

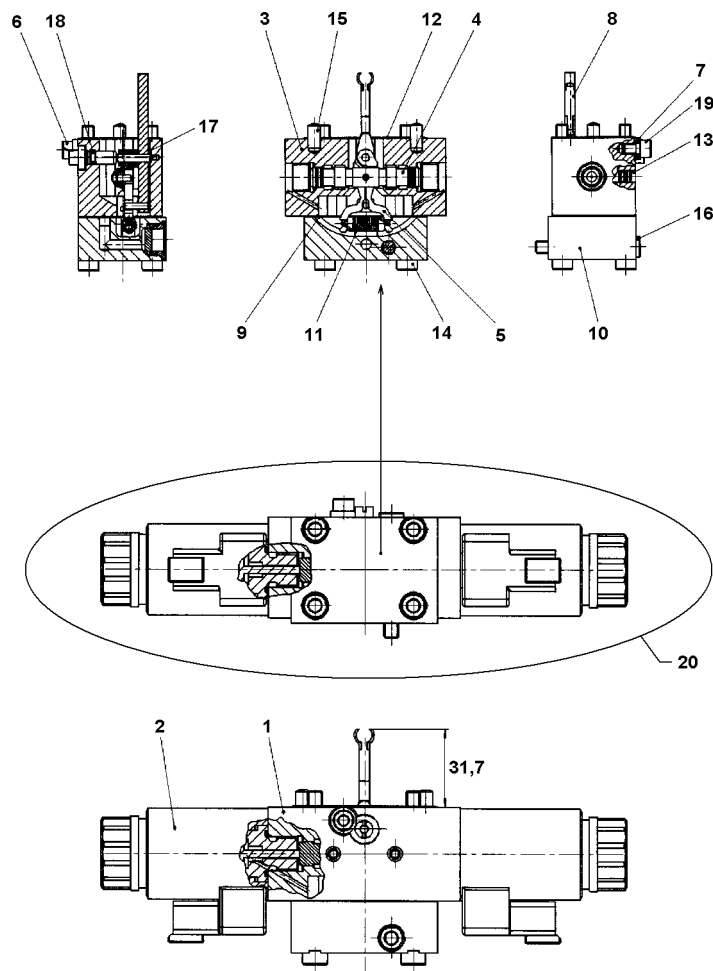
**Control hydraulic & Positioning piston**

Control hydraulic & Positioning piston



**Control hydraulic & Positioning piston**

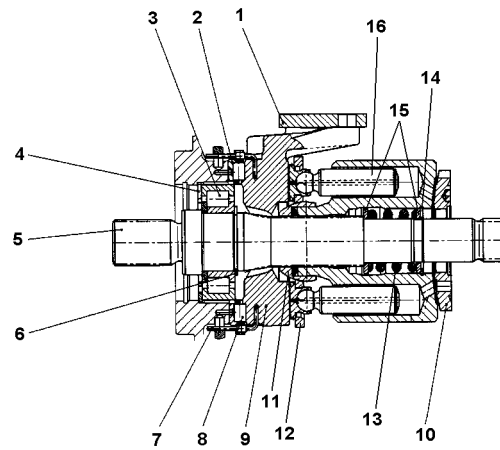
<b>Item</b>	<b>Part No</b>	<b>Rem Qty</b>	<b>Description</b>	<b>Code</b>
1		1	Positioning piston	
2		1	Cover	
3		1	Cover	
4		1	Hexagonal nut	
5		8	Socket head screw	
6	4812157098	2	O-ring	
7		2	Guide ring	
8	4812157099	2	Rod seal kit	
9		1	Positioning piston	
10		1	Rod	
11		2	Ring	
12		2	Assembly ring	
13		2	Spring collar	
14		2	Pressure spring	
15		2	Retaining ring	
16	4812157151	1	O-ring	
17		2	Spring collar	
90	4812157096	1	Seal kit hydr. control	



**Control module**

<b>Item</b>	<b>Part No</b>	<b>Rem</b>	<b>Qty</b>	<b>Description</b>	<b>Code</b>
1		1	1	Control module	
2	4812156151		2	Proportional solenoid	
3			1	Housing	
4			1	Control piston with cylinder pin	
5			1	Lever pair	
6			1	Eccentric pin	
7			1	Shim	
8			1	Feedback lever with needle roller	
9	4812157155		1	Gasket	
10			1	Cover with filter	
11			1	Draw spring	
12	4812156599		1	Gasket	
13			2	Seal plug	
14			4	Socket head screw	
15			2	Cylinder pin	
16			1	Socket head screw	
17			1	Shim	
18	4812157156		1	O-ring	
19			1	Socket head screw	
20	4812157152		1	Control module	C

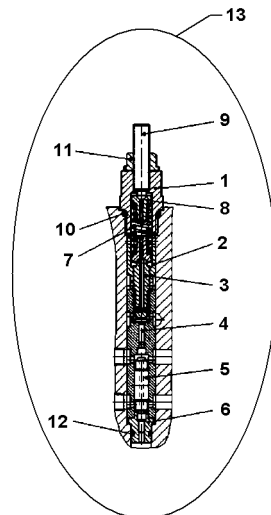
1) Not sold separately.





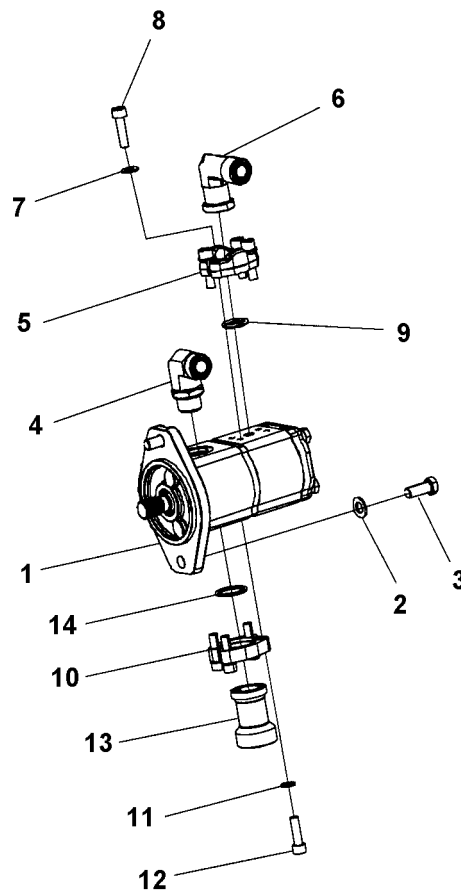
**Rotary group**

<b>Item</b>	<b>Part No</b>	<b>Rem Qty</b>	<b>Description</b>	<b>Code</b>
1		1	Slide ring	
2	4812157092	1	Bearing liner (Pair)	
3	4812157093	1	Plain roller bearing	
4		2	Retaining ring	
5	4812157094	1	Drive shaft	
6		1	Retaining ring	
7		2	Wire	
8		1	Cradle bearing assembly	
9		1	Cradle	
10		1	Control plate	
11		1	Retaining ball	
12		1	Retaining plate	
13		1	Pressure spring	
14		1	Retaining ring	
15		2	Washer	
16		9	Piston slipper pad	
90	4812157091	1	Seal kit drive shaft	



**Pressure override valve**

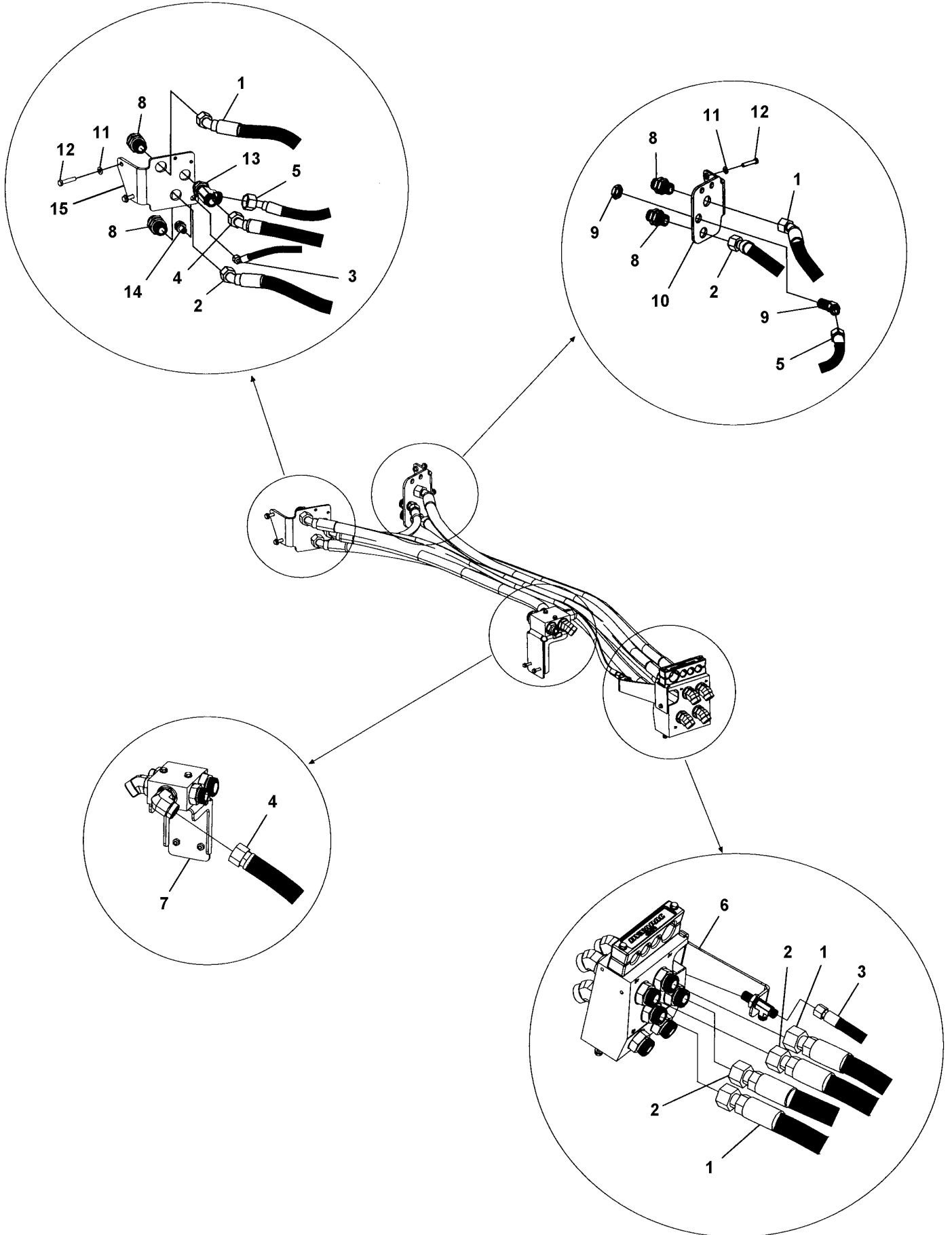
<b>Item</b>	<b>Part No</b>	<b>Rem Qty</b>	<b>Description</b>	<b>Code</b>
1		1	Locking screw	
2		1	Valve bushing	
3		1	Control piston	
4		1	Piston	
5		1	Valve piston	
6		1	Poppet seat	
7		1	Pressure spring	
8		2	Spring collar	
9		1	Adjusting screw	
10	4700902783	1	O-ring	
11		1	Seal lock nut	
12	4812157097	1	O-ring	
13	4812157095	1	Pressure override valve	



## Hydraulic pump module

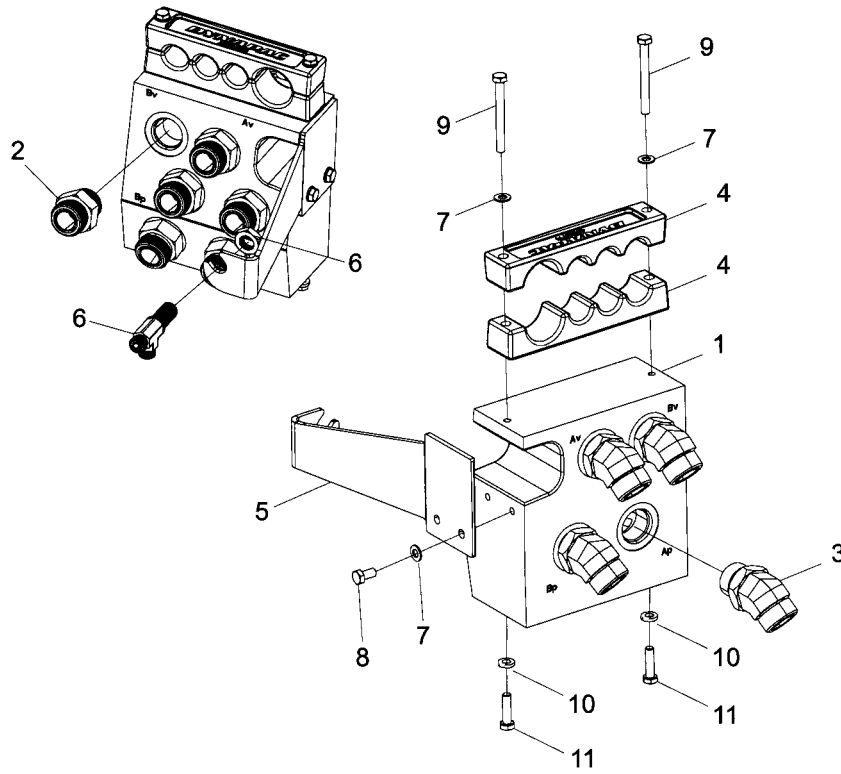
Item	Part No	Rem Qty	Description	Code
1	4812112192	1	Hydraulic pump	
2	4700904231	2	Washer 13x24x2 300 HV	C
3	4700500046	2	Screw M12x025H	C
4	4700791231	1	Elbow 90	D
5	4700232145	2	Split flange	D
6	4812112108	1	Flange fitting 90	C
7	4700904229	4	Steel plain washer 8,4x16x1,5	C
8	4700508048	4	Hexagon socket head cap screw	C
9	4700904774	1	O-ring	D
10	4700232098	2	Flange	
11	4700904637	4	Washer	C
12	4700508053	4	Screw	D
13	4812114815	1	Flange connector	
14	4700160186	1	O-ring	D

**Hydraulic system, frame rear**



## Hydraulic system, frame rear

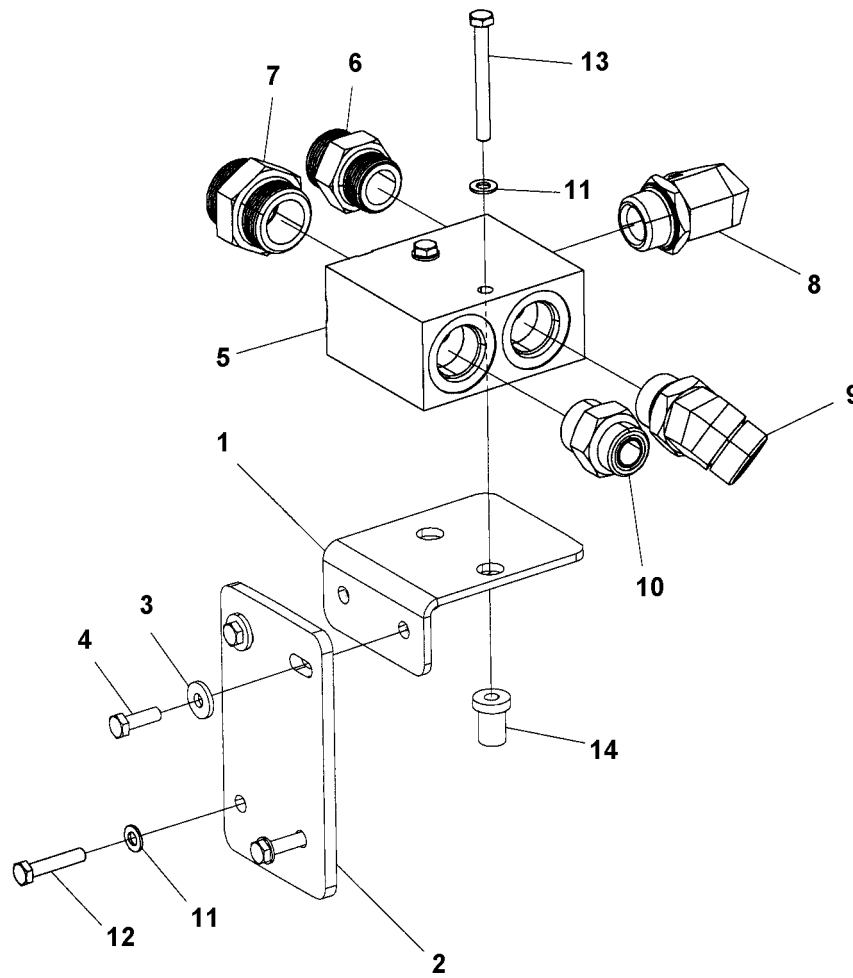
Item	Part No	Rem Qty	Description	Code
1	4811000203	2	Hydraulic hose	C
2	4811000204	2	Hydraulic hose	C
3	4811000205	1	Hydraulic hose	C
4	4811000201	1	Hydraulic hose	C
5	4811000200	1	Hydraulic hose	C
6		1	Connector kit ( Page 276 )	C
7		1	Connector kit ( Page 278 )	C
8	4812112559	1	Bulkhead union	D
9	4811000261	1	Bulkhead elbow 45	D
10	4812112341	1	Bracket	D
11	4700904230	4	Steel plain washer	C
12	4700500161	4	Hexagon head screw	C
13	4811000263	1	Bulkhead union	D
14	4700791830	1	Bulkhead union	D
15	4812115832	1	Bracket	D





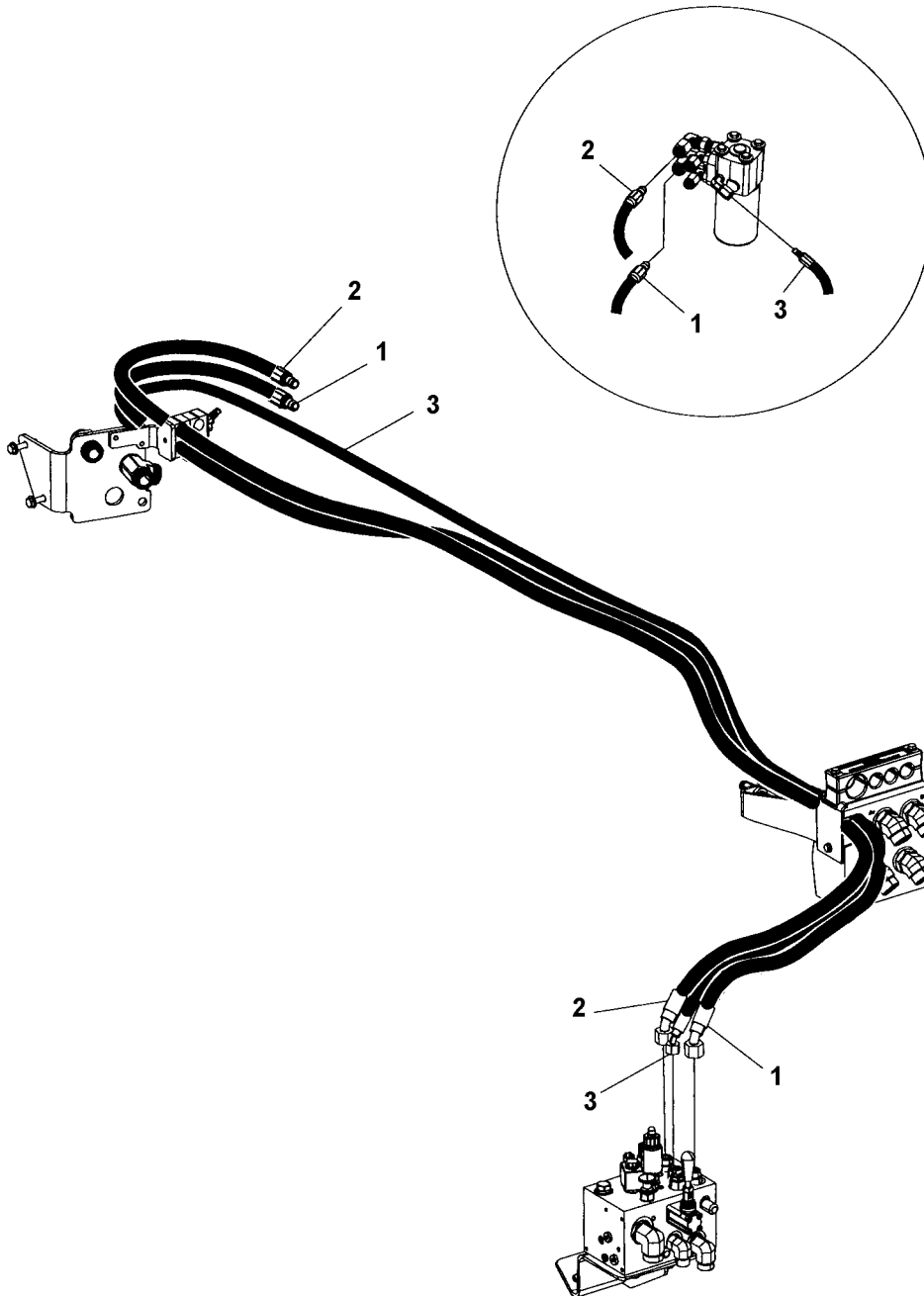
**Connector kit**

<b>Item</b>	<b>Part No</b>	<b>Rem Qty</b>	<b>Description</b>	<b>Code</b>
1	4812111768	1	Hydraulic block	
2	4700792339	6	Straight connector orfs	D
3	4700791212	4	Elbow 45	C
4	4812111771	2	Hose holder	
5	4812111770	1	Holder	
6	4812114492	1	Bulkhead union	
7	4700904229	4	Steel plain washer 8,4x16x1,5	C
8	4700500019	2	Hexagon head screw M8x16H 8,8	C
9	4700500090	2	Screw	C
10	4700904556	2	Washer 8,4x16x3,0	C
11	4700500022	2	Screw M8x30H 8.8 A2K	C



**Connector kit**

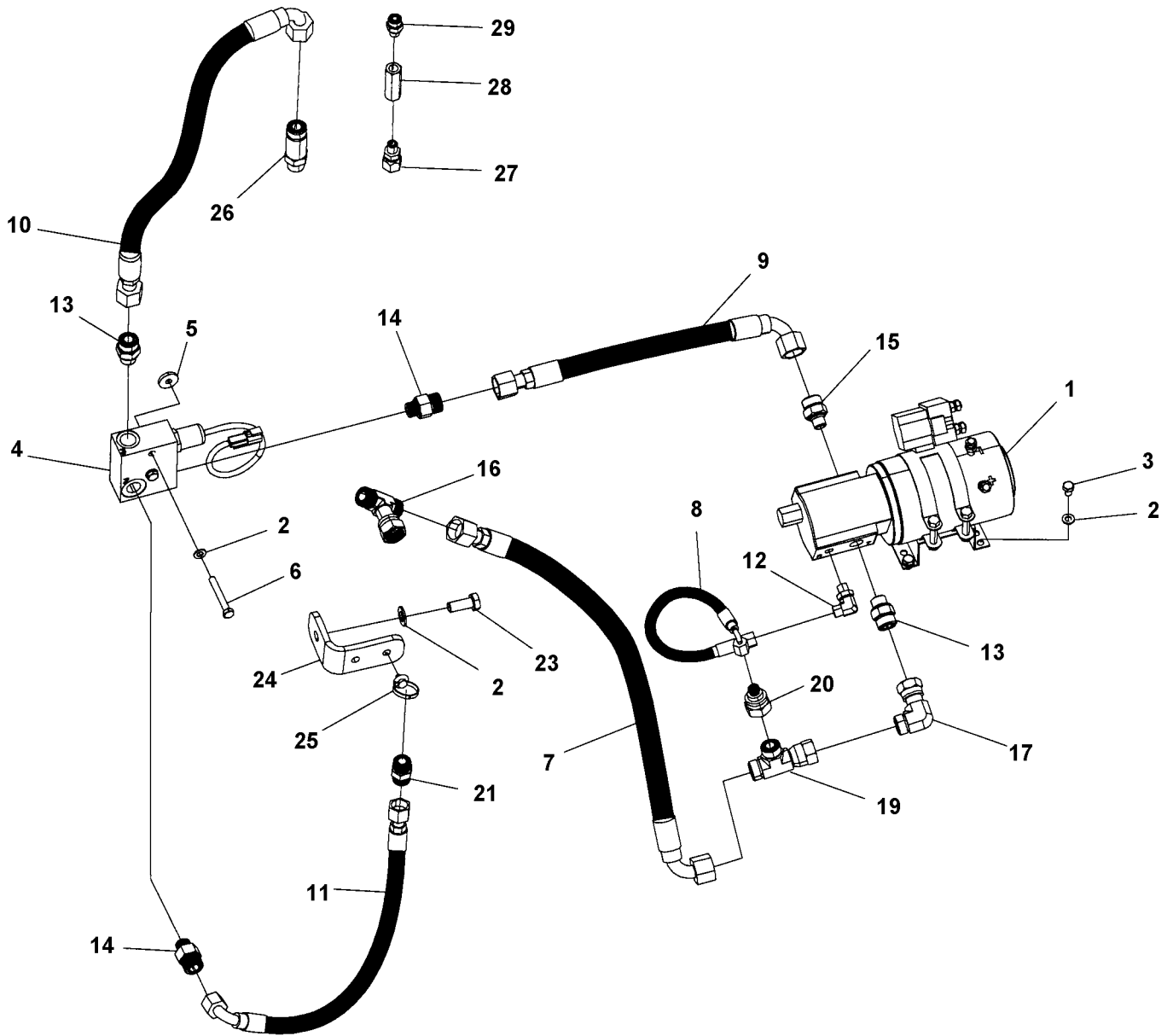
<b>Item</b>	<b>Part No</b>	<b>Rem Qty</b>	<b>Description</b>	<b>Code</b>
1	4812115463	1	Holder	
2	4812115464	1	Holder	
3	4700904640	2	Washer 8,4x22x3	C
4	4700500021	2	Screw M8-1,25x25 8.8	C
5	4812111769	1	Hydraulic block	
6	4700792339	1	Straight connector orfs	D
7	4812112555	1	Straight connector orfs	D
8	4700792299	1	Elbow 90	
9	4700791212	1	Elbow 45	C
10	4700791318	1	Straight connector	D
11	4700904229	4	Steel plain washer 8,4x16x1,5	C
12	4700500023	2	Screw M8-1,25x40 8,8	C
13	4700500090	2	Screw	C
14	4812113177	2	Rubber nut	



Hydraulic hoses, steering

Item	Part No	Rem Qty	Description	Code
1	4811000231	1	Hydraulic hose	C
2	4811000232	1	Hydraulic hose	C
3	4811000233	1	Hydraulic hose	C

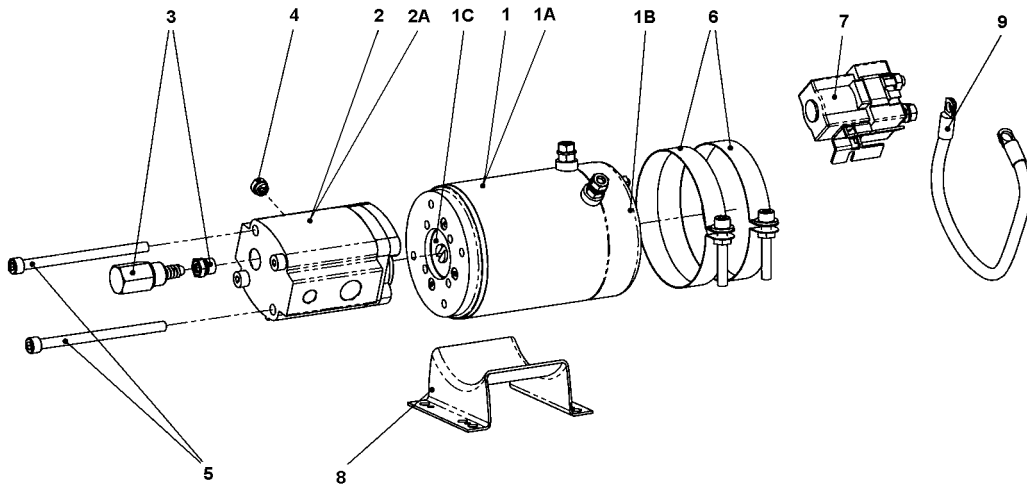
Emergency steering option



**Emergency steering option**

<b>Item</b>	<b>Part No</b>	<b>Rem Qty</b>	<b>Description</b>	<b>Code</b>
1	4812112188	1	Hydraulic pump Emergency steering unit ( Page 284 )	
2	4700904229	7	Steel plain washer 8,4x16x1,5	C
3	4700500018	4	Screw M8-1,25x12 8,8	C
4	4812112236	1	Hydraulic valve ( Page 286 )	
5	4700904734	2	Steel plain washer	
6	4700500026	2	Screw M8-1,25x60 8,8	
7	4811000391	1	Hydraulic hose	
8	4700484342	1	Hydraulic hose	D
9	4811000392	1	Hydraulic hose	
10	4811000393	1	Hydraulic hose	
11	4812116806	1	Hydraulic hose	D
12	4700791397	1	Elbow 90, O-ring	D
13	4700792074	2	Straight connector	
14	4811000074	2	Straight connector orfs	D
15	4700792093	1	Straight connector orfs	
16	4811000341	1	Tee-connector	
17	4700904766	1	Elbow connector 90	
19	4700791832	1	Tee-connector	D
20	4811000305	1	Reducer	
21	4700904943	1	Connector	D
23	4700500053	1	Screw M8x20H 8.8	C
24	4812116807	1	Bracket	
25	4700792441	1	Cable tie with holder	C
26	4700791821	1	Straight connector orfs	D
27	4700792176	1	Straight connector orfs	
28	4700377511	1	Check valve	D
29	4700792177	1	Straight connector	

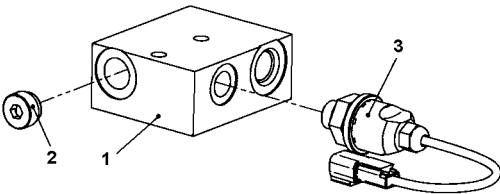
**4812112188 Hydraulic pump Emergency steering unit**





**4812112188 Hydraulic pump Emergency steering unit**

<b>Item</b>	<b>Part No</b>	<b>Rem Qty</b>	<b>Description</b>	<b>Code</b>
	4812112188	1	Hydraulic pump Emergency steering unit	
1	4812157656	1	. Motor	
1-A		1	. Brush kit	
1-B	4812157471	1	. Ball bearing	
1-C	4812157472	1	. Ball bearing	
2	4812157657	1	. Pump	
2-A	4812157473	1	. Seal kit	
3		1	. Relief valve kit	
4		1	. Check valve	
5		2	. Screw	
6		2	. Clamp cpl	
7	4812157474	1	. Start switch	
8		1	. Motor bracket	
9		1	. Connection cable	



**4812112236 Hydraulic valve**

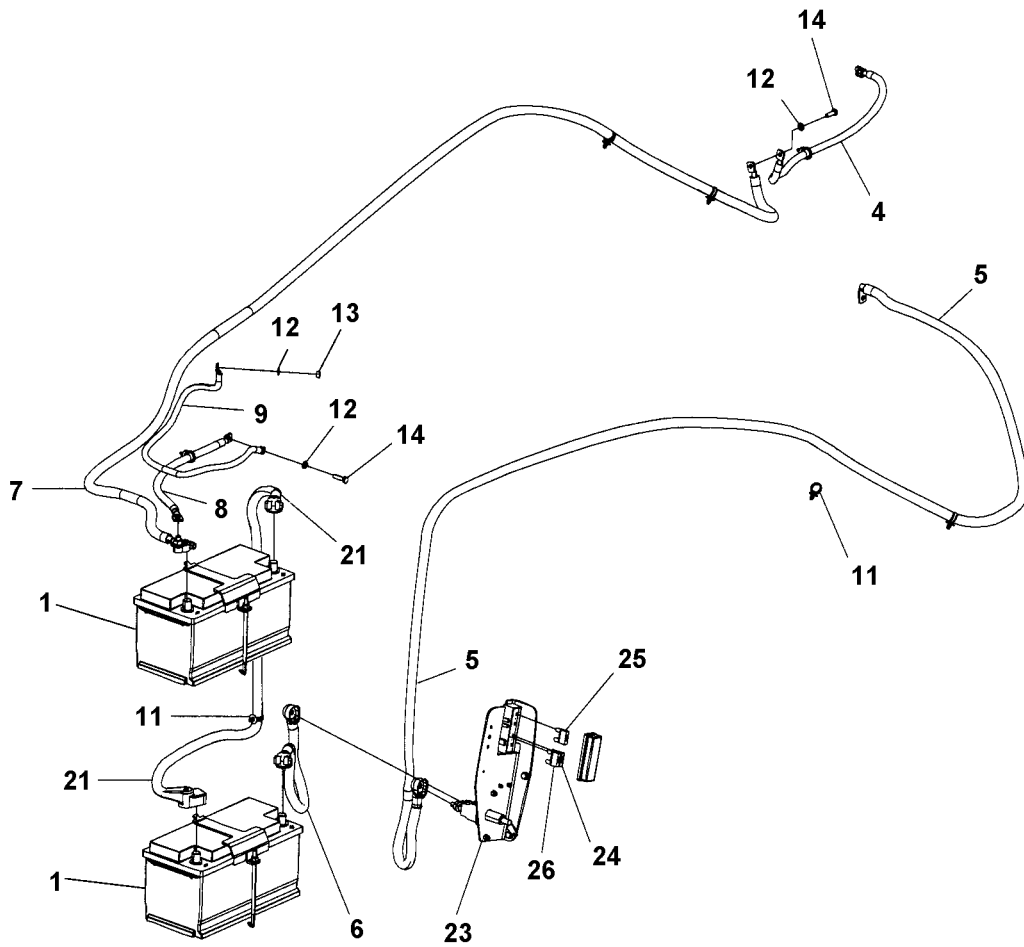
<b>Item</b>	<b>Part No</b>	<b>Rem Qty</b>	<b>Description</b>	<b>Code</b>
	4812112236	1	Hydraulic valve	
1		1	. Valve block	
2		1	. Check valve	
3		1	. Pressure switch cpl	



**Electrical equipment**

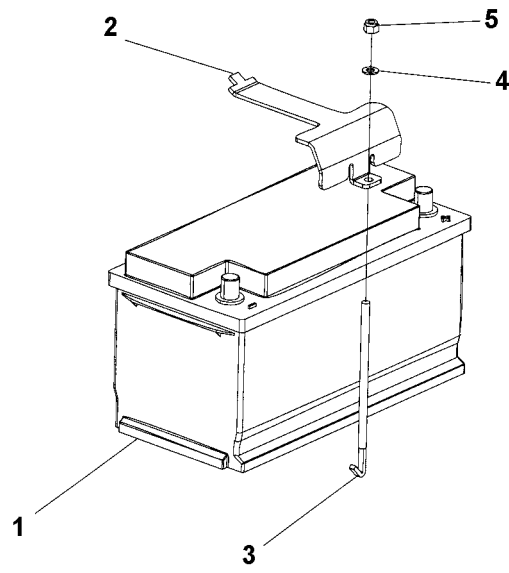
<b>Item</b>	<b>Part No</b>	<b>Rem Qty</b>	<b>Description</b>	<b>Code</b>
1		1	Electric cables, power supply ( Page 290 )	
2		1	Electric cables, power supply, 2-pole, option ( Page 296 )	
3		1	Electrical cables, engine ECU, horn, back-up alarm ( Page 300 )	
4		1	Wiring harness kit Power supply cab ( Page 314 )	
6		1	Driving & side direction lights, option ( Page 316 )	
7		1	GPS equipment module, option ( Page 328 )	
8		1	Tachograph, option ( Page 336 )	
9		1	Speed sensor, frequency sensor, option ( Page 344 )	
10		1	Pre-heater installation, option ( Page 348 )	
11		1	Rotating beacon, working light ( Page 350 )	
12		1	Wiring harness, power park, Option ( Page 358 )	
13		1	Regenerating delay, displacement shift ( Page 360 )	
14		1	Compaction meter ( Page 362 )	

Electric cables, power supply



**Electric cables, power supply**

<b>Item</b>	<b>Part No</b>	<b>Rem Qty</b>	<b>Description</b>	<b>Code</b>
1		2	Battery module ( Page 292 )	
4	4811000172	1	Connection cable, coarse	
5	4811000173	1	Connection cable, coarse	
6	4811000176	1	Battery cable	
7	4811000177	1	Battery cable	
8	4811000178	1	Connection cable, coarse	
9	4700791518	1	Connection cable, coarse	D
11	4700792441	N	Cable tie with holder	C
12	4700904229	4	Steel plain washer 8,4x16x1,5	C
13	4700570005	3	Nut M8	C
14	4700500053	2	Screw M8x20H 8.8	C
21	4811000532	1	Battery cable	
23		1	Battery disconnecter module ( Page 294 )	
24	4700904037	1	Fuse 30A	A
25	4700904039	1	Fuse 50A Red High	A
26	4700904038	1	Fuse 40A	A

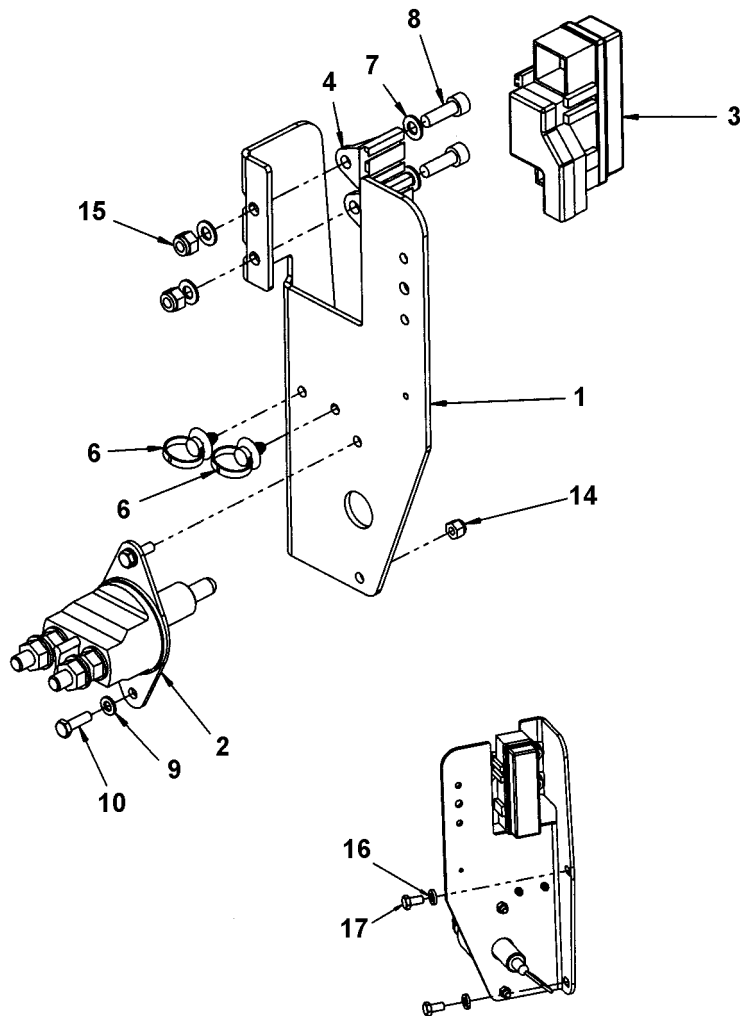




**Battery module**

<b>Item</b>	<b>Part No</b>	<b>Rem Qty</b>	<b>Description</b>	<b>Code</b>
1		1	Battery 12V, 100 Ah	
2	4700396634	1	Battery holder	D
3	4700396635	1	Battery screw	D
4	4700904229	1	Steel plain washer 8,4x16x1,5	C
5	4700586003	1	Lock nut M8	C

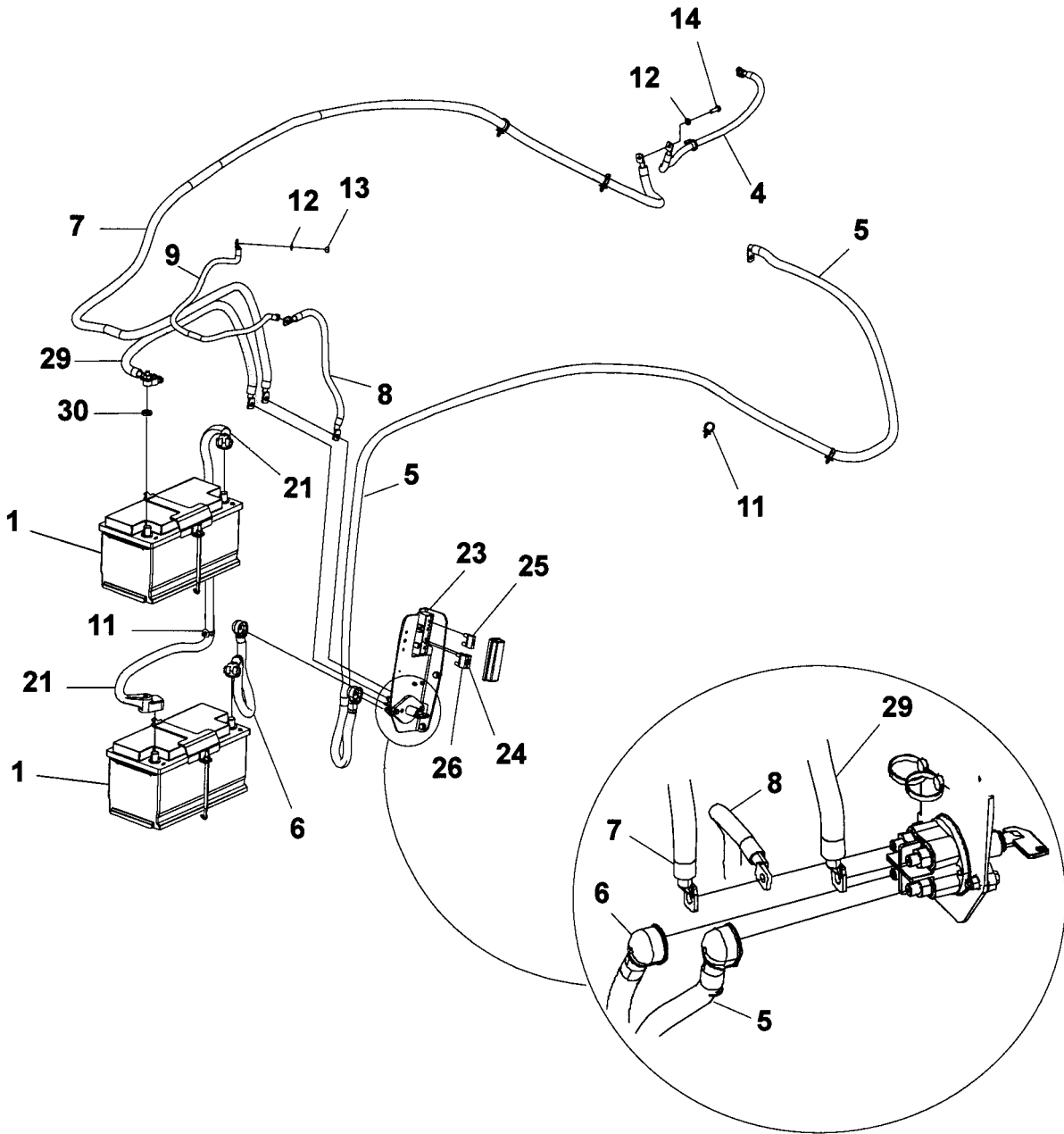
**Battery disconnecter module**



**Battery disconnecter module**

<b>Item</b>	<b>Part No</b>	<b>Rem Qty</b>	<b>Description</b>	<b>Code</b>
1	4812112001	1	Holder	
2	4700903640	1	Battery switch	D
3	4812111981	1	Fuse holder	
4	4812112000	2	Fuse holder	
6	4700792441	2	Cable tie with holder	C
7	4700904229	4	Steel plain washer 8,4x16x1,5	C
8	4700508019	2	Screw M8x25 8.8	C
9	4700904228	2	Washer 6,4x12x1,5	C
10	4700500040	2	Screw M6-1x20 8,8	C
14	4700586002	2	Lock nut M6 -8	C
15	4700586003	2	Lock nut M8	C
16	4700904556	2	Washer 8,4x16x3,0	C
17	4700500019	2	Hexagon head screw M8x16H 8,8	C

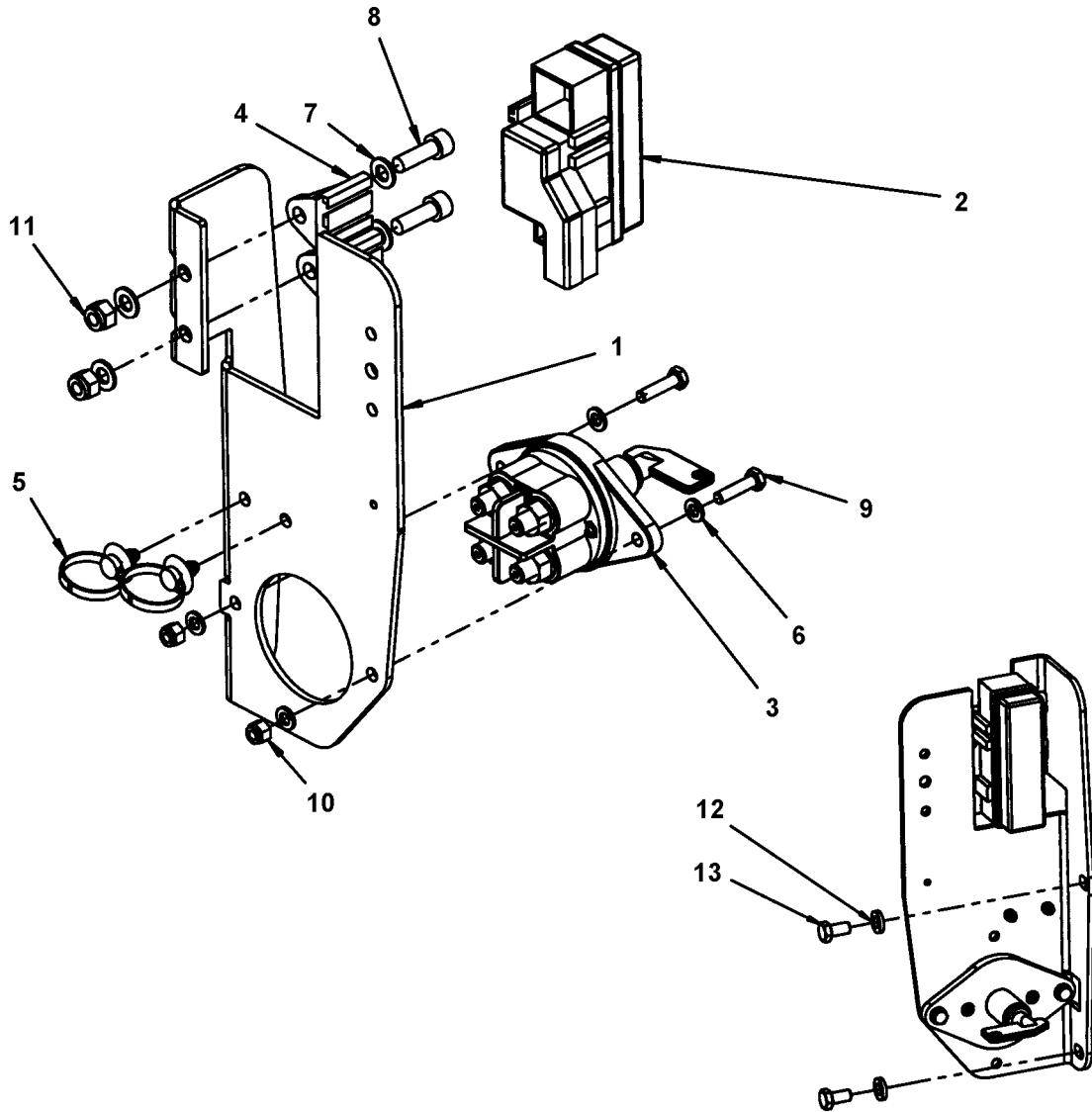
Electric cables, power supply, 2-pole, option



**Electric cables, power supply, 2-pole, option**

<b>Item</b>	<b>Part No</b>	<b>Rem Qty</b>	<b>Description</b>	<b>Code</b>
1		2	Battery module ( Page 292 )	
4	4811000172	1	Connection cable, coarse	
5	4811000173	1	Connection cable, coarse	
6	4811000176	1	Battery cable	
7	4812116361	1	Connection cable	
8	4811000178	1	Connection cable, coarse	
9	4700791518	1	Connection cable, coarse	D
11	4700792441	N	Cable tie with holder	C
12	4700904229	2	Steel plain washer 8,4x16x1,5	C
13	4700570005	1	Nut M8	C
14	4700500021	1	Screw M8-1,25x25 8.8	C
21	4811000532	1	Battery cable	
23		1	Battery disconnecter, 2-pole ( Page 298 )	
24	4700904037	1	Fuse 30A	A
25	4700904039	1	Fuse 50A Red High	A
26	4700904038	1	Fuse 40A	A
29	4812116362	1	Battery cable	
30	4700603018	2	Washer 10x18x4	C

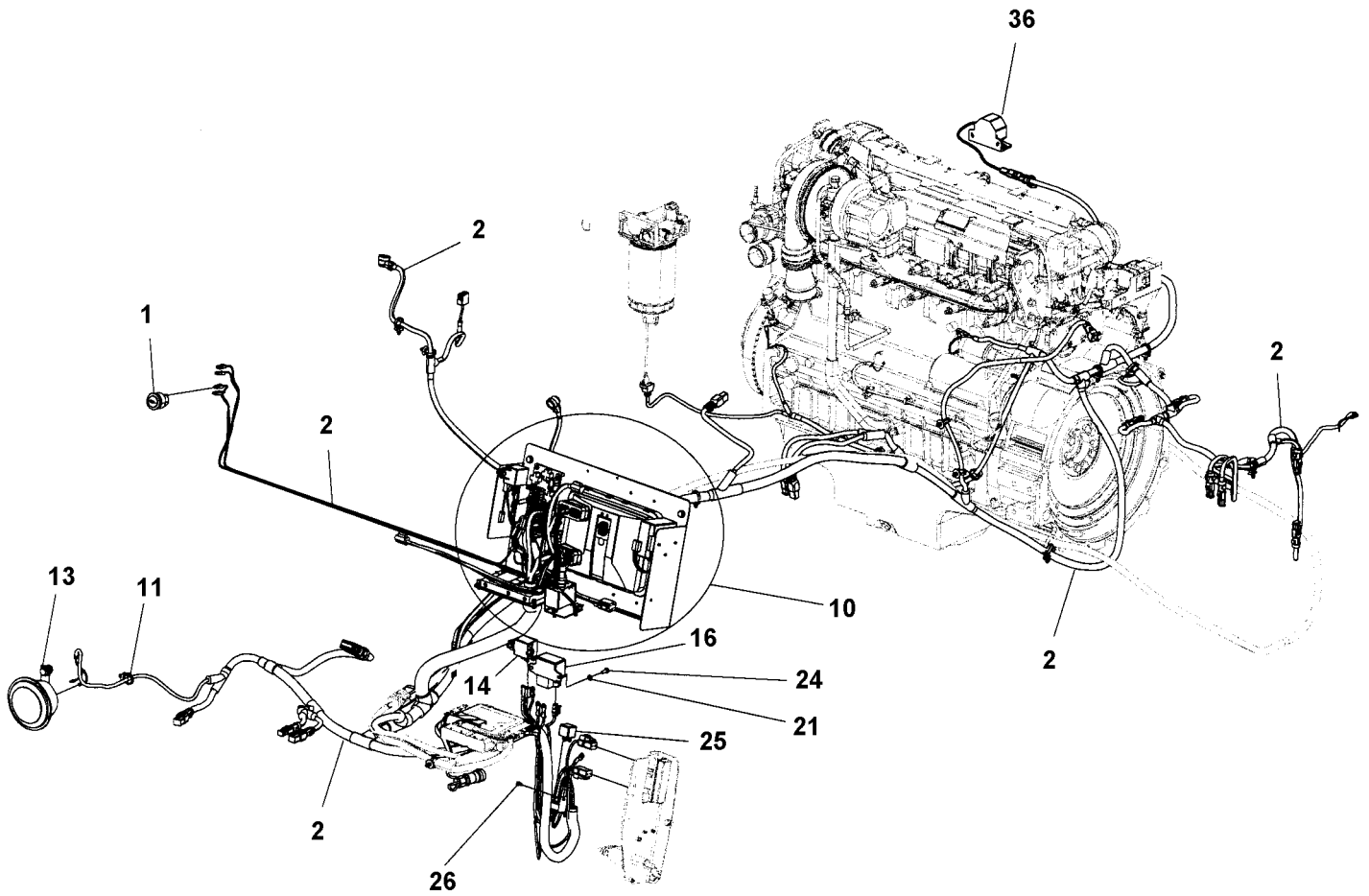
Battery disconnecter, 2-pole



**Battery disconnecter, 2-pole**

<b>Item</b>	<b>Part No</b>	<b>Rem Qty</b>	<b>Description</b>	<b>Code</b>
1	4812116738	1	Holder	
2	4812111981	1	Fuse holder	
3	4812116877	1	Battery disconnecter	
4	4812112000	2	Fuse holder	
5	4700792441	2	Cable tie with holder	C
6	4700904228	4	Washer 6,4x12x1,5	C
7	4700904229	4	Steel plain washer 8,4x16x1,5	C
8	4700508019	2	Screw M8x25 8.8	C
9	4700500075	2	Screw M6-1,0x25 8.8	C
10	4700586002	2	Lock nut M6 -8	C
11	4700586003	2	Lock nut M8	C
12	4700904556	2	Washer 8,4x16x3,0	C
13	4700500019	3	Hexagon head screw M8x16H 8,8	C

Electrical cables, engine ECU, horn, back-up alarm

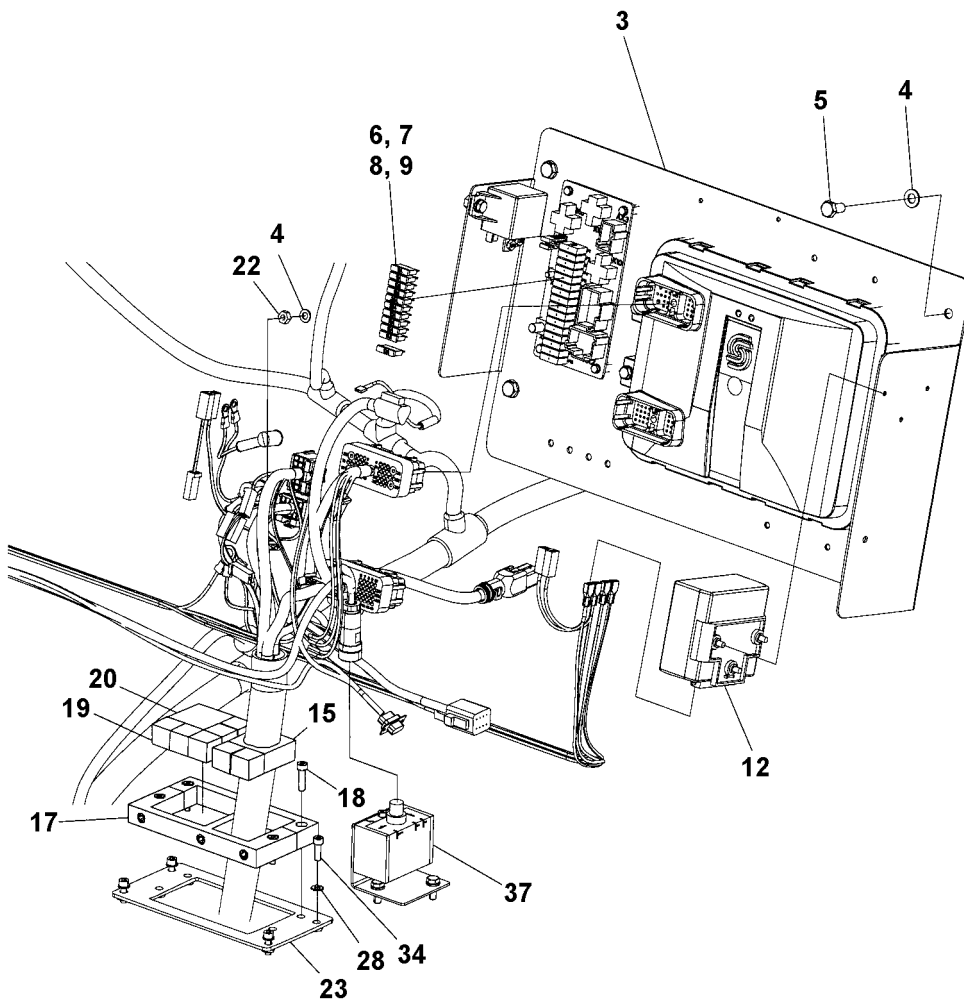




**Electrical cables, engine ECU, horn, back-up alarm**

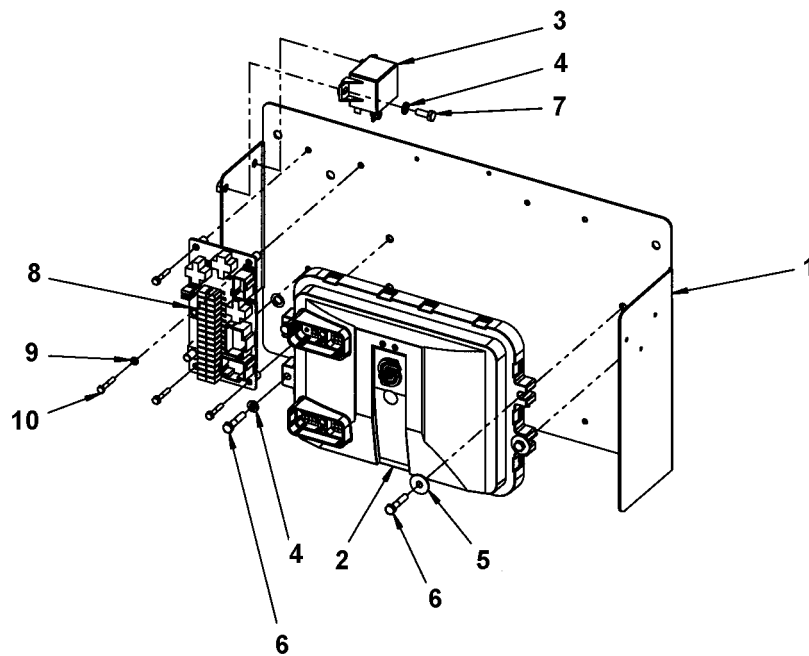
<b>Item</b>	<b>Part No</b>	<b>Rem Qty</b>	<b>Description</b>	<b>Code</b>
1	4812110560	1	Power socket 12V 16A	D
2	4812113956	1	Cable harness	
10		1	ECU, inclination sensor, power converter ( Page 302 )	
11	4700792441	N	Cable tie with holder	C
13		1	Horn module ( Page 310 )	
14	4700792309	1	Relay	D
16	4700792310	1	Relay	
21	4700904228	4	Washer 6,4x12x1,5	C
24	4700500013	4	Screw M6-1x16 8,8	C
25	4700792422	1	Relay	
26	4700792210	1	Screw torx	
36		1	Back-up alarm module ( Page 312 )	

**ECU, inclination sensor, power converter**



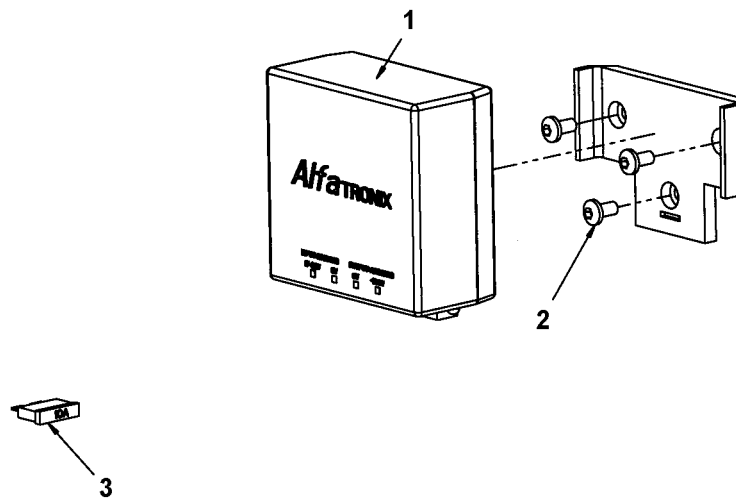
**ECU, inclination sensor, power converter**

<b>Item</b>	<b>Part No</b>	<b>Rem Qty</b>	<b>Description</b>	<b>Code</b>
3		1	Standard ECU assembly ( Page 304 )	
4	4700904229	5	Steel plain washer 8,4x16x1,5	C
5	4700500019	4	Hexagon head screw M8x16H 8,8	C
6	4700901225	1	Fuse 5A	A
7	4700901227	7	Fuse 10A	A
8	4700903741	2	Fuse 20A Yellow Medium	A
9	4700901228	1	Fuse 15A	A
12		1	Power converter module ( Page 306 )	
15	4812112067	1	Cable entry insert	
17	4812112065	1	Cable entry frame	
18	4700508020	4	Screw	D
19	4812112066	7	Cable entry insert	
20	4812112070	1	Cable entry insert	
22	4700570005	1	Nut M8	C
23	4812114426	1	Holder	
28	4700904281	4	Washer 5,3x10x1 300HV	C
34	4700926537	4	Screw M5-0,8x16H 8,8	
37		1	Inclination sensor module ( Page 308 )	



**Standard ECU assembly**

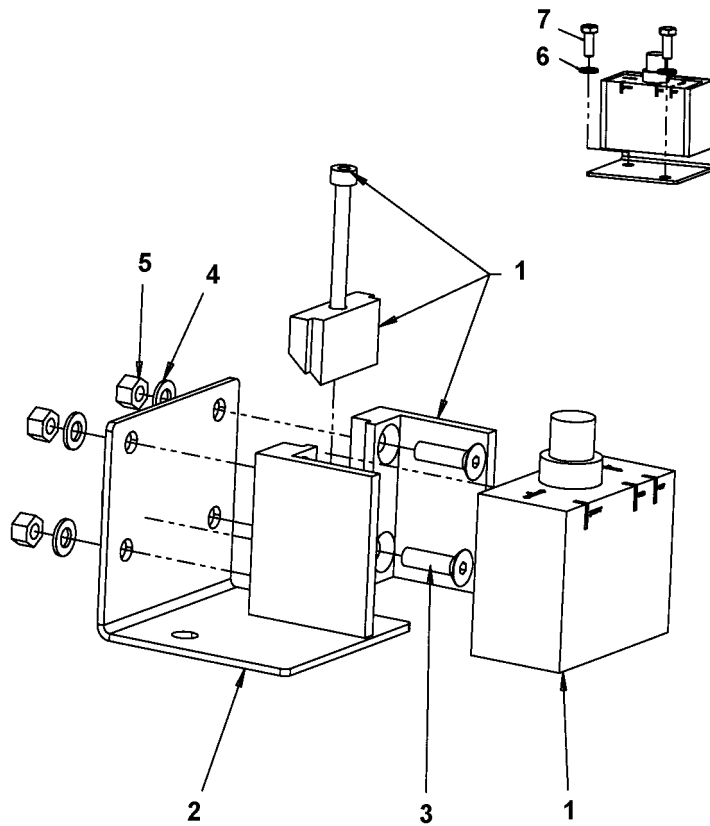
<b>Item</b>	<b>Part No</b>	<b>Rem Qty</b>	<b>Description</b>	<b>Code</b>
1	4812114619	1	Mounting plate	
2	4700390860	1	Control unit	
3	4700792309	1	Relay	D
4	4700904228	4	Washer 6,4x12x1,5	C
5	4700928467	2	Washer	C
6	4700500015	4	Screw M6X30 8.8	C
7	4700500013	2	Screw M6-1x16 8,8	C
8	4812114655	1	Circuit board	
9	4700904698	4	Washer 4,3x8x0,8	C
10	4700904312	4	Hexagon head screw	



**Power converter module**

<b>Item</b>	<b>Part No</b>	<b>Rem Qty</b>	<b>Description</b>	<b>Code</b>
1	4812112017	1	Power converter	
2	4700792210	3	Screw torx	
3	4700901227	1	Fuse 10A	A

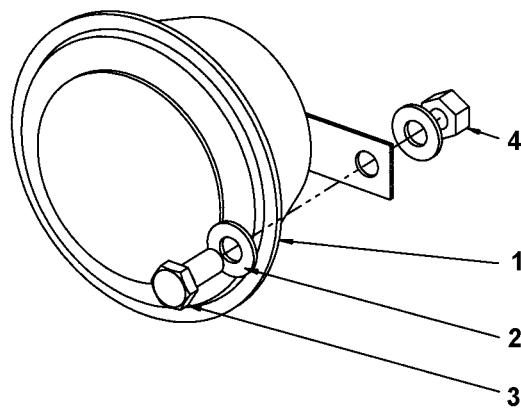
**Inclination sensor module**





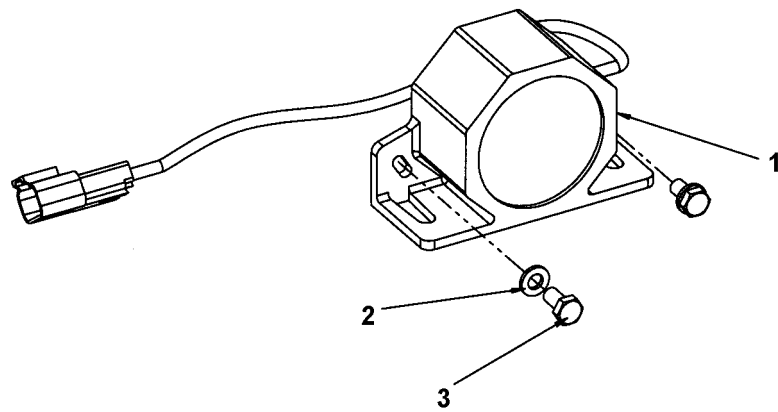
**Inclination sensor module**

<b>Item</b>	<b>Part No</b>	<b>Rem Qty</b>	<b>Description</b>	<b>Code</b>
1	4812112686	1	Inclination sensor	
2	4812112691	1	Holder	
3	4700904504	4	Screw M5 x 18	C
4	4700904281	4	Washer 5,3x10x1 300HV	C
5	4700570003	4	Nut M5	C
6	4700904228	2	Washer 6,4x12x1,5	C
7	4700500013	2	Screw M6-1x16 8,8	C



**Horn module**

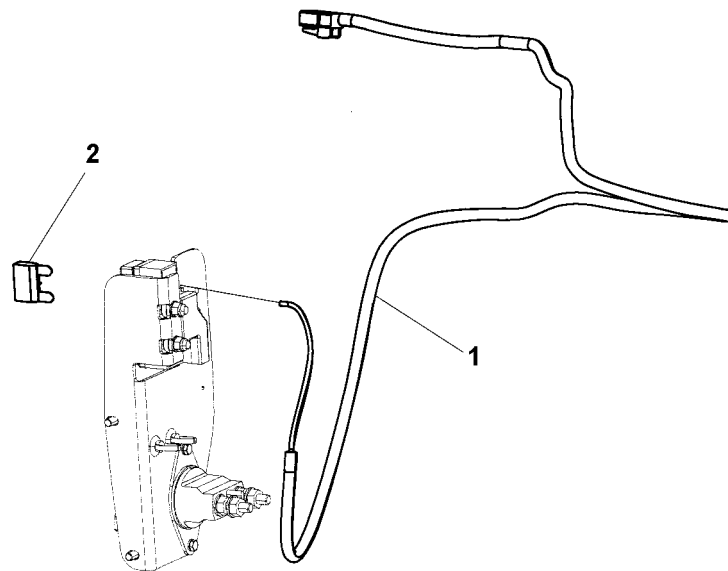
<b>Item</b>	<b>Part No</b>	<b>Rem Qty</b>	<b>Description</b>	<b>Code</b>
1	4812115767	1	Horn	
2	4700904230	2	Steel plain washer	C
3	4700500027	1	Screw M10-1,55x22 8.8	D
4	4700570006	1	Nut	B



**Back-up alarm module**

<b>Item</b>	<b>Part No</b>	<b>Rem Qty</b>	<b>Description</b>	<b>Code</b>
1	4700904911	1	Back-up alarm 97 dB	
2	4700904228	2	Washer 6,4x12x1,5	C
3	4700500012	2	Screw M6x12	C

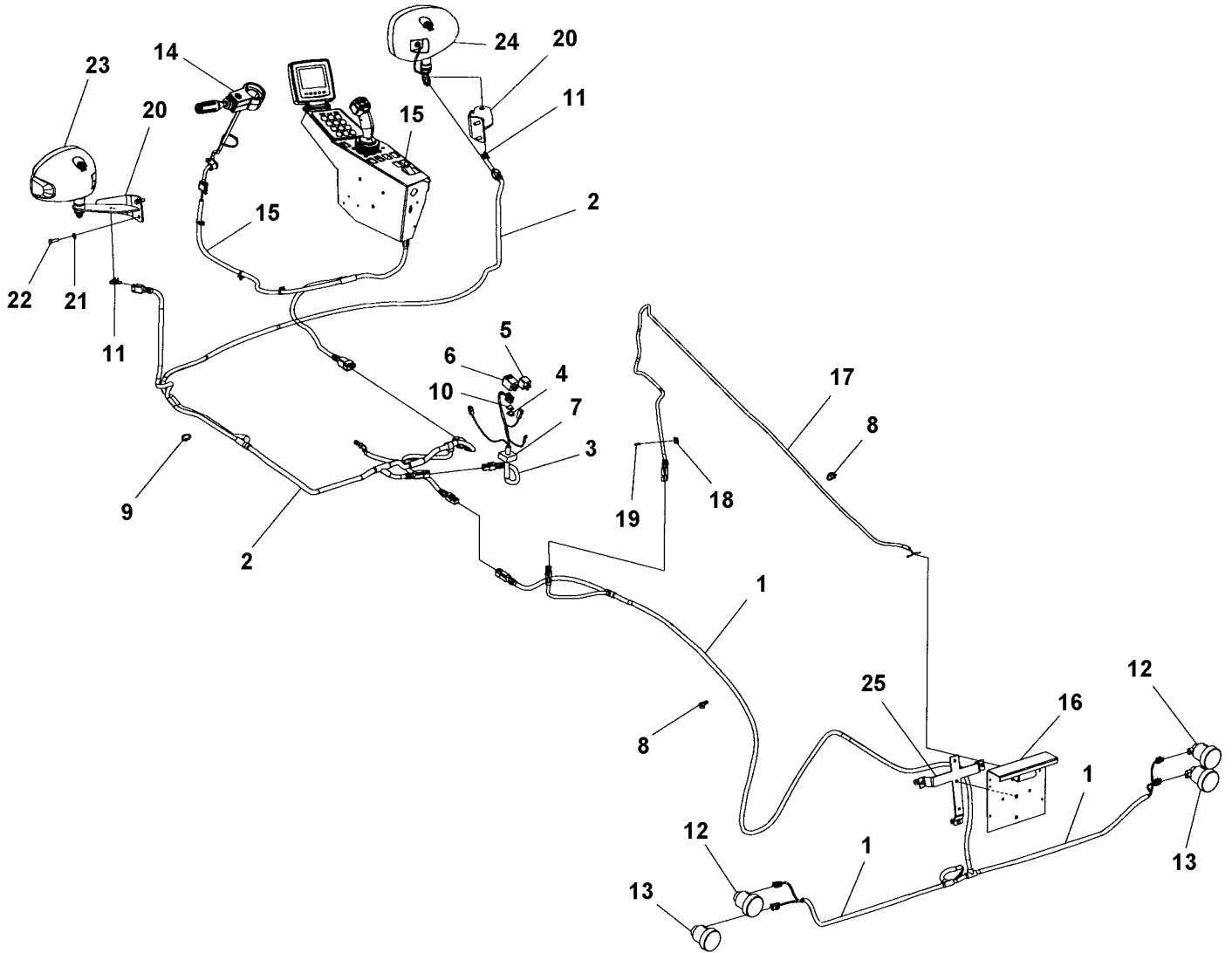
Wiring harness kit Power supply cab



**Wiring harness kit Power supply cab**

<b>Item</b>	<b>Part No</b>	<b>Rem Qty</b>	<b>Description</b>	<b>Code</b>
1	4812111241	1	Cable harness	
2	4700904037	1	Fuse 30A	A

Driving & side direction lights, option



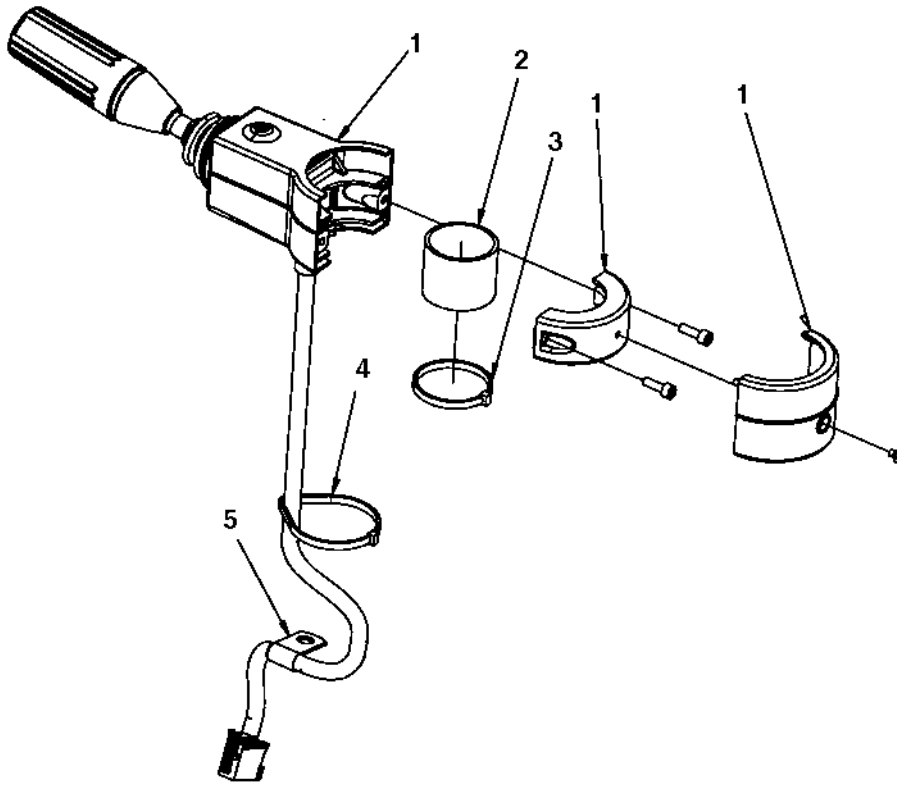


**Driving & side direction lights, option**

Item	Part No	Rem	Qty	Description	Code
1	4812110884		1	Cable harness	
2	4812112374		1	Cable harness	
3	4812114656		1	Cable harness	
4	4700901227		1	Fuse 10A	A
5	4700792422		1	Relay	
6	4811000163		1	Relay	
7	4811000429		1	Cable entry insert	
8	4700792441		26	Cable tie with holder	C
9	4700313041		11	Cable ties L=200 mm	B
10	4700901226		1	Fuse 7,5A	
11	4812114873		2	Connector holder	
12	4700792520		2	Direction indicator	
13	4700792519		2	Brake/position light	
14			1	Steering column switch module ( Page 318 )	
15			1	Wiring harness kit ( Page 320 )	
16			1	Registration plate light module ( Page 322 )	
17	4812112916		1	Cable harness	
18	4700395352		5	Cable tie holder	
19	4700313068		5	Cable ties L=100 mm	
20	4812112793		2	Bracket	
21	4700904229		4	Steel plain washer 8,4x16x1,5	C
22	4700500021		4	Screw M8-1,25x25 8.8	C
23	4812113117	A	1	Head light, right hand asymmetric	
	4812113140	A	1	Head light, left hand asymmetric	
24	4812113118	B	1	Head light, right hand asymmetric	
	4812113141	B	1	Head light, left hand asymmetric	
25			1	Holder module Registration plate light ( Page 326 )	

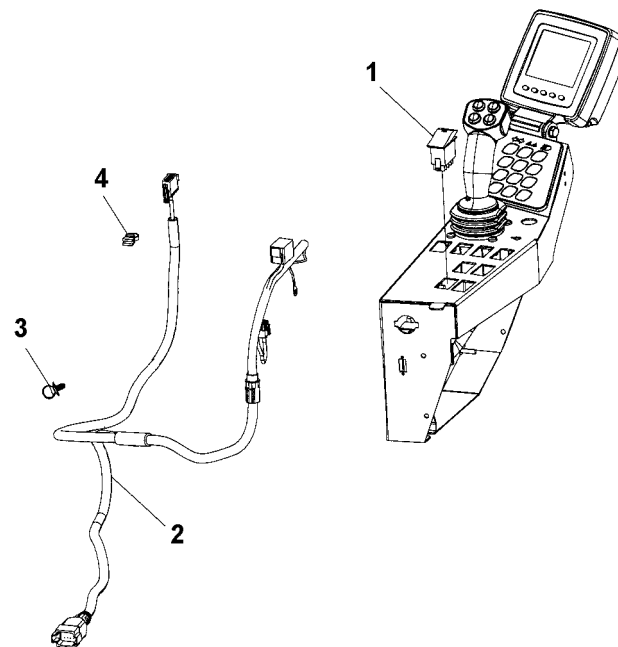
- A) Left
- B) Right

**Steering column switch module**



**Steering column switch module**

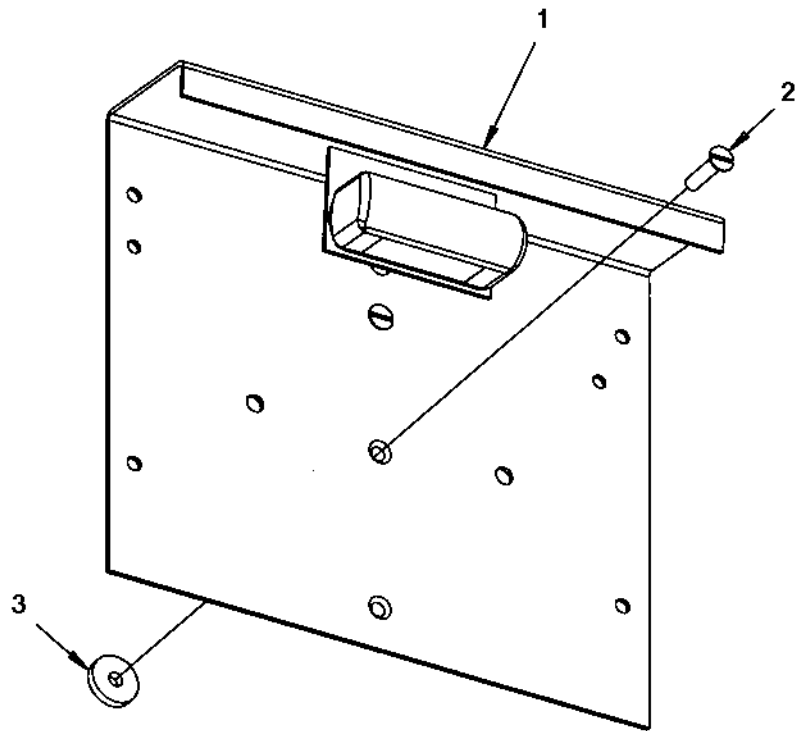
<b>Item</b>	<b>Part No</b>	<b>Rem Qty</b>	<b>Description</b>	<b>Code</b>
1	4700392450	1	Steering column switch	
2	4700392451	1	Rubber cloth	
3	4700313041	1	Cable ties L=200 mm	B
4	4700792609	1	Cable ties	
5	4700921080	1	Clamp	C



**Wiring harness kit**

<b>Item</b>	<b>Part No</b>	<b>Rem Qty</b>	<b>Description</b>	<b>Code</b>
1	4700792398	1	Switch	
2	4812111248	1	Cable harness	
3	4700792441	2	Cable tie with holder	C
4	4700792537	1	Cable tie with holder	

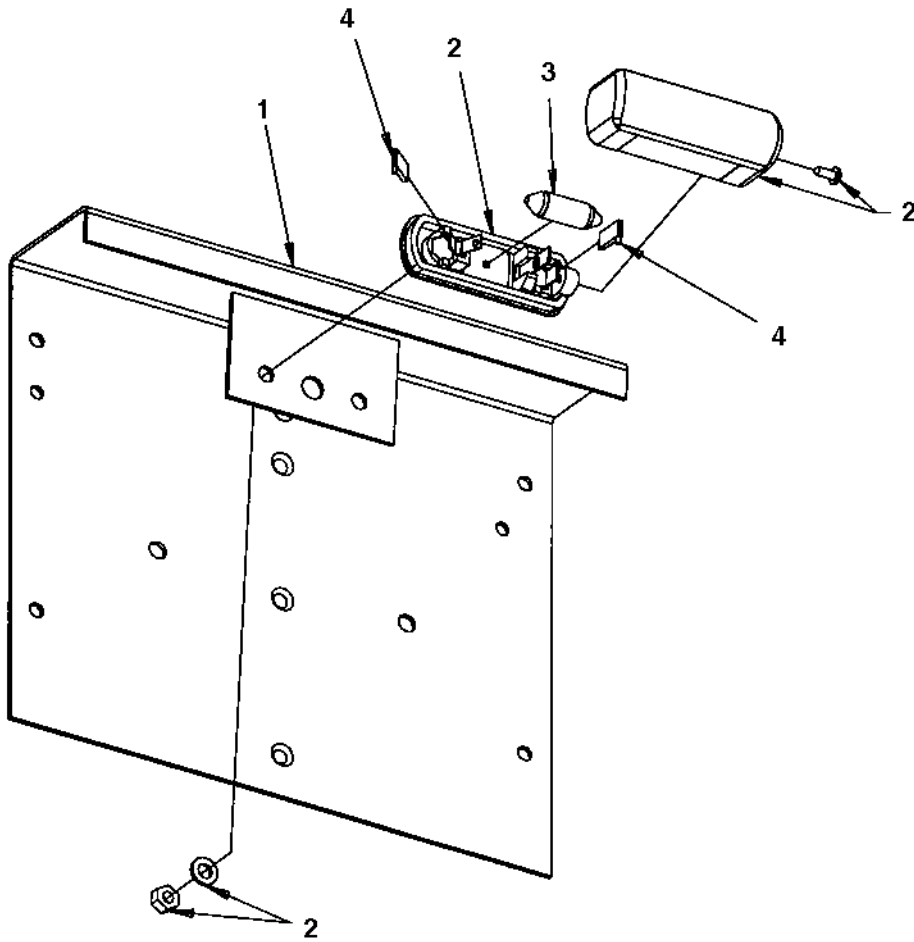
Registration plate light module



Registration plate light module

Item	Part No	Rem Qty	Description	Code
1		1	Registration plate light ( Page 324 )	
2	4700928784	2	Screw	
3	4700904735	2	Washer	C

Registration plate light

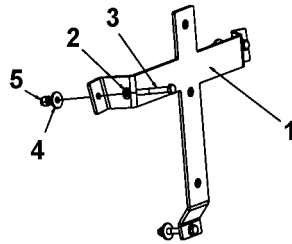




Registration plate light

Item	Part No	Rem Qty	Description	Code
1	4700355797	1	Licence plate holder	
2	4700929455	1	Licence plate light	D
3	4700792354	1	Bulb 24V 5W	
4	4700792035	2	Push-on terminal	

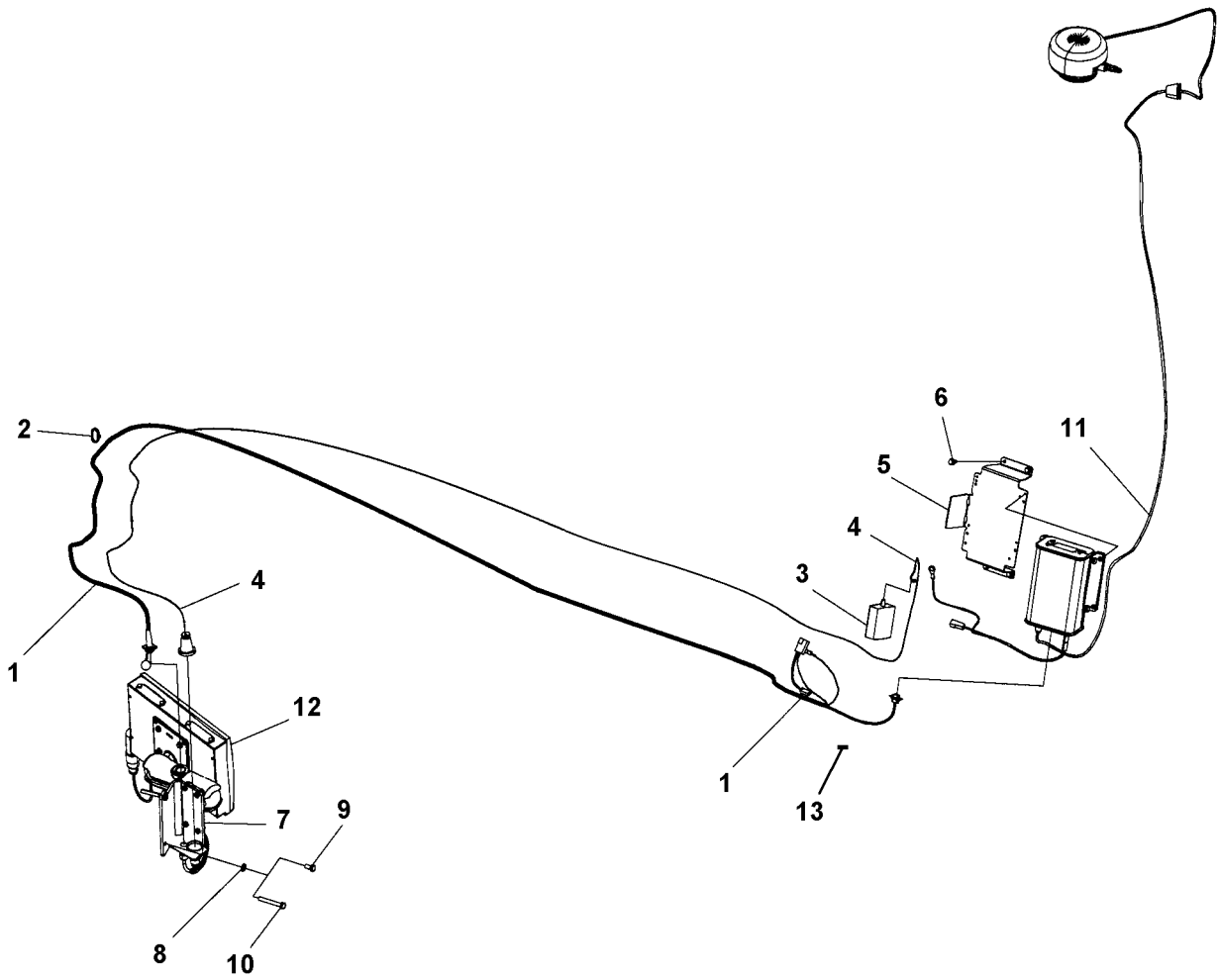
Holder module Registration plate light



**Holder module Registration plate light**

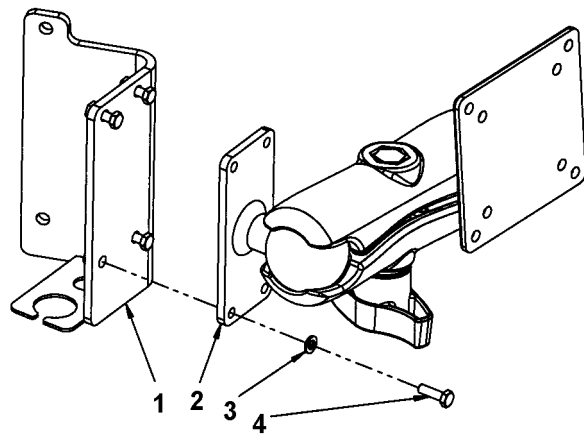
<b>Item</b>	<b>Part No</b>	<b>Rem Qty</b>	<b>Description</b>	<b>Code</b>
1	4812112924	1	Holder	D
2	4700904281	3	Washer 5,3x10x1 300HV	C
3	4700500010	3	Screw	D
4	4700601001	3	Washer	C
5	4700586001	3	Lock nut	C

GPS equipment module, option



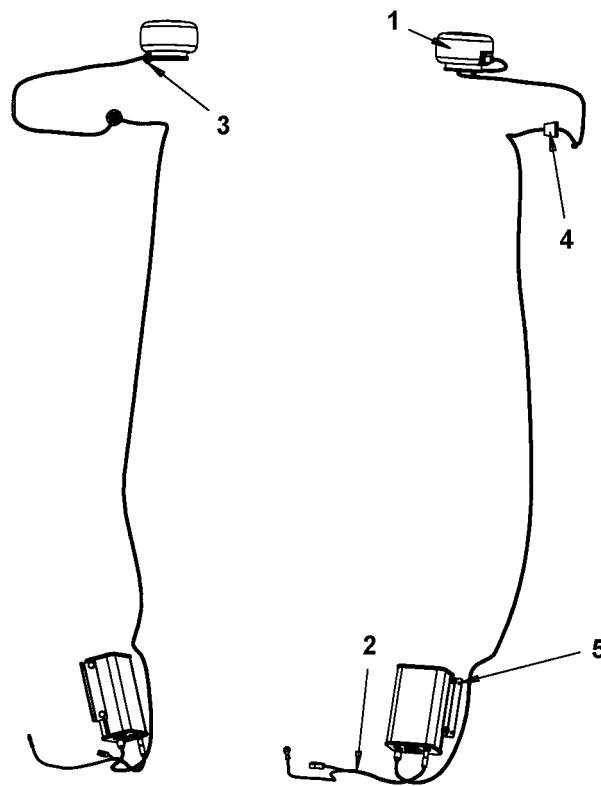
**GPS equipment module, option**

<b>Item</b>	<b>Part No</b>	<b>Rem Qty</b>	<b>Description</b>	<b>Code</b>
1	4812113167	1	Cable harness	
2	4700313041	6	Cable ties L=200 mm	B
3	4700792660	1	Gateway CAN/BUS	
4	4812115093	1	Cable harness	
5	4700394276	1	Bracket	
6	4700541702	4	Screw M6x12	C
7		1	Holder ( Page 330 )	
8	4700904229	2	Steel plain washer 8,4x16x1,5	C
9	4700500019	2	Hexagon head screw M8x16H 8,8	C
10	4700500026	2	Screw M8-1,25x60 8,8	
11		1	GPS equipment module ( Page 332 )	
12	4700396119	1	Computer	
13	4700901227	1	Fuse 10A	A



**Holder**

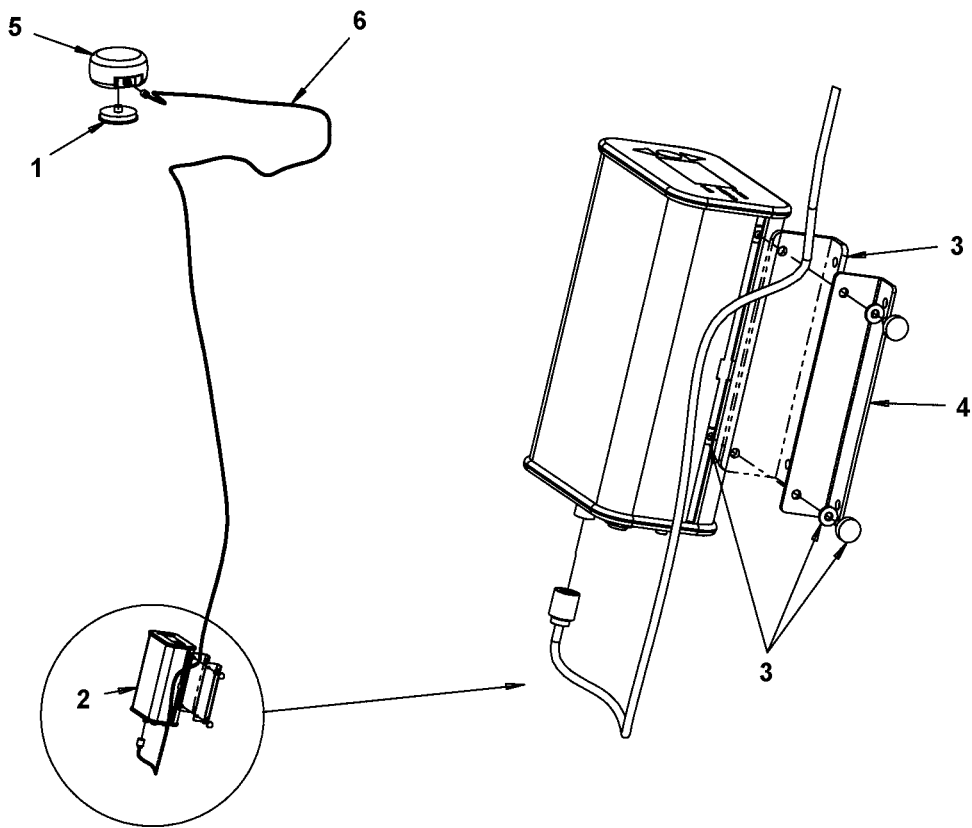
<b>Item</b>	<b>Part No</b>	<b>Rem Qty</b>	<b>Description</b>	<b>Code</b>
1	4700395888	1	Bracket	
2	4700394542	1	Ball joint	
3	4700904228	4	Washer 6,4x12x1,5	C
4	4700500040	4	Screw M6-1x20 8,8	C





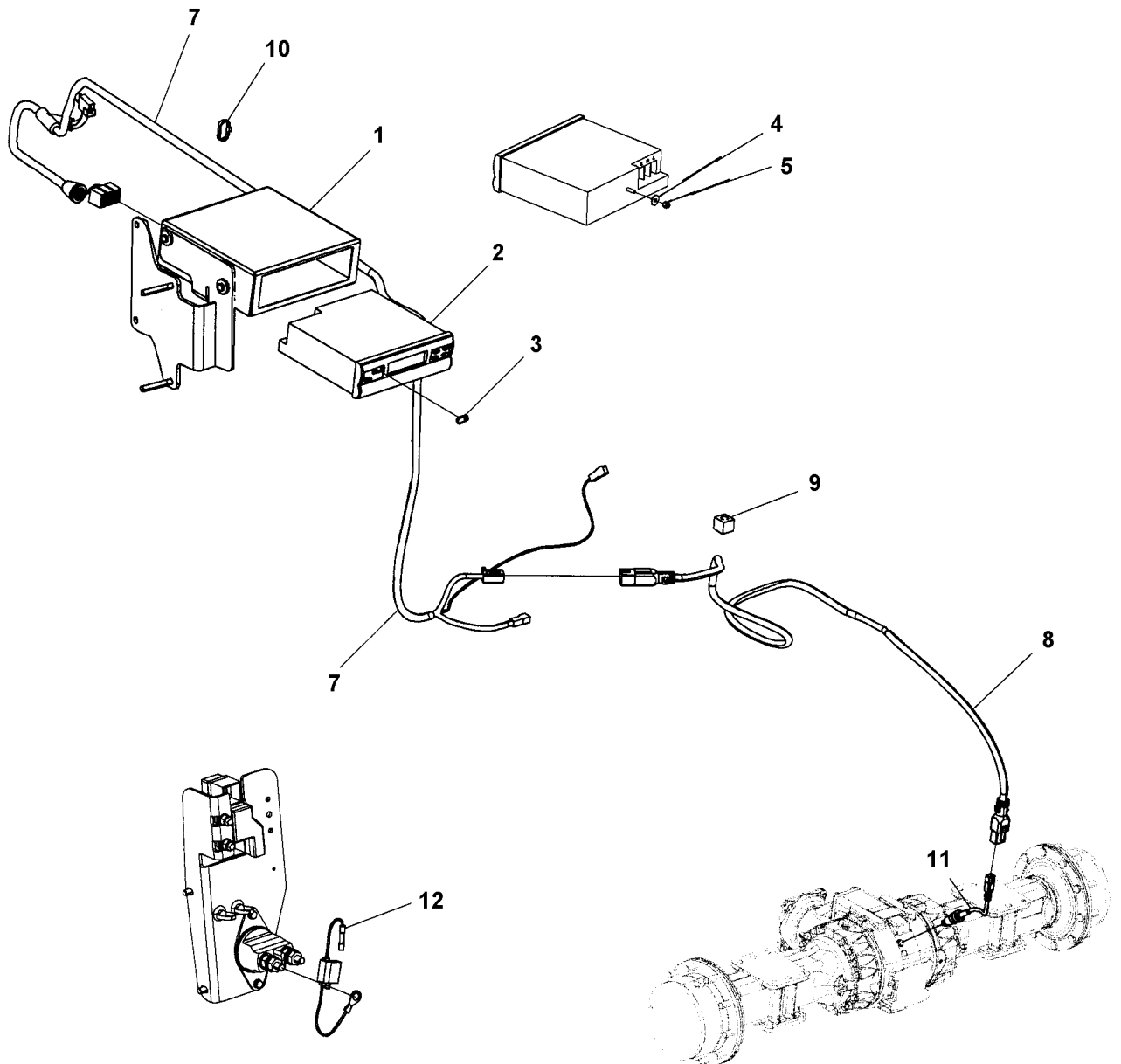
**GPS equipment module**

<b>Item</b>	<b>Part No</b>	<b>Rem Qty</b>	<b>Description</b>	<b>Code</b>
1		1	GPS equipment assy ( Page 334 )	
2	4812113238	1	Cable harness	
3	4700313041	N	Cable ties L=200 mm	B
4	4700792392	1	Grommet with membrane	
5	4700792210	4	Screw torx	



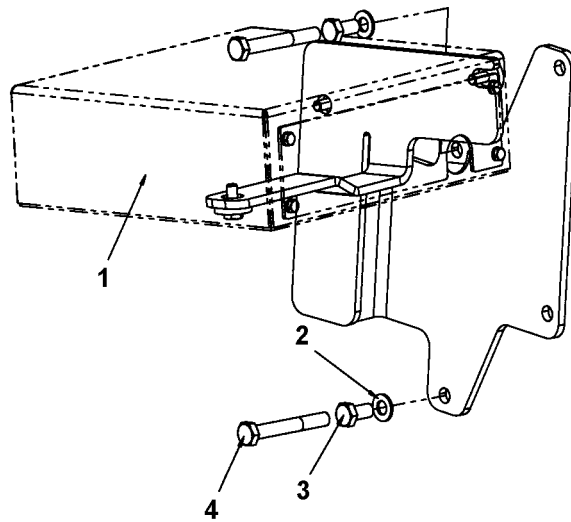
**GPS equipment assy**

<b>Item</b>	<b>Part No</b>	<b>Rem Qty</b>	<b>Description</b>	<b>Code</b>
1	4812113160	1	Bracket	
2	4812114146	1	Reciever	
3	4811000315	2	Bracket	
4	4812114156	2	Holder	
5	4812113058	1	Antenna	
6	4812113158	1	Antenna lead	



**Tachograph, option**

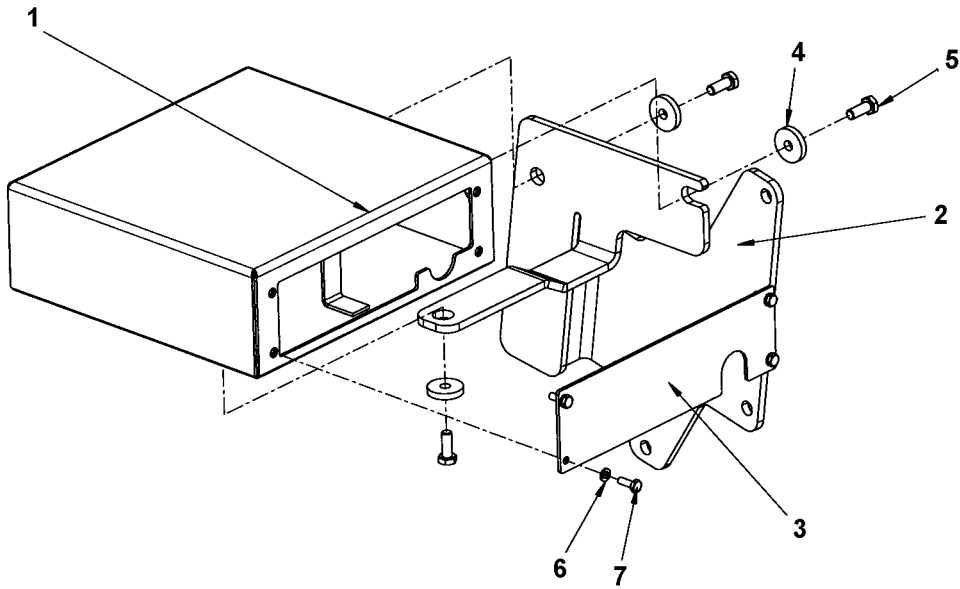
<b>Item</b>	<b>Part No</b>	<b>Rem Qty</b>	<b>Description</b>	<b>Code</b>
1		1	Holder module ( Page 338 )	
2	4811000292	1	Tachograph	
3	4811000529	1	Cover cap	
4	4700601001	1	Washer	C
5	4700586001	1	Lock nut	C
7	4812112417	1	Cable harness	
8	4812112917	1	Cable harness	
9	4812112068	1	Cable entry insert	
10	4700313041	3	Cable ties L=200 mm	B
11	4812112419	1	Pulse sensor cpl	
12		1	Power supply module ( Page 342 )	



**Holder module**

<b>Item</b>	<b>Part No</b>	<b>Rem Qty</b>	<b>Description</b>	<b>Code</b>
1		1	Holder assy ( Page 340 )	
2	4700904229	2	Steel plain washer 8,4x16x1,5	C
3	4700500019	2	Hexagon head screw M8x16H 8,8	C
4	4700500026	2	Screw M8-1,25x60 8,8	

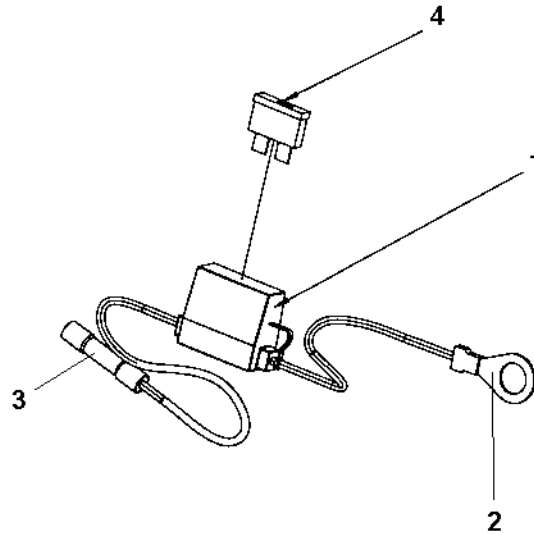
**Holder assy**





**Holder assy**

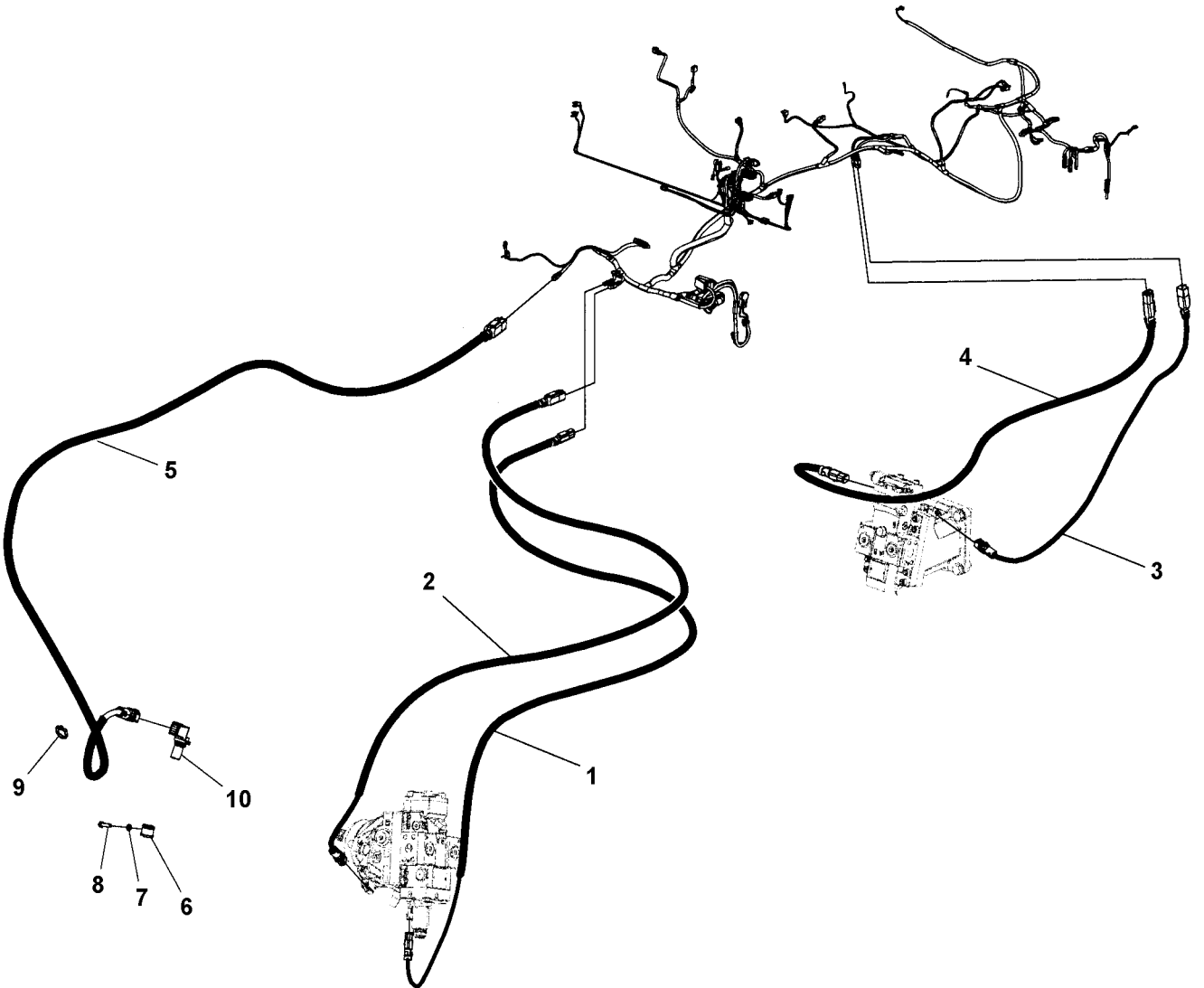
<b>Item</b>	<b>Part No</b>	<b>Rem Qty</b>	<b>Description</b>	<b>Code</b>
1	4812112836	1	Holder	
2	4812112837	1	Holder	
3	4812112838	1	Cover	
4	4700904735	3	Washer	C
5	4700500013	3	Screw M6-1x16 8,8	C
6	4700904698	4	Washer 4,3x8x0,8	C
7	4700500002	4	Screw M4-0,7x12H 8.8	D



**Power supply module**

<b>Item</b>	<b>Part No</b>	<b>Rem Qty</b>	<b>Description</b>	<b>Code</b>
1	4700904015	1	Fuse holder	D
2	4700960067	1	Cable clip	
3	4700904024	1	Splicing sleeve	
4	4700901227	1	Fuse 10A	A

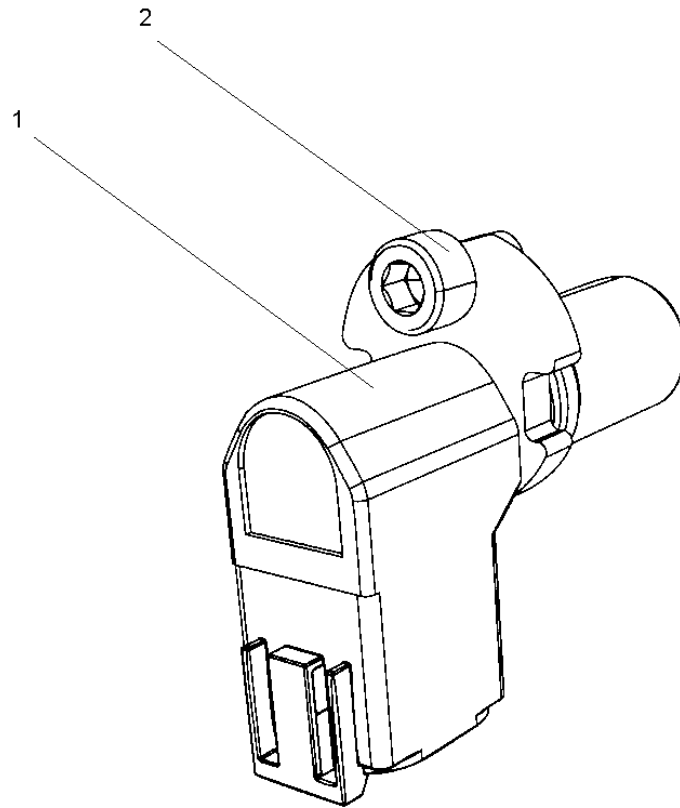
Speed sensor, frequency sensor, option



**Speed sensor, frequency sensor, option**

Item	Part No	Rem	Qty	Description	Code
1	4812112062	A	1	Cable harness	
2	4812112227	B	1	Cable harness	
3	4812112231	B	1	Cable harness	
4	4812112229	C	1	Cable harness	
5	4812111268	D	1	Cable harness	
6	4700921078		1	Clamp	
7	4700904228		1	Washer 6,4x12x1,5	C
8	4700500015		1	Screw M6X30 8.8	C
9	4700313041		2	Cable ties L=200 mm	B
10			1	Pulse sensor module ( Page 346 )	

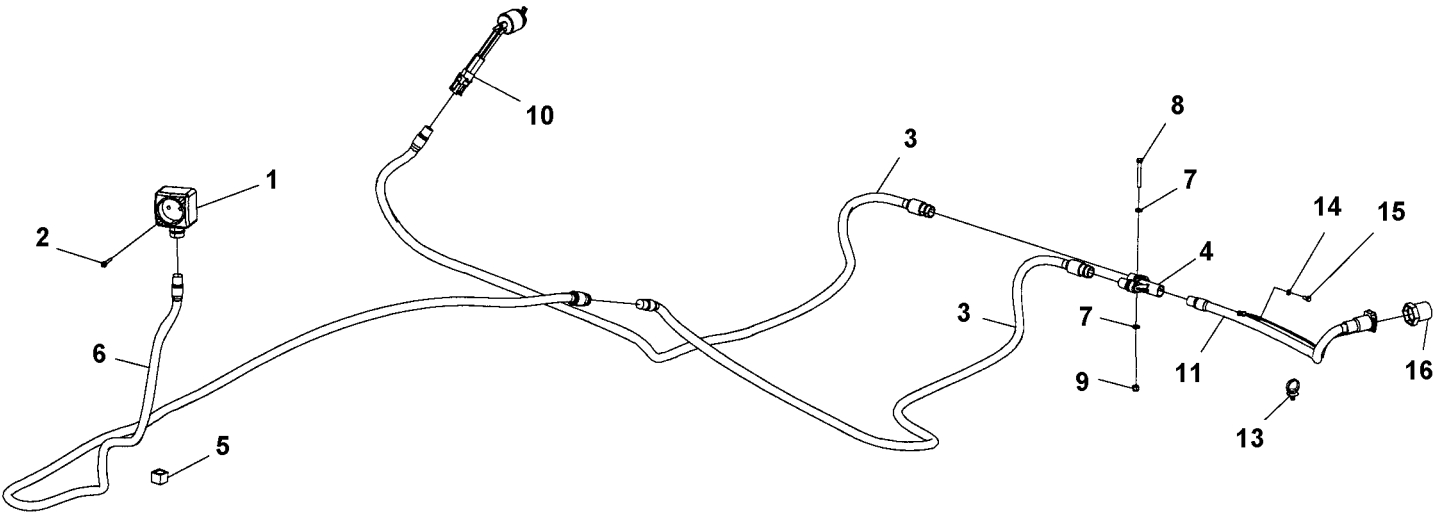
- A) Displacement shift front.
- B) Speed sensor.
- C) Displacement shift rear.
- D) Frequency sensor.



**Pulse sensor module**

<b>Item</b>	<b>Part No</b>	<b>Rem Qty</b>	<b>Description</b>	<b>Code</b>
1	4700396601	1	Pulse sensor	
2	4700508001	1	Screw M06x012H	

Pre-heater installation, option

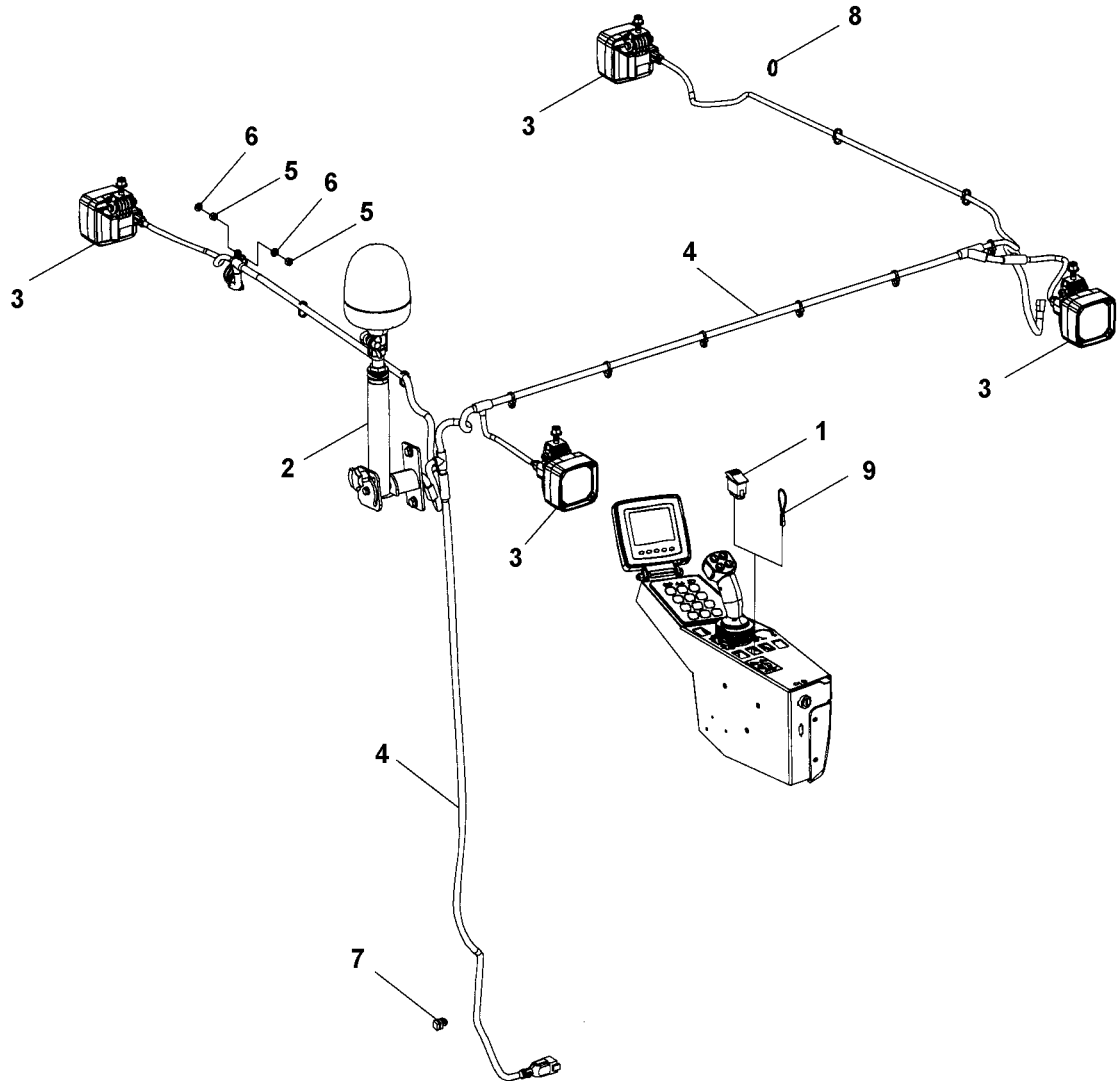




**Pre-heater installation, option**

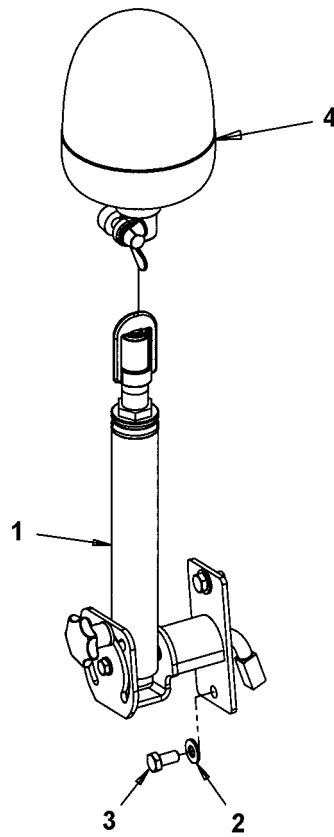
<b>Item</b>	<b>Part No</b>	<b>Rem Qty</b>	<b>Description</b>	<b>Code</b>
1	4700396044	1	Connector	
2	4700792186	2	Thread forming screw	
3	4700396047	2	Cable	
4	4700396043	1	Branching	
5	4812112071	1	Cable entry insert	
6	4700396047	1	Cable	
7	4700904228	2	Washer 6,4x12x1,5	C
8	4700500079	1	Screw M6-1x50 8,8	C
9	4700586002	1	Lock nut M6 -8	C
10	4812113162	1	Heater	
11	4811000316	1	Cable	
13	4700792441	2	Cable tie with holder	C
14	4700904281	1	Washer 5,3x10x1 300HV	C
15	4700500003	1	Screw M5x10H	D
16	4812114984	1	Nut	

Rotating beacon, working light



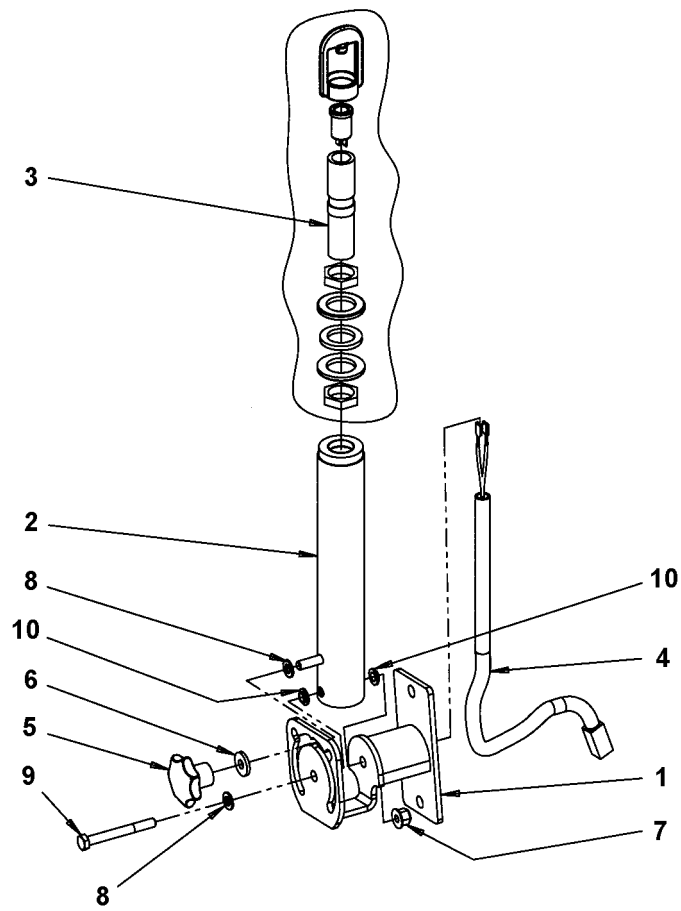
**Rotating beacon, working light**

<b>Item</b>	<b>Part No</b>	<b>Rem Qty</b>	<b>Description</b>	<b>Code</b>
1	4700792397	1	Switch	
2		1	Rotating beacon module ( Page 352 )	
3	4812115917	4	Working light LED	
		4	Working light module H3 ( Page 356 )	
4	4812112325	1	Cable harness	
5	4700570005	2	Nut M8	C
6	4700904229	2	Steel plain washer 8,4x16x1,5	C
7	4700792667	1	Cable tie with holder	
8	4700313041	N	Cable ties L=200 mm	B
9	4811000077	1	Connection cable	C



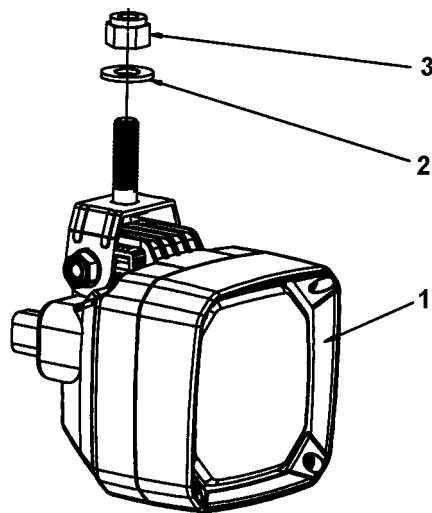
**Rotating beacon module**

<b>Item</b>	<b>Part No</b>	<b>Rem Qty</b>	<b>Description</b>	<b>Code</b>
1		1	Rotating beacon ( Page 354 )	
2	4700904230	2	Steel plain washer	C
3	4700500048	2	Screw M10-1,5x20 8,8	C
4	4812111326	1	Rotating beacon	
	4812156777	1	. Bulb H1 24V	



**Rotating beacon**

<b>Item</b>	<b>Part No</b>	<b>Rem Qty</b>	<b>Description</b>	<b>Code</b>
1	4812116622	1	Bracket	
2	4812112460	1	Bracket	
3	4700392321	1	Bracket	
4	4812115020	1	Cable harness	
5	4700792410	1	Star knob M8-50	
6	4700904640	1	Washer 8,4x22x3	C
7	4700902286	1	Hexagon lock nut with flange	C
8	4700904229	2	Steel plain washer 8,4x16x1,5	C
9	4700500189	1	Screw	C
10	4812112774	2	Bushing	

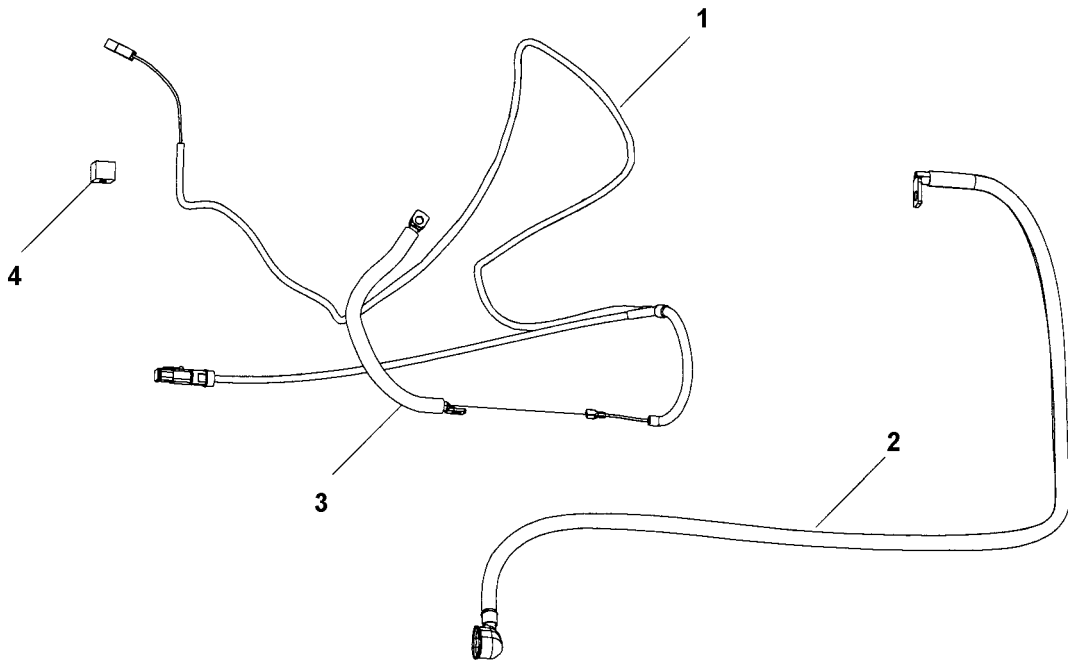




**Working light module H3**

<b>Item</b>	<b>Part No</b>	<b>Rem Qty</b>	<b>Description</b>	<b>Code</b>
1	4812114720	1	Working light	
2	4700904230	1	Steel plain washer	C
3	4700586018	1	Hexagon lock nut	C

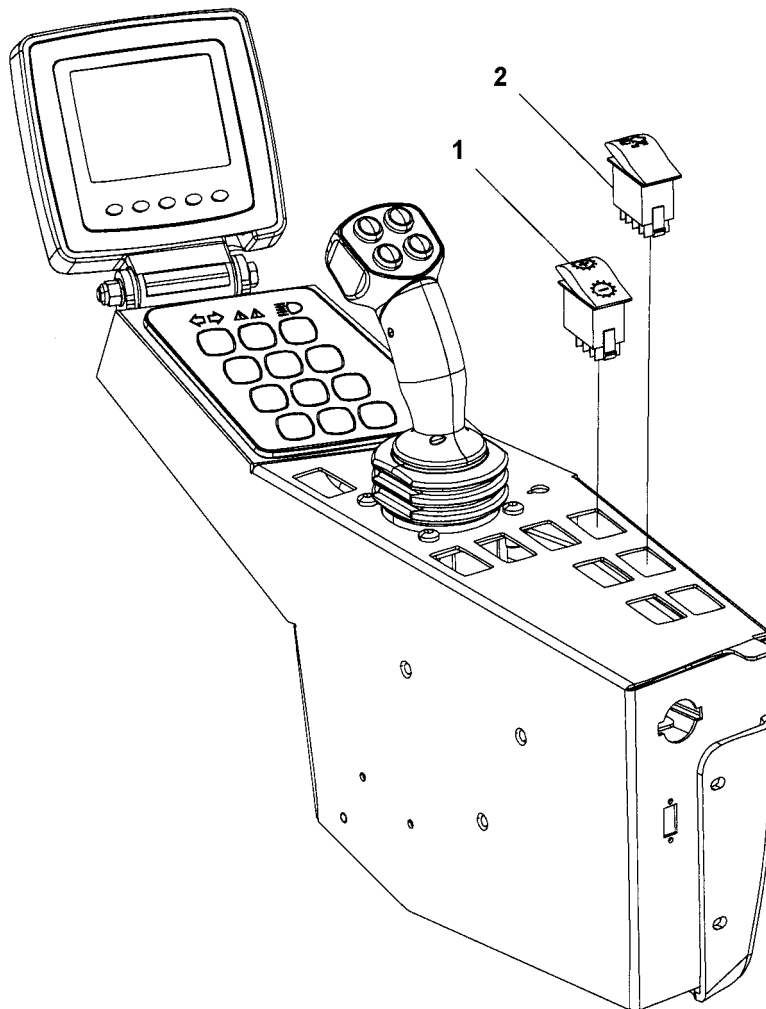
Wiring harness, power park, Option



**Wiring harness, power park, Option**

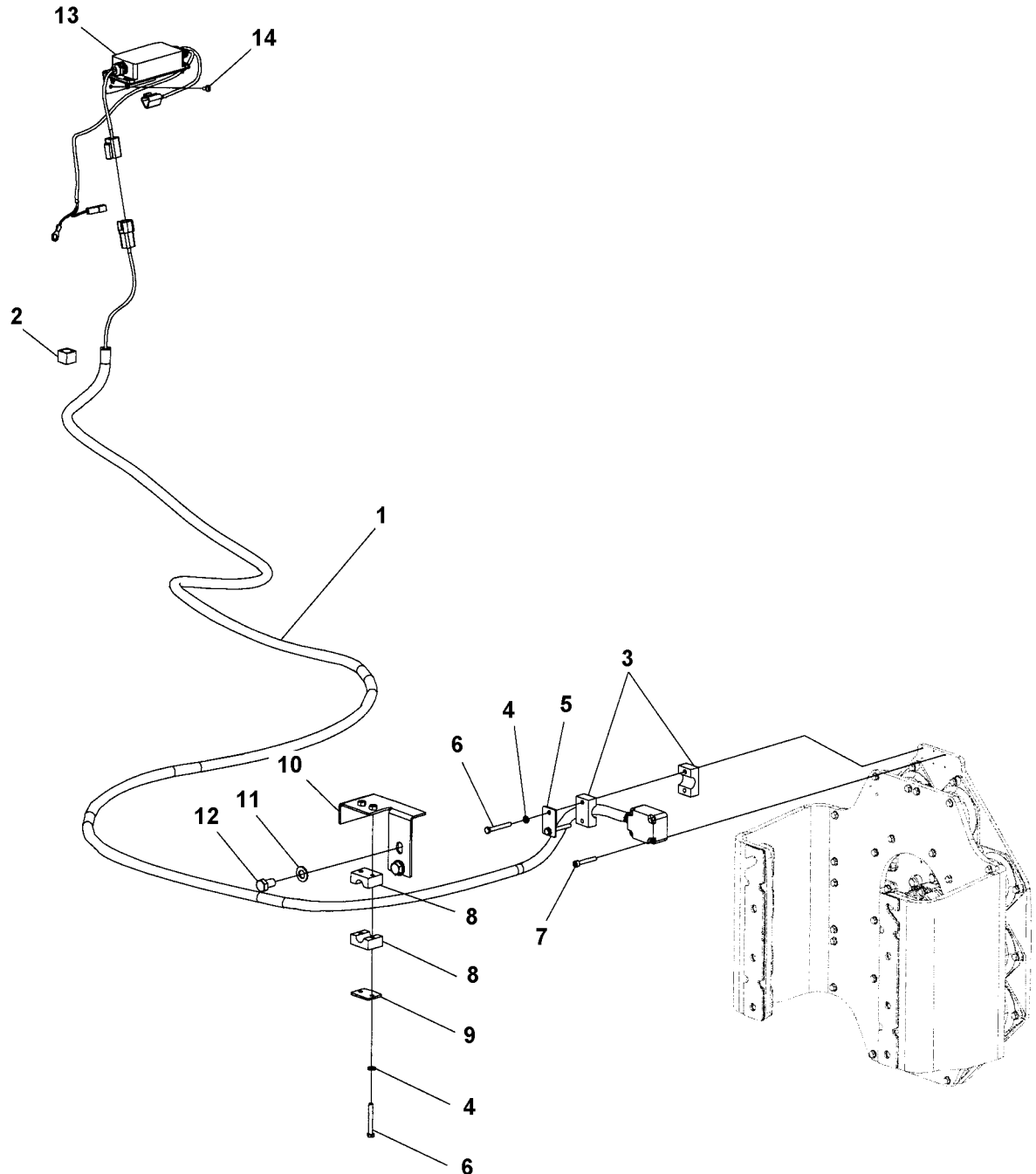
<b>Item</b>	<b>Part No</b>	<b>Rem Qty</b>	<b>Description</b>	<b>Code</b>
1	4812113086	1	Cable harness	
2	4811000397	1	Connection cable, coarse	
3	4811000396	1	Connection cable, coarse	
4	4812114433	1	Cable entry insert	

Regenerating delay, displacement shift



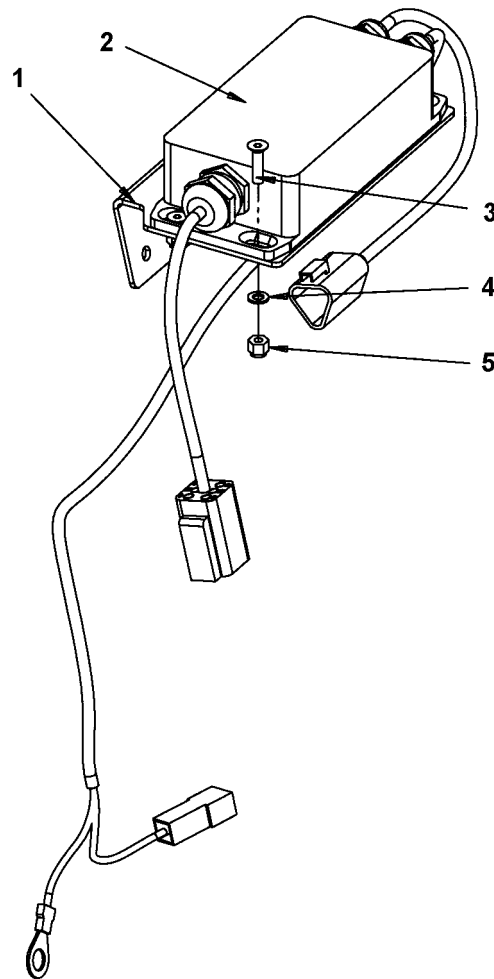
**Regenerating delay, displacement shift**

<b>Item</b>	<b>Part No</b>	<b>Rem Qty</b>	<b>Description</b>	<b>Code</b>
1	4812115810	1	Switch, displacement shift	
2	4812115809	1	Switch, regenerating delay	



**Compaction meter**

<b>Item</b>	<b>Part No</b>	<b>Rem Qty</b>	<b>Description</b>	<b>Code</b>
1	4812115921	1	Dcm unit	
2	4812112072	1	Cable entry insert	
3	4700923876	1	Clamp	D
4	4700904228	8	Washer 6,4x12x1,5	C
5	4700923859	1	Cover plate	C
6	4700500079	4	Screw M6-1x50 8,8	C
7	4700508026	4	Screw	D
8	4700791453	2	Pipe clamp block	
9	4700791454	1	Cover plate	
10	4812116181	1	Bracket	
11	4700904231	2	Washer 13x24x2 300 HV	C
12	4700500035	2	Screw M12x020H	
13		1	Power supply ( Page 364 )	
14	4700792210	2	Screw torx	





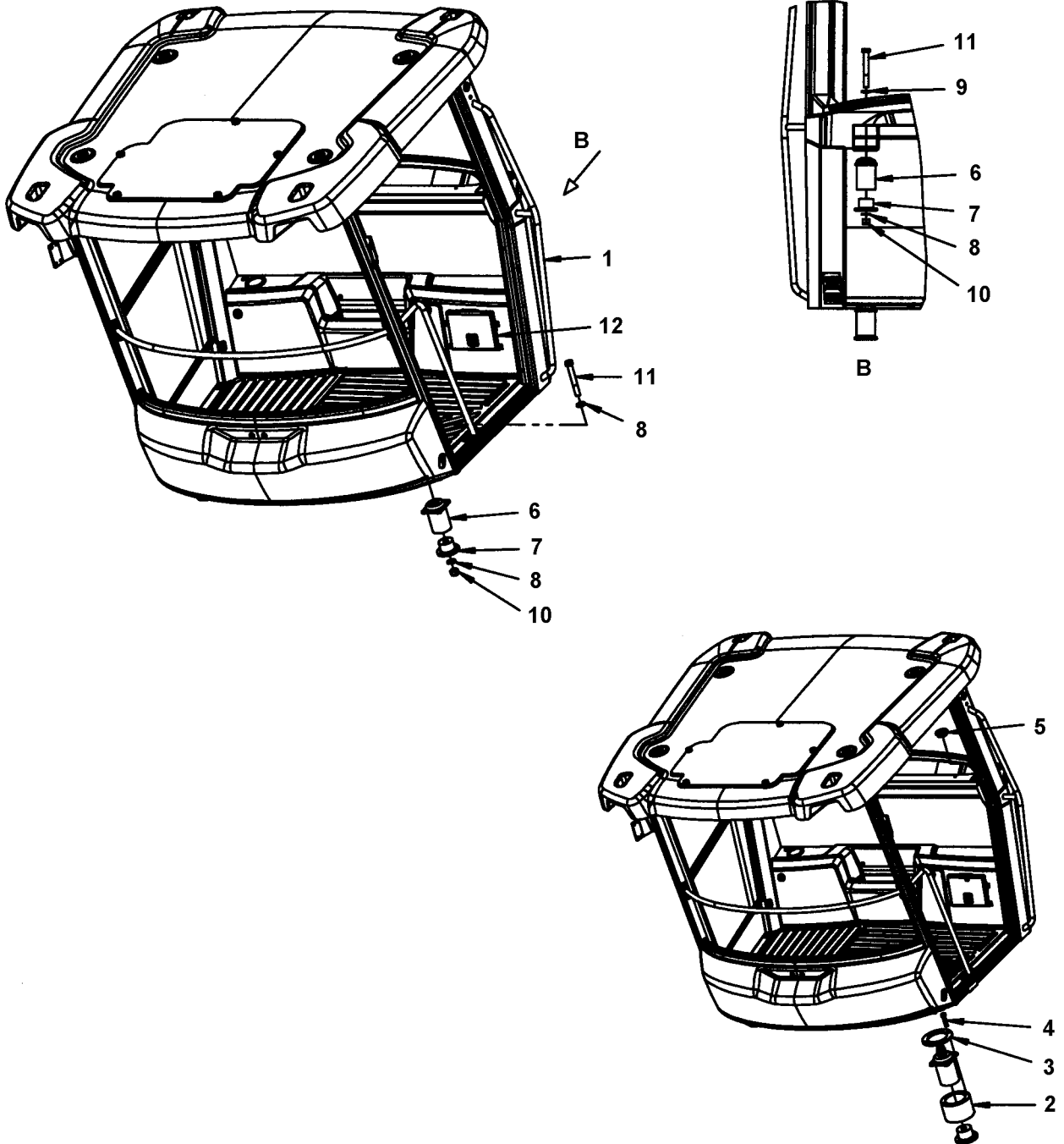
**Power supply**

<b>Item</b>	<b>Part No</b>	<b>Rem Qty</b>	<b>Description</b>	<b>Code</b>
1	4812112792	1	Holder	
2	4812113123	1	Power supply unit	
3	4700513027	4	Screw M4x16H 10,9	D
4	4700904698	4	Washer 4,3x8x0,8	C
5	4700923976	4	Nut	C



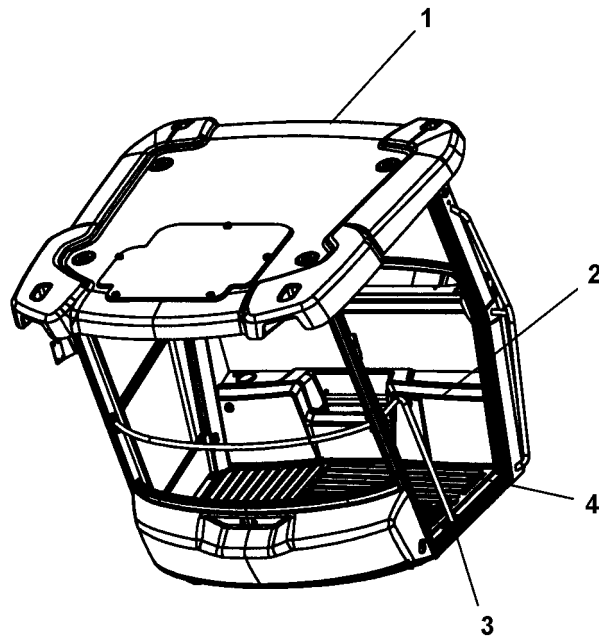
**Drivers platform**

<b>Item</b>	<b>Part No</b>	<b>Rem Qty</b>	<b>Description</b>	<b>Code</b>
20		1	Platform, rops ( Page 368 )	
30		1	Cab symmetric module ( Page 382 )	
50		1	Drivers seat ( Page 426 )	
70		1	Car stereo module ( Page 452 )	
71		1	Antenna bracket module, option ( Page 454 )	
80		2	Rear view mirror ( Page 456 )	
81		1	Hose assy kit, heater ( Page 458 )	



**Platform, rops**

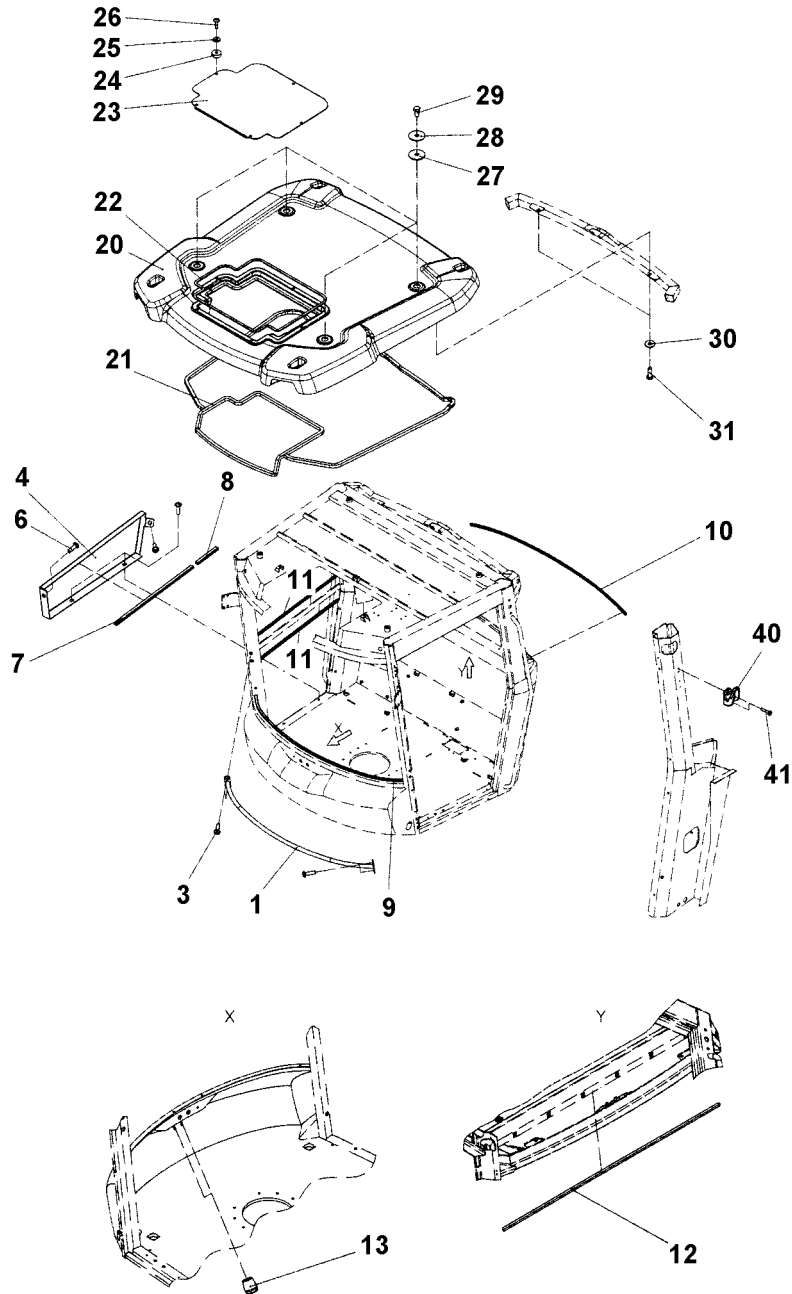
<b>Item</b>	<b>Part No</b>	<b>Rem Qty</b>	<b>Description</b>	<b>Code</b>
1		1	Platform with 4-post ROPS ( Page 370 )	
2	4812112294	4	Bracket	
3	4700359998	4	Back-up ring	C
4	4700500195	16	Screw	C
5	4812115387	2	Protective plug	
6	4700374606	4	Shock absorber Green	D
7	4700372457	4	Back-up ring	C
8	4700904233	6	Washer 21x36x3	C
9	4700903290	2	Washer 21x36x6	C
10	4700901145	4	Lock nut M20-10	
11	4700903633	4	Screw M20x150 10,9	
12		1	Manual box ( Page 380 )	



**Platform with 4-post ROPS**

<b>Item</b>	<b>Part No</b>	<b>Rem Qty</b>	<b>Description</b>	<b>Code</b>
1		1	Basic kit Rops, roof, front handrail ( Page 372 )	
2		1	Rear cover ( Page 374 )	
3		1	Handrail ( Page 376 )	
4	4812114568	1	Floor mat	
5	4812112267	1	Rops	
6		1	Cab, basic kit ( Page 378 )	

Basic kit Rops, roof, front handrail



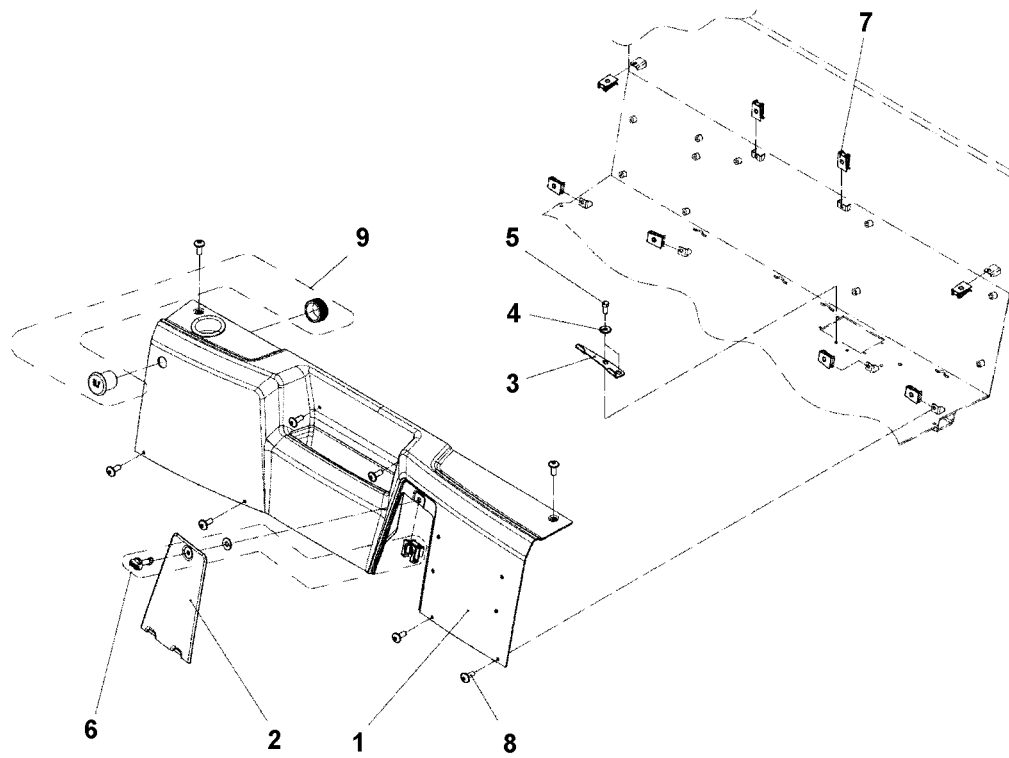


Basic kit Rops, roof, front handrail

Item	Part No	Rem	Qty	Description	Code
1	4812115193		1	Handrail	
3			4	Screw	
4	4812115194		1	Plate	
6			4	Screw	
7	4700202028	A	1XL	Edge trim	D
8	4700202028	B	1XL	Edge trim	D
9	4700202028	C	1XL	Edge trim	D
10	4700202028	D	1XL	Edge trim	D
11	4700202028	E	1XL	Edge trim	D
12	4700202028	F	1XL	Edge trim	D
13			2	Cap	
20	4812115195		1	Roof	
21	4812115164	G	1XL	Rubber strip	
22		H	1XL	Foam strip	
23	4812115196		1	Roof plate	
24	4812115166		5	Rubber washer	
25	4700601003		5	Washer 8,4x25x2	C
26			5	Screw	
27	4812115170		4	Seal washer	
28	4812115171		4	Washer	
29			4	Screw	
30	4700601003		2	Washer 8,4x25x2	C
31	4700947680		2	Screw M8-1,25x25 10.9	D
40	4700908505		1	Hook	D
41			4	Screw	

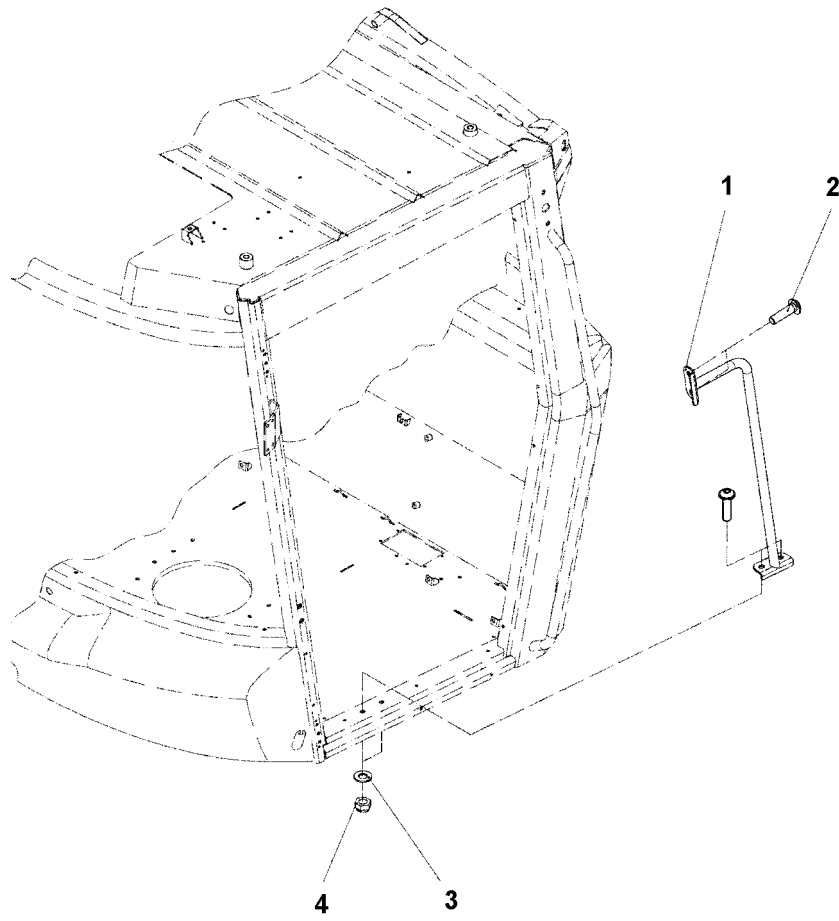
- A) L=0.508m
- B) L=0.133m
- C) L=1.415m
- D) L=1.43m
- E) L=0.856m
- F) L=1.515m
- G) L=6.7m
- H) L=2.513m

**Rear cover**



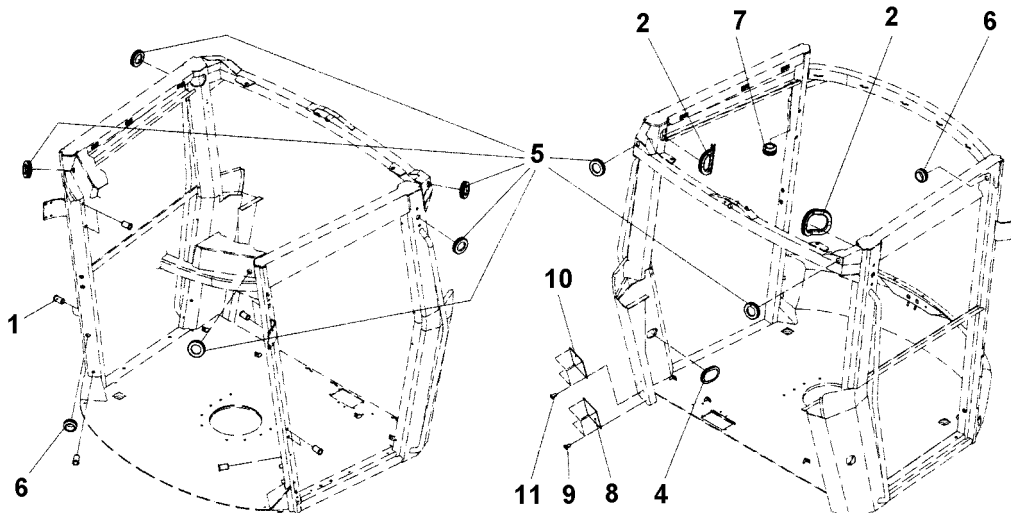
## Rear cover

Item	Part No	Rem Qty	Description	Code
1	4812114563	1	Rear cover	
2	4812114564	1	Service cover	
3	4812114565	1	Bracket	
4	4700601001	2	Washer	C
5	4700500004	2	Screw M5 0,8x12 8,8	C
6	4812114566	1	Lock	
7	4812114567	8	Speed nut	
8		8	Screw	
9		1	Socket, 24V	



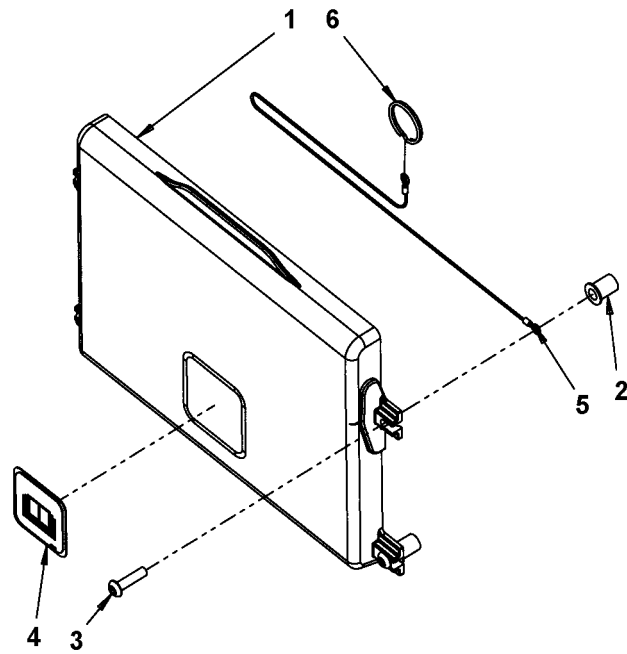
**Handrail**

<b>Item</b>	<b>Part No</b>	<b>Rem Qty</b>	<b>Description</b>	<b>Code</b>
1	4812114569	1	Handrail	
2		4	Screw	
3	4700904557	2	Steel plain washer	C
4	4700791172	2	Hexagon lock nut	D



**Cab, basic kit**

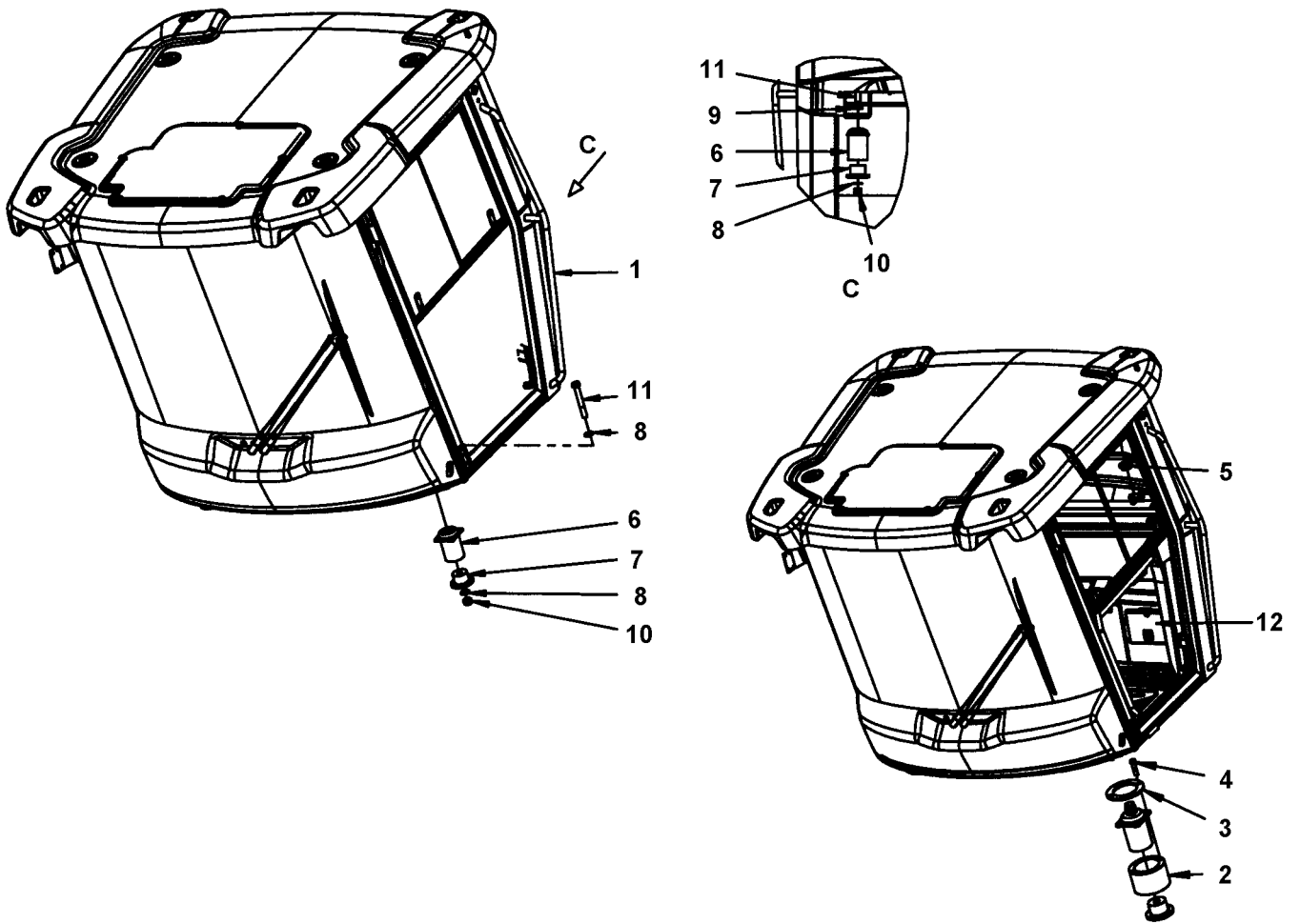
Item	Part No	Rem	Qty	Description	Code
1	4700792103		10	Blind insert nut	D
2	4700902379	A	2XL	Edge trim	
4	4812115186		1	Cover	
5	4700929587		7	Grommet	
6	4700909129		2	Grommet	
7			1	Grommet	
8			1	Sign, rops	
9			4	Screw	
10			1	Sign, fops	
11			4	Screw	
A)	L=0.263m				





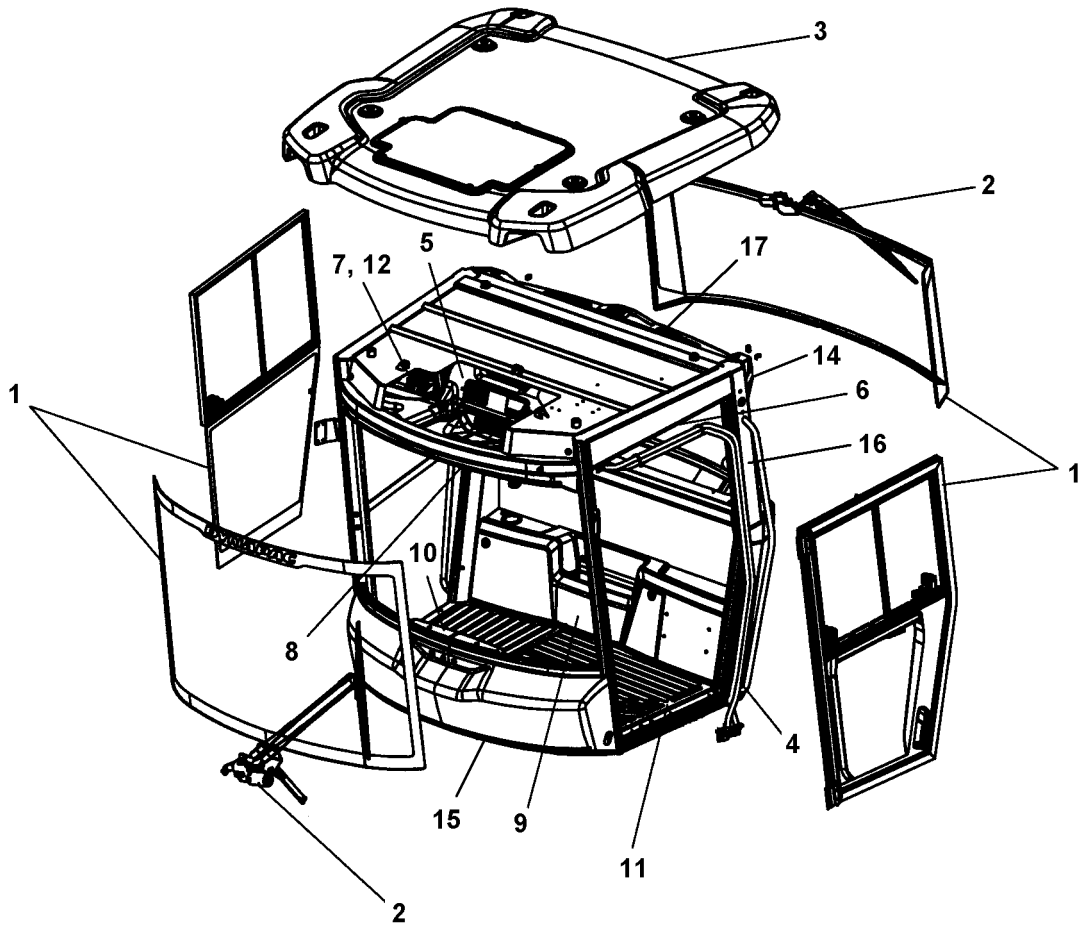
**Manual box**

<b>Item</b>	<b>Part No</b>	<b>Rem Qty</b>	<b>Description</b>	<b>Code</b>
1	4700383705	1	Instruction book holder	D
2	4700792536	4	Rubber nut	
3	4700792589	4	Screw	
4	4700903425	1	Decal "SAFETY MANUAL"	D
5	4700384584	1	Wire	
6	4700358254	1	Key-ring	



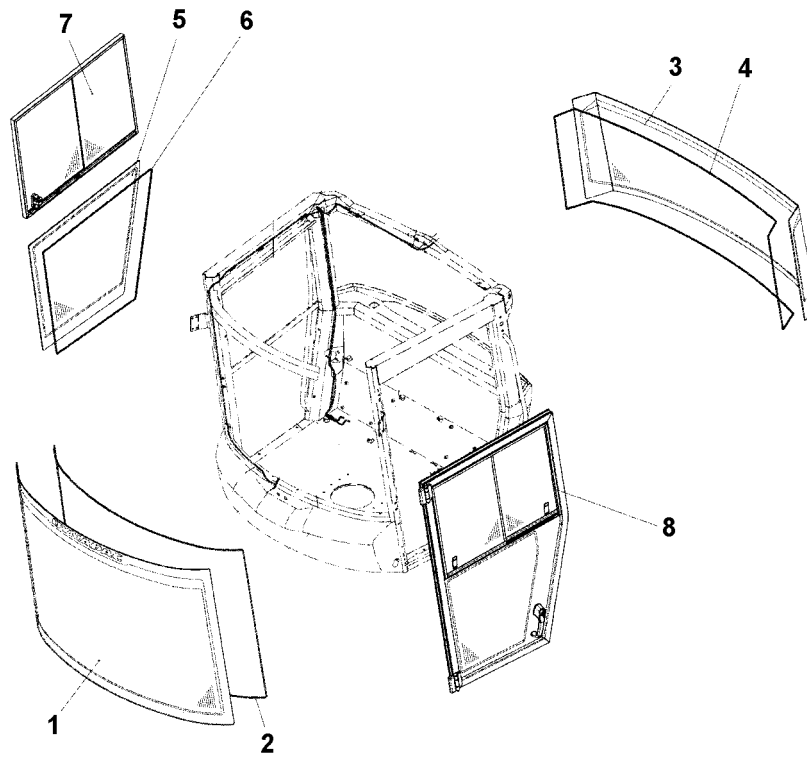
**Cab symmetric module**

<b>Item</b>	<b>Part No</b>	<b>Rem Qty</b>	<b>Description</b>	<b>Code</b>
1	4812112275	1	Cab, cpl Comfort ( Page 384 )	
	4812112276	1	Cab, cpl Basic ( Page 418 )	
2	4812112294	4	Bracket	
3	4700359998	4	Back-up ring	C
4	4700500195	16	Screw	C
5	4812115387	2	Protective plug	
6	4700374606	4	Shock absorber Green	D
7	4700372457	4	Back-up ring	C
8	4700904233	6	Washer 21x36x3	C
9	4700903290	2	Washer 21x36x6	C
10	4700901145	4	Lock nut M20-10	
11	4700903633	4	Screw M20x150 10,9	
12		1	Manual box ( Page 380 )	



**4812112275 Cab, cpl Comfort**

<b>Item</b>	<b>Part No</b>	<b>Rem Qty</b>	<b>Description</b>	<b>Code</b>
1		1	Screens ( Page 386 )	
2		1	Windshield wiper ( Page 392 )	
3		1	Roof ( Page 394 )	
4		1	Hose kit heater ( Page 396 )	
5		1	Cab Interior ( Page 398 )	
6		1	Cab cabel harness ( Page 400 )	
7		1	Cab, electrical equipment ( Page 402 )	
8		1	Emergency hammer, hook ( Page 404 )	
9		1	Cab, rear cover ( Page 406 )	
10		1	Cab, front cover ( Page 408 )	
11		1	Floor mat ( Page 410 )	
12		1	Step light, wiper switch ( Page 412 )	
14		1	Cab, basic kit ( Page 378 )	
15	4812112267	1	Rops	
16		1	Air channel ( Page 414 )	
17		1	Sun-blind, inner light ( Page 416 )	

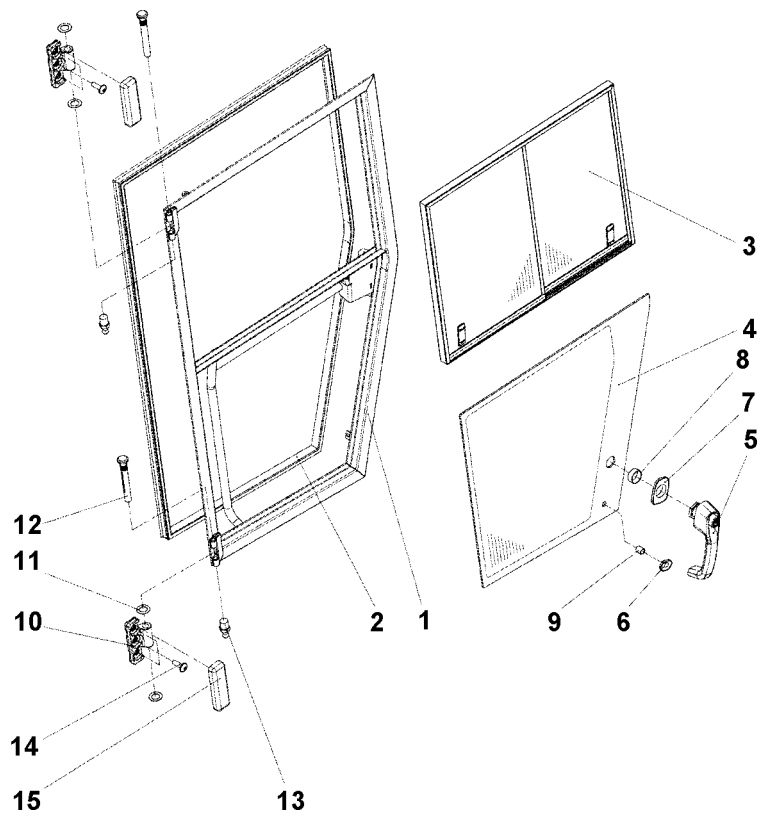


**Screens**

Item	Part No	Rem	Qty	Description	Code
1	4812114586		1	Front screen	
2		A	1XL	Rubber strip	
3	4812114589		1	Rear screen	
4		B	1XL	Rubber strip	
5	4812114587		1	Side screen	
6		C	1XL	Rubber strip	
7	4812114588		1	Sliding screen	
8	4812115202	C	1	Cab door, cpl ( Page 388 )	

- A) L=5.002m
- B) L=4.779m
- C) L=2.99m

4812115202 Cab door, cpl

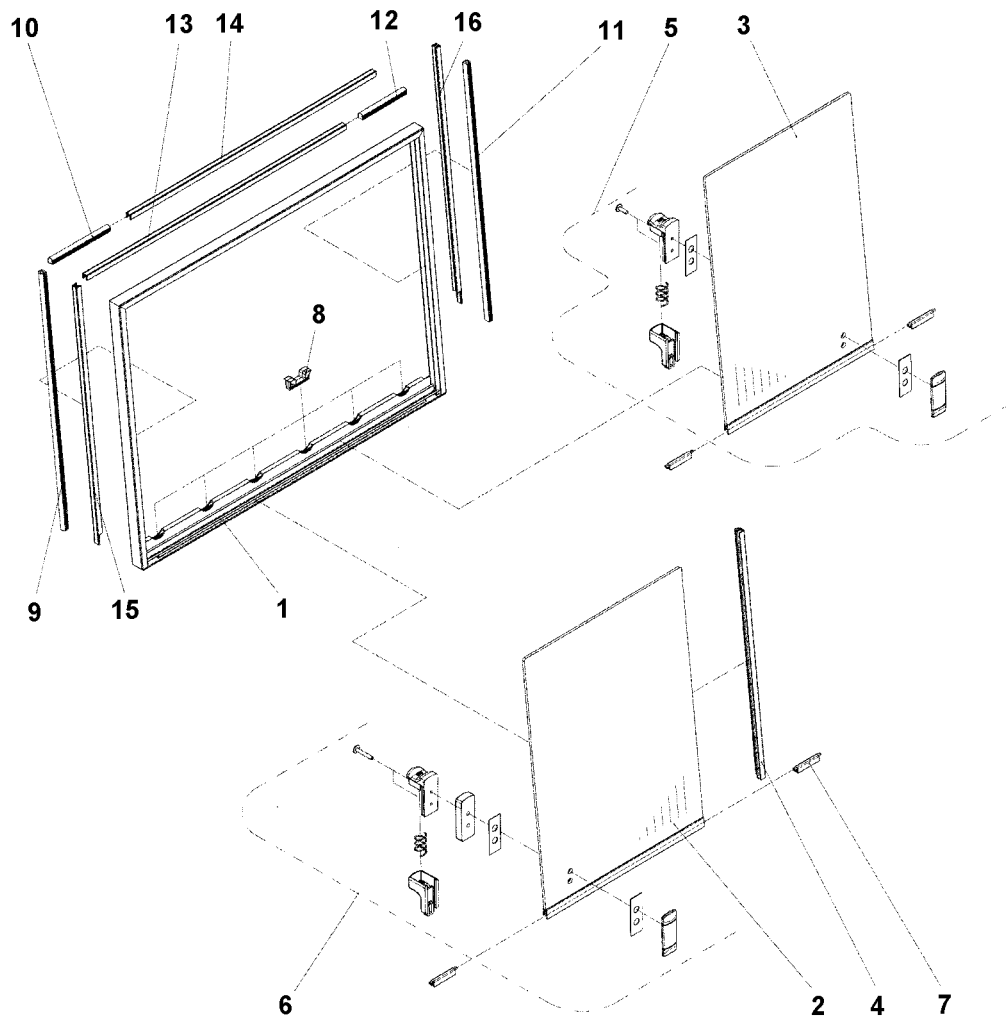




**4812115202 Cab door, cpl**

Item	Part No	Rem	Qty	Description	Code
1	4812116199		1	Door	
2		A	1XL	Sealing strip	
3	4812115200		1	Sliding screen, left hand ( Page 390 )	
4	4812114593		1	Screen	
5	4812115203		1	Handle	
6	4812115204		1	Washer	
7	4812115205		1	Washer	
8	4812115206		1	Washer	
9	4812115207		1	Bushing	
10	4812115216		2	Hinge	
11			4	Washer	
12	4812115217		2	Pin	
13			2	Lubricating nipple	
14			6	Screw	
15	4812115218		2	Hinge	
A)	L=4.41m				

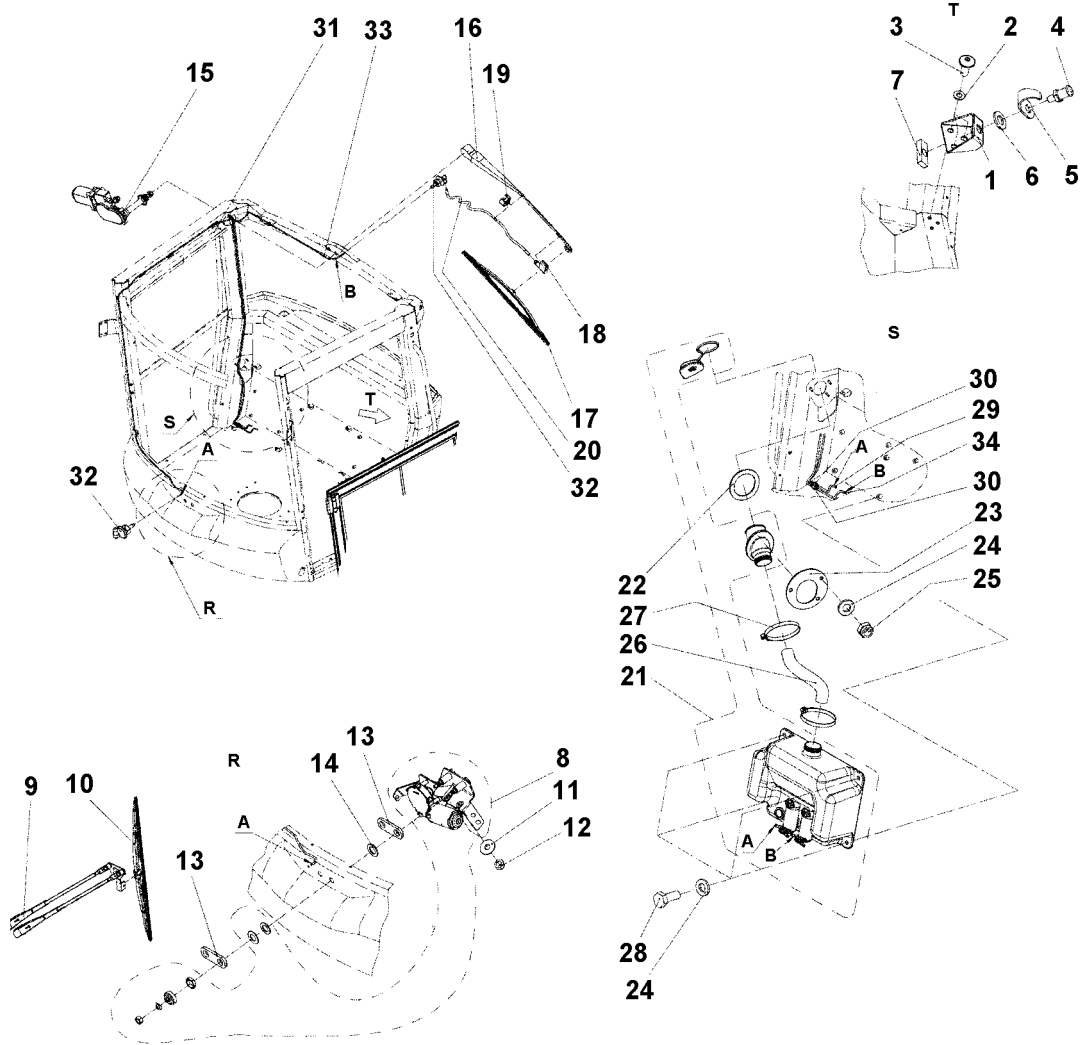
**4812115200 Sliding screen, left hand**



**4812115200 Sliding screen, left hand**

Item	Part No	Rem	Qty	Description	Code
1			1	Window frame	
2	4812115225		1	Screen	
3	4812115226		1	Screen	
4			1	Sealing bar	
5	4812115219		1	Handle	
6	4812115220		1	Handle	
7			4	Guide	
8	4812115223		6	Bracket	
9		A	1XL	Strip	
10		B	1XL	Strip	
11		C	1XL	Strip	
12		D	1XL	Strip	
13		E	1XL	Window seal	
14		F	1XL	Window seal	
15		G	1XL	Window seal	
16		H	1XL	Window seal	

- A) L=0.612m
- B) L=0.15m
- C) L=0.613m
- D) L=0.117m
- E) L=0.676m
- F) L=0.643m
- G) L=0.612m
- H) L=0.613m

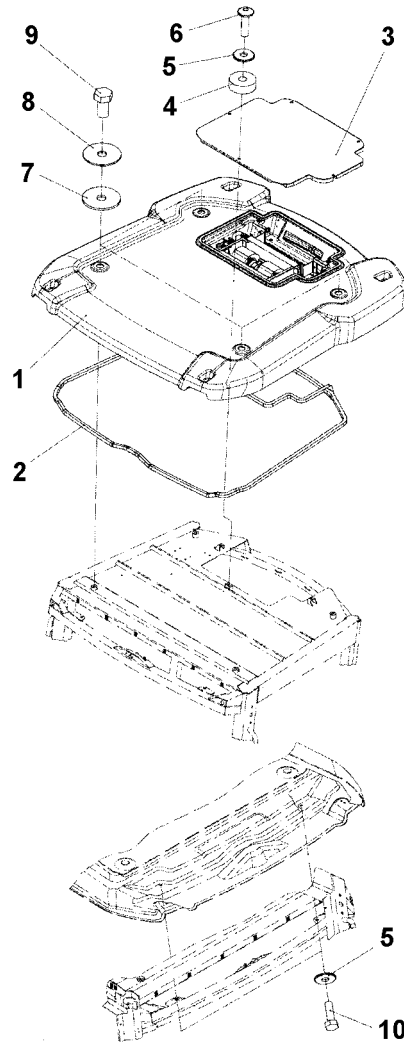


Windshield wiper

Item	Part No	Rem	Qty	Description	Code
1	4812114606		1	Bracket	
2			3	Washer	
3			3	Screw	
4	4812114598		1	Bolt	
5	4812114599		1	Clamp	
6	4812114602		1	Washer	
7	4812114603		1	Plate	
8	4812114600		1	Wiper motor, front	
9	4812114604		1	Wiper arm	
10	4812114605		1	Wiper blade, front	
11	4700601003		2	Washer 8,4x25x2	C
12	4700791182		2	Lock nut M8	
13			2	Spacer	
14			2	Washer	
15	4812114601		1	Wiper motor, rear	
16	4812114607		1	Wiper arm	
17	4812114608		1	Wiper blade, rear	
18	4812114610		1	Nozzle	
19	4812114609		1	Clamp	
20	4812114611	A	1XL	Hose	
21	4812114612		1	Water tank	
22		F	1XL	Rubber seal	
23	4812114613		1	Bracket	
24	4700904228		7	Washer 6,4x12x1,5	C
25	4700904563		3	Lock nut M6	C
26	4812115162		1	Filling pipe	
27	4700313023		2	Hose clamp	
28	4700500013		4	Screw M6-1x16 8,8	C
29	4812114611	B	1XL	Hose	
30	4700908564		2	Check valve	C
31	4812114611	C	1XL	Hose	
32	4700908561		2	Grommet	D
33	4812114611	D	1XL	Hose	
34	4812114611	E	1XL	Hose	

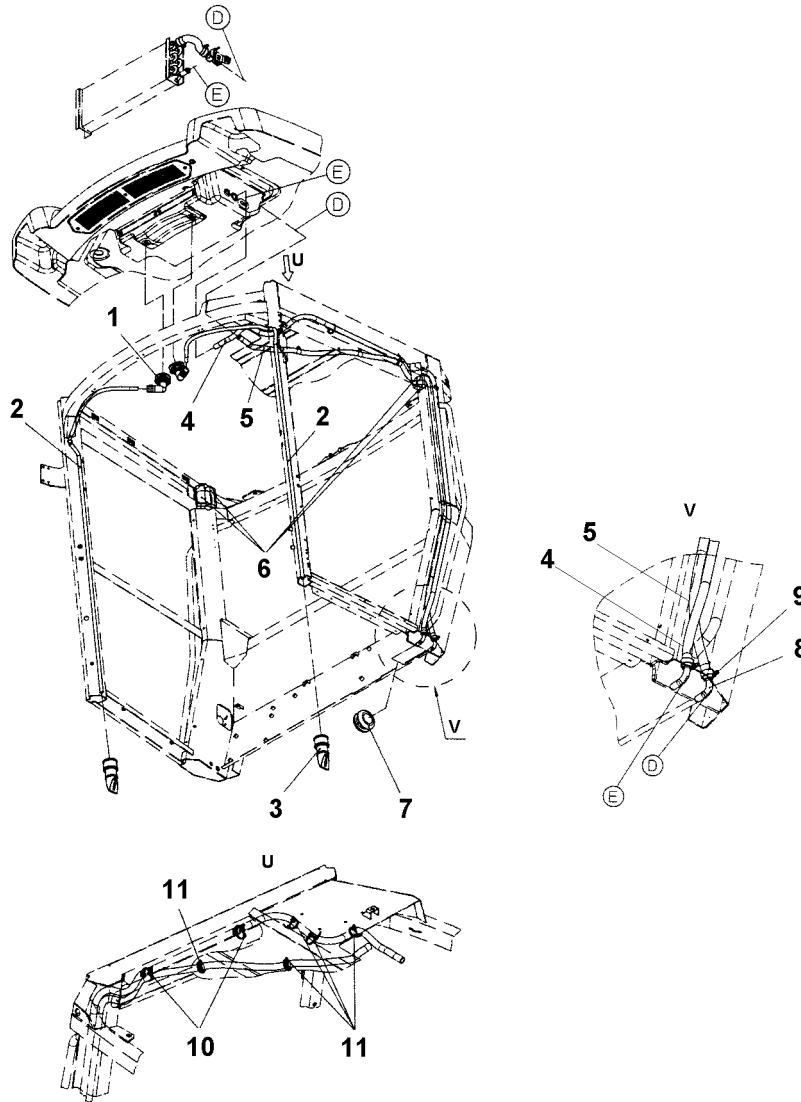
- A) L=0.415
- B) L=0.122
- C) L=4.4
- D) L=2.55
- E) L=0.161
- F) L=0.201m

**Roof**



**Roof**

<b>Item</b>	<b>Part No</b>	<b>Rem</b>	<b>Qty</b>	<b>Description</b>	<b>Code</b>
1	4812115227		1	Roof	
2	4812115164	A	1XL	Rubber strip	
3	4812115165		1	AC hood	
4	4812115166		5	Rubber washer	
5	4700601003		7	Washer 8,4x25x2	C
6			5	Screw	
7	4812115170		4	Seal washer	
8	4812115171		4	Washer	
9			4	Screw	
10	4700947680		2	Screw M8-1,25x25 10.9	D
A)	L=6.7m				

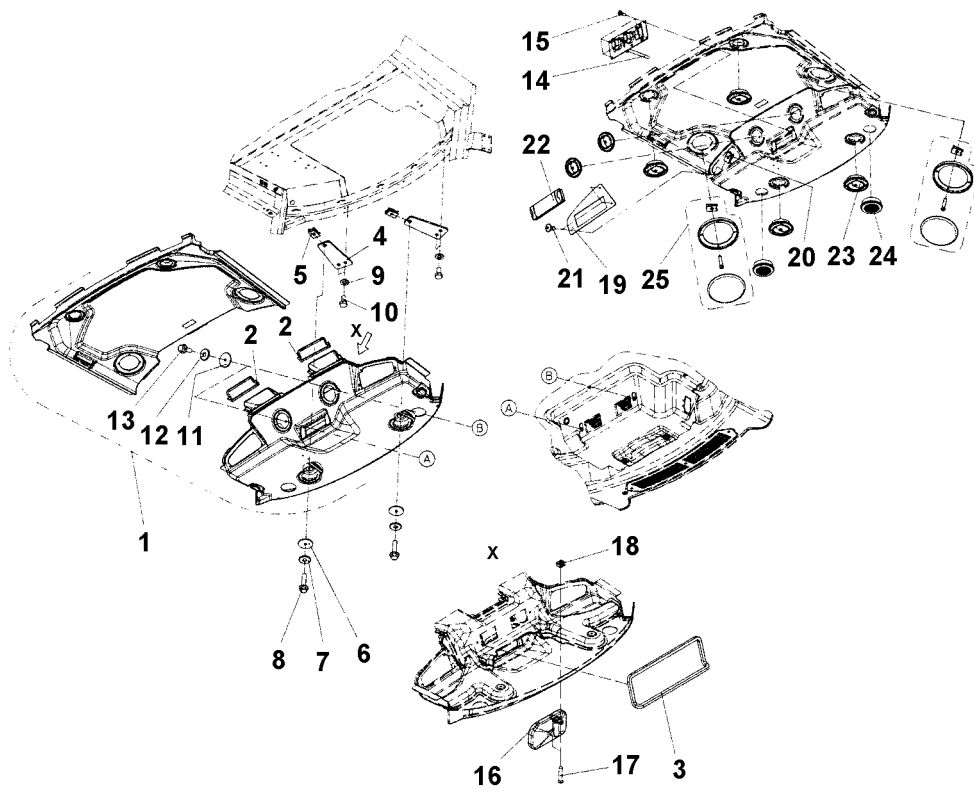




**Hose kit heater**

Item	Part No	Rem	Qty	Description	Code
1	4812115167		2	Connector	
2	4812115168	A	2XL	Drain hose	
3	4812115169		2	Drain valve	
4	4700205112	B	1XL	Coolant hose	D
5	4700205112	C	1XL	Coolant hose	D
6			1	Foam	
7			1	Grommet	
8	4812115172		2	Connection pipe	
9	4700313004		2	Hose clamp	D
10	4700313041		2	Cable ties L=200 mm	B
11	4700792441		5	Cable tie with holder	C

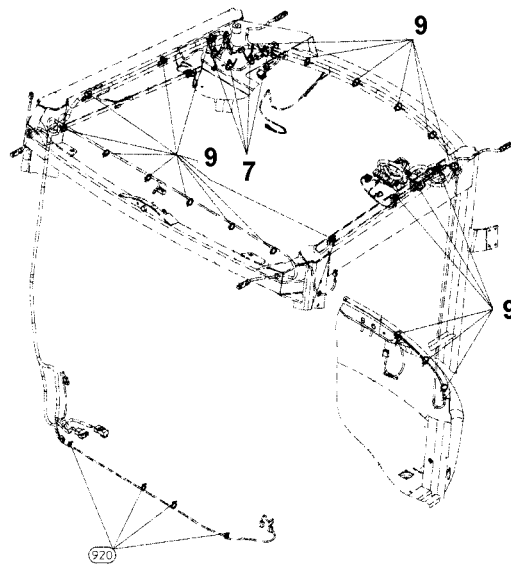
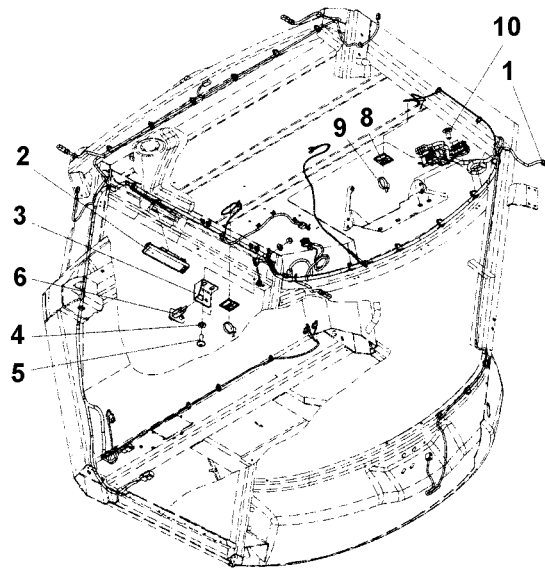
- A) L=1.96m  
B) L=2.831m  
C) L=2.5m



**Cab Interior**

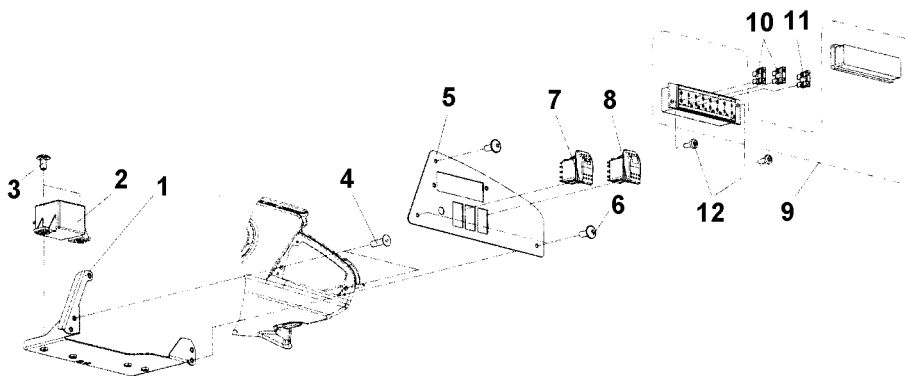
Item	Part No	Rem	Qty	Description	Code
1			1	Inner panel	
2		A	2XL	Rubber list	
3		B	1XL	Seal	
4	4812115175		2	Bracket	
5	4812114567		2	Speed nut	
6			2	Washer	
7	4700928381		2	Washer 6,4x18x1,6	C
8			2	Screw	
9	4700904228		4	Washer 6,4x12x1,5	C
10	4700500012		4	Screw M6x12	C
11			2	Washer	
12	4700928381		2	Washer 6,4x18x1,6	C
13			2	Screw	
14			1	Heater	
15			4	Screw	
16			1	Mirror	
17			2	Screw	
18			2	Speed nut	
19	4812115178		1	Radio console	
20	4811000458		3	Speed nut	
21			3	Screw	
22	4812115179		1	Radio cover	
23	4812115180		6	Air nozzle	
24			2	Air inlet cover	
25			2	Speaker cover	

A) L=0.525m  
B) L=0.915m



**Cab cabel harness**

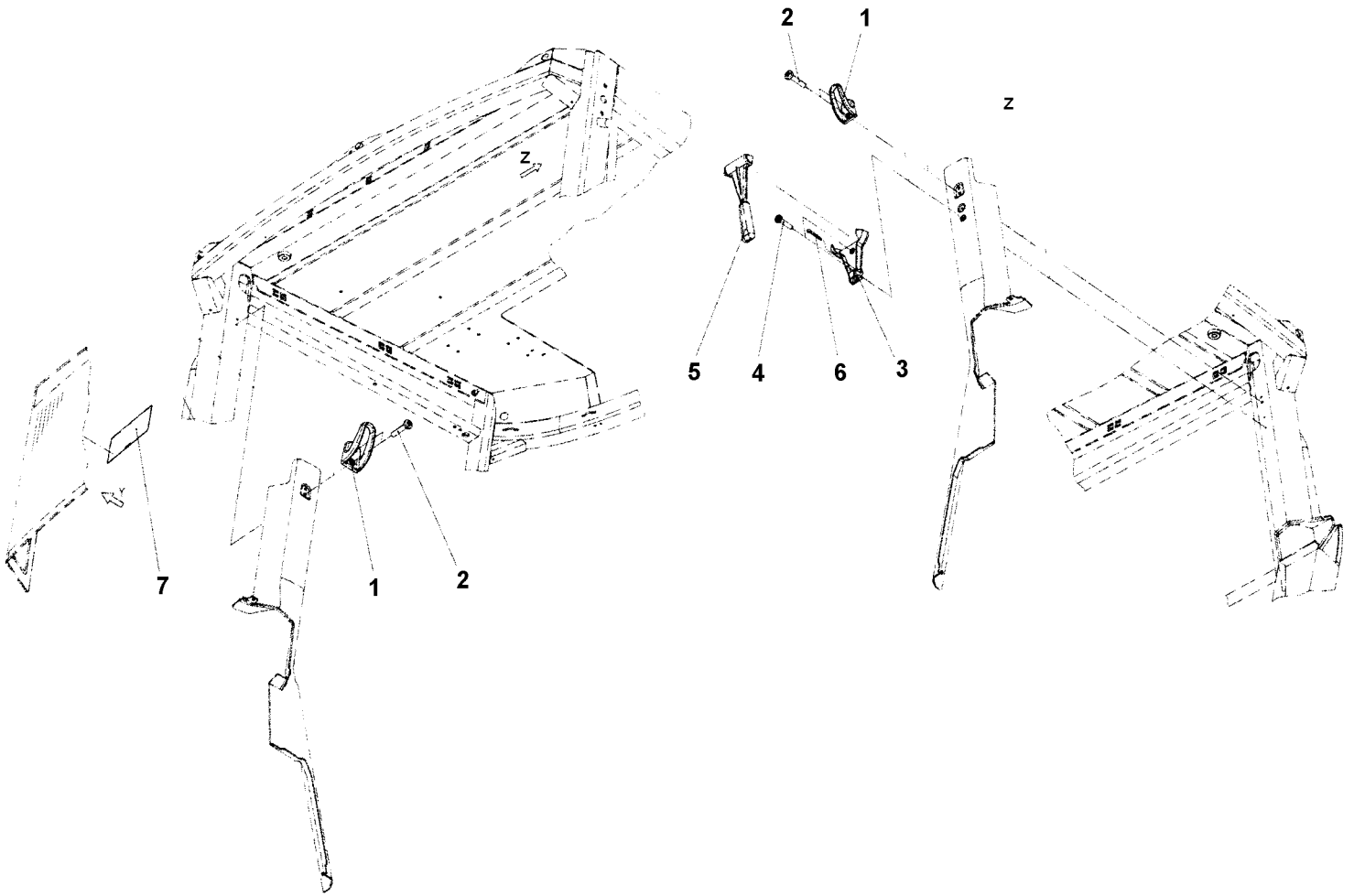
<b>Item</b>	<b>Part No</b>	<b>Rem Qty</b>	<b>Description</b>	<b>Code</b>
1	4812115181	1	Cable harness	
2		1	Lamp	
3	4812115182	1	Bracket	
4	4700904228	2	Washer 6,4x12x1,5	C
5		2	Screw	
6	4812115183	1	Door switch	
7	4700792441	4	Cable tie with holder	C
8		2	Cable tie holder	
9	4700313041	28	Cable ties L=200 mm	B
10		2	Screw	



**Cab, electrical equipment**

<b>Item</b>	<b>Part No</b>	<b>Rem Qty</b>	<b>Description</b>	<b>Code</b>
1	4812115184	1	Bracket	
2	4700792309	1	Relay	D
3		2	Screw	
4	4700904504	2	Screw M5 x 18	C
5	4812115185	1	Bracket	
6		3	Screw	
7	4812115187	1	Switch	
8	4700792505	1	Switch	D
9	4700791185	1	Fuse box	
10	4700901227	2	Fuse 10A	A
11	4700901228	1	Fuse 15A	A
12	4700791966	2	Head screw M4 x 12	

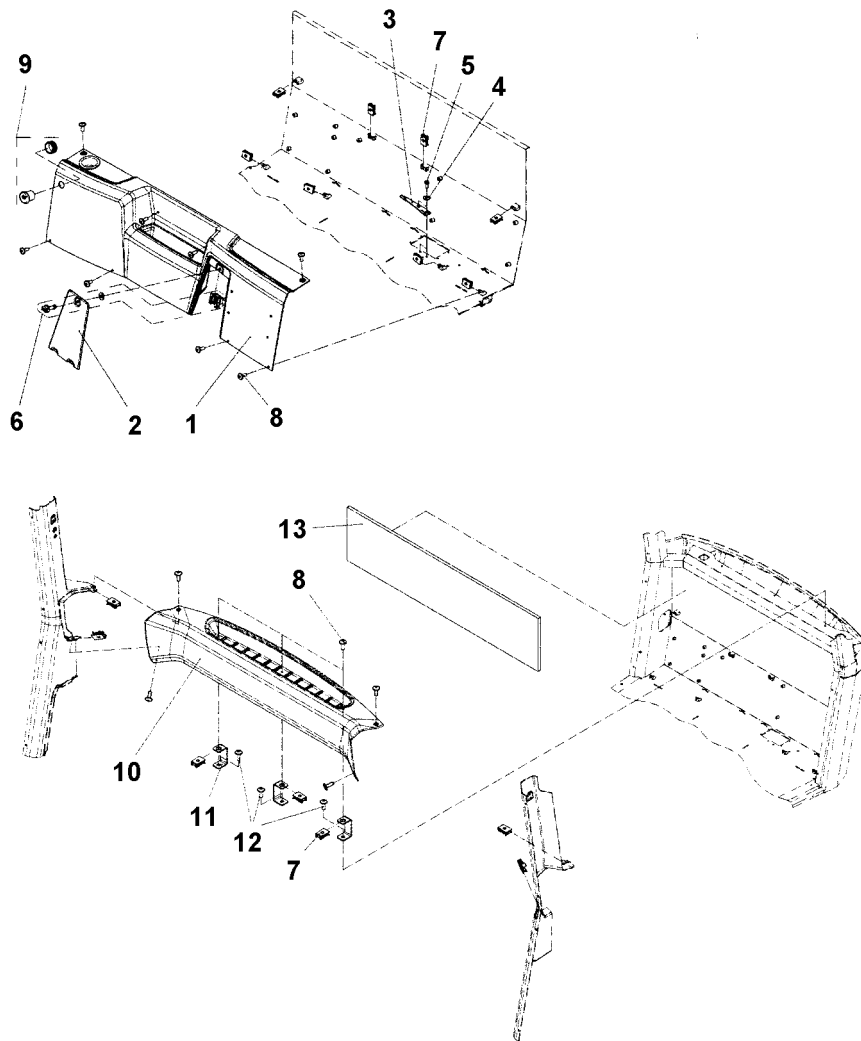
Emergency hammer, hook





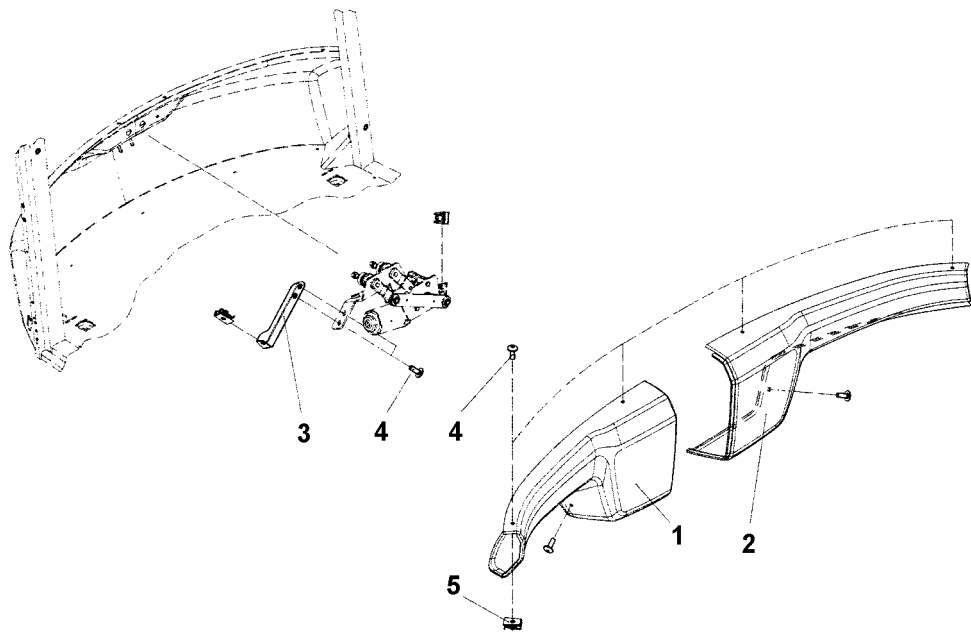
Emergency hammer, hook

Item	Part No	Rem Qty	Description	Code
1	4700908505	2	Hook	D
2		4	Screw	
3	4700908507	1	Holder	D
4		2	Screw	
5	4700908506	1	Emergency hammer	D
6		1	Splint	
7	4700903590	1	Decal "EMERGENCY EXIT"	



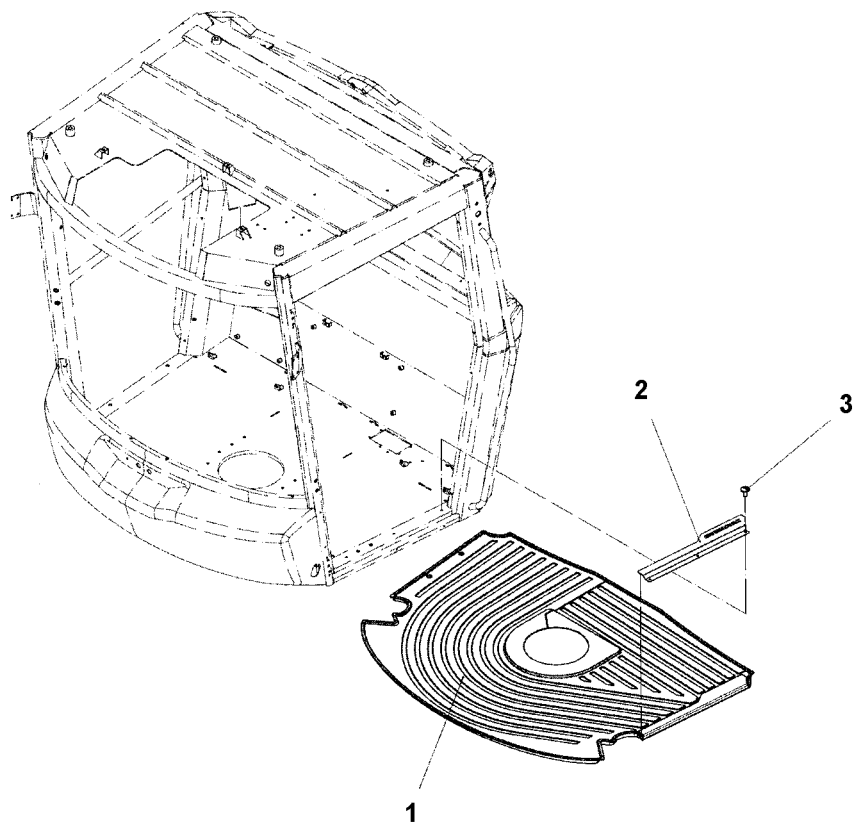
**Cab, rear cover**

<b>Item</b>	<b>Part No</b>	<b>Rem Qty</b>	<b>Description</b>	<b>Code</b>
1	4812114573	1	Cover	
2	4812114564	1	Service cover	
3	4812114565	1	Bracket	
4	4700601001	2	Washer	C
5	4700500004	2	Screw M5 0,8x12 8,8	C
6	4812114566	1	Lock	
7	4812114567	15	Speed nut	
8		15	Screw	
9		1	Socket, 24V	
10	4812114574	1	Cover	
11	4812114575	3	Bracket	
12		3	Screw	
13	4812114576	1	Cover	



**Cab, front cover**

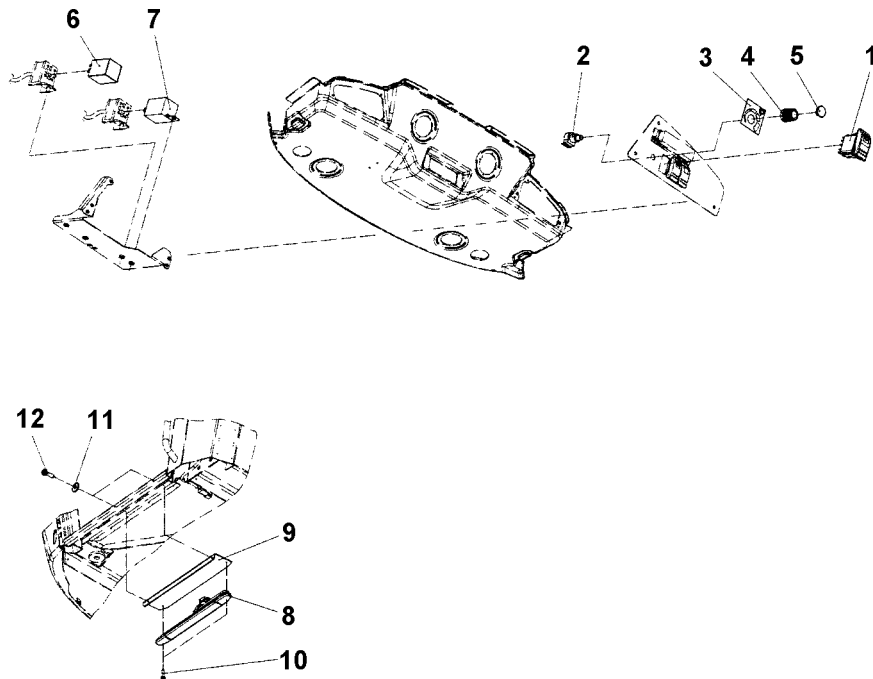
<b>Item</b>	<b>Part No</b>	<b>Rem Qty</b>	<b>Description</b>	<b>Code</b>
1	4812114570	1	Cover	
2	4812114571	1	Cover	
3	4812114572	1	Bracket	
4		8	Screw	
5	4812114567	6	Speed nut	



**Floor mat**

<b>Item</b>	<b>Part No</b>	<b>Rem Qty</b>	<b>Description</b>	<b>Code</b>
1	4812115197	1	Floor mat	
2	4812115198	1	Entrance plate	
3		3	Screw	

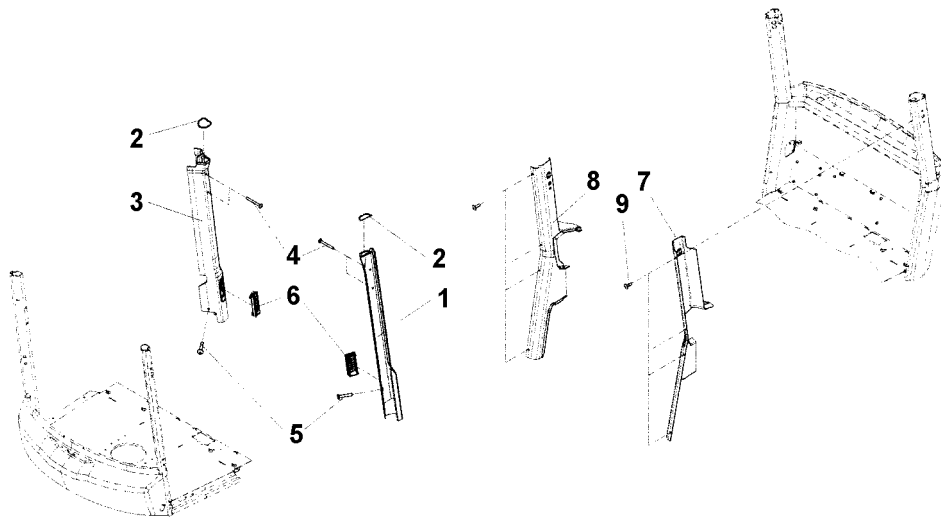
**Step light, wiper switch**





**Step light, wiper switch**

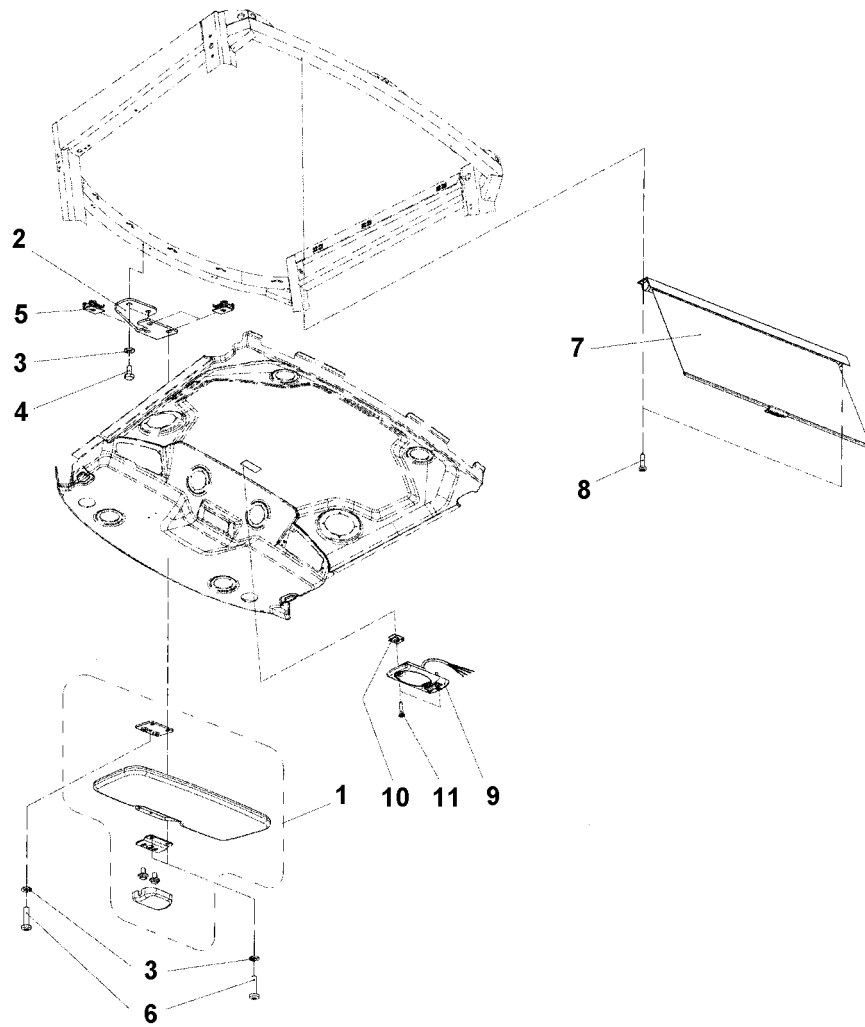
<b>Item</b>	<b>Part No</b>	<b>Rem Qty</b>	<b>Description</b>	<b>Code</b>
1	4812115188	1	Switch, front wiper	
2	4812115189	1	Potentiometer	
3		1	Decal	
4		1	Knob	
5		1	Cap	
6	4812115190	1	Relay interval	
7	4812115191	1	Time control unit	
8	4812115199	1	Step light	
9	4812115224	1	Bracket	
10		2	Screw	
11		2	Washer	
12		2	Screw	



**Air channel**

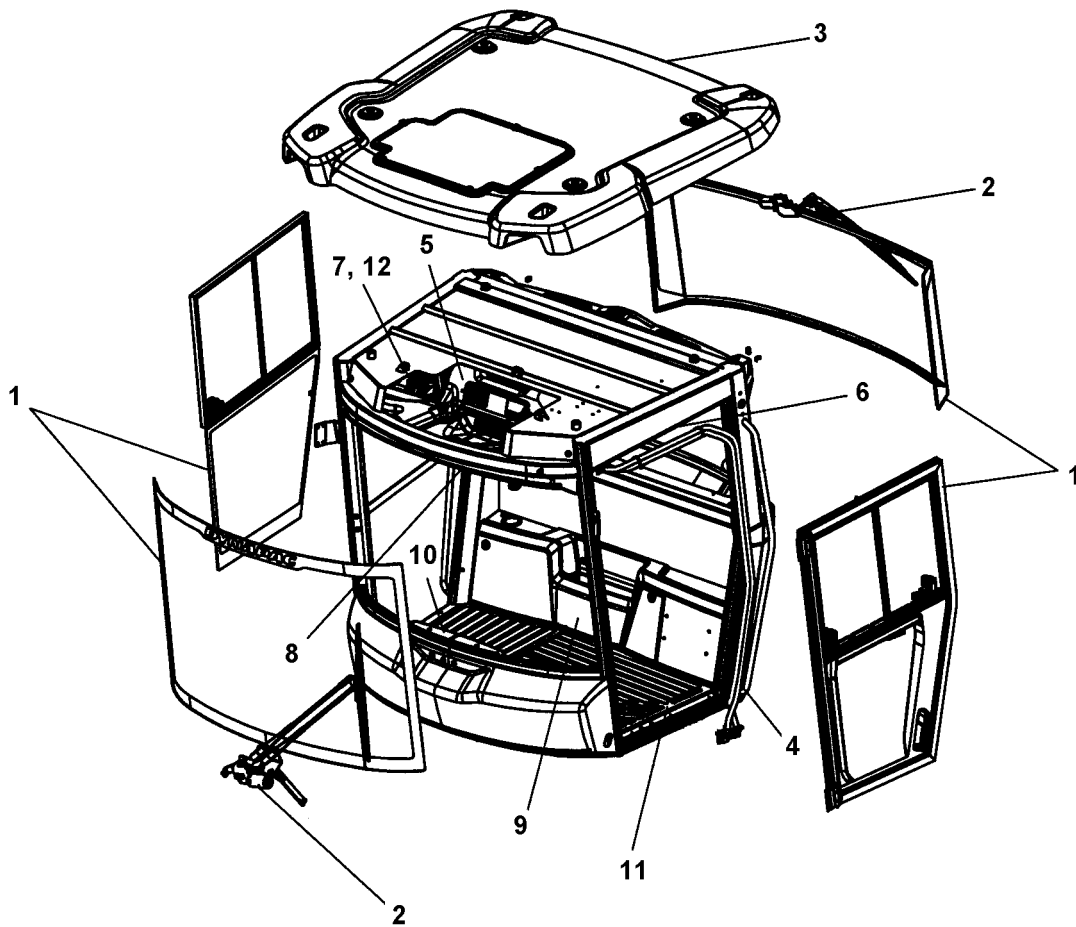
<b>Item</b>	<b>Part No</b>	<b>Rem</b>	<b>Qty</b>	<b>Description</b>	<b>Code</b>
1	4812114577		1	Air channel	
2		A	2XL	Seal	
3	4812114578		1	Air channel	
4			4	Screw	
5			2	Screw	
6	4812114579		2	Air nozzle	
7	4812114580		1	Cover	
8	4812114581		1	Cover	
9			8	Screw	

A) L=0.195m



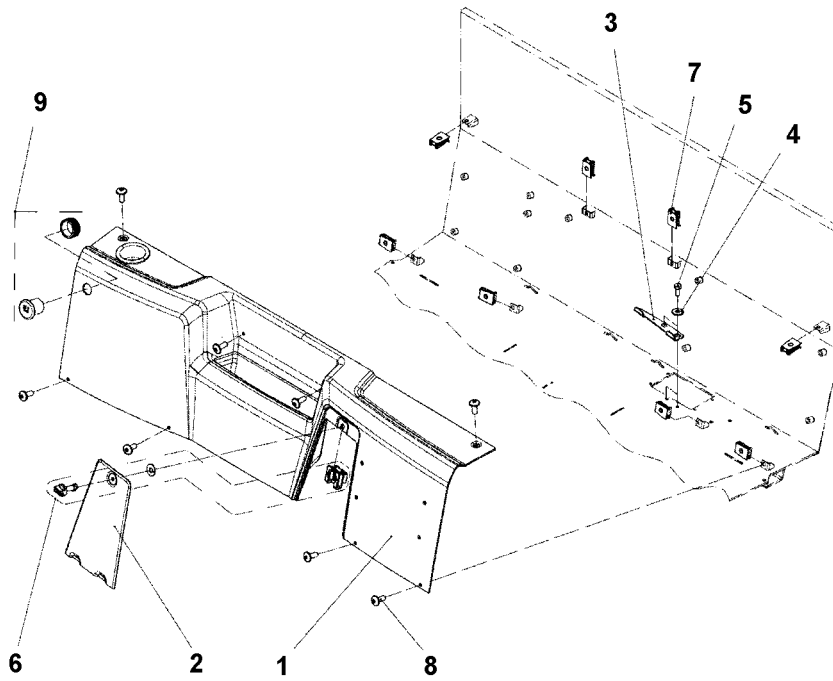
**Sun-blind, inner light**

<b>Item</b>	<b>Part No</b>	<b>Rem Qty</b>	<b>Description</b>	<b>Code</b>
1	4812114582	1	Sun-blind	
2	4812114583	1	Bracket	
3	4700904228	5	Washer 6,4x12x1,5	C
4	4700500012	2	Screw M6x12	C
5	4812114567	3	Speed nut	
6	4700791171	3	Screw	D
7	4812114584	1	Sun-blind	
8	4700904206	2	Screw	C
9	4812114585	1	Inner light	
10		2	Nut	
11		2	Screw	



**4812112276 Cab, cpl Basic**

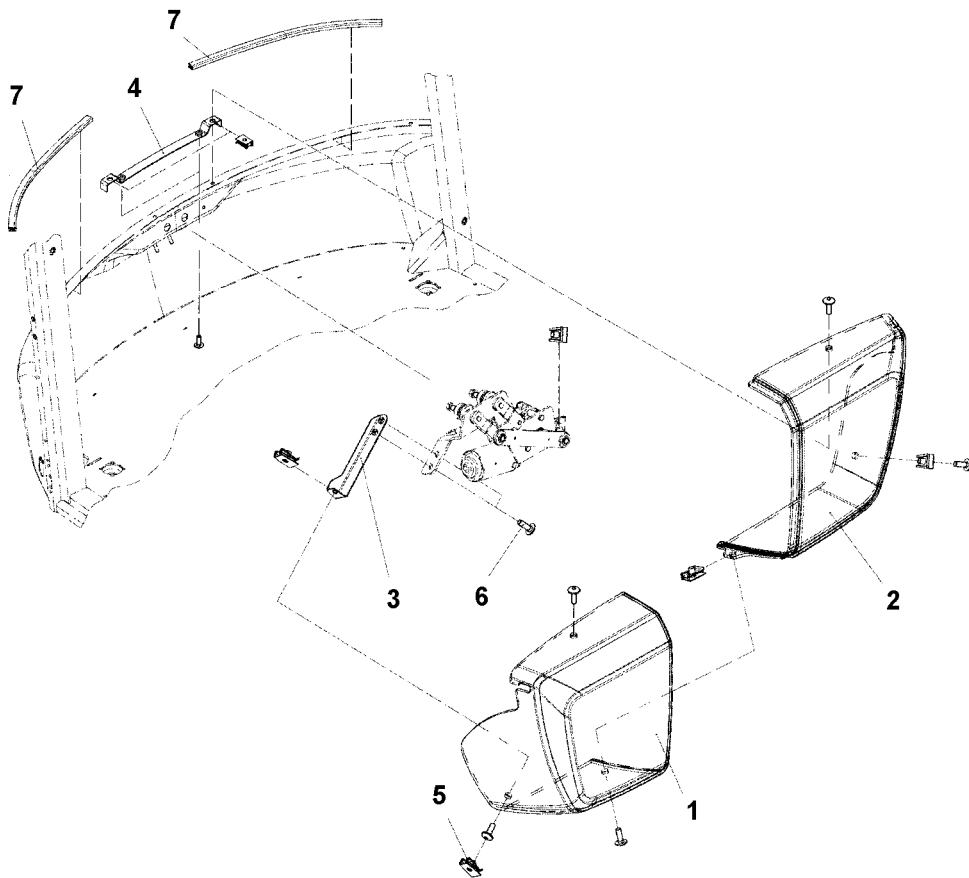
<b>Item</b>	<b>Part No</b>	<b>Rem Qty</b>	<b>Description</b>	<b>Code</b>
1		1	Screens ( Page 386 )	
2		1	Windshield wiper ( Page 392 )	
3		1	Roof ( Page 394 )	
4		1	Hose kit heater ( Page 396 )	
5		1	Cab Interior ( Page 398 )	
6		1	Cab cabel harness ( Page 400 )	
7		1	Cab, electrical equipment ( Page 402 )	
8		1	Emergency hammer, hook ( Page 404 )	
9		1	Cab, rear cover ( Page 420 )	
10		1	Cab, front cover ( Page 422 )	
11	4812114568	1	Floor mat	
12		1	Wiper switch, front ( Page 424 )	
14		1	Cab, basic kit ( Page 378 )	
15	4812112267	1	Rops	





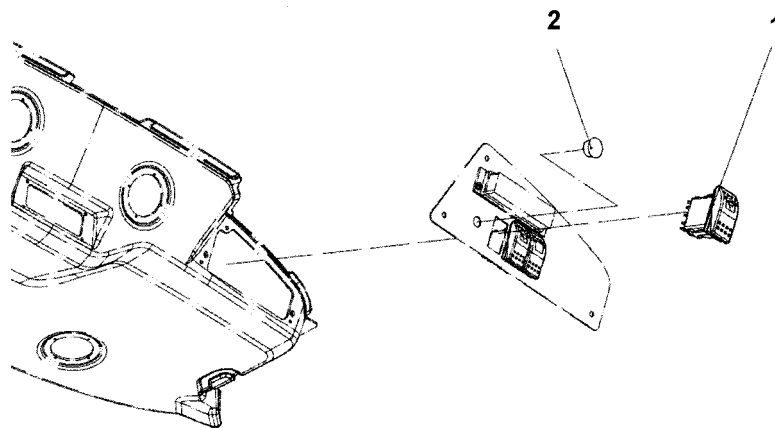
**Cab, rear cover**

<b>Item</b>	<b>Part No</b>	<b>Rem Qty</b>	<b>Description</b>	<b>Code</b>
1	4812114563	1	Rear cover	
2	4812114564	1	Service cover	
3	4812114565	1	Bracket	
4	4700601001	2	Washer	C
5	4700500004	2	Screw M5 0,8x12 8,8	C
6	4812114566	1	Lock	
7	4812114567	8	Speed nut	
8		8	Screw	
9		1	Socket, 24V	



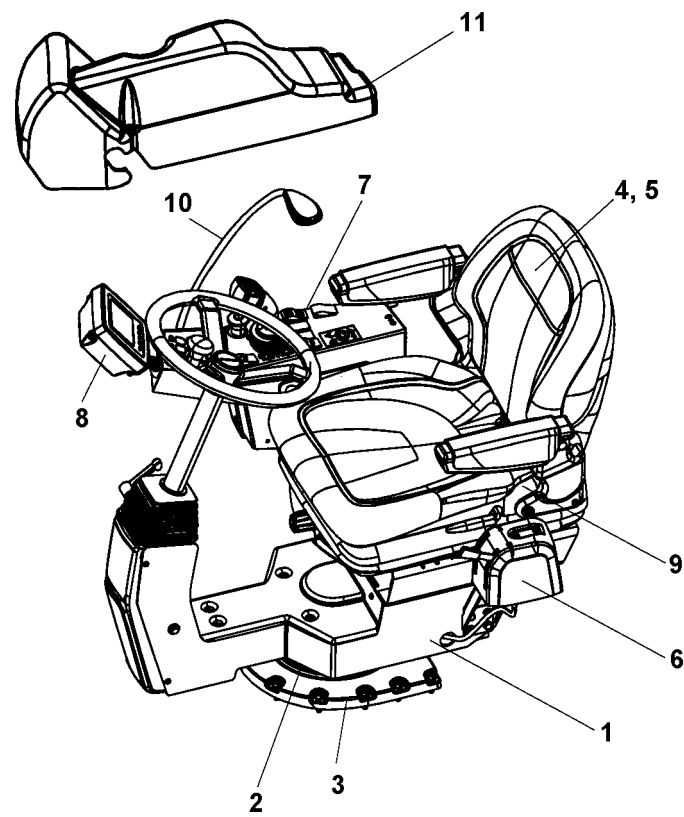
**Cab, front cover**

Item	Part No	Rem	Qty	Description	Code
1			1	Front cover Left	
2			1	Front cover Right	
3	4812114572		1	Bracket	
4			1	Bracket	
5	4812114567		5	Speed nut	
6			9	Screw	
7	4700202028	A	2XL	Edge trim	D
A)	L=0.473m				



**Wiper switch, front**

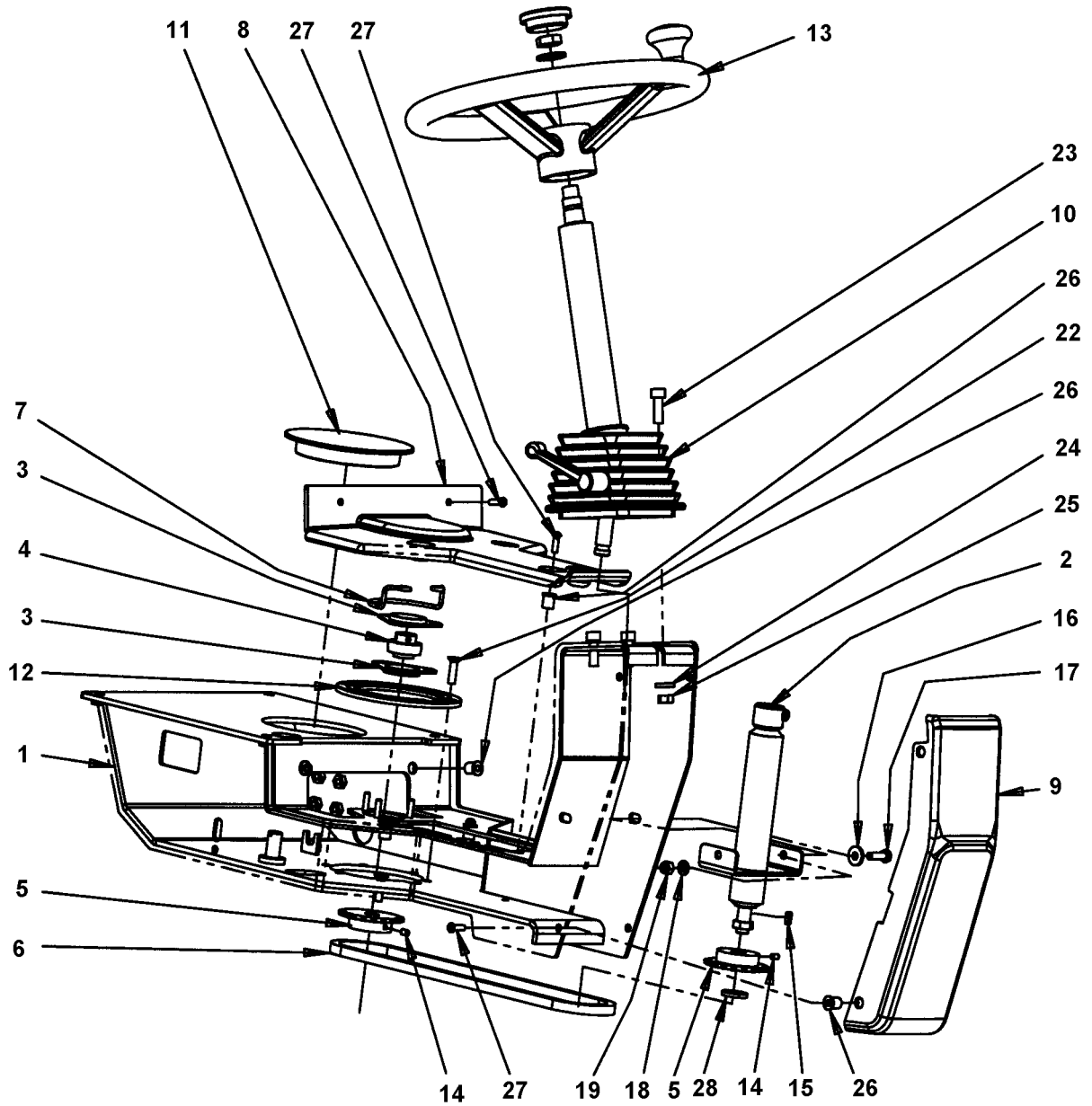
<b>Item</b>	<b>Part No</b>	<b>Rem Qty</b>	<b>Description</b>	<b>Code</b>
1	4812115192	1	Switch	
2		1	Plug	



**Drivers seat**

<b>Item</b>	<b>Part No</b>	<b>Rem</b>	<b>Qty</b>	<b>Description</b>	<b>Code</b>
1			1	Seat frame structure ( Page 428 )	
2			1	Seat frame adapter module, rotating ( Page 432 )	
			1	Seat frame adapter module, fixed ( Page 434 )	
3			1	Floor cassette module ( Page 436 )	
4			1	Seat, fabric suspended (option) ( Page 438 )	
5			1	Seat, galon suspended ( Page 440 )	
6			1	Control module ( Page 442 )	
7			1	Forward reverse control module ( Page 444 )	B
8			1	Display unit ( Page 446 )	
9	4700377677		1	Seat belt 2"	B
	4700379637	A	1	Seat belt 3"	B
10			1	Reading light ( Page 448 )	
11			1	Control panel cover ( Page 450 )	

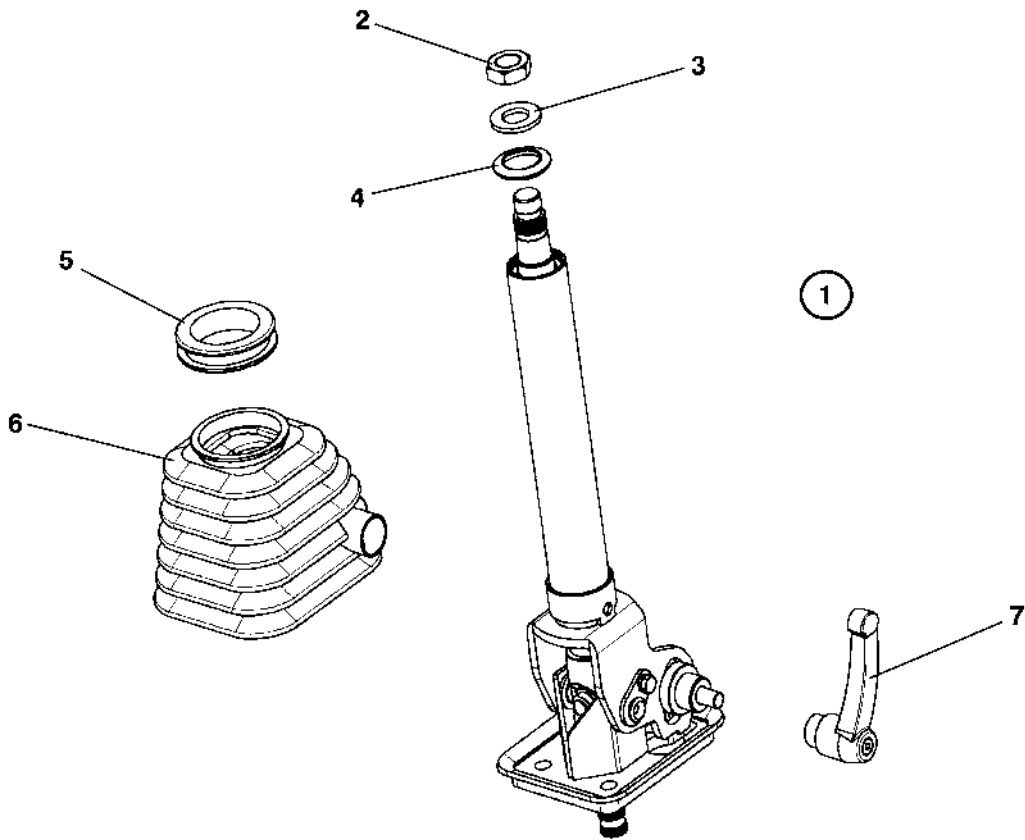
A) Option.





## Seat frame structure

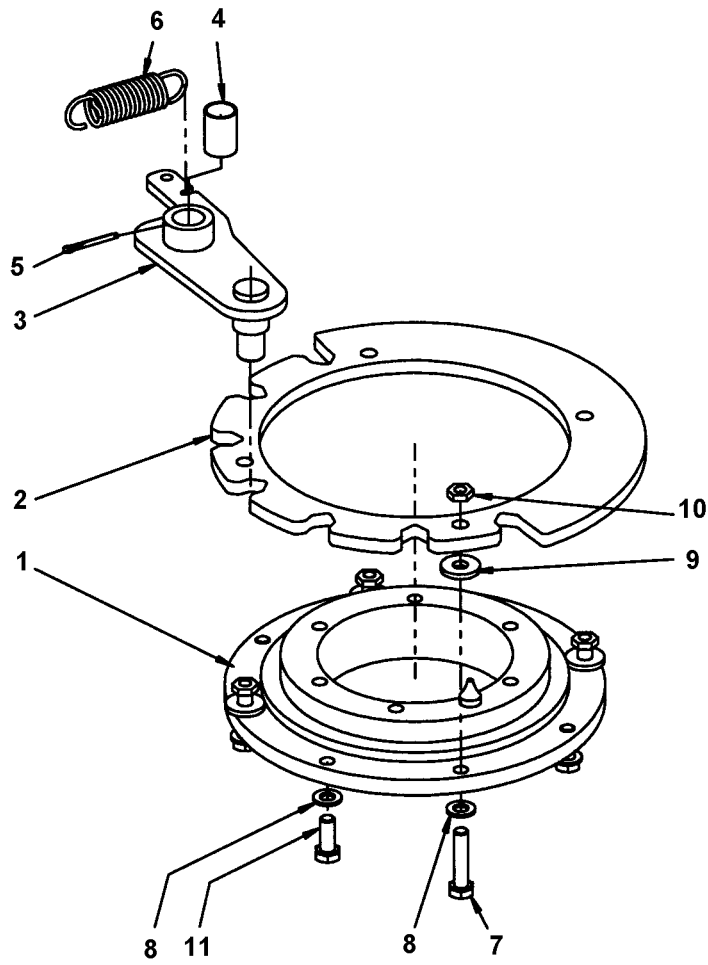
Item	Part No	Rem Qty	Description	Code
1	4700395447	1	Seat frame	D
2	4700359919	1	Shaft	C
3	4700903917	2	Bearing outer	B
4	4700903918	1	Bearing inner	B
5	4700359916	2	Chain wheel	D
6	4700379718	1	Chain and connecting link	C
7	4700372672	1	Chain guard	D
8	4700392839	1	Cover	D
9	4700392840	1	Cover	D
10	4700391163	1	Steering column ( Page 430 )	D
11	4700359920	1	Plug	C
12	4700372965	1	Lock ring	C
13	4700372964	1	Steering wheel, cpl	D
14	4700516051	2	Set screw	C
15	4700350009	1	Flat key	C
16	4700904640	2	Washer 8,4x22x3	C
17	4700500021	2	Screw M8-1,25x25 8.8	C
18	4700904229	2	Steel plain washer 8,4x16x1,5	C
19	4700586003	2	Lock nut M8	C
22	4700902520	6	Screw	C
23	4700508029	3	Screw M10-1,5x30H 8,8	C
24	4700904557	3	Steel plain washer	C
25	4700570006	3	Nut	B
26	4700792539	10	Rubber nut	C
27	4700791524	10	Screw M6X20	C
28	4700904214	1	Washer 15x30x4 300 HV	C



**4700391163 Steering column**

<b>Item</b>	<b>Part No</b>	<b>Rem Qty</b>	<b>Description</b>	<b>Code</b>
1	4700391163		Steering column ( Page 430 )	D
2	4700945632	1	. Nut	C
3	4700945633	1	. Washer	C
4	4700945634	1	. Rubber cap	C
5	4700945635	1	. Bellows ring	C
6	4700945636	1	. Bellows	C
7	4700945637	1	. Locking handle	D

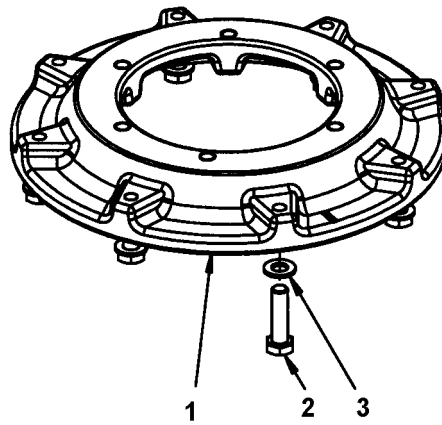
Seat frame adapter module, rotating



**Seat frame adapter module, rotating**

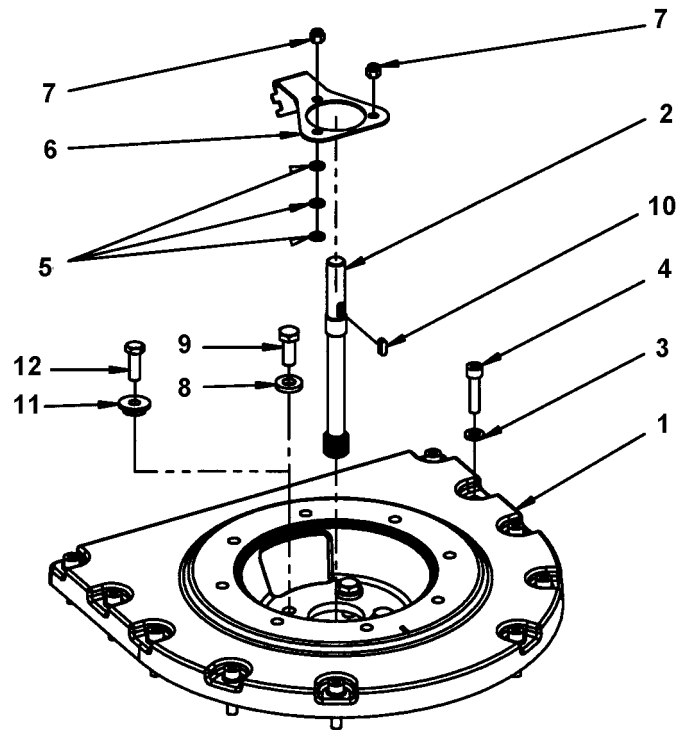
<b>Item</b>	<b>Part No</b>	<b>Rem Qty</b>	<b>Description</b>	<b>Code</b>
1	4700359125	1	Ball bearing	B
2	4700379728	1	Locking disc	C
3	4700395383	1	Coupling link	C
4	4700359819	1	Bushing	C
5	4700630008	1	Pin	D
6	4700359043	1	Spring	D
7	4700792678	4	Screw	C
8	4700904229	8	Steel plain washer 8,4x16x1,5	C
9	4700904640	4	Washer 8,4x22x3	C
10	4700573008	4	Nut M8	C
11	4700947679	4	Screw	C

Seat frame adapter module, fixed



**Seat frame adapter module, fixed**

<b>Item</b>	<b>Part No</b>	<b>Rem Qty</b>	<b>Description</b>	<b>Code</b>
1	4812110891	1	Spacer	
2	4700500022	8	Screw M8x30H 8.8 A2K	C
3	4700904229	8	Steel plain washer 8,4x16x1,5	C

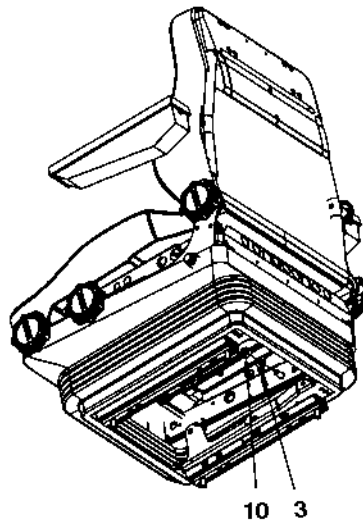
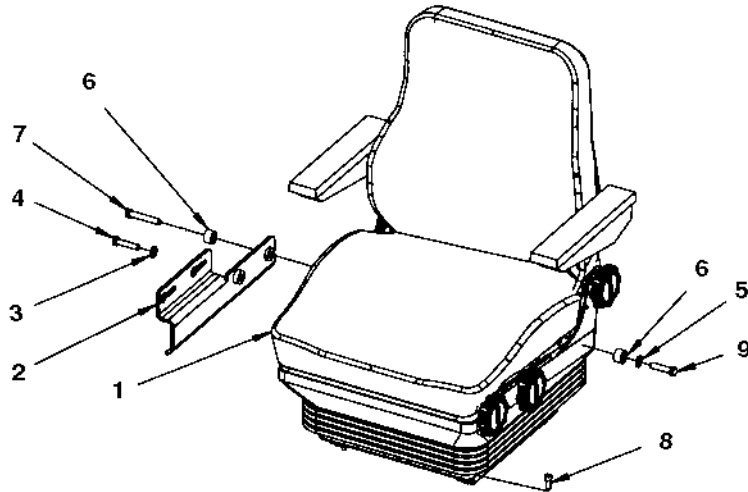




**Floor cassette module**

<b>Item</b>	<b>Part No</b>	<b>Rem Qty</b>	<b>Description</b>	<b>Code</b>
1	4812111294	1	Adapter	C
2	4812110885	1	Splined shaft	D
3	4700904229	10	Steel plain washer 8,4x16x1,5	C
4	4700508027	10	Screw	D
5	4700904228	3	Washer 6,4x12x1,5	C
6	4812114172	1	Bracket	D
7	4700586002	3	Lock nut M6 -8	C
8	4700904557	4	Steel plain washer	C
9	4700500280	4	Screw M10x1,5x25	D
10	4700350009	1	Flat key	C
11	4812113478	4	Washer	C
12	4700500029	4	Hexagon head screw	C

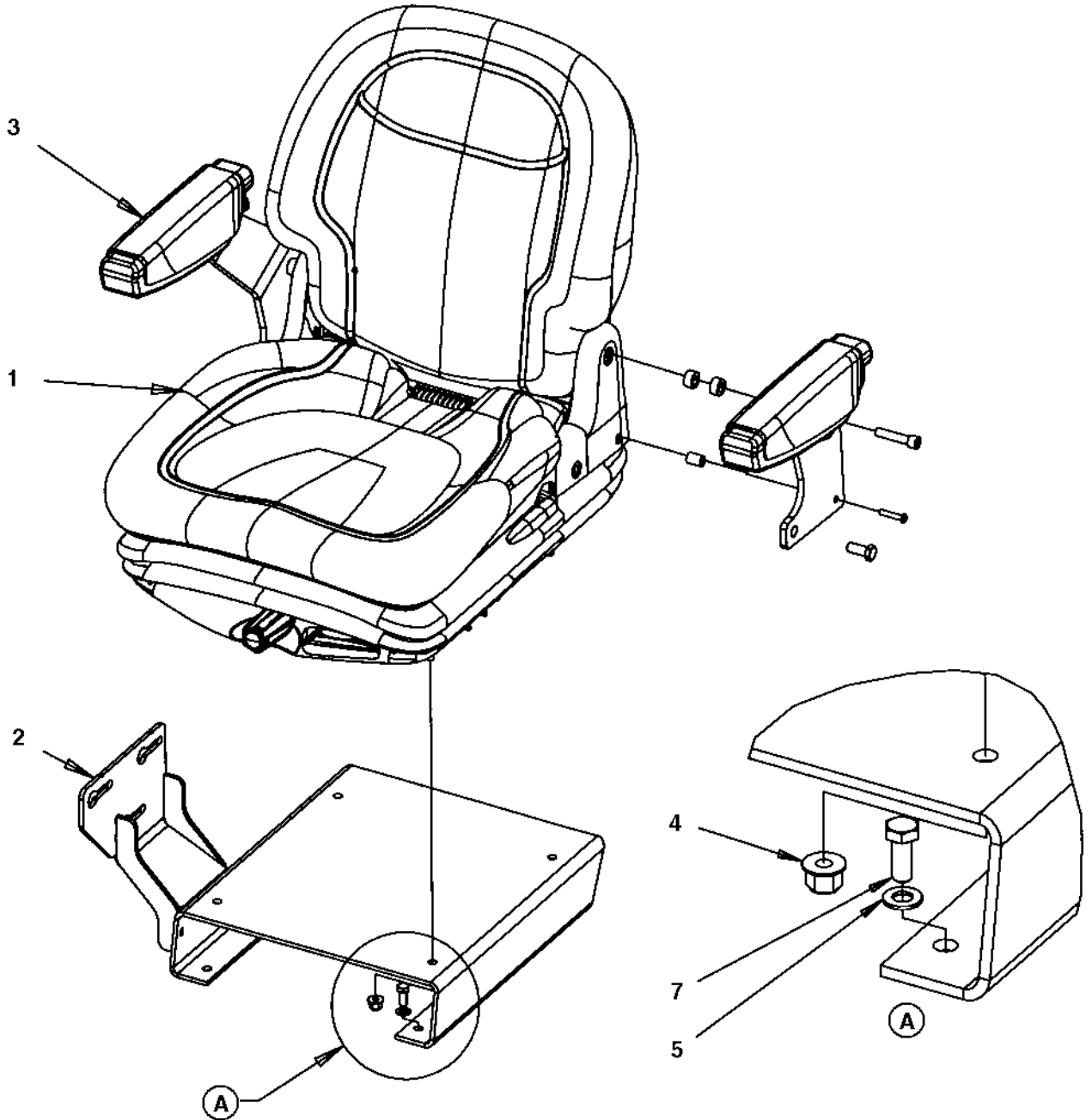
Seat, fabric suspended (option)



**Seat, fabric suspended (option)**

<b>Item</b>	<b>Part No</b>	<b>Rem</b>	<b>Qty</b>	<b>Description</b>	<b>Code</b>
1	4700390013	A	1	Seat	D
	4700937892		1	. Seat switch	B
	4700937620		1	. Arm rest, right	D
	4700937621		1	. Arm rest, left	D
2	4700390169		1	Bracket	D
3	4700904230		2	Steel plain washer	C
4	4700500161		1	Hexagon head screw	C
6	4700791572		2	Spacer washer	C
7	4700792501		1	Screw	C
8	4700508092		4	Screw	C
9	4700792527		1	Screw	C
10	4700586018		1	Hexagon lock nut	C

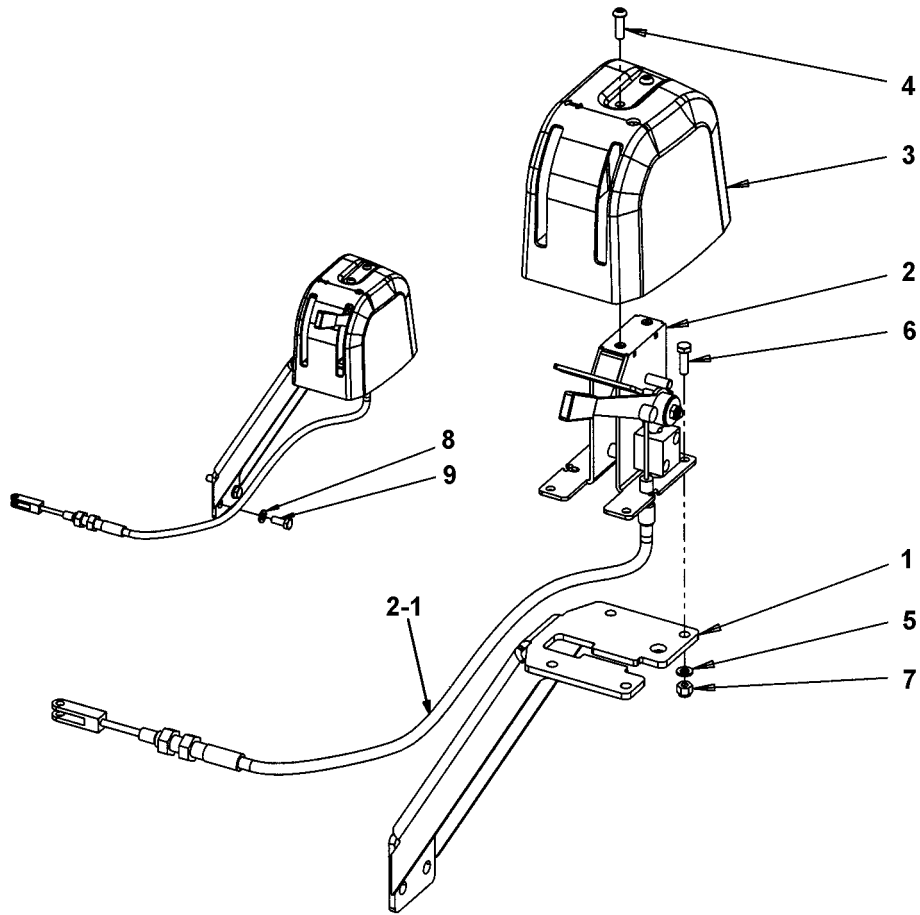
A) Without seat belt



**Seat, galon suspended**

<b>Item</b>	<b>Part No</b>	<b>Rem</b>	<b>Qty</b>	<b>Description</b>	<b>Code</b>
1	4700377518		1	Drivers seat, cpl	D
	4700945622		1	. Seat switch	B
	4700945661	A	1	. Adjuster kit	D
2	4700390561		1	Seat frame	D
3	4700390963		1	Arm rest kit	D
4	4700902286		4	Hexagon lock nut with flange	C
5	4700904229		4	Steel plain washer 8,4x16x1,5	C
7	4700500053		4	Screw M8x20H 8.8	C

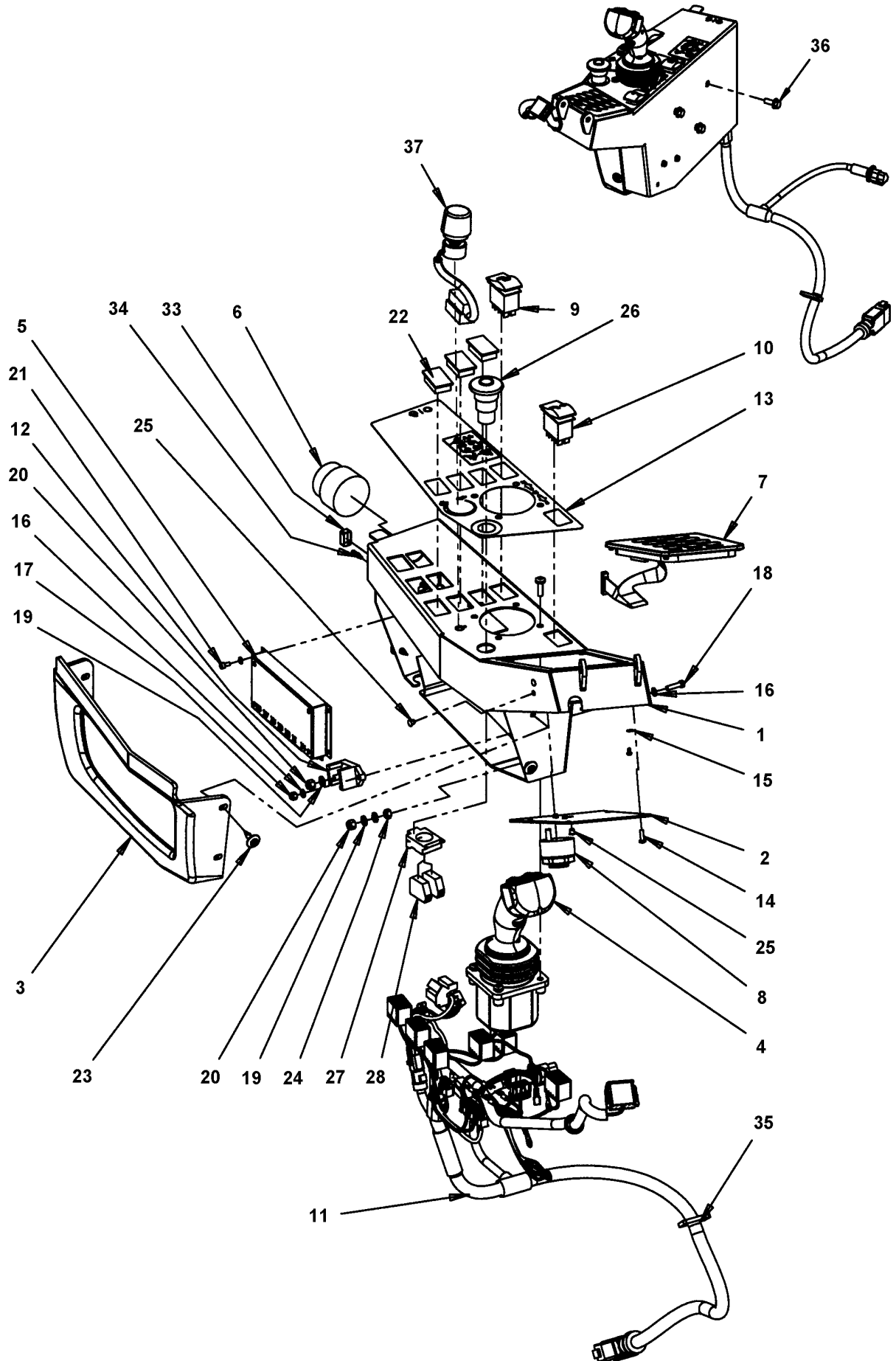
A) Left &amp; right sliding rail



**Control module**

<b>Item</b>	<b>Part No</b>	<b>Rem Qty</b>	<b>Description</b>	<b>Code</b>
1	4700391241	1	Bracket	D
2	4812111216	1	Control, cpl	D
2-1	4700393496	1	. Cable 675	
3	4700392965	1	Control cover	C
4	4700791524	2	Screw M6X20	C
5	4700904228	4	Washer 6,4x12x1,5	C
6	4700500040	4	Screw M6-1x20 8,8	C
7	4700586002	4	Lock nut M6 -8	C
8	4700904229	4	Steel plain washer 8,4x16x1,5	C
9	4700500053	4	Screw M8x20H 8.8	C

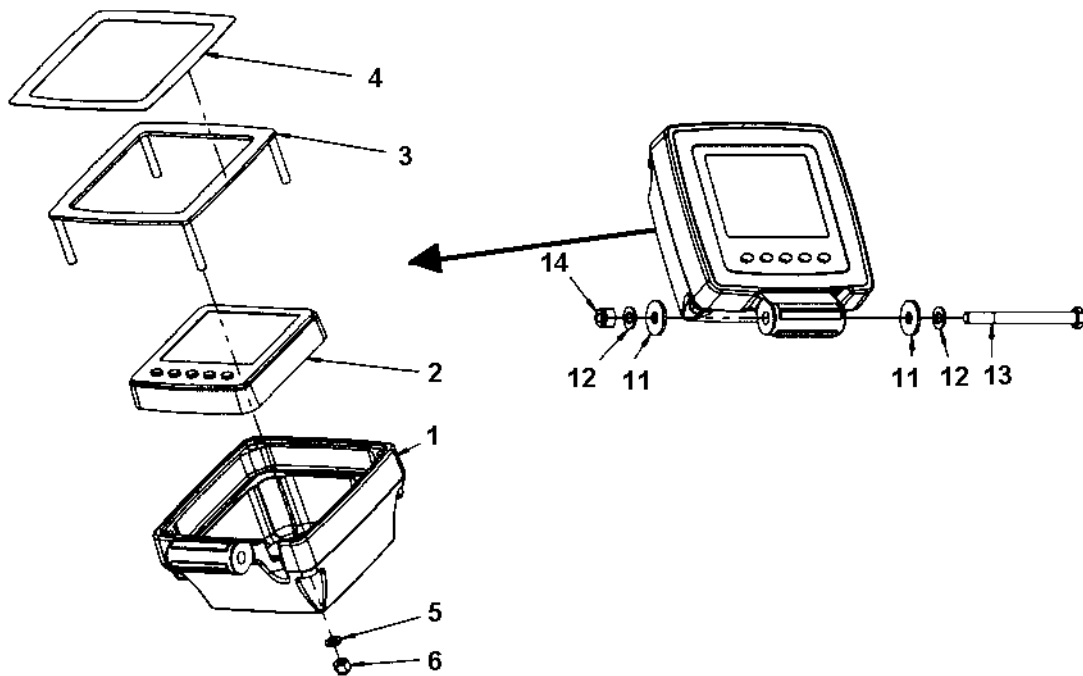
Forward reverse control module





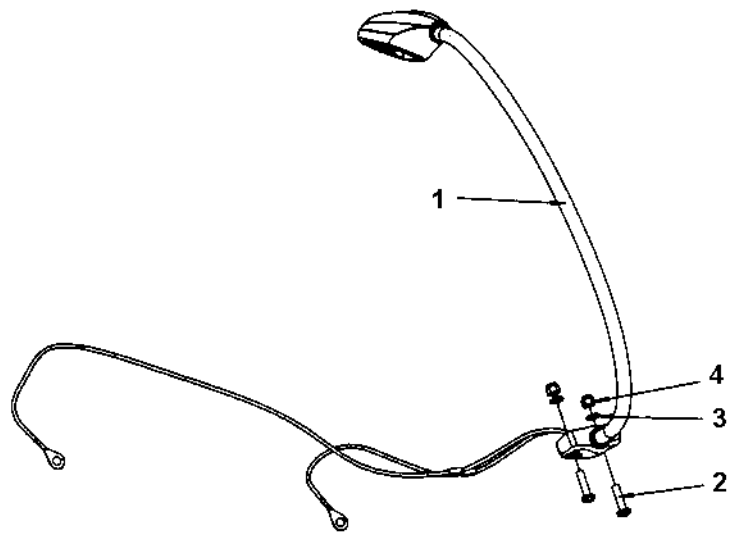
## Forward reverse control module

Item	Part No	Rem Qty	Description	Code
1	4812110886	1	Control box	D
2	4700391396	1	Cover	D
3	4700396662	1	Cover	C
4	4700391420	1	Control handle	D
5	4812113875	1	Control unit	D
6	4812110901	1	Ignition switch	B
7	4812114803	1	Membrane switch panel	C
8	4700385599	1	Buzzer	B
9	4700791582	1	Switch, parking brake	B
10	4700792414	1	Switch, RPM	D
	4812117490	1	Switch, eco option	
11	4812111979	1	Cable harness	D
12	4700392930	1	Junction box	D
13	4812111780	1	Decal	C
14	4700526010	4	Thread rolling screw	C
15	4700904698	8	Washer 4,3x8x0,8	C
16	4700904281	4	Washer 5,3x10x1 300HV	C
17	4700586001	2	Lock nut	C
18	4700500060	2	Screw M5-0,8x20 8.8	C
19	4700904228	3	Washer 6,4x12x1,5	C
20	4700586002	2	Lock nut M6 -8	C
21	4700508017	4	Hexagon socket head cap screw	C
22	4700791588	3	Panel plug	C
23	4700395785	4	Screw	D
24	4700570004	1	Nut M6X1,00 -8 A2K	C
25	4700902804	5	Plug	C
26	4700791739	1	Emergency stop	B
27	4700791733	1	Fixing collar	C
28	4700791723	2	Connector N/C	B
33	4812114214	1	Cover	D
34	4812114213	2	Lock screw	C
35	4700313041	N	Cable ties L=200 mm	B
36	4700500505	3	Screw M8x20 8.8	C
37	4700388737	1	Potentiometer	B



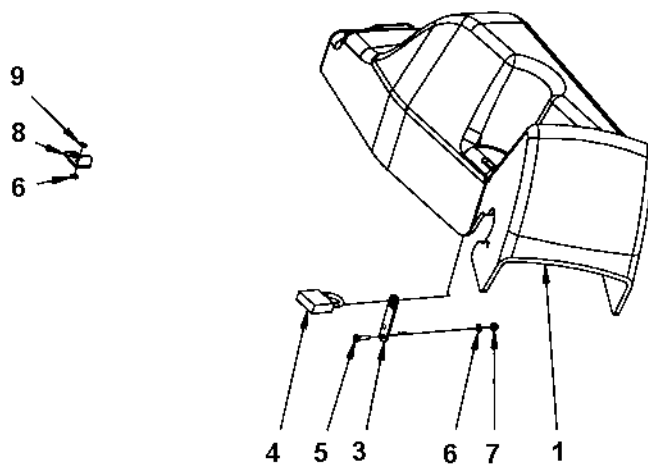
**Display unit**

<b>Item</b>	<b>Part No</b>	<b>Rem Qty</b>	<b>Description</b>	<b>Code</b>
1	4700392717	1	Display holder	D
2	4812113786	1	Display unit	B
3	4700392719	1	Cover	D
4	4700393094	1	Decal	D
5	4700904228	4	Washer 6,4x12x1,5	C
6	4700586002	4	Lock nut M6 -8	C
11	4700903662	2	Washer	C
12	4700904229	2	Steel plain washer 8,4x16x1,5	C
13	4700500115	1	Screw M8-1,25x90 8.8	C
14	4700586003	1	Lock nut M8	C



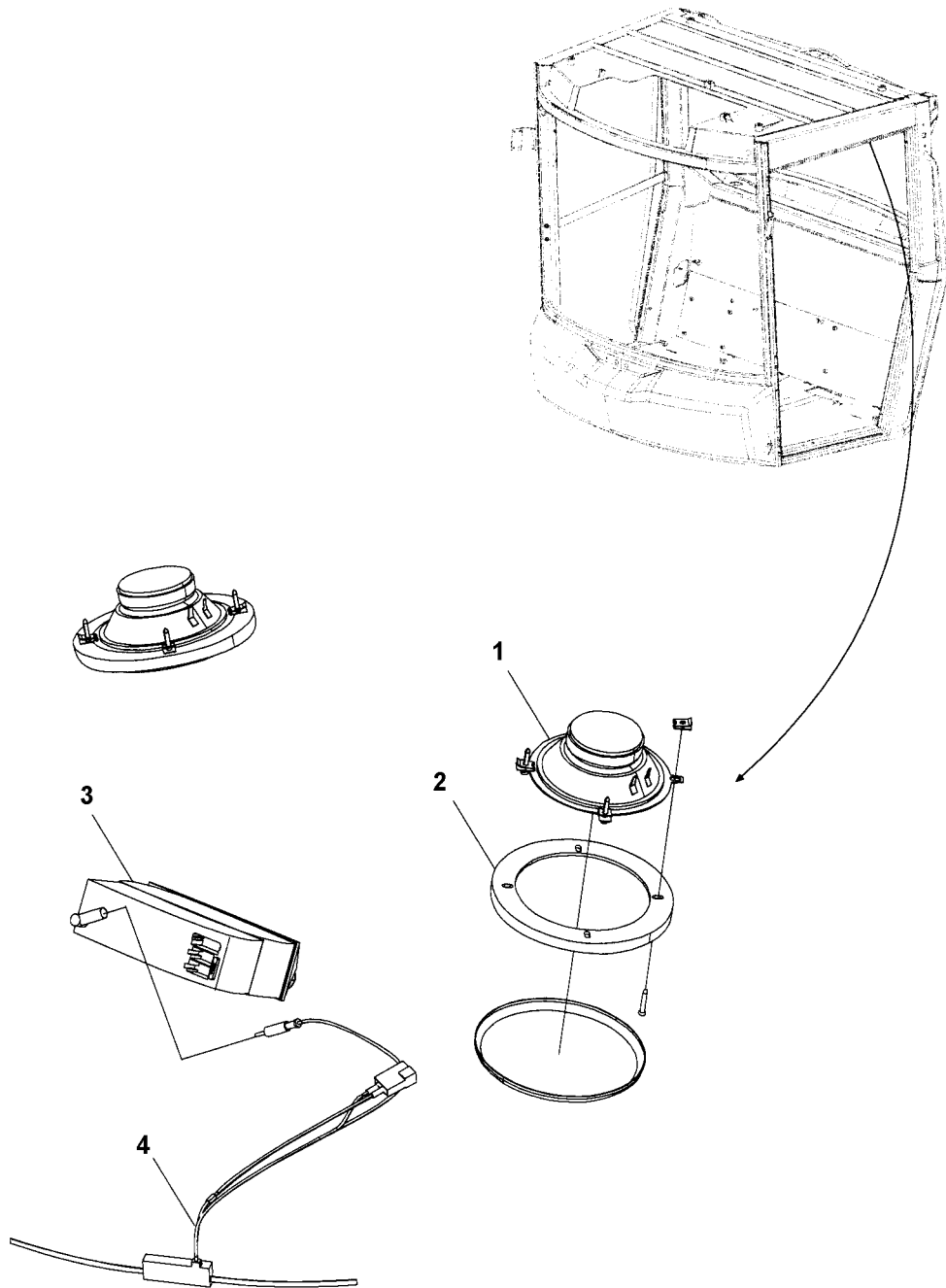
**Reading light**

<b>Item</b>	<b>Part No</b>	<b>Rem Qty</b>	<b>Description</b>	<b>Code</b>
1	4700397604	1	Reading lamp	
2	4700791421	2	Machine screw	
3	4700904281	2	Washer 5,3x10x1 300HV	C
4	4700586001	2	Lock nut	C



**Control panel cover**

<b>Item</b>	<b>Part No</b>	<b>Rem Qty</b>	<b>Description</b>	<b>Code</b>
1	4700395947	1	Instrument panel cover	D
3	4700387545	1	Latch	D
4	4700358881	1	Pad lock	D
5	4700904653	2	Screw M5x16 A2-70	C
6	4700904281	4	Washer 5,3x10x1 300HV	C
7	4700586001	2	Lock nut	C
8	4700396670	1	Bracket	D
9	4700904619	2	Blind rivet	C

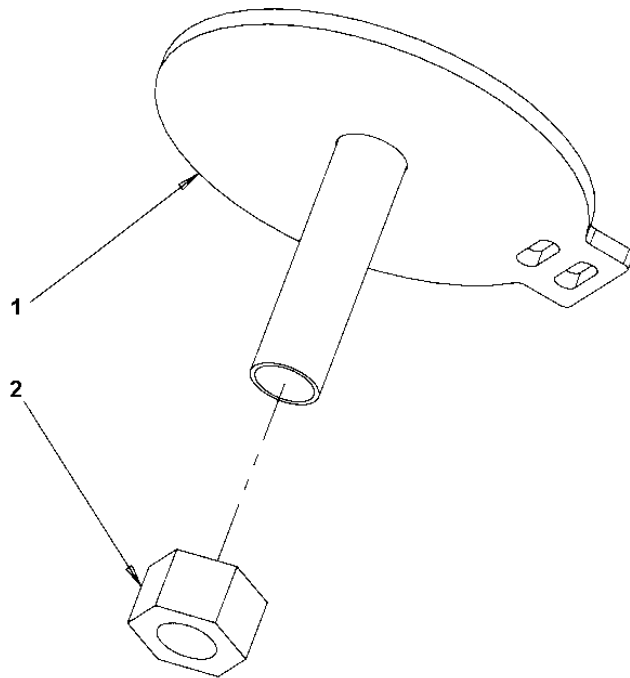




**Car stereo module**

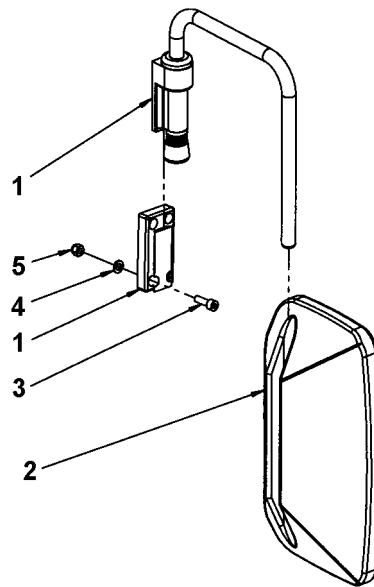
<b>Item</b>	<b>Part No</b>	<b>Rem Qty</b>	<b>Description</b>	<b>Code</b>
1	4811000268	2	Loud speaker	
2	4811000269	2	Loud speaker grille	
3	4811000265	1	Car stereo	
	4812116986	1	Spacer frame	
4	4812114194	1	Antenna	

Antenna bracket module, option



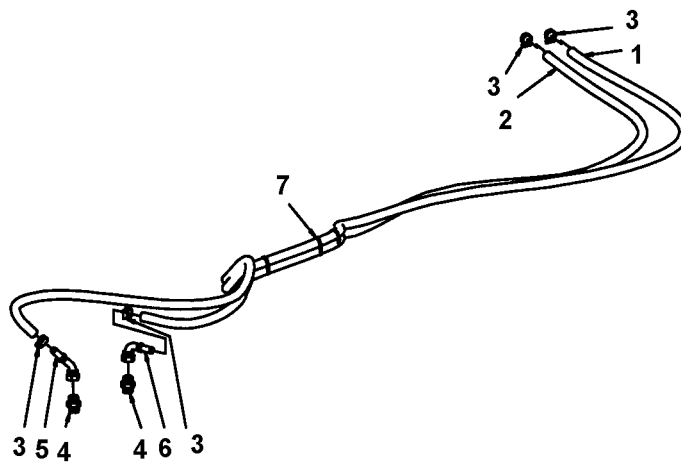
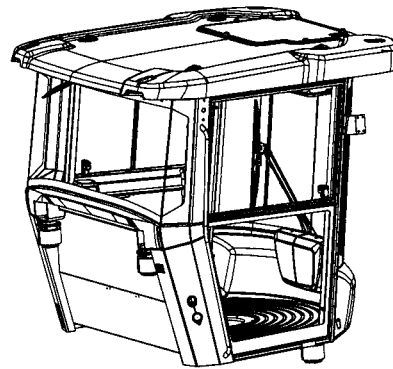
Antenna bracket module, option

Item	Part No	Rem Qty	Description	Code
1	4700394275	1	Bracket	
2	4700570008	1	Nut M16 -8	C



## Rear view mirror

Item	Part No	Rem Qty	Description	Code
1	4812110367	1	Bracket	
2	4700381943	1	Mirror	
3	4700508019	4	Screw M8x25 8.8	C
4	4700904229	4	Steel plain washer 8,4x16x1,5	C
5	4700586003	4	Lock nut M8	C



**Hose assy kit, heater**

<b>Item</b>	<b>Part No</b>	<b>Rem</b>	<b>Qty</b>	<b>Description</b>	<b>Code</b>
1	4700205112	A	1XL	Coolant hose	D
2	4700205112	B	1XL	Coolant hose	D
3	4700313004		4	Hose clamp	D
4	4812115026		2	Straight connector orfs	
5	4812115011		1	Hose connection	
6	4812115019		1	Hose connection	
7	4700313041		N	Cable ties L=200 mm	B

A) L=3.85m  
B) L=3.25m

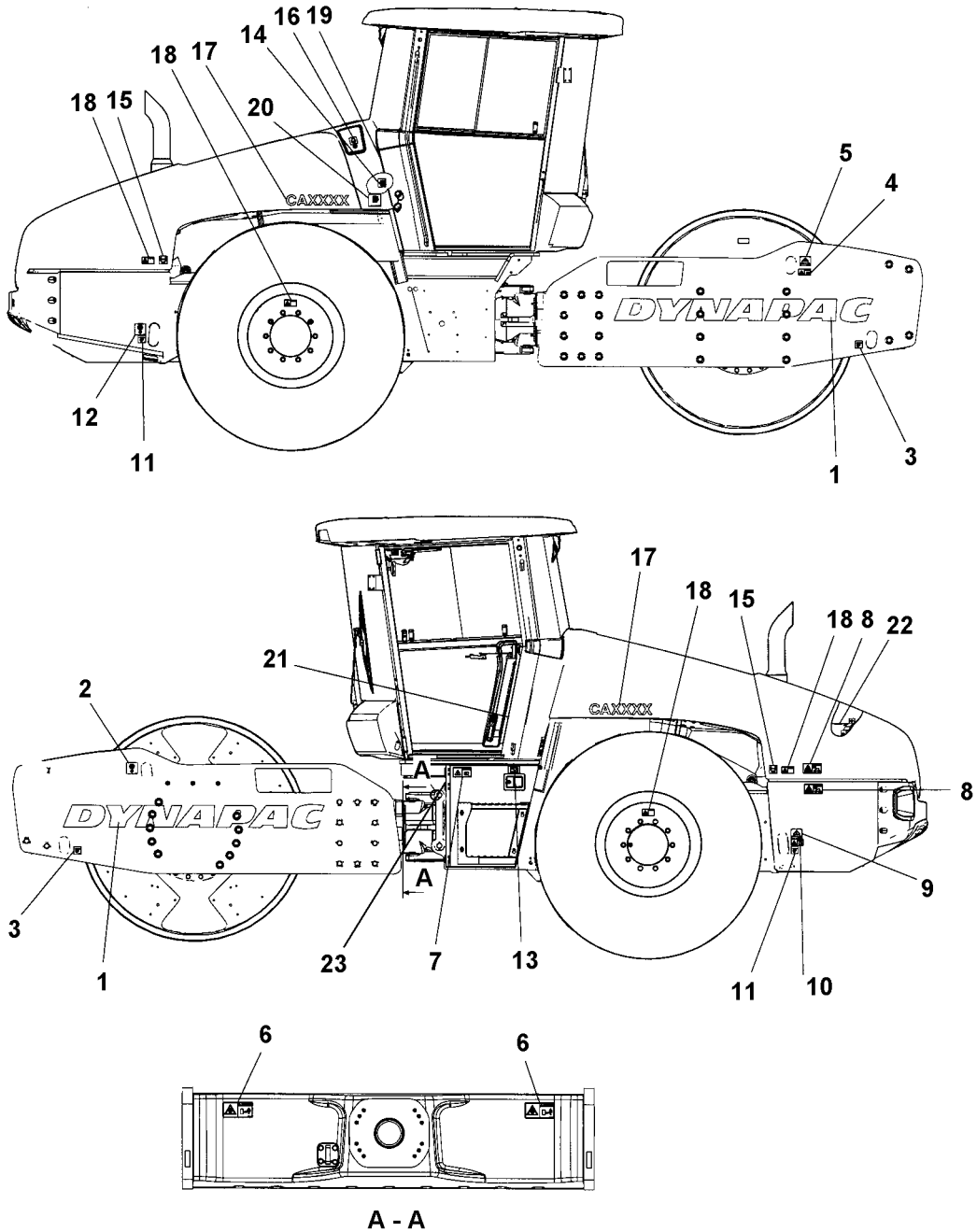




**Decals**

<b>Item</b>	<b>Part No</b>	<b>Rem Qty</b>	<b>Description</b>	<b>Code</b>
1		1	Decals ( Page 462 )	
2		1	Decals ( Page 464 )	

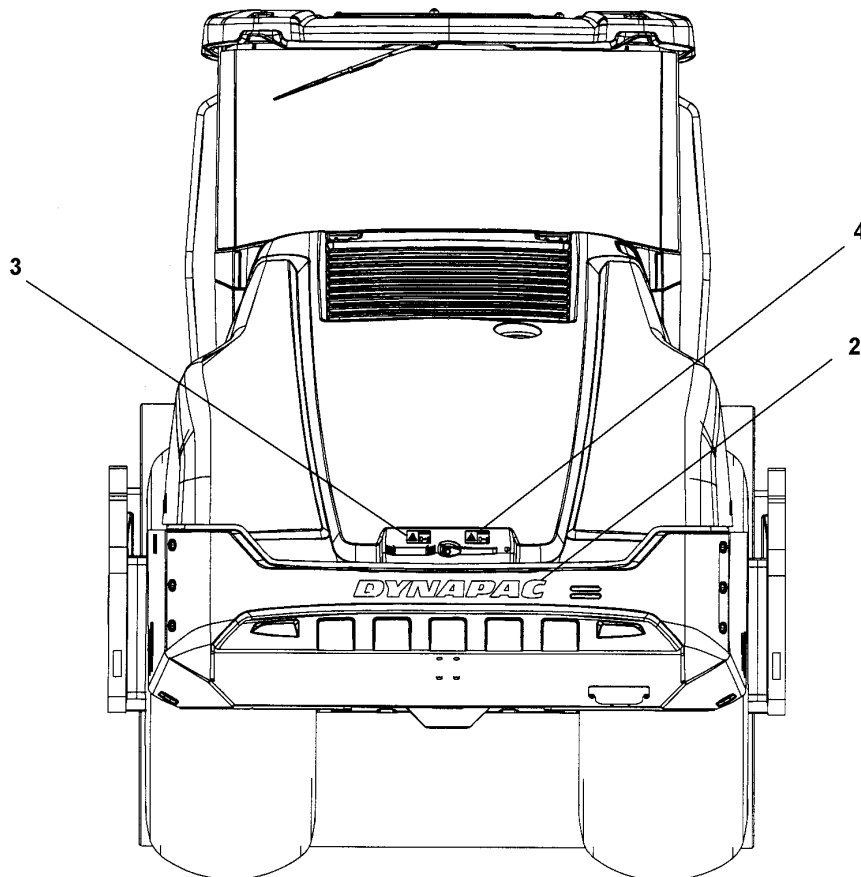
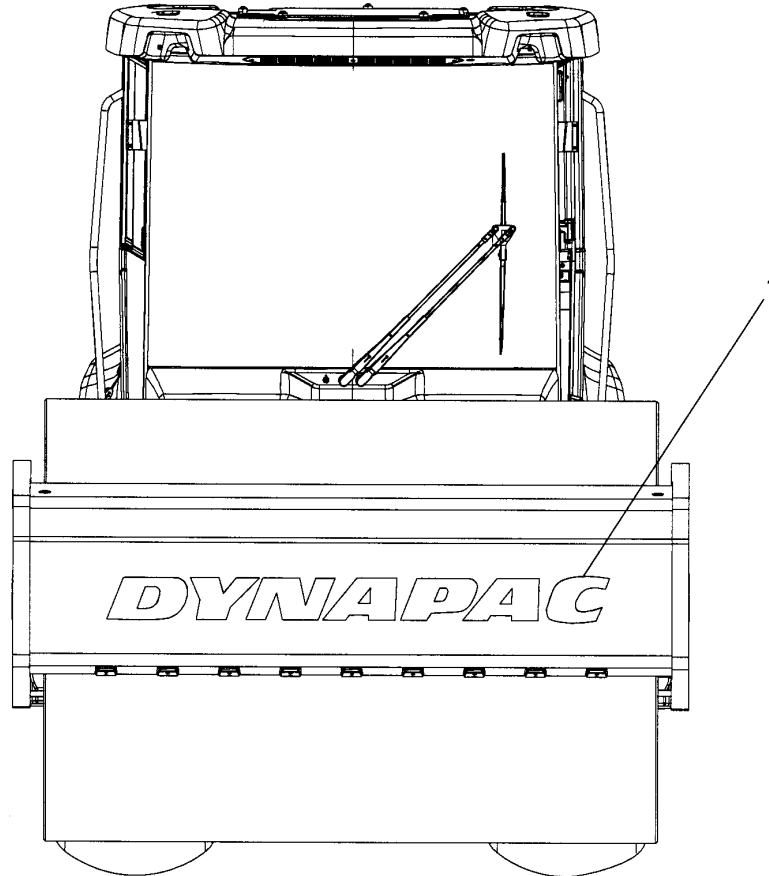
Decals



**Decals**

Item	Part No	Rem Qty	Description	Code
2	4700588176	1	Decal "LIFT POINT"	D
3	4700382751	2	Decal "TIE DOWN POINT"	D
4	4700908229	1	Safety decal	D
5	4700904870	1	Lifting sign	D
	4700624005	4	Blind rivet 3,2x6,1	C
6	4700903422	2	Decal "SAFETY"	D
7	4700903459	1	Decal "SAFETY"	D
8	4700904895	2	Safety decal "Brake release"	D
9	4700904870	1	Lifting sign	D
10	4700908229	1	Safety decal	D
11	4700382751	2	Decal "TIE DOWN POINT"	D
12	4700588176	1	Decal "LIFT POINT"	D
13	4700904835	1	Decal "BATTERY POWER"	D
14	4700272373	1	Decal "HYDRAULIC OIL"	D
15	4700385080	A	2 Decal "TYRE PRESSURE" 150-170kPa/21-24psi	D
	4700390900	B	2 Decal "TYRE PRESSURE" 110kPa/16psi	D
	4700355983	C	2 Decal "TYRE PRESSURE" 200kPa/29psi	D
16	4700388449	1	Decal "COOLING LEVEL"	
17	4811000049	2	Decal "MODEL CODE"	D
18	4700903985	2	Decal "SAFETY", "TYRE IN BALLAST"	
19	4700272372	1	Decal "HYDRAULIC OIL"	D
	4700792772	1	Decal "BIO HYDRAULIC OIL" PANOLIN	D
20	4700991658	1	Decal "FUEL"	D
21	4700903425	1	Decal "SAFETY MANUAL"	D
22	4700791642	1	Decal "WARNING" Use of starting fluid prohib.	D
23		1	Product identification plate	

- A) Used with all-weather wheels.
- B) Used with tractor wheels.
- C) Used with premium wheels.



**Decals**

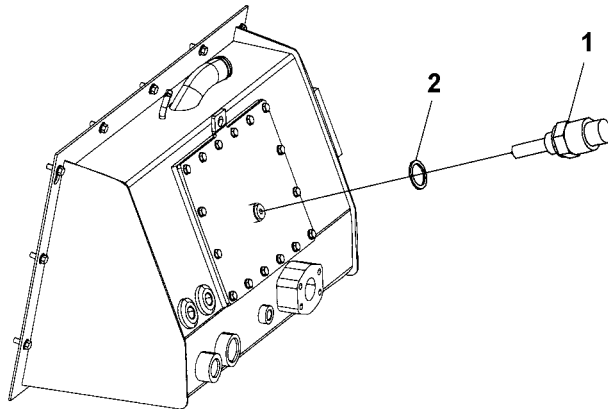
<b>Item</b>	<b>Part No</b>	<b>Rem Qty</b>	<b>Description</b>	<b>Code</b>
1	4700904068	1	Decal "DYNAPAC" L=1770 mm	
2	4700904094	1	Decal "DYNAPAC" L=670 mm	
3	4700903423	1	Decal "SAFETY"	D
4	4700903424	1	Decal "HOT SURFACE"	D



**Optional equipment**

<b>Item</b>	<b>Part No</b>	<b>Rem Qty</b>	<b>Description</b>	<b>Code</b>
1	4812112422	1	Level sensor module Option ( Page 468 )	
4		1	Fire extinguisher/First Aid Cushion ( Page 470 )	
5		1	SMV-sign ( Page 474 )	
10		1	Air conditioning ( Page 476 )	

4812112422 Level sensor module Option

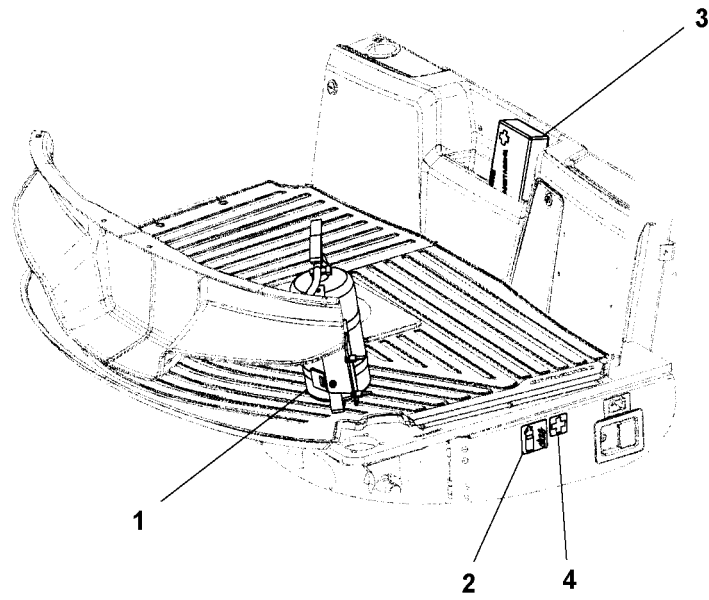




**4812112422 Level sensor module Option**

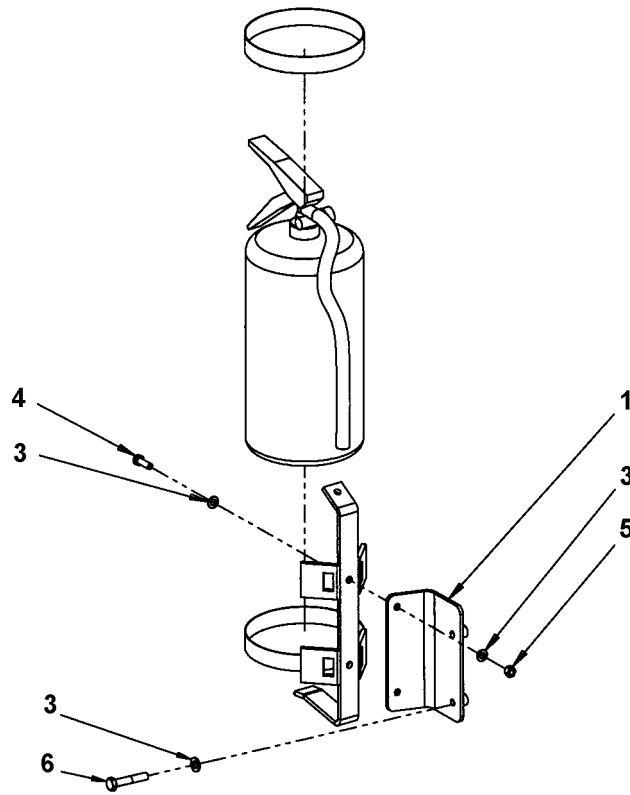
<b>Item</b>	<b>Part No</b>	<b>Rem Qty</b>	<b>Description</b>	<b>Code</b>
1	4812112423	1	Level sensor	
2	4700330331	1	Washer 18,2x23,9x1,5	C

Fire extinguisher/First Aid Cushion



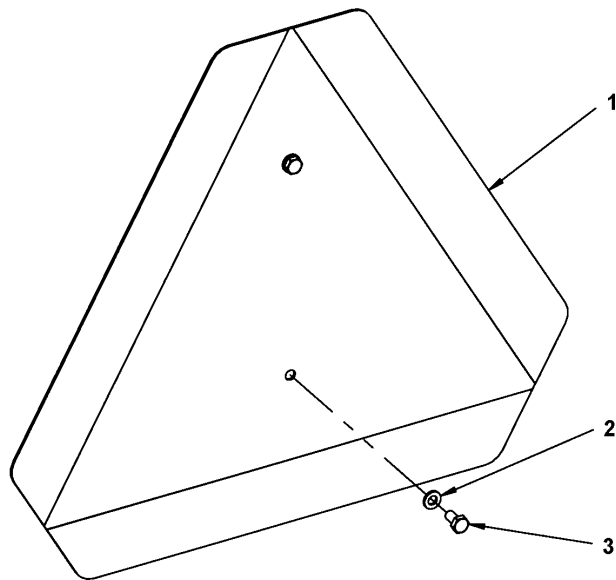
**Fire extinguisher/First Aid Cushion**

<b>Item</b>	<b>Part No</b>	<b>Rem Qty</b>	<b>Description</b>	<b>Code</b>
1		1	Fire extinguisher ( Page 472 )	
2	4700792634	1	. Decal fire extinguisher	D
3	4700394395	1	First aid cushion	D
4	4700902509	1	Decal	D



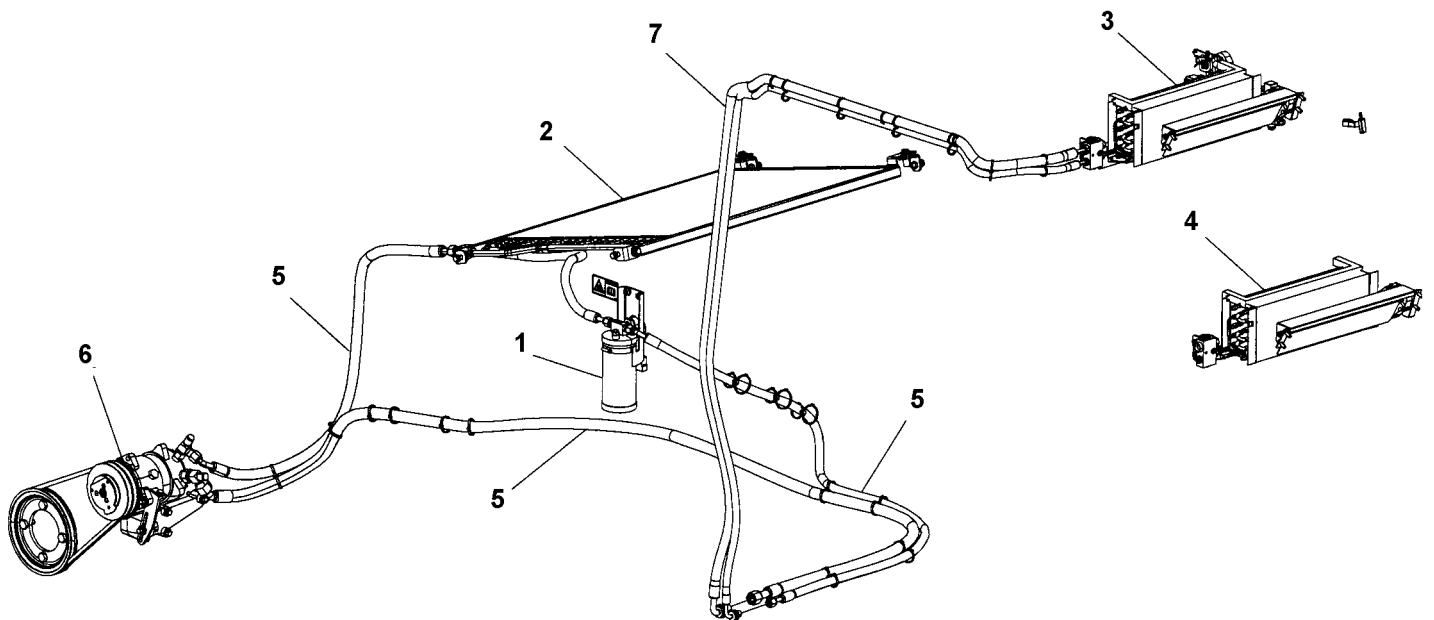
**Fire extinguisher**

<b>Item</b>	<b>Part No</b>	<b>Rem Qty</b>	<b>Description</b>	<b>Code</b>
1	4812114804	1	Bracket	
3	4700904229	6	Steel plain washer 8,4x16x1,5	C
4	4700500021	2	Screw M8-1,25x25 8.8	C
5	4700570005	2	Nut M8	C
6	4700500024	2	Screw M8x45	D



**SMV-sign**

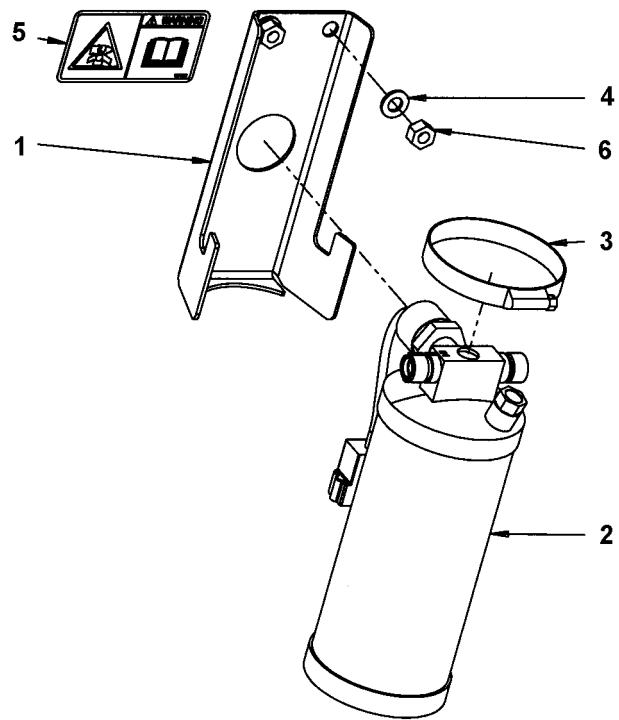
<b>Item</b>	<b>Part No</b>	<b>Rem Qty</b>	<b>Description</b>	<b>Code</b>
1	4700476019	1	SMV-sign	D
2	4700904228	2	Washer 6,4x12x1,5	C
3	4700500012	2	Screw M6x12	C





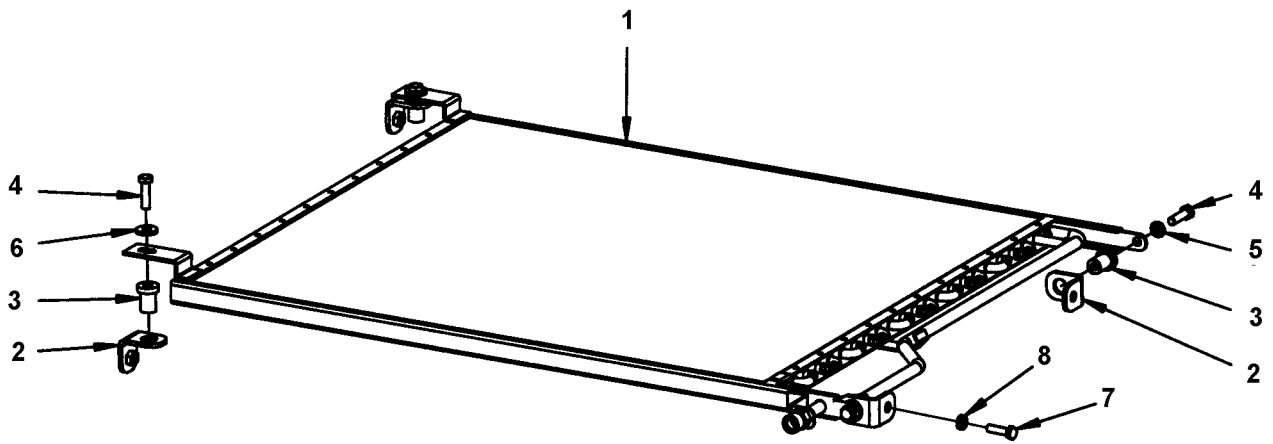
**Air conditioning**

<b>Item</b>	<b>Part No</b>	<b>Rem Qty</b>	<b>Description</b>	<b>Code</b>
1		1	Drying filter module ( Page 478 )	
2		1	Condensor assembly ( Page 480 )	
3		1	ACC module ( Page 482 )	
4		1	AC module ( Page 484 )	
5		1	Hose assy kit for AC ( Page 486 )	
6	4812114973	1	Compressor ( Page 488 )	
7		1	Hose assy kit for AC ( Page 490 )	



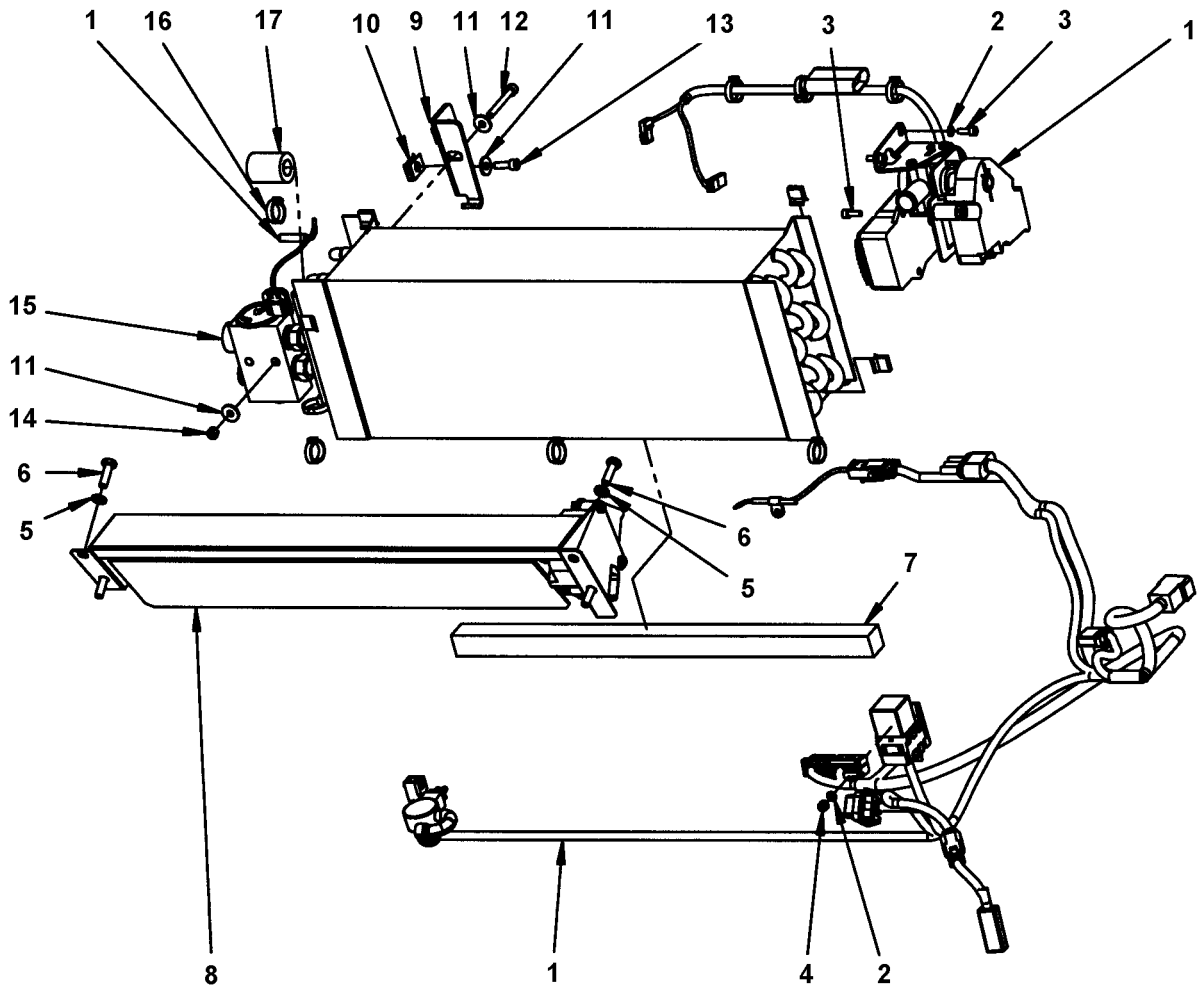
**Drying filter module**

<b>Item</b>	<b>Part No</b>	<b>Rem Qty</b>	<b>Description</b>	<b>Code</b>
1	4812111311	1	Bracket	
2	4812114257	1	Drying filter assy	
3	4700313022	1	Hose clamp	D
4	4700904229	2	Steel plain washer 8,4x16x1,5	C
5	4700904165	1	Safety decal Toxic gases	D
6	4700570005	2	Nut M8	C



**Condensor assembly**

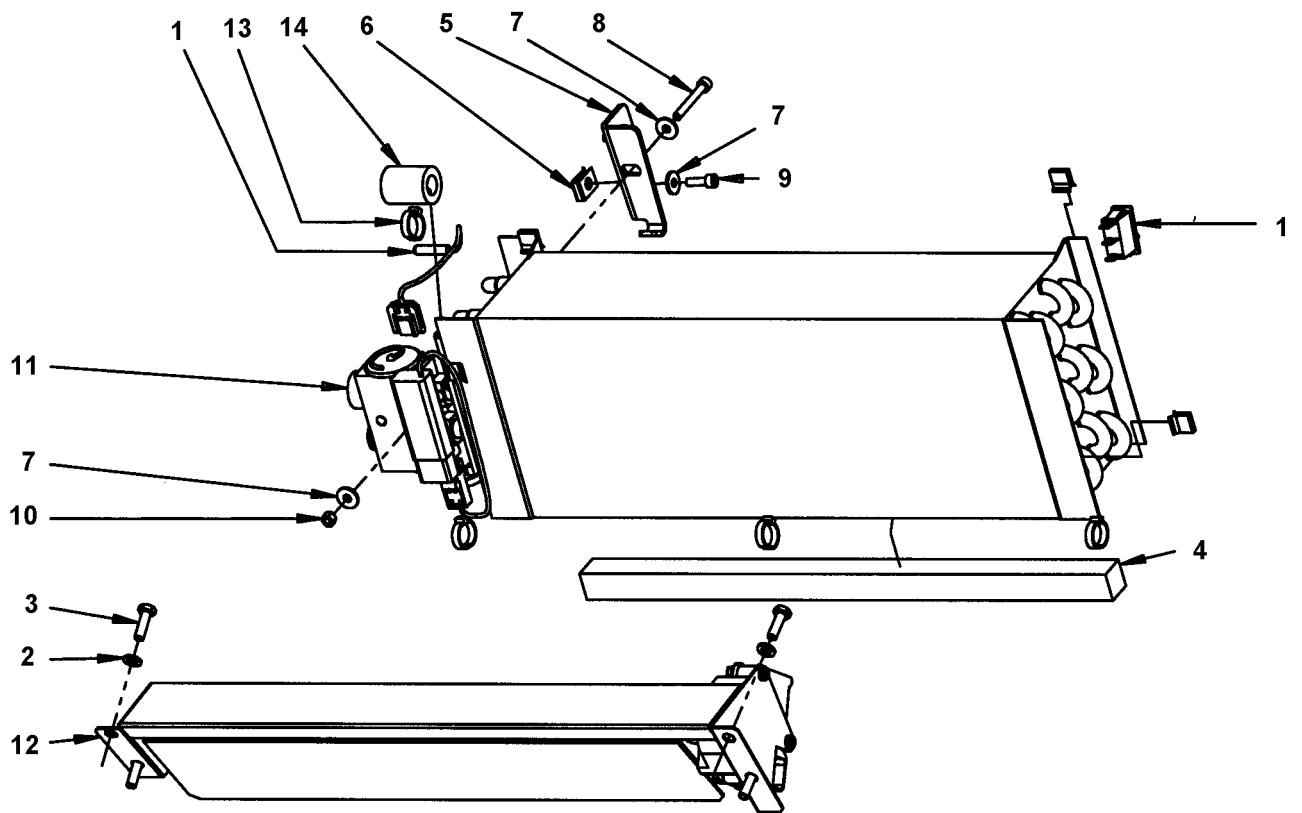
<b>Item</b>	<b>Part No</b>	<b>Rem Qty</b>	<b>Description</b>	<b>Code</b>
1	4812113032	1	Condensor	
2	4812113025	4	Bracket	
3	4812113177	4	Rubber nut	
4	4700500022	4	Screw M8x30H 8.8 A2K	C
5	4700904229	2	Steel plain washer 8,4x16x1,5	C
6	4700904640	2	Washer 8,4x22x3	C
7	4700500022	4	Screw M8x30H 8.8 A2K	C
8	4700904556	4	Washer 8,4x16x3,0	C



**ACC module**

Item	Part No	Rem Qty	Description	Code
1	4812113624	1	ACC kit	
2	4700904698	3	Washer 4,3x8x0,8	C
3	4700508041	3	Screw M4x12H	D
4	4700923976	1	Nut	C
5	4700904228	4	Washer 6,4x12x1,5	C
6	4700500040	4	Screw M6-1x20 8,8	C
7	4700792718	1	Rubber strip	D
8	4812115013	1	Air intake assy	C
9	4812114311	1	Bracket	
10	4811000458	2	Speed nut	
11	4700601001	4	Washer	C
12	4700508099	1	Screw	
13	4700926537	2	Screw M5-0,8x16H 8,8	
14	4700570003	1	Nut M5	C
15	4812113623	1	Evaporator coil	
16	4700313041	10	Cable ties L=200 mm	B
17	4812117349	A 1XL	Cork tape	

A) L = 0.5m

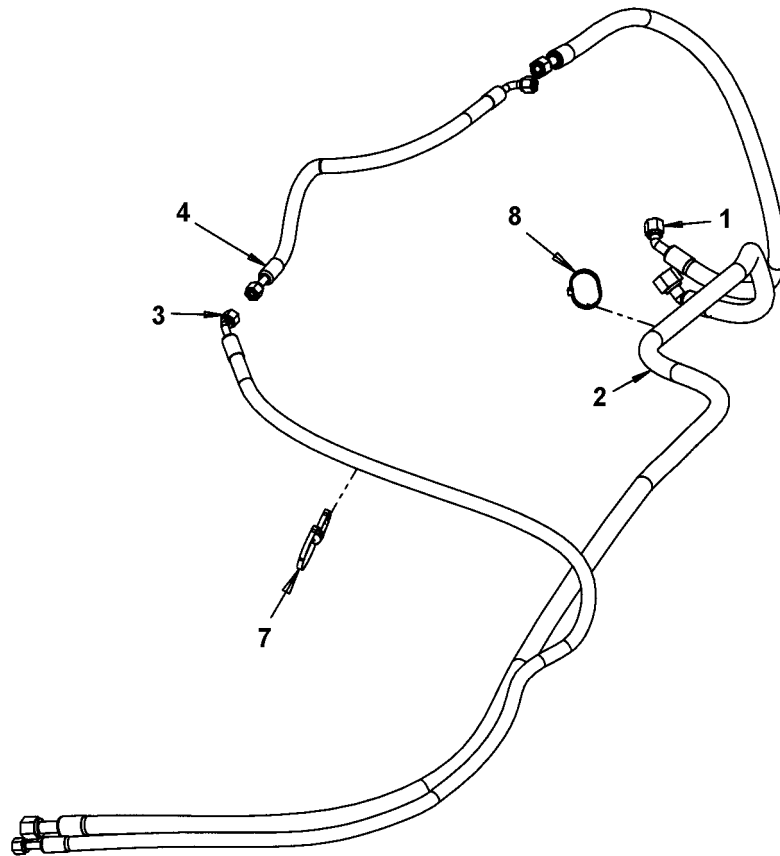




**AC module**

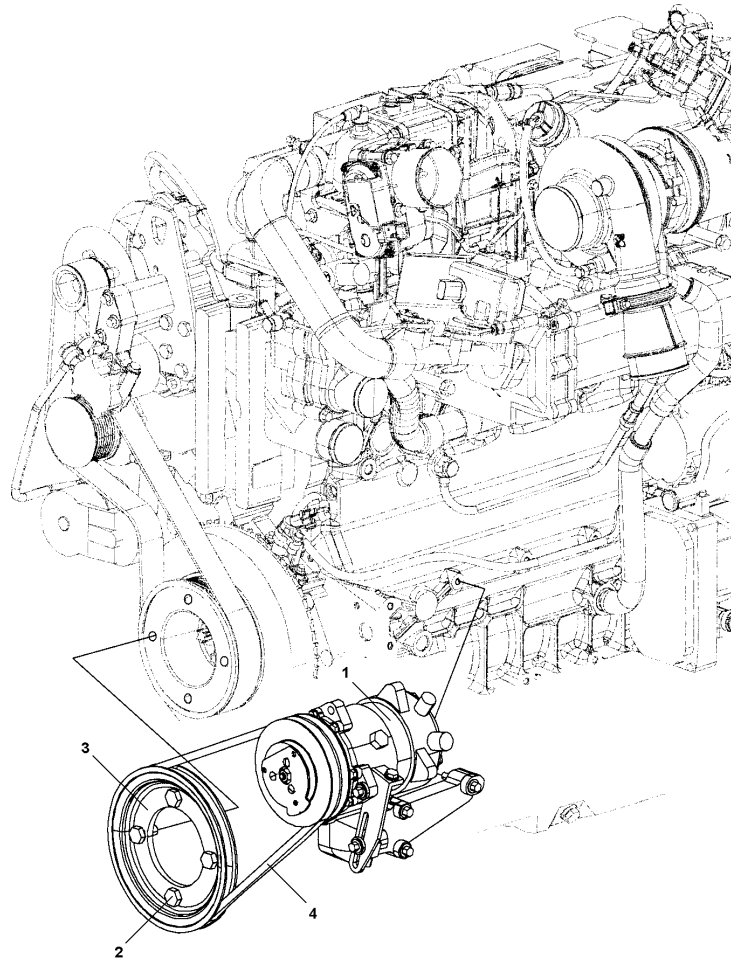
<b>Item</b>	<b>Part No</b>	<b>Rem Qty</b>	<b>Description</b>	<b>Code</b>
1	4812113622	1	Ac kit	
2	4700904228	4	Washer 6,4x12x1,5	C
3	4700500040	4	Screw M6-1x20 8,8	C
4	4700792718	1	Rubber strip	D
5	4812114311	1	Bracket	
6	4811000458	2	Speed nut	
7	4700601001	4	Washer	C
8	4700508099	1	Screw	
9	4700926537	2	Screw M5-0,8x16H 8,8	
10	4700570003	1	Nut M5	C
11	4812113623	1	Evaporator coil	
12	4812115013	1	Air intake assy	C
13	4700313041	10	Cable ties L=200 mm	B
14	4812117349	A 1XL	Cork tape	

A) L = 0.5m



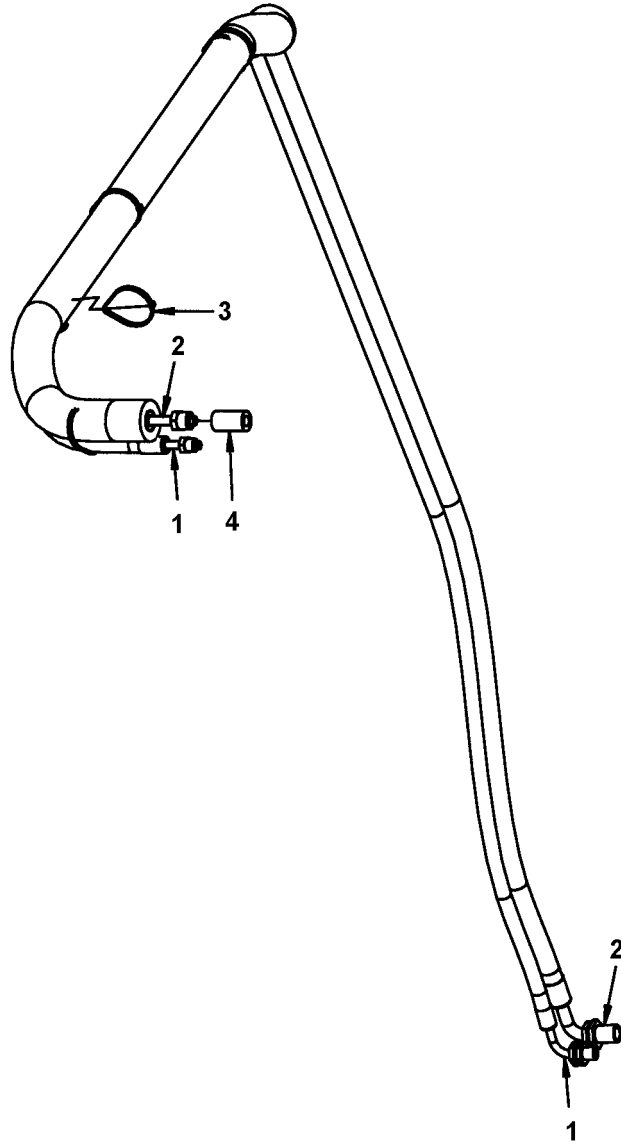
Hose assy kit for AC

Item	Part No	Rem Qty	Description	Code
1	4812113489	1	Refrigerant hose	
2	4812113490	1	Refrigerant hose	
3	4812113491	1	Refrigerant hose	
4	4812113492	1	Refrigerant hose	
7	4700792686	10	Cable tie with holder	
8	4700313041	5	Cable ties L=200 mm	B



**4812114973 Compressor kit**

Item	Part No	Rem Qty	Description	Code
1	4812157765	1	. Compressor	
2	4812157766	4	. Hexagon bolt	
3	4812157767	1	. V-pulley	
4	4812157768	1	. V-belt	



Hose assy kit for AC

Item	Part No	Rem	Qty	Description	Code
1	4812114931		1	Refrigerant hose	
2	4812114932		1	Refrigerant hose	
3	4700792609		7	Cable ties	
4	4812117349	A	1XL	Cork tape	

A) L = 0.2m





**NUMERICAL INDEX**

Part Number	Page	Part Number	Page	Part Number	Page
0570704101	225	4700350009	429,437	4700390169	439
0570704138	213	4700355524	133	4700390365	57
4700116041	27,95,101	4700355797	325	4700390539	37
4700135015	37	4700355889	69	4700390541	37
4700150008	63	4700355983	463	4700390542	37
4700151021	37,55	4700357138	13,15,19,21,227	4700390543	37
4700160043	177,185,205,215	4700357488	59	4700390561	441
4700160105	27,101	4700358254	381	4700390589	143
4700160132	165	4700358881	69,451	4700390860	305
4700160186	273	4700359043	433	4700390896	25,93,95,97
4700160191	227	4700359125	433	4700390900	463
4700160231	245,261	4700359819	433	4700390926	227
4700160277	37	4700359916	429	4700390963	441
4700162004	113	4700359919	429	4700391031	37
4700162008	227	4700359920	429	4700391163	429,431
4700162015	139	4700359989	137	4700391241	443
4700162017	93,95,97	4700359998	369,383	4700391299	115
4700162027	93,95,97	4700372457	369,383	4700391396	445
4700167009	37	4700372597	139	4700391420	445
4700167023	27,95,101	4700372658	69	4700391566	37
4700202028	373,423	4700372672	429	4700392075	115
4700202057	55	4700372772	105	4700392321	355
4700205027	119	4700372964	429	4700392450	319
4700205112	397,459	4700372965	429	4700392451	319
4700212553	147,155	4700374059	227	4700392550	37
4700230384	105	4700374606	369,383	4700392717	447
4700230515	105	4700374799	77	4700392719	447
4700230516	105	4700374854	79	4700392742	105
4700232039	135,227	4700375132	111	4700392810	117
4700232097	257	4700377253	73	4700392839	429
4700232098	273	4700377511	283	4700392840	429
4700232118	227	4700377518	441	4700392930	445
4700232145	257,273	4700377677	427	4700392965	443
4700233304	135,227	4700377742	35,65,67	4700393094	447
4700234928	133	4700378589	129	4700393115	37
4700246069	139,227	4700378712	121	4700393218	37
4700272372	463	4700379637	427	4700393335	143
4700272373	463	4700379718	429	4700393496	443
4700287295	195,231	4700379728	433	4700393523	37
4700313001	139,227	4700380018	93,95,97	4700394275	455
4700313004	133,397,459	4700380436	125	4700394276	329
4700313006	119,135	4700381413	139	4700394395	471
4700313009	227	4700381619	59	4700394536	69
4700313010	119	4700381943	457	4700394542	331
4700313022	479	4700382383	83	4700394682	123
4700313023	393	4700382751	463	4700394688	9,11,13,15,19,21
4700313033	129	4700383024	115		123
4700313041	317,319,329,333 337,345,351,397 401,445,459,483 485,487	4700383705	381	4700394689	13,15,19,21,123
		4700383844	51	4700395022	123
		4700383955	143	4700395352	317
		4700384114	89	4700395383	433
4700313068	317	4700384121	89	4700395447	429
4700330171	133	4700384584	381	4700395785	129,445
4700330330	133	4700385080	463	4700395816	105
4700330331	227,469	4700385599	445	4700395888	331
4700330333	149,151	4700386966	117	4700395947	451
4700330383	105	4700387545	451	4700396043	349
4700340863	99	4700388449	463	4700396044	349
4700343318	95,101	4700388737	445	4700396047	349
4700343744	93,95,97	4700389600	121	4700396119	329
4700343748	227	4700389857	55	4700396588	37
4700349715	99	4700390013	439	4700396601	347

**NUMERICAL INDEX**

Part Number	Page	Part Number	Page	Part Number	Page
4700396634	293	4700500115	447	4700603010	125
4700396635	293	4700500123	49	4700603018	297
4700396662	445	4700500133	101	4700615050	75,79
4700396670	451	4700500161	45,137,275,439	4700615061	75
4700397305	47	4700500163	93,95,97	4700624005	463
4700397604	449	4700500189	211,355	4700624018	69
4700475064	63	4700500192	35	4700629061	59
4700476019	475	4700500194	165	4700630003	81
4700484342	283	4700500195	125,369,383	4700630008	433
4700500002	341	4700500239	55	4700635057	59
4700500003	349	4700500280	437	4700747282	133
4700500004	375,407,421	4700500287	35	4700791120	135,227
4700500007	105	4700500502	81	4700791145	105
4700500009	129	4700500505	123,227,445	4700791156	93,95,97
4700500010	327	4700500509	75	4700791171	417
4700500012	37,133,313,399	4700502053	99	4700791172	377
	417,475	4700508001	347	4700791175	143
4700500013	105,135,227,301	4700508017	445	4700791176	143
	305,309,341,393	4700508019	295,299,457	4700791182	393
4700500015	305,345	4700508020	303	4700791185	403
4700500018	231,283	4700508025	125	4700791212	277,279
4700500019	121,163,183,227	4700508026	363	4700791231	205,215,229,257
	277,295,299,303	4700508027	437		273
	329,339	4700508029	429	4700791318	279
4700500021	75,105,121,125	4700508041	483	4700791397	213,283
	127,135,137,233	4700508048	225,257,273	4700791405	227
	235,279,297,317	4700508053	257,273	4700791409	229
	429,473	4700508063	227	4700791414	203,213
4700500022	79,105,163,183	4700508080	245	4700791421	449
	227,277,435,481	4700508092	229,255,439	4700791431	105
4700500023	279	4700508096	57,105	4700791453	363
4700500024	127,473	4700508099	483,485	4700791454	363
4700500026	283,329,339	4700513012	55,129	4700791460	115
4700500027	229,311	4700513017	57	4700791518	291,297
4700500028	61	4700513027	365	4700791524	429,443
4700500029	35,105,125,163	4700516051	429	4700791539	177,185
	183,231,437	4700516053	225	4700791541	213
4700500030	77,109,125,137	4700526010	445	4700791542	213
	177,185	4700541702	329	4700791549	261
4700500031	35,75,85	4700570003	309,483,485	4700791572	439
4700500035	89,363	4700570004	445	4700791582	445
4700500037	115,239	4700570005	55,79,105,115	4700791588	445
4700500040	79,85,139,295		291,297,303,351	4700791642	123,463
	331,443,483,485		473,479	4700791711	237,259
4700500043	59	4700570006	311,429	4700791712	237,259
4700500046	197,257,273	4700570007	79	4700791723	445
4700500047	105	4700570008	455	4700791733	445
4700500048	255,353	4700573008	433	4700791739	445
4700500053	89,115,121,125	4700586001	327,337,445,449	4700791743	229
	195,227,283,291		451	4700791799	195
	441,443	4700586002	79,81,295,299	4700791805	237,259
4700500055	109		349,437,443,445	4700791807	195
4700500056	111		447	4700791821	283
4700500060	445	4700586003	65,67,79,135,293	4700791830	275
4700500070	35,245		295,299,429,447	4700791832	283
4700500075	79,299		457	4700791835	261
4700500079	349,363	4700586018	45,75,357,439	4700791843	229
4700500082	89,93,95,97	4700586021	111	4700791858	213
4700500090	277,279	4700588176	463	4700791860	163,183
4700500091	55	4700601001	327,337,375,407	4700791966	403
4700500093	177,185,261		421,483,485	4700792035	325
4700500102	41,43,111	4700601003	373,393,395	4700792068	227

**NUMERICAL INDEX**

Part Number	Page	Part Number	Page	Part Number	Page
4700792074	283	4700900775	93,95,97	4700904024	343
4700792083	197	4700900776	25,93,95,97	4700904037	291,297,315
4700792093	283	4700900782	25,93,95,97	4700904038	291,297
4700792103	379	4700900957	149,157	4700904039	291,297
4700792119	81	4700900966	149	4700904068	465
4700792176	283	4700900994	197	4700904094	465
4700792177	283	4700901145	369,383	4700904165	479
4700792186	349	4700901157	245,261	4700904171	215
4700792210	301,307,333,363	4700901218	143	4700904206	125,129,417
4700792261	143	4700901225	303	4700904213	125
4700792264	227	4700901226	317	4700904214	429
4700792276	227	4700901227	303,307,317,329	4700904228	37,79,101,105
4700792295	37,227		343,403		133,135,139,227
4700792299	229,279	4700901228	303,403		295,299,301,305
4700792309	301,305,403	4700901381	35		309,313,331,345
4700792310	301	4700901443	143		349,363,393,399
4700792322	113	4700901444	143		401,417,437,443
4700792332	225	4700901832	55		445,447,475,483
4700792338	227	4700901987	151,159		485
4700792339	255,277,279	4700902041	69	4700904229	105,115,121,125
4700792354	325	4700902160	133		127,163,183,195
4700792392	333	4700902166	35		225,227,229,231
4700792394	37	4700902284	57		233,235,255,257
4700792397	351	4700902286	119,163,183,195		273,277,279,283
4700792398	321		211,225,231,237		291,293,295,297
4700792410	355		259,355,441		299,303,317,329
4700792414	445	4700902379	379		339,351,355,429
4700792422	301,317	4700902509	471		433,435,437,441
4700792441	133,283,291,295	4700902520	429		443,447,457,473
	297,299,301,317	4700902783	271		479,481
	321,349,397,401	4700902804	445	4700904230	35,45,59,61,75
4700792465	165,245	4700902866	81		77,85,109,137
4700792500	195,231	4700902930	207		163,183,229,231
4700792501	439	4700902996	179,193,207,223		255,275,311,353
4700792505	403	4700903236	129		357,439
4700792515	37	4700903290	369,383	4700904231	37,79,89,101,115
4700792519	317	4700903422	463		165,257,273,363
4700792520	317	4700903423	115,465	4700904232	35,49,89,93,95
4700792527	439	4700903424	465		97,177,185
4700792536	381	4700903425	381,463	4700904233	35,89,105,143
4700792537	321	4700903456	195		369,383
4700792539	429	4700903459	463	4700904260	105
4700792586	195	4700903586	105,123,213	4700904281	105,129,303,309
4700792589	381	4700903590	405		327,349,445,449
4700792601	59,63	4700903615	69		451
4700792609	319,491	4700903633	369,383	4700904312	305
4700792611	37,55	4700903640	295	4700904346	227
4700792634	471	4700903662	447	4700904394	133
4700792660	329	4700903703	119,225	4700904487	35
4700792667	351	4700903714	139	4700904489	105
4700792675	225	4700903741	303	4700904496	239
4700792678	433	4700903795	101	4700904504	309,403
4700792686	133,487	4700903906	165	4700904556	89,115,125,137
4700792718	483,485	4700903917	429		227,277,295,299
4700792772	463	4700903918	429		481
4700792809	227	4700903923	79	4700904557	55,77,125,163
4700801631	51	4700903942	9,11,13,15,19,21		183,377,429,437
4700813429	257		107	4700904558	41,43,47,51,111
4700813791	123	4700903985	463		245,261
4700900229	239	4700904004	177,185,245	4700904563	105,393
4700900255	145,153	4700904005	165,205,239,261	4700904575	123
4700900342	215	4700904015	343	4700904584	245

**NUMERICAL INDEX**

Part Number	Page	Part Number	Page	Part Number	Page
4700904619	451	4700909618	149	4700939017	151
4700904623	195	4700909619	149	4700939019	151
4700904637	105,177,185,245 257,273	4700909622	149	4700939026	149
4700904638	165,205,215,227 239,261	4700909624	149	4700939035	149
4700904640	65,67,79,127,135 137,233,235,279 355,429,433,481	4700909626	149,157	4700939036	149
4700904653	451	4700910162	229	4700939255	149
4700904698	73,129,305,341 365,445,483	4700921046	133	4700939256	149
4700904703	79,239	4700921050	119	4700939258	147,155
4700904734	213,283	4700921057	135	4700939259	147,155
4700904735	85,323,341	4700921078	345	4700939260	147,155
4700904766	283	4700921080	319	4700939261	147,155
4700904774	225,257,273	4700921090	227	4700939263	151
4700904793	203,213	4700921161	255	4700939264	151
4700904835	463	4700921723	57	4700939265	151,159
4700904855	73	4700922552	19,21,93,95,97	4700939266	151,159
4700904870	463	4700922944	135	4700939267	151,159
4700904872	195,231	4700923008	227,231	4700939268	151
4700904895	463	4700923342	147,155	4700939269	151,159
4700904911	313	4700923384	165,205,239,261	4700939270	151,159
4700904943	283	4700923859	363	4700939271	151,159
4700904979	133	4700923876	363	4700939272	151,159
4700904988	135	4700923976	73,365,483	4700939273	151,159
4700908229	463	4700925208	35	4700939275	151,159
4700908399	123	4700925519	115	4700939276	151,159
4700908485	147,155	4700926537	303,483,485	4700939277	151
4700908505	373,405	4700926757	155	4700939278	151
4700908506	405	4700926781	151,159	4700939280	149
4700908507	405	4700926810	149,157	4700939281	149
4700908561	393	4700926813	159	4700939282	149
4700908564	393	4700926847	149,157	4700939283	149
4700909129	379	4700927233	63	4700939284	149
4700909525	179,193,207,223	4700927857	137	4700939285	149
4700909544	149,157	4700928381	399	4700939286	149
4700909550	155	4700928467	305	4700939287	149
4700909551	155	4700928784	323	4700939348	157,159
4700909552	155	4700928791	205,215,239,261	4700939349	151,159
4700909553	155	4700928908	133	4700939350	151,159
4700909554	155	4700929217	143	4700939351	151
4700909555	155	4700929226	177,185,245	4700940676	247
4700909557	155	4700929409	89	4700945622	441
4700909558	155	4700929447	27,95,101	4700945632	431
4700909561	155	4700929455	325	4700945633	431
4700909562	155	4700929587	379	4700945634	431
4700909565	155	4700929617	149,157	4700945635	431
4700909567	147,155	4700929626	147	4700945636	431
4700909568	147,155	4700929630	147	4700945637	431
4700909569	147,155	4700929631	147	4700945657	25
4700909570	147,155	4700929638	147,155	4700945661	441
4700909572	147,155	4700929644	147,155	4700945757	207,223
4700909574	147,155	4700929648	145,153	4700947679	433
4700909576	147,155	4700937620	439	4700947680	373,395
4700909580	147,155	4700937621	439	4700947690	115
4700909581	147,155	4700937892	439	4700947698	51
4700909584	145,153	4700938296	149,157	4700950568	9,11,13,15,19,21 107
4700909586	151,159	4700938636	115	4700950631	169
4700909596	149,151	4700938983	149,157	4700950632	169
4700909609	149,151,157,159	4700938984	149,157	4700950634	167
4700909616	149,157	4700938989	147,155	4700960067	343
		4700938991	147,155	4700989151	227
		4700939003	151	4700991658	463
		4700939015	151,159	4811000049	463
		4700939016	151		

**NUMERICAL INDEX**

Part Number	Page	Part Number	Page	Part Number	Page
4811000074	201,283	4811000305	283	4812111653	35
4811000077	351	4811000310	203,213	4812111768	277
4811000086	203,213	4811000311	89	4812111769	279
4811000109	47	4811000315	335	4812111770	277
4811000149	105	4811000316	349	4812111771	277
4811000150	105	4811000341	283	4812111780	445
4811000163	317	4811000391	283	4812111831	89,91
4811000172	291,297	4811000392	283	4812111832	143,153
4811000173	291,297	4811000393	283	4812111833	143,145
4811000176	291,297	4811000396	359	4812111979	445
4811000177	291	4811000397	359	4812111981	295,299
4811000178	291,297	4811000416	163,183	4812112000	295,299
4811000197	225	4811000417	245	4812112001	295
4811000198	225	4811000429	317	4812112015	105
4811000199	225	4811000443	135	4812112017	307
4811000200	275	4811000458	399,483,485	4812112043	89
4811000201	275	4811000462	85	4812112044	89
4811000202	227	4811000481	115	4812112058	57
4811000203	275	4811000529	337	4812112059	57
4811000204	275	4811000532	291,297	4812112062	345
4811000205	275	4812028097	107	4812112065	303
4811000206	195	4812030096	15,21,99	4812112066	303
4811000207	195	4812030117	7,15,21	4812112067	303
4811000209	225	4812031626	9,11,13,15,19,21	4812112068	337
4811000210	225		125	4812112070	303
4811000211	225	4812110367	457	4812112071	349
4811000212	237,259	4812110560	301	4812112072	363
4811000213	225	4812110642	89	4812112073	105
4811000214	225	4812110644	89	4812112097	113
4811000215	225	4812110768	115	4812112106	235
4811000216	237,259	4812110769	115	4812112107	233
4811000217	225	4812110770	113	4812112108	257,273
4811000218	237,259	4812110772	113	4812112111	89
4811000219	225	4812110843	115	4812112138	93,95,97
4811000220	237,259	4812110884	317	4812112142	35
4811000221	237,259	4812110885	437	4812112143	35
4811000222	237,259	4812110886	445	4812112159	35
4811000223	259	4812110891	435	4812112171	239,241
4811000224	259	4812110901	445	4812112175	245,247
4811000225	259	4812110905	233,235	4812112181	261,263
4811000226	259	4812110913	125	4812112188	283,285
4811000227	203	4812110927	257	4812112192	273
4811000228	203,213	4812110930	115	4812112200	177,179
4811000229	203,213	4812110931	139	4812112202	185,187
4811000230	203,213	4812110945	115	4812112211	205,207
4811000231	281	4812111010	55	4812112213	215,217
4811000232	281	4812111020	41,45	4812112217	165,167
4811000233	281	4812111035	233,235	4812112227	345
4811000234	163,183	4812111046	29,89	4812112229	345
4811000235	163,183	4812111092	45	4812112231	345
4811000236	163,183	4812111103	41,45,47,51	4812112236	283,287
4811000237	163,183	4812111122	97	4812112238	229
4811000238	163,183	4812111167	89	4812112260	255
4811000239	163,183	4812111214	257	4812112262	7,13,15,19,21,255
4811000240	163,183	4812111216	443	4812112267	371,385,419
4811000242	213	4812111241	315	4812112275	383,385
4811000261	275	4812111248	321	4812112276	383,419
4811000263	275	4812111264	115	4812112290	201
4811000265	453	4812111268	345	4812112294	369,383
4811000268	453	4812111294	437	4812112304	163,183
4811000269	453	4812111311	479	4812112306	163,183
4811000292	337	4812111326	353	4812112308	163,183

**NUMERICAL INDEX**

Part Number	Page	Part Number	Page	Part Number	Page
4812112325	351	4812112843	81	4812113640	131
4812112329	227	4812112845	79	4812113641	131
4812112341	275	4812112846	79	4812113650	115
4812112343	131	4812112863	125	4812113708	115
4812112344	131	4812112864	125	4812113786	447
4812112355	105	4812112884	81	4812113819	107
4812112357	129	4812112916	317	4812113832	99
4812112361	227	4812112917	337	4812113875	445
4812112374	317	4812112924	327	4812113878	115
4812112393	143	4812112950	85	4812113879	115
4812112402	77	4812112951	85	4812113897	117
4812112403	81	4812112952	85	4812113898	117
4812112404	79	4812113007	133	4812113903	101
4812112405	83	4812113009	133	4812113904	55
4812112413	95,101	4812113025	481	4812113926	121
4812112417	337	4812113032	481	4812113941	231,237,259
4812112419	337	4812113040	137	4812113953	255
4812112421	139	4812113058	335	4812113956	301
4812112422	467,469	4812113070	125	4812113959	105
4812112423	469	4812113071	125	4812113963	163,183
4812112438	89	4812113072	125	4812113969	65
4812112439	55	4812113073	125	4812113970	67
4812112455	93,95	4812113074	125	4812113983	195
4812112460	355	4812113086	359	4812114100	237
4812112465	89	4812113090	89	4812114101	237
4812112479	137	4812113111	133	4812114107	121
4812112487	121	4812113112	133	4812114146	335
4812112508	197,199	4812113113	133	4812114156	335
4812112535	35	4812113117	317	4812114172	437
4812112542	231	4812113118	317	4812114194	453
4812112550	121	4812113123	365	4812114205	227
4812112555	225,279	4812113131	37	4812114212	125
4812112556	227	4812113132	35,37	4812114213	445
4812112559	275	4812113133	37	4812114214	445
4812112560	239	4812113135	37	4812114220	105
4812112561	239	4812113137	37	4812114221	105
4812112614	41	4812113140	317	4812114223	99
4812112639	131	4812113141	317	4812114224	137
4812112647	131	4812113158	335	4812114225	137
4812112648	227	4812113160	335	4812114226	137
4812112653	129	4812113162	349	4812114227	137
4812112655	129	4812113167	329	4812114228	137
4812112656	129	4812113168	29,89	4812114257	479
4812112686	309	4812113169	89	4812114266	119
4812112691	309	4812113170	89	4812114267	119
4812112710	137	4812113177	279,481	4812114280	113
4812112729	129	4812113181	135	4812114284	113
4812112736	85	4812113226	109	4812114311	483,485
4812112761	131	4812113238	333	4812114318	79
4812112764	59	4812113476	101	4812114363	79,81
4812112770	37	4812113478	437	4812114397	111
4812112774	355	4812113489	487	4812114424	135
4812112776	131	4812113490	487	4812114426	303
4812112777	131	4812113491	487	4812114433	359
4812112784	93,95,97	4812113492	487	4812114434	229
4812112792	365	4812113569	163,183	4812114465	115
4812112793	317	4812113572	115	4812114492	277
4812112832	73	4812113573	121	4812114519	237
4812112834	73	4812113607	35	4812114545	111
4812112836	341	4812113622	485	4812114546	111
4812112837	341	4812113623	483,485	4812114547	111
4812112838	341	4812113624	483	4812114548	111

**NUMERICAL INDEX**

Part Number	Page	Part Number	Page	Part Number	Page
4812114563	375,421	4812114812	73	4812115190	413
4812114564	375,407,421	4812114813	129	4812115191	413
4812114565	375,407,421	4812114814	73	4812115192	425
4812114566	375,407,421	4812114815	273	4812115193	373
4812114567	375,399,407,409 417,421,423	4812114827	81	4812115194	373
4812114568	371,419	4812114828	81	4812115195	373
4812114569	377	4812114829	81	4812115196	373
4812114570	409	4812114830	81	4812115197	411
4812114571	409	4812114831	81	4812115198	411
4812114572	409,423	4812114833	45	4812115199	413
4812114573	407	4812114873	317	4812115200	389,391
4812114574	407	4812114909	129	4812115202	387,389
4812114575	407	4812114910	35	4812115203	389
4812114576	407	4812114913	131	4812115204	389
4812114577	415	4812114931	491	4812115205	389
4812114578	415	4812114932	491	4812115206	389
4812114579	415	4812114935	129	4812115207	389
4812114580	415	4812114949	129	4812115216	389
4812114581	415	4812114969	89	4812115217	389
4812114582	417	4812114971	89	4812115218	389
4812114583	417	4812114973	477,489	4812115219	391
4812114584	417	4812114984	349	4812115220	391
4812114585	417	4812115010	79	4812115223	391
4812114586	387	4812115011	459	4812115224	413
4812114587	387	4812115013	483,485	4812115225	391
4812114588	387	4812115019	459	4812115226	391
4812114589	387	4812115020	355	4812115227	395
4812114593	389	4812115022	75	4812115387	369,383
4812114598	393	4812115026	459	4812115399	237
4812114599	393	4812115051	239	4812115463	279
4812114600	393	4812115063	201	4812115464	279
4812114601	393	4812115064	201	4812115508	51
4812114602	393	4812115065	201	4812115515	73
4812114603	393	4812115066	75	4812115722	75
4812114604	393	4812115067	75	4812115723	75
4812114605	393	4812115068	75	4812115745	57
4812114606	393	4812115069	75	4812115767	311
4812114607	393	4812115093	329	4812115809	361
4812114608	393	4812115147	107	4812115810	361
4812114609	393	4812115162	393	4812115832	275
4812114610	393	4812115164	373,395	4812115835	163
4812114611	393	4812115165	395	4812115917	351
4812114612	393	4812115166	373,395	4812115921	363
4812114613	393	4812115167	397	4812116023	101
4812114619	305	4812115168	397	4812116029	89
4812114623	211	4812115169	397	4812116039	143
4812114652	211	4812115170	373,395	4812116181	363
4812114655	305	4812115171	373,395	4812116199	389
4812114656	317	4812115172	397	4812116284	73
4812114663	55	4812115175	399	4812116308	75
4812114720	357	4812115178	399	4812116341	137
4812114726	35	4812115179	399	4812116342	137
4812114756	69	4812115180	399	4812116361	297
4812114759	63	4812115181	401	4812116362	297
4812114760	63	4812115182	401	4812116617	51
4812114761	63	4812115183	401	4812116622	355
4812114777	89	4812115184	403	4812116645	227
4812114801	59	4812115185	403	4812116687	213
4812114803	445	4812115186	379	4812116738	299
4812114804	473	4812115187	403	4812116781	245,261
4812114811	73	4812115188	413	4812116792	81
		4812115189	413	4812116793	81

**NUMERICAL INDEX**

Part Number	Page	Part Number	Page	Part Number	Page
4812116806	283	4812156999	179,189,207,219	4812157187	175
4812116807	283	4812157051	179,207	4812157193	249
4812116862	73	4812157052	179,207	4812157194	249
4812116877	299	4812157053	179,207	4812157195	249
4812116921	213	4812157054	179	4812157196	249
4812116985	73	4812157055	179	4812157197	249
4812116986	453	4812157056	179,193	4812157198	251
4812116993	73	4812157057	179,193,207,223	4812157199	251
4812117026	119	4812157058	179,193	4812157251	251
4812117027	119	4812157059	179,193	4812157252	253
4812117040	125	4812157060	181,191,209,221	4812157253	253
4812117043	109	4812157061	181,191,209,221	4812157254	5,17
4812117054	109	4812157062	181,191,209,221	4812157275	23,27
4812117106	65,67	4812157063	181,191,209,221	4812157276	23,29
4812117248	119	4812157064	179,193	4812157277	5,15,17
4812117297	197	4812157065	189,219	4812157363	5,11,17
4812117325	163,183	4812157066	189	4812157365	241
4812117326	163,183	4812157067	189	4812157366	241
4812117349	483,485,491	4812157068	189,219	4812157367	241
4812117473	81	4812157069	189	4812157368	241
4812117490	445	4812157070	189,219	4812157369	241
4812117698	225	4812157071	189,219	4812157370	241
4812117702	225	4812157072	189,219	4812157371	241
4812156151	267	4812157073	193,223	4812157372	241
4812156157	253	4812157074	207	4812157373	241
4812156170	29	4812157075	207	4812157374	241
4812156451	125	4812157076	207	4812157375	241
4812156456	7,21	4812157077	207	4812157376	241
4812156599	267	4812157078	207,223	4812157377	243
4812156777	353	4812157079	207	4812157378	243
4812156883	157	4812157080	219	4812157379	241
4812156884	157	4812157081	219	4812157380	241
4812156885	147	4812157082	223	4812157381	241
4812156886	147,155	4812157083	219	4812157382	243
4812156887	145,153	4812157084	219	4812157383	243
4812156888	145,153	4812157085	223	4812157384	243
4812156892	159	4812157091	269	4812157385	243
4812156893	159	4812157092	269	4812157386	243
4812156894	159	4812157093	269	4812157387	243
4812156895	159	4812157094	269	4812157388	243
4812156896	159	4812157095	271	4812157390	89,97
4812156897	159	4812157096	265	4812157393	89,93
4812156898	159	4812157097	271	4812157460	173
4812156899	159	4812157098	265	4812157471	285
4812156951	159	4812157099	265	4812157472	285
4812156952	159	4812157151	265	4812157473	285
4812156953	157	4812157152	267	4812157474	285
4812156954	157	4812157155	267	4812157596	19,21,107
4812156955	157	4812157156	267	4812157597	5,21
4812156956	157	4812157157	91	4812157656	285
4812156957	157	4812157158	91	4812157657	285
4812156958	157	4812157159	91	4812157758	199
4812156959	157	4812157160	91	4812157759	199
4812156962	155	4812157161	91	4812157760	199
4812156963	155	4812157162	91	4812157761	199
4812156964	155	4812157170	171,173	4812157765	489
4812156965	155	4812157180	171,173	4812157766	489
4812156993	5,7,17	4812157182	169	4812157767	489
4812156994	5,9	4812157183	171	4812157768	489
4812156995	5,13	4812157184	171,173	4812157779	31
4812156997	179	4812157185	173	4812157780	31
4812156998	179	4812157186	171,175	4812157784	89,95



**NUMERICAL INDEX**

Part Number	Page	Part Number	Page	Part Number	Page
4812158052	5,19				
5580020624	11,15,21				
9106230330	21				
D570702503	227				
D900505654	107				

