

Spare Parts Catalogue

4812160051

Valid from serial number:
10000304x0A012696 -



Diesel engines:
Perkins 403D-11

Published catalogue issues valid for these rollers:

<i>Catalogue</i>	<i>Issue date</i>	<i>Valid for serial numbers</i>
4812160051	2013-12	10000304x0A012696 -

RESERVDLSBESTÄLLNING

Följande uppgifter ska lämnas vid beställning av reservdelar för att undvika leveransfel:

1. Maskintyp.
2. Vältens serienummer.
3. Antal av önskad reservdel.
4. Reserdelens artikelnummer.
5. Reservdelens benämning.
6. Måttuppgifter vid beställning av metervara.

ERSATZTEILBESTELLUNG

Zur Vermeidung von Fehllieferungen sind bei der Bestellung von Ersatzteilen folgende Angaben zu machen:

1. Maschinentyp.
2. Herstellungsnummer.
3. Bestellmenge. (Quantity)
4. Ersatzteilnummer. (Part N°)
5. Ersatzteilbenennung. (Denomination)
6. Massangaben bei Bestellung von Meterware.

PEDIDO DE RECAMBIOS

Para evitar errores en las entregas, deberán indicarse los siguientes datos al hacer un pedido de recambios:

1. Tipo de máquina.
2. Número de serie.
3. Cantidad de piezas deseadas. (Quantity)
4. Número de artículo de la pieza de recambio. (Part N°)
5. Denominación de la pieza. (Denomination)
6. Indíquese la medida al solicitar un artículo que se expide por metros.

ORDERING SPARE PARTS

To avoid errors in delivery, please give the following information when ordering spare parts:

1. Type of machine.
2. Roller serial number.
3. Quantity required.
4. Part number.
5. Parts denomination.
6. Dimensions when ordering per length.

ORDINI DI RICAMBI

Per evitare errori nelle consegne di ricambi, Vi preghiamo di comunicarci le seguenti informazioni al momento dell'ordinazione:

1. Tipo di macchina.
2. Numero di serie della macchina.
3. Quantità dei pezzi desiderati. (Quantity)
4. Numero di codice del pezzo. (Part N°)
5. Descrizione del pezzo di ricambio. (Denomination)
6. Misura, in caso di ordine per metro.

COMMANDE DE PIÉCES DE RECHANGE

Les indications suivantes doivent être fournies lors de la commande de pièces de rechange, afin d'éviter toute erreur de livraison:

1. Type de machine.
2. Numéro de série.
3. Quantité désirée de pièce de rechange. (Quantity)
4. Numéro de la pièce de rechange. (Part N°)
5. Dénomination de la pièce de rechange. (Denomination)
6. Longueur en cas de commande au mètre.

YOUR AGENT/DEALER:

Text pages

The text pages is structured as the picture on the right.

1. This is the remarks for specific items and the descriptions of the remarks is at the bottom of the parts list.

2. Parts indicated by a dot and moved to the right are included when buying the assembled unit above.

3. Spare parts Class code for a specific part.
 "A" = 3 or more units/year,
 "B" = 2 or more units/year,
 "C" = 1 or more units/year,
 "D" = at least 1 unit/year.

DYNAPAC Part of the Atlas Copco Group			Dynapac Compaction Equipment AB		
Engine cover, left					
Item	Part No	Rem Qty	Description	Code	
	4700396684	1	Engine cover, cpl		
1	4700396607	1	. Cover		3
2	4700902866	1	. Lock	2	
	4700902866	1	. Key Marked "455"		A
3	4700624020	4	. Blind rivet		
4	4700379976	1	. Cover	1	
5	4700792325	10	. Blind rivet		
7	4700202057	B	. Edge trim		D
8	4700902166	C	. Edge trim		D
9	4700903953	D	. Edge trim		D
11	4700390365	1	. Spacer		
12	4700924875	2	. Screw		
13	4700904228	2	. Washer 6,4x12x1,5		C
14	4700586002	2	. Lock nut M6 -8		C
15	4700390545	1	. Strap		
16	4700904735	1	. Washer		C
17	4700500059	1	. Screw		

1	B)	L=0.625m
	C)	L=0.6m
	D)	L=1.2m

Changes

PARTS INFO	SERVICE INFO	GROUP	PAGE	NOTES

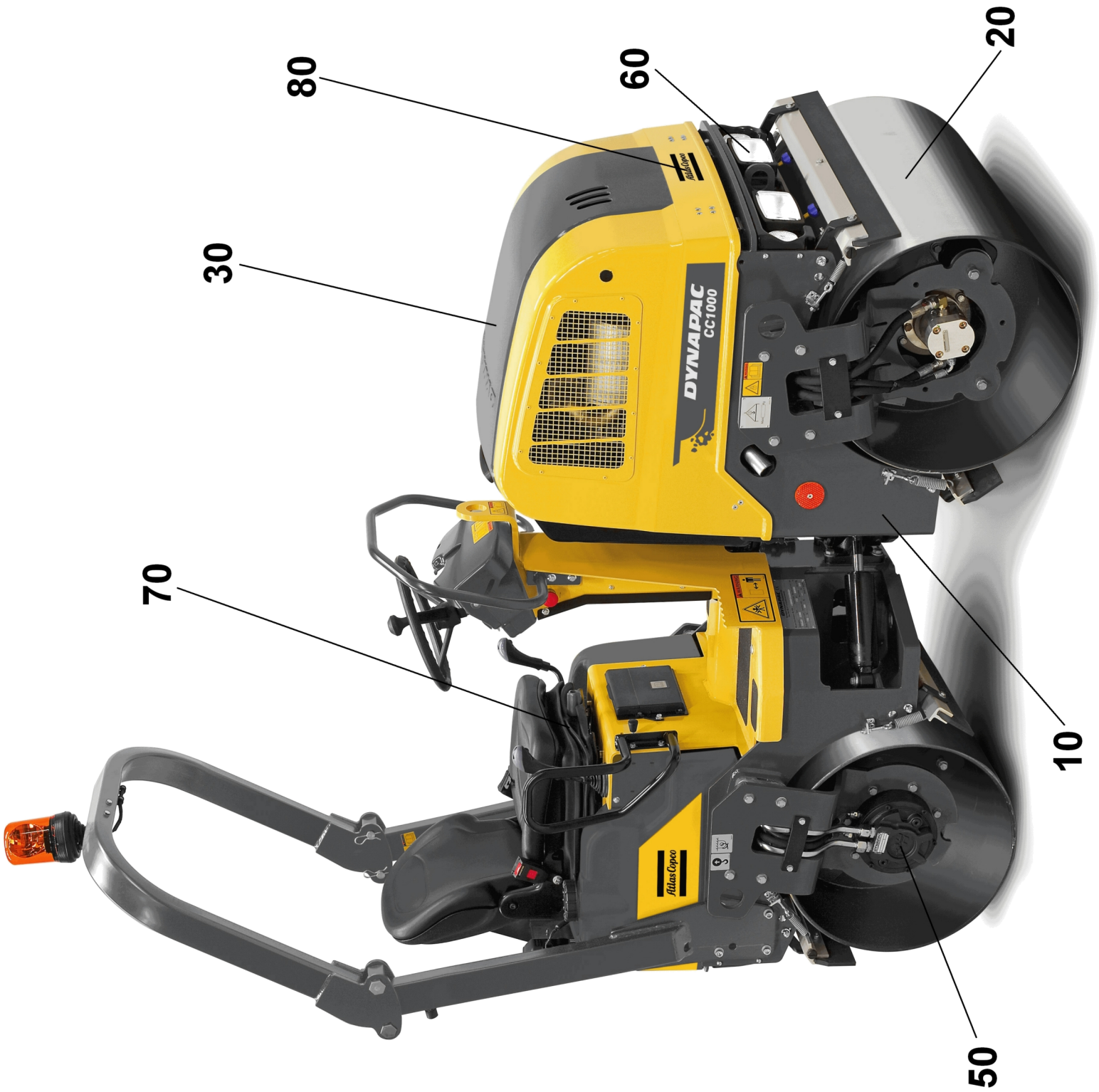
Notes

TABLE OF CONTENTS	Page
CC1000 S/N 10000304x 0A012696 -	2
Service kits	4
4700940208 Service kit, Perkins 50h	6
4700940209 Service kit, Perkins 500h	8
4700940210 Service kit, Perkins 1000h	10
Repair kits	12
4700945552 Shock absorber kit, drum	14
4700940673 Scraper blade, kit CC1000	16
4700945928 Repair kit, Steering hitch	18
4700945710 Eccentric shaft kit	20
4700945711 Drum rotation kit	22
Frame	24
Frames	26
4700377621 Hitch	28
Scrapers	30
Engine hood	32
Sprinkler system	34
Drum	36
Drum	38
Engine	40
Engine Perkins 403D-11	42
Cooling system	44
Exhaust system	46
Fuel system	48
Air intake system	50
Hydraulic system	52
Hydraulic propulsion and brake system motor	54
4700387270 Hydraulic motor	56
Hydraulic propulsion and brake system pump	58
Hydraulic vibration	60
4700390316 Hydraulic motor	62
4700395520 Hydraulic pump	64
Hydraulic steering	66
4700387274 Steering valve	68
4700387275 Hydraulic cylinder	70
Electrical equipment	72
Electrical equipment	74
Control panel, relays	76

TABLE OF CONTENTS

Driving lights Option	78
Working lights Option	80
Rotating beacon with Rops Option	82
Back-up alarm	84
Drivers platform	86
Drivers seat	88
F/R- and throttle control	90
4812113676 Forward and reverse control handle	92
Dual forward/reverse control Option	94
Rops Option	96
377256 Cup holder Option	98
Decals and documentation	100
Decals and documentation	102
Standard equipment	104
Standard equipment	106
Optional equipment	108
Battery disconnecter	110
Water tank, option	112
SMV-sign	114
SMV-sign Mounting on watertank	116
SMV-sign on high water tank	118
Registrations - plate with light	120
Hydraulic vibration, shut off front/rear drum	122
4700387276 Combination valve	124
Rear view mirror	126
Tool equipment	128

CC1000 S/N 10000304x 0A012696 -



CC1000 S/N 10000304x 0A012696 -

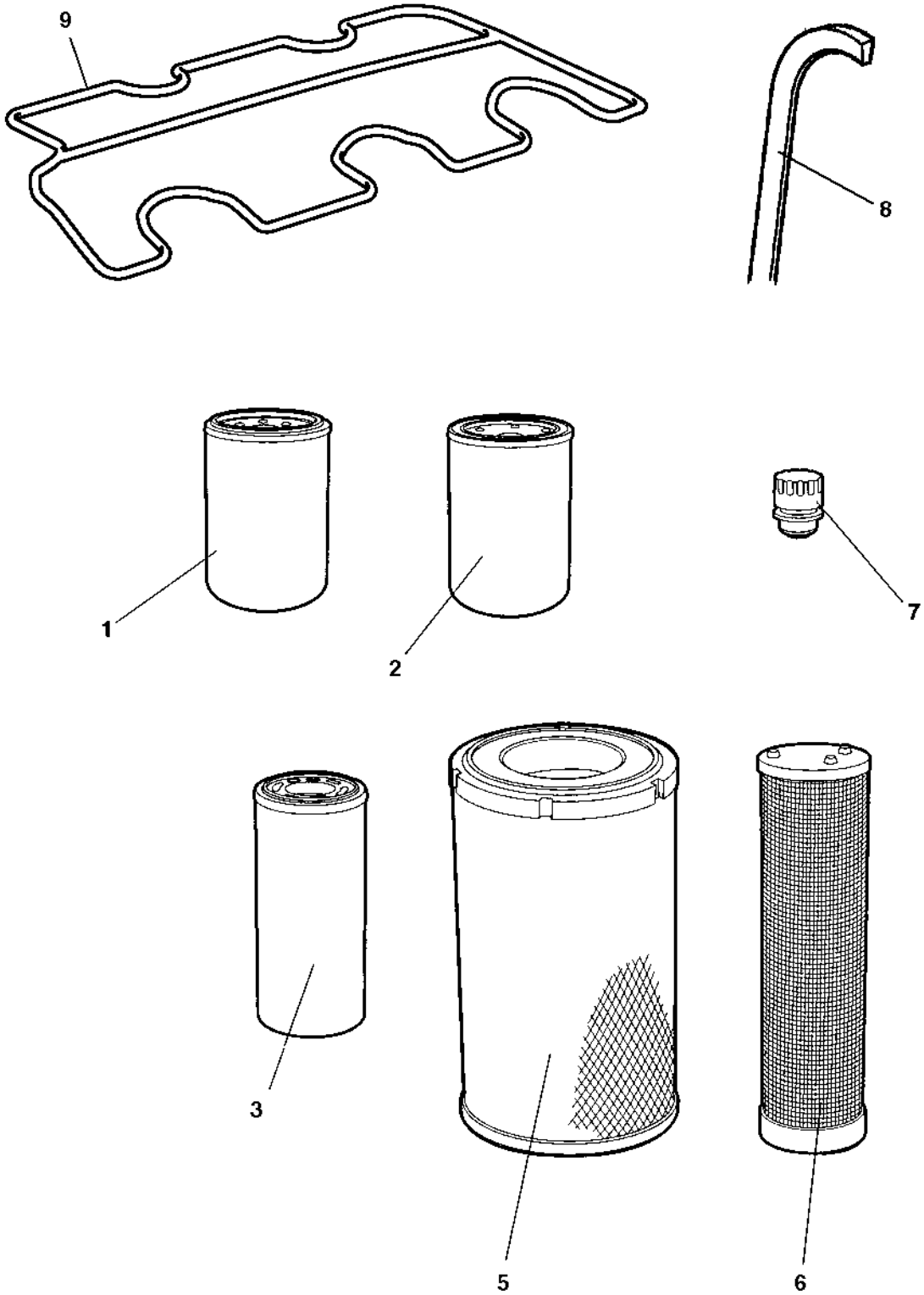
Item	Part No	Rem Qty	Description	Code
5			Service kits (Page 4)	
6			Repair kits (Page 12)	
10			Frame (Page 24)	
20			Drum (Page 36)	
30			Engine (Page 40)	
50			Hydraulic system (Page 52)	
60			Electrical equipment (Page 72)	
70			Drivers platform (Page 86)	
80			Decals and documentation (Page 100)	
90			Standard equipment (Page 104)	
91			Optional equipment (Page 108)	

Service kits

Service kits

Item	Part No	Rem Qty	Description	Code
1	4700940208		Service kit, Perkins 50h (Page 6)	
2	4700940209		Service kit, Perkins 500h (Page 8)	
3	4700940210		Service kit, Perkins 1000h (Page 10)	

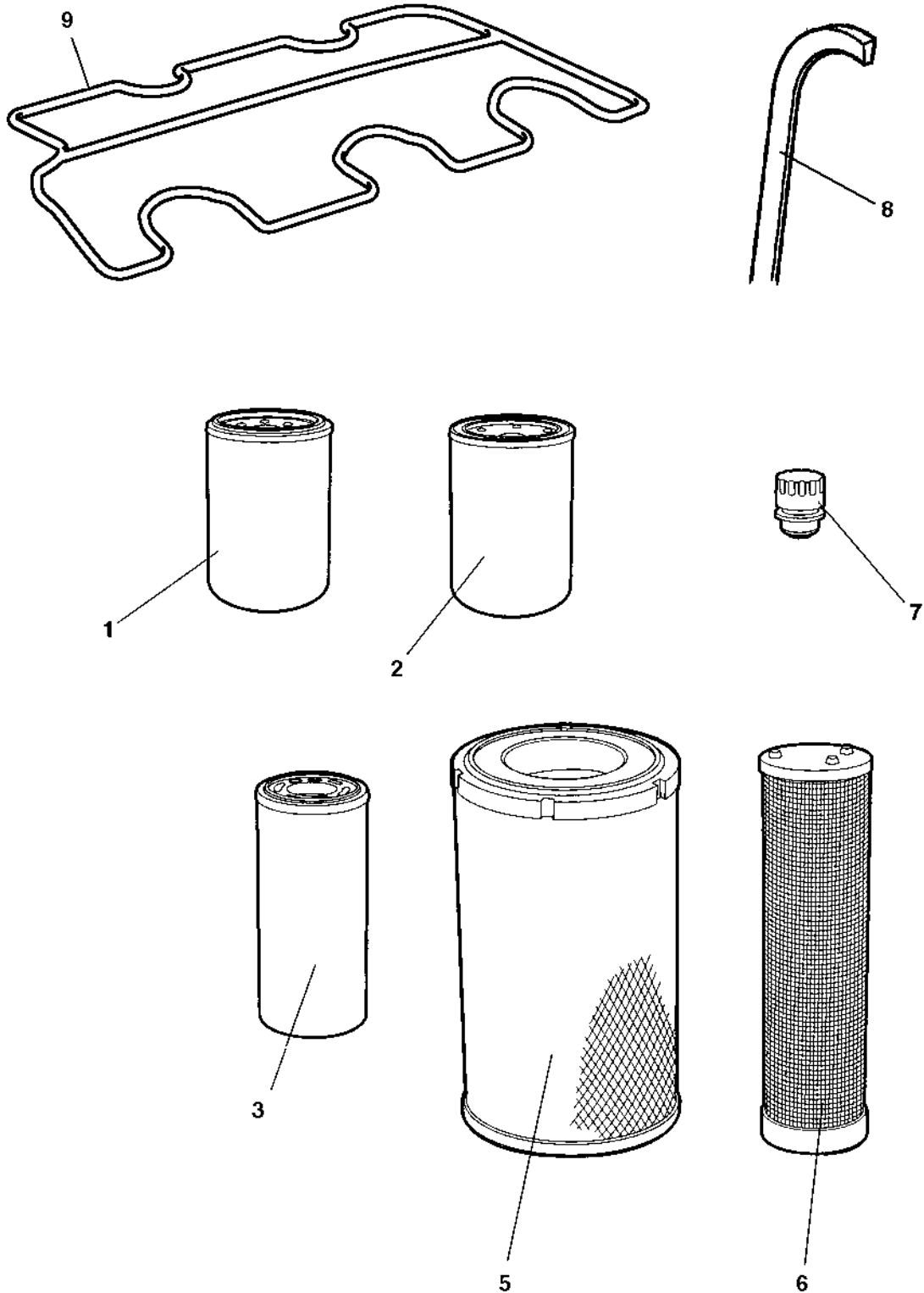
4700940208 Service kit, Perkins 50h



4700940208 Service kit, Perkins 50h

Item	Part No	Rem Qty	Description	Code
	4700940208		Service kit, Perkins 50h (Page 6)	
1	4700376554	1	Oil filter	A
2	4700376555	1	Fuel filter	A
3	4700376637	1	Hydraulic filter element	A

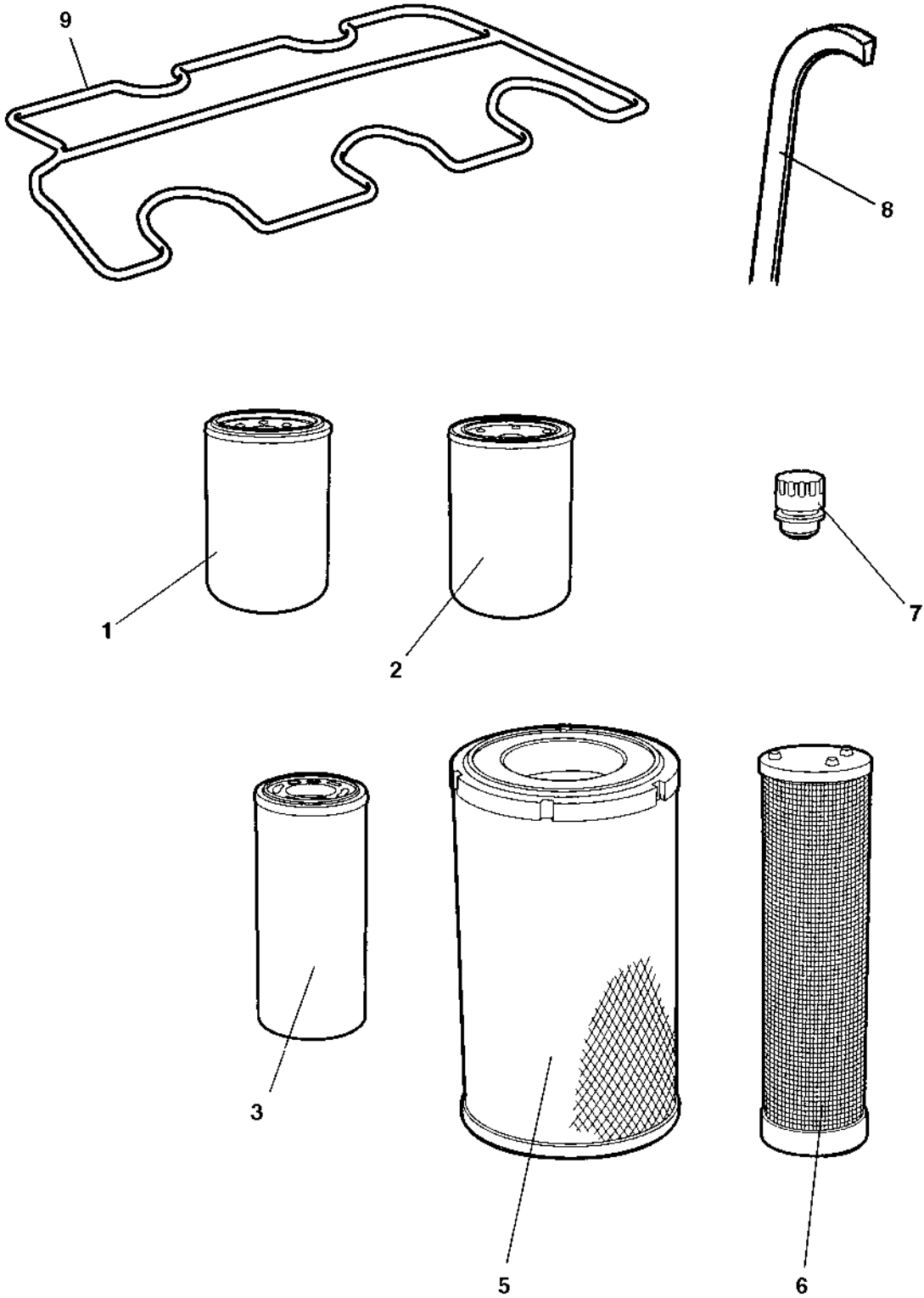
4700940209 Service kit, Perkins 500h



4700940209 Service kit, Perkins 500h

Item	Part No	Rem Qty	Description	Code
	4700940209		Service kit, Perkins 500h (Page 8)	
1	4700376554	1	Oil filter	A
2	4700376555	1	Fuel filter	A
5	4700939802	1	Air filter element Main	A
6	4700939803	1	Air filter element Safety	A
7	4700357138	1	Ventilating filter	

4700940210 Service kit, Perkins 1000h



4700940210 Service kit, Perkins 1000h

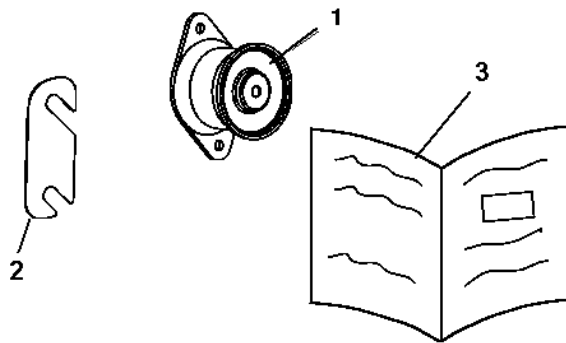
Item	Part No	Rem Qty	Description	Code
	4700940210		Service kit, Perkins 1000h (Page 10)	
1	4700376554	1	Oil filter	A
2	4700376555	1	Fuel filter	A
3	4700376637	1	Hydraulic filter element	A
5	4700939802	1	Air filter element Main	A
6	4700939803	1	Air filter element Safety	A
7	4700357138	1	Ventilating filter	
8	4700939932	1	V-belt	A
9	4700940212	1	Valve gasket	D

Repair kits

Repair kits

Item	Part No	Rem Qty	Description	Code
11	4700945552	2	Shock absorber kit, drum (Page 14)	
12	4700940673	1	Scraper blade, kit CC1000 (Page 16)	
13	4700945928	1	Repair kit, Steering hitch (Page 18)	
14	4700945710	2	Eccentric shaft kit (Page 20)	
15	4700945711	2	Drum rotation kit (Page 22)	

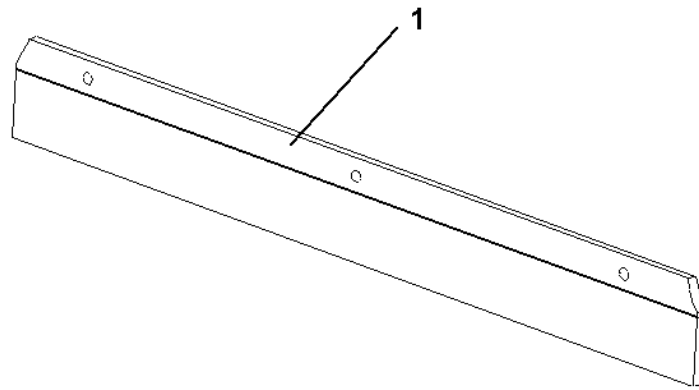
4700945552 Shock absorber kit, drum



4700945552 Shock absorber kit, drum

Item	Part No	Rem Qty	Description	Code
	4700945552		Shock absorber kit, drum (Page 14)	
1	4700391984	7	Shock absorber	D
2	4700387424	4	Shim	D
3	4812156170	1	Instructions	

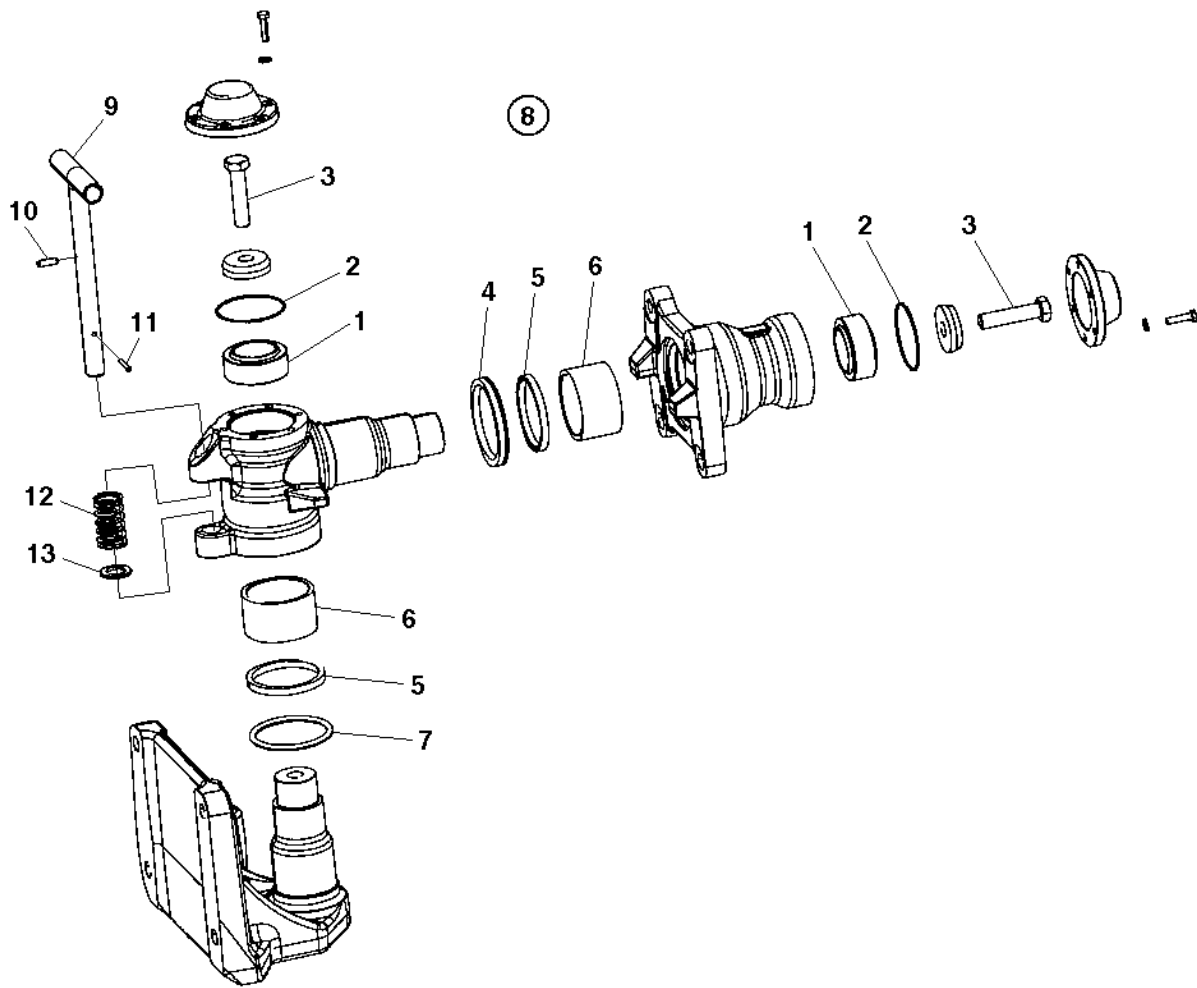
4700940673 Scraper blade, kit CC1000



4700940673 Scraper blade, kit CC1000

Item	Part No	Rem Qty	Description	Code
	4700940673		Scraper blade, kit CC1000 (Page 16)	
1	4700387350	4	Scraper blade	B

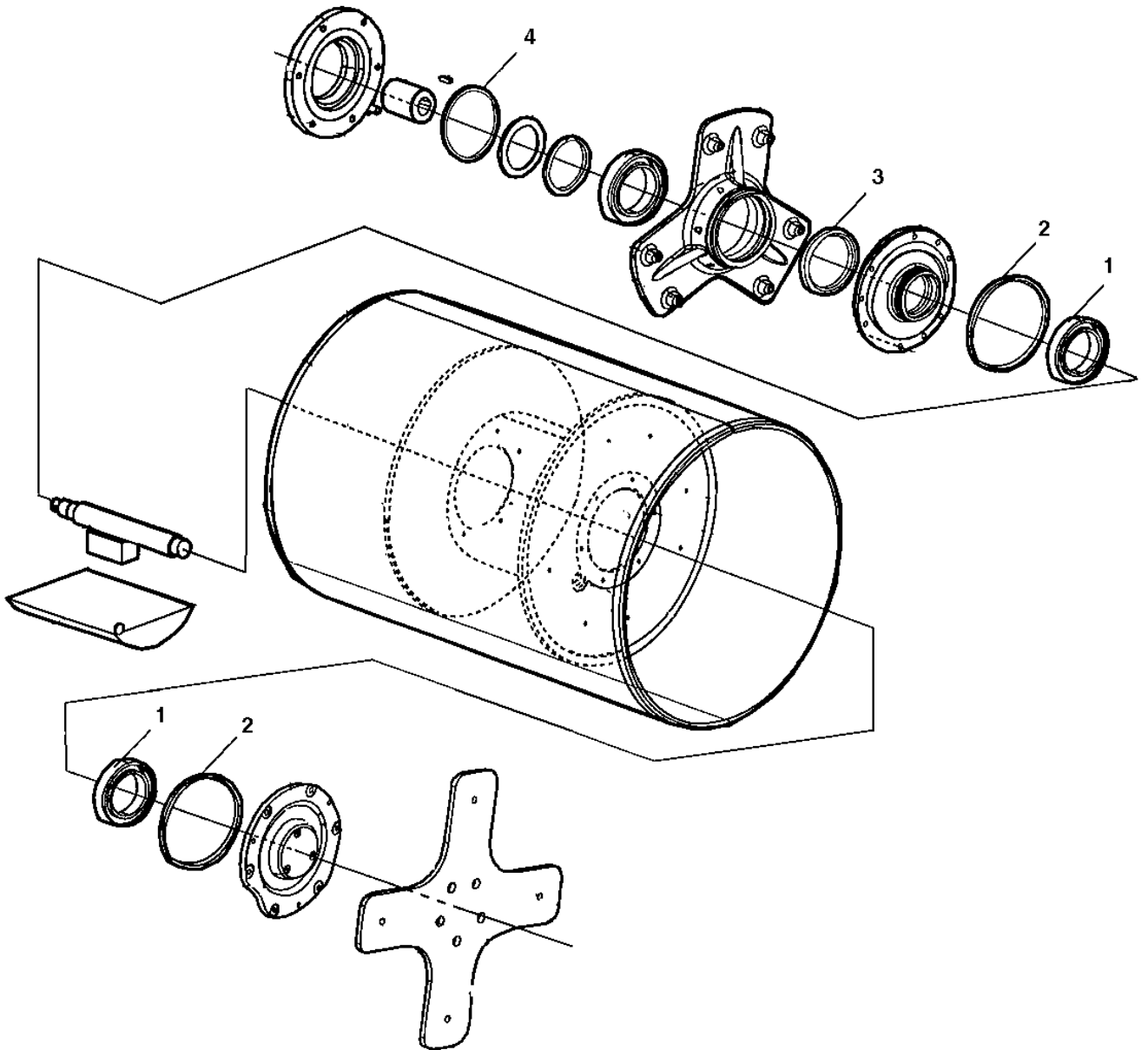
4700945928 Repair kit, Steering hitch



4700945928 Repair kit, Steering hitch

Item	Part No	Rem Qty	Description	Code
	4700945928		Repair kit, Steering hitch (Page 18)	
1	4700792611	2	Radial spherical plain bearing	D
2	4700791962	2	O-ring	D
3	4700500050	2	Screw	D
4	4700388171	1	Sealing, v-ring	D
5	4700388173	2	Shear wiper	D
6	4700388172	2	Bushing	D
7	4700160058	1	O-ring	C

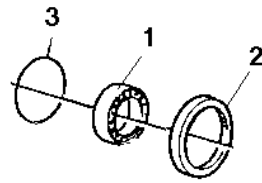
4700945710 Eccentric shaft kit



4700945710 Eccentric shaft kit

Item	Part No	Rem Qty	Description	Code
	4700945710		Eccentric shaft kit (Page 20)	
1	4700791433	2	Spherical roller bearing	B
2	4700791425	2	O-ring 174, 20x5, 70	D
3	4700791426	1	Radial lip seal	D
4	4700160132	1	O-ring 124, 50x3, 00	

4700945711 Drum rotation kit



4700945711 Drum rotation kit

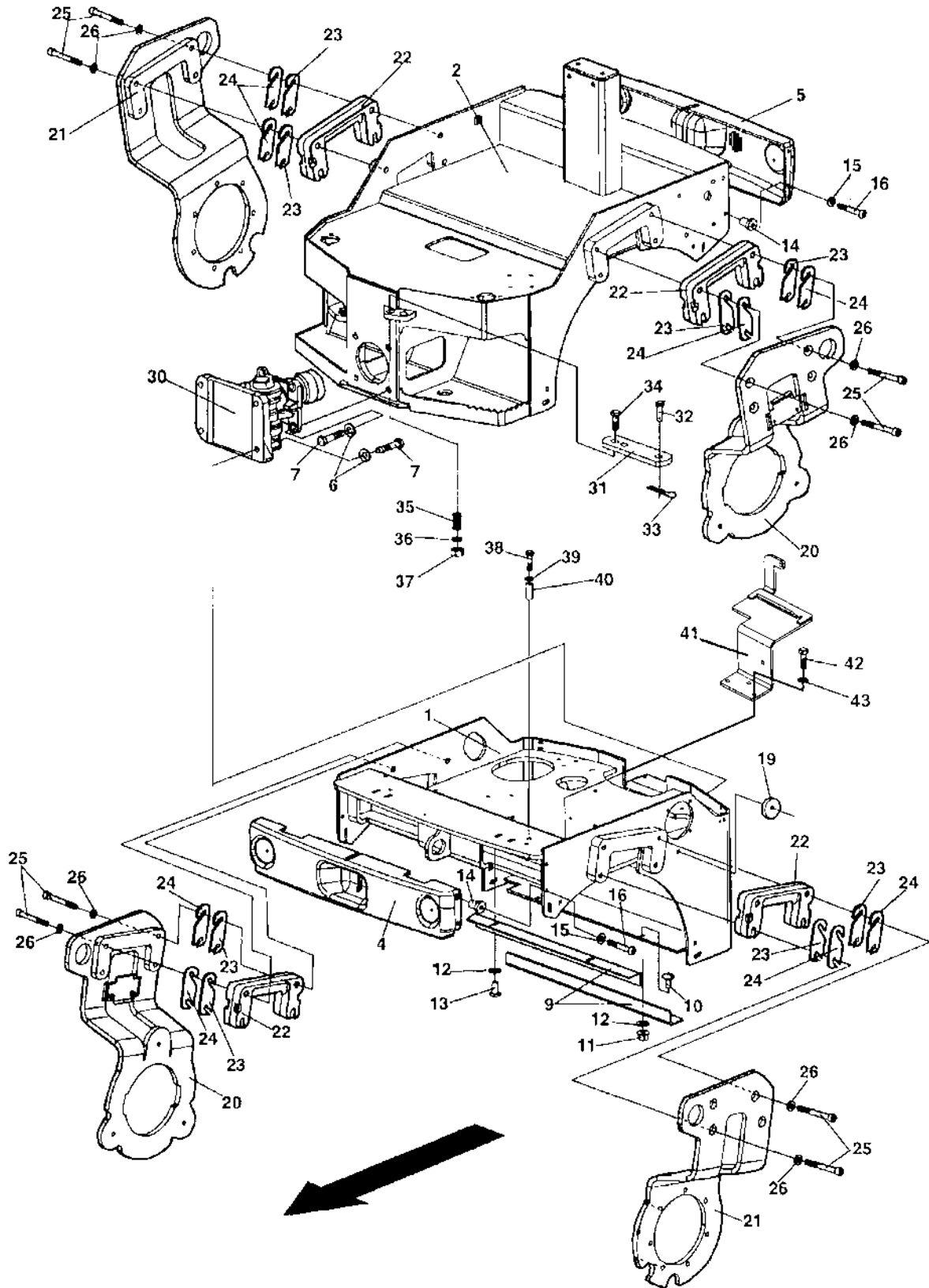
Item	Part No	Rem Qty	Description	Code
	4700945711		Drum rotation kit (Page 22)	
1	4700111018	1	Ball bearing	D
2	4700791426	1	Radial lip seal	D
3	4700160132	1	O-ring 124, 50x3, 00	

Frame

Frame

Item	Part No	Rem Qty	Description	Code
15			Frames (Page 26)	
30			Scrapers (Page 30)	
40			Engine hood (Page 32)	
51			Sprinkler system (Page 34)	

Frames



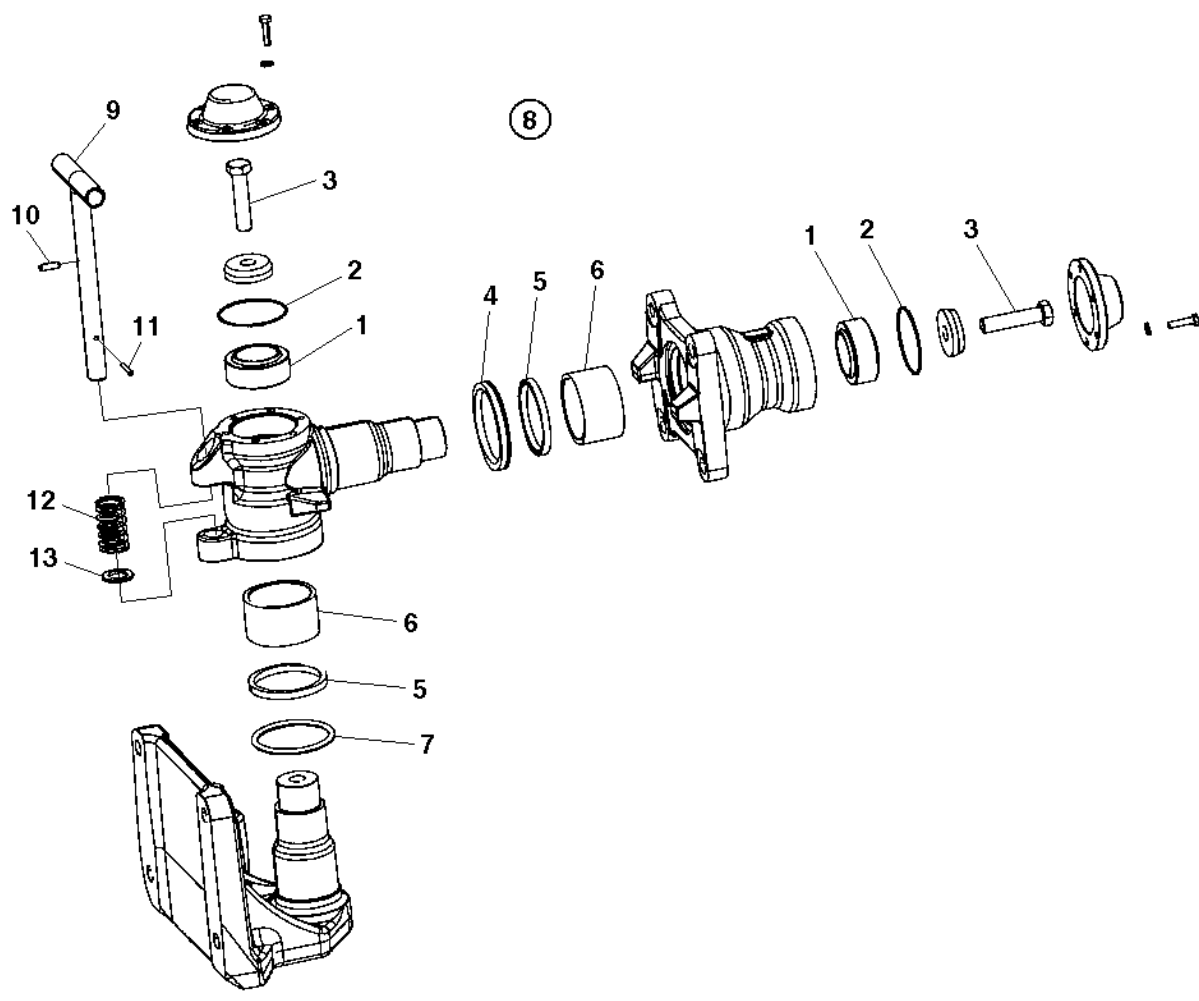
Frames

Item	Part No	Rem Qty	Description	Code
1	4700387055	1	Frame, front	D
2	4700387056	1	Frame, rear	D
4	4700387376	1	Cover, frame	D
5	4700387886	1	Cover, frame	D
6	4700904214	8	Washer 15x30x4 300 HV	
7	4700500176	8	Screw M14x060	D
9	4700387779	2	Press plate	D
10	4700929191	2	Bolt	D
11	4700902286	2	Hexagon lock nut with flange	C
12	4700904556	4	Washer 8,4x16x3,0	C
13	4700500053	2	Screw M8x20H 8.8	
14	4700387949	8	Rubber nut	D
15	4700904228	8	Steel plain washer 6,4x12x1,5	
16	4700791559	8	Screw M06x35	D
19		A	1 Reflector	
20	4700388850	2	Fork, vibration side	D
21	4700388849	2	Fork, drive side	D
22	4700388153	8	Spacer	D
23	4700387425	N	Shim	D
24	4700387424	N	Shim	D
25	4700791973	16	Screw M12x150	D
26	4700904231	16	Washer 13x24x2 300 HV	
30	4700377621	1	Hitch (Page 28)	
31	4700377610	1	Lock link	D
32	4700530027	1	Clevis pin	D
33	4700635061	1	Hair clip	B
34	4700500208	1	Screw M20x80	D
35	4700349332	1	Pressure spring	D
36	4700904233	1	Washer 21x36x3	
37	4700586022	1	Lock nut M20-8	C
38	4700500067	1	Screw M8-1,25x55 8,8	C
39	4700904229	1	Steel plain washer 8,4x16x1,5	
40	4700387677	1	Spacer sleeve	C
41		C	1 Battery shelf	
42		C	3 Screw	
43		C	3 Washer	

A) See section Hitch

C) See section "Electrical equipment"

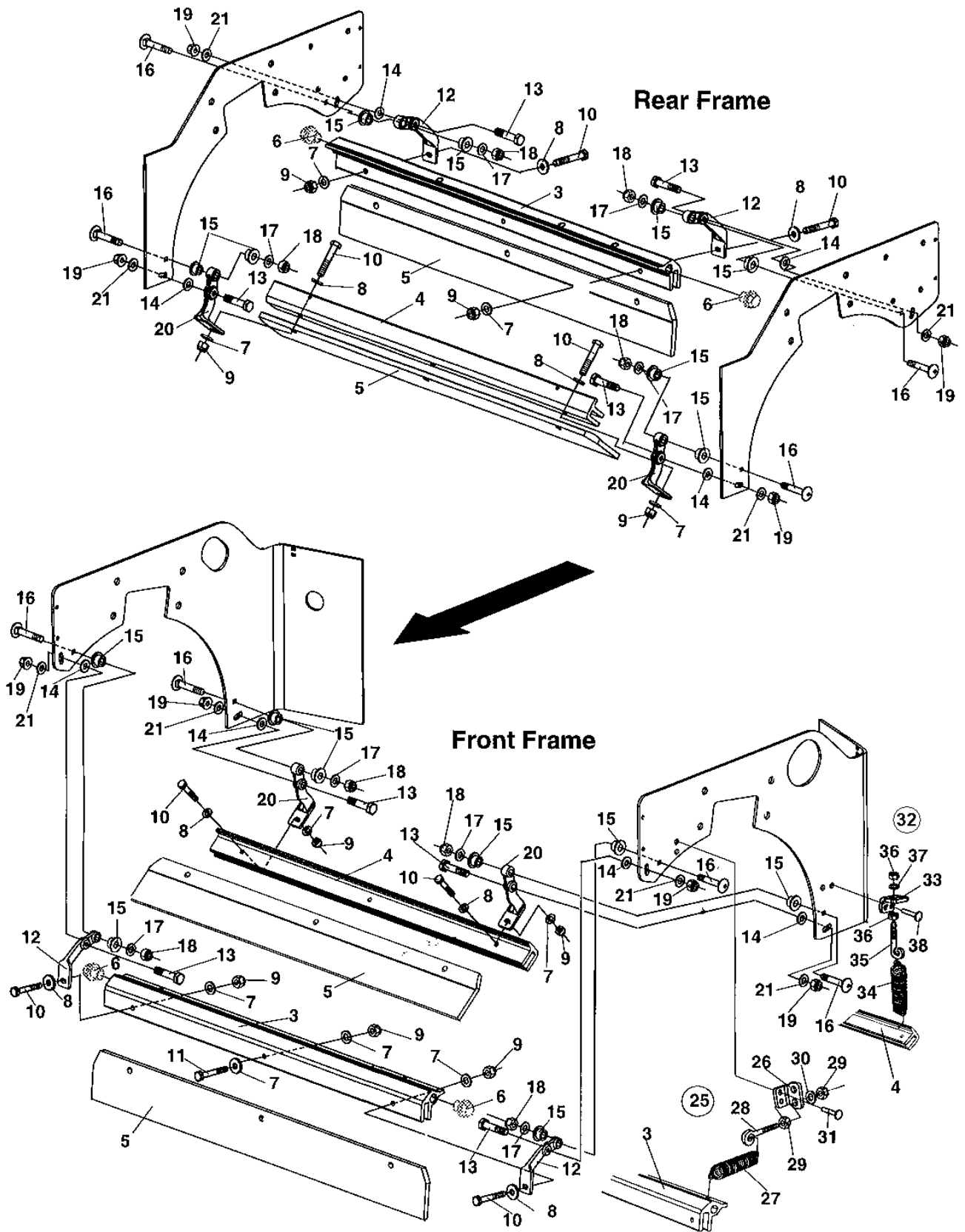
4700377621 Hitch



4700377621 Hitch

Item	Part No	Rem Qty	Description	Code
1	4700792611	2	Radial spherical plain bearing	D
2	4700791962	2	O-ring	D
3	4700500050	2	Screw	D
4	4700388171	1	Sealing, v-ring	D
5	4700388173	2	Shear wiper	D
6	4700388172	2	Bushing	D
7	4700160058	1	O-ring	C
8	4700945928	1	Repair kit, Steering hitch (Page 18)	
9			Not used on this model	
10			Not used on this model	
11			Not used on this model	
12			Not used on this model	
13			Not used on this model	

Scrapers

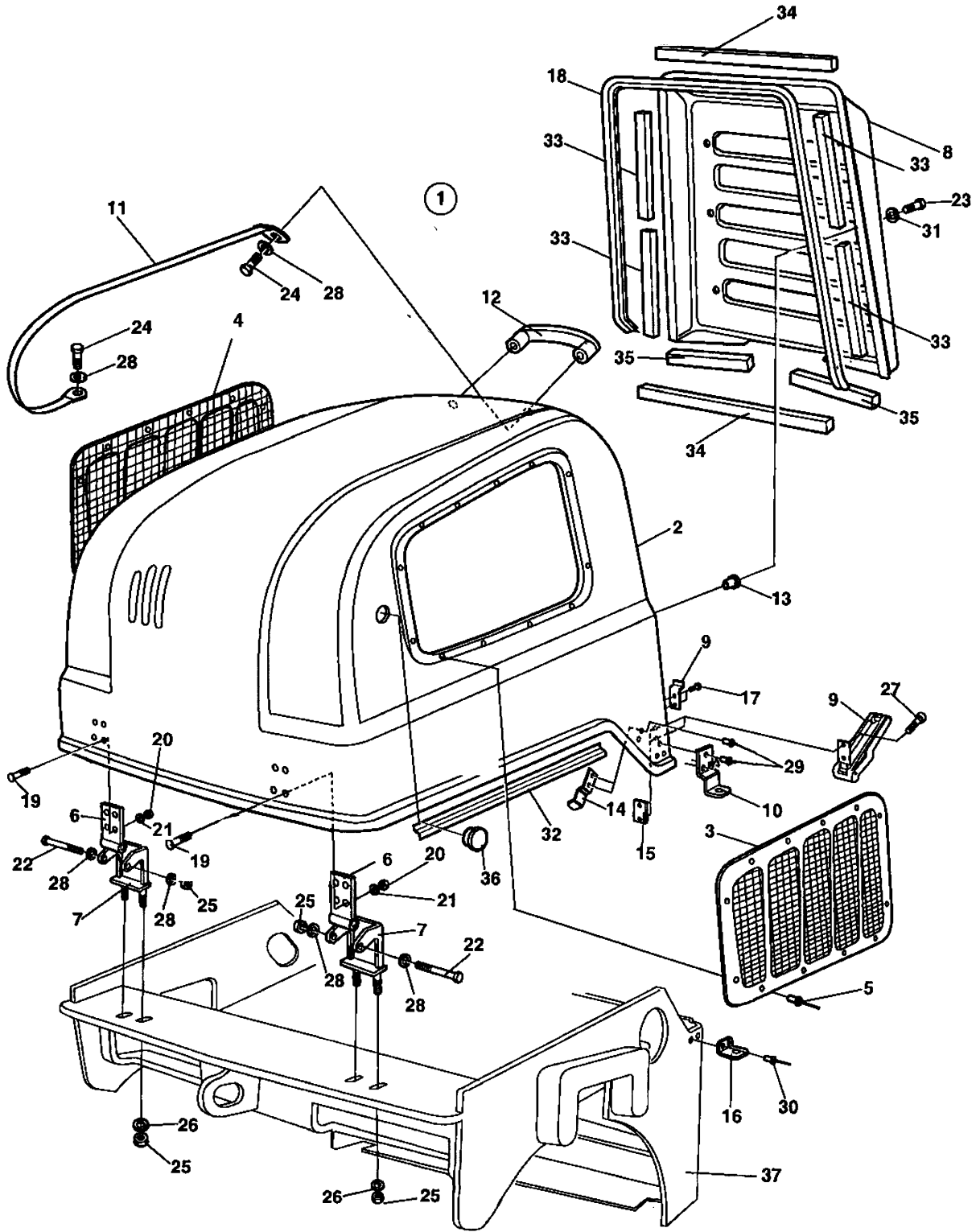


Scrapers

Item	Part No	Rem	Qty	Description	Code
3	4700387348		2	Sprinkler pipe	C
4	4700387349		2	Hold	D
5	4700387350		4	Scraper blade	B
6	4700792072		4	End plug	
7	4700904229		16	Steel plain washer 8,4x16x1,5	
8	4700904640		8	Washer 8,4x22x3	C
9	4700586003		12	Lock nut M8	
10	4700500067		8	Screw M8-1,25x55 8,8	C
11	4700500024	A	4	Screw M8x45	D
12	4700387039		4	Upper hold	D
13	4700500105		8	Hexagon screw M10x50	D
14	4700791938		8	Washer	C
15	4700791939		16	Bushing	D
16	4700791775		8	Bolt	C
17	4700904229		8	Steel plain washer 8,4x16x1,5	
18	4700586003		8	Lock nut M8	
19	4700586018		8	Hexagon lock nut M10	C
20	4700387043		4	Lower hold	D
21	4700791938		8	Washer	C
25		B,C	2	Spring loaded scraper	
26	4700378178	B	4	Bracket	D
27	4700359043	B	2	Spring	D
28	4700792189	B	4	Eye bolt	D
29	4700570005	B	8	Nut M8	C
30	4700904229	B	4	Steel plain washer 8,4x16x1,5	
31	4700792180	B	16	Blind rivet	D
32		B,D	2	Spring loaded scraper	
33	4700378178	B	4	Bracket	D
34	4700792188	B	2	Extension spring	D
35	4700792189	B	4	Eye bolt	D
36	4700570005	B	8	Nut M8	C
37	4700904229	B	4	Steel plain washer 8,4x16x1,5	
38	4700792180	B	16	Blind rivet	D

- A) Valid for all scrapers
- B) Option
- C) Used on front and rear drum together with Sprinkler pipe PN 4700387348
- D) Used on front and rear drum together with Holder 4700387349

Engine hood



Engine hood

Item	Part No	Rem Qty	Description	Code
1	4812120570	1	Engine hood	D
2		1	. Engine hood	
3	4812120592	1	. Grid	D
4	4700377044	1	. Grid, right	D
5	4700904012	24	. Rivet	
6	4700387148	2	Hinge	D
7	4700387151	2	Hinge	D
8	4700387154	1	Cover, radiator	D
9	4700388846	2	Latch	D
10	4700377061	1	Lock plate	D
11	4700387947	1	Metal strapping	D
12	4700387948	1	Handle	D
13	4700387949	6	Rubber nut	D
14	4700388733	2	Controlling plate	D
15	4700387956	1	Stop plate	
16	4700388852	1	Lock plate	D
17	4700791643	4	Screw	C
18	4700902166	A	Edge trim	
19	4700903856	8	Bolt M06x30	C
20	4700586002	8	Lock nut M6 -8	
21	4700904228	8	Steel plain washer 6,4x12x1,5	
22	4700500068	2	Screw M08x65	C
23	4700791559	6	Screw M06x35	D
24	4700500053	3	Screw M8x20H 8.8	
25	4700586003	6	Lock nut M8	
26	4700904556	4	Washer 8,4x16x3,0	C
27	4700508022	4	Screw M4x16	
28	4700904229	7	Steel plain washer 8,4x16x1,5	
29	4700791754	7	Blind rivet	
30	4700792180	2	Blind rivet	D
31	4700928381	6	Washer 6,4x18x1,6	C
32	4700297018	B	Rubber strip	
33	4700791597	C	Rubber strip	
34	4700791597	D	Rubber strip	
35	4700791597	E	Rubber strip	
36	4700902890	2	Plug	
37		1	See sections "Frames"	

A) L = 1620 mm

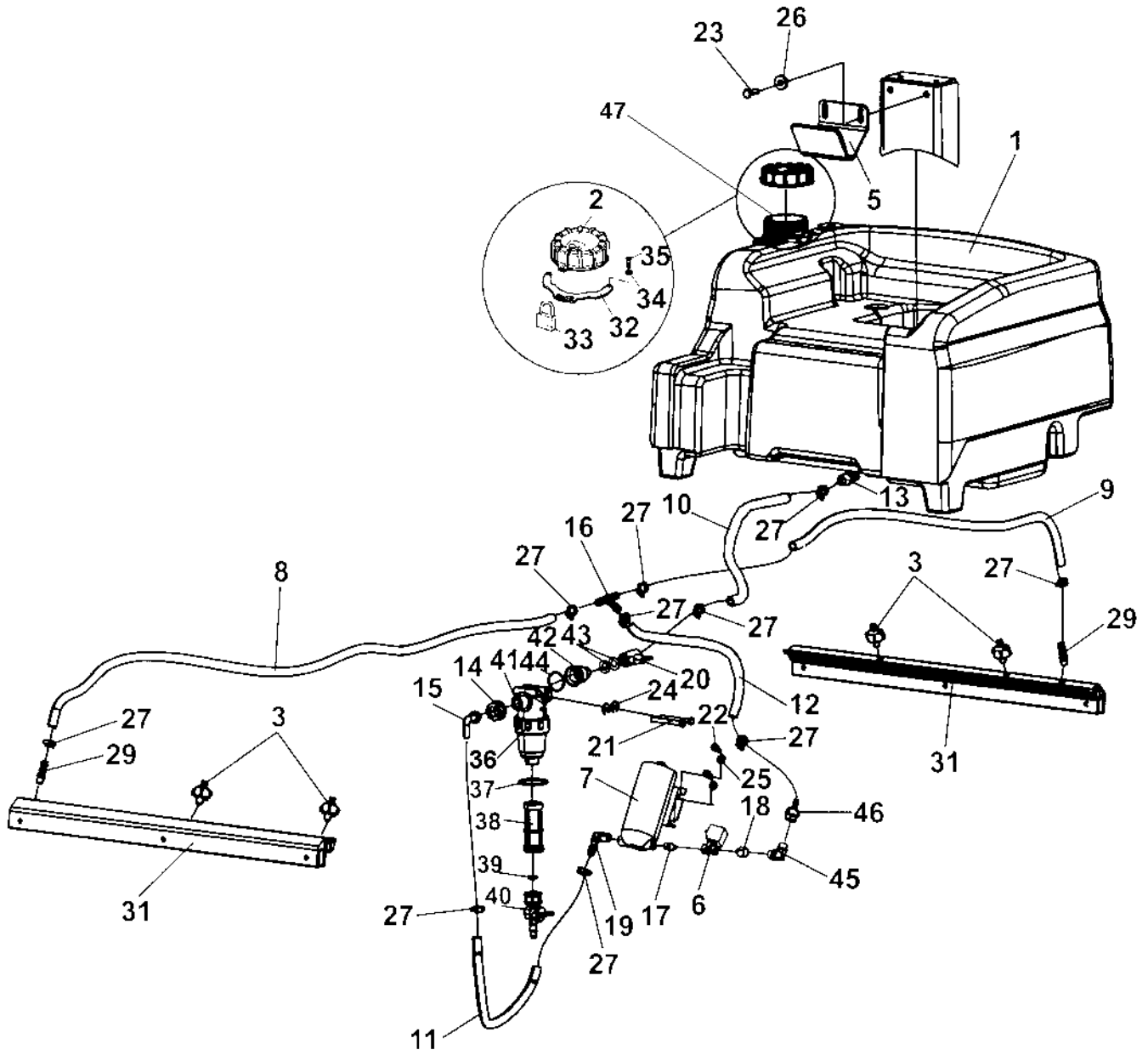
B) L = 450 mm

C) L = 125 mm

D) L = 420 mm

E) L = 170 mm

Sprinkler system



Sprinkler system

Item	Part No	Rem	Qty	Description	Code
1	4700389218		1	Water tank, cpl	D
2	4700388087		1	Tank cap	D
3	4700392011		4	Spraying nozzle, cpl	A
	4700392508		1	. Housing	D
	4700392509		1	. Retainer, nozzle, strainer, yellow 0.8	D
	4700376876		1	. Gasket	D
5	4700387935		1	Bracket	D
6	4700287713		1	Solenoid valve	B
7	4812113822		1	Water pump	C
8	4812112074	A	1	Plastic hose	
9	4812112074	B	1	Plastic hose	
10	4812112074	C	1	Plastic hose	
11	4812112074	D	1	Plastic hose	
12	4812112074	E	1	Plastic hose	
13	4700924544		2	Hose connection	C
14	4700792779		1	Swivel nut	
15	4812111330		1	Hose connection swivel	C
16	4700923735		1	Hose connection	C
17	4700377611		1	Straight connector	C
18	4812112645		1	Hose connection	
19	4700923734		1	Hose connection	B
20	4700925599		1	Ball valve	C
21	4700500090		2	Screw	C
22	4700508004		4	Socket head cap screw M8-1,25x12H 8.8	D
23	4700500029		2	Hexagon head screw	
24	4700904640		2	Washer 8,4x22x3	C
25	4700904556		4	Washer 8,4x16x3,0	C
26	4700904567		2	Washer 10,5x28x6 HB305	
27	4700313002		10	Hose clamp 13-20 mm	
29	4700791977		2	Hose connection	B
31		F	2	Sprinkler pipe	
32	4700389155	G	1	Lock bracket	D
33	4700358881	G	1	Pad lock	
34	4700904281	G	2	Washer 5,3x10x1 300HV	C
35	4700903658	G	2	Screw M5x10	C
36	4812111325		1	Water strainer, cpl	B
37	4700791959		1	. O-ring	C
38	4700791949		1	. Filter element	A
39	4700791568		1	. Gasket	
40	4700379009		1	. Valve	
41	4700480852		1	O-ring 70	
42	4812111331		1	Reducer nipple	
43	4700379753		4	Gasket	
44	4700160313		1	O-ring 70	
45	4700901298		1	Connector	C
46	4700901297		1	Hose connection	C
47	4700358846		1	Strainer	A

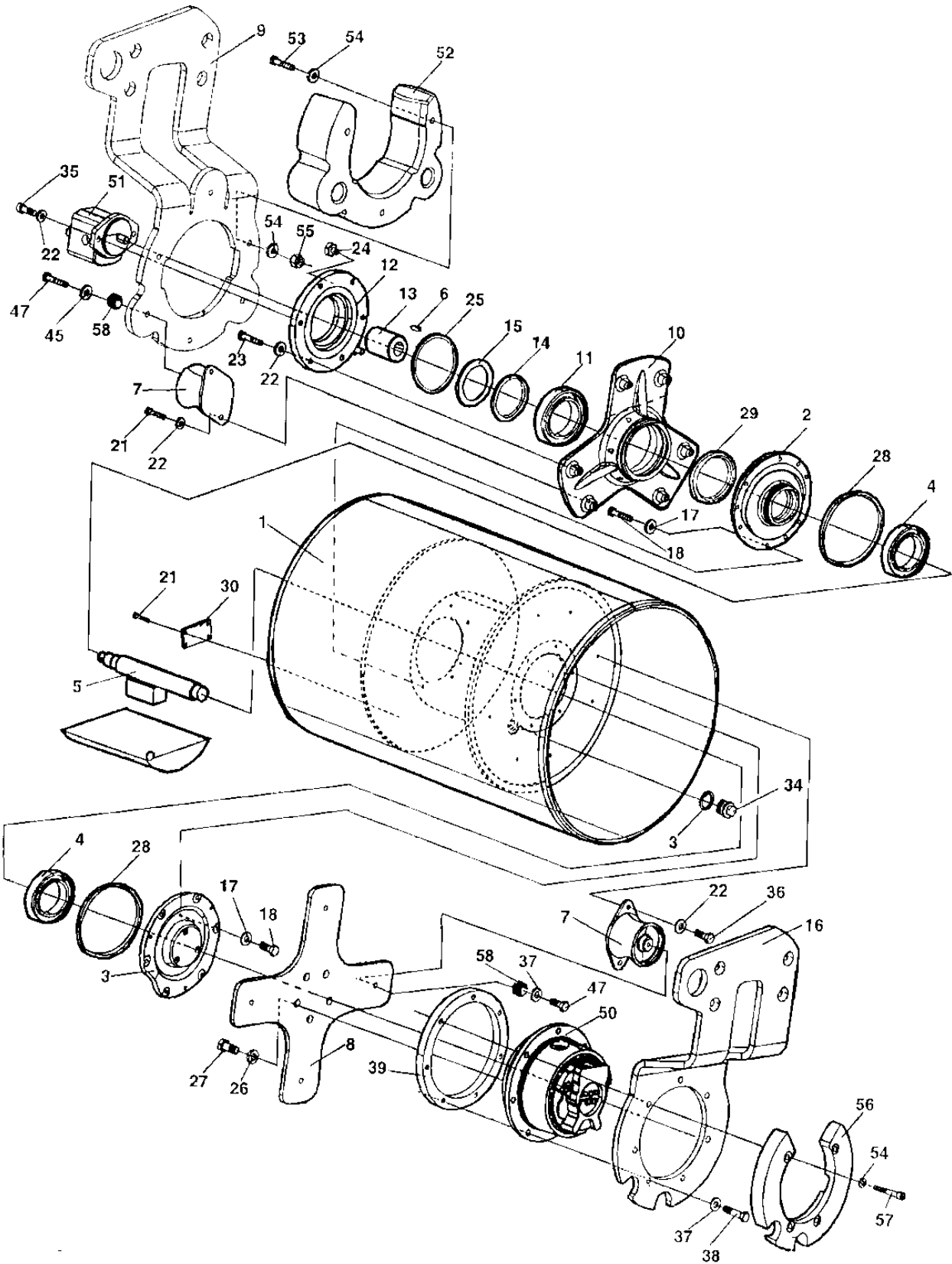
- A) L = 1565 mm
 B) L = 835 mm
 C) L = 520 mm
 D) L = 410 mm
 E) L = 440 mm
 F) See section "Scraper"
 G) Option

Drum

Drum

Item	Part No	Rem Qty	Description	Code
10			Drum (Page 38)	

Drum



Drum

Item	Part No	Rem	Qty	Description	Code
1	4700386867		1	Drum	D
2	4700386619		1	Bearing housing	D
3	4700386620		1	Bearing housing	D
4	4700791433		2	Spherical roller bearing	B
5	4700386627		1	Eccentric shaft	D
6	4700350029		1	Key	
7	4700391984		7	Shock absorber	D
8	4700386622		1	Drive disc	D
9		A	1	Fork, vibration side	
10	4700386241		1	Bearing housing	D
11	4700111018		1	Ball bearing	D
12	4700358666		1	Adapter	C
13	4700349202		1	Coupling	D
14	4700358689		1	Spacer ring	C
15	4700903154		1	Retaining ring	
16		A	1	Fork, drive side	
17	4700904640		12	Washer 8,4x22x3	C
18	4700500022		12	Screw M8x30H 8.8	C
19	4700904228		3	Steel plain washer 6,4x12x1,5	
20	4700500012		3	Screw M6x12	C
21	4812110596		6	Hexagon head screw M10x40 10,9 A3K	D
22	4700904557		22	Steel plain washer	
23	4700500029		6	Hexagon head screw	
24	4700343490		1	Air breather	D
25	4700160132		1	O-ring 124, 50x3, 00	
26	4700904558		5	Washer 17X30X6 300HV	
27	4700947694		5	Screw	D
28	4700791425		2	O-ring 174, 20x5, 70	D
29	4700791426		1	Radial lip seal	D
30			1	Sign plate	
31	4700527002		4	Drive screw	C
33	4700162017		1	Seal ring	B
34	4700343744		1	Magnetic plug	C
35	4700508029		2	Screw M10-1,5x30H 8,8	C
36	4812110663		8	Hexagon head screw M10x25H 10,9 A3K	D
37	4700904703		11	Steel plain washer	B
38	4700925519		7	Screw M12x55 10.9 GEOMET	D
39	4700387137		1	Thread ring	D
45	4700904231		3	Washer 13x24x2 300 HV	
47	4812110595		7	Hexagon head screw M12x45H 10,9 A3K	D
49	4700903374		6	Protective plug	
50		B	1	Hydraulic motor	
51		C	1	Hydraulic motor	
52	4700389434	D	1	Ballast	D
53	4700925228	D	3	Hexagon head screw	D
54	4700904703	D	10	Steel plain washer	B
55	4700570007	D	3	Hexagon nut M12	C
56	4700389432	D	1	Ballast	D
57	4700928198	D	4	Screw	C
58	4812110346		7	Spacer	C

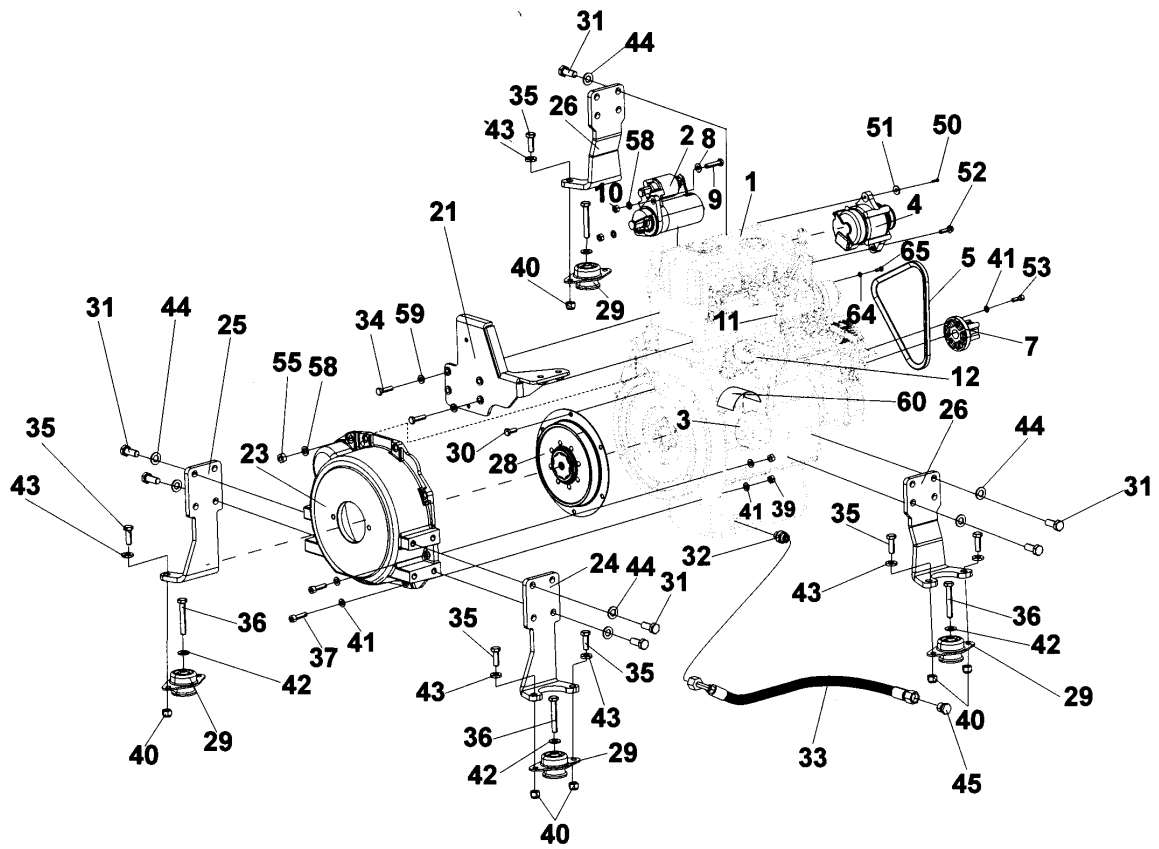
- A) See section " Frame"
 B) See section "Hydraulic propulsion and brake"
 C) See section "Hydraulic vibration"
 D) Option

Engine

Engine

Item	Part No	Rem Qty	Description	Code
10			Engine Perkins 403D-11 (Page 42)	
20			Cooling system (Page 44)	
30			Exhaust system (Page 46)	
40			Fuel system (Page 48)	
50			Air intake system (Page 50)	

Engine Perkins 403D-11



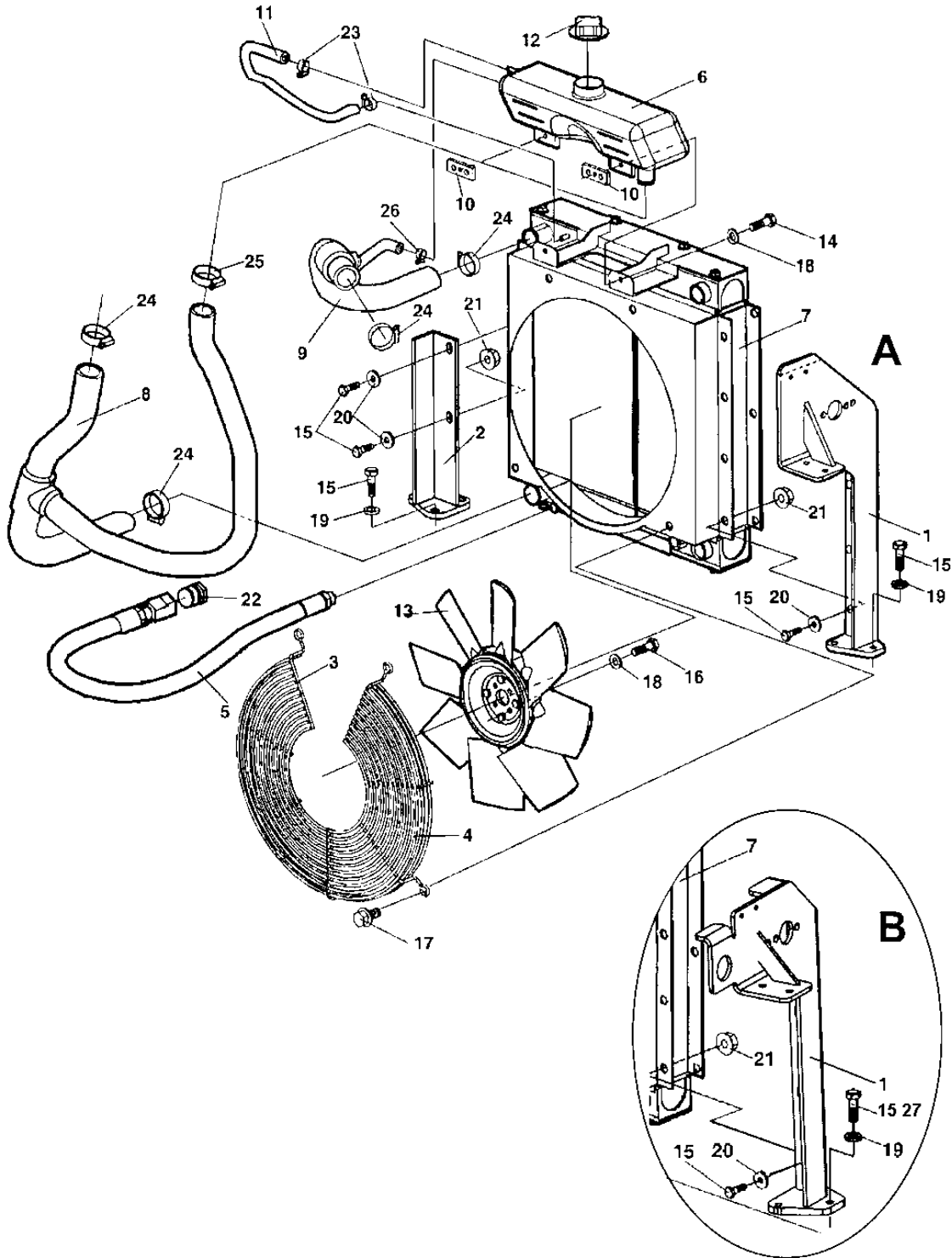
Engine Perkins 403D-11

Item	Part No	Rem Qty	Description	Code
1	4700394541	1	Engine, Perkins 403D-11	D
	4812116572	1	Engine Perkins 403D-11	
	4700940227	1	. Water pump	C
	4700945123	1	. . Gasket	C
	4700945284	1	. Water temperature sensor	B
	4700940228	1	. Thermostat	D
	4700940976	1	. Gasket, oil sump	D
	4812155888	3	. Glow plug	
2	4700940231	1	. Starter	C
3	4700376554	1	. Oil filter	A
4	4700939977	1	. Alternator	C
5	4700939932	1	. V-belt	A
7	4700945735	1	. Fan coupling	
8	4700904230	2	. Steel plain washer	
9	4700500161	2	. Hexagon head screw	C
10	4700570006	2	. Nut	B
11	4700940229	1	. Oil dipstick	D
12	4700940447	1	. Fuel solenoid	B
13	4700945286	1	. Washer	D
14	4700945473	1	. Lift pump	C
	4700945629	1	. O-ring, lift pump	D
15	4812159667	C 1	. Oil pressure switch	
21	4700389003	1	Holder, air cleaner	D
23	4812120669	1	Bracket	
24	4700376770	1	Engine foot	D
25	4700376771	1	Engine foot	D
26	4700376772	2	Engine foot	D
28	4812120670	1	Coupling	
29	4700792026	4	Rubber mounts	D
30	4700502016	6	Screw	D
31	4700792250	16	Screw	D
32	4700791535	1	Connector	D
33	4700483684	1	Hydraulic hose	D
34	4700500022	4	Screw M8x30H 8.8	C
35	4700500029	8	Hexagon head screw	
36	4700500109	4	Screw M10-1,5x65 8,8	
37	4700508048	7	Hexagon socket head cap screw	C
39	4700570005	5	Nut M8	C
40	4700586018	8	Hexagon lock nut M10	C
41	4700904229	12	Steel plain washer 8,4x16x1,5	
42	4700904230	4	Steel plain washer	
43	4700904557	8	Steel plain washer	
44	4700904231	16	Washer 13x24x2 300 HV	
45	4700791493	1	Steel plug threaded	D
50	4700500047	1	Hexagon head screw	C
51	4700904640	1	Washer 8,4x22x3	C
52	4700500506	1	Screw	
53	4700508019	3	Screw M8x25 8.8	C
54	4700904229	3	Steel plain washer 8,4x16x1,5	
55	4700570006	2	Nut	B
56	4700904230	2	Steel plain washer	
57		B 2	Screw	
58	4700904637	2	Washer	C
59	4700904556	4	Washer 8,4x16x3,0	C
60	4700377520	1	Decal Oil filter	
64	4700904228	4	Steel plain washer 6,4x12x1,5	
65	4700500013	4	Screw M6-1x16 8,8	

B) Exist on engine

C) Not shown in illustration.

Cooling system

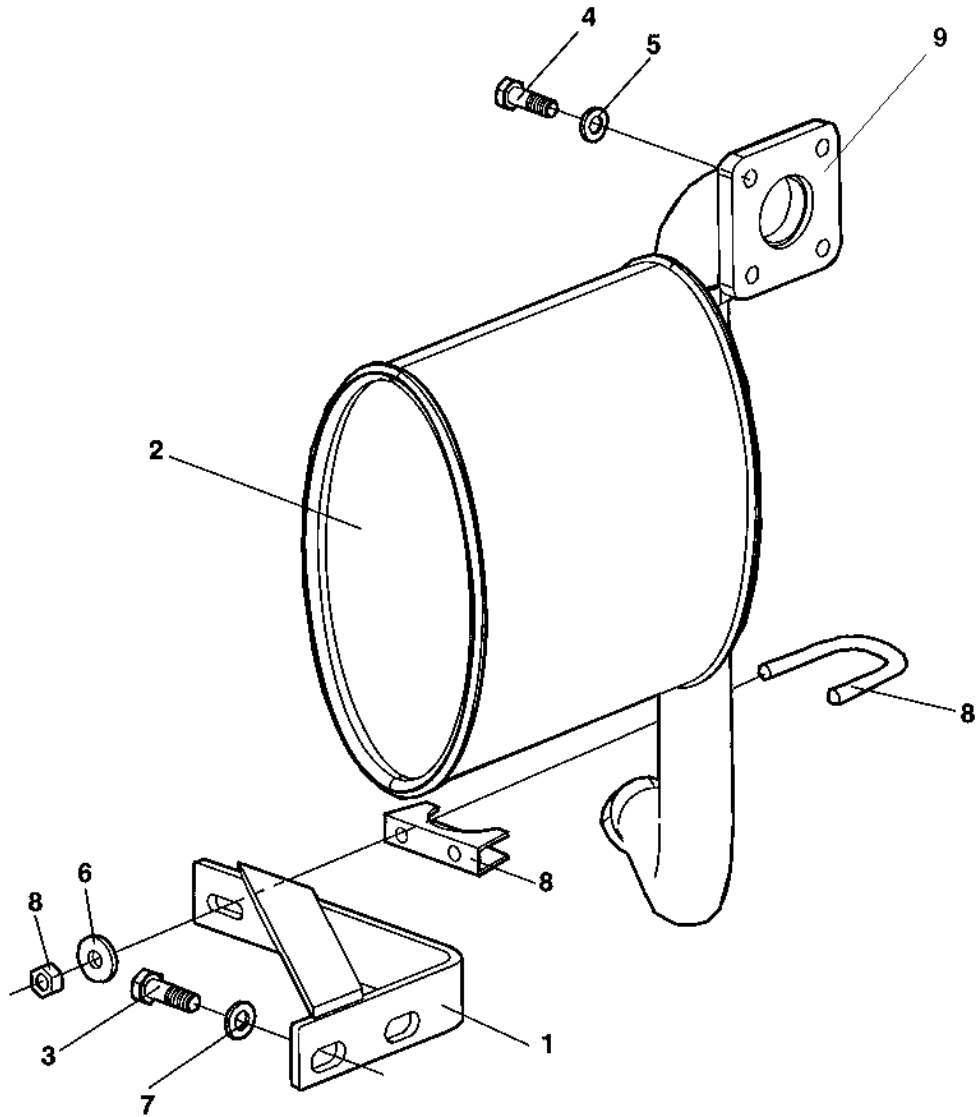


Cooling system

Item	Part No	Rem	Qty	Description	Code
1	4812110974	D	1	Cooler console	
2	4700387287		1	Cooler bracket	D
3	4700386963		1	Fan guard	D
4	4700387205		1	Fan guard	D
5	4700791780		1	Drainage hose	D
6	4700386893		1	Expansion reservoir	C
7	4700395227	B	1	Radiator	D
8	4700387099		1	Coolant hose	D
9	4700387100		1	Coolant hose	D
10	4700387428		2	Plate	D
11	4700371785	A	1	Rubber hose	D
12	4700903714		1	Cap	
13	4700389142		1	Fan	D
14	4700500040		2	Screw M6-1x20 8,8	C
15	4700500021		5	Screw M8-1,25x25 8.8	C
16	4700500040		4	Screw M6-1x20 8,8	C
17	4700901832		4	Screw	C
18	4700904228		6	Steel plain washer 6,4x12x1,5	
19	4700904640		6	Washer 8,4x22x3	C
20	4700904640		5	Washer 8,4x22x3	C
21	4700902286		5	Hexagon lock nut with flange	C
22	4700791493		1	Steel plug threaded	D
23	4700313075		2	Hose clamp	D
24	4700313035		4	Hose clamp	D
25	4700313035		1	Hose clamp	D
26	4700313001		1	Hose clamp	C
27	4700502016		6	Screw	D

- A) L = 240 mm
 B) Replaces earlier used 4700386950
 D) Illustration B

Exhaust system

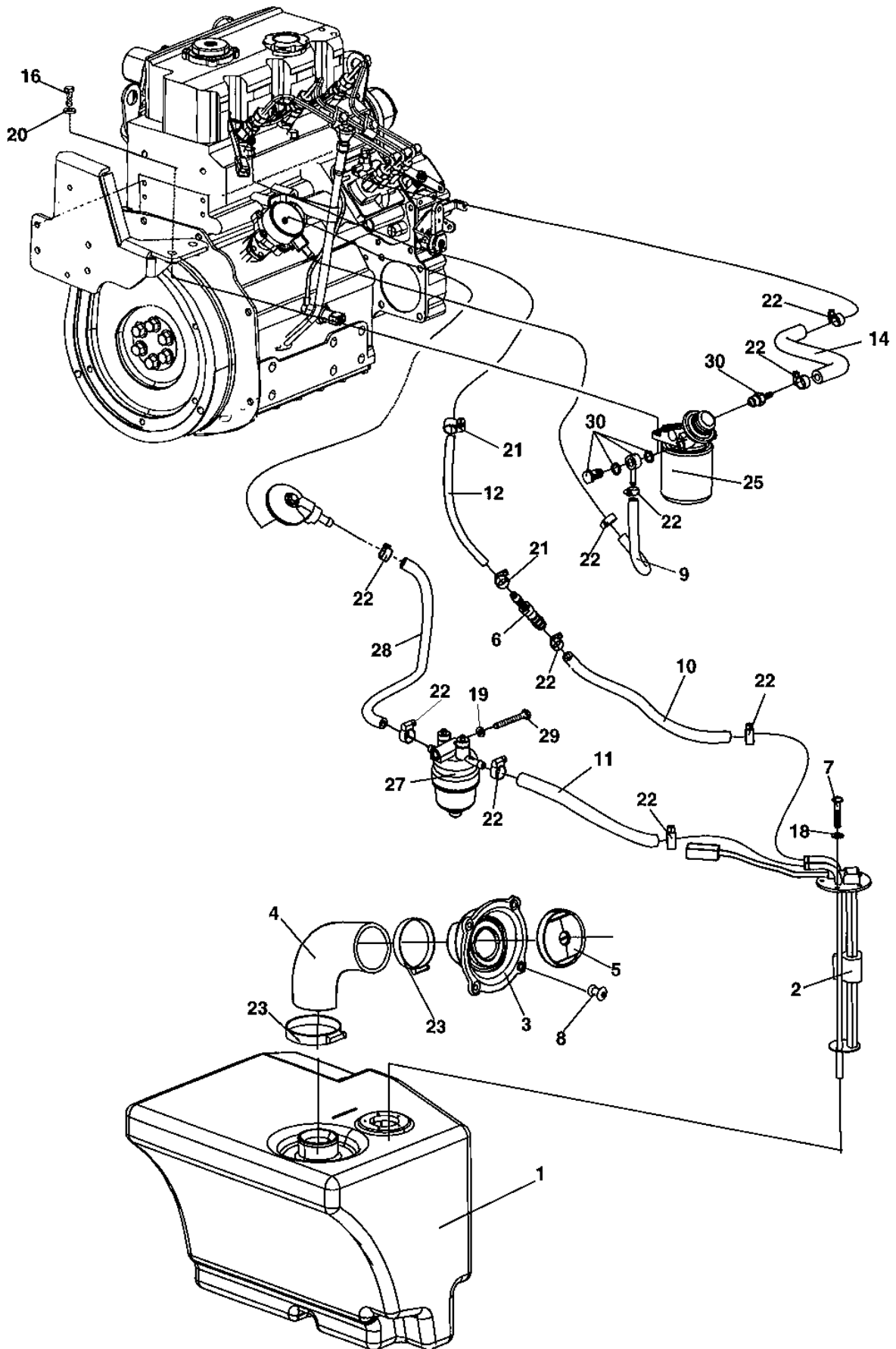


Exhaust system

Item	Part No	Rem	Qty	Description	Code
1	4700387201		1	Bracket	D
2	4700387097		1	Muffler	D
3	4700791483		2	Screw M12-1,25x25H 8.8	D
4	4700500021		4	Screw M8-1,25x25 8.8	C
5	4700904229		4	Steel plain washer 8,4x16x1,5	
6	4700904640		2	Washer 8,4x22x3	C
7	4700904703		2	Steel plain washer	B
8	4700927568		1	Clamp	D
9	4700945878	1	1	Gasket	D

1) Delivered with engine.

Fuel system

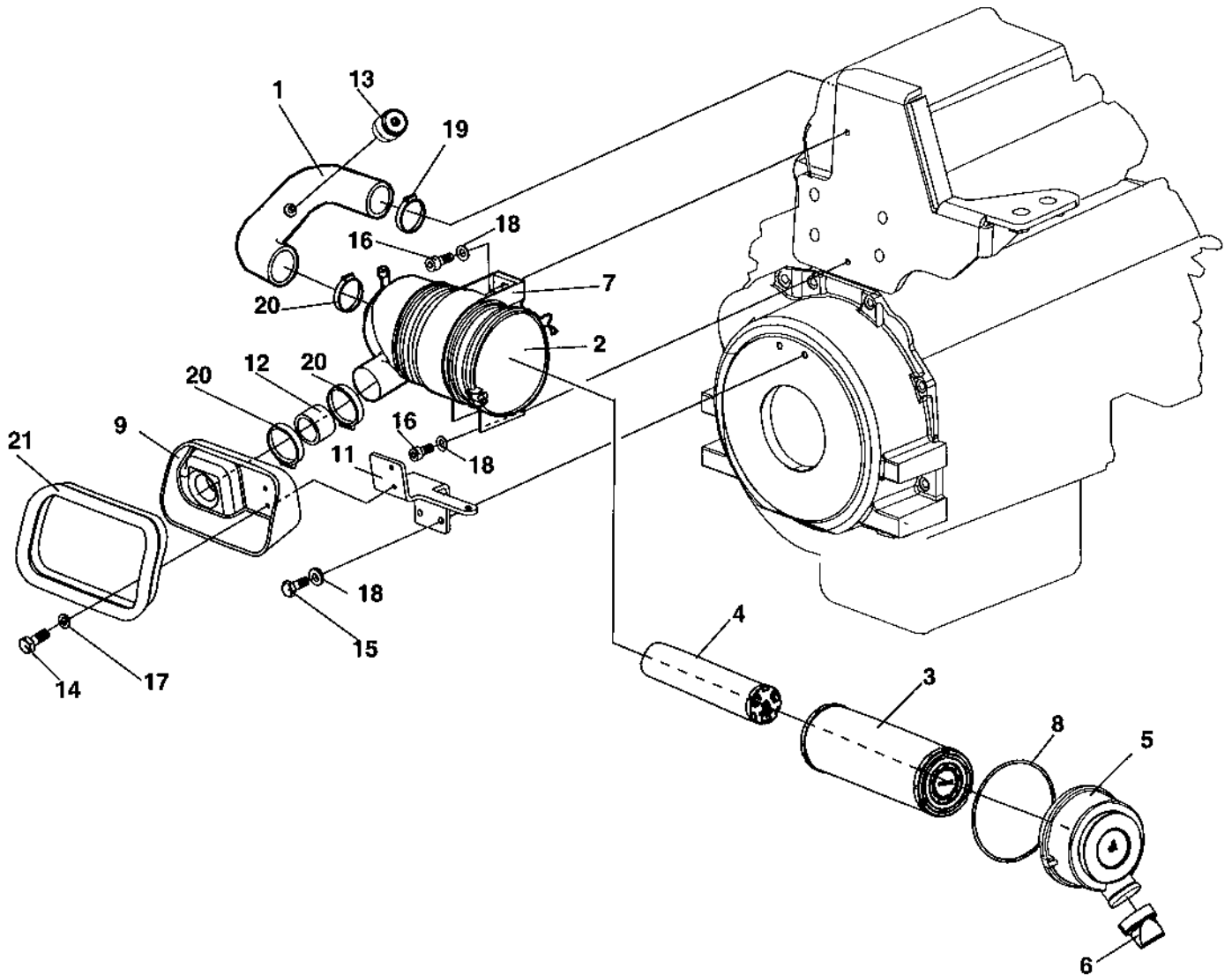


Fuel system

Item	Part No	Rem	Qty	Description	Code
1	4700387279		1	Fuel tank	D
2	4700387552		1	Level gauge	D
	4700945777		1	. Gasket	D
3	4700387682		1	Filler neck	D
4	4700387695		1	Fuel hose	D
5	4700394253		1	Fuel cap	D
	4700945753		1	. Key 2PCS "921"	
6	4700791774		1	Hose connection	C
7	4700903236		5	Screw, Thread rolling K40x20	C
8	4700792180		4	Blind rivet	D
9	4700904984	A	1	Fuel hose	C
10	4700904984	B	1	Fuel hose	C
11	4700904984	B	1	Fuel hose	C
12	4700791422	C	1	Hose	D
14	4700904984	E	1	Fuel hose	C
16	4700500029		2	Hexagon head screw	
18	4700904698		5	Washer 4,3x8x0,8	C
19	4700904229		1	Steel plain washer 8,4x16x1,5	
20	4700904557		2	Steel plain washer	
21	4700313108		2	Hose clamp	
	4700313075		2	Hose clamp	D
22	4700313108		10	Hose clamp	
23	4700313023		2	Hose clamp	
25	4700376555		1	Fuel filter	A
	4700945418		1	Filter head	D
27	4700940894		1	Water separator, cpl	C
	4700940922		1	. Filter element	
	4700940203		1	. O-ring	D
28	4700904984	K	1	Fuel hose	C
29	4700500068		1	Screw M08x65	C
30		N		Existing on engine	

- A) L = 465 mm
- B) L = 395 mm
- C) L = 350 mm
- E) L = 200 mm
- K) L = 300 mm

Air intake system



Air intake system

Item	Part No	Rem	Qty	Description	Code
1	4700389019		1	Air inlet hose	D
2	4700386951		1	Air filter	C
3	4700939802		1	. Air filter element Main	A
4	4700939803		1	. Air filter element Safety	A
5	4700939804		1	. Dust cap	D
6	4700939805		1	. Vacuator cap	B
7	4700939806		1	. Plastic mounting band	D
8	4700939807		1	. O-ring	C
9	4700387118		1	Box	D
11	4700389005		1	Bracket	D
12	4700387200		1	Hose	D
13	4700389036		1	Mechanical indicator	D
14	4700500013		2	Screw M6-1x16 8,8	
15	4700500053		2	Screw M8x20H 8.8	
16	4700508092		2	Screw	C
17	4700904228		2	Steel plain washer 6,4x12x1,5	
18	4700904229		4	Steel plain washer 8,4x16x1,5	
19	4700313010		1	Hose clamp	C
20	4700313010		3	Hose clamp	C
21	4700288129	A	N	Edge trim	D

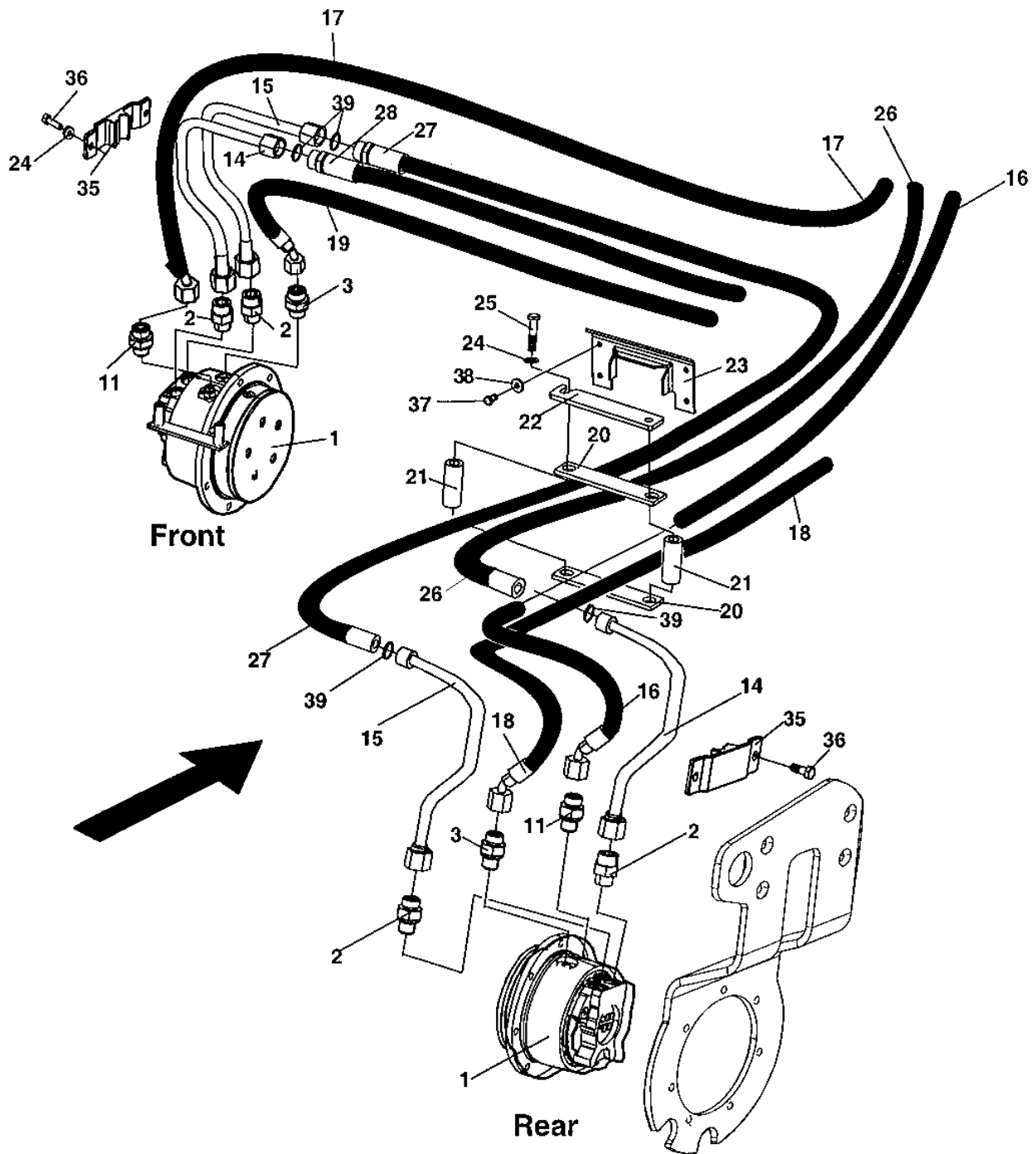
A) L = 0,66 m

Hydraulic system

Hydraulic system

Item	Part No	Rem Qty	Description	Code
10			Hydraulic propulsion and brake system motor (Page 54)	
20			Hydraulic propulsion and brake system pump (Page 58)	
30			Hydraulic vibration (Page 60)	
50			Hydraulic steering (Page 66)	

Hydraulic propulsion and brake system motor

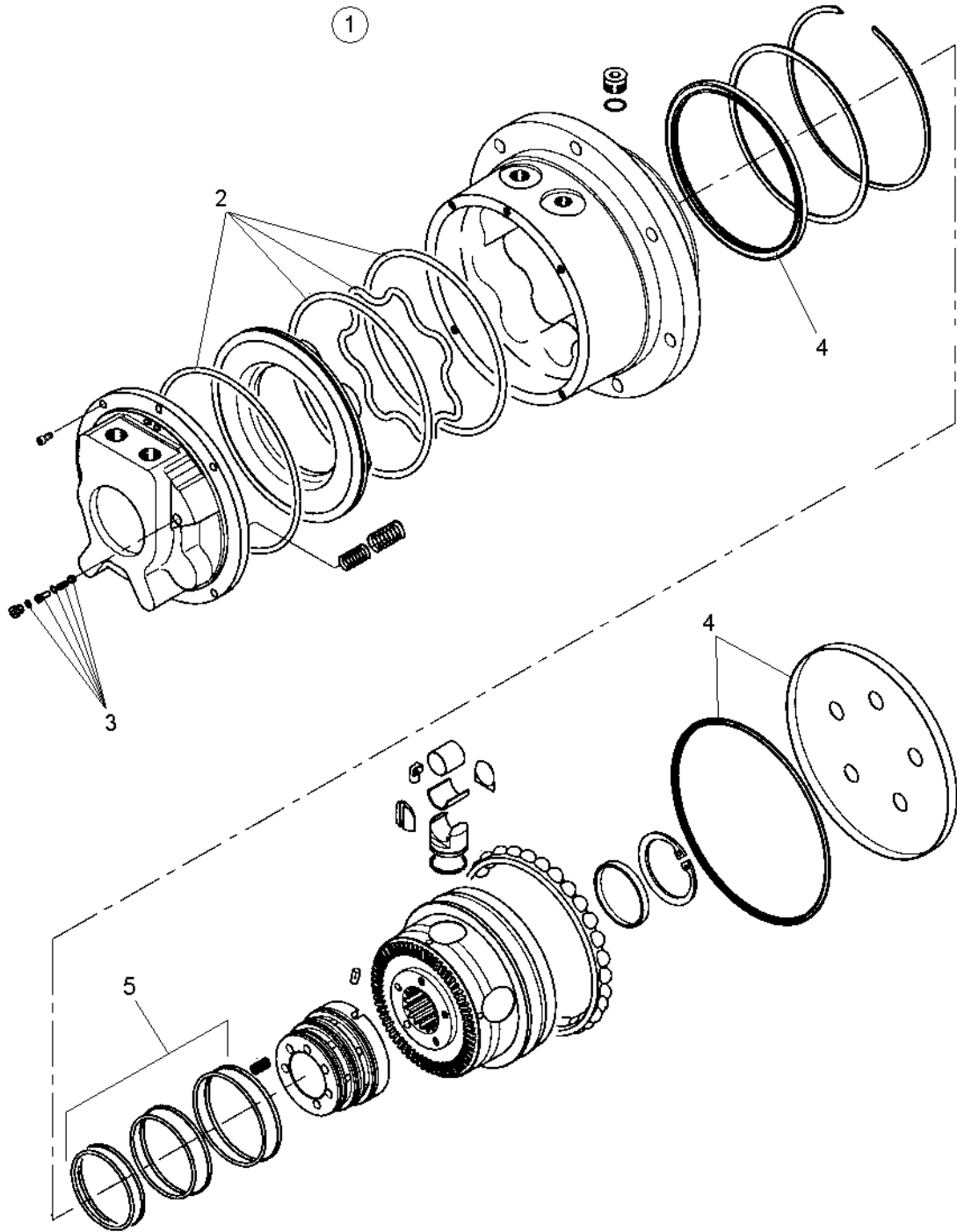


Hydraulic propulsion and brake system motor

Item	Part No	Rem	Qty	Description	Code
1	4700387270		2	Hydraulic motor (Page 56)	
2	4700904641		4	Straight connector orfs	
3	4700791535		2	Connector	D
11	4700791537		2	Straight connector	
14	4700387597		2	Pipe	D
15	4700387598		2	Pipe	D
16		A	1	Hydraulic hose	
17		A	1	Hydraulic hose	
18		A	1	Hydraulic hose	
19		A	1	Hydraulic hose	
20	4700387678		2	Rubber part	D
21	4700387677		2	Spacer sleeve	C
22	4700387676		1	Hose bracket	D
23	4700389556		1	Rubber part	D
24	4700904229		6	Steel plain washer 8,4x16x1,5	
25	4700500068		2	Screw M08x65	C
26		A	1	Hydraulic hose	
27	4700483666		1	Hydraulic hose	D
28		A	1	Hydraulic hose	
35	4700388960		2	Hose clamp	D
36	4700500053		4	Screw M8x20H 8.8	
37	4700500019		4	Hexagon head screw M8x16H 8,8	
38	4700904640		4	Washer 8,4x22x3	C
39	4700904009		4	O-ring	D

A) See section " Propulsion system, pump"

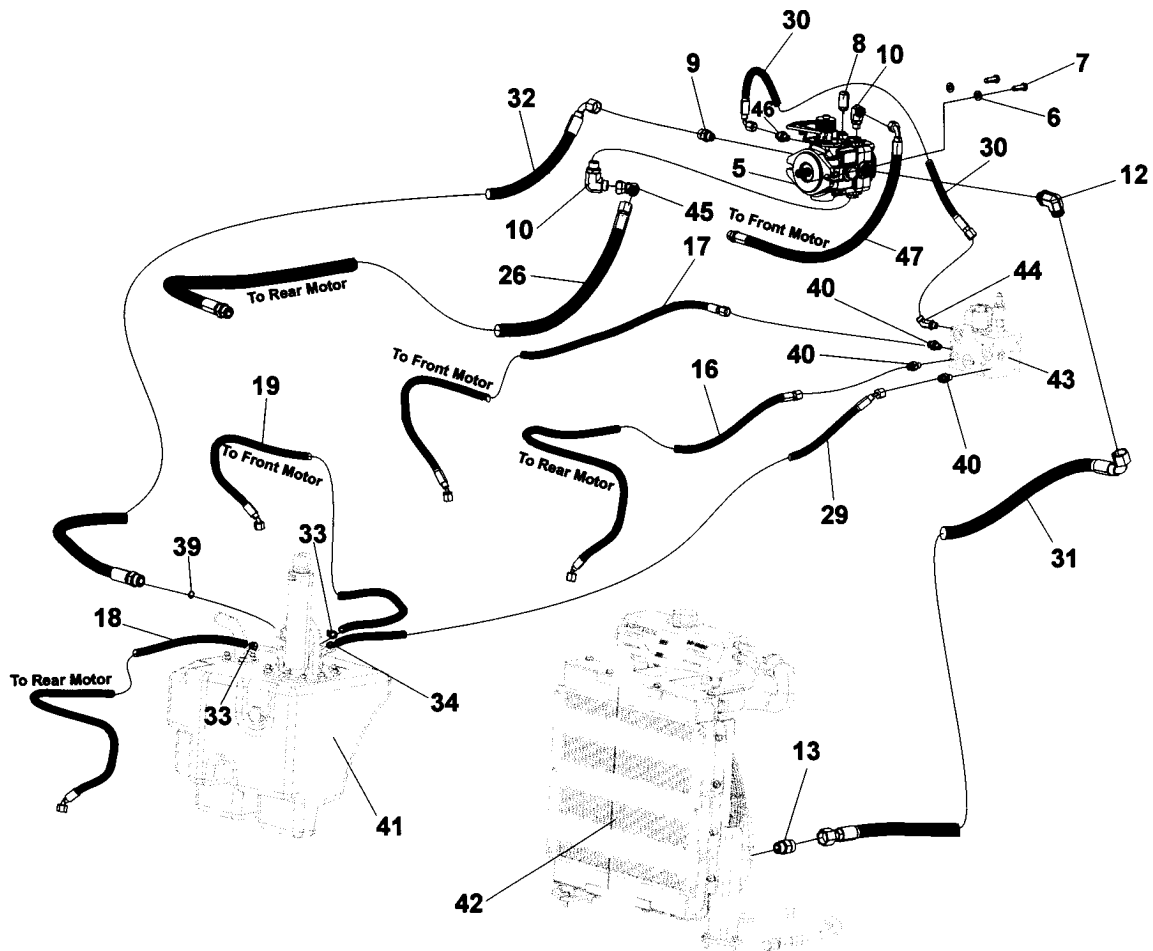
4700387270 Hydraulic motor



4700387270 Hydraulic motor

Item	Part No	Rem Qty	Description	Code
1	4700387270	1	Hydraulic motor (Page 56)	
2	4700945532	1	. Sealing kit Debraking system	D
3	4700945658	1	. Sealing kit	
4	4700945531	1	. Seal kit Rotating parts	C
5	4812156798	1	. Seal kit	

Hydraulic propulsion and brake system pump

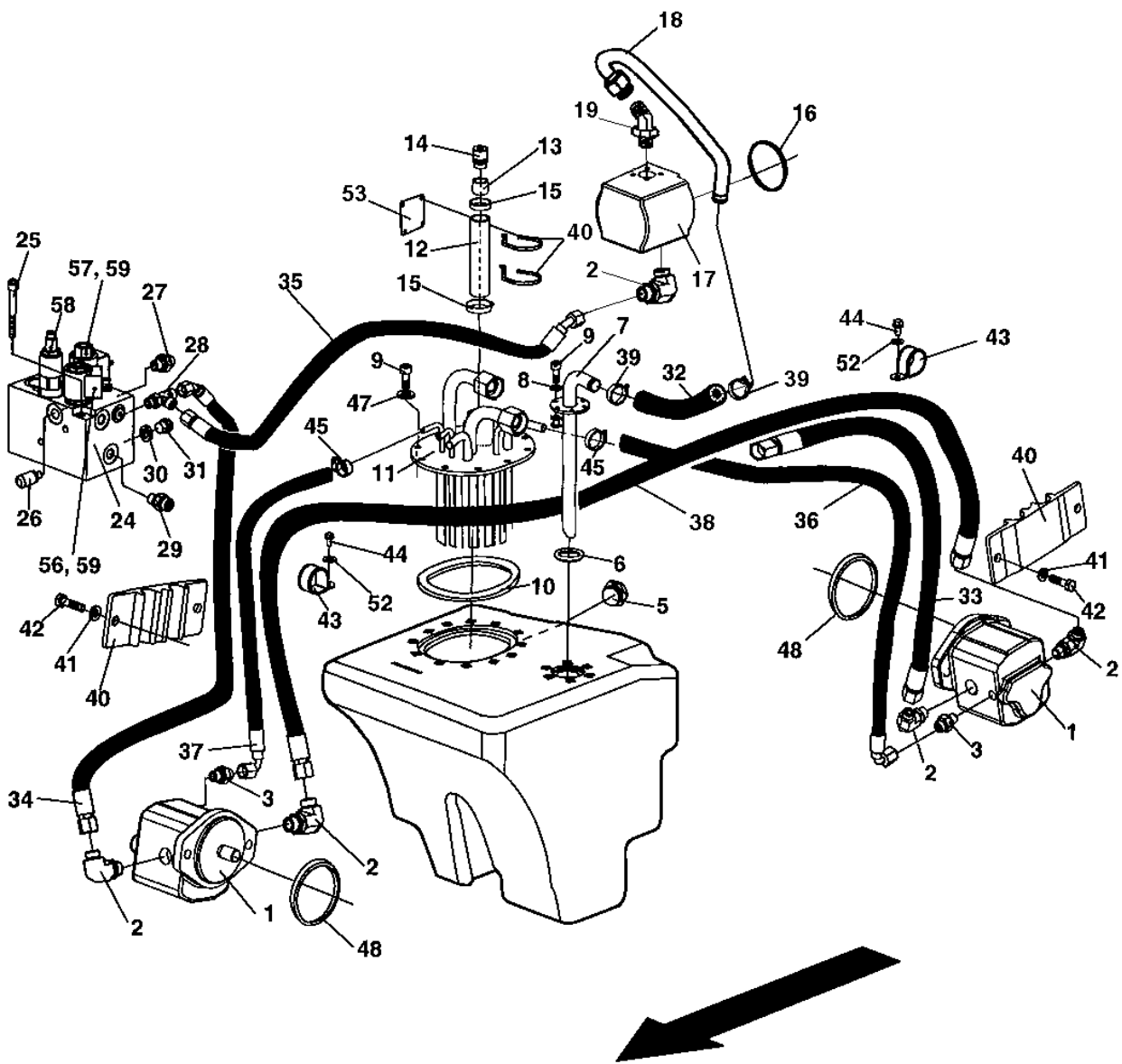


Hydraulic propulsion and brake system pump

Item	Part No	Rem	Qty	Description	Code
4	4700313102		1	Cable ties	
5	4812119960		1	Hydraulic pump	C
6	4700904703		2	Steel plain washer	B
7	4700500037		2	Screw	C
8	4812120635		1	Measuring nipple	C
9	4700904727		1	Adapter	
10	4700791699		2	Elbow 90°	
12	4700792332		1	Elbow 90 orfs	
13	4700791743		1	Straight connector orfs	D
16	4700483692	E	1	Hydraulic hose	D
17	4700483655	F	1	Hydraulic hose	D
18	4700389407	G	1	Hydraulic hose	D
19	4700389408	H	1	Hydraulic hose	D
26	4700483695	P	1	Hydraulic hose	D
29	4700389400	K	1	Hydraulic hose	D
30	4700483652	L	1	Hydraulic hose	D
31	4812120636	M	1	Hydraulic hose	D
32	4700483714	N	1	Hydraulic hose	D
33	4700313001		2	Hose clamp	C
34	4700313108		1	Hose clamp	
39	4700904009		1	O-ring	D
40	4700791538		1	Straight connector	C
41		B	1	Hydraulic tank	
42		C	1	Radiator	
43		B	1	Combination valve	
44	4700791543	D	1	Elbow 45°	D
45	4700791745		1	Elbow 90, O-ring with swivel	D
46	4700791541		1	Straight connector	
47	4700483663	O	1	Hydraulic hose	D

- B) See section " Hydraulic vibration"
- C) See section " Cooling system"
- D) Replace one adapter 4700791538
- E) L = 2,20 m
- F) L = 1,17 m
- G) L = 1,75 m
- H) L = 1,30 m
- K) L = 0,46 m
- L) L = 0,41 m
- M) L = 0,81 m
- N) L = 0,85 m
- O) L = 0,77 m
- P) 1,85 m

Hydraulic vibration



Hydraulic vibration

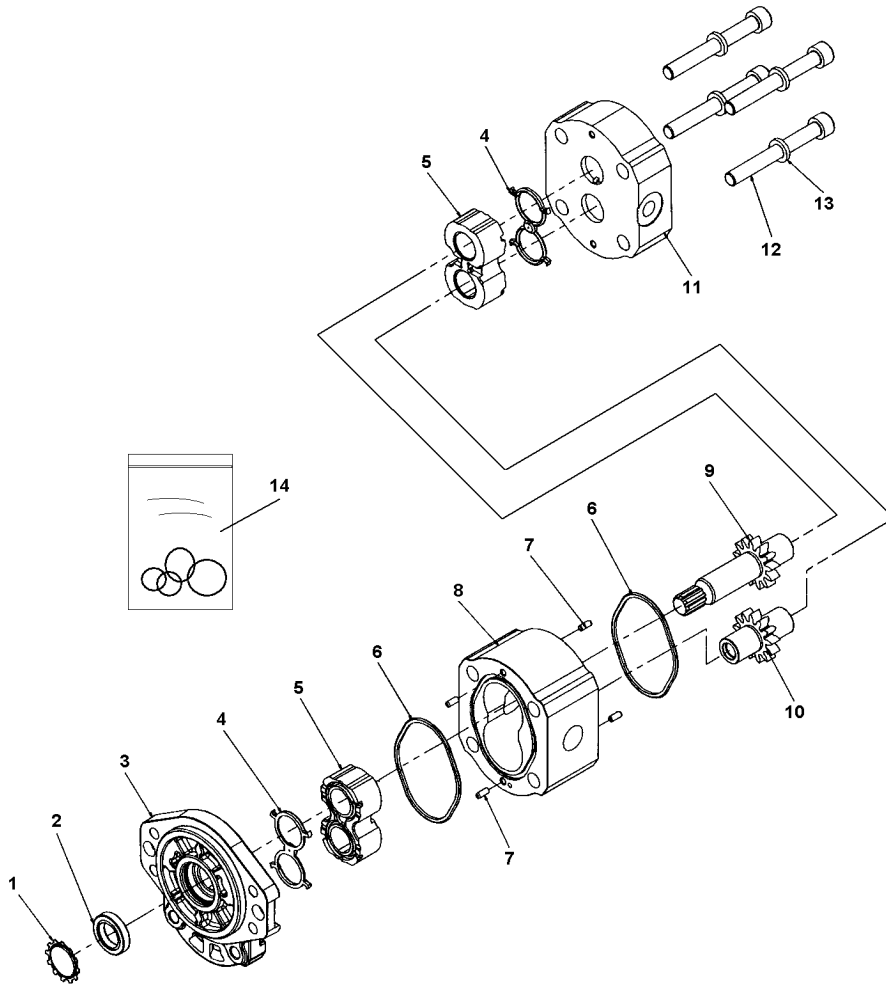
Item	Part No	Rem	Qty	Description	Code
1	4700390316		2	Hydraulic motor (Page 62)	
	4700945340		2	Seal kit	B
2	4700791699		5	Elbow 90°	
3	4700791541		2	Straight connector	
4	4700387278		1	Hydraulic oil tank	D
5	4700791395		1	Sight plug	
6	4700791794		1	O-ring	D
7	4700387758		1	Suction pipe	D
8	4700904228		6	Steel plain washer 6,4x12x1,5	
9	4700508002		16	Screw M6x16	
10	4700792070		1	O-ring	D
11	4700387713		1	Return filler pipe	D
12	4700205067	A	N	Rubber hose	D
13	4700357139		1	Connector	C
14	4700357138		1	Ventilating filter	
15	4700313008		2	Hose clamp	D
16	4700160101		1	O-ring	D
17	4700395520		1	Hydraulic pump (Page 64)	
18	4700395497		1	Suction pipe	D
19	4700792707		1	Elbow 45°	D
24	4700388194		1	Combination valve	C
25	4700508094		2	Screw	
26	4700901157		1	Measuring nipple	C
27		C	1	Straight o-ring connector	
28	4700791700		1	Tee-connector	D
29	4700791538		4	Straight connector	C
30	4700162015		1	Seal ring	D
31	4700232160		1	Plug	
32	4700791941		1	Hydraulic hose	D
33	4700483669		1	Hydraulic hose	D
34	4700483670		1	Hydraulic hose	D
35	4700484257		1	Hydraulic hose	D
36	4700389405		1	Hydraulic hose	D
37	4700389406		1	Hydraulic hose	D
38	4700483694		1	Hydraulic hose	D
39	4700313035		2	Hose clamp	D
40	4700388653		2	Hose clamp	D
41	4700904229		4	Steel plain washer 8,4x16x1,5	
42	4700500053		4	Screw M8x20H 8.8	
43	4700283711		3	Hose clamp	
44	4700508092		3	Screw	C
45	4700313108		2	Hose clamp	
47	4700904735		10	Washer	C
48	4700160032		2	O-ring	D
52	4700904556		3	Washer 8,4x16x3,0	C
53	4700380343		1	Sign "BIO HYDRAULIC OIL"	D
	4700792773		1	Sign "BIO HYDRAULIC OIL" PANOLIN	D
54	4700925802		2	Cable ties L=142 mm	C
56	4700940885	D	1	Solenoid valve	C
57	4700940886	D	1	Solenoid valve	C
58	4700940888	D	1	Valve	C
59	4700940887	D	1	Coil	B

A) L = 0,22m

C) See section " Hydraulic steering "

D) Complete with pos. 24.

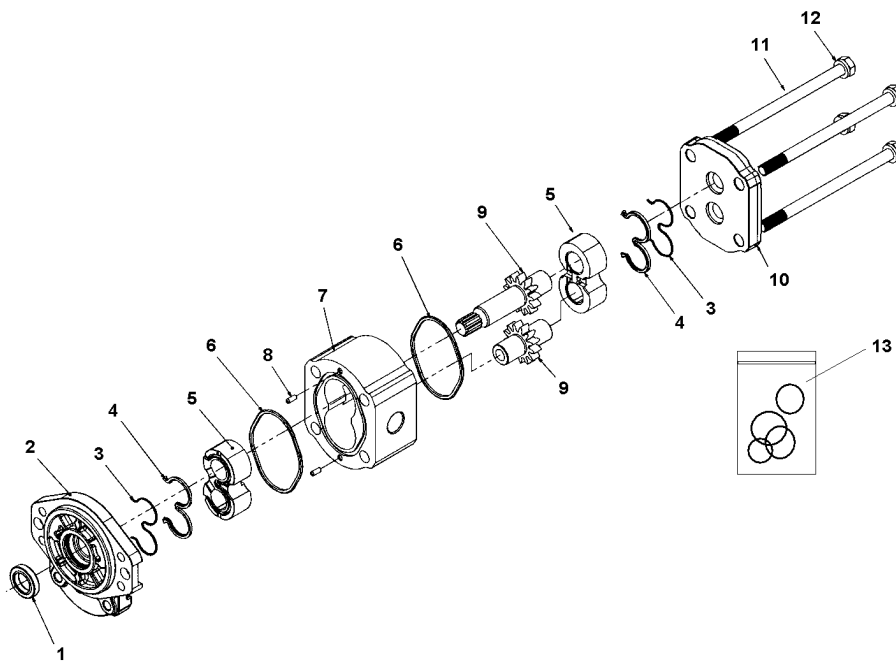
4700390316 Hydraulic motor



4700390316 Hydraulic motor

Item	Part No	Rem Qty	Description	Code
1		1	. Star ring	
2		1	. Shaft seal	
3		1	. Mounting flange	
4		2	. Seal	
5		2	. Bearing block	
6		2	. O-ring	
7		4	. Dowel pin	
8		1	. Gear housing	
9		1	. Drive gear	
10		1	. Idle gear	
11		1	. End cover	
12		4	. Bolt	
13		4	. Washer	
14	4812157555	1	. Seal kit	

4700395520 Hydraulic pump

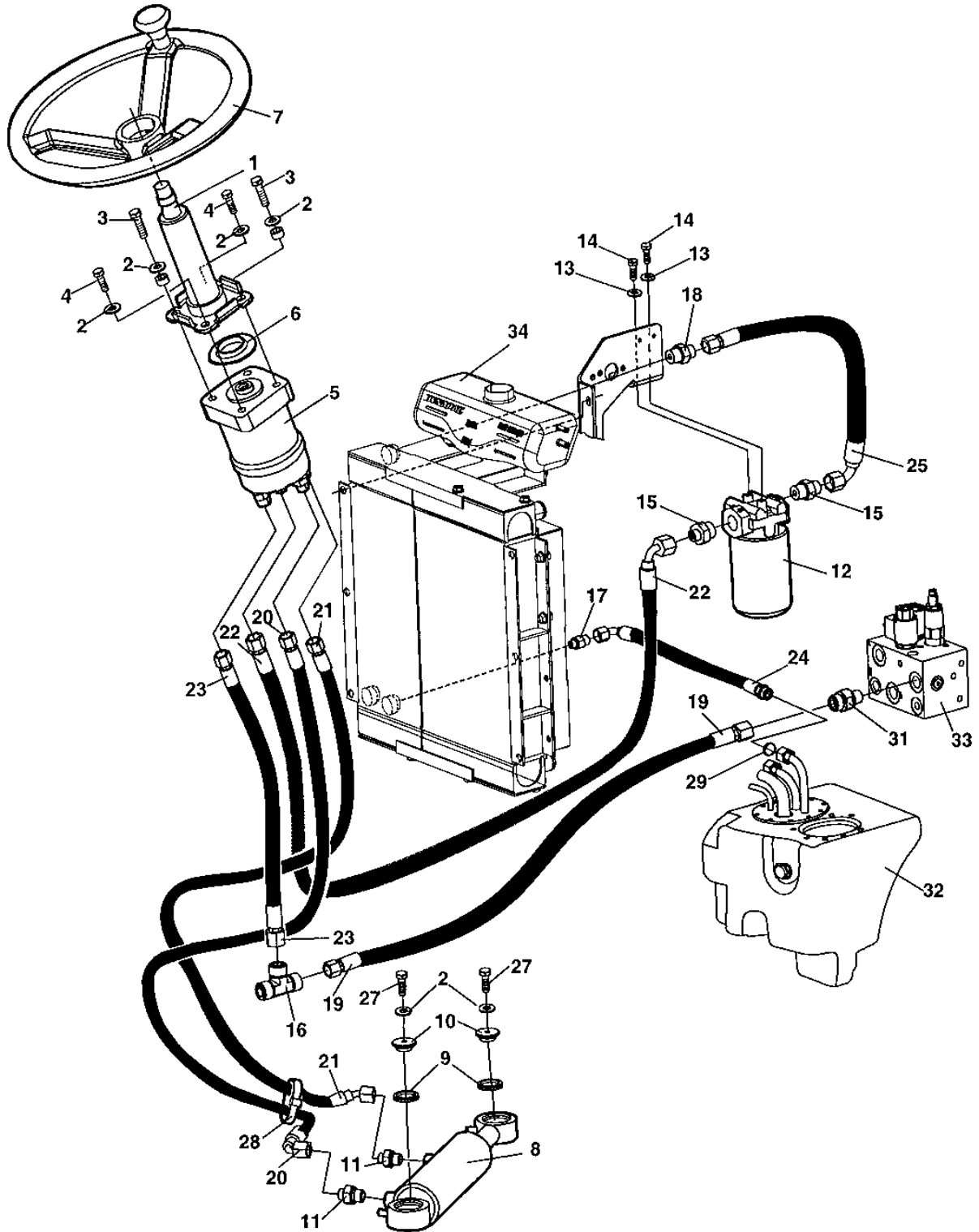


4700395520 Hydraulic pump

Item	Part No	Rem	Qty	Description	Code
1		1	1	. Lip seal ring	
2			1	. Shaft end cover	
3		1	2	. Channel seal	
4			2	. Back-up seal	
5			2	. Thrust block	
6		1	2	. Section seal	
7			1	. Aluminum housing	
8			2	. Dowel pin	
9		1	1	. Gear shaft set	
10			1	. Port end cover	
11			4	. Cap screw	
12			4	. Washer	
13	4812157560		1	. Seal kit	

1) Part of seal kit

Hydraulic steering



Hydraulic steering

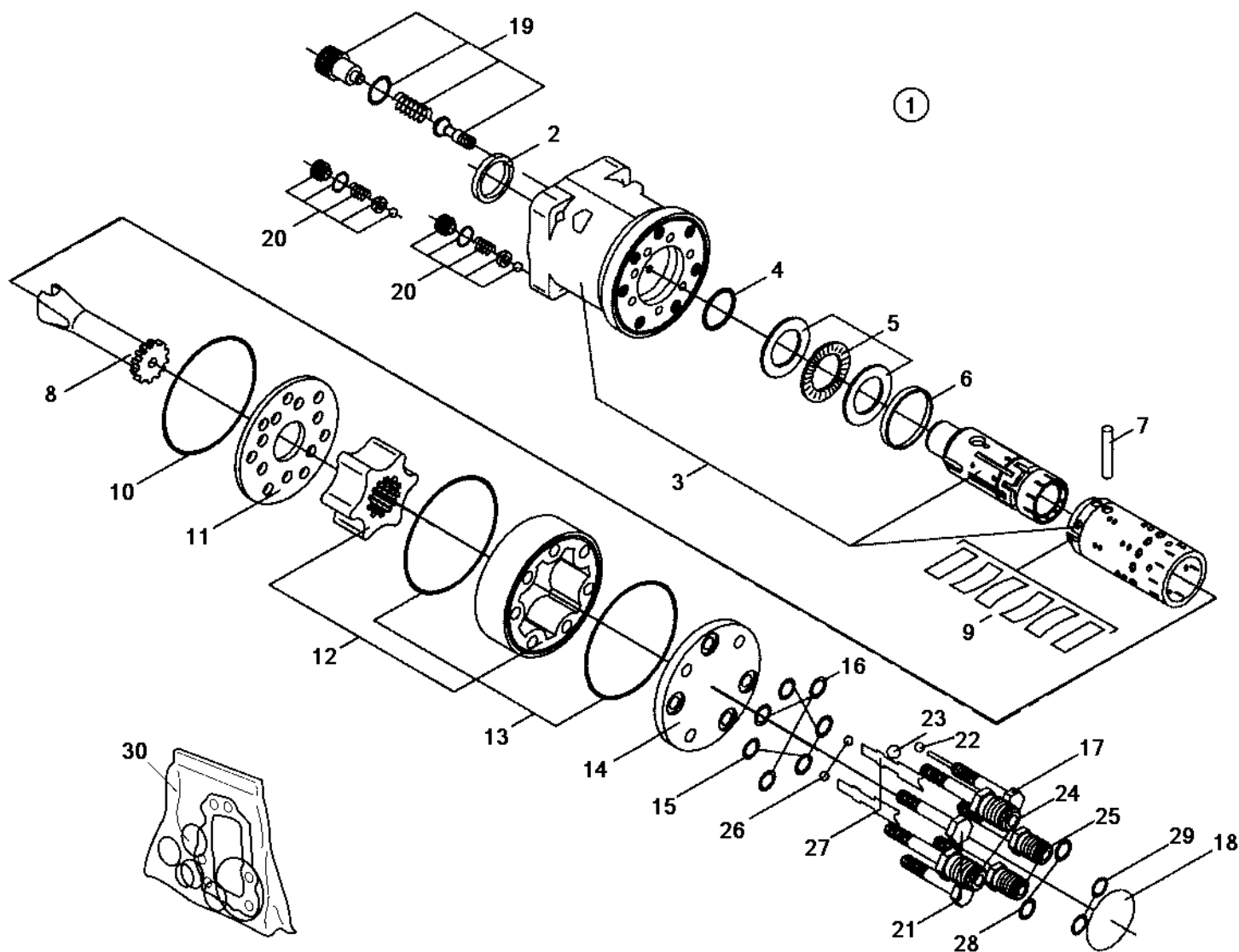
Item	Part No	Rem Qty	Description	Code
1	4700902123	1	Steering column	C
2	4700904230	6	Steel plain washer	
3	4700500031	2	Screw	
4	4700500048	2	Screw M10-1,5x20 8,8	
5	4700387274	1	Steering valve (Page 68)	
6	4700928830	1	Rubber washer	D
7	4700372964	1	Steering wheel, cpl	D
	4700935614	1	. Turning knob	D
	4700935613	1	. Cover	D
8	4700387275	1	Hydraulic cylinder (Page 70)	
	4700945526	2	. Bearing	
9	4700791565	2	Sealing	
10	4700376861	2	Washer	
11	4700791542	2	Straight connector	D
12	4700387277	1	Hydraulic oil filter, cpl	A
	4700376636	1	. Cleaning filter element Maximum 50 hours use	A
	4700376637	C	Hydraulic filter element	A
13	4700904229	2	Steel plain washer 8,4x16x1,5	
14	4700500053	2	Screw M8x20H 8.8	
15	4700791408	2	Straight o-ring connector	
16	4700791701	1	Tee-connector	D
17	4700791540	1	Straight connector	
18	4700791410	1	Straight o-ring connector	
19	4700483653	1	Hydraulic hose	D
20	4700483654	1	Hydraulic hose	D
21	4700483655	1	Hydraulic hose	D
22	4700483656	1	Hydraulic hose	D
23	4700483657	1	Hydraulic hose	D
24	4700483696	1	Hydraulic hose	D
25	4700483662	1	Hydraulic hose	D
26	4700355869	2	Spacer sleeve	D
27	4700947684	2	Screw	
28	4700313102	1	Cable ties	
29	4700904009	1	O-ring	D
31	4700791412	1	Straight o-ring connector	
32		A	Hydraulic tank	
33		A	Combination valve	
34		B	Radiator	

A) See section " Hydraulic vibration"

B) See section " Cooling system "

C) Spare part for ordinary service

4700387274 Steering valve

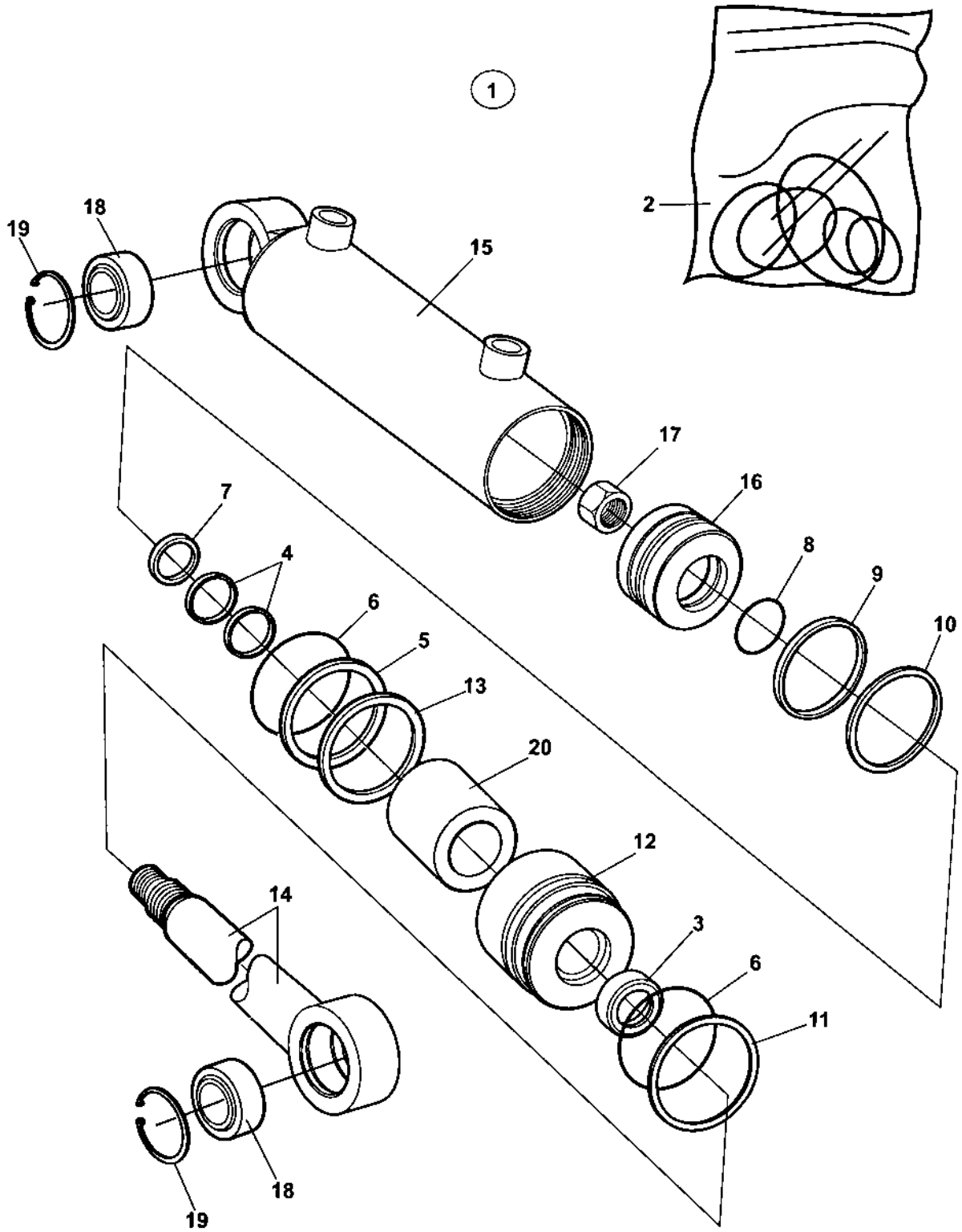


4700387274 Steering valve

Item	Part No	Rem	Qty	Description	Code
1			1	Steering valve, cpl	
2		A	1	. Seal ring	
3			1	. Housing, spool and sleeve	
4		A	1	. O-ring	
5			1	. Bearing	
6			1	. Ring	
7			1	. Cross pin	
8			1	. Cardan shaft	
9			1	. Set of springs	
10		A	1	. O-ring	
11			1	. Distributor plate	
12			1	. Gear wheel set	
13		A	2	. O-ring	
14			1	. End cover	
15		A	4	. O-ring	
16		A	3	. Washer	
17			1	. Screw with pin	
18			1	. Name plate	
19			1	. Relief valve	
20			2	. Shock valves	
21			2	. Screw	
22			1	. Ball	
23			1	. Ball	
24	4812159159	B	2	. Port	
25	4812159160	C	2	. Port	
26			2	. Ball	
27			2	. Ball stop	
28			2	. O-ring	
29			2	. O-ring	
30	4700935429		1	. Seal kit	

- A) Included in sealkit, item 30
 B) P and T
 C) L and R

4700387275 Hydraulic cylinder



4700387275 Hydraulic cylinder

Item	Part No	Rem Qty	Description	Code
1	4700387275	1	Hydraulic cylinder (Page 70)	
2	4700945668	1	. Seal kit	
3		1	.. Seal	
4		2	.. Seal	
5		1	.. Back-up ring	
6		2	.. O-ring	
7		1	.. Seal	
8		1	.. O-ring	
9		1	.. Seal	
10		1	.. Seal	
11		1	. Retaining ring	
12		1	. Steering	
13		1	. Retaining ring	
14		1	. Piston rod	
15		1	. Cylinder	
16		1	. Piston block	
17		1	. Cylinder nut	
18	4700945526	1	. Bearing	
19	4812159771	1	. Retaining ring	
20		A 1	. Spacer	

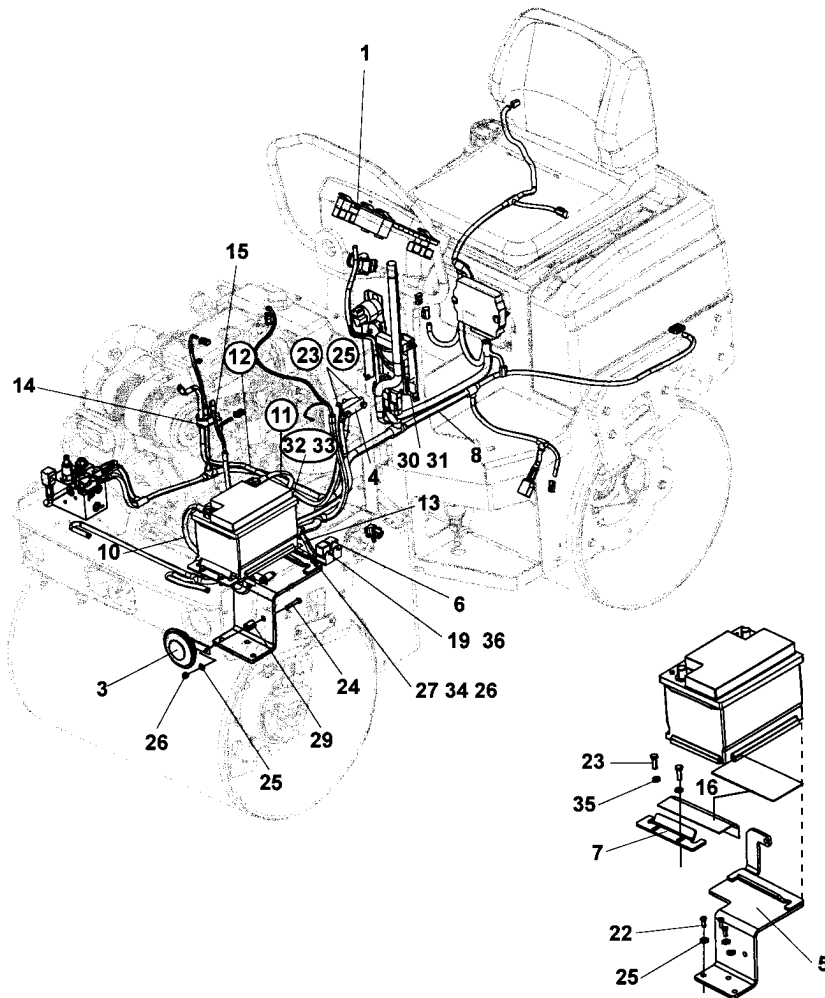
A) Not valid for this model

Electrical equipment

Electrical equipment

Item	Part No	Rem Qty	Description	Code
21			Electrical equipment (Page 74)	
25			Control panel, relays (Page 76)	
31			Driving lights Option (Page 78)	
40			Working lights Option (Page 80)	
50			Rotating beacon with Rops Option (Page 82)	
60			Back-up alarm (Page 84)	

Electrical equipment

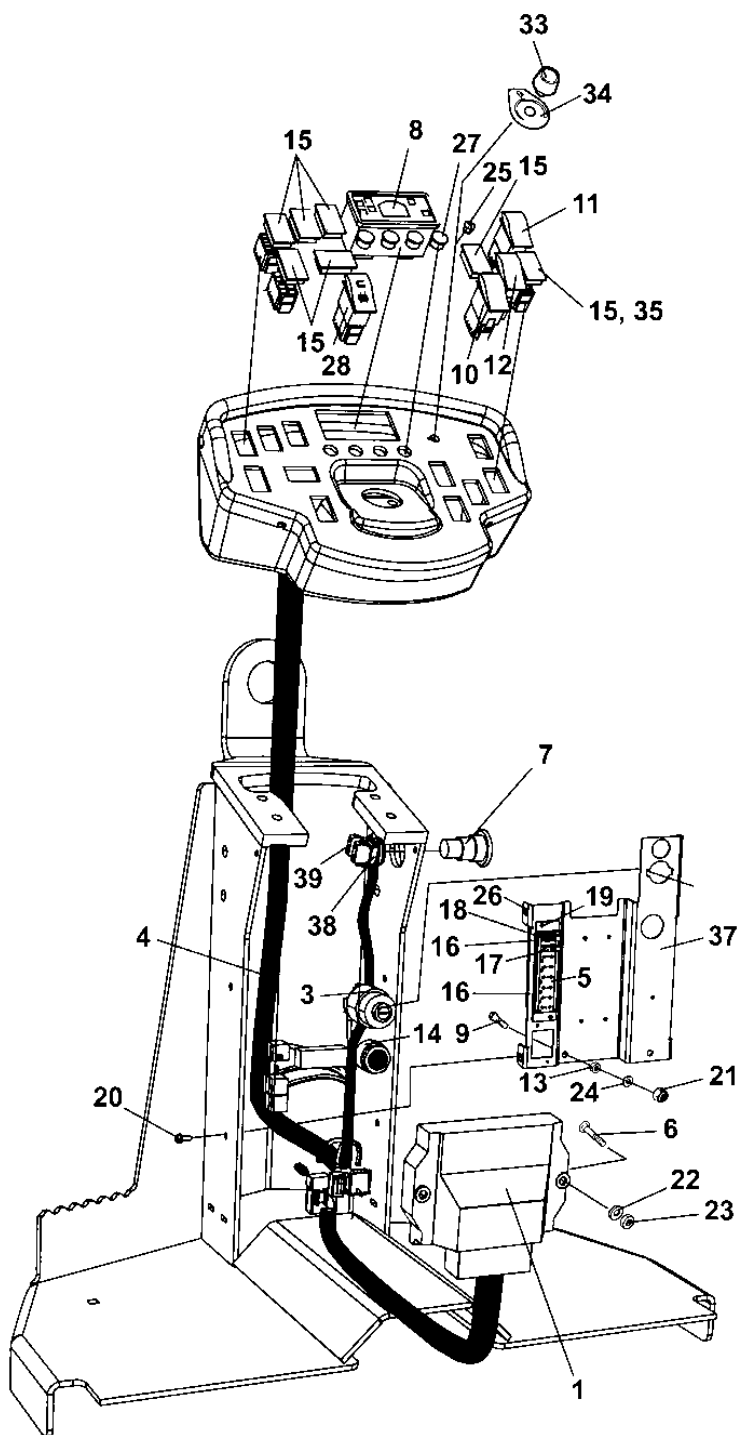


Electrical equipment

Item	Part No	Rem	Qty	Description	Code
1			1	Control panel	
3	4700999027		1	Horn	B
4	4700377058	A	1	Connection block	D
5	4812112007		1	Battery shelf	D
6	4700903956		2	Relay	
7	4812110724		1	Battery holder	
8	4812114657		1	Cable harness	
10	4700792019		1	Battery cable	D
11	4700792020		1	Battery cable	D
12	4700377063		1	Connection cable coarse	D
13	4700791639		1	Battery cable	
14	4700921050		1	Clamp	C
15	4700508092		1	Screw	C
16	4812110759		2	Rubber cloth	
19	4700500041		2	Screw	C
22	4700500053		3	Screw M8x20H 8.8	
23	4700500021		4	Screw M8-1,25x25 8.8	C
24	4700500024		1	Screw M8x45	D
25	4700904229		5	Steel plain washer 8,4x16x1,5	
26	4700586003		4	Lock nut M8	
27	4700570005		1	Nut M8	C
29	4700355704		1	Spacer sleeve	
30	4700904228		1	Steel plain washer 6,4x12x1,5	
31	4700570004		1	Nut M6X1,00 -8 A2K	
32	4700904231		1	Washer 13x24x2 300 HV	
33	4700791483		1	Screw M12-1,25x25H 8.8	D
34	4700903768		1	Threaded stud	
35	4700904556		2	Washer 8,4x16x3,0	C
36	4700904281		2	Washer 5,3x10x1 300HV	C

A) Exsist in machines without battery disconnecter.

Control panel, relays



Control panel, relays

Item	Part No	Rem	Qty	Description	Code
1	4812114386	E	1	Control unit, ECU	
			1	. Decal	
		E	1	. Software	
	4700378932		1	. Instruction	D
3	4700238158		1	Ignition switch	B
	4700940451		1	. Key	D
4	4700396971		1	Cable harness	D
5	4700791185		1	Fuse box	
6	4700791775		2	Bolt	C
7	4700791739		1	Emergency stop	
8	4700395394		1	Control panel	D
9	4700500075		1	Screw M6-1,0x25 8.8	C
10	4700791578		1	Switch, horn	
11	4700791579		1	Switch, sprinkler	B
12	4700791580		1	Switch, vibration	B
13	4700570004		1	Nut M6X1,00 -8 A2K	
14	4700385599		1	Buzzer	
15	4700791588	D	7	Panel plug	
16	4700791211		2	Contact bridge	C
17	4700901228		1	Fuse 15A	D
18	4700903741		1	Fuse 20A Yellow Medium	
19	4700901767		2	Screw ST3,5x9,5 Black	
20	4812117868		4	Screw M05x16	
21	4700586002		1	Lock nut M6 -8	
22	4700904556		2	Washer 8,4x16x3,0	C
23	4700586003		2	Lock nut M8	
24	4700904228		1	Steel plain washer 6,4x12x1,5	
25	4700792083		1	Plug	
26	4700202042	A	1	Rubber strip	
27	4700792320		4	Plug	D
28	4700791582		1	Switch, parking brake	
33	4700388737	F	1	Potentiometer	B
34	4700377139	F	1	Decal	D
35	4700791581	F,G	1	Switch	D
37	4700387683		1	Distribution control plate	
38	4700389840		1	Connector w. Fixing collar	
39	4700791723		1	Connector N/C	

A) L = 70 mm

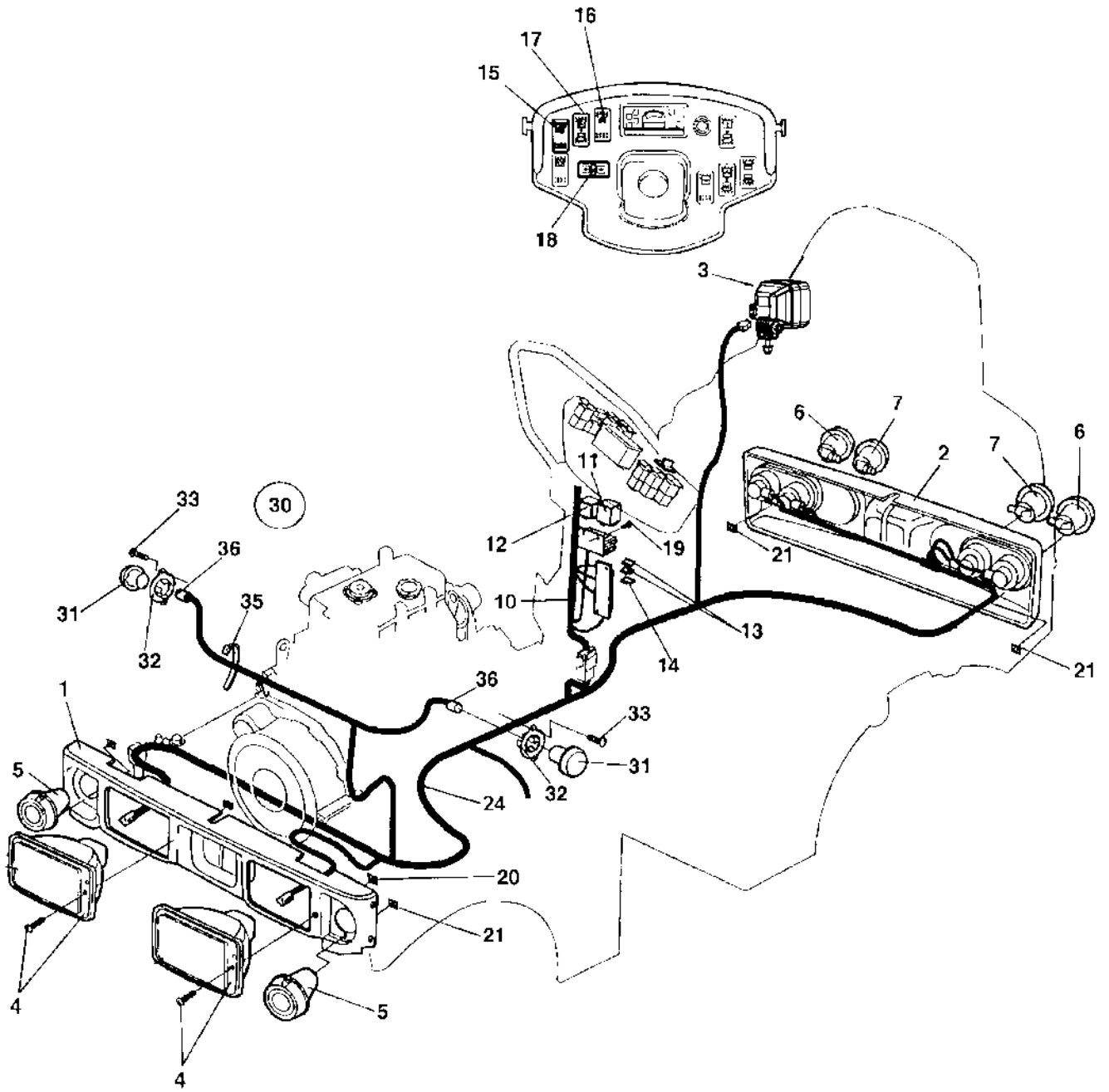
D) For Option switch, see another section of Electrical system or Optional equipment

E) Machine SN required when placing order

F) Option

G) See section "Vibration shot-off one drum"

Driving lights Option

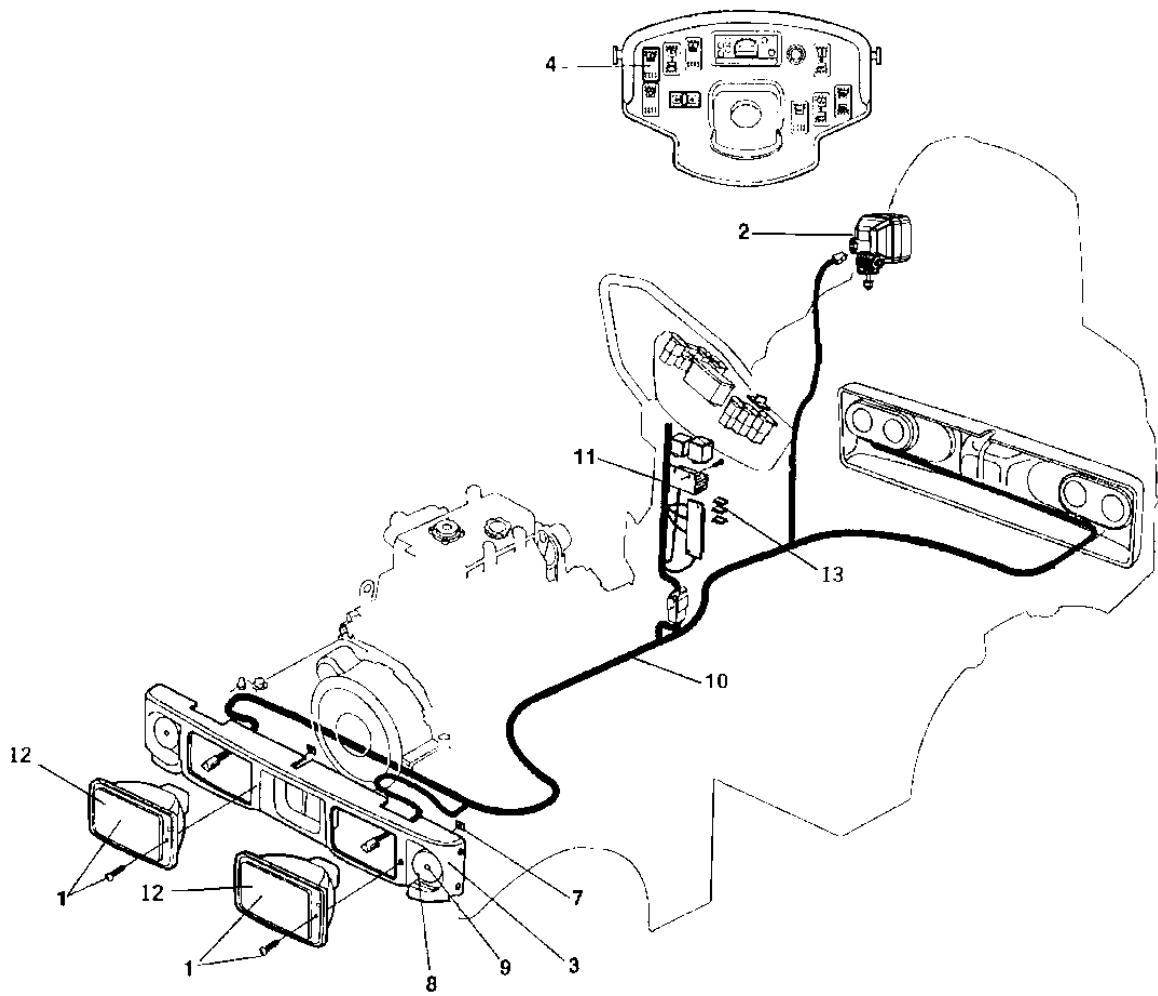


Driving lights Option

Item	Part No	Rem	Qty	Description	Code
1	4700387377		1	Frame cover	D
2	4700387378		1	Frame cover	D
3	4812110216		1	Work lamp	C
	4700500230		1	. Screw M8-1.25x35	
	4700904230		1	. Steel plain washer	
	4700586018		1	. Hexagon lock nut M10	C
4	4700791951	A	2	Headlight	
	4700792059	B	2	Headlight	
5	4700791953		2	Direction indicator	B
6	4700791954		2	Direction indicator	B
7	4700791955		2	Brake/position light	D
10	4700388636		1	Cable harness	D
11	4700904989		1	Flash relay Option	
12	4700903956		1	Relay	
13	4700901225		2	Fuse 5A	A
14	4700901227		1	Fuse 10A	B
15	4700791587		1	Switch, working light	B
16	4700791584		1	Switch, hazard flashers	
17	4700791583		1	Switch, driving light	
18	4700791586		1	Switch, drive direction	D
19	4700791916		2	Screw	C
20	4700791970		4	Speed nut	D
21	4700791971		12	Quick lock nut	C
24	4700377140		1	Cable harness	D
30			1	Side direction lights	
31	4700791704		2	. Side direction light	D
	4700904889		2	. Bulb	D
32	4700388382		2	. Holder side light	D
33	4700791643		4	. Screw	C
35	4700903810		4	. Cable tie holder	
36	4700960079		4	. Connector	D

- A) Right asym
 B) Left asym.

Working lights Option

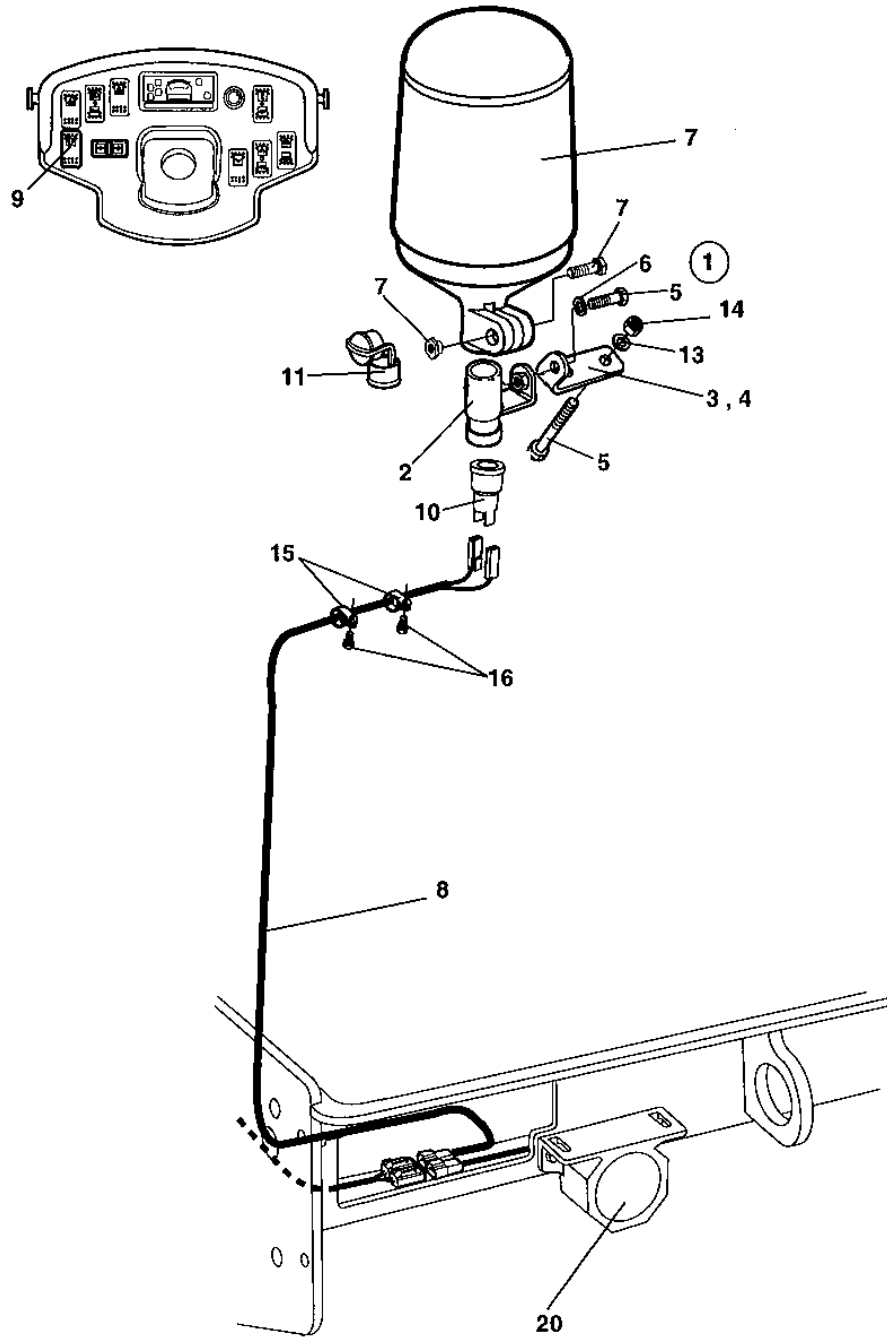


Working lights Option

Item	Part No	Rem	Qty	Description	Code
1	4700902227		2	Work light	B
			2	. Screw	
2	4812110216		1	Work lamp	C
	4700500230		1	. Screw M8-1.25x35	
	4700904230		1	. Steel plain washer	
	4700586018		1	. Hexagon lock nut M10	C
3	4700387377		1	Frame cover	D
4	4700791587		1	Switch, working light	B
7	4700791970		4	Speed nut	D
8	4700791754		N	Blind rivet	
9	4700791957		N	Reflector, white	B
10		A	1	Cable harness	
11		A	1	Cable harness	
12	4700901369	B	2	Bulb 55w H3	B
13	4700901228		2	Fuse 15A	D

- A) See section "Driving lights"
- B) Included in work light (p/n 4700902227)

Rotating beacon with Rops Option



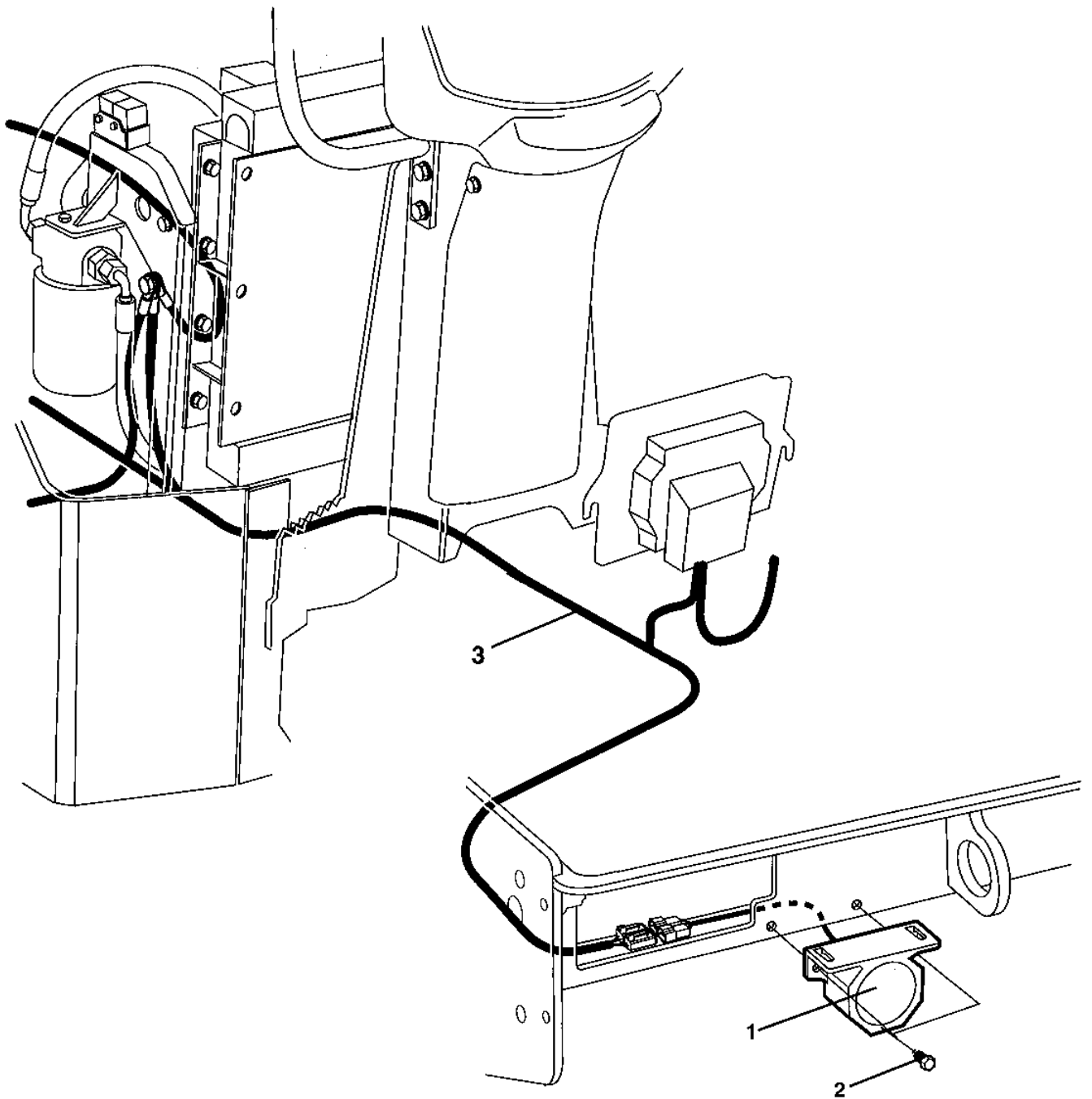
Rotating beacon with Rops Option

Item	Part No	Rem Qty	Description	Code
1	4700389561	1	Bracket	D
2	4700388772	1	. Bracket	D
3	4700388773	1	. Bracket	D
4	4700629101	1	. Spirol pin	D
5	4700500021	1	. Screw M8-1,25x25 8.8	C
6	4700904229	1	. Steel plain washer 8,4x16x1,5	
7	4700389577	1	Rotating beacon 12V	B
		1	. Screw	
		1	. Nut	
8	4700389763	1	Cable harness	D
9	4700791585	1	Switch, rotating beacon	B
10	4700791981	1	Connector plug	C
11	4700791980	1	Rubber protection	D
12	4700500180	2	Hexagon screw m	
13	4700904229	4	Steel plain washer 8,4x16x1,5	
14	4700586003	2	Lock nut M8	
15	4700921039	2	Pipe clamp	
16	4700541702	2	Screw M6x12	C
17		B	1 Fuse	
20		A	1 Back-up alarm	

A) See section "Back up alarm"

B) See section "Control panel, relay"

Back-up alarm



Back-up alarm

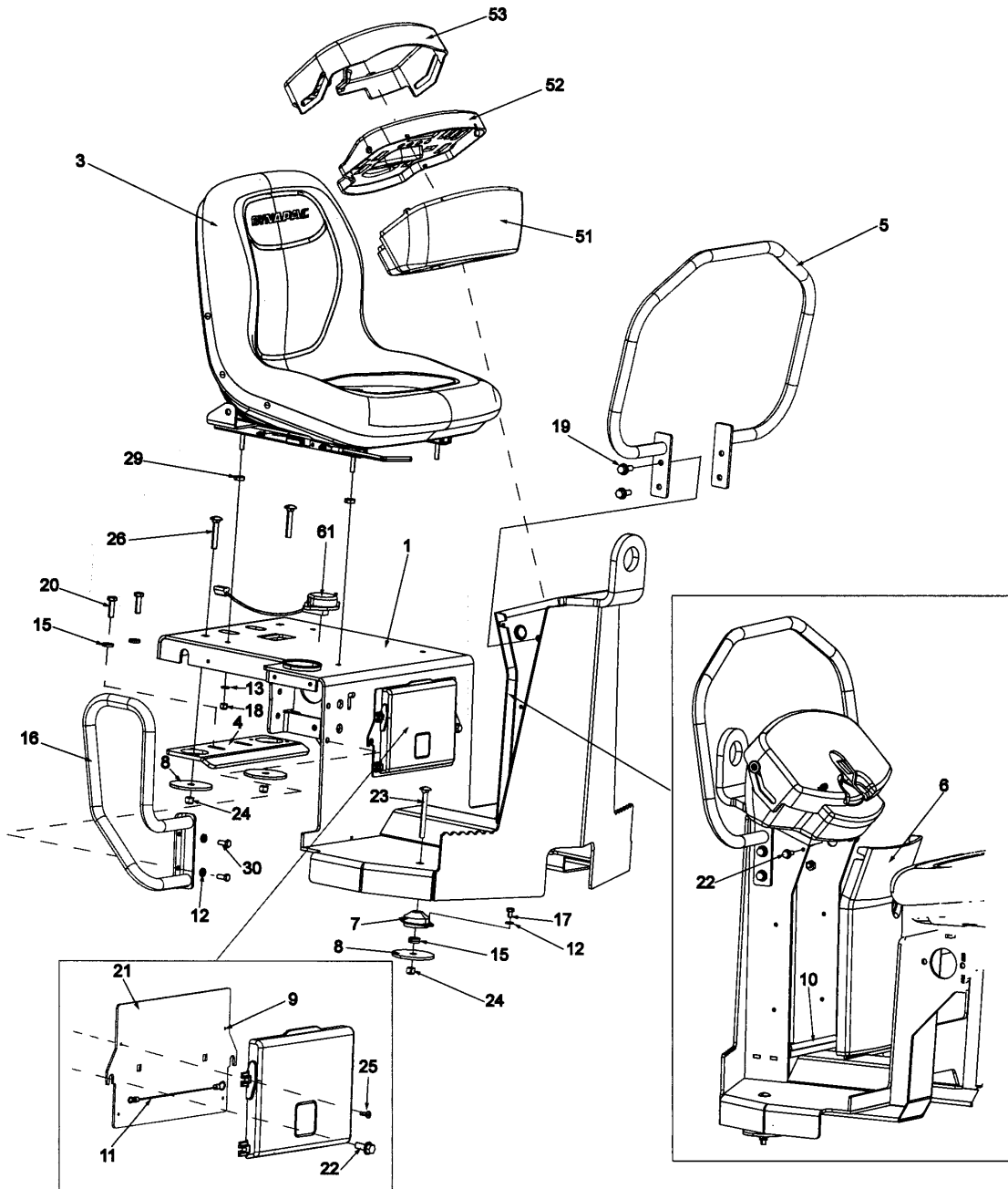
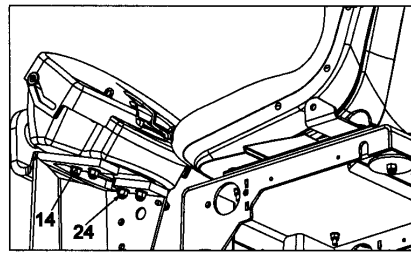
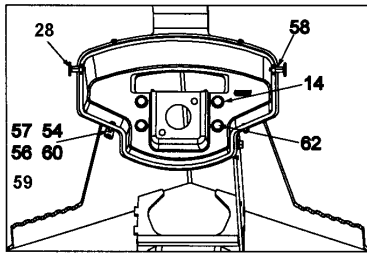
Item	Part No	Rem Qty	Description	Code
1	4700792098	1	Back-up alarm	D
2	4700541702	2	Screw M6x12	C
3	4700388009	1	Cable harness	D

Drivers platform

Drivers platform

Item	Part No	Rem Qty	Description	Code
16			Drivers seat (Page 88)	
20			F/R- and throttle control (Page 90)	
28	4812113676		Forward and reverse control handle (Page 92)	C
30			Dual forward/reverse control Option (Page 94)	
40			Rops Option (Page 96)	
50	377256		Cup holder Option (Page 98)	

Drivers seat

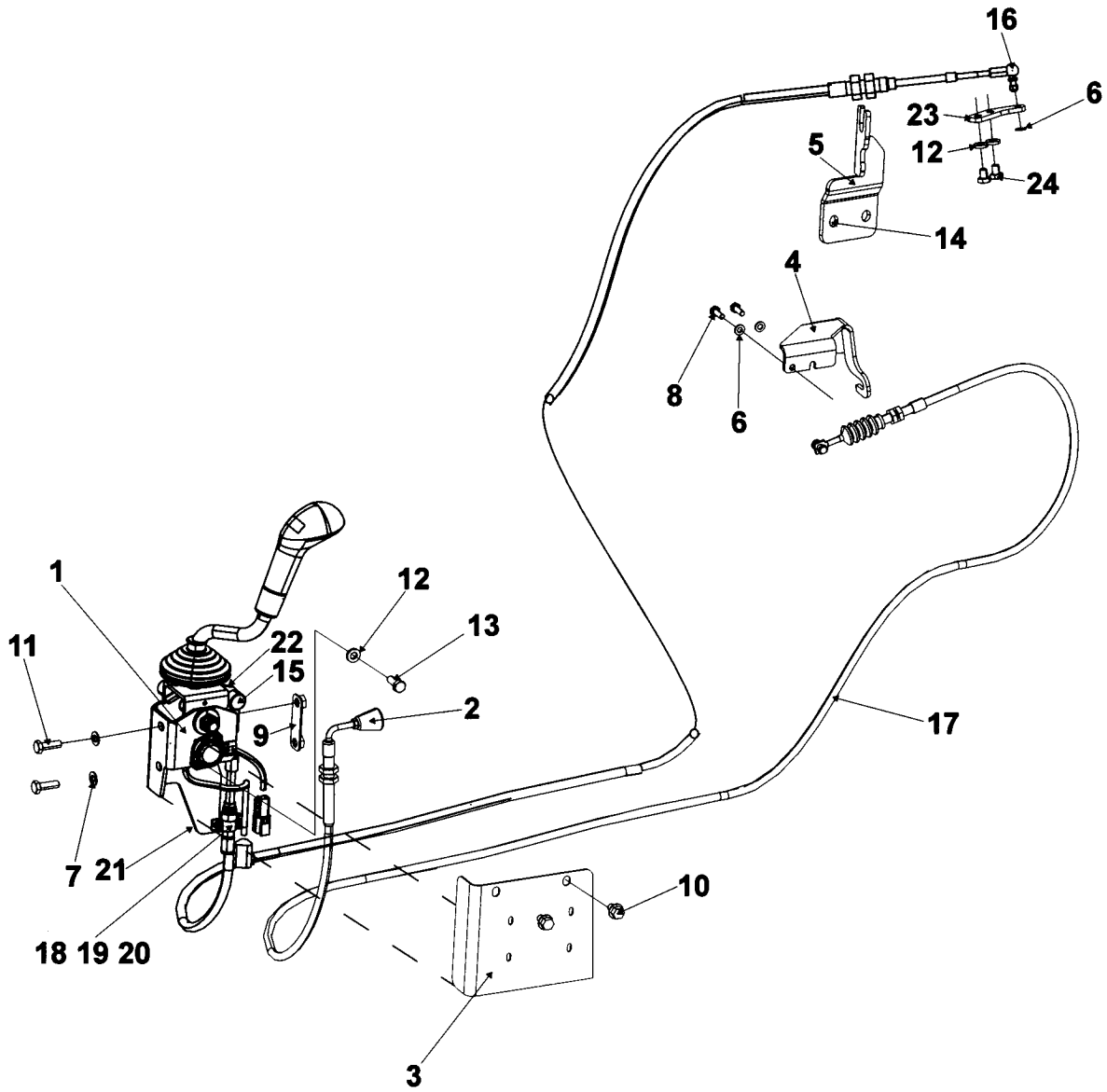


Drivers seat

Item	Part No	Rem	Qty	Description	Code
1	4700397157		1	Platform	
3	4700377518		1	Drivers seat, cpl	
	4700348331		1	Seat cover	
	4812114466		1	Drivers seat, cpl	
4	4700387236		1	Platform bracket	
5	4700387453		1	Hand rail	D
6	4700387226		1	Column cover	C
7	4700387685		4	Shock absorber	D
8	4700358232		4	Washer	C
9	4700383705		1	Instruction book holder	
10	4700902166	A	1	Edge trim	
11	4700357643	C	1	Wire	
12	4700904556		10	Washer 8,4x16x3,0	C
13	4700904229		4	Steel plain washer 8,4x16x1,5	
14	4700904230		4	Steel plain washer	
15	4700904557		10	Steel plain washer	
16	4812110761		1	Handrail	
17	4700500018		8	Screw M8-1,25x12 8,8	C
18	4700586003		4	Lock nut M8	
19	4700500509		4	Hexagon screw with flange	D
20	4700500030		6	Screw M10x035H 8.8 A3K	
21	4700388447		1	Cover	D
22	4700500505		4	Screw M8x20 8.8	
23	4700792236		2	Screw M10x100	D
24	4700586018		4	Hexagon lock nut M10	C
25	4700791226		4	Screw	
26	4700791616		2	Bolt	D
28	4700357855		2	Bushing	C
29	4700394301		4	Spacer sleeve	
30	4700500053		2	Screw M8x20H 8.8	
51	4812118686		1	Control panel	
52	4700391784		1	Control panel	D
	4700387225		1	Instrument panel	D
53	4700387227		1	Control panel cover	C
54	4700387545		1	Latch	D
55	4700357855		2	Bushing	C
56	4700904281		4	Washer 5,3x10x1 300HV	C
57	4700903658		3	Screw M5x10	C
58	4700513017		2	Screw M6x30H 10,9	C
59	4700500007		1	Screw M5-0,8x22H 8,8	C
60	4700791476		1	Nut M5 -8	C
61	4700379636		1	Seat switch	
	4700945622	D	1	Seat switch	B
62	4700500031		4	Screw	

- A) L = 185 mm
 C) Not shown in illustration
 D) Seat switch to seat 4700377518

F/R- and throttle control

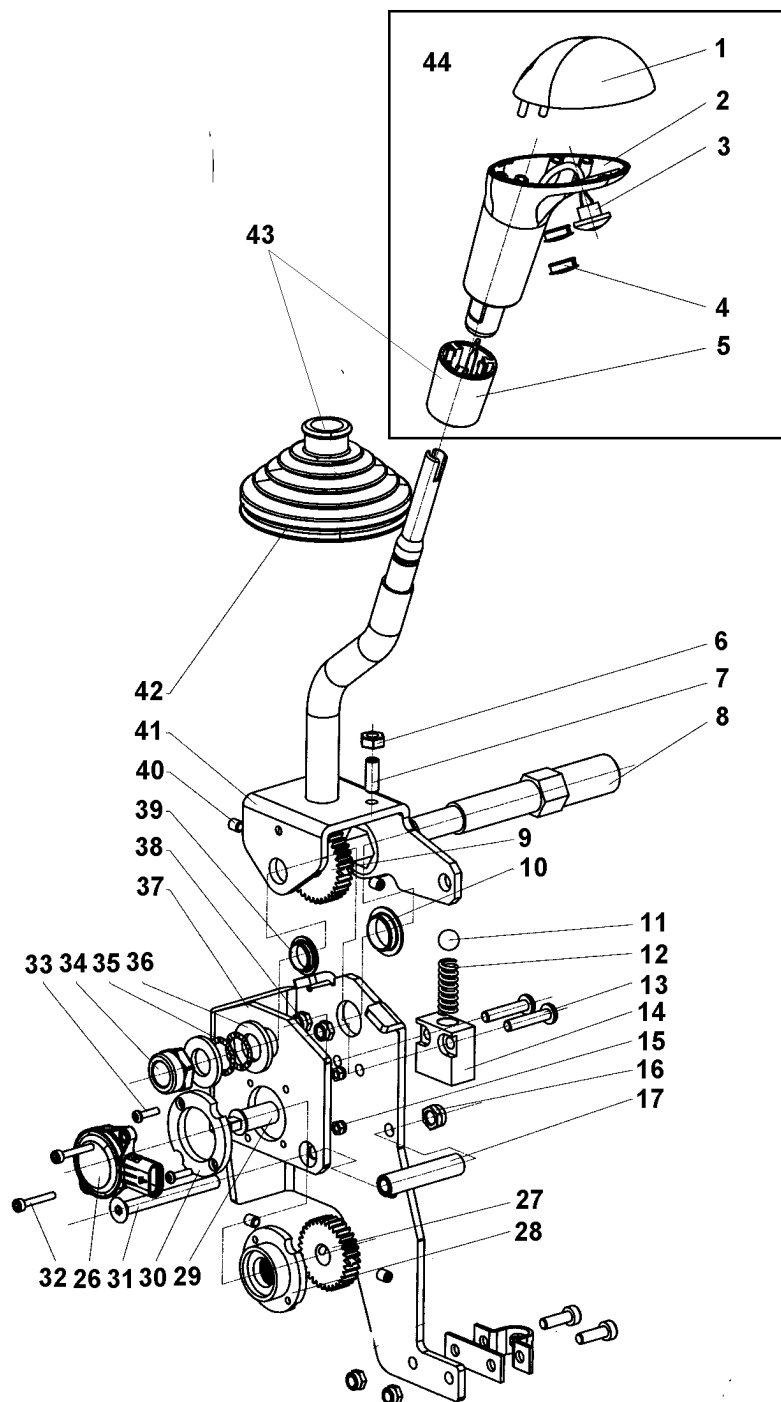


F/R- and throttle control

Item	Part No	Rem Qty	Description	Code
2	4700387229	1	Throttle control	B
	4700940960	1	. Knob	D
3	4700388476	1	Control cover	D
4	4700395257	C	Control bracket	D
5	4812120650	1	Bracket	D
6	4700904228	3	Steel plain washer 6,4x12x1,5	
7	4700904229	2	Steel plain washer 8,4x16x1,5	
8	4700500013	2	Screw M6-1x16 8,8	
9	4812117990	1	Bracket	
10	4700904755	2	Screw M8x12 8,8 FZB	
11	4700500021	2	Screw M8-1,25x25 8.8	C
12	4700904556	3	Washer 8,4x16x3,0	C
13	4700500053	1	Screw M8x20H 8.8	
14		B	2 Screw	
		B	2 Washer	
15	4700377019	1	Ball joint	C
	4700950382	1	Ball stud M8	D
16	4700416034	1	Ball joint	C
17	4700377024	1	Cable Forward/Reverse	B
18	4700377020	1	Clamp	D
19	4700377021	1	Spacer	D
20	4700926537	2	Screw M5-0,8x16H 8,8	
21	4700586001	C	2 Lock nut	
22	4700586003	C	1 Lock nut M8	
23	4812120643	1	Bracket	
24	4700500042	2	Screw	

- B) See section " Engine "
 C) Not shown in picture

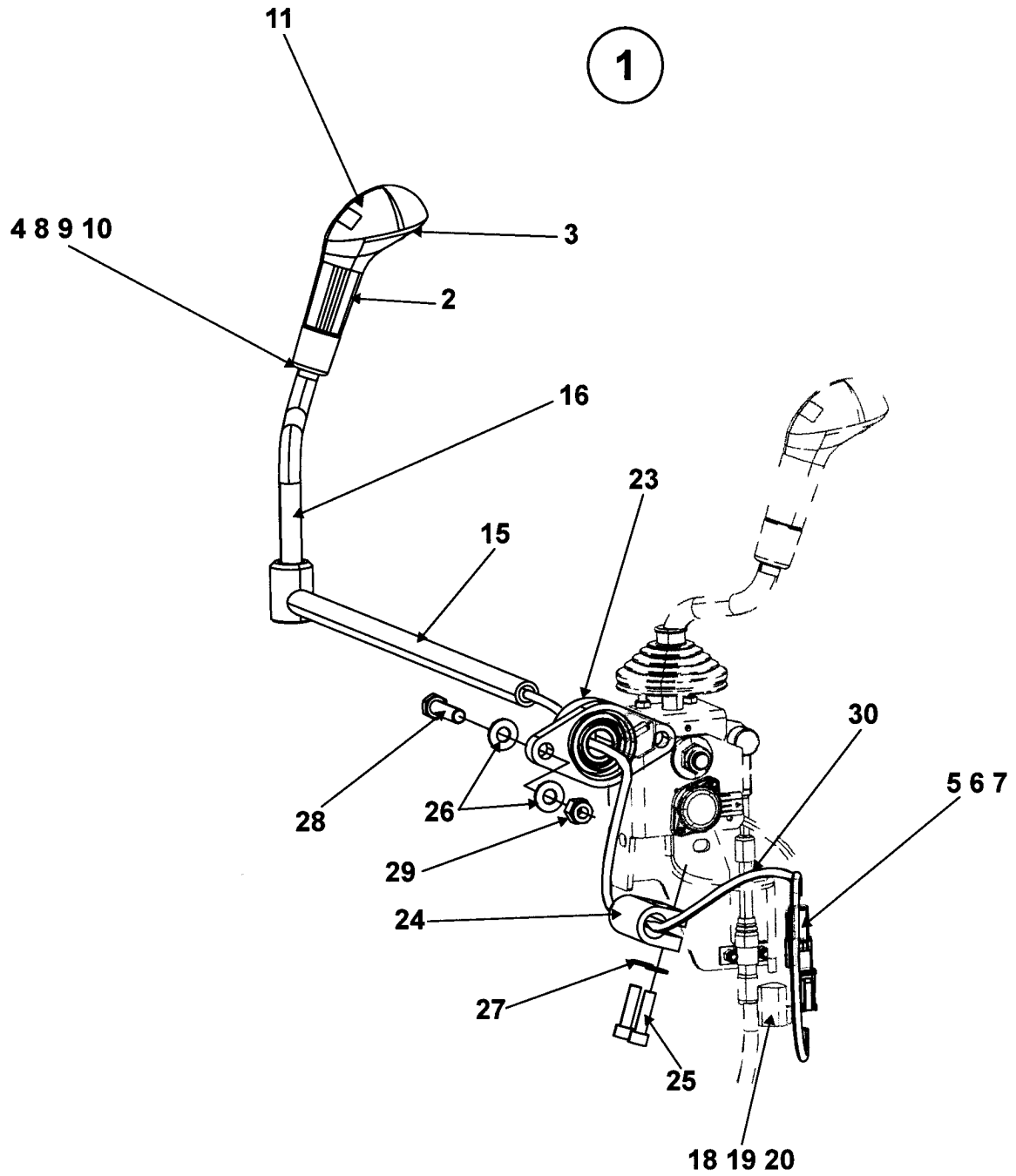
4812113676 Forward and reverse control handle



4812113676 Forward and reverse control handle

Item	Part No	Rem Qty	Description	Code
	4812113676	1	Forward and reverse control handle	C
1	4812156558	1	. Handle top	
2	4812156559	1	. Handle	
3	4812156560	1	. Push button switch with cable	
4	4812156561	2	. Protection plug	
5	4812156562	1	. Sleeve (knob)	
6	4812159290	2	. Nut M5	
7	4812159291	2	. Screw M5	
8	4812156563	1	. Central shaft	
9	4812156564	1	. . Gear	
10	4812158258	1	. Bushing	
11	4812156565	1	. Sphere	
12	4812156566	1	. Spring	
13		2	. Screw M5	
14	4812156567	1	. Spring house	
15		4	. Lock nut M3	
16		1	. Lock nut M6	
17	4812156568	1	. Spacer	
26	4812156490	1	. Potentiometer	
27	4812156569	1	. . Gear	
28	4812156570	1	. . Internal spacer	
29	4812156571	1	. . Shaft	
30	4812156572	1	. . External spacer	
31	4812159197	1	. Screw M6	
32	4812159198	2	. Screw M3	
33	4812159199	2	. Screw M3	
34	4812159251	2	. Lock nut M12	
35	4812156573	2	. Sealing	
36	4812158260	2	. Washer	
37	4812156574	1	. Bracket	
38		2	. Lock nut M5	
39	4812158259	1	. Bushing	
40	4812159292	4	. Screw M5	
41	4812156575	1	. Lever	
42	4812156576	1	. Bellow	C
43	4812157556	1	. Bellows kit	
	4812156562	1	. _Sleeve (knob)	
_42	4812156576	1	. _Bellow	C
44	4812158267	1	Handle top + Button kit	
	4812156558	1	_Handle top	
	4812156559	1	_Handle	
	4812156560	1	_Push button switch with cable	
	4812156561	2	_Protection plug	
	4812156562	1	_Sleeve (knob)	

Dual forward/reverse control Option

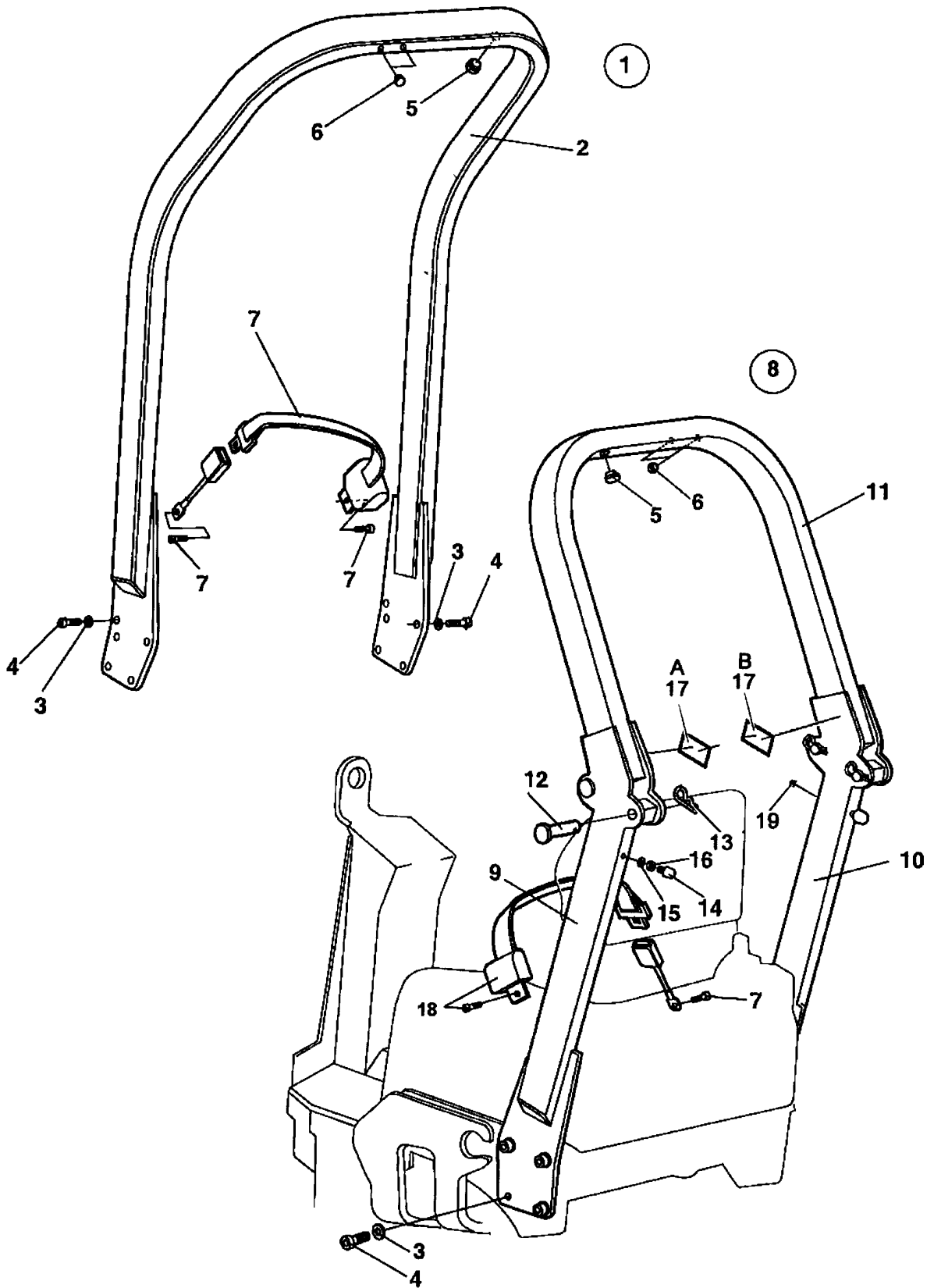


Dual forward/reverse control Option

Item	Part No	Rem Qty	Description	Code
1	4700940374	1	Handle kit, cpl	A
2		1	. Handle	
	4700945729	1	. . Push-button switch	B
		1	. Service information	
		1	. Lock fluid	
3	4700377018	1	. Protection plug	D
4		B	. Nut	
5		1	. Connector, receptable	
6		1	. Lock wedge	
7		2	. Pin	
8		B	. Rod	
9		B	. Washer	
10		B	. Washer	
11	4700378759	1	. Handle top	D
15	4700377053	1	Control shaft	D
16	4700377055	1	Lever	D
18	4700791668	1	Connector plug	
19	4700791669	1	Lock wedge	D
20	4700903948	2	Socket	
23	4700791926	1	Y-bearing unit	D
24	4700346420	1	Coupling	D
25	4700904229	2	Steel plain washer 8,4x16x1,5	
26	4700904230	4	Steel plain washer	
27	4700508048	2	Hexagon socket head cap screw	C
28	4700500031	2	Screw	
29	4700586018	2	Hexagon lock nut M10	C
30		1	Cable	

B) Not shown in illustration.

Rops Option



Rops Option

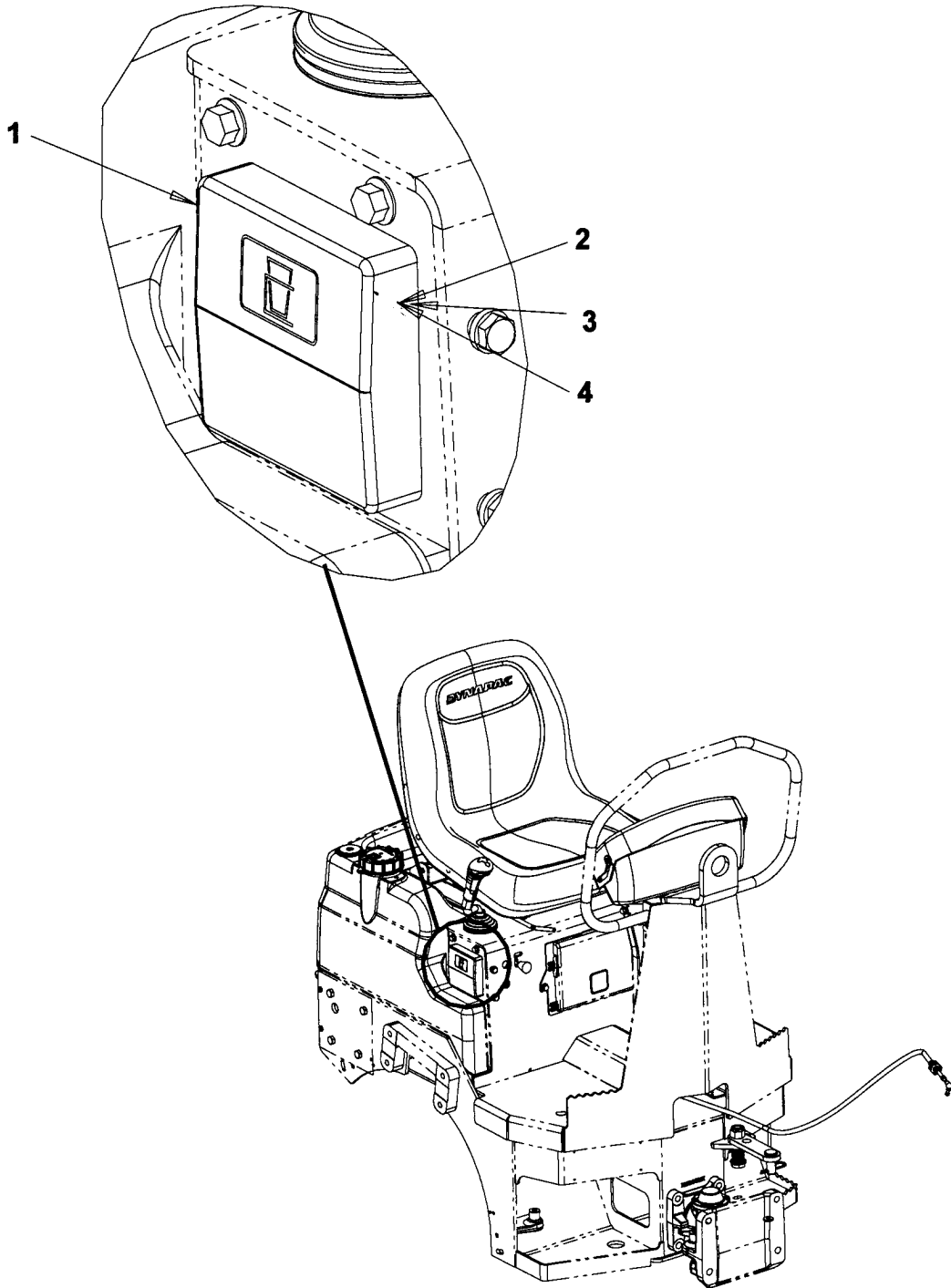
Item	Part No	Rem	Qty	Description	Code
1			1	Rops, cpl	
2	4700387142		1	Rops	D
3	4700904231		8	. Washer 13x24x2 300 HV	
4	4700508063		8	. Hexagon socket head cap screw	
5	4700282603		1	. Plastic plug	
6	4700900986		1	. Plug	
7	4700377677	A	1	. Seat belt 2"	B
8			1	Rops foldable, cpl	
9		C,D	1	. Rops beam	
10		C,D	1	. Rops beam	
11		C,D	1	. Rops beam	
12	4700389798		4	. Threaded spike	D
13	4700635061		4	. Hair clip	B
14	4700280101		2	. Shock absorber	
15	4700904229		2	. Steel plain washer 8,4x16x1,5	
16	4700573008		2	. Nut M8	C
17	4700908229		1	. Safety decal	
18	4700377677	A	1	. Seat belt 2"	B
19	4700926215		2	. Protective plug	

A) Hardware supplied

C) Not sold separately due to safety regulations

D) Only available as a complete ROPS kit ; please check the machine SN and contact Dynapac for valid PN

377256 Cup holder Option



377256 Cup holder Option

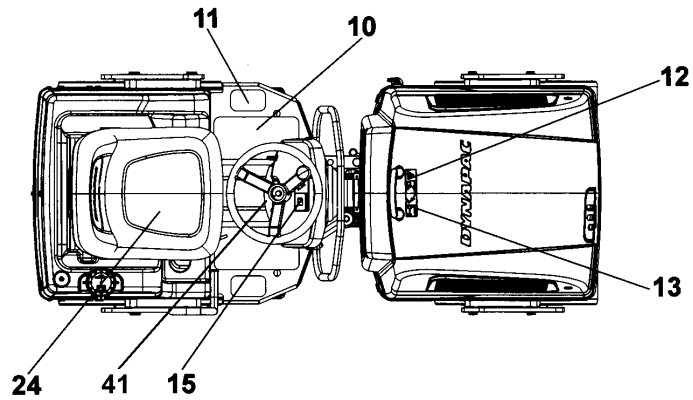
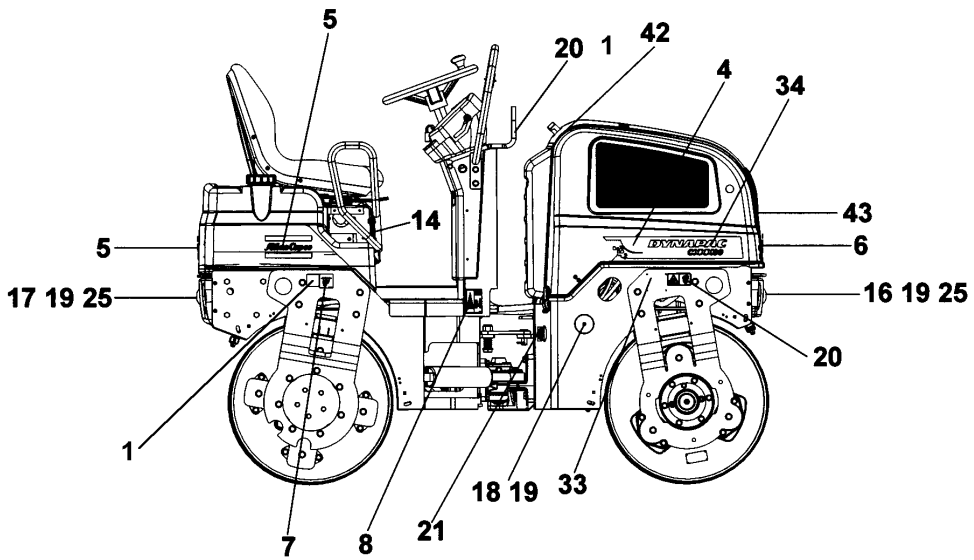
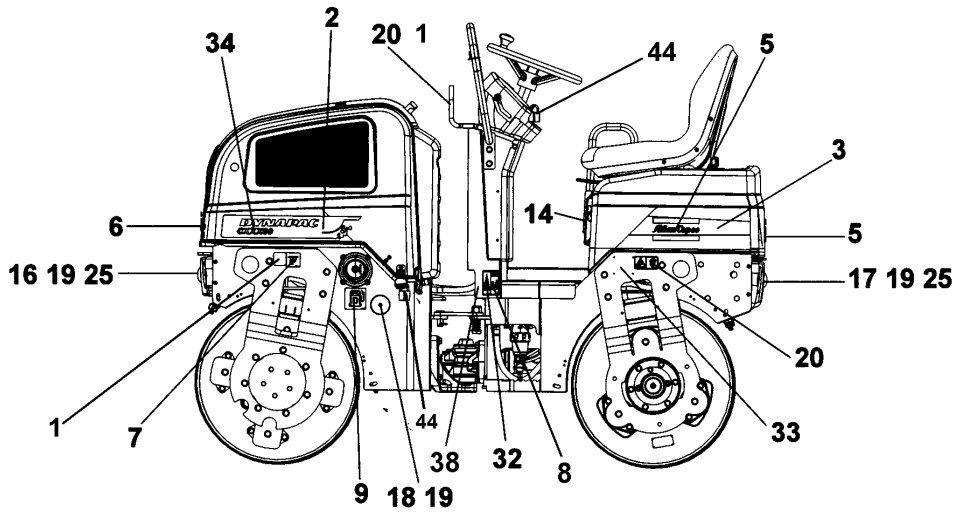
Item	Part No	Rem Qty	Description	Code
1	4700377255	1	Cup holder	D
2	4700513027	4	Screw M4x16H 10,9	D
3	4700904281	4	Washer 5,3x10x1 300HV	C
4	4700923976	4	Nut	C

Decals and documentation

Decals and documentation

Item	Part No	Rem Qty	Description	Code
1			Decals and documentation (Page 102)	

Decals and documentation



Decals and documentation

Item	Part No	Rem	Qty	Description	Code
1	4700357587		3	Decal "LIFT POINT"	D
2	4812120093		1	Decal "Compaction rocks" Left	D
3	4812120078		1	Decal Rear	D
4	4812120092		1	Decal "Compaction rocks" Right	
5	4812120119	B	3	Decal "Atlas Copco" Black	D
6	4812120125	C	1	Decal "Atlas Copco" White	
7	4700382751		2	Decal "TIE DOWN POINT"	
8	4700903422		2	Decal "SAFETY"	
9	4700991658		1	Decal "FUEL"	
10	4700373363		2	Slip protection	
11	4700372123		2	Protection	D
12	4700903423		1	Decal "SAFETY"	
13	4700903424		1	Decal "HOT SURFACE"	
14	4700903425		1	Decal "SAFETY MANUAL"	
15	4700903459		1	Decal "SAFETY"	
16	4700791957		2	Reflector, white	B
17	4700791956		2	Reflector, red	
18	4700791958		2	Reflector, light	D
19	4700791666		6	Blind rivet	C
20	4700908229		3	Safety decal	
21	4700272373		1	Decal "HYDRAULIC OIL"	
24	4700348331		1	Seat cover	
25	4700904228		4	Steel plain washer 6,4x12x1,5	
32			1	Product identif. decal "Dynapac"	
33	4700904870		2	Lifting sign	
34	4812120412		2	Decal "MODEL CODE" CC1000	D
37	4700624015		12	Blind rivet 4,0x8,5	D
38	4700791272		1	Decal "Sound power level" 102dB, Option	D
41	4700379012		1	Decal "Start instruction"	D
42	4811000351	D	1	Decal "SAFETY"	
43	4700791642	A	2	Decal "WARNING" Use of starting fluid prohib.	
44	4700358881		2	Pad lock	

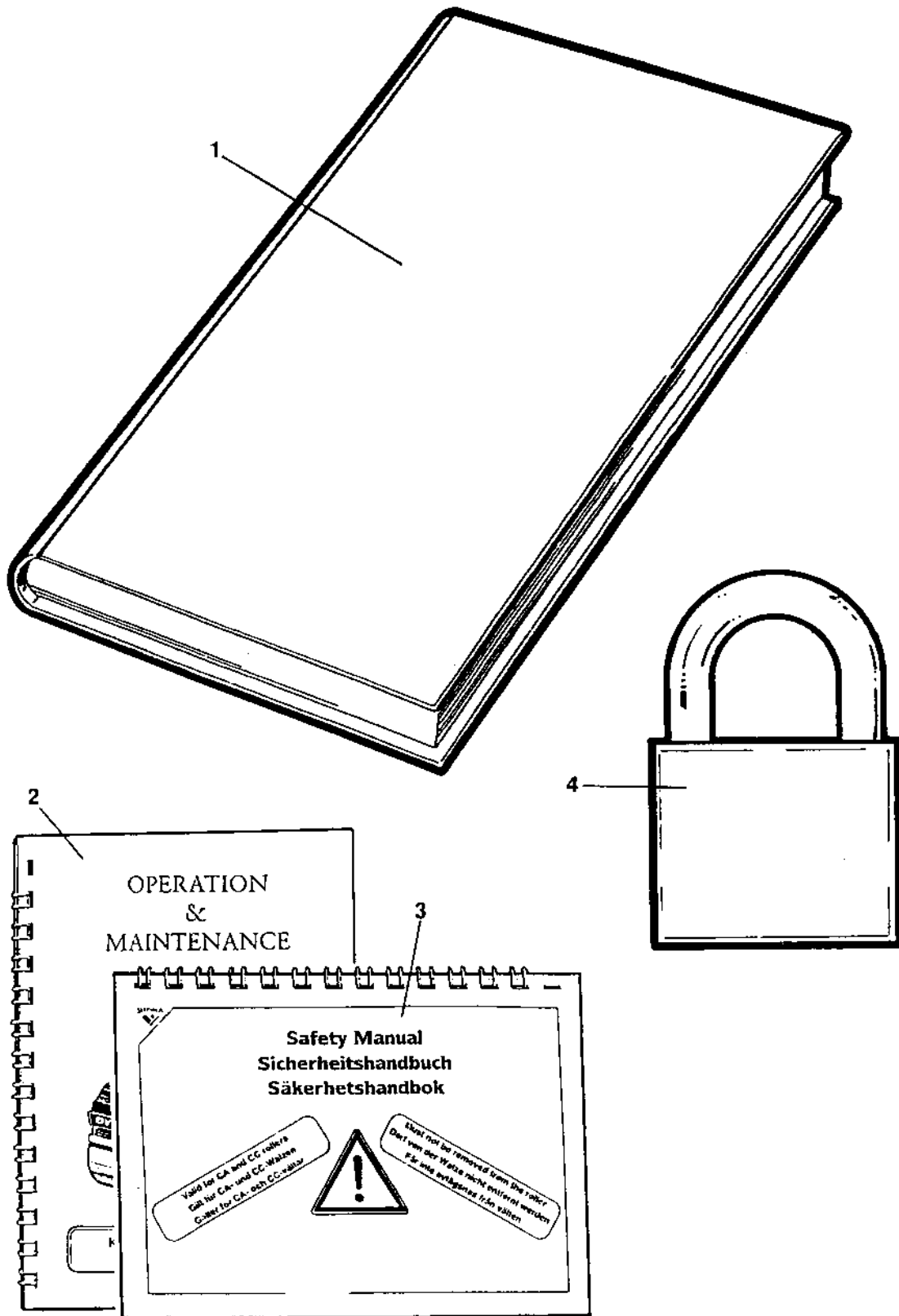
- A) Also placed on air filter (not shown in illustration)
- B) H = 80 mm
- C) H = 66 mm
- D) Only available on machines equipped with ROPS.

Standard equipment

Standard equipment

Item	Part No	Rem Qty	Description	Code
10			Standard equipment (Page 106)	

Standard equipment



Standard equipment

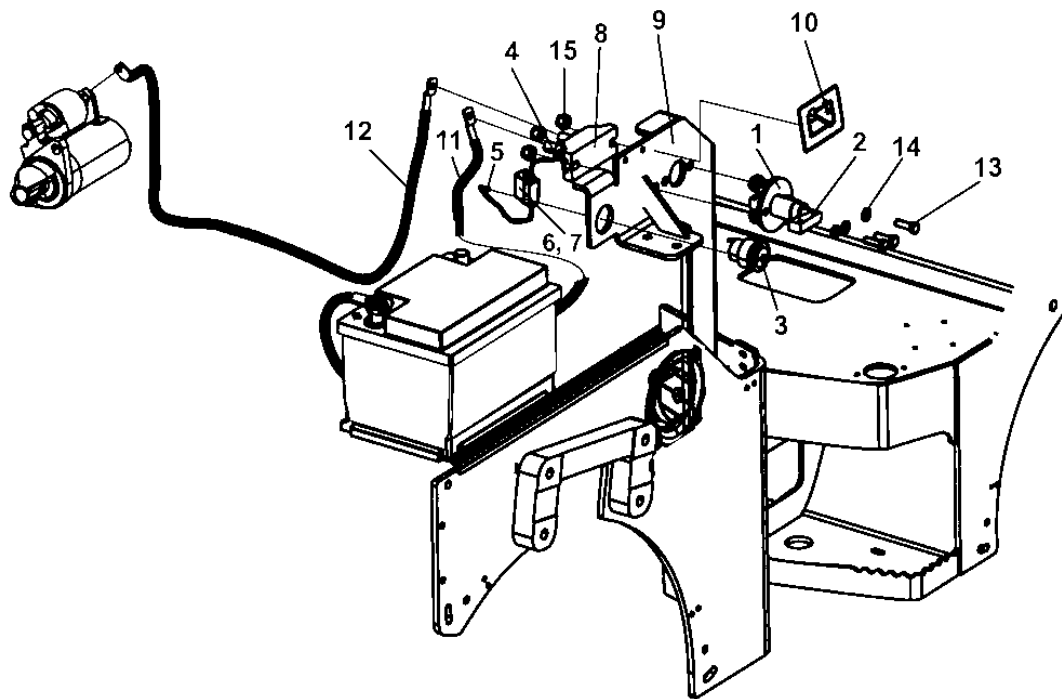
Item	Part No	Rem Qty	Description	Code
1		1	Documentation ISCC1000	
		1	Warranty conditions	
		1	Warranty registration certificate	
		1	Spare parts catalogue 48121560051	
		1	Warranty registration card	
		1	Instruction manual Perkins 403D-11	
2		1	Operation / maintenance instruction 4812161600	
3		1	Safety manual RSAFE	
4	4700358881	2	Pad lock	

Optional equipment

Optional equipment

Item	Part No	Rem Qty	Description	Code
15			Battery disconnecter (Page 110)	
20			Water tank, option (Page 112)	
60			SMV-sign (Page 114)	
63			SMV-sign Mounting on watertank (Page 116)	
64			SMV-sign on high water tank (Page 118)	
65			Registrations - plate with light (Page 120)	
70			Hydraulic vibration, shut off front/rear drum (Page 122)	
81			Rear view mirror (Page 126)	
90			Tool equipment (Page 128)	

Battery disconnect

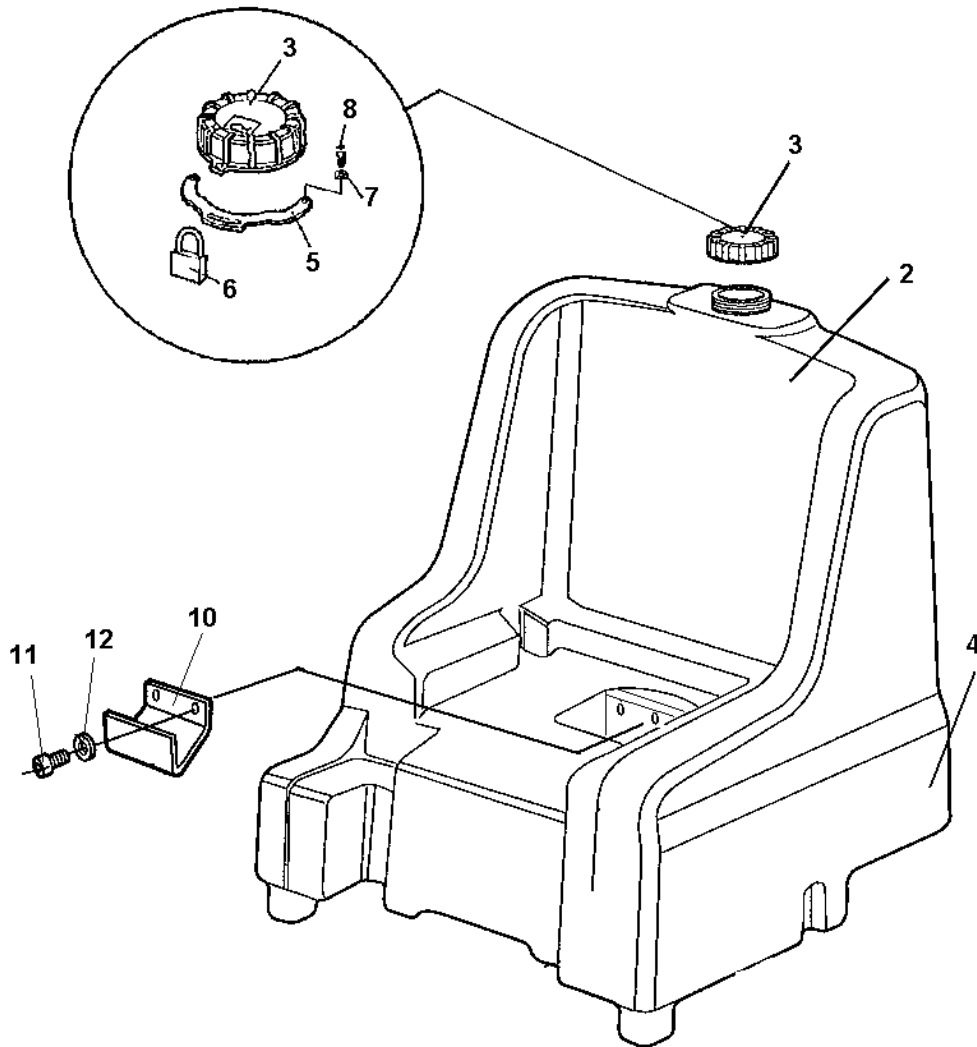


Battery disconnecter

Item	Part No	Rem Qty	Description	Code
1	4700357567	1	Battery switch, cpl	D
2	4700902560	1	. Handle	D
3	4812110560	1	Power socket 12V 16A	D
4	4700960041	1	Ring terminal	
5	4812117025	1	Connector	D
6	4700904015	1	Fuse holder	D
7	4700901227	1	Fuse 10A	B
8	4700377058	1	Connection block	D
9	4812110974	1	Cooler console	
10	4700904835	2	Decal "BATTERY POWER"	
11		C	1 Battery cable	
12		D	1 Cable	
13		B	3 Screw	
14		B	3 Washer	
15		B	3 Nut	

- B) Use existing
- C) Cable from positive pole of the battery.
- D) Cable from starter motor.

Water tank, option

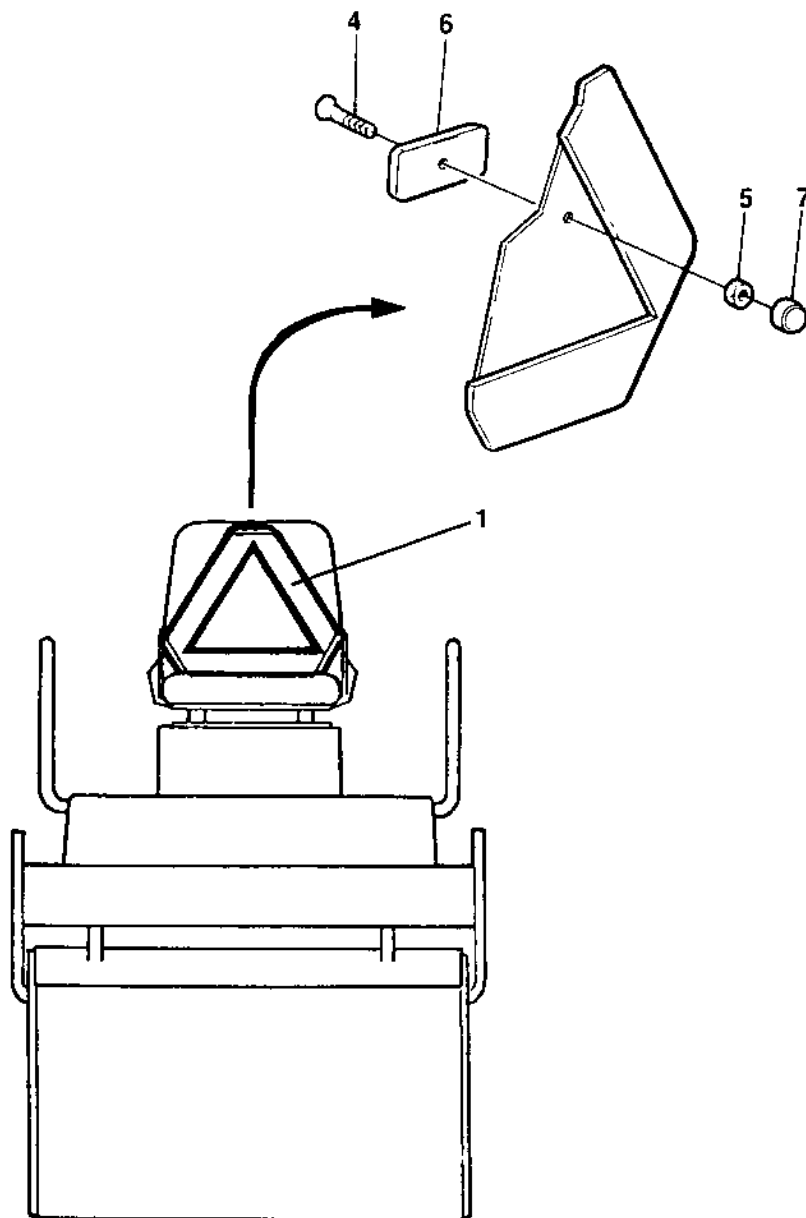


Water tank, option

Item	Part No	Rem	Qty	Description	Code
1				Water tank, cpl	
2	4700388017		1	. Water tank	D
3	4700388087		1	. Tank cap	D
4	4700377343			Decal	D
5	4700389155	A	1	Lock bracket	D
6	4700358881	A	1	Pad lock	
7	4700904281	A	2	Washer 5,3x10x1 300HV	C
8	4700903658	A	2	Screw M5x10	C
10	4700387935		1	Bracket	D
11	4700500029		2	Hexagon head screw	
12	4700904557		2	Steel plain washer	

A) Option,

SMV-sign

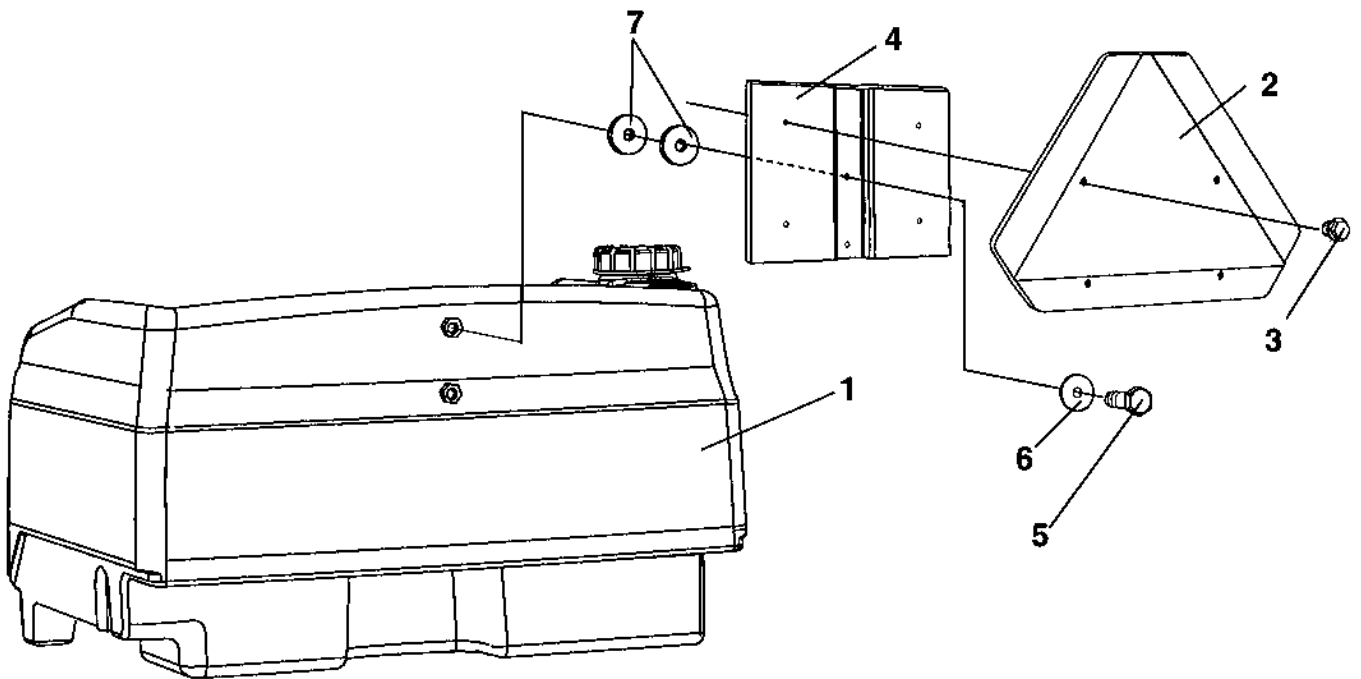


SMV-sign

Item	Part No	Rem	Qty	Description	Code
1	4700476019		1	SMV-sign	D
4	4700513013	A	2	Screw	C
5	4700570005	A	2	Nut M8	C
6	4700374460	A	2	Spacer	D
7	4700904203	A	2	Nut protection	

A) On seats with armrests use existing

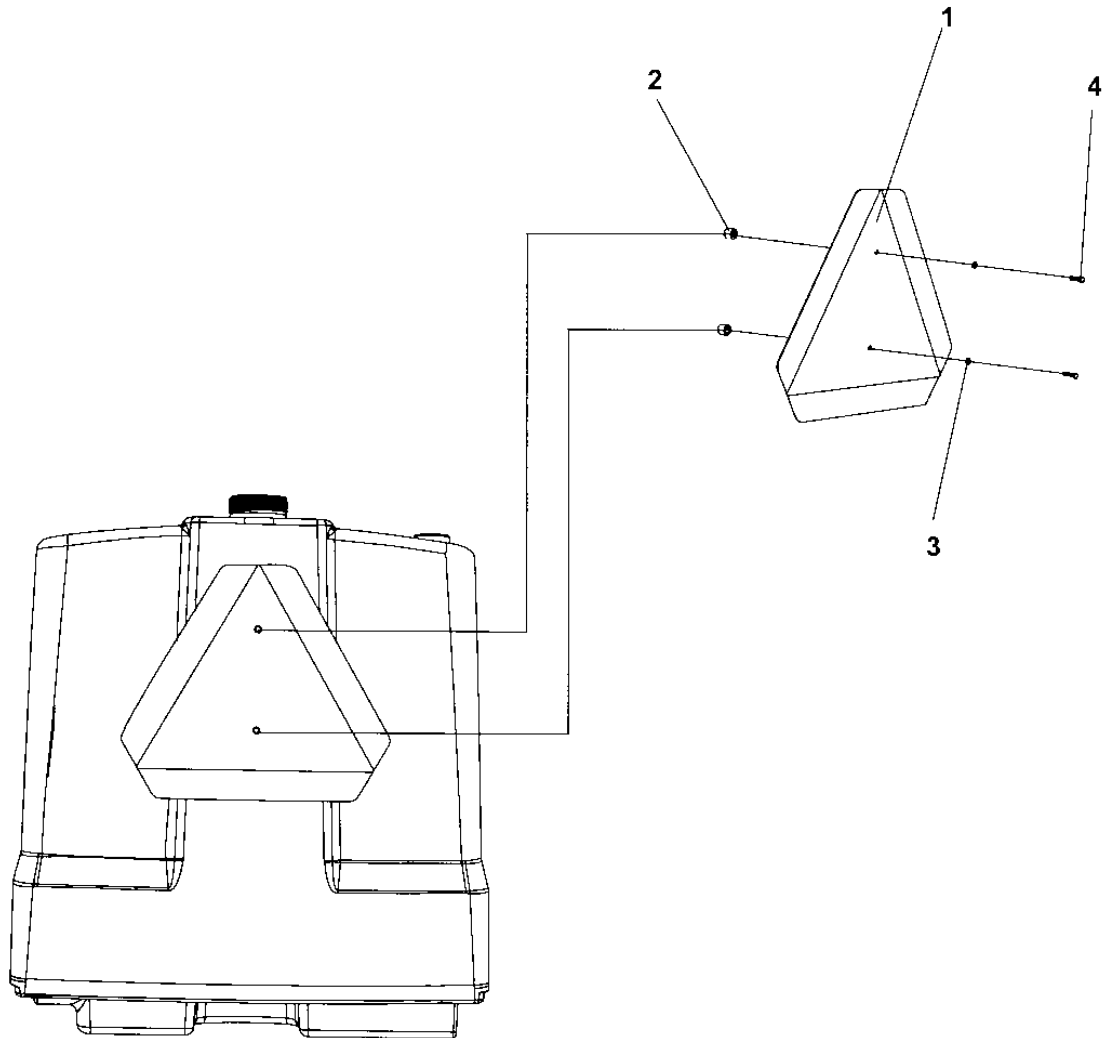
SMV-sign Mounting on watertank



SMV-sign Mounting on watertank

Item	Part No	Rem Qty	Description	Code
1		1	Water tank	
2	4700476019	1	SMV-sign	D
3	4700903782	4	Screw M5x12	C
4	4700391920	1	Holder	D
5	4700500006	2	Screw M5x16	C
6	4700927974	2	Washer	
7	4700904735	4	Washer	C

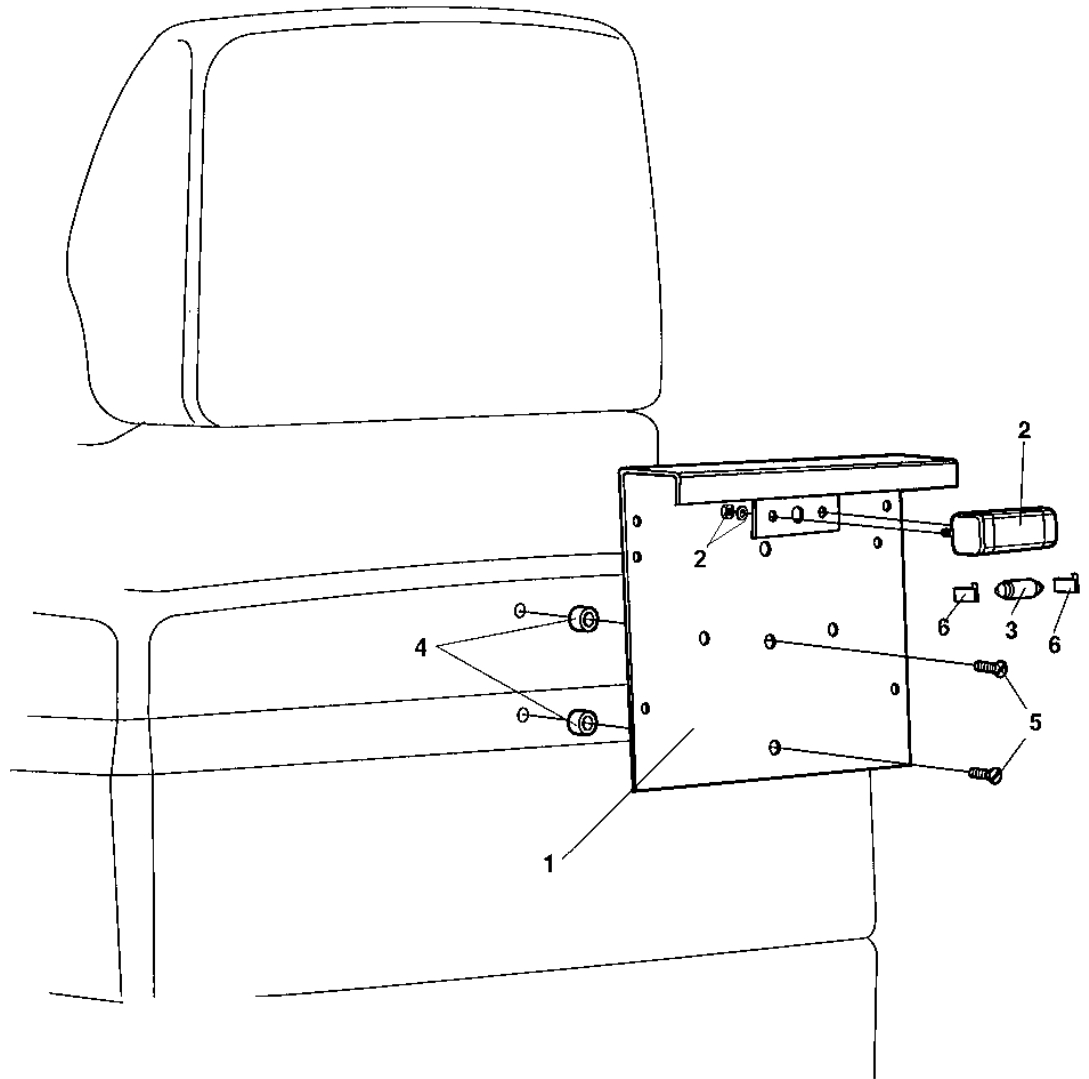
SMV-sign on high water tank



SMV-sign on high water tank

Item	Part No	Rem Qty	Description	Code
1	4700476019	1	SMV-sign	D
2	4700371728	2	Spacer sleeve	
3	4700904281	2	Washer 5,3x10x1 300HV	C
4	4700500007	2	Screw M5-0,8x22H 8,8	C

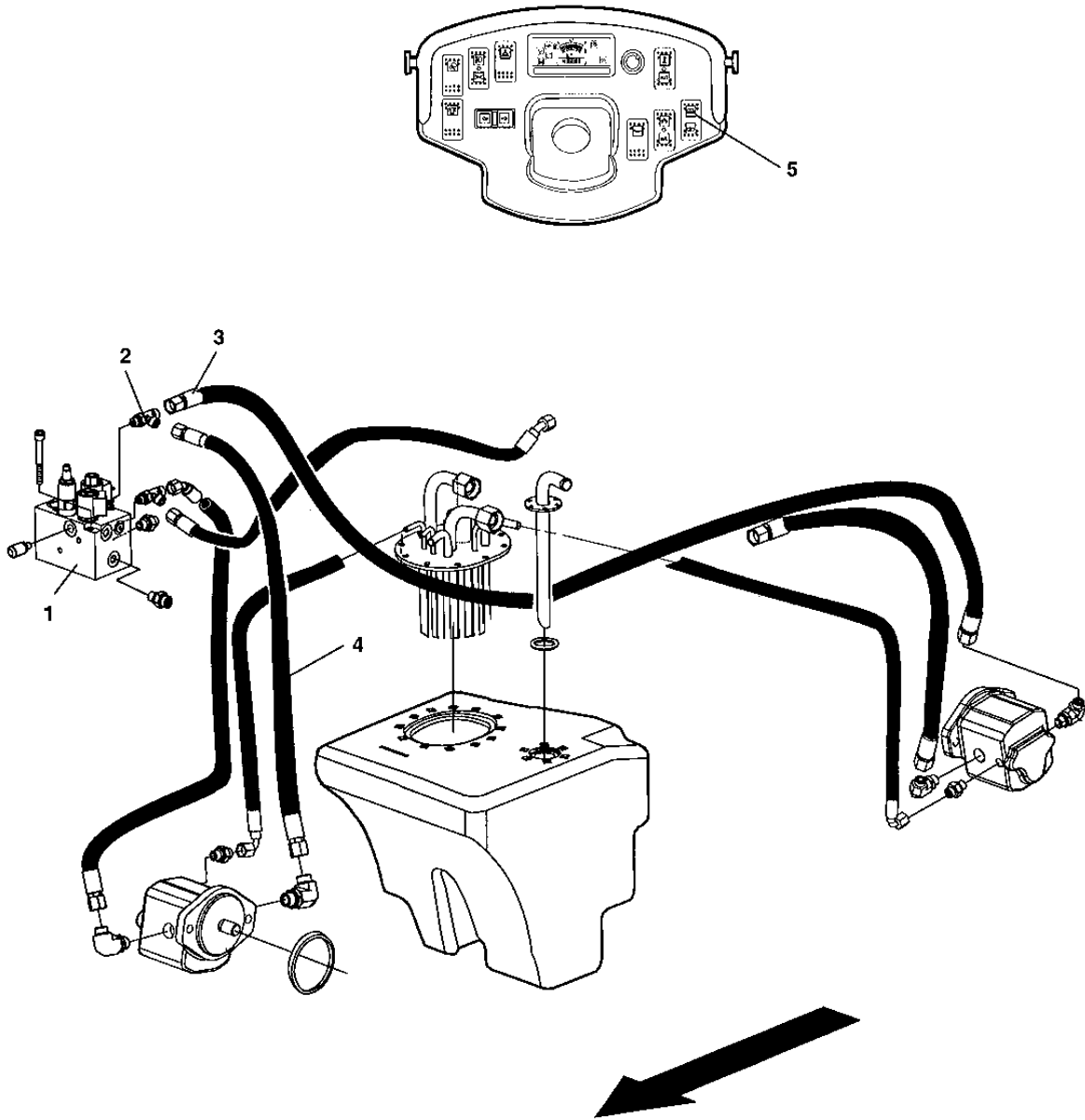
Registrations - plate with light



Registrations - plate with light

Item	Part No	Rem Qty	Description	Code
1	4700355797	1	Licence plate holder	
2	4700929455	1	Licence plate light	D
		2	. Washer	
		2	. Nut	
3	4700985013	1	Bulb 12V,5W	B
4	4700371728	2	Spacer sleeve	
5	4700535008	2	Screw M5x20	C
6	4700792035	2	Push-on terminal	

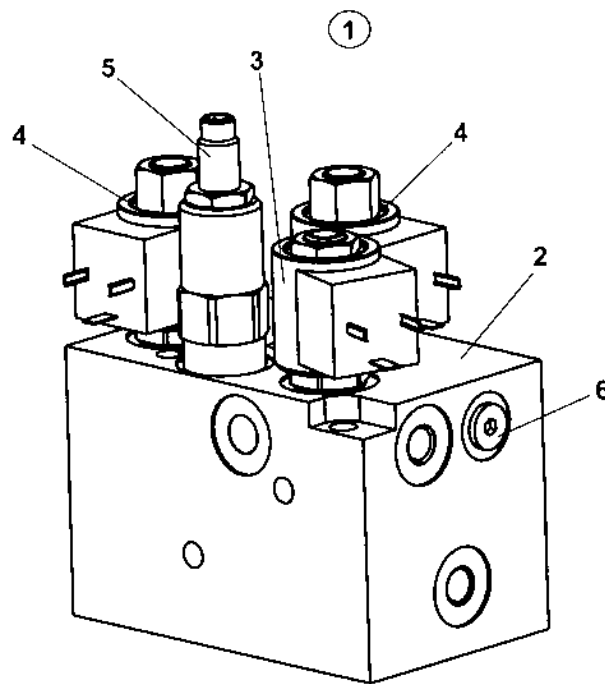
Hydraulic vibration, shut off front/rear drum



Hydraulic vibration, shut off front/rear drum

Item	Part No	Rem Qty	Description	Code
1	4700387276	1	Combination valve (Page 124)	
2	4700791700	1	Tee-connector	D
3	4700483693	1	Hydraulic hose	D
4	4700483670	1	Hydraulic hose	D
5	4700791581	1	Switch	D

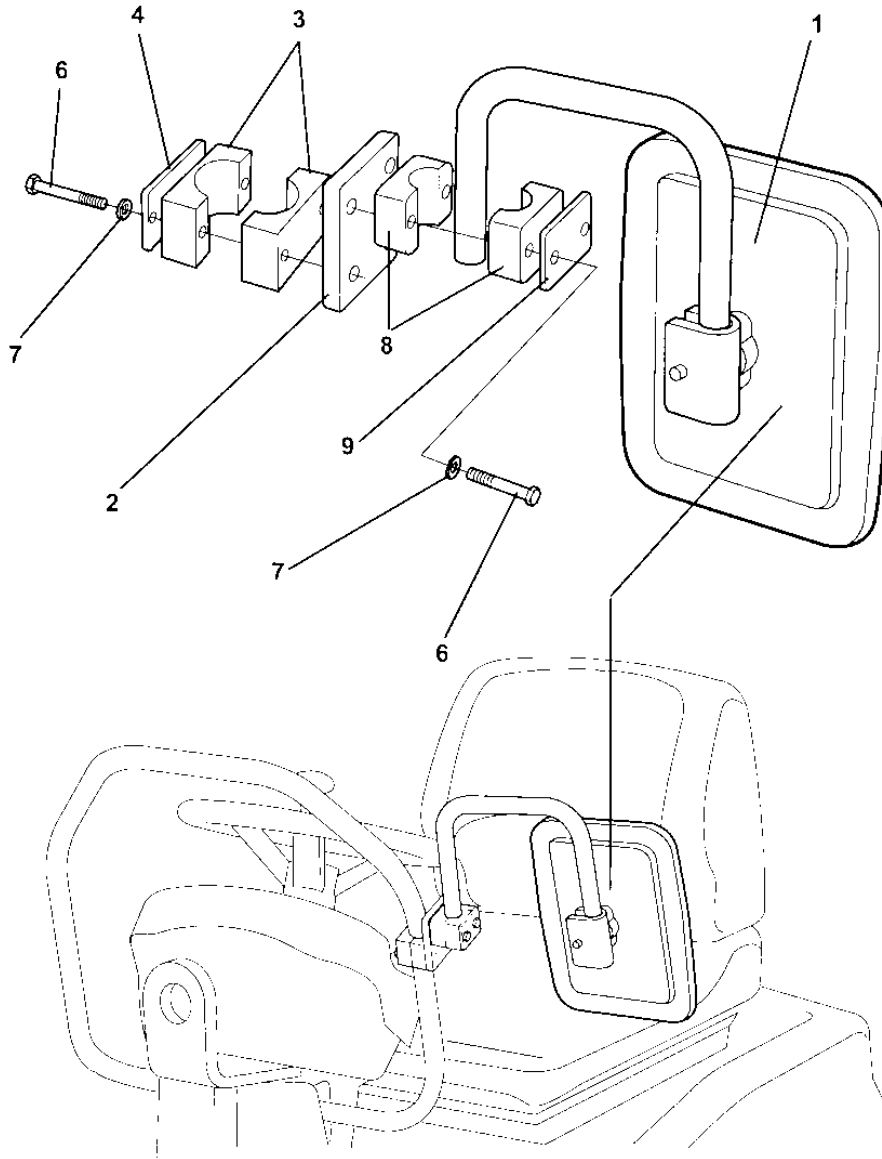
4700387276 Combination valve



4700387276 Combination valve

Item	Part No	Rem Qty	Description	Code
1	4700387276	1	Combination valve (Page 124)	
2		1	. Valve block	
3	4700940885	1	. Solenoid valve	C
	4700940887	1	. Coil	B
4	4700940886	2	. Solenoid valve	C
	4700940887	2	. Coil	B
5	4700940888	1	. Valve	C
6		3	. Plug	

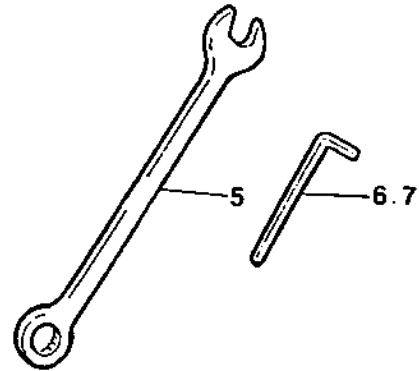
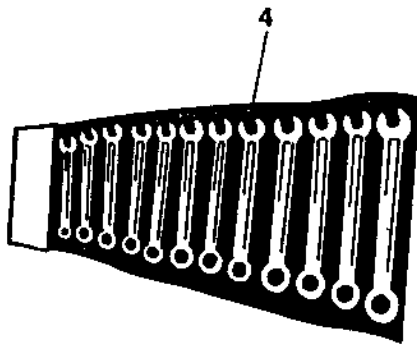
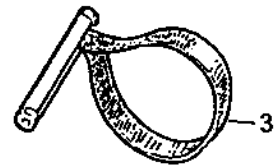
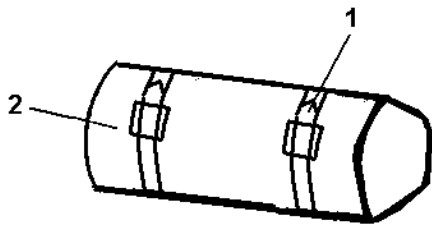
Rear view mirror



Rear view mirror

Item	Part No	Rem Qty	Description	Code
1	4700393204	1	Rear mirror	C
2	4812110283	1	Bracket	D
3	4700902496	1	Clamp	D
4	4700923859	1	Cover plate	C
6	4700500079	4	Screw M6-1x50 8,8	
7	4700904228	4	Steel plain washer 6,4x12x1,5	
8	4700791453	1	Pipe clamp block	
9	4700791454	1	Cover plate	

Tool equipment



Tool equipment

Item	Part No	Rem	Qty	Description	Code
1	4700792061		2	Strap	D
2	4700277992		1	Tool bag	D
3	4700902610		1	Belt pliers	D
4	4700901212	A	1	Open end spanner	
5	4700485177		1	Wrench 6"	D
6	4700485034		1	Allen wrench 4 mm	D
7	4700792060		1	Allen wrench 3 mm	D

A) Kit

NUMERICAL INDEX

Part Number	Page	Part Number	Page	Part Number	Page
377256	87,99	4700376770	43	4700387225	89
4700111018	23,39	4700376771	43	4700387226	89
4700160032	61	4700376772	43	4700387227	89
4700160058	19,29	4700376861	67	4700387229	91
4700160101	61	4700376876	35	4700387236	89
4700160132	21,23,39	4700377018	95	4700387270	55,57
4700160313	35	4700377019	91	4700387274	67,69
4700162015	61	4700377020	91	4700387275	67,71
4700162017	39	4700377021	91	4700387276	123,125
4700202042	77	4700377024	91	4700387277	67
4700205067	61	4700377044	33	4700387278	61
4700232160	61	4700377053	95	4700387279	49
4700238158	77	4700377055	95	4700387287	45
4700272373	103	4700377058	75,111	4700387348	31
4700277992	129	4700377061	33	4700387349	31
4700280101	97	4700377063	75	4700387350	17,31
4700282603	97	4700377139	77	4700387376	27
4700283711	61	4700377140	79	4700387377	79,81
4700287713	35	4700377255	99	4700387378	79
4700288129	51	4700377343	113	4700387424	15,27
4700297018	33	4700377518	89	4700387425	27
4700313001	45,59	4700377520	43	4700387428	45
4700313002	35	4700377610	27	4700387453	89
4700313008	61	4700377611	35	4700387545	89
4700313010	51	4700377621	27,29	4700387552	49
4700313023	49	4700377677	97	4700387597	55
4700313035	45,61	4700378178	31	4700387598	55
4700313075	45,49	4700378759	95	4700387676	55
4700313102	59,67	4700378932	77	4700387677	27,55
4700313108	49,59,61	4700379009	35	4700387678	55
4700343490	39	4700379012	103	4700387682	49
4700343744	39	4700379636	89	4700387683	77
4700346420	95	4700379753	35	4700387685	89
4700348331	89,103	4700380343	61	4700387695	49
4700349202	39	4700382751	103	4700387713	61
4700349332	27	4700383705	89	4700387758	61
4700350029	39	4700385599	77	4700387779	27
4700355704	75	4700386241	39	4700387886	27
4700355797	121	4700386619	39	4700387935	35,113
4700355869	67	4700386620	39	4700387947	33
4700357138	9,11,61	4700386622	39	4700387948	33
4700357139	61	4700386627	39	4700387949	27,33
4700357567	111	4700386867	39	4700387956	33
4700357587	103	4700386893	45	4700388009	85
4700357643	89	4700386951	51	4700388017	113
4700357855	89	4700386963	45	4700388087	35,113
4700358232	89	4700387039	31	4700388153	27
4700358666	39	4700387043	31	4700388171	19,29
4700358689	39	4700387055	27	4700388172	19,29
4700358846	35	4700387056	27	4700388173	19,29
4700358881	35,103,107,113	4700387097	47	4700388194	61
4700359043	31	4700387099	45	4700388382	79
4700371728	119,121	4700387100	45	4700388447	89
4700371785	45	4700387118	51	4700388476	91
4700372123	103	4700387137	39	4700388636	79
4700372964	67	4700387142	97	4700388653	61
4700373363	103	4700387148	33	4700388733	33
4700374460	115	4700387151	33	4700388737	77
4700376554	7,9,11,43	4700387154	33	4700388772	83
4700376555	7,9,11,49	4700387200	51	4700388773	83
4700376636	67	4700387201	47	4700388846	33
4700376637	7,11,67	4700387205	45	4700388849	27

NUMERICAL INDEX

Part Number	Page	Part Number	Page	Part Number	Page
4700388850	27	4700484257	61	4700586002	33,77
4700388852	33	4700485034	129	4700586003	31,33,75,77,83
4700388960	55	4700485177	129		89,91
4700389003	43	4700500006	117	4700586018	31,43,79,81,89
4700389005	51	4700500007	89,119		95
4700389019	51	4700500012	39	4700586022	27
4700389036	51	4700500013	43,51,91	4700624015	103
4700389142	45	4700500018	89	4700629101	83
4700389155	35,113	4700500019	55	4700635061	27,97
4700389218	35	4700500021	45,47,75,83,91	4700791185	77
4700389400	59	4700500022	39,43	4700791211	77
4700389405	61	4700500024	31,75	4700791226	89
4700389406	61	4700500029	35,39,43,49,113	4700791272	103
4700389407	59	4700500030	89	4700791395	61
4700389408	59	4700500031	67,89,95	4700791408	67
4700389432	39	4700500037	59	4700791410	67
4700389434	39	4700500040	45	4700791412	67
4700389556	55	4700500041	75	4700791422	49
4700389561	83	4700500042	91	4700791425	21,39
4700389577	83	4700500047	43	4700791426	21,23,39
4700389763	83	4700500048	67	4700791433	21,39
4700389798	97	4700500050	19,29	4700791453	127
4700389840	77	4700500053	27,33,51,55,61	4700791454	127
4700390316	61,63		67,75,89,91	4700791476	89
4700391784	89	4700500067	27,31	4700791483	47,75
4700391920	117	4700500068	33,49,55	4700791493	43,45
4700391984	15,39	4700500075	77	4700791535	43,55
4700392011	35	4700500079	127	4700791537	55
4700392508	35	4700500090	35	4700791538	59,61
4700392509	35	4700500105	31	4700791540	67
4700393204	127	4700500109	43	4700791541	59,61
4700394253	49	4700500161	43	4700791542	67
4700394301	89	4700500176	27	4700791543	59
4700394541	43	4700500180	83	4700791559	27,33
4700395227	45	4700500208	27	4700791565	67
4700395257	91	4700500230	79,81	4700791568	35
4700395394	77	4700500505	89	4700791578	77
4700395497	61	4700500506	43	4700791579	77
4700395520	61,65	4700500509	89	4700791580	77
4700396971	77	4700502016	43,45	4700791581	77,123
4700397157	89	4700508002	61	4700791582	77
4700416034	91	4700508004	35	4700791583	79
4700476019	115,117,119	4700508019	43	4700791584	79
4700480852	35	4700508022	33	4700791585	83
4700483652	59	4700508029	39	4700791586	79
4700483653	67	4700508048	43,95	4700791587	79,81
4700483654	67	4700508063	97	4700791588	77
4700483655	59,67	4700508092	51,61,75	4700791597	33
4700483656	67	4700508094	61	4700791616	89
4700483657	67	4700513013	115	4700791639	75
4700483662	67	4700513017	89	4700791642	103
4700483663	59	4700513027	99	4700791643	33,79
4700483666	55	4700527002	39	4700791666	103
4700483669	61	4700530027	27	4700791668	95
4700483670	61,123	4700535008	121	4700791669	95
4700483684	43	4700541702	83,85	4700791699	59,61
4700483692	59	4700570004	75,77	4700791700	61,123
4700483693	123	4700570005	31,43,75,115	4700791701	67
4700483694	61	4700570006	43	4700791704	79
4700483695	59	4700570007	39	4700791723	77
4700483696	67	4700573008	97	4700791739	77
4700483714	59	4700586001	91	4700791743	59

NUMERICAL INDEX

Part Number	Page	Part Number	Page	Part Number	Page
4700791745	59	4700902227	81	4700921050	75
4700791754	33,81	4700902286	27,45	4700923734	35
4700791774	49	4700902496	127	4700923735	35
4700791775	31,77	4700902560	111	4700923859	127
4700791780	45	4700902610	129	4700923976	99
4700791794	61	4700902890	33	4700924544	35
4700791916	79	4700903154	39	4700925228	39
4700791926	95	4700903236	49	4700925519	39
4700791938	31	4700903374	39	4700925599	35
4700791939	31	4700903422	103	4700925802	61
4700791941	61	4700903423	103	4700926215	97
4700791949	35	4700903424	103	4700926537	91
4700791951	79	4700903425	103	4700927568	47
4700791953	79	4700903459	103	4700927974	117
4700791954	79	4700903658	35,89,113	4700928198	39
4700791955	79	4700903714	45	4700928381	33
4700791956	103	4700903741	77	4700928830	67
4700791957	81,103	4700903768	75	4700929191	27
4700791958	103	4700903782	117	4700929455	121
4700791959	35	4700903810	79	4700935429	69
4700791962	19,29	4700903856	33	4700935613	67
4700791970	79,81	4700903948	95	4700935614	67
4700791971	79	4700903956	75,79	4700939802	9,11,51
4700791973	27	4700904009	55,59,67	4700939803	9,11,51
4700791977	35	4700904012	33	4700939804	51
4700791980	83	4700904015	111	4700939805	51
4700791981	83	4700904203	115	4700939806	51
4700792019	75	4700904214	27	4700939807	51
4700792020	75	4700904228	27,33,39,43,45	4700939932	11,43
4700792026	43		51,61,75,77,91	4700939977	43
4700792035	121		103,127	4700940203	49
4700792059	79	4700904229	27,31,33,43,47	4700940208	5,7
4700792060	129		49,51,55,61,67	4700940209	5,9
4700792061	129		75,83,89,91,95	4700940210	5,11
4700792070	61		97	4700940212	11
4700792072	31	4700904230	43,67,79,81,89	4700940227	43
4700792083	77		95	4700940228	43
4700792098	85	4700904231	27,39,43,75,97	4700940229	43
4700792180	31,33,49	4700904233	27	4700940231	43
4700792188	31	4700904281	35,75,89,99,113	4700940374	95
4700792189	31		119	4700940447	43
4700792236	89	4700904556	27,33,35,43,61	4700940451	77
4700792250	43		75,77,89,91	4700940673	13,17
4700792320	77	4700904557	39,43,49,89,113	4700940885	61,125
4700792332	59	4700904558	39	4700940886	61,125
4700792611	19,29	4700904567	35	4700940887	61,125
4700792707	61	4700904637	43	4700940888	61,125
4700792773	61	4700904640	31,35,39,43,45	4700940894	49
4700792779	35		47,55	4700940922	49
4700900986	97	4700904641	55	4700940960	91
4700901157	61	4700904698	49	4700940976	43
4700901212	129	4700904703	39,47,59	4700945123	43
4700901225	79	4700904727	59	4700945284	43
4700901227	79,111	4700904735	61,117	4700945286	43
4700901228	77,81	4700904755	91	4700945340	61
4700901297	35	4700904835	111	4700945418	49
4700901298	35	4700904870	103	4700945473	43
4700901369	81	4700904889	79	4700945526	67,71
4700901767	77	4700904984	49	4700945531	57
4700901832	45	4700904989	79	4700945532	57
4700902123	67	4700908229	97,103	4700945552	13,15
4700902166	33,89	4700921039	83	4700945622	89

NUMERICAL INDEX

Part Number	Page	Part Number	Page	Part Number	Page
4700945629	43	4812155888	43		
4700945658	57	4812156170	15		
4700945668	71	4812156490	93		
4700945710	13,21	4812156558	93		
4700945711	13,23	4812156559	93		
4700945729	95	4812156560	93		
4700945735	43	4812156561	93		
4700945753	49	4812156562	93		
4700945777	49	4812156563	93		
4700945878	47	4812156564	93		
4700945928	13,19,29	4812156565	93		
4700947684	67	4812156566	93		
4700947694	39	4812156567	93		
4700950382	91	4812156568	93		
4700960041	111	4812156569	93		
4700960079	79	4812156570	93		
4700985013	121	4812156571	93		
4700991658	103	4812156572	93		
4700999027	75	4812156573	93		
4811000351	103	4812156574	93		
4812110216	79,81	4812156575	93		
4812110283	127	4812156576	93		
4812110346	39	4812156798	57		
4812110560	111	4812157555	63		
4812110595	39	4812157556	93		
4812110596	39	4812157560	65		
4812110663	39	4812158258	93		
4812110724	75	4812158259	93		
4812110759	75	4812158260	93		
4812110761	89	4812158267	93		
4812110974	45,111	4812159159	69		
4812111325	35	4812159160	69		
4812111330	35	4812159197	93		
4812111331	35	4812159198	93		
4812112007	75	4812159199	93		
4812112074	35	4812159251	93		
4812112645	35	4812159290	93		
4812113676	87,93	4812159291	93		
4812113822	35	4812159292	93		
4812114386	77	4812159667	43		
4812114466	89	4812159771	71		
4812114657	75				
4812116572	43				
4812117025	111				
4812117868	77				
4812117990	91				
4812118686	89				
4812119960	59				
4812120078	103				
4812120092	103				
4812120093	103				
4812120119	103				
4812120125	103				
4812120412	103				
4812120570	33				
4812120592	33				
4812120635	59				
4812120636	59				
4812120643	91				
4812120650	91				
4812120669	43				
4812120670	43				