

# Spare Parts Catalogue

4812160052

Valid from serial number:  
**10000302x0A012721 -**



*Diesel engines:*  
*Perkins 403D-11*

*Published catalogue issues valid for these rollers:*

<i>Catalogue</i>	<i>Issue date</i>	<i>Valid for serial numbers</i>
4812160052	2013-12	<b>10000302x0A012721 -</b>

**RESERVDLSBESTÄLLNING**

Följande uppgifter ska lämnas vid beställning av reservdelar för att undvika leveransfel:

1. Maskintyp.
2. Vältens serienummer.
3. Antal av önskad reservdel.
4. Reserdelens artikelnummer.
5. Reservdelens benämning.
6. Måttuppgifter vid beställning av metervara.

**ORDERING SPARE PARTS**

To avoid errors in delivery, please give the following information when ordering spare parts:

1. Type of machine.
2. Roller serial number.
3. Quantity required.
4. Part number.
5. Parts denomination.
6. Dimensions when ordering per length.

**ERSATZTEILBESTELLUNG**

Zur Vermeidung von Fehllieferungen sind bei der Bestellung von Ersatzteilen folgende Angaben zu machen:

1. Maschinentyp.
2. Herstellungsnummer.
3. Bestellmenge. (Quantity)
4. Ersatzteilnummer. (Part N°)
5. Ersatzteilbenennung. (Denomination)
6. Massangaben bei Bestellung von Meterware.

**ORDINI DI RICAMBI**

Per evitare errori nelle consegne di ricambi, Vi preghiamo di comunicarci le seguenti informazioni al momento dell'ordinazione:

1. Tipo di macchina.
2. Numero di serie della macchina.
3. Quantità dei pezzi desiderati. (Quantity)
4. Numero di codice del pezzo. (Part N°)
5. Descrizione del pezzo di ricambio. (Denomination)
6. Misura, in caso di ordine per metro.

**PEDIDO DE RECAMBIOS**

Para evitar errores en las entregas, deberán indicarse los siguientes datos al hacer un pedido de recambios:

1. Tipo de máquina.
2. Número de serie.
3. Cantidad de piezas deseadas. (Quantity)
4. Número de artículo de la pieza de recambio. (Part N°)
5. Denominación de la pieza. (Denomination)
6. Indíquese la medida al solicitar un artículo que se expide por metros.

**COMMANDE DE PIECES DE RECHANGE**

Les indications suivantes doivent être fournies lors de la commande de pièces de rechange, afin d'éviter toute erreur de livraison:

1. Type de machine.
2. Numéro de série.
3. Quantité désirée de pièce de rechange. (Quantity)
4. Numéro de la pièce de rechange. (Part N°)
5. Dénomination de la pièce de rechange. (Denomination)
6. Longueur en cas de commande au mètre.

**YOUR AGENT/DEALER:**

### Text pages

The text page is structured as the picture on the right.

1. This is the remarks for specific items and the descriptions of the remarks is at the bottom of the parts list.

2. Parts indicated by a dot and moved to the right are included when buying the assembled unit above.

3. Spare parts Class code for a specific part.

- "A" = 3 or more units/year,
- "B" = 2 or more units/year,
- "C" = 1 or more units/year,
- "D" = at least 1 unit/year.

<b>DYNAPAC</b>		Part of the Atlas Copco Group		Dynapac Compaction Equipment AB	
Engine cover, left					
Item	Part No	Rem Qty	Description	Code	
	4700396684	1	Engine cover, cpl		
1	4700396607	1	. Cover		3
2	4700902866	1	. Lock	2	
3	4700624020	1	. Key Marked "455"		A
4	4700624020	4	. Blind rivet		
4	4700379976	1	. Cover	1	
5	4700792325	10	. Blind rivet		
7	4700202057	B	1XL . Edge trim		D
8	4700902166	C	1XL . Edge trim		D
9	4700903953	D	1XL . Edge trim		D
11	4700390365	1	. Spacer		
12	4700924875	2	. Screw		
13	4700904228	2	. Washer 6,4x12x1,5		C
14	4700586002	2	. Lock nut M6 -8		C
15	4700390545	1	. Strap		
16	4700904735	1	. Washer		C
17	4700500059	1	. Screw		

1	B)	L=0.625m
	C)	L=0.6m
	D)	L=1.2m

### Changes

PARTS INFO	SERVICE INFO	GROUP	PAGE	NOTES

### Notes

---

---

---

---

---

---

---

---

---

---





TABLE OF CONTENTS	Page
<b>CC900S S/N 1000302x 0A12721 -</b> .....	<b>2</b>
<b>Service kits</b> .....	<b>4</b>
4700940208 Service kit, Perkins 50h .....	6
4700940209 Service kit, Perkins 500h .....	8
4700940210 Service kit, Perkins 1000h .....	10
<b>Repair kits</b> .....	<b>12</b>
4700945850 Shock absorber kit, front drum .....	14
4700945552 Shock absorber kit, drum .....	16
4700940671 Scraper kit CC900/900G/900S .....	18
4700945928 Repair kit, Steering hitch .....	20
4700945710 Eccentric shaft kit .....	22
4700945711 Drum rotation kit .....	24
4700950150 Eccentric shaft kit Single arm drum .....	26
<b>Frames</b> .....	<b>28</b>
Frames .....	30
4700377621 Hitch .....	32
Scrapers .....	34
Spring loaded Scrapers Option .....	36
Engine hood .....	38
Sprinkler system .....	40
<b>Drum</b> .....	<b>42</b>
Drum Single arm .....	44
Drum Rear .....	46
<b>Engine</b> .....	<b>48</b>
Engine Perkins 403D-11 .....	50
Cooling system .....	52
Exhaust system .....	54
Fuel system .....	56
Air intake system .....	58
<b>Hydraulic system</b> .....	<b>60</b>
Hydraulic propulsion and brake system .....	62
Hydraulic vibration .....	66
4700390316 Hydraulic motor .....	70
4700395520 Hydraulic pump .....	72
4700387276 Combination valve .....	74
Hydraulic steering .....	76
4700387274 Steering valve .....	78
4700387275 Hydraulic cylinder .....	80

**TABLE OF CONTENTS**

<b>Electrical equipment</b> .....	<b>82</b>
Electrical equipment .....	84
Control panel, relays .....	86
Driving lights Option .....	88
Working lights Option .....	90
Rotating beacon with Rops Option .....	92
Back-up alarm .....	94
<b>Drivers platform</b> .....	<b>96</b>
Drivers seat .....	98
F/R- and throttle control .....	100
4812113676 Forward and reverse control handle .....	102
Dual forward/reverse control Option .....	104
Rops Option .....	106
377256 Cup holder Option .....	108
<b>Decals and documentation</b> .....	<b>110</b>
Decals and documentation .....	112
<b>Standard equipment</b> .....	<b>114</b>
Standard equipment .....	116
<b>Optional equipment</b> .....	<b>118</b>
Battery disconnecter .....	120
Water tank, option .....	122
Dual forward/reverse control Option .....	124
SMV-sign .....	126
SMV-sign Mounting on watertank .....	128
SMV-sign on high water tank .....	130
Registrations - plate with light .....	132
Hydraulic vibration, shut off front/rear drum .....	134
4700387276 Combination valve .....	74
Rear view mirror .....	136
Tool equipment .....	138





CC900S S/N 10000302x 0A12721 -



**CC900S S/N 10000302x 0A12721 -**

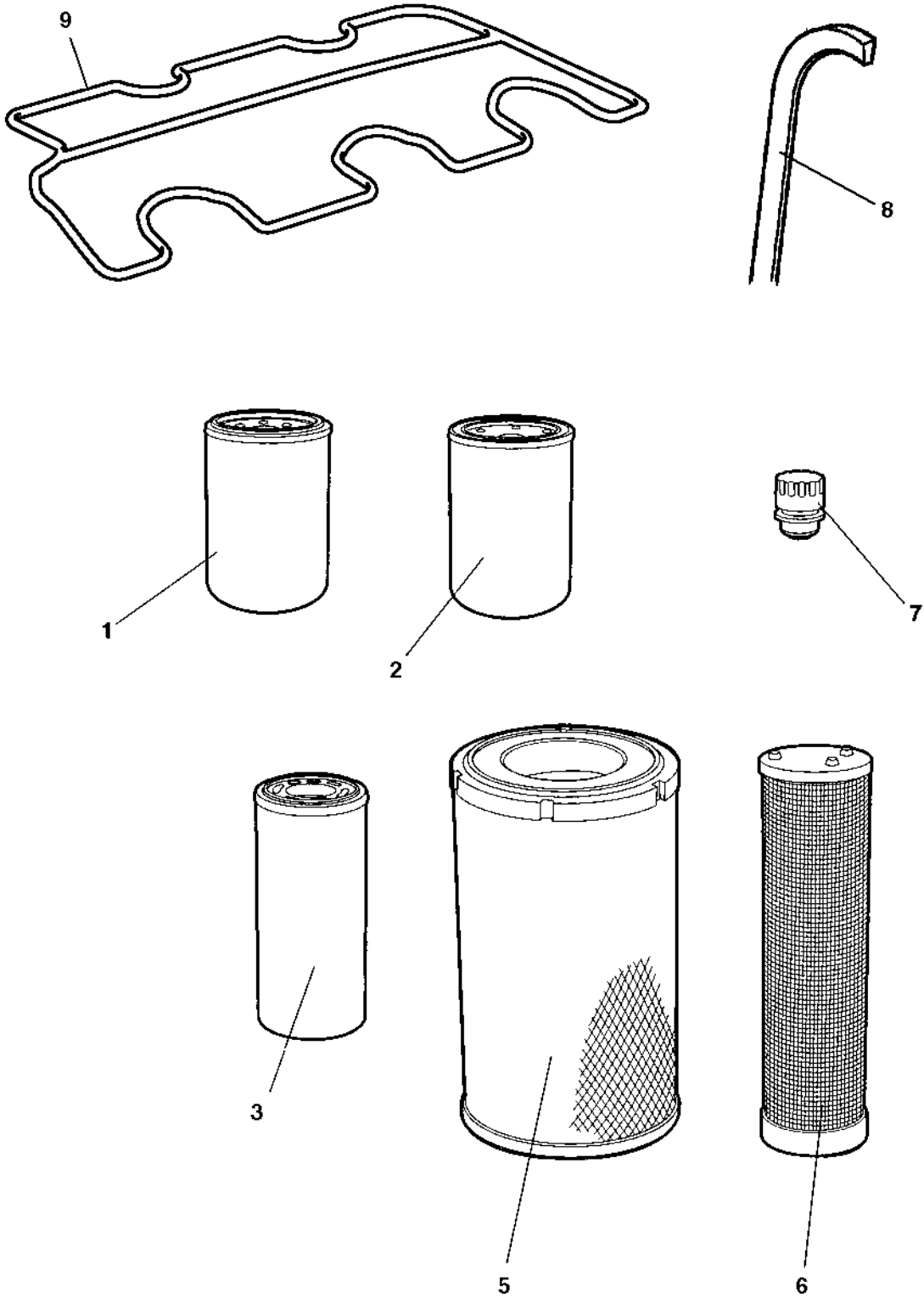
<b>Item</b>	<b>Part No</b>	<b>Rem Qty</b>	<b>Description</b>	<b>Code</b>
5			Service kits ( Page 4 )	
6			Repair kits ( Page 12 )	
10			Frames ( Page 28 )	
20			Drum ( Page 42 )	
30			Engine ( Page 48 )	
50			Hydraulic system ( Page 60 )	
60			Electrical equipment ( Page 82 )	
70			Drivers platform ( Page 96 )	
80			Decals and documentation ( Page 110 )	
90			Standard equipment ( Page 114 )	
91			Optional equipment ( Page 118 )	

Service kits

**Service kits**

<b>Item</b>	<b>Part No</b>	<b>Rem Qty</b>	<b>Description</b>	<b>Code</b>
1	4700940208		<b>Service kit, Perkins 50h ( Page 6 )</b>	
2	4700940209		<b>Service kit, Perkins 500h ( Page 8 )</b>	
3	4700940210		<b>Service kit, Perkins 1000h ( Page 10 )</b>	

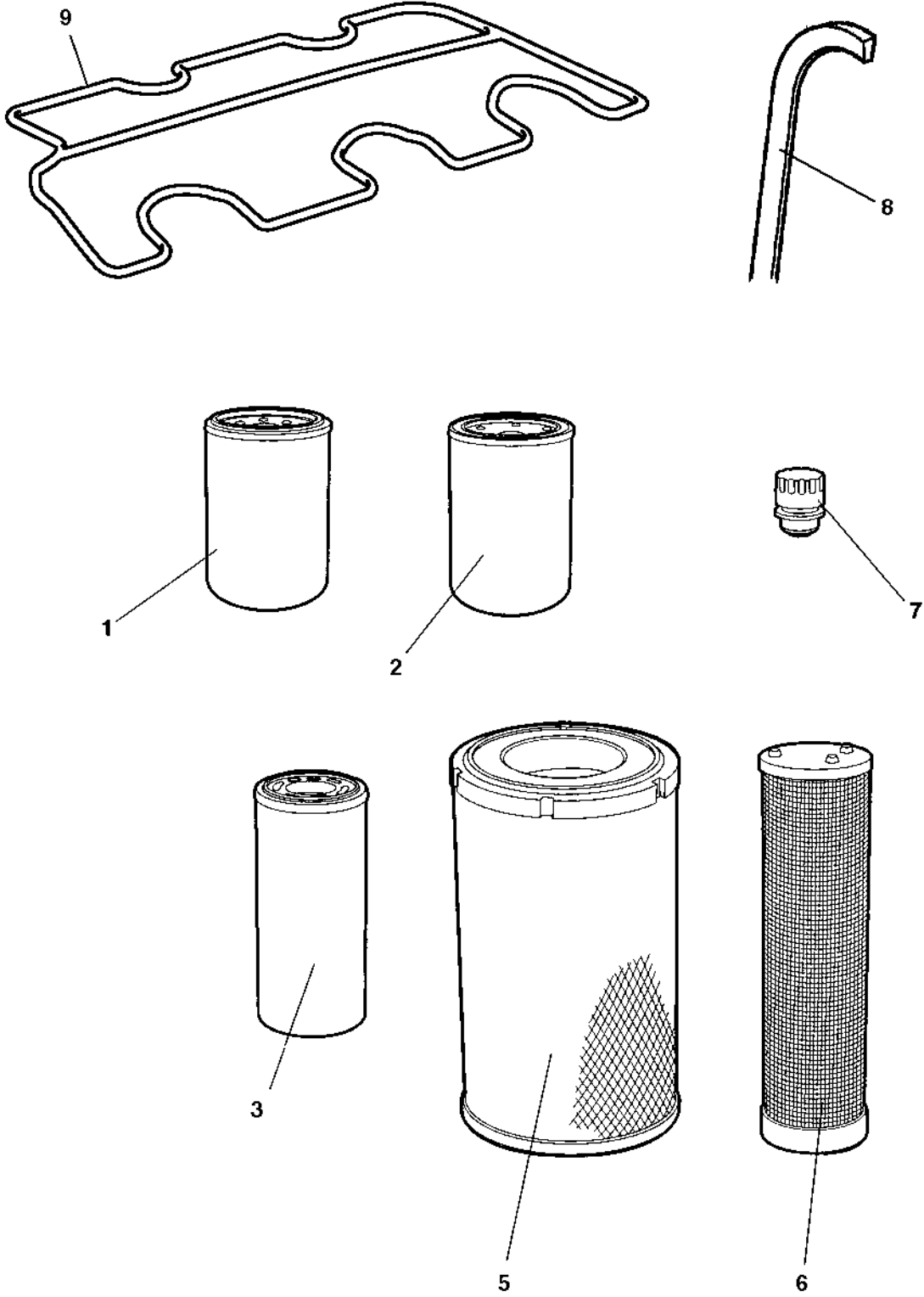
4700940208 Service kit, Perkins 50h



**4700940208 Service kit, Perkins 50h**

<b>Item</b>	<b>Part No</b>	<b>Rem Qty</b>	<b>Description</b>	<b>Code</b>
	4700940208		<b>Service kit, Perkins 50h ( Page 6 )</b>	
1	4700376554	1	Oil filter	A
2	4700376555	1	Fuel filter	A
3	4700376637	1	Hydraulic filter element	A

4700940209 Service kit, Perkins 500h

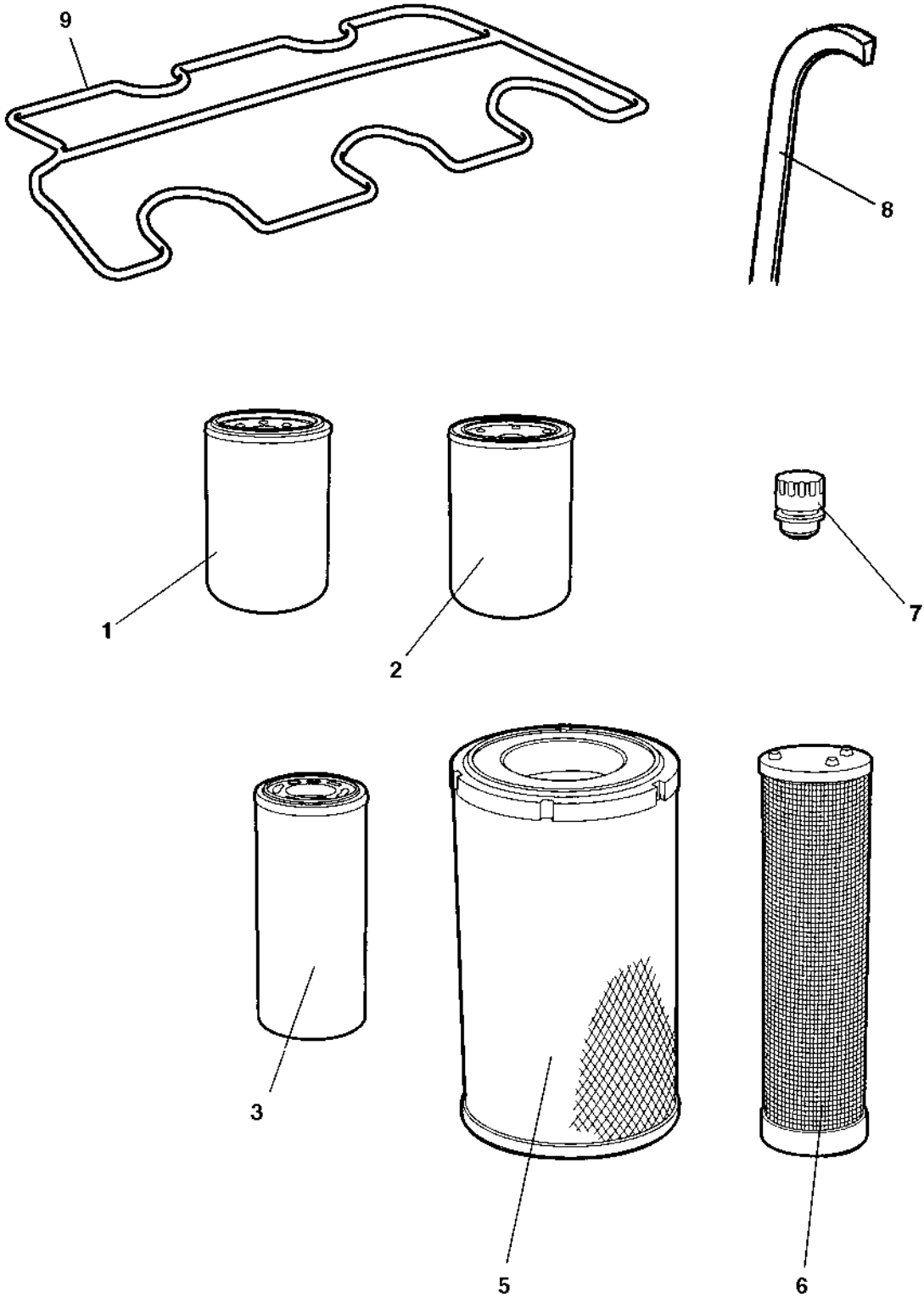


4700940209 Service kit, Perkins 500h

Item	Part No	Rem Qty	Description	Code
	4700940209		<b>Service kit, Perkins 500h ( Page 8 )</b>	
1	4700376554	1	Oil filter	A
2	4700376555	1	Fuel filter	A
5	4700939802	1	Air filter element Main	A
6	4700939803	1	Air filter element Safety	A
7	4700357138	1	Ventilating filter	



4700940210 Service kit, Perkins 1000h



**4700940210 Service kit, Perkins 1000h**

<b>Item</b>	<b>Part No</b>	<b>Rem Qty</b>	<b>Description</b>	<b>Code</b>
	4700940210		<b>Service kit, Perkins 1000h ( Page 10 )</b>	
1	4700376554	1	Oil filter	A
2	4700376555	1	Fuel filter	A
3	4700376637	1	Hydraulic filter element	A
5	4700939802	1	Air filter element Main	A
6	4700939803	1	Air filter element Safety	A
7	4700357138	1	Ventilating filter	
8	4700939932	1	V-belt	A
9	4700940212	1	Valve gasket	D

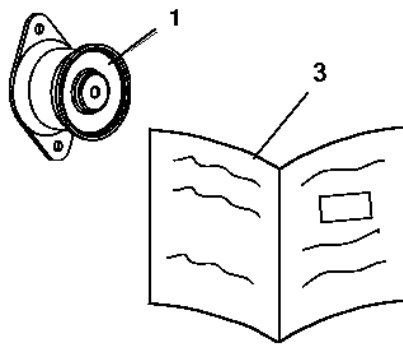
Repair kits

Repair kits

Item	Part No	Rem	Qty	Description	Code
10	4700945850		1	Shock absorber kit, front drum ( Page 14 )	
11	4700945552	B	1	Shock absorber kit, drum ( Page 16 )	
12	4700940671		1	Scraper kit CC900/900G/900S ( Page 18 )	
13	4700945928		1	Repair kit, Steering hitch ( Page 20 )	
14	4700945710		1	Eccentric shaft kit ( Page 22 )	
15	4700945711		1	Drum rotation kit ( Page 24 )	
16	4700950150		1	Eccentric shaft kit Single arm drum ( Page 26 )	

B) Rear drum

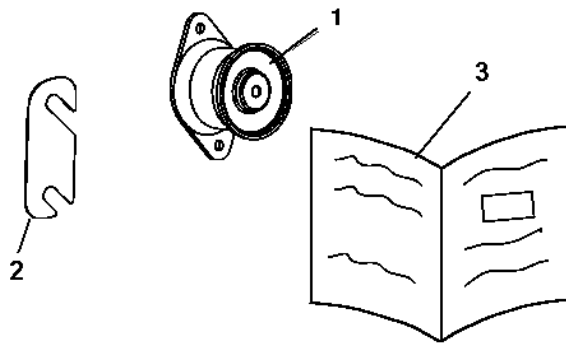
**4700945850 Shock absorber kit, front drum**



**4700945850 Shock absorber kit, front drum**

<b>Item</b>	<b>Part No</b>	<b>Rem Qty</b>	<b>Description</b>	<b>Code</b>
	4700945850		<b>Shock absorber kit, front drum ( Page 14 )</b>	
1	4700394242	8	Shock absorber	D
3	4812156170	1	Instructions	

**4700945552 Shock absorber kit, drum**

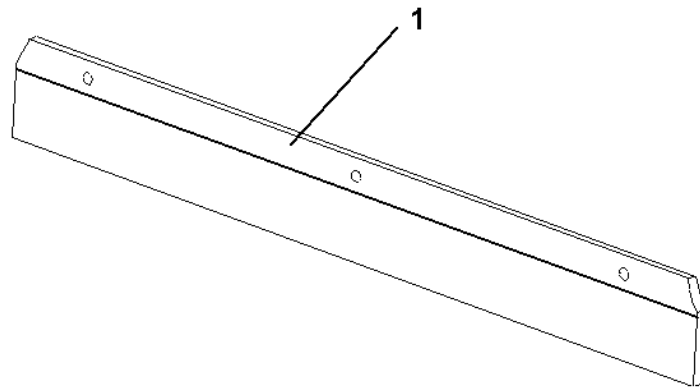


**4700945552 Shock absorber kit, drum**

<b>Item</b>	<b>Part No</b>	<b>Rem Qty</b>	<b>Description</b>	<b>Code</b>
	4700945552		<b>Shock absorber kit, drum ( Page 16 )</b>	
1	4700391984	7	Shock absorber	D
2	4700387424	4	Shim	D
3	4812156170	1	Instructions	



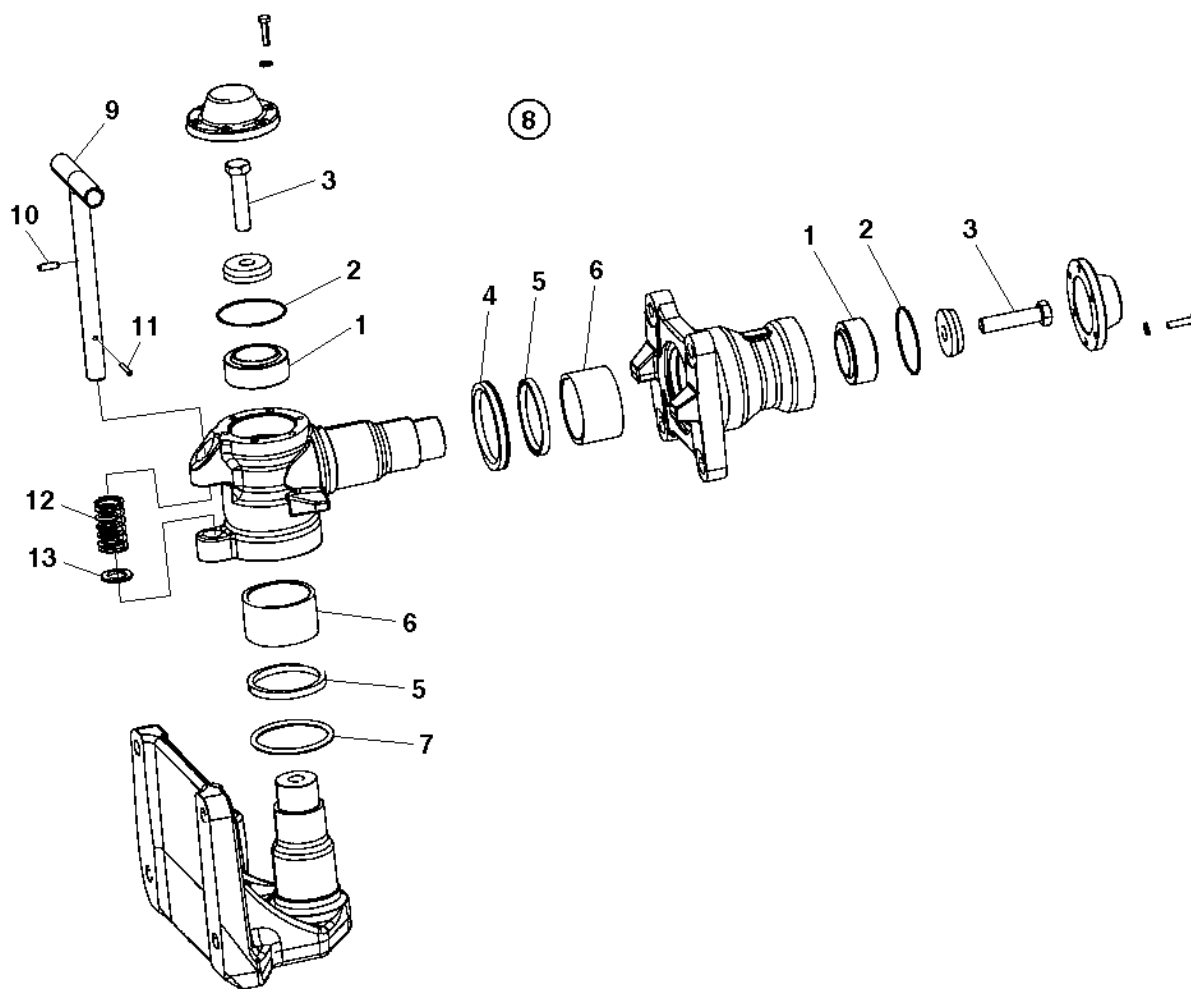
**4700940671 Scraper kit CC900/900G/900S**



## 4700940671 Scraper kit CC900/900G/900S

Item	Part No	Rem Qty	Description	Code
	4700940671		Scraper kit CC900/900G/900S ( Page 18 )	
1	4700387346	4	Scraper blade Polyurethan	B

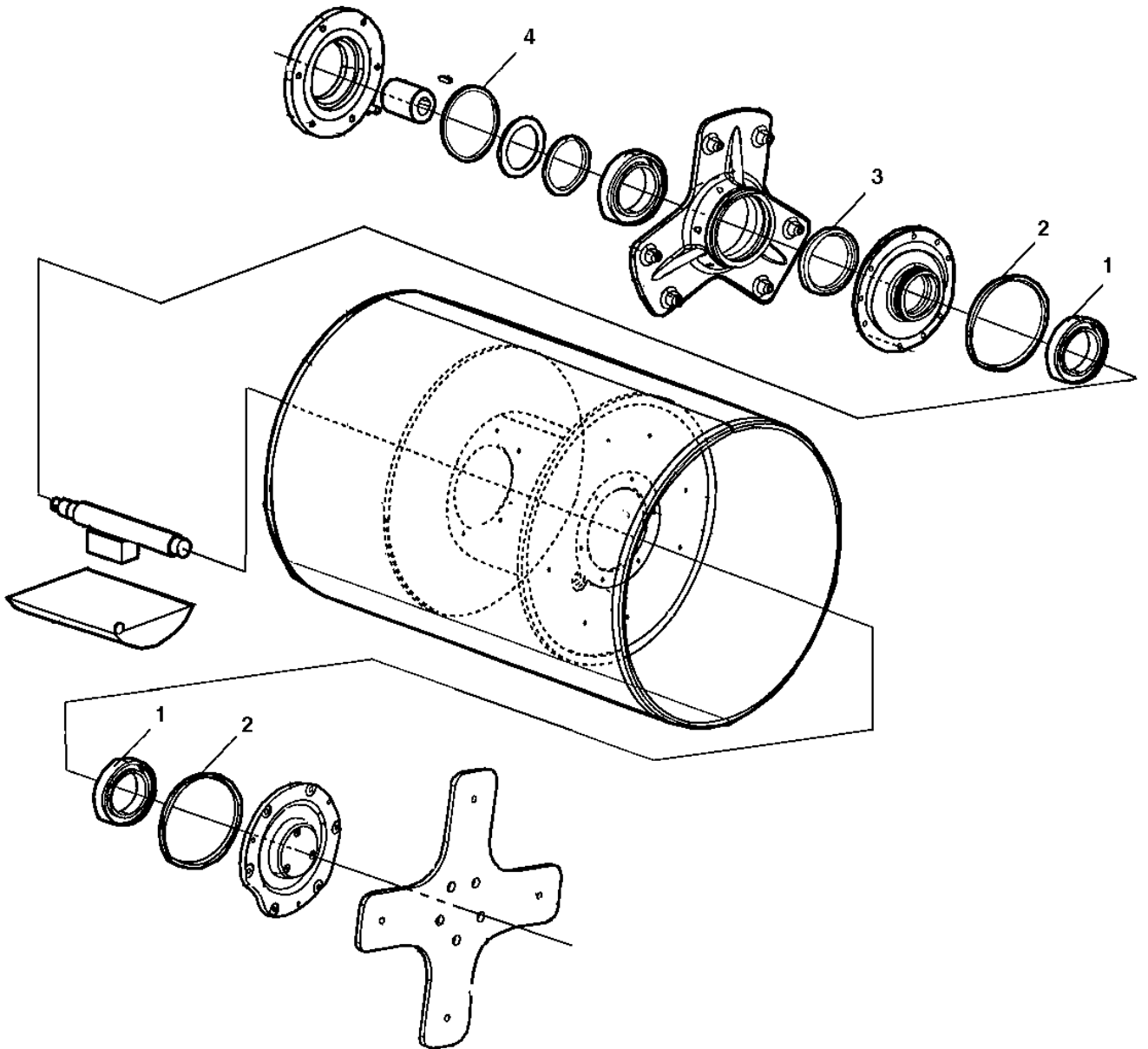
4700945928 Repair kit, Steering hitch



**4700945928 Repair kit, Steering hitch**

<b>Item</b>	<b>Part No</b>	<b>Rem Qty</b>	<b>Description</b>	<b>Code</b>
	4700945928		<b>Repair kit, Steering hitch ( Page 20 )</b>	
1	4700792611	2	Radial spherical plain bearing	D
2	4700791962	2	O-ring	D
3	4700500050	2	Screw	D
4	4700388171	1	Sealing, v-ring	D
5	4700388173	2	Shear wiper	D
6	4700388172	2	Bushing	D
7	4700160058	1	O-ring	C

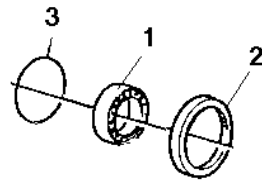
4700945710 Eccentric shaft kit



**4700945710 Eccentric shaft kit**

Item	Part No	Rem Qty	Description	Code
	4700945710		<b>Eccentric shaft kit ( Page 22 )</b>	
1	4700791433	2	Spherical roller bearing	B
2	4700791425	2	O-ring 174, 20x5, 70	D
3	4700791426	1	Radial lip seal	D
4	4700160132	1	O-ring 124, 50x3, 00	

**4700945711 Drum rotation kit**

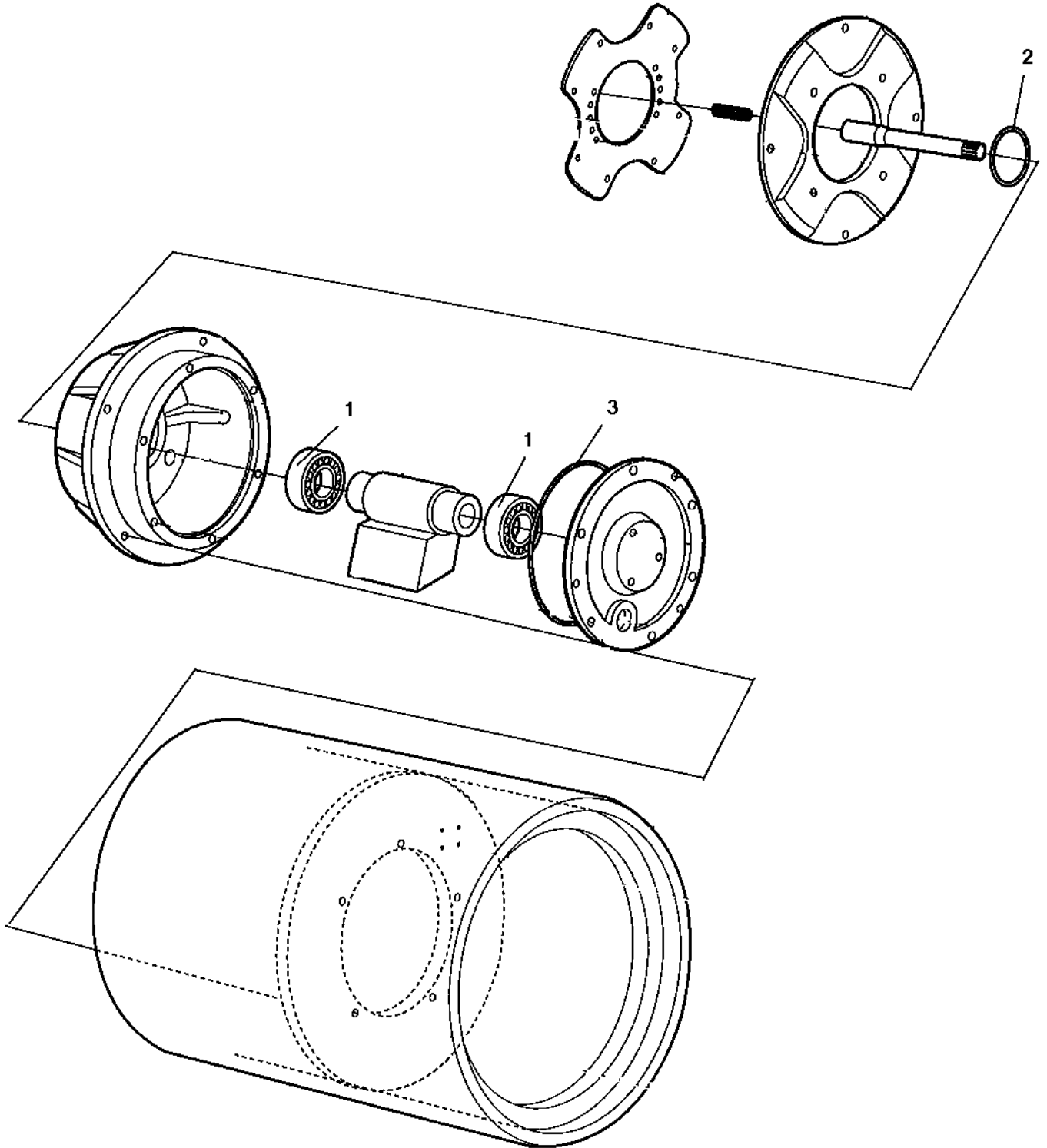


## 4700945711 Drum rotation kit

Item	Part No	Rem Qty	Description	Code
	4700945711		<b>Drum rotation kit ( Page 24 )</b>	
1	4700111018	1	Ball bearing	D
2	4700791426	1	Radial lip seal	D
3	4700160132	1	O-ring 124, 50x3, 00	



4700950150 Eccentric shaft kit Single arm drum



**4700950150 Eccentric shaft kit Single arm drum**

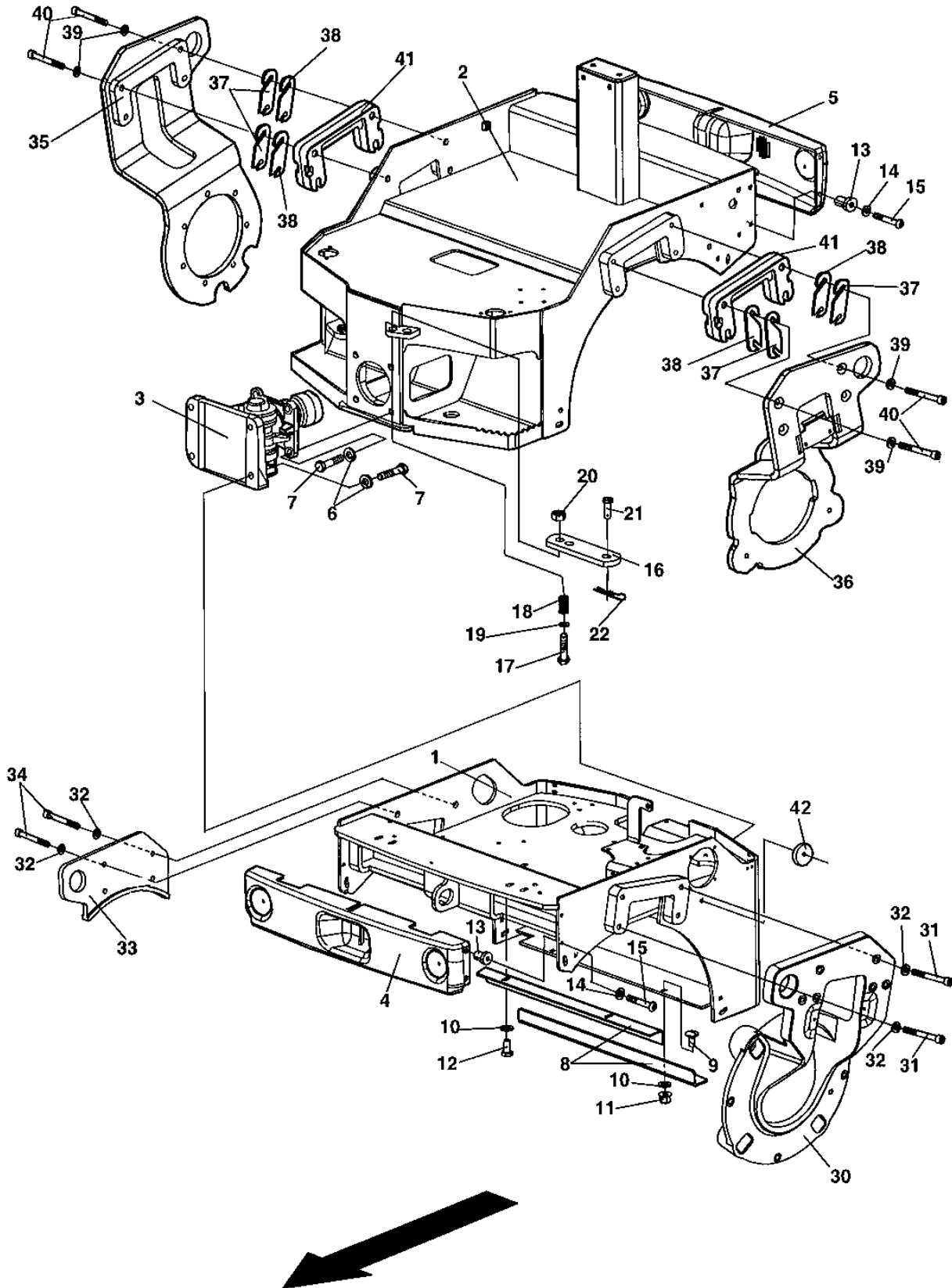
<b>Item</b>	<b>Part No</b>	<b>Rem Qty</b>	<b>Description</b>	<b>Code</b>
	4700950150		<b>Eccentric shaft kit Single arm drum ( Page 26 )</b>	
1	4700791750	2	Cylinder roller bearing	D
2	4700160111	1	O-ring	D
3	4700791923	1	O-ring	D

Frames

Frames

<b>Item</b>	<b>Part No</b>	<b>Rem Qty</b>	<b>Description</b>	<b>Code</b>
10			Frames ( Page 30 )	
30			Scrapers ( Page 34 )	
35			Spring loaded Scrapers Option ( Page 36 )	
40			Engine hood ( Page 38 )	
51			Sprinkler system ( Page 40 )	

Frames

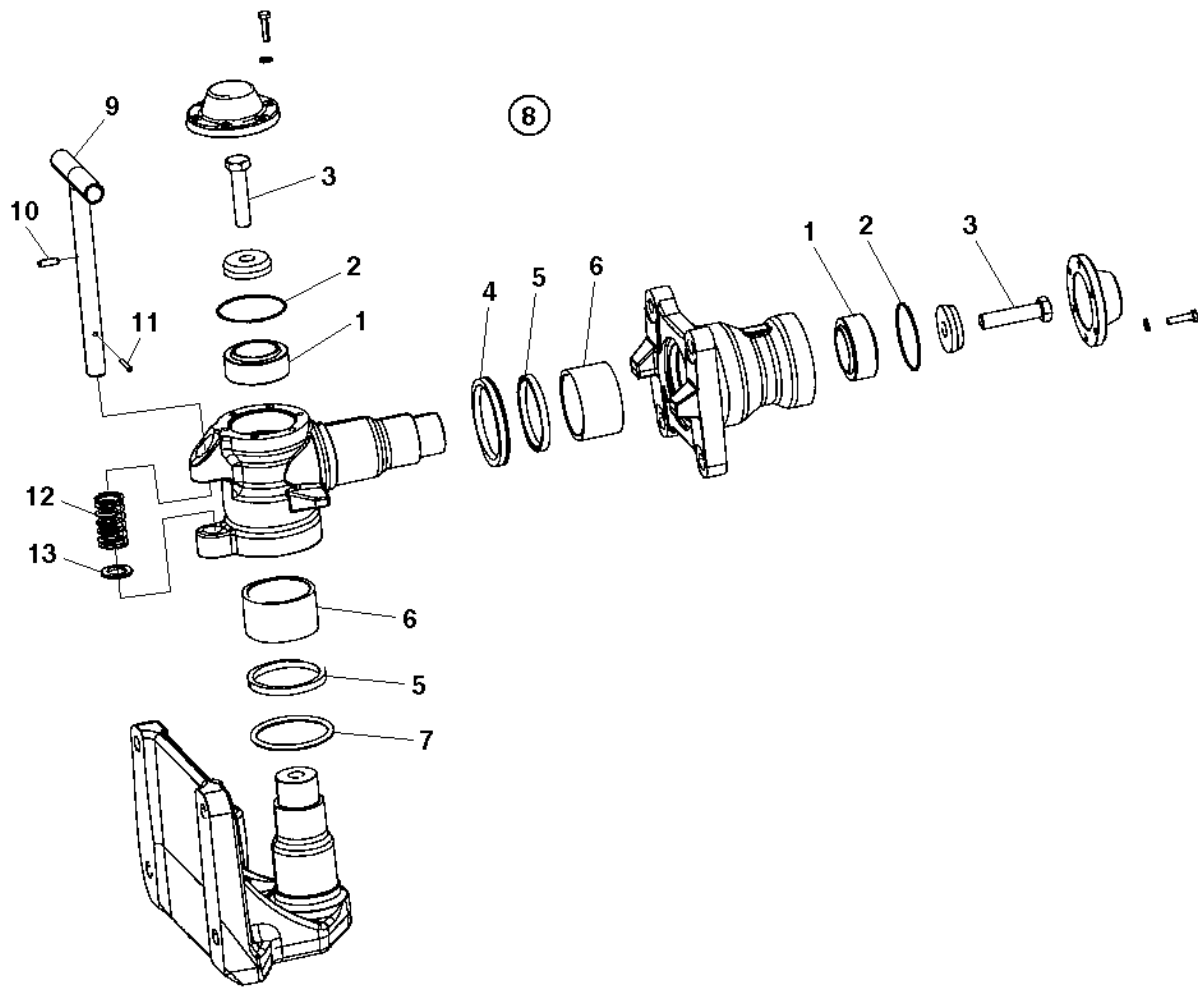


Frames

Item	Part No	Rem Qty	Description	Code
1	4700389602	1	Front frame	D
2	4700387056	1	Frame, rear	D
3	4700377621	1	<b>Hitch ( Page 32 )</b>	
4	4700387376	1	Cover, frame	D
5	4700387886	1	Cover, frame	D
6	4700904214	8	Washer 15x30x4 300 HV	
7	4700500176	8	Screw M14x060	D
8	4700387779	2	Press plate	D
9	4700929191	2	Bolt	D
10	4700904640	4	Washer 8,4x22x3	C
11	4700586003	2	Lock nut M8	
12	4700500053	2	Screw M8x20H 8.8	
13	4700387949	8	Rubber nut	D
14	4700904228	8	Steel plain washer 6,4x12x1,5	
15	4700792149	8	Screw M6x35 8.8	D
16	4700377610	1	Lock link	D
17	4700500208	1	Screw M20x80	D
18	4700349332	1	Pressure spring	D
19	4700904233	1	Washer 21x36x3	
20	4700586022	1	Lock nut M20-8	C
21	4700530027	1	Clevis pin	D
22	4700635061	1	Hair clip	B
30	4700377806	1	Fork	D
31	4700500175	6	Screw	D
32	4700904231	10	Washer 13x24x2 300 HV	
33	4700389459	1	Lifting lug	D
34	4700500269	4	Screw	C
35	4812120655	1	Fork	D
36	4812120575	1	Fork, vibration side	D
37	4700387425	N	Shim	D
38	4700387424	N	Shim	D
39	4700904231	8	Washer 13x24x2 300 HV	
40	4700500122	8	Screw	C
41	4700388153	2	Spacer	D
42		A	2 Reflector	

A) See section " Decals and documentation"

4700377621 Hitch

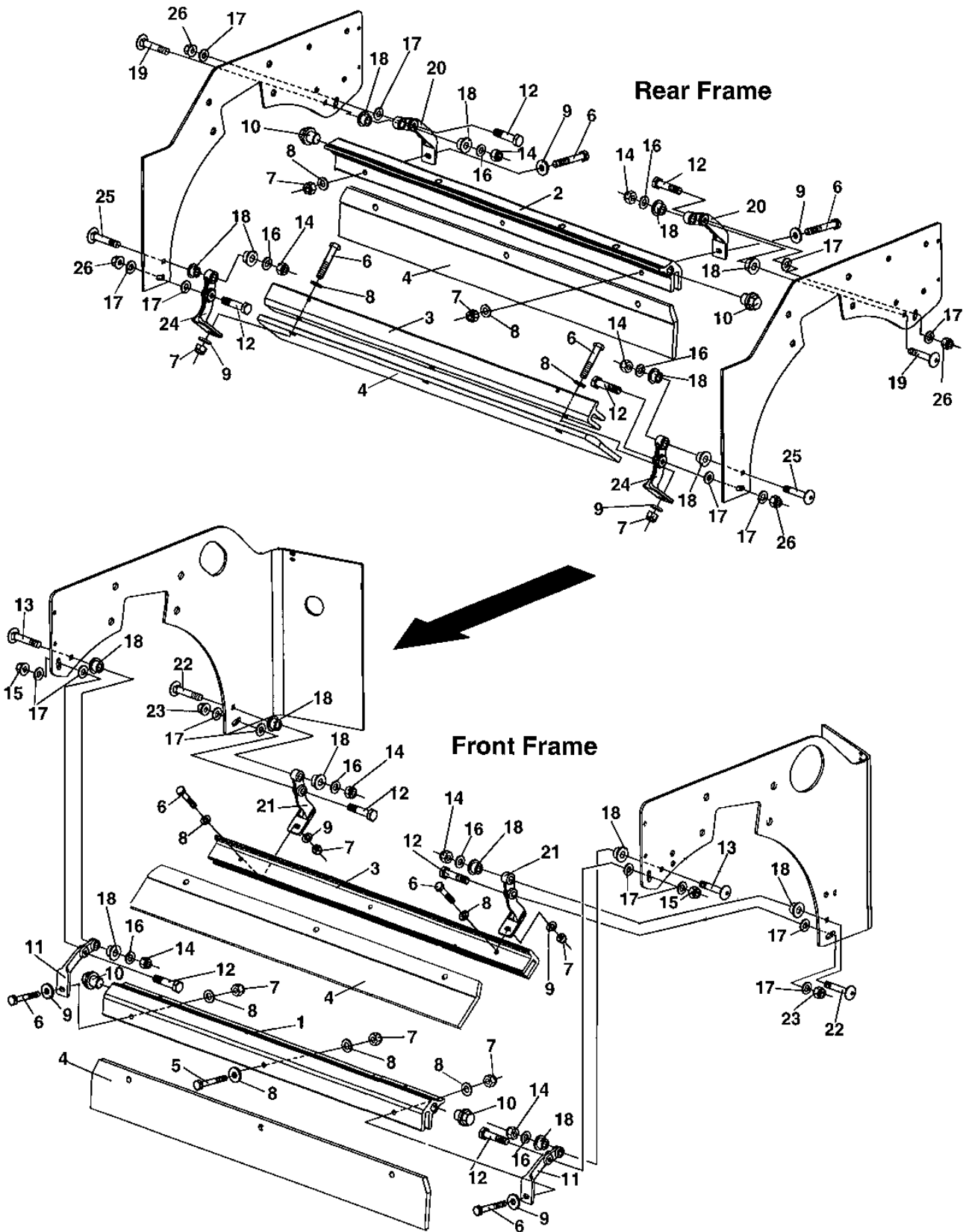


4700377621 Hitch

Item	Part No	Rem Qty	Description	Code
1	4700792611	2	Radial spherical plain bearing	D
2	4700791962	2	O-ring	D
3	4700500050	2	Screw	D
4	4700388171	1	Sealing, v-ring	D
5	4700388173	2	Shear wiper	D
6	4700388172	2	Bushing	D
7	4700160058	1	O-ring	C
8	4700945928	1	<b>Repair kit, Steering hitch ( Page 20 )</b>	
9			Not used on this model	
10			Not used on this model	
11			Not used on this model	
12			Not used on this model	
13			Not used on this model	



Scrapers

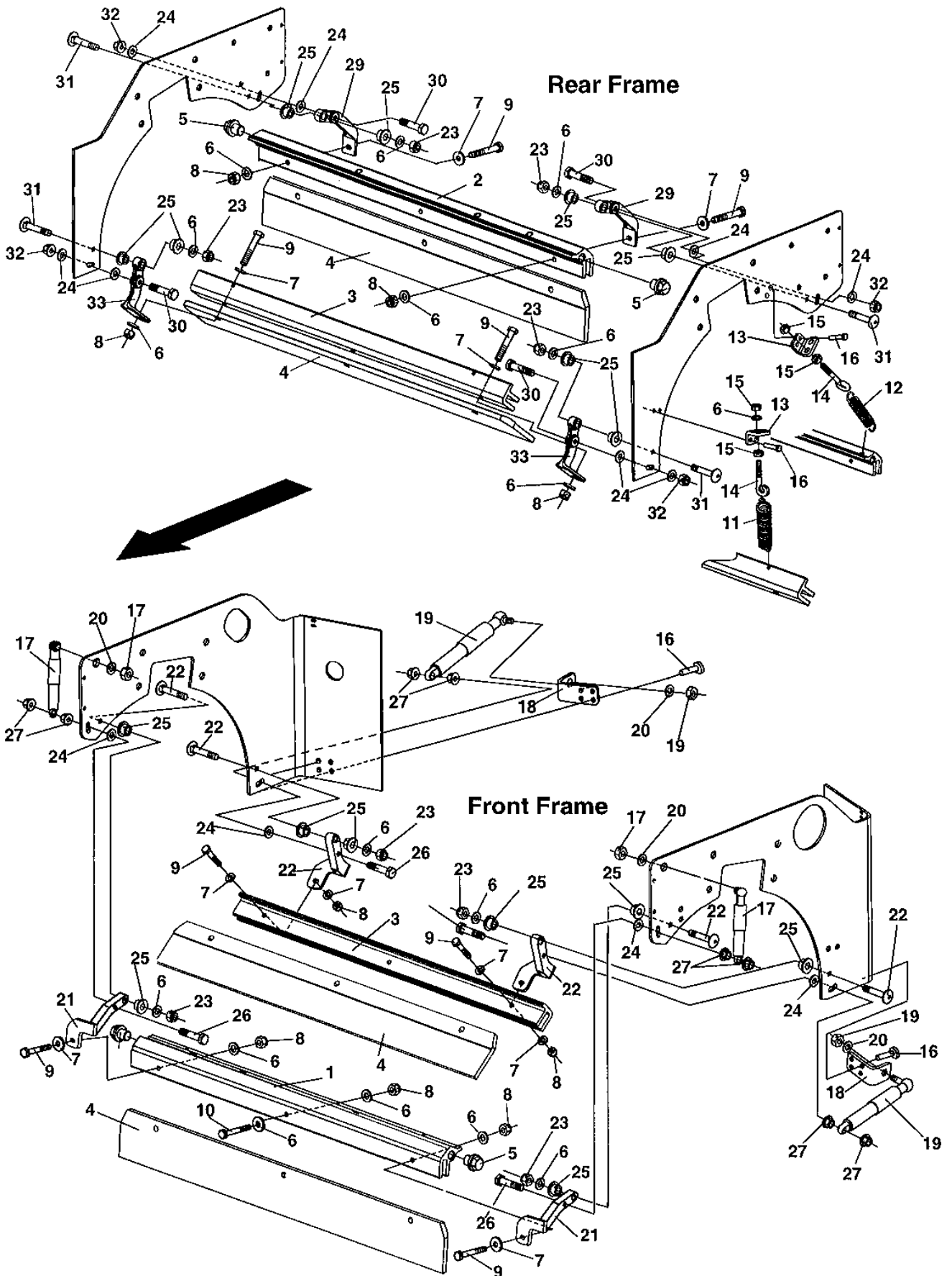


**Scrapers**

<b>Item</b>	<b>Part No</b>	<b>Rem Qty</b>	<b>Description</b>	<b>Code</b>
1	4700377817	1	Sprinkler pipe	D
2	4700387344	1	Sprinkler pipe	C
3	4700387345	2	Scraper bracket	D
4	4700387346	4	Scraper blade Polyurethan	B
5	4700500024	B	Screw M8x45	D
6	4700500067	12	Screw M8-1,25x55 8,8	C
7	4700586003	12	Lock nut M8	
8	4700904229	16	Steel plain washer 8,4x16x1,5	
9	4700904640	8	Washer 8,4x22x3	C
10	4700792072	4	End plug	
		1	. Gasket	
11	4700377745	1	Upper hold	D
12	4700500105	16	Hexagon screw M10x50	D
13	4700791775	4	Bolt	C
14	4700586003	8	Lock nut M8	
15	4700586018	2	Hexagon lock nut M10	C
16	4700904229	8	Steel plain washer 8,4x16x1,5	
17	4700791938	16	Washer	C
18	4700791939	16	Bushing	D
19	4700792134	2	Bolt	
20	4700387039	2	Upper hold	D
21	4700377746	2	Lower hold	D
22	4700791775	2	Bolt	C
23	4700586018	2	Hexagon lock nut M10	C
24	4700387043	1	Lower hold	D
25	4700792134	2	Bolt	
26	4700902287	2	Hexagon lock nut	

B) Valid for all scrapers

Spring loaded Scrapers Option

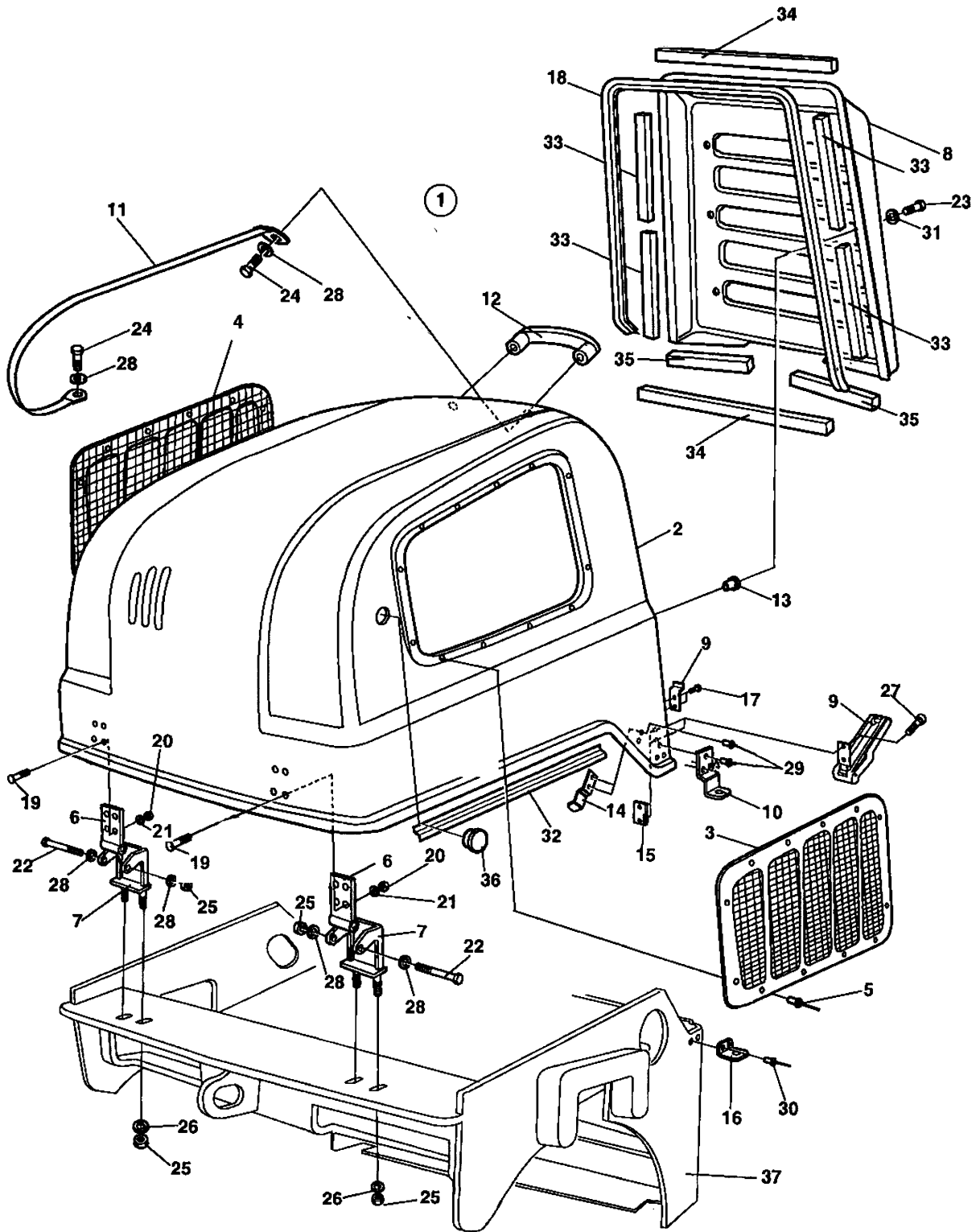


Spring loaded Scrapers Option

Item	Part No	Rem Qty	Description	Code
1	4700377817	1	Sprinkler pipe	D
2	4700387344	1	Sprinkler pipe	C
3	4700387345	2	Scraper bracket	D
4	4700387346	4	Scraper blade Polyurethan	B
5	4700792072	4	End plug	
		1	. Gasket	
6	4700904229	24	Steel plain washer 8,4x16x1,5	
7	4700904640	8	Washer 8,4x22x3	C
8	4700586003	8	Lock nut M8	
9	4700500067	8	Screw M8-1,25x55 8,8	C
10	4700500024	B	4 Screw M8x45	D
11	4700792188	2	Extension spring	D
12	4700359043	2	Spring	D
13	4700378178	4	Bracket	D
14	4700792189	4	Eye bolt	D
15	4700570005	8	Nut M8	C
16	4700792180	16	Blind rivet	D
17	4700792286	2	Gas spring	D
18	4700379656	2	Bracket	D
19	4700792287	2	Gas spring	B
20	4700904230	4	Steel plain washer	
21	4700377745	2	Upper hold	D
22	4700791775	4	Bolt	C
23	4700586003	2	Lock nut M8	
24	4700791938	12	Washer	C
25	4700791939	16	Bushing	D
26	4700500241	4	Screw	C
27	4700902287	8	Hexagon lock nut	
28	4700377746	2	Lower hold	D
29	4700387039	2	Upper hold	D
30	4700500105	4	Hexagon screw M10x50	D
31	4700792134	4	Bolt	
32	4700902287	4	Hexagon lock nut	
33	4700387043	2	Lower hold	D

B) Valid for all scrapers

Engine hood

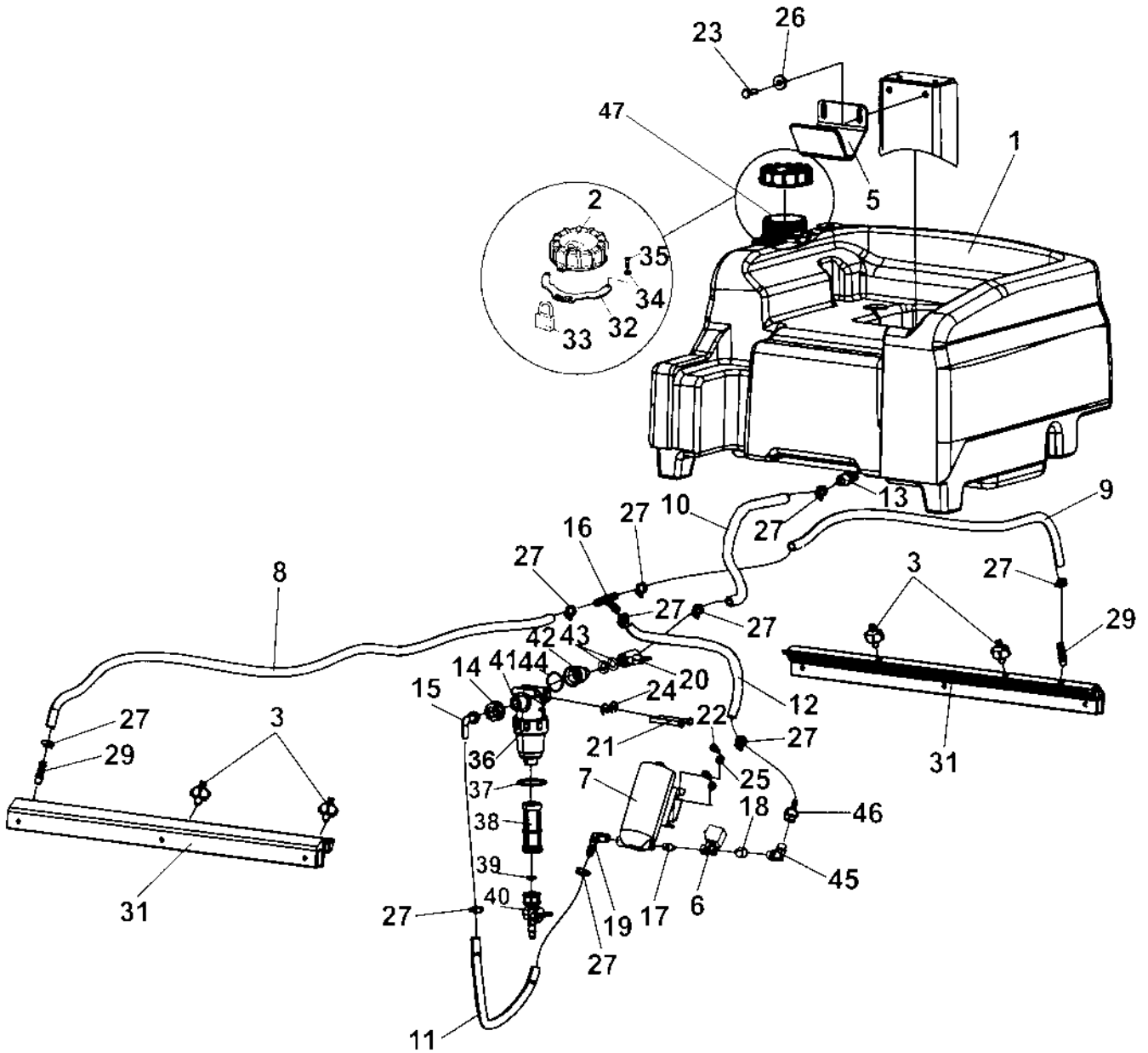


Engine hood

Item	Part No	Rem Qty	Description	Code
1	4812120570	1	Engine hood	D
2		1	. Engine hood	
3	4812120592	1	. Grid	D
4	4700377044	1	. Grid, right	D
5	4700904012	24	. Rivet	
6	4700387148	2	Hinge	D
7	4700387151	2	Hinge	D
8	4700387154	1	Cover, radiator	D
9	4700388846	2	Latch	D
10	4700377061	1	Lock plate	D
11	4700387947	1	Metal strapping	D
12	4700387948	1	Handle	D
13	4700387949	6	Rubber nut	D
14	4700388733	2	Controlling plate	D
15	4700387956	1	Stop plate	
16	4700388852	1	Lock plate	D
17	4700791643	4	Screw	C
18	4700902166	A	Edge trim	
19	4700903856	8	Bolt M06x30	C
20	4700586002	8	Lock nut M6 -8	
21	4700904228	8	Steel plain washer 6,4x12x1,5	
22	4700500068	2	Screw M08x65	C
23	4700791559	6	Screw M06x35	D
24	4700500053	3	Screw M8x20H 8.8	
25	4700586003	6	Lock nut M8	
26	4700904556	4	Washer 8,4x16x3,0	C
27	4700508022	4	Screw M4x16	
28	4700904229	7	Steel plain washer 8,4x16x1,5	
29	4700791754	7	Blind rivet	
30	4700792180	2	Blind rivet	D
31	4700928381	6	Washer 6,4x18x1,6	C
32	4700297018	B	Rubber strip	
33	4700791597	C	Rubber strip	
34	4700791597	D	Rubber strip	
35	4700791597	E	Rubber strip	
36	4700902890	2	Plug	
37		1	See sections "Frames"	

- A) L = 1620 mm
- B) L = 450 mm
- C) L = 125 mm
- D) L = 420 mm
- E) L = 170 mm

Sprinkler system



## Sprinkler system

Item	Part No	Rem	Qty	Description	Code
1	4700389218		1	Water tank, cpl	D
2	4700388087		1	Tank cap	D
3	4700392011		4	Spraying nozzle, cpl	A
	4700392508		1	. Housing	D
	4700392509		1	. Retainer, nozzle, strainer, yellow 0.8	D
	4700376876		1	. Gasket	D
5	4700387935		1	Bracket	D
6	4700287713		1	Solenoid valve	B
7	4812113822		1	Water pump	C
8	4812112074	A	1	Plastic hose	
9	4812112074	B	1	Plastic hose	
10	4812112074	C	1	Plastic hose	
11	4812112074	D	1	Plastic hose	
12	4812112074	E	1	Plastic hose	
13	4700924544		2	Hose connection	C
14	4700792779		1	Swivel nut	
15	4812111330		1	Hose connection swivel	C
16	4700923735		1	Hose connection	C
17	4700377611		1	Straight connector	C
18	4812112645		1	Hose connection	
19	4700923734		1	Hose connection	B
20	4700925599		1	Ball valve	C
21	4700500090		2	Screw	C
22	4700508004		4	Socket head cap screw M8-1,25x12H 8.8	D
23	4700500029		2	Hexagon head screw	
24	4700904640		2	Washer 8,4x22x3	C
25	4700904556		4	Washer 8,4x16x3,0	C
26	4700904567		2	Washer 10,5x28x6 HB305	
27	4700313002		10	Hose clamp 13-20 mm	
29	4700791977		2	Hose connection	B
31		F	2	Sprinkler pipe	
32	4700389155	G	1	Lock bracket	D
33	4700358881	G	1	Pad lock	
34	4700904281	G	2	Washer 5,3x10x1 300HV	C
35	4700903658	G	2	Screw M5x10	C
36	4812111325		1	Water strainer, cpl	B
37	4700791959		1	. O-ring	C
38	4700791949		1	. Filter element	A
39	4700791568		1	. Gasket	
40	4700379009		1	. Valve	
41	4700480852		1	O-ring 70	
42	4812111331		1	Reducer nipple	
43	4700379753		4	Gasket	
44	4700160313		1	O-ring 70	
45	4700901298		1	Connector	C
46	4700901297		1	Hose connection	C
47	4700358846		1	Strainer	A

- A) L = 1565 mm  
 B) L = 835 mm  
 C) L = 520 mm  
 D) L = 410 mm  
 E) L = 440 mm  
 F) See section "Scraper"  
 G) Option

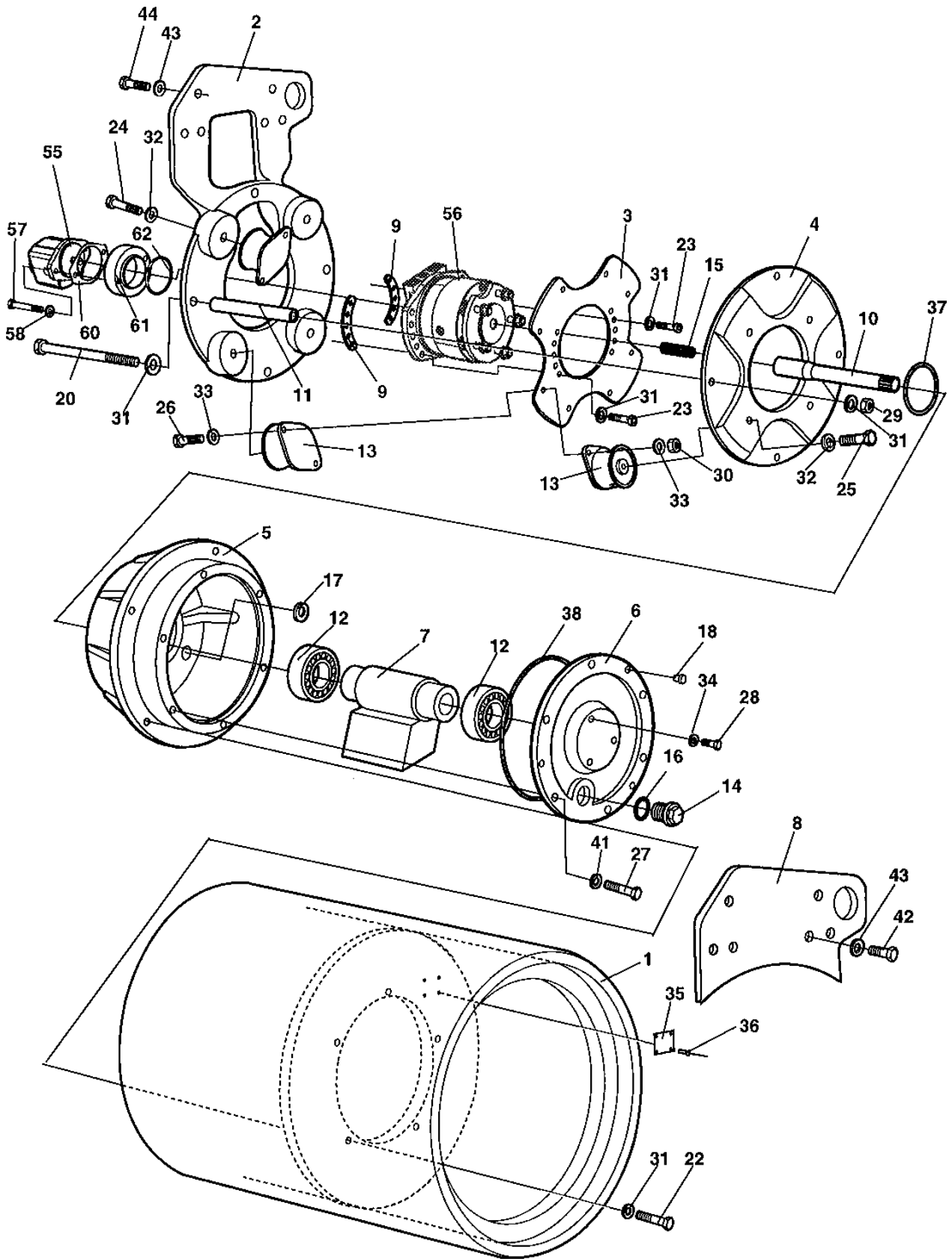


Drum

Drum

Item	Part No	Rem Qty	Description	Code
10			Drum Single arm ( Page 44 )	
20			Drum Rear ( Page 46 )	

Drum Single arm



## Drum Single arm

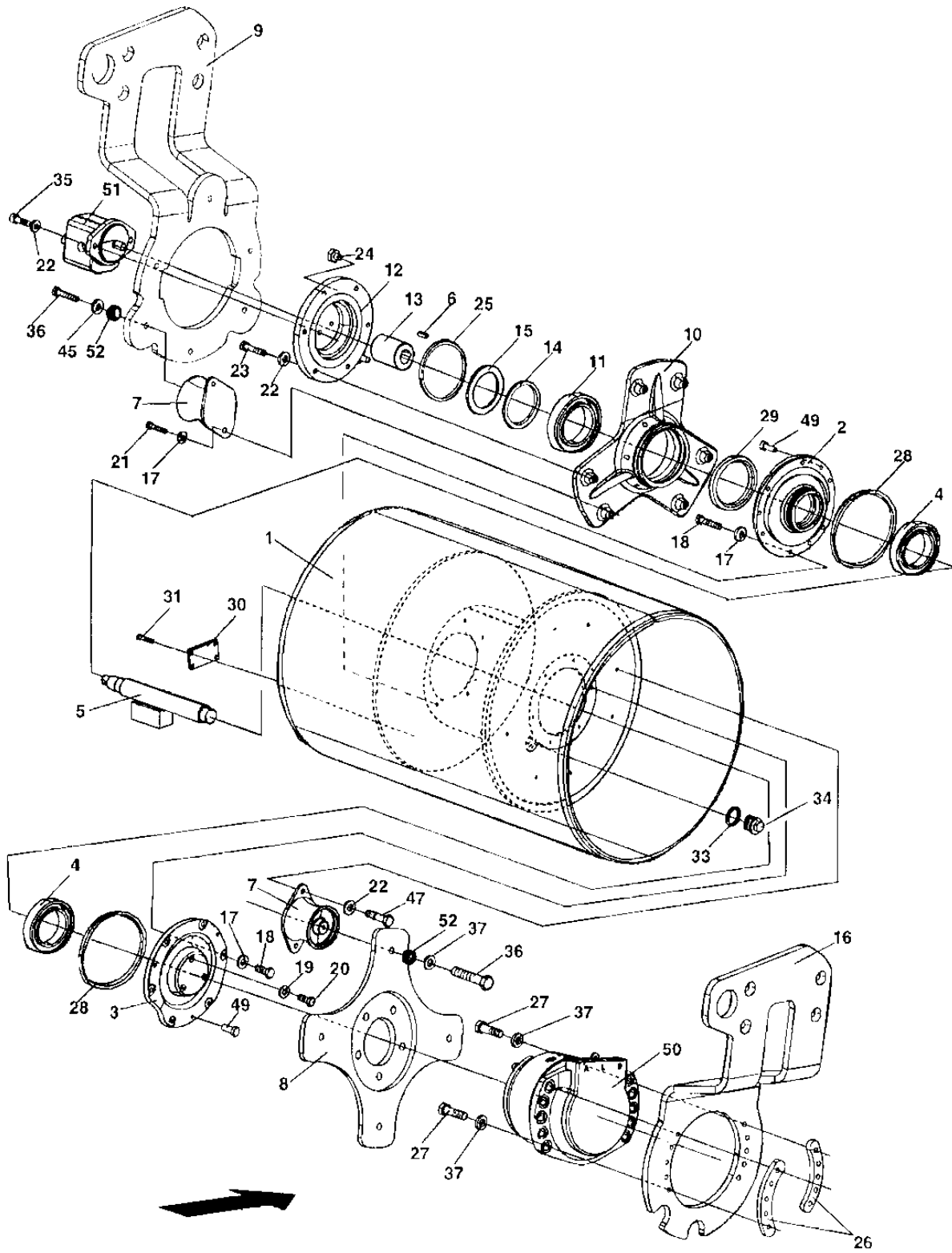
Item	Part No	Rem	Qty	Description	Code
1	4700388975		1	Drum, front	D
2		A	1	Fork	
3	4700389455		1	Motor bracket	D
4	4700389456		1	Drive disc	D
5	4700389132		1	Bearing housing	D
6	4700389134		1	Bearing housing	D
7	4700389136		1	Eccentric shaft	D
8		A	1	Lifting lug	
9	4700389462		2	Holder	D
10	4700390554		1	Splined shaft, kit	D
	4700390175	B	1	. Splined shaft	D
		B	1	. Instruction	
11	4700389457		4	Spacer	D
12	4700791750		2	Cylinder roller bearing	D
13	4700394242		8	Shock absorber	D
14	4700343744		1	Magnetic plug	C
15	4700791922		1	Compression spring	D
16	4700162017		1	Seal ring	B
17	4700162024		5	Washer, sealing	
18	4700903374		3	Protective plug	
20	4700791929		4	Screw M12x260	D
21	4700500175		6	Screw	D
22	4700500195		5	Screw	
23	4700508032		10	Hex head cap screw m	
24	4812110668		4	Hexagon head screw M12x35H 10,9	D
25	4812110670		4	Hexagon head screw M12x30H 10,9	D
26	4812110669		8	Hexagon head screw M10x50 10,9	D
27	4700500022		6	Screw M8x30H 8.8	C
28	4700500012		3	Screw M6x12	C
29	4700570007		4	Hexagon nut M12	C
30	4700928847		8	Nut	
31	4700904231		23	Washer 13x24x2 300 HV	
32	4700904703		8	Steel plain washer	B
33	4700904557		16	Steel plain washer	
34	4700904228		3	Steel plain washer 6,4x12x1,5	
35			1	Sign plate	
36	4700527002		4	Drive screw	C
37	4700160111		1	O-ring	D
38	4700791923		1	O-ring	D
41	4700904556		6	Washer 8,4x16x3,0	C
42		A	4	Screw	
43		A	10	Washer	
44		A	6	Screw	
55	4700390854		1	Hydraulic motor	D
			1	Seal kit	
56		C	1	Hydraulic motor	
57	4700508014	B	2	Screw M10x60	D
58	4700904557	B	2	Steel plain washer	
60	4700379458	B	1	Gasket	D
61	4700390176	B	1	Adapter	D
62	4700160032	B	2	O-ring	D

A) See section "Frames"

B) Included in Splined shaft, kit

C) See section "Hydraulic propulsion and brake"

Drum Rear



## Drum Rear

Item	Part No	Rem	Qty	Description	Code
1	4700386628		1	Drum	D
2	4700386619		1	Bearing housing	D
3	4700386620		1	Bearing housing	D
4	4700791433		2	Spherical roller bearing	B
5	4700386624		1	Eccentric shaft	D
6	4700350029		1	Key	
7	4700391984		7	Shock absorber	D
8	4700387583		1	Drive disc	D
9		A	1	Fork, vibration side	
10	4700386241		1	Bearing housing	D
11	4700111018		1	Ball bearing	D
12	4700358666		1	Adapter	C
13	4700349202		1	Coupling	D
14	4700358689		1	Spacer ring	C
15	4700903154		1	Retaining ring	
16		A	1	Fork, drive side	
17	4700904640		12	Washer 8,4x22x3	C
18	4700500022		12	Screw M8x30H 8.8	C
19	4700904228		3	Steel plain washer 6,4x12x1,5	
20	4700500012		3	Screw M6x12	C
21	4812110596		6	Hexagon head screw M10x40 10,9 A3K	D
22	4700904557		22	Steel plain washer	
23	4700500029		6	Hexagon head screw	
24	4700343490		1	Air breather	D
25	4700160132		1	O-ring 124, 50x3, 00	
26	4700389462		2	Holder	D
27	4700508032		10	Hex head cap screw m	
28	4700791425		2	O-ring 174, 20x5, 70	D
29	4700791426		1	Radial lip seal	D
30			1	Sign plate	
31	4700527002		4	Drive screw	C
33	4700162017		1	Seal ring	B
34	4700343744		1	Magnetic plug	C
35	4700508029		2	Screw M10-1,5x30H 8,8	C
36	4812110595		7	Hexagon head screw M12x45H 10,9 A3K	D
37	4700904703		14	Steel plain washer	B
45	4700904231		3	Washer 13x24x2 300 HV	
47	4812110663		8	Hexagon head screw M10x25H 10,9 A3K	D
49	4700903374		6	Protective plug	
50		B	1	Hydraulic motor	
51		C	1	Hydraulic motor	
52	4812110346		7	Spacer	C

A) See section "Frames"

B) See section "Hydraulic propulsion and brake"

C) See section "Hydraulic vibration"

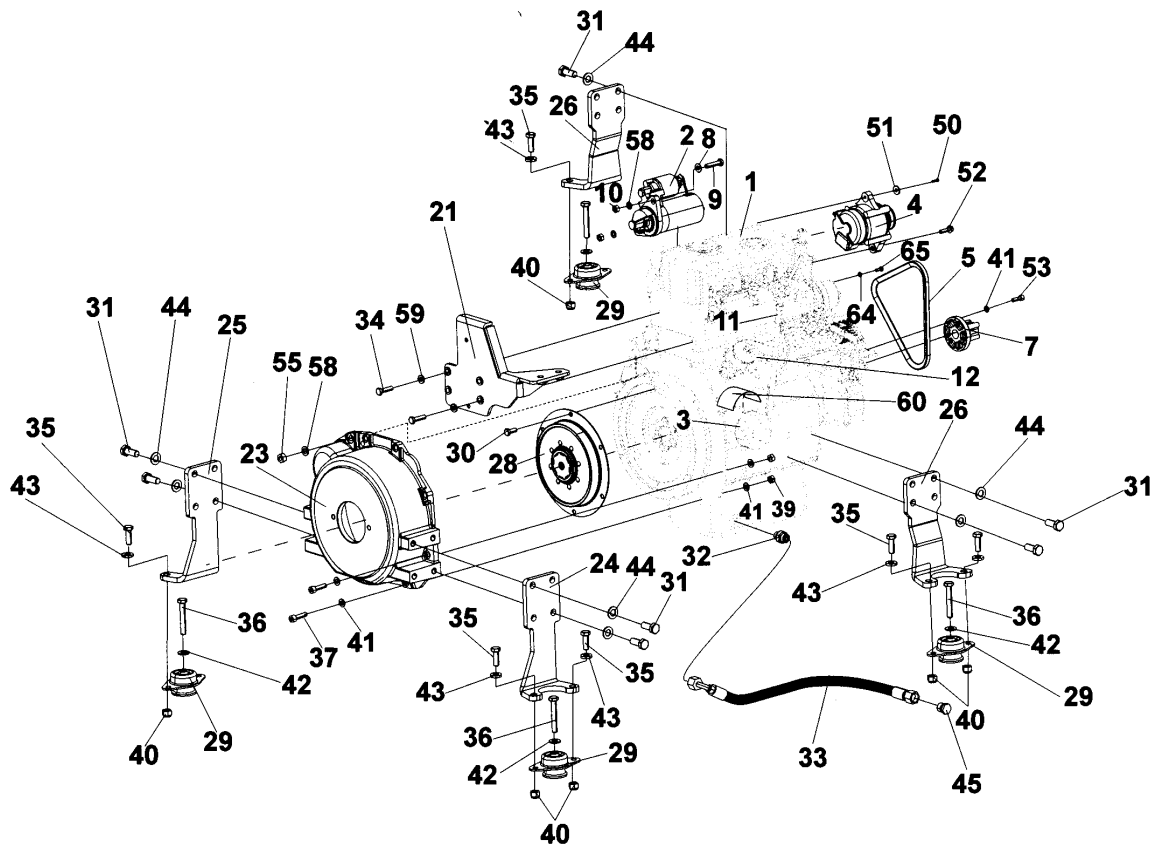
## Engine

**Engine**

<b>Item</b>	<b>Part No</b>	<b>Rem Qty</b>	<b>Description</b>	<b>Code</b>
10			Engine Perkins 403D-11 ( Page 50 )	
20			Cooling system ( Page 52 )	
30			Exhaust system ( Page 54 )	
40			Fuel system ( Page 56 )	
50			Air intake system ( Page 58 )	



Engine Perkins 403D-11



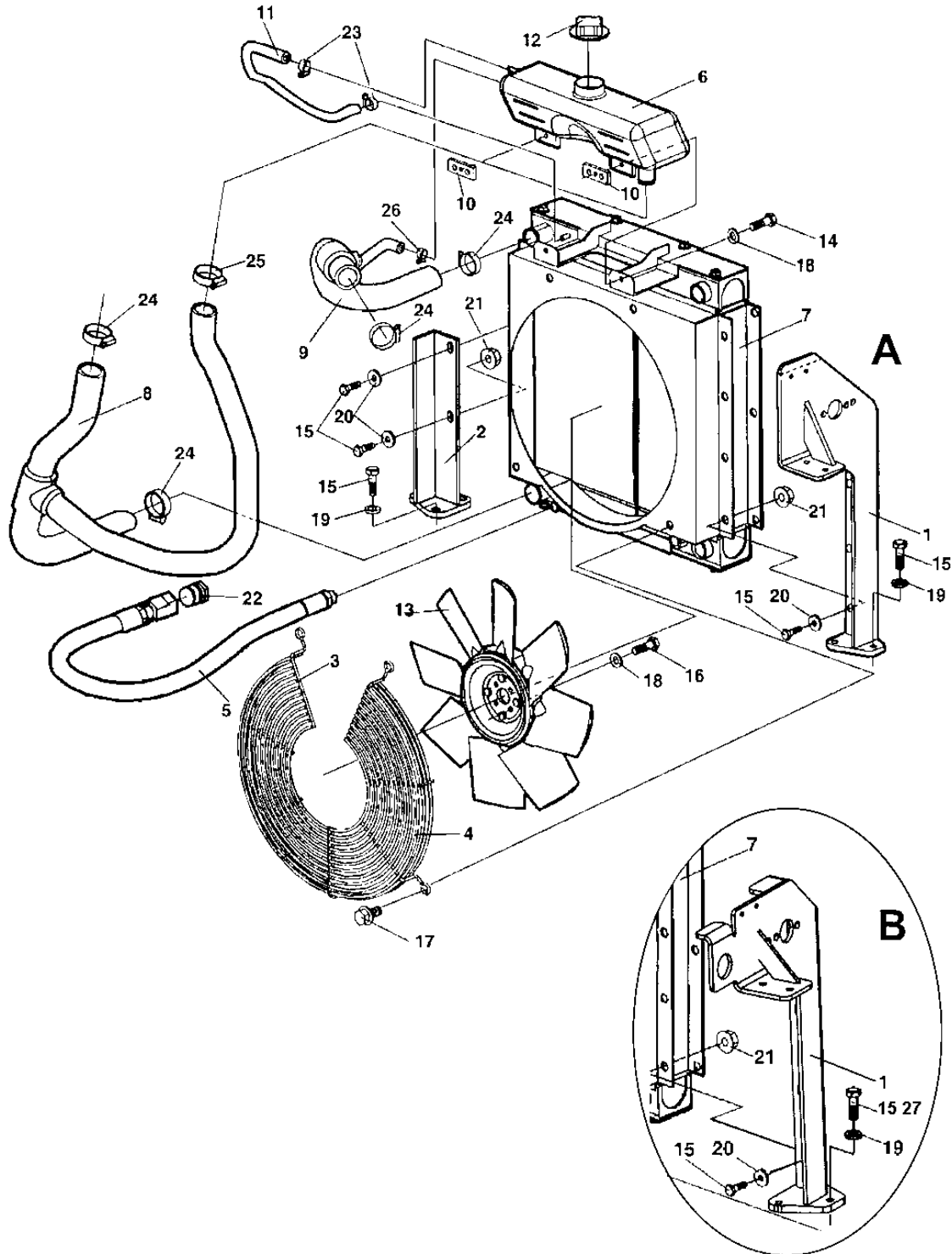
## Engine Perkins 403D-11

Item	Part No	Rem Qty	Description	Code
1	4700394541	1	Engine, Perkins 403D-11	D
	4812116572	1	Engine Perkins 403D-11	
	4700940227	1	. Water pump	C
	4700945123	1	. . Gasket	C
	4700945284	1	. Water temperature sensor	B
	4700940228	1	. Thermostat	D
	4700940976	1	. Gasket, oil sump	D
	4812155888	3	. Glow plug	
2	4700940231	1	. Starter	C
3	4700376554	1	. Oil filter	A
4	4700939977	1	. Alternator	C
5	4700939932	1	. V-belt	A
7	4700945735	1	. Fan coupling	
8	4700904230	2	. Steel plain washer	
9	4700500161	2	. Hexagon head screw	C
10	4700570006	2	. Nut	B
11	4700940229	1	. Oil dipstick	D
12	4700940447	1	. Fuel solenoid	B
13	4700945286	1	. Washer	D
14	4700945473	1	. Lift pump	C
	4700945629	1	. O-ring, lift pump	D
15	4812159667	C 1	. Oil pressure switch	
21	4700389003	1	Holder, air cleaner	D
23	4812120669	1	Bracket	
24	4700376770	1	Engine foot	D
25	4700376771	1	Engine foot	D
26	4700376772	2	Engine foot	D
28	4812120670	1	Coupling	
29	4700792026	4	Rubber mounts	D
30	4700502016	6	Screw	D
31	4700792250	16	Screw	D
32	4700791535	1	Connector	D
33	4700483684	1	Hydraulic hose	D
34	4700500022	4	Screw M8x30H 8.8	C
35	4700500029	8	Hexagon head screw	
36	4700500109	4	Screw M10-1,5x65 8,8	
37	4700508048	7	Hexagon socket head cap screw	C
39	4700570005	5	Nut M8	C
40	4700586018	8	Hexagon lock nut M10	C
41	4700904229	12	Steel plain washer 8,4x16x1,5	
42	4700904230	4	Steel plain washer	
43	4700904557	8	Steel plain washer	
44	4700904231	16	Washer 13x24x2 300 HV	
45	4700791493	1	Steel plug threaded	D
50	4700500047	1	Hexagon head screw	C
51	4700904640	1	Washer 8,4x22x3	C
52	4700500506	1	Screw	
53	4700508019	3	Screw M8x25 8.8	C
54	4700904229	3	Steel plain washer 8,4x16x1,5	
55	4700570006	2	Nut	B
56	4700904230	2	Steel plain washer	
57		B 2	Screw	
58	4700904637	2	Washer	C
59	4700904556	4	Washer 8,4x16x3,0	C
60	4700377520	1	Decal Oil filter	
64	4700904228	4	Steel plain washer 6,4x12x1,5	
65	4700500013	4	Screw M6-1x16 8,8	

B) Exist on engine

C) Not shown in illustration.

Cooling system

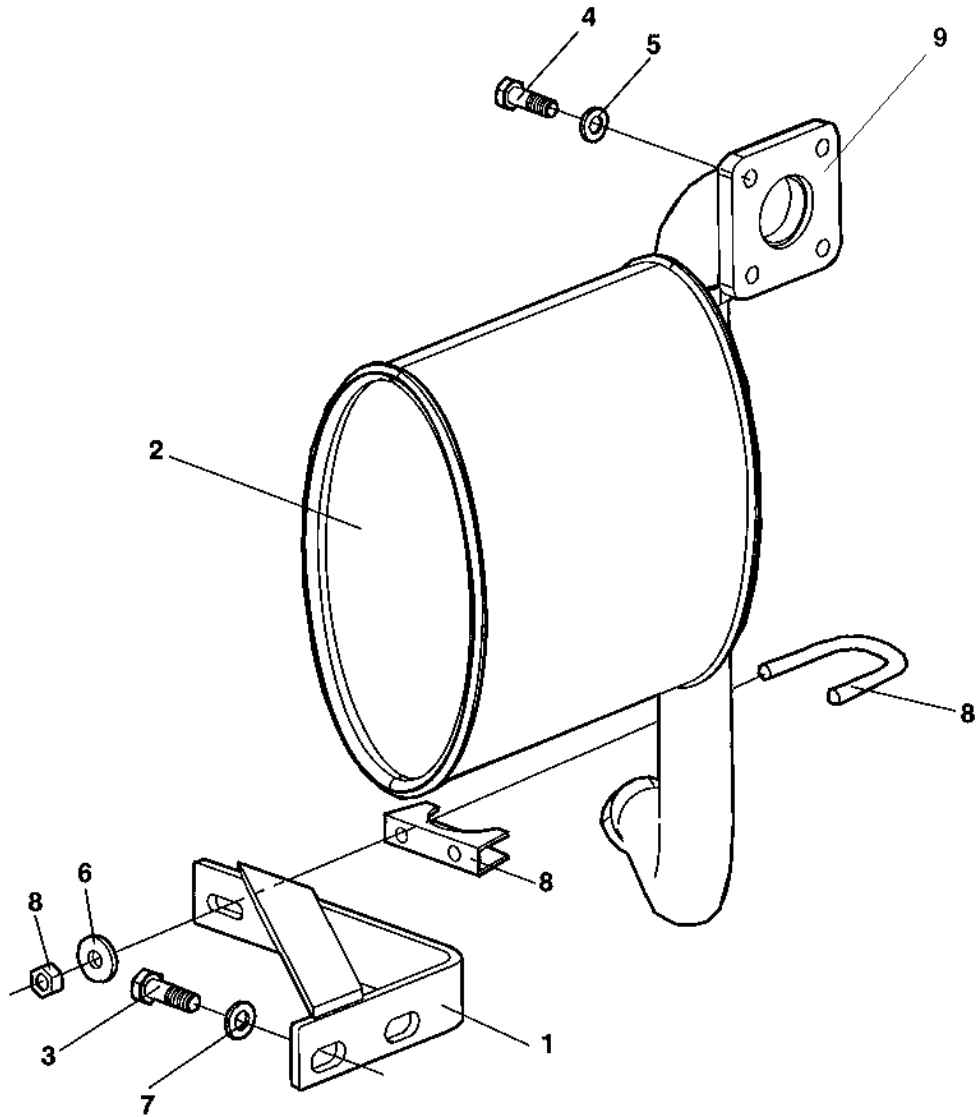


## Cooling system

Item	Part No	Rem	Qty	Description	Code
1	4812110974	D	1	Cooler console	
2	4700387287		1	Cooler bracket	D
3	4700386963		1	Fan guard	D
4	4700387205		1	Fan guard	D
5	4700791780		1	Drainage hose	D
6	4700386893		1	Expansion reservoir	C
7	4700395227	B	1	Radiator	D
8	4700387099		1	Coolant hose	D
9	4700387100		1	Coolant hose	D
10	4700387428		2	Plate	D
11	4700371785	A	1	Rubber hose	D
12	4700903714		1	Cap	
13	4700389142		1	Fan	D
14	4700500040		2	Screw M6-1x20 8,8	C
15	4700500021		5	Screw M8-1,25x25 8.8	C
16	4700500040		4	Screw M6-1x20 8,8	C
17	4700901832		4	Screw	C
18	4700904228		6	Steel plain washer 6,4x12x1,5	
19	4700904640		6	Washer 8,4x22x3	C
20	4700904640		5	Washer 8,4x22x3	C
21	4700902286		5	Hexagon lock nut with flange	C
22	4700791493		1	Steel plug threaded	D
23	4700313075		2	Hose clamp	D
24	4700313035		4	Hose clamp	D
25	4700313035		1	Hose clamp	D
26	4700313001		1	Hose clamp	C
27	4700502016		6	Screw	D

- A) L = 240 mm  
 B) Replaces earlier used 4700386950  
 D) Illustration B

Exhaust system

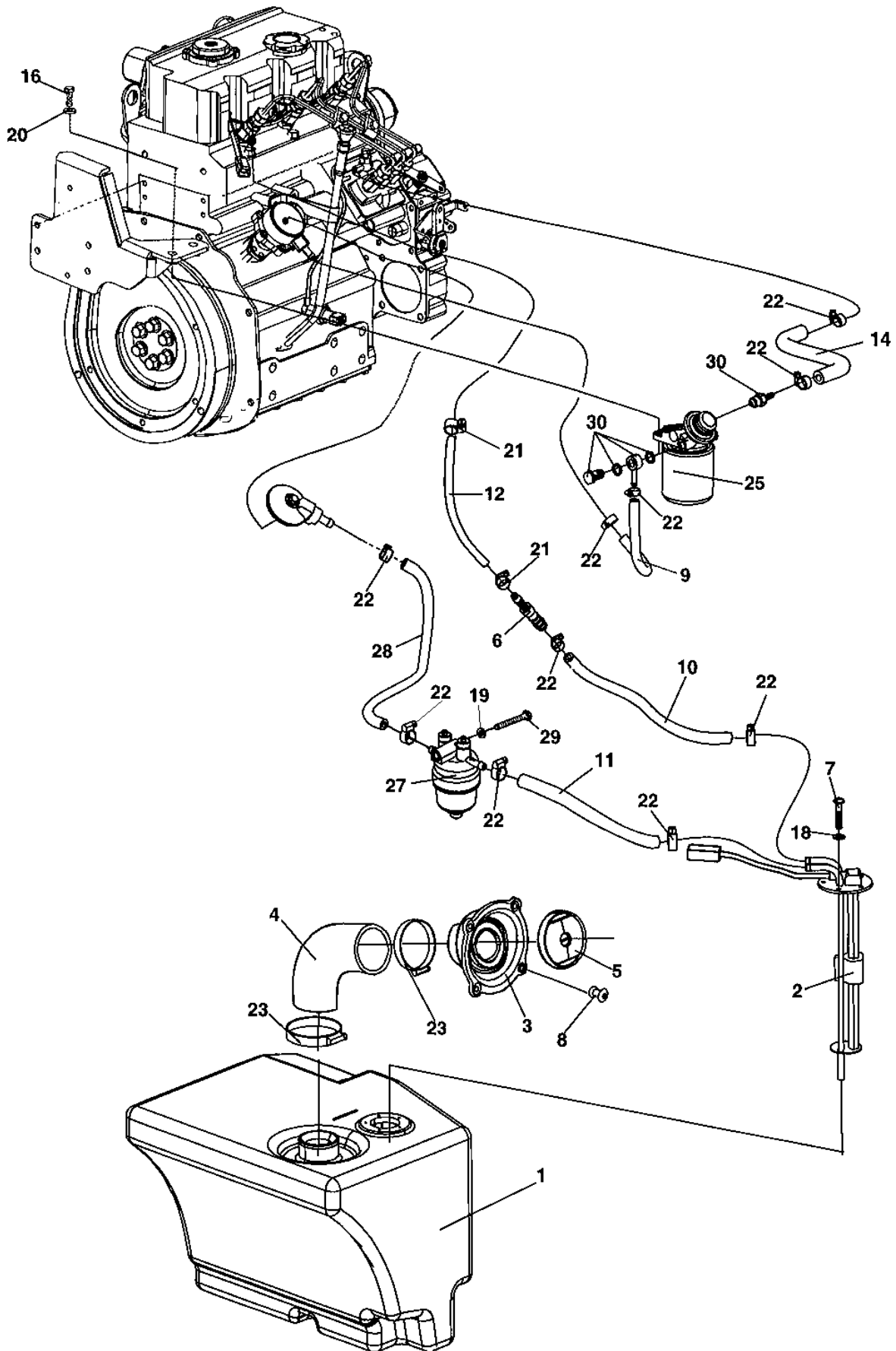


**Exhaust system**

<b>Item</b>	<b>Part No</b>	<b>Rem</b>	<b>Qty</b>	<b>Description</b>	<b>Code</b>
1	4700387201		1	Bracket	D
2	4700387097		1	Muffler	D
3	4700791483		2	Screw M12-1,25x25H 8.8	D
4	4700500021		4	Screw M8-1,25x25 8.8	C
5	4700904229		4	Steel plain washer 8,4x16x1,5	
6	4700904640		2	Washer 8,4x22x3	C
7	4700904703		2	Steel plain washer	B
8	4700927568		1	Clamp	D
9	4700945878	1	1	Gasket	D

1) Delivered with engine.

Fuel system



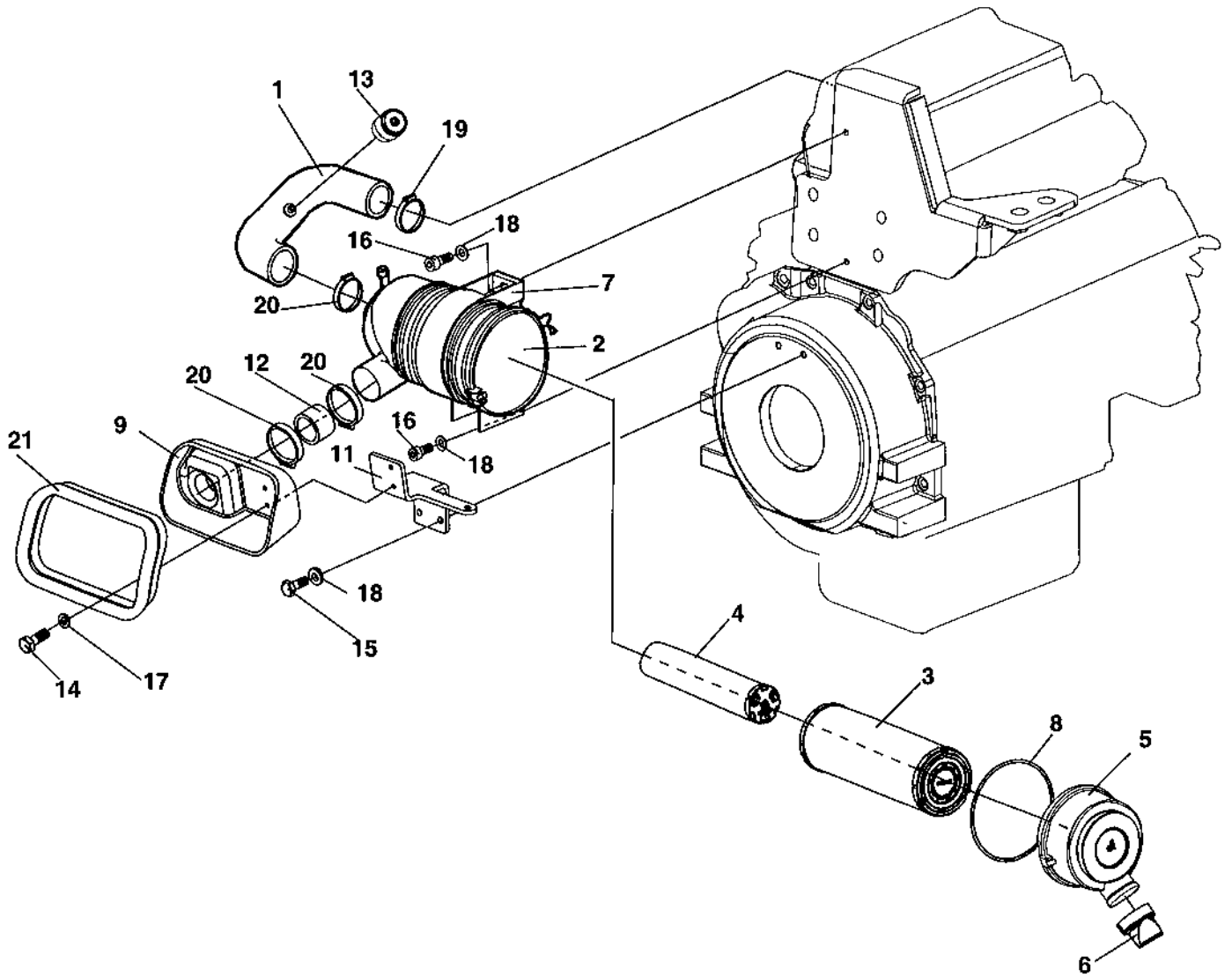
**Fuel system**

<b>Item</b>	<b>Part No</b>	<b>Rem</b>	<b>Qty</b>	<b>Description</b>	<b>Code</b>
1	4700387279		1	Fuel tank	D
2	4700387552		1	Level gauge	D
	4700945777		1	. Gasket	D
3	4700387682		1	Filler neck	D
4	4700387695		1	Fuel hose	D
5	4700394253		1	Fuel cap	D
	4700945753		1	. Key 2PCS "921"	
6	4700791774		1	Hose connection	C
7	4700903236		5	Screw, Thread rolling K40x20	C
8	4700792180		4	Blind rivet	D
9	4700904984	A	1	Fuel hose	C
10	4700904984	B	1	Fuel hose	C
11	4700904984	B	1	Fuel hose	C
12	4700791422	C	1	Hose	D
14	4700904984	E	1	Fuel hose	C
16	4700500029		2	Hexagon head screw	
18	4700904698		5	Washer 4,3x8x0,8	C
19	4700904229		1	Steel plain washer 8,4x16x1,5	
20	4700904557		2	Steel plain washer	
21	4700313108		2	Hose clamp	
	4700313075		2	Hose clamp	D
22	4700313108		10	Hose clamp	
23	4700313023		2	Hose clamp	
25	4700376555		1	Fuel filter	A
	4700945418		1	Filter head	D
27	4700940894		1	Water separator, cpl	C
	4700940922		1	. Filter element	
	4700940203		1	. O-ring	D
28	4700904984	K	1	Fuel hose	C
29	4700500068		1	Screw M08x65	C
30		N		Existing on engine	

- A) L = 465 mm
- B) L = 395 mm
- C) L = 350 mm
- E) L = 200 mm
- K) L = 300 mm



Air intake system



**Air intake system**

Item	Part No	Rem	Qty	Description	Code
1	4700389019		1	Air inlet hose	D
2	4700386951		1	Air filter	C
3	4700939802		1	. Air filter element Main	A
4	4700939803		1	. Air filter element Safety	A
5	4700939804		1	. Dust cap	D
6	4700939805		1	. Vacuator cap	B
7	4700939806		1	. Plastic mounting band	D
8	4700939807		1	. O-ring	C
9	4700387118		1	Box	D
11	4700389005		1	Bracket	D
12	4700387200		1	Hose	D
13	4700389036		1	Mechanical indicator	D
14	4700500013		2	Screw M6-1x16 8,8	
15	4700500053		2	Screw M8x20H 8.8	
16	4700508092		2	Screw	C
17	4700904228		2	Steel plain washer 6,4x12x1,5	
18	4700904229		4	Steel plain washer 8,4x16x1,5	
19	4700313010		1	Hose clamp	C
20	4700313010		3	Hose clamp	C
21	4700288129	A	N	Edge trim	D

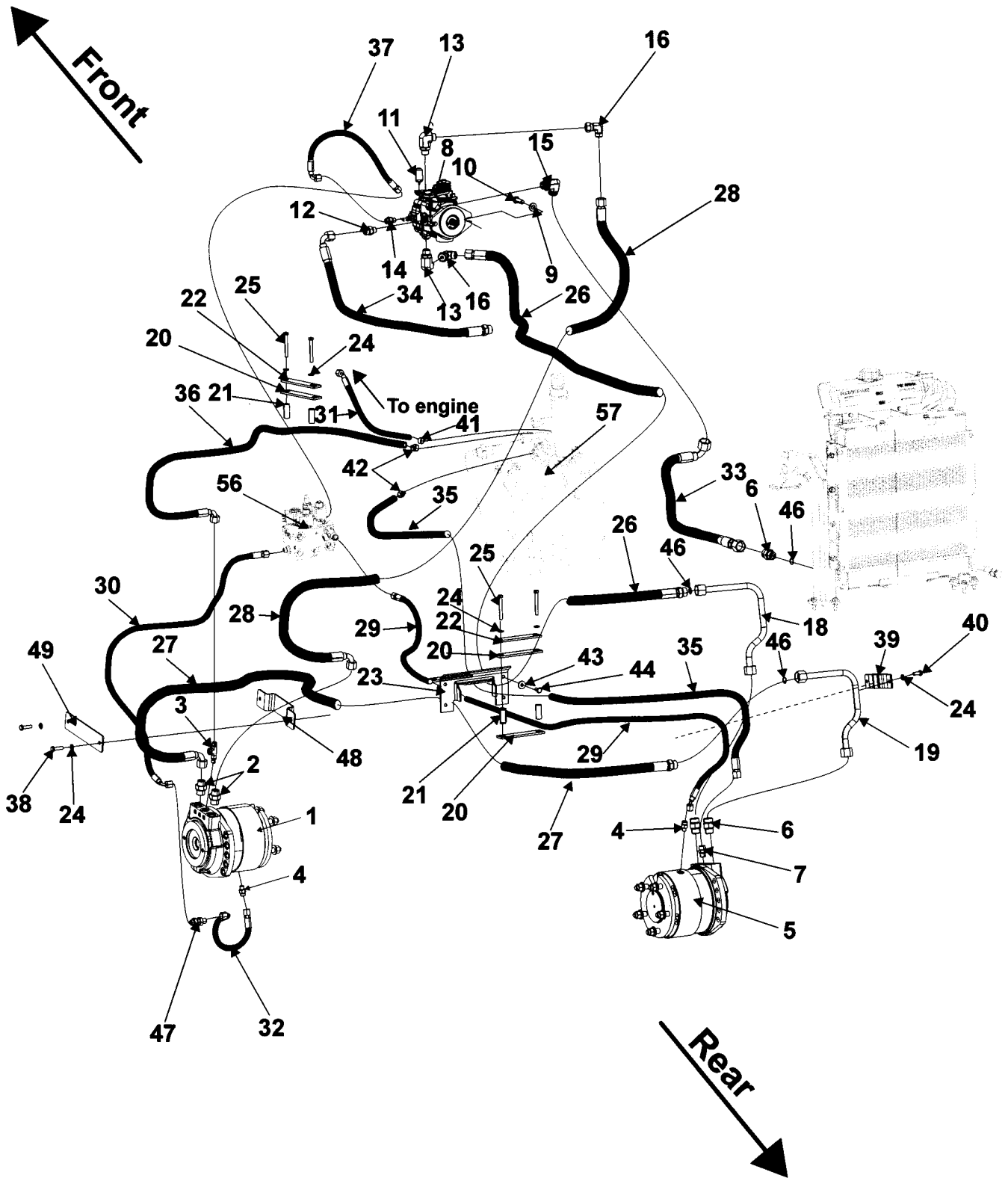
A) L = 0,66 m

## Hydraulic system

## Hydraulic system

Item	Part No	Rem Qty	Description	Code
10			Hydraulic propulsion and brake system ( Page 62 )	
20			Hydraulic vibration ( Page 66 )	
30			Hydraulic steering ( Page 76 )	

Hydraulic propulsion and brake system



## Hydraulic propulsion and brake system

Item	Part No	Rem Qty	Description	Code
1	4700396883	1	Hydraulic motor	D
2	4700791410	2	Straight o-ring connector	
3	4700791746	1	Tee-connector	D
4	4700791744	2	Straight connector	
5	4700396884	1	Hydraulic motor	D
6	4700791743	2	Straight connector orfs	D
7	4700791409	1	Straight connector orfs	C
8	4812119960	1	Hydraulic pump	C
9	4700904703	2	Steel plain washer	B
10	4700500037	2	Screw	C
11	4812120635	1	Measuring nipple	C
12	4700904727	1	Adapter	
13	4700791699	2	Elbow 90°	
14	4700791541	1	Straight connector	
15	4700792332	2	Elbow 90 orfs	
16	4700791745	2	Elbow 90, O-ring with swivel	D
18	4700387914	1	Pipe	D
19	4700387915	1	Pipe	D
20	4700387678	3	Rubber part	D
21	4700387677	4	Spacer sleeve	C
22	4700387676	2	Hose bracket	D
23	4700389556	1	Rubber part	D
24	4700904229	8	Steel plain washer 8,4x16x1,5	
25	4700500068	4	Screw M08x65	C
26	4700483665	F	Hydraulic hose	D
27	4700483852	G	Hydraulic hose	D
28	4700483853	H	Hydraulic hose	D
29	4700483689	J	Hydraulic hose	D
30	4700483654	K	Hydraulic hose	D
31	4700389400	L	Hydraulic hose	D
32	4700483652	M	Hydraulic hose	D
33	4812120636	N	Hydraulic hose	D
34	4700483714	O	Hydraulic hose	D
35	4700389409	P	Hydraulic hose	D
36	4700389410	R	Hydraulic hose	D
37	4700483652	M	Hydraulic hose	D
38	4700500022	2	Screw M8x30H 8.8	C
39	4700388960	1	Hose clamp	D
40	4700500053	2	Screw M8x20H 8.8	
41	4700313108	1	Hose clamp	
42	4700313001	2	Hose clamp	C
43	4700904640	4	Washer 8,4x22x3	C
44	4700500019	4	Hexagon head screw M8x16H 8,8	
46	4700904009	3	O-ring	D
47	4700792170	1	Bulkhead union	D
48	4700378024	1	Hose clamp	D
49	4700378025	1	Hose clamp	D

F) L = 1,80 m

G) L = 2,40 m

H) L = 1,16 m

J) L = 2,15 m

K) L = 1,22 m

L) L = 0,46 m

M) L = 0,41 m

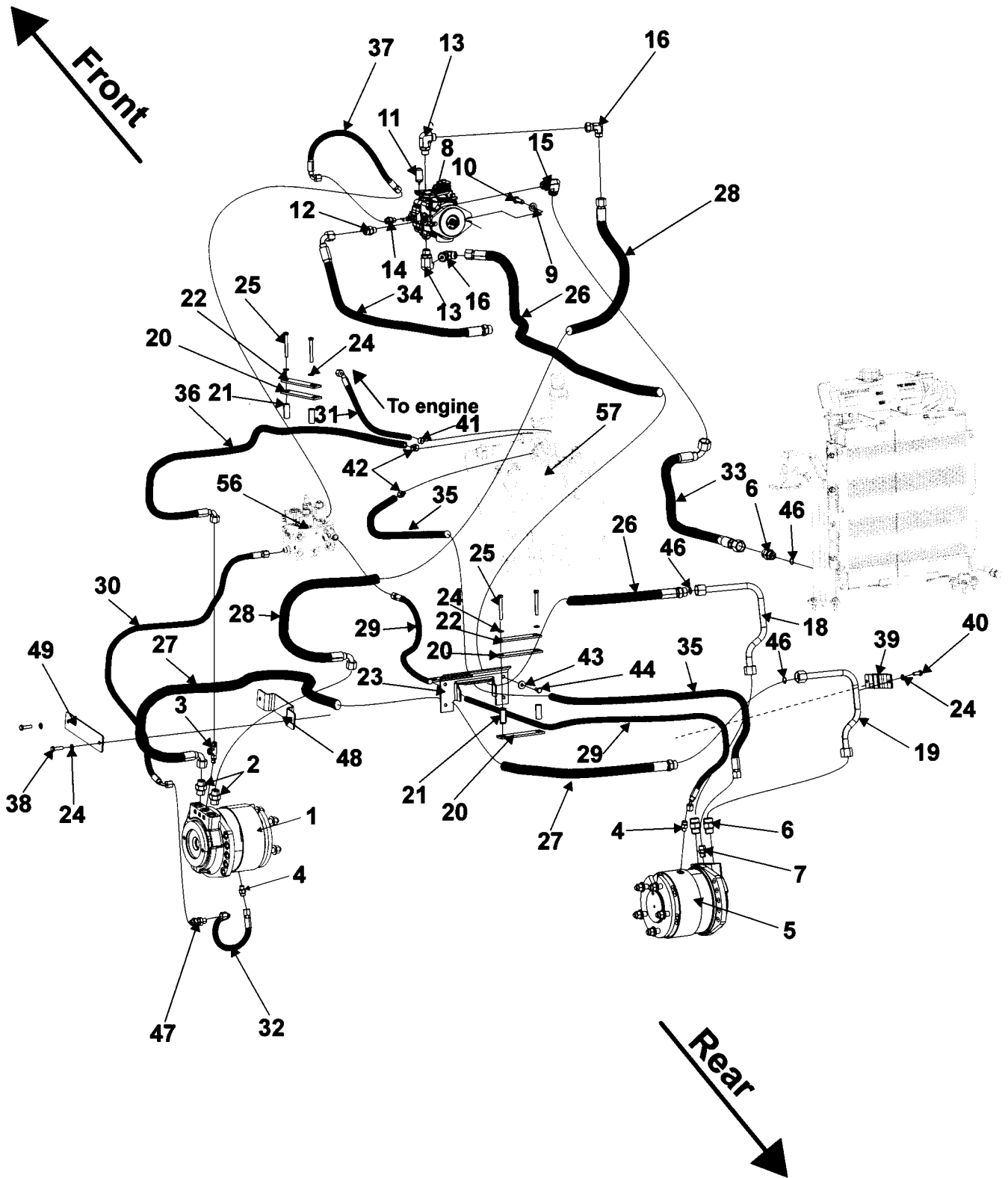
N) L = 0,81 m

O) L = 0,85 m

P) L = 1,60 m

R) L = 1,25 m

Hydraulic propulsion and brake system



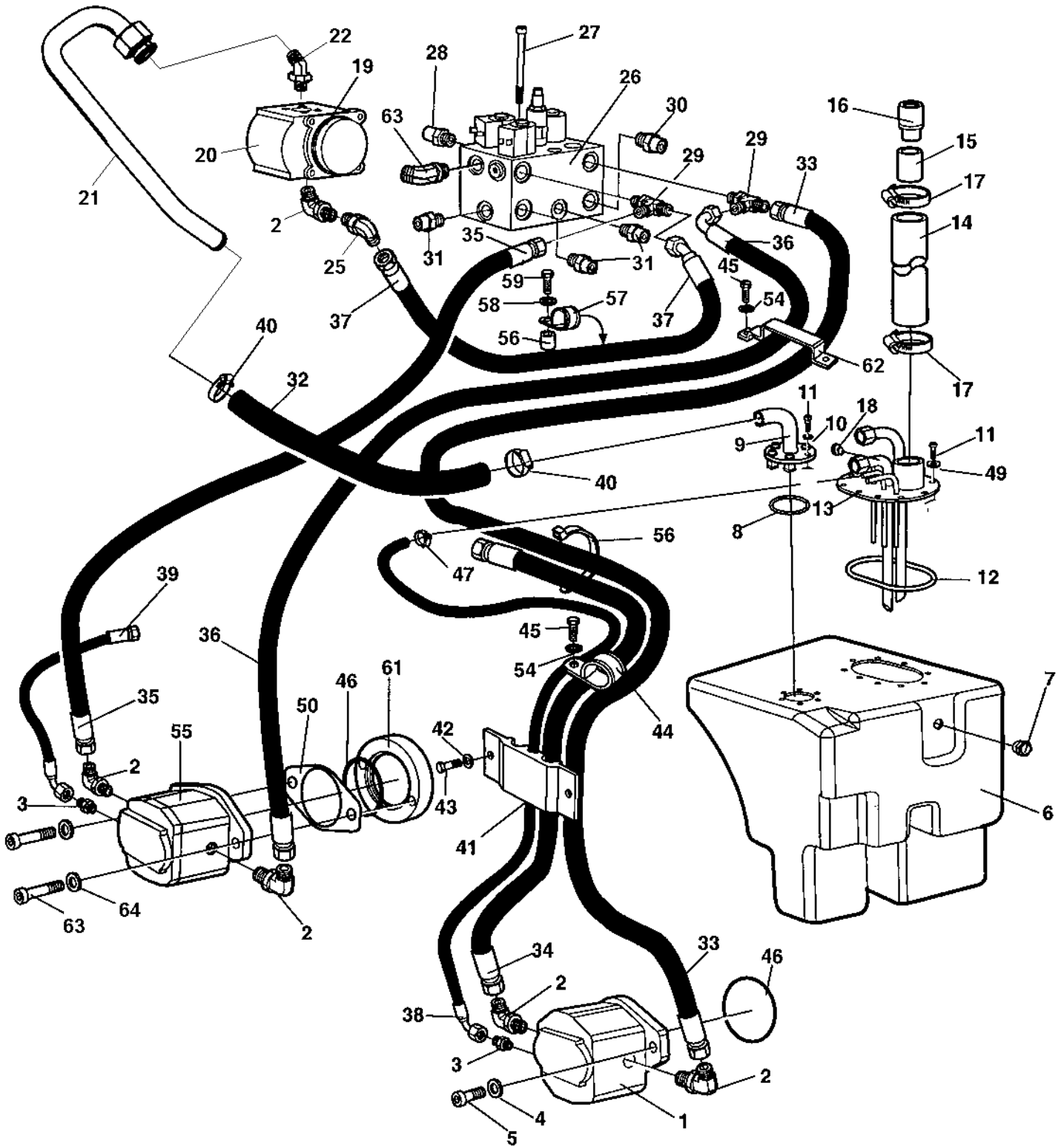
Hydraulic propulsion and brake system

Item	Part No	Rem	Qty	Description	Code
50	4700791538		3	Straight connector	C
56		A	1	Combination valve	
57		A	1	Hydraulic oil tank	

A) See section "Hydraulic vibrarion"



Hydraulic vibration

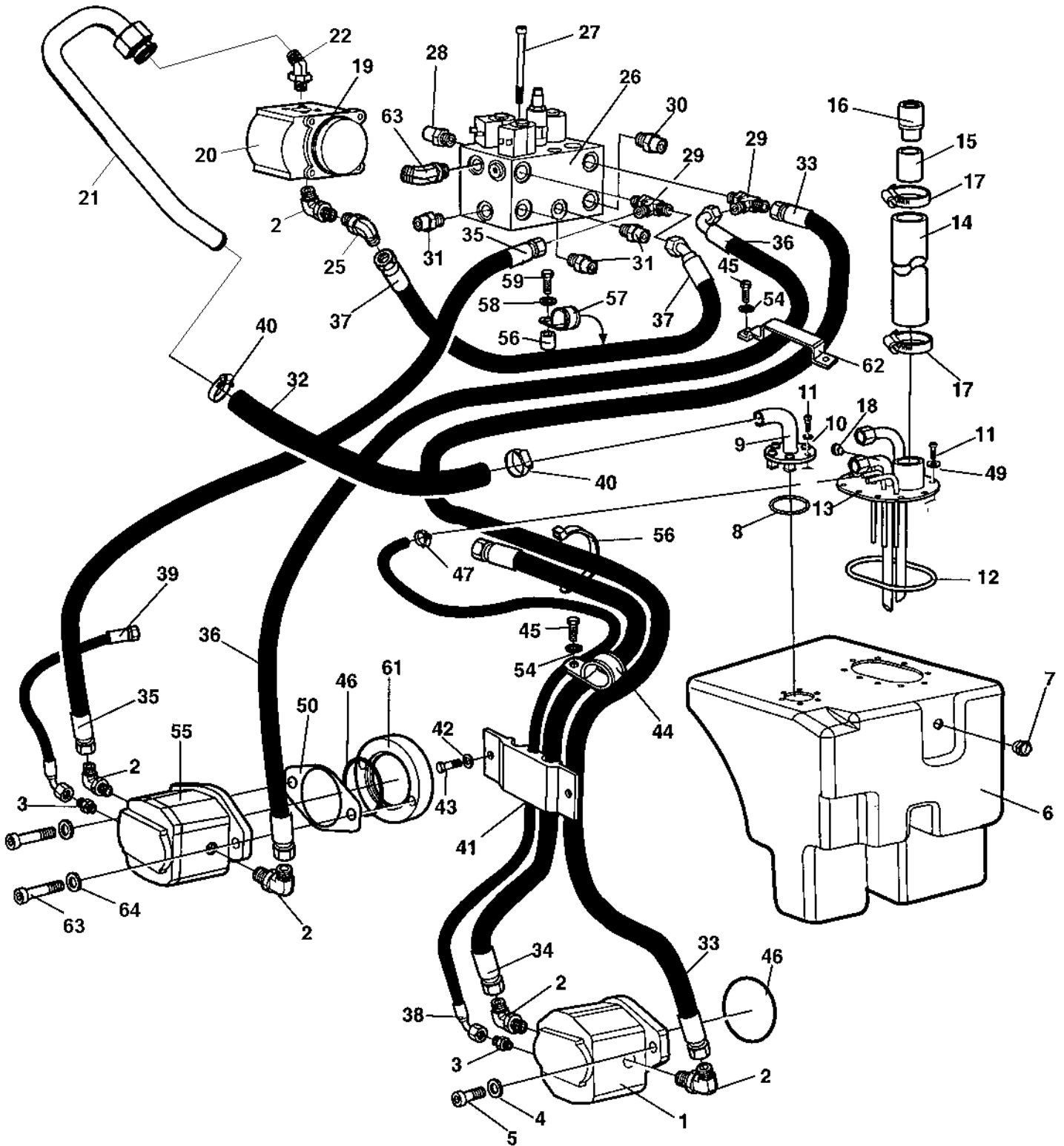


## Hydraulic vibration

Item	Part No	Rem Qty	Description	Code
1	4700390316	1	<b>Hydraulic motor ( Page 70 )</b>	
	4700945340	2	Seal kit	B
2	4700791699	7	Elbow 90°	
3	4700791541	2	Straight connector	
4	4700904557	2	Steel plain washer	
5	4700508029	2	Screw M10-1,5x30H 8,8	C
6	4700387278	1	Hydraulic oil tank	D
7	4700791395	1	Sight plug	
8	4700791794	1	O-ring	D
9	4700387758	1	Suction pipe	D
10	4700904228	6	Steel plain washer 6,4x12x1,5	
11	4700508002	16	Screw M6x16	
12	4700792070	1	O-ring	D
13	4700387713	1	Return filler pipe	D
14	4700205067	1	Rubber hose	D
15	4700357139	1	Connector	C
16	4700357138	1	Ventilating filter	
17	4700313008	2	Hose clamp	D
18	4700389196	1	Protective plug	D
19	4700160101	1	O-ring	D
20	4700395520	1	<b>Hydraulic pump ( Page 72 )</b>	
21	4700395497	1	Suction pipe	D
22	4700792707	1	Elbow 45°	D
25	4700791745	1	Elbow 90, O-ring with swivel	D
26	4700387276	1	<b>Combination valve ( Page 74 )</b>	
27	4700508094	2	Screw	
28	4700901157	1	Measuring nipple	C
29	4700791700	2	Tee-connector	D
30	4700791412	1	Straight o-ring connector	
31		4	Straight connector	
32	4700791941	1	Hydraulic hose	D
33	4700483668	1	Hydraulic hose	D
34	4700483649	1	Hydraulic hose	D
35	4700483854	1	Hydraulic hose	D
36	4700483878	1	Hydraulic hose	D
37	4700483651	1	Hydraulic hose	D
38	4700389401	1	Hydraulic hose	D
39	4700483855	1	Hydraulic hose	D
40	4700313035	2	Hose clamp	D
41	4700388653	1	Hose clamp	D
42	4700904229	2	Steel plain washer 8,4x16x1,5	
43	4700500053	2	Screw M8x20H 8.8	
44	4700283711	2	Hose clamp	
45	4700508092	2	Screw	C
46		A	1 O-ring	
47	4700313108	1	Hose clamp	
49	4700904735	10	Washer	C
50		A	1 Gasket	
54	4700904556	2	Washer 8,4x16x3,0	C
55		A	1 Hydraulic motor	
56	4700359434	1	Spacer sleeve	D
57	4700921104	1	Clamp	C
58	4700904230	1	Steel plain washer	
59	4700500192	1	Screw M10x80	C
60		1	Strap	
61		A	1 Adapter	
62	4700379668	1	Hose clamp	D

A) See section "drum, single arm"

Hydraulic vibration

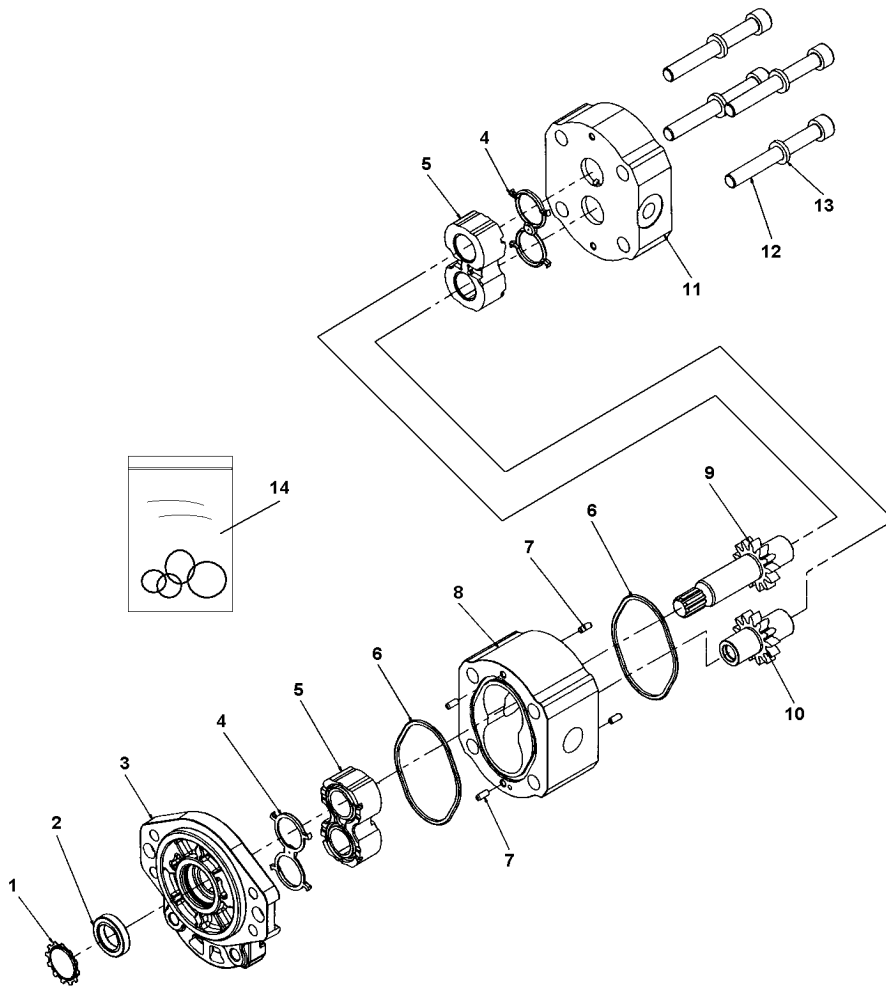


**Hydraulic vibration**

<b>Item</b>	<b>Part No</b>	<b>Rem</b>	<b>Qty</b>	<b>Description</b>	<b>Code</b>
62	4700359606	B	1	Rubber protection	D
63		A	2	Screw	
64		A	2	Washer	

- A) See section "drum, single arm"
- B) Not illustrated

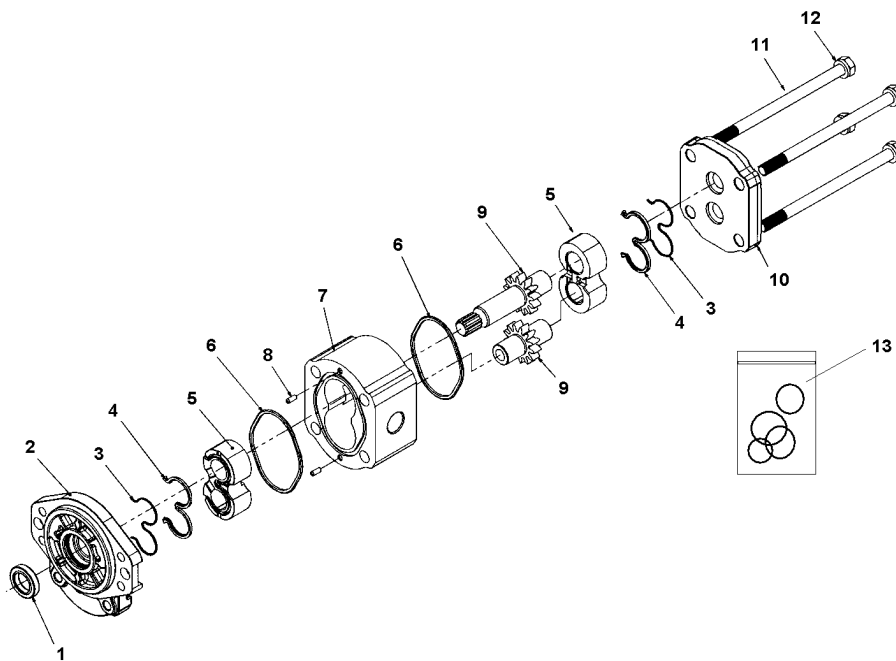
4700390316 Hydraulic motor



4700390316 Hydraulic motor

Item	Part No	Rem Qty	Description	Code
1		1	. Star ring	
2		1	. Shaft seal	
3		1	. Mounting flange	
4		2	. Seal	
5		2	. Bearing block	
6		2	. O-ring	
7		4	. Dowel pin	
8		1	. Gear housing	
9		1	. Drive gear	
10		1	. Idle gear	
11		1	. End cover	
12		4	. Bolt	
13		4	. Washer	
14	4812157555	1	. Seal kit	

**4700395520 Hydraulic pump**



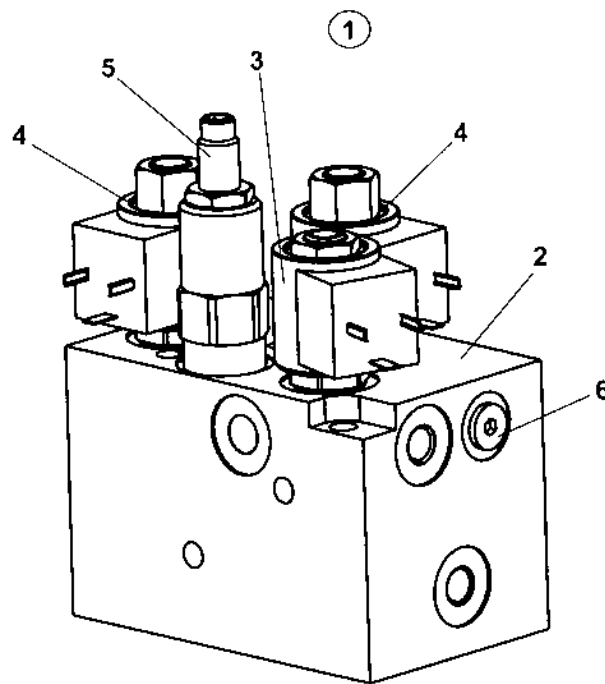
4700395520 Hydraulic pump

Item	Part No	Rem	Qty	Description	Code
1		1	1	. Lip seal ring	
2			1	. Shaft end cover	
3		1	2	. Channel seal	
4			2	. Back-up seal	
5			2	. Thrust block	
6		1	2	. Section seal	
7			1	. Aluminum housing	
8			2	. Dowel pin	
9		1	1	. Gear shaft set	
10			1	. Port end cover	
11			4	. Cap screw	
12			4	. Washer	
13	4812157560		1	. Seal kit	

1) Part of seal kit



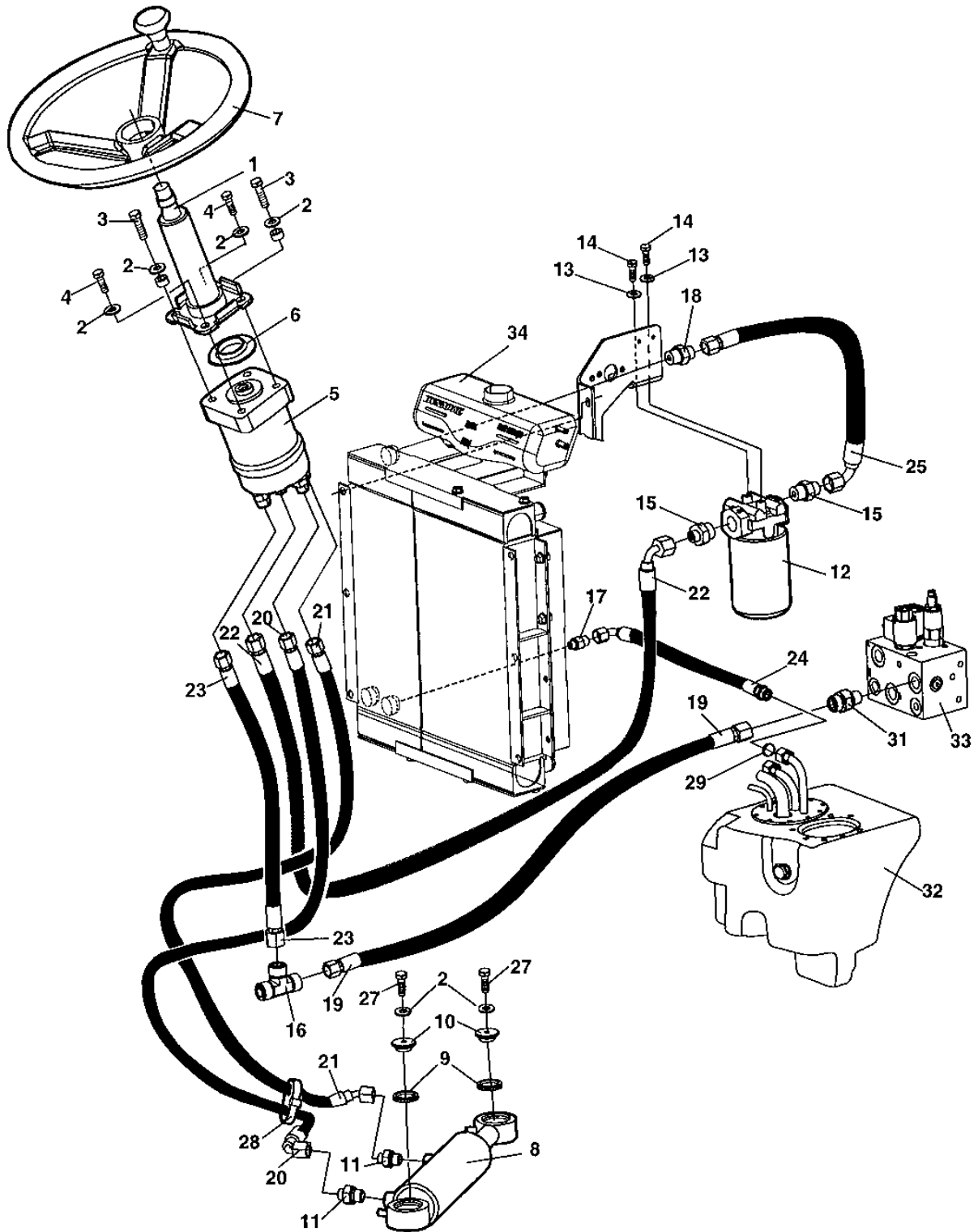
**4700387276 Combination valve**



**4700387276 Combination valve**

Item	Part No	Rem Qty	Description	Code
1	4700387276	1	<b>Combination valve ( Page 74 )</b>	
2		1	. Valve block	
3	4700940885	1	. Solenoid valve	C
	4700940887	1	. Coil	B
4	4700940886	2	. Solenoid valve	C
	4700940887	2	. Coil	B
5	4700940888	1	. Valve	C
6		3	. Plug	

Hydraulic steering

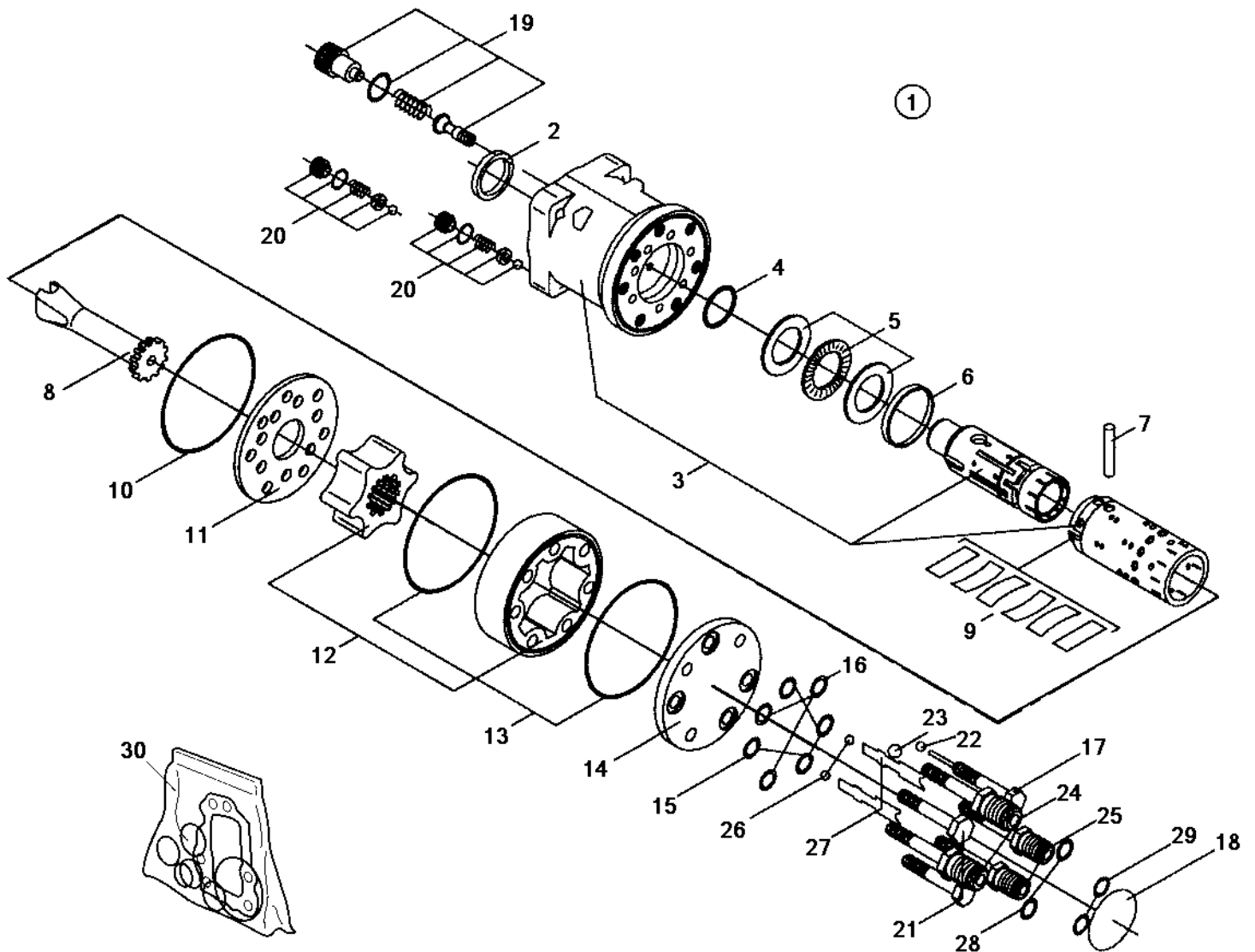


Hydraulic steering

Item	Part No	Rem Qty	Description	Code
1	4700902123	1	Steering column	C
2	4700904230	6	Steel plain washer	
3	4700500031	2	Screw	
4	4700500048	2	Screw M10-1,5x20 8,8	
5	4700387274	1	<b>Steering valve ( Page 78 )</b>	
6	4700928830	1	Rubber washer	D
7	4700372964	1	Steering wheel, cpl	D
	4700935614	1	. Turning knob	D
	4700935613	1	. Cover	D
8	4700387275	1	<b>Hydraulic cylinder ( Page 80 )</b>	
	4700945526	2	. Bearing	
9	4700791565	2	Sealing	
10	4700376861	2	Washer	
11	4700791542	2	Straight connector	D
12	4700387277	1	Hydraulic oil filter, cpl	A
	4700376636	1	. Cleaning filter element Maximum 50 hours use	A
	4700376637	C	Hydraulic filter element	A
13	4700904229	2	Steel plain washer 8,4x16x1,5	
14	4700500053	2	Screw M8x20H 8.8	
15	4700791408	2	Straight o-ring connector	
16	4700791701	1	Tee-connector	D
17	4700791540	1	Straight connector	
18	4700791410	1	Straight o-ring connector	
19	4700483653	1	Hydraulic hose	D
20	4700483654	1	Hydraulic hose	D
21	4700483655	1	Hydraulic hose	D
22	4700483656	1	Hydraulic hose	D
23	4700483657	1	Hydraulic hose	D
24	4700483696	1	Hydraulic hose	D
25	4700483662	1	Hydraulic hose	D
26	4700355869	2	Spacer sleeve	D
27	4700947684	2	Screw	
28	4700313102	1	Cable ties	
29	4700904009	1	O-ring	D
31	4700791412	1	Straight o-ring connector	
32		A	Hydraulic tank	
33		A	Combination valve	
34		B	Radiator	

- A) See section " Hydraulic vibration"
- B) See section " Cooling system "
- C) Spare part for ordinary service

4700387274 Steering valve

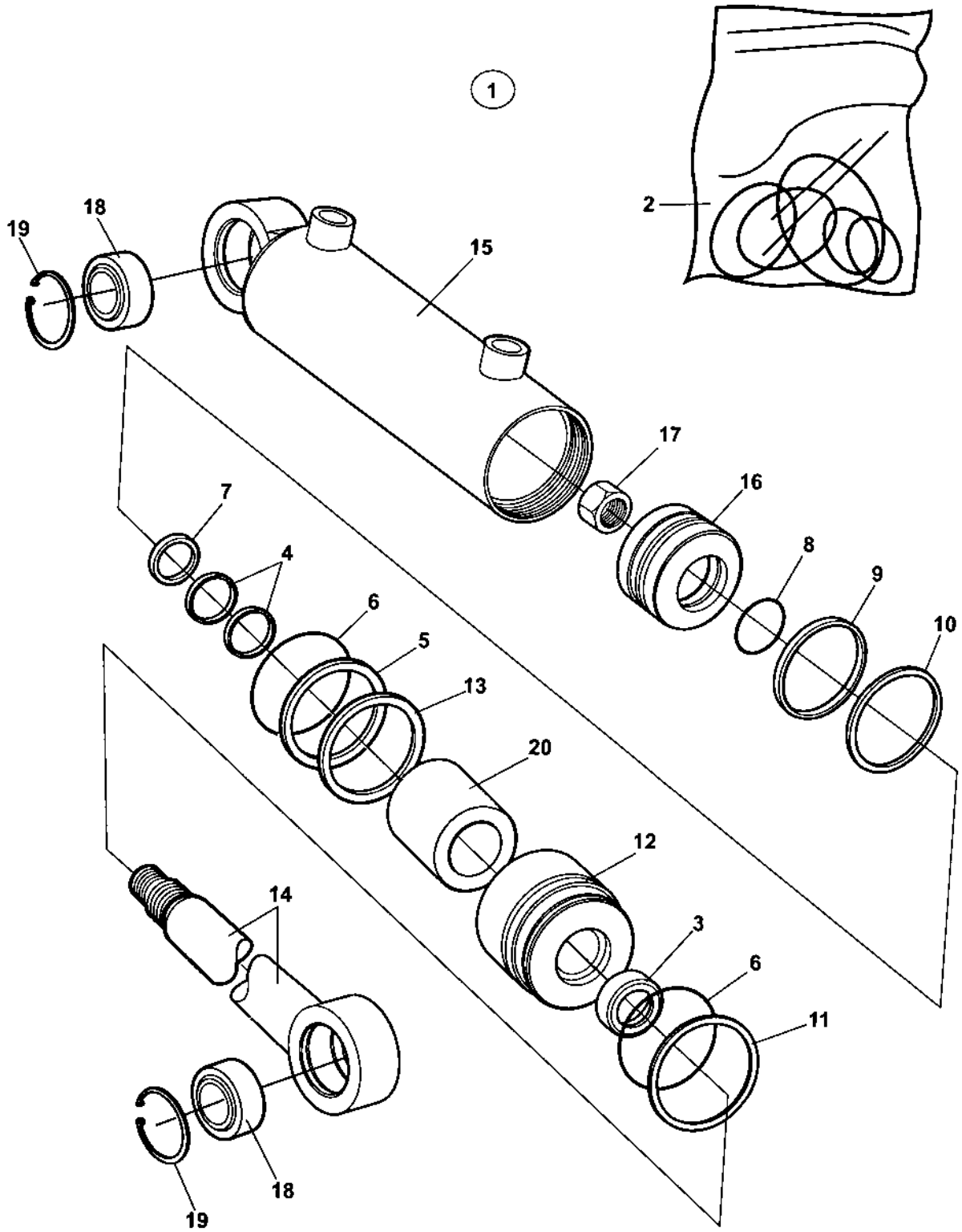


**4700387274 Steering valve**

Item	Part No	Rem	Qty	Description	Code
1			1	Steering valve, cpl	
2		A	1	. Seal ring	
3			1	. Housing, spool and sleeve	
4		A	1	. O-ring	
5			1	. Bearing	
6			1	. Ring	
7			1	. Cross pin	
8			1	. Cardan shaft	
9			1	. Set of springs	
10		A	1	. O-ring	
11			1	. Distributor plate	
12			1	. Gear wheel set	
13		A	2	. O-ring	
14			1	. End cover	
15		A	4	. O-ring	
16		A	3	. Washer	
17			1	. Screw with pin	
18			1	. Name plate	
19			1	. Relief valve	
20			2	. Shock valves	
21			2	. Screw	
22			1	. Ball	
23			1	. Ball	
24	4812159159	B	2	. Port	
25	4812159160	C	2	. Port	
26			2	. Ball	
27			2	. Ball stop	
28			2	. O-ring	
29			2	. O-ring	
30	4700935429		1	. Seal kit	

- A) Included in sealkit, item 30
- B) P and T
- C) L and R

4700387275 Hydraulic cylinder



4700387275 Hydraulic cylinder

Item	Part No	Rem Qty	Description	Code
1	4700387275	1	Hydraulic cylinder ( Page 80 )	
2	4700945668	1	. Seal kit	
3		1	. . Seal	
4		2	. . Seal	
5		1	. . Back-up ring	
6		2	. . O-ring	
7		1	. . Seal	
8		1	. . O-ring	
9		1	. . Seal	
10		1	. . Seal	
11		1	. Retaining ring	
12		1	. Steering	
13		1	. Retaining ring	
14		1	. Piston rod	
15		1	. Cylinder	
16		1	. Piston block	
17		1	. Cylinder nut	
18	4700945526	1	. Bearing	
19	4812159771	1	. Retaining ring	
20		A 1	. Spacer	

A) Not valid for this model

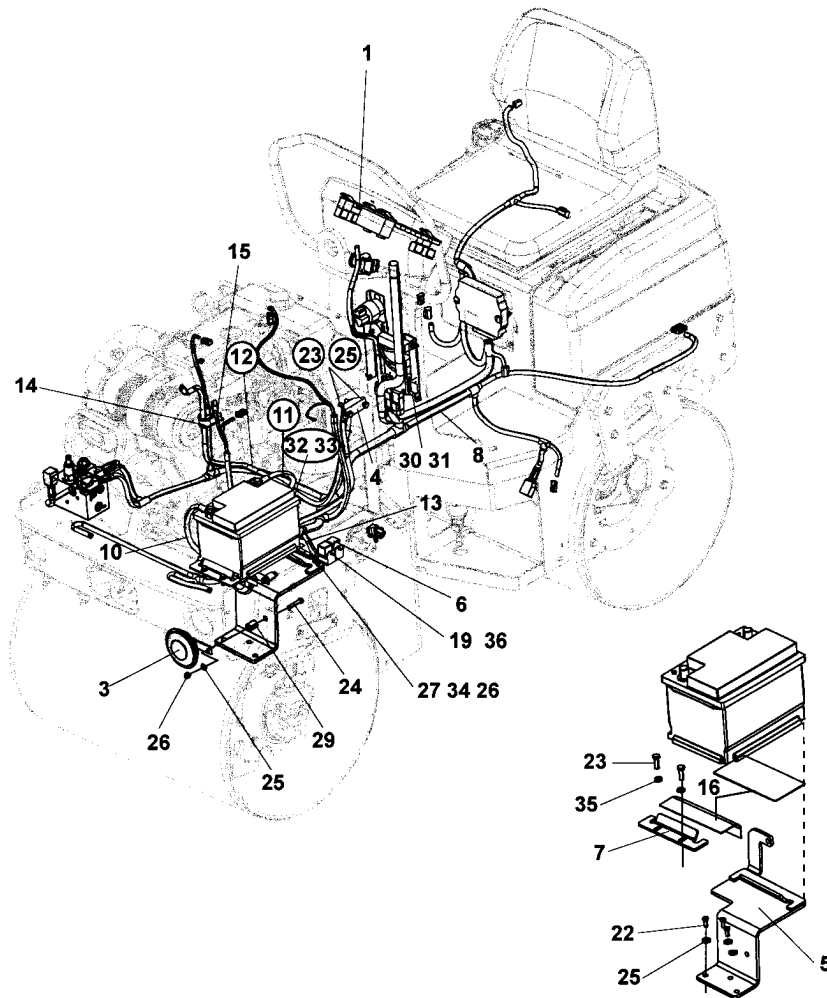


Electrical equipment

**Electrical equipment**

<b>Item</b>	<b>Part No</b>	<b>Rem Qty</b>	<b>Description</b>	<b>Code</b>
10			Electrical equipment ( Page 84 )	
21			Control panel, relays ( Page 86 )	
31			Driving lights Option ( Page 88 )	
40			Working lights Option ( Page 90 )	
50			Rotating beacon with Rops Option ( Page 92 )	
60			Back-up alarm ( Page 94 )	

Electrical equipment

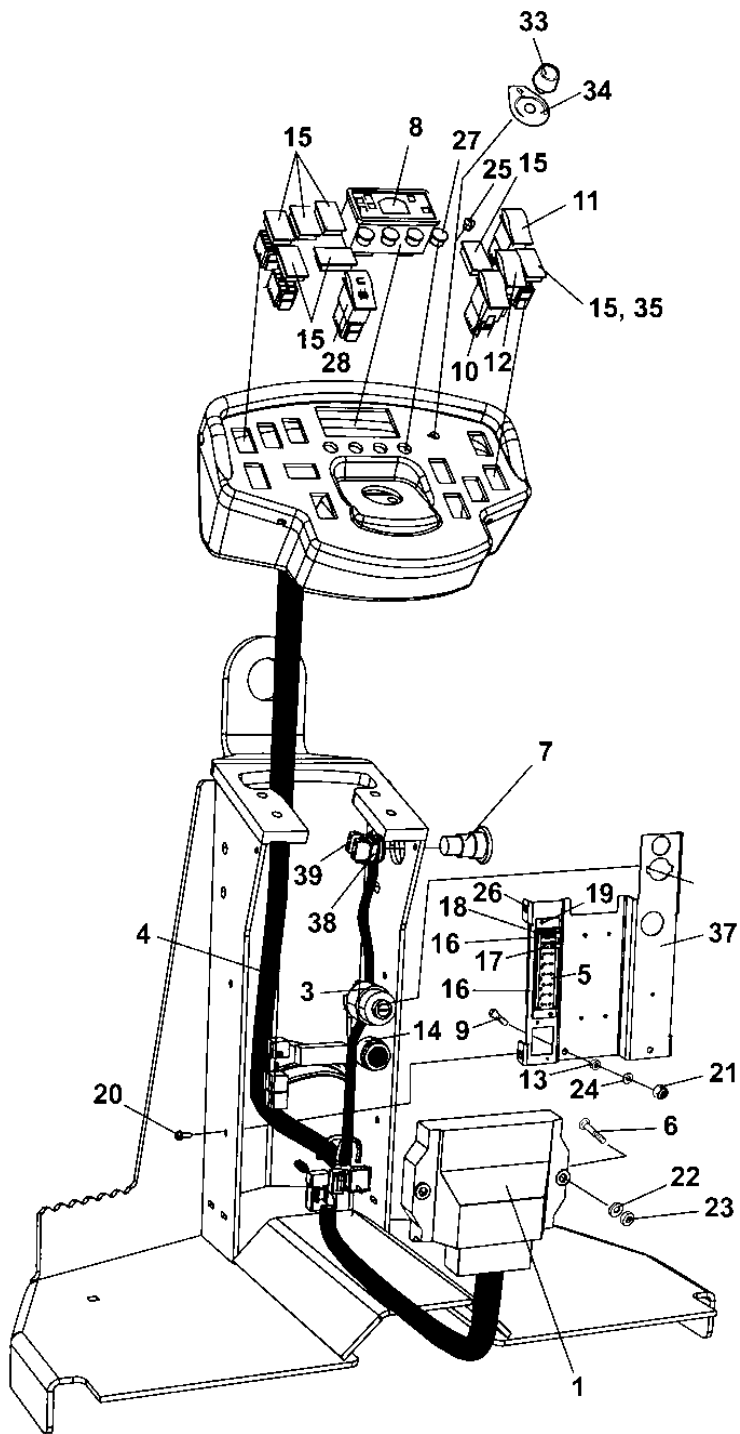


## Electrical equipment

Item	Part No	Rem	Qty	Description	Code
1			1	Control panel	
3	4700999027		1	Horn	B
4	4700377058	A	1	Connection block	D
5	4812112007		1	Battery shelf	D
6	4700903956		2	Relay	
7	4812110724		1	Battery holder	
8	4812114657		1	Cable harness	
10	4700792019		1	Battery cable	D
11	4700792020		1	Battery cable	D
12	4700377063		1	Connection cable coarse	D
13	4700791639		1	Battery cable	
14	4700921050		1	Clamp	C
15	4700508092		1	Screw	C
16	4812110759		2	Rubber cloth	
19	4700500041		2	Screw	C
22	4700500053		3	Screw M8x20H 8.8	
23	4700500021		4	Screw M8-1,25x25 8.8	C
24	4700500024		1	Screw M8x45	D
25	4700904229		5	Steel plain washer 8,4x16x1,5	
26	4700586003		4	Lock nut M8	
27	4700570005		1	Nut M8	C
29	4700355704		1	Spacer sleeve	
30	4700904228		1	Steel plain washer 6,4x12x1,5	
31	4700570004		1	Nut M6X1,00 -8 A2K	
32	4700904231		1	Washer 13x24x2 300 HV	
33	4700791483		1	Screw M12-1,25x25H 8.8	D
34	4700903768		1	Threaded stud	
35	4700904556		2	Washer 8,4x16x3,0	C
36	4700904281		2	Washer 5,3x10x1 300HV	C

A) Exsist in machines without battery disconnecter.

Control panel, relays



Control panel, relays

Item	Part No	Rem	Qty	Description	Code
1	4812114386	E	1	Control unit, ECU	
			1	. Decal	
		E	1	. Software	
	4700378932		1	. Instruction	D
3	4700238158		1	Ignition switch	B
	4700940451		1	. Key	D
4	4700396971		1	Cable harness	D
5	4700791185		1	Fuse box	
6	4700791775		2	Bolt	C
7	4700791739		1	Emergency stop	
8	4700395394		1	Control panel	D
9	4700500075		1	Screw M6-1,0x25 8.8	C
10	4700791578		1	Switch, horn	
11	4700791579		1	Switch, sprinkler	B
12	4700791580		1	Switch, vibration	B
13	4700570004		1	Nut M6X1,00 -8 A2K	
14	4700385599		1	Buzzer	
15	4700791588	D	7	Panel plug	
16	4700791211		2	Contact bridge	C
17	4700901228		1	Fuse 15A	D
18	4700903741		1	Fuse 20A Yellow Medium	
19	4700901767		2	Screw ST3,5x9,5 Black	
20	4812117868		4	Screw M05x16	
21	4700586002		1	Lock nut M6 -8	
22	4700904556		2	Washer 8,4x16x3,0	C
23	4700586003		2	Lock nut M8	
24	4700904228		1	Steel plain washer 6,4x12x1,5	
25	4700792083		1	Plug	
26	4700202042	A	1	Rubber strip	
27	4700792320		4	Plug	D
28	4700791582		1	Switch, parking brake	
33	4700388737	F	1	Potentiometer	B
34	4700377139	F	1	Decal	D
35	4700791581	F,G	1	Switch	D
37	4700387683		1	Distribution control plate	
38	4700389840		1	Connector w. Fixing collar	
39	4700791723		1	Connector N/C	

A) L = 70 mm

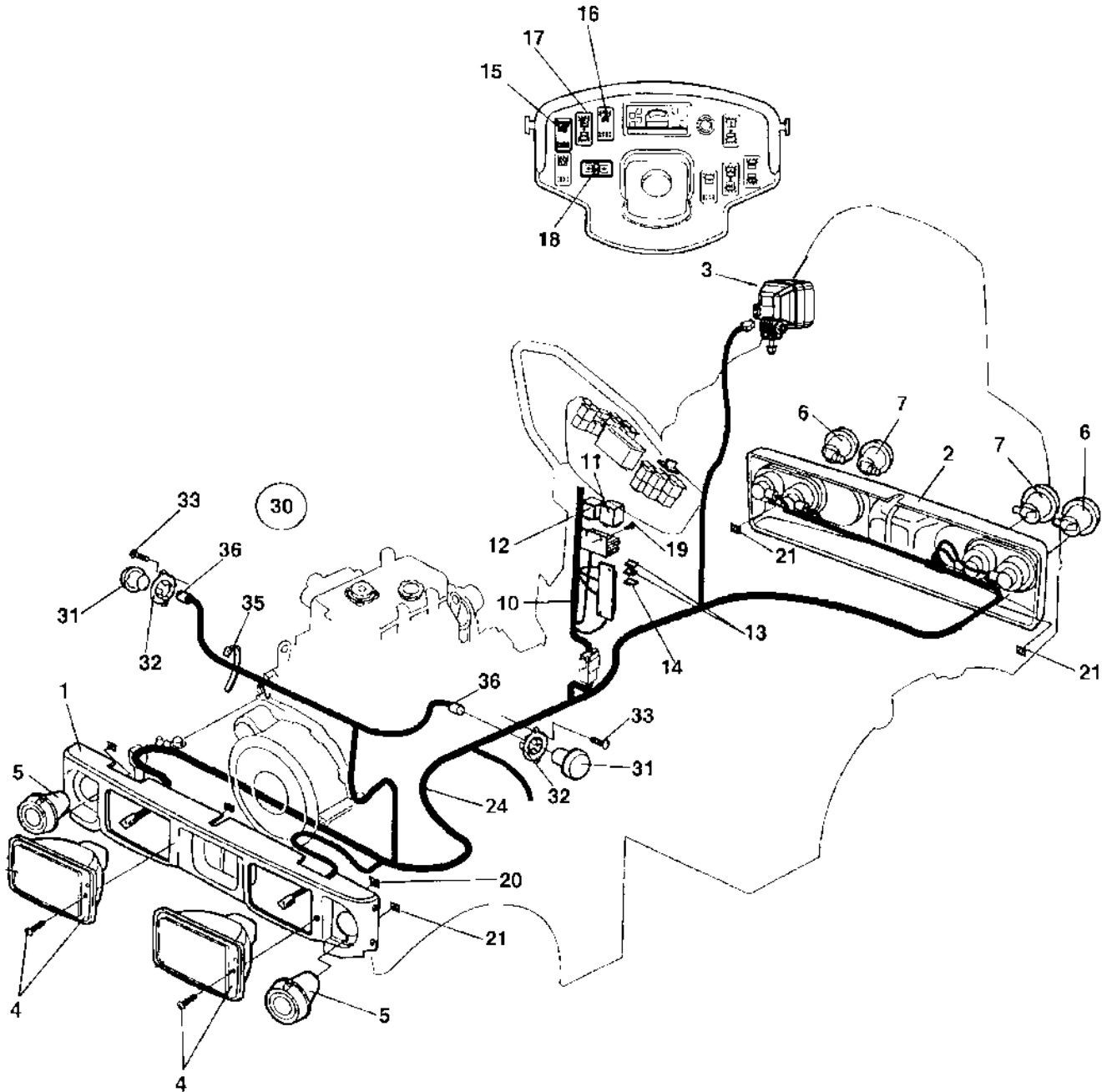
D) For Option switch, see another section of Electrical system or Optional equipment

E) Machine SN required when placing order

F) Option

G) See section "Vibration shot-off one drum"

Driving lights Option



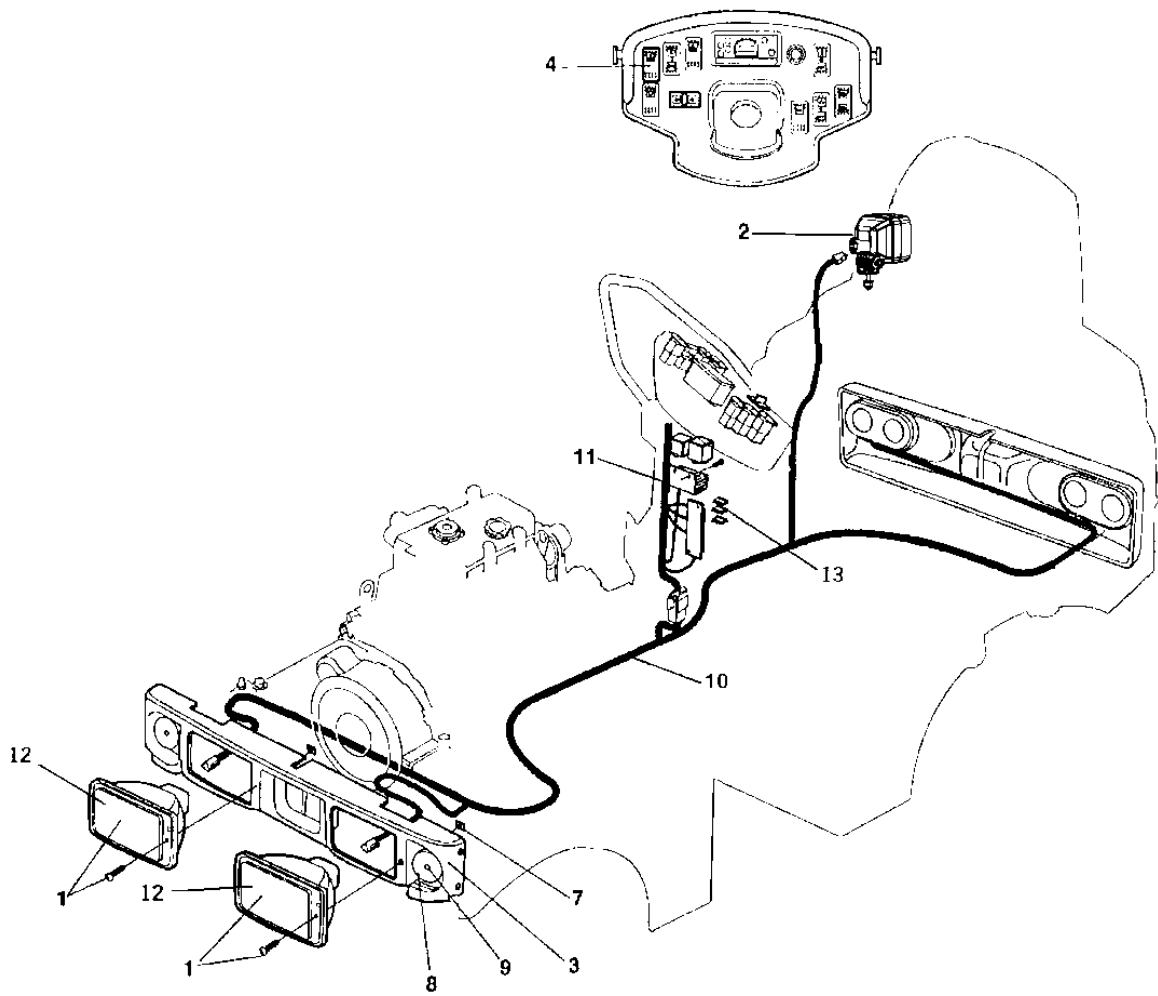
**Driving lights Option**

Item	Part No	Rem	Qty	Description	Code
1	4700387377		1	Frame cover	D
2	4700387378		1	Frame cover	D
3	4812110216		1	Work lamp	C
	4700500230		1	. Screw M8-1.25x35	
	4700904230		1	. Steel plain washer	
	4700586018		1	. Hexagon lock nut M10	C
4	4700791951	A	2	Headlight	
	4700792059	B	2	Headlight	
5	4700791953		2	Direction indicator	B
6	4700791954		2	Direction indicator	B
7	4700791955		2	Brake/position light	D
10	4700388636		1	Cable harness	D
11	4700904989		1	Flash relay Option	
12	4700903956		1	Relay	
13	4700901225		2	Fuse 5A	A
14	4700901227		1	Fuse 10A	B
15	4700791587		1	Switch, working light	B
16	4700791584		1	Switch, hazard flashers	
17	4700791583		1	Switch, driving light	
18	4700791586		1	Switch, drive direction	D
19	4700791916		2	Screw	C
20	4700791970		4	Speed nut	D
21	4700791971		12	Quick lock nut	C
24	4700377140		1	Cable harness	D
30			1	Side direction lights	
31	4700791704		2	. Side direction light	D
	4700904889		2	. Bulb	D
32	4700388382		2	. Holder side light	D
33	4700791643		4	. Screw	C
35	4700903810		4	. Cable tie holder	
36	4700960079		4	. Connector	D

- A) Right asym  
 B) Left asym.



Working lights Option

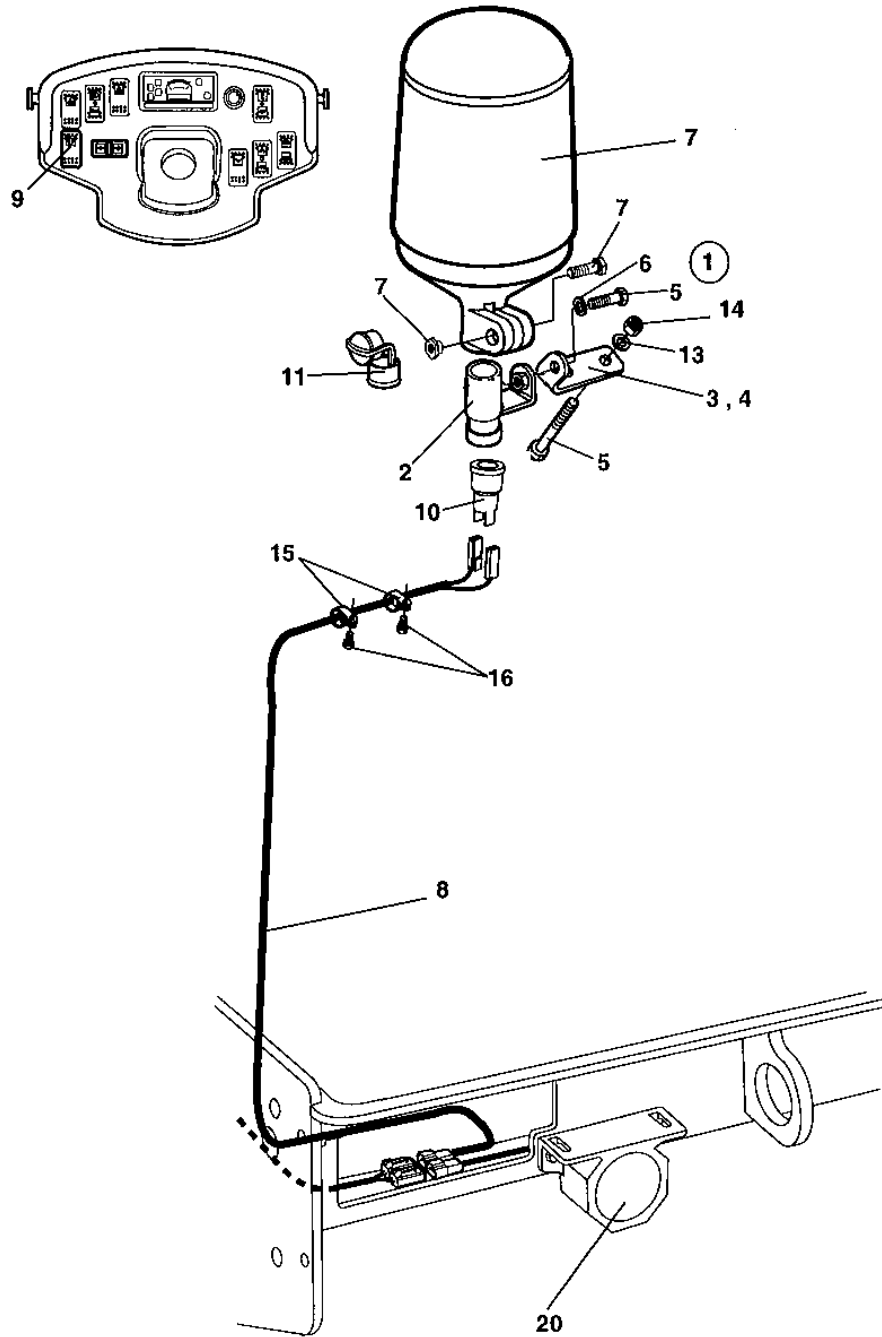


**Working lights Option**

<b>Item</b>	<b>Part No</b>	<b>Rem</b>	<b>Qty</b>	<b>Description</b>	<b>Code</b>
1	4700902227		2	Work light	B
			2	. Screw	
2	4812110216		1	Work lamp	C
	4700500230		1	. Screw M8-1.25x35	
	4700904230		1	. Steel plain washer	
	4700586018		1	. Hexagon lock nut M10	C
3	4700387377		1	Frame cover	D
4	4700791587		1	Switch, working light	B
7	4700791970		4	Speed nut	D
8	4700791754		N	Blind rivet	
9	4700791957		N	Reflector, white	B
10		A	1	Cable harness	
11		A	1	Cable harness	
12	4700901369	B	2	Bulb 55w H3	B
13	4700901228		2	Fuse 15A	D

- A) See section "Driving lights"
- B) Included in work light (p/n 4700902227)

Rotating beacon with Rops Option



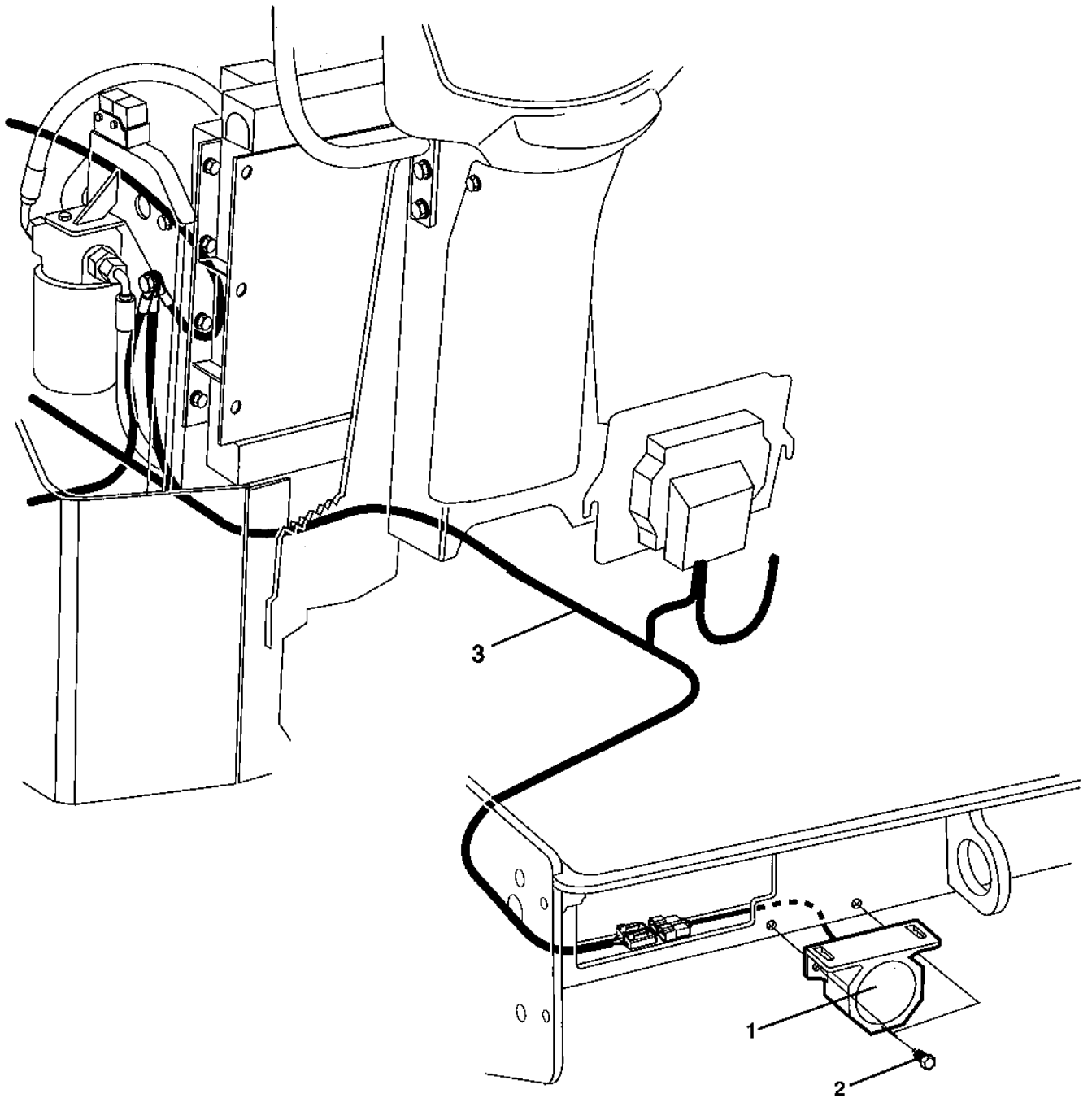
**Rotating beacon with Rops Option**

Item	Part No	Rem Qty	Description	Code
1	4700389561	1	Bracket	D
2	4700388772	1	. Bracket	D
3	4700388773	1	. Bracket	D
4	4700629101	1	. Spirol pin	D
5	4700500021	1	. Screw M8-1,25x25 8.8	C
6	4700904229	1	. Steel plain washer 8,4x16x1,5	
7	4700389577	1	Rotating beacon 12V	B
		1	. Screw	
		1	. Nut	
8	4700389763	1	Cable harness	D
9	4700791585	1	Switch, rotating beacon	B
10	4700791981	1	Connector plug	C
11	4700791980	1	Rubber protection	D
12	4700500180	2	Hexagon screw m	
13	4700904229	4	Steel plain washer 8,4x16x1,5	
14	4700586003	2	Lock nut M8	
15	4700921039	2	Pipe clamp	
16	4700541702	2	Screw M6x12	C
17		B	1 Fuse	
20		A	1 Back-up alarm	

A) See section "Back up alarm"

B) See section "Control panel, relay"

Back-up alarm



**Back-up alarm**

<b>Item</b>	<b>Part No</b>	<b>Rem Qty</b>	<b>Description</b>	<b>Code</b>
1	4700792098	1	Back-up alarm	D
2	4700541702	2	Screw M6x12	C
3	4700388009	1	Cable harness	D

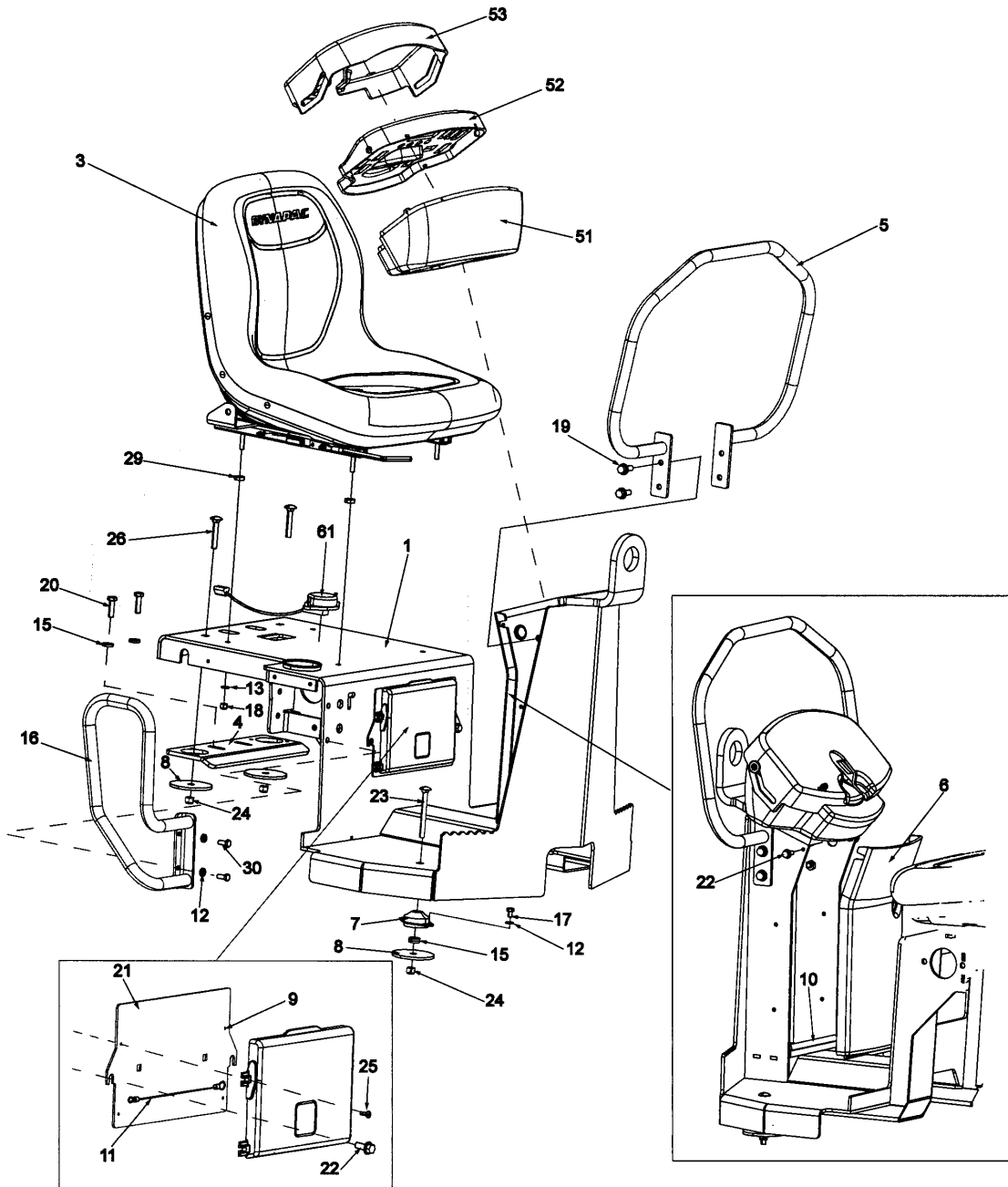
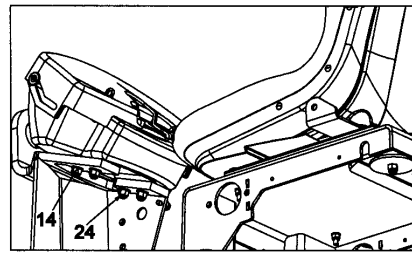
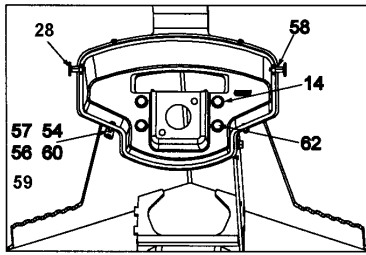
## Drivers platform

**Drivers platform**

<b>Item</b>	<b>Part No</b>	<b>Rem Qty</b>	<b>Description</b>	<b>Code</b>
16			Drivers seat ( Page 98 )	
20			F/R- and throttle control ( Page 100 )	
28	4812113676		Forward and reverse control handle ( Page 102 )	C
30			Dual forward/reverse control Option ( Page 104 )	
40			Rops Option ( Page 106 )	
50	377256		Cup holder Option ( Page 108 )	



Drivers seat

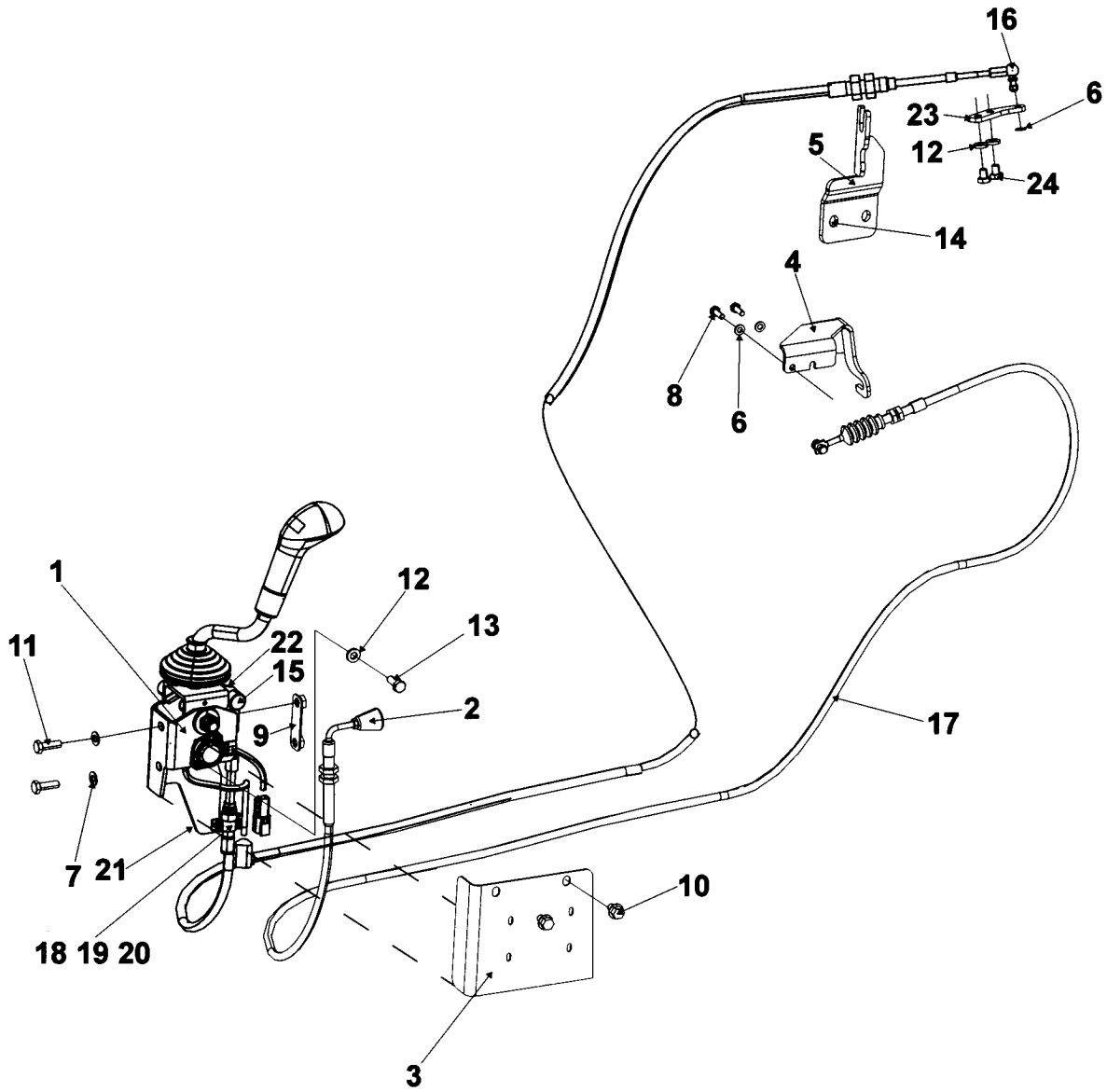


## Drivers seat

Item	Part No	Rem	Qty	Description	Code
1	4700397157		1	Platform	
3	4700377518		1	Drivers seat, cpl	
	4700348331		1	Seat cover	
	4812114466		1	Drivers seat, cpl	
4	4700387236		1	Platform bracket	
5	4700387453		1	Hand rail	D
6	4700387226		1	Column cover	C
7	4700387685		4	Shock absorber	D
8	4700358232		4	Washer	C
9	4700383705		1	Instruction book holder	
10	4700902166	A	1	Edge trim	
11	4700357643	C	1	Wire	
12	4700904556		10	Washer 8,4x16x3,0	C
13	4700904229		4	Steel plain washer 8,4x16x1,5	
14	4700904230		4	Steel plain washer	
15	4700904557		10	Steel plain washer	
16	4812110761		1	Handrail	
17	4700500018		8	Screw M8-1,25x12 8,8	C
18	4700586003		4	Lock nut M8	
19	4700500509		4	Hexagon screw with flange	D
20	4700500030		6	Screw M10x035H 8.8 A3K	
21	4700388447		1	Cover	D
22	4700500505		4	Screw M8x20 8.8	
23	4700792236		2	Screw M10x100	D
24	4700586018		4	Hexagon lock nut M10	C
25	4700791226		4	Screw	
26	4700791616		2	Bolt	D
28	4700357855		2	Bushing	C
29	4700394301		4	Spacer sleeve	
30	4700500053		2	Screw M8x20H 8.8	
51	4812118686		1	Control panel	
52	4700391784		1	Control panel	D
	4700387225		1	Instrument panel	D
53	4700387227		1	Control panel cover	C
54	4700387545		1	Latch	D
55	4700357855		2	Bushing	C
56	4700904281		4	Washer 5,3x10x1 300HV	C
57	4700903658		3	Screw M5x10	C
58	4700513017		2	Screw M6x30H 10,9	C
59	4700500007		1	Screw M5-0,8x22H 8,8	C
60	4700791476		1	Nut M5 -8	C
61	4700379636		1	Seat switch	
	4700945622	D	1	Seat switch	B
62	4700500031		4	Screw	

- A) L = 185 mm  
 C) Not shown in illustration  
 D) Seat switch to seat 4700377518

F/R- and throttle control

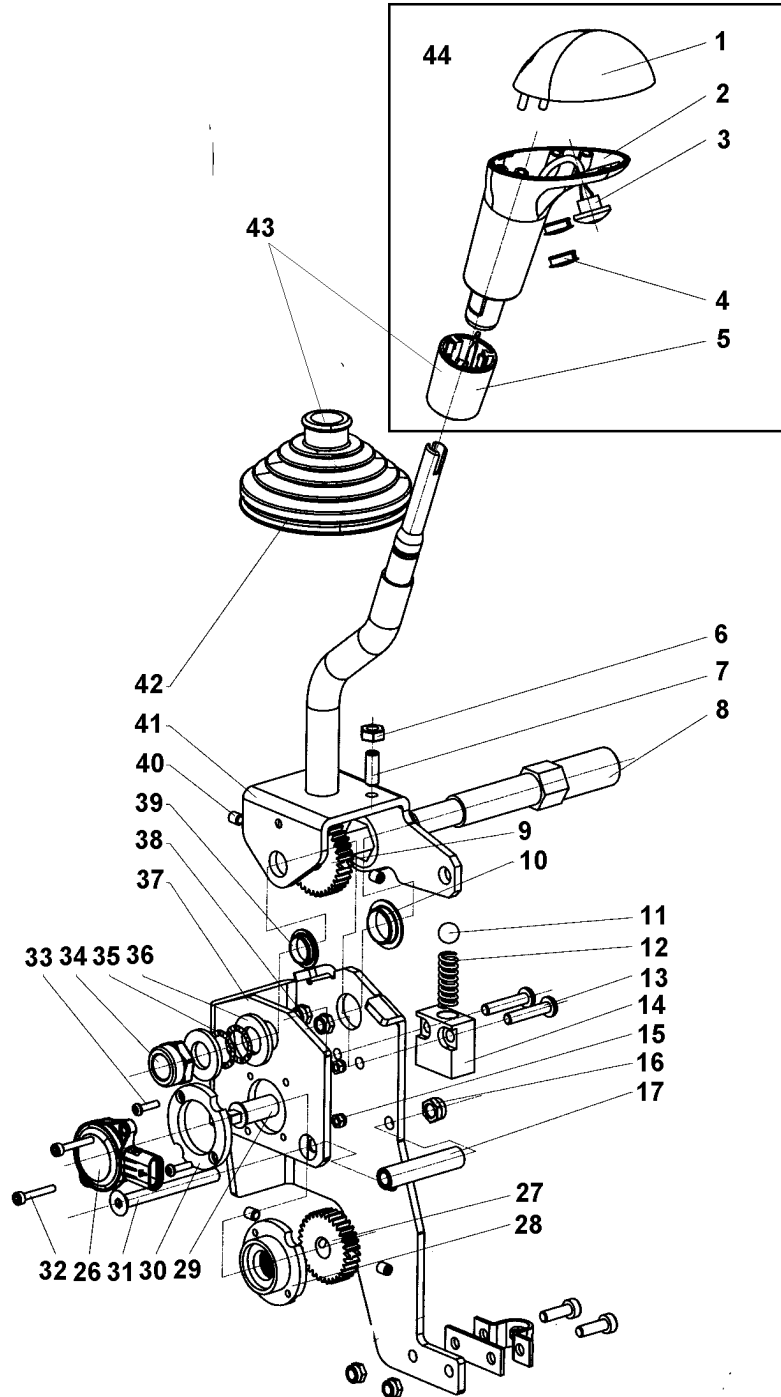


## F/R- and throttle control

Item	Part No	Rem Qty	Description	Code
2	4700387229	1	Throttle control	B
	4700940960	1	. Knob	D
3	4700388476	1	Control cover	D
4	4700395257	C	Control bracket	D
5	4812120650	1	Bracket	D
6	4700904228	3	Steel plain washer 6,4x12x1,5	
7	4700904229	2	Steel plain washer 8,4x16x1,5	
8	4700500013	2	Screw M6-1x16 8,8	
9	4812117990	1	Bracket	
10	4700904755	2	Screw M8x12 8,8 FZB	
11	4700500021	2	Screw M8-1,25x25 8.8	C
12	4700904556	3	Washer 8,4x16x3,0	C
13	4700500053	1	Screw M8x20H 8.8	
14		B	2 Screw	
		B	2 Washer	
15	4700377019	1	Ball joint	C
	4700950382	1	Ball stud M8	D
16	4700416034	1	Ball joint	C
17	4700377024	1	Cable Forward/Reverse	B
18	4700377020	1	Clamp	D
19	4700377021	1	Spacer	D
20	4700926537	2	Screw M5-0,8x16H 8,8	
21	4700586001	C	2 Lock nut	
22	4700586003	C	1 Lock nut M8	
23	4812120643	1	Bracket	
24	4700500042	2	Screw	

- B) See section " Engine "  
 C) Not shown in picture

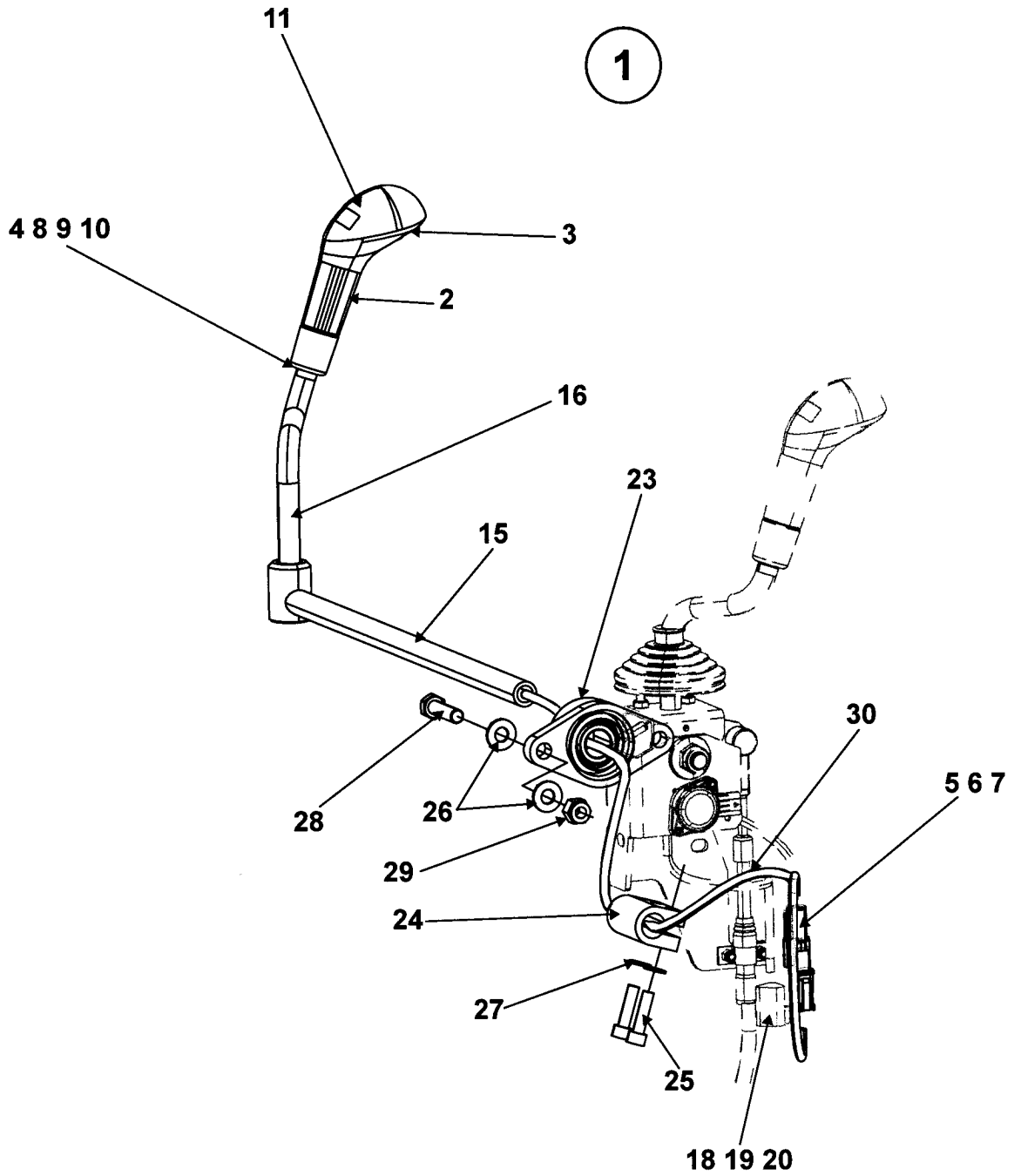
4812113676 Forward and reverse control handle



4812113676 Forward and reverse control handle

Item	Part No	Rem Qty	Description	Code
	4812113676	1	Forward and reverse control handle	C
1	4812156558	1	. Handle top	
2	4812156559	1	. Handle	
3	4812156560	1	. Push button switch with cable	
4	4812156561	2	. Protection plug	
5	4812156562	1	. Sleeve (knob)	
6	4812159290	2	. Nut M5	
7	4812159291	2	. Screw M5	
8	4812156563	1	. Central shaft	
9	4812156564	1	. . Gear	
10	4812158258	1	. Bushing	
11	4812156565	1	. Sphere	
12	4812156566	1	. Spring	
13		2	. Screw M5	
14	4812156567	1	. Spring house	
15		4	. Lock nut M3	
16		1	. Lock nut M6	
17	4812156568	1	. Spacer	
26	4812156490	1	. Potentiometer	
27	4812156569	1	. . Gear	
28	4812156570	1	. . Internal spacer	
29	4812156571	1	. . Shaft	
30	4812156572	1	. . External spacer	
31	4812159197	1	. Screw M6	
32	4812159198	2	. Screw M3	
33	4812159199	2	. Screw M3	
34	4812159251	2	. Lock nut M12	
35	4812156573	2	. Sealing	
36	4812158260	2	. Washer	
37	4812156574	1	. Bracket	
38		2	. Lock nut M5	
39	4812158259	1	. Bushing	
40	4812159292	4	. Screw M5	
41	4812156575	1	. Lever	
42	4812156576	1	. Bellow	C
43	4812157556	1	. Bellows kit	
	4812156562	1	. _Sleeve (knob)	
_42	4812156576	1	. _Bellow	C
44	4812158267	1	Handle top + Button kit	
	4812156558	1	_Handle top	
	4812156559	1	_Handle	
	4812156560	1	_Push button switch with cable	
	4812156561	2	_Protection plug	
	4812156562	1	_Sleeve (knob)	

Dual forward/reverse control Option



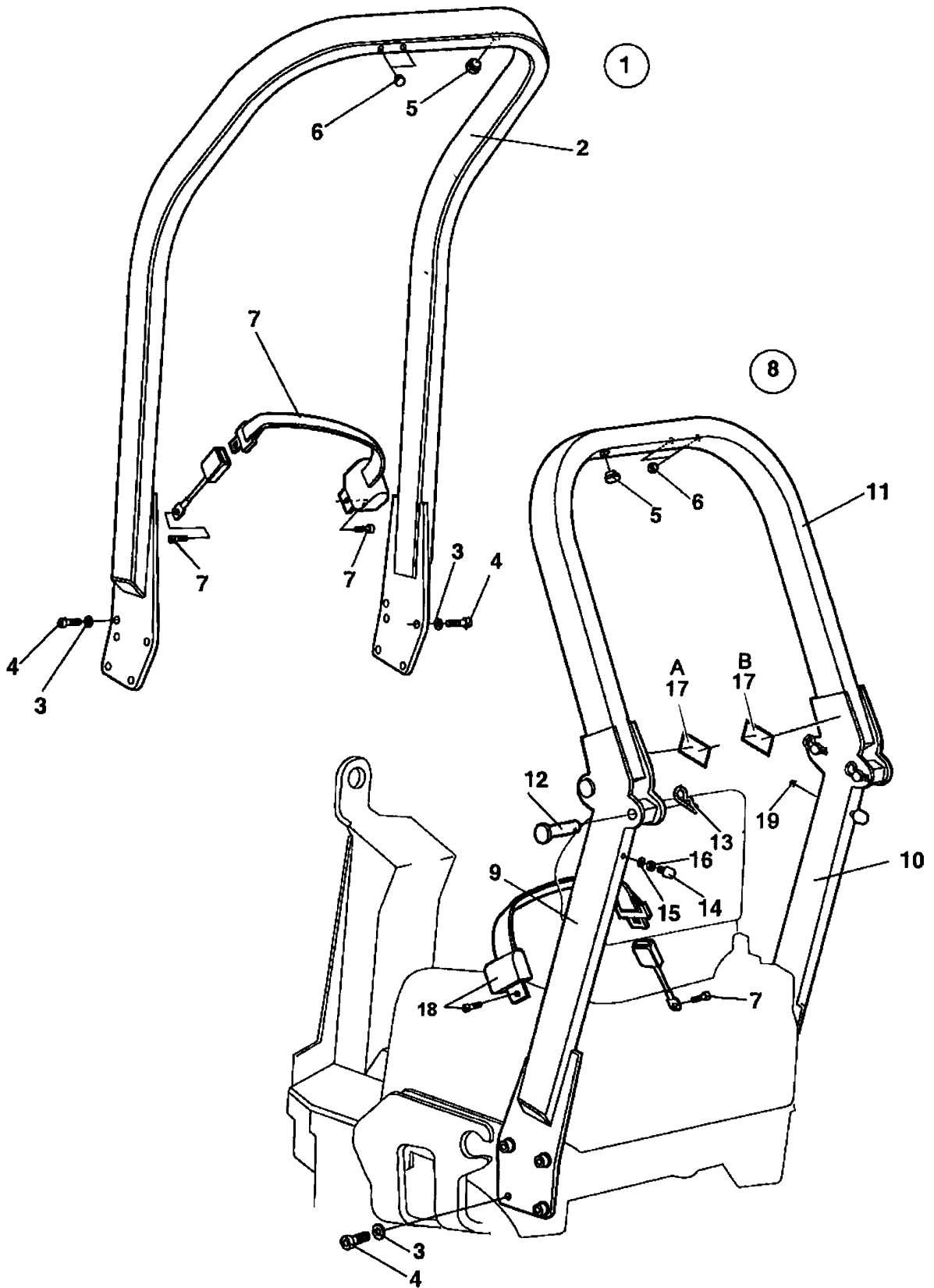
**Dual forward/reverse control Option**

<b>Item</b>	<b>Part No</b>	<b>Rem Qty</b>	<b>Description</b>	<b>Code</b>
1	4700940374	1	Handle kit, cpl	A
2	4700945729	1	. Handle	B
		1	. . Push-button switch	
		1	. Service information	
		1	. Lock fluid	
3	4700377018	1	. Protection plug	D
4		B	. Nut	
5		1	. Connector, receptable	
6		1	. Lock wedge	
7		2	. Pin	
8		B	. Rod	
9		B	. Washer	
10		B	. Washer	
11	4700378759	1	. Handle top	D
15	4700377053	1	Control shaft	D
16	4700377055	1	Lever	D
18	4700791668	1	Connector plug	
19	4700791669	1	Lock wedge	D
20	4700903948	2	Socket	
23	4700791926	1	Y-bearing unit	D
24	4700346420	1	Coupling	D
25	4700904229	2	Steel plain washer 8,4x16x1,5	
26	4700904230	4	Steel plain washer	
27	4700508048	2	Hexagon socket head cap screw	C
28	4700500031	2	Screw	
29	4700586018	2	Hexagon lock nut M10	C
30		1	Cable	

B) Not shown in illustration.



Rops Option



**Rops Option**

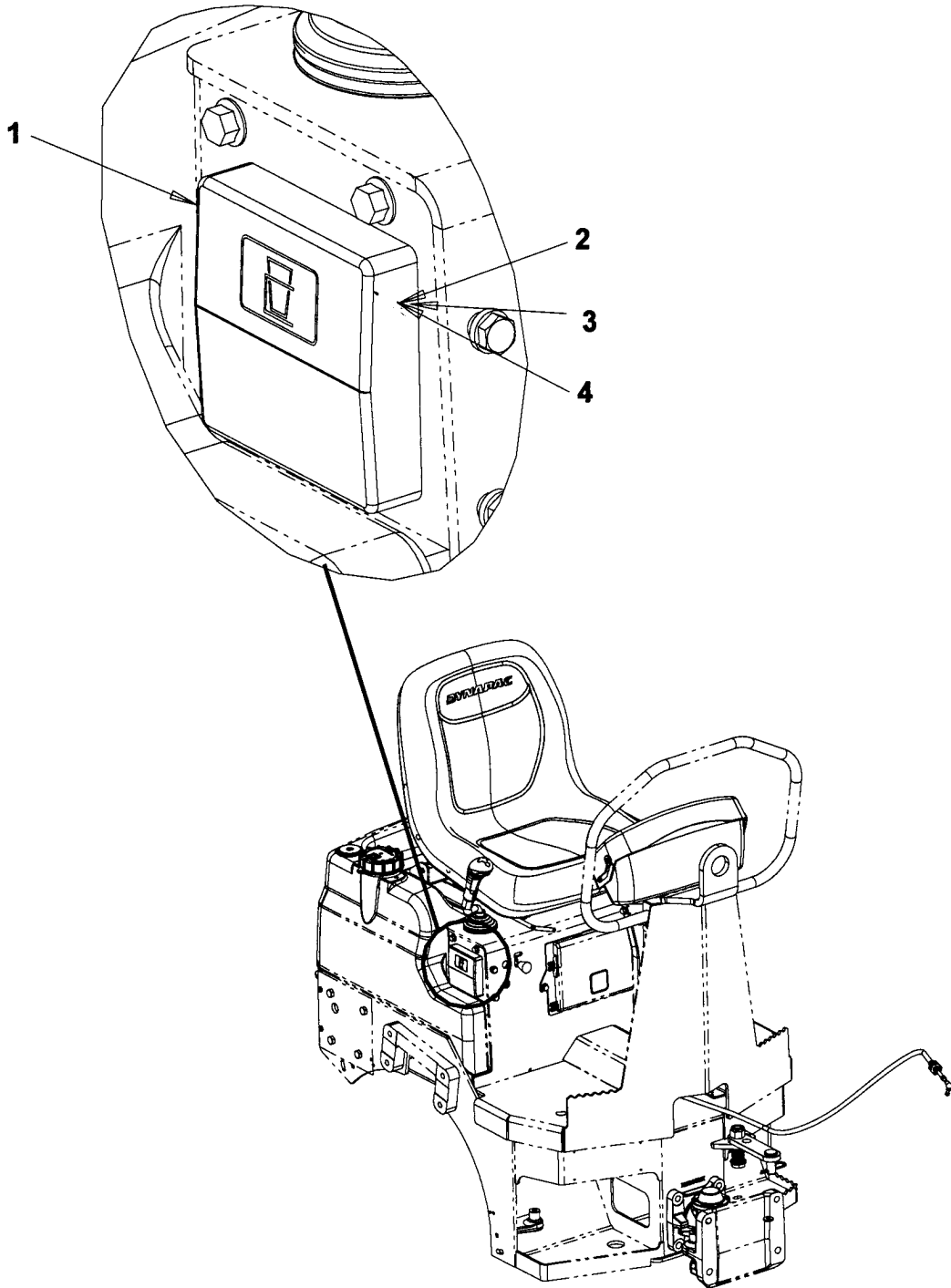
Item	Part No	Rem	Qty	Description	Code
1			1	Rops, cpl	
2	4700387142		1	Rops	D
3	4700904231		8	. Washer 13x24x2 300 HV	
4	4700508063		8	. Hexagon socket head cap screw	
5	4700282603		1	. Plastic plug	
6	4700900986		1	. Plug	
7	4700377677	A	1	. Seat belt 2"	B
8			1	Rops foldable, cpl	
9		C,D	1	. Rops beam	
10		C,D	1	. Rops beam	
11		C,D	1	. Rops beam	
12	4700389798		4	. Threaded spike	D
13	4700635061		4	. Hair clip	B
14	4700280101		2	. Shock absorber	
15	4700904229		2	. Steel plain washer 8,4x16x1,5	
16	4700573008		2	. Nut M8	C
17	4700908229		1	. Safety decal	
18	4700377677	A	1	. Seat belt 2"	B
19	4700926215		2	. Protective plug	

A) Hardware supplied

C) Not sold separately due to safety regulations

D) Only available as a complete ROPS kit ; please check the machine SN and contact Dynapac for valid PN

377256 Cup holder Option



**377256 Cup holder Option**

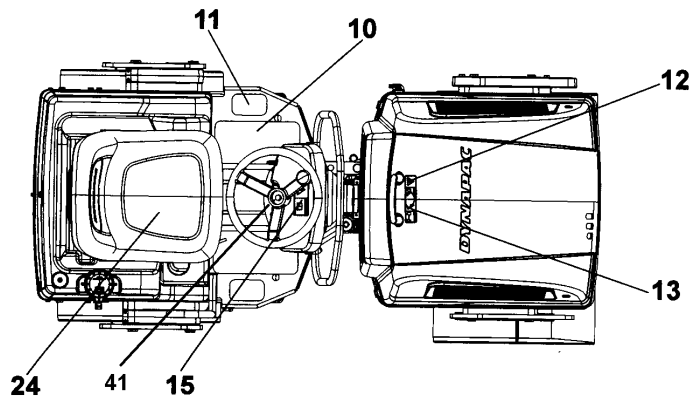
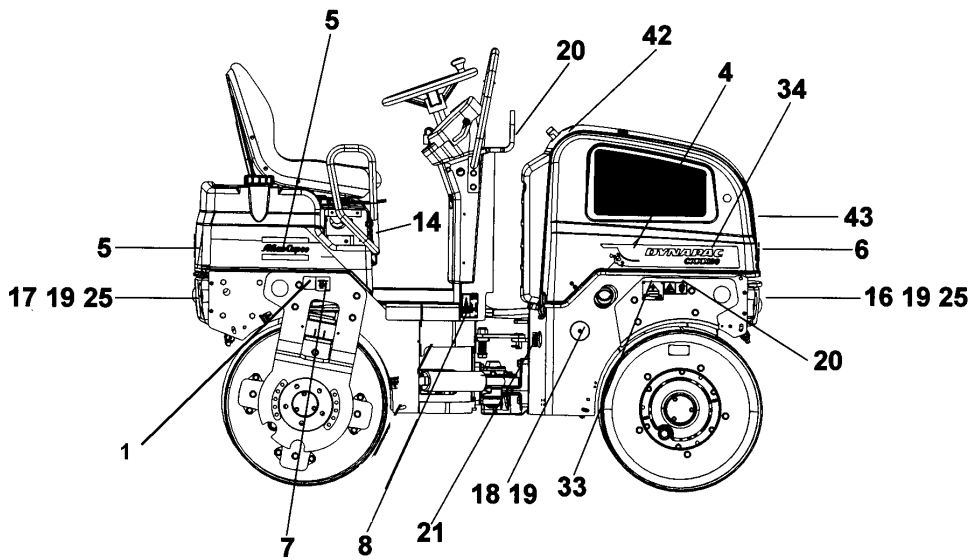
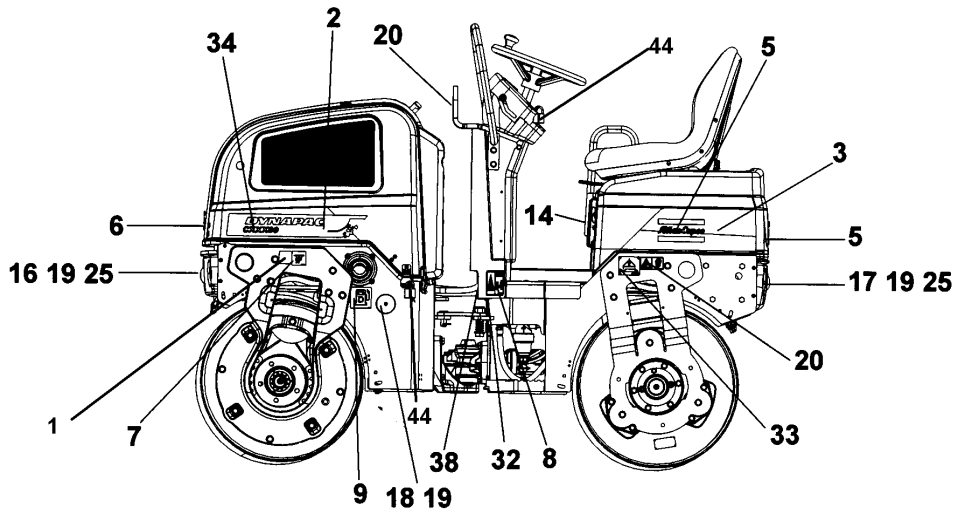
<b>Item</b>	<b>Part No</b>	<b>Rem Qty</b>	<b>Description</b>	<b>Code</b>
1	4700377255	1	Cup holder	D
2	4700513027	4	Screw M4x16H 10,9	D
3	4700904281	4	Washer 5,3x10x1 300HV	C
4	4700923976	4	Nut	C

Decals and documentation

Decals and documentation

Item	Part No	Rem Qty	Description	Code
10			Decals and documentation ( Page 112 )	

Decals and documentation



**Decals and documentation**

<b>Item</b>	<b>Part No</b>	<b>Rem</b>	<b>Qty</b>	<b>Description</b>	<b>Code</b>
1	4700357587		3	Decal "LIFT POINT"	D
2	4812120093		1	Decal "Compaction rocks" Left	D
3	4812120078		1	Decal Rear	D
4	4812120092		1	Decal "Compaction rocks" Right	
5	4812120119	B	3	Decal "Atlas Copco" Black	D
6	4812120125	C	1	Decal "Atlas Copco" White	
7	4700382751		2	Decal "TIE DOWN POINT"	
8	4700903422		2	Decal "SAFETY"	
9	4700991658		1	Decal "FUEL"	
10	4700373363		2	Slip protection	
11	4700372123		2	Protection	D
12	4700903423		1	Decal "SAFETY"	
13	4700903424		1	Decal "HOT SURFACE"	
14	4700903425		1	Decal "SAFETY MANUAL"	
15	4700903459		1	Decal "SAFETY"	
16	4700791957		2	Reflector, white	B
17	4700791956		2	Reflector, red	
18	4700791958		2	Reflector, light	D
19	4700791754		6	Blind rivet	
20	4700908229		3	Safety decal	
21	4700272373		1	Decal "HYDRAULIC OIL"	
24	4700348331		1	Seat cover	
25	4700904228		8	Steel plain washer 6,4x12x1,5	
32			1	Product identif. decal "Dynapac"	
33	4700904870		2	Lifting sign	
34	4812120108		2	Decal "MODEL CODE" CC900	D
37	4700624015		12	Blind rivet 4,0x8,5	D
38	4700791272		1	Decal "Sound power level" 102dB, Option	D
41	4700379012		1	Decal "Start instruction"	D
42	4811000351	D	1	Decal "SAFETY"	
43	4700791642	A	2	Decal "WARNING" Use of starting fluid prohib.	
44	4700358881		2	Pad lock	

- A) Also placed on air filter (not shown in illustration)
- B) Also placed on air filter (not shown in illustration)
- C) Also placed on air filter (not shown in illustration)
- D) Also placed on air filter (not shown in illustration)

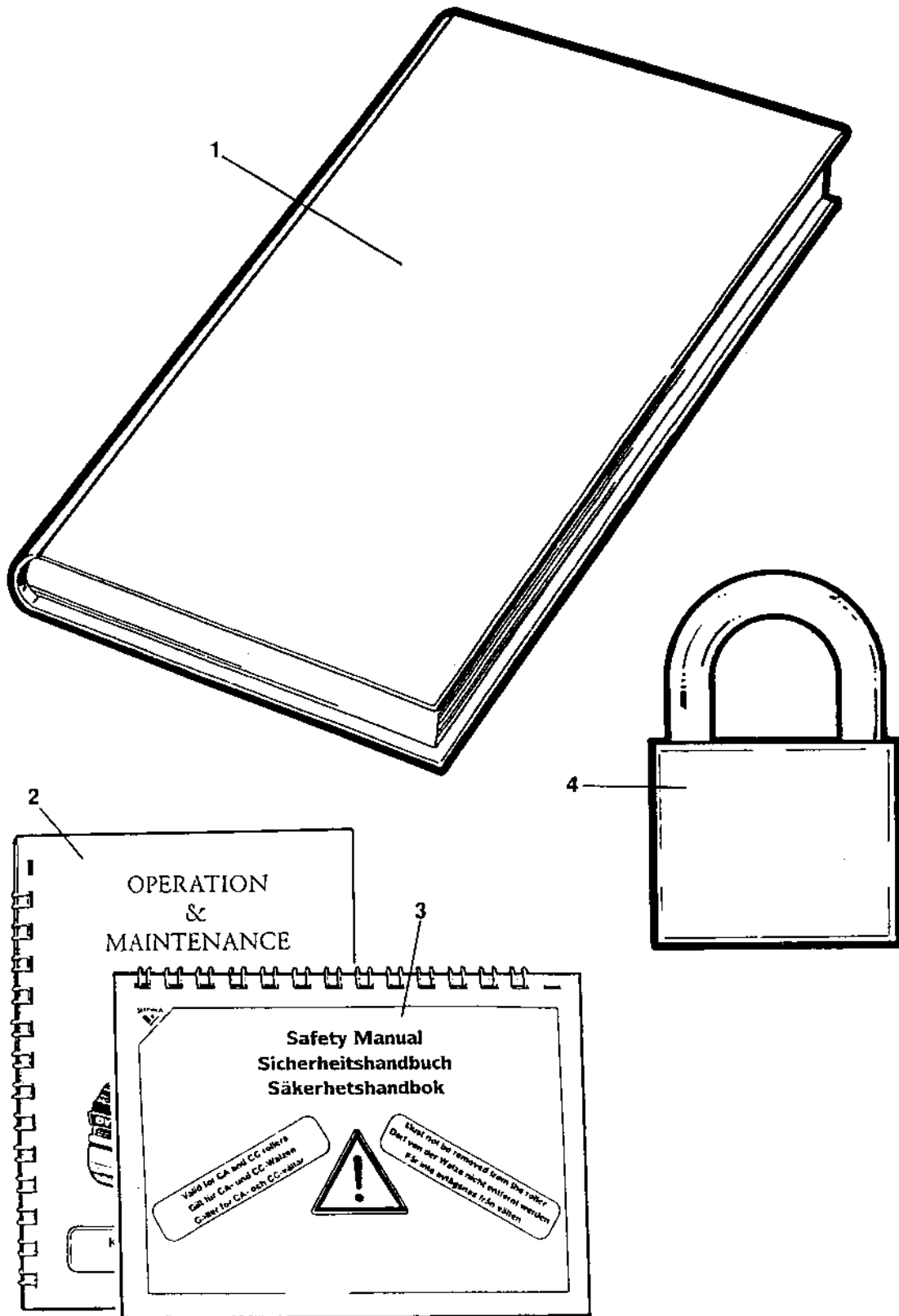


Standard equipment

Standard equipment

Item	Part No	Rem Qty	Description	Code
10			Standard equipment ( Page 116 )	

Standard equipment



**Standard equipment**

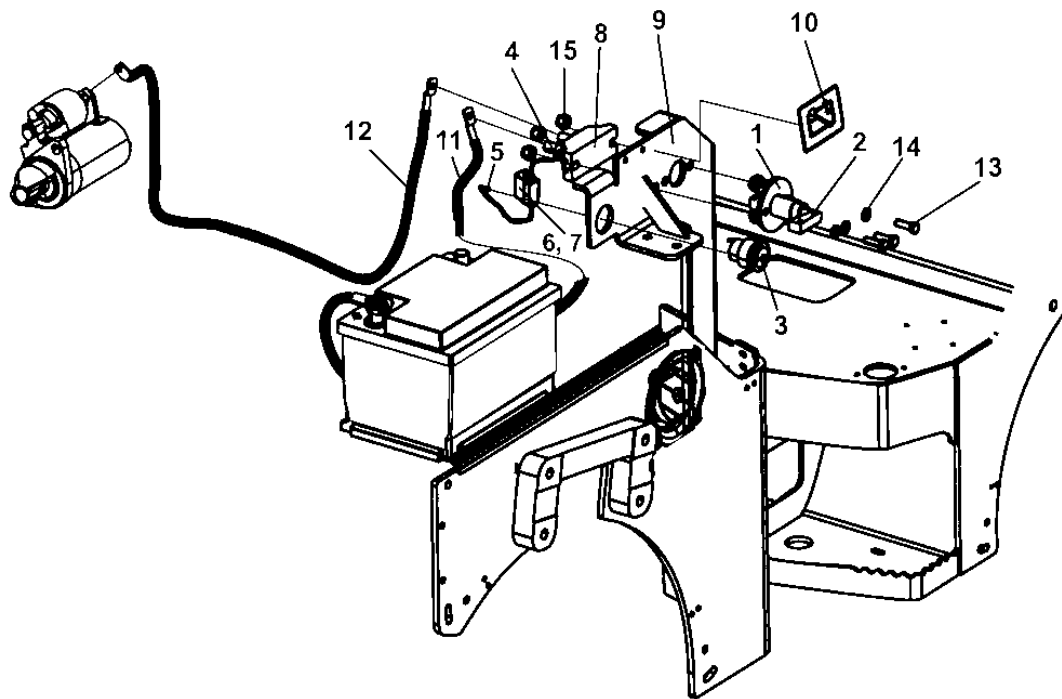
Item	Part No	Rem Qty	Description	Code
1		1	Documentation ISCC900S	
		1	. Warranty conditions	
		1	. Warranty registration certificate	
		1	. Spare parts catalogue 4812160052	
		1	. Warranty registration card	
		1	. Instruction manual Perkins 403D-11	
2		1	. Operation / maintenance instruction 4812161700	
3		1	. Safety manual RSAFE	
4	4700358881	2	Pad lock	

## Optional equipment

Optional equipment

Item	Part No	Rem Qty	Description	Code
15			Battery disconnecter ( Page 120 )	
20			Water tank, option ( Page 122 )	
50			Dual forward/reverse control Option ( Page 124 )	
60			SMV-sign ( Page 126 )	
63			SMV-sign Mounting on watertank ( Page 128 )	
64			SMV-sign on high water tank ( Page 130 )	
65			Registrations - plate with light ( Page 132 )	
70			Hydraulic vibration, shut off front/rear drum ( Page 134 )	
81			Rear view mirror ( Page 136 )	
90			Tool equipment ( Page 138 )	

Battery disconnect



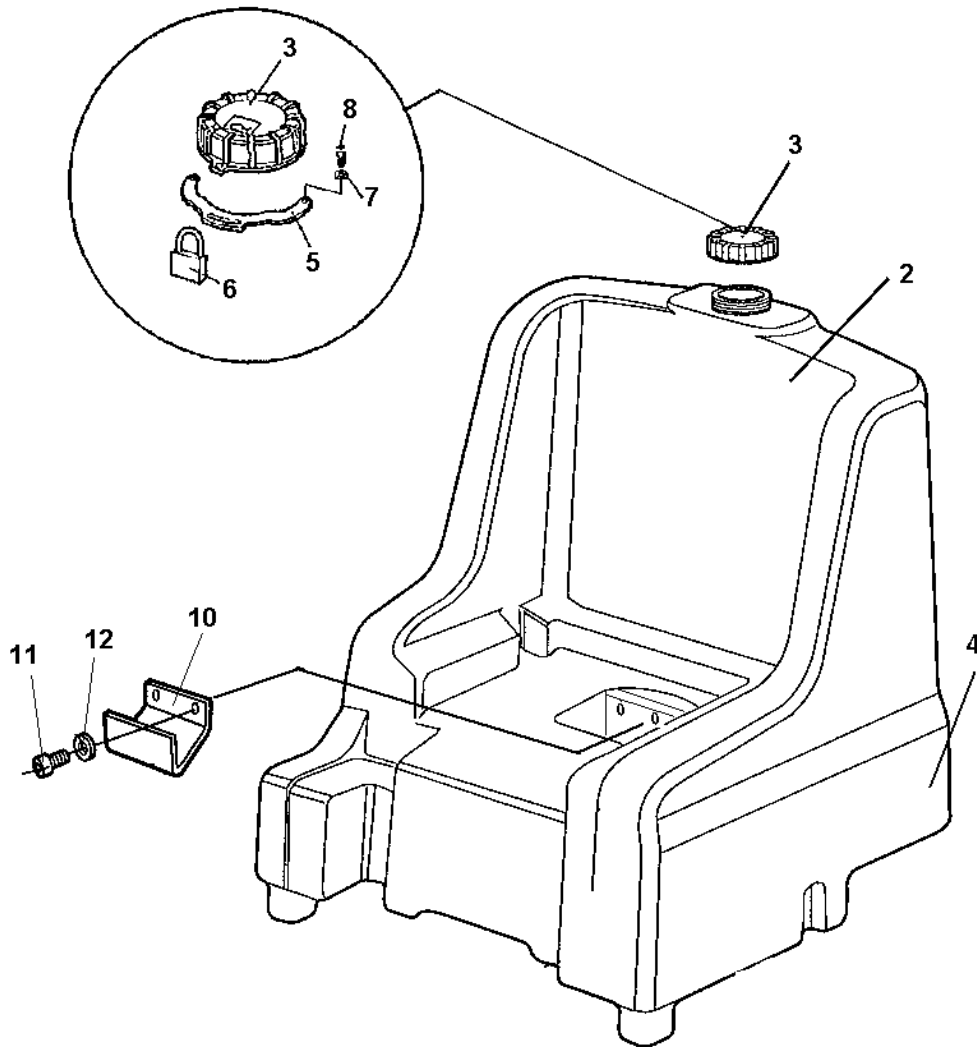
**Battery disconnecter**

Item	Part No	Rem	Qty	Description	Code
1	4700357567		1	Battery switch, cpl	D
2	4700902560		1	. Handle	D
3	4812110560		1	Power socket 12V 16A	D
4	4700960041		1	Ring terminal	
5	4812117025		1	Connector	D
6	4700904015		1	Fuse holder	D
7	4700901227		1	Fuse 10A	B
8	4700377058		1	Connection block	D
9	4812110974		1	Cooler console	
10	4700904835		2	Decal "BATTERY POWER"	
11		C	1	Battery cable	
12		D	1	Cable	
13		B	3	Screw	
14		B	3	Washer	
15		B	3	Nut	

- B) Use existing
- C) Cable from positive pole of the battery.
- D) Cable from starter motor.



Water tank, option

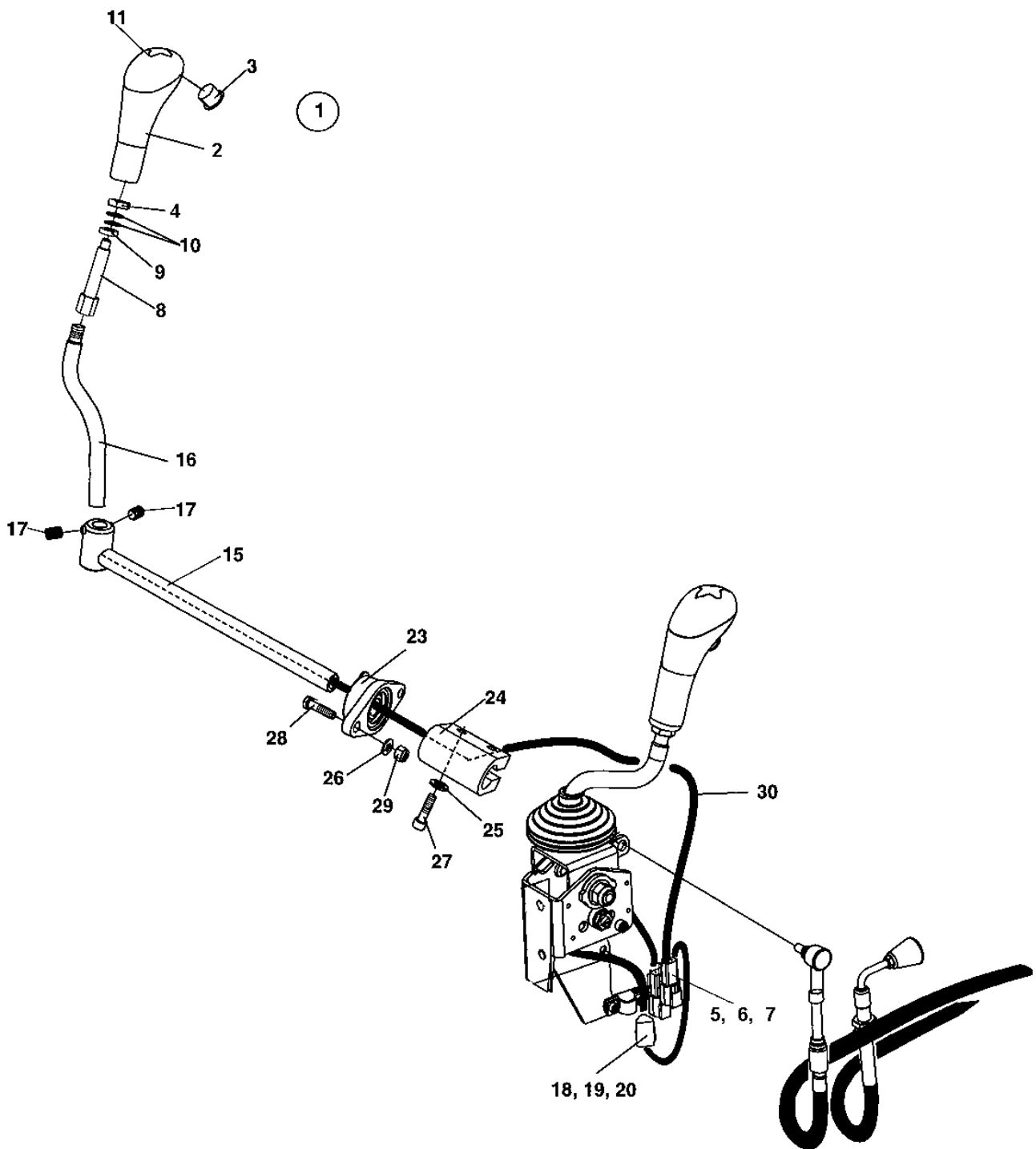


Water tank, option

Item	Part No	Rem	Qty	Description	Code
1				Water tank, cpl	
2	4700388017		1	. Water tank	D
3	4700388087		1	. Tank cap	D
4	4700377343			Decal	D
5	4700389155	A	1	Lock bracket	D
6	4700358881	A	1	Pad lock	
7	4700904281	A	2	Washer 5,3x10x1 300HV	C
8	4700903658	A	2	Screw M5x10	C
10	4700387935		1	Bracket	D
11	4700500029		2	Hexagon head screw	
12	4700904557		2	Steel plain washer	

A) Option,

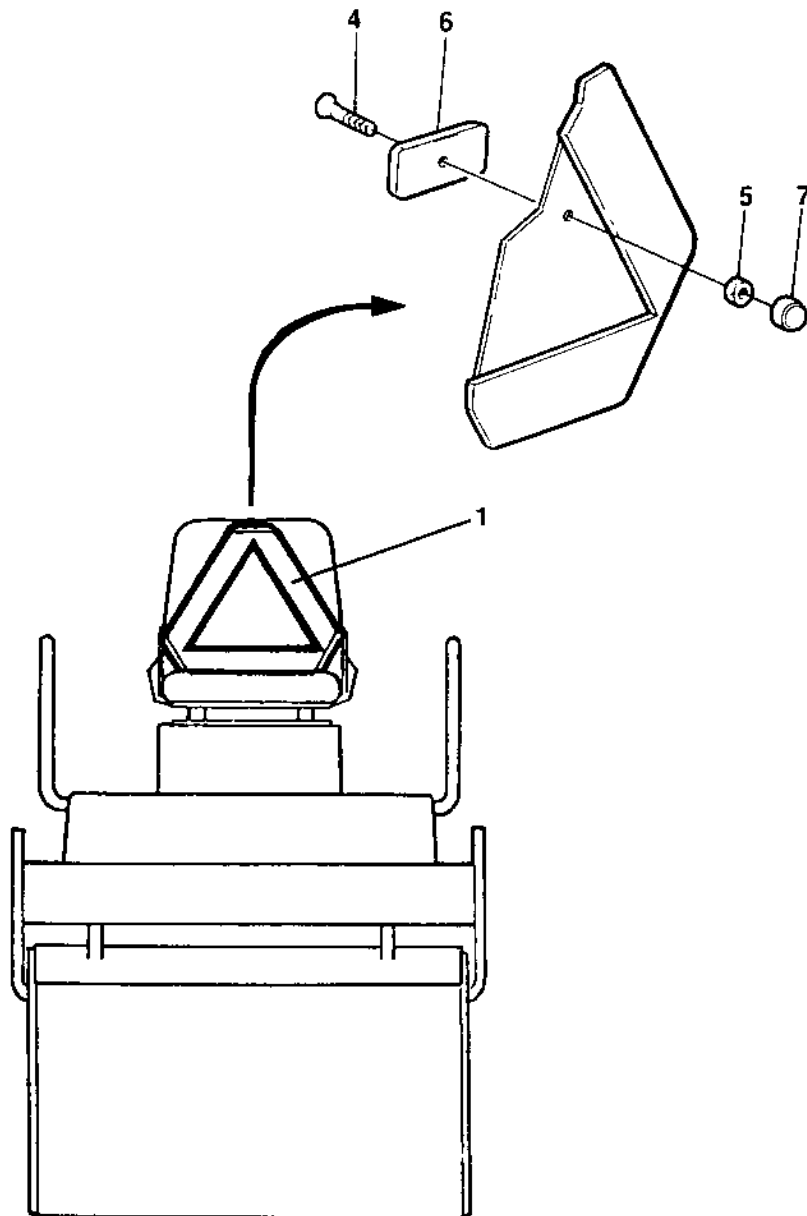
Dual forward/reverse control Option



## Dual forward/reverse control Option

Item	Part No	Rem Qty	Description	Code
1	4700940374	1	Handle kit, cpl	A
2		1	. Handle	
	4700945729	1	. . Push-button switch	B
		1	. Service information	
		1	. Lock fluid	
3	4700377018	1	. Protection plug	D
4		1	. Nut	
5		1	. Connector, receptable	
6		1	. Lock wedge	
7		2	. Pin	
8		1	. Rod	
9		1	. Washer	
10		2	. Washer	
11	4700378759	1	. Handle top	D
15	4700377053	1	Control shaft	D
16	4700377055	1	Lever	D
17	4700377056	2	Socket set screw	D
18	4700791668	1	Connector plug	
19	4700791669	1	Lock wedge	D
20	4700903948	2	Socket	
23	4700791926	1	Y-bearing unit	D
24	4700346420	1	Coupling	D
25	4700904229	2	Steel plain washer 8,4x16x1,5	
26	4700904230	4	Steel plain washer	
27	4700508048	2	Hexagon socket head cap screw	C
28	4700500031	2	Screw	
29	4700586018	2	Hexagon lock nut M10	C
30		1	Cable	

SMV-sign

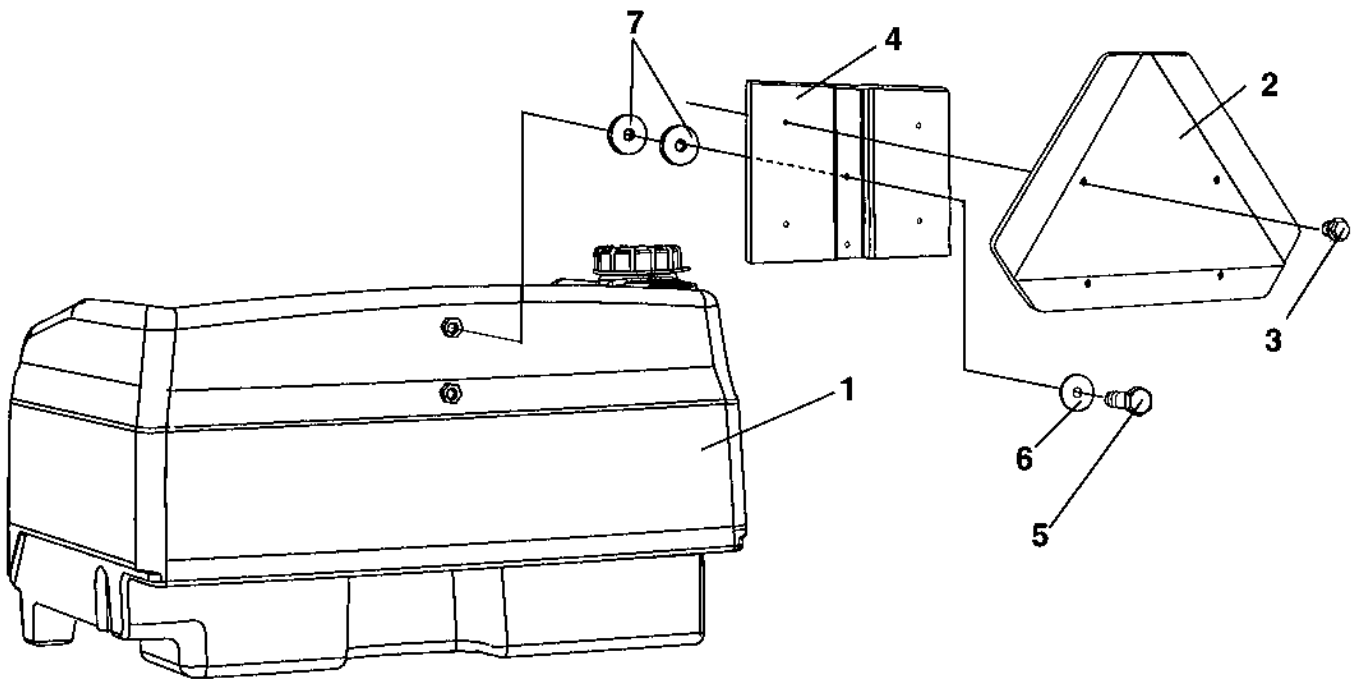


**SMV-sign**

Item	Part No	Rem	Qty	Description	Code
1	4700476019		1	SMV-sign	D
4	4700513013	A	2	Screw	C
5	4700570005	A	2	Nut M8	C
6	4700374460	A	2	Spacer	D
7	4700904203	A	2	Nut protection	

A) On seats with armrests use existing

SMV-sign Mounting on watertank

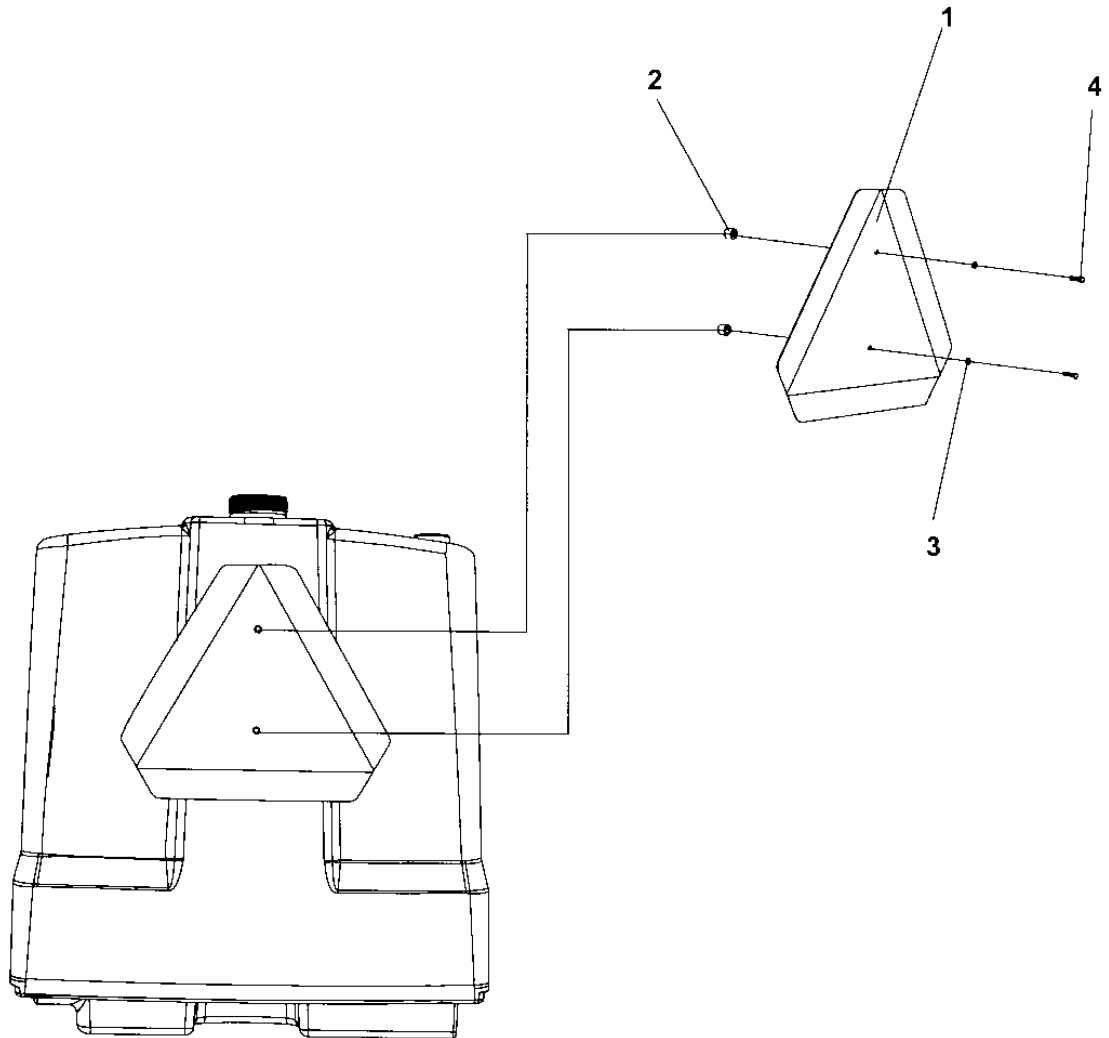


**SMV-sign Mounting on watertank**

<b>Item</b>	<b>Part No</b>	<b>Rem Qty</b>	<b>Description</b>	<b>Code</b>
1		1	Water tank	
2	4700476019	1	SMV-sign	D
3	4700903782	4	Screw M5x12	C
4	4700391920	1	Holder	D
5	4700500006	2	Screw M5x16	C
6	4700927974	2	Washer	
7	4700904735	4	Washer	C



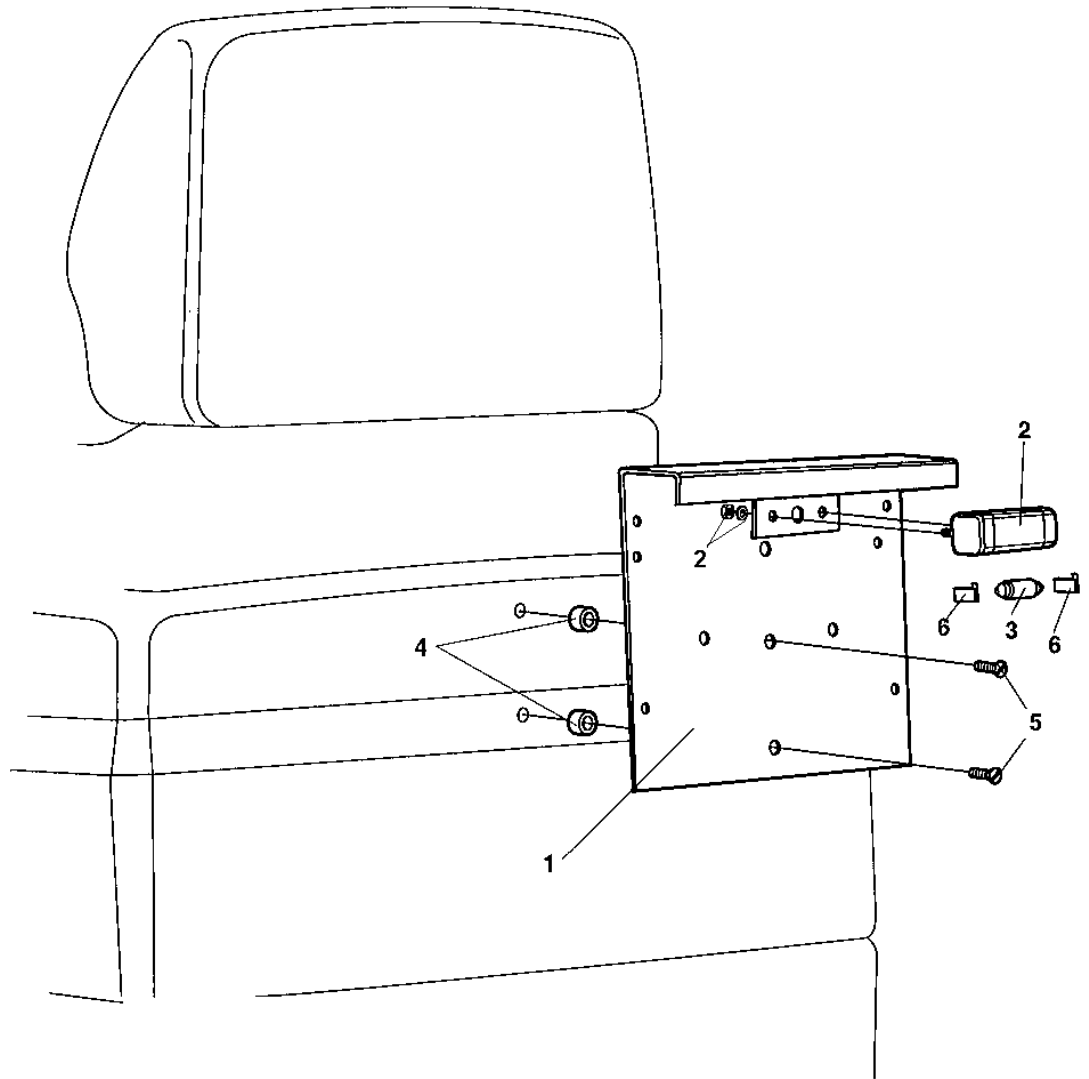
SMV-sign on high water tank



**SMV-sign on high water tank**

<b>Item</b>	<b>Part No</b>	<b>Rem Qty</b>	<b>Description</b>	<b>Code</b>
1	4700476019	1	SMV-sign	D
2	4700371728	2	Spacer sleeve	
3	4700904281	2	Washer 5,3x10x1 300HV	C
4	4700500007	2	Screw M5-0,8x22H 8,8	C

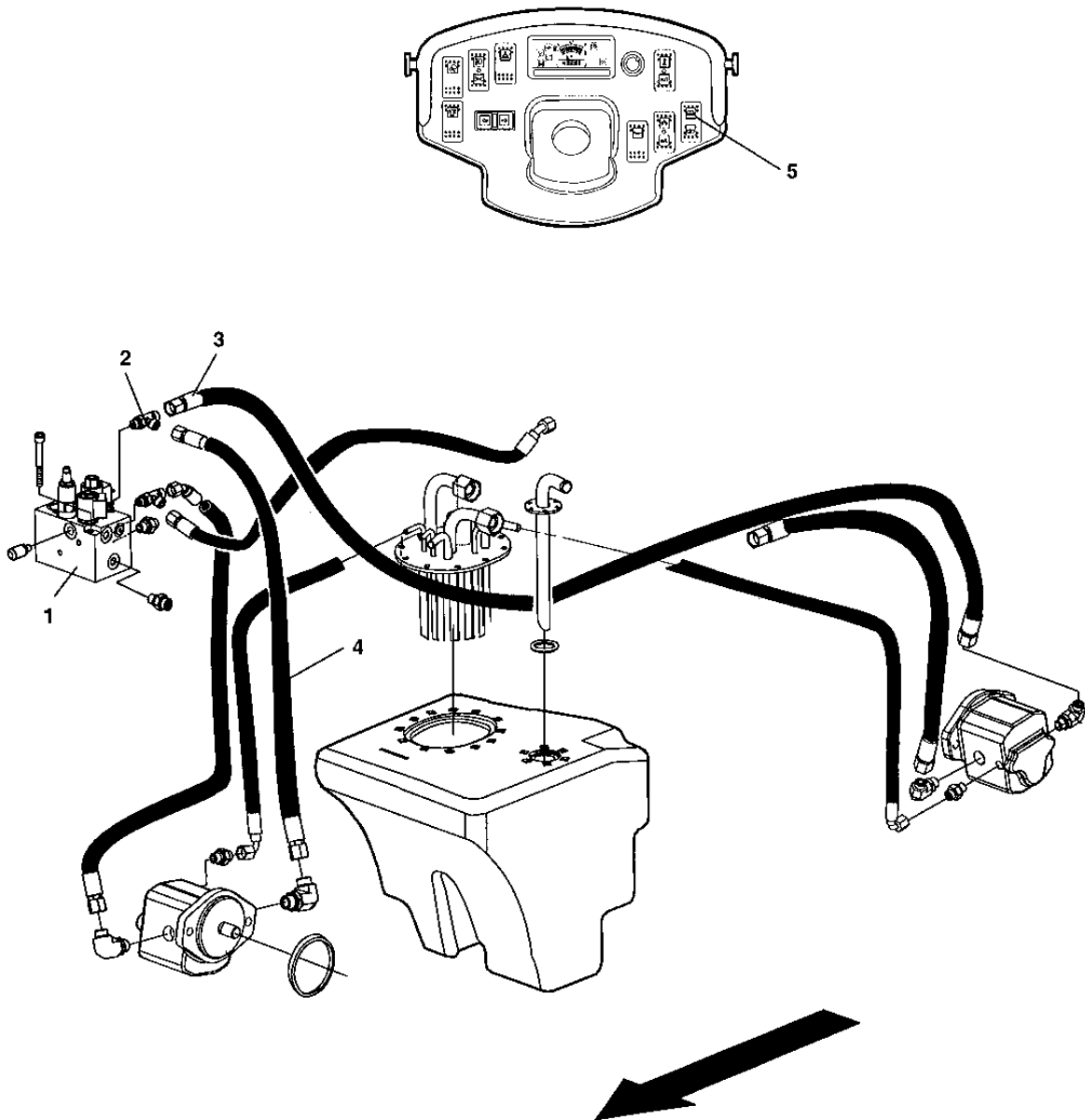
Registrations - plate with light



Registrations - plate with light

Item	Part No	Rem Qty	Description	Code
1	4700355797	1	Licence plate holder	
2	4700929455	1	Licence plate light	D
		2	. Washer	
		2	. Nut	
3	4700985013	1	Bulb 12V,5W	B
4	4700371728	2	Spacer sleeve	
5	4700535008	2	Screw M5x20	C
6	4700792035	2	Push-on terminal	

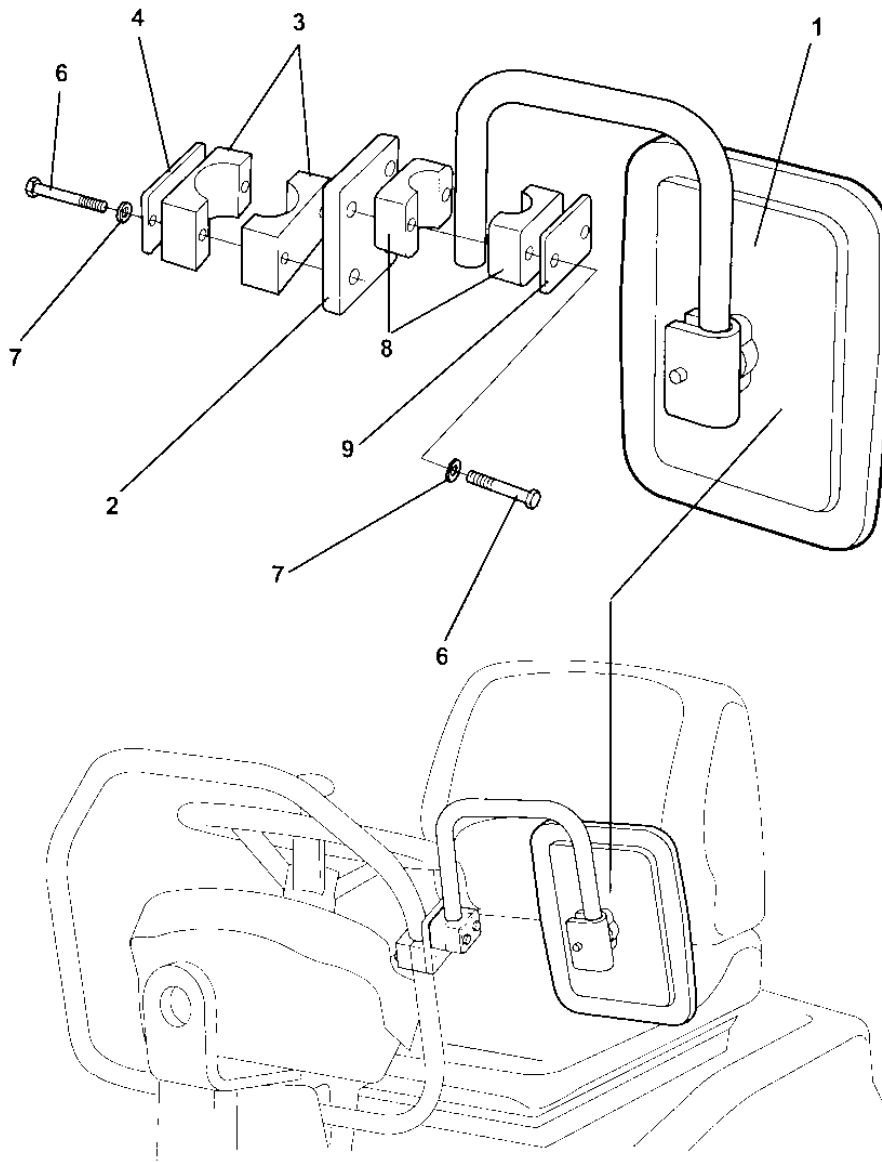
Hydraulic vibration, shut off front/rear drum



Hydraulic vibration, shut off front/rear drum

Item	Part No	Rem Qty	Description	Code
1	4700387276	1	<b>Combination valve ( Page 74 )</b>	
2	4700791700	1	Tee-connector	D
3	4700483668	1	Hydraulic hose	D
4	4700483664	1	Hydraulic hose	D
5	4700791581	1	Switch	D

Rear view mirror

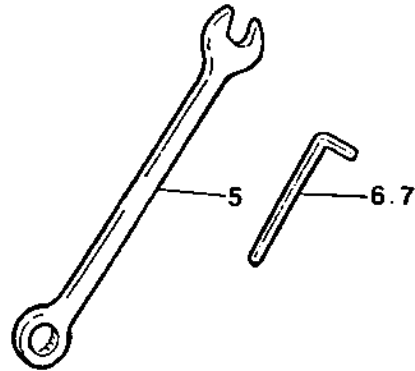
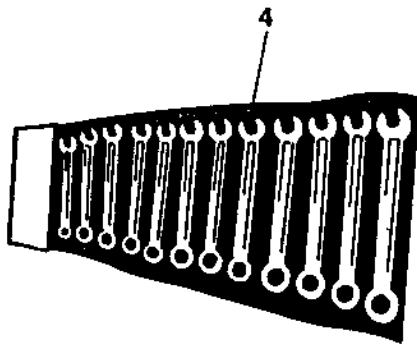
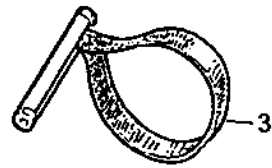
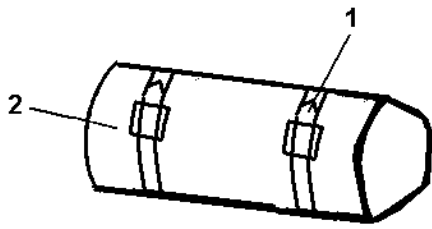


**Rear view mirror**

<b>Item</b>	<b>Part No</b>	<b>Rem Qty</b>	<b>Description</b>	<b>Code</b>
1	4700393204	1	Rear mirror	C
2	4812110283	1	Bracket	D
3	4700902496	1	Clamp	D
4	4700923859	1	Cover plate	C
6	4700500079	4	Screw M6-1x50 8,8	
7	4700904228	4	Steel plain washer 6,4x12x1,5	
8	4700791453	1	Pipe clamp block	
9	4700791454	1	Cover plate	



Tool equipment



**Tool equipment**

Item	Part No	Rem	Qty	Description	Code
1	4700792061		2	Strap	D
2	4700277992		1	Tool bag	D
3	4700902610		1	Belt pliers	D
4	4700901212	A	1	Open end spanner	
5	4700485177		1	Wrench 6"	D
6	4700485034		1	Allen wrench 4 mm	D
7	4700792060		1	Allen wrench 3 mm	D

A) Kit



## NUMERICAL INDEX

Part Number	Page	Part Number	Page	Part Number	Page
377256	97,109	4700376636	77	4700387118	59
4700111018	25,47	4700376637	7,11,77	4700387142	107
4700160032	45	4700376770	51	4700387148	39
4700160058	21,33	4700376771	51	4700387151	39
4700160101	67	4700376772	51	4700387154	39
4700160111	27,45	4700376861	77	4700387200	59
4700160132	23,25,47	4700376876	41	4700387201	55
4700160313	41	4700377018	105,125	4700387205	53
4700162017	45,47	4700377019	101	4700387225	99
4700162024	45	4700377020	101	4700387226	99
4700202042	87	4700377021	101	4700387227	99
4700205067	67	4700377024	101	4700387229	101
4700238158	87	4700377044	39	4700387236	99
4700272373	113	4700377053	105,125	4700387274	77,79
4700277992	139	4700377055	105,125	4700387275	77,81
4700280101	107	4700377056	125	4700387276	67,75,135
4700282603	107	4700377058	85,121	4700387277	77
4700283711	67	4700377061	39	4700387278	67
4700287713	41	4700377063	85	4700387279	57
4700288129	59	4700377139	87	4700387287	53
4700297018	39	4700377140	89	4700387344	35,37
4700313001	53,63	4700377255	109	4700387345	35,37
4700313002	41	4700377343	123	4700387346	19,35,37
4700313008	67	4700377518	99	4700387376	31
4700313010	59	4700377520	51	4700387377	89,91
4700313023	57	4700377610	31	4700387378	89
4700313035	53,67	4700377611	41	4700387424	17,31
4700313075	53,57	4700377621	31,33	4700387425	31
4700313102	77	4700377677	107	4700387428	53
4700313108	57,63,67	4700377745	35,37	4700387453	99
4700343490	47	4700377746	35,37	4700387545	99
4700343744	45,47	4700377806	31	4700387552	57
4700346420	105,125	4700377817	35,37	4700387583	47
4700348331	99,113	4700378024	63	4700387676	63
4700349202	47	4700378025	63	4700387677	63
4700349332	31	4700378178	37	4700387678	63
4700350029	47	4700378759	105,125	4700387682	57
4700355704	85	4700378932	87	4700387683	87
4700355797	133	4700379009	41	4700387685	99
4700355869	77	4700379012	113	4700387695	57
4700357138	9,11,67	4700379458	45	4700387713	67
4700357139	67	4700379636	99	4700387758	67
4700357567	121	4700379656	37	4700387779	31
4700357587	113	4700379668	67	4700387886	31
4700357643	99	4700379753	41	4700387914	63
4700357855	99	4700382751	113	4700387915	63
4700358232	99	4700383705	99	4700387935	41,123
4700358666	47	4700385599	87	4700387947	39
4700358689	47	4700386241	47	4700387948	39
4700358846	41	4700386619	47	4700387949	31,39
4700358881	41,113,117,123	4700386620	47	4700387956	39
4700359043	37	4700386624	47	4700388009	95
4700359434	67	4700386628	47	4700388017	123
4700359606	67	4700386893	53	4700388087	41,123
4700371728	131,133	4700386951	59	4700388153	31
4700371785	53	4700386963	53	4700388171	21,33
4700372123	113	4700387039	35,37	4700388172	21,33
4700372964	77	4700387043	35,37	4700388173	21,33
4700373363	113	4700387056	31	4700388382	89
4700374460	127	4700387097	55	4700388447	99
4700376554	7,9,11,51	4700387099	53	4700388476	101
4700376555	7,9,11,57	4700387100	53	4700388636	89

NUMERICAL INDEX

Part Number	Page	Part Number	Page	Part Number	Page
4700388653	67	4700476019	127,129,131	4700500241	37
4700388733	39	4700480852	41	4700500269	31
4700388737	87	4700483649	67	4700500505	99
4700388772	93	4700483651	67	4700500506	51
4700388773	93	4700483652	63	4700500509	99
4700388846	39	4700483653	77	4700502016	51,53
4700388852	39	4700483654	63,77	4700508002	67
4700388960	63	4700483655	77	4700508004	41
4700388975	45	4700483656	77	4700508014	45
4700389003	51	4700483657	77	4700508019	51
4700389005	59	4700483662	77	4700508022	39
4700389019	59	4700483664	135	4700508029	47,67
4700389036	59	4700483665	63	4700508032	45,47
4700389132	45	4700483668	67,135	4700508048	51,105,125
4700389134	45	4700483684	51	4700508063	107
4700389136	45	4700483689	63	4700508092	59,67,85
4700389142	53	4700483696	77	4700508094	67
4700389155	41,123	4700483714	63	4700513013	127
4700389196	67	4700483852	63	4700513017	99
4700389218	41	4700483853	63	4700513027	109
4700389400	63	4700483854	67	4700527002	45,47
4700389401	67	4700483855	67	4700530027	31
4700389409	63	4700483878	67	4700535008	133
4700389410	63	4700485034	139	4700541702	93,95
4700389455	45	4700485177	139	4700570004	85,87
4700389456	45	4700500006	129	4700570005	37,51,85,127
4700389457	45	4700500007	99,131	4700570006	51
4700389459	31	4700500012	45,47	4700570007	45
4700389462	45,47	4700500013	51,59,101	4700573008	107
4700389556	63	4700500018	99	4700586001	101
4700389561	93	4700500019	63	4700586002	39,87
4700389577	93	4700500021	53,55,85,93,101	4700586003	31,35,37,39,85
4700389602	31	4700500022	45,47,51,63		87,93,99,101
4700389763	93	4700500024	35,37,85	4700586018	35,51,89,91,99
4700389798	107	4700500029	41,47,51,57,123		105,125
4700389840	87	4700500030	99	4700586022	31
4700390175	45	4700500031	77,99,105,125	4700624015	113
4700390176	45	4700500037	63	4700629101	93
4700390316	67,71	4700500040	53	4700635061	31,107
4700390554	45	4700500041	85	4700791185	87
4700390854	45	4700500042	101	4700791211	87
4700391784	99	4700500047	51	4700791226	99
4700391920	129	4700500048	77	4700791272	113
4700391984	17,47	4700500050	21,33	4700791395	67
4700392011	41	4700500053	31,39,59,63,67	4700791408	77
4700392508	41		77,85,99,101	4700791409	63
4700392509	41	4700500067	35,37	4700791410	63,77
4700393204	137	4700500068	39,57,63	4700791412	67,77
4700394242	15,45	4700500075	87	4700791422	57
4700394253	57	4700500079	137	4700791425	23,47
4700394301	99	4700500090	41	4700791426	23,25,47
4700394541	51	4700500105	35,37	4700791433	23,47
4700395227	53	4700500109	51	4700791453	137
4700395257	101	4700500122	31	4700791454	137
4700395394	87	4700500161	51	4700791476	99
4700395497	67	4700500175	31,45	4700791483	55,85
4700395520	67,73	4700500176	31	4700791493	51,53
4700396883	63	4700500180	93	4700791535	51
4700396884	63	4700500192	67	4700791538	63
4700396971	87	4700500195	45	4700791540	77
4700397157	99	4700500208	31	4700791541	63,67
4700416034	101	4700500230	89,91	4700791542	77

## NUMERICAL INDEX

Part Number	Page	Part Number	Page	Part Number	Page
4700791559	39	4700792026	51	4700904012	39
4700791565	77	4700792035	133	4700904015	121
4700791568	41	4700792059	89	4700904203	127
4700791578	87	4700792060	139	4700904214	31
4700791579	87	4700792061	139	4700904228	31,39,45,47,51 53,59,67,85,87 101,113,137
4700791580	87	4700792070	67	4700904229	35,37,39,51,55 57,59,63,67,77 85,93,99,101,105 107,125
4700791581	87,135	4700792072	35,37	4700904230	37,51,67,77,89 91,99,105,125
4700791582	87	4700792083	87	4700904231	31,45,47,51,85 107
4700791583	89	4700792098	95	4700904233	31
4700791584	89	4700792134	35,37	4700904281	41,85,99,109,123 131
4700791585	93	4700792149	31	4700904556	39,41,45,51,67 85,87,99,101
4700791586	89	4700792170	63	4700904557	45,47,51,57,67 99,123
4700791587	89,91	4700792180	37,39,57	4700904567	41
4700791588	87	4700792188	37	4700904637	51
4700791597	39	4700792189	37	4700904640	31,35,37,41,47 51,53,55,63
4700791616	99	4700792236	99	4700904698	57
4700791639	85	4700792250	51	4700904703	45,47,55,63
4700791642	113	4700792286	37	4700904727	63
4700791643	39,89	4700792287	37	4700904735	67,129
4700791668	105,125	4700792320	87	4700904755	101
4700791669	105,125	4700792332	63	4700904835	121
4700791699	63,67	4700792611	21,33	4700904870	113
4700791700	67,135	4700792707	67	4700904889	89
4700791701	77	4700792779	41	4700904984	57
4700791704	89	4700900986	107	4700904989	89
4700791723	87	4700901157	67	4700908229	107,113
4700791739	87	4700901212	139	4700921039	93
4700791743	63	4700901225	89	4700921050	85
4700791744	63	4700901227	89,121	4700921104	67
4700791745	63,67	4700901228	87,91	4700923734	41
4700791746	63	4700901297	41	4700923735	41
4700791750	27,45	4700901298	41	4700923859	137
4700791754	39,91,113	4700901369	91	4700923976	109
4700791774	57	4700901767	87	4700924544	41
4700791775	35,37,87	4700901832	53	4700925599	41
4700791780	53	4700902123	77	4700926215	107
4700791794	67	4700902166	39,99	4700926537	101
4700791916	89	4700902227	91	4700927568	55
4700791922	45	4700902286	53	4700927974	129
4700791923	27,45	4700902287	35,37	4700928381	39
4700791926	105,125	4700902496	137	4700928830	77
4700791929	45	4700902560	121	4700928847	45
4700791938	35,37	4700902610	139	4700929191	31
4700791939	35,37	4700902890	39	4700929455	133
4700791941	67	4700903154	47	4700935429	79
4700791949	41	4700903236	57	4700935613	77
4700791951	89	4700903374	45,47	4700935614	77
4700791953	89	4700903422	113	4700939802	9,11,59
4700791954	89	4700903423	113	4700939803	9,11,59
4700791955	89	4700903424	113	4700939804	59
4700791956	113	4700903425	113	4700939805	59
4700791957	91,113	4700903459	113		
4700791958	113	4700903658	41,99,123		
4700791959	41	4700903714	53		
4700791962	21,33	4700903741	87		
4700791970	89,91	4700903768	85		
4700791971	89	4700903782	129		
4700791977	41	4700903810	89		
4700791980	93	4700903856	39		
4700791981	93	4700903948	105,125		
4700792019	85	4700903956	85,89		
4700792020	85	4700904009	63,77		

## NUMERICAL INDEX

Part Number	Page	Part Number	Page	Part Number	Page
4700939806	59	4812110669	45	4812157556	103
4700939807	59	4812110670	45	4812157560	73
4700939932	11,51	4812110724	85	4812158258	103
4700939977	51	4812110759	85	4812158259	103
4700940203	57	4812110761	99	4812158260	103
4700940208	5,7	4812110974	53,121	4812158267	103
4700940209	5,9	4812111325	41	4812159159	79
4700940210	5,11	4812111330	41	4812159160	79
4700940212	11	4812111331	41	4812159197	103
4700940227	51	4812112007	85	4812159198	103
4700940228	51	4812112074	41	4812159199	103
4700940229	51	4812112645	41	4812159251	103
4700940231	51	4812113676	97,103	4812159290	103
4700940374	105,125	4812113822	41	4812159291	103
4700940447	51	4812114386	87	4812159292	103
4700940451	87	4812114466	99	4812159667	51
4700940671	13,19	4812114657	85	4812159771	81
4700940885	75	4812116572	51		
4700940886	75	4812117025	121		
4700940887	75	4812117868	87		
4700940888	75	4812117990	101		
4700940894	57	4812118686	99		
4700940922	57	4812119960	63		
4700940960	101	4812120078	113		
4700940976	51	4812120092	113		
4700945123	51	4812120093	113		
4700945284	51	4812120108	113		
4700945286	51	4812120119	113		
4700945340	67	4812120125	113		
4700945418	57	4812120570	39		
4700945473	51	4812120575	31		
4700945526	77,81	4812120592	39		
4700945552	13,17	4812120635	63		
4700945622	99	4812120636	63		
4700945629	51	4812120643	101		
4700945668	81	4812120650	101		
4700945710	13,23	4812120655	31		
4700945711	13,25	4812120669	51		
4700945729	105,125	4812120670	51		
4700945735	51	4812155888	51		
4700945753	57	4812156170	15,17		
4700945777	57	4812156490	103		
4700945850	13,15	4812156558	103		
4700945878	55	4812156559	103		
4700945928	13,21,33	4812156560	103		
4700947684	77	4812156561	103		
4700950150	13,27	4812156562	103		
4700950382	101	4812156563	103		
4700960041	121	4812156564	103		
4700960079	89	4812156565	103		
4700985013	133	4812156566	103		
4700991658	113	4812156567	103		
4700999027	85	4812156568	103		
4811000351	113	4812156569	103		
4812110216	89,91	4812156570	103		
4812110283	137	4812156571	103		
4812110346	47	4812156572	103		
4812110560	121	4812156573	103		
4812110595	47	4812156574	103		
4812110596	47	4812156575	103		
4812110663	47	4812156576	103		
4812110668	45	4812157555	71		