

CC1100C Plus

Spare parts list

Vibratory roller

CC1100C Plus s/n 10000369xxA018328 -

Engine: Kubota D1703 (18,5 kW)



General information

Use only authorized parts. Any damage or malfunction caused by the use of unauthorized parts is not covered by Warranty or Product Liability. Any unauthorized use or copying of the contents or any part thereof is prohibited. This applies in particular to trademarks, model denominations, part numbers, and drawings.

Instructions for use

This spare parts list contains no safety regulations and is merely intended to assist in the ordering of spare parts.

For information about operating, servicing, or repairing, the relevant Safety and operating instructions must be consulted at all costs.

Please observe the safety instructions listed in the relevant Safety and operating instructions!

Contents

CC1100C Plus (18,5 kW) S/N 10000369xxA018328 -

CC1100C Plus (18,5 kW) S/N 10000369xxA018328 -	1
--	---

Service kits

4812156265 Service kit 50h	3
4812159563 Service kit 50h Plus	5
4812156288 Service kit 250 / 750 h	7
4812159564 Service kit 250/750h Plus	9
4812156266 Service kit 500h	11
4812159565 Service kit 500h Plus	13
4812156267 Service kit 1000 h	15
4812159568 Service kit 1000h Plus	17
4812159571 Start-up kit	19

Repair kits

4700938908 Eccentric shaft kit	21
4700938892 Drum rotation kit	23
4812159961 Scraper kit	25
4700938885 Shock absorber kit, drum	27
4700938575 Steering hitch kit	29

General - Keys and others

Keys	31
Fuses	33

Frame

Frame, front	35
Frame, rear	37
Protective plate, front lights (Option)	39
Hitch	41
Sprinkler system	43
Scrapers	50
Scrapers, wheels	53
Scrapers, spring loaded (option)	55

Drum / Wheels

Drum	57
Wheels	60

Engine room

Engine module	63
4812120540 Diesel engine Kubota D1703-M-E4B	67
Exhaust system	69
Fan	71
Air filter	73
4812118163 Engine hood, cpl	75
Water cooler	77
Casing	79
Cooler hoses	81
Fuel system	83
Fuel hoses	85
Air hoses	87

Hydraulic system

Propulsion system	89
4812120928 Connection block	93
Vibration system	95
Flow divider (option)	99
Brake system	101
Rotating group, valves, charge pump	103
Vibration shut-off Front drum (option)	107

Steering system

Steering system	109
4812120737 Hydraulic cylinder	111

Electrical equipment

Electrical equipment	113
Horn module	115
Battery module	117
Battery disconnecter	119
Cable harness	121

Rotating beacon

Rotating beacon for ROPS (option)	123
Rotating beacon for ROPS ignition controlled (option)	125
Rotating beacon, without rops (option)	127

Working lights

Working lights	129
Working lights front	131
Working light rear	133
Working light (option) rear	135
Casing rear	137
Cover plate rear	139

Driving lights

Driving lights RH

Driving lights Front RH (option)	141
Driving lights Front	143
Driving lights Rear (option)	145

Driving lights LH

Driving lights Front LH (option)	147
Driving lights Front	149
Driving lights Rear (option)	See page 145
Direction indicator (option)	151
Back-up alarm	153
Sprinkler Wheels	155

Drivers platform

Drivers platform	157
Platform module	159
Platform mount	161
Instrument panel module	163
Steering wheel	165
Control module	167
Standard ECU module	169
Forward-Reverse control module	171
4812113676 Forward and reverse control handle	173
Forward-reverse control left (option)	177
Step (option)	179
Cover plate, Dual F&R-control left side	181
Seat laterally adjusting	183
Throttle control, cpl	185
Throttle control cpl, Dual frequency (option)	187

Driver seat

Driver seat, Std	189
Driver seat, Luxury (option)	191
Driver's seat, without armrests	193
Seat belt module 3"	195
Seat belt module 2"	197
Rear view mirror (option)	199

ROPS

ROPS, foldable (option) 201
Rops (option) 203
Canopy (option) 205

Decals

Decals 207

Optional equipment

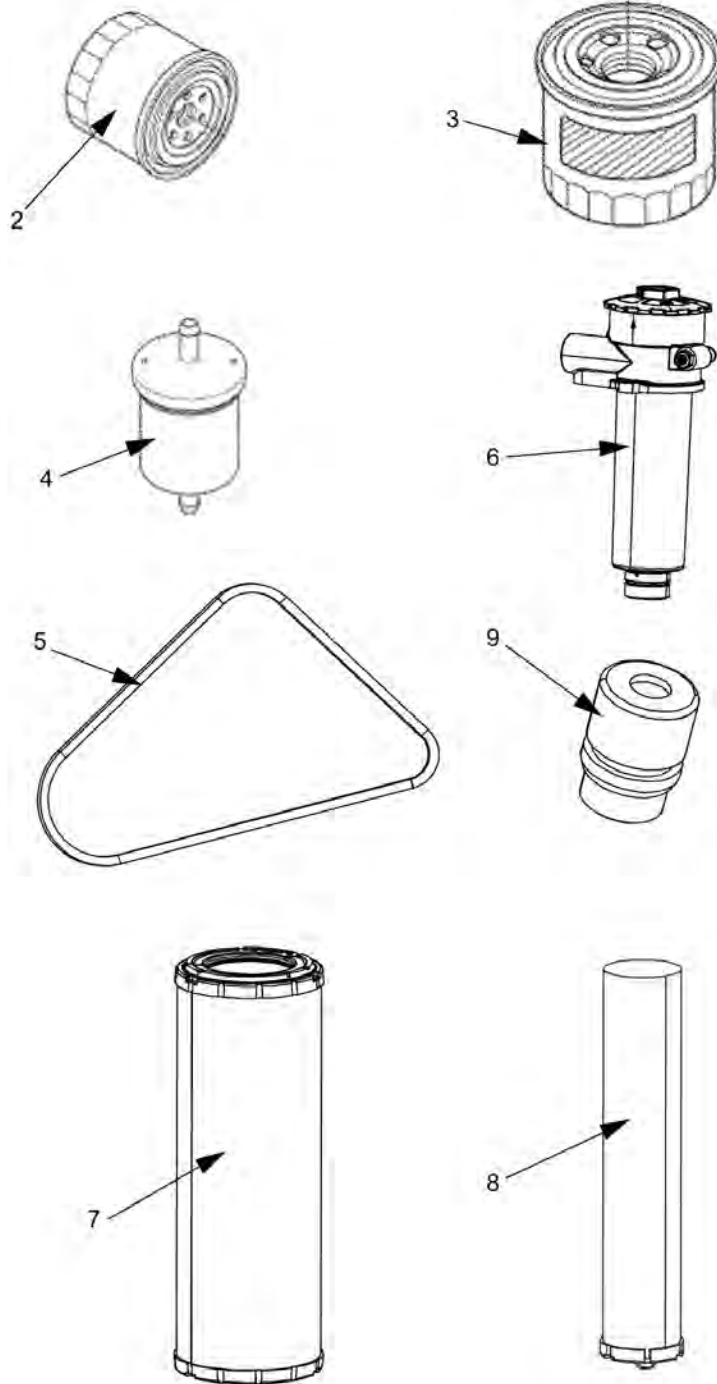
Fire extinguisher 210
Tool equipment 213
SMV-sign and Licence plate 215
Brake release, propulsion motor 217
Brake release, propulsion motor Poclairn 219
FleetLink module 221
Appendix B:Parts Index 223

CC1100C Plus (18,5 kW) S/N 10000369xxA018328 - CC1100C Plus (18,5 kW) S/N 10000369xxA018328 -



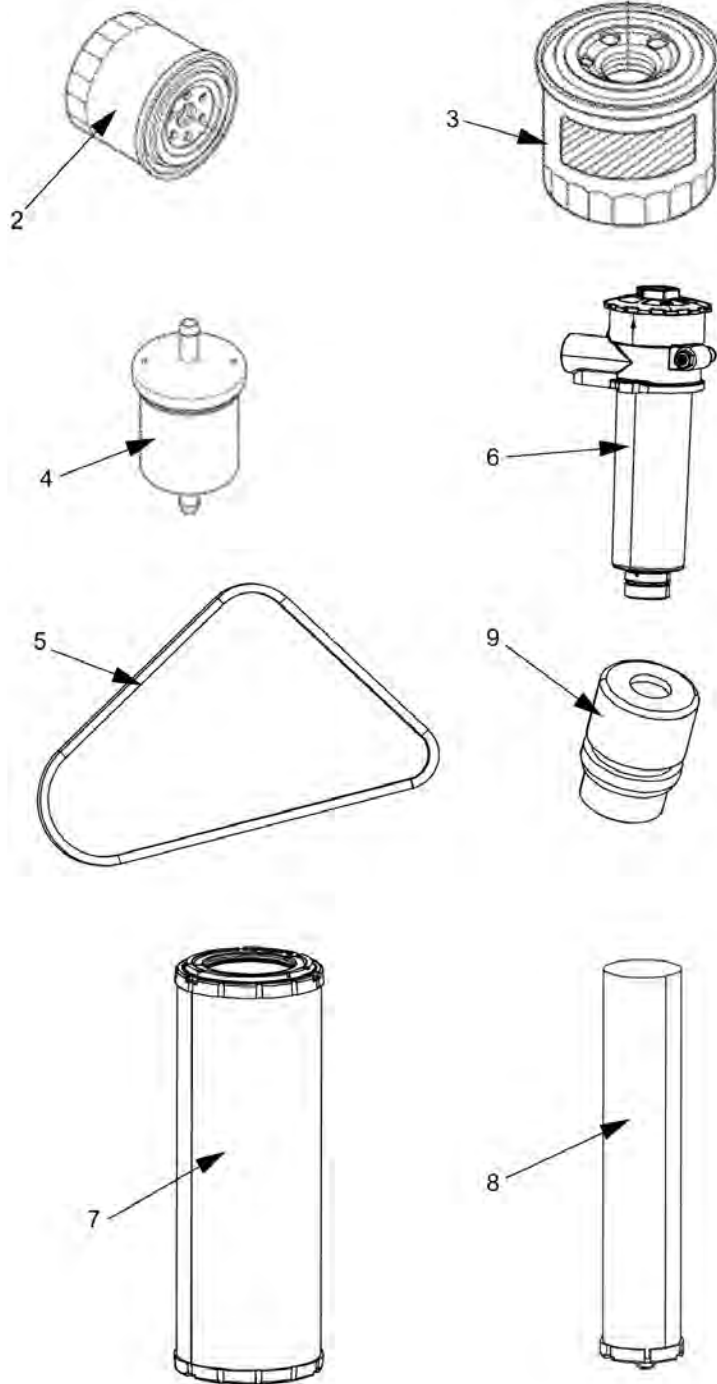
Item	Part No.	Name	Qty	L	SN INFO
0	-	Service kits	1		
0	-	Repair kits	1		
10	-	Frame	1		
20	-	Drum / Wheels	1		
30	-	Engine room	1		
50	-	Hydraulic system	1		
60	-	Electric equipment	1		
70	-	Drivers platform	1		
80	-	Decals	1		
91	-	Optional equipment	1		

Service kits 4812156265 Service kit 50h



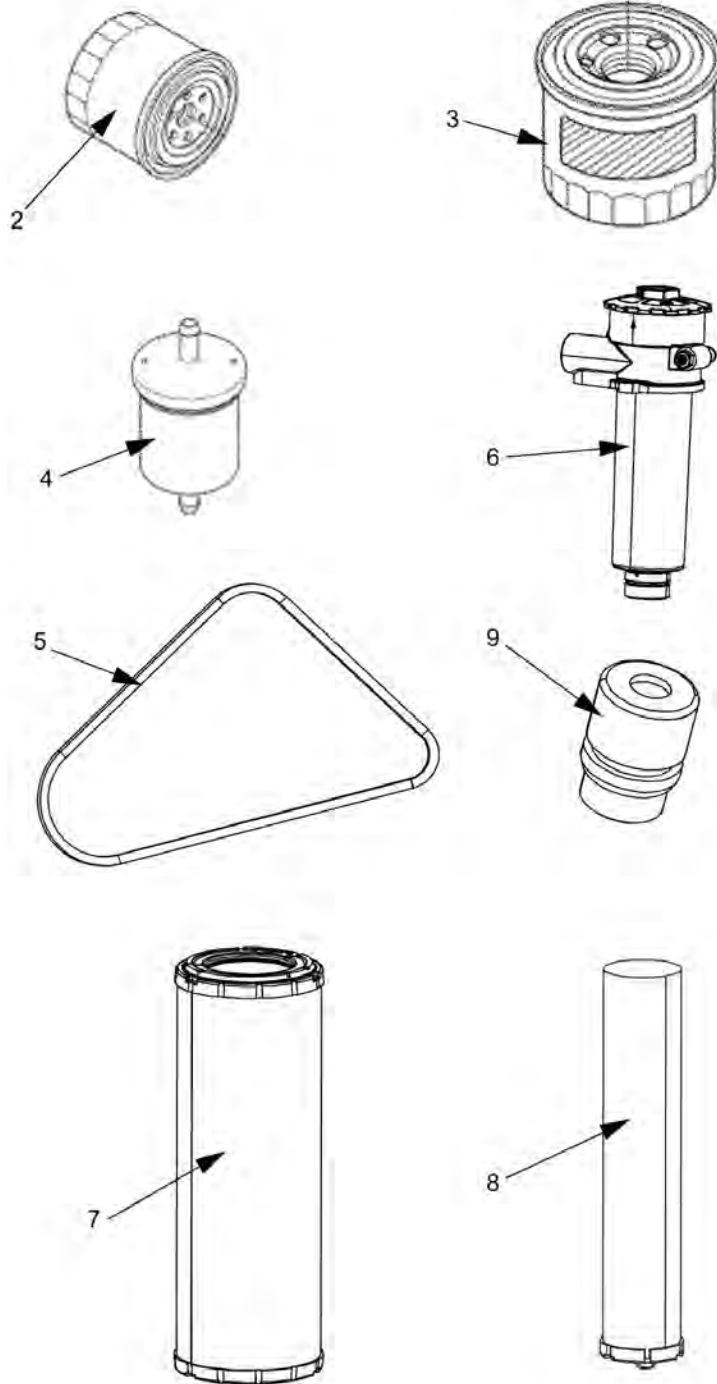
Item	Part No.	Name	Qty	L	SN INFO
0	4812156265	Service kit 50h	1		
2	4812156259	Engine oil filter element	1		
3	4812156263	Fuel filter element	1		
4	4812156264	Pre-fuel filter element	1		
6	4812113328	Hydraulic oil filter element	1		

Service kits 4812159563 Service kit 50h Plus



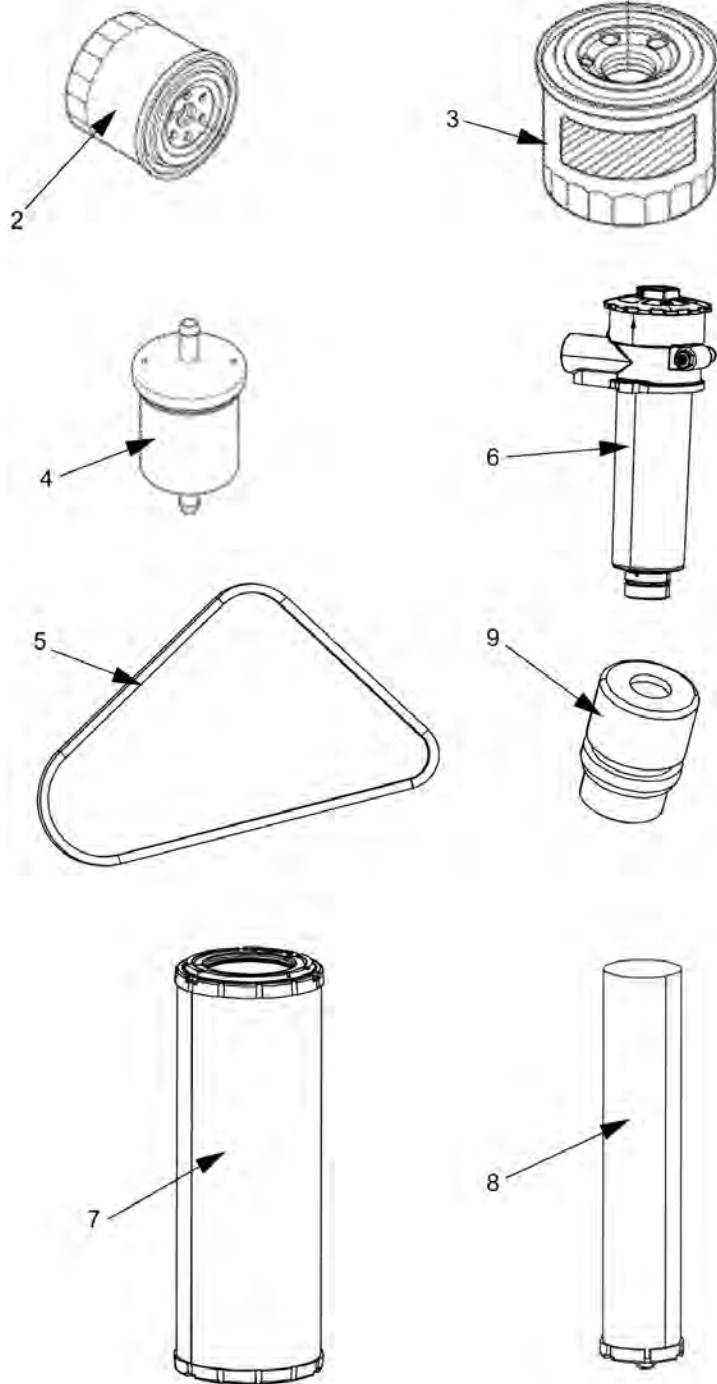
Item	Part No.	Name	Qty	L	SN INFO
0	4812159563	Service kit 50h Plus			
2	4812156259	Engine oil filter element	1		
3	4812156263	Fuel filter element	1		
4	4812156264	Pre-fuel filter element	1		
6	4812113328	Hydraulic oil filter element	1		
10	5580020624	Engine oil 100 / 5 ltr.	2		
11	4812030096	Dynapac Roller Grease	1		

Service kits 4812156288 Service kit 250 / 750 h



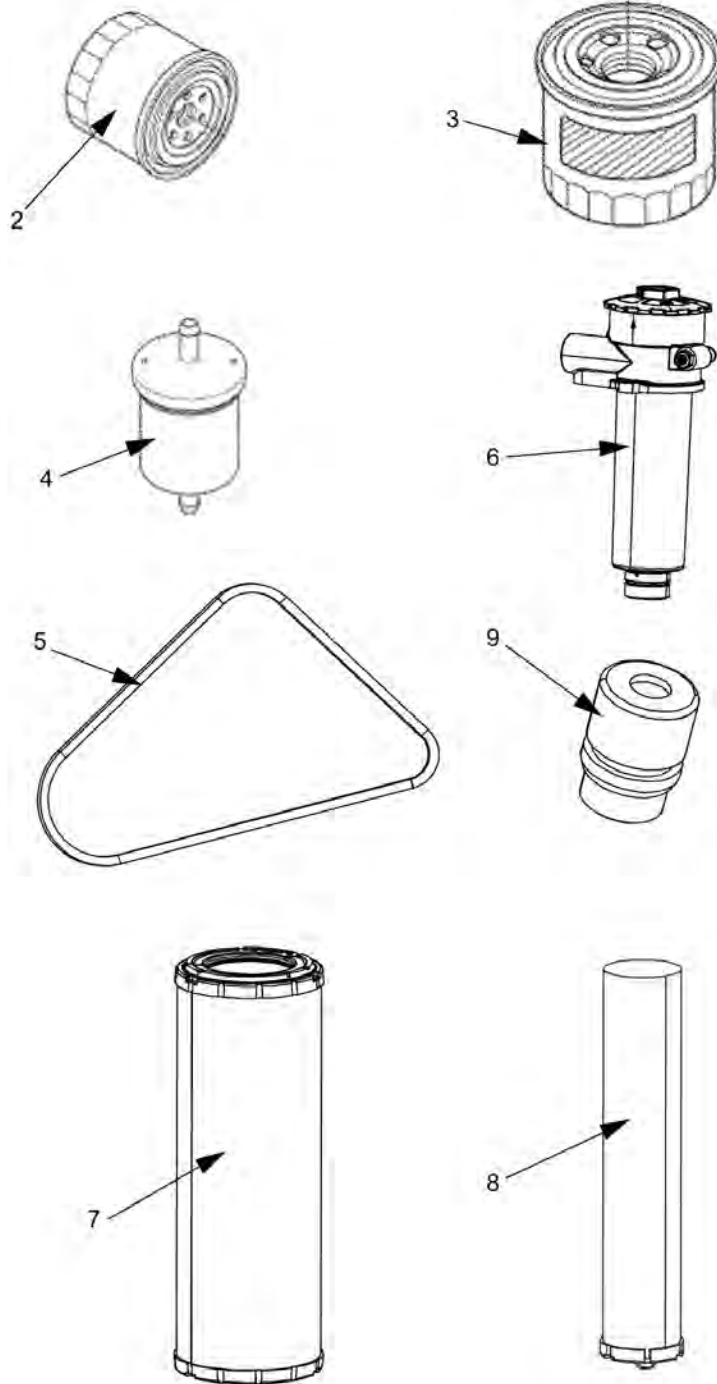
Item	Part No.	Name	Qty	L	SN INFO
0	4812156288	Service kit 250 / 750 h	1		
2	4812156259	Engine oil filter element	1		

Service kits 4812159564 Service kit 250/750h Plus



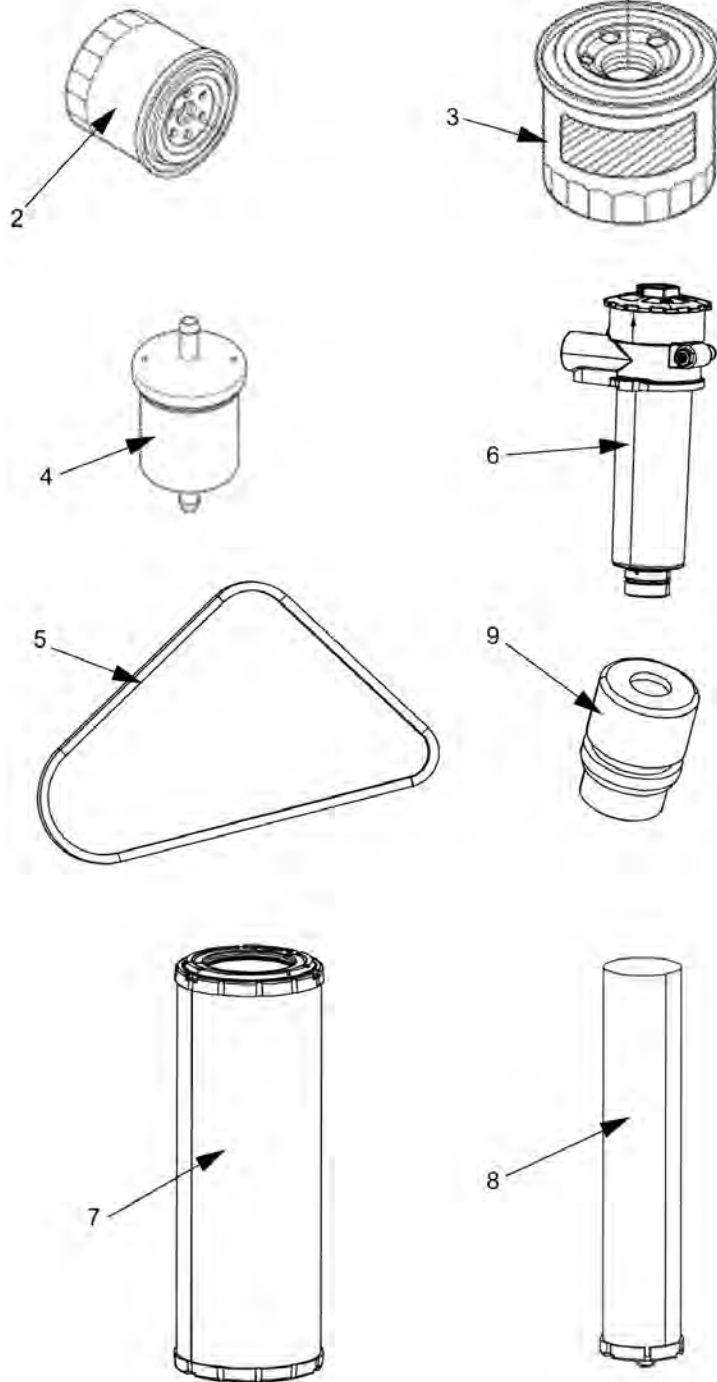
Item	Part No.	Name	Qty	L	SN INFO
0	4812159564	Service kit 250/750h Plus			
2	4812156259	Engine oil filter element	1		
10	5580020624	Engine oil 100 / 5 ltr.	2		

Service kits 4812156266 Service kit 500h



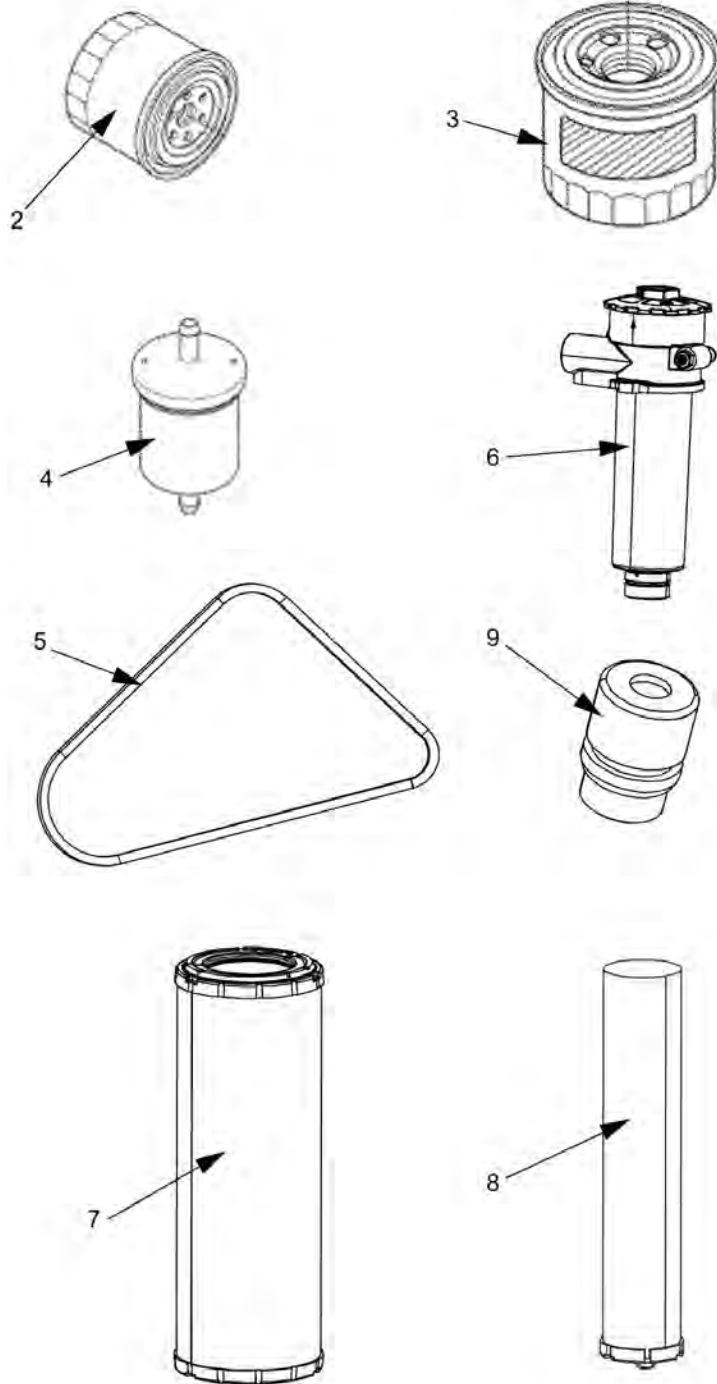
Item	Part No.	Name	Qty	L	SN INFO
0	4812156266	Service kit 500h	1		
2	4812156259	Engine oil filter element	1		
3	4812156263	Fuel filter element	1		
4	4812156264	Pre-fuel filter element	1		
5	4812156260	V-belt	1		

Service kits 4812159565 Service kit 500h Plus



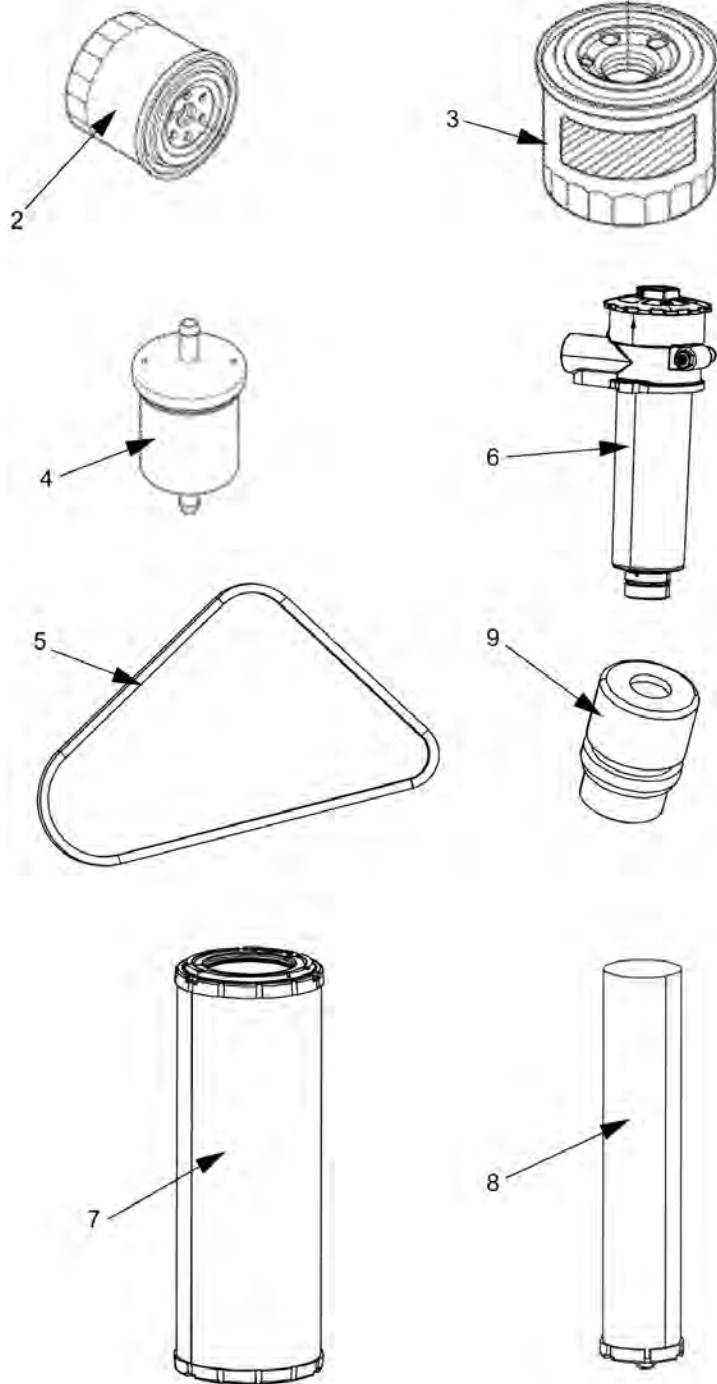
Item	Part No.	Name	Qty	L	SN INFO
0	4812159565	Service kit 500h Plus			
2	4812156259	Engine oil filter element	1		
3	4812156263	Fuel filter element	1		
4	4812156264	Pre-fuel filter element	1		
5	4812156260	V-belt	1		
10	4812030096	Dynapac Roller Grease	1		

Service kits 4812156267 Service kit 1000 h



Item	Part No.	Name	Qty	L	SN INFO
0	4812156267	Service kit 1000 h	1		
2	4812156259	Engine oil filter element	1		
3	4812156263	Fuel filter element	1		
4	4812156264	Pre-fuel filter element	1		
5	4812156260	V-belt	1		
6	4812113328	Hydraulic oil filter element	1		
7	4700939802	Air filter element Main	1		
8	4700939803	Air filter element Safety	1		
9	4700357138	Ventilating filter	1		
10	4812156261	Valve cover gasket	1		

Service kits 4812159568 Service kit 1000h Plus



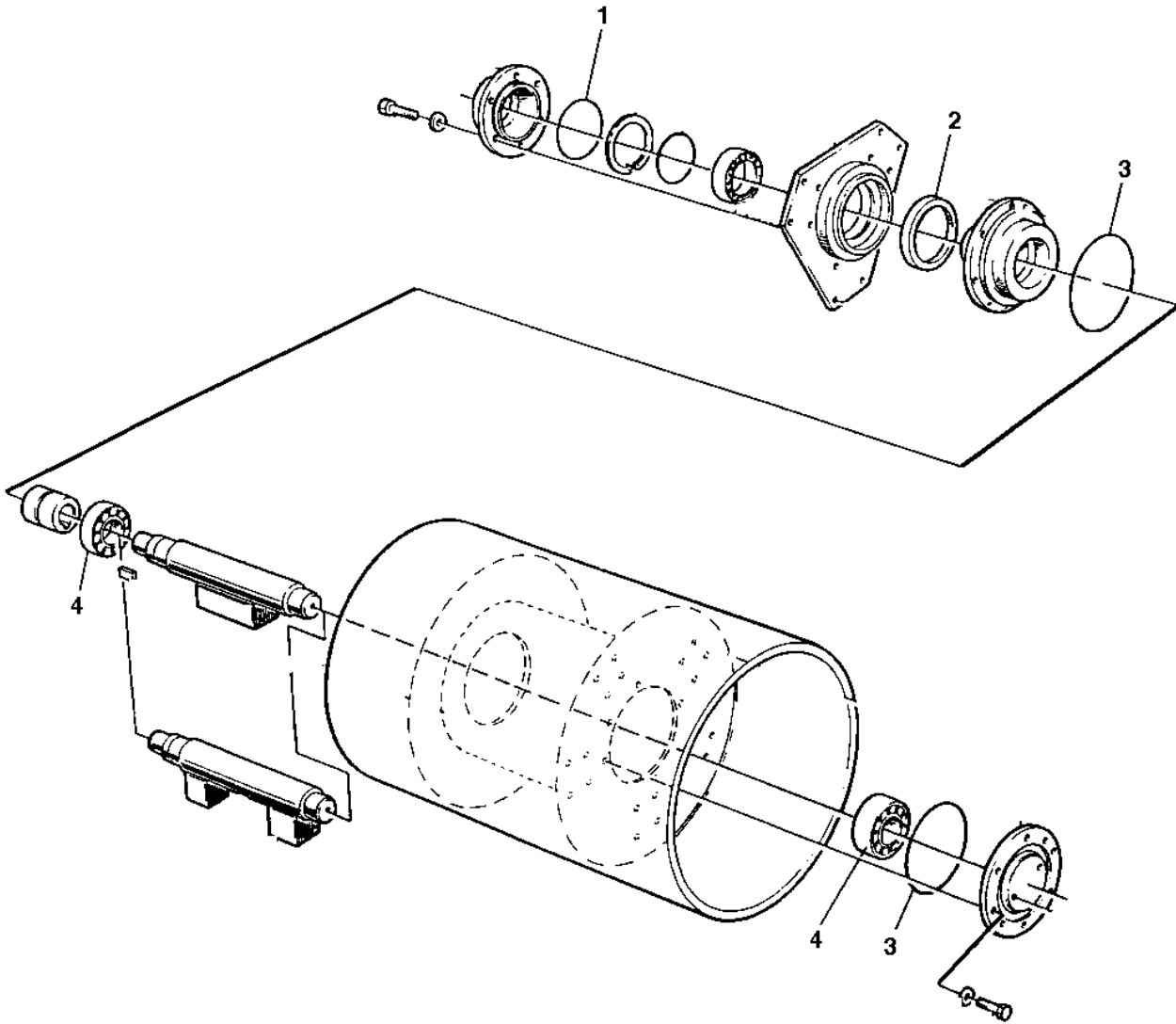
Item	Part No.	Name	Qty	L	SN INFO
0	4812159568	Service kit 1000h Plus			
2	4812156259	Engine oil filter element	1		
3	4812156263	Fuel filter element	1		
4	4812156264	Pre-fuel filter element	1		
5	4812156260	V-belt	1		
6	4812113328	Hydraulic oil filter element	1		
7	4700939802	Air filter element Main	1		
8	4700939803	Air filter element Safety	1		
9	4700357138	Ventilating filter	1		
10	4812156261	Valve cover gasket	1		
11	5580020624	Engine oil 100 / 5 ltr.	2		
12	9106230330	Atlas Copco fluid hydraulic oil 300 20 liters	3		
13	4812008274	AC Fluid Gearbox 100 / 5 ltr.	1		

Service kits 4812159571 Start-up kit

NO EXPLODED VIEW
AVAILABLE
FOR THIS BOM

Item	Part No.	Name	Qty	L	SN INFO
0	4812159571	Start-up kit			
1	4812159563	Service kit 50h Plus	1		
2	4812159564	Service kit 250/750h Plus	2		
3	4812159565	Service kit 500h Plus	1		
4	4812159568	Service kit 1000h Plus	1		

Repair kits 4700938908 Eccentric shaft kit

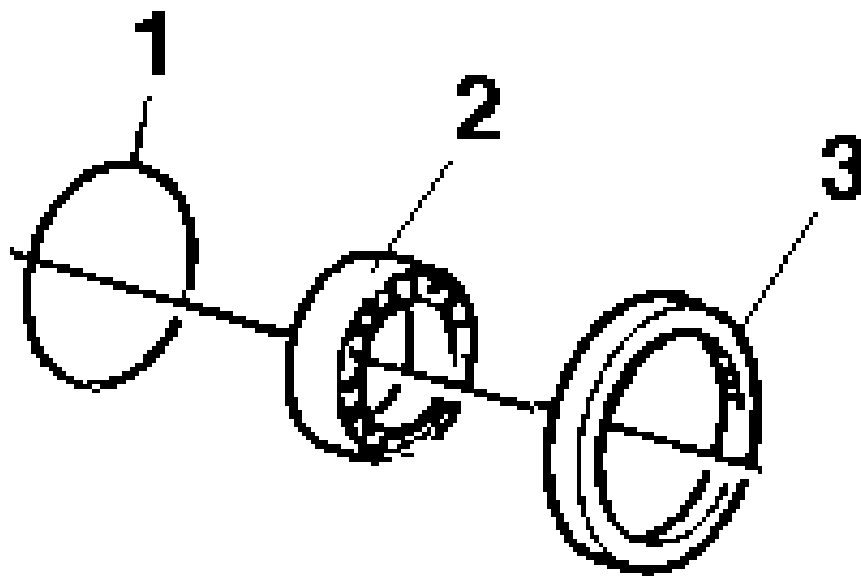


Refer to Parts Online for the most up to date information. The printed information might be outdated.

Wed Sep 07 10:14:14 UTC 2016

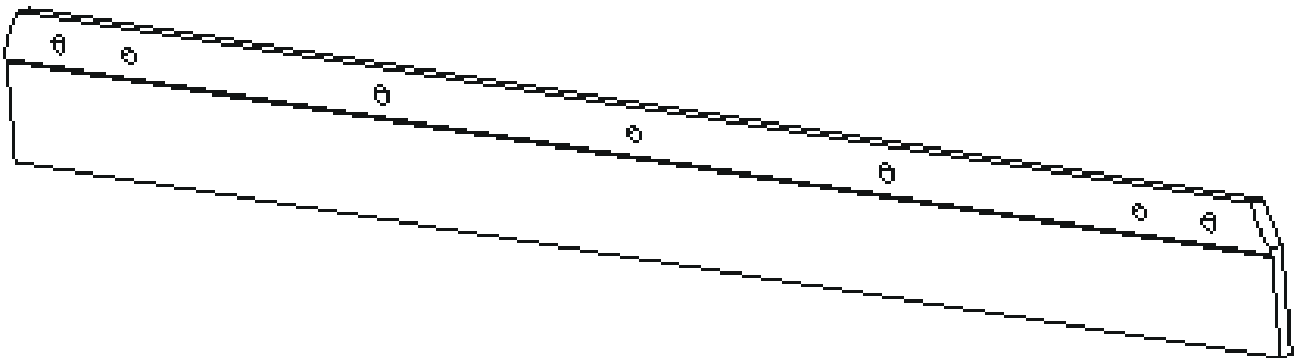
Item	Part No.	Name	Qty	L	SN INFO
0	4700938908	Eccentric shaft kit			
1	4700160132	O-ring 70	1		
2	4700163049	Radial lip-type seal	1		
3	4700923951	O-ring	2		
4	4700904258	Spherical roller bearing	2		

Repair kits 4700938892 Drum rotation kit



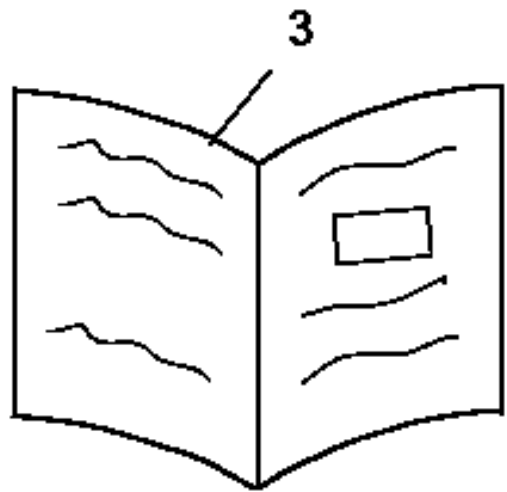
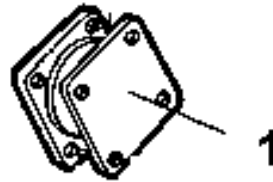
Item	Part No.	Name	Qty	L	SN INFO
0	4700938892	Drum rotation kit			
1	4700160132	O-ring 70	1		
2	4700111018	Ball bearing	1		
3	4700163049	Radial lip-type seal	1		

Repair kits 4812159961 Scraper kit



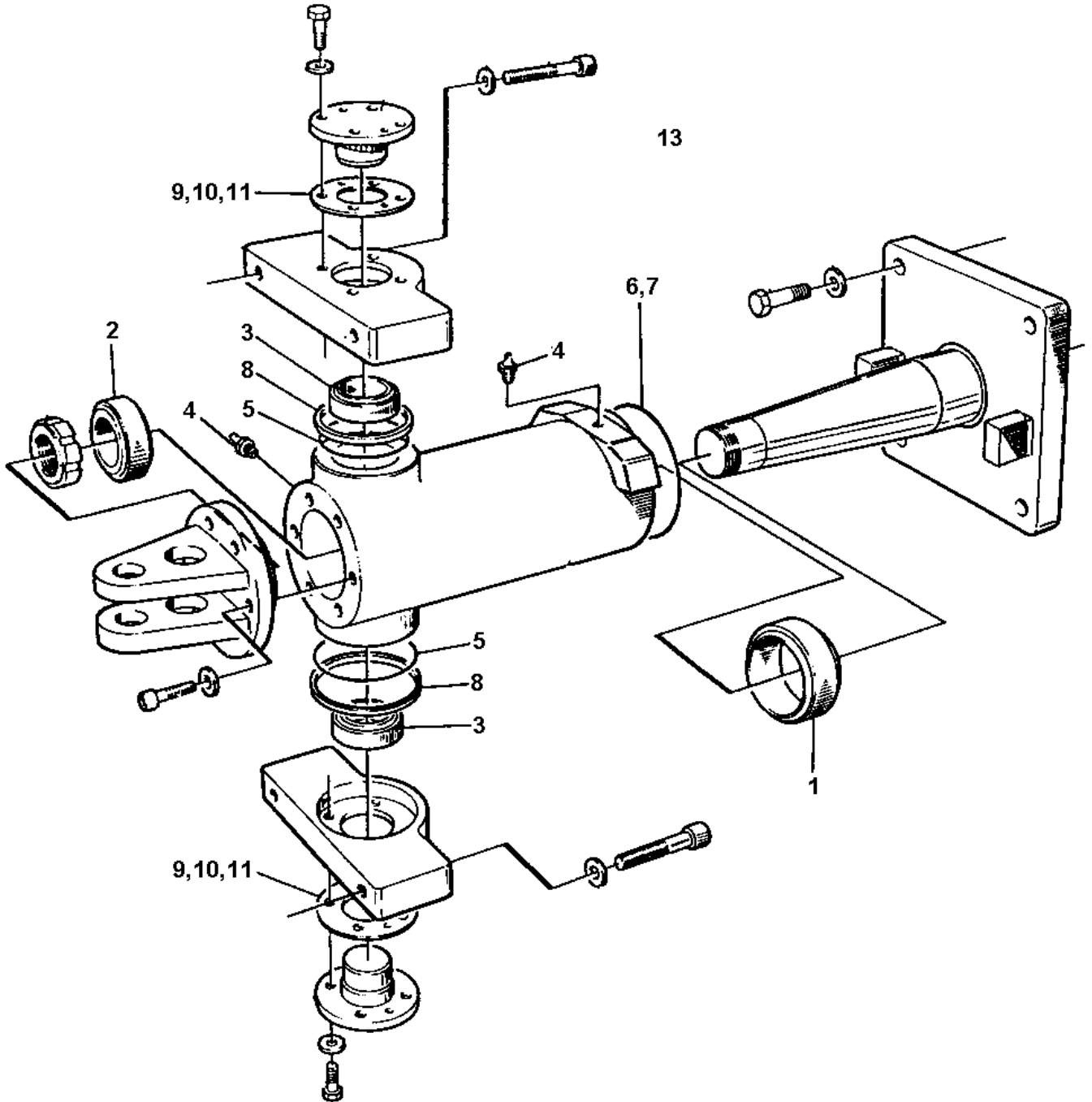
Item	Part No.	Name	Qty	L	SN INFO
0	4812159961	Scraper kit	1		
1	4812120024	Scraper blade	4		

Repair kits 4700938885 Shock absorber kit, drum



Item	Part No.	Name	Qty	L	SN INFO
0	4700938885	Shock absorber kit, drum			
1	4700345215	Shock absorber	8		
2	4700357222	Shim T=1 mm	4		
3	4812156170	Instructions	1		

Repair kits 4700938575 Steering hitch kit



Refer to Parts Online for the most up to date information. The printed information might be outdated.

Wed Sep 07 10:14:15 UTC 2016

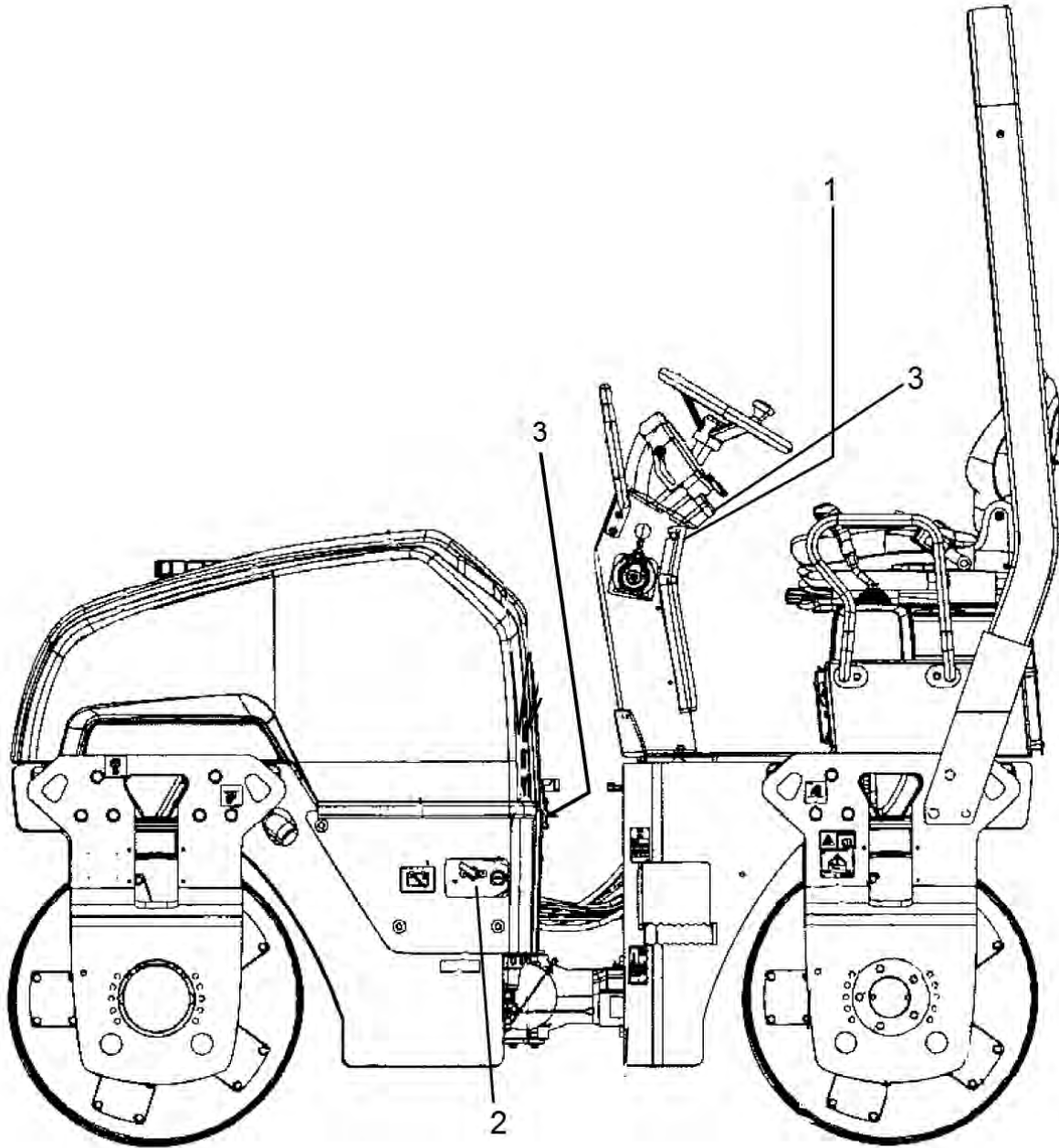
Item	Part No.	Name	Qty	L	SN INFO
0	4700938575	Steering hitch kit			
1	4700902063	Bushing	1		
2	4700902062	Bushing	1		
3	4700902061	Bushing	2		
4	4700926214	Grease fitting	1		
5	4700167044	V-ring	2	A	
6	4700160112	O-ring	1		
7	4700892179	O-ring	1		
8	4700357418	Sealing	2		
9	4700347153	Shim T=0,2 mm	2		
10	4700347154	Shim T=0,4 mm	2		
11	4700347155	Shim T=0,8 mm	2		
13	4700938534	Lube grease	1		

Comments for Page: 4700938575 Steering hitch kit

(L)OCAL REMARKS

A | en_US | For improved function this replaces earlier used 4700160032

General - Keys and others Keys

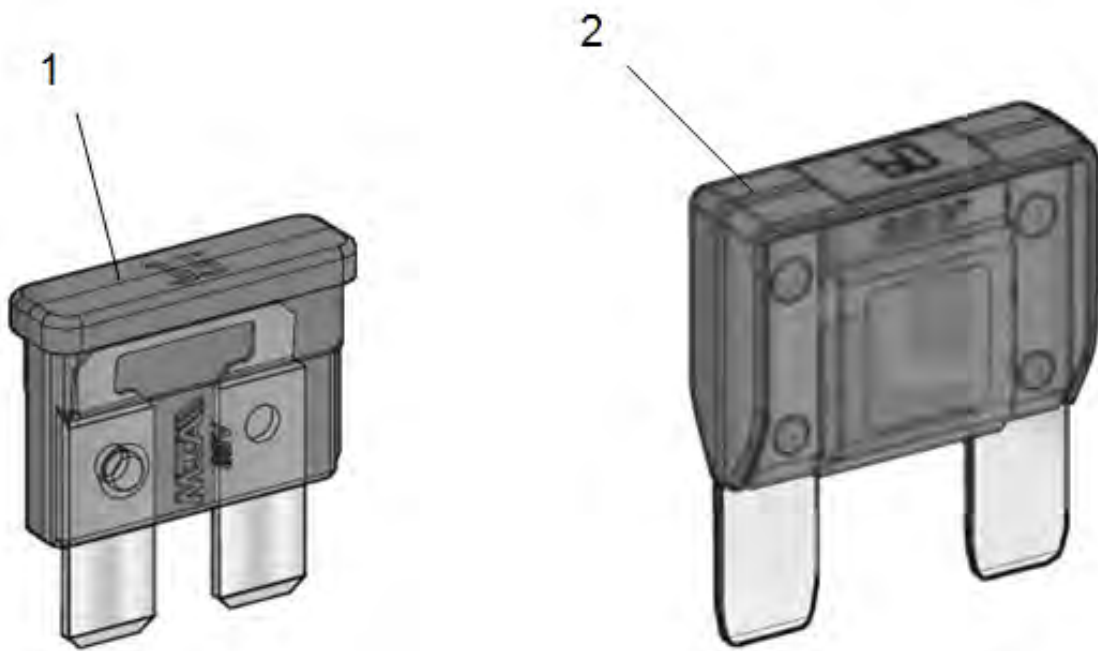


Refer to Parts Online for the most up to date information. The printed information might be outdated.

Wed Sep 07 10:14:16 UTC 2016

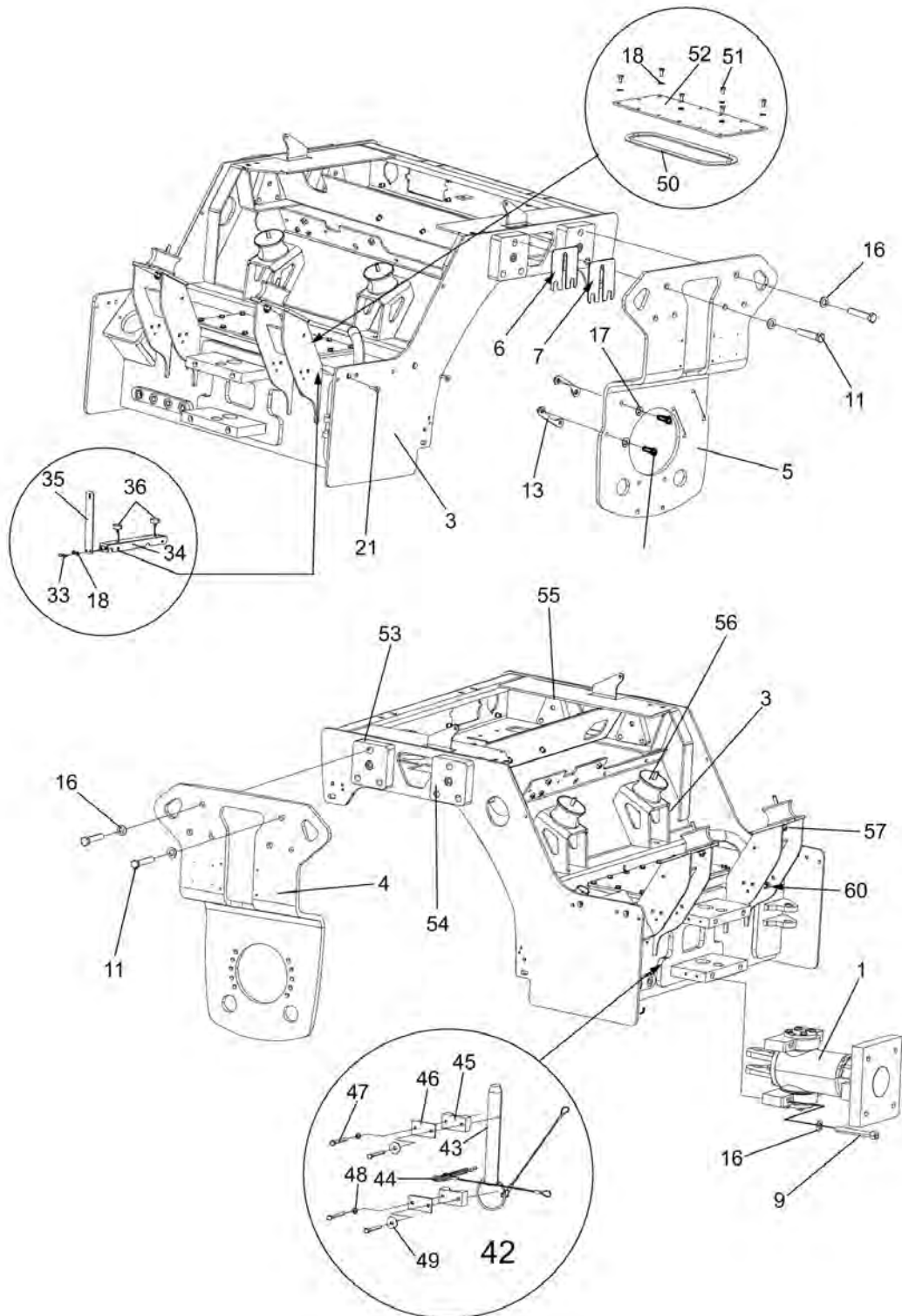
Item	Part No.	Name	Qty	L	SN INFO
1	-	Ignition switch			
1	4700940451	Ignition key			
2	-	Fuel cap			
2	4700945753	Key 2 pcs "921"			
3	4700358881	Pad lock			

General - Keys and others Fuses



Item	Part No.	Name	Qty	L	SN INFO
1	-	Fuse, blade type Medium			
1	4700901224	Fuse, 3A Violet			
1	4700901225	Fuse 5A Tan			
1	4700901226	Fuse 7.5A Brown			
1	4700901227	Fuse 10A Red			
1	4700901228	Fuse, 15A Blue			
1	4700903741	Fuse 20A Yellow			
1	4700901229	Fuse, 25A Natural			
1	4700901230	Fuse, 30A Green			
2	-	Fuse, blade typ High			
2	4700904294	Fuse 20A Yellow			
2	4700904037	Fuse 30A Green			
2	4700904038	Fuse 40A Orange			
2	4700904039	Fuse 50A Red			
2	4700904040	Fuse 60A Blue			
2	4700904041	Fuse 70A Tan			
2	4700904042	Fuse 80A Natural (White)			

Frame Frame, front

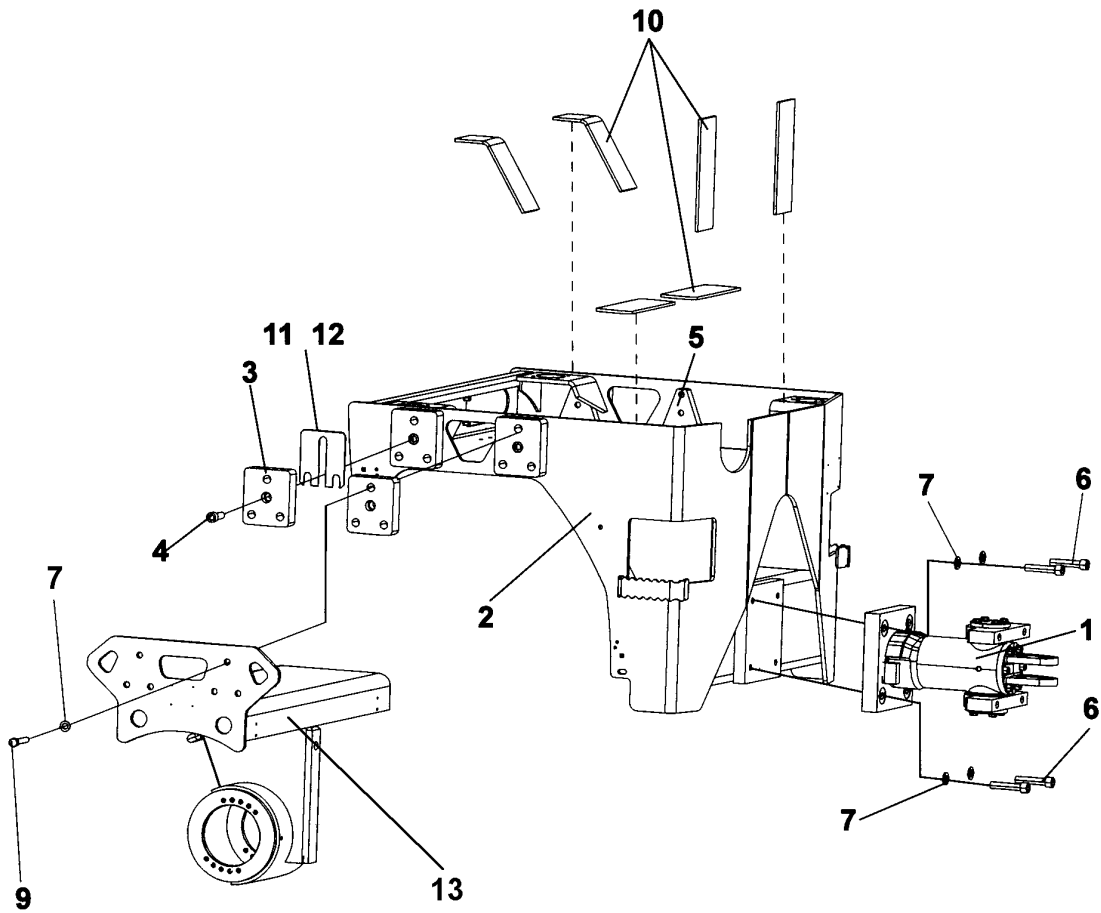


Item	Part No.	Name	Qty	L	SN INFO
1	4812120871	Steering hitch	1		
3	4812122477	Frame, front	1		
4	4812120578	Fork	1		
5	4812120579	Fork	1		
6	4700357222	Shim T=1 mm	N		
7	4700357221	Shim T=3 mm	N		
9	4700902100	Screw	4		
11	4700500107	Screw M16x100 8.8	12		
13	4700379179	Holder	6		
16	4700904232	Steel plain washer	16		
17	4700904230	Plain washer 10.5x22x2 mm	16		
18	4700904229	Washer, 8.4x 6x1.5 mm 300HV	16		
19	4812110288	Screw	12		
21	4700902520	Screw	2		
33	4700500100	Hexagon screw	2		
34	4812116681	Bracket	1		
35	4812113080	Bracket	1		
36	4700792601	Shock absorber	2		
42	-	Steering hitch lock	1		
43	4700357487	Shaft	1		
44	4700357489	Hair pin	1		
45	4700902171	Clamp	2		
46	4700902172	Cover plate	2		
47	4700500016	Screw M6x55 8.8 A2K	4		
48	4700600004	Washer	2		
49	4700615076	Washer 7,0x25x1,5	2		
50	4700349880	O Ring	1		
51	4700500019	Hexagon screw	14		
52	4700349879	Cover	1		
53	4812120932	Spacer block	4		
54	4700508065	Screw	4		
55	4700393540	Threaded plate	4		
56	4812113018	Shock absorber	4		
57	4700586018	Lock nut M10	4		
58	4812119157	Blind insert nut	2		
59	4812119156	Blind insert nut	10		
60	4812120993	Clip	1		

Refer to Parts Online for the most up to date information. The printed information might be outdated.

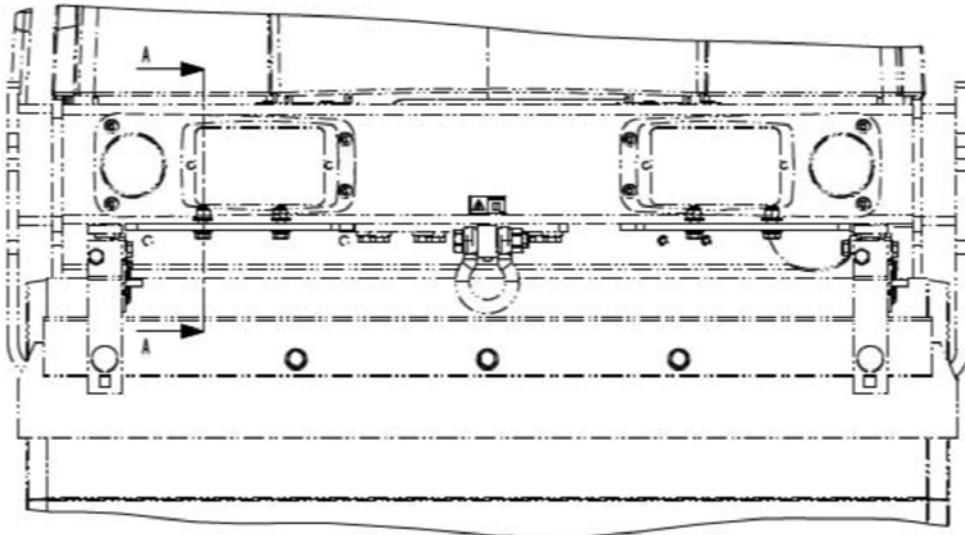
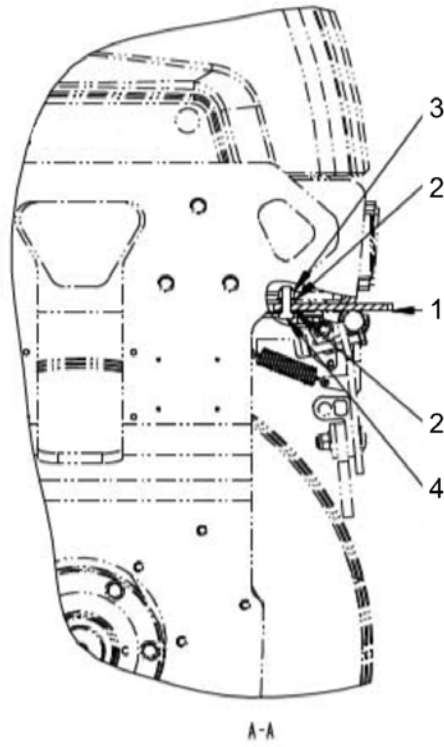
Wed Sep 07 10:14:17 UTC 2016

Frame Frame, rear



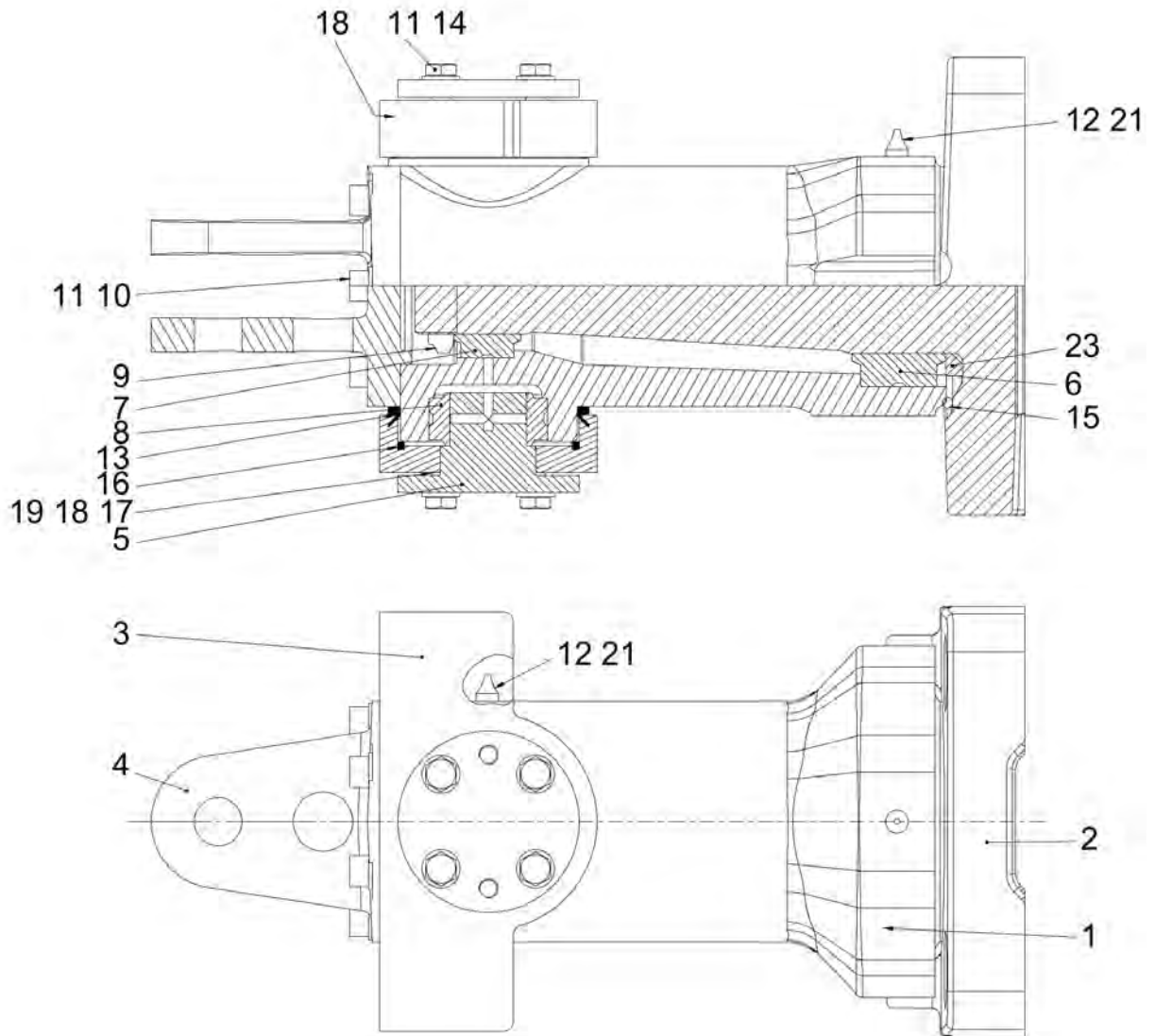
Item	Part No.	Name	Qty	L	SN INFO
1	4812120871	Steering hitch	1		
2	4812120184	Frame, rear	1		
3	4812120932	Spacer block	4		
4	4700508065	Screw	4		
5	4700393540	Threaded plate	4		
6	4700927396	Screw	4		
7	4700904232	Steel plain washer	16		
9	4700500107	Screw M16x100 8.8	12		
10	4700357459	Rubber cloth	6		
11	4700357222	Shim T=1 mm	N		
12	4700357221	Shim T=3 mm	N		
13	4812114306	Yoke	1		
14	4812119156	Blind insert nut	12		
15	4812119157	Blind insert nut	2		

Frame Protective plate, front lights (Option)



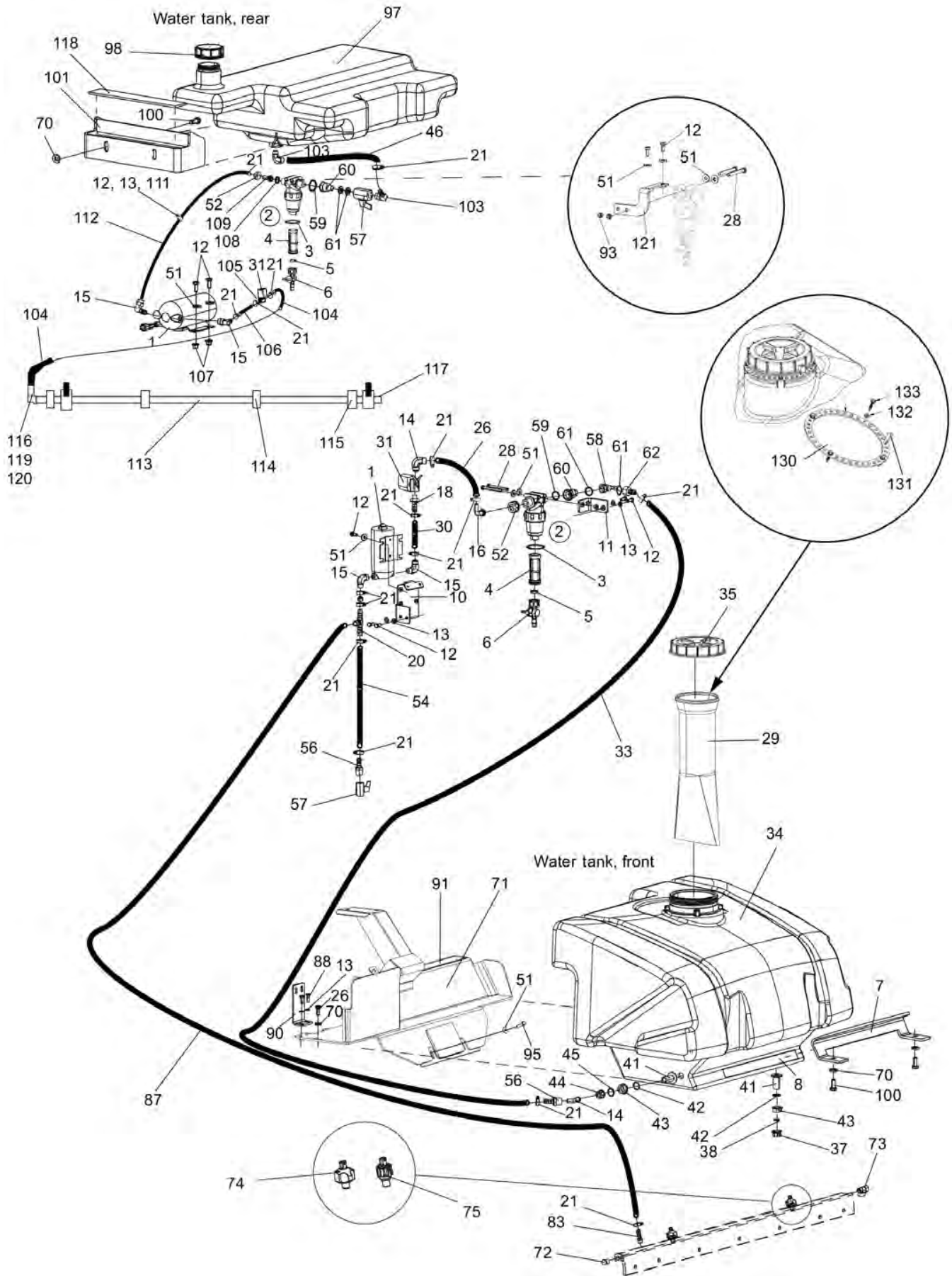
Item	Part No.	Name	Qty	L	SN INFO
1	4812117591	Protective plate	2		
2	4700904230	Plain washer 10.5x22x2 mm	8		
3	4700586018	Lock nut M10	4		
4	4700500029	Screw M10x30	4		

Frame Hitch



Item	Part No.	Name	Qty	L	SN INFO
1	4700358976	Bearing housing	1		
2	4812120586	Shaft	1		
3	4700357031	Bracket	2		
4	4700357038	Bracket	1		
5	4700357039	Shaft	2		
6	4700902063	Bushing	1		
7	4700902062	Bushing	1		
8	4700902061	Bushing	2		
9	4700902060	Lock nut	1		
10	4700902059	Screw	6		
11	4812122654	Steel plain washer	14		
12	4700926214	Grease fitting	2		
13	4700167044	V-ring	2		
14	4700500028	Screw, M10 x 25 mm 8.8 A3K	8		
15	4700892179	O-ring	1		
16	4700357418	Sealing	2		
17	4700347153	Shim T=0,2 mm	1		
18	4700347154	Shim T=0,4 mm	1		
19	4700347155	Shim T=0,8 mm	1		
21	4700902576	Cover	2		
23	4812120874	Spacer ring	1		

Frame Sprinkler system



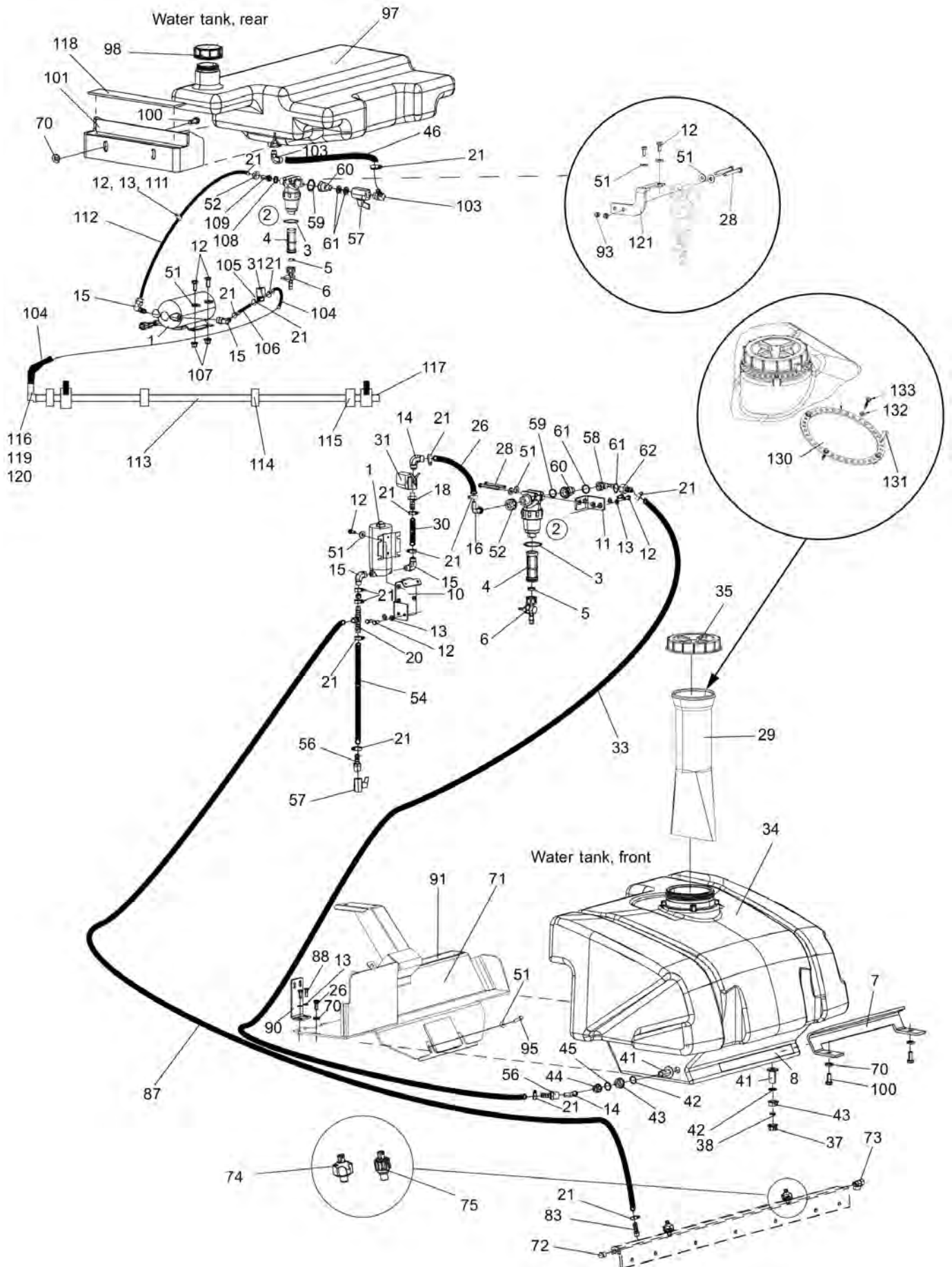
Refer to Parts Online for the most up to date information. The printed information might be outdated.

Wed Sep 07 10:14:20 UTC 2016

Item	Part No.	Name	Qty	L	SN INFO
1	4812113822	Water pump	2		
2	4812111325	Water filter	2		
3	4700791959	O-ring	2		
4	4700791949	Filter element	2		
5	4700791568	Gasket	2		
6	4700379009	Valve	2		
7	4700357395	Holder plate	1		
8	4700926911	Rubber strip	1XL	A	
10	4812113066	Bracket	1		
11	4812113067	Bracket	1		
12	4700500053	Screw, M8x20 mm 8.8 A2K	15		
13	4700904229	Washer, 8.4x 6x1.5 mm 300HV	7		
14	4700901431	Hose connection	1		
15	4700923734	Hose connection	4		
16	4812111330	Hose connection	1		
18	4700901432	Hose connection	3		
20	4700923735	Hose connection	1		
21	4700313002	Hose clamp	21		
22	4700903478	Fabric Tape	1XL	B	
26	4812112074	Plastic hose (x m)	1XL	D	
28	4700500190	Screw	4		
29	4700358846	Strainer	1		
30	4812112074	Plastic hose (x m)	1XL	E	
31	4700287713	Solenoid valve	2		
33	4812112074	Plastic hose (x m)	1XL	C	
34	4812111969	Sprinkler tank, cpl.	1		
35	4700359003	Tank Cap	1		
37	4811000168	Cap	1		
38	4700392229	Plane gasket	1		
41	4700392230	Grommet	2		
42	4700160219	O-ring	2		
43	4700392232	Nut	2		
44	4700392227	Swivel nut	1		
45	4700792600	O-ring 70	1		
46	4812112074	Plastic hose (x m)	1		
51	4700904640	Washer, 8.4x22x3 mm 300HV	16		
52	4700792779	Swivel nut	2		

Refer to Parts Online for the most up to date information. The printed information might be outdated.

Wed Sep 07 10:14:20 UTC 2016



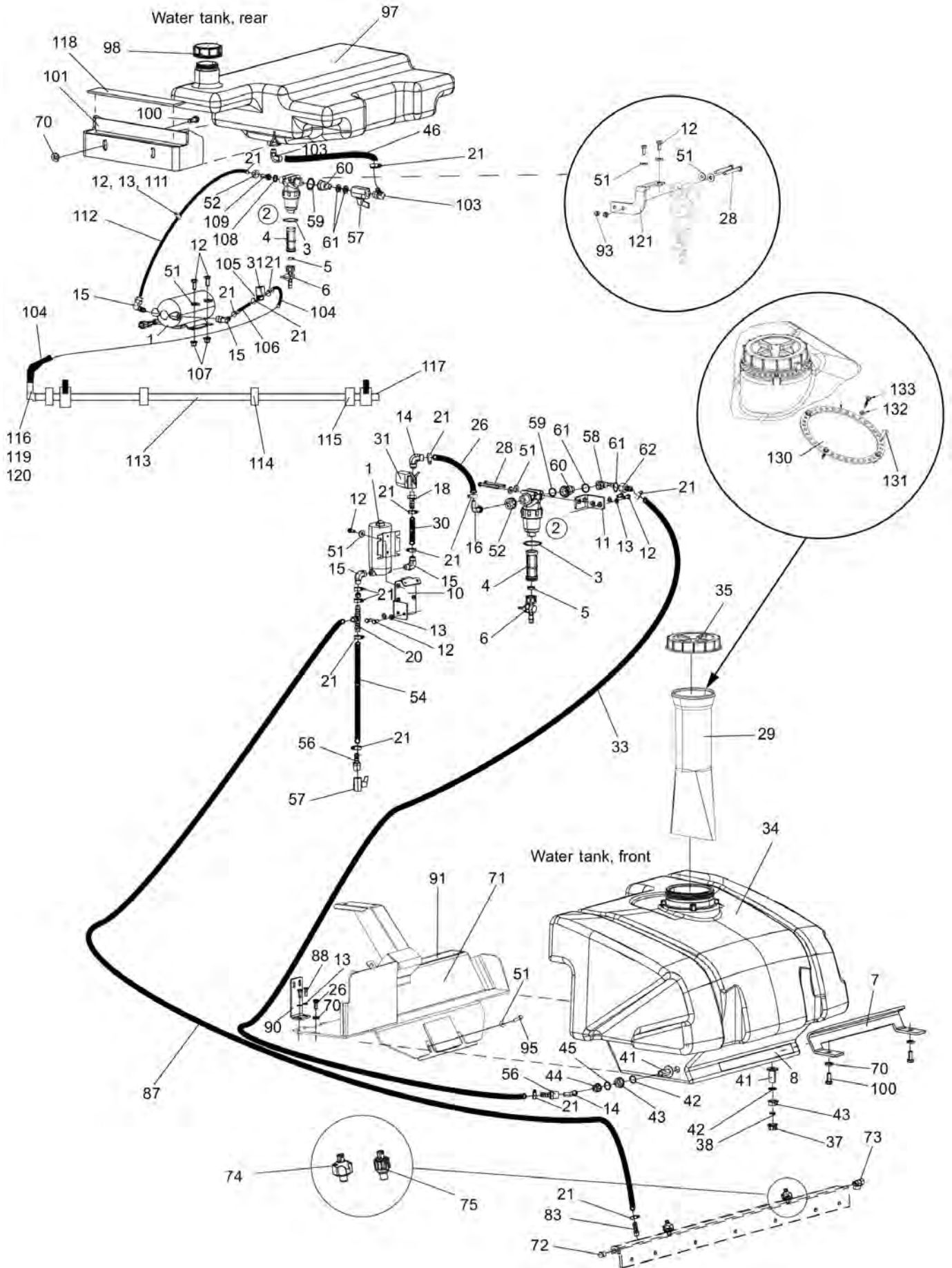
Refer to Parts Online for the most up to date information. The printed information might be outdated.

Wed Sep 07 10:14:21 UTC 2016

Item	Part No.	Name	Qty	L	SN INFO
54	4812112074	Plastic hose (x m)	1XL	H	
56	4700924544	Hose connection	2		
57	4700925599	Ball valve	2		
58	4812112831	Ball valve	2		
59	4700160313	O-ring 70	2		
60	4812111331	Reducer nipple	2		
61	4700379753	Gasket	8		
62	4812112451	Hose connection	1		
70	4700904557	Washer, 10.5x22x4 mm 300 HV	8		
71	4812117746	Heat protection	1		
72	4700792072	End plug	1		
73	4700233215	Ball valve	1		
74	4700392011	Spraying nozzle, cpl	4		
-	4700392509	Retainer, nozzle, strainer, yellow	1		
--	4700392510	Gasket	1		
--	4700393697	Nozzle and strainer, yellow 0.8	1		
75	4812124321	Spraying nozzle, cpl	4		
-	4812124323	Cap, blue	1		
-	4812124324	Strainer	1		
-	4812124325	Gasket	1		
-	4700160268	O-ring	1		
-	4812124327	Nozzle, yellow	1		
83	4700791977	Hose connection	1		
84	4700901191	Protective hose	1	J	
86	4812112074	Plastic hose (x m)	1	K	
87	4812112074	Plastic hose (x m)	1	L	
88	4700500020	Hex. screw	2		
90	4812112994	Bracket	1		
91	4812113781	Rubber strip	1		
92	4700313041	Cable ties, L=200 mm	2	M	
93	4700791182	Nut, M8 -8 DIN985	4		
94	4700480852	O-ring 70	2		
95	4700500022	Screw	2		
97	4700375745	Sprinkling tank	1		
98	4700902268	Cap	1		
100	4700500028	Screw, M10 x 25 mm 8.8 A3K	8		
101	4700375805	Holder plate	2		

Refer to Parts Online for the most up to date information. The printed information might be outdated.

Wed Sep 07 10:14:21 UTC 2016



Refer to Parts Online for the most up to date information. The printed information might be outdated.

Wed Sep 07 10:14:21 UTC 2016

Item	Part No.	Name	Qty	L	SN INFO
103	4700924996	Hose connection	2		
104	4812112074	Plastic hose (x m)	1	N	
105	4700901432	Hose connection	3		
106	4812112074	Plastic hose (x m)	1	O	
107	4700902286	Lock nut, M8x1.25 mm A2K	8		
108	4700480852	O-ring 70	2		
109	4812111329	Hose connection swivel	1		
111	4700921099	Clamp	1		
112	4812112074	Plastic hose (x m)	1	P	
113	4700384299	Sprinkler pipe	1		
114	4700928781	Sprinkler, cpl	4		
114	4700923680	Nozzle clamp	1		
114	4700903010	Nylon ring	1		
114	4700902869	Strainer	1		
114	4700904116	Gasket	1		
114	4700902910	Nozzle body	1		
114	4700902868	Coupling, red	1		
115	4700904228	Washer DIN125	4		
115	4700923876	Clamp	2		
115	4700923859	Cover plate	4		
115	4700500016	Screw M6x55 8.8 A2K	4		
115	4700902285	Nut	4		
116	4700923684	Hose connection	1		
117	4700923683	Plug	1		
118	4700357819	Rubber cloth	2		
119	4700791977	Hose connection	1		
120	4700791974	Plug threaded	1		
121	4812112009	Bracket	1		
130	4812118056	Lock plate	1		
131	4700370699	Lock w key	1		
132	4700904228	Washer DIN125	4		
133	4811000457	Thread rolling screw	4		

Comments for Page: Sprinkler system

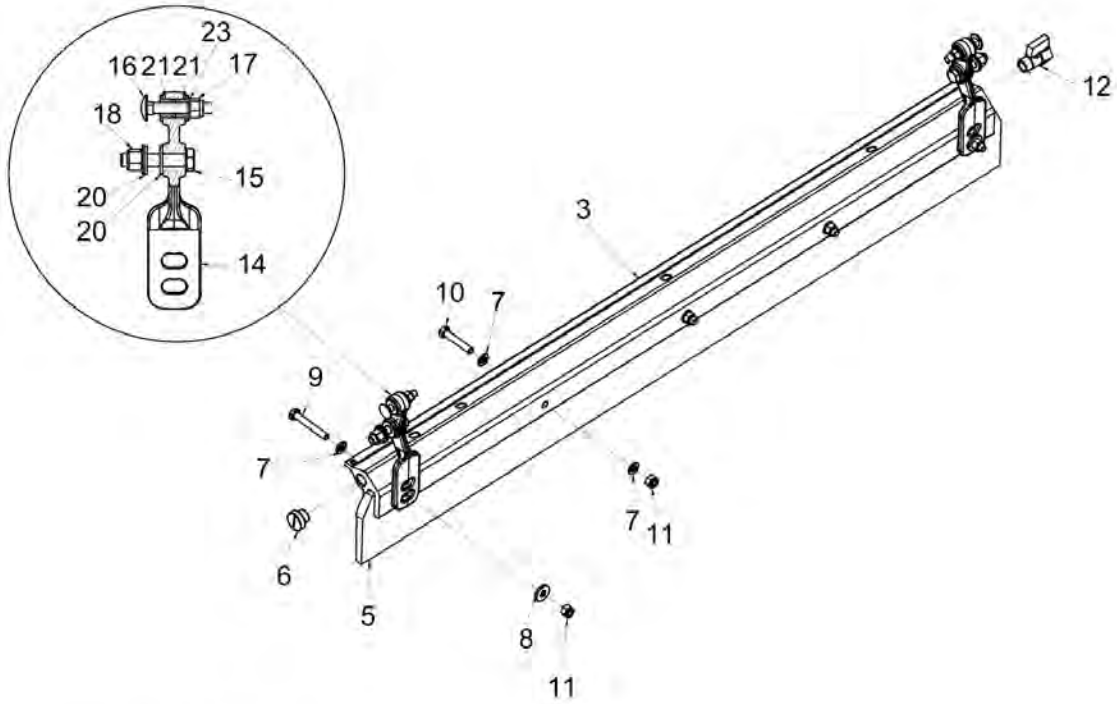
(L)OCAL REMARKS

A | en_US | L=0,430 m
B | en_US | L=0,670 m
C | en_US | L = 1,70 m
D | en_US | L=0,220 m
E | en_US | L=0,210 m
H | en_US | L = 0,150 m
J | en_US | L = 0,34 m
K | en_US | L = 2,10 m
L | en_US | L = 1,50 m
M | en_US | Not shown in illustration
N | en_US | L = 0,3 m
O | en_US | L = 0,45 m
P | en_US | L = 1,1 m

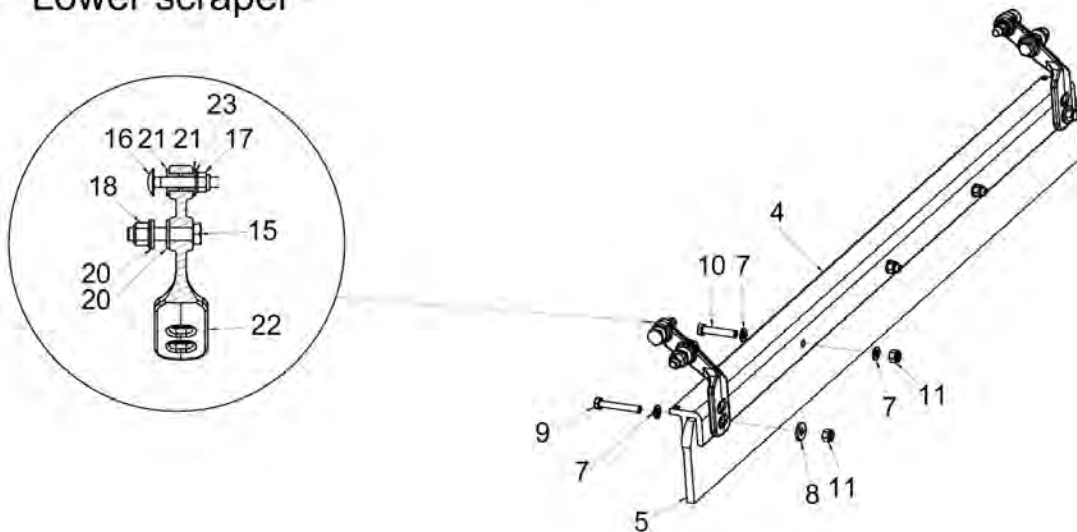
This page intentionally left blank

Frame Scrapers

Upper scraper



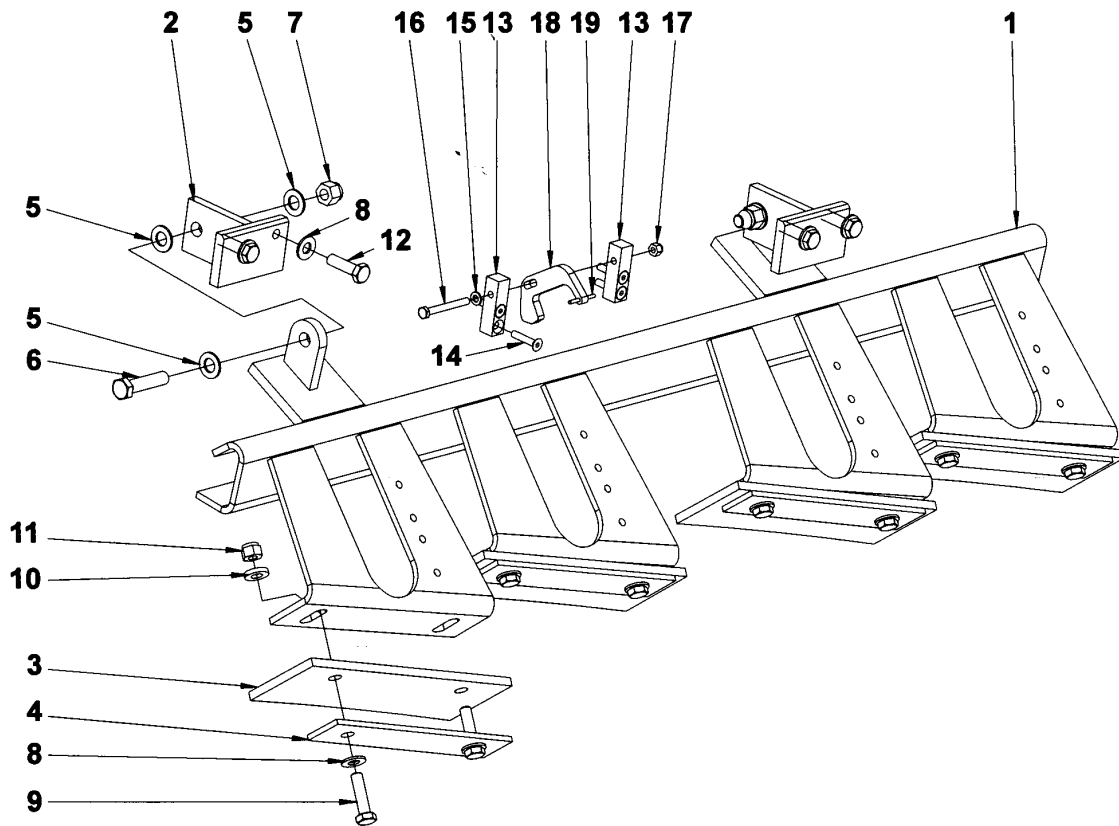
Lower scraper



Item	Part No.	Name	Qty	L	SN INFO
3	4812119784	Sprinkler pipe	1		
4	4812119786	Bracket	1		
5	4812119785	Scraper blade	2		
6	4700792072	End plug	1		
7	4700904229	Washer, 8.4x 6x1.5 mm 300HV	14		
8	4700904640	Washer, 8.4x22x3 mm 300HV	4		
9	4700500067	Screw	4		
10	4700500024	Screw M8x45	6		
11	4700586003	Lock nut M8	10		
12	4700233215	Ball valve	1		
14	4812121856	Bracket	2		
15	4700500105	Hex. screw	4		
16	4700792134	Bolt	4		
17	4700586003	Lock nut M8	4		
18	4700902287	Nut, M10	4		
20	4700791938	Washer	8		
21	4700791939	Bushing	8		
22	4812121858	Bracket	2		
23	4700791304	Steel plain washer	4		

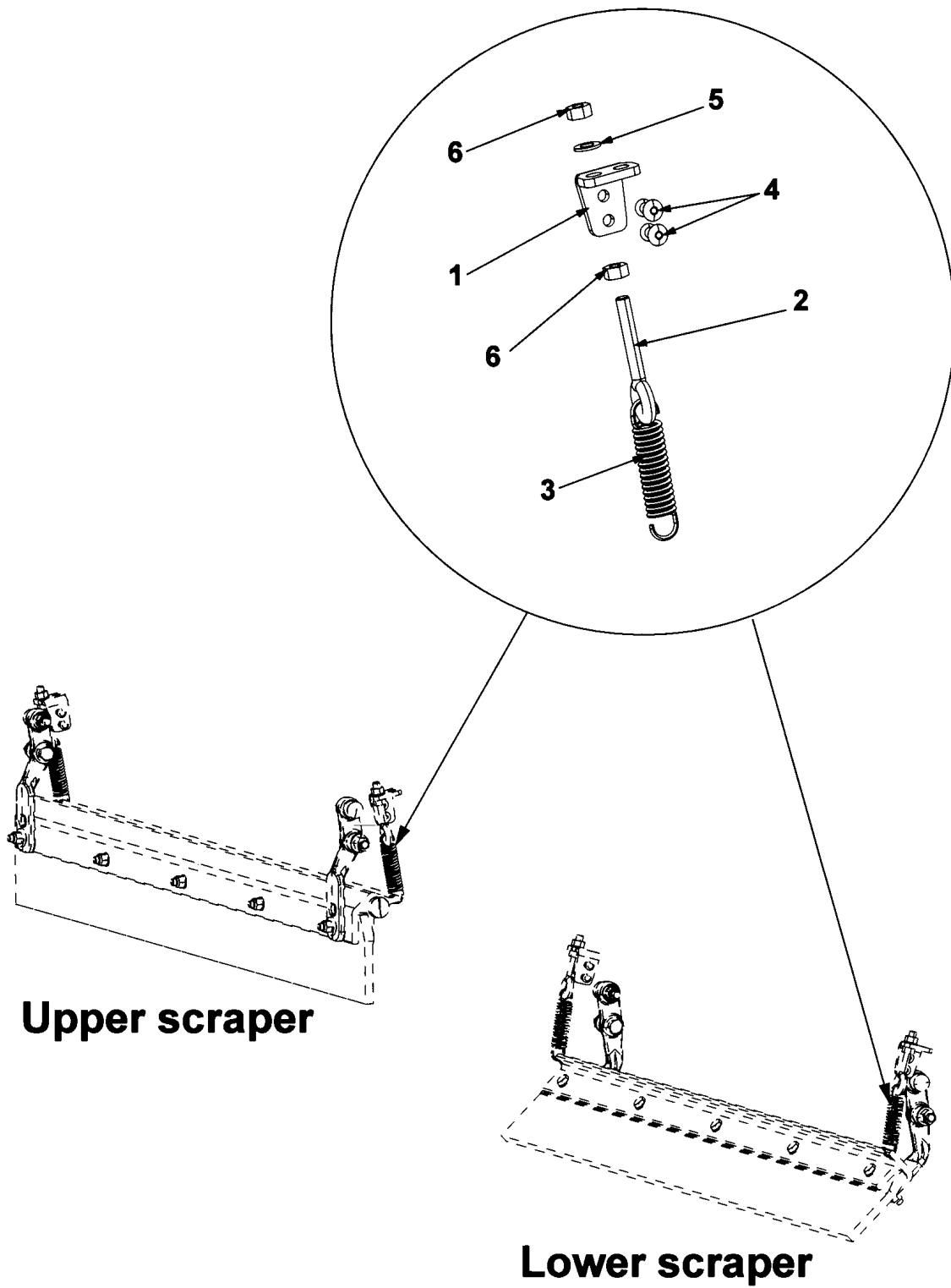
Frame Scrapers, wheels

Scraper wheels



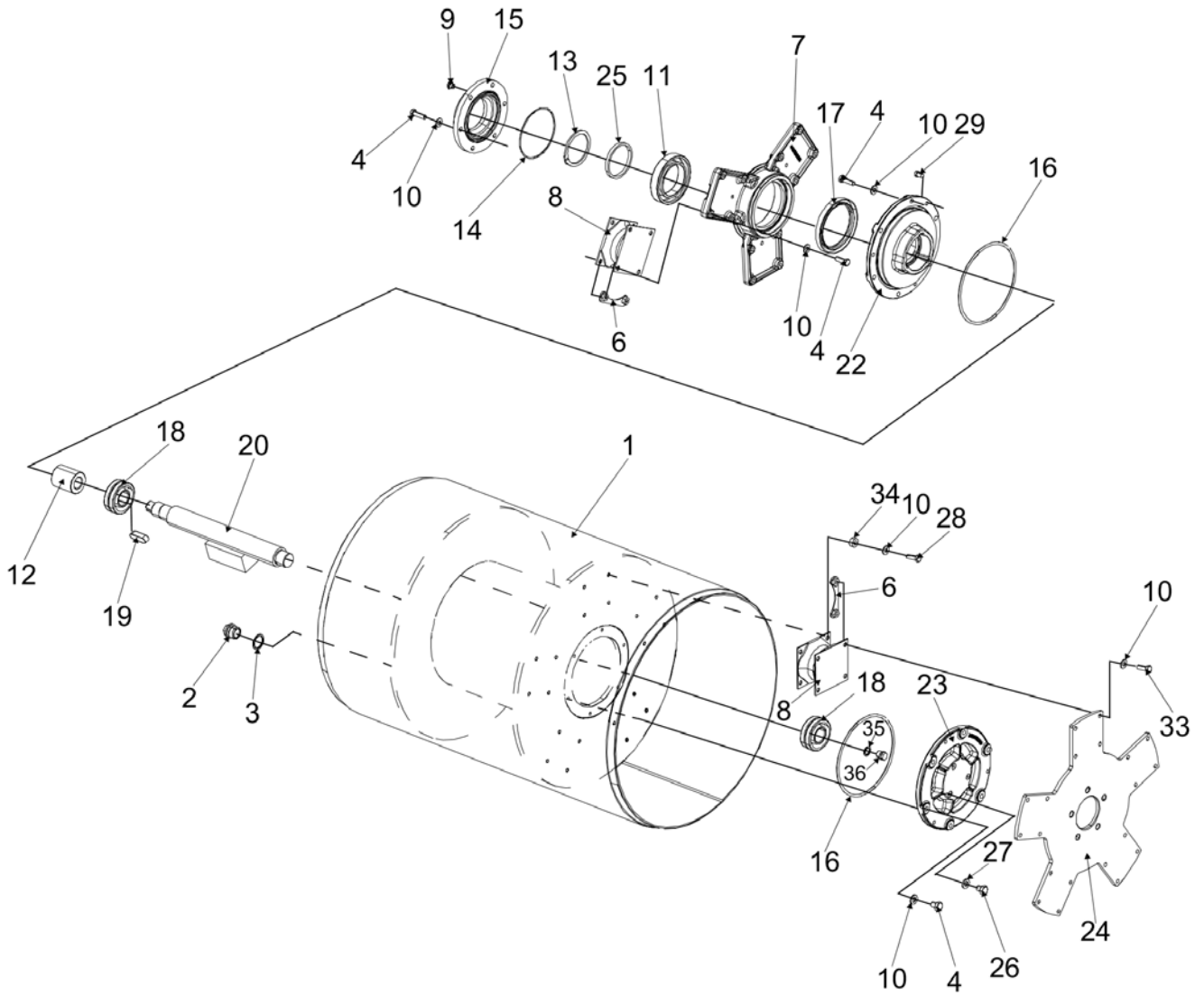
Item	Part No.	Name	Qty	L	SN INFO
1	4700372951	Scraper bracket	1		
2	4700358186	Scraper bracket	2		
3	4700358311	Scraper blade	4		
4	4700357789	Scraper bracket	4		
5	4700904231	Washer, 13x24x2 mm 300 HV	6		
6	4700500195	Screw	2		
7	4700586019	Lock nut, M12	2		
8	4700904230	Plain washer 10.5x22x2 mm	12		
9	4700500240	Hex. screw	8		
10	4700904557	Washer, 10.5x22x4 mm 300 HV	8		
11	4700586018	Lock nut M10	8		
12	4700500030	Screw hexagon	4		
13	4700358898	Bracket	2		
14	4700513017	Screw	4		
15	4700904228	Washer DIN125	1		
16	4700500016	Screw M6x55 8.8 A2K	1		
17	4700586002	Lock nut M6 -8	1		
18	4700358897	Lever	1		
19	4700925263	Spirol pin	1		

Frame Scrapers, spring loaded (option)



Item	Part No.	Name	Qty	L	SN INFO
1	4812120026	Bracket	4		
2	4700792189	Eye bolt	4		
3	4700359043	Spring	4		
4	4700791666	Blind rivet	8		
5	4700904229	Washer, 8.4x 6x1.5 mm 300HV	4		
6	4700570005	Hexagon nut	8		

Drum / Wheels Drum



Refer to Parts Online for the most up to date information. The printed information might be outdated.

Wed Sep 07 10:14:23 UTC 2016

Item	Part No.	Name	Qty	L	SN INFO
1	4700357049	Drum	1		
2	4700343744	Magnetic plug	1		
3	4700162017	Seal ring	1		
4	4700500030	Screw hexagon	12		
6	4700379179	Holder	10		
7	4812120391	Bearing housing	1		
8	4812121607	Shock absorber	8		
9	4700343490	Air breather	1		
10	4700904230	Plain washer 10.5x22x2 mm	70		
11	4700111018	Ball bearing	1		
12	4700349202	Coupling	1	A	
12	4700391929	Rubber cross	1		
13	4700903154	Retaining ring	1		
14	4700160132	O-ring 70	1		
15	4700358666	Adapter	1		
16	4700923951	O-ring	2		
17	4700163049	Radial lip-type seal	1		
18	4700904258	Spherical roller bearing	2		
19	4700350029	Feather key	1		
20	4812119820	Eccentric shaft	1		
22	4812118694	Bearing housing	1		
23	4812118692	Bearing housing	1		
24	4700357055	Drive disc	1		
25	4700358689	Spacer ring	1		
26	4700500044	Screw M6x8	3		
27	4700904228	Washer DIN125	3		
28	4812110639	Hexagon socket head cap screw M10x030H 8.8	32		
29	4700903287	Plug	6		
33	4812110620	Hexagon head screw M10x30H 8.8 A3K	26		
34	4812110673	Spacer	20		
35	4700162011	Washer, 16.7x24x1.5 mm Type A M16	1		
36	4700232143	Plug, M16	1		

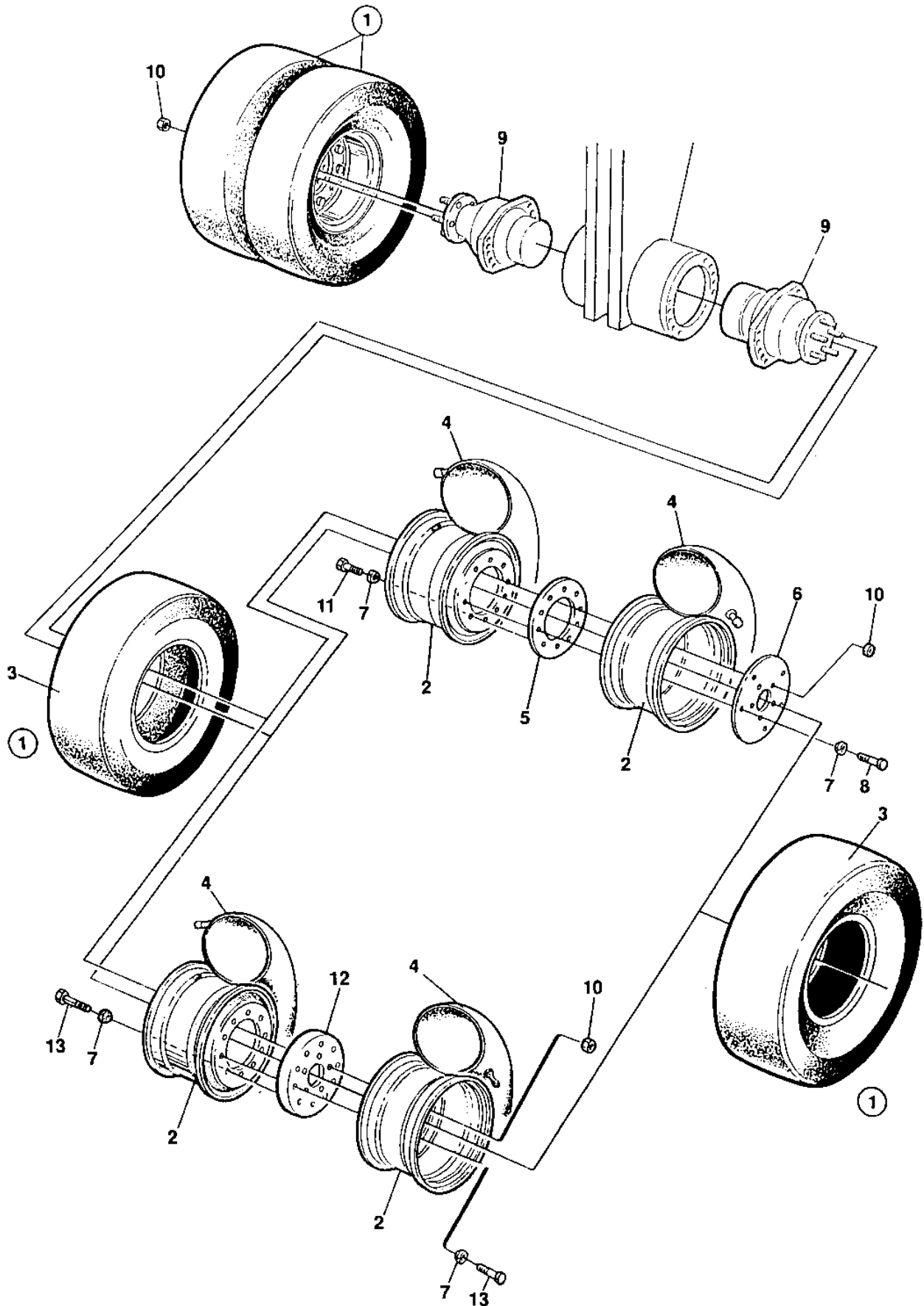
Comments for Page: Drum

(L)OCAL REMARKS

A | en_US | CPL

This page intentionally left blank

Drum / Wheels Wheels



Refer to Parts Online for the most up to date information. The printed information might be outdated.

Wed Sep 07 10:14:24 UTC 2016

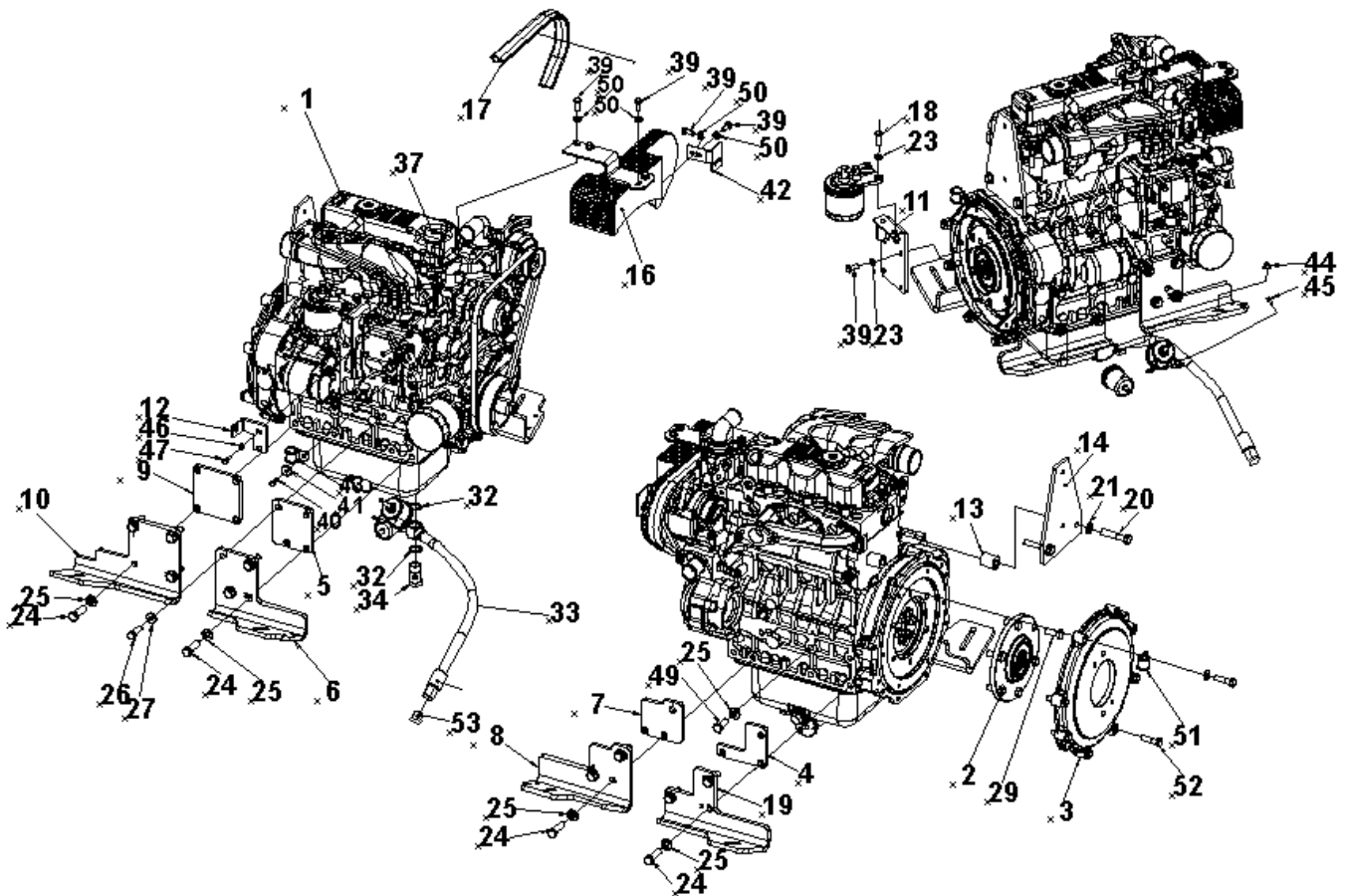
Item	Part No.	Name	Qty	L	SN INFO
1	4700370880	Wheel	4	A	
2	4700371112	Rim	1		
3	4700903789	Tyre	1		
4	4700903790	Inner tube	1		
5	4700372900	Hub	2		
6	4700372905	Hub	2		
7	4700902252	Washer	20		
8	4700500205	Screw	10		
9	-	Hydraulic motor, propulsion	2		
10	-	Nut	10		
11	4700500183	Screw	10		
12	-	Not used on this model			
13	-	Not used on this model			

Comments for Page: Wheels

(L)OCAL REMARKS

A | en_US | CPL

Engine room Engine module



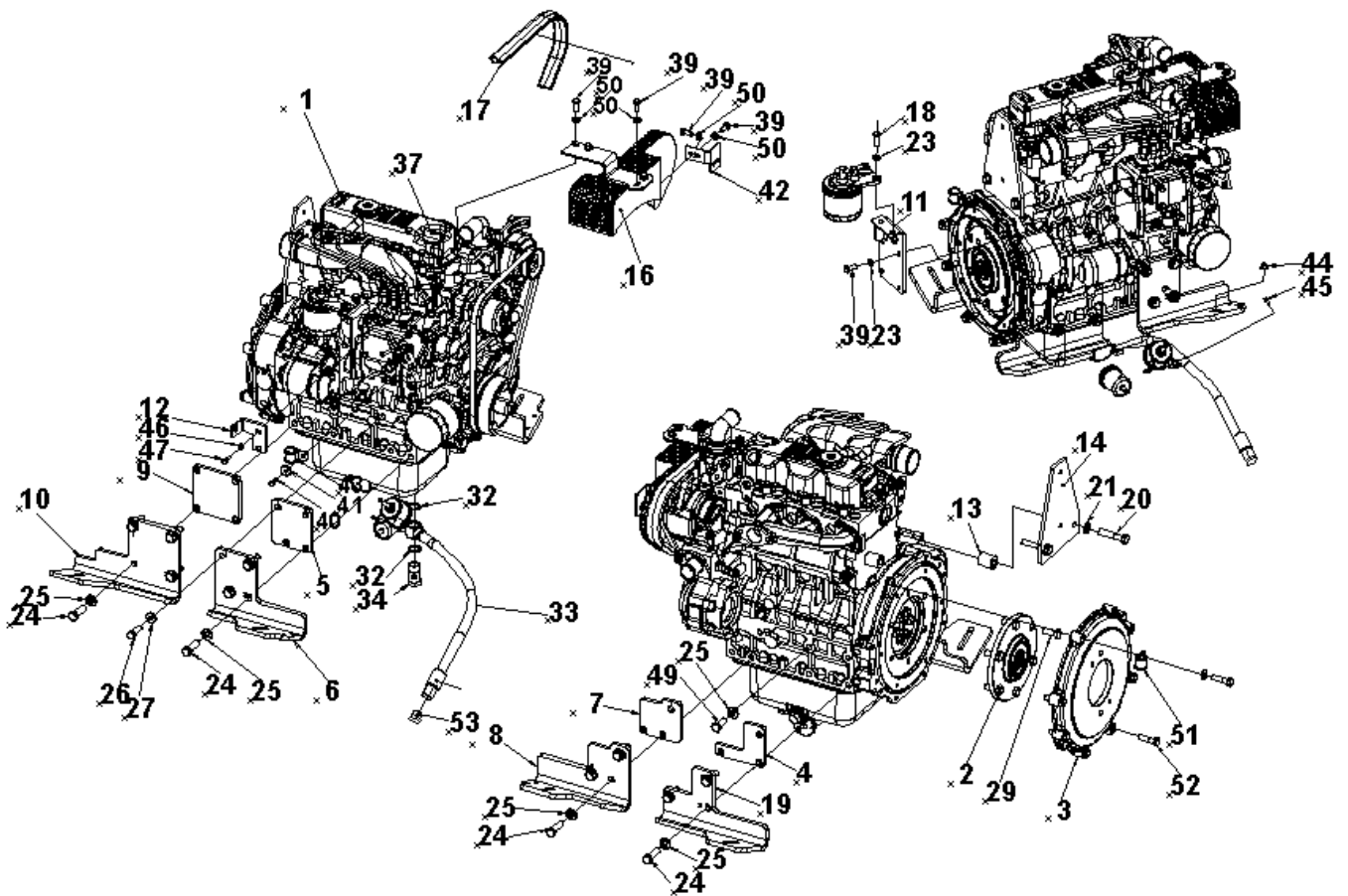
Refer to Parts Online for the most up to date information. The printed information might be outdated.

Wed Sep 07 10:14:25 UTC 2016

Item	Part No.	Name	Qty	L	SN INFO
1	4812120540	Diesel engine Kubota D1703-M-E4B	1		
2	4812120689	Clutch	1		
3	4812112391	Bracket	1		
4	4812113780	Shim	1		
5	4812111868	Shim	1		
6	4812111865	Bracket	1		
7	4812111866	Shim	1		
8	4812111863	Bracket	1		
9	4812111867	Shim	1		
10	4812111899	Bracket	1		
11	4812111883	Bracket	1		
12	4812111880	Bracket	1		
13	4812113235	Spacer sleeve	2		
14	4812113233	Bracket	1		
16	4812113468	Belt guard	1		
17	4700288129	Rubber edge trim	1	A	
18	4700500021	Screw, M8x25 mm 8.8 A2K	2		
19	4812111900	Bracket	1		
20	4812113980	Screw	2		
21	4700904231	Washer, 13x24x2 mm 300 HV	2		
23	4700904229	Washer, 8.4x 6x1.5 mm 300HV	6		
24	4812113022	Screw	13		
25	4700904703	Plain washer 13x24x4 mm	14		
26	4812113044	Screw	1		
27	4700904557	Washer, 10.5x22x4 mm 300 HV	1		
29	4700500046	Hex. head screw M12x030H	6		
30	4812156263	Fuel filter element	1		
31	4700904230	Plain washer 10.5x22x2 mm	6		To 0A013589
32	4700330333	Copper washer	2		
33	4812111905	Engine oil drain hose	1		
34	4700330081	Screw, M22x1,5	1		
39	4700500053	Screw, M8x20 mm 8.8 A2K	10		
40	4700500013	Screw, M6x16 mm 8.8 A2K	1		
41	4700904735	Steel plain washer	1		
42	4812114177	Bracket	1		
43	4700921116	Clamp	1		
44	4700792119	Screw, M6x16 mm 8.8 A2K	2		

Refer to Parts Online for the most up to date information. The printed information might be outdated.

Wed Sep 07 10:14:25 UTC 2016

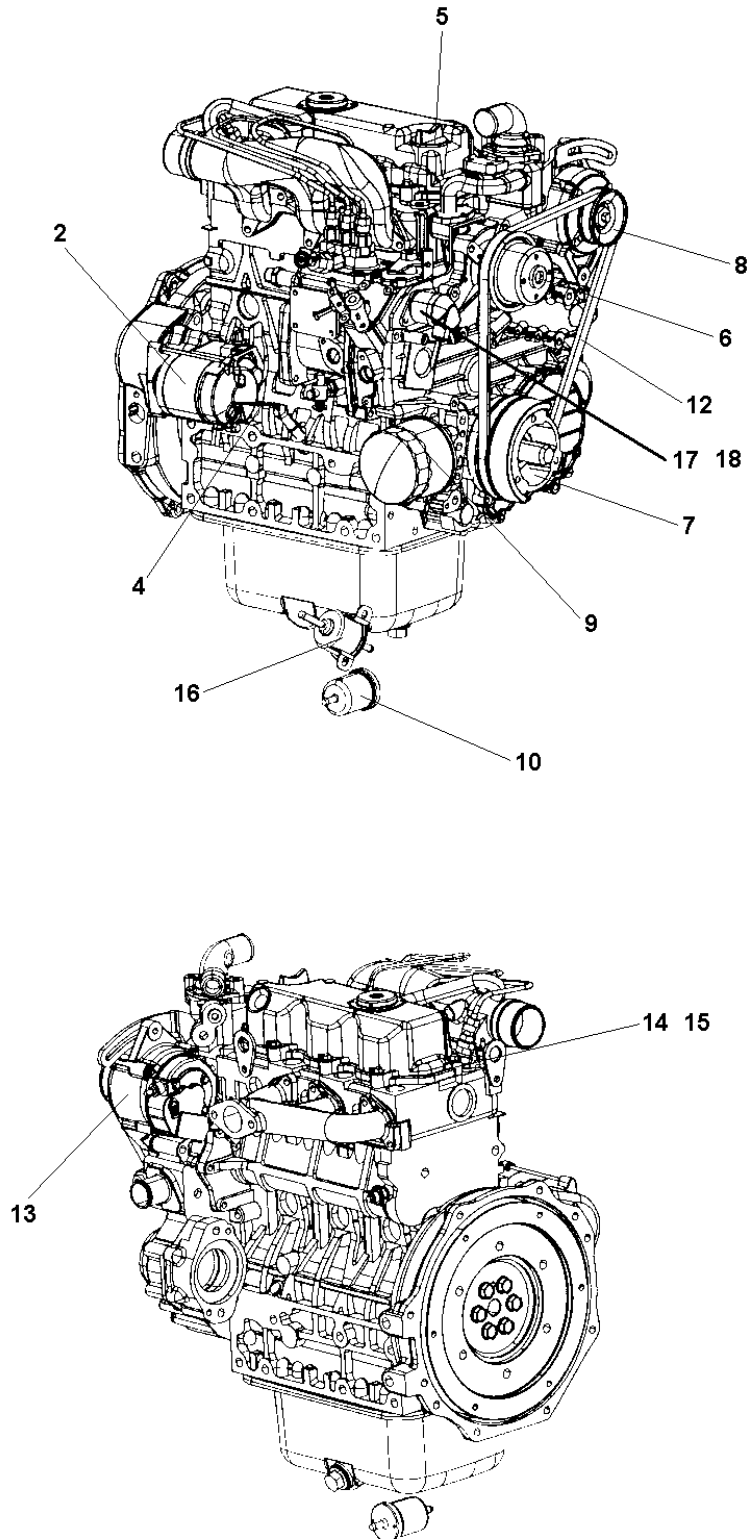


Refer to Parts Online for the most up to date information. The printed information might be outdated.

Wed Sep 07 10:14:25 UTC 2016

Item	Part No.	Name	Qty	L	SN INFO
45	4700902287	Nut, M10	4		
46	4700904228	Washer DIN125	2		
47	4700500040	Screw, M6x20 mm 8.8 A2K	2		
49	4700792250	Screw	1		
50	4700904556	Steel plain washer 8,4x16x3,0	6		
51	4700921104	Pipe clamp	1		
52	4811000285	Screw	6		
53	4700232095	Plug	1		

Engine room 4812120540 Diesel engine Kubota D1703-M-E4B

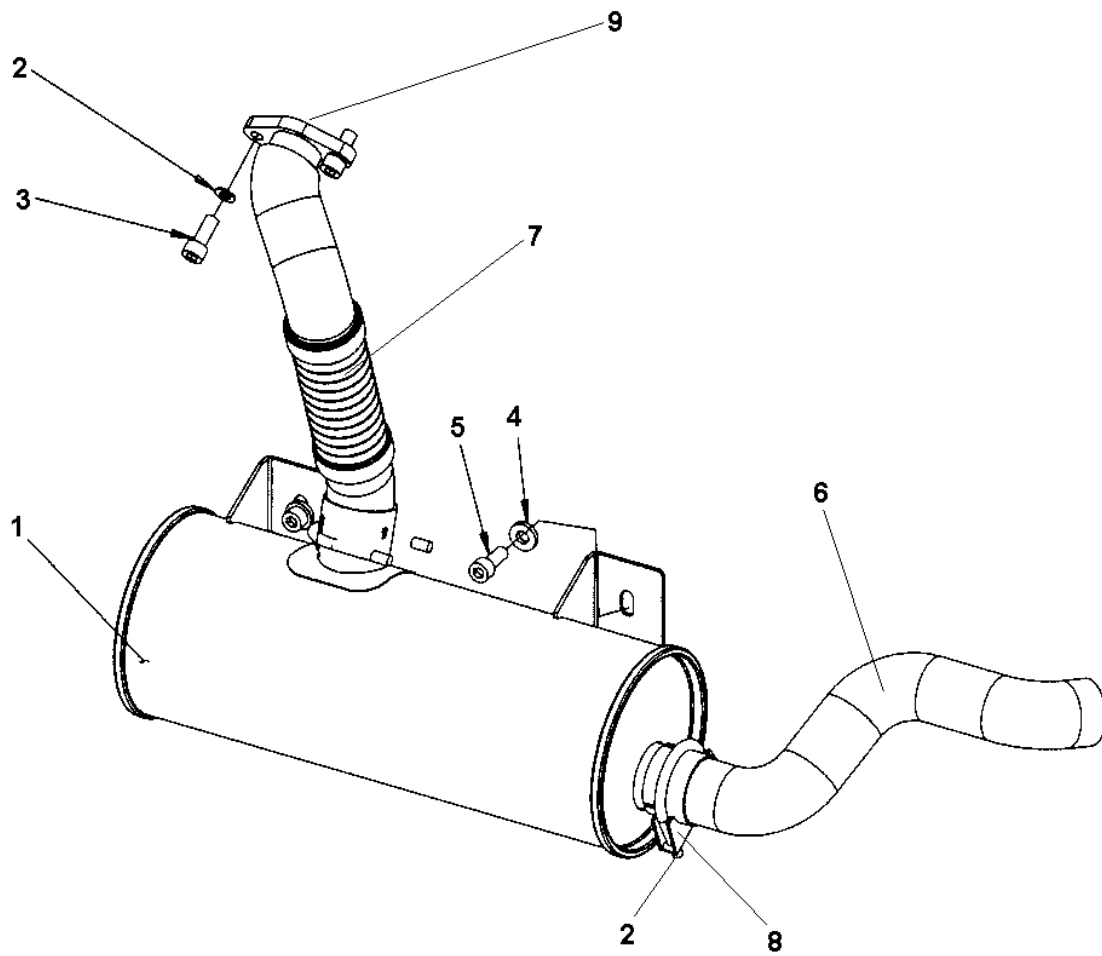


Refer to Parts Online for the most up to date information. The printed information might be outdated.

Wed Sep 07 10:14:26 UTC 2016

Item	Part No.	Name	Qty	L	SN INFO
2	4812156355	Starter	1		
4	4812156357	Oil dipstick	1		
5	4812156358	Oil cap	1		
5	4812156359	O-ring	1		
6	4812156360	Pulley, V-belt	1		
7	4812156362	Alternator, Fan	1		
8	4812156363	Pulley, alternator	1		
9	4812156259	Engine oil filter element	1		
10	4812156264	Pre-fuel filter element	1		
11	4812156263	Fuel filter element	1		
12	4812156260	V-belt	1		
13	4812156364	Alternator	1		
14	4812156261	Valve cover gasket	1		
15	4812156356	Piston ring set	1		
16	4812156389	Fuel pump	1		
17	4812157598	Fuel solenoid	1		
18	4812157680	O-ring	1		

Engine room Exhaust system



Refer to Parts Online for the most up to date information. The printed information might be outdated.

Wed Sep 07 10:14:26 UTC 2016

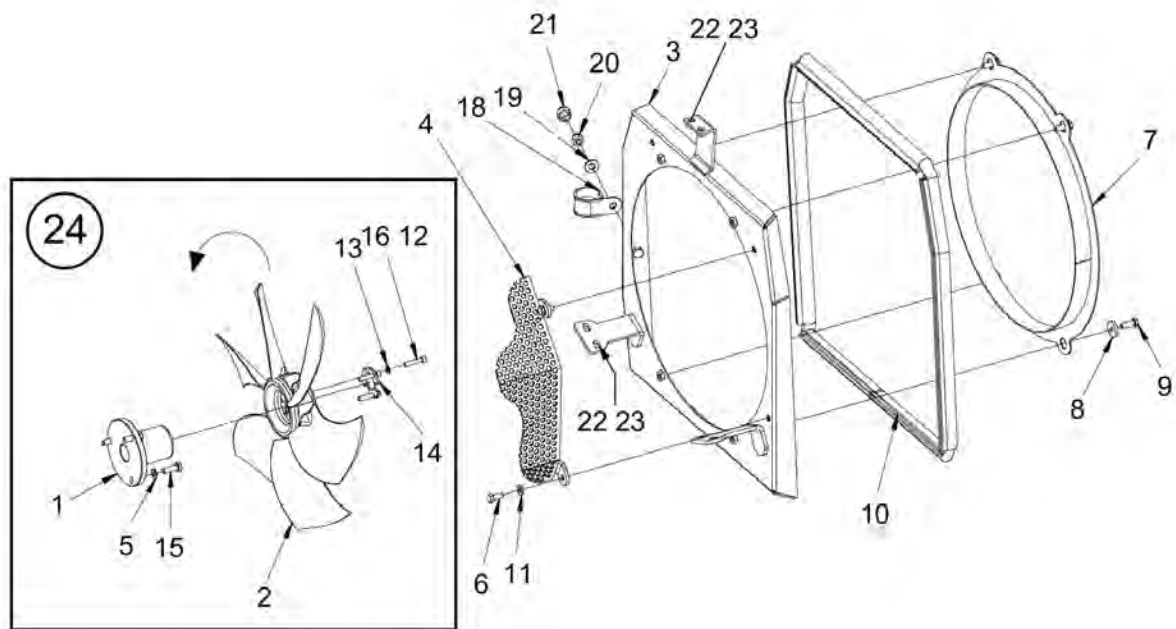
Item	Part No.	Name	Qty	L	SN INFO
1	4812112019	Muffler	1		
2	4700904229	Washer, 8.4x 6x1.5 mm 300HV	6		
3	4811000389	Screw	2		
4	4700904557	Washer, 10.5x22x4 mm 300 HV	2		
5	4700508096	Hexagon socket head cap screw	2		
6	4812113228	End pipe	1		
7	4812112021	Flexible pipe	1		
8	4700904475	Clamp	2		
9	4812159753	Gasket	1	A	

Comments for Page: Exhaust system

(L)OCAL REMARKS

A | en_US | Supplied with the engine

Engine room Fan



Item	Part No.	Name	Qty	L	SN INFO
1	4812122208	Fan hub	1	C	
2	4812122207	Fan	1	C	
3	4812113472	Fan shroud	1		
4	4812112029	Fan protection	1		
5	4700904229	Washer, 8.4x 6x1.5 mm 300HV	3		
6	4700500100	Hexagon screw	2		
7	4812118517	Fan ring	1	H	
8	4700904734	Washer, 8.4x26x4 mm 300 HV	4		
9	4700500020	Hex. screw	4		
10	4700288129	Rubber edge trim	1	A	
11	4700904556	Steel plain washer 8,4x16x3,0	2		
13	4700904231	Washer, 13x24x2 mm 300 HV	1		
14	4812122334	Shim	1		
15	4700500021	Screw, M8x25 mm 8.8 A2K	3		
16	4700508018	Screw	3		
18	4700923008	Clamp	1		
19	4700904230	Plain washer 10.5x22x2 mm	1		
20	4700586018	Lock nut M10	1		
21	4812121186	Protective plug	1		
22	4700904556	Steel plain washer 8,4x16x3,0	4		
23	4700500053	Screw, M8x20 mm 8.8 A2K	4	L	
24	4812161085	Fan kit	1	B	

Comments for Page: Fan

(L)OCAL REMARKS

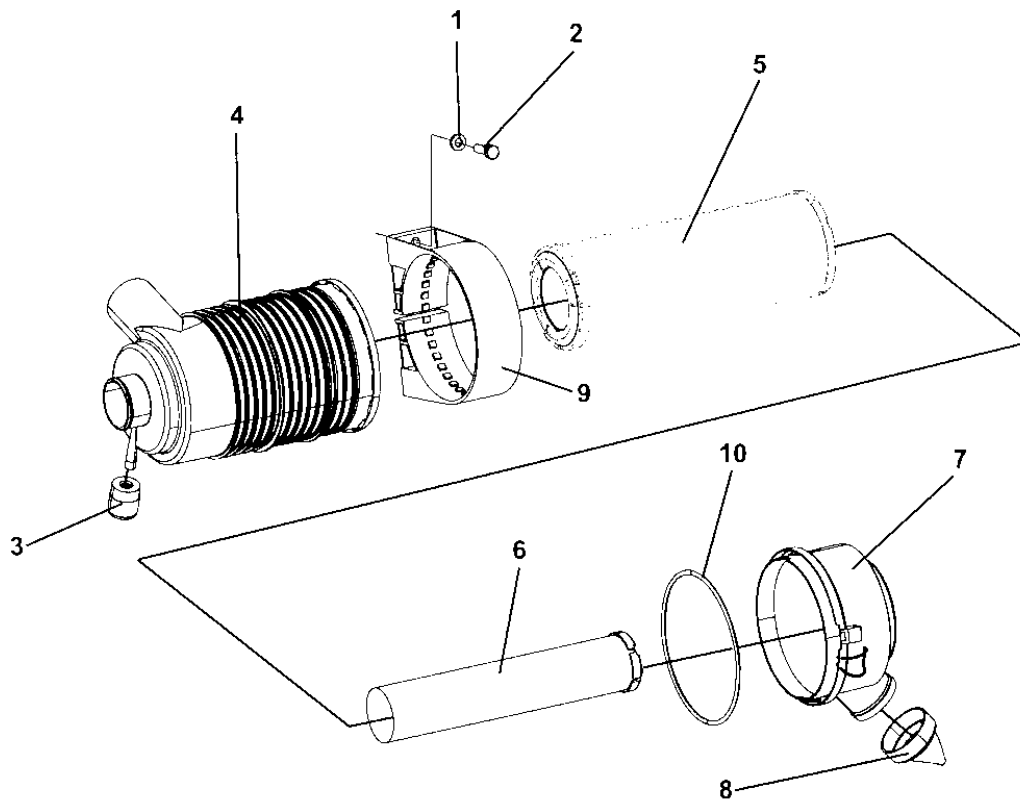
A | L = 1,80 m

B | Contains items; 1, 2, 5, 13, 14, 15, 16

C | For machines up to s/n 0A012585 please use fan kit 4812160757

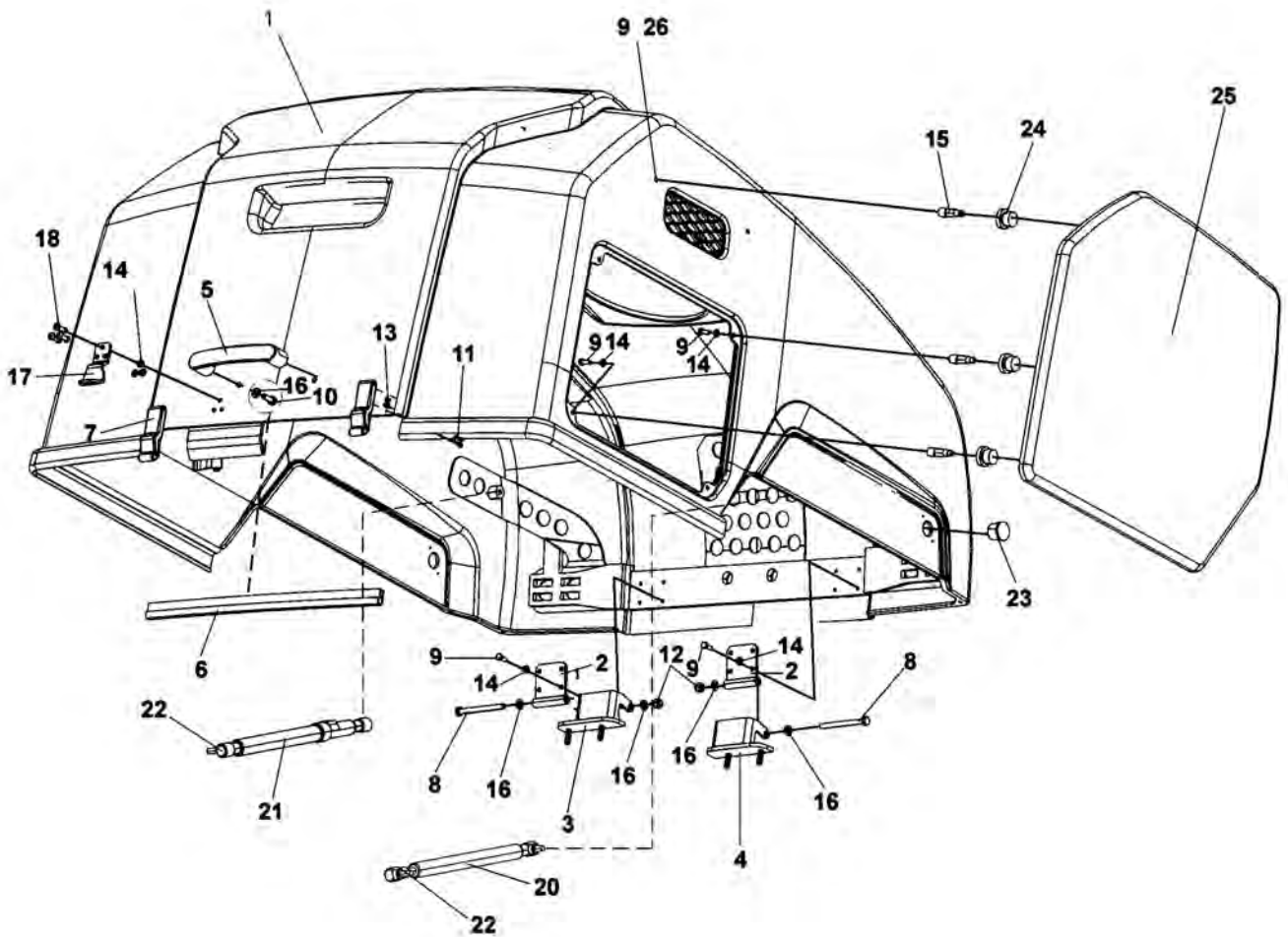
L | Not shown in illustration

Engine room Air filter



Item	Part No.	Name	Qty	L	SN INFO
1	4700904556	Steel plain washer 8,4x16x3,0	2		
2	4700508019	Cylinder screw	2		
3	4700499497	Indicator	1		
4	4700386951	Air filter	1		
5	4700939802	Air filter element Main	1		
6	4700939803	Air filter element Safety	1		
7	4700939804	Dust cap	1		
8	4700939805	Vacuator cap	1		
9	4700939806	Plastic mounting band	1		
10	4700939807	O-ring	1		

Engine room 4812118163 Engine hood, cpl



Refer to Parts Online for the most up to date information. The printed information might be outdated.

Wed Sep 07 10:14:28 UTC 2016

Item	Part No.	Name	Qty	L	SN INFO
0	4812118163	Engine hood, cpl	1		
1	4812120571	Engine hood	1		
2	4812113598	Hinge	2		
3	4812113626	Hinge	1		
4	4812113627	Hinge	1		
5	4700387948	Handle	1		
6	4700902166	Edge trim	1	A	
7	4700388846	Latch, complete	2		
8	4700500115	Screw	2		
9	4700500013	Screw, M6x16 mm 8.8 A2K	14		
10	4700500053	Screw, M8x20 mm 8.8 A2K	2		
11	4811000425	Screw M4x16 10,9 A2'K	4		
12	4700586003	Lock nut M8	2		
13	4700923976	Lock nut	4		
14	4700904228	Washer DIN125	15		
15	4811000488	Ball stud	6		
16	4700904229	Washer, 8.4x 6x1.5 mm 300HV	6		
17	4700377061	Lock plate	1		
18	4700791666	Blind rivet	3		
20	4812114152	Gas spring Right	1		
21	4812114153	Gas spring Left	1		
22	4700902286	Lock nut, M8x1.25 mm A2K	2		
23	4700902890	Plug	2		
24	4811000489	Coupling	4		
25	4812118165	Cover	1		
26	4700928381	Washer, 6.4x18x1.6 mm	1	B	

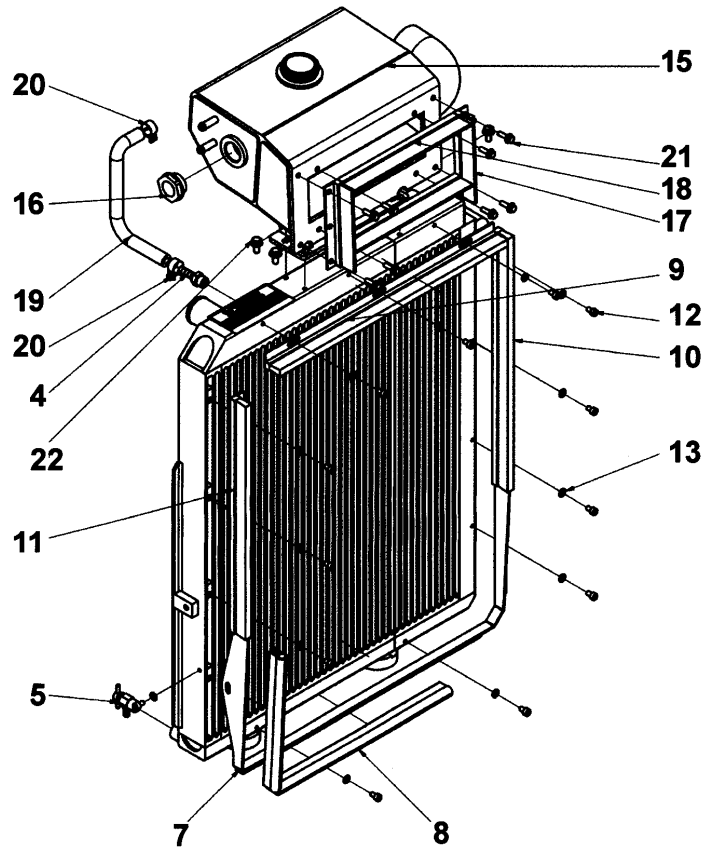
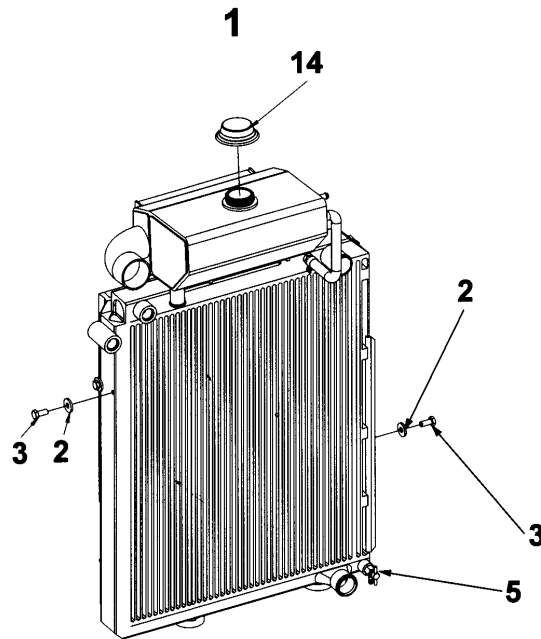
Comments for Page: 4812118163 Engine hood, cpl

(L)OCAL REMARKS

A | en_US | L = 0,50 m

B | en_US | Not shown in illustration. Placed inside the hood.

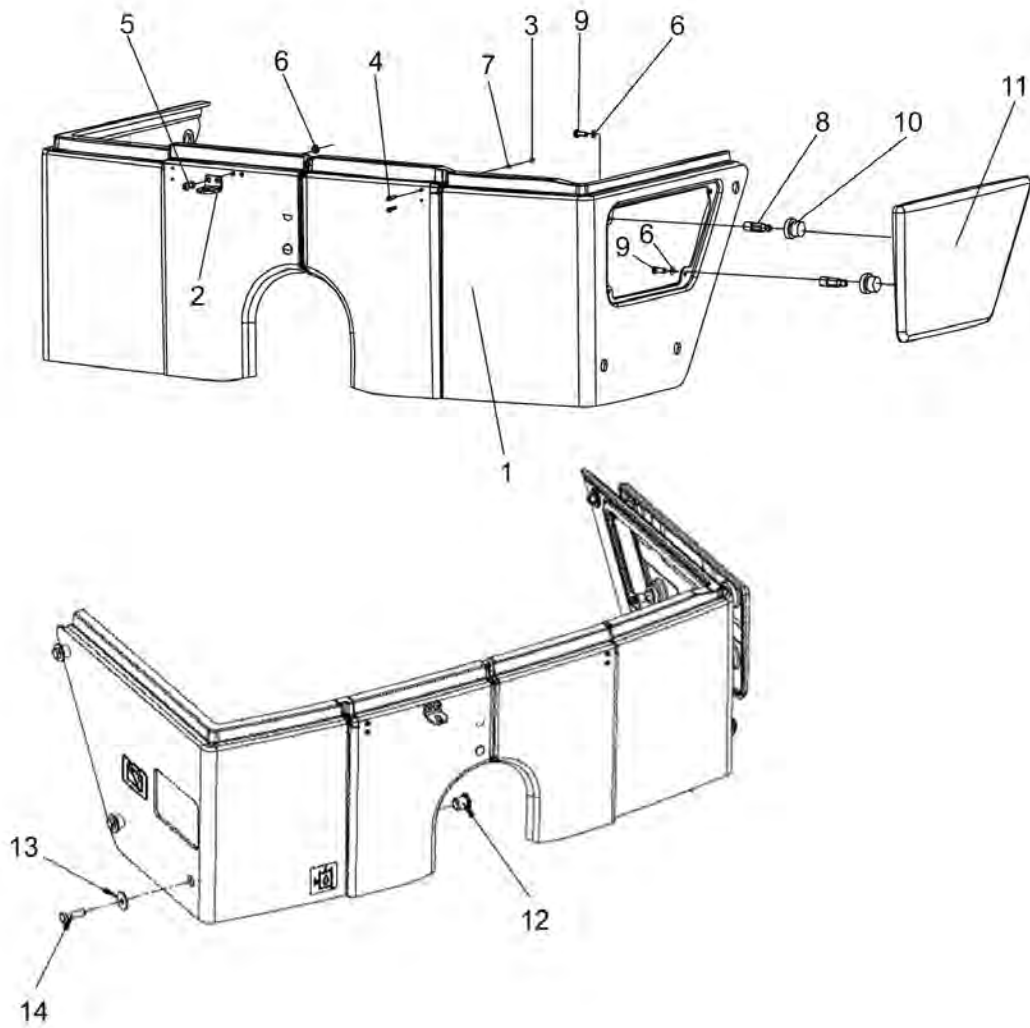
Engine room Water cooler



Refer to Parts Online for the most up to date information. The printed information might be outdated.

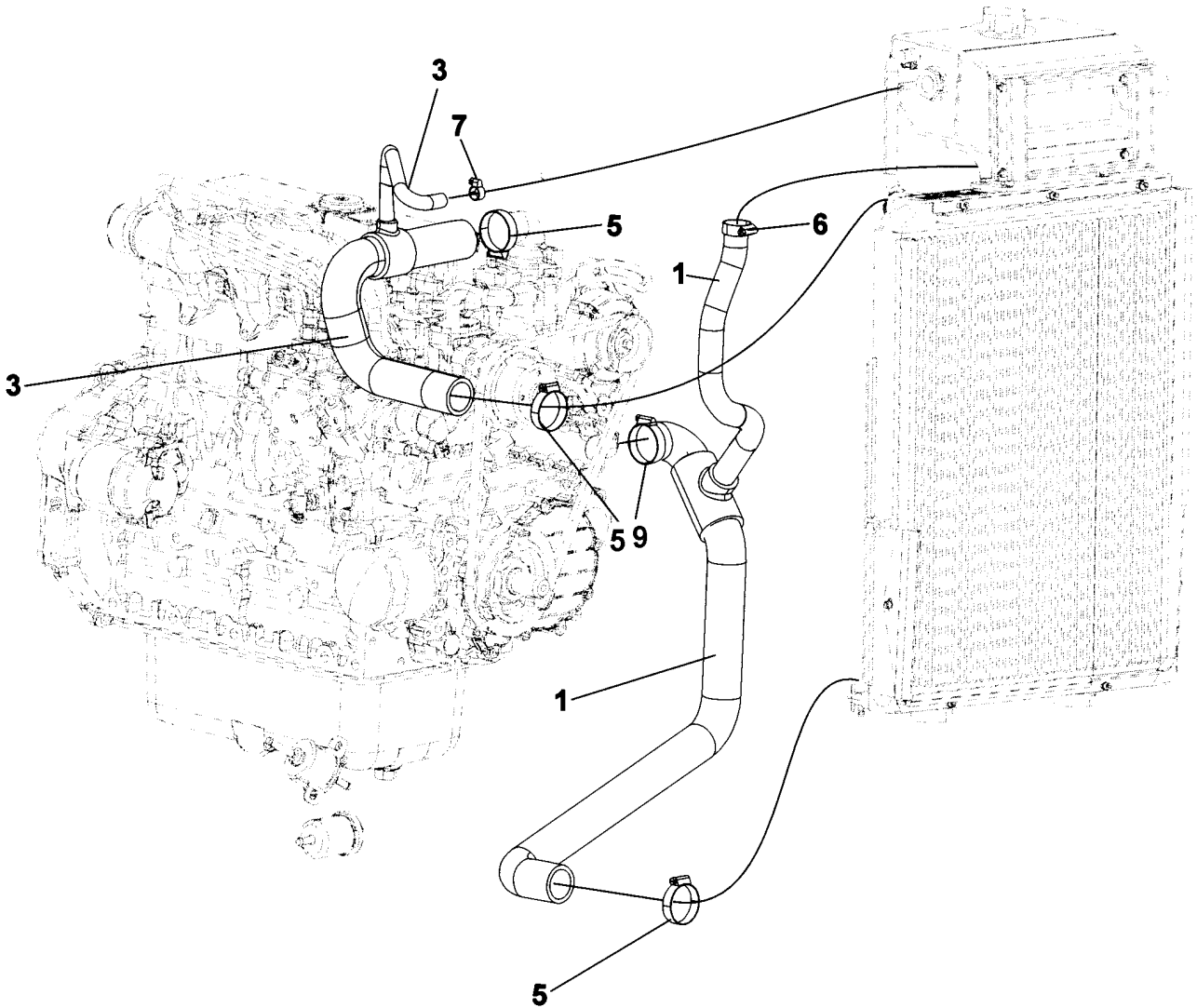
Wed Sep 07 10:14:29 UTC 2016

Item	Part No.	Name	Qty	L	SN INFO
1		Water/Oil cooler, cpl	1		
2	4700904640	Washer, 8.4x22x3 mm 300HV	3		
3	4700500100	Hexagon screw	3		
4	4812157872	Hose connection	1		
5	4812157873	Drain valve	1		
6	4812157870	Water/Oil cooler matrix	1		
7	4812157871	Bracket	1		
8	4812157874	Sealing	1		
9	4812157875	Brush	1		
10	4812157876	Brush	1		
11	4812157877	Brush	1		
12	-	Hexagon socket head cap screw M5x8	13		
13	-	Hose clamp	13		
14	4700903714	Cooler cap	1		
15	4812160251	Expansion tank	1		
16	4812160252	Level gauge	1		
17	4812160253	Brush	2		
18	4812160254	Brush	2		
19	-	Hose clamp	1		
20	-	Hose clamp	2		
21	-	Bolt M5x16	8		
22	-	Bolt M6x12	4		

Engine room Casing

Item	Part No.	Name	Qty	L	SN INFO
1	4812115560	Casing, cpl.	1		
2	4812118203	Shock absorber	6		
2	4700388852	Lock plate	1		
3	4700928441	Washer, 21 x 45 mm	6		
3	4700923976	Lock nut	4		
4	4700500030	Screw hexagon	6		
4	4811000426	Screw M4x20 10.9 A2K	4		
5	4700388852	Lock plate	1		
5	4700791666	Blind rivet	2		
6	4700923976	Lock nut	4		
6	4700904228	Washer DIN125	6		
7	4811000426	Screw M4x20 10.9 A2K	4		
7	4700904698	Plain washer	4		
8	4700791666	Blind rivet	2		
8	4811000488	Ball stud	4		
9	4700904228	Washer DIN125	2		
9	4700500013	Screw, M6x16 mm 8.8 A2K	4		
10	4700904698	Plain washer	4		
10	4811000489	Coupling	4		
11	4812114962	Cover	1		
12	4812118203	Shock absorber	6		
13	4700928441	Washer, 21 x 45 mm	6		
14	4700500030	Screw hexagon	6		

Engine room Cooler hoses

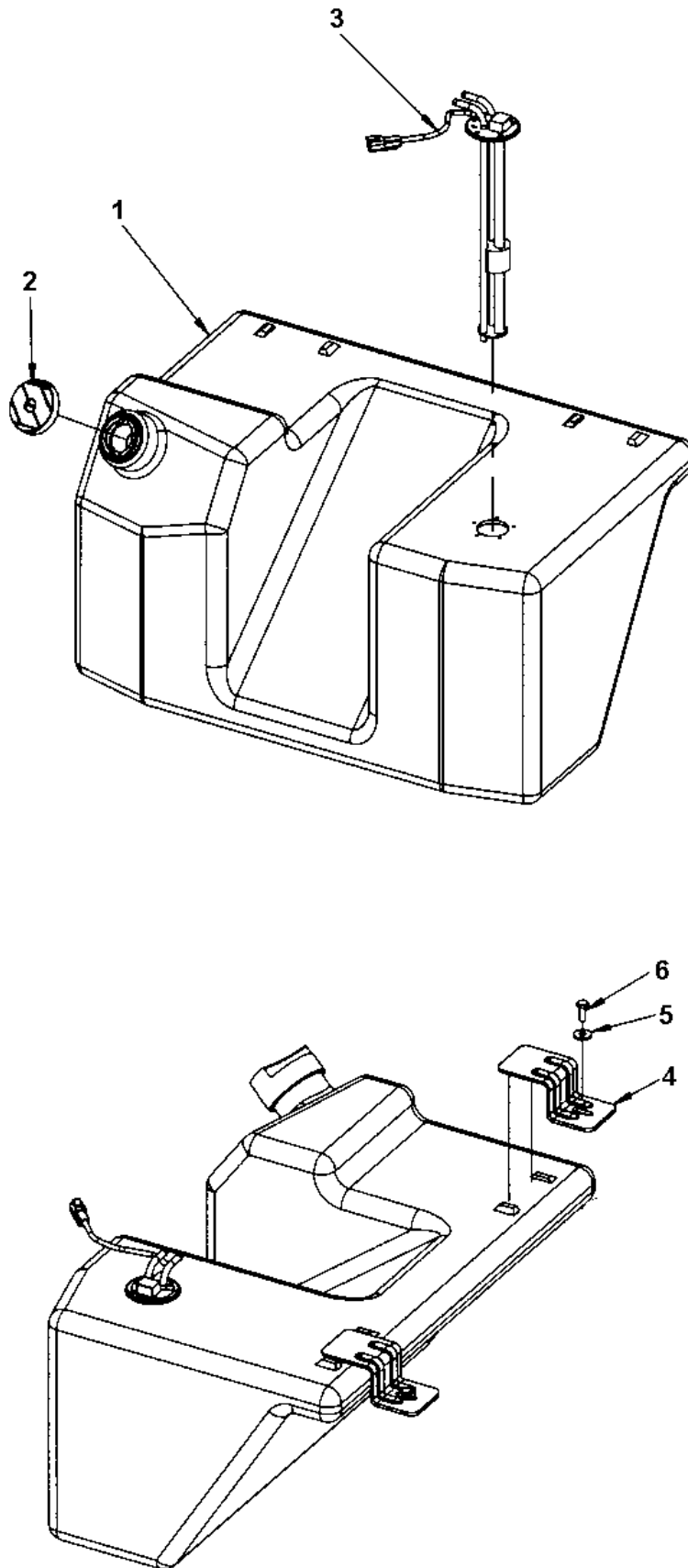


Refer to Parts Online for the most up to date information. The printed information might be outdated.

Wed Sep 07 10:14:30 UTC 2016

Item	Part No.	Name	Qty	L	SN INFO
1	4812113697	Cooler hose	1		
3	4812113694	Cooler hose	1		
5	4700313008	Hose clamp	3		
6	4700313004	Hose clamp 19-29mm	1		
7	4700313108	Hose clamp	1		
9	4700902295	Hose clamp	1		

Engine room Fuel system

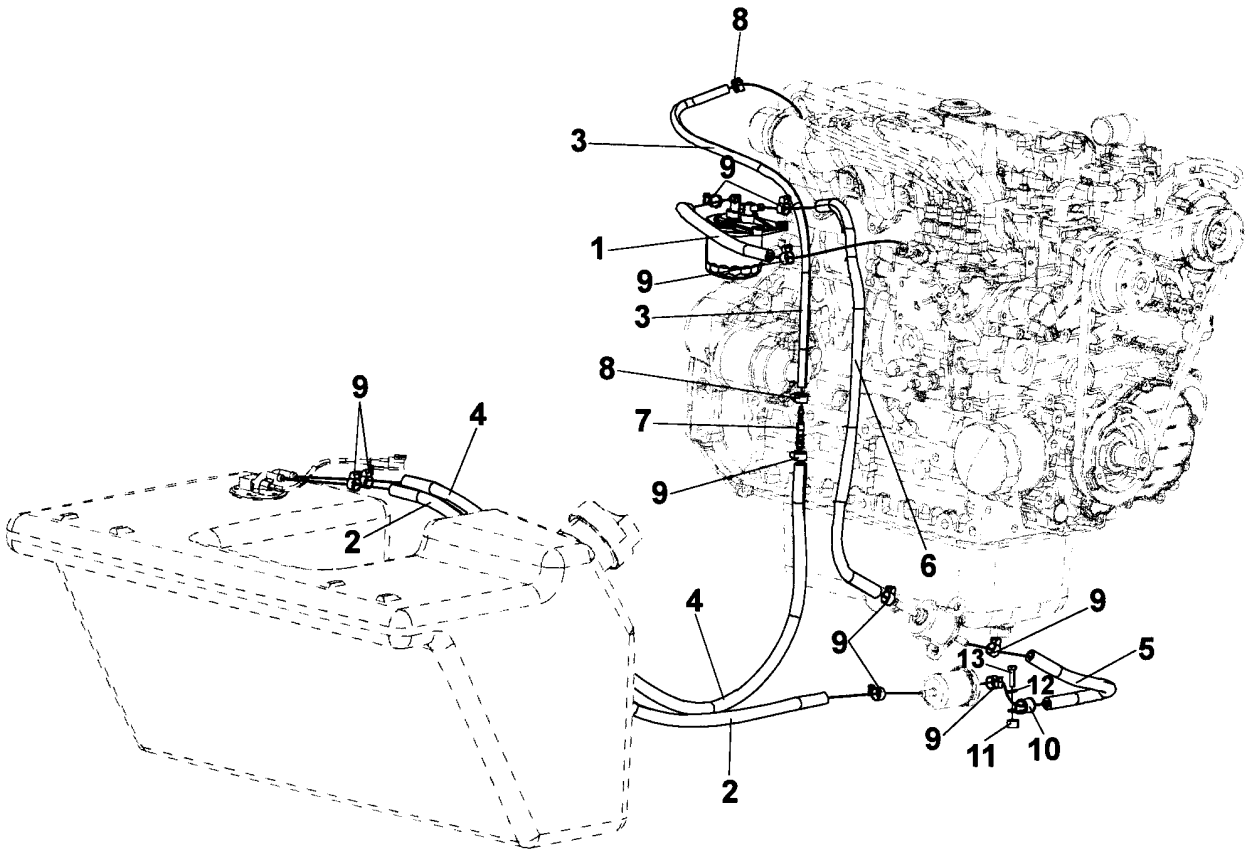


Refer to Parts Online for the most up to date information. The printed information might be outdated.

Wed Sep 07 10:14:30 UTC 2016

Item	Part No.	Name	Qty	L	SN INFO
1	4812113207	Fuel tank	1		
2	4700394253	Fuel cap	1		
2	4700945753	Key 2 pcs "921"	1		
3	4700387552	Level gauge	1		
4	4700357466	Holder plate	2		
5	4700904640	Washer, 8.4x22x3 mm 300HV	2		
6	4700500053	Screw, M8x20 mm 8.8 A2K	2		

Engine room Fuel hoses



Refer to Parts Online for the most up to date information. The printed information might be outdated.

Wed Sep 07 10:14:30 UTC 2016

Item	Part No.	Name	Qty	L	SN INFO
1	4700904984	Fuel hose	1	A	
2	4700904984	Fuel hose	1	B	
3	4700791422	Hose	1	C	
4	4700904984	Fuel hose	1	D	
5	4700904984	Fuel hose	1	E	
6	4700904984	Fuel hose	1	F	
7	4700791774	Hose connection	1		
8	4700313075	Hose clamp	2		
9	4700313108	Hose clamp	10		
10	4700921116	Clamp	1		
11	4700355869	Spacer sleeve	1		
12	4700904229	Washer, 8.4x 6x1.5 mm 300HV	1		
13	4700500022	Screw	1		

Comments for Page: Fuel hoses

(L)OCAL REMARKS

A | en_US | L = 0,20 m

B | en_US | L = 0.97 m

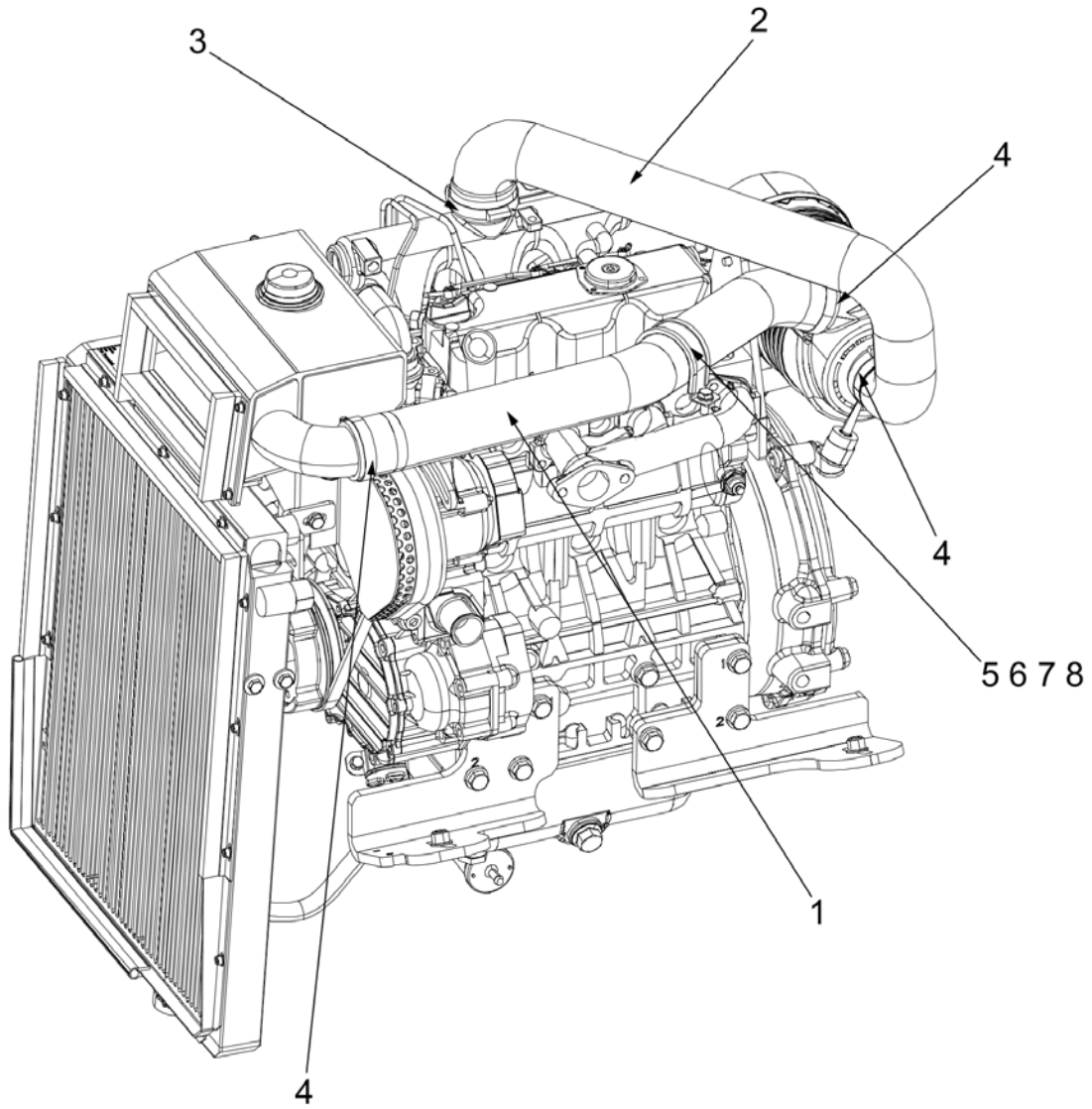
C | en_US | L = 0.62 m

D | en_US | L = 0.80 m

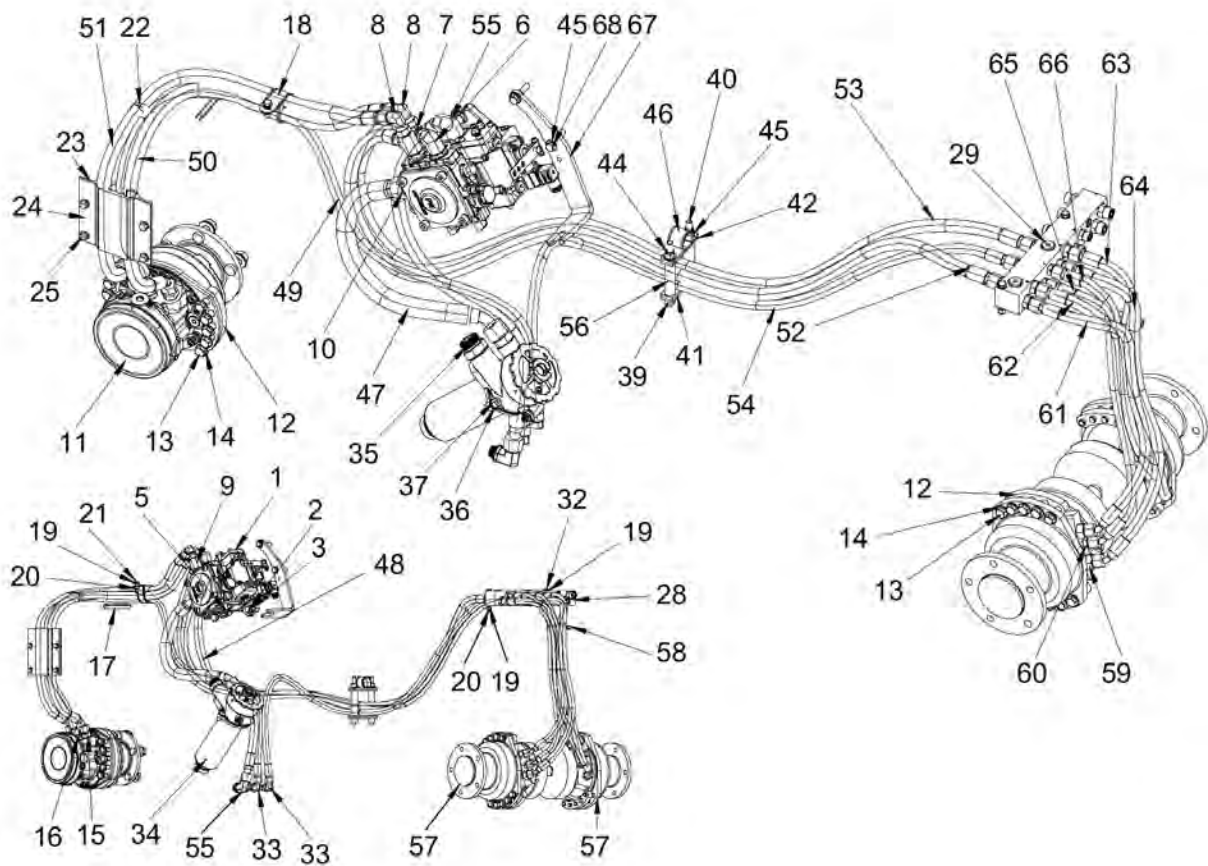
E | en_US | L = 0.30 m

F | en_US | L = 0.60 m

Engine room Air hoses



Item	Part No.	Name	Qty	L	SN INFO
1	4812118375	Air hose	1		
2	4812121357	Hose	1		
3	4700313023	Hose clamp	1		
4	4700313010	Hose clamp	3		
5	4812117802	Clamp	1		
6	4812117602	Strip	N		
7	4700904229	Washer, 8.4x 6x1.5 mm 300HV	2		
8	4700500053	Screw, M8x20 mm 8.8 A2K	2		

Hydraulic system Propulsion system

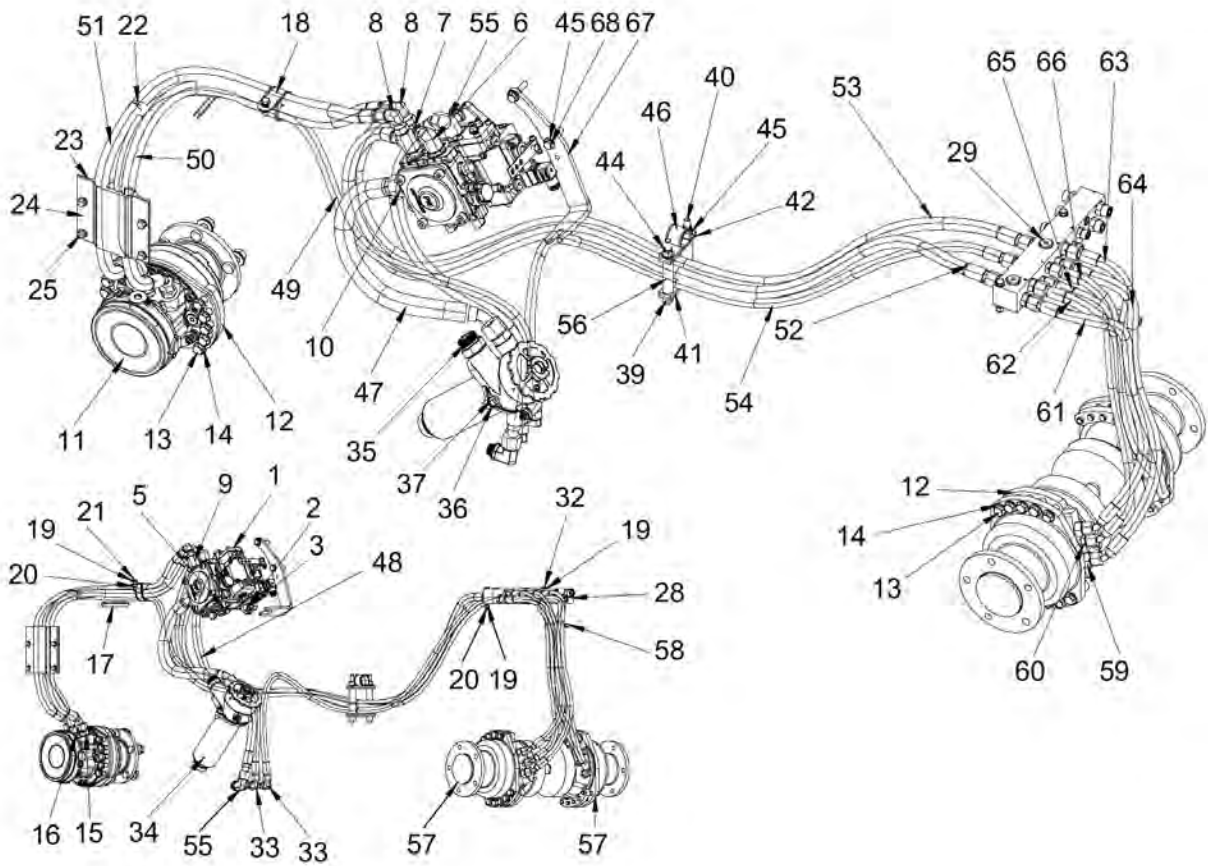
Refer to Parts Online for the most up to date information. The printed information might be outdated.

Wed Sep 07 10:14:32 UTC 2016

Item	Part No.	Name	Qty	L	SN INFO
1	4812120091	Hydraulic pump	1		
2	4700904703	Plain washer 13x24x4 mm	2		
3	4700500037	Hex. screw	2		
4	4700923405	Measuring nipple	2		
5	4700791699	Elbow 90	1		
6	4700791798	Adapter	1		
7	4700791745	Elbow 90, O-ring with swivel	2		
8	4700791792	Tee-connector	1		
9	4700904728	Straight connector ORFS	2		
10	4812120558	Hydraulic motor	1		
11	4812110490	Holder	6		
12	4700500269	Screw	30		
13	4700904231	Washer, 13x24x2 mm 300 HV	30		
14	4700791410	Straight o-ring connector	2		
15	4700791828	Adapter	1		
16	4700902379	Edge trim	0,18 5		
17	4700921022	Hose clamp	1		
18	4700904229	Washer, 8.4x 6x1.5 mm 300HV	6		
19	4700586003	Lock nut M8	3		
20	4700500022	Screw	1		
21	4700313102	Cable ties	1		
22	4700371313	Hose clamp	1		
23	4700371314	Hose clamp	1		
24	4700901832	Screw, M08x16, 8.8	4		
25	4812120928	Connection block	1		
26	4700792512	Steel plug threaded	3		
27	4700500068	Screw M08x65	2		
28	4700791398	Elbow 90, O-ring	2		
29	4812113327	Hydraulic oil filter	1		
32	4700500068	Screw M08x65	2		
33	4700791398	Elbow 90, O-ring	2		
34	4812113327	Hydraulic oil filter	1		
35	4700792338	Adapter	1		
36	4700904637	Washer	2		
37	4700508096	Hexagon socket head cap screw	2		
39	4700355869	Spacer sleeve	2		
40	4700902233	Threaded stud	2		

Refer to Parts Online for the most up to date information. The printed information might be outdated.

Wed Sep 07 10:14:32 UTC 2016

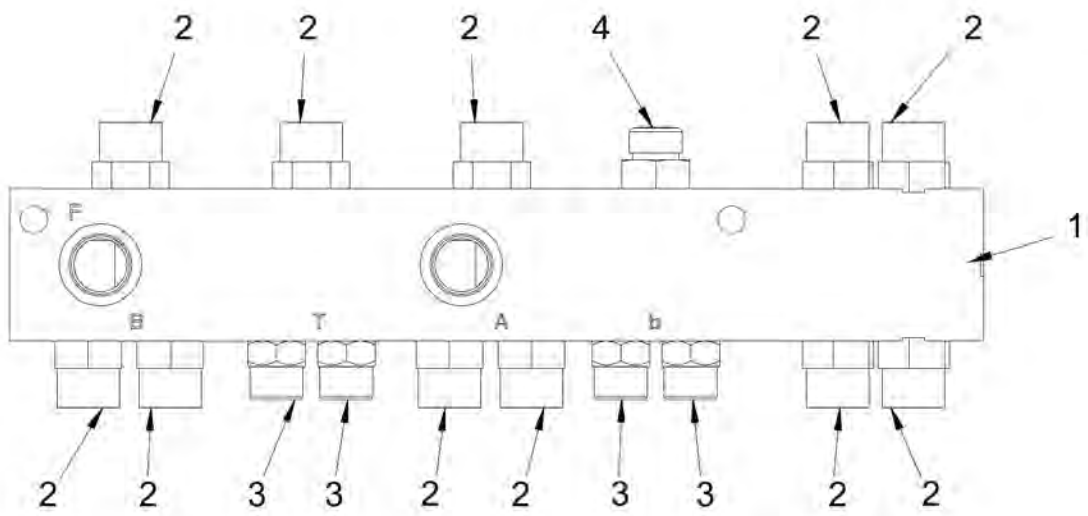


Refer to Parts Online for the most up to date information. The printed information might be outdated.

Wed Sep 07 10:14:32 UTC 2016

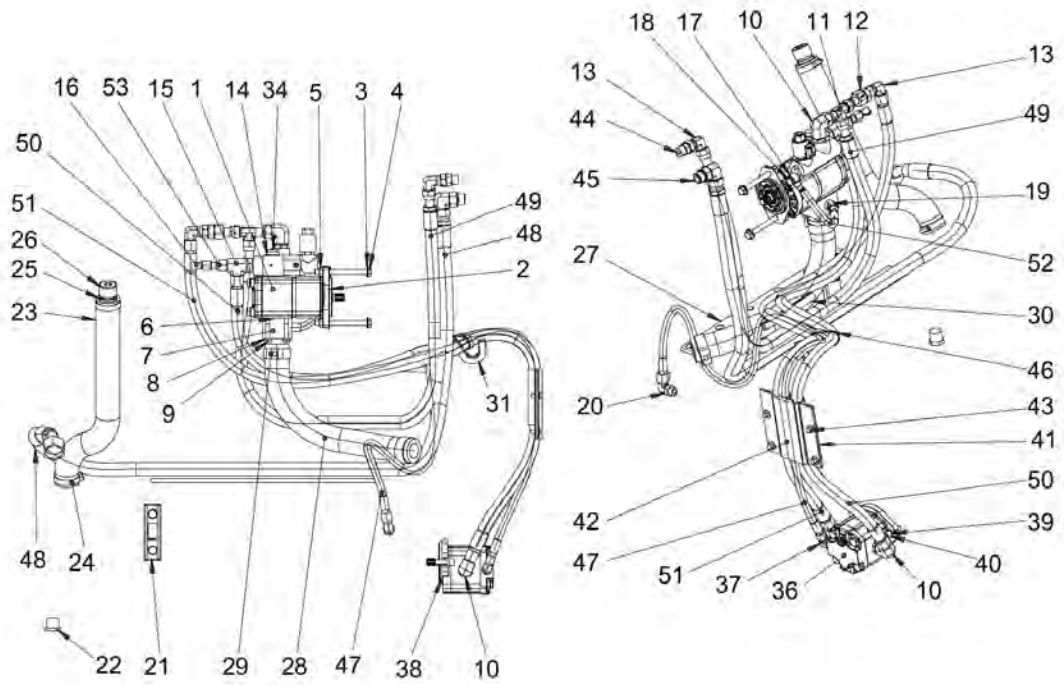
Item	Part No.	Name	Qty	L	SN INFO
41	4700357112	Cover plate	2		
42	4700357111	Rubber cloth	2		
44	4700586018	Lock nut M10	2		
45	4700904230	Plain washer 10.5x22x2 mm	4		
46	4700921099	Clamp	1		
47	4812120885	Hydraulic hose	1		
48	4812121228	Hydraulic hose	1		
49	4700484092	Hydraulic hose	1		
50	4700484316	Hydraulic hose	1		
51	4700484316	Hydraulic hose	1		
52	4812121226	Hydraulic hose	1		
53	4812121226	Hydraulic hose	1		
54	4812121769	Hydraulic hose	1		
55	4700792332	Elbow 90 orfs	2		
56	4700375616	Spacer sleeve	2		
57	4700375632	Hydraulic motor, propulsion	2		
58	4700902379	Edge trim	0		
59	4700791547	Straight connector orfs	4		
60	4700791409	Straight connector orfs	2		
61	4812121230	Hydraulic hose	1		
62	4812121230	Hydraulic hose	1		
63	4812121231	Hydraulic hose	1		
64	4812121231	Hydraulic hose	1		
65	4811000401	Hydraulic hose	1		
66	4811000401	Hydraulic hose	1		
67	4812121463	Bracket	1		
68	4811000456	Screw M10x1,25x045 8.8	2		

Hydraulic system 4812120928 Connection block



Item	Part No.	Name	Qty	L	SN INFO
1	-	Connection block	1		
2	4700791799	Straight connector orfs	11		
3	4700791409	Straight connector orfs	4		
4	4700791828	Adapter	1		

Hydraulic system Vibration system



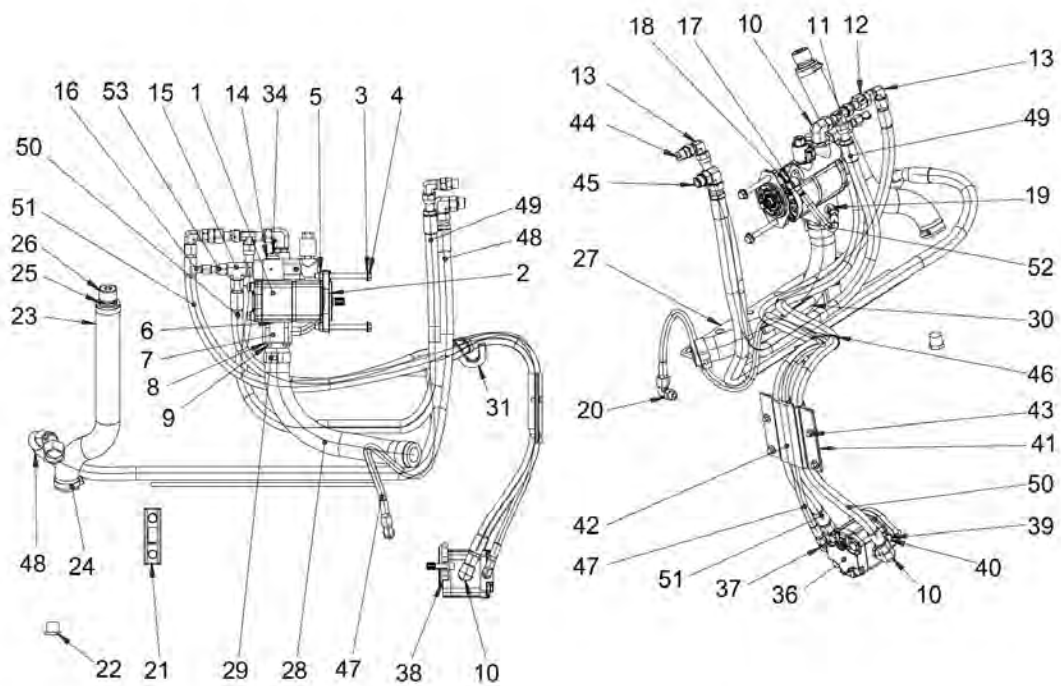
Refer to Parts Online for the most up to date information. The printed information might be outdated.

Wed Sep 07 10:14:34 UTC 2016

Item	Part No.	Name	Qty	L	SN INFO
1	4812121922	Hydraulic pump	1		
2	4700379458	Gasket	1		
3	4700904230	Plain washer 10.5x22x2 mm	2		
4	4700500078	Hex. screw	2		
5	4700902287	Nut, M10	2		
6	4700160016	O-ring	1		
7	4812120801	Flange	1		
8	4700904556	Steel plain washer 8,4x16x3,0	4		
9	4700500067	Screw	4		
10	4700791699	Elbow 90	3		
11	4700791798	Adapter	1		
12	4812121571	Check valve	1		
13	4700791745	Elbow 90, O-ring with swivel	2		
14	4700162006	Seal ring	1		
15	4700791792	Tee-connector	1		
16	4700923405	Measuring nipple	1		
17	4700480124	Washer	2		
18	4700901692	Screw	1		
19	4700791415	Elbow 45, O-ring	1		
20	4700791398	Elbow 90, O-ring	1		
21	4700989151	Oil level glass	1		
22	4700232122	Steel plug threaded	1		
23	4700373478	Rubber hose	1		
24	4700313008	Hose clamp	2		
25	4700357139	Connector	1		
26	4700357138	Ventilating filter	1		
27	4700358486	Rubber strip	2		
28	4812122581	Hydraulic hose	1		
29	4700902295	Hose clamp	2		
30	4700902379	Edge trim	0,15		
31	4700902379	Edge trim	0,30 5		
32	4700904623	Hose guard	0,3		
34	4700232056	Steel plug threaded	1		
36	4812119254	Hydraulic motor	1		
37	4700791397	Elbow 90, O-ring	1		
38	4700160031	O-ring	1		
39	4700603018	Washer 10x18x4	2		

Refer to Parts Online for the most up to date information. The printed information might be outdated.

Wed Sep 07 10:14:34 UTC 2016

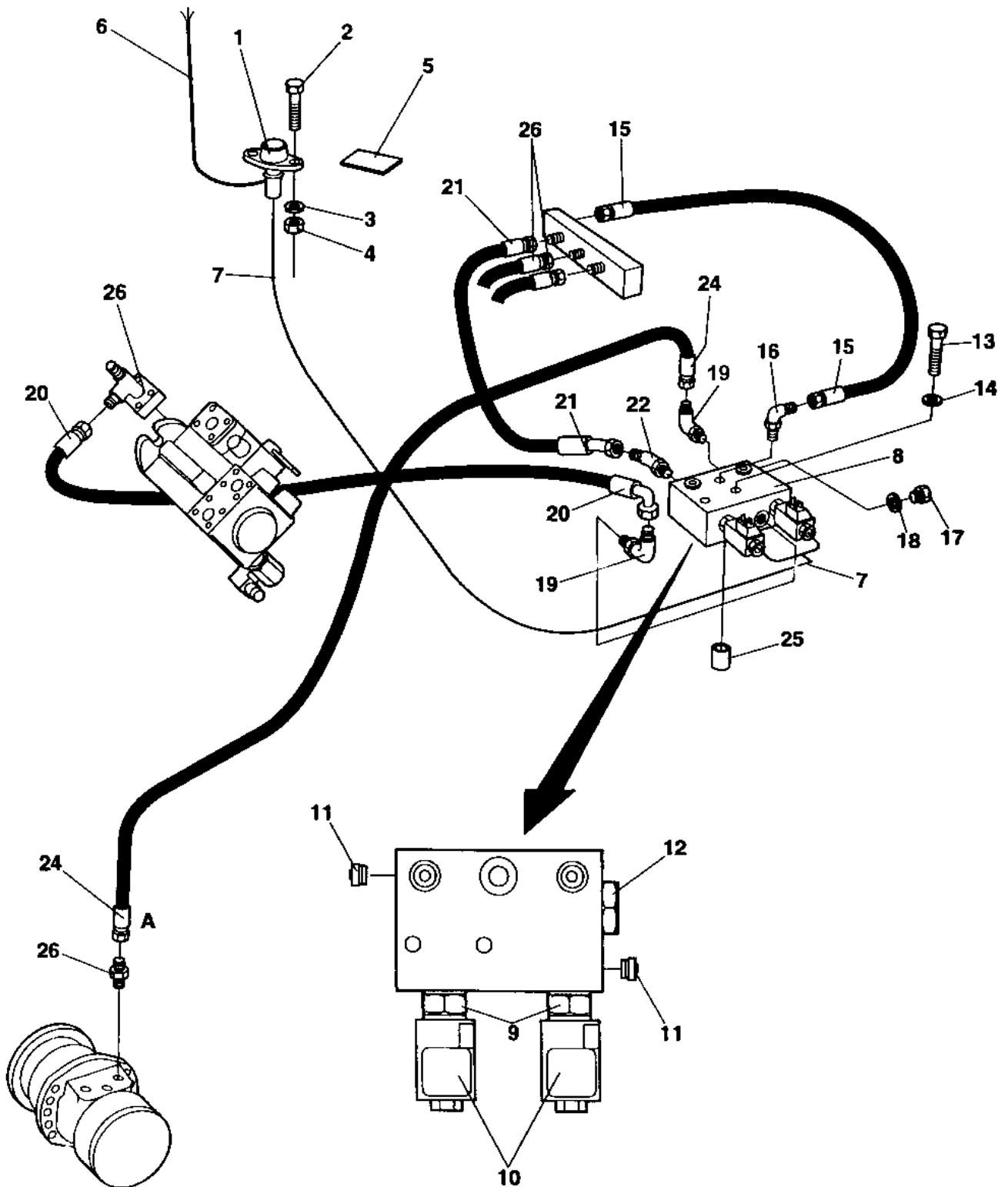


Refer to Parts Online for the most up to date information. The printed information might be outdated.

Wed Sep 07 10:14:34 UTC 2016

Item	Part No.	Name	Qty	L	SN INFO
40	4700508029	Cylinder screw	2		
41	4700371313	Hose clamp	1		
42	4700371314	Hose clamp	1		
43	4700901832	Screw, M08x16, 8.8	4		
44	4700791799	Straight connector orfs	1		
45	4700791843	Elbow 90, O-ring with swivel	1		
46	4700313102	Cable ties	1		
47	4812120878	Hydraulic hose	1		
48	4812121219	Hydraulic hose	1		
49	4812121210	Hydraulic hose	1		
50	4812120877	Hydraulic hose	1		
51	4812121770	HYDRAULIC HOSE	1		
52	4812120876	Hydraulic hose	1		
53	4700792219	Straight connector	1		

Hydraulic system Flow divider (option)



Refer to Parts Online for the most up to date information. The printed information might be outdated.

Wed Sep 07 10:14:34 UTC 2016

Item	Part No.	Name	Qty	L	SN INFO
1	4812113326	Contact	1		
2	4700533016	Screw	2		
3	4700600002	Washer	2		
4	4700923976	Lock nut	2		
5	4700355981	Decal	1		
6	4812112470	Cable harness	1		
7	4812112566	Cable harness	1		
8	4700358546	Flow divider	1		
9	4700903141	Valve	2		
10	4700903142	Coil	2		
11	4700903144	Check valve	2		
12	4700903145	Valve	1		
13	4700500034	Screw M10-1,5x100 8,8	2		
14	4700904230	Plain washer 10.5x22x2 mm	2		
15	4700482773	Hydraulic hose	1	A	
16	4700334235	Elbow 90	1		
17	4700332038	Plug	2		
18	4700162004	Sealing	2		
19	4700923407	Adapter	2		
20	4700483283	Hydraulic hose	1	B	
21	4700482883	Hydraulic hose	1	C	
22	4700904175	Connector	1		
24	4700482214	Hydraulic hose	1	D	
25	4700355869	Spacer sleeve	2		
26	-	Hydraulic details	N		

Comments for Page: Flow divider (option)

(L)OCAL REMARKS

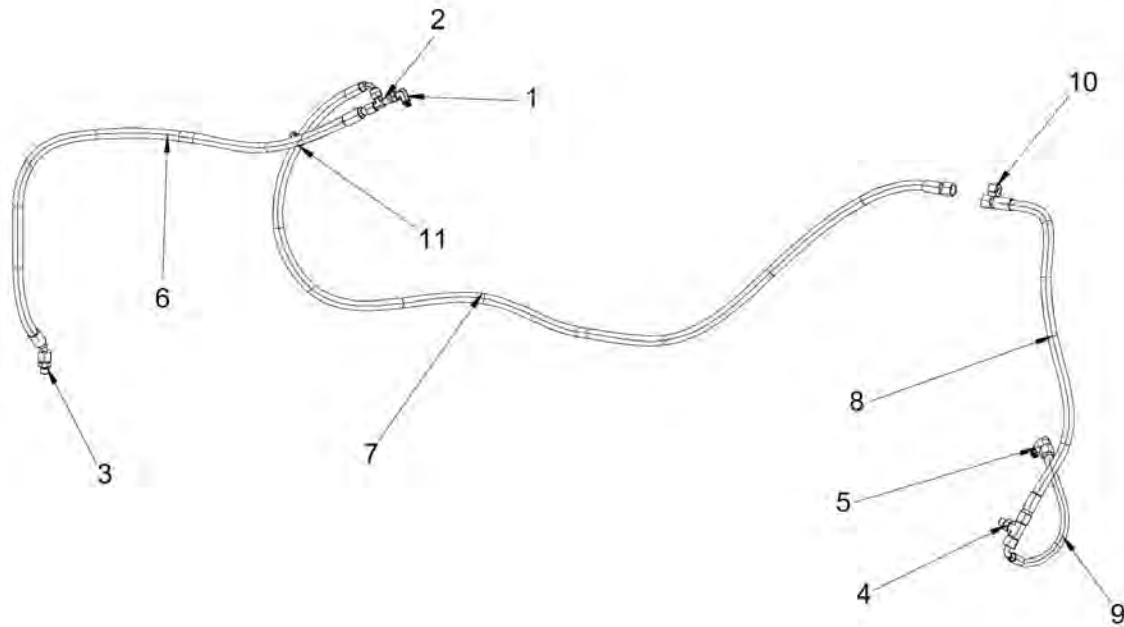
A | en_US | L = 0,6 m

B | en_US | L = 2,1 m

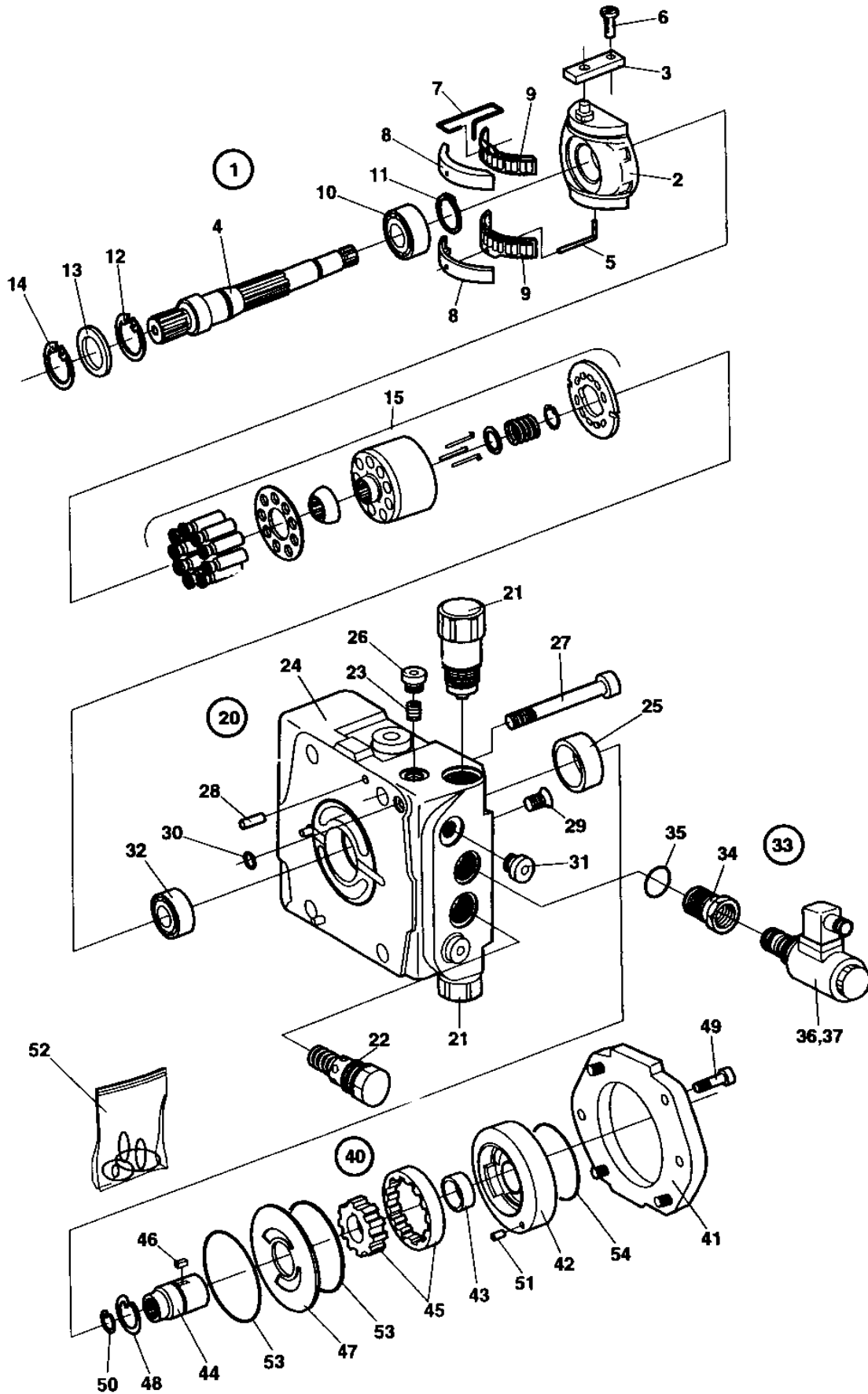
C | en_US | L = 0,5 m

D | en_US | L = 2,8 m

Hydraulic system Brake system



Item	Part No.	Name	Qty	L	SN INFO
1	570704138	CONNECTOR ELBOW 90 ORFS	1		
2	4812121239	T-Connector	1		
3	4700791409	Straight connector orfs	1		
4	4700792159	T-connector orfs	1		
5	4700791846	Adapter	1		
6	4812121236	Hydraulic hose	1		
7	4812121235	Hydraulic hose	1		
8	4812121237	Hydraulic hose	1		
9	4812121238	Hydraulic hose	1		
10	4700791820	Plug	1		
11	4700313102	Cable ties	N		

Hydraulic system Rotating group, valves, charge pump

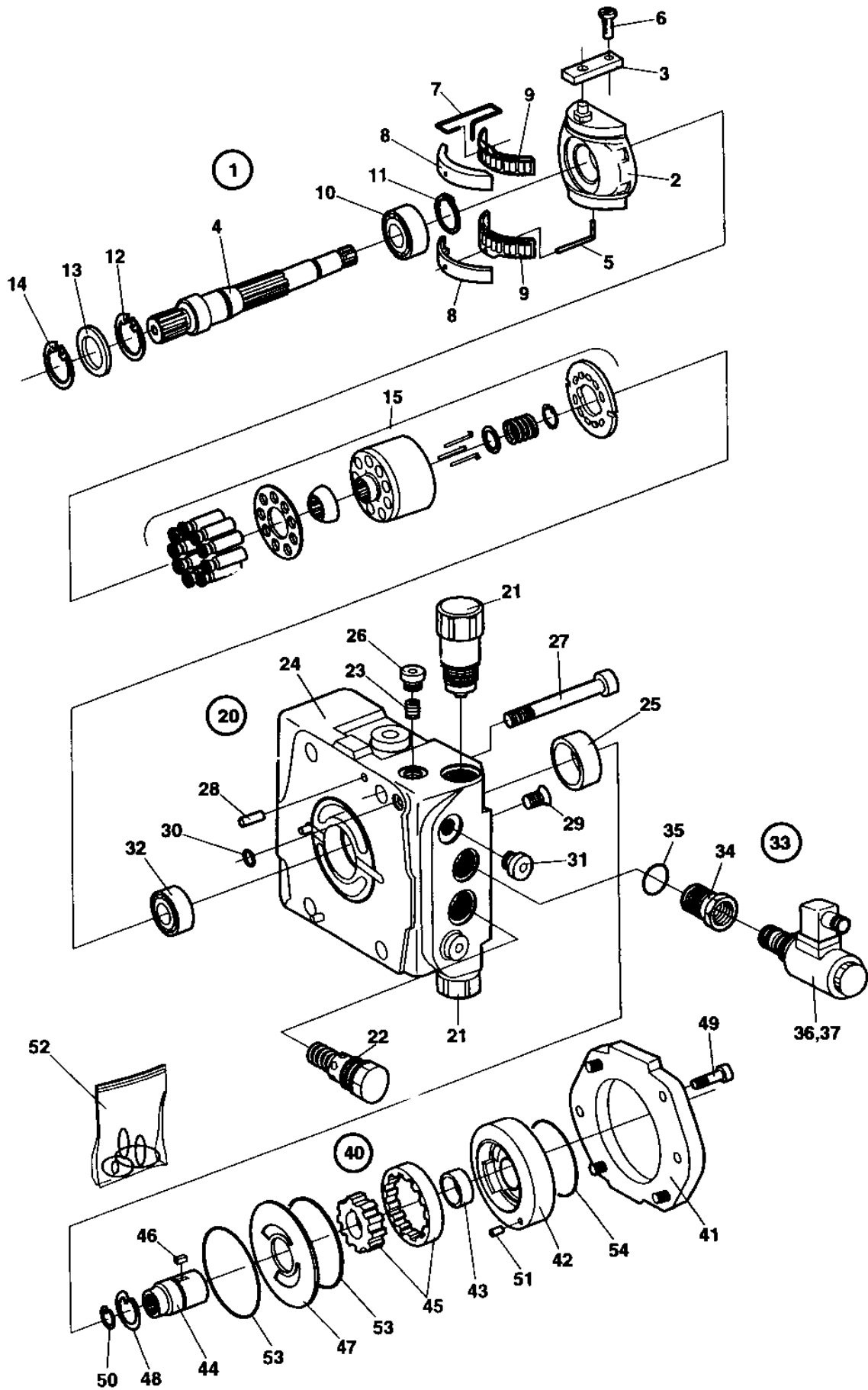
Refer to Parts Online for the most up to date information. The printed information might be outdated.

Wed Sep 07 10:14:36 UTC 2016

Item	Part No.	Name	Qty	L	SN INFO
1	4700935161	Rotating group	1		
2	4700935171	Cradle	1		
3	4700935162	Ring	1		
4	4700935163	Shaft	1		
5	4700902644	Wire pin	1		
6	4700935164	Pin	1		
7	4700935165	Wire pin	1		
8	4700935166	Bearing liner	1	A	
9	4700902620	Cradle bearing assy (Set)	1		
10	4700902619	Roller bearing	1		
11	4700901750	Retaining ring	1		
12	4700935170	Retaining ring	1		
13	4700936691	Seal ring	1		
14	4700935170	Retaining ring	1		
15	4700935167	Cylinder with pistons, cpl	1		
20	-	Valve block	1		
21	4700935172	Pressure relief valve 350 bar	2		
22	4700903471	Relief valve	1		
23	4700936692	Check valve	1		
24	4700936693	Valve block	1		
25	4700903557	Bearing bushing	1		
26	4700935176	Plug	1		
27	4700935177	Screw	4		
28	4700908384	Pin	2		
29	4700909514	Double break-off pin	2		
30	4700902641	O-ring	2		
31	4700902625	Plug	2		
32	4700901744	Plain roller bearing	1		
33	-	Solenoid valve	1	B	
34	4700935178	Adapter	1		
35	4700927278	O-ring	1		
36	4700935179	Valve, cpl	1		
37	-	Solenoid	1	C	
40	4700935181	Charge pump	1		
41	4700935182	Cover	1		
42	4700935183	Housing	1		
43	4700903557	Bearing bushing	1		

Refer to Parts Online for the most up to date information. The printed information might be outdated.

Wed Sep 07 10:14:36 UTC 2016



Refer to Parts Online for the most up to date information. The printed information might be outdated.

Wed Sep 07 10:14:36 UTC 2016

Item	Part No.	Name	Qty	L	SN INFO
44	4700935184	Shaft	1		
45	4700936706	Wheel set	1		
46	4700935186	Key	1		
47	4700935187	Wear plate	1		
48	4700902654	Retaining ring	1		
49	4700935188	Screw	4		
50	4700935189	Retaining ring	1		
51	4700935190	Cylindrical pin	1		
52	4700935191	Seal kit	1		
53	-	Seal	2		
54	-	O-ring	1		

Comments for Page: Rotating group, valves, charge pump

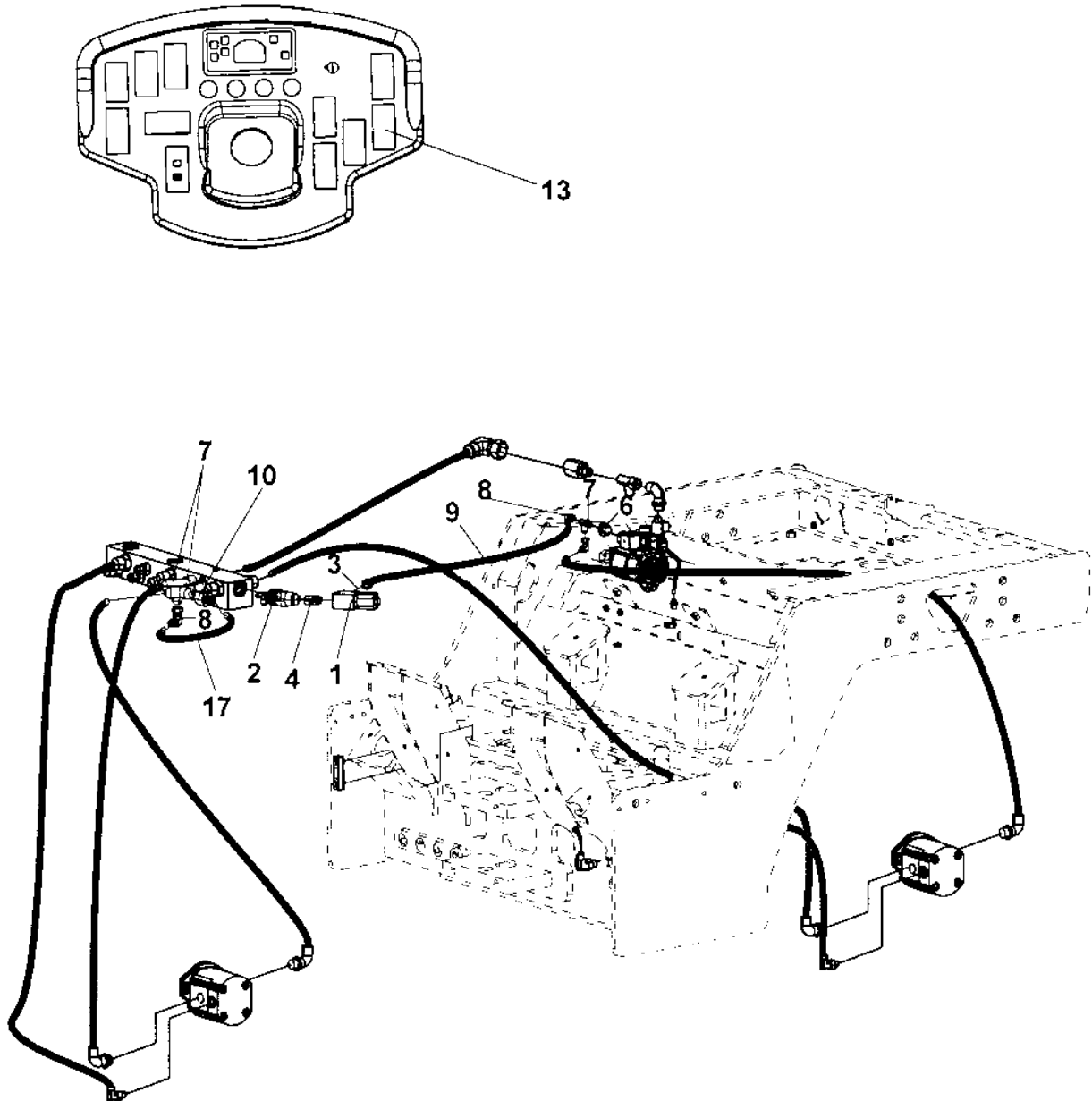
(L)OCAL REMARKS

A | en_US | One pair

B | en_US | CPL

C | en_US | Does not sales separatly. Included in the valve.

Hydraulic system Vibration shut-off Front drum (option)



Refer to Parts Online for the most up to date information. The printed information might be outdated.

Wed Sep 07 10:14:36 UTC 2016

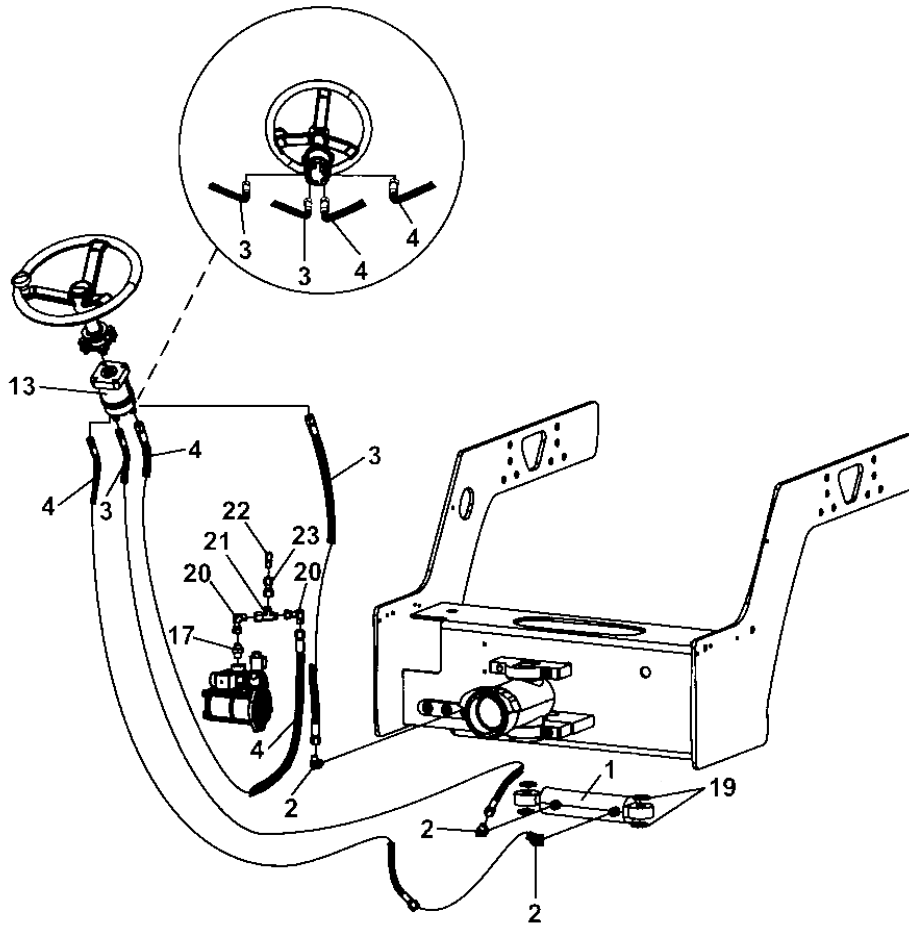
Item	Part No.	Name	Qty	L	SN INFO
1	4700357934	Solenoid valve	1		
2	4700813500	Elbow 45, O-ring	1		
3	4700334165	Adapter	1		
4	4700923406	Connector	1		
6	4700334116	Straight o-ring connector	1		
7	4700334135	Tee-connector	3		
8	4700334197	Connector elbow 90 JIC	2		
9	4700482898	Hydraulic hose	1	A	
10	4700357543	Valve	2		
13	4811000347	Switch Vibration shut-off	1		
17	4700483585	Hydraulic hose	1		

Comments for Page: Vibration shut-off Front drum (option)

(L)OCAL REMARKS

A | en_US | L = 1,70 m

Steering system Steering system



Refer to Parts Online for the most up to date information. The printed information might be outdated.

Wed Sep 07 10:14:37 UTC 2016

Item	Part No.	Name	Qty	L	SN INFO
1	4812120737	Steering cylinder	1		
2	4700791398	Elbow 90, O-ring	3		
3	4700483765	Hydraulic hose	2	A	
4	4811000428	Hydraulic hose	2	B	
5	4700630019	Split pin	4		
6	4700313102	Cable ties	2		
13	4812112109	Steering valve	1		
17	4700791405	Straight o-ring connector	1		
19	4700600016	Steel plain washer	4		
20	4700791401	Elbow 90, O-ring with swivel	2		
21	4700791414	T-connection, O-ring with swivel	1		
22	4700791847	Straight connector	1		
23	4700923405	Measuring nipple	1		

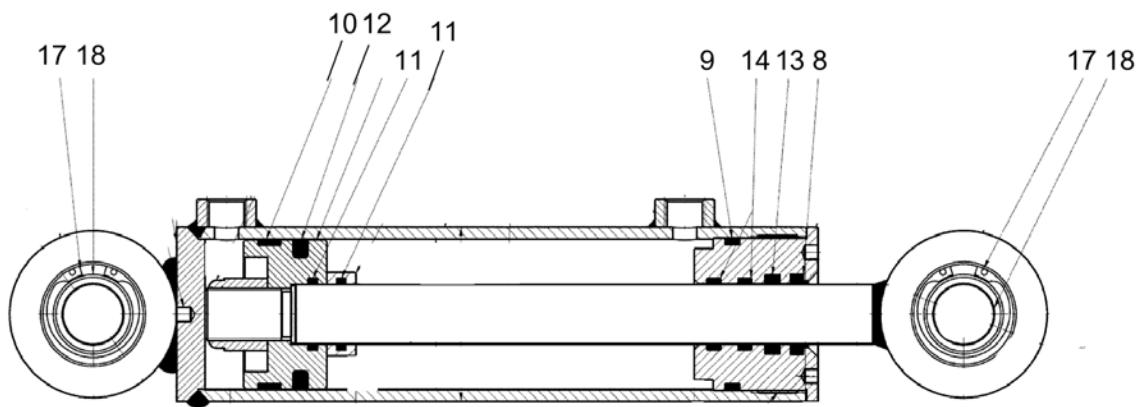
Comments for Page: Steering system

(L)OCAL REMARKS

A | en_US | L = 1,99 m

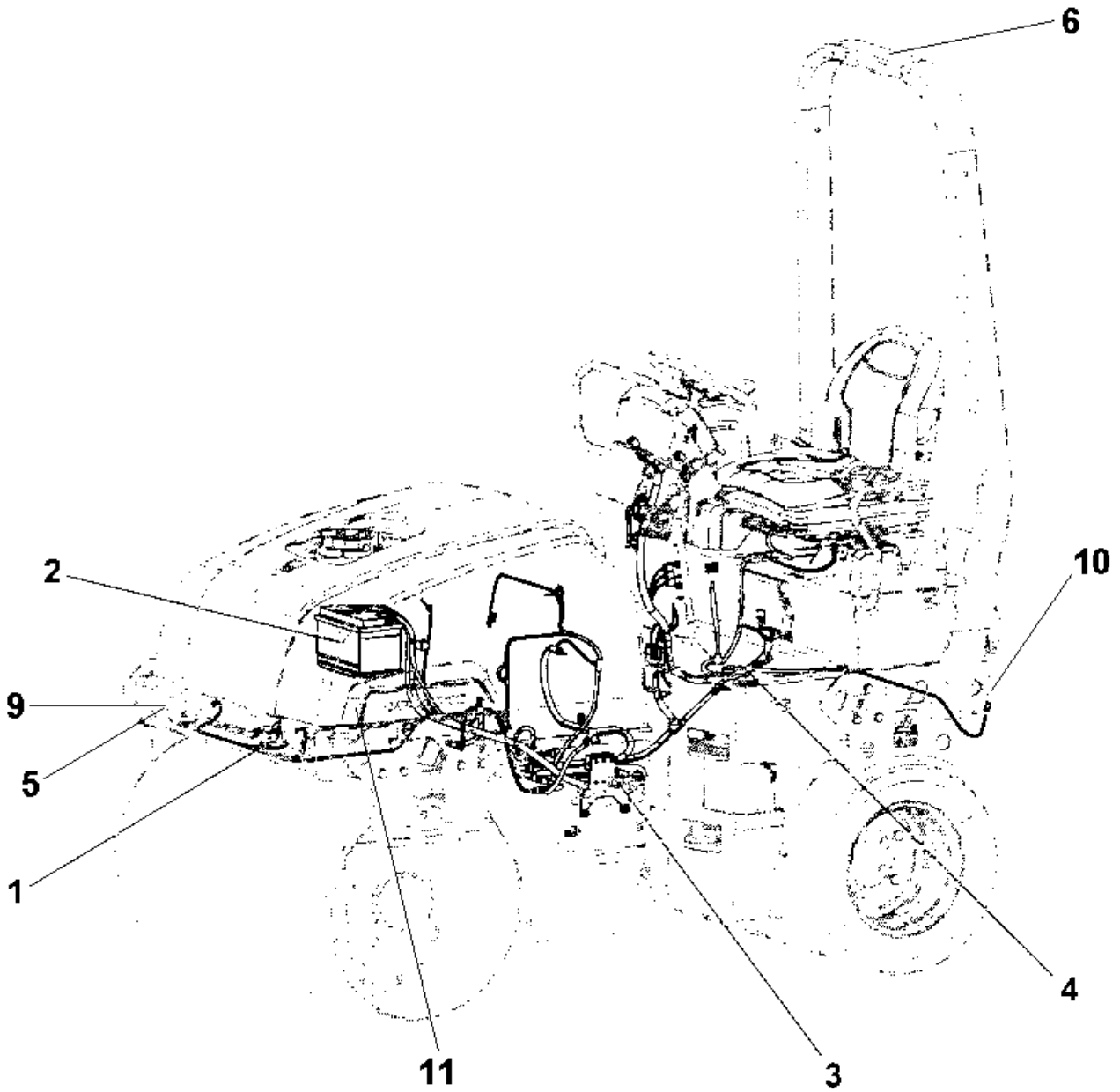
B | en_US | L = 1,96 m

Steering system 4812120737 Hydraulic cylinder



Item	Part No.	Name	Qty	L	SN INFO
0	4812120737	Steering cylinder	1		
1	4812160651	Seal kit	1		
8	-	O-ring	1		
9	-	Rod seal	1		
10	-	Piston guides	1		
11	-	Seal o-ring	1		
12	-	Rod seal	1		
13	-	Rod seal	1		
14	-	Rod guides	2		
17	4812160656	Snap ring	4		
18	4812160657	Bearing	2		

Electrical equipment Electrical equipment

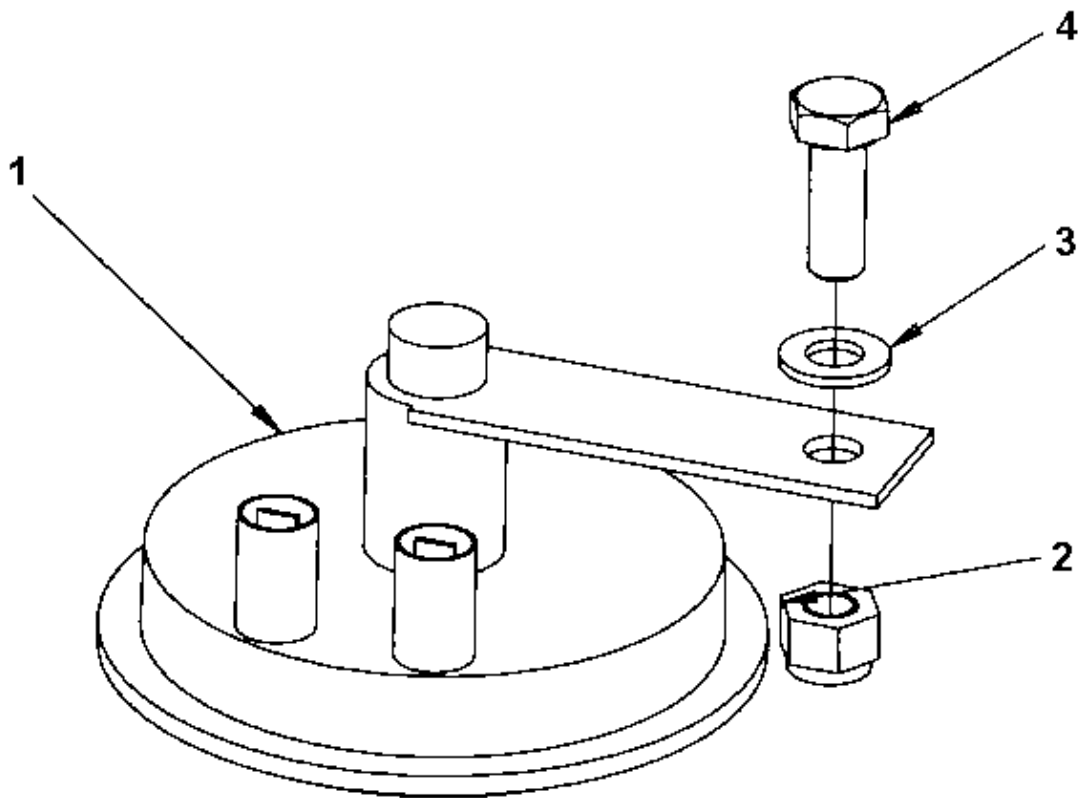


Refer to Parts Online for the most up to date information. The printed information might be outdated.

Wed Sep 07 10:14:38 UTC 2016

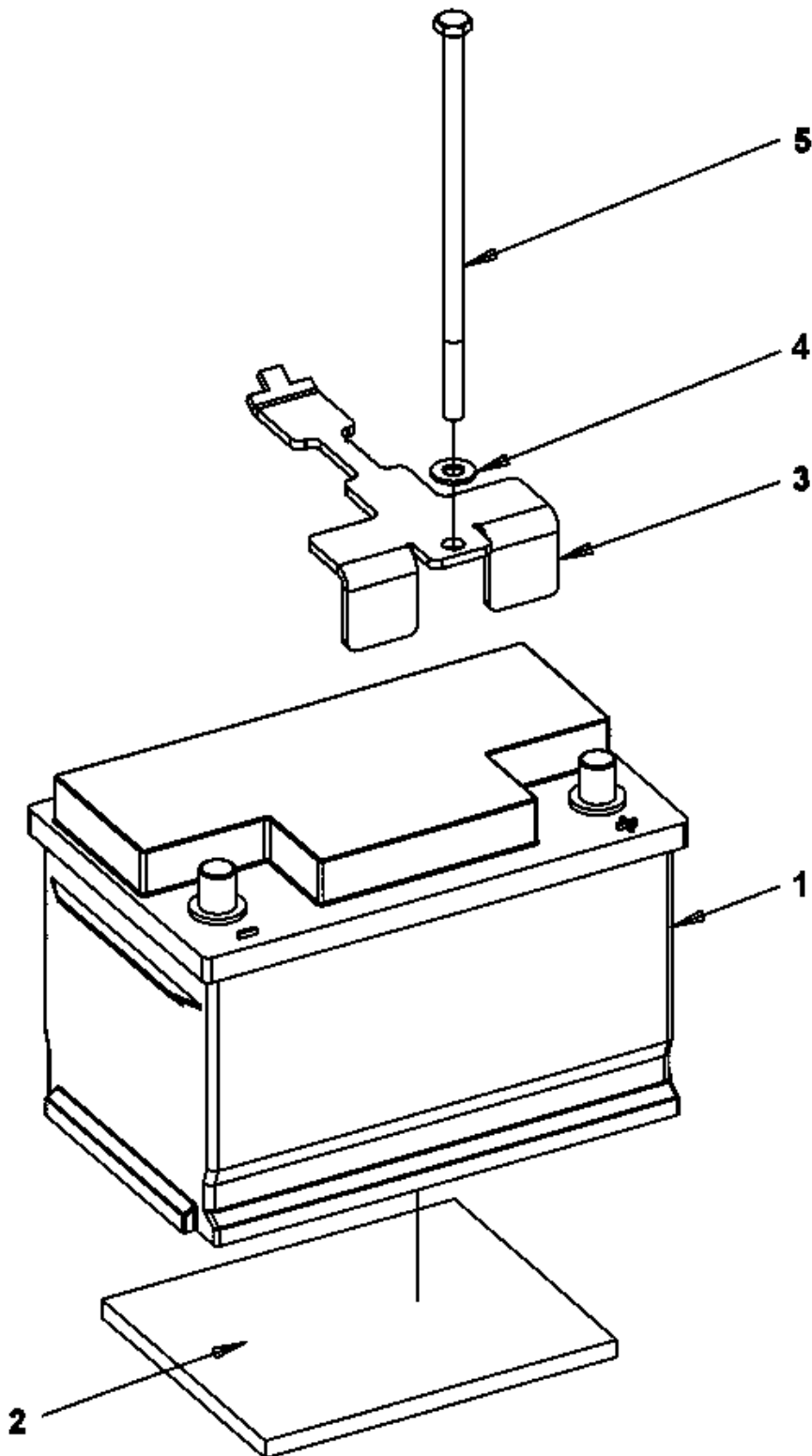
Item	Part No.	Name	Qty	L	SN INFO
1	-	Horn module			
2	-	Battery module			
3	-	Battery disconnecter			
4	-	Cable harness			
5	-	Working lights			
6	-	Rotating beacon for ROPS (option)			
6	-	Rotating beacon for ROPS ignition controlled (option)			
6	-	Rotating beacon, without rops (option)			
9	-	Driving lights Front RH (option)			
9	-	Driving lights Front LH (option)			
10	-	Driving lights Rear (option)			
11	-	Direction indicator (option)			
12	-	Back-up alarm			
13	-	Sprinkler Wheels (option)			

Electrical equipment Horn module



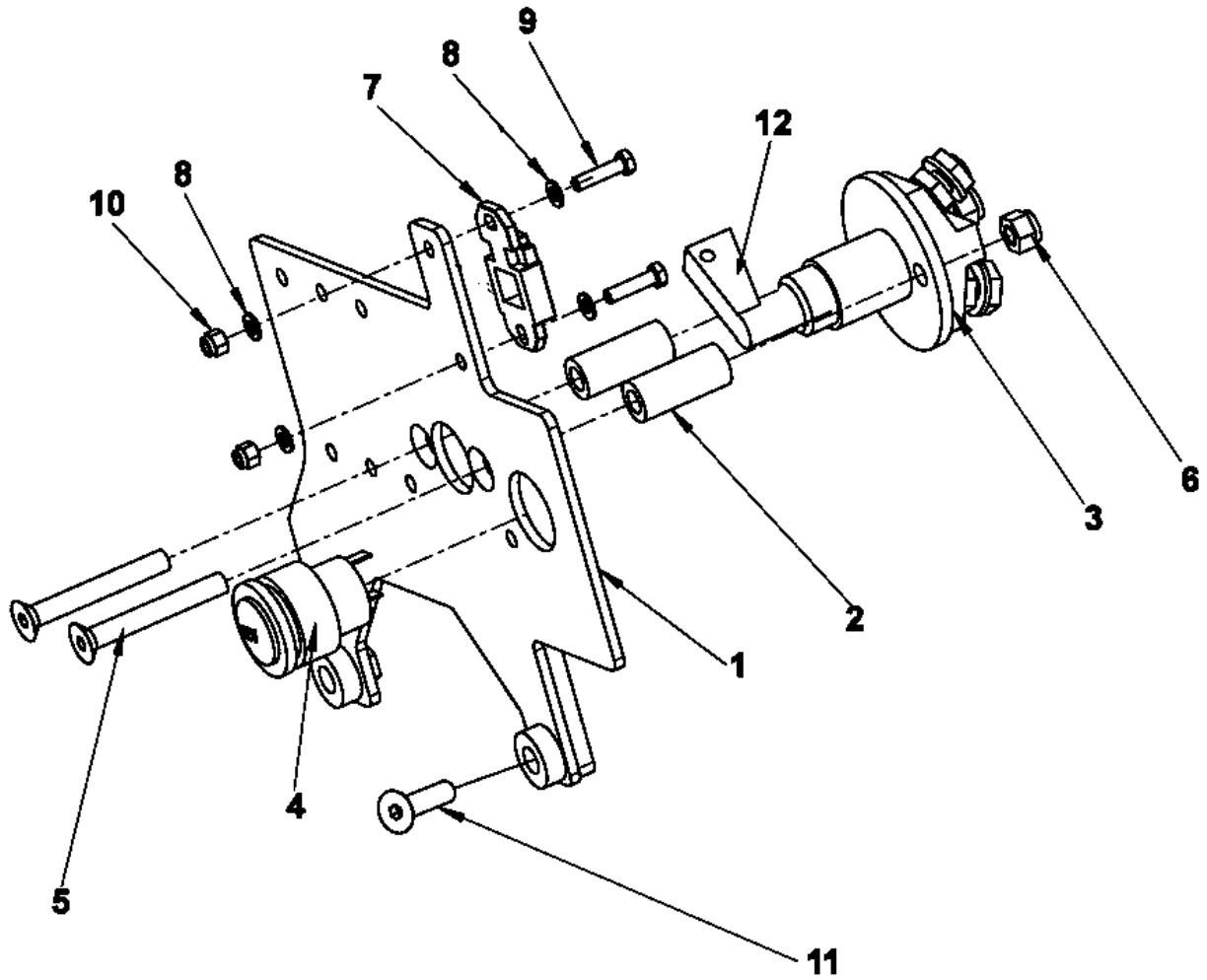
Item	Part No.	Name	Qty	L	SN INFO
1	4700999027	Horn	1		
2	4700586003	Lock nut M8	1		
3	4700904229	Washer, 8.4x 6x1.5 mm 300HV	1		
4	4700500020	Hex. screw	1		

Electrical equipment Battery module



Item	Part No.	Name	Qty	L	SN INFO
1	-	Battery	1		
2	4812114557	Rubber cloth	1		
3	4812113557	Holder	1		
4	4700904230	Plain washer 10.5x22x2 mm	1		
5	0147195880	Hexagon screw M10x220, 8.8	1		

Electrical equipment Battery disconnect

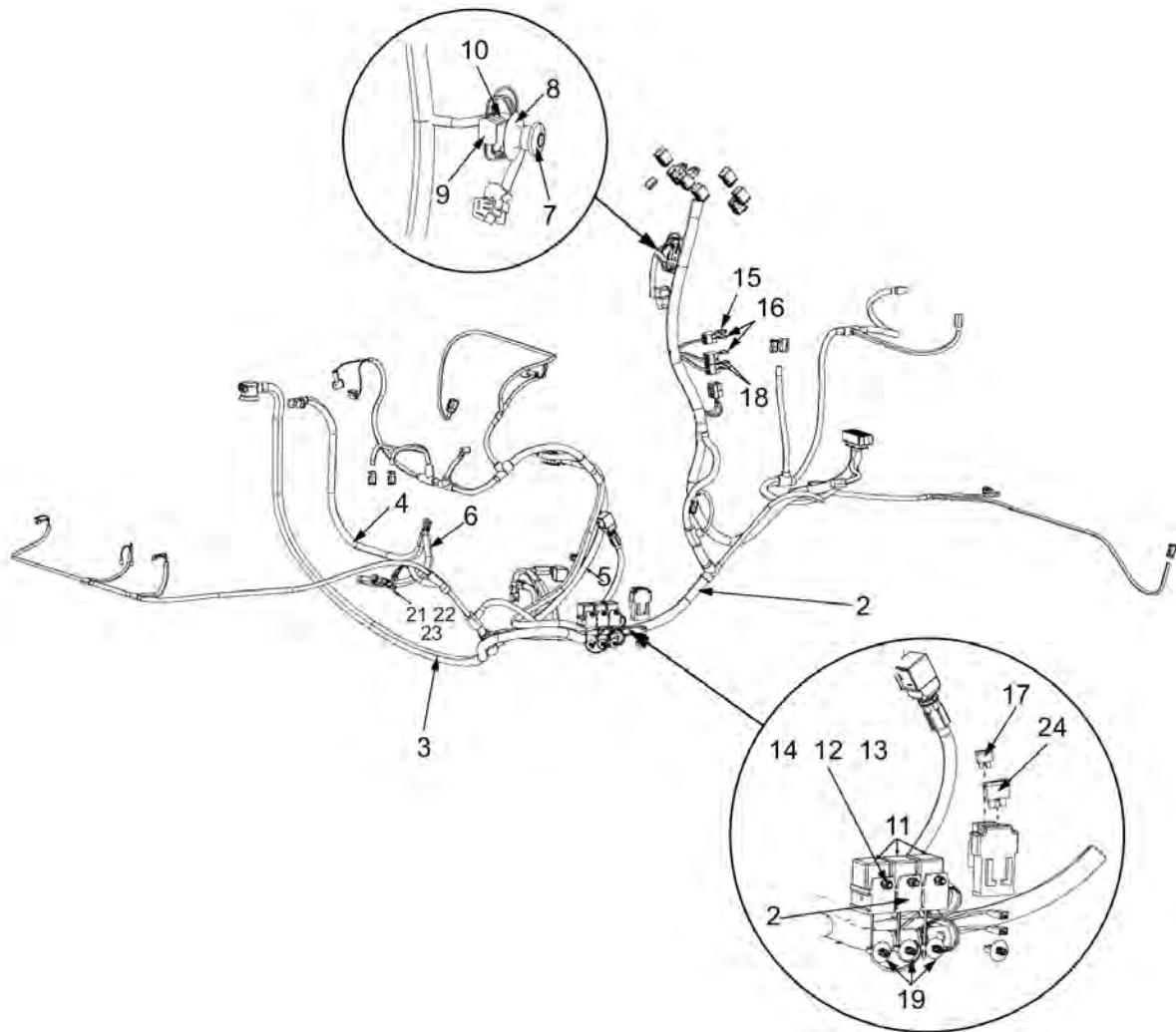


Refer to Parts Online for the most up to date information. The printed information might be outdated.

Wed Sep 07 10:14:38 UTC 2016

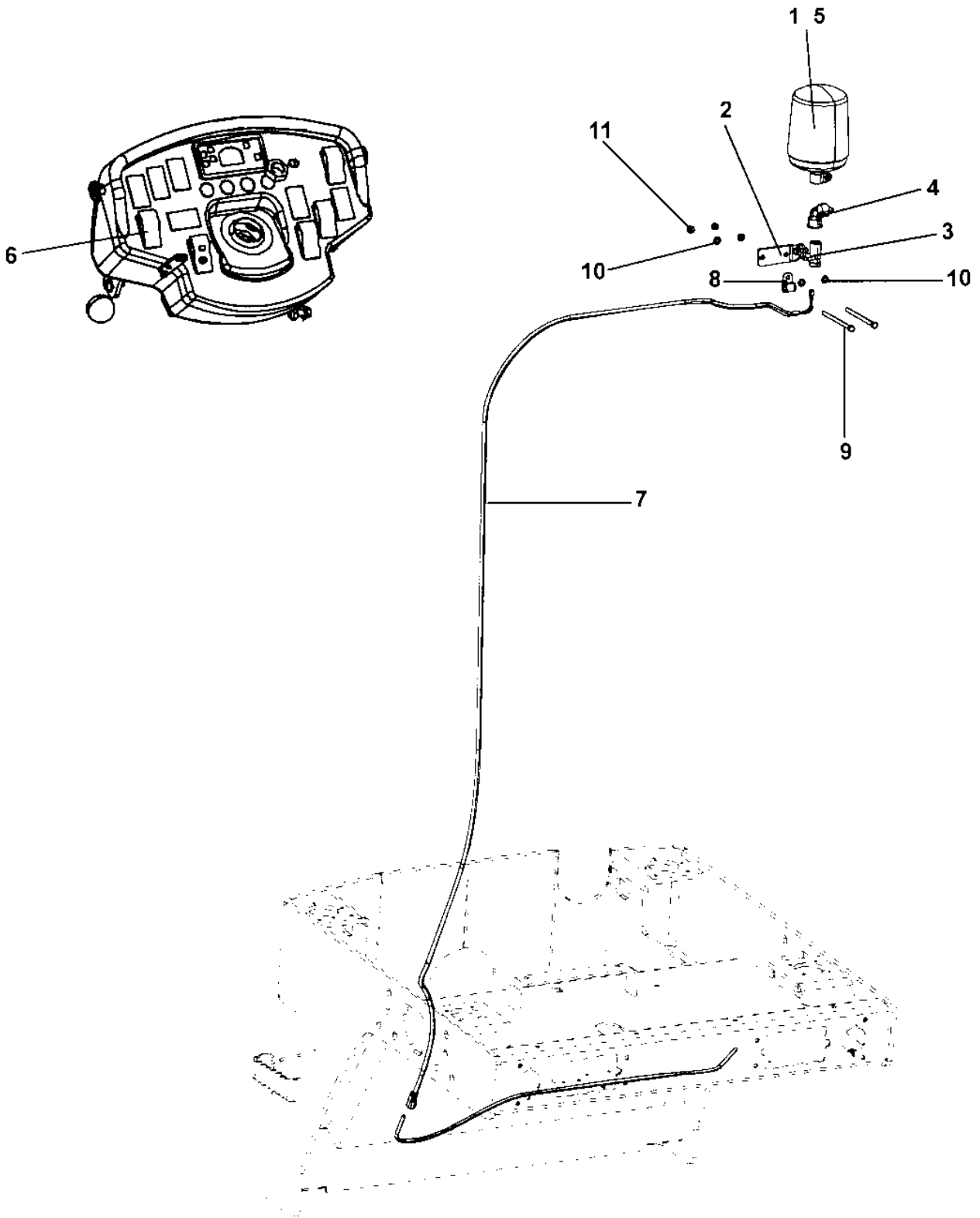
Item	Part No.	Name	Qty	L	SN INFO
1	4812115926	Bracket	1		
2	4700391115	Spacer sleeve	2		
3	4700357567	Battery switch, cpl	1		
4	4812110560	Power socket 12V	1		
5	4700903732	Screw	2		
6	4700586003	Lock nut M8	2		
7	4700904036	Bracket	1		
8	4700904281	Washer, 5,3x10x1 300HV	4		
9	4700500060	Screw M5-0,8x20 8.8	2		
10	4700586001	Lock nut	2		
11	4700902520	Screw	2		
12	4700902560	Handle	1		

Electrical equipment Cable harness



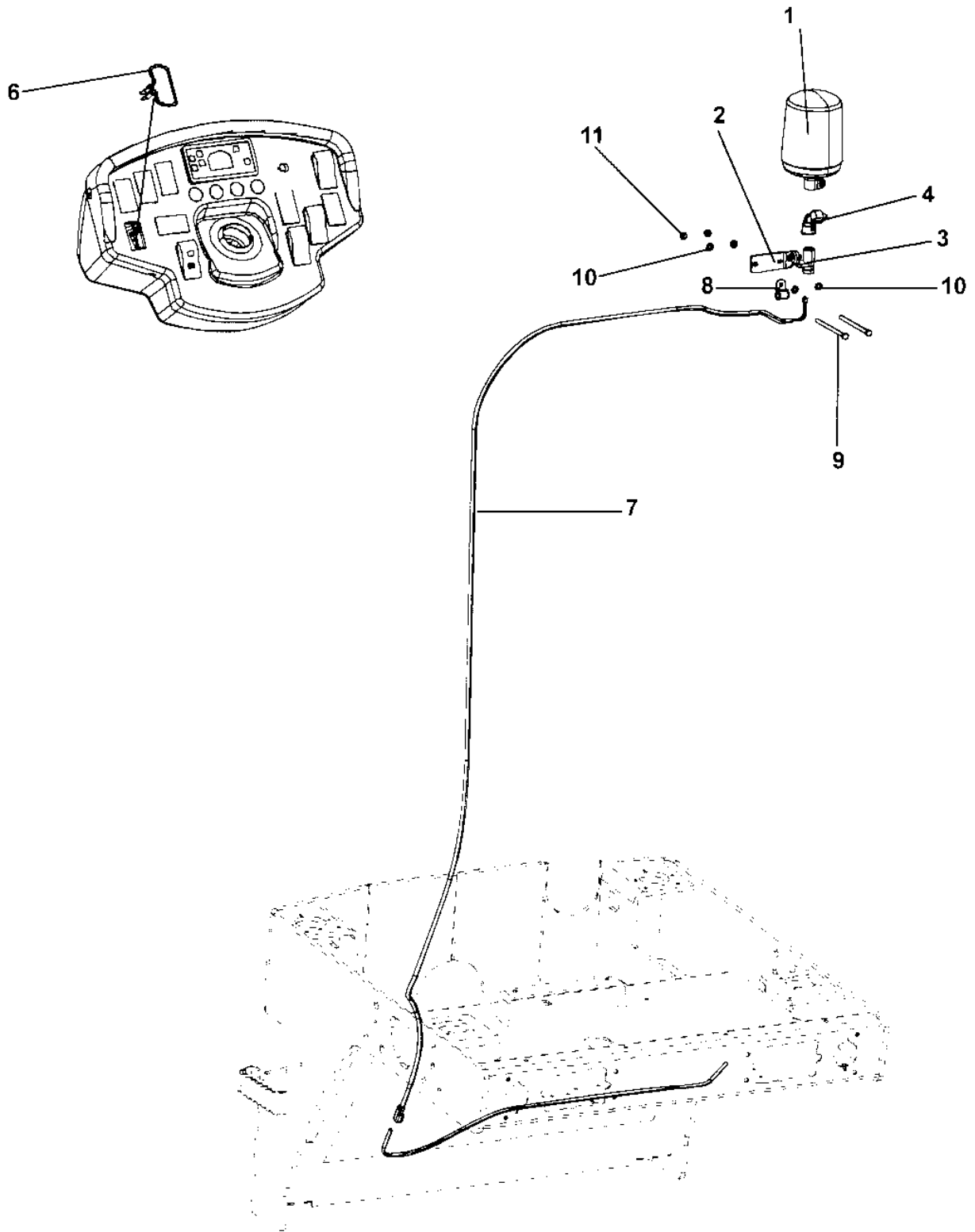
Item	Part No.	Name	Qty	L	SN INFO
2	4812121849	Cable harness	1		
2	4700960796	Connector black, MPM 182 09 ND	2		
2	4700357562	Relay holder	3		
3	4811000320	Battery cable (+)	1		
4	4811000321	Battery cable (-)	1		
5	4811000323	Connection cable	1		
6	4811000322	Connection cable	1		
7	4700791739	Emergency stop	1		
8	4811000128	Contrast plate, yellow	1		
9	4700389840	Connector	1		
10	4700791723	Connector N/C	1		
11	4700903956	Relay	3		
12	4700904281	Washer, 5,3x10x1 300HV	6		
13	4700500006	Hex. screw	3		
14	4700586001	Lock nut	3		
15	4700903741	Fuse 20A Yellow	1		
16	4700901227	Fuse 10A Red	2		
17	4700901230	Fuse, 30A Green	1		
18	4700901228	Fuse, 15A Blue	2		
19	4700792441	Cable tie with holder	3		
20	4700313041	Cable ties, L=200 mm	N		
21	4700904229	Washer, 8.4x 6x1.5 mm 300HV	4		
22	4700500022	Screw	2		
23	4700586003	Lock nut M8	2		
24	4700904039	Fuse 50A Red	1		

Rotating beacon Rotating beacon for ROPS (option)



Item	Part No.	Name	Qty	L	SN INFO
1	4700389577	Rotating beacon 12V	1		
2	4700389561	Bracket	1		
3	4700791981	Connector plug	1		
4	4700791980	Rubber protection	1		
5	4700985126	Bulb	1		
6	4700791585	Switch, rotating beacon	1		
7	4812113077	Cable harness	1		
8	4700921072	Clamp	1		
9	4700500143	Screw	2		
10	4700904229	Washer, 8.4x 6x1.5 mm 300HV	4		
11	4700586003	Lock nut M8	2		
12	4700313041	Cable ties, L=200 mm	N		

Rotating beacon Rotating beacon for ROPS ignition controlled (option)

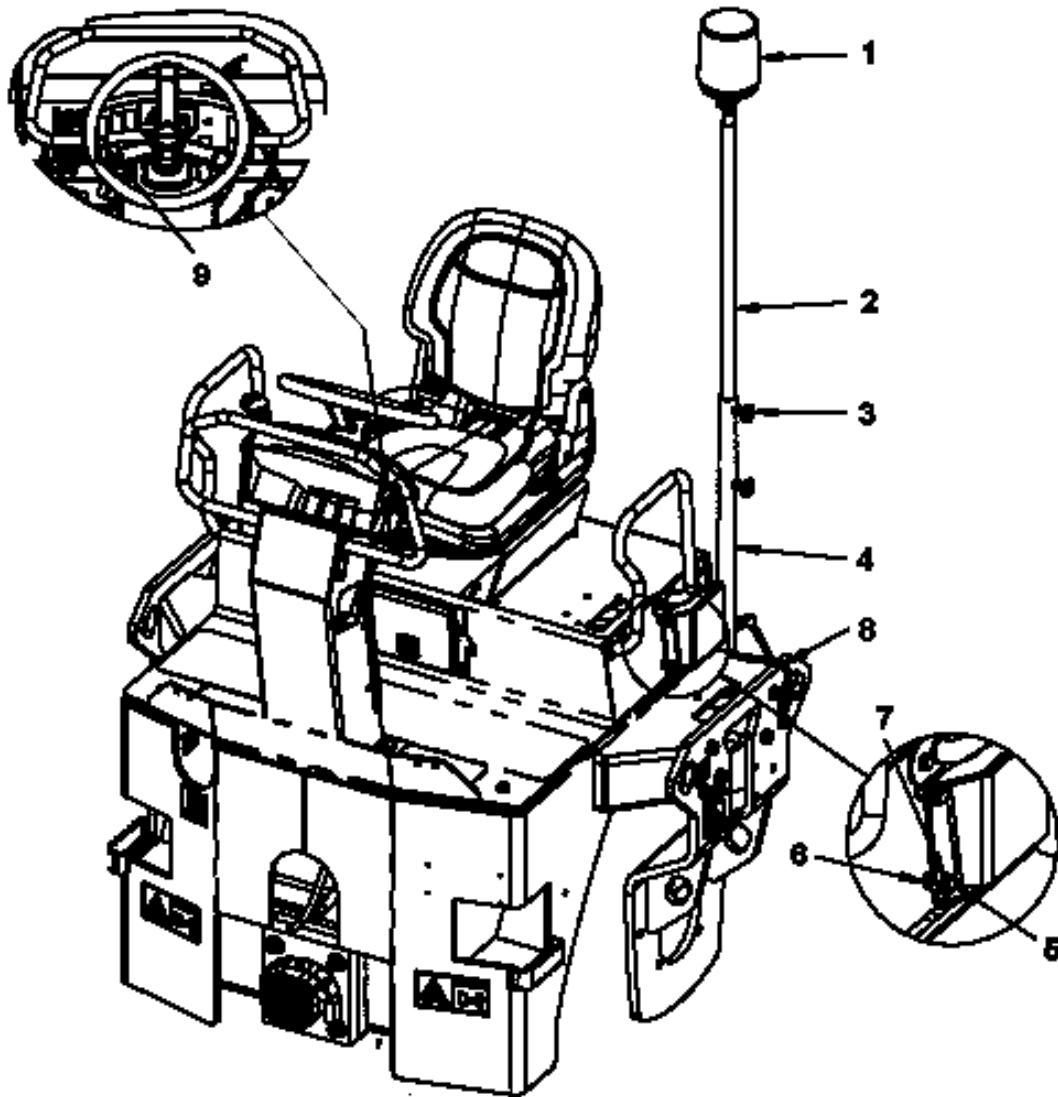


Refer to Parts Online for the most up to date information. The printed information might be outdated.

Wed Sep 07 10:14:40 UTC 2016

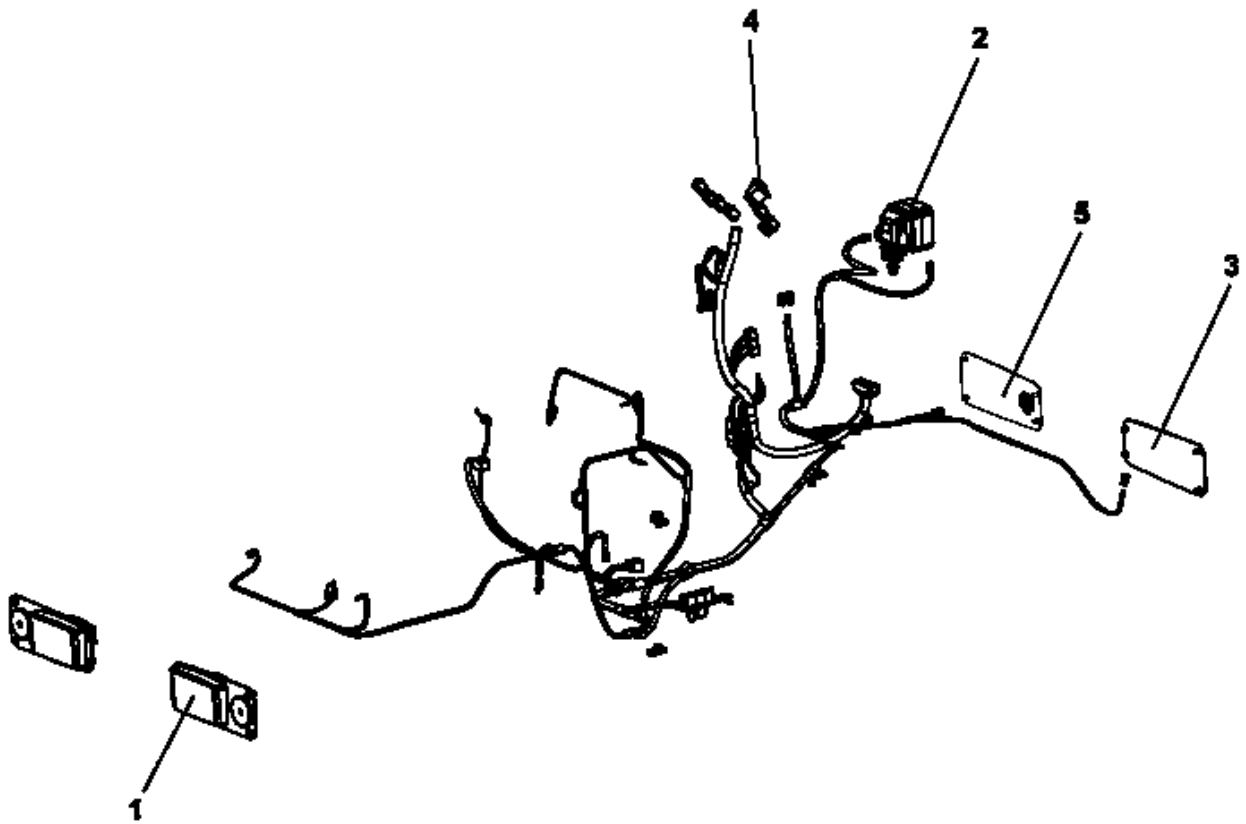
Item	Part No.	Name	Qty	L	SN INFO
1	4700389577	Rotating beacon 12V	1		
1	4700985126	Bulb	1		
2	4700389561	Bracket	1		
3	4700791981	Connector plug	1		
4	4700791980	Rubber protection	1		
6	4811000077	Connection cable	1		
7	4812113077	Cable harness	1		
8	4700921072	Clamp	1		
9	4700500143	Screw	2		
10	4700904229	Washer, 8.4x 6x1.5 mm 300HV	4		
11	4700586003	Lock nut M8	2		
12	4700313041	Cable ties, L=200 mm	N		

Rotating beacon Rotating beacon, without rops (option)



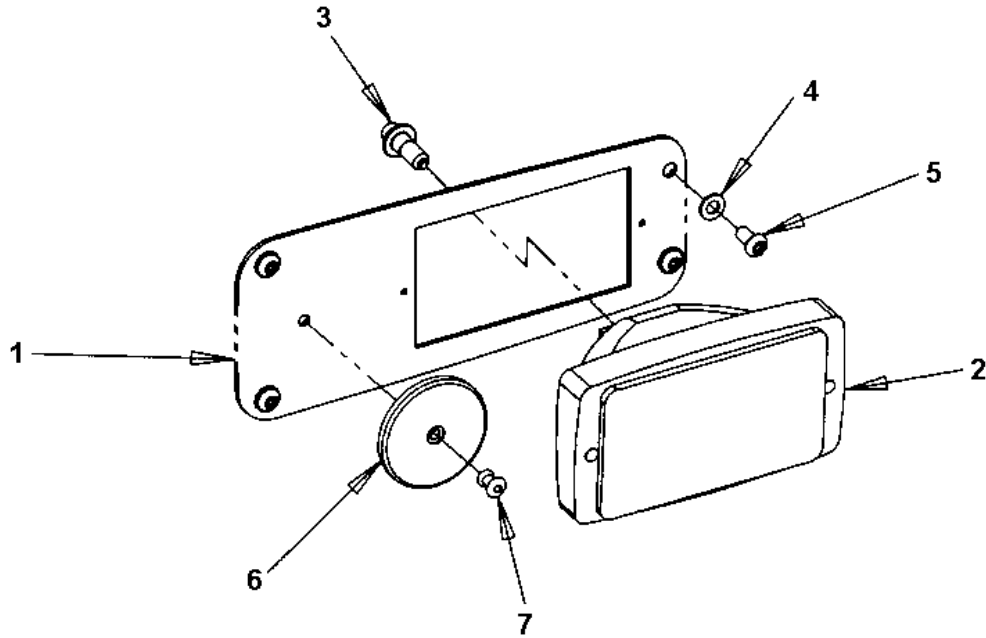
Item	Part No.	Name	Qty	L	SN INFO
1	4700389577	Rotating beacon 12V	1		
1	4700985126	Bulb	1		
2	4700357663	Lamp holder	1		
3	4700499162	Turning knob	2		
4	4700357679	Lamp holder	1		
5	4700500028	Screw, M10 x 25 mm 8.8 A3K	2		
6	4700586018	Lock nut M10	2		
7	4700904230	Plain washer 10.5x22x2 mm	2		
8	4812113077	Cable harness	1		
9	4700791585	Switch, rotating beacon	1		
10	4700313041	Cable ties, L=200 mm	N		

Working lights Working lights

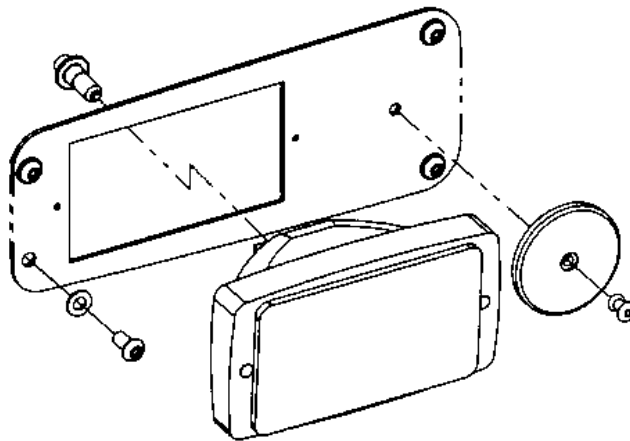


Item	Part No.	Name	Qty	L	SN INFO
1	-	Working lights front	2		
2	-	Working light rear	1		
2	-	Working light (option) rear	1		
3	-	Casing rear	2		
4	4700791587	Switch, working light	1		
5	-	Cover plate rear	1		

Working lights Working lights front



Right side mount



Left side mount

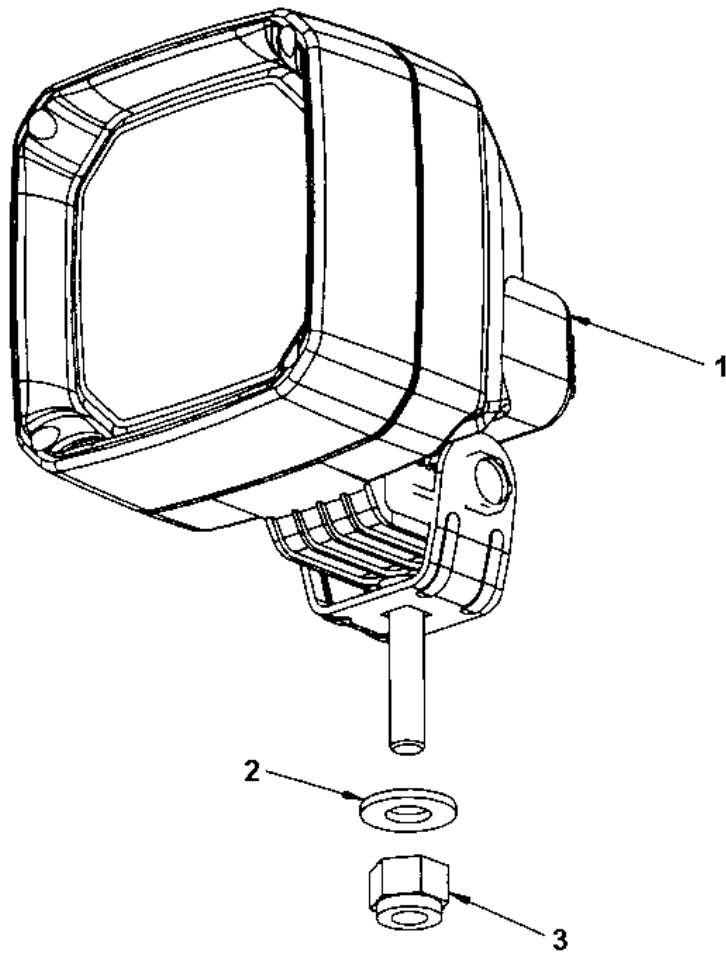
Item	Part No.	Name	Qty	L	SN INFO
1	4812113531	Bracket	1		
2	4700902227	Work light	1		
3	4700901369	Bulb 55w H3	1	A	
4	4700904229	Washer, 8.4x 6x1.5 mm 300HV	4		
5	4700904956	Screw	4		
6	4700791957	Reflector, white	1		
7	4700791754	Blind rivet	1		

Comments for Page: Working lights front

(L)OCAL REMARKS

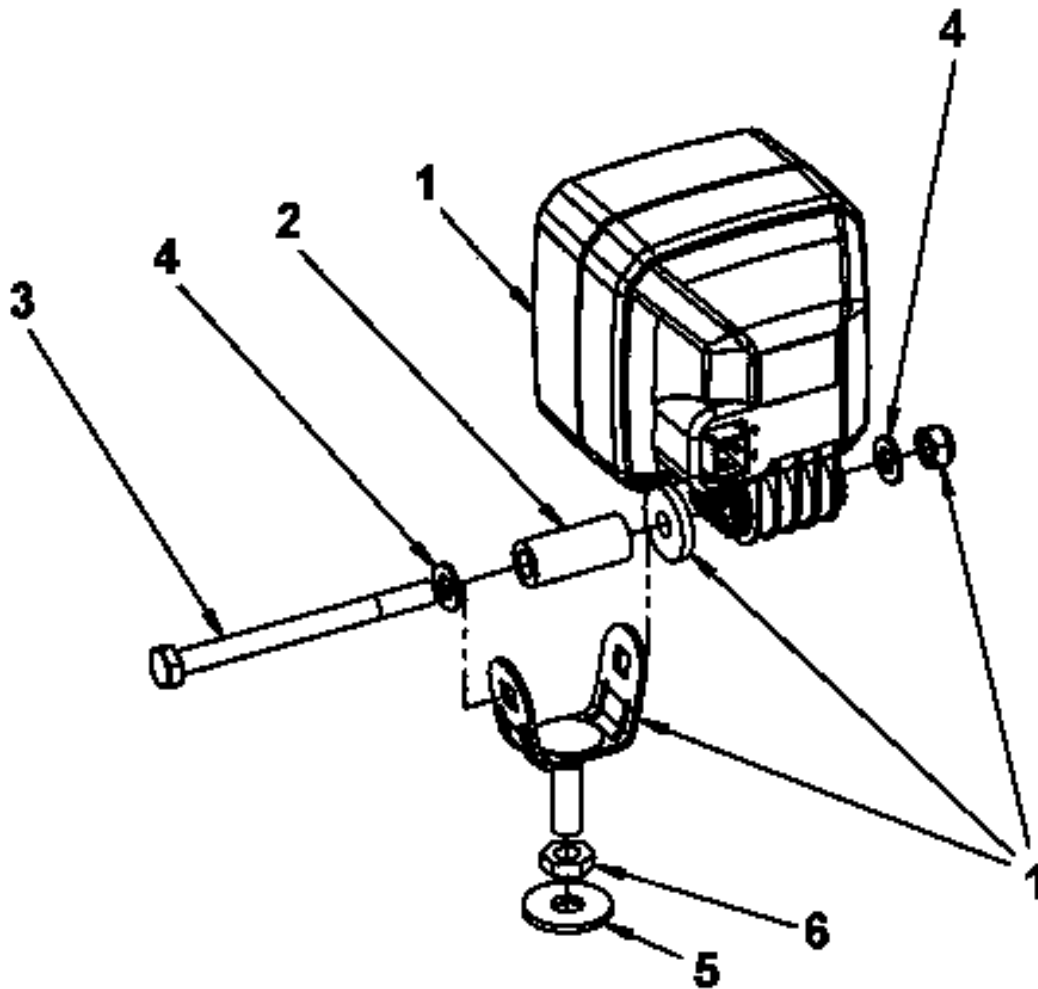
A | en_US | Included in work light (p/n 4700902227)

Working lights Working light rear



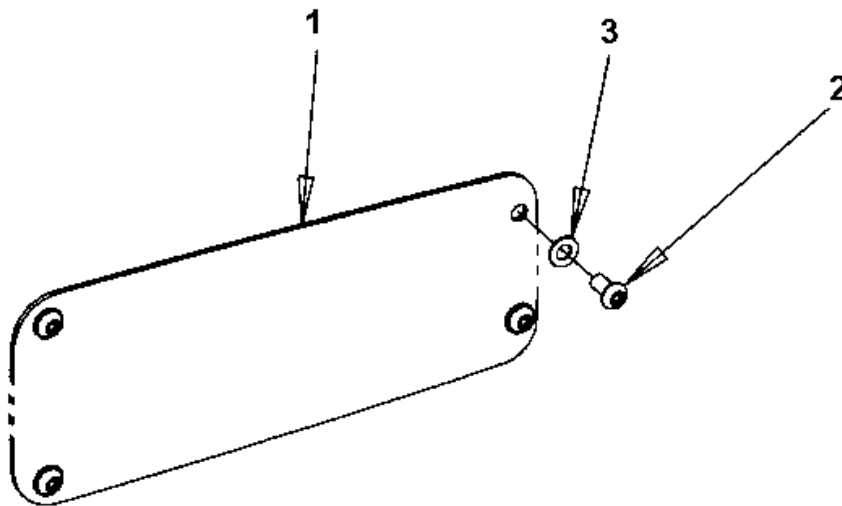
Item	Part No.	Name	Qty	L	SN INFO
1	4812110216	Work lamp	1		
2	4700904230	Plain washer 10.5x22x2 mm	1		
3	4700586018	Lock nut M10	1		

Working lights Working light (option) rear



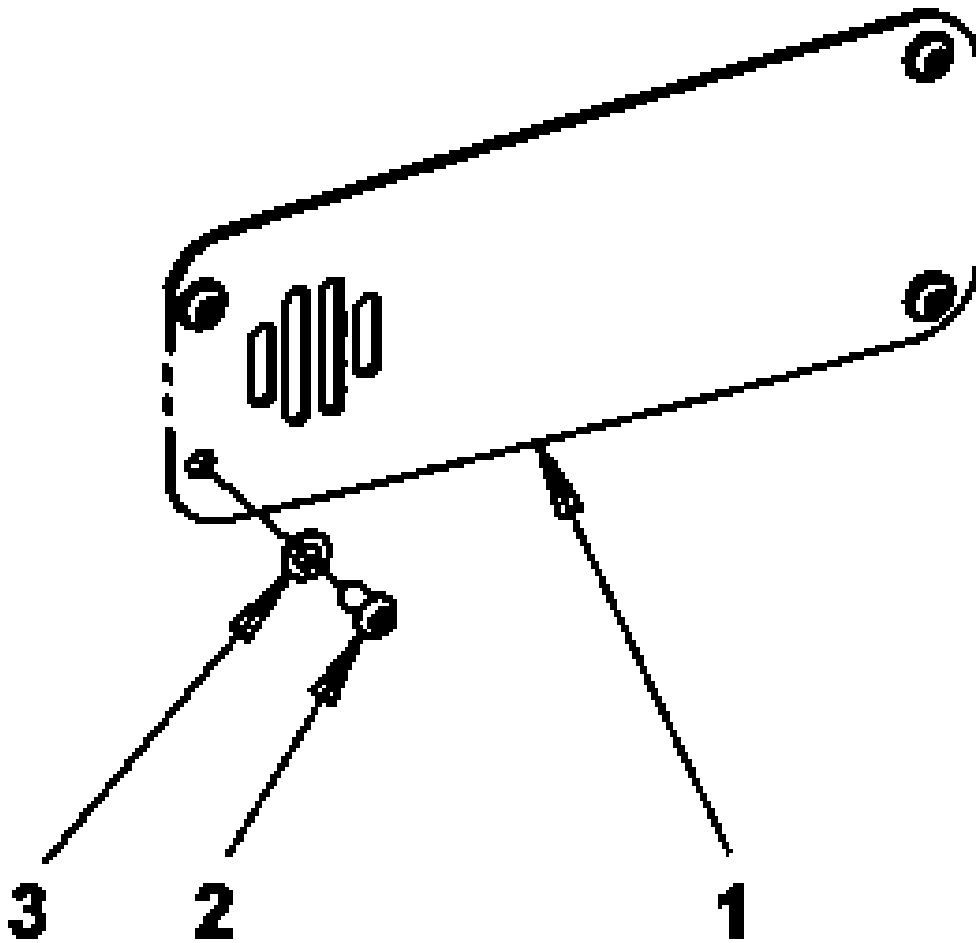
Item	Part No.	Name	Qty	L	SN INFO
1	4812110216	Work lamp	1		
2	4700391115	Spacer sleeve	1		
3	4700500096	Screw	1		
4	4700904229	Washer, 8.4x 6x1.5 mm 300HV	2		
5	4700928441	Washer, 21 x 45 mm	1		
6	4700573005	Nut	1		

Working lights Casing rear



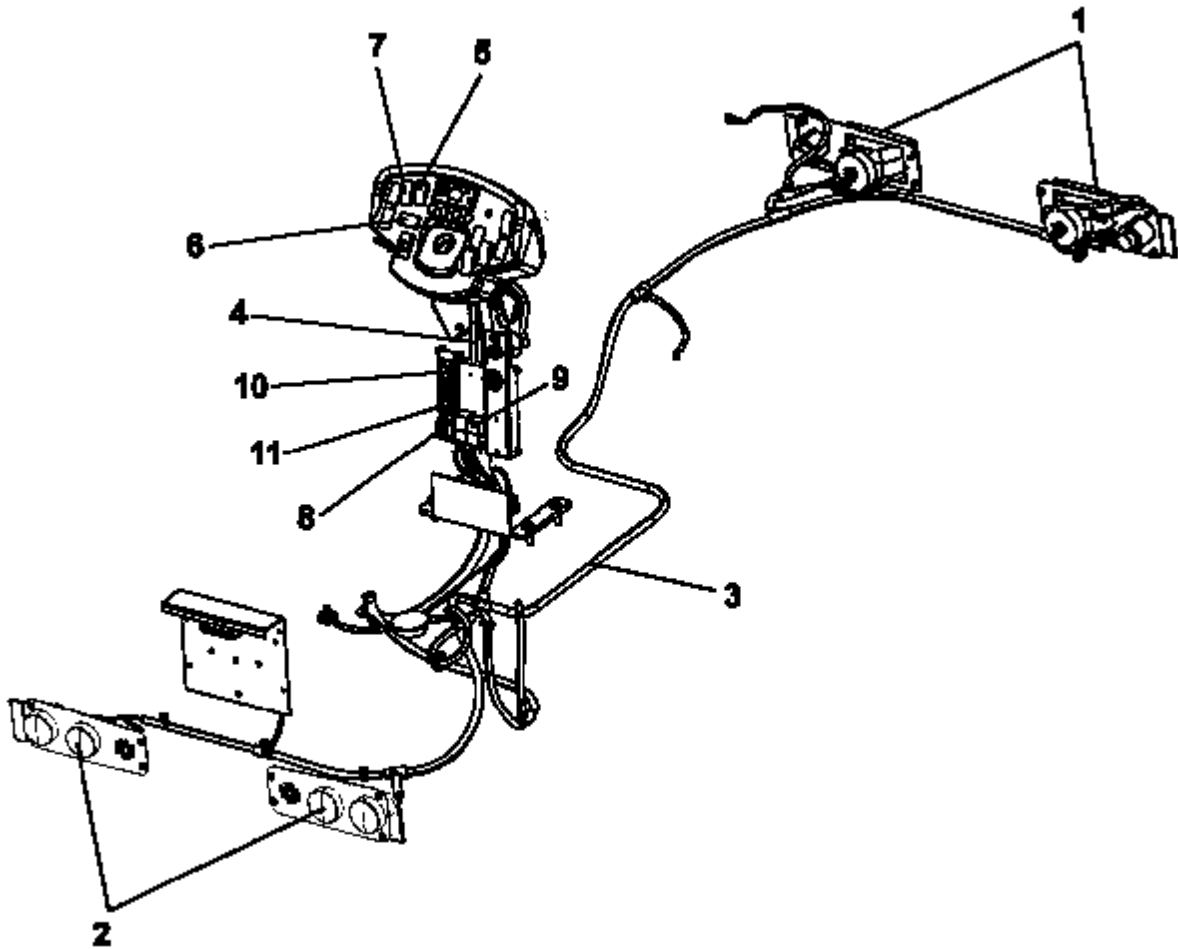
Item	Part No.	Name	Qty	L	SN INFO
1	4812111950	Cover plate	1		
2	4700904956	Screw	4		
3	4700904229	Washer, 8.4x 6x1.5 mm 300HV	4		

Working lights Cover plate rear



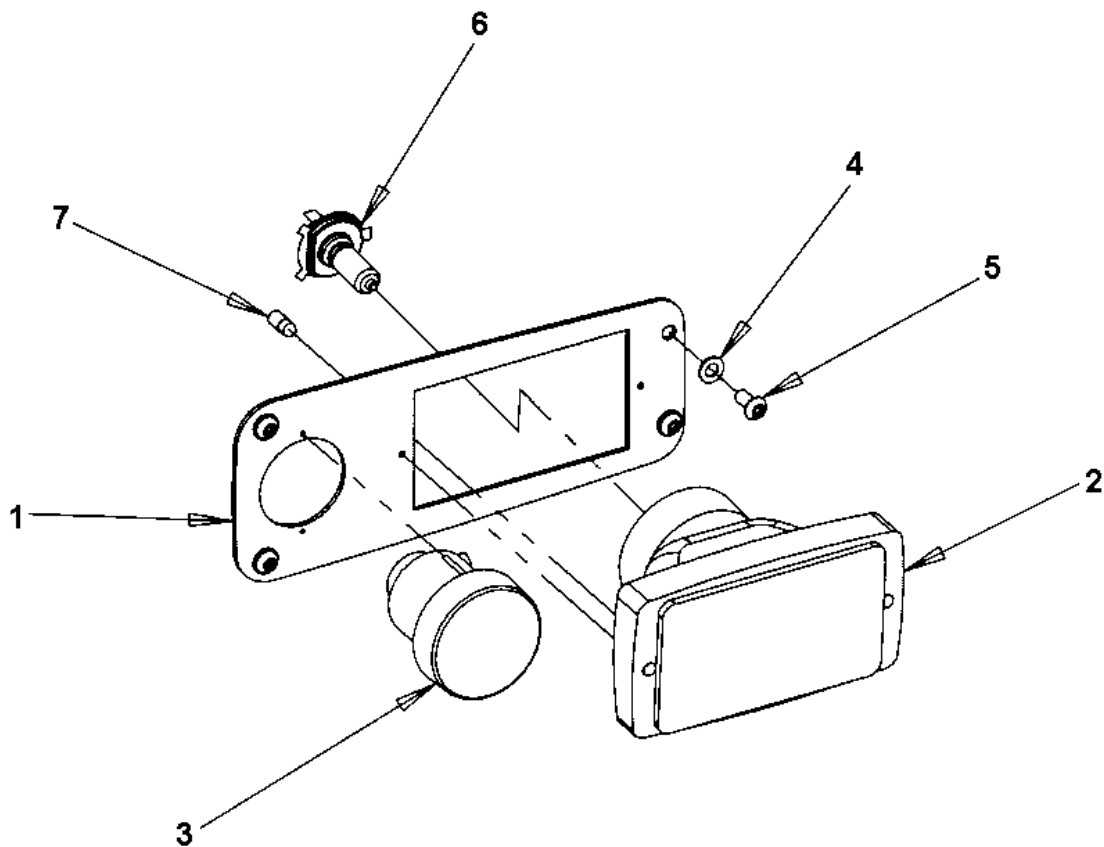
Item	Part No.	Name	Qty	L	SN INFO
1	4812114872	Cover plate	1		
2	4700904956	Screw	4		
3	4700904229	Washer, 8.4x 6x1.5 mm 300HV	4		

Driving lights RH Driving lights Front RH (option)



Item	Part No.	Name	Qty	L	SN INFO
1	-	Driving lights Front	2		
2	-	Driving lights Rear (option)	2		
3	4812112472	Cable harness	1		
4	4812112468	Cable harness	1		
5	4700791584	Switch, hazard flashers	1		
6	4700792413	Switch, drive direction	1		
7	4700791583	Switch, driving light	1		
8	4700904989	Relay	1		
9	4700903956	Relay	1		
10	4700901225	Fuse 5A Tan	2		
11	4700901227	Fuse 10A Red	1		
12	4700791916	Screw	2		
13	4700313041	Cable ties, L=200 mm	N		

Driving lights RH Driving lights Front



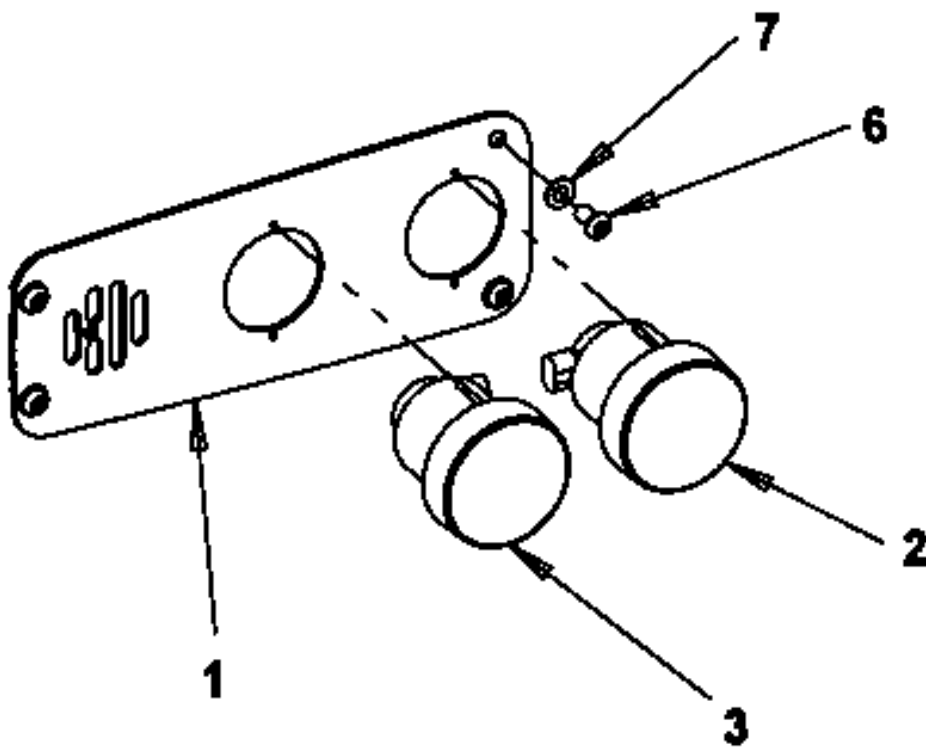
Item	Part No.	Name	Qty	L	SN INFO
1	4812111951	Light bracket	1		
2	4700791951	Headlight right hand asym. with parking light	1		
3	4700791953	Direction indicator	1		
4	4700904229	Washer, 8.4x 6x1.5 mm 300HV	4		
5	4700904956	Screw	4		
6	4700900790	Bulb 60/55w H4	1	A	
7	4700985012	Bulb	1	A	

Comments for Page: Driving lights Front

(L)OCAL REMARKS

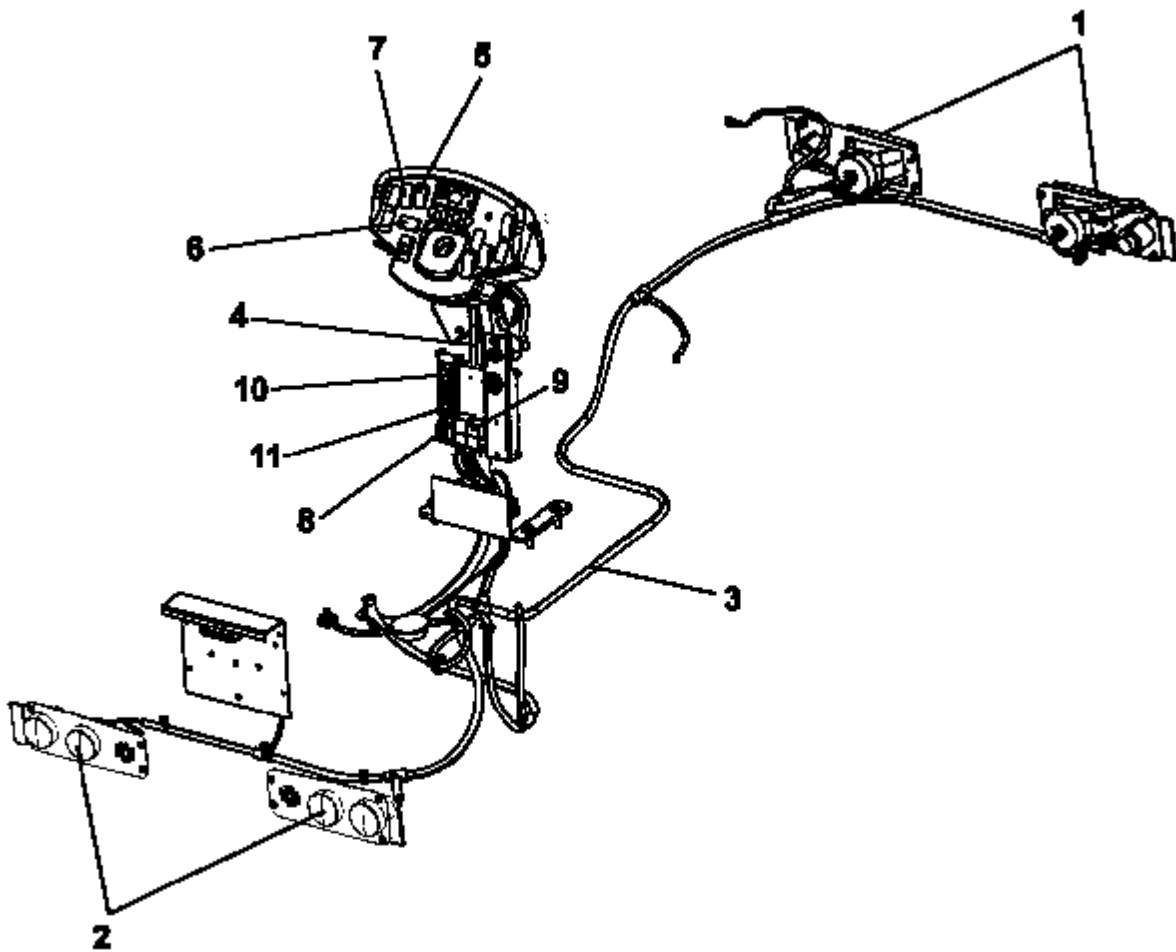
A | en_US | Included in head light (p/n 4700791951)

Driving lights RH Driving lights Rear (option)



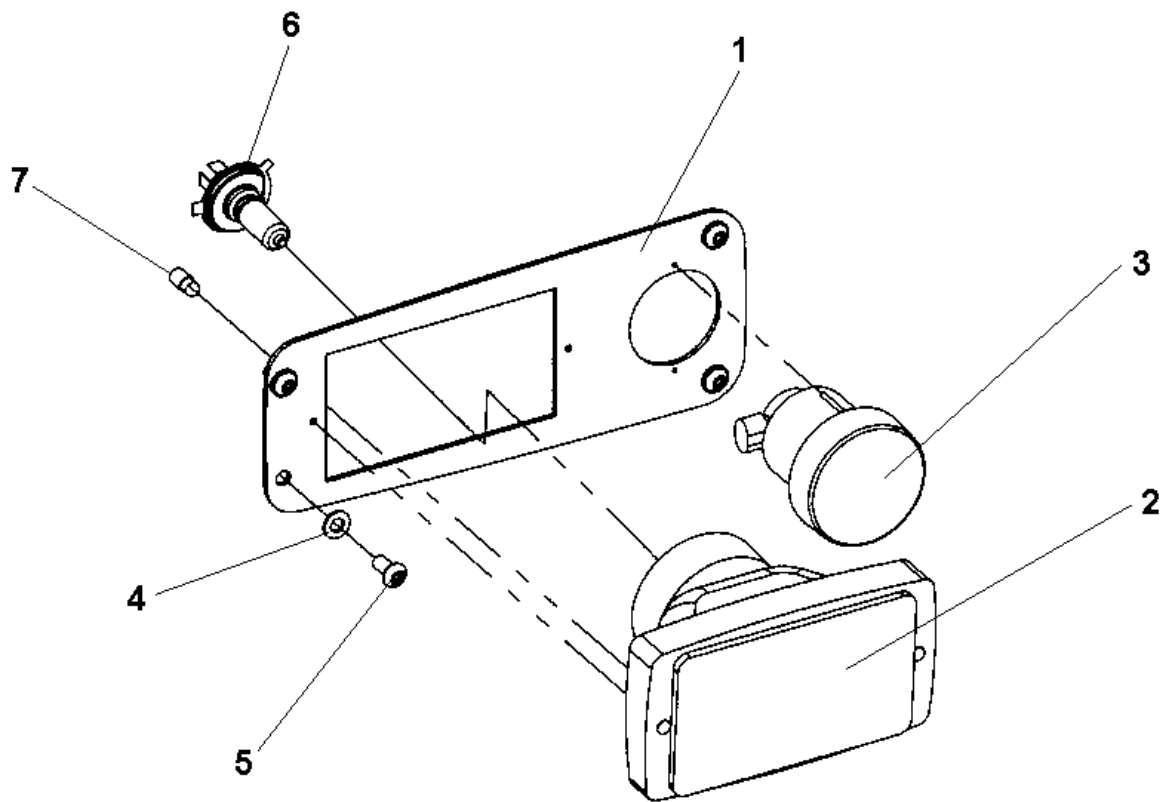
Item	Part No.	Name	Qty	L	SN INFO
1	4812111952	Bracket	1		
2	4700791954	Direction indicator	1		
3	4700791955	Brake/position light	1		
6	4700904229	Washer, 8.4x 6x1.5 mm 300HV	4		
7	4700904956	Screw	4		

Driving lights LH Driving lights Front LH (option)



Item	Part No.	Name	Qty	L	SN INFO
1	-	Driving lights Front	2		
2	-	Driving lights Rear (option)	2		
3	4812112472	Cable harness	1		
4	4812112468	Cable harness	1		
5	4700791584	Switch, hazard flashers	1		
6	4700792413	Switch, drive direction	1		
7	4700791583	Switch, driving light	1		
8	4700904989	Relay	1		
9	4700903956	Relay	1		
10	4700901225	Fuse 5A Tan	2		
11	4700901227	Fuse 10A Red	1		
12	4700791916	Screw	2		
13	4700313041	Cable ties, L=200 mm	N		

Driving lights LH Driving lights Front



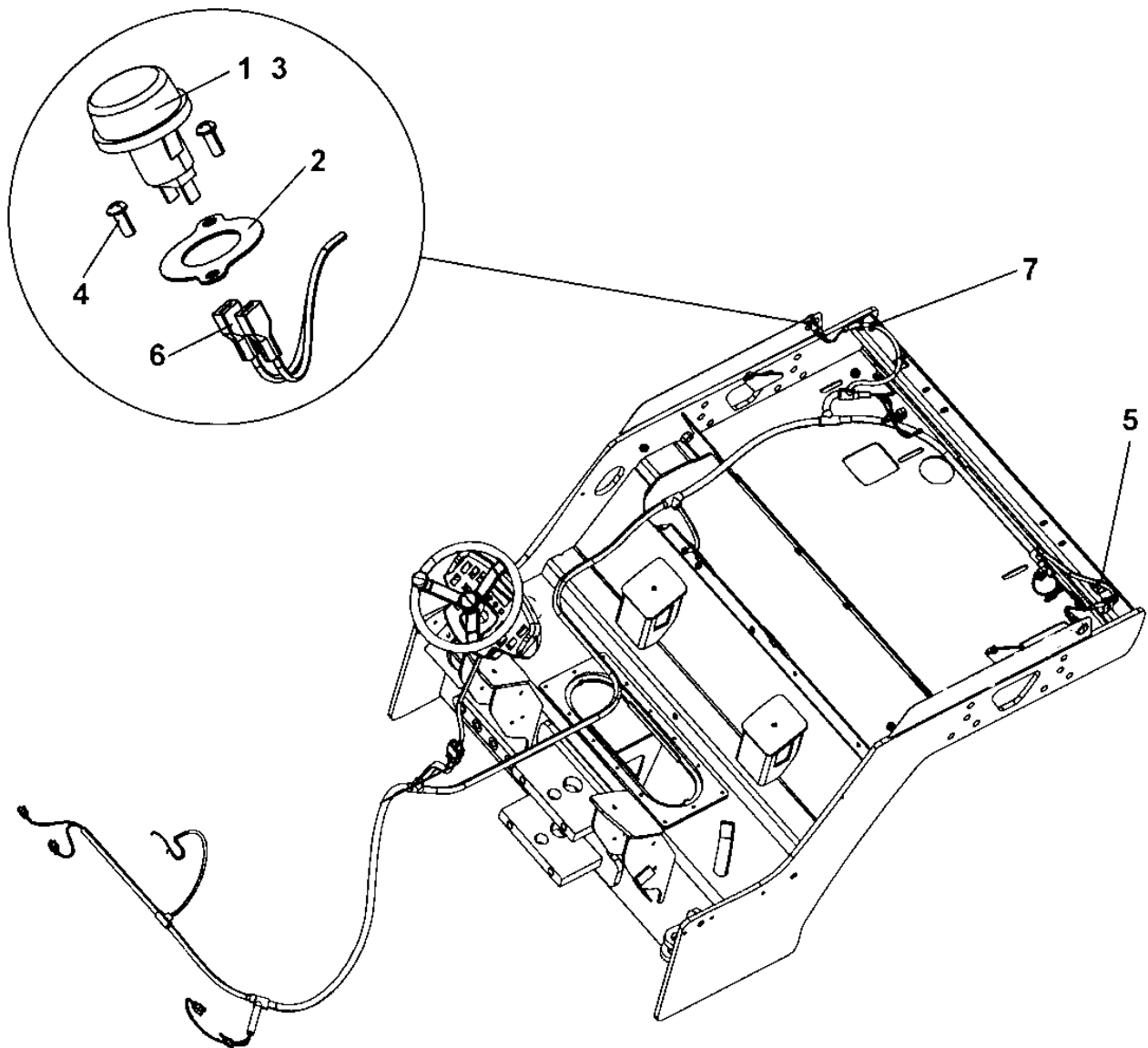
Item	Part No.	Name	Qty	L	SN INFO
1	4812111951	Light bracket	1		
2	4700792059	Headlight left hand asym. with parking light	1		
3	4700791953	Direction indicator	1		
4	4700904229	Washer, 8.4x 6x1.5 mm 300HV	4		
5	4700904956	Screw	4		
6	4700900790	Bulb 60/55w H4	1	A	
7	4700985012	Bulb	1	A	

Comments for Page: Driving lights Front

(L)OCAL REMARKS

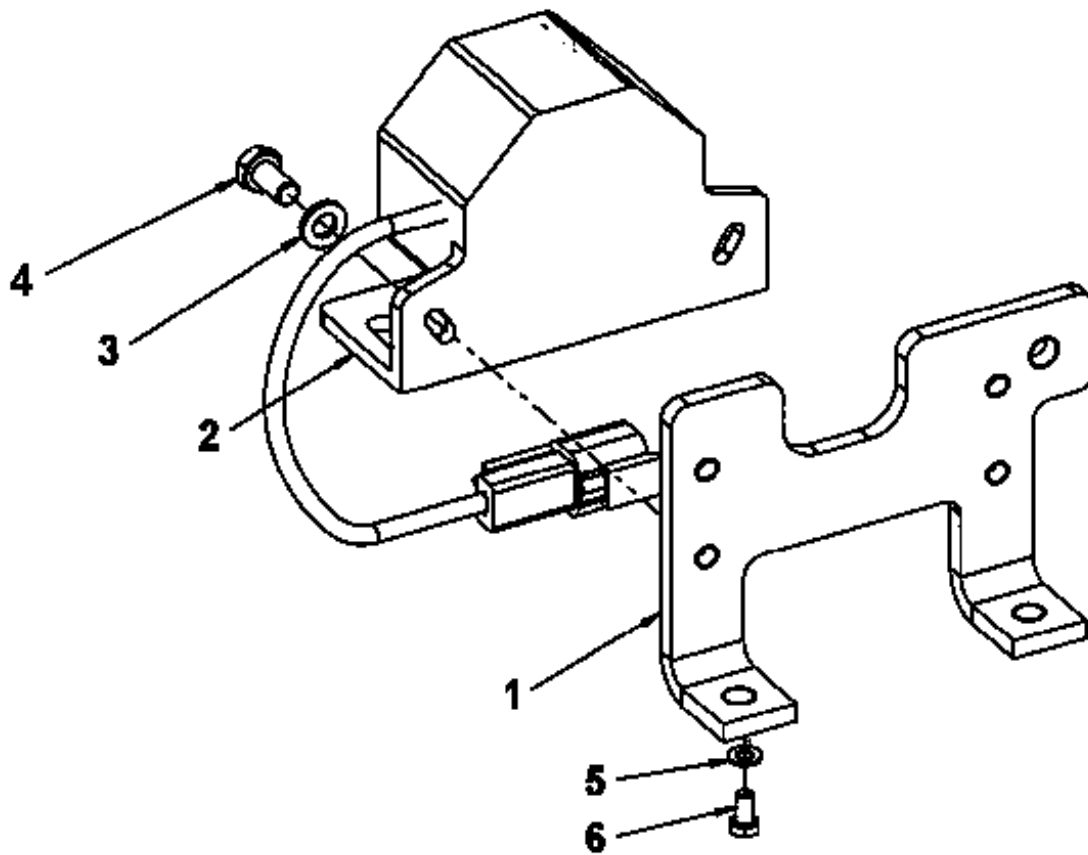
A | en_US | Included in head light (p/n 4700792059)

Electrical equipment Direction indicator (option)



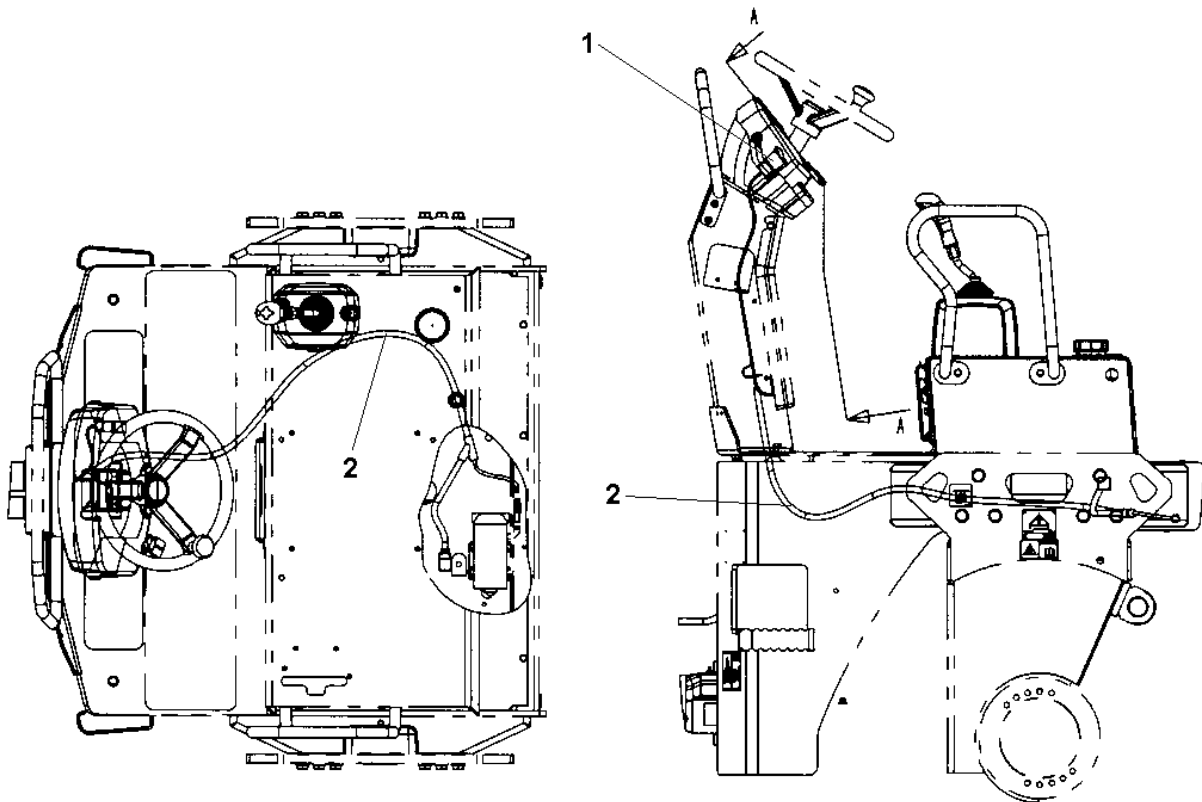
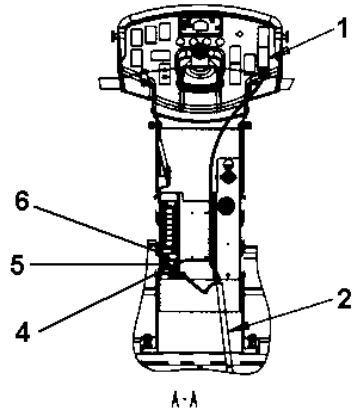
Item	Part No.	Name	Qty	L	SN INFO
1	4700791704	Side direction light	2		
2	4700388382	Holder side light	2		
3	4700904889	Bulb	2		
4	4700791643	Screw	4		
5	4700903810	Cable tie holder	4		
6	4700960079	Connector	4		
7	4700313041	Cable ties, L=200 mm	N		

Electrical equipment Back-up alarm



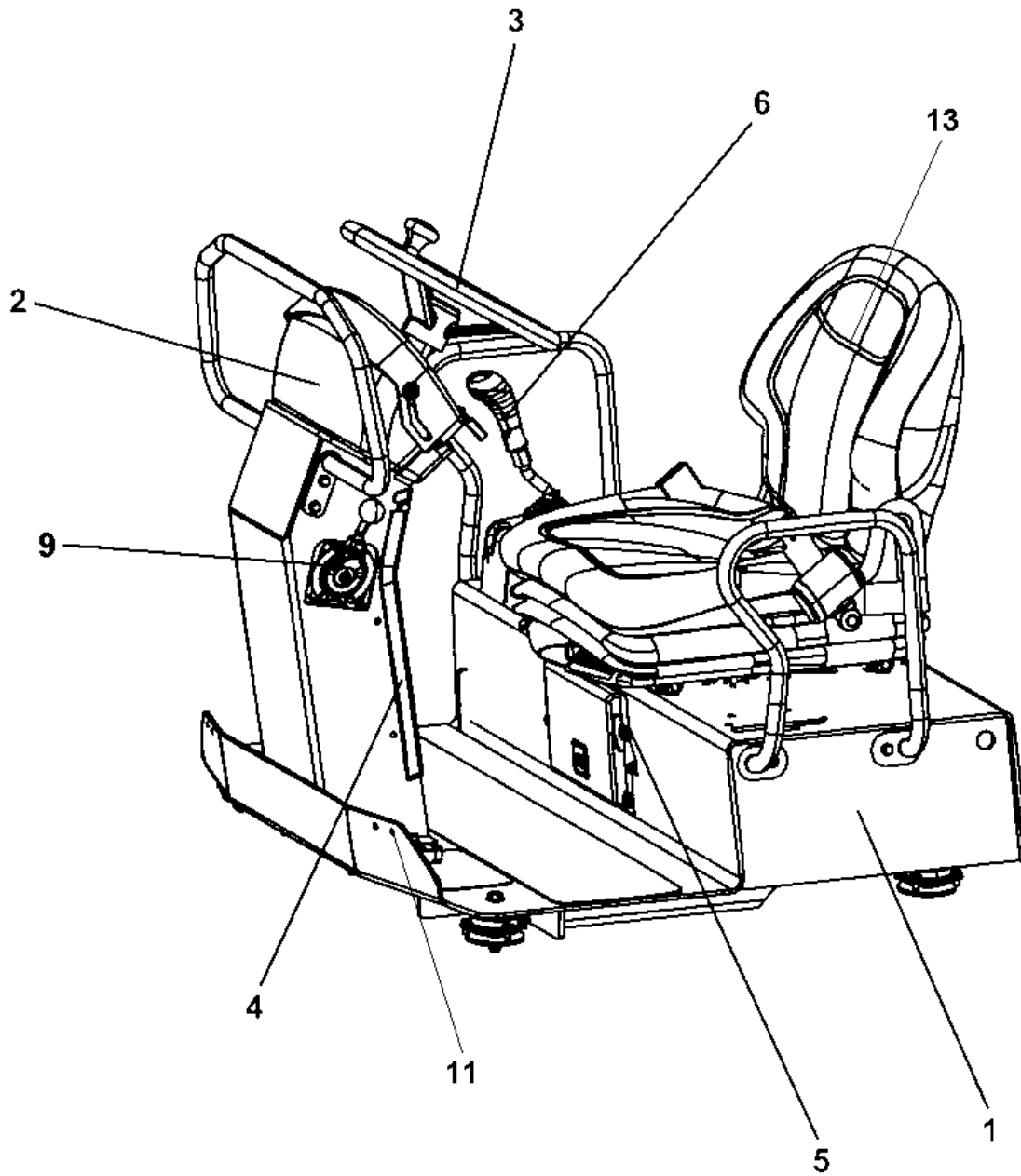
Item	Part No.	Name	Qty	L	SN INFO
1	4700396768	Bracket	1		
2	4700792098	Back-up alarm	1		
3	4700904228	Washer DIN125	2		
4	4700500012	Hex. screw	2		
5	4700904229	Washer, 8.4x 6x1.5 mm 300HV	2		
6	4700500019	Hexagon screw	2		

Electrical equipment Sprinkler Wheels



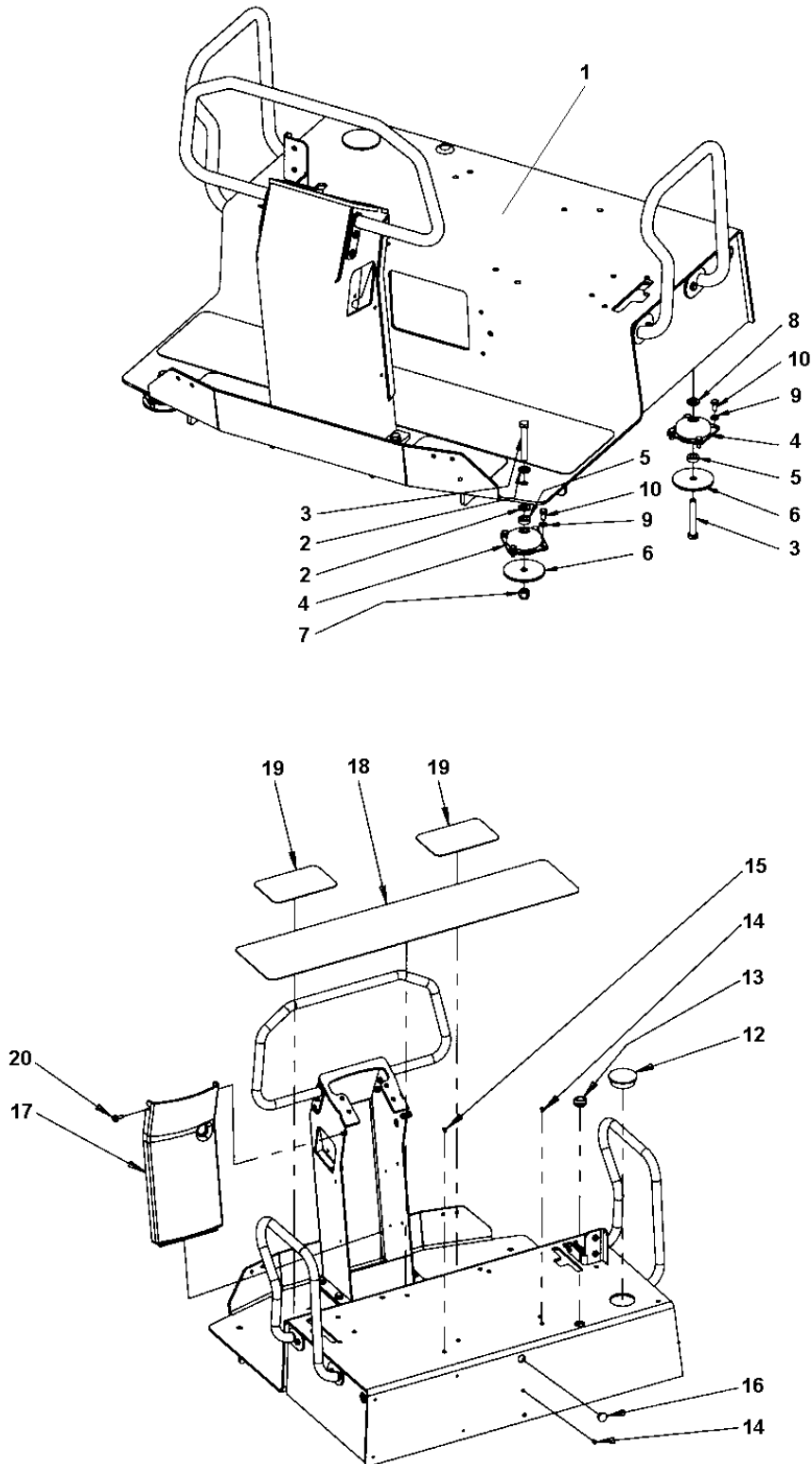
Item	Part No.	Name	Qty	L	SN INFO
1	4811000346	Switch Sprinkler	1		
2	4812112471	Cable harness	1		
3	4700313041	Cable ties, L=200 mm	N		
4	4700792091	Fuse holder	1		
5	4700901225	Fuse 5A Tan	1		
6	4700901767	Screw	2		

Drivers platform Drivers platform



Item	Part No.	Name	Qty	L	SN INFO
1	-	Platform module			
2	-	Instrument panel module			
3	-	Steering wheel			
4	-	Control module			
5	-	Standard ECU module			
6	-	Forward-Reverse control module			
6	-	Forward-reverse control left (option)			
8	-	Cover plate, Dual F&R-control left side			
9	-	Throttle control, cpl			
9	-	Throttle control cpl, Dual frequency (option)			
11	-	Arm rests, seat belt, laterally adjusting			
12	-	Step (option)			
13	-	Driver seat, Std			
13	-	Driver seat, Luxury (option)			
13	-	Driver's seat, without armrests (option)			
14	4700379637	Seat belt kit, static 3"			
14	-	Seat belt module 3"			
15	-	Seat belt module 2"			
16	-	Rear view mirror (option)			
17	-	ROPS, foldable (option)			
18	-	Rops (option)			
19	-	Canopy (option)			

Drivers platform Platform module

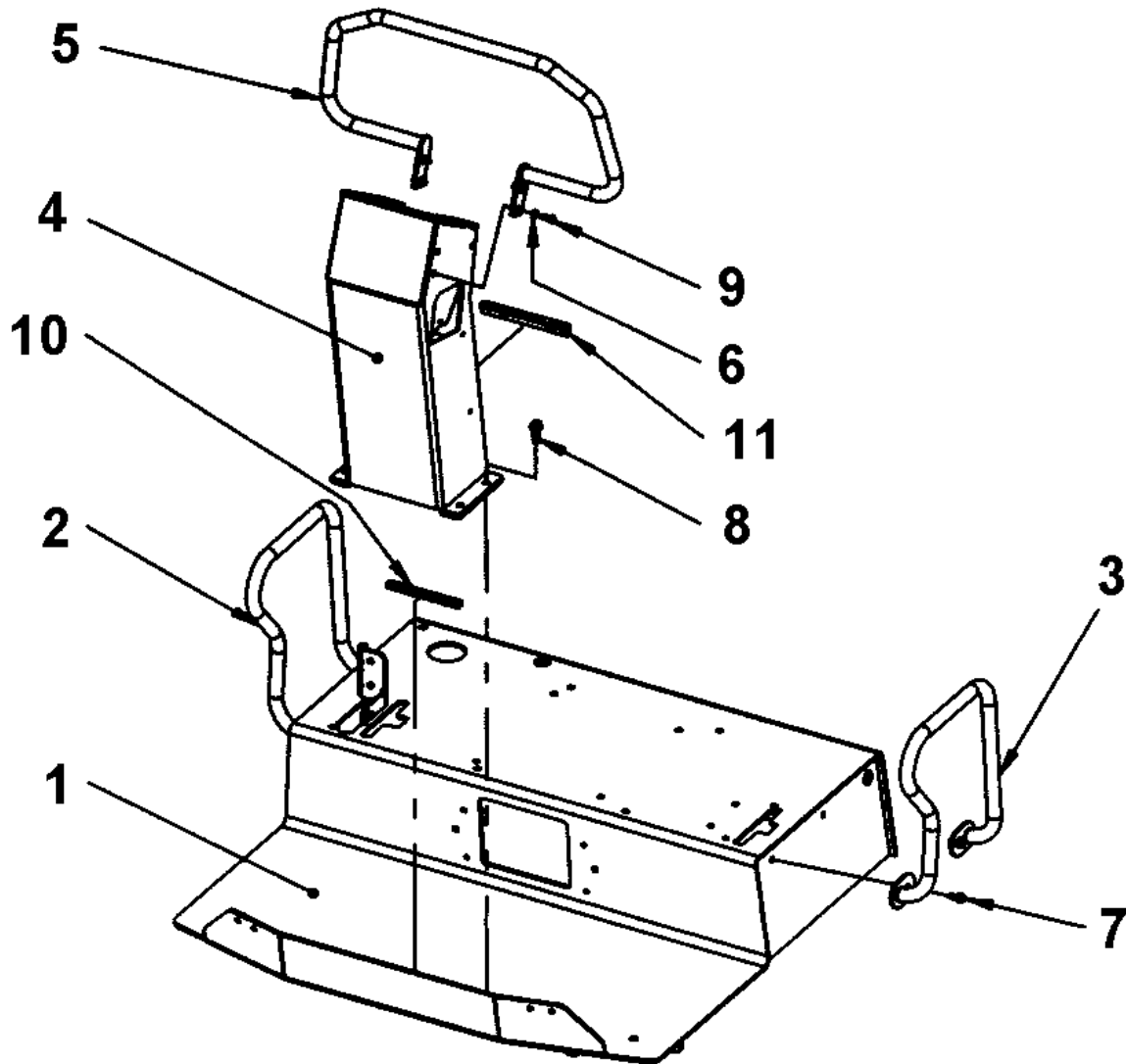


Refer to Parts Online for the most up to date information. The printed information might be outdated.

Wed Sep 07 10:14:44 UTC 2016

Item	Part No.	Name	Qty	L	SN INFO
1	-	Platform mount	1		
2	4700904231	Washer, 13x24x2 mm 300 HV	4		
3	4700500117	Screw M12x80H 8.8	4		
4	4700902797	Shock absorber	4		
5	4700902892	Washer	4		
6	4700358232	Washer	4		
7	4700586019	Lock nut, M12	2		
8	4700904703	Plain washer 13x24x4 mm	2		
9	4700904229	Washer, 8.4x 6x1.5 mm 300HV	16		
10	4700500019	Hexagon screw	16		
12	4700923844	Shutter	1		
13	4700903192	Grommet	2		
14	4700926215	Protective plug	4		
15	4700902919	Plug	2		
16	4700904225	Plug	1		
17	4700387226	Column cover	1		
18	4700357604	Protection	1		
19	4700357605	Slip protection	2		
20	4700500505	Screw, M8x20 mm 8.8 A2K	2		

Drivers platform Platform mount



Item	Part No.	Name	Qty	L	SN INFO
1	4812111164	Platform	1		
2	4812113106	Hand rail Right	1		
3	4812113107	Hand rail Left	1		
4	4812112091	Steering column	1		
5	4812112532	Hand rail Front	1		
6	4700904556	Steel plain washer 8,4x16x3,0	4		
7	4700500505	Screw, M8x20 mm 8.8 A2K	4		
8	4700791343	Screw	4		
9	4700791333	Screw, M8 x 20 mm A2-70	4		
10	4700902379	Edge trim	1	A	
11	4700902166	Edge trim	1	B	

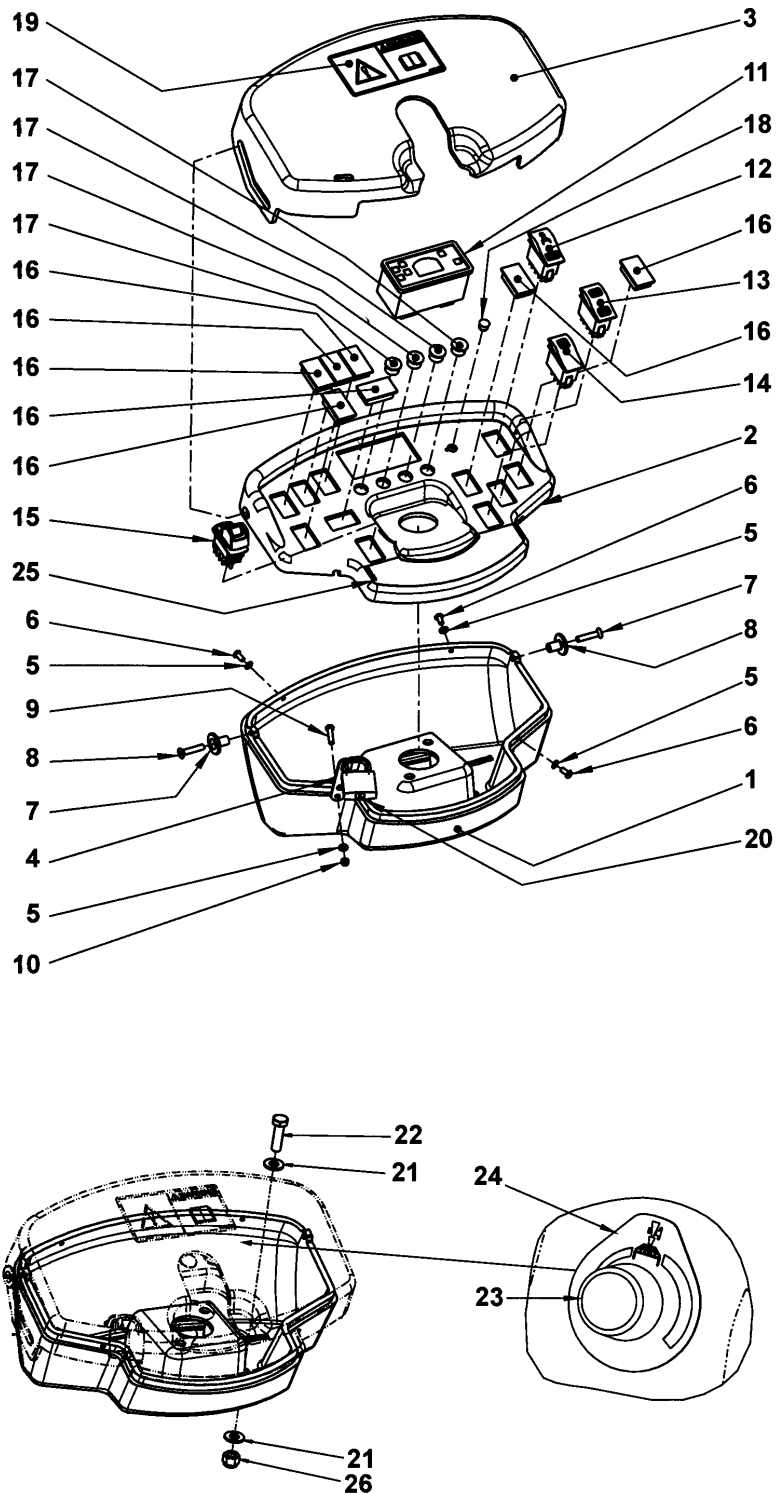
Comments for Page: Platform mount

(L)OCAL REMARKS

A | en_US | L = 0,15 m

B | en_US | L = 0,18 m

Drivers platform Instrument panel module



Refer to Parts Online for the most up to date information. The printed information might be outdated.

Wed Sep 07 10:14:45 UTC 2016

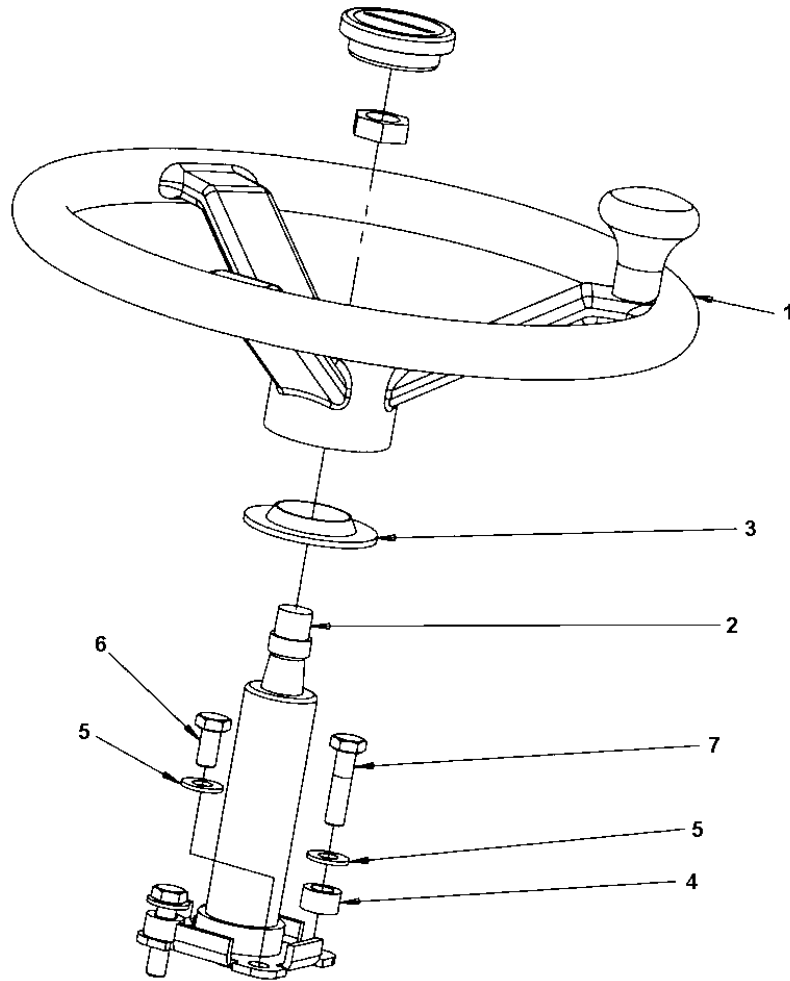
Item	Part No.	Name	Qty	L	SN INFO
1	4812118686	Control panel	1		
2	4700391784	Control panel	1		
3	4700387227	Control panel cover	1		
4	4700387545	Latch	1		
5	4700904281	Washer, 5,3x10x1 300HV	4		
6	4700903658	Screw M5x10	3		
7	4700357855	Bushing	2		
8	4700513017	Screw	2		
9	4700500007	Hex. screw	1		
10	4700791476	Lock nut	1		
11	4700395394	Control panel	1		
12	4700791579	Switch, sprinkler	1		
13	4700791580	Switch, vibration	1		
14	4700791578	Switch, horn	1		
15	4812118697	Switch, parking brake	1		
16	4700791588	Panel plug	7		
17	4700792320	Plug	4		
18	4700792083	Plug	1		
19	4700903459	Decal "SAFETY"	1		
20	4700358881	Pad lock	1		
21	4700904230	Plain washer 10.5x22x2 mm	8		
22	4700500030	Screw hexagon	4		
23	4700388737	Potentiometer	1	A	
24	4700377139	Decal	1	A	
25	4812115918	Decal "Starting instruction"	1		
26	4700586018	Lock nut M10	4		

Comments for Page: Instrument panel module

(L)OCAL REMARKS

A | en_US | Option on CC1100 and CC1200

Drivers platform Steering wheel

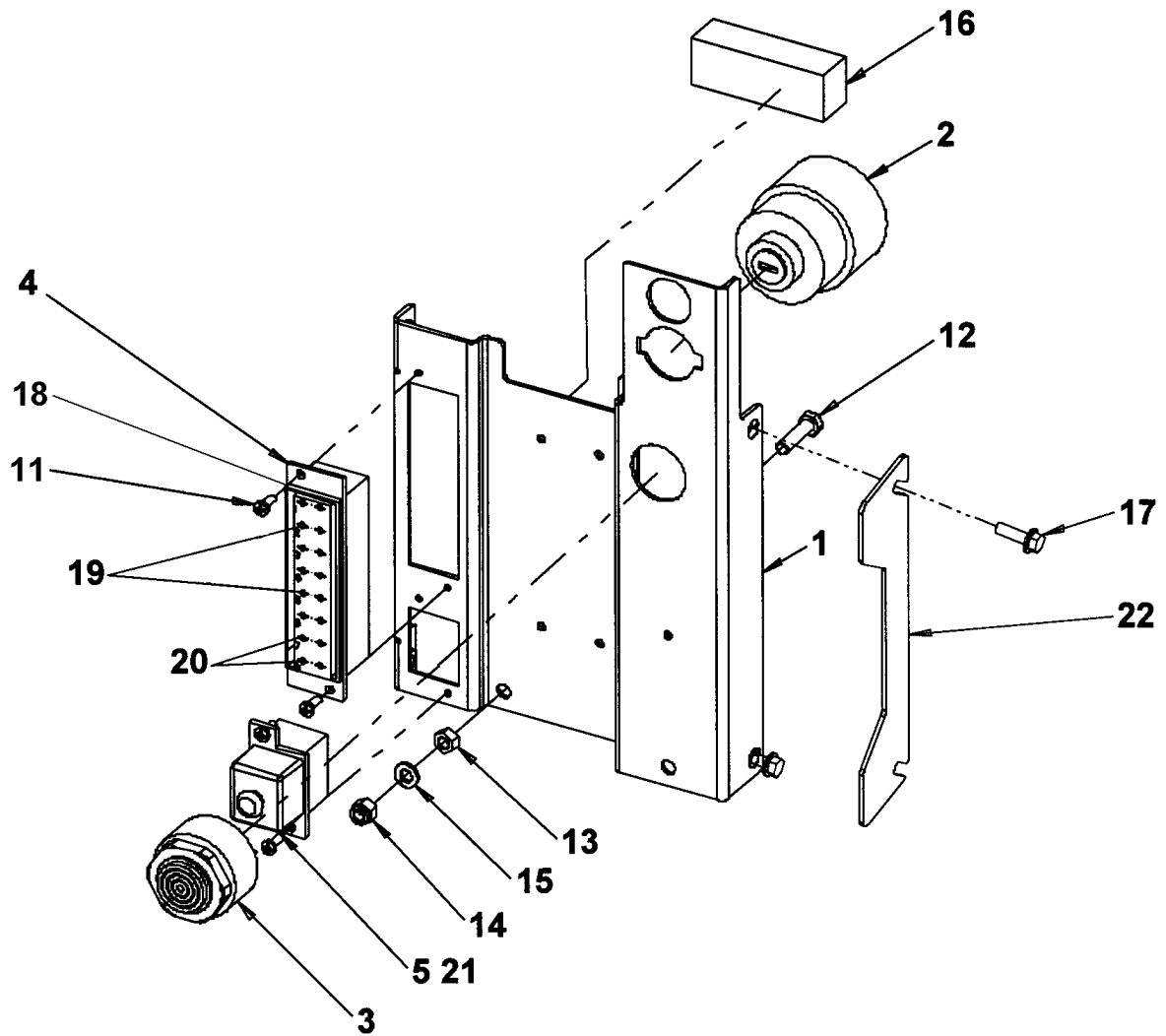


Item	Part No.	Name	Qty	L	SN INFO
1	4700372964	Steering wheel	1		
1	4700935614	Turning knob	1		
1	4700935613	Cover	1		
2	4700902123	Steering column	1	A	
3	4700928830	Rubber part	1		
4	4700355869	Spacer sleeve	2		
5	4700904230	Plain washer 10.5x22x2 mm	4		
6	4700500048	Screw, M10x20 mm 8.8 A3K	2		
7	4700500031	Screw M10x40	2		

Comments for Page: Steering wheel

(L)OCAL REMARKS

A | en_US | Cap/Nut supplied with steering wheel/column only.

Drivers platform Control module

Refer to Parts Online for the most up to date information. The printed information might be outdated.

Wed Sep 07 10:14:47 UTC 2016

Item	Part No.	Name	Qty	L	SN INFO
1	4700387683	Distribution control plate	1		
2	4812110901	Ignition switch	1		
2	4700940451	Ignition key	1		
3	4700385599	Buzzer	1		
4	4700791185	Fuse box	1		
5	4700792091	Fuse holder	1	B	
11	4700960725	Screw	4		
12	4700500075	Screw, M6-1,0x25 mm 8.8	1		
13	4700570004	Nut	1		
14	4700586002	Lock nut M6 -8	1		
15	4700904228	Washer DIN125	1		
16	4700202042	Rubber strip	N	A	
17	4812117868	Screw M05x16	4		
18	4700903741	Fuse 20A Yellow	1		
19	4700901227	Fuse 10A Red	2		
20	4700901228	Fuse, 15A Blue	2		
21	4700901225	Fuse 5A Tan	1		
22	4812117864	Shim	2		

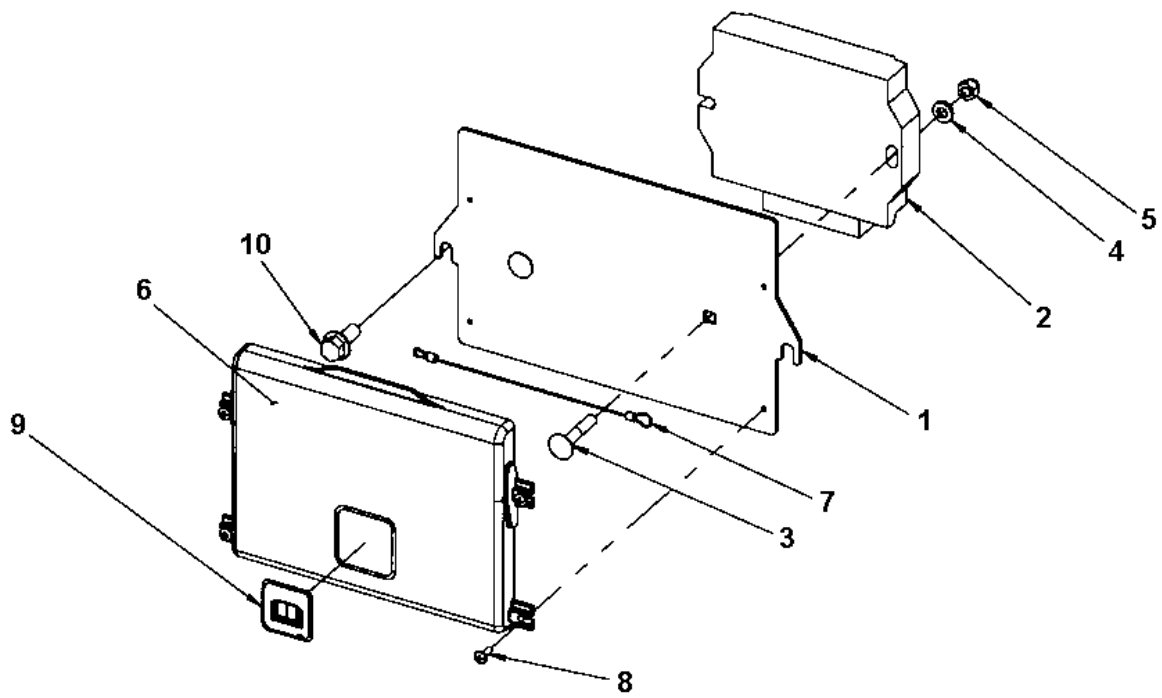
Comments for Page: Control module

(L)OCAL REMARKS

A | en_US | L = 0,07 m

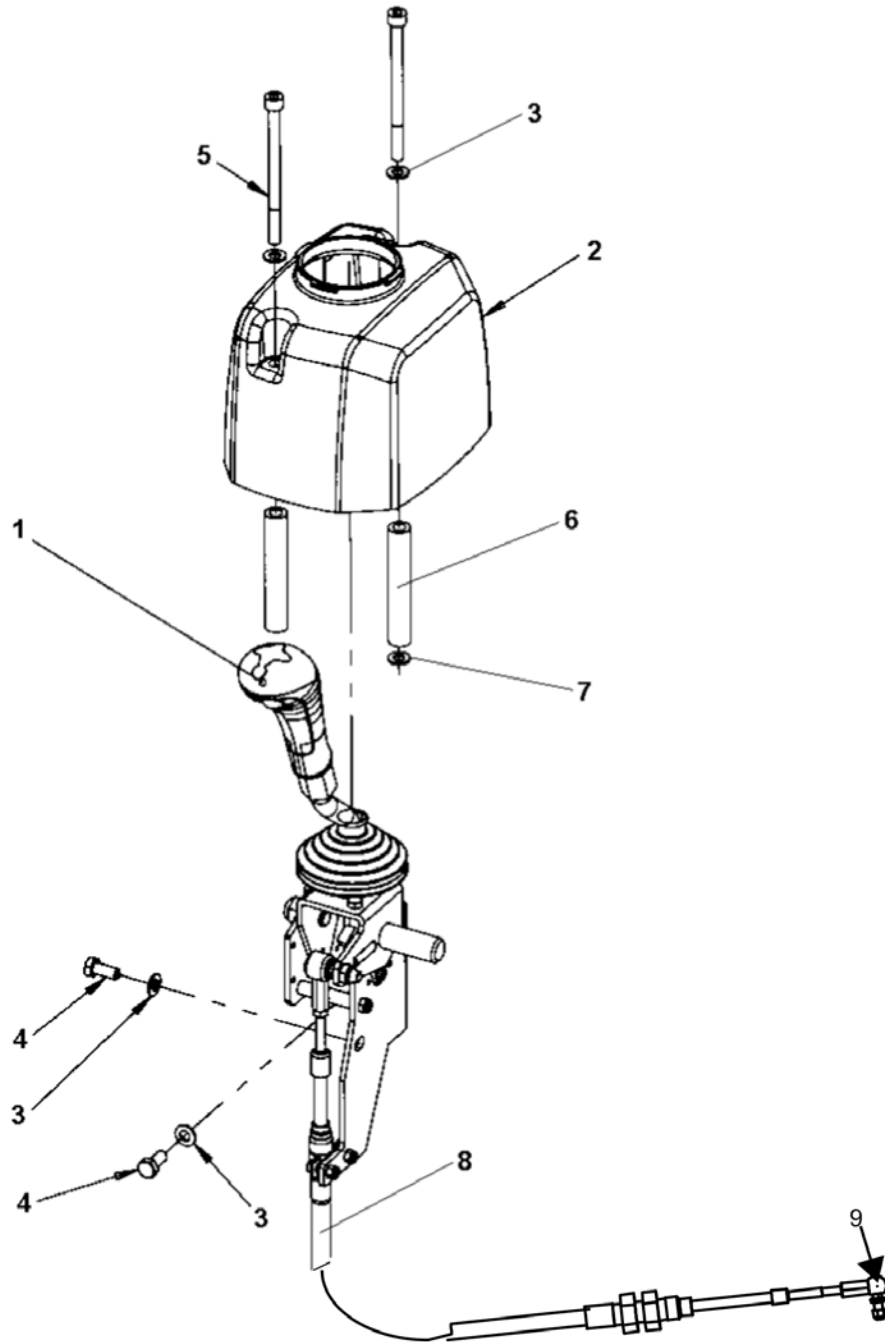
B | en_US | Available on Combi rollers and tandem rollers equipped with flow divider (option) only.

Drivers platform Standard ECU module



Item	Part No.	Name	Qty	L	SN INFO
1	4700388447	Cover	1		
2	4812114386	Control unit, ECU	1		
3	4700791775	Bolt	2		
4	4700904556	Steel plain washer 8,4x16x3,0	2		
5	4700586003	Lock nut M8	2		
6	4700383705	Instruction manual box	1		
7	4700357643	Wire	1		
8	4700791226	Screw	4		
9	4700903425	Safety decal "READ SAFETY INSTRUCTIONS"	1		
10	4700500505	Screw, M8x20 mm 8.8 A2K	2		

Drivers platform Forward-Reverse control module



Refer to Parts Online for the most up to date information. The printed information might be outdated.

Wed Sep 07 10:14:48 UTC 2016

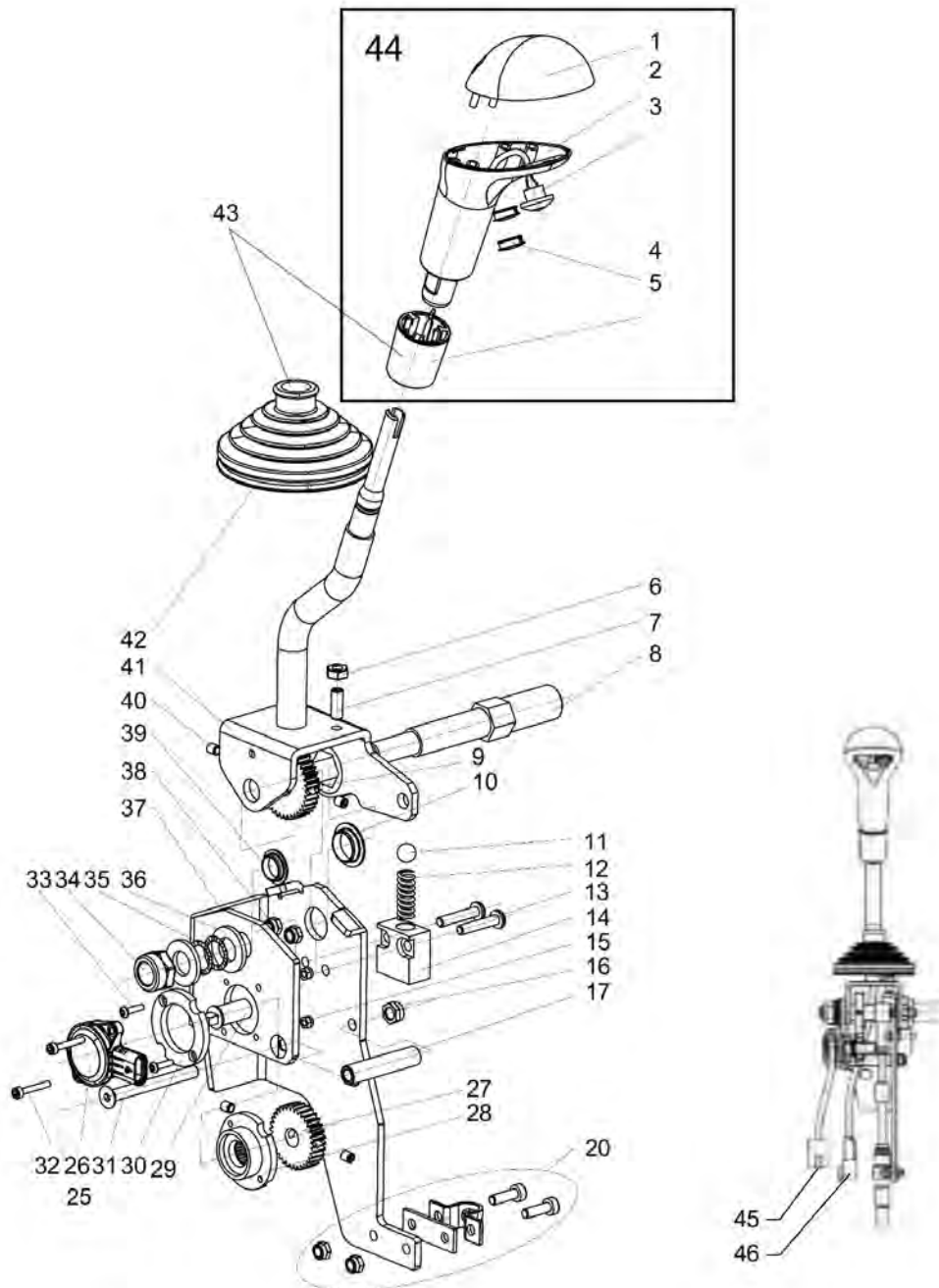
Item	Part No.	Name	Qty	L	SN INFO
1	4812113676	Forward and reverse control handle	1		
2	4812111128	Casing	1		
3	4700904229	Washer, 8.4x 6x1.5 mm 300HV	5		
4	4700508092	Screw	3		
5	4700500180	Hex. screw	2		
6	4812113523	Spacer sleeve	2		
7	4700904044	Lock washer	2		
8	4812156577	Cable	1	A	
9	4700416034	Universal joint, M6	1		

Comments for Page: Forward-Reverse control module

(L)OCAL REMARKS

A | en_US | L = 2,80 m

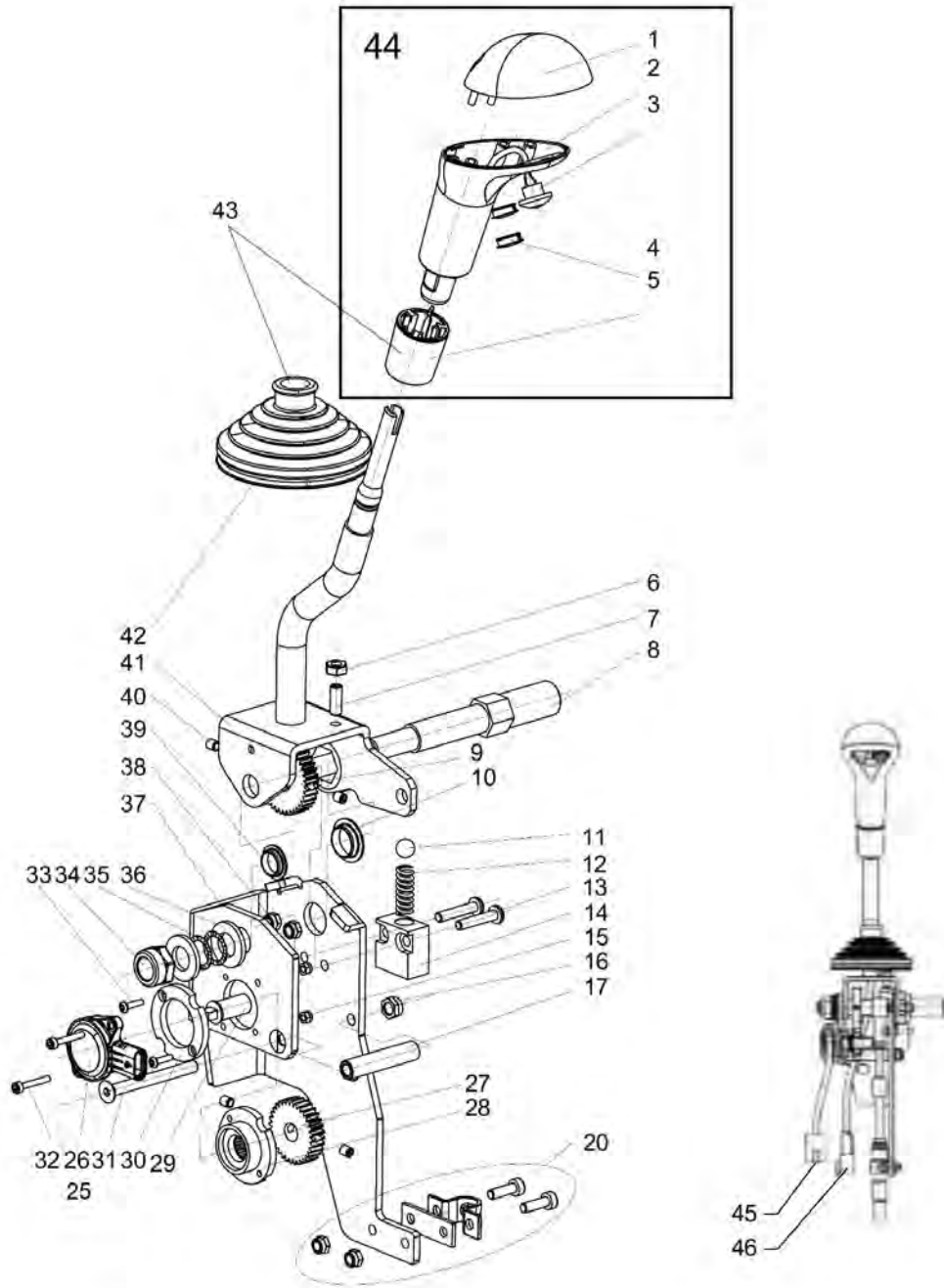
Drivers platform 4812113676 Forward and reverse control handle



Item	Part No.	Name	Qty	L	SN INFO
0	4812113676	Forward and reverse control handle	1		
1	4812156558	Handle top	1		
2	4812156559	Handle	1		
3	4812156560	Push button switch with cable	1		
4	4812156561	Protection plug	2		
5	4812156562	Sleeve (knob)	1		
6	4812159290	Nut M5	2		
7	4812159291	Screw M5	2		
8	4812156563	Central shaft	1		
9	4812156564	Gear	1		
10	4812158258	Bushing	1		
11	4812156565	Sphere	1		
12	4812156566	Spring	1		
13	-	Screw M5	2		
14	4812156567	Spring house	1		
15	-	Lock nut M3	4		
16	-	Lock nut M6	1		
17	4812156568	Spacer	1		
20	4700902189	Bracket	1		
25	4812160381	Cable	1		
26	4812156490	Potentiometer	1		
27	4812156569	Gear	1		
28	4812156570	Internal spacer	1		
29	4812156571	Shaft	1		
30	4812156572	External spacer	1		
31	4812159197	Screw M6	1		
32	4812159198	Screw M3	2		
33	4812159199	Screw M3	2		
34	4812159251	Lock nut M12	2		
35	4812156573	Sealing	2		
36	4812158260	Washer	2		
37	4812156574	Bracket	1		
38	-	Lock nut M5	2		
39	4812158259	Bushing	1		
40	4812159292	Screw M5	4		
41	4812156575	Lever	1		
42	4812156576	Bellow	1		

Refer to Parts Online for the most up to date information. The printed information might be outdated.

Wed Sep 07 10:14:49 UTC 2016

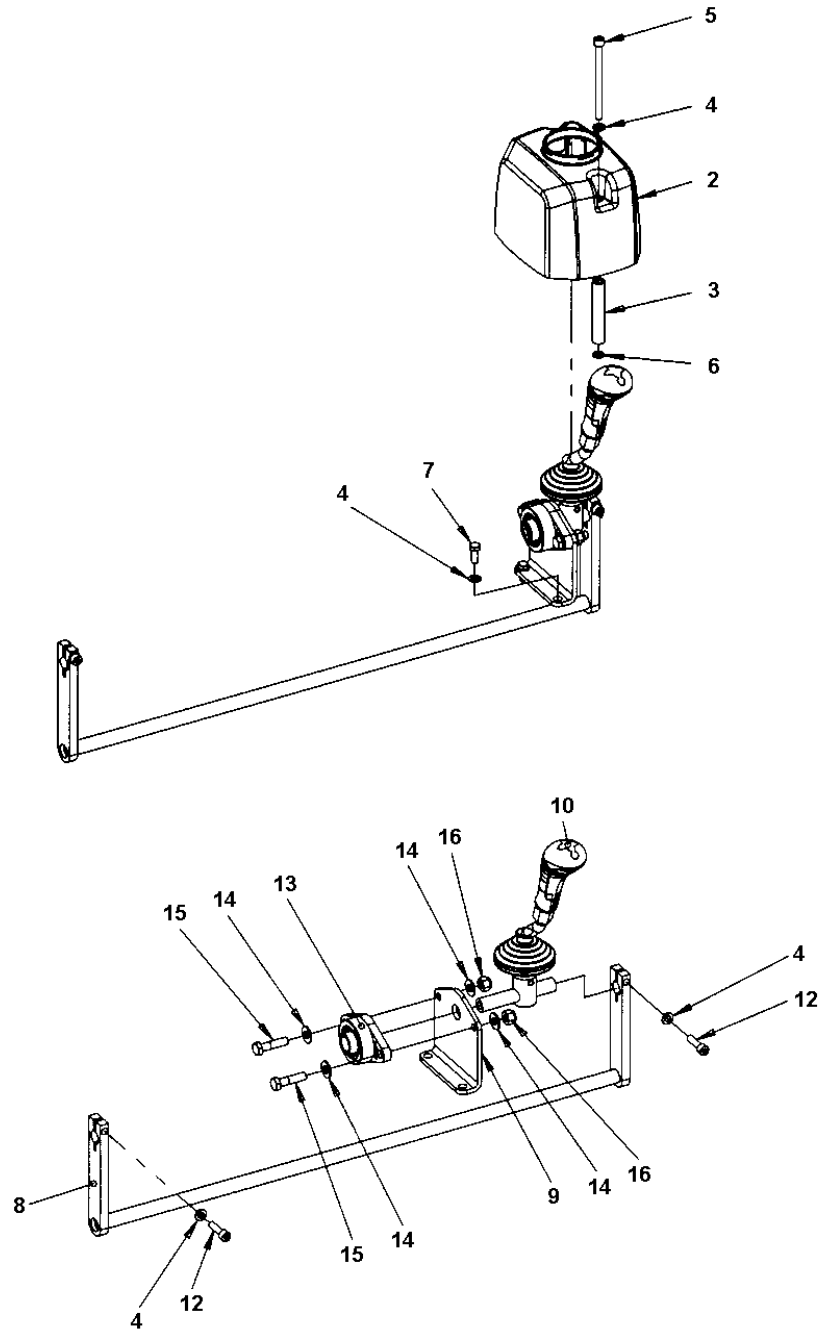


Refer to Parts Online for the most up to date information. The printed information might be outdated.

Wed Sep 07 10:14:49 UTC 2016

Item	Part No.	Name	Qty	L	SN INFO
43	4812157556	Bellows kit	1		
43_05	4812156562	Sleeve (knob)	1		
43_42	4812156576	Bellow	1		
44	4812158267	Handle top + Button kit	1		
44	4812156558	Handle top	1		
44	4812156559	Handle	1		
44	4812156560	Push button switch with cable	1		
44	4812156561	Protection plug	2		
44	4812156562	Sleeve (knob)	1		
45	4812160593	Connector, 3-poles	1		
46	4812160594	Connector, 2-poles	1		

Drivers platform Forward-reverse control left (option)

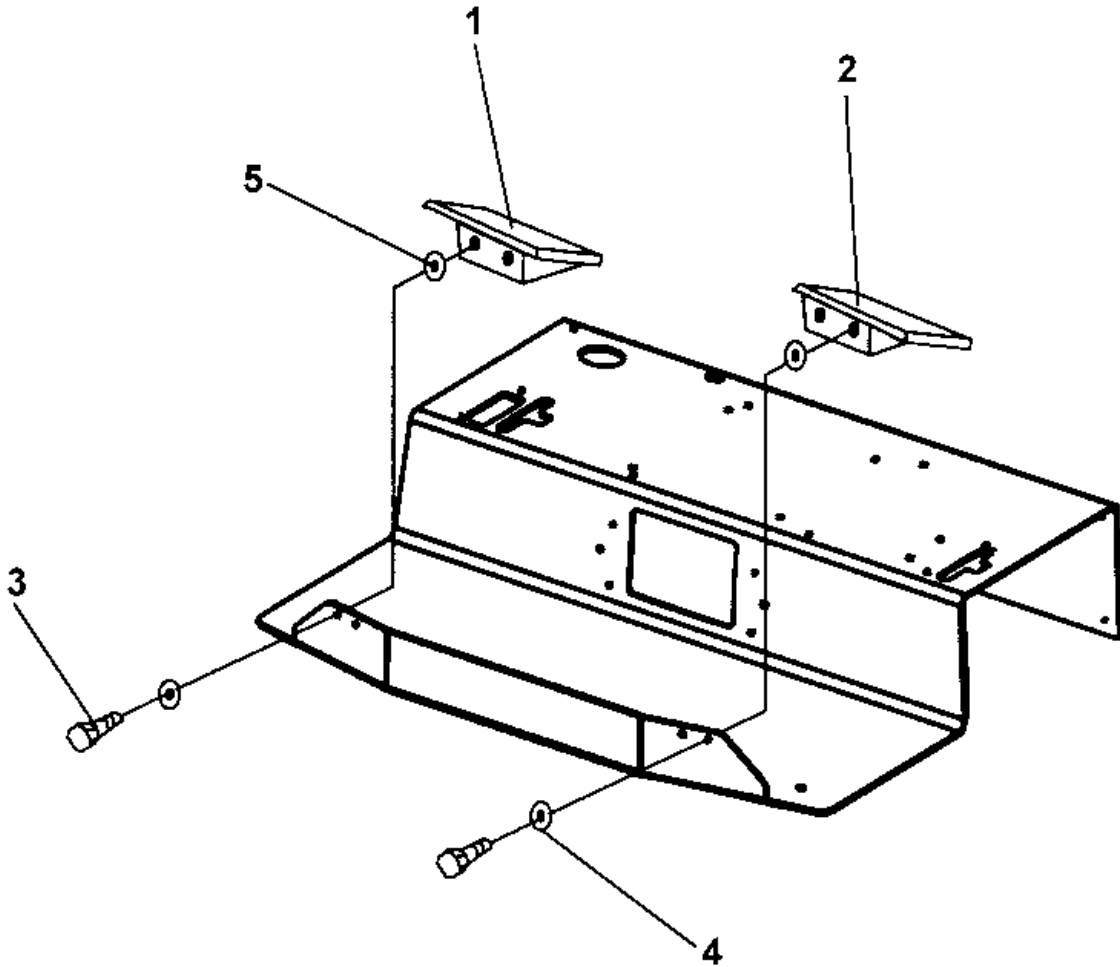


Refer to Parts Online for the most up to date information. The printed information might be outdated.

Wed Sep 07 10:14:49 UTC 2016

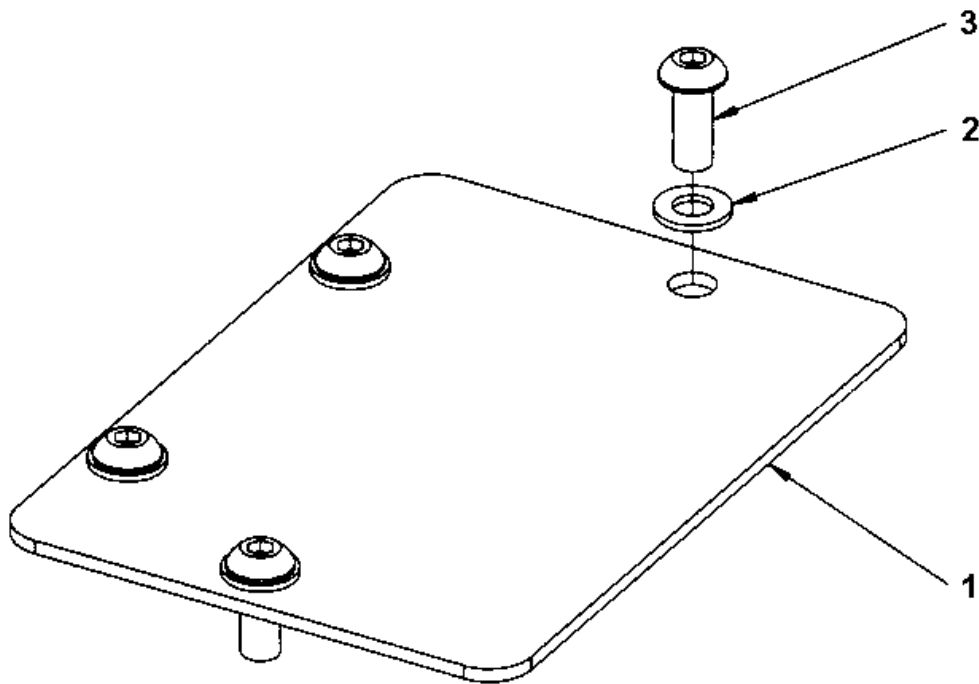
Item	Part No.	Name	Qty	L	SN INFO
2	4812111128	Casing	1		
3	4812113523	Spacer sleeve	1		
4	4700904229	Washer, 8.4x 6x1.5 mm 300HV	6		
5	4700500180	Hex. screw	2		
6	4700904044	Lock washer	2		
7	4700500053	Screw, M8x20 mm 8.8 A2K	2		
8	4812112014	Connection link	1		
9	4812112013	Bracket	1		
10	4812113677	Forward-reverse control	1		
12	4700508048	Hexagon socket head cap screw M	2		
13	4700791926	Y-bearing unit	1		
14	4700904230	Plain washer 10.5x22x2 mm	4		
15	4700500031	Screw M10x40	2		
16	4700586018	Lock nut M10	2		

Drivers platform Step (option)



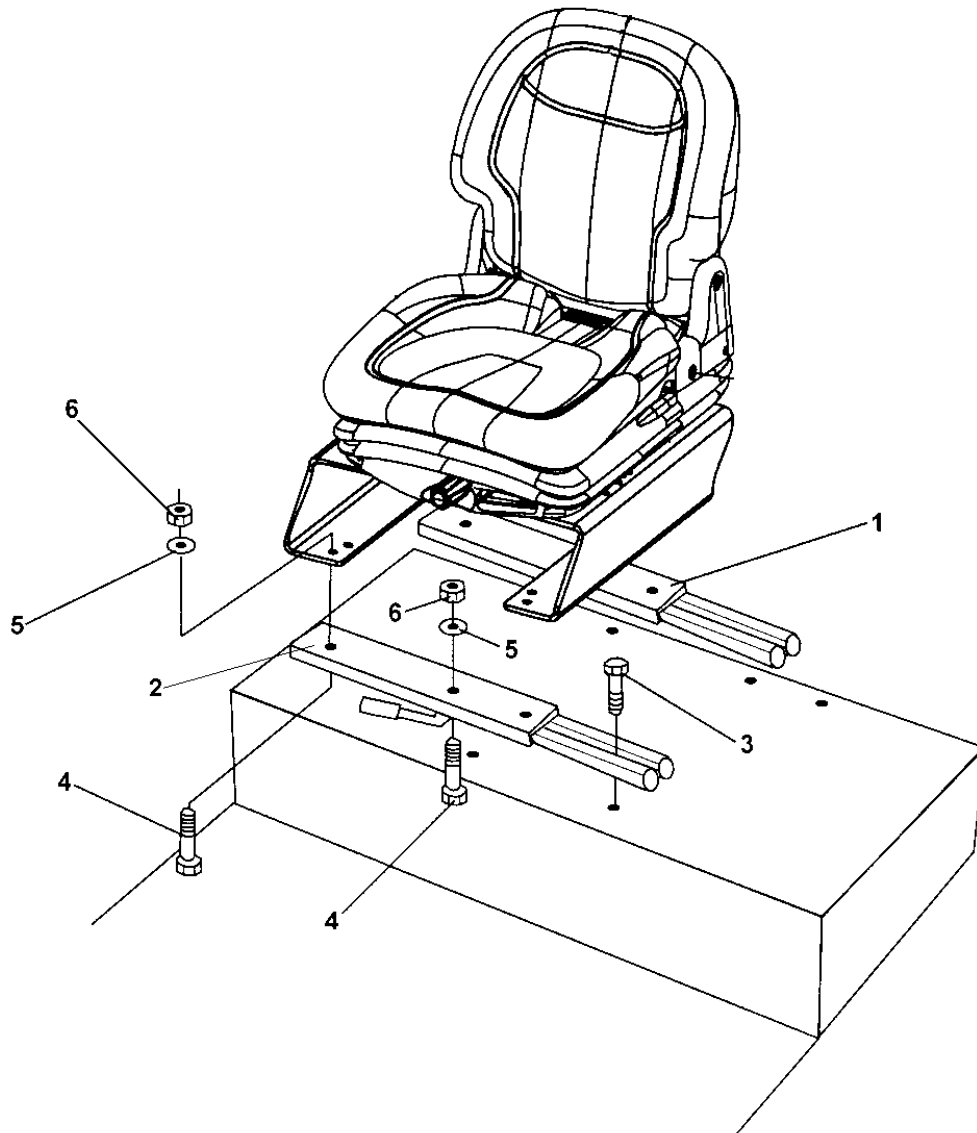
Item	Part No.	Name	Qty	L	SN INFO
1	4700374132	Step	1		
2	4700374133	Step	1		
3	4700500021	Screw, M8x25 mm 8.8 A2K	4		
4	4700904229	Washer, 8.4x 6x1.5 mm 300HV	4		
5	4700603009	Washer, 8.4x26x5 mm	4		

Drivers platform Cover plate, Dual F&R-control left side



Item	Part No.	Name	Qty	L	SN INFO
1	4812113987	Cover plate	1		
2	4700904229	Washer, 8.4x 6x1.5 mm 300HV	4		
3	4700791333	Screw, M8 x 20 mm A2-70	4		

Drivers platform Seat laterally adjusting



Refer to Parts Online for the most up to date information. The printed information might be outdated.

Wed Sep 07 10:14:50 UTC 2016

Item	Part No.	Name	Qty	L	SN INFO
1	4700909536	Sliding rail	1	A	
2	4700909535	Sliding rail	1	B	
3	4700508092	Screw	10		
4	4700500020	Hex. screw	4		
5	4700904229	Washer, 8.4x 6x1.5 mm 300HV	6		
6	4700586003	Lock nut M8	4		

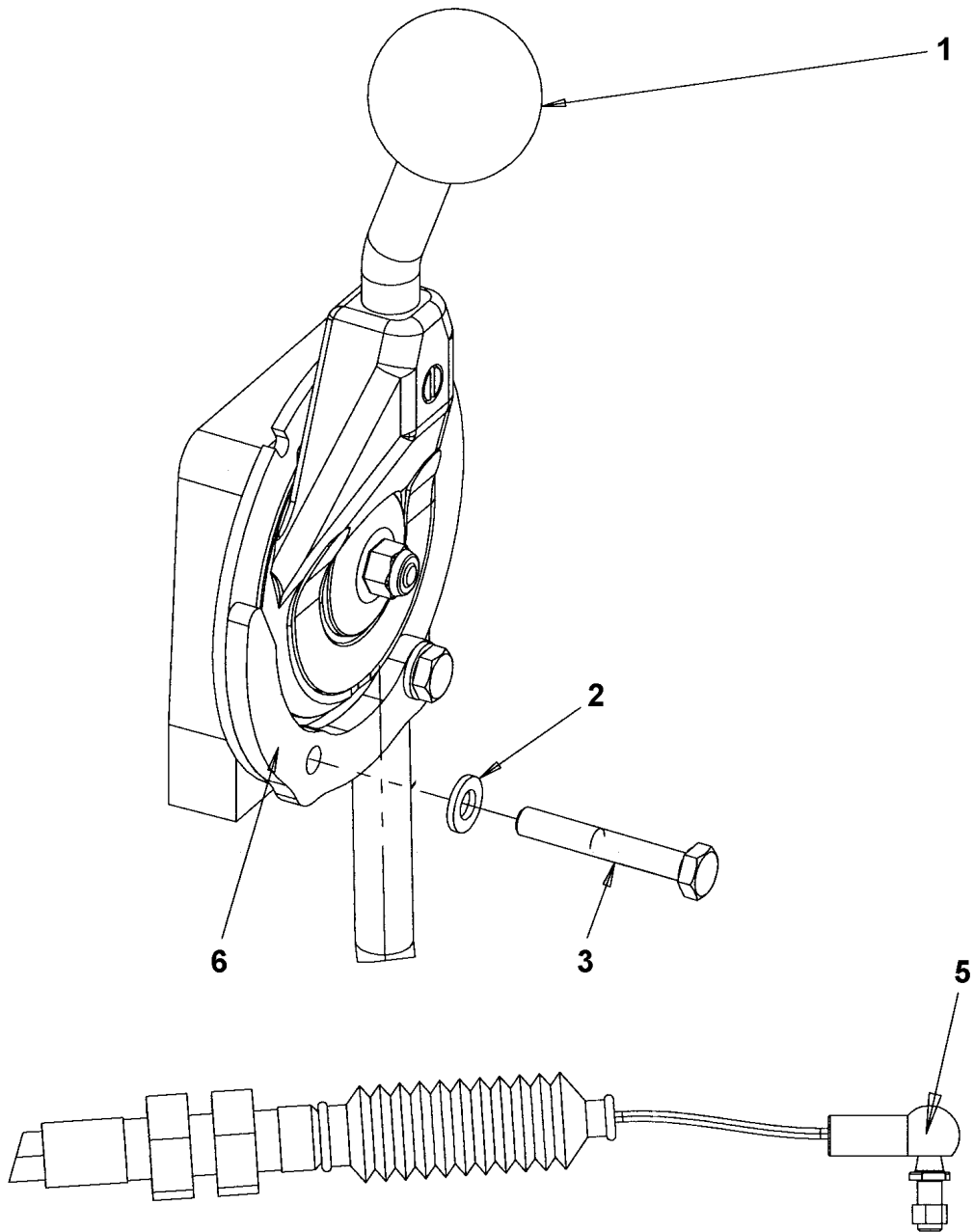
Comments for Page: Seat laterally adjusting

(L)OCAL REMARKS

A | en_US | Rear

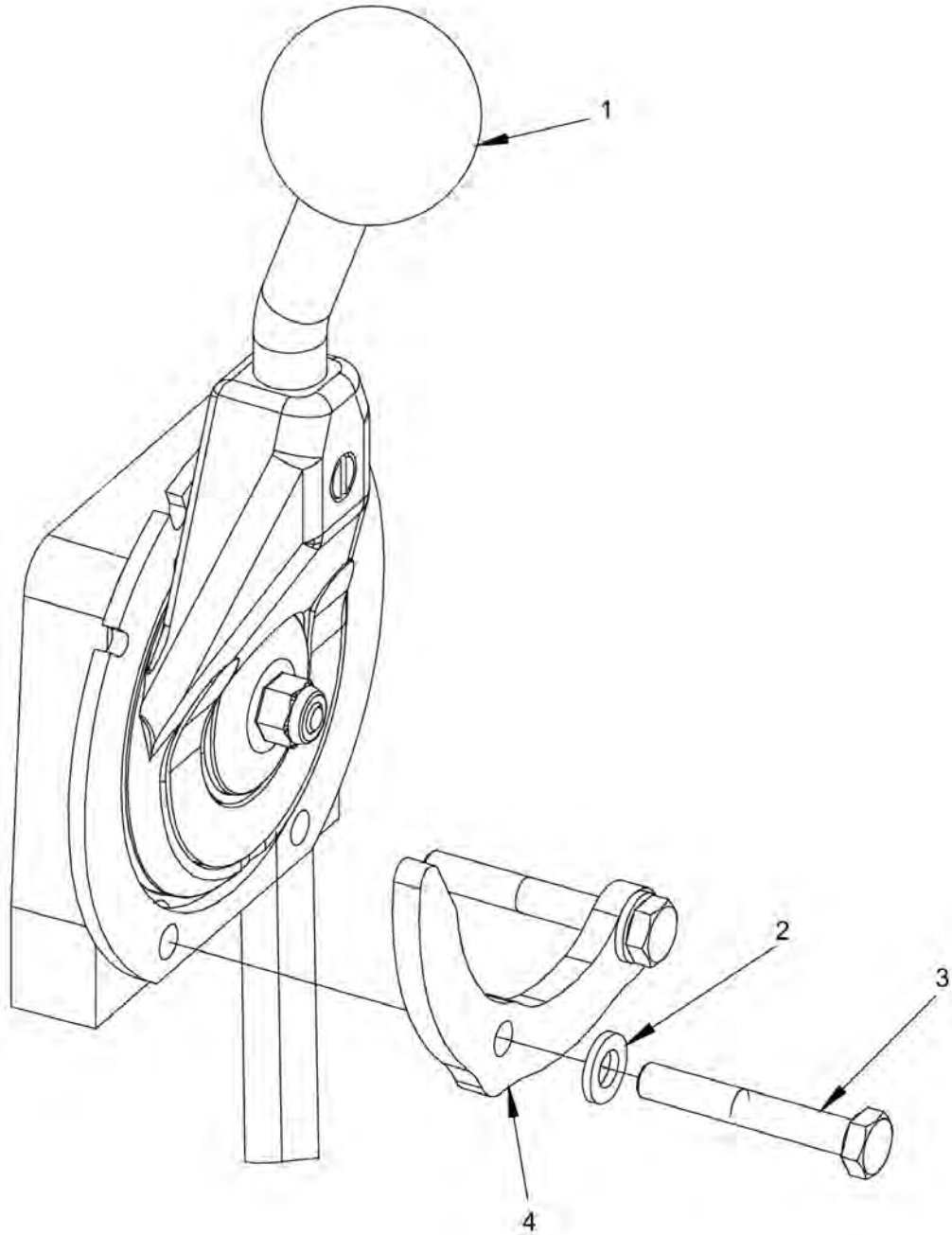
B | en_US | Front

Drivers platform Throttle control, cpl



Item	Part No.	Name	Qty	L	SN INFO
1	4812113165	Throttle control	1		
1	4812113164	Cable	1	A	
1	4700389177	Snap plate	1		
1	4700382349	Bellows	1		
1	-	Connection	1		
1	4700396215	Control	1		
2	4700904228	Washer DIN125	2		
3	4700500088	Screw M6x40	2		
5	4700416034	Universal joint, M6	1		
6	4812115865	Stop plate	1		

Drivers platform Throttle control cpl, Dual frequency (option)

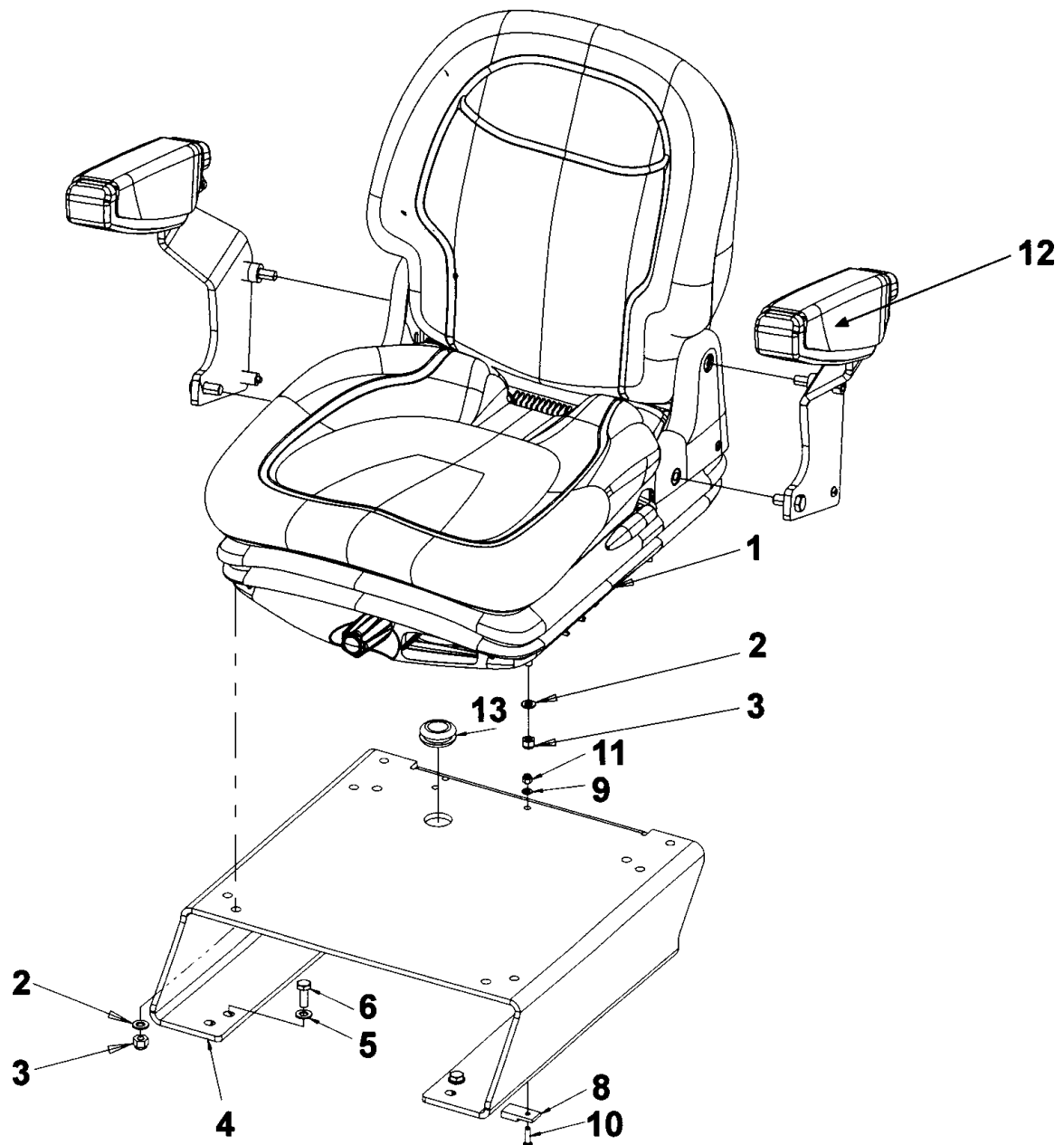


Item	Part No.	Name	Qty	L	SN INFO
1	4812121703	Throttle control	1		
1	4812113164	Cable	1	A	
1	4700389187	Snap plate	1		
1	4700382349	Bellows	1		
1	-	Connection	1		
1	4700396215	Control	1		
2	4700904228	Washer DIN125	2		
3	4700500088	Screw M6x40	2		
4	4812115865	Stop plate	1		

Comments for Page: Throttle control cpl, Dual frequency (option)

(L)OCAL REMARKS

A | en_US | L = 2,23 m

Driver seat Driver seat, Std

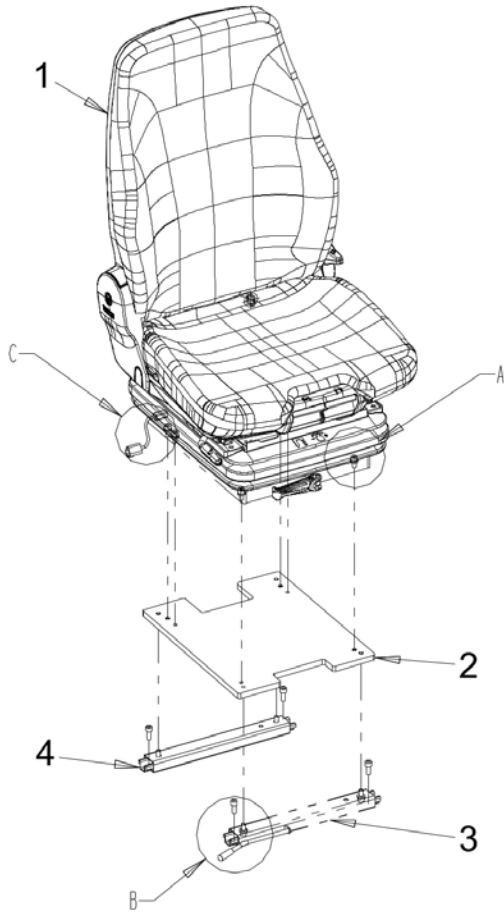
Refer to Parts Online for the most up to date information. The printed information might be outdated.

Wed Sep 07 10:14:52 UTC 2016

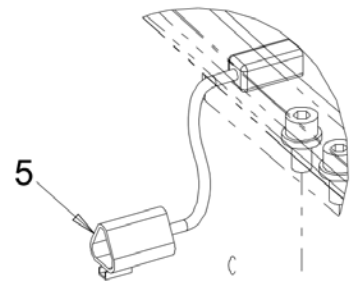
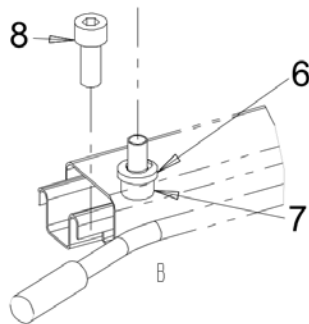
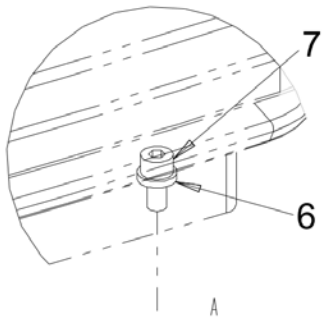
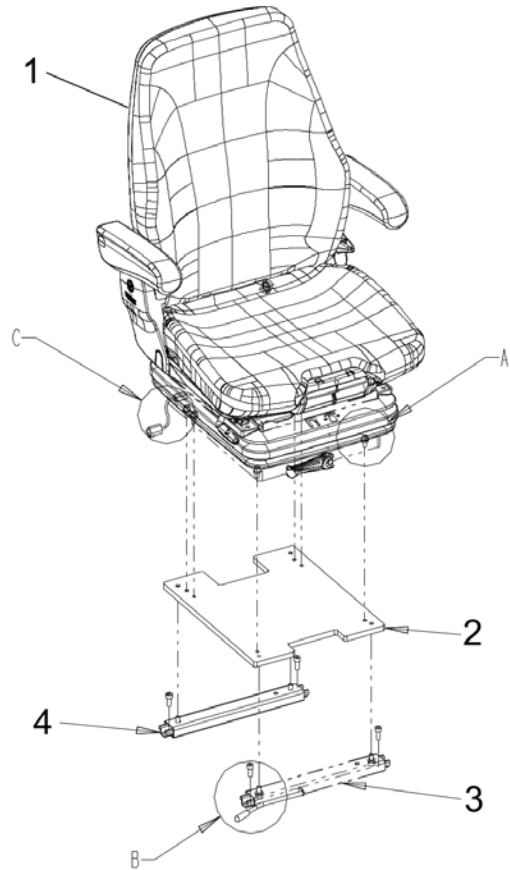
Item	Part No.	Name	Qty	L	SN INFO
1	4700377518	Seat, galon suspensioned	1		
1	4700945622	Seat switch	1		
1	4700945660	Seat cushion	1		
1	4700945661	Adjuster kit	1		
2	4700904229	Washer, 8.4x 6x1.5 mm 300HV	4		
3	4700586003	Lock nut M8	4		
4	4812112669	Seat frame	1		
5	4700904229	Washer, 8.4x 6x1.5 mm 300HV	4		
6	4700500020	Hex. screw	4		
8	4700904218	Holder	1		
9	4700904281	Washer, 5,3x10x1 300HV	1		
10	4700533070	Screw	1		
11	4700586001	Lock nut	1		
12	4700390963	Arm rest kit	2		
13	4700903192	Grommet	1		

Driver seat Driver seat, Luxury (option)

A

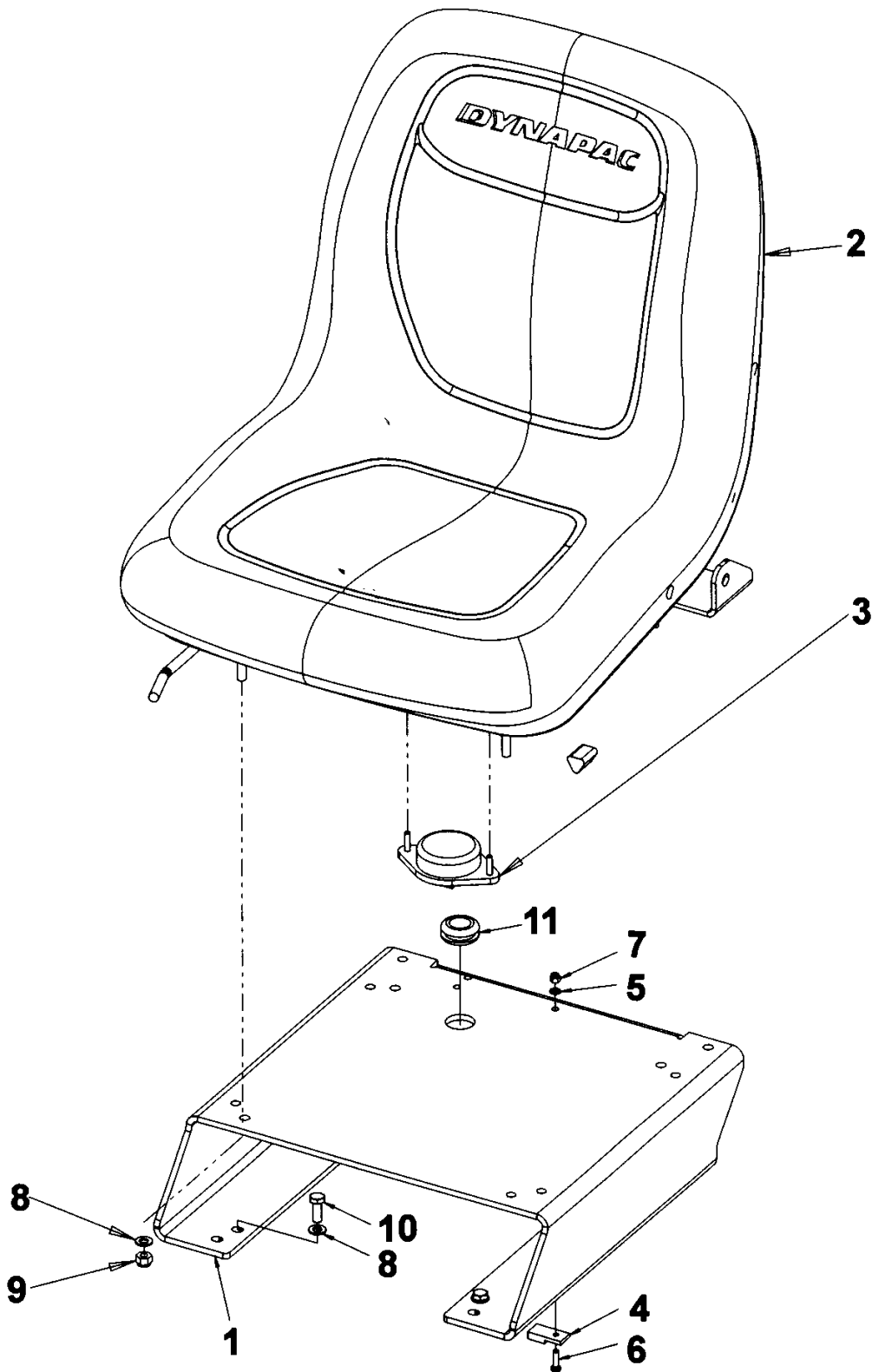


B



Item	Part No.	Name	Qty	L	SN INFO
1	4812114975	Driver seat (without armrests)	1		
1	4700381750	Drivers seat (with armrests)	1		
1	4812160157	Armrest, right	1		
1	4812160158	Armrest, left	1		
1	4700938740	Seat switch	1		
2	4700382237	Bracket	1		
3	4700909535	Sliding rail	1		
4	4700909536	Sliding rail	1		
5	4812115001	Cable harness	1		
6	4700904556	Steel plain washer 8,4x16x3,0	10		
7	4700508005	Screw	10		
8	4700508092	Screw	4		
9	4700386075	Seat protection	1		

Driver seat Driver's seat, without armrests



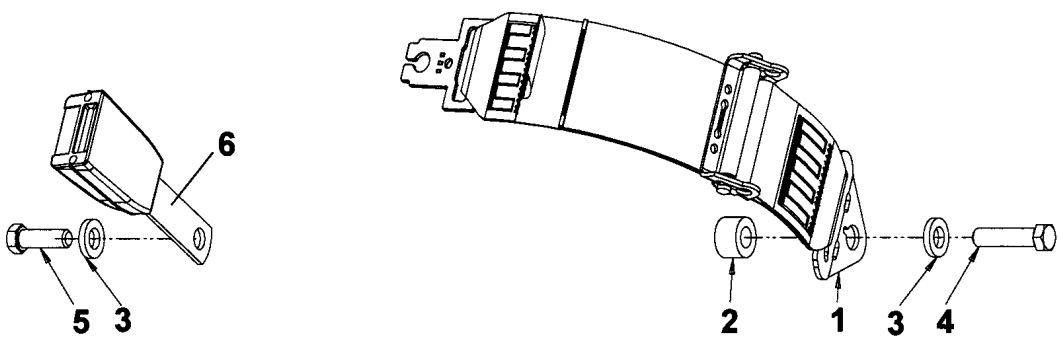
Refer to Parts Online for the most up to date information. The printed information might be outdated.

Wed Sep 07 10:14:53 UTC 2016

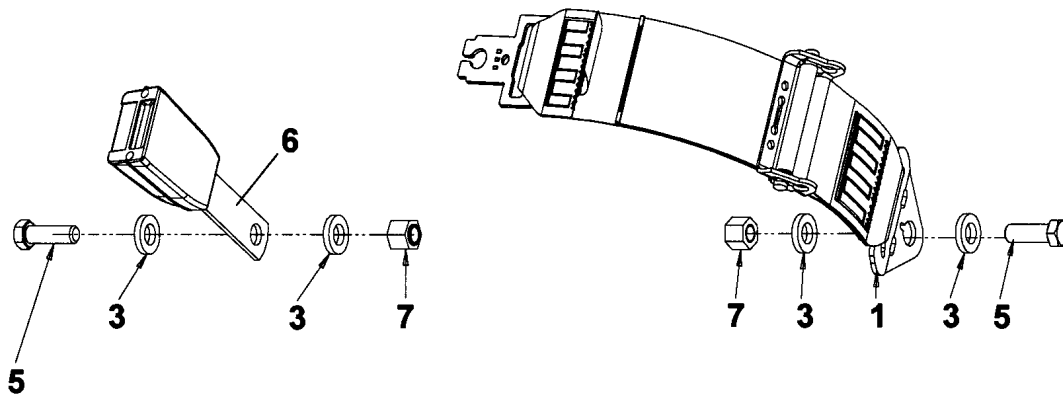
Item	Part No.	Name	Qty	L	SN INFO
1	4812112669	Seat frame	1		
2	4812114466	Drivers seat, cpl	1		
3	4700379636	Seat switch	1		
4	4700904218	Holder	1		
5	4700904281	Washer, 5,3x10x1 300HV	1		
6	4700533070	Screw	1		
7	4700586001	Lock nut	1		
8	4700904229	Washer, 8.4x 6x1.5 mm 300HV	8		
9	4700586003	Lock nut M8	4		
10	4700500020	Hex. screw	4		
11	4700903192	Grommet	1		

Drivers platform Seat belt module 3"

For seat 4700377518



For seat 4812114466



Item	Part No.	Name	Qty	L	SN INFO
1	4812117923	Seat belt	1		
2	4700791572	Spacer washer	1		
3	4700904703	Plain washer 13x24x4 mm	4		
4	4700792527	Screw	1	A	
5	4700928347	Hexagon screw	1	A, B	
6	4812117924	Buckle	1		
7	4700586020	Lock nut	2		

Comments for Page: Seat belt module 3"

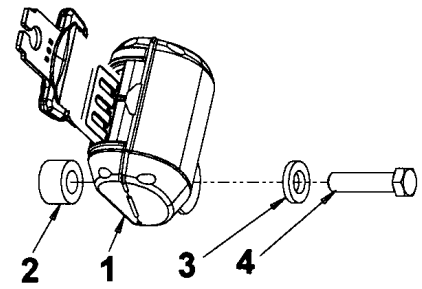
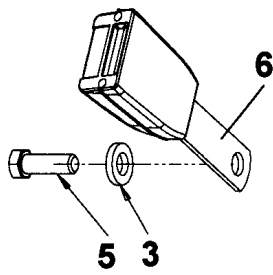
(L)OCAL REMARKS

A | en_US | Used with seat 4700377518.

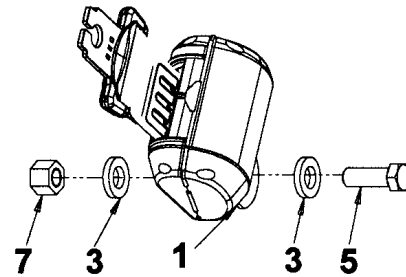
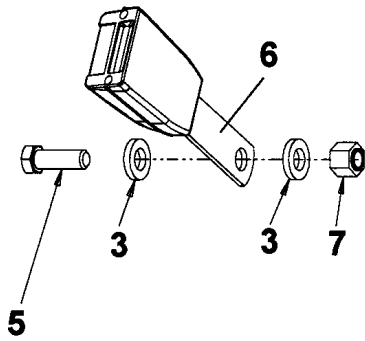
B | en_US | Used with seat 4812114466.

Drivers platform Seat belt module 2"

For seat 4700377518



For seat 4812114466



Item	Part No.	Name	Qty	L	SN INFO
1	4812117922	Seat belt 2"	1		
2	4700791572	Spacer washer	1		
3	4700904703	Plain washer 13x24x4 mm	4		
4	4700792527	Screw	1	A	
5	4700928347	Hexagon screw	1	A, B	
6	4812117924	Buckle	1		
7	4700586020	Lock nut	2		

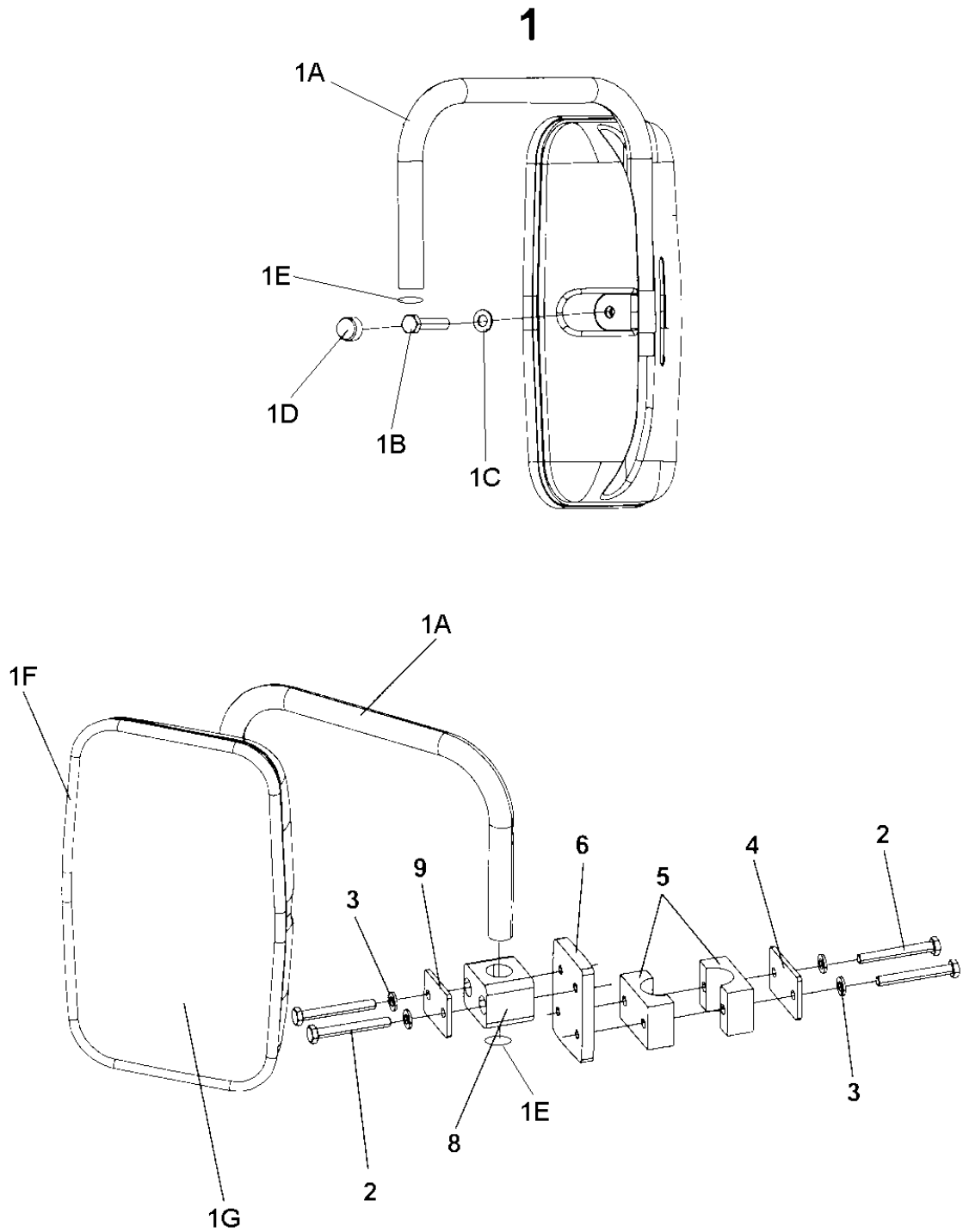
Comments for Page: Seat belt module 2"

(L)OCAL REMARKS

A | en_US | Used with seat 4700377518

B | en_US | Used with seat 4812114466

Drivers platform Rear view mirror (option)

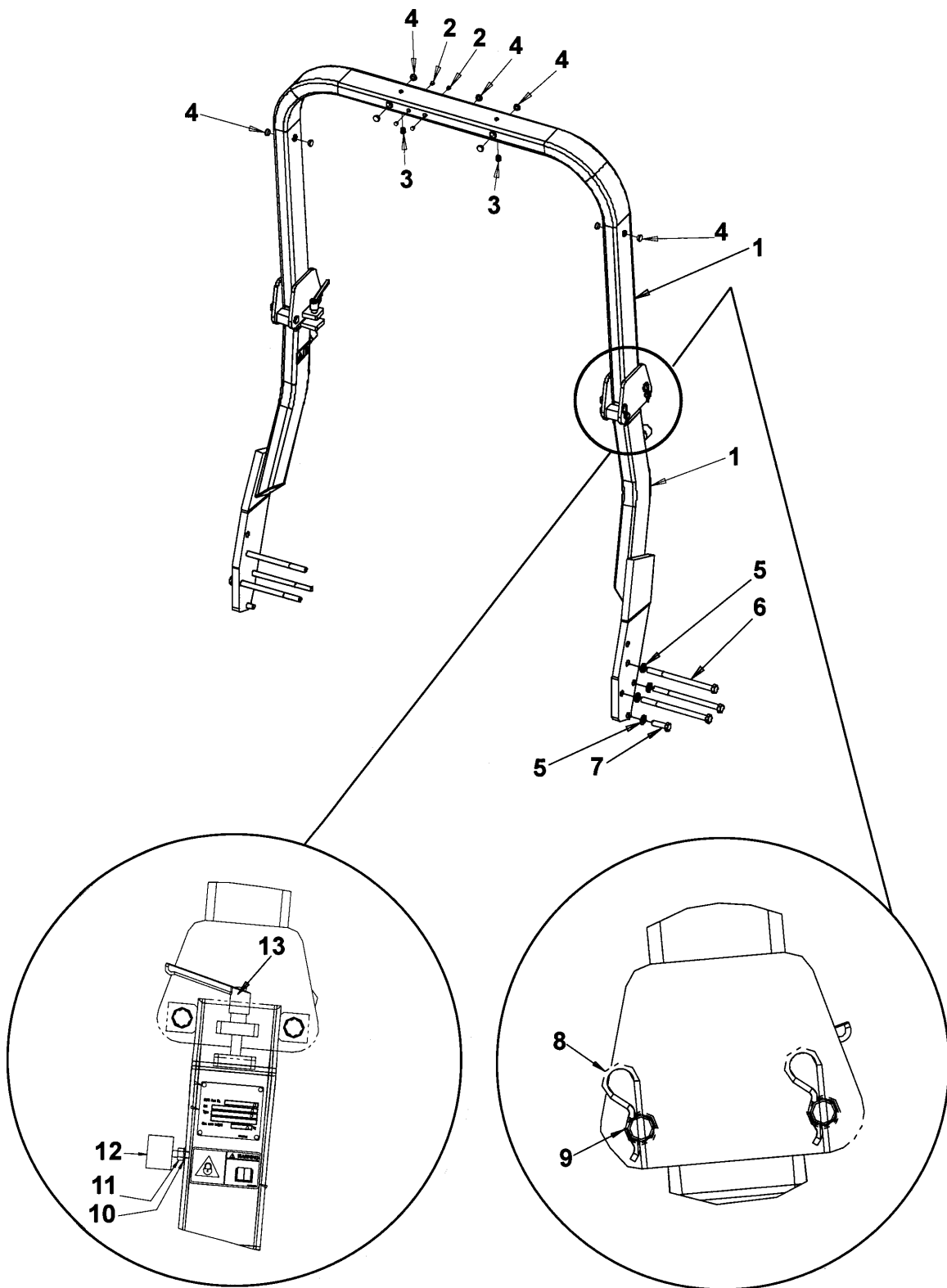


Refer to Parts Online for the most up to date information. The printed information might be outdated.

Wed Sep 07 10:14:54 UTC 2016

Item	Part No.	Name	Qty	L	SN INFO
1	4700393204	Rear mirror	1		
1-A	4700359661	Arm	1		
1-B	4700500023	Screw, M8x40 mm 8.8 A2K	1		
1-C	4700904229	Washer, 8.4x 6x1.5 mm 300HV	1		
1-D	4700904203	Nut protection	1		
1-E	4700900519	Plug	2		
1-F	4700393206	Edge trim	1		
1-G	4700903722	Mirror glass	1		
2	4700500079	Screw M6-1x50 8,8	4		
3	4700904228	Washer DIN125	4		
4	4700923859	Cover plate	1		
5	4700902496	Clamp	1		
6	4812110283	Bracket	1		
8	4700791453	Pipe clamp block	1		
9	4700791454	Cover plate	1		

ROPS ROPS, foldable (option)



Item	Part No.	Name	Qty	L	SN INFO
1	-	Rops lower part	1	A, B	
1	-	null	1	A, B	
2	4700900986	Plug	4		
3	4700902203	Plug	3		
4	4700791396	Protective plug	8		
5	-	n/a on this model			
6	4700904564	Hexagon head screw m	6		
7	-	n/a on this model			
8	4700635061	Hair clip	4		
9	4700374009	Shaft	4		
10	4700904229	Washer, 8.4x 6x1.5 mm 300HV	2		
11	4700570005	Hexagon nut	2		
12	4700288357	Shock absorber	2		
13	4700904429	Lock handle	2		

Comments for Page: ROPS, foldable (option)

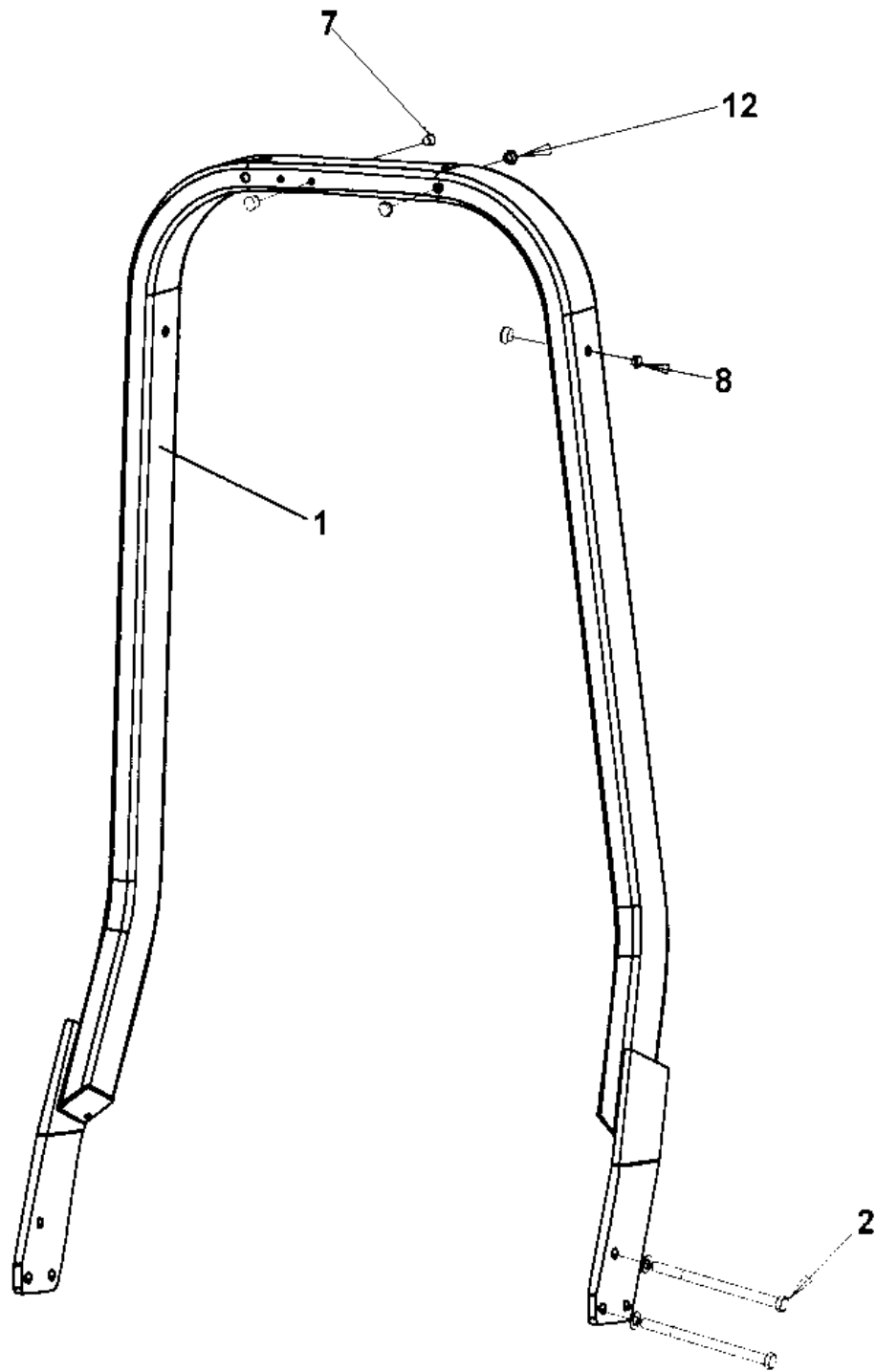
(L)OCAL REMARKS

A | en_US | Not sold separately due to safety regulations

B | en_US | Only available as a complete ROPS kit, please check the machine SN.

Please contact your local OEM representative (Dealer / Customer Center / Product Company) for valid PN.

ROPS Rops (option)



Refer to Parts Online for the most up to date information. The printed information might be outdated.

Wed Sep 07 10:14:55 UTC 2016

Item	Part No.	Name	Qty	L	SN INFO
1	-	ROPS	1	A, B	
2	4700904564	Hexagon head screw m	6		
7	4700900986	Plug	4		
8	4700902203	Plug	5		
12	4700791396	Protective plug	8		

Comments for Page: Rops (option)

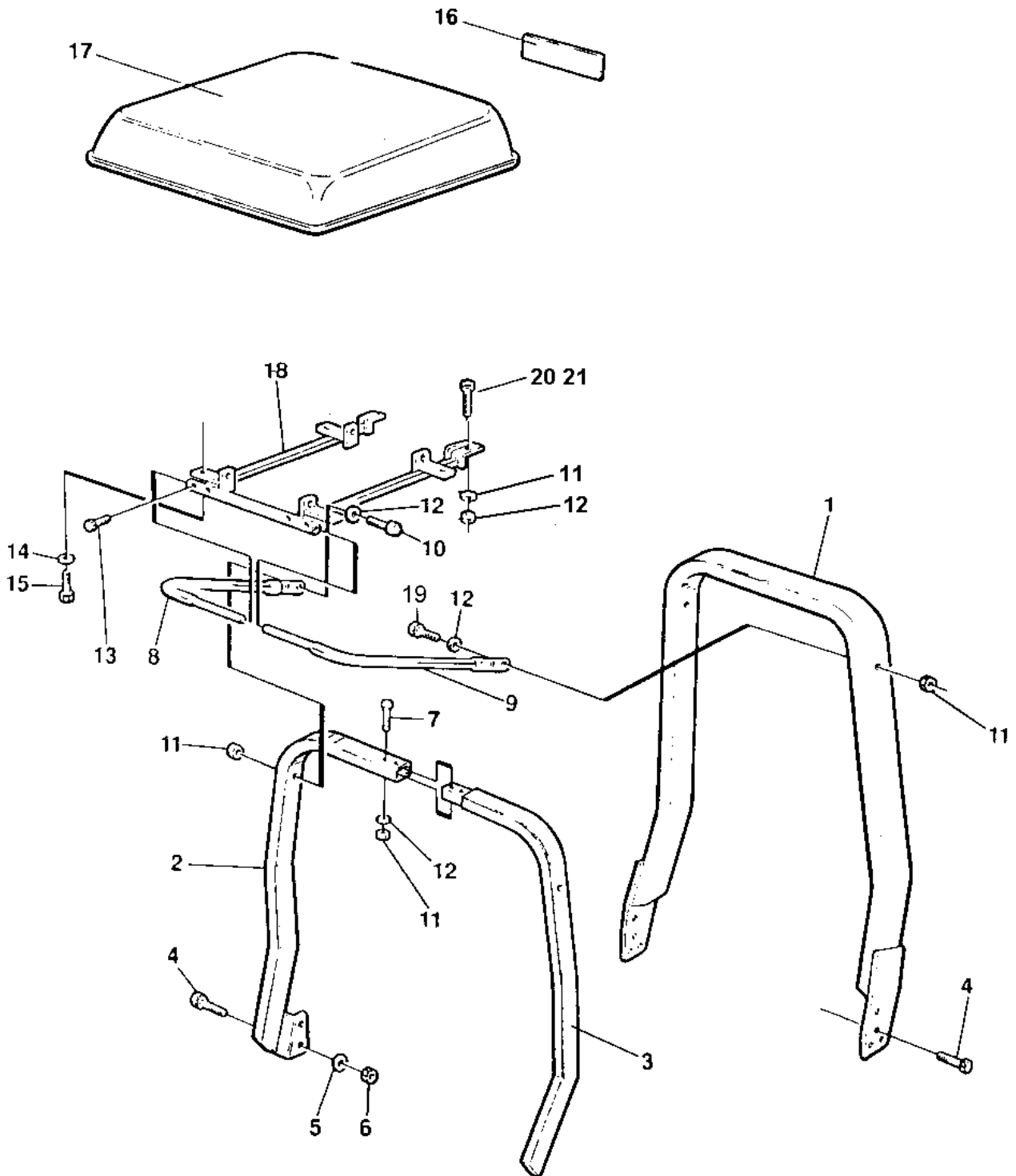
(L)OCAL REMARKS

A | en_US | Not sold separately due to safety regulations

B | en_US | Only available as a complete ROPS kit; please check the machine SN.

Please contact your local OEM representative (Dealer / Customer Center / Product Company) for valid PN.

Drivers platform Canopy (option)



Refer to Parts Online for the most up to date information. The printed information might be outdated.

Wed Sep 07 10:14:55 UTC 2016

Item	Part No.	Name	Qty	L	SN INFO
1	-	ROPS		1	
2	4700358801	Frame	1	A	
3	4700358802	Frame	1	B	
4	4700500030	Screw hexagon	4		
5	4700600008	Washer	6		
6	4700586018	Lock nut M10	2		
7	4700500195	Screw	2		
8	4700358789	Frame	1	A	
9	4700358790	Frame	1	B	
11	4700586019	Lock nut, M12	4	2	
12	4700904231	Washer, 13x24x2 mm 300 HV	6	2	
13	4700516042	Screw	4		
14	4700904229	Washer, 8.4x 6x1.5 mm 300HV	4		
15	4700500021	Screw, M8x25 mm 8.8 A2K	4		
16	4700904094	Decal "DYNAPAC" L=670 mm	1		
17	4700358782	Canopy	1		
18	4700358783	Frame	1		
19	4700500071	Screw	4	2	
20	4700904703	Plain washer 13x24x4 mm	2		
21	4700500196	Screw M12-1,75x80 8.8	2		

Comments for Page: Canopy (option)

(L)OCAL REMARKS

A | en_US | Right

B | en_US | Left

1 | en_US | Rops, see section " Rops "

2 | en_US | Canopy for rops

Item	Part No.	Name	Qty	L	SN INFO
1	4700903459	Decal "SAFETY"	1		
3	4700903425	Safety decal "READ SAFETY INSTRUCTIONS"	1		
7	4700904870	Lifting data plate	2		
8	4700357587	Label lifting point	2		
10	4812120127	Decal "COMPACTING ROCKS" Right side	1		
11	4812120313	Decal "COMPACTING ROCKS" Left side	1		
12	4700991657	Decal "WATER"	1		
13	4700903422	Safety decal "CRUSH AREA"	2		
14	4700991658	Decal "FUEL"	1		
20	4812120413	Decal "MODEL CODE" CC1100	2		
26	4700903423	Safety label, Rotating engine components	2		
27	4700903424	Safety label, hot surfaces	2		
28	4700272372	Decal "HYDRAULIC OIL"	1		
33	4700908229	Safety decal	2		
34	4700382751	Decal "SECURING POINT/TIE DOWN"	4		
35	4700904835	Decal "BATTERY POWER"	1		
36	4700377742	Reflector, red	2		
37	4700377744	Reflector, yellow	2		
38	4700377743	Reflector, white	2		
40	4700791274	Decal "Sound power level" 104 dB	1		
42	4811000128	Contrast plate, yellow	1		
45	4700272373	Label, hydraulic oil level	1		
46	4700791094	Decal "RUS 127 approved" Option	1		
47	4812115918	Decal "Starting instruction"	1		
48	4812116992	Decal "TYRE PRESSURE" 170-250 kPa	2		
49	4700904399	Decal "Risk location"	2		
50	4700904396	Decal "Risk location"	2		
51	4812120119	Decal "Atlas Copco" Black	3	A	
51	4812120123	Decal "Atlas Copco" Black, H=118	1	B	
52	4812120118	Decal "Atlas Copco" White	1	A	
52	4812120122	Decal "AC logotype" White, H=190	1	C	

Comments for Page: Decals

(L)OCAL REMARKS

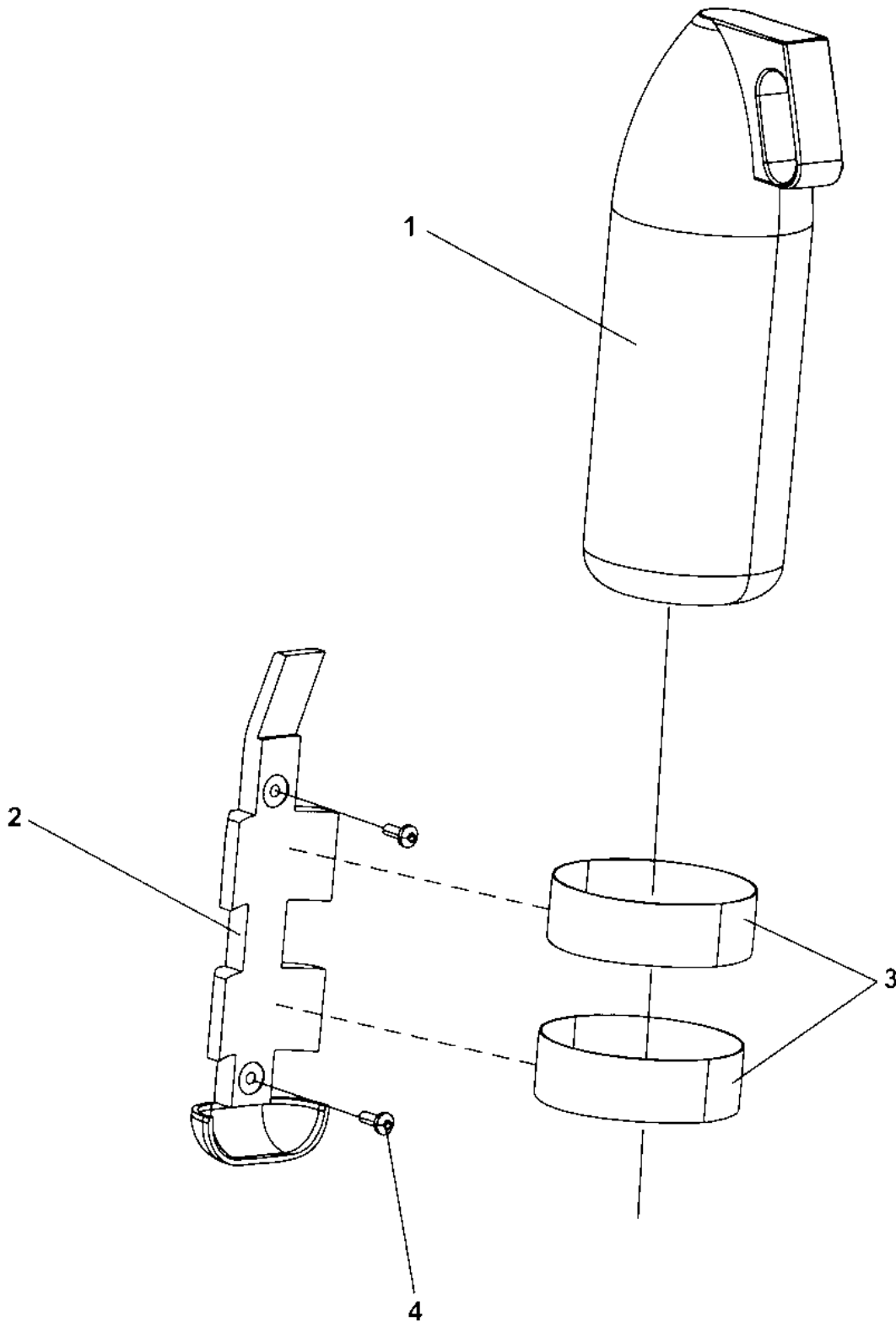
A | en_US | Read instruction manual

B | en_US | Hazardous area

C | en_US | Engine fan

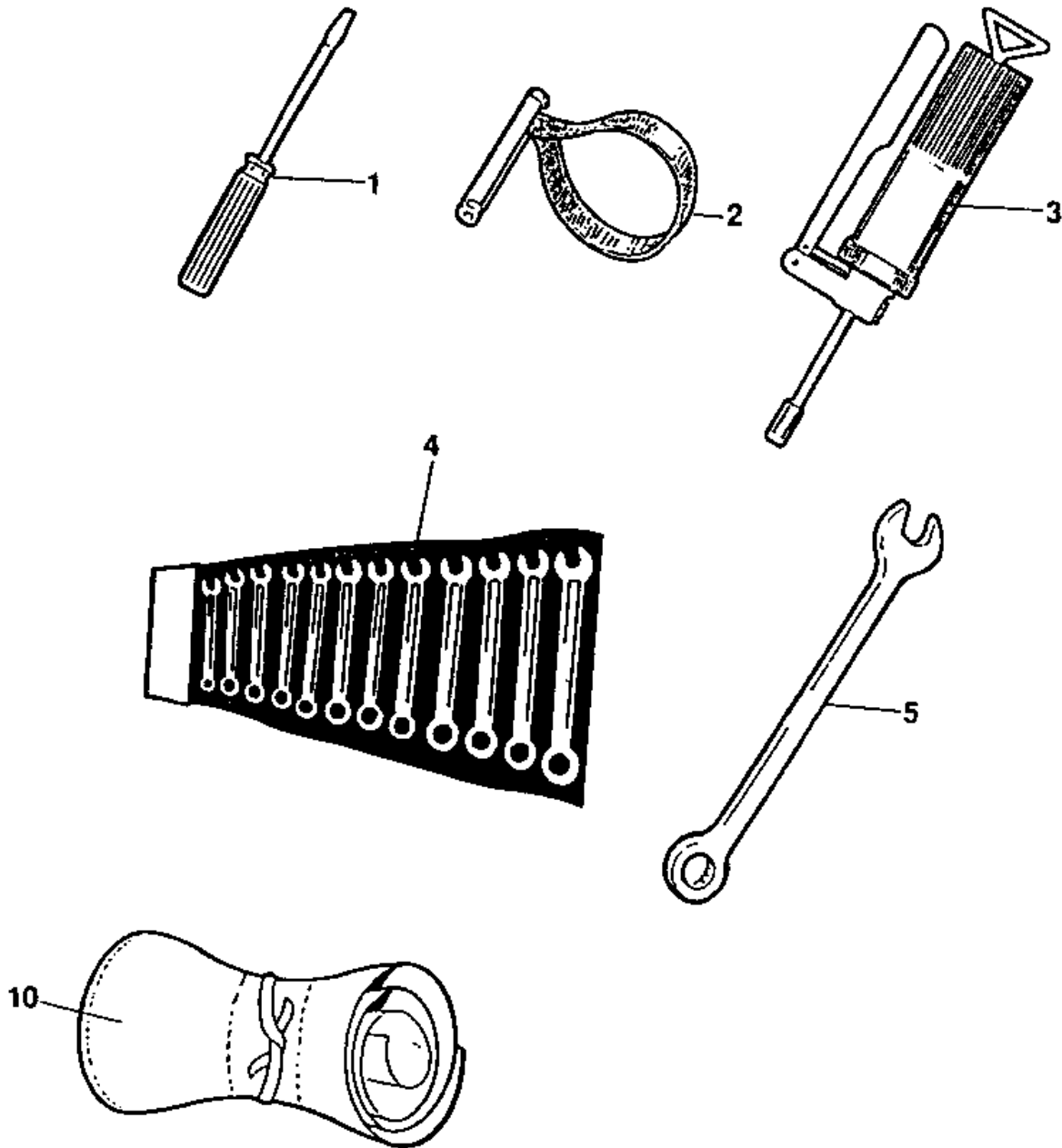
This page intentionally left blank

Optional equipment Fire extinguisher



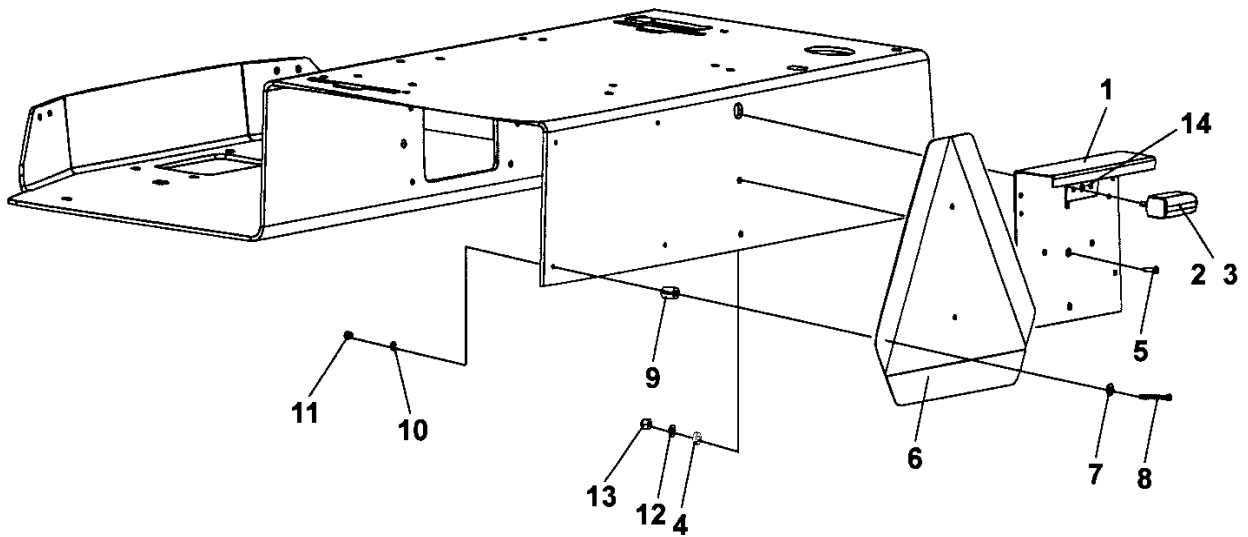
Item	Part No.	Name	Qty	L	SN INFO
1	-	Fire extinguisher	1		
2	4700378857	Holder	1		
3	4700378858	Strap	2		
4	4700792185	Screw M6x16	2		

Optional equipment Tool equipment



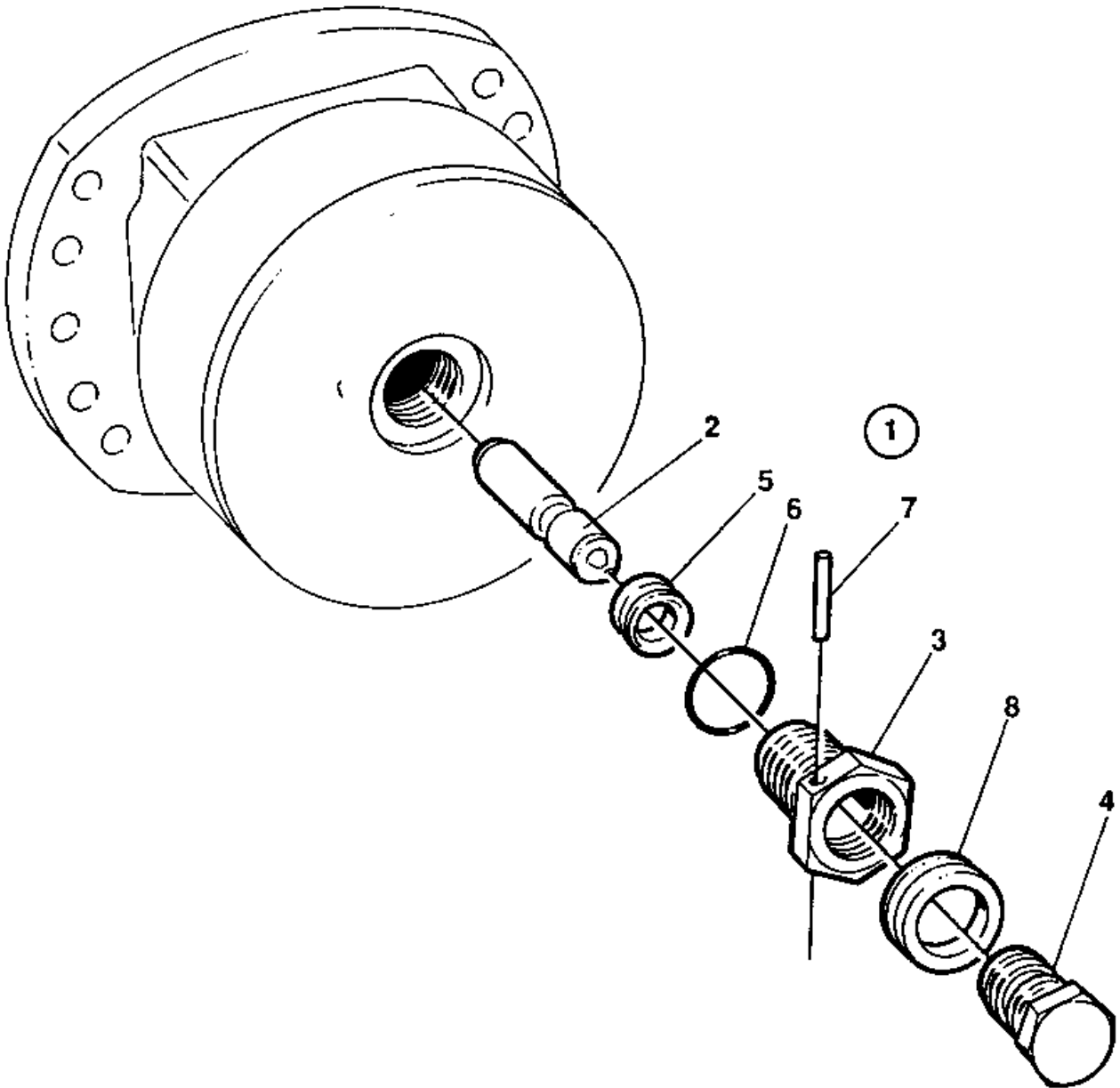
Item	Part No.	Name	Qty	L	SN INFO
1	4700485019	Screw driver	1		
2	4700902610	Belt pliers	1		
3	4700311016	Grease gun	1		
4	4700792137	Open end spanner 10 mm	1		
4	4700792138	Open end spanner 13 mm	1		
4	4700792139	Open end spanner 16 mm	1		
4	4700792140	Open end spanner 18 mm	1		
5	4700792141	Wrench 250 mm	1		
10	4700277992	Tool bag	1		

Optional equipment SMV-sign and Licence plate



Item	Part No.	Name	Qty	L	SN INFO
1	4700355797	Licence plate holder	1		
2	4700929455	Licence plate light	1		
3	4700985013	Bulb 12V,5W	1		
4	4700394301	Spacer sleeve	2		
5	4700535008	Screw M5x20	2		
6	4700476019	SMV-sign	1		
7	4700601001	Washer	4		
8	4700500080	Screw	4		
9	4700355704	Spacer sleeve	4		
10	4700904281	Washer, 5,3x10x1 300HV	4		
11	4700586001	Lock nut	4		
12	4700904228	Washer DIN125	2		
13	4700586002	Lock nut M6 -8	2		
14	4812114665	Cable harness	1		

Optional equipment Brake release, propulsion motor



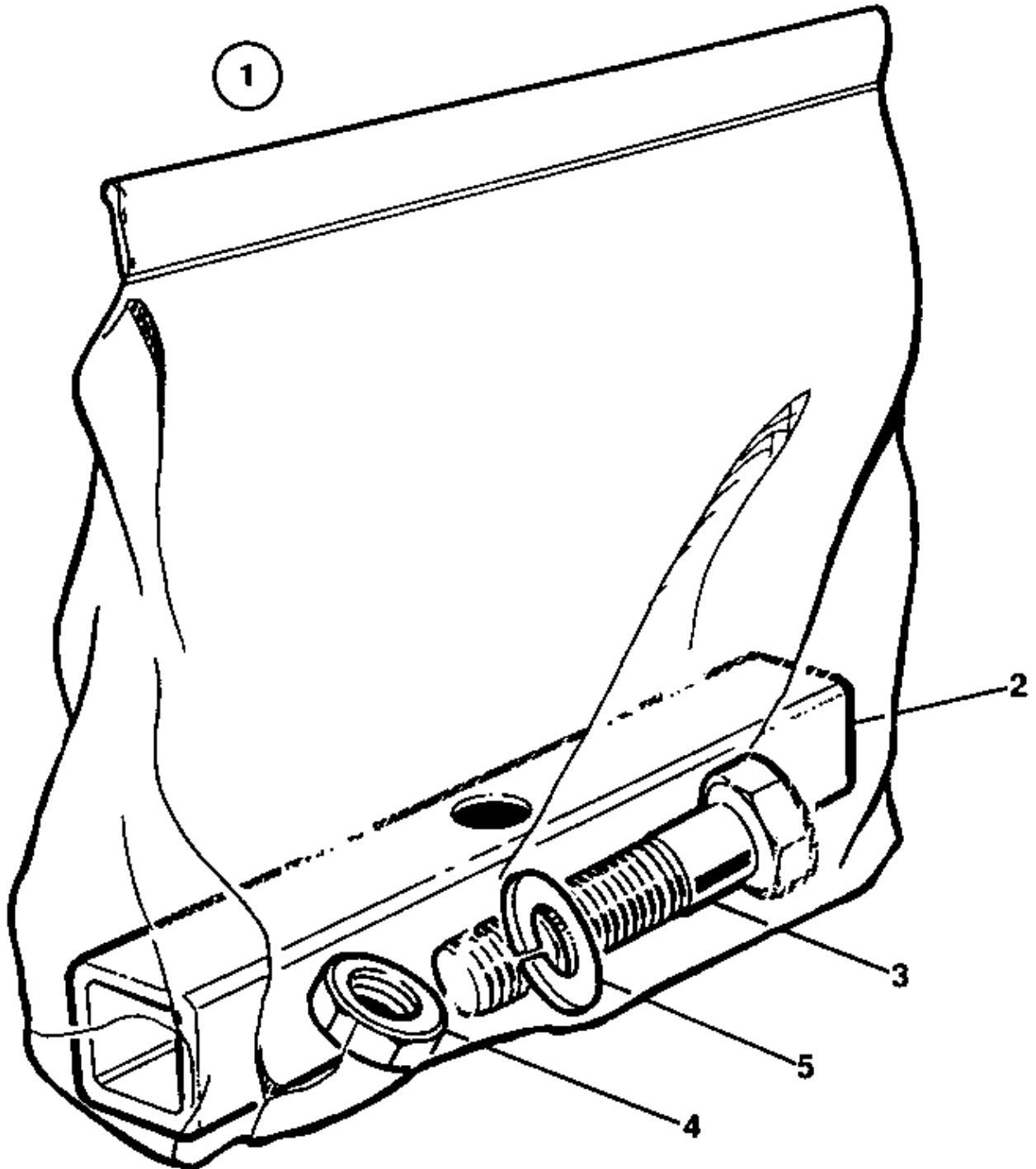
Item	Part No.	Name	Qty	L	SN INFO
1	4700373057	Brake release kit	2	1	
2	4700373029	Stud	1		
3	4700381253	Plug	1		
4	4700381252	Plug	1		
5	4700904030	Seal	1		
6	4700160363	O-ring	1		
7	4700904029	Pin	1		
8	4700903835	Seal	1		

Comments for Page: Brake release, propulsion motor

(L)OCAL REMARKS

1 | en_US | For hydraulic motors P/N 4700371542 and P/N 4700375631.

Optional equipment Brake release, propulsion motor Poclairn

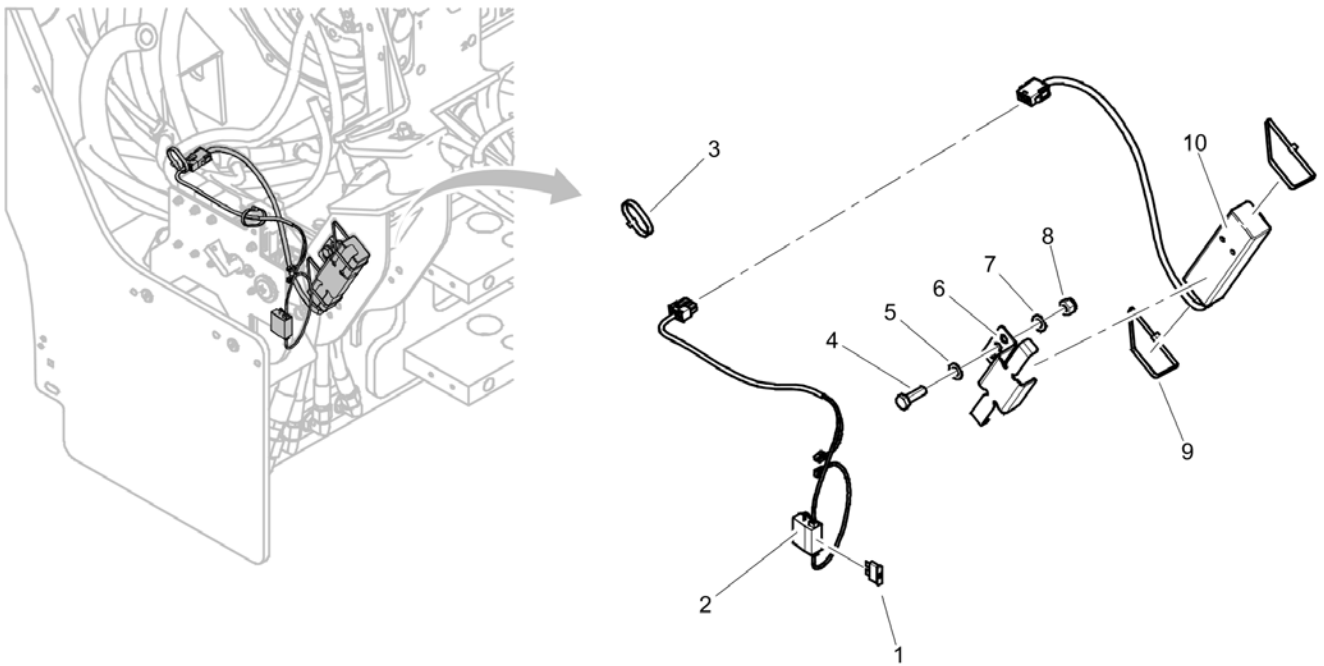


Refer to Parts Online for the most up to date information. The printed information might be outdated.

Wed Sep 07 10:14:58 UTC 2016

Item	Part No.	Name	Qty	L	SN INFO
1	4700392070	Brake release kit	1		
2	4700357892	Stirrup	2		
3	4700792550	Screw M12x100 10.9	2		
4	4700928849	Nut	2		
5	4700904213	Steel Plain Washer	4		

Optional equipment FleetLink module



Item	Part No.	Name	Qty	L	SN INFO
1	4700901225	Fuse 5A Tan	1		
2	4812124961	4812124961	1		
3	4700313041	Cable ties, L=200 mm	2		
4	4700500021	Screw, M8x25 mm 8.8 A2K	1		
5	4700904229	Washer, 8.4x 6x1.5 mm 300HV	1		
6	4812124461	Bracket	1		
7	4700904229	Washer, 8.4x 6x1.5 mm 300HV	1		
8	4700586003	Lock nut M8	1		
9	4700792609	Cable ties	2		
10	4812013038	GPS module	1		

Appendix B:Parts Index			
0147195880	118	4700347154	30, 42
4700111018	24, 58	4700347155	30, 42
4700160016	96	4700349202	58
4700160031	96	4700349879	36
4700160112	30	4700349880	36
4700160132	22, 24, 58	4700350029	58
4700160219	44	4700355704	216
4700160268	46	4700355797	216
4700160313	46	4700355869	86, 90, 100, 166
4700160363	218	4700355981	100
4700162004	100	4700357031	42
4700162006	96	4700357038	42
4700162011	58	4700357039	42
4700162017	58	4700357049	58
4700163049	22, 24, 58	4700357055	58
4700167044	30, 42	4700357111	92
4700202042	168	4700357112	92
4700232056	96	4700357138	16, 18, 96
4700232095	66	4700357139	96
4700232122	96	4700357221	36, 38
4700232143	58	4700357222	28, 36, 38
4700233215	46, 52	4700357395	44
4700272372	208	4700357418	30, 42
4700272373	208	4700357459	38
4700277992	214	4700357466	84
4700287713	44	4700357487	36
4700288129	64, 72	4700357489	36
4700288357	202	4700357543	108
4700311016	214	4700357562	122
4700313002	44	4700357567	120
4700313004	82	4700357587	208
4700313008	82, 96	4700357604	160
4700313010	88	4700357605	160
4700313023	88	4700357643	170
4700313041	46, 122, 124, 126, 128, 142, 148, 152, 156, 222	4700357663	128
4700313075	86	4700357679	128
4700313102	90, 98, 102, 110	4700357789	54
4700313108	82, 86	4700357819	48
4700330081	64	4700357855	164
4700330333	64	4700357892	220
4700332038	100	4700357934	108
4700334116	108	4700358186	54
4700334135	108	4700358232	160
4700334165	108	4700358311	54
4700334197	108	4700358486	96
4700334235	100	4700358546	100
4700343490	58	4700358666	58
4700343744	58	4700358689	58
4700345215	28	4700358782	206
4700347153	30, 42	4700358783	206
		4700358789	206

4700358790	206	4700384299	48
4700358801	206	4700385599	168
4700358802	206	4700386075	192
4700358846	44	4700386951	74
4700358881	32, 164	4700387226	160
4700358897	54	4700387227	164
4700358898	54	4700387545	164
4700358976	42	4700387552	84
4700359003	44	4700387683	168
4700359043	56	4700387948	76
4700359661	200	4700388382	152
4700370699	48	4700388447	170
4700370880	62	4700388737	164
4700371112	62	4700388846	76
4700371313	90, 98	4700388852	80, 80
4700371314	90, 98	4700389177	186
4700372900	62	4700389187	188
4700372905	62	4700389561	124, 126
4700372951	54	4700389577	124, 126, 128
4700372964	166	4700389840	122
4700373029	218	4700390963	190
4700373057	218	4700391115	120, 136
4700373478	96	4700391784	164
4700374009	202	4700391929	58
4700374132	180	4700392011	46
4700374133	180	4700392070	220
4700375616	92	4700392227	44
4700375632	92	4700392229	44
4700375745	46	4700392230	44
4700375805	46	4700392232	44
4700377061	76	4700392509	46
4700377139	164	4700392510	46
4700377518	190	4700393204	200
4700377742	208	4700393206	200
4700377743	208	4700393540	36, 38
4700377744	208	4700393697	46
4700378857	212	4700394253	84
4700378858	212	4700394301	216
4700379009	44	4700395394	164
4700379179	36, 58	4700396215	186, 188
4700379458	96	4700396768	154
4700379636	194	4700416034	172, 186
4700379637	158	4700476019	216
4700379753	46	4700480124	96
4700381252	218	4700480852	46, 48
4700381253	218	4700482214	100
4700381750	192	4700482773	100
4700382237	192	4700482883	100
4700382349	186, 188	4700482898	108
4700382751	208	4700483283	100
4700383705	170	4700483585	108

4700483765	110	4700500269	90
4700484092	92	4700500505	160, 162, 170
4700484316	92, 92	4700508005	192
4700485019	214	4700508018	72
4700499162	128	4700508019	74
4700499497	74	4700508029	98
4700500006	122	4700508048	178
4700500007	164	4700508065	36, 38
4700500012	154	4700508092	172, 184, 192
4700500013	64, 76, 80	4700508096	70, 90
4700500016	36, 48, 54	4700513017	54, 164
4700500019	36, 154, 160	4700516042	206
4700500020	46, 72, 116, 184, 190, 194	4700533016	100
4700500021	64, 72, 180, 206, 222	4700533070	190, 194
4700500022	46, 86, 90, 122	4700535008	216
4700500023	200	4700570004	168
4700500024	52	4700570005	56, 202
4700500028	42, 46, 128	4700573005	136
4700500029	40	4700586001	120, 122, 190, 194, 216
4700500030	54, 58, 80, 80, 164, 206	4700586002	54, 168, 216
4700500031	166, 178	4700586003	52, 52, 76, 90, 116, 120, 122, 124, 126, 170, 184, 190, 194, 222
4700500034	100	4700586018	36, 40, 54, 72, 92, 128, 134, 164, 178, 206
4700500037	90	4700586019	54, 160, 206
4700500040	66	4700586020	196, 198
4700500044	58	4700600002	100
4700500046	64	4700600004	36
4700500048	166	4700600008	206
4700500053	44, 64, 72, 76, 84, 88, 178	4700600016	110
4700500060	120	4700601001	216
4700500067	52, 96	4700603009	180
4700500068	90, 90	4700603018	96
4700500071	206	4700615076	36
4700500075	168	4700630019	110
4700500078	96	4700635061	202
4700500079	200	4700791094	208
4700500080	216	4700791182	46
4700500088	186, 188	4700791185	168
4700500096	136	4700791226	170
4700500100	36, 72, 78	4700791274	208
4700500105	52	4700791304	52
4700500107	36, 38	4700791333	162, 182
4700500115	76	4700791343	162
4700500117	160	4700791396	202, 204
4700500143	124, 126	4700791397	96
4700500180	172, 178	4700791398	90, 90, 96, 110
4700500183	62	4700791401	110
4700500190	44	4700791405	110
4700500195	54, 206	4700791409	92, 94, 102
4700500196	206	4700791410	90
4700500205	62	4700791414	110
4700500240	54		

4700791415	96	4700792083	164
4700791422	86	4700792091	156, 168
4700791453	200	4700792098	154
4700791454	200	4700792119	64
4700791476	164	4700792134	52
4700791547	92	4700792137	214
4700791568	44	4700792138	214
4700791572	196, 198	4700792139	214
4700791578	164	4700792140	214
4700791579	164	4700792141	214
4700791580	164	4700792159	102
4700791583	142, 148	4700792185	212
4700791584	142, 148	4700792189	56
4700791585	124, 128	4700792219	98
4700791587	130	4700792250	66
4700791588	164	4700792320	164
4700791643	152	4700792332	92
4700791666	56, 76, 80, 80	4700792338	90
4700791699	90, 96	4700792413	142, 148
4700791704	152	4700792441	122
4700791723	122	4700792512	90
4700791739	122	4700792527	196, 198
4700791745	90, 96	4700792550	220
4700791754	132	4700792600	44
4700791774	86	4700792601	36
4700791775	170	4700792609	222
4700791792	90, 96	4700792779	44
4700791798	90, 96	4700813500	108
4700791799	94, 98	4700892179	30, 42
4700791820	102	4700900519	200
4700791828	90, 94	4700900790	144, 150
4700791843	98	4700900986	202, 204
4700791846	102	4700901191	46
4700791847	110	4700901224	34
4700791916	142, 148	4700901225	34, 142, 148, 156, 168, 222
4700791926	178	4700901226	34
4700791938	52	4700901227	34, 122, 142, 148, 168
4700791939	52	4700901228	34, 122, 168
4700791949	44	4700901229	34
4700791951	144	4700901230	34, 122
4700791953	144, 150	4700901369	132
4700791954	146	4700901431	44
4700791955	146	4700901432	44, 48
4700791957	132	4700901692	96
4700791959	44	4700901744	104
4700791974	48	4700901750	104
4700791977	46, 48	4700901767	156
4700791980	124, 126	4700901832	90, 98
4700791981	124, 126	4700902059	42
4700792059	150	4700902060	42
4700792072	46, 52	4700902061	30, 42

4700902062	30, 42	4700903557	104, 104
4700902063	30, 42	4700903658	164
4700902100	36	4700903714	78
4700902123	166	4700903722	200
4700902166	76, 162	4700903732	120
4700902171	36	4700903741	34, 122, 168
4700902172	36	4700903789	62
4700902189	174	4700903790	62
4700902203	202, 204	4700903810	152
4700902227	132	4700903835	218
4700902233	90	4700903956	122, 142, 148
4700902252	62	4700904029	218
4700902268	46	4700904030	218
4700902285	48	4700904036	120
4700902286	48, 76	4700904037	34
4700902287	52, 66, 96	4700904038	34
4700902295	82, 96	4700904039	34, 122
4700902379	90, 92, 96, 96, 162	4700904040	34
4700902496	200	4700904041	34
4700902520	36, 120	4700904042	34
4700902560	120	4700904044	172, 178
4700902576	42	4700904094	206
4700902610	214	4700904116	48
4700902619	104	4700904175	100
4700902620	104	4700904203	200
4700902625	104	4700904213	220
4700902641	104	4700904218	190, 194
4700902644	104	4700904225	160
4700902654	106	4700904228	48, 48, 54, 58, 66, 76, 80, 80, 154, 168, 186, 188, 200, 216
4700902797	160	4700904229	36, 44, 52, 56, 64, 70, 72, 76, 86, 88, 90, 116, 122, 124, 126, 132, 136, 138, 140, 144, 146, 150, 154, 160, 172, 178, 180, 182, 184, 190, 190, 194, 200, 202, 206, 222, 222
4700902868	48	4700904230	36, 40, 54, 58, 64, 72, 92, 96, 100, 118, 128, 134, 164, 166, 178
4700902869	48	4700904231	54, 64, 72, 90, 160, 206
4700902890	76	4700904232	36, 38
4700902892	160	4700904258	22, 58
4700902910	48	4700904281	120, 122, 164, 190, 194, 216
4700902919	160	4700904294	34
4700903010	48	4700904396	208
4700903141	100	4700904399	208
4700903142	100	4700904429	202
4700903144	100	4700904475	70
4700903145	100	4700904556	66, 72, 72, 74, 96, 162, 170, 192
4700903154	58	4700904557	46, 54, 64, 70
4700903192	160, 190, 194	4700904564	202, 204
4700903287	58	4700904623	96
4700903422	208	4700904637	90
4700903423	208	4700904640	44, 52, 78, 84
4700903424	208	4700904698	80, 80
4700903425	170, 208	4700904703	64, 90, 160, 196, 198, 206
4700903459	164, 208		
4700903471	104		
4700903478	44		

4700904728	90	4700935163	104
4700904734	72	4700935164	104
4700904735	64	4700935165	104
4700904835	208	4700935166	104
4700904870	208	4700935167	104
4700904889	152	4700935170	104, 104
4700904956	132, 138, 140, 144, 146, 150	4700935171	104
4700904984	86, 86, 86, 86, 86	4700935172	104
4700904989	142, 148	4700935176	104
4700908229	208	4700935177	104
4700908384	104	4700935178	104
4700909514	104	4700935179	104
4700909535	184, 192	4700935181	104
4700909536	184, 192	4700935182	104
4700921022	90	4700935183	104
4700921072	124, 126	4700935184	106
4700921099	48, 92	4700935186	106
4700921104	66	4700935187	106
4700921116	64, 86	4700935188	106
4700923008	72	4700935189	106
4700923405	90, 96, 110	4700935190	106
4700923406	108	4700935191	106
4700923407	100	4700935613	166
4700923680	48	4700935614	166
4700923683	48	4700936691	104
4700923684	48	4700936692	104
4700923734	44	4700936693	104
4700923735	44	4700936706	106
4700923844	160	4700938534	30
4700923859	48, 200	4700938575	30
4700923876	48	4700938740	192
4700923951	22, 58	4700938885	28
4700923976	76, 80, 80, 100	4700938892	24
4700924544	46	4700938908	22
4700924996	48	4700939802	16, 18, 74
4700925263	54	4700939803	16, 18, 74
4700925599	46	4700939804	74
4700926214	30, 42	4700939805	74
4700926215	160	4700939806	74
4700926911	44	4700939807	74
4700927278	104	4700940451	32, 168
4700927396	38	4700945622	190
4700928347	196, 198	4700945660	190
4700928381	76	4700945661	190
4700928441	80, 80, 136	4700945753	32, 84
4700928781	48	4700960079	152
4700928830	166	4700960725	168
4700928849	220	4700960796	122
4700929455	216	4700985012	144, 150
4700935161	104	4700985013	216
4700935162	104	4700985126	124, 126, 128

4700989151	96	4812111950	138
4700991657	208	4812111951	144, 150
4700991658	208	4812111952	146
4700999027	116	4812111969	44
4811000077	126	4812112009	48
4811000128	122, 208	4812112013	178
4811000168	44	4812112014	178
4811000285	66	4812112019	70
4811000320	122	4812112021	70
4811000321	122	4812112029	72
4811000322	122	4812112074	44, 44, 44, 44, 46, 46, 46, 48, 48, 48
4811000323	122	4812112091	162
4811000346	156	4812112109	110
4811000347	108	4812112391	64
4811000389	70	4812112451	46
4811000401	92, 92	4812112468	142, 148
4811000425	76	4812112470	100
4811000426	80, 80	4812112471	156
4811000428	110	4812112472	142, 148
4811000456	92	4812112532	162
4811000457	48	4812112566	100
4811000488	76, 80	4812112669	190, 194
4811000489	76, 80	4812112831	46
4812008274	18	4812112994	46
4812013038	222	4812113018	36
4812030096	6, 14	4812113022	64
4812110216	134, 136	4812113044	64
4812110283	200	4812113066	44
4812110288	36	4812113067	44
4812110490	90	4812113077	124, 126, 128
4812110560	120	4812113080	36
4812110620	58	4812113106	162
4812110639	58	4812113107	162
4812110673	58	4812113164	186, 188
4812110901	168	4812113165	186
4812111128	172, 178	4812113207	84
4812111164	162	4812113228	70
4812111325	44	4812113233	64
4812111329	48	4812113235	64
4812111330	44	4812113326	100
4812111331	46	4812113327	90, 90
4812111863	64	4812113328	4, 6, 16, 18
4812111865	64	4812113468	64
4812111866	64	4812113472	72
4812111867	64	4812113523	172, 178
4812111868	64	4812113531	132
4812111880	64	4812113557	118
4812111883	64	4812113598	76
4812111899	64	4812113626	76
4812111900	64	4812113627	76
4812111905	64	4812113676	172, 174

4812113677	178	4812119820	58
4812113694	82	4812120024	26
4812113697	82	4812120026	56
4812113780	64	4812120091	90
4812113781	46	4812120118	208
4812113822	44	4812120119	208
4812113980	64	4812120122	208
4812113987	182	4812120123	208
4812114152	76	4812120127	208
4812114153	76	4812120184	38
4812114177	64	4812120313	208
4812114306	38	4812120391	58
4812114386	170	4812120413	208
4812114466	194	4812120478	78
4812114557	118	4812120540	64
4812114665	216	4812120558	90
4812114872	140	4812120571	76
4812114962	80	4812120578	36
4812114975	192	4812120579	36
4812115001	192	4812120586	42
4812115560	80	4812120689	64
4812115865	186, 188	4812120737	110, 112
4812115918	164, 208	4812120801	96
4812115926	120	4812120871	36, 38
4812116681	36	4812120874	42
4812116992	208	4812120876	98
4812117591	40	4812120877	98
4812117602	88	4812120878	98
4812117746	46	4812120885	92
4812117802	88	4812120928	90
4812117864	168	4812120932	36, 38
4812117868	168	4812120993	36
4812117922	198	4812121186	72
4812117923	196	4812121210	98
4812117924	196, 198	4812121219	98
4812118056	48	4812121226	92, 92
4812118163	76	4812121228	92
4812118165	76	4812121230	92, 92
4812118203	80, 80	4812121231	92, 92
4812118375	88	4812121235	102
4812118517	72	4812121236	102
4812118686	164	4812121237	102
4812118692	58	4812121238	102
4812118694	58	4812121239	102
4812118697	164	4812121357	88
4812119156	36, 38	4812121463	92
4812119157	36, 38	4812121571	96
4812119254	96	4812121607	58
4812119784	52	4812121703	188
4812119785	52	4812121769	92
4812119786	52	4812121770	98

4812121849	122	4812156571	174
4812121856	52	4812156572	174
4812121858	52	4812156573	174
4812121922	96	4812156574	174
4812122207	72	4812156575	174
4812122208	72	4812156576	174, 176
4812122334	72	4812156577	172
4812122477	36	4812157556	176
4812122581	96	4812157598	68
4812122654	42	4812157680	68
4812124321	46	4812157870	78
4812124323	46	4812157871	78
4812124324	46	4812157872	78
4812124325	46	4812157873	78
4812124327	46	4812157874	78
4812124461	222	4812157875	78
4812124961	222	4812157876	78
4812156170	28	4812157877	78
4812156259	4, 6, 8, 10, 12, 14, 16, 18, 68	4812158258	174
4812156260	12, 14, 16, 18, 68	4812158259	174
4812156261	16, 18, 68	4812158260	174
4812156263	4, 6, 12, 14, 16, 18, 64, 68	4812158267	176
4812156264	4, 6, 12, 14, 16, 18, 68	4812159197	174
4812156265	4	4812159198	174
4812156266	12	4812159199	174
4812156267	16	4812159251	174
4812156288	8	4812159290	174
4812156355	68	4812159291	174
4812156356	68	4812159292	174
4812156357	68	4812159563	6, 20
4812156358	68	4812159564	10, 20
4812156359	68	4812159565	14, 20
4812156360	68	4812159568	18, 20
4812156362	68	4812159571	20
4812156363	68	4812159753	70
4812156364	68	4812159961	26
4812156389	68	4812160157	192
4812156490	174	4812160158	192
4812156558	174, 176	4812160251	78
4812156559	174, 176	4812160252	78
4812156560	174, 176	4812160253	78
4812156561	174, 176	4812160254	78
4812156562	174, 176, 176	4812160381	174
4812156563	174	4812160593	176
4812156564	174	4812160594	176
4812156565	174	4812160651	112
4812156566	174	4812160656	112
4812156567	174	4812160657	112
4812156568	174	4812161085	72
4812156569	174	5580020624	6, 10, 18
4812156570	174	570704138	102

9106230330 18

Any unauthorized use or copying of the contents or any part thereof is prohibited.
This applies in particular to trademarks, model denominations, part numbers, and drawings.

