

# Parts Catalogue

## CC1200 VI Vibratory roller

CC1200 VI s/n 10000396xxA018676 -  
Kubota D1703 T4 (18,5 kW)



# General information

Use only authorized parts. Any damage or malfunction caused by the use of unauthorized parts is not covered by Warranty or Product Liability. Any unauthorized use or copying of the contents or any part thereof is prohibited. This applies in particular to trademarks, model denominations, part numbers, and drawings.

## **Instructions for use**

This spare parts list contains no safety regulations and is merely intended to assist in the ordering of spare parts.

For information about operating, servicing, or repairing, the relevant Safety and operating instructions must be consulted at all costs.

Please observe the safety instructions listed in the relevant Safety and operating instructions!

## CC1200 VI (18,5 kW) (T4) s/n 10000396xxA018676 -

### Service kits

4812161674 Service kit, 50h	1
4812161675 Service kit, 50h Plus	3
4812160462 Service kit, 250 / 750h	5
4812161677 Service kit, 250 / 750h Plus	7
4812161678 Service kit, 500h	9
4812161679 Service kit, 500h Plus	11
4812161680 Service kit, 1000h	13
4812161681 Service kit, 1000h Plus	15

### Repair kits

4700938908 Eccentric shaft kit	17
4700938892 Drum rotation kit	19
4812162273 Shock absorber kit, drum	21
4812162274 Scraper kit CC1200 VI	23

### General - Keys and others

Keys	25
Fuses	27

### Frame

Forks, front	29
Forks, rear	31
Scraper, fixed	33
Spring loaded scraper (Front)	35
Spring loaded scraper (Rear)	37
Steering hitch	39
Front frame	41
Rear frame	43
Sprinkler pump	45

### Drum

Drum	47
------	----

### Engine room

Engine module	51
4812125635 Diesel engine (D1703-M-DI-E4B) (18,5 kW)	53
Exhaust system	55
Air cleaner	57
Air hose	59
Engine hood, cpl.	61
Bracket	63
Coupling	65
Expansion tank	67
Coolant hose module	69
Fuel hoses	71
Cooler	73
Fuel tank	75
Battery holder	77
Fan	79
Hydraulic oil tank	81
Belt guard	83
Bracket module	85

### Hydraulic system

Flow divider	87
Brake system	89
Chip spreader (option)	91
Edge cutter	93
Vibration system, external vibration valve - common	95
Vibration system, external vibration valve - without acc valves	99

Vibration system, Accessorie valves	103
Vibration, int vibvlv	105
Hydraulic motor	109
Steering system	111
4812125395 Hydraulic cylinder	113
Hydraulic cylinder module	115
4812125907 Hydraulic cylinder	117
Hydraulic pump module	119
4812121922 Hydraulic pump	121
Hydraulic pump module	123
4812127309 Hydraulic pump	125
Propulsion system	127
4812126969 Hydraulic pump	129
Hydraulic, Cooler and fan	131

## Electrical equipment

Circuit board and fuses	133
Backup alarm	135
Cable harness	137
Cable harness - Working lights / ROPS	139
Cable harness - Driving lights	141
Cable harness - Flow divider	143
Cable harness - Edge cutter, Chip spreader	145
Cable harness - Seat heater	147
Cable harness - Dual vibration	149
Cable harness - Rotating beacon	151
Cable harness - Working lights incl. Rotating beacon	153
Cable harness - Working lights, tank x2	155
Battery holder	See page 77
Driving lights (option)	157
Working lights (option)	159
Registration plate light	161

## Drivers platform

Platform	163
Single lifting point	165
Hand rail	167
ROPS	169
Canopy	171
Control panel	173
Water tank	175
Slideable seat	177
Fixed seat	179
Rear view mirror	181
Throttle control	183
Control module (Single 1-button)	185
Control module (Dual, 2 buttons) - Left side	189
Control module (Single 2-buttons)	191
Controle module (Single 3-buttons) - Right side	195
Comfort seat with heat module	199
Comfort seat without heat module	201
ECU module	203
Cup and can holder	205

## Decals

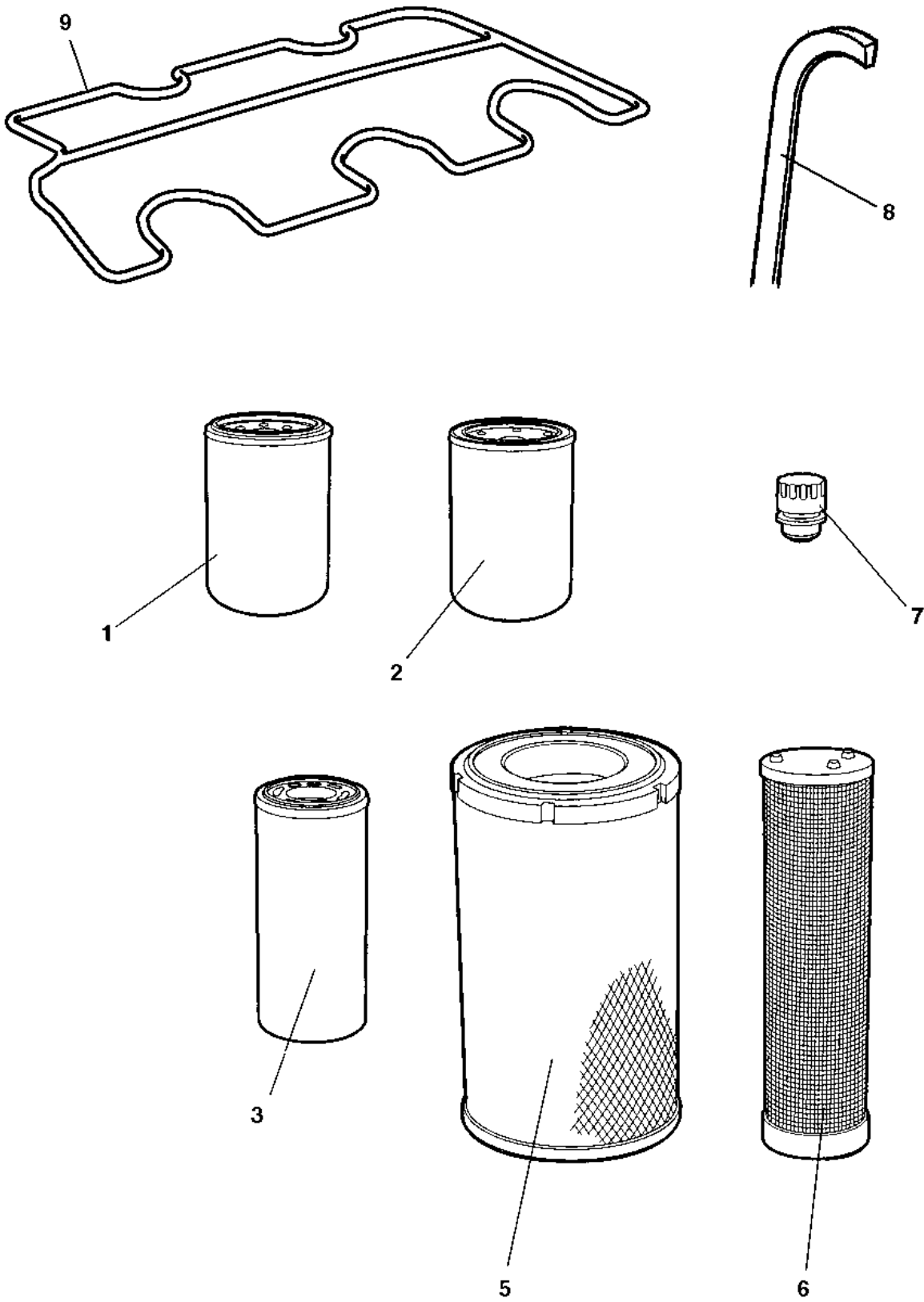
Decals	207
--------	-----

## Optional equipment

Edge cutter	209
Hydraulic cylinder	211
Chip spreader	213
Fire extinguisher	215
SMV-sign	217
GPS module	219

4812013038 GPS module .....	221
Bracket (GPS) .....	223
Fire extinguisher .....	225
Appendix B:Parts Index .....	227

**Service kits** 4812161674 Service kit, 50h

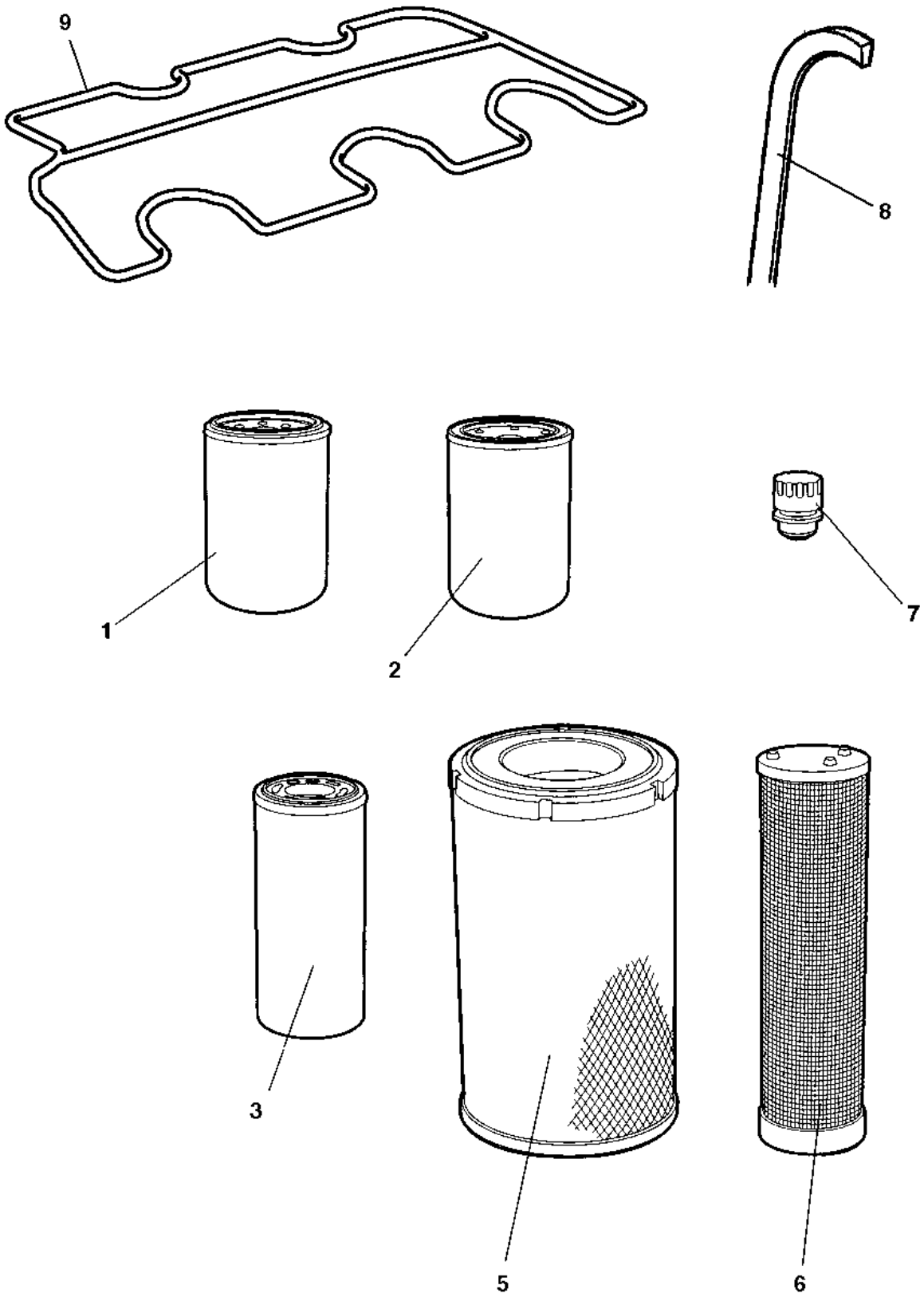


Refer to Parts Online for the most up to date information. The printed information might be outdated.

Fri Jan 05 14:16:41 UTC 2018

Item	Part No.	Name	Qty	L	SN INFO
0	4812161674	Service kit, 50h	1		
1	4812160480	Engine oil filter element	1		
2	4812113328	Hydraulic oil filter element	1		

**Service kits** 4812161675 Service kit, 50h Plus



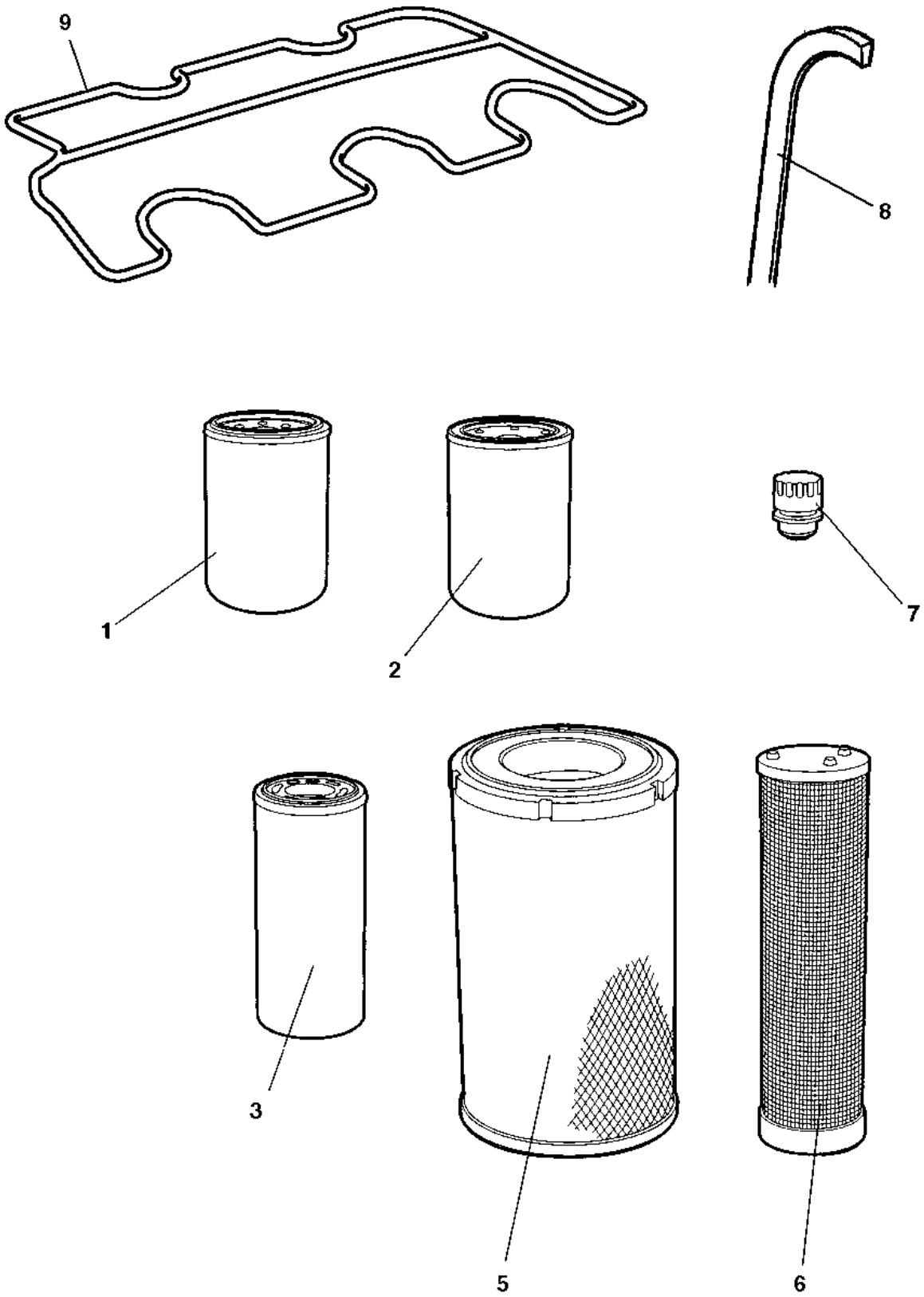
Refer to Parts Online for the most up to date information. The printed information might be outdated.

Fri Jan 05 14:16:41 UTC 2018



Item	Part No.	Name	Qty	L	SN INFO
0	4812161675	Service kit, 50h Plus	1		
1	4812160480	Engine oil filter element	1		
2	4812113328	Hydraulic oil filter element	1		
3	1615595300	Can Paroil Mission green 5 Liter/1.32 Gallon	2		
4	4812030096	Dynapac Roller Grease	1		

**Service kits** 4812160462 Service kit, 250 / 750h

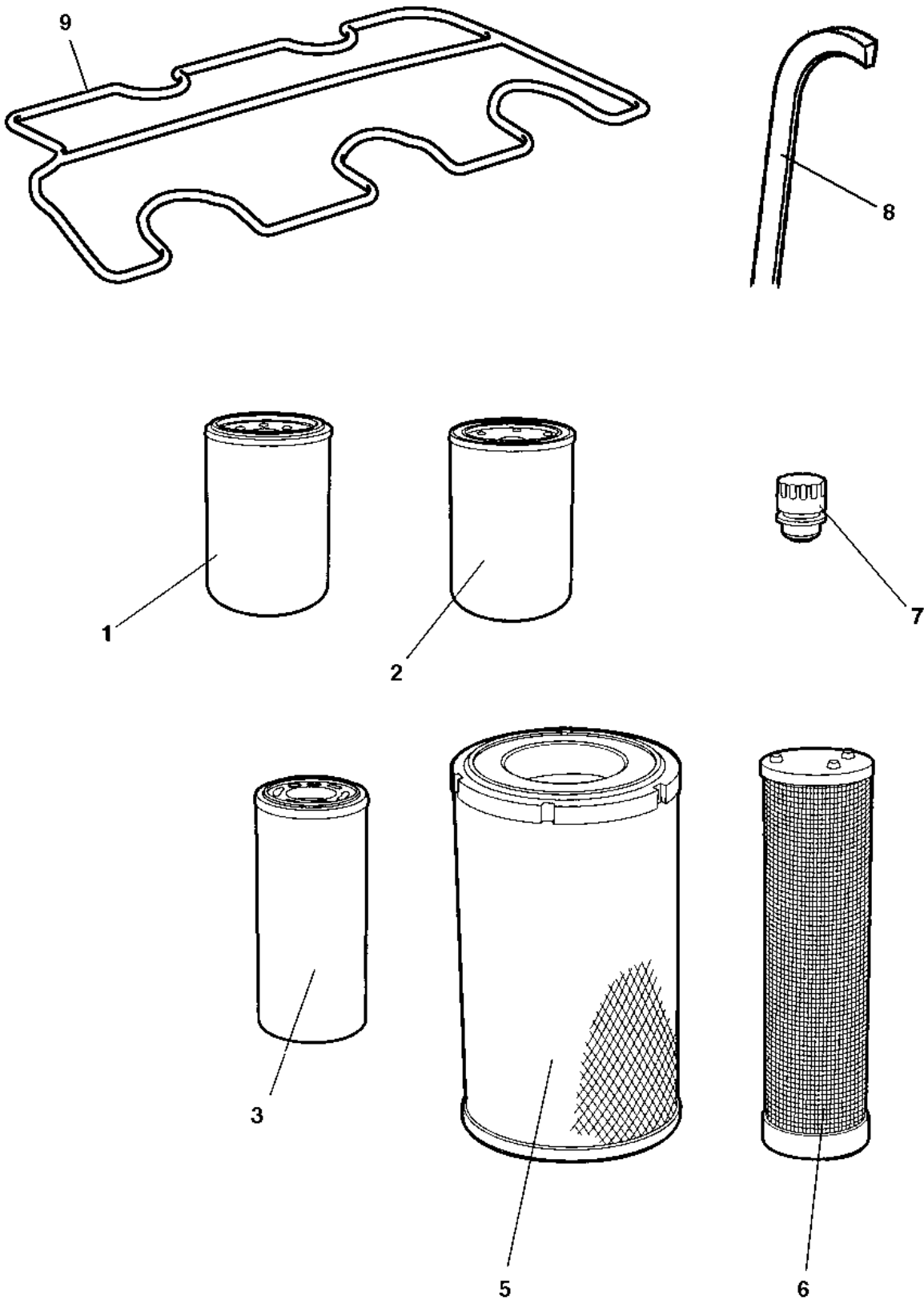


Refer to Parts Online for the most up to date information. The printed information might be outdated.

Fri Jan 05 14:16:42 UTC 2018

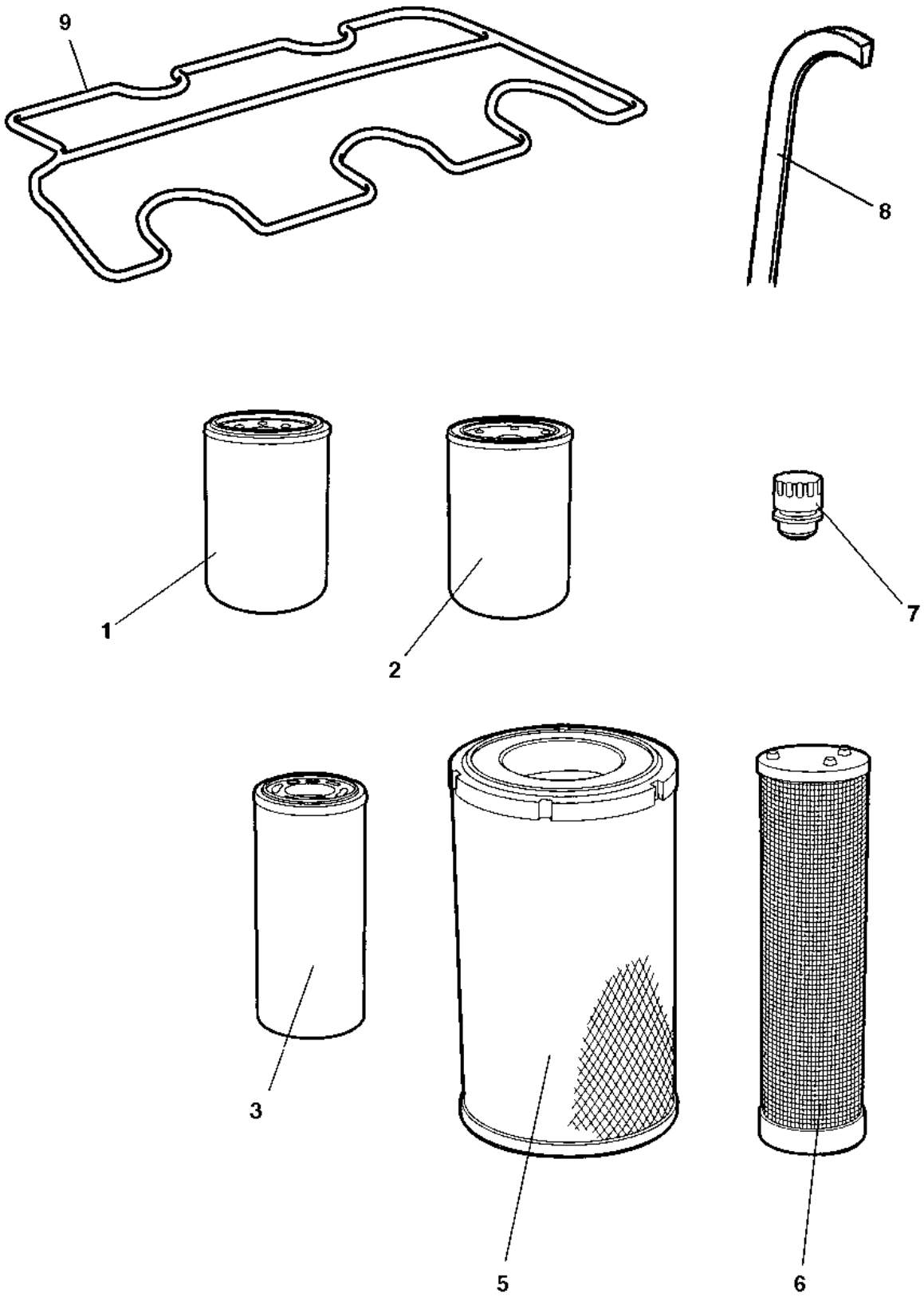
Item	Part No.	Name	Qty	L	SN INFO
0	4812160462	Service kit, 250 / 750h	1		
1	4812160480	Engine oil filter element	1		

**Service kits** 4812161677 Service kit, 250 / 750h Plus



Item	Part No.	Name	Qty	L	SN INFO
0	4812161677	Service kit, 250 / 750h Plus	1		
1	4812160480	Engine oil filter element	1		
2	1615595300	Can Paroil Mission green 5 Liter/1.32 Gallon	2		

**Service kits** 4812161678 Service kit, 500h

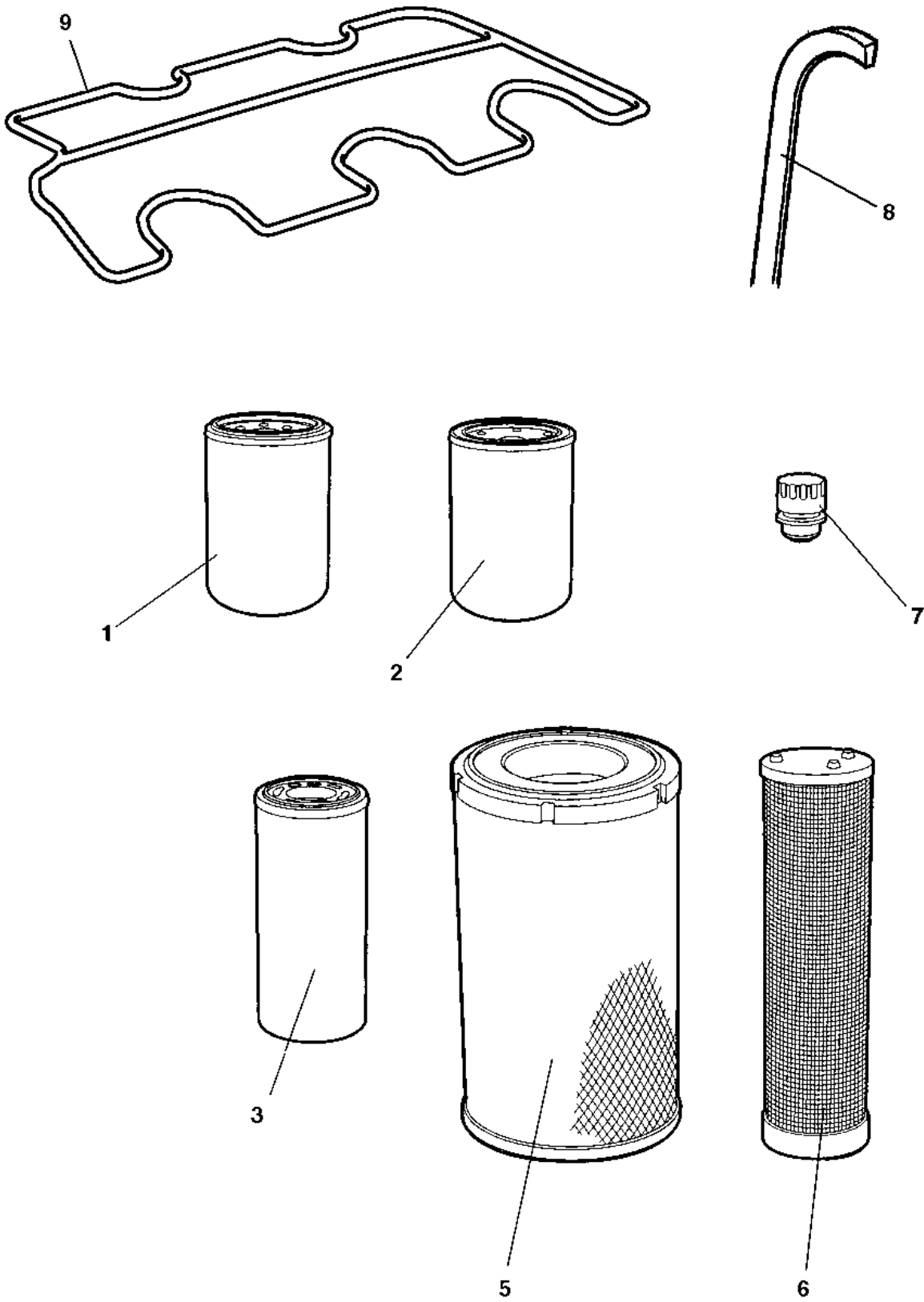


Refer to Parts Online for the most up to date information. The printed information might be outdated.

Fri Jan 05 14:16:42 UTC 2018

Item	Part No.	Name	Qty	L	SN INFO
0	4812161678	Service kit, 500h	1		
1	4812160480	Engine oil filter element	1		
2	4812156263	Fuel filter element	1		
3	4812161671	Pre fuel filter element	1		
4	4812156260	V-belt	1		
5	4812161586	Air filter, main	1		

**Service kits** 4812161679 Service kit, 500h Plus



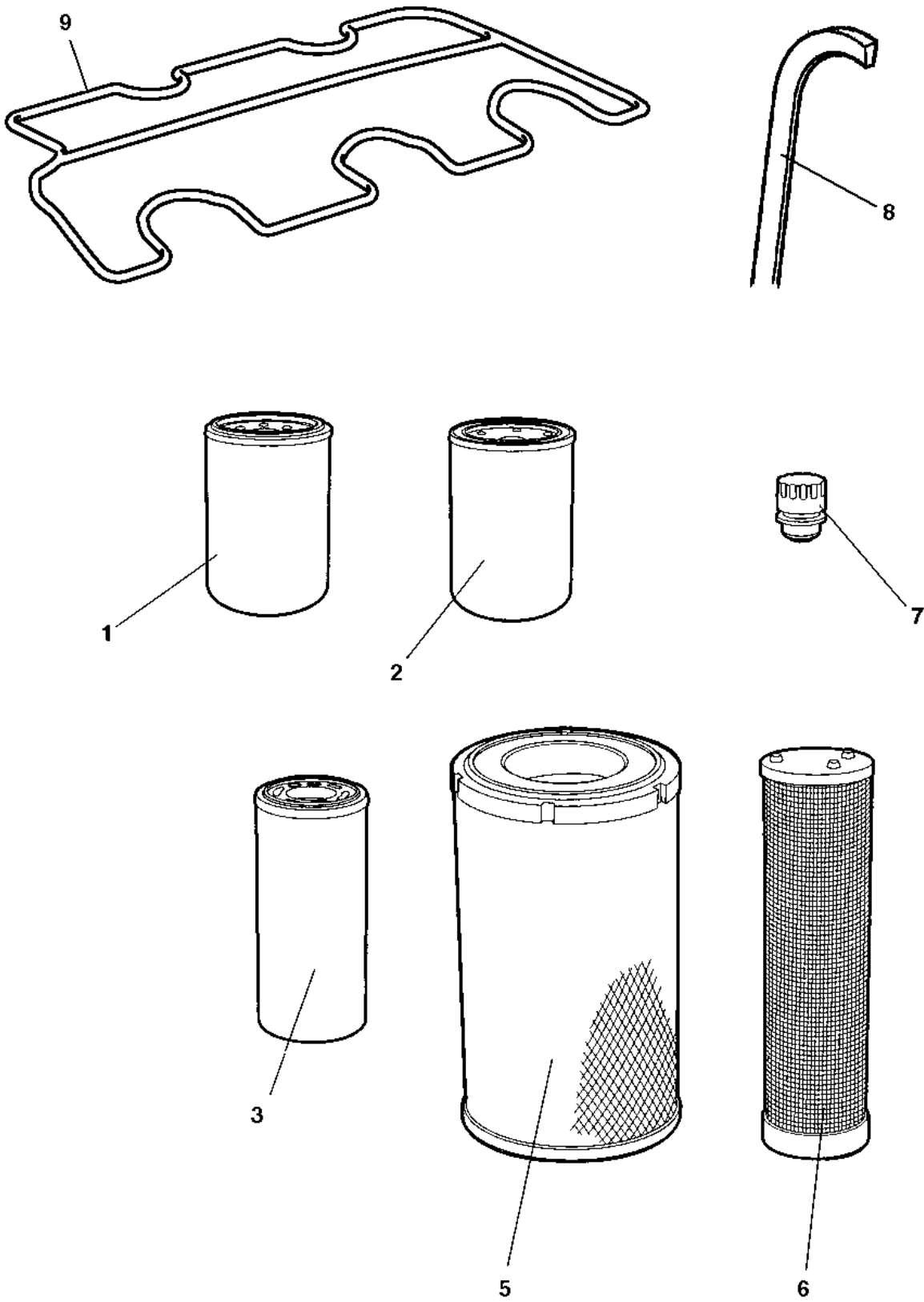
Refer to Parts Online for the most up to date information. The printed information might be outdated.

Fri Jan 05 14:16:42 UTC 2018



Item	Part No.	Name	Qty	L	SN INFO
0	4812161679	Service kit, 500h Plus	1		
1	4812160480	Engine oil filter element	1		
2	4812156263	Fuel filter element	1		
3	4812161671	Pre fuel filter element	1		
4	4812156260	V-belt	1		
5	4812161586	Air filter, main	1		
6	1615595300	Can Paroil Mission green 5 Liter/1.32 Gallon	2		
7	4812030096	Dynapac Roller Grease	1		

**Service kits** 4812161680 Service kit, 1000h

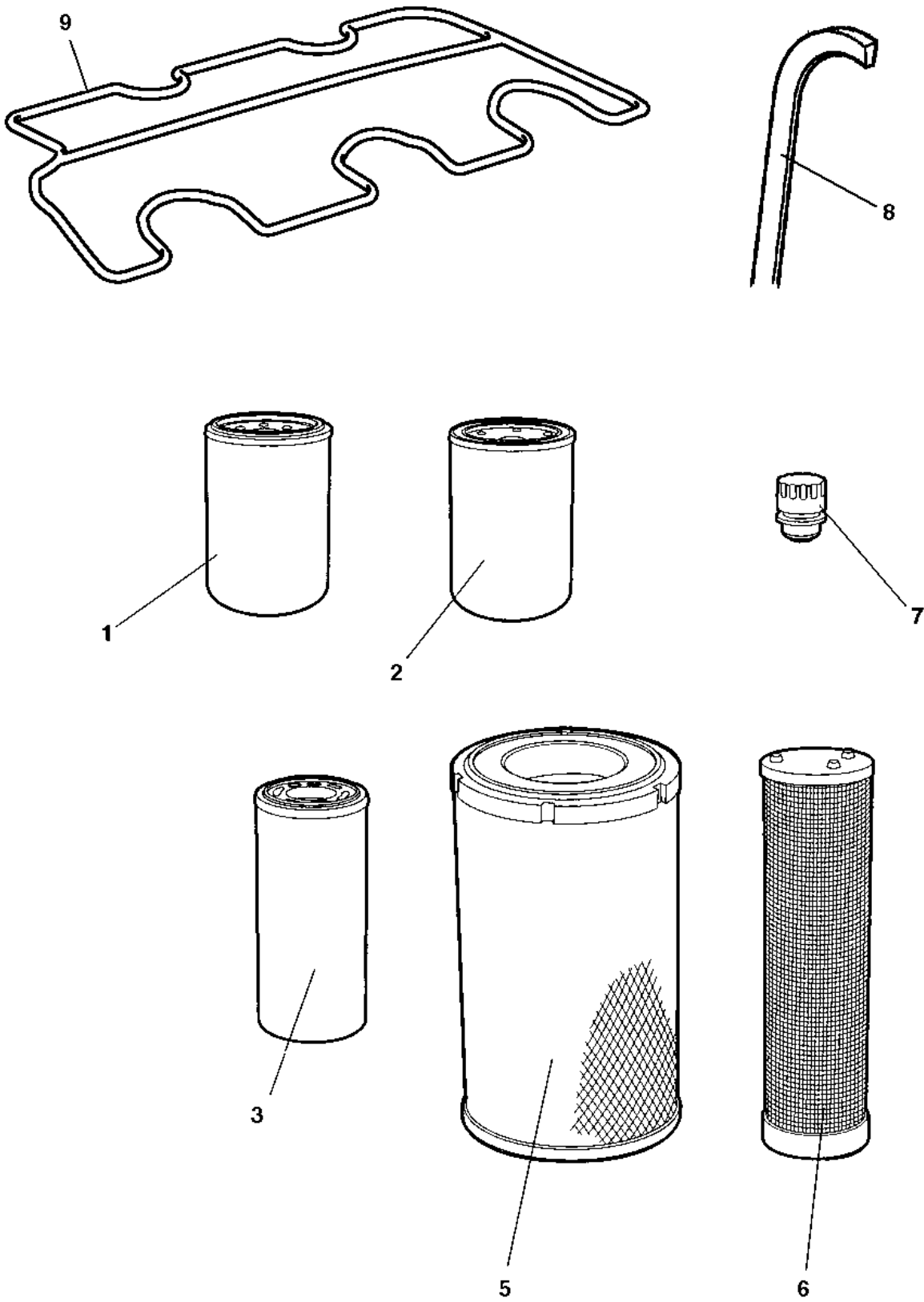


Refer to Parts Online for the most up to date information. The printed information might be outdated.

Fri Jan 05 14:16:42 UTC 2018

Item	Part No.	Name	Qty	L	SN INFO
0	4812161680	Service kit, 1000h	1		
1	4812160480	Engine oil filter element	1		
2	4812156263	Fuel filter element	1		
3	4812156264	Pre-fuel filter element	1		
4	4812156260	V-belt	1		
5	4812113328	Hydraulic oil filter element	1		
6	4812161586	Air filter, main	1		
7	4812161587	Air filter element, Safety	1		
8	4812156261	Valve cover gasket	1		
9	4700357138	Ventilating filter	1		

**Service kits** 4812161681 Service kit, 1000h Plus

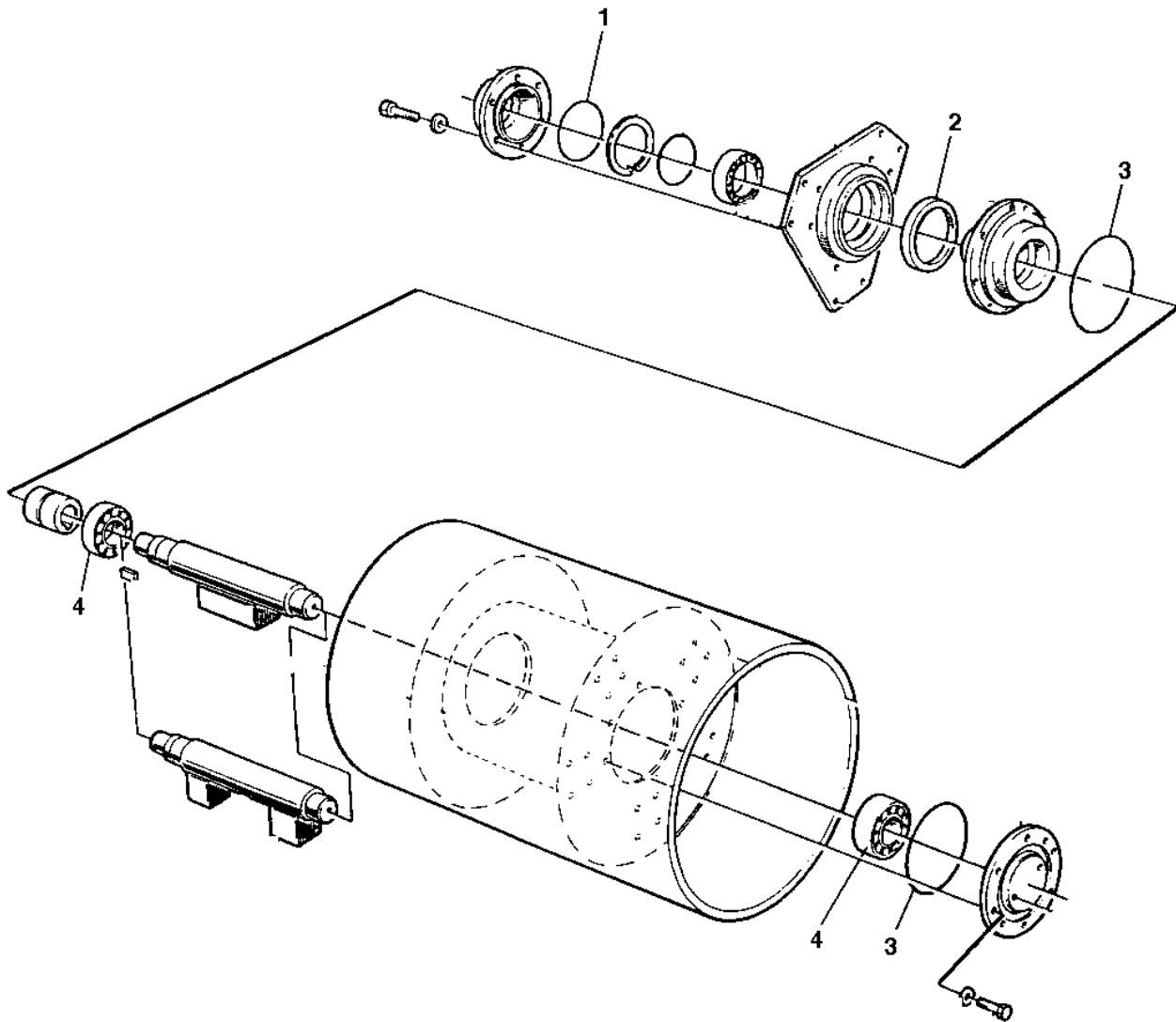


Refer to Parts Online for the most up to date information. The printed information might be outdated.

Fri Jan 05 14:16:42 UTC 2018

Item	Part No.	Name	Qty	L	SN INFO
0	4812161681	Service kit, 1000h Plus	1		
1	4812160480	Engine oil filter element	1		
2	4812156263	Fuel filter element	1		
3	4812161671	Pre fuel filter element	1		
4	4812156260	V-belt	1		
5	4812113328	Hydraulic oil filter element	1		
6	4812161586	Air filter, main	1		
7	4812161587	Air filter element, Safety	1		
8	4812156261	Valve cover gasket	1		
9	4700357138	Ventilating filter	1		
10	1615595300	Can Paroil Mission green 5 Liter/1.32 Gallon	2		
11	4812030096	Dynapac Roller Grease	1		

**Repair kits** 4700938908 Eccentric shaft kit

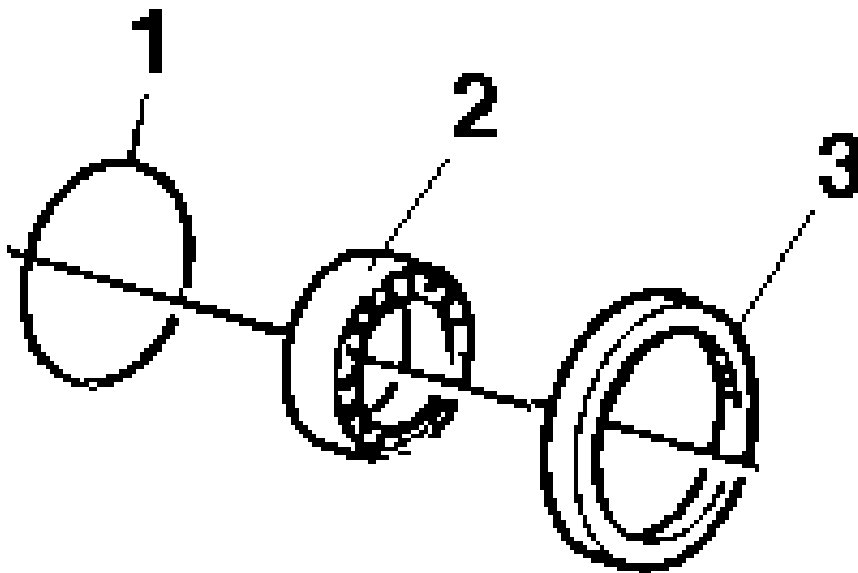


Refer to Parts Online for the most up to date information. The printed information might be outdated.

Fri Jan 05 14:16:42 UTC 2018

Item	Part No.	Name	Qty	L	SN INFO
0	4700938908	Eccentric shaft kit			
1	4700160132	O-ring 70	1		
2	4700163049	Radial lip-type seal	1		
3	4700923951	O-ring	2		
4	4700904258	Spherical roller bearing	2		

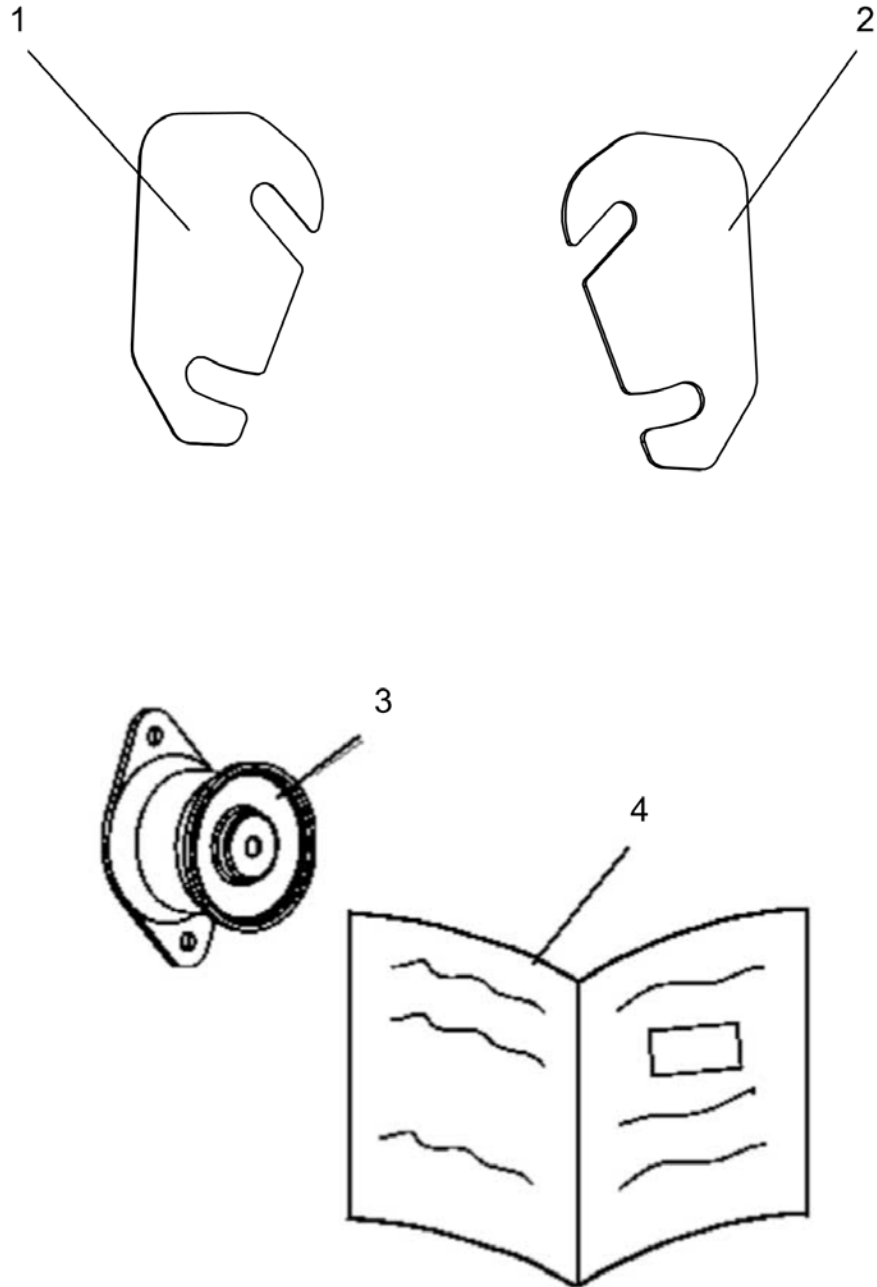
**Repair kits** 4700938892 Drum rotation kit





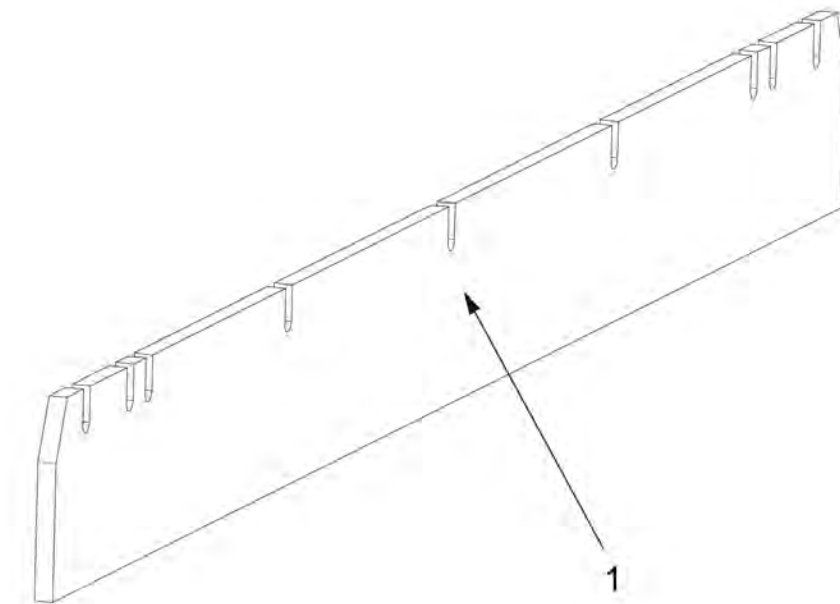
Item	Part No.	Name	Qty	L	SN INFO
0	4700938892	Drum rotation kit			
1	4700160132	O-ring 70	1		
2	4700111018	Ball bearing	1		
3	4700163049	Radial lip-type seal	1		

**Repair kits** 4812162273 Shock absorber kit, drum



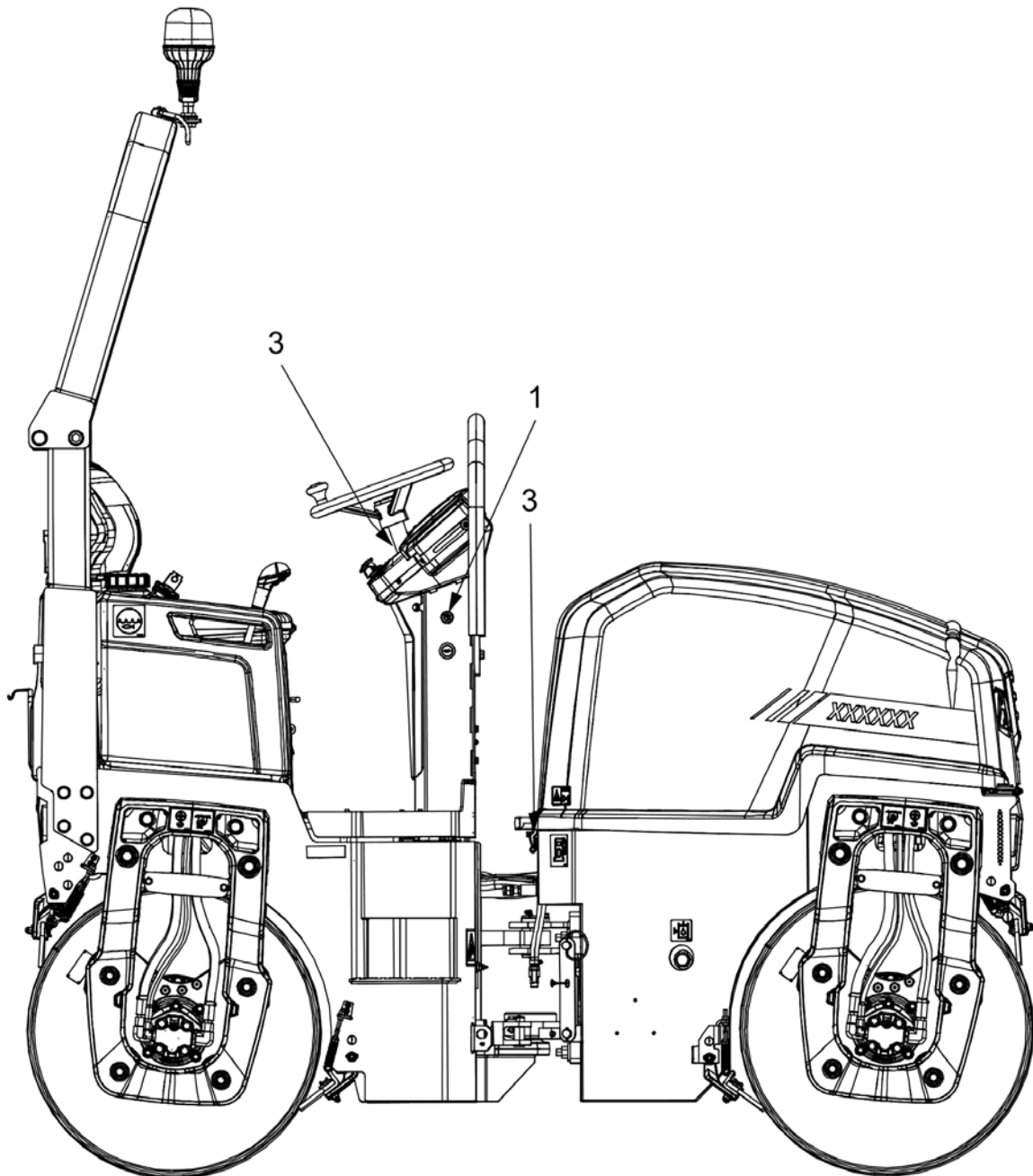
Item	Part No.	Name	Qty	L	SN INFO
0	4812162273	Shock absorber kit, drum			
1	4812126093	Shim	4		
2	4812126094	Shim	4		
3	4700391984	Shock absorber	16		
4	4812156170	Instructions	1		

**Repair kits** 4812162274 Scraper kit CC1200 VI



Item	Part No.	Name	Qty	L	SN INFO
0	4812162274	Scraper kit	1		
1	4812125422	Scraper blade	4		

**General - Keys and others** Keys

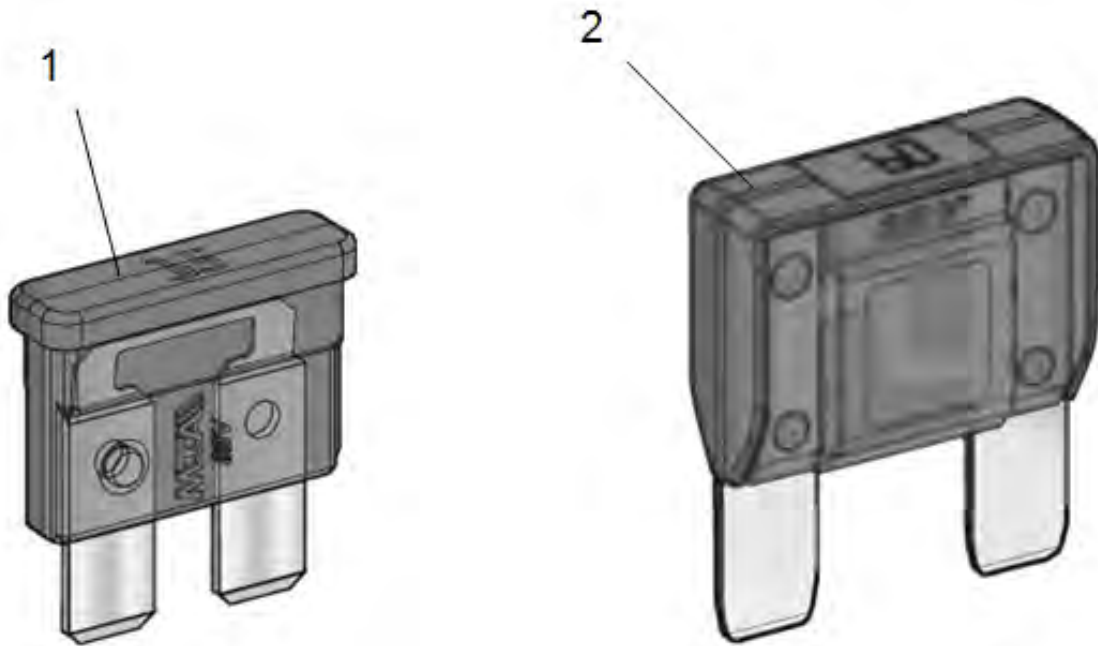


Refer to Parts Online for the most up to date information. The printed information might be outdated.

Fri Jan 05 14:16:44 UTC 2018

Item	Part No.	Name	Qty	L	SN INFO
1	-	Ignition switch			
1	4700940451	Ignition key			
3	4700358881	Pad lock			
3	4812161396	Key			

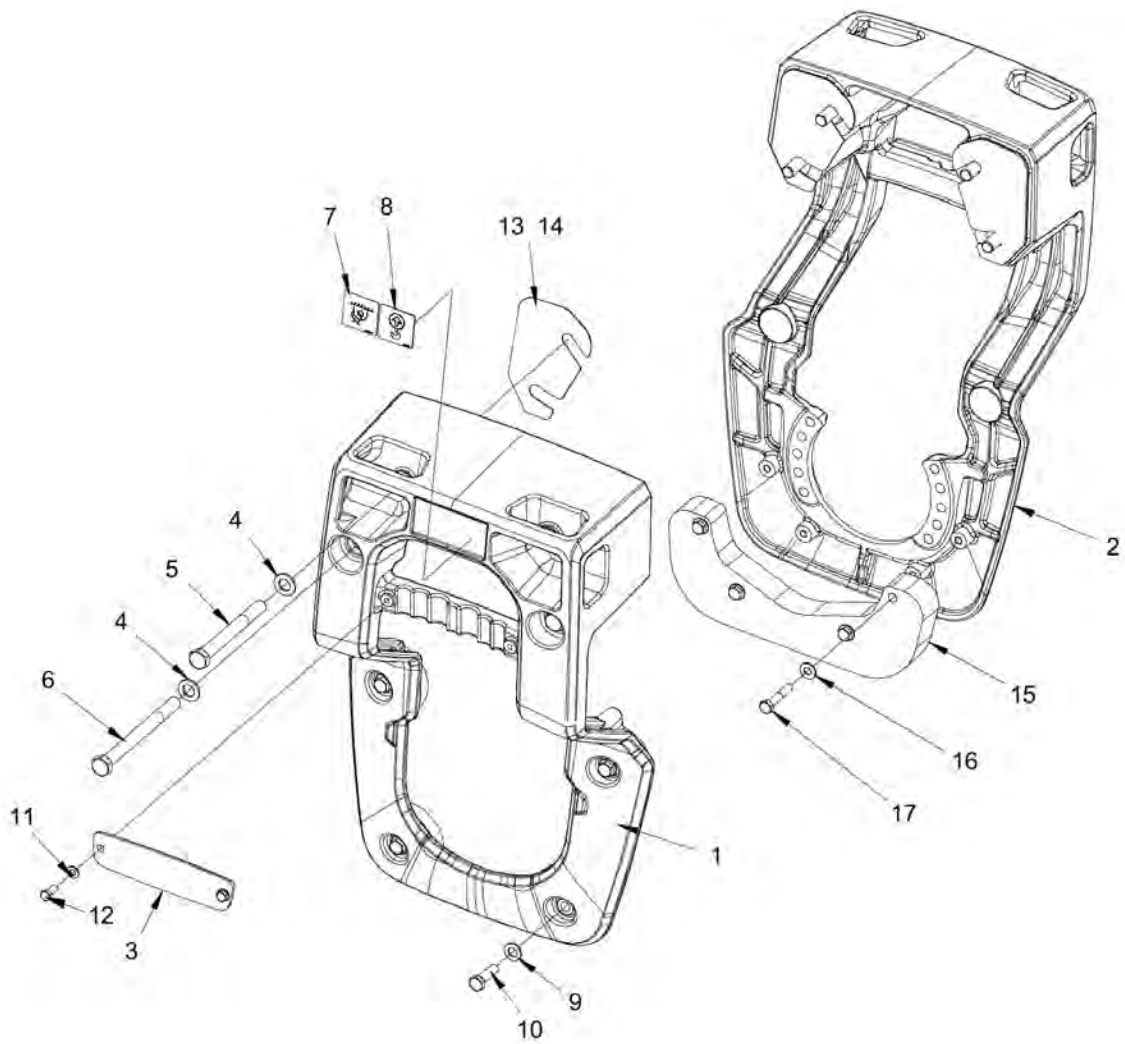
**General - Keys and others** Fuses





Item	Part No.	Name	Qty	L	SN INFO
1	-	Fuse, blade type Medium			
1	4700901224	Fuse, 3A Violet			
1	4700901225	Fuse 5A Tan			
1	4700901226	Fuse 7.5A Brown			
1	4700901227	Fuse 10A Red			
1	4700901228	Fuse, 15A Blue			
1	4700903741	Fuse 20A Yellow			
1	4700901229	Fuse, 25A Natural			
1	4700901230	Fuse, 30A Green			
2	-	Fuse, blade typ High			
2	4700904294	Fuse 20A Yellow			
2	4700904037	Fuse 30A Green			
2	4700904038	Fuse 40A Orange			
2	4700904039	Fuse 50A Red			
2	4700904040	Fuse 60A Blue			
2	4700904041	Fuse 70A Tan			
2	4700904042	Fuse 80A Natural (White)			

**Frame Forks, front**

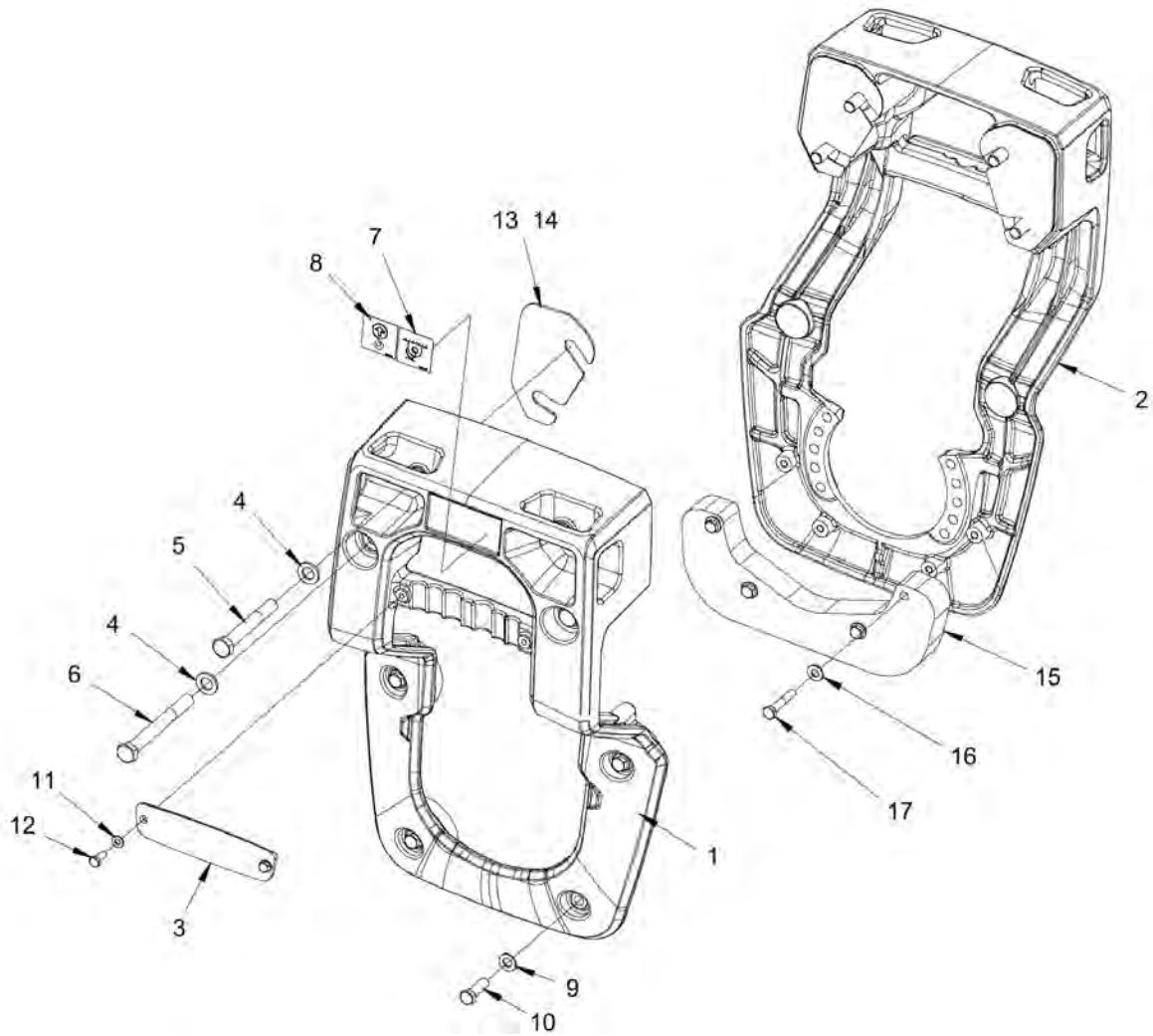


Refer to Parts Online for the most up to date information. The printed information might be outdated.

Fri Jan 05 14:16:44 UTC 2018

Item	Part No.	Name	Qty	L	SN INFO
1	4812125805	Fork	1		
2	4812125815	Fork	1		
3	4812125471	Cover plate	2		
4	4700904232	Steel plain washer	8		
5	4700500164	Screw M16-2,0x150 8,8	4		
6	4700500085	Screw	4		
7	4700382751	Decal "SECURING POINT/TIE DOWN"	2		
8	4700357587	Label lifting point	2		
9	4700904231	Washer, 13x24x2 mm 300 HV	4		
10	4700947689	Hex. head screw M12	4		
11	4700904229	Washer, 8.4x 6x1.5 mm 300HV	4		
12	4700500053	Screw, M8x20 mm 8.8 A2K	4		
13	4812126093	Shim	N		
14	4812126094	Shim	N		
15	4812127737	Weight	1		
16	4700904230	Plain washer 10.5x22x2 mm	4		
17	4700500032	Screw M10 x 55	4		

**Frame Forks, rear**

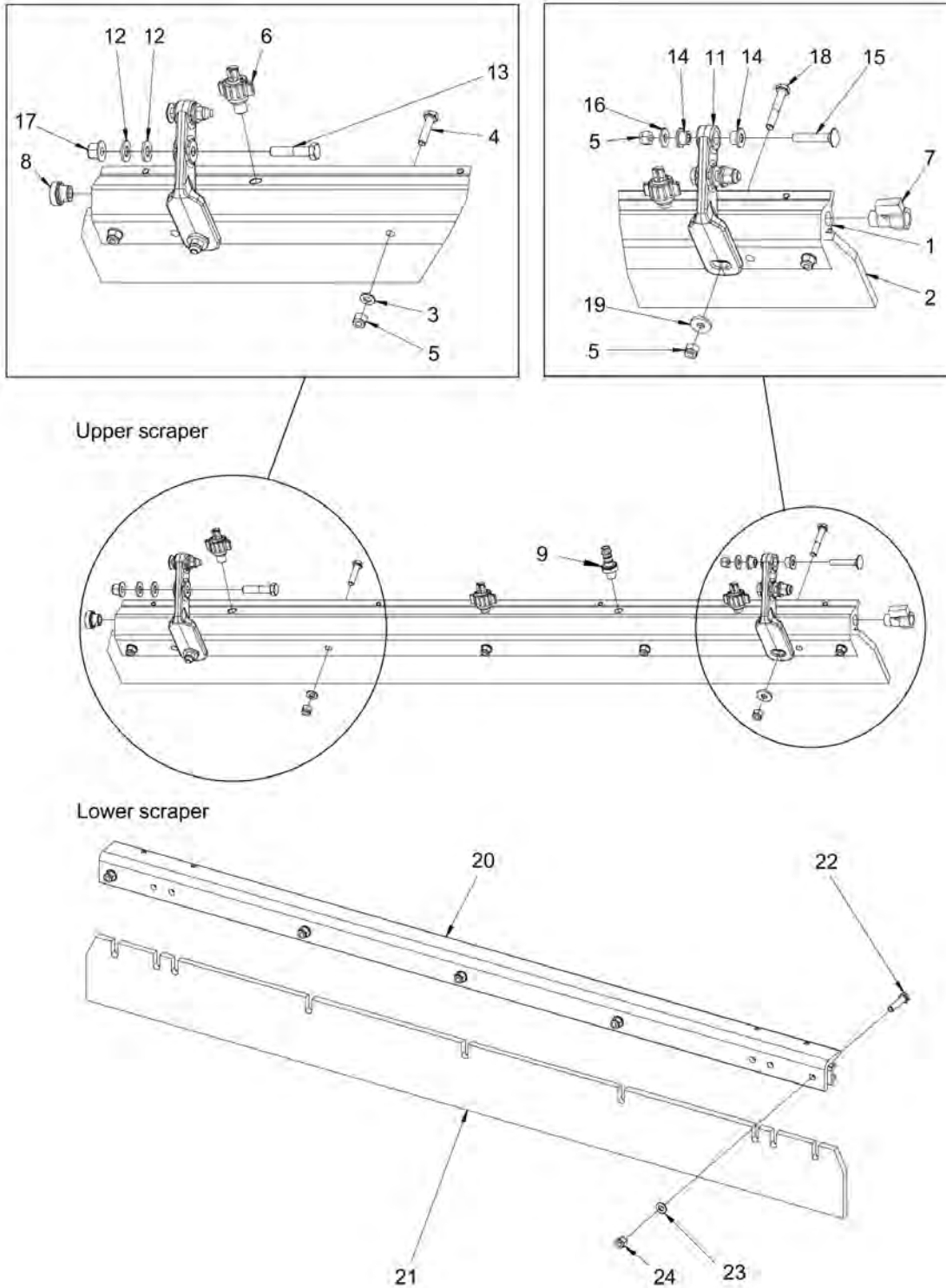


Refer to Parts Online for the most up to date information. The printed information might be outdated.

Fri Jan 05 14:16:45 UTC 2018

Item	Part No.	Name	Qty	L	SN INFO
1	4812125806	Fork	1		
2	4812125816	Fork	1		
3	4812125471	Cover plate	2		
4	4700904232	Steel plain washer	8		
5	4700500142	Screw	4		
6	4700500164	Screw M16-2,0x150 8,8	4		
7	4700382751	Decal "SECURING POINT/TIE DOWN"	2		
8	4700357587	Label lifting point	2		
9	4700904231	Washer, 13x24x2 mm 300 HV	4		
10	4700947689	Hex. head screw M12	4		
11	4700904229	Washer, 8.4x 6x1.5 mm 300HV	4		
12	4700500053	Screw, M8x20 mm 8.8 A2K	4		
13	4812126093	Shim	N		
14	4812126094	Shim	N		
15	4812127737	Weight	1		
16	4700904230	Plain washer 10.5x22x2 mm	4		
17	4700500032	Screw M10 x 55	4		

**Frame** Scraper, fixed

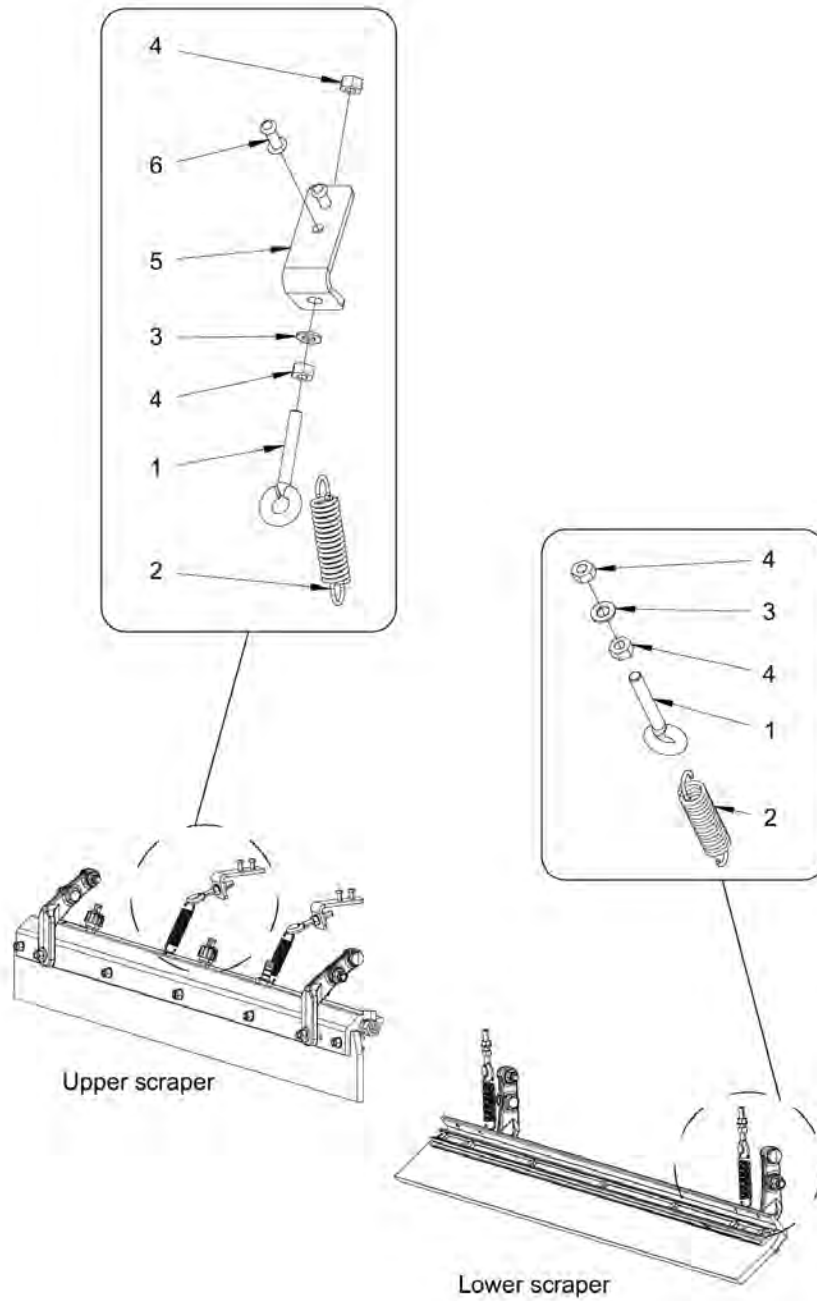


Refer to Parts Online for the most up to date information. The printed information might be outdated.

Fri Jan 05 14:16:45 UTC 2018

Item	Part No.	Name	Qty	L	SN INFO
1	4812125418	Sprinkler pipe	1		
2	4812125422	Scraper blade	1		
3	4700904229	Washer, 8.4x 6x1.5 mm 300HV	5		
4	4700500230	Hex. screw	5		
5	4700586003	Lock nut M8	13		
6	4812124321	Spraying nozzle, cpl	3		
7	4700233215	Ball valve	1		
8	4700792072	End plug	1		
9	4700901432	Hose connection	1		
11	4812121858	Bracket	4		
12	4700791938	Washer	8		
13	4700500105	Hex. screw	4		
14	4700791939	Bushing	8		
15	4700791775	Bolt	4		
16	4700791304	Steel plain washer	4		
17	4700902287	Nut, M10	4		
18	4700500025	Screw, M8x50 mm 8.8 A2K	4		
19	4700904640	Washer, 8.4x22x3 mm 300HV	4		
20	4812125424	Sprinkler pipe	1		
21	4812125422	Scraper blade	1		
22	4700500230	Hex. screw	5		
23	4700904229	Washer, 8.4x 6x1.5 mm 300HV	5		
24	4700586003	Lock nut M8	5		

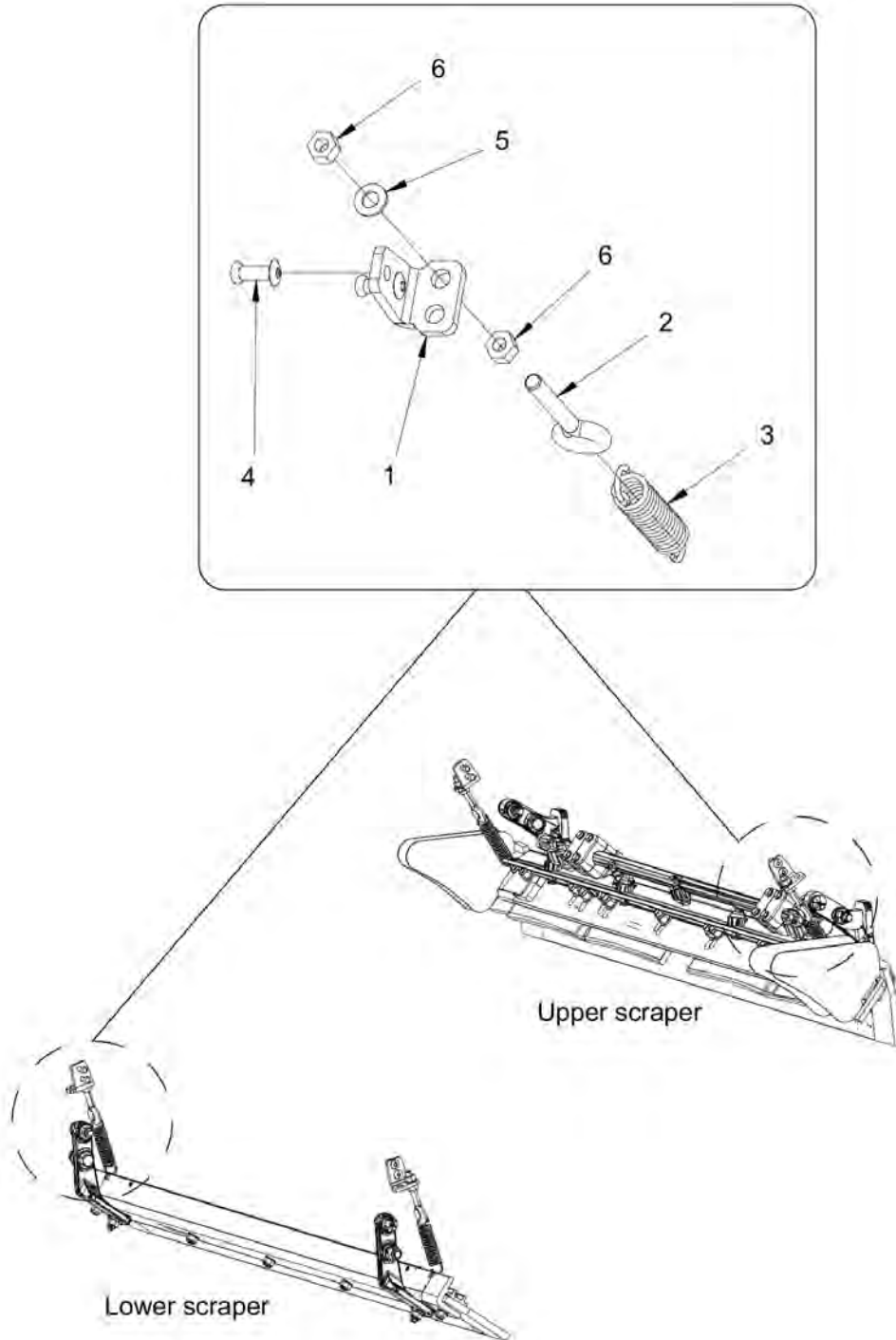
**Frame** Spring loaded scraper (Front)





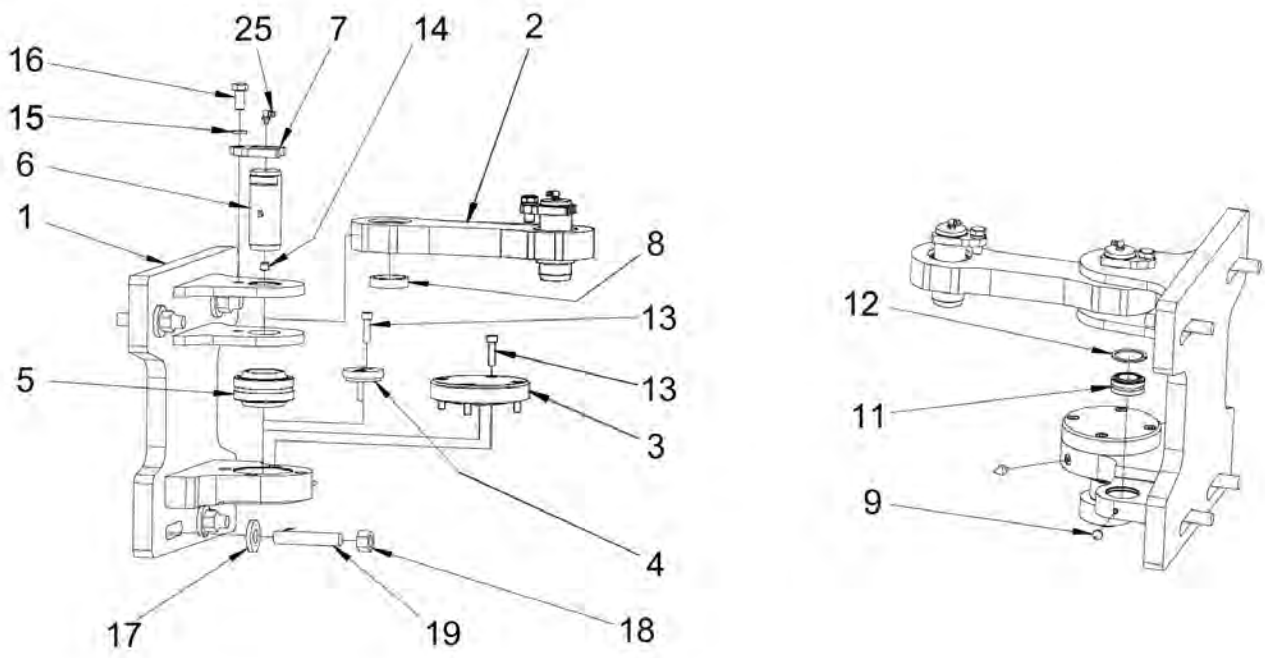
Item	Part No.	Name	Qty	L	SN INFO
1	4700792189	Eye bolt	4		
2	4700359043	Spring	4		
3	4700904229	Washer, 8.4x 6x1.5 mm 300HV	4		
4	4700570005	Hexagon nut	8		
5	4812126891	Bracket	2		
6	4700791666	Blind rivet	4		

**Frame** Spring loaded scraper (Rear)

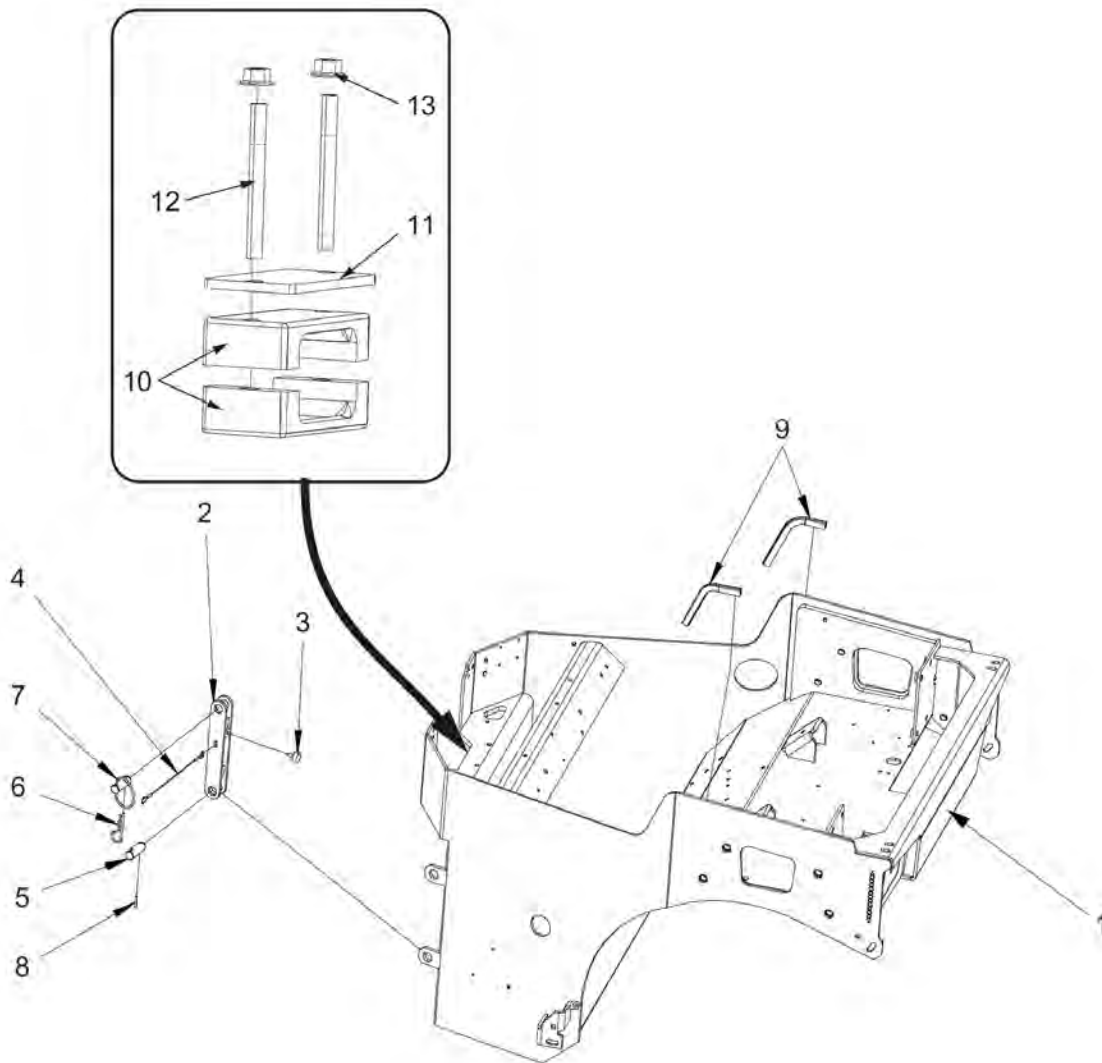


Item	Part No.	Name	Qty	L	SN INFO
1	4812126984	Bracket	4		
2	4700792189	Eye bolt	4		
3	4700359043	Spring	4		
4	4700791666	Blind rivet	8		
5	4700904229	Washer, 8.4x 6x1.5 mm 300HV	4		
6	4700570005	Hexagon nut	8		

**Frame** Steering hitch



Item	Part No.	Name	Qty	L	SN INFO
1	4812125132	Articulated joint plate	1		
2	4812125133	Bearing	1		
3	4812125136	Bearing cap	1		
4	4812125137	Cover cap	1		
5	4812125392	Bearing	1		
6	4812125398	Shaft	2		
7	4812125399	Washer	2		
8	4812125140	Spacer sleeve	2		
9	4700926214	Grease fitting	4		
11	4812125414	Bearing	1		
12	4700151012	Retaining ring	1		
13	4700508048	Hexagon socket head cap screw M	6		
14	4700792083	Plug	2		
15	4700900994	Lock washer	2		
16	4700500051	Hex. screw	2		
17	0300027623	Plain washer	4		
18	4700570008	Hex. nut	4		
19	4812125416	Stud	4		
25	054411011	Lubrication nipple	2		

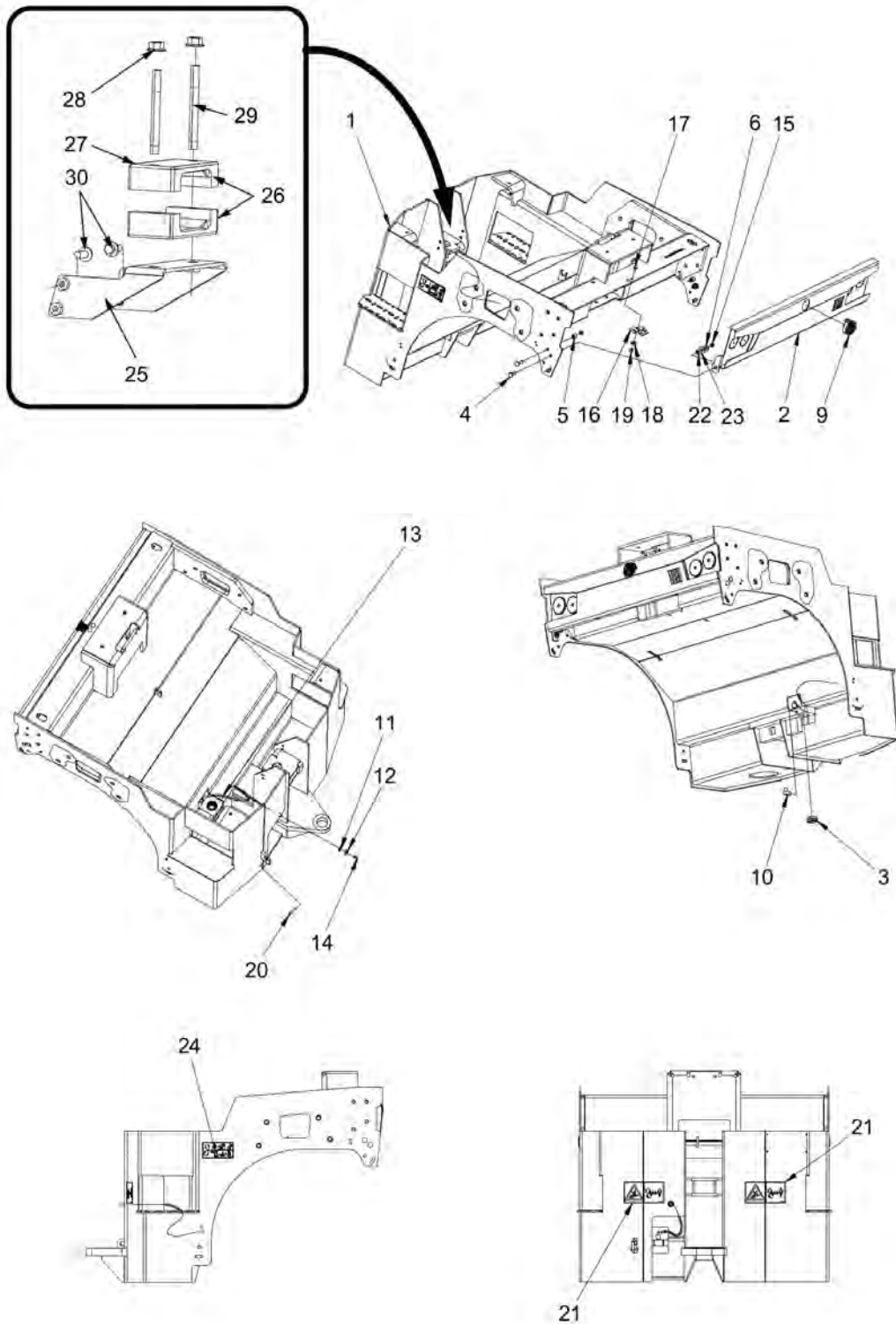
**Frame** Front frame

Refer to Parts Online for the most up to date information. The printed information might be outdated.

Fri Jan 05 14:16:47 UTC 2018

Item	Part No.	Name	Qty	L	SN INFO
1	4812125563	Front frame	1		
2	4812126081	Articulated joint lock	1		
3	4700792607	Shock absorber	1		
4	4700343775	Plastic insulated steelwire	1		
5	4812126082	Shaft	2		
6	4700635061	Hair clip	1		
7	4700357488	Spring	1		
8	4700629016	Expanding	2		
9	4700902379	Edge trim	2		
10	4700343732	Hose clamp	2		
11	4700335914	Cover plate	1		
12	4700904629	Stud	2		
13	4700792817	Hexagon nut with flange	2		

**Frame** Rear frame



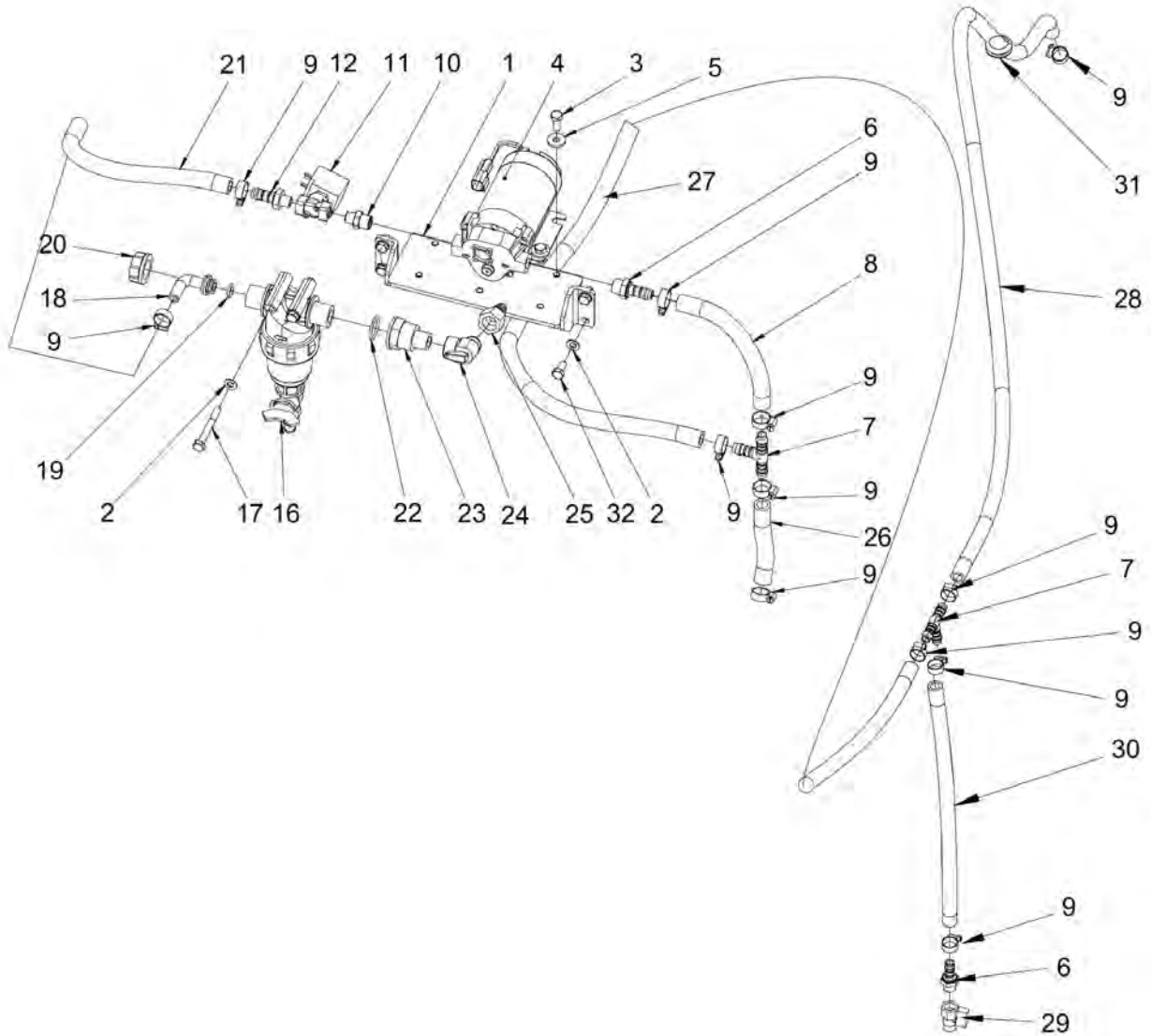
Refer to Parts Online for the most up to date information. The printed information might be outdated.

Fri Jan 05 14:16:47 UTC 2018



Item	Part No.	Name	Qty	L	SN INFO
1	4812125592	Rear frame	1		
2	4812125976	Cover	1		
3	4812125414	Bearing	1		
4	4812117106	Cup square neck bolt	4		
5	4700371728	Spacer sleeve	2		
6	4700904640	Washer, 8.4x22x3 mm 300HV	2		
9	4812125978	Latch	1		
10	4700373183	Elbow 90°	1		
11	4700904231	Washer, 13x24x2 mm 300 HV	1		
12	4700903831	Hexagon nut	1		
13	4812117733	Hydraulic hose	1		
14	4700926214	Grease fitting	1		
15	4700586003	Lock nut M8	4		
16	4812126012	Lock fittings	1		
17	4700903923	Cup square neck bolt	2		
18	4700904735	Steel plain washer	2		
19	4700586002	Lock nut M6 -8	2		
20	4700629024	Pin	1		
21	4700903422	Safety decal "CRUSH AREA"	2		
22	4812126957	Spacer sleeve	2		
23	4700903662	Washer	2		
24	4812125363	Safety decal "RISK OF CRUSHING"	1		
25	4812125468	Bracket	1		
26	4700343732	Hose clamp	2		
27	4700335914	Cover plate	1		
28	4700904629	Stud	2		
29	4700792817	Hexagon nut with flange	2		
30	4700500505	Screw, M8x20 mm 8.8 A2K	4		

**Frame** Sprinkler pump

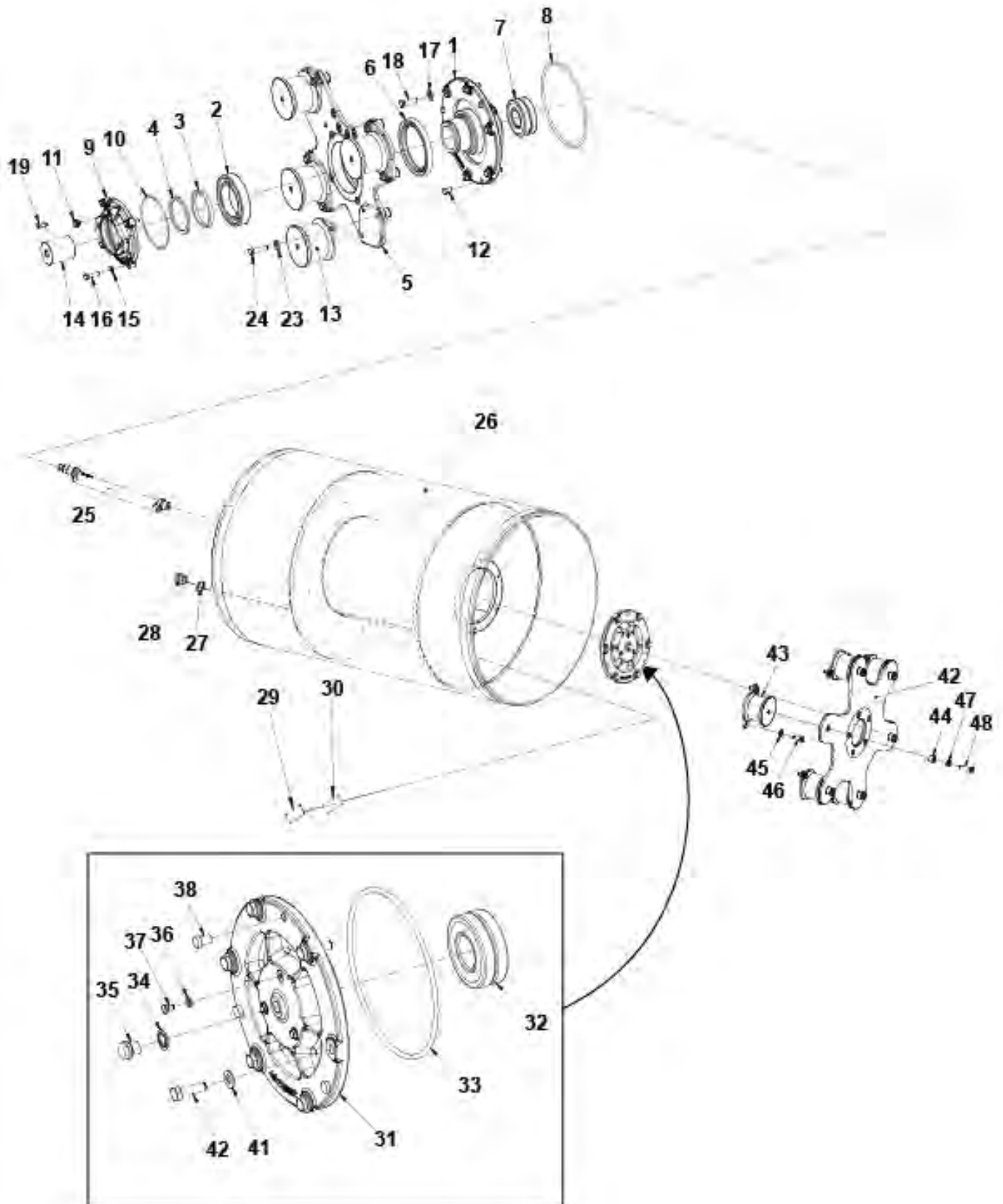


Refer to Parts Online for the most up to date information. The printed information might be outdated.

Fri Jan 05 14:16:47 UTC 2018

Item	Part No.	Name	Qty	L	SN INFO
1	4812125973	Bracket	1		
2	4700904229	Washer, 8.4x 6x1.5 mm 300HV	6		
3	4700500053	Screw, M8x20 mm 8.8 A2K	4		
4	4812125871	Sprinkler pump	1		
5	4700904640	Washer, 8.4x22x3 mm 300HV	4		
6	4700234931	Adapter	2		
7	4700923735	Hose connection	2		
8	4812112074	Plastic hose (x m)	0,20 M		
9	4700313002	Hose clamp	12		
10	4700377611	Straight connector	1		
11	4700287713	Solenoid valve	1		
12	4700901432	Hose connection	1		
16	4812111325	Water filter	1		
17	4700500068	Screw M08x65	2		
18	4812111330	Hose connection	1		
19	4700480852	O-ring 70	1		
20	4700792779	Swivel nut	1		
21	4812112074	Plastic hose (x m)	0,27 M		
22	4700160313	O-ring 70	1		
23	4812111331	Reducer nipple	1		
24	4812126907	Ball valve	1		
25	4812112451	Hose connection	1		
26	4812112074	Plastic hose (x m)	0,12 M		
27	4812112074	Plastic hose (x m)	1,41 M		
28	4812112074	Plastic hose (x m)	1,31 M		
29	4700233215	Ball valve	1		
30	4812112074	Plastic hose (x m)	0,43 M		
31	4700903192	Grommet	1		
32	4700500019	Hexagon screw	4		

**Drum Drum**



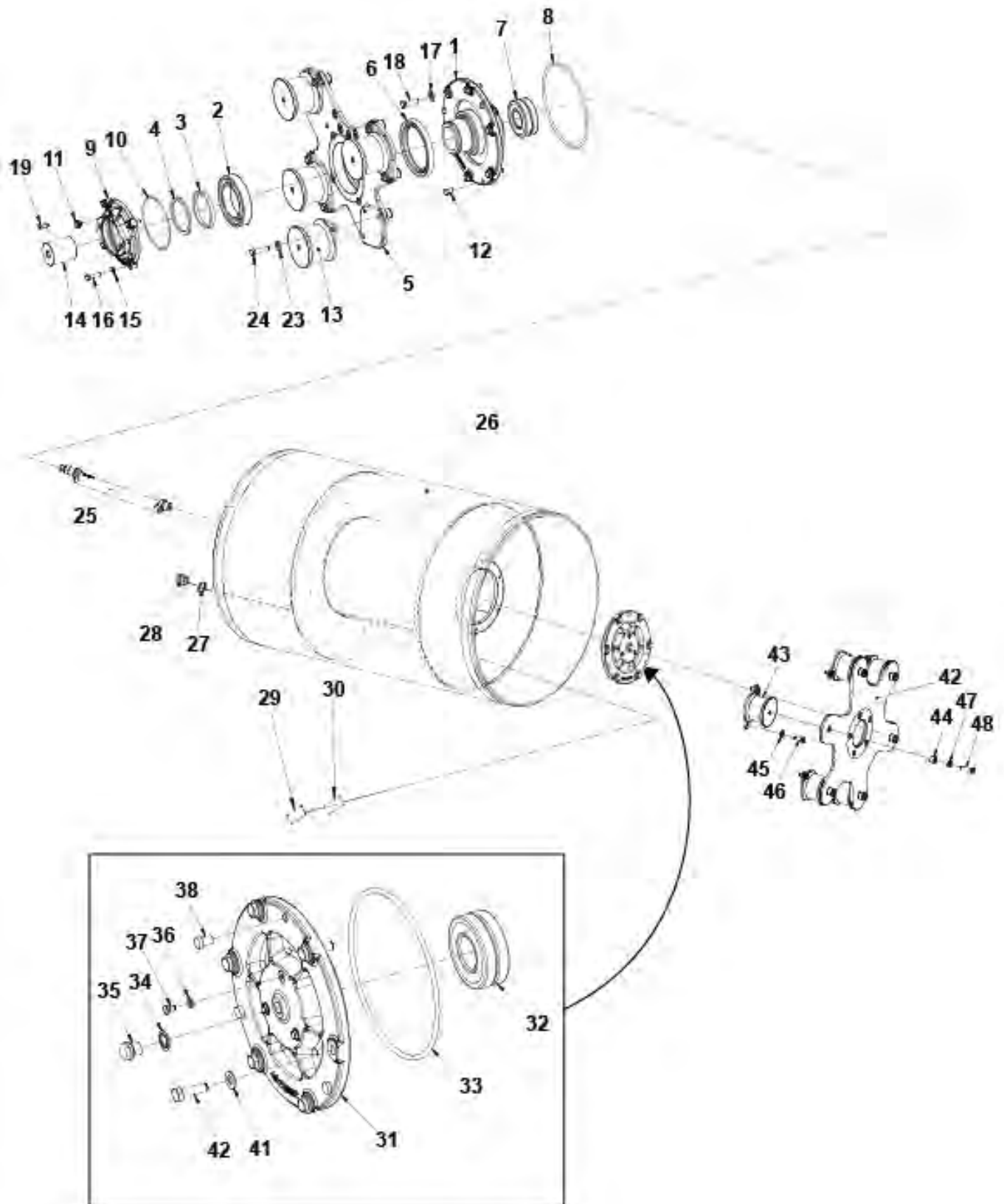
Refer to Parts Online for the most up to date information. The printed information might be outdated.

Fri Jan 05 14:16:48 UTC 2018

Item	Part No.	Name	Qty	L	SN INFO
1	4812126595	Drum bearing housing	1		
2	4700111018	Ball bearing	1		
3	4700358689	Spacer ring	1		
4	4700903154	Retaining ring	1		
5	4812124899	Bearing housing	1		
6	4700163049	Radial lip-type seal	1		
7	4700904258	Spherical roller bearing	1		
8	4700923951	O-ring	1		
9	4812124904	Adapter	1		
10	4700160132	O-ring 70	1		
11	4700343490	Air breather	1		
12	4700903287	Plug	3		
13	4700391984	Shock absorber	4		
14	4700349202	Coupling	1		
15	4700904229	Washer, 8.4x 6x1.5 mm 300HV	4		
16	4700500022	Screw	4		
17	4700904230	Plain washer 10.5x22x2 mm	6		
18	4700500030	Screw hexagon	6		
19	4700350029	Feather key	1		
23	4700904557	Washer, 10.5x22x4 mm 300 HV	8		
24	4812110596	Hexagon head screw M10x40 10,9 A3K	8		
25	4812119822	Eccentric shaft	1		
26	4812124792	Drum	1		
27	4700162017	Seal ring	1		
28	4700343744	Magnetic plug	1		
29	4700343801	Sign plate	1		
30		Tape	1		
31	4812127097	Bearing housing	1		
32	4700904258	Spherical roller bearing	1		
33	4700923951	O-ring	1		
34	4700162011	Washer, 16.7x24x1.5 mm Type A M16	1		
35	4700232143	Plug, M16	1		
36	4700904228	Washer 6,4x12x1,5	3		
37	4700500044	Screw M6x8	3		
38	4700903287	Plug	3		
40	4700904230	Plain washer 10.5x22x2 mm	6		
41	4700500030	Screw hexagon	6		
42	4812124832	Drive disc	1		

Refer to Parts Online for the most up to date information. The printed information might be outdated.

Fri Jan 05 14:16:48 UTC 2018

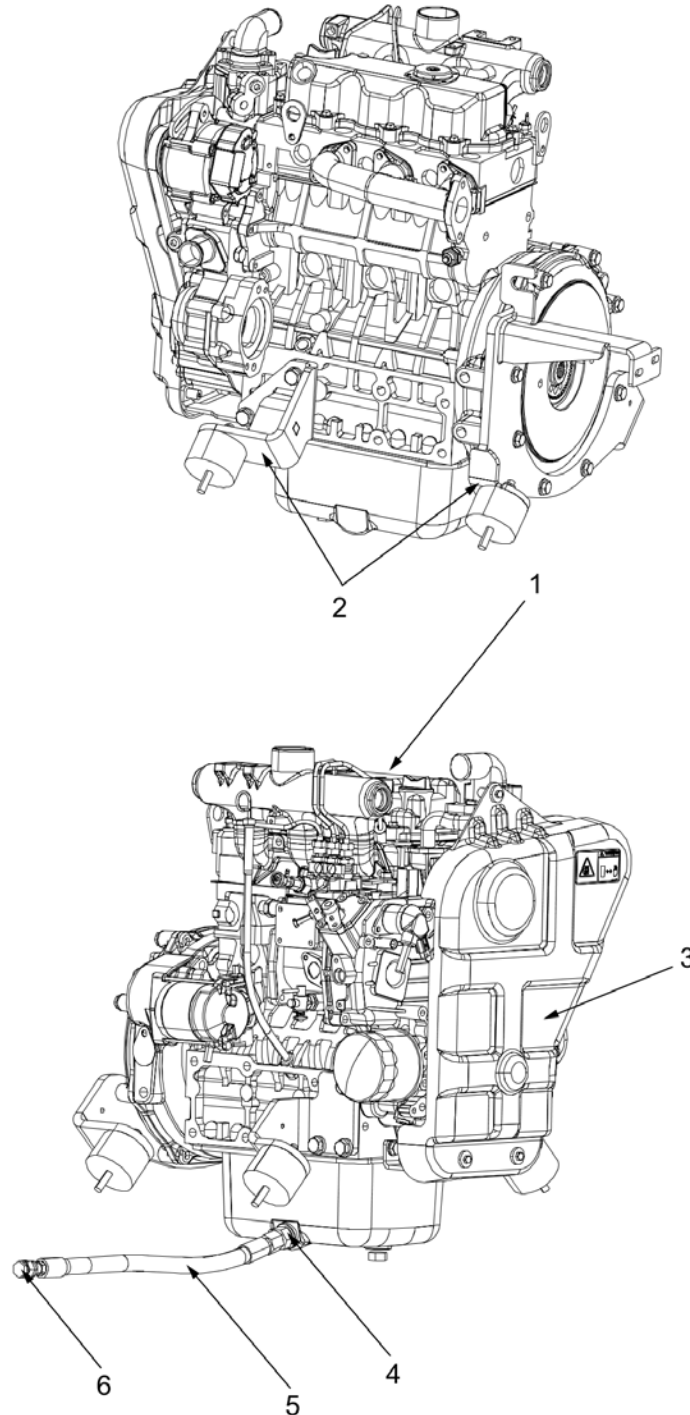


Refer to Parts Online for the most up to date information. The printed information might be outdated.

Fri Jan 05 14:16:48 UTC 2018

Item	Part No.	Name	Qty	L	SN INFO
43	4700391984	Shock absorber	6		
44	4812110346	Spacer	6		
45	4700904557	Washer, 10.5x22x4 mm 300 HV	12		
46	4812110663	Hexagon head screw M10x25H 10,9 A3K	12		
47	4700904231	Washer, 13x24x2 mm 300 HV	6		
48	4812125739	Screw	6		

**Engine room** Engine module



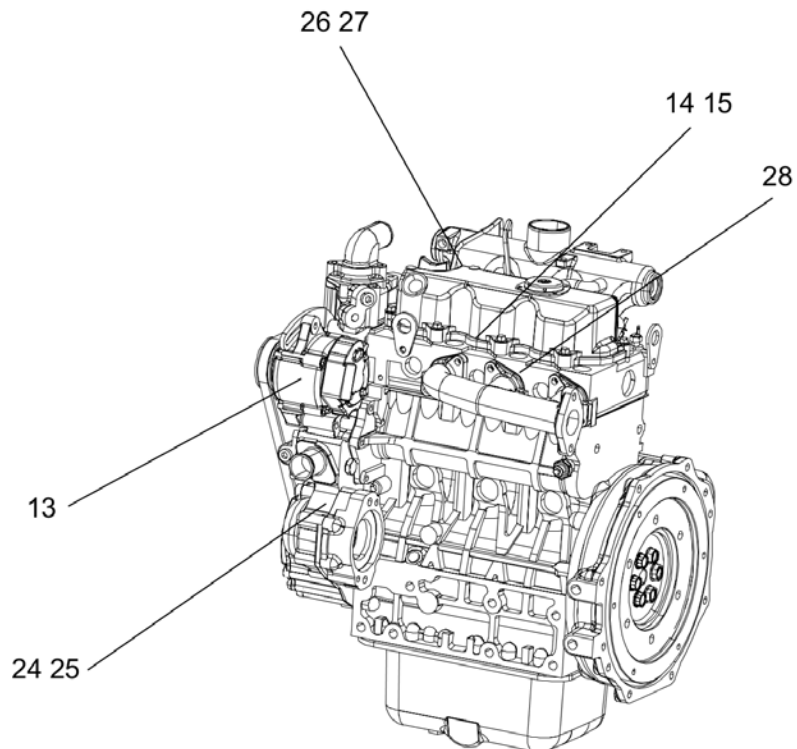
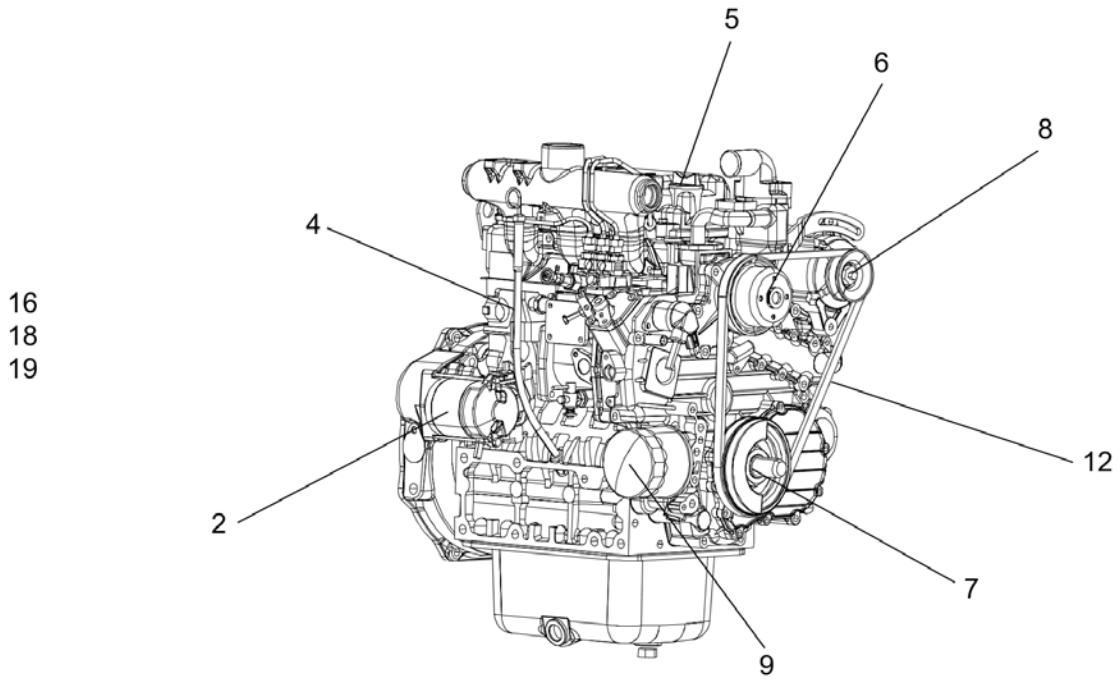
Refer to Parts Online for the most up to date information. The printed information might be outdated.

Fri Jan 05 14:16:48 UTC 2018

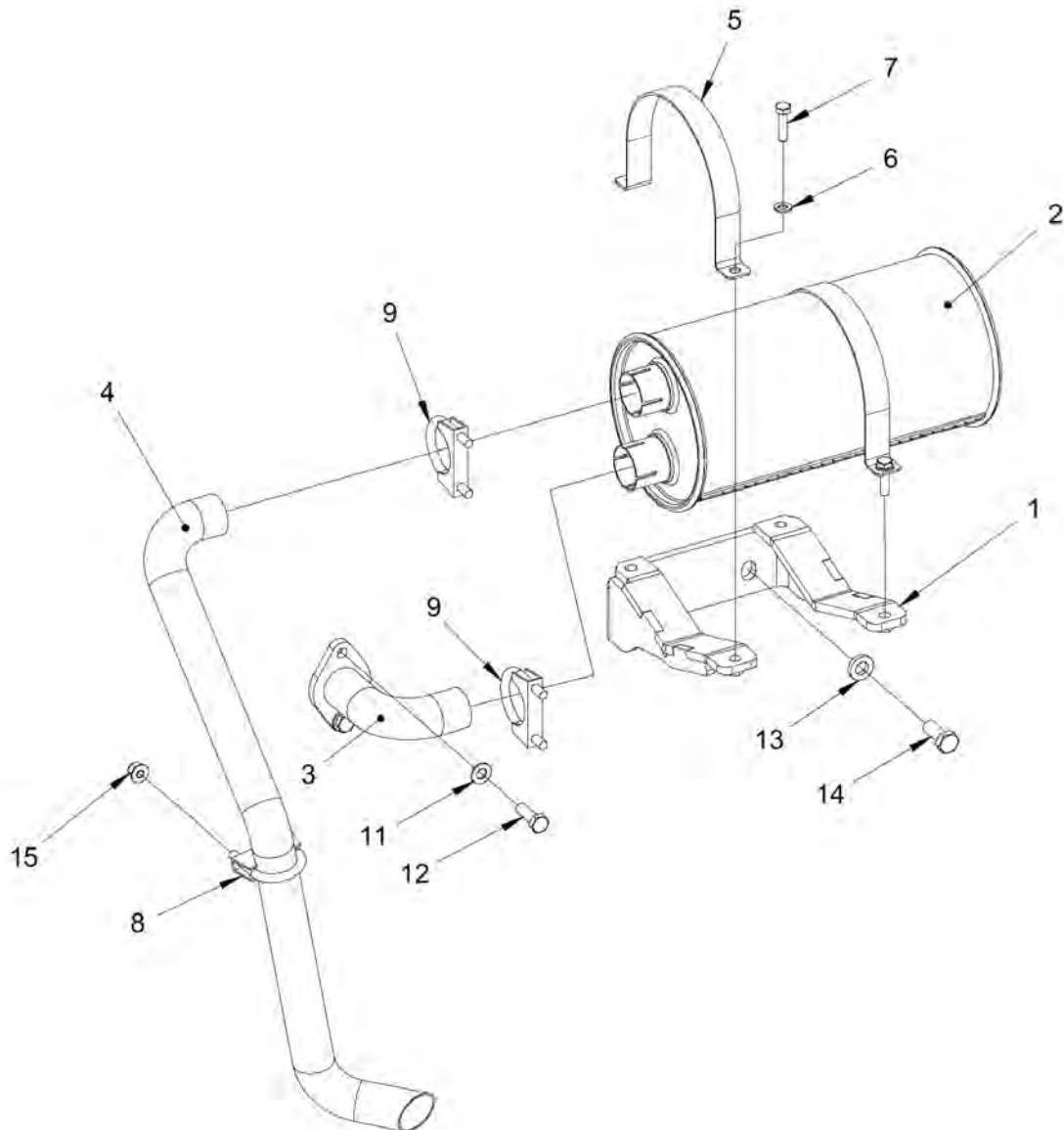


Item	Part No.	Name	Qty	L	SN INFO
1	4812125635	Diesel engine, Kubota D1703-DI-E4B (18,5 kW)	1		
2	-	Bracket module	1		
3	-	Belt guard module	1		
4	4700791635	Straight connector	1		
5	4812125854	Hydraulic hose	1		
6	4700791493	Steel plug threaded	1		

**Engine room** 4812125635 Diesel engine (D1703-M-DI-E4B) (18,5 kW)



Item	Part No.	Name	Qty	L	SN INFO
0	4812125635	Diesel engine, Kubota D1703-DI-E4B (18,5 kW)	1		
2	-	Starter	1		
4	-	Oil dip stick	1		
5	4812156358	Oil cap	1		
5	4812156359	O-ring	1		
6	4812156360	Pulley, V-belt	1		
7	4812156362	Alternator, Fan	1		
8	-	Pulley, Alternator	1		
9	4812160480	Engine oil filter element	1		
12	4812156260	V-belt	1		
13	-	Alternator	1		
14	4812156261	Valve cover gasket	1		
15	-	Piston ring set	1		
16	-	Fuel pump	1		
17	-	Fuel solenoid	1		
18	4812156264	Pre-fuel filter element	1		
19	-	Pre-fuel filter element	1		
20	4812156263	Fuel filter element	1		
21	-	Thermostat	1		
22	-	Gasket, Thermostat	1		
23	-	Gasket, Flange water	1		
24	-	Water pump	1		
25	-	Gasket, water pump	1		
26	-	Gasket, inlet manifold	1		
28	-	Gasket, exhaust manifold	1		
29	-	Switch, oil			

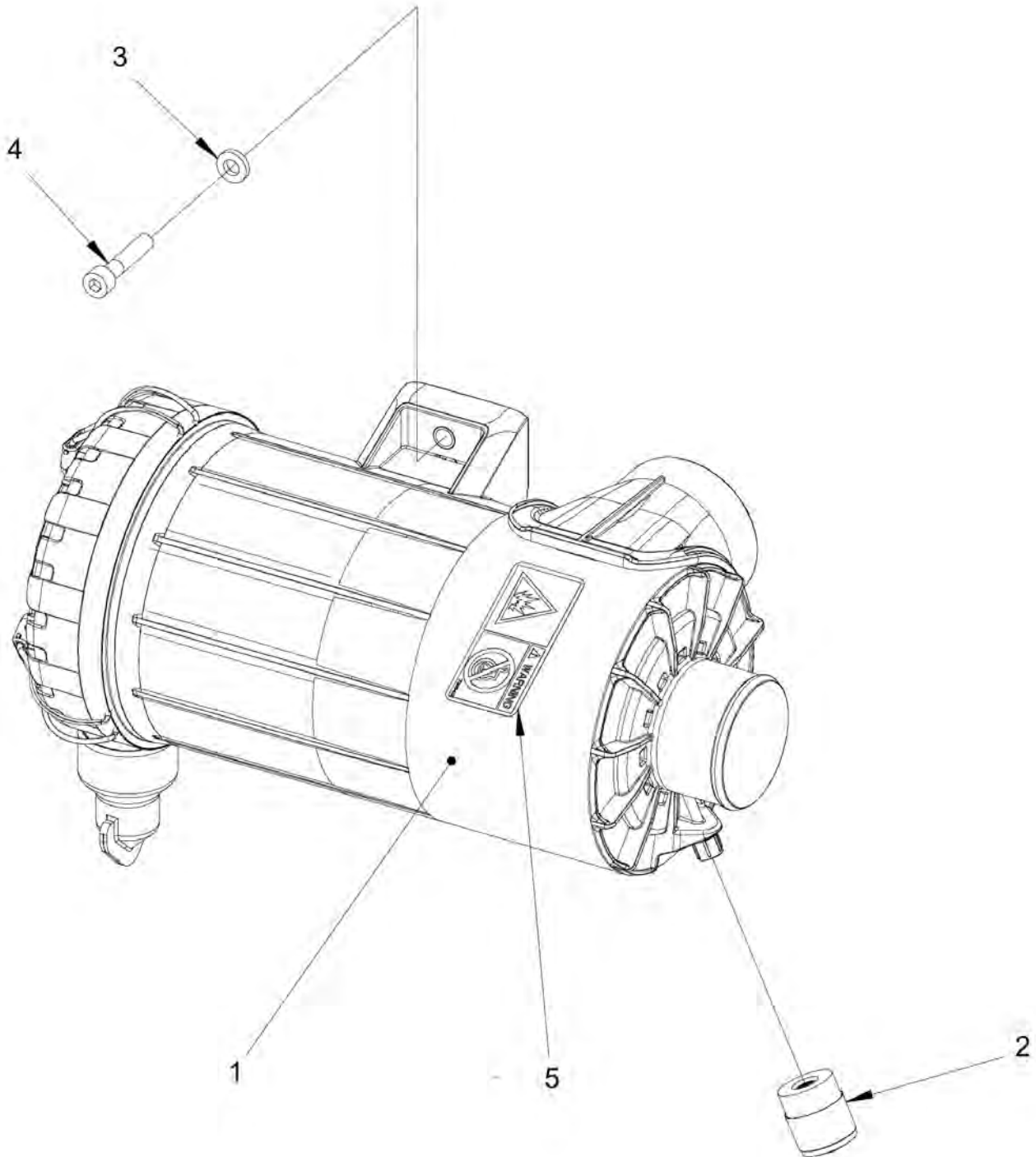
**Engine room Exhaust system**

Refer to Parts Online for the most up to date information. The printed information might be outdated.

Fri Jan 05 14:16:49 UTC 2018

Item	Part No.	Name	Qty	L	SN INFO
1	4812125506	Bracket	1		
2	4812125356	Muffler	1		
3	4812125505	Exhaust pipe	1		
4	4812125267	Exhaust pipe	1		
5	4812125961	Clamp	2		
6	4700904229	Washer, 8.4x 6x1.5 mm 300HV	4		
7	4700500022	Screw	4		
8	4700901177	Pipe clamp	1		
9	4700313121	Clamp	2		
11	4812122654	Steel plain washer	2		
12	0147195944	Hex head screw	2		
13	4700904703	Plain washer 13x24x4 mm	2		
14	4700792250	Screw	2		
15	4700902286	Lock nut, M8x1.25 mm A2K	2		

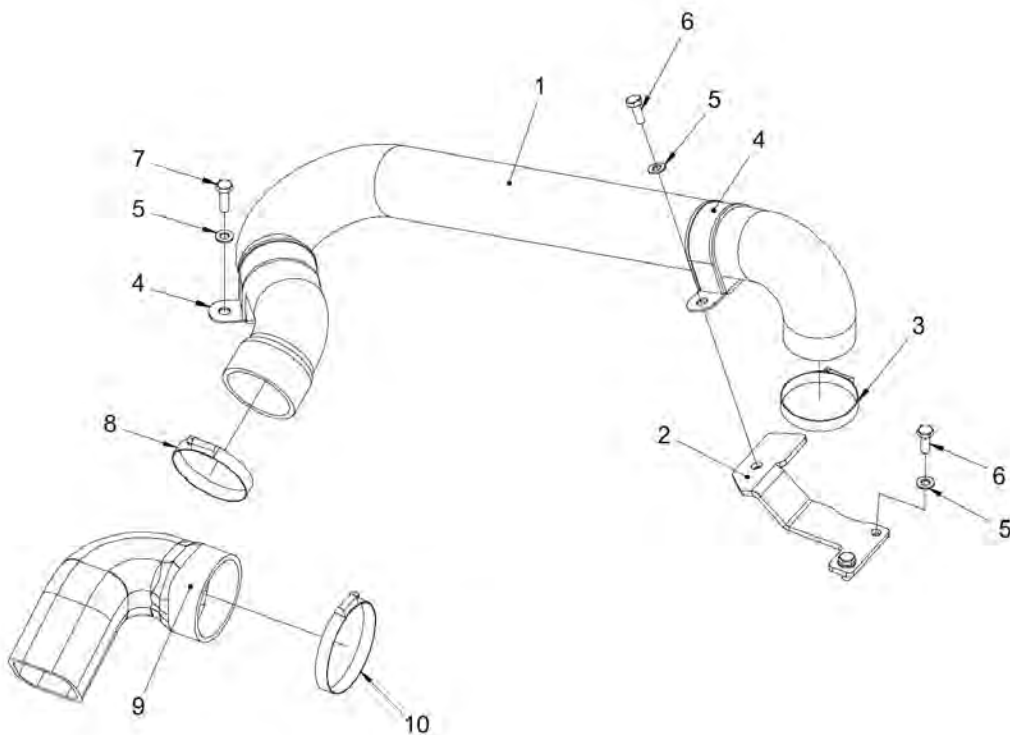
**Engine room** Air cleaner



Refer to Parts Online for the most up to date information. The printed information might be outdated.

Fri Jan 05 14:16:49 UTC 2018

Item	Part No.	Name	Qty	L	SN INFO
1	4812125527	Air filter	1		
1	4812161586	Air filter, main	1		
1	4812161587	Air filter element, Safety	1		
2	4700499497	Indicator	1		
3	4700904556	Steel plain washer 8,4x16x3,0	2		
4	4700508056	Screw M8x40	2		
5	4700791642	Decal "WARNING" Use of starting fluid prohib.	1		

**Engine room Air hose**

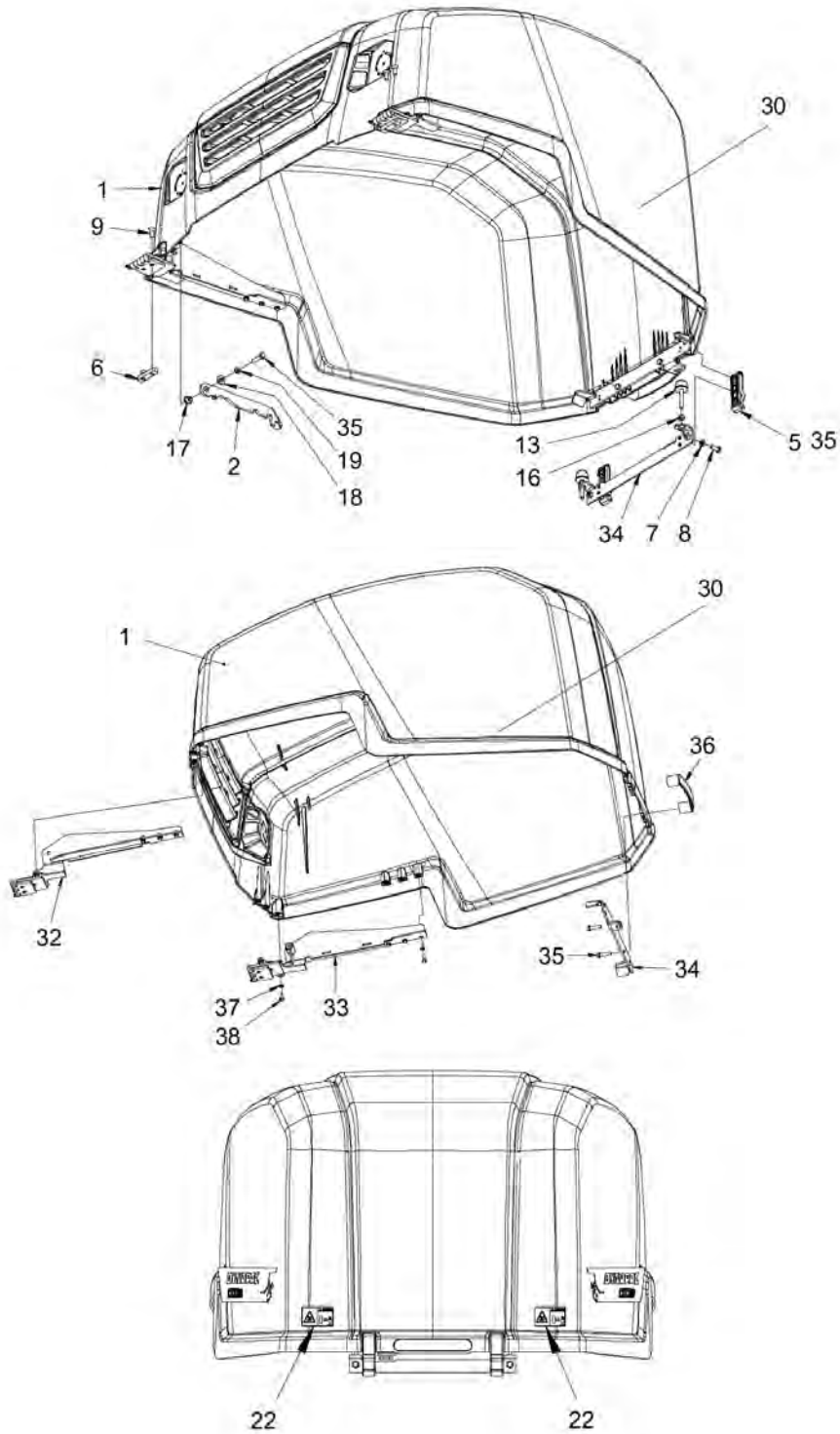
Refer to Parts Online for the most up to date information. The printed information might be outdated.

Fri Jan 05 14:16:50 UTC 2018



Item	Part No.	Name	Qty	L	SN INFO
1	4812125519	Air hose	1		
2	4812125820	Bracket	1		
3	4700313023	Hose clamp	1		
4	4700903703	Clamp	2		
5	4700904229	Washer, 8.4x 6x1.5 mm 300HV	4		
6	4700500053	Screw, M8x20 mm 8.8 A2K	3		
7	4700500021	Screw, M8x25 mm 8.8 A2K	1		
8	4700313023	Hose clamp	1		
9	4812126945	Air hose	1		
10	4700313038	Hose clamp	1		

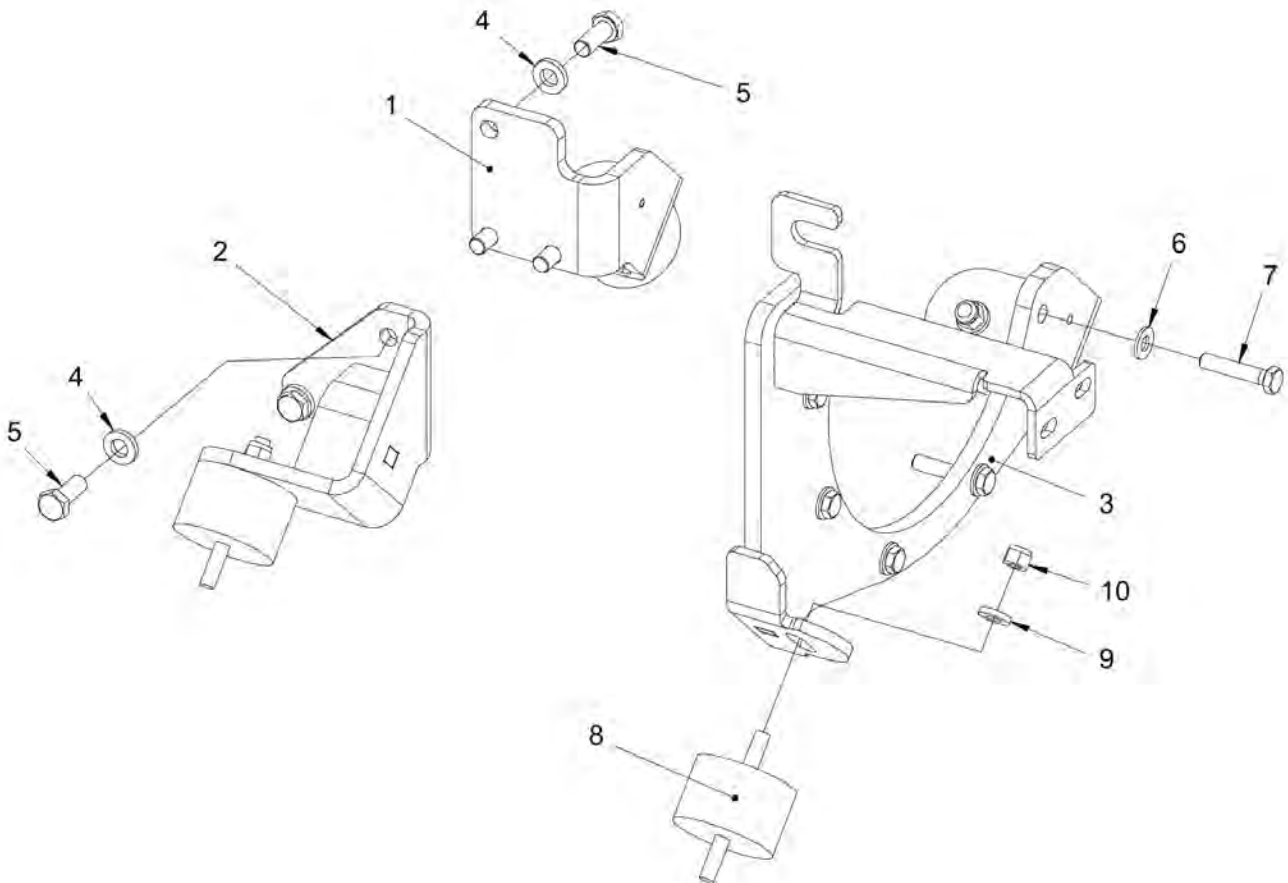
**Engine room** Engine hood, cpl.



Refer to Parts Online for the most up to date information. The printed information might be outdated.

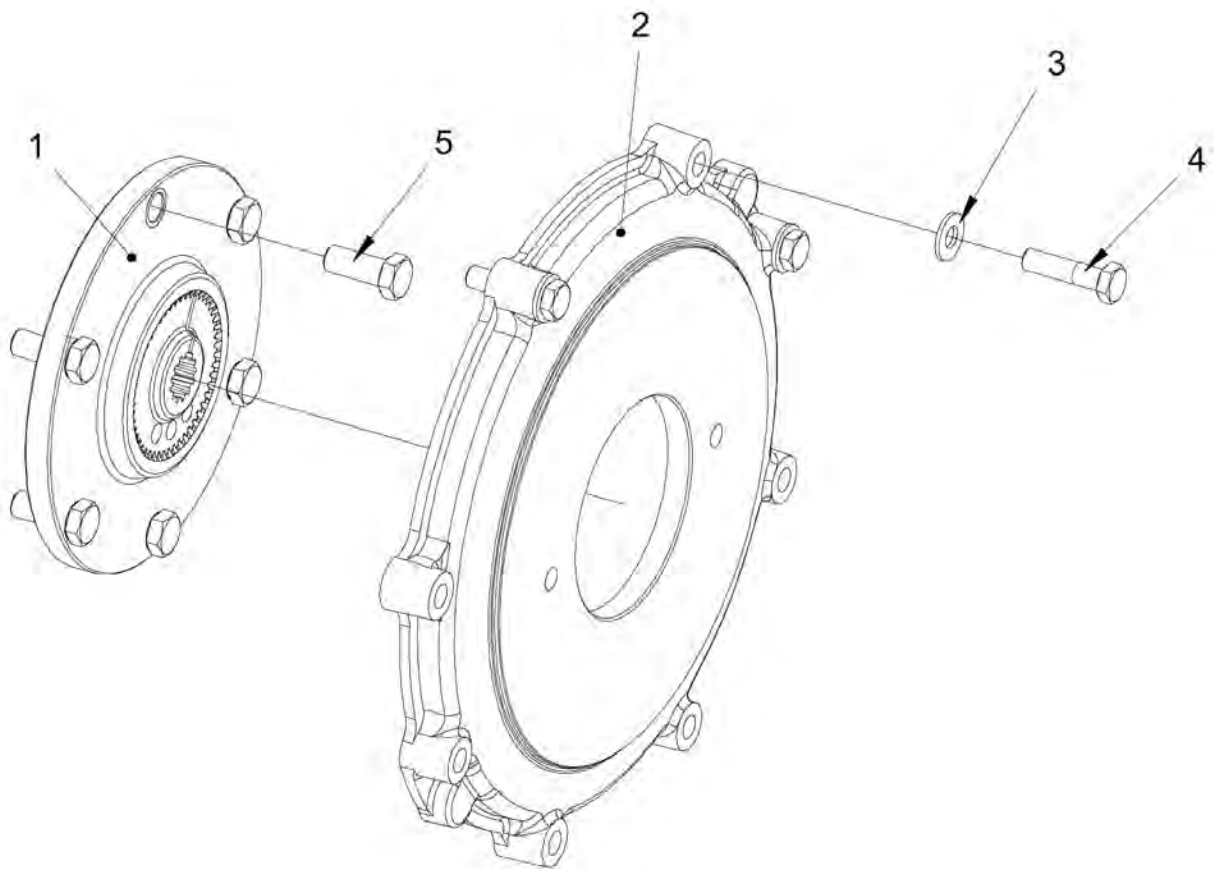
Fri Jan 05 14:16:50 UTC 2018

Item	Part No.	Name	Qty	L	SN INFO
1	4812127220	Engine hood	1		
2	4812126979	Lock	1		
4	4812125831	Bracket	1		
5	4700388846	Latch	2		
6	4812127078	Nut plate	2		
7	4700904556	Steel plain washer 8,4x16x3,0	2		
8	4700500053	Screw, M8x20 mm 8.8 A2K	2		
9	4700513003	Screw	4		
12	4812127254	Blind rivet	8		
13	4812114318	Shock absorber	2		
14	4812127039	Washer, 8.4x26x4 mm 300 HV	6		
16	4700570005	Hexagon nut	2		
17	4700791939	Bushing	1		
18	4700791938	Washer	1		
19	4700904229	Washer, 8.4x 6x1.5 mm 300HV	1		
22	4700903424	Safety label, hot surfaces	2		
30	-	Decal, model code	2		
31	4812125636	Engine hood	1		
32	4812127090	Hinge	1		
33	4812127091	Hinge	1		
34	4812125830	Bracket	1		
35	4700500022	Screw	3		
36	4700387948	Handle	1		
37	4700904228	Washer 6,4x12x1,5	12		
38	4700500185	Screw	12		

**Engine room Bracket**

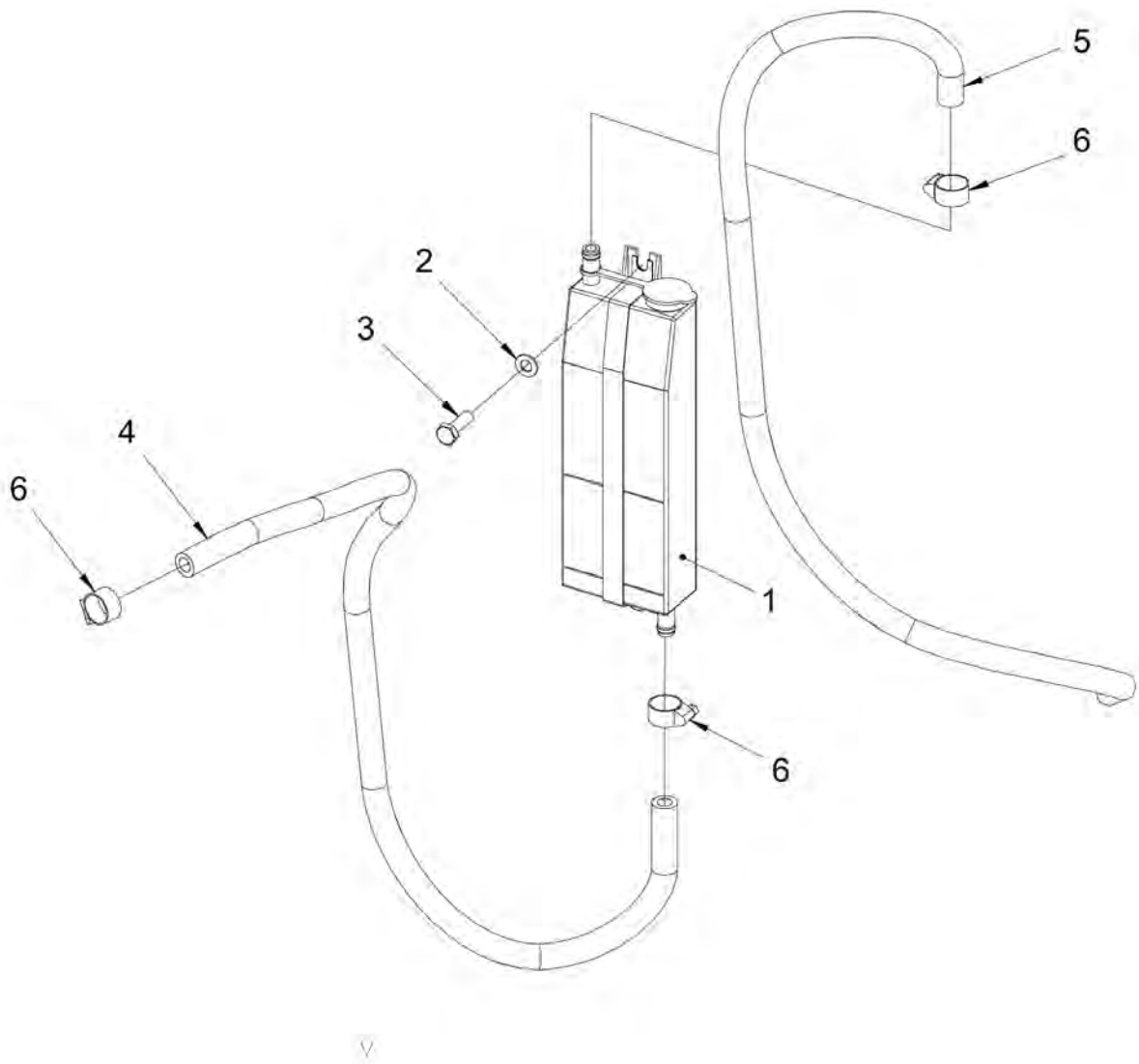
Item	Part No.	Name	Qty	L	SN INFO
1	4812125384	Bracket	1		
2	4812127327	Bracket	1		
3	4812125386	Bracket	1		
4	4700904703	Plain washer 13x24x4 mm	6		
5	4700792250	Screw	6		
6	4700904230	Plain washer 10.5x22x2 mm	5		
7	4812125507	Hexagon head screw	5		
8	4812125630	Shock absorber	4		
9	4700904557	Washer, 10.5x22x4 mm 300 HV	4		
10	4700586018	Lock nut M10	4		

**Engine room Coupling**



Item	Part No.	Name	Qty	L	SN INFO
1	4812120689	Clutch	1		
2	4812125668	Bracket	1		
3	4700904230	Plain washer 10.5x22x2 mm	3		
4	4811000285	Screw	3		
5	4700500046	Hex. head screw M12x030H	6		

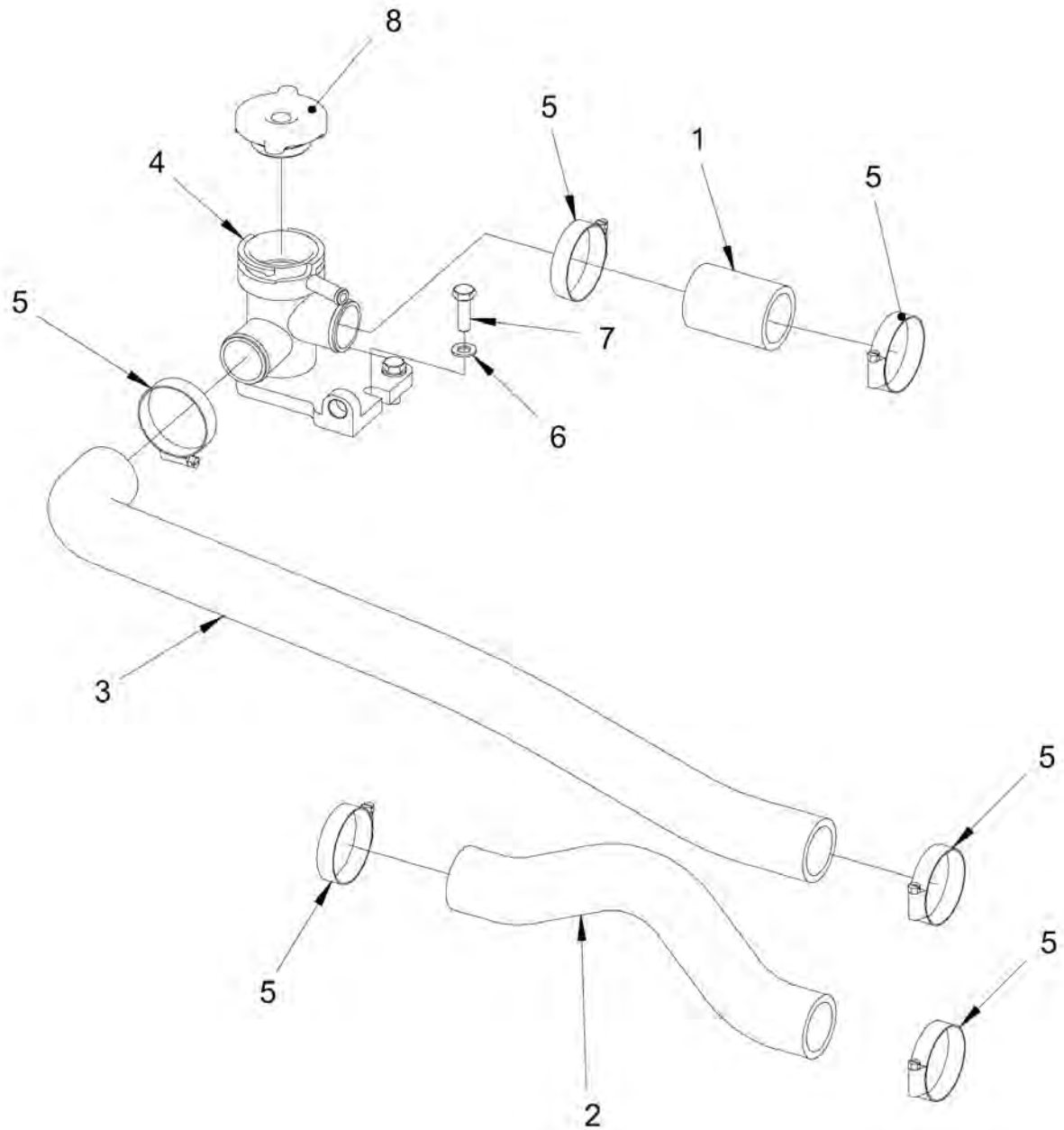
**Engine room** Expansion tank





Item	Part No.	Name	Qty	L	SN INFO
1	4812125796	Expansion tank	1		
2	4700904229	Washer, 8.4x 6x1.5 mm 300HV	2		
3	4700500021	Screw, M8x25 mm 8.8 A2K	2		
4	4812122244	Coolant hose	1		
5	4812122244	Coolant hose	0,9		
6	4700313003	Hose clamp	3		

**Engine room** Coolant hose module

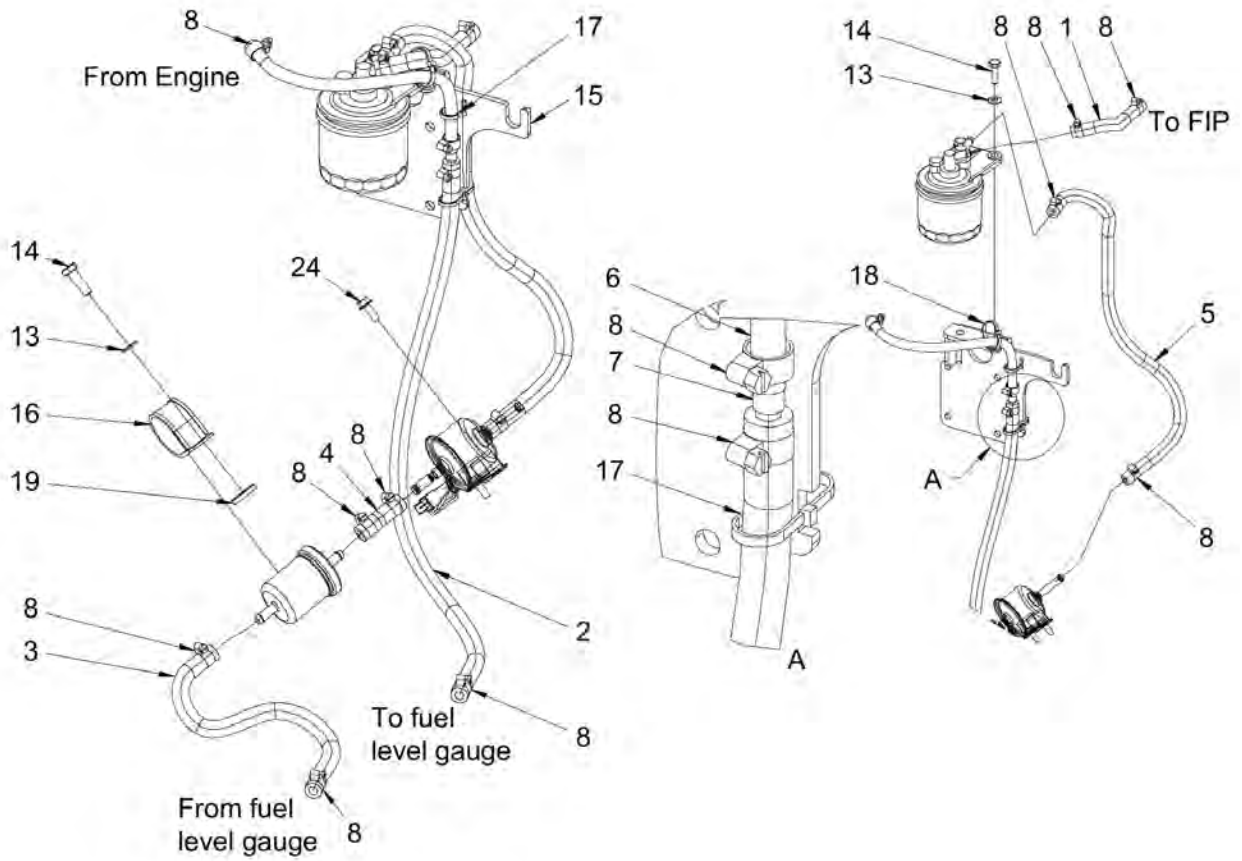


Refer to Parts Online for the most up to date information. The printed information might be outdated.

Fri Jan 05 14:16:52 UTC 2018

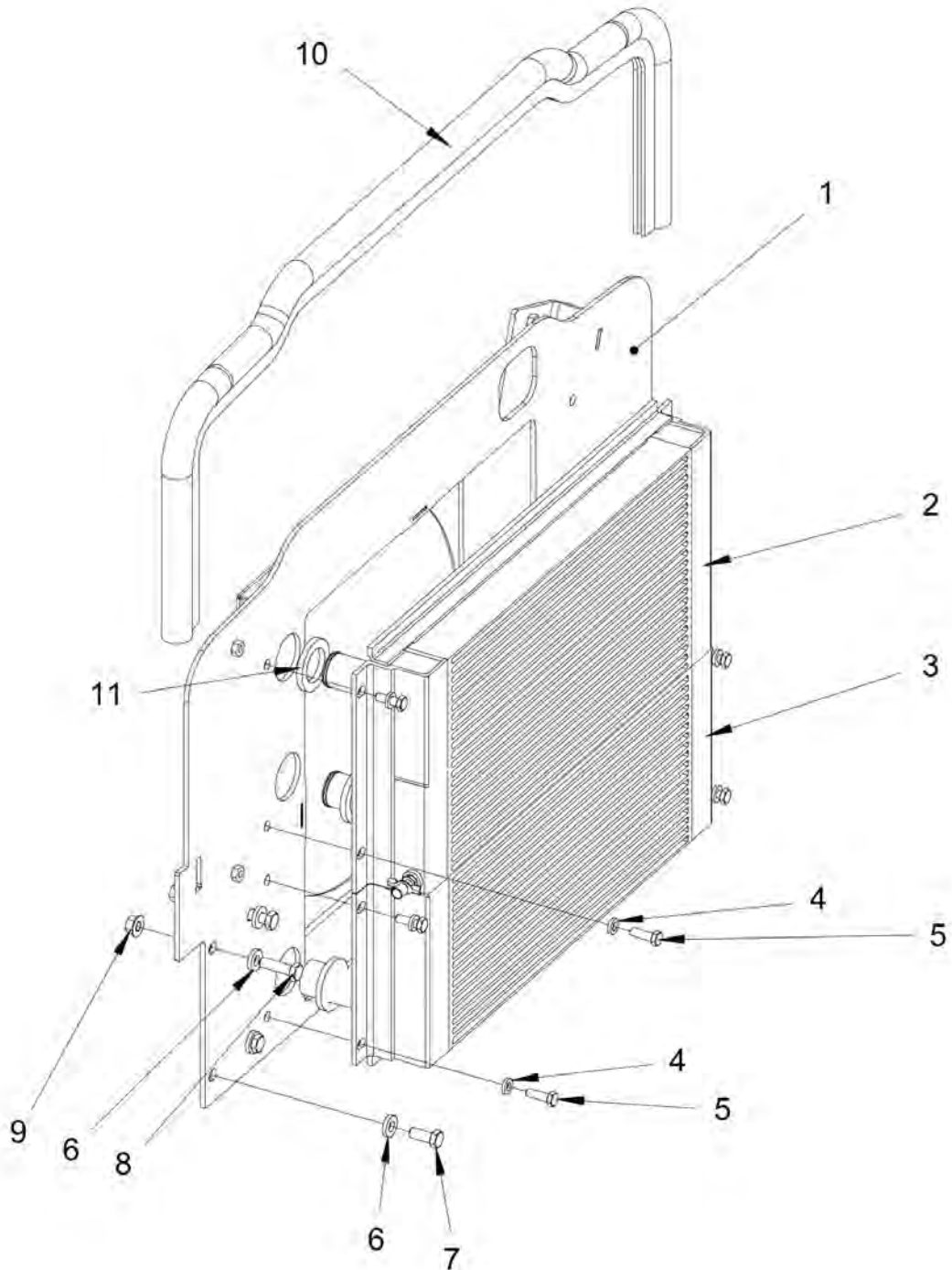
Item	Part No.	Name	Qty	L	SN INFO
1	4812125526	Cooler hose	1		
2	4812125516	Cooler hose	1		
3	4812125517	Cooler hose	1		
4	4812125661	Filling pipe	1		
5	4700313007	Hose clamp	6		
6	4700904229	Washer, 8.4x 6x1.5 mm 300HV	2		
7	4700500021	Screw, M8x25 mm 8.8 A2K	2		
8	4812125508	Cap	1		

**Engine room Fuel hoses**



Item	Part No.	Name	Qty	L	SN INFO
1	4700904984	Fuel hose	0,18 M		
2	4700904984	Fuel hose	0,68 M		
3	4700904984	Fuel hose	0,32 M		
4	4700904984	Fuel hose	0,05 M		
5	4700904984	Fuel hose	0,55 M		
6	4700791422	Hose	0,33 M		
7	4700791744	Adapter	1		
8	4700313108	Hose clamp	12		
13	4700904229	Washer, 8.4x 6x1.5 mm 300HV	3		
14	4700500021	Screw, M8x25 mm 8.8 A2K	3		
15	4812126927	Bracket	1		
16	4700283711	Hose clamp	1		
17	4700925802	Cable ties L=142 mm	2		
18	4700313041	Cable ties, L=200 mm	1		
19	4700904734	Washer, 8.4x26x4 mm 300 HV	1		
21	-	Fuel filter WS element	1		
22	-	Pre fuel filter	1		
23	4812117689	Fuel pump	1		
24	4700541703	Thread forming screw	2		

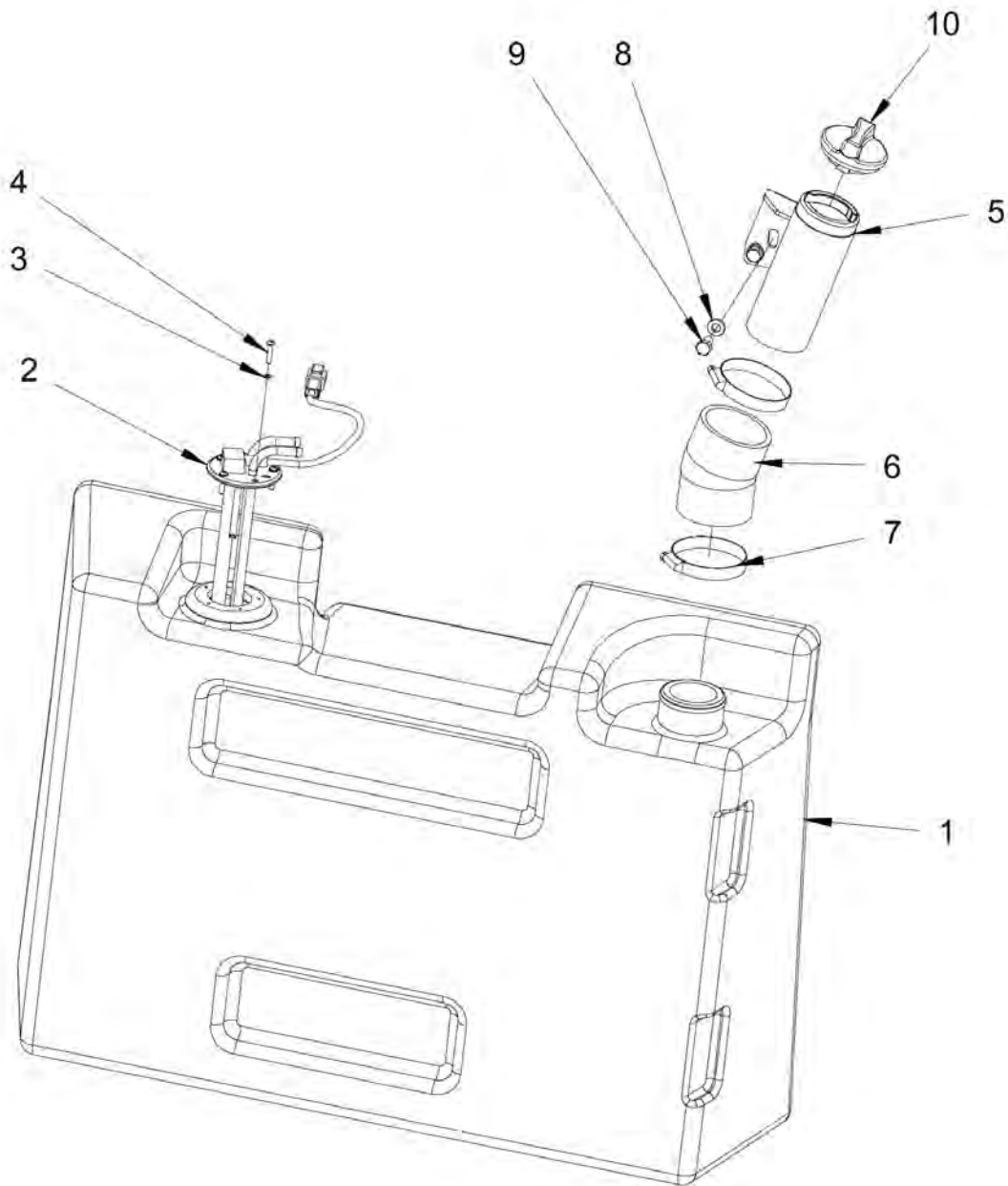
**Engine room Cooler**



Refer to Parts Online for the most up to date information. The printed information might be outdated.

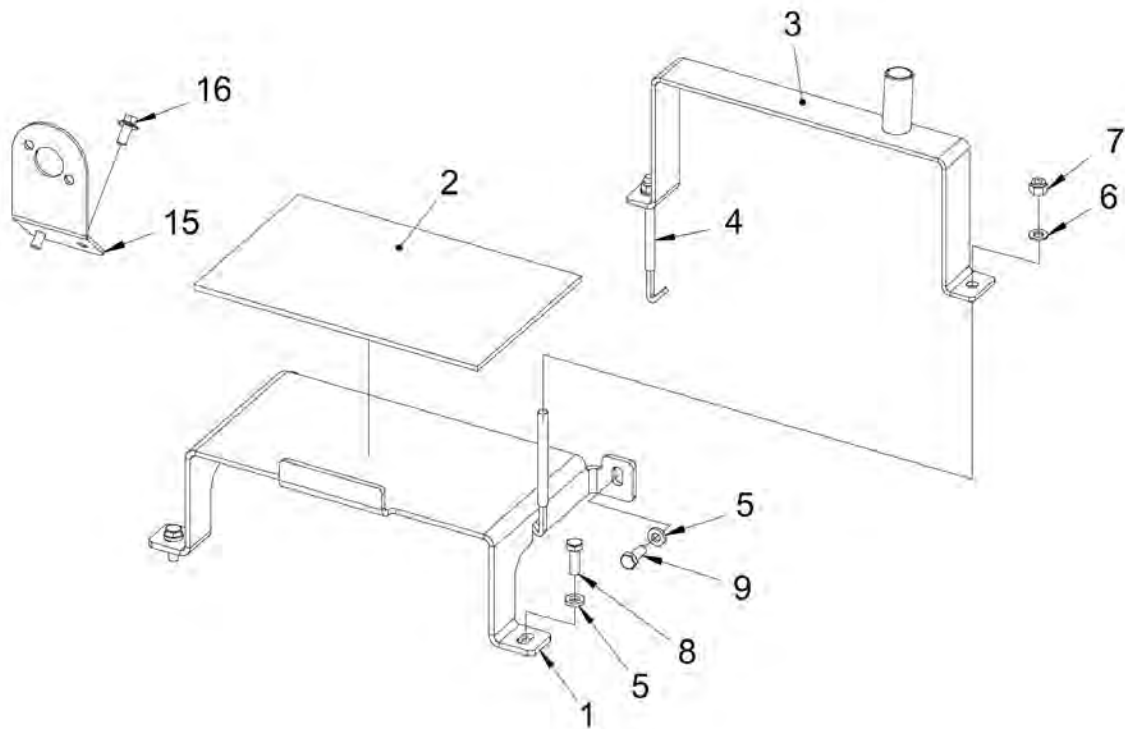
Fri Jan 05 14:16:52 UTC 2018

Item	Part No.	Name	Qty	L	SN INFO
1	4812125397	Fan shroud	1		
2	4812126898	Water cooler	1		
3	4812126899	Hydraulic oil cooler	1		
4	4700904556	Steel plain washer 8,4x16x3,0	8		
5	4700500021	Screw, M8x25 mm 8.8 A2K	8		
6	4700904557	Washer, 10.5x22x4 mm 300 HV	8		
7	4700500028	Screw, M10 x 25 mm 8.8 A3K	6		
8	4700500030	Screw hexagon	2		
9	4700792817	Hexagon nut with flange	2		
10	4812127643	Sealing strip	1,32 5 M		
11	4812126953	Insulation	4		

**Engine room Fuel tank**



Item	Part No.	Name	Qty	L	SN INFO
1	4812125018	Fuel tank	1		
2	4700378574	Level sender	1		
3	4700904698	Plain washer	5		
4	4700903236	Screw, Thread rolling K40x20	5		
5	4812125657	Bracket	1		
6	4812125587	Hose	1		
7	4700313023	Hose clamp	2		
8	4700904556	Steel plain washer 8,4x16x3,0	2		
9	4700500019	Hexagon screw	2		
10	4812125710	Cap	1		

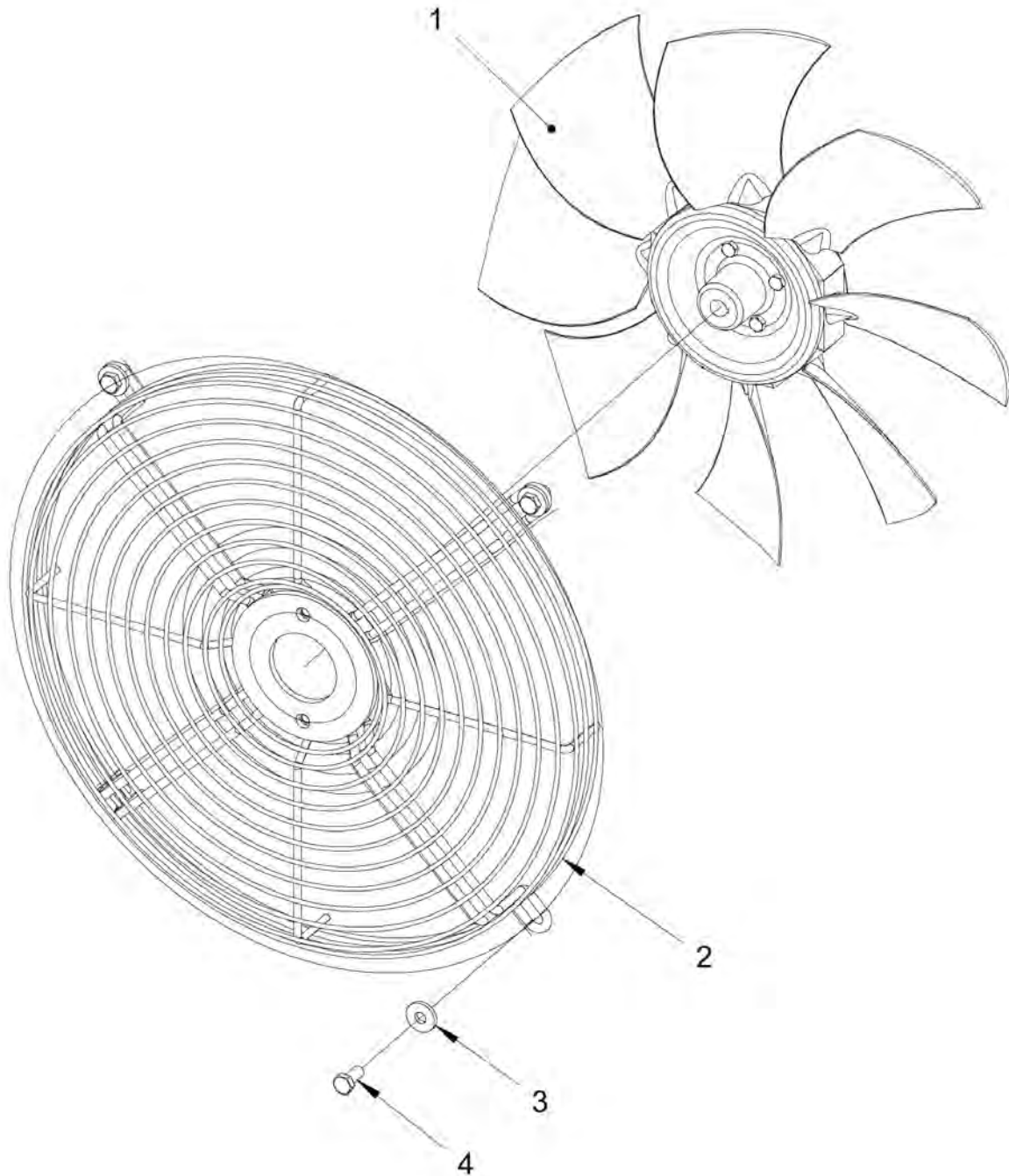
**Engine room** Battery holder

Refer to Parts Online for the most up to date information. The printed information might be outdated.

Fri Jan 05 14:16:53 UTC 2018

Item	Part No.	Name	Qty	L	SN INFO
1	4812126956	Bracket	1		
2	4812124988	Rubber cloth	1		
3	4812125704	Bracket	1		
4	4700379064	Screw, M8	2		
5	4700904556	Steel plain washer 8,4x16x3,0	3		
6	4700904229	Washer, 8.4x 6x1.5 mm 300HV	2		
7	4700586003	Lock nut M8	2		
8	4700500021	Screw, M8x25 mm 8.8 A2K	2		
9	4700500053	Screw, M8x20 mm 8.8 A2K	1		
15	4812126940	Bracket	1		
16	4700901832	Screw, M08x16, 8.8	2		

**Engine room Fan**

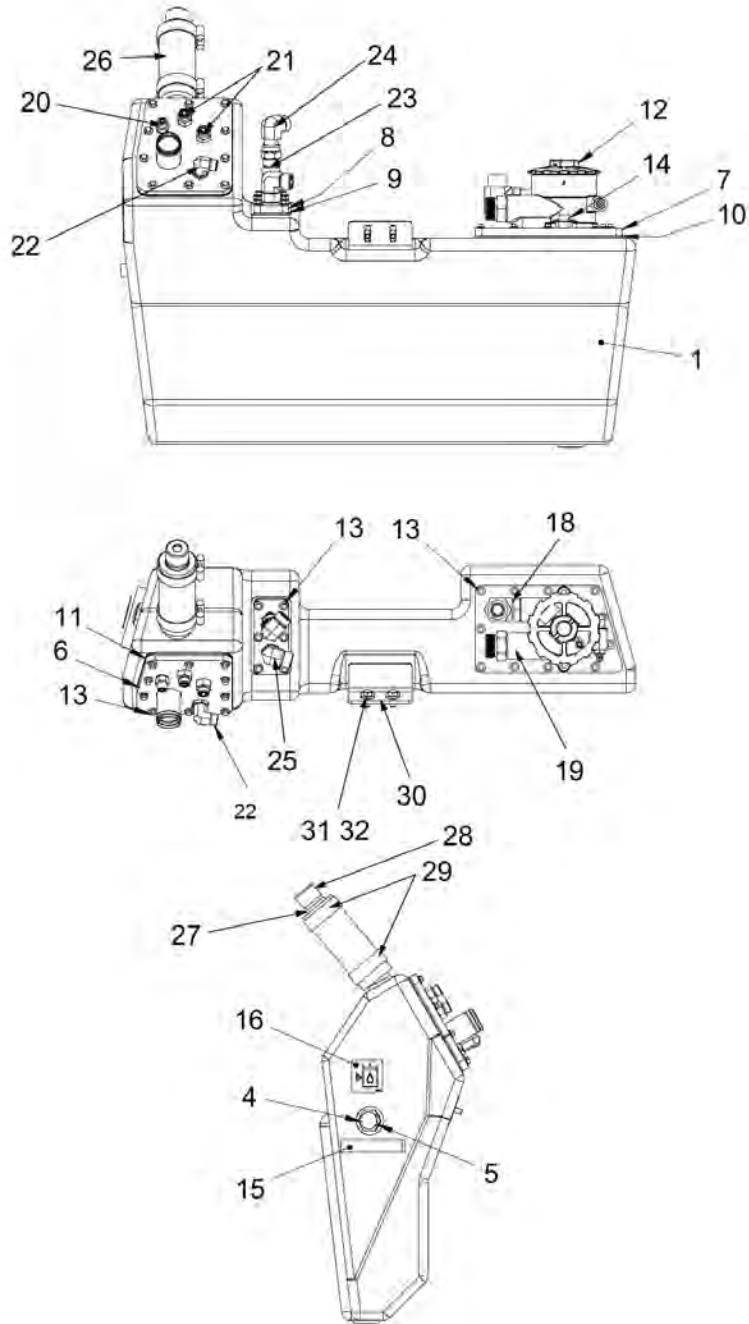


Refer to Parts Online for the most up to date information. The printed information might be outdated.

Fri Jan 05 14:16:53 UTC 2018

Item	Part No.	Name	Qty	L	SN INFO
1	4812125655	Fan	1		
2	4812125641	Fan protection	1		
3	4700904640	Washer, 8.4x22x3 mm 300HV	4		
4	4700500100	Hexagon screw	4		

**Engine room** Hydraulic oil tank

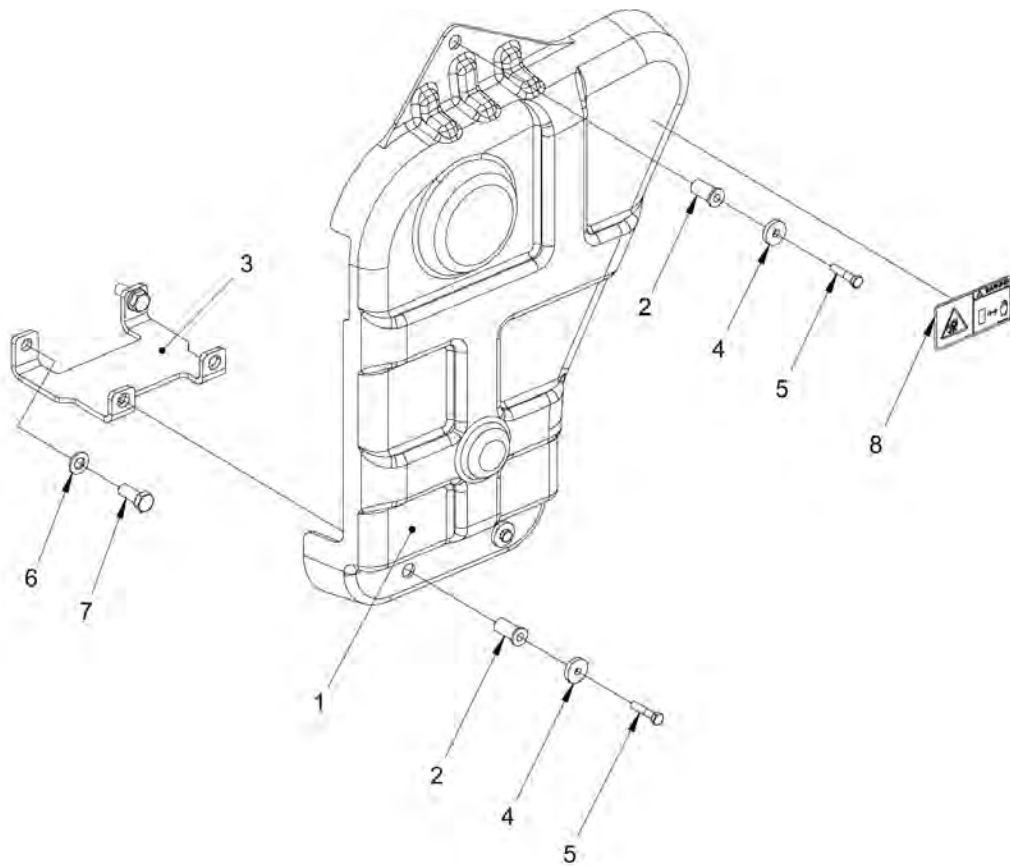


Refer to Parts Online for the most up to date information. The printed information might be outdated.

Fri Jan 05 14:16:54 UTC 2018

Item	Part No.	Name	Qty	L	SN INFO
1	4812125476	Hydarulic oil tank	1		
4	4700813443	O-ring	1		
5	4700791395	Sight plug	1		
6	4812125477	Lid	1		
7	4812125478	Lid	1		
8	4812125651	Lid	1		
9	4812125652	Gasket	1		
10	4812125479	Gasket	1		
11	4812125480	Gasket	1		
12	4812113327	Hydraulic oil filter, cpl.	1		
12	4812113328	Hydraulic oil filter element	1		
13	4700500501	Screw M6x20	27		
14	4700508028	Screw, M10x20H	2		
15	4700202041	Rubber strip	0,1 M		
16	4700272373	Label, hydraulic oil level	1		
18	4700791698	Connector elbow 90 ORFS	1		
19	4700792338	Adapter	1		
20	4700791914	Adapter	1		
21	4700791828	Adapter	2		
22	4700791840	Adapter	1		
23	4700791821	Straight connector orfs	1		
24	4700904766	Elbow connector 90°	1		
25	4700791843	Elbow 90, O-ring with swivel	1		
26	4812119321	Hydraulic hose	1		
27	4700357139	Connector	1		
28	4700357138	Ventilating filter	1		
29	4700313126	Clamp	2		
30	4812125676	Bracket	1		
31	4700904640	Washer, 8.4x22x3 mm 300HV	2		
32	4700500053	Screw, M8x20 mm 8.8 A2K	2		

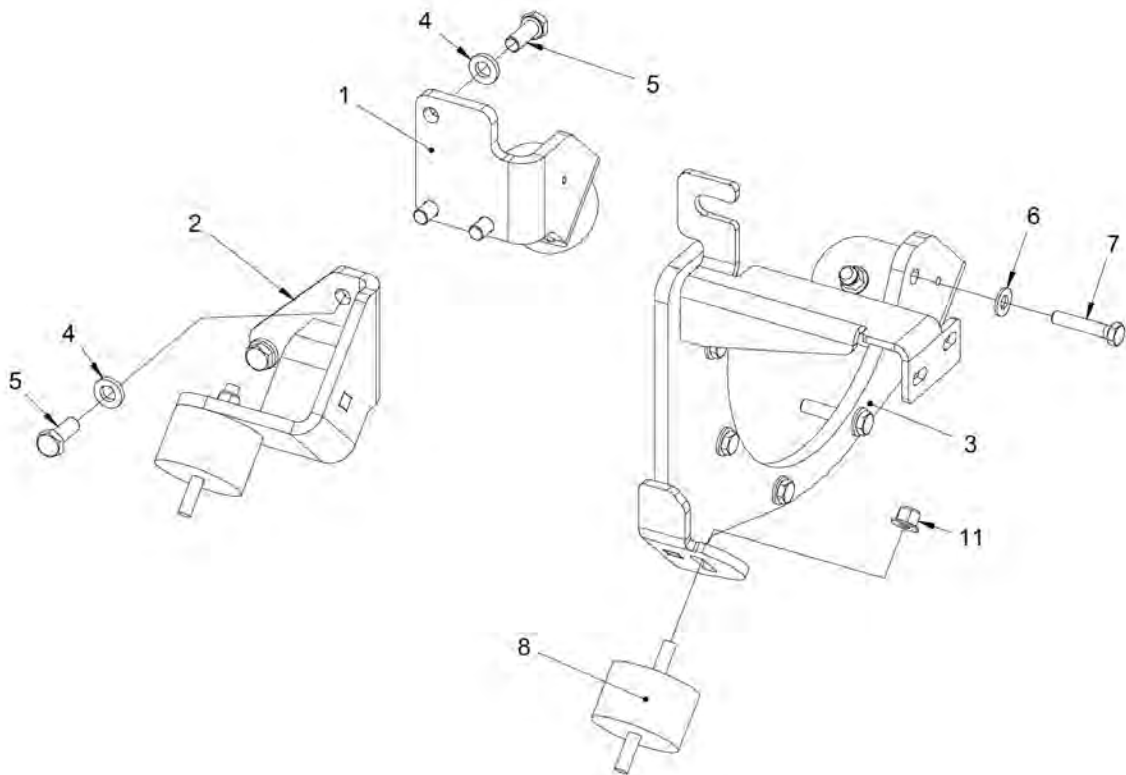
**Engine room** Belt guard





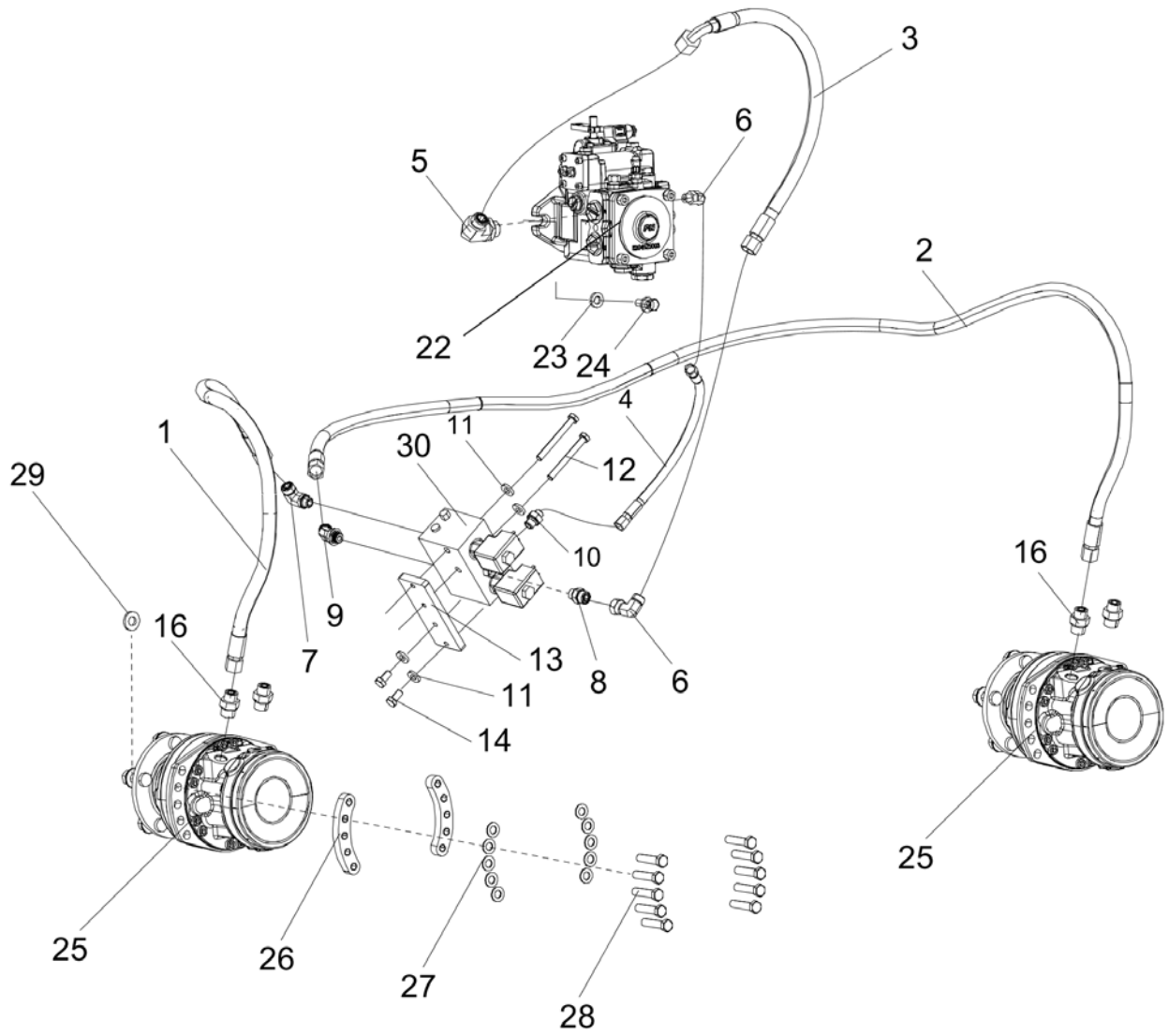
Item	Part No.	Name	Qty	L	SN INFO
1	4812125400	Belt guard	1		
2	4812125875	Nut	3		
3	4812125446	Bracket	1		
4	4700904735	Steel plain washer	3		
5	4700500015	Hex. screw	3		
6	4812122654	Steel plain washer	2		
7	0147195903	Screw DIN961	2		
8	4700903423	Safety label, Rotating engine components	1		

**Engine room** Bracket module



Item	Part No.	Name	Qty	L	SN INFO
1	4812125384	Bracket	1		
2	4812127327	Bracket	1		
3	4812125386	Bracket	1		
4	4700904703	Plain washer 13x24x4 mm	6		
5	4700792250	Screw	6		
6	4700904230	Plain washer 10.5x22x2 mm	5		
7	4812125507	Hexagon head screw	5		
8	4812125630	Shock absorber	4		
11	4700902287	Nut, M10	4		

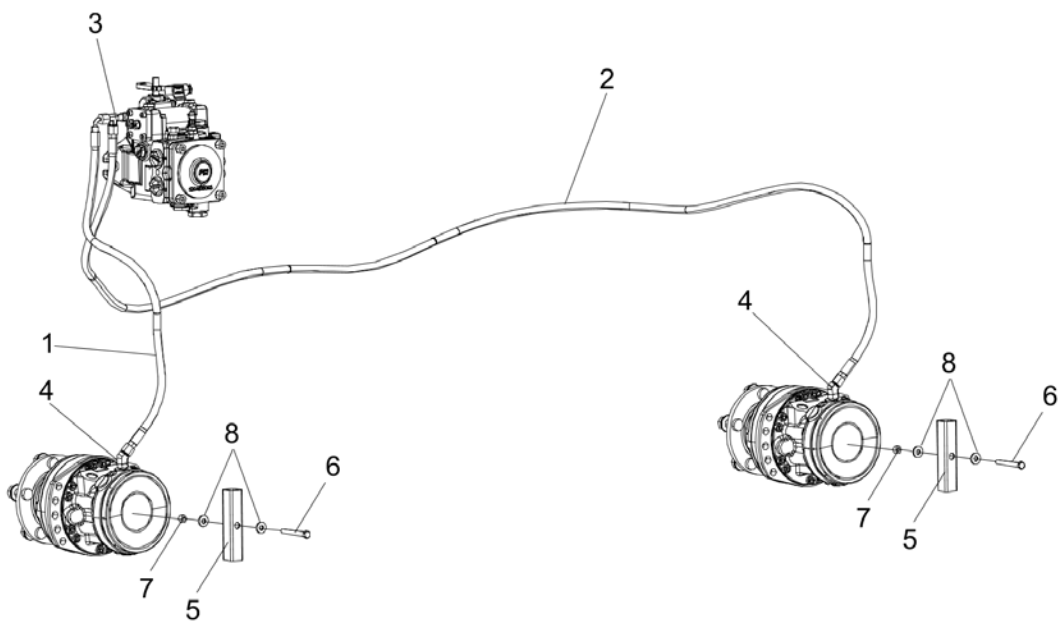
**Hydraulic system** Flow divider



Refer to Parts Online for the most up to date information. The printed information might be outdated.

Fri Jan 05 14:16:55 UTC 2018

Item	Part No.	Name	Qty	L	SN INFO
1	4812125724	Hydraulic hose	1		
2	4812125725	Hydraulic hose	1		
3	4812125726	Hydraulic hose	1		
4	4812125727	Hydraulic hose	1		
5	4700792068	Elbow 90°	1		
6	4700791415	Elbow 45, O-ring	2		
7	4700791845	Elbow 90, O-ring with swivel	1		
8	4700904727	Adapter	1		
9	4812122719	Elbow 45	1		
10	4700791452	Lock handle	1		
11	4700904557	Washer, 10.5x22x4 mm 300 HV	4		
12	4700500077	Hexagon head screw M10x90	2		
13	4812125470	Bracket	1		
14	4700500048	Screw, M10x20 mm 8.8 A3K	2		
16	4700791410	Straight o-ring connector	4		
22	4812126969	Hydraulic pump	1		
23	4700904703	Plain washer 13x24x4 mm	2		
24	4700500037	Hex. screw	2		
25	4812120558	Hydraulic motor	2		
26	4812110490	Holder	2		
27	4700904231	Washer, 13x24x2 mm 300 HV	10		
28	4700925519	Screw M12x55 10.9 GEOMET	10		
29	4700904214	Washer 15x30x4 300 HV	5		
30	4700358003	Flow divider	1		

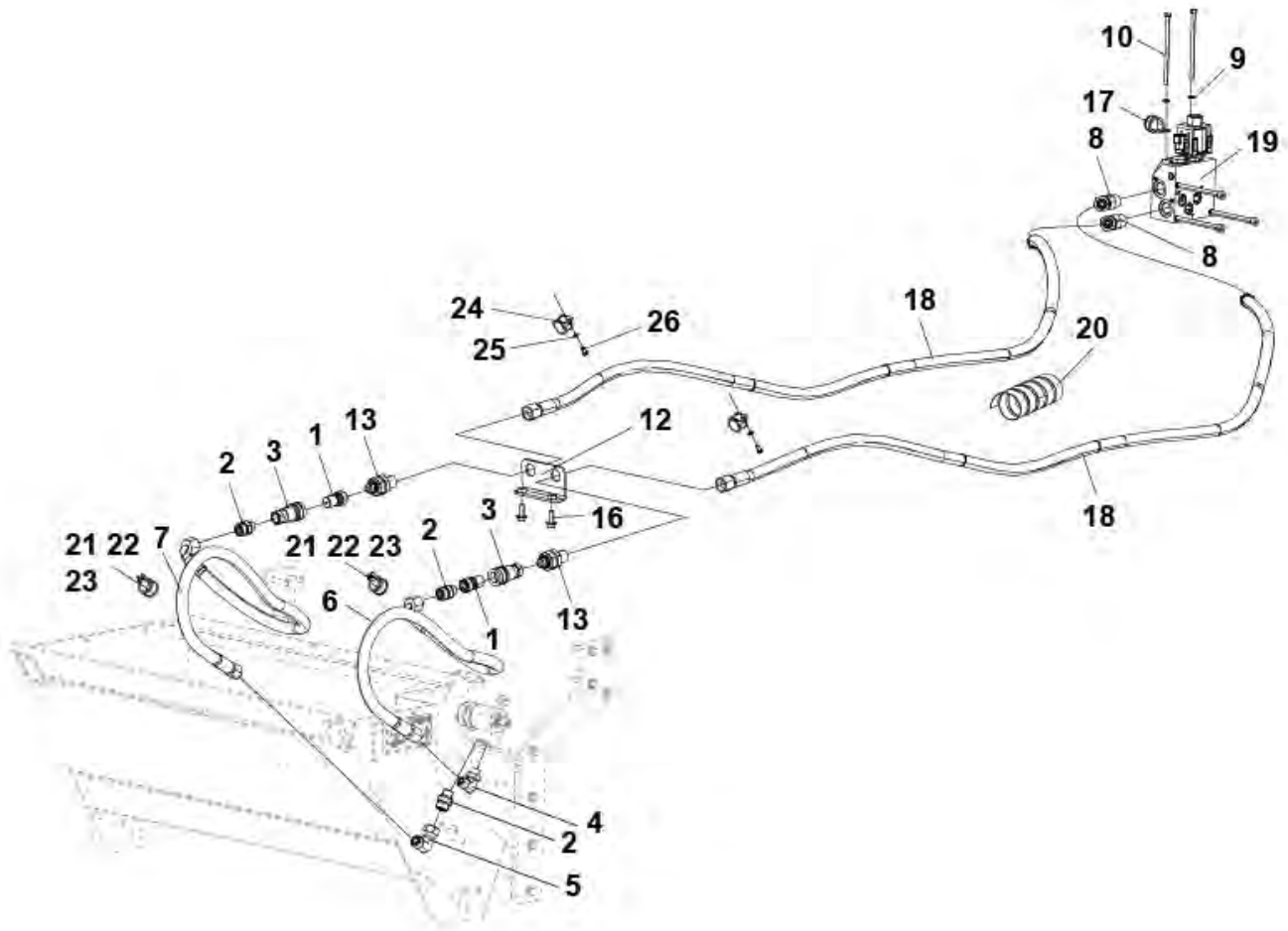
**Hydraulic system** Brake system

Refer to Parts Online for the most up to date information. The printed information might be outdated.

Fri Jan 05 14:16:55 UTC 2018

Item	Part No.	Name	Qty	L	SN INFO
1	4812125763	Hydraulic hose	1		
2	4812125764	Hydraulic hose	1		
3	4812121239	T-Connector	1		
4	4812116050	Adapter	2		
5	4700357892	Stirrup	2		
6	4700792550	Screw M12x100 10.9	2		
7	4700928849	Nut	2		
8	4700904213	Steel Plain Washer	4		

**Hydraulic system** Chip spreader (option)

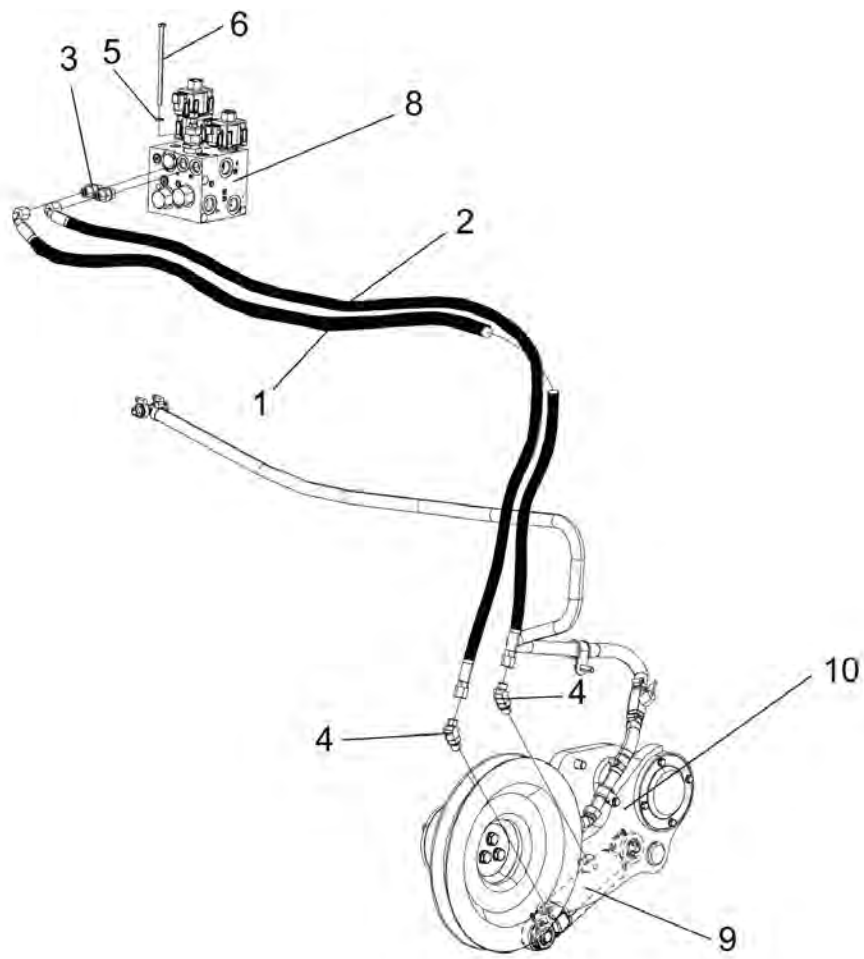


Refer to Parts Online for the most up to date information. The printed information might be outdated.

Fri Jan 05 14:16:56 UTC 2018

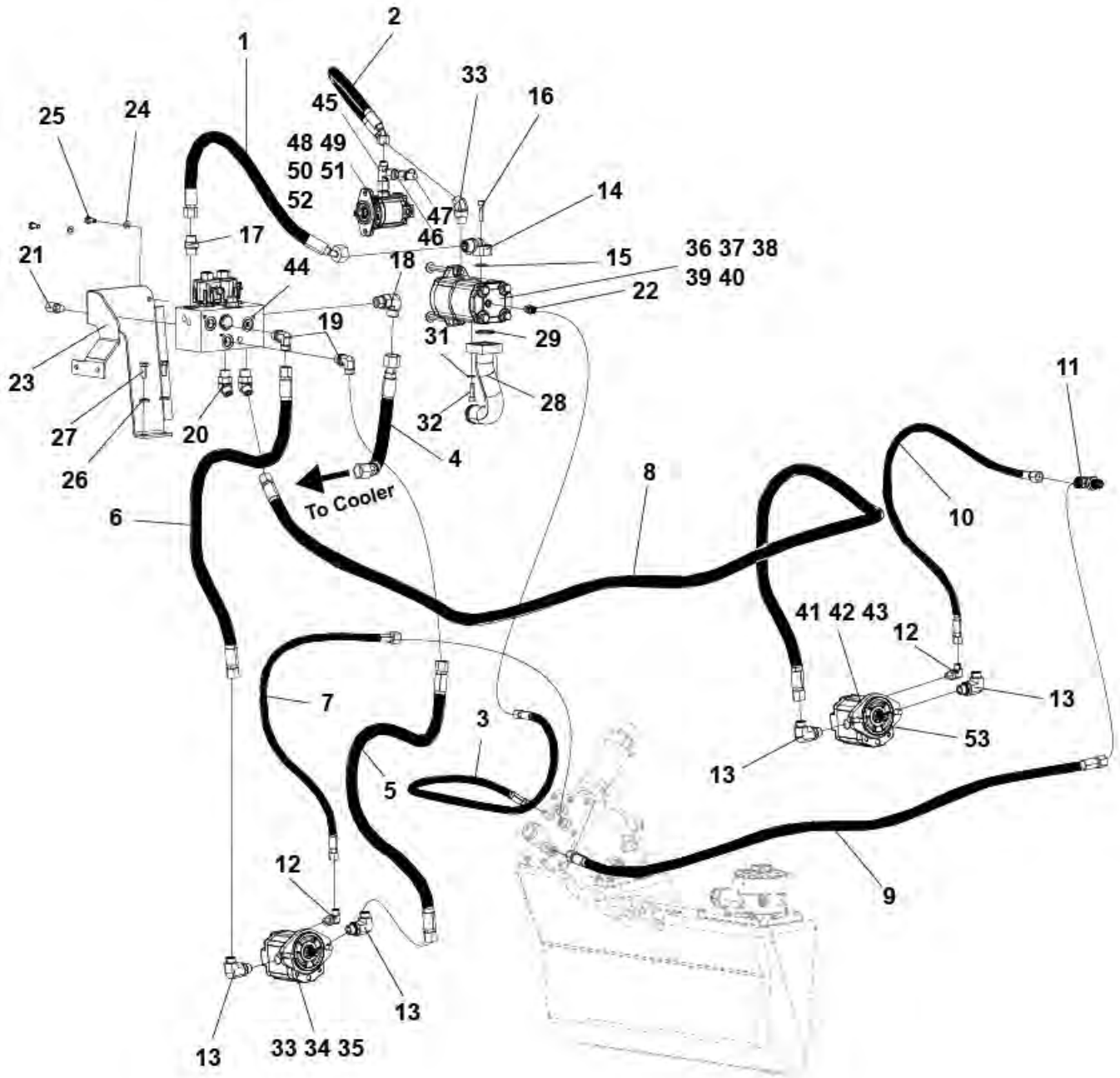


Item	Part No.	Name	Qty	L	SN INFO
1	4700792822	Quick disconnect coupling	1		
2	4700904727	Adapter	3		
3	4700792046	Quick disconnect coupling	1		
4	4700791398	Elbow 90, O-ring	1		
5	4700791745	Elbow 90, O-ring with swivel	1		
6	4812125866	Hydraulic hose	1		
7	4812126711	Hydraulic hose	1		
8	4700792436	Elbow 45°	2		
9	4700904228	Washer 6,4x12x1,5	2		
10	4700500062	Screw	2		
12	4812125664	Bracket	1		
13	4812125869	Connector	2		
14	4700792046	Quick disconnect coupling	1		
15	4700792822	Quick disconnect coupling	1		
16	4700500505	Screw, M8x20 mm 8.8 A2K	2		
17	4700921036	Clamp	1		
18	4812125778	Hydraulic hose	2		
19	4812125682	Hydraulic valve	1		
20	4700904623	Hose guard	0,15 M		
21	4700921028	Pipe clamp	2		
22	4700904281	Washer, 5,3x10x1 300HV	2		
23	4700500003	Hex. screw	2		
24	4700921028	Pipe clamp	2		
25	4700904281	Washer, 5,3x10x1 300HV	2		
26	4700500003	Hex. screw	2		
27	4812124515	Rubber part	2		

**Hydraulic system** Edge cutter

Item	Part No.	Name	Qty	L	SN INFO
1	4812125772	Hydraulic hose	0,46 5 M		
2	4812125773	Hydraulic hose	0,53 5 M		
3	4700791914	Adapter	2		
4	4700792389	Elbow 45 orfs	2		
5	4700904228	Washer 6,4x12x1,5	2		
6	4700500062	Screw	2		
7	4700792686	Cable tie with holder	1		
8	4812125681	Hydraulic valve	1		
9	-	Hydraulic cylinder	1		
10	-	Edge cutter	1		

**Hydraulic system** Vibration system, external vibration valve - common



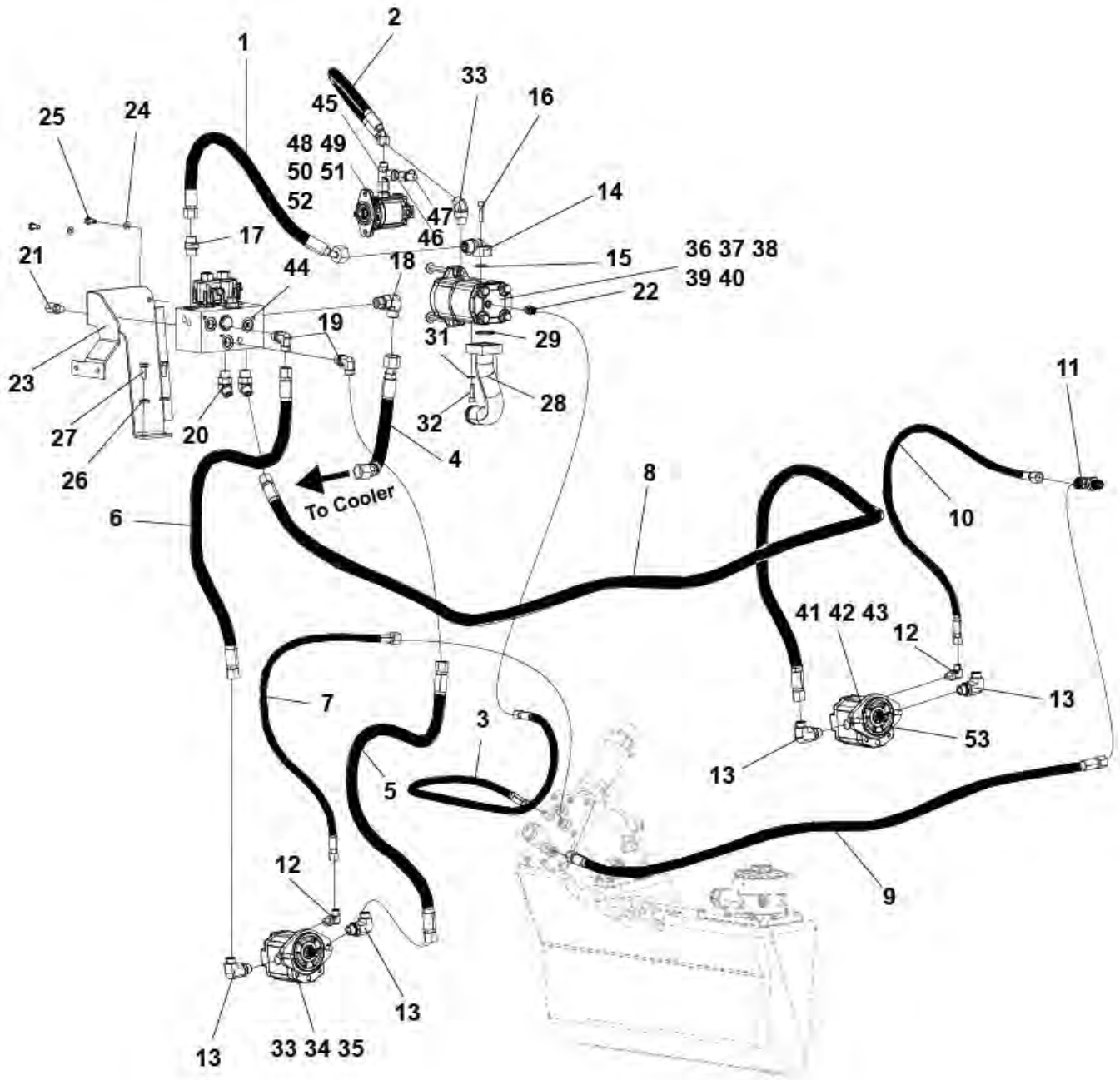
Refer to Parts Online for the most up to date information. The printed information might be outdated.

Fri Jan 05 14:16:56 UTC 2018

Item	Part No.	Name	Qty	L	SN INFO
1	4812125730	Hydraulic hose	1		
2	4812125731	Hydraulic hose	1		
3	4700483906	Hydraulic hose	1		
4	4812125732	Hydraulic hose	1		
5	4812125733	Hydraulic hose	1		
6	4812125734	Hydraulic hose	1		
7	4812125735	Hydraulic hose	1		
8	4812125736	Hydraulic hose	1		
9	4812125737	Hydraulic hose	1		
10	4812125738	Hydraulic hose	1		
11	4812114492	Bulkhead union	1		
12	4700791397	Connector	2		
13	4700791699	Elbow 90	4		
14	4812113633	Flange connector	1		
15	4700904774	O-ring	1		
16	4700508027	Screw	4		
17	4700791410	Straight o-ring connector	1		
18	4700791843	Elbow 90, O-ring with swivel	1		
19	4700791841	Elbow 90 orfs	2		
20	4700791796	Elbow 45, O-ring with swivel	2		
21	4700900229	Measuring fitting	1		
22	4700791744	Adapter	1		
23	4812125501	Bracket	1		
24	4700904229	Washer, 8.4x 6x1.5 mm 300HV	2		
25	4700500053	Screw, M8x20 mm 8.8 A2K	2		
26	4700904557	Washer, 10.5x22x4 mm 300 HV	2		
27	4700500028	Screw, M10 x 25 mm 8.8 A3K	2		
28	4812125469	Flange connector	1		
29	4700160016	O-ring	1		
30	4700923378	Hose clamp	2		
31	4700904556	Steel plain washer 8,4x16x3,0	4		
32	4700508048	Hexagon socket head cap screw M	4		
33	4700791416	Elbow 45, O-ring	1		
34	4700792389	Elbow 45 orfs	2		
35	4700792602	Cable tie with holder	3		
36	4812127309	Hydraulic pump	1		
37	4700379458	Gasket	1		
38	4700500078	Hex. screw	2		

Refer to Parts Online for the most up to date information. The printed information might be outdated.

Fri Jan 05 14:16:56 UTC 2018

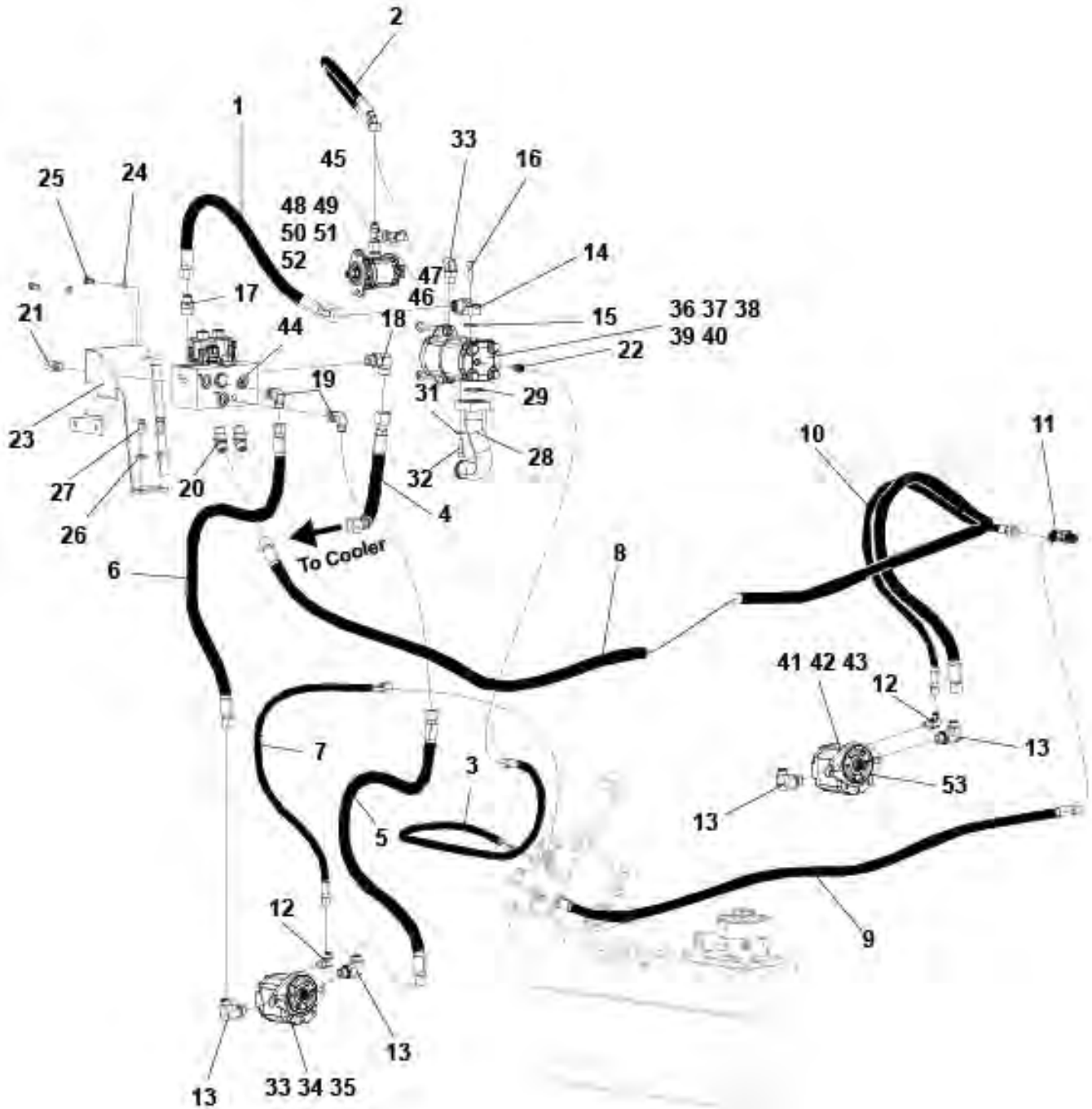


Refer to Parts Online for the most up to date information. The printed information might be outdated.

Fri Jan 05 14:16:56 UTC 2018

Item	Part No.	Name	Qty	L	SN INFO
39	4700904230	Plain washer 10.5x22x2 mm	2		
40	4700902287	Nut, M10	2		
41	4812126231	Hydraulic motor	2		
42	4700603018	Washer 10x18x4	2		
43	4700508029	Cylinder screw	2		
44	4812125749	Hydraulic valve	1		
45	4700791414	T-connection, O-ring with swivel	1		
46	4700791847	Straight connector	1		
47	4700923405	Measuring nipple	1		
48		Hydraulic motor	1		
49	4700904229	Washer, 8.4x 6x1.5 mm 300HV	2		
50	4700500021	Screw, M8x25 mm 8.8 A2K	2		
51	4700904735	Steel plain washer	1		
52	4700508002	Cylinder screw	1		
53	4700160031	O-ring	1		

**Hydraulic system** Vibration system, external vibration valve - without acc valves



Refer to Parts Online for the most up to date information. The printed information might be outdated.

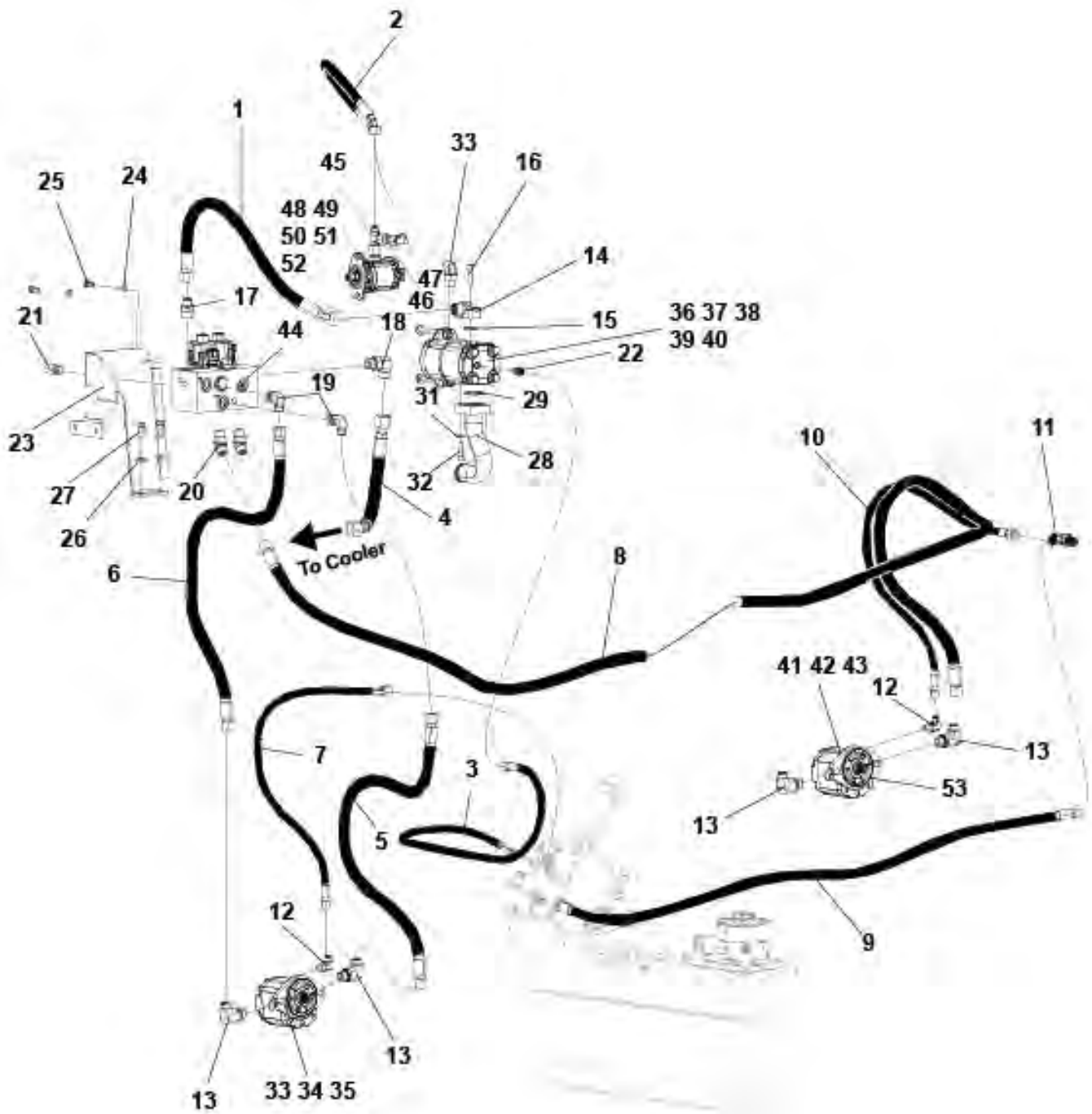
Fri Jan 05 14:16:56 UTC 2018



Item	Part No.	Name	Qty	L	SN INFO
1	4812125730	Hydraulic hose	1		
2	4812125731	Hydraulic hose	1		
3	4700483906	Hydraulic hose	1		
4	4812125732	Hydraulic hose	1		
5	4812125733	Hydraulic hose	1		
6	4812125734	Hydraulic hose	1		
7	4812125735	Hydraulic hose	1		
8	4812125745	Hydraulic hose	1		
9	4812125737	Hydraulic hose	1		
10	4812125738	Hydraulic hose	1		
11	4812114492	Bulkhead union	1		
12	4700791397	Connector	2		
13	4700791699	Elbow 90	4		
14	4812113633	Flange connector	1		
15	4700904774	O-ring	1		
16	4700508027	Screw	4		
17	4700791410	Straight o-ring connector	1		
18	4700791843	Elbow 90, O-ring with swivel	1		
19	4700791841	Elbow 90 orfs	2		
20	4700791796	Elbow 45, O-ring with swivel	2		
21	4700900229	Measuring fitting	1		
22	4700791744	Adapter	1		
23	4812125501	Bracket	1		
24	4700904229	Washer, 8.4x 6x1.5 mm 300HV	2		
25	4700500053	Screw, M8x20 mm 8.8 A2K	2		
26	4700904557	Washer, 10.5x22x4 mm 300 HV	2		
27	4700500028	Screw, M10 x 25 mm 8.8 A3K	2		
28	4812125469	Flange connector	1		
29	4700160016	O-ring	1		
30	4700923378	Hose clamp	2		
31	4700904556	Steel plain washer 8,4x16x3,0	4		
32	4700508048	Hexagon socket head cap screw M	4		
33	4700791416	Elbow 45, O-ring	1		
34	4700792389	Elbow 45 orfs	2		
35	4700792602	Cable tie with holder	3		
36	4812127309	Hydraulic pump	1		
37	4700379458	Gasket	1		
38	4700500078	Hex. screw	2		

Refer to Parts Online for the most up to date information. The printed information might be outdated.

Fri Jan 05 14:16:56 UTC 2018

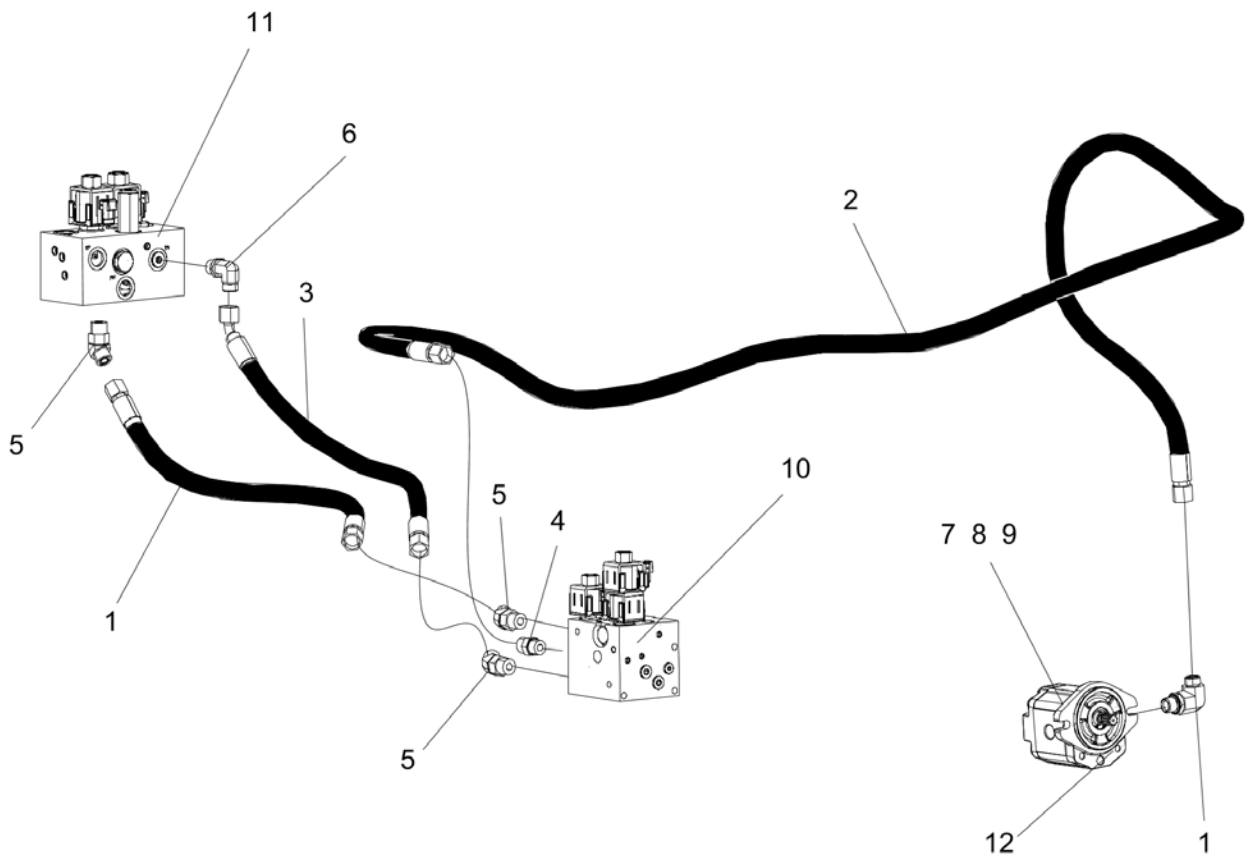


Refer to Parts Online for the most up to date information. The printed information might be outdated.

Fri Jan 05 14:16:57 UTC 2018

Item	Part No.	Name	Qty	L	SN INFO
39	4700904230	Plain washer 10.5x22x2 mm	2		
40	4700902287	Nut, M10	2		
41	4812126231	Hydraulic motor	2		
42	4700603018	Washer 10x18x4	2		
43	4700508029	Cylinder screw	2		
44	4812125749	Hydraulic valve	1		
45	4700791414	T-connection, O-ring with swivel	1		
46	4700791847	Straight connector	1		
47	4700923405	Measuring nipple	1		
48		Hydraulic motor	1		
49	4700904229	Washer, 8.4x 6x1.5 mm 300HV	2		
50	4700500021	Screw, M8x25 mm 8.8 A2K	2		
51	4700904735	Steel plain washer	1		
52	4700508002	Cylinder screw	1		
53	4700160031	O-ring	1		

**Hydraulic system** Vibration system, Accessorie valves

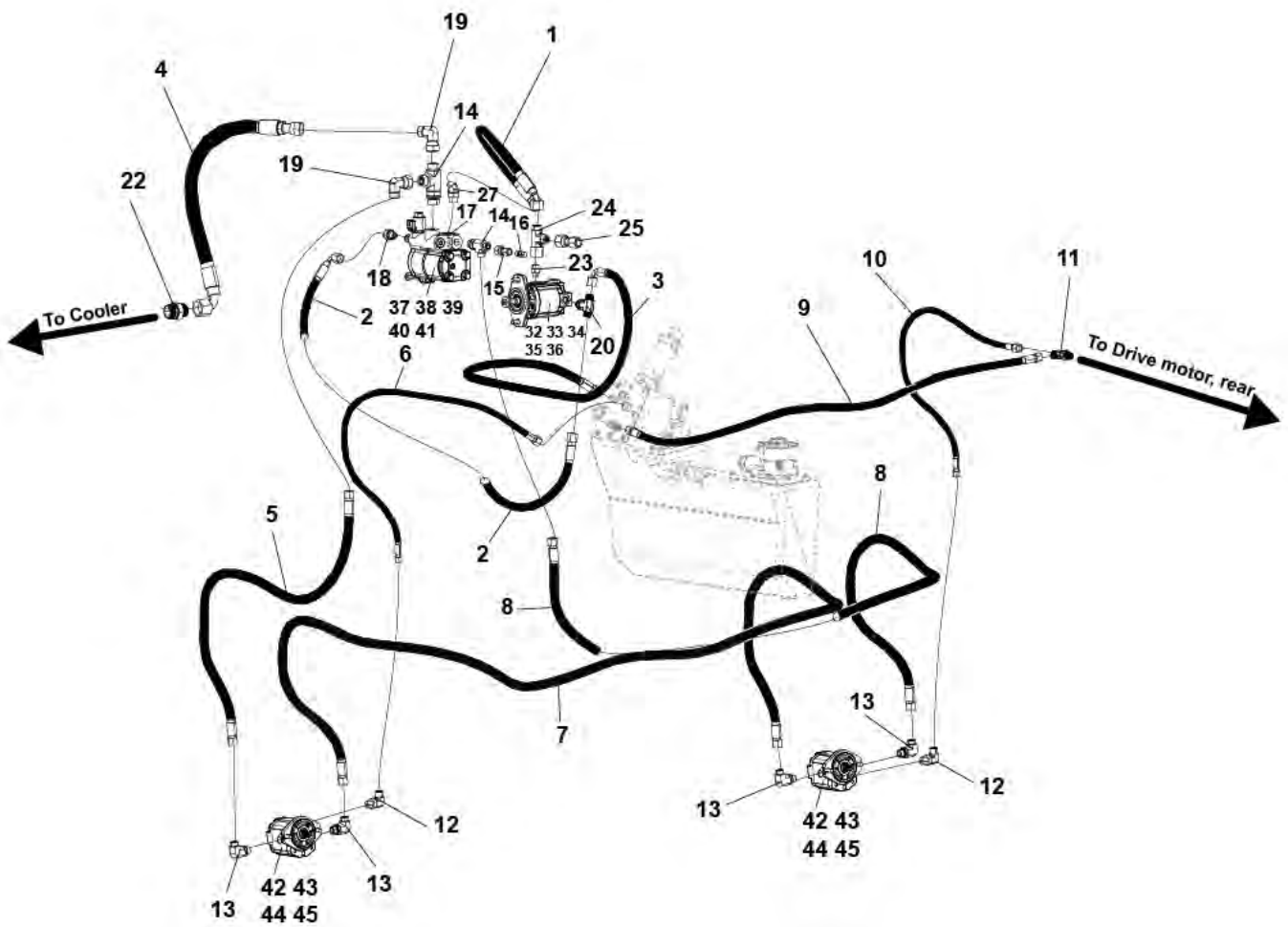


Refer to Parts Online for the most up to date information. The printed information might be outdated.

Fri Jan 05 14:16:57 UTC 2018

Item	Part No.	Name	Qty	L	SN INFO
1	4812125974	Hydraulic hose	1		
2	4812125769	Hydraulic hose	1		
3	4812125975	Hydraulic hose	1		
4	4700791799	Straight connector orfs	1		
5	4700791796	Elbow 45, O-ring with swivel	1		
6	4700791841	Elbow 90 orfs	1		
7	4812126231	Hydraulic motor	1		
8	4700603018	Washer 10x18x4	2		
9	4700508029	Cylinder screw	2		
10	4812125681	Hydraulic valve	1		
11	4812125749	Hydraulic valve	1		
12	4700160031	O-ring	1		

**Hydraulic system** Vibration, int viblv



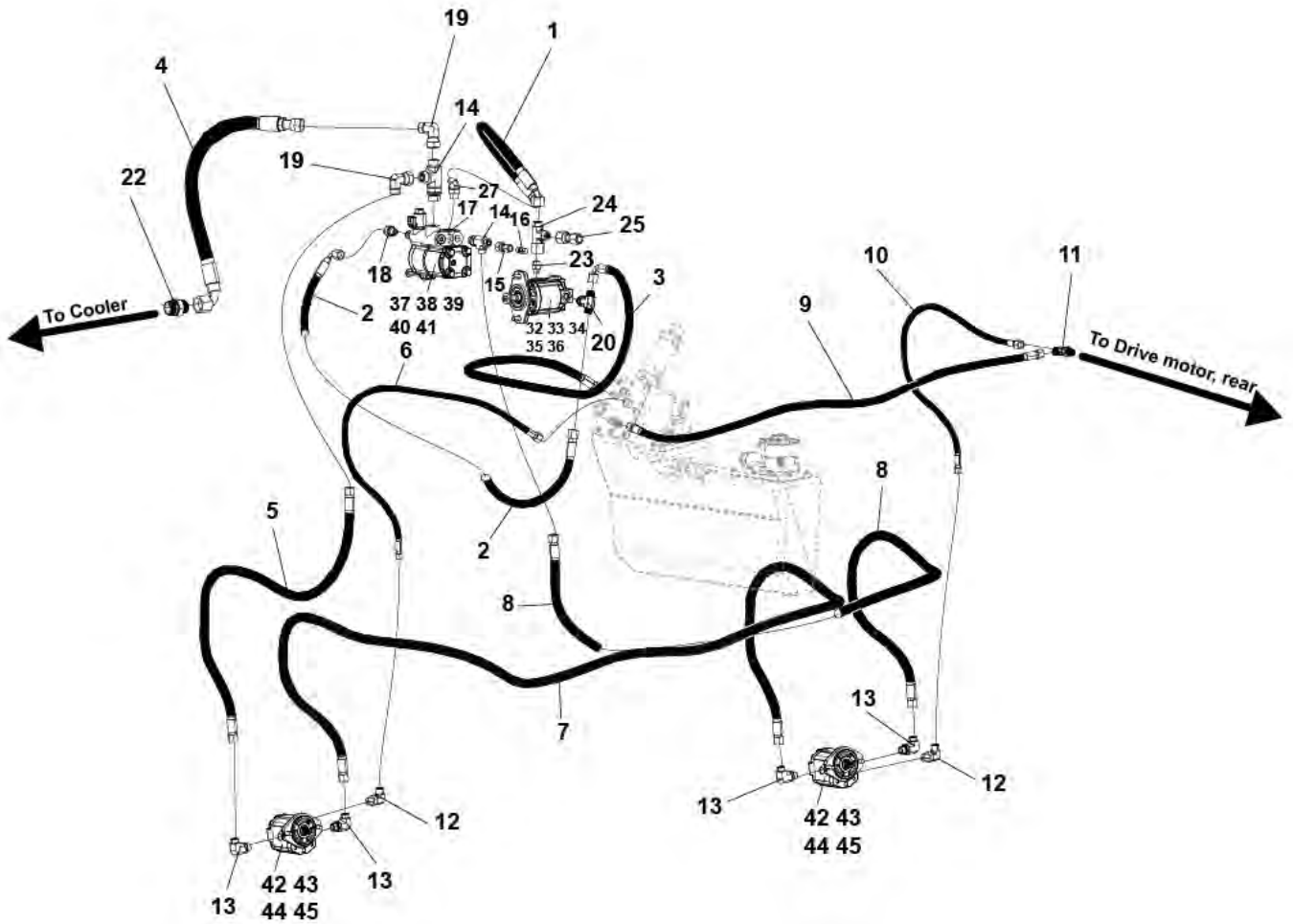
Refer to Parts Online for the most up to date information. The printed information might be outdated.

Fri Jan 05 14:16:57 UTC 2018

Item	Part No.	Name	Qty	L	SN INFO
1	4812125731	Hydraulic hose	1		
2	4812125747	Hydraulic hose	1		
3	4812125748	Hydraulic hose	1		
4	4812125750	Hydraulic hose	1		
5	4812125751	Hydraulic hose	1		
6	4812125735	Hydraulic hose	1		
7	4812126733	Hydraulic hose	1		
8	4812125752	Hydraulic hose	1		
9	4812125737	Hydraulic hose	1		
10	4812125738	Hydraulic hose	1		
11	4812114492	Bulkhead union	1		
12	4700791397	Connector	2		
13	4700791699	Elbow 90	4		
14	4700791792	Tee-connector	2		
15	4700792219	Straight connector	1		
16	4700923405	Measuring nipple	1		
17	4812123298	Plug	1		
18	4700791541	Adapter	1		
19	4700791745	Elbow 90, O-ring with swivel	2		
20	4812125653	Tee-connector	1		
21	4700791808	Elbow adapter 45	1		
22	0570702503	Straight connector	1		
23	4700791404	Straight o-ring connector	1		
24	4700791414	T-connection, O-ring with swivel	1		
25	4700791847	Straight connector	1		
26	4700923405	Measuring nipple	1		
27	4700791416	Elbow 45, O-ring	2		
32		Hydraulic motor	1		
33	4700904229	Washer, 8.4x 6x1.5 mm 300HV	2		
34	4700500021	Screw, M8x25 mm 8.8 A2K	2		
35	4700904735	Steel plain washer	1		
36	4700508002	Cylinder screw	1		
37	4812127310	Hydraulic pump	1		
38	4700379458	Gasket	1		
39	4700500078	Hex. screw	2		
40	4700904230	Plain washer 10.5x22x2 mm	2		
41	4700902287	Nut, M10	2		
42	4812126231	Hydraulic motor	2		

Refer to Parts Online for the most up to date information. The printed information might be outdated.

Fri Jan 05 14:16:57 UTC 2018



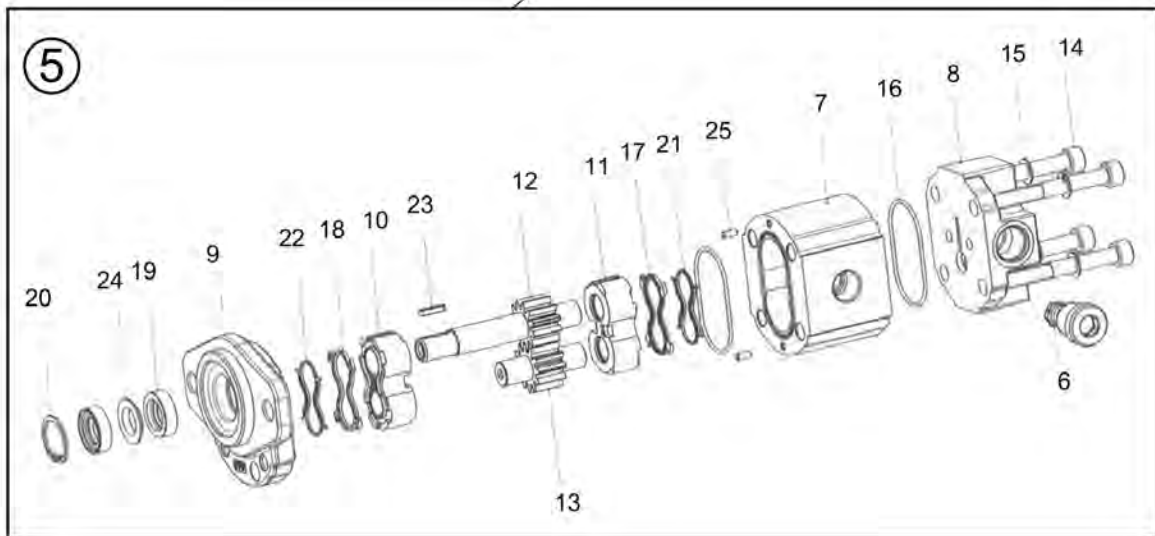
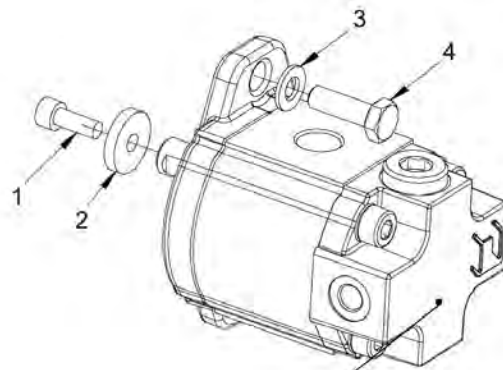
Refer to Parts Online for the most up to date information. The printed information might be outdated.

Fri Jan 05 14:16:57 UTC 2018



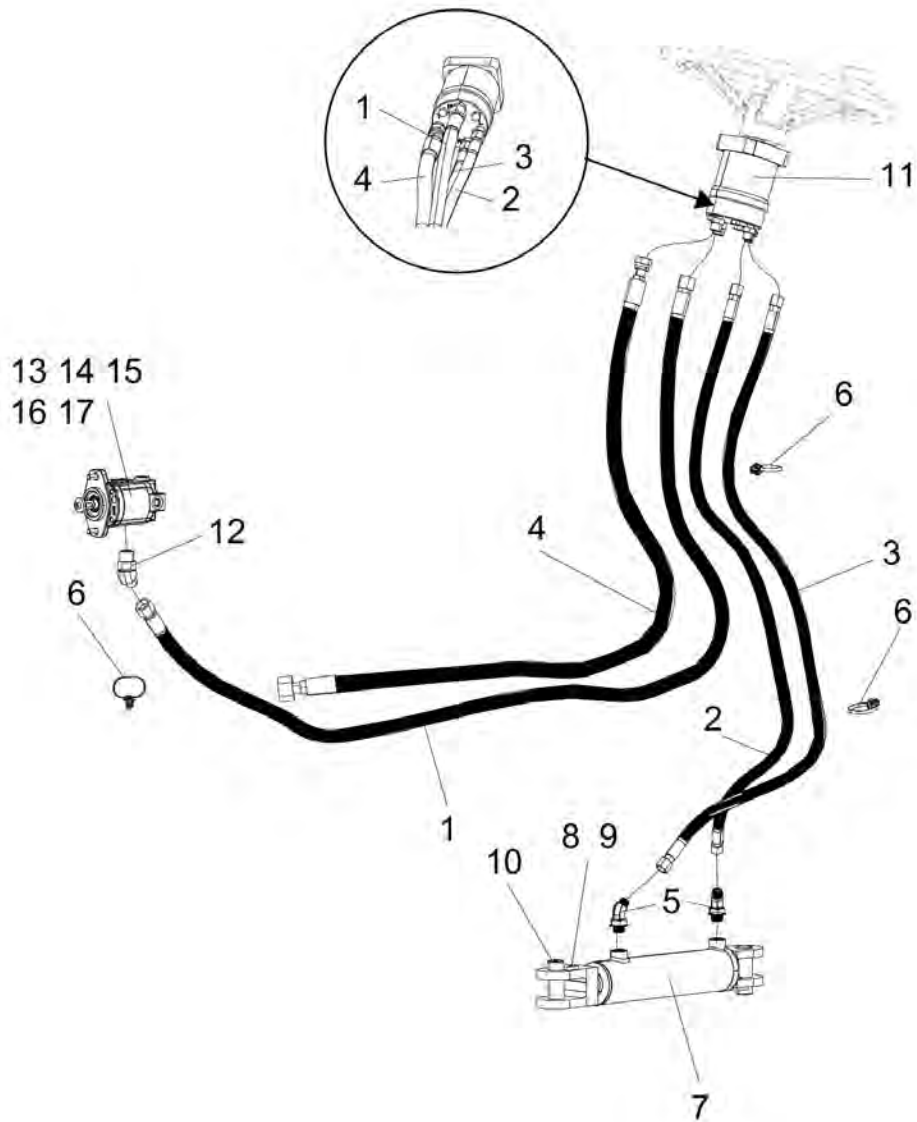
Item	Part No.	Name	Qty	L	SN INFO
43	4700603018	Washer 10x18x4	4		
44	4700508029	Cylinder screw	4		
45	4700160031	O-ring	2		

**Hydraulic system** Hydraulic motor



Item	Part No.	Name	Qty	L	SN INFO
1	4700508002	Cylinder screw	1		
2	4700904735	Steel plain washer	1		
3	4700904229	Washer, 8.4x 6x1.5 mm 300HV	2		
4	4700500021	Screw, M8x25 mm 8.8 A2K	2		
5	4812125795	Hydraulic motor	1		
6	-	Valve	1		
7	-	House	1		
8	-	Cover, rear	1		
9	-	Cover, front	1		
10	-	Plate	1		
11	-	Plate	1		
12	-	Shaft	1		
13	-	Gear	1		
14	-	Screw, M8x70	4		
15	-	Washer	4		
16	-	O-ring	2		
17	-	Repair kit	1		
18	-	Repair kit	1		
19	-	Repair kit	2		
20	-	Ring	1		
23	-	Key	1		
24	-	Washer	1		
25	-	Pin	2		

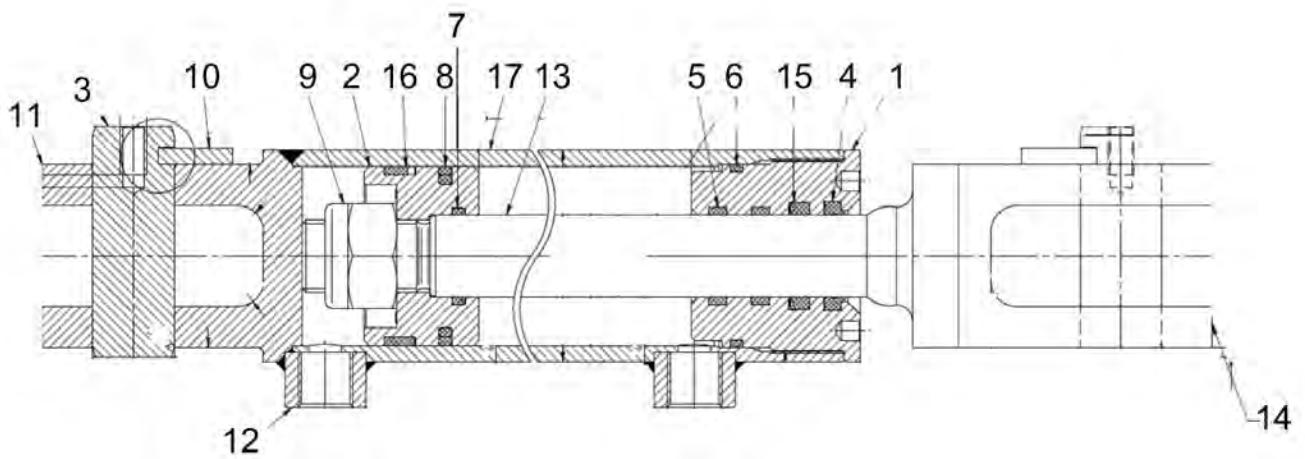
**Hydraulic system** Steering system



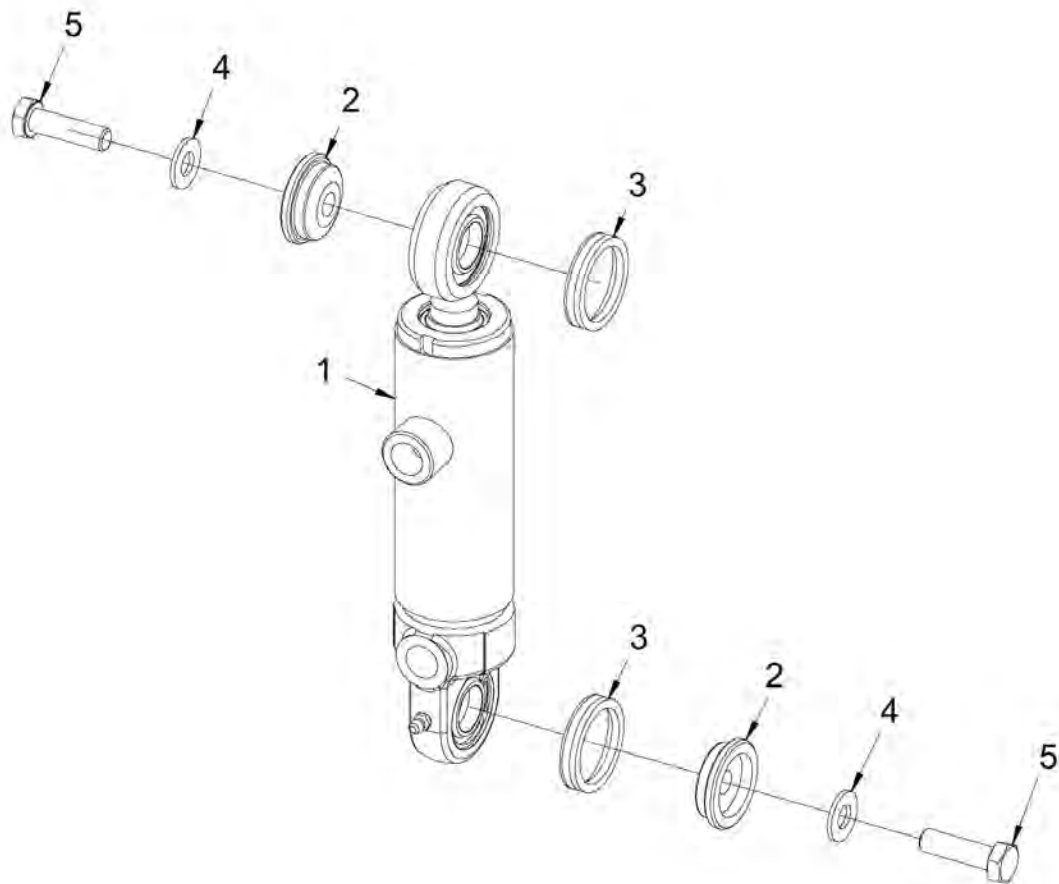
Refer to Parts Online for the most up to date information. The printed information might be outdated.

Fri Jan 05 14:16:58 UTC 2018

Item	Part No.	Name	Qty	L	SN INFO
1	4812125757	Hydraulic hose	1		
2	4812125760	Hydraulic hose	1		
3	4812125761	Hydraulic hose	1		
4	4812125762	Hydraulic hose	1		
5	4700792389	Elbow 45 orfs	2		
6	4700792602	Cable tie with holder	3		
7		Hydraulic cylinder	1		
8	4700904228	Washer 6,4x12x1,5	4		
9	4812127030	Screw	4		
10	4700926215	Protective plug	2		
11	4812112109	Steering valve	1		
-	4812160665	Special adapter 11/16"	2		
-	4812161199	Special adapter 9/16"	2		
12	4700791416	Elbow 45, O-ring	1		
13	4812125795	Hydraulic motor	1		
14	4700904229	Washer, 8.4x 6x1.5 mm 300HV	2		
15	4700500021	Screw, M8x25 mm 8.8 A2K	2		
16	4700904735	Steel plain washer	1		
17	4700508002	Cylinder screw	1		

**Hydraulic system** 4812125395 Hydraulic cylinder

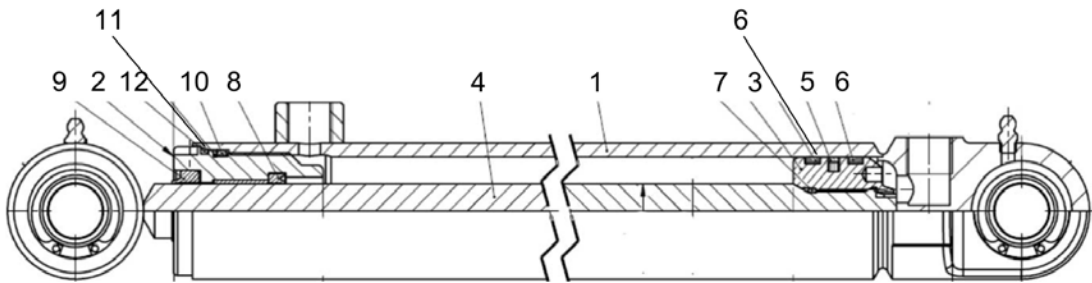
Item	Part No.	Name	Qty	L	SN INFO
0	4812125395	Hydraulic cylinder	1		
1	-	Pilot boss	1		
2	-	Piston	1		
3	-	Pin	2		
4	-	Wiper	1		
5	-	Rod guide	2		
6	-	Static seal	1		
7	-	O-ring	1		
8	-	Piston seal	1		
9	-	Lock nut	1		
10	-	Pin lock	2		
11	-	Cylinder end	1		
12	-	Connection	2		
13	-	Rod	1		
14	-	Fork	1		
15	-	Rod seal	1		
16	-	Piston guide	1		
17	-	Cylinder tube	1		

**Hydraulic system** Hydraulic cylinder module



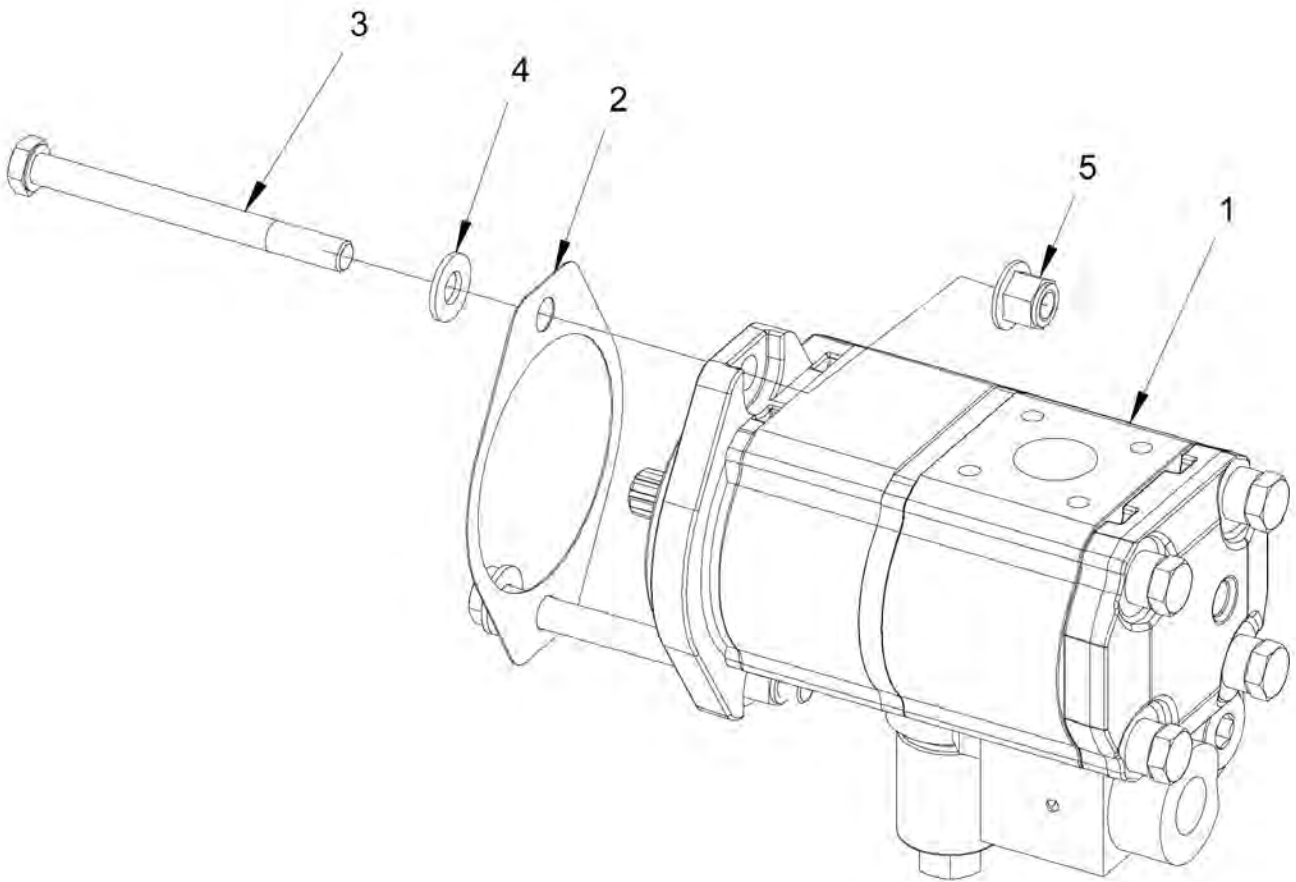
Item	Part No.	Name	Qty	L	SN INFO
1	4812125907	Hydraulic cylinder	1		
2	4812125937	Washer	2		
3	4700167054	Sealing	2		
4	4700904230	Plain washer 10.5x22x2 mm	2		
5	4700500030	Screw hexagon	2		

**Hydraulic system** 4812125907 Hydraulic cylinder



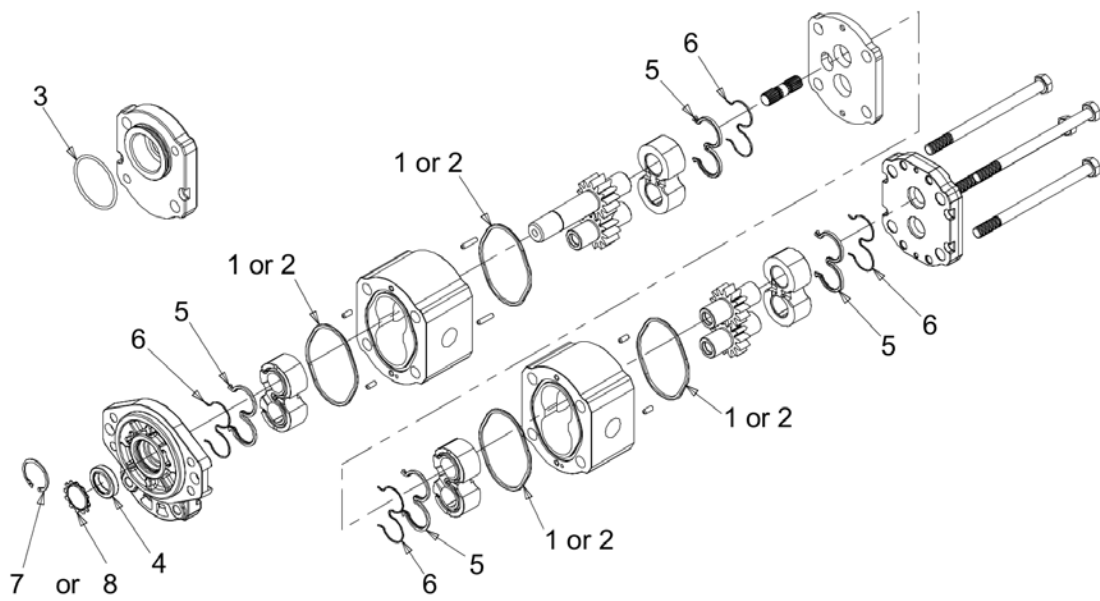
Item	Part No.	Name	Qty	L	SN INFO
0	4812125907	Hydraulic cylinder	1		
5	-	Piston seal	1		
6	-	Guide ring	2		
7	-	O-ring	1		
8	-	Rod seal	1		
9	-	Scraper	1		
10	-	O-ring	1		
11	-	Backup ring	1		
12	-	O-ring	1		

**Hydraulic system** Hydraulic pump module



Item	Part No.	Name	Qty	L	SN INFO
1	4812127310	Hydraulic pump	1		
2	4700379458	Gasket	1		
3	4700500078	Hex. screw	2		
4	4700904230	Plain washer 10.5x22x2 mm	2		
5	4700902287	Nut, M10	2		

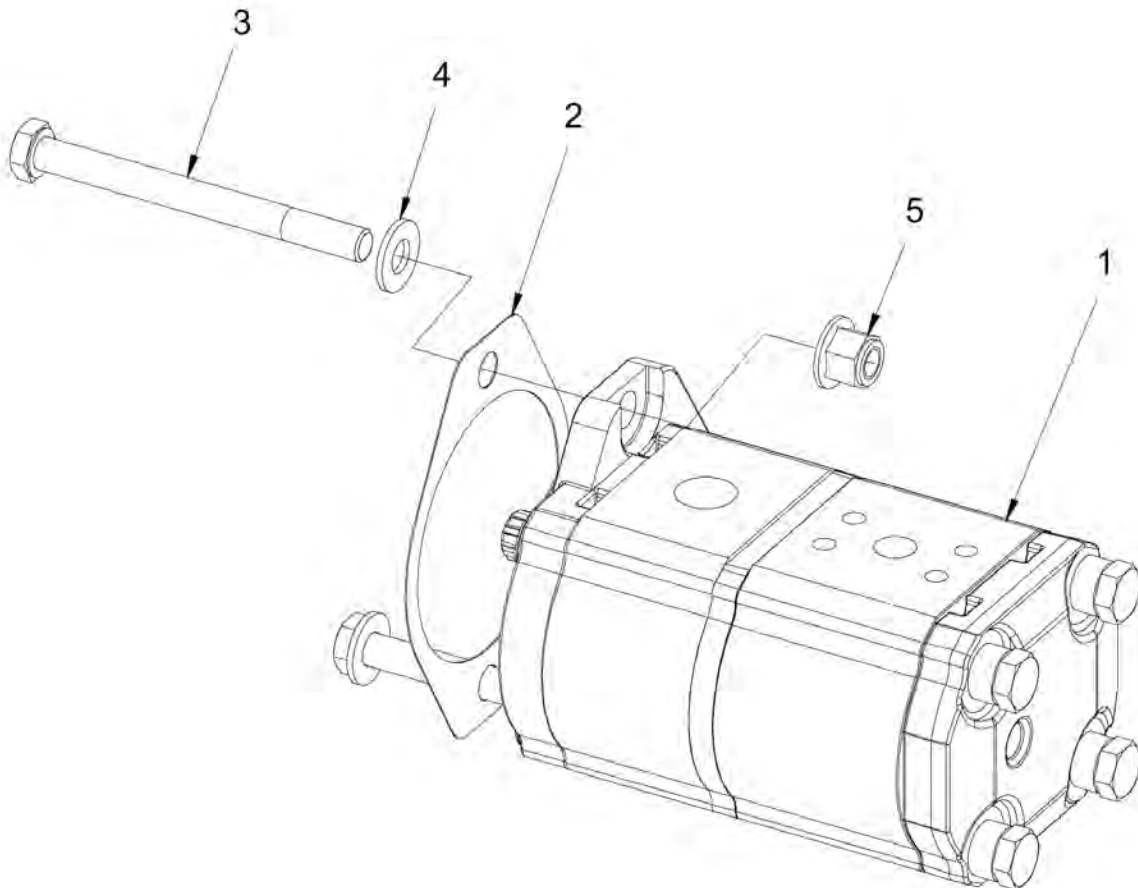
**Hydraulic system** 4812121922 Hydraulic pump



Refer to Parts Online for the most up to date information. The printed information might be outdated.

Fri Jan 05 14:17:00 UTC 2018

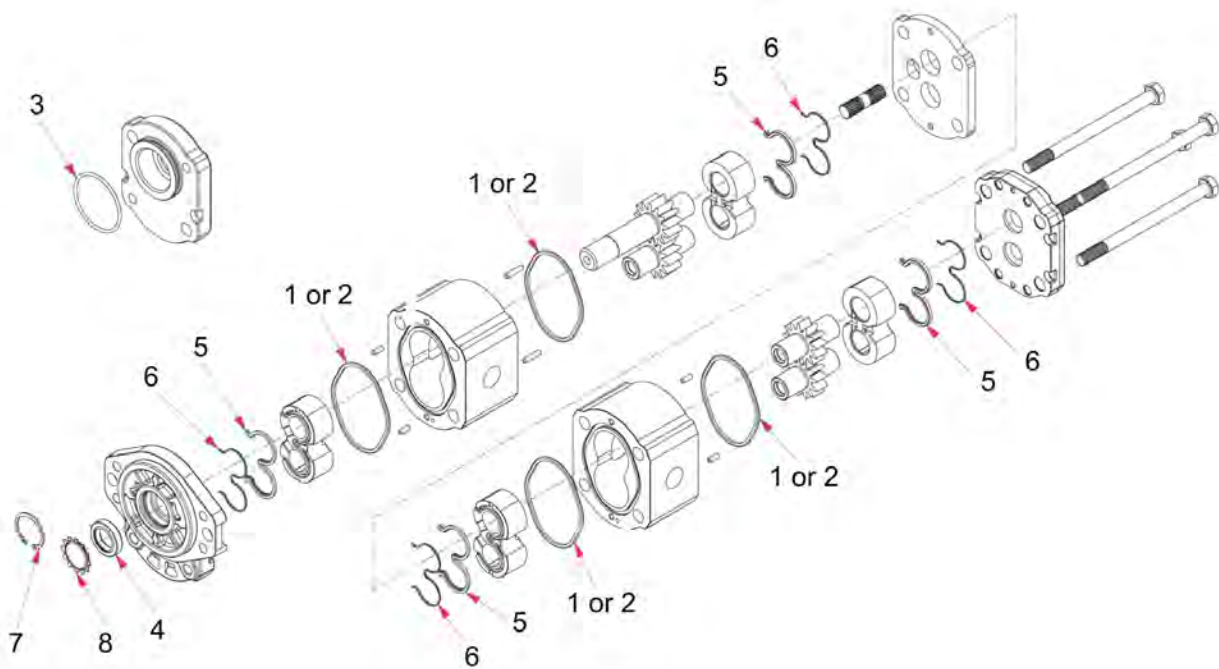
Item	Part No.	Name	Qty	L	SN INFO
0	4700903430	Seal kit			
1	--	O-ring	4		
2	--	O-ring	4		
3	--	O-ring	1		
4	--	Shaft seal	1		
5	--	Seal	4		
6	--	Back-up ring	4		
7	--	Snap ring	1		
8	--	Toothed ring	1		

**Hydraulic system** Hydraulic pump module



Item	Part No.	Name	Qty	L	SN INFO
1	4812127309	Hydraulic pump	1		
2	4700379458	Gasket	1		
3	4700500078	Hex. screw	2		
4	4700904230	Plain washer 10.5x22x2 mm	2		
5	4700902287	Nut, M10	2		

**Hydraulic system** 4812127309 Hydraulic pump

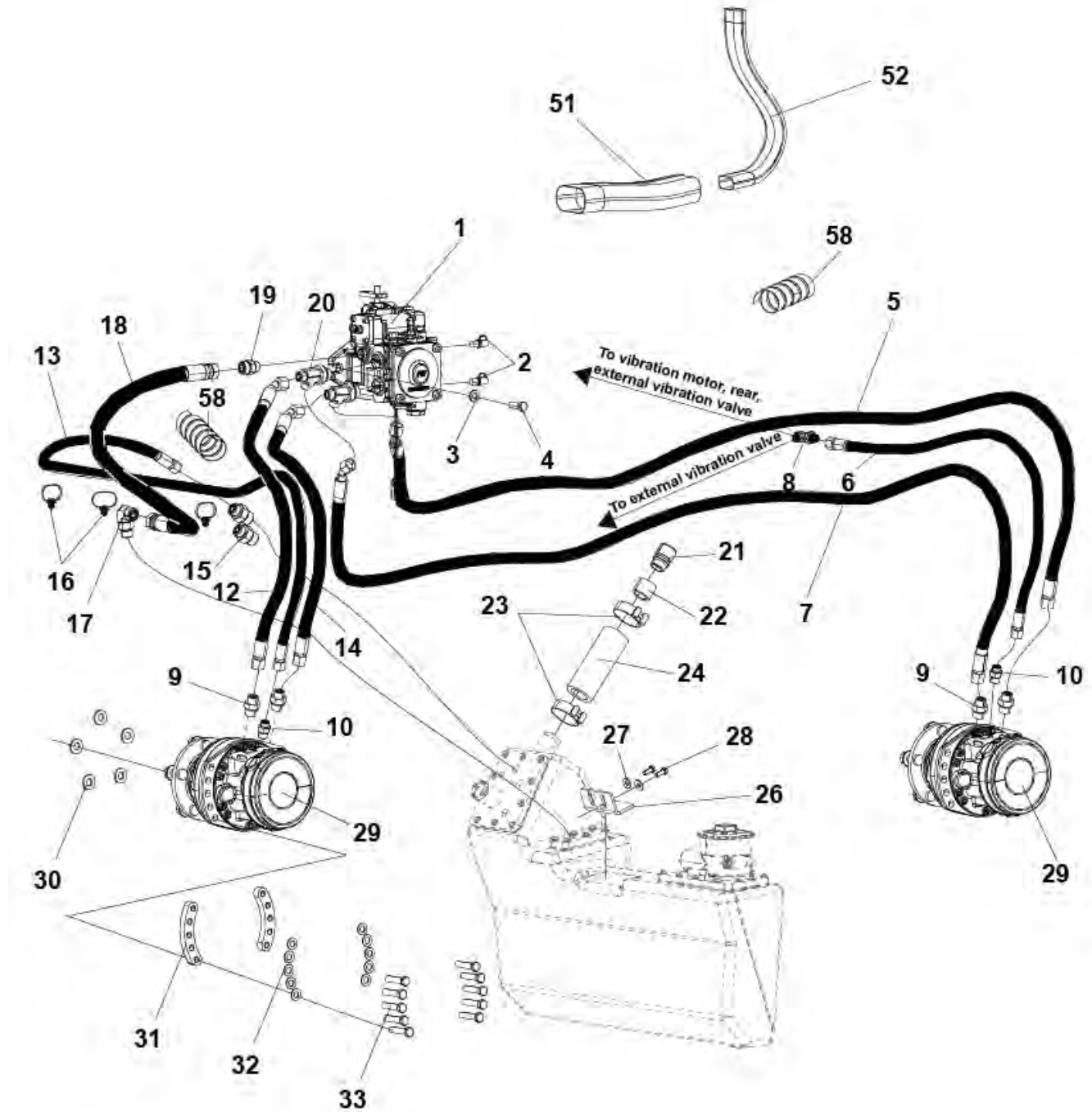


Refer to Parts Online for the most up to date information. The printed information might be outdated.

Fri Jan 05 14:17:01 UTC 2018

Item	Part No.	Name	Qty	L	SN INFO
0	4812127309	Hydraulic pump	1		
1	-	O-ring	4		
2	-	O-ring	4		
3	-	O-ring	1		
4	-	Shaft seal	1		
5	-	Seal	4		
6	-	Back-up ring	4		
7	-	Snap ring	1		
8	-	Toothed ring	1		

**Hydraulic system** Propulsion system



Refer to Parts Online for the most up to date information. The printed information might be outdated.

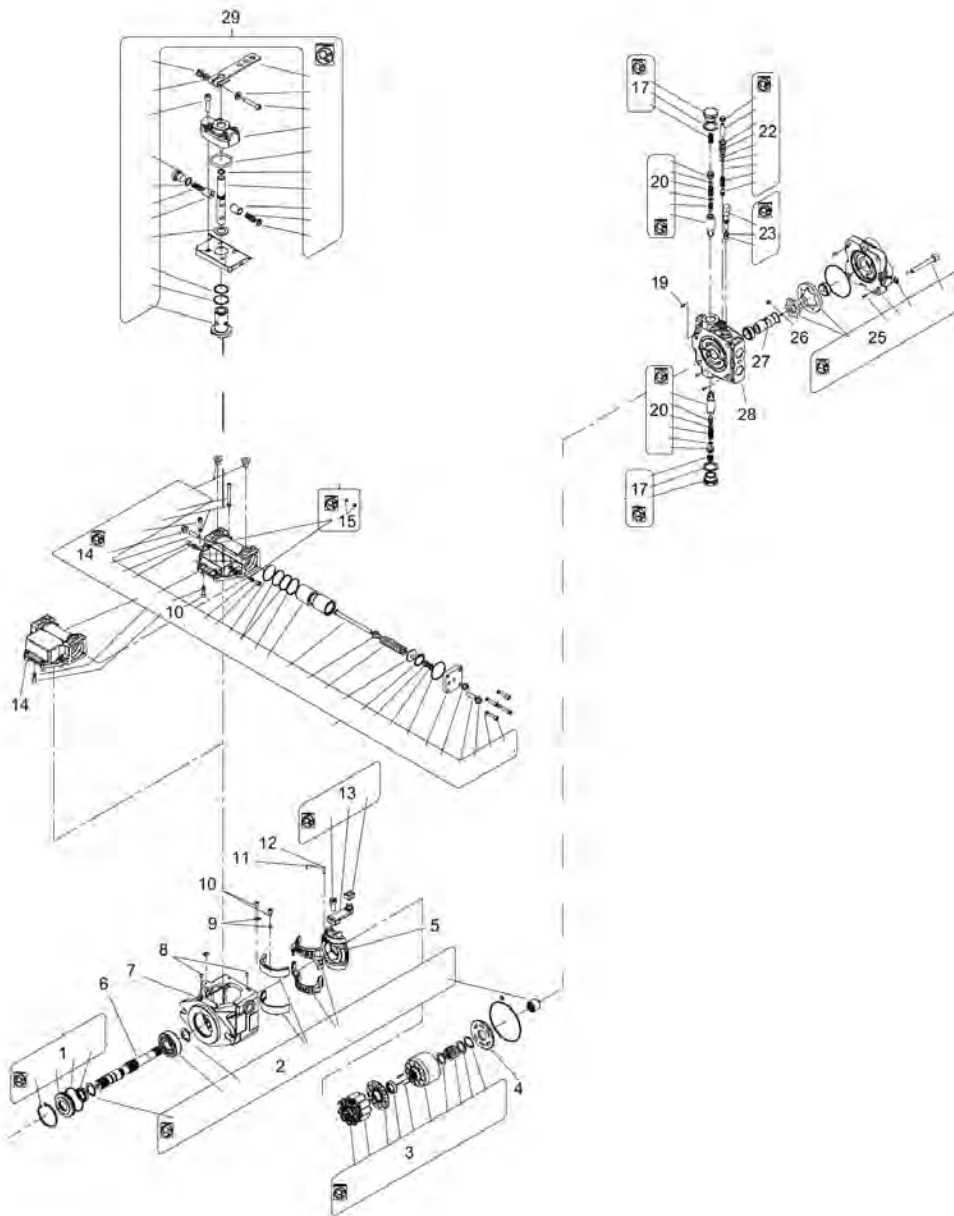
Fri Jan 05 14:17:01 UTC 2018

Item	Part No.	Name	Qty	L	SN INFO
1	4812126969	Hydraulic pump	1		
2	4700923405	Measuring nipple	2		
3	4700904703	Plain washer 13x24x4 mm	2		
4	4700500046	Hex. head screw M12x030H	2		
5	4812125712	Hydraulic hose	1		
6	4812125714	Hydraulic hose	1		
7	4812125721	Hydraulic hose	1		
8	4812114492	Bulkhead union	1		
9	4700791410	Straight o-ring connector	4		
10	4700791828	Adapter	2		
12	4812125720	Hydraulic hose	1		
13	4812125713	Hydraulic hose	1		
14	4812125711	Hydraulic hose	1		
15	4700791828	Adapter	2		
16	4700792602	Cable tie with holder	5		
17	4700791843	Elbow 90, O-ring with swivel	1		
18	4812125770	Hydraulic hose	1		
19	4700792074	Straight connector	1		
20	4812127214	Tee-connector	2		
21	4700357138	Ventilating filter	1		
22	4700357139	Connector	1		
23	4700313126	Clamp	2		
24	4812119321	Hydraulic hose	1		
26	4812125676	Bracket	1		
27	4700904640	Washer, 8.4x22x3 mm 300HV	2		
28	4700500053	Screw, M8x20 mm 8.8 A2K	2		
29	4812120558	Hydraulic motor	2		
30	4700904214	Washer 15x30x4 300 HV	5		
31	4812110490	Holder	4		
32	4700904231	Washer, 13x24x2 mm 300 HV	20		
33	4700925519	Screw M12x55 10.9 GEOMET	20		
51	4700792701	Hose guard	0,32 M		
52	4700792696	Hose guard	1		
58	4700904623	Hose guard	0,15 M		

Refer to Parts Online for the most up to date information. The printed information might be outdated.

Fri Jan 05 14:17:01 UTC 2018

**Hydraulic system** 4812126969 Hydraulic pump

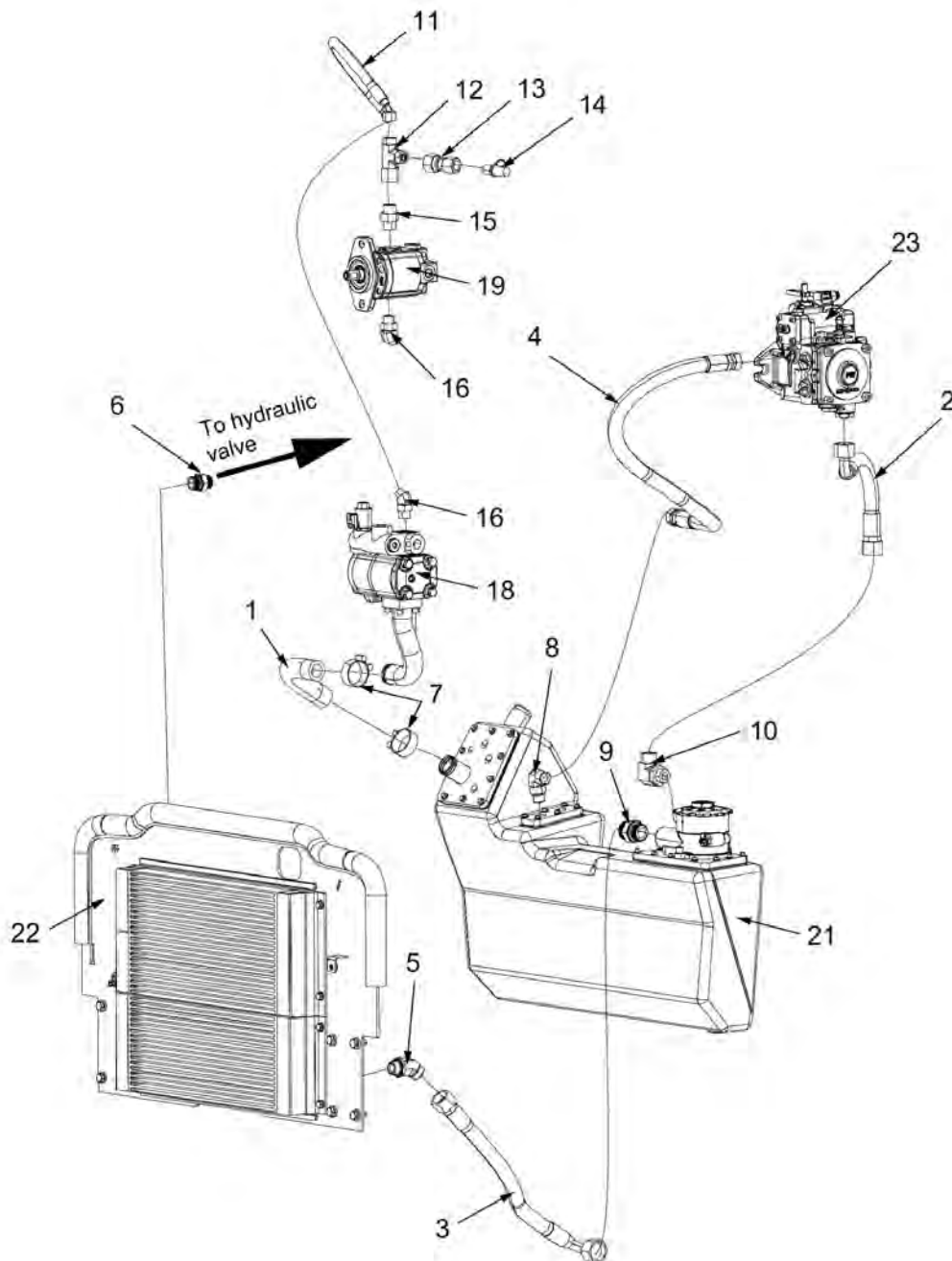


Refer to Parts Online for the most up to date information. The printed information might be outdated.

Fri Jan 05 14:17:01 UTC 2018

Item	Part No.	Name	Qty	L	SN INFO
0	4812126969	Hydraulic pump	1		
1	-	Shaft seal kit	1		
2	-	Bearing kit	1		
3	-	Rotating group kit	1		
4	-	Valve plate	1		
5	-	Swash plate	1		
6	-	Shaft	1		
7	-	Housing	1		
8	-	Pin	1		
9	-	Retaining ring	2		
10	-	Screw	3		
11	-	Retaining lever	1		
12	-	Pin	1		
13	-	Block slide hydraulic kit	1		
14	-	Hydraulic servo control kit	1		
15	-	Restrictor kit	1		
17	-	High pressure relief valve kit	1		
19	-	Pin	2		
20	-	High pressure relief valve kit	2		
22	-	Low pressure relief valve kit	1		
23	-	Screw bypass kit	1		
25	-	Charge pump kit	1		
26	-	Key	1		
27	-	Coupling shaft	1		
28	-	End cover	1		
29	-	Direct mechanical controls with return spring	1		

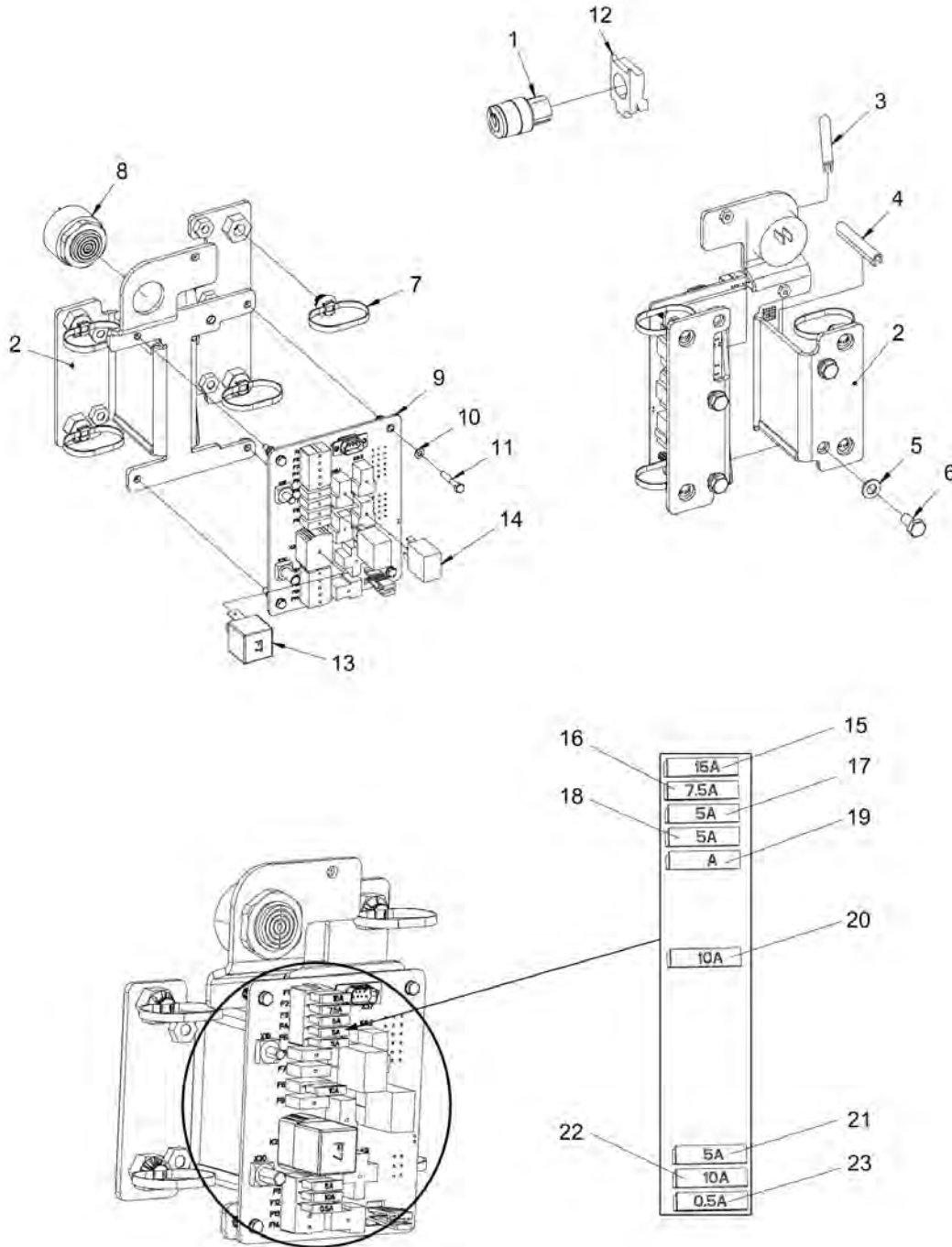
**Hydraulic system** Hydraulic, Cooler and fan





Item	Part No.	Name	Qty	L	SN INFO
1	4812125708	Hydraulic hose	1		
2	4812126968	Hydraulic hose	1		
3	4812125709	Hydraulic hose	1		
4	4812125770	Hydraulic hose	1		
5	4700791808	Elbow adapter 45	1		
6	0570702503	Straight connector	1		
7	4700923378	Hose clamp	1		
8	4700791843	Elbow 90, O-ring with swivel	1		
9	4700792338	Adapter	1		
10	4700791698	Connector elbow 90 ORFS	1		
11	4812125731	Hydraulic hose	1		
12	4700791414	T-connection, O-ring with swivel	1		
13	4700791847	Straight connector	1		
14	4700923405	Measuring nipple	1		
15	4700791404	Straight o-ring connector	1		
16	4700791416	Elbow 45, O-ring	2		
18	-	Hydraulic pump	1		
19	-	Hydraulic motor	1		
21	-	Hydraulic oil tank	1		
22	-	Cooler	1		
23	-	Hydraulic pump	1		

**Electrical equipment** Circuit board and fuses



Refer to Parts Online for the most up to date information. The printed information might be outdated.

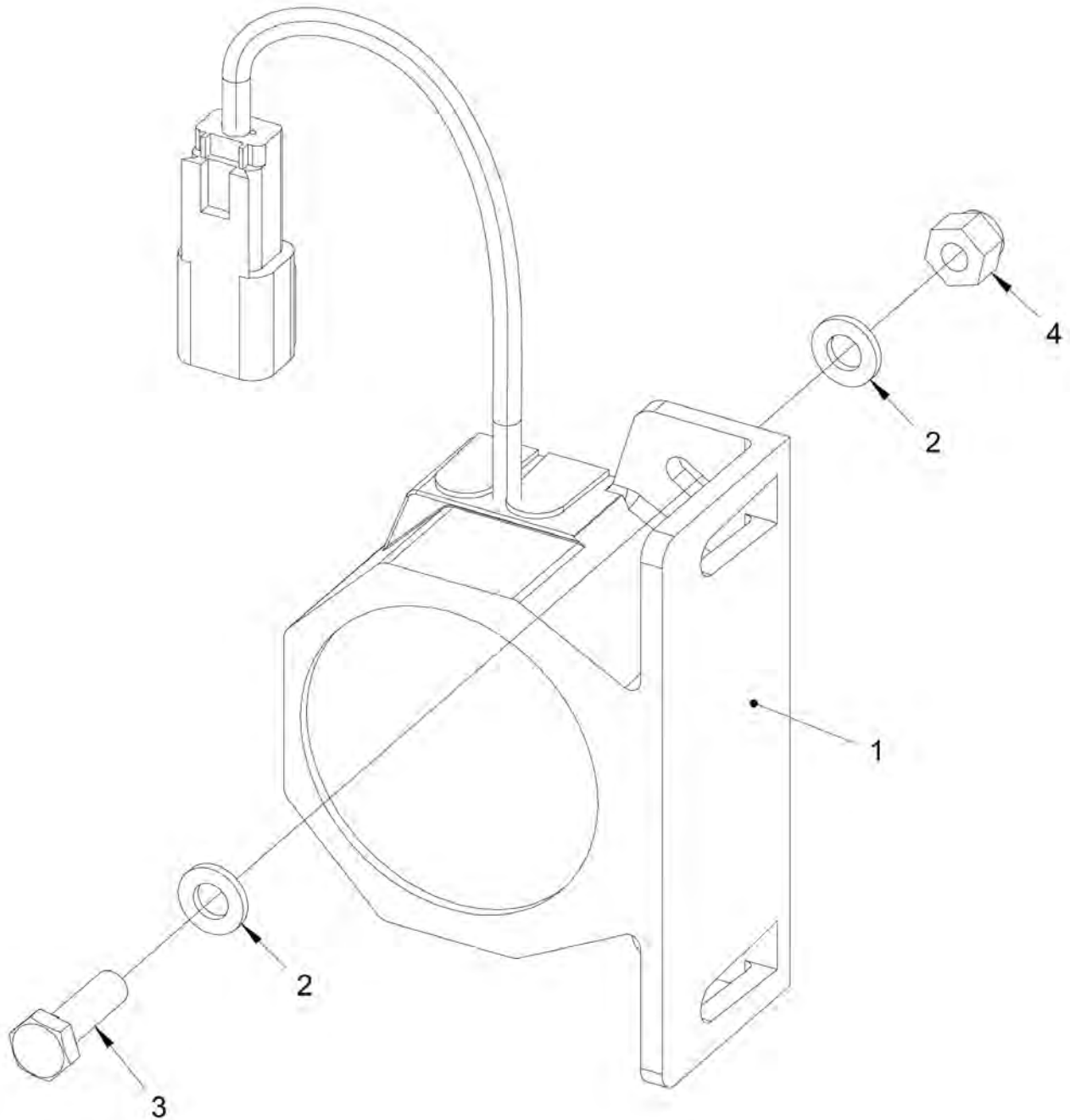
Fri Jan 05 14:17:02 UTC 2018

Item	Part No.	Name	Qty	L	SN INFO
1	4811000333	Ignition switch	1		
1.1	4700940451	Ignition key	1		
2	4812126033	Bracket	1		
3	4700202028	Edge trim	0,07 3 M		
4	4700202028	Edge trim	0,05 9 M		
5	4700904229	Washer, 8.4x 6x1.5 mm 300HV	4		
6	4700500019	Hexagon screw	4		
7	4700792602	Cable tie with holder	4		
8	4700385599	Buzzer	1		
9	4812126176	Circuit board	1		
10	4700904698	Plain washer	4		
11	4700904312	Screw	4		
12	4700791733	Fixing collar	1		
13	4812126108	Relay	1		
14	4700381390	Relay	2		
15	4700901228	Fuse, 15A Blue	1		
16	4700901226	Fuse 7.5A Brown	1		
17	4700901225	Fuse 5A Tan	1		
18	4700901225	Fuse 5A Tan	1		
19	4700901224	Fuse, 3A Violet	1		
19	4700901225	Fuse 5A Tan	1		
20	4700901227	Fuse 10A Red	1		
21	4700901225	Fuse 5A Tan	1		
22	4700901227	Fuse 10A Red	1		
23	4812127367	Fuse 0,5A	1		

Comments for Page: Circuit board and fuses

A) D1703

B) D1803

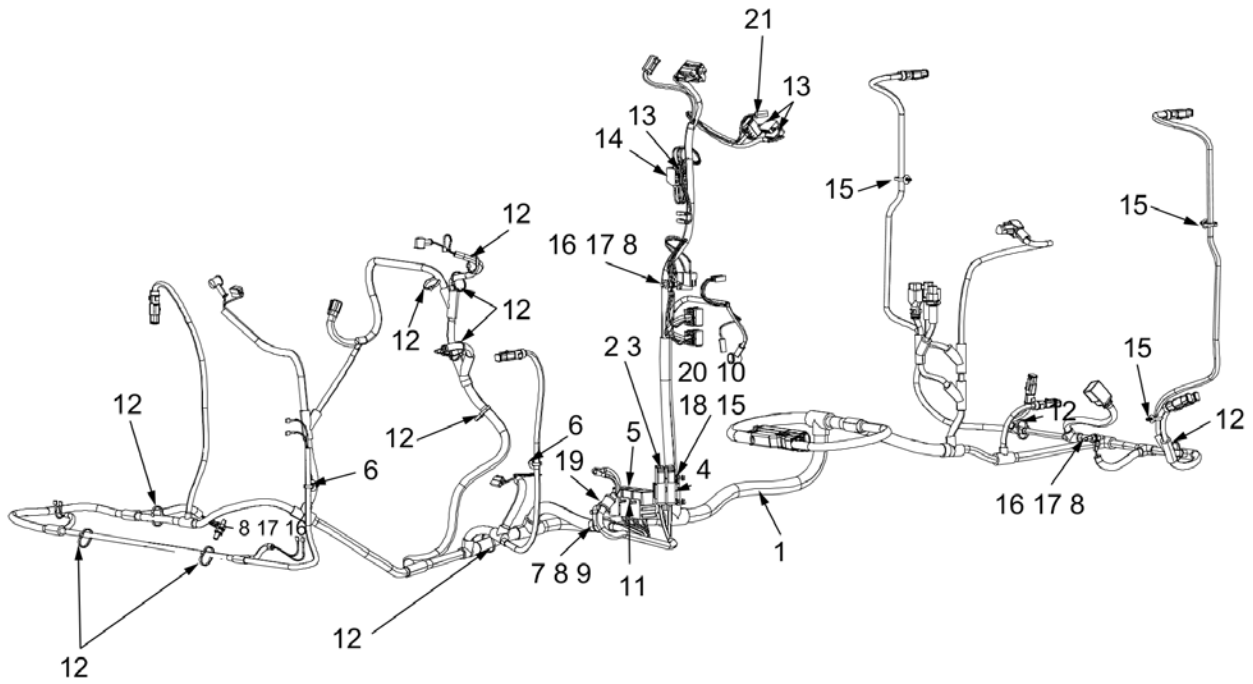
**Electrical equipment** Backup alarm

Refer to Parts Online for the most up to date information. The printed information might be outdated.

Fri Jan 05 14:17:03 UTC 2018

Item	Part No.	Name	Qty	L	SN INFO
1	4700792098	Back-up alarm	1		
2	4700904228	Washer 6,4x12x1,5	4		
3	4700500040	Screw, M6x20 mm 8.8 A2K	2		
4	4700586002	Lock nut M6 -8	2		

**Electrical equipment** Cable harness

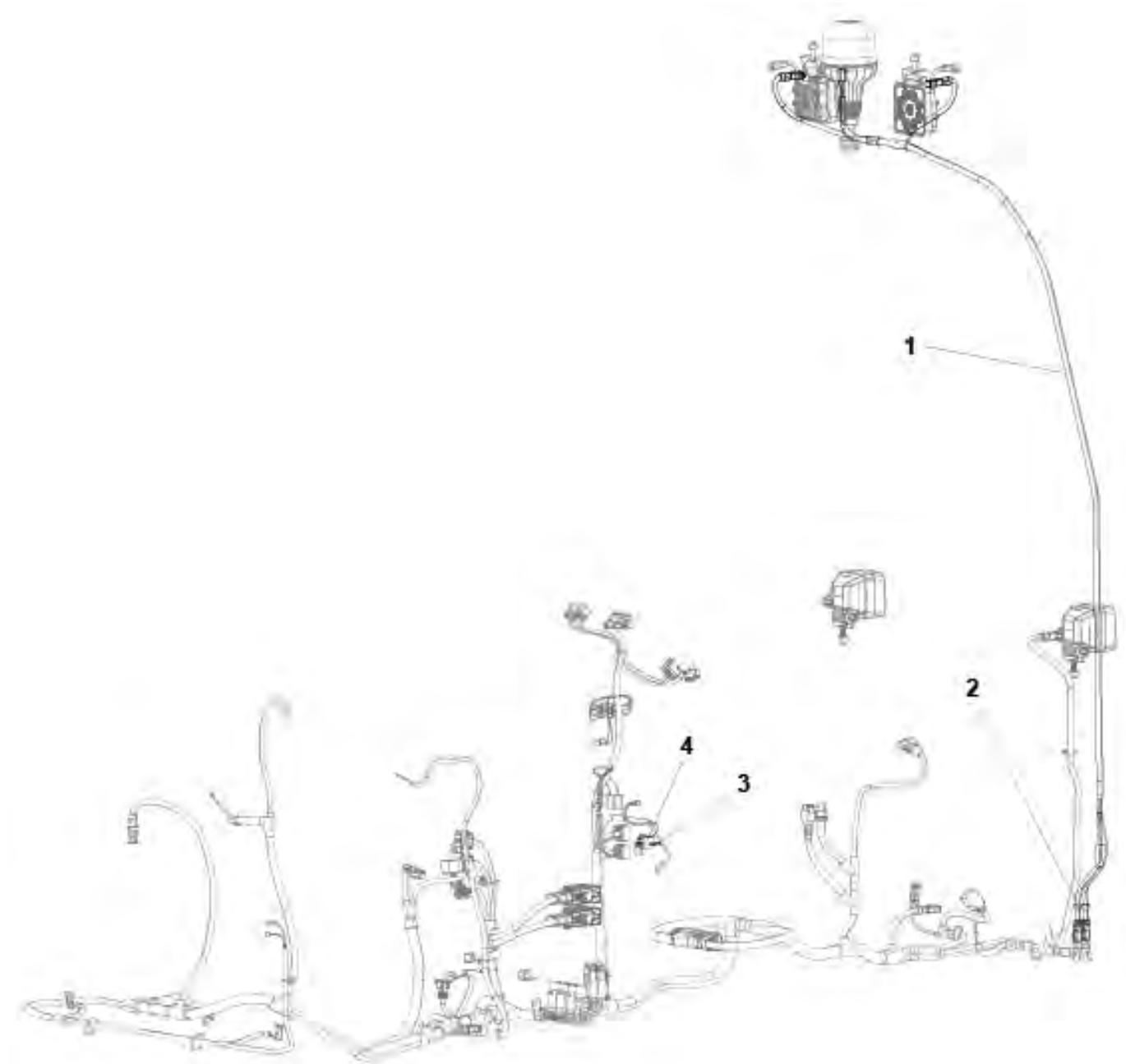


Refer to Parts Online for the most up to date information. The printed information might be outdated.

Fri Jan 05 14:17:03 UTC 2018

Item	Part No.	Name	Qty	L	SN INFO
1	4812125260	Cable harness	1		
2	4700904038	Fuse 40A Orange	1		
3	4700904039	Fuse 50A Red	1		
4	4700904036	Bracket	1		
5	4700903956	Relay	3		
6	4700792441	Cable tie with holder	2		
7	4700960727	Clamp	1		
8	4700904229	Washer, 8.4x 6x1.5 mm 300HV	7		
9	4700500019	Hexagon screw	1		
10	4700904281	Washer, 5,3x10x1 300HV	2		
11	4700903782	Screw M5x12	3		
12	4700313041	Cable ties, L=200 mm	N		
13	4700791723	Connector	4		
14	4700791736	Connector N/O	1		
15	4812115911	Cable tie with holder	3		
16	4700570005	Hexagon nut	6		
17	4700903768	Threaded stud	3		
18	4700570003	Hex. nut	2		
19	4700904346	Clamp	1		
20	4812117868	Screw M05x16	2		
21	4812128174	Connection cable	1		

**Electrical equipment** Cable harness - Working lights / ROPS



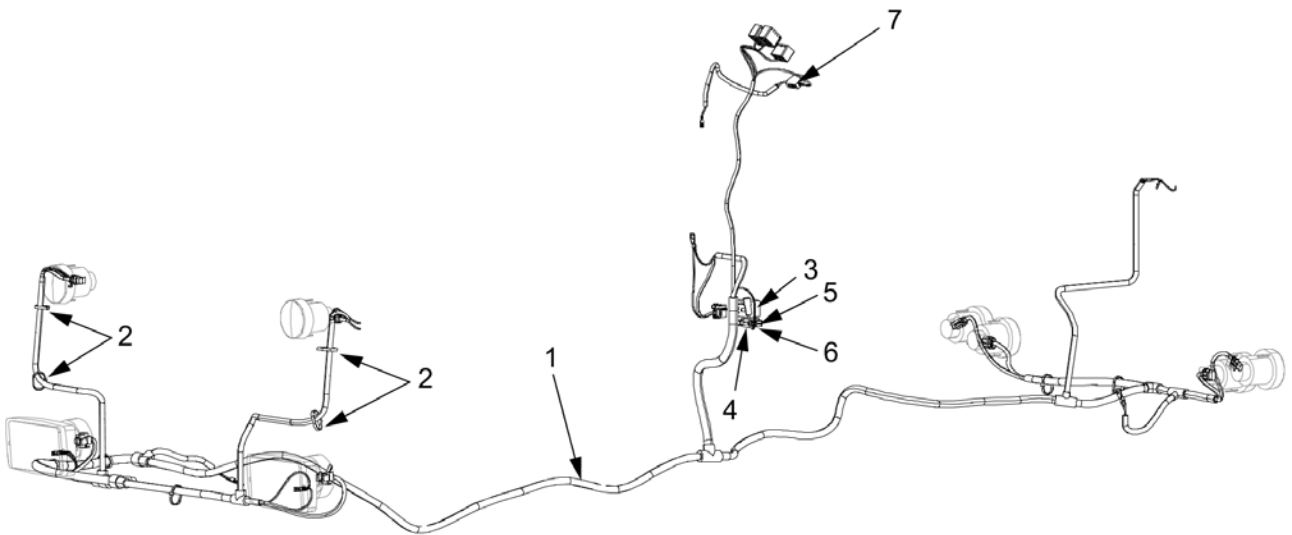
Refer to Parts Online for the most up to date information. The printed information might be outdated.

Fri Jan 05 14:17:03 UTC 2018



Item	Part No.	Name	Qty	L	SN INFO
1	4812125777	Cable harness	1		
2	4700313041	Cable ties, L=200 mm	N		
3	4700901227	Fuse 10A Red	1		
4	4700381390	Relay	1		

**Electrical equipment** Cable harness - Driving lights

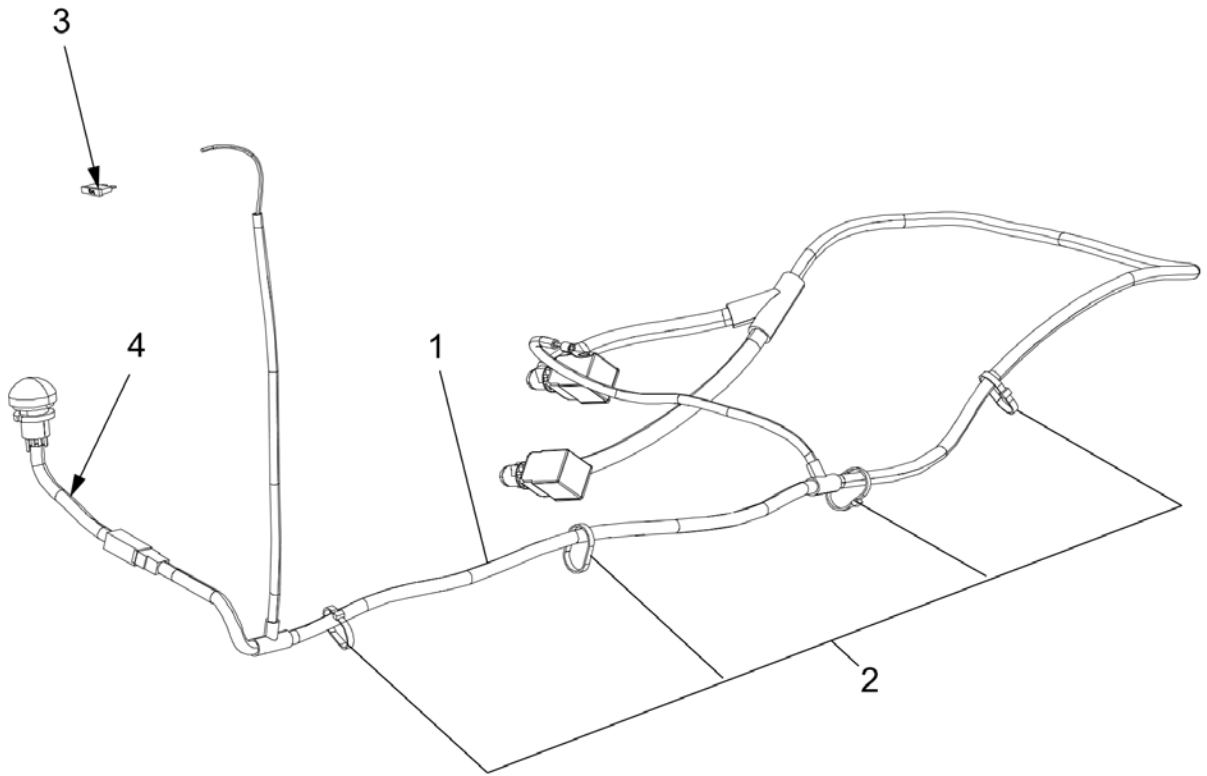


Refer to Parts Online for the most up to date information. The printed information might be outdated.

Fri Jan 05 14:17:04 UTC 2018

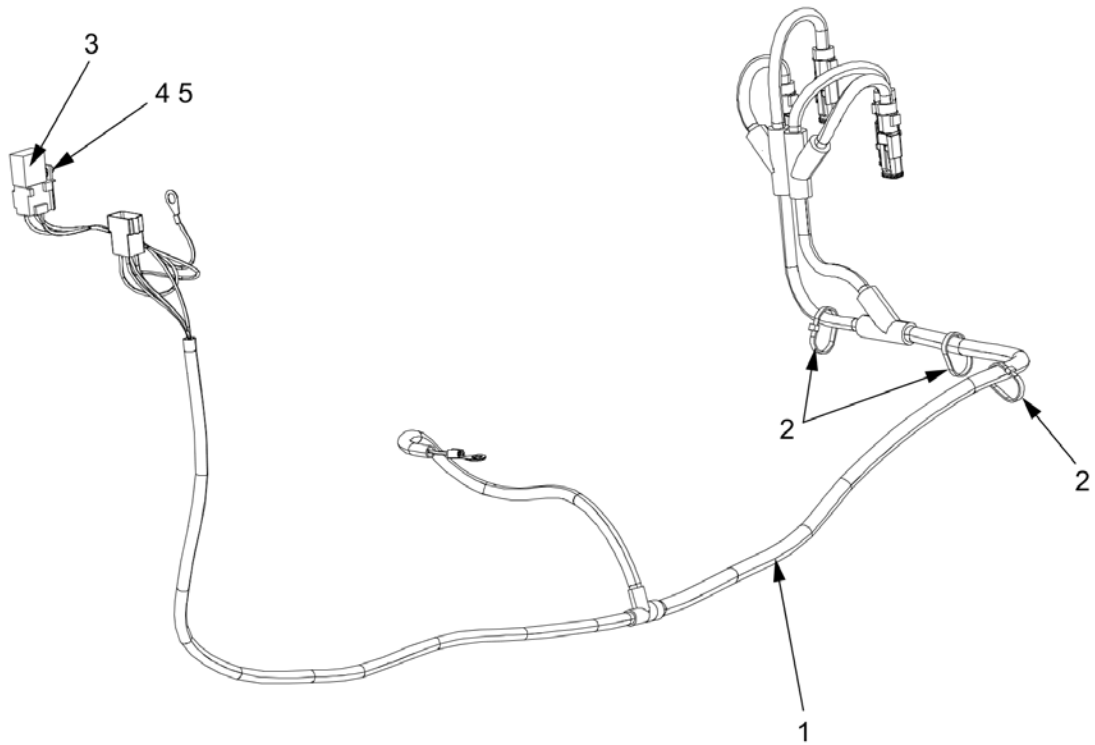
Item	Part No.	Name	Qty	L	SN INFO
1	4812125678	Cable harness	1		
2	4700313041	Cable ties, L=200 mm	N		
3	4700904989	Flash relay	1		
4	4700381390	Relay	1		
5	4700901227	Fuse 10A Red	1		
6	4700901228	Fuse, 15A Blue	1		
7	4700791723	Connector	1		

**Electrical equipment** Cable harness - Flow divider



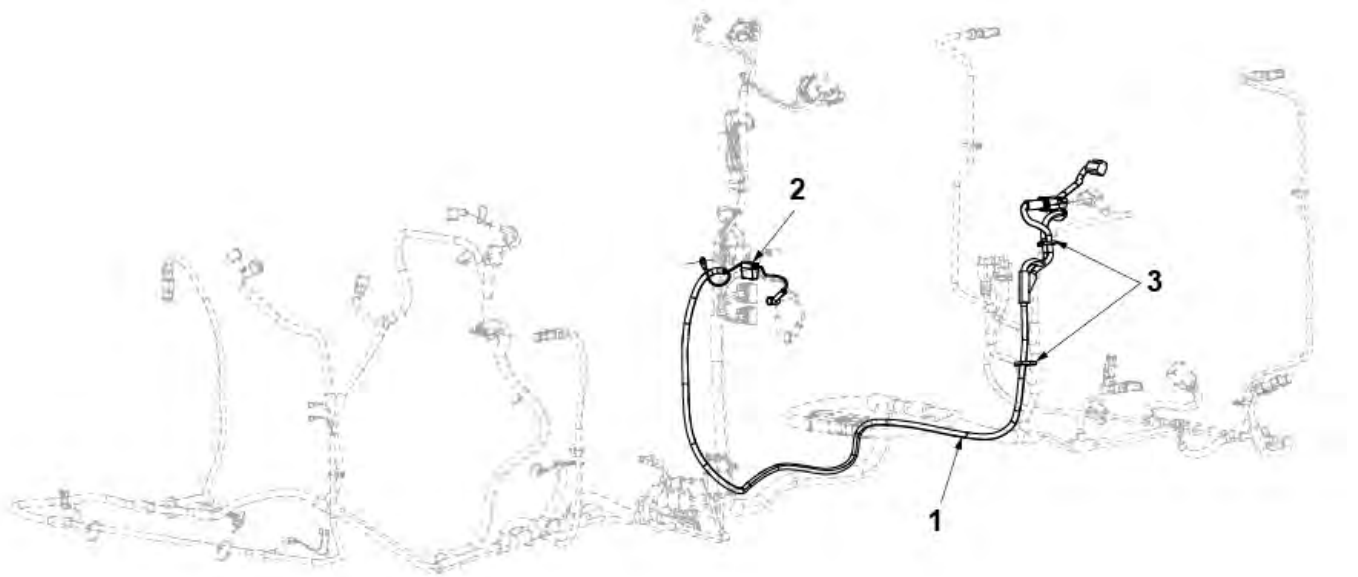
Item	Part No.	Name	Qty	L	SN INFO
1	4812125881	Cable harness	1		
2	4700313041	Cable ties, L=200 mm	4		
3	4700901227	Fuse 10A Red	1		
4	4812127015	Cable harness	1		

**Electrical equipment** Cable harness - Edge cutter, Chip spreader



Item	Part No.	Name	Qty	L	SN INFO
1	4812125880	Cable harness	1		
2	4700313041	Cable ties, L=200 mm	3		
3	4700381390	Relay	1		
4	4700904281	Washer, 5,3x10x1 300HV	1		
5	4700500003	Hex. screw	1		

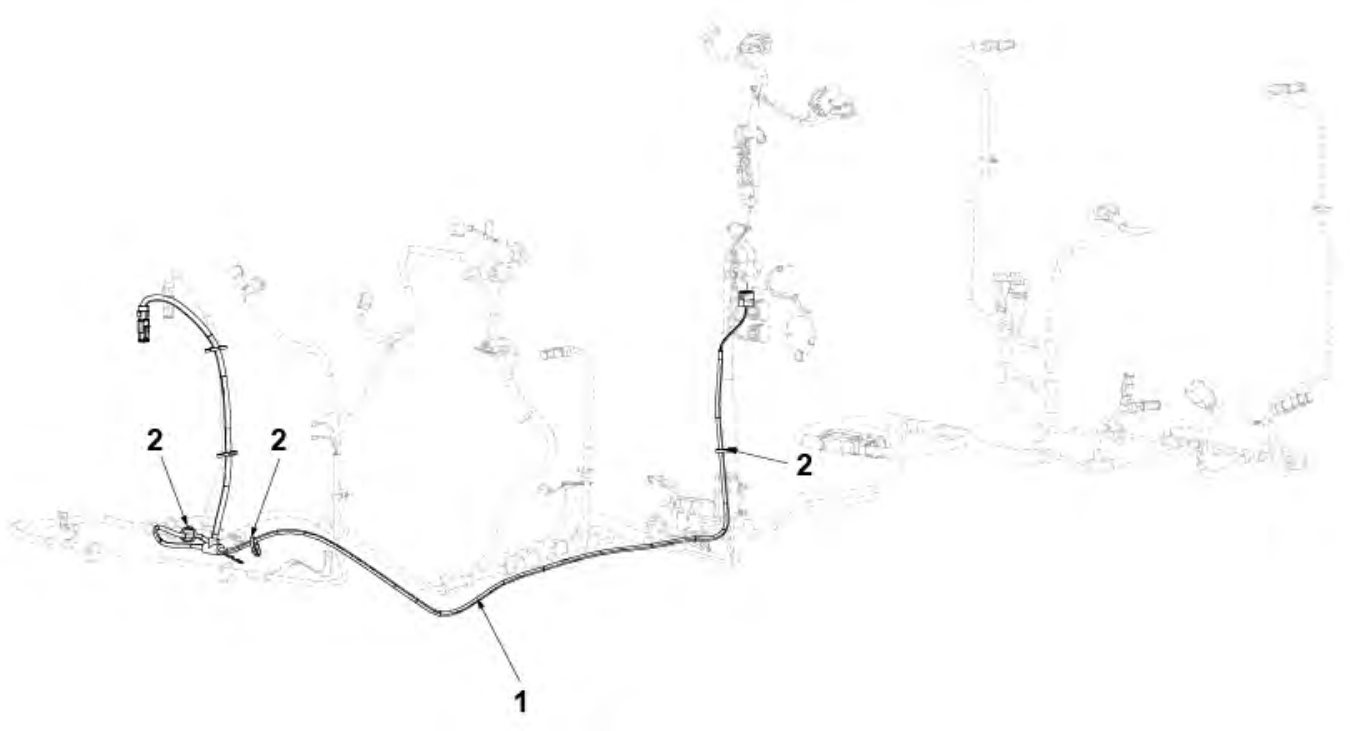
**Electrical equipment** Cable harness - Seat heater





Item	Part No.	Name	Qty	L	SN INFO
1	4812127324	Cable harness	1		
2	4700901225	Fuse 5A Tan	1		
3	4700313041	Cable ties, L=200 mm	2		

**Electrical equipment** Cable harness - Dual vibration



Item	Part No.	Name	Qty	L	SN INFO
1	4812125883	Cable harness	1		
2	4700313041	Cable ties, L=200 mm	5		

**Electrical equipment** Cable harness - Rotating beacon



Refer to Parts Online for the most up to date information. The printed information might be outdated.

Fri Jan 05 14:17:04 UTC 2018

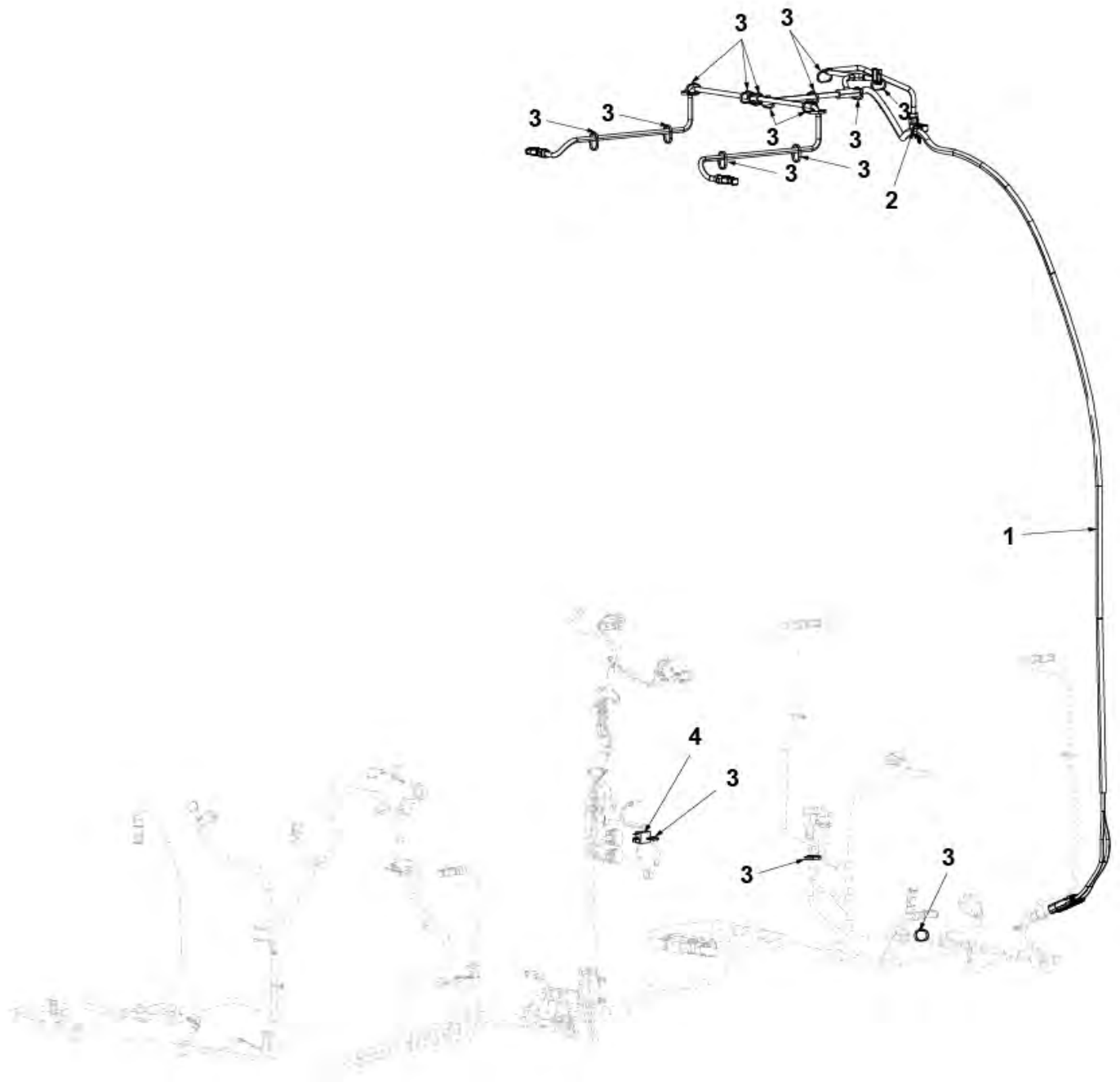
Item	Part No.	Name	Qty	L	SN INFO
1	4812125861	Cable harness	1		
2	4700313041	Cable ties, L=200 mm	2		

**Electrical equipment** Cable harness - Working lights incl. Rotating beacon



Item	Part No.	Name	Qty	L	SN INFO
1	4812125777	Cable harness	1		
2	4700313041	Cable ties, L=200 mm	1		
3	4700901227	Fuse 10A Red	1		
4	4700381390	Relay	1		

**Electrical equipment** Cable harness - Working lights, tank x2

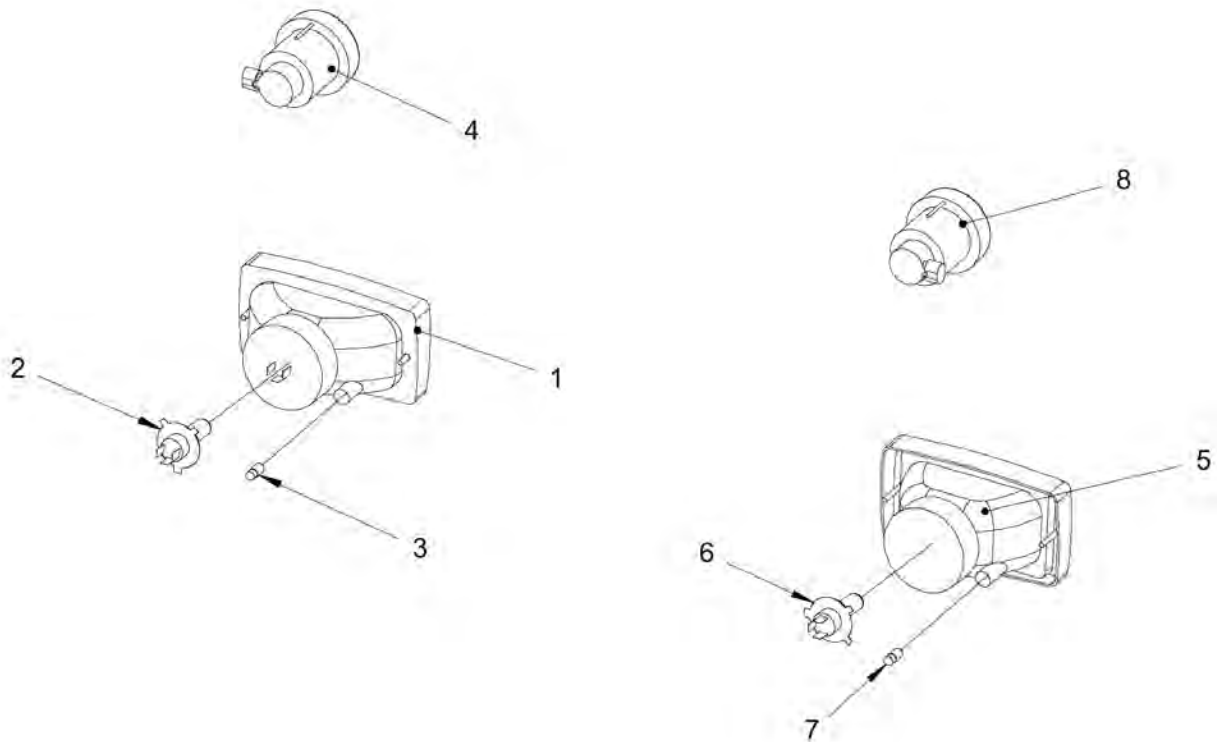


Refer to Parts Online for the most up to date information. The printed information might be outdated.

Fri Jan 05 14:17:05 UTC 2018

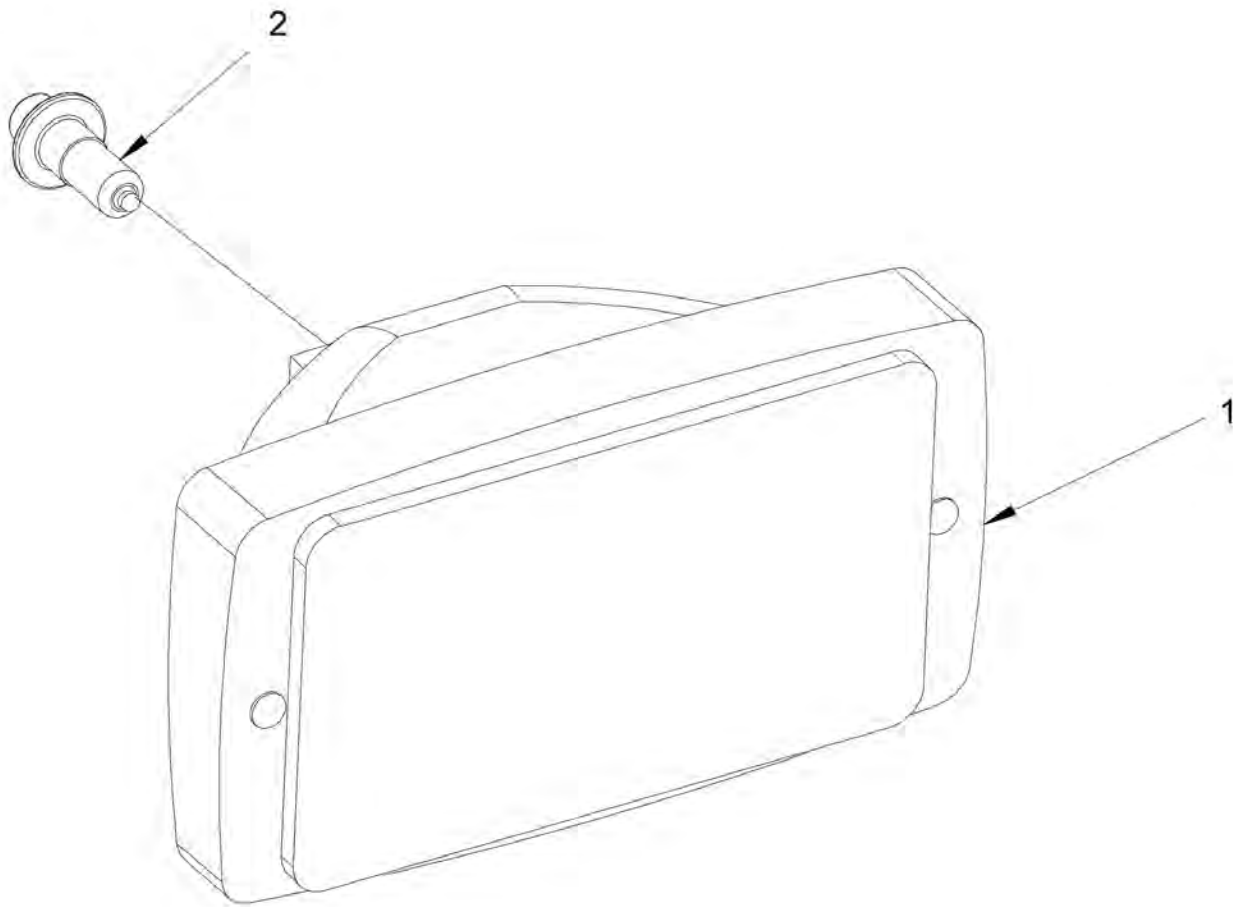


Item	Part No.	Name	Qty	L	SN INFO
1	4812125949	Cable harness	1		
2	4812115911	Cable tie with holder	1		
3	4700313041	Cable ties, L=200 mm	17		
4	4700901225	Fuse 5A Tan	1		
5	4700381390	Relay	1		

**Electrical equipment** Driving lights (option)

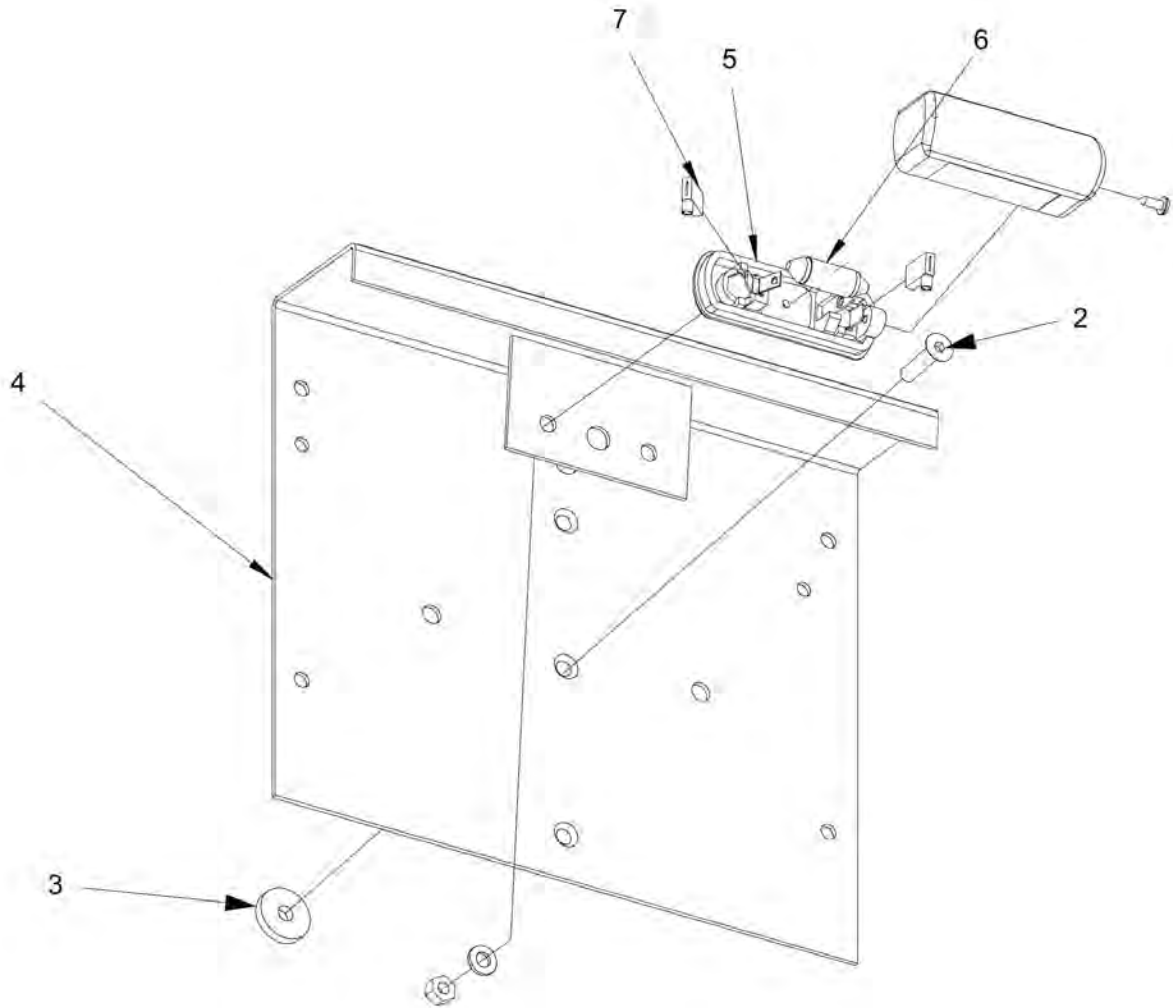
Item	Part No.	Name	Qty	L	SN INFO
1	4700792059	Headlight left hand asym. with parking light	2		
2	4700900790	Bulb 60/55w H4	2		
3	4700985012	Bulb	2		
4	4700791953	Direction indicator	2		
5	4700791951	Headlight right hand asym. with parking light	2		
6	4700900790	Bulb 60/55w H4	2		
7	4700985012	Bulb	2		
8	4700791953	Direction indicator	2		

**Electrical equipment** Working lights (option)



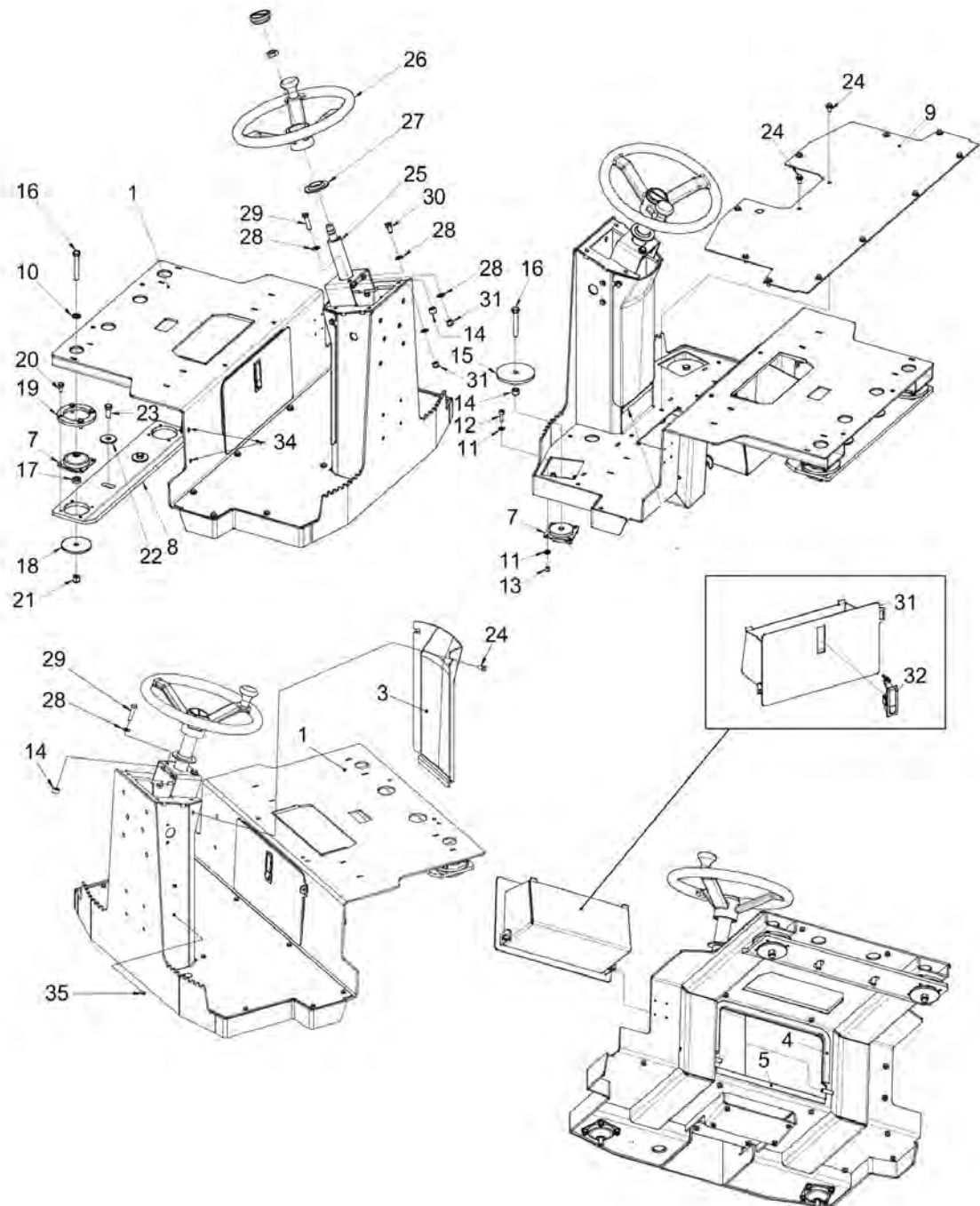
Item	Part No.	Name	Qty	L	SN INFO
1	4700902227	Work light	2		
2	4700901369	Bulb 55w H3	2		

**Electrical equipment** Registration plate light



Item	Part No.	Name	Qty	L	SN INFO
2	4700928784	Screw	2		
3	4700904735	Steel plain washer	2		
4	4700355797	Licence plate holder	1		
5	4700929455	Licence plate light	1		
6	4700985013	Bulb 12V,5W	1		
7	4700792035	Push-on terminal	2		

**Drivers platform** Platform

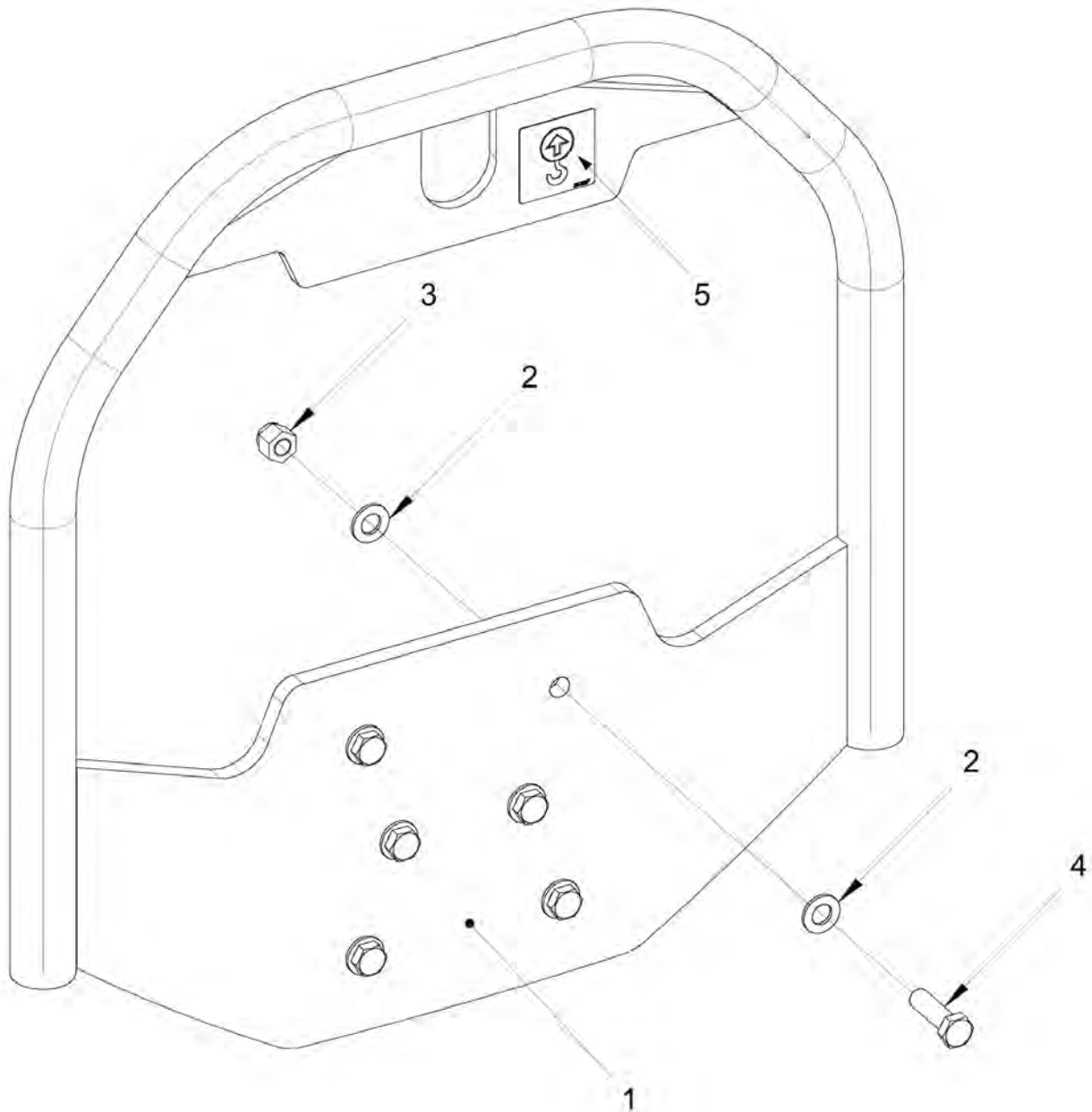


Refer to Parts Online for the most up to date information. The printed information might be outdated.

Fri Jan 05 14:17:06 UTC 2018



Item	Part No.	Name	Qty	L	SN INFO
1	4812126973	Platform	1		
3	4812125902	Front cover	1		
4	4700902379	Edge trim	0,6 M		
5	4700902379	Edge trim	0,36 M		
7	4700902797	Shock absorber	4		
8	4812125852	Bracket	1		
9	4812124793	Floor plate	1		
10	4700904231	Washer, 13x24x2 mm 300 HV	6		
11	4700904229	Washer, 8.4x 6x1.5 mm 300HV	16		
12	4700508019	Cylinder screw	8		
13	4700586003	Lock nut M8	8		
14	4700355869	Spacer sleeve	4		
15	4812125887	Washer	2		
16	4700500196	Screw M12-1,75x80 8.8	4		
17	4700902892	Washer	2		
18	4700358232	Washer	2		
19	4812125886	Backup ring	2		
20	4700500053	Screw, M8x20 mm 8.8 A2K	8		
21	4700586019	Lock nut	2		
22	4700791165	Washer, 13 x 45 x 4 mm, 0.51 x 1.77 x 0.16 A2K	2		
23	4700500046	Hex. head screw M12x030H	2		
24	4700902989	Hexagon screw with flange M6x12	12		
25	4700902123	Steering column	1		
26	4700372964	Steering wheel	1		
27	4700928830	Rubber part	1		
28	4700904230	Plain washer 10.5x22x2 mm	4		
29	4700500240	Hex. screw	2		
30	4700500048	Screw, M10x20 mm 8.8 A3K	2		
31	4812125851	Box	1		
32	4812125915	Lock	1		
33	4700901832	Screw, M08x16, 8.8	2		
34	4700926215	Protective plug	2		
35	4700904206	Screw, M6x16 mm	2		

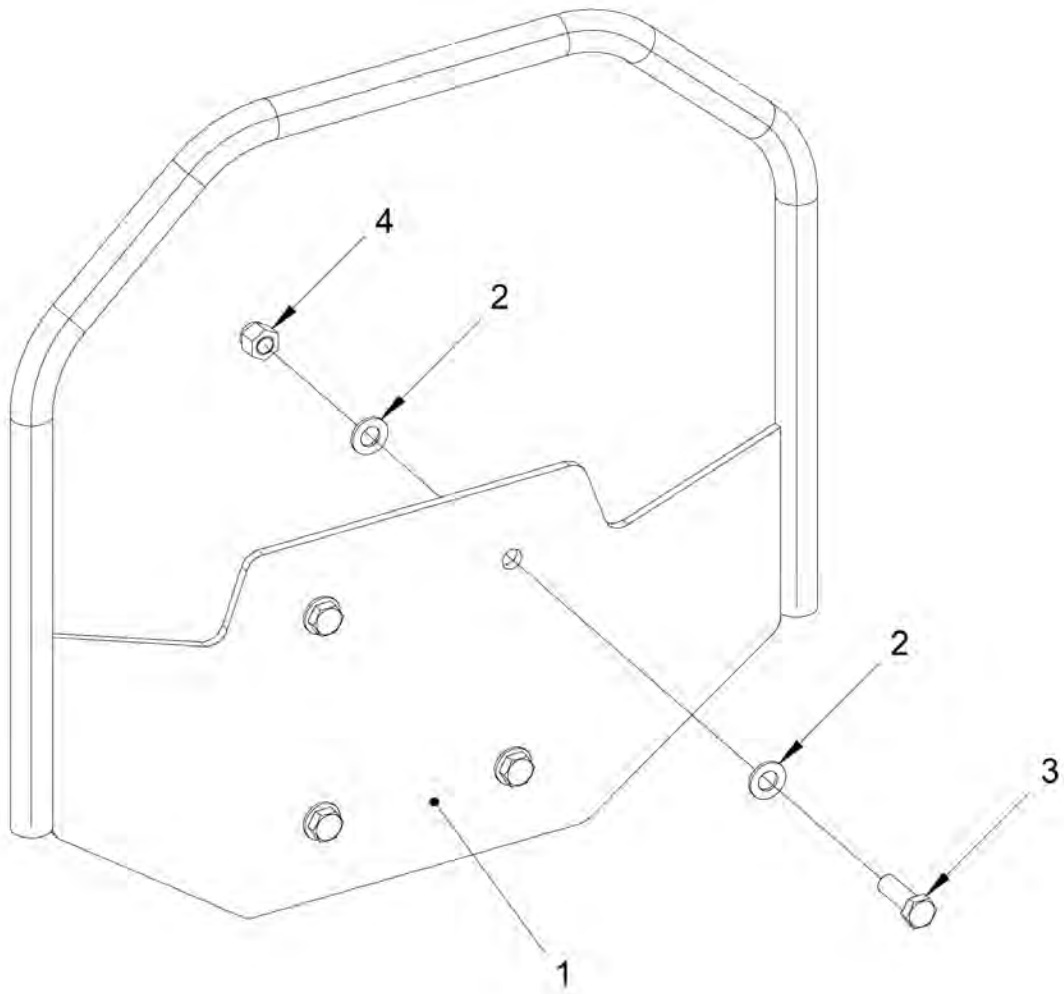
**Drivers platform** Single lifting point

Refer to Parts Online for the most up to date information. The printed information might be outdated.

Fri Jan 05 14:17:07 UTC 2018

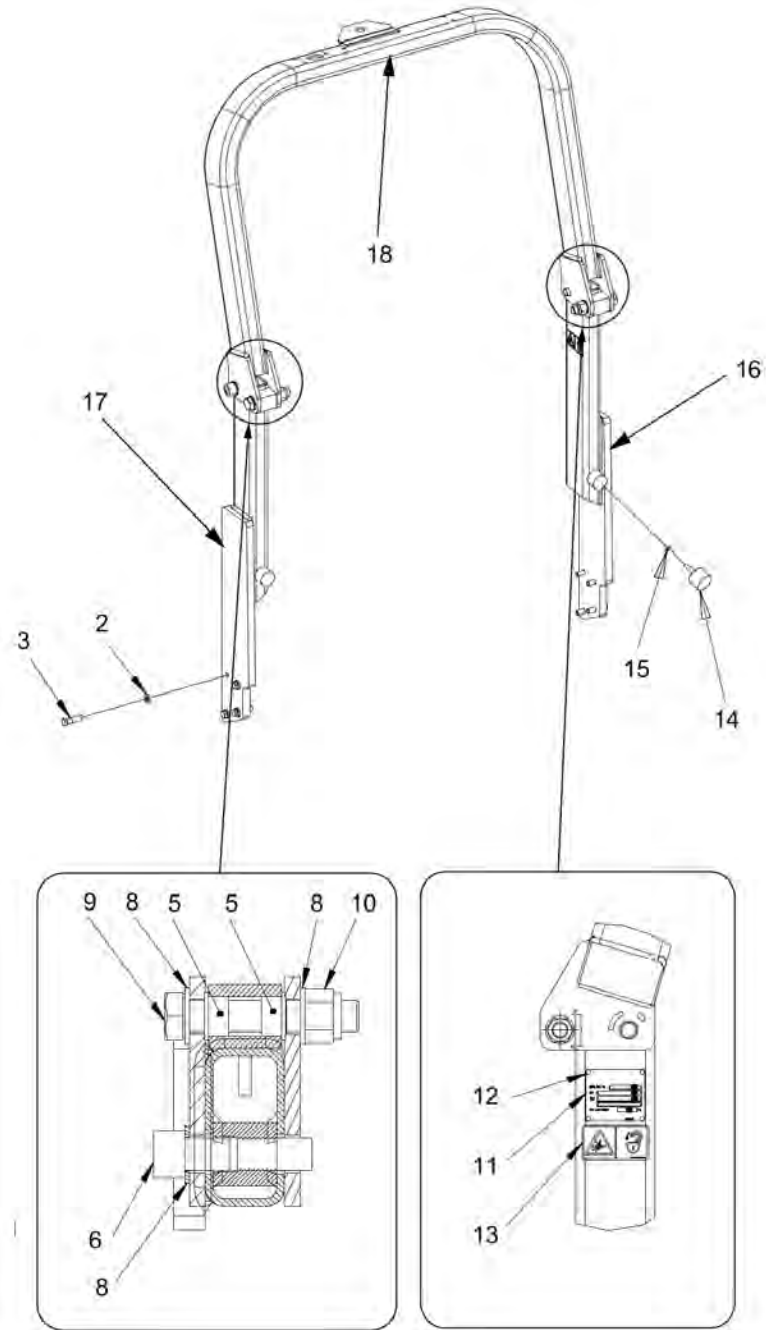
Item	Part No.	Name	Qty	L	SN INFO
1	4812125521	Hand rail	1		
2	4700904231	Washer, 13x24x2 mm 300 HV	12		
3	4812110968	Lock nut	6		
4	4700947689	Hex. head screw M12	6		
5	4700357587	Label lifting point	1		

**Drivers platform** Hand rail



Item	Part No.	Name	Qty	L	SN INFO
1	4812125631	Hand rail	1		
2	4700904231	Washer, 13x24x2 mm 300 HV	8		
3	4700947689	Hex. head screw M12	4		
4	4812110968	Lock nut	4		

**Drivers platform ROPS**



Refer to Parts Online for the most up to date information. The printed information might be outdated.

Fri Jan 05 14:17:07 UTC 2018

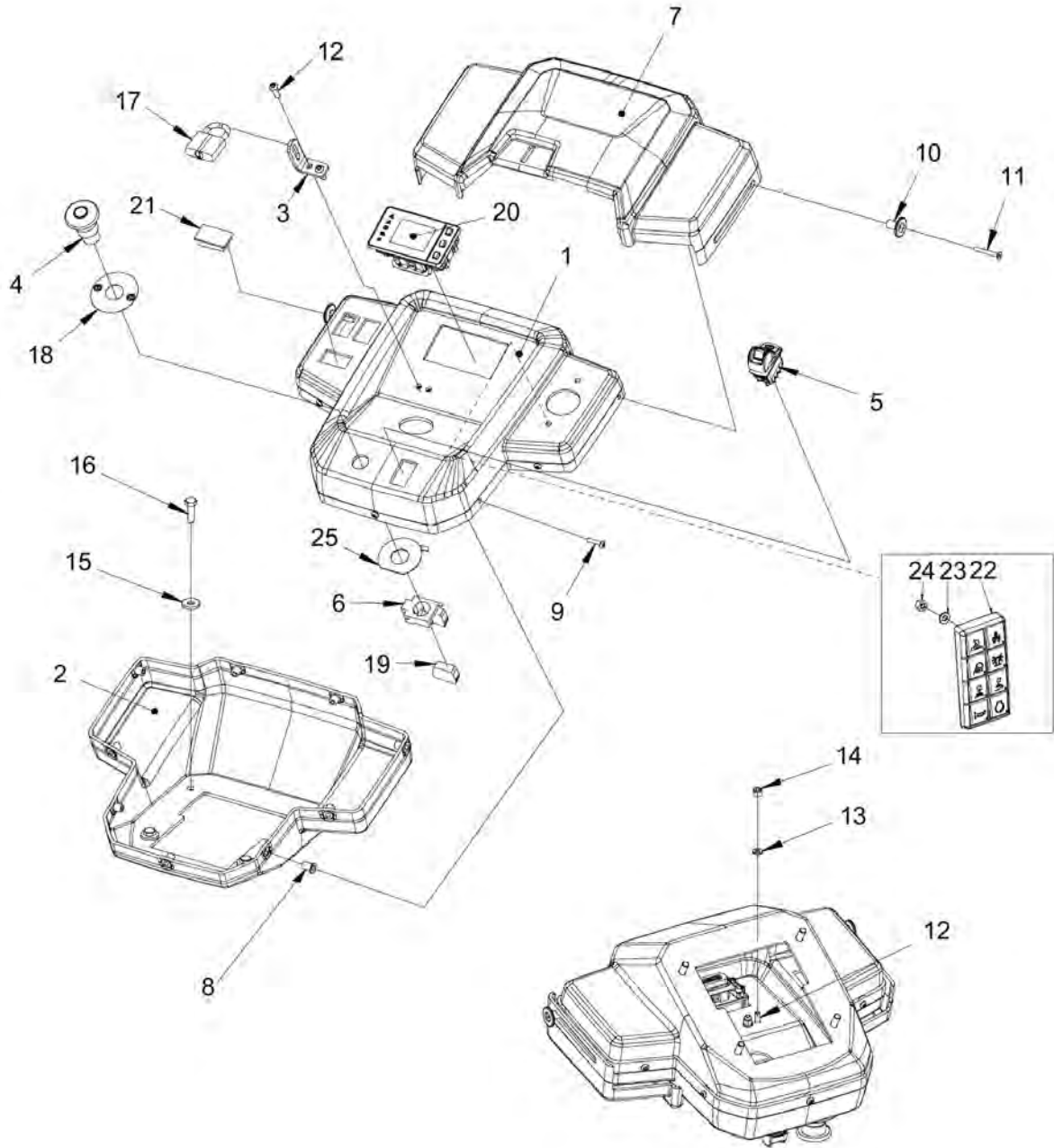
Item	Part No.	Name	Qty	L	SN INFO
2	4700904558	Washer, 17x30x6 mm 300 HV	8		
3	4700500070	Hex. screw	8		
5	4700904574	Bushing	4		
6	0211110375	Hexagon head screw	2		
8	4700904233	Steel plain washer 21x36x3	6		
9	4700901381	Screw	2		
10	0291112843	Nut lock	2		
11	-	Sign plate	1		
12	4700624018	Blind rivet	4		
13	4700908229	Safety decal	2		
14	4700288357	Shock absorber	2		
15	4700573008	Nut M8	2		
16	-	Lower part right	1		
17	-	Lower part left	1		
18	-	Upper part	1		





Item	Part No.	Name	Qty	L	SN INFO
1	4812126467	Bracket	1		
2	4812126468	Bracket	1		
3	4812126281	Frame	1		
4	4700922325	Spring ball plunger	2		
5	4700573004	Nut	2		
6	4812126529	Locking pin	1		
7	4700792380	Plastic bushing	4		
8	4700904570	Steel plain washer	4		
9	4700500032	Screw M10 x 55	2		
10	4700586018	Lock nut M10	2		
11	4700904557	Washer, 10.5x22x4 mm 300 HV	4		
12	4700904230	Plain washer 10.5x22x2 mm	4		
14	4700500192	Hexagon head screw M10x80	4		
15	4812126283	Canopy	1		
16	4812113177	Nut	8		
17	4700791304	Steel plain washer	8		
18	4700904654	Screw, M8 x 25 mm A2-70	8		

**Drivers platform** Control panel

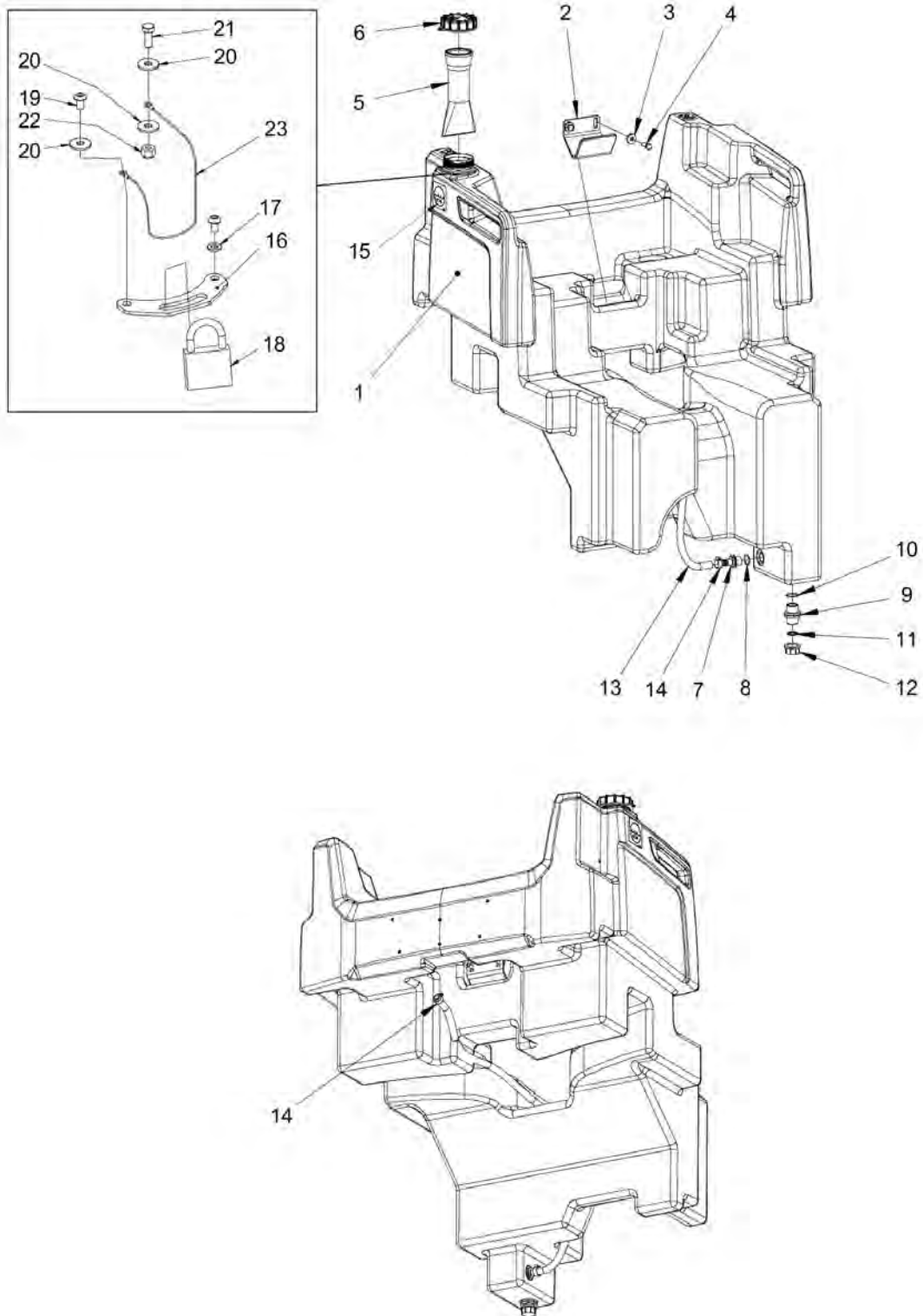


Refer to Parts Online for the most up to date information. The printed information might be outdated.

Fri Jan 05 14:17:08 UTC 2018

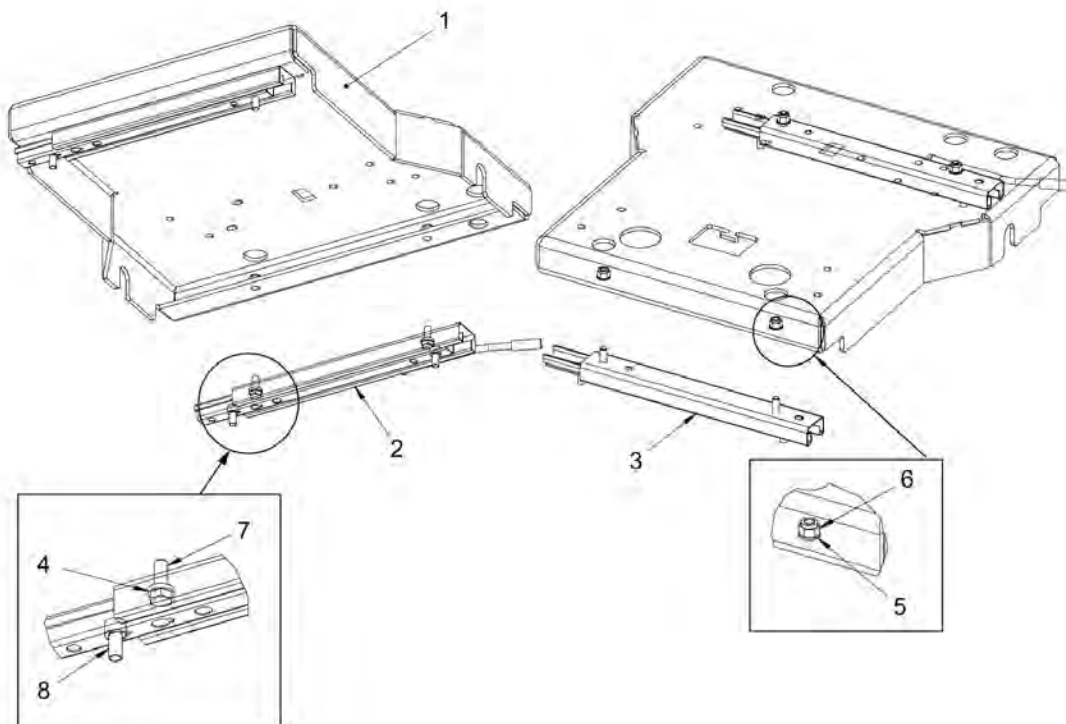
Item	Part No.	Name	Qty	L	SN INFO
1	4812125959	Cover	1		
2	4812125960	Cover	1		
3	4812126008	Bracket	1		
4	4700791739	Emergency stop	1		
5	4812118697	Switch, parking brake	1		
6	4700389840	Connector	1		
7	4812126007	Cover	1		
8	4700792536	Rubber nut	9		
9	4700792589	Screw	7		
10	4700357855	Bushing	2		
11	4700792742	Screw, M5 x 20	2		
12	4700791524	Screw, M6 x 20 mm A2-70	2		
13	4700904228	Washer 6,4x12x1,5	2		
14	4700586002	Lock nut M6 -8	2		
15	4700904640	Washer, 8.4x22x3 mm 300HV	4		
16	4700500021	Screw, M8x25 mm 8.8 A2K	4		
17	4700358881	Pad lock	1		
18	4811000128	Contrast plate, yellow	1		
19	4700791723	Connector	1		
20	4812126175	Display	1		
21	4700791588	Panel plug	3		
22	4812126908	Keypad	1		
23	4700904228	Washer 6,4x12x1,5	2		
24	4700570004	Hexagon nut M6	2		
25	4812128078	Washer	1		

**Drivers platform** Water tank



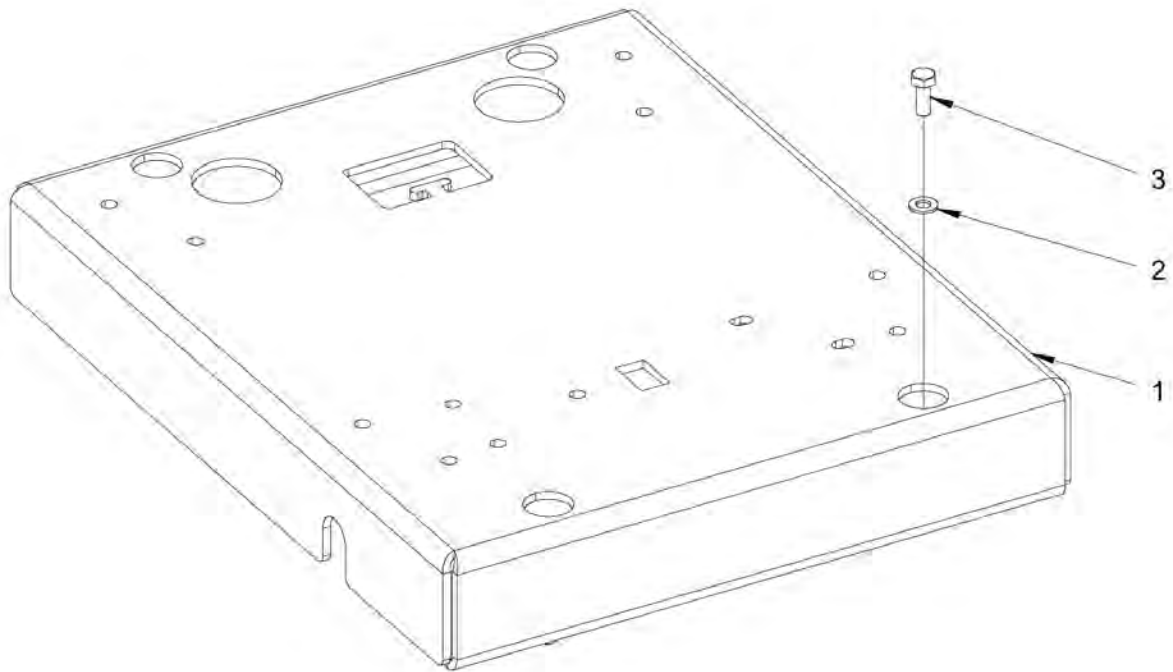
Item	Part No.	Name	Qty	L	SN INFO
1	4812124060	Water tank	1		
2	4700387935	Bracket	1		
3	4700904567	Washer, 10.5x28x6 mm	2		
4	4700500029	Screw M10x30	2		
5	4812125924	Strainer	1		
6	4700388087	Tank cap	1		
7	4700396673	Hose connection	1		
8	4700160313	O-ring 70	1		
9	4812125982	Nipple	1		
10	4700160318	O-ring 70	1		
11	4812125984	Gasket	1		
12	4812125983	Cap	1		
13	4812112074	Plastic hose (x m)	1,25 M		
14	4700313003	Hose clamp	2		
15	4700991657	Decal "WATER"	1		
16	4812125972	Bracket	1		
17	4700904228	Washer 6,4x12x1,5	1		
18	4700358881	Pad lock	1		
19	4700902224	Screw, M6x10 mm A2-70	2		
20	4700928381	Washer, 6.4x18x1.6 mm	3		
21	4700500013	Screw, M6x16 mm 8.8 A2K	1		
22	4700586002	Lock nut M6 -8	1		
23	4700377253	Wire	1		

**Drivers platform** Slideable seat



Item	Part No.	Name	Qty	L	SN INFO
1	4812126021	Seat frame	1		
2	4700909535	Sliding rail with handle	1		
3	4700909536	Sliding rail	1		
5	4700904556	Steel plain washer 8,4x16x3,0	4		
6	4700586003	Lock nut M8	4		
7	4700500053	Screw, M8x20 mm 8.8 A2K	4		
8	4700508005	Screw	4		

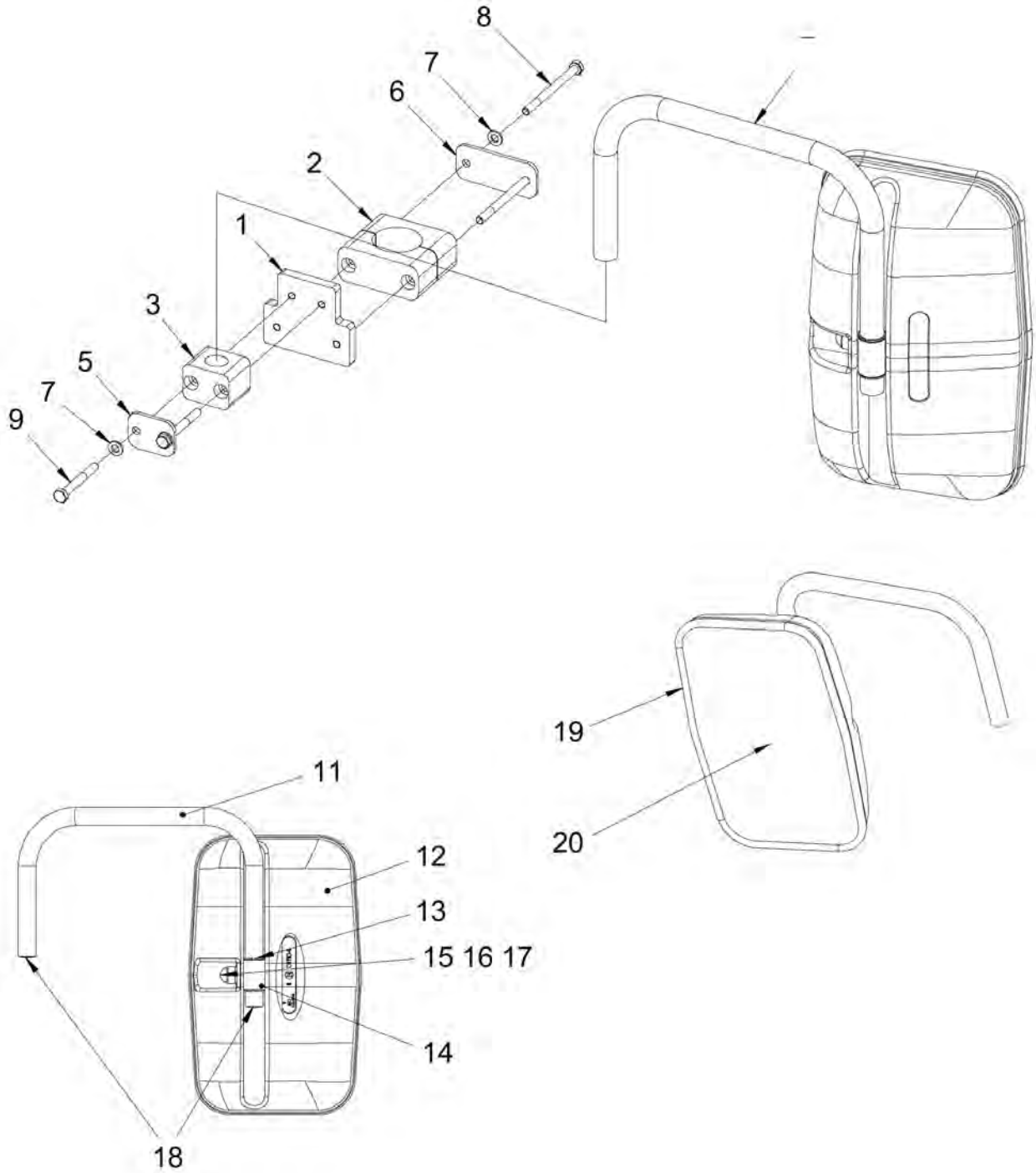
**Drivers platform** Fixed seat





Item	Part No.	Name	Qty	L	SN INFO
1	4812126022	Seat frame	1		
2	4700904229	Washer, 8.4x 6x1.5 mm 300HV	4		
3	4700500053	Screw, M8x20 mm 8.8 A2K	4		

**Drivers platform** Rear view mirror

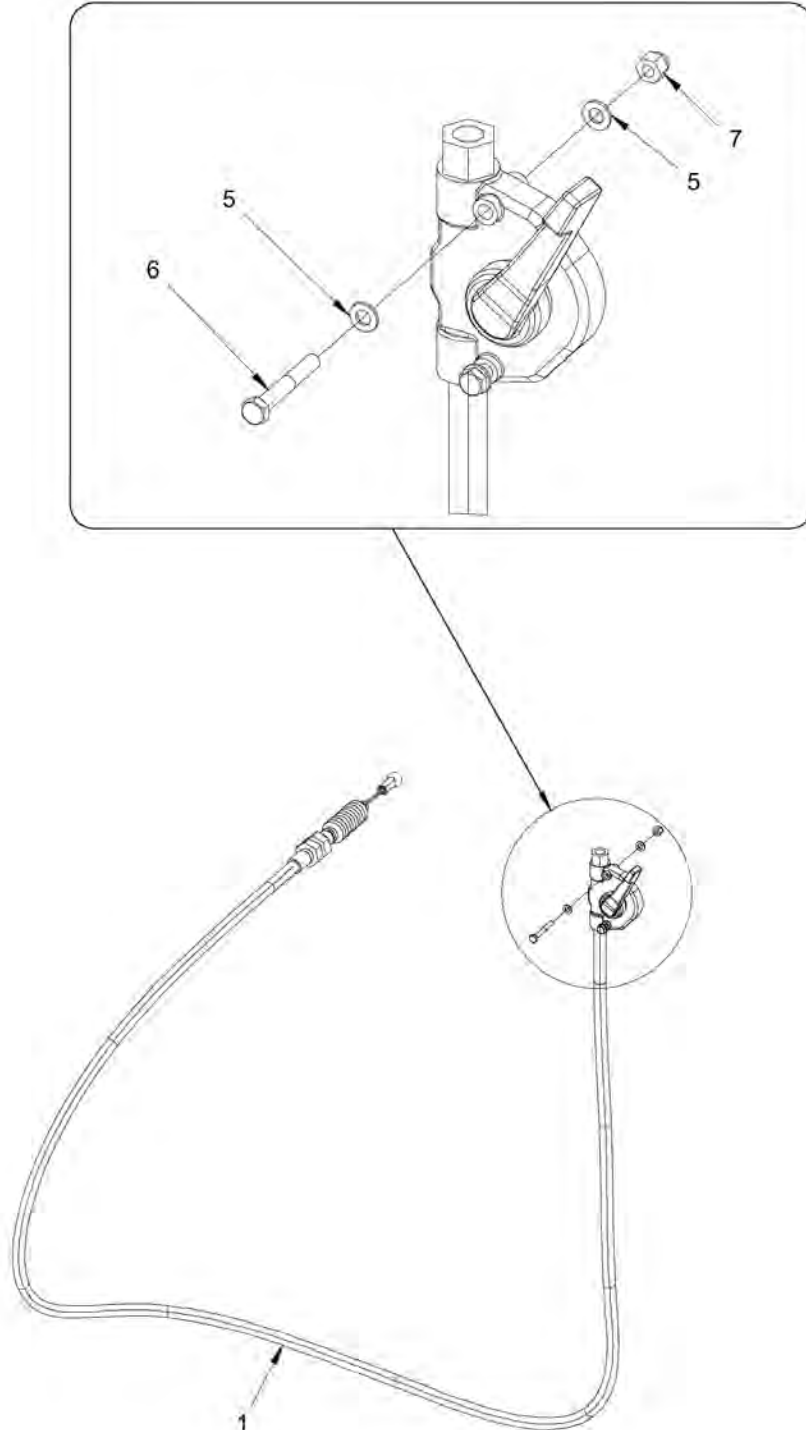


Refer to Parts Online for the most up to date information. The printed information might be outdated.

Fri Jan 05 14:17:10 UTC 2018

Item	Part No.	Name	Qty	L	SN INFO
1	4812126234	Bracket	1		
2	4700924790	Pipe clamp	1		
3	4700791453	Pipe clamp block	1		
5	4700791454	Cover plate	1		
6	4700924791	Cover plate	1		
7	4700904228	Washer 6,4x12x1,5	4		
8	4700500292	Screw M6x75	2		
9	4700500079	Screw M6-1x50 8,8	2		
10	4700393204	Rear mirror	1		
11	4700359661	Arm	1		
12	4700393205	Mirror	1		
13	-	Bushing	1		
14	-	Clamp	1		
15	4700500023	Screw, M8x40 mm 8.8 A2K	1		
16	4700904229	Washer, 8.4x 6x1.5 mm 300HV	1		
17	4700904203	Nut protection	1		
18	4700900519	Plug	2		
19	4700393206	Edge trim	1		
20	4700903722	Mirror glass	1		

**Drivers platform** Throttle control

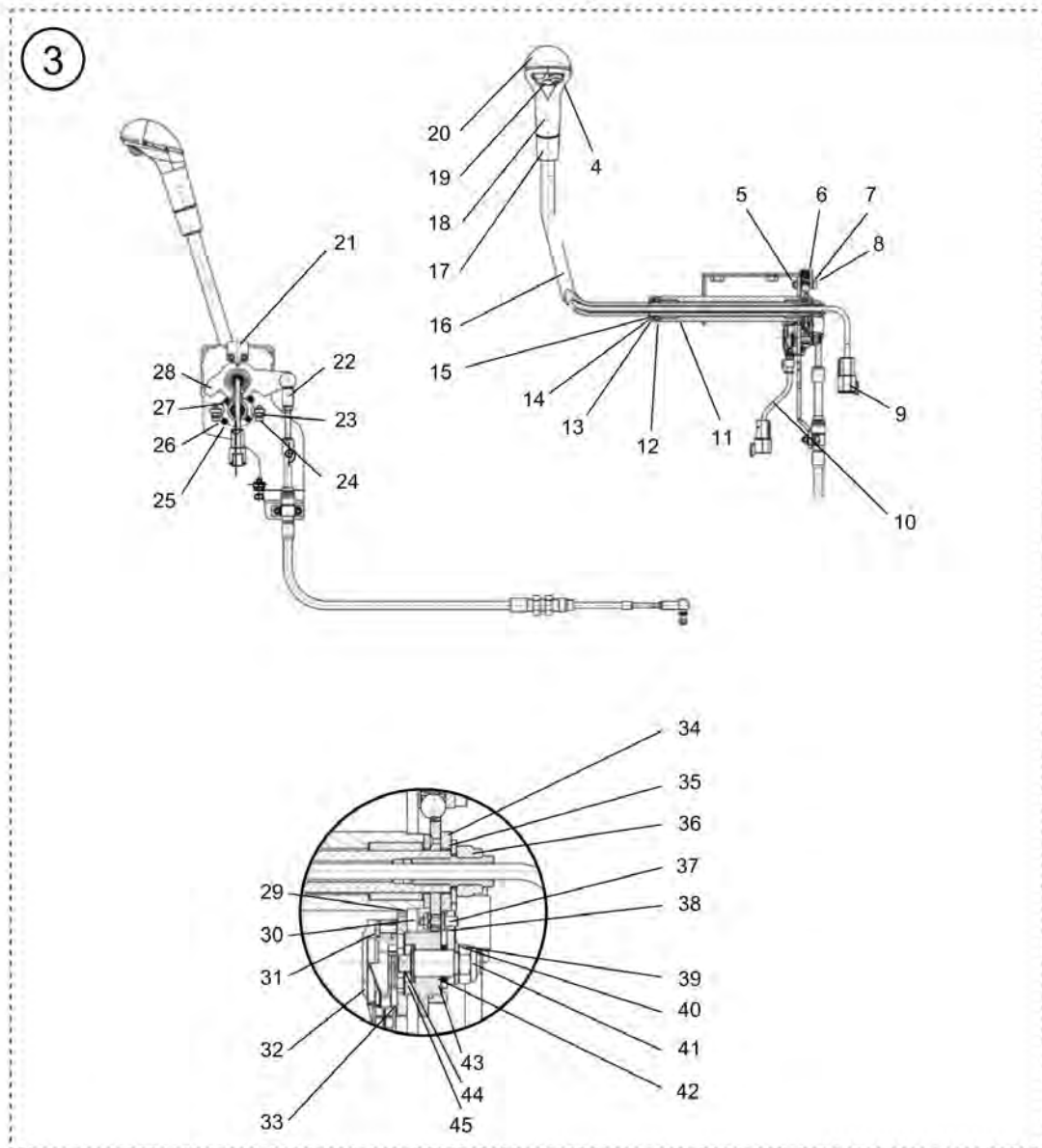
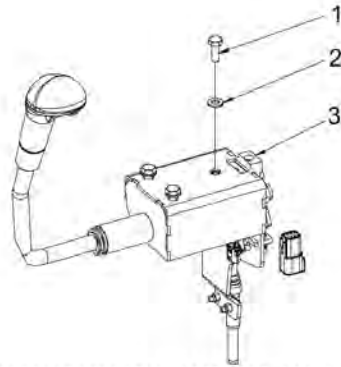


Refer to Parts Online for the most up to date information. The printed information might be outdated.

Fri Jan 05 14:17:10 UTC 2018

Item	Part No.	Name	Qty	L	SN INFO
1	4812126251	Throttle control	1		
2	4812126277	Bracket	1		
3	4700904228	Washer 6,4x12x1,5	2		
4	4700500040	Screw, M6x20 mm 8.8 A2K	2		
5	4700904281	Washer, 5,3x10x1 300HV	4		
6	4700500009	Hex. screw	2		
7	4700586001	Lock nut	2		

**Drivers platform** Control module (Single 1-button)



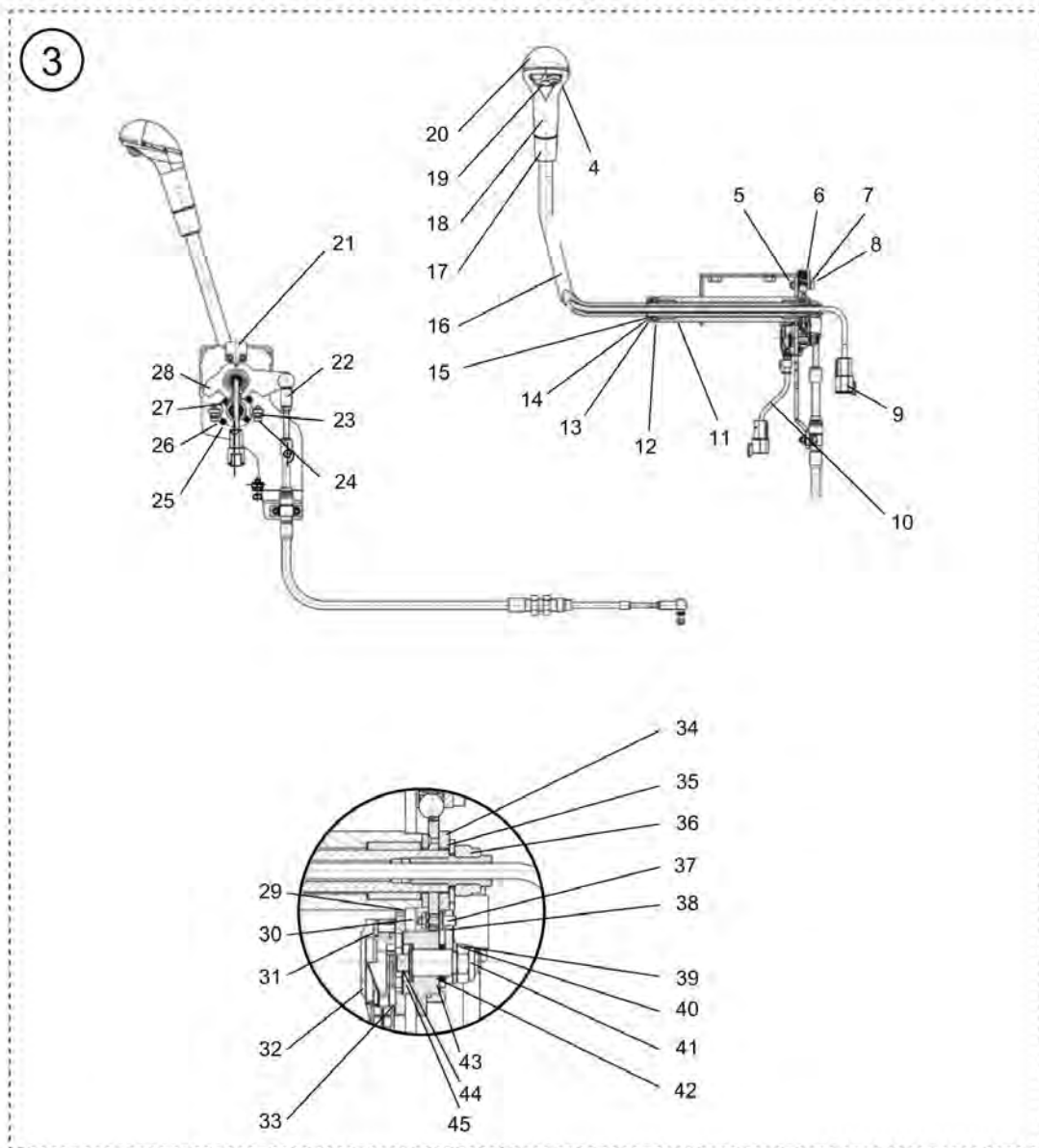
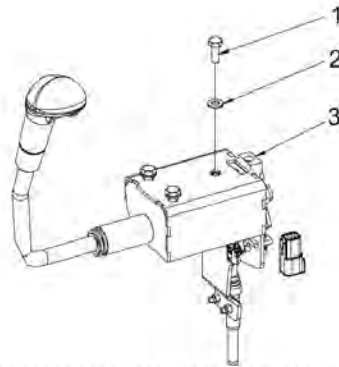
Refer to Parts Online for the most up to date information. The printed information might be outdated.

Fri Jan 05 14:17:11 UTC 2018

Item	Part No.	Name	Qty	L	SN INFO
1	4700500053	Screw, M8x20 mm 8.8 A2K	3		
2	4700904229	Washer, 8.4x 6x1.5 mm 300HV	3		
3	4812126118	F/R lever (1 button, single), cpl.	1		
4	-	Button	1		
5	-	Screw, M5x25	2		
6	-	Spring	1		
7	-	Sphere	1		
8	-	Washer	2		
9	-	Harness (2-poles)	1		
10	-	Sensor harness	1		
11	-	Bushing	2		
12	-	Washer	2		
13	-	Ring	2		
14	-	Washer	2		
16	-	Control lever	1		
17	-	Handle safety part	1		
18	-	Handle body	1		
19	-	Button cap	2		
20	-	Handle top	1		
21	-	Holder	1		
22	-	Cable	1		
23	-	Nut	2		
24	-	Screw, M5x18	2		
25	-	Washer	2		
26	-	Lock Nut	4		
27	-	Screw, M3x14	2		
28	-	Bracket	1		
29	-	Washer	1		
30	-	Nut	1		
31	-	Screw, M3x20	2		
32	-	Sensor	1		
33	-	Sensor holder, internal	1		
34	-	Washer	2		
35	-	Washer	1		
36	-	Lock Nut	1		
37	-	Pin	1		
38	-	Sensor	1		
39	-	Washer	1		

Refer to Parts Online for the most up to date information. The printed information might be outdated.

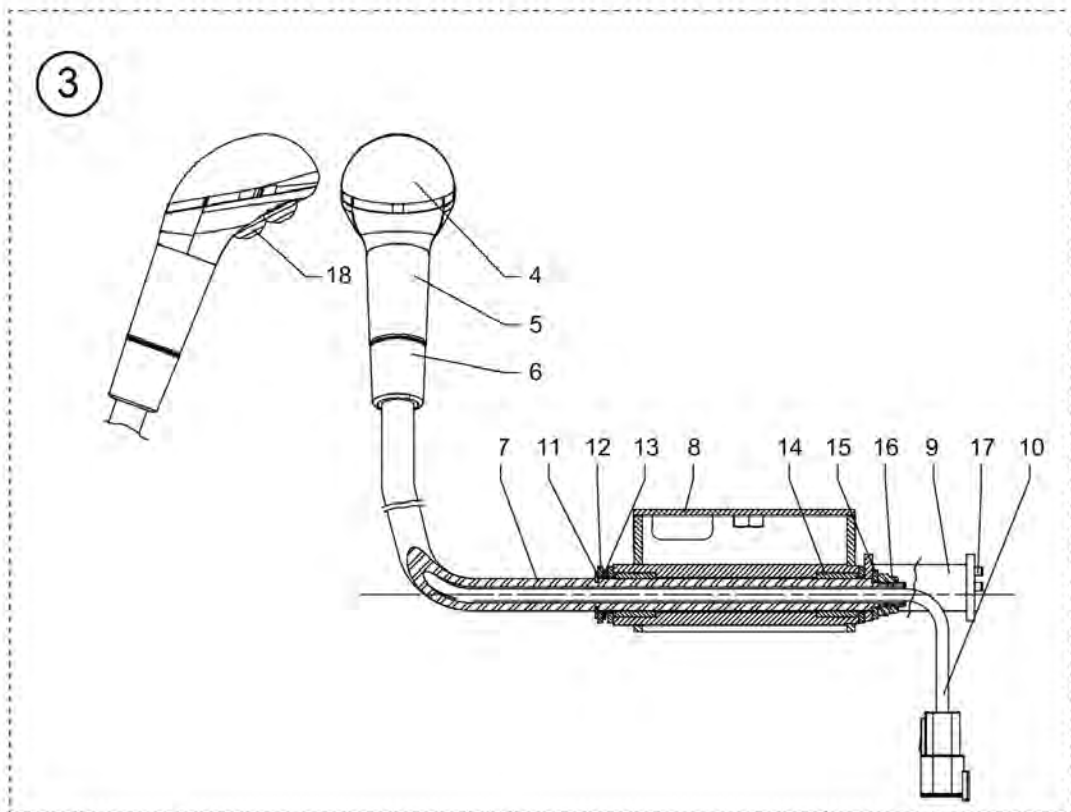
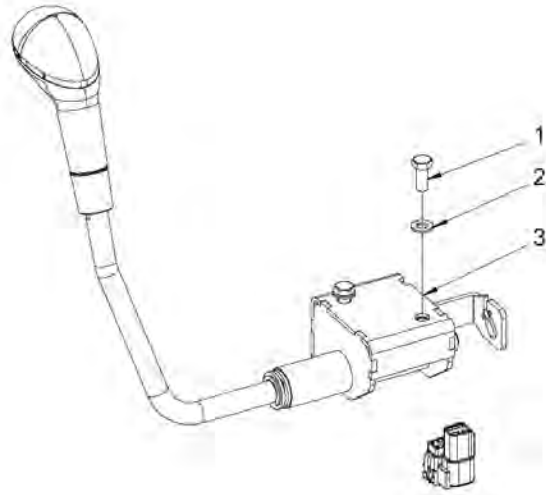
Fri Jan 05 14:17:11 UTC 2018





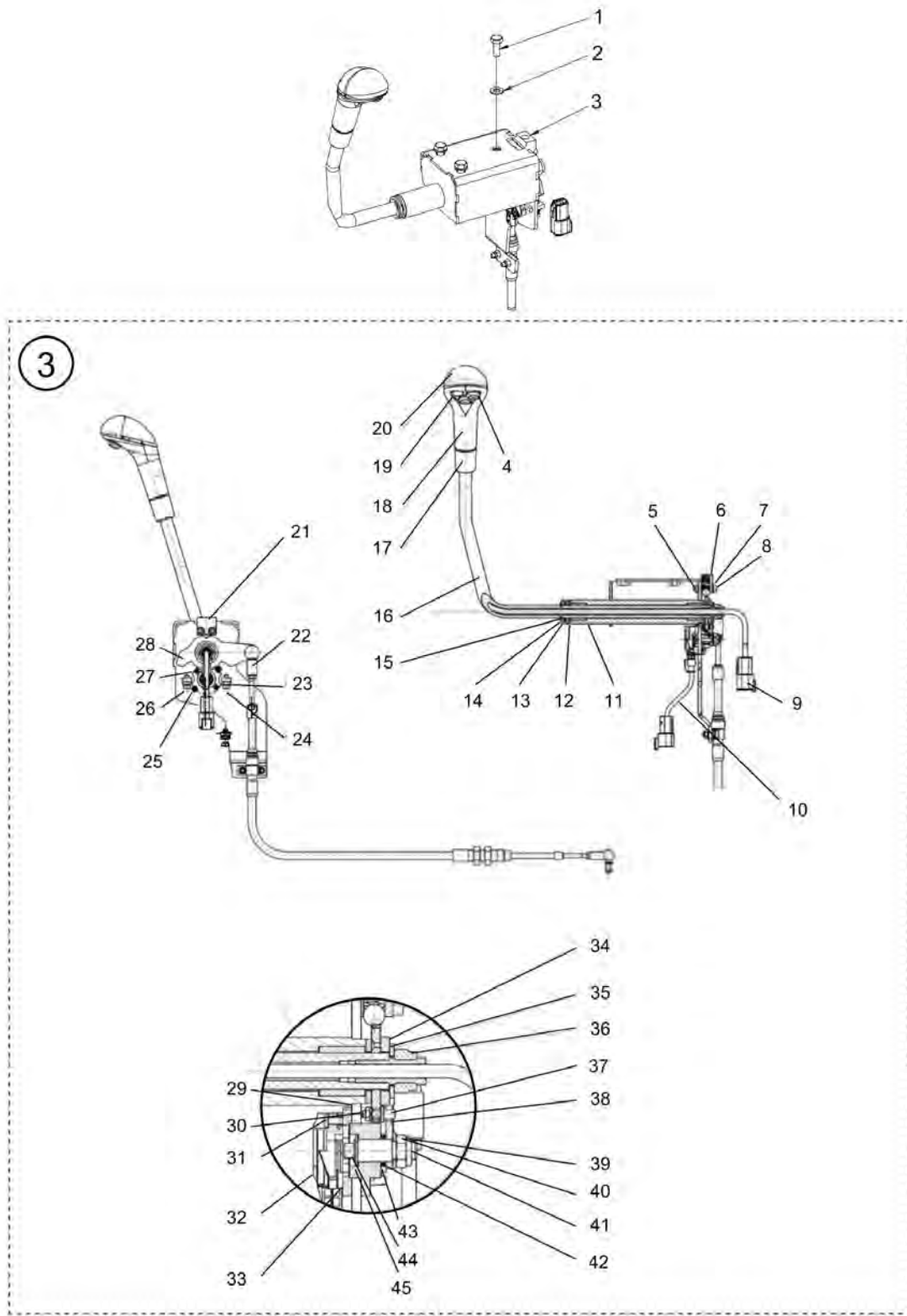
Item	Part No.	Name	Qty	L	SN INFO
40	-	Lock Nut	1		
41	-	Shaft	1		
42	-	Ring	2		
43	-	Washer	3		
45	-	Sensor holder, external	1		

**Drivers platform** Control module (Dual, 2 buttons) - Left side



Item	Part No.	Name	Qty	L	SN INFO
1	4700500053	Screw, M8x20 mm 8.8 A2K	2		
2	4700904229	Washer, 8.4x 6x1.5 mm 300HV	2		
3	4812126121	F/R lever (2 buttons, dual), cpl.	1		
4	-	Handle cap	1		
5	-	Handle body	1		
7	-	Shaft	1		
9	-	Fork	2		
10	-	Wire harness	2		
12	-	Gasket	2		
13	-	Sealing	2		
14	-	Bushing	2		
15	-	Gasket	2		
16	-	Lock nut	1		
17	-	Pin	2		
18	-	Button	2		

**Drivers platform** Control module (Single 2-buttons)



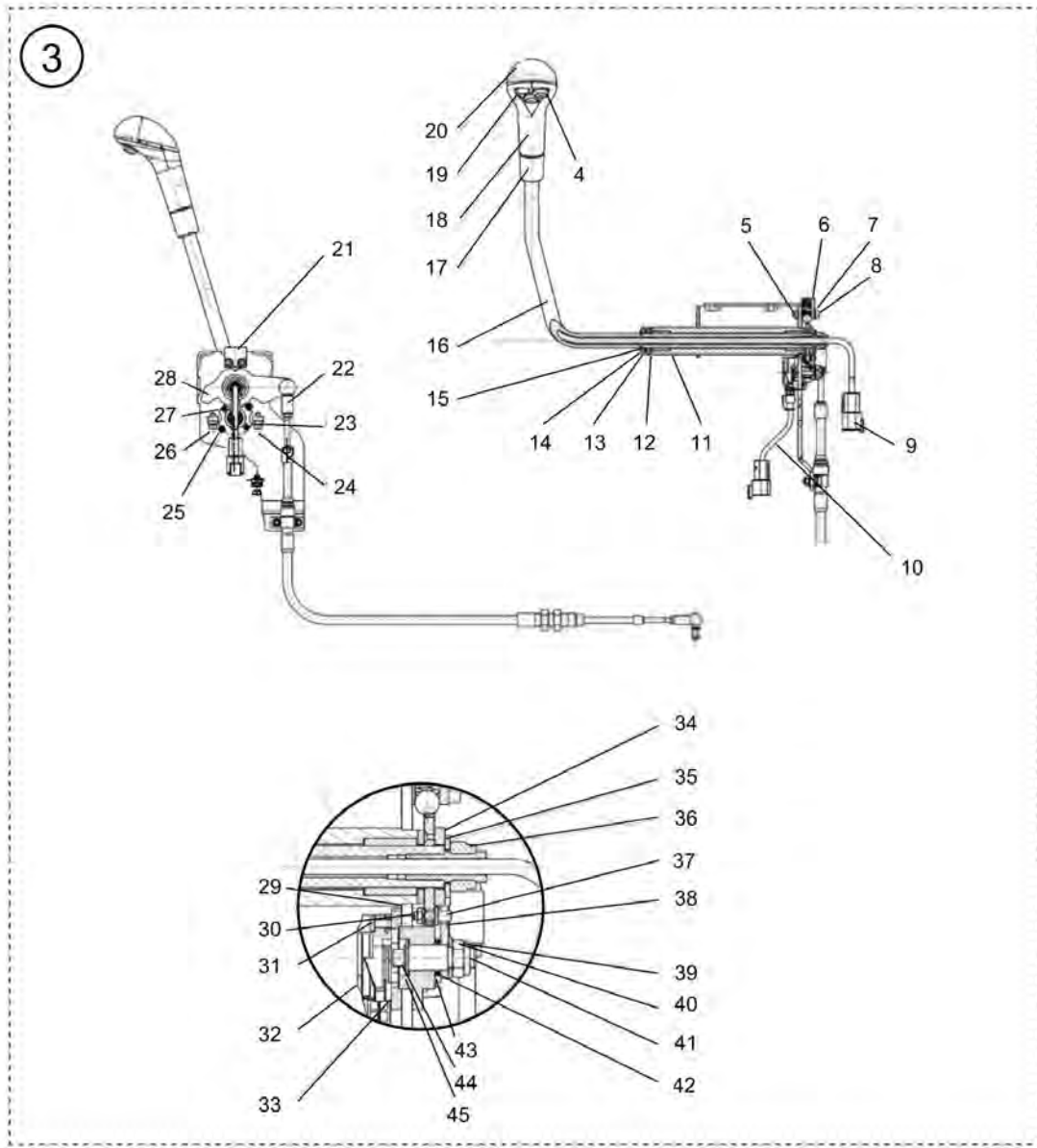
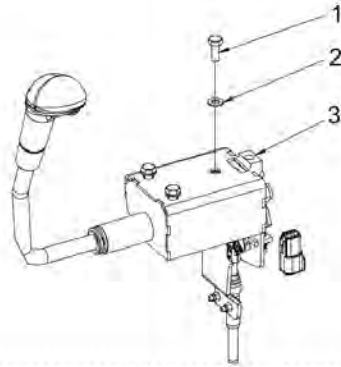
Refer to Parts Online for the most up to date information. The printed information might be outdated.

Fri Jan 05 14:17:12 UTC 2018

Item	Part No.	Name	Qty	L	SN INFO
1	4700500053	Screw, M8x20 mm 8.8 A2K	3		
2	4700904229	Washer, 8.4x 6x1.5 mm 300HV	3		
3	4812126119	F/R lever (2 buttons, single), cpl.	1		
4	-	Button	2		
5	-	Screw, M5x25	2		
6	-	Spring	1		
7	-	Sphere	1		
8	-	Washer	2		
9	-	Harness (2-poles)	1		
10	-	Sensor harness	1		
11	-	Bushing	2		
12	-	Washer	2		
13	-	Ring	2		
14	-	Washer	2		
16	-	Control lever	1		
17	-	Handle safety part	1		
18	-	Handle body	1		
19	-	Button cap	1		
20	-	Handle top	1		
21	-	Holder	1		
22	-	Cable	1		
23	-	Nut	2		
24	-	Screw, M5x18	2		
25	-	Washer	2		
26	-	Lock Nut	4		
27	-	Screw, M3x14	2		
28	-	Screw, M3x20	2		
29	-	Washer	1		
30	-	Nut	1		
31	-	Screw, M3x20	2		
32	-	Sensor	1		
33	-	Sensor holder, internal	1		
34	-	Washer	2		
35	-	Washer	1		
36	-	Lock Nut	1		
37	-	Pin	1		
38	-	Sensor	1		
39	-	Washer	1		

Refer to Parts Online for the most up to date information. The printed information might be outdated.

Fri Jan 05 14:17:12 UTC 2018

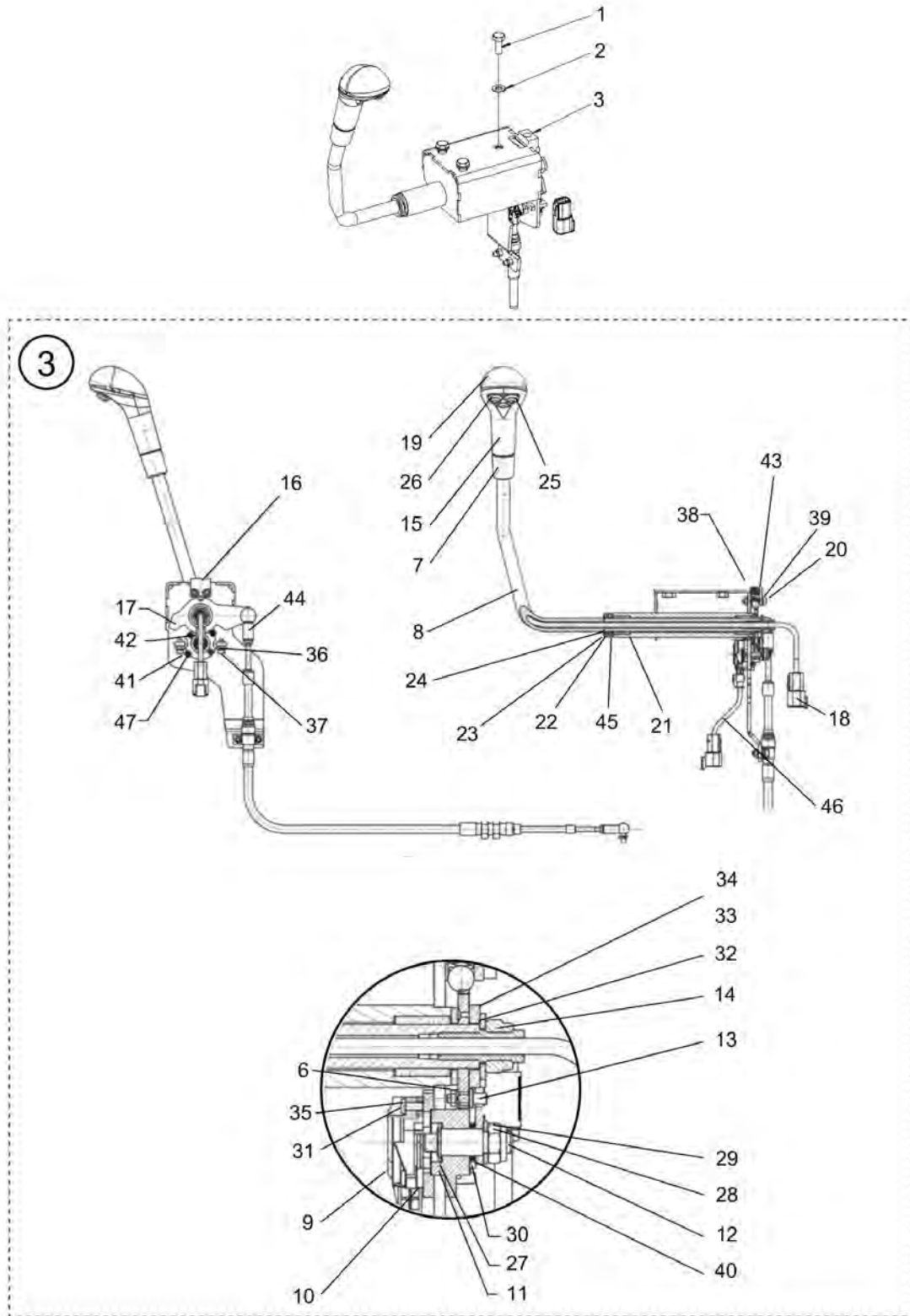


Refer to Parts Online for the most up to date information. The printed information might be outdated.

Fri Jan 05 14:17:12 UTC 2018

Item	Part No.	Name	Qty	L	SN INFO
40	-	Lock Nut	1		
41	-	Shaft	1		
42	-	Ring	2		
43	-	Washer	3		
45	-	Sensor holder, external	1		

**Drivers platform** Controle module (Single 3-buttons) - Right side



Refer to Parts Online for the most up to date information. The printed information might be outdated.

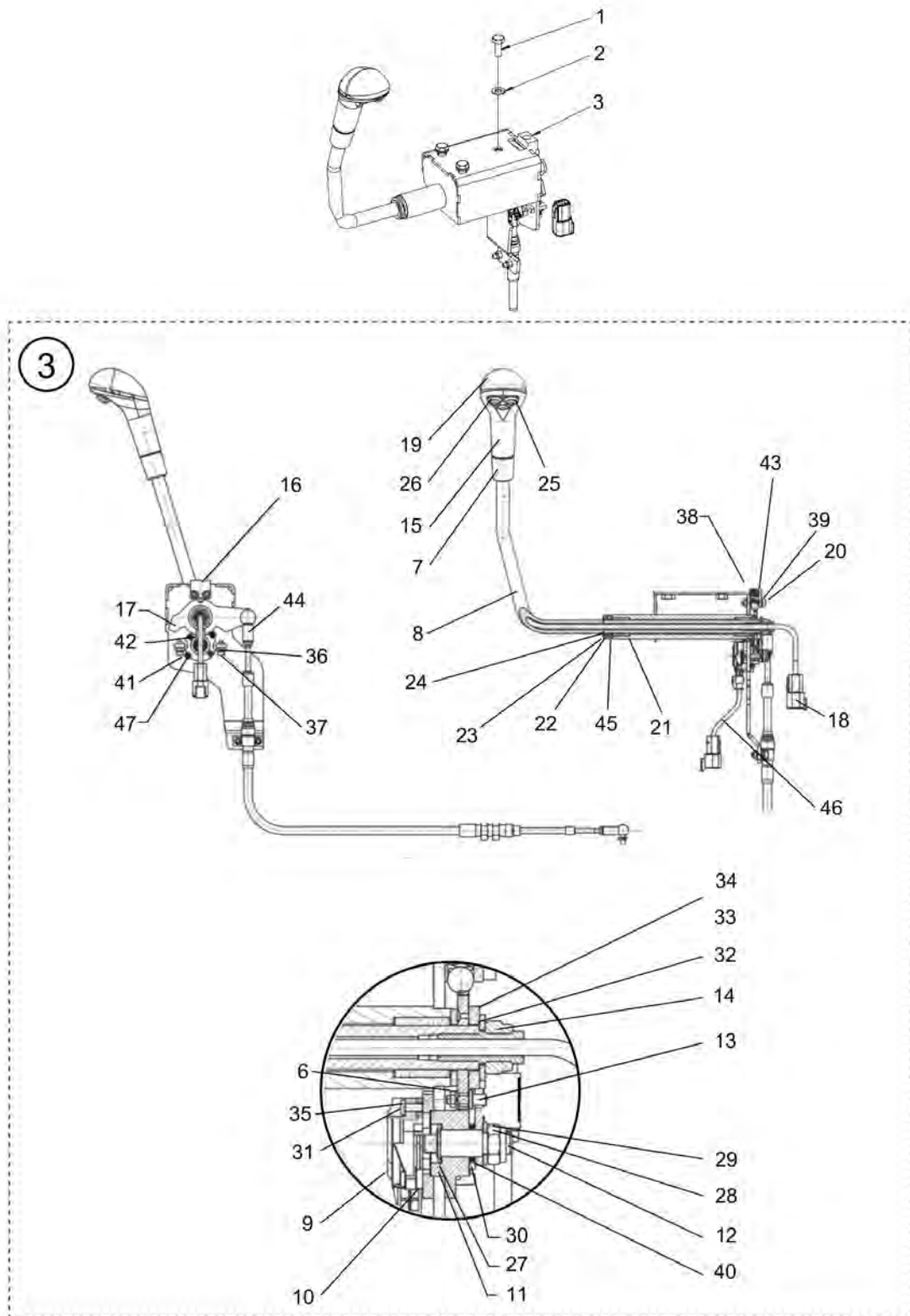
Fri Jan 05 14:17:13 UTC 2018



Item	Part No.	Name	Qty	L	SN INFO
1	4700500053	Screw, M8x20 mm 8.8 A2K	3		
2	4700904229	Washer, 8.4x 6x1.5 mm 300HV	3		
3	4812126120	F/R lever (3 buttons, single), cpl.	1		
6	-	Nut	1		
7	-	Handle safety part	1		
8	-	Control lever	1		
9	-	Sensor	1		
10	-	Sensor holder, internal	1		
11	-	Sensor holder, external	1		
12	-	Sensor shaft	1		
13	-	Sensor arm	1		
14	-	Pin	1		
15	-	Handle body	1		
16	-	Holder	1		
17	-	Cable bracket	1		
18	-	Wire harness	1		
19	-	Handle top	1		
20	-	Nut	1		
21	-	Bushing	2		
22	-	Washer	2		
23	-	Sealing	2		
25	-	Button	3		
26	-	Button cap	1		
28	-	Lock Nut	1		
29	-	Washer	1		
30	-	Washer	3		
31	-	Screw, M3x20	2		
32	-	Lock Nut	1		
33	-	Washer	1		
34	-	Washer	2		
35	-	Lock Nut	1		
36	-	Screw, M5x18	2		
37	-	Washer	1		
38	-	Lock Nut	2		
39	-	Ring	2		
40	-	Sealing	2		
41	-	Washer	4		
42	-	Lock Nut	2		

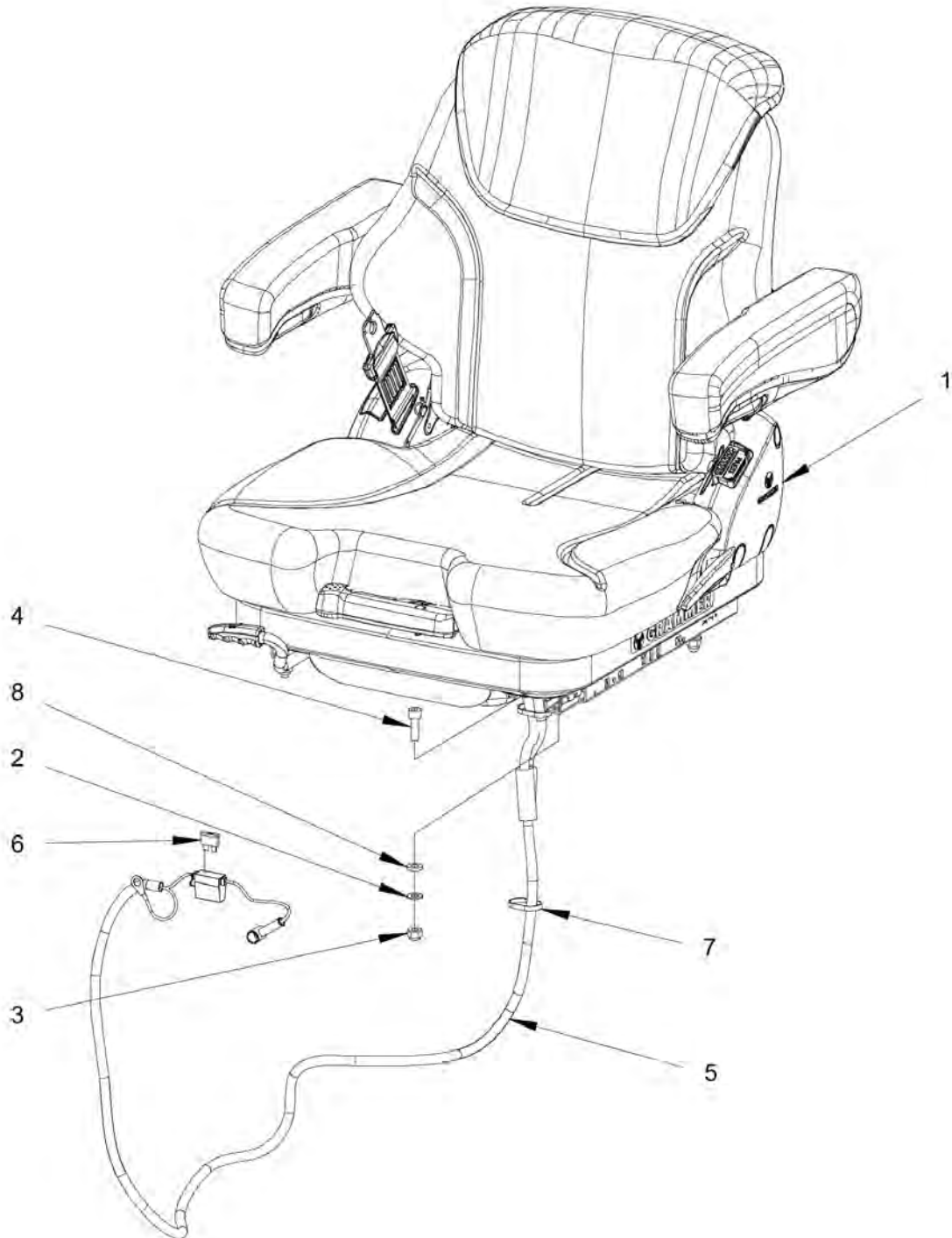
Refer to Parts Online for the most up to date information. The printed information might be outdated.

Fri Jan 05 14:17:13 UTC 2018



Item	Part No.	Name	Qty	L	SN INFO
43	4812156565	Sphere	1		
44	-	Cable	1		
45	-	Washer	2		
46	-	Sensor harness	1		
47	-	Sphere	2		

**Drivers platform** Comfort seat with heat module



Refer to Parts Online for the most up to date information. The printed information might be outdated.

Fri Jan 05 14:17:14 UTC 2018

Item	Part No.	Name	Qty	L	SN INFO
1	4812127213	Comfort seat, with heat module	1		
2	4700904229	Washer, 8.4x 6x1.5 mm 300HV	4		
3	4700586003	Lock nut M8	4		
4	4700900777	Screw	4		
5	4812127324	Cable harness	1		
6	4700901227	Fuse 10A Red	1		
7	4700313041	Cable ties, L=200 mm	N		
8	4700904556	Steel plain washer 8,4x16x3,0	4		

**Drivers platform** Comfort seat without heat module

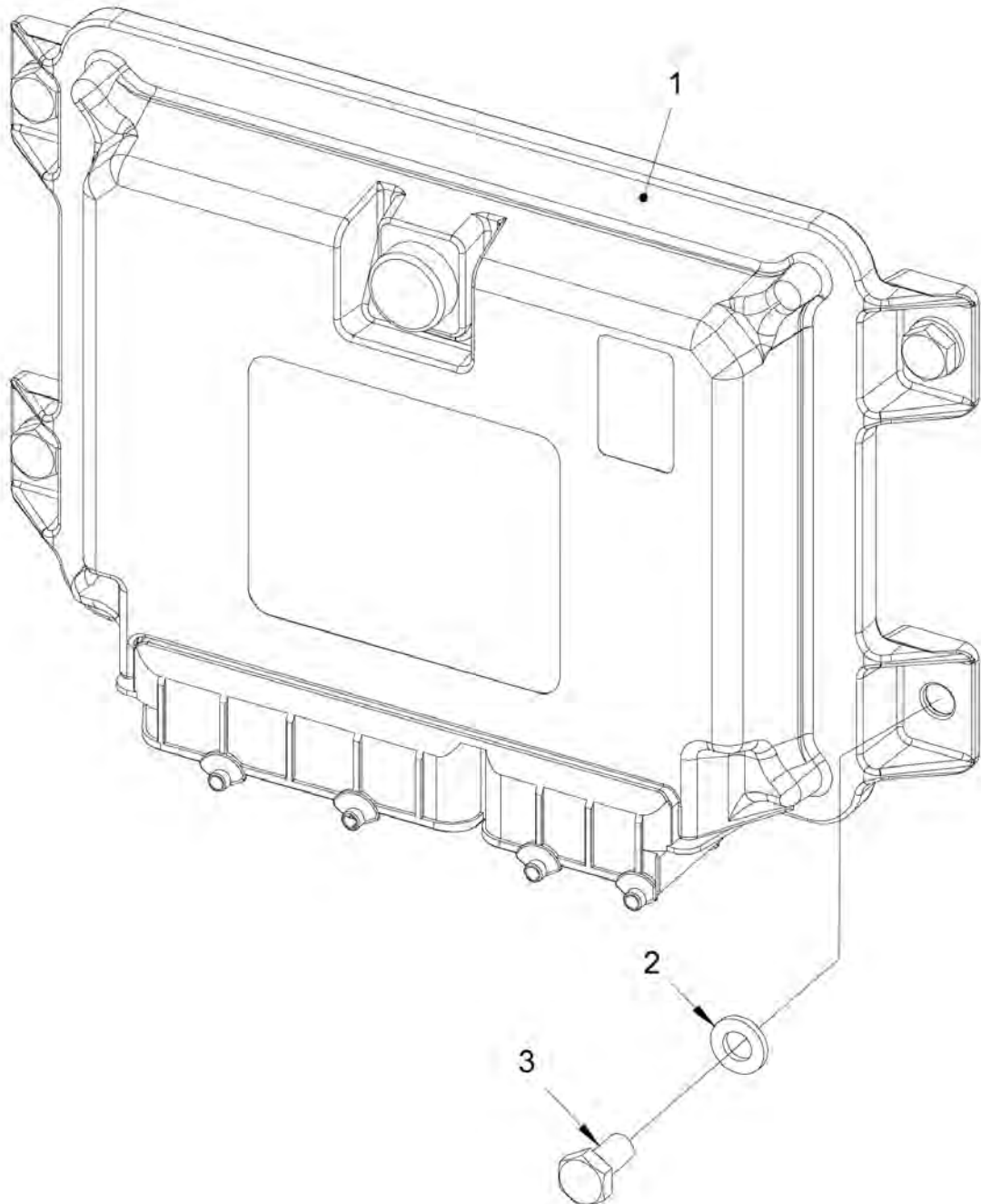


Refer to Parts Online for the most up to date information. The printed information might be outdated.

Fri Jan 05 14:17:14 UTC 2018

Item	Part No.	Name	Qty	L	SN INFO
1	4812125896	Comfort seat, w/o heat module	1		
2	4700904229	Washer, 8.4x 6x1.5 mm 300HV	4		
3	4700586003	Lock nut M8	4		

**Drivers platform** ECU module



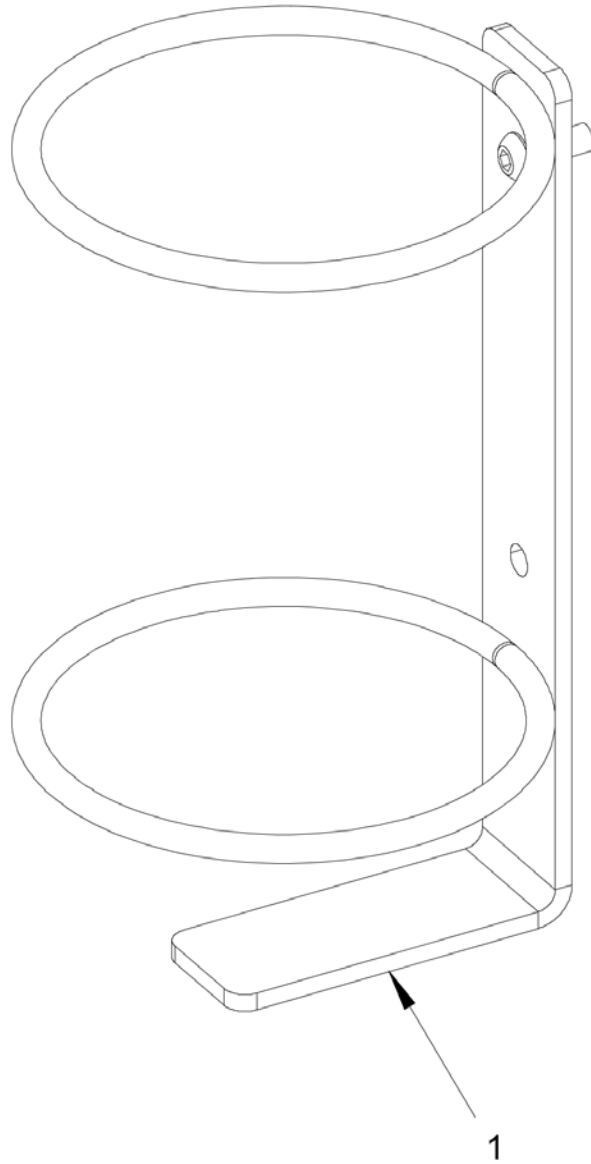
Refer to Parts Online for the most up to date information. The printed information might be outdated.

Fri Jan 05 14:17:14 UTC 2018



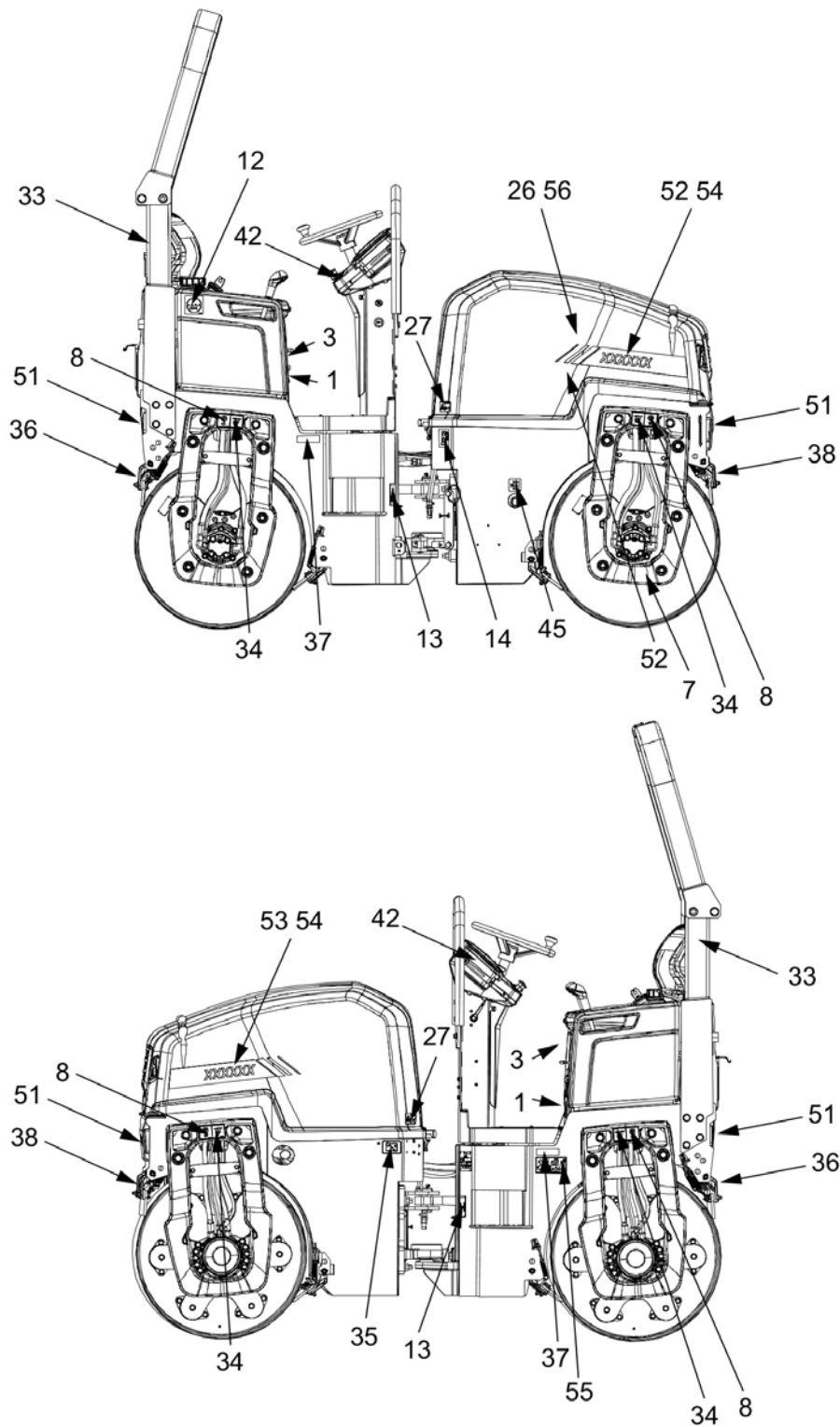
Item	Part No.	Name	Qty	L	SN INFO
1	4812125677	Control unit, ECU	1		
2	4700904228	Washer 6,4x12x1,5	4		
3	4700500012	Hex. screw	4		

**Drivers platform** Cup and can holder



Item	Part No.	Name	Qty	L	SN INFO
1	4812127395	Bracket	1		

Decals Decals

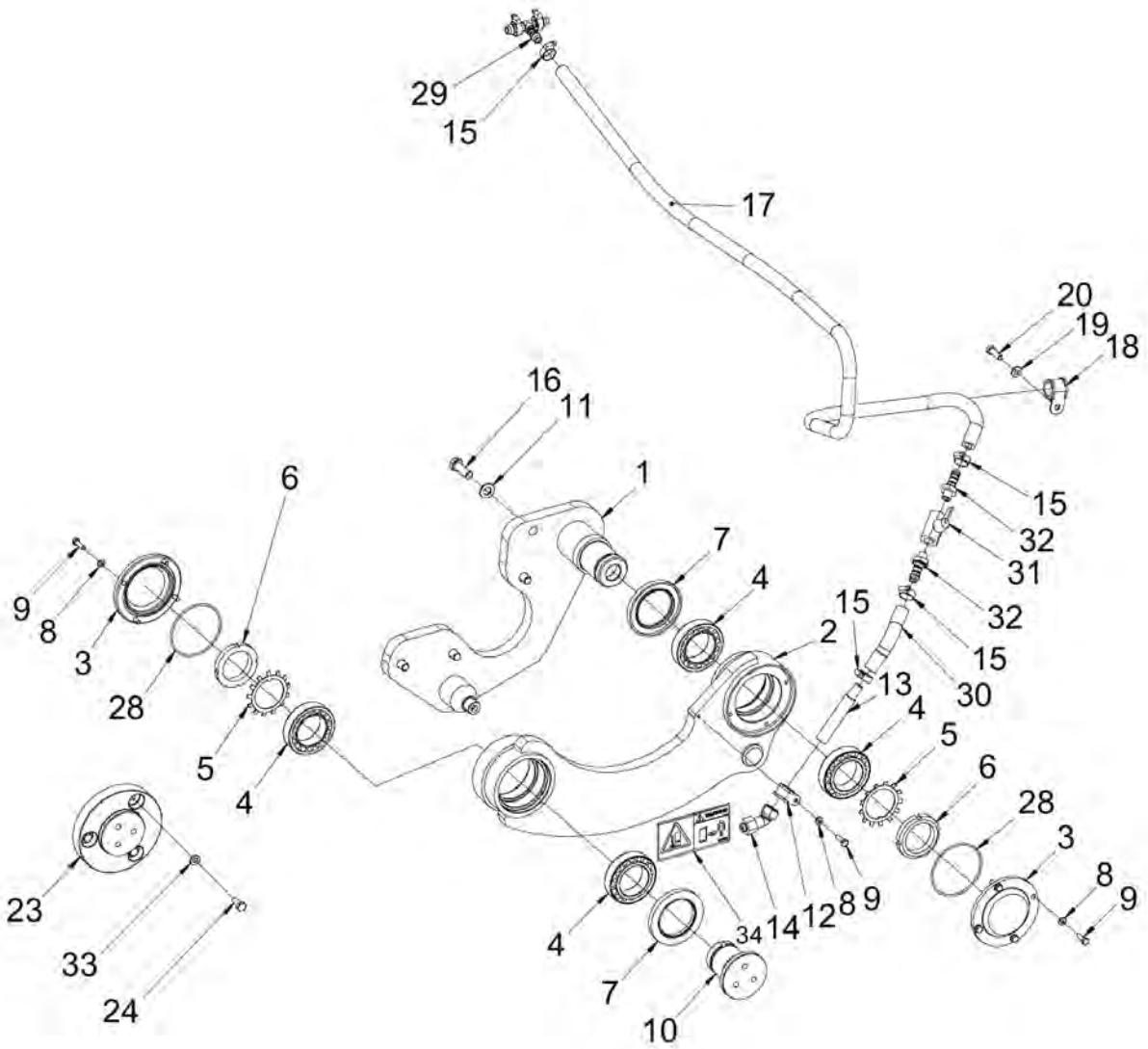


Refer to Parts Online for the most up to date information. The printed information might be outdated.

Fri Jan 05 14:17:15 UTC 2018

Item	Part No.	Name	Qty	L	SN INFO
1	4700903459	Decal "SAFETY"	1		
3	4700903425	Safety decal "READ SAFETY INSTRUCTIONS"	1		
7	4700904083	Safety decal	1		
8	4700357587	Label lifting point	4		
12	4700991657	Decal "WATER"	1		
13	4700903422	Safety decal "CRUSH AREA"	2		
14	4700991658	Decal "FUEL"	1		
26	4700903423	Safety label, Rotating engine components	1		
27	4700903424	Safety label, hot surfaces	2		
28	4700272372	Decal "HYDRAULIC OIL"	1		
33	4700908229	Safety decal	2		
34	4700382751	Decal "SECURING POINT/TIE DOWN"	4		
35	4700904835	Decal "BATTERY POWER"	1		
36	4700377742	Reflector, red	2		
37	4700377744	Reflector, yellow	2		
38	4700377743	Reflector, white	2		
40	4700791274	Decal "Sound power level" 104 dB	1		
42	4811000128	Contrast plate, yellow	1		
45	4700272373	Label, hydraulic oil level	1		
51	4812127714	Decal "FAYAT DYNAPAC", 350-WH	2		
52	4812127729	Decal "GRAPHIC ELEMENT" Right	1		
53	4812127728	Decal "GRAPHIC ELEMENT" Left	1		
54	4812127830	Decal "MODEL CODE" CC1200	2		
55	4812125363	Safety decal "RISK OF CRUSHING"	1		
56	4812161669	Service kit decal (D1703)	1		
56	4812161670	Service kit decal (D1803)	1		

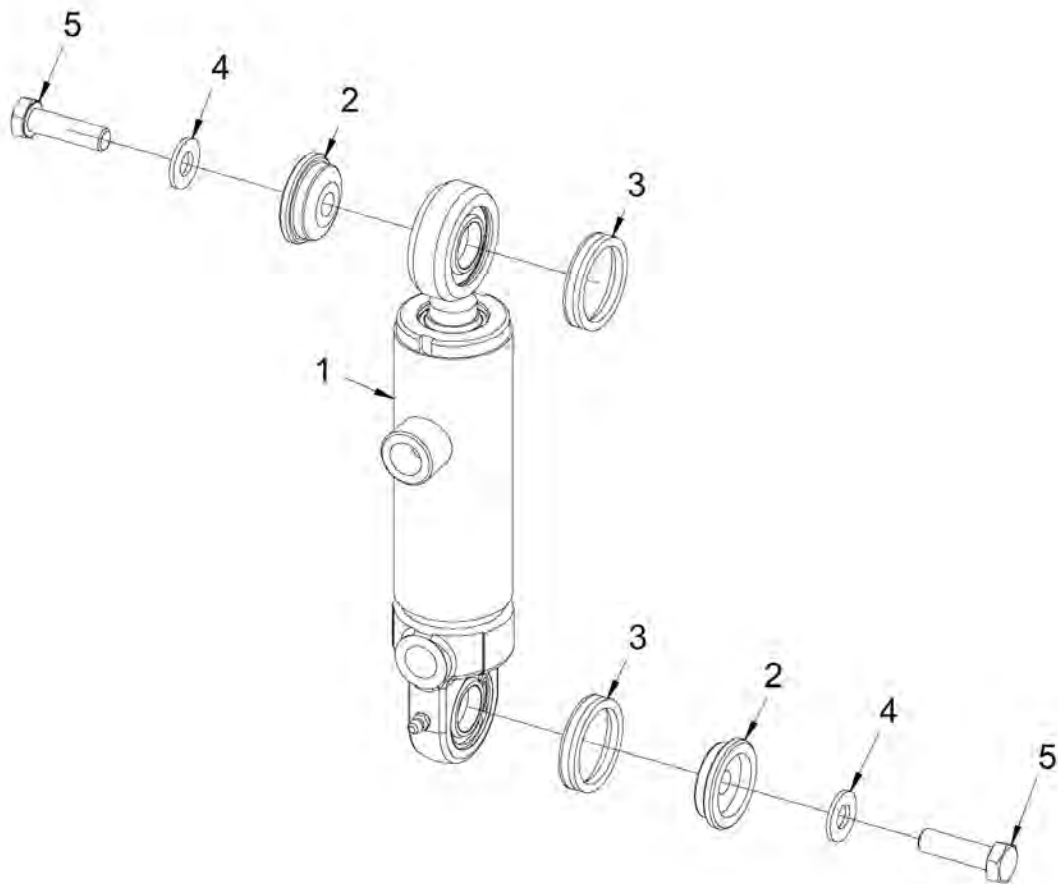
**Optional equipment** Edge cutter



Refer to Parts Online for the most up to date information. The printed information might be outdated.

Fri Jan 05 14:17:16 UTC 2018

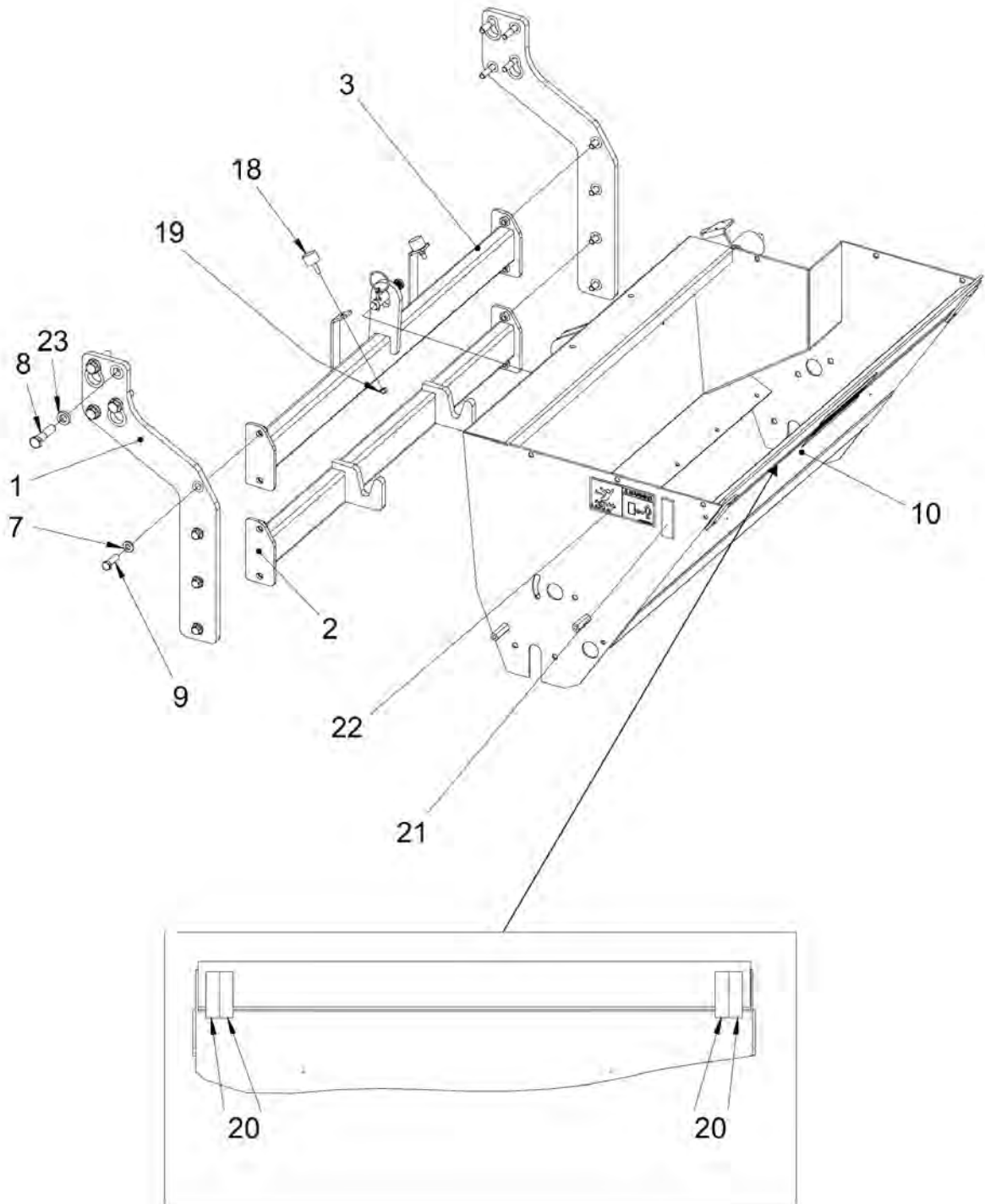
Item	Part No.	Name	Qty	L	SN INFO
1	4812125867	HOLDER	1		
2	4812125878	CUTTER	1		
3	4812125890	BEARING COVER	2		
4	4812125913	TAPER ROLLER BEARING	4		
5	4700136009	Lock washer	2		
6	4700135009	Shaft nut	2		
7	4812125891	RADIAL LIP-TYPE SEAL	2		
8	4700904228	Washer 6,4x12x1,5	9		
9	4700500040	Screw, M6x20 mm 8.8 A2K	9		
10	4812125894	SHAFT	1		
11	4700904231	Washer, 13x24x2 mm 300 HV	4		
12	4700921078	Clamp	1		
13	4700392058	Pipe	1		
14	4700392123	Nozzle body	1		
15	4700313002	Hose clamp	6		
16	4700500037	Hex. screw	4		
17	4812118968	Coolant hose	1,6 M		
18	4700960727	Clamp	1		
19	4700904229	Washer, 8.4x 6x1.5 mm 300HV	1		
20	4700500021	Screw, M8x25 mm 8.8 A2K	1		
23	4812125910	HOLDER	1		
24	4700500053	Screw, M8x20 mm 8.8 A2K	3		
28	4700160276	O-ring	2		
29	4700923735	Hose connection	1		
30	4812118968	Coolant hose	0,11 M		
31	4700925599	Ball valve	1		
32	4700901432	Hose connection	2		
33	4700904556	Steel plain washer 8,4x16x3,0	3		
34	4700904083	Safety decal	1		

**Optional equipment** Hydraulic cylinder



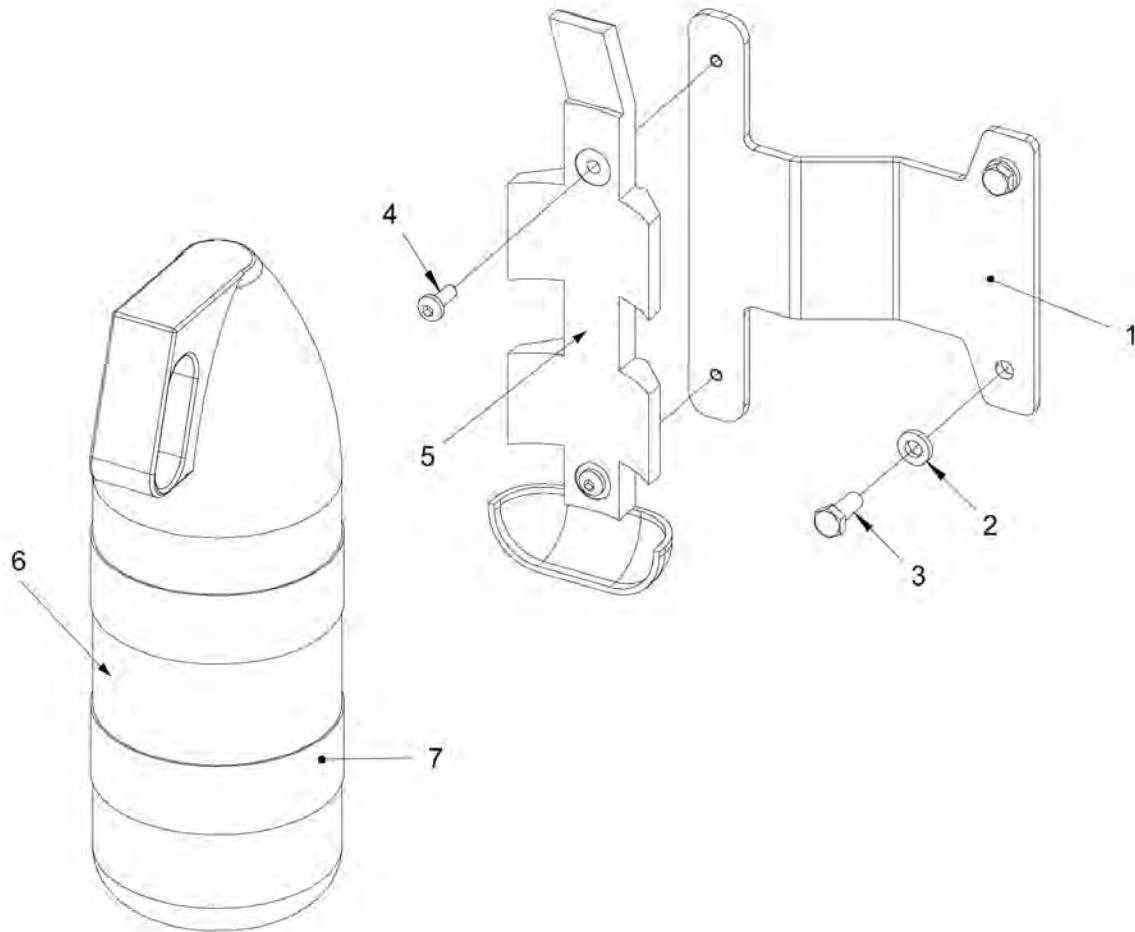
Item	Part No.	Name	Qty	L	SN INFO
1	4812125907	Hydraulic cylinder	1		
2	4812125937	Washer	2		
3	4700167054	Sealing	2		
4	4700904230	Plain washer 10.5x22x2 mm	2		
5	4700500030	Screw hexagon	2		

**Optional equipment** Chip spreader



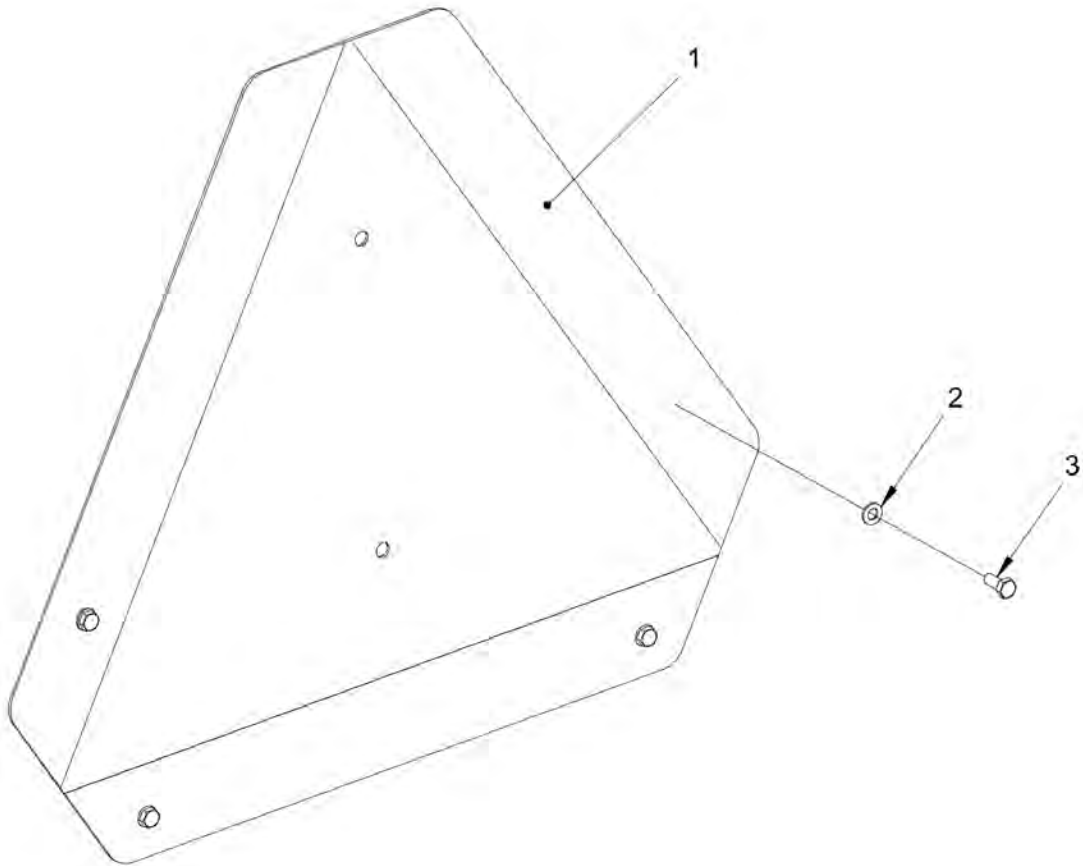
Item	Part No.	Name	Qty	L	SN INFO
1	4812126332	Fork	2		
2	4812126333	Bottom support	1		
3	4812126334	Top support	1		
6	4812110663	Hexagon head screw M10x25H 10,9 A3K	4		
7	4700904703	Plain washer 13x24x4 mm	8		
8	4700500058	Screw M16-2,0x65 8,8	8		
9	4700500194	Hex. screw	8		
10	4812126405	Chip spreader	1		
18	4700280101	Shock absorber	2		
19	4700586003	Lock nut M8	2		
20	4700377742	Reflector, red	4		
21	4700377744	Reflector, yellow	2		
22	4811000080	Safety decal	2		
23	4700904558	Washer, 17x30x6 mm 300 HV	8		

**Optional equipment** Fire extinguisher



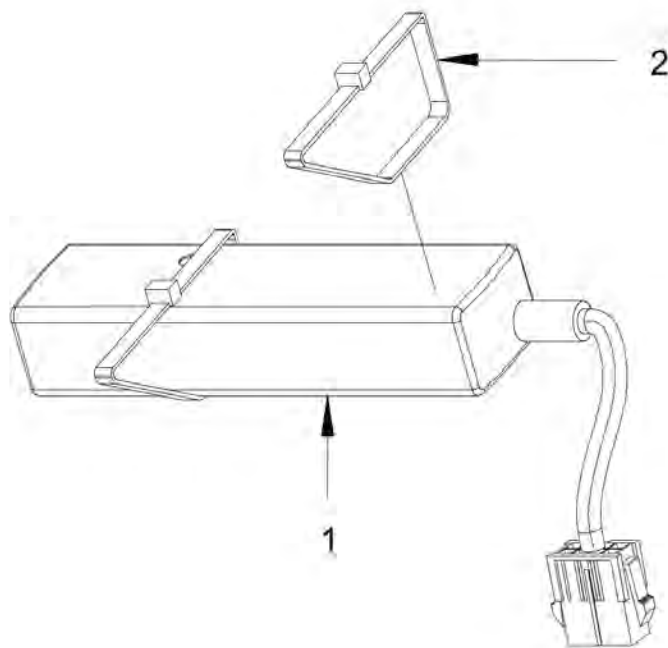
Item	Part No.	Name	Qty	L	SN INFO
1	4812125990	Bracket	1		
2	4700904556	Steel plain washer 8,4x16x3,0	2		
3	4700500053	Screw, M8x20 mm 8.8 A2K	2		
4	4700792185	Screw M6x16	2		
5	4700378857	Holder	1		
6	-	Fire extinguisher	1		
7	4700378858	Strap	2		

**Optional equipment** SMV-sign



Item	Part No.	Name	Qty	L	SN INFO
1	4700476019	SMV-sign	1		
2	4700904281	Washer, 5,3x10x1 300HV	4		
3	4700500004	Screw M5x12 8,8	4		

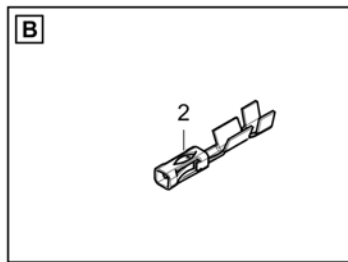
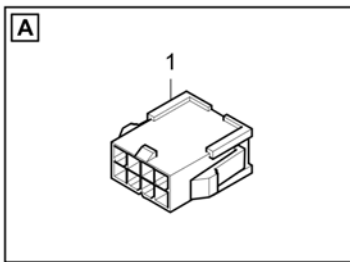
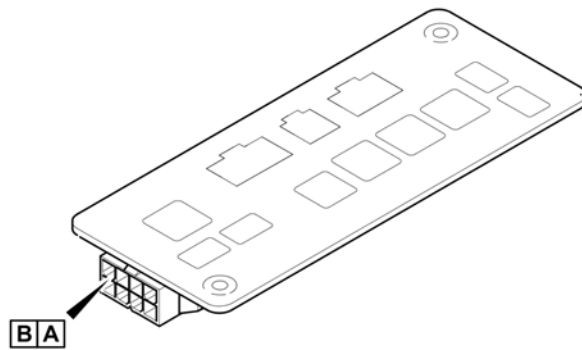
**Optional equipment** GPS module





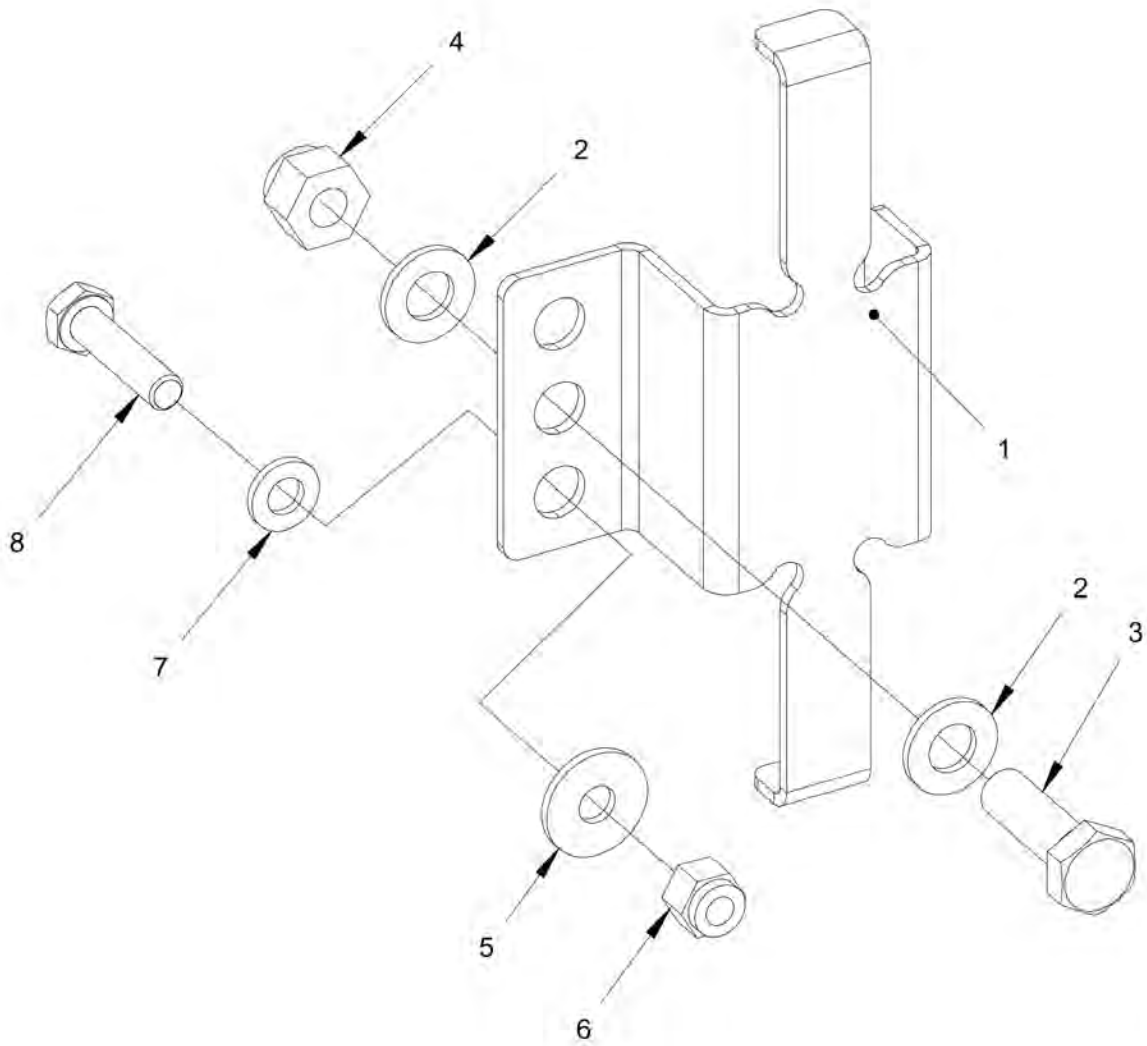
Item	Part No.	Name	Qty	L	SN INFO
1	4812013038	GPS module	1		
2	4700792609	Cable ties	2		

**Optional equipment** 4812013038 GPS module



Item	Part No.	Name	Qty	L	SN INFO
1	4812013160	Socket shell	1		
2	4812013161	Male contact	3		

**Optional equipment** Bracket (GPS)

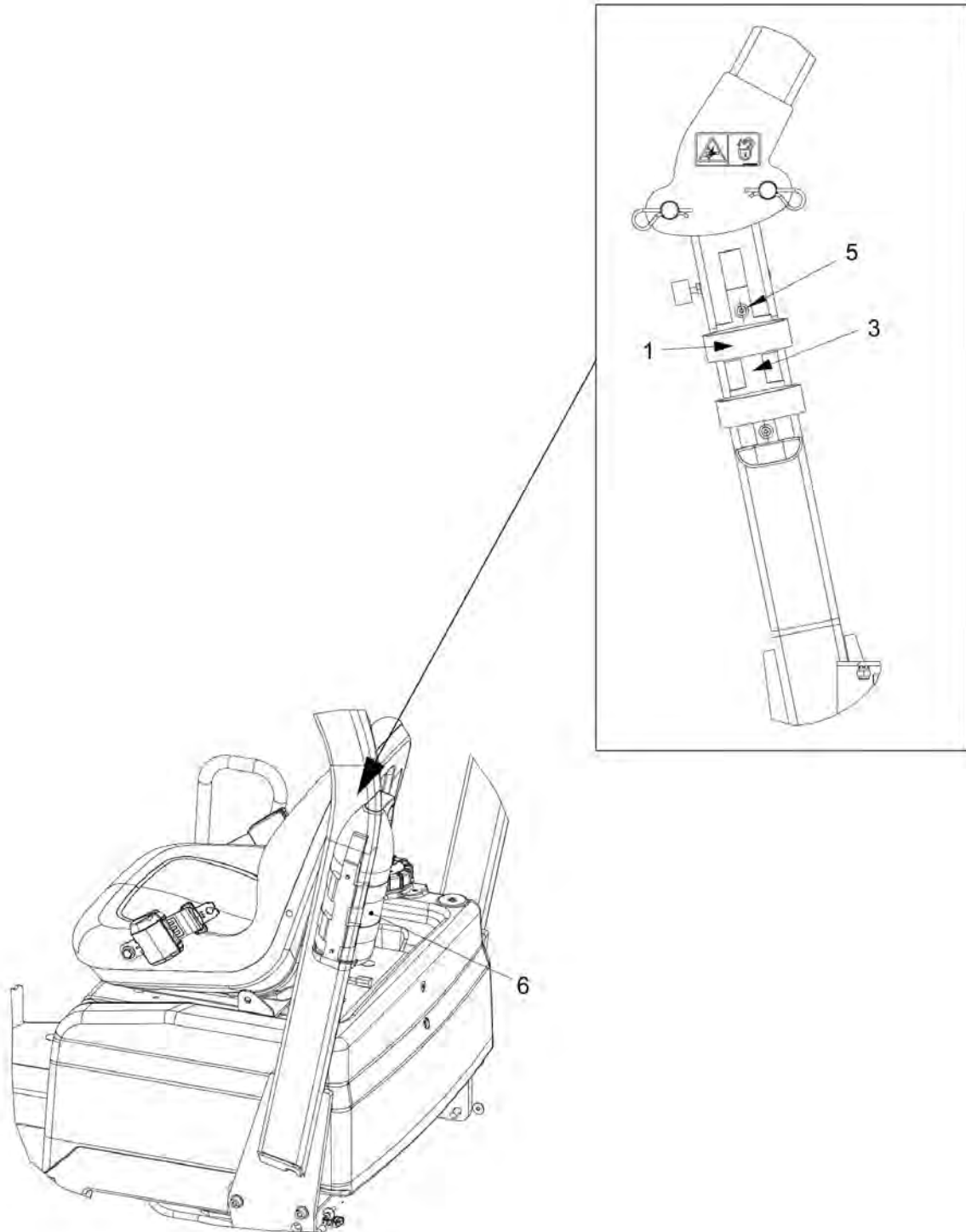


Refer to Parts Online for the most up to date information. The printed information might be outdated.

Fri Jan 05 14:17:18 UTC 2018

Item	Part No.	Name	Qty	L	SN INFO
1	4812124461	Bracket	1		
2	4700904229	Washer, 8.4x 6x1.5 mm 300HV	2		
3	4700500021	Screw, M8x25 mm 8.8 A2K	1		
4	4700586003	Lock nut M8	1		
5	4700928381	Washer, 6.4x18x1.6 mm	1		
6	4700586002	Lock nut M6 -8	1		
7	4700904228	Washer 6,4x12x1,5	1		
8	4700500075	Screw, M6-1,0x25 mm 8.8	1		

**Optional equipment** Fire extinguisher



Item	Part No.	Name	Qty	L	SN INFO
1	4700378857	Holder	1		
3	4700378858	Strap	2		
5	4700792185	Screw M6x16	2		
6	-	Fire extinguisher, 2 kg (Class 13A 89B C)	1		

## Appendix B:Parts Index

0147195903	84	4700350029	48
0147195944	56	4700355797	162
0211110375	170	4700355869	164
0291112843	170	4700357138	14, 16, 82, 128
0300027623	40	4700357139	82, 128
054411011	40	4700357488	42
0570702503	106, 132	4700357587	30, 32, 166, 208
1615595300	4, 8, 12, 16	4700357855	174
4700111018	20, 48	4700357892	90
4700135009	210	4700358003	88
4700136009	210	4700358232	164
4700151012	40	4700358689	48
4700160016	96, 100	4700358881	26, 174, 176
4700160031	98, 102, 104, 108	4700359043	36, 38
4700160132	18, 20, 48	4700359661	182
4700160276	210	4700371728	44
4700160313	46, 176	4700372964	164
4700160318	176	4700373183	44
4700162011	48	4700377253	176
4700162017	48	4700377611	46
4700163049	18, 20, 48	4700377742	208, 214
4700167054	116, 212	4700377743	208
4700202028	134, 134	4700377744	208, 214
4700202041	82	4700378574	76
4700232143	48	4700378857	216, 226
4700233215	34, 46	4700378858	216, 226
4700234931	46	4700379064	78
4700272372	208	4700379458	96, 100, 106, 120, 124
4700272373	82, 208	4700381390	134, 140, 142, 146, 154, 156
4700280101	214	4700382751	30, 32, 208
4700283711	72	4700385599	134
4700287713	46	4700387935	176
4700288357	170	4700387948	62
4700313002	46, 210	4700388087	176
4700313003	68, 176	4700388846	62
4700313007	70	4700389840	174
4700313023	60, 60, 76	4700391984	22, 48, 50
4700313038	60	4700392058	210
4700313041	72, 138, 140, 142, 144, 146, 148, 150, 152, 154, 156, 200	4700392123	210
4700313108	72	4700393204	182
4700313121	56	4700393205	182
4700313126	82, 128	4700393206	182
4700335914	42, 44	4700396673	176
4700343490	48	4700476019	218
4700343732	42, 44	4700480852	46
4700343744	48	4700483906	96, 100
4700343775	42	4700499497	58
4700343801	48	4700500003	92, 92, 146
4700349202	48	4700500004	218
		4700500009	184
		4700500012	204



4700500013	176	4700541703	72
4700500015	84	4700570003	138
4700500019	46, 76, 134, 138	4700570004	174
4700500021	60, 68, 70, 72, 74, 78, 98, 102, 106, 110, 112, 174, 210, 224	4700570005	36, 38, 62, 138
4700500022	48, 56, 62	4700570008	40
4700500023	182	4700573004	172
4700500025	34	4700573008	170
4700500028	74, 96, 100	4700586001	184
4700500029	176	4700586002	44, 136, 174, 176, 224
4700500030	48, 48, 74, 116, 212	4700586003	34, 34, 44, 78, 164, 178, 200, 202, 214, 224
4700500032	30, 32, 172	4700586018	64, 172
4700500037	88, 210	4700586019	164
4700500040	136, 184, 210	4700603018	98, 102, 104, 108
4700500044	48	4700624018	170
4700500046	66, 128, 164	4700629016	42
4700500048	88, 164	4700629024	44
4700500051	40	4700635061	42
4700500053	30, 32, 46, 60, 62, 78, 82, 96, 100, 128, 164, 178, 180, 186, 190, 192, 196, 210, 216	4700791165	164
4700500058	214	4700791274	208
4700500062	92, 94	4700791304	34, 172
4700500068	46	4700791395	82
4700500070	170	4700791397	96, 100, 106
4700500075	224	4700791398	92
4700500077	88	4700791404	106, 132
4700500078	96, 100, 106, 120, 124	4700791410	88, 96, 100, 128
4700500079	182	4700791414	98, 102, 106, 132
4700500085	30	4700791415	88
4700500100	80	4700791416	96, 100, 106, 112, 132
4700500105	34	4700791422	72
4700500142	32	4700791452	88
4700500164	30, 32	4700791453	182
4700500185	62	4700791454	182
4700500192	172	4700791493	52
4700500194	214	4700791524	174
4700500196	164	4700791541	106
4700500230	34, 34	4700791588	174
4700500240	164	4700791635	52
4700500292	182	4700791642	58
4700500501	82	4700791666	36, 38
4700500505	44, 92	4700791698	82, 132
4700508002	98, 102, 106, 110, 112	4700791699	96, 100, 106
4700508005	178	4700791723	138, 142, 174
4700508019	164	4700791733	134
4700508027	96, 100	4700791736	138
4700508028	82	4700791739	174
4700508029	98, 102, 104, 108	4700791744	72, 96, 100
4700508048	40, 96, 100	4700791745	92, 106
4700508056	58	4700791775	34
4700513003	62	4700791792	106
		4700791796	96, 100, 104
		4700791799	104

4700791808	106, 132	4700901225	28, 134, 134, 134, 134, 148, 156
4700791821	82	4700901226	28, 134
4700791828	82, 128, 128	4700901227	28, 134, 134, 140, 142, 144, 154, 200
4700791840	82	4700901228	28, 134, 142
4700791841	96, 100, 104	4700901229	28
4700791843	82, 96, 100, 128, 132	4700901230	28
4700791845	88	4700901369	160
4700791847	98, 102, 106, 132	4700901381	170
4700791914	82, 94	4700901432	34, 46, 210
4700791938	34, 62	4700901832	78, 164
4700791939	34, 62	4700902123	164
4700791951	158	4700902224	176
4700791953	158, 158	4700902227	160
4700792035	162	4700902286	56
4700792046	92, 92	4700902287	34, 86, 98, 102, 106, 120, 124
4700792059	158	4700902379	42, 164, 164
4700792068	88	4700902797	164
4700792072	34	4700902892	164
4700792074	128	4700902989	164
4700792083	40	4700903154	48
4700792098	136	4700903192	46
4700792185	216, 226	4700903236	76
4700792189	36, 38	4700903287	48, 48
4700792219	106	4700903422	44, 208
4700792250	56, 64, 86	4700903423	84, 208
4700792338	82, 132	4700903424	62, 208
4700792380	172	4700903425	208
4700792389	94, 96, 100, 112	4700903430	122
4700792436	92	4700903459	208
4700792441	138	4700903662	44
4700792536	174	4700903703	60
4700792550	90	4700903722	182
4700792589	174	4700903741	28
4700792602	96, 100, 112, 128, 134	4700903768	138
4700792607	42	4700903782	138
4700792609	220	4700903831	44
4700792686	94	4700903923	44
4700792696	128	4700903956	138
4700792701	128	4700904036	138
4700792742	174	4700904037	28
4700792779	46	4700904038	28, 138
4700792817	42, 44, 74	4700904039	28, 138
4700792822	92, 92	4700904040	28
4700813443	82	4700904041	28
4700900229	96, 100	4700904042	28
4700900519	182	4700904083	208, 210
4700900777	200	4700904203	182
4700900790	158, 158	4700904206	164
4700900994	40	4700904213	90
4700901177	56	4700904214	88, 128
4700901224	28, 134	4700904228	48, 62, 92, 94, 112, 136, 174, 174, 176, 182, 184, 204, 210,

224	4700926215	112, 164
4700904229 . 30, 32, 34, 34, 36, 38, 46, 48, 56, 60, 62, 68, 70, 72, 78, 96, 98, 100, 102, 106, 110, 112, 134, 138, 164, 180, 182, 186, 190, 192, 196, 200, 202, 210, 224	4700928381	176, 224
4700904230 30, 32, 48, 48, 64, 66, 86, 98, 102, 106, 116, 120, 124, 164, 172, 212	4700928784	162
4700904231 . . . . . 30, 32, 44, 50, 88, 128, 164, 166, 168, 210	4700928830	164
4700904232 . . . . . 30, 32	4700928849	90
4700904233 . . . . . 170	4700929455	162
4700904258 . . . . . 18, 48, 48	4700938892	20
4700904281 . . . . . 92, 92, 138, 146, 184, 218	4700938908	18
4700904294 . . . . . 28	4700940451	26, 134
4700904312 . . . . . 134	4700947689	30, 32, 166, 168
4700904346 . . . . . 138	4700960727	138, 210
4700904556 . . . . 58, 62, 74, 76, 78, 96, 100, 178, 200, 210, 216	4700985012	158, 158
4700904557 . . . . . 48, 50, 64, 74, 88, 96, 100, 172	4700985013	162
4700904558 . . . . . 170, 214	4700991657	176, 208
4700904567 . . . . . 176	4700991658	208
4700904570 . . . . . 172	4811000080	214
4700904574 . . . . . 170	4811000128	174, 208
4700904623 . . . . . 92, 128	4811000285	66
4700904629 . . . . . 42, 44	4811000333	134
4700904640 . . . . . 34, 44, 46, 80, 82, 128, 174	4812013038	220
4700904654 . . . . . 172	4812013160	222
4700904698 . . . . . 76, 134	4812013161	222
4700904703 . . . . . 56, 64, 86, 88, 128, 214	4812030096	4, 12, 16
4700904727 . . . . . 88, 92	4812110346	50
4700904734 . . . . . 72	4812110490	88, 128
4700904735 . . . . . 44, 84, 98, 102, 106, 110, 112, 162	4812110596	48
4700904766 . . . . . 82	4812110663	50, 214
4700904774 . . . . . 96, 100	4812110968	166, 168
4700904835 . . . . . 208	4812111325	46
4700904984 . . . . . 72, 72, 72, 72, 72	4812111330	46
4700904989 . . . . . 142	4812111331	46
4700908229 . . . . . 170, 208	4812112074	46, 46, 46, 46, 46, 46, 176
4700909535 . . . . . 178	4812112109	112
4700909536 . . . . . 178	4812112451	46
4700921028 . . . . . 92, 92	4812113177	172
4700921036 . . . . . 92	4812113327	82
4700921078 . . . . . 210	4812113328	2, 4, 14, 16, 82
4700922325 . . . . . 172	4812113633	96, 100
4700923378 . . . . . 96, 100, 132	4812114318	62
4700923405 . . . . . 98, 102, 106, 106, 128, 132	4812114492	96, 100, 106, 128
4700923735 . . . . . 46, 210	4812115911	138, 156
4700923951 . . . . . 18, 48, 48	4812116050	90
4700924790 . . . . . 182	4812117106	44
4700924791 . . . . . 182	4812117689	72
4700925519 . . . . . 88, 128	4812117733	44
4700925599 . . . . . 210	4812117868	138
4700925802 . . . . . 72	4812118697	174
4700926214 . . . . . 40, 44	4812118968	210, 210
	4812119321	82, 128
	4812119822	48
	4812120558	88, 128

4812120689	66	4812125501	96, 100
4812121239	90	4812125505	56
4812121858	34	4812125506	56
4812122244	68, 68	4812125507	64, 86
4812122654	56, 84	4812125508	70
4812122719	88	4812125516	70
4812123298	106	4812125517	70
4812124060	176	4812125519	60
4812124321	34	4812125521	166
4812124461	224	4812125526	70
4812124515	92	4812125527	58
4812124792	48	4812125563	42
4812124793	164	4812125587	76
4812124832	48	4812125592	44
4812124899	48	4812125630	64, 86
4812124904	48	4812125631	168
4812124988	78	4812125635	52, 54
4812125018	76	4812125636	62
4812125132	40	4812125641	80
4812125133	40	4812125651	82
4812125136	40	4812125652	82
4812125137	40	4812125653	106
4812125140	40	4812125655	80
4812125260	138	4812125657	76
4812125267	56	4812125661	70
4812125353	48	4812125664	92
4812125356	56	4812125668	66
4812125363	44, 208	4812125676	82, 128
4812125384	64, 86	4812125677	204
4812125386	64, 86	4812125678	142
4812125392	40	4812125681	94, 104
4812125395	112, 114	4812125682	92
4812125397	74	4812125704	78
4812125398	40	4812125708	132
4812125399	40	4812125709	132
4812125400	84	4812125710	76
4812125414	40, 44	4812125711	128
4812125416	40	4812125712	128
4812125418	34	4812125713	128
4812125422	24, 34, 34	4812125714	128
4812125424	34	4812125720	128
4812125446	84	4812125721	128
4812125468	44	4812125724	88
4812125469	96, 100	4812125725	88
4812125470	88	4812125726	88
4812125471	30, 32	4812125727	88
4812125476	82	4812125730	96, 100
4812125477	82	4812125731	96, 100, 106, 132
4812125478	82	4812125732	96, 100
4812125479	82	4812125733	96, 100
4812125480	82	4812125734	96, 100

4812125735	96, 100, 106	4812125896	202
4812125736	96	4812125902	164
4812125737	96, 100, 106	4812125907	116, 118, 212
4812125738	96, 100, 106	4812125910	210
4812125739	50	4812125913	210
4812125745	100	4812125915	164
4812125747	106	4812125924	176
4812125748	106	4812125937	116, 212
4812125749	98, 102, 104	4812125949	156
4812125750	106	4812125959	174
4812125751	106	4812125960	174
4812125752	106	4812125961	56
4812125757	112	4812125972	176
4812125760	112	4812125973	46
4812125761	112	4812125974	104
4812125762	112	4812125975	104
4812125763	90	4812125976	44
4812125764	90	4812125978	44
4812125769	104	4812125982	176
4812125770	128, 132	4812125983	176
4812125772	94	4812125984	176
4812125773	94	4812125990	216
4812125777	140, 154	4812126007	174
4812125778	92	4812126008	174
4812125795	98, 102, 106, 110, 112	4812126012	44
4812125796	68	4812126021	178
4812125805	30	4812126022	180
4812125806	32	4812126033	134
4812125815	30	4812126081	42
4812125816	32	4812126082	42
4812125820	60	4812126093	22, 30, 32
4812125830	62	4812126094	22, 30, 32
4812125831	62	4812126108	134
4812125851	164	4812126118	186
4812125852	164	4812126119	192
4812125854	52	4812126120	196
4812125861	152	4812126121	190
4812125866	92	4812126175	174
4812125867	210	4812126176	134
4812125869	92	4812126231	98, 102, 104, 106
4812125871	46	4812126234	182
4812125875	84	4812126251	184
4812125878	210	4812126277	184
4812125880	146	4812126281	172
4812125881	144	4812126283	172
4812125883	150	4812126332	214
4812125886	164	4812126333	214
4812125887	164	4812126334	214
4812125890	210	4812126405	214
4812125891	210	4812126467	172
4812125894	210	4812126468	172

4812126529	172	4812156359	54
4812126595	48	4812156360	54
4812126711	92	4812156362	54
4812126733	106	4812156565	198
4812126891	36	4812160462	6
4812126898	74	4812160480	2, 4, 6, 8, 10, 12, 14, 16, 54
4812126899	74	4812160665	112
4812126907	46	4812161199	112
4812126908	174	4812161396	26
4812126927	72	4812161586	10, 12, 14, 16, 58
4812126940	78	4812161587	14, 16, 58
4812126945	60	4812161669	208
4812126953	74	4812161670	208
4812126956	78	4812161671	10, 12, 16
4812126957	44	4812161674	2
4812126968	132	4812161675	4
4812126969	88, 128, 130	4812161677	8
4812126973	164	4812161678	10
4812126979	62	4812161679	12
4812126984	38	4812161680	14
4812127015	144	4812161681	16
4812127030	112	4812162273	22
4812127039	62	4812162274	24
4812127078	62		
4812127090	62		
4812127091	62		
4812127097	48		
4812127213	200		
4812127214	128		
4812127220	62		
4812127254	62		
4812127309	96, 100, 124, 126		
4812127310	106, 120		
4812127324	148, 200		
4812127327	64, 86		
4812127367	134		
4812127395	206		
4812127643	74		
4812127714	208		
4812127728	208		
4812127729	208		
4812127737	30, 32		
4812127830	208		
4812128078	174		
4812128174	138		
4812156170	22		
4812156260	10, 12, 14, 16, 54		
4812156261	14, 16, 54		
4812156263	10, 12, 14, 16, 54		
4812156264	14, 54		
4812156358	54		

