

Parts Catalogue

CC1200 VI Vibratory roller

CC1200 VI s/n 10000397xxA018677 -
Kubota D1803 T4 (28 kW)



General information

Use only authorized parts. Any damage or malfunction caused by the use of unauthorized parts is not covered by Warranty or Product Liability. Any unauthorized use or copying of the contents or any part thereof is prohibited. This applies in particular to trademarks, model denominations, part numbers, and drawings.

Instructions for use

This spare parts list contains no safety regulations and is merely intended to assist in the ordering of spare parts.

For information about operating, servicing, or repairing, the relevant Safety and operating instructions must be consulted at all costs.

Please observe the safety instructions listed in the relevant Safety and operating instructions!

CC1200 VI (28 kW) (T4) s/n 10000397xxA018677 -

Service kits

4812161674 Service kit, 50h	1
4812161675 Service kit, 50h Plus	3
4812160462 Service kit, 250 / 750h	5
4812161677 Service kit, 250 / 750h Plus	7
4812161684_Service kit, 500h	9
4812161685 Service kit, 500h Plus	11
4812161686_Service kit, 1000h	13
4812161687 Service kit, 1000h Plus	15

Repair kits

4700938908 Eccentric shaft kit	17
4700938892 Drum rotation kit	19
4812162273 Shock absorber kit, drum	21
4812162274 Scraper kit CC1200 VI	23

General - Keys and others

Keys	25
Fuses	27

Frame

Forks, front	29
Forks, rear	31
Scraper, fixed	33
Spring loaded scraper (Front)	35
Spring loaded scraper (Rear)	37
Steering hitch	39
Front frame	41
Rear frame	43
Sprinkler pump	45

Drum

Drum	47
------	----

Engine room

Engine module	51
4812124031 Diesel engine D1803-CR-E4B - 28 kW	53
Exhaust system	56
Air cleaner	59
Air hose	61
Engine hood, cpl.	63
Bracket	65
Coupling	67
Expansion tank	69
Coolant hose module	71
Fuel hoses	73
Cooler	75
Fuel tank	77
Battery holder	79
Fan	81
Hydraulic oil tank	83
Belt guard	85
Bracket module	87

Hydraulic system

Flow divider	89
Brake system	91
Chip spreader (option)	93
Edge cutter	95
Vibration system, external vibration valve - common	97
Vibration system, external vibration valve - without acc valves	101

Vibration system, Accessorie valves	105
Vibration, int vibvlv	107
4812160957 Seal kit	111
Steering system	113
4812125395 Hydraulic cylinder	115
Hydraulic cylinder module	117
4812125907 Hydraulic cylinder	119
Hydraulic pump module	121
4812121922 Hydraulic pump	123
Hydraulic pump module	125
4812127309 Hydraulic pump	127
Propulsion system	129
4812126969 Hydraulic pump	131
Hydraulic, Cooler and fan	133
Hydraulic motor	135

Electrical equipment

Circuit board and fuses	137
Backup alarm	139
Cable harness	141
Cable harness - Battery disconnecter	143
Cable harness - Working lights / ROPS	145
Cable harness - Driving lights	147
Cable harness - Flow divider	149
Cable harness - Edge cutter, Chip spreader	151
Cable harness - Seat heater	153
Cable harness - Dual vibration	155
Cable harness - Rotating beacon	157
Cable harness - Working lights incl. Rotating beacon	159
Cable harness - Working lights, tank x2	161
Battery holder	See page 79
Driving lights (option)	163
Working lights (option)	165
Registration plate light	167

Drivers platform

Platform	169
Single lifting point	171
Hand rail	173
Control panel	175
Water tank	177
Canopy	179
ROPS	181
Slideable seat	183
Fixed seat	185
Rear view mirror	187
Control module (Single 1-button)	189
Control module (Dual, 2 buttons) - Left side	193
Control module (Single 2-buttons)	195
Controle module (Single 3-buttons) - Right side	199
Comfort seat with heat module	203
Comfort seat without heat module	205
ECU module	207
Cup and can holder	209

Decals

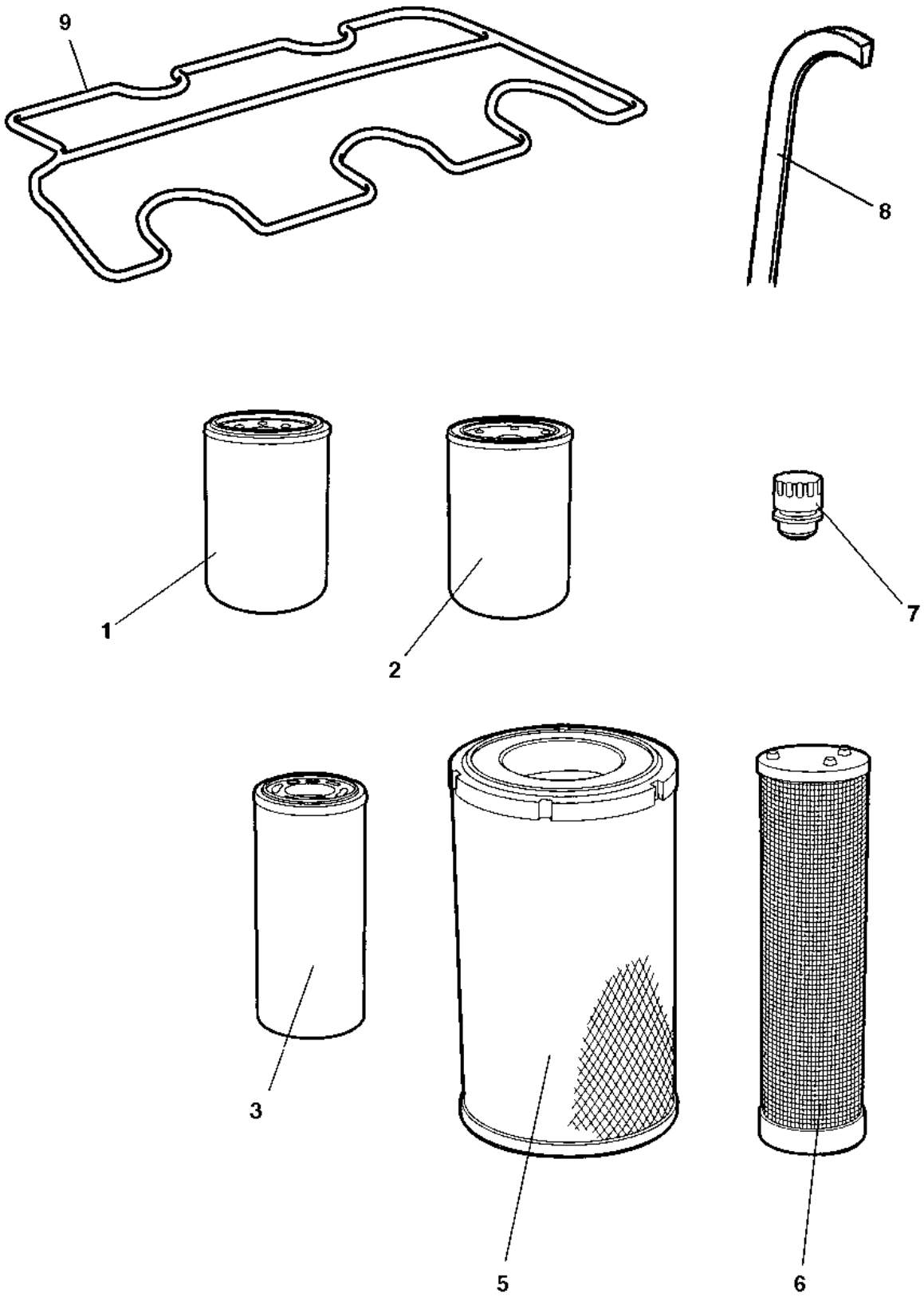
Decals	211
--------	-----

Optional equipment

Edge cutter	213
Cutting disc	215
Pressing roller	217
Hydraulic cylinder	219
Fire extinguisher	221

SMV-sign	223
GPS module	225
4812013038 GPS module	227
Bracket (GPS)	229
Appendix B:Parts Index	231

Service kits 4812161674 Service kit, 50h

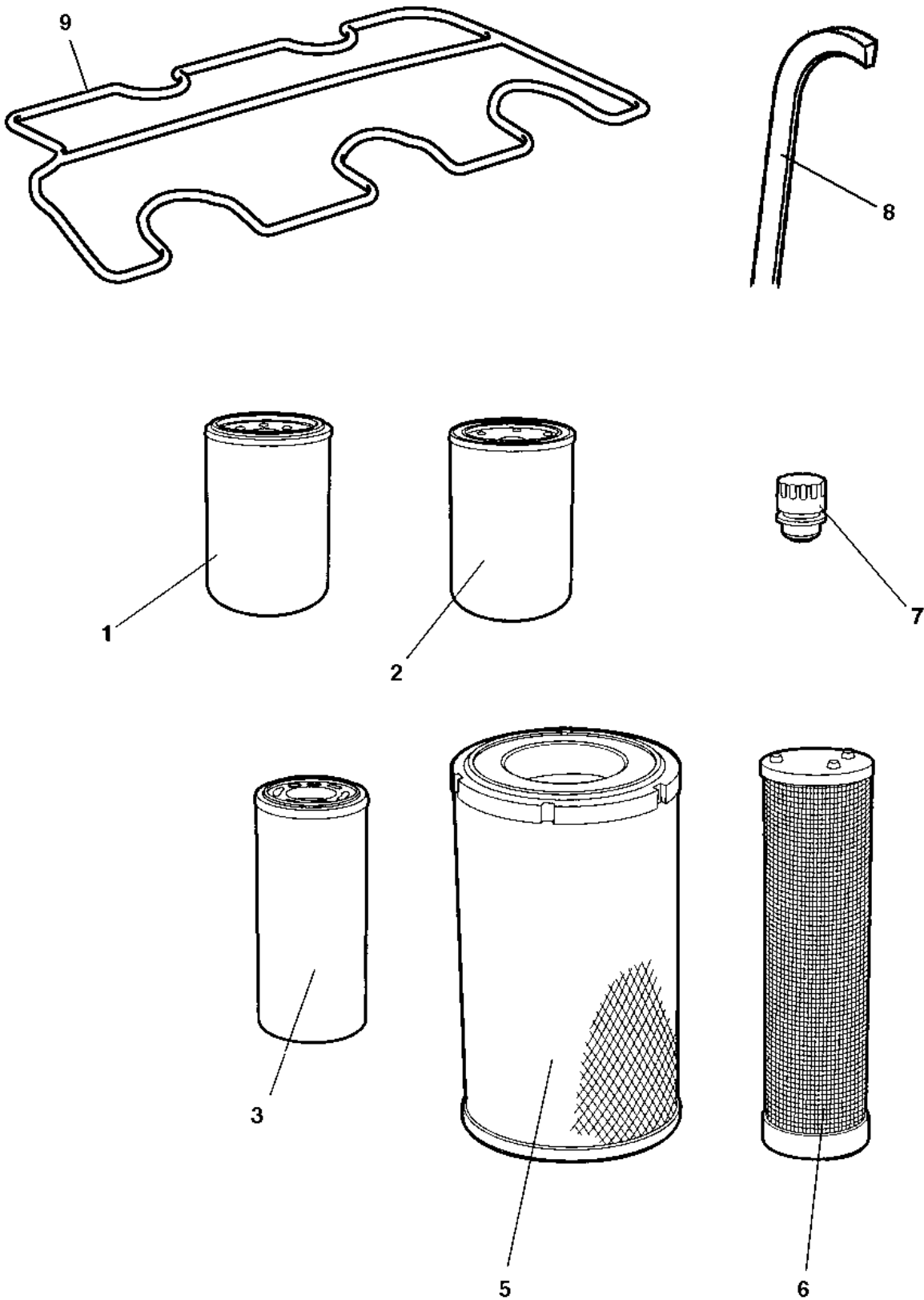


Refer to Parts Online for the most up to date information. The printed information might be outdated.

Fri Jan 05 13:28:27 UTC 2018

Item	Part No.	Name	Qty	L	SN INFO
0	4812161674	Service kit, 50h	1		
1	4812160480	Engine oil filter element	1		
2	4812113328	Hydraulic oil filter element	1		

Service kits 4812161675 Service kit, 50h Plus

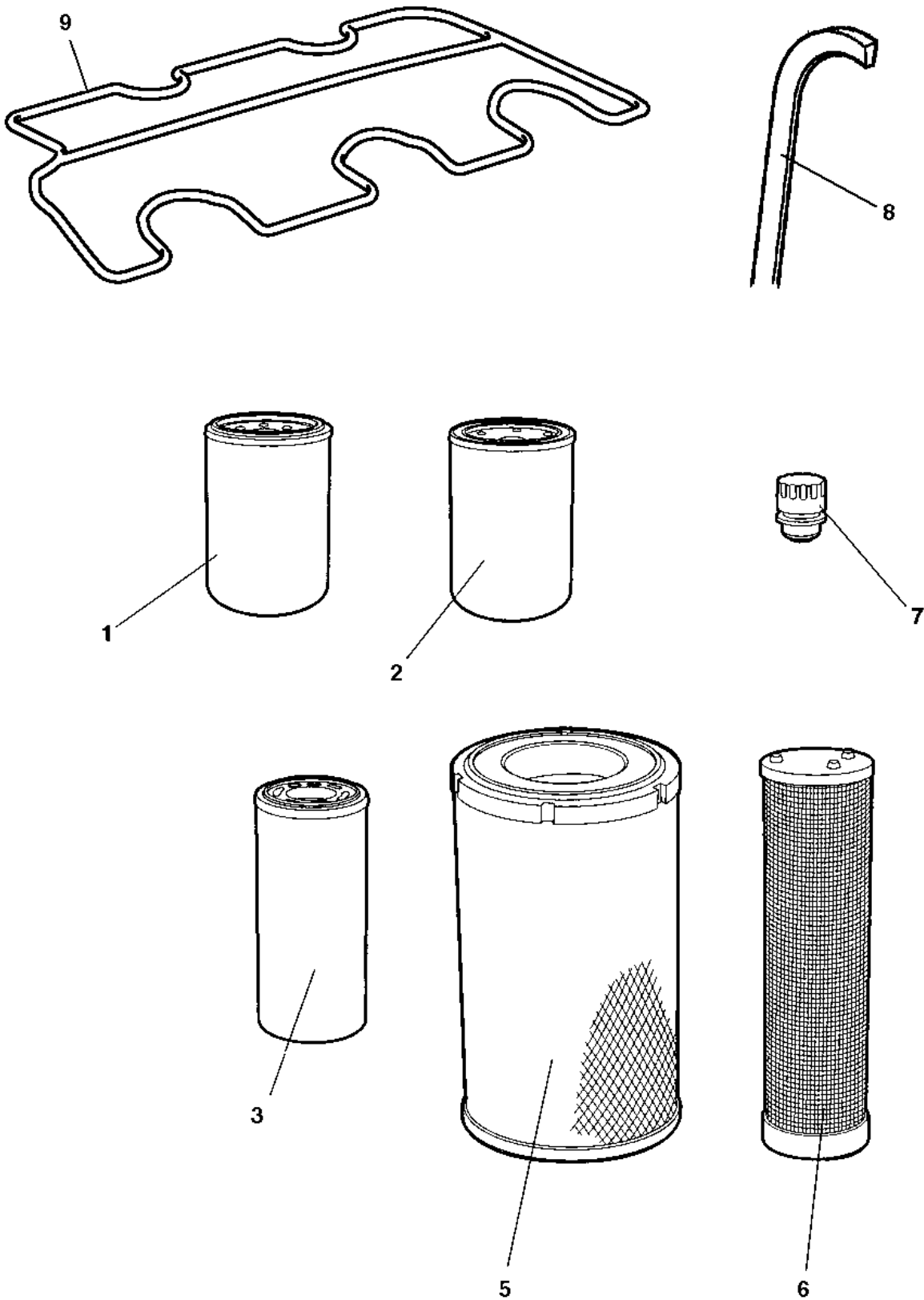


Refer to Parts Online for the most up to date information. The printed information might be outdated.

Fri Jan 05 13:28:27 UTC 2018

Item	Part No.	Name	Qty	L	SN INFO
0	4812161675	Service kit, 50h Plus	1		
1	4812160480	Engine oil filter element	1		
2	4812113328	Hydraulic oil filter element	1		
3	1615595300	Can Paroil Mission green 5 Liter/1.32 Gallon	2		
4	4812030096	Dynapac Roller Grease	1		

Service kits 4812160462 Service kit, 250 / 750h

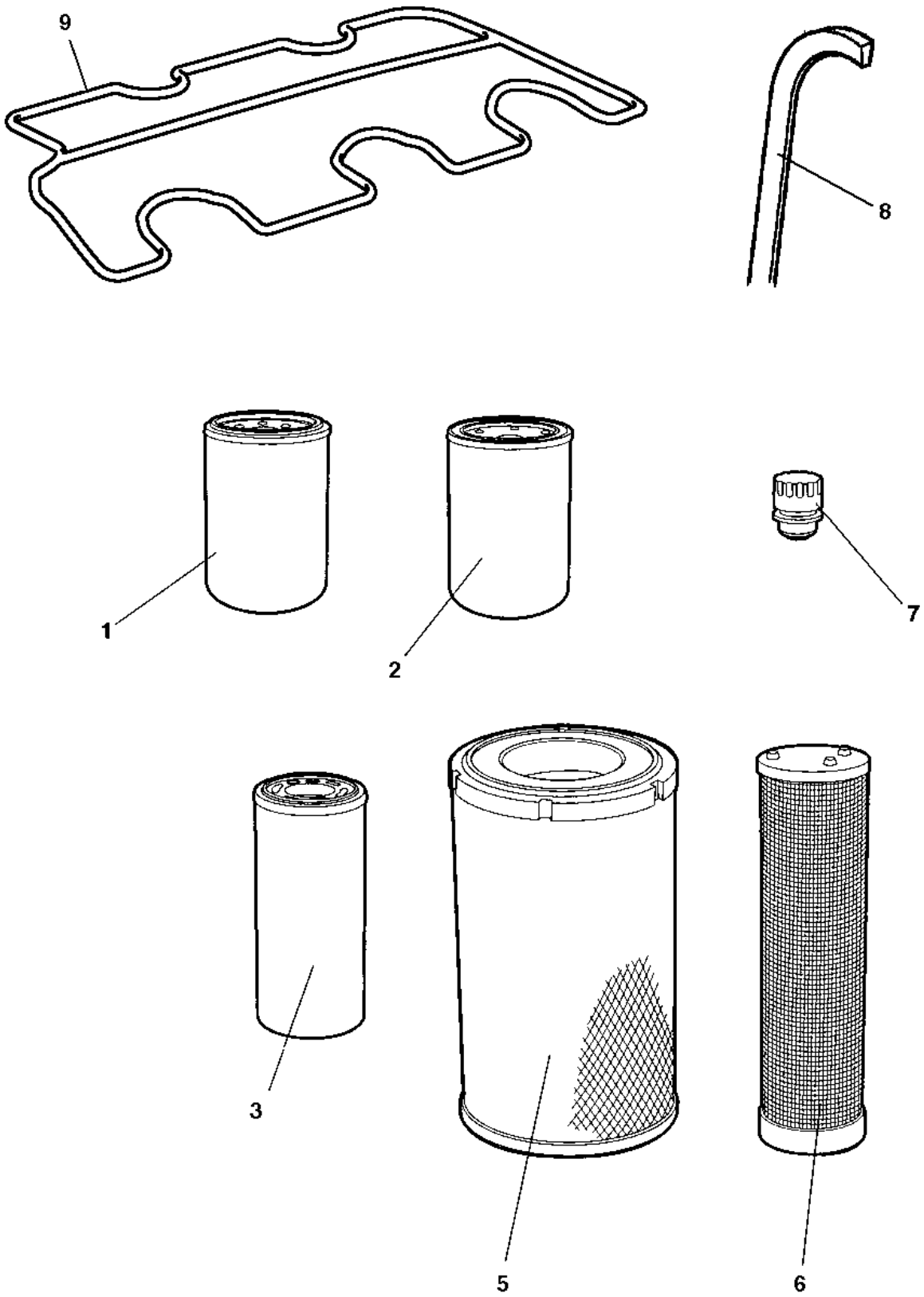


Refer to Parts Online for the most up to date information. The printed information might be outdated.

Fri Jan 05 13:28:27 UTC 2018

Item	Part No.	Name	Qty	L	SN INFO
0	4812160462	Service kit, 250 / 750h	1		
1	4812160480	Engine oil filter element	1		

Service kits 4812161677 Service kit, 250 / 750h Plus



Refer to Parts Online for the most up to date information. The printed information might be outdated.

Fri Jan 05 13:28:27 UTC 2018

Item	Part No.	Name	Qty	L	SN INFO
0	4812161677	Service kit, 250 / 750h Plus	1		
1	4812160480	Engine oil filter element	1		
2	1615595300	Can Paroil Mission green 5 Liter/1.32 Gallon	2		

Service kits 4812161684_Service kit, 500h

Image does not exist

Item	Part No.	Name	Qty	L	SN INFO
0	4812161684	Service kit, 500h	1		
1	4812160480	Engine oil filter element	1		
2	4812161672	Fuel filter element	1		
3	4812161673	Pre fuel filter element	1		
4	4812156260	V-belt	1		
5	4812161586	Air filter, main	1		

Service kits 4812161685 Service kit, 500h Plus

Image does not exist

Item	Part No.	Name	Qty	L	SN INFO
0	4812161685	Service kit, 500h Plus	1		
1	4812160480	Engine oil filter element	1		
2	4812161672	Fuel filter element	1		
3	4812161673	Pre fuel filter element	1		
4	4812156260	V-belt	1		
5	4812161586	Air filter, main	1		
6	1615595300	Can Paroil Mission green 5 Liter/1.32 Gallon	2		
7	4812030096	Dynapac Roller Grease	1		

Service kits 4812161686_Service kit, 1000h

Image does not exist

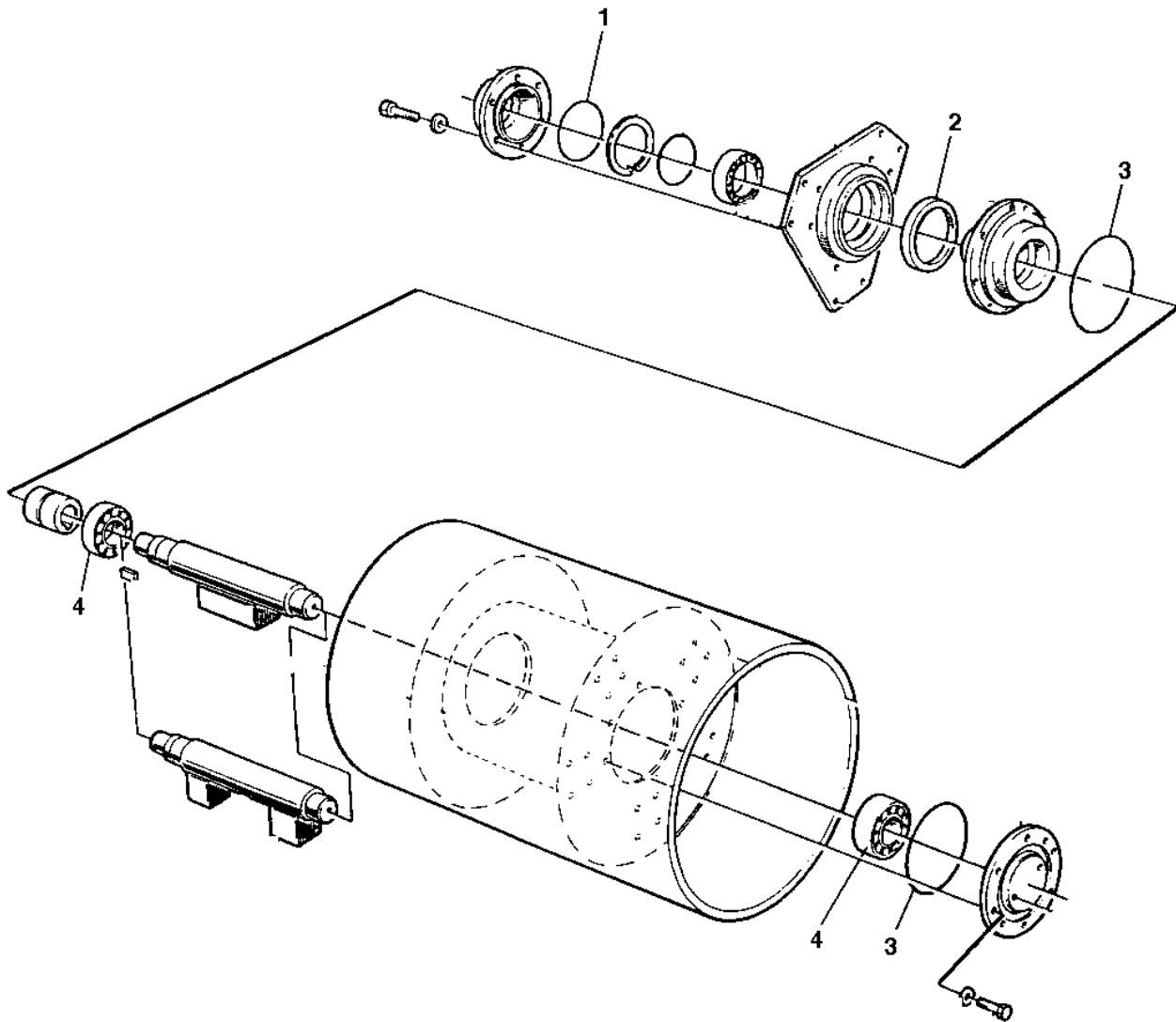
Item	Part No.	Name	Qty	L	SN INFO
0	4812161686	Service kit, 1000h	1		
1	4812160480	Engine oil filter element	1		
2	4812161672	Fuel filter element	1		
3	4812161673	Pre fuel filter element	1		
4	4812156260	V-belt	1		
5	4812113328	Hydraulic oil filter element	1		
6	4812161586	Air filter, main	1		
7	4812161587	Air filter element, Safety	1		
8	4812156261	Valve cover gasket	1		
9	4700357138	Ventilating filter	1		

Service kits 4812161687 Service kit, 1000h Plus

Image does not exist

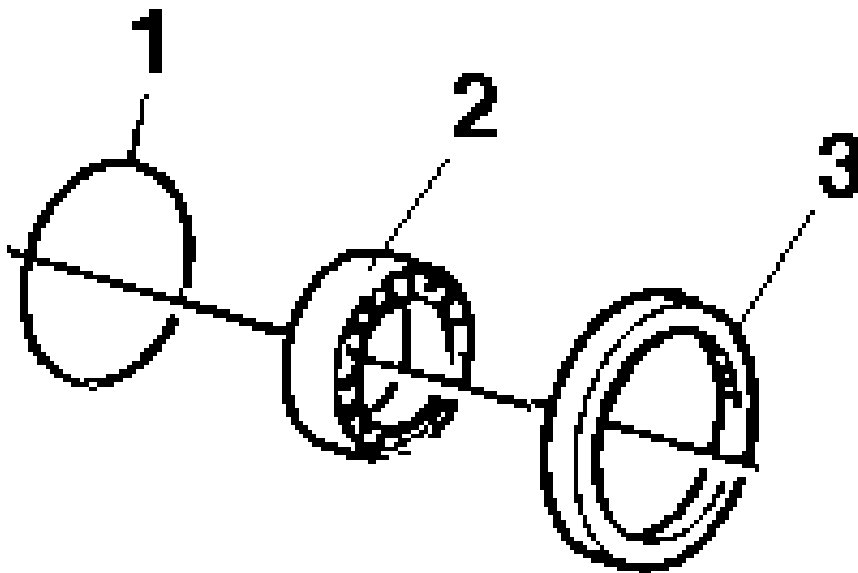
Item	Part No.	Name	Qty	L	SN INFO
0	4812161687	Service kit, 1000h Plus	1		
1	4812160480	Engine oil filter element	1		
2	4812161672	Fuel filter element	1		
3	4812161673	Pre fuel filter element	1		
4	4812156260	V-belt	1		
5	4812113328	Hydraulic oil filter element	1		
6	4812161586	Air filter, main	1		
7	4812161587	Air filter element, Safety	1		
8	4812156261	Valve cover gasket	1		
9	4700357138	Ventilating filter	1		
10	1615595300	Can Paroil Mission green 5 Liter/1.32 Gallon	2		
11	4812030096	Dynapac Roller Grease	1		

Repair kits 4700938908 Eccentric shaft kit



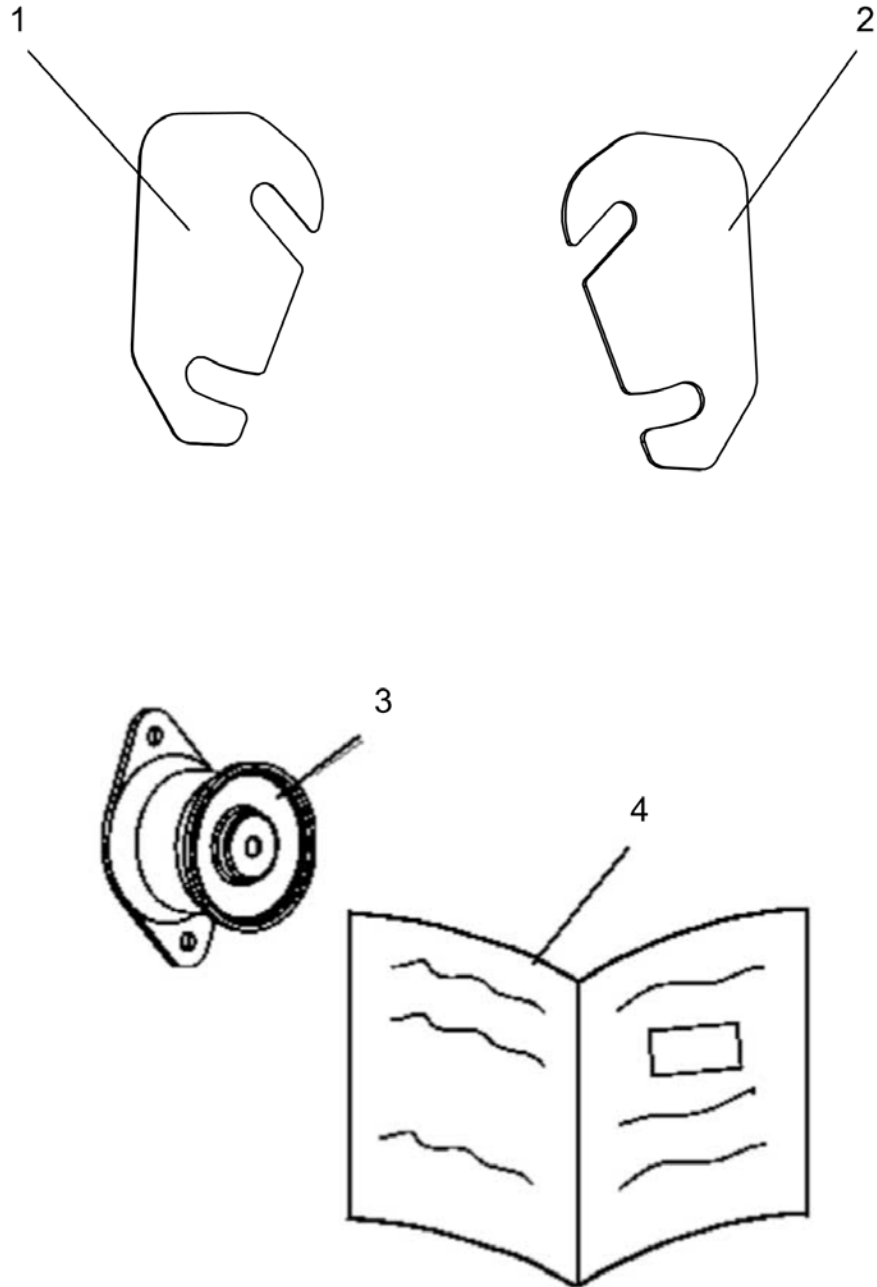
Item	Part No.	Name	Qty	L	SN INFO
0	4700938908	Eccentric shaft kit			
1	4700160132	O-ring 70	1		
2	4700163049	Radial lip-type seal	1		
3	4700923951	O-ring	2		
4	4700904258	Spherical roller bearing	2		

Repair kits 4700938892 Drum rotation kit



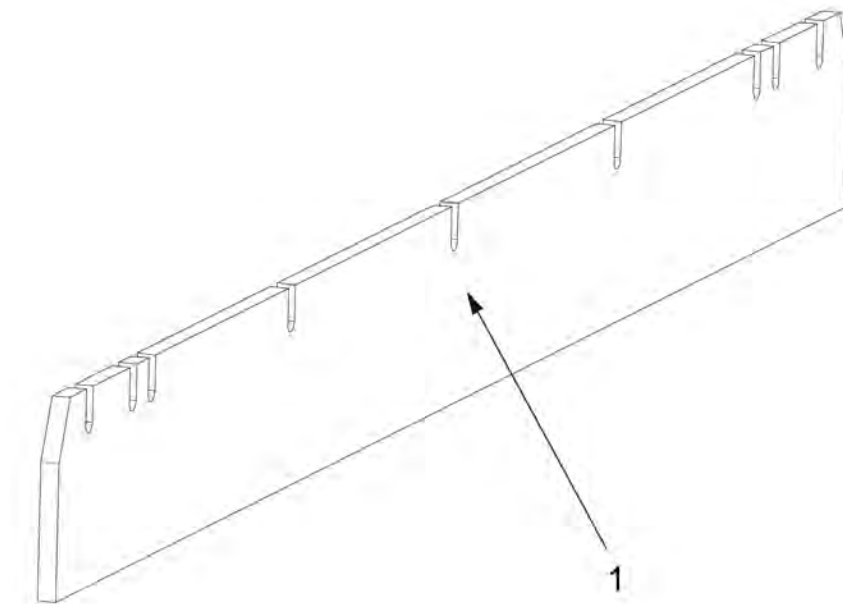
Item	Part No.	Name	Qty	L	SN INFO
0	4700938892	Drum rotation kit			
1	4700160132	O-ring 70	1		
2	4700111018	Ball bearing	1		
3	4700163049	Radial lip-type seal	1		

Repair kits 4812162273 Shock absorber kit, drum



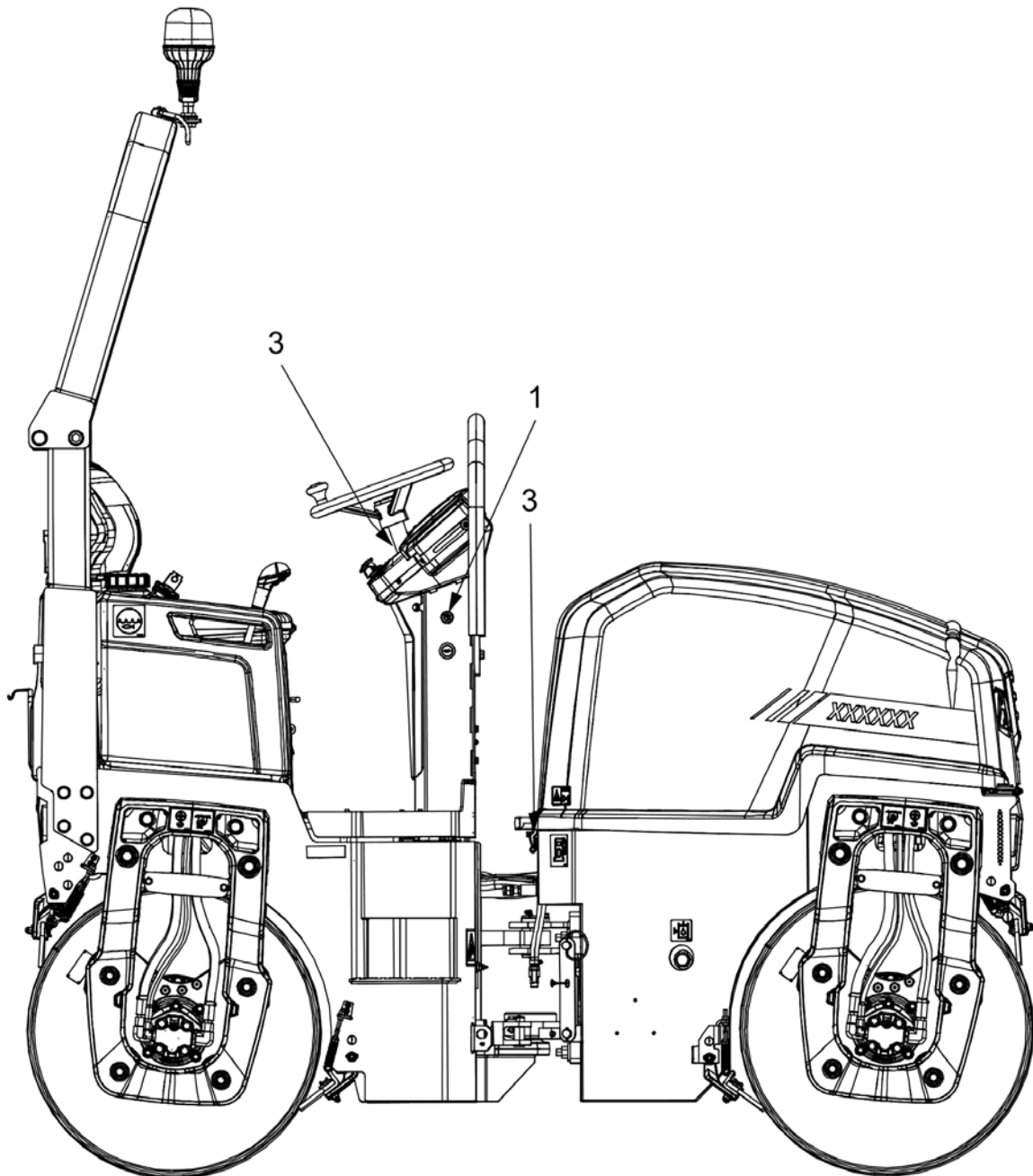
Item	Part No.	Name	Qty	L	SN INFO
0	4812162273	Shock absorber kit, drum			
1	4812126093	Shim	4		
2	4812126094	Shim	4		
3	4700391984	Shock absorber	16		
4	4812156170	Instructions	1		

Repair kits 4812162274 Scraper kit CC1200 VI



Item	Part No.	Name	Qty	L	SN INFO
0	4812162274	Scraper kit	1		
1	4812125422	Scraper blade	4		

General - Keys and others Keys

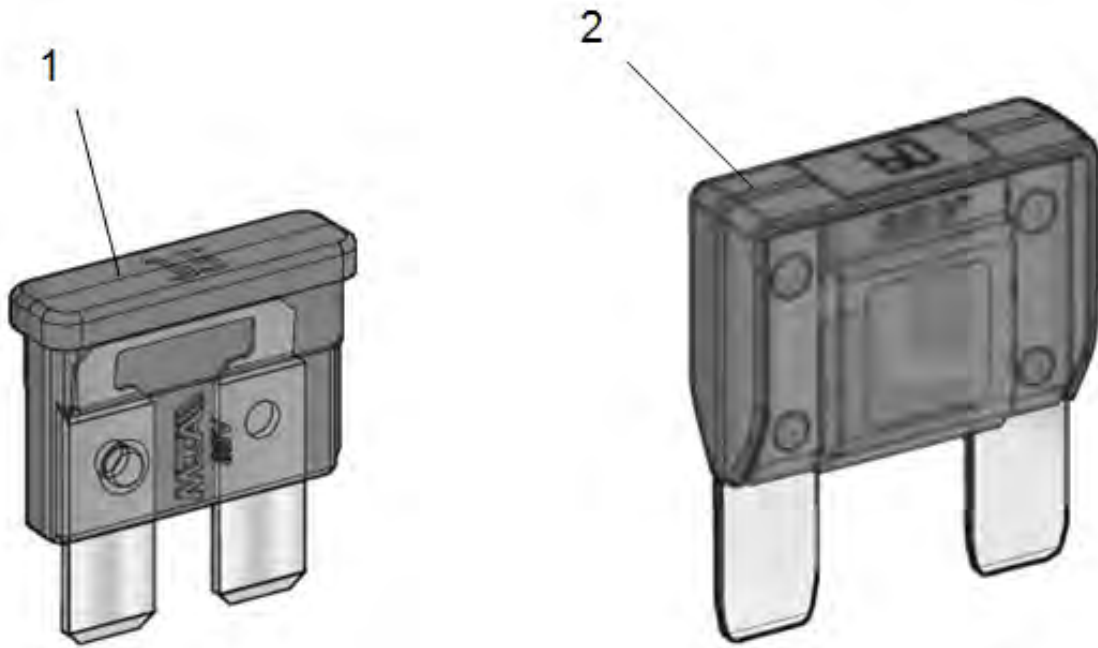


Refer to Parts Online for the most up to date information. The printed information might be outdated.

Fri Jan 05 13:28:29 UTC 2018

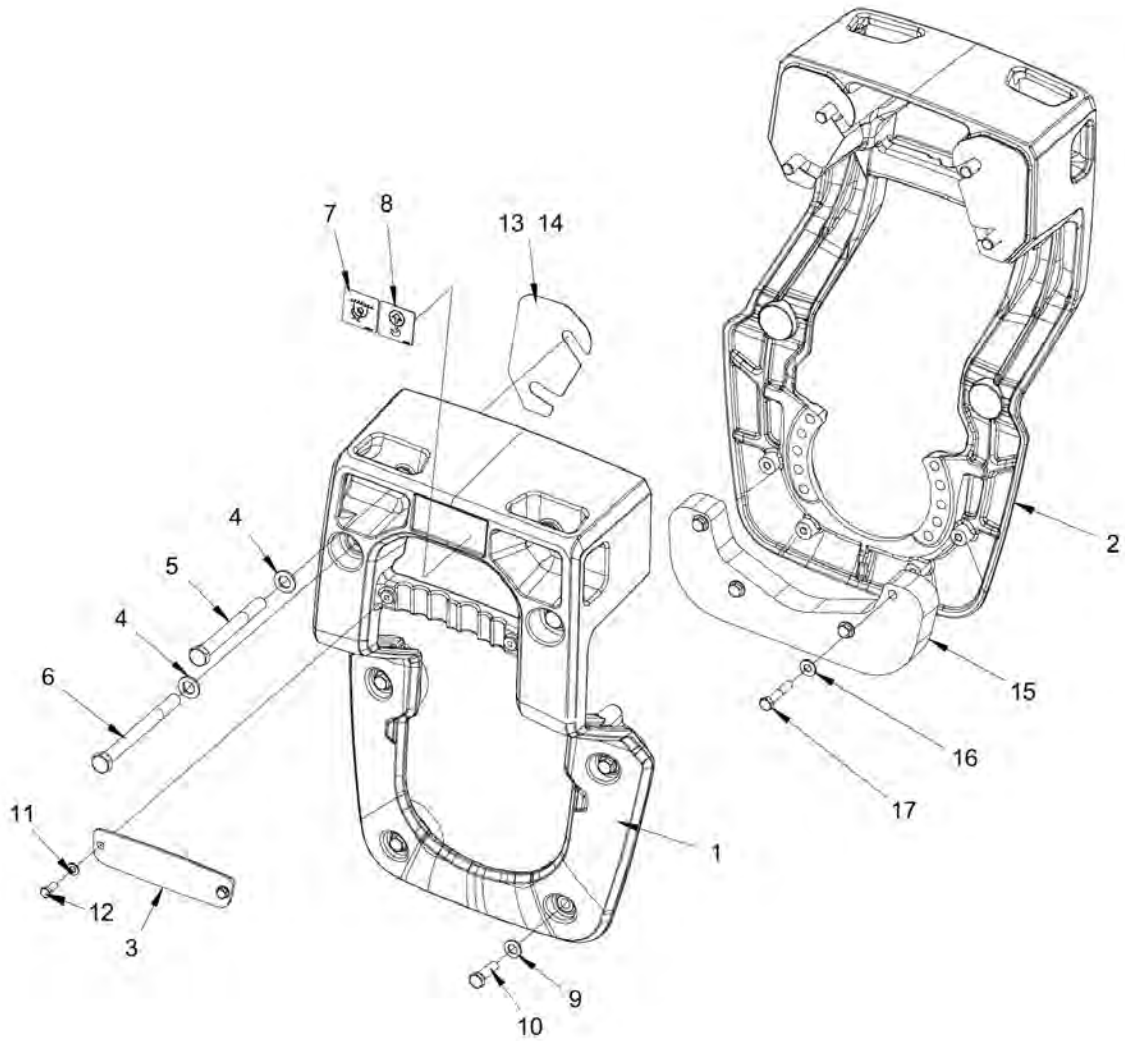
Item	Part No.	Name	Qty	L	SN INFO
1	-	Ignition switch			
1	4700940451	Ignition key			
3	4700358881	Pad lock			
3	4812161396	Key			

General - Keys and others Fuses



Item	Part No.	Name	Qty	L	SN INFO
1	-	Fuse, blade type Medium			
1	4700901224	Fuse, 3A Violet			
1	4700901225	Fuse 5A Tan			
1	4700901226	Fuse 7.5A Brown			
1	4700901227	Fuse 10A Red			
1	4700901228	Fuse, 15A Blue			
1	4700903741	Fuse 20A Yellow			
1	4700901229	Fuse, 25A Natural			
1	4700901230	Fuse, 30A Green			
2	-	Fuse, blade typ High			
2	4700904294	Fuse 20A Yellow			
2	4700904037	Fuse 30A Green			
2	4700904038	Fuse 40A Orange			
2	4700904039	Fuse 50A Red			
2	4700904040	Fuse 60A Blue			
2	4700904041	Fuse 70A Tan			
2	4700904042	Fuse 80A Natural (White)			

Frame Forks, front

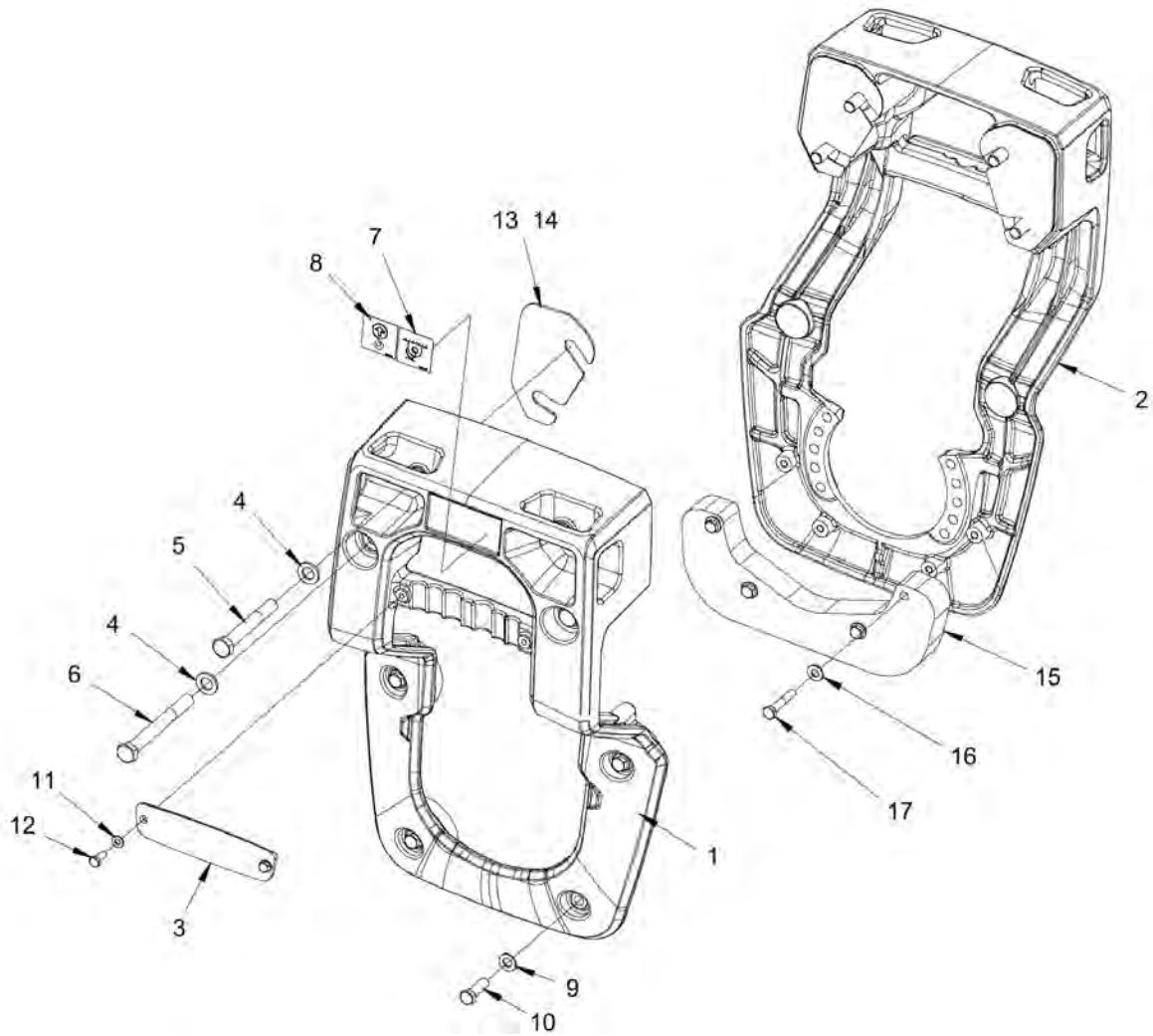


Refer to Parts Online for the most up to date information. The printed information might be outdated.

Fri Jan 05 13:28:29 UTC 2018

Item	Part No.	Name	Qty	L	SN INFO
1	4812125805	Fork	1		
2	4812125815	Fork	1		
3	4812125471	Cover plate	2		
4	4700904232	Steel plain washer	8		
5	4700500164	Screw M16-2,0x150 8,8	4		
6	4700500085	Screw	4		
7	4700382751	Decal "SECURING POINT/TIE DOWN"	2		
8	4700357587	Label lifting point	2		
9	4700904231	Washer, 13x24x2 mm 300 HV	4		
10	4700947689	Hex. head screw M12	4		
11	4700904229	Washer, 8.4x 6x1.5 mm 300HV	4		
12	4700500053	Screw, M8x20 mm 8.8 A2K	4		
13	4812126093	Shim	N		
14	4812126094	Shim	N		
15	4812127737	Weight	1		
16	4700904230	Plain washer 10.5x22x2 mm	4		
17	4700500032	Screw M10 x 55	4		

Frame Forks, rear

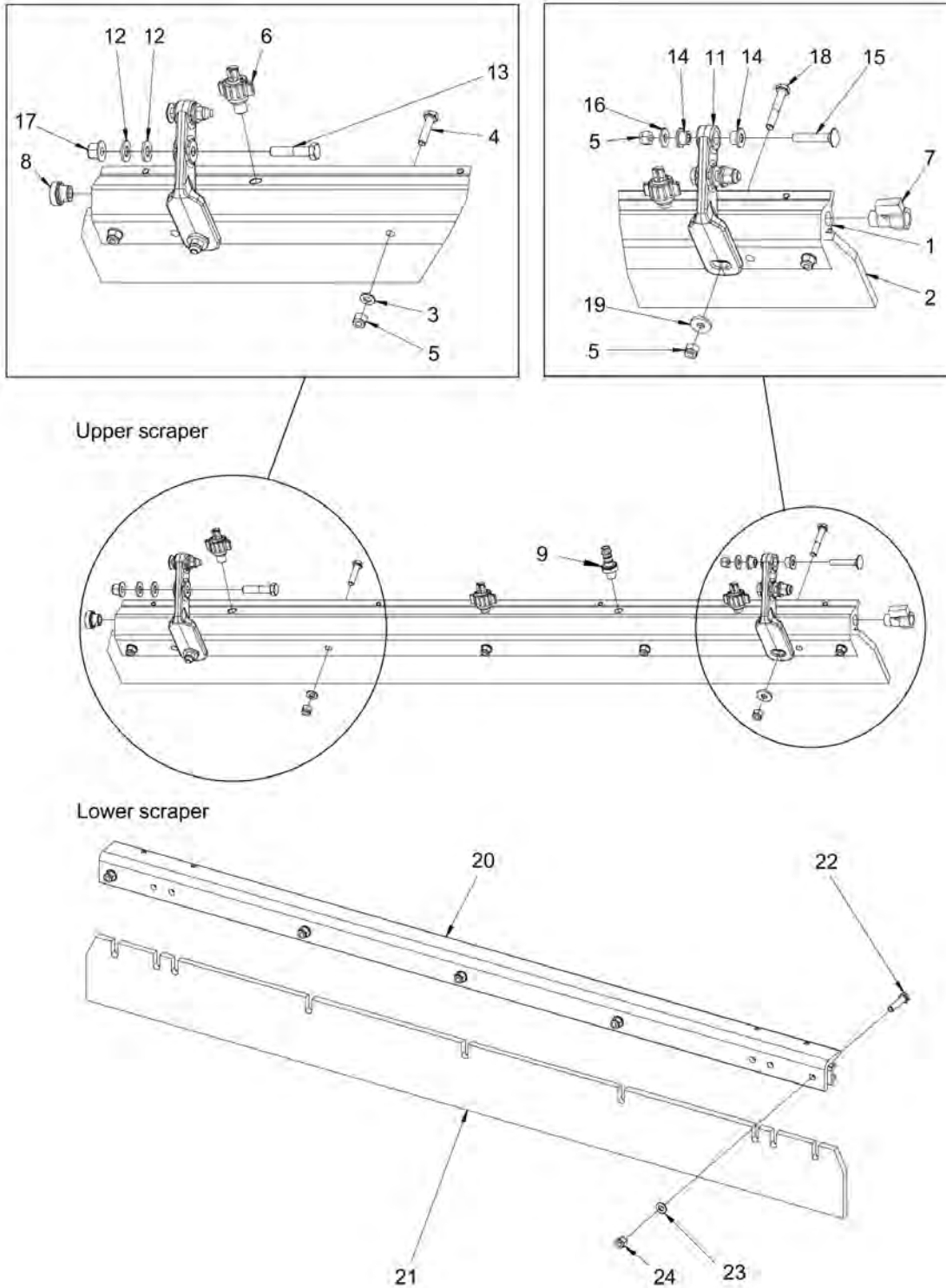


Refer to Parts Online for the most up to date information. The printed information might be outdated.

Fri Jan 05 13:28:30 UTC 2018

Item	Part No.	Name	Qty	L	SN INFO
1	4812125806	Fork	1		
2	4812125816	Fork	1		
3	4812125471	Cover plate	2		
4	4700904232	Steel plain washer	8		
5	4700500142	Screw	4		
6	4700500164	Screw M16-2,0x150 8,8	4		
7	4700382751	Decal "SECURING POINT/TIE DOWN"	2		
8	4700357587	Label lifting point	2		
9	4700904231	Washer, 13x24x2 mm 300 HV	4		
10	4700947689	Hex. head screw M12	4		
11	4700904229	Washer, 8.4x 6x1.5 mm 300HV	4		
12	4700500053	Screw, M8x20 mm 8.8 A2K	4		
13	4812126093	Shim	N		
14	4812126094	Shim	N		
15	4812127737	Weight	1		
16	4700904230	Plain washer 10.5x22x2 mm	4		
17	4700500032	Screw M10 x 55	4		

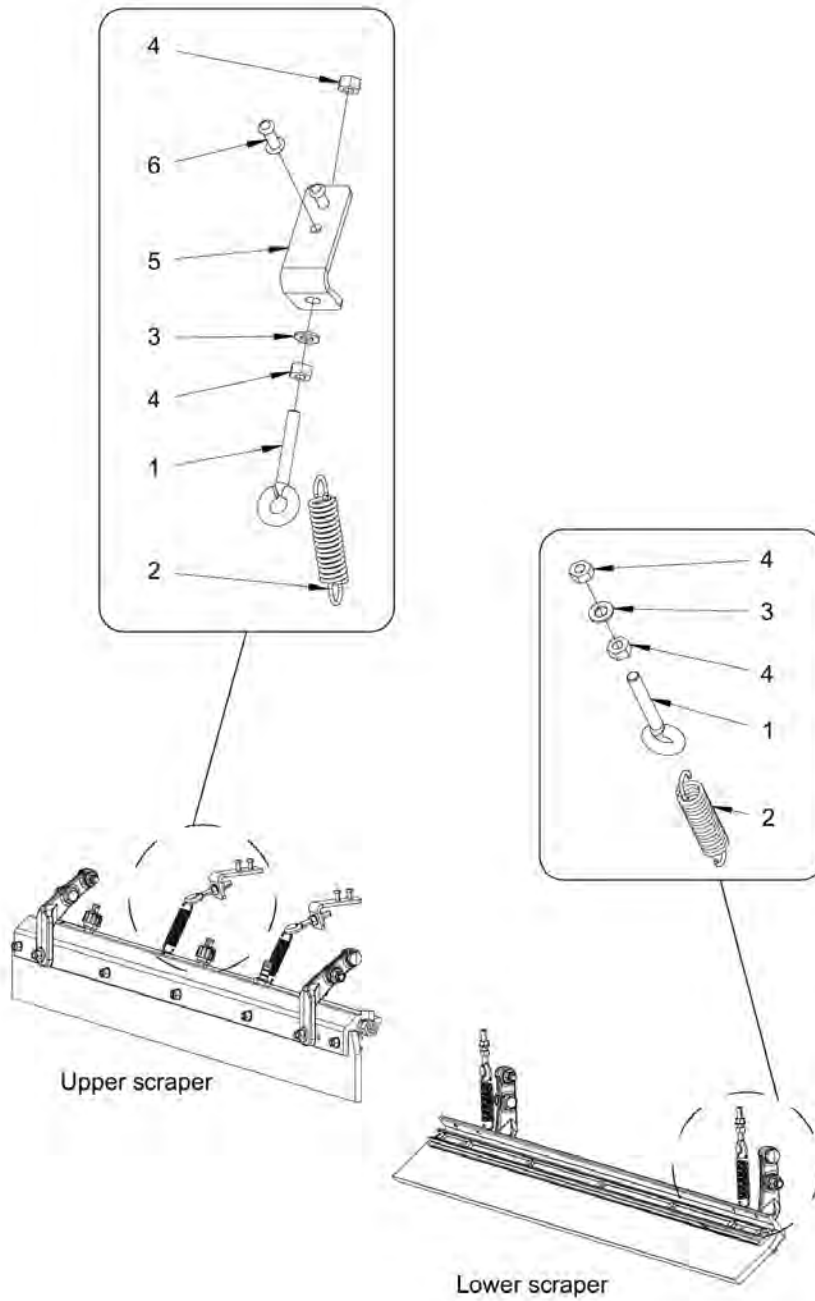
Frame Scraper, fixed



Refer to Parts Online for the most up to date information. The printed information might be outdated.
Fri Jan 05 13:28:30 UTC 2018

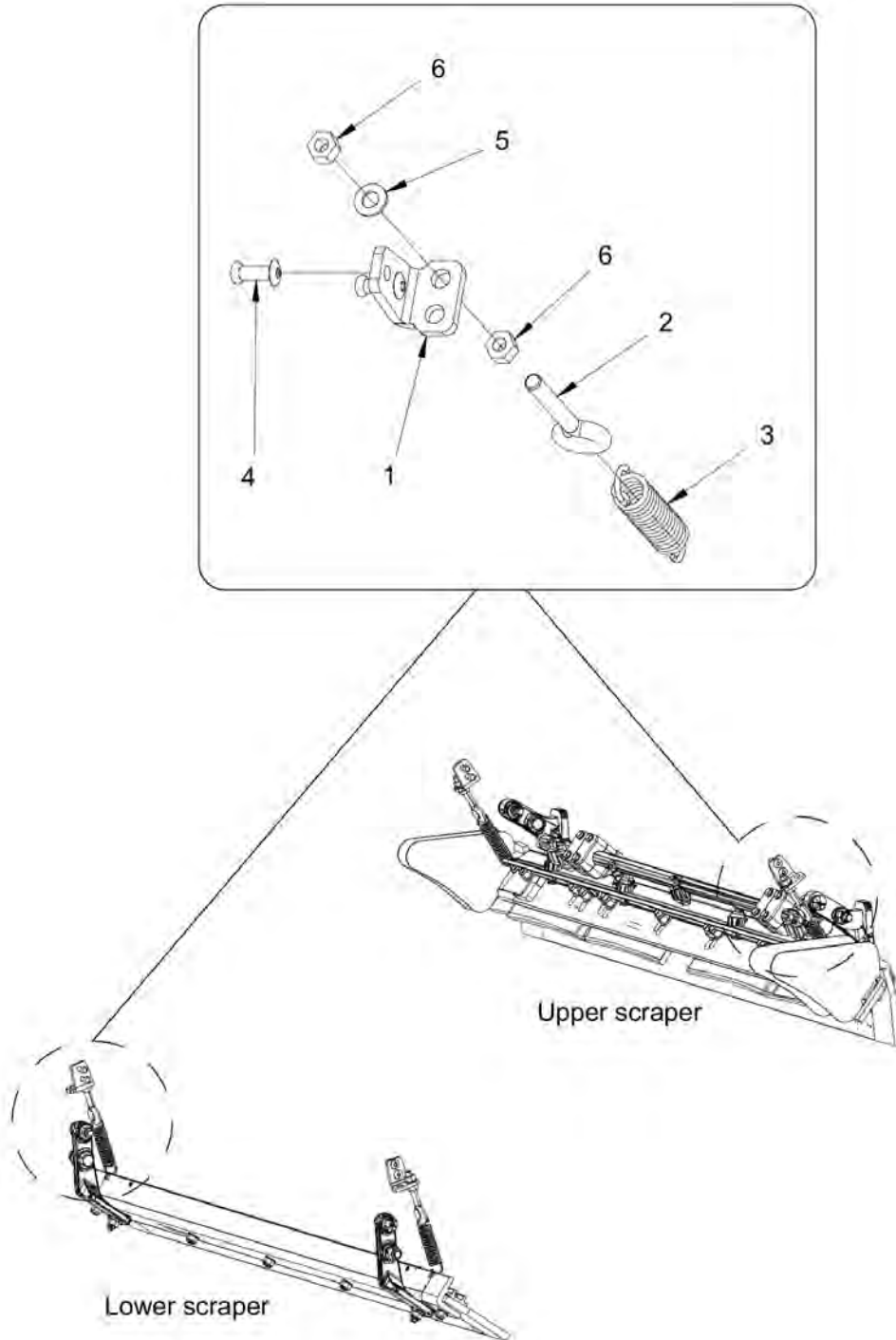
Item	Part No.	Name	Qty	L	SN INFO
1	4812125418	Sprinkler pipe	1		
2	4812125422	Scraper blade	1		
3	4700904229	Washer, 8.4x 6x1.5 mm 300HV	5		
4	4700500230	Hex. screw	5		
5	4700586003	Lock nut M8	13		
6	4812124321	Spraying nozzle, cpl	3		
7	4700233215	Ball valve	1		
8	4700792072	End plug	1		
9	4700901432	Hose connection	1		
11	4812121858	Bracket	4		
12	4700791938	Washer	8		
13	4700500105	Hex. screw	4		
14	4700791939	Bushing	8		
15	4700791775	Bolt	4		
16	4700791304	Steel plain washer	4		
17	4700902287	Nut, M10	4		
18	4700500025	Screw, M8x50 mm 8.8 A2K	4		
19	4700904640	Washer, 8.4x22x3 mm 300HV	4		
20	4812125424	Sprinkler pipe	1		
21	4812125422	Scraper blade	1		
22	4700500230	Hex. screw	5		
23	4700904229	Washer, 8.4x 6x1.5 mm 300HV	5		
24	4700586003	Lock nut M8	5		

Frame Spring loaded scraper (Front)



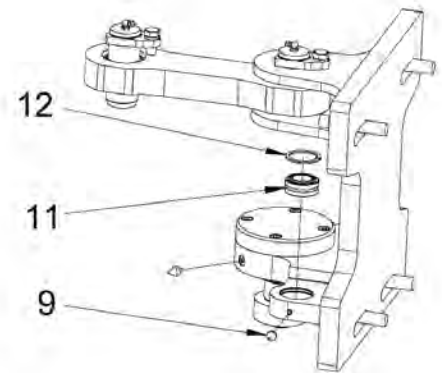
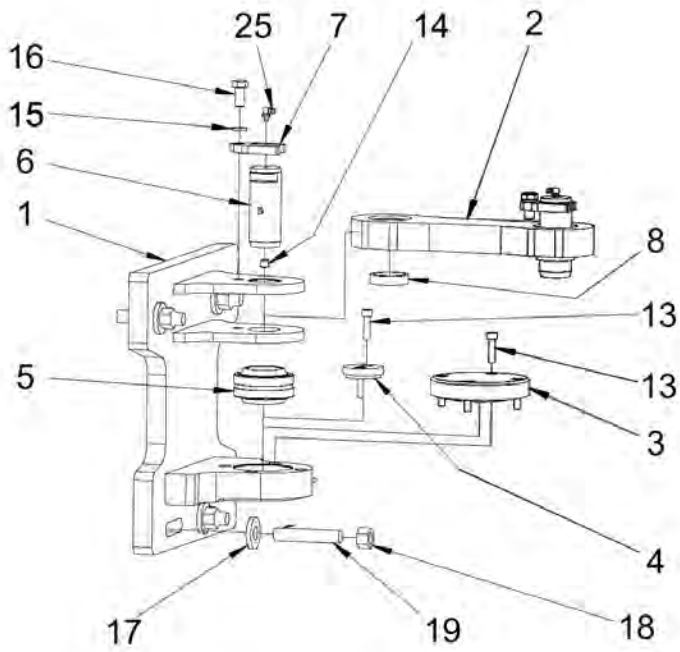
Item	Part No.	Name	Qty	L	SN INFO
1	4700792189	Eye bolt	4		
2	4700359043	Spring	4		
3	4700904229	Washer, 8.4x 6x1.5 mm 300HV	4		
4	4700570005	Hexagon nut	8		
5	4812126891	Bracket	2		
6	4700791666	Blind rivet	4		

Frame Spring loaded scraper (Rear)



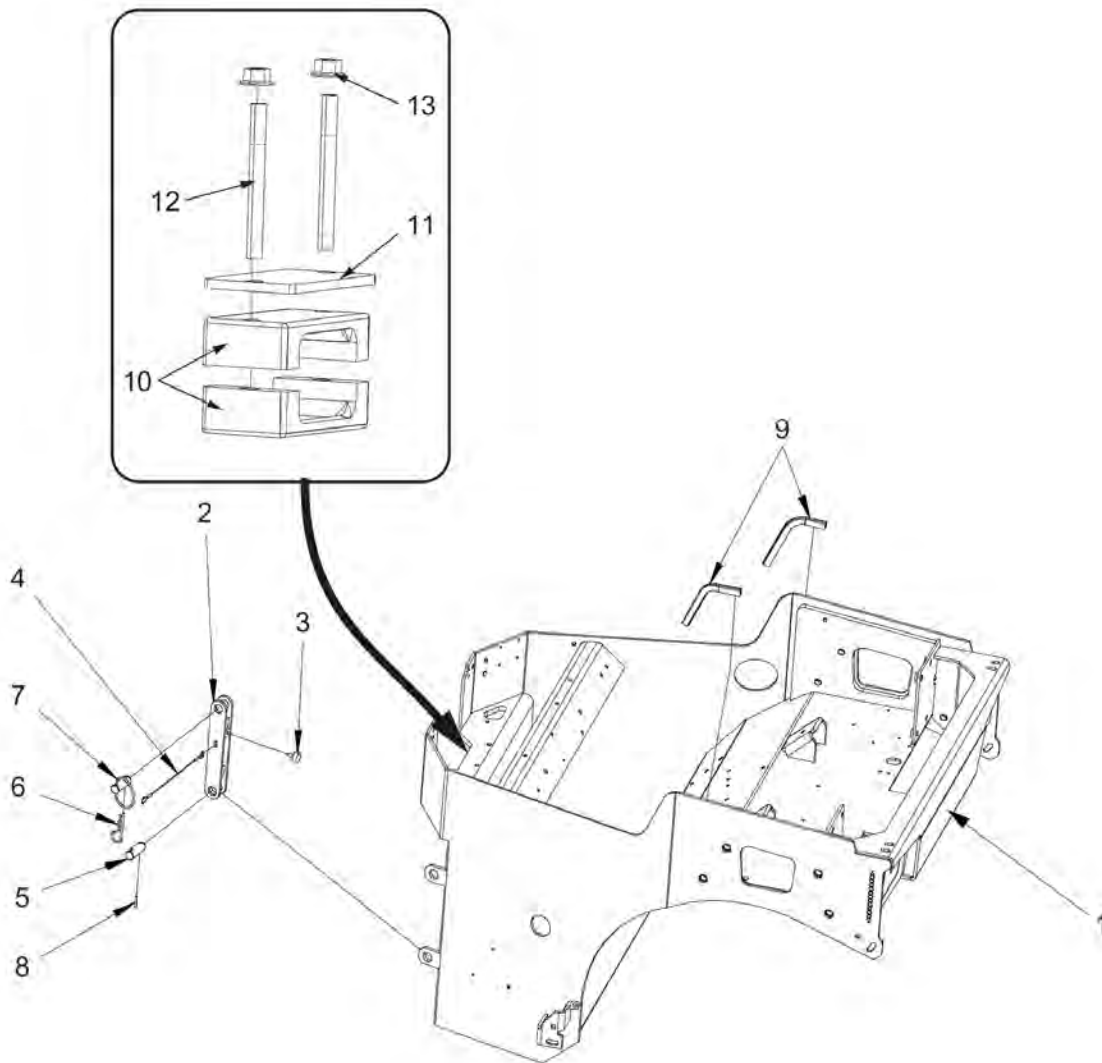
Item	Part No.	Name	Qty	L	SN INFO
1	4812126984	Bracket	4		
2	4700792189	Eye bolt	4		
3	4700359043	Spring	4		
4	4700791666	Blind rivet	8		
5	4700904229	Washer, 8.4x 6x1.5 mm 300HV	4		
6	4700570005	Hexagon nut	8		

Frame Steering hitch



Item	Part No.	Name	Qty	L	SN INFO
1	4812125132	Articulated joint plate	1		
2	4812125133	Bearing	1		
3	4812125136	Bearing cap	1		
4	4812125137	Cover cap	1		
5	4812125392	Bearing	1		
6	4812125398	Shaft	2		
7	4812125399	Washer	2		
8	4812125140	Spacer sleeve	2		
9	4700926214	Grease fitting	4		
11	4812125414	Bearing	1		
12	4700151012	Retaining ring	1		
13	4700508048	Hexagon socket head cap screw M	6		
14	4700792083	Plug	2		
15	4700900994	Lock washer	2		
16	4700500051	Hex. screw	2		
17	0300027623	Plain washer	4		
18	4700570008	Hex. nut	4		
19	4812125416	Stud	4		
25	054411011	Lubrication nipple	2		

Frame Front frame

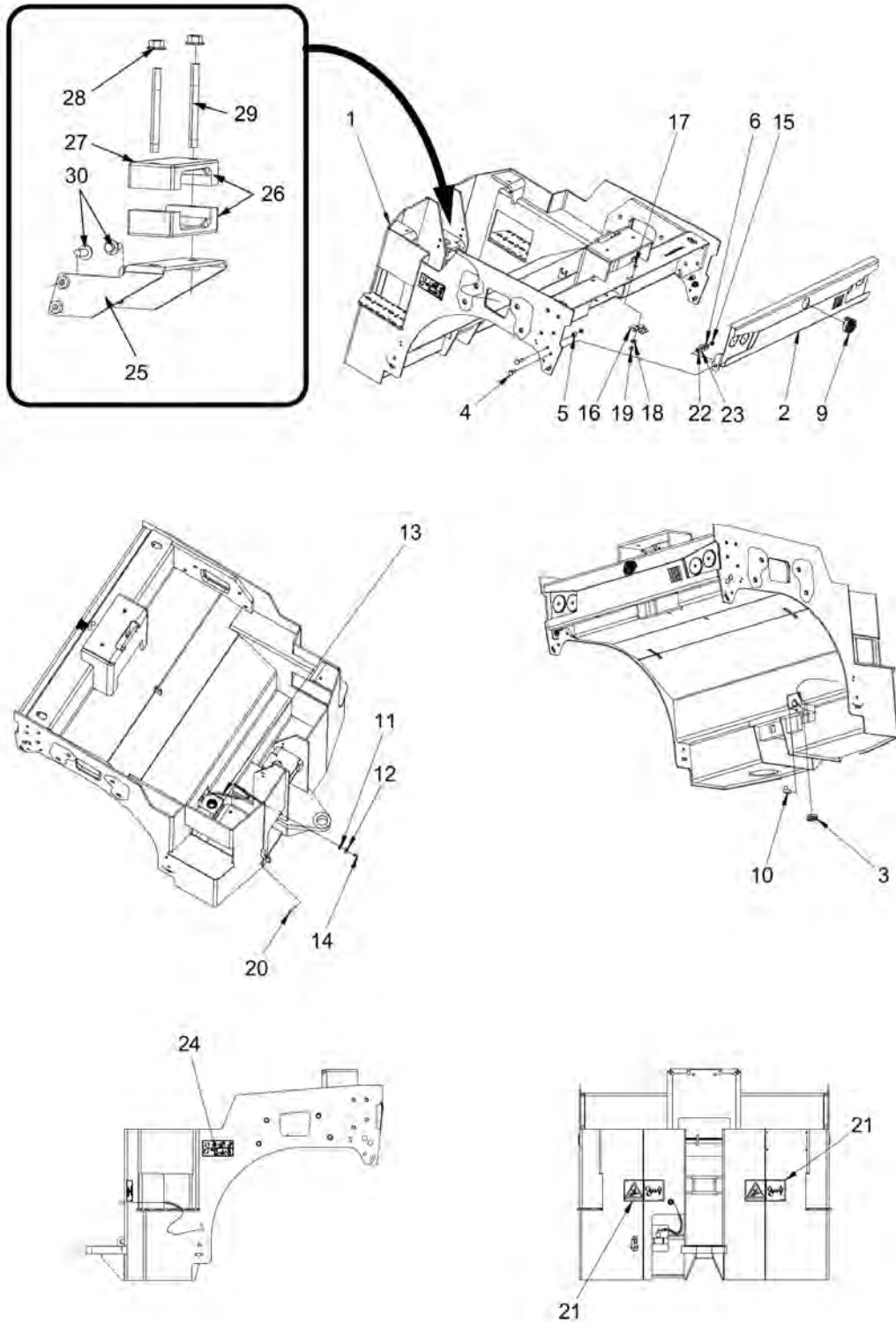


Refer to Parts Online for the most up to date information. The printed information might be outdated.

Fri Jan 05 13:28:32 UTC 2018

Item	Part No.	Name	Qty	L	SN INFO
1	4812125563	Front frame	1		
2	4812126081	Articulated joint lock	1		
3	4700792607	Shock absorber	1		
4	4700343775	Plastic insulated steelwire	1		
5	4812126082	Shaft	2		
6	4700635061	Hair clip	1		
7	4700357488	Spring	1		
8	4700629016	Expanding	2		
9	4700902379	Edge trim	2		
10	4700343732	Hose clamp	2		
11	4700335914	Cover plate	1		
12	4700904629	Stud	2		
13	4700792817	Hexagon nut with flange	2		

Frame Rear frame

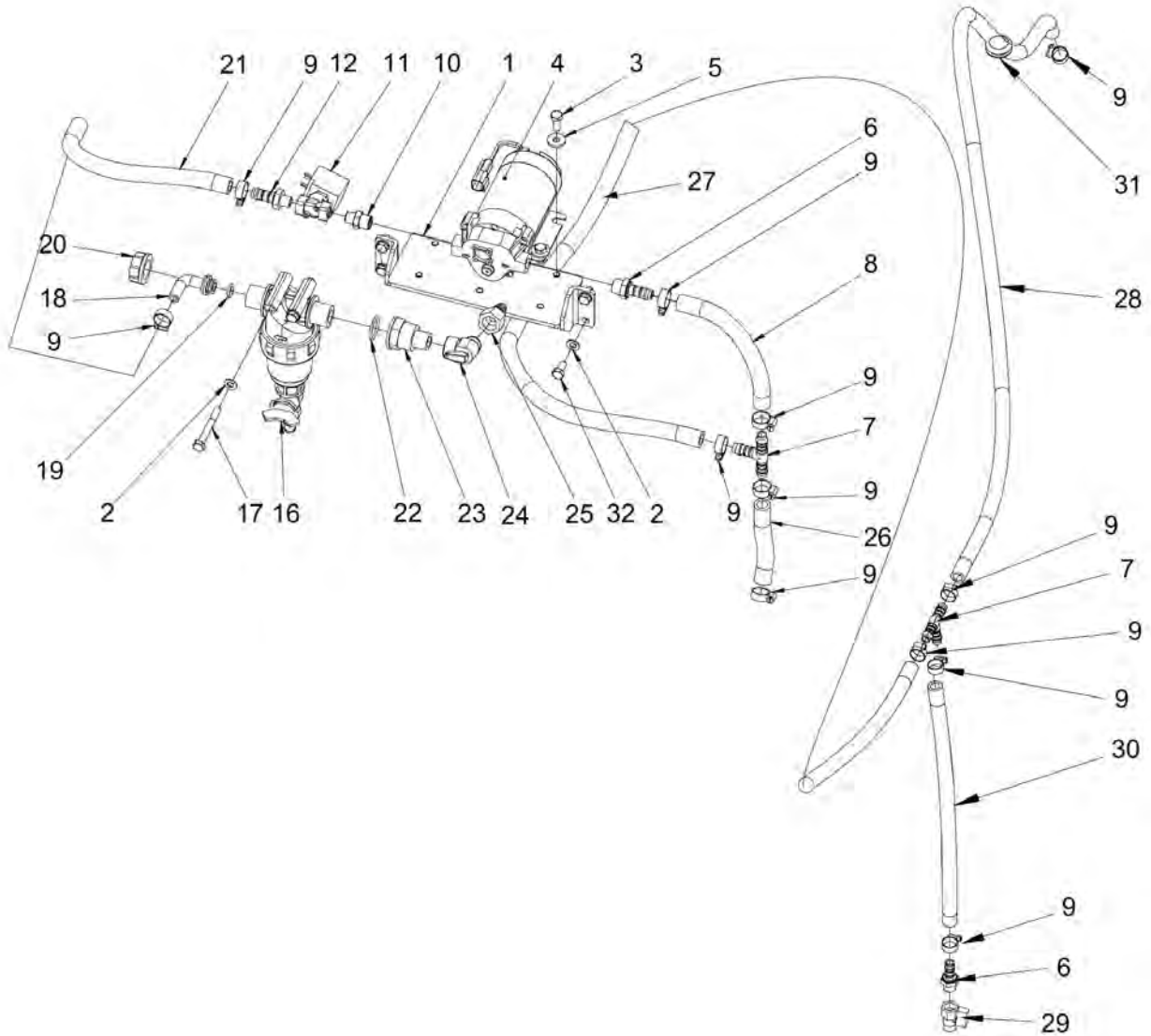


Refer to Parts Online for the most up to date information. The printed information might be outdated.

Fri Jan 05 13:28:32 UTC 2018

Item	Part No.	Name	Qty	L	SN INFO
1	4812125592	Rear frame	1		
2	4812125976	Cover	1		
3	4812125414	Bearing	1		
4	4812117106	Cup square neck bolt	4		
5	4700371728	Spacer sleeve	2		
6	4700904640	Washer, 8.4x22x3 mm 300HV	2		
9	4812125978	Latch	1		
10	4700373183	Elbow 90°	1		
11	4700904231	Washer, 13x24x2 mm 300 HV	1		
12	4700903831	Hexagon nut	1		
13	4812117733	Hydraulic hose	1		
14	4700926214	Grease fitting	1		
15	4700586003	Lock nut M8	4		
16	4812126012	Lock fittings	1		
17	4700903923	Cup square neck bolt	2		
18	4700904735	Steel plain washer	2		
19	4700586002	Lock nut M6 -8	2		
20	4700629024	Pin	1		
21	4700903422	Safety decal "CRUSH AREA"	2		
22	4812126957	Spacer sleeve	2		
23	4700903662	Washer	2		
24	4812125363	Safety decal "RISK OF CRUSHING"	1		
25	4812125468	Bracket	1		
26	4700343732	Hose clamp	2		
27	4700335914	Cover plate	1		
28	4700904629	Stud	2		
29	4700792817	Hexagon nut with flange	2		
30	4700500505	Screw, M8x20 mm 8.8 A2K	4		

Frame Sprinkler pump

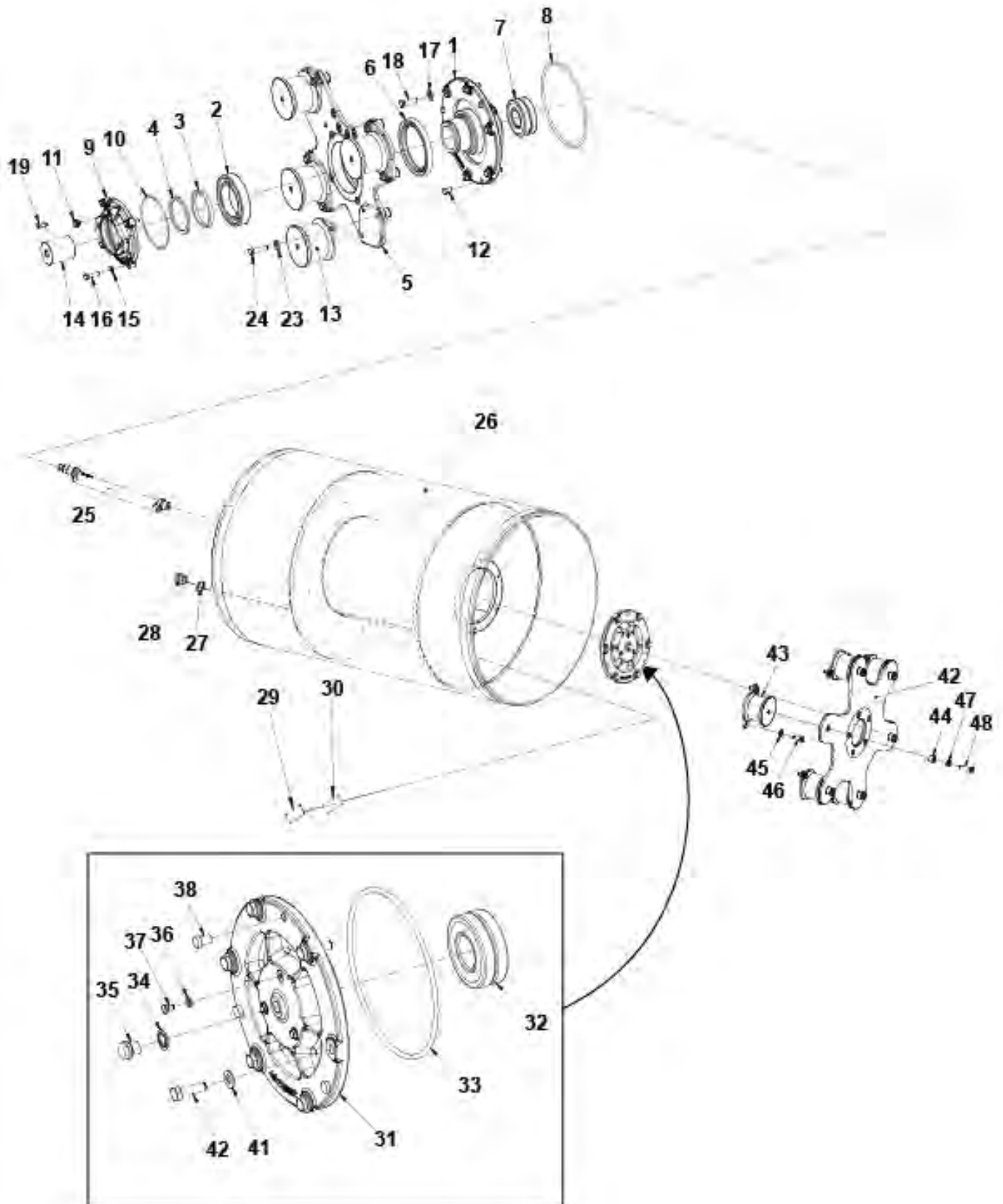


Refer to Parts Online for the most up to date information. The printed information might be outdated.

Fri Jan 05 13:28:33 UTC 2018

Item	Part No.	Name	Qty	L	SN INFO
1	4812125973	Bracket	1		
2	4700904229	Washer, 8.4x 6x1.5 mm 300HV	6		
3	4700500053	Screw, M8x20 mm 8.8 A2K	4		
4	4812125871	Sprinkler pump	1		
5	4700904640	Washer, 8.4x22x3 mm 300HV	4		
6	4700234931	Adapter	2		
7	4700923735	Hose connection	2		
8	4812112074	Plastic hose (x m)	0,20 M		
9	4700313002	Hose clamp	12		
10	4700377611	Straight connector	1		
11	4700287713	Solenoid valve	1		
12	4700901432	Hose connection	1		
16	4812111325	Water filter	1		
17	4700500068	Screw M08x65	2		
18	4812111330	Hose connection	1		
19	4700480852	O-ring 70	1		
20	4700792779	Swivel nut	1		
21	4812112074	Plastic hose (x m)	0,27 M		
22	4700160313	O-ring 70	1		
23	4812111331	Reducer nipple	1		
24	4812126907	Ball valve	1		
25	4812112451	Hose connection	1		
26	4812112074	Plastic hose (x m)	0,12 M		
27	4812112074	Plastic hose (x m)	1,41 M		
28	4812112074	Plastic hose (x m)	1,31 M		
29	4700233215	Ball valve	1		
30	4812112074	Plastic hose (x m)	0,43 M		
31	4700903192	Grommet	1		
32	4700500019	Hexagon screw	4		

Drum Drum



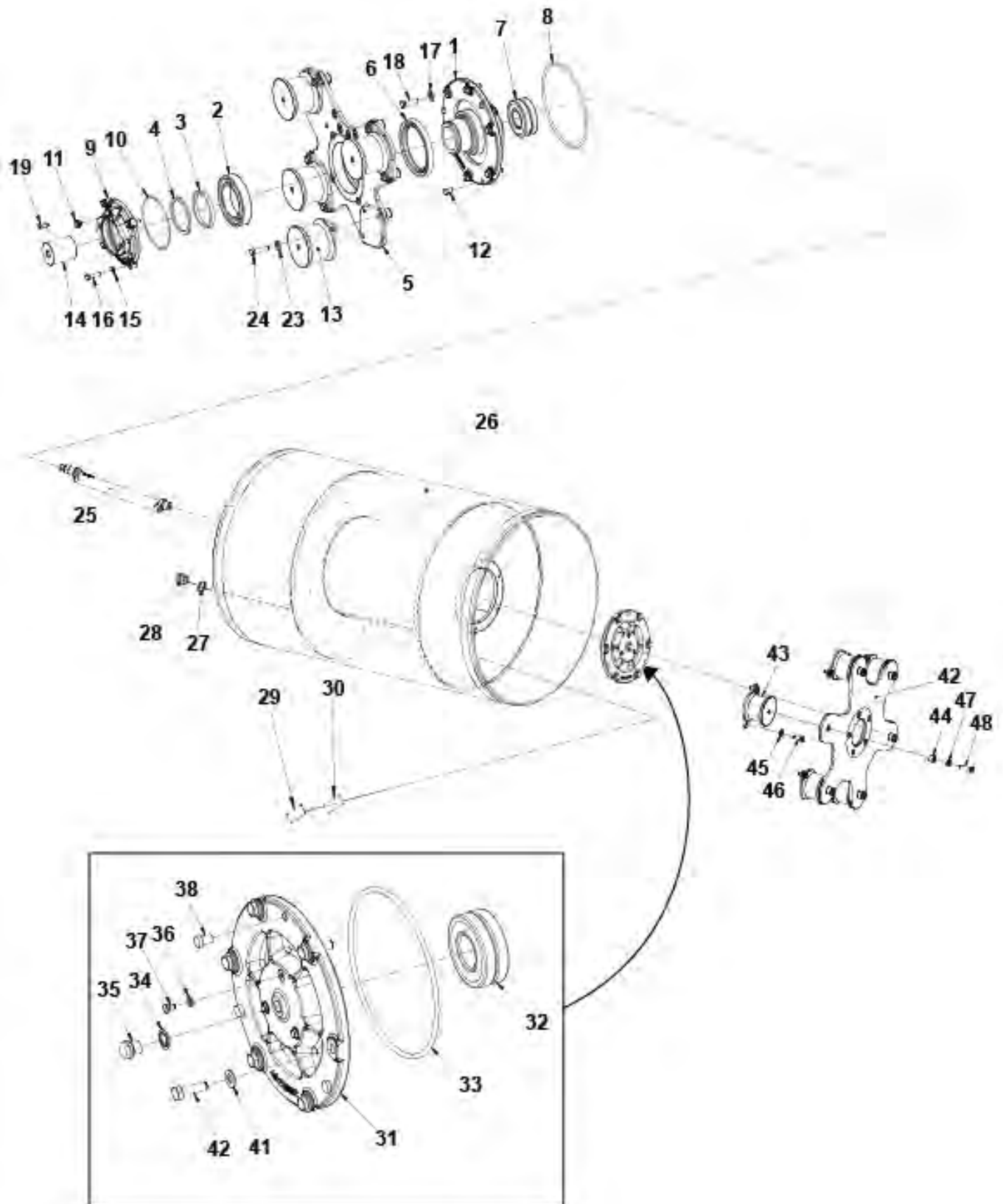
Refer to Parts Online for the most up to date information. The printed information might be outdated.

Fri Jan 05 13:28:33 UTC 2018

Item	Part No.	Name	Qty	L	SN INFO
1	4812126595	Drum bearing housing	1		
2	4700111018	Ball bearing	1		
3	4700358689	Spacer ring	1		
4	4700903154	Retaining ring	1		
5	4812124899	Bearing housing	1		
6	4700163049	Radial lip-type seal	1		
7	4700904258	Spherical roller bearing	1		
8	4700923951	O-ring	1		
9	4812124904	Adapter	1		
10	4700160132	O-ring 70	1		
11	4700343490	Air breather	1		
12	4700903287	Plug	3		
13	4700391984	Shock absorber	4		
14	4700349202	Coupling	1		
15	4700904229	Washer, 8.4x 6x1.5 mm 300HV	4		
16	4700500022	Screw	4		
17	4700904230	Plain washer 10.5x22x2 mm	6		
18	4700500030	Screw hexagon	6		
19	4700350029	Feather key	1		
23	4700904557	Washer, 10.5x22x4 mm 300 HV	8		
24	4812110596	Hexagon head screw M10x40 10,9 A3K	8		
25	4812119822	Eccentric shaft	1		
26	4812124792	Drum	1		
27	4700162017	Seal ring	1		
28	4700343744	Magnetic plug	1		
29	4700343801	Sign plate	1		
30		Tape	1		
31	4812127097	Bearing housing	1		
32	4700904258	Spherical roller bearing	1		
33	4700923951	O-ring	1		
34	4700162011	Washer, 16.7x24x1.5 mm Type A M16	1		
35	4700232143	Plug, M16	1		
36	4700904228	Washer 6,4x12x1,5	3		
37	4700500044	Screw M6x8	3		
38	4700903287	Plug	3		
40	4700904230	Plain washer 10.5x22x2 mm	6		
41	4700500030	Screw hexagon	6		
42	4812124832	Drive disc	1		

Refer to Parts Online for the most up to date information. The printed information might be outdated.

Fri Jan 05 13:28:33 UTC 2018

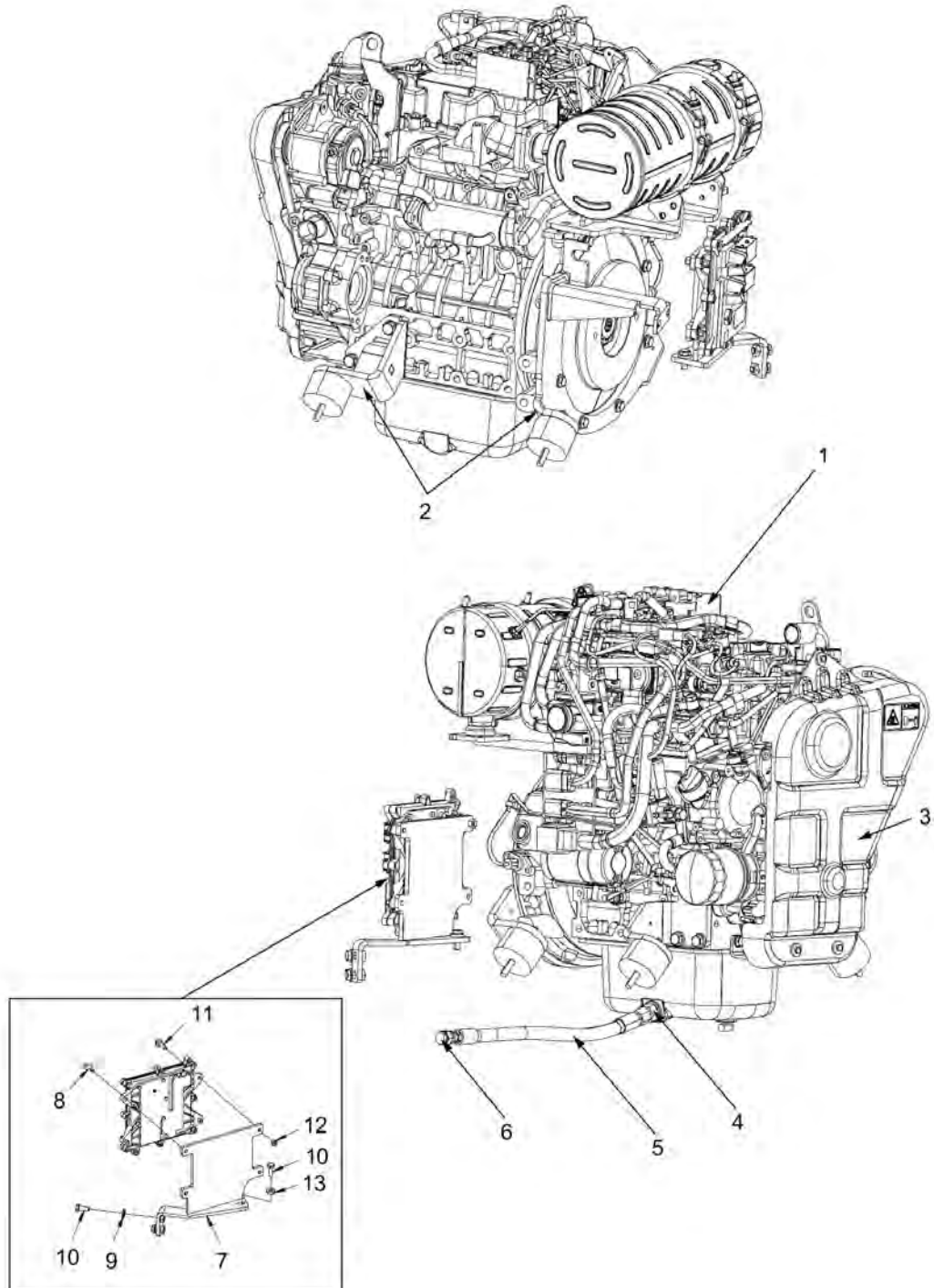


Refer to Parts Online for the most up to date information. The printed information might be outdated.

Fri Jan 05 13:28:33 UTC 2018

Item	Part No.	Name	Qty	L	SN INFO
43	4700391984	Shock absorber	6		
44	4812110346	Spacer	6		
45	4700904557	Washer, 10.5x22x4 mm 300 HV	12		
46	4812110663	Hexagon head screw M10x25H 10,9 A3K	12		
47	4700904231	Washer, 13x24x2 mm 300 HV	6		
48	4812125739	Screw	6		

Engine room Engine module



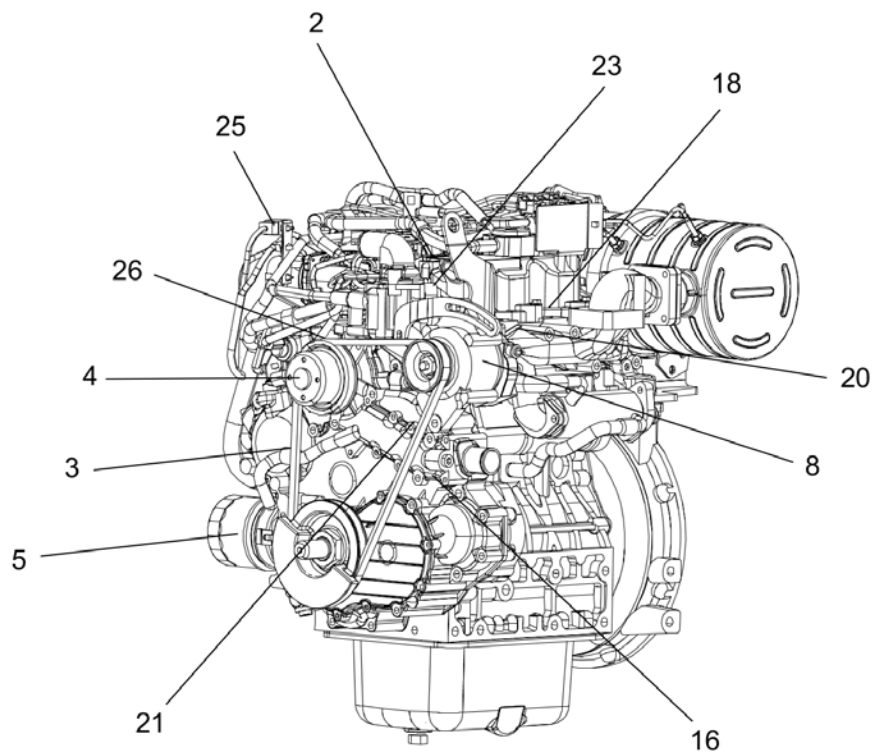
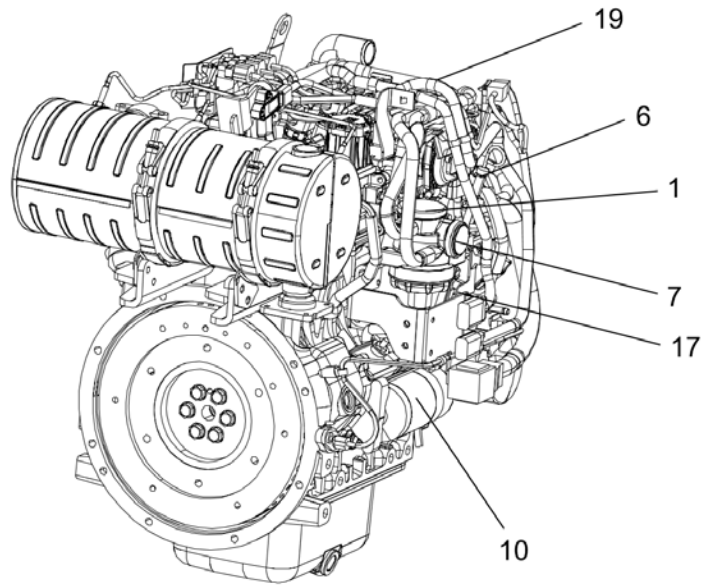
Refer to Parts Online for the most up to date information. The printed information might be outdated.

Fri Jan 05 13:28:33 UTC 2018

Item	Part No.	Name	Qty	L	SN INFO
1	4812124031	Diesel engine, Kuboat D1803-CR-TE4B (28 kW)	1		
2	-	Bracket module	1		
3	-	Belt guard module	1		
4	4700791635	Straight connector	1		
5	4812125854	Hydraulic hose	1		
6	4700791493	Steel plug threaded	1		
7	4812126939	Bracket	1		
8	4700500505	Screw, M8x20 mm 8.8 A2K	3		
9	4700904230	Plain washer 10.5x22x2 mm	2		
10	4700500028	Screw, M10 x 25 mm 8.8 A3K	3		
11	4700500506	Screw, M8x30 mm 8.8 A2K	1		
12	4700570005	Hexagon nut	1		
13	4700904557	Washer, 10.5x22x4 mm 300 HV	1		

Engine room 4812124031 Diesel engine D1803-CR-E4B - 28 kW

- 11
- 12
- 13
- 14
- 15
- 24



Refer to Parts Online for the most up to date information. The printed information might be outdated.

Fri Jan 05 13:28:34 UTC 2018

Item	Part No.	Name	Qty	L	SN INFO
0	4812124031	Diesel engine, Kuboat D1803-CR-TE4B (28 kW)	1		
1	4812160561	Supply pump	1		
2	4812156358	Oil cap	1		
2	4812156359	O-ring	1		
3	4812156260	V-belt	1		
4	-	Pulley, Fan	1		
5	4812160480	Engine oil filter element	1		
6	4812160567	Dip stick	1		
7	4812161192	Oil separator	1		
7	4812159478	Oil separator element	1		
8	4812160564	Alternator	1		
10	4812156354	Starter	1		
11	4812161672	Fuel filter element	1		
12	4812160565	Glow plug	3		
13	4812117690	Pre fuel filter, cpl.	1	A	
14	4812161673	Pre fuel filter element	1	A	
14	4812161562	Sensor, water in fuel	1		
15	4812161258	Thermostat	1		
15	4812161181	Gasket, thermostat	1		
15	4812161182	Gasket, flange water	1		
16	4812161178	Water pump	1		
16	4812161180	Gasket, water pump	1		
26	4812161179	Impeller	1		
17	4812160562	Fuel pump	1		
17	4812161174	O-ring	1		
18	4812156261	Valve cover gasket	1		
19	4812161176	Gasket, inlet manifold	1		
19	4812161177	Gasket, inlet flange	2		
20	4812161175	Gasket, exhaust manifold	1		
21	4812160566	Switch, oil	1		
Not Shown	-	Sensors	1		
23	4812161187	Sensor, water temp	1		
23	4812161188	O-ring	1		
24	4812161189	Sensor	1		
25	4812161190	Sensor	1		

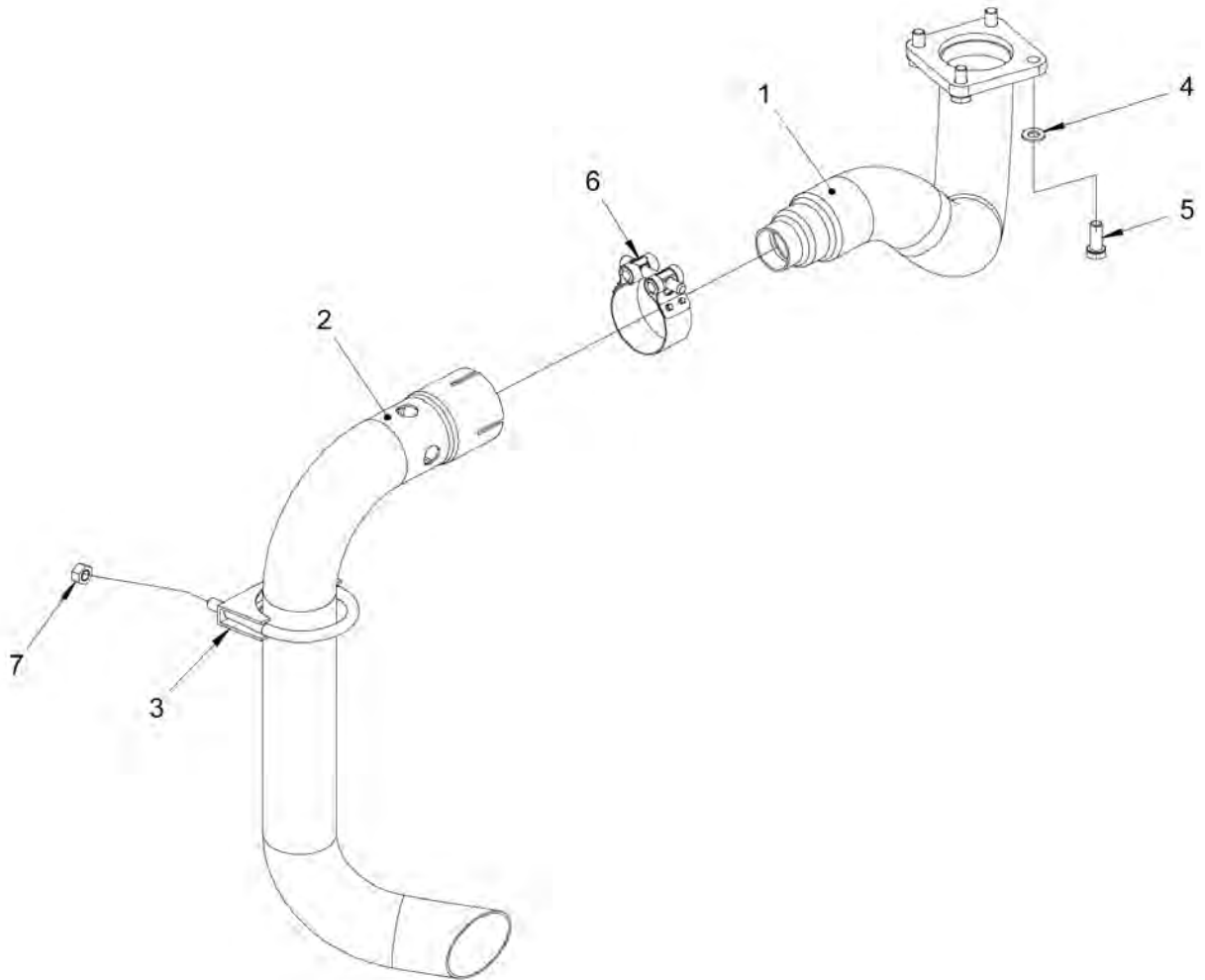
Comments for Page: 4812124031 Diesel engine D1803-CR-E4B - 28 kW

(L)OCAL REMARKS

A | en_US | Shown in section for Fuel system.

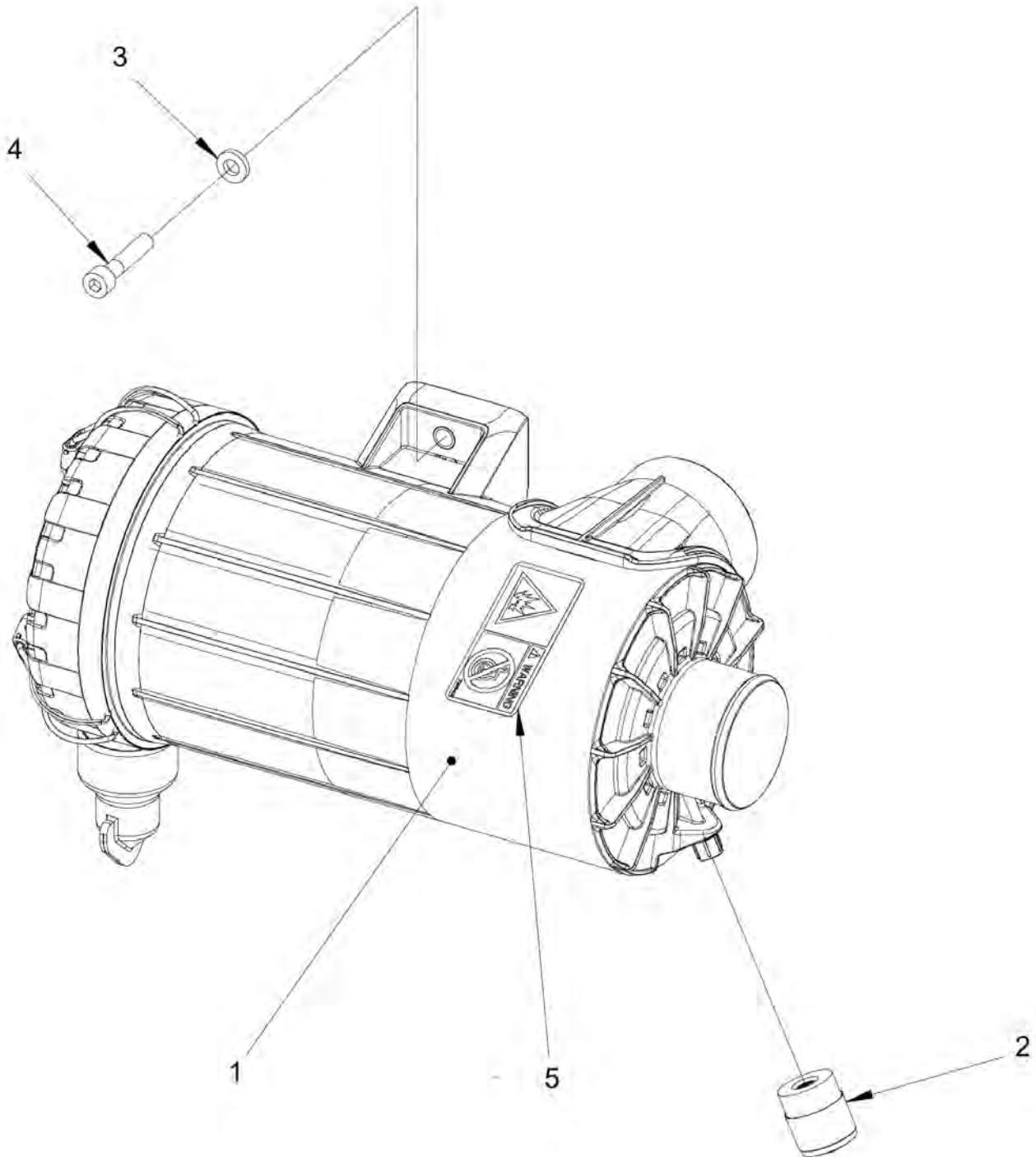
This page intentionally left blank

Engine room Exhaust system



Item	Part No.	Name	Qty	L	SN INFO
1	4812125255	Exhaust pipe	1		
2	4812125256	Exhaust pipe	1		
3	4700313036	Pipe clamp	1		
4	4700904229	Washer, 8.4x 6x1.5 mm 300HV	4		
5	4700500053	Screw, M8x20 mm 8.8 A2K	4		
6	4812124068	Clamp	1		
7	4700570005	Hexagon nut	2		

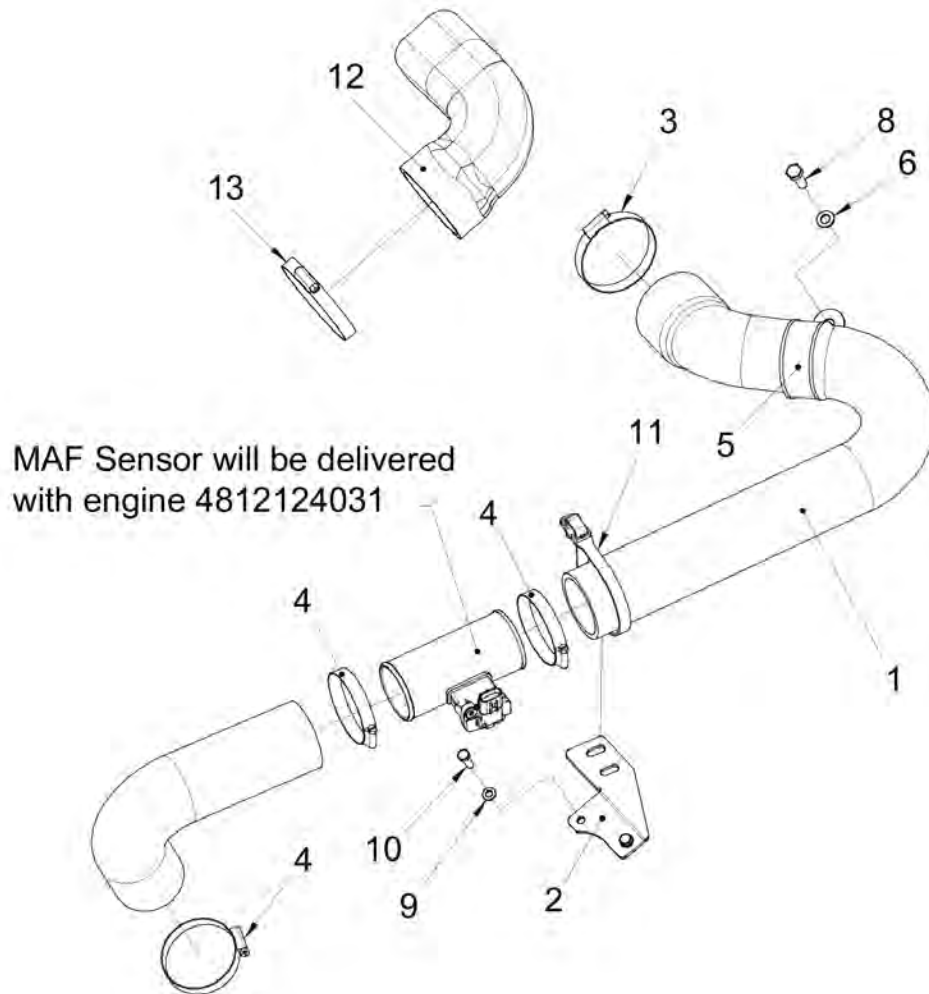
Engine room Air cleaner



Refer to Parts Online for the most up to date information. The printed information might be outdated.

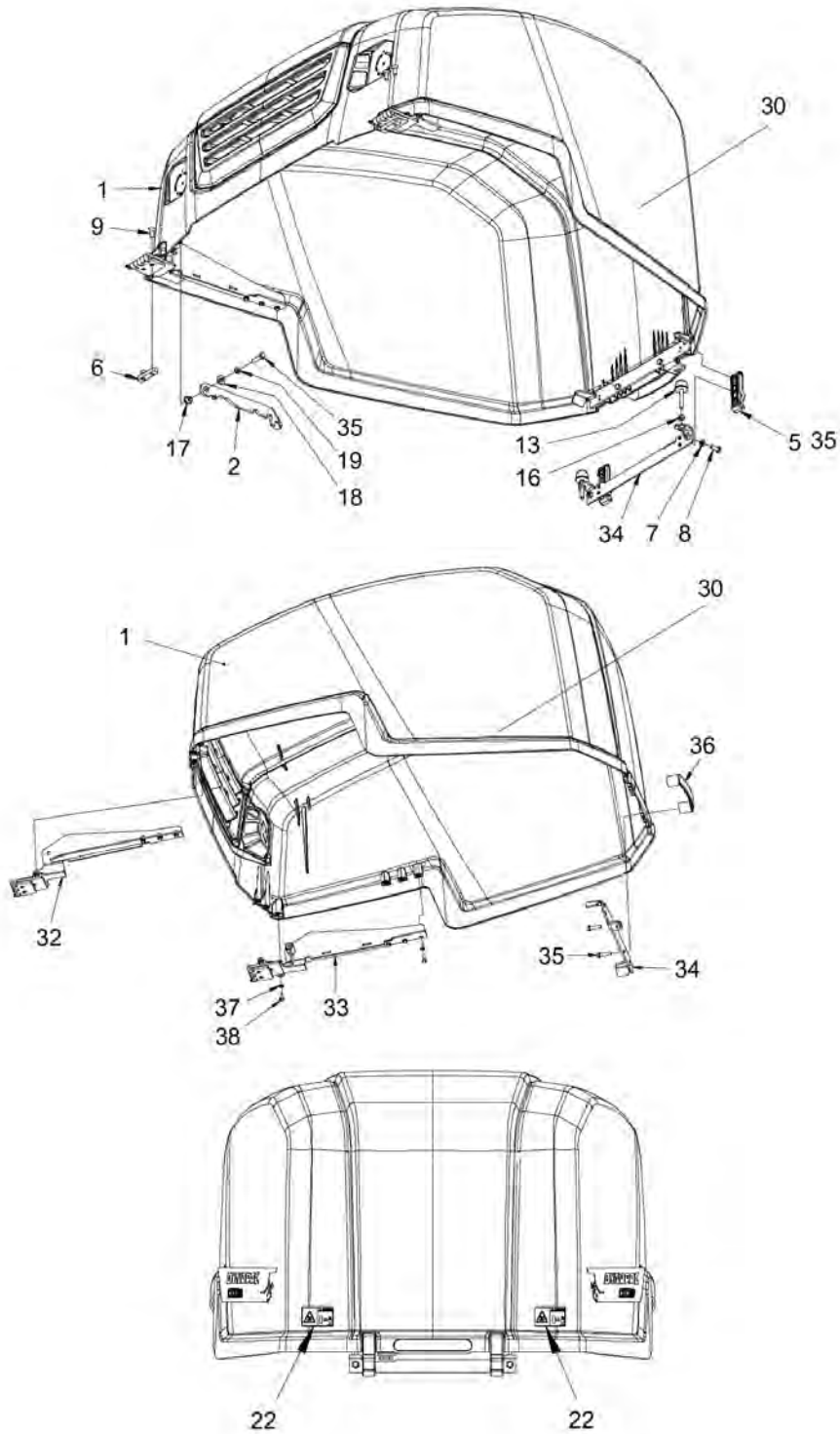
Fri Jan 05 13:28:35 UTC 2018

Item	Part No.	Name	Qty	L	SN INFO
1	4812125527	Air filter	1		
1	4812161586	Air filter, main	1		
1	4812161587	Air filter element, Safety	1		
2	4700499497	Indicator	1		
3	4700904556	Steel plain washer 8,4x16x3,0	2		
4	4700508056	Screw M8x40	2		
5	4700791642	Decal "WARNING" Use of starting fluid prohib.	1		

Engine room Air hose

Item	Part No.	Name	Qty	L	SN INFO
1	4812125520	Air hose	1		
2	4812125821	Bracket	1		
3	4700313023	Hose clamp	1		
4	4700313023	Hose clamp	3		
5	4700903703	Clamp	1		
6	4700904229	Washer, 8.4x 6x1.5 mm 300HV	1		
8	4700500021	Screw, M8x25 mm 8.8 A2K	1		
9	4700904228	Washer 6,4x12x1,5	2		
10	4700500040	Screw, M6x20 mm 8.8 A2K	2		
11	4812115835	Cable tie	1		
12	4812126945	Air hose	1		
13	4700313038	Hose clamp	1		

Engine room Engine hood, cpl.

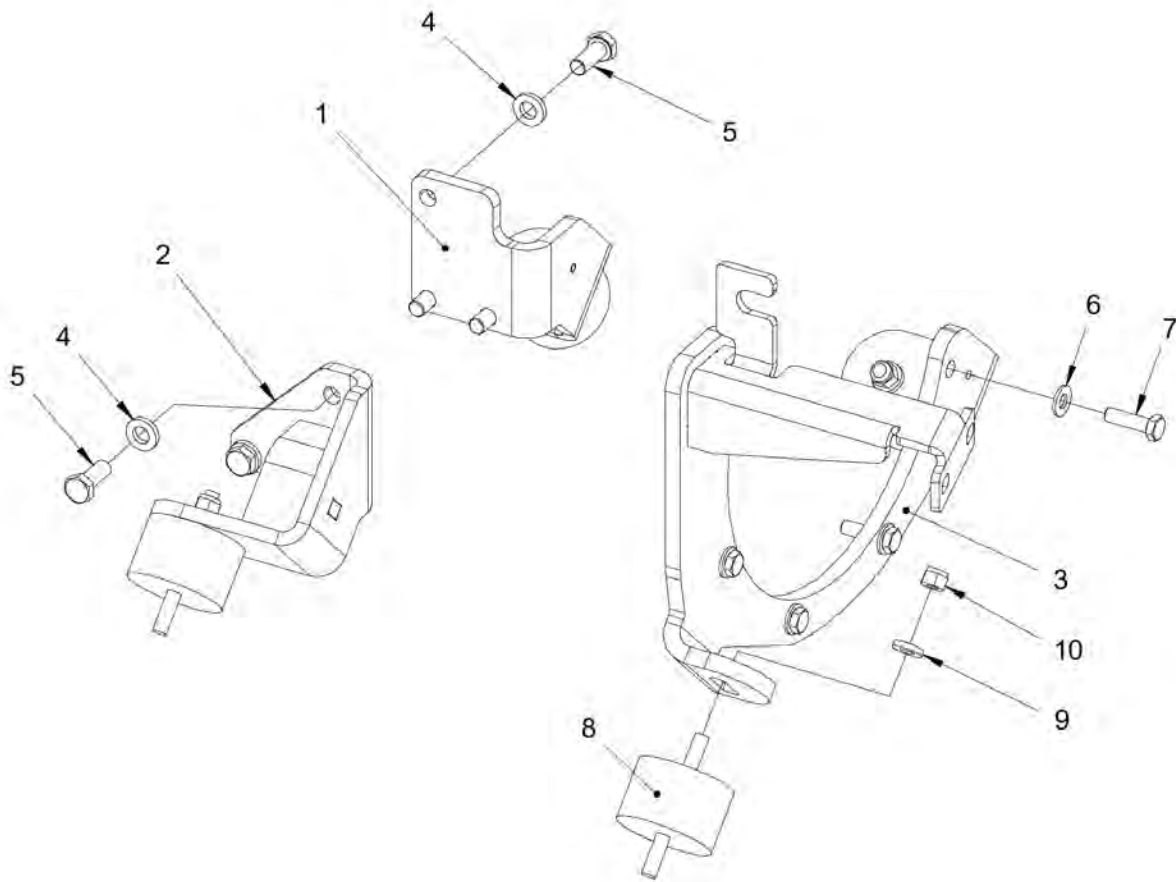


Refer to Parts Online for the most up to date information. The printed information might be outdated.

Fri Jan 05 13:28:35 UTC 2018

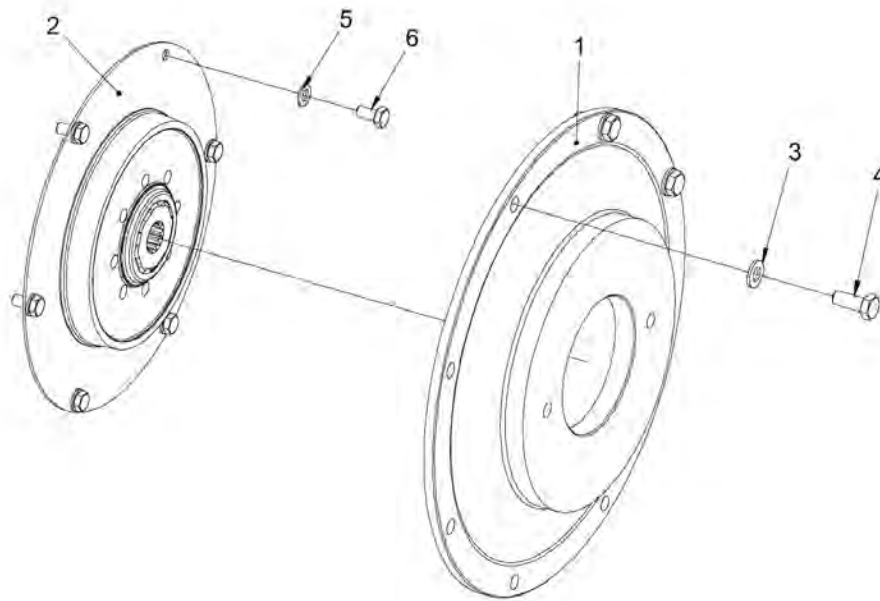
Item	Part No.	Name	Qty	L	SN INFO
1	4812127220	Engine hood	1		
2	4812126979	Lock	1		
4	4812125831	Bracket	1		
5	4700388846	Latch	2		
6	4812127078	Nut plate	2		
7	4700904556	Steel plain washer 8,4x16x3,0	2		
8	4700500053	Screw, M8x20 mm 8.8 A2K	2		
9	4700513003	Screw	4		
12	4812127254	Blind rivet	8		
13	4812114318	Shock absorber	2		
14	4812127039	Washer, 8.4x26x4 mm 300 HV	6		
16	4700570005	Hexagon nut	2		
17	4700791939	Bushing	1		
18	4700791938	Washer	1		
19	4700904229	Washer, 8.4x 6x1.5 mm 300HV	1		
22	4700903424	Safety label, hot surfaces	2		
30	-	Decal, model code	2		
31	4812125636	Engine hood	1		
32	4812127090	Hinge	1		
33	4812127091	Hinge	1		
34	4812125830	Bracket	1		
35	4700500022	Screw	3		
36	4700387948	Handle	1		
37	4700904228	Washer 6,4x12x1,5	12		
38	4700500185	Screw	12		

Engine room Bracket



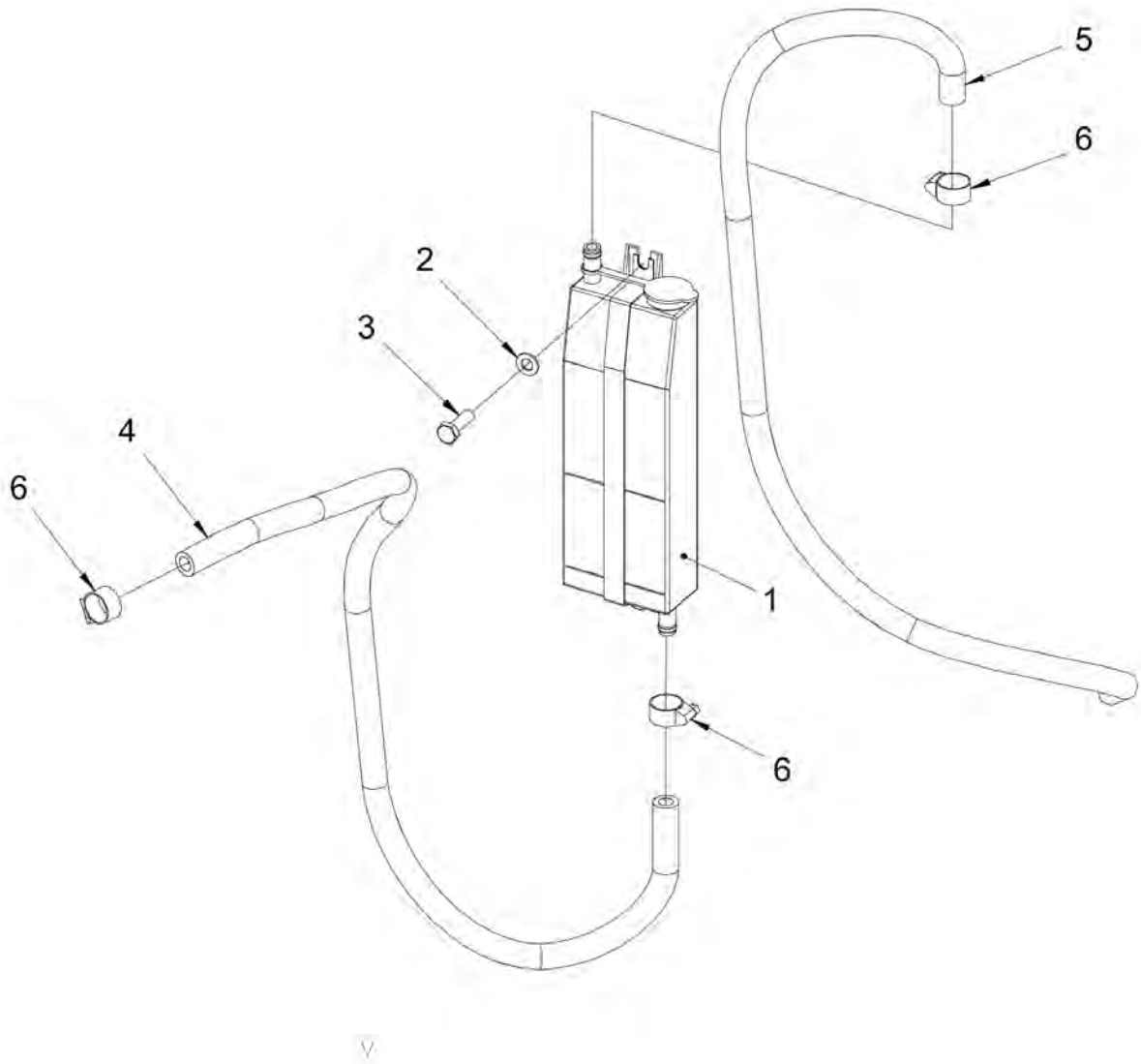
Item	Part No.	Name	Qty	L	SN INFO
1	4812125384	Bracket	1		
2	4812127327	Bracket	1		
3	4812125394	Bracket	1		
4	4700904703	Plain washer 13x24x4 mm	6		
5	4700792250	Screw	6		
6	4700904230	Plain washer 10.5x22x2 mm	5		
7	4700500030	Screw hexagon	5		
8	4812125630	Shock absorber	4		
9	4700904557	Washer, 10.5x22x4 mm 300 HV	4		
10	4700586018	Lock nut M10	4		

Engine room Coupling



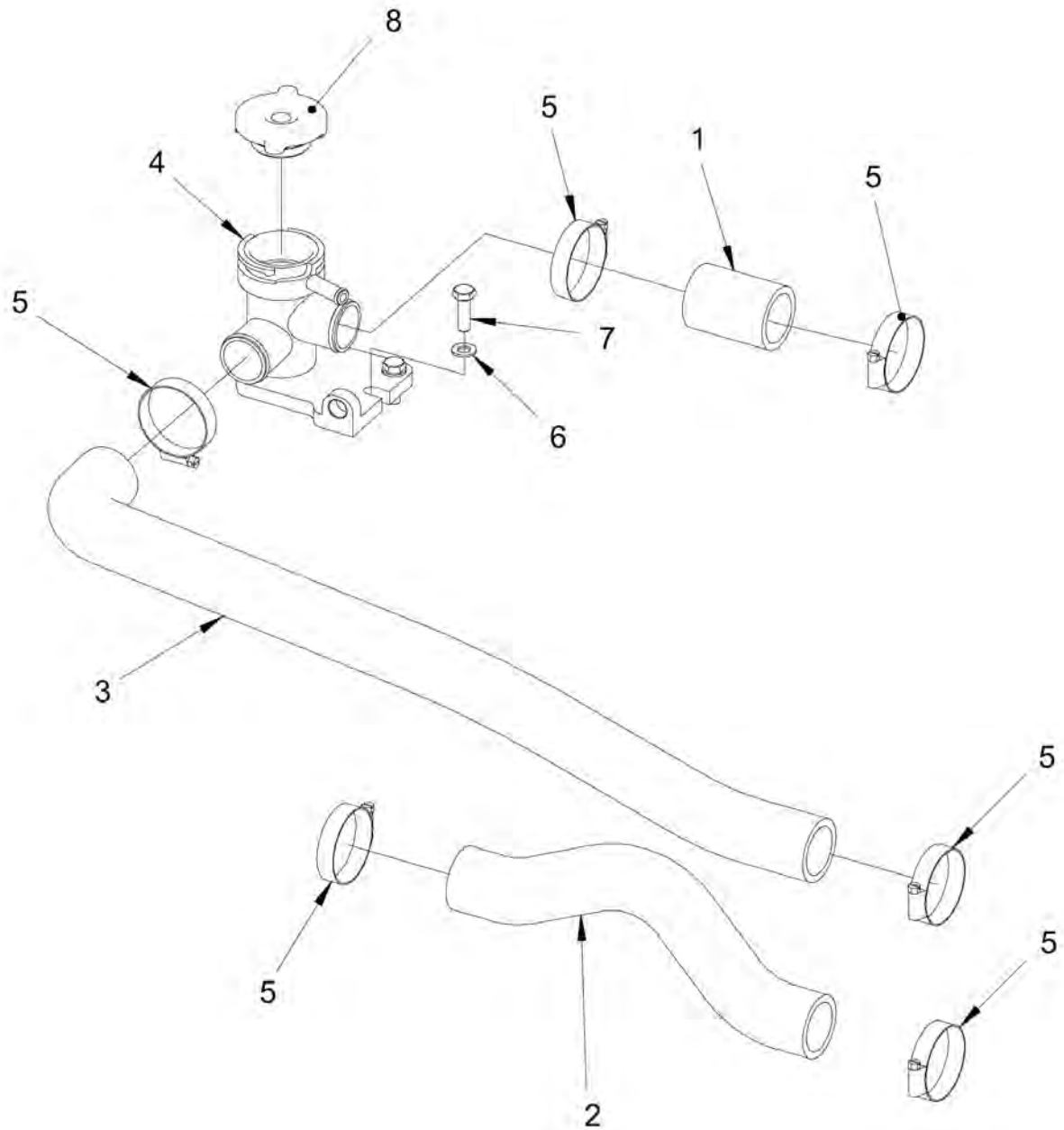
Item	Part No.	Name	Qty	L	SN INFO
1	4812122554	Coupling	1		
2	4812125794	Bracket	1		
3	4812122654	Steel plain washer	3		
4	4700500028	Screw, M10 x 25 mm 8.8 A3K	3		
5	4700904229	Washer, 8.4x 6x1.5 mm 300HV	6		
6	4700500019	Hexagon screw	6		

Engine room Expansion tank



Item	Part No.	Name	Qty	L	SN INFO
1	4812125796	Expansion tank	1		
2	4700904229	Washer, 8.4x 6x1.5 mm 300HV	2		
3	4700500021	Screw, M8x25 mm 8.8 A2K	2		
4	4812122244	Coolant hose	1		
5	4812122244	Coolant hose	0,9		
6	4700313003	Hose clamp	3		

Engine room Coolant hose module

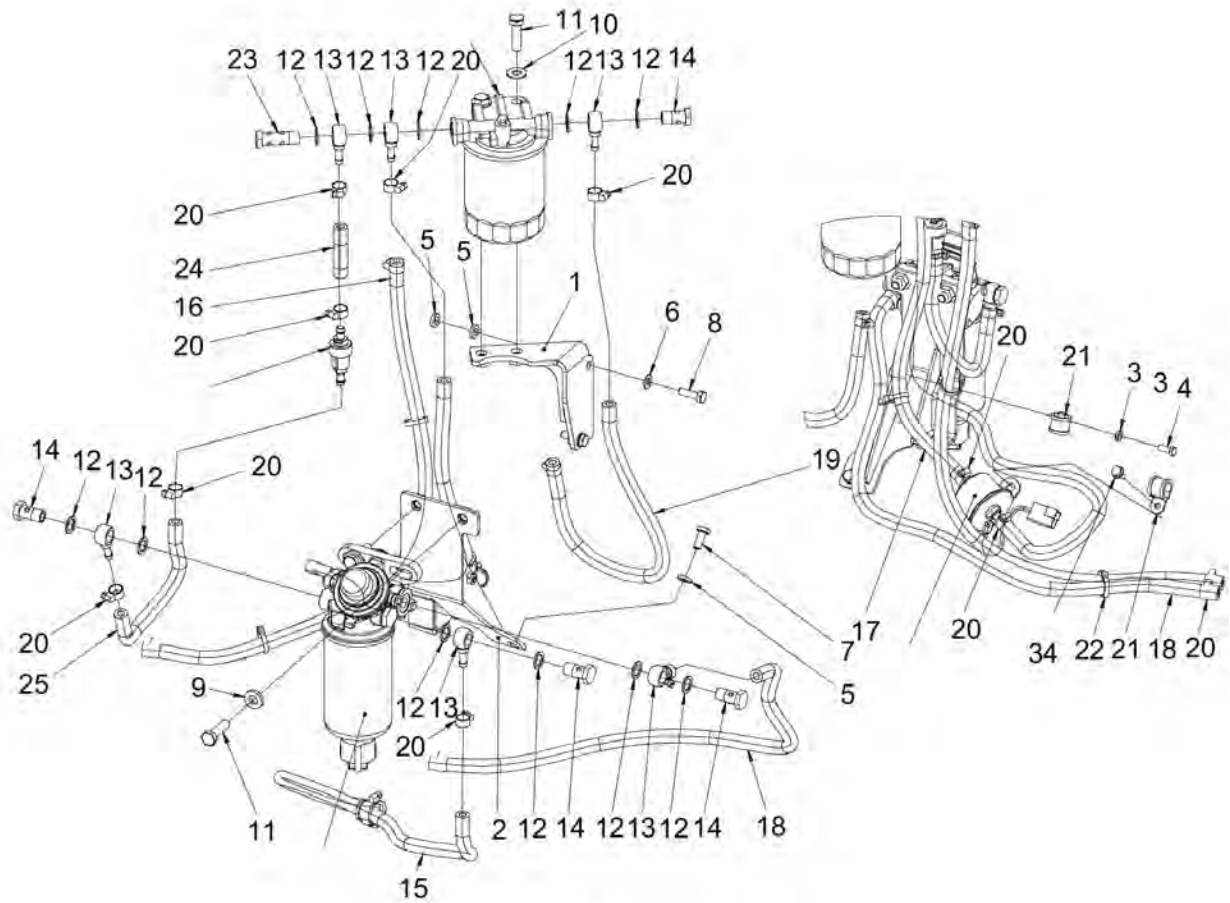


Refer to Parts Online for the most up to date information. The printed information might be outdated.

Fri Jan 05 13:28:37 UTC 2018

Item	Part No.	Name	Qty	L	SN INFO
1	4812125526	Cooler hose	1		
2	4812125516	Cooler hose	1		
3	4812125517	Cooler hose	1		
4	4812125661	Filling pipe	1		
5	4700313007	Hose clamp	6		
6	4700904229	Washer, 8.4x 6x1.5 mm 300HV	2		
7	4700500021	Screw, M8x25 mm 8.8 A2K	2		
8	4812125508	Cap	1		

Engine room Fuel hoses

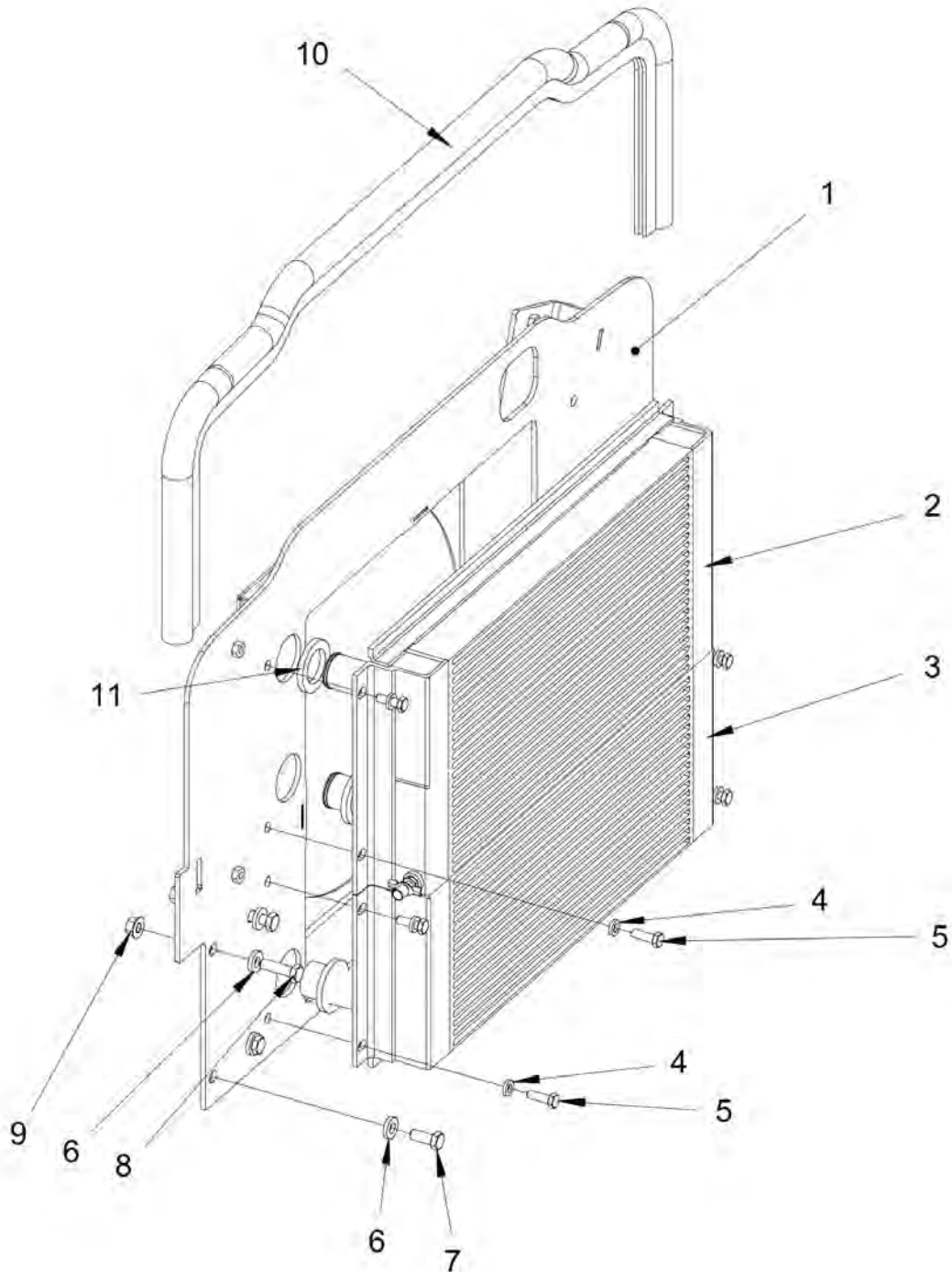


Refer to Parts Online for the most up to date information. The printed information might be outdated.

Fri Jan 05 13:28:37 UTC 2018

Item	Part No.	Name	Qty	L	SN INFO
1	4812125586	Bracket	1		
2	4812125585	Bracket	1		
3	4700603010	Washer 6,4x12x3	1		
4	4700500013	Screw, M6x16 mm 8.8 A2K	1		
5	4700904556	Steel plain washer 8,4x16x3,0	6		
6	4700904229	Washer, 8.4x 6x1.5 mm 300HV	2		
7	4700500053	Screw, M8x20 mm 8.8 A2K	2		
8	4700500021	Screw, M8x25 mm 8.8 A2K	2		
9	4700904557	Washer, 10.5x22x4 mm 300 HV	2		
10	4700904230	Plain washer 10.5x22x2 mm	2		
11	4700500030	Screw hexagon	4		
12	4700747282	Copper washer	11		
13	4700901121	Banjo nipple	6		
14	4700330171	Hollow screw, M14	4		
15	4700904984	Fuel hose	0,61 M		
16	4700904984	Fuel hose	0,74 M		
17	4700904984	Fuel hose	0,42 M		
18	4700904984	Fuel hose	0,7 M		
19	4700904984	Fuel hose	0,52 M		
20	4700313108	Hose clamp	14		
21	4700921078	Clamp	2		
22	4700313041	Cable ties, L=200 mm	N		
26	4812117689	Fuel pump	1		
27	4812117690	Pre fuel filter, cpl.	1		
23	4812127370	Hollow screw, M14	1		
24	4700904984	Fuel hose	0,07 M		
25	4700904984	Fuel hose	0,26 M		
34	4700541703	Thread forming screw	2		

Engine room Cooler

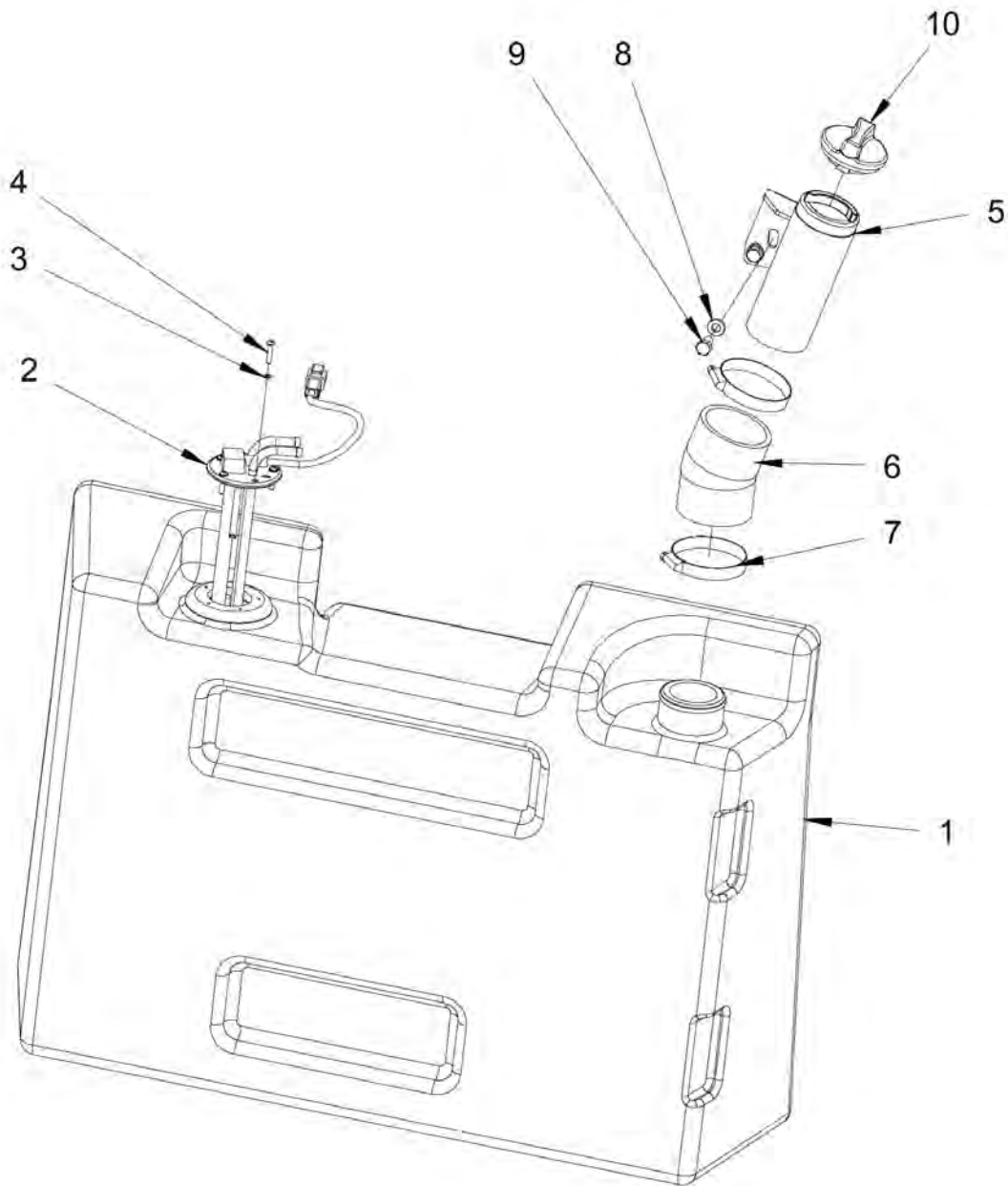


Refer to Parts Online for the most up to date information. The printed information might be outdated.

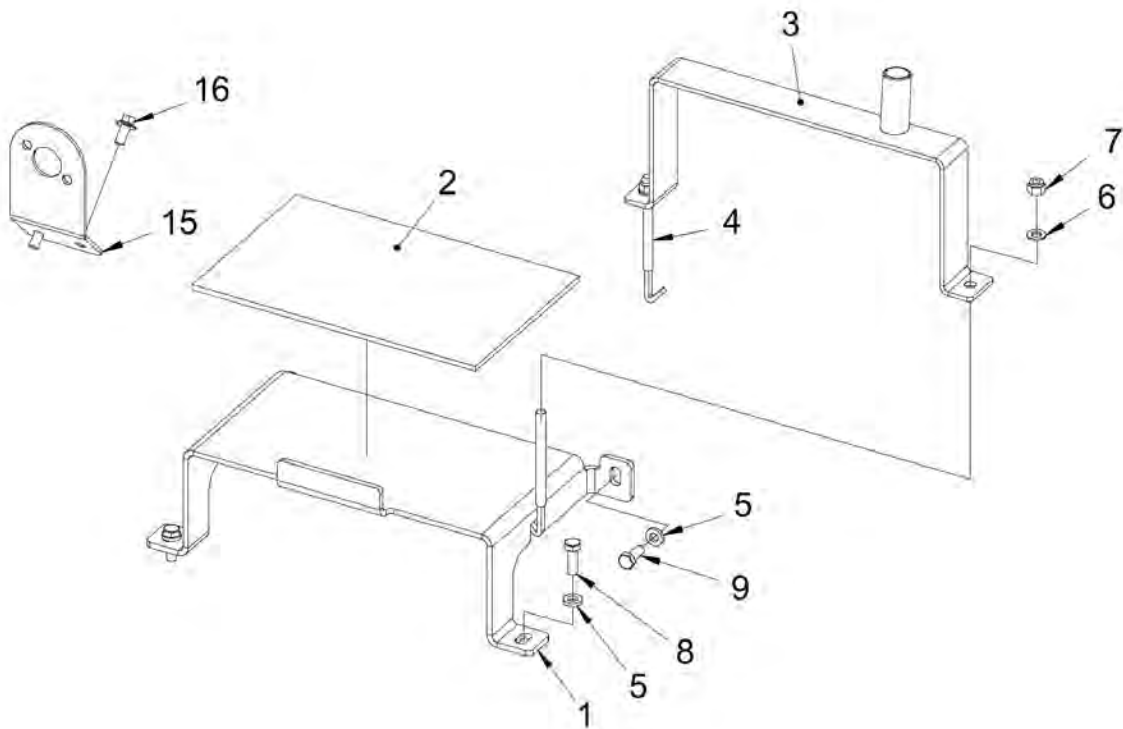
Fri Jan 05 13:28:38 UTC 2018

Item	Part No.	Name	Qty	L	SN INFO
1	4812125397	Fan shroud	1		
2	4812126898	Water cooler	1		
3	4812126899	Hydraulic oil cooler	1		
4	4700904556	Steel plain washer 8,4x16x3,0	8		
5	4700500021	Screw, M8x25 mm 8.8 A2K	8		
6	4700904557	Washer, 10.5x22x4 mm 300 HV	8		
7	4700500028	Screw, M10 x 25 mm 8.8 A3K	6		
8	4700500030	Screw hexagon	2		
9	4700792817	Hexagon nut with flange	2		
10	4812127643	Sealing strip	1,32 5 M		
11	4812126953	Insulation	4		

Engine room Fuel tank



Item	Part No.	Name	Qty	L	SN INFO
1	4812125018	Fuel tank	1		
2	4700378574	Level sender	1		
3	4700904698	Plain washer	5		
4	4700903236	Screw, Thread rolling K40x20	5		
5	4812125657	Bracket	1		
6	4812125587	Hose	1		
7	4700313023	Hose clamp	2		
8	4700904556	Steel plain washer 8,4x16x3,0	2		
9	4700500019	Hexagon screw	2		
10	4812125710	Cap	1		

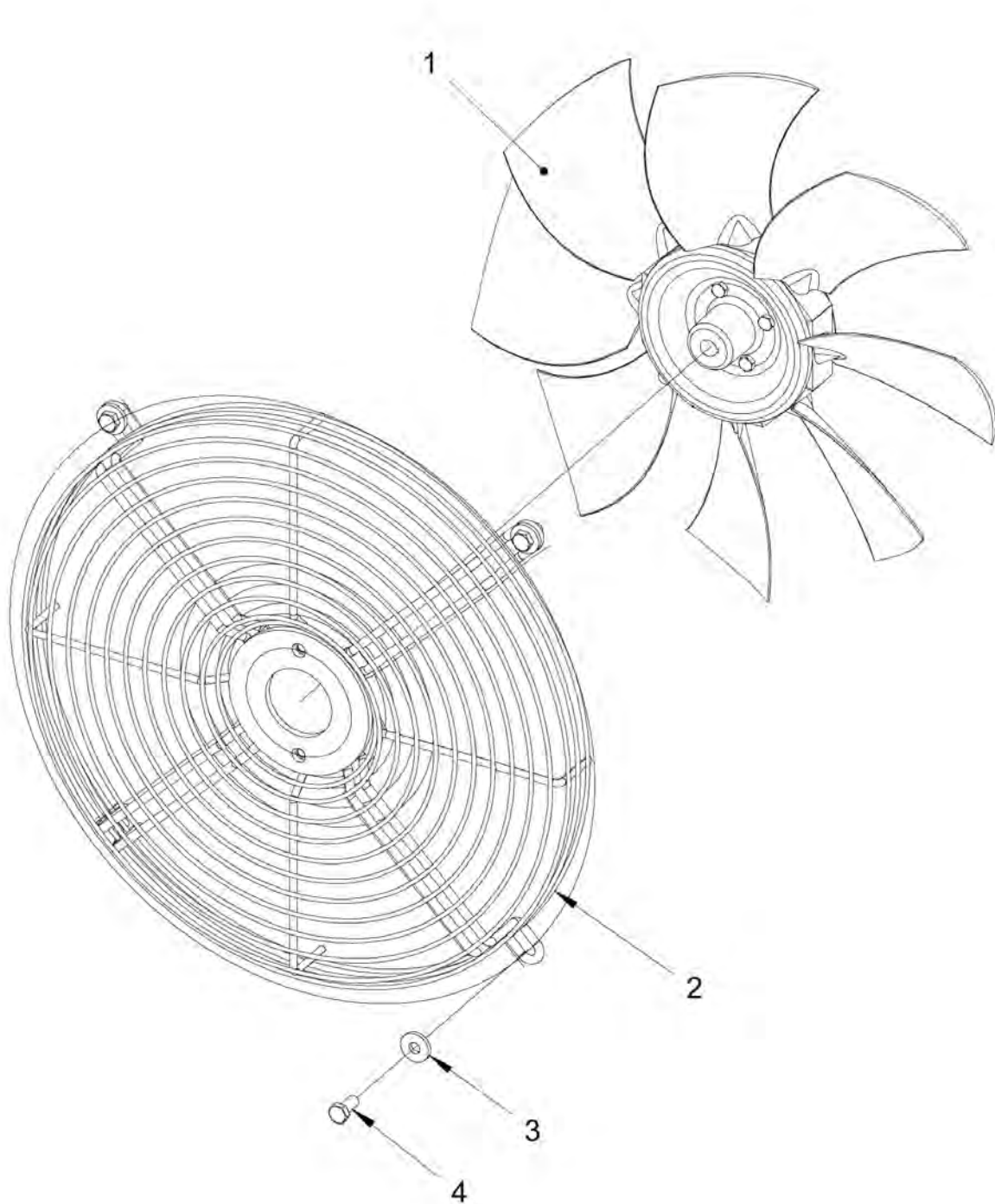
Engine room Battery holder

Refer to Parts Online for the most up to date information. The printed information might be outdated.

Fri Jan 05 13:28:38 UTC 2018

Item	Part No.	Name	Qty	L	SN INFO
1	4812126956	Bracket	1		
2	4812124988	Rubber cloth	1		
3	4812125704	Bracket	1		
4	4700379064	Screw, M8	2		
5	4700904556	Steel plain washer 8,4x16x3,0	3		
6	4700904229	Washer, 8.4x 6x1.5 mm 300HV	2		
7	4700586003	Lock nut M8	2		
8	4700500021	Screw, M8x25 mm 8.8 A2K	2		
9	4700500053	Screw, M8x20 mm 8.8 A2K	1		
15	4812126940	Bracket	1		
16	4700901832	Screw, M08x16, 8.8	2		

Engine room Fan

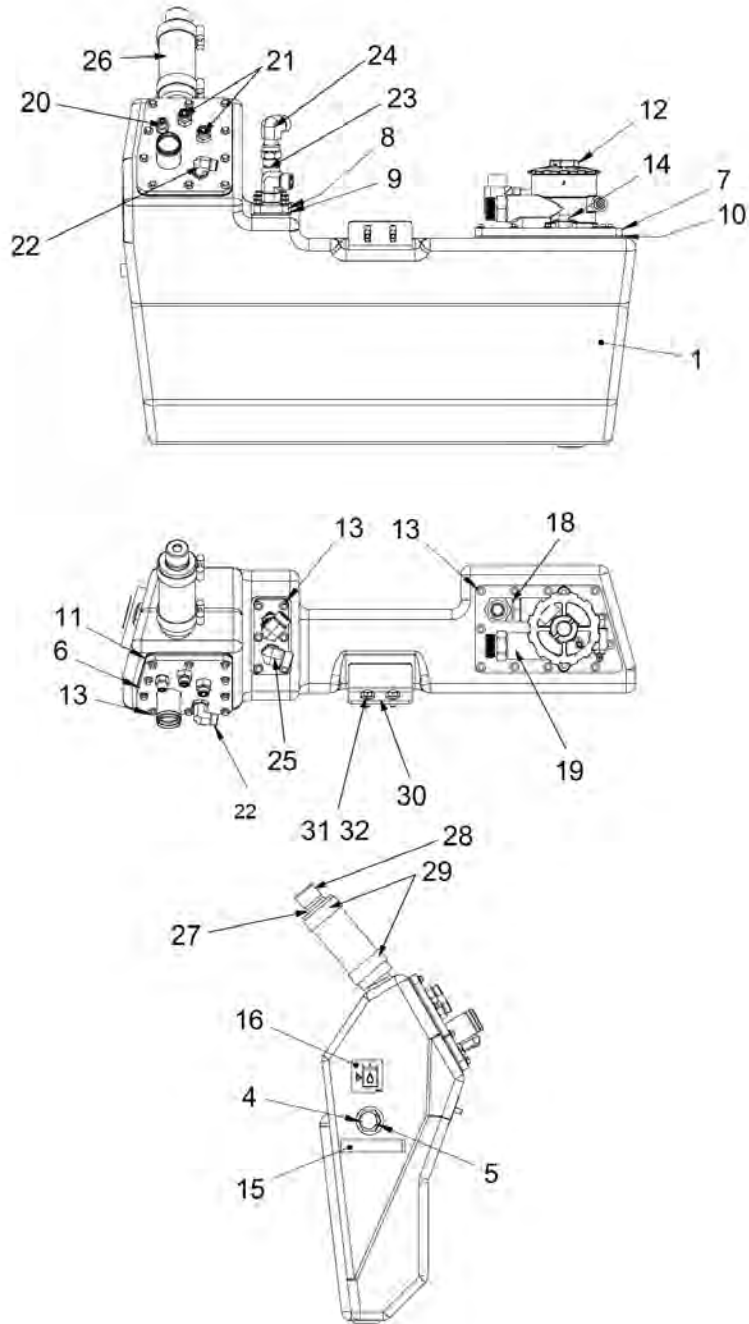


Refer to Parts Online for the most up to date information. The printed information might be outdated.

Fri Jan 05 13:28:39 UTC 2018

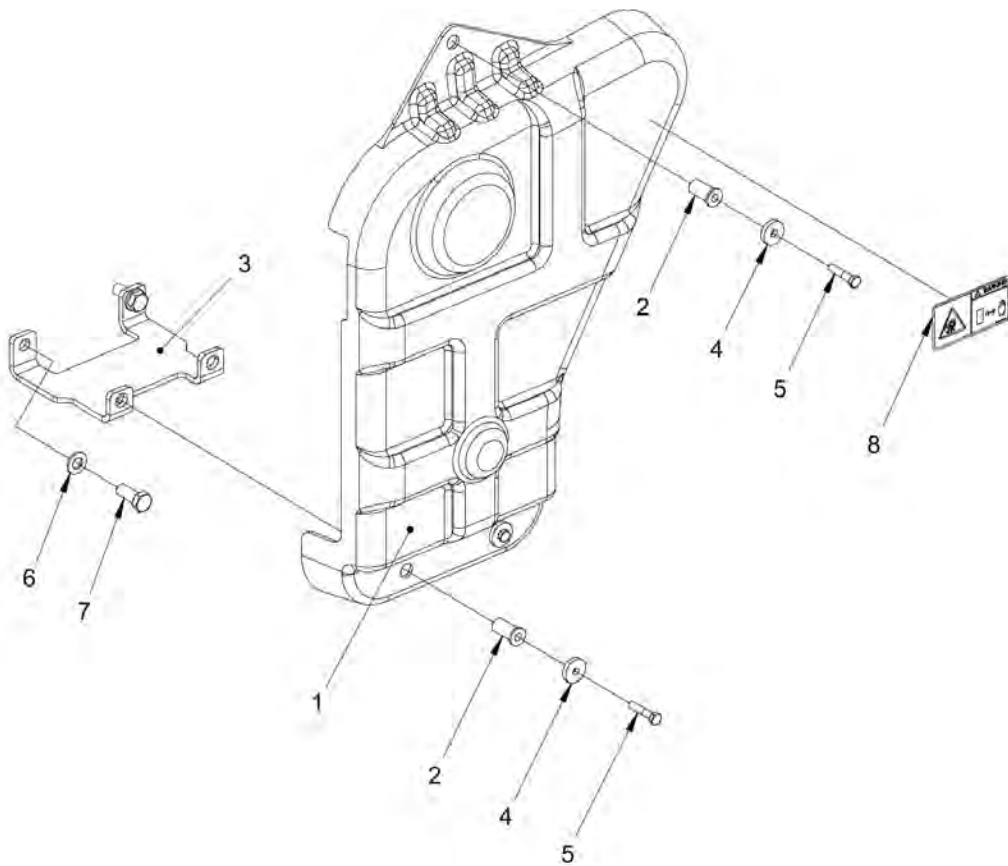
Item	Part No.	Name	Qty	L	SN INFO
1	4812125655	Fan	1		
2	4812125641	Fan protection	1		
3	4700904640	Washer, 8.4x22x3 mm 300HV	4		
4	4700500100	Hexagon screw	4		

Engine room Hydraulic oil tank

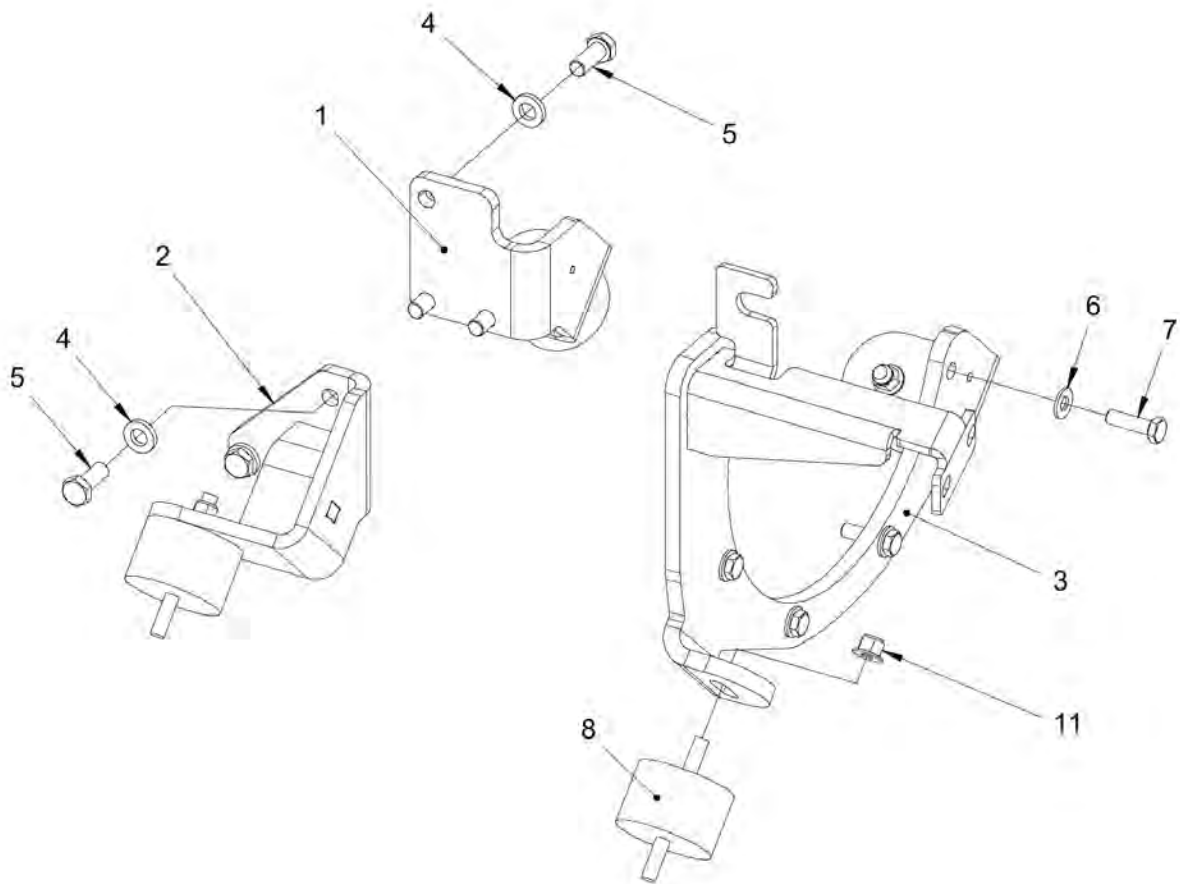


Item	Part No.	Name	Qty	L	SN INFO
1	4812125476	Hydarulic oil tank	1		
4	4700813443	O-ring	1		
5	4700791395	Sight plug	1		
6	4812125477	Lid	1		
7	4812125478	Lid	1		
8	4812125651	Lid	1		
9	4812125652	Gasket	1		
10	4812125479	Gasket	1		
11	4812125480	Gasket	1		
12	4812113327	Hydraulic oil filter, cpl.	1		
12	4812113328	Hydraulic oil filter element	1		
13	4700500501	Screw M6x20	27		
14	4700508028	Screw, M10x20H	2		
15	4700202041	Rubber strip	0,1 M		
16	4700272373	Label, hydraulic oil level	1		
18	4700791698	Connector elbow 90 ORFS	1		
19	4700792338	Adapter	1		
20	4700791914	Adapter	1		
21	4700791828	Adapter	2		
22	4700791840	Adapter	1		
23	4700791821	Straight connector orfs	1		
24	4700904766	Elbow connector 90°	1		
25	4700791843	Elbow 90, O-ring with swivel	1		
26	4812119321	Hydraulic hose	1		
27	4700357139	Connector	1		
28	4700357138	Ventilating filter	1		
29	4700313126	Clamp	2		
30	4812125676	Bracket	1		
31	4700904640	Washer, 8.4x22x3 mm 300HV	2		
32	4700500053	Screw, M8x20 mm 8.8 A2K	2		

Engine room Belt guard



Item	Part No.	Name	Qty	L	SN INFO
1	4812125400	Belt guard	1		
2	4812125875	Nut	3		
3	4812125446	Bracket	1		
4	4700904735	Steel plain washer	3		
5	4700500015	Hex. screw	3		
6	4812122654	Steel plain washer	2		
7	0147195903	Screw DIN961	2		
8	4700903423	Safety label, Rotating engine components	1		

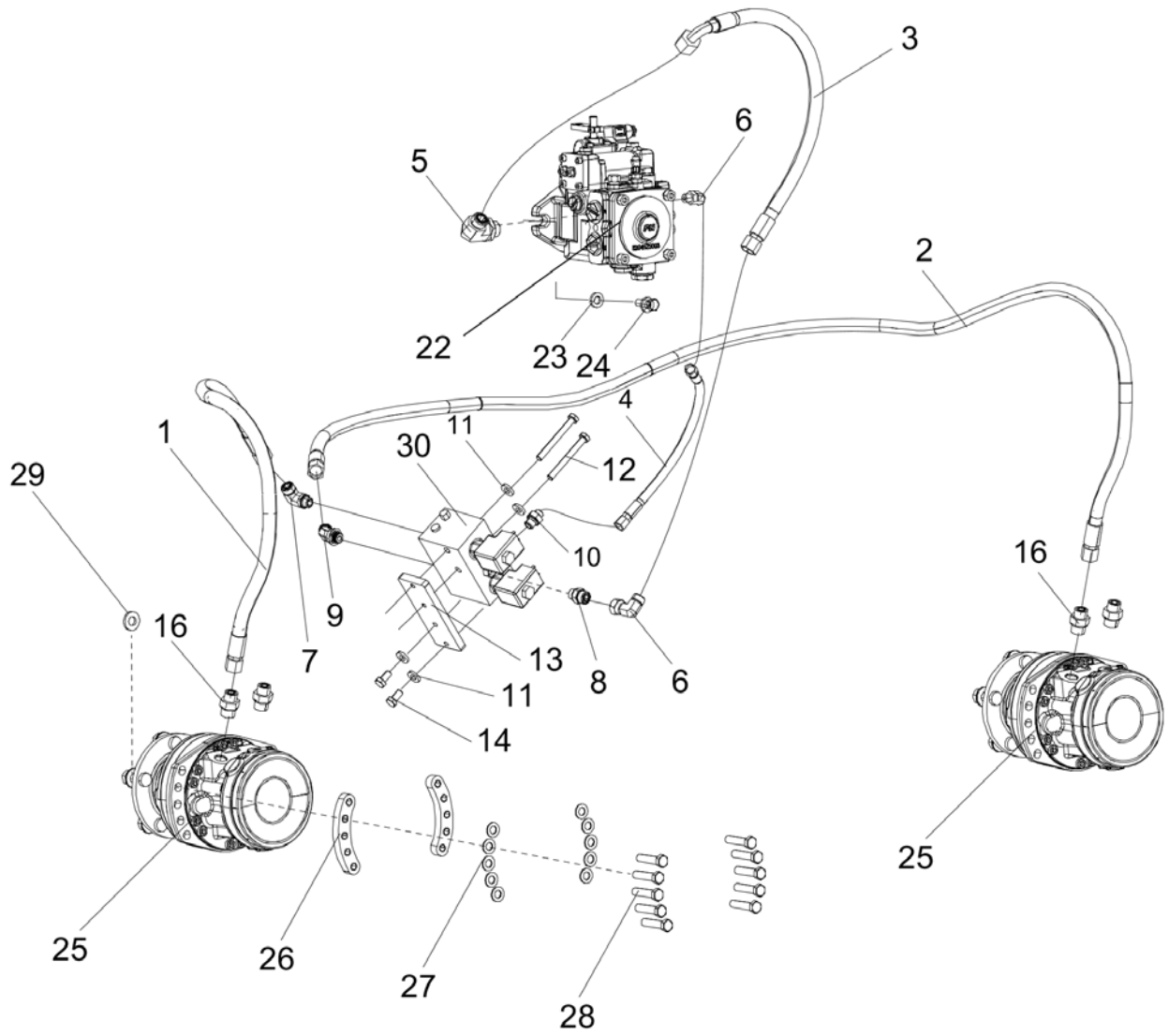
Engine room Bracket module

Refer to Parts Online for the most up to date information. The printed information might be outdated.

Fri Jan 05 13:28:40 UTC 2018

Item	Part No.	Name	Qty	L	SN INFO
1	4812125384	Bracket	1		
2	4812127327	Bracket	1		
3	4812125394	Bracket	1		
4	4700904703	Plain washer 13x24x4 mm	6		
5	4700792250	Screw	6		
6	4700904230	Plain washer 10.5x22x2 mm	5		
7	4700500030	Screw hexagon	5		
8	4812125630	Shock absorber	4		
11	4700902287	Nut, M10	4		

Hydraulic system Flow divider

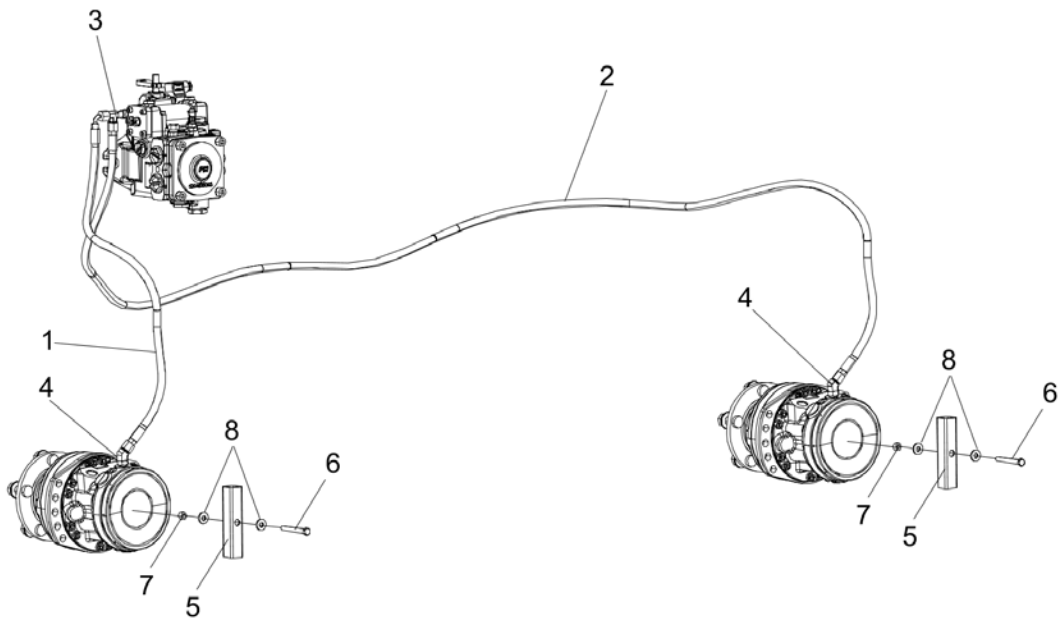


Refer to Parts Online for the most up to date information. The printed information might be outdated.

Fri Jan 05 13:28:40 UTC 2018

Item	Part No.	Name	Qty	L	SN INFO
1	4812125724	Hydraulic hose	1		
2	4812125725	Hydraulic hose	1		
3	4812125726	Hydraulic hose	1		
4	4812125727	Hydraulic hose	1		
5	4700792068	Elbow 90°	1		
6	4700791415	Elbow 45, O-ring	2		
7	4700791845	Elbow 90, O-ring with swivel	1		
8	4700904727	Adapter	1		
9	4812122719	Elbow 45	1		
10	4700791452	Lock handle	1		
11	4700904557	Washer, 10.5x22x4 mm 300 HV	4		
12	4700500077	Hexagon head screw M10x90	2		
13	4812125470	Bracket	1		
14	4700500048	Screw, M10x20 mm 8.8 A3K	2		
16	4700791410	Straight o-ring connector	4		
22	4812126969	Hydraulic pump	1		
23	4700904703	Plain washer 13x24x4 mm	2		
24	4700500037	Hex. screw	2		
25	4812120558	Hydraulic motor	2		
26	4812110490	Holder	2		
27	4700904231	Washer, 13x24x2 mm 300 HV	10		
28	4700925519	Screw M12x55 10.9 GEOMET	10		
29	4700904214	Washer 15x30x4 300 HV	5		
30	4700358003	Flow divider	1		

Hydraulic system Brake system

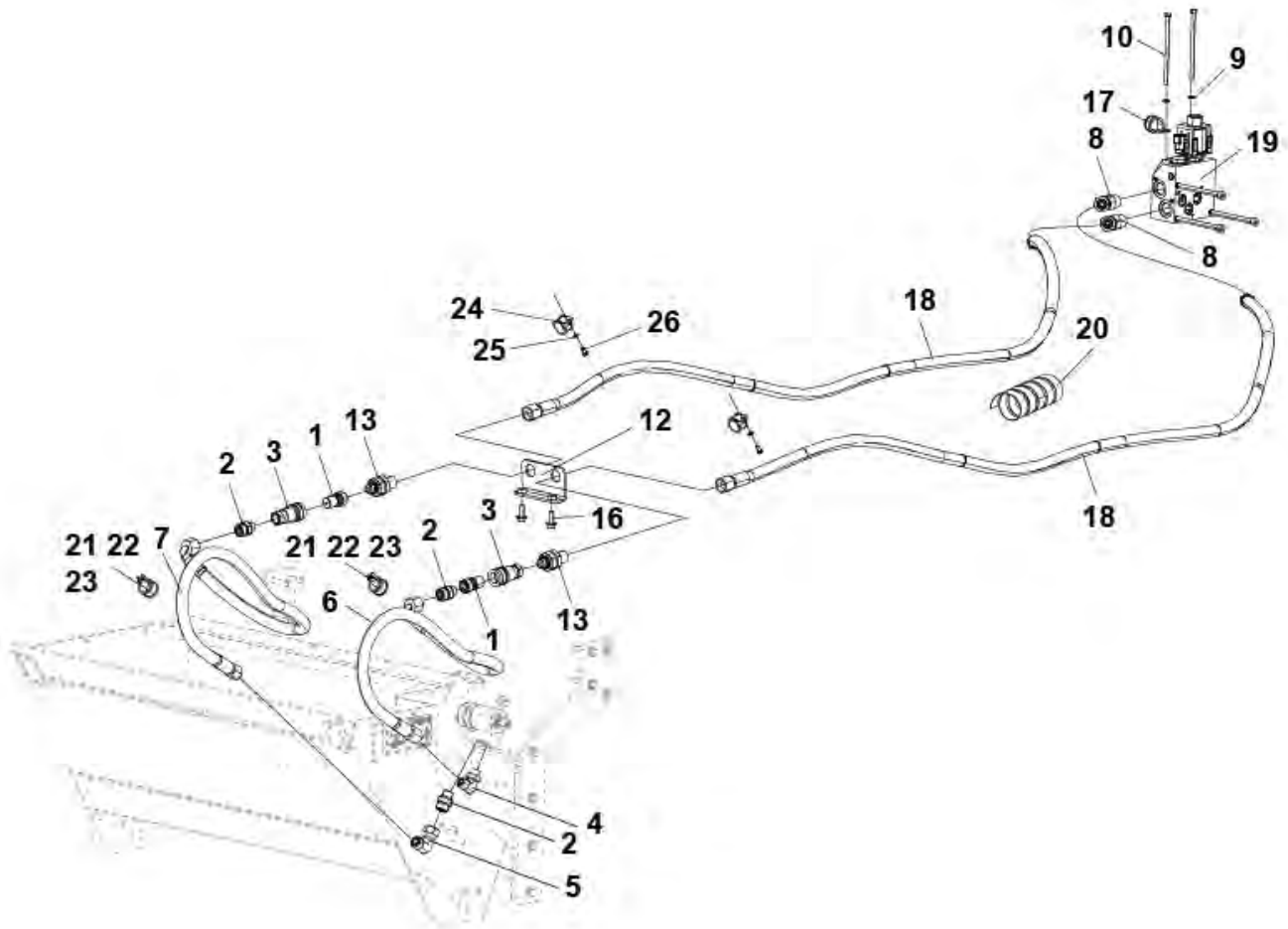


Refer to Parts Online for the most up to date information. The printed information might be outdated.

Fri Jan 05 13:28:41 UTC 2018

Item	Part No.	Name	Qty	L	SN INFO
1	4812125763	Hydraulic hose	1		
2	4812125764	Hydraulic hose	1		
3	4812121239	T-Connector	1		
4	4812116050	Adapter	2		
5	4700357892	Stirrup	2		
6	4700792550	Screw M12x100 10.9	2		
7	4700928849	Nut	2		
8	4700904213	Steel Plain Washer	4		

Hydraulic system Chip spreader (option)

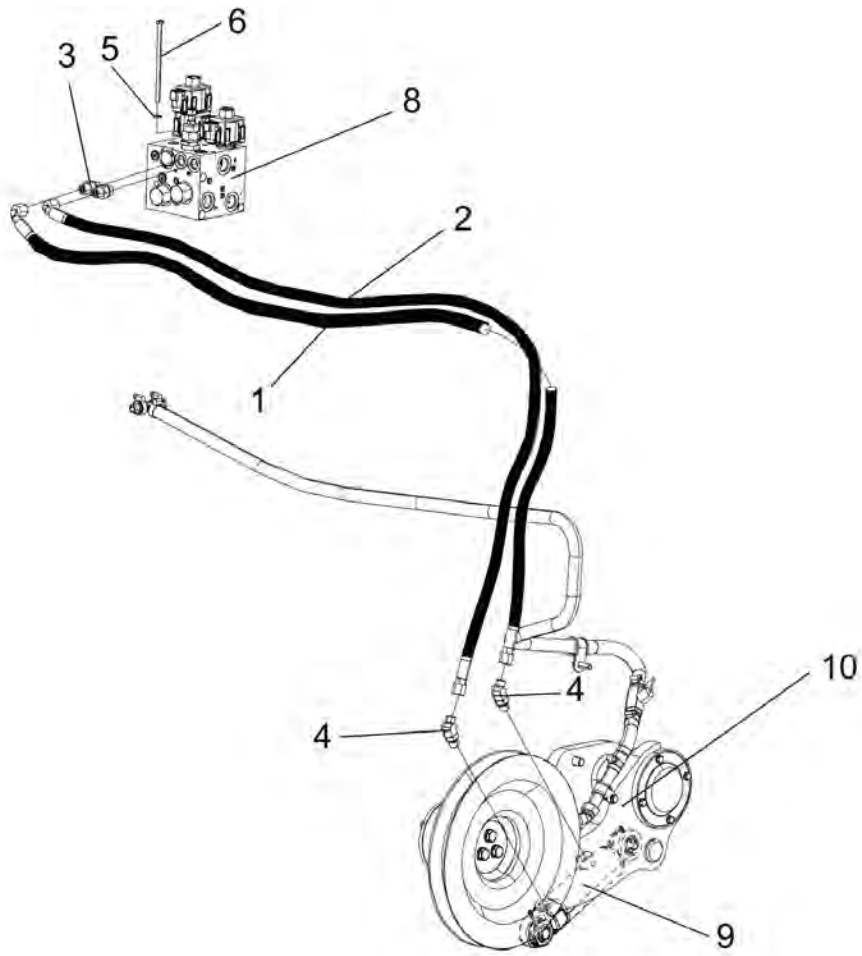


Refer to Parts Online for the most up to date information. The printed information might be outdated.

Fri Jan 05 13:28:41 UTC 2018

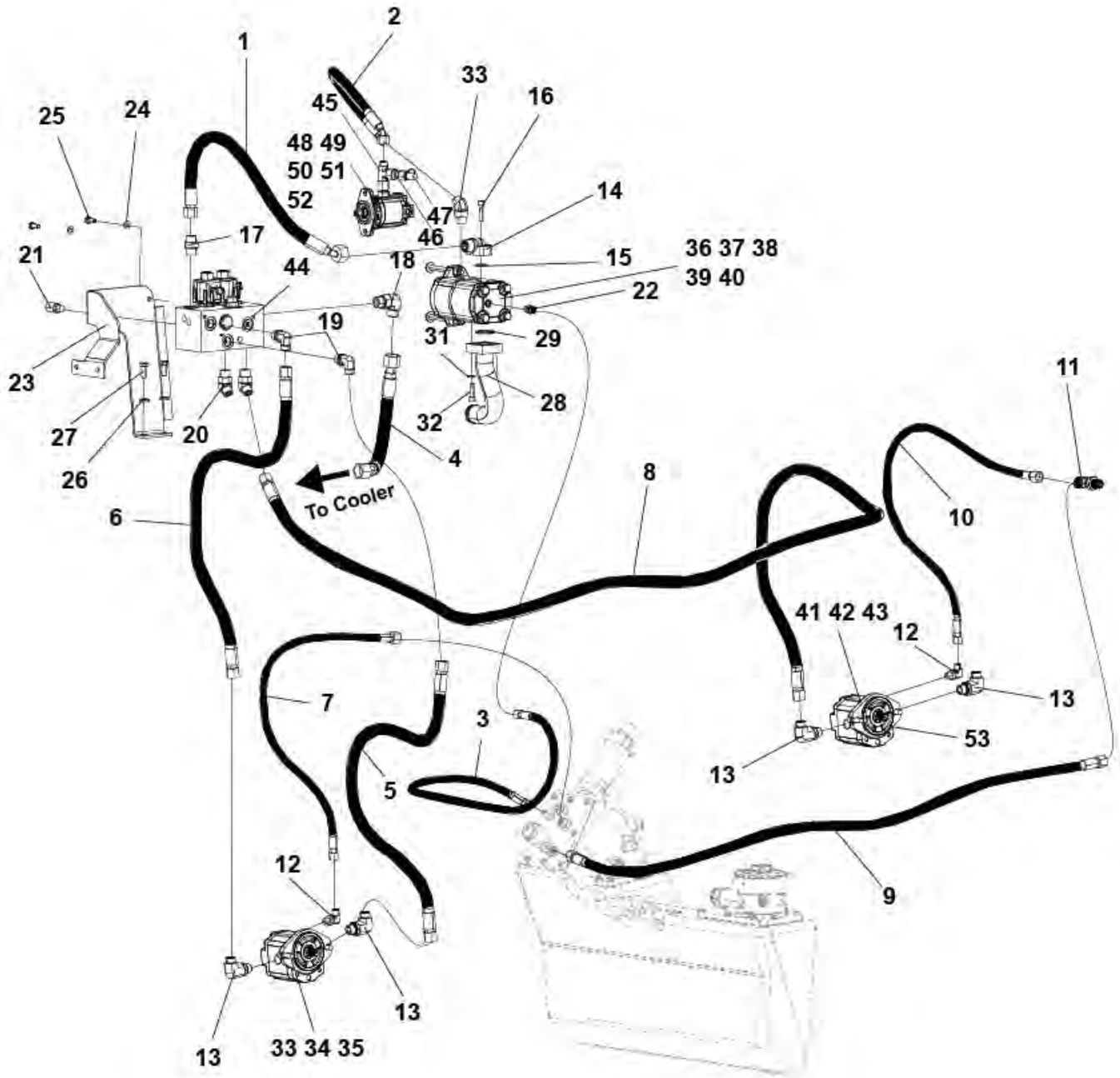
Item	Part No.	Name	Qty	L	SN INFO
1	4700792822	Quick disconnect coupling	1		
2	4700904727	Adapter	3		
3	4700792046	Quick disconnect coupling	1		
4	4700791398	Elbow 90, O-ring	1		
5	4700791745	Elbow 90, O-ring with swivel	1		
6	4812125866	Hydraulic hose	1		
7	4812126711	Hydraulic hose	1		
8	4700792436	Elbow 45°	2		
9	4700904228	Washer 6,4x12x1,5	2		
10	4700500062	Screw	2		
12	4812125664	Bracket	1		
13	4812125869	Connector	2		
14	4700792046	Quick disconnect coupling	1		
15	4700792822	Quick disconnect coupling	1		
16	4700500505	Screw, M8x20 mm 8.8 A2K	2		
17	4700921036	Clamp	1		
18	4812125778	Hydraulic hose	2		
19	4812125682	Hydraulic valve	1		
20	4700904623	Hose guard	0,15 M		
21	4700921028	Pipe clamp	2		
22	4700904281	Washer, 5,3x10x1 300HV	2		
23	4700500003	Hex. screw	2		
24	4700921028	Pipe clamp	2		
25	4700904281	Washer, 5,3x10x1 300HV	2		
26	4700500003	Hex. screw	2		
27	4812124515	Rubber part	2		

Hydraulic system Edge cutter



Item	Part No.	Name	Qty	L	SN INFO
1	4812125772	Hydraulic hose	0,46 5 M		
2	4812125773	Hydraulic hose	0,53 5 M		
3	4700791914	Adapter	2		
4	4700792389	Elbow 45 orfs	2		
5	4700904228	Washer 6,4x12x1,5	2		
6	4700500062	Screw	2		
7	4700792686	Cable tie with holder	1		
8	4812125681	Hydraulic valve	1		
9	-	Hydraulic cylinder	1		
10	-	Edge cutter	1		

Hydraulic system Vibration system, external vibration valve - common



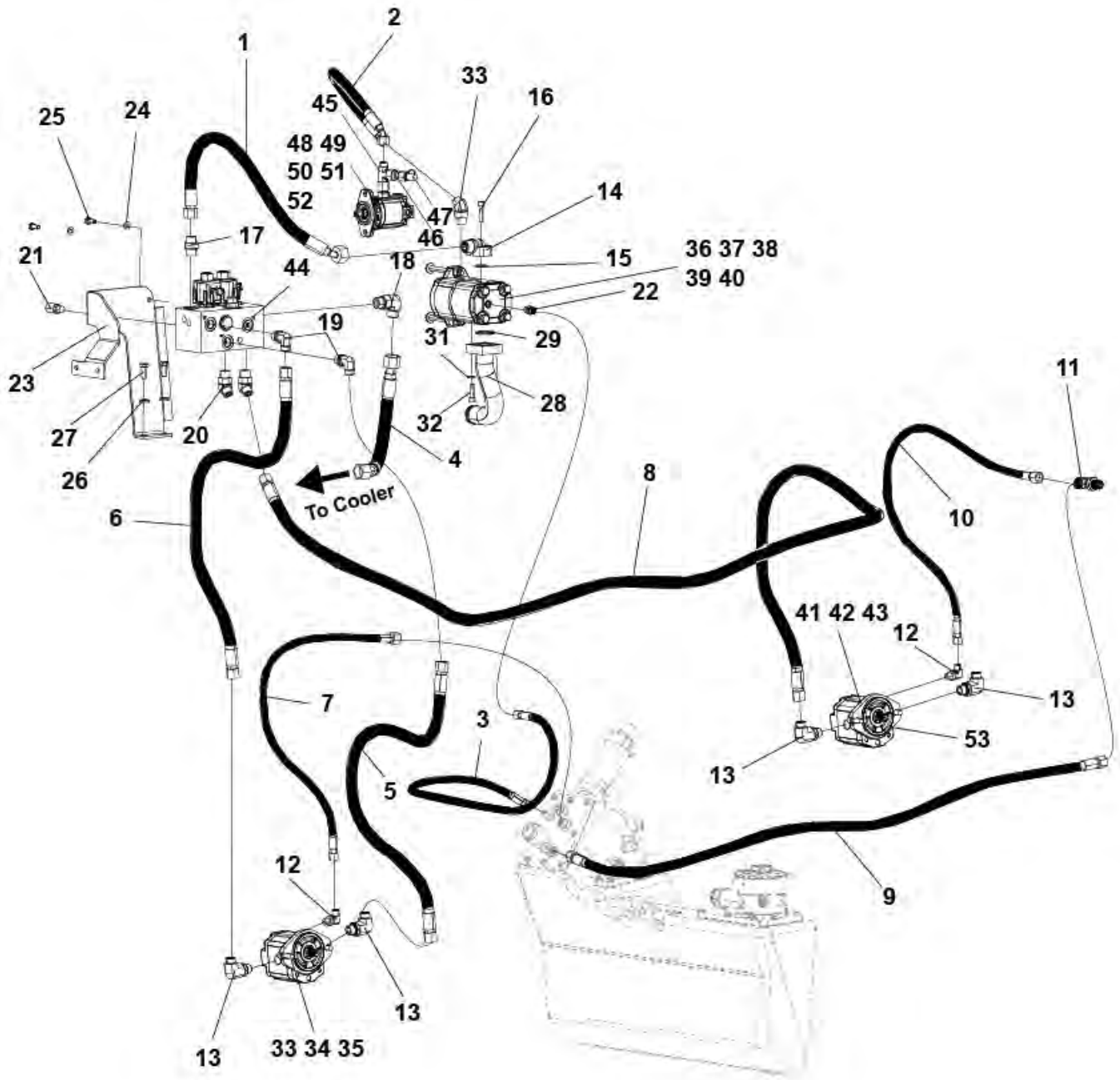
Refer to Parts Online for the most up to date information. The printed information might be outdated.

Fri Jan 05 13:28:41 UTC 2018

Item	Part No.	Name	Qty	L	SN INFO
1	4812125730	Hydraulic hose	1		
2	4812125731	Hydraulic hose	1		
3	4700483906	Hydraulic hose	1		
4	4812125732	Hydraulic hose	1		
5	4812125733	Hydraulic hose	1		
6	4812125734	Hydraulic hose	1		
7	4812125735	Hydraulic hose	1		
8	4812125736	Hydraulic hose	1		
9	4812125737	Hydraulic hose	1		
10	4812125738	Hydraulic hose	1		
11	4812114492	Bulkhead union	1		
12	4700791397	Connector	2		
13	4700791699	Elbow 90	4		
14	4812113633	Flange connector	1		
15	4700904774	O-ring	1		
16	4700508027	Screw	4		
17	4700791410	Straight o-ring connector	1		
18	4700791843	Elbow 90, O-ring with swivel	1		
19	4700791841	Elbow 90 orfs	2		
20	4700791796	Elbow 45, O-ring with swivel	2		
21	4700900229	Measuring fitting	1		
22	4700791744	Adapter	1		
23	4812125501	Bracket	1		
24	4700904229	Washer, 8.4x 6x1.5 mm 300HV	2		
25	4700500053	Screw, M8x20 mm 8.8 A2K	2		
26	4700904557	Washer, 10.5x22x4 mm 300 HV	2		
27	4700500028	Screw, M10 x 25 mm 8.8 A3K	2		
28	4812125469	Flange connector	1		
29	4700160016	O-ring	1		
30	4700923378	Hose clamp	2		
31	4700904556	Steel plain washer 8,4x16x3,0	4		
32	4700508048	Hexagon socket head cap screw M	4		
33	4700791416	Elbow 45, O-ring	1		
34	4700792389	Elbow 45 orfs	2		
35	4700792602	Cable tie with holder	3		
36	4812127309	Hydraulic pump	1		
37	4700379458	Gasket	1		
38	4700500078	Hex. screw	2		

Refer to Parts Online for the most up to date information. The printed information might be outdated.

Fri Jan 05 13:28:41 UTC 2018

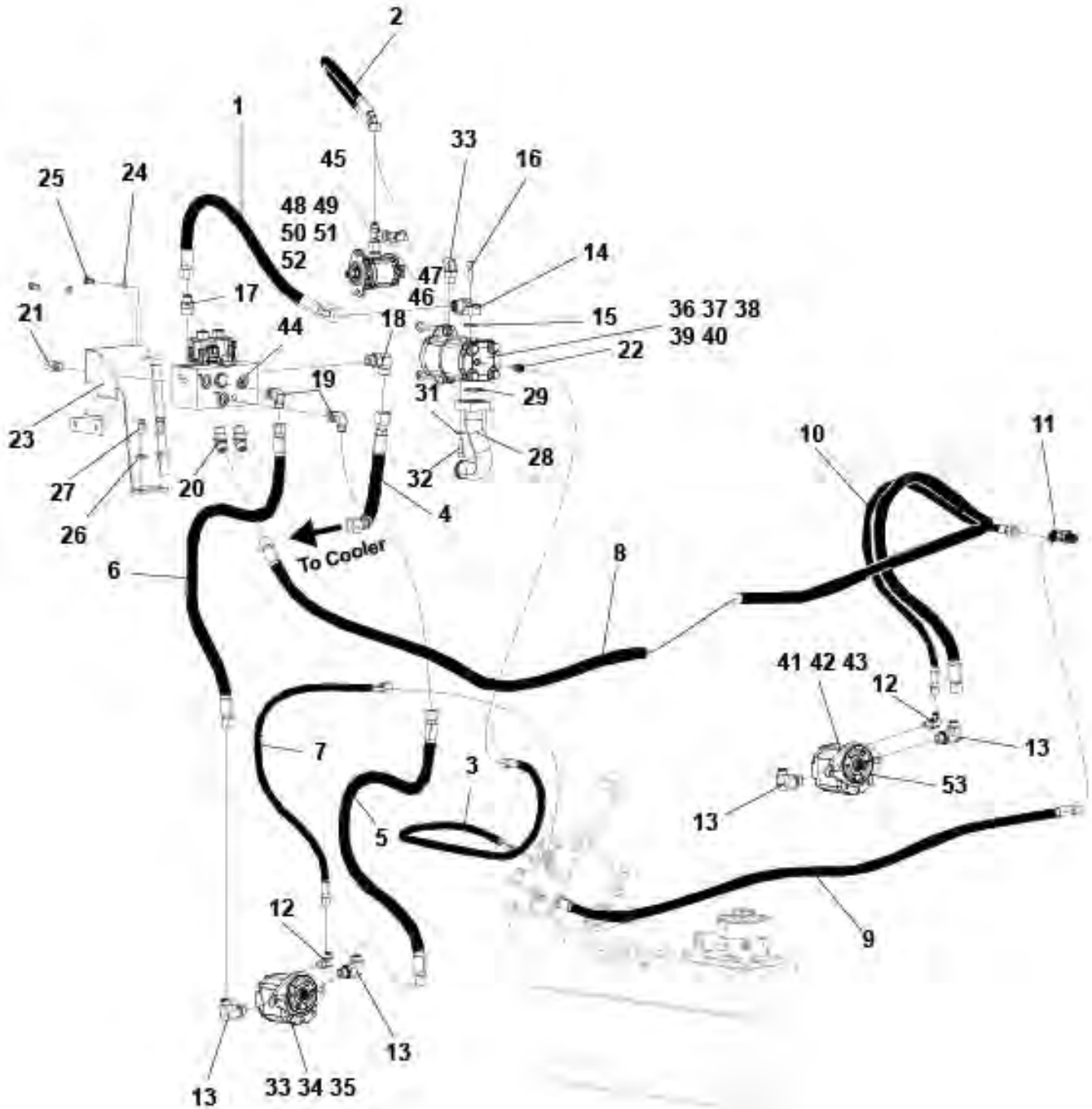


Refer to Parts Online for the most up to date information. The printed information might be outdated.

Fri Jan 05 13:28:42 UTC 2018

Item	Part No.	Name	Qty	L	SN INFO
39	4700904230	Plain washer 10.5x22x2 mm	2		
40	4700902287	Nut, M10	2		
41	4812118172	Hydraulic motor	2		
42	4700603018	Washer 10x18x4	2		
43	4700508029	Cylinder screw	2		
44	4812125749	Hydraulic valve	1		
45	4700791414	T-connection, O-ring with swivel	1		
46	4700791847	Straight connector	1		
47	4700923405	Measuring nipple	1		
48		Hydraulic motor	1		
49	4700904229	Washer, 8.4x 6x1.5 mm 300HV	2		
50	4700500021	Screw, M8x25 mm 8.8 A2K	2		
51	4700904735	Steel plain washer	1		
52	4700508002	Cylinder screw	1		
53	4700160031	O-ring	1		

Hydraulic system Vibration system, external vibration valve - without acc valves



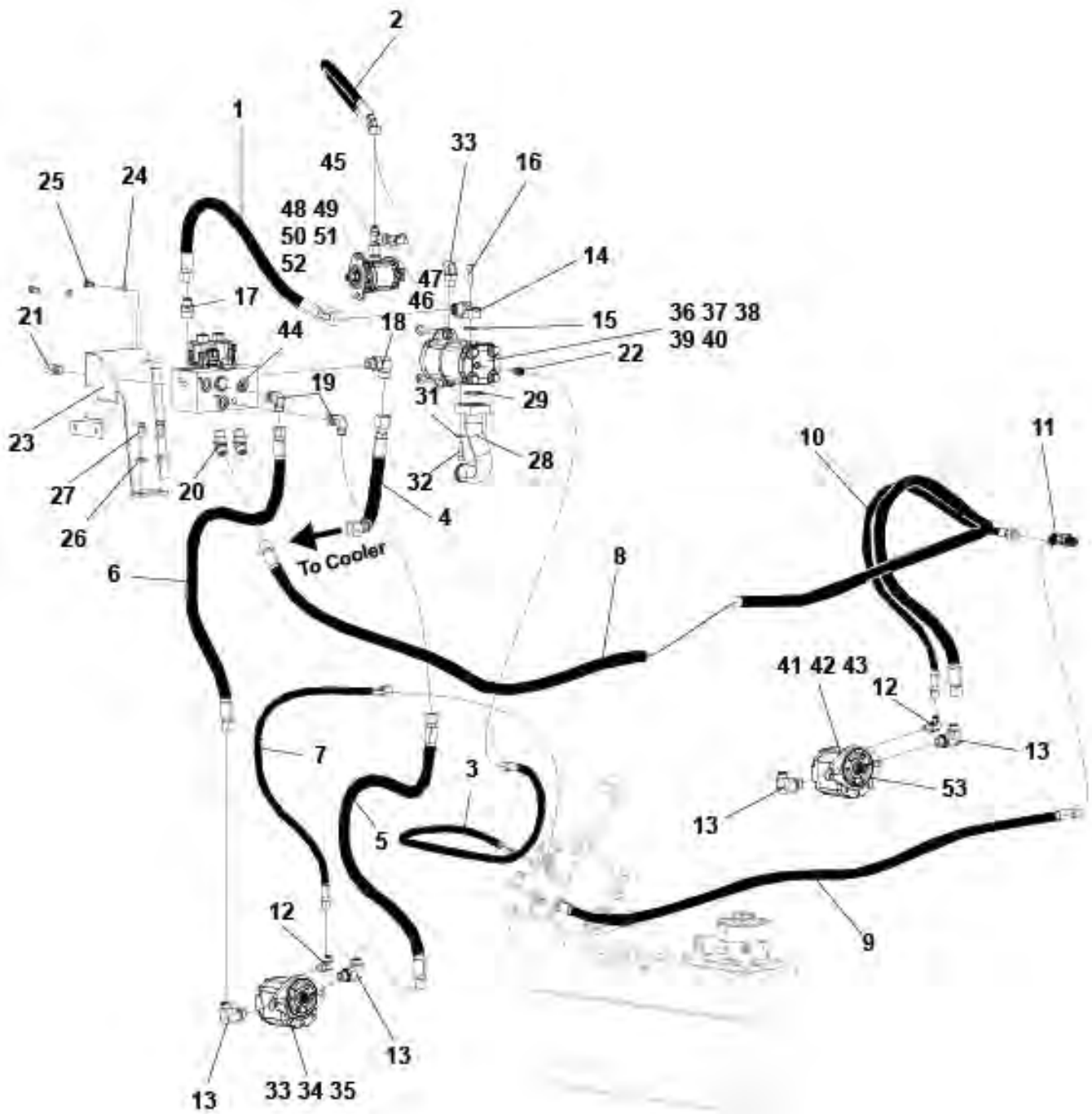
Refer to Parts Online for the most up to date information. The printed information might be outdated.

Fri Jan 05 13:28:42 UTC 2018

Item	Part No.	Name	Qty	L	SN INFO
1	4812125730	Hydraulic hose	1		
2	4812125731	Hydraulic hose	1		
3	4700483906	Hydraulic hose	1		
4	4812125732	Hydraulic hose	1		
5	4812125733	Hydraulic hose	1		
6	4812125734	Hydraulic hose	1		
7	4812125735	Hydraulic hose	1		
8	4812125745	Hydraulic hose	1		
9	4812125737	Hydraulic hose	1		
10	4812125738	Hydraulic hose	1		
11	4812114492	Bulkhead union	1		
12	4700791397	Connector	2		
13	4700791699	Elbow 90	4		
14	4812113633	Flange connector	1		
15	4700904774	O-ring	1		
16	4700508027	Screw	4		
17	4700791410	Straight o-ring connector	1		
18	4700791843	Elbow 90, O-ring with swivel	1		
19	4700791841	Elbow 90 orfs	2		
20	4700791796	Elbow 45, O-ring with swivel	2		
21	4700900229	Measuring fitting	1		
22	4700791744	Adapter	1		
23	4812125501	Bracket	1		
24	4700904229	Washer, 8.4x 6x1.5 mm 300HV	2		
25	4700500053	Screw, M8x20 mm 8.8 A2K	2		
26	4700904557	Washer, 10.5x22x4 mm 300 HV	2		
27	4700500028	Screw, M10 x 25 mm 8.8 A3K	2		
28	4812125469	Flange connector	1		
29	4700160016	O-ring	1		
30	4700923378	Hose clamp	2		
31	4700904556	Steel plain washer 8,4x16x3,0	4		
32	4700508048	Hexagon socket head cap screw M	4		
33	4700791416	Elbow 45, O-ring	1		
34	4700792389	Elbow 45 orfs	2		
35	4700792602	Cable tie with holder	3		
36	4812127309	Hydraulic pump	1		
37	4700379458	Gasket	1		
38	4700500078	Hex. screw	2		

Refer to Parts Online for the most up to date information. The printed information might be outdated.

Fri Jan 05 13:28:42 UTC 2018

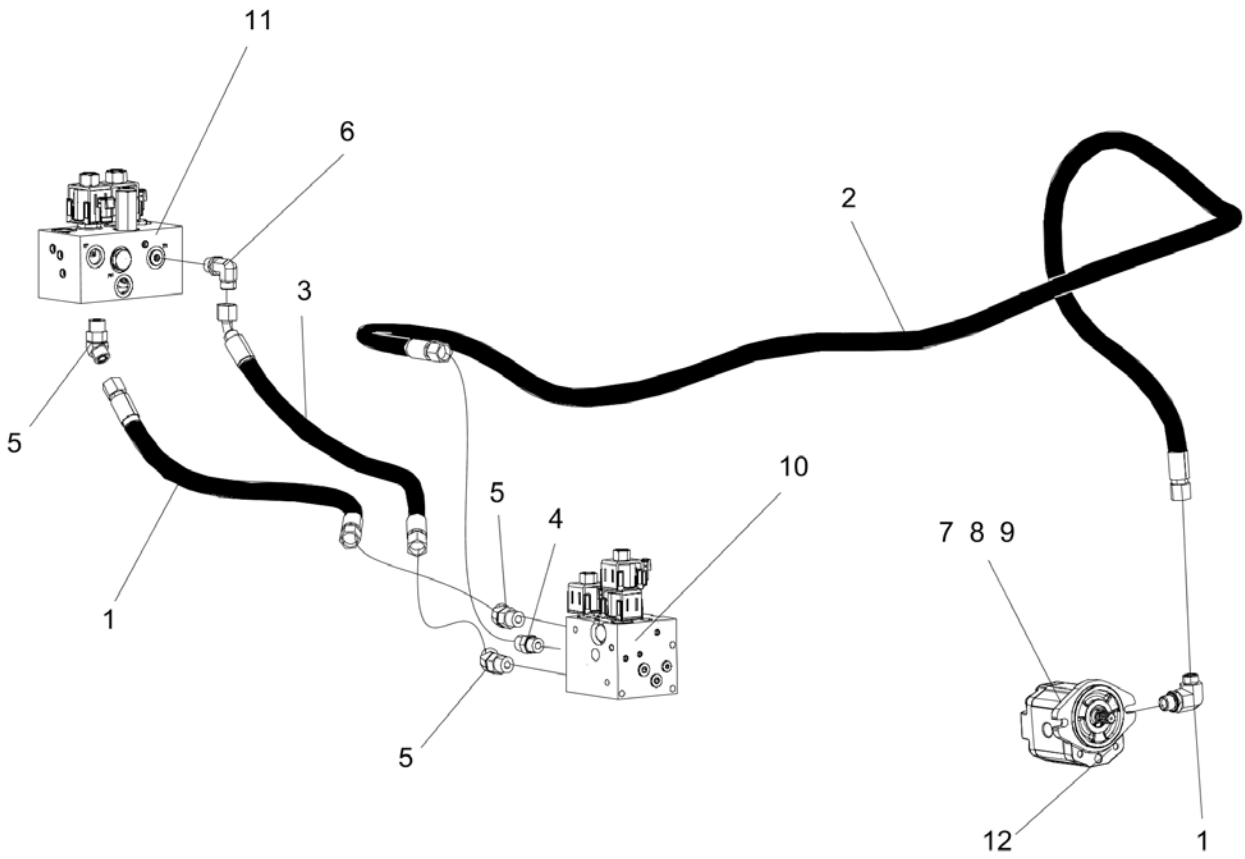


Refer to Parts Online for the most up to date information. The printed information might be outdated.

Fri Jan 05 13:28:42 UTC 2018

Item	Part No.	Name	Qty	L	SN INFO
39	4700904230	Plain washer 10.5x22x2 mm	2		
40	4700902287	Nut, M10	2		
41	4812118172	Hydraulic motor	2		
42	4700603018	Washer 10x18x4	2		
43	4700508029	Cylinder screw	2		
44	4812125749	Hydraulic valve	1		
45	4700791414	T-connection, O-ring with swivel	1		
46	4700791847	Straight connector	1		
47	4700923405	Measuring nipple	1		
48		Hydraulic motor	1		
49	4700904229	Washer, 8.4x 6x1.5 mm 300HV	2		
50	4700500021	Screw, M8x25 mm 8.8 A2K	2		
51	4700904735	Steel plain washer	1		
52	4700508002	Cylinder screw	1		
53	4700160031	O-ring	1		

Hydraulic system Vibration system, Accessorie valves

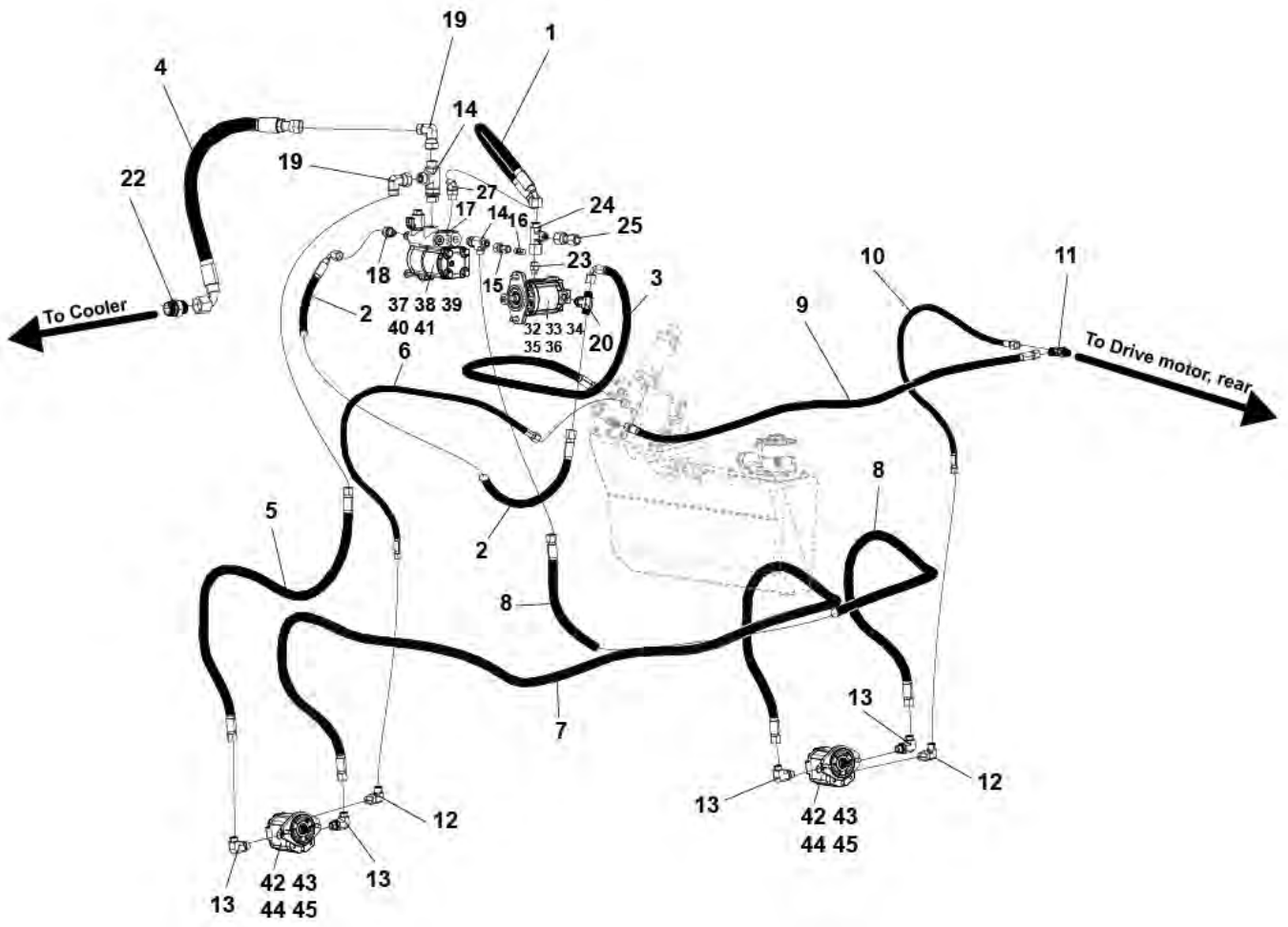


Refer to Parts Online for the most up to date information. The printed information might be outdated.

Fri Jan 05 13:28:42 UTC 2018

Item	Part No.	Name	Qty	L	SN INFO
1	4812125974	Hydraulic hose	1		
2	4812125769	Hydraulic hose	1		
3	4812125975	Hydraulic hose	1		
4	4700791799	Straight connector orfs	1		
5	4700791796	Elbow 45, O-ring with swivel	1		
6	4700791841	Elbow 90 orfs	1		
7	4812118172	Hydraulic motor	1		
8	4700603018	Washer 10x18x4	2		
9	4700508029	Cylinder screw	2		
10	4812125681	Hydraulic valve	1		
11	4812125749	Hydraulic valve	1		
12	4700160031	O-ring	1		

Hydraulic system Vibration, int viblv



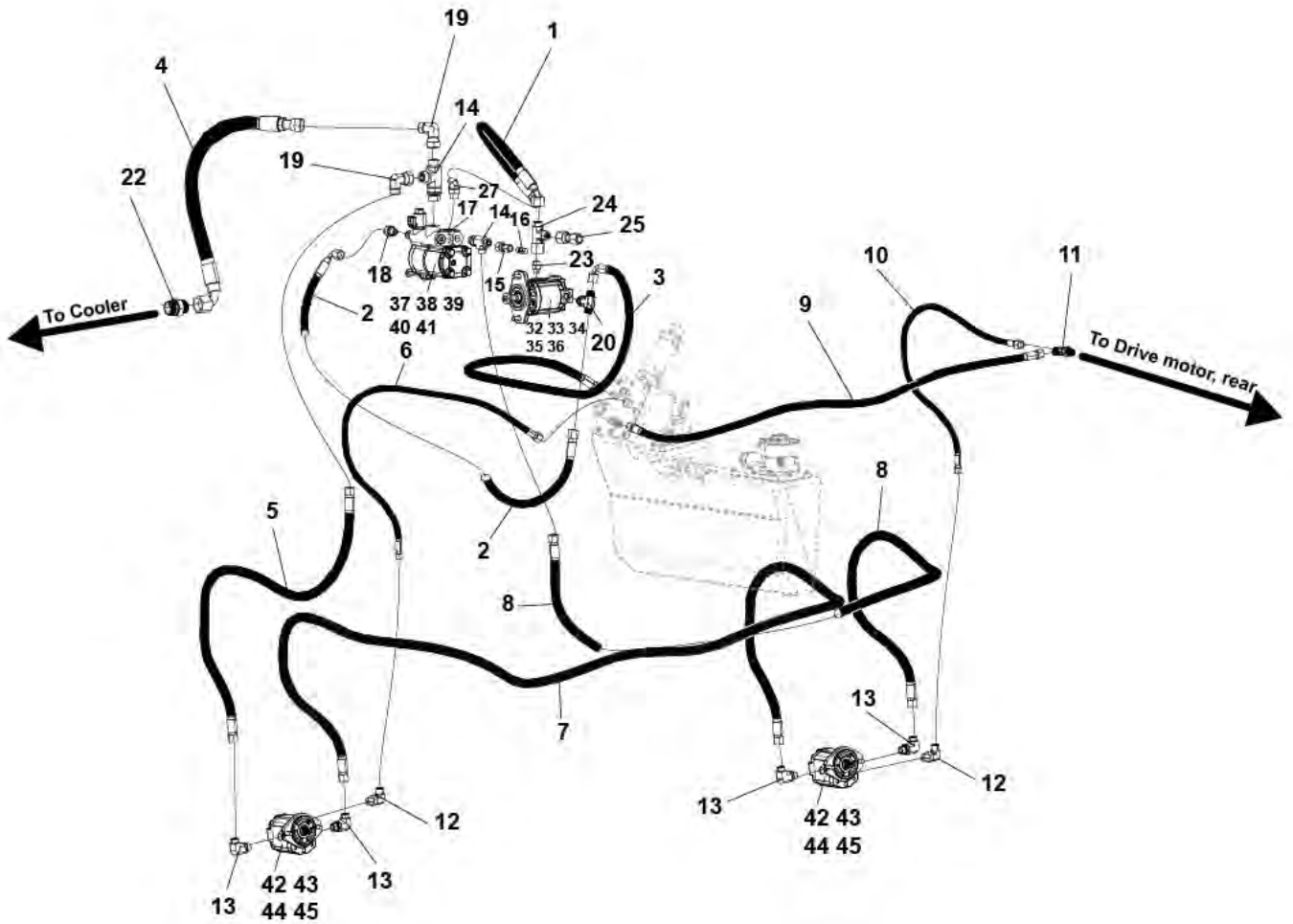
Refer to Parts Online for the most up to date information. The printed information might be outdated.

Fri Jan 05 13:28:42 UTC 2018

Item	Part No.	Name	Qty	L	SN INFO
1	4812125731	Hydraulic hose	1		
2	4812125747	Hydraulic hose	1		
3	4812125748	Hydraulic hose	1		
4	4812125750	Hydraulic hose	1		
5	4812125751	Hydraulic hose	1		
6	4812125735	Hydraulic hose	1		
7	4812126733	Hydraulic hose	1		
8	4812125752	Hydraulic hose	1		
9	4812125737	Hydraulic hose	1		
10	4812125738	Hydraulic hose	1		
11	4812114492	Bulkhead union	1		
12	4700791397	Connector	2		
13	4700791699	Elbow 90	4		
14	4700791792	Tee-connector	2		
15	4700792219	Straight connector	1		
16	4700923405	Measuring nipple	1		
17	4812123298	Plug	1		
18	4700791541	Adapter	1		
19	4700791745	Elbow 90, O-ring with swivel	2		
20	4812125653	Tee-connector	1		
21	4700791808	Elbow adapter 45	1		
22	0570702503	Straight connector	1		
23	4700791404	Straight o-ring connector	1		
24	4700791414	T-connection, O-ring with swivel	1		
25	4700791847	Straight connector	1		
26	4700923405	Measuring nipple	1		
27	4700791416	Elbow 45, O-ring	2		
32		Hydraulic motor	1		
33	4700904229	Washer, 8.4x 6x1.5 mm 300HV	2		
34	4700500021	Screw, M8x25 mm 8.8 A2K	2		
35	4700904735	Steel plain washer	1		
36	4700508002	Cylinder screw	1		
37	4812127310	Hydraulic pump	1		
38	4700379458	Gasket	1		
39	4700500078	Hex. screw	2		
40	4700904230	Plain washer 10.5x22x2 mm	2		
41	4700902287	Nut, M10	2		
42	4812118172	Hydraulic motor	2		

Refer to Parts Online for the most up to date information. The printed information might be outdated.

Fri Jan 05 13:28:42 UTC 2018

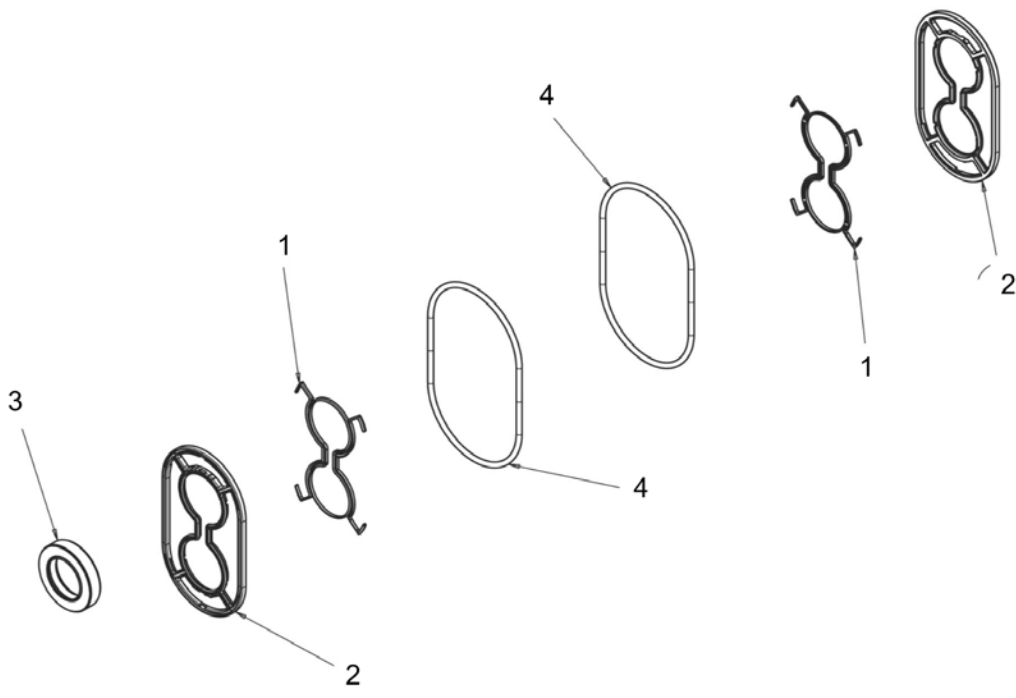


Refer to Parts Online for the most up to date information. The printed information might be outdated.

Fri Jan 05 13:28:42 UTC 2018

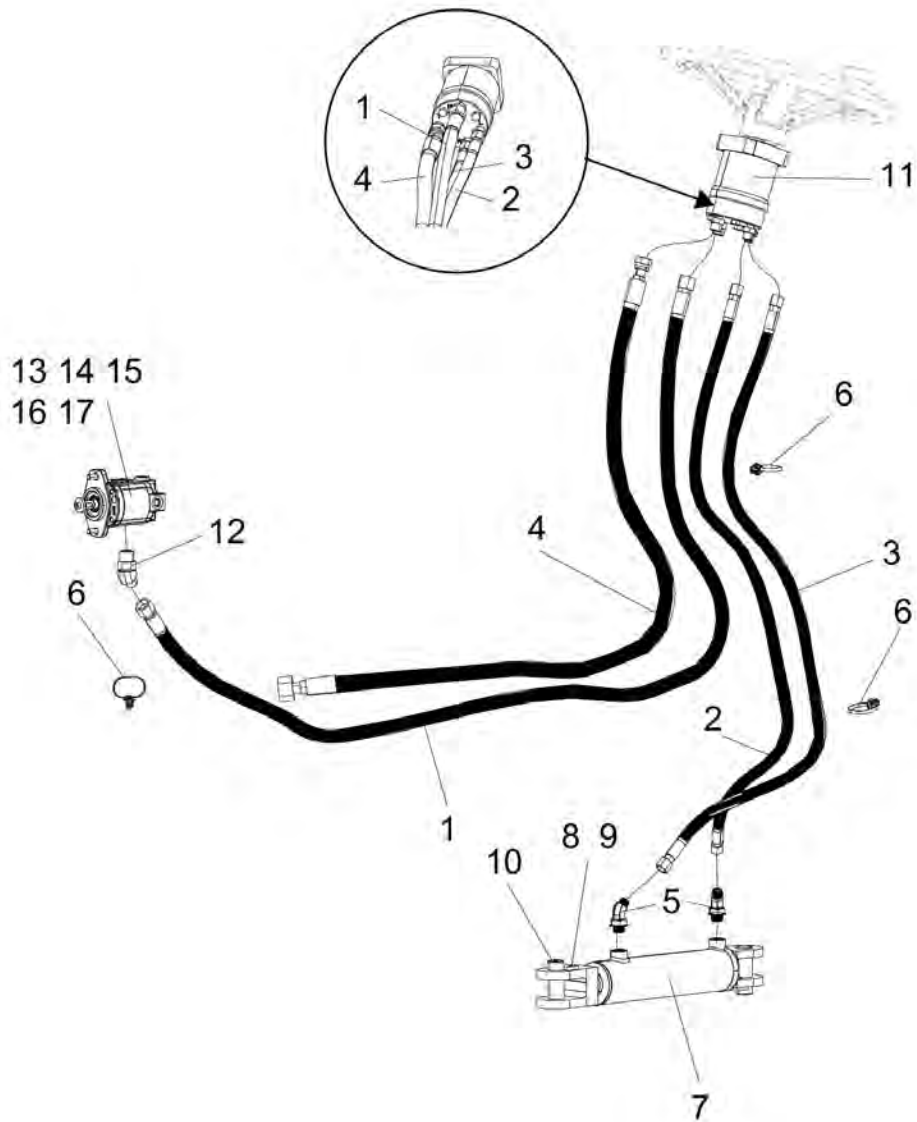
Item	Part No.	Name	Qty	L	SN INFO
43	4700603018	Washer 10x18x4	4		
44	4700508029	Cylinder screw	4		
45	4700160031	O-ring	2		

Hydraulic system 4812160957 Seal kit



Item	Part No.	Name	Qty	L	SN INFO
0	4812160957	Seal kit	1		
1	-	Backing ring	2		
2	-	Pressure seal	2		
3	-	Shaft seal	1		
4	-	O-ring seal	2		

Hydraulic system Steering system

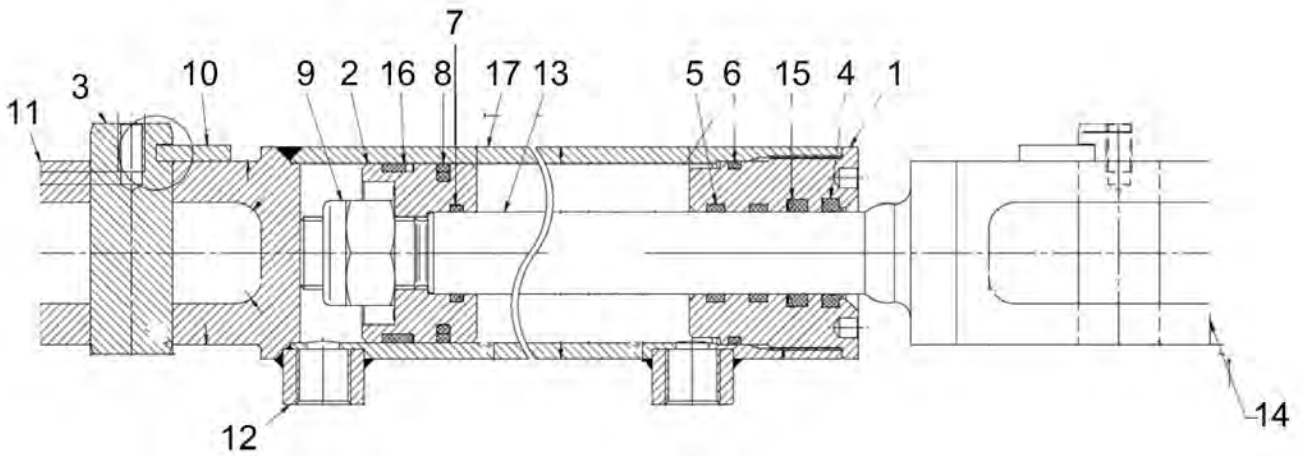


Refer to Parts Online for the most up to date information. The printed information might be outdated.

Fri Jan 05 13:28:43 UTC 2018

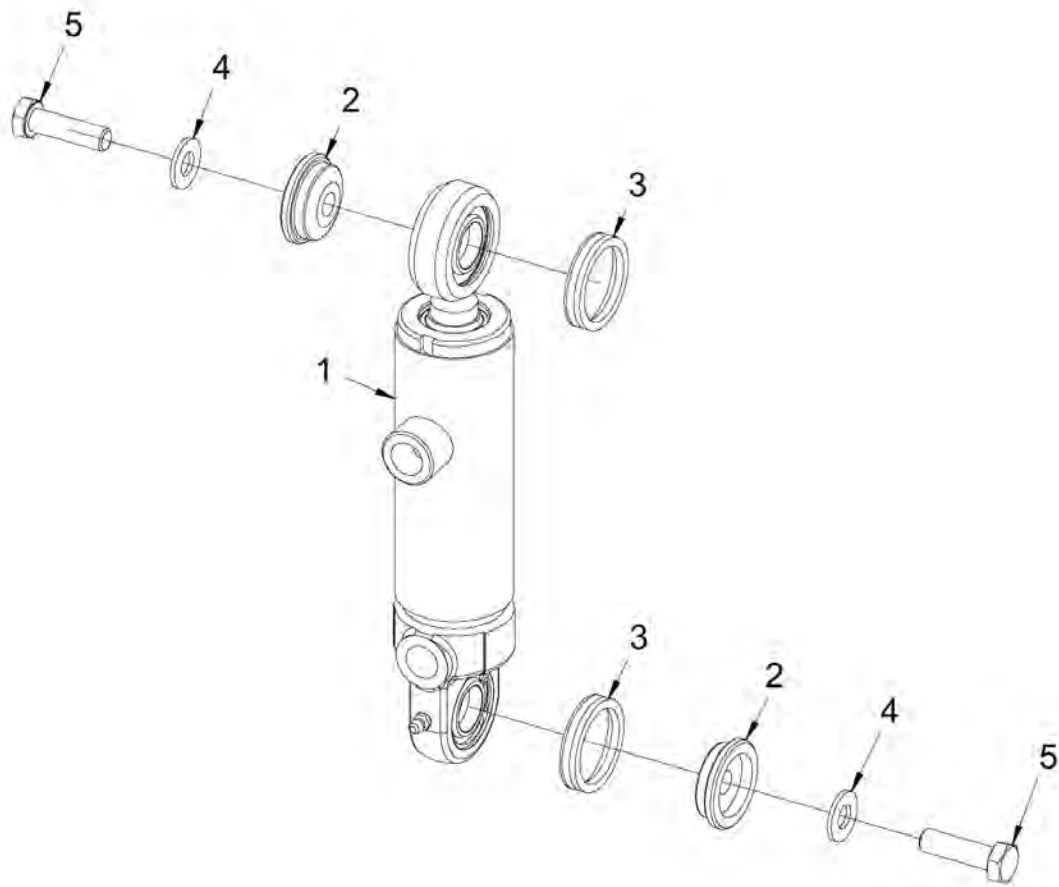
Item	Part No.	Name	Qty	L	SN INFO
1	4812125757	Hydraulic hose	1		
2	4812125760	Hydraulic hose	1		
3	4812125761	Hydraulic hose	1		
4	4812125762	Hydraulic hose	1		
5	4700792389	Elbow 45 orfs	2		
6	4700792602	Cable tie with holder	3		
7		Hydraulic cylinder	1		
8	4700904228	Washer 6,4x12x1,5	4		
9	4812127030	Screw	4		
10	4700926215	Protective plug	2		
11	4812112109	Steering valve	1		
-	4812160665	Special adapter 11/16"	2		
-	4812161199	Special adapter 9/16"	2		
12	4700791416	Elbow 45, O-ring	1		
13	4812125795	Hydraulic motor	1		
14	4700904229	Washer, 8.4x 6x1.5 mm 300HV	2		
15	4700500021	Screw, M8x25 mm 8.8 A2K	2		
16	4700904735	Steel plain washer	1		
17	4700508002	Cylinder screw	1		

Hydraulic system 4812125395 Hydraulic cylinder



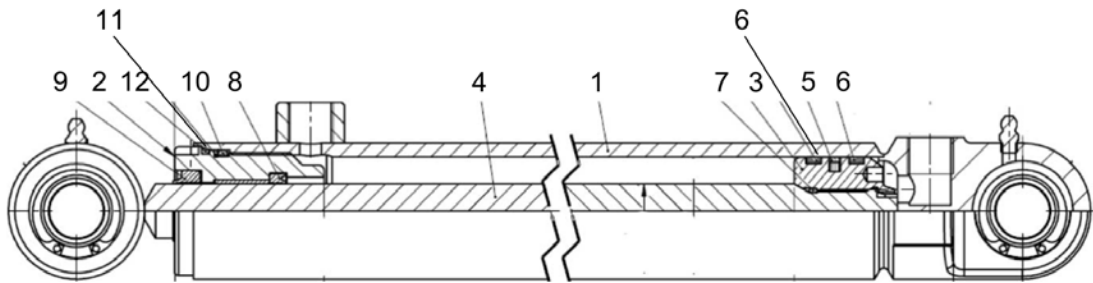
Item	Part No.	Name	Qty	L	SN INFO
0	4812125395	Hydraulic cylinder	1		
1	-	Pilot boss	1		
2	-	Piston	1		
3	-	Pin	2		
4	-	Wiper	1		
5	-	Rod guide	2		
6	-	Static seal	1		
7	-	O-ring	1		
8	-	Piston seal	1		
9	-	Lock nut	1		
10	-	Pin lock	2		
11	-	Cylinder end	1		
12	-	Connection	2		
13	-	Rod	1		
14	-	Fork	1		
15	-	Rod seal	1		
16	-	Piston guide	1		
17	-	Cylinder tube	1		

Hydraulic system Hydraulic cylinder module



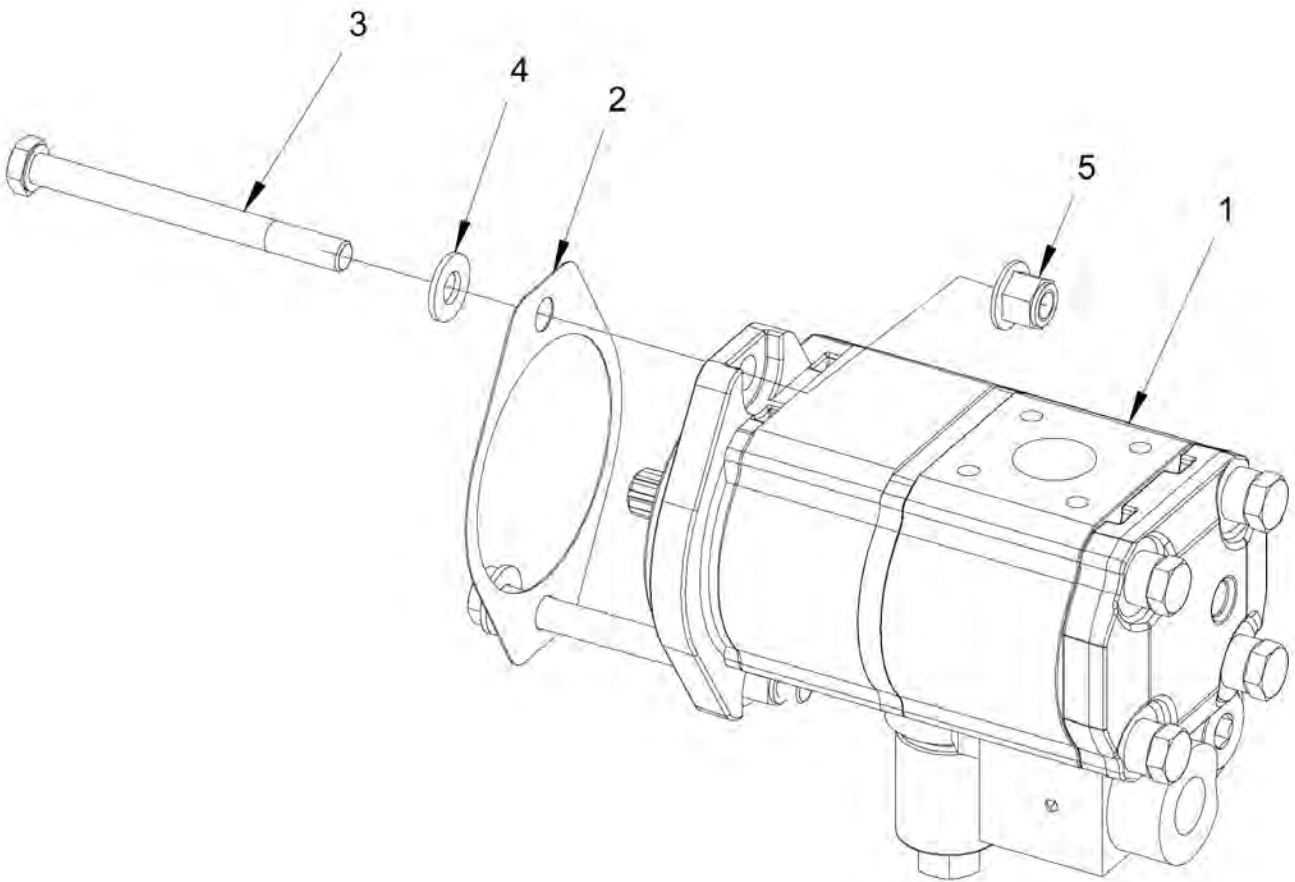
Item	Part No.	Name	Qty	L	SN INFO
1	4812125907	Hydraulic cylinder	1		
2	4812125937	Washer	2		
3	4700167054	Sealing	2		
4	4700904230	Plain washer 10.5x22x2 mm	2		
5	4700500030	Screw hexagon	2		

Hydraulic system 4812125907 Hydraulic cylinder



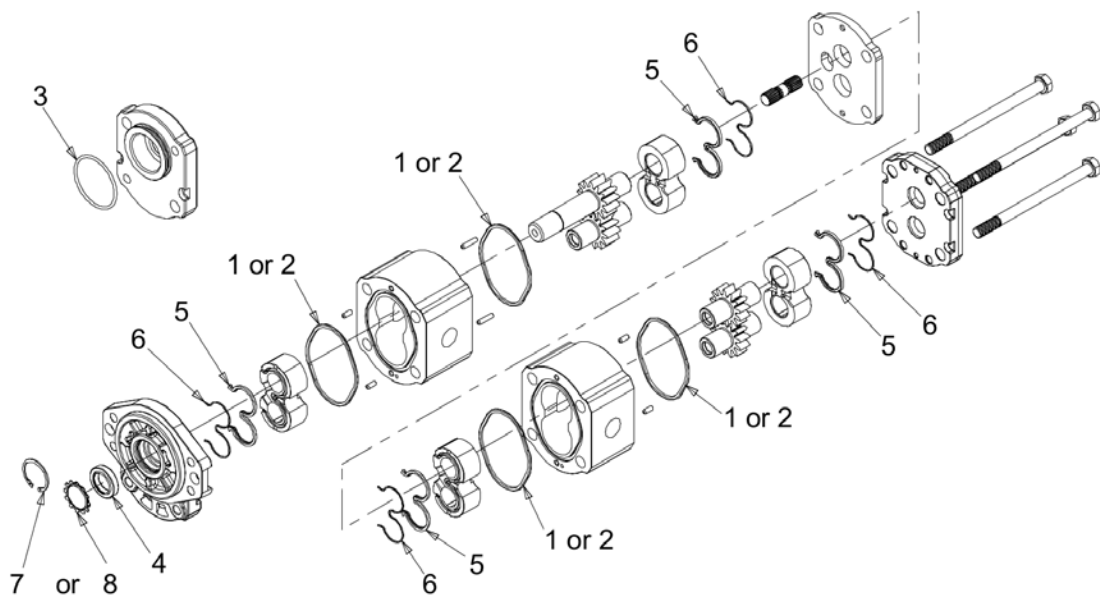
Item	Part No.	Name	Qty	L	SN INFO
0	4812125907	Hydraulic cylinder	1		
5	-	Piston seal	1		
6	-	Guide ring	2		
7	-	O-ring	1		
8	-	Rod seal	1		
9	-	Scraper	1		
10	-	O-ring	1		
11	-	Backup ring	1		
12	-	O-ring	1		

Hydraulic system Hydraulic pump module



Item	Part No.	Name	Qty	L	SN INFO
1	4812127310	Hydraulic pump	1		
2	4700379458	Gasket	1		
3	4700500078	Hex. screw	2		
4	4700904230	Plain washer 10.5x22x2 mm	2		
5	4700902287	Nut, M10	2		

Hydraulic system 4812121922 Hydraulic pump

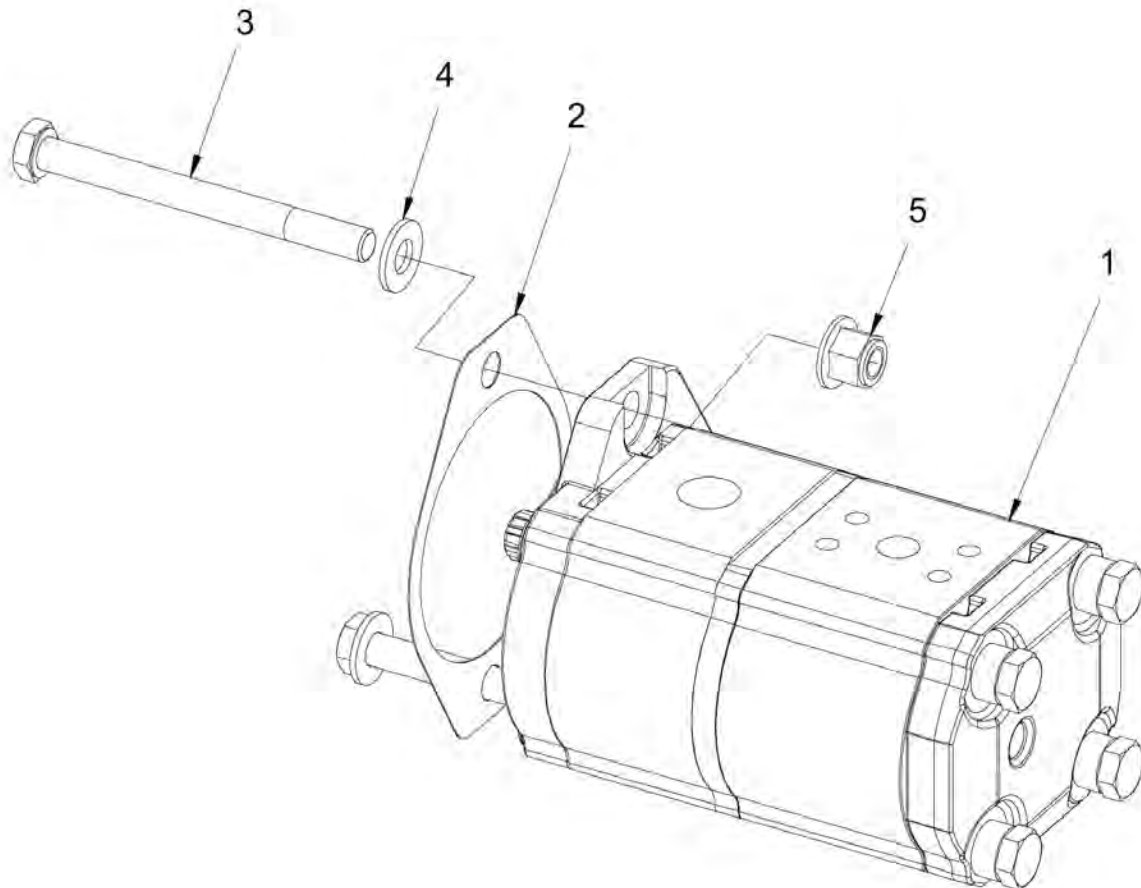


Refer to Parts Online for the most up to date information. The printed information might be outdated.

Fri Jan 05 13:28:45 UTC 2018

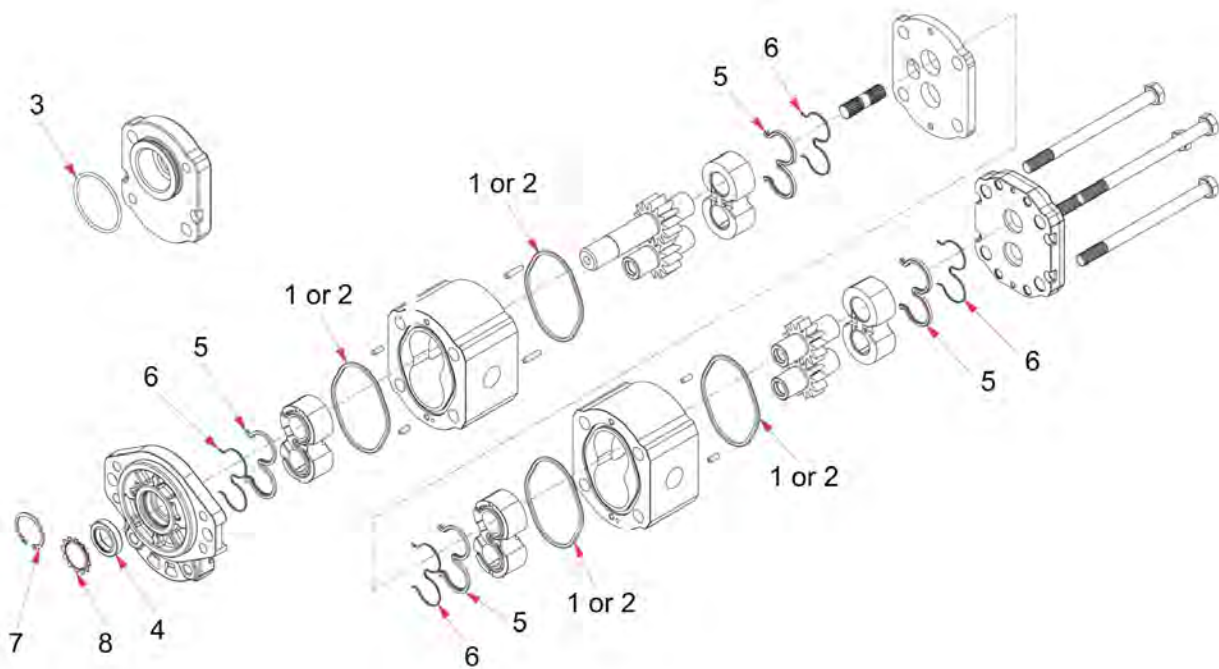
Item	Part No.	Name	Qty	L	SN INFO
0	4700903430	Seal kit			
1	--	O-ring	4		
2	--	O-ring	4		
3	--	O-ring	1		
4	--	Shaft seal	1		
5	--	Seal	4		
6	--	Back-up ring	4		
7	--	Snap ring	1		
8	--	Toothed ring	1		

Hydraulic system Hydraulic pump module



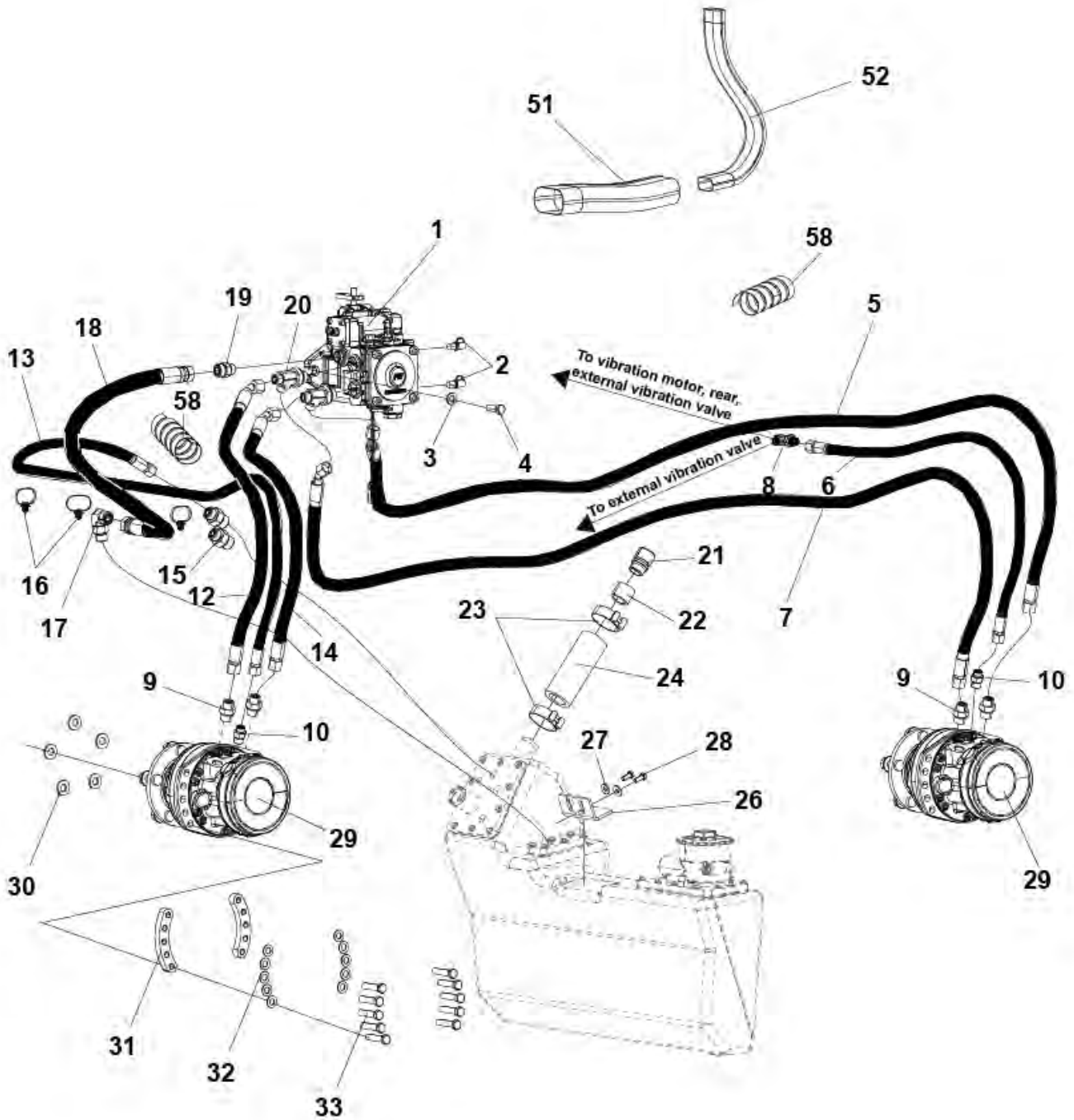
Item	Part No.	Name	Qty	L	SN INFO
1	4812127309	Hydraulic pump	1		
2	4700379458	Gasket	1		
3	4700500078	Hex. screw	2		
4	4700904230	Plain washer 10.5x22x2 mm	2		
5	4700902287	Nut, M10	2		

Hydraulic system 4812127309 Hydraulic pump



Item	Part No.	Name	Qty	L	SN INFO
0	4812127309	Hydraulic pump	1		
1	-	O-ring	4		
2	-	O-ring	4		
3	-	O-ring	1		
4	-	Shaft seal	1		
5	-	Seal	4		
6	-	Back-up ring	4		
7	-	Snap ring	1		
8	-	Toothed ring	1		

Hydraulic system Propulsion system

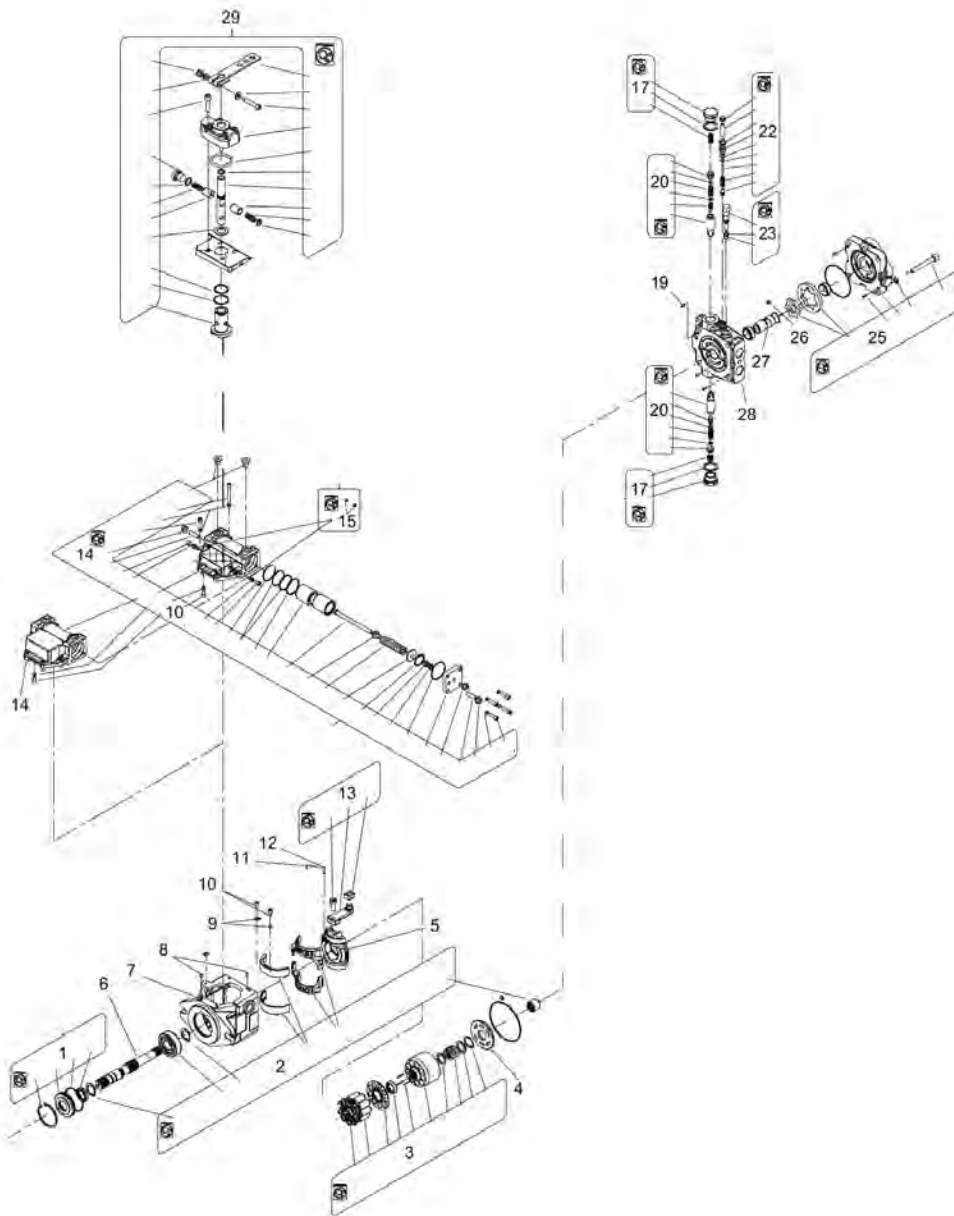


Refer to Parts Online for the most up to date information. The printed information might be outdated.

Fri Jan 05 13:28:46 UTC 2018

Item	Part No.	Name	Qty	L	SN INFO
1	4812126969	Hydraulic pump	1		
2	4700923405	Measuring nipple	2		
3	4700904703	Plain washer 13x24x4 mm	2		
4	4700500046	Hex. head screw M12x030H	2		
5	4812125712	Hydraulic hose	1		
6	4812125714	Hydraulic hose	1		
7	4812125721	Hydraulic hose	1		
8	4812114492	Bulkhead union	1		
9	4700791410	Straight o-ring connector	4		
10	4700791828	Adapter	2		
12	4812125720	Hydraulic hose	1		
13	4812125713	Hydraulic hose	1		
14	4812125711	Hydraulic hose	1		
15	4700791828	Adapter	2		
16	4700792602	Cable tie with holder	5		
17	4700791843	Elbow 90, O-ring with swivel	1		
18	4812125770	Hydraulic hose	1		
19	4700792074	Straight connector	1		
20	4812127214	Tee-connector	2		
21	4700357138	Ventilating filter	1		
22	4700357139	Connector	1		
23	4700313126	Clamp	2		
24	4812119321	Hydraulic hose	1		
26	4812125676	Bracket	1		
27	4700904640	Washer, 8.4x22x3 mm 300HV	2		
28	4700500053	Screw, M8x20 mm 8.8 A2K	2		
29	4812120558	Hydraulic motor	2		
30	4700904214	Washer 15x30x4 300 HV	5		
31	4812110490	Holder	4		
32	4700904231	Washer, 13x24x2 mm 300 HV	20		
33	4700925519	Screw M12x55 10.9 GEOMET	20		
51	4700792701	Hose guard	0,32 M		
52	4700792696	Hose guard	1		
58	4700904623	Hose guard	0,15 M		

Hydraulic system 4812126969 Hydraulic pump

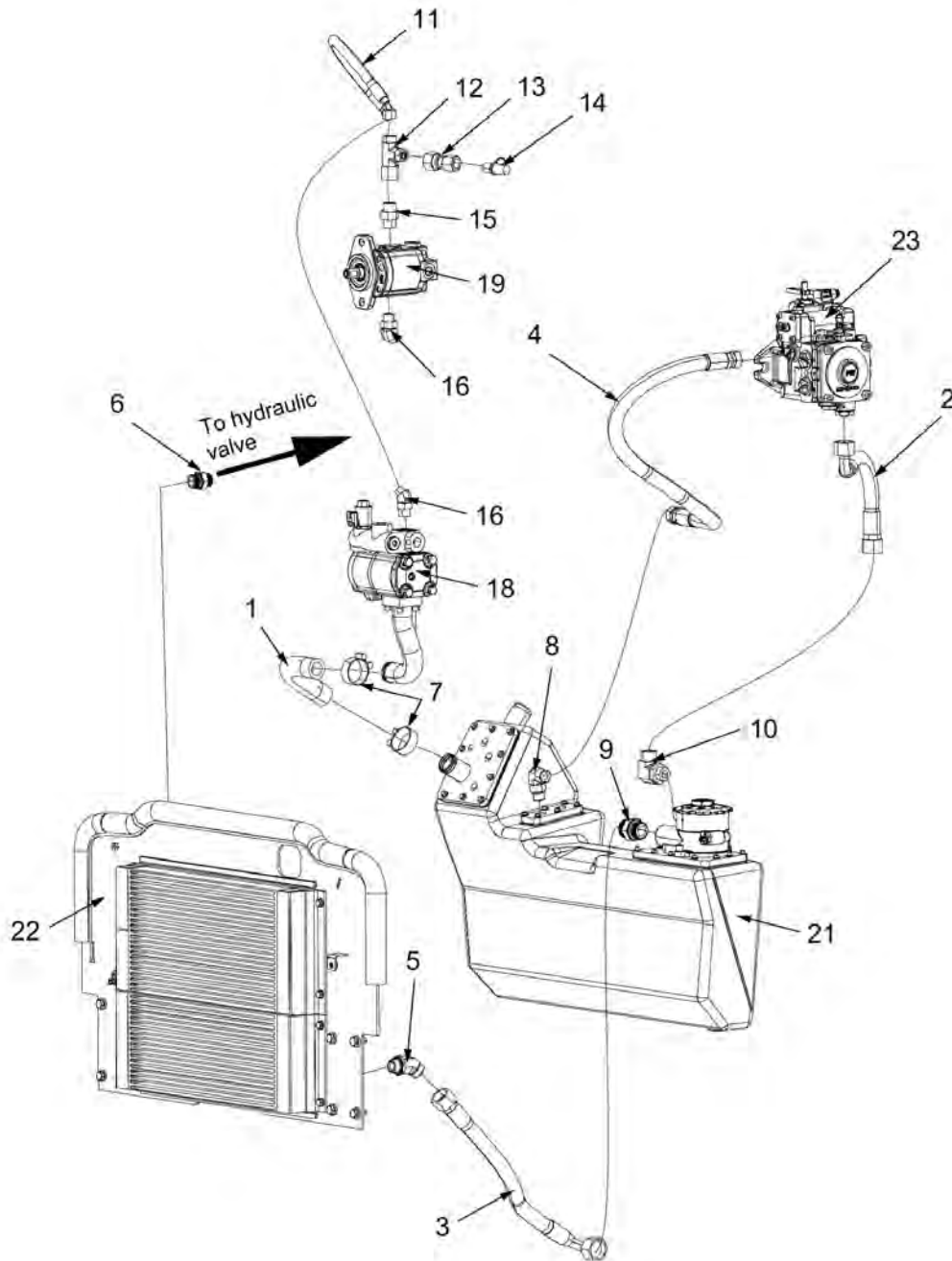


Refer to Parts Online for the most up to date information. The printed information might be outdated.

Fri Jan 05 13:28:46 UTC 2018

Item	Part No.	Name	Qty	L	SN INFO
0	4812126969	Hydraulic pump	1		
1	-	Shaft seal kit	1		
2	-	Bearing kit	1		
3	-	Rotating group kit	1		
4	-	Valve plate	1		
5	-	Swash plate	1		
6	-	Shaft	1		
7	-	Housing	1		
8	-	Pin	1		
9	-	Retaining ring	2		
10	-	Screw	3		
11	-	Retaining lever	1		
12	-	Pin	1		
13	-	Block slide hydraulic kit	1		
14	-	Hydraulic servo control kit	1		
15	-	Restrictor kit	1		
17	-	High pressure relief valve kit	1		
19	-	Pin	2		
20	-	High pressure relief valve kit	2		
22	-	Low pressure relief valve kit	1		
23	-	Screw bypass kit	1		
25	-	Charge pump kit	1		
26	-	Key	1		
27	-	Coupling shaft	1		
28	-	End cover	1		
29	-	Direct mechanical controls with return spring	1		

Hydraulic system Hydraulic, Cooler and fan

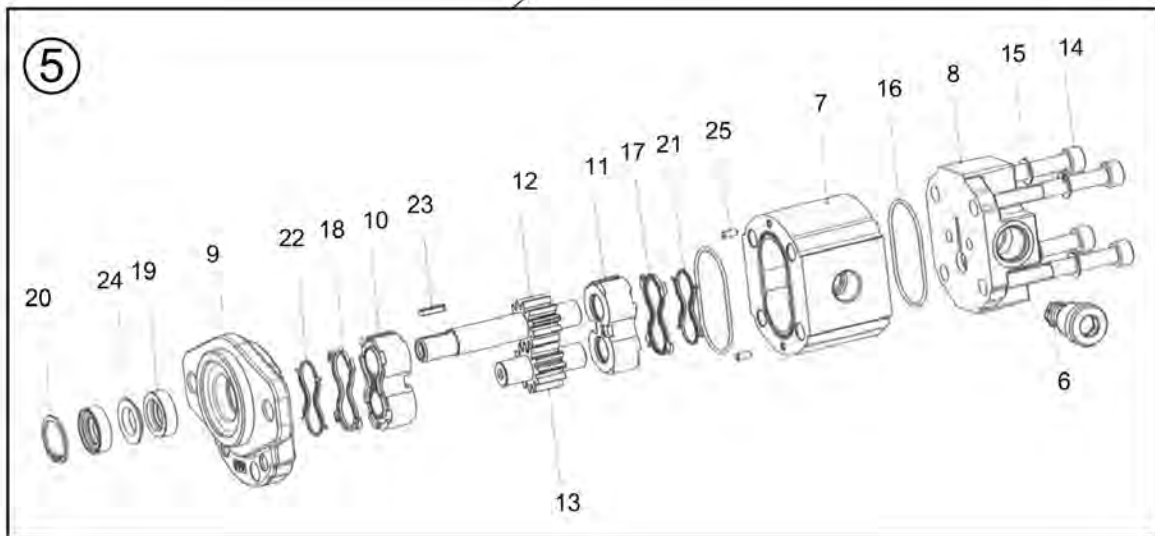
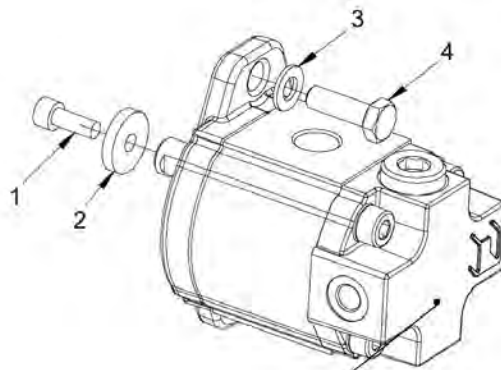


Refer to Parts Online for the most up to date information. The printed information might be outdated.

Fri Jan 05 13:28:47 UTC 2018

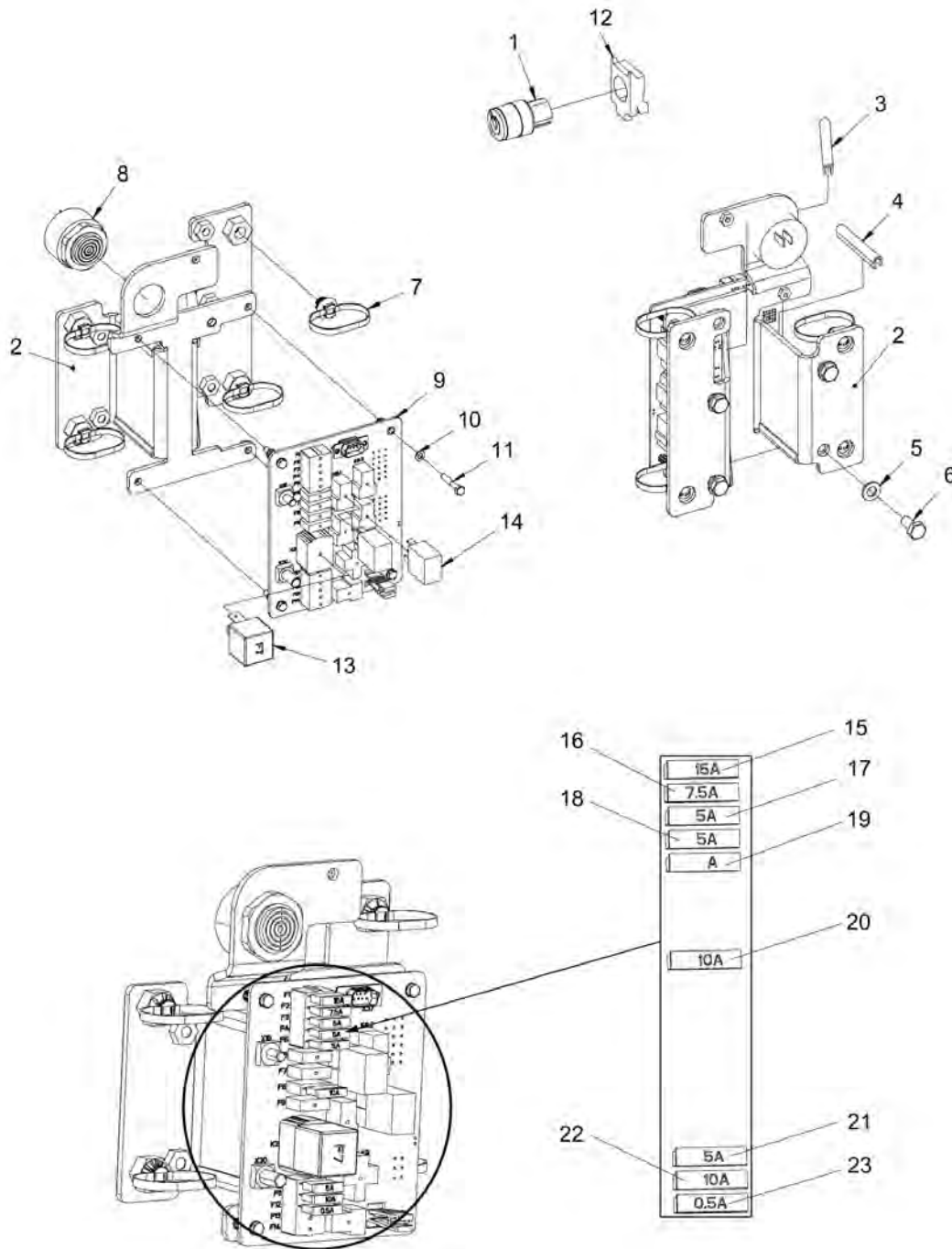
Item	Part No.	Name	Qty	L	SN INFO
1	4812125708	Hydraulic hose	1		
2	4812126968	Hydraulic hose	1		
3	4812125709	Hydraulic hose	1		
4	4812125770	Hydraulic hose	1		
5	4700791808	Elbow adapter 45	1		
6	0570702503	Straight connector	1		
7	4700923378	Hose clamp	1		
8	4700791843	Elbow 90, O-ring with swivel	1		
9	4700792338	Adapter	1		
10	4700791698	Connector elbow 90 ORFS	1		
11	4812125731	Hydraulic hose	1		
12	4700791414	T-connection, O-ring with swivel	1		
13	4700791847	Straight connector	1		
14	4700923405	Measuring nipple	1		
15	4700791404	Straight o-ring connector	1		
16	4700791416	Elbow 45, O-ring	2		
18	-	Hydraulic pump	1		
19	-	Hydraulic motor	1		
21	-	Hydraulic oil tank	1		
22	-	Cooler	1		
23	-	Hydraulic pump	1		

Hydraulic system Hydraulic motor



Item	Part No.	Name	Qty	L	SN INFO
1	4700508002	Cylinder screw	1		
2	4700904735	Steel plain washer	1		
3	4700904229	Washer, 8.4x 6x1.5 mm 300HV	2		
4	4700500021	Screw, M8x25 mm 8.8 A2K	2		
5	4812125795	Hydraulic motor	1		
6	-	Valve	1		
7	-	House	1		
8	-	Cover, rear	1		
9	-	Cover, front	1		
10	-	Plate	1		
11	-	Plate	1		
12	-	Shaft	1		
13	-	Gear	1		
14	-	Screw, M8x70	4		
15	-	Washer	4		
16	-	O-ring	2		
17	-	Repair kit	1		
18	-	Repair kit	1		
19	-	Repair kit	2		
20	-	Ring	1		
23	-	Key	1		
24	-	Washer	1		
25	-	Pin	2		

Electrical equipment Circuit board and fuses



Refer to Parts Online for the most up to date information. The printed information might be outdated.

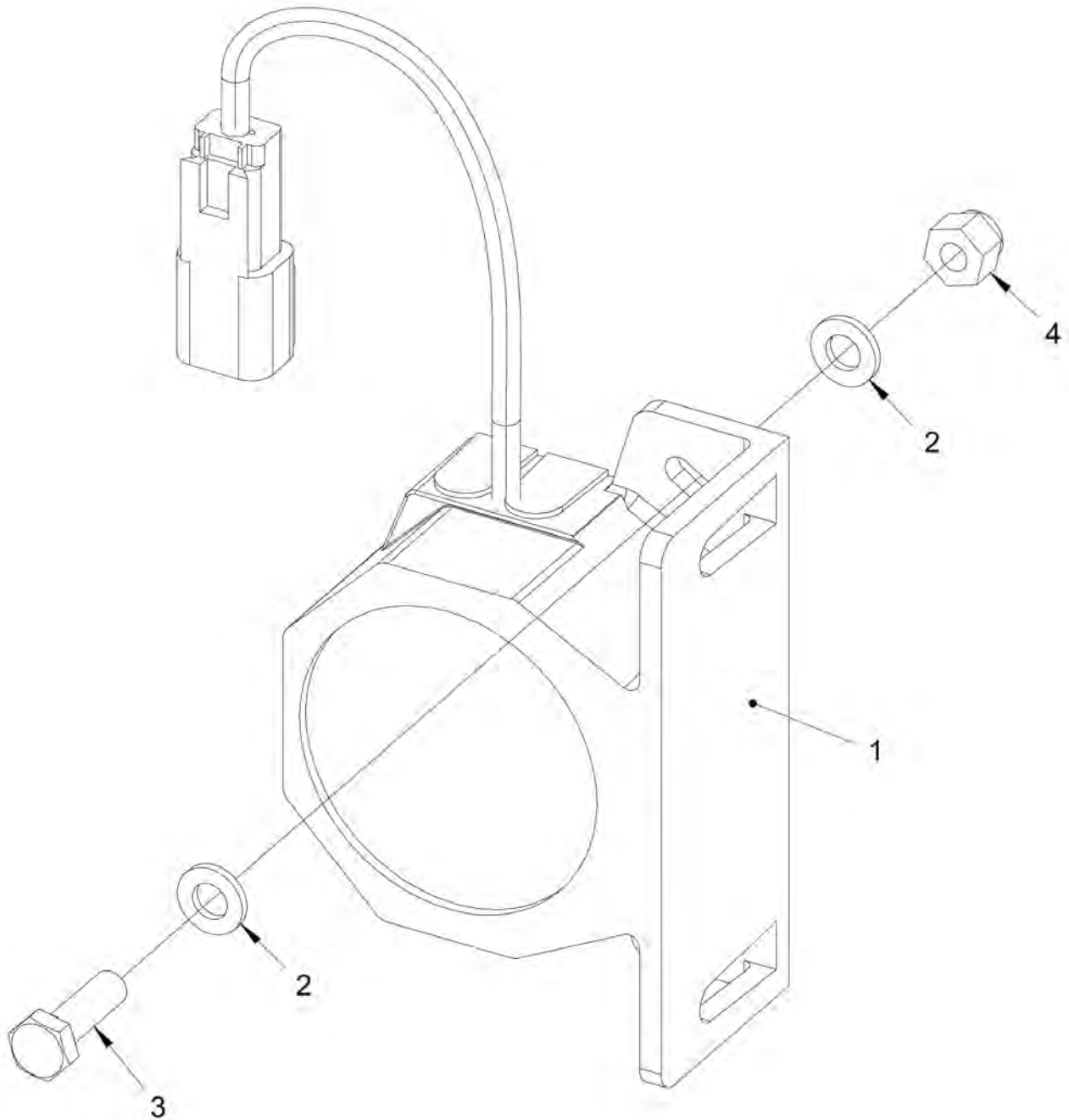
Fri Jan 05 13:28:48 UTC 2018

Item	Part No.	Name	Qty	L	SN INFO
1	4811000333	Ignition switch	1		
1.1	4700940451	Ignition key	1		
2	4812126033	Bracket	1		
3	4700202028	Edge trim	0,07 3 M		
4	4700202028	Edge trim	0,05 9 M		
5	4700904229	Washer, 8.4x 6x1.5 mm 300HV	4		
6	4700500019	Hexagon screw	4		
7	4700792602	Cable tie with holder	4		
8	4700385599	Buzzer	1		
9	4812126176	Circuit board	1		
10	4700904698	Plain washer	4		
11	4700904312	Screw	4		
12	4700791733	Fixing collar	1		
13	4812126108	Relay	1		
14	4700381390	Relay	2		
15	4700901228	Fuse, 15A Blue	1		
16	4700901226	Fuse 7.5A Brown	1		
17	4700901225	Fuse 5A Tan	1		
18	4700901225	Fuse 5A Tan	1		
19	4700901224	Fuse, 3A Violet	1		
19	4700901225	Fuse 5A Tan	1		
20	4700901227	Fuse 10A Red	1		
21	4700901225	Fuse 5A Tan	1		
22	4700901227	Fuse 10A Red	1		
23	4812127367	Fuse 0,5A	1		

Comments for Page: Circuit board and fuses

A) D1703

B) D1803

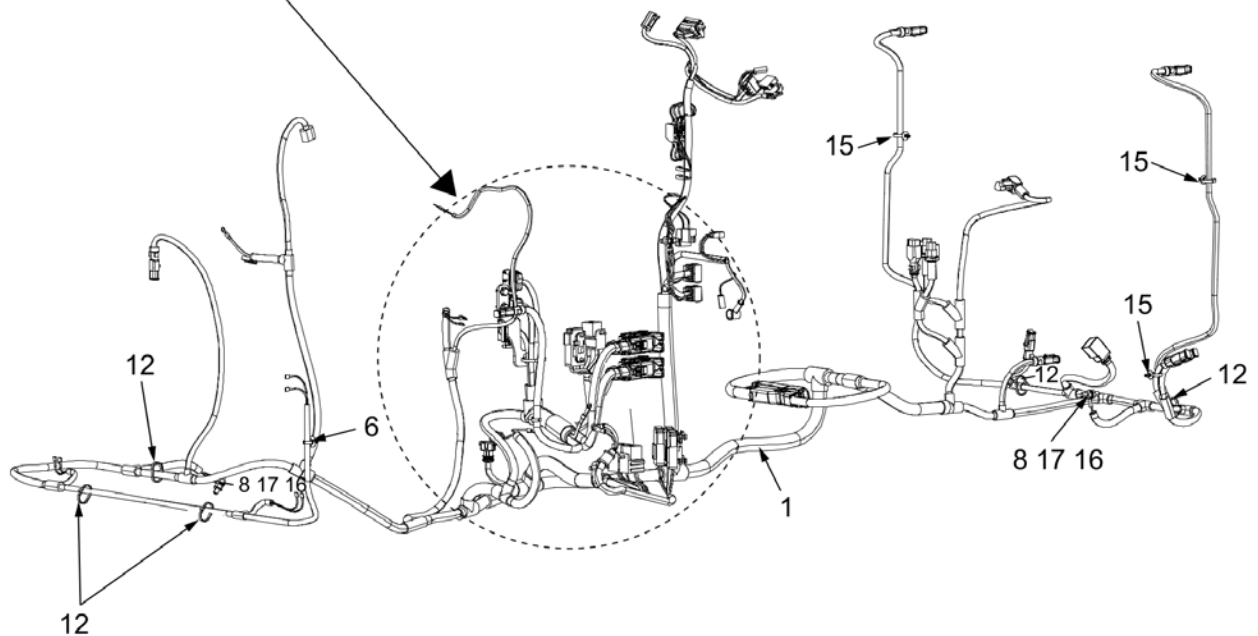
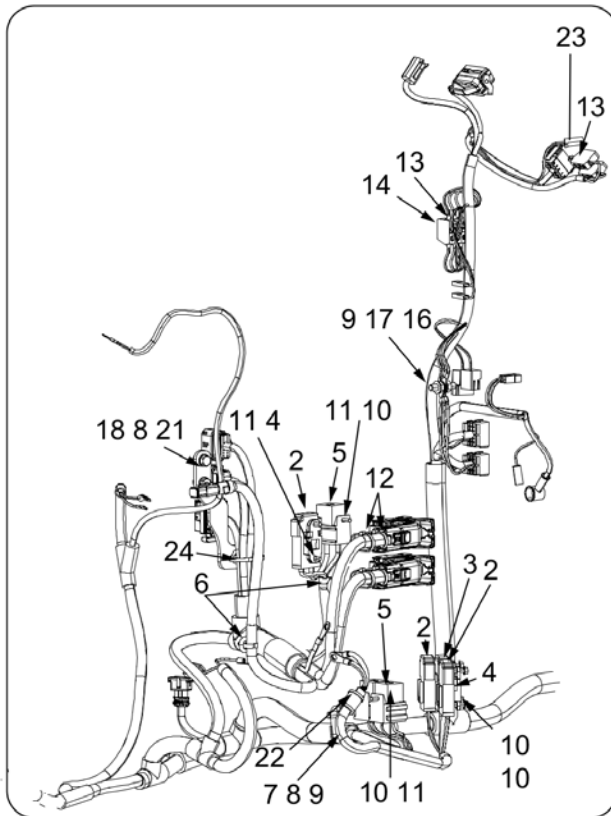
Electrical equipment Backup alarm

Refer to Parts Online for the most up to date information. The printed information might be outdated.

Fri Jan 05 13:28:48 UTC 2018

Item	Part No.	Name	Qty	L	SN INFO
1	4700792098	Back-up alarm	1		
2	4700904228	Washer 6,4x12x1,5	4		
3	4700500040	Screw, M6x20 mm 8.8 A2K	2		
4	4700586002	Lock nut M6 -8	2		

Electrical equipment Cable harness

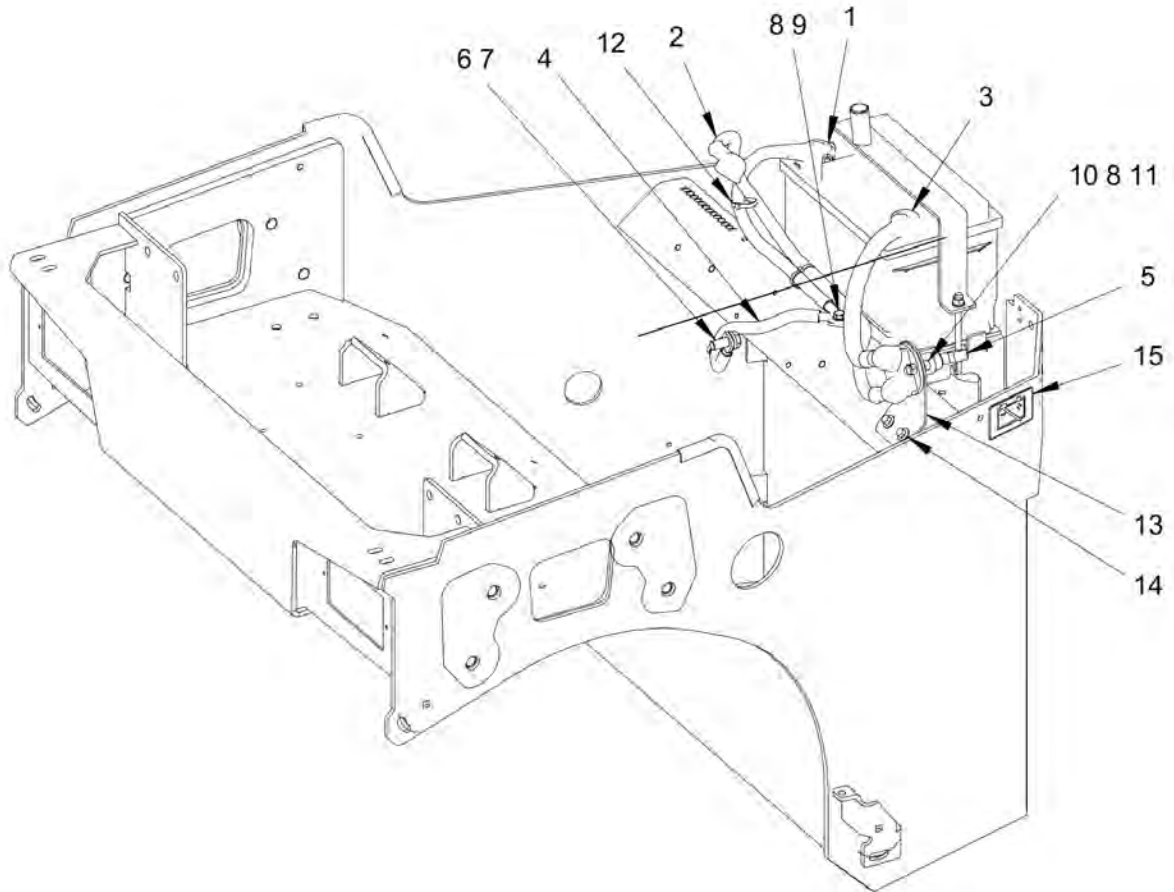


Refer to Parts Online for the most up to date information. The printed information might be outdated.

Fri Jan 05 13:28:49 UTC 2018

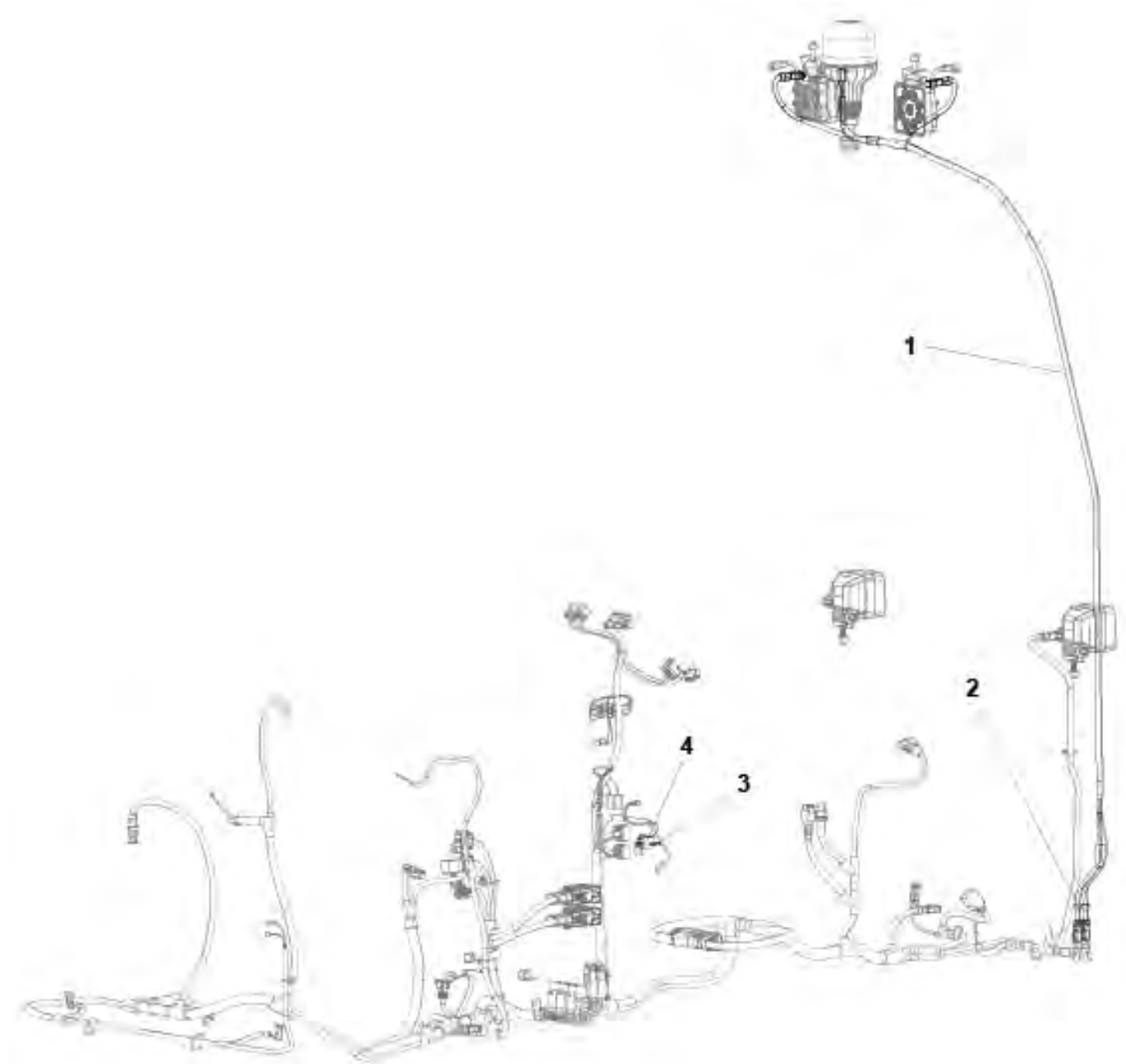
Item	Part No.	Name	Qty	L	SN INFO
1	4812125948	Cable harness	1		
2	4700904038	Fuse 40A Orange	3		
3	4700904039	Fuse 50A Red	1		
4	4700904036	Bracket	3		
5	4812126090	Relay	3		
6	4700792441	Cable tie with holder	3		
7	4700960727	Clamp	1		
8	4700904229	Washer, 8.4x 6x1.5 mm 300HV	9		
9	4700500019	Hexagon screw	1		
10	4812117868	Screw M05x16	4		
11	4700903782	Screw M5x12	5		
12	4700313041	Cable ties, L=200 mm	N		
13	4700791723	Connector	4		
14	4700791736	Connector N/O	1		
15	4812115911	Cable tie with holder	2		
16	4700570005	Hexagon nut	6		
17	4700903768	Threaded stud	3		
18	4812126189	Bracket	1		
21	4700500053	Screw, M8x20 mm 8.8 A2K	2		
22	4700904346	Clamp	1		
23	4812128174	Connection cable	1		
24	4700792602	Cable tie with holder	1		

Electrical equipment Cable harness - Battery disconnect



Item	Part No.	Name	Qty	L	SN INFO
1	4700791818	Battery cable	1		
2	4812127099	Connection cable coarse	1		
3	4812126031	Battery cable	1		
4	4700903760	Connection cable coarse	1		
5	4700357567	Battery switch, cpl	1		
6	4700904703	Plain washer 13x24x4 mm	1		
7	4700792250	Screw	1		
8	4700904229	Washer, 8.4x 6x1.5 mm 300HV	3		
9	4700500053	Screw, M8x20 mm 8.8 A2K	1		
10	4700508019	Cylinder screw	2		
11	4700586003	Lock nut M8	2		
12	4700313041	Cable ties, L=200 mm	3		
13	4812126940	Bracket	1		
14	4700901832	Screw, M08x16, 8.8	2		
15	4700904835	Decal "BATTERY POWER"	1		

Electrical equipment Cable harness - Working lights / ROPS

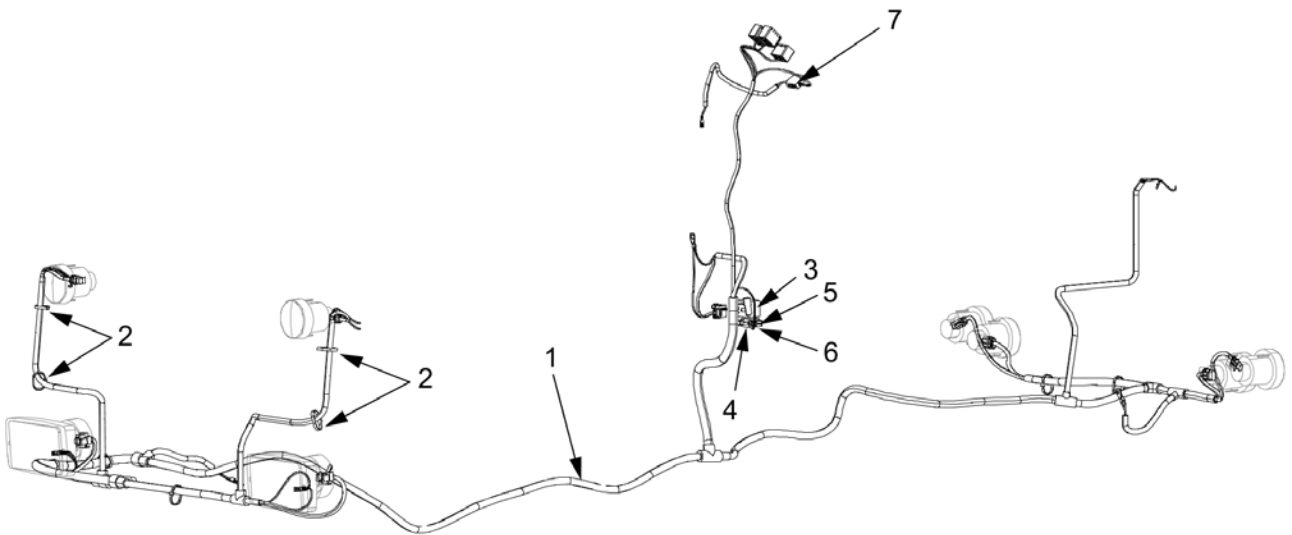


Refer to Parts Online for the most up to date information. The printed information might be outdated.

Fri Jan 05 13:28:49 UTC 2018

Item	Part No.	Name	Qty	L	SN INFO
1	4812125777	Cable harness	1		
2	4700313041	Cable ties, L=200 mm	N		
3	4700901227	Fuse 10A Red	1		
4	4700381390	Relay	1		

Electrical equipment Cable harness - Driving lights

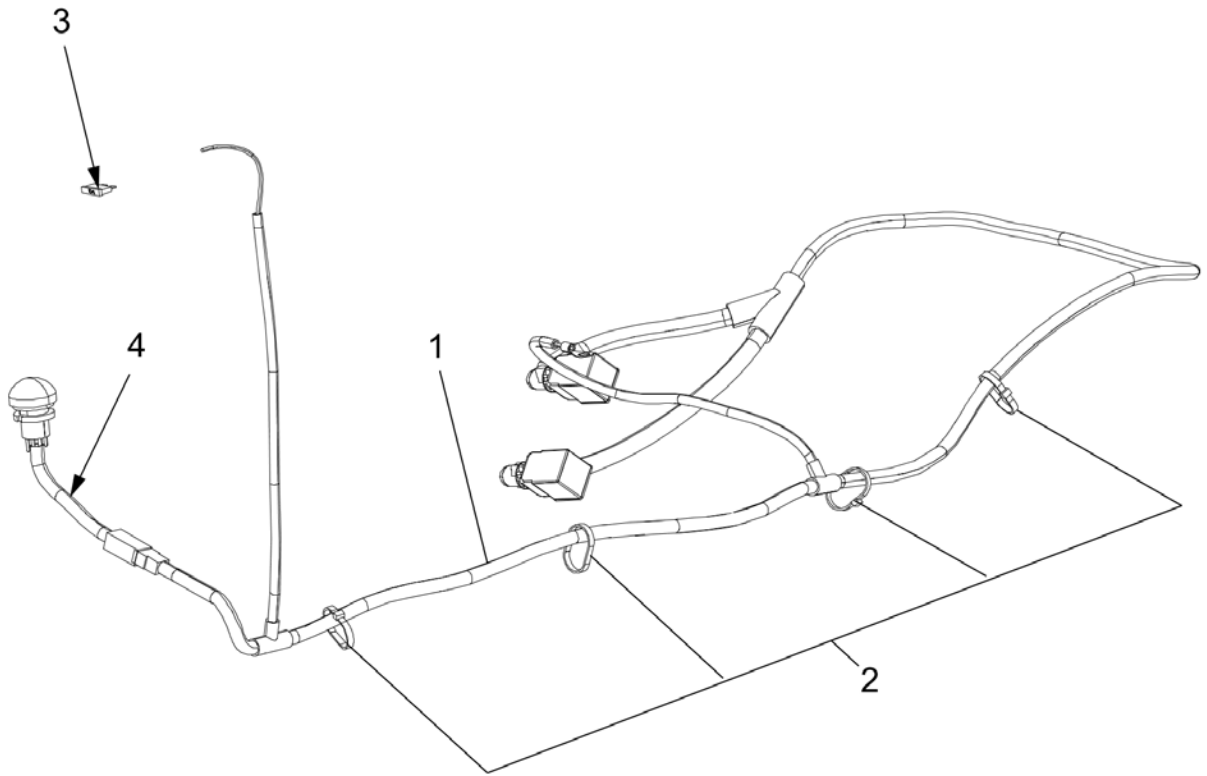


Refer to Parts Online for the most up to date information. The printed information might be outdated.

Fri Jan 05 13:28:49 UTC 2018

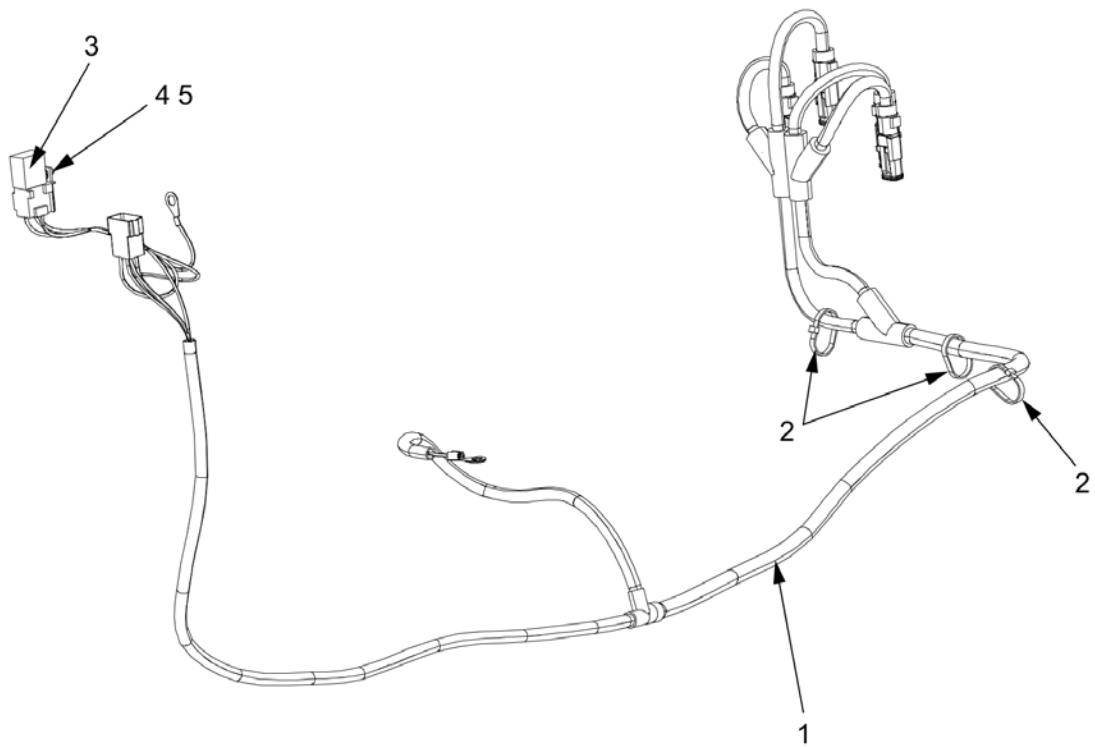
Item	Part No.	Name	Qty	L	SN INFO
1	4812125678	Cable harness	1		
2	4700313041	Cable ties, L=200 mm	N		
3	4700904989	Flash relay	1		
4	4700381390	Relay	1		
5	4700901227	Fuse 10A Red	1		
6	4700901228	Fuse, 15A Blue	1		
7	4700791723	Connector	1		

Electrical equipment Cable harness - Flow divider



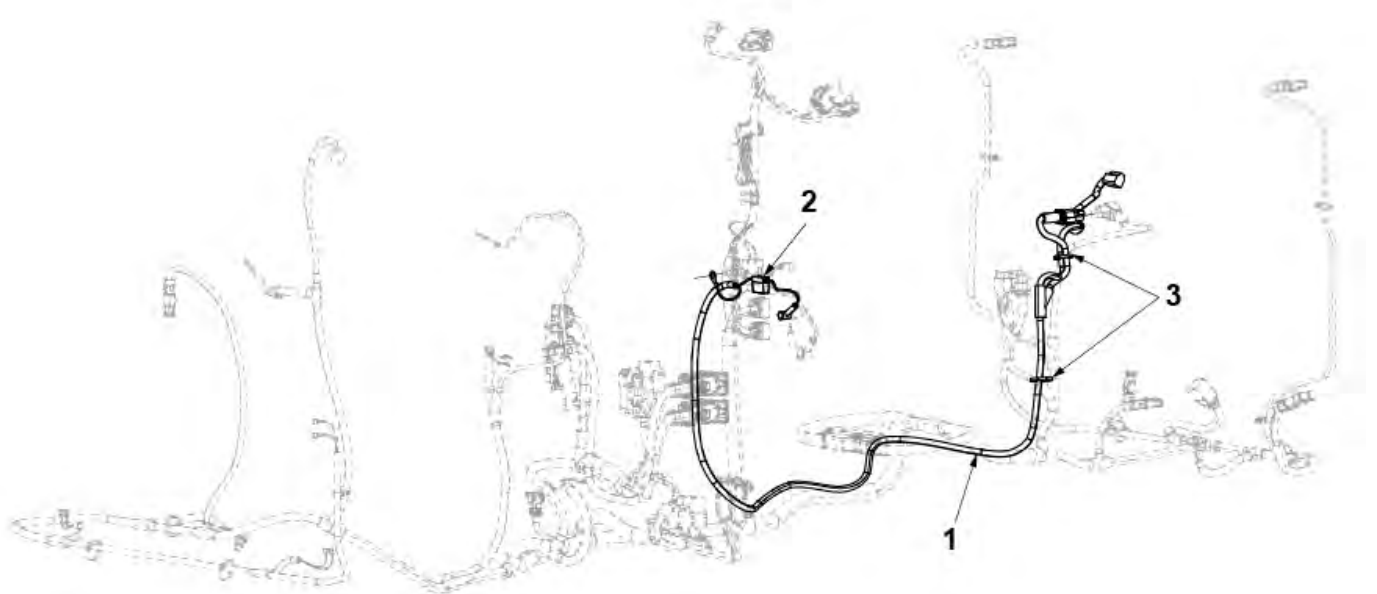
Item	Part No.	Name	Qty	L	SN INFO
1	4812125881	Cable harness	1		
2	4700313041	Cable ties, L=200 mm	4		
3	4700901227	Fuse 10A Red	1		
4	4812127015	Cable harness	1		

Electrical equipment Cable harness - Edge cutter, Chip spreader



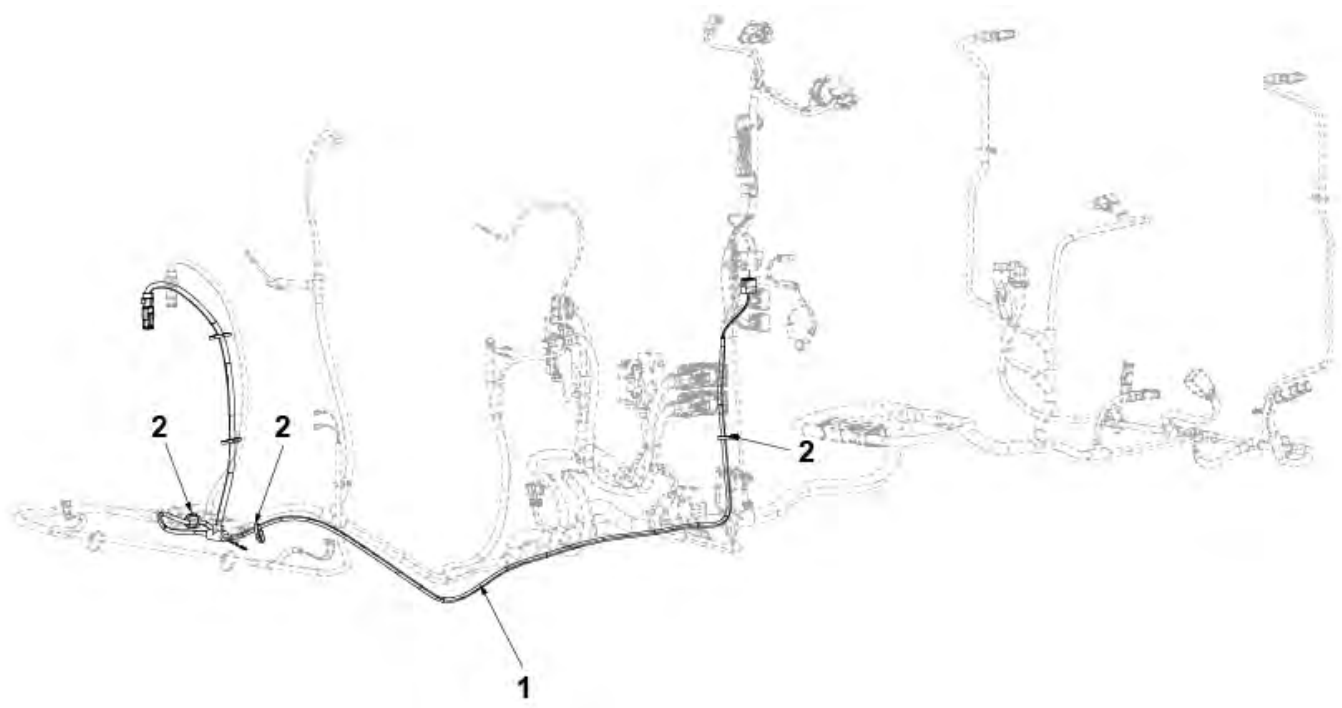
Item	Part No.	Name	Qty	L	SN INFO
1	4812125880	Cable harness	1		
2	4700313041	Cable ties, L=200 mm	3		
3	4700381390	Relay	1		
4	4700904281	Washer, 5,3x10x1 300HV	1		
5	4700500003	Hex. screw	1		

Electrical equipment Cable harness - Seat heater



Item	Part No.	Name	Qty	L	SN INFO
1	4812127324	Cable harness	1		
2	4700901225	Fuse 5A Tan	1		
3	4700313041	Cable ties, L=200 mm	2		

Electrical equipment Cable harness - Dual vibration



Item	Part No.	Name	Qty	L	SN INFO
1	4812125883	Cable harness	1		
2	4700313041	Cable ties, L=200 mm	5		

Electrical equipment Cable harness - Rotating beacon



Refer to Parts Online for the most up to date information. The printed information might be outdated.

Fri Jan 05 13:28:50 UTC 2018

Item	Part No.	Name	Qty	L	SN INFO
1	4812125861	Cable harness	1		
2	4700313041	Cable ties, L=200 mm	2		

Electrical equipment Cable harness - Working lights incl. Rotating beacon

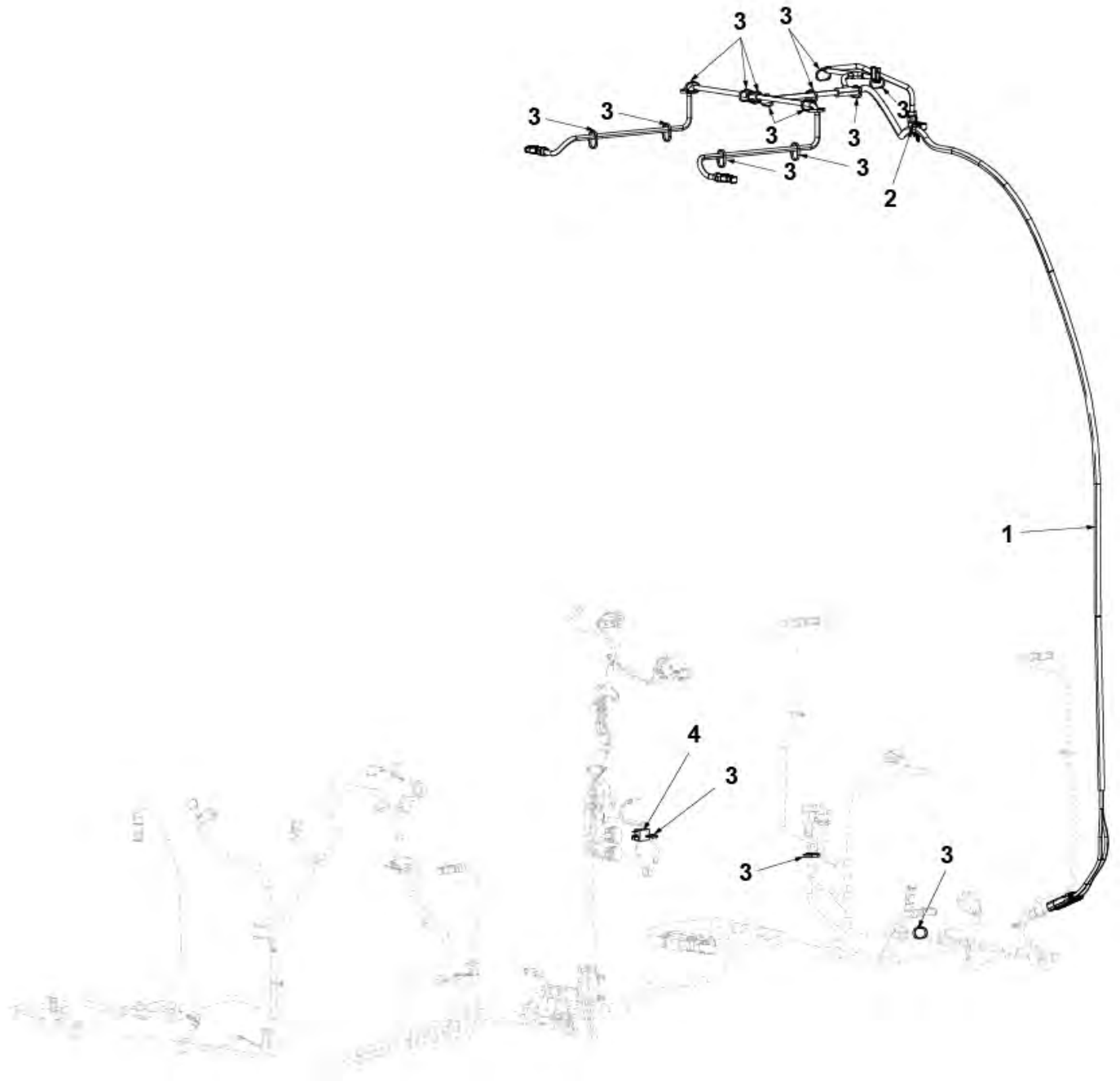


Refer to Parts Online for the most up to date information. The printed information might be outdated.

Fri Jan 05 13:28:50 UTC 2018

Item	Part No.	Name	Qty	L	SN INFO
1	4812125777	Cable harness	1		
2	4700313041	Cable ties, L=200 mm	1		
3	4700901227	Fuse 10A Red	1		
4	4700381390	Relay	1		

Electrical equipment Cable harness - Working lights, tank x2

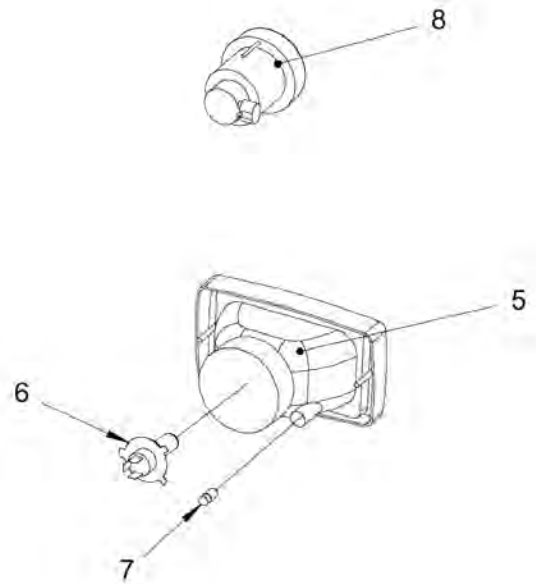
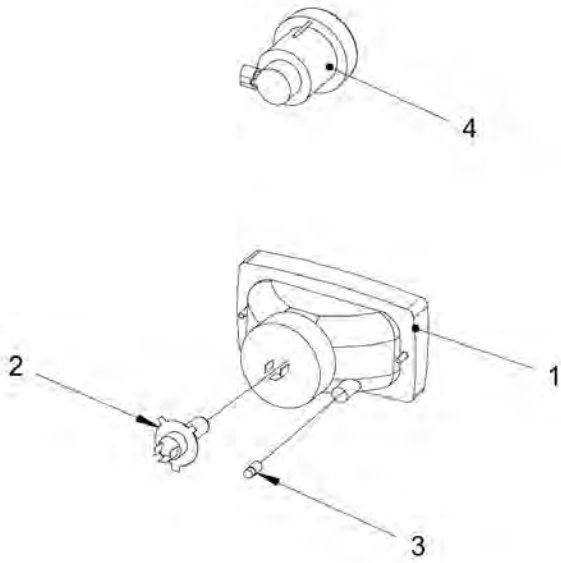


Refer to Parts Online for the most up to date information. The printed information might be outdated.

Fri Jan 05 13:28:51 UTC 2018

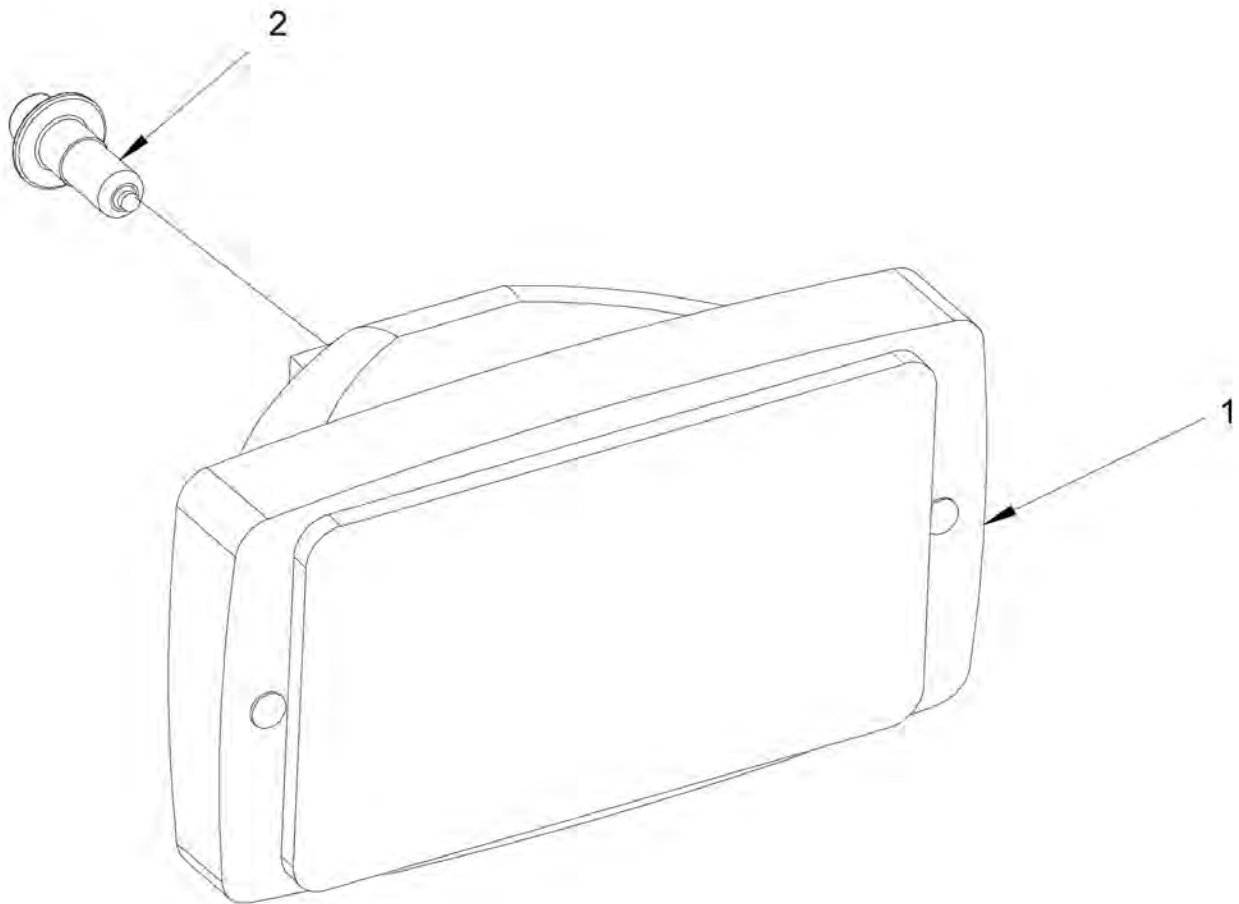
Item	Part No.	Name	Qty	L	SN INFO
1	4812125949	Cable harness	1		
2	4812115911	Cable tie with holder	1		
3	4700313041	Cable ties, L=200 mm	17		
4	4700901225	Fuse 5A Tan	1		
5	4700381390	Relay	1		

Electrical equipment Driving lights (option)



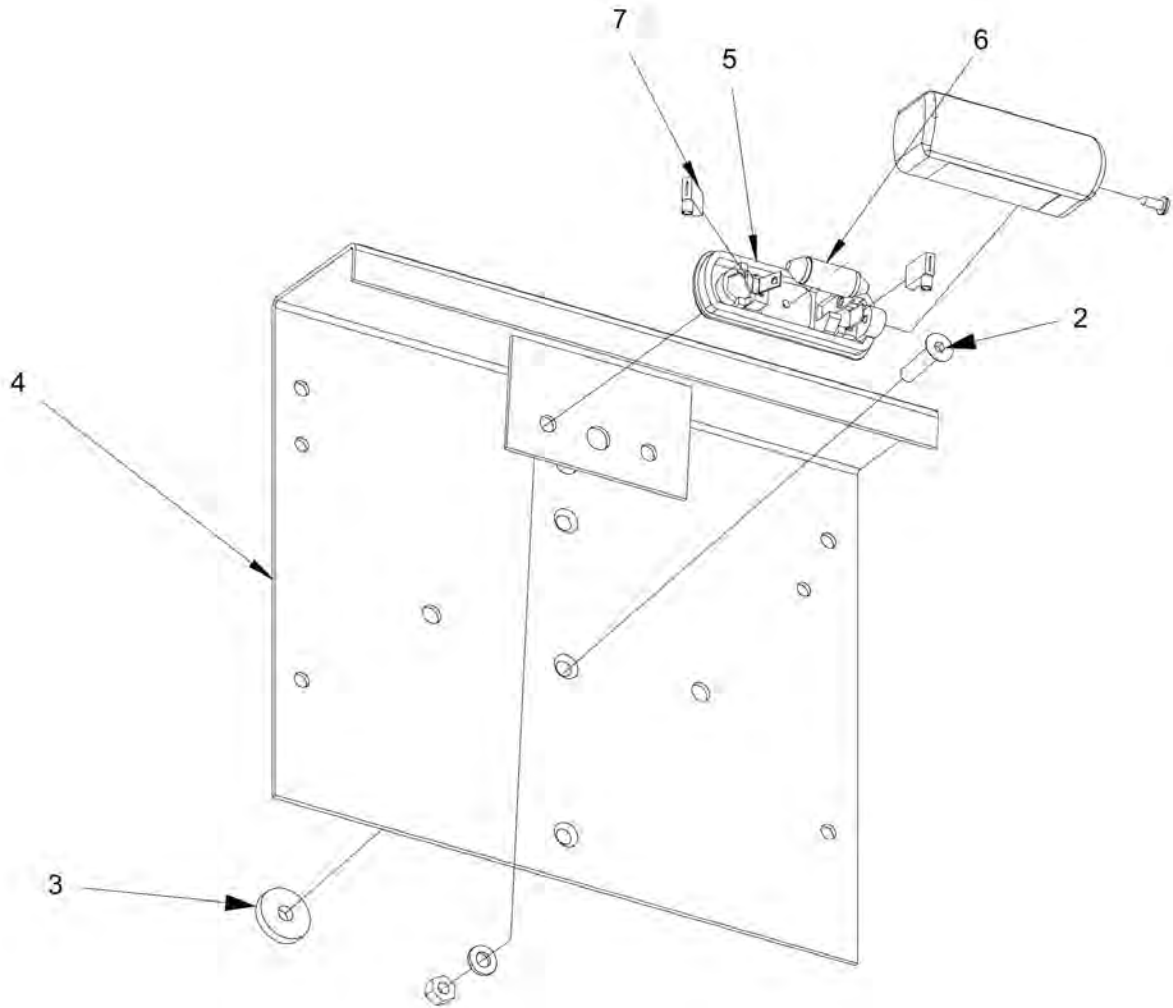
Item	Part No.	Name	Qty	L	SN INFO
1	4700792059	Headlight left hand asym. with parking light	2		
2	4700900790	Bulb 60/55w H4	2		
3	4700985012	Bulb	2		
4	4700791953	Direction indicator	2		
5	4700791951	Headlight right hand asym. with parking light	2		
6	4700900790	Bulb 60/55w H4	2		
7	4700985012	Bulb	2		
8	4700791953	Direction indicator	2		

Electrical equipment Working lights (option)



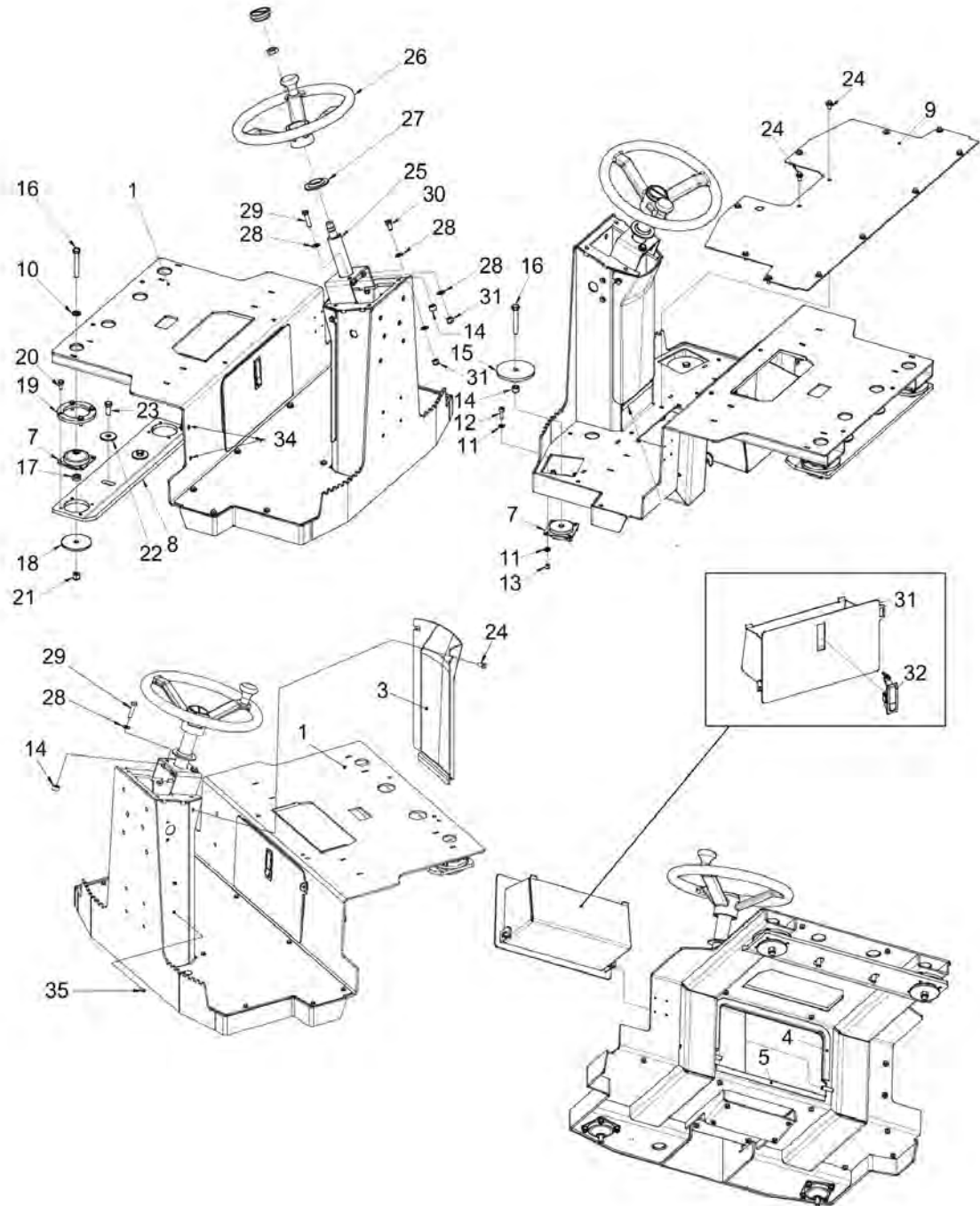
Item	Part No.	Name	Qty	L	SN INFO
1	4700902227	Work light	2		
2	4700901369	Bulb 55w H3	2		

Electrical equipment Registration plate light



Item	Part No.	Name	Qty	L	SN INFO
2	4700928784	Screw	2		
3	4700904735	Steel plain washer	2		
4	4700355797	Licence plate holder	1		
5	4700929455	Licence plate light	1		
6	4700985013	Bulb 12V,5W	1		
7	4700792035	Push-on terminal	2		

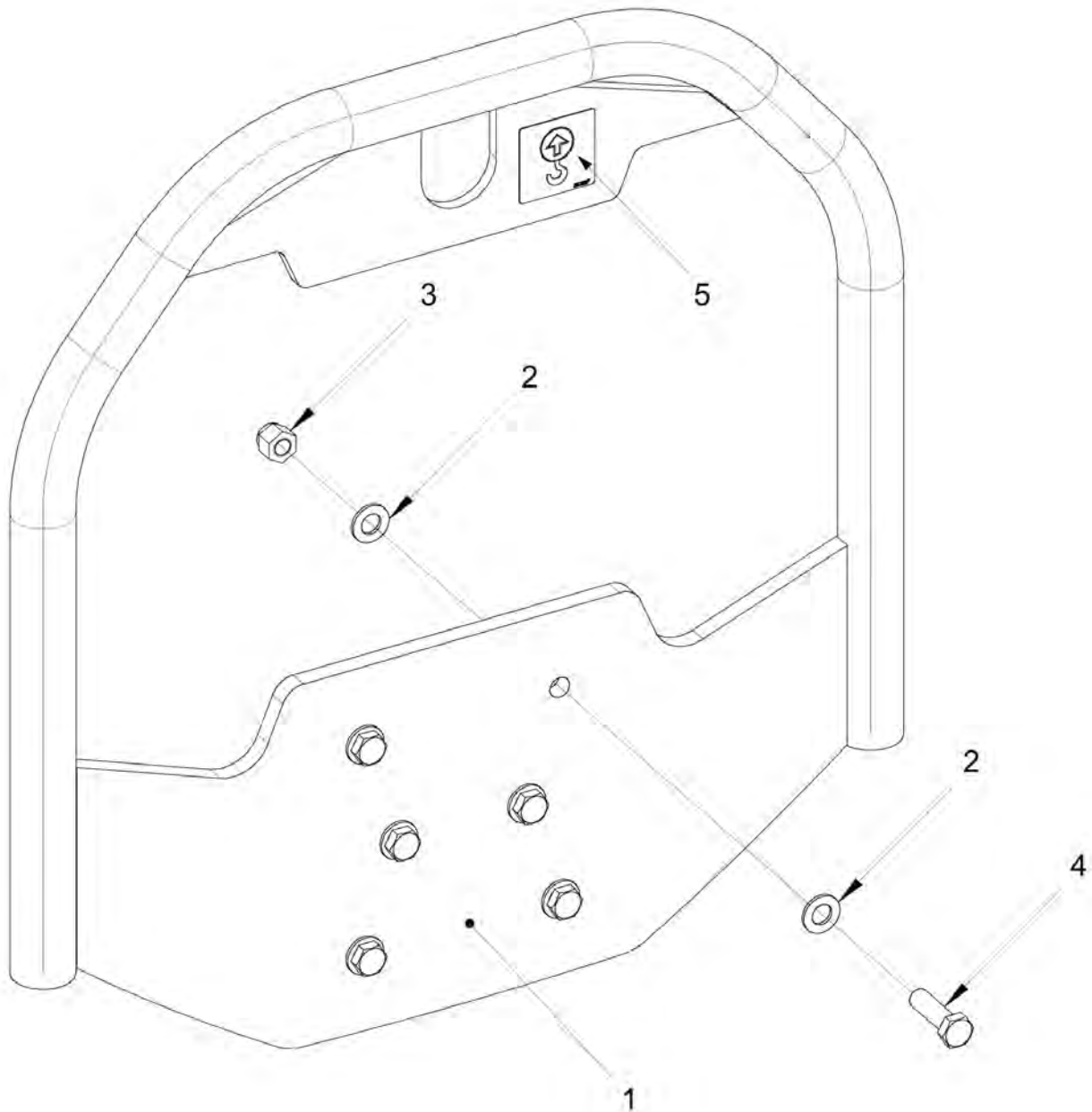
Drivers platform Platform



Refer to Parts Online for the most up to date information. The printed information might be outdated.

Fri Jan 05 13:28:52 UTC 2018

Item	Part No.	Name	Qty	L	SN INFO
1	4812126973	Platform	1		
3	4812125902	Front cover	1		
4	4700902379	Edge trim	0,6 M		
5	4700902379	Edge trim	0,36 M		
7	4700902797	Shock absorber	4		
8	4812125852	Bracket	1		
9	4812124793	Floor plate	1		
10	4700904231	Washer, 13x24x2 mm 300 HV	6		
11	4700904229	Washer, 8.4x 6x1.5 mm 300HV	16		
12	4700508019	Cylinder screw	8		
13	4700586003	Lock nut M8	8		
14	4700355869	Spacer sleeve	4		
15	4812125887	Washer	2		
16	4700500196	Screw M12-1,75x80 8.8	4		
17	4700902892	Washer	2		
18	4700358232	Washer	2		
19	4812125886	Backup ring	2		
20	4700500053	Screw, M8x20 mm 8.8 A2K	8		
21	4700586019	Lock nut	2		
22	4700791165	Washer, 13 x 45 x 4 mm, 0.51 x 1.77 x 0.16 A2K	2		
23	4700500046	Hex. head screw M12x030H	2		
24	4700902989	Hexagon screw with flange M6x12	12		
25	4700902123	Steering column	1		
26	4700372964	Steering wheel	1		
27	4700928830	Rubber part	1		
28	4700904230	Plain washer 10.5x22x2 mm	4		
29	4700500240	Hex. screw	2		
30	4700500048	Screw, M10x20 mm 8.8 A3K	2		
31	4812125851	Box	1		
32	4812125915	Lock	1		
33	4700901832	Screw, M08x16, 8.8	2		
34	4700926215	Protective plug	2		
35	4700904206	Screw, M6x16 mm	2		

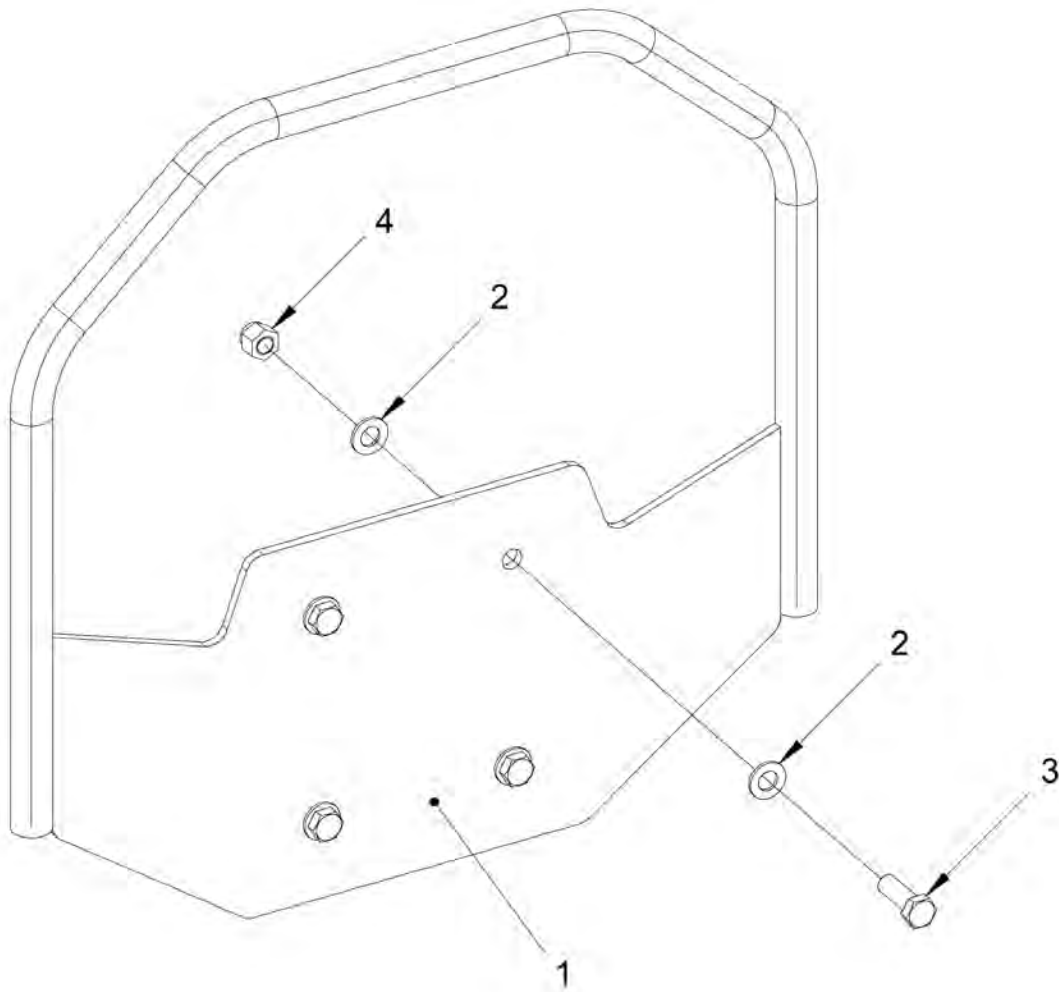
Drivers platform Single lifting point

Refer to Parts Online for the most up to date information. The printed information might be outdated.

Fri Jan 05 13:28:52 UTC 2018

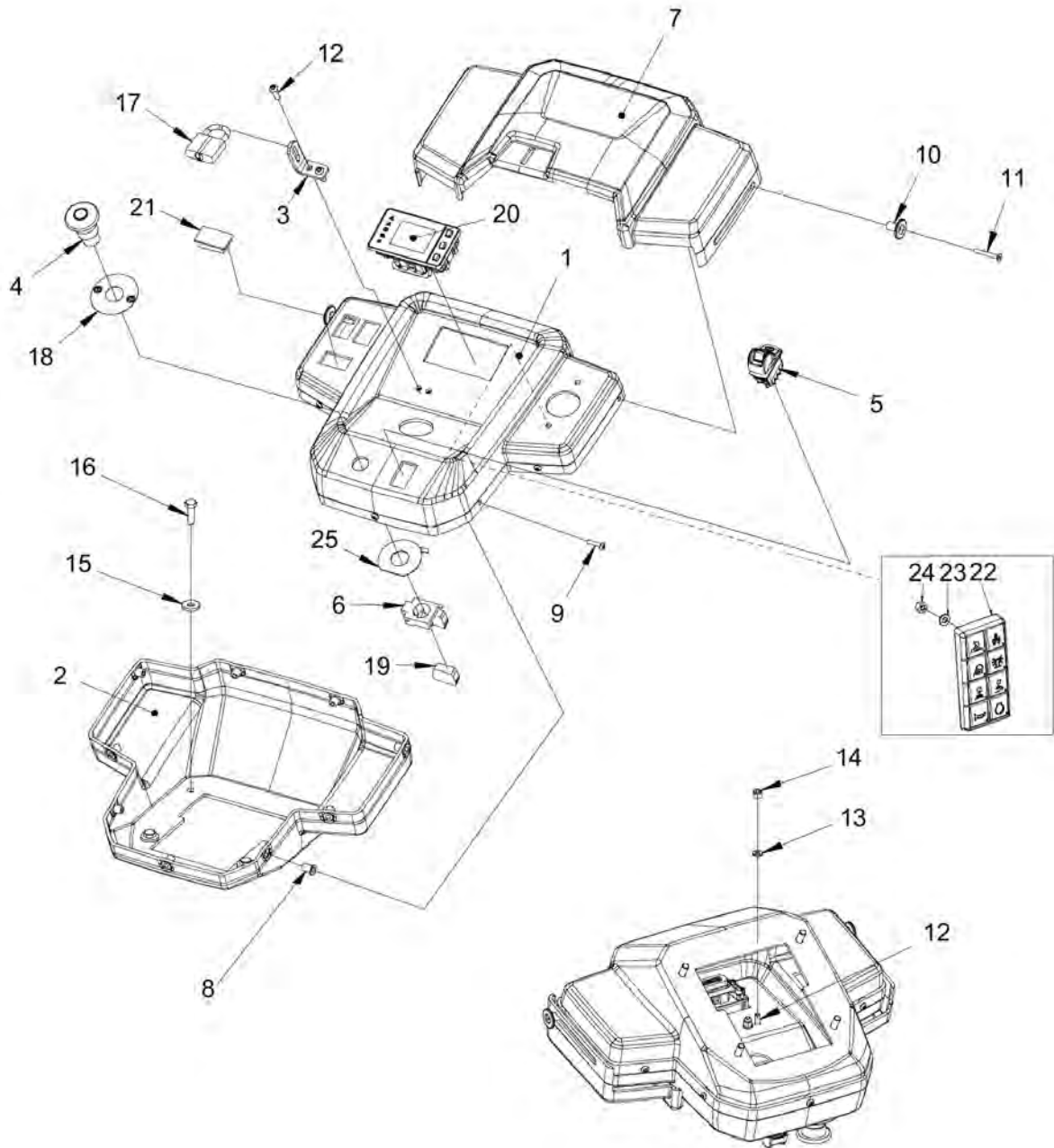
Item	Part No.	Name	Qty	L	SN INFO
1	4812125521	Hand rail	1		
2	4700904231	Washer, 13x24x2 mm 300 HV	12		
3	4812110968	Lock nut	6		
4	4700947689	Hex. head screw M12	6		
5	4700357587	Label lifting point	1		

Drivers platform Hand rail



Item	Part No.	Name	Qty	L	SN INFO
1	4812125631	Hand rail	1		
2	4700904231	Washer, 13x24x2 mm 300 HV	8		
3	4700947689	Hex. head screw M12	4		
4	4812110968	Lock nut	4		

Drivers platform Control panel

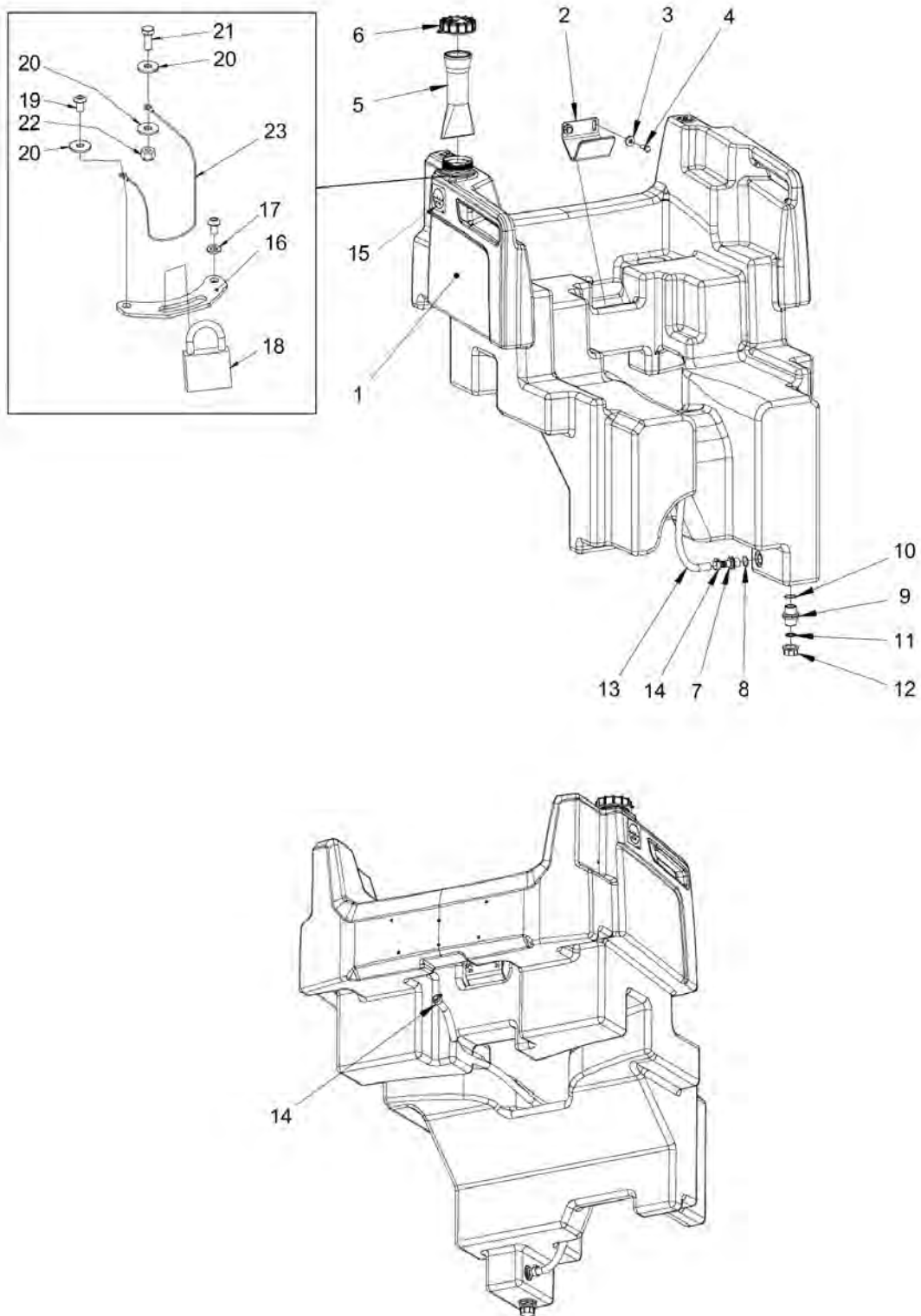


Refer to Parts Online for the most up to date information. The printed information might be outdated.

Fri Jan 05 13:28:53 UTC 2018

Item	Part No.	Name	Qty	L	SN INFO
1	4812125959	Cover	1		
2	4812125960	Cover	1		
3	4812126008	Bracket	1		
4	4700791739	Emergency stop	1		
5	4812118697	Switch, parking brake	1		
6	4700389840	Connector	1		
7	4812126007	Cover	1		
8	4700792536	Rubber nut	9		
9	4700792589	Screw	7		
10	4700357855	Bushing	2		
11	4700792742	Screw, M5 x 20	2		
12	4700791524	Screw, M6 x 20 mm A2-70	2		
13	4700904228	Washer 6,4x12x1,5	2		
14	4700586002	Lock nut M6 -8	2		
15	4700904640	Washer, 8.4x22x3 mm 300HV	4		
16	4700500021	Screw, M8x25 mm 8.8 A2K	4		
17	4700358881	Pad lock	1		
18	4811000128	Contrast plate, yellow	1		
19	4700791723	Connector	1		
20	4812126175	Display	1		
21	4700791588	Panel plug	3		
22	4812126908	Keypad	1		
23	4700904228	Washer 6,4x12x1,5	2		
24	4700570004	Hexagon nut M6	2		
25	4812128078	Washer	1		

Drivers platform Water tank

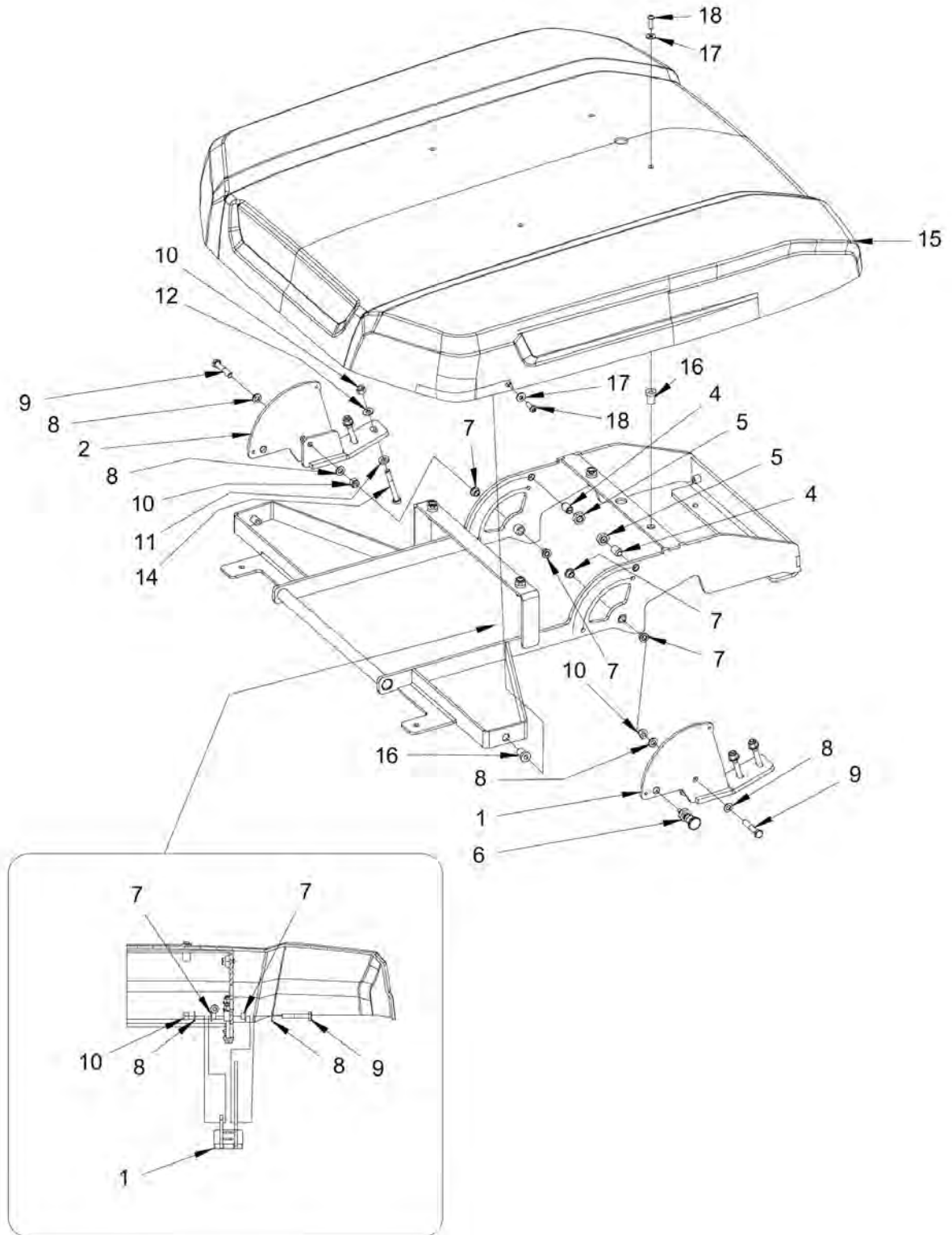


Refer to Parts Online for the most up to date information. The printed information might be outdated.

Fri Jan 05 13:28:54 UTC 2018

Item	Part No.	Name	Qty	L	SN INFO
1	4812124060	Water tank	1		
2	4700387935	Bracket	1		
3	4700904567	Washer, 10.5x28x6 mm	2		
4	4700500029	Screw M10x30	2		
5	4812125924	Strainer	1		
6	4700388087	Tank cap	1		
7	4700396673	Hose connection	1		
8	4700160313	O-ring 70	1		
9	4812125982	Nipple	1		
10	4700160318	O-ring 70	1		
11	4812125984	Gasket	1		
12	4812125983	Cap	1		
13	4812112074	Plastic hose (x m)	1,25 M		
14	4700313003	Hose clamp	2		
15	4700991657	Decal "WATER"	1		
16	4812125972	Bracket	1		
17	4700904228	Washer 6,4x12x1,5	1		
18	4700358881	Pad lock	1		
19	4700902224	Screw, M6x10 mm A2-70	2		
20	4700928381	Washer, 6.4x18x1.6 mm	3		
21	4700500013	Screw, M6x16 mm 8.8 A2K	1		
22	4700586002	Lock nut M6 -8	1		
23	4700377253	Wire	1		

Drivers platform Canopy

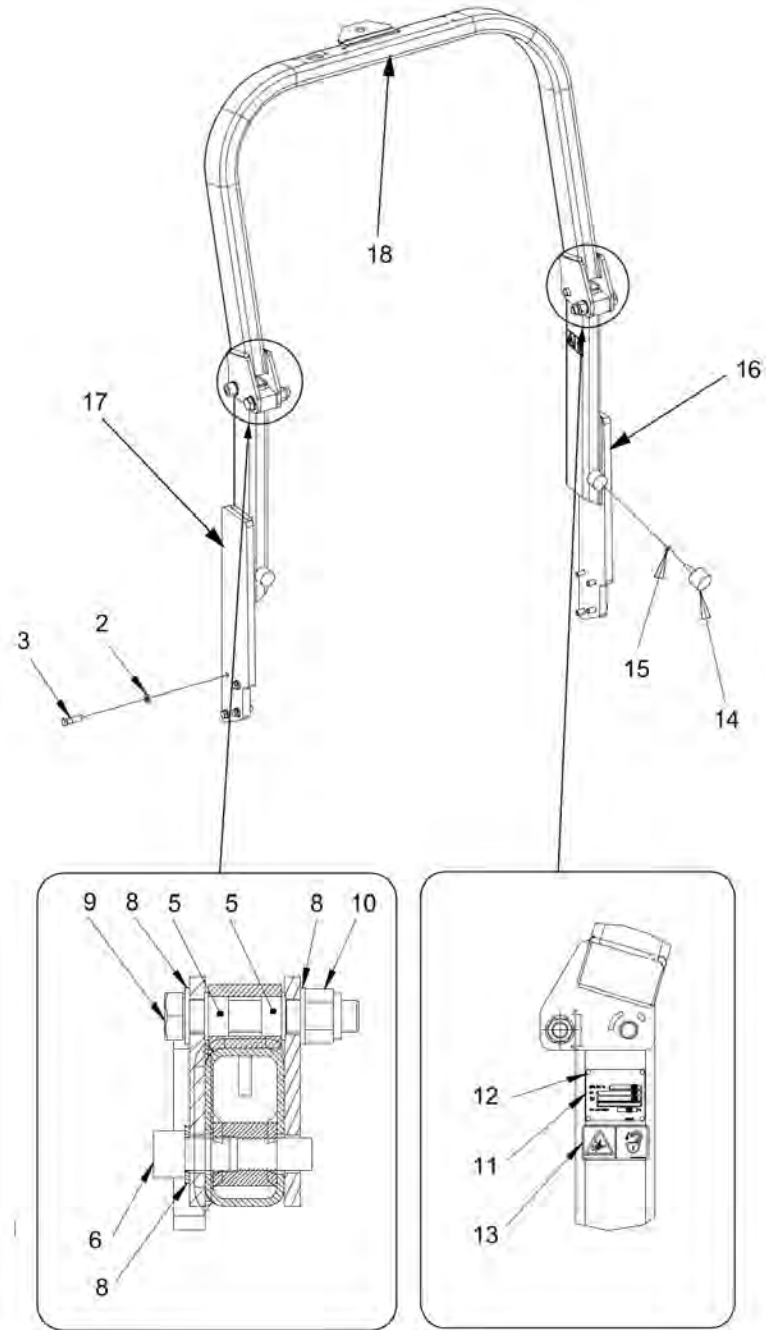


Refer to Parts Online for the most up to date information. The printed information might be outdated.

Fri Jan 05 13:28:54 UTC 2018

Item	Part No.	Name	Qty	L	SN INFO
1	4812126467	Bracket	1		
2	4812126468	Bracket	1		
3	4812126281	Frame	1		
4	4700922325	Spring ball plunger	2		
5	4700573004	Nut	2		
6	4812126529	Locking pin	1		
7	4700792380	Plastic bushing	4		
8	4700904570	Steel plain washer	4		
9	4700500032	Screw M10 x 55	2		
10	4700586018	Lock nut M10	2		
11	4700904557	Washer, 10.5x22x4 mm 300 HV	4		
12	4700904230	Plain washer 10.5x22x2 mm	4		
14	4700500192	Hexagon head screw M10x80	4		
15	4812126283	Canopy	1		
16	4812113177	Nut	8		
17	4700791304	Steel plain washer	8		
18	4700904654	Screw, M8 x 25 mm A2-70	8		

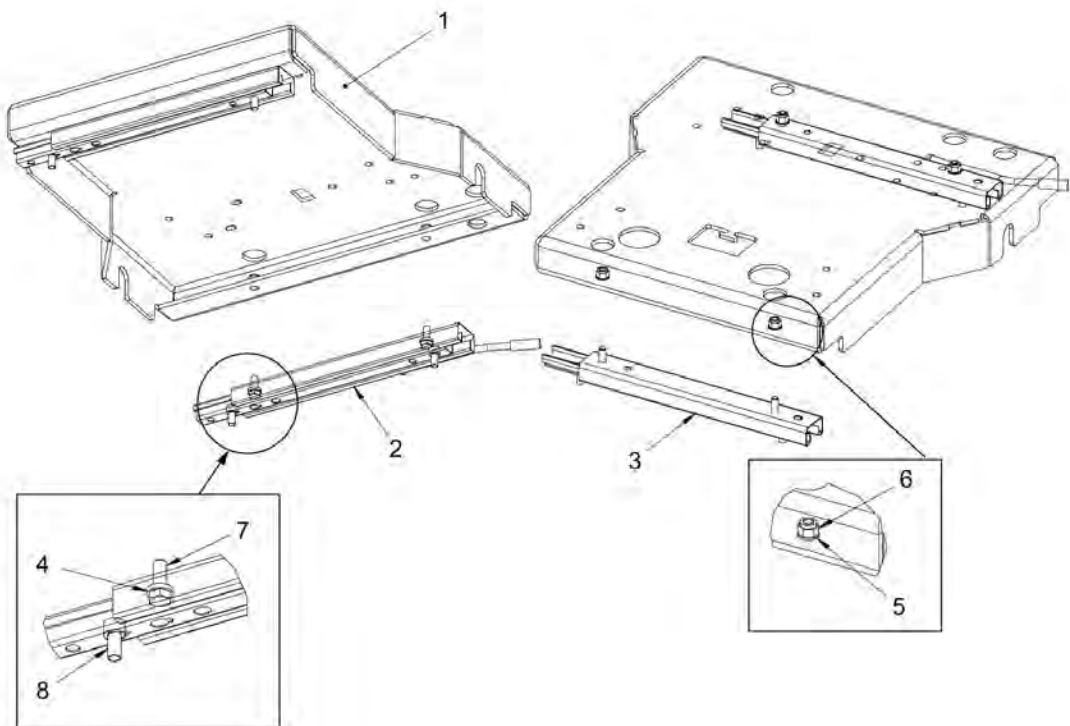
Drivers platform ROPS



Refer to Parts Online for the most up to date information. The printed information might be outdated.

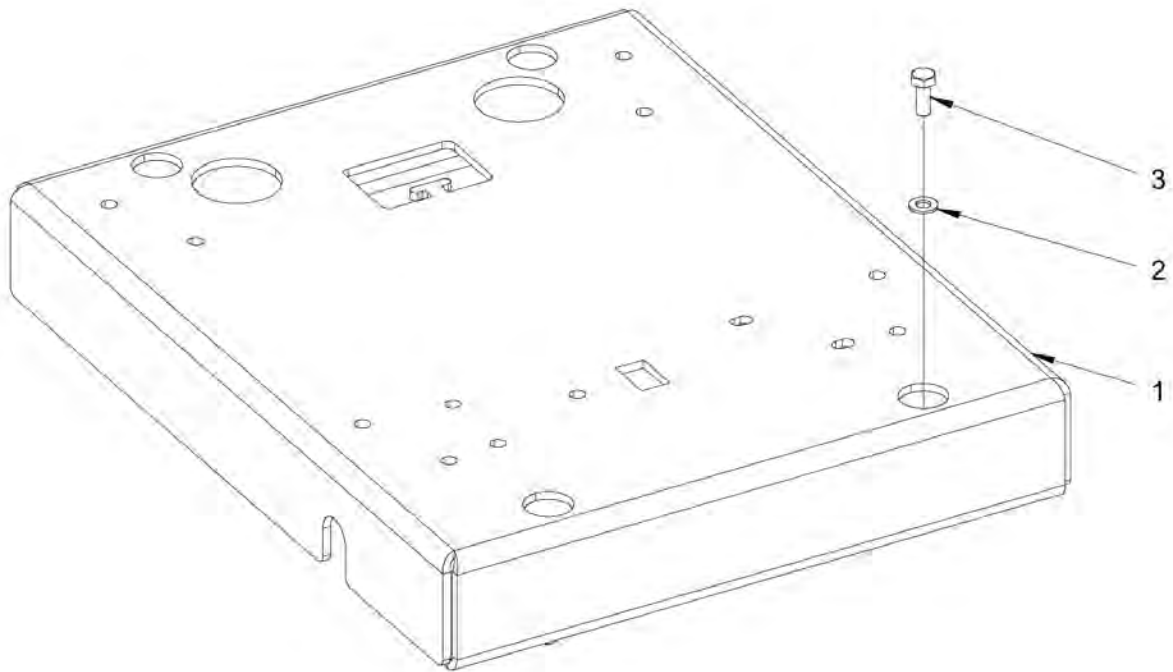
Fri Jan 05 13:28:54 UTC 2018

Item	Part No.	Name	Qty	L	SN INFO
2	4700904558	Washer, 17x30x6 mm 300 HV	8		
3	4700500070	Hex. screw	8		
5	4700904574	Bushing	4		
6	0211110375	Hexagon head screw	2		
8	4700904233	Steel plain washer 21x36x3	6		
9	4700901381	Screw	2		
10	0291112843	Nut lock	2		
11	-	Sign plate	1		
12	4700624018	Blind rivet	4		
13	4700908229	Safety decal	2		
14	4700288357	Shock absorber	2		
15	4700573008	Nut M8	2		
16	-	Lower part right	1		
17	-	Lower part left	1		
18	-	Upper part	1		

Drivers platform Slideable seat

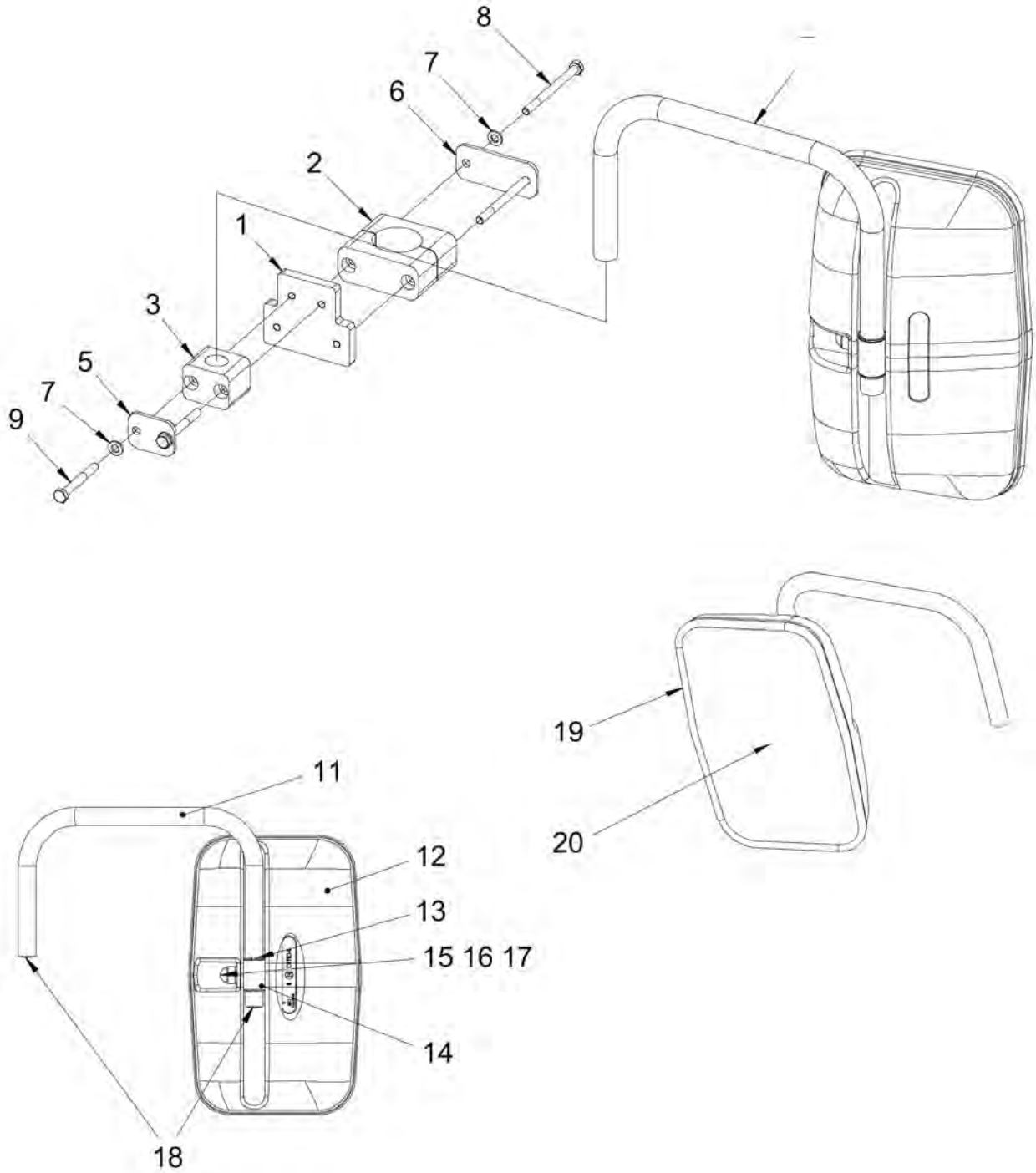
Item	Part No.	Name	Qty	L	SN INFO
1	4812126021	Seat frame	1		
2	4700909535	Sliding rail with handle	1		
3	4700909536	Sliding rail	1		
5	4700904556	Steel plain washer 8,4x16x3,0	4		
6	4700586003	Lock nut M8	4		
7	4700500053	Screw, M8x20 mm 8.8 A2K	4		
8	4700508005	Screw	4		

Drivers platform Fixed seat



Item	Part No.	Name	Qty	L	SN INFO
1	4812126022	Seat frame	1		
2	4700904229	Washer, 8.4x 6x1.5 mm 300HV	4		
3	4700500053	Screw, M8x20 mm 8.8 A2K	4		

Drivers platform Rear view mirror

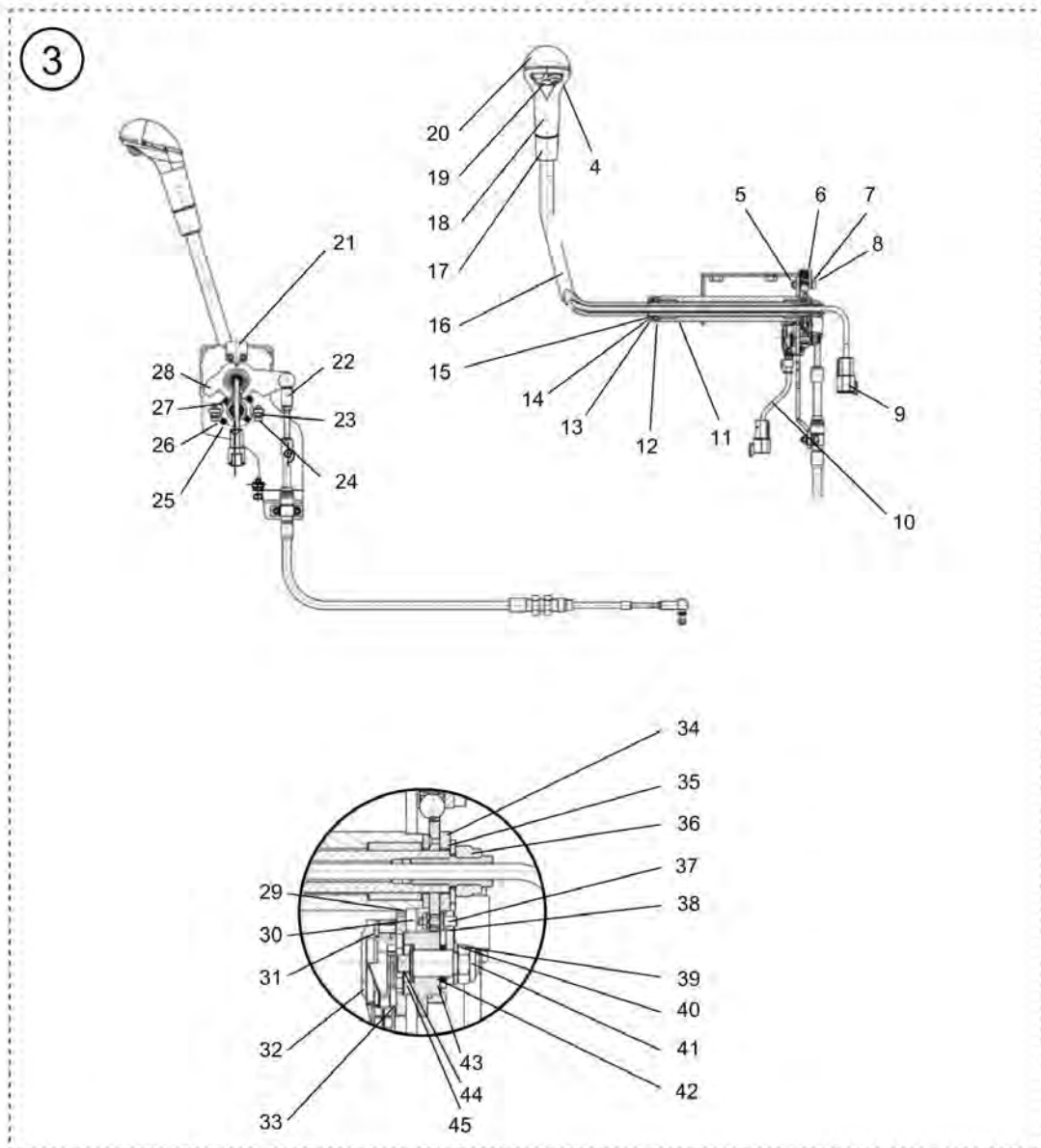
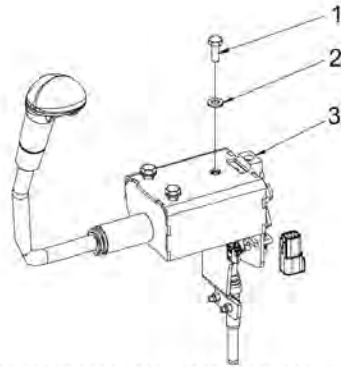


Refer to Parts Online for the most up to date information. The printed information might be outdated.

Fri Jan 05 13:28:56 UTC 2018

Item	Part No.	Name	Qty	L	SN INFO
1	4812126234	Bracket	1		
2	4700924790	Pipe clamp	1		
3	4700791453	Pipe clamp block	1		
5	4700791454	Cover plate	1		
6	4700924791	Cover plate	1		
7	4700904228	Washer 6,4x12x1,5	4		
8	4700500292	Screw M6x75	2		
9	4700500079	Screw M6-1x50 8,8	2		
10	4700393204	Rear mirror	1		
11	4700359661	Arm	1		
12	4700393205	Mirror	1		
13	-	Bushing	1		
14	-	Clamp	1		
15	4700500023	Screw, M8x40 mm 8.8 A2K	1		
16	4700904229	Washer, 8.4x 6x1.5 mm 300HV	1		
17	4700904203	Nut protection	1		
18	4700900519	Plug	2		
19	4700393206	Edge trim	1		
20	4700903722	Mirror glass	1		

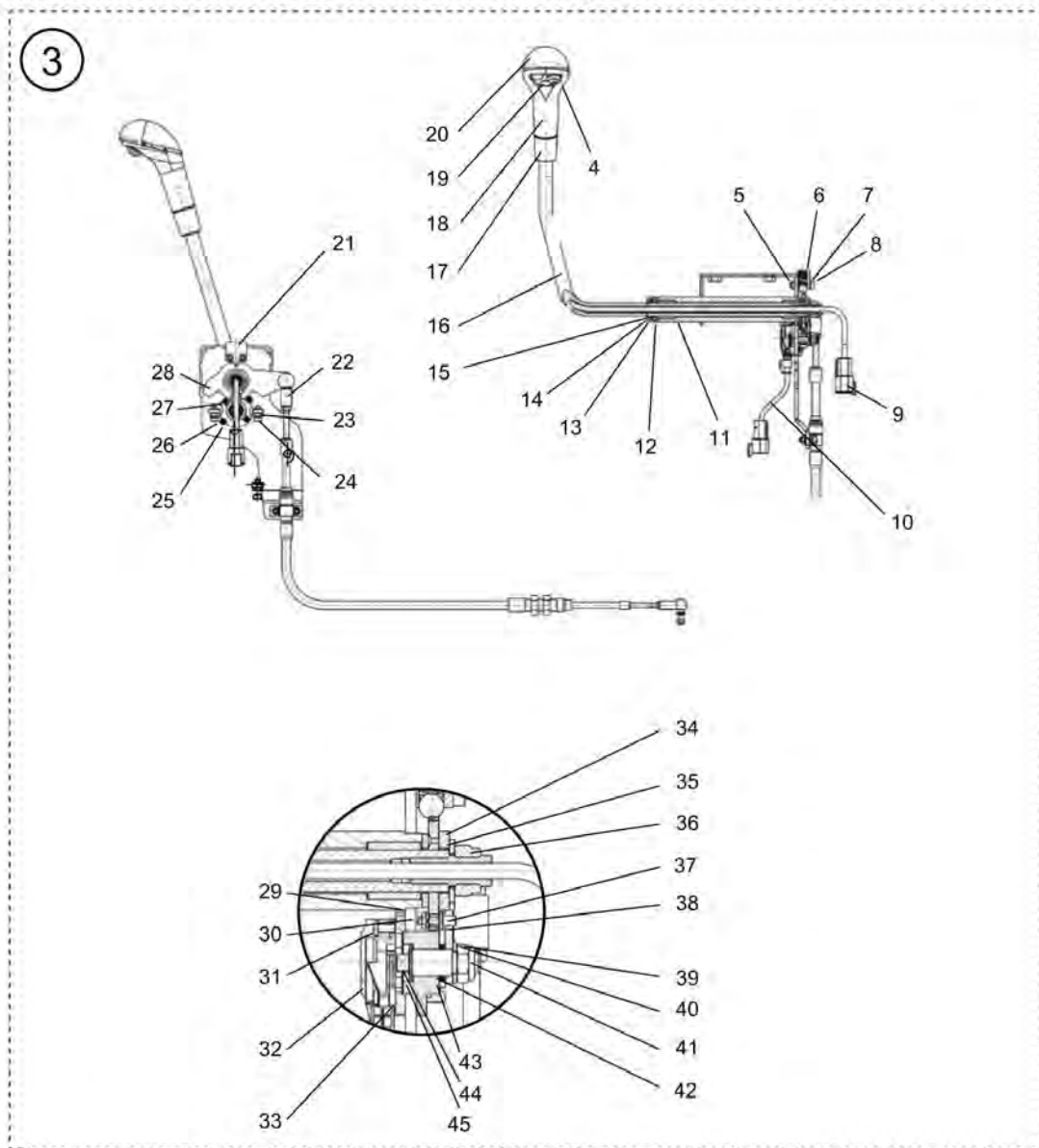
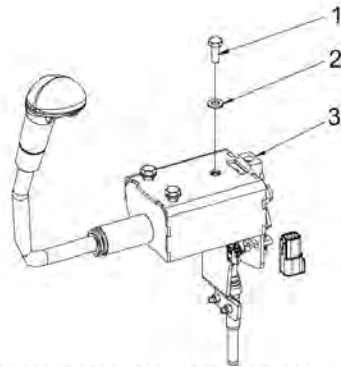
Drivers platform Control module (Single 1-button)



Item	Part No.	Name	Qty	L	SN INFO
1	4700500053	Screw, M8x20 mm 8.8 A2K	3		
2	4700904229	Washer, 8.4x 6x1.5 mm 300HV	3		
3	4812126118	F/R lever (1 button, single), cpl.	1		
4	-	Button	1		
5	-	Screw, M5x25	2		
6	-	Spring	1		
7	-	Sphere	1		
8	-	Washer	2		
9	-	Harness (2-poles)	1		
10	-	Sensor harness	1		
11	-	Bushing	2		
12	-	Washer	2		
13	-	Ring	2		
14	-	Washer	2		
16	-	Control lever	1		
17	-	Handle safety part	1		
18	-	Handle body	1		
19	-	Button cap	2		
20	-	Handle top	1		
21	-	Holder	1		
22	-	Cable	1		
23	-	Nut	2		
24	-	Screw, M5x18	2		
25	-	Washer	2		
26	-	Lock Nut	4		
27	-	Screw, M3x14	2		
28	-	Bracket	1		
29	-	Washer	1		
30	-	Nut	1		
31	-	Screw, M3x20	2		
32	-	Sensor	1		
33	-	Sensor holder, internal	1		
34	-	Washer	2		
35	-	Washer	1		
36	-	Lock Nut	1		
37	-	Pin	1		
38	-	Sensor	1		
39	-	Washer	1		

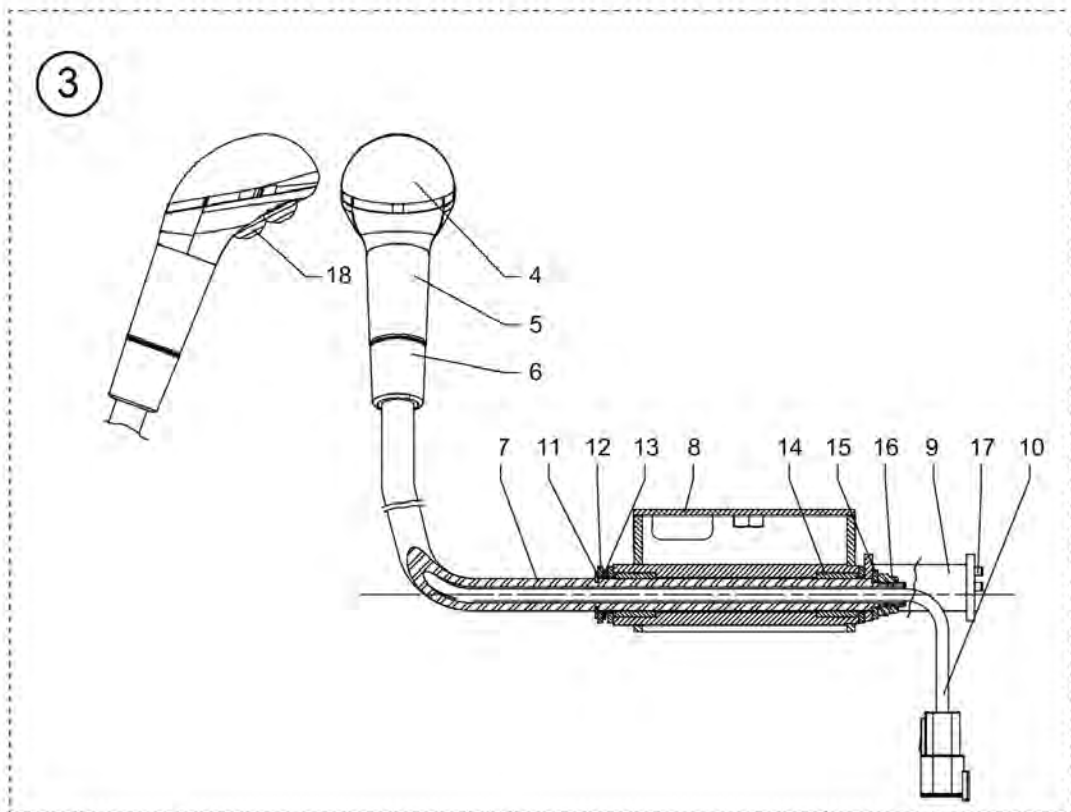
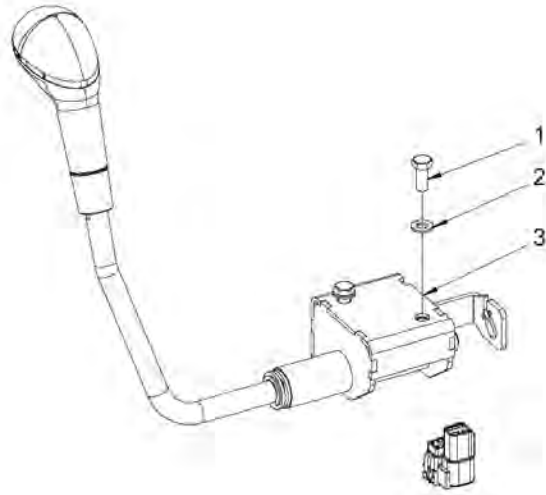
Refer to Parts Online for the most up to date information. The printed information might be outdated.

Fri Jan 05 13:28:56 UTC 2018



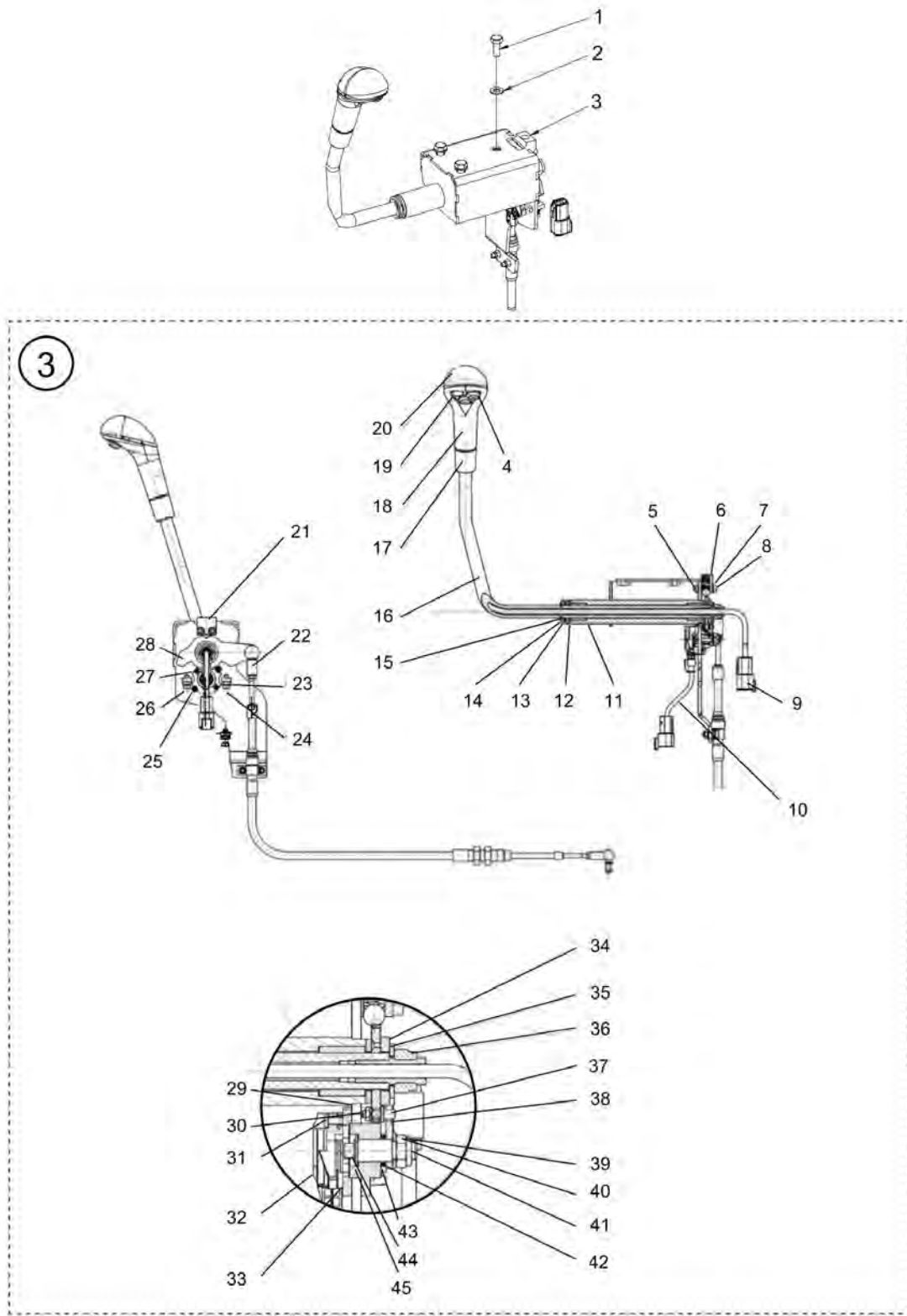
Item	Part No.	Name	Qty	L	SN INFO
40	-	Lock Nut	1		
41	-	Shaft	1		
42	-	Ring	2		
43	-	Washer	3		
45	-	Sensor holder, external	1		

Drivers platform Control module (Dual, 2 buttons) - Left side



Item	Part No.	Name	Qty	L	SN INFO
1	4700500053	Screw, M8x20 mm 8.8 A2K	2		
2	4700904229	Washer, 8.4x 6x1.5 mm 300HV	2		
3	4812126121	F/R lever (2 buttons, dual), cpl.	1		
4	-	Handle cap	1		
5	-	Handle body	1		
7	-	Shaft	1		
9	-	Fork	2		
10	-	Wire harness	2		
12	-	Gasket	2		
13	-	Sealing	2		
14	-	Bushing	2		
15	-	Gasket	2		
16	-	Lock nut	1		
17	-	Pin	2		
18	-	Button	2		

Drivers platform Control module (Single 2-buttons)



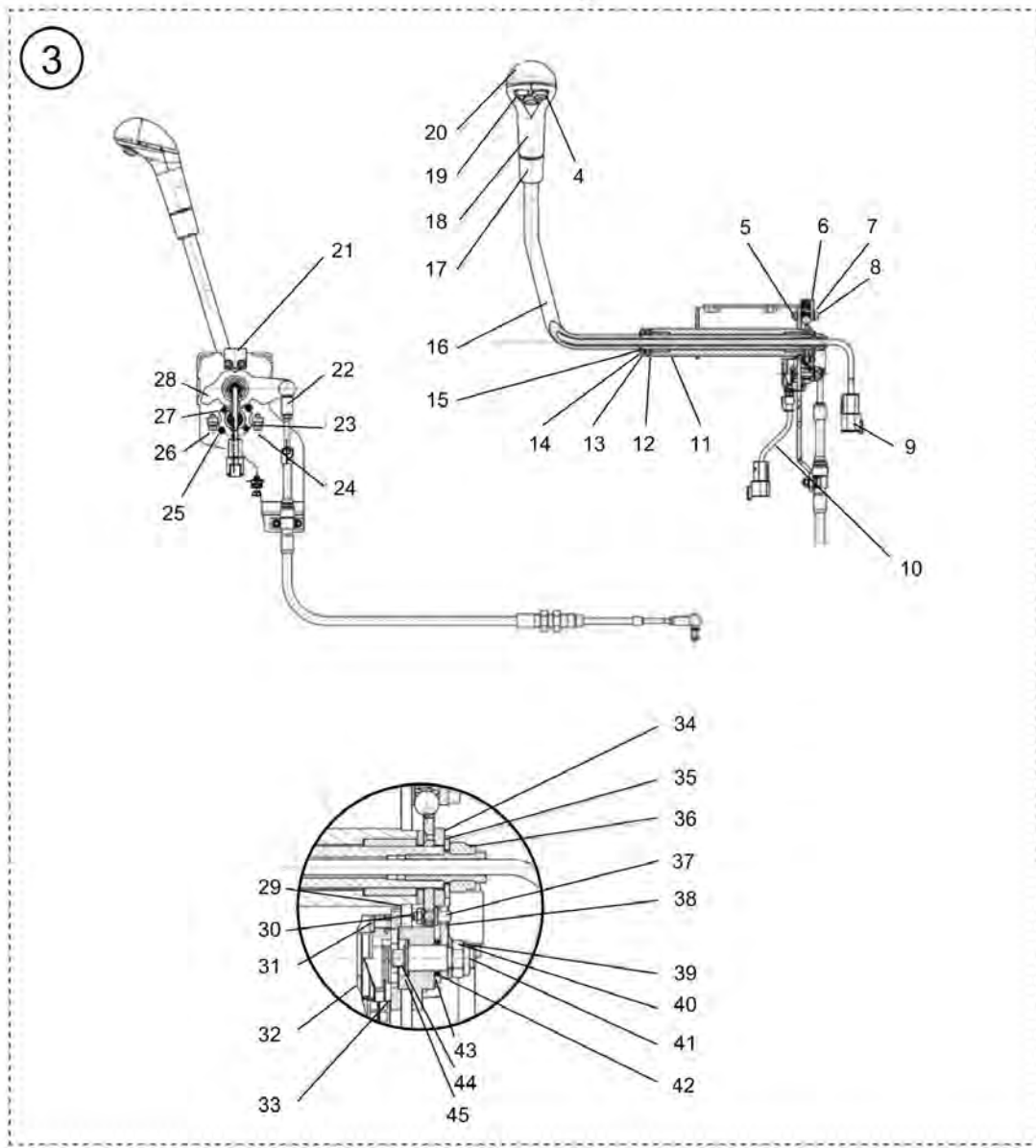
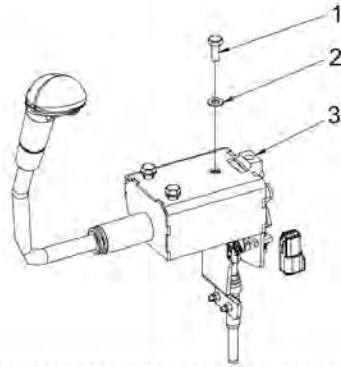
Refer to Parts Online for the most up to date information. The printed information might be outdated.

Fri Jan 05 13:28:57 UTC 2018

Item	Part No.	Name	Qty	L	SN INFO
1	4700500053	Screw, M8x20 mm 8.8 A2K	3		
2	4700904229	Washer, 8.4x 6x1.5 mm 300HV	3		
3	4812126119	F/R lever (2 buttons, single), cpl.	1		
4	-	Button	2		
5	-	Screw, M5x25	2		
6	-	Spring	1		
7	-	Sphere	1		
8	-	Washer	2		
9	-	Harness (2-poles)	1		
10	-	Sensor harness	1		
11	-	Bushing	2		
12	-	Washer	2		
13	-	Ring	2		
14	-	Washer	2		
16	-	Control lever	1		
17	-	Handle safety part	1		
18	-	Handle body	1		
19	-	Button cap	1		
20	-	Handle top	1		
21	-	Holder	1		
22	-	Cable	1		
23	-	Nut	2		
24	-	Screw, M5x18	2		
25	-	Washer	2		
26	-	Lock Nut	4		
27	-	Screw, M3x14	2		
28	-	Screw, M3x20	2		
29	-	Washer	1		
30	-	Nut	1		
31	-	Screw, M3x20	2		
32	-	Sensor	1		
33	-	Sensor holder, internal	1		
34	-	Washer	2		
35	-	Washer	1		
36	-	Lock Nut	1		
37	-	Pin	1		
38	-	Sensor	1		
39	-	Washer	1		

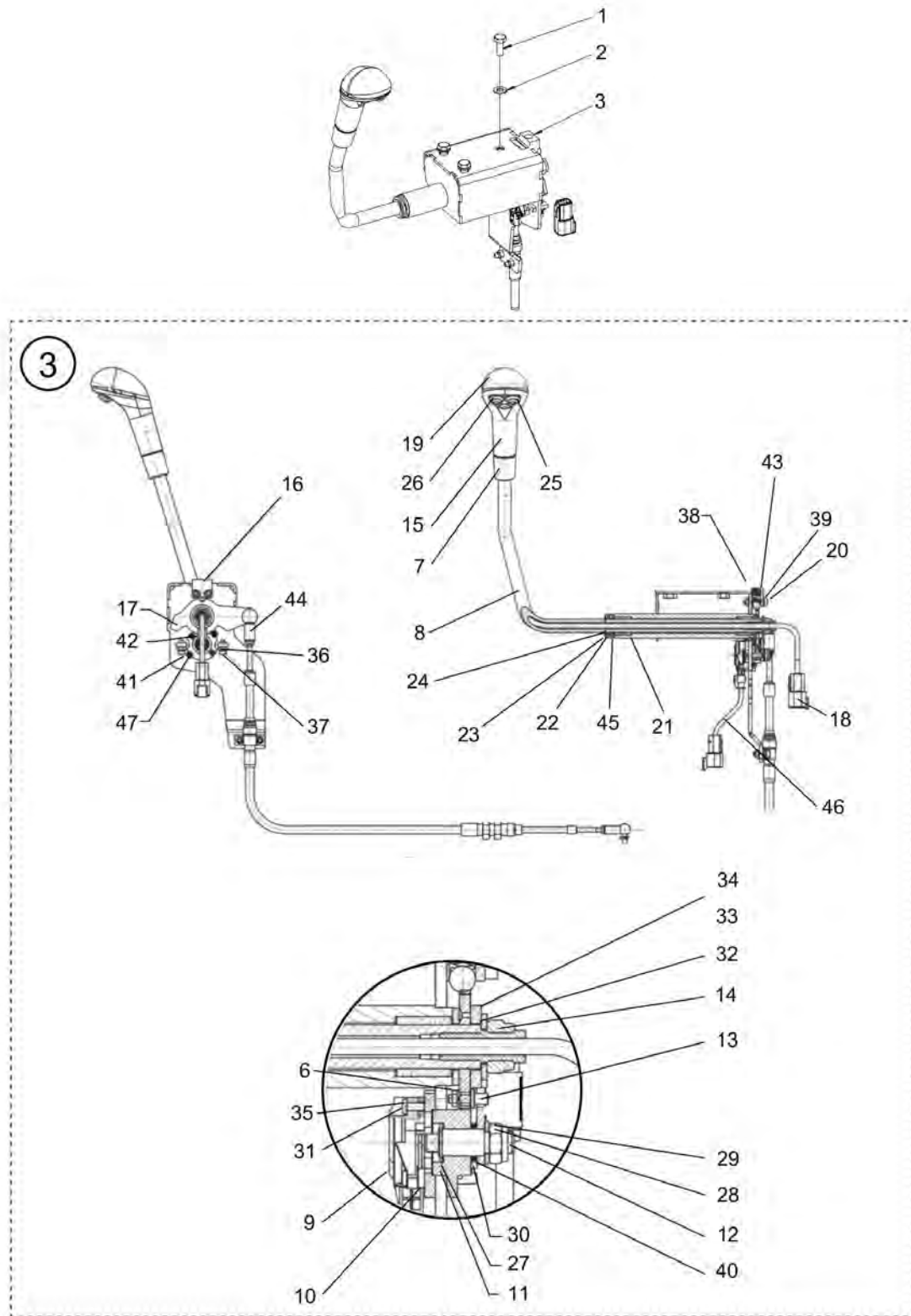
Refer to Parts Online for the most up to date information. The printed information might be outdated.

Fri Jan 05 13:28:57 UTC 2018



Item	Part No.	Name	Qty	L	SN INFO
40	-	Lock Nut	1		
41	-	Shaft	1		
42	-	Ring	2		
43	-	Washer	3		
45	-	Sensor holder, external	1		

Drivers platform Controle module (Single 3-buttons) - Right side



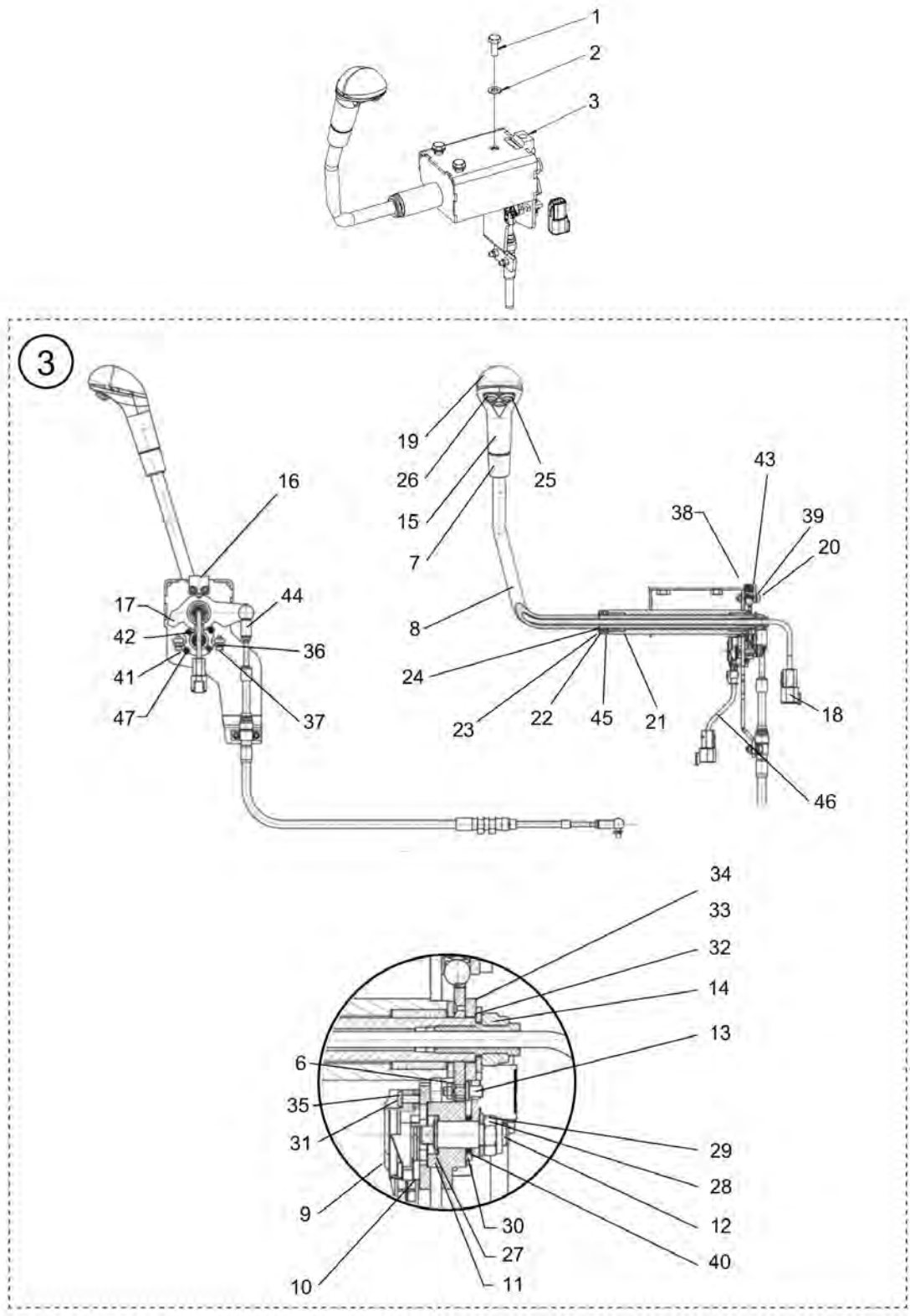
Refer to Parts Online for the most up to date information. The printed information might be outdated.

Fri Jan 05 13:28:58 UTC 2018

Item	Part No.	Name	Qty	L	SN INFO
1	4700500053	Screw, M8x20 mm 8.8 A2K	3		
2	4700904229	Washer, 8.4x 6x1.5 mm 300HV	3		
3	4812126120	F/R lever (3 buttons, single), cpl.	1		
6	-	Nut	1		
7	-	Handle safety part	1		
8	-	Control lever	1		
9	-	Sensor	1		
10	-	Sensor holder, internal	1		
11	-	Sensor holder, external	1		
12	-	Sensor shaft	1		
13	-	Sensor arm	1		
14	-	Pin	1		
15	-	Handle body	1		
16	-	Holder	1		
17	-	Cable bracket	1		
18	-	Wire harness	1		
19	-	Handle top	1		
20	-	Nut	1		
21	-	Bushing	2		
22	-	Washer	2		
23	-	Sealing	2		
25	-	Button	3		
26	-	Button cap	1		
28	-	Lock Nut	1		
29	-	Washer	1		
30	-	Washer	3		
31	-	Screw, M3x20	2		
32	-	Lock Nut	1		
33	-	Washer	1		
34	-	Washer	2		
35	-	Lock Nut	1		
36	-	Screw, M5x18	2		
37	-	Washer	1		
38	-	Lock Nut	2		
39	-	Ring	2		
40	-	Sealing	2		
41	-	Washer	4		
42	-	Lock Nut	2		

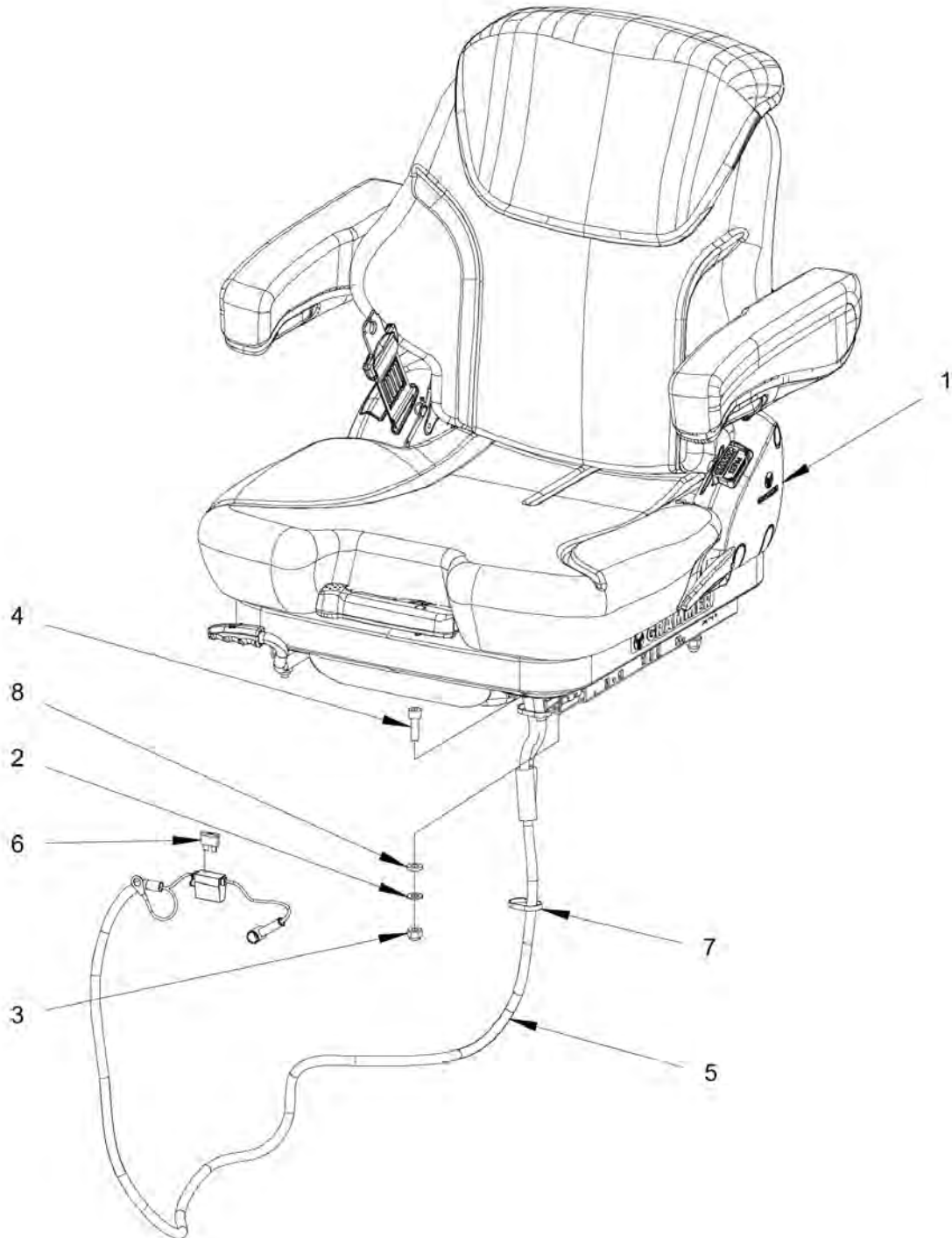
Refer to Parts Online for the most up to date information. The printed information might be outdated.

Fri Jan 05 13:28:58 UTC 2018



Item	Part No.	Name	Qty	L	SN INFO
43	4812156565	Sphere	1		
44	-	Cable	1		
45	-	Washer	2		
46	-	Sensor harness	1		
47	-	Sphere	2		

Drivers platform Comfort seat with heat module



Refer to Parts Online for the most up to date information. The printed information might be outdated.

Fri Jan 05 13:28:59 UTC 2018

Item	Part No.	Name	Qty	L	SN INFO
1	4812127213	Comfort seat, with heat module	1		
2	4700904229	Washer, 8.4x 6x1.5 mm 300HV	4		
3	4700586003	Lock nut M8	4		
4	4700900777	Screw	4		
5	4812127324	Cable harness	1		
6	4700901227	Fuse 10A Red	1		
7	4700313041	Cable ties, L=200 mm	N		
8	4700904556	Steel plain washer 8,4x16x3,0	4		

Drivers platform Comfort seat without heat module

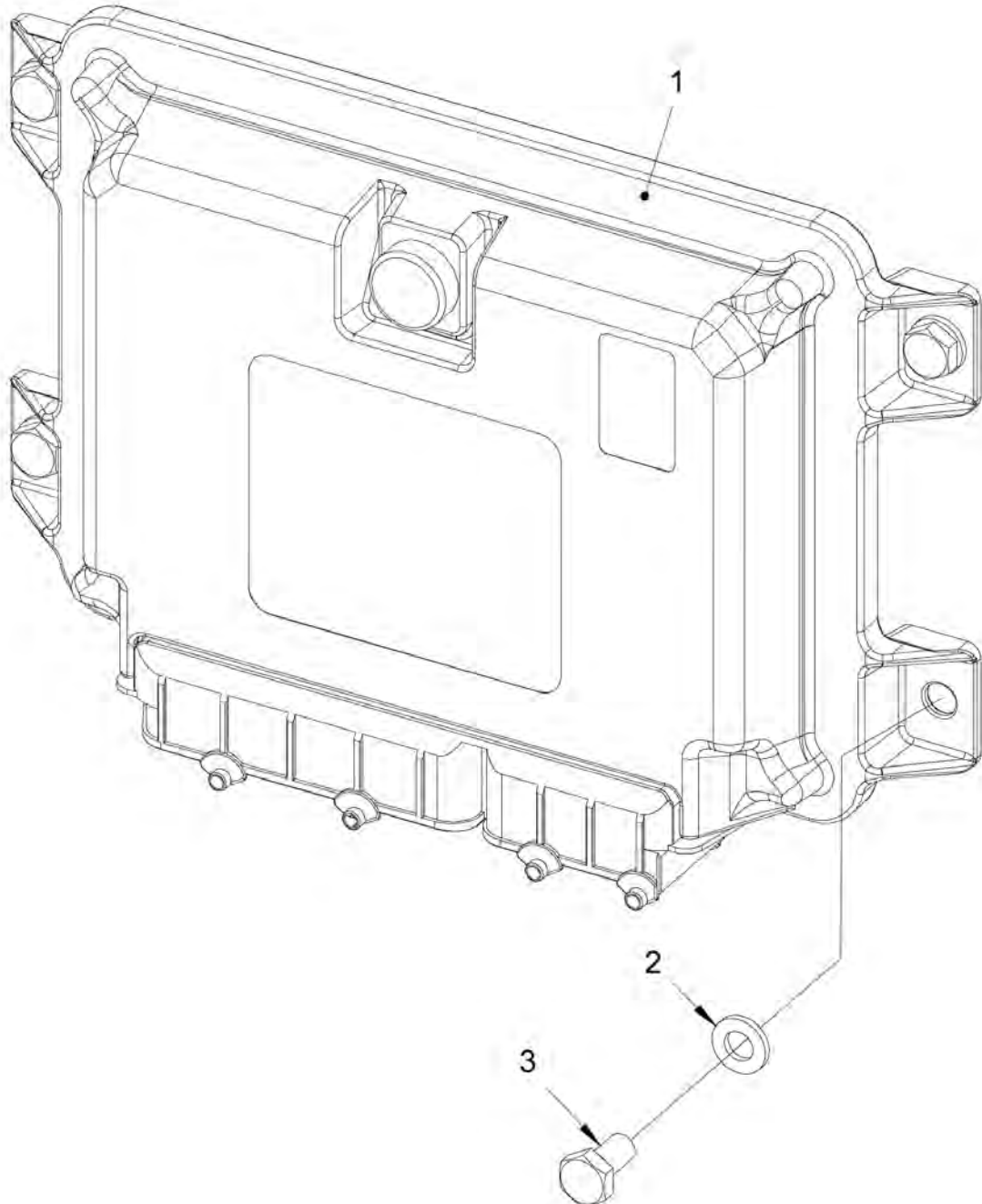


Refer to Parts Online for the most up to date information. The printed information might be outdated.

Fri Jan 05 13:28:59 UTC 2018

Item	Part No.	Name	Qty	L	SN INFO
1	4812125896	Comfort seat, w/o heat module	1		
2	4700904229	Washer, 8.4x 6x1.5 mm 300HV	4		
3	4700586003	Lock nut M8	4		

Drivers platform ECU module

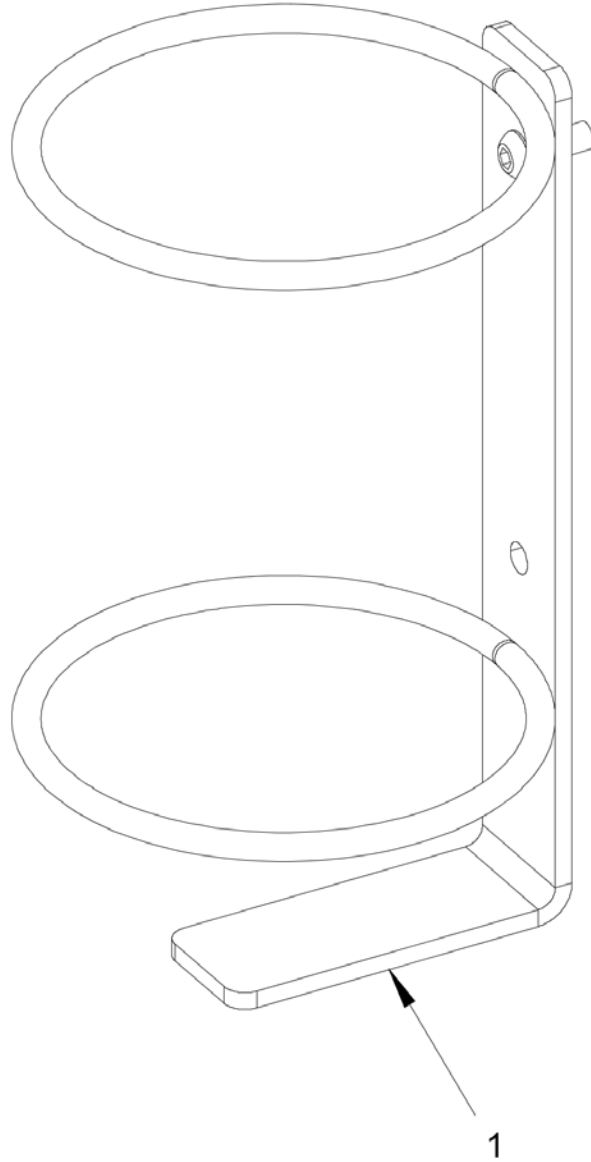


Refer to Parts Online for the most up to date information. The printed information might be outdated.

Fri Jan 05 13:29:00 UTC 2018

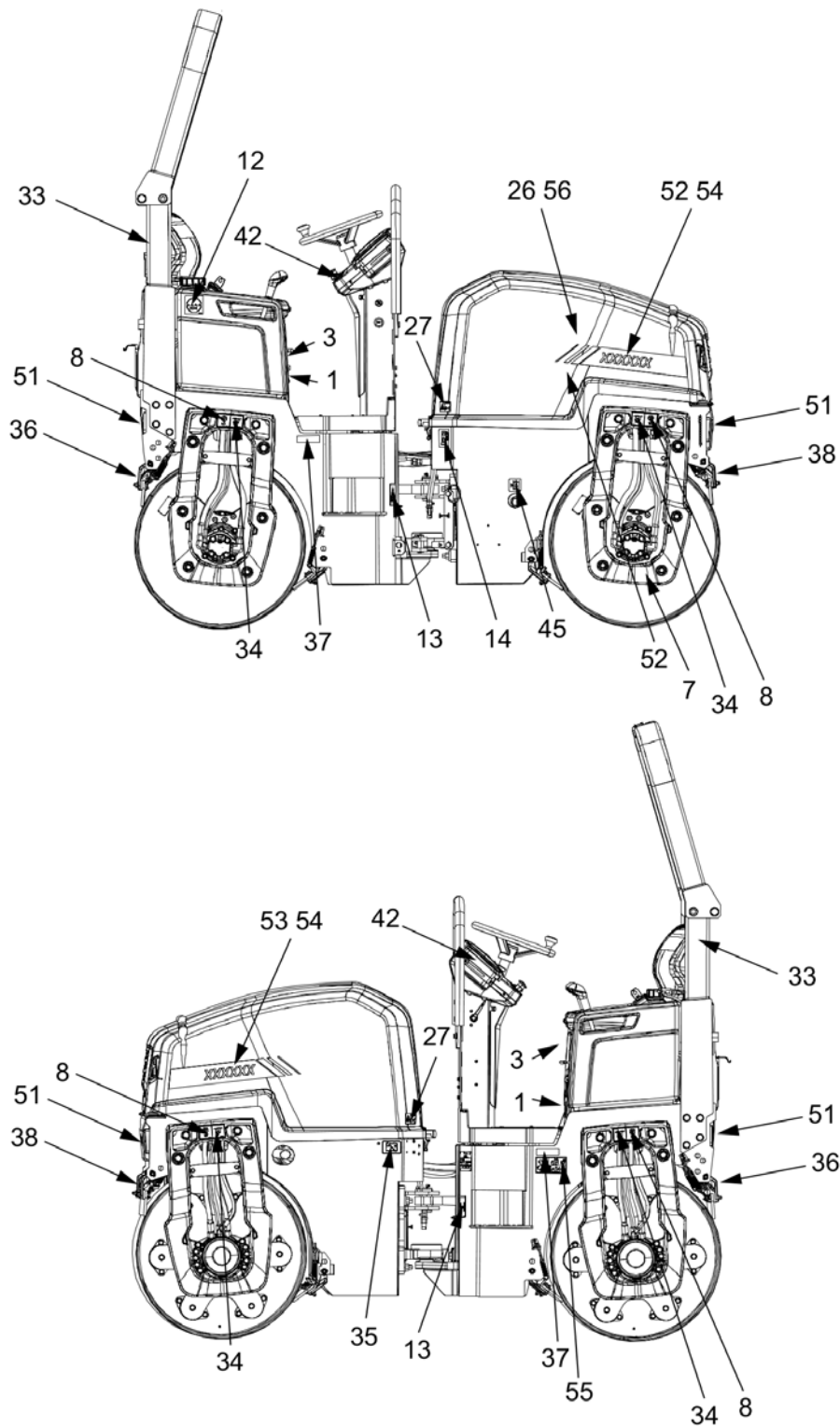
Item	Part No.	Name	Qty	L	SN INFO
1	4812125677	Control unit, ECU	1		
2	4700904228	Washer 6,4x12x1,5	4		
3	4700500012	Hex. screw	4		

Drivers platform Cup and can holder



Item	Part No.	Name	Qty	L	SN INFO
1	4812127395	Bracket	1		

Decals Decals

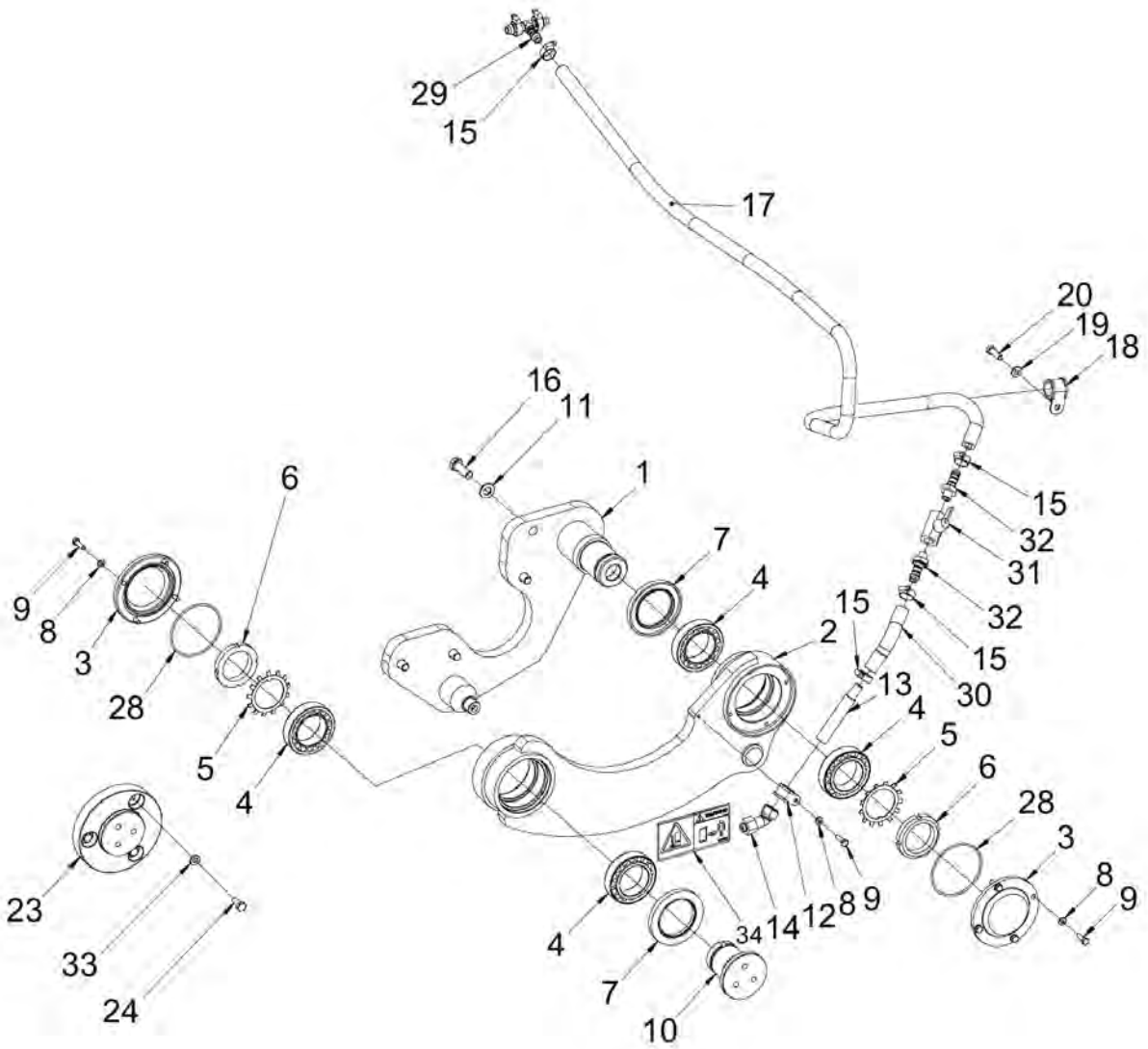


Refer to Parts Online for the most up to date information. The printed information might be outdated.

Fri Jan 05 13:29:00 UTC 2018

Item	Part No.	Name	Qty	L	SN INFO
1	4700903459	Decal "SAFETY"	1		
3	4700903425	Safety decal "READ SAFETY INSTRUCTIONS"	1		
7	4700904083	Safety decal	1		
8	4700357587	Label lifting point	4		
12	4700991657	Decal "WATER"	1		
13	4700903422	Safety decal "CRUSH AREA"	2		
14	4700991658	Decal "FUEL"	1		
26	4700903423	Safety label, Rotating engine components	1		
27	4700903424	Safety label, hot surfaces	2		
28	4700272372	Decal "HYDRAULIC OIL"	1		
33	4700908229	Safety decal	2		
34	4700382751	Decal "SECURING POINT/TIE DOWN"	4		
35	4700904835	Decal "BATTERY POWER"	1		
36	4700377742	Reflector, red	2		
37	4700377744	Reflector, yellow	2		
38	4700377743	Reflector, white	2		
40	4700791274	Decal "Sound power level" 104 dB	1		
42	4811000128	Contrast plate, yellow	1		
45	4700272373	Label, hydraulic oil level	1		
51	4812127714	Decal "FAYAT DYNAPAC", 350-WH	2		
52	4812127729	Decal "GRAPHIC ELEMENT"Right	1		
53	4812127728	Decal "GRAPHIC ELEMENT" Left	1		
54	4812127830	Decal "MODEL CODE" CC1200	2		
55	4812125363	Safety decal "RISK OF CRUSHING"	1		
56	4812161669	Service kit decal (D1703)	1		
56	4812161670	Service kit decal (D1803)	1		

Optional equipment Edge cutter

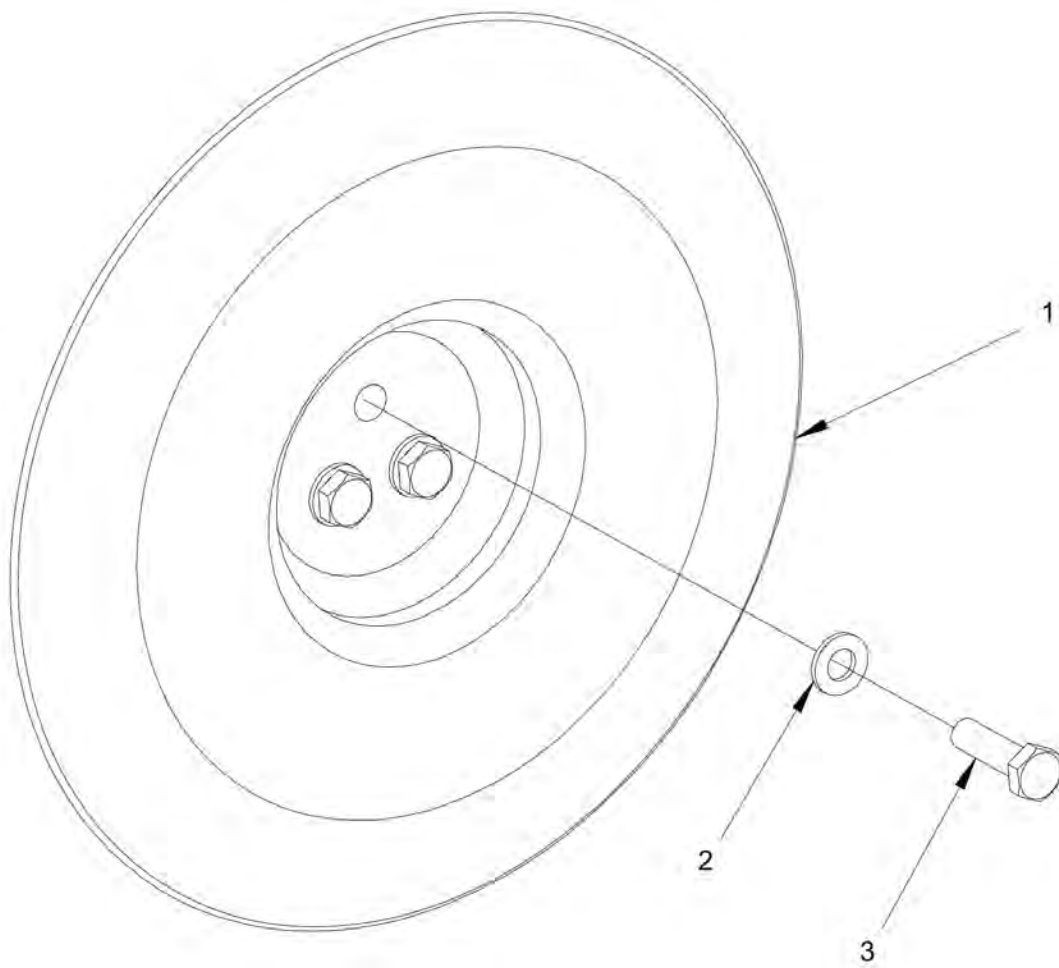


Refer to Parts Online for the most up to date information. The printed information might be outdated.

Fri Jan 05 13:29:01 UTC 2018

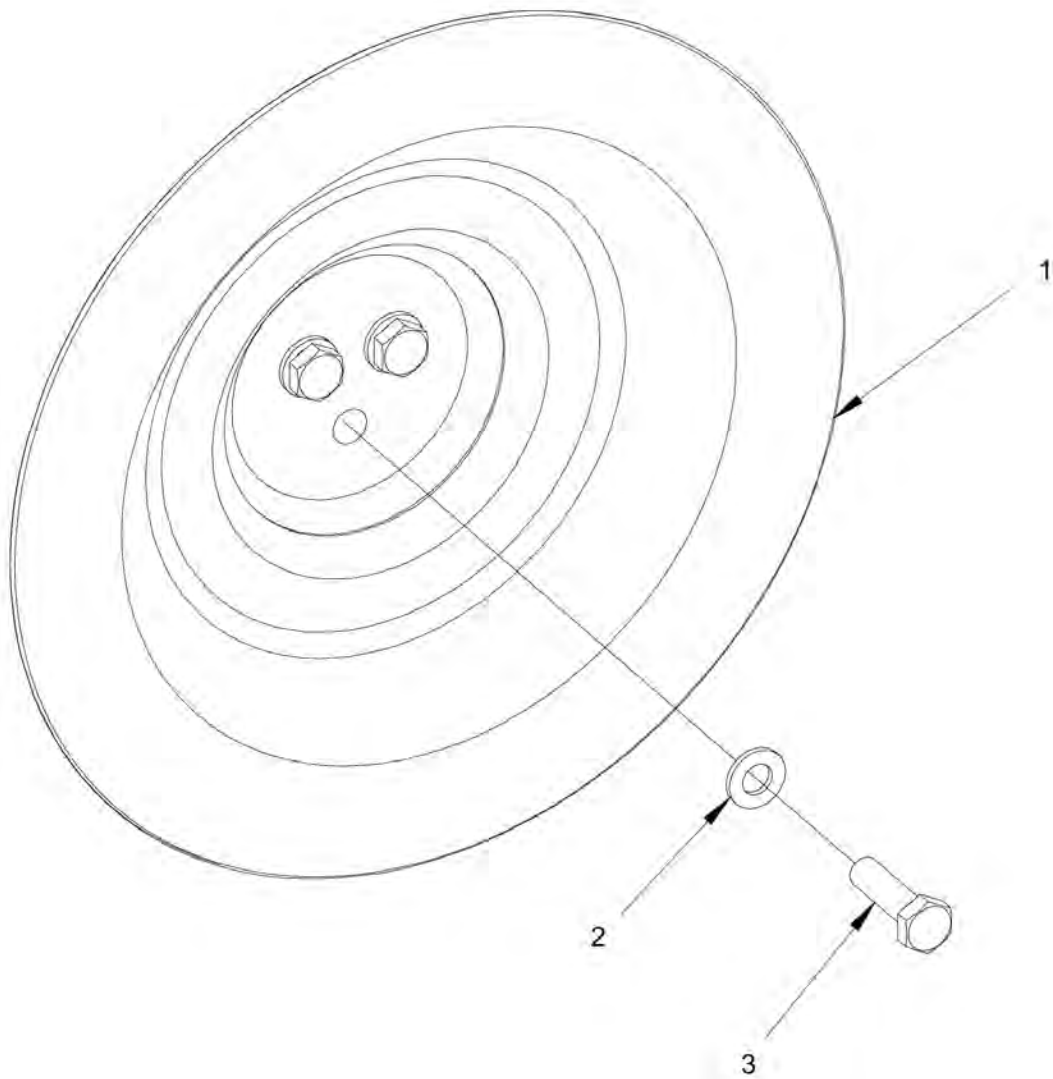
Item	Part No.	Name	Qty	L	SN INFO
1	4812125867	HOLDER	1		
2	4812125878	CUTTER	1		
3	4812125890	BEARING COVER	2		
4	4812125913	TAPER ROLLER BEARING	4		
5	4700136009	Lock washer	2		
6	4700135009	Shaft nut	2		
7	4812125891	RADIAL LIP-TYPE SEAL	2		
8	4700904228	Washer 6,4x12x1,5	9		
9	4700500040	Screw, M6x20 mm 8.8 A2K	9		
10	4812125894	SHAFT	1		
11	4700904231	Washer, 13x24x2 mm 300 HV	4		
12	4700921078	Clamp	1		
13	4700392058	Pipe	1		
14	4700392123	Nozzle body	1		
15	4700313002	Hose clamp	6		
16	4700500037	Hex. screw	4		
17	4812118968	Coolant hose	1,6 M		
18	4700960727	Clamp	1		
19	4700904229	Washer, 8.4x 6x1.5 mm 300HV	1		
20	4700500021	Screw, M8x25 mm 8.8 A2K	1		
23	4812125910	HOLDER	1		
24	4700500053	Screw, M8x20 mm 8.8 A2K	3		
28	4700160276	O-ring	2		
29	4700923735	Hose connection	1		
30	4812118968	Coolant hose	0,11 M		
31	4700925599	Ball valve	1		
32	4700901432	Hose connection	2		
33	4700904556	Steel plain washer 8,4x16x3,0	3		
34	4700904083	Safety decal	1		

Optional equipment Cutting disc



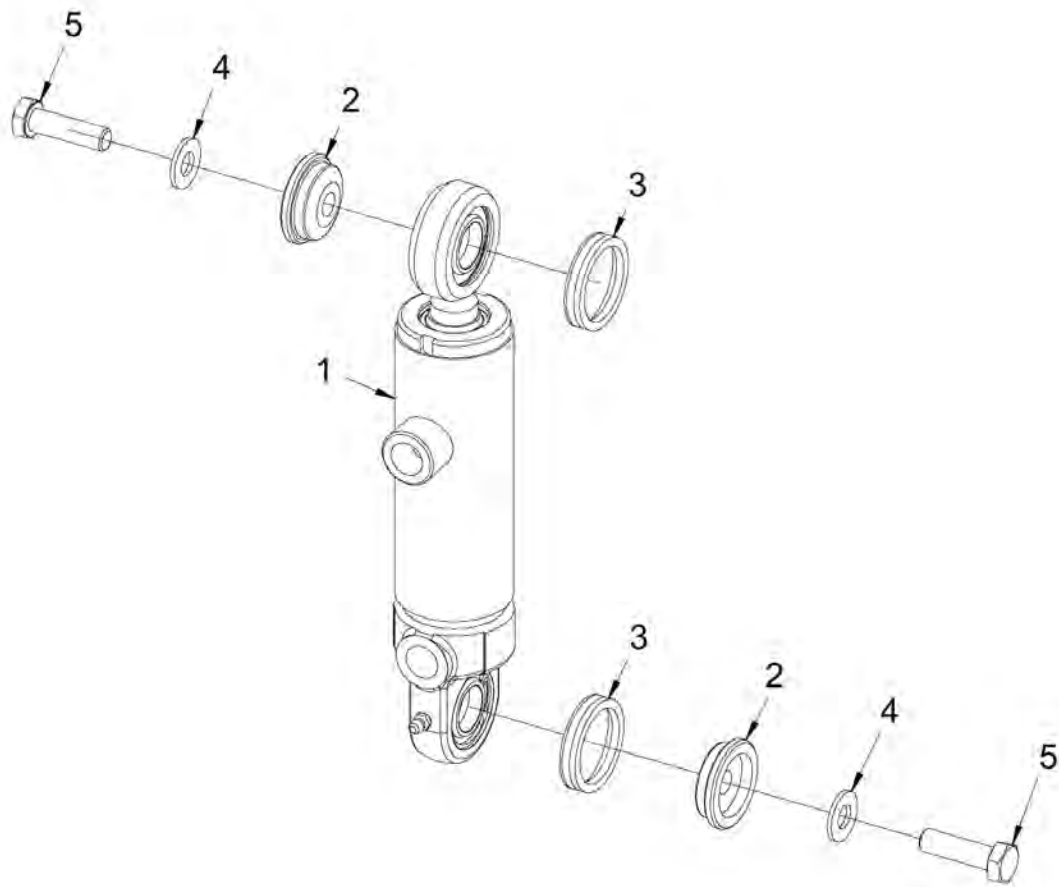
Item	Part No.	Name	Qty	L	SN INFO
1	4812125936	Cutting disc	1		
2	4812122654	Steel plain washer	3		
3	4700500030	Screw hexagon	3		

Optional equipment Pressing roller



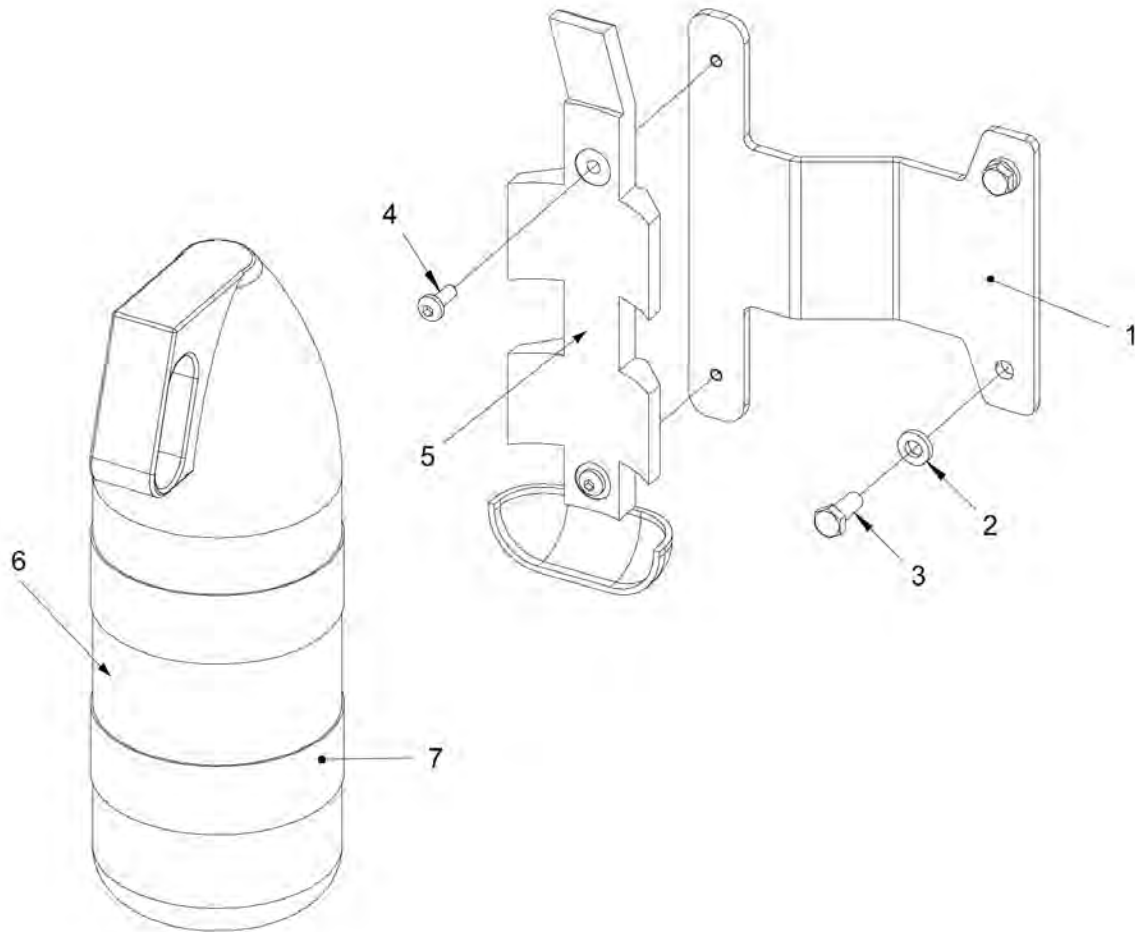
Item	Part No.	Name	Qty	L	SN INFO
1	4812125892	Pressing roller	1		
2	4812122654	Steel plain washer	3		
3	4700500030	Screw hexagon	3		

Optional equipment Hydraulic cylinder



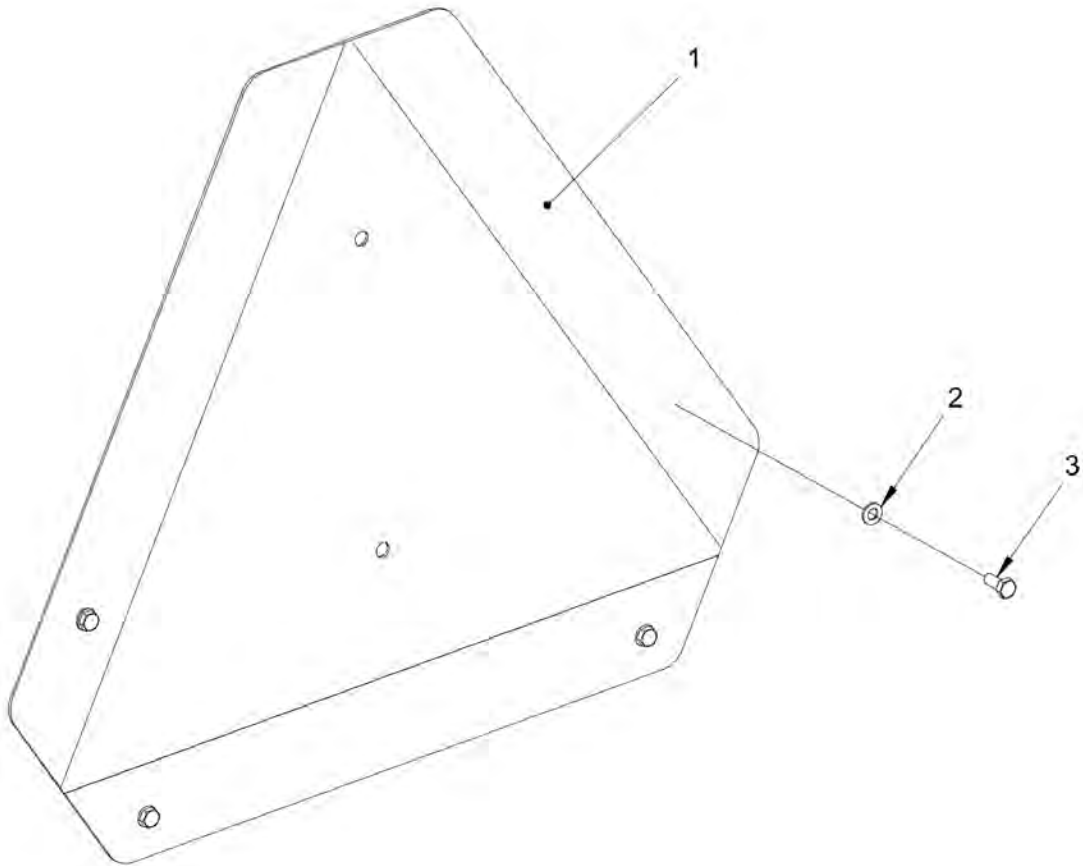
Item	Part No.	Name	Qty	L	SN INFO
1	4812125907	Hydraulic cylinder	1		
2	4812125937	Washer	2		
3	4700167054	Sealing	2		
4	4700904230	Plain washer 10.5x22x2 mm	2		
5	4700500030	Screw hexagon	2		

Optional equipment Fire extinguisher



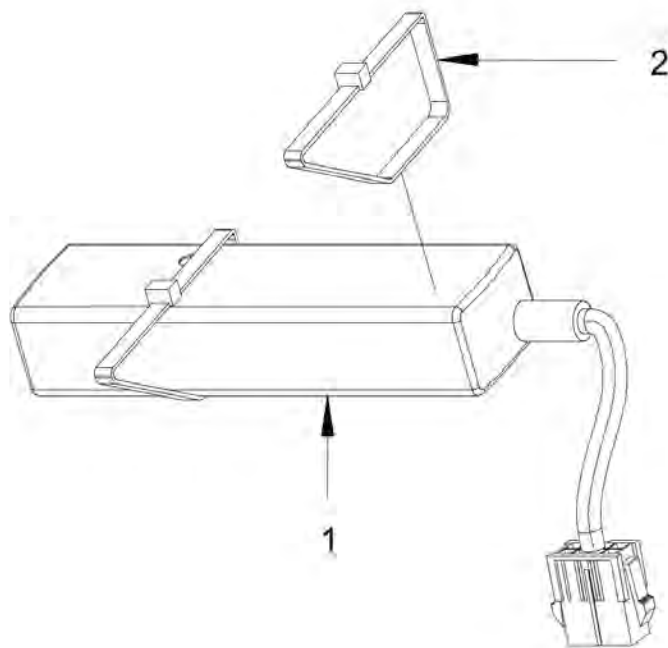
Item	Part No.	Name	Qty	L	SN INFO
1	4812125990	Bracket	1		
2	4700904556	Steel plain washer 8,4x16x3,0	2		
3	4700500053	Screw, M8x20 mm 8.8 A2K	2		
4	4700792185	Screw M6x16	2		
5	4700378857	Holder	1		
6	-	Fire extinguisher	1		
7	4700378858	Strap	2		

Optional equipment SMV-sign



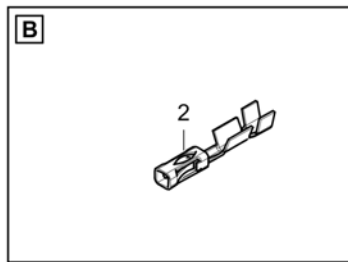
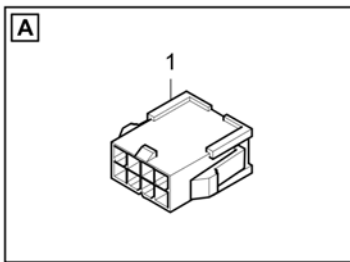
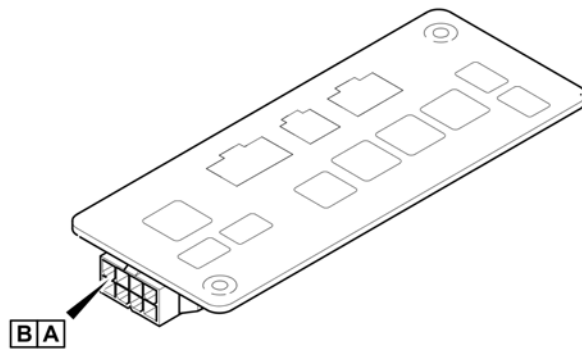
Item	Part No.	Name	Qty	L	SN INFO
1	4700476019	SMV-sign	1		
2	4700904281	Washer, 5,3x10x1 300HV	4		
3	4700500004	Screw M5x12 8,8	4		

Optional equipment GPS module



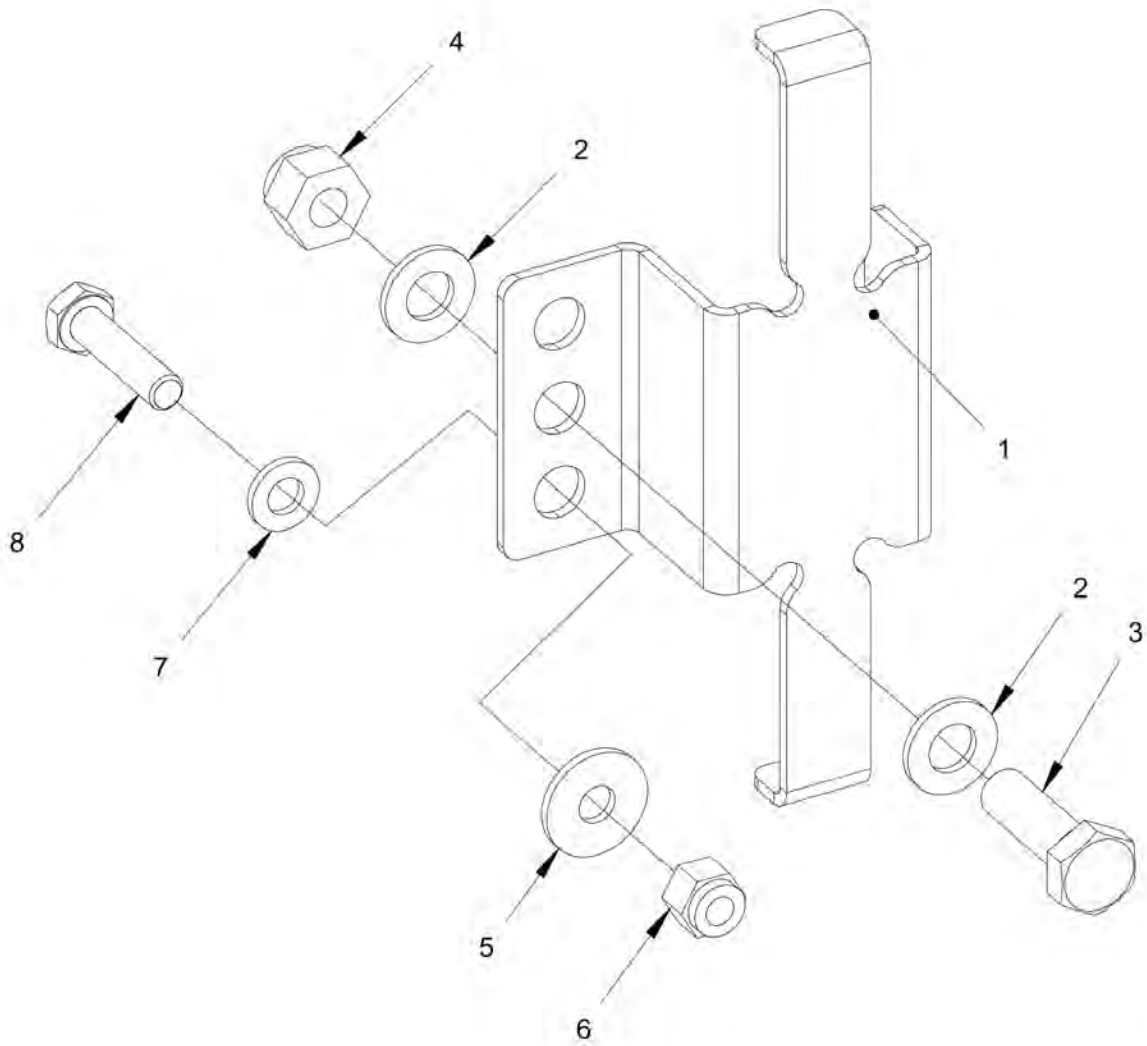
Item	Part No.	Name	Qty	L	SN INFO
1	4812013038	GPS module	1		
2	4700792609	Cable ties	2		

Optional equipment 4812013038 GPS module



Item	Part No.	Name	Qty	L	SN INFO
1	4812013160	Socket shell	1		
2	4812013161	Male contact	3		

Optional equipment Bracket (GPS)



Item	Part No.	Name	Qty	L	SN INFO
1	4812124461	Bracket	1		
2	4700904229	Washer, 8.4x 6x1.5 mm 300HV	2		
3	4700500021	Screw, M8x25 mm 8.8 A2K	1		
4	4700586003	Lock nut M8	1		
5	4700928381	Washer, 6.4x18x1.6 mm	1		
6	4700586002	Lock nut M6 -8	1		
7	4700904228	Washer 6,4x12x1,5	1		
8	4700500075	Screw, M6-1,0x25 mm 8.8	1		

Appendix B:Parts Index	4700355869	170
0147195903	4700357138	14, 16, 84, 130
0211110375	4700357139	84, 130
0291112843	4700357488	42
0300027623	4700357567	144
054411011	4700357587	30, 32, 172, 212
0570702503	4700357855	176
1615595300	4700357892	92
4700111018	4700358003	90
4700135009	4700358232	170
4700136009	4700358689	48
4700151012	4700358881	26, 176, 178
4700160016	4700359043	36, 38
4700160031	4700359661	188
4700160132	4700371728	44
4700160276	4700372964	170
4700160313	4700373183	44
4700160318	4700377253	178
4700162011	4700377611	46
4700162017	4700377742	212
4700163049	4700377743	212
4700167054	4700377744	212
4700202028	4700378574	78
4700202041	4700378857	222
4700232143	4700378858	222
4700233215	4700379064	80
4700234931	4700379458	98, 102, 108, 122, 126
4700272372	4700381390	138, 146, 148, 152, 160, 162
4700272373	4700382751	30, 32, 212
4700287713	4700385599	138
4700288357	4700387935	178
4700313002	4700387948	64
4700313003	4700388087	178
4700313007	4700388846	64
4700313023	4700389840	176
4700313036	4700391984	22, 48, 50
4700313038	4700392058	214
4700313041	4700392123	214
74, 142, 144, 146, 148, 150, 152, 154, 156, 158, 160, 162, 204	4700393204	188
4700313108	4700393205	188
4700313126	4700393206	188
4700330171	4700396673	178
4700335914	4700476019	224
4700343490	4700480852	46
4700343732	4700483906	98, 102
4700343744	4700499497	60
4700343775	4700500003	94, 94, 152
4700343801	4700500004	224
4700349202	4700500012	208
4700350029	4700500013	74, 178
4700355797	4700500015	86

4700500019	46, 68, 78, 138, 142	4700570008	40
4700500021	62, 70, 72, 74, 76, 80, 100, 104, 108, 114, 136, 176, 214, 230	4700573004	180
4700500022	48, 64	4700573008	182
4700500023	188	4700586002	44, 140, 176, 178, 230
4700500025	34	4700586003	34, 34, 44, 80, 144, 170, 184, 204, 206, 230
4700500028	52, 68, 76, 98, 102	4700586018	66, 180
4700500029	178	4700586019	170
4700500030	48, 48, 66, 74, 76, 88, 118, 216, 218, 220	4700603010	74
4700500032	30, 32, 180	4700603018	100, 104, 106, 110
4700500037	90, 214	4700624018	182
4700500040	62, 140, 214	4700629016	42
4700500044	48	4700629024	44
4700500046	130, 170	4700635061	42
4700500048	90, 170	4700747282	74
4700500051	40	4700791165	170
4700500053	30, 32, 46, 58, 64, 74, 80, 84, 98, 102, 130, 142, 144, 170, 184, 186, 190, 194, 196, 200, 214, 222	4700791274	212
4700500062	94, 96	4700791304	34, 180
4700500068	46	4700791395	84
4700500070	182	4700791397	98, 102, 108
4700500075	230	4700791398	94
4700500077	90	4700791404	108, 134
4700500078	98, 102, 108, 122, 126	4700791410	90, 98, 102, 130
4700500079	188	4700791414	100, 104, 108, 134
4700500085	30	4700791415	90
4700500100	82	4700791416	98, 102, 108, 114, 134
4700500105	34	4700791452	90
4700500142	32	4700791453	188
4700500164	30, 32	4700791454	188
4700500185	64	4700791493	52
4700500192	180	4700791524	176
4700500196	170	4700791541	108
4700500230	34, 34	4700791588	176
4700500240	170	4700791635	52
4700500292	188	4700791642	60
4700500501	84	4700791666	36, 38
4700500505	44, 52, 94	4700791698	84, 134
4700500506	52	4700791699	98, 102, 108
4700508002	100, 104, 108, 114, 136	4700791723	142, 148, 176
4700508005	184	4700791733	138
4700508019	144, 170	4700791736	142
4700508027	98, 102	4700791739	176
4700508028	84	4700791744	98, 102
4700508029	100, 104, 106, 110	4700791745	94, 108
4700508048	40, 98, 102	4700791775	34
4700508056	60	4700791792	108
4700513003	64	4700791796	98, 102, 106
4700541703	74	4700791799	106
4700570004	176	4700791808	108, 134
4700570005	36, 38, 52, 58, 64, 142	4700791818	144
		4700791821	84
		4700791828	84, 130, 130

4700791840	84	4700901228	28, 138, 148
4700791841	98, 102, 106	4700901229	28
4700791843	84, 98, 102, 130, 134	4700901230	28
4700791845	90	4700901369	166
4700791847	100, 104, 108, 134	4700901381	182
4700791914	84, 96	4700901432	34, 46, 214
4700791938	34, 64	4700901832	80, 144, 170
4700791939	34, 64	4700902123	170
4700791951	164	4700902224	178
4700791953	164, 164	4700902227	166
4700792035	168	4700902287	34, 88, 100, 104, 108, 122, 126
4700792046	94, 94	4700902379	42, 170, 170
4700792059	164	4700902797	170
4700792068	90	4700902892	170
4700792072	34	4700902989	170
4700792074	130	4700903154	48
4700792083	40	4700903192	46
4700792098	140	4700903236	78
4700792185	222	4700903287	48, 48
4700792189	36, 38	4700903422	44, 212
4700792219	108	4700903423	86, 212
4700792250	66, 88, 144	4700903424	64, 212
4700792338	84, 134	4700903425	212
4700792380	180	4700903430	124
4700792389	96, 98, 102, 114	4700903459	212
4700792436	94	4700903662	44
4700792441	142	4700903703	62
4700792536	176	4700903722	188
4700792550	92	4700903741	28
4700792589	176	4700903760	144
4700792602	98, 102, 114, 130, 138, 142	4700903768	142
4700792607	42	4700903782	142
4700792609	226	4700903831	44
4700792686	96	4700903923	44
4700792696	130	4700904036	142
4700792701	130	4700904037	28
4700792742	176	4700904038	28, 142
4700792779	46	4700904039	28, 142
4700792817	42, 44, 76	4700904040	28
4700792822	94, 94	4700904041	28
4700813443	84	4700904042	28
4700900229	98, 102	4700904083	212, 214
4700900519	188	4700904203	188
4700900777	204	4700904206	170
4700900790	164, 164	4700904213	92
4700900994	40	4700904214	90, 130
4700901121	74	4700904228	48, 62, 64, 94, 96, 114, 140, 176, 176, 178, 188, 208, 214, 230
4700901224	28, 138	4700904229	30, 32, 34, 34, 36, 38, 46, 48, 58, 62, 64, 68, 70, 72, 74, 80, 98, 100, 102, 104, 108, 114, 136, 138, 142, 144, 170, 186, 188, 190, 194, 196, 200, 204, 206, 214, 230
4700901225	28, 138, 138, 138, 138, 154, 162		
4700901226	28, 138		
4700901227	28, 138, 138, 146, 148, 150, 160, 204		

4700904230	30, 32, 48, 48, 52, 66, 74, 88, 100, 104, 108, 118, 122, 126, 170, 180, 220	4700938892	20
4700904231	30, 32, 44, 50, 90, 130, 170, 172, 174, 214	4700938908	18
4700904232	30, 32	4700940451	26, 138
4700904233	182	4700947689	30, 32, 172, 174
4700904258	18, 48, 48	4700960727	142, 214
4700904281	94, 94, 152, 224	4700985012	164, 164
4700904294	28	4700985013	168
4700904312	138	4700991657	178, 212
4700904346	142	4700991658	212
4700904556	60, 64, 74, 76, 78, 80, 98, 102, 184, 204, 214, 222	4811000128	176, 212
4700904557	48, 50, 52, 66, 74, 76, 90, 98, 102, 180	4811000333	138
4700904558	182	4812013038	226
4700904567	178	4812013160	228
4700904570	180	4812013161	228
4700904574	182	4812030096	4, 12, 16
4700904623	94, 130	4812110346	50
4700904629	42, 44	4812110490	90, 130
4700904640	34, 44, 46, 82, 84, 130, 176	4812110596	48
4700904654	180	4812110663	50
4700904698	78, 138	4812110968	172, 174
4700904703	66, 88, 90, 130, 144	4812111325	46
4700904727	90, 94	4812111330	46
4700904735	44, 86, 100, 104, 108, 114, 136, 168	4812111331	46
4700904766	84	4812112074	46, 46, 46, 46, 46, 46, 178
4700904774	98, 102	4812112109	114
4700904835	144, 212	4812112451	46
4700904984	74, 74, 74, 74, 74, 74, 74	4812113177	180
4700904989	148	4812113327	84
4700908229	182, 212	4812113328	2, 4, 14, 16, 84
4700909535	184	4812113633	98, 102
4700909536	184	4812114318	64
4700921028	94, 94	4812114492	98, 102, 108, 130
4700921036	94	4812115835	62
4700921078	74, 214	4812115911	142, 162
4700922325	180	4812116050	92
4700923378	98, 102, 134	4812117106	44
4700923405	100, 104, 108, 108, 130, 134	4812117689	74
4700923735	46, 214	4812117690	54, 74
4700923951	18, 48, 48	4812117733	44
4700924790	188	4812117868	142
4700924791	188	4812118172	100, 104, 106, 108
4700925519	90, 130	4812118697	176
4700925599	214	4812118968	214, 214
4700926214	40, 44	4812119321	84, 130
4700926215	114, 170	4812119822	48
4700928381	178, 230	4812120558	90, 130
4700928784	168	4812121239	92
4700928830	170	4812121858	34
4700928849	92	4812122244	70, 70
4700929455	168	4812122554	68
		4812122654	68, 86, 216, 218

4812122719	90	4812125520	62
4812123298	108	4812125521	172
4812124031	52, 54	4812125526	72
4812124060	178	4812125527	60
4812124068	58	4812125563	42
4812124321	34	4812125585	74
4812124461	230	4812125586	74
4812124515	94	4812125587	78
4812124792	48	4812125592	44
4812124793	170	4812125630	66, 88
4812124832	48	4812125631	174
4812124899	48	4812125636	64
4812124904	48	4812125641	82
4812124988	80	4812125651	84
4812125018	78	4812125652	84
4812125132	40	4812125653	108
4812125133	40	4812125655	82
4812125136	40	4812125657	78
4812125137	40	4812125661	72
4812125140	40	4812125664	94
4812125255	58	4812125676	84, 130
4812125256	58	4812125677	208
4812125353	48	4812125678	148
4812125363	44, 212	4812125681	96, 106
4812125384	66, 88	4812125682	94
4812125392	40	4812125704	80
4812125394	66, 88	4812125708	134
4812125395	114, 116	4812125709	134
4812125397	76	4812125710	78
4812125398	40	4812125711	130
4812125399	40	4812125712	130
4812125400	86	4812125713	130
4812125414	40, 44	4812125714	130
4812125416	40	4812125720	130
4812125418	34	4812125721	130
4812125422	24, 34, 34	4812125724	90
4812125424	34	4812125725	90
4812125446	86	4812125726	90
4812125468	44	4812125727	90
4812125469	98, 102	4812125730	98, 102
4812125470	90	4812125731	98, 102, 108, 134
4812125471	30, 32	4812125732	98, 102
4812125476	84	4812125733	98, 102
4812125477	84	4812125734	98, 102
4812125478	84	4812125735	98, 102, 108
4812125479	84	4812125736	98
4812125480	84	4812125737	98, 102, 108
4812125501	98, 102	4812125738	98, 102, 108
4812125508	72	4812125739	50
4812125516	72	4812125745	102
4812125517	72	4812125747	108

4812125748	108	4812125915	170
4812125749	100, 104, 106	4812125924	178
4812125750	108	4812125936	216
4812125751	108	4812125937	118, 220
4812125752	108	4812125948	142
4812125757	114	4812125949	162
4812125760	114	4812125959	176
4812125761	114	4812125960	176
4812125762	114	4812125972	178
4812125763	92	4812125973	46
4812125764	92	4812125974	106
4812125769	106	4812125975	106
4812125770	130, 134	4812125976	44
4812125772	96	4812125978	44
4812125773	96	4812125982	178
4812125777	146, 160	4812125983	178
4812125778	94	4812125984	178
4812125794	68	4812125990	222
4812125795	100, 104, 108, 114, 136	4812126007	176
4812125796	70	4812126008	176
4812125805	30	4812126012	44
4812125806	32	4812126021	184
4812125815	30	4812126022	186
4812125816	32	4812126031	144
4812125821	62	4812126033	138
4812125830	64	4812126081	42
4812125831	64	4812126082	42
4812125851	170	4812126090	142
4812125852	170	4812126093	22, 30, 32
4812125854	52	4812126094	22, 30, 32
4812125861	158	4812126108	138
4812125866	94	4812126118	190
4812125867	214	4812126119	196
4812125869	94	4812126120	200
4812125871	46	4812126121	194
4812125875	86	4812126175	176
4812125878	214	4812126176	138
4812125880	152	4812126189	142
4812125881	150	4812126234	188
4812125883	156	4812126281	180
4812125886	170	4812126283	180
4812125887	170	4812126467	180
4812125890	214	4812126468	180
4812125891	214	4812126529	180
4812125892	218	4812126595	48
4812125894	214	4812126711	94
4812125896	206	4812126733	108
4812125902	170	4812126891	36
4812125907	118, 120, 220	4812126898	76
4812125910	214	4812126899	76
4812125913	214	4812126907	46

4812126908	176	4812160564	54
4812126939	52	4812160565	54
4812126940	80, 144	4812160566	54
4812126945	62	4812160567	54
4812126953	76	4812160665	114
4812126956	80	4812160957	112
4812126957	44	4812161174	54
4812126968	134	4812161175	54
4812126969	90, 130, 132	4812161176	54
4812126973	170	4812161177	54
4812126979	64	4812161178	54
4812126984	38	4812161179	54
4812127015	150	4812161180	54
4812127030	114	4812161181	54
4812127039	64	4812161182	54
4812127078	64	4812161187	54
4812127090	64	4812161188	54
4812127091	64	4812161189	54
4812127097	48	4812161190	54
4812127099	144	4812161192	54
4812127213	204	4812161199	114
4812127214	130	4812161258	54
4812127220	64	4812161396	26
4812127254	64	4812161562	54
4812127309	98, 102, 126, 128	4812161586	10, 12, 14, 16, 60
4812127310	108, 122	4812161587	14, 16, 60
4812127324	154, 204	4812161669	212
4812127327	66, 88	4812161670	212
4812127367	138	4812161672	10, 12, 14, 16, 54
4812127370	74	4812161673	10, 12, 14, 16, 54
4812127395	210	4812161674	2
4812127643	76	4812161675	4
4812127714	212	4812161677	8
4812127728	212	4812161684	10
4812127729	212	4812161685	12
4812127737	30, 32	4812161686	14
4812127830	212	4812161687	16
4812128078	176	4812162273	22
4812128174	142	4812162274	24
4812156170	22		
4812156260	10, 12, 14, 16, 54		
4812156261	14, 16, 54		
4812156354	54		
4812156358	54		
4812156359	54		
4812156565	202		
4812159478	54		
4812160462	6		
4812160480	2, 4, 6, 8, 10, 12, 14, 16, 54		
4812160561	54		
4812160562	54		

