

Vibratory roller
CA610PD

Atlas Copco

Spare Parts Catalogue

4812273245

Valid from serial number:
10000128x0C000568 -



Diesel engines:
Cummins 6BTAA-5.9

Published catalogue issues valid for these rollers:

Catalogue	Issue date	Valid for serial numbers
4812273245	2014-07	10000128x0C000568; 003981 -

RESERVDLSBESTÄLLNING

Följande uppgifter ska lämnas vid beställning av reservdelar för att undvika leveransfel:

1. Maskintyp.
2. Vältens serienummer.
3. Antal av önskad reservdel.
4. Reserdelens artikelnummer.
5. Reservdelens benämning.
6. Måttuppgifter vid beställning av metervara.

ERSATZTEILBESTELLUNG

Zur Vermeidung von Fehllieferungen sind bei der Bestellung von Ersatzteilen folgende Angaben zu machen:

1. Maschinentyp.
2. Herstellungsnummer.
3. Bestellmenge. (Quantity)
4. Ersatzteilnummer. (Part N°)
5. Ersatzteilbenennung. (Denomination)
6. Massangaben bei Bestellung von Meterware.

PEDIDO DE RECAMBIOS

Para evitar errores en las entregas, deberán indicarse los siguientes datos al hacer un pedido de recambios:

1. Tipo de máquina.
2. Número de serie.
3. Cantidad de piezas deseadas. (Quantity)
4. Número de artículo de la pieza de recambio. (Part N°)
5. Denominación de la pieza. (Denomination)
6. Indíquese la medida al solicitar un artículo que se expide por metros.

ORDERING SPARE PARTS

To avoid errors in delivery, please give the following information when ordering spare parts:

1. Type of machine.
2. Roller serial number.
3. Quantity required.
4. Part number.
5. Parts denomination.
6. Dimensions when ordering per length.

ORDINI DI RICAMBI

Per evitare errori nelle consegne di ricambi, Vi preghiamo di comunicarci le seguenti informazioni al momento dell'ordinazione:

1. Tipo di macchina.
2. Numero di serie della macchina.
3. Quantità dei pezzi desiderati. (Quantity)
4. Numero di codice del pezzo. (Part N°)
5. Descrizione del pezzo di ricambio. (Denomination)
6. Misura, in caso di ordine per metro.

COMMANDE DE PIÉCES DE RECHANGE

Les indications suivantes doivent être fournies lors de la commande de pièces de rechange, afin d'éviter toute erreur de livraison:

1. Type de machine.
2. Numéro de série.
3. Quantité désirée de pièce de rechange. (Quantity)
4. Numéro de la pièce de rechange. (Part N°)
5. Dénomination de la pièce de rechange. (Denomination)
6. Longueur en cas de commande au mètre.

YOUR AGENT/DEALER:

Text pages

The text page is structured as the picture on the right.

1. This is the remarks for specific items and the descriptions of the remarks is at the bottom of the parts list.

2. Parts indicated by a dot and moved to the right are included when buying the assembled unit above.

3. Spare parts Class code for a specific part.
 "A" = 3 or more units/year,
 "B" = 2 or more units/year,
 "C" = 1 or more units/year,
 "D" = at least 1 unit/year.

DYNAPAC <small>Part of the Atlas Copco Group</small>		Dynapac Compaction Equipment AB		
Engine cover, left				
Item	Part No	Rem Qty	Description	Code
	4700396684	1	Engine cover, cpl	
1	4700396607	1	. Cover	③
2	4700902866	1	. Lock	A
	4700902866	1	. Key Marked "455"	
3	4700624020	4	. Blind rivet	
4	4700379976	1	. Cover	
5	4700792325	10	. Blind rivet	
7	4700202057	B	1XL . Edge trim	D
8	4700902166	C	1XL . Edge trim	D
9	4700903953	D	1XL . Edge trim	D
11	4700390365	1	. Spacer	
12	4700924875	2	. Screw	
13	4700904228	2	. Washer 6,4x12x1,5	C
14	4700586002	2	. Lock nut M6 -8	C
15	4700390545	1	. Strap	
16	4700904735	1	. Washer	C
17	4700500059	1	. Screw	

① B)	L=0.625m
C)	L=0.6m
D)	L=1.2m

Changes

PARTS INFO	SERVICE INFO	GROUP	PAGE	NOTES

Notes

TABLE OF CONTENTS		Page
CA610PD T2, SN 10000128x 0C000568 -		2
Service kits		4
4700945652	Service kit 50 h	6
4812157268	Service kit 250/750 h	8
4812157269	Service kit 500h	10
4812157270	Service kit 1000h	12
Repair kits		14
4700938562	Steering hitch kit	16
	Eccentric shaft kit	18
4700938891	Drum rotation kit	20
4700938883	Shock absorber kit, drum	22
4700940662	F/R control button kit	24
Frame		26
	Frames	28
	Scrapers	30
	Hitch	32
	Structure For cab, since SN C003981	34
Drum		38
	Drum	40
	Drum cartridge Vibration side	42
	Drum cartridge Drive side	44
	Drum gear	46
Engine		48
	Engine Cummins 6BTAA-5.9	50
	Cooling system	54
	Radiator Up to 0C000187	58
	Radiator Up to 0C000187	58
	Combustion air system	60
	Fuel system	62
	Exhaust system Up to 0C000365	64
	Exhaust system From 0C000366	66
Transmission		68
	Rear axle and wheels	70
4700385100	Rear axle Limited slip	72
	Differential with limited slip	74
	Differential housing and brakes	76
	Planet gear	78
4700383856	Rear axle No-Spin, Option	80

TABLE OF CONTENTS		Page
Differential with no-spin		82
Differential housing and brakes		84
Planet gear		86
Hydraulic system		88
Propulsion system, Front		90
4700389564 Hydraulic motor		92
End cap		94
Propulsion system, Rear		96
4700380830 Propulsion pump		100
4700373361 Propulsion motor		106
Vibration system		110
4700393695 Vibration pump Up to ECN 11301		112
Rotating group, cpl		114
4700936609 Valve block, cpl		116
4700380146 Hydraulic motor, vibration		118
Steering system		120
4700392027 Steering cylinder		122
4700376000 Steering valve		124
Brake system		126
Hydraulic oil tank		128
Central test panel hydraulic Option		130
Electrical equipment		132
Electric system		134
Control panel		136
Working lights Option		138
Rotating beacon Option		140
Drivers platform		142
Drivers platform		144
Control panel		146
Throttle control		148
Forward and reverse control		150
Steering column		152
Canopy Option		154
Rops and fops		156
Cab mounting		158
Cab Screens		160
Cab Door, left side		164
Cab Interior rear mirror		166
Cab Exterior, rear mirror		168
Wiper arm with blade, front		170
Cab Work light		172
Cab Electric		174

TABLE OF CONTENTS	Page
Decals	176
Decals	178
Decals	180
Decals	182
Standard equipment	184
Standard equipment	186
Optional equipment	188
Tool equipment	190
4812265746 Fire extinguisher assy.	192
Heater Simple cab	194
4700379394 Heater box	196
4812269767 Prooftyre option	198
4812270033 Wheel with all-weather prooftyre Liquid filled	200
4812270032 Wheel with all-weather prooftyre	202
Air conditioner mount Since SN C000360	204
4812265833 Compressor cpl.	206
4812265842 Condensor	208
4812265845 Receiver drier	210
4812265847 Evaporimeter	212

CA610PD T2, SN 10000128x 0C000568 -



CA610PD T2, SN 10000128x 0C000568 -

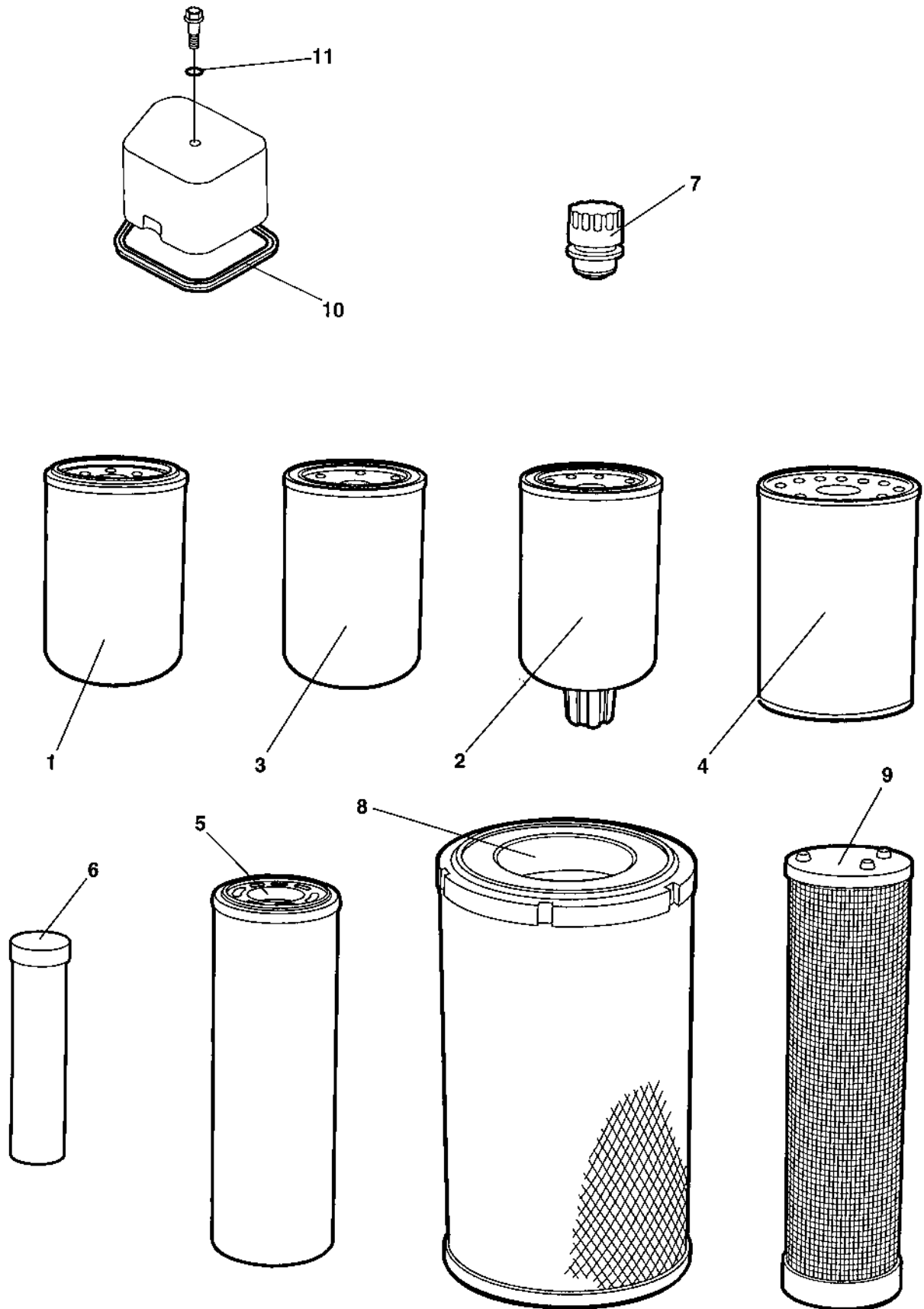
Item	Part No	Rem Qty	Description	Code
1			Service kits (Page 4)	
2			Repair kits (Page 14)	
10			Frame (Page 26)	
20			Drum (Page 38)	
30			Engine (Page 48)	
40			Transmission (Page 68)	
50			Hydraulic system (Page 88)	
60			Electrical equipment (Page 132)	
70			Drivers platform (Page 142)	
80			Decals (Page 176)	
90			Standard equipment (Page 184)	
91			Optional equipment (Page 188)	

Service kits

Service kits

Item	Part No	Rem Qty	Description	Code
1	4700945652		Service kit 50 h (Page 6)	
2	4812157268		Service kit 250/750 h (Page 8)	
4	4812157269		Service kit 500h (Page 10)	
6	4812157270		Service kit 1000h (Page 12)	

4700945652 Service kit 50 h

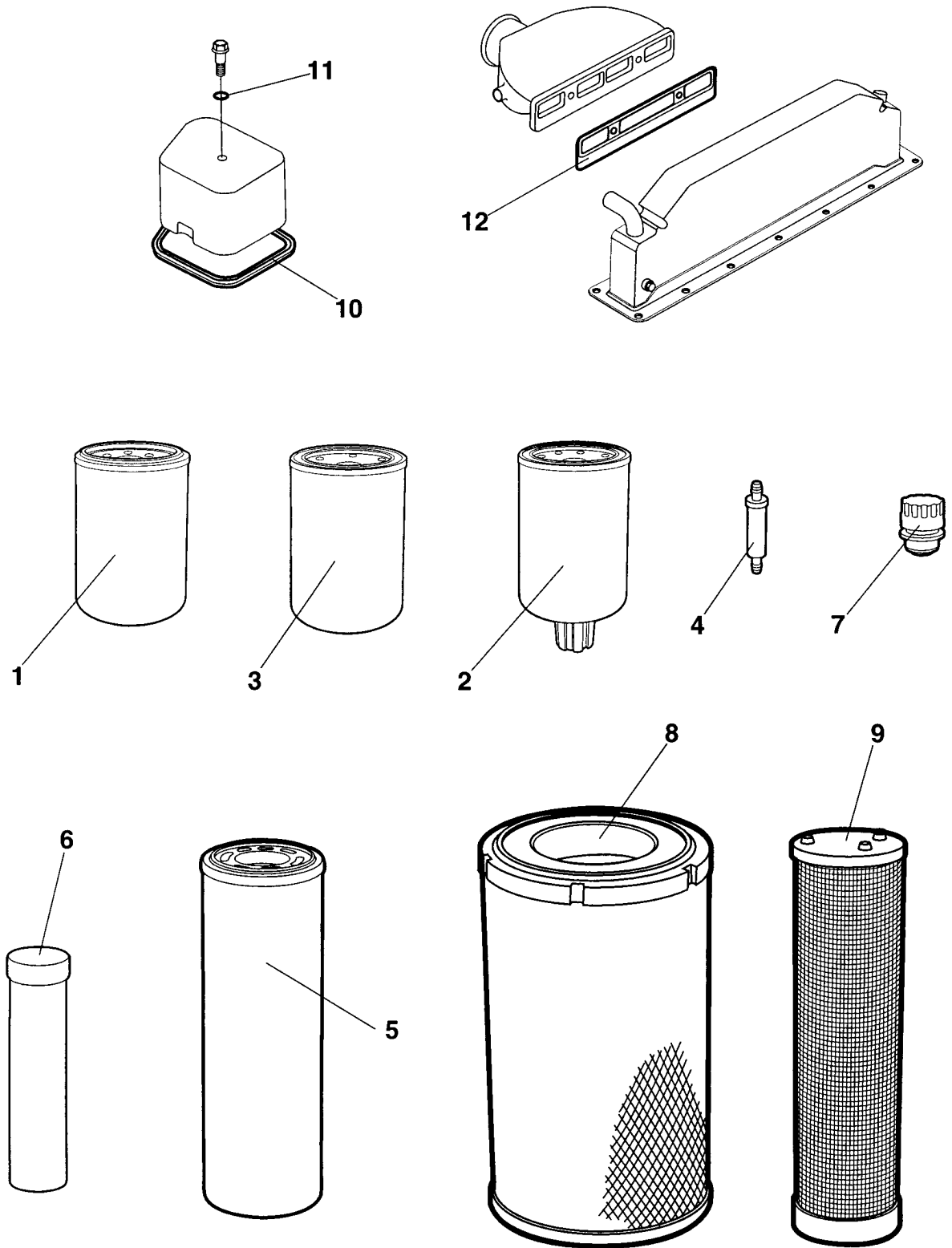


4700945652 Service kit 50 h

Item	Part No	Rem Qty	Description	Code
	4700945652		Service kit 50 h (Page 6)	
1	4700939503	1	Oil filter element	A
2	4700939372	1	Fuel filter element	A
4	4700939404	1	Pre-fuel filter element	A
5	4700372229	1	Hydraulic oil filter element	A

A)

4812157268 Service kit 250/750 h

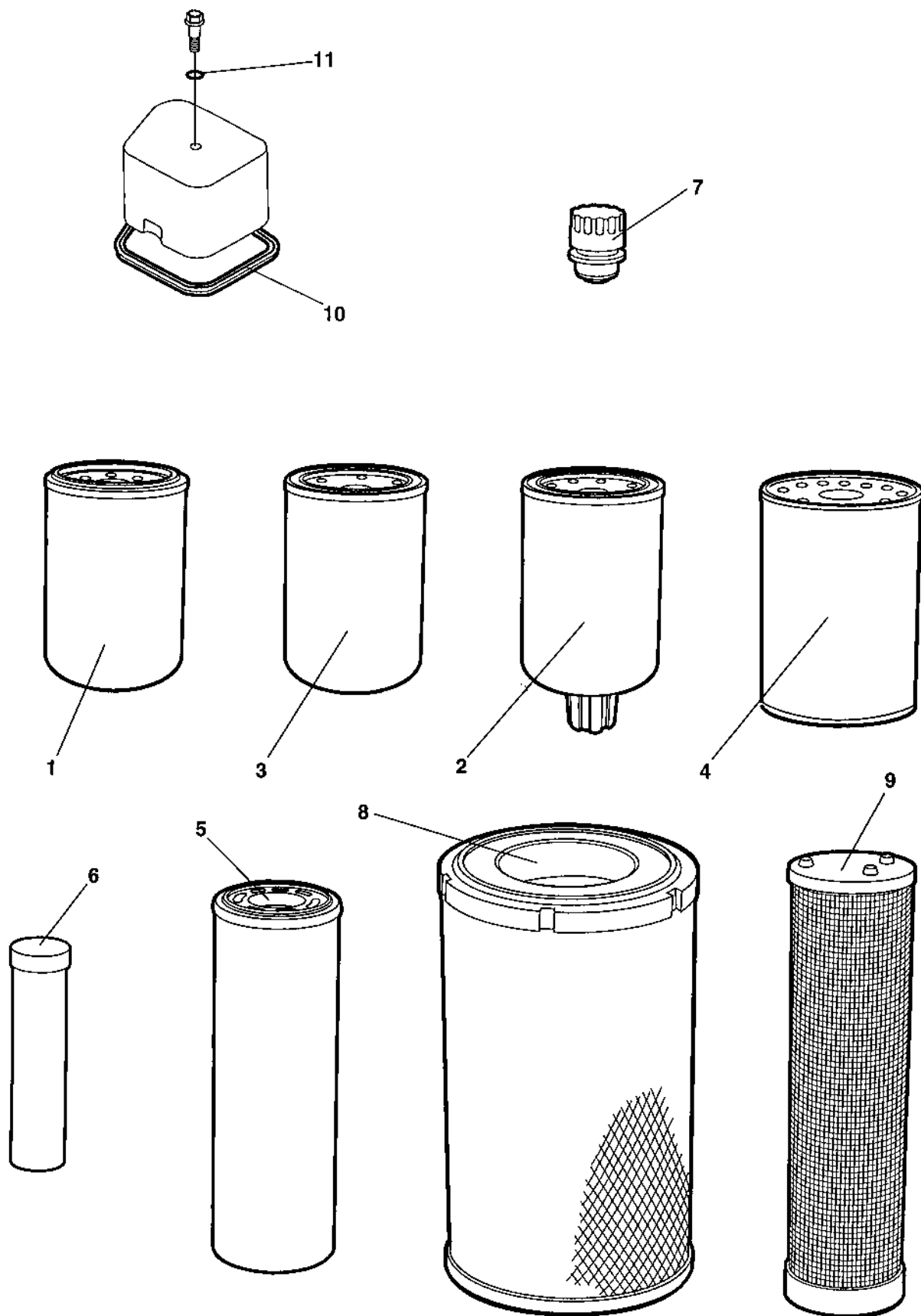


4812157268 Service kit 250/750 h

Item	Part No	Rem Qty	Description	Code
	4812157268		Service kit 250/750 h (Page 8)	
1	4700939503	1	Oil filter element	A

A)

4812157269 Service kit 500h

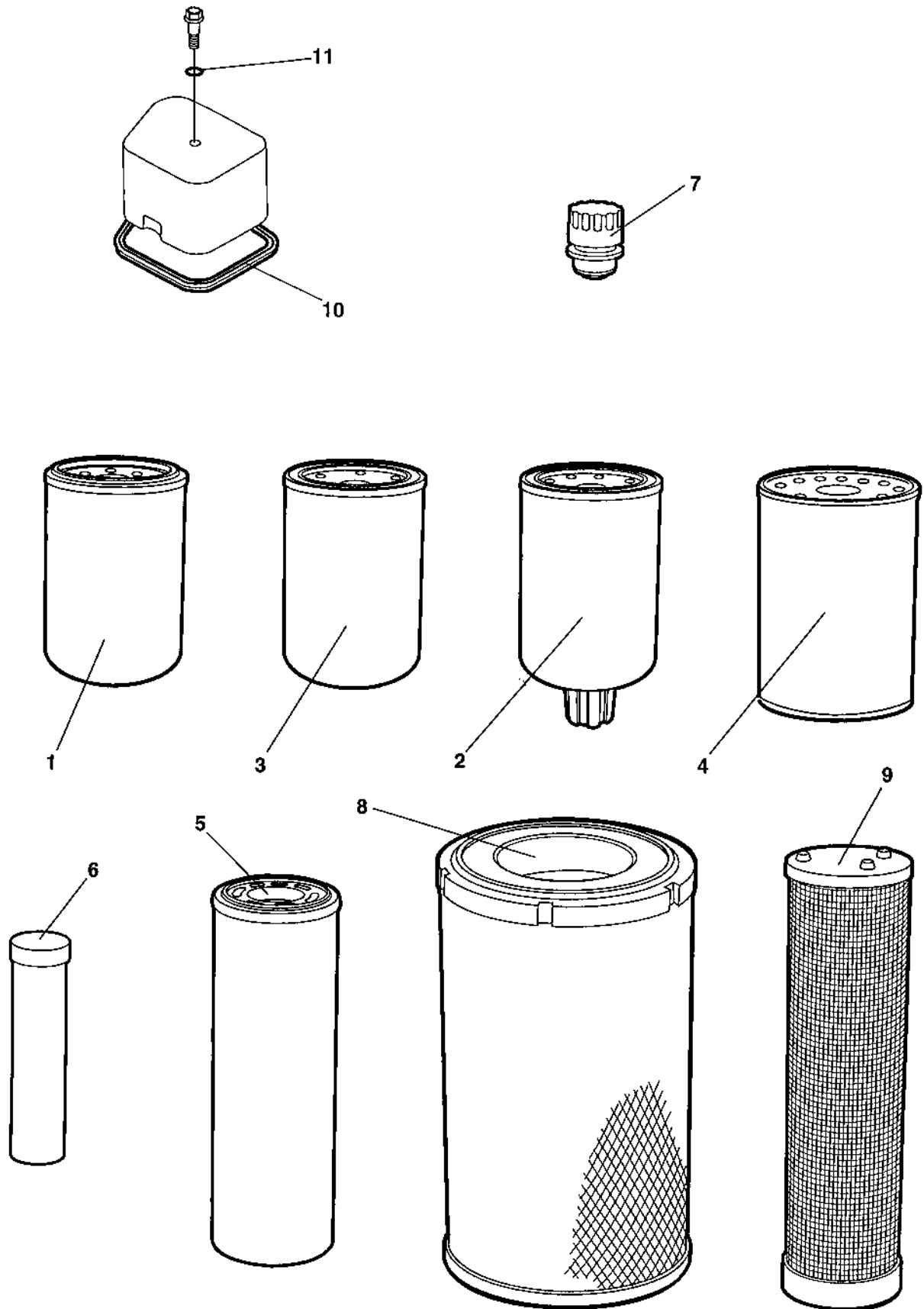


4812157269 Service kit 500h

Item	Part No	Rem Qty	Description	Code
	4812157269		Service kit 500h (Page 10)	
1	4700939503	1	Oil filter element	A
3	4700939372	1	Fuel filter element	A
4	4700939404	1	Pre-fuel filter element	A
8	4700394690	1	Air filter element, main	A

- 1) With water separator.
- A)

4812157270 Service kit 1000h



4812157270 Service kit 1000h

Item	Part No	Rem	Qty	Description	Code
	4812157270			Service kit 1000h (Page 12)	
1	4700939503		1	Oil filter element	A
3	4700939372	1	1	Fuel filter element	A
4	4700939404	2	1	Pre-fuel filter element	A
5	4700372229		1	Hydraulic oil filter element	A
7	4700357138		1	Ventilating filter	A
8	4700394690		1	Air filter element, main	A
9	4700394691		1	Air filter element, safety	A
10	4700938514		6	Valve cover gasket	A
11	4700938516		6	Gasket	A

- 1) With water separator.
- 2) Pre-Fuel filter.
- A)

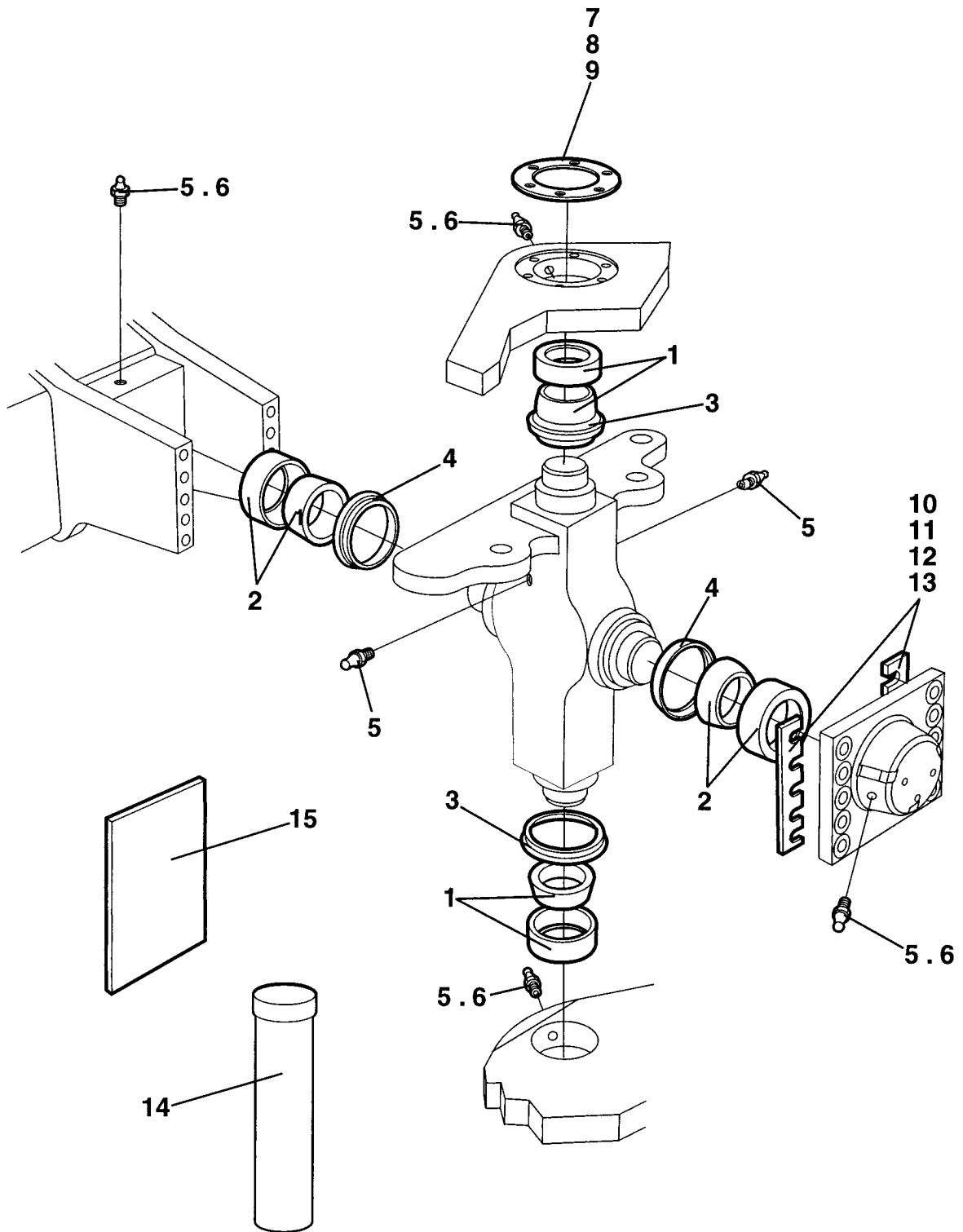
Repair kits

Repair kits

Item	Part No	Rem Qty	Description	Code
10	4700938562	1	Steering hitch kit (Page 16)	
20		1	Eccentric shaft kit (Page 18)	
30	4700938891	1	Drum rotation kit (Page 20)	A
40	4700938883	1	Shock absorber kit, drum (Page 22)	
50	4700940662	1	F/R control button kit (Page 24)	

A)

4700938562 Steering hitch kit



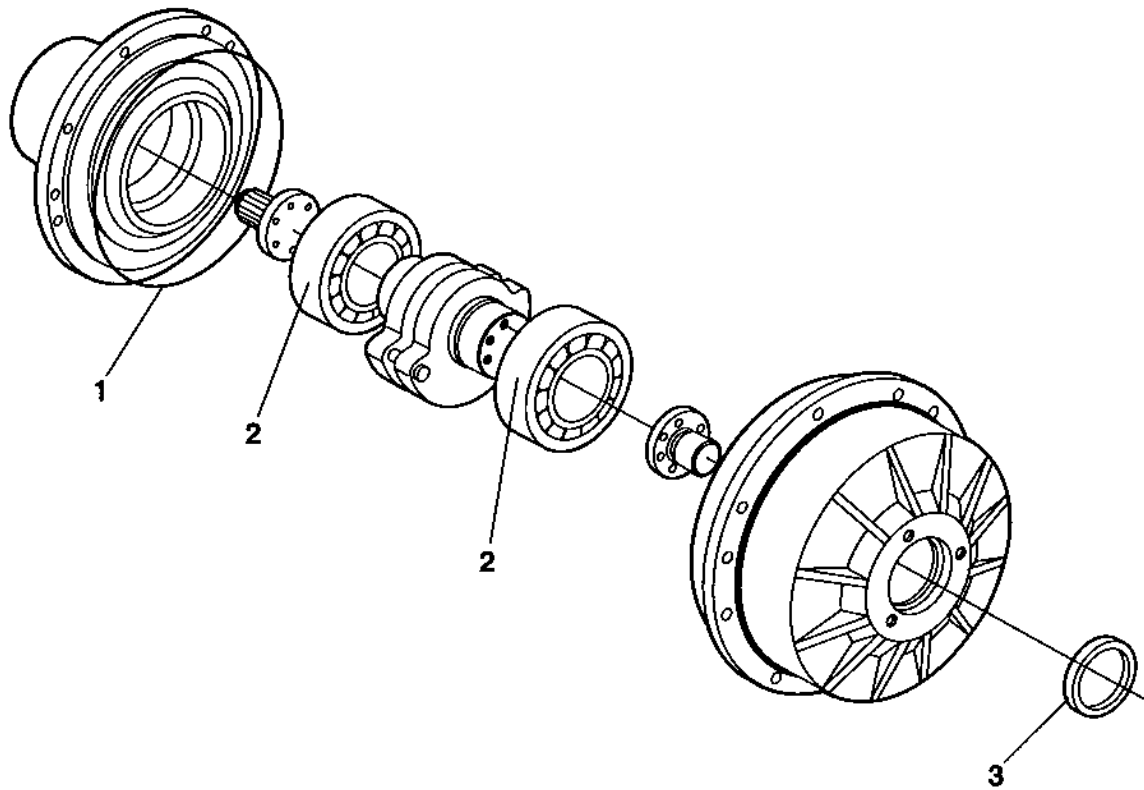
4700938562 Steering hitch kit

Item	Part No	Rem Qty	Description	Code
	4700938562		Steering hitch kit (Page 16)	
1	4700100040	2	Axial ball bearing	B
2	4700924620	2	Axial ball bearing	D
3	4700167032	2	Lip-type oil seal	C
4	4700167033	2	Ring	D
5	4700310008	A 3	Grease nipple	C
6	4700926214	2	Grease fitting	C
7	4700337045	2	Shim T=1,0 mm	C
8	4700345874	2	Shim T=0,35 mm	C
9	4700345875	2	Shim T=0,10 mm	C
10	4700337221	2	Shim T=1,0 mm	C
11	D433722101	2	Shim T=0,35 mm	D
12	D433722102	2	Shim T=0,10 mm	D
13	4700384503	2	Shim T=0,15 mm	C
14	4700904663	1	Lube grease " DYNAPAC special approved "	A
15		1	Instructions	

A) Valid for CC501/CC722 only.

- A)
- B)
- C)
- D)

Eccentric shaft kit



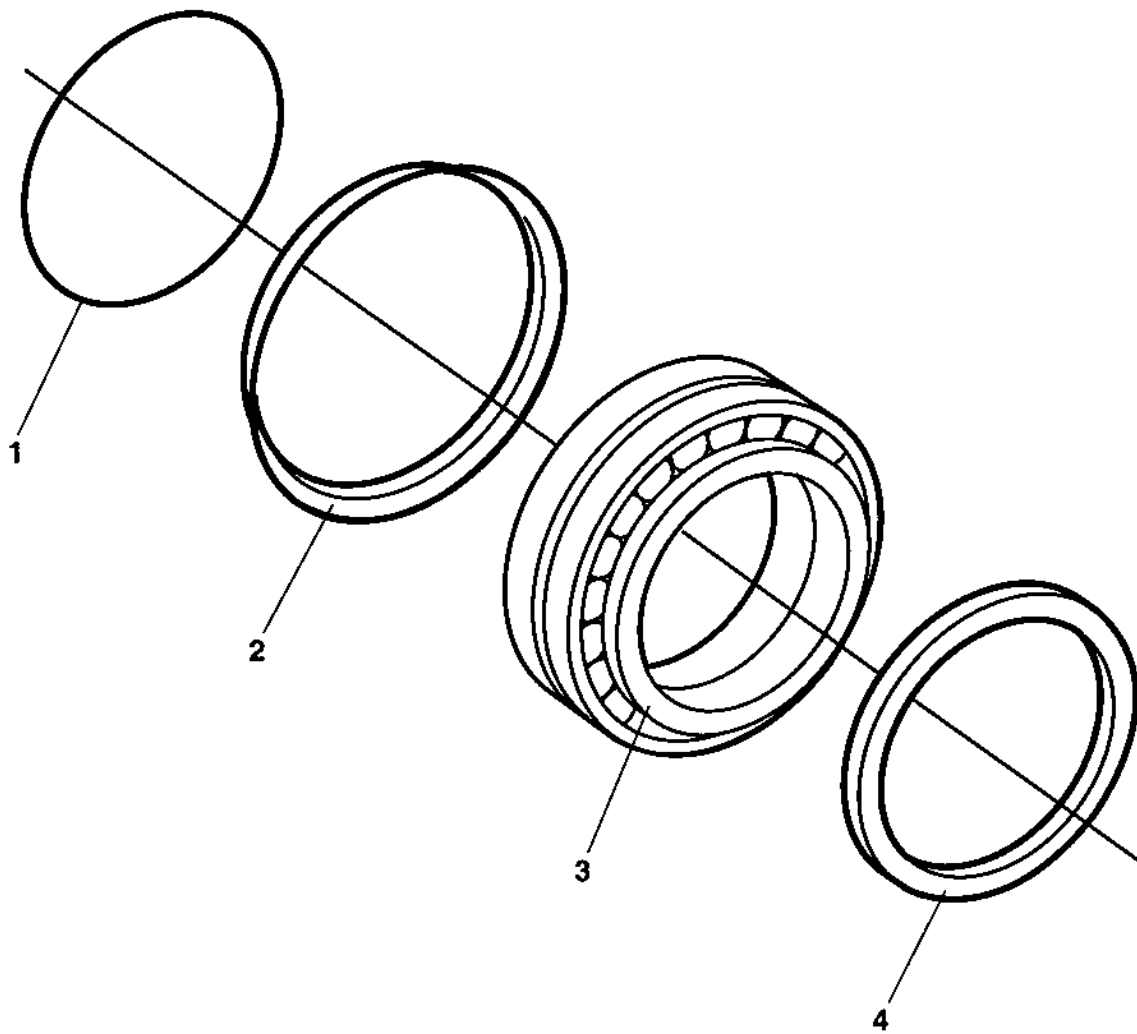
Eccentric shaft kit

Item	Part No	Rem Qty	Description	Code
	4700945657		Eccentric shaft kit	
1	4700900776	1	. O-ring	D
2	4700390896	2	. Spherical roller bearing	B
3	4700900782	1	. Seal ring	D

B)

D)

4700938891 Drum rotation kit

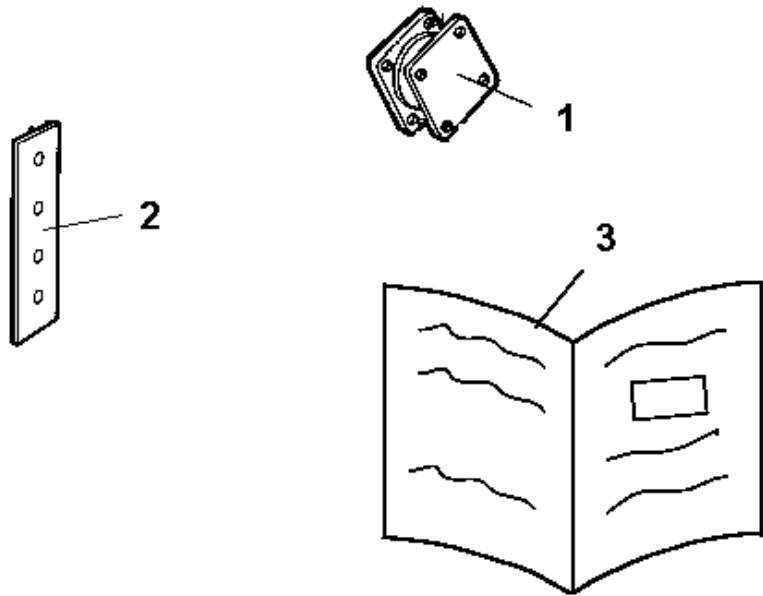


4700938891 Drum rotation kit

Item	Part No	Rem Qty	Description	Code
	4700938891		Drum rotation kit (Page 20)	A
1	4700160105	1	O-ring 70	C
2	4700929447	1	V-ring	B
3	4700116041	1	Taper roller bearing	B
4	4700386272	1	Sealing	B

- A)
- B)
- C)

4700938883 Shock absorber kit, drum



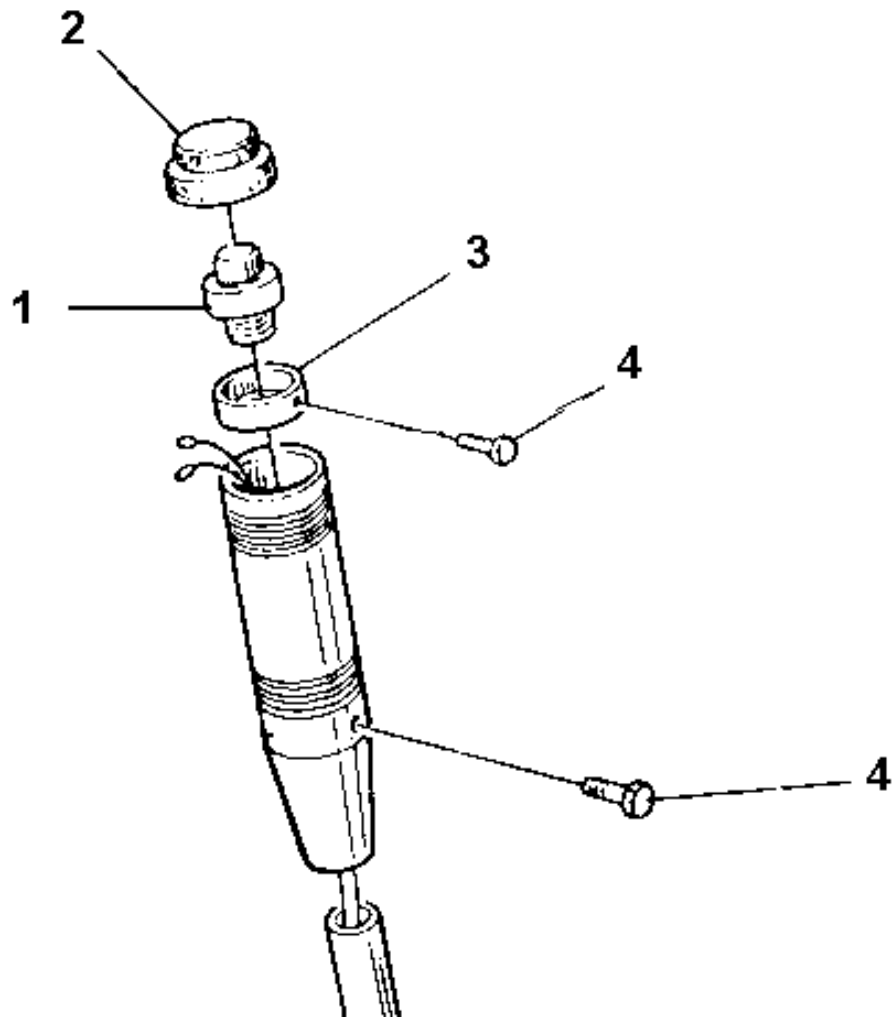
4700938883 Shock absorber kit, drum

Item	Part No	Rem Qty	Description	Code
	4700938883		Shock absorber kit, drum (Page 22)	
1	4700358172	22	Shock absorber	B
2	4700349973	4	Shim T=1 mm	C
3	4812156170	1	Instructions	

B)

C)

4700940662 F/R control button kit



4700940662 F/R control button kit

Item	Part No	Rem Qty	Description	Code
1	4700928497	1	Push button	B
2	4700348481	1	Cover	B
3	4700285911	1	Bushing	D
4	4700533001	3	Screw	D

B)

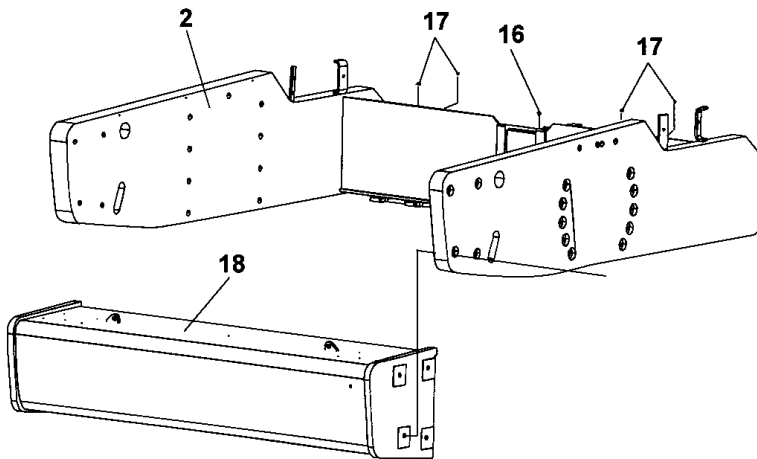
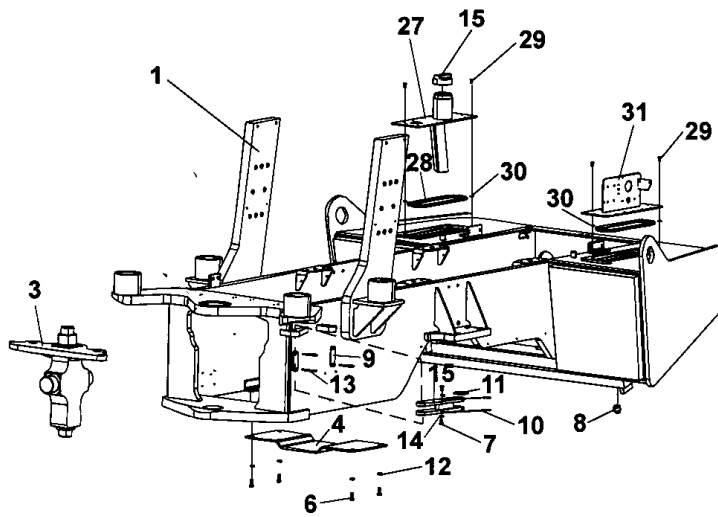
D)

Frame

Frame

Item	Part No	Rem Qty	Description	Code
10			Frames (Page 28)	
25			Scrapers (Page 30)	
30			Hitch (Page 32)	
40			Structure	
			Structure For cab, since SN C003981 (Page 34)	

Frames

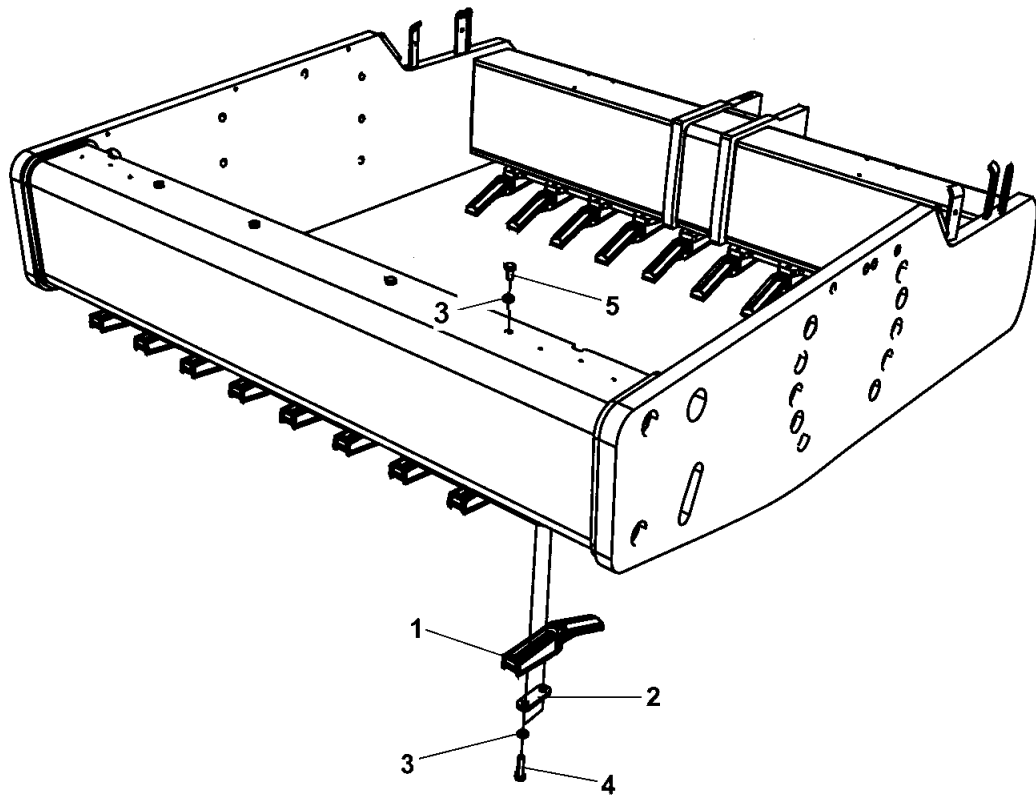


Frames

Item	Part No	Rem Qty	Description	Code
1	4812112591	1	Tractor frame	D
2	4700377221	1	Drum frame	D
3		1	Hitch (Page 32)	
4	4700372087	1	Protective plate	D
5	4700374744	1	Safety rod	D
6	4700500029	4	Hexagon head screw	C
7	4700500043	2	Screw M10x16H 8,8	D
8	4700813391	1	Magnetic plug	D
9	4700347119	2	Shaft	C
10	4700343775	2	Wire	D
11	4700357488	1	Spring	D
12	4700904557	4	Steel plain washer	
13	4700635061	3	Hair clip	B
14	4700904230	2	Steel plain washer	C
15	4700373460	1	Fuel cap	D
	4700380436	A	Fuel cap	D
16	4700232041	1	Filter plug	D
17	4700902919	4	Plug	
18	4700393367	1	Crossbeam	D
19	4700927117	4	Screw M20x100	D
20	4700904233	8	Washer 21x36x3	C
21	4700928850	4	Screw M20-2,5x120 10,9	D
27	4700397130	1	Cover	D
28	4700372709	1	O-ring	D
29	4700500188	32	Screw M8-1,25x14 8,8	
30	4700904229	32	Steel plain washer	C
31	4812112798	1	Cover	

- A) For Italy
- B)
- C)
- D)

Scrapers

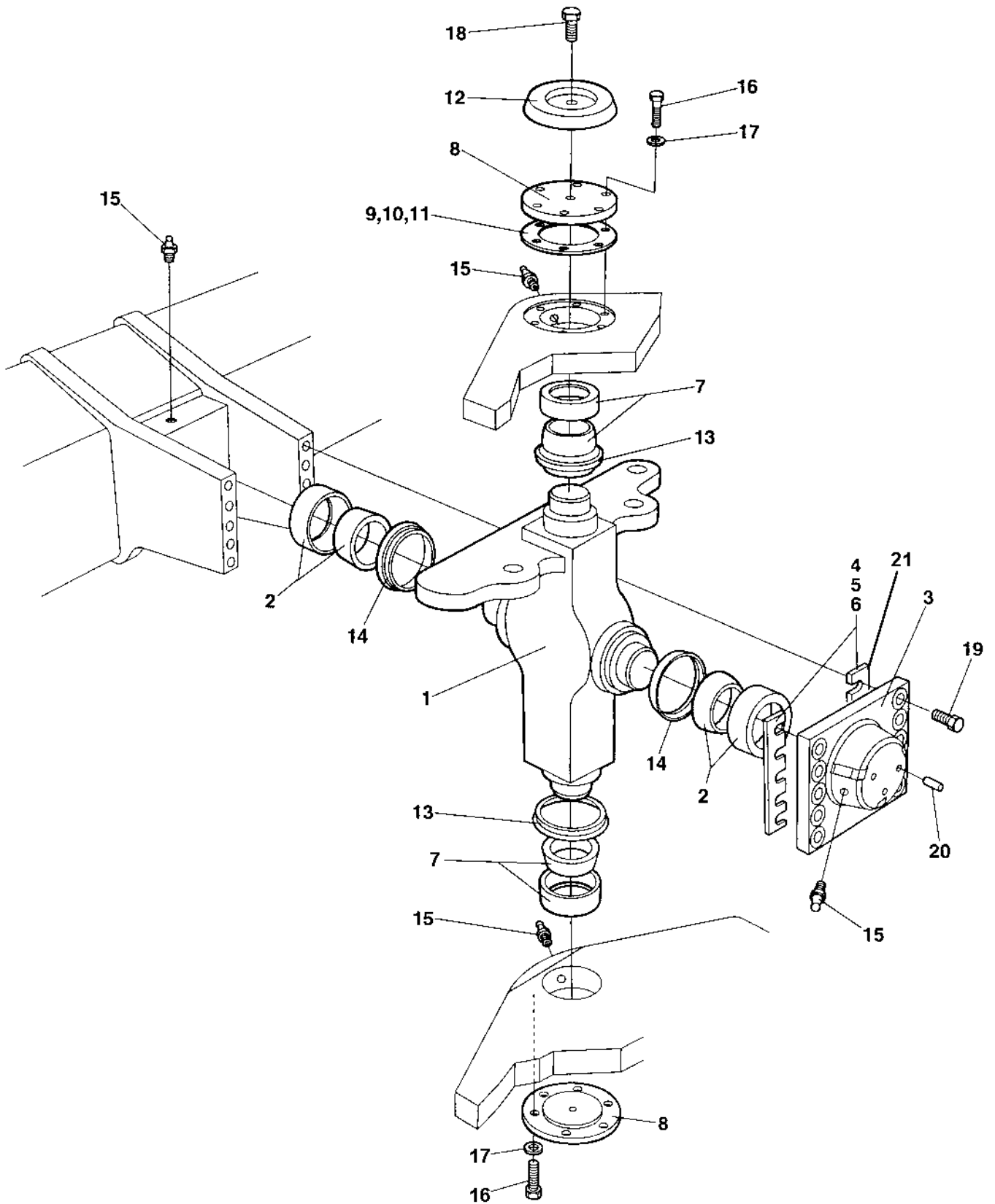


Scrapers

Item	Part No	Rem Qty	Description	Code
1	4700397305	18	Scraper tooth	B
2	4812111103	18	Holder	C
3	4700904232	40	Washer	C
4	4700500134	36	Hex screw m16x60 - lf140	
5	4700500154	4	Screw M16-2,0x25 8,8	

B)
C)

Hitch

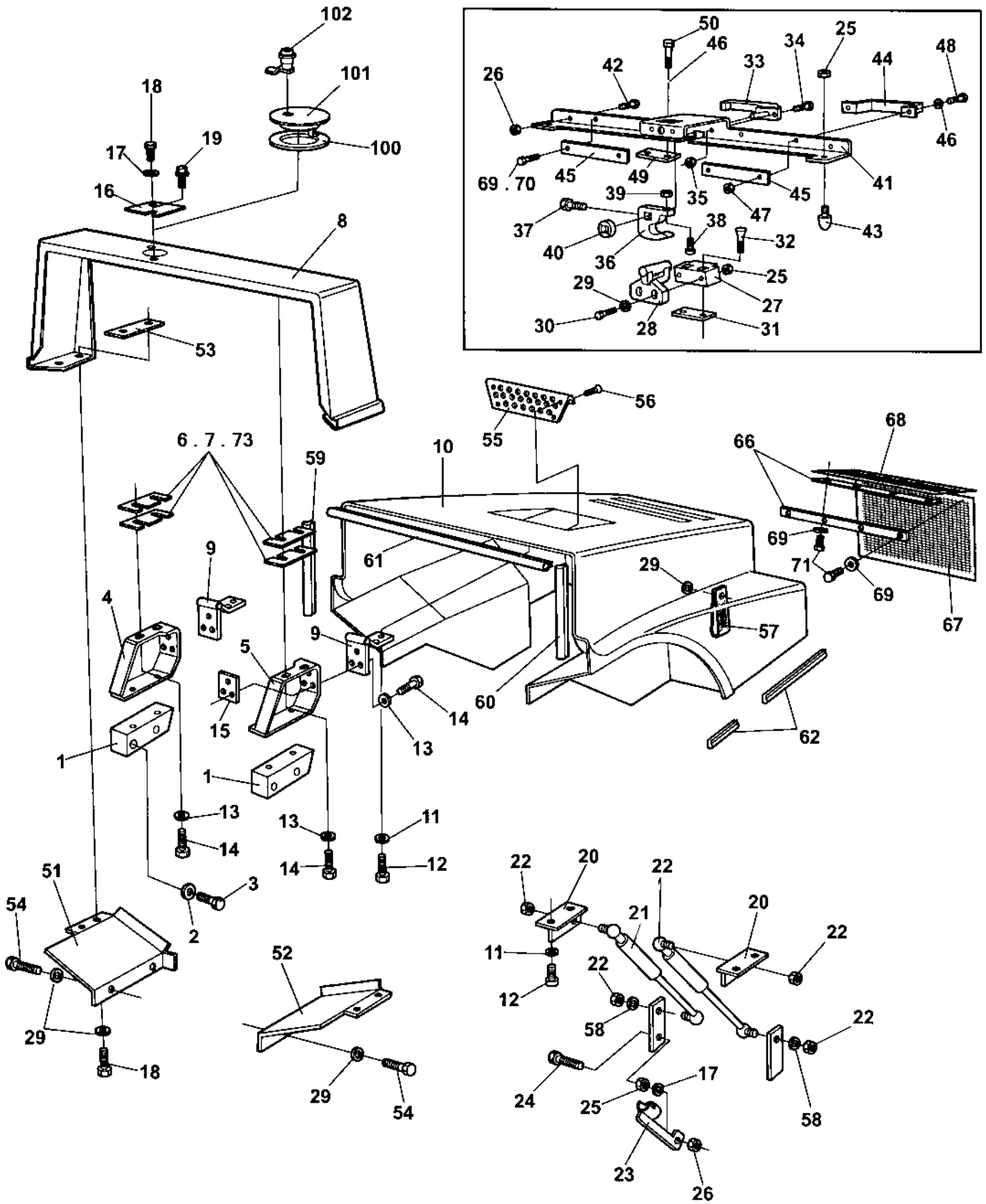


Hitch

Item	Part No	Rem Qty	Description	Code
1	4700374898	1	Hitch	D
2	4700924620	2	Axial ball bearing	D
3	4700373123	1	Bearing cover	D
4	4700337221	N	Shim T=1,0 mm	C
5	D433722101	N	Shim T=0,35 mm	D
6	D433722102	N	Shim T=0,10 mm	D
7	4700100040	2	Axial ball bearing	B
8	4700337042	2	Bearing cover	D
9	4700337045	N	Shim T=1,0 mm	C
10	4700345874	N	Shim T=0,35 mm	C
11	4700345875	N	Shim T=0,10 mm	C
12	4700343159	1	Cover	D
13	4700167032	2	Lip-type oil seal	C
14	4700167033	2	Ring	D
15	4700926214	4	Grease fitting	C
16	4700500037	12	Screw	C
17	4700904231	12	Washer 13x24x2 300 HV	C
18	4700500188	1	Screw M8-1,25x14 8,8	
19	4700904479	10	Screw M24x110 10,9	
	4700900807	10	Screw M24x120 10,9	D
20	4700910995	3	Stop screw	C
21	4700384503	N	Shim T=0,15 mm	C
22	4700904229	1	Steel plain washer	C

B)
C)
D)

Structure For cab, since SN C003981



Structure For cab, since SN C003981

Item	Part No	Rem	Qty	Description	Code
1	4700381989		2	Holder	D
2	4700904231		4	Washer 13x24x2 300 HV	C
3	4700500133		4	Screw	C
4	4700374797	1	1	Clamp	D
5	4700374798	2	1	Clamp	D
6	4700373956		N	Shim	C
7	4700373957		N	Shim	C
8	4812265107		1	Protection cover	D
9	4700371366		2	Hinge	D
10	4812265106		1	Engine hood	D
11	4700904557		10	Steel plain washer	
12	4700500028		10	Screw	C
13	4700904567		7	Steel plain washer	
14	4700500030		7	Screw M10x035H 8.8 A3K	
15	4700374799		1	Holder plate	C
16	4700373955		1	Cover	D
17	4700904556		2	Steel plain washer	C
18	4700500021		5	Screw M8-1,25x25 8.8	C
19	4700500505		1	Screw M8x20 8.8	
20	4700372608		2	Bracket	D
21	4812265113		1	Gas spring	
22	4812265114		1	Gas spring	B
23	4700379251		1	Safety rod	D
24	4700904241		1	Screw	C
25	4700570005		5	Nut M8	C
26	4700902286		3	Hexagon lock nut with flange	C
27	4700382132		1	Holder	D
28	4700382131		1	Lock clamp	
29	4700904640		11	Washer 8,4x22x3	C
30	4700500026		2	Screw M8-1,25x60 8,8	
31	4700380109		1	Holder	D
32	4700903732		2	Screw	
33	4700382165		1	Locking handle	
	4700902866		1	. Key Marked "455"	
34	4700535011		2	Screw	D
35	4700902284		2	Nut M5	C
36	4700382130		1	Hook	
37	4700500018		1	Hexagon head screw M	C
38	4700500040		1	Screw M6-1x20 8,8	C
39	4700570004		1	Nut M6X1,00 -8 A2K	
40	4700382335		1	Spacer sleeve	
41	4700382129		1	Holder plate	D
42	4700927637		2	Hexagon socket countersunk screw	D
43	4700925629		2	Shock absorber	
44	4700904874		1	Grab handle	D
45	4700382355		2	Holder plate	D
46	4700904228		4	Washer 6,4x12x1,5	C
47	4700902285		2	Hexagon lock nut with flange	C
48	4700500088		2	Screw M6x40	
49	4700382336		1	Holder	D
50	4700500013		2	Screw M6-1x16 8,8	C
51	4812265108	1	1	Cover plate	D
52	4812265109	2	1	Cover plate	D

1) Right hand

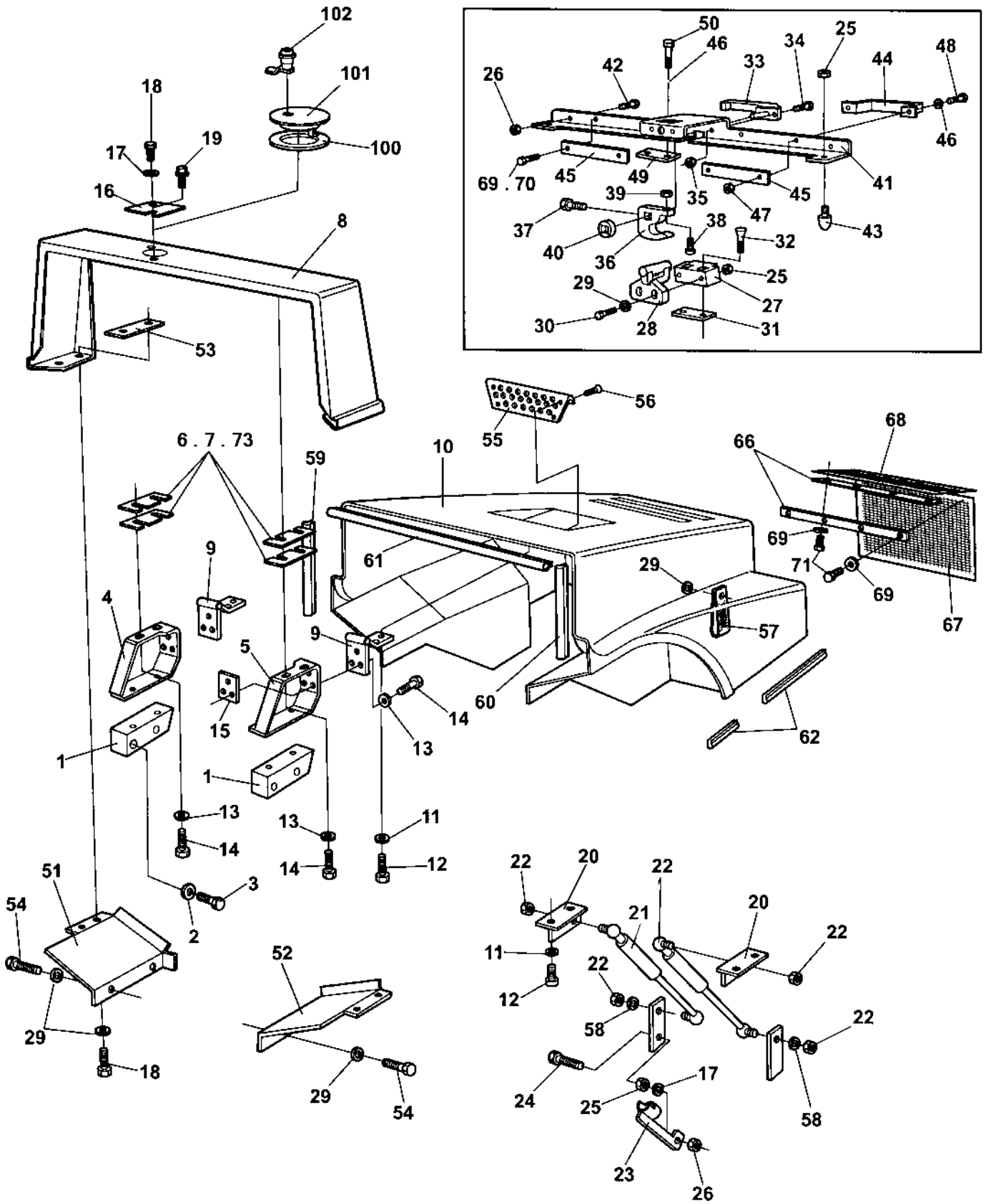
2) Left hand

B)

C)

D)

Structure For cab, since SN C003981



Structure For cab, since SN C003981

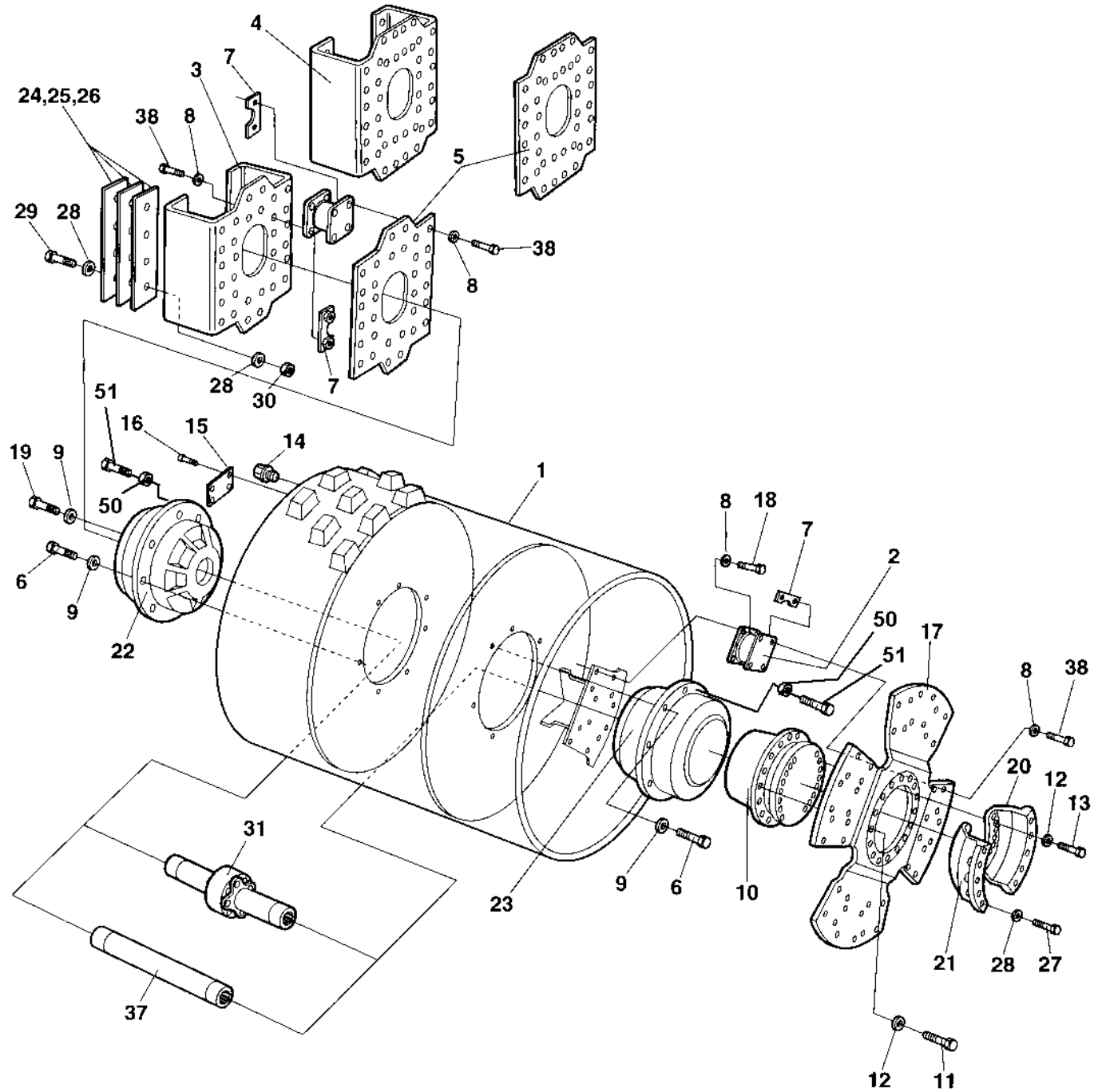
Item	Part No	Rem Qty	Description	Code
53	4812265129	2	Plate	D
54	4700500019	4	Hexagon head screw M	C
55	4700372575	1	Grid	D
56	4700901767	4	Screw ST3,5x9,5 Black	
57	4812265832	1	Grab handle	D
58	4700904230	2	Steel plain washer	C
59	4700902166	3	1XL Edge trim	D
60	4700902166	3	1XL Edge trim	D
61	4700902166	4	1XL Edge trim	D
62	4700902166	5	NXL Edge trim	D
66	4700202047	6	NXL Rubber strip	D
67	4700372609	1	Grid	D
68	4700372695	1	Grid	D
69	4700927974	20	Washer	C
70	4700541507	2	Screw	D
71	4700904244	18	Screw	
73	4812110773	N	Shim	
74	4812265128	N	Shim	
100			Not used on this model	
101			Not used on this model	
102			Not used on this model	
3)	L = 1,88 m			
4)	L = 0,63 m			
5)	Total length = 0,48 m			
6)	Total length = 4,91 m			
C)				
D)				

Drum

Drum

Item	Part No	Rem Qty	Description	Code
10			Drum (Page 40)	
20			Drum cartridge Vibration side (Page 42)	
30			Drum cartridge Drive side (Page 44)	
40			Drum gear (Page 46)	

Drum

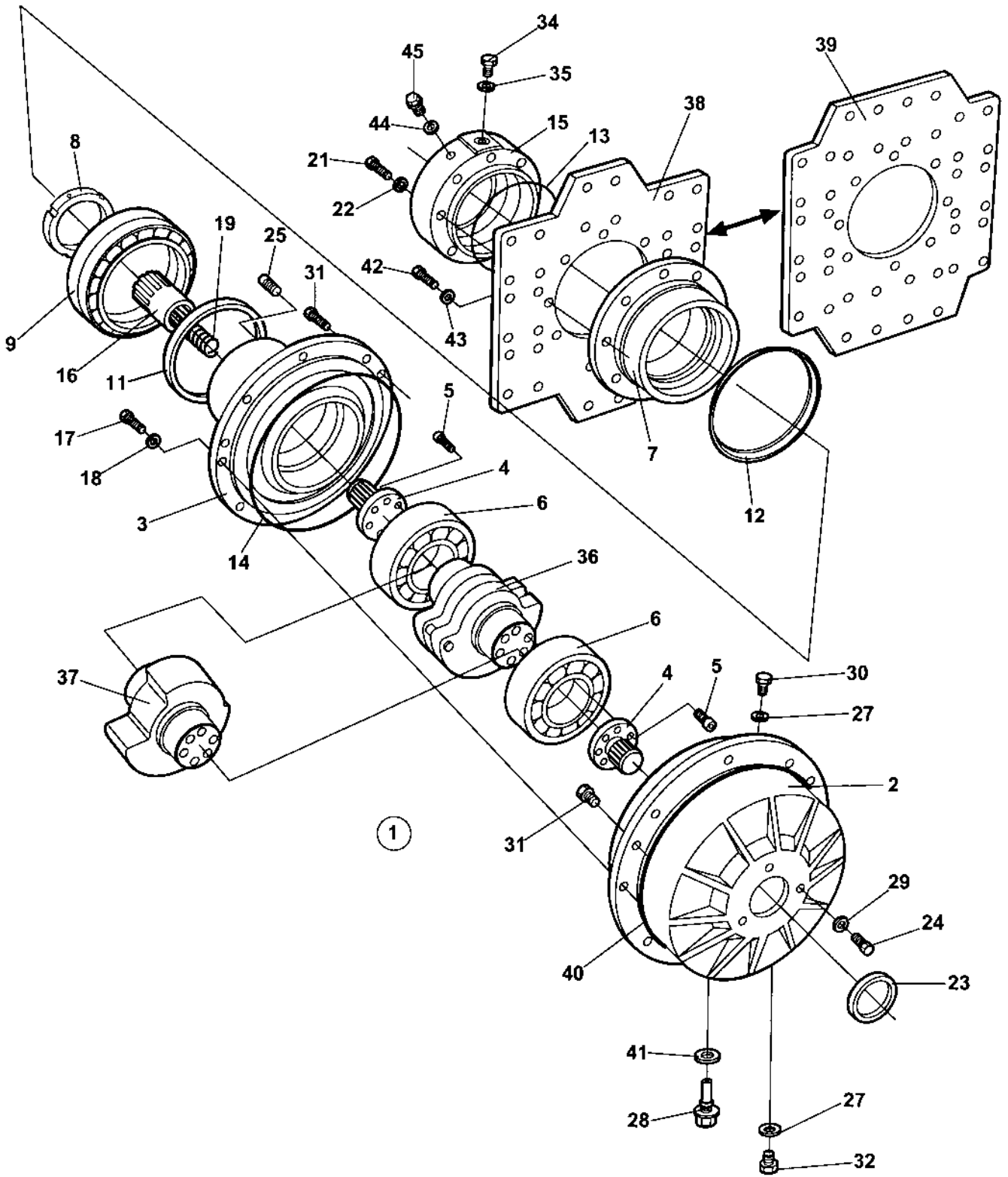


Drum

Item	Part No	Rem	Qty	Description	Code
1	4700373769		1	Drum	D
2	4700358172		22	Shock absorber	B
3				Not used on this model	
4	4700371955		1	Holder plate	D
5	4700371956		1	Holder plate	D
6	4700500082		23	Screw M16x70 8,8	D
7	4700374728	C	64	Holder	D
8	4700904232		176	Washer	C
9	4700904232		24	Washer	C
10			1	Drum gear (Page 46)	
11	4700903281		16	Screw	
12	4700904233		32	Washer 21x36x3	C
13	4700903919		16	Screw	
14	4700232210		1	Plug	
15			1	Sign plate	
16	4700527002		4	Drive screw	C
17	4700373770		1	Drive disc	D
18	4700500057		48	Screw M16-2x30 8,8	D
19	4700384121		1	Air breather screw	B
20	4700373442	A	1	Gear holder	D
21	4700373443	B	1	Gear holder	D
22			1	Drum cartridge Vibration side (Page 42)	
23			1	Drum cartridge Drive side	
24	4700349971		N	Shim T=5 mm	C
25	4700349972		N	Shim T=3 mm	C
26	4700349973		N	Shim T=1 mm	C
27	4700904479		10	Screw M24x110 10,9	
28	4700904234		26	Steel plain washer	
29	4700904562		8	Screw M24x160 10.9	
30	4700792464		8	Nut M24 -10 DIN985	D
31				Not used on this model	
37	4700349682		1	Drive shaft	D
38	4700500070		128	Screw M16x50	C
50	4700384114		24	Spacer	A
51	4700500134		24	Hex screw m16x60 - lf140	

- A) Right
- B) Left
- C) Replaces nuts with P/N 4700586021, 128 pcs.
- A)
- B)
- C)
- D)

Drum cartridge Vibration side



Drum cartridge Vibration side

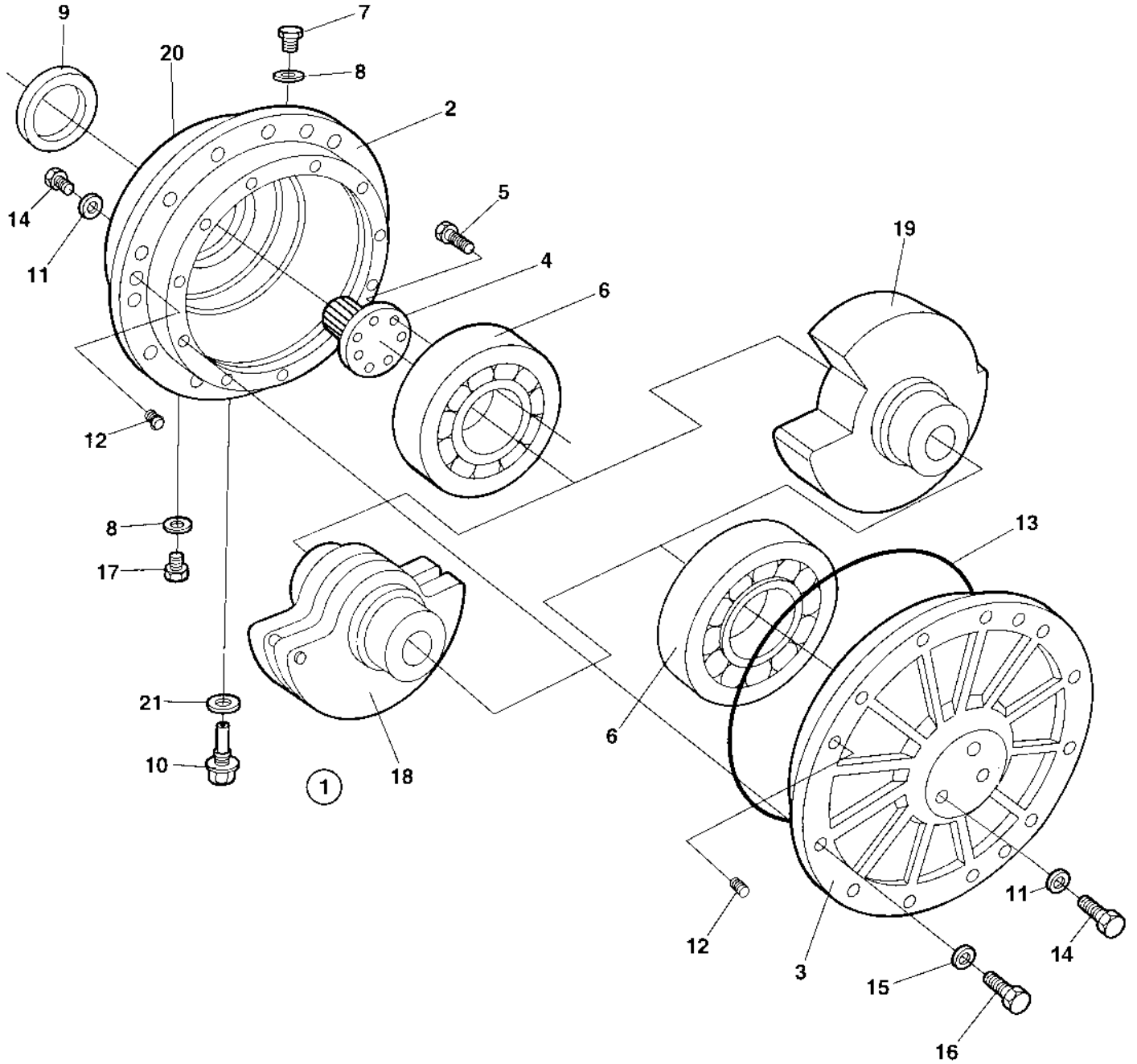
Item	Part No	Rem	Qty	Description	Code
1	4700945594		1	Drum cartridge	D
	4812155683	1	1	Drum cartridge	D
2	4700392420	2	1	Bearing housing inner	D
3	4700379878	2	1	Bearing housing outer	D
4	4700380018	2	2	Splined shaft	D
5	4700791156	2	16	Screw M10-1,5x55 12,9	D
6	4700390896	2	2	Spherical roller bearing	B
7	4700343318		1	Bearing housing	D
8	4812112413		1	Shaft nut	
9	4700116041		1	Taper roller bearing	B
11	4700167023		1	Seal ring	B
12	4700929447		1	V-ring	B
13	4700160105		1	O-ring 70	C
14	4700900776	2	1	O-ring	D
15	4812110860		1	Motor adapter	
16	4700381027		1	Splined sleeve	D
17	4700500082	2	12	Screw M16x70 8,8	D
18	4700904232	2	12	Washer	C
19	4700349715		1	Spring	D
21	4700500196		4	Screw M12-1,75x80 8.8	D
22	4700904231		4	Washer 13x24x2 300 HV	C
23	4700900782	2	1	Seal ring	D
24	4700500163	2	3	Screw M12x16	D
25	4700903189	2	3	Stop screw	
27	4700162017	2	2	Seal ring	B
28	4700381634	2	1	Plug	C
29	4700162027	2	3	Sealing	B
30	4700343744	2	1	Magnetic plug	C
31	4700900775	2	6	Plug	C
32	4700232210	2	1	Plug	
34	4700370231		1	Plug	C
35	4700162018		1	Sealing	B
36			1	Not used on this model	
37	4812112749	2	1	Eccentric shaft	
38			1	Not used on this model	
39	4700371956		1	Holder plate	D
40	4700904737		1	O-ring	D
41	4700162011	2	1	Washer, sealing	D
42	4700500082		8	Screw M16x70 8,8	D
43	4700384114		8	Spacer	A
44	4700162024		1	Washer, sealing	
45	4700903190		1	Steel plug	

1) With pre-mounted shaft nut item 8. Includes also item 7,9,11 and 12.

2) Included in complete drum cartridge, item 1

- A)
- B)
- C)
- D)

Drum cartridge Drive side

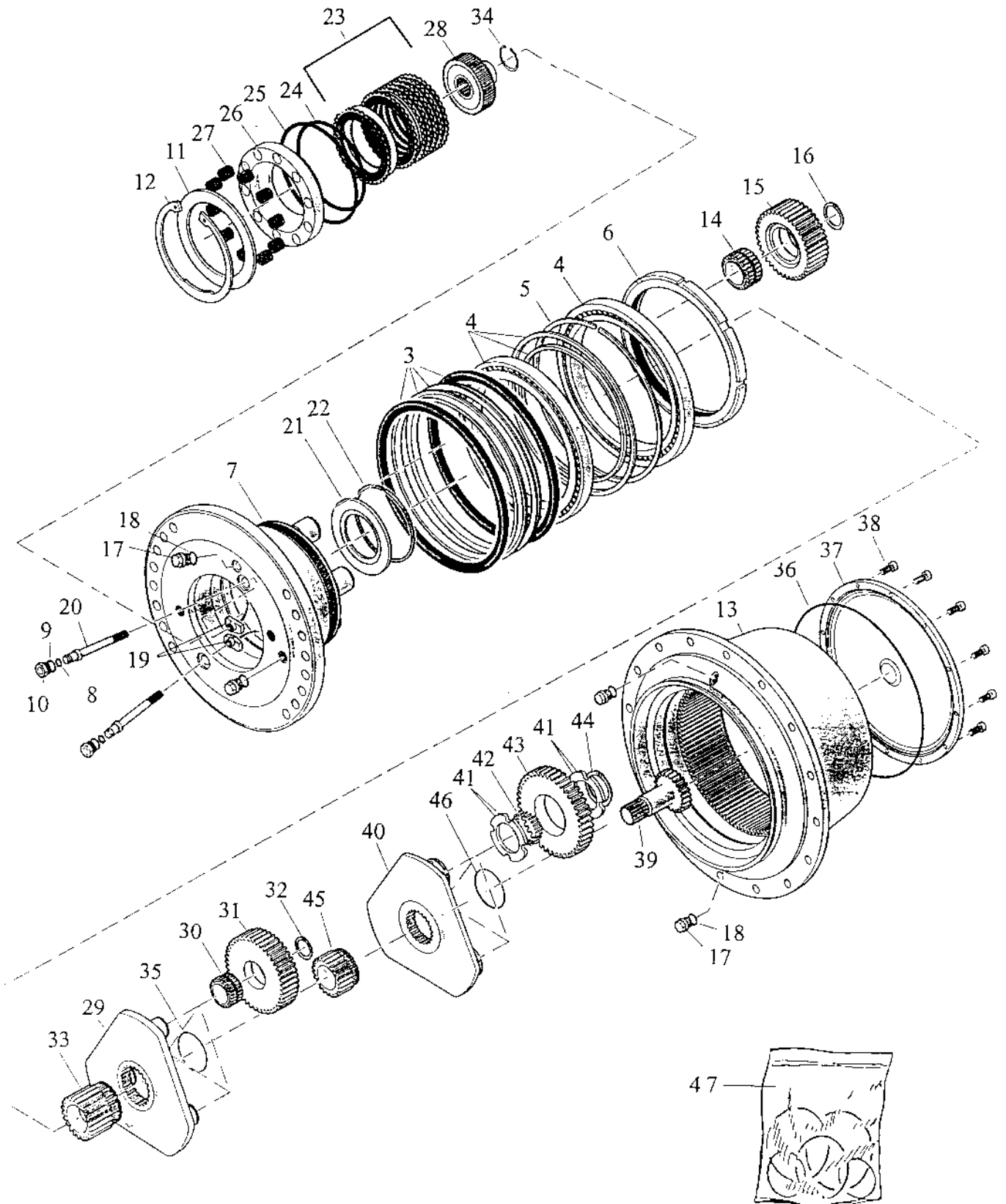


Drum cartridge Drive side

Item	Part No	Rem Qty	Description	Code
1	4700945587	1	Drum cartridge	D
2	4700392420	1	. Bearing housing inner	D
3	4700379876	1	. Bearing housing outer	D
4	4700380018	1	. Splined shaft	D
5	4700791156	8	. Screw M10-1,5x55 12,9	D
6	4700390896	2	. Spherical roller bearing	B
7	4700343744	1	. Magnetic plug	C
8	4700162017	2	. Seal ring	B
9	4700900782	1	. Seal ring	D
10	4700381634	1	. Plug	C
11	4700162027	6	. Sealing	B
12	4700900775	6	. Plug	C
13	4700900776	1	. O-ring	D
14	4700500163	6	. Screw M12x16	D
15	4700904232	12	. Washer	C
16	4700500082	12	. Screw M16x70 8,8	D
17	4700232210	1	. Plug	
18			Not used on this model	
19	4812112749	1	. Eccentric shaft	
20	4700904737	1	. O-ring	D
21	4700162011	1	. Washer, sealing	D

- B)
- C)
- D)

Drum gear



Drum gear

Item	Part No	Rem	Qty	Description	Code
1	4700371512		1	Drum gear	D
3	4700935381		1	. Seal	
4	4700935382		1	. Roller bearing	
5		B	NA	. Spring ring	
6		B	NA	. Nut	
7		B	NA	. Hub	
8	4700935386	A	2	. O-ring	
9	4700813618	A	2	. O-ring	C
10	4700935387		2	. Plug	
11	4700935388		1	. Support plate	
12	4700935389		1	. Retaining ring	
13		B	NA	. Hollow wheel	
14		B	NA	. Roller bearing	
15		B	NA	. Planet gear	
16		B	NA	. Reaining ring	
17	4700935394		4	. Plug	
18	4700935395	A	4	. Seal ring	
19	4700935396		2	. Setting lug	
20	4700935397		2	. Spindle bolt	
21		B	NA	. Plate	
22		B	NA	. Spring ring	
23	4700935400		1	. Brake disc kit	
24	4700935401	A	1	. O-ring	
25	4700935402	A	1	. O-ring	
26	4700935403		1	. Piston	
27	4700935404		10	. Spring	
28	4700935405		1	. Coupling	
29		B	NA	. Planet carrier	
30		B	NA	. Roller bearing	
31		B	NA	. Planet gear	
32		B	NA	. Retaining ring	
33		B	NA	. Sun wheel	
34	4700935411		1	. Retaining ring	
35		B	NA	. Spring ring	
36	4700935413	A	1	. O-ring	
37	4700935414		1	. Cover	
38	4700935415		12	. Screw	
39		B	NA	. Sun wheel	
40		B	NA	. Planet carrier	
41		B	NA	. Plate	
42		B	NA	. Needle roller bearing	
43		B	NA	. Planet gear	
44		B	NA	. Retaining ring	
45		B	NA	. Sun wheel	
46		B	NA	. Spring ring	
47	4700935380		1	Seal kit	

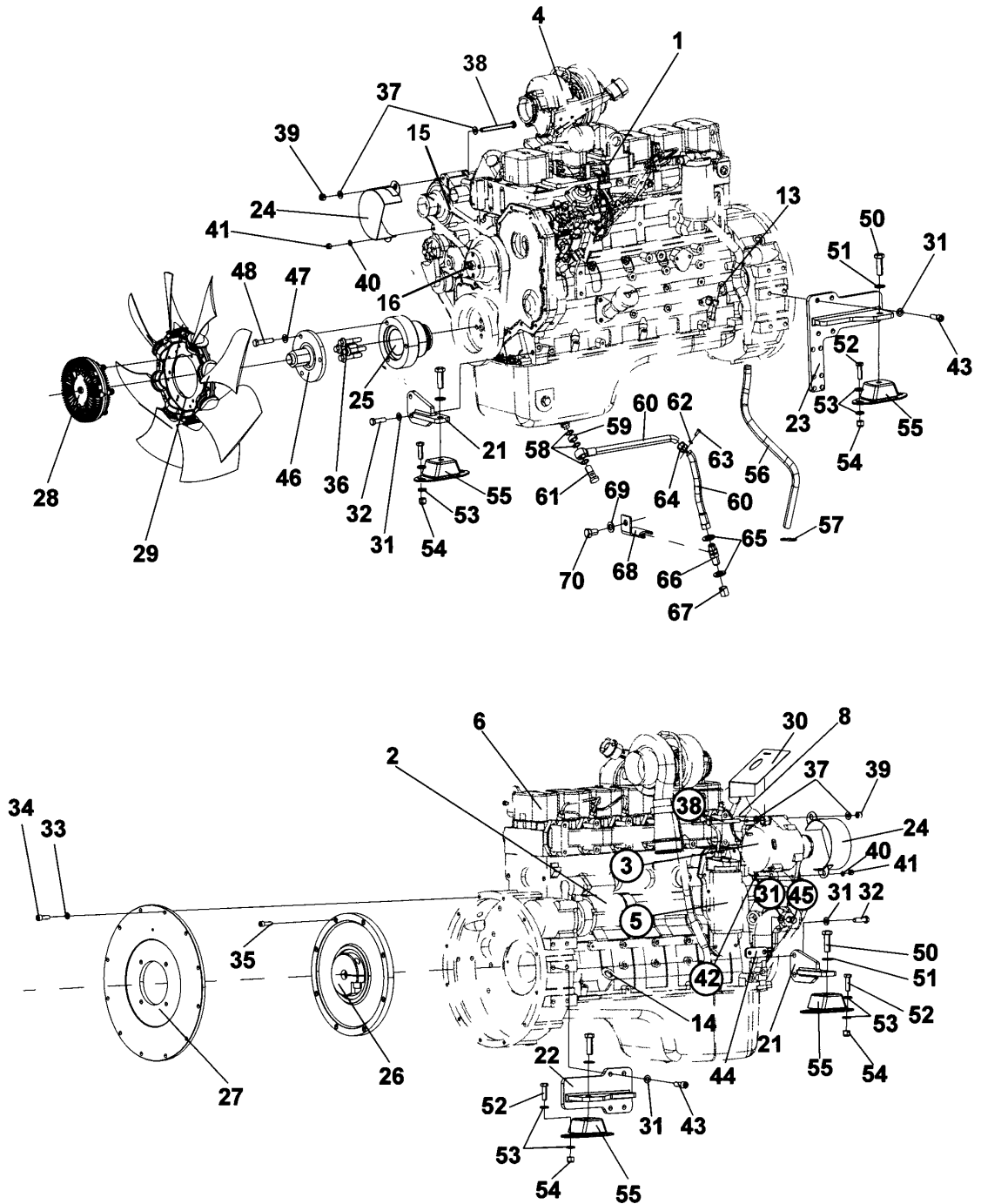
- A) Incl. in item 47
- B) Not available as spare part.
- C)
- D)

Engine

Engine

Item	Part No	Rem Qty	Description	Code
10			Engine Cummins 6BTAA-5.9 (Page 50)	
20			Cooling system (Page 54)	
25			Radiator Up to 0C000187 (Page 58)	C
30			Combustion air system (Page 60)	
40			Fuel system (Page 62)	
50			Exhaust system Up to 0C000365 (Page 64)	
55			Exhaust system From 0C000366 (Page 66)	
C)				

Engine Cummins 6BTAA-5.9



Engine Cummins 6BTAA-5.9

Item	Part No	Rem Qty	Description	Code
1	4812111126	1	Diesel engine Cummins 6BTAA-5.9	
2	4700939504	1	. Starter	
3	4700945140	1	. Alternator	C
4	4700939955	1	. Turbo charger, cpl	
5	4700939503	1	. Oil filter element	A
6	4700938514	6	. Valve cover gasket	A
7		1	. Piston ring set	
8	4700939960	1	. Injector	
9	4700939372	1	. Fuel filter element	A
13	4700945892	1	. Oil dipstick	
14	4812156960	1	. Oil cap	
	4812156961	1	. . Gasket	
15	4700939373	1	. Belt	
16	4700945773	1	. V- belt pulley	
17	4700945774	1	. Belt tightener	
19		1	. Fan, alternator	
20	4700938273	1	. Pulley, alternator	
21	4700378211	2	Engine bracket	D
22	4700378210	1	Engine bracket	D
23	4700378213	1	Engine bracket	D
24	4700386688	1	Protecting cover	D
25	4700382391	1	Connector	C
26	4700371620	1	Coupling	D
27	4700372772	1	Bracket	C
28	4700397284	1	Fan clutch	D
29	4700397285	1	Fan	D
30	4700390743	1	Heat protection	D
31	4700904638	13	Washer 12x22x2	C
32	4700500194	4	Screw	C
33	4700904637	12	Washer	C
34	4700508029	12	Screw M10-1,5x30H 8,8	C
35	4700509025	8	Screw 3/8-16UNCx32 8,8	
36	4700791306	4	Screw M12-1,25x60 12,9	D
37	4700904230	3	Steel plain washer	C
38	4700904379	1	Hexagon head screw M	
39	4700586018	1	Hexagon lock nut M10	C
40	4700904229	1	Steel plain washer	C
41	4700586003	1	Lock nut M	C
42	4700500239	1	Screw M8x50H 8,8	C
43	4700508079	8	Screw M12-1,75x35H 8,8	
44	4700378214	1	Cable holder	D
45	4700500036	1	Screw	
46	4700397217	1	Fan spacer	D
47	4700904231	3	Washer 13x24x2 300 HV	C
48	4700925519	3	Screw M12x55 10.9 GEOMET	D
49	4700939506	1	Oil pressure switch	D
50	4700500070	4	Screw M16x50	C
51	4700904232	5	Washer	C
52	4700500194	8	Screw	C
53	4700904703	16	Washer	B
54	4700586019	8	Lock nut	C
55	4700387128	4	Shock absorber	D
56	4700791468	A	Hydraulic hose	D
57	4700925802	N	Cable ties L=142 mm	C
58	4700330331	3	Washer 18,2x23,9x1,5	C
59	4700371727	1	Sleeve	C
60	4700389138	1	Hydraulic hose	D
61	4700747691	1	Hollow screw	C

A) L = 1,0 m

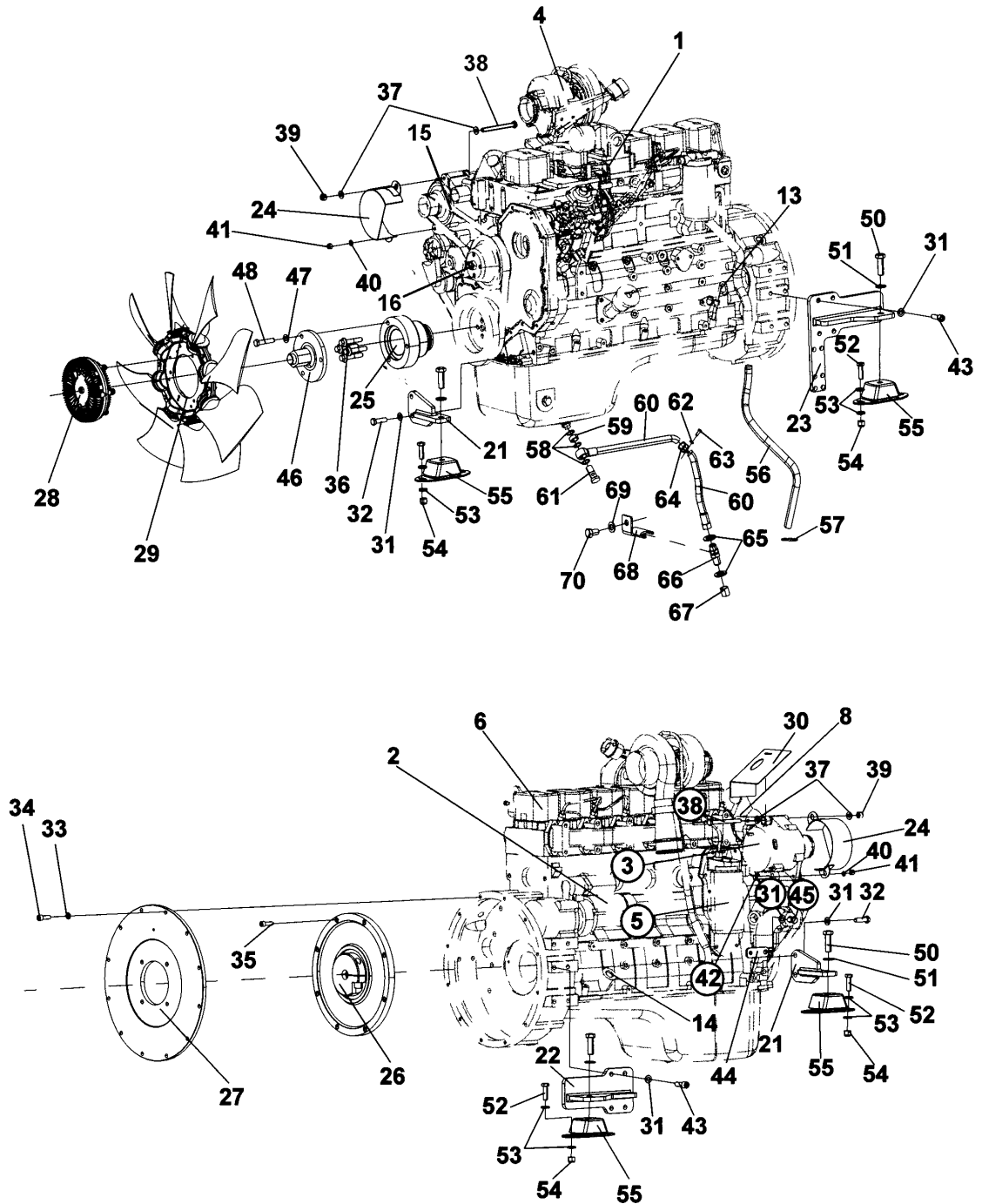
A)

4812273245

C)

D)

Engine Cummins 6BTAA-5.9



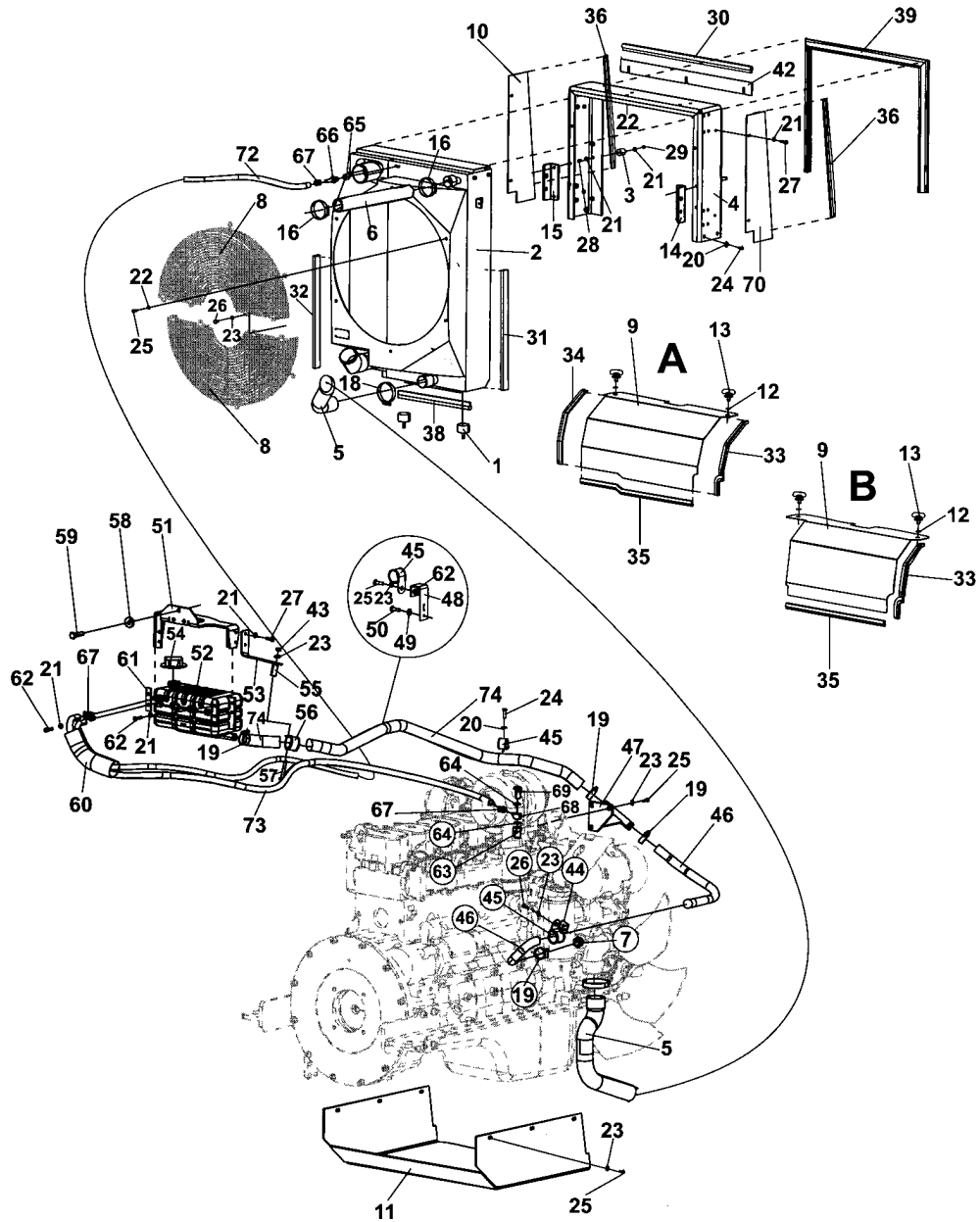
Engine Cummins 6BTAA-5.9

Item	Part No	Rem Qty	Description	Code
62	4700904228	1	Washer 6,4x12x1,5	C
63	4700500013	1	Screw M6-1x16 8,8	C
64	4700921063	1	Clamp	C
65	4700904233	2	Washer 21x36x3	C
66	4700230515	1	Connector	C
67	4700330383	1	Cap hydraulic	
68	4700388855	1	Bracket	D
69	4700904232	5	Washer	C
70	4700500154	1	Screw M16-2,0x25 8,8	

C)

D)

Cooling system

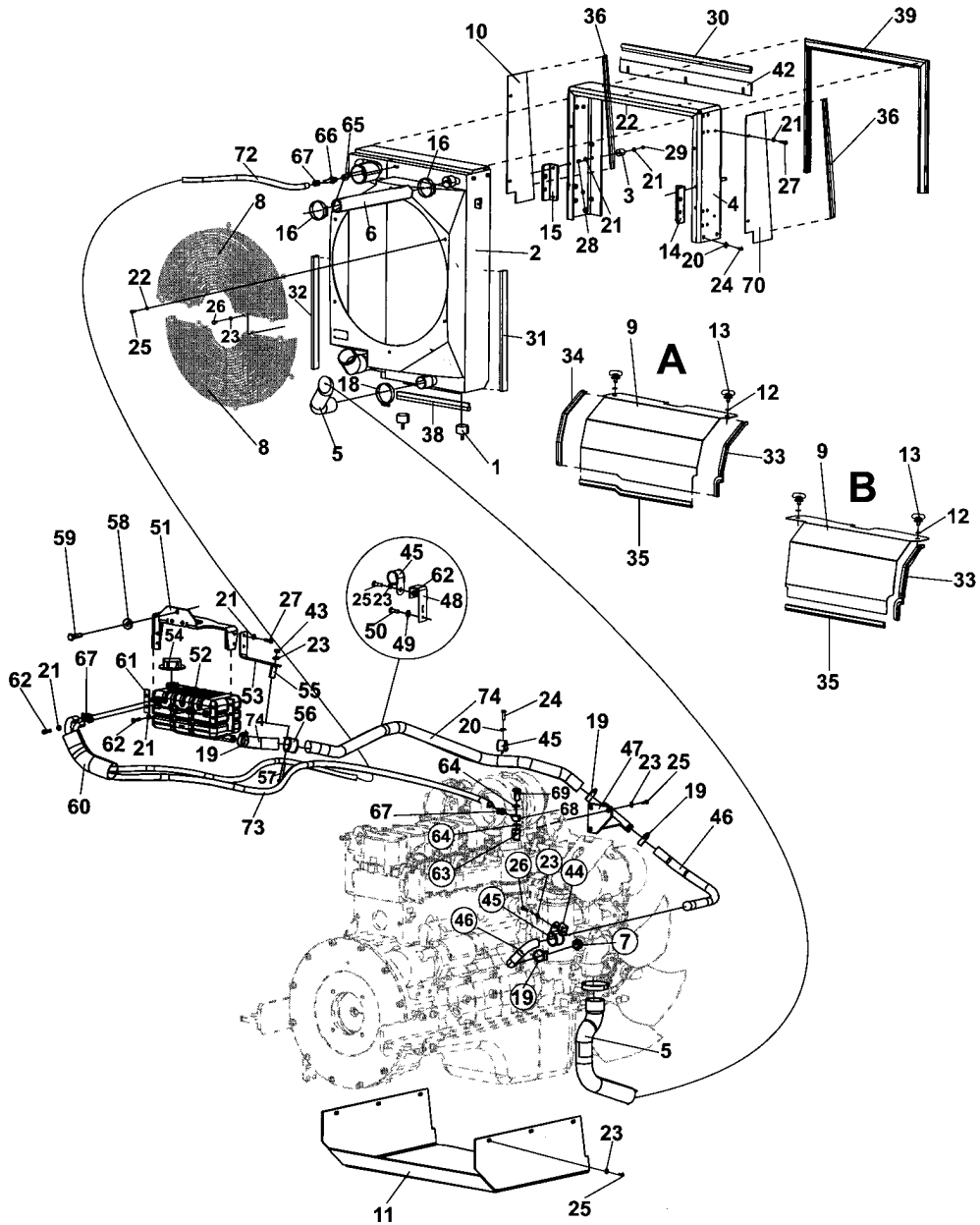


Cooling system

Item	Part No	Rem	Qty	Description	Code
1	4700904551		2	Shock absorber	
2			1	Radiator Up to 0C000187 (Page 58)	C
	4812114368		1	Cooler, cpl From 0C000188	
3	4700371774		2	Shock absorber	D
4	4700386662		1	Cooler frame	D
5	4700386664		1	Coolant hose	D
6	4700386663		1	Coolant hose	D
7	4700386222		1	Hose connection	D
8	4700390500		2	Fan guard	D
9	4700386699	N	1	Air inlet Up to 0C000365	D
	4812113918	O	1	Air inlet From 0C000366	
10	4700371737		1	Air leading plate	D
11	4700388732		1	Air leading plate	D
12	4700926985		2	Quick lock washer	C
13	4700904486		2	Quick lock	
14	4700375172		1	Holder plate	D
15	4700375171		1	Holder plate	D
16	4700313010		3	Hose clamp	C
18	4700313023		1	Hose clamp	
19	4700313006		4	Hose clamp	D
20	4700904230		5	Steel plain washer	C
21	4700904228		18	Washer 6,4x12x1,5	C
22	4700904640		9	Washer 8,4x22x3	C
23	4700904229		18	Steel plain washer	C
24	4700500029		5	Hexagon head screw	C
25	4700500053		16	Hexagon head screw M	C
26	4700500018		5	Hexagon head screw M	C
27	4700500040		10	Screw M6-1x20 8,8	C
28	4700500012		2	Screw M6x12	C
29	4700570004		2	Nut M6X1,00 -8 A2K	
30	4700288129	A	1	Edge trim	D
31	4700202046	B	1	Rubber strip 25x10	
32	4700202046	C	1	Rubber strip 25x10	
33	4700902166	D	1	Edge trim	D
34	4700902166	E	1	Edge trim Up to 0C000365	D
35	4700902166	F	1	Edge trim Up to 0C000365	D
	4700902166	P	1	Edge trim From 0C000366	D
36	4700902166	G	2	Edge trim	D
38	4700902166	H	1	Edge trim	D
39	4700903953	K	1	Edge trim	D
42	4700383726		1	Valve shaft	
43	4700570005		5	Nut M8	C
44	4700908136		1	Bracket	D
45	4700921099		3	Clamp	
46	4700388727		1	Coolant hose	D

- A) L = 0,73 m
 B) L = 0,4 m
 C) L = 0,375 m
 D) L = 0,42 m
 E) L = 0,39 m , Illustration A only.
 F) L = 0,61 m
 G) L = 0,555 m
 H) L = 0,31 m
 K) L = 1,65 m
 N) Illustration A
 O) Illustration B
 P) L = 0,51 m
 C)
 D)

Cooling system



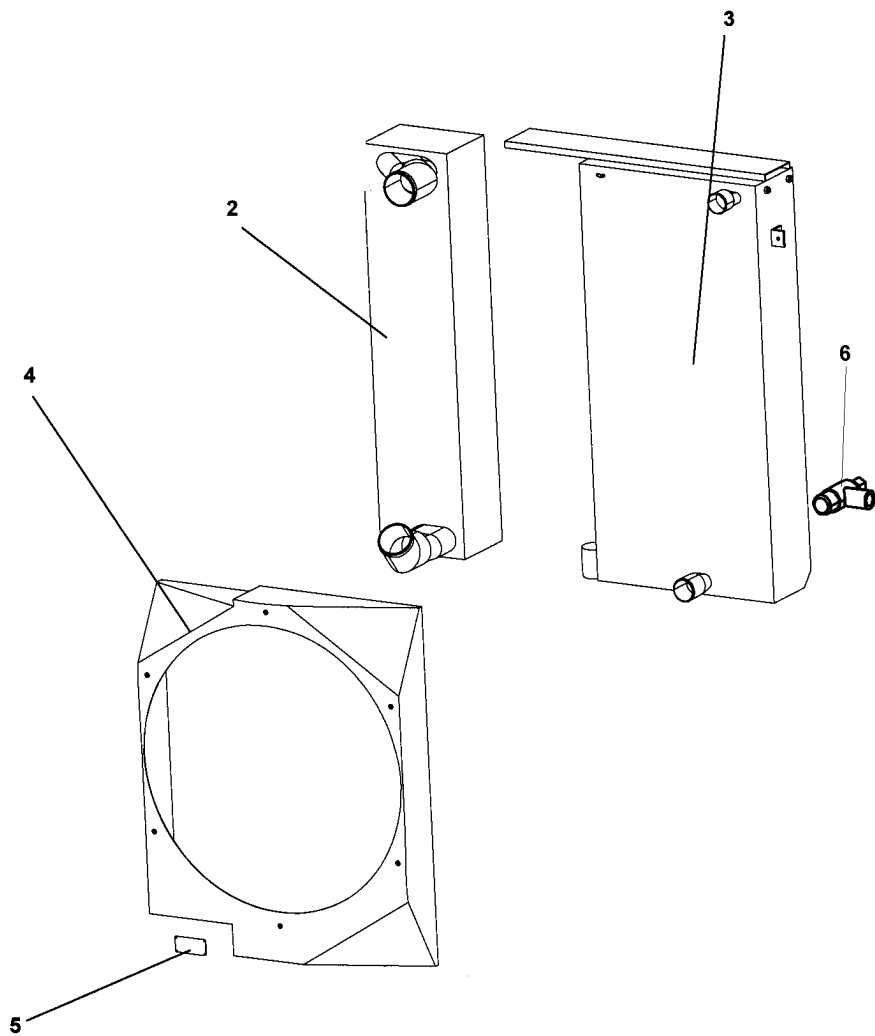
Cooling system

Item	Part No	Rem Qty	Description	Code
47	4700388728	1	Bracket	D
48	4700376561	1	Bracket	D
49	4700904281	2	Washer 5,3x10x1 300HV	C
50	4700500008	2	Screw M5-0,8x30 8,8	D
51	4700392170	1	Holder	D
	4812265111	1	Holder Since SN C003981	
52	4700392313	1	Expansion tank	
53	4700393476	1	Bracket	D
54	4700903714	1	Cap	
55	4700373423	1	Spacer	D
56	4700921050	1	Clamp	C
57	4700500025	1	Screw M8-1,25x50 8,8	
58	4700904567	3	Steel plain washer	
59	4700500031	3	Hexagon head screw M	
60	4700904623	1	Hose guard	D
61	4700381413	2	Washer	
62	4700500075	4	Screw M6-1,0x25 8.8	C
63	4812112597	1	Adapter	
64	4700747282	2	Copper washer	C
65	4700792551	1	Adapter	D
66	4700792322	1	Hose connection	C
67	4700313075	4	Hose clamp	D
68	4700330170	1	Banjo nipple	D
69	4700330171	1	Hollow screw	C
70	4700560033	1	Air leading plate	D
72	4700246069	L	Fuel hose 3/8"	C
73	4700246069	M	Fuel hose 3/8"	C
74	4700376573	1	Coolant hose	D

- L) L = 1,96 m
 M) L = 1,84 m
 C)
 D)

Radiator

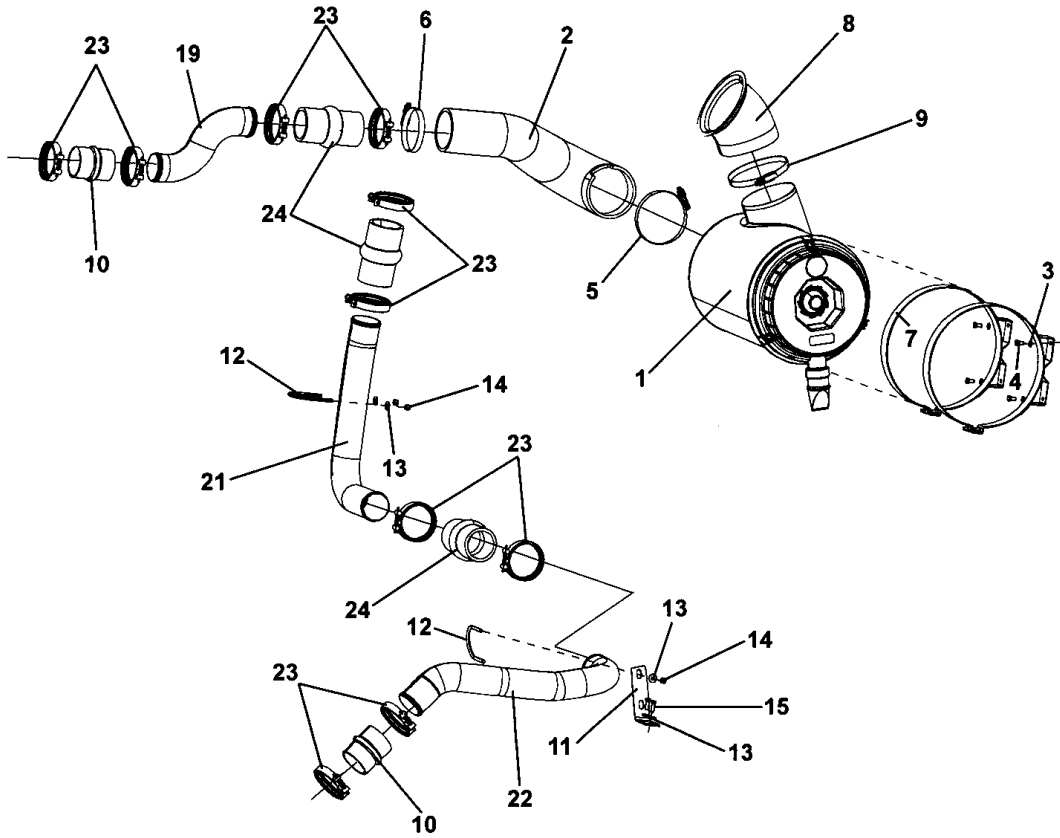
1



Radiator

Item	Part No	Rem Qty	Description	Code
1	4700385873	1	Radiator, cpl	
2		1	. Air cooler	
3		1	. Water cooler	
4		1	. Frame	
5		1	. Fan cover	
6		1	. Drain cock	

Combustion air system



Combustion air system

Item	Part No	Rem Qty	Description	Code
1	4700394683	1	Air cleaner, cpl	D
	4700394691	1	. Air filter element, safety	A
	4700394690	1	. Air filter element, main	A
	4700385379	1	. End cover	A
	4700385376	1	. Vacuator valve	D
2	4812112596	1	Air inlet hose	
3	4700904229	4	Steel plain washer	C
4	4700500019	4	Hexagon head screw M	C
5	4700379214	1	Clamp	
6	4700389600	1	Hose clamp	D
7	4700802550	2	Band, mounting	D
8	4700392233	1	Air inlet hose	D
9	4700387525	1	Clamp	D
10	4700385691	2	Air intake hose	D
11	4700387964	1	Bracket	D
12	4700313093	2	Pipe clamp	D
13	4700904640	6	Washer 8,4x22x3	C
14	4700586003	4	Lock nut M	C
15	4700500021	2	Screw M8-1,25x25 8.8	C
19	4700386641	1	Charge air tube	D
21	4700385692	1	Charge air tube	D
22	4700386047	1	Charge air tube	D
23		A 10	Hose clamp	
24		A 3	Air inlet hose	

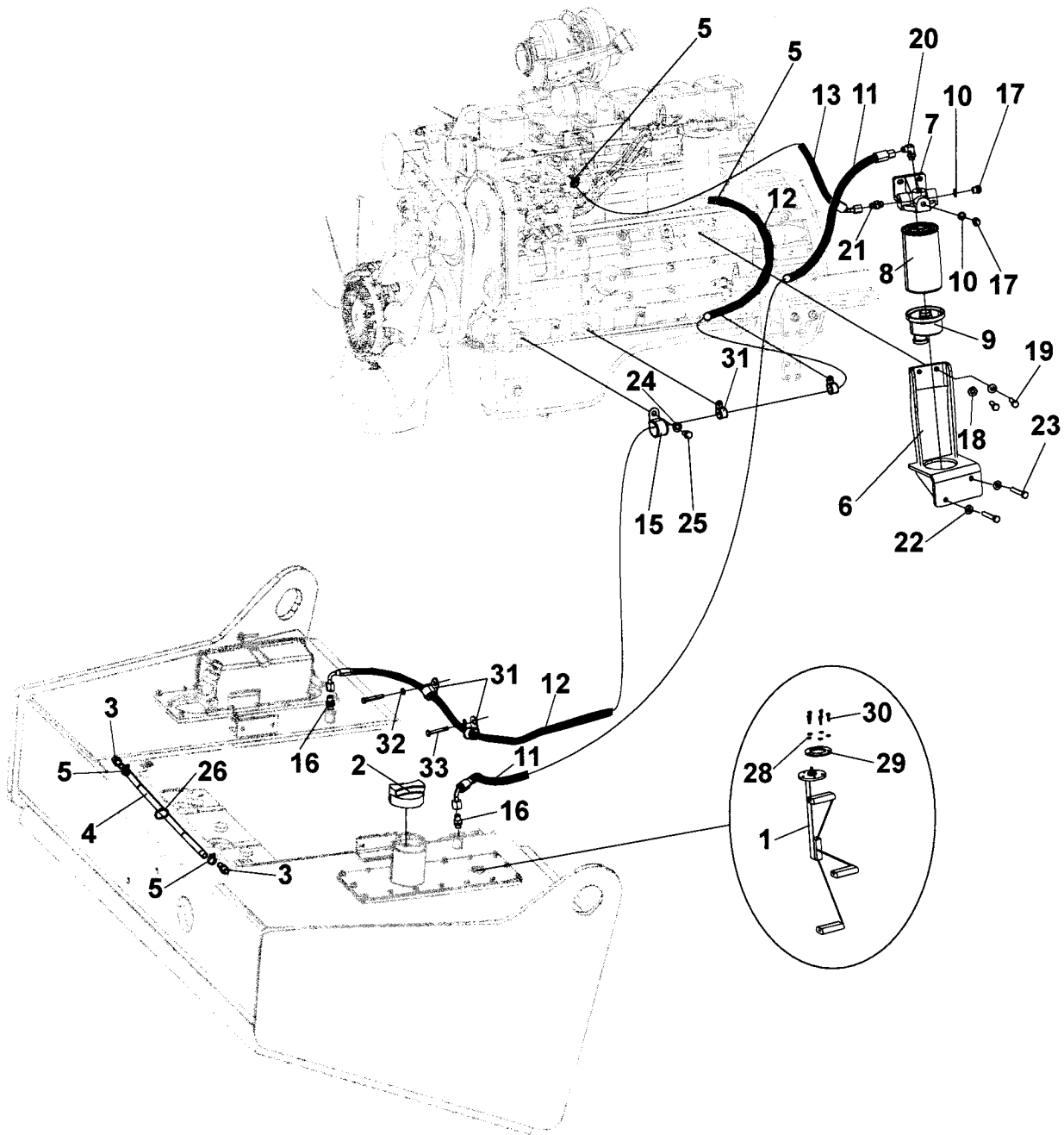
A) Supplied with engine

A)

C)

D)

Fuel system

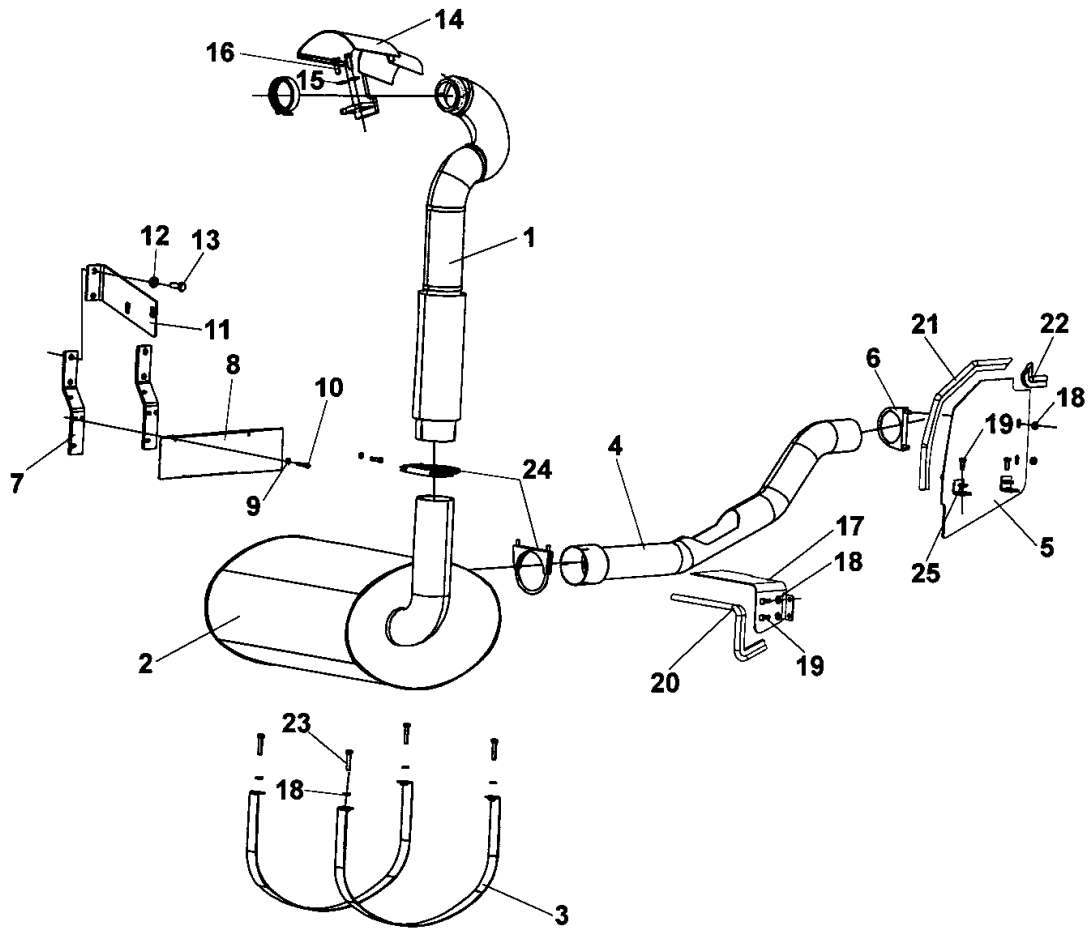


Fuel system

Item	Part No	Rem Qty	Description	Code
1	4700904695	1	Fuel level sender	D
2	4700373460	1	Fuel cap	D
3	4700373574	2	Hose connection	D
4	4700244054	A	Hose reinforced	C
5	4700313001	4	Hose clamp	C
6	4812112600	1	Fuel filter bracket	
7	4700939403	1	Filter head	
8	4700939404	1	Pre-fuel filter element	A
9	4700939405	1	Bowl	
10	4700747282	2	Copper washer	C
11	4812112601	1	Fuel hose	
12	4812113709	1	Fuel hose	
13	4812112602	1	Fuel hose	
15	4700791513	1	Pipe clamp	D
16	4700334463	2	Connector	C
17	4700903190	2	Steel plug	
18	4700904557	2	Steel plain washer	
19	4700500030	2	Screw M10x035H 8.8 A3K	
20	4700925631	1	Elbow adapter	C
21	4700900552	1	Adapter	C
22	4700904230	2	Steel plain washer	C
23	4700500033	2	Screw M10-1,5x60 8,8	D
24	4700904231	1	Washer 13x24x2 300 HV	C
25	4700500163	1	Screw M12x16	D
26	4700313041	N	Cable ties L=200 mm	B
28	4700945777	1	Gasket	D
29	4700904281	5	Washer 5,3x10x1 300HV	C
30	4700500006	5	Screw M5x16	C
31	4700902558	2	Clamp	D
32	4700904229	2	Steel plain washer	C
33	4700500067	2	Hexagon head screw M	C

- A) L = 0,66 m
- A)
- B)
- C)
- D)

Exhaust system

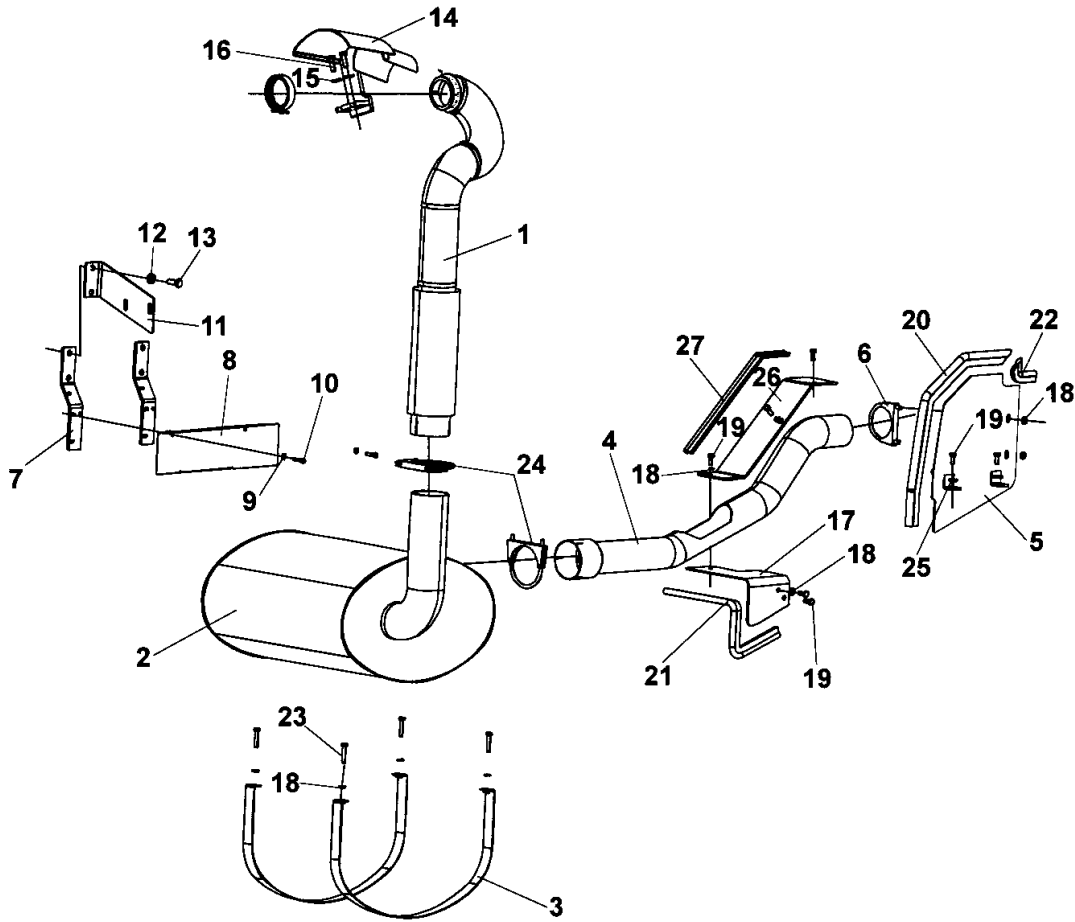


Exhaust system

Item	Part No	Rem Qty	Description	Code
1	4700386774	1	Exhaust hose	D
2	4700388650	1	Muffler	D
3	4700388800	2	Clamp	D
4	4700387699	1	Exhaust pipe	D
5	4700376619	1	Thermal guard	D
6	4700313093	1	Pipe clamp	D
7	4700386152	2	Hose clamp	D
8	4700386153	1	Thermal guard	D
9	4700904228	2	Washer 6,4x12x1,5	C
10	4700500015	2	Screw M6X30 8.8	C
11	4700386163	1	Holder plate	D
12	4700904231	4	Washer 13x24x2 300 HV	C
13	4700500046	4	Screw M12x025H	
14	4700387454	1	Thermal guard	D
15	4700904230	2	Steel plain washer	C
16	4700500029	2	Hexagon head screw	C
17	4700386410	1	Thermal guard	D
18	4700904229	8	Steel plain washer	C
19	4700500053	4	Hexagon head screw M	C
20	4700902166	A 1XL	Edge trim	D
21	4700902166	B 1XL	Edge trim	D
22	4700902166	C 1	Edge trim	D
23	4700904241	4	Screw	C
24	4700927857	2	Pipe clamp	D
25	4700904640	4	Washer 8,4x22x3	C

- A) L = 0,33 m
- B) L = 0,46 m
- C) L = 0,08 m
- C)
- D)

Exhaust system



Exhaust system

Item	Part No	Rem Qty	Description	Code
1	4700386774	1	Exhaust hose	D
2	4700388650	1	Muffler	D
3	4700388800	2	Clamp	D
4	4700387699	1	Exhaust pipe	D
5	4812113917	1	Heat protection	D
6	4700313093	1	Pipe clamp	D
7	4700386152	2	Hose clamp	D
8	4700386153	1	Thermal guard	D
9	4700904228	2	Washer 6,4x12x1,5	C
10	4700500015	2	Screw M6X30 8.8	C
11	4700386163	1	Holder plate	D
12	4700904231	4	Washer 13x24x2 300 HV	C
13	4700500046	4	Screw M12x025H	
14	4700387454	1	Thermal guard	D
15	4700904230	2	Steel plain washer	C
16	4700500029	2	Hexagon head screw	C
17	4812113920	1	Heat protection	
18	4700904229	12	Steel plain washer	C
19	4700500053	7	Hexagon head screw M	C
20	4700902166	A 1XL	Edge trim	D
21	4700902166	B 1XL	Edge trim	D
22	4700902166	C 1	Edge trim	D
23	4700904241	4	Screw	C
24	4700927857	2	Pipe clamp	D
25	4700904640	4	Washer 8,4x22x3	C
26	4812113919	1	Air guide	
27	4700902166	D 1	Edge trim	D

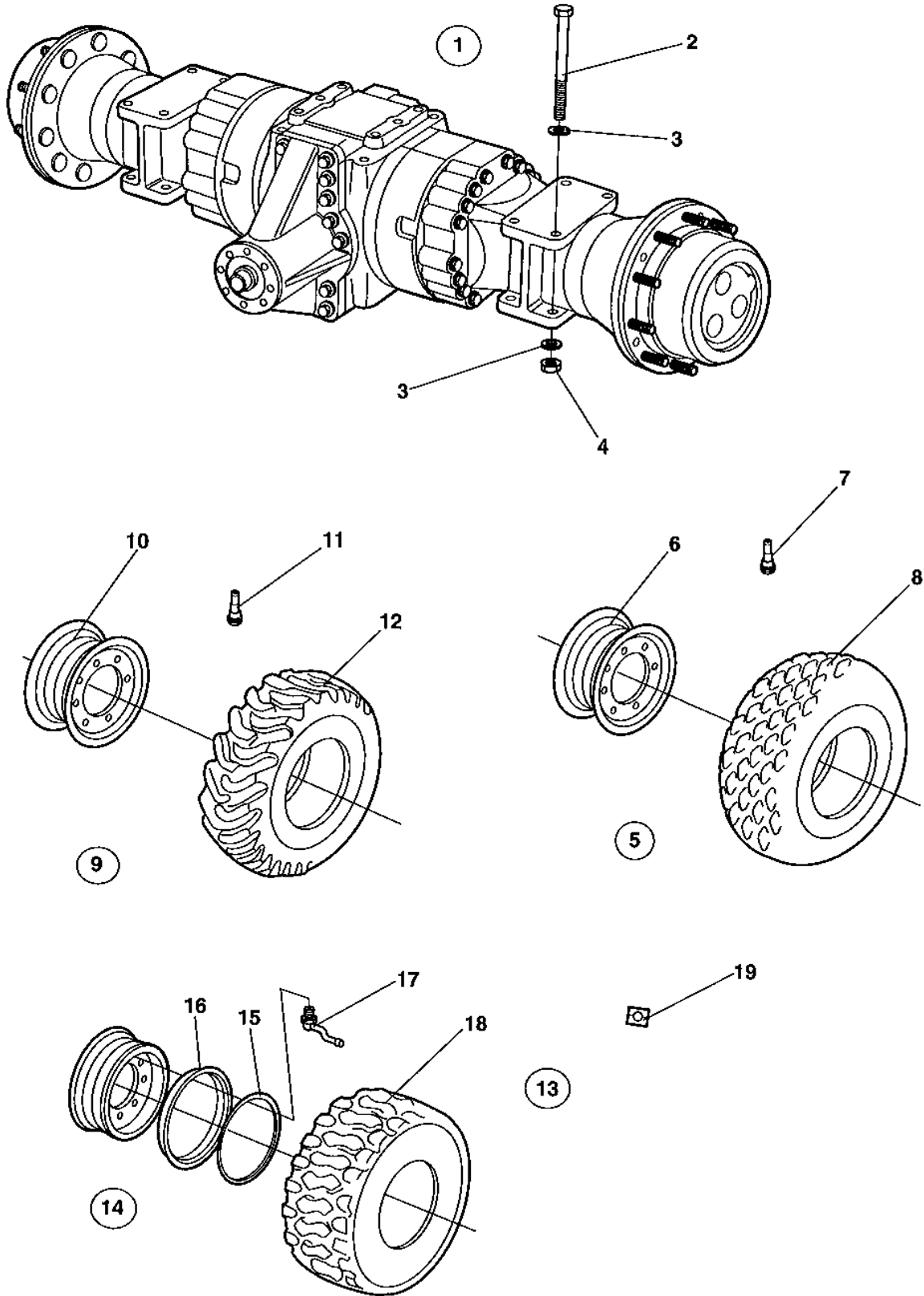
- A) L = 0,46 m
- B) L = 0,44 m
- C) L = 0,08 m
- D) L = 0,38 m
- C)
- D)

Transmission

Transmission

Item	Part No	Rem Qty	Description	Code
10			Rear axle and wheels (Page 70)	
20	4700385100		Rear axle Limited slip (Page 72)	
100	4700383856		Rear axle No-Spin, Option (Page 80)	

Rear axle and wheels

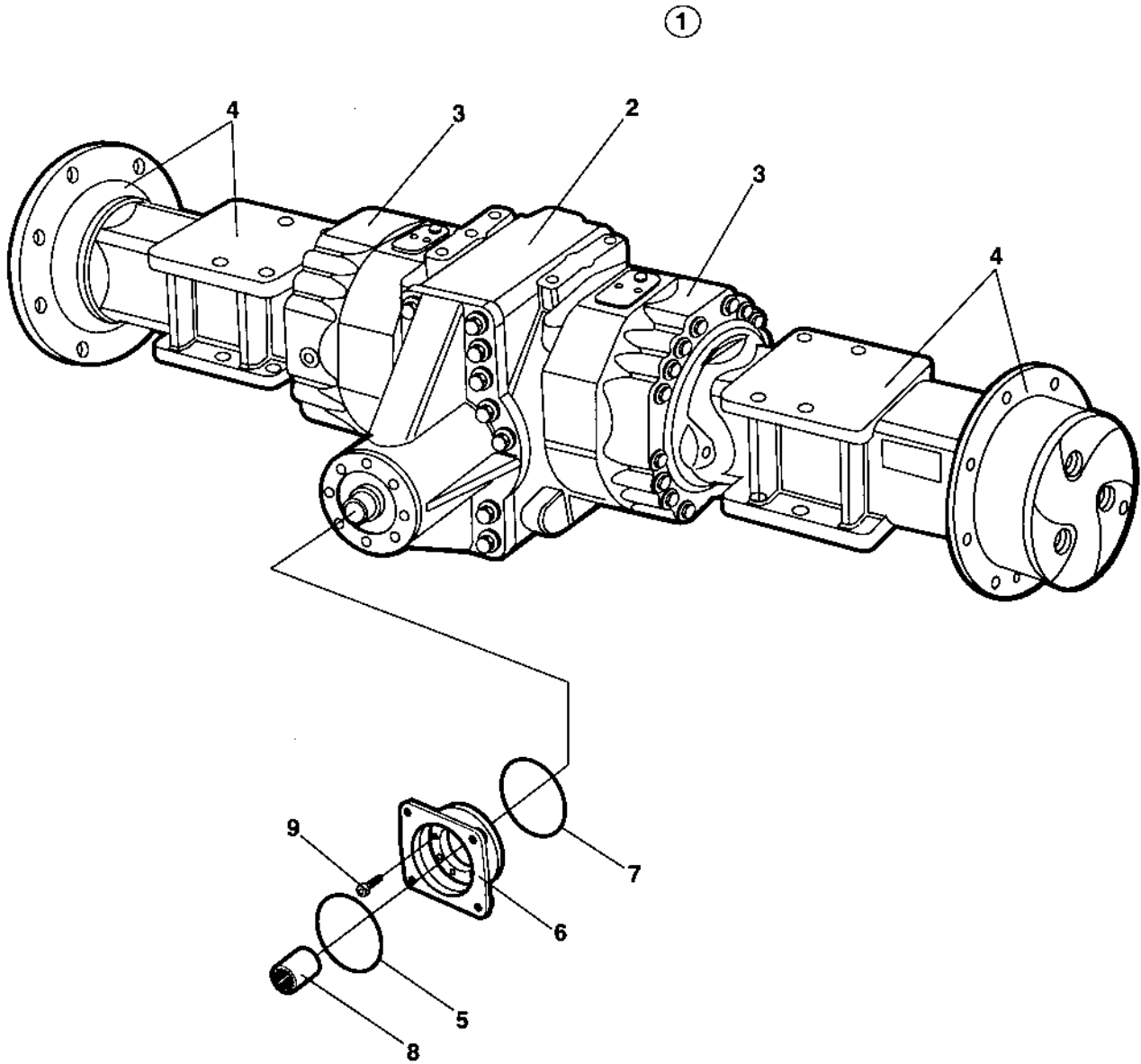


Rear axle and wheels

Item	Part No	Rem	Qty	Description	Code
1	4700385100		1	Rear axle Limited slip (Page 72)	
2	4700929217		8	Screw	D
3	4700904233		16	Washer 21x36x3	C
4	4700901145		8	Lock nut M20-10	
5	4700390762	A	2	Wheel, cpl	D
	4700388146	A,I	2	Wheel, cpl	D
6	4700393335		1	. Rim	D
7	4700792261		1	. Air charging valve Straight	B
8	4700390591		1	. Tyre	D
	4700791573	J	1	. Tyre	D
9	4700390760	D	1	Tractor wheel, cpl	D
	4700390759	E	1	Tractor wheel, cpl	D
10	4700393335		1	. Rim	D
11	4700792261		1	. Air charging valve Straight	B
12	4700390589		1	. Tyre	D
13	4700383975	B	2	Wheel, tubeless, cpl	D
14	4700383955		1	. Rim cpl	D
15	4700901443		1	. . Snap ring	
16	4700901444		1	. . Side ring	
17	4700791175		1	. Air charging valve	B
	4700791176		1	. Valve foot	D
18	4700901218		1	. Tyre	D
19	4700903985	G	1	Decal "SAFETY", "TYRE IN BALLAST"	
	4700355983	H	2	Decal "TYRE PRESSURE" 200kPa/29psi	D

- A) Liquidfilled
- B) Liquidfilled, Option, Michelin branded.
- D) Liquidfilled tyre, left.
- E) Liquidfilled tyre, right.
- G) Used with Liquid filled tyres.
- H) Used with item 13, 4700383975.
- I) For Chinese market.
- J) Used with 4700388146.
- B)
- C)
- D)

4700385100 Rear axle Limited slip

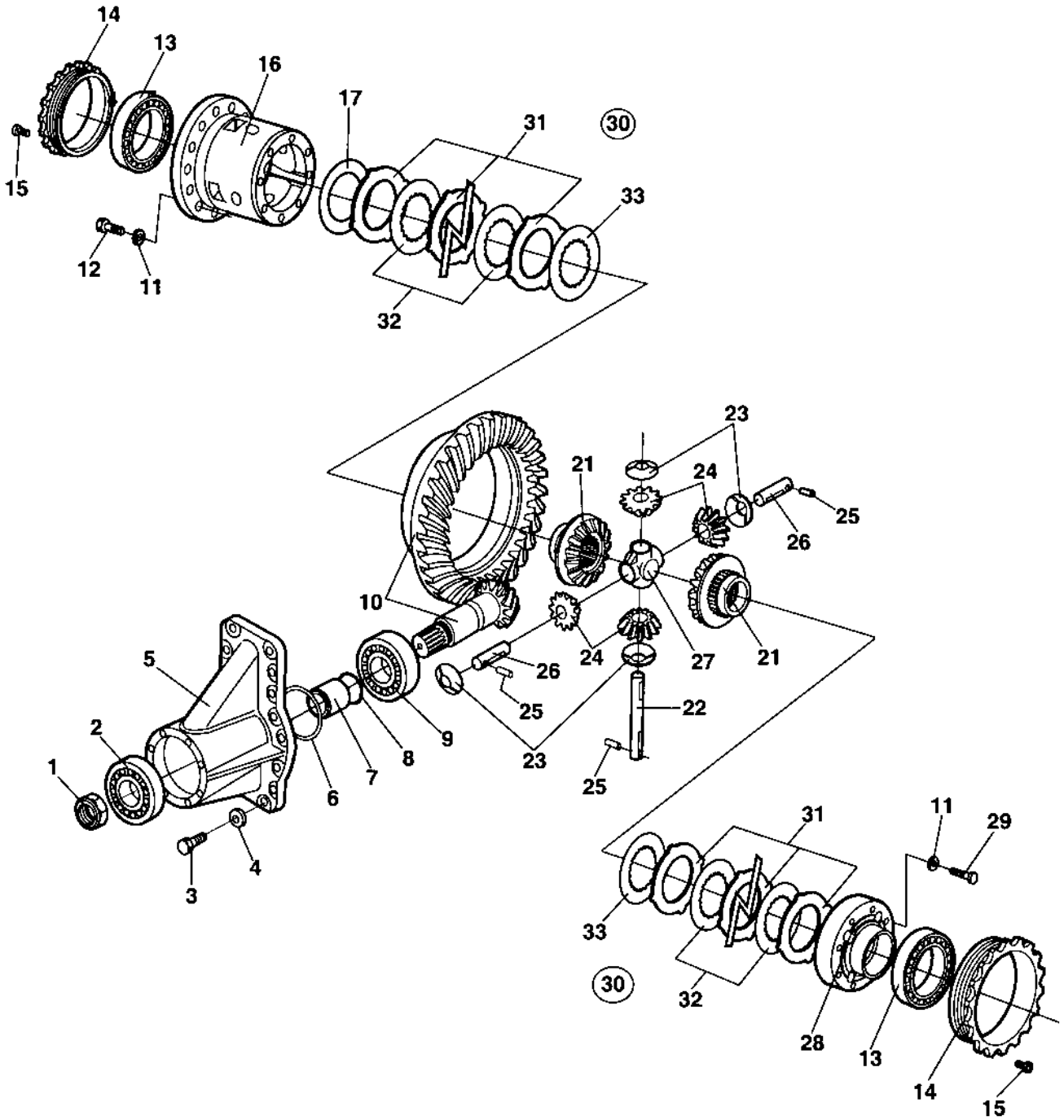


4700385100 Rear axle Limited slip

Item	Part No	Rem Qty	Description	Code
1		1	Rear axle	
2		1	. Differential with limited slip (Page 74)	
3		2	. Differential housing and brakes (Page 76)	
4		2	. Planet gear (Page 78)	
5	4700909584	1	O-ring	D
6	4700900255	1	Flange	D
7	4700929648	1	O-ring	D
8	4700901834	1	Splined sleeve	
9	4700909582	8	Screw	

D)

Differential with limited slip



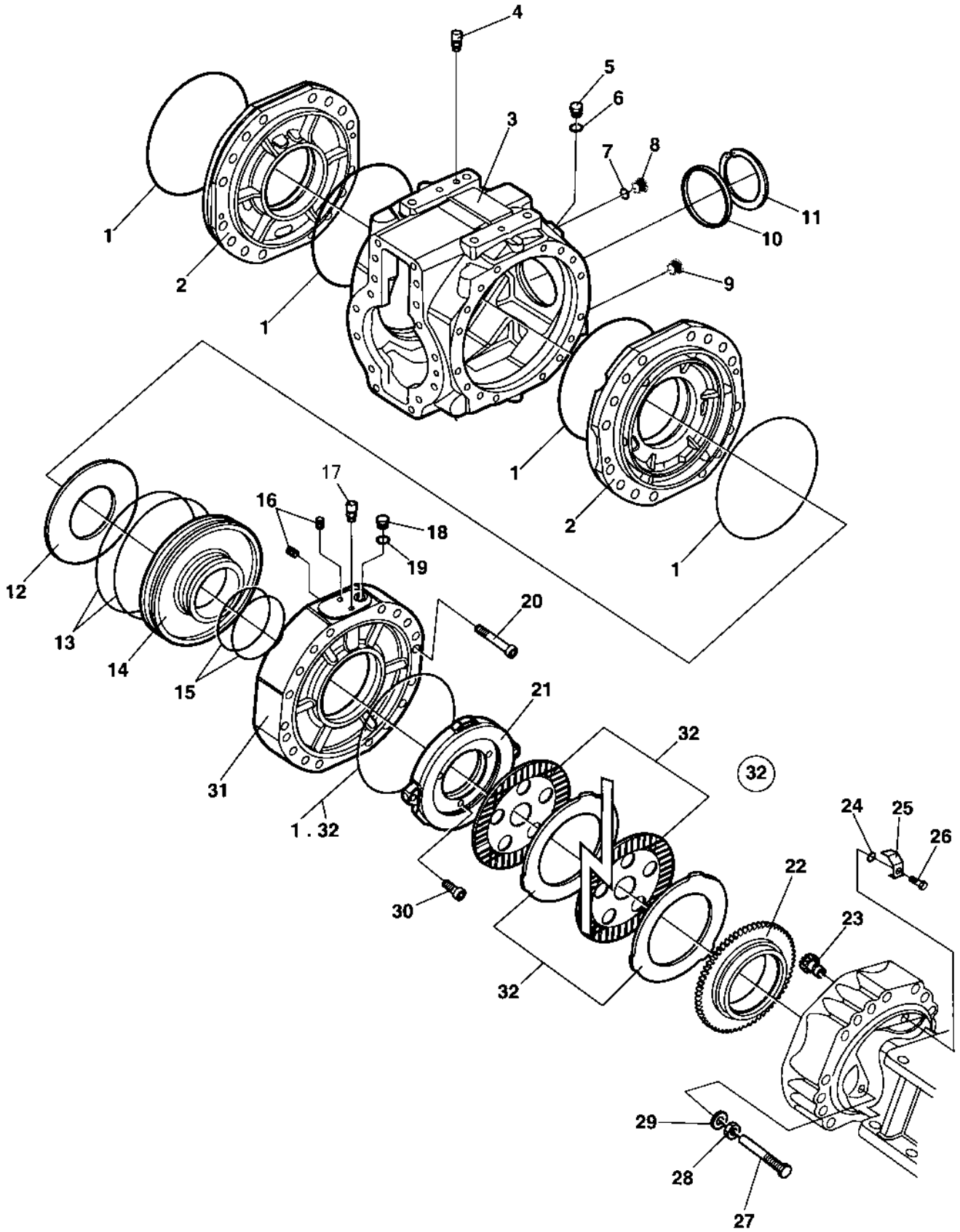
Differential with limited slip

Item	Part No	Rem Qty	Description	Code
1	4700929638	1	Nut	D
2	4700909574	1	Tapered roller bearing	
3	4700939257	16	Bolt	
4	4700909572	16	Spring washer	
5	4700908485	1	Housing	D
6	4700909568	1	Shim t = 0.10mm	
	4700909569	1	Shim t = 0.20mm	
	4700909570	1	Shim t = 0.50mm	
	4700939258	1	Shim t = 0.15mm	
7	4700909567	1	Spacer	
8	4700939259	1	Shim t = 0.15mm	
	4700909580	1	Shim t = 0.20mm	
	4700909576	1	Shim t = 0.30mm	
	4700929644	1	Shim t = 0.40mm	
	4700939260	1	Shim t = 0.50mm	
9	4700909581	1	Tapered roller bearing	
10	4700212553	1	Bevel gear set	
11	4700929628	16	Washer	C
12	4700929629	16	Screw	D
13	4700923342	1	Tapered roller bearing	
14	4700939261	2	Ring nut	
15	4700938989	2	Bolt	
16	4700909550	1	Differential carrier	D
17	4700909551	1	Shim t = 0.30mm	
	4700909552	1	Shim t = 0.40mm	
	4700909553	1	Shim t = 0.10mm	
21	4700909558	2	Differential side gear	
22	4700909566	1	Shaft	
23	4700909559	4	Friction washer	
24	4700939262	4	Differential pinion	
25	4700909561	3	Roll pin	
26	4700909560	2	Shaft	
27	4700909565	1	Shaft retainer	
28	4700909562	1	Differential carrier cover	
29	4700909563	8	Screw	
30	4700935644	2	Disc kit	D
31		10	. Limited slip disc	
32		8	. Limited slip disc	
33		2	. Limited slip disc	

C)

D)

Differential housing and brakes

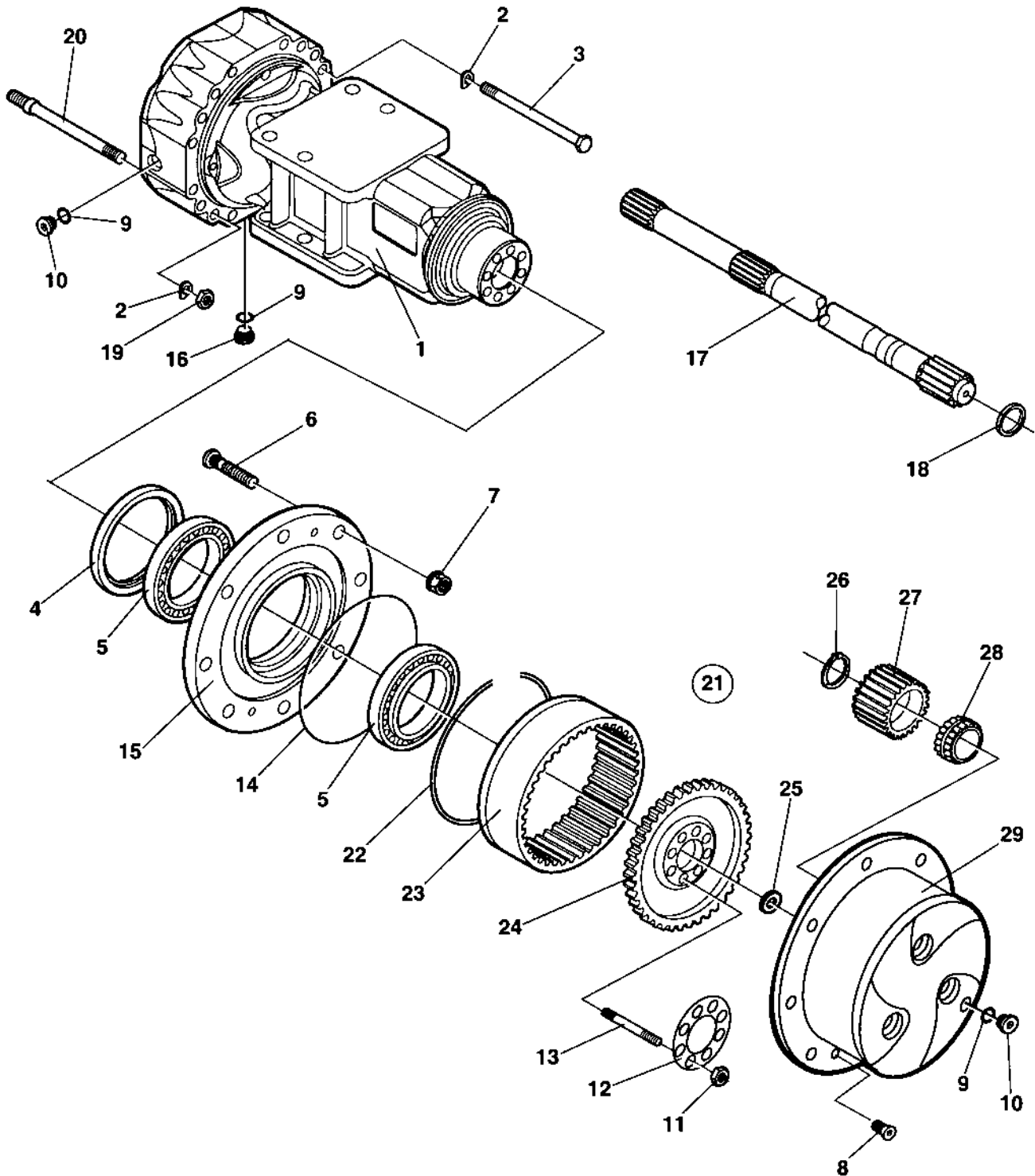


Differential housing and brakes

Item	Part No	Rem Qty	Description	Code
1	4700909609	6	O-ring	D
2	4700939255	2	Cover	D
3	4700939256	1	Housing	D
4	4700938984	1	Vent nipple	
5	4700909544	2	Screw	
6	4700938983	2	Sealing washer	
7		0	Not used on this model	
8	4700939348	1	Plug	
9	4700926810	1	Magnetic plug	
10	4700938296	1	Plug	
11	4700929617	1	Lock ring	D
12	4700909616	2	Spring	
13	4700909618	4	O-ring	D
14	4700939280	2	Piston	
15	4700909619	4	O-ring	D
16	4700939281	4	Bolt	C
17	4700938984	2	Vent nipple	
18	4700939282	2	Bolt	
19	4700939036	2	Sealing washer	
20	4700939035	4	Screw	
21	4700939283	2	Disc	C
22	4700939285	2	Ring	
23	4700909622	2	Pinion	
24	4700900966	2	O-ring	D
25	4700939286	2	Lock plate	D
26	4700909624	2	Screw	
27	4700909626	4	Bolt	
28	4700900957	4	Nut	D
29	4700926847	4	Sealing washer	
30	4700939026	6	Screw	
31	4700939287	2	Cover	C
32	4700939284	2	Brake disc kit	C
		12	. Brake disc	
		12	. Brake disc	
	4700909609	2	. O-ring	D

C)
D)

Planet gear



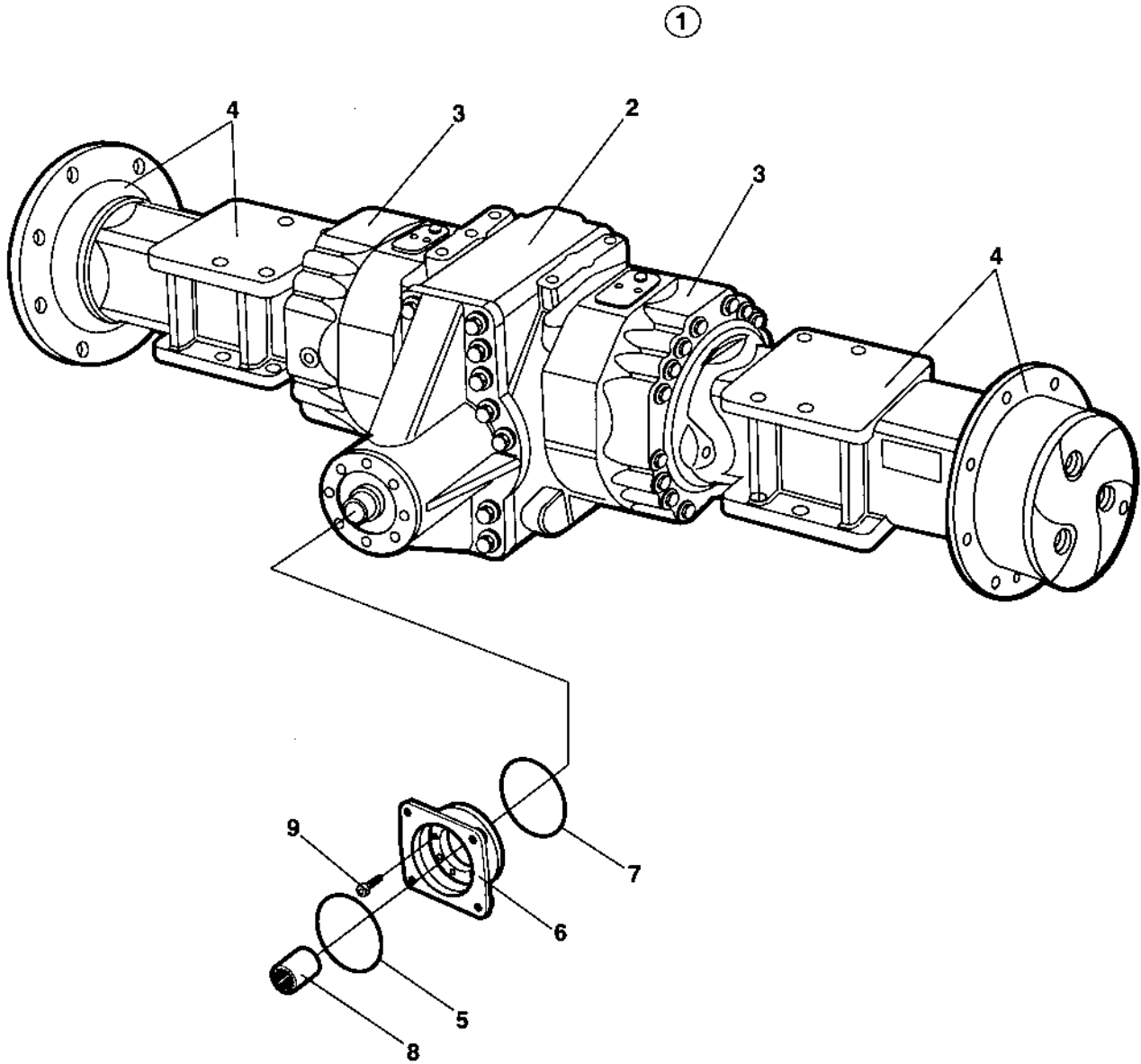
Planet gear

Item	Part No	Rem Qty	Description	Code
1	4700939263	2	Axle case	D
2	4700939003	32	Spring washer	
3	4700939264	24	Bolt	C
4	4700939265	2	Seal	
5	4700939266	4	Bearing	
6	4700926781	20	Wheel screw	
7	4700901987	20	Wheel nut	
8	4700939015	4	Screw	
9		0	Not used on this model	
10	4700939348	4	Plug	
11	4700939016	20	Nut	
12	4700939275	2	Lock plate	
13	4700939017	20	Stud	
14	4700909609	2	O-ring	D
15	4700939276	2	Wheel hub	
16	4700939350	2	Magnetic plug	
17	4700939277	2	Half shaft	D
18	4700909586	2	Seal	D
19	4700939019	8	Nut	
20	4700939278	8	Stud	
21	4700939351	2	Planet gear carrier Cpl.	D
22	4700939267	2	. Circlip	
23	4700939268	2	. Ring gear	D
24	4700939269	2	. Ring gear support	
25	4700939270	2	. Washer	
26	4700939271	8	. Seal	
27	4700939272	8	. Planet gear	
28	4700939273	8	. Bearing	
29	4700939349	2	. Planet gear carrier Cpl.	

C)

D)

4700383856 Rear axle No-Spin, Option

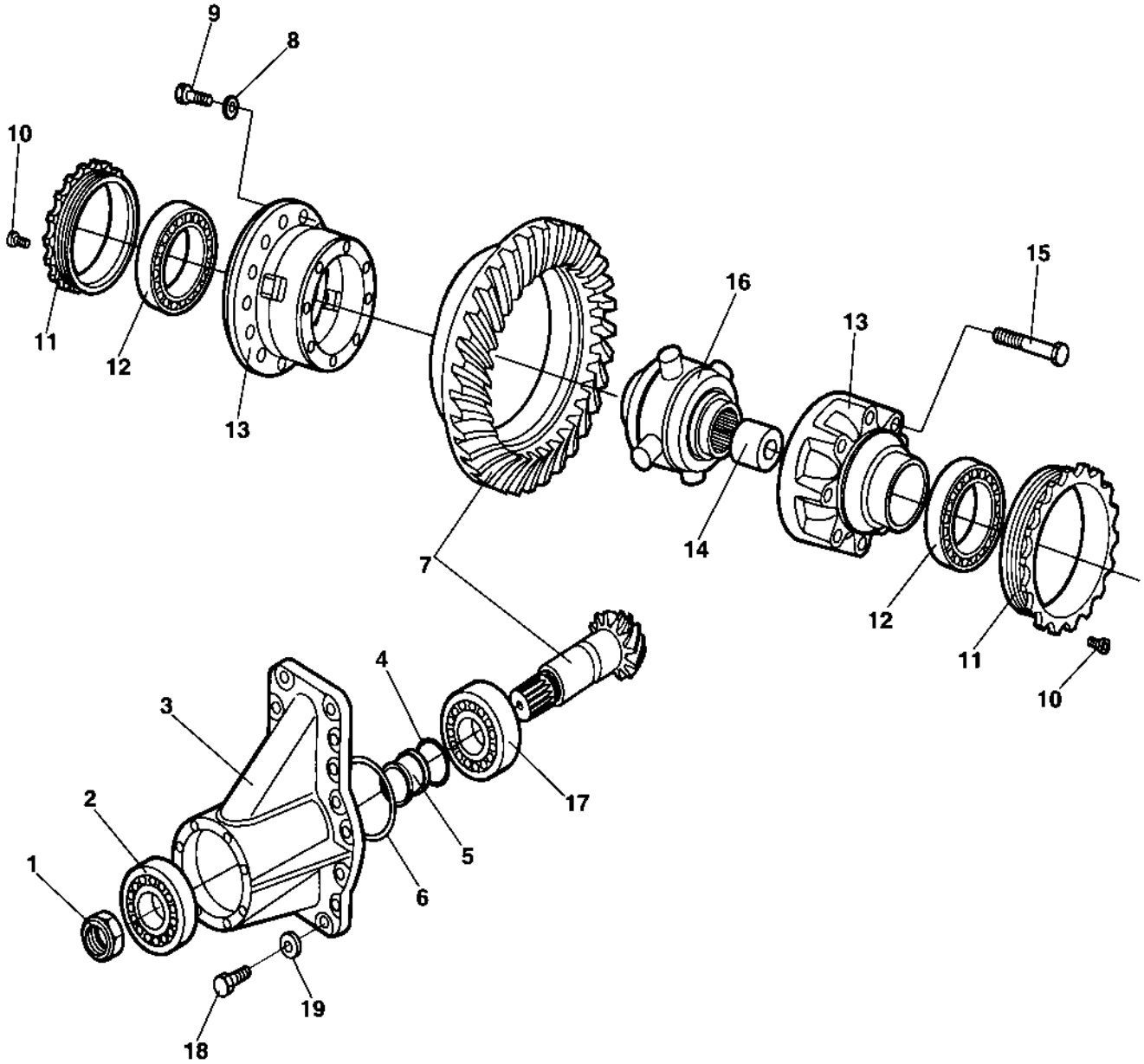


4700383856 Rear axle No-Spin, Option

Item	Part No	Rem Qty	Description	Code
1		1	Rear axle	
2		1	. Differential with no-spin (Page 82)	
3		2	. Differential housing and brakes (Page 84)	
4		2	. Planet gear (Page 86)	
5	4700909584	1	O-ring	D
6	4700900255	1	Flange	D
7	4700929648	1	O-ring	D
8	4700901834	1	Splined sleeve	
9	4700909582	8	Screw	

D)

Differential with no-spin

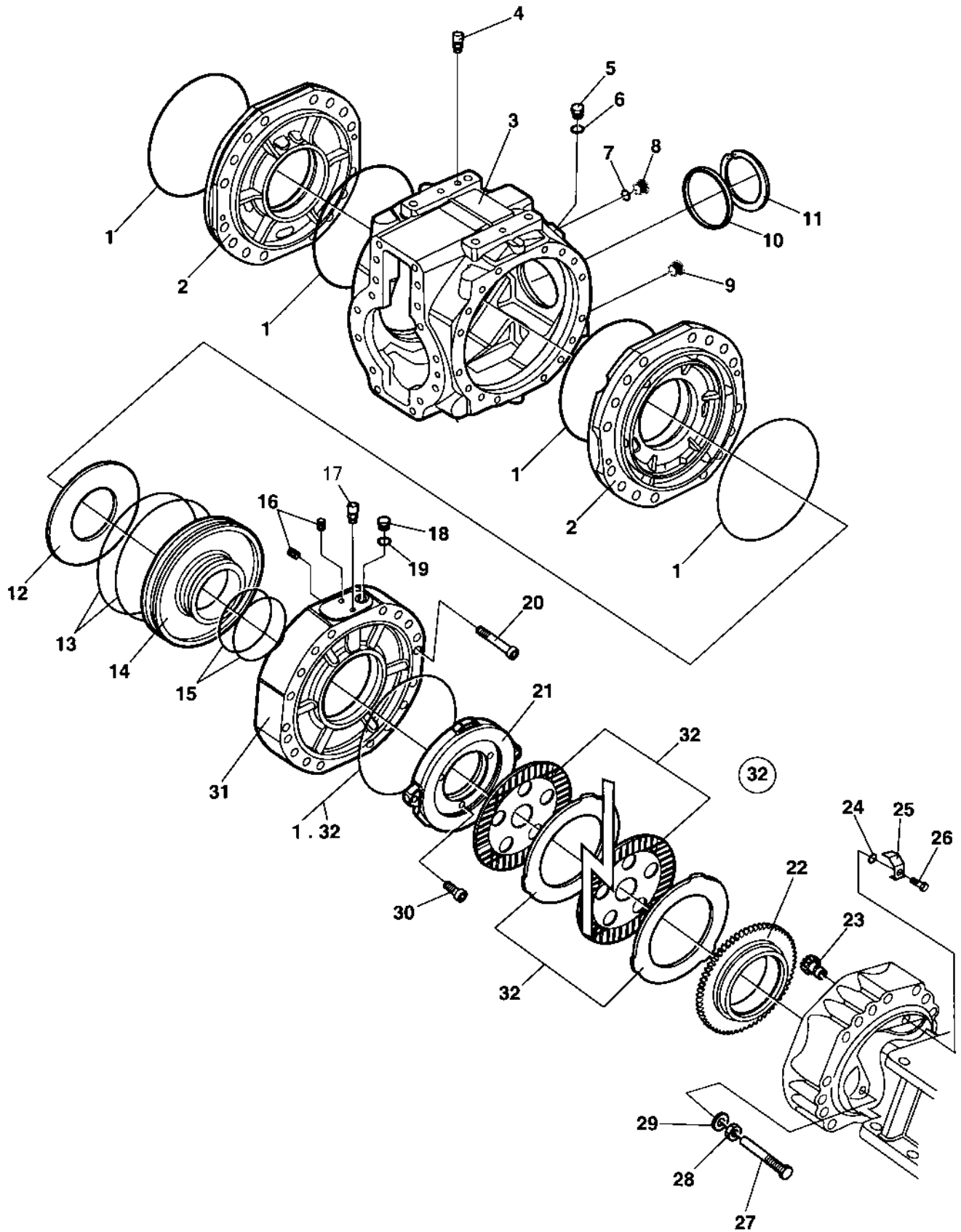


Differential with no-spin

Item	Part No	Rem Qty	Description	Code
1	4700929638	1	Nut	D
2	4700909574	1	Tapered roller bearing	
3	4700908485	1	Housing	D
4	4700939259	1	Shim t = 0.15mm	
	4700909580	1	Shim t = 0.20mm	
	4700909576	1	Shim t = 0.30mm	
	4700929644	1	Shim t = 0.40mm	
	4700939260	1	Shim t = 0.50mm	
5	4700909567	1	Spacer	
6	4700909568	1	Shim t = 0.10mm	
	4700909569	1	Shim t = 0.20mm	
	4700909570	1	Shim t = 0.50mm	
	4700939258	1	Shim t = 0.15mm	
7	4700212553	1	Bevel gear set	
9	4700938991	16	Bolt	D
10	4700938989	2	Bolt	
11	4700939261	2	Ring nut	
12	4700923342	1	Tapered roller bearing	
13	4700929630	1	Differential case	D
14	4700929631	1	Spacer	D
15	4812156885	8	Screw	C
16	4700929626	1	Non-spin unit	D
17	4700909581	1	Tapered roller bearing	
18	4812156886	16	Bolt	
19	4700909572	16	Spring washer	

C)
D)

Differential housing and brakes

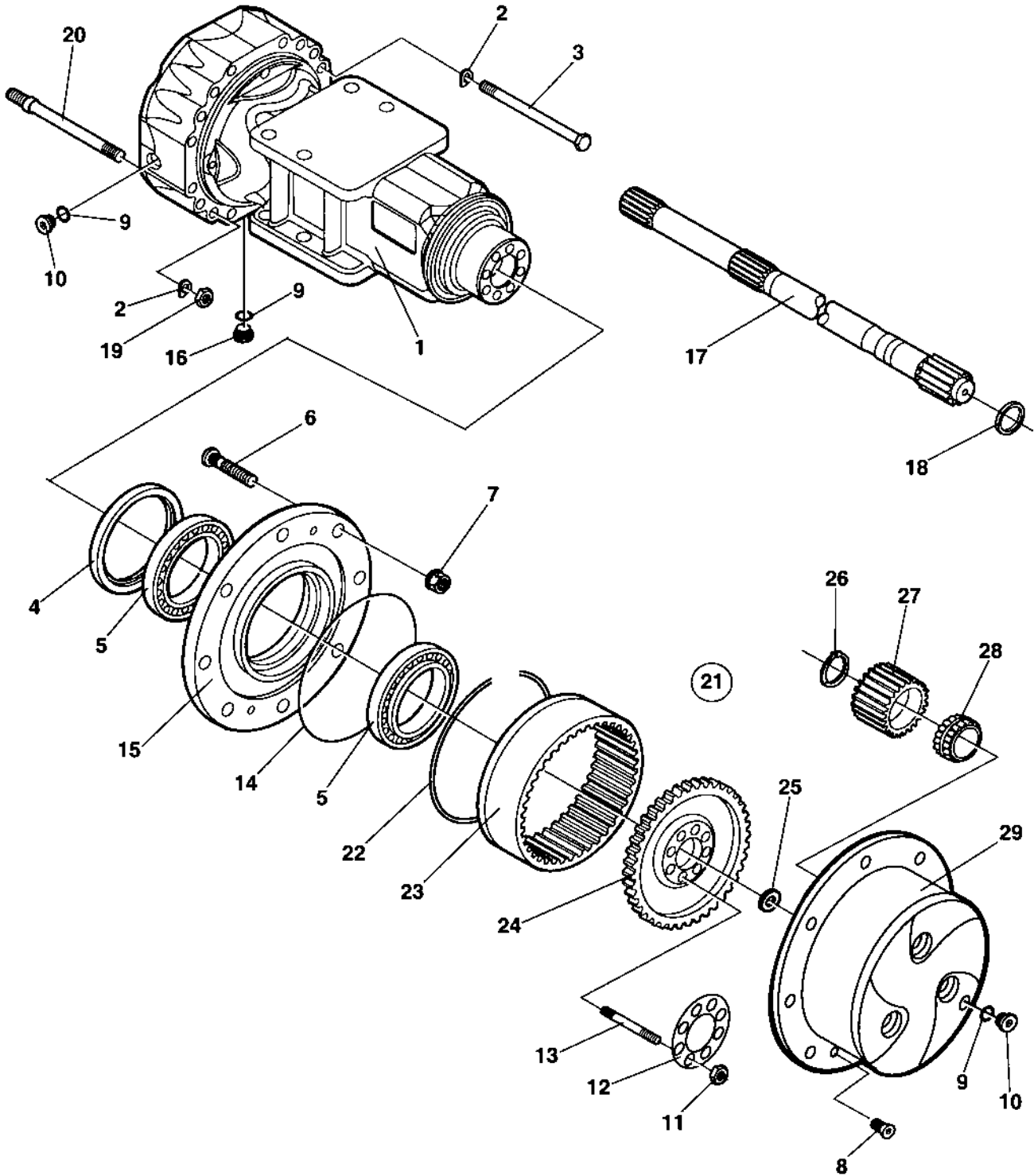


Differential housing and brakes

Item	Part No	Rem Qty	Description	Code
1	4700909609	6	O-ring	D
2	4700939255	2	Cover	D
3	4700939256	1	Housing	D
4	4700938984	1	Vent nipple	
5	4700909544	2	Screw	
6	4700938983	2	Sealing washer	
7	4700330333	1	Copper washer	D
8	4700909596	1	Plug	
9	4700926810	1	Magnetic plug	
10	4700938296	1	Plug	
11	4700929617	1	Lock ring	D
12	4700909616	2	Spring	
13	4700909618	4	O-ring	D
14	4700939280	2	Piston	
15	4700909619	4	O-ring	D
16	4700939281	4	Bolt	C
17	4700938984	2	Vent nipple	
18	4700939282	2	Bolt	
19	4700939036	2	Sealing washer	
20	4700939035	4	Screw	
21	4700939283	2	Disc	C
22	4700939285	2	Ring	
23	4700909622	2	Pinion	
24	4700900966	2	O-ring	D
25	4700939286	2	Lock plate	D
26	4700909624	2	Screw	
27	4700909626	4	Bolt	
28	4700900957	4	Nut	D
29	4700926847	4	Sealing washer	
30	4700939026	6	Screw	
31	4700939287	2	Cover	C
32	4700939284	2	Brake disc kit	C
		12	. Brake disc	
		12	. Brake disc	
	4700909609	2	. O-ring	D

C)
D)

Planet gear



Planet gear

Item	Part No	Rem Qty	Description	Code
1	4700939263	2	Axle case	D
2	4700939003	32	Spring washer	
3	4700939264	24	Bolt	C
4	4700939265	2	Seal	
5	4700939266	4	Bearing	
6	4700926781	20	Wheel screw	
7	4700901987	20	Wheel nut	
8	4700939015	4	Screw	
9	4700330333	6	Copper washer	D
10	4700909596	4	Plug	
11	4700939016	20	Nut	
12	4700939275	2	Lock plate	
13	4700939017	20	Stud	
14	4700909609	2	O-ring	D
15	4700939276	2	Wheel hub	
16	4700939350	2	Magnetic plug	
17	4700939277	2	Half shaft	D
18	4700909586	2	Seal	D
19	4700939019	8	Nut	
20	4700939278	8	Stud	
21	4700939351	2	Planet gear carrier Cpl.	D
22	4700939267	2	. Circlip	
23	4700939268	2	. Ring gear	D
24	4700939269	2	. Ring gear support	
25	4700939270	2	. Washer	
26	4700939271	8	. Seal	
27	4700939272	8	. Planet gear	
28	4700939273	8	. Bearing	
29	4700939349	2	. Planet gear carrier Cpl.	

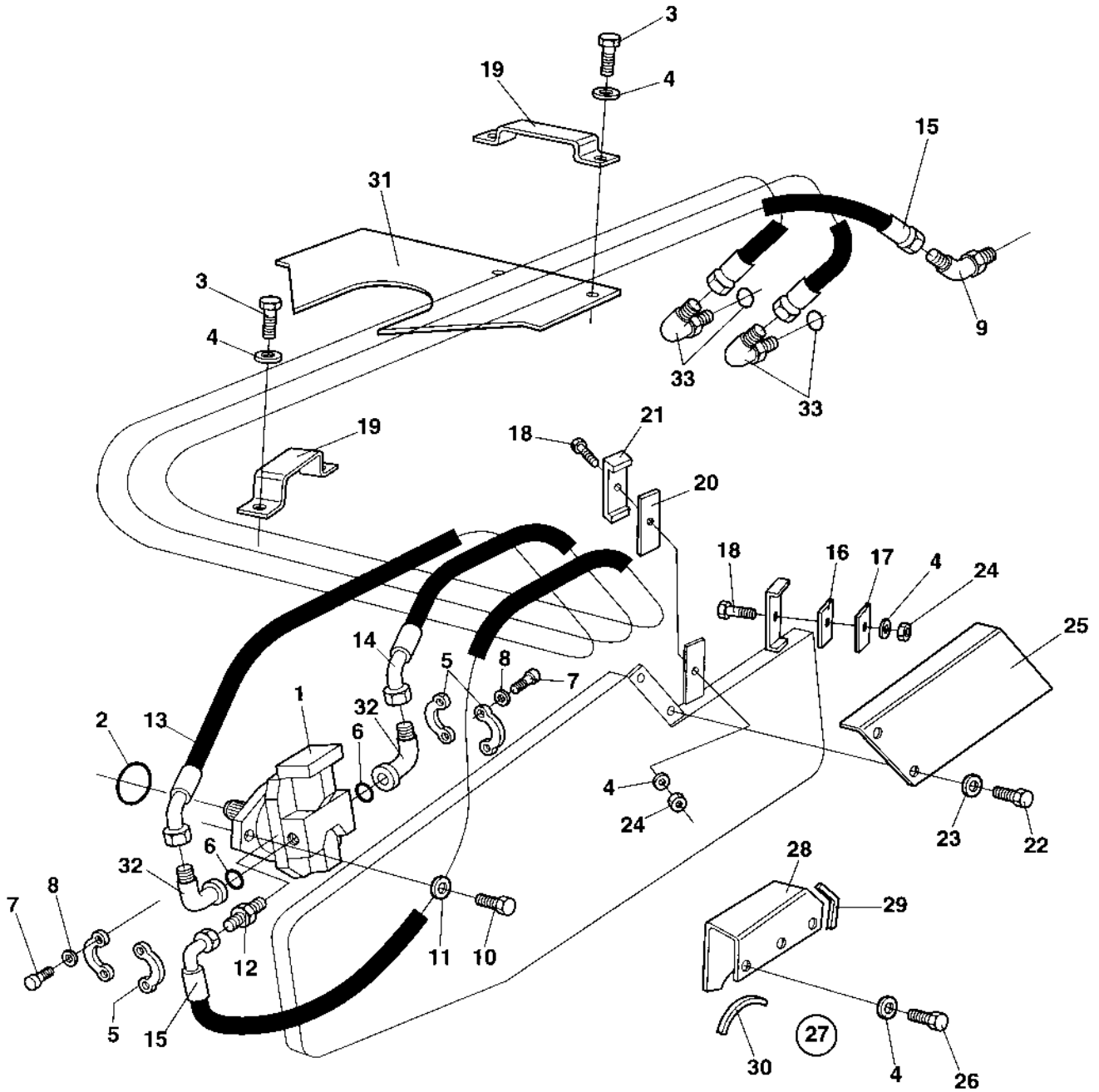
C)
D)

Hydraulic system

Hydraulic system

Item	Part No	Rem Qty	Description	Code
10			Propulsion system, Front (Page 90)	
15			Propulsion system, Rear (Page 96)	
20			Vibration system (Page 110)	
30			Steering system (Page 120)	
40			Brake system (Page 126)	
46			Hydraulic oil tank (Page 128)	
50			Central test panel hydraulic Option (Page 130)	

Propulsion system, Front

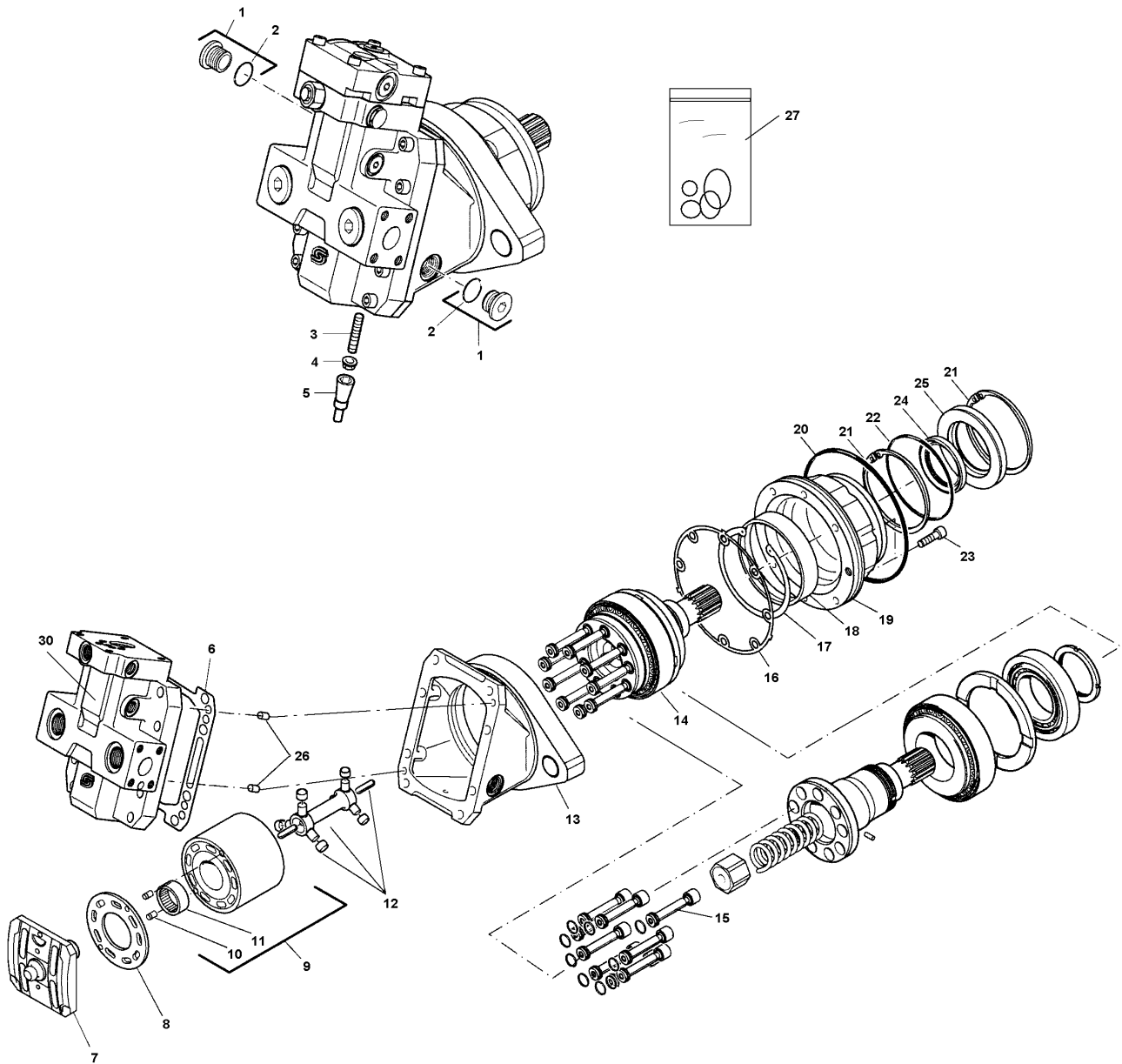


Propulsion system, Front

Item	Part No	Rem Qty	Description	Code
1	4700389564	1	Hydraulic motor (Page 92)	
2	4700160272	1	O-ring	D
3	4700500028	4	Screw	C
4	4700904230	9	Steel plain washer	C
5	4700923384	4	Flange half	
6	4700904005	2	O-ring	
7	4700502132	8	Screw UNC 7/16" x 22	
8	4700904638	8	Washer 12x22x2	C
9	4700334132	1	Elbow 45, O-ring	C
10	4700500101	2	Screw M20x50	C
11	4700903290	2	Washer 21x36x6	
12	4700334138	1	Adapter	
13	4700483028	1	Hydraulic hose	D
14	4700483029	1	Hydraulic hose	D
15	4700483022	1	Hydraulic hose	D
16	4700372580	1	Rubber part	D
17	4700372578	1	Hose clamp	D
18	4700500092	2	Screw	D
19	4700349909	2	Hose clamp	D
20	4700372580	1	Rubber part	D
21	4700372586	1	Hose clamp	D
22			Not used on this model	
23			Not used on this model	
24	4700586018	2	Hexagon lock nut M10	C
25			Not used on this model	
26	4700500192	3	Hexagon head screw M	C
27	4700394646	1	Protecting cover	D
28	4700394650	1	. Protecting cover	D
29	4700287724	N	. Edge trim	
30	4700902166	N	. Edge trim	D
31	4700372235	1	Hose guard	
32	4700903750	2	Elbow	
33	4700813499	2	Elbow 90, O-ring	

C)
D)

4700389564 Hydraulic motor

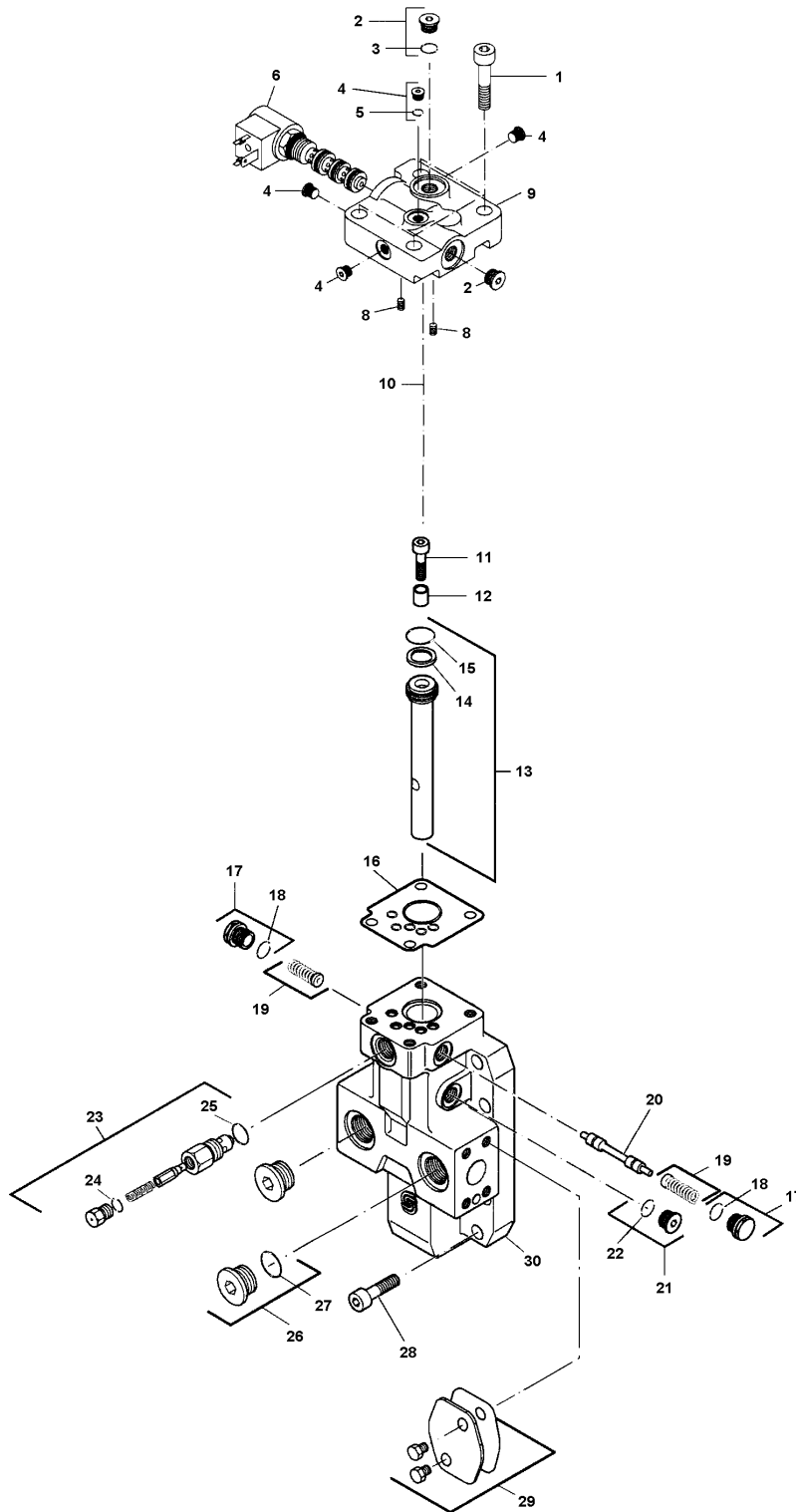


4700389564 Hydraulic motor

Item	Part No	Rem Qty	Description	Code
1		2	. Plug assembly	
2	4700901453	2	. . O-ring	C
3		1	. Set screw	
4		1	. Seal lock nut	
5		1	. Plastic cap	
6	4812157653	1	. Gasket	
7		1	. Valve segment	
8		1	. Bearing plate	
9		1	. Cylinder block assembly	
10		2	. . Pin	
11		1	. . Needle roller bearing	
12		1	. Synchronous joint assy	
13		1	. Housing	
14		1	. Shaft	
15		9	. Piston assembly	
16	4700935541	1	. Gasket	
17		1	. Retaining ring	
18		1	. Spacer ring	
19		1	. Bearing house	
20	4700935523	1	. O-ring	
21		2	. Retaining ring	
22	4700935537	1	. O-ring	
23		8	. Screw	
24	4700945757	1	. Shaft seal 55x70x7	
25		1	. Seal carrier	
26		2	. Pin	
27	4700935520	1	. Seal kit	
30		1	End cap (Page 94)	

C)

End cap

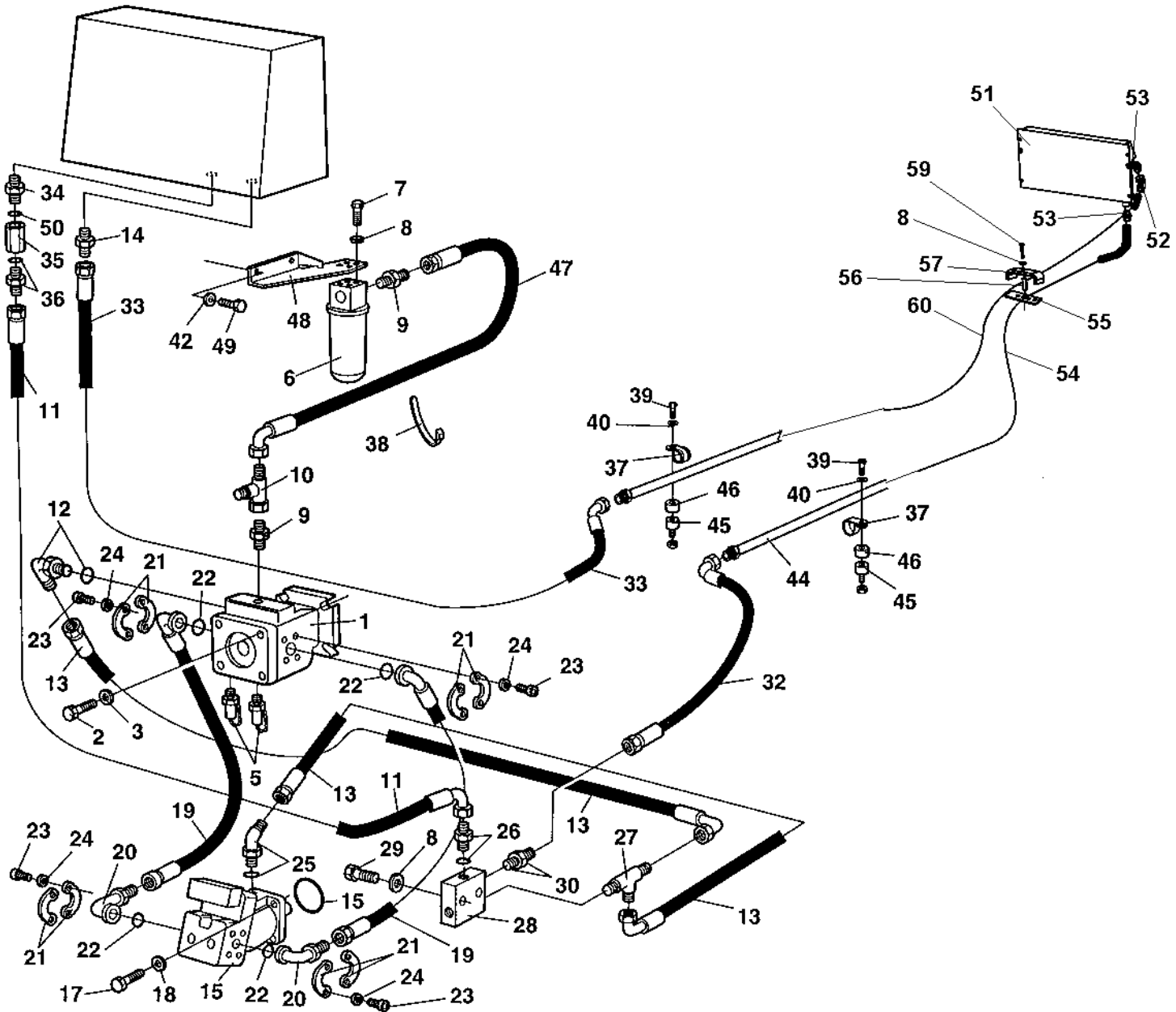


End cap

Item	Part No	Rem Qty	Description	Code
		1	End cap, cpl	
1		4	. Screw	
2		2	. Plug	
3	4700923087	2	. . O-ring	C
4		4	. Plug	
5	4700908440	4	. . O-ring	
6	4700908435	1	. Solenoid valve assy	
	4700909259	1	. . Coil	
8		2	. Orifice plug	
9		1	. Housing	
10	4700935543	1	. Electric hydraulic control	
11		1	. Screw	
12		1	. Spacer sleeve	
13	4700935527	1	. Piston assembly	
14	4700935524	1	. . Seal plug	
15	4700935525	1	. . O-ring	
16	4812155780	1	. Seal carrier	
17		2	. Plug	
18	4700923087	2	. . O-ring	C
19		2	. Guide spring	
20		1	. Shuttle spool	
21		1	. Plug	
22	4700923087	1	. . O-ring	C
23		1	. Valve assembly	
24	4700923087	1	. . O-ring	C
25	4812157578	1	. . O-ring	
26		2	. Plug	
27	4700901453	2	. . O-ring	C
28		8	. Screw	
29		2	. Cover	
30		1	. End cap	

C)

Propulsion system, Rear



Propulsion system, Rear

Item	Part No	Rem Qty	Description	Code
1	4700380830	1	Propulsion pump (Page 100)	C
2	4700500046	4	Screw M12x025H	
3	4700904213	4	Washer	
5	4700900229	2	Measuring nipple	
6	4700359550	1	Hydraulic oil filter, cpl	A
	4700359551	1	. Filter head	A
	4700936898	1	. . Sensor Red (RW)	
	4700359552	1	. Cleaning filter element Maximum 50 hours use	A
	4700372229	A 1	Hydraulic oil filter element	A
7	4700500028	4	Screw	C
8	4700904230	16	Steel plain washer	C
9	4700334468	2	Adapter	
10	4700234243	1	T-connector	
11	4700482182	B 1	Hydraulic hose	
12	4700813499	1	Elbow 90, O-ring	
13	4700482391	C 2	Hydraulic hose	
14	4700234909	1	Straight connector	
15	4700373361	1	Propulsion motor (Page 106)	C
	4700902581	1	. O-ring	
17	4700500263	4	Screw M18x60	D
18	4700904793	D 4	Washer 19x34x3	C
19	4700483033	2	Hydraulic hose	D
20	4700900604	2	Adapter	C
21	4700923384	8	Flange half	
22	4700904005	4	O-ring	
23	4700502132	16	Screw UNC 7/16" x 22	
24	4700904638	16	Washer 12x22x2	C
25	4700334132	1	Elbow 45, O-ring	C
26	4700334138	1	Adapter	
27	4700234875	1	Tee-connector o-ring	
28	4700345243	1	Connection block	
29	4700500033	2	Screw M10-1,5x60 8,8	D
30	4700334140	1	Straight conector	
32	4700483128	1	Hydraulic hose	D
33	4700482741	1	Hydraulic hose	D
34	4700904282	1	Adapter	
35	4700374059	1	Check valve	C
36	4700923371	1	Adapter	
37	4700921084	4	Pipe clamp	
38	4700313102	N	Cable ties	
39	4700500061	4	Screw M6-1X35 8,8	
40	4700904735	4	Washer	C
41	4700500019	4	Hexagon head screw M	C
42	4700904229	2	Steel plain washer	C
44	4700385871	2	Connector	D
45	4700281783	4	Shock absorber	
46	4700357278	4	Spacer sleeve	
47	4700482010	1	Hydraulic hose	D
48	4700380490	1	Filter bracket	D
49	4700500021	2	Screw M8-1,25x25 8.8	C
50	4700162008	1	Seal washer	
51	4700387562	1	Hydraulic oil cooler	D
52	4700234624	1	Elbow 45jã	

A) Spare part for ordinary service

B) L = 0,53 m

C) L = 0,71 m

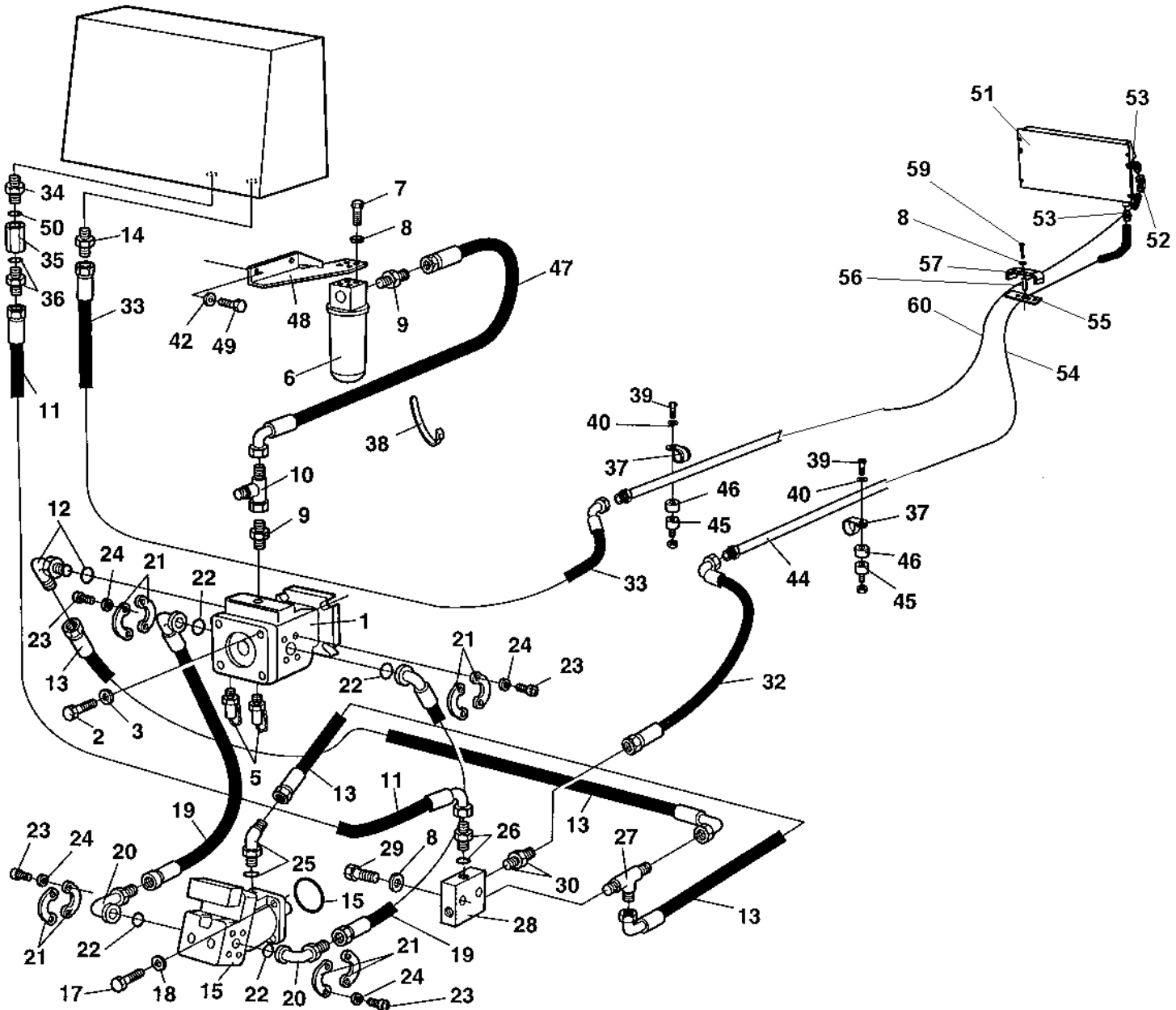
D) L = 0,81 m

A)

C)

D)

Propulsion system, Rear

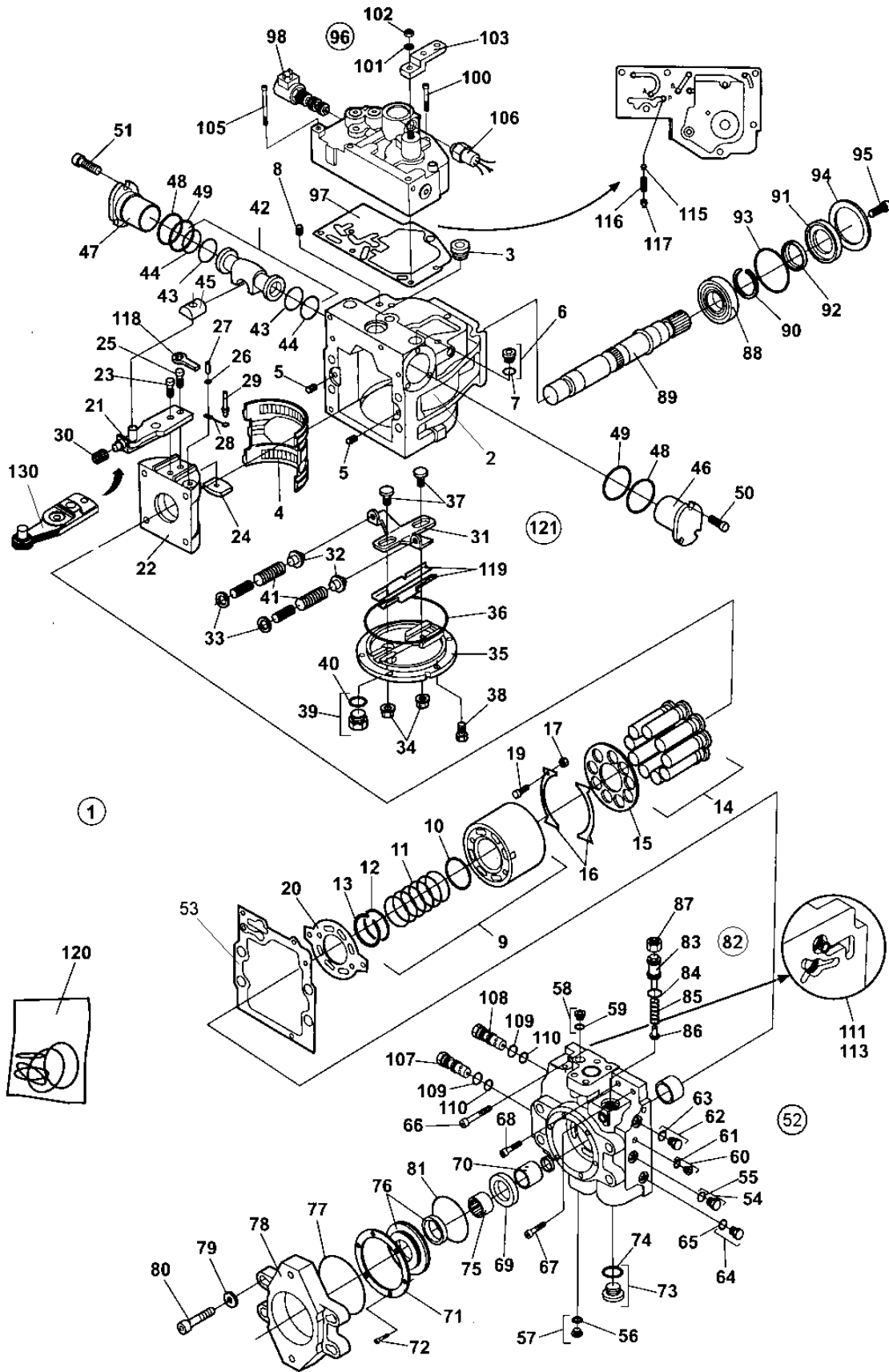


Propulsion system, Rear

Item	Part No	Rem	Qty	Description	Code
53	4700234958		2	Connector	
54	4700483605	H	1	Hydraulic hose	D
55	4700372580		4	Rubber part	D
56	4700373112		1	Spacer	D
57	4700372586		2	Hose clamp	D
59	4700500109		1	Screw M10-1,5x65 8,8	
60	4700483622	K	1	Hydraulic hose	D

H) L = 1,03 m
 K) L = 1,325 m
 D)

4700380830 Propulsion pump



4700380830 Propulsion pump

Item	Part No	Rem Qty	Description	Code
1	4700380830	1	Propulsion pump (Page 100)	C
2	4700936546	1	. Housing	
	4812156652	2	1 . Housing	
3	4700902928	1	. Plug	C
4	4700901452	1	. Bearing	
		2	1 . Bearing	
5	4700813822	2	. Pin	D
6	4700908432	2	. Plug	C
7	4700923087	1	. . O-ring	C
8	4700901454	3	. Filter element	D
9	4700901455	1	. Cylinder block, cpl	
10		1	. . Spacer	
11		1	. . Spring	
12		1	. . Spring retainer	
13		1	. . Ring retainer	
14	4700903570	9	. Piston	D
15	4700903571	1	. Pressure plate	D
16	4700901458	2	. Retainer guide	D
17	4700935856	4	. Spacer	
19	4700909382	4	. Screw	C
20	4700936547	1	. Valve plate	
21	4700909727	1	. Servo arm, cpl	
22		1	. Swashplate	
		2	1 . Swashplate	
23	4700909386	1	. Screw	C
		2	1 . Screw	
24	4700909387	1	. Guide	
25	4700909388	1	. Screw	C
26	4700909389	1	. Washer	C
27	4700909390	1	. Pin	C
28	4700909391	1	. Link	C
29	4700909392	1	. Pin	C
30	4700909393	1	. Spring	C
31	4700936549	1	. Lever	
32		2	. Spring support	
33		2	. Washer	
34	4700909398	1	2 . Seal lock nut	B
35		1	. Cover	
		2	1 . Cover	
36	4700936551	1	1 . O-ring	
37		2	. Guide post	
38	4700936553	6	. Screw	C
39	4700902928	1	. Plug	C
40	4700901453	1	. . O-ring	C
41	4700908352	2	. Spring	D
42	4700936582	1	. Piston, cpl	
43		1	2 . . O-ring	
44		1	2 . . Seal ring	
45		1	. . Guide	
46	4700903580	1	. Servo	
47	4700903580	1	. Servo	
48	4700936557	1	2 . O-ring	
49	4700936558	1	2 . O-ring	
50	4700936559	3	. Screw	
51	4700936559	3	. Screw	
52	4700936560	1	. End cap, cpl	

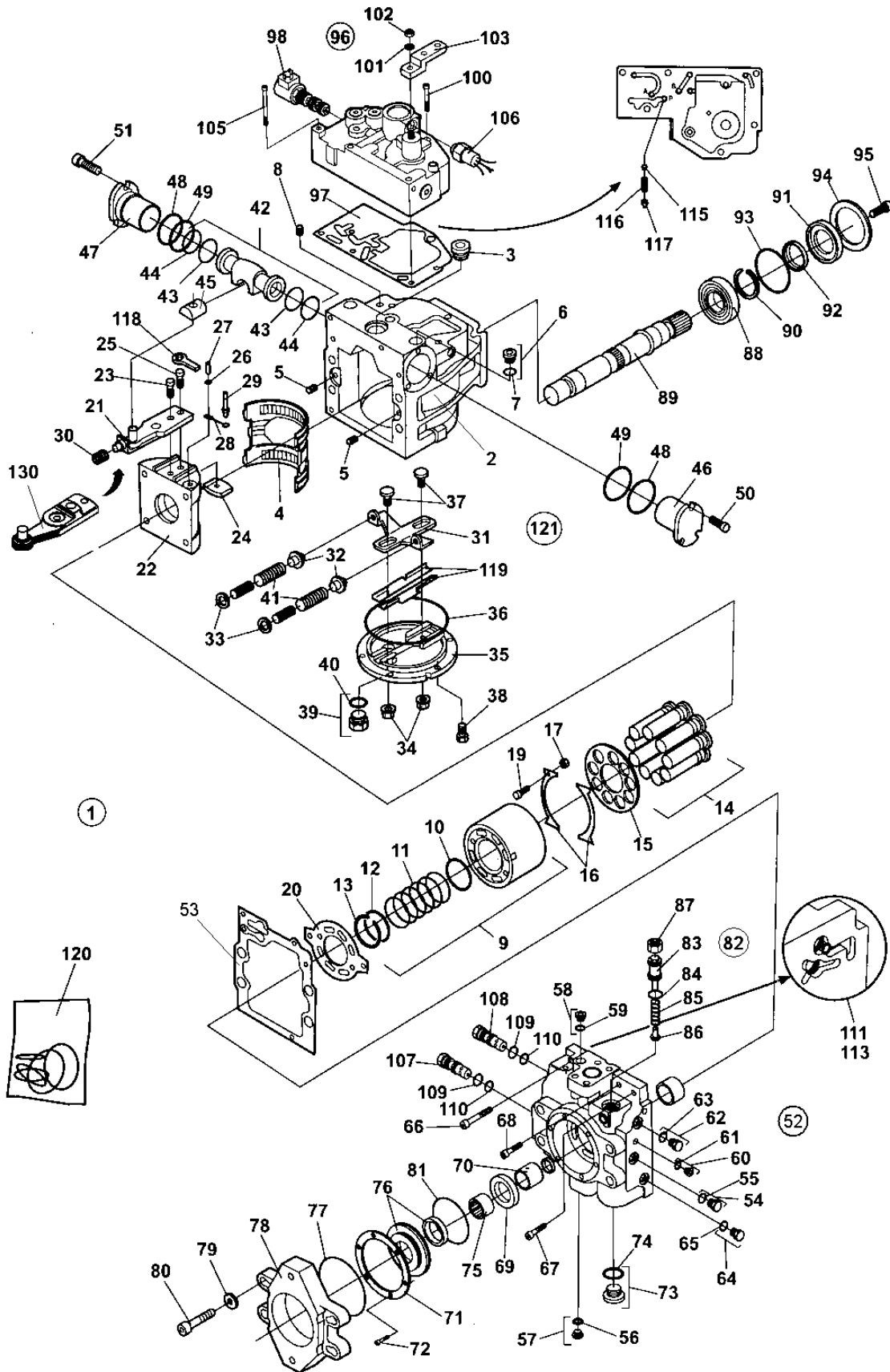
1) Included in item 120, Seal kit

2) Valid with item 130

B)

C)

4700380830 Propulsion pump



4700380830 Propulsion pump

Item	Part No	Rem	Qty	Description	Code
53	4700936561	1	1	. Gasket	
54	4700358388		1	. Plug	C
55	4700923087	1	1	.. O-ring	C
56	4700908432		1	. Plug	C
57	4700923087	1	1	.. O-ring	C
58	4700908432		1	. Plug	C
59	4700923087	1	1	.. O-ring	C
60	4700908432		1	. Plug	C
61	4700923087	1	1	.. O-ring	C
62	4700358388		1	. Plug	C
63	4700923087	1	1	.. O-ring	C
64	4700358388		1	. Plug	C
65	4700923087	1	1	.. O-ring	C
66	4700936562		1	. Screw	
67	4700936563		1	. Screw	
68	4700936564		1	. Screw	
69	4700950283		1	. Spacer	D
70	4700950284		1	. Spacer	D
71	4700935857		1	. Retaining plate	
72	4700936566		6	. Screw	
73	4700936567		1	. Plug, cpl	
74	4700936568	1	1	.. O-ring	
75	4812156072		1	. Coupling sleeve	
76			1	. Not used on this model	
77	4700909399	1	1	. O-ring	C
78	4700936570		1	. Adapter	
79	4700936571		4	. Washer	
				.	
81	4700937150		1	. O-ring	D
82	4700936583		1	. Pressure relief valve, cpl	
83			1	.. Screw	
84		1	1	.. O-ring	
85			1	.. Spring	
86			1	.. Valve cone	
87			1	.. Nut	
88	4700901465		1	. Bearing	
89	4700901466		1	. Shaft	
90	4700901467		1	. Ring	
91			1	. Pressure plate	
92		1	1	. Seal	
		2	1	. Seal	
93		1	1	. O-ring	
94			1	. Retaining plate	
95			3	. Screw	
96	4700938170		1	. Control valve, cpl	
97	4700939489	1	1	.. Control valve gasket	
98	4700938252		1	.. Solenoid valve	
100			1	.. Screw	
101	4700909428		1	.. Washer	C
102	4700909429		1	.. O-ring	C
103	4700909432		1	.. Control lever	D
105	4700937857		5	.. Screw	D
106	4700938253		1	.. Neutral start switch	
107	4700212339		1	. Valve	C
108	4700212339		1	. Valve	C
109		1	2	.. O-ring	

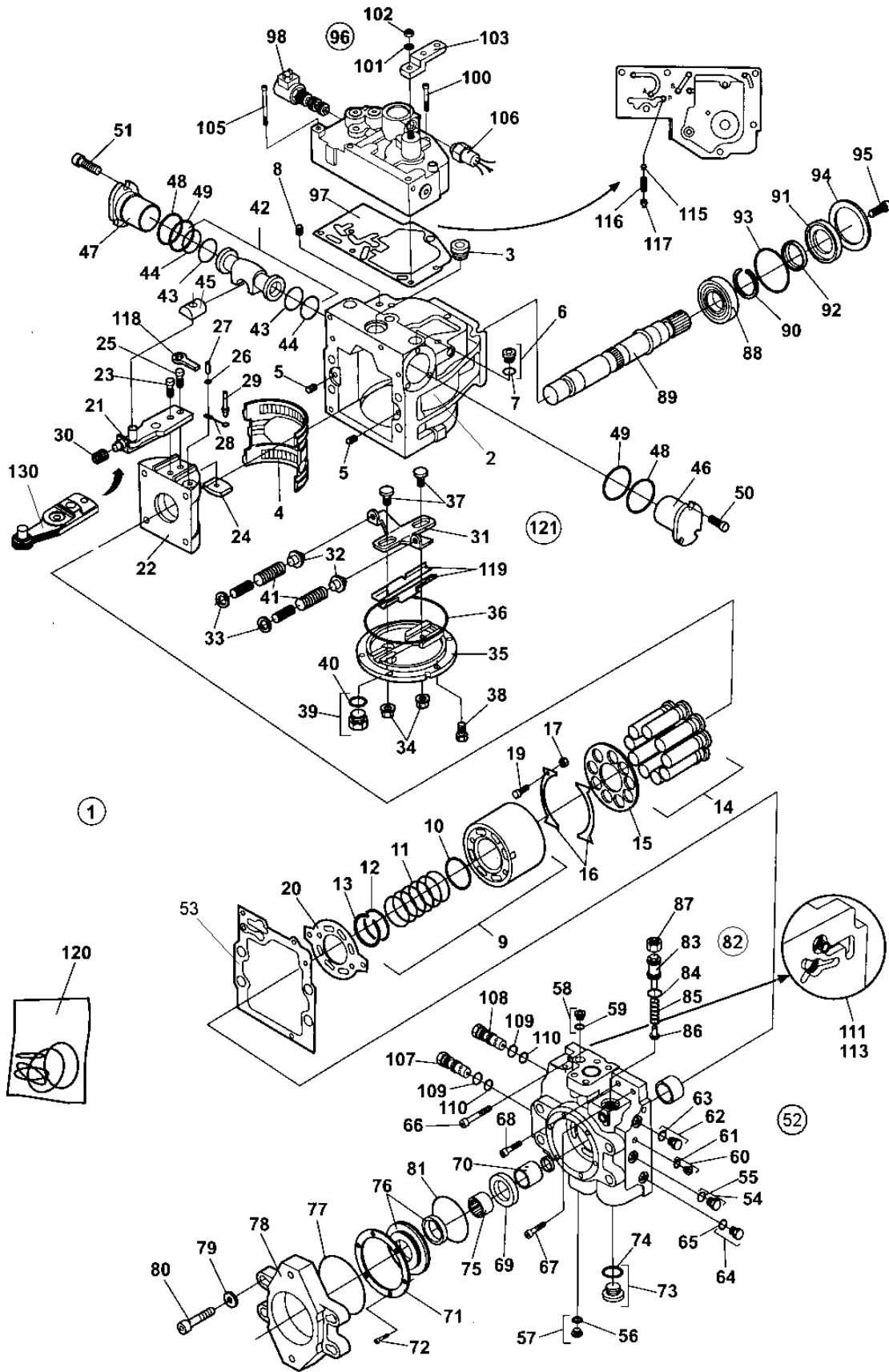
1) Included in item 120, Seal kit

2) Valid with item 130

C)

D)

4700380830 Propulsion pump

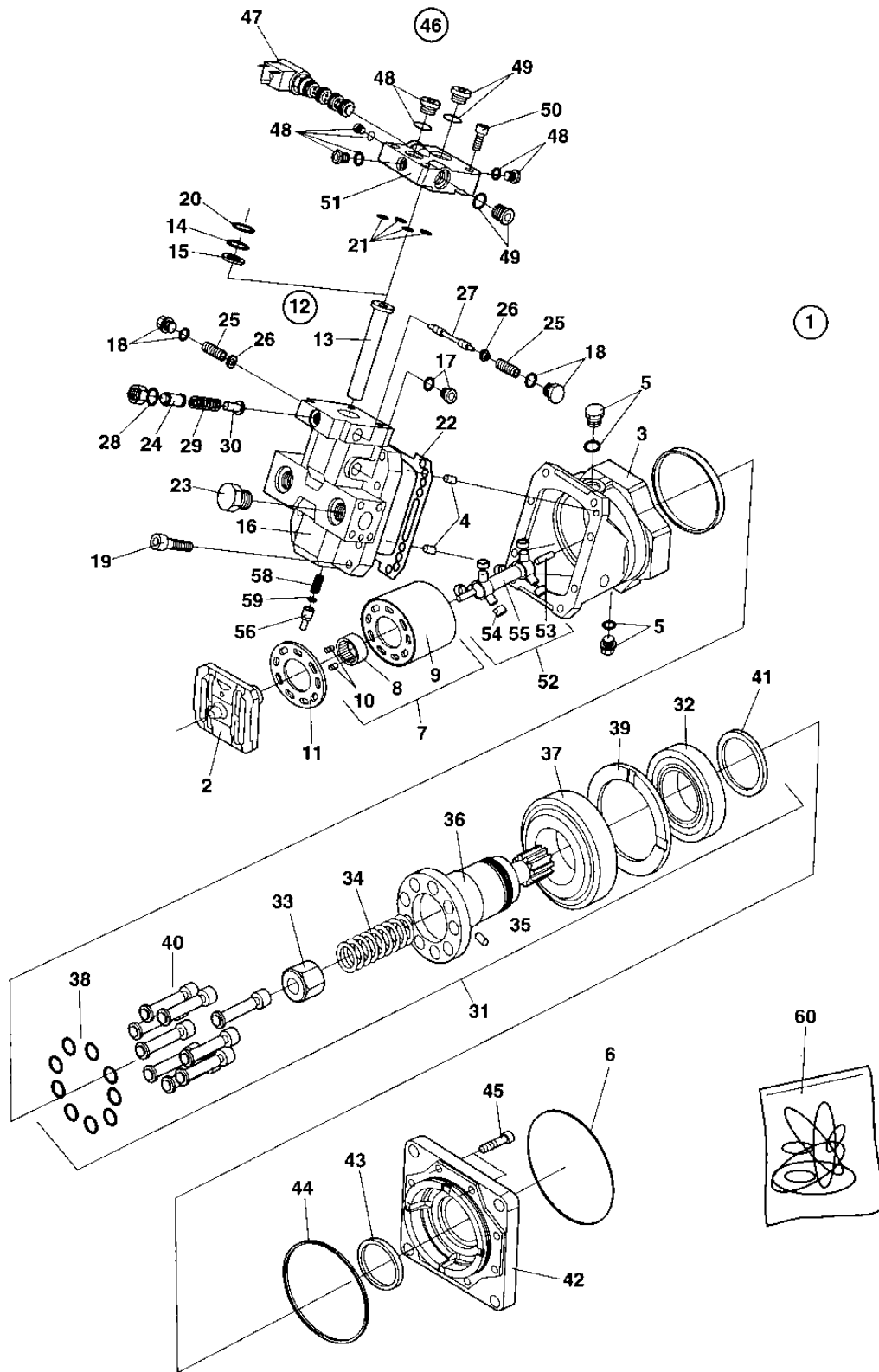


4700380830 Propulsion pump

Item	Part No	Rem	Qty	Description	Code
110		1	2	. . O-ring	
111	4700901475		2	. Valve	D
113	4700901476		2	. Plug	D
115	4700909435		1	. Orifice	C
116	4700909436		1	. Spring	C
117	4700908448		1	. Spring retainer	C
118			1	. Link	
119	4700936554		1	. Guide assy, 1pair	
120	4700901328		1	. Seal kit	D
121	4700936548	3	1	. Cover assembly	
130			1	. Servo arm	

- 1) Included in item 120, Seal kit
- 3) Includes items 35, 37 and 119
- C)
- D)

4700373361 Propulsion motor



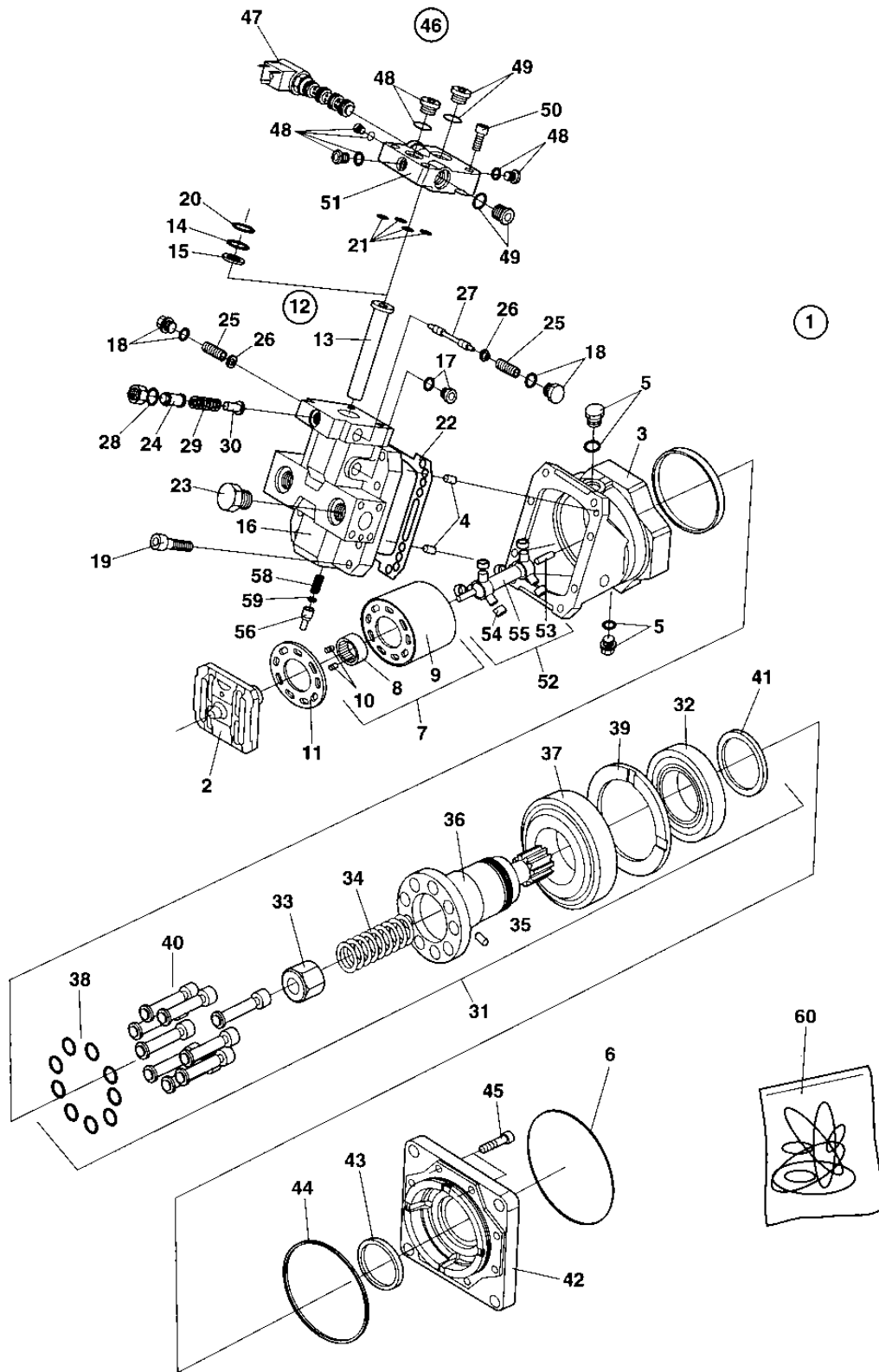
4700373361 Propulsion motor

Item	Part No	Rem	Qty	Description	Code
1			1	Hydraulic motor, Cpl	
2	4700935521		1	. Valve segment	
3	4700908422		1	. Housing	D
4	4700813822		2	. Pin	D
5	4700902928		2	. Plug	C
	4700901453	1	2	.. O-ring	C
6	4700902581	1	1	. O-ring	
7	4700902929		1	. Cylinder block	
8			1	.. Bush	
9			1	.. Cylinder block	
10			2	.. Pin	
11	4700902930		1	. Bearing plate	
12	4700935527		1	. Piston assembly	
13	4700935526		1	.. Piston	
14	4700935525	1	1	.. O-ring	
15	4700935524	1	1	.. Seal plug	
16	4700935530		1	. End cap	
17	4700908432		1	. Plug	C
18	4700935741		2	. Plug, cpl	
19	4700902944		8	. Screw	
20	4700935531	1	1	. O-ring	
21	4700908443	1	5	. Rect. seal	D
22	4700908427	1	1	. Gasket	
23	4700902928		2	. Plug	C
	4700901453	1	2	.. O-ring	C
24			1	. Adapter	
25	4700935749		2	. Spring guide assy	
26	4700935750		2	. Spring retainer	
27	4700935533		1	. Spool	
28	4700813618	1	1	. O-ring	C
29			1	. Spring	
30			1	. Valve cone	
31	4700902960		1	. Shaft, cpl	
32			1	.. Roller bearing	
33			1	.. Spring guide	
34			1	.. Spring	
35			1	.. Pin	
36			1	.. Shaft	
37			1	.. Roller bearing	
38			9	.. Piston ring	
39			1	.. Spacer	
40			9	.. Piston	
41			1	.. Nut	
42	4700902961		1	. Flange	
43	4700935536		1	. Shaft seal 55x75x12	
	4700945757	1	1	. Shaft seal 55x70x7	
44	4700935664	1	1	. O-ring	
45	4700902962		8	. Screw	
46	4700935543		1	. Electric hydraulic control	
47	4700908435		1	.. Solenoid valve assy	
	4700909259		1	... Coil	
48	4700908426		4	.. Plug, cpl	D
49	4700908432		2	.. Plug	C
50	4700935544		4	.. Screw	
51	4700935545		1	.. Valve housing	
52	4700902984		1	. Shaft, cpl	
53			2	.. Pin	
54			6	.. Roller	

1) Included in seal kit item 60

C)

4700373361 Propulsion motor

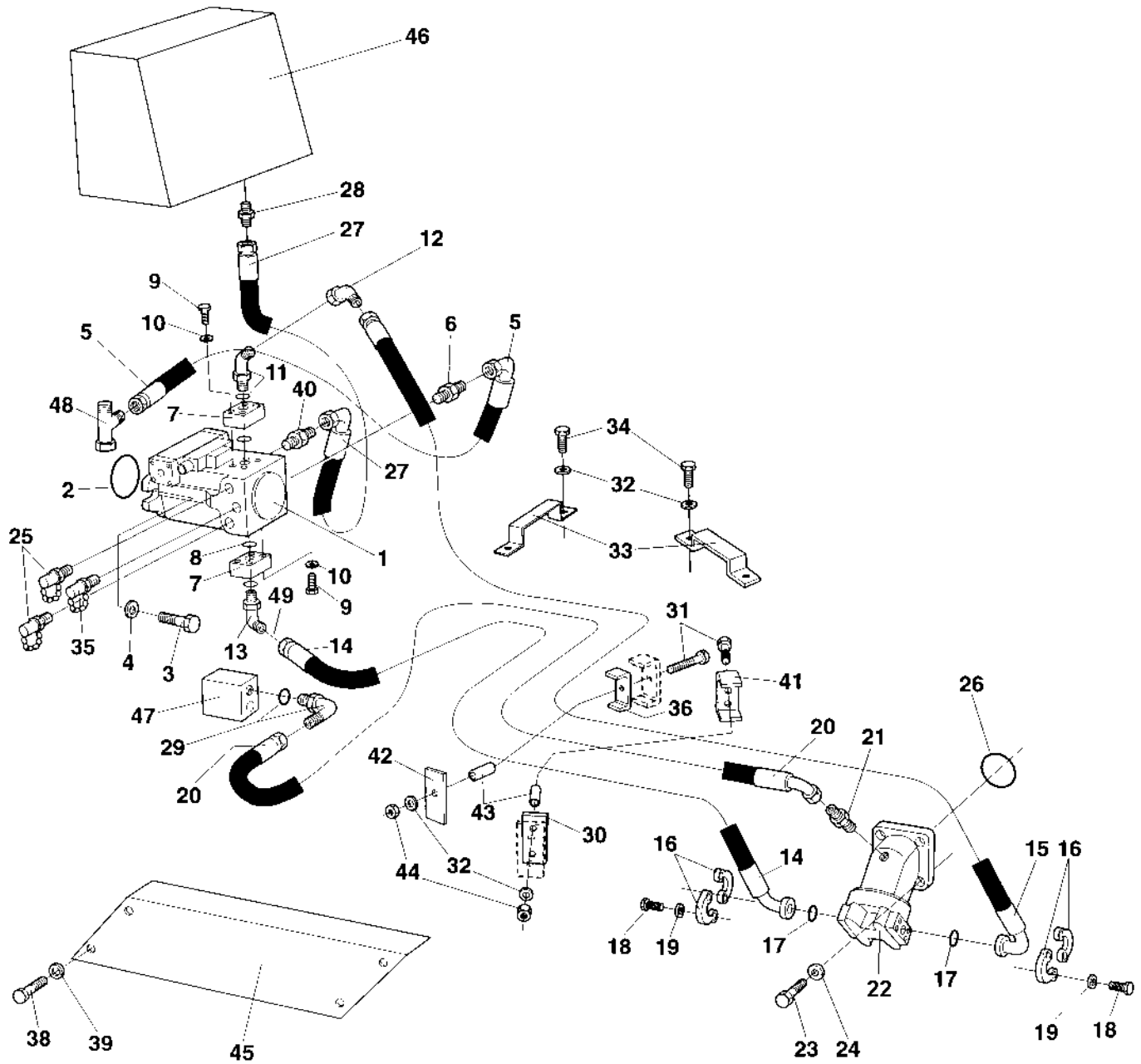


4700373361 Propulsion motor

Item	Part No	Rem	Qty	Description	Code
55			1	. . Shaft	
56	4700902996		1	. Plastic cap, green	
57	4700936593		2	. Orifice	
58	4700937363		1	. Shaft	
59	4700909525	1	1	. Seal nut	
60	4700935520		1	Seal kit	

1) Included in seal kit item 60

Vibration system



Vibration system

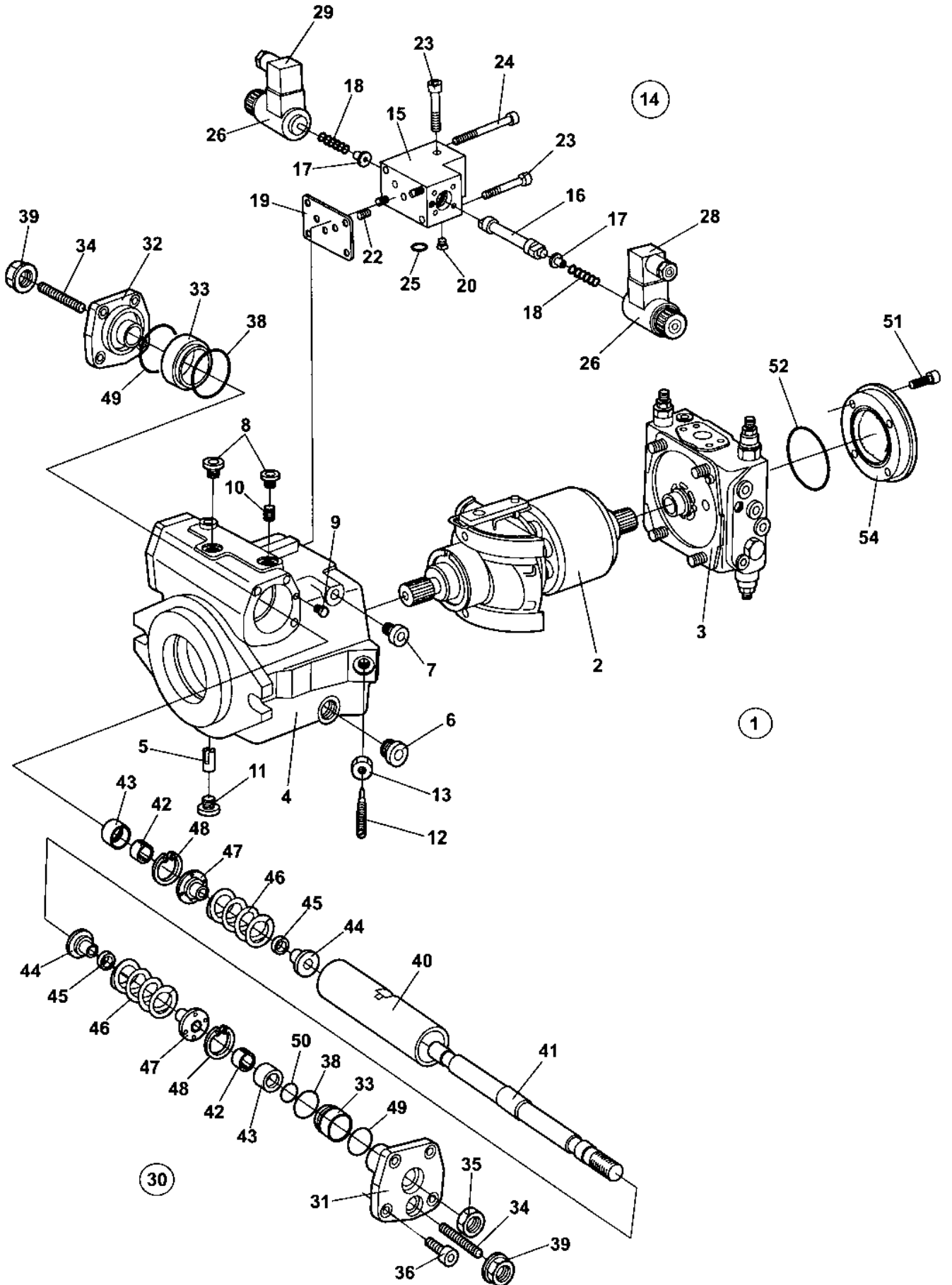
Item	Part No	Rem Qty	Description	Code
1	4700393695	1	Vibration pump Up to ECN 11301 (Page 112)	C
	4812115828	1	Vibration pump From ECN 11301	
2	4700160231	1	O-ring 120,32x2,62	D
3	4700502078	2	Screw	D
4	4700904232	2	Washer	C
5	4700483023	1	Hydraulic hose	D
6	4700234382	1	Adapter	
7	4700345234	2	Flange coupling	C
8	4700904773	2	O-ring	
9	4700508080	8	Screw	
10	4700604007	8	Spring washer	
11	4700791212	1	Elbow 45jã	C
12	4700904495	1	Elbow 90jã	
13	4700792299	1	Elbow 90jã	
14	4700484044	1	Hydraulic hose	D
15	4700484060	1	Hydraulic hose	D
16	4700923384	4	Flange half	
17	4700904005	2	O-ring	
18	4700502132	8	Screw UNC 7/16" x 22	
19	4700904638	8	Washer 12x22x2	C
20	4700483031	1	Hydraulic hose	D
21	4700334121	1	Straight connector	
22	4700380146	1	Hydraulic motor, vibration (Page 118)	C
23	4700500194	4	Screw	C
24	4700904231	4	Washer 13x24x2 300 HV	C
25	4700901157	2	Measuring nipple	C
26	4700160132	1	O-ring 124, 50x3, 00	
27	4700483024	1	Hydraulic hose	D
28	4700334205	1	Straight connector	D
29	4700334419	1	Elbow 90jã, O-ring	D
30	4700372580	1	Rubber part	D
31	4700500192	3	Hexagon head screw M	C
32	4700904230	7	Steel plain washer	C
33	4700372018	2	Hose clamp	D
34	4700500028	4	Screw	C
35	4700902115	1	Measuring nipple	C
36	4700372581	1	Rubber part	D
38		0	Not used on this model	
39		0	Not used on this model	
40	4700901155	1	Connector	C
41	4700374217	1	Hose clamp	D
42	4700372578	1	Hose clamp	D
43	4700373112	3	Spacer	D
44	4700506018	3	Nut	D
45		0	Not used on this model	
46			Hydraulic oil tank	
47		A	1 Connection block	
48		A	1 Adapter	
49	4700792654	1	Elbow 45jã	

A) See section: Propulsion system Rear.

C)

D)

4700393695 Vibration pump

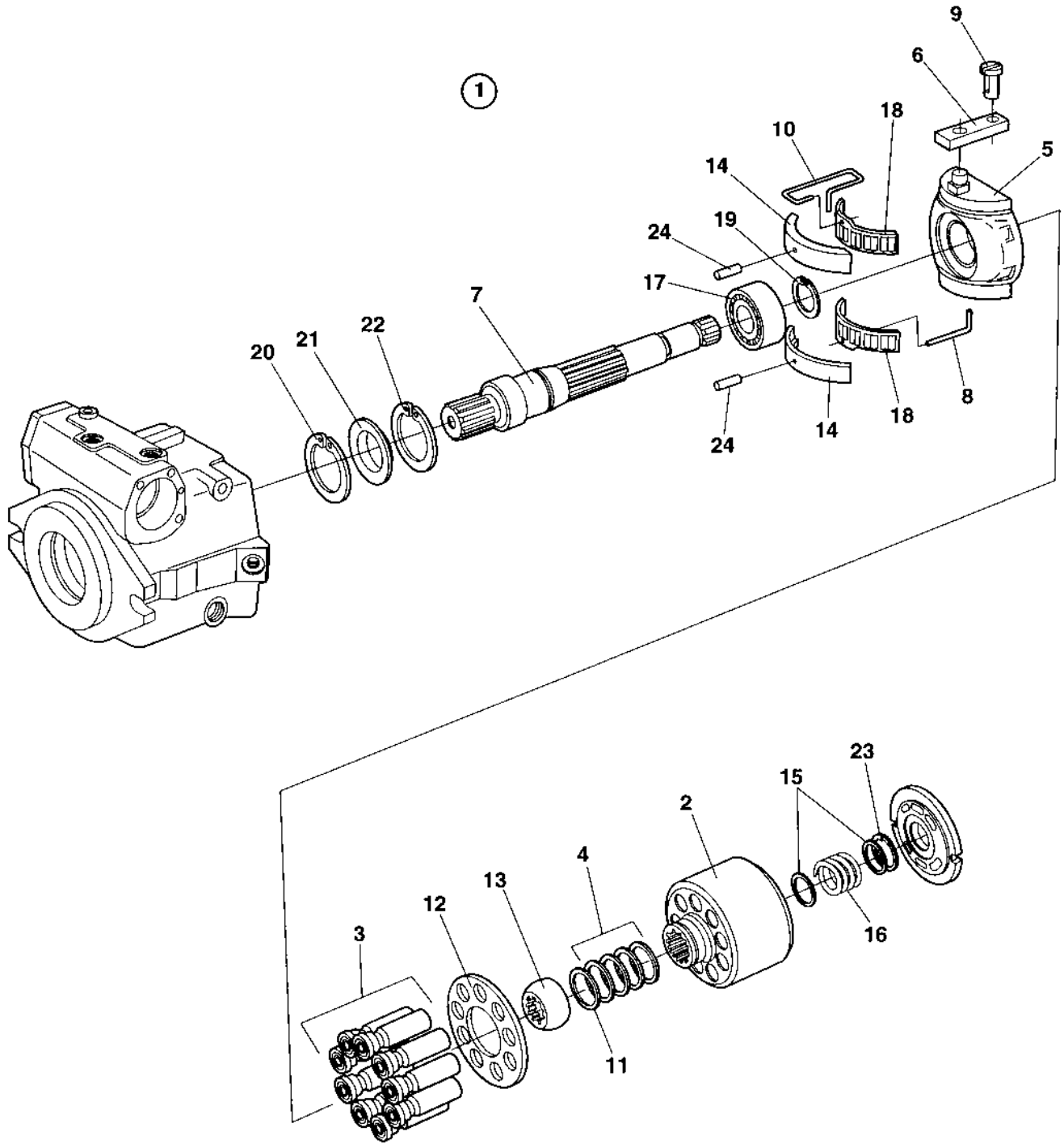


4700393695 Vibration pump

Item	Part No	Rem Qty	Description	Code
1		1	Vibration pump, cpl	
	4700940676	1	. Seal kit	B
2		1	. Rotating group, cpl (Page 114)	
3	4700936609	1	. Valve block, cpl (Page 116)	
4		1	. Housing	
5	4700936612	1	. Pin	
6	4700935219	1	. Plug	
7	4700902724	1	. Plug	
8	4700902625	1	. Plug	
9	4700909514	2	. Double break-off pin	
10	4700936308	2	. Orifice	
11	4700902624	1	. Screw	
12	4700902687	1	. Pin	
13	4700902695	1	. Nut	
14	4700940507	1	. Control valve, cpl	C
15		1	.. Housing	
16	4700945775	1	.. Piston	D
17	4700945776	2	.. Spring collar	D
18	4700936686	2	.. Spring	
19		1	.. Gasket	
20		2	.. Pin	
22	4700909514	1	.. Double break-off pin	
23	4700936689	3	.. Screw	
24	4700908383	2	.. Screw	D
25		1	.. O-ring	
26	4700940505	2	.. Solenoid	B
28		1	.. Socket	
29		1	.. Socket	
30		1	. Hydraulic control, cpl	
31		1	.. Cover	
32		1	.. Cover	
33		2	.. Guide ring	
34	4700936642	2	.. Pin	
35	4700902638	1	.. Nut	
36	4700902752	8	.. Screw	
38		1	.. Seal ring	
39	4700936644	1	.. Nut	
40		1	.. Piston	
41	4700936646	1	.. Rod	
42		2	.. Ring	
43	4700938014	2	.. Sleeve	
44	4700936647	2	.. Spring collar	
45	4700936648	2	.. Spacer ring	
46	4700936654	2	.. Spring	
47	4700936655	2	.. Spring collar	
48	4700936656	2	.. Retaining ring	
49	4700936643	1	.. O-ring	
50	4700909469	1	. O-ring	
51	4700939173	4	. Screw	
52	4700935192	1	. O-ring	
54		1	Cover	

- 1) Included in seal kit
- B)
- C)
- D)

Rotating group, cpl

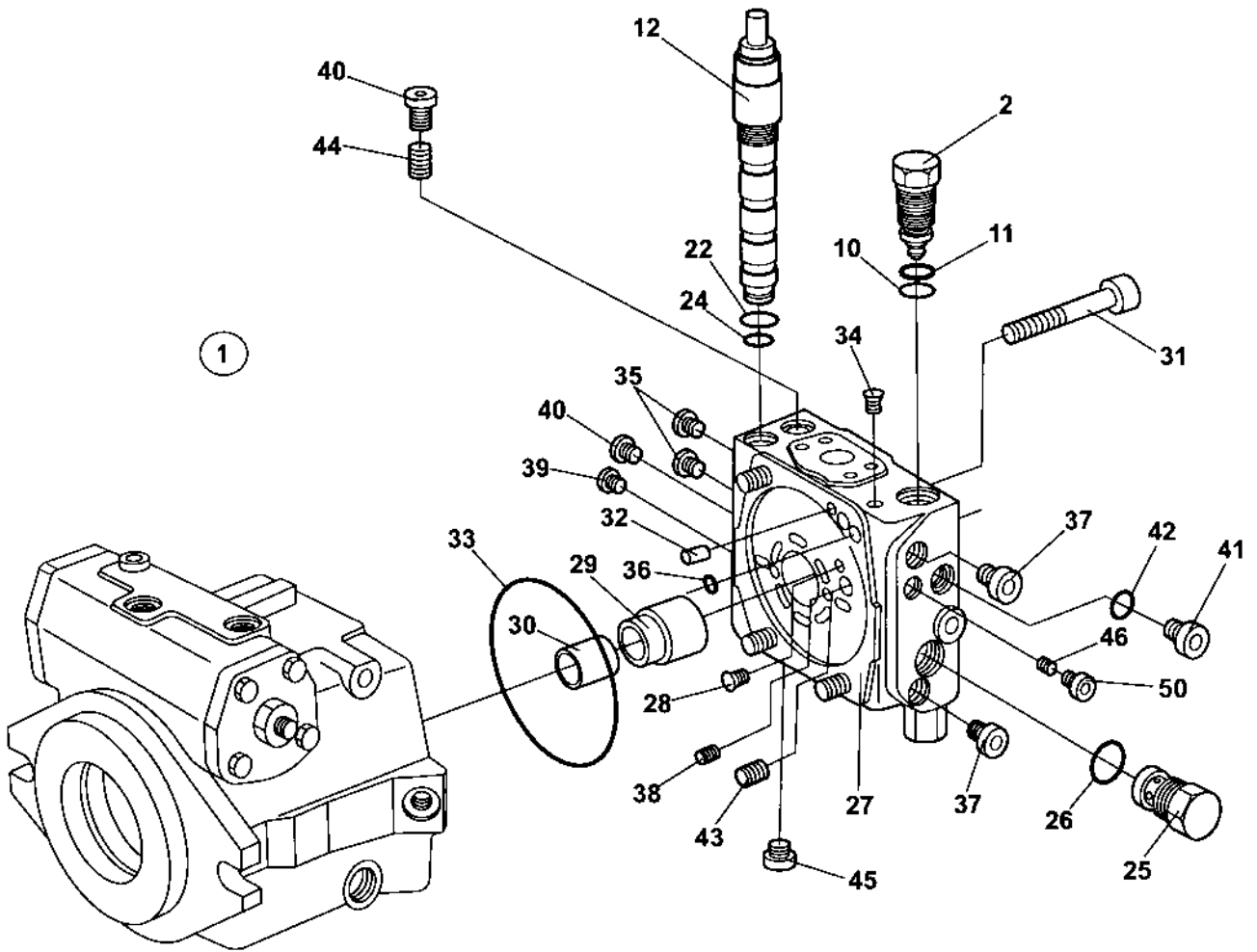


Rotating group, cpl

Item	Part No	Rem Qty	Description	Code
1		1	Rotating group, cpl	
2	4812156977	1	. Cylinder	
	4812156978	1	. Control plate	
3	4700936616	9	. Piston	
4	4700936617	1	. Cup spring stack	
5	4700936618	1	. Cradle	
6	4700936619	1	. Slide ring	
7	4700936620	1	. Shaft	
8	4700936621	1	. Wire	
9	4700935164	1	. Pin	
10	4700936622	1	. Wire	
11	4700936623	1	. Shim	
12	4700936627	1	. Retaining plate	
13	4700936628	1	. Retaining ball	
14	4700936629	1	. Bearing liner, 1 pair	
15	4700936630	2	. Washer	
16	4700936631	1	. Pressure spring	
17	4700936632	1	. Bearing	
18	4700936633	1	. Cradle bearing assembly, 1 set	
19	4700937187	1	. Retaining ring	
20	4700936634	1	. Retaining ring	
21		1	. Seal ring	
22	4700936636	1	. Retaining ring	
23	4700936637	1	. Retaining ring	
24		2	. Pin	

1) Includes in seal kit

4700936609 Valve block, cpl

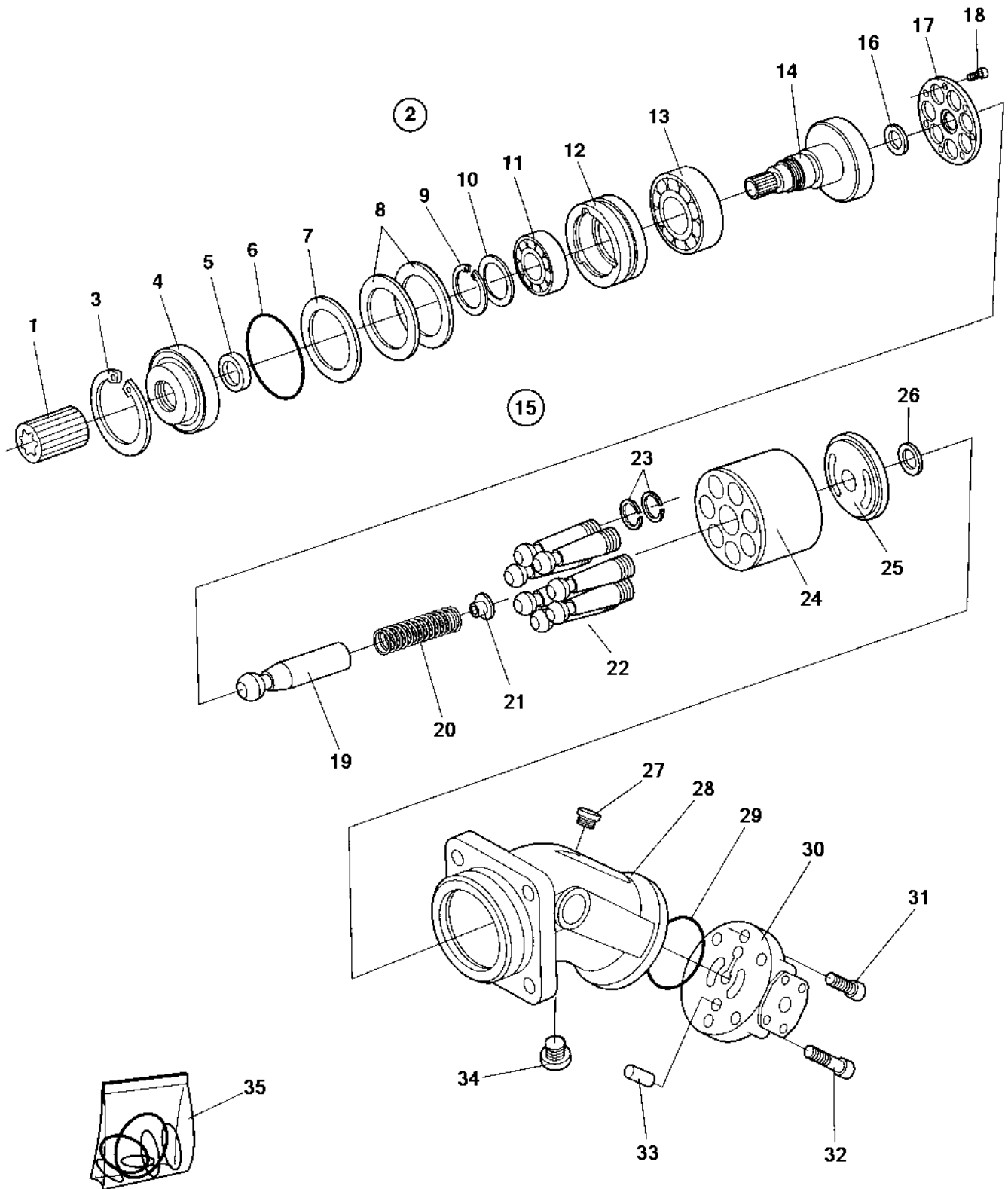


4700936609 Valve block, cpl

Item	Part No	Rem Qty	Description	Code
1		1	Valve block, cpl	
2		2	. Pressure relief valve, cpl 310 bar	
	4700935172	2	. Pressure relief valve 350 bar	D
	4700936657	2	. Pressure relief valve 380 bar	
	4700937240	2	. Pressure relief valve 440 bar	
	4700950635	1	. Pressure relief valve 430 bar	
10	4700902814	1	. . O-ring	D
11	4700936673	1	. . Back-up ring	
12	4700936659	1	. Pressure override valve, cpl	
22	4700902783	1	. . O-ring	D
24	4700936394	1	. . O-ring	
25	4700936658	1	. Locking set	
26	4700902814	1	. O-ring	D
27	4700936660	B	. Port plate	
	4812155764	1	. Port plate	D
28		1	. Pin	
29	4700936661	1	. Bushing	
30	4700936662	1	. Bearing bush	
31	4700936663	4	. Screw	
32	4700936664	2	. Pin	
33	4700936665	1	. O-ring	
34	4700909514	3	. Double break-off pin	
35	4700936370	1	. Locking screw	
36	4700909469	1	. O-ring	
37	4700902625	1	. Plug	
38		1	. Pin	
39	4700902625	1	. Plug	
40	4700902811	1	. Plug	D
41	4700936304	1	. Locking screw	
42	4700936305	1	. O-ring	
43	4700902697	1	. Screw	
44	4700936613	1	. Locking screw	
45	4700936614	1	. Plug	
46	4700936313	1	. Orifice	
50	4700936370	1	. Locking screw	
	4700935212	A	. Pin	

- 1) Includes in seal kit
- A) Used with item 27, P/N 4812155764.
- B) Replaced by P/N 4812155764.
- D)

4700380146 Hydraulic motor, vibration

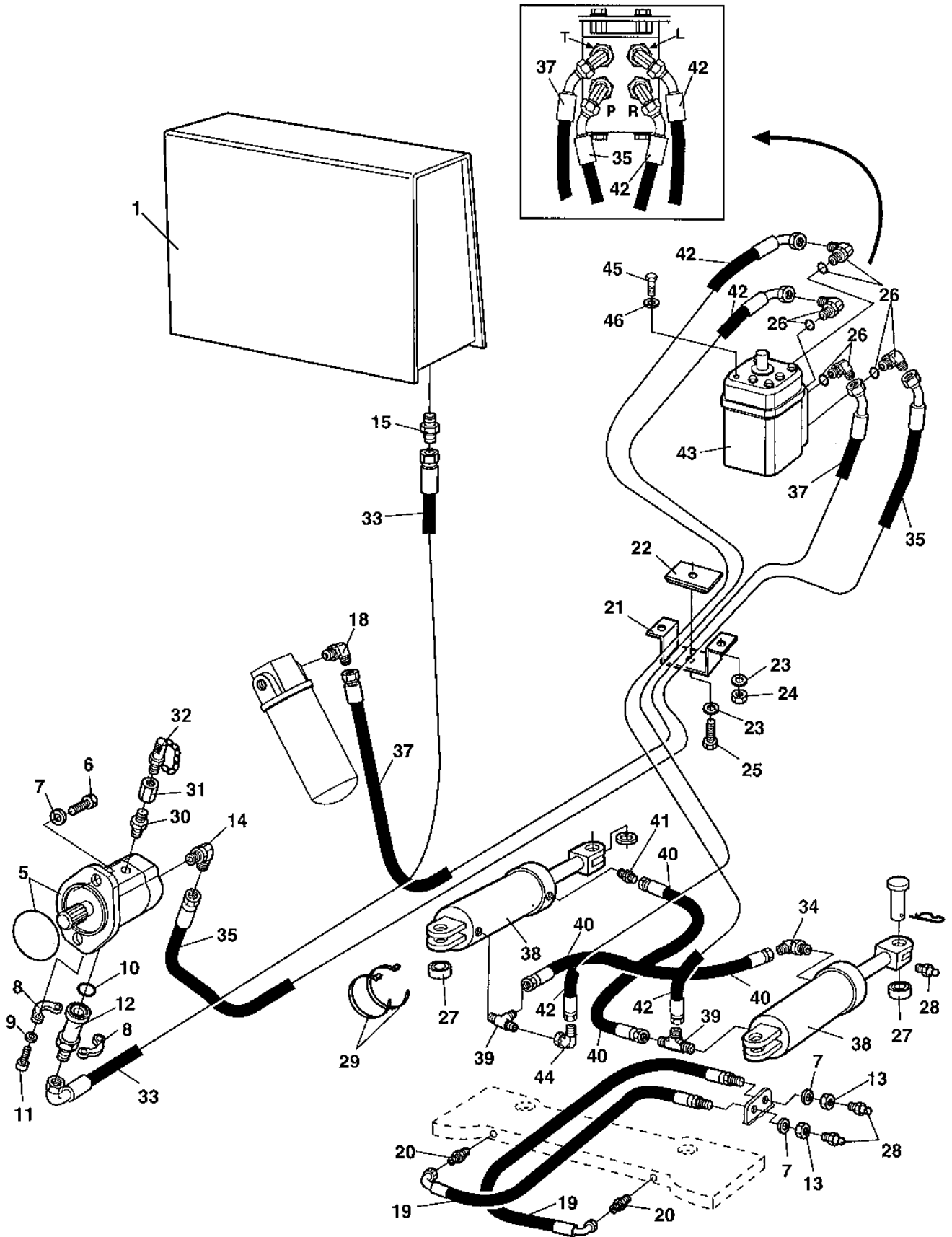


4700380146 Hydraulic motor, vibration

Item	Part No	Rem Qty	Description	Code
1	4700340863	1	. Splined sleeve	D
2	4700380079	1	. Hydraulic motor, vibration	C
3		1	.. Snap ring	
4	4812156092	1	.. Cover	
5	4700945880	1	.. Seal ring	D
6		1	.. O-ring	
7	4700902265	1	.. Shim T=0,3 mm	D
8	4700902264	2	.. Shim T=0,1mm	D
9		1	.. Retaining ring	
10		1	.. Back-up plate	
11	4700902261	1	.. Bearing	D
12		1	.. Bearing ring	
13	4700902260	1	.. Bearing	D
14		1	.. Shaft	
15		1	. Rotary group, hydraulic section	
16		1	.. Washer	
17		1	.. Retaining plate	
18		7	.. Screw	
19		1	.. Pin	
20		1	.. Spring	
21		1	.. Spring collar	
22		7	.. Piston	
		1	... Piston	
23		2	... Sealing ring	
24		1	.. Cylinder	
25		1	.. Pressure plate	
26		1	.. Washer	
27		1	.. Screw	
28		1	.. Housing	
29		1	.. O-ring	
30		1	.. Plate	
31		2	.. Screw	
32		4	.. Screw	
33		1	.. Pin	
34	4700937259	1	.. Screw	
35	4700937675	1	Seal kit	

- 1) Included in seal kit, item 34
 C)
 D)

Steering system



Steering system

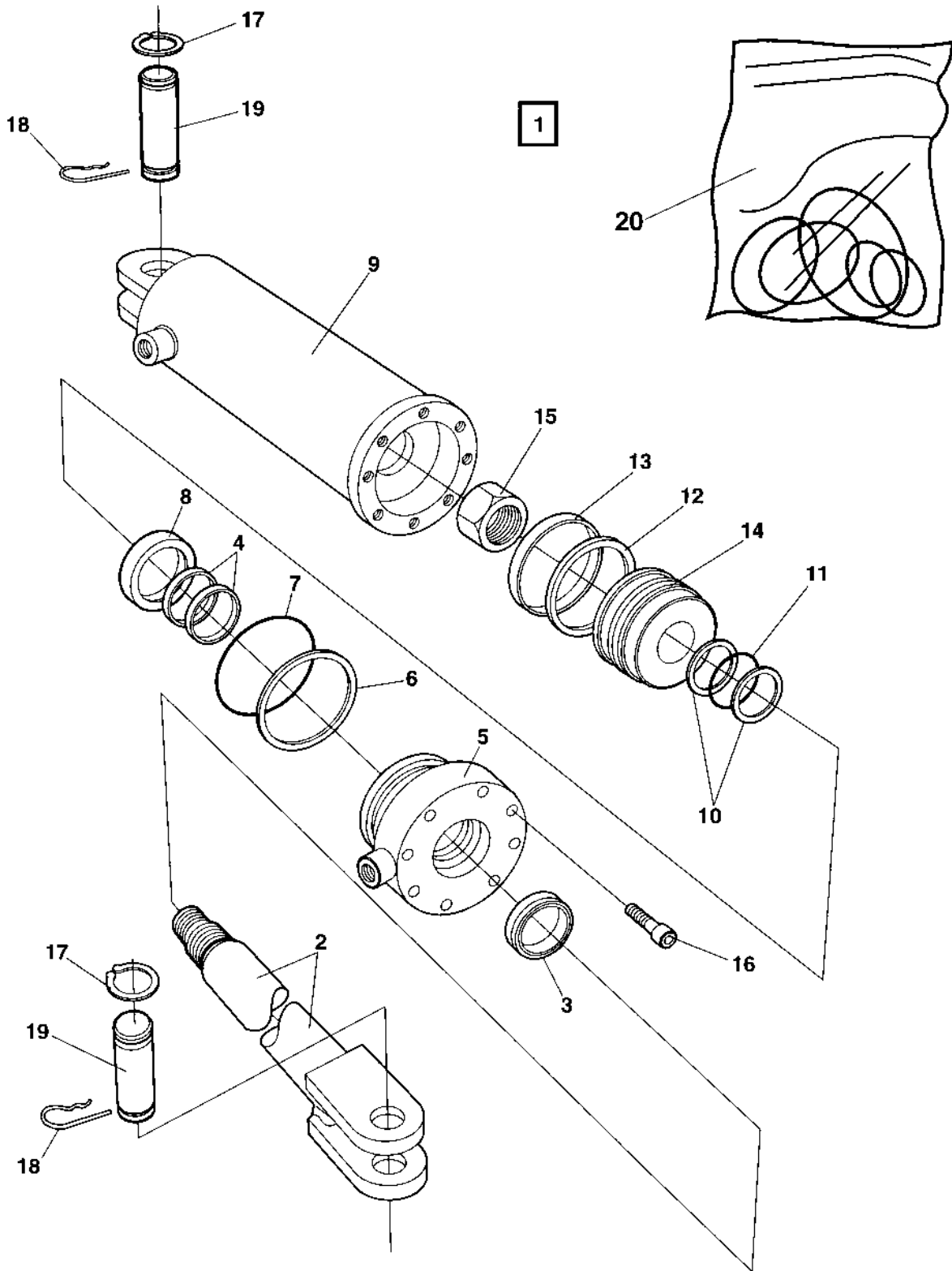
Item	Part No	Rem Qty	Description	Code
1			Hydraulic oil tank	
5	4700394902	1	Hydraulic pump	C
	4700937055	1	. O-ring	D
6	4700500133	2	Screw	C
7	4700904231	4	Washer 13x24x2 300 HV	C
8	4700232097	2	Flange half	C
9	4700904637	4	Washer	C
10	4700904005	1	O-ring	
11	4700508029	4	Screw M10-1,5x30H 8,8	C
12	4700372625	1	Connector	C
13	4700903831	2	Nut	C
14	4700334558	1	Elbow 90G with O-ring	
15	4700234626	1	Adapter	
17	4700570006	4	Hexagon nut M	B
18	4700929123	1	Elbow 90, O-ring	
19	4700903812	2	Hydraulic hose	C
20	4700371669	2	Straight connector	C
21	4700372513	1	Hose clamp	
22	4700372514	1	Hose clamp	
23	4700904229	3	Steel plain washer	C
24	4700586003	2	Lock nut M	C
25	4700500023	1	Hexagon head screw M	C
26	4700813444	4	Elbow 90, O-ring	
27	4700813316	4	Ball bushing	C
28	4700926214	4	Grease fitting	C
29	4700313102	N	Cable ties	
30	4700334199	1	Straight o-ring connector	C
31	4700338304	1	Connector	C
32	4700910161	1	Measuring nipple	C
33	4700483049	1	Hydraulic hose	D
34	4700813500	1	Elbow 45, O-ring	
35	4700483697	1	Hydraulic hose	D
37	4700483498	1	Hydraulic hose	
38	4700392027	2	Steering cylinder (Page 122)	
39	4700234218	2	Tee-connector	
40	4700483109	2	Hydraulic hose	
41	4700334121	1	Straight connector	
42	4700483497	2	Hydraulic hose	
43	4700376000	1	Steering valve (Page 124)	
44	4700234662	1	Elbow 45	
45	4700502034	4	Screw UNC 3/8 - 16	D
46	4700600008	4	Washer	

B)

C)

D)

4700392027 Steering cylinder

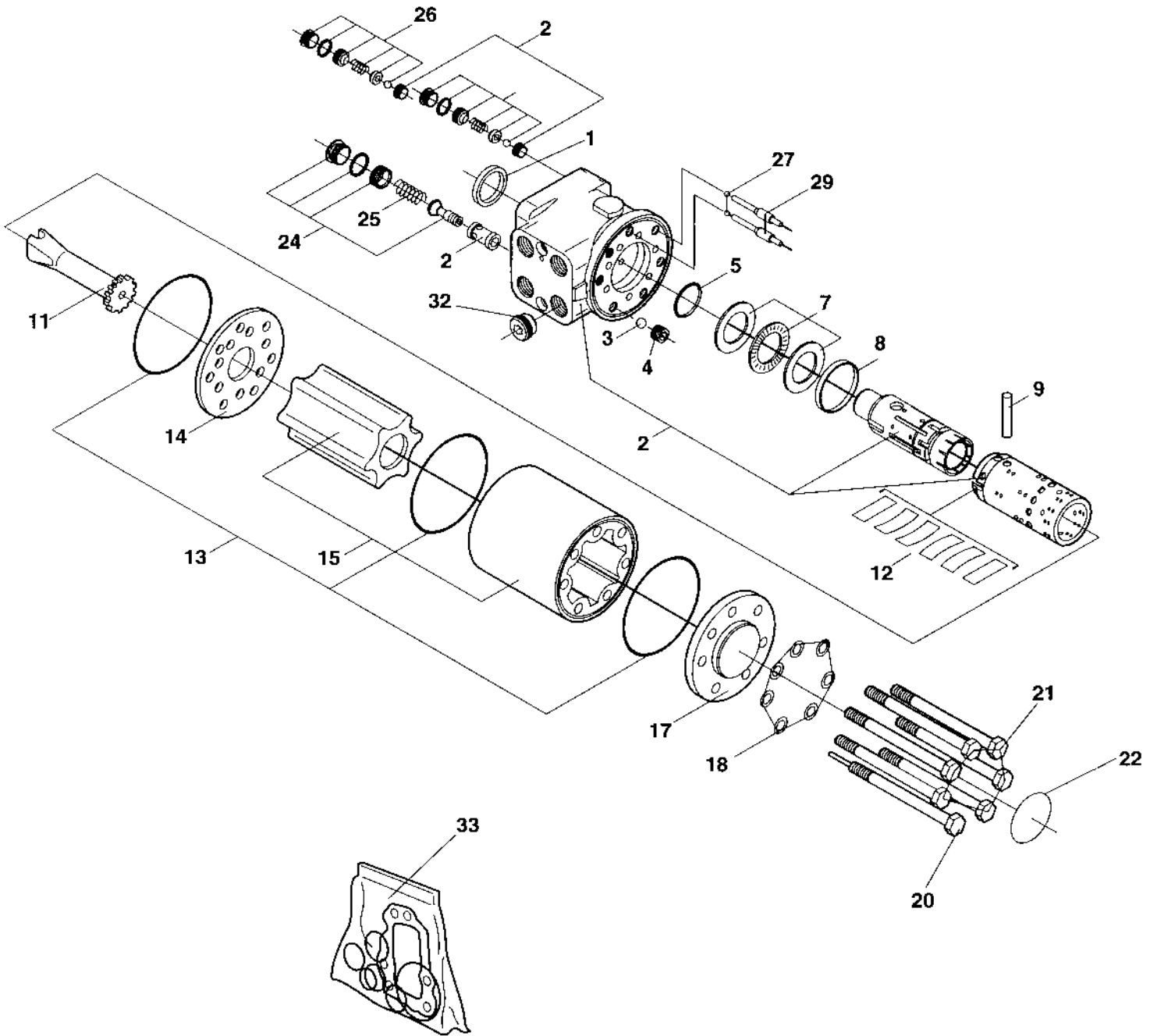


4700392027 Steering cylinder

Item	Part No	Rem	Qty	Description	Code
1	4700392027		1	Steering cylinder (Page 122)	
2	4700392110		1	. Piston rod	D
3		A	1	. Shear wiper	
4		A	2	. Guide ring	
5			1	. Guide	
6		A	1	. Back-up ring	
7		A	1	. O-ring	
8		A	1	. Piston rod seal	
9			1	. Cylinder tube	
10		A	2	. Back-up ring	
11		A	1	. O-ring	
12		A	1	. Piston seal	
13		A	1	. Guide ring	
14			1	. Piston block	
15	4700392109	A	1	. Lock nut	D
16	4700904385		8	. Screw	
17	4700392107		2	. Snap ring	D
18	4700635061		2	. Hair clip	B
19	4700392108		2	. Shaft	C
20	4700392106		1	Seal kit	D

- A) Includes in seal kit item 20.
- B)
- C)
- D)

4700376000 Steering valve

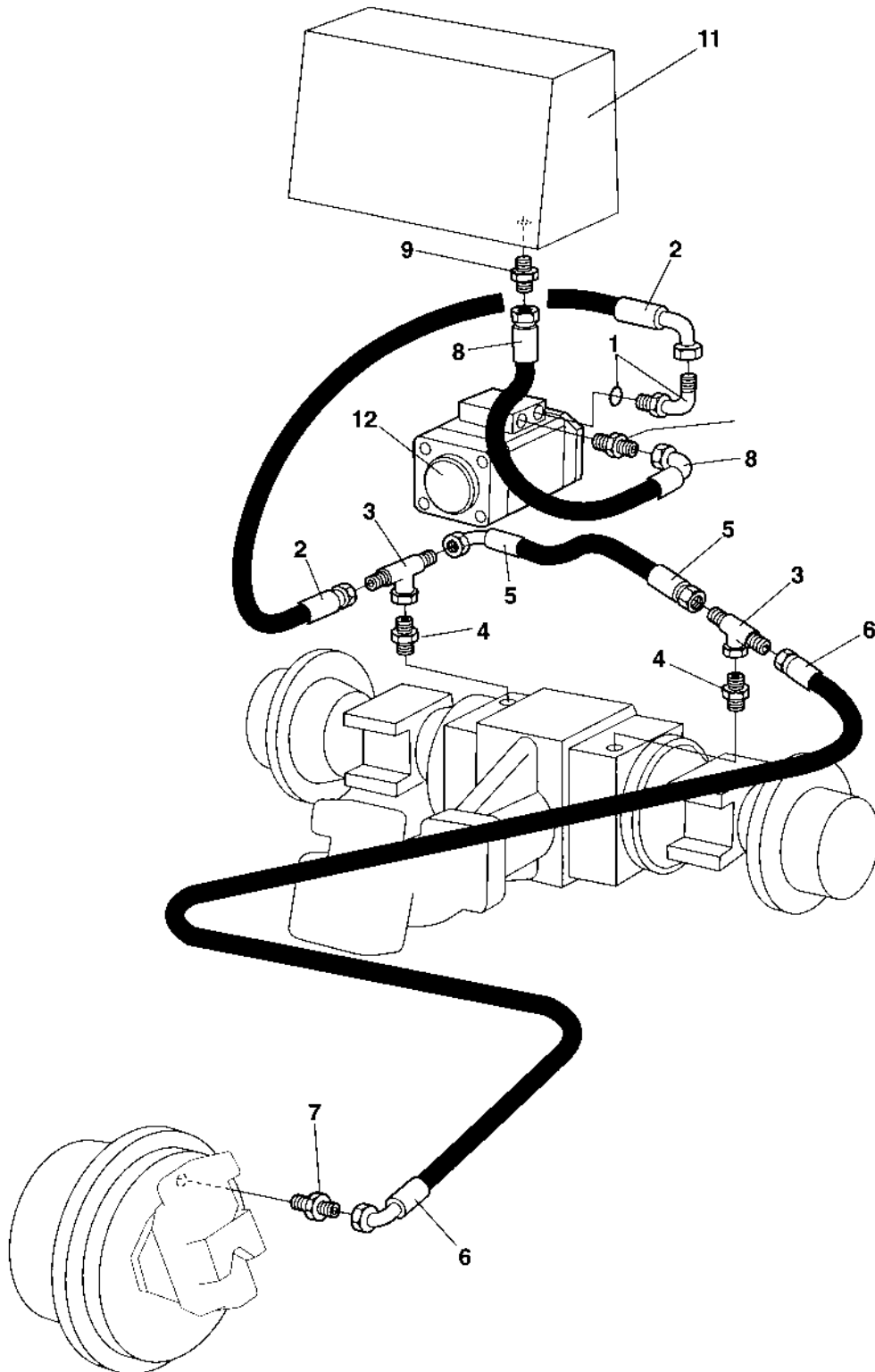


4700376000 Steering valve

Item	Part No	Rem	Qty	Description	Code
1	4700938062	A	1	Dust seal ring	
2		1	1	Housing, spool and sleeve	
3		1	1	Ball	
4		1	1	Threaded bushing	
5	4700908780	A	1	O-ring	D
7		1	1	Bearing	
8		1	1	Ring	
9		1	1	Cross pin	
11		1	1	Cardan shaft	
12		1	1	Set of springs	
13	4700938068	A	3	O-ring	
14		1	1	Valve plate	
15		1	1	Gear wheel set	
17		1	1	End cover	
18	4700938070	A	7	Washer	
20		1	1	Screw with pin	
21		1	6	Spring washer	
22		1	1	Plate	
24		1	1	Pressure relief valve	
25		1	1	Spring	
26		1	2	Shock valve	
27		1	2	Ball	
29		1	2	Rolled pin	
32		1	1	Check valve	
33	4700935429		1	Seal kit	

- 1) Not available as single Spare Part.
- A) Included in seal kit, item 33
- D)

Brake system

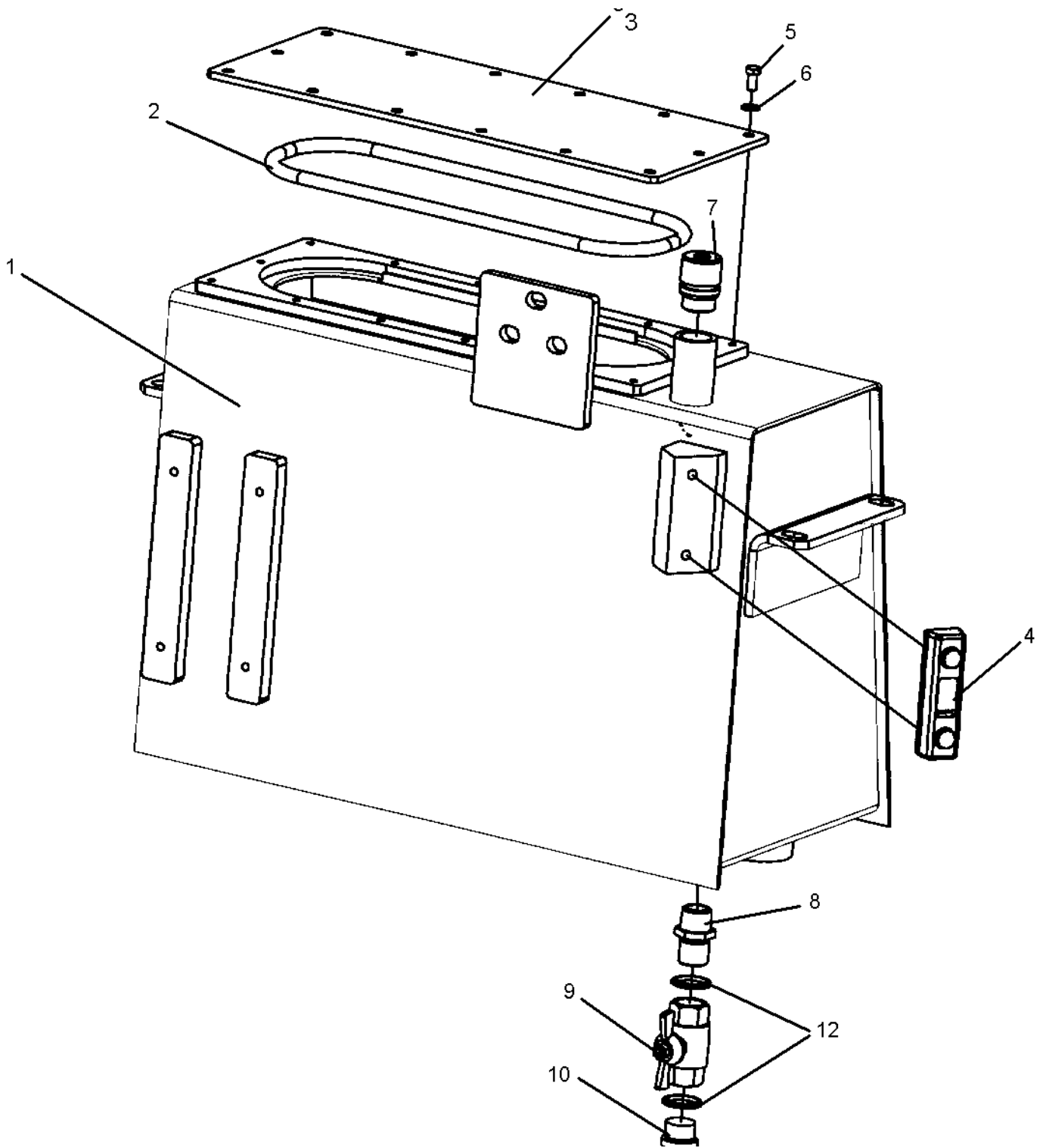


Brake system

Item	Part No	Rem Qty	Description	Code
1	4700334389	1	Connector	D
2	4700482056	1	Hydraulic hose	D
3	4700234888	2	Tee-connector	D
4	4700900552	2	Adapter	C
5	4700482399	1	Hydraulic hose	D
6	4700483040	1	Hydraulic hose	D
7	4700925723	1	Connector	C
8	4700482516	1	Hydraulic hose	D
9	4700334205	1	Straight connector	D
10	4700234843	1	Adapter	
11		1	Hydraulic oil tank	
12		1	Propulsion pump	

C)
D)

Hydraulic oil tank

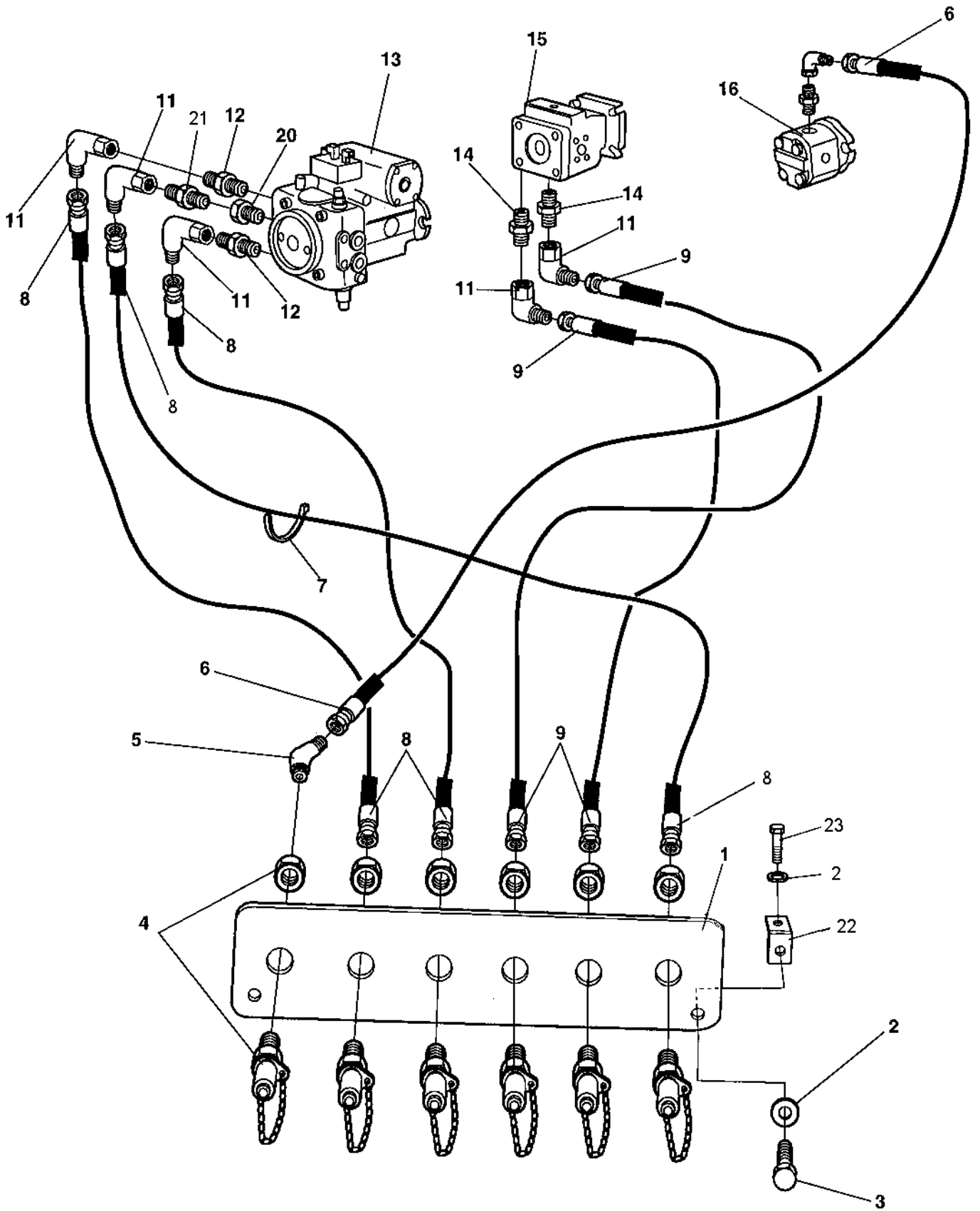


Hydraulic oil tank

Item	Part No	Rem Qty	Description	Code
1	4700372044	1	Hydraulic oil tank, cpl	D
2	4700372029	1	. Hydraulic oil tank	D
3	4700349880	1	. O-ring	
4	4700349879	1	. Cover	
5	4700989151	1	. Oil level glass	D
6	4700500019	14	. Hexagon head screw M	C
7	4700904229	14	. Steel plain washer	C
8	4700357138	1	. Ventilating filter	A
9	4700791119	1	. Adapter G3/4	
10	4700233304	1	. Ball valve	
11	4700232039	1	. Plug G3/4	
12	4700791120	2	. Sealing washer	
13	4700500192	4	Hexagon head screw M	C
14	4700904567	4	Steel plain washer	
16	4700570006	4	Hexagon nut M	B

- A)
- B)
- C)
- D)

Central test panel hydraulic Option



Central test panel hydraulic Option

Item	Part No	Rem Qty	Description	Code
1	4700374028	1	Test panel	D
2	4700904229	4	Steel plain washer	C
3	4700500053	2	Hexagon head screw M	C
4	4700356348	6	Measuring nipple	D
5	4700234622	1	Elbow 45	C
6	4700483204	1	Hydraulic hose	D
7	4700313102	N	Cable ties	
8	4700483445	3	Hydraulic hose	D
9	4700483188	2	Hydraulic hose	D
11	4700334196	5	Elbow 90	C
12	4700902125	2	Connector	
13		1	Vibration pump	
14	4700234388	2	Connector	C
15		1	Propulsion pump	
16		1	Steering pump	
20	4700334523	1	Reducing	C
21	4700334463	1	Connector	C
22	4700908136	2	Bracket	D
23	4700500018	2	Hexagon head screw M	C

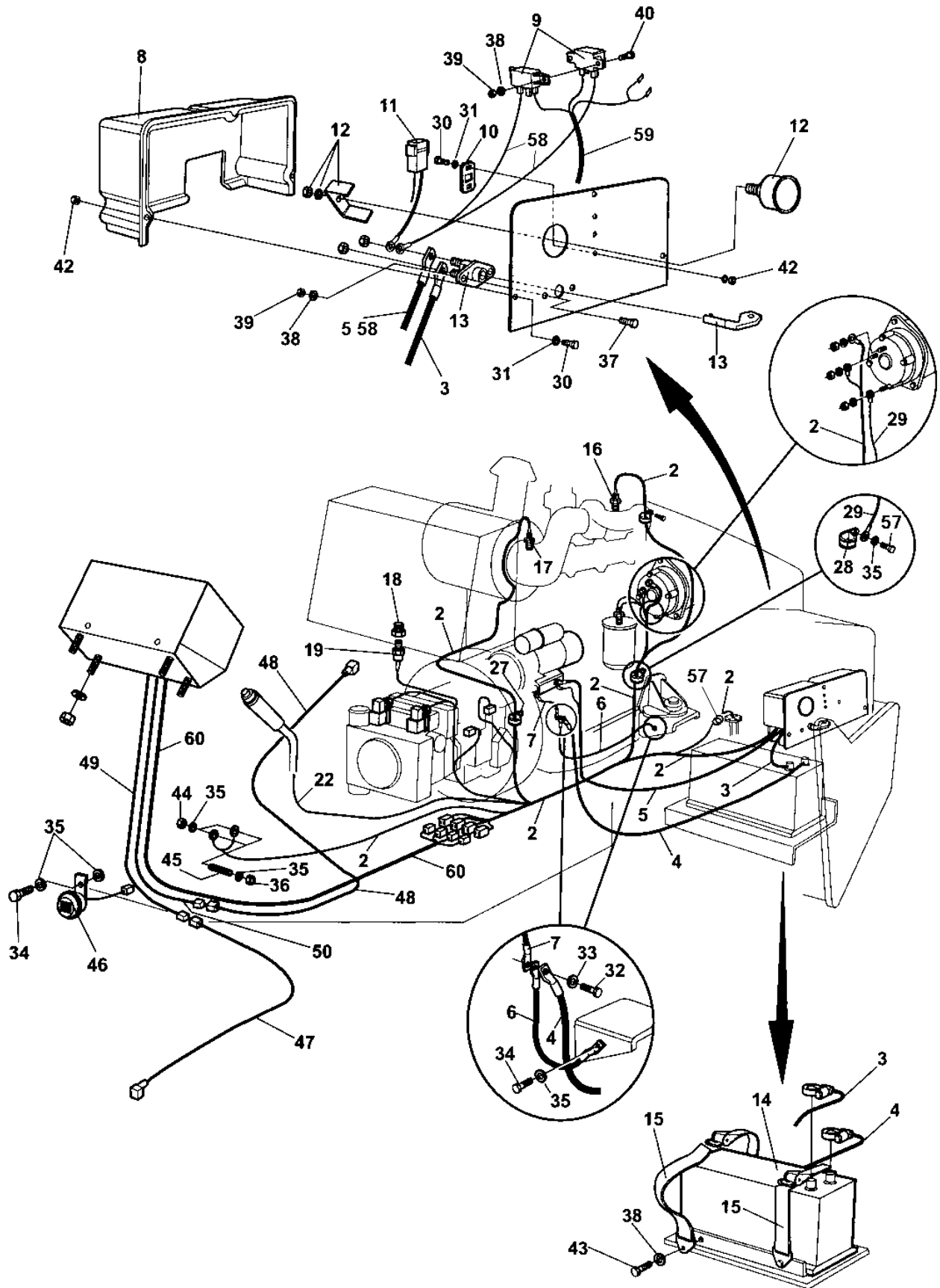
C)
D)

Electrical equipment

Electrical equipment

Item	Part No	Rem Qty	Description	Code
10			Electric system (Page 134)	
20			Control panel (Page 136)	
30			Working lights Option (Page 138)	
70			Rotating beacon Option (Page 140)	

Electric system



Electric system

Item	Part No	Rem	Qty	Description	Code
1			1	Control panel	
2	4812112944	A	1	Cable harness Up to ECN 11301	D
	4812115855	A	1	Cable harness From ECN 11301	
3	4700791503		1	Battery cable	C
4	4700791511		1	Battery cable	D
5	4700792052		1	Connection cable coarse	D
6	4700791510		1	Connection cable coarse	D
7	4700791595		1	Connection cable coarse	D
8	4700373891		1	Protection cover	
9	4700904448		2	Relay	A
10	4700904036		1	Fuse holder	
11	4700904037		1	Fuse 30A	A
12	4700801567		1	Hour meter	D
13	4700903640		1	Battery switch	D
	4700903641		1	. Key	D
14	4700792682		1	Battery	D
15	4700791371		2	Strap Up to 0C000365	D
	4700389662		2	Strap From 0C000366	
16	4700903632		1	Temperature sensor Engine	
17	4700929023		1	Indicator	B
18	4700813434		1	Reducer	
19	4700903631		1	Temperature sensor Hydraulic oil	D
22	4700357583		1	Cable harness	D
27	4700921104		1	Clamp	C
28	4700921116		1	Clamp	
29	4700792277		1	Connection cable	D
30	4700500060		5	Screw M5-0,8x20 8.8	
31	4700904281		5	Washer 5,3x10x1 300HV	C
32	4700500035		1	Screw M12x020H	
33	4700904638		1	Washer 12x22x2	C
34	4700500053		2	Hexagon head screw M	C
35	4700904229		8	Steel plain washer	C
36	4700570005		2	Nut M8	C
37	4700500040		2	Screw M6-1x20 8,8	C
38	4700904639		8	Washer 6,7x14x1,5 Up to 0C000365	C
	4700904639		4	Washer 6,7x14x1,5 From 0C000366	C
39	4700902285		4	Hexagon lock nut with flange	C
40	4700500075		2	Screw M6-1,0x25 8.8	C
41	4700387397		1	Bracket	D
42	4700902284		5	Nut M5	C
43	4700500012		4	Screw M6x12 Up to 0C000365	C
44	4700902286		2	Hexagon lock nut with flange	C
45	4700903768		2	Threaded stud	
46	4700999027		1	Horn	B
47	4700380549	B	1	Cable harness	D
48	4700380577	C	1	Cable harness	D
49	4700380699	D	1	Cable harness	D
50	4700380700	E	1	Cable harness	D
56	4700500021		1	Screw M8-1,25x25 8.8	C
57	4700921072		1	Clamp	
58	4700387427		1	Cable harness	D
59	4700387554		1	Cable harness	D
60	4700380281	F	1	Cable harness	D

A) Main Cable harness.

B) Drum drive.

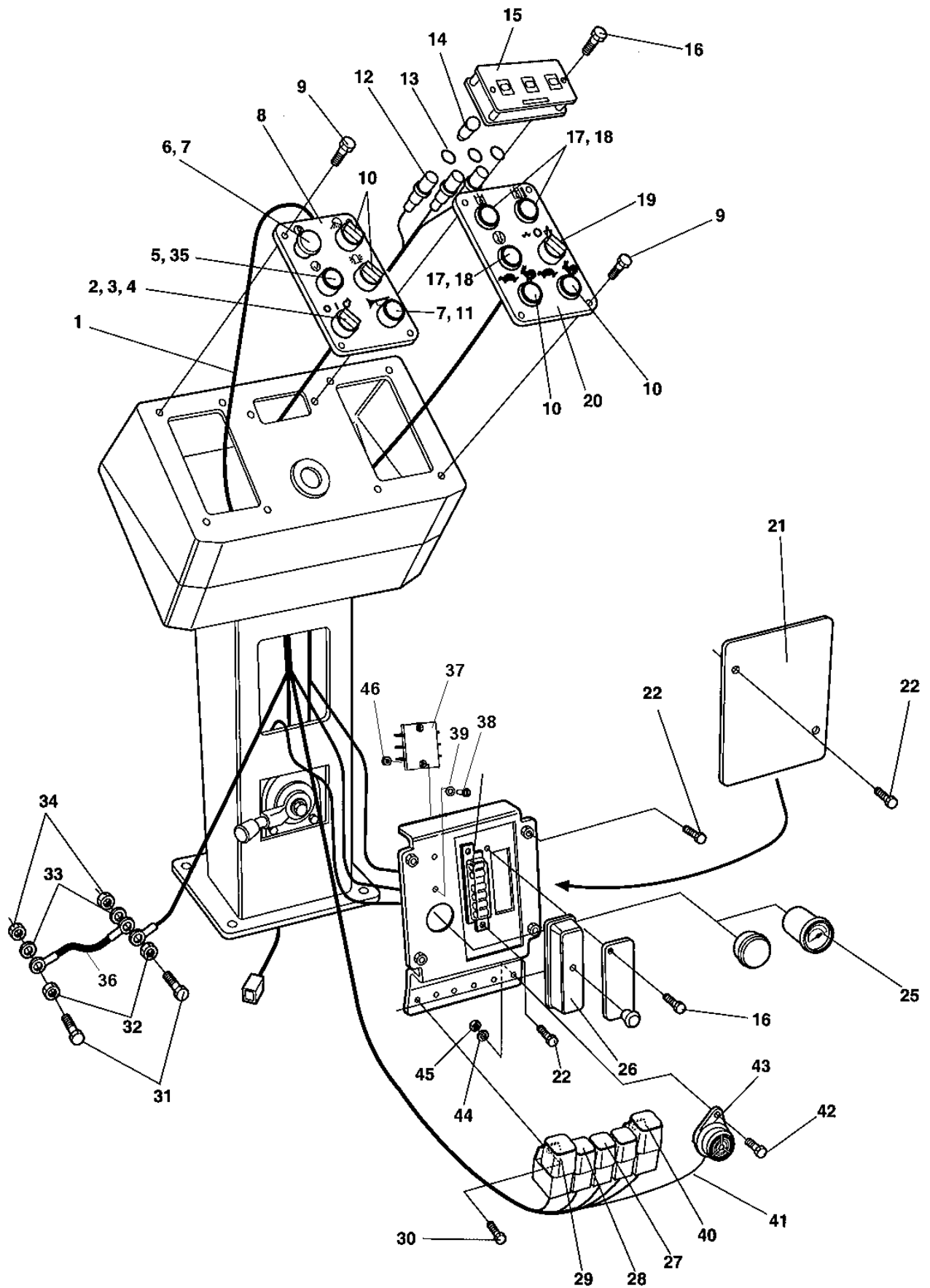
C) Rear axle.

D) Control panel, Drum drive

E) Control panel, Rear axle.

F) Main harness, control panel.

Control panel

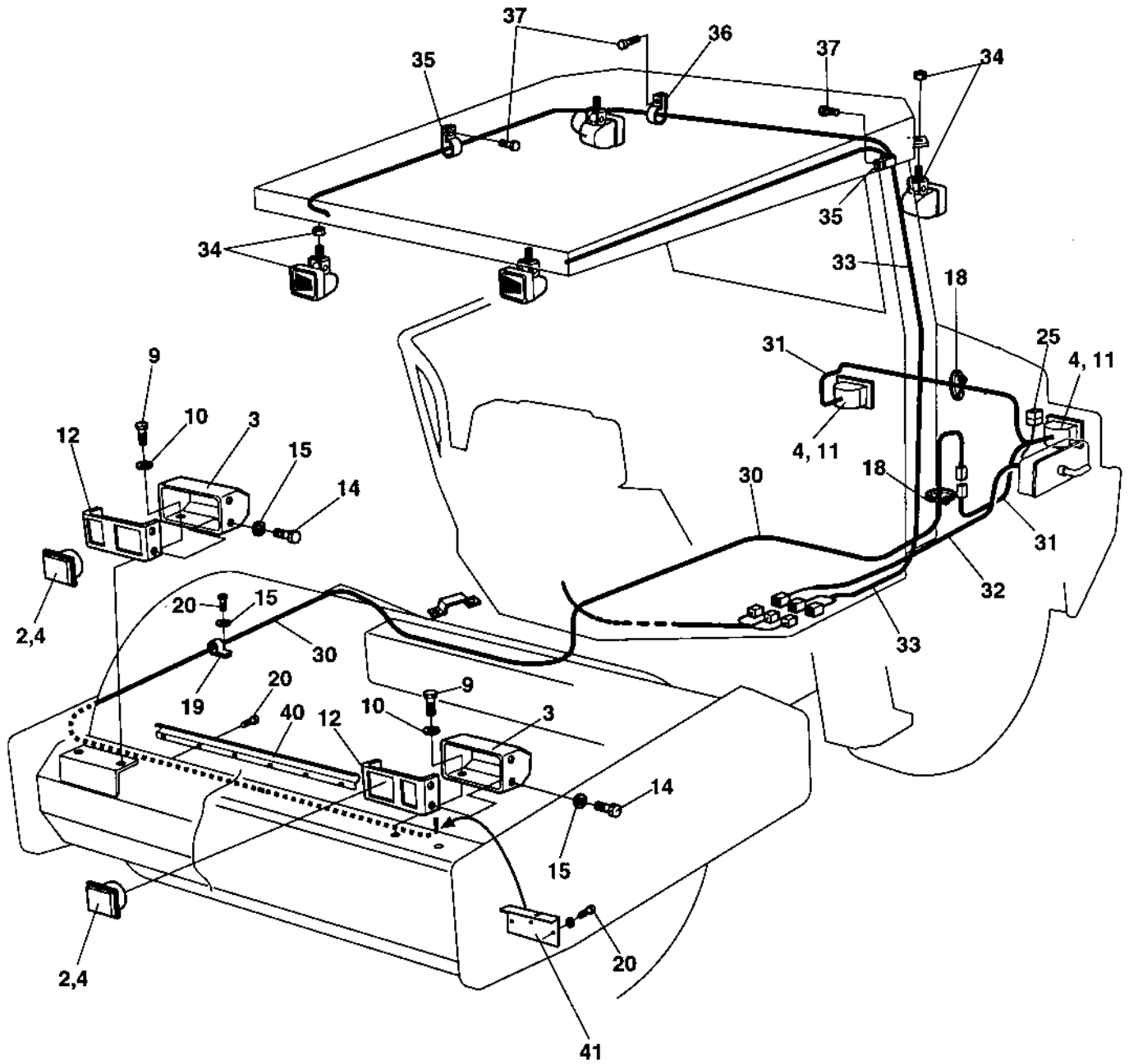


Control panel

Item	Part No	Rem	Qty	Description	Code
1	4700387418		1	Cable harness	D
2	4700791489	1	1	Switch	B
3	4700930154		1	Contact piece, NC	B
4	4700930198		1	Contact block	
	4700903875		1	. Flange with light	C
5	4700932032		1	Push button	B
6	4700930200		1	Emergency stop	B
7	4700930163		6	Contact piece, NO	B
8	4700380278		1	Control panel, left	D
9	4700902224		8	Screw M6x10	
10	4700911456		4	Hole plug	C
11	4700932032		1	Push button	B
12	4700902225		3	Lamp socket 2-POL	D
13	4700160269		3	O-ring	D
14	4700985125		3	Bulb 12V	B
15	4700357585		1	Display panel	D
16	4700901767		6	Screw ST3,5x9,5 Black	
17	4700985146		3	Pilot lamp cpl Red	B
18	4700985012		3	Bulb 2w	B
19	4700930153		1	Switch	D
20	4700380277		1	Control panel, right	D
21	4700371344		1	Cover	D
22	4700541702		6	Screw M6x12	C
23	4700371326		1	Distribution control plate	D
24	4700901226		4	Fuse 7.5A	
25	4700355263		1	Fuel gauge	B
26	4700903820		2	Fuse box	D
	4700901240		6	Connector	B
27	4700287597		1	Relay	D
28	4700287598		1	Relay 12V-30A	A
29	4700382782		1	Relay, VBS	A
30	4700902223		4	Screw	D
31	4700500075		2	Screw M6-1,0x25 8.8	C
32	4700586002		2	Lock nut M6 -8	
33	4700904228		2	Washer 6,4x12x1,5	C
34	4700570004		2	Nut M6X1,00 -8 A2K	
35	4700930163		1	Contact piece, NO	B
36	4700903970		1	Cable	B
37	4700903625		1	Junction block	C
38	4700533013		2	Screw M4x20	
39	4700904698		2	Washer 4,3x8x0,8	C
40	4700904846	A	1	Delay relay	A
41	4700387728	A	1	Cable harness	D
42	4700533070	A	1	Screw	D
43	4700355301	A	1	Buzzer	B
44	4700904281	A	2	Washer 5,3x10x1 300HV	C
45	4700586001	A	1	Lock nut	
46	4700923976		2	Nut	C

- 1) Ignition, Green
A) Interlock, Option
A)
B)
C)
D)

Working lights Option



Working lights Option

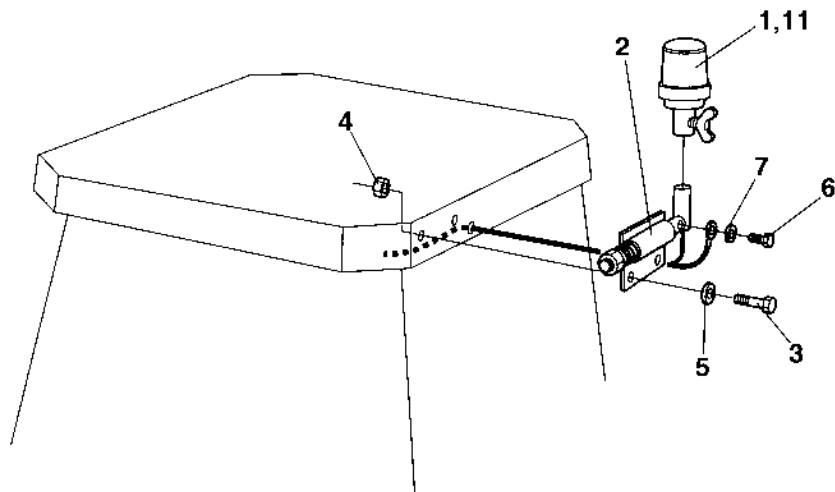
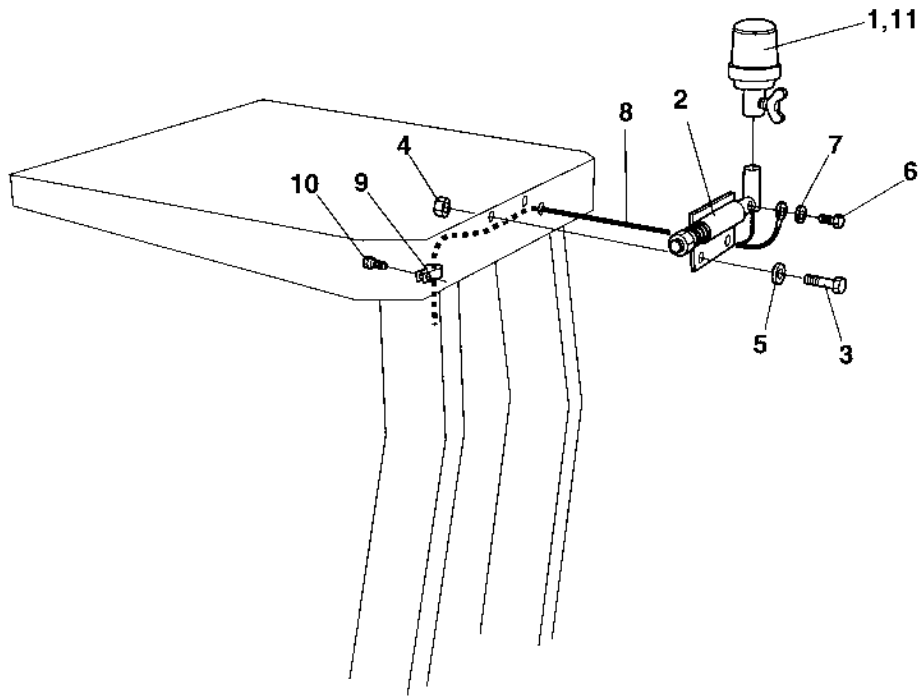
Item	Part No	Rem Qty	Description	Code
2	4700902227	2	Work light	B
3	4700374029	2	Lamp shield	D
4	4700901369	4	Bulb 55w H3	B
9	4700500043	6	Screw M10x16H 8,8	D
10	4700904230	6	Steel plain washer	C
11	4700904314	2	Work lamp	B
12	4700374030	2	Bracket	D
14	4700500040	8	Screw M6-1x20 8,8	C
15	4700904228	13	Washer 6,4x12x1,5	C
18	4700925802	N	Cable ties L=142 mm	C
19	4700921039	8	Pipe clamp	
20	4700500012	8	Screw M6x12	C
25	4700904038	1	Fuse 40A	
30	4700373184	1	Cable harness	D
31	4700387419	1	Cable harness	D
32	4700373184	1	Cable harness	D
33	4700372758	1	Cable harness	D
34	4812110216	4	Work lamp	C
	4700904230	4	Steel plain washer	C
	4700586018	4	Hexagon lock nut M10	C
35	4700921039	10	Pipe clamp	
36	4700921031	3	Clamp	C
37	4700541702	13	Screw M6x12	C
40	4700381462	1	Rubber hose	D
41	4700384163	2	Protection	D

B)

C)

D)

Rotating beacon Option



Rotating beacon Option

Item	Part No	Rem	Qty	Description	Code
1	4700999011	1	1	Rotating beacon	B
2	4700358452		1	Lamp holder	D
3	4700500021		2	Screw M8-1,25x25 8.8	C
4	4700586003		2	Lock nut M	C
5	4700904229		2	Steel plain washer	C
6	4700500013		1	Screw M6-1x16 8,8	C
7	4700904228		1	Washer 6,4x12x1,5	C
8	4700374398		1	Cable harness	D
9	4700921039		1	Pipe clamp	
10	4700541702		1	Screw M6x12	C
11	4700389577	2	1	Rotating beacon 12V	B

1) Is replaced by item 11, P/N 4700389577

2) Replaces item 1, P/N 4700999011

B)

C)

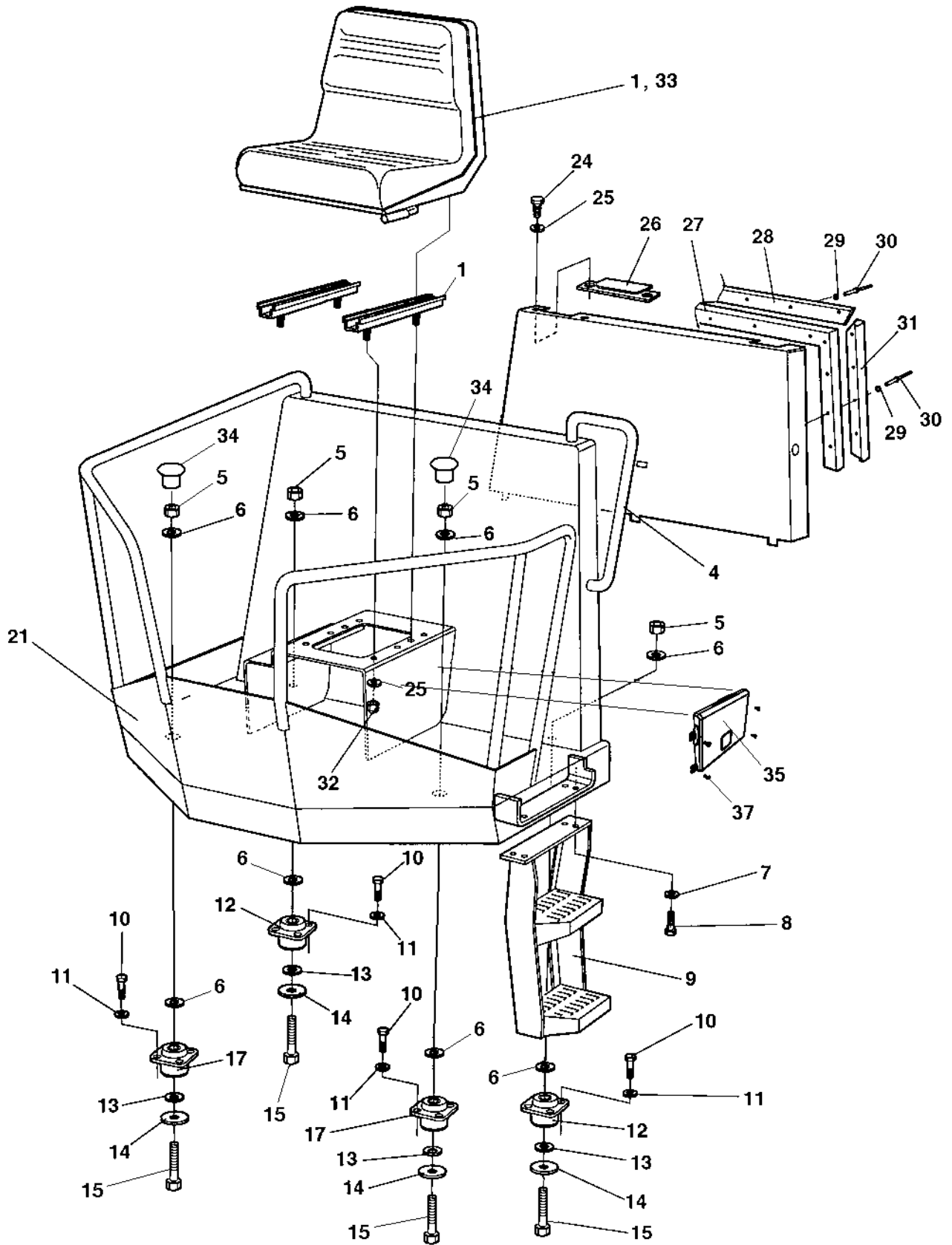
D)

Drivers platform

Drivers platform

Item	Part No	Rem Qty	Description	Code
10			Drivers platform (Page 144)	
20			Control panel (Page 146)	
30			Throttle control (Page 148)	
40			Forward and reverse control (Page 150)	
52			Steering column (Page 152)	
100			Canopy Option (Page 154)	
110			Rops and fops (Page 156)	
120			Cab mounting (Page 158)	
130			Cab Screens (Page 160)	
140			Cab Door, left side (Page 164)	
150			Cab Interior rear mirror (Page 166)	
160			Cab Exterior, rear mirror (Page 168)	
170			Wiper arm with blade, front (Page 170)	
180			Cab Work light (Page 172)	
190			Cab Electric (Page 174)	

Drivers platform

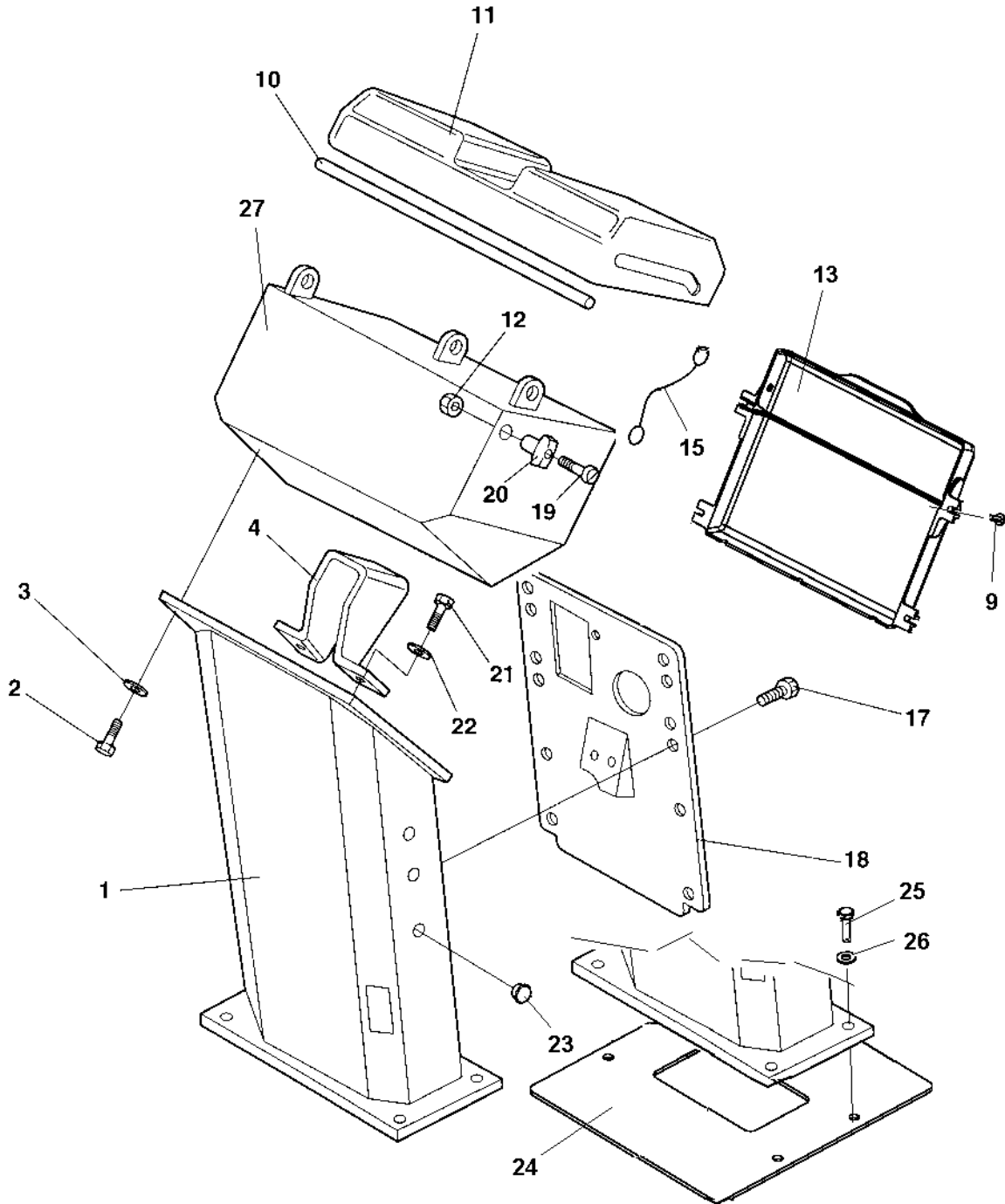


Drivers platform

Item	Part No	Rem	Qty	Description	Code
1	4700377556		1	Drivers seat, cpl	
	4812114466		1	Drivers seat, cpl	
	4700379636		1	. Seat switch	
	4700377518	A	1	Drivers seat, cpl	D
	4700945622		1	. Seat switch	B
	4700348331		1	Seat cover	D
4	4700380123	F	1	Grab handle	D
5	4700901145		4	Lock nut M20-10	
6	4700904233		8	Washer 21x36x3	C
	4700904233		4	Washer 21x36x3	C
7	4700904230		8	Steel plain washer	C
8	4700500029		4	Hexagon head screw	C
9	4700376252		1	Step	D
10	4700500195		16	Screw	
11	4700904231		16	Washer 13x24x2 300 HV	C
12	4700372757		2	Shock absorber	D
13	4700903290		4	Washer 21x36x6	
	4700903290		8	Washer 21x36x6	
14	4700347512		4	Washer	
15	4700500210		4	Screw M20-2,5x100 8.8	
	4700500211		4	Screw	C
16	4700374471		4	Spacer	D
17	4700373400		2	Shock absorber	D
21	4700380113		1	Platform	
24	4700500053		4	Hexagon head screw M	C
25	4700904229		8	Steel plain washer	C
26	4700380727		2	Cover	D
27	4700372494	E	1	Rubber strip	D
28	4700372785		1	List	D
29	4700927974		13	Washer	C
30	4700904433		13	Blind rivet	
31	4700382582		2	List	D
32	4700570003		4	Nut M5	C
33	4700379636	H	1	Seat switch	
	4812155075	I	1	Seat switch	B
34	4700902203		2	Plug	
35				Not used on this model	
37				Not used on this model	

- A) Option
E) L=2,4 M
F) Welded with platform 4700380113.
H) With bayonet fitting.
I) With screws.
B)
C)
D)

Control panel

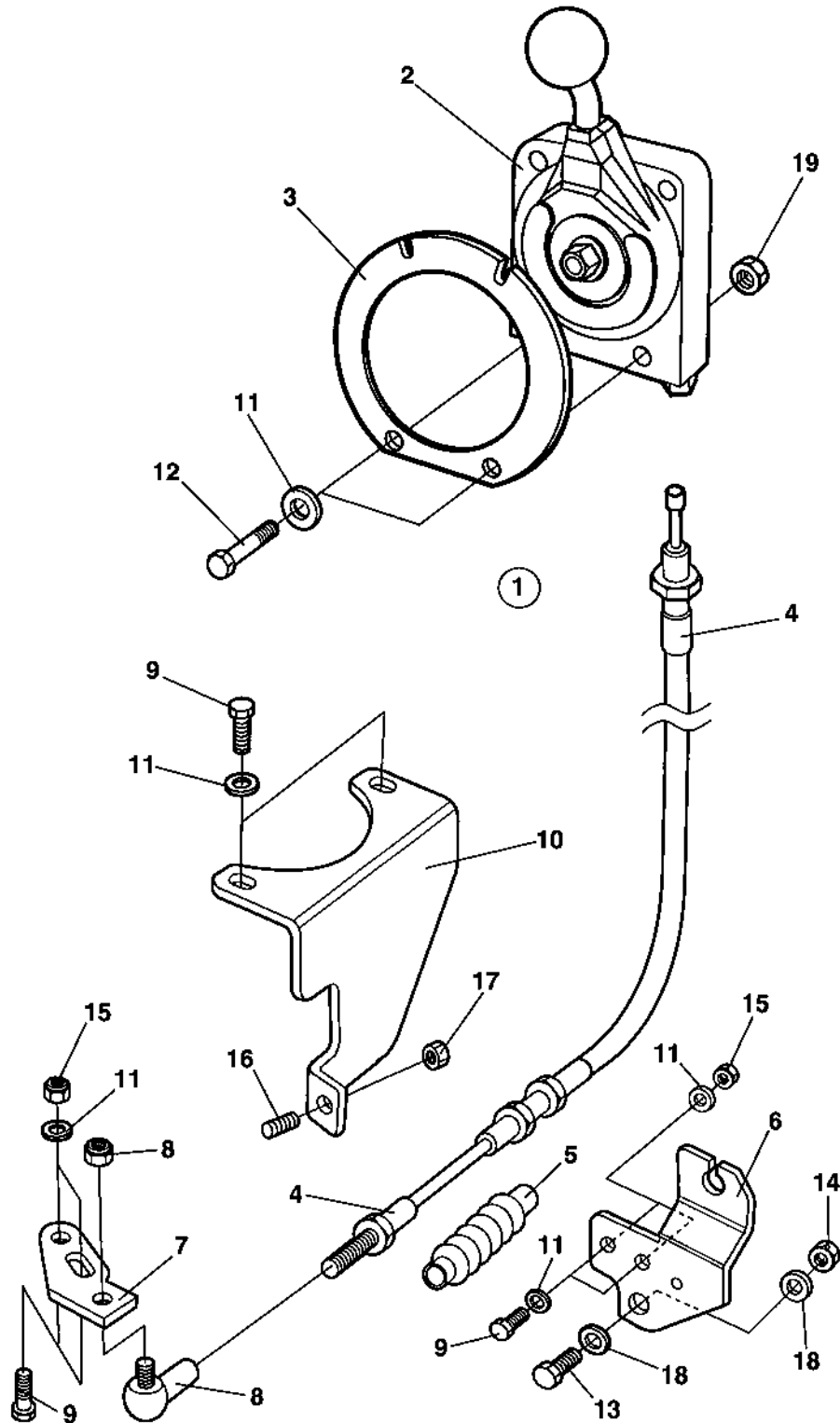


Control panel

Item	Part No	Rem Qty	Description	Code
1	4700358142	1	Control panel	D
2	4700500040	4	Screw M6-1x20 8,8	C
3	4700904228	4	Washer 6,4x12x1,5	C
4	4700357316	1	Bracket	D
9	4700791226	4	Screw	C
10	4700902379	A	Edge trim	
11	4700357424	1	Cover	D
	4700358881	1	Pad lock	
12	4700586002	2	Lock nut M6 -8	
13	4700383705	1	Instruction book holder	D
15	4700357643	1	Wire	
17	4700541702	8	Screw M6x12	C
18	4700358143	1	Cover	D
19	4700924875	2	Screw	D
20	4700357855	2	Bushing	C
21	4700500021	4	Screw M8-1,25x25 8.8	C
22	4700904640	4	Washer 8,4x22x3	C
23	4700902919	4	Plug	
24	4700380685	1	Cover plate	
25	4700500030	4	Screw M10x035H 8.8 A3K	
26	4700904230	4	Steel plain washer	C
27	4700357320	1	Instrument box	D

A) L=350 mm
 C)
 D)

Throttle control

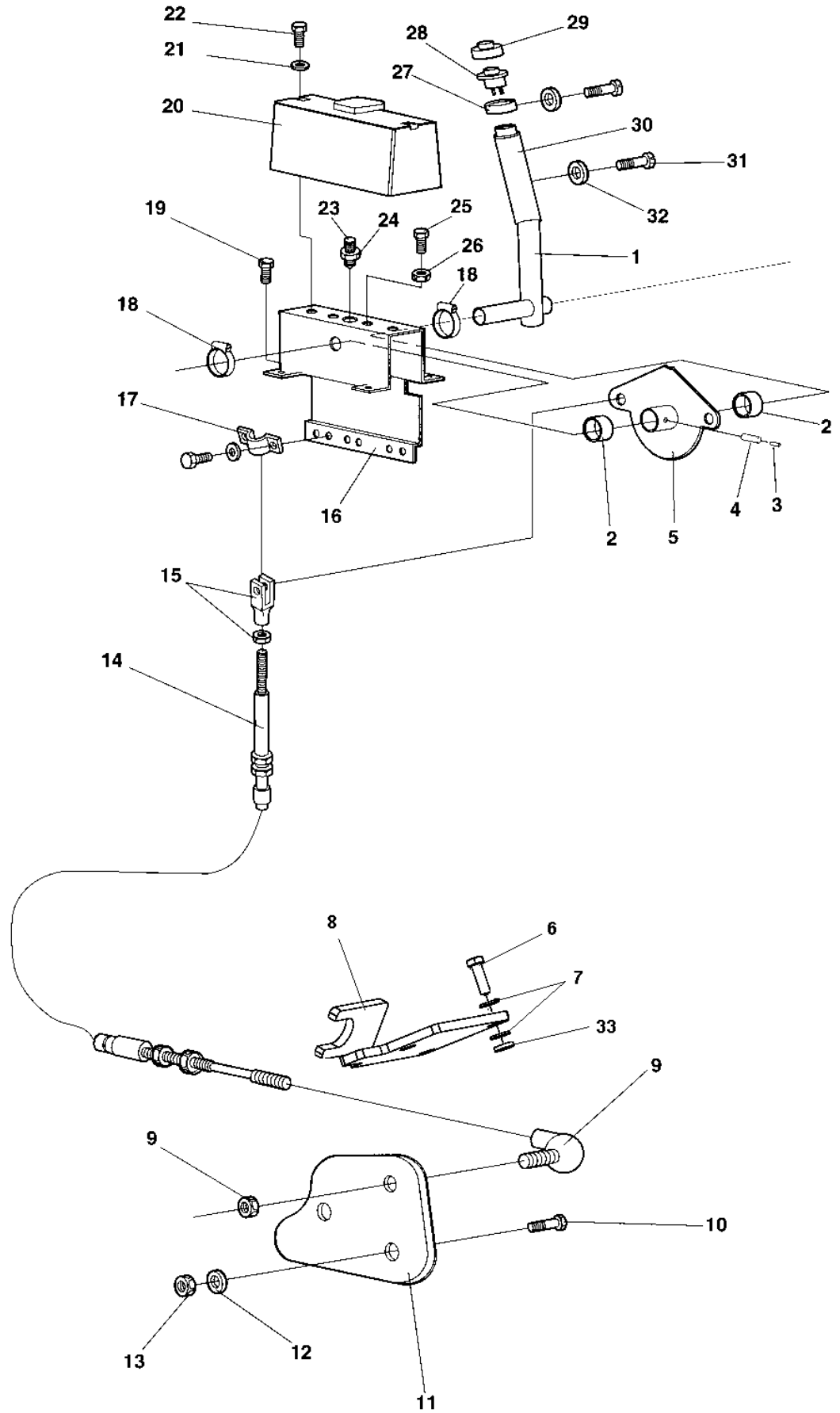


Throttle control

Item	Part No	Rem Qty	Description	Code
1	4700389170	1	Throttle control, cpl	B
2	4700389175	1	. Control	C
3	4700389177	1	. Snap plate	D
4	4700389184	A	. Throttle cable	B
5	4700382349	1	. Bellows	D
6	4700386768	1	Bracket	D
7	4700387633	1	Control lever	D
8	4700416034	1	Ball joint	C
9	4700500040	6	Screw M6-1x20 8,8	C
10	4700388203	1	Bracket	D
11	4700904228	10	Washer 6,4x12x1,5	C
12	4700500015	2	Screw M6X30 8.8	C
13	4700947680	1	Screw M8-1,25x25 10.9	D
14	4700570005	1	Nut M8	C
15	4700570004	4	Nut M6X1,00 -8 A2K	
16	4700923874	1	Screw M8x25	D
17	4700573008	1	Nut M8	C
18	4700904229	2	Steel plain washer	C
19	4700902285	2	Hexagon lock nut with flange	C

- A) L=3040MM
- B)
- C)
- D)

Forward and reverse control

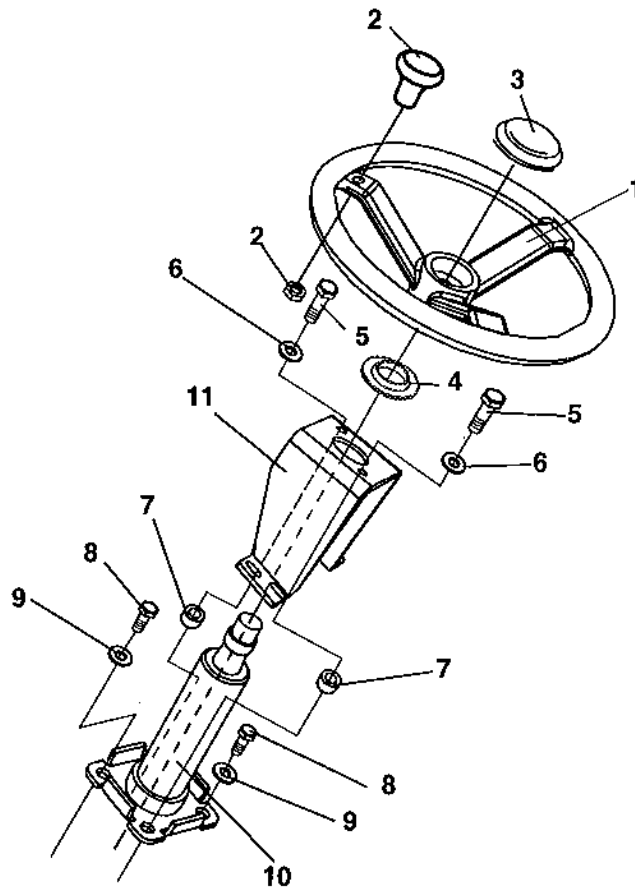


Forward and reverse control

Item	Part No	Rem Qty	Description	Code
1	4700357501	1	Control lever	D
2	4700902187	2	Bearing	D
3	4700903395	1	Spirol pin	D
4	4700629016	1	Expanding	C
5	4700902895	1	Cam disc	
6	4700947680	3	Screw M8-1,25x25 10.9	D
7	4700904229	6	Steel plain washer	C
8	4700382885	1	Control bracket	D
9	4700416034	1	Ball joint	C
10	4700500021	2	Screw M8-1,25x25 8.8	C
11	4700380366	1	Control bracket	D
12	4700904229	2	Steel plain washer	C
13	4700586003	2	Lock nut M	C
14	4700902191	1	Control cable	D
15	4700416004	1	Fork	C
16	4700902896	1	Framing	
17	4700902189	1	Bracket	D
18	4700313035	2	Hose clamp	D
19	4700541703	4	Screw M6x16	C
20	4700357494	1	Cover	D
21	4700904228	2	Washer 6,4x12x1,5	C
22	4700500013	2	Screw M6-1x16 8,8	C
23	4700922325	1	Spring ball plunger	C
24	4700573004	1	Nut	C
25	4700533038	2	Screw	
26	4700570004	2	Nut M6X1,00 -8 A2K	
27	4700285911	1	Bushing	D
28	4700928497	1	Push button	B
29	4700348481	1	Cover	B
30	4700285909	1	Grab handle	D
31	4700533001	3	Screw	D
32	4700904697	3	Washer 3,2x6x0,5	C
33	4700904556	3	Steel plain washer	C

B)
C)
D)

Steering column



Steering column

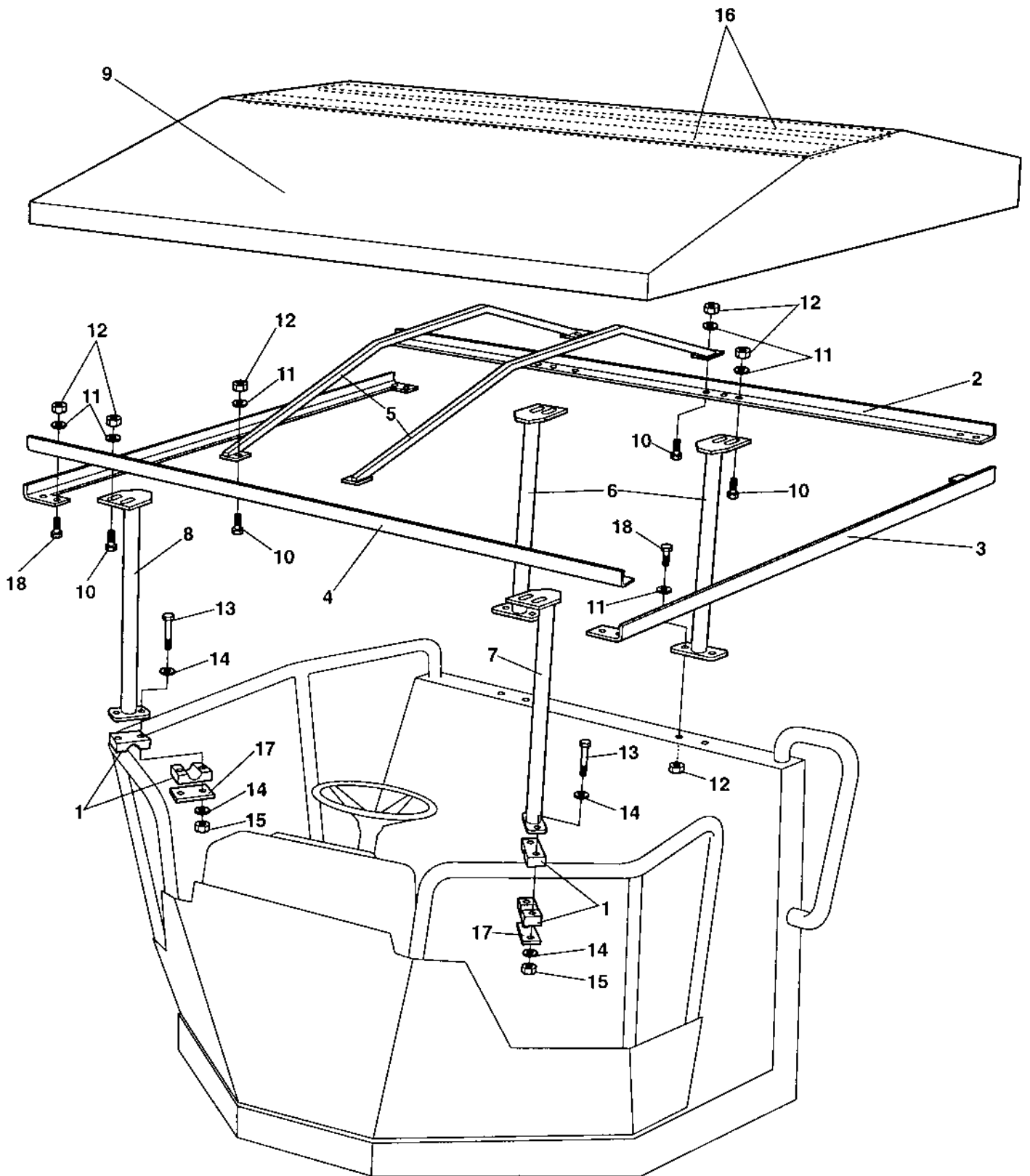
Item	Part No	Rem	Qty	Description	Code
1	4700372964		1	Steering wheel, cpl	D
2	4700935614		1	. Turning knob	D
3	4700935613		1	. Cover	D
4	4700928830		1	Rubber washer	D
5	4700500031		2	Hexagon head screw M	
6	4700904230		2	Steel plain washer	C
7	4700355869		2	Spacer sleeve	D
8	4700500048		2	Screw M10-1,5x20 8,8	
9	4700904230		2	Steel plain washer	C
10	4700902123		1	Steering column	C
11		A	1	Bracket	

A) Included in control panel

C)

D)

Canopy Option



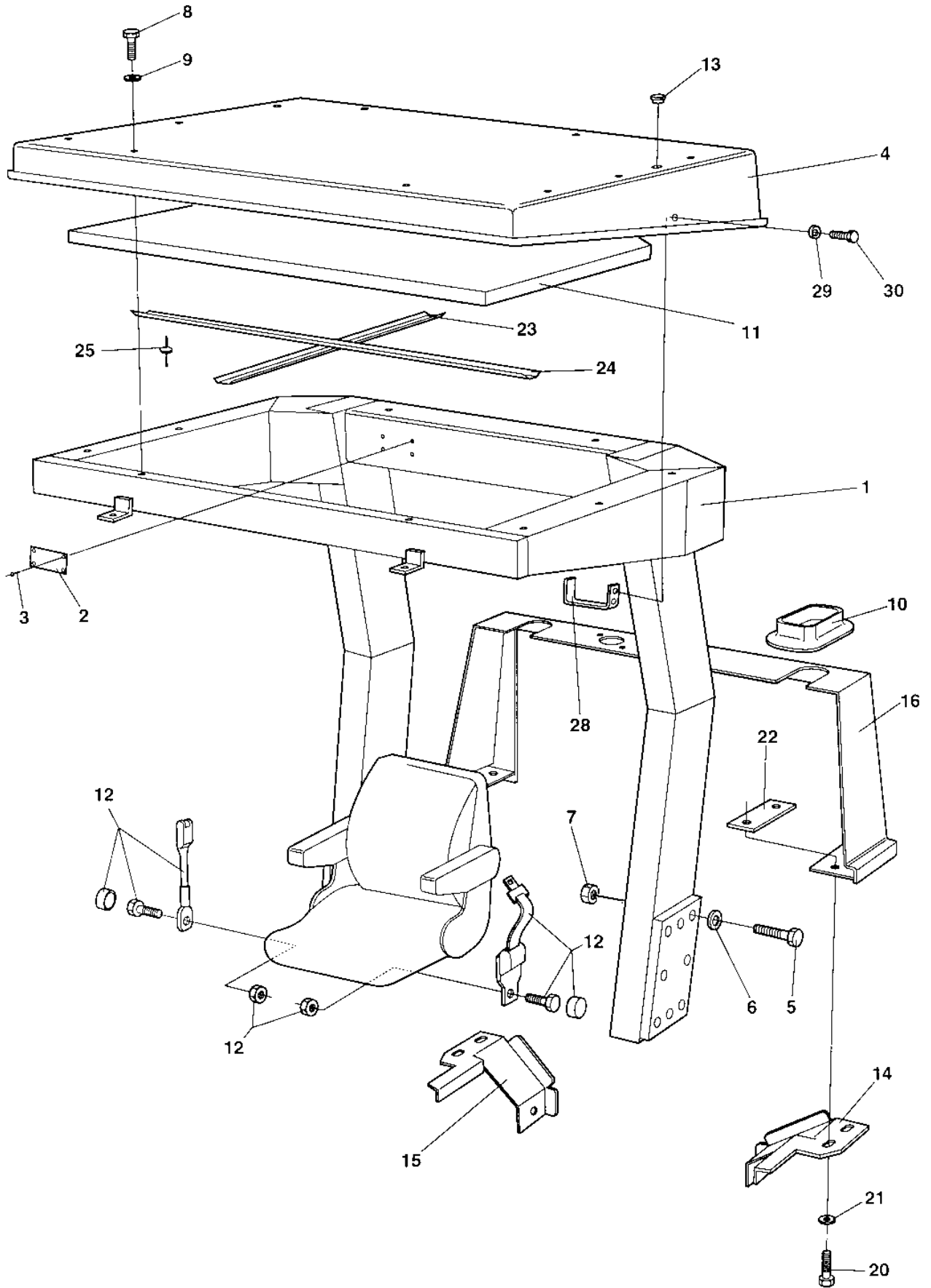
Canopy Option

Item	Part No	Rem Qty	Description	Code
1	4700904340	2	Pipe clamp	
2	4700373746	1	Canopy profile	D
3	4700373747	2	Canopy profile	D
4	4700373748	1	Canopy profile	D
5	4700373749	4	Canopy rib	D
6	4700373750	2	Canopy anchor	D
7	4700380963	1	Canopy anchor	D
8	4700380964	1	Canopy anchor	D
9	4700373906	1	Roof	D
10	4700500021	16	Screw M8-1,25x25 8.8	C
11	4700904229	44	Steel plain washer	C
12	4700586003	22	Lock nut M	C
13	4700500153	4	Screw	C
14	4700904228	8	Washer 6,4x12x1,5	C
15	4700586002	4	Lock nut M6 -8	
16	4700373907	2	Lath	D
17	4700924791	2	Cover plate	
18	4700500022	8	Hexagon head screw M	C

C)

D)

Rops and fops

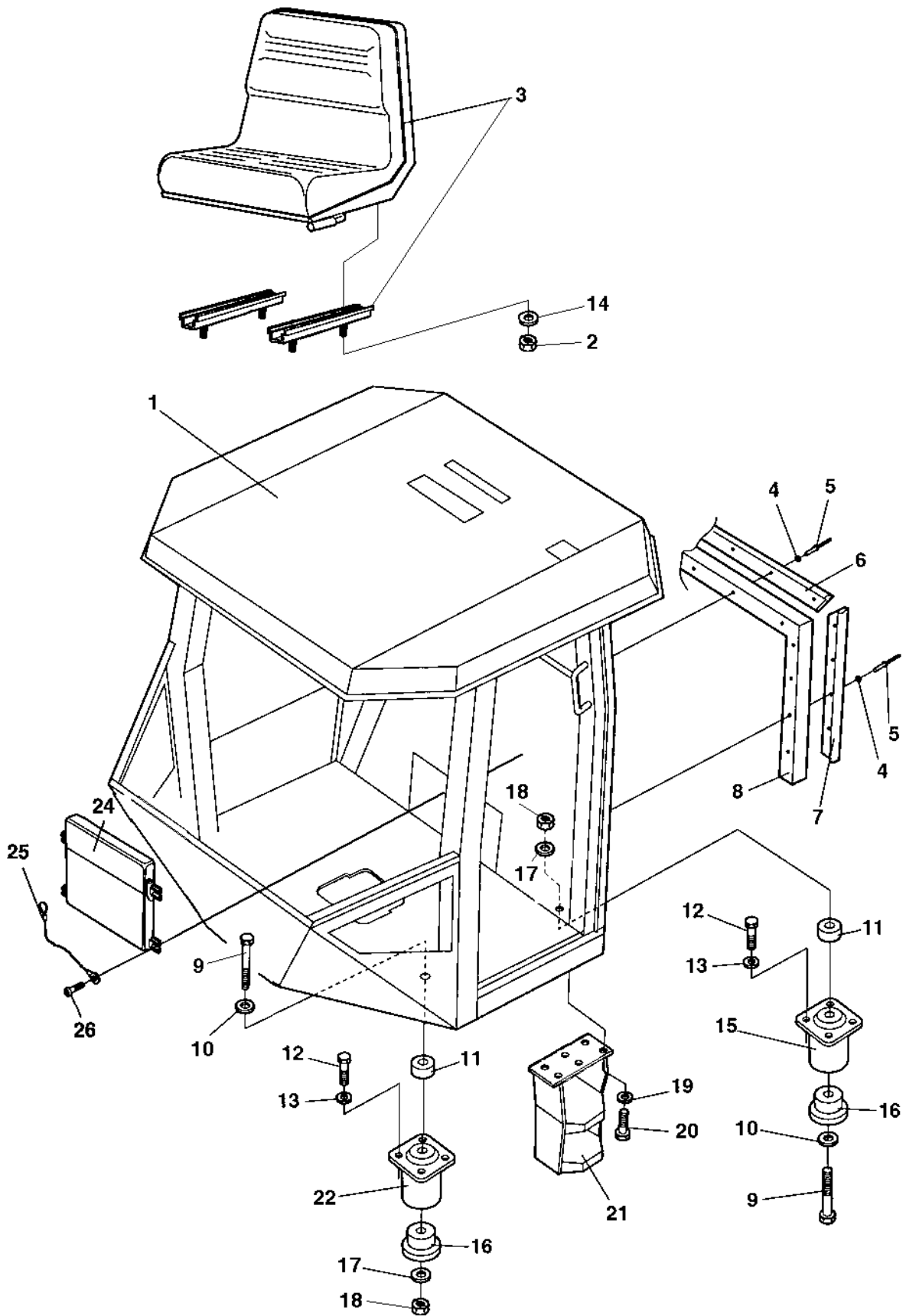


Rops and fops

Item	Part No	Rem Qty	Description	Code
1	4700372347	1	Rops	D
2	4700370803	1	Sign, rops	D
3	4700624016	4	Blind rivet	C
4	4700372409	1	Fops roof	D
5	4700904562	16	Screw M24x160 10.9	
6	4700904234	16	Steel plain washer	
7		0	Not used on this model	
8	4700500239	10	Screw M8x50H 8,8	C
9	4700904734	10	Washer 8,4x26x4	
10	4700372489	2	Rubber seal	D
11	4700372678	1	Absorbent	D
12	4700377677	1	Seat belt 2"	B
	4700379637	A	1 Seat belt kit, static 3"	B
		2	. Screw	
		2	. Nut	
		2	. Cap	
13	4700904180	2	Plug	C
14	4700373854	1	Holder plate	D
15	4700373855	1	Holder plate	D
16	4700560037	1	Protection cover	D
20	4700500021	4	Screw M8-1,25x25 8.8	C
21	4700904640	4	Washer 8,4x22x3	C
22	4700373309	2	Holder plate	D
23	4700376489	1	Absorbent holder	D
24	4700376488	1	Absorbent holder	D
25	4700904619	12	Blind rivet	C
28	4700383951	4	Hook	D
29	4700904734	4	Washer 8,4x26x4	
30	4700500100	4	Hexagon head screw M	C

- A) Option 3"
- B)
- C)
- D)

Cab mounting

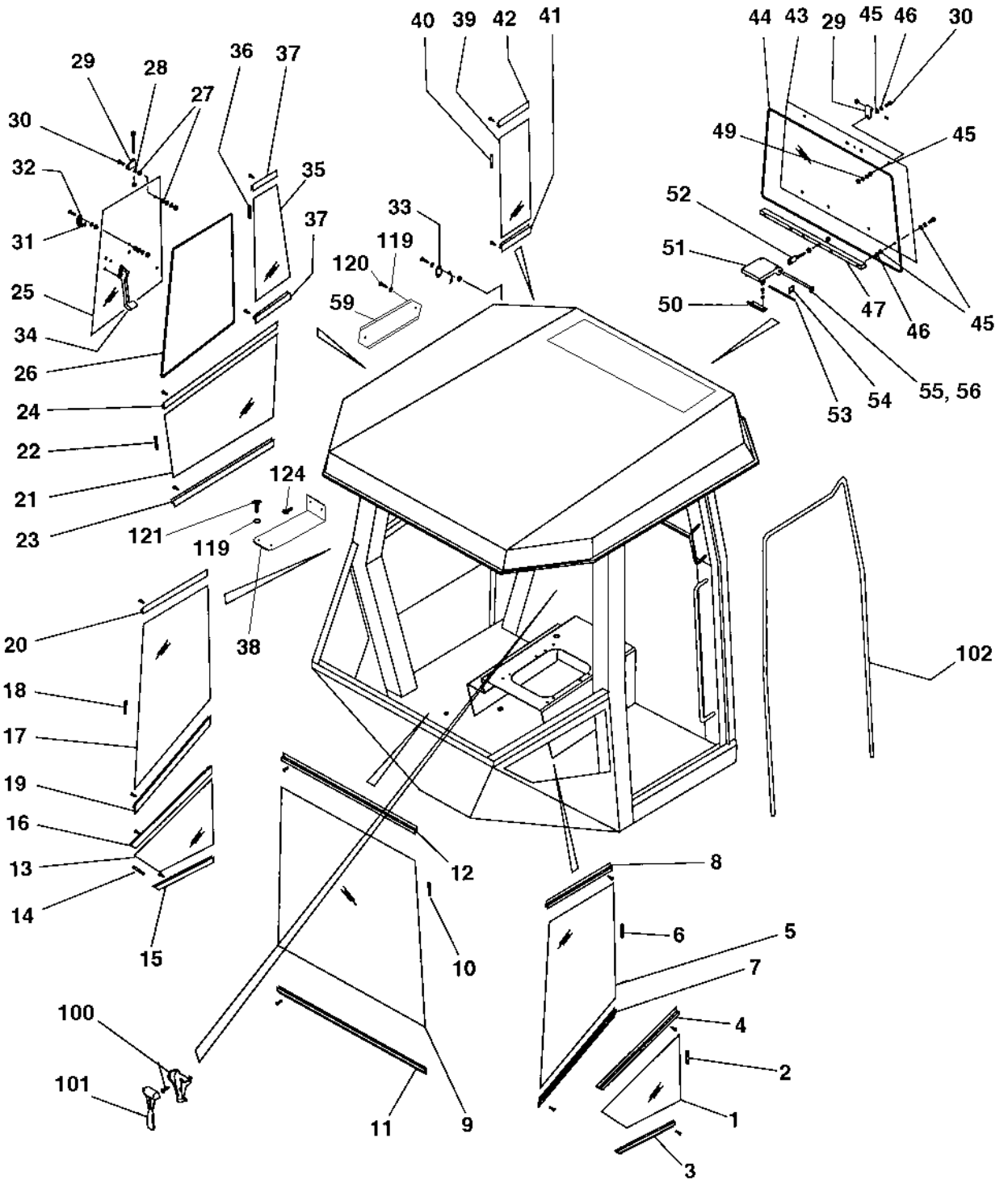


Cab mounting

Item	Part No	Rem	Qty	Description	Code
1	4700378308			Cab	
2	4700570005		4	Nut M8	C
3	4700377556		1	Drivers seat, cpl	
	4812114466		1	Drivers seat, cpl	
	4700379636		1	. Seat switch	
	4700377518	D	1	Drivers seat, cpl	D
	4700945622		1	. Seat switch	B
4	4700927974		13	Washer	C
5	4700904433		13	Blind rivet	
6	4700372785		1	List	D
7	4700382582		2	List	D
8	4700372494	A	N	Rubber strip	D
9	4700791218		4	Screw M20x200	D
10	4700904233		4	Washer 21x36x3	C
11	4700384759		4	Spacer	D
12	4700500195		16	Screw	
13	4700904231		16	Washer 13x24x2 300 HV	C
14	4700904229		4	Steel plain washer	C
15	4700374606	B	2	Shock absorber Green	D
16	4700372457		4	Back-up ring	C
17	4700903290		4	Washer 21x36x6	
18	4700901145		4	Lock nut M20-10	
19	4700904230		6	Steel plain washer	C
20	4700500029		6	Hexagon head screw	C
21	4700376252		1	Step	D
22	4700374607	C	2	Shock absorber Yellow	D
23	4700382397		2	Spacer	D
24	4700383705		1	Instruction book holder	D
25	4700357643		1	Wire	
26	4700791226		4	Screw	C

- A) L=2400 mm
- B) Rear
- C) Front
- D) Option
- B)
- C)
- D)

Cab Screens



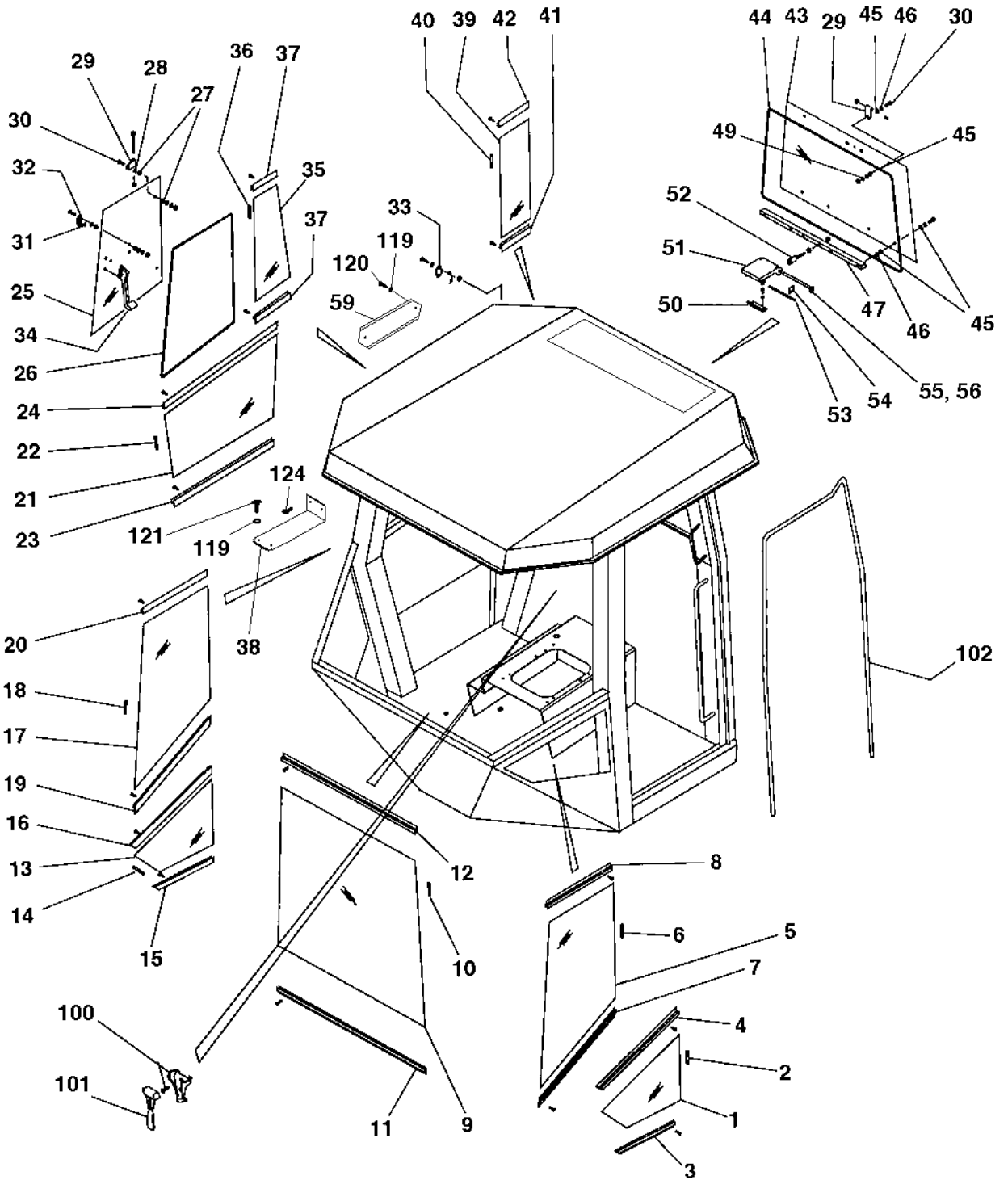
Cab Screens

Item	Part No	Rem Qty	Description	Code
1	4700937380	1	Screen	
2	4700908545	XL	Seal list (Roller of 6 m)	B
3	4700935278	1	List	
4	4700935279	1	List	
5	4700937381	1	Screen, left	
6	4700908545	XL	Seal list (Roller of 6 m)	B
7	4700935280	1	List	
8	4700935281	1	List	
9	4700937382	1	Screen	
10	4700908545	D	Seal list (Roller of 6 m)	B
11	4700935282	1	List	
12	4700935283	1	List	
13	4700937383	1	Screen	
14	4700908545	XL	Seal list (Roller of 6 m)	B
15	4700935284	1	List	
16	4700935285	1	List	
17	4700937384	1	Screen	
18	4700908545	C	Seal list (Roller of 6 m)	B
19	4700935286	1	List	
20	4700935287	1	List	
21	4700937385	1	Screen	
22	4700908545	A	Seal list (Roller of 6 m)	B
23	4700935288	1	List	
24	4700935289	1	List	
25	4700938290	1	Screen	
26	4700908499	E	Rubber list	D
27	4700935271	8	Washer, Flexible rubber	
28	4700935272	8	Washer, Black	
29	4700935273	4	Hinge	
30	4700935274	4	Screw	
31	4700935275	1	Rubber washer	
32	4700935276	1	Bracket Metal	
	4812157261	1	Bracket Rubber	
33	4700935277	1	Lock pin	
	4812157260	1	Lock pin	
34	4700935290	1	Window lock, right	
35	4700938291	1	Screen	
36	4700908545	B	Seal list (Roller of 6 m)	B
37	4700935291	1	List	
38	4700379608	1	Cover	D
39	4700938292	1	Screen	
40	4700908545	B	Seal list (Roller of 6 m)	B
41	4700935293	1	List	
42	4700938659	1	List	
43	4700937389	1	Screen	
44	4700908499	F	Rubber list	D
45	4700935271	12	Washer, Flexible rubber	
46	4700935272	12	Washer, Black	
47	4700935295	1	Screen holder	
49	4700935296	2	Washer	
50	4700935297	1	Bracket	
51	4700935298	2	Bracket	

- A) L=1100 mm
- B) L=1400 mm
- C) L=1900 mm
- D) L=2100 mm
- E) L=2700 mm
- F) L=3300 mm

B)
D)

Cab Screens

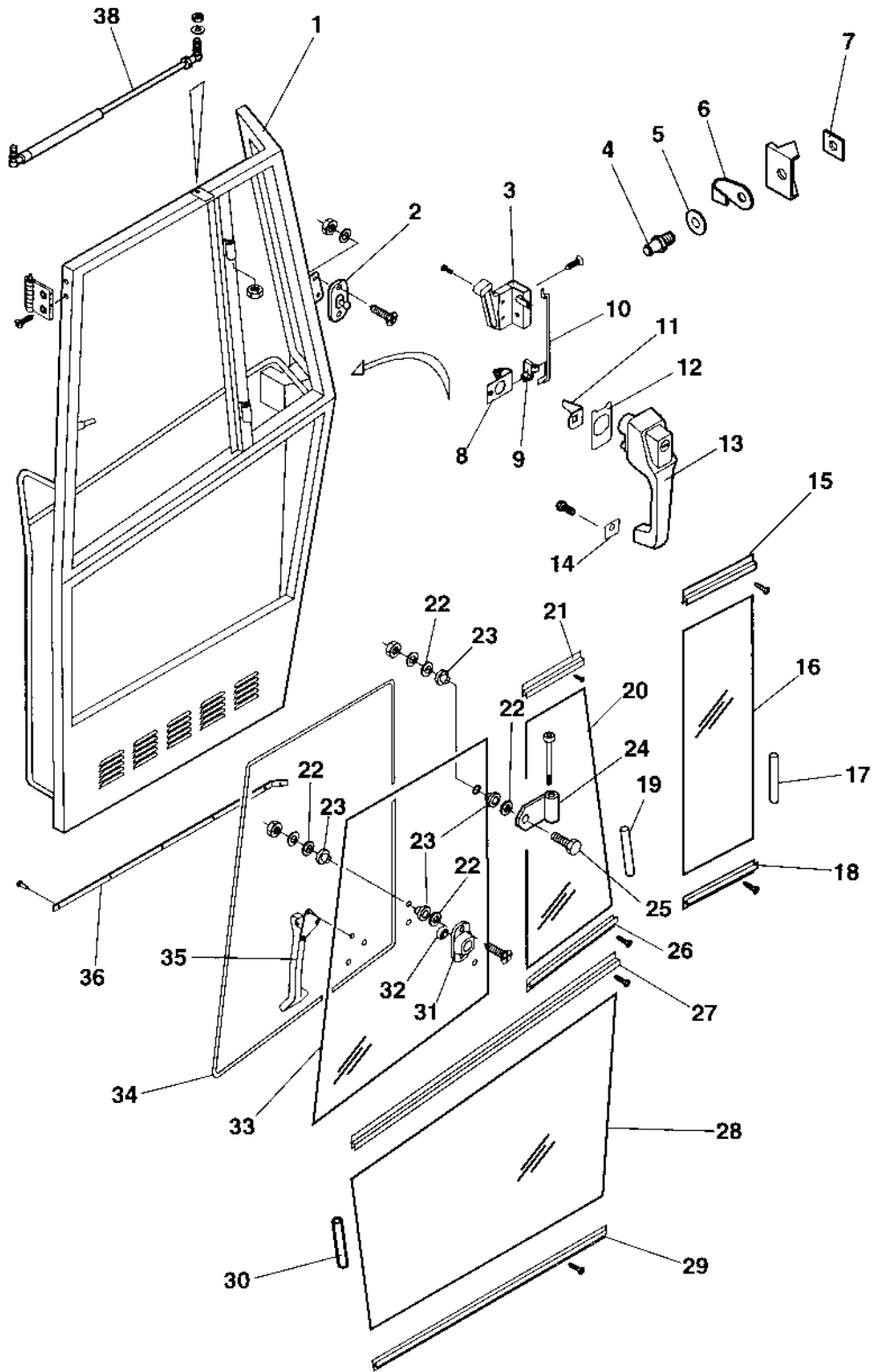


Cab Screens

Item	Part No	Rem Qty	Description	Code
52	4700935299	1	Bolt	
53	4700935300	1	Shaft	
54	4700935301	2	Lock	
55	4700935302	1	Rod	
56	4700935303	1	Ring	
59	4700379236	1	Cover	D
100	4700908506	1	Emergency hammer	D
101	4700908507	1	Emergency hammer, hook	D
102	4700908499	G 1	Rubber list	D
119	4700904229	16	Steel plain washer	C
120	4700500019	14	Hexagon head screw M	C
121	4700500053	2	Hexagon head screw M	C
124	4700903782	2	Screw M5x12	C

G) L=5 m
 C)
 D)

Cab Door, left side

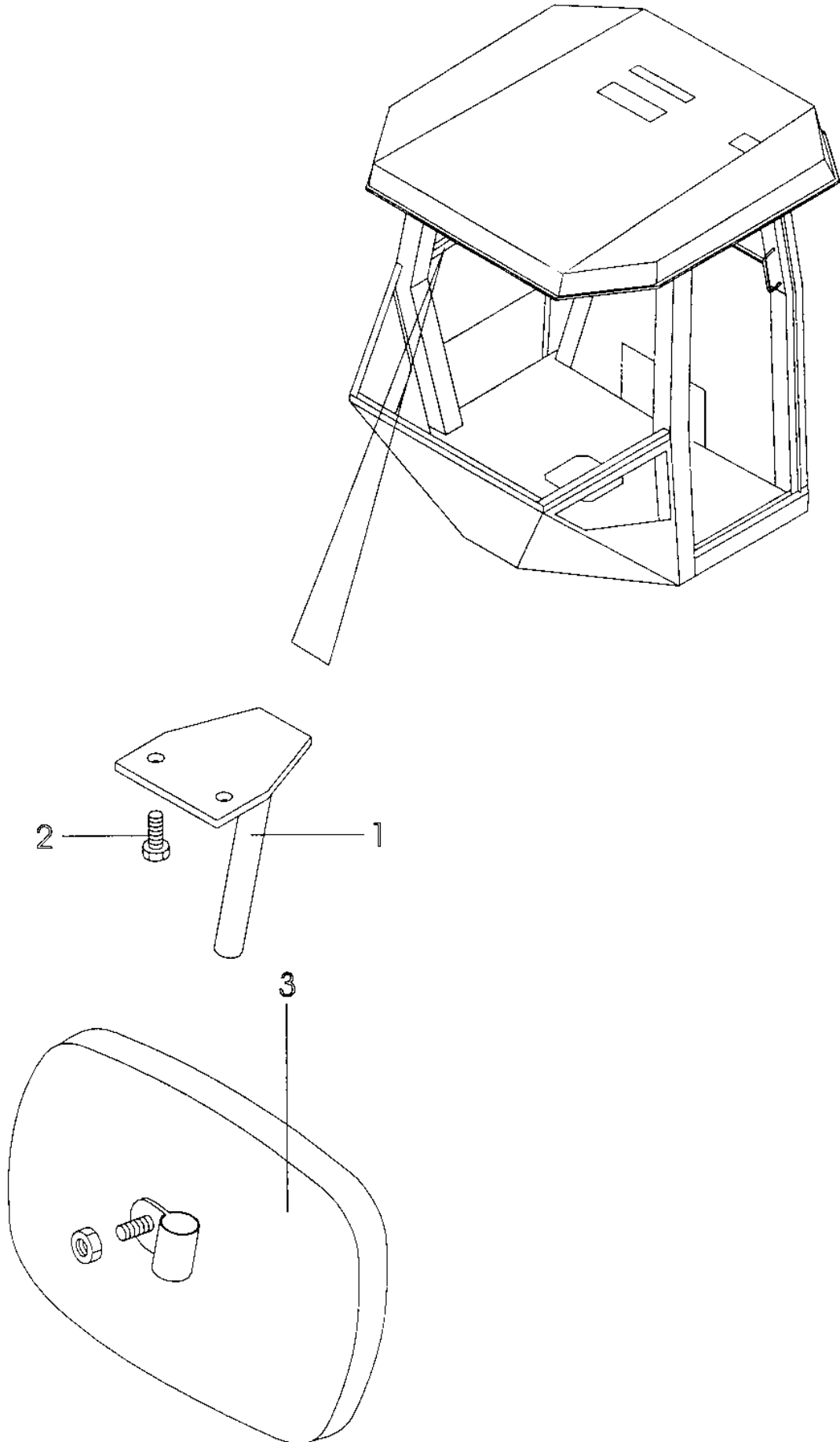


Cab Door, left side

Item	Part No	Rem	Qty	Description	Code
	4700940678		1	Door, cpl	D
1	4700390927		1	. Door frame	D
2	4700935277		1	. Lock pin	
	4812157260		1	. Lock pin	
3	4700938017		1	. Lock	
4	4700908580		1	. Lock pin	C
5	4700908581		1	. Washer	C
6	4700908582		1	. Cover	D
7	4700908583		1	. Bracket	D
8	4700935248		1	. Turning mechanism	
9	4700935249		1	. Retainer	
10	4700935250		1	. Rod	
11	4700935247		1	. Leader	
12	4700935246		1	. Seal	
13	4700935244		1	. Door handle with key	D
14	4700935245		1	. Seal	
15	4700935268		1	. List	
16	4700937391		1	. Screen	
17	4700908545	A	1	. Seal list (Roller of 6 m)	B
18	4700935267		1	. List	
19	4700908545	A	1	. Seal list (Roller of 6 m)	B
20	4700937392		1	. Screen	
21	4700935270		1	. List	
22	4700935272		8	. Washer, Black	
23	4700935271		8	. Washer, Flexible rubber	
24	4700935273		2	. Hinge	
25	4700935274		2	. Screw	
26	4700935269		1	. List	
27	4700935266		1	. List	
28	4700937390		1	. Screen	
29	4700935265		1	. List	
30	4700908545	B	1	. Seal list (Roller of 6 m)	B
31	4700935276		1	. Bracket Metal	
	4812157261		1	. Bracket Rubber	
32	4700935275		1	. Rubber washer	
33	4700937393		1	. Screen	
34	4700908499	C	1	. Rubber list	D
35	4700935253		1	. Lock	
36	4700938101		XL	. Brush profile	
38	4700938018		1	. Gas spring	

- A) L=1400 mm
- B) L=1100 mm
- C) L=2700 mm
- B)
- C)
- D)

Cab Interior rear mirror

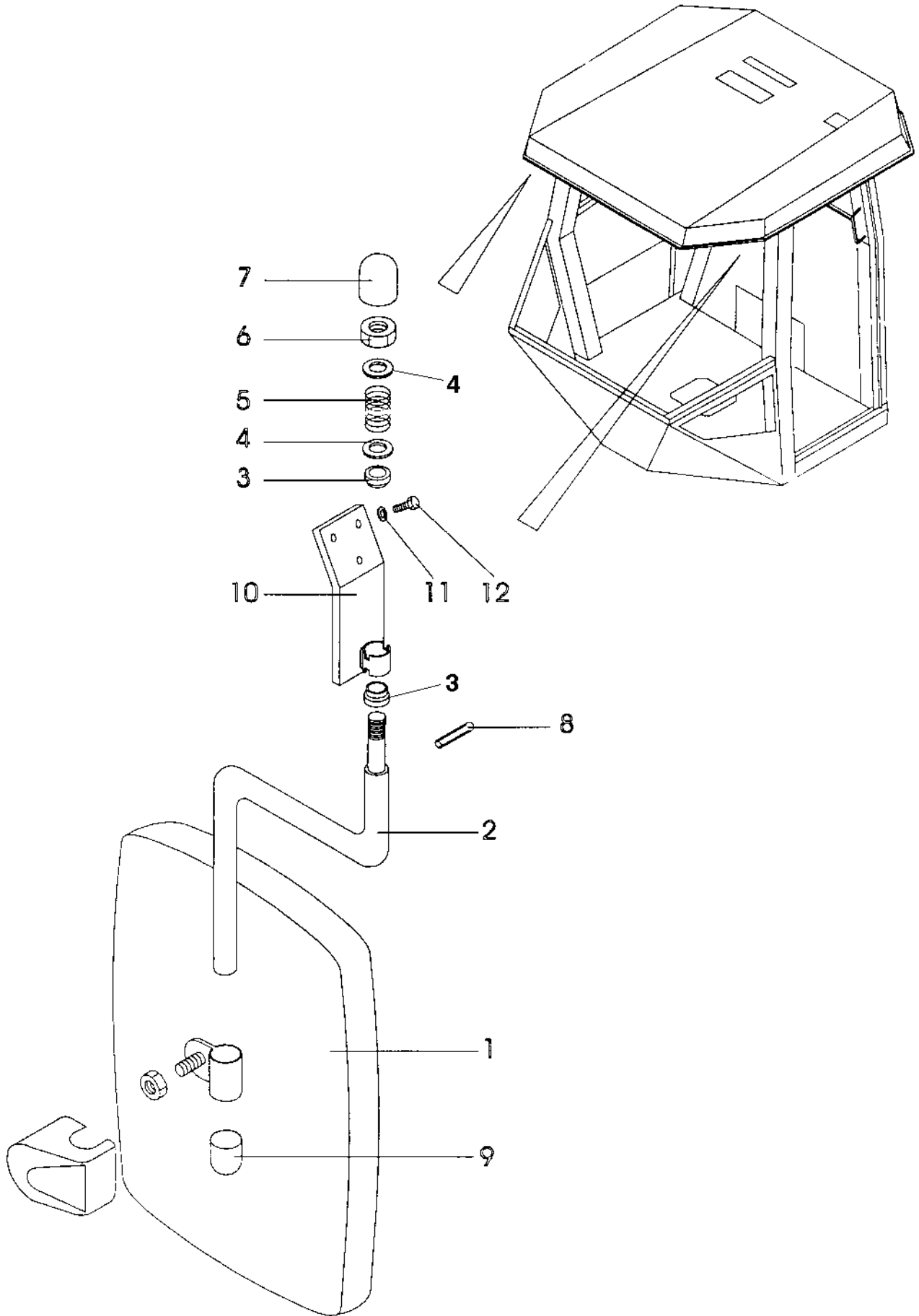


Cab Interior rear mirror

Item	Part No	Rem Qty	Description	Code
1	4700908623	1	Bracket	D
2	4700535005	2	Screw M5x12	D
3	4700908624	1	Rear mirror	D

D)

Cab Exterior, rear mirror

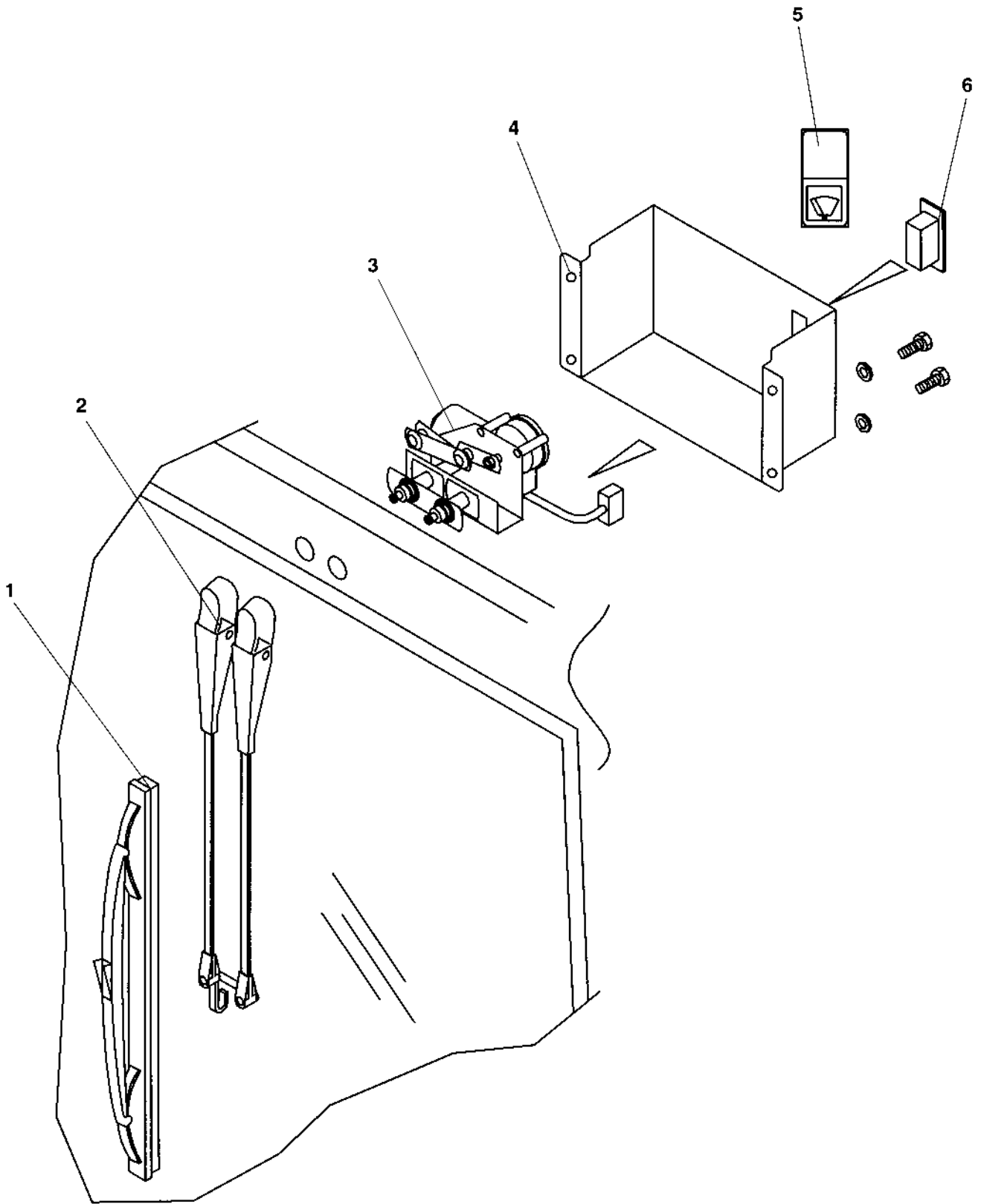


Cab Exterior, rear mirror

Item	Part No	Rem	Qty	Description	Code
1	4700371730	A	2	Rear view mirror, cpl	D
	4700908265		1	. Rear view mirror	D
2	4700908355		1	. Arm	D
3	4700908625		2	. Sleeve	C
4	4700904232		2	. Washer	C
5	4700908626		1	. Spring	D
6	4700586021		1	. Nut M16	
7	4700908627		1	. Cap	C
8	4700629066		1	. Spirol pin	C
9	4700908628		1	. Cap	C
10	4700908361		1	. Bracket	D
11	4700904229		6	Steel plain washer	C
12	4700500019		6	Hexagon head screw M	C

- A) Option
- C)
- D)

Wiper arm with blade, front

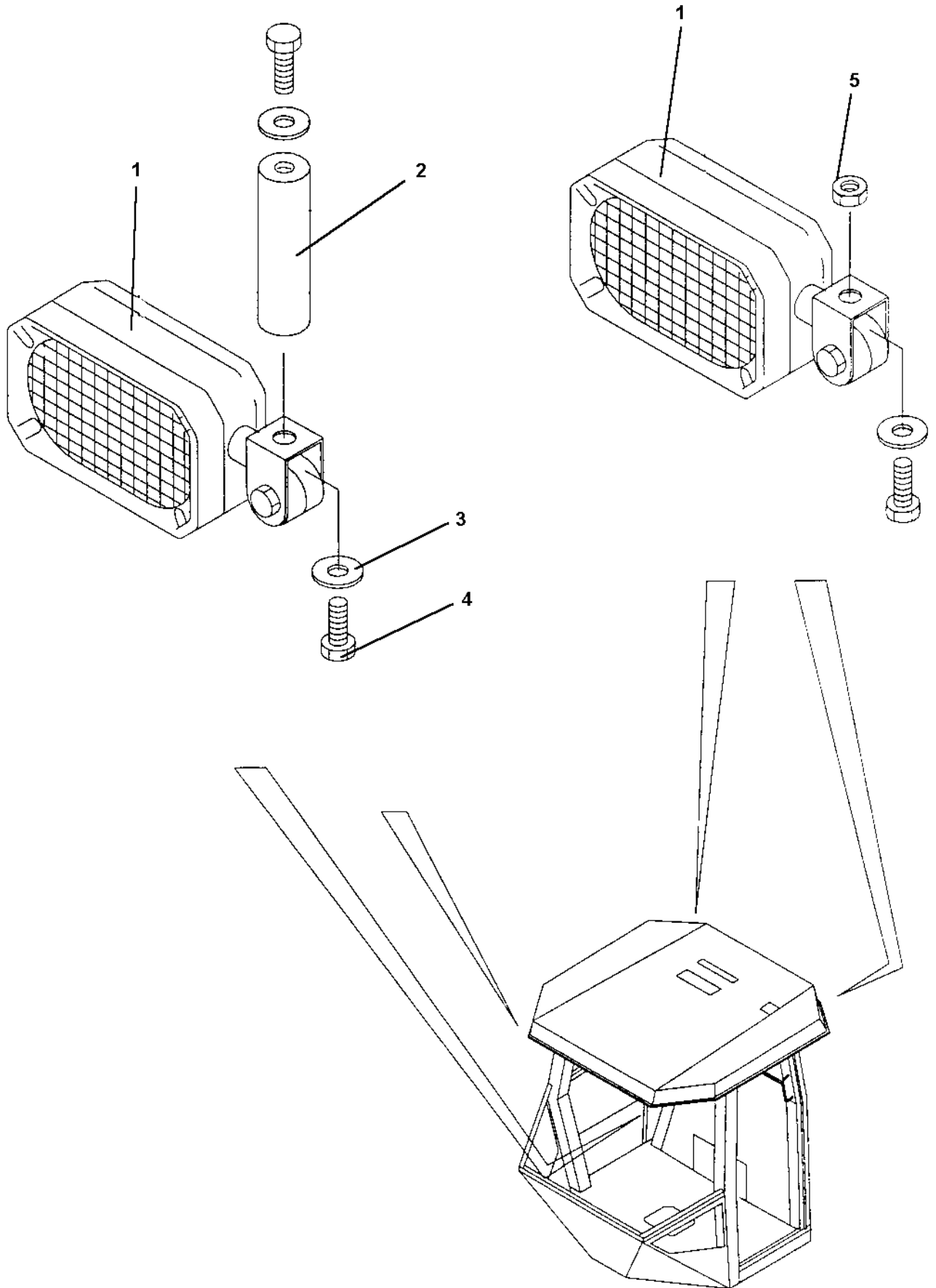


Wiper arm with blade, front

Item	Part No	Rem Qty	Description	Code
1	4700905306	1	Wiper blade	
2	4700905305	1	Wiper arm	C
3	4700905304	1	Wiper motor	C
4	4700937871	1	Cover	D
5	4700908605	1	Symbol, wiper	D
6	4700908617	1	Switch	B

- B)
- C)
- D)

Cab Work light

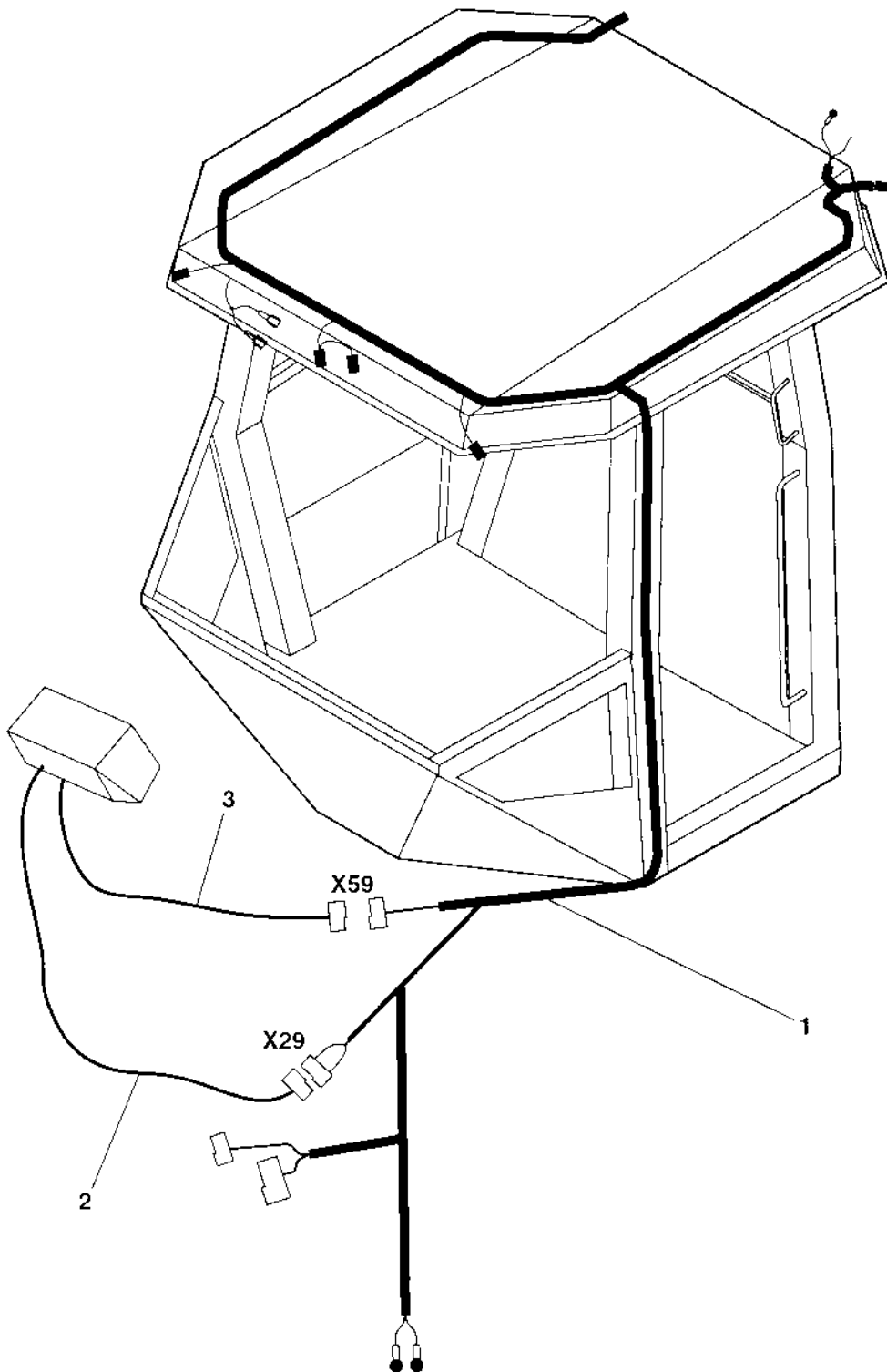


Cab Work light

Item	Part No	Rem Qty	Description	Code
1	4700908267	4	Working light	B
2	4700908359	2	Distance	D
3	4700904229	4	Steel plain washer	C
4	4700500019	4	Hexagon head screw M	C
5	4700586003	2	Lock nut M	C

B)
C)
D)

Cab Electric



Cab Electric

Item	Part No	Rem	Qty	Description	Code
1	4700937870	A	1	Cable harness	D
2	4700384403	B	1	Cable harness	D
3	4700384402	C	1	Cable harness	D

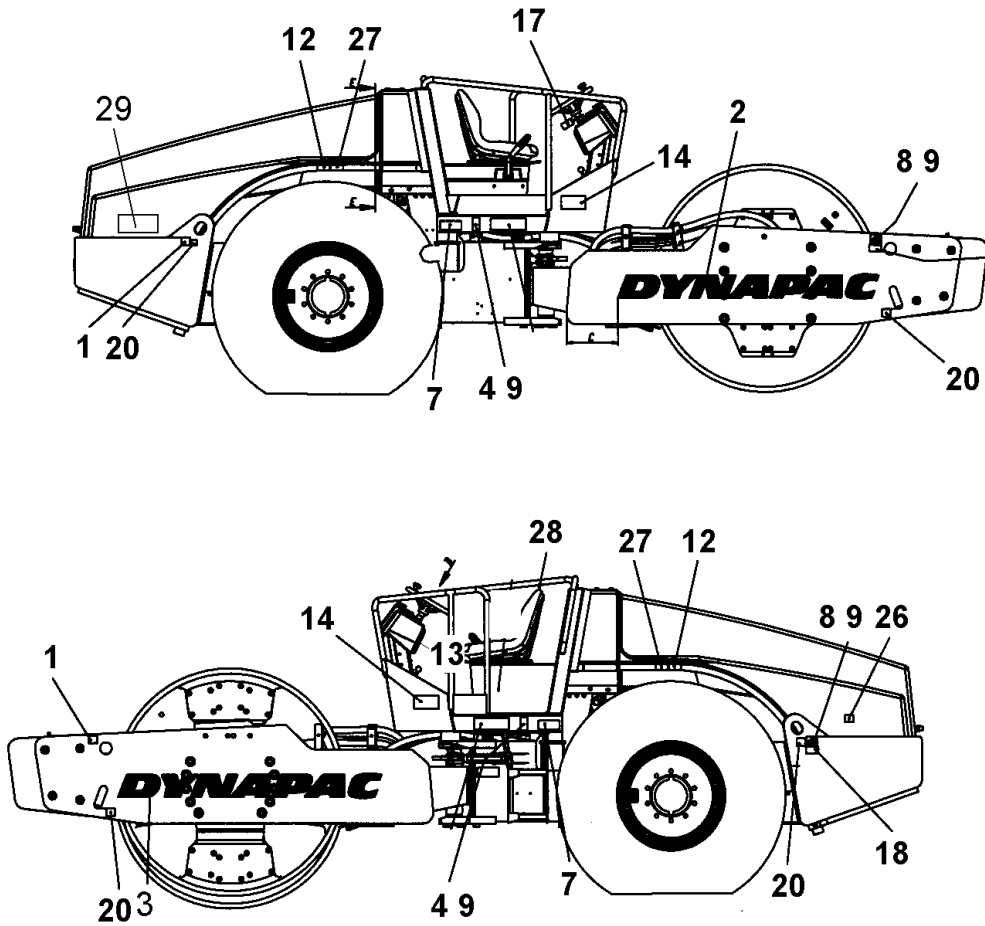
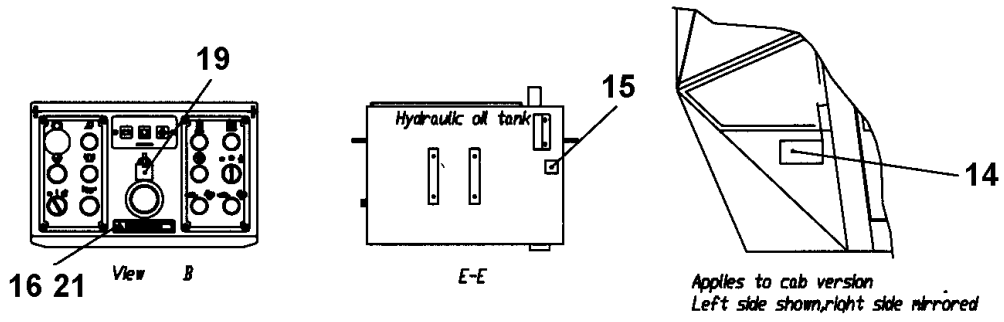
- A) Main supply
- B) Horn
- C) Windshield wiper
- D)

Decals

Decals

Item	Part No	Rem Qty	Description	Code
1			Decals (Page 178)	
2			Decals (Page 180)	
3			Decals (Page 182)	

Decals

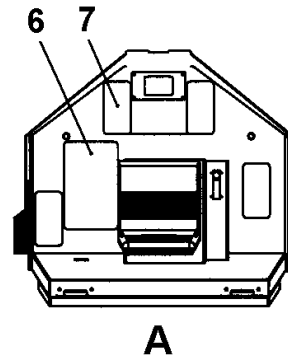
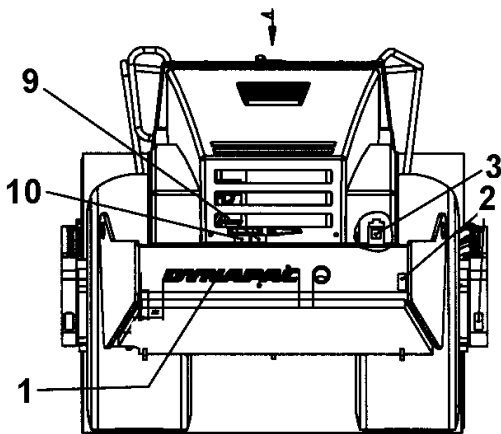
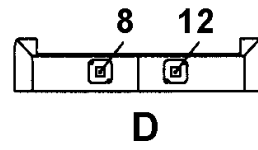
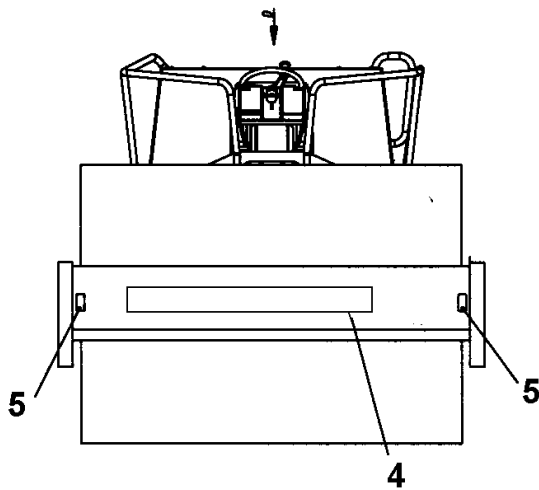


Decals

Item	Part No	Rem Qty	Description	Code
1	4700588176	2	Decal "LIFT POINT"	
2	4812273530	1	Decal Dynapac	
3	4812273531	1	Decal Dynapac	D
4	4700377744	2	Reflector, yellow	D
7	4700903459	2	Decal "SAFETY"	
8	4700904870	2	Lifting sign	
9	4700624005	16	Blind rivet 3,2x6,1	
12	4700390900	2	Decal "TYRE PRESSURE" 110kPA/16psi	
13	4700903425	1	Decal "SAFETY MANUAL"	
14	4700903422	2	Decal "SAFETY"	
15	4700272373	1	Decal "HYDRAULIC OIL"	
16	47386084SE	1	Warning plate Swedish	
	47386084EN	1	Warning plate English	
	47386084DE	1	Warning plate German	
	47386084IT	1	Warning plate Italian	
	47386084ES	1	Warning plate Spanish	
	47386084FR	1	Warning plate French	
	47386084NO	1	Warning plate Norwegian	
	47386084DK	1	Warning plate Danish	
	47386084FI	1	Warning plate Finnish	
	47386084PT	1	Warning plate Portuguese	
	47386084NL	1	Warning plate Dutch	
	47386084GR	1	Warning plate Greek	
	47386084IS	1	Warning plate Icelandic	
	47386084CN	1	Warning plate Chinese	
	47386084BR	1	Warning plate Brazil	
17	4700384159	1	Instructions Loading-Unloading	
18	4700908229	2	Safety decal	
19	4700358881	1	Pad lock	
20	4700382751	4	Decal "TIE DOWN POINT"	
21	4700624017	4	Blind rivet	D
26	4700904835	1	Decal "BATTERY POWER"	
27	4700903985	2	Decal "SAFETY", "TYRE IN BALLAST"	
28	4700348331	1	Seat cover	D
29	4812269831	2	Decal AC H=140	

D)

Decals

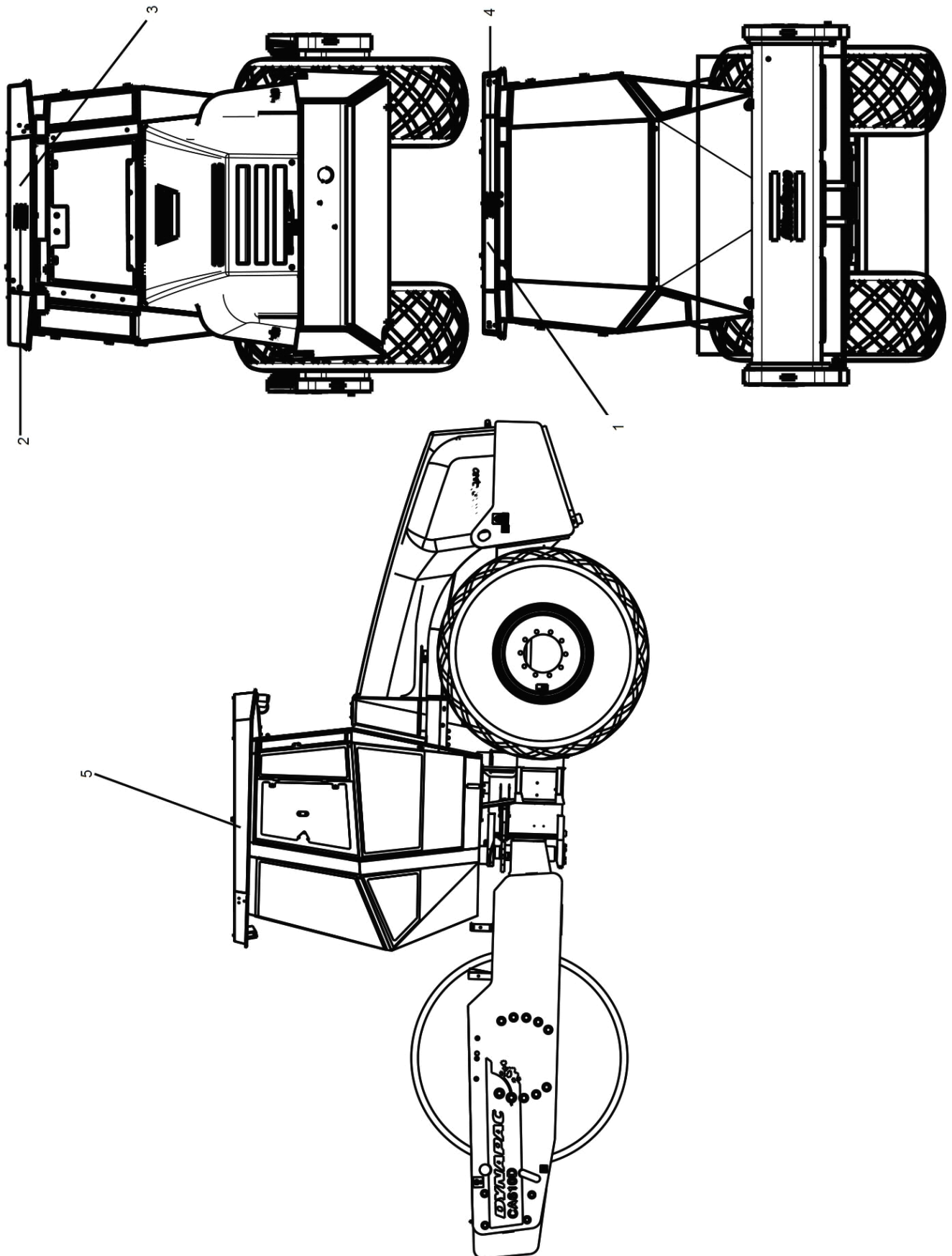


Decals

Item	Part No	Rem Qty	Description	Code
2	4700377742	4	Reflector, red	D
3	4700991658	1	Decal "FUEL"	
4	4812269858	1	Decal AC H=250	
5	4700377743	2	Reflector, white	D
6	4700373364	1	Slip protection	D
7	4700373363	4	Slip protection	
8	4700272372	1	Decal "HYDRAULIC OIL"	
9	4700903423	1	Decal "SAFETY"	
10	4700903424	1	Decal "HOT SURFACE"	
12	4700388449	1	Decal "COOLING LEVEL"	

D)

Decals



Decals

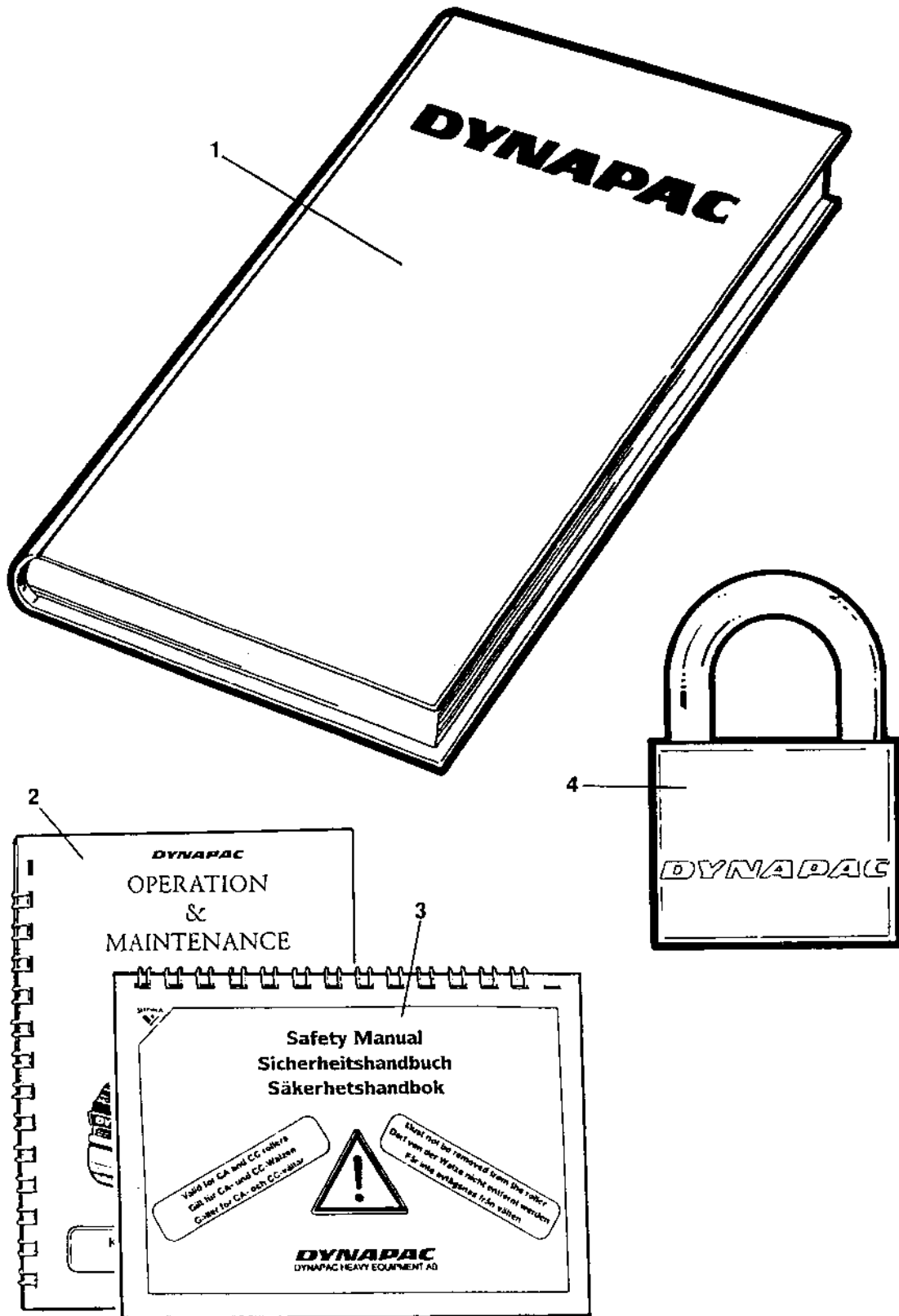
Item	Part No	Rem Qty	Description	Code
1	4812269829	1	Decal AC H=45	
2	4812120119	1	Decal AC H=80	
3	4812265836	1	Cab decal	
4	4812265837	1	Cab decal	
5	4812265838	1	Cab decal	

Standard equipment

Standard equipment

Item	Part No	Rem Qty	Description	Code
10			Standard equipment (Page 186)	

Standard equipment



Standard equipment

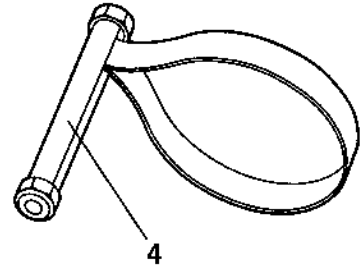
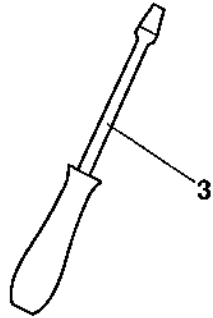
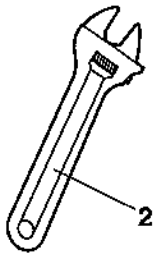
Item	Part No	Rem Qty	Description	Code
1		1	Documentation OMS610PD	
		1	. Warranty registration card	
		1	. Operation instruction ICA610	
		1	. Spare parts catalogue SCA610PD	
		1	. Instruction manual Cummins 6BTA 5.9	
2		1	. Operation / maintenance instruction I5CA610	
3		1	. Safety manual RSAFE	
4	4700358881	1	Pad lock	

Optional equipment

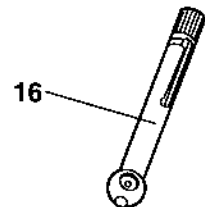
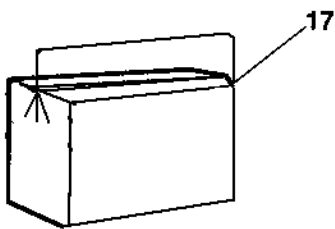
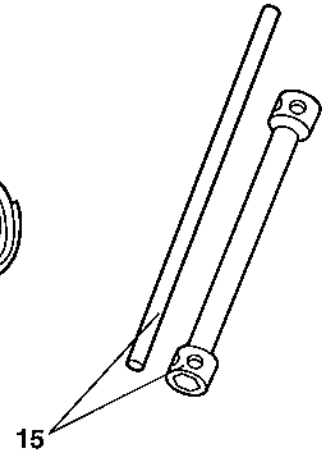
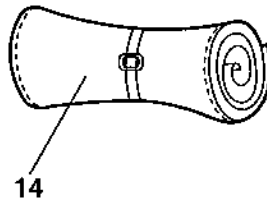
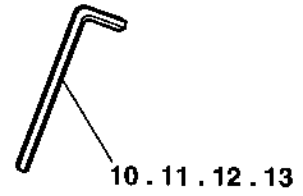
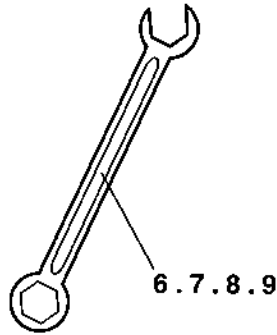
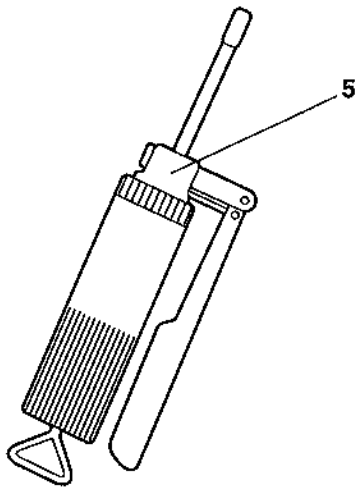
Optional equipment

Item	Part No	Rem Qty	Description	Code
10			Tool equipment (Page 190)	
20	4812265746		Fire extinguisher assy. (Page 192)	
30			Heater Simple cab (Page 194)	
40	4812269767		Prooftyre option (Page 198)	
50		1	Air conditioner mount Since SN C000360 (Page 204)	

Tool equipment



1



Tool equipment

Item	Part No	Rem Qty	Description	Code
1	4700355890	1	Tool set Cpl	D
2		1	. Adjustable wrench	
3		1	. Screw driver	
4	4700902610	1	. Belt pliers	D
5	4700311016	1	. Grease gun	D
6		1	. Open end spanner 10mm	
7		1	. Open end spanner 13mm	
8		1	. Open end spanner 16mm	
9		1	. Open end spanner 18mm	
10		1	. Allen wrench 10mm	
11		1	. Allen wrench 12mm	
12		1	. Allen wrench 6mm	
13		1	. Allen wrench 8mm	
14		1	. Tool bag	
15		1	. Wheel nut key 30/32mm	
16	4700901220	1	. Pressure gauge	B
17	4700372837	1	Tool box	D
18	4700372658	1	. Lock	D
19	4700500021	3	Screw M8-1,25x25 8.8	C
20	4700904640	6	Washer 8,4x22x3	C

- B)
- C)
- D)

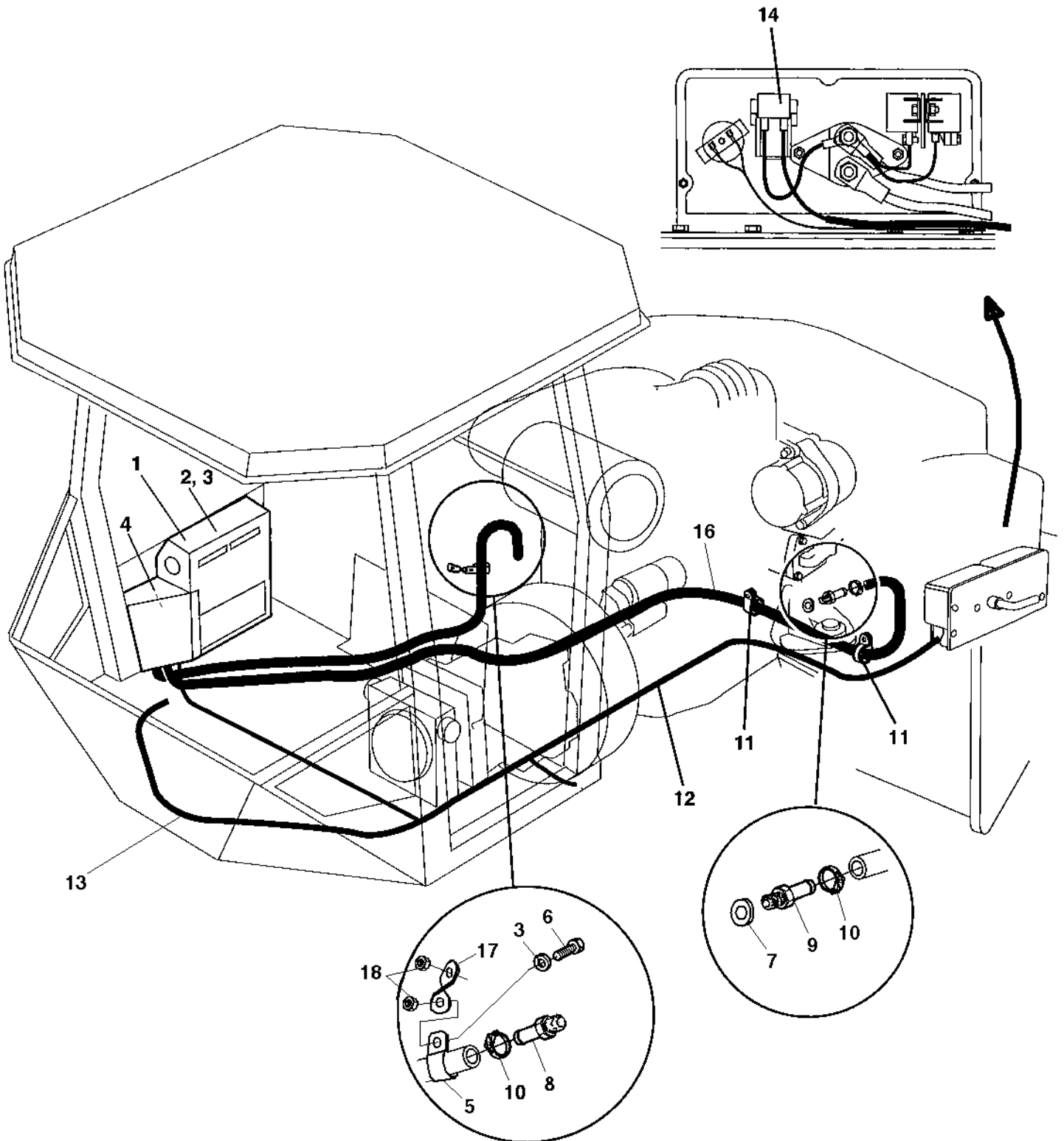
4812265746 Fire extinguisher assy.

4812265746 Fire extinguisher assy.

Item	Part No	Rem Qty	Description	Code
1	4812265465	1	Fire extinguisher	
2	4700792187	2	Screw M5x14	
3	4700570003	2	Nut M5	C
4	4700601001	2	Steel plain washer	

C)

Heater Simple cab



Heater Simple cab

Item	Part No	Rem	Qty	Description	Code
1	4700379394		1	Heater box (Page 196)	
2	4700500019		5	Hexagon head screw M	C
3	4700904229		6	Steel plain washer	C
4	4700903741		2	Fuse 20A Yellow Medium	
5	4700921056		1	Pipe clamp covered	C
6	4700500053		1	Hexagon head screw M	C
7	4700330330		1	Copper washer	
8	4700387638		1	Hose connection M	
9	4700391303		1	Hose connection	
10	4700313004		4	Hose clamp	D
11	4700921132		2	Clamp	C
12	4700387466		1	Cable harness	D
13	4700394210		1	Cable harness	D
14	4700904039		1	Fuse 50A Red High	A
15	4700313102		N	Cable ties	
16	4700937737	A	2XL	Hose	
17	4700393280		1	Holder	D
18	4700570005		2	Nut M8	C

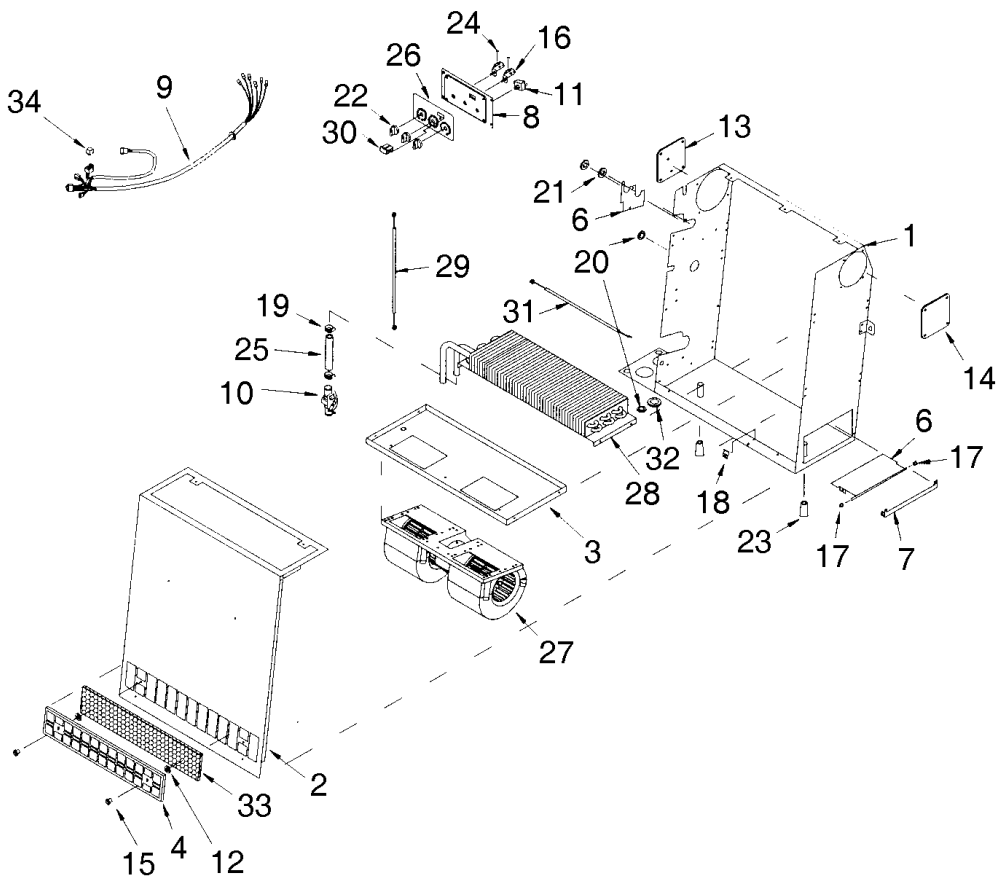
A) L=3600 mm

A)

C)

D)

4700379394 Heater box



4700379394 Heater box

Item	Part No	Rem Qty	Description	Code
10	4700939693	1	. Heater control valve	
11	4700938622	1	. Switch	B
16	4700938621	2	. Rotary control	
19	4700313003	2	. Hose clamp 15-25mm	D
24	4700385134	2	. Lock washer	D
25	4700384881	A	. Hose	D
27	4700938638	1	. Fan	C
28	4700938639	1	. Heater coil	
29	4700938645	1	. Bowden cable	
31	4700384762	1	. Wire	D
33	4700384761	1	. Air filter element	A
34	4700287597	1	. Relay	D

A) L=200 mm

A)

B)

C)

D)

4812269767 Prooftyre option

4812269767 Prooftyre option

Item	Part No	Rem Qty	Description	Code
1	4812270033	2	Wheel with all-weather prooftyre Liquid filled (Page 200)	

4812270033 Wheel with all-weather prooftyre Liquid filled

4812270033 Wheel with all-weather prooftyre Liquid filled

Item	Part No	Rem Qty	Description	Code
1	4812270032	1	Wheel with all-weather prooftyre (Page 202)	
2	4812114240	1	Calcium chloride	
3	4700903985	1	Decal "SAFETY", "TYRE IN BALLAST"	
		1		

4812270032 Wheel with all-weather prooftyre

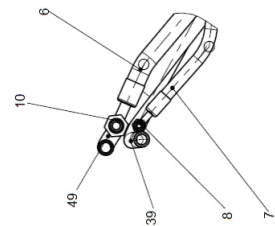
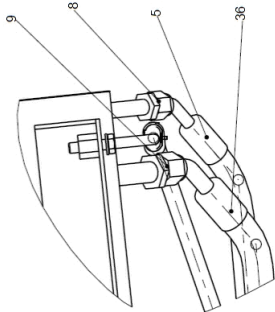
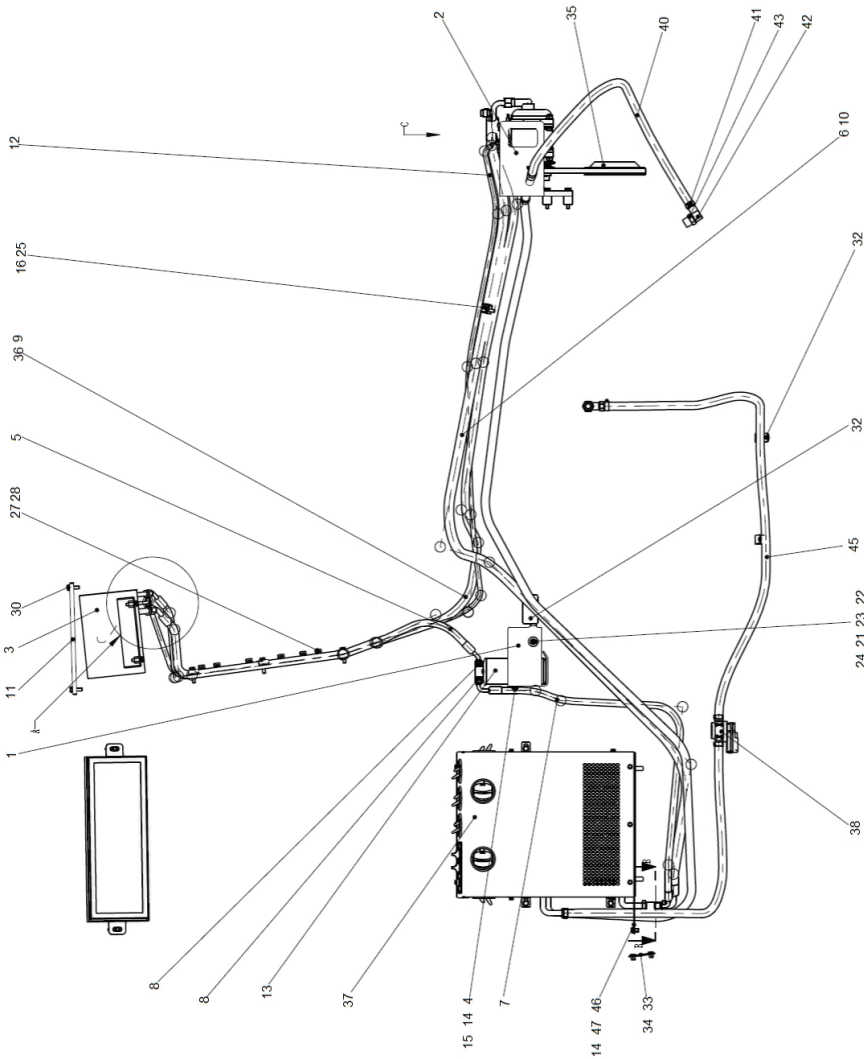
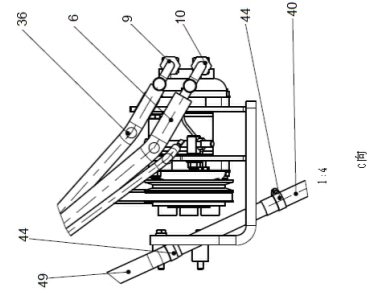
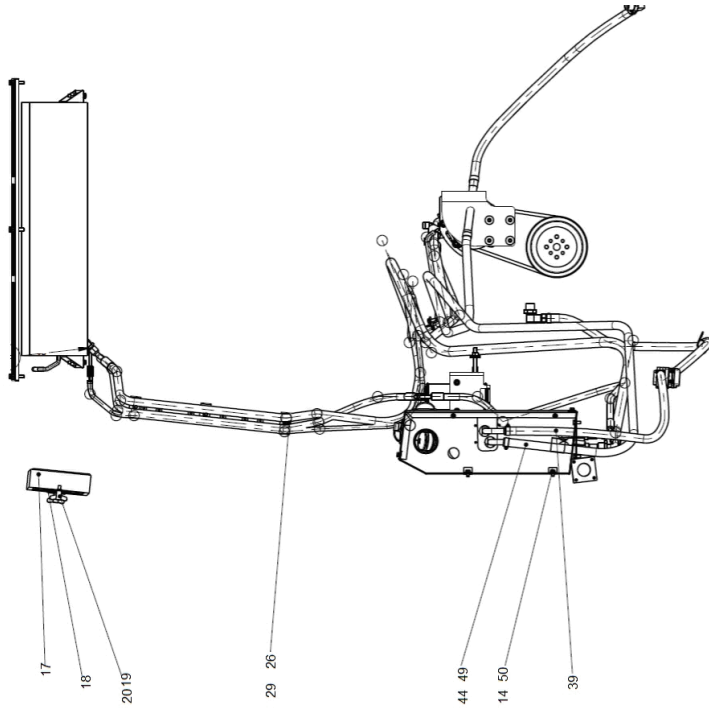
4812270032 Wheel with all-weather prooftyre

Item	Part No	Rem Qty	Description	Code
1	4812270031	1	All-weather prooftyre	
2	4700393335	1	Rim	D
3	4700792261	1	Air charging valve Straight	B

B)

D)

Air conditioner mount Since SN C000360

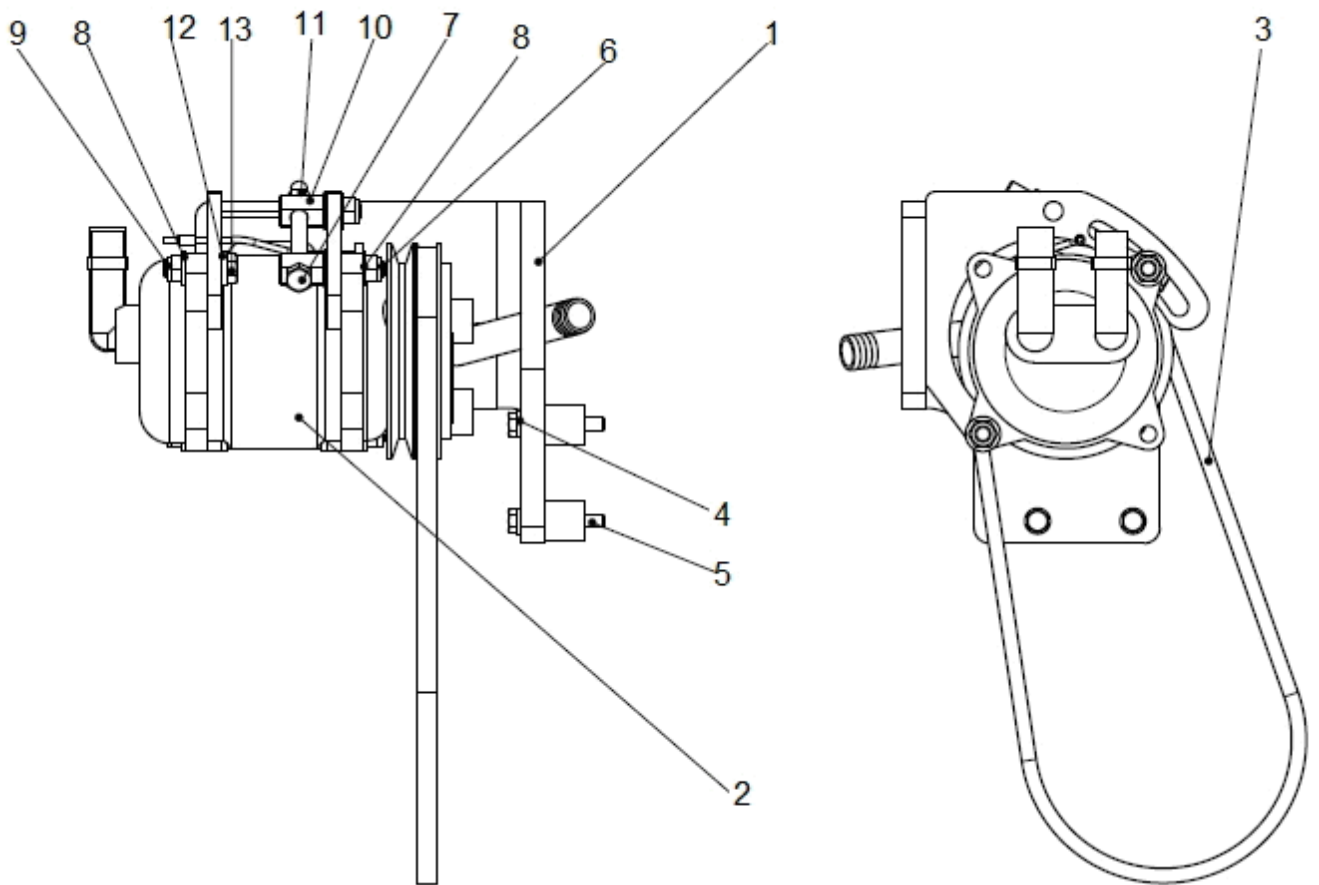


Air conditioner mount Since SN C000360

Item	Part No	Rem Qty	Description	Code
1	4700390483	1	Holder	D
2	4812265833	1	Compressor cpl. (Page 206)	
3	4812265842	1	Condensor (Page 208)	
4	4700500100	2	Hexagon head screw M	C
5	4812265844	1	Refrigerant hose	
6	4812265853	1	Refrigerant hose	
7	4812265846	1	Refrigerant hose	
8	4700384877	4	O-ring	C
9	4700384878	2	O-ring	C
10	4700384879	2	O-ring	C
11	4700384589	1	Hatch	D
12	4812265839	1	Wiring harness	
13	4812265845	1	Receiver drier (Page 210)	
14	4700904229	21	Steel plain washer	C
15	4700586003	2	Lock nut M	C
16	4700921056	1	Pipe clamp covered	C
17	4700908501	1	Filter frame	D
18	4700908502	1	Filter	A
19	4700908504	2	Handle	D
20	4700908503	2	O-ring	D
21	4700904230	1	Steel plain washer	C
22	4700500192	1	Hexagon head screw M	C
23	4700904567	1	Steel plain washer	
24	4700570006	1	Hexagon nut M	B
25	4700500053	1	Hexagon head screw M	C
26	4700346230	3	Clamp	D
27	4700904543	6	Cable tie holder	
28	4700903852	6	Thread rolling screw	C
29	4700500023	3	Hexagon head screw M	C
30	4700500022	10	Hexagon head screw M	C
31	4700903679	1.5	Refrigerant	
32	4700904156	1	Safety decal, toxic gases kg	
33	4700935586	1	Plate	
34	4700500004	4	Hexagon head screw M	C
35	4812268934	1	.	
36	4812265843	1	Plate	
37	4812265847	1	Evaporimeter (Page 212)	
38	4812265849	1	Valve	
39	4812265851	0.5	Water hose	
40	4812265850	0.5	Water hose M	
41	4700387638	2	Hose connection M	
42	4700234365	2	Elbow 90	
43	4700813434	2	Reducer	
44	4700313004	7	Hose clamp	D
45	4812265848	2.7	Water hose	
46	4812265843	1	Plate	
47	4700500019	2	Hexagon head screw M	C
48	4700921161	2	Pipe clamp covered	C
49	4812265841	3.5	Water hose	
50	4700500018	3	Hexagon head screw M	C

- A)
- B)
- C)
- D)

4812265833 Compressor cpl.

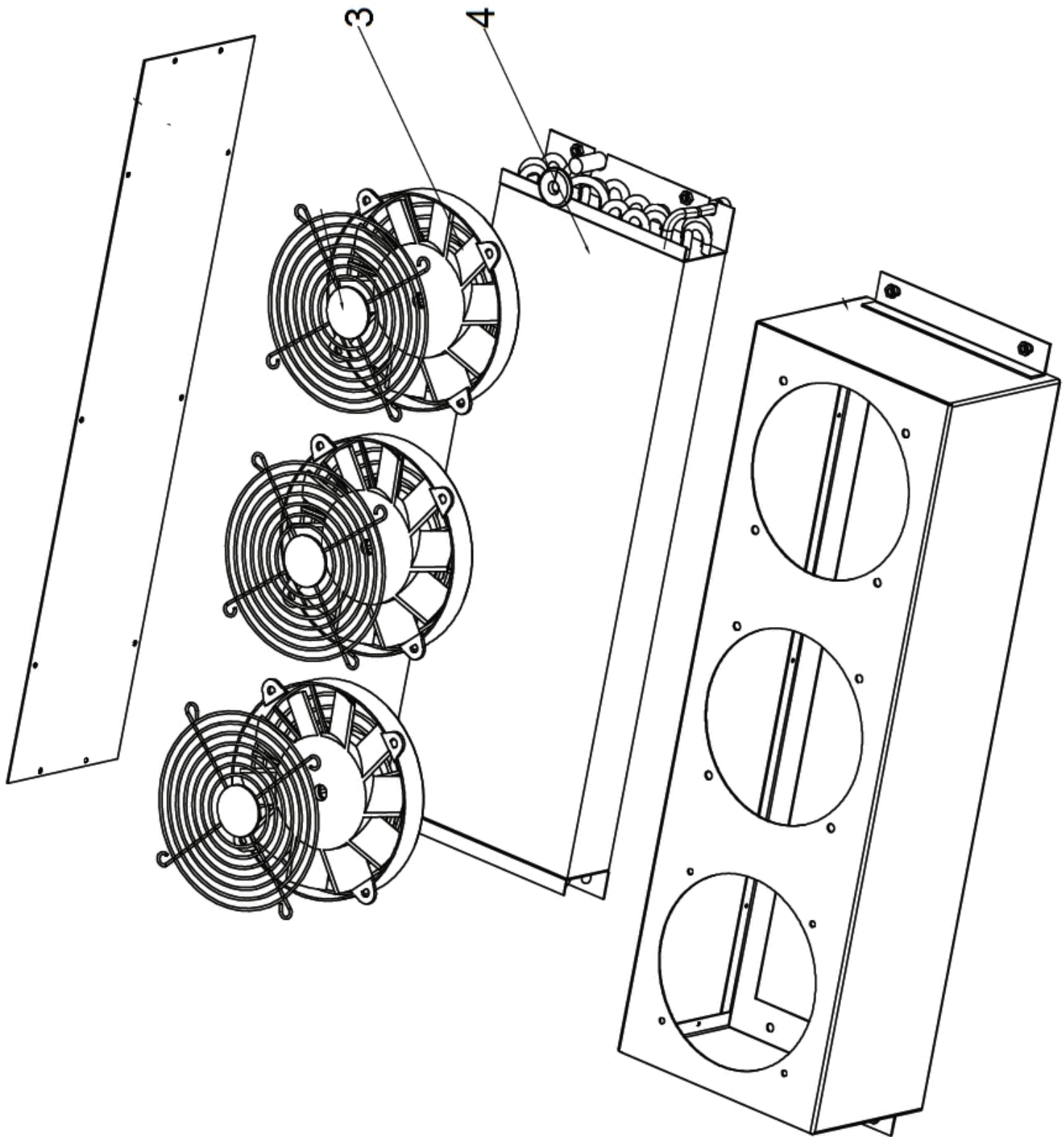


4812265833 Compressor cpl.

Item	Part No	Rem Qty	Description	Code
1	4812267208	1	Bracket	
2	4812273529	1	Compressor	
3	4700413065	1	V-belt	
4	4700904556	4	Steel plain washer	C
5	4700500067	4	Hexagon head screw M	C
6	4700379811	1	Adjusting screw	
7	4700904379	1	Hexagon head screw M	
8	4700904230	5	Steel plain washer	C
9	4700791172	5	Lock nut M	D
10	4700379812	1	Adjusting screw	
11	4700570006	1	Hexagon nut M	B
12	4700904557	3	Steel plain washer	
13	4700500031	3	Hexagon head screw M	

- B)
- C)
- D)

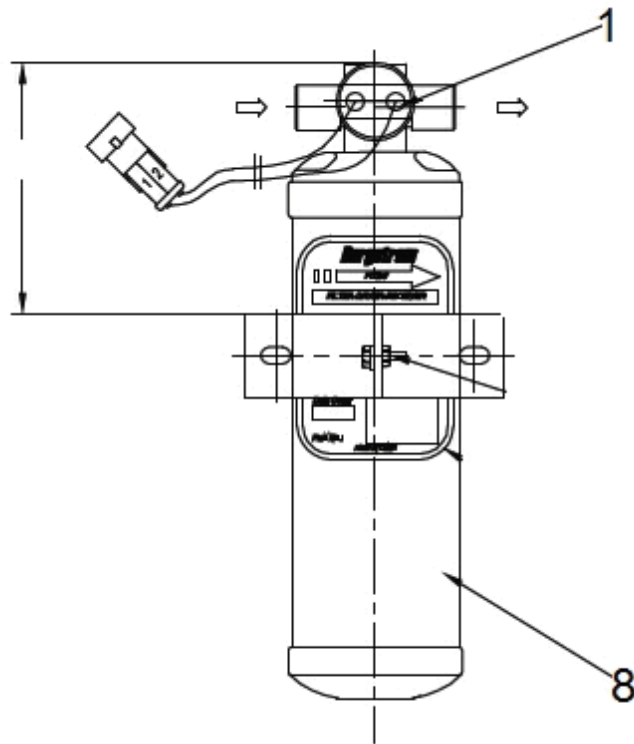
4812265842 Condensor



4812265842 Condensor

Item	Part No	Rem Qty	Description	Code
3	4812271702	3	Condensor fan	
4	4812271703	1	Condensor coil	

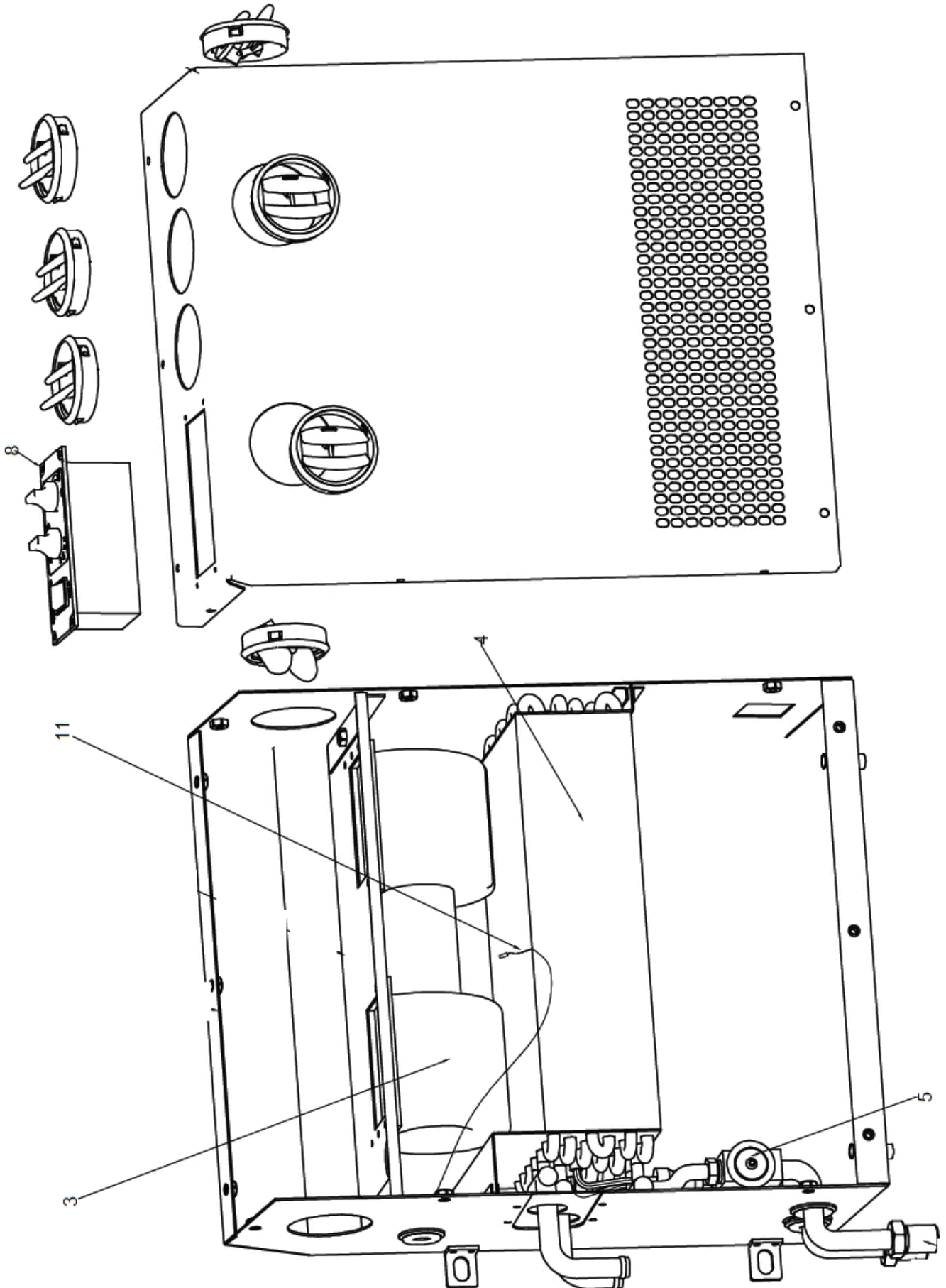
4812265845 Receiver drier



4812265845 Receiver drier

Item	Part No	Rem Qty	Description	Code
1	4812271704	1	Pressure switch	
8	4812271705	1	Receiver drier	

4812265847 Evaporimeter



4812265847 Evaporimeter

Item	Part No	Rem Qty	Description	Code
3	4812271698	1	Evaporimeter fan	
4	4812271699	1	Evaporimeter coil	
5	4812271700	1	Expansion valve	
8	4812271625	1	Control panel	
11	4812271701	1	Themostat	

NUMERICAL INDEX

Part Number	Page	Part Number	Page	Part Number	Page
4700100040	17,33	4700313093	61,65,67	4700357585	137
4700116041	21,43	4700313102	97,121,131,195	4700357643	147,159
4700160105	21,43	4700330170	57	4700357855	147
4700160132	111	4700330171	57	4700358142	147
4700160231	111	4700330330	195	4700358143	147
4700160269	137	4700330331	51	4700358172	23,41
4700160272	91	4700330333	85,87	4700358388	103
4700162008	97	4700330383	53	4700358452	141
4700162011	43,45	4700334121	111,121	4700358881	147,179,187
4700162017	43,45	4700334132	91,97	4700359550	97
4700162018	43	4700334138	91,97	4700359551	97
4700162024	43	4700334140	97	4700359552	97
4700162027	43,45	4700334196	131	4700370231	43
4700167023	43	4700334199	121	4700370803	157
4700167032	17,33	4700334205	111,127	4700371326	137
4700167033	17,33	4700334389	127	4700371344	137
4700202046	55	4700334419	111	4700371366	35
4700202047	37	4700334463	63,131	4700371512	47
4700212339	103	4700334468	97	4700371620	51
4700212553	75,83	4700334523	131	4700371669	121
4700230515	53	4700334558	121	4700371727	51
4700232039	129	4700337042	33	4700371730	169
4700232041	29	4700337045	17,33	4700371737	55
4700232097	121	4700337221	17,33	4700371774	55
4700232210	41,43,45	4700338304	121	4700371955	41
4700233304	129	4700340863	119	4700371956	41,43
4700234218	121	4700343159	33	4700372018	111
4700234243	97	4700343318	43	4700372029	129
4700234365	205	4700343744	43,45	4700372044	129
4700234382	111	4700343775	29	4700372087	29
4700234388	131	4700345234	111	4700372229	7,13,97
4700234622	131	4700345243	97	4700372235	91
4700234624	97	4700345874	17,33	4700372347	157
4700234626	121	4700345875	17,33	4700372409	157
4700234662	121	4700346230	205	4700372457	159
4700234843	127	4700347119	29	4700372489	157
4700234875	97	4700347512	145	4700372494	145,159
4700234888	127	4700348331	145,179	4700372513	121
4700234909	97	4700348481	25,151	4700372514	121
4700234958	97	4700349682	41	4700372575	37
4700244054	63	4700349715	43	4700372578	91,111
4700246069	57	4700349879	129	4700372580	91,99,111
4700272372	181	4700349880	129	4700372581	111
4700272373	179	4700349909	91	4700372586	91,99
4700281783	97	4700349971	41	4700372608	35
4700285909	151	4700349972	41	4700372609	37
4700285911	25,151	4700349973	23,41	4700372625	121
4700287597	137,197	4700355263	137	4700372658	191
4700287598	137	4700355301	137	4700372678	157
4700287724	91	4700355869	153	4700372695	37
4700288129	55	4700355890	191	4700372709	29
4700310008	17	4700355983	71	4700372757	145
4700311016	191	4700356348	131	4700372758	139
4700313001	63	4700357138	13,129	4700372772	51
4700313003	197	4700357278	97	4700372785	145,159
4700313004	195,205	4700357316	147	4700372837	191
4700313006	55	4700357320	147	4700372964	153
4700313010	55	4700357424	147	4700373112	99,111
4700313023	55	4700357488	29	4700373123	33
4700313035	151	4700357494	151	4700373184	139
4700313041	63	4700357501	151	4700373309	157
4700313075	57	4700357583	135	4700373361	97,107,109

NUMERICAL INDEX

Part Number	Page	Part Number	Page	Part Number	Page
4700373363	181	4700379394	195,197	4700384589	205
4700373364	181	4700379608	161	4700384759	159
4700373400	145	4700379636	145,159	4700384761	197
4700373423	57	4700379637	157	4700384762	197
4700373442	41	4700379811	207	4700384877	205
4700373443	41	4700379812	207	4700384878	205
4700373460	29,63	4700379876	45	4700384879	205
4700373574	63	4700379878	43	4700384881	197
4700373746	155	4700380018	43,45	4700385100	69,71,73
4700373747	155	4700380079	119	4700385134	197
4700373748	155	4700380109	35	4700385376	61
4700373749	155	4700380113	145	4700385379	61
4700373750	155	4700380123	145	4700385691	61
4700373769	41	4700380146	111,119	4700385692	61
4700373770	41	4700380277	137	4700385871	97
4700373854	157	4700380278	137	4700385873	59
4700373855	157	4700380281	135	4700386047	61
4700373891	135	4700380366	151	4700386152	65,67
4700373906	155	4700380436	29	4700386153	65,67
4700373907	155	4700380490	97	4700386163	65,67
4700373955	35	4700380549	135	4700386222	55
4700373956	35	4700380577	135	4700386272	21
4700373957	35	4700380685	147	4700386410	65
4700374028	131	4700380699	135	4700386641	61
4700374029	139	4700380700	135	4700386662	55
4700374030	139	4700380727	145	4700386663	55
4700374059	97	4700380830	97,101,103,105	4700386664	55
4700374217	111	4700380963	155	4700386688	51
4700374398	141	4700380964	155	4700386699	55
4700374471	145	4700381027	43	4700386768	149
4700374606	159	4700381413	57	4700386774	65,67
4700374607	159	4700381462	139	4700387128	51
4700374728	41	4700381634	43,45	4700387397	135
4700374744	29	4700381989	35	4700387418	137
4700374797	35	4700382129	35	4700387419	139
4700374798	35	4700382130	35	4700387427	135
4700374799	35	4700382131	35	4700387454	65,67
4700374898	33	4700382132	35	4700387466	195
4700375171	55	4700382165	35	4700387525	61
4700375172	55	4700382335	35	4700387554	135
4700376000	121,125	4700382336	35	4700387562	97
4700376252	145,159	4700382349	149	4700387633	149
4700376488	157	4700382355	35	4700387638	195,205
4700376489	157	4700382391	51	4700387699	65,67
4700376561	57	4700382397	159	4700387728	137
4700376573	57	4700382582	145,159	4700387964	61
4700376619	65	4700382751	179	4700388146	71
4700377221	29	4700382782	137	4700388203	149
4700377518	145,159	4700382885	151	4700388449	181
4700377556	145,159	4700383705	147,159	4700388650	65,67
4700377677	157	4700383726	55	4700388727	55
4700377742	181	4700383856	69,81	4700388728	55
4700377743	181	4700383951	157	4700388732	55
4700377744	179	4700383955	71	4700388800	65,67
4700378210	51	4700383975	71	4700388855	53
4700378211	51	4700384114	41,43	4700389138	51
4700378213	51	4700384121	41	4700389170	149
4700378214	51	4700384159	179	4700389175	149
4700378308	159	4700384163	139	4700389177	149
4700379214	61	4700384402	175	4700389184	149
4700379236	163	4700384403	175	4700389564	91,93
4700379251	35	4700384503	17,33	4700389577	141

NUMERICAL INDEX

Part Number	Page	Part Number	Page	Part Number	Page
4700389600	61	4700483188	131	4700500195	145,159
4700389662	135	4700483204	131	4700500196	43
4700390483	205	4700483445	131	4700500210	145
4700390500	55	4700483497	121	4700500211	145
4700390589	71	4700483498	121	4700500239	51,157
4700390591	71	4700483605	99	4700500263	97
4700390743	51	4700483622	99	4700500505	35
4700390759	71	4700483697	121	4700502034	121
4700390760	71	4700484044	111	4700502078	111
4700390762	71	4700484060	111	4700502132	91,97,111
4700390896	19,43,45	4700500004	205	4700506018	111
4700390900	179	4700500006	63	4700508029	51,121
4700390927	165	4700500008	57	4700508079	51
4700391303	195	4700500012	55,135,139	4700508080	111
4700392027	121,123	4700500013	35,53,141,151	4700509025	51
4700392106	123	4700500015	65,67,149	4700527002	41
4700392107	123	4700500018	35,55,131,205	4700533001	25,151
4700392108	123	4700500019	37,61,97,129,163	4700533013	137
4700392109	123		169,173,195,205	4700533038	151
4700392110	123	4700500021	35,61,97,135,141	4700533070	137
4700392170	57		147,151,155,157	4700535005	167
4700392233	61		191	4700535011	35
4700392313	57	4700500022	155,205	4700541507	37
4700392420	43,45	4700500023	121,205	4700541702	137,139,141,147
4700393280	195	4700500025	57	4700541703	151
4700393335	71,203	4700500026	35	4700560033	57
4700393367	29	4700500028	35,91,97,111	4700560037	157
4700393476	57	4700500029	29,55,65,67,145	4700570003	145,193
4700393695	111,113		159	4700570004	35,55,137,149
4700394210	195	4700500030	35,63,147		151
4700394646	91	4700500031	57,153,207	4700570005	35,55,135,149
4700394650	91	4700500033	63,97		159,195
4700394683	61	4700500035	135	4700570006	121,129,205,207
4700394690	11,13,61	4700500036	51	4700573004	151
4700394691	13,61	4700500037	33	4700573008	149
4700394902	121	4700500040	35,55,135,139	4700586001	137
4700397130	29		147,149	4700586002	137,147,155
4700397217	51	4700500043	29,139	4700586003	51,61,121,141
4700397284	51	4700500046	65,67,97		151,155,173,205
4700397285	51	4700500048	153	4700586018	51,91,139
4700397305	31	4700500053	55,65,67,131,135	4700586019	51
4700413065	207		145,163,195,205	4700586021	169
4700416004	151	4700500057	41	4700588176	179
4700416034	149,151	4700500060	135	4700600008	121
4700482010	97	4700500061	97	4700601001	193
4700482056	127	4700500067	63,207	4700604007	111
4700482182	97	4700500070	41,51	4700624005	179
4700482391	97	4700500075	57,135,137	4700624016	157
4700482399	127	4700500082	41,43,45	4700624017	179
4700482516	127	4700500088	35	4700629016	151
4700482741	97	4700500092	91	4700629066	169
4700483022	91	4700500100	157,205	4700635061	29,123
4700483023	111	4700500101	91	4700747282	57,63
4700483024	111	4700500109	99	4700747691	51
4700483028	91	4700500133	35,121	4700791119	129
4700483029	91	4700500134	31,41	4700791120	129
4700483031	111	4700500153	155	4700791156	43,45
4700483033	97	4700500154	31,53	4700791172	207
4700483040	127	4700500163	43,45,63	4700791175	71
4700483049	121	4700500188	29,33	4700791176	71
4700483109	121	4700500192	91,111,129,205	4700791212	111
4700483128	97	4700500194	51,111	4700791218	159

NUMERICAL INDEX

Part Number	Page	Part Number	Page	Part Number	Page
4700791226	147,159	4700901767	37,137	4700903580	101
4700791306	51	4700901834	73,81	4700903625	137
4700791371	135	4700901987	79,87	4700903631	135
4700791468	51	4700902115	111	4700903632	135
4700791489	137	4700902123	153	4700903640	135
4700791503	135	4700902125	131	4700903641	135
4700791510	135	4700902166	37,55,65,67,91	4700903679	205
4700791511	135	4700902187	151	4700903714	57
4700791513	63	4700902189	151	4700903732	35
4700791573	71	4700902191	151	4700903741	195
4700791595	135	4700902203	145	4700903750	91
4700792052	135	4700902223	137	4700903768	135
4700792187	193	4700902224	137	4700903782	163
4700792261	71,203	4700902225	137	4700903812	121
4700792277	135	4700902227	139	4700903820	137
4700792299	111	4700902260	119	4700903831	121
4700792322	57	4700902261	119	4700903852	205
4700792464	41	4700902264	119	4700903875	137
4700792551	57	4700902265	119	4700903919	41
4700792654	111	4700902284	35,135	4700903953	55
4700792682	135	4700902285	35,135,149	4700903970	137
4700801567	135	4700902286	35,135	4700903985	71,179,201
4700802550	61	4700902379	147	4700904005	91,97,111,121
4700813316	121	4700902558	63	4700904036	135
4700813391	29	4700902581	97,107	4700904037	135
4700813434	135,205	4700902610	191	4700904038	139
4700813444	121	4700902624	113	4700904039	195
4700813499	91,97	4700902625	113,117	4700904156	205
4700813500	121	4700902638	113	4700904180	157
4700813618	47,107	4700902687	113	4700904213	97
4700813822	101,107	4700902695	113	4700904228	35,51,55,65,67
4700900229	97	4700902697	117		137,139,141,147
4700900255	73,81	4700902724	113		149,151,155
4700900552	63,127	4700902752	113	4700904229	29,33,51,55,61
4700900604	97	4700902783	117		63,65,67,97,121
4700900775	43,45	4700902811	117		129,131,135,141
4700900776	19,43,45	4700902814	117		145,149,151,155
4700900782	19,43,45	4700902866	35		159,163,169,173
4700900807	33	4700902895	151		195,205
4700900957	77,85	4700902896	151	4700904230	29,37,51,55,63
4700900966	77,85	4700902919	29,147		65,67,91,97,111
4700901145	71,145,159	4700902928	101,107		139,145,147,153
4700901155	111	4700902929	107		159,205,207
4700901157	111	4700902930	107	4700904231	33,35,43,51,63
4700901218	71	4700902944	107		65,67,111,121
4700901220	191	4700902960	107		145,159
4700901226	137	4700902961	107	4700904232	31,41,43,45,51
4700901240	137	4700902962	107		53,111,169
4700901328	105	4700902984	107	4700904233	29,41,53,71,145
4700901369	139	4700902996	109		159
4700901443	71	4700903189	43	4700904234	41,157
4700901444	71	4700903190	43,63	4700904241	35,65,67
4700901452	101	4700903281	41	4700904244	37
4700901453	93,95,101,107	4700903290	91,145,159	4700904281	57,63,135,137
4700901454	101	4700903395	151	4700904282	97
4700901455	101	4700903422	179	4700904314	139
4700901458	101	4700903423	181	4700904340	155
4700901465	103	4700903424	181	4700904379	51,207
4700901466	103	4700903425	179	4700904385	123
4700901467	103	4700903459	179	4700904433	145,159
4700901475	103	4700903570	101	4700904448	135
4700901476	105	4700903571	101	4700904479	33,41

NUMERICAL INDEX

Part Number	Page	Part Number	Page	Part Number	Page
4700904486	55	4700908605	171	4700909727	101
4700904495	111	4700908617	171	4700910161	121
4700904543	205	4700908623	167	4700910995	33
4700904551	55	4700908624	167	4700911456	137
4700904556	35,151,207	4700908625	169	4700921031	139
4700904557	29,35,63,207	4700908626	169	4700921039	139,141
4700904562	41,157	4700908627	169	4700921050	57
4700904567	35,57,129,205	4700908628	169	4700921056	195,205
4700904619	157	4700908780	125	4700921063	53
4700904623	57	4700909259	95,107	4700921072	135
4700904637	51,121	4700909382	101	4700921084	97
4700904638	51,91,97,111,135	4700909386	101	4700921099	55
4700904639	135	4700909387	101	4700921104	135
4700904640	35,55,61,65,67 147,157,191	4700909388	101	4700921116	135
4700904663	17	4700909389	101	4700921132	195
4700904695	63	4700909390	101	4700921161	205
4700904697	151	4700909391	101	4700922325	151
4700904698	137	4700909392	101	4700923087	95,101,103
4700904703	51	4700909393	101	4700923342	75,83
4700904734	157	4700909398	101	4700923371	97
4700904735	97	4700909399	103	4700923384	91,97,111
4700904737	43,45	4700909428	103	4700923874	149
4700904773	111	4700909429	103	4700923976	137
4700904793	97	4700909432	103	4700924620	17,33
4700904835	179	4700909435	105	4700924791	155
4700904846	137	4700909436	105	4700924875	147
4700904870	179	4700909469	113,117	4700925519	51
4700904874	35	4700909514	113,117	4700925629	35
4700905304	171	4700909525	109	4700925631	63
4700905305	171	4700909544	77,85	4700925723	127
4700905306	171	4700909550	75	4700925802	51,139
4700908136	55,131	4700909551	75	4700926214	17,33,121
4700908229	179	4700909552	75	4700926781	79,87
4700908265	169	4700909553	75	4700926810	77,85
4700908267	173	4700909558	75	4700926847	77,85
4700908352	101	4700909559	75	4700926985	55
4700908355	169	4700909560	75	4700927117	29
4700908359	173	4700909561	75	4700927637	35
4700908361	169	4700909562	75	4700927857	65,67
4700908383	113	4700909563	75	4700927974	37,145,159
4700908422	107	4700909565	75	4700928497	25,151
4700908426	107	4700909566	75	4700928830	153
4700908427	107	4700909567	75,83	4700928850	29
4700908432	101,103,107	4700909568	75,83	4700929023	135
4700908435	95,107	4700909569	75,83	4700929123	121
4700908440	95	4700909570	75,83	4700929217	71
4700908443	107	4700909572	75,83	4700929447	21,43
4700908448	105	4700909574	75,83	4700929617	77,85
4700908485	75,83	4700909576	75,83	4700929626	83
4700908499	161,163,165	4700909580	75,83	4700929628	75
4700908501	205	4700909581	75,83	4700929629	75
4700908502	205	4700909582	73,81	4700929630	83
4700908503	205	4700909584	73,81	4700929631	83
4700908504	205	4700909586	79,87	4700929638	75,83
4700908506	163	4700909596	85,87	4700929644	75,83
4700908507	163	4700909609	77,79,85,87	4700929648	73,81
4700908545	161,165	4700909616	77,85	4700930153	137
4700908580	165	4700909618	77,85	4700930154	137
4700908581	165	4700909619	77,85	4700930163	137
4700908582	165	4700909622	77,85	4700930198	137
4700908583	165	4700909624	77,85	4700930200	137
		4700909626	77,85	4700932032	137

NUMERICAL INDEX

Part Number	Page	Part Number	Page	Part Number	Page
4700935164	115	4700935401	47	4700936582	101
4700935172	117	4700935402	47	4700936583	103
4700935192	113	4700935403	47	4700936593	109
4700935212	117	4700935404	47	4700936609	113,117
4700935219	113	4700935405	47	4700936612	113
4700935244	165	4700935411	47	4700936613	117
4700935245	165	4700935413	47	4700936614	117
4700935246	165	4700935414	47	4700936616	115
4700935247	165	4700935415	47	4700936617	115
4700935248	165	4700935429	125	4700936618	115
4700935249	165	4700935520	93,109	4700936619	115
4700935250	165	4700935521	107	4700936620	115
4700935253	165	4700935523	93	4700936621	115
4700935265	165	4700935524	95,107	4700936622	115
4700935266	165	4700935525	95,107	4700936623	115
4700935267	165	4700935526	107	4700936627	115
4700935268	165	4700935527	95,107	4700936628	115
4700935269	165	4700935530	107	4700936629	115
4700935270	165	4700935531	107	4700936630	115
4700935271	161,165	4700935533	107	4700936631	115
4700935272	161,165	4700935536	107	4700936632	115
4700935273	161,165	4700935537	93	4700936633	115
4700935274	161,165	4700935541	93	4700936634	115
4700935275	161,165	4700935543	95,107	4700936636	115
4700935276	161,165	4700935544	107	4700936637	115
4700935277	161,165	4700935545	107	4700936642	113
4700935278	161	4700935586	205	4700936643	113
4700935279	161	4700935613	153	4700936644	113
4700935280	161	4700935614	153	4700936646	113
4700935281	161	4700935644	75	4700936647	113
4700935282	161	4700935664	107	4700936648	113
4700935283	161	4700935741	107	4700936654	113
4700935284	161	4700935749	107	4700936655	113
4700935285	161	4700935750	107	4700936656	113
4700935286	161	4700935856	101	4700936657	117
4700935287	161	4700935857	103	4700936658	117
4700935288	161	4700936304	117	4700936659	117
4700935289	161	4700936305	117	4700936660	117
4700935290	161	4700936308	113	4700936661	117
4700935291	161	4700936313	117	4700936662	117
4700935293	161	4700936370	117	4700936663	117
4700935295	161	4700936394	117	4700936664	117
4700935296	161	4700936546	101	4700936665	117
4700935297	161	4700936547	101	4700936673	117
4700935298	161	4700936548	105	4700936686	113
4700935299	161	4700936549	101	4700936689	113
4700935300	163	4700936551	101	4700936898	97
4700935301	163	4700936553	101	4700937055	121
4700935302	163	4700936554	105	4700937150	103
4700935303	163	4700936557	101	4700937187	115
4700935380	47	4700936558	101	4700937240	117
4700935381	47	4700936559	101	4700937259	119
4700935382	47	4700936560	101	4700937363	109
4700935386	47	4700936561	101	4700937380	161
4700935387	47	4700936562	103	4700937381	161
4700935388	47	4700936563	103	4700937382	161
4700935389	47	4700936564	103	4700937383	161
4700935394	47	4700936566	103	4700937384	161
4700935395	47	4700936567	103	4700937385	161
4700935396	47	4700936568	103	4700937389	161
4700935397	47	4700936570	103	4700937390	165
4700935400	47	4700936571	103	4700937391	165

NUMERICAL INDEX

Part Number	Page	Part Number	Page	Part Number	Page
4700937392	165	4700939271	79,87	47386084CN	179
4700937393	165	4700939272	79,87	47386084DE	179
4700937675	119	4700939273	79,87	47386084DK	179
4700937737	195	4700939275	79,87	47386084EN	179
4700937857	103	4700939276	79,87	47386084ES	179
4700937870	175	4700939277	79,87	47386084FI	179
4700937871	171	4700939278	79,87	47386084FR	179
4700938014	113	4700939280	77,85	47386084GR	179
4700938017	165	4700939281	77,85	47386084IS	179
4700938018	165	4700939282	77,85	47386084IT	179
4700938062	125	4700939283	77,85	47386084NL	179
4700938068	125	4700939284	77,85	47386084NO	179
4700938070	125	4700939285	77,85	47386084PT	179
4700938101	165	4700939286	77,85	47386084SE	179
4700938170	103	4700939287	77,85	4812110216	139
4700938252	103	4700939348	77,79	4812110773	37
4700938253	103	4700939349	79,87	4812110860	43
4700938273	51	4700939350	79,87	4812111103	31
4700938290	161	4700939351	79,87	4812111126	51
4700938291	161	4700939372	7,11,13,51	4812112413	43
4700938292	161	4700939373	51	4812112591	29
4700938296	77,85	4700939403	63	4812112596	61
4700938514	13,51	4700939404	7,11,13,63	4812112597	57
4700938516	13	4700939405	63	4812112600	63
4700938562	15,17	4700939489	103	4812112601	63
4700938621	197	4700939503	7,9,11,13,51	4812112602	63
4700938622	197	4700939504	51	4812112749	43,45
4700938638	197	4700939506	51	4812112798	29
4700938639	197	4700939693	197	4812112944	135
4700938645	197	4700939955	51	4812113709	63
4700938659	161	4700939960	51	4812113917	67
4700938883	15,23	4700940505	113	4812113918	55
4700938891	15,21	4700940507	113	4812113919	67
4700938983	77,85	4700940662	15,25	4812113920	67
4700938984	77,85	4700940676	113	4812114240	201
4700938989	75,83	4700940678	165	4812114368	55
4700938991	83	4700945140	51	4812114466	145,159
4700939003	79,87	4700945587	45	4812115828	111
4700939015	79,87	4700945594	43	4812115855	135
4700939016	79,87	4700945622	145,159	4812120119	183
4700939017	79,87	4700945652	5,7	4812155075	145
4700939019	79,87	4700945657	19	4812155683	43
4700939026	77,85	4700945757	93,107	4812155764	117
4700939035	77,85	4700945773	51	4812155780	95
4700939036	77,85	4700945774	51	4812156072	103
4700939173	113	4700945775	113	4812156092	119
4700939255	77,85	4700945776	113	4812156170	23
4700939256	77,85	4700945777	63	4812156652	101
4700939257	75	4700945880	119	4812156885	83
4700939258	75,83	4700945892	51	4812156886	83
4700939259	75,83	4700947680	149,151	4812156960	51
4700939260	75,83	4700950283	103	4812156961	51
4700939261	75,83	4700950284	103	4812156977	115
4700939262	75	4700950635	117	4812156978	115
4700939263	79,87	4700985012	137	4812157260	161,165
4700939264	79,87	4700985125	137	4812157261	161,165
4700939265	79,87	4700985146	137	4812157268	5,9
4700939266	79,87	4700989151	129	4812157269	5,11
4700939267	79,87	4700991658	181	4812157270	5,13
4700939268	79,87	4700999011	141	4812157578	95
4700939269	79,87	4700999027	135	4812157653	93
4700939270	79,87	47386084BR	179	4812265106	35

NUMERICAL INDEX

Part Number	Page	Part Number	Page	Part Number	Page
4812265107	35				
4812265108	35				
4812265109	35				
4812265111	57				
4812265113	35				
4812265114	35				
4812265128	37				
4812265129	35				
4812265465	193				
4812265746	189,193				
4812265832	37				
4812265833	205,207				
4812265836	183				
4812265837	183				
4812265838	183				
4812265839	205				
4812265841	205				
4812265842	205,209				
4812265843	205				
4812265844	205				
4812265845	205,211				
4812265846	205				
4812265847	205,213				
4812265848	205				
4812265849	205				
4812265850	205				
4812265851	205				
4812265853	205				
4812267208	207				
4812268934	205				
4812269767	189,199				
4812269829	183				
4812269831	179				
4812269858	181				
4812270031	203				
4812270032	201,203				
4812270033	199,201				
4812271625	213				
4812271698	213				
4812271699	213				
4812271700	213				
4812271701	213				
4812271702	209				
4812271703	209				
4812271704	211				
4812271705	211				
4812273529	207				
4812273530	179				
4812273531	179				
D433722101	17,33				
D433722102	17,33				

PARTS ALPHABETICAL INDEX

Description	Part No	Page
.	4812268934	205
Absorbent	4700372678	157
Absorbent holder	4700376488	157
Absorbent holder	4700376489	157
Adapter	4700234382	111
Adapter	4700234626	121
Adapter	4700234843	127
Adapter	4700334138	91,97
Adapter	4700334468	97
Adapter	4700792551	57
Adapter	4700900552	63,127
Adapter	4700900604	97
Adapter	4700904282	97
Adapter	4700923371	97
Adapter	4700936570	103
Adapter	4812112597	57
Adapter G3/4	4700791119	129
Adjusting screw	4700379811	207
Adjusting screw	4700379812	207
Air breather screw	4700384121	41
Air charging valve	4700791175	71
Air charging valve Straight	4700792261	71,203
Air cleaner, cpl	4700394683	61
Air filter element	4700384761	197
Air filter element, main	4700394690	11,13,61
Air filter element, safety	4700394691	13,61
Air guide	4812113919	67
Air inlet	4700386699	55
Air inlet	4812113918	55
Air inlet hose	4700392233	61
Air inlet hose	4812112596	61
Air intake hose	4700385691	61
Air leading plate	4700371737	55
Air leading plate	4700388732	55
Air leading plate	4700560033	57
All-weather prooftyre	4812270031	203
Alternator	4700945140	51
Arm	4700908355	169
Axial ball bearing	4700100040	17,33
Axial ball bearing	4700924620	17,33
Axle case	4700939263	79,87
Back-up ring	4700372457	159
Back-up ring	4700936673	117
Ball bushing	4700813316	121
Ball joint	4700416034	149,151
Ball valve	4700233304	129
Band, mounting	4700802550	61
Banjo nipple	4700330170	57
Battery	4700792682	135
Battery cable	4700791503	135
Battery cable	4700791511	135
Battery switch	4700903640	135
Bearing	4700901452	101
Bearing	4700901465	103
Bearing	4700902187	151
Bearing	4700902260	119
Bearing	4700902261	119
Bearing	4700936632	115
Bearing	4700939266	79,87
Bearing	4700939273	79,87
Bearing bush	4700936662	117
Bearing cover	4700337042	33
Bearing cover	4700373123	33
Bearing housing	4700343318	43
Bearing housing inner	4700392420	43,45
Bearing housing outer	4700379876	45
Bearing housing outer	4700379878	43
Bearing liner, 1 pair	4700936629	115
Bearing plate	4700902930	107
Bellows	4700382349	149
Belt	4700939373	51
Belt pliers	4700902610	191
Belt tightener	4700945774	51
Bevel gear set	4700212553	75,83
Blind rivet	4700624016	157
Blind rivet	4700624017	179
Blind rivet	4700904433	145,159
Blind rivet	4700904619	157

PARTS ALPHABETICAL INDEX

Description	Part No	Page
Blind rivet 3,2x6,1	4700624005	179
Bolt	4700909626	77,85
Bolt	4700935299	161
Bolt	4700938989	75,83
Bolt	4700938991	83
Bolt	4700939257	75
Bolt	4700939264	79,87
Bolt	4700939281	77,85
Bolt	4700939282	77,85
Bolt	4812156886	83
Bowden cable	4700938645	197
Bowl	4700939405	63
Bracket	4700357316	147
Bracket	4700372608	35
Bracket	4700372772	51
Bracket	4700374030	139
Bracket	4700376561	57
Bracket	4700386768	149
Bracket	4700387397	135
Bracket	4700387964	61
Bracket	4700388203	149
Bracket	4700388728	55
Bracket	4700388855	53
Bracket	4700393476	57
Bracket	4700902189	151
Bracket	4700908136	55,131
Bracket	4700908361	169
Bracket	4700908583	165
Bracket	4700908623	167
Bracket	4700935297	161
Bracket	4700935298	161
Bracket	4812267208	207
Bracket Metal	4700935276	161,165
Bracket Rubber	4812157261	161,165
Brake disc kit	4700935400	47
Brake disc kit	4700939284	77,85
Brush profile	4700938101	165
Bulb 12V	4700985125	137
Bulb 2w	4700985012	137
Bulb 55w H3	4700901369	139
Bushing	4700285911	25,151
Bushing	4700357855	147
Bushing	4700936661	117
Buzzer	4700355301	137
Cab decal	4812265836	183
Cab decal	4812265837	183
Cab decal	4812265838	183
Cable	4700903970	137
Cable harness	4700357583	135
Cable harness	4700372758	139
Cable harness	4700373184	139
Cable harness	4700374398	141
Cable harness	4700380281	135
Cable harness	4700380549	135
Cable harness	4700380577	135
Cable harness	4700380699	135
Cable harness	4700380700	135
Cable harness	4700384402	175
Cable harness	4700384403	175
Cable harness	4700387418	137
Cable harness	4700387419	139
Cable harness	4700387427	135
Cable harness	4700387466	195
Cable harness	4700387554	135
Cable harness	4700387728	137
Cable harness	4700394210	195
Cable harness	4700937870	175
Cable harness	4812112944	135
Cable harness	4812115855	135
Cable holder	4700378214	51
Cable tie holder	4700904543	205
Cable ties	4700313102	97,121,131,195
Cable ties L=142 mm	4700925802	51,139
Cable ties L=200 mm	4700313041	63
Calcium chloride	4812114240	201
Cam disc	4700902895	151
Canopy anchor	4700373750	155
Canopy anchor	4700380963	155

PARTS ALPHABETICAL INDEX

Description	Part No	Page
Canopy anchor	4700380964	155
Canopy profile	4700373746	155
Canopy profile	4700373747	155
Canopy profile	4700373748	155
Canopy rib	4700373749	155
Cap	4700903714	57
Cap	4700908627	169
Cap	4700908628	169
Cap hydraulic	4700330383	53
Charge air tube	4700385692	61
Charge air tube	4700386047	61
Charge air tube	4700386641	61
Check valve	4700374059	97
Circlip	4700939267	79,87
Clamp	4700346230	205
Clamp	4700374797	35
Clamp	4700374798	35
Clamp	4700379214	61
Clamp	4700387525	61
Clamp	4700388800	65,67
Clamp	4700902558	63
Clamp	4700921031	139
Clamp	4700921050	57
Clamp	4700921063	53
Clamp	4700921072	135
Clamp	4700921099	55
Clamp	4700921104	135
Clamp	4700921116	135
Clamp	4700921132	195
Cleaning filter element Maximum 50 hours use	4700359552	97
Coil	4700909259	95,107
Compressor	4812273529	207
Condensor coil	4812271703	209
Condensor fan	4812271702	209
Connection block	4700345243	97
Connection cable	4700792277	135
Connection cable coarse	4700791510	135
Connection cable coarse	4700791595	135
Connection cable coarse	4700792052	135
Connector	4700230515	53
Connector	4700234388	131
Connector	4700234958	97
Connector	4700334389	127
Connector	4700334463	63,131
Connector	4700338304	121
Connector	4700372625	121
Connector	4700382391	51
Connector	4700385871	97
Connector	4700901155	111
Connector	4700901240	137
Connector	4700902125	131
Connector	4700925723	127
Contact block	4700930198	137
Contact piece, NC	4700930154	137
Contact piece, NO	4700930163	137
Control	4700389175	149
Control bracket	4700380366	151
Control bracket	4700382885	151
Control cable	4700902191	151
Control lever	4700357501	151
Control lever	4700387633	149
Control lever	4700909432	103
Control panel	4700358142	147
Control panel	4812271625	213
Control panel, left	4700380278	137
Control panel, right	4700380277	137
Control plate	4812156978	115
Control valve gasket	4700939489	103
Control valve, cpl	4700938170	103
Control valve, cpl	4700940507	113
Coolant hose	4700376573	57
Coolant hose	4700386663	55
Coolant hose	4700386664	55
Coolant hose	4700388727	55
Cooler frame	4700386662	55
Cooler, cpl	4812114368	55
Copper washer	4700330330	195
Copper washer	4700330333	85,87

PARTS ALPHABETICAL INDEX

Description	Part No	Page
Copper washer	4700747282	57,63
Coupling	4700371620	51
Coupling	4700935405	47
Coupling sleeve	4812156072	103
Cover	4700343159	33
Cover	4700348481	25,151
Cover	4700349879	129
Cover	4700357424	147
Cover	4700357494	151
Cover	4700358143	147
Cover	4700371344	137
Cover	4700373955	35
Cover	4700379236	163
Cover	4700379608	161
Cover	4700380727	145
Cover	4700397130	29
Cover	4700908582	165
Cover	4700935414	47
Cover	4700935613	153
Cover	4700937871	171
Cover	4700939255	77,85
Cover	4700939287	77,85
Cover	4812112798	29
Cover	4812156092	119
Cover assembly	4700936548	105
Cover plate	4700380685	147
Cover plate	4700924791	155
Cover plate	4812265108	35
Cover plate	4812265109	35
Cradle	4700936618	115
Cradle bearing assembly, 1 set	4700936633	115
Crossbeam	4700393367	29
Cup spring stack	4700936617	115
Cylinder	4812156977	115
Cylinder block	4700902929	107
Cylinder block, cpl	4700901455	101
Decal "BATTERY POWER"	4700904835	179
Decal "COOLING LEVEL"	4700388449	181
Decal "FUEL"	4700991658	181
Decal "HOT SURFACE"	4700903424	181
Decal "HYDRAULIC OIL"	4700272372	181
Decal "HYDRAULIC OIL"	4700272373	179
Decal "LIFT POINT"	4700588176	179
Decal "SAFETY MANUAL"	4700903425	179
Decal "SAFETY"	4700903422	179
Decal "SAFETY"	4700903423	181
Decal "SAFETY"	4700903459	179
Decal "SAFETY", "TYRE IN BALLAST"	4700903985	71,179,201
Decal "TIE DOWN POINT"	4700382751	179
Decal "TYRE PRESSURE" 110kPa/16psi	4700390900	179
Decal "TYRE PRESSURE" 200kPa/29psi	4700355983	71
Decal AC H=140	4812269831	179
Decal AC H=250	4812269858	181
Decal AC H=45	4812269829	183
Decal AC H=80	4812120119	183
Decal Dynapac	4812273530	179
Decal Dynapac	4812273531	179
Delay relay	4700904846	137
Diesel engine Cummins 6BTAA-5.9	4812111126	51
Differential carrier	4700909550	75
Differential carrier cover	4700909562	75
Differential case	4700929630	83
Differential pinion	4700939262	75
Differential side gear	4700909558	75
Disc	4700939283	77,85
Disc kit	4700935644	75
Display panel	4700357585	137
Distance	4700908359	173
Distribution control plate	4700371326	137
Door frame	4700390927	165
Door handle with key	4700935244	165
Door, cpl	4700940678	165
Double break-off pin	4700909514	113,117
Drive disc	4700373770	41
Drive screw	4700527002	41
Drive shaft	4700349682	41
Drivers seat, cpl	4700377518	145,159
Drivers seat, cpl	4700377556	145,159

PARTS ALPHABETICAL INDEX

Description	Part No	Page
Drivers seat, cpl	4812114466	145,159
Drum	4700373769	41
Drum cartridge	4700945587	45
Drum cartridge	4700945594	43
Drum cartridge	4812155683	43
Drum frame	4700377221	29
Drum gear	4700371512	47
Dust seal ring	4700938062	125
Eccentric shaft	4812112749	43,45
Eccentric shaft kit	4700945657	19
Edge trim	4700287724	91
Edge trim	4700288129	55
Edge trim	4700902166	37,55,65,67,91
Edge trim	4700902379	147
Edge trim	4700903953	55
Elbow	4700903750	91
Elbow 45	4700234622	131
Elbow 45	4700234662	121
Elbow 45, O-ring	4700334132	91,97
Elbow 45, O-ring	4700813500	121
Elbow 45jã	4700234624	97
Elbow 45jã	4700791212	111
Elbow 45jã	4700792654	111
Elbow 90	4700234365	205
Elbow 90	4700334196	131
Elbow 90, O-ring	4700813444	121
Elbow 90, O-ring	4700813499	91,97
Elbow 90, O-ring	4700929123	121
Elbow 90jã	4700792299	111
Elbow 90jã	4700904495	111
Elbow 90jã, O-ring	4700334419	111
Elbow 90G with O-ring	4700334558	121
Elbow adapter	4700925631	63
Electric hydraulic control	4700935543	95,107
Emergency hammer	4700908506	163
Emergency hammer, hook	4700908507	163
Emergency stop	4700930200	137
End cap	4700935530	107
End cap, cpl	4700936560	101
End cover	4700385379	61
Engine bracket	4700378210	51
Engine bracket	4700378211	51
Engine bracket	4700378213	51
Engine hood	4812265106	35
Evaporimeter coil	4812271699	213
Evaporimeter fan	4812271698	213
Exhaust hose	4700386774	65,67
Exhaust pipe	4700387699	65,67
Expanding	4700629016	151
Expansion tank	4700392313	57
Expansion valve	4812271700	213
Fan	4700397285	51
Fan	4700938638	197
Fan clutch	4700397284	51
Fan guard	4700390500	55
Fan spacer	4700397217	51
Filter	4700908502	205
Filter bracket	4700380490	97
Filter element	4700901454	101
Filter frame	4700908501	205
Filter head	4700359551	97
Filter head	4700939403	63
Filter plug	4700232041	29
Fire extinguisher	4812265465	193
Flange	4700900255	73,81
Flange	4700902961	107
Flange coupling	4700345234	111
Flange half	4700232097	121
Flange half	4700923384	91,97,111
Flange with light	4700903875	137
Fops roof	4700372409	157
Fork	4700416004	151
Framing	4700902896	151
Friction washer	4700909559	75
Fuel cap	4700373460	29,63
Fuel cap	4700380436	29
Fuel filter bracket	4812112600	63
Fuel filter element	4700939372	7,11,13,51

PARTS ALPHABETICAL INDEX

Description	Part No	Page
Fuel gauge	4700355263	137
Fuel hose	4812112601	63
Fuel hose	4812112602	63
Fuel hose	4812113709	63
Fuel hose 3/8"	4700246069	57
Fuel level sender	4700904695	63
Fuse 20A Yellow Medium	4700903741	195
Fuse 30A	4700904037	135
Fuse 40A	4700904038	139
Fuse 50A Red High	4700904039	195
Fuse 7.5A	4700901226	137
Fuse box	4700903820	137
Fuse holder	4700904036	135
Gas spring	4700938018	165
Gas spring	4812265113	35
Gas spring	4812265114	35
Gasket	4700908427	107
Gasket	4700935541	93
Gasket	4700936561	101
Gasket	4700938516	13
Gasket	4700945777	63
Gasket	4812156961	51
Gasket	4812157653	93
Gear holder	4700373442	41
Gear holder	4700373443	41
Grab handle	4700285909	151
Grab handle	4700380123	145
Grab handle	4700904874	35
Grab handle	4812265832	37
Grease fitting	4700926214	17,33,121
Grease gun	4700311016	191
Grease nipple	4700310008	17
Grid	4700372575	37
Grid	4700372609	37
Grid	4700372695	37
Guide	4700909387	101
Guide assy, 1pair	4700936554	105
Hair clip	4700635061	29,123
Half shaft	4700939277	79,87
Handle	4700908504	205
Hatch	4700384589	205
Heat protection	4700390743	51
Heat protection	4812113917	67
Heat protection	4812113920	67
Heater coil	4700938639	197
Heater control valve	4700939693	197
Hex screw m16x60 - lf140	4700500134	31,41
Hexagon head screw	4700500029	29,55,65,67,145 159
Hexagon head screw M	4700500004	205
Hexagon head screw M	4700500018	35,55,131,205
Hexagon head screw M	4700500019	37,61,97,129,163 169,173,195,205
Hexagon head screw M	4700500022	155,205
Hexagon head screw M	4700500023	121,205
Hexagon head screw M	4700500031	57,153,207
Hexagon head screw M	4700500053	55,65,67,131,135 145,163,195,205
Hexagon head screw M	4700500067	63,207
Hexagon head screw M	4700500100	157,205
Hexagon head screw M	4700500192	91,111,129,205
Hexagon head screw M	4700904379	51,207
Hexagon lock nut M10	4700586018	51,91,139
Hexagon lock nut with flange	4700902285	35,135,149
Hexagon lock nut with flange	4700902286	35,135
Hexagon nut M	4700570006	121,129,205,207
Hexagon socket countersunk screw	4700927637	35
Hinge	4700371366	35
Hinge	4700935273	161,165
Hitch	4700374898	33
Holder	4700374728	41
Holder	4700380109	35
Holder	4700381989	35
Holder	4700382132	35
Holder	4700382336	35
Holder	4700390483	205
Holder	4700392170	57
Holder	4700393280	195

PARTS ALPHABETICAL INDEX

Description	Part No	Page
Holder	4812111103	31
Holder Since SN C003981	4812265111	57
Holder plate	4700371955	41
Holder plate	4700371956	41,43
Holder plate	4700373309	157
Holder plate	4700373854	157
Holder plate	4700373855	157
Holder plate	4700374799	35
Holder plate	4700375171	55
Holder plate	4700375172	55
Holder plate	4700382129	35
Holder plate	4700382355	35
Holder plate	4700386163	65,67
Hole plug	4700911456	137
Hollow screw	4700330171	57
Hollow screw	4700747691	51
Hook	4700382130	35
Hook	4700383951	157
Horn	4700999027	135
Hose	4700384881	197
Hose	4700937737	195
Hose clamp	4700313001	63
Hose clamp	4700313004	195,205
Hose clamp	4700313006	55
Hose clamp	4700313010	55
Hose clamp	4700313023	55
Hose clamp	4700313035	151
Hose clamp	4700313075	57
Hose clamp	4700349909	91
Hose clamp	4700372018	111
Hose clamp	4700372513	121
Hose clamp	4700372514	121
Hose clamp	4700372578	91,111
Hose clamp	4700372586	91,99
Hose clamp	4700374217	111
Hose clamp	4700386152	65,67
Hose clamp	4700389600	61
Hose clamp 15-25mm	4700313003	197
Hose connection	4700373574	63
Hose connection	4700386222	55
Hose connection	4700391303	195
Hose connection	4700792322	57
Hose connection M	4700387638	195,205
Hose guard	4700372235	91
Hose guard	4700904623	57
Hose reinforced	4700244054	63
Hour meter	4700801567	135
Housing	4700908422	107
Housing	4700908485	75,83
Housing	4700936546	101
Housing	4700939256	77,85
Housing	4812156652	101
Hydraulic hose	4700389138	51
Hydraulic hose	4700482010	97
Hydraulic hose	4700482056	127
Hydraulic hose	4700482182	97
Hydraulic hose	4700482391	97
Hydraulic hose	4700482399	127
Hydraulic hose	4700482516	127
Hydraulic hose	4700482741	97
Hydraulic hose	4700483022	91
Hydraulic hose	4700483023	111
Hydraulic hose	4700483024	111
Hydraulic hose	4700483028	91
Hydraulic hose	4700483029	91
Hydraulic hose	4700483031	111
Hydraulic hose	4700483033	97
Hydraulic hose	4700483040	127
Hydraulic hose	4700483049	121
Hydraulic hose	4700483109	121
Hydraulic hose	4700483128	97
Hydraulic hose	4700483188	131
Hydraulic hose	4700483204	131
Hydraulic hose	4700483445	131
Hydraulic hose	4700483497	121
Hydraulic hose	4700483498	121
Hydraulic hose	4700483605	99
Hydraulic hose	4700483622	99

PARTS ALPHABETICAL INDEX

Description	Part No	Page
Hydraulic hose	4700483697	121
Hydraulic hose	4700484044	111
Hydraulic hose	4700484060	111
Hydraulic hose	4700791468	51
Hydraulic hose	4700903812	121
Hydraulic motor, vibration	4700380079	119
Hydraulic oil cooler	4700387562	97
Hydraulic oil filter element	4700372229	7,13,97
Hydraulic oil filter, cpl	4700359550	97
Hydraulic oil tank	4700372029	129
Hydraulic oil tank, cpl	4700372044	129
Hydraulic pump	4700394902	121
Indicator	4700929023	135
Injector	4700939960	51
Instruction book holder	4700383705	147,159
Instructions	4812156170	23
Instructions Loading-Unloading	4700384159	179
Instrument box	4700357320	147
Junction block	4700903625	137
Key	4700903641	135
Key Marked "455"	4700902866	35
Lamp holder	4700358452	141
Lamp shield	4700374029	139
Lamp socket 2-POL	4700902225	137
Lath	4700373907	155
Leader	4700935247	165
Lever	4700936549	101
Lifting sign	4700904870	179
Link	4700909391	101
Lip-type oil seal	4700167032	17,33
List	4700372785	145,159
List	4700382582	145,159
List	4700935265	165
List	4700935266	165
List	4700935267	165
List	4700935268	165
List	4700935269	165
List	4700935270	165
List	4700935278	161
List	4700935279	161
List	4700935280	161
List	4700935281	161
List	4700935282	161
List	4700935283	161
List	4700935284	161
List	4700935285	161
List	4700935286	161
List	4700935287	161
List	4700935288	161
List	4700935289	161
List	4700935291	161
List	4700935293	161
List	4700938659	161
Lock	4700372658	191
Lock	4700935253	165
Lock	4700935301	163
Lock	4700938017	165
Lock clamp	4700382131	35
Lock nut	4700392109	123
Lock nut	4700586001	137
Lock nut	4700586019	51
Lock nut M20-10	4700901145	71,145,159
Lock nut M6 -8	4700586002	137,147,155
Lock nut M	4700586003	51,61,121,141,151 155,173,205
Lock nut M	4700791172	207
Lock pin	4700908580	165
Lock pin	4700935277	161,165
Lock pin	4812157260	161,165
Lock plate	4700939275	79,87
Lock plate	4700939286	77,85
Lock ring	4700929617	77,85
Lock washer	4700385134	197
Locking handle	4700382165	35
Locking screw	4700936304	117
Locking screw	4700936370	117
Locking screw	4700936613	117
Locking set	4700936658	117

PARTS ALPHABETICAL INDEX

Description	Part No	Page
Lube grease " DYNAPAC special approved "	4700904663	17
Magnetic plug	4700343744	43,45
Magnetic plug	4700813391	29
Magnetic plug	4700926810	77,85
Magnetic plug	4700939350	79,87
Measuring nipple	4700356348	131
Measuring nipple	4700900229	97
Measuring nipple	4700901157	111
Measuring nipple	4700902115	111
Measuring nipple	4700910161	121
Motor adapter	4812110860	43
Muffler	4700388650	65,67
Neutral start switch	4700938253	103
Non-spin unit	4700929626	83
Nut	4700506018	111
Nut	4700573004	151
Nut	4700900957	77,85
Nut	4700902638	113
Nut	4700902695	113
Nut	4700903831	121
Nut	4700923976	137
Nut	4700929638	75,83
Nut	4700936644	113
Nut	4700939016	79,87
Nut	4700939019	79,87
Nut M16	4700586021	169
Nut M24 -10 DIN985	4700792464	41
Nut M5	4700570003	145,193
Nut M5	4700902284	35,135
Nut M6X1,00 -8 A2K	4700570004	35,55,137,149,151
Nut M8	4700570005	35,55,135,149,159
Nut M8	4700573008	195
Nut M8	4700573008	149
Oil cap	4812156960	51
Oil dipstick	4700945892	51
Oil filter element	4700939503	7,9,11,13,51
Oil level glass	4700989151	129
Oil pressure switch	4700939506	51
Orifice	4700909435	105
Orifice	4700936308	113
Orifice	4700936313	117
Orifice	4700936593	109
O-ring	4700160269	137
O-ring	4700160272	91
O-ring	4700349880	129
O-ring	4700372709	29
O-ring	4700384877	205
O-ring	4700384878	205
O-ring	4700384879	205
O-ring	4700813618	47,107
O-ring	4700900776	19,43,45
O-ring	4700900966	77,85
O-ring	4700901453	93,95,101,107
O-ring	4700902581	97,107
O-ring	4700902783	117
O-ring	4700902814	117
O-ring	4700904005	91,97,111,121
O-ring	4700904737	43,45
O-ring	4700904773	111
O-ring	4700908440	95
O-ring	4700908503	205
O-ring	4700908780	125
O-ring	4700909399	103
O-ring	4700909429	103
O-ring	4700909469	113,117
O-ring	4700909584	73,81
O-ring	4700909609	77,79,85,87
O-ring	4700909618	77,85
O-ring	4700909619	77,85
O-ring	4700923087	95,101,103
O-ring	4700929648	73,81
O-ring	4700935192	113
O-ring	4700935386	47
O-ring	4700935401	47
O-ring	4700935402	47
O-ring	4700935413	47
O-ring	4700935523	93
O-ring	4700935525	95,107

PARTS ALPHABETICAL INDEX

Description	Part No	Page
O-ring	4700935531	107
O-ring	4700935537	93
O-ring	4700935664	107
O-ring	4700936305	117
O-ring	4700936394	117
O-ring	4700936551	101
O-ring	4700936557	101
O-ring	4700936558	101
O-ring	4700936568	103
O-ring	4700936643	113
O-ring	4700936665	117
O-ring	4700937055	121
O-ring	4700937150	103
O-ring	4700938068	125
O-ring	4812157578	95
O-ring 120,32x2,62	4700160231	111
O-ring 124, 50x3, 00	4700160132	111
O-ring 70	4700160105	21,43
Pad lock	4700358881	147,179,187
Pilot lamp cpl Red	4700985146	137
Pin	4700813822	101,107
Pin	4700902687	113
Pin	4700909390	101
Pin	4700909392	101
Pin	4700935164	115
Pin	4700935212	117
Pin	4700936612	113
Pin	4700936642	113
Pin	4700936664	117
Pinion	4700909622	77,85
Pipe clamp	4700313093	61,65,67
Pipe clamp	4700791513	63
Pipe clamp	4700904340	155
Pipe clamp	4700921039	139,141
Pipe clamp	4700921084	97
Pipe clamp	4700927857	65,67
Pipe clamp covered	4700921056	195,205
Pipe clamp covered	4700921161	205
Piston	4700903570	101
Piston	4700935403	47
Piston	4700935526	107
Piston	4700936616	115
Piston	4700939280	77,85
Piston	4700945775	113
Piston assembly	4700935527	95,107
Piston rod	4700392110	123
Piston, cpl	4700936582	101
Planet gear	4700939272	79,87
Planet gear carrier Cpl.	4700939349	79,87
Planet gear carrier Cpl.	4700939351	79,87
Plastic cap, green	4700902996	109
Plate	4700935586	205
Plate	4812265129	35
Plate	4812265843	205
Platform	4700380113	145
Plug	4700232210	41,43,45
Plug	4700358388	103
Plug	4700370231	43
Plug	4700381634	43,45
Plug	4700900775	43,45
Plug	4700901476	105
Plug	4700902203	145
Plug	4700902625	113,117
Plug	4700902724	113
Plug	4700902811	117
Plug	4700902919	29,147
Plug	4700902928	101,107
Plug	4700904180	157
Plug	4700908432	101,103,107
Plug	4700909596	85,87
Plug	4700935219	113
Plug	4700935387	47
Plug	4700935394	47
Plug	4700936614	117
Plug	4700938296	77,85
Plug	4700939348	77,79
Plug G3/4	4700232039	129
Plug, cpl	4700908426	107

PARTS ALPHABETICAL INDEX

Description	Part No	Page
Plug, cpl	4700935741	107
Plug, cpl	4700936567	103
Port plate	4700936660	117
Port plate	4812155764	117
Pre-fuel filter element	4700939404	7,11,13,63
Pressure gauge	4700901220	191
Pressure override valve, cpl	4700936659	117
Pressure plate	4700903571	101
Pressure relief valve 350 bar	4700935172	117
Pressure relief valve 380 bar	4700936657	117
Pressure relief valve 430 bar	4700950635	117
Pressure relief valve 440 bar	4700937240	117
Pressure relief valve, cpl	4700936583	103
Pressure spring	4700936631	115
Pressure switch	4812271704	211
Protecting cover	4700386688	51
Protecting cover	4700394646	91
Protecting cover	4700394650	91
Protection	4700384163	139
Protection cover	4700373891	135
Protection cover	4700560037	157
Protection cover	4812265107	35
Protective plate	4700372087	29
Pulley, alternator	4700938273	51
Push button	4700928497	25,151
Push button	4700932032	137
Quick lock	4700904486	55
Quick lock washer	4700926985	55
Radiator, cpl	4700385873	59
Rear mirror	4700908624	167
Rear view mirror	4700908265	169
Rear view mirror, cpl	4700371730	169
Receiver drier	4812271705	211
Rect. seal	4700908443	107
Reducer	4700813434	135,205
Reducing	4700334523	131
Reflector, red	4700377742	181
Reflector, white	4700377743	181
Reflector, yellow	4700377744	179
Refrigerant	4700903679	205
Refrigerant hose	4812265844	205
Refrigerant hose	4812265846	205
Refrigerant hose	4812265853	205
Relay	4700287597	137,197
Relay	4700904448	135
Relay 12V-30A	4700287598	137
Relay, VBS	4700382782	137
Retainer	4700935249	165
Retainer guide	4700901458	101
Retaining ball	4700936628	115
Retaining plate	4700935857	103
Retaining plate	4700936627	115
Retaining ring	4700935389	47
Retaining ring	4700935411	47
Retaining ring	4700936634	115
Retaining ring	4700936636	115
Retaining ring	4700936637	115
Retaining ring	4700936656	113
Retaining ring	4700937187	115
Rim	4700393335	71,203
Rim cpl	4700383955	71
Ring	4700167033	17,33
Ring	4700901467	103
Ring	4700935303	163
Ring	4700939285	77,85
Ring gear	4700939268	79,87
Ring gear support	4700939269	79,87
Ring nut	4700939261	75,83
Rod	4700935250	165
Rod	4700935302	163
Rod	4700936646	113
Roll pin	4700909561	75
Roller bearing	4700935382	47
Roof	4700373906	155
Rops	4700372347	157
Rotary control	4700938621	197
Rotating beacon	4700999011	141
Rotating beacon 12V	4700389577	141

PARTS ALPHABETICAL INDEX

Description	Part No	Page
Rubber hose	4700381462	139
Rubber list	4700908499	161,163,165
Rubber part	4700372580	91,99,111
Rubber part	4700372581	111
Rubber seal	4700372489	157
Rubber strip	4700202047	37
Rubber strip	4700372494	145,159
Rubber strip 25x10	4700202046	55
Rubber washer	4700928830	153
Rubber washer	4700935275	161,165
Safety decal	4700908229	179
Safety decal, toxic gases kg	4700904156	205
Safety rod	4700374744	29
Safety rod	4700379251	35
Scraper tooth	4700397305	31
Screen	4700937380	161
Screen	4700937382	161
Screen	4700937383	161
Screen	4700937384	161
Screen	4700937385	161
Screen	4700937389	161
Screen	4700937390	165
Screen	4700937391	165
Screen	4700937392	165
Screen	4700937393	165
Screen	4700938290	161
Screen	4700938291	161
Screen	4700938292	161
Screen holder	4700935295	161
Screen, left	4700937381	161
Screw	4700500028	35,91,97,111
Screw	4700500036	51
Screw	4700500037	33
Screw	4700500092	91
Screw	4700500133	35,121
Screw	4700500153	155
Screw	4700500194	51,111
Screw	4700500195	145,159
Screw	4700500211	145
Screw	4700502078	111
Screw	4700508080	111
Screw	4700533001	25,151
Screw	4700533038	151
Screw	4700533070	137
Screw	4700535011	35
Screw	4700541507	37
Screw	4700791226	147,159
Screw	4700902223	137
Screw	4700902624	113
Screw	4700902697	117
Screw	4700902752	113
Screw	4700902944	107
Screw	4700902962	107
Screw	4700903281	41
Screw	4700903732	35
Screw	4700903919	41
Screw	4700904241	35,65,67
Screw	4700904244	37
Screw	4700904385	123
Screw	4700908383	113
Screw	4700909382	101
Screw	4700909386	101
Screw	4700909388	101
Screw	4700909544	77,85
Screw	4700909563	75
Screw	4700909582	73,81
Screw	4700909624	77,85
Screw	4700924875	147
Screw	4700929217	71
Screw	4700929629	75
Screw	4700935274	161,165
Screw	4700935415	47
Screw	4700935544	107
Screw	4700936553	101
Screw	4700936559	101
Screw	4700936562	103
Screw	4700936563	103
Screw	4700936564	103

PARTS ALPHABETICAL INDEX

Description	Part No	Page
Screw	4700936566	103
Screw	4700936663	117
Screw	4700936689	113
Screw	4700937259	119
Screw	4700937857	103
Screw	4700939015	79,87
Screw	4700939026	77,85
Screw	4700939035	77,85
Screw	4700939173	113
Screw	4812156885	83
Screw 3/8-16UNCx32 8,8	4700509025	51
Screw M10-1,5x20 8,8	4700500048	153
Screw M10-1,5x30H 8,8	4700508029	51,121
Screw M10-1,5x55 12,9	4700791156	43,45
Screw M10-1,5x60 8,8	4700500033	63,97
Screw M10-1,5x65 8,8	4700500109	99
Screw M10x035H 8.8 A3K	4700500030	35,63,147
Screw M10x16H 8,8	4700500043	29,139
Screw M12-1,25x60 12,9	4700791306	51
Screw M12-1,75x35H 8,8	4700508079	51
Screw M12-1,75x80 8.8	4700500196	43
Screw M12x020H	4700500035	135
Screw M12x025H	4700500046	65,67,97
Screw M12x16	4700500163	43,45,63
Screw M12x55 10.9 GEOMET	4700925519	51
Screw M16-2,0x25 8,8	4700500154	31,53
Screw M16-2x30 8,8	4700500057	41
Screw M16x50	4700500070	41,51
Screw M16x70 8,8	4700500082	41,43,45
Screw M18x60	4700500263	97
Screw M20-2,5x100 8.8	4700500210	145
Screw M20-2,5x120 10,9	4700928850	29
Screw M20x100	4700927117	29
Screw M20x200	4700791218	159
Screw M20x50	4700500101	91
Screw M24x110 10,9	4700904479	33,41
Screw M24x120 10,9	4700900807	33
Screw M24x160 10.9	4700904562	41,157
Screw M4x20	4700533013	137
Screw M5-0,8x20 8.8	4700500060	135
Screw M5-0,8x30 8,8	4700500008	57
Screw M5x12	4700535005	167
Screw M5x12	4700903782	163
Screw M5x14	4700792187	193
Screw M5x16	4700500006	63
Screw M6-1,0x25 8.8	4700500075	57,135,137
Screw M6-1x16 8,8	4700500013	35,53,141,151
Screw M6-1x20 8,8	4700500040	35,55,135,139,147 149
Screw M6-1X35 8,8	4700500061	97
Screw M6x10	4700902224	137
Screw M6x12	4700500012	55,135,139
Screw M6x12	4700541702	137,139,141,147
Screw M6x16	4700541703	151
Screw M6X30 8.8	4700500015	65,67,149
Screw M6x40	4700500088	35
Screw M8-1,25x14 8,8	4700500188	29,33
Screw M8-1,25x25 8.8	4700500021	35,61,97,135,141 147,151,155,157 191
Screw M8-1,25x25 10.9	4700947680	149,151
Screw M8-1,25x50 8,8	4700500025	57
Screw M8-1,25x60 8,8	4700500026	35
Screw M8x20 8.8	47005000505	35
Screw M8x25	4700923874	149
Screw M8x50H 8,8	4700500239	51,157
Screw ST3,5x9,5 Black	4700901767	37,137
Screw UNC 3/8 - 16	4700502034	121
Screw UNC 7/16" x 22	4700502132	91,97,111
Seal	4700909586	79,87
Seal	4700935245	165
Seal	4700935246	165
Seal	4700935381	47
Seal	4700939265	79,87
Seal	4700939271	79,87
Seal carrier	4812155780	95
Seal kit	4700392106	123
Seal kit	4700901328	105

PARTS ALPHABETICAL INDEX

Description	Part No	Page
Seal kit	4700935380	47
Seal kit	4700935429	125
Seal kit	4700935520	93,109
Seal kit	4700937675	119
Seal kit	4700940676	113
Seal list (Roller of 6 m)	4700908545	161,165
Seal lock nut	4700909398	101
Seal nut	4700909525	109
Seal plug	4700935524	95,107
Seal ring	4700162017	43,45
Seal ring	4700167023	43
Seal ring	4700900782	19,43,45
Seal ring	4700935395	47
Seal ring	4700945880	119
Seal washer	4700162008	97
Sealing	4700162018	43
Sealing	4700162027	43,45
Sealing	4700386272	21
Sealing washer	4700791120	129
Sealing washer	4700926847	77,85
Sealing washer	4700938983	77,85
Sealing washer	4700939036	77,85
Seat belt 2"	4700377677	157
Seat belt kit, static 3"	4700379637	157
Seat cover	4700348331	145,179
Seat switch	4700379636	145,159
Seat switch	4700945622	145,159
Seat switch	4812155075	145
Sensor Red (RW)	4700936898	97
Servo	4700903580	101
Servo arm, cpl	4700909727	101
Setting lug	4700935396	47
Shaft	4700347119	29
Shaft	4700392108	123
Shaft	4700901466	103
Shaft	4700909560	75
Shaft	4700909566	75
Shaft	4700935300	163
Shaft	4700936620	115
Shaft	4700937363	109
Shaft nut	4812112413	43
Shaft retainer	4700909565	75
Shaft seal 55x70x7	4700945757	93,107
Shaft seal 55x75x12	4700935536	107
Shaft, cpl	4700902960	107
Shaft, cpl	4700902984	107
Shim	4700373956	35
Shim	4700373957	35
Shim	4700936623	115
Shim	4812110773	37
Shim	4812265128	37
Shim t = 0.10mm	4700909553	75
Shim t = 0.10mm	4700909568	75,83
Shim t = 0.15mm	4700939258	75,83
Shim t = 0.15mm	4700939259	75,83
Shim t = 0.20mm	4700909569	75,83
Shim t = 0.20mm	4700909580	75,83
Shim t = 0.30mm	4700909551	75
Shim t = 0.30mm	4700909576	75,83
Shim t = 0.40mm	4700909552	75
Shim t = 0.40mm	4700929644	75,83
Shim t = 0.50mm	4700909570	75,83
Shim t = 0.50mm	4700939260	75,83
Shim T=0,10 mm	4700345875	17,33
Shim T=0,10 mm	D433722102	17,33
Shim T=0,15 mm	4700384503	17,33
Shim T=0,1mm	4700902264	119
Shim T=0,3 mm	4700902265	119
Shim T=0,35 mm	4700345874	17,33
Shim T=0,35 mm	D433722101	17,33
Shim T=1 mm	4700349973	23,41
Shim T=1,0 mm	4700337045	17,33
Shim T=1,0 mm	4700337221	17,33
Shim T=3 mm	4700349972	41
Shim T=5 mm	4700349971	41
Shock absorber	4700281783	97
Shock absorber	4700358172	23,41
Shock absorber	4700371774	55

PARTS ALPHABETICAL INDEX

Description	Part No	Page
Shock absorber	4700372757	145
Shock absorber	4700373400	145
Shock absorber	4700387128	51
Shock absorber	4700904551	55
Shock absorber	4700925629	35
Shock absorber Green	4700374606	159
Shock absorber Yellow	4700374607	159
Side ring	4700901444	71
Sign, rops	4700370803	157
Sleeve	4700371727	51
Sleeve	4700908625	169
Sleeve	4700938014	113
Slide ring	4700936619	115
Slip protection	4700373363	181
Slip protection	4700373364	181
Snap plate	4700389177	149
Snap ring	4700392107	123
Snap ring	4700901443	71
Solenoid	4700940505	113
Solenoid valve	4700938252	103
Solenoid valve assy	4700908435	95,107
Spacer	4700373112	99,111
Spacer	4700373423	57
Spacer	4700374471	145
Spacer	4700382397	159
Spacer	4700384114	41,43
Spacer	4700384759	159
Spacer	4700909567	75,83
Spacer	4700929631	83
Spacer	4700935856	101
Spacer	4700950283	103
Spacer	4700950284	103
Spacer ring	4700936648	113
Spacer sleeve	4700355869	153
Spacer sleeve	4700357278	97
Spacer sleeve	4700382335	35
Spherical roller bearing	4700390896	19,43,45
Spindle bolt	4700935397	47
Spirol pin	4700629066	169
Spirol pin	4700903395	151
Splined shaft	4700380018	43,45
Splined sleeve	4700340863	119
Splined sleeve	4700381027	43
Splined sleeve	4700901834	73,81
Spool	4700935533	107
Spring	4700349715	43
Spring	4700357488	29
Spring	4700908352	101
Spring	4700908626	169
Spring	4700909393	101
Spring	4700909436	105
Spring	4700909616	77,85
Spring	4700935404	47
Spring	4700936654	113
Spring	4700936686	113
Spring ball plunger	4700922325	151
Spring collar	4700936647	113
Spring collar	4700936655	113
Spring collar	4700945776	113
Spring guide assy	4700935749	107
Spring retainer	4700908448	105
Spring retainer	4700935750	107
Spring washer	4700604007	111
Spring washer	4700909572	75,83
Spring washer	4700939003	79,87
Starter	4700939504	51
Steel plain washer	4700601001	193
Steel plain washer	4700904229	29,33,51,55,61 63,65,67,97,121 129,131,135,141 145,149,151,155 159,163,169,173 195,205
Steel plain washer	4700904230	29,37,51,55,63 65,67,91,97,101,103,105,107,109,111,113,115,117,119,121,123,125,127,129,131,133,135,137,139,141,143,145,147,149,151,153,155,157,159,161,163,165,167,169,171,173,175,177,179,181,183,185,187,189,191,193,195,197,199,201,203,205,207,209,211,213,215,217,219,221,223,225,227,229,231,233,235,237,239,241,243,245,247,249,251,253,255,257,259,261,263,265,267,269,271,273,275,277,279,281,283,285,287,289,291,293,295,297,299,301,303,305,307,309,311,313,315,317,319,321,323,325,327,329,331,333,335,337,339,341,343,345,347,349,351,353,355,357,359,361,363,365,367,369,371,373,375,377,379,381,383,385,387,389,391,393,395,397,399,401,403,405,407,409,411,413,415,417,419,421,423,425,427,429,431,433,435,437,439,441,443,445,447,449,451,453,455,457,459,461,463,465,467,469,471,473,475,477,479,481,483,485,487,489,491,493,495,497,499,501,503,505,507,509,511,513,515,517,519,521,523,525,527,529,531,533,535,537,539,541,543,545,547,549,551,553,555,557,559,561,563,565,567,569,571,573,575,577,579,581,583,585,587,589,591,593,595,597,599,601,603,605,607,609,611,613,615,617,619,621,623,625,627,629,631,633,635,637,639,641,643,645,647,649,651,653,655,657,659,661,663,665,667,669,671,673,675,677,679,681,683,685,687,689,691,693,695,697,699,701,703,705,707,709,711,713,715,717,719,721,723,725,727,729,731,733,735,737,739,741,743,745,747,749,751,753,755,757,759,761,763,765,767,769,771,773,775,777,779,781,783,785,787,789,791,793,795,797,799,801,803,805,807,809,811,813,815,817,819,821,823,825,827,829,831,833,835,837,839,841,843,845,847,849,851,853,855,857,859,861,863,865,867,869,871,873,875,877,879,881,883,885,887,889,891,893,895,897,899,901,903,905,907,909,911,913,915,917,919,921,923,925,927,929,931,933,935,937,939,941,943,945,947,949,951,953,955,957,959,961,963,965,967,969,971,973,975,977,979,981,983,985,987,989,991,993,995,997,999
Steel plain washer	4700904234	41,157

PARTS ALPHABETICAL INDEX

Description	Part No	Page
Steel plain washer	4700904556	35,151,207
Steel plain washer	4700904557	29,35,63,207
Steel plain washer	4700904567	35,57,129,205
Steel plug	4700903190	43,63
Steering column	4700902123	153
Steering wheel, cpl	4700372964	153
Step	4700376252	145,159
Stop screw	4700903189	43
Stop screw	4700910995	33
Straight conector	4700334140	97
Straight connector	4700234909	97
Straight connector	4700334121	111,121
Straight connector	4700334205	111,127
Straight connector	4700371669	121
Straight o-ring connector	4700334199	121
Strap	4700389662	135
Strap	4700791371	135
Stud	4700939017	79,87
Stud	4700939278	79,87
Support plate	4700935388	47
Switch	4700791489	137
Switch	4700908617	171
Switch	4700930153	137
Switch	4700938622	197
Symbol, wiper	4700908605	171
Taper roller bearing	4700116041	21,43
Tapered roller bearing	4700909574	75,83
Tapered roller bearing	4700909581	75,83
Tapered roller bearing	4700923342	75,83
T-connector	4700234243	97
Tee-connector	4700234218	121
Tee-connector	4700234888	127
Tee-connector o-ring	4700234875	97
Temperature sensor Engine	4700903632	135
Temperature sensor Hydraulic oil	4700903631	135
Test panel	4700374028	131
Thermostat	4812271701	213
Thermal guard	4700376619	65
Thermal guard	4700386153	65,67
Thermal guard	4700386410	65
Thermal guard	4700387454	65,67
Thread rolling screw	4700903852	205
Threaded stud	4700903768	135
Throttle cable	4700389184	149
Throttle control, cpl	4700389170	149
Tool box	4700372837	191
Tool set Cpl	4700355890	191
Tractor frame	4812112591	29
Tractor wheel, cpl	4700390759	71
Tractor wheel, cpl	4700390760	71
Turbo charger, cpl	4700939955	51
Turning knob	4700935614	153
Turning mechanism	4700935248	165
Tyre	4700390589	71
Tyre	4700390591	71
Tyre	4700791573	71
Tyre	4700901218	71
V- belt pulley	4700945773	51
Vacuator valve	4700385376	61
Valve	4700212339	103
Valve	4700901475	103
Valve	4812265849	205
Valve cover gasket	4700938514	13,51
Valve foot	4700791176	71
Valve housing	4700935545	107
Valve plate	4700936547	101
Valve segment	4700935521	107
Valve shaft	4700383726	55
V-belt	4700413065	207
Vent nipple	4700938984	77,85
Ventilating filter	4700357138	13,129
Vibration pump	4812115828	111
V-ring	4700929447	21,43
Warning plate Brazil	47386084BR	179
Warning plate Chinese	47386084CN	179
Warning plate Danish	47386084DK	179
Warning plate Dutch	47386084NL	179
Warning plate English	47386084EN	179

PARTS ALPHABETICAL INDEX

Description	Part No	Page
Warning plate Finnish	47386084FI	179
Warning plate French	47386084FR	179
Warning plate German	47386084DE	179
Warning plate Greek	47386084GR	179
Warning plate Icelandic	47386084IS	179
Warning plate Italian	47386084IT	179
Warning plate Norwegian	47386084NO	179
Warning plate Portuguese	47386084PT	179
Warning plate Spanish	47386084ES	179
Warning plate Swedish	47386084SE	179
Washer	4700347512	145
Washer	4700381413	57
Washer	4700600008	121
Washer	4700904213	97
Washer	4700904232	31,41,43,45,51 53,111,169
Washer	4700904637	51,121
Washer	4700904703	51
Washer	4700904735	97
Washer	4700908581	165
Washer	4700909389	101
Washer	4700909428	103
Washer	4700927974	37,145,159
Washer	4700929628	75
Washer	4700935296	161
Washer	4700936571	103
Washer	4700936630	115
Washer	4700938070	125
Washer	4700939270	79,87
Washer 12x22x2	4700904638	51,91,97,111,135
Washer 13x24x2 300 HV	4700904231	33,35,43,51,63 65,67,111,121,145 159
Washer 18,2x23,9x1,5	4700330331	51
Washer 19x34x3	4700904793	97
Washer 21x36x3	4700904233	29,41,53,71,145 159
Washer 21x36x6	4700903290	91,145,159
Washer 3,2x6x0,5	4700904697	151
Washer 4,3x8x0,8	4700904698	137
Washer 5,3x10x1 300HV	4700904281	57,63,135,137
Washer 6,4x12x1,5	4700904228	35,51,55,65,67 137,139,141,147 149,151,155
Washer 6,7x14x1,5	4700904639	135
Washer 8,4x22x3	4700904640	35,55,61,65,67 147,157,191
Washer 8,4x26x4	4700904734	157
Washer, Black	4700935272	161,165
Washer, Flexible rubber	4700935271	161,165
Washer, sealing	4700162011	43,45
Washer, sealing	4700162024	43
Water hose	4812265841	205
Water hose	4812265848	205
Water hose	4812265851	205
Water hose M	4812265850	205
Wheel hub	4700939276	79,87
Wheel nut	4700901987	79,87
Wheel screw	4700926781	79,87
Wheel, cpl	4700388146	71
Wheel, cpl	4700390762	71
Wheel, tubeless, cpl	4700383975	71
Window lock, right	4700935290	161
Wiper arm	4700905305	171
Wiper blade	4700905306	171
Wiper motor	4700905304	171
Wire	4700343775	29
Wire	4700357643	147,159
Wire	4700384762	197
Wire	4700936621	115
Wire	4700936622	115
Wiring harness	4812265839	205
Work lamp	4700904314	139
Work lamp	4812110216	139
Work light	4700902227	139
Working light	4700908267	173



Dynapac (China) Compaction & Paving Equipment Co., Ltd.

Atlas Copco Construction Technique Product Company China
No. 38, QuanWang Road, WuQing High Tech Industrial Park, 301700, Tianjin, China

www.atlascopco.com