

Spare Parts Catalogue

4812273384

Valid from serial number:
10000128x0C000360 -



Diesel engines:
Cummins 6BTAA-5.9

Published catalogue issues valid for these rollers:

Catalogue	Issue date	Valid for serial numbers
4812273384	2014-05	10000128x0C000360 -
4812273384	2014-07	10000128x0C003981 -

RESERVDLSBESTÄLLNING

Följande uppgifter ska lämnas vid beställning av reservdelar för att undvika leveransfel:

1. Maskintyp.
2. Vältens serienummer.
3. Antal av önskad reservdel.
4. Reserdelens artikelnummer.
5. Reservdelens benämning.
6. Måttuppgifter vid beställning av metervara.

ERSATZTEILBESTELLUNG

Zur Vermeidung von Fehllieferungen sind bei der Bestellung von Ersatzteilen folgende Angaben zu machen:

1. Maschinentyp.
2. Herstellungsnummer.
3. Bestellmenge. (Quantity)
4. Ersatzteilnummer. (Part N^o)
5. Ersatzteilbenennung. (Denomination)
6. Massangaben bei Bestellung von Meterware.

PEDIDO DE RECAMBIOS

Para evitar errores en las entregas, deberán indicarse los siguientes datos al hacer un pedido de recambios:

1. Tipo de máquina.
2. Número de serie.
3. Cantidad de piezas deseadas. (Quantity)
4. Número de artículo de la pieza de recambio. (Part N^o)
5. Denominación de la pieza. (Denomination)
6. Indíquese la medida al solicitar un artículo que se expide por metros.

ORDERING SPARE PARTS

To avoid errors in delivery, please give the following information when ordering spare parts:

1. Type of machine.
2. Roller serial number.
3. Quantity required.
4. Part number.
5. Parts denomination.
6. Dimensions when ordering per length.

ORDINI DI RICAMBI

Per evitare errori nelle consegne di ricambi, Vi preghiamo di comunicarci le seguenti informazioni al momento dell'ordinazione:

1. Tipo di macchina.
2. Numero di serie della macchina.
3. Quantità dei pezzi desiderati. (Quantity)
4. Numero di codice del pezzo. (Part N^o)
5. Descrizione del pezzo di ricambio. (Denomination)
6. Misura, in caso di ordine per metro.

COMMANDE DE PIÉCES DE RECHANGE

Les indications suivantes doivent être fournies lors de la commande de pièces de rechange, afin d'éviter toute erreur de livraison:

1. Type de machine.
2. Numéro de série.
3. Quantité désirée de pièce de rechange. (Quantity)
4. Numéro de la pièce de rechange. (Part N^o)
5. Dénomination de la pièce de rechange. (Denomination)
6. Longueur en cas de commande au mètre.

YOUR AGENT/DEALER:

Text pages

The text page is structured as the picture on the right.

1. This is the remarks for specific items and the descriptions of the remarks is at the bottom of the parts list.

2. Parts indicated by a dot and moved to the right are included when buying the assembled unit above.

3. Spare parts Class code for a specific part.

"A" = 3 or more units/year,
 "B" = 2 or more units/year,
 "C" = 1 or more units/year,
 "D" = at least 1 unit/year.

DYNAPAC Part of the Atlas Copco Group **Dynapac Compaction Equipment AB**

Engine cover, left

Item	Part No	Rem Qty	Description	Code
	4700396684	1	Engine cover, cpl	
1	4700396607	1	. Cover	③
2	4700902866	1	. Lock	②
	4700902866	1	. Key Marked "455"	A
3	4700624020	4	. Blind rivet	
4	4700379976	1	. Cover	①
5	4700792325	10	. Blind rivet	
7	4700202057	B	1XL . Edge trim	D
8	4700902166	C	1XL . Edge trim	D
9	4700903953	D	1XL . Edge trim	D
11	4700390365	1	. Spacer	
12	4700924875	2	. Screw	
13	4700904228	2	. Washer 6,4x12x1,5	C
14	4700586002	2	. Lock nut M6 -8	C
15	4700390545	1	. Strap	
16	4700904735	1	. Washer	C
17	4700500059	1	. Screw	

① B) L=0.625m
 C) L=0.6m
 D) L=1.2m

Changes

PARTS INFO	SERVICE INFO	GROUP	PAGE	NOTES

Notes

TABLE OF CONTENTS		Page
CA610D T2, SN 10000128x 0C000360		2
Service kits		4
4700945652	Service kit 50 h	6
4812157268	Service kit 250/750 h	8
4812157269	Service kit 500h	10
4812157270	Service kit 1000h	12
Repair kits		14
4700938562	Steering hitch kit	16
	Eccentric shaft kit	18
4700938891	Drum rotation kit	20
4700938883	Shock absorber kit, drum	22
4700940662	F/R control button kit	24
Frame		26
	Frames	28
	Scrapers, Spring Steel	30
	Hitch	32
	Structure	34
	Structure For cab, since SN C003981	38
Drum		42
	Drum	44
	Drum cartridge Vibration side	46
	Drum cartridge Drive side	48
	Drum gear	50
Engine		52
	Engine Cummins 6BTAA-5.9	54
	Cooling system	58
	Radiator Up to 0C000187	62
	Radiator Up to 0C000187	62
	Combustion air system	64
	Fuel system	66
	Exhaust system Up to 0C000365	68
	Exhaust system From 0C000366	70
Transmission		72
	Rear axle and wheels	74
4700385100	Rear axle Limited slip	76
	Differential with limited slip	78
	Differential housing and brakes	80
	Planet gear	82

TABLE OF CONTENTS		Page
4700383856	Rear axle No-Spin, Option	84
	Differential with no-spin	86
	Differential housing and brakes	88
	Planet gear	90
Hydraulic system		92
	Propulsion system, Front	94
4700389564	Hydraulic motor	96
	End cap	98
	Propulsion system, Rear	100
4700380830	Propulsion pump	104
4700373361	Propulsion motor	110
	Vibration system	114
4700393695	Vibration pump Up to ECN 11301	116
	Rotating group, cpl	118
4700936609	Valve block, cpl	120
4700380146	Hydraulic motor, vibration	122
	Steering system	124
4700392027	Steering cylinder	126
4700376000	Steering valve	128
	Brake system	130
	Hydraulic oil tank	132
	Central test panel hydraulic Option	134
Electrical equipment		136
	Electric system	138
	Control panel	140
	Working lights Option	142
	Rotating beacon Option	144
Drivers platform		146
	Drivers platform	148
	Control panel	150
	Throttle control	152
	Forward and reverse control	154
	Steering column	156
	Canopy Option	158
	Rops and fops	160
	Cab mounting	162
	Cab Screens	164
	Cab Door, left side	168
	Cab Interior rear mirror	170
	Cab Exterior, rear mirror	172
	Wiper arm with blade, front	174
	Cab Work light	176

TABLE OF CONTENTS	Page
Cab Electric	178
Decals	180
Decals	182
Decals	184
Decals	186
Standard equipment	188
Standard equipment	190
Optional equipment	192
Tool equipment	194
4812265746 Fire extinguisher assy.	196
Heater Simple cab	198
4700379394 Heater box	200
4812269767 Prooftyre option	202
4812270033 Wheel with all-weather prooftyre Liquid filled	204
4812270032 Wheel with all-weather prooftyre	206
Air conditioner mount Since SN C000360	208
4812265833 Compressor cpl.	210
4812265842 Condensor	212
4812265845 Receiver drier	214
4812265847 Evaporimeter	216

CA610D T2, SN 10000128x 0C000360



CA610D T2, SN 10000128x 0C000360

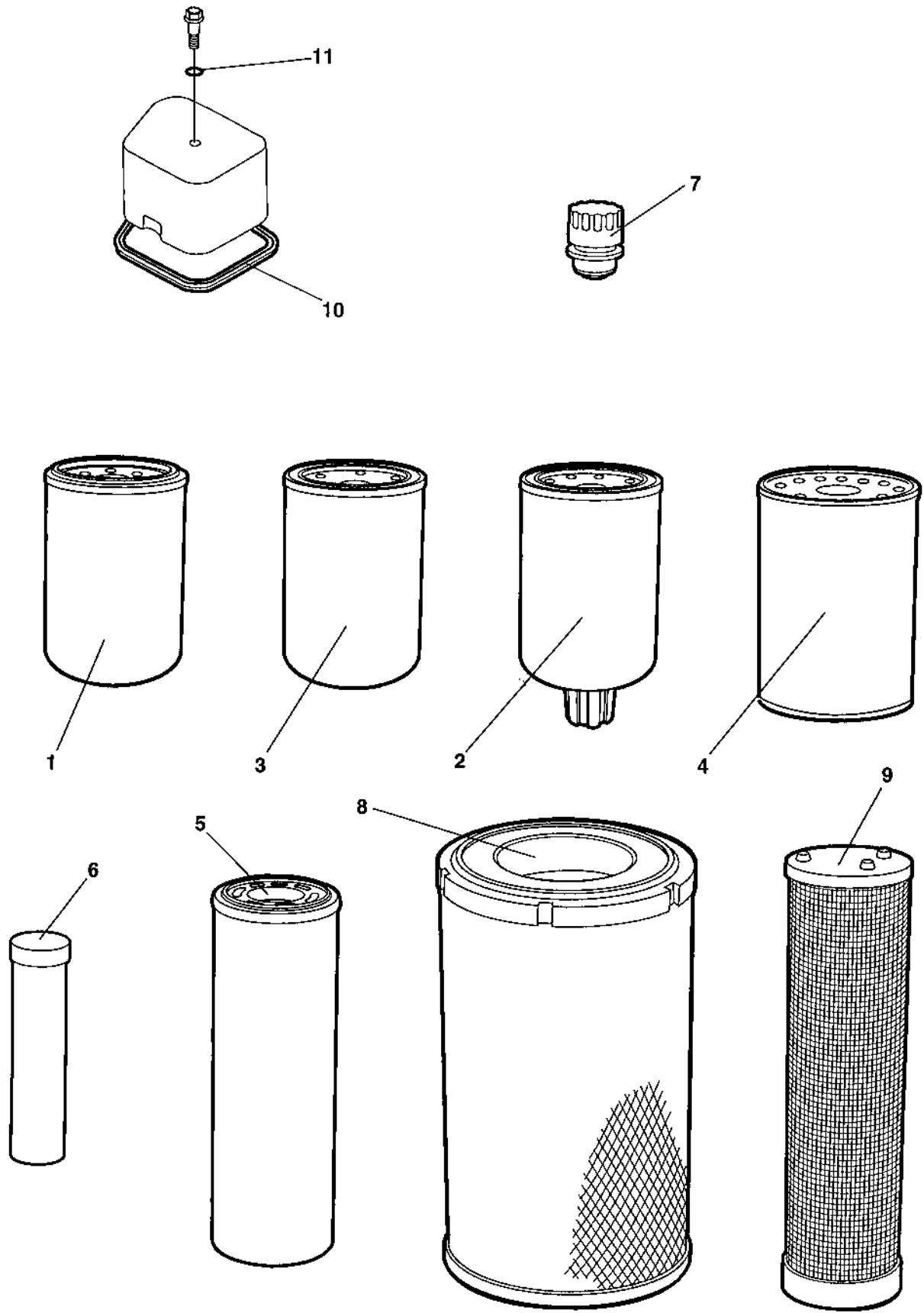
Item	Part No	Rem Qty	Description	Code
1			Service kits (Page 4)	
2			Repair kits (Page 14)	
10			Frame (Page 26)	
20			Drum (Page 42)	
30			Engine (Page 52)	
40			Transmission (Page 72)	
50			Hydraulic system (Page 92)	
60			Electrical equipment (Page 136)	
70			Drivers platform (Page 146)	
80			Decals (Page 180)	
90			Standard equipment (Page 188)	
91			Optional equipment (Page 192)	

Service kits

Service kits

Item	Part No	Rem Qty	Description	Code
1	4700945652		Service kit 50 h (Page 6)	
2	4812157268		Service kit 250/750 h (Page 8)	
4	4812157269		Service kit 500h (Page 10)	
6	4812157270		Service kit 1000h (Page 12)	

4700945652 Service kit 50 h

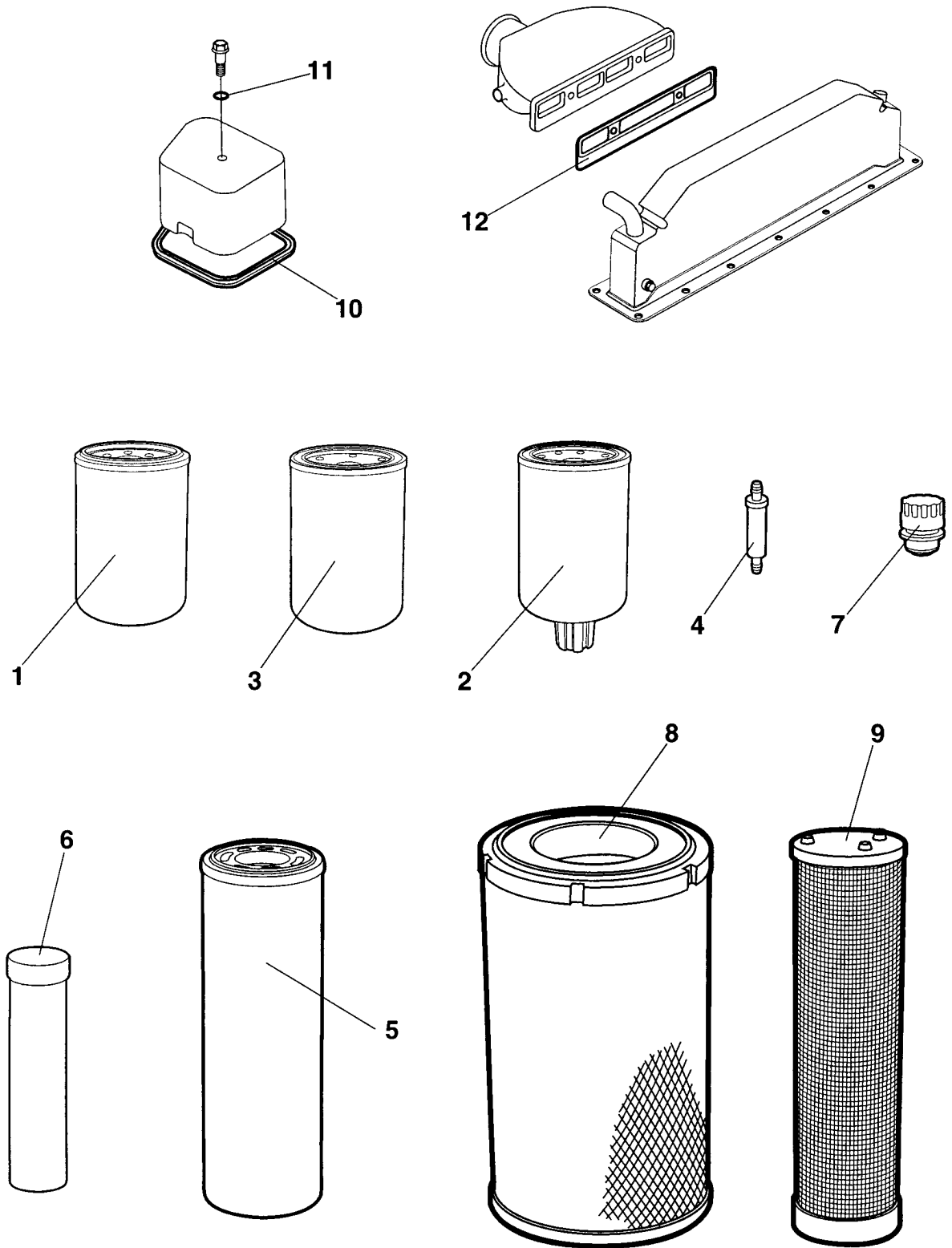


4700945652 Service kit 50 h

Item	Part No	Rem Qty	Description	Code
	4700945652		Service kit 50 h (Page 6)	
1	4700939503	1	Oil filter element	A
2	4700939372	1	Fuel filter element	A
4	4700939404	1	Pre-fuel filter element	A
5	4700372229	1	Hydraulic oil filter element	A

A)

4812157268 Service kit 250/750 h

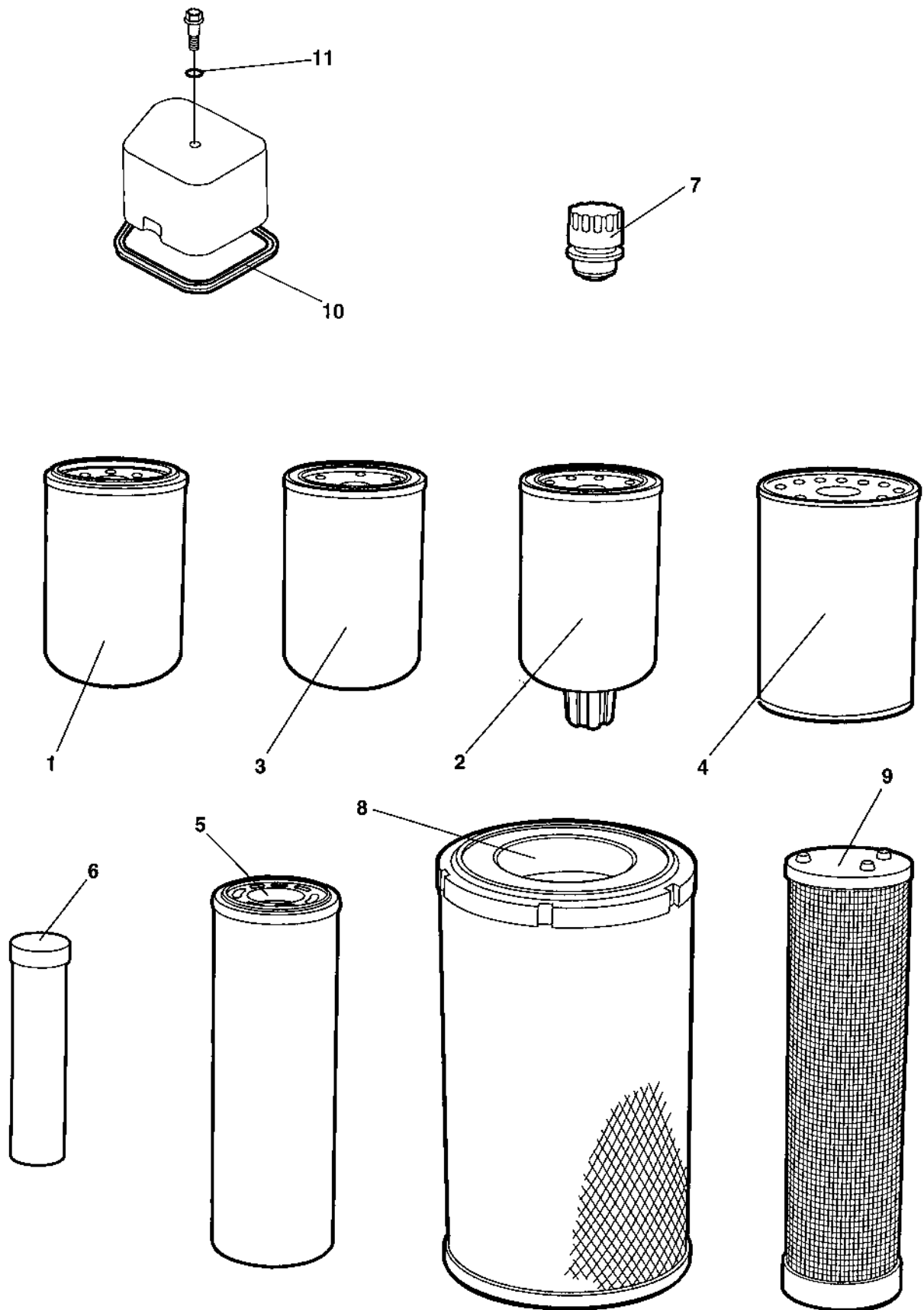


4812157268 Service kit 250/750 h

Item	Part No	Rem Qty	Description	Code
	4812157268		Service kit 250/750 h (Page 8)	
1	4700939503	1	Oil filter element	A

A)

4812157269 Service kit 500h



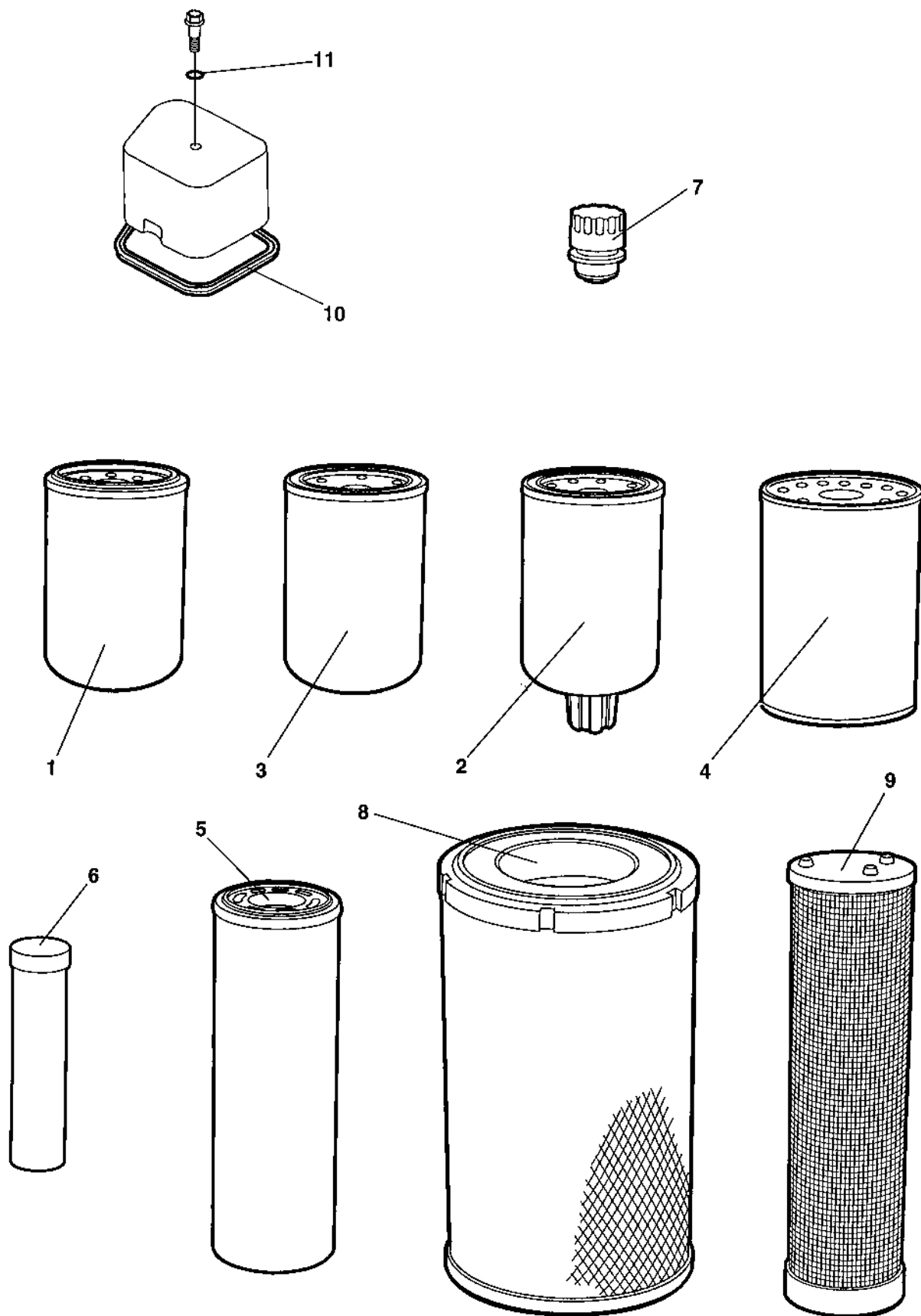
4812157269 Service kit 500h

Item	Part No	Rem Qty	Description	Code
	4812157269		Service kit 500h (Page 10)	
1	4700939503	1	Oil filter element	A
3	4700939372	1	Fuel filter element	A
4	4700939404	1	Pre-fuel filter element	A
8	4700394690	1	Air filter element, main	A

1) With water separator.

A)

4812157270 Service kit 1000h



4812157270 Service kit 1000h

Item	Part No	Rem Qty	Description	Code
	4812157270		Service kit 1000h (Page 12)	
1	4700939503	1	Oil filter element	A
3	4700939372	1	Fuel filter element	A
4	4700939404	2	Pre-fuel filter element	A
5	4700372229	1	Hydraulic oil filter element	A
7	4700357138	1	Ventilating filter	A
8	4700394690	1	Air filter element, main	A
9	4700394691	1	Air filter element, safety	A
10	4700938514	6	Valve cover gasket	A
11	4700938516	6	Gasket	A

- 1) With water separator.
- 2) Pre-Fuel filter.
- A)

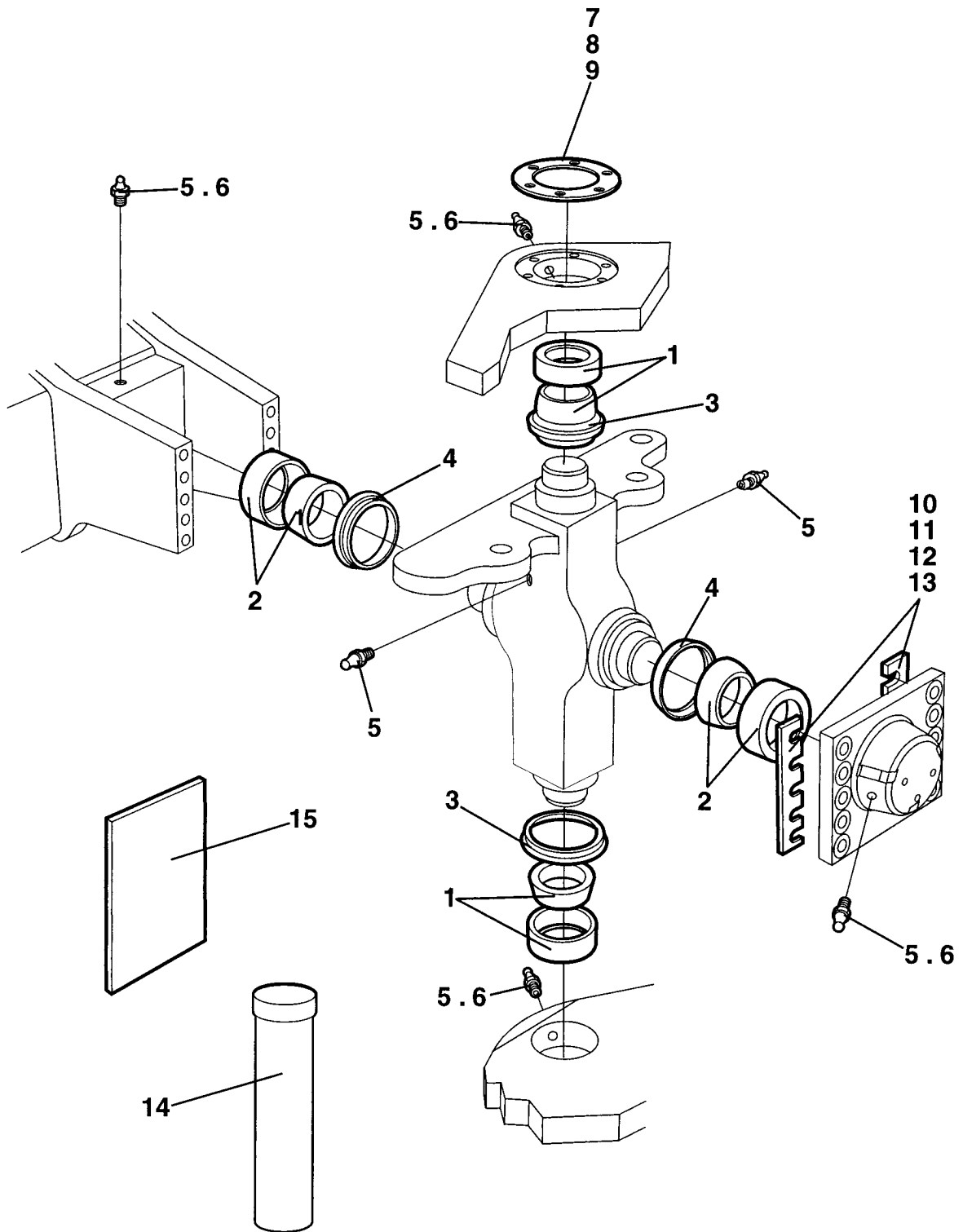
Repair kits

Repair kits

Item	Part No	Rem Qty	Description	Code
10	4700938562	1	Steering hitch kit (Page 16)	
20		1	Eccentric shaft kit (Page 18)	
30	4700938891	1	Drum rotation kit (Page 20)	A
40	4700938883	1	Shock absorber kit, drum (Page 22)	
50	4700940662	1	F/R control button kit (Page 24)	

A)

4700938562 Steering hitch kit



4700938562 Steering hitch kit

Item	Part No	Rem Qty	Description	Code
	4700938562		Steering hitch kit (Page 16)	
1	4700100040	2	Axial ball bearing	B
2	4700924620	2	Axial ball bearing	D
3	4700167032	2	Lip-type oil seal	C
4	4700167033	2	Ring	D
5	4700310008	A 3	Grease nipple	C
6	4700926214	2	Grease fitting	C
7	4700337045	2	Shim T=1,0 mm	C
8	4700345874	2	Shim T=0,35 mm	C
9	4700345875	2	Shim T=0,10 mm	C
10	4700337221	2	Shim T=1,0 mm	C
11	D433722101	2	Shim T=0,35 mm	D
12	D433722102	2	Shim T=0,10 mm	D
13	4700384503	2	Shim T=0,15 mm	C
14	4700904663	1	Lube grease " DYNAPAC special approved "	A
15		1	Instructions	

A) Valid for CC501/CC722 only.

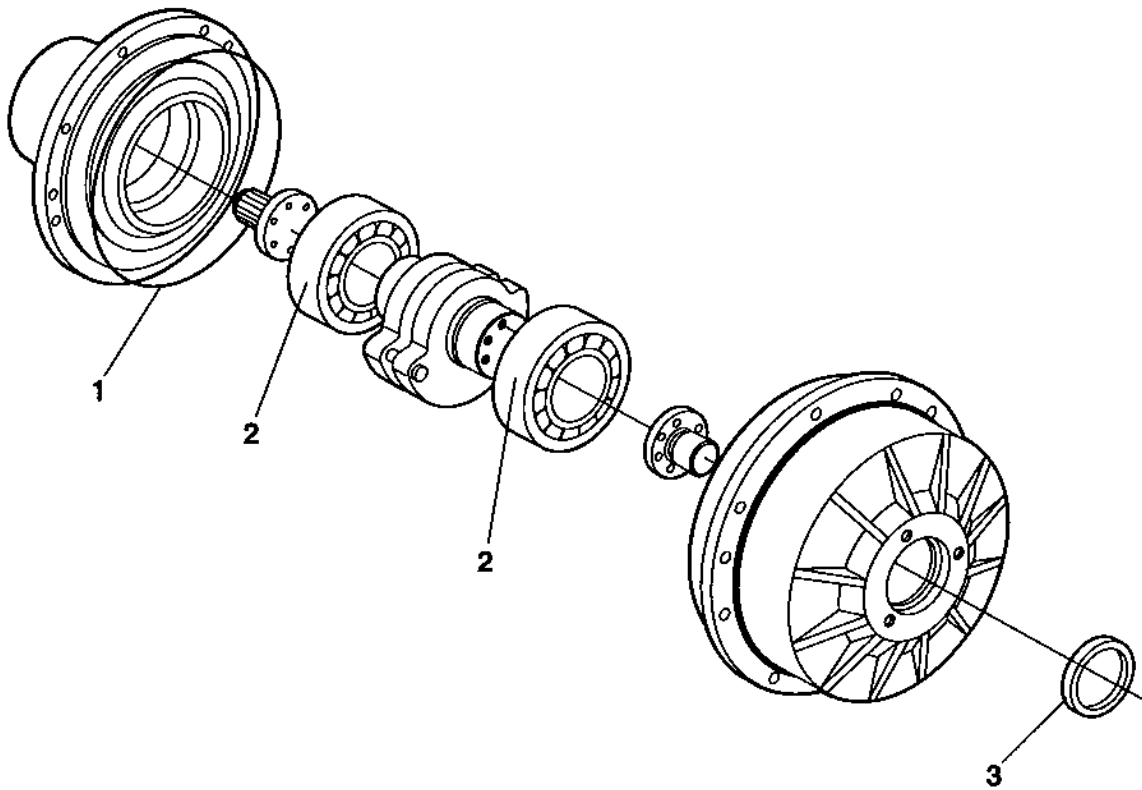
A)

B)

C)

D)

Eccentric shaft kit



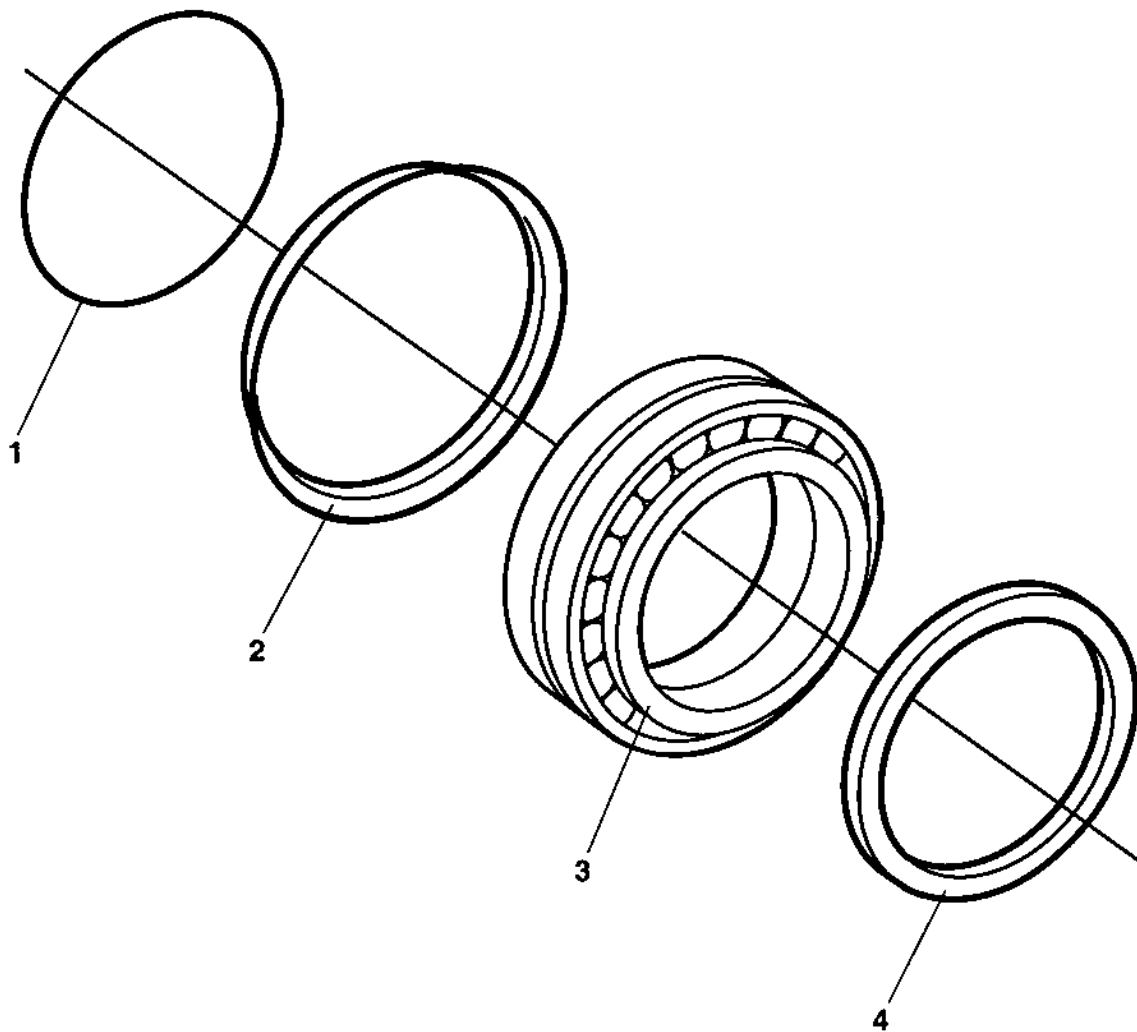
Eccentric shaft kit

Item	Part No	Rem Qty	Description	Code
	4700945657		Eccentric shaft kit	
1	4700900776	1	. O-ring	D
2	4700390896	2	. Spherical roller bearing	B
3	4700900782	1	. Seal ring	D

B)

D)

4700938891 Drum rotation kit

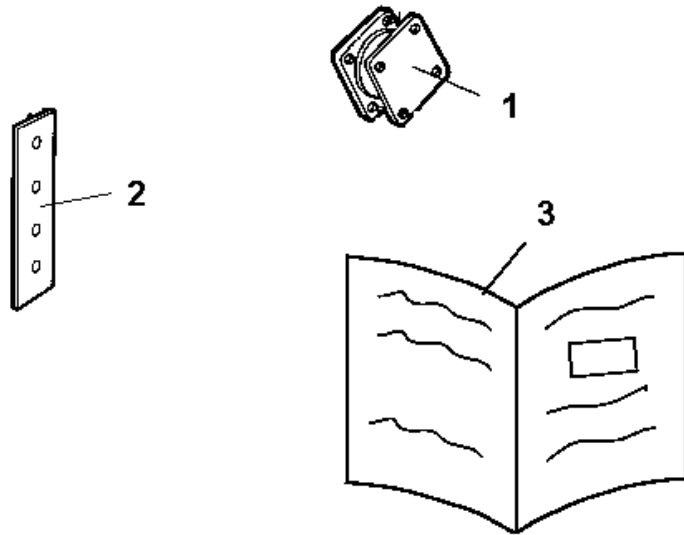


4700938891 Drum rotation kit

Item	Part No	Rem Qty	Description	Code
	4700938891		Drum rotation kit (Page 20)	A
1	4700160105	1	O-ring 70	C
2	4700929447	1	V-ring	B
3	4700116041	1	Taper roller bearing	B
4	4700386272	1	Sealing	B

- A)
- B)
- C)

4700938883 Shock absorber kit, drum



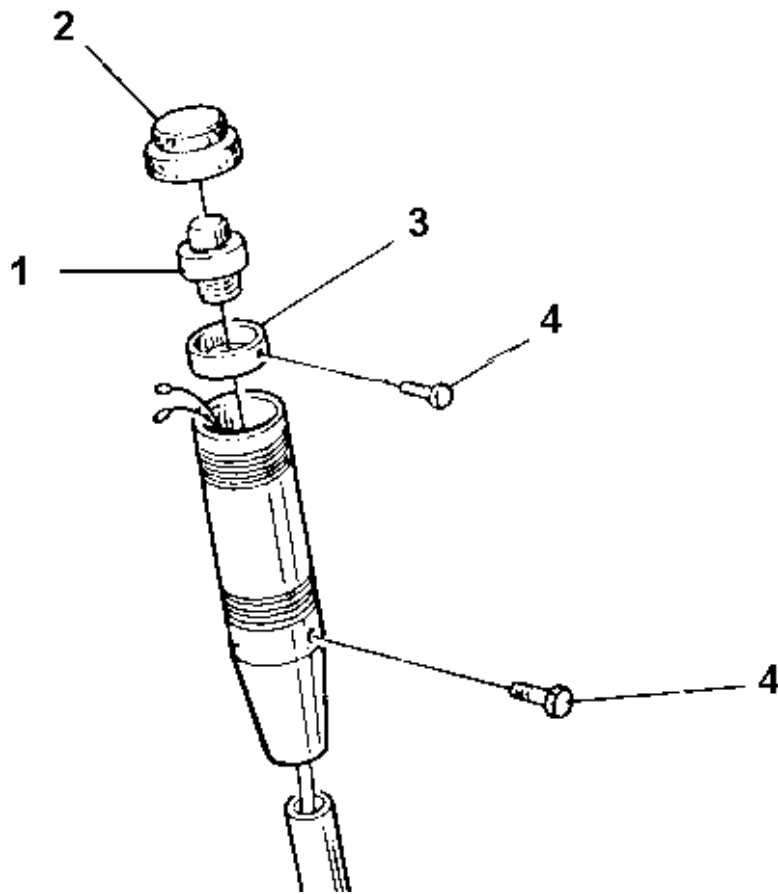
4700938883 Shock absorber kit, drum

Item	Part No	Rem Qty	Description	Code
	4700938883		Shock absorber kit, drum (Page 22)	
1	4700358172	22	Shock absorber	B
2	4700349973	4	Shim T=1 mm	C
3	4812156170	1	Instructions	

B)

C)

4700940662 F/R control button kit



4700940662 F/R control button kit

Item	Part No	Rem Qty	Description	Code
1	4700928497	1	Push button	B
2	4700348481	1	Cover	B
3	4700285911	1	Bushing	D
4	4700533001	3	Screw	D

B)

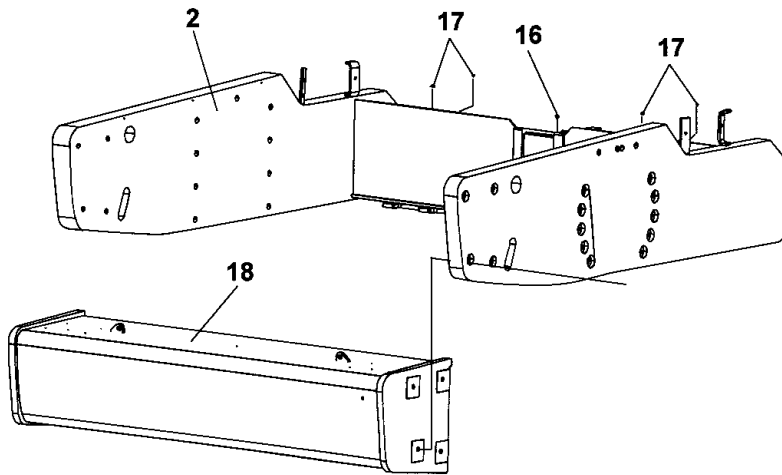
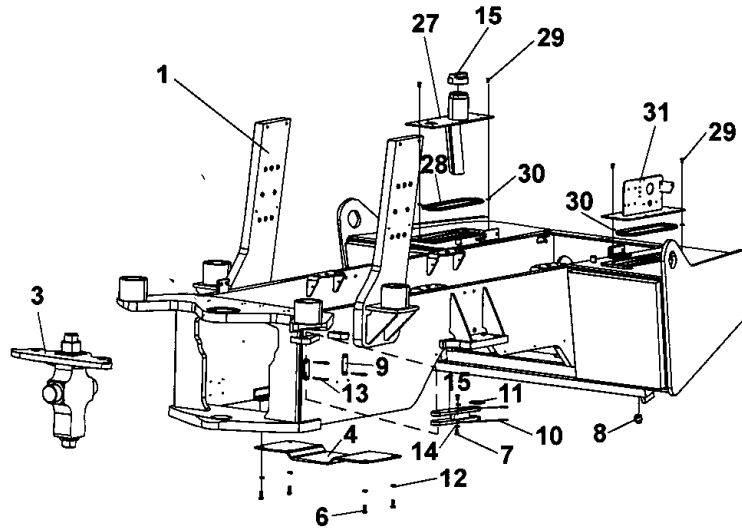
D)

Frame

Frame

Item	Part No	Rem Qty	Description	Code
10			Frames (Page 28)	
25			Scrapers, Spring Steel (Page 30)	
30			Hitch (Page 32)	
40			Structure (Page 34)	
			Structure For cab, since SN C003981 (Page 38)	

Frames

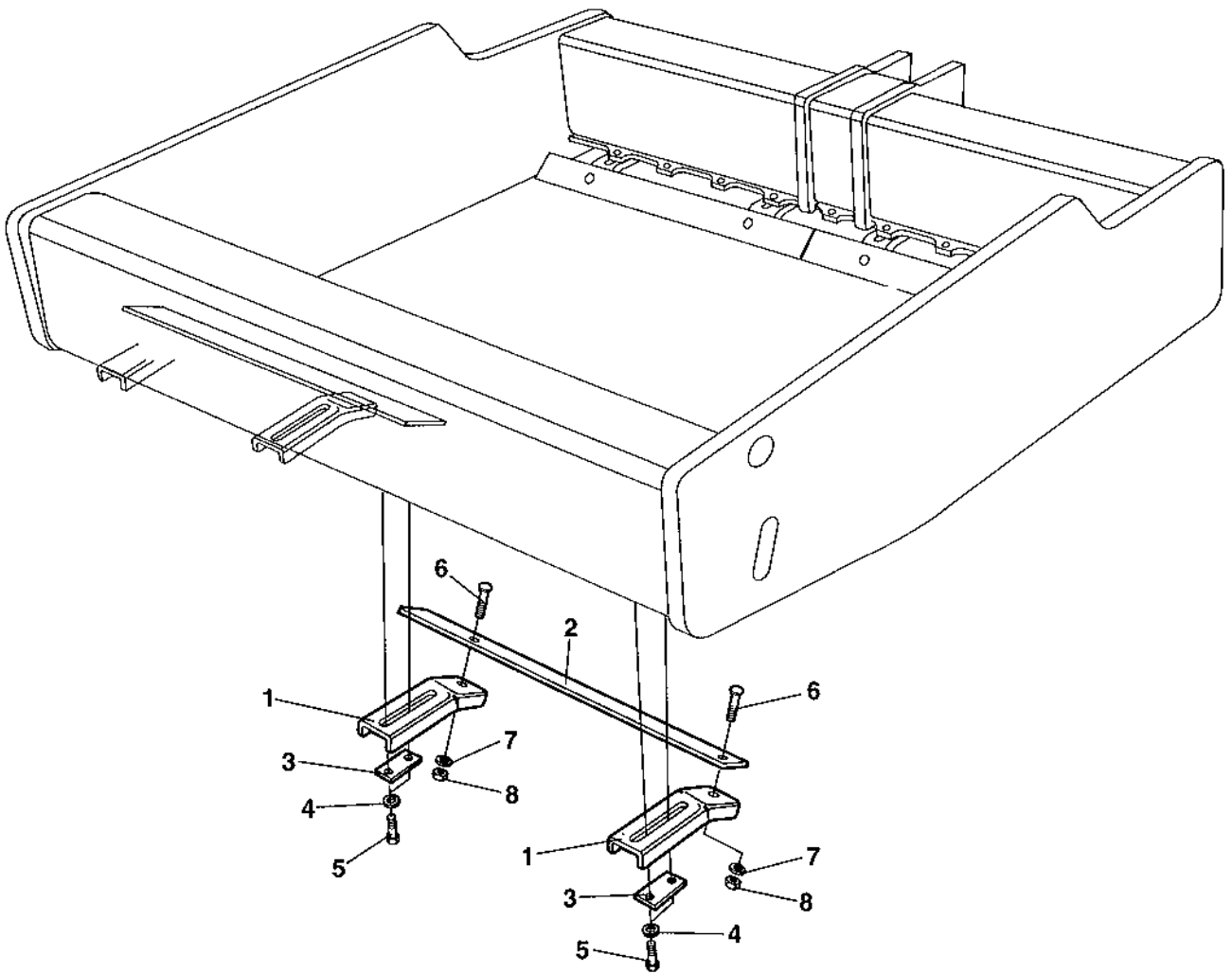


Frames

Item	Part No	Rem Qty	Description	Code
1	4812112591	1	Tractor frame	D
2	4700377221	1	Drum frame	D
3		1	Hitch (Page 32)	
4	4700372087	1	Protective plate	D
5	4700374744	1	Safety rod	D
6	4700500029	4	Hexagon head screw	C
7	4700500043	2	Screw M10x16H 8,8	D
8	4700813391	1	Magnetic plug	D
9	4700347119	2	Shaft	C
10	4700343775	2	Wire	D
11	4700357488	1	Spring	D
12	4700904557	4	Steel plain washer	
13	4700635061	3	Hair clip	B
14	4700904230	2	Steel plain washer	C
15	4700373460	1	Fuel cap	D
	4700380436	A	Fuel cap	D
16	4700232041	1	Filter plug	D
17	4700902919	4	Plug	
18	4700393367	1	Crossbeam	D
19	4700927117	4	Screw M20x100	D
20	4700904233	8	Washer 21x36x3	C
21	4700928850	4	Screw M20-2,5x120 10,9	D
27	4700397130	1	Cover	D
28	4700372709	1	O-ring	D
29	4700500188	32	Screw M8-1,25x14 8,8	
30	4700904229	32	Steel plain washer	C
31	4812112798	1	Cover	

- A) For Italy
- B)
- C)
- D)

Scrapers, Spring Steel



Scrapers, Spring Steel

Item	Part No	Rem Qty	Description	Code
1	4700376819	8	Scraper bracket	D
2	4700376829	4	Scraper	A
3	4700376622	8	Holder	D
4	4700904232	16	Washer	C
5	4700500076	16	Screw M16x55	D
	4700500093	16	Screw M16x40	C
6	4700791948	A	Bolt M12x40H 8,8	D
7	4700904703	8	Washer	B
8	4700586019	8	Lock nut	C

A) Cup square neck bolt.

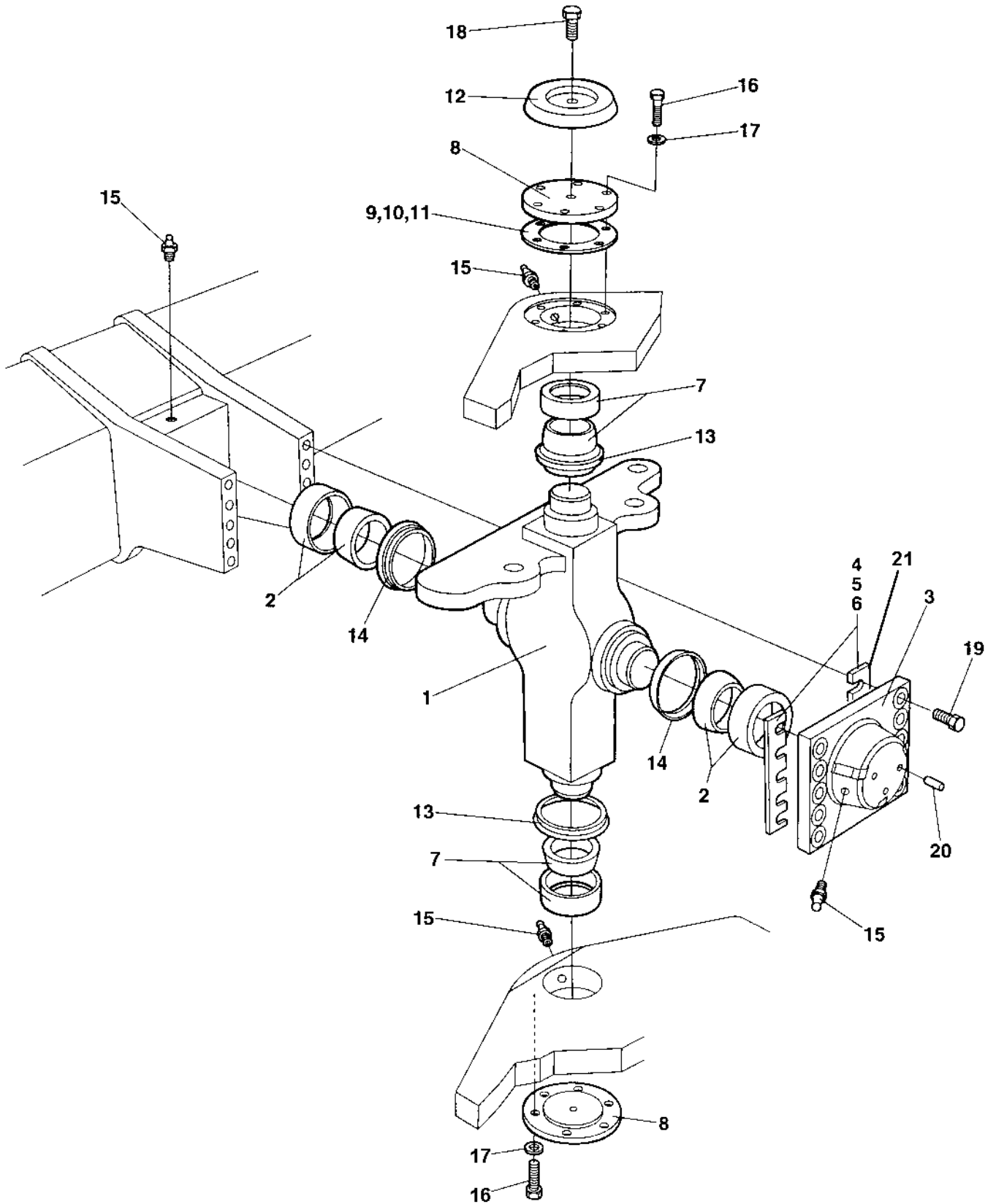
A)

B)

C)

D)

Hitch

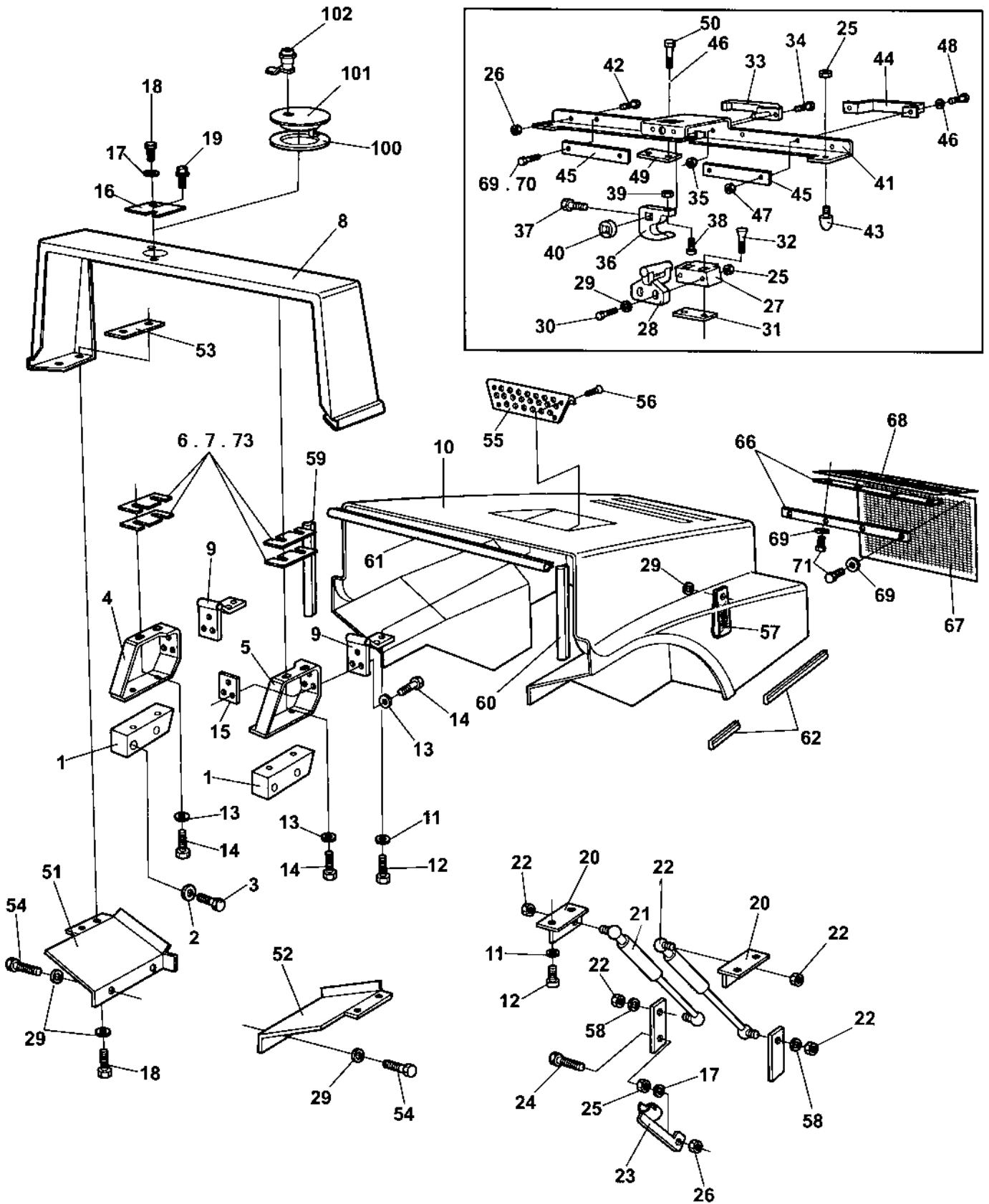


Hitch

Item	Part No	Rem Qty	Description	Code
1	4700374898	1	Hitch	D
2	4700924620	2	Axial ball bearing	D
3	4700373123	1	Bearing cover	D
4	4700337221	N	Shim T=1,0 mm	C
5	D433722101	N	Shim T=0,35 mm	D
6	D433722102	N	Shim T=0,10 mm	D
7	4700100040	2	Axial ball bearing	B
8	4700337042	2	Bearing cover	D
9	4700337045	N	Shim T=1,0 mm	C
10	4700345874	N	Shim T=0,35 mm	C
11	4700345875	N	Shim T=0,10 mm	C
12	4700343159	1	Cover	D
13	4700167032	2	Lip-type oil seal	C
14	4700167033	2	Ring	D
15	4700926214	4	Grease fitting	C
16	4700500037	12	Screw	C
17	4700904231	12	Washer 13x24x2 300 HV	C
18	4700500188	1	Screw M8-1,25x14 8,8	
19	4700904479	10	Screw M24x110 10,9	
	4700900807	10	Screw M24x120 10,9	D
20	4700910995	3	Stop screw	C
21	4700384503	N	Shim T=0,15 mm	C
22	4700904229	1	Steel plain washer	C

B)
C)
D)

Structure



Structure

Item	Part No	Rem Qty	Description	Code
1	4700381989	2	Holder	D
2	4700904231	4	Washer 13x24x2 300 HV	C
3	4700500133	4	Screw	C
4	4700374797	1	Clamp	D
5	4700374798	2	Clamp	D
6	4700373956	N	Shim	C
7	4700373957	N	Shim	C
8	4700385152	1	Protecting cover	D
9	4700371366	2	Hinge	D
10	4812112987	1	Hood	D
11	4700904557	10	Steel plain washer	
12	4700500028	10	Screw	C
13	4700904567	7	Steel plain washer	
14	4700500030	7	Screw M10x035H 8.8 A3K	
15	4700374799	1	Holder plate	C
16	4700373955	1	Cover	D
17	4700904556	2	Steel plain washer	C
18	4700500021	5	Screw M8-1,25x25 8.8	C
19	4700500505	1	Screw M8x20 8.8	
20	4700372608	2	Bracket	D
21	4700379248	1	Gas spring Right	
22	4700390182	1	Gas spring Left	B
23	4700379251	1	Safety rod	D
24	4700904241	1	Screw	C
25	4700570005	5	Nut M8	C
26	4700902286	3	Hexagon lock nut with flange	C
27	4700382132	1	Holder	D
28	4700382131	1	Lock clamp	
29	4700904640	11	Washer 8,4x22x3	C
30	4700500026	2	Screw M8-1,25x60 8,8	
31	4700380109	1	Holder	D
32	4700903732	2	Screw	
33	4700382165	1	Locking handle	
	4700902866	1	. Key Marked "455"	
34	4700535011	2	Screw	D
35	4700902284	2	Nut M5	C
36	4700382130	1	Hook	
37	4700500018	1	Hexagon head screw M	C
38	4700500040	1	Screw M6-1x20 8,8	C
39	4700570004	1	Nut M6X1,00 -8 A2K	
40	4700382335	1	Spacer sleeve	
41	4700382129	1	Holder plate	D
42	4700927637	2	Hexagon socket countersunk screw	D
43	4700925629	2	Shock absorber	
44	4700904874	1	Grab handle	D
45	4700382355	2	Holder plate	D
46	4700904228	4	Washer 6,4x12x1,5	C
47	4700902285	2	Hexagon lock nut with flange	C
48	4700500088	2	Screw M6x40	
49	4700382336	1	Holder	D
50	4700500013	2	Screw M6-1x16 8,8	C
51	4700373204	1	Holder plate	D
52	4700373203	2	Holder plate	D

1) Right hand

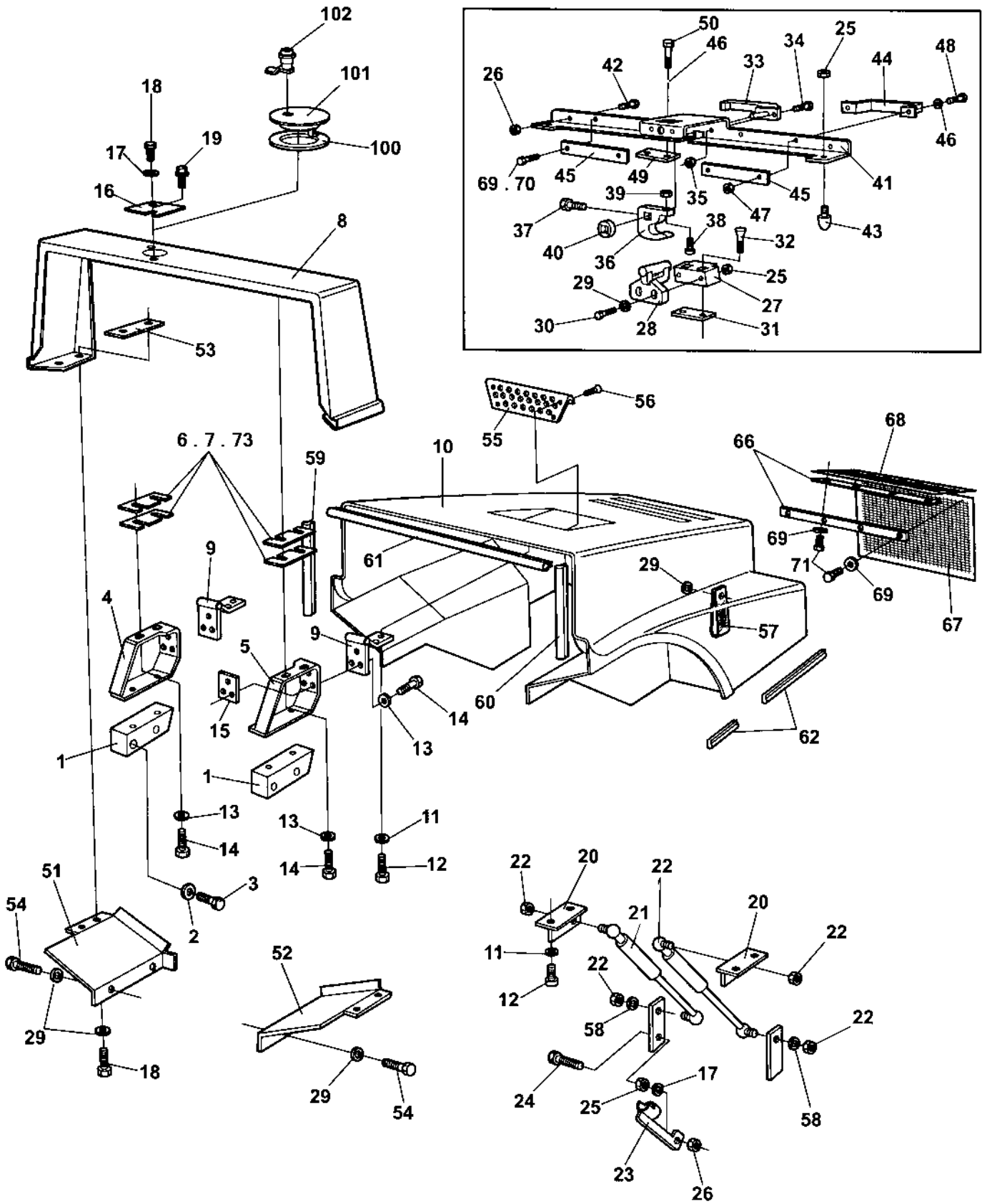
2) Left hand

B)

C)

D)

Structure

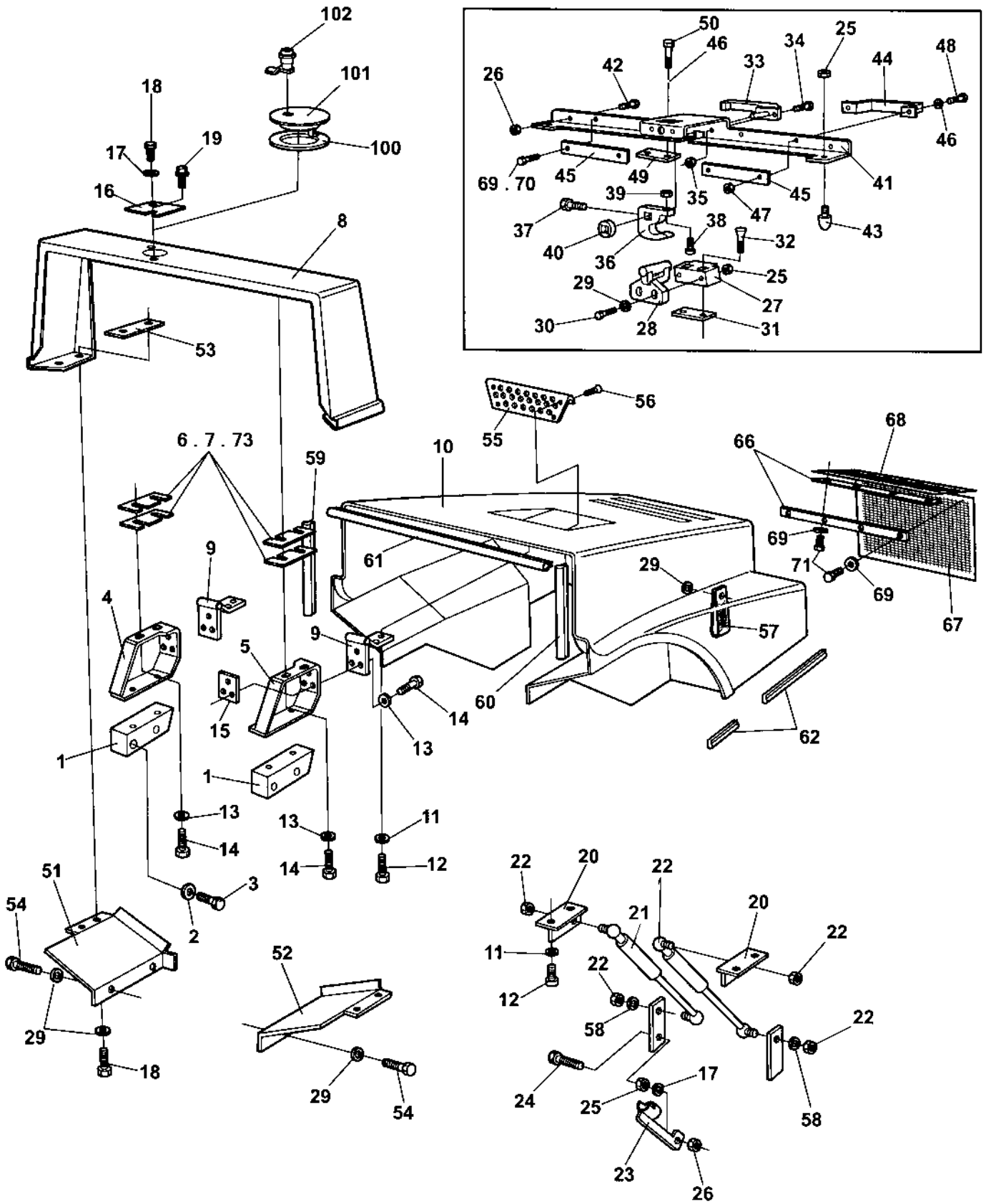


Structure

Item	Part No	Rem Qty	Description	Code
53	4700373309	2	Holder plate	D
54	4700500019	4	Hexagon head screw M	C
55	4700372575	1	Grid	D
56	4700901767	4	Screw ST3,5x9,5 Black	
57	4700374854	1	Grab handle	D
58	4700904230	2	Steel plain washer	C
59	4700902166	3	1XL Edge trim	D
60	4700902166	3	1XL Edge trim	D
61	4700902166	4	1XL Edge trim	D
62	4700902166	5	NXL Edge trim	D
66	4700202047	6	NXL Rubber strip	D
67	4700372609	1	Grid	D
68	4700372695	1	Grid	D
69	4700927974	20	Washer	C
70	4700541507	2	Screw	D
71	4700904244	18	Screw	
73	4812110773	N	Shim	
100			Not used on this model	
101			Not used on this model	
102			Not used on this model	

- 3) L = 1,88 m
- 4) L = 0,63 m
- 5) Total length = 0,48 m
- 6) Total length = 4,91 m
- C)
- D)

Structure For cab, since SN C003981



Structure For cab, since SN C003981

Item	Part No	Rem	Qty	Description	Code
1	4700381989		2	Holder	D
2	4700904231		4	Washer 13x24x2 300 HV	C
3	4700500133		4	Screw	C
4	4700374797	1	1	Clamp	D
5	4700374798	2	1	Clamp	D
6	4700373956		N	Shim	C
7	4700373957		N	Shim	C
8	4812265107		1	Protection cover	D
9	4700371366		2	Hinge	D
10	4812265106		1	Engine hood	D
11	4700904557		10	Steel plain washer	
12	4700500028		10	Screw	C
13	4700904567		7	Steel plain washer	
14	4700500030		7	Screw M10x035H 8.8 A3K	
15	4700374799		1	Holder plate	C
16	4700373955		1	Cover	D
17	4700904556		2	Steel plain washer	C
18	4700500021		5	Screw M8-1,25x25 8.8	C
19	4700500505		1	Screw M8x20 8.8	
20	4700372608		2	Bracket	D
21	4812265113		1	Gas spring	
22	4812265114		1	Gas spring	B
23	4700379251		1	Safety rod	D
24	4700904241		1	Screw	C
25	4700570005		5	Nut M8	C
26	4700902286		3	Hexagon lock nut with flange	C
27	4700382132		1	Holder	D
28	4700382131		1	Lock clamp	
29	4700904640		11	Washer 8,4x22x3	C
30	4700500026		2	Screw M8-1,25x60 8,8	
31	4700380109		1	Holder	D
32	4700903732		2	Screw	
33	4700382165		1	Locking handle	
	4700902866		1	. Key Marked "455"	
34	4700535011		2	Screw	D
35	4700902284		2	Nut M5	C
36	4700382130		1	Hook	
37	4700500018		1	Hexagon head screw M	C
38	4700500040		1	Screw M6-1x20 8,8	C
39	4700570004		1	Nut M6X1,00 -8 A2K	
40	4700382335		1	Spacer sleeve	
41	4700382129		1	Holder plate	D
42	4700927637		2	Hexagon socket countersunk screw	D
43	4700925629		2	Shock absorber	
44	4700904874		1	Grab handle	D
45	4700382355		2	Holder plate	D
46	4700904228		4	Washer 6,4x12x1,5	C
47	4700902285		2	Hexagon lock nut with flange	C
48	4700500088		2	Screw M6x40	
49	4700382336		1	Holder	D
50	4700500013		2	Screw M6-1x16 8,8	C
51	4812265108	1	1	Cover plate	D
52	4812265109	2	1	Cover plate	D

1) Right hand

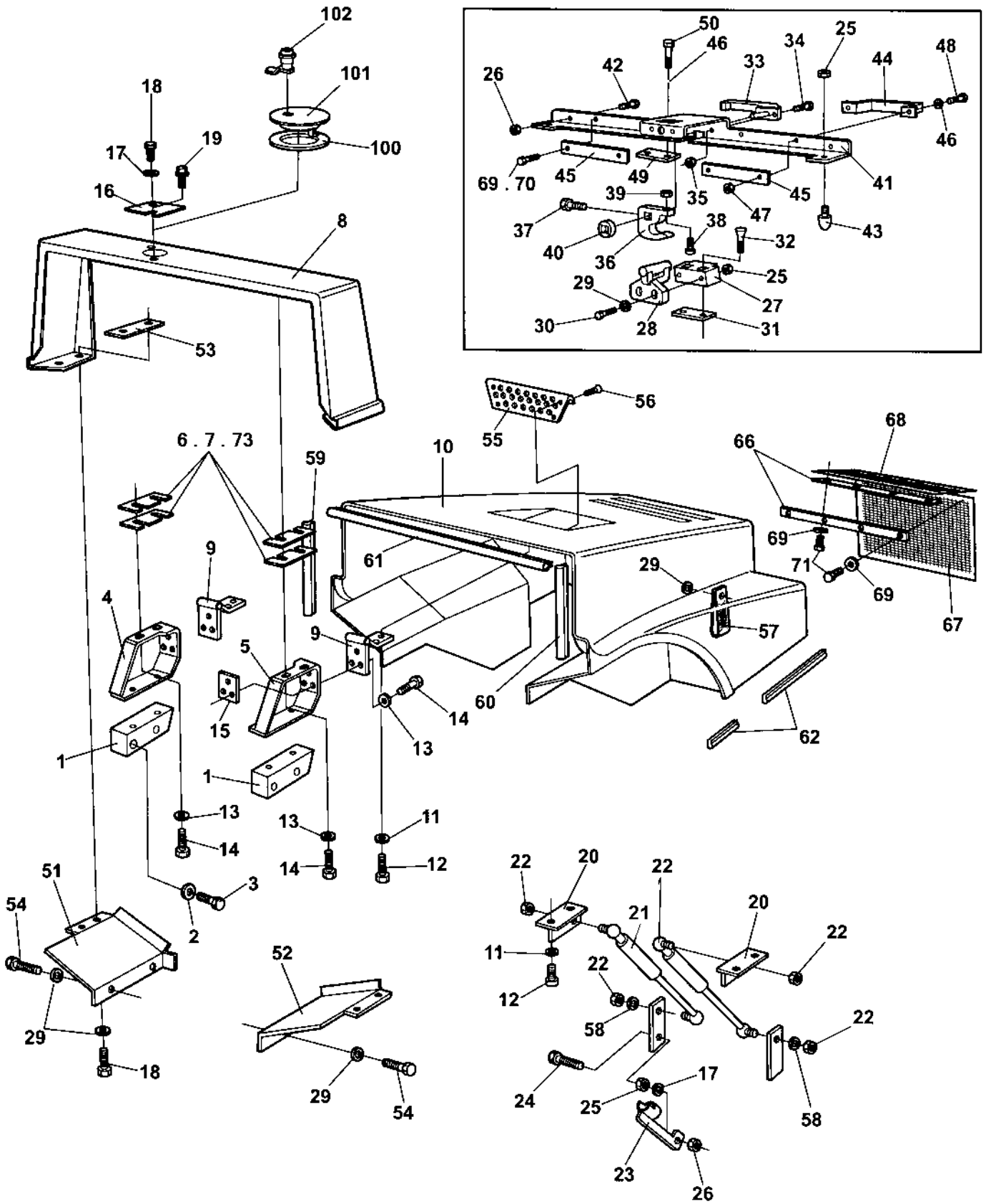
2) Left hand

B)

C)

D)

Structure For cab, since SN C003981



Structure For cab, since SN C003981

Item	Part No	Rem Qty	Description	Code
53	4812265129	2	Plate	D
54	4700500019	4	Hexagon head screw M	C
55	4700372575	1	Grid	D
56	4700901767	4	Screw ST3,5x9,5 Black	
57	4812265832	1	Grab handle	D
58	4700904230	2	Steel plain washer	C
59	4700902166	3	1XL Edge trim	D
60	4700902166	3	1XL Edge trim	D
61	4700902166	4	1XL Edge trim	D
62	4700902166	5	NXL Edge trim	D
66	4700202047	6	NXL Rubber strip	D
67	4700372609	1	Grid	D
68	4700372695	1	Grid	D
69	4700927974	20	Washer	C
70	4700541507	2	Screw	D
71	4700904244	18	Screw	
73	4812110773	N	Shim	
74	4812265128	N	Shim	
100			Not used on this model	
101			Not used on this model	
102			Not used on this model	

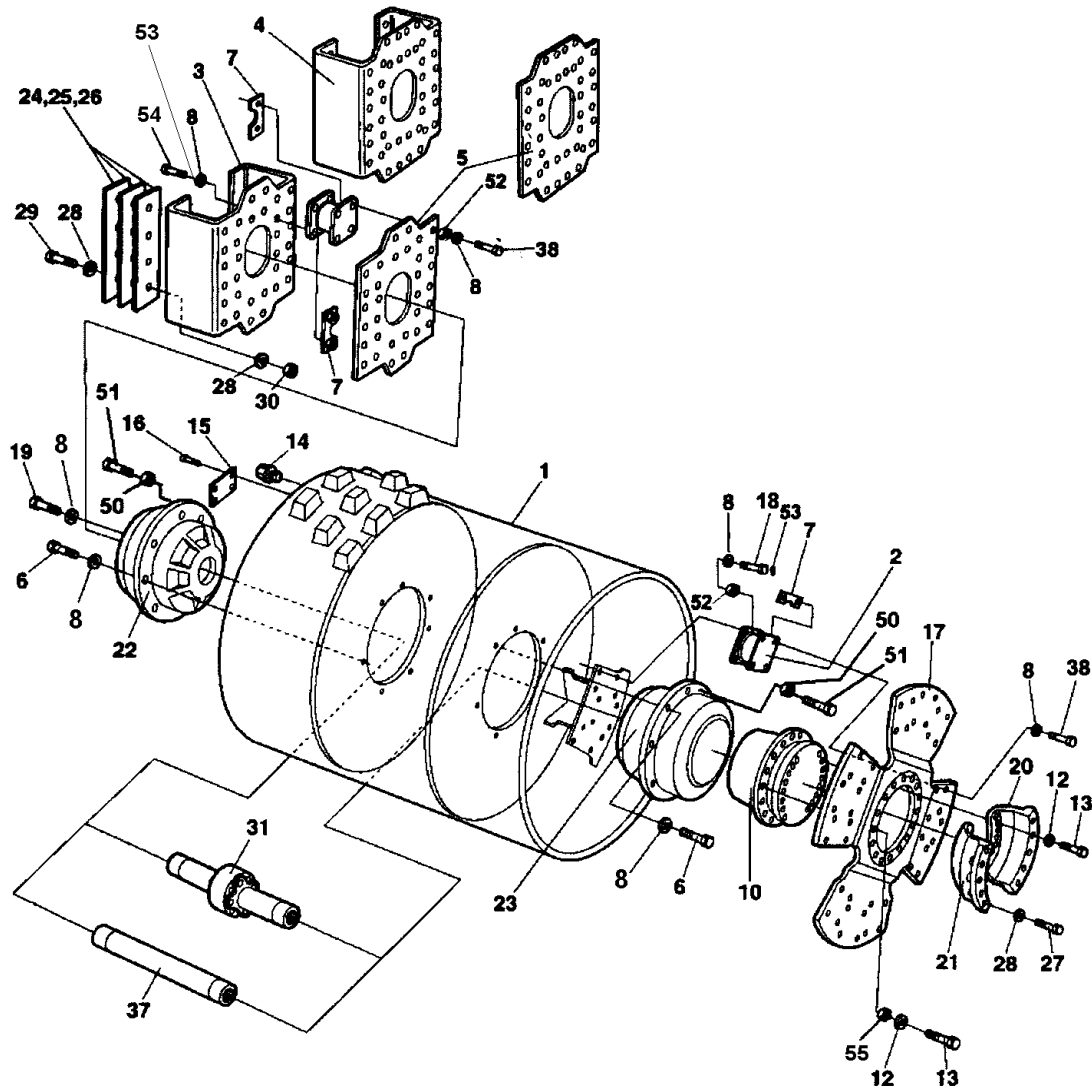
- 3) L = 1,88 m
- 4) L = 0,63 m
- 5) Total length = 0,48 m
- 6) Total length = 4,91 m
- C)
- D)

Drum

Drum

Item	Part No	Rem Qty	Description	Code
10			Drum (Page 44)	
20			Drum cartridge Vibration side (Page 46)	
30			Drum cartridge Drive side (Page 48)	
40			Drum gear (Page 50)	

Drum

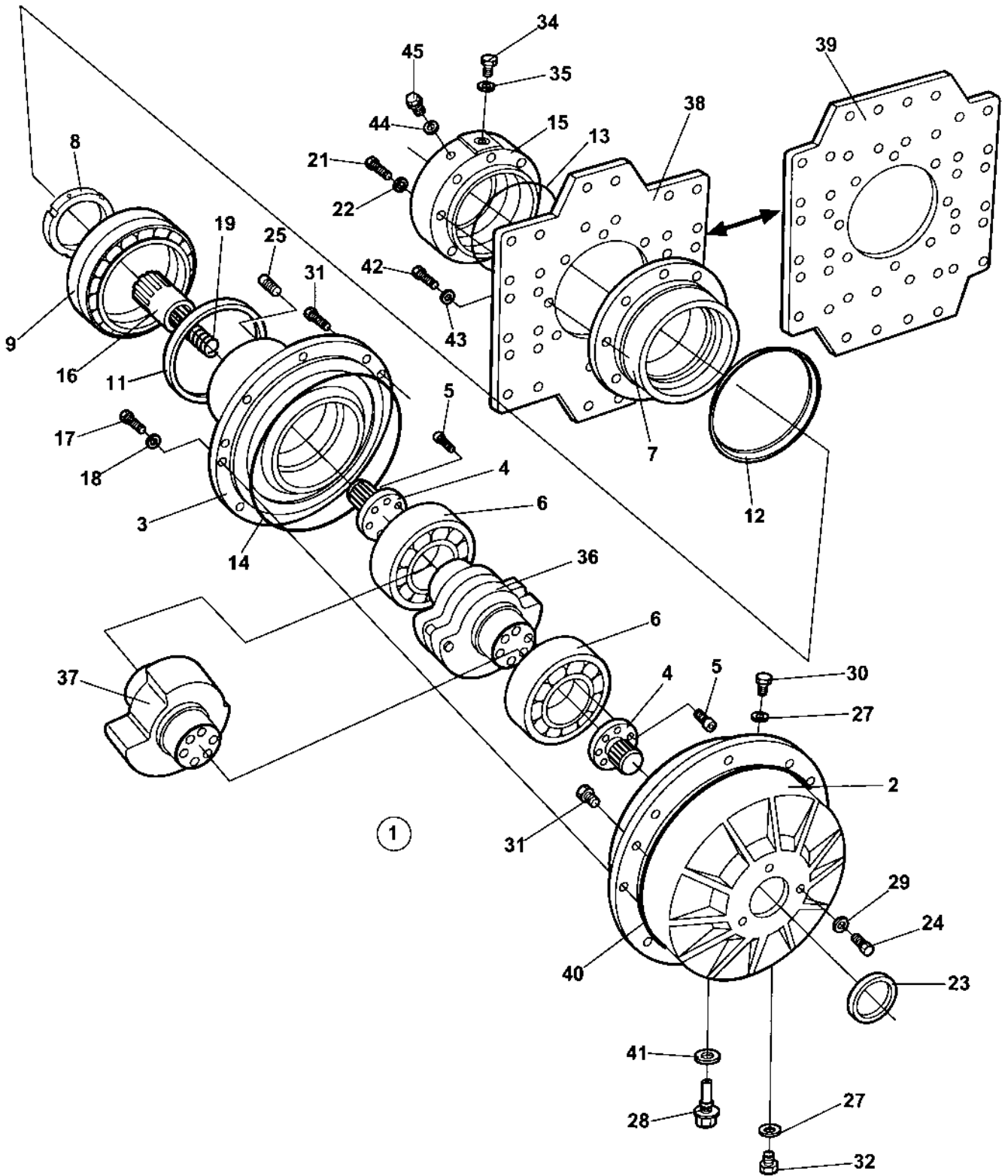


Drum

Item	Part No	Rem	Qty	Description	Code
1	4700373768		1	Drum	D
2	4700358172		22	Shock absorber	B
3				Not used on this model	
4	4700371955		1	Holder plate	D
5	4700371956		1	Holder plate	D
6	4700500082		23	Screw M16x70 8,8	D
7	4700374728	C	64	Holder	D
8	4700904232		200	Washer	C
10			1	Drum gear (Page 50)	
12	4700904233		32	Washer 21x36x3	C
13	4700903919		32	Screw	
14	4700232210		1	Plug	
15			1	Sign plate	
16	4700527002		4	Drive screw	C
17	4700373770		1	Drive disc	D
18	4812110835		48	Screw M16x50H	
19	4700384121		1	Air breather screw	B
20	4700373442	A	1	Gear holder	D
21	4700373443	B	1	Gear holder	D
22			1	Drum cartridge Vibration side (Page 46)	
23			1	Drum cartridge Drive side	
24	4700349971	N		Shim T=5 mm	C
25	4700349972	N		Shim T=3 mm	C
26	4700349973	N		Shim T=1 mm	C
27	4700904479		10	Screw M24x110 10,9	
28	4700904234		26	Steel plain washer	
29	4700904562		8	Screw M24x160 10.9	
30	4700792464		8	Nut M24 -10 DIN985	D
31				Not used on this model	
37	4700349682		1	Drive shaft	D
38	4812110552		128	Screw M16x50H	
50	4700384114		24	Spacer	A
51	4700500134		24	Hex screw m16x60 - lf140	
52	4812110576		88	Spacer	
53	4811000152		48	Cover cap	
54	4812110572		40	Screw	
55	4812110366		32	Spacer	

- A) Right
- B) Left
- C) Replaces nuts with P/N 4700586021, 128 pcs.
- A)
- B)
- C)
- D)

Drum cartridge Vibration side



Drum cartridge Vibration side

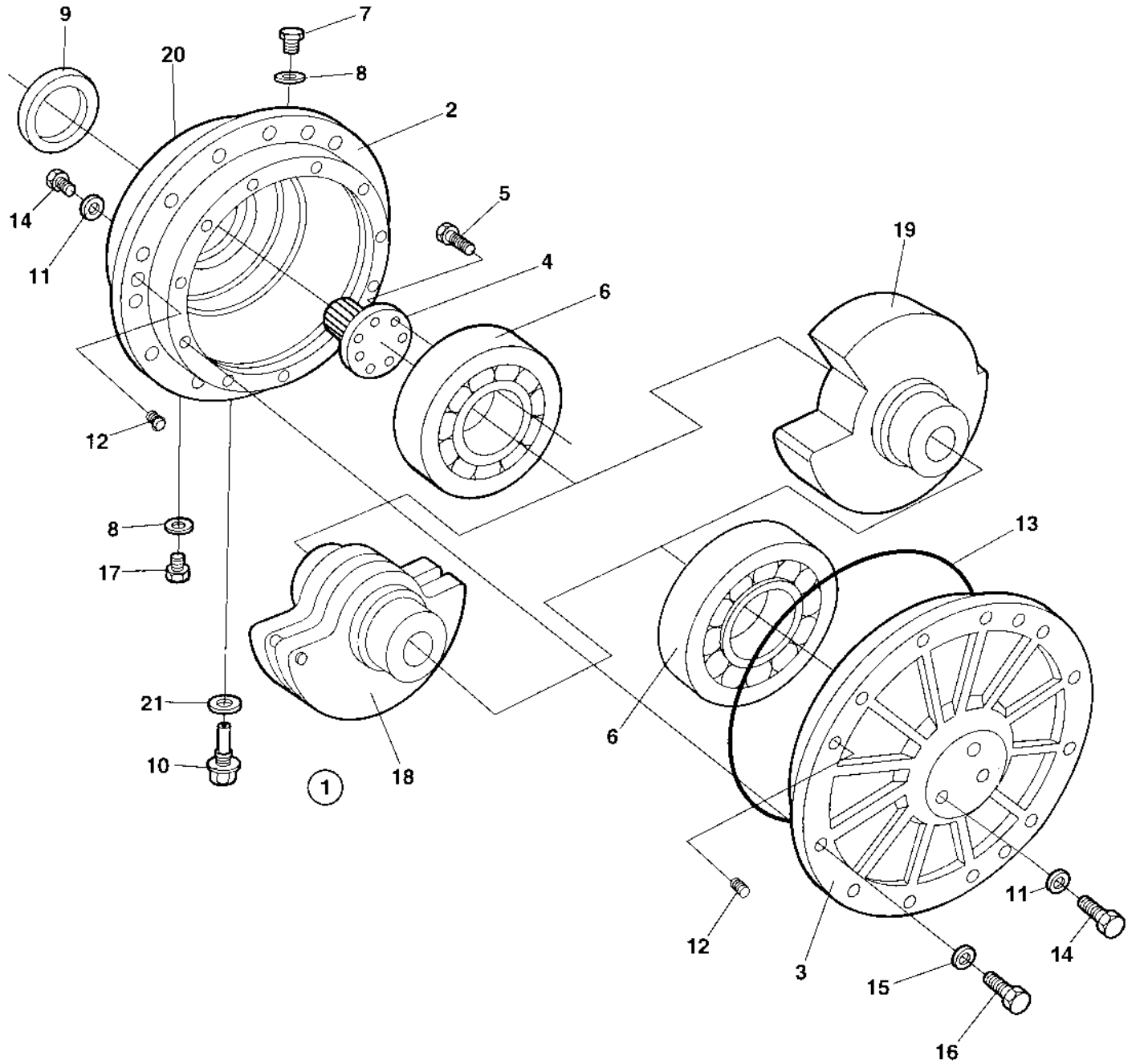
Item	Part No	Rem	Qty	Description	Code
1	4700945594		1	Drum cartridge	D
	4812155683	1	1	Drum cartridge	D
2	4700392420	2	1	Bearing housing inner	D
3	4700379878	2	1	Bearing housing outer	D
4	4700380018	2	2	Splined shaft	D
5	4700791156	2	16	Screw M10-1,5x55 12,9	D
6	4700390896	2	2	Spherical roller bearing	B
7	4700343318		1	Bearing housing	D
8	4812112413		1	Shaft nut	
9	4700116041		1	Taper roller bearing	B
11	4700167023		1	Seal ring	B
12	4700929447		1	V-ring	B
13	4700160105		1	O-ring 70	C
14	4700900776	2	1	O-ring	D
15	4812110860		1	Motor adapter	
16	4700381027		1	Splined sleeve	D
17	4700500082	2	12	Screw M16x70 8,8	D
18	4700904232	2	12	Washer	C
19	4700349715		1	Spring	D
21	4700500196		4	Screw M12-1,75x80 8.8	D
22	4700904231		4	Washer 13x24x2 300 HV	C
23	4700900782	2	1	Seal ring	D
24	4700500163	2	3	Screw M12x16	D
25	4700903189	2	3	Stop screw	
27	4700162017	2	2	Seal ring	B
28	4700381634	2	1	Plug	C
29	4700162027	2	3	Sealing	B
30	4700343744	2	1	Magnetic plug	C
31	4700900775	2	6	Plug	C
32	4700232210	2	1	Plug	
34	4700370231		1	Plug	C
35	4700162018		1	Sealing	B
36			1	Not used on this model	
37	4812112749	2	1	Eccentric shaft	
38			1	Not used on this model	
39	4700371956		1	Holder plate	D
40	4700904737		1	O-ring	D
41	4700162011	2	1	Washer, sealing	D
42	4700500082		8	Screw M16x70 8,8	D
43	4700384114		8	Spacer	A
44	4700162024		1	Washer, sealing	
45	4700903190		1	Steel plug	

1) With pre-mounted shaft nut item 8. Includes also item 7,9,11 and 12.

2) Included in complete drum cartridge, item 1

- A)
- B)
- C)
- D)

Drum cartridge Drive side

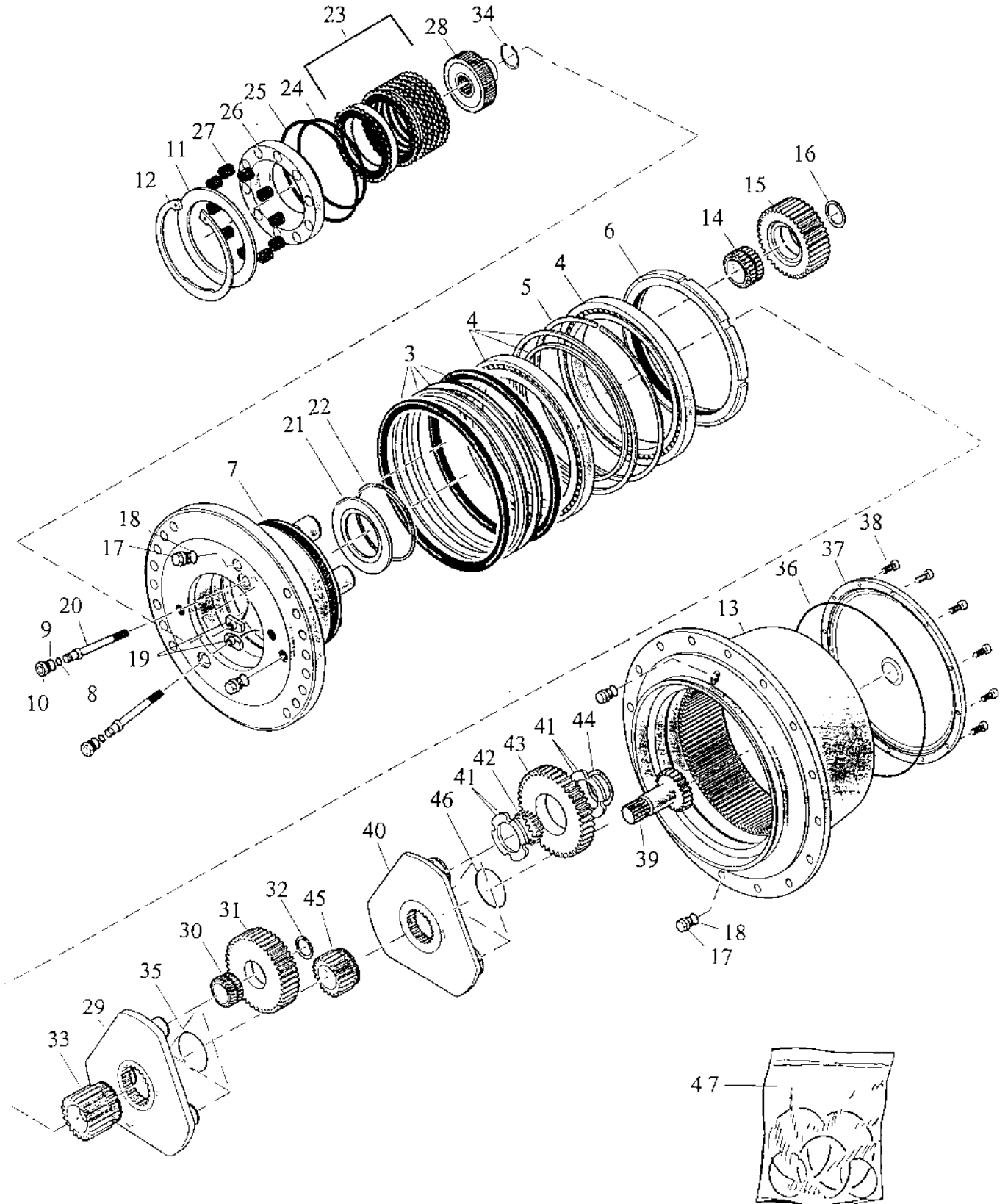


Drum cartridge Drive side

Item	Part No	Rem Qty	Description	Code
1	4700945587	1	Drum cartridge	D
2	4700392420	1	. Bearing housing inner	D
3	4700379876	1	. Bearing housing outer	D
4	4700380018	1	. Splined shaft	D
5	4700791156	8	. Screw M10-1,5x55 12,9	D
6	4700390896	2	. Spherical roller bearing	B
7	4700343744	1	. Magnetic plug	C
8	4700162017	2	. Seal ring	B
9	4700900782	1	. Seal ring	D
10	4700381634	1	. Plug	C
11	4700162027	6	. Sealing	B
12	4700900775	6	. Plug	C
13	4700900776	1	. O-ring	D
14	4700500163	6	. Screw M12x16	D
15	4700904232	12	. Washer	C
16	4700500082	12	. Screw M16x70 8,8	D
17	4700232210	1	. Plug	
18			Not used on this model	
19	4812112749	1	. Eccentric shaft	
20	4700904737	1	. O-ring	D
21	4700162011	1	. Washer, sealing	D

B)
C)
D)

Drum gear



Drum gear

Item	Part No	Rem	Qty	Description	Code
1	4700371512		1	Drum gear	D
3	4700935381		1	. Seal	
4	4700935382		1	. Roller bearing	
5		B	NA	. Spring ring	
6		B	NA	. Nut	
7		B	NA	. Hub	
8	4700935386	A	2	. O-ring	
9	4700813618	A	2	. O-ring	C
10	4700935387		2	. Plug	
11	4700935388		1	. Support plate	
12	4700935389		1	. Retaining ring	
13		B	NA	. Hollow wheel	
14		B	NA	. Roller bearing	
15		B	NA	. Planet gear	
16		B	NA	. Reaining ring	
17	4700935394		4	. Plug	
18	4700935395	A	4	. Seal ring	
19	4700935396		2	. Setting lug	
20	4700935397		2	. Spindle bolt	
21		B	NA	. Plate	
22		B	NA	. Spring ring	
23	4700935400		1	. Brake disc kit	
24	4700935401	A	1	. O-ring	
25	4700935402	A	1	. O-ring	
26	4700935403		1	. Piston	
27	4700935404		10	. Spring	
28	4700935405		1	. Coupling	
29		B	NA	. Planet carrier	
30		B	NA	. Roller bearing	
31		B	NA	. Planet gear	
32		B	NA	. Retaining ring	
33		B	NA	. Sun wheel	
34	4700935411		1	. Retaining ring	
35		B	NA	. Spring ring	
36	4700935413	A	1	. O-ring	
37	4700935414		1	. Cover	
38	4700935415		12	. Screw	
39		B	NA	. Sun wheel	
40		B	NA	. Planet carrier	
41		B	NA	. Plate	
42		B	NA	. Needle roller bearing	
43		B	NA	. Planet gear	
44		B	NA	. Retaining ring	
45		B	NA	. Sun wheel	
46		B	NA	. Spring ring	
47	4700935380		1	Seal kit	

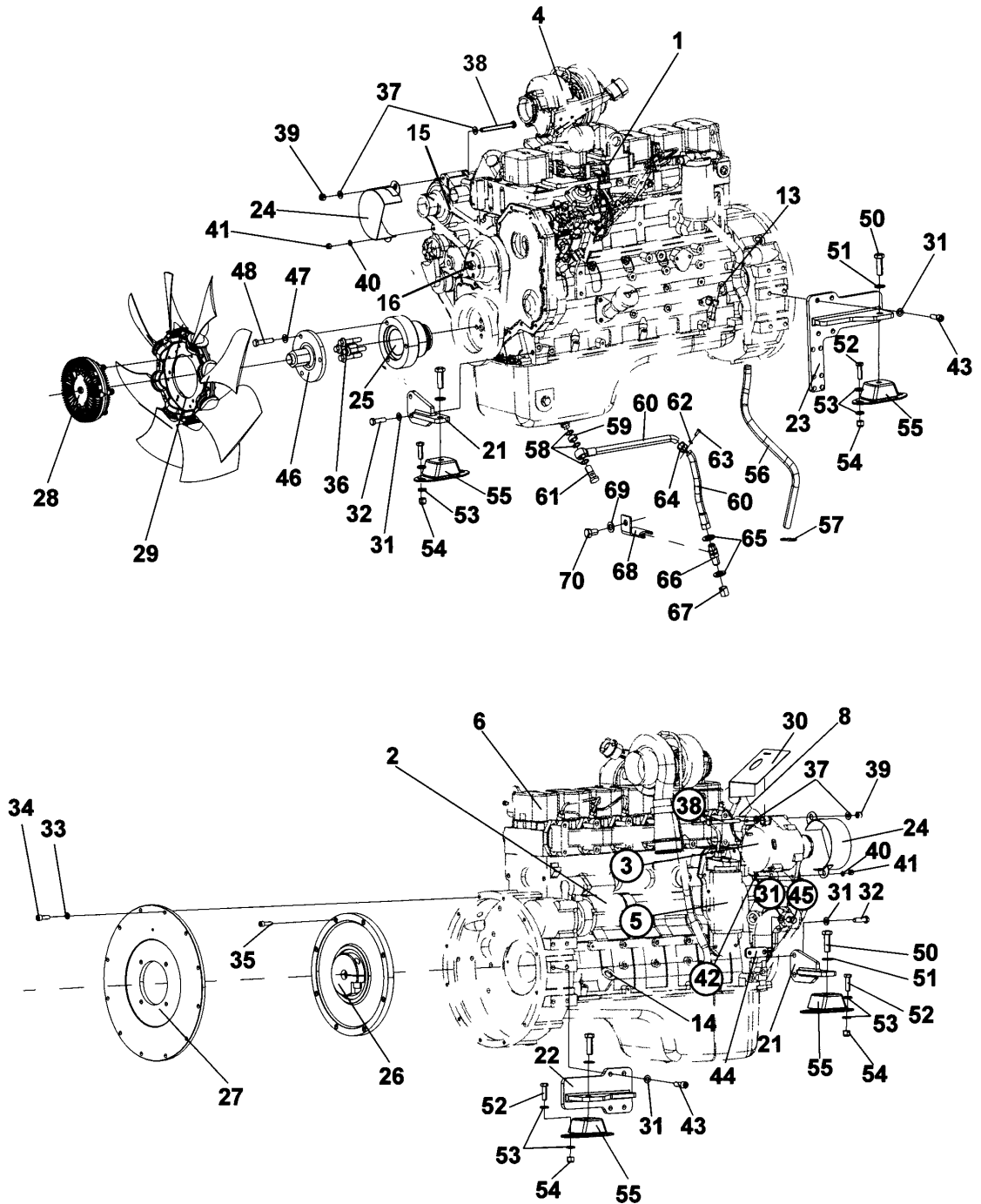
- A) Incl. in item 47
- B) Not available as spare part.
- C)
- D)

Engine

Engine

Item	Part No	Rem Qty	Description	Code
10			Engine Cummins 6BTAA-5.9 (Page 54)	
20			Cooling system (Page 58)	
25			Radiator Up to 0C000187 (Page 62)	C
30			Combustion air system (Page 64)	
40			Fuel system (Page 66)	
50			Exhaust system Up to 0C000365 (Page 68)	
55			Exhaust system From 0C000366 (Page 70)	
C)				

Engine Cummins 6BTAA-5.9



Engine Cummins 6BTAA-5.9

Item	Part No	Rem Qty	Description	Code
1	4812111126	1	Diesel engine Cummins 6BTAA-5.9	
2	4700939504	1	. Starter	
3	4700945140	1	. Alternator	C
4	4700939955	1	. Turbo charger, cpl	
5	4700939503	1	. Oil filter element	A
6	4700938514	6	. Valve cover gasket	A
7		1	. Piston ring set	
8	4700939960	1	. Injector	
9	4700939372	1	. Fuel filter element	A
13	4700945892	1	. Oil dipstick	
14	4812156960	1	. Oil cap	
	4812156961	1	. . Gasket	
15	4700939373	1	. Belt	
16	4700945773	1	. V- belt pulley	
17	4700945774	1	. Belt tightener	
19		1	. Fan, alternator	
20	4700938273	1	. Pulley, alternator	
21	4700378211	2	Engine bracket	D
22	4700378210	1	Engine bracket	D
23	4700378213	1	Engine bracket	D
24	4700386688	1	Protecting cover	D
25	4700382391	1	Connector	C
26	4700371620	1	Coupling	D
27	4700372772	1	Bracket	C
28	4700397284	1	Fan clutch	D
29	4700397285	1	Fan	D
30	4700390743	1	Heat protection	D
31	4700904638	13	Washer 12x22x2	C
32	4700500194	4	Screw	C
33	4700904637	12	Washer	C
34	4700508029	12	Screw M10-1,5x30H 8,8	C
35	4700509025	8	Screw 3/8-16UNCx32 8,8	
36	4700791306	4	Screw M12-1,25x60 12,9	D
37	4700904230	3	Steel plain washer	C
38	4700904379	1	Hexagon head screw M	
39	4700586018	1	Hexagon lock nut M10	C
40	4700904229	1	Steel plain washer	C
41	4700586003	1	Lock nut M	C
42	4700500239	1	Screw M8x50H 8,8	C
43	4700508079	8	Screw M12-1,75x35H 8,8	
44	4700378214	1	Cable holder	D
45	4700500036	1	Screw	
46	4700397217	1	Fan spacer	D
47	4700904231	3	Washer 13x24x2 300 HV	C
48	4700925519	3	Screw M12x55 10.9 GEOMET	D
49	4700939506	1	Oil pressure switch	D
50	4700500070	4	Screw M16x50	C
51	4700904232	5	Washer	C
52	4700500194	8	Screw	C
53	4700904703	16	Washer	B
54	4700586019	8	Lock nut	C
55	4700387128	4	Shock absorber	D
56	4700791468	A	Hydraulic hose	D
57	4700925802	N	Cable ties L=142 mm	C
58	4700330331	3	Washer 18,2x23,9x1,5	C
59	4700371727	1	Sleeve	C
60	4700389138	1	Hydraulic hose	D
61	4700747691	1	Hollow screw	C

A) L = 1,0 m

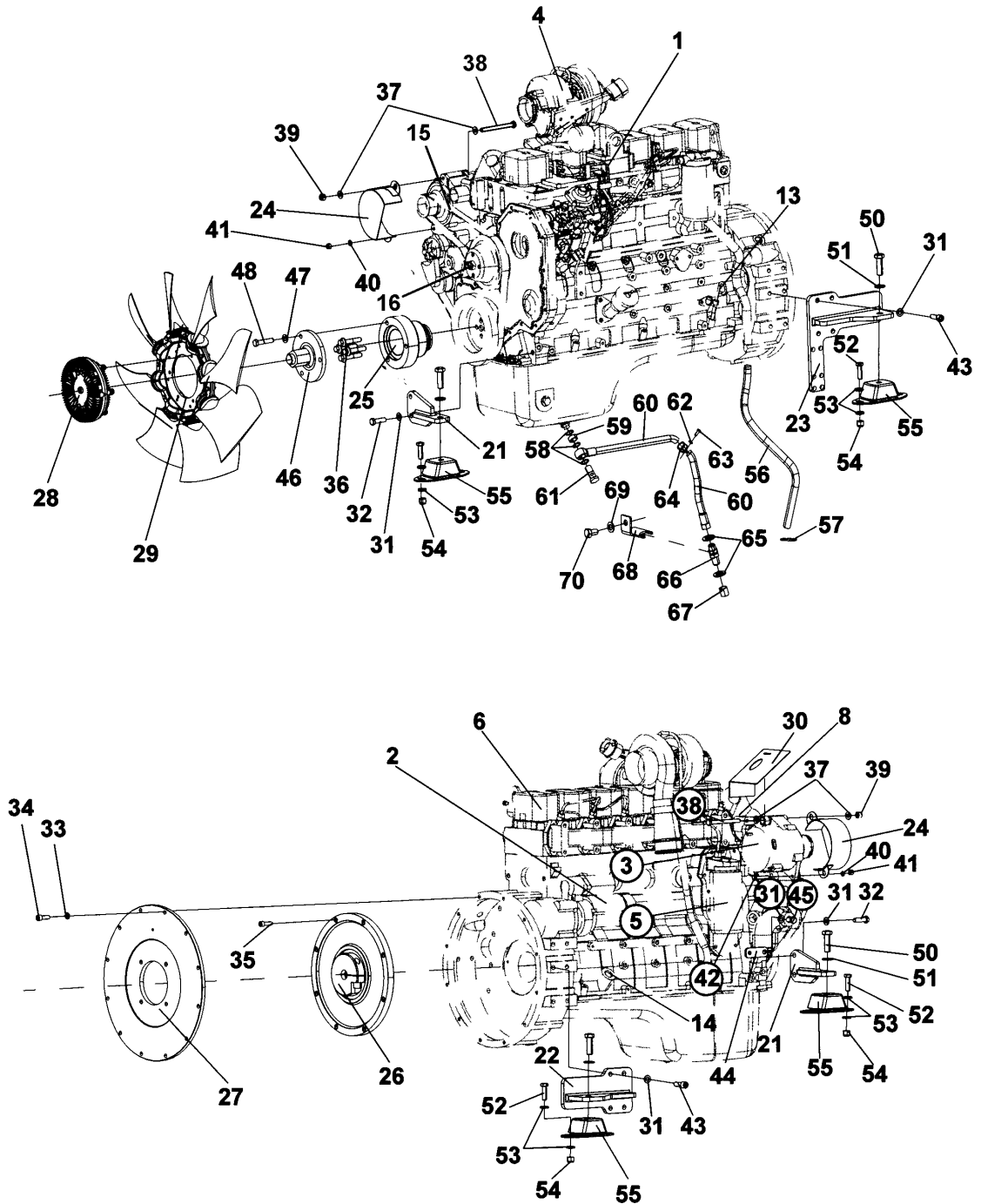
A)

4812273384

C)

D)

Engine Cummins 6BTAA-5.9



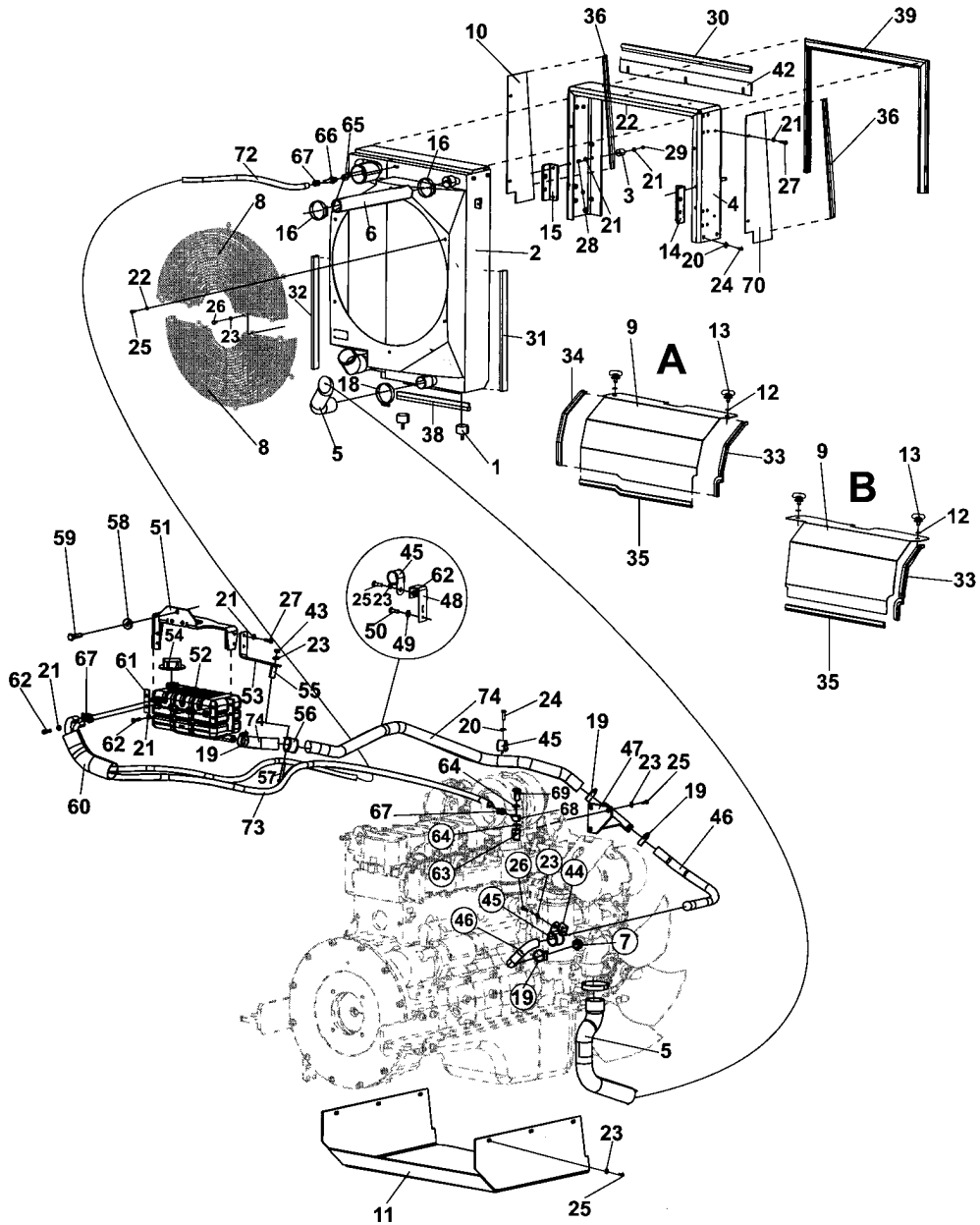
Engine Cummins 6BTAA-5.9

Item	Part No	Rem Qty	Description	Code
62	4700904228	1	Washer 6,4x12x1,5	C
63	4700500013	1	Screw M6-1x16 8,8	C
64	4700921063	1	Clamp	C
65	4700904233	2	Washer 21x36x3	C
66	4700230515	1	Connector	C
67	4700330383	1	Cap hydraulic	
68	4700388855	1	Bracket	D
69	4700904232	5	Washer	C
70	4700500154	1	Screw M16-2,0x25 8,8	

C)

D)

Cooling system

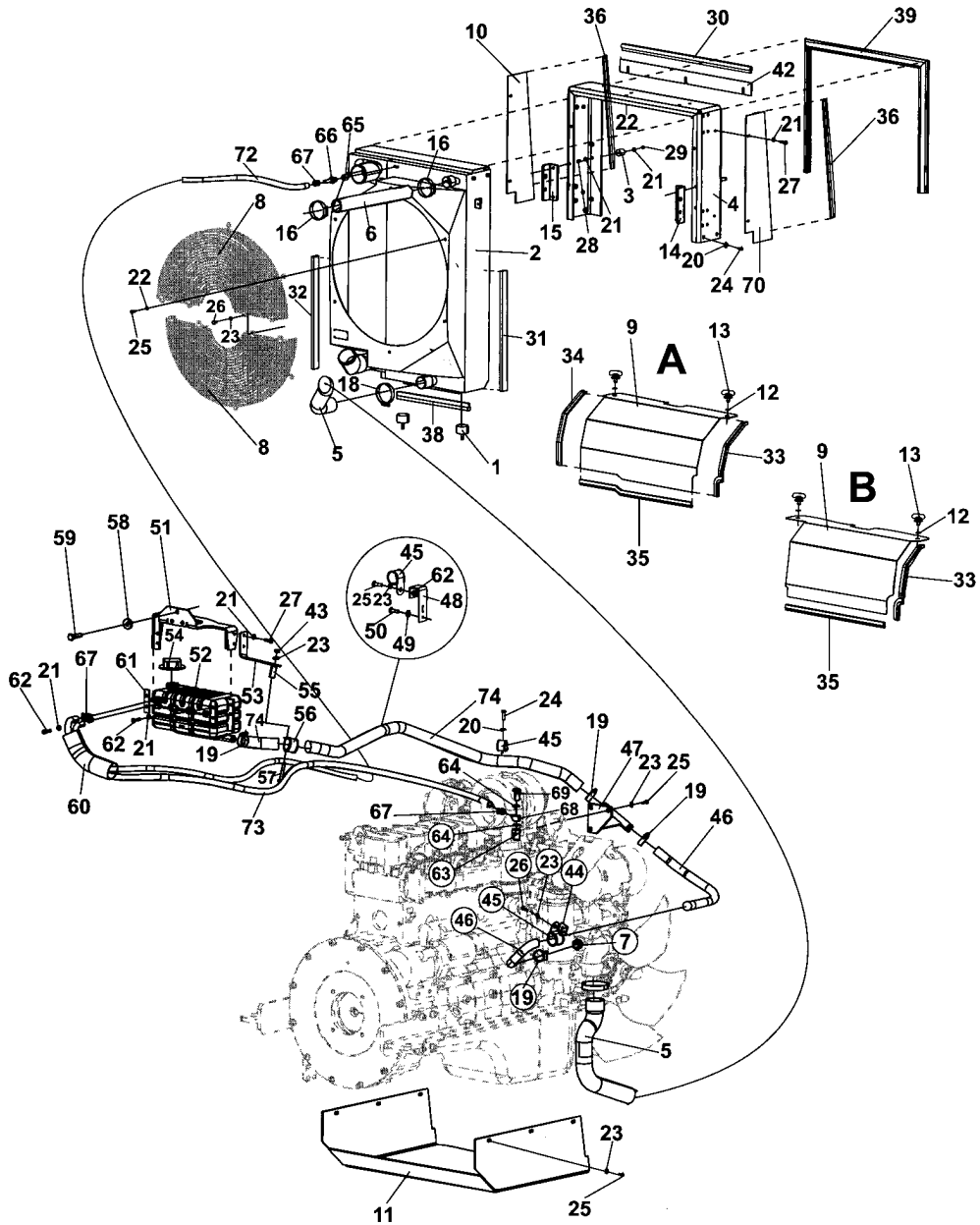


Cooling system

Item	Part No	Rem	Qty	Description	Code
1	4700904551		2	Shock absorber	
2			1	Radiator Up to 0C000187 (Page 62)	C
	4812114368		1	Cooler, cpl From 0C000188	
3	4700371774		2	Shock absorber	D
4	4700386662		1	Cooler frame	D
5	4700386664		1	Coolant hose	D
6	4700386663		1	Coolant hose	D
7	4700386222		1	Hose connection	D
8	4700390500		2	Fan guard	D
9	4700386699	N	1	Air inlet Up to 0C000365	D
	4812113918	O	1	Air inlet From 0C000366	
10	4700371737		1	Air leading plate	D
11	4700388732		1	Air leading plate	D
12	4700926985		2	Quick lock washer	C
13	4700904486		2	Quick lock	
14	4700375172		1	Holder plate	D
15	4700375171		1	Holder plate	D
16	4700313010		3	Hose clamp	C
18	4700313023		1	Hose clamp	
19	4700313006		4	Hose clamp	D
20	4700904230		5	Steel plain washer	C
21	4700904228		18	Washer 6,4x12x1,5	C
22	4700904640		9	Washer 8,4x22x3	C
23	4700904229		18	Steel plain washer	C
24	4700500029		5	Hexagon head screw	C
25	4700500053		16	Hexagon head screw M	C
26	4700500018		5	Hexagon head screw M	C
27	4700500040		10	Screw M6-1x20 8,8	C
28	4700500012		2	Screw M6x12	C
29	4700570004		2	Nut M6X1,00 -8 A2K	
30	4700288129	A	1	Edge trim	D
31	4700202046	B	1	Rubber strip 25x10	
32	4700202046	C	1	Rubber strip 25x10	
33	4700902166	D	1	Edge trim	D
34	4700902166	E	1	Edge trim Up to 0C000365	D
35	4700902166	F	1	Edge trim Up to 0C000365	D
	4700902166	P	1	Edge trim From 0C000366	D
36	4700902166	G	2	Edge trim	D
38	4700902166	H	1	Edge trim	D
39	4700903953	K	1	Edge trim	D
42	4700383726		1	Valve shaft	
43	4700570005		5	Nut M8	C
44	4700908136		1	Bracket	D
45	4700921099		3	Clamp	
46	4700388727		1	Coolant hose	D

- A) L = 0,73 m
 B) L = 0,4 m
 C) L = 0,375 m
 D) L = 0,42 m
 E) L = 0,39 m , Illustration A only.
 F) L = 0,61 m
 G) L = 0,555 m
 H) L = 0,31 m
 K) L = 1,65 m
 N) Illustration A
 O) Illustration B
 P) L = 0,51 m
 C)
 D)

Cooling system



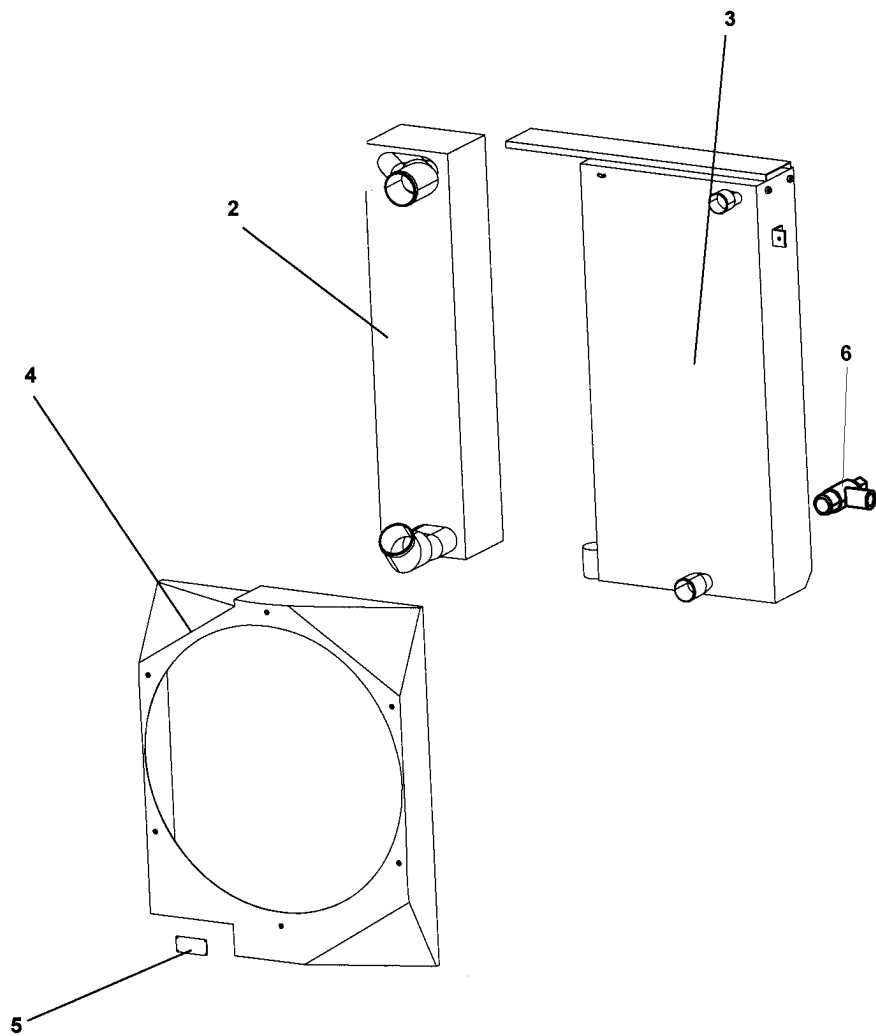
Cooling system

Item	Part No	Rem	Qty	Description	Code
47	4700388728		1	Bracket	D
48	4700376561		1	Bracket	D
49	4700904281		2	Washer 5,3x10x1 300HV	C
50	4700500008		2	Screw M5-0,8x30 8,8	D
51	4700392170		1	Holder	D
	4812265111		1	Holder Since SN C003981	
52	4700392313		1	Expansion tank	
53	4700393476		1	Bracket	D
54	4700903714		1	Cap	
55	4700373423		1	Spacer	D
56	4700921050		1	Clamp	C
57	4700500025		1	Screw M8-1,25x50 8,8	
58	4700904567		3	Steel plain washer	
59	4700500031		3	Hexagon head screw M	
60	4700904623		1	Hose guard	D
61	4700381413		2	Washer	
62	4700500075		4	Screw M6-1,0x25 8.8	C
63	4812112597		1	Adapter	
64	4700747282		2	Copper washer	C
65	4700792551		1	Adapter	D
66	4700792322		1	Hose connection	C
67	4700313075		4	Hose clamp	D
68	4700330170		1	Banjo nipple	D
69	4700330171		1	Hollow screw	C
70	4700560033		1	Air leading plate	D
72	4700246069	L	1	Fuel hose 3/8"	C
73	4700246069	M	1	Fuel hose 3/8"	C
74	4700376573		1	Coolant hose	D

- L) L = 1,96 m
 M) L = 1,84 m
 C)
 D)

Radiator

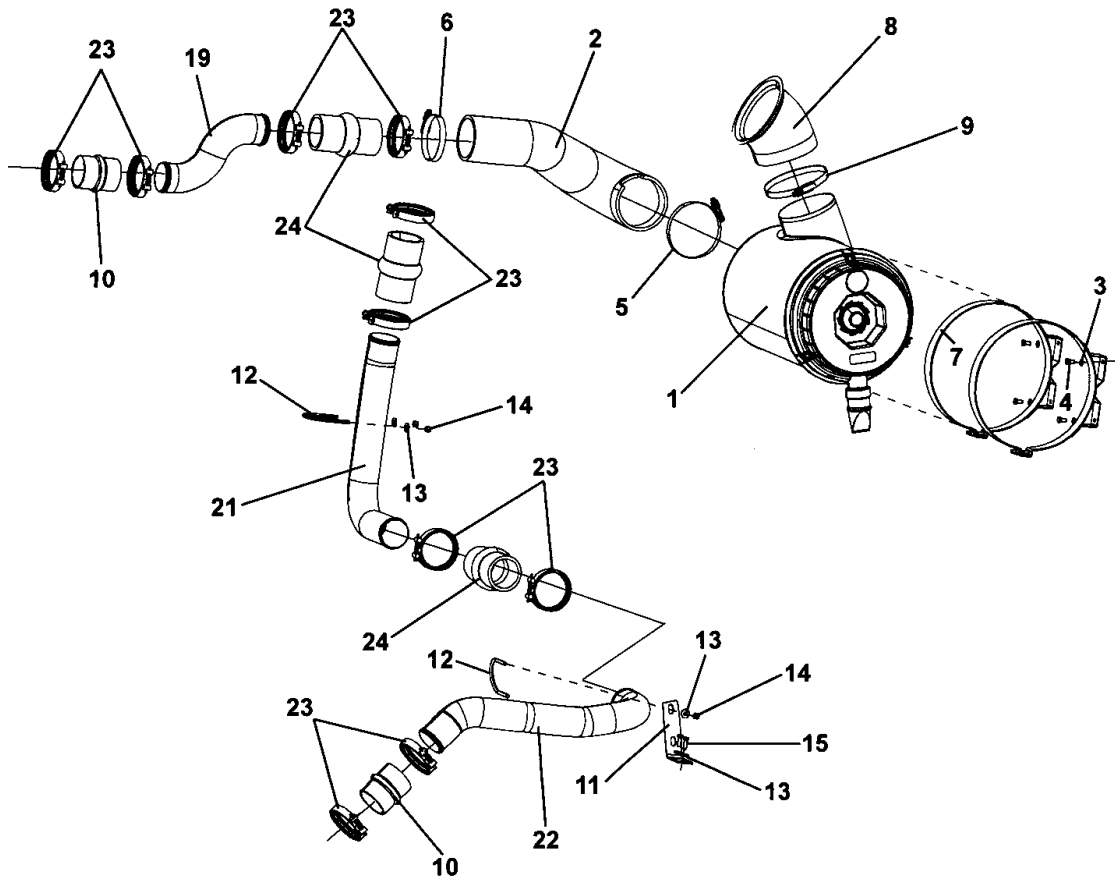
1



Radiator

Item	Part No	Rem Qty	Description	Code
1	4700385873	1	Radiator, cpl	
2		1	. Air cooler	
3		1	. Water cooler	
4		1	. Frame	
5		1	. Fan cover	
6		1	. Drain cock	

Combustion air system



Combustion air system

Item	Part No	Rem Qty	Description	Code
1	4700394683	1	Air cleaner, cpl	D
	4700394691	1	. Air filter element, safety	A
	4700394690	1	. Air filter element, main	A
	4700385379	1	. End cover	A
	4700385376	1	. Vacuator valve	D
2	4812112596	1	Air inlet hose	
3	4700904229	4	Steel plain washer	C
4	4700500019	4	Hexagon head screw M	C
5	4700379214	1	Clamp	
6	4700389600	1	Hose clamp	D
7	4700802550	2	Band, mounting	D
8	4700392233	1	Air inlet hose	D
9	4700387525	1	Clamp	D
10	4700385691	2	Air intake hose	D
11	4700387964	1	Bracket	D
12	4700313093	2	Pipe clamp	D
13	4700904640	6	Washer 8,4x22x3	C
14	4700586003	4	Lock nut M	C
15	4700500021	2	Screw M8-1,25x25 8.8	C
19	4700386641	1	Charge air tube	D
21	4700385692	1	Charge air tube	D
22	4700386047	1	Charge air tube	D
23		A 10	Hose clamp	
24		A 3	Air inlet hose	

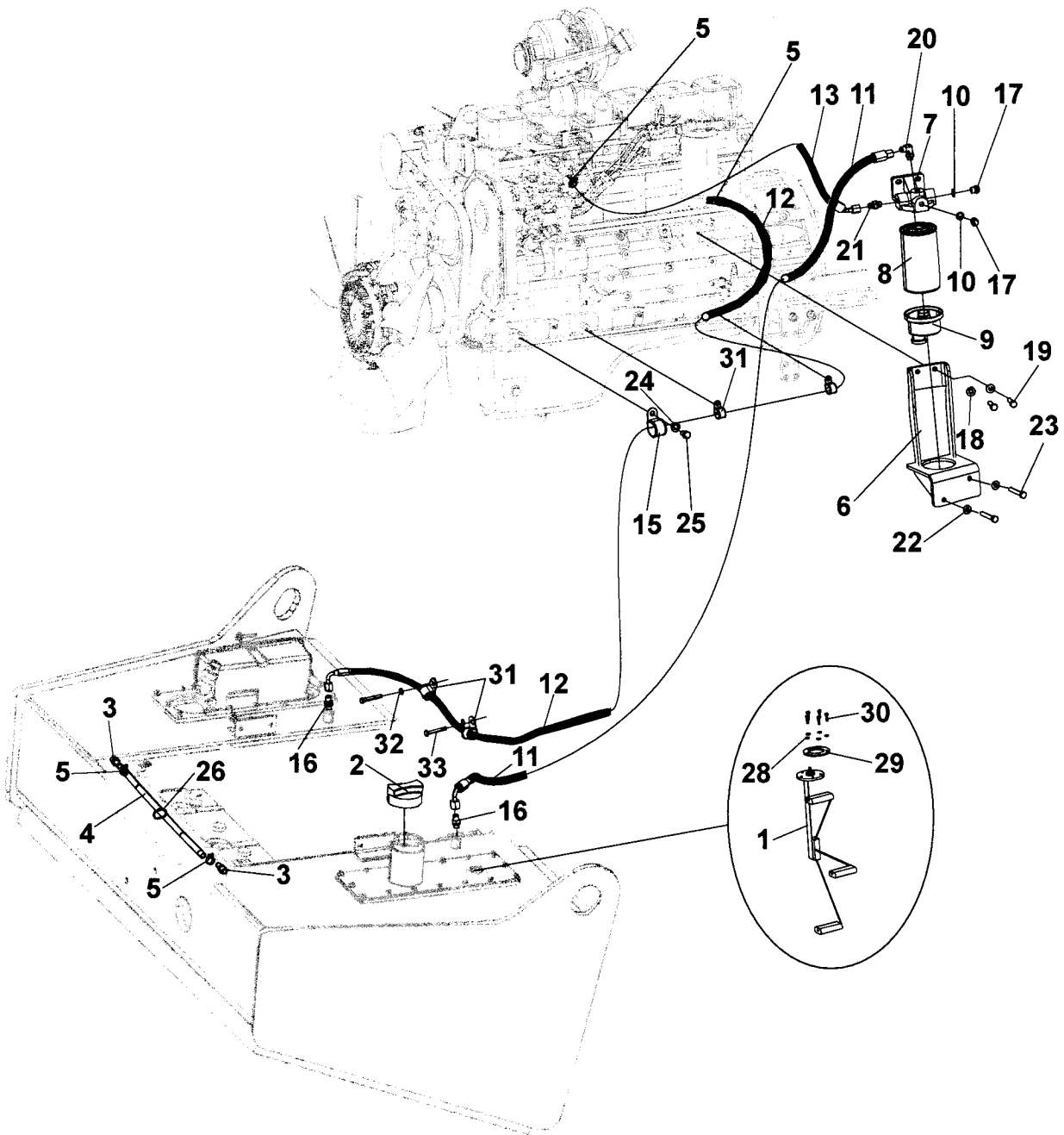
A) Supplied with engine

A)

C)

D)

Fuel system



Fuel system

Item	Part No	Rem Qty	Description	Code
1	4700904695	1	Fuel level sender	D
2	4700373460	1	Fuel cap	D
3	4700373574	2	Hose connection	D
4	4700244054	A	Hose reinforced	C
5	4700313001	4	Hose clamp	C
6	4812112600	1	Fuel filter bracket	
7	4700939403	1	Filter head	
8	4700939404	1	Pre-fuel filter element	A
9	4700939405	1	Bowl	
10	4700747282	2	Copper washer	C
11	4812112601	1	Fuel hose	
12	4812113709	1	Fuel hose	
13	4812112602	1	Fuel hose	
15	4700791513	1	Pipe clamp	D
16	4700334463	2	Connector	C
17	4700903190	2	Steel plug	
18	4700904557	2	Steel plain washer	
19	4700500030	2	Screw M10x035H 8.8 A3K	
20	4700925631	1	Elbow adapter	C
21	4700900552	1	Adapter	C
22	4700904230	2	Steel plain washer	C
23	4700500033	2	Screw M10-1,5x60 8,8	D
24	4700904231	1	Washer 13x24x2 300 HV	C
25	4700500163	1	Screw M12x16	D
26	4700313041	N	Cable ties L=200 mm	B
28	4700945777	1	Gasket	D
29	4700904281	5	Washer 5,3x10x1 300HV	C
30	4700500006	5	Screw M5x16	C
31	4700902558	2	Clamp	D
32	4700904229	2	Steel plain washer	C
33	4700500067	2	Hexagon head screw M	C

A) L = 0,66 m

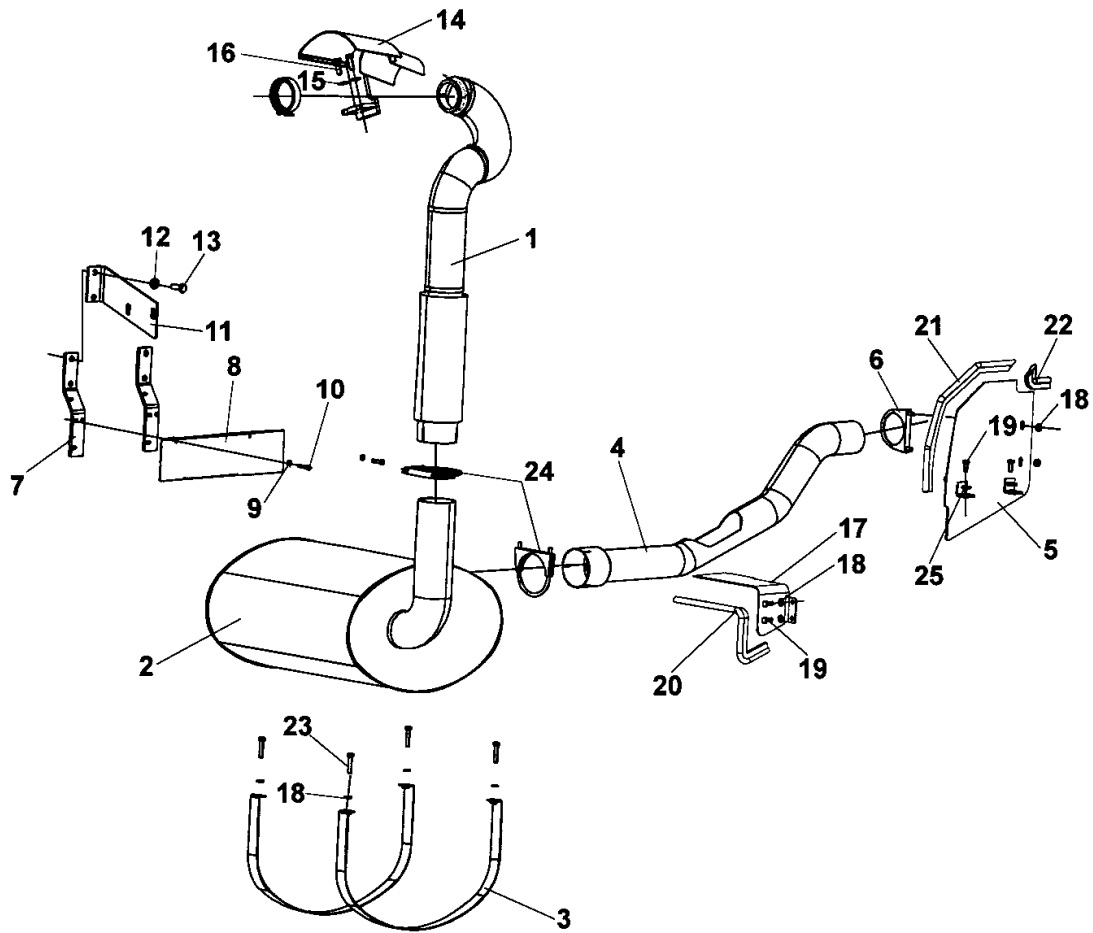
A)

B)

C)

D)

Exhaust system

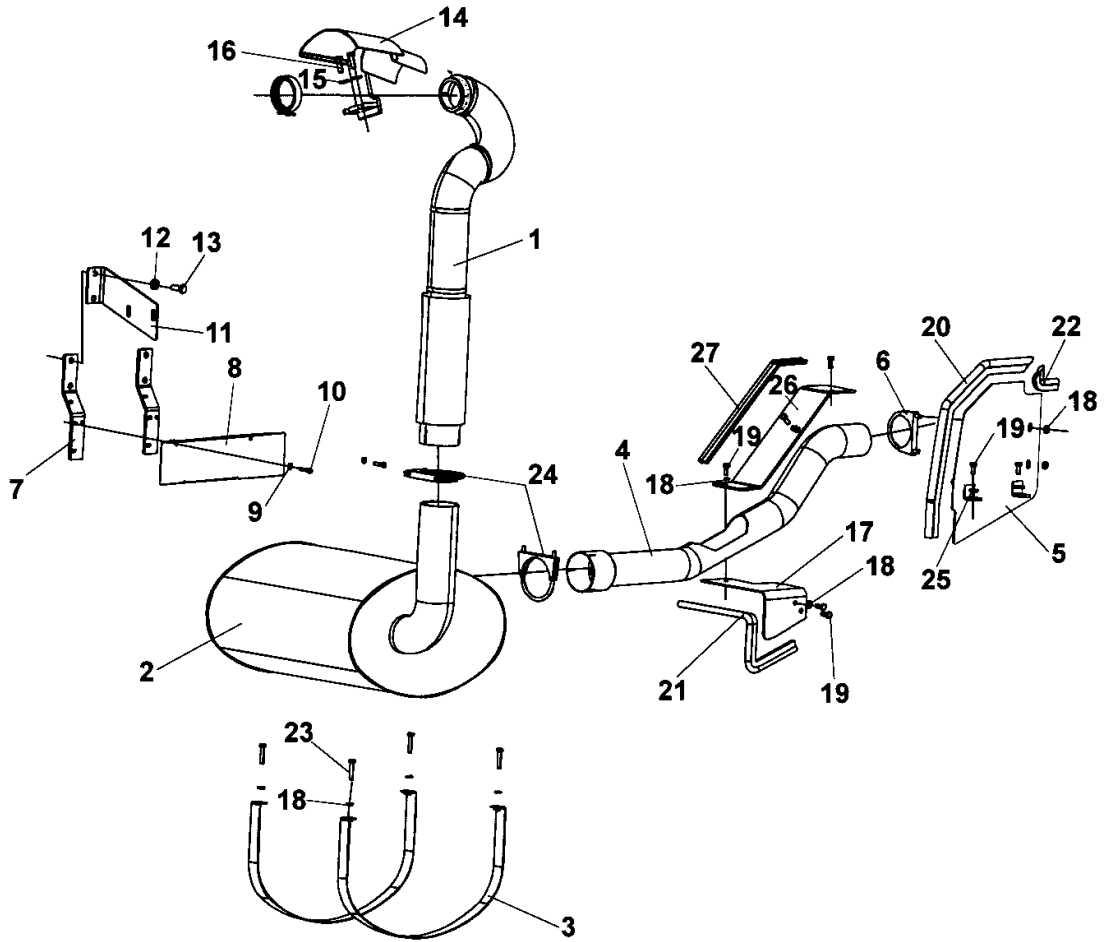


Exhaust system

Item	Part No	Rem Qty	Description	Code
1	4700386774	1	Exhaust hose	D
2	4700388650	1	Muffler	D
3	4700388800	2	Clamp	D
4	4700387699	1	Exhaust pipe	D
5	4700376619	1	Thermal guard	D
6	4700313093	1	Pipe clamp	D
7	4700386152	2	Hose clamp	D
8	4700386153	1	Thermal guard	D
9	4700904228	2	Washer 6,4x12x1,5	C
10	4700500015	2	Screw M6X30 8.8	C
11	4700386163	1	Holder plate	D
12	4700904231	4	Washer 13x24x2 300 HV	C
13	4700500046	4	Screw M12x025H	
14	4700387454	1	Thermal guard	D
15	4700904230	2	Steel plain washer	C
16	4700500029	2	Hexagon head screw	C
17	4700386410	1	Thermal guard	D
18	4700904229	8	Steel plain washer	C
19	4700500053	4	Hexagon head screw M	C
20	4700902166	A 1XL	Edge trim	D
21	4700902166	B 1XL	Edge trim	D
22	4700902166	C 1	Edge trim	D
23	4700904241	4	Screw	C
24	4700927857	2	Pipe clamp	D
25	4700904640	4	Washer 8,4x22x3	C

- A) L = 0,33 m
- B) L = 0,46 m
- C) L = 0,08 m
- C)
- D)

Exhaust system



Exhaust system

Item	Part No	Rem Qty	Description	Code
1	4700386774	1	Exhaust hose	D
2	4700388650	1	Muffler	D
3	4700388800	2	Clamp	D
4	4700387699	1	Exhaust pipe	D
5	4812113917	1	Heat protection	D
6	4700313093	1	Pipe clamp	D
7	4700386152	2	Hose clamp	D
8	4700386153	1	Thermal guard	D
9	4700904228	2	Washer 6,4x12x1,5	C
10	4700500015	2	Screw M6X30 8.8	C
11	4700386163	1	Holder plate	D
12	4700904231	4	Washer 13x24x2 300 HV	C
13	4700500046	4	Screw M12x025H	
14	4700387454	1	Thermal guard	D
15	4700904230	2	Steel plain washer	C
16	4700500029	2	Hexagon head screw	C
17	4812113920	1	Heat protection	
18	4700904229	12	Steel plain washer	C
19	4700500053	7	Hexagon head screw M	C
20	4700902166	A 1XL	Edge trim	D
21	4700902166	B 1XL	Edge trim	D
22	4700902166	C 1	Edge trim	D
23	4700904241	4	Screw	C
24	4700927857	2	Pipe clamp	D
25	4700904640	4	Washer 8,4x22x3	C
26	4812113919	1	Air guide	
27	4700902166	D 1	Edge trim	D

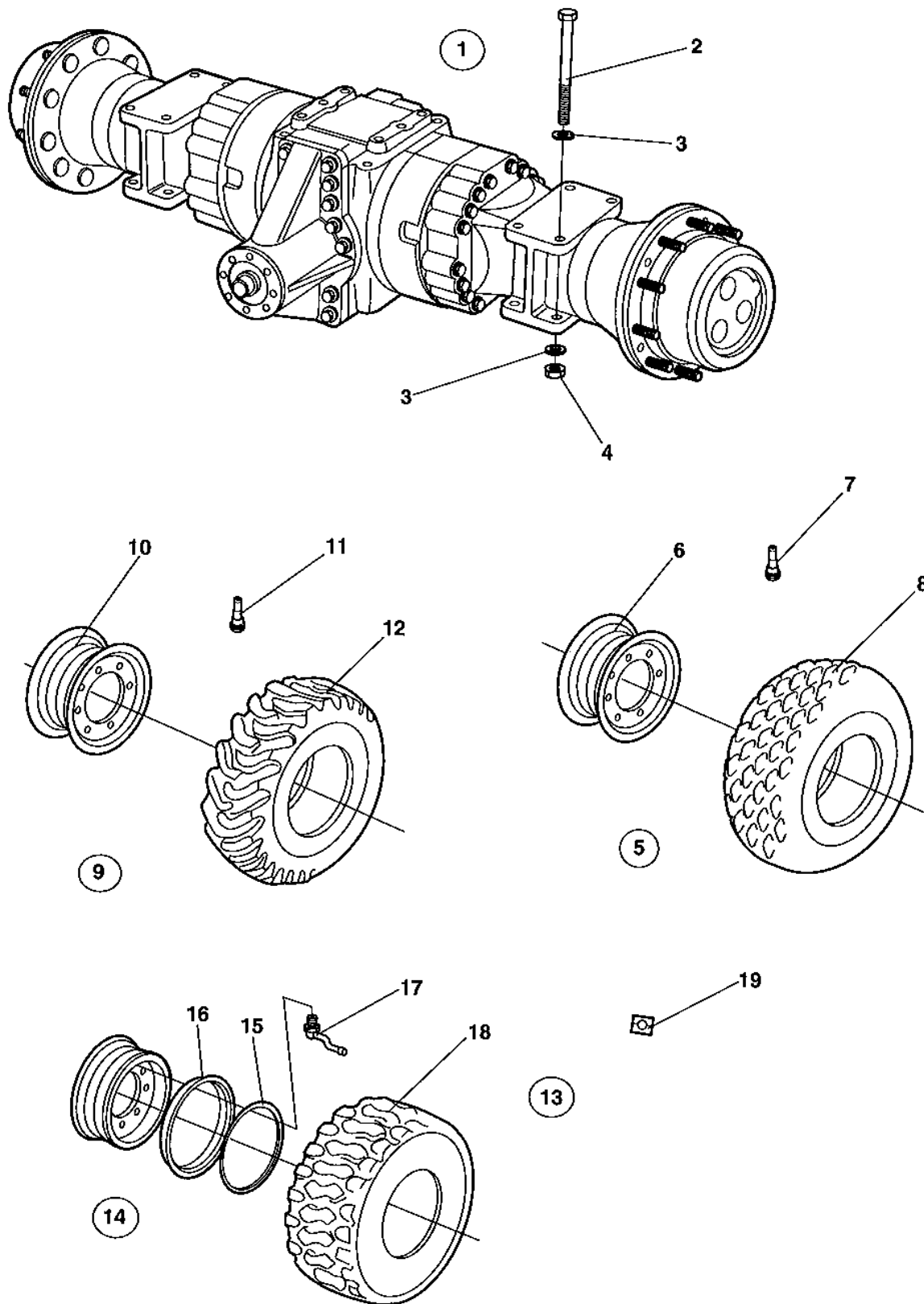
- A) L = 0,46 m
- B) L = 0,44 m
- C) L = 0,08 m
- D) L = 0,38 m
- C)
- D)

Transmission

Transmission

Item	Part No	Rem Qty	Description	Code
10			Rear axle and wheels (Page 74)	
20	4700385100		Rear axle Limited slip (Page 76)	
100	4700383856		Rear axle No-Spin, Option (Page 84)	

Rear axle and wheels

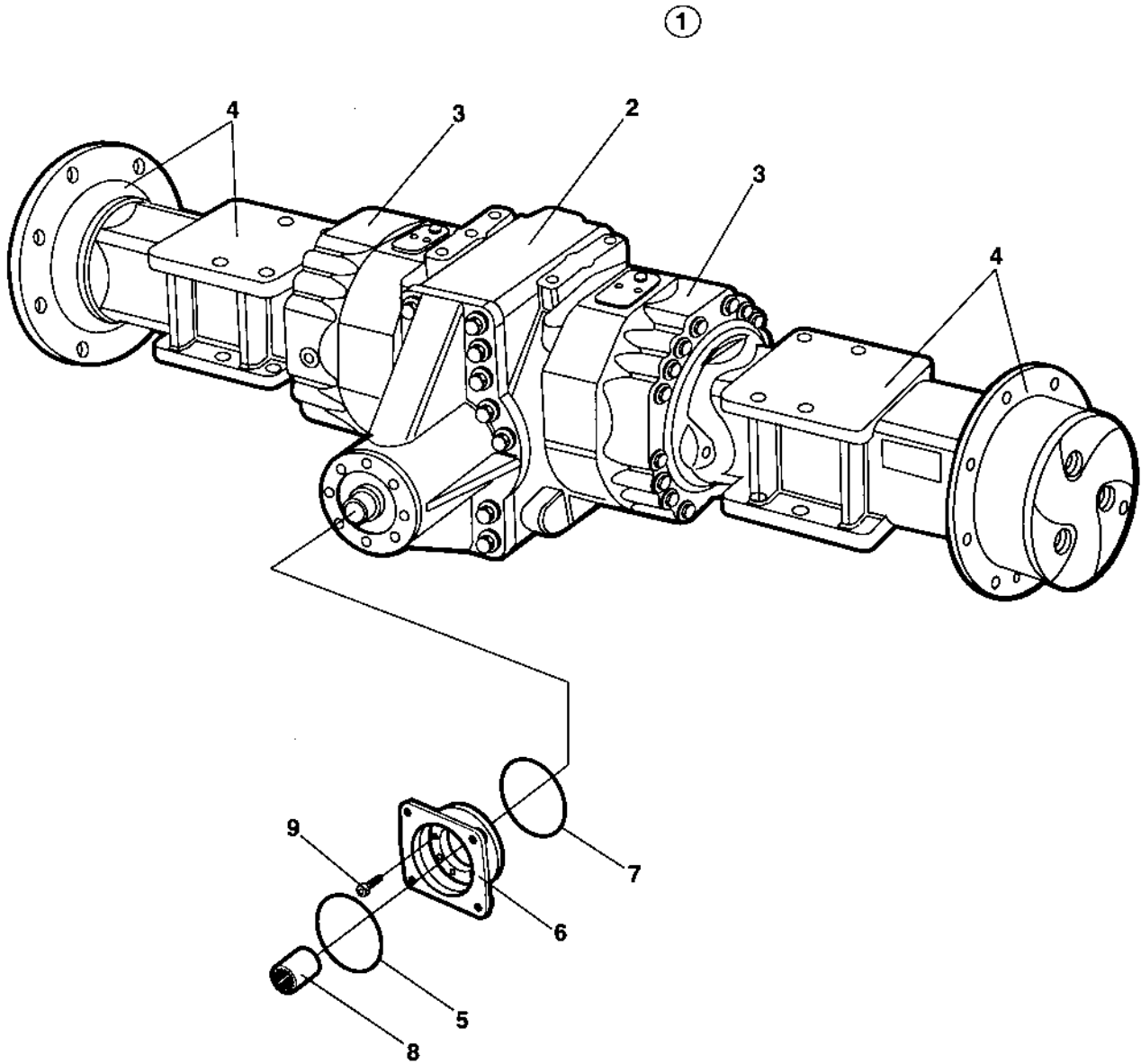


Rear axle and wheels

Item	Part No	Rem	Qty	Description	Code
1	4700385100		1	Rear axle Limited slip (Page 76)	
2	4700929217		8	Screw	D
3	4700904233		16	Washer 21x36x3	C
4	4700901145		8	Lock nut M20-10	
5	4700390762	A	2	Wheel, cpl	D
	4700388146	A,I	2	Wheel, cpl	D
6	4700393335		1	. Rim	D
7	4700792261		1	. Air charging valve Straight	B
8	4700390591		1	. Tyre	D
	4700791573	J	1	. Tyre	D
9	4700390760	D	1	Tractor wheel, cpl	D
	4700390759	E	1	Tractor wheel, cpl	D
10	4700393335		1	. Rim	D
11	4700792261		1	. Air charging valve Straight	B
12	4700390589		1	. Tyre	D
13	4700383975	B	2	Wheel, tubeless, cpl	D
14	4700383955		1	. Rim cpl	D
15	4700901443		1	. . Snap ring	
16	4700901444		1	. . Side ring	
17	4700791175		1	. Air charging valve	B
	4700791176		1	. Valve foot	D
18	4700901218		1	. Tyre	D
19	4700903985	G	1	Decal "SAFETY", "TYRE IN BALLAST"	
	4700355983	H	2	Decal "TYRE PRESSURE" 200kPa/29psi	D

- A) Liquidfilled
- B) Liquidfilled, Option, Michelin branded.
- D) Liquidfilled tyre, left.
- E) Liquidfilled tyre, right.
- G) Used with Liquid filled tyres.
- H) Used with item 13, 4700383975.
- I) For Chinese market.
- J) Used with 4700388146.
- B)
- C)
- D)

4700385100 Rear axle Limited slip

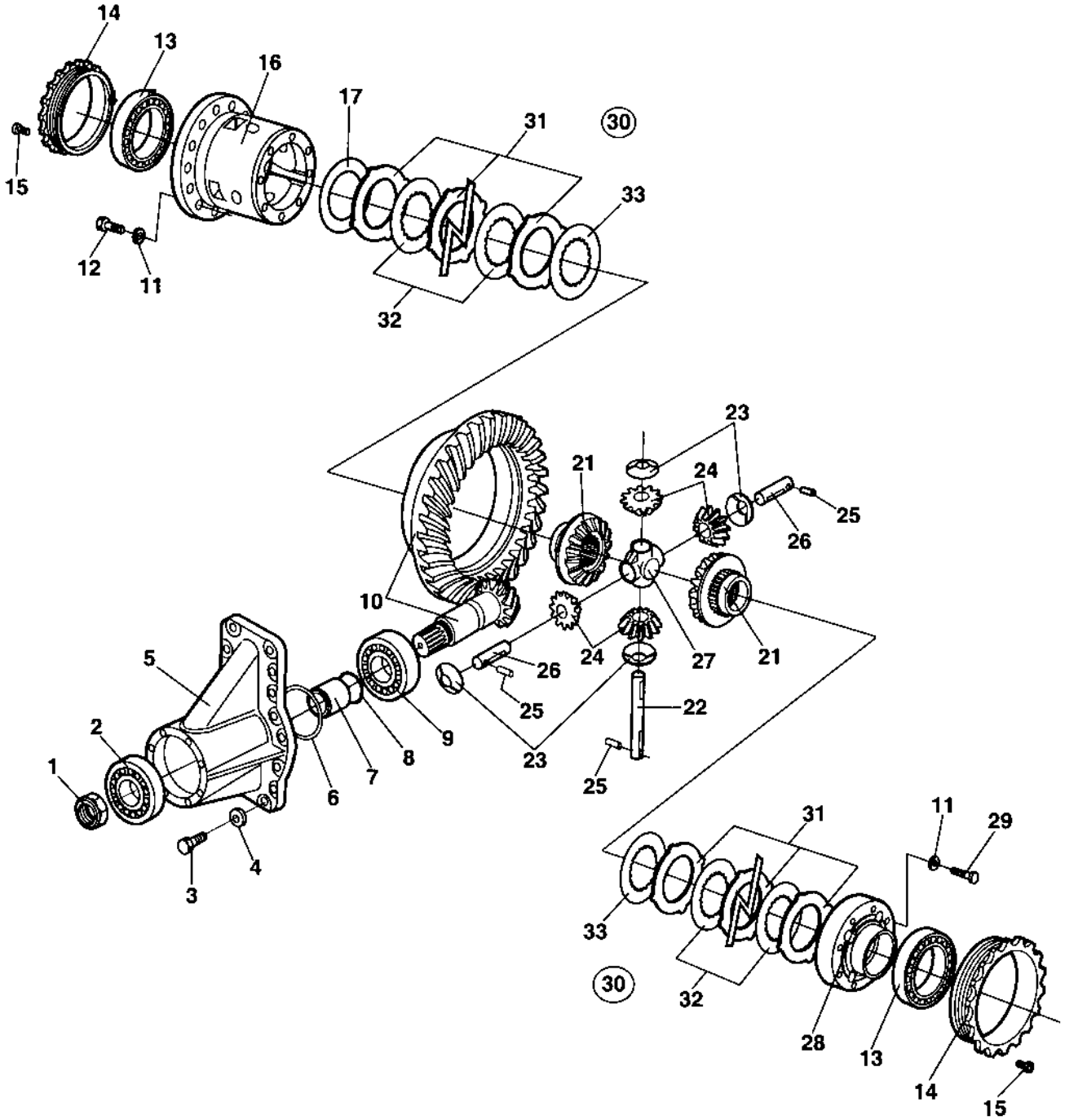


4700385100 Rear axle Limited slip

Item	Part No	Rem Qty	Description	Code
1		1	Rear axle	
2		1	. Differential with limited slip (Page 78)	
3		2	. Differential housing and brakes (Page 80)	
4		2	. Planet gear (Page 82)	
5	4700909584	1	O-ring	D
6	4700900255	1	Flange	D
7	4700929648	1	O-ring	D
8	4700901834	1	Splined sleeve	
9	4700909582	8	Screw	

D)

Differential with limited slip



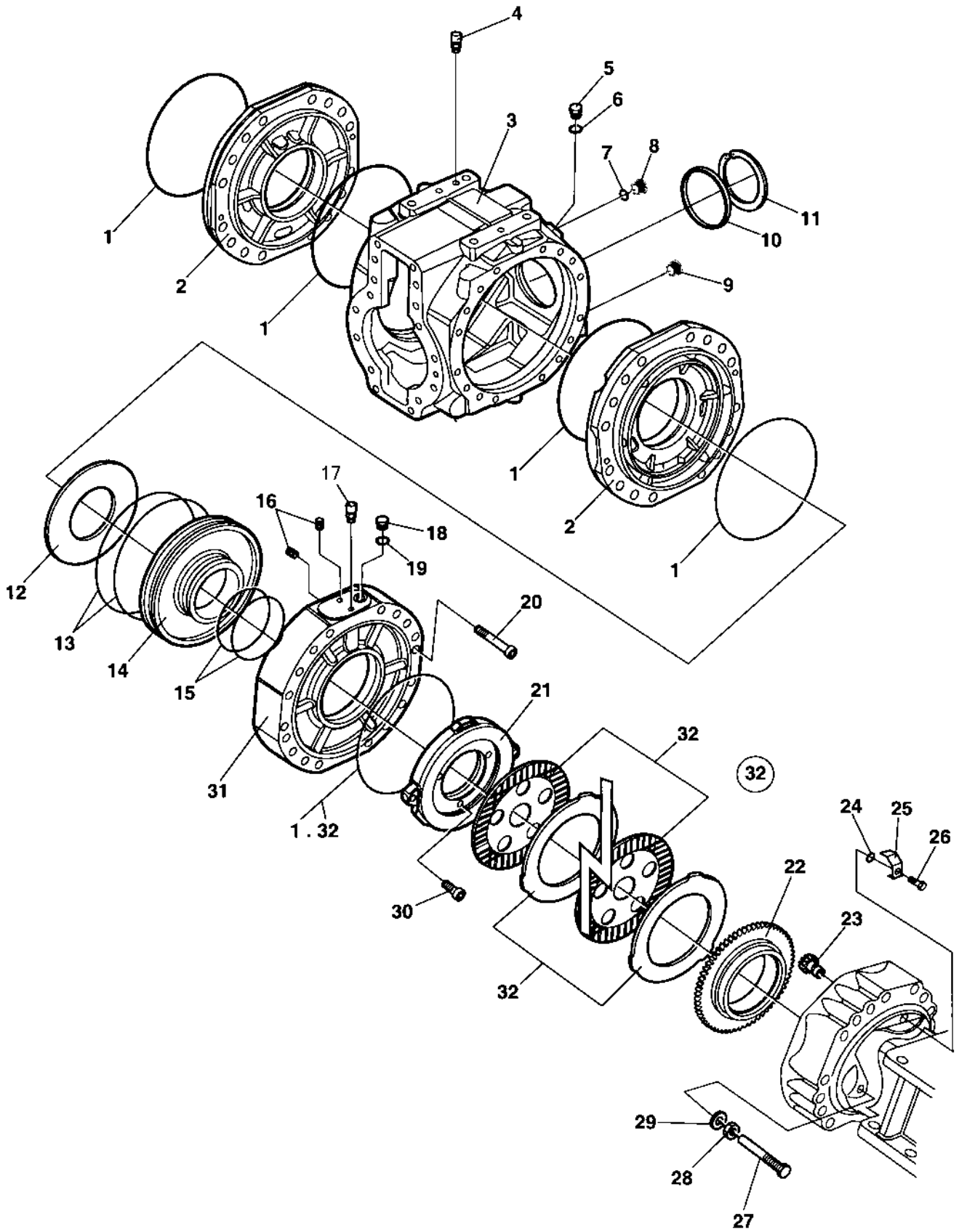
Differential with limited slip

Item	Part No	Rem Qty	Description	Code
1	4700929638	1	Nut	D
2	4700909574	1	Tapered roller bearing	
3	4700939257	16	Bolt	
4	4700909572	16	Spring washer	
5	4700908485	1	Housing	D
6	4700909568	1	Shim t = 0.10mm	
	4700909569	1	Shim t = 0.20mm	
	4700909570	1	Shim t = 0.50mm	
	4700939258	1	Shim t = 0.15mm	
7	4700909567	1	Spacer	
8	4700939259	1	Shim t = 0.15mm	
	4700909580	1	Shim t = 0.20mm	
	4700909576	1	Shim t = 0.30mm	
	4700929644	1	Shim t = 0.40mm	
	4700939260	1	Shim t = 0.50mm	
9	4700909581	1	Tapered roller bearing	
10	4700212553	1	Bevel gear set	
11	4700929628	16	Washer	C
12	4700929629	16	Screw	D
13	4700923342	1	Tapered roller bearing	
14	4700939261	2	Ring nut	
15	4700938989	2	Bolt	
16	4700909550	1	Differential carrier	D
17	4700909551	1	Shim t = 0.30mm	
	4700909552	1	Shim t = 0.40mm	
	4700909553	1	Shim t = 0.10mm	
21	4700909558	2	Differential side gear	
22	4700909566	1	Shaft	
23	4700909559	4	Friction washer	
24	4700939262	4	Differential pinion	
25	4700909561	3	Roll pin	
26	4700909560	2	Shaft	
27	4700909565	1	Shaft retainer	
28	4700909562	1	Differential carrier cover	
29	4700909563	8	Screw	
30	4700935644	2	Disc kit	D
31		10	. Limited slip disc	
32		8	. Limited slip disc	
33		2	. Limited slip disc	

C)

D)

Differential housing and brakes

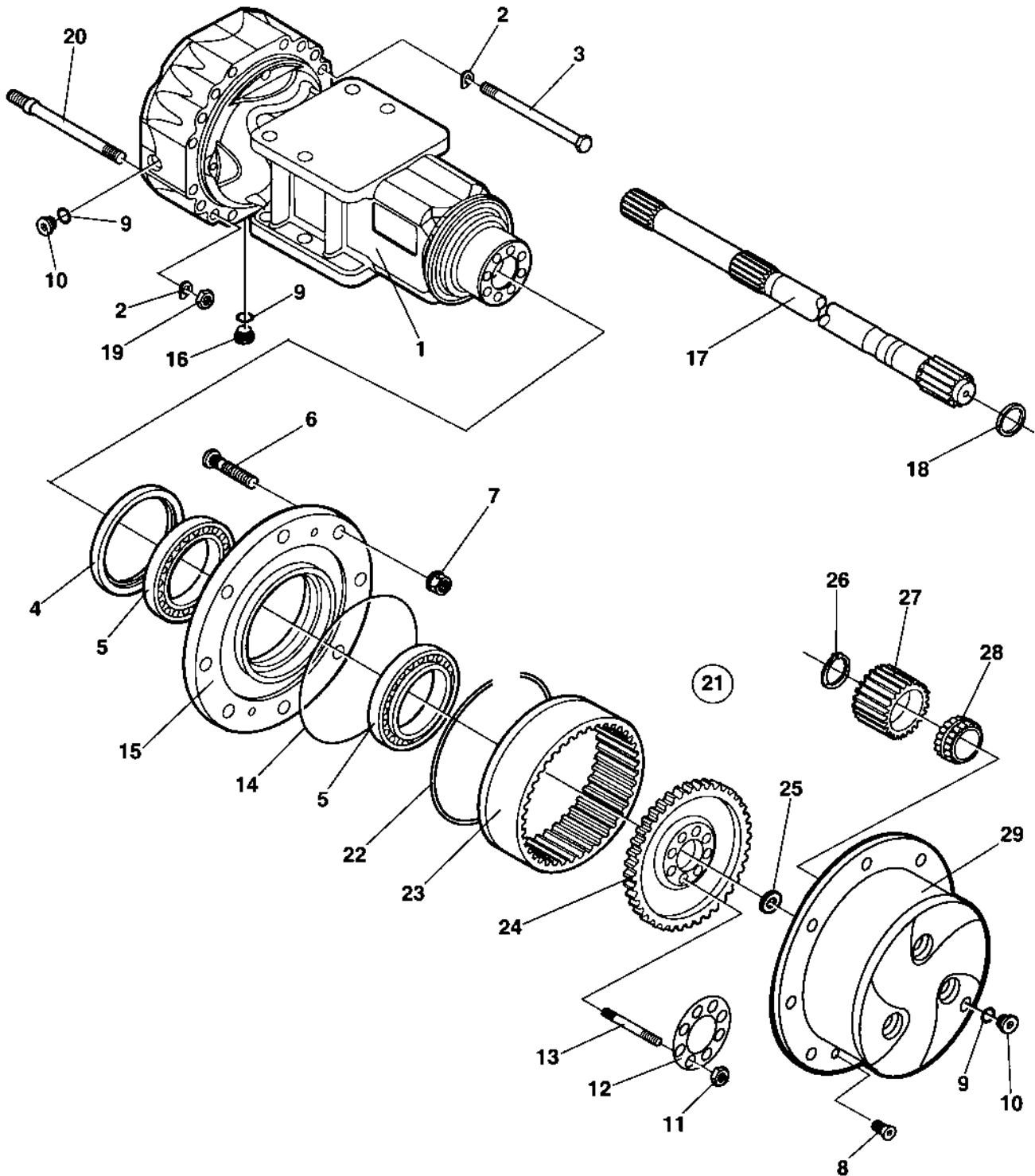


Differential housing and brakes

Item	Part No	Rem Qty	Description	Code
1	4700909609	6	O-ring	D
2	4700939255	2	Cover	D
3	4700939256	1	Housing	D
4	4700938984	1	Vent nipple	
5	4700909544	2	Screw	
6	4700938983	2	Sealing washer	
7		0	Not used on this model	
8	4700939348	1	Plug	
9	4700926810	1	Magnetic plug	
10	4700938296	1	Plug	
11	4700929617	1	Lock ring	D
12	4700909616	2	Spring	
13	4700909618	4	O-ring	D
14	4700939280	2	Piston	
15	4700909619	4	O-ring	D
16	4700939281	4	Bolt	C
17	4700938984	2	Vent nipple	
18	4700939282	2	Bolt	
19	4700939036	2	Sealing washer	
20	4700939035	4	Screw	
21	4700939283	2	Disc	C
22	4700939285	2	Ring	
23	4700909622	2	Pinion	
24	4700900966	2	O-ring	D
25	4700939286	2	Lock plate	D
26	4700909624	2	Screw	
27	4700909626	4	Bolt	
28	4700900957	4	Nut	D
29	4700926847	4	Sealing washer	
30	4700939026	6	Screw	
31	4700939287	2	Cover	C
32	4700939284	2	Brake disc kit	C
		12	. Brake disc	
		12	. Brake disc	
	4700909609	2	. O-ring	D

C)
D)

Planet gear



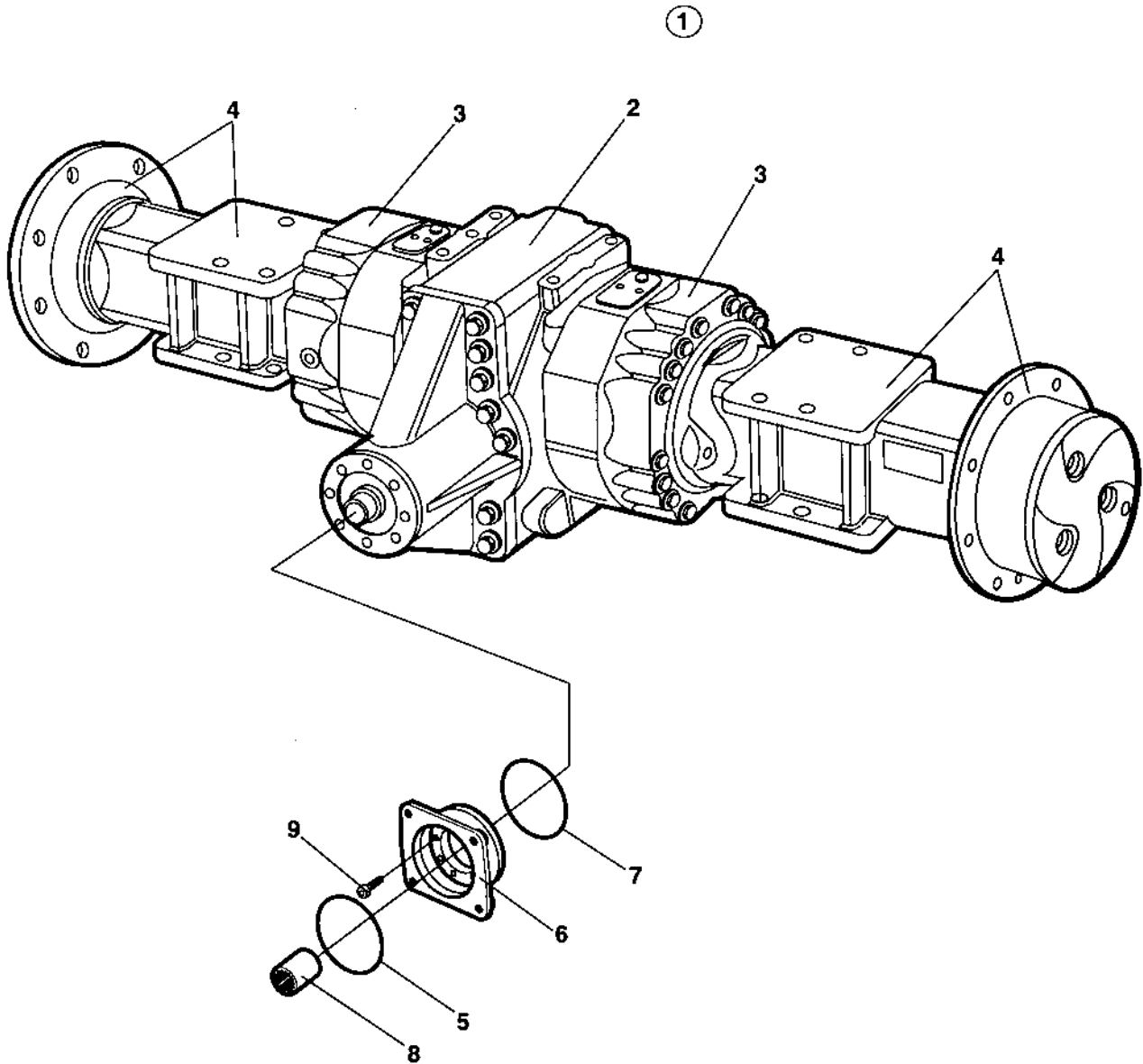
Planet gear

Item	Part No	Rem Qty	Description	Code
1	4700939263	2	Axle case	D
2	4700939003	32	Spring washer	
3	4700939264	24	Bolt	C
4	4700939265	2	Seal	
5	4700939266	4	Bearing	
6	4700926781	20	Wheel screw	
7	4700901987	20	Wheel nut	
8	4700939015	4	Screw	
9		0	Not used on this model	
10	4700939348	4	Plug	
11	4700939016	20	Nut	
12	4700939275	2	Lock plate	
13	4700939017	20	Stud	
14	4700909609	2	O-ring	D
15	4700939276	2	Wheel hub	
16	4700939350	2	Magnetic plug	
17	4700939277	2	Half shaft	D
18	4700909586	2	Seal	D
19	4700939019	8	Nut	
20	4700939278	8	Stud	
21	4700939351	2	Planet gear carrier Cpl.	D
22	4700939267	2	. Circlip	
23	4700939268	2	. Ring gear	D
24	4700939269	2	. Ring gear support	
25	4700939270	2	. Washer	
26	4700939271	8	. Seal	
27	4700939272	8	. Planet gear	
28	4700939273	8	. Bearing	
29	4700939349	2	. Planet gear carrier Cpl.	

C)

D)

4700383856 Rear axle No-Spin, Option

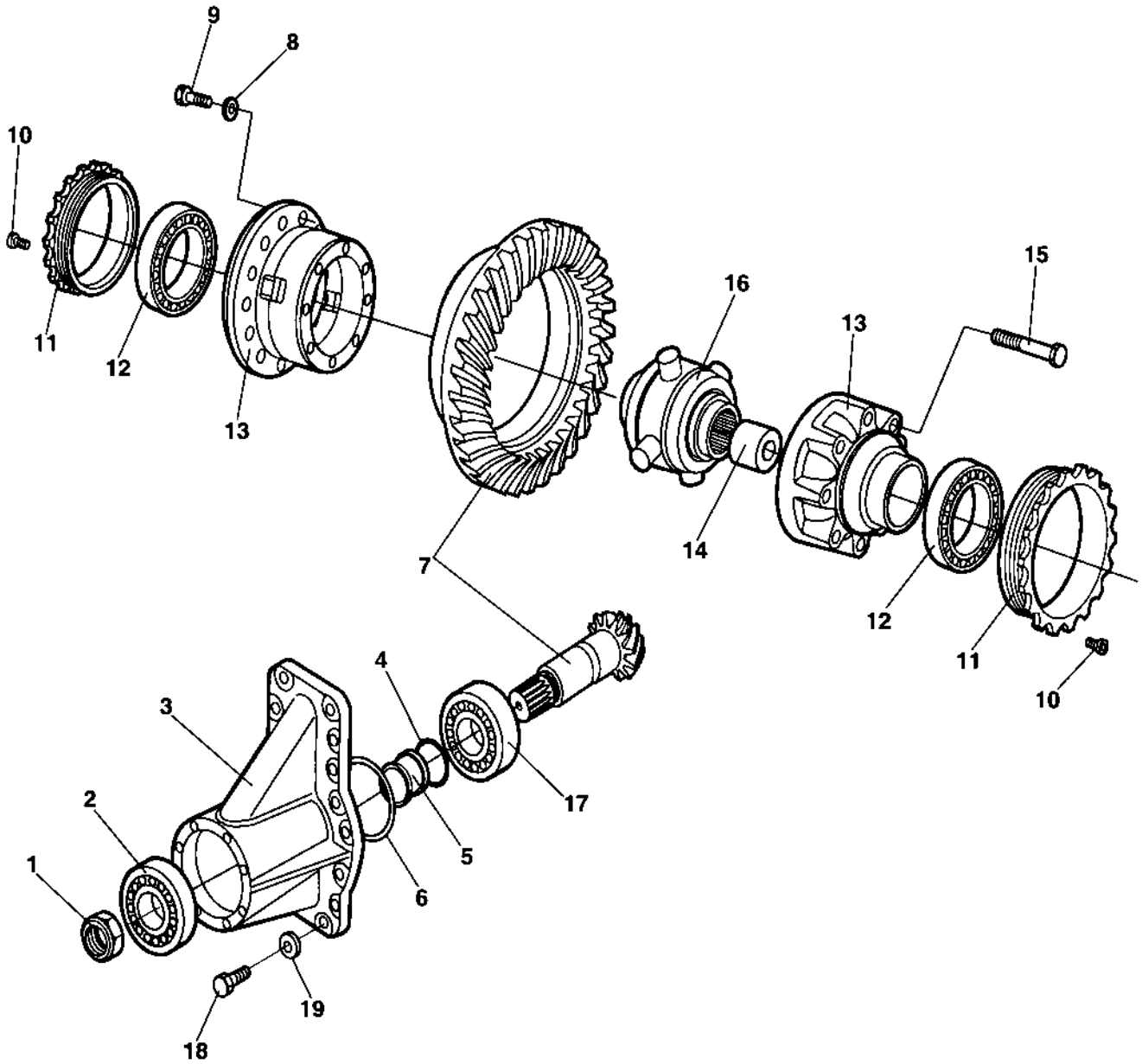


4700383856 Rear axle No-Spin, Option

Item	Part No	Rem Qty	Description	Code
1		1	Rear axle	
2		1	. Differential with no-spin (Page 86)	
3		2	. Differential housing and brakes (Page 88)	
4		2	. Planet gear (Page 90)	
5	4700909584	1	O-ring	D
6	4700900255	1	Flange	D
7	4700929648	1	O-ring	D
8	4700901834	1	Splined sleeve	
9	4700909582	8	Screw	

D)

Differential with no-spin



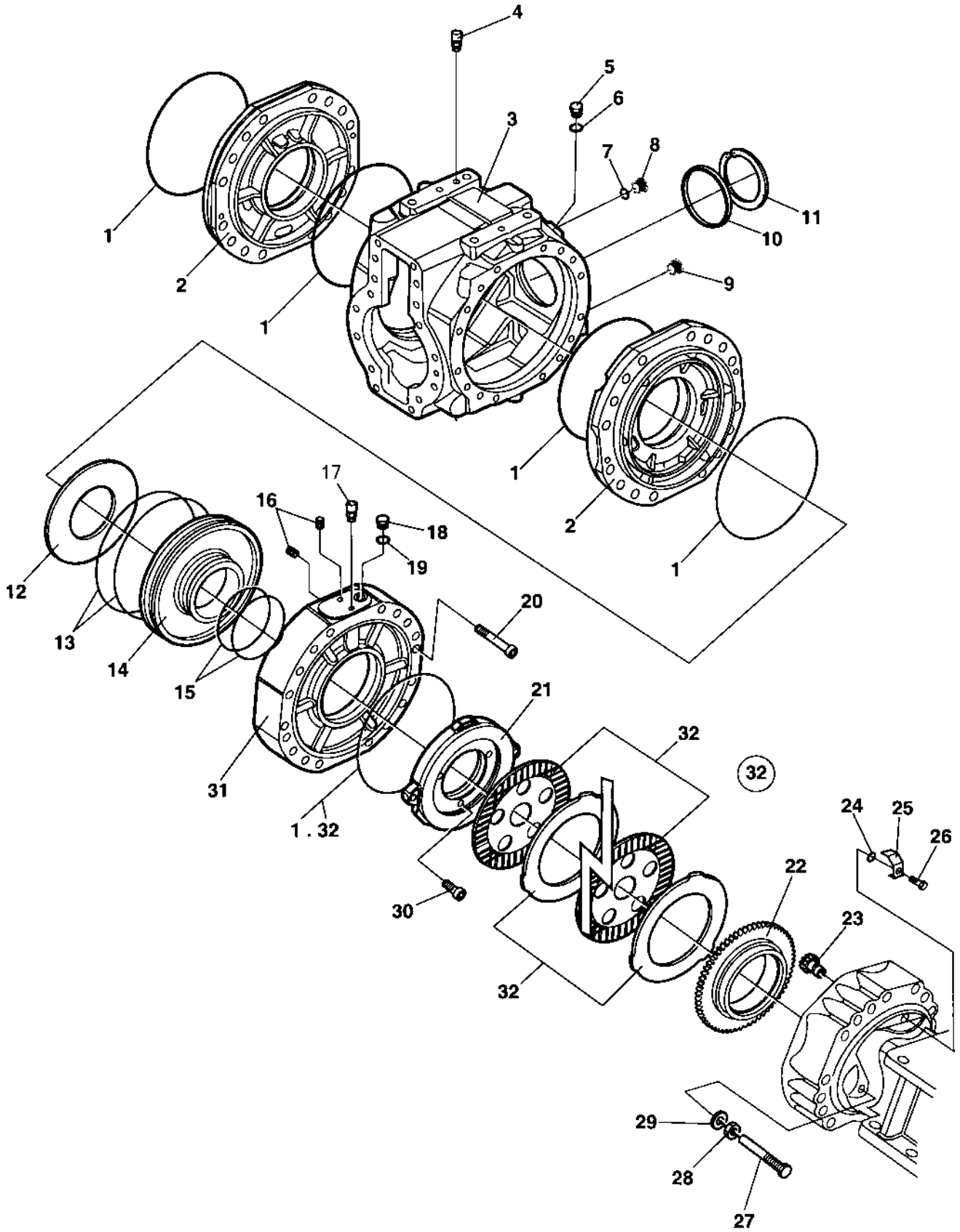
Differential with no-spin

Item	Part No	Rem Qty	Description	Code
1	4700929638	1	Nut	D
2	4700909574	1	Tapered roller bearing	
3	4700908485	1	Housing	D
4	4700939259	1	Shim t = 0.15mm	
	4700909580	1	Shim t = 0.20mm	
	4700909576	1	Shim t = 0.30mm	
	4700929644	1	Shim t = 0.40mm	
	4700939260	1	Shim t = 0.50mm	
5	4700909567	1	Spacer	
6	4700909568	1	Shim t = 0.10mm	
	4700909569	1	Shim t = 0.20mm	
	4700909570	1	Shim t = 0.50mm	
	4700939258	1	Shim t = 0.15mm	
7	4700212553	1	Bevel gear set	
9	4700938991	16	Bolt	D
10	4700938989	2	Bolt	
11	4700939261	2	Ring nut	
12	4700923342	1	Tapered roller bearing	
13	4700929630	1	Differential case	D
14	4700929631	1	Spacer	D
15	4812156885	8	Screw	C
16	4700929626	1	Non-spin unit	D
17	4700909581	1	Tapered roller bearing	
18	4812156886	16	Bolt	
19	4700909572	16	Spring washer	

C)

D)

Differential housing and brakes

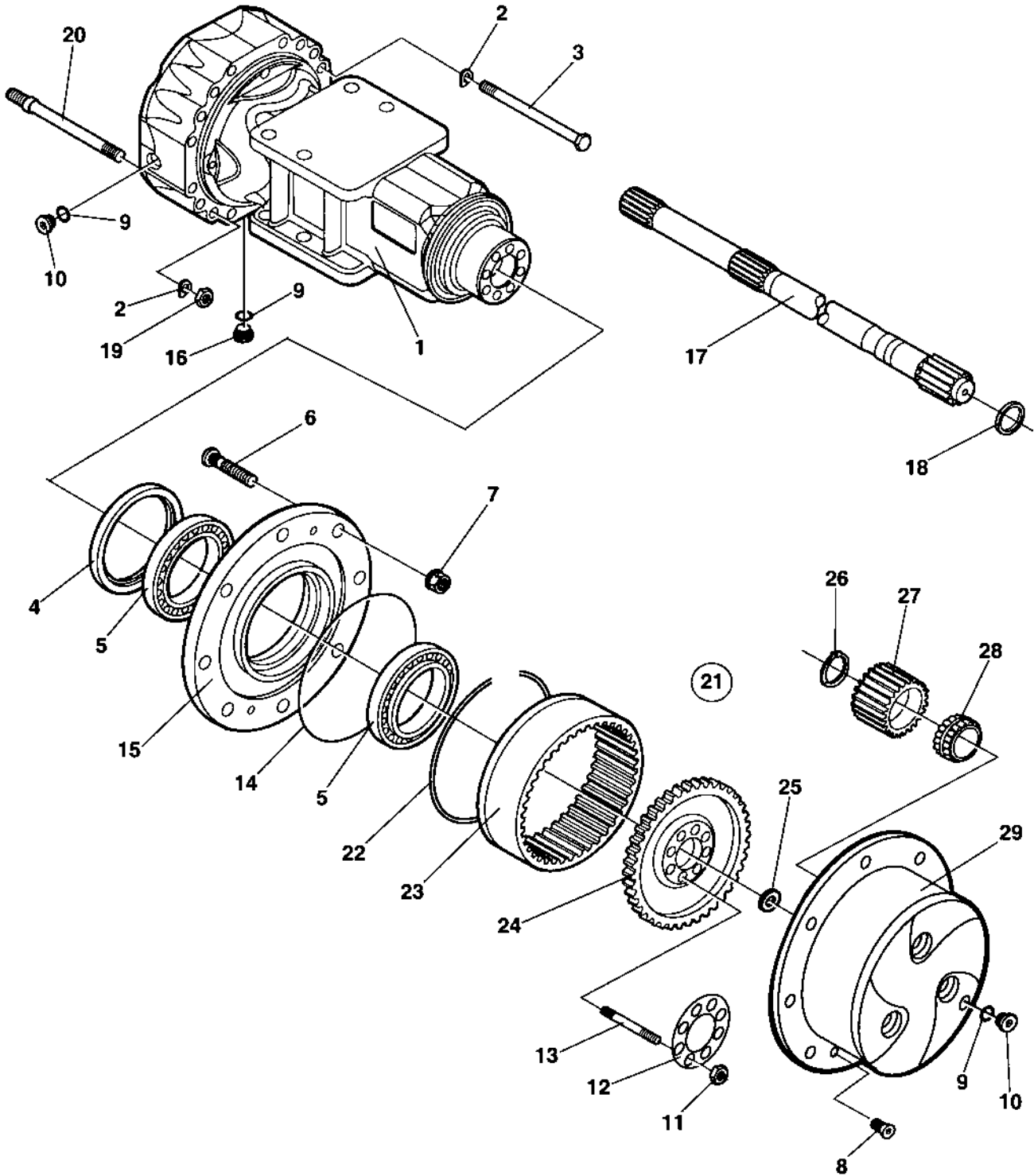


Differential housing and brakes

Item	Part No	Rem Qty	Description	Code
1	4700909609	6	O-ring	D
2	4700939255	2	Cover	D
3	4700939256	1	Housing	D
4	4700938984	1	Vent nipple	
5	4700909544	2	Screw	
6	4700938983	2	Sealing washer	
7	4700330333	1	Copper washer	D
8	4700909596	1	Plug	
9	4700926810	1	Magnetic plug	
10	4700938296	1	Plug	
11	4700929617	1	Lock ring	D
12	4700909616	2	Spring	
13	4700909618	4	O-ring	D
14	4700939280	2	Piston	
15	4700909619	4	O-ring	D
16	4700939281	4	Bolt	C
17	4700938984	2	Vent nipple	
18	4700939282	2	Bolt	
19	4700939036	2	Sealing washer	
20	4700939035	4	Screw	
21	4700939283	2	Disc	C
22	4700939285	2	Ring	
23	4700909622	2	Pinion	
24	4700900966	2	O-ring	D
25	4700939286	2	Lock plate	D
26	4700909624	2	Screw	
27	4700909626	4	Bolt	
28	4700900957	4	Nut	D
29	4700926847	4	Sealing washer	
30	4700939026	6	Screw	
31	4700939287	2	Cover	C
32	4700939284	2	Brake disc kit	C
		12	. Brake disc	
		12	. Brake disc	
	4700909609	2	. O-ring	D

C)
D)

Planet gear



Planet gear

Item	Part No	Rem Qty	Description	Code
1	4700939263	2	Axle case	D
2	4700939003	32	Spring washer	
3	4700939264	24	Bolt	C
4	4700939265	2	Seal	
5	4700939266	4	Bearing	
6	4700926781	20	Wheel screw	
7	4700901987	20	Wheel nut	
8	4700939015	4	Screw	
9	4700330333	6	Copper washer	D
10	4700909596	4	Plug	
11	4700939016	20	Nut	
12	4700939275	2	Lock plate	
13	4700939017	20	Stud	
14	4700909609	2	O-ring	D
15	4700939276	2	Wheel hub	
16	4700939350	2	Magnetic plug	
17	4700939277	2	Half shaft	D
18	4700909586	2	Seal	D
19	4700939019	8	Nut	
20	4700939278	8	Stud	
21	4700939351	2	Planet gear carrier Cpl.	D
22	4700939267	2	. Circlip	
23	4700939268	2	. Ring gear	D
24	4700939269	2	. Ring gear support	
25	4700939270	2	. Washer	
26	4700939271	8	. Seal	
27	4700939272	8	. Planet gear	
28	4700939273	8	. Bearing	
29	4700939349	2	. Planet gear carrier Cpl.	

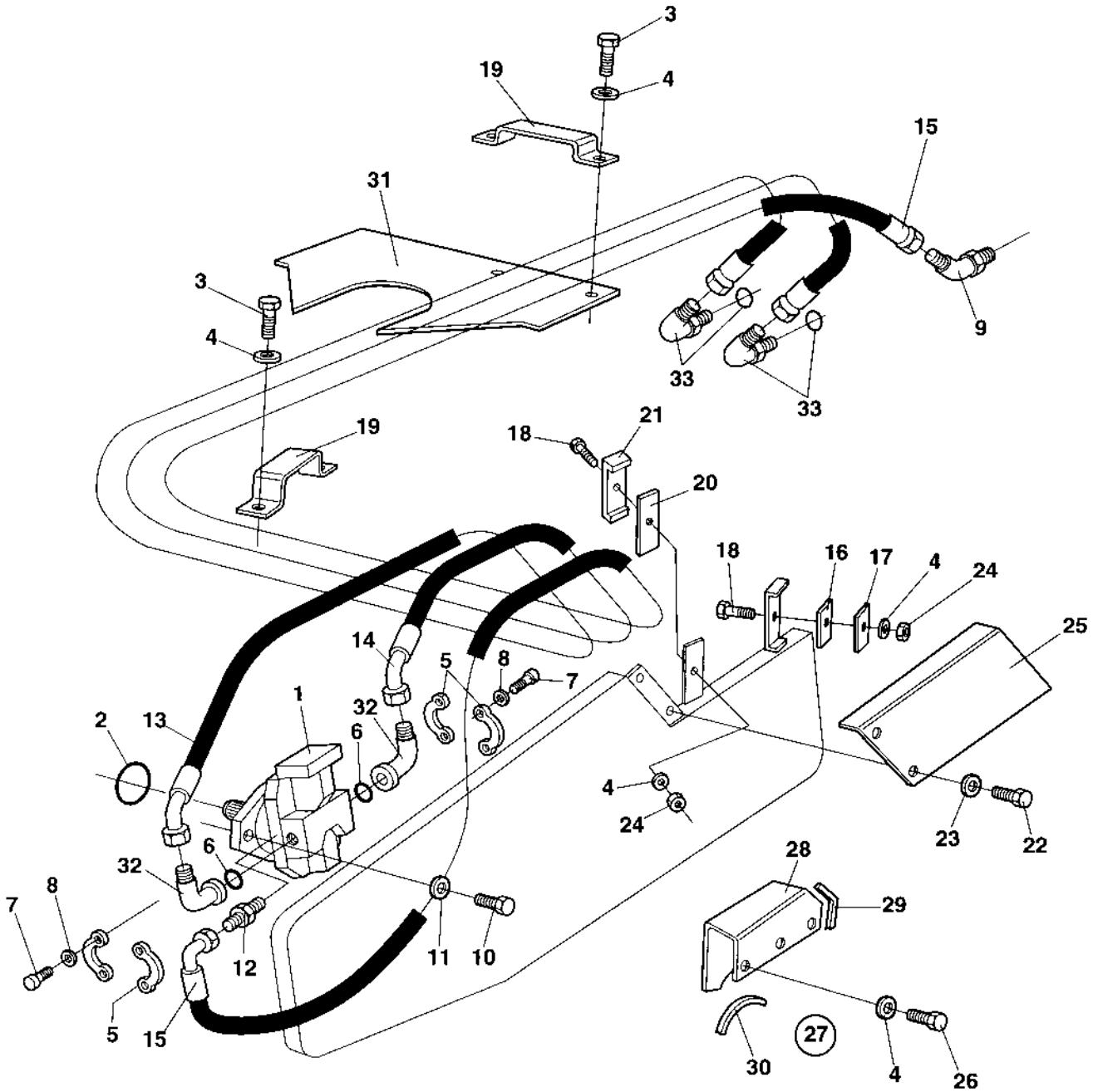
C)
D)

Hydraulic system

Hydraulic system

Item	Part No	Rem Qty	Description	Code
10			Propulsion system, Front (Page 94)	
15			Propulsion system, Rear (Page 100)	
20			Vibration system (Page 114)	
30			Steering system (Page 124)	
40			Brake system (Page 130)	
46			Hydraulic oil tank (Page 132)	
50			Central test panel hydraulic Option (Page 134)	

Propulsion system, Front

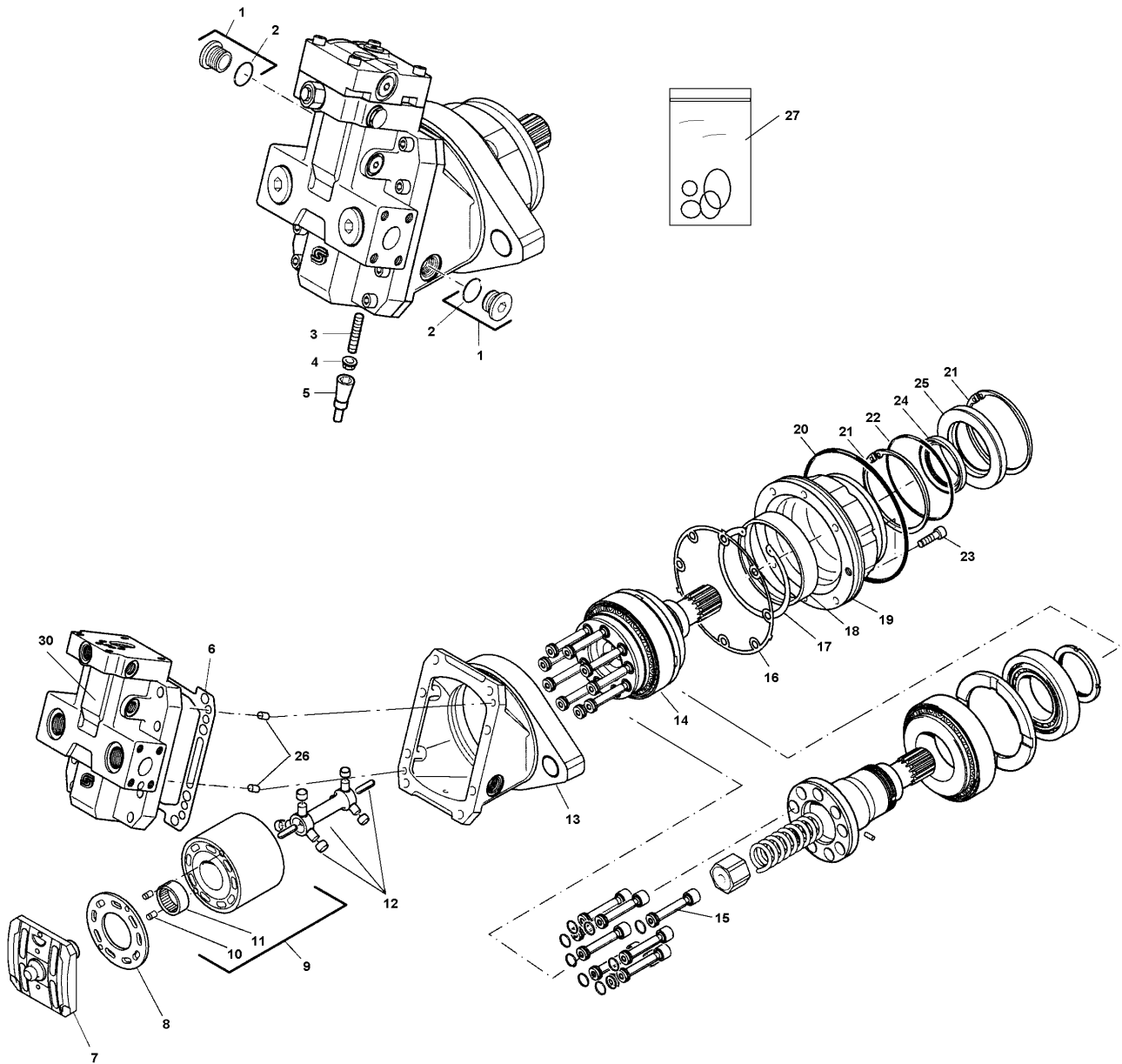


Propulsion system, Front

Item	Part No	Rem Qty	Description	Code
1	4700389564	1	Hydraulic motor (Page 96)	
2	4700160272	1	O-ring	D
3	4700500028	4	Screw	C
4	4700904230	9	Steel plain washer	C
5	4700923384	4	Flange half	
6	4700904005	2	O-ring	
7	4700502132	8	Screw UNC 7/16" x 22	
8	4700904638	8	Washer 12x22x2	C
9	4700334132	1	Elbow 45, O-ring	C
10	4700500101	2	Screw M20x50	C
11	4700903290	2	Washer 21x36x6	
12	4700334138	1	Adapter	
13	4700483028	1	Hydraulic hose	D
14	4700483029	1	Hydraulic hose	D
15	4700483022	1	Hydraulic hose	D
16	4700372580	1	Rubber part	D
17	4700372578	1	Hose clamp	D
18	4700500092	2	Screw	D
19	4700349909	2	Hose clamp	D
20	4700372580	1	Rubber part	D
21	4700372586	1	Hose clamp	D
22			Not used on this model	
23			Not used on this model	
24	4700586018	2	Hexagon lock nut M10	C
25			Not used on this model	
26	4700500192	3	Hexagon head screw M	C
27	4700394646	1	Protecting cover	D
28	4700394650	1	. Protecting cover	D
29	4700287724	N	. Edge trim	
30	4700902166	N	. Edge trim	D
31	4700372235	1	Hose guard	
32	4700903750	2	Elbow	
33	4700813499	2	Elbow 90, O-ring	

C)
D)

4700389564 Hydraulic motor

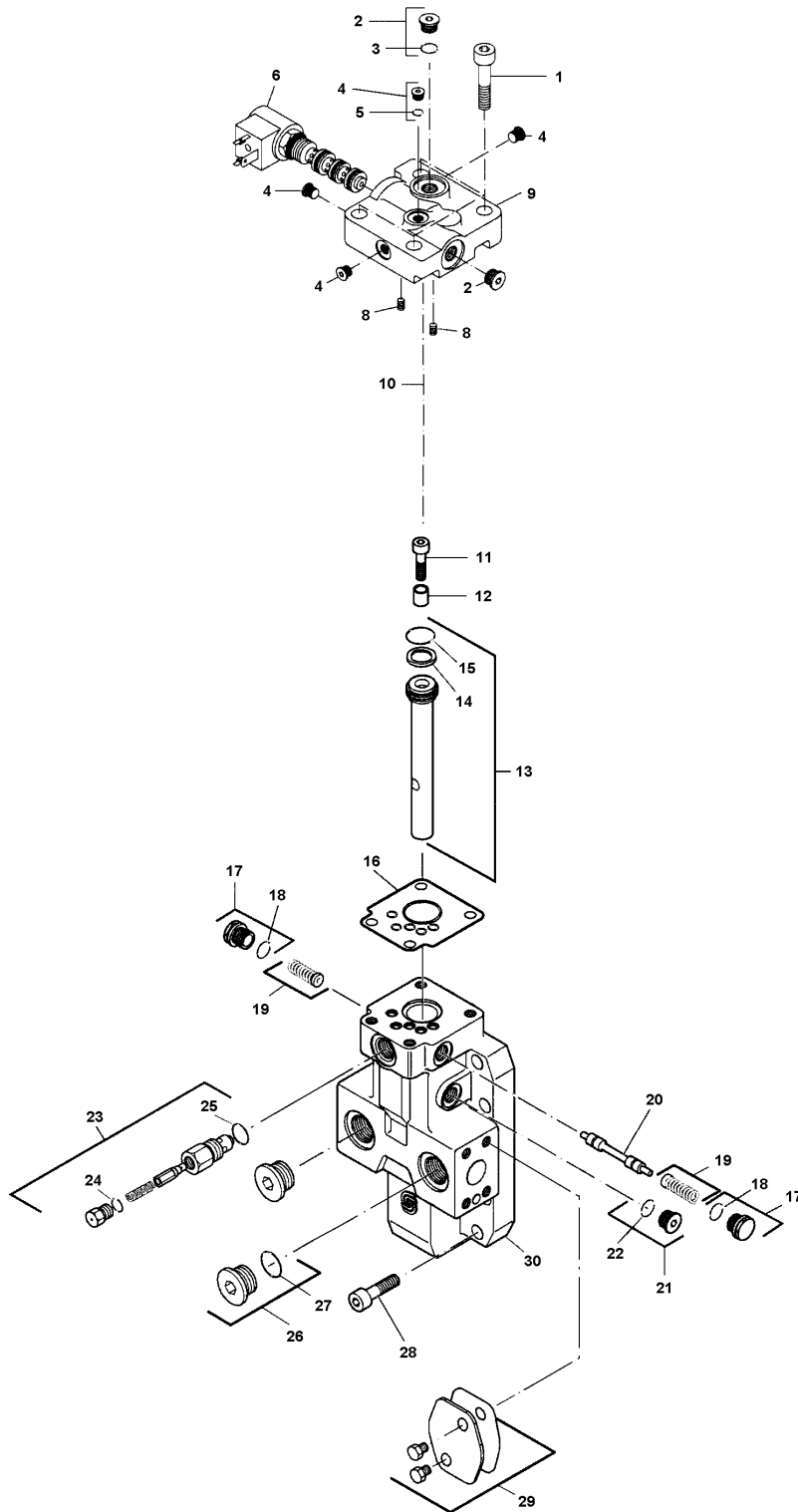


4700389564 Hydraulic motor

Item	Part No	Rem Qty	Description	Code
1		2	. Plug assembly	
2	4700901453	2	. . O-ring	C
3		1	. Set screw	
4		1	. Seal lock nut	
5		1	. Plastic cap	
6	4812157653	1	. Gasket	
7		1	. Valve segment	
8		1	. Bearing plate	
9		1	. Cylinder block assembly	
10		2	. . Pin	
11		1	. . Needle roller bearing	
12		1	. Synchronous joint assy	
13		1	. Housing	
14		1	. Shaft	
15		9	. Piston assembly	
16	4700935541	1	. Gasket	
17		1	. Retaining ring	
18		1	. Spacer ring	
19		1	. Bearing house	
20	4700935523	1	. O-ring	
21		2	. Retaining ring	
22	4700935537	1	. O-ring	
23		8	. Screw	
24	4700945757	1	. Shaft seal 55x70x7	
25		1	. Seal carrier	
26		2	. Pin	
27	4700935520	1	. Seal kit	
30		1	End cap (Page 98)	

C)

End cap

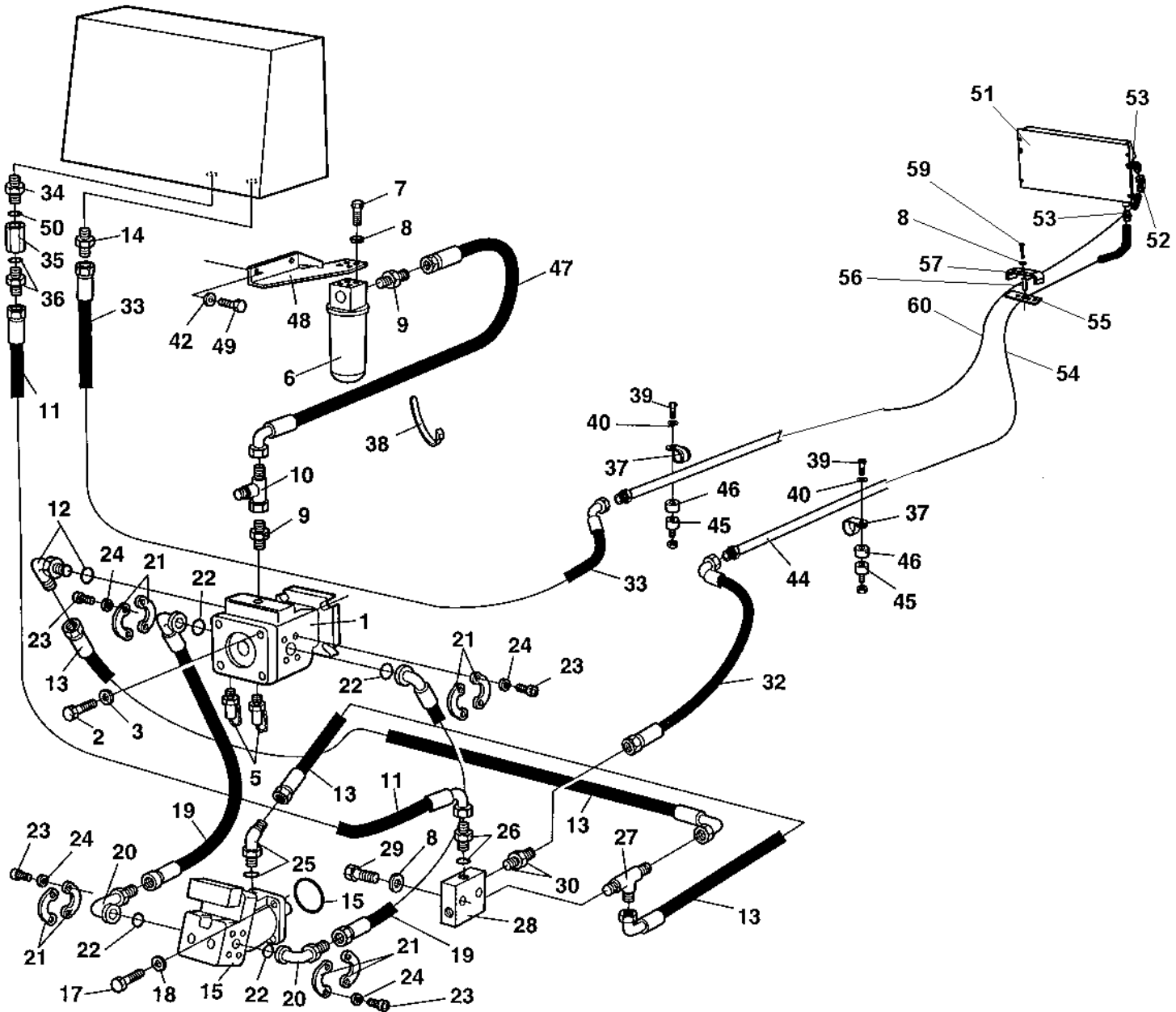


End cap

Item	Part No	Rem Qty	Description	Code
		1	End cap, cpl	
1		4	. Screw	
2		2	. Plug	
3	4700923087	2	. . O-ring	C
4		4	. Plug	
5	4700908440	4	. . O-ring	
6	4700908435	1	. Solenoid valve assy	
	4700909259	1	. . Coil	
8		2	. Orifice plug	
9		1	. Housing	
10	4700935543	1	. Electric hydraulic control	
11		1	. Screw	
12		1	. Spacer sleeve	
13	4700935527	1	. Piston assembly	
14	4700935524	1	. . Seal plug	
15	4700935525	1	. . O-ring	
16	4812155780	1	. Seal carrier	
17		2	. Plug	
18	4700923087	2	. . O-ring	C
19		2	. Guide spring	
20		1	. Shuttle spool	
21		1	. Plug	
22	4700923087	1	. . O-ring	C
23		1	. Valve assembly	
24	4700923087	1	. . O-ring	C
25	4812157578	1	. . O-ring	
26		2	. Plug	
27	4700901453	2	. . O-ring	C
28		8	. Screw	
29		2	. Cover	
30		1	. End cap	

C)

Propulsion system, Rear



Propulsion system, Rear

Item	Part No	Rem Qty	Description	Code
1	4700380830	1	Propulsion pump (Page 104)	C
2	4700500046	4	Screw M12x025H	
3	4700904213	4	Washer	
5	4700900229	2	Measuring nipple	
6	4700359550	1	Hydraulic oil filter, cpl	A
	4700359551	1	. Filter head	A
	4700936898	1	. . Sensor Red (RW)	
	4700359552	1	. Cleaning filter element Maximum 50 hours use	A
	4700372229	A 1	Hydraulic oil filter element	A
7	4700500028	4	Screw	C
8	4700904230	16	Steel plain washer	C
9	4700334468	2	Adapter	
10	4700234243	1	T-connector	
11	4700482182	B 1	Hydraulic hose	
12	4700813499	1	Elbow 90, O-ring	
13	4700482391	C 2	Hydraulic hose	
14	4700234909	1	Straight connector	
15	4700373361	1	Propulsion motor (Page 110)	C
	4700902581	1	. O-ring	
17	4700500263	4	Screw M18x60	D
18	4700904793	D 4	Washer 19x34x3	C
19	4700483033	2	Hydraulic hose	D
20	4700900604	2	Adapter	C
21	4700923384	8	Flange half	
22	4700904005	4	O-ring	
23	4700502132	16	Screw UNC 7/16" x 22	
24	4700904638	16	Washer 12x22x2	C
25	4700334132	1	Elbow 45, O-ring	C
26	4700334138	1	Adapter	
27	4700234875	1	Tee-connector o-ring	
28	4700345243	1	Connection block	
29	4700500033	2	Screw M10-1,5x60 8,8	D
30	4700334140	1	Straight conector	
32	4700483128	1	Hydraulic hose	D
33	4700482741	1	Hydraulic hose	D
34	4700904282	1	Adapter	
35	4700374059	1	Check valve	C
36	4700923371	1	Adapter	
37	4700921084	4	Pipe clamp	
38	4700313102	N	Cable ties	
39	4700500061	4	Screw M6-1X35 8,8	
40	4700904735	4	Washer	C
41	4700500019	4	Hexagon head screw M	C
42	4700904229	2	Steel plain washer	C
44	4700385871	2	Connector	D
45	4700281783	4	Shock absorber	
46	4700357278	4	Spacer sleeve	
47	4700482010	1	Hydraulic hose	D
48	4700380490	1	Filter bracket	D
49	4700500021	2	Screw M8-1,25x25 8.8	C
50	4700162008	1	Seal washer	
51	4700387562	1	Hydraulic oil cooler	D
52	4700234624	1	Elbow 45jã	

A) Spare part for ordinary service

B) L = 0,53 m

C) L = 0,71 m

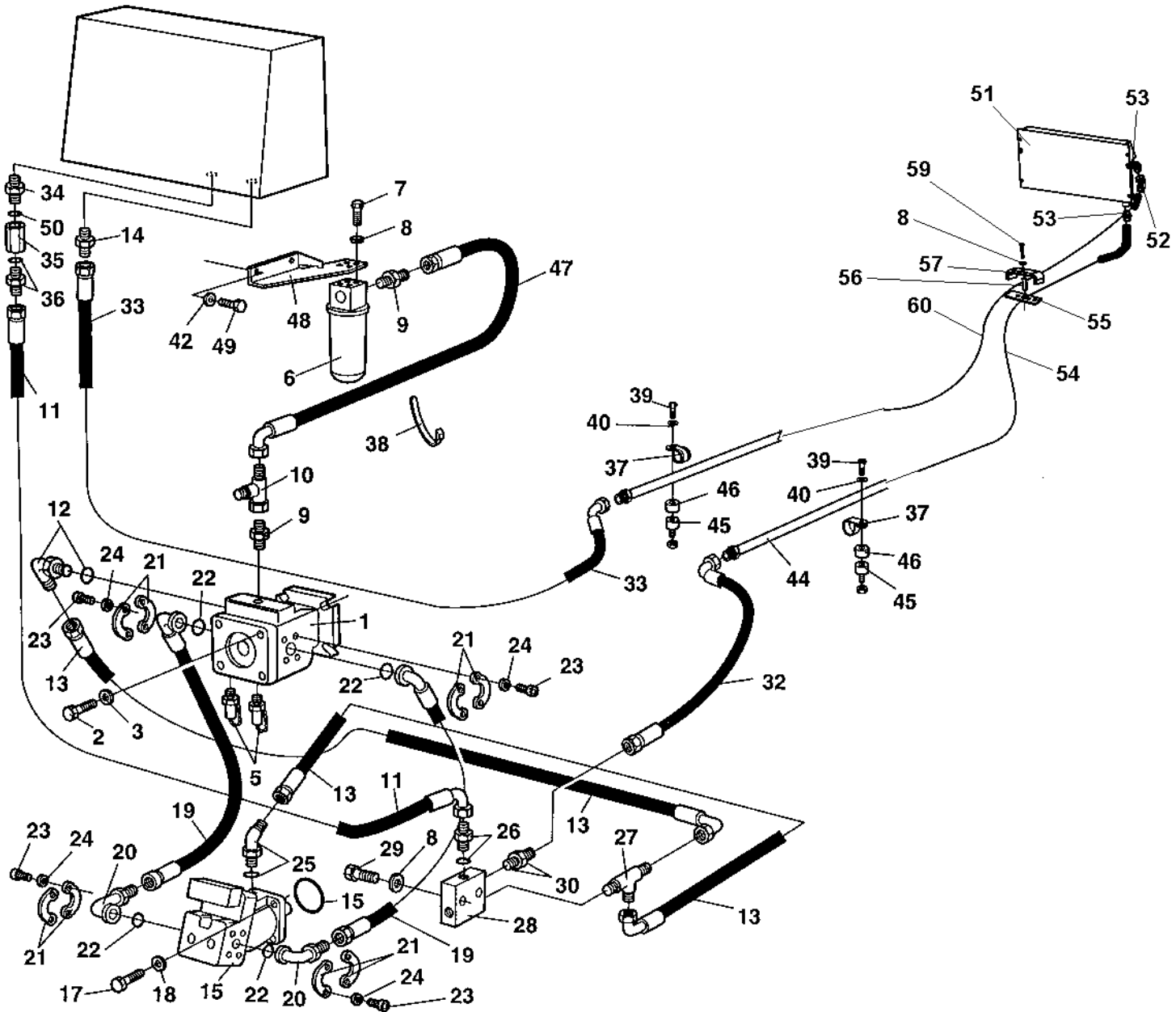
D) L = 0,81 m

A)

C)

D)

Propulsion system, Rear

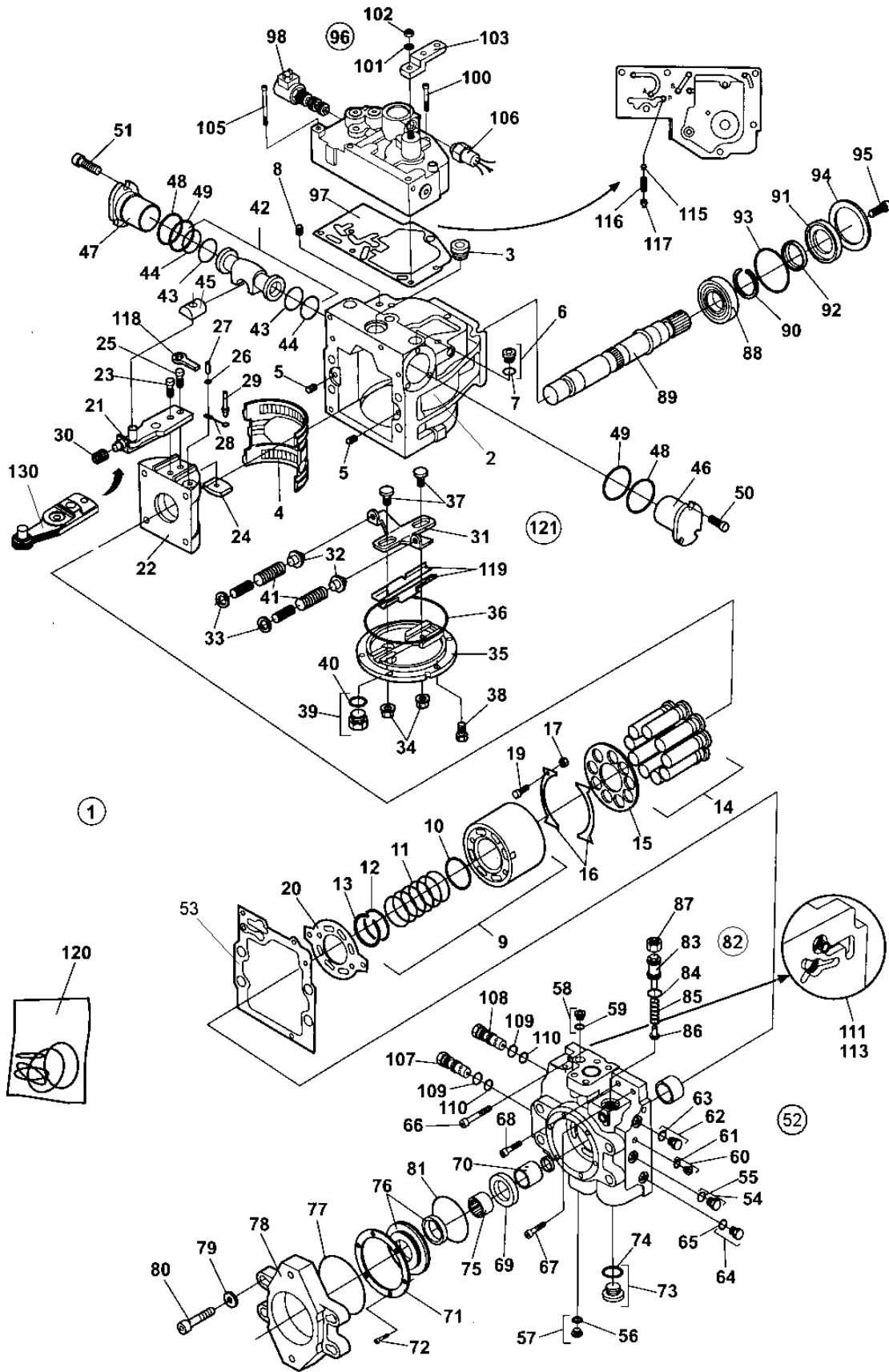


Propulsion system, Rear

Item	Part No	Rem	Qty	Description	Code
53	4700234958		2	Connector	
54	4700483605	H	1	Hydraulic hose	D
55	4700372580		4	Rubber part	D
56	4700373112		1	Spacer	D
57	4700372586		2	Hose clamp	D
59	4700500109		1	Screw M10-1,5x65 8,8	
60	4700483622	K	1	Hydraulic hose	D

H) L = 1,03 m
 K) L = 1,325 m
 D)

4700380830 Propulsion pump



4700380830 Propulsion pump

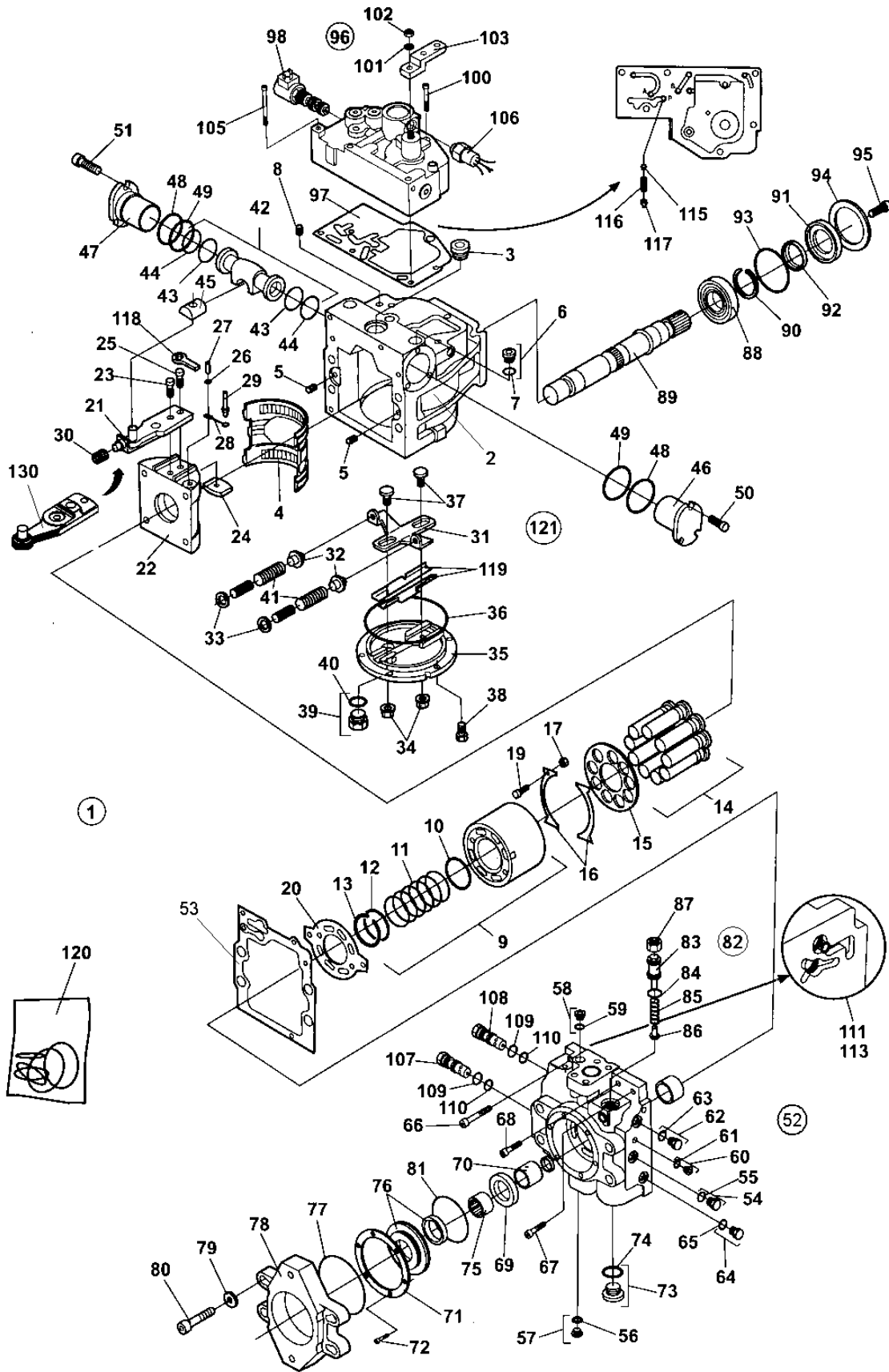
Item	Part No	Rem	Qty	Description	Code
1	4700380830		1	Propulsion pump (Page 104)	C
2	4700936546		1	. Housing	
	4812156652	2	1	. Housing	
3	4700902928		1	. Plug	C
4	4700901452		1	. Bearing	
		2	1	. Bearing	
5	4700813822		2	. Pin	D
6	4700908432		2	. Plug	C
7	4700923087	1	2	. . O-ring	C
8	4700901454		3	. Filter element	D
9	4700901455		1	. Cylinder block, cpl	
10			1	. . Spacer	
11			1	. . Spring	
12			1	. . Spring retainer	
13			1	. . Ring retainer	
14	4700903570		9	. Piston	D
15	4700903571		1	. Pressure plate	D
16	4700901458		2	. Retainer guide	D
17	4700935856		4	. Spacer	
19	4700909382		4	. Screw	C
20	4700936547		1	. Valve plate	
21	4700909727		1	. Servo arm, cpl	
22			1	. Swashplate	
		2	1	. Swashplate	
23	4700909386		1	. Screw	C
		2	1	. Screw	
24	4700909387		1	. Guide	
25	4700909388		1	. Screw	C
26	4700909389		1	. Washer	C
27	4700909390		1	. Pin	C
28	4700909391		1	. Link	C
29	4700909392		1	. Pin	C
30	4700909393		1	. Spring	C
31	4700936549		1	. Lever	
32			2	. Spring support	
33			2	. Washer	
34	4700909398	1	2	. Seal lock nut	B
35			1	. Cover	
		2	1	. Cover	
36	4700936551	1	1	. O-ring	
37			2	. Guide post	
38	4700936553		6	. Screw	C
39	4700902928		1	. Plug	C
40	4700901453	1	1	. . O-ring	C
41	4700908352		2	. Spring	D
42	4700936582		1	. Piston, cpl	
43		1	2	. . O-ring	
44		1	2	. . Seal ring	
45			1	. . Guide	
46	4700903580		1	. Servo	
47	4700903580		1	. Servo	
48	4700936557	1	2	. O-ring	
49	4700936558	1	2	. O-ring	
50	4700936559		3	. Screw	
51	4700936559		3	. Screw	
52	4700936560		1	. End cap, cpl	

1) Included in item 120, Seal kit

2) Valid with item 130

B)
C)

4700380830 Propulsion pump



4700380830 Propulsion pump

Item	Part No	Rem	Qty	Description	Code
53	4700936561	1	1	. Gasket	
54	4700358388		1	. Plug	C
55	4700923087	1	1	.. O-ring	C
56	4700908432		1	. Plug	C
57	4700923087	1	1	.. O-ring	C
58	4700908432		1	. Plug	C
59	4700923087	1	1	.. O-ring	C
60	4700908432		1	. Plug	C
61	4700923087	1	1	.. O-ring	C
62	4700358388		1	. Plug	C
63	4700923087	1	1	.. O-ring	C
64	4700358388		1	. Plug	C
65	4700923087	1	1	.. O-ring	C
66	4700936562		1	. Screw	
67	4700936563		1	. Screw	
68	4700936564		1	. Screw	
69	4700950283		1	. Spacer	D
70	4700950284		1	. Spacer	D
71	4700935857		1	. Retaining plate	
72	4700936566		6	. Screw	
73	4700936567		1	. Plug, cpl	
74	4700936568	1	1	.. O-ring	
75	4812156072		1	. Coupling sleeve	
76			1	. Not used on this model	
77	4700909399	1	1	. O-ring	C
78	4700936570		1	. Adapter	
79	4700936571		4	. Washer	
81	4700937150		1	. O-ring	D
82	4700936583		1	. Pressure relief valve, cpl	
83			1	.. Screw	
84		1	1	.. O-ring	
85			1	.. Spring	
86			1	.. Valve cone	
87			1	.. Nut	
88	4700901465		1	. Bearing	
89	4700901466		1	. Shaft	
90	4700901467		1	. Ring	
91			1	. Pressure plate	
92		1	1	. Seal	
		2	1	. Seal	
93		1	1	. O-ring	
94			1	. Retaining plate	
95			3	. Screw	
96	4700938170		1	. Control valve, cpl	
97	4700939489	1	1	.. Control valve gasket	
98	4700938252		1	.. Solenoid valve	
100			1	.. Screw	
101	4700909428		1	.. Washer	C
102	4700909429		1	.. O-ring	C
103	4700909432		1	.. Control lever	D
105	4700937857		5	.. Screw	D
106	4700938253		1	.. Neutral start switch	
107	4700212339		1	. Valve	C
108	4700212339		1	. Valve	C
109		1	2	.. O-ring	

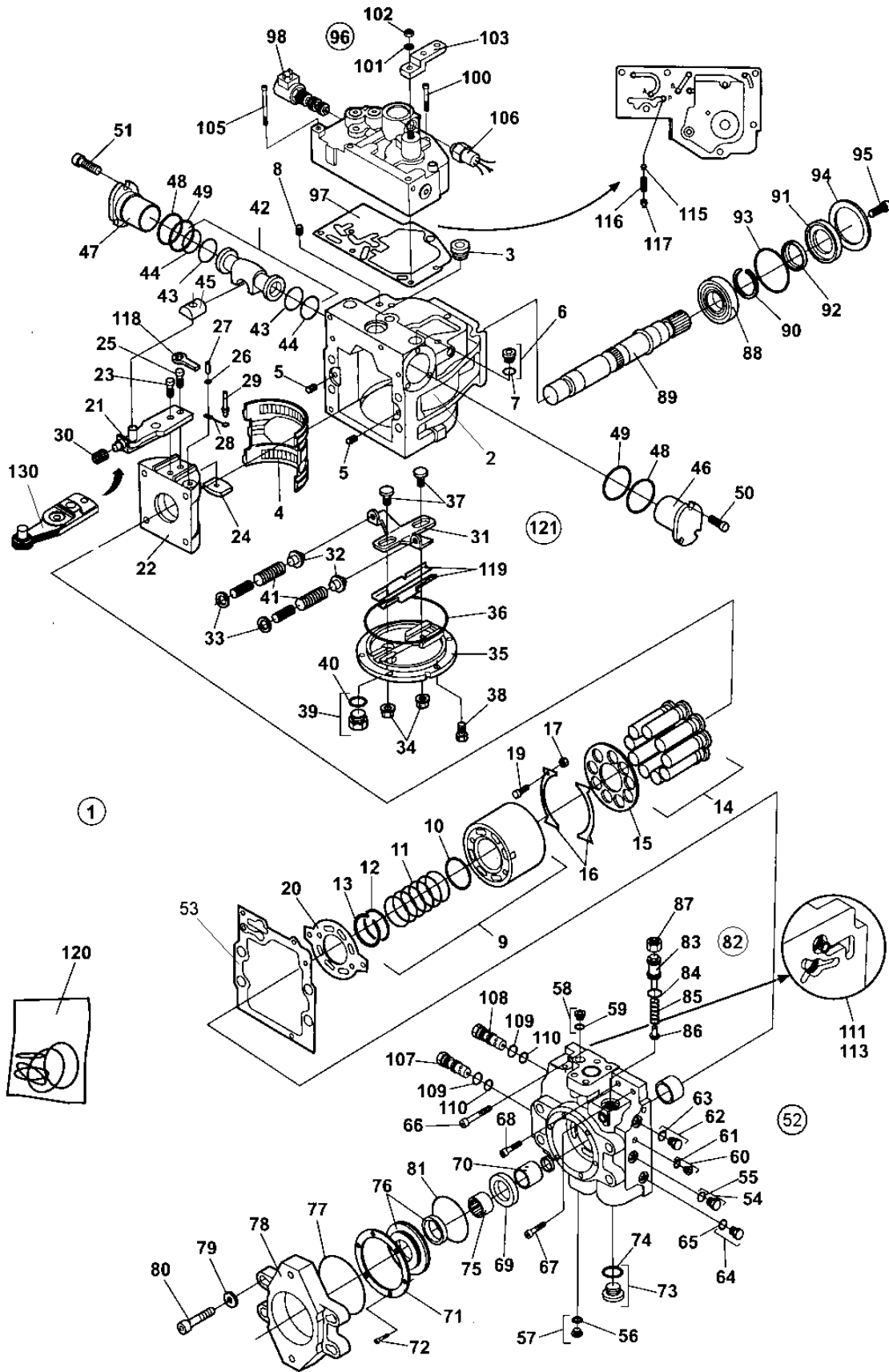
1) Included in item 120, Seal kit

2) Valid with item 130

C)

D)

4700380830 Propulsion pump

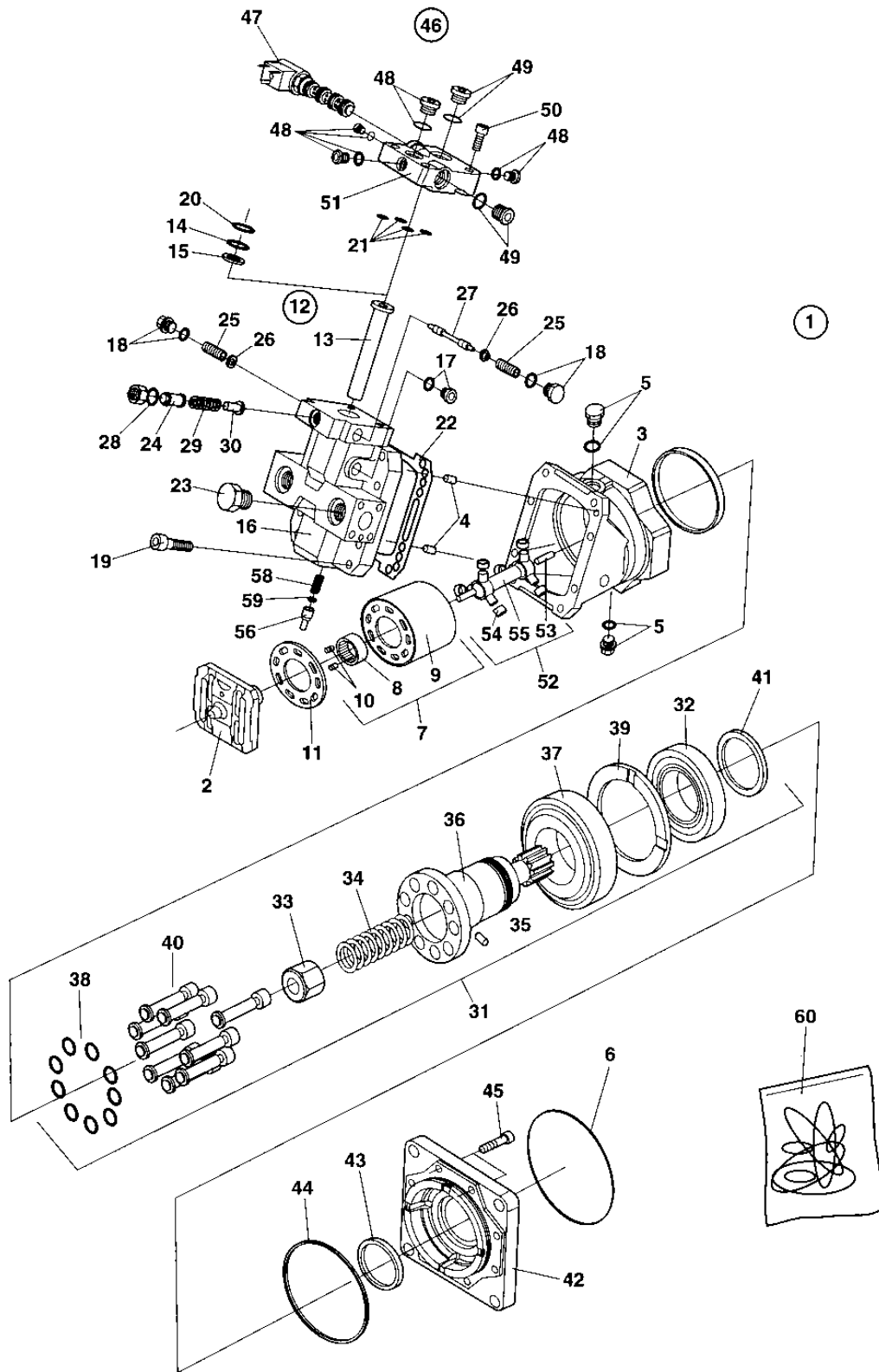


4700380830 Propulsion pump

Item	Part No	Rem	Qty	Description	Code
110		1	2	. . O-ring	
111	4700901475		2	. Valve	D
113	4700901476		2	. Plug	D
115	4700909435		1	. Orifice	C
116	4700909436		1	. Spring	C
117	4700908448		1	. Spring retainer	C
118			1	. Link	
119	4700936554		1	. Guide assy, 1pair	
120	4700901328		1	. Seal kit	D
121	4700936548	3	1	. Cover assembly	
130			1	. Servo arm	

- 1) Included in item 120, Seal kit
- 3) Includes items 35, 37 and 119
- C)
- D)

4700373361 Propulsion motor



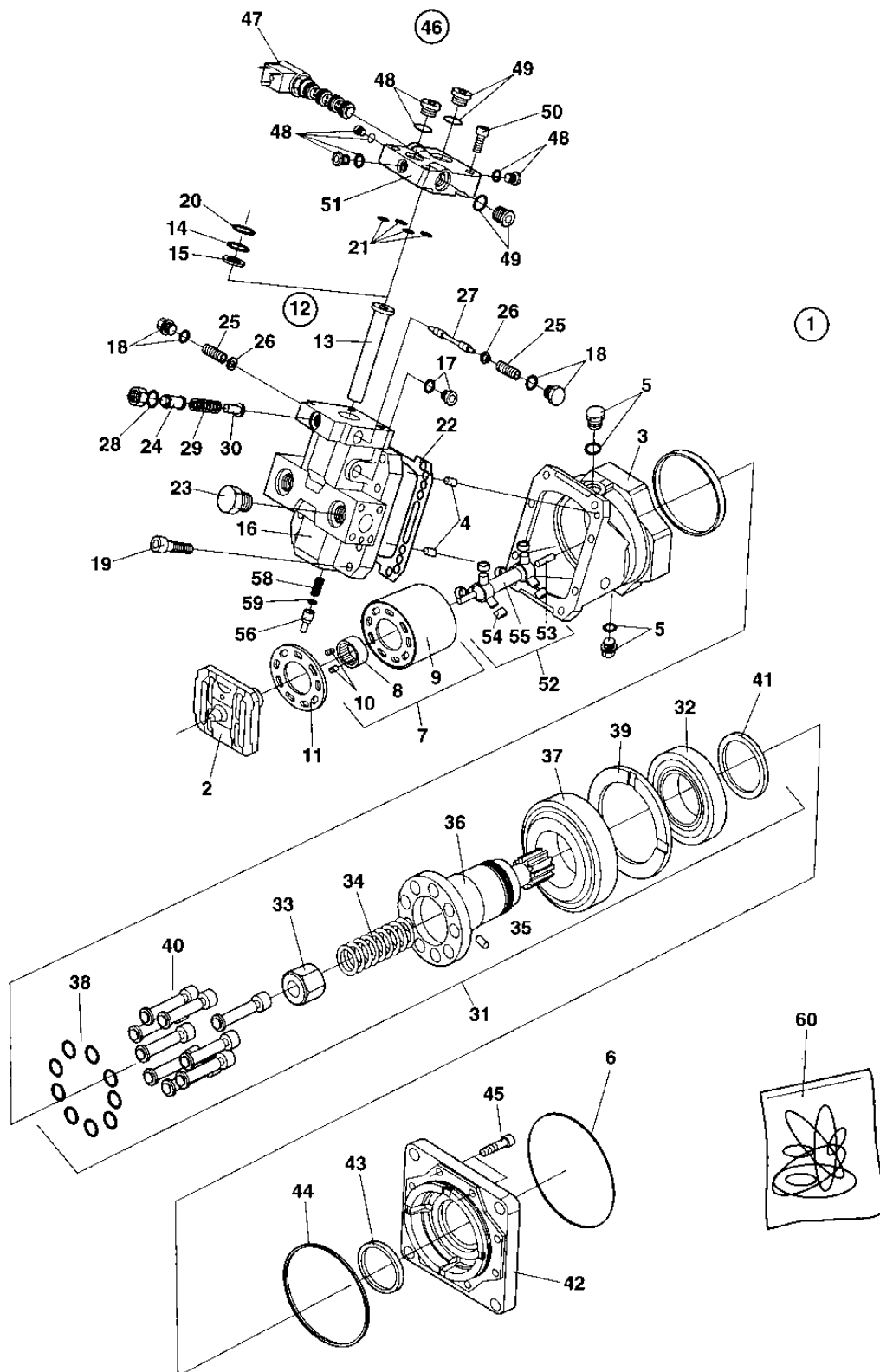
4700373361 Propulsion motor

Item	Part No	Rem	Qty	Description	Code
1			1	Hydraulic motor, Cpl	
2	4700935521		1	. Valve segment	
3	4700908422		1	. Housing	D
4	4700813822		2	. Pin	D
5	4700902928		2	. Plug	C
	4700901453	1	2	.. O-ring	C
6	4700902581	1	1	. O-ring	
7	4700902929		1	. Cylinder block	
8			1	.. Bush	
9			1	.. Cylinder block	
10			2	.. Pin	
11	4700902930		1	. Bearing plate	
12	4700935527		1	. Piston assembly	
13	4700935526		1	.. Piston	
14	4700935525	1	1	.. O-ring	
15	4700935524	1	1	.. Seal plug	
16	4700935530		1	. End cap	
17	4700908432		1	. Plug	C
18	4700935741		2	. Plug, cpl	
19	4700902944		8	. Screw	
20	4700935531	1	1	. O-ring	
21	4700908443	1	5	. Rect. seal	D
22	4700908427	1	1	. Gasket	
23	4700902928		2	. Plug	C
	4700901453	1	2	.. O-ring	C
24			1	. Adapter	
25	4700935749		2	. Spring guide assy	
26	4700935750		2	. Spring retainer	
27	4700935533		1	. Spool	
28	4700813618	1	1	. O-ring	C
29			1	. Spring	
30			1	. Valve cone	
31	4700902960		1	. Shaft, cpl	
32			1	.. Roller bearing	
33			1	.. Spring guide	
34			1	.. Spring	
35			1	.. Pin	
36			1	.. Shaft	
37			1	.. Roller bearing	
38			9	.. Piston ring	
39			1	.. Spacer	
40			9	.. Piston	
41			1	.. Nut	
42	4700902961		1	. Flange	
43	4700935536		1	. Shaft seal 55x75x12	
	4700945757	1	1	. Shaft seal 55x70x7	
44	4700935664	1	1	. O-ring	
45	4700902962		8	. Screw	
46	4700935543		1	. Electric hydraulic control	
47	4700908435		1	.. Solenoid valve assy	
	4700909259		1	... Coil	
48	4700908426		4	.. Plug, cpl	D
49	4700908432		2	.. Plug	C
50	4700935544		4	.. Screw	
51	4700935545		1	.. Valve housing	
52	4700902984		1	. Shaft, cpl	
53			2	.. Pin	
54			6	.. Roller	

1) Included in seal kit item 60

C)

4700373361 Propulsion motor

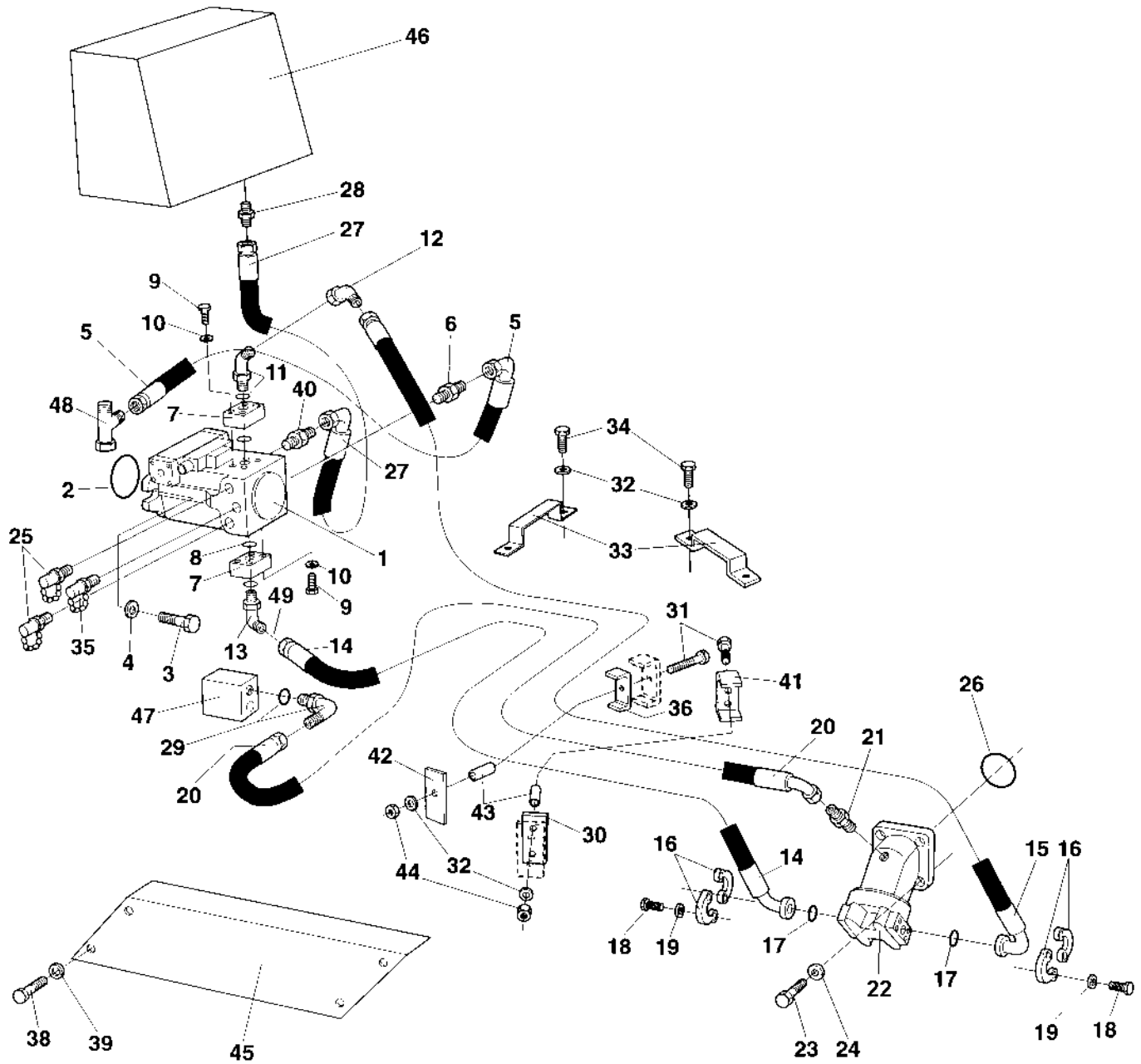


4700373361 Propulsion motor

Item	Part No	Rem	Qty	Description	Code
55			1	. . Shaft	
56	4700902996		1	. Plastic cap, green	
57	4700936593		2	. Orifice	
58	4700937363		1	. Shaft	
59	4700909525	1	1	. Seal nut	
60	4700935520		1	Seal kit	

1) Included in seal kit item 60

Vibration system



Vibration system

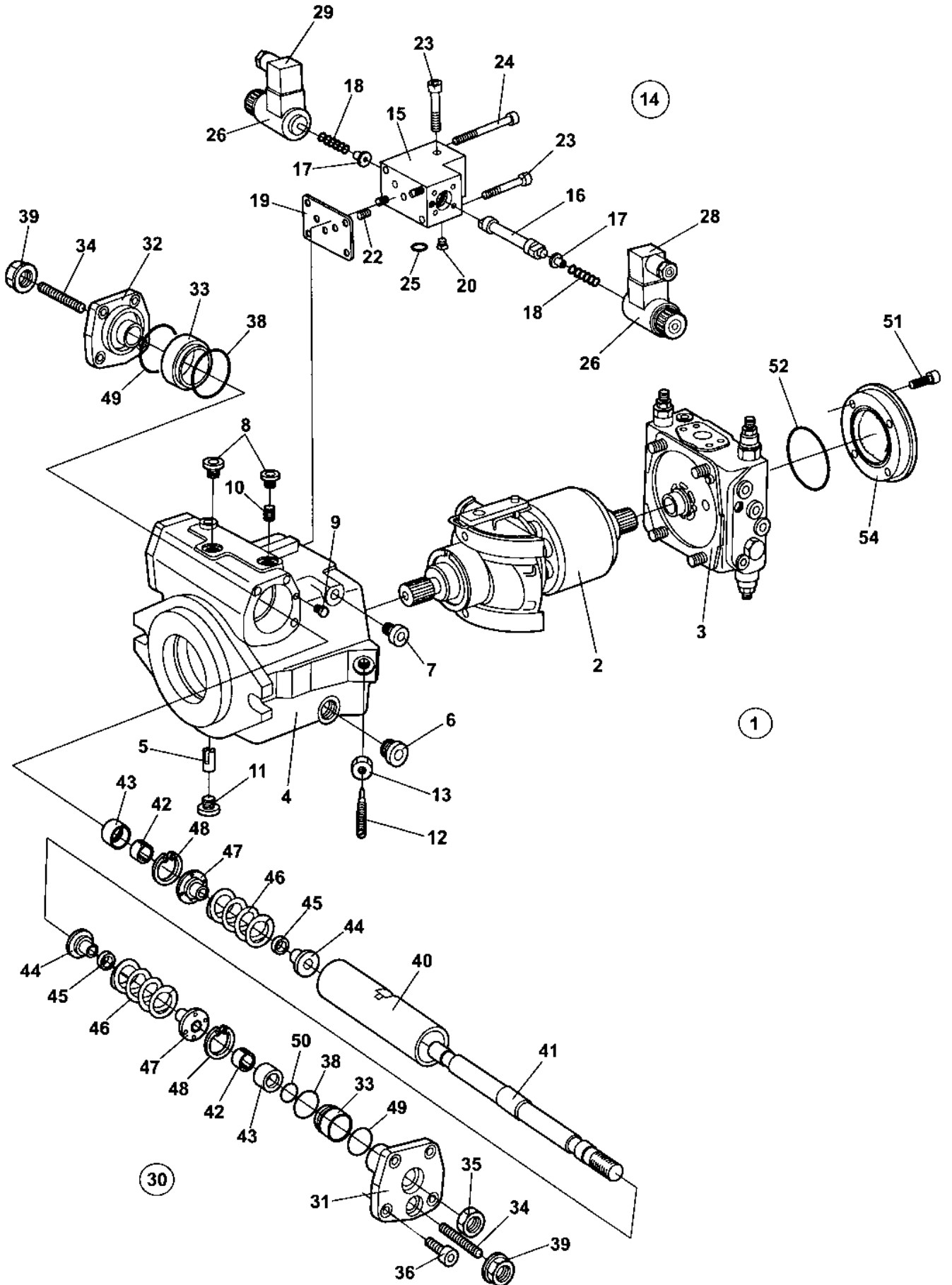
Item	Part No	Rem Qty	Description	Code
1	4700393695	1	Vibration pump Up to ECN 11301 (Page 116)	C
	4812115828	1	Vibration pump From ECN 11301	
2	4700160231	1	O-ring 120,32x2,62	D
3	4700502078	2	Screw	D
4	4700904232	2	Washer	C
5	4700483023	1	Hydraulic hose	D
6	4700234382	1	Adapter	
7	4700345234	2	Flange coupling	C
8	4700904773	2	O-ring	
9	4700508080	8	Screw	
10	4700604007	8	Spring washer	
11	4700791212	1	Elbow 45jã	C
12	4700904495	1	Elbow 90jã	
13	4700792299	1	Elbow 90jã	
14	4700484044	1	Hydraulic hose	D
15	4700484060	1	Hydraulic hose	D
16	4700923384	4	Flange half	
17	4700904005	2	O-ring	
18	4700502132	8	Screw UNC 7/16" x 22	
19	4700904638	8	Washer 12x22x2	C
20	4700483031	1	Hydraulic hose	D
21	4700334121	1	Straight connector	
22	4700380146	1	Hydraulic motor, vibration (Page 122)	C
23	4700500194	4	Screw	C
24	4700904231	4	Washer 13x24x2 300 HV	C
25	4700901157	2	Measuring nipple	C
26	4700160132	1	O-ring 124, 50x3, 00	
27	4700483024	1	Hydraulic hose	D
28	4700334205	1	Straight connector	D
29	4700334419	1	Elbow 90jã, O-ring	D
30	4700372580	1	Rubber part	D
31	4700500192	3	Hexagon head screw M	C
32	4700904230	7	Steel plain washer	C
33	4700372018	2	Hose clamp	D
34	4700500028	4	Screw	C
35	4700902115	1	Measuring nipple	C
36	4700372581	1	Rubber part	D
38		0	Not used on this model	
39		0	Not used on this model	
40	4700901155	1	Connector	C
41	4700374217	1	Hose clamp	D
42	4700372578	1	Hose clamp	D
43	4700373112	3	Spacer	D
44	4700506018	3	Nut	D
45		0	Not used on this model	
46			Hydraulic oil tank	
47		A	1 Connection block	
48		A	1 Adapter	
49	4700792654	1	Elbow 45jã	

A) See section: Propulsion system Rear.

C)

D)

4700393695 Vibration pump

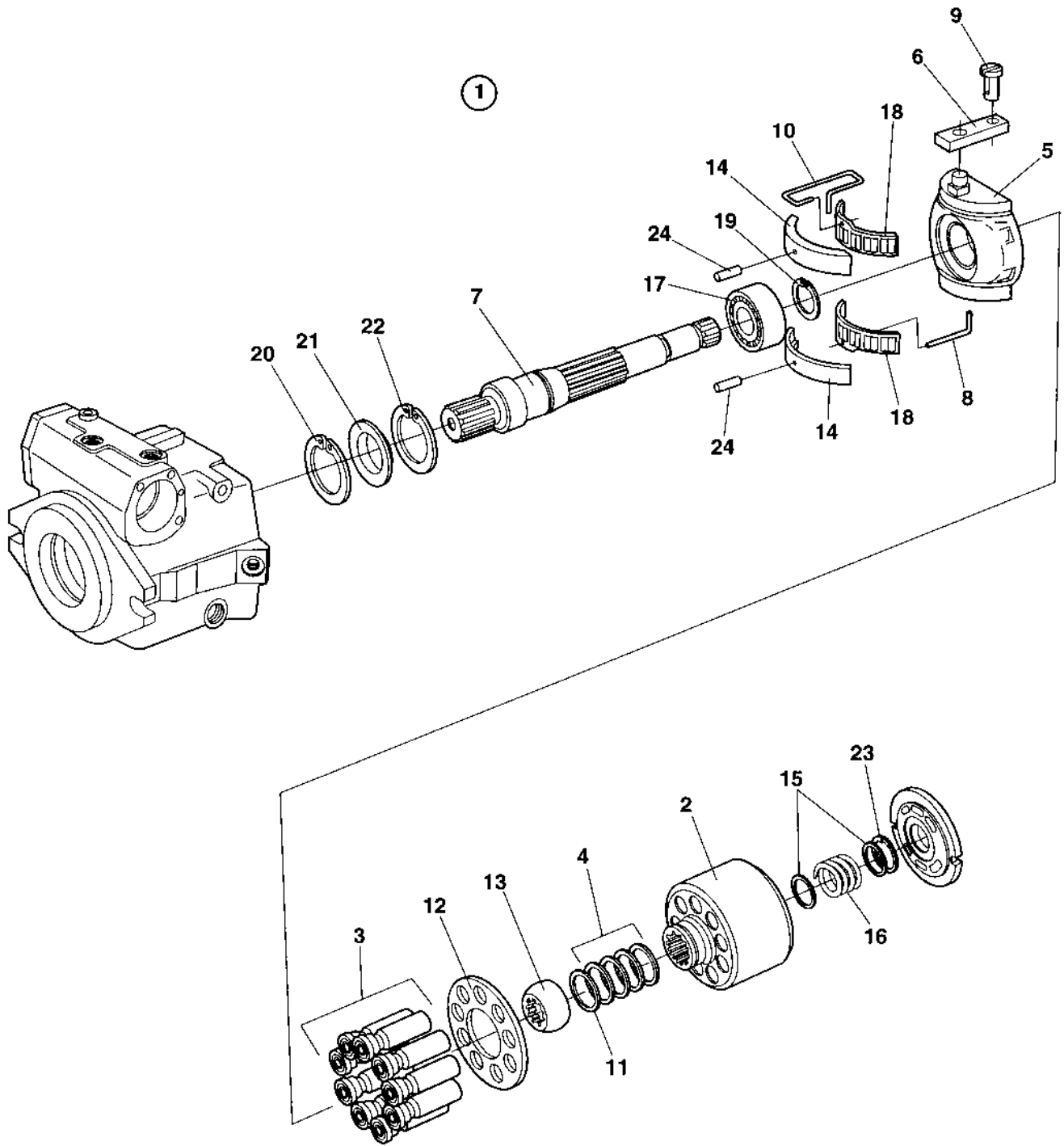


4700393695 Vibration pump

Item	Part No	Rem Qty	Description	Code
1		1	Vibration pump, cpl	
	4700940676	1	. Seal kit	B
2		1	. Rotating group, cpl (Page 118)	
3	4700936609	1	. Valve block, cpl (Page 120)	
4		1	. Housing	
5	4700936612	1	. Pin	
6	4700935219	1	. Plug	
7	4700902724	1	. Plug	
8	4700902625	1	. Plug	
9	4700909514	2	. Double break-off pin	
10	4700936308	2	. Orifice	
11	4700902624	1	. Screw	
12	4700902687	1	. Pin	
13	4700902695	1	. Nut	
14	4700940507	1	. Control valve, cpl	C
15		1	.. Housing	
16	4700945775	1	.. Piston	D
17	4700945776	2	.. Spring collar	D
18	4700936686	2	.. Spring	
19		1	.. Gasket	
20		2	.. Pin	
22	4700909514	1	.. Double break-off pin	
23	4700936689	3	.. Screw	
24	4700908383	2	.. Screw	D
25		1	.. O-ring	
26	4700940505	2	.. Solenoid	B
28		1	.. Socket	
29		1	.. Socket	
30		1	. Hydraulic control, cpl	
31		1	.. Cover	
32		1	.. Cover	
33		2	.. Guide ring	
34	4700936642	2	.. Pin	
35	4700902638	1	.. Nut	
36	4700902752	8	.. Screw	
38		1	.. Seal ring	
39	4700936644	1	.. Nut	
40		1	.. Piston	
41	4700936646	1	.. Rod	
42		2	.. Ring	
43	4700938014	2	.. Sleeve	
44	4700936647	2	.. Spring collar	
45	4700936648	2	.. Spacer ring	
46	4700936654	2	.. Spring	
47	4700936655	2	.. Spring collar	
48	4700936656	2	.. Retaining ring	
49	4700936643	1	.. O-ring	
50	4700909469	1	. O-ring	
51	4700939173	4	. Screw	
52	4700935192	1	. O-ring	
54		1	Cover	

- 1) Included in seal kit
- B)
- C)
- D)

Rotating group, cpl

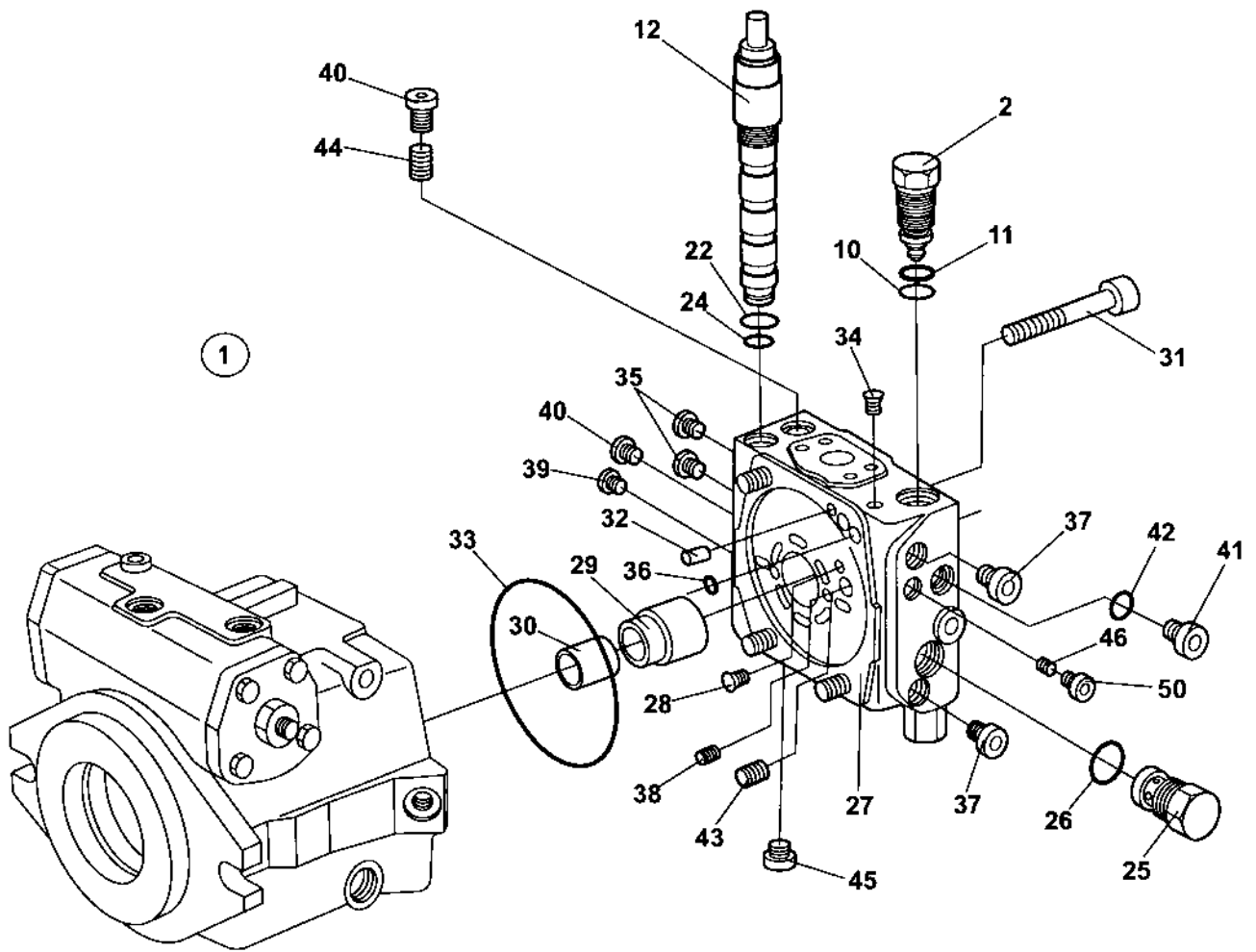


Rotating group, cpl

Item	Part No	Rem Qty	Description	Code
1		1	Rotating group, cpl	
2	4812156977	1	. Cylinder	
	4812156978	1	. Control plate	
3	4700936616	9	. Piston	
4	4700936617	1	. Cup spring stack	
5	4700936618	1	. Cradle	
6	4700936619	1	. Slide ring	
7	4700936620	1	. Shaft	
8	4700936621	1	. Wire	
9	4700935164	1	. Pin	
10	4700936622	1	. Wire	
11	4700936623	1	. Shim	
12	4700936627	1	. Retaining plate	
13	4700936628	1	. Retaining ball	
14	4700936629	1	. Bearing liner, 1 pair	
15	4700936630	2	. Washer	
16	4700936631	1	. Pressure spring	
17	4700936632	1	. Bearing	
18	4700936633	1	. Cradle bearing assembly, 1 set	
19	4700937187	1	. Retaining ring	
20	4700936634	1	. Retaining ring	
21		1	. Seal ring	
22	4700936636	1	. Retaining ring	
23	4700936637	1	. Retaining ring	
24		2	. Pin	

1) Includes in seal kit

4700936609 Valve block, cpl

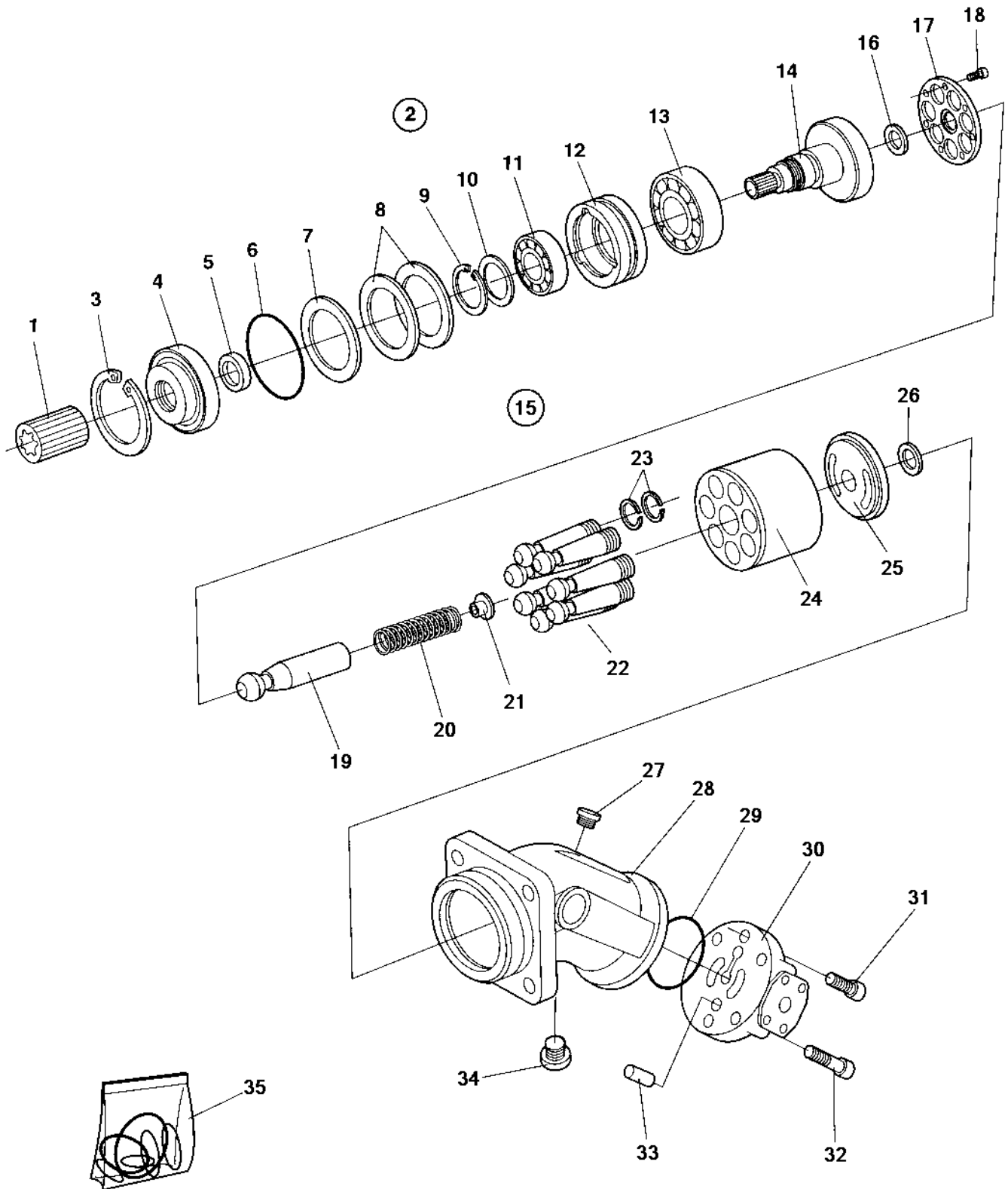


4700936609 Valve block, cpl

Item	Part No	Rem Qty	Description	Code
1		1	Valve block, cpl	
2		2	. Pressure relief valve, cpl 310 bar	
	4700935172	2	. Pressure relief valve 350 bar	D
	4700936657	2	. Pressure relief valve 380 bar	
	4700937240	2	. Pressure relief valve 440 bar	
	4700950635	1	. Pressure relief valve 430 bar	
10	4700902814	1	. . O-ring	D
11	4700936673	1	. . Back-up ring	
12	4700936659	1	. Pressure override valve, cpl	
22	4700902783	1	. . O-ring	D
24	4700936394	1	. . O-ring	
25	4700936658	1	. Locking set	
26	4700902814	1	. O-ring	D
27	4700936660	B	. Port plate	
	4812155764	1	. Port plate	D
28		1	. Pin	
29	4700936661	1	. Bushing	
30	4700936662	1	. Bearing bush	
31	4700936663	4	. Screw	
32	4700936664	2	. Pin	
33	4700936665	1	. O-ring	
34	4700909514	3	. Double break-off pin	
35	4700936370	1	. Locking screw	
36	4700909469	1	. O-ring	
37	4700902625	1	. Plug	
38		1	. Pin	
39	4700902625	1	. Plug	
40	4700902811	1	3 . Plug	D
41	4700936304	1	. Locking screw	
42	4700936305	1	. O-ring	
43	4700902697	1	. Screw	
44	4700936613	1	. Locking screw	
45	4700936614	1	. Plug	
46	4700936313	1	. Orifice	
50	4700936370	1	. Locking screw	
	4700935212	A	1 . Pin	

- 1) Includes in seal kit
- A) Used with item 27, P/N 4812155764.
- B) Replaced by P/N 4812155764.
- D)

4700380146 Hydraulic motor, vibration

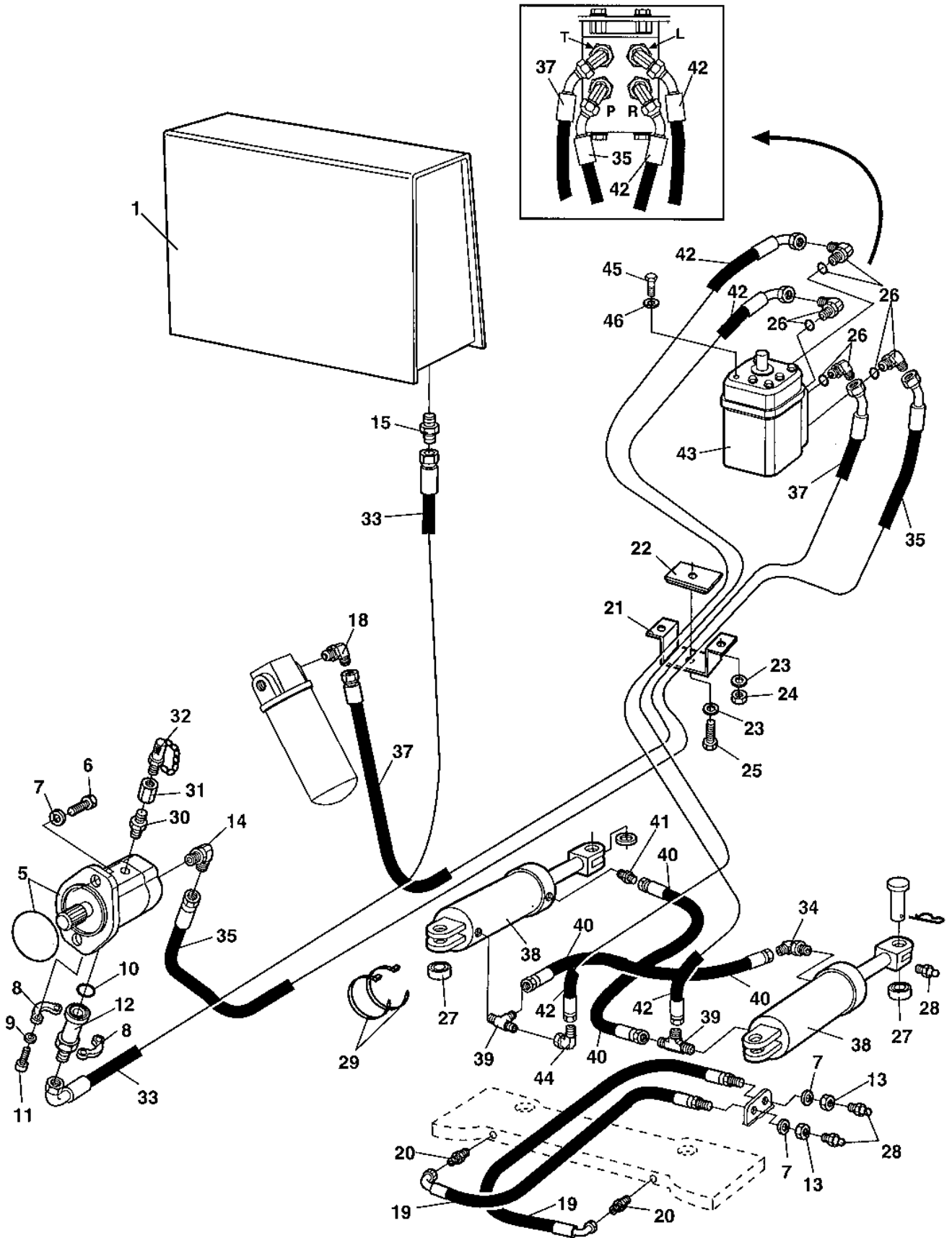


4700380146 Hydraulic motor, vibration

Item	Part No	Rem Qty	Description	Code
1	4700340863	1	. Splined sleeve	D
2	4700380079	1	. Hydraulic motor, vibration	C
3		1	.. Snap ring	
4	4812156092	1	.. Cover	
5	4700945880	1	.. Seal ring	D
6		1	.. O-ring	
7	4700902265	1	.. Shim T=0,3 mm	D
8	4700902264	2	.. Shim T=0,1mm	D
9		1	.. Retaining ring	
10		1	.. Back-up plate	
11	4700902261	1	.. Bearing	D
12		1	.. Bearing ring	
13	4700902260	1	.. Bearing	D
14		1	.. Shaft	
15		1	. Rotary group, hydraulic section	
16		1	.. Washer	
17		1	.. Retaining plate	
18		7	.. Screw	
19		1	.. Pin	
20		1	.. Spring	
21		1	.. Spring collar	
22		7	.. Piston	
		1	... Piston	
23		2	... Sealing ring	
24		1	.. Cylinder	
25		1	.. Pressure plate	
26		1	.. Washer	
27		1	.. Screw	
28		1	.. Housing	
29		1	.. O-ring	
30		1	.. Plate	
31		2	.. Screw	
32		4	.. Screw	
33		1	.. Pin	
34	4700937259	1	.. Screw	
35	4700937675	1	Seal kit	

- 1) Included in seal kit, item 34
 C)
 D)

Steering system



Steering system

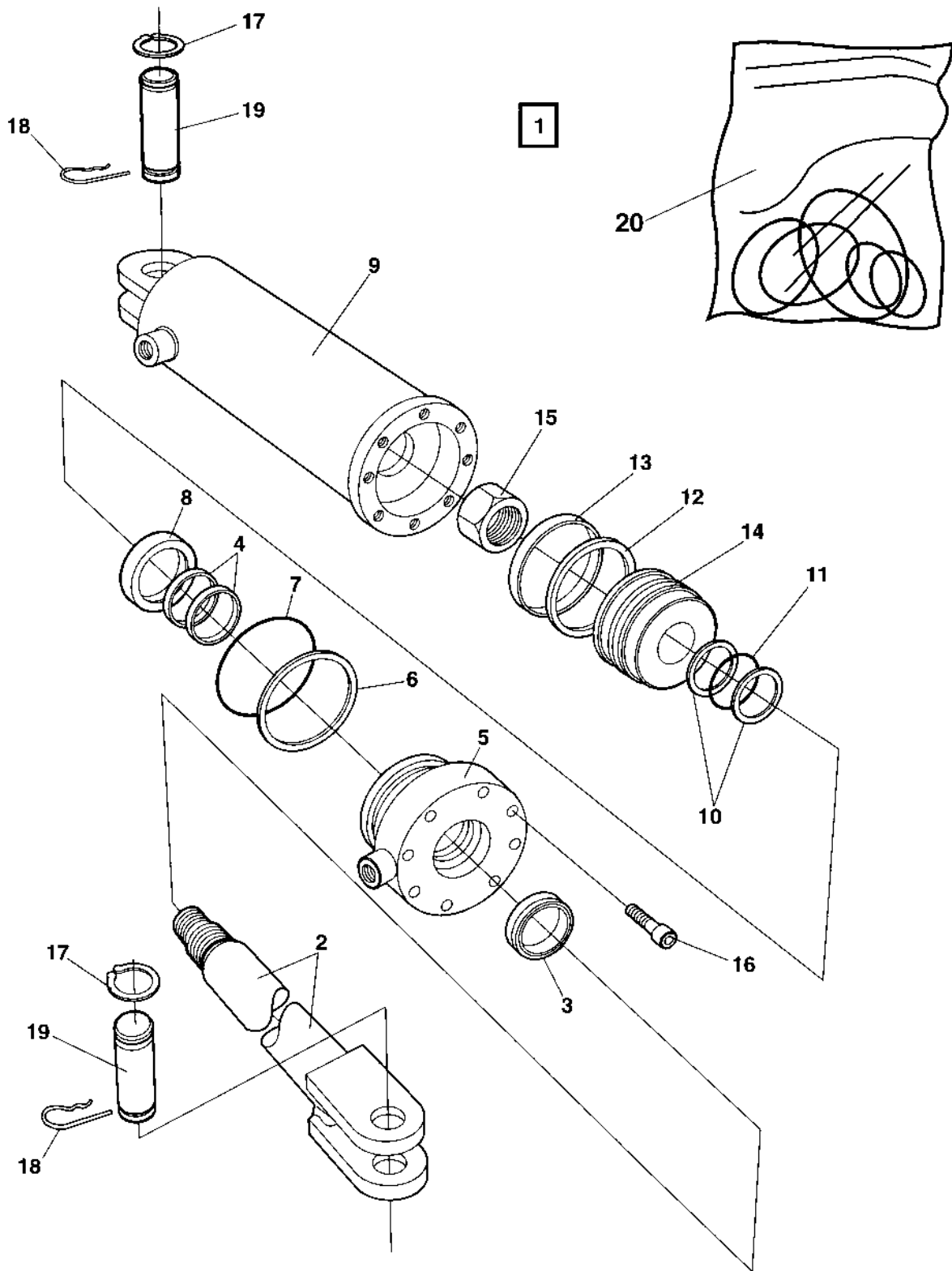
Item	Part No	Rem Qty	Description	Code
1			Hydraulic oil tank	
5	4700394902	1	Hydraulic pump	C
	4700937055	1	. O-ring	D
6	4700500133	2	Screw	C
7	4700904231	4	Washer 13x24x2 300 HV	C
8	4700232097	2	Flange half	C
9	4700904637	4	Washer	C
10	4700904005	1	O-ring	
11	4700508029	4	Screw M10-1,5x30H 8,8	C
12	4700372625	1	Connector	C
13	4700903831	2	Nut	C
14	4700334558	1	Elbow 90G with O-ring	
15	4700234626	1	Adapter	
17	4700570006	4	Hexagon nut M	B
18	4700929123	1	Elbow 90, O-ring	
19	4700903812	2	Hydraulic hose	C
20	4700371669	2	Straight connector	C
21	4700372513	1	Hose clamp	
22	4700372514	1	Hose clamp	
23	4700904229	3	Steel plain washer	C
24	4700586003	2	Lock nut M	C
25	4700500023	1	Hexagon head screw M	C
26	4700813444	4	Elbow 90, O-ring	
27	4700813316	4	Ball bushing	C
28	4700926214	4	Grease fitting	C
29	4700313102	N	Cable ties	
30	4700334199	1	Straight o-ring connector	C
31	4700338304	1	Connector	C
32	4700910161	1	Measuring nipple	C
33	4700483049	1	Hydraulic hose	D
34	4700813500	1	Elbow 45, O-ring	
35	4700483697	1	Hydraulic hose	D
37	4700483498	1	Hydraulic hose	
38	4700392027	2	Steering cylinder (Page 126)	
39	4700234218	2	Tee-connector	
40	4700483109	2	Hydraulic hose	
41	4700334121	1	Straight connector	
42	4700483497	2	Hydraulic hose	
43	4700376000	1	Steering valve (Page 128)	
44	4700234662	1	Elbow 45	
45	4700502034	4	Screw UNC 3/8 - 16	D
46	4700600008	4	Washer	

B)

C)

D)

4700392027 Steering cylinder

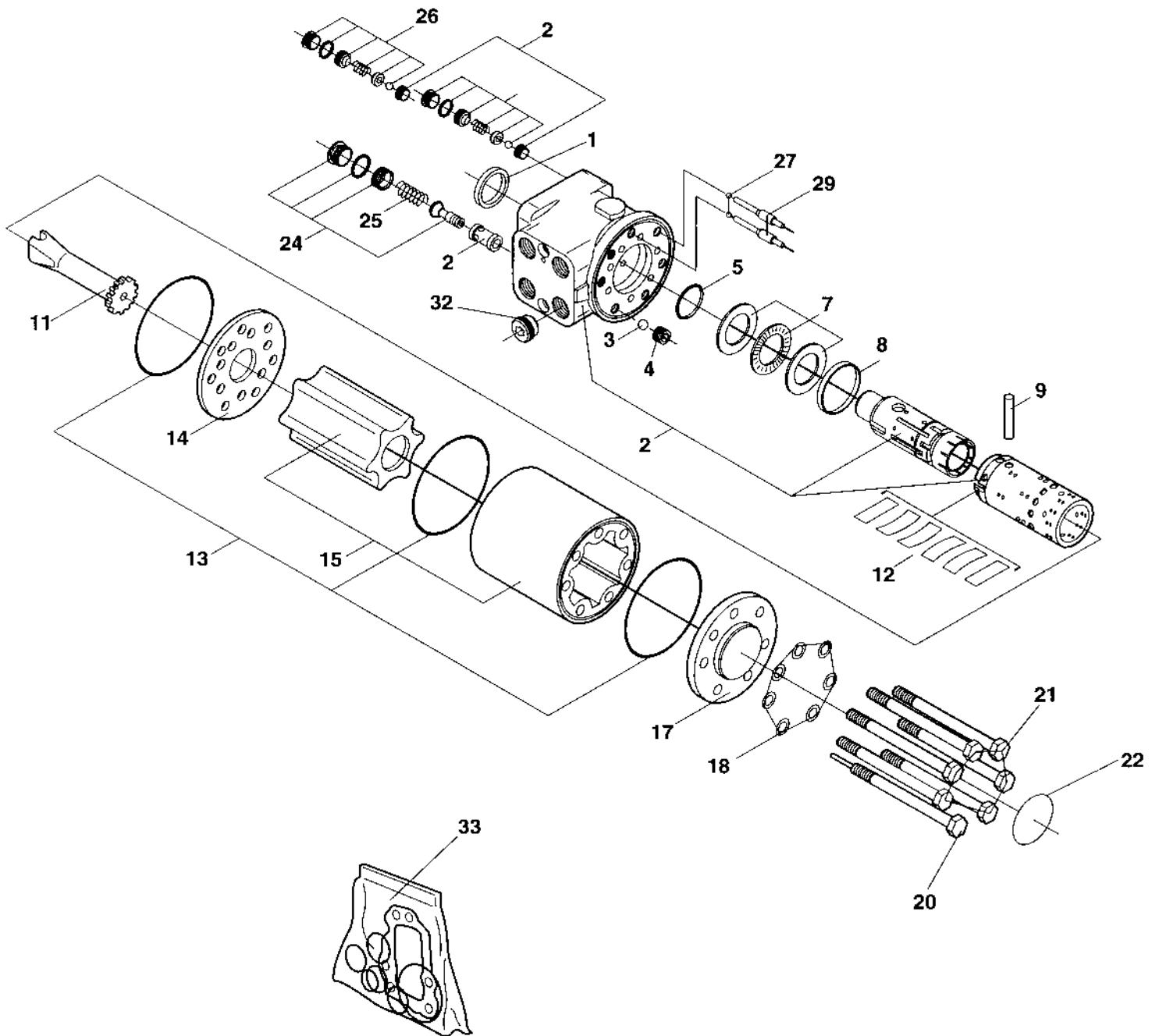


4700392027 Steering cylinder

Item	Part No	Rem	Qty	Description	Code
1	4700392027		1	Steering cylinder (Page 126)	
2	4700392110		1	. Piston rod	D
3		A	1	. Shear wiper	
4		A	2	. Guide ring	
5			1	. Guide	
6		A	1	. Back-up ring	
7		A	1	. O-ring	
8		A	1	. Piston rod seal	
9			1	. Cylinder tube	
10		A	2	. Back-up ring	
11		A	1	. O-ring	
12		A	1	. Piston seal	
13		A	1	. Guide ring	
14			1	. Piston block	
15	4700392109	A	1	. Lock nut	D
16	4700904385		8	. Screw	
17	4700392107		2	. Snap ring	D
18	4700635061		2	. Hair clip	B
19	4700392108		2	. Shaft	C
20	4700392106		1	Seal kit	D

- A) Includes in seal kit item 20.
- B)
- C)
- D)

4700376000 Steering valve



4700376000 Steering valve

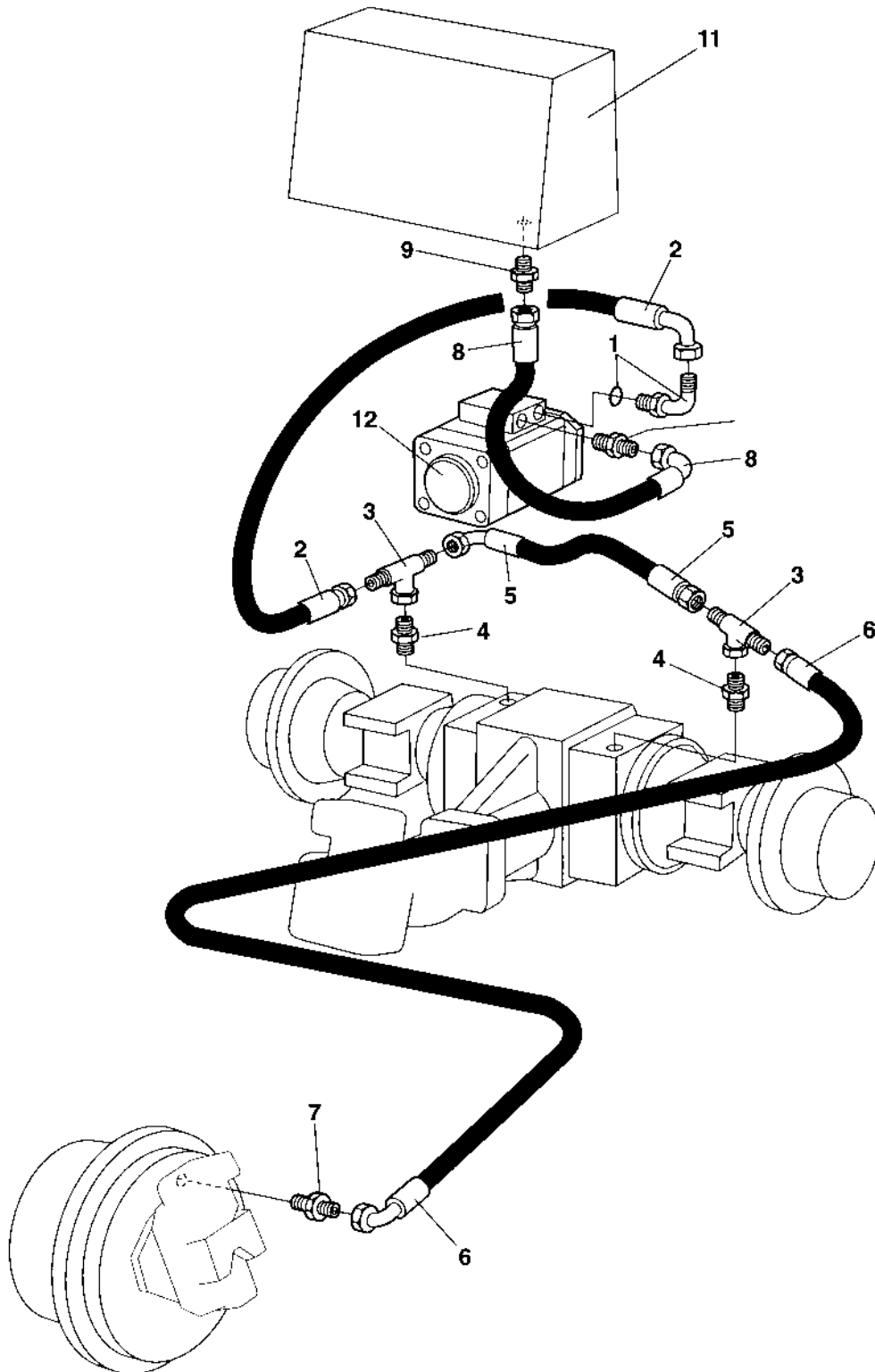
Item	Part No	Rem	Qty	Description	Code
1	4700938062	A	1	Dust seal ring	
2		1	1	Housing, spool and sleeve	
3		1	1	Ball	
4		1	1	Threaded bushing	
5	4700908780	A	1	O-ring	D
7		1	1	Bearing	
8		1	1	Ring	
9		1	1	Cross pin	
11		1	1	Cardan shaft	
12		1	1	Set of springs	
13	4700938068	A	3	O-ring	
14		1	1	Valve plate	
15		1	1	Gear wheel set	
17		1	1	End cover	
18	4700938070	A	7	Washer	
20		1	1	Screw with pin	
21		1	6	Spring washer	
22		1	1	Plate	
24		1	1	Pressure relief valve	
25		1	1	Spring	
26		1	2	Shock valve	
27		1	2	Ball	
29		1	2	Rolled pin	
32		1	1	Check valve	
33	4700935429		1	Seal kit	

1) Not available as single Spare Part.

A) Included in seal kit, item 33

D)

Brake system



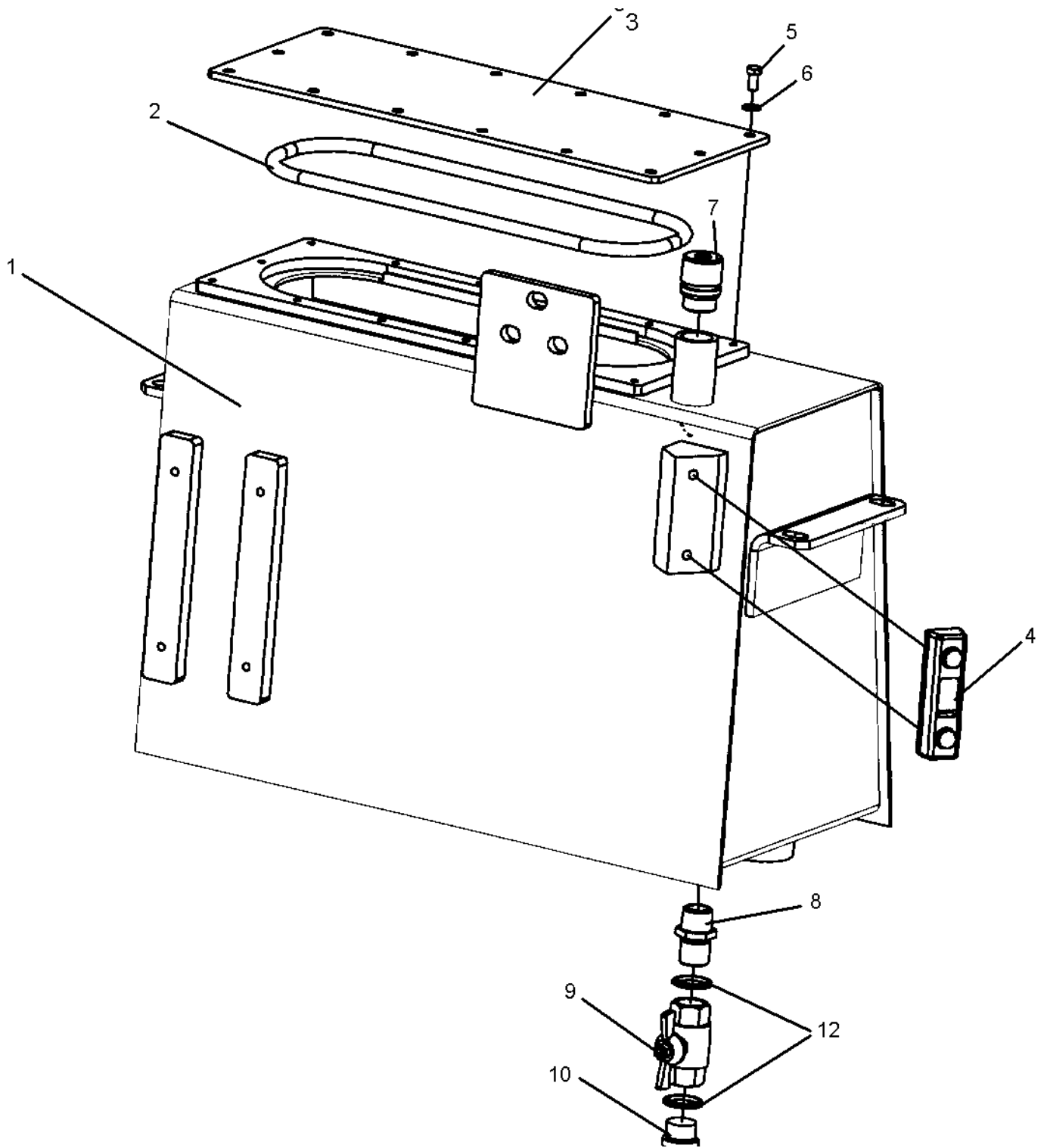
Brake system

Item	Part No	Rem Qty	Description	Code
1	4700334389	1	Connector	D
2	4700482056	1	Hydraulic hose	D
3	4700234888	2	Tee-connector	D
4	4700900552	2	Adapter	C
5	4700482399	1	Hydraulic hose	D
6	4700483040	1	Hydraulic hose	D
7	4700925723	1	Connector	C
8	4700482516	1	Hydraulic hose	D
9	4700334205	1	Straight connector	D
10	4700234843	1	Adapter	
11		1	Hydraulic oil tank	
12		1	Propulsion pump	

C)

D)

Hydraulic oil tank

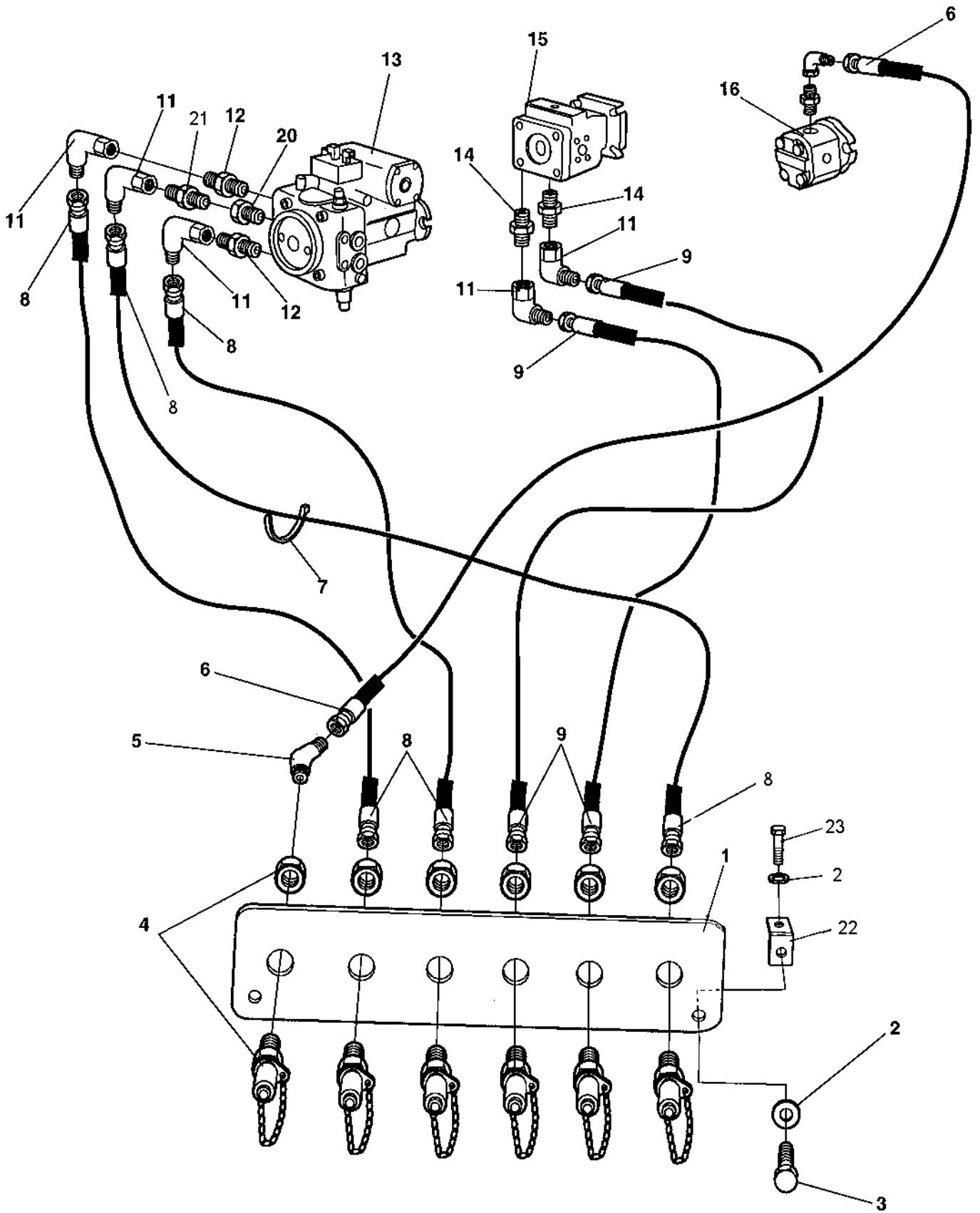


Hydraulic oil tank

Item	Part No	Rem Qty	Description	Code
1	4700372044	1	Hydraulic oil tank, cpl	D
2	4700372029	1	. Hydraulic oil tank	D
3	4700349880	1	. O-ring	
4	4700349879	1	. Cover	
5	4700989151	1	. Oil level glass	D
6	4700500019	14	. Hexagon head screw M	C
7	4700904229	14	. Steel plain washer	C
8	4700357138	1	. Ventilating filter	A
9	4700791119	1	. Adapter G3/4	
10	4700233304	1	. Ball valve	
11	4700232039	1	. Plug G3/4	
12	4700791120	2	. Sealing washer	
13	4700500192	4	Hexagon head screw M	C
14	4700904567	4	Steel plain washer	
16	4700570006	4	Hexagon nut M	B

- A)
- B)
- C)
- D)

Central test panel hydraulic Option



Central test panel hydraulic Option

Item	Part No	Rem Qty	Description	Code
1	4700374028	1	Test panel	D
2	4700904229	4	Steel plain washer	C
3	4700500053	2	Hexagon head screw M	C
4	4700356348	6	Measuring nipple	D
5	4700234622	1	Elbow 45	C
6	4700483204	1	Hydraulic hose	D
7	4700313102	N	Cable ties	
8	4700483445	3	Hydraulic hose	D
9	4700483188	2	Hydraulic hose	D
11	4700334196	5	Elbow 90	C
12	4700902125	2	Connector	
13		1	Vibration pump	
14	4700234388	2	Connector	C
15		1	Propulsion pump	
16		1	Steering pump	
20	4700334523	1	Reducing	C
21	4700334463	1	Connector	C
22	4700908136	2	Bracket	D
23	4700500018	2	Hexagon head screw M	C

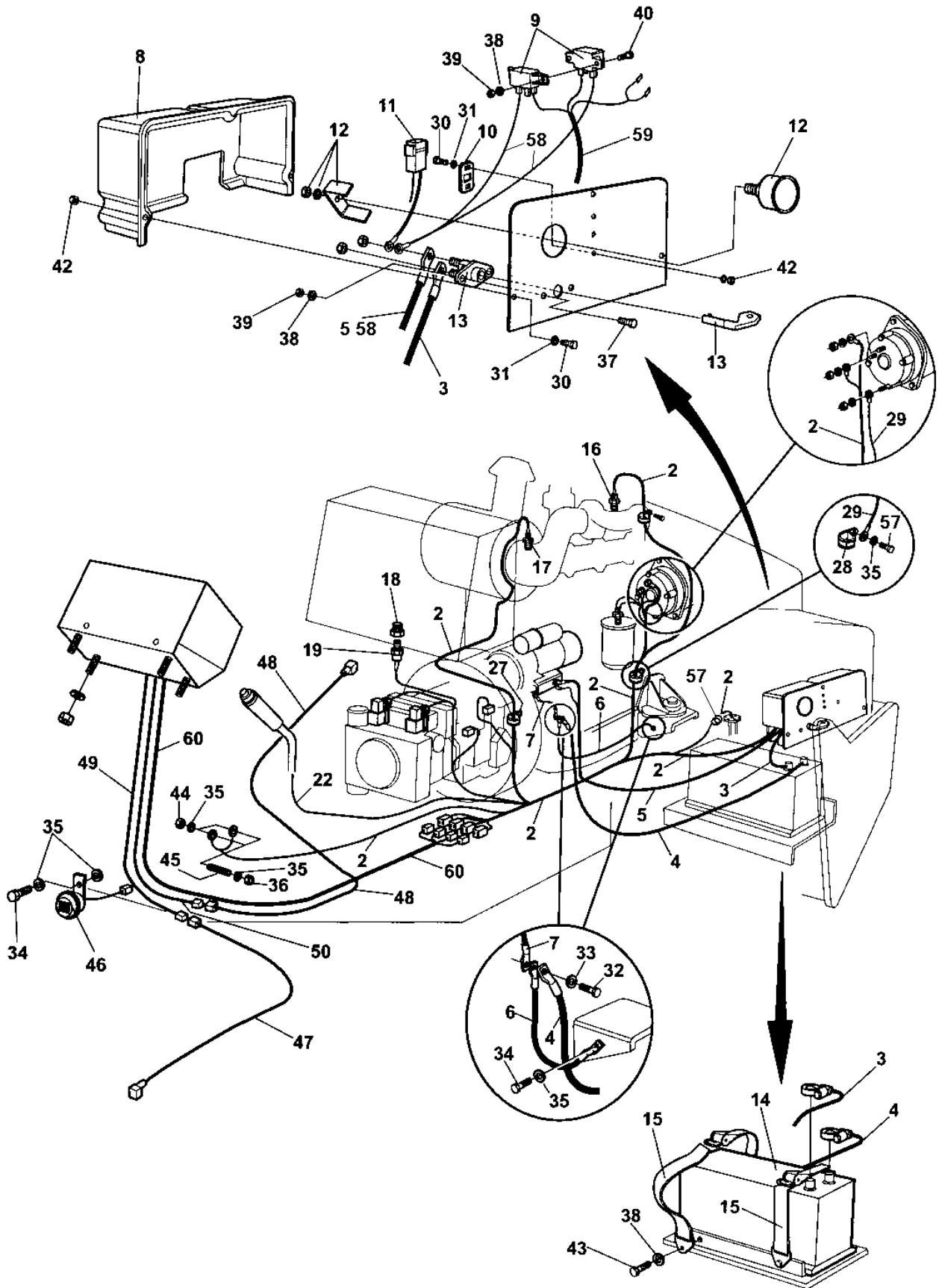
C)
D)

Electrical equipment

Electrical equipment

Item	Part No	Rem Qty	Description	Code
10			Electric system (Page 138)	
20			Control panel (Page 140)	
30			Working lights Option (Page 142)	
70			Rotating beacon Option (Page 144)	

Electric system



Electric system

Item	Part No	Rem	Qty	Description	Code
1			1	Control panel	
2	4812112944	A	1	Cable harness Up to ECN 11301	D
	4812115855	A	1	Cable harness From ECN 11301	
3	4700791503		1	Battery cable	C
4	4700791511		1	Battery cable	D
5	4700792052		1	Connection cable coarse	D
6	4700791510		1	Connection cable coarse	D
7	4700791595		1	Connection cable coarse	D
8	4700373891		1	Protection cover	
9	4700904448		2	Relay	A
10	4700904036		1	Fuse holder	
11	4700904037		1	Fuse 30A	A
12	4700801567		1	Hour meter	D
13	4700903640		1	Battery switch	D
	4700903641		1	. Key	D
14	4700792682		1	Battery	D
15	4700791371		2	Strap Up to 0C000365	D
	4700389662		2	Strap From 0C000366	
16	4700903632		1	Temperature sensor Engine	
17	4700929023		1	Indicator	B
18	4700813434		1	Reducer	
19	4700903631		1	Temperature sensor Hydraulic oil	D
22	4700357583		1	Cable harness	D
27	4700921104		1	Clamp	C
28	4700921116		1	Clamp	
29	4700792277		1	Connection cable	D
30	4700500060		5	Screw M5-0,8x20 8.8	
31	4700904281		5	Washer 5,3x10x1 300HV	C
32	4700500035		1	Screw M12x020H	
33	4700904638		1	Washer 12x22x2	C
34	4700500053		2	Hexagon head screw M	C
35	4700904229		8	Steel plain washer	C
36	4700570005		2	Nut M8	C
37	4700500040		2	Screw M6-1x20 8,8	C
38	4700904639		8	Washer 6,7x14x1,5 Up to 0C000365	C
	4700904639		4	Washer 6,7x14x1,5 From 0C000366	C
39	4700902285		4	Hexagon lock nut with flange	C
40	4700500075		2	Screw M6-1,0x25 8.8	C
41	4700387397		1	Bracket	D
42	4700902284		5	Nut M5	C
43	4700500012		4	Screw M6x12 Up to 0C000365	C
44	4700902286		2	Hexagon lock nut with flange	C
45	4700903768		2	Threaded stud	
46	4700999027		1	Horn	B
47	4700380549	B	1	Cable harness	D
48	4700380577	C	1	Cable harness	D
49	4700380699	D	1	Cable harness	D
50	4700380700	E	1	Cable harness	D
56	4700500021		1	Screw M8-1,25x25 8.8	C
57	4700921072		1	Clamp	
58	4700387427		1	Cable harness	D
59	4700387554		1	Cable harness	D
60	4700380281	F	1	Cable harness	D

A) Main Cable harness.

B) Drum drive.

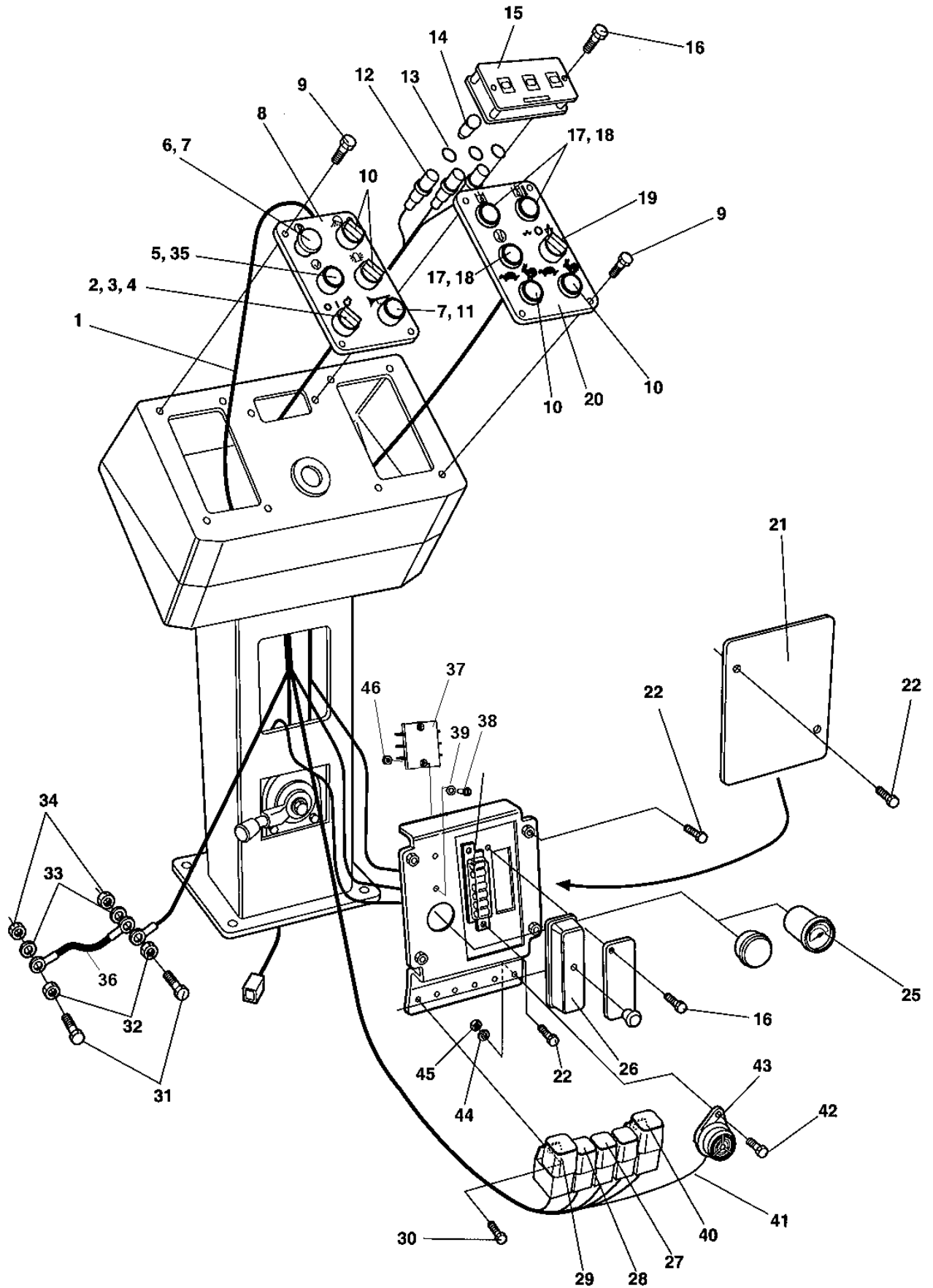
C) Rear axle.

D) Control panel, Drum drive

E) Control panel, Rear axle.

F) Main harness, control panel.

Control panel

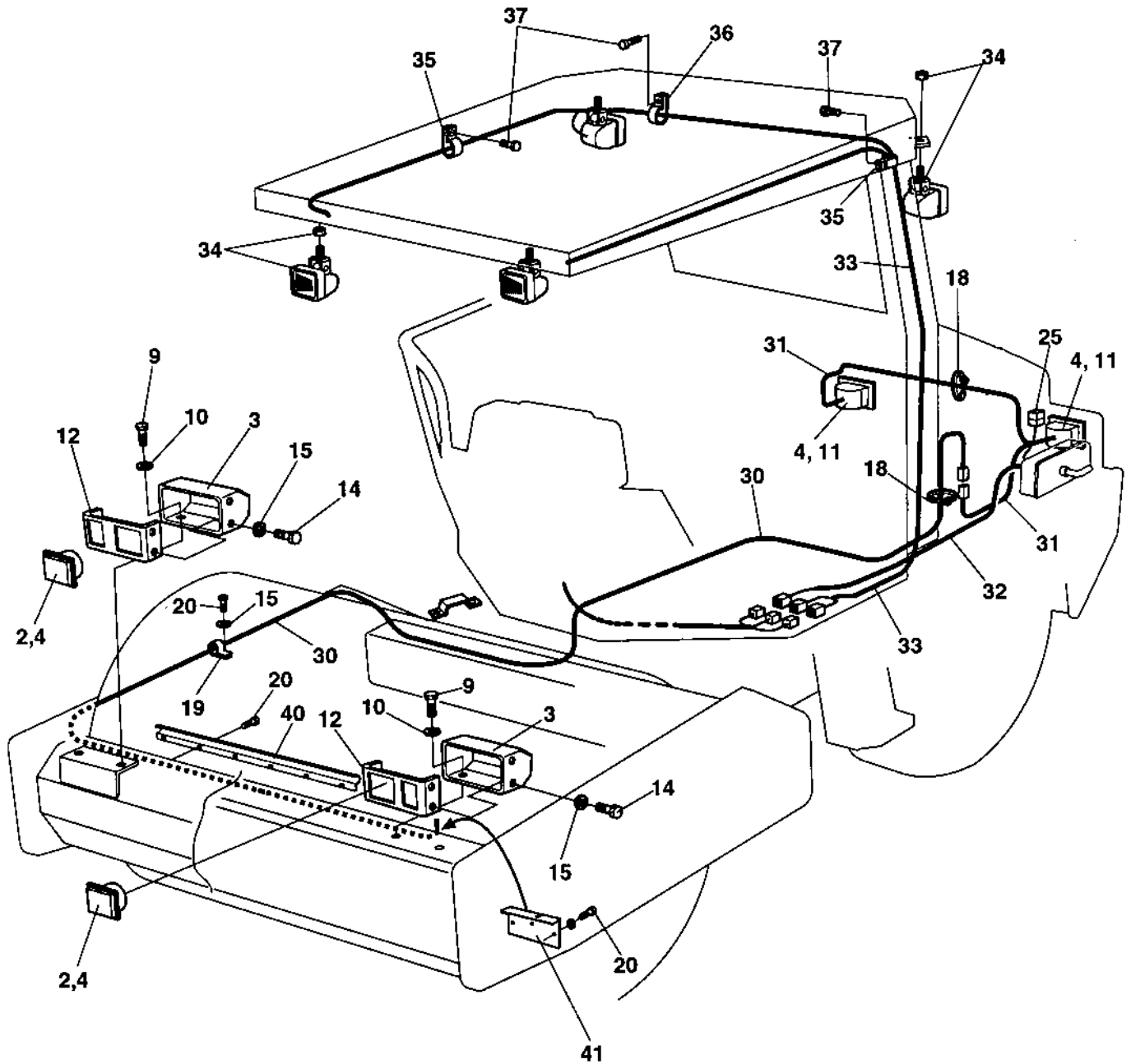


Control panel

Item	Part No	Rem	Qty	Description	Code
1	4700387418		1	Cable harness	D
2	4700791489	1	1	Switch	B
3	4700930154		1	Contact piece, NC	B
4	4700930198		1	Contact block	
	4700903875		1	. Flange with light	C
5	4700932032		1	Push button	B
6	4700930200		1	Emergency stop	B
7	4700930163		6	Contact piece, NO	B
8	4700380278		1	Control panel, left	D
9	4700902224		8	Screw M6x10	
10	4700911456		4	Hole plug	C
11	4700932032		1	Push button	B
12	4700902225		3	Lamp socket 2-POL	D
13	4700160269		3	O-ring	D
14	4700985125		3	Bulb 12V	B
15	4700357585		1	Display panel	D
16	4700901767		6	Screw ST3,5x9,5 Black	
17	4700985146		3	Pilot lamp cpl Red	B
18	4700985012		3	Bulb 2w	B
19	4700930153		1	Switch	D
20	4700380277		1	Control panel, right	D
21	4700371344		1	Cover	D
22	4700541702		6	Screw M6x12	C
23	4700371326		1	Distribution control plate	D
24	4700901226		4	Fuse 7.5A	
25	4700355263		1	Fuel gauge	B
26	4700903820		2	Fuse box	D
	4700901240		6	Connector	B
27	4700287597		1	Relay	D
28	4700287598		1	Relay 12V-30A	A
29	4700382782		1	Relay, VBS	A
30	4700902223		4	Screw	D
31	4700500075		2	Screw M6-1,0x25 8.8	C
32	4700586002		2	Lock nut M6 -8	
33	4700904228		2	Washer 6,4x12x1,5	C
34	4700570004		2	Nut M6X1,00 -8 A2K	
35	4700930163		1	Contact piece, NO	B
36	4700903970		1	Cable	B
37	4700903625		1	Junction block	C
38	4700533013		2	Screw M4x20	
39	4700904698		2	Washer 4,3x8x0,8	C
40	4700904846	A	1	Delay relay	A
41	4700387728	A	1	Cable harness	D
42	4700533070	A	1	Screw	D
43	4700355301	A	1	Buzzer	B
44	4700904281	A	2	Washer 5,3x10x1 300HV	C
45	4700586001	A	1	Lock nut	
46	4700923976		2	Nut	C

- 1) Ignition, Green
A) Interlock, Option
A)
B)
C)
D)

Working lights Option



Working lights Option

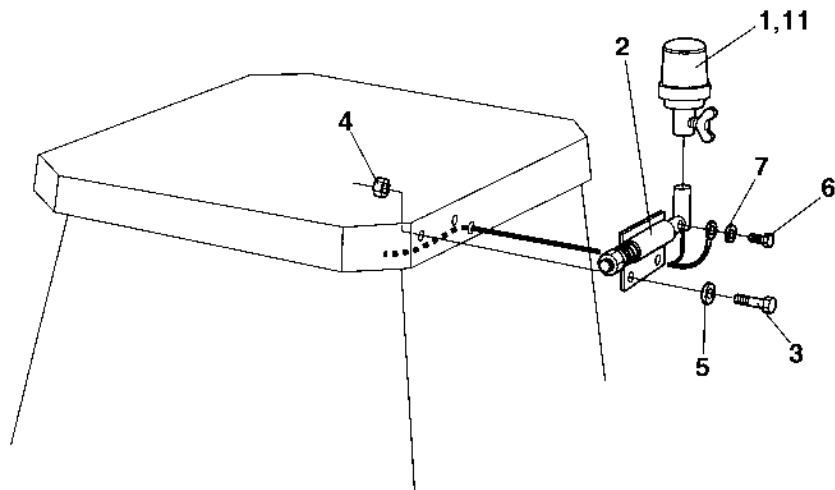
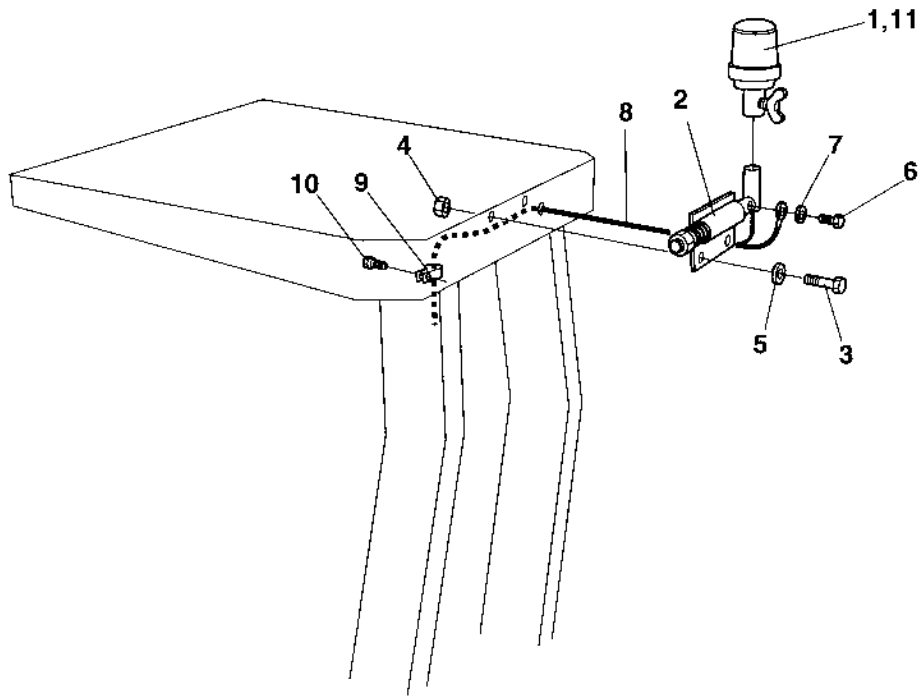
Item	Part No	Rem Qty	Description	Code
2	4700902227	2	Work light	B
3	4700374029	2	Lamp shield	D
4	4700901369	4	Bulb 55w H3	B
9	4700500043	6	Screw M10x16H 8,8	D
10	4700904230	6	Steel plain washer	C
11	4700904314	2	Work lamp	B
12	4700374030	2	Bracket	D
14	4700500040	8	Screw M6-1x20 8,8	C
15	4700904228	13	Washer 6,4x12x1,5	C
18	4700925802	N	Cable ties L=142 mm	C
19	4700921039	8	Pipe clamp	
20	4700500012	8	Screw M6x12	C
25	4700904038	1	Fuse 40A	
30	4700373184	1	Cable harness	D
31	4700387419	1	Cable harness	D
32	4700373184	1	Cable harness	D
33	4700372758	1	Cable harness	D
34	4812110216	4	Work lamp	C
	4700904230	4	Steel plain washer	C
	4700586018	4	Hexagon lock nut M10	C
35	4700921039	10	Pipe clamp	
36	4700921031	3	Clamp	C
37	4700541702	13	Screw M6x12	C
40	4700381462	1	Rubber hose	D
41	4700384163	2	Protection	D

B)

C)

D)

Rotating beacon Option



Rotating beacon Option

Item	Part No	Rem	Qty	Description	Code
1	4700999011	1	1	Rotating beacon	B
2	4700358452		1	Lamp holder	D
3	4700500021		2	Screw M8-1,25x25 8.8	C
4	4700586003		2	Lock nut M	C
5	4700904229		2	Steel plain washer	C
6	4700500013		1	Screw M6-1x16 8,8	C
7	4700904228		1	Washer 6,4x12x1,5	C
8	4700374398		1	Cable harness	D
9	4700921039		1	Pipe clamp	
10	4700541702		1	Screw M6x12	C
11	4700389577	2	1	Rotating beacon 12V	B

1) Is replaced by item 11, P/N 4700389577

2) Replaces item 1, P/N 4700999011

B)

C)

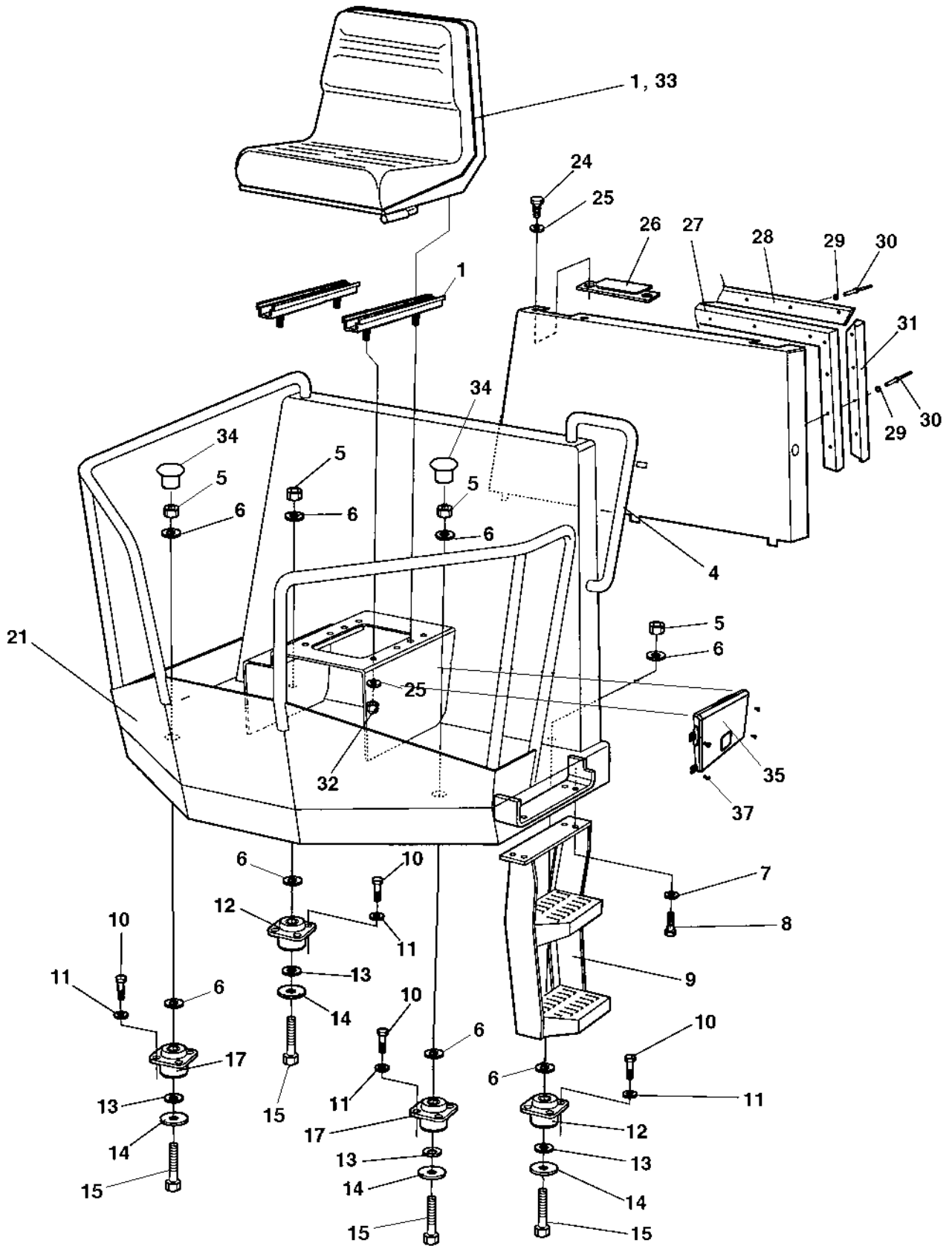
D)

Drivers platform

Drivers platform

Item	Part No	Rem Qty	Description	Code
10			Drivers platform (Page 148)	
20			Control panel (Page 150)	
30			Throttle control (Page 152)	
40			Forward and reverse control (Page 154)	
52			Steering column (Page 156)	
100			Canopy Option (Page 158)	
110			Rops and fops (Page 160)	
120			Cab mounting (Page 162)	
130			Cab Screens (Page 164)	
140			Cab Door, left side (Page 168)	
150			Cab Interior rear mirror (Page 170)	
160			Cab Exterior, rear mirror (Page 172)	
170			Wiper arm with blade, front (Page 174)	
180			Cab Work light (Page 176)	
190			Cab Electric (Page 178)	

Drivers platform

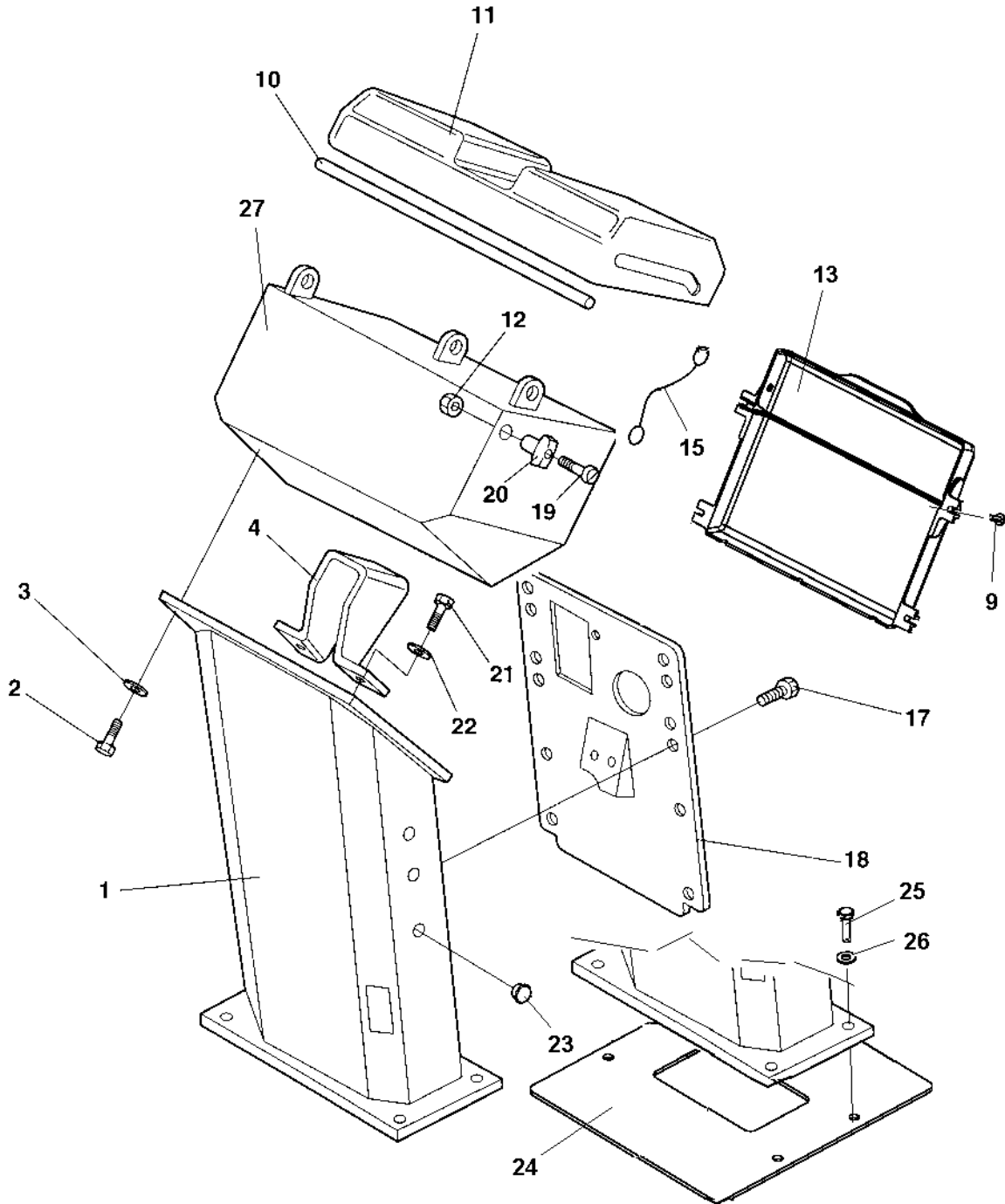


Drivers platform

Item	Part No	Rem	Qty	Description	Code
1	4700377556		1	Drivers seat, cpl	
	4812114466		1	Drivers seat, cpl	
	4700379636		1	. Seat switch	
	4700377518	A	1	Drivers seat, cpl	D
	4700945622		1	. Seat switch	B
	4700348331		1	Seat cover	D
4	4700380123	F	1	Grab handle	D
5	4700901145		4	Lock nut M20-10	
6	4700904233		8	Washer 21x36x3	C
	4700904233		4	Washer 21x36x3	C
7	4700904230		8	Steel plain washer	C
8	4700500029		4	Hexagon head screw	C
9	4700376252		1	Step	D
10	4700500195		16	Screw	
11	4700904231		16	Washer 13x24x2 300 HV	C
12	4700372757		2	Shock absorber	D
13	4700903290		4	Washer 21x36x6	
	4700903290		8	Washer 21x36x6	
14	4700347512		4	Washer	
15	4700500210		4	Screw M20-2,5x100 8.8	
	4700500211		4	Screw	C
16	4700374471		4	Spacer	D
17	4700373400		2	Shock absorber	D
21	4700380113		1	Platform	
24	4700500053		4	Hexagon head screw M	C
25	4700904229		8	Steel plain washer	C
26	4700380727		2	Cover	D
27	4700372494	E	1	Rubber strip	D
28	4700372785		1	List	D
29	4700927974		13	Washer	C
30	4700904433		13	Blind rivet	
31	4700382582		2	List	D
32	4700570003		4	Nut M5	C
33	4700379636	H	1	Seat switch	
	4812155075	I	1	Seat switch	B
34	4700902203		2	Plug	
35				Not used on this model	
37				Not used on this model	

- A) Option
- E) L=2,4 M
- F) Welded with platform 4700380113.
- H) With bayonet fitting.
- I) With screws.
- B)
- C)
- D)

Control panel

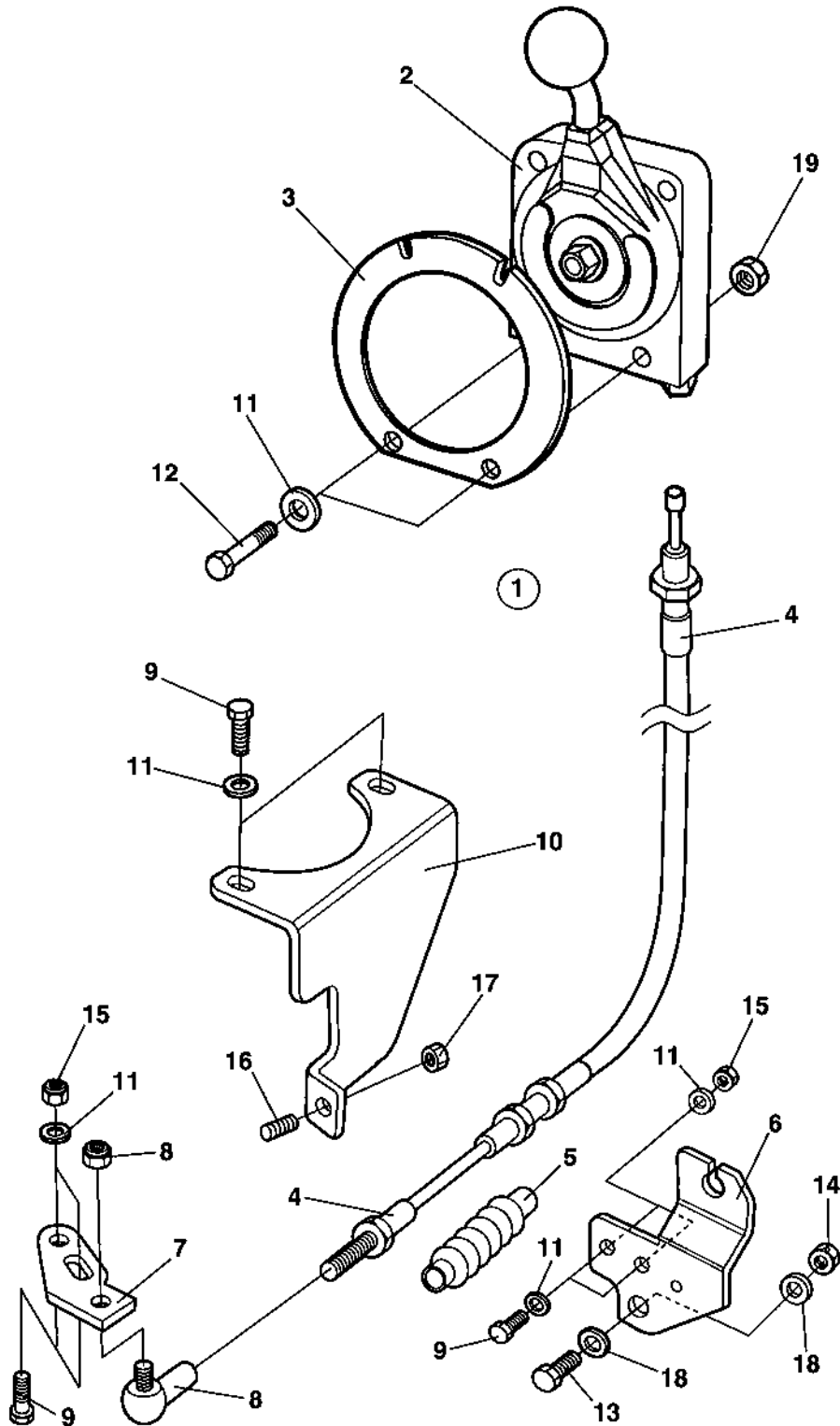


Control panel

Item	Part No	Rem Qty	Description	Code
1	4700358142	1	Control panel	D
2	4700500040	4	Screw M6-1x20 8,8	C
3	4700904228	4	Washer 6,4x12x1,5	C
4	4700357316	1	Bracket	D
9	4700791226	4	Screw	C
10	4700902379	A	Edge trim	
11	4700357424	1	Cover	D
	4700358881	1	Pad lock	
12	4700586002	2	Lock nut M6 -8	
13	4700383705	1	Instruction book holder	D
15	4700357643	1	Wire	
17	4700541702	8	Screw M6x12	C
18	4700358143	1	Cover	D
19	4700924875	2	Screw	D
20	4700357855	2	Bushing	C
21	4700500021	4	Screw M8-1,25x25 8.8	C
22	4700904640	4	Washer 8,4x22x3	C
23	4700902919	4	Plug	
24	4700380685	1	Cover plate	
25	4700500030	4	Screw M10x035H 8.8 A3K	
26	4700904230	4	Steel plain washer	C
27	4700357320	1	Instrument box	D

A) L=350 mm
 C)
 D)

Throttle control

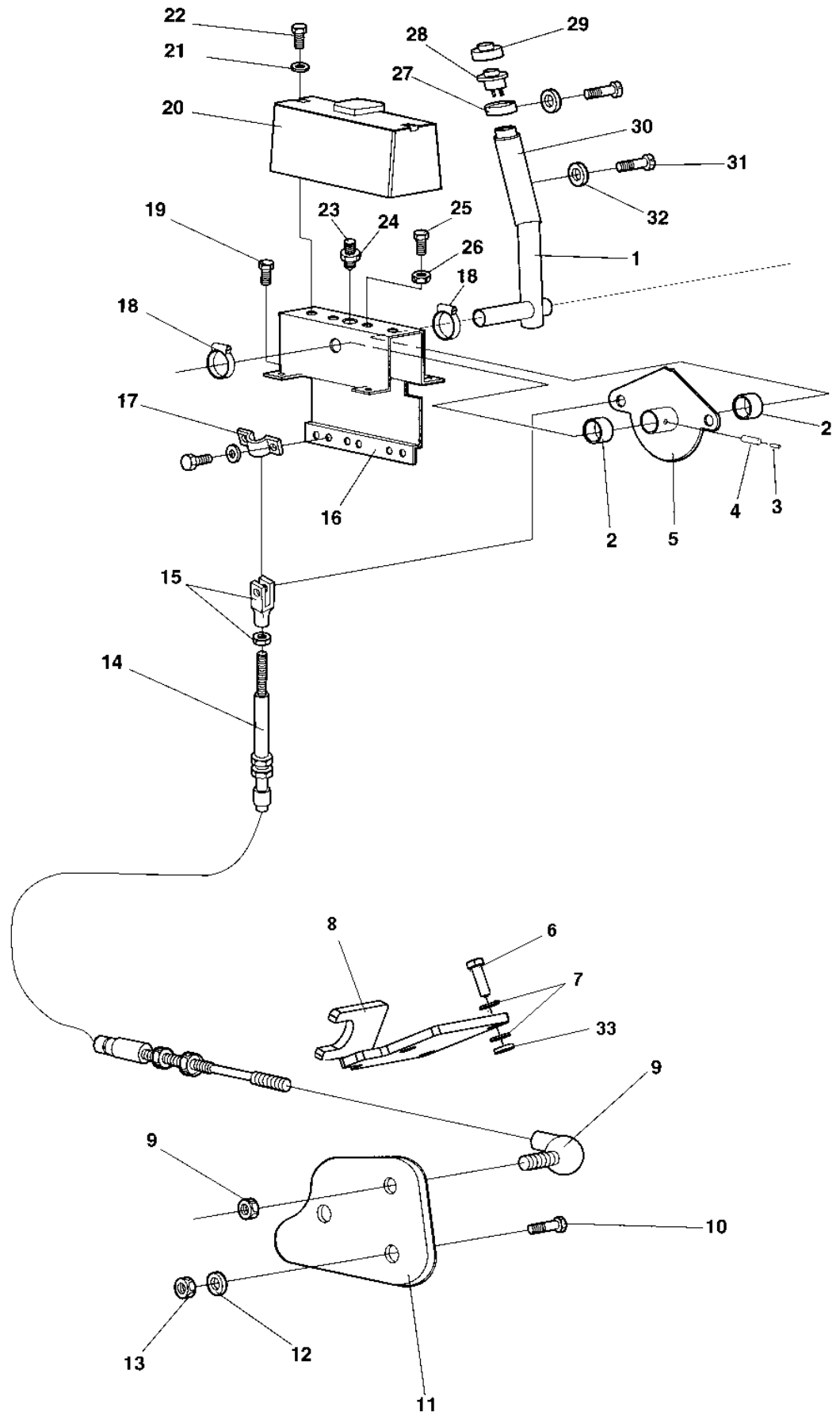


Throttle control

Item	Part No	Rem Qty	Description	Code
1	4700389170	1	Throttle control, cpl	B
2	4700389175	1	. Control	C
3	4700389177	1	. Snap plate	D
4	4700389184	A	. Throttle cable	B
5	4700382349	1	. Bellows	D
6	4700386768	1	Bracket	D
7	4700387633	1	Control lever	D
8	4700416034	1	Ball joint	C
9	4700500040	6	Screw M6-1x20 8,8	C
10	4700388203	1	Bracket	D
11	4700904228	10	Washer 6,4x12x1,5	C
12	4700500015	2	Screw M6X30 8.8	C
13	4700947680	1	Screw M8-1,25x25 10.9	D
14	4700570005	1	Nut M8	C
15	4700570004	4	Nut M6X1,00 -8 A2K	
16	4700923874	1	Screw M8x25	D
17	4700573008	1	Nut M8	C
18	4700904229	2	Steel plain washer	C
19	4700902285	2	Hexagon lock nut with flange	C

- A) L=3040MM
 B)
 C)
 D)

Forward and reverse control

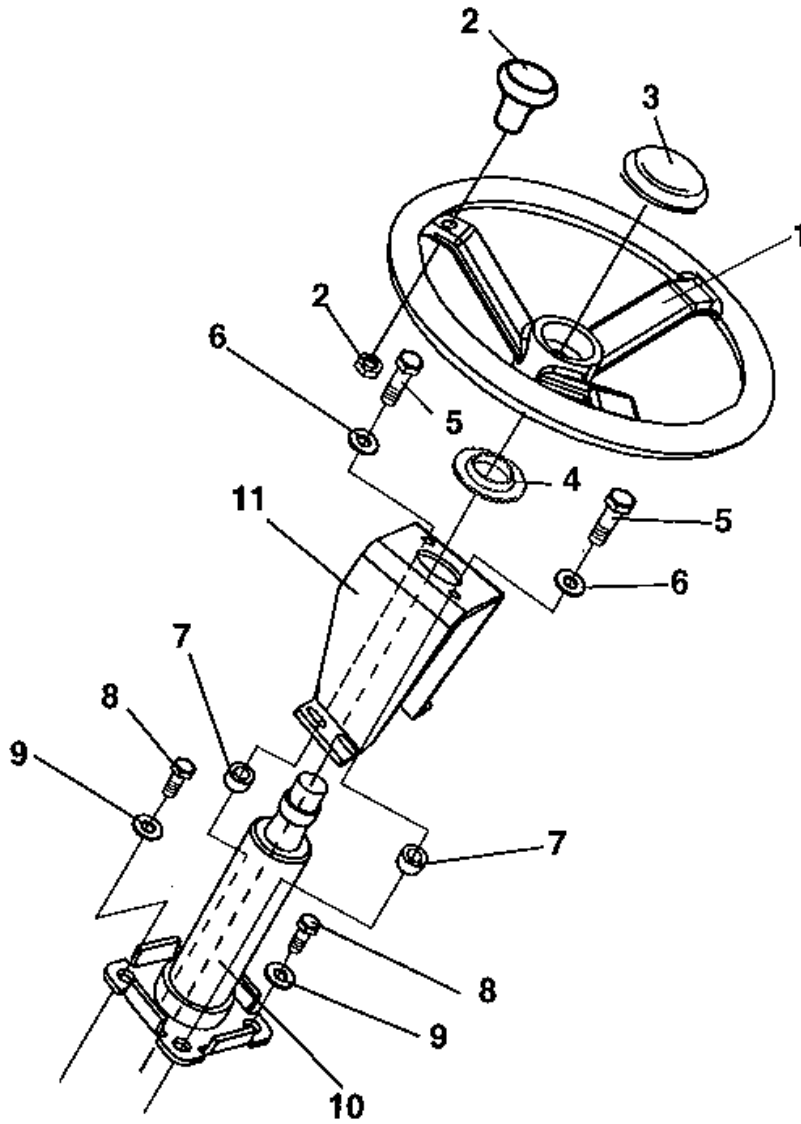


Forward and reverse control

Item	Part No	Rem Qty	Description	Code
1	4700357501	1	Control lever	D
2	4700902187	2	Bearing	D
3	4700903395	1	Spirol pin	D
4	4700629016	1	Expanding	C
5	4700902895	1	Cam disc	
6	4700947680	3	Screw M8-1,25x25 10.9	D
7	4700904229	6	Steel plain washer	C
8	4700382885	1	Control bracket	D
9	4700416034	1	Ball joint	C
10	4700500021	2	Screw M8-1,25x25 8.8	C
11	4700380366	1	Control bracket	D
12	4700904229	2	Steel plain washer	C
13	4700586003	2	Lock nut M	C
14	4700902191	1	Control cable	D
15	4700416004	1	Fork	C
16	4700902896	1	Framing	
17	4700902189	1	Bracket	D
18	4700313035	2	Hose clamp	D
19	4700541703	4	Screw M6x16	C
20	4700357494	1	Cover	D
21	4700904228	2	Washer 6,4x12x1,5	C
22	4700500013	2	Screw M6-1x16 8,8	C
23	4700922325	1	Spring ball plunger	C
24	4700573004	1	Nut	C
25	4700533038	2	Screw	
26	4700570004	2	Nut M6X1,00 -8 A2K	
27	4700285911	1	Bushing	D
28	4700928497	1	Push button	B
29	4700348481	1	Cover	B
30	4700285909	1	Grab handle	D
31	4700533001	3	Screw	D
32	4700904697	3	Washer 3,2x6x0,5	C
33	4700904556	3	Steel plain washer	C

B)
C)
D)

Steering column



Steering column

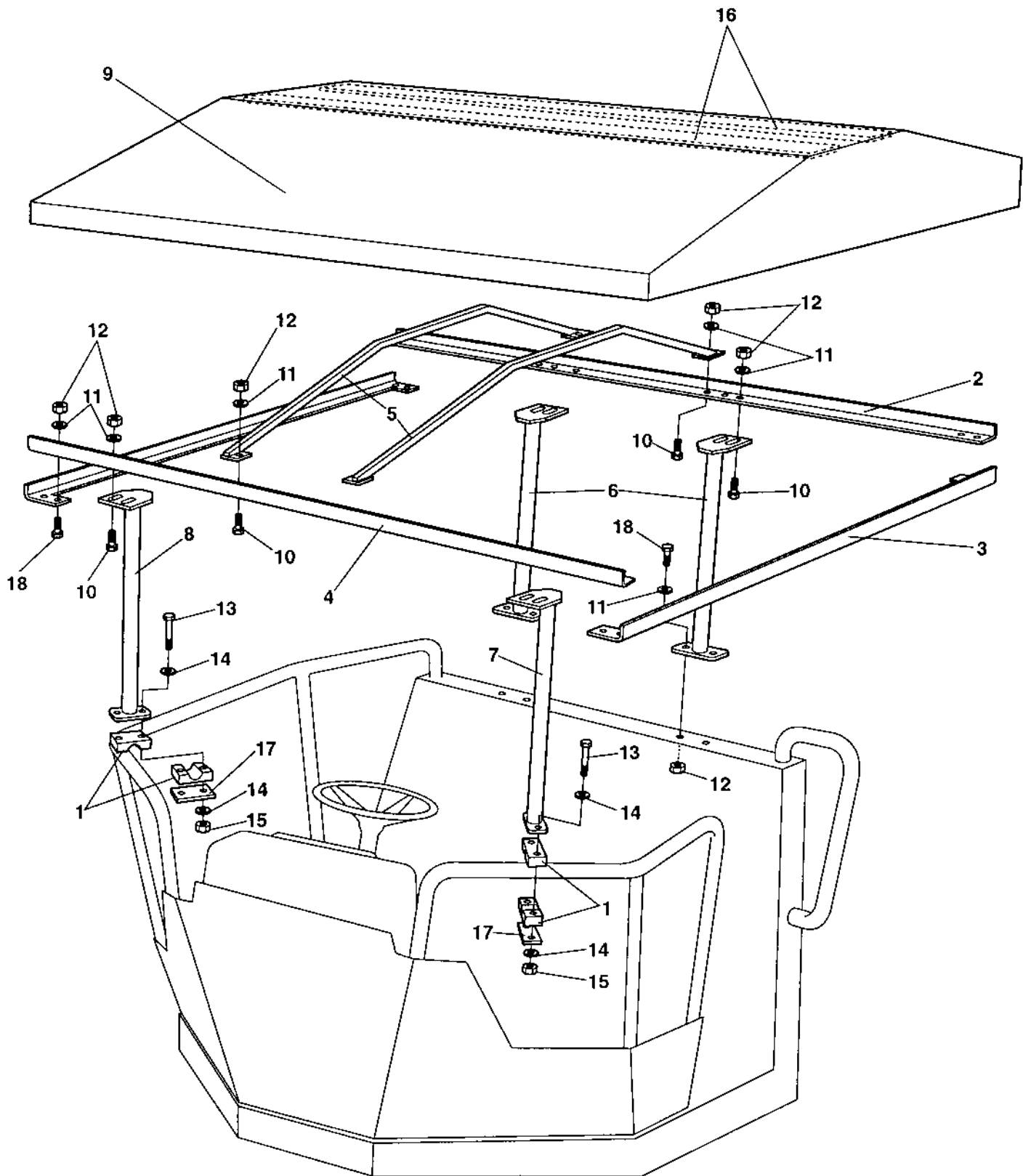
Item	Part No	Rem	Qty	Description	Code
1	4700372964		1	Steering wheel, cpl	D
2	4700935614		1	. Turning knob	D
3	4700935613		1	. Cover	D
4	4700928830		1	Rubber washer	D
5	4700500031		2	Hexagon head screw M	
6	4700904230		2	Steel plain washer	C
7	4700355869		2	Spacer sleeve	D
8	4700500048		2	Screw M10-1,5x20 8,8	
9	4700904230		2	Steel plain washer	C
10	4700902123		1	Steering column	C
11		A	1	Bracket	

A) Included in control panel

C)

D)

Canopy Option



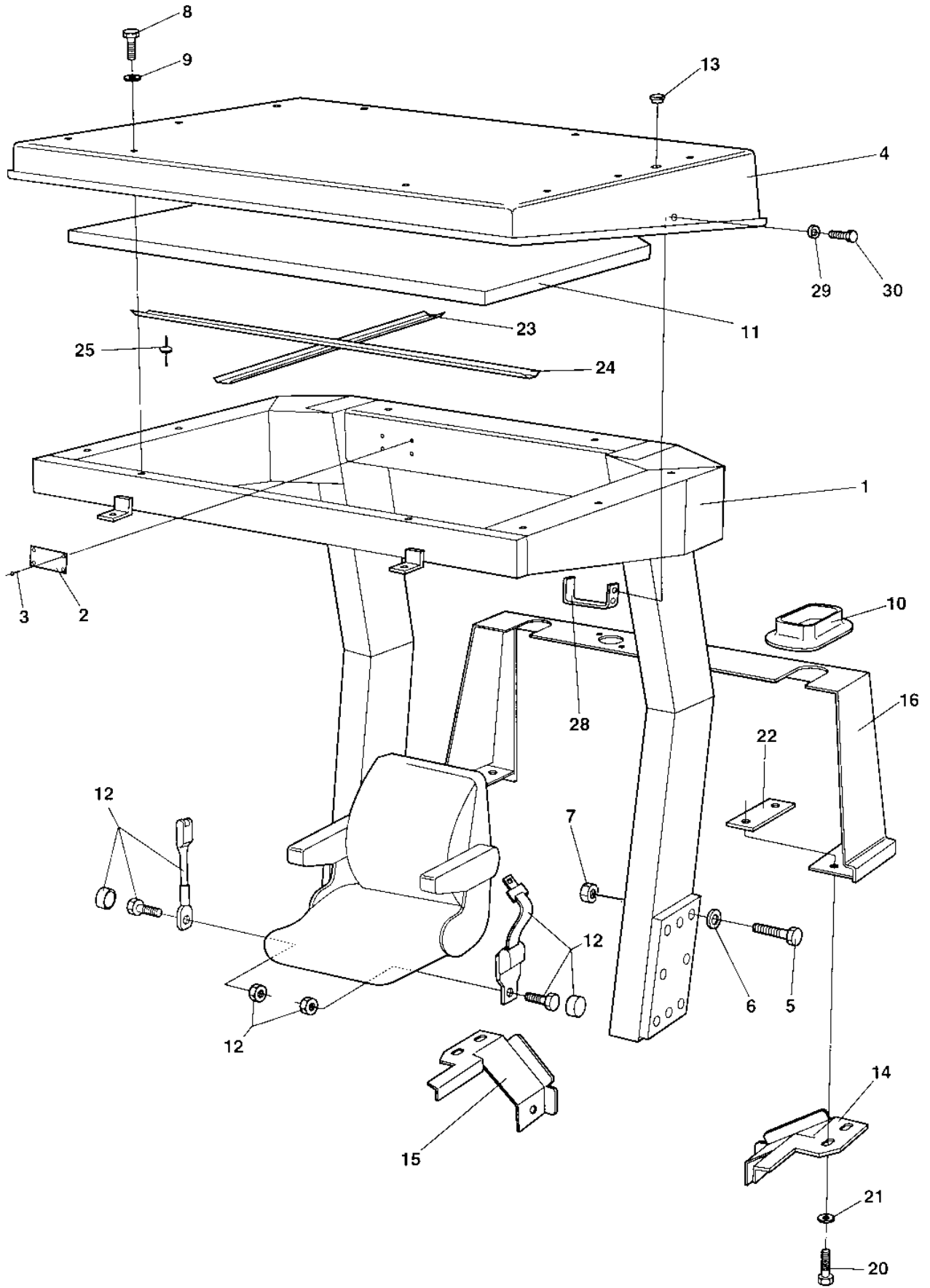
Canopy Option

Item	Part No	Rem Qty	Description	Code
1	4700904340	2	Pipe clamp	
2	4700373746	1	Canopy profile	D
3	4700373747	2	Canopy profile	D
4	4700373748	1	Canopy profile	D
5	4700373749	4	Canopy rib	D
6	4700373750	2	Canopy anchor	D
7	4700380963	1	Canopy anchor	D
8	4700380964	1	Canopy anchor	D
9	4700373906	1	Roof	D
10	4700500021	16	Screw M8-1,25x25 8.8	C
11	4700904229	44	Steel plain washer	C
12	4700586003	22	Lock nut M	C
13	4700500153	4	Screw	C
14	4700904228	8	Washer 6,4x12x1,5	C
15	4700586002	4	Lock nut M6 -8	
16	4700373907	2	Lath	D
17	4700924791	2	Cover plate	
18	4700500022	8	Hexagon head screw M	C

C)

D)

Rops and fops

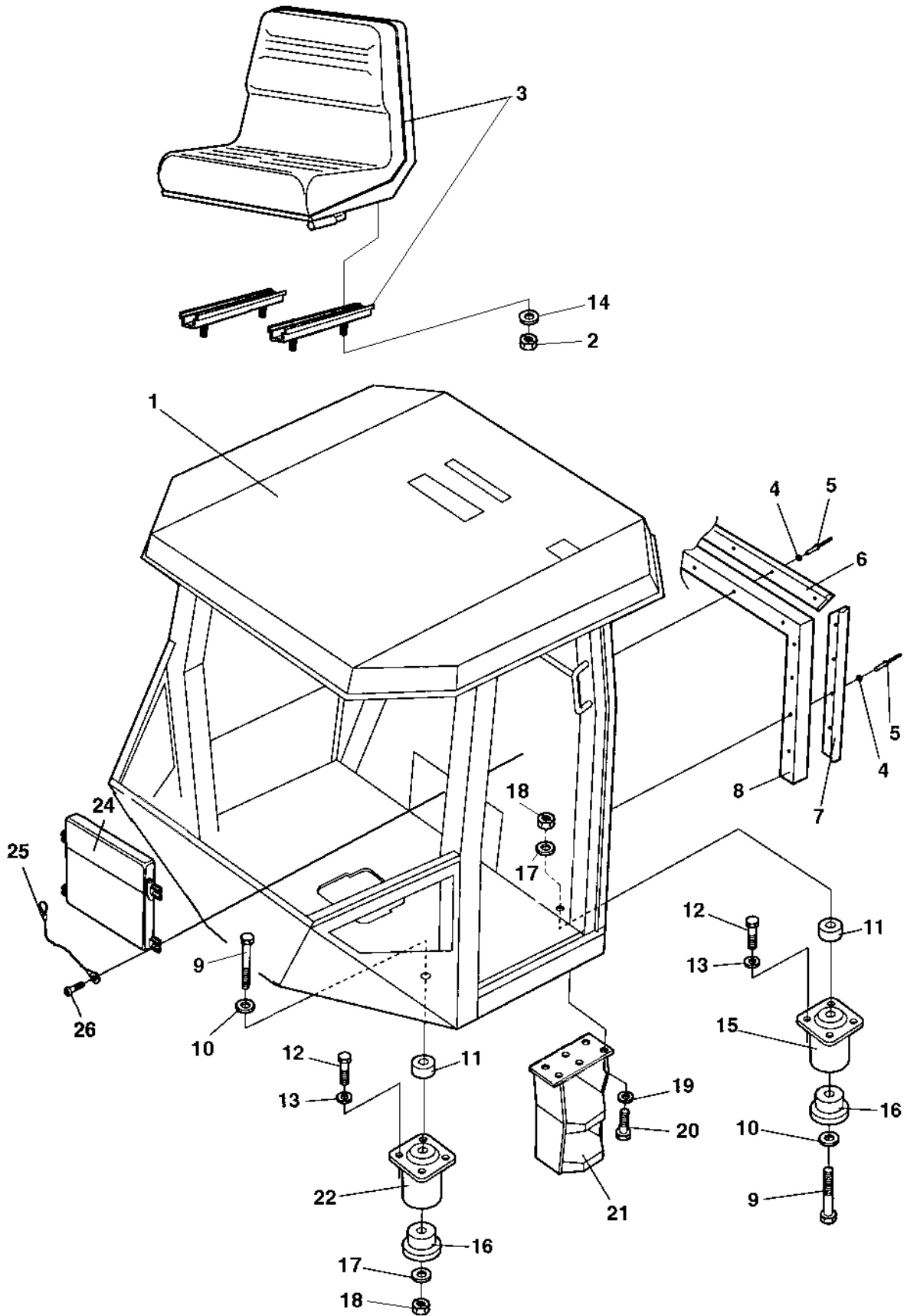


Rops and fops

Item	Part No	Rem Qty	Description	Code
1	4700372347	1	Rops	D
2	4700370803	1	Sign, rops	D
3	4700624016	4	Blind rivet	C
4	4700372409	1	Fops roof	D
5	4700904562	16	Screw M24x160 10.9	
6	4700904234	16	Steel plain washer	
7		0	Not used on this model	
8	4700500239	10	Screw M8x50H 8,8	C
9	4700904734	10	Washer 8,4x26x4	
10	4700372489	2	Rubber seal	D
11	4700372678	1	Absorbent	D
12	4700377677	1	Seat belt 2"	B
	4700379637	1	Seat belt kit, static 3"	B
		2	. Screw	
		2	. Nut	
		2	. Cap	
13	4700904180	2	Plug	C
14	4700373854	1	Holder plate	D
15	4700373855	1	Holder plate	D
16	4700560037	1	Protection cover	D
20	4700500021	4	Screw M8-1,25x25 8.8	C
21	4700904640	4	Washer 8,4x22x3	C
22	4700373309	2	Holder plate	D
23	4700376489	1	Absorbent holder	D
24	4700376488	1	Absorbent holder	D
25	4700904619	12	Blind rivet	C
28	4700383951	4	Hook	D
29	4700904734	4	Washer 8,4x26x4	
30	4700500100	4	Hexagon head screw M	C

- A) Option 3"
 B)
 C)
 D)

Cab mounting

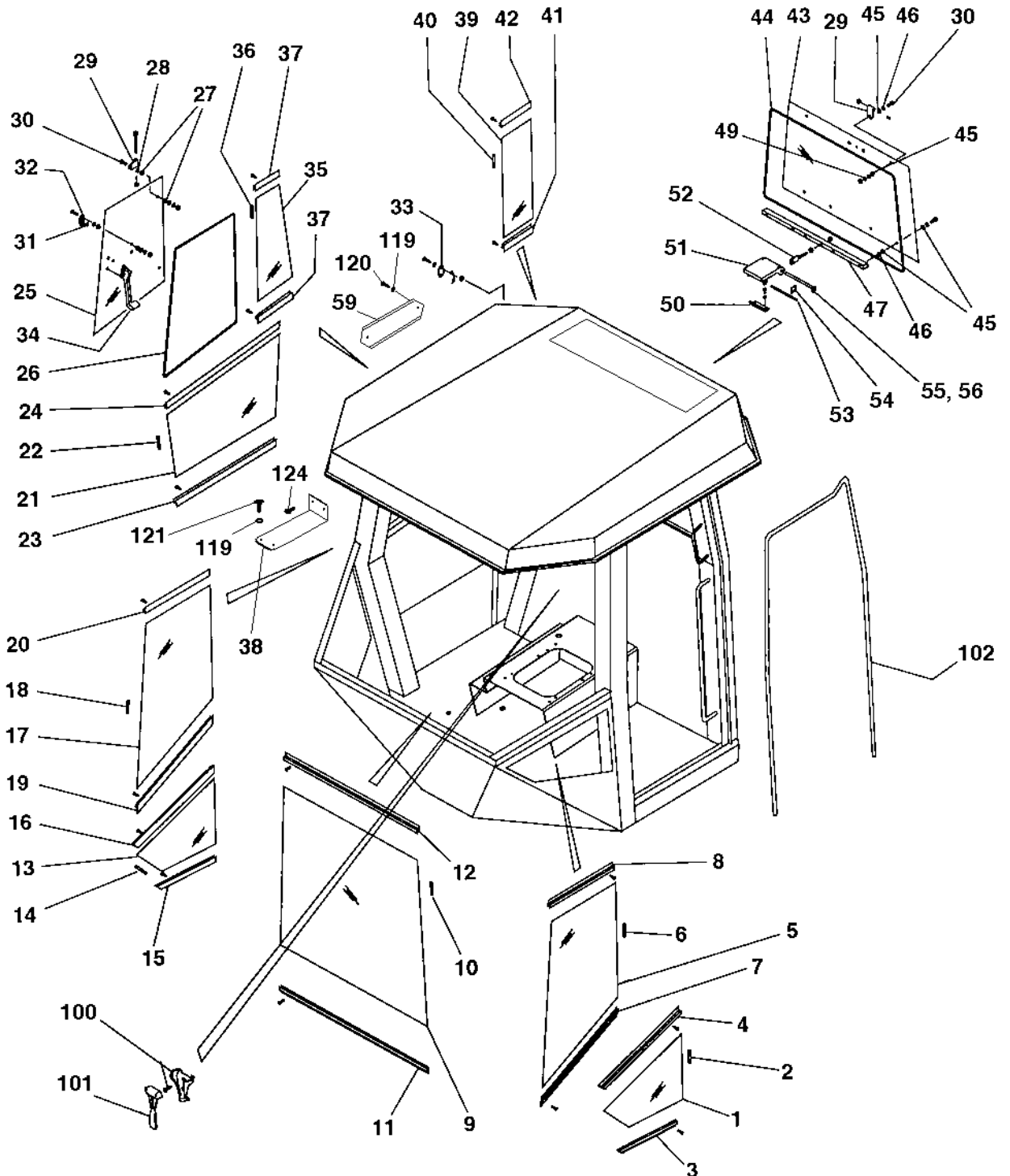


Cab mounting

Item	Part No	Rem	Qty	Description	Code
1	4700378308			Cab	
2	4700570005		4	Nut M8	C
3	4700377556		1	Drivers seat, cpl	
	4812114466		1	Drivers seat, cpl	
	4700379636		1	. Seat switch	
	4700377518	D	1	Drivers seat, cpl	D
	4700945622		1	. Seat switch	B
4	4700927974		13	Washer	C
5	4700904433		13	Blind rivet	
6	4700372785		1	List	D
7	4700382582		2	List	D
8	4700372494	A	N	Rubber strip	D
9	4700791218		4	Screw M20x200	D
10	4700904233		4	Washer 21x36x3	C
11	4700384759		4	Spacer	D
12	4700500195		16	Screw	
13	4700904231		16	Washer 13x24x2 300 HV	C
14	4700904229		4	Steel plain washer	C
15	4700374606	B	2	Shock absorber Green	D
16	4700372457		4	Back-up ring	C
17	4700903290		4	Washer 21x36x6	
18	4700901145		4	Lock nut M20-10	
19	4700904230		6	Steel plain washer	C
20	4700500029		6	Hexagon head screw	C
21	4700376252		1	Step	D
22	4700374607	C	2	Shock absorber Yellow	D
23	4700382397		2	Spacer	D
24	4700383705		1	Instruction book holder	D
25	4700357643		1	Wire	
26	4700791226		4	Screw	C

- A) L=2400 mm
- B) Rear
- C) Front
- D) Option
- B)
- C)
- D)

Cab Screens



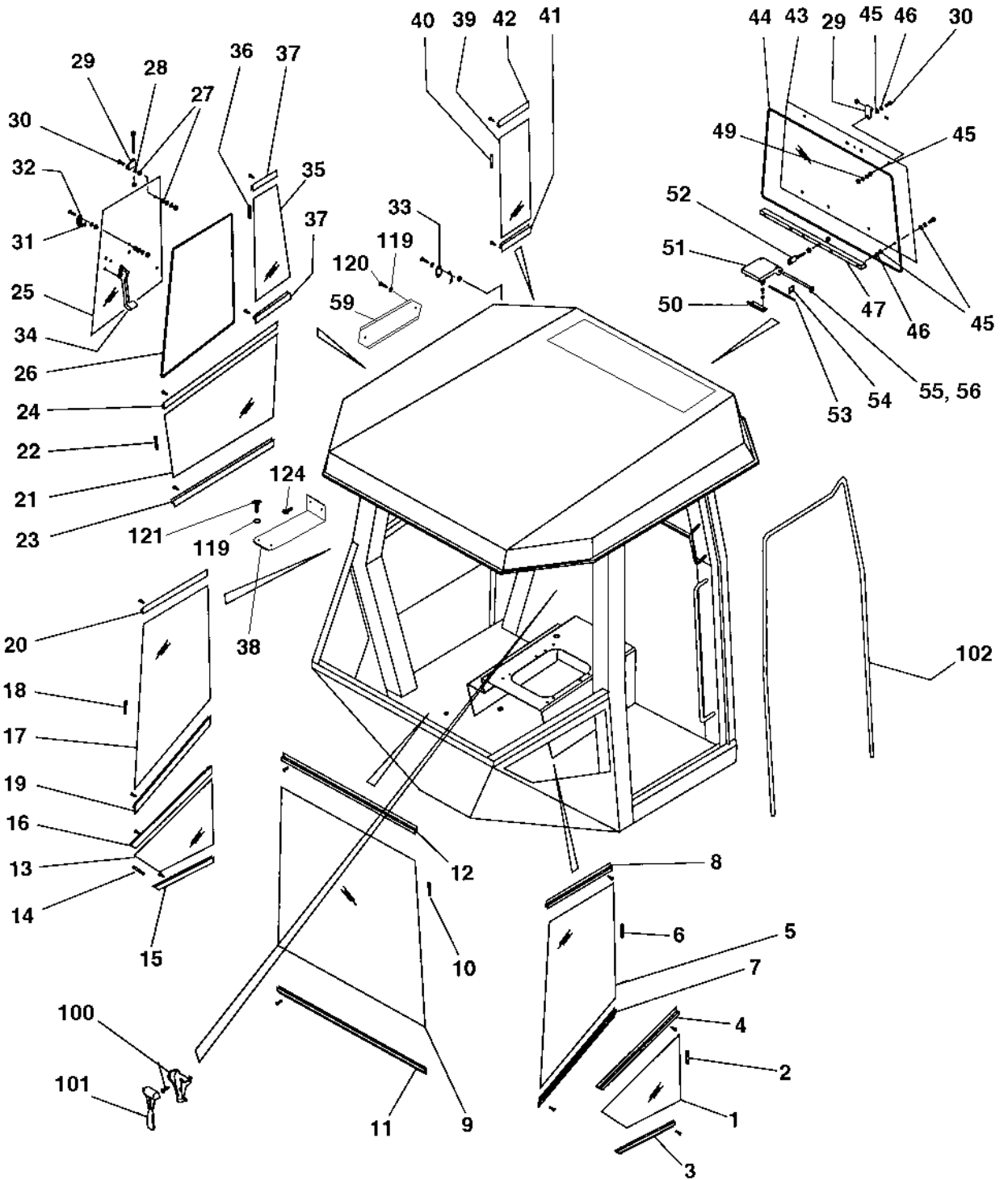
Cab Screens

Item	Part No	Rem Qty	Description	Code
1	4700937380	1	Screen	
2	4700908545	XL	Seal list (Roller of 6 m)	B
3	4700935278	1	List	
4	4700935279	1	List	
5	4700937381	1	Screen, left	
6	4700908545	XL	Seal list (Roller of 6 m)	B
7	4700935280	1	List	
8	4700935281	1	List	
9	4700937382	1	Screen	
10	4700908545	D	Seal list (Roller of 6 m)	B
11	4700935282	1	List	
12	4700935283	1	List	
13	4700937383	1	Screen	
14	4700908545	XL	Seal list (Roller of 6 m)	B
15	4700935284	1	List	
16	4700935285	1	List	
17	4700937384	1	Screen	
18	4700908545	C	Seal list (Roller of 6 m)	B
19	4700935286	1	List	
20	4700935287	1	List	
21	4700937385	1	Screen	
22	4700908545	A	Seal list (Roller of 6 m)	B
23	4700935288	1	List	
24	4700935289	1	List	
25	4700938290	1	Screen	
26	4700908499	E	Rubber list	D
27	4700935271	8	Washer, Flexible rubber	
28	4700935272	8	Washer, Black	
29	4700935273	4	Hinge	
30	4700935274	4	Screw	
31	4700935275	1	Rubber washer	
32	4700935276	1	Bracket Metal	
	4812157261	1	Bracket Rubber	
33	4700935277	1	Lock pin	
	4812157260	1	Lock pin	
34	4700935290	1	Window lock, right	
35	4700938291	1	Screen	
36	4700908545	B	Seal list (Roller of 6 m)	B
37	4700935291	1	List	
38	4700379608	1	Cover	D
39	4700938292	1	Screen	
40	4700908545	B	Seal list (Roller of 6 m)	B
41	4700935293	1	List	
42	4700938659	1	List	
43	4700937389	1	Screen	
44	4700908499	F	Rubber list	D
45	4700935271	12	Washer, Flexible rubber	
46	4700935272	12	Washer, Black	
47	4700935295	1	Screen holder	
49	4700935296	2	Washer	
50	4700935297	1	Bracket	
51	4700935298	2	Bracket	

- A) L=1100 mm
- B) L=1400 mm
- C) L=1900 mm
- D) L=2100 mm
- E) L=2700 mm
- F) L=3300 mm

B)
D)

Cab Screens

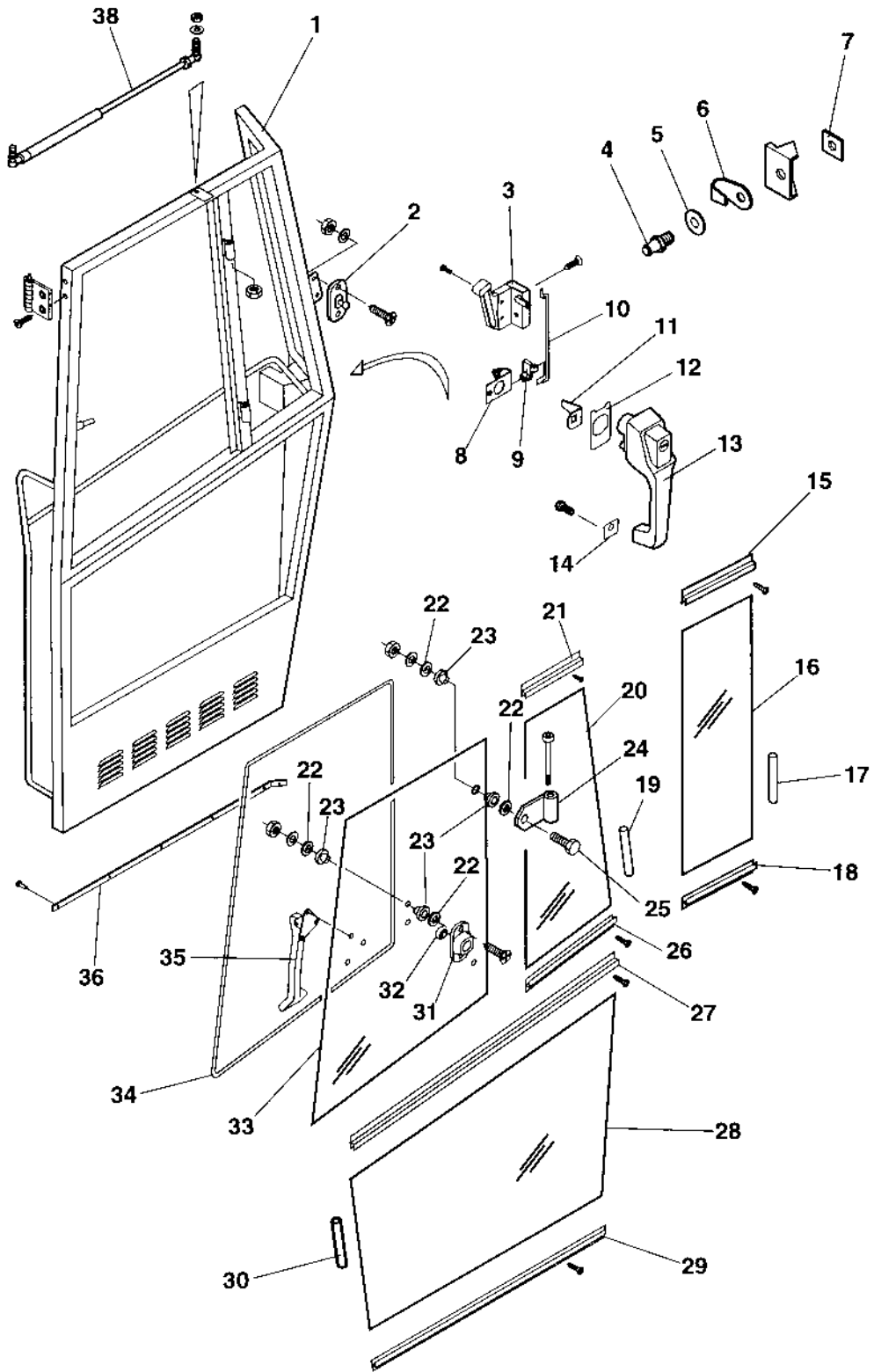


Cab Screens

Item	Part No	Rem Qty	Description	Code
52	4700935299	1	Bolt	
53	4700935300	1	Shaft	
54	4700935301	2	Lock	
55	4700935302	1	Rod	
56	4700935303	1	Ring	
59	4700379236	1	Cover	D
100	4700908506	1	Emergency hammer	D
101	4700908507	1	Emergency hammer, hook	D
102	4700908499	G 1	Rubber list	D
119	4700904229	16	Steel plain washer	C
120	4700500019	14	Hexagon head screw M	C
121	4700500053	2	Hexagon head screw M	C
124	4700903782	2	Screw M5x12	C

G) L=5 m
 C)
 D)

Cab Door, left side

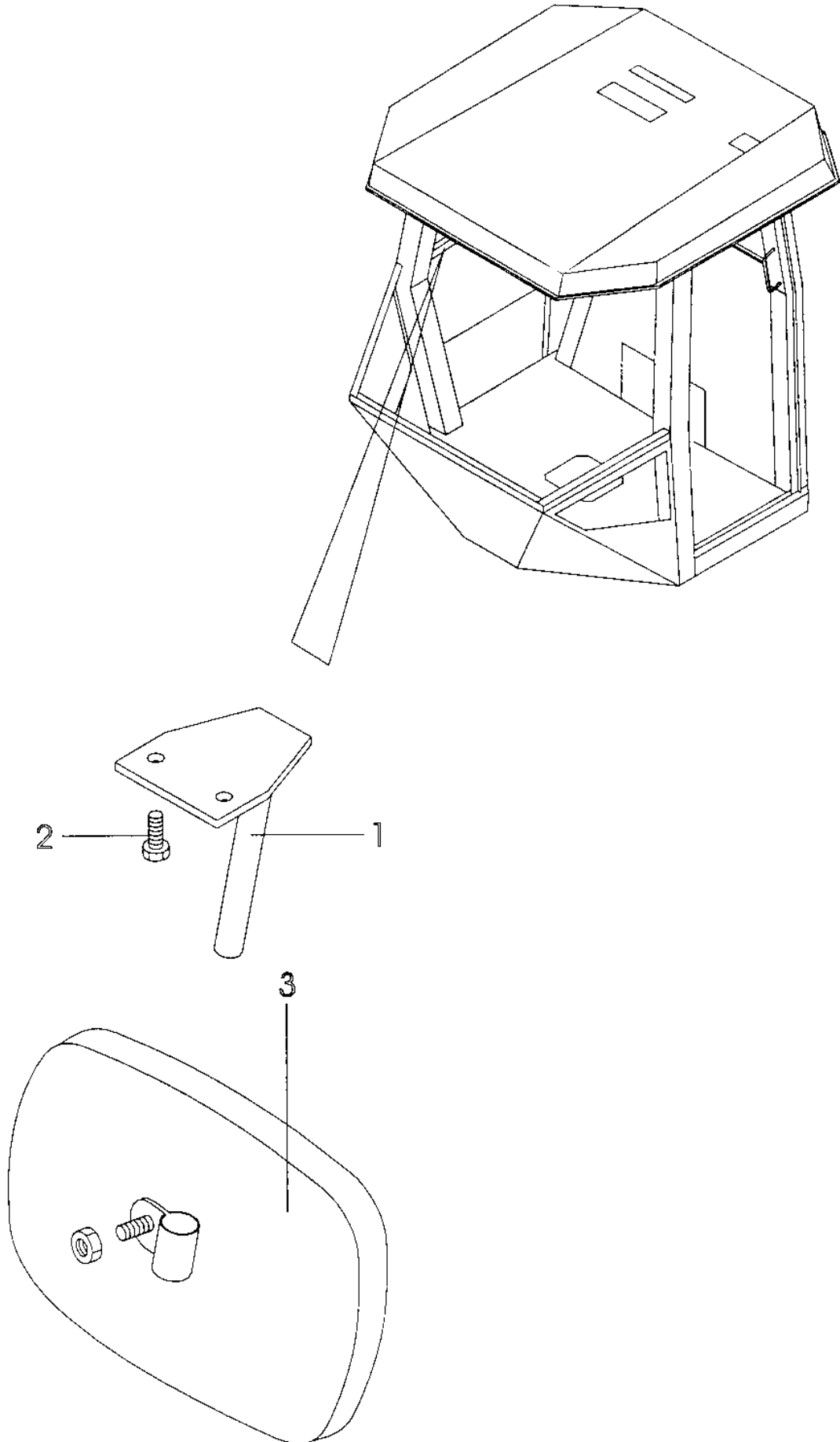


Cab Door, left side

Item	Part No	Rem	Qty	Description	Code
	4700940678		1	Door, cpl	D
1	4700390927		1	. Door frame	D
2	4700935277		1	. Lock pin	
	4812157260		1	. Lock pin	
3	4700938017		1	. Lock	
4	4700908580		1	. Lock pin	C
5	4700908581		1	. Washer	C
6	4700908582		1	. Cover	D
7	4700908583		1	. Bracket	D
8	4700935248		1	. Turning mechanism	
9	4700935249		1	. Retainer	
10	4700935250		1	. Rod	
11	4700935247		1	. Leader	
12	4700935246		1	. Seal	
13	4700935244		1	. Door handle with key	D
14	4700935245		1	. Seal	
15	4700935268		1	. List	
16	4700937391		1	. Screen	
17	4700908545	A	1	. Seal list (Roller of 6 m)	B
18	4700935267		1	. List	
19	4700908545	A	1	. Seal list (Roller of 6 m)	B
20	4700937392		1	. Screen	
21	4700935270		1	. List	
22	4700935272		8	. Washer, Black	
23	4700935271		8	. Washer, Flexible rubber	
24	4700935273		2	. Hinge	
25	4700935274		2	. Screw	
26	4700935269		1	. List	
27	4700935266		1	. List	
28	4700937390		1	. Screen	
29	4700935265		1	. List	
30	4700908545	B	1	. Seal list (Roller of 6 m)	B
31	4700935276		1	. Bracket Metal	
	4812157261		1	. Bracket Rubber	
32	4700935275		1	. Rubber washer	
33	4700937393		1	. Screen	
34	4700908499	C	1	. Rubber list	D
35	4700935253		1	. Lock	
36	4700938101		XL	. Brush profile	
38	4700938018		1	. Gas spring	

- A) L=1400 mm
- B) L=1100 mm
- C) L=2700 mm
- B)
- C)
- D)

Cab Interior rear mirror

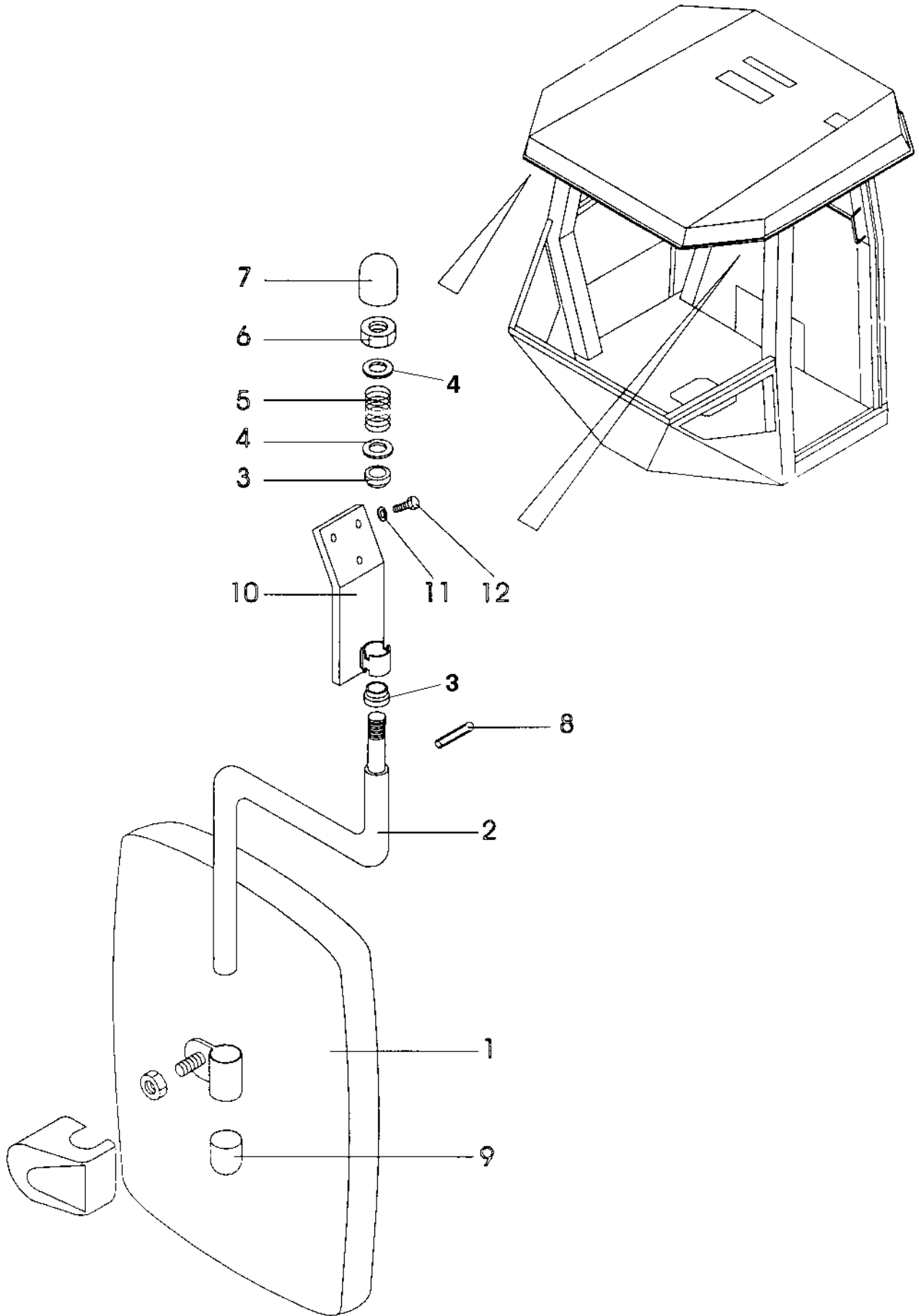


Cab Interior rear mirror

Item	Part No	Rem Qty	Description	Code
1	4700908623	1	Bracket	D
2	4700535005	2	Screw M5x12	D
3	4700908624	1	Rear mirror	D

D)

Cab Exterior, rear mirror

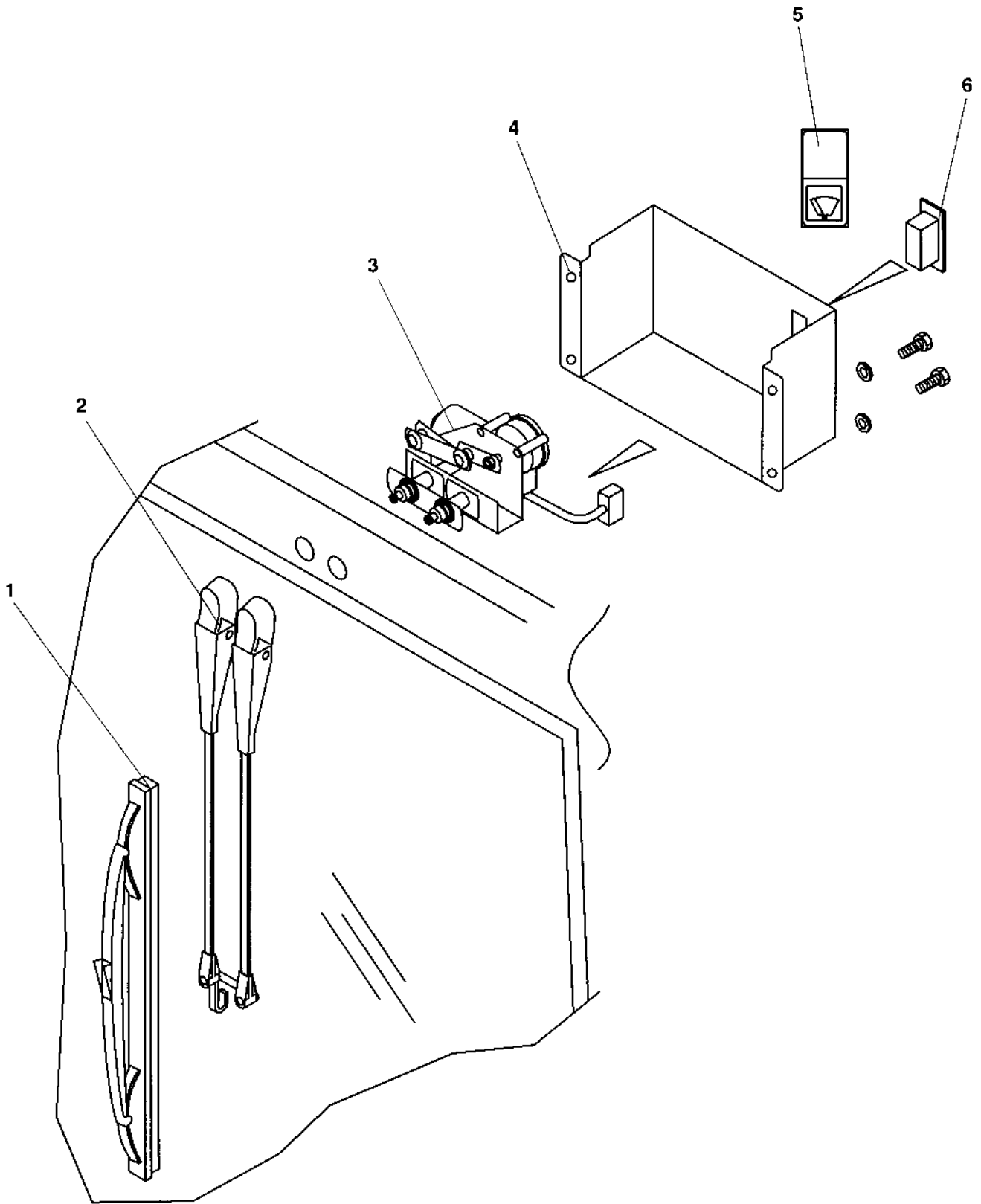


Cab Exterior, rear mirror

Item	Part No	Rem	Qty	Description	Code
1	4700371730	A	2	Rear view mirror, cpl	D
	4700908265		1	. Rear view mirror	D
2	4700908355		1	. Arm	D
3	4700908625		2	. Sleeve	C
4	4700904232		2	. Washer	C
5	4700908626		1	. Spring	D
6	4700586021		1	. Nut M16	
7	4700908627		1	. Cap	C
8	4700629066		1	. Spirol pin	C
9	4700908628		1	. Cap	C
10	4700908361		1	. Bracket	D
11	4700904229		6	Steel plain washer	C
12	4700500019		6	Hexagon head screw M	C

- A) Option
- C)
- D)

Wiper arm with blade, front

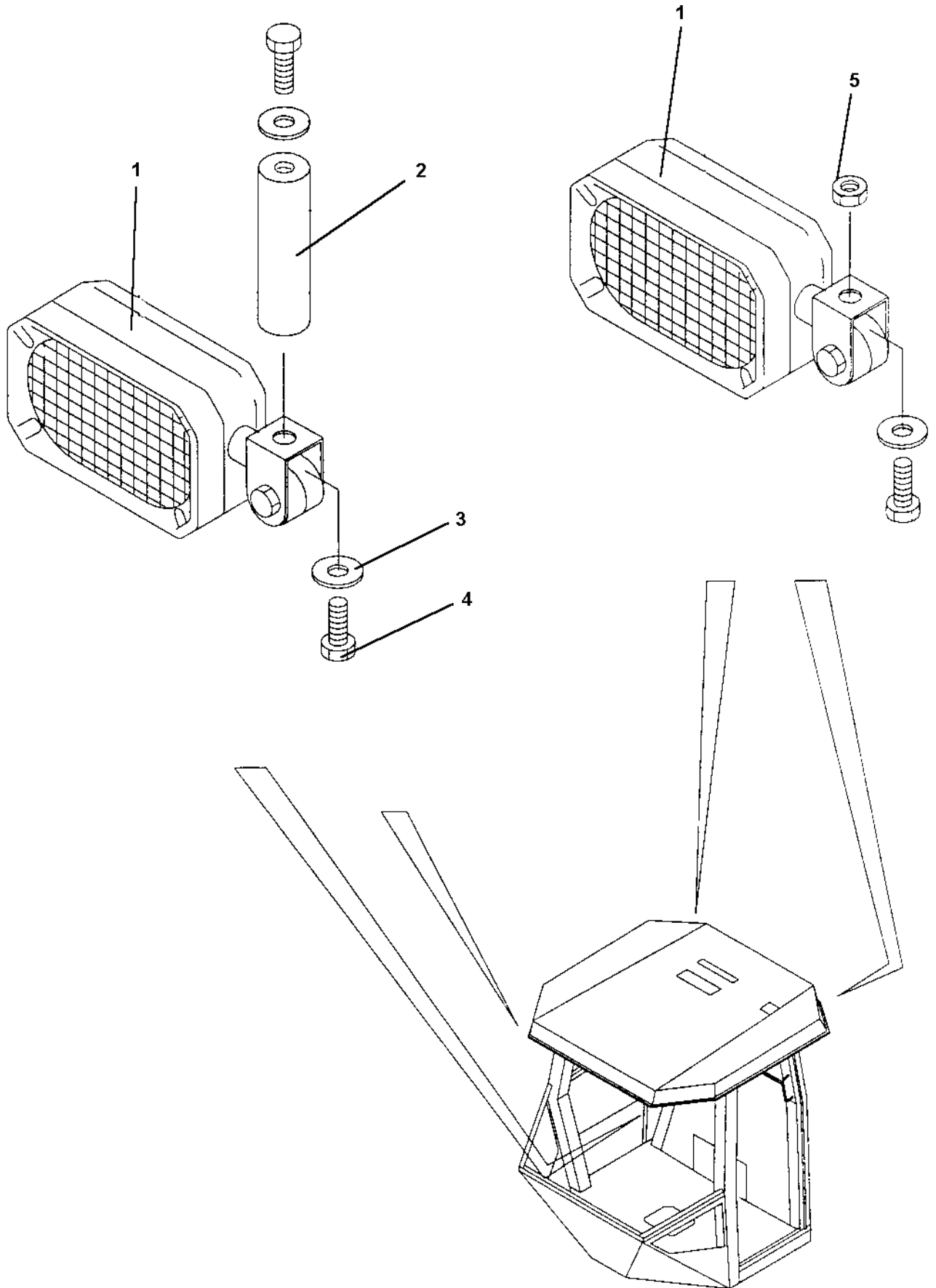


Wiper arm with blade, front

Item	Part No	Rem Qty	Description	Code
1	4700905306	1	Wiper blade	
2	4700905305	1	Wiper arm	C
3	4700905304	1	Wiper motor	C
4	4700937871	1	Cover	D
5	4700908605	1	Symbol, wiper	D
6	4700908617	1	Switch	B

- B)
- C)
- D)

Cab Work light

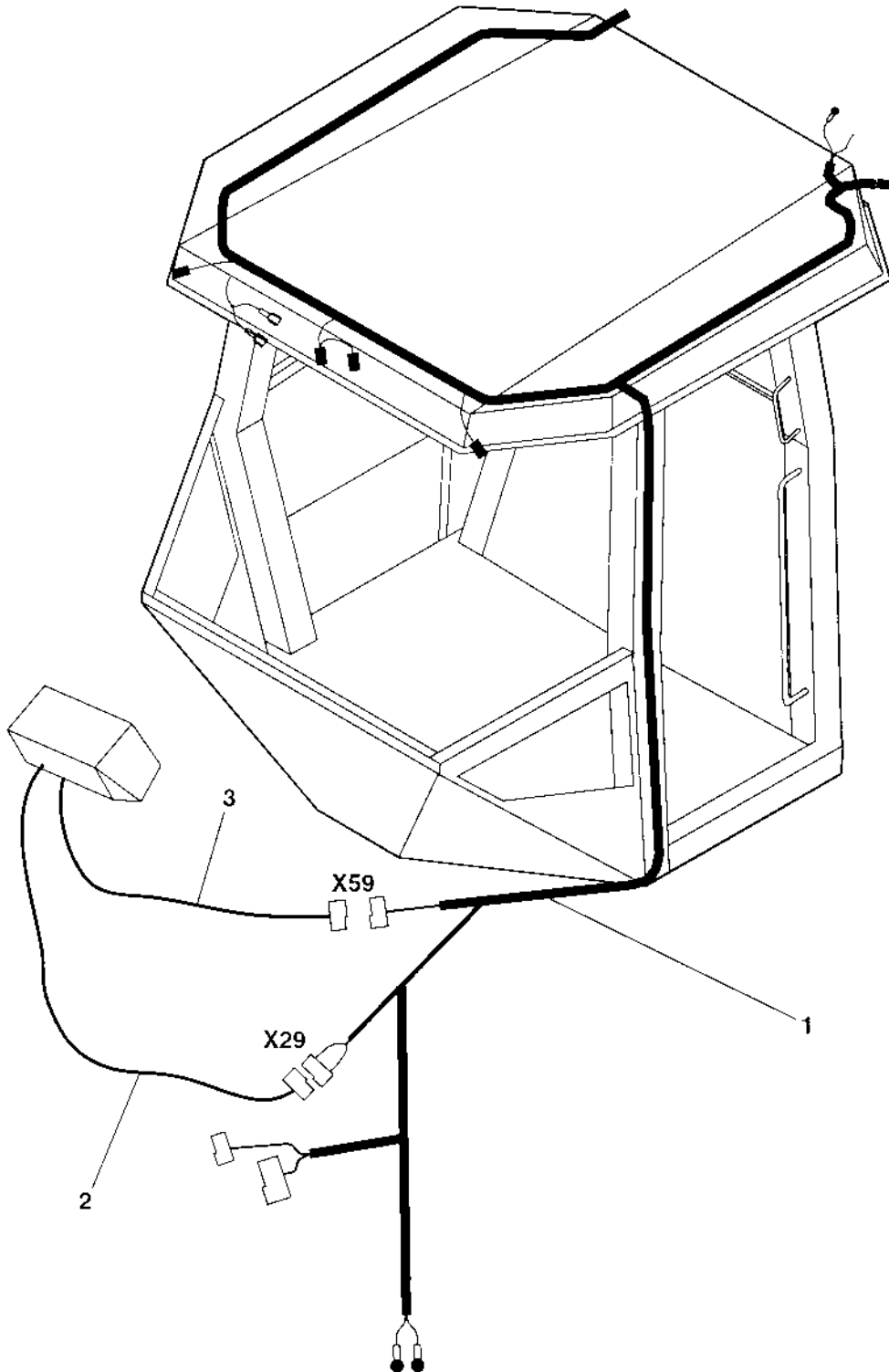


Cab Work light

Item	Part No	Rem Qty	Description	Code
1	4700908267	4	Working light	B
2	4700908359	2	Distance	D
3	4700904229	4	Steel plain washer	C
4	4700500019	4	Hexagon head screw M	C
5	4700586003	2	Lock nut M	C

B)
C)
D)

Cab Electric



Cab Electric

Item	Part No	Rem	Qty	Description	Code
1	4700937870	A	1	Cable harness	D
2	4700384403	B	1	Cable harness	D
3	4700384402	C	1	Cable harness	D

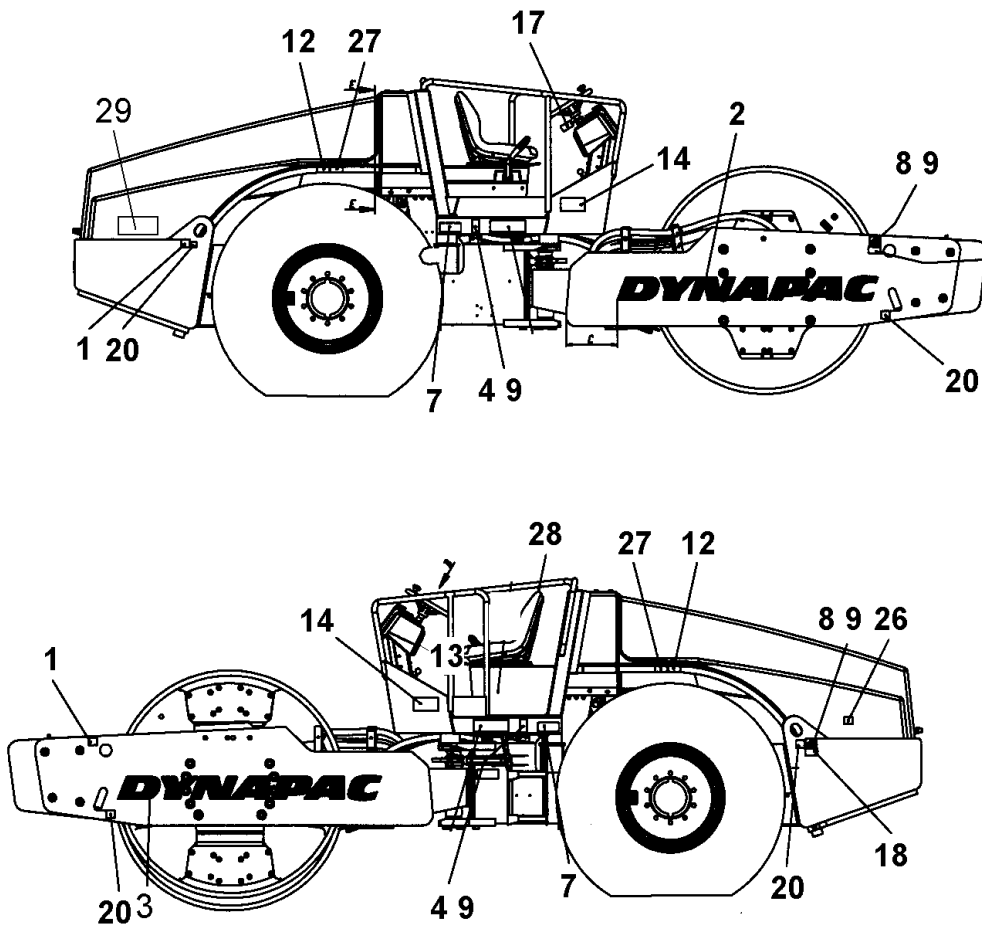
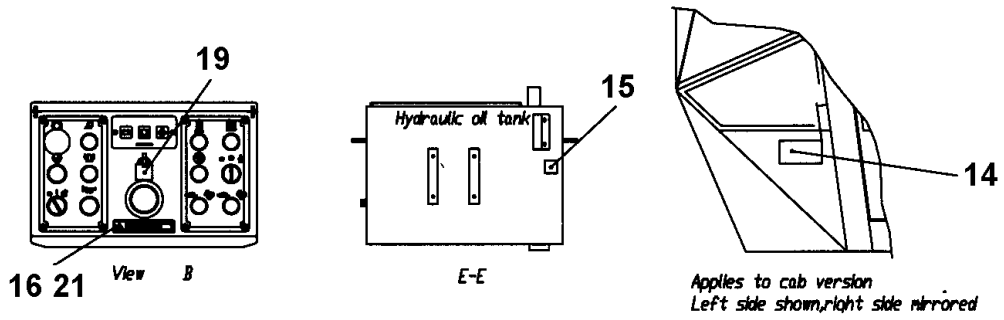
- A) Main supply
- B) Horn
- C) Windshield wiper
- D)

Decals

Decals

Item	Part No	Rem Qty	Description	Code
1			Decals (Page 182)	
2			Decals (Page 184)	
3		1	Decals (Page 186)	

Decals

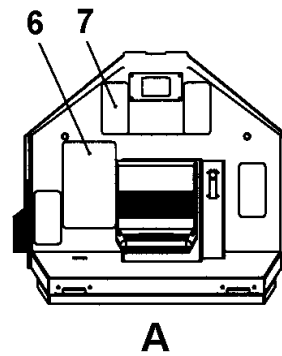
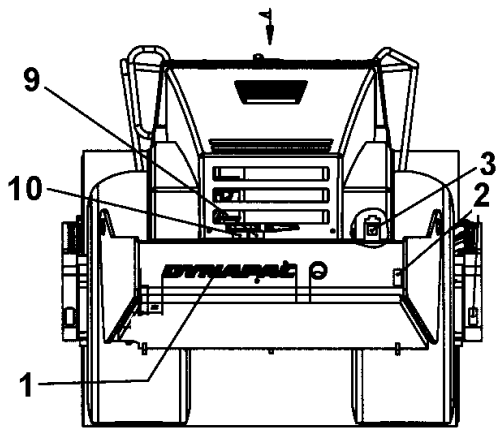
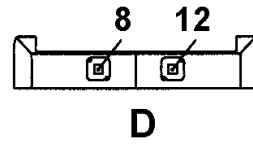
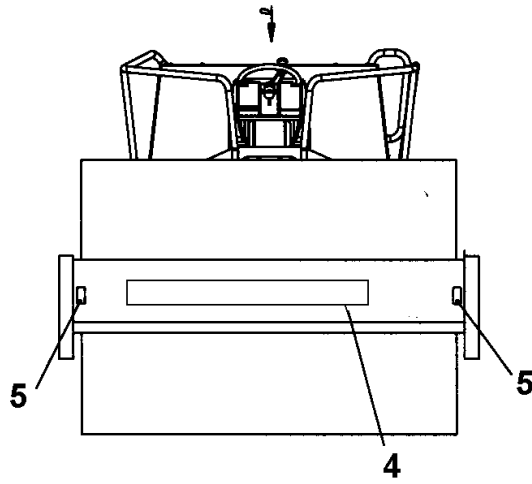


Decals

Item	Part No	Rem Qty	Description	Code
1	4700588176	2	Decal "LIFT POINT"	
2	4812265829	1	Decal Dynapac	
3	4812265828	1	Decal Dynapac	D
4	4700377744	2	Reflector, yellow	D
7	4700903459	2	Decal "SAFETY"	
8	4700904870	2	Lifting sign	
9	4700624005	16	Blind rivet 3,2x6,1	
12	4700390900	2	Decal "TYRE PRESSURE" 110kPA/16psi	
13	4700903425	1	Decal "SAFETY MANUAL"	
14	4700903422	2	Decal "SAFETY"	
15	4700272373	1	Decal "HYDRAULIC OIL"	
16	47386084SE	1	Warning plate Swedish	
	47386084EN	1	Warning plate English	
	47386084DE	1	Warning plate German	
	47386084IT	1	Warning plate Italian	
	47386084ES	1	Warning plate Spanish	
	47386084FR	1	Warning plate French	
	47386084NO	1	Warning plate Norwegian	
	47386084DK	1	Warning plate Danish	
	47386084FI	1	Warning plate Finnish	
	47386084PT	1	Warning plate Portuguese	
	47386084NL	1	Warning plate Dutch	
	47386084GR	1	Warning plate Greek	
	47386084IS	1	Warning plate Icelandic	
	47386084CN	1	Warning plate Chinese	
	47386084BR	1	Warning plate Brazil	
17	4700384159	1	Instructions Loading-Unloading	
18	4700908229	2	Safety decal	
19	4700358881	1	Pad lock	
20	4700382751	4	Decal "TIE DOWN POINT"	
21	4700624017	4	Blind rivet	D
26	4700904835	1	Decal "BATTERY POWER"	
27	4700903985	2	Decal "SAFETY", "TYRE IN BALLAST"	
28	4700348331	1	Seat cover	D
29	4812269831	2	Decal AC H=140	

D)

Decals

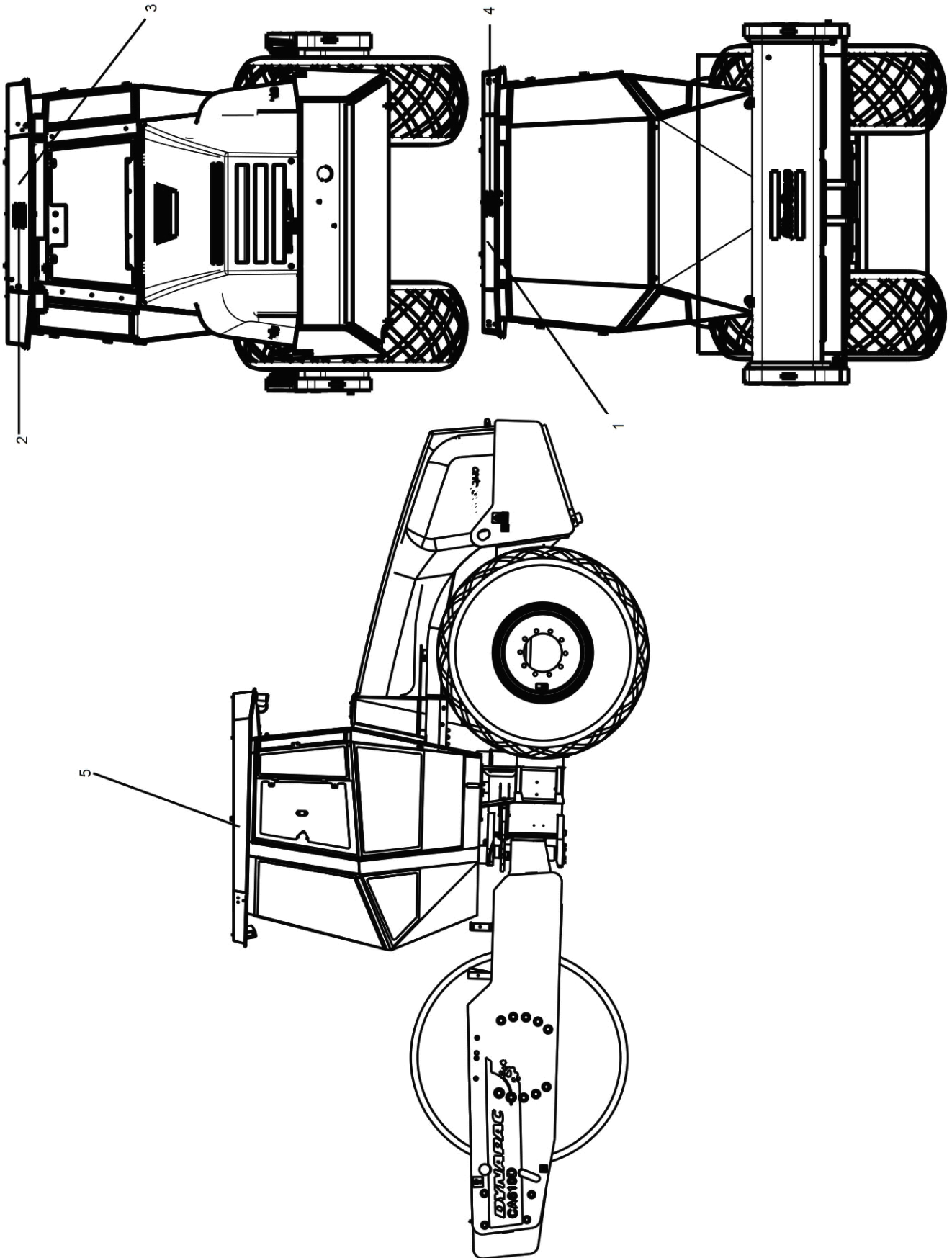


Decals

Item	Part No	Rem Qty	Description	Code
2	4700377742	4	Reflector, red	D
3	4700991658	1	Decal "FUEL"	
4	4812269858	1	Decal AC H=250	
5	4700377743	2	Reflector, white	D
6	4700373364	1	Slip protection	D
7	4700373363	4	Slip protection	
8	4700272372	1	Decal "HYDRAULIC OIL"	
9	4700903423	1	Decal "SAFETY"	
10	4700903424	1	Decal "HOT SURFACE"	
12	4700388449	1	Decal "COOLING LEVEL"	

D)

Decals



Decals

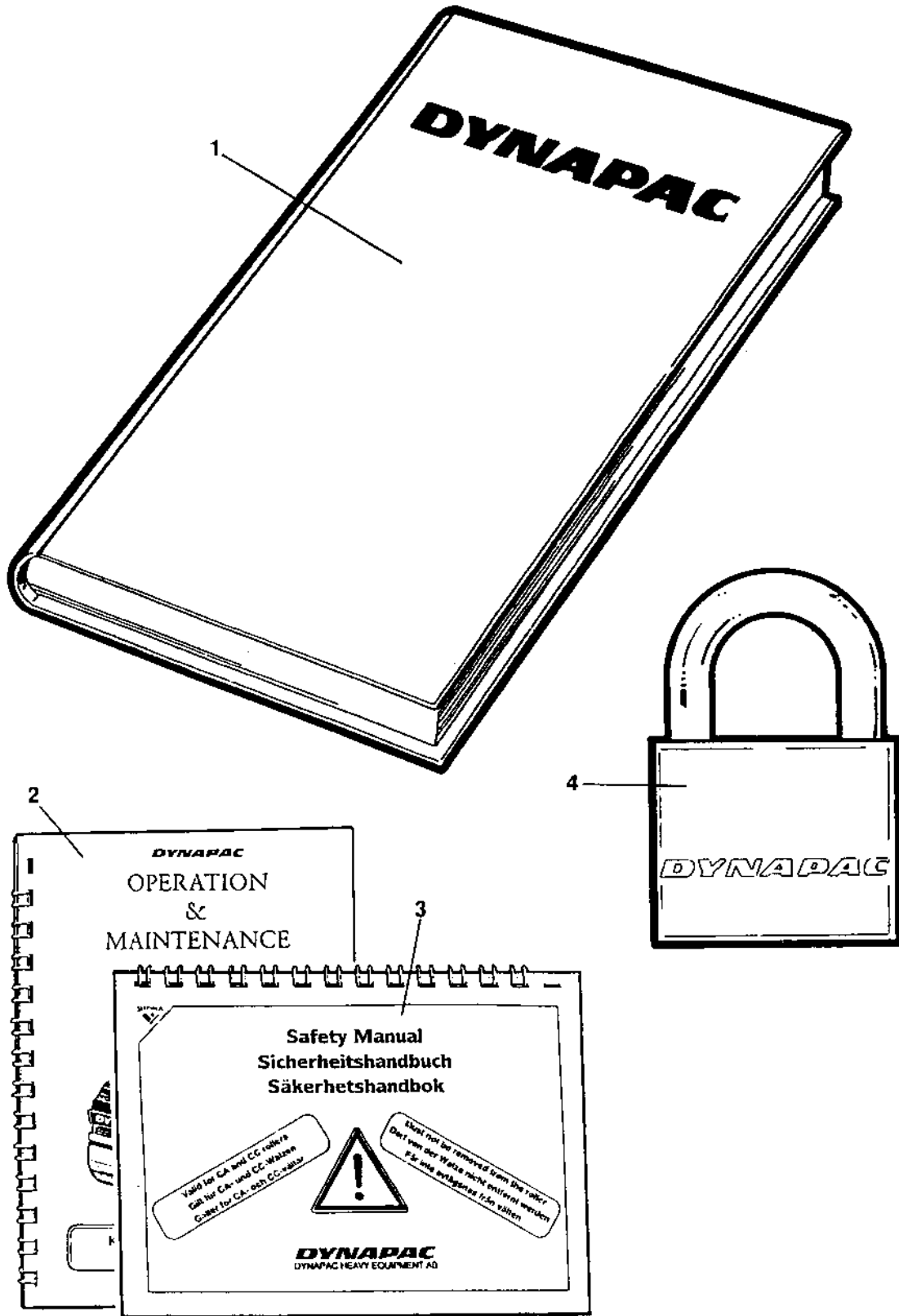
Item	Part No	Rem Qty	Description	Code
1	4812269829	1	Decal AC H=45	
2	4812120119	1	Decal AC H=80	
3	4812265836	1	Cab decal	
4	4812265837	1	Cab decal	
5	4812265838	1	Cab decal	

Standard equipment

Standard equipment

Item	Part No	Rem Qty	Description	Code
10			Standard equipment (Page 190)	

Standard equipment



Standard equipment

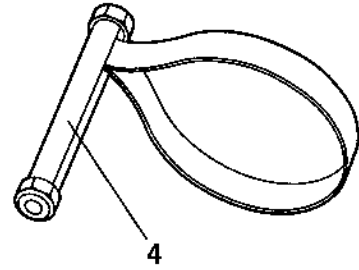
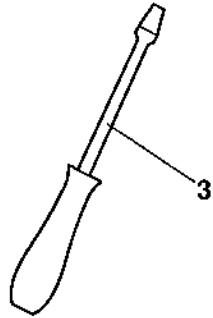
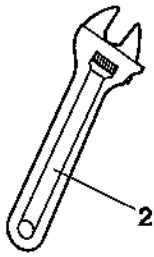
Item	Part No	Rem Qty	Description	Code
1		1	Documentation OMS610D	
		1	. Warranty registration card	
		1	. Operation instruction ICA610	
		1	. Spare parts catalogue SCA610D	
		1	. Instruction manual Cummins 6BTA 5.9	
2		1	. Operation / maintenance instruction I5CA610	
3		1	. Safety manual RSAFE	
4	4700358881	1	Pad lock	

Optional equipment

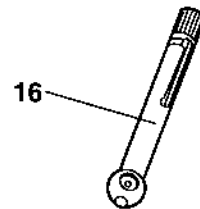
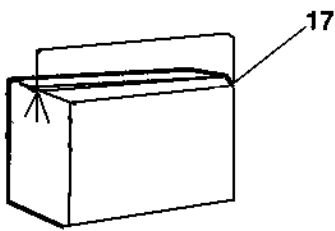
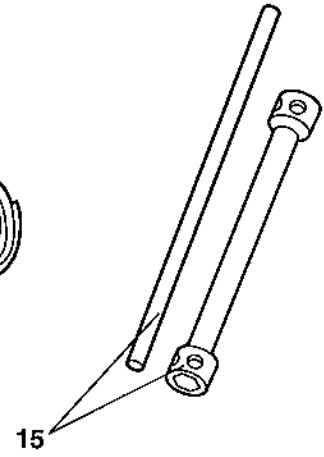
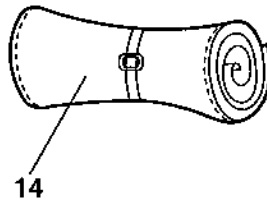
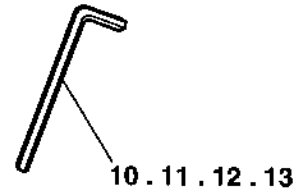
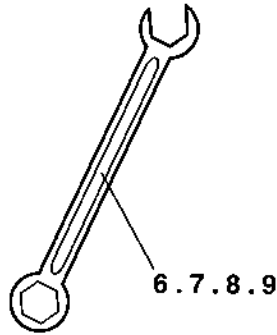
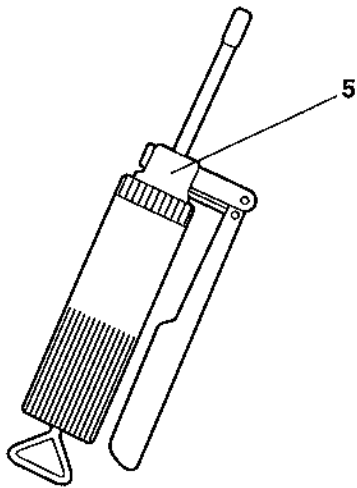
Optional equipment

Item	Part No	Rem Qty	Description	Code
10			Tool equipment (Page 194)	
20	4812265746	1	Fire extinguisher assy. (Page 196)	
30			Heater Simple cab (Page 198)	
40	4812269767	1	Prooftyre option (Page 202)	
50		1	Air conditioner mount Since SN C000360 (Page 208)	

Tool equipment



1



Tool equipment

Item	Part No	Rem Qty	Description	Code
1	4700355890	1	Tool set Cpl	D
2		1	. Adjustable wrench	
3		1	. Screw driver	
4	4700902610	1	. Belt pliers	D
5	4700311016	1	. Grease gun	D
6		1	. Open end spanner 10mm	
7		1	. Open end spanner 13mm	
8		1	. Open end spanner 16mm	
9		1	. Open end spanner 18mm	
10		1	. Allen wrench 10mm	
11		1	. Allen wrench 12mm	
12		1	. Allen wrench 6mm	
13		1	. Allen wrench 8mm	
14		1	. Tool bag	
15		1	. Wheel nut key 30/32mm	
16	4700901220	1	. Pressure gauge	B
17	4700372837	1	Tool box	D
18	4700372658	1	. Lock	D
19	4700500021	3	Screw M8-1,25x25 8.8	C
20	4700904640	6	Washer 8,4x22x3	C

B)

C)

D)

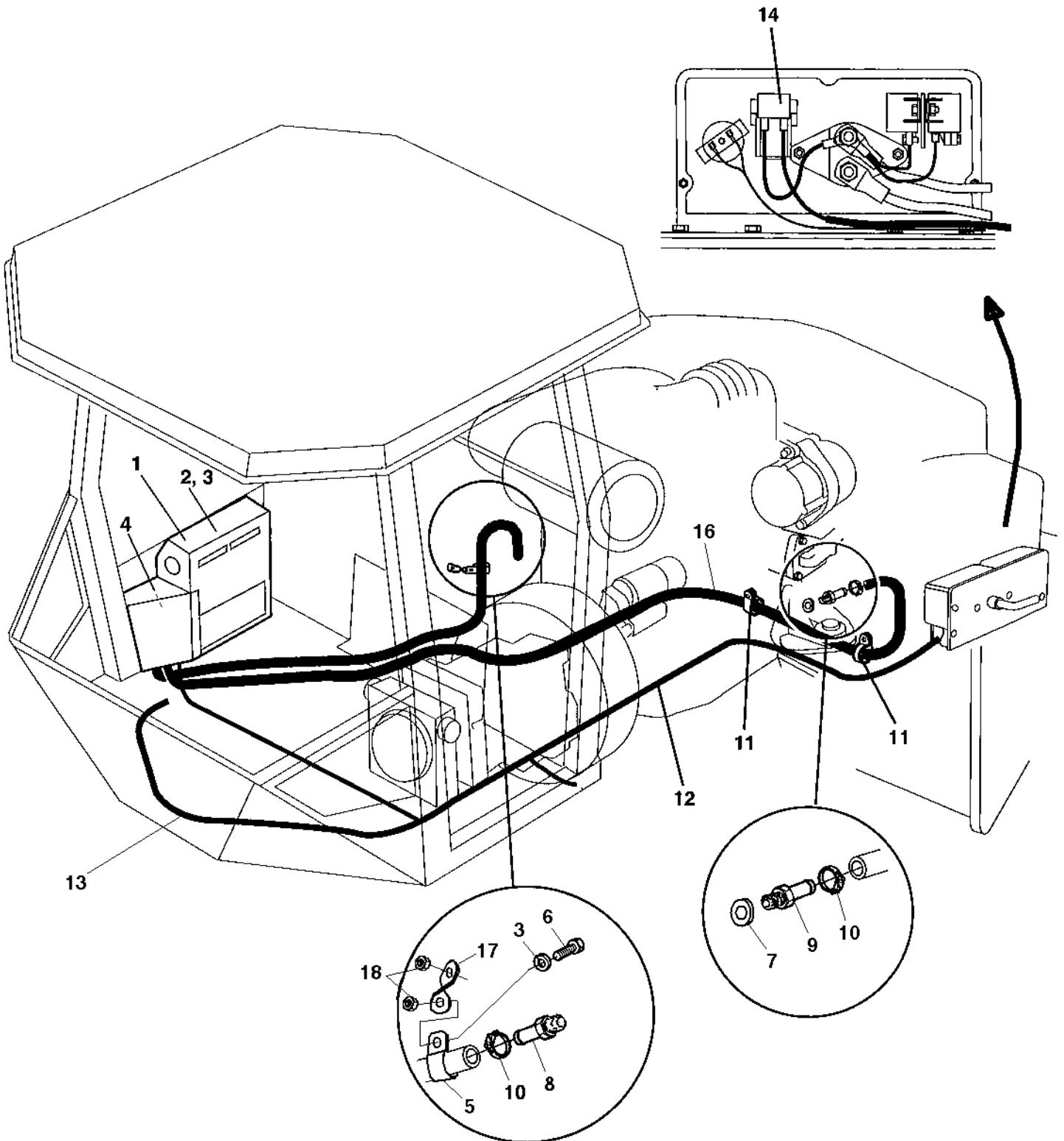
4812265746 Fire extinguisher assy.

4812265746 Fire extinguisher assy.

Item	Part No	Rem Qty	Description	Code
1	4812265465	1	Fire extinguisher	
2	4700792187	2	Screw M5x14	
3	4700570003	2	Nut M5	C
4	4700601001	2	Steel plain washer	

C)

Heater Simple cab



Heater Simple cab

Item	Part No	Rem	Qty	Description	Code
1	4700379394		1	Heater box (Page 200)	
2	4700500019		5	Hexagon head screw M	C
3	4700904229		6	Steel plain washer	C
4	4700903741		2	Fuse 20A Yellow Medium	
5	4700921056		1	Pipe clamp covered	C
6	4700500053		1	Hexagon head screw M	C
7	4700330330		1	Copper washer	
8	4700387638		1	Hose connection M	
9	4700391303		1	Hose connection	
10	4700313004		4	Hose clamp	D
11	4700921132		2	Clamp	C
12	4700387466		1	Cable harness	D
13	4700394210		1	Cable harness	D
14	4700904039		1	Fuse 50A Red High	A
15	4700313102		N	Cable ties	
16	4700937737	A	2XL	Hose	
17	4700393280		1	Holder	D
18	4700570005		2	Nut M8	C

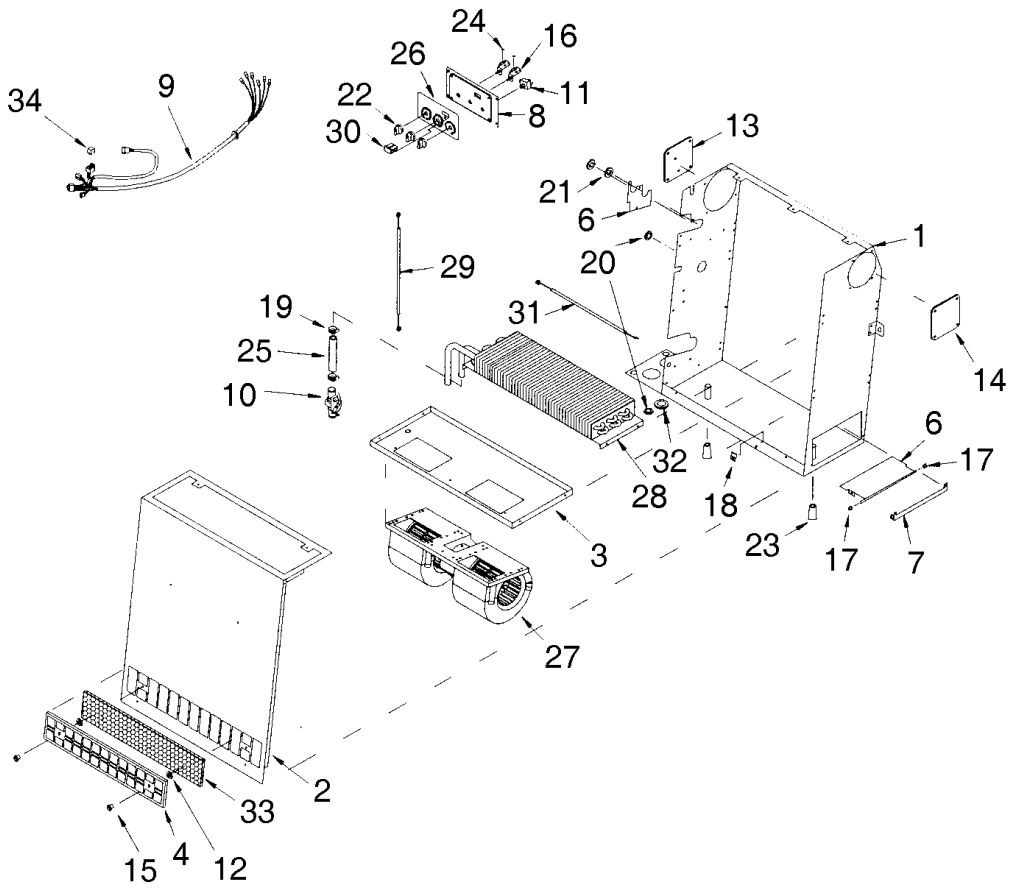
A) L=3600 mm

A)

C)

D)

4700379394 Heater box



4700379394 Heater box

Item	Part No	Rem Qty	Description	Code
10	4700939693	1	. Heater control valve	
11	4700938622	1	. Switch	B
16	4700938621	2	. Rotary control	
19	4700313003	2	. Hose clamp 15-25mm	D
24	4700385134	2	. Lock washer	D
25	4700384881	A	. Hose	D
27	4700938638	1	. Fan	C
28	4700938639	1	. Heater coil	
29	4700938645	1	. Bowden cable	
31	4700384762	1	. Wire	D
33	4700384761	1	. Air filter element	A
34	4700287597	1	. Relay	D

A) L=200 mm

A)

B)

C)

D)

4812269767 Prooftyre option

4812269767 Prooftyre option

Item	Part No	Rem Qty	Description	Code
1	4812270033	2	Wheel with all-weather prooftyre Liquid filled (Page 204)	

4812270033 Wheel with all-weather prooftyre Liquid filled

4812270033 Wheel with all-weather prooftyre Liquid filled

Item	Part No	Rem Qty	Description	Code
1	4812270032	1	Wheel with all-weather prooftyre (Page 206)	
2	4812114240	1	Calcium chloride	
3	4700903985	1	Decal "SAFETY", "TYRE IN BALLAST"	
		1		

4812270032 Wheel with all-weather prooftyre

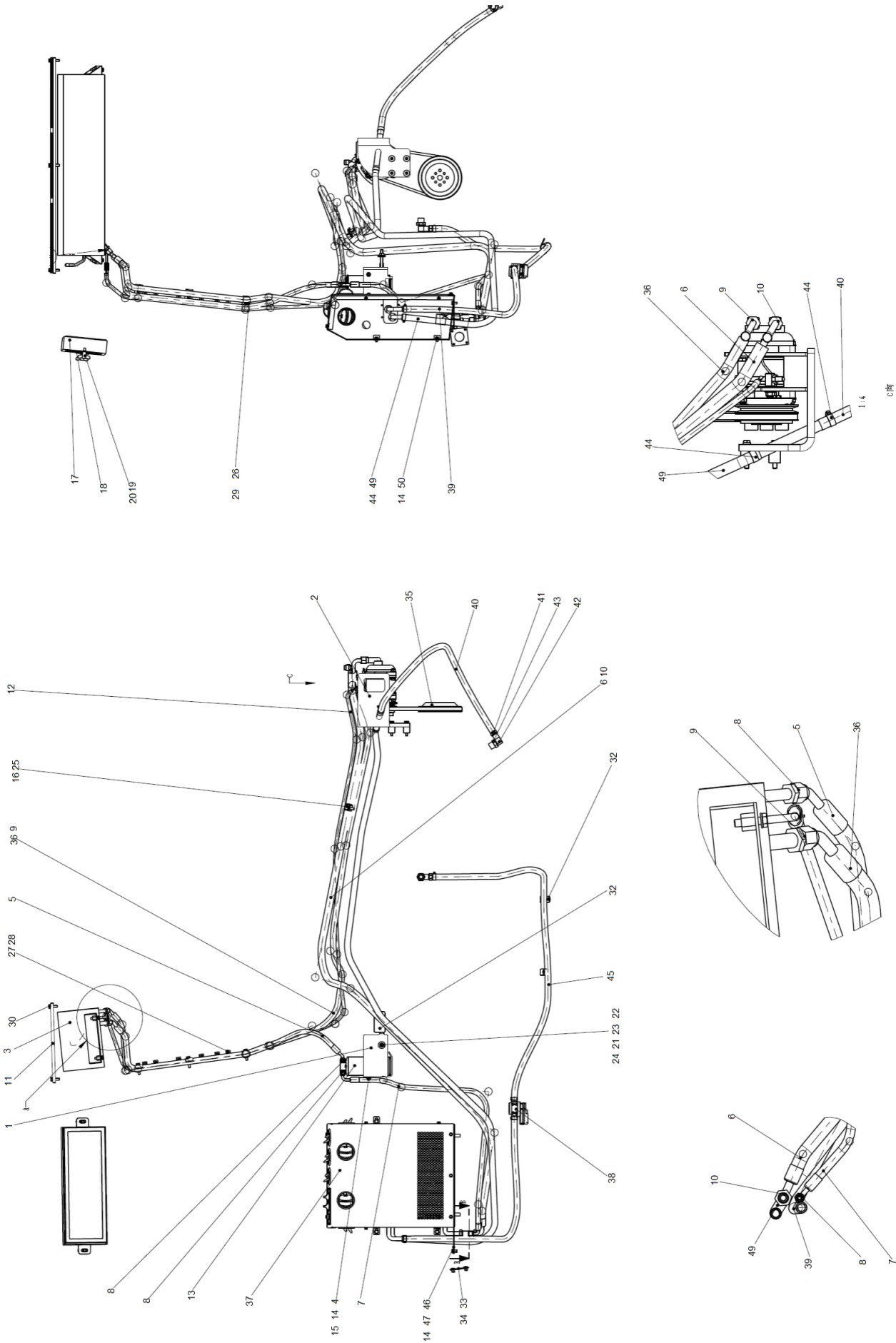
4812270032 Wheel with all-weather prooftyre

Item	Part No	Rem Qty	Description	Code
1	4812270031	1	All-weather prooftyre	
2	4700393335	1	Rim	D
3	4700792261	1	Air charging valve Straight	B

B)

D)

Air conditioner mount Since SN C000360

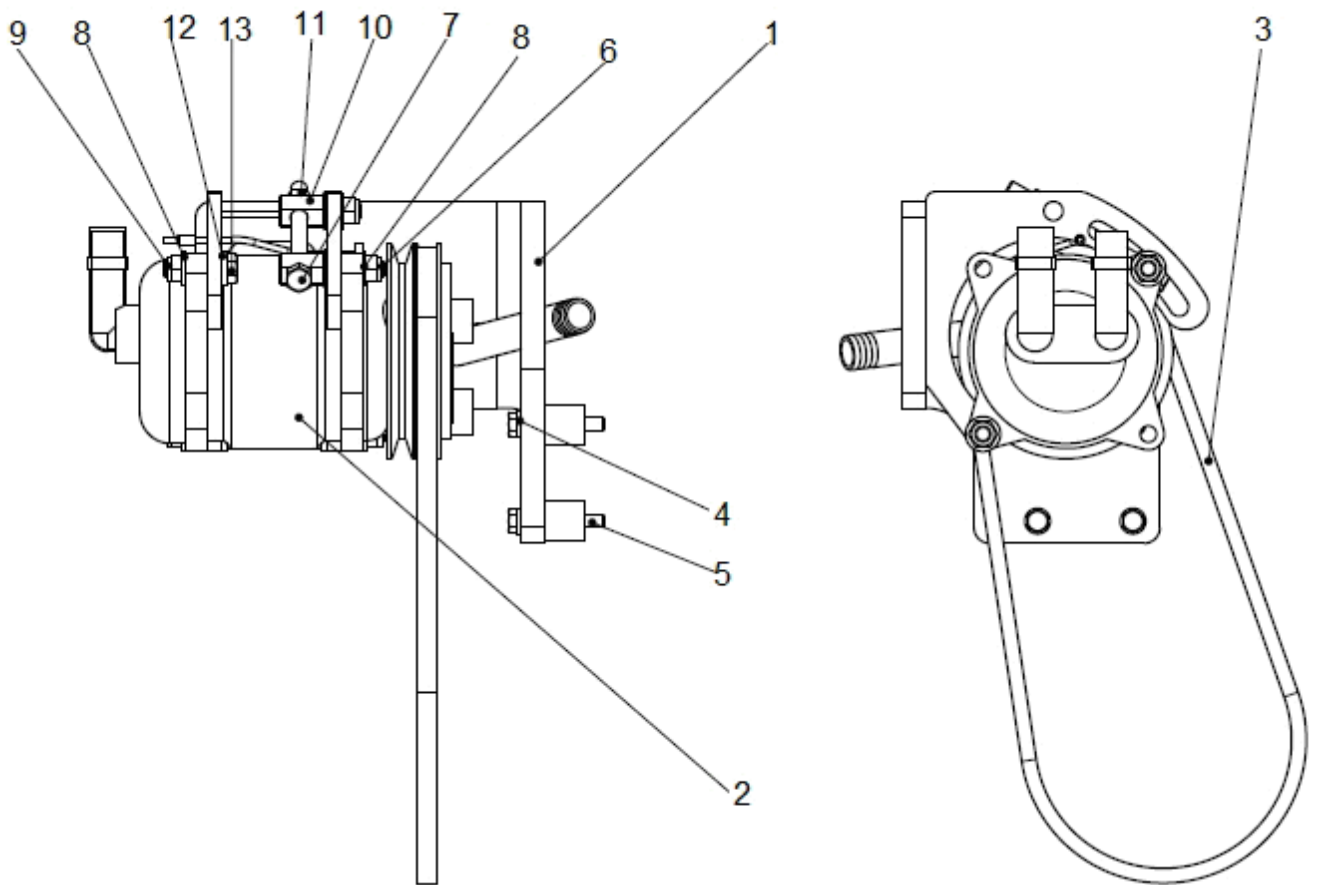


Air conditioner mount Since SN C000360

Item	Part No	Rem Qty	Description	Code
1	4700390483	1	Holder	D
2	4812265833	1	Compressor cpl. (Page 210)	
3	4812265842	1	Condensor (Page 212)	
4	4700500100	2	Hexagon head screw M	C
5	4812265844	1	Refrigerant hose	
6	4812265853	1	Refrigerant hose	
7	4812265846	1	Refrigerant hose	
8	4700384877	4	O-ring	C
9	4700384878	2	O-ring	C
10	4700384879	2	O-ring	C
11	4700384589	1	Hatch	D
12	4812265839	1	Wiring harness	
13	4812265845	1	Receiver drier (Page 214)	
14	4700904229	21	Steel plain washer	C
15	4700586003	2	Lock nut M	C
16	4700921056	1	Pipe clamp covered	C
17	4700908501	1	Filter frame	D
18	4700908502	1	Filter	A
19	4700908504	2	Handle	D
20	4700908503	2	O-ring	D
21	4700904230	1	Steel plain washer	C
22	4700500192	1	Hexagon head screw M	C
23	4700904567	1	Steel plain washer	
24	4700570006	1	Hexagon nut M	B
25	4700500053	1	Hexagon head screw M	C
26	4700346230	3	Clamp	D
27	4700904543	6	Cable tie holder	
28	4700903852	6	Thread rolling screw	C
29	4700500023	3	Hexagon head screw M	C
30	4700500022	10	Hexagon head screw M	C
31	4700903679	1.5	Refrigerant	
32	4700904156	1	Safety decal, toxic gases kg	
33	4700935586	1	Plate	
34	4700500004	4	Hexagon head screw M	C
35	4812268934	1	.	
36	4812265843	1	Plate	
37	4812265847	1	Evaporimeter (Page 216)	
38	4812265849	1	Valve	
39	4812265851	0.5	Water hose	
40	4812265850	0.5	Water hose M	
41	4700387638	2	Hose connection M	
42	4700234365	2	Elbow 90	
43	4700813434	2	Reducer	
44	4700313004	7	Hose clamp	D
45	4812265848	2.7	Water hose	
46	4812265843	1	Plate	
47	4700500019	2	Hexagon head screw M	C
48	4700921161	2	Pipe clamp covered	C
49	4812265841	3.5	Water hose	
50	4700500018	3	Hexagon head screw M	C

- A)
- B)
- C)
- D)

4812265833 Compressor cpl.

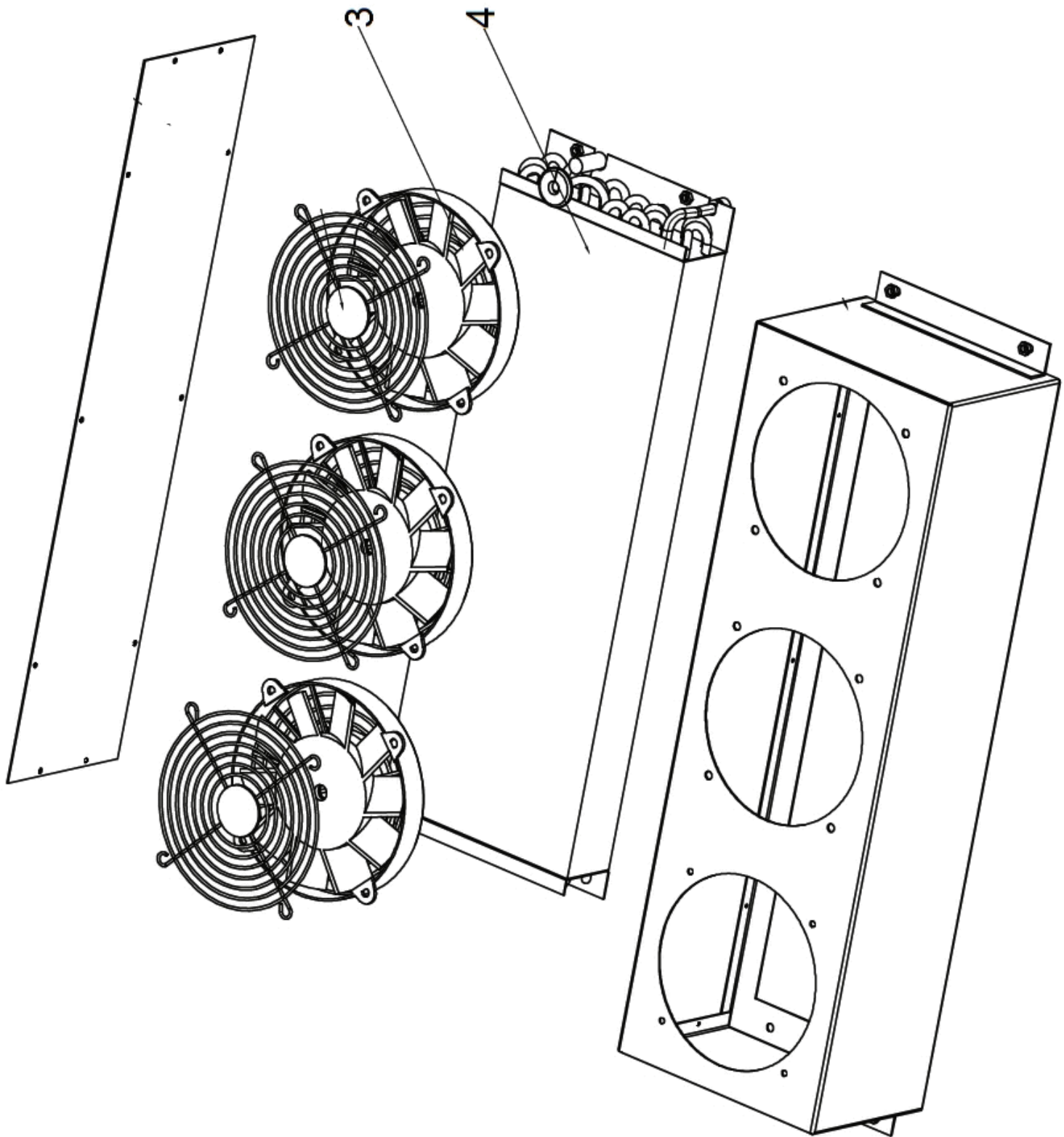


4812265833 Compressor cpl.

Item	Part No	Rem Qty	Description	Code
1	4812267208	1	Bracket	
2	4812273529	1	Compressor	
3	4700413065	1	V-belt	
4	4700904556	4	Steel plain washer	C
5	4700500067	4	Hexagon head screw M	C
6	4700379811	1	Adjusting screw	
7	4700904379	1	Hexagon head screw M	
8	4700904230	5	Steel plain washer	C
9	4700791172	5	Lock nut M	D
10	4700379812	1	Adjusting screw	
11	4700570006	1	Hexagon nut M	B
12	4700904557	3	Steel plain washer	
13	4700500031	3	Hexagon head screw M	

- B)
- C)
- D)

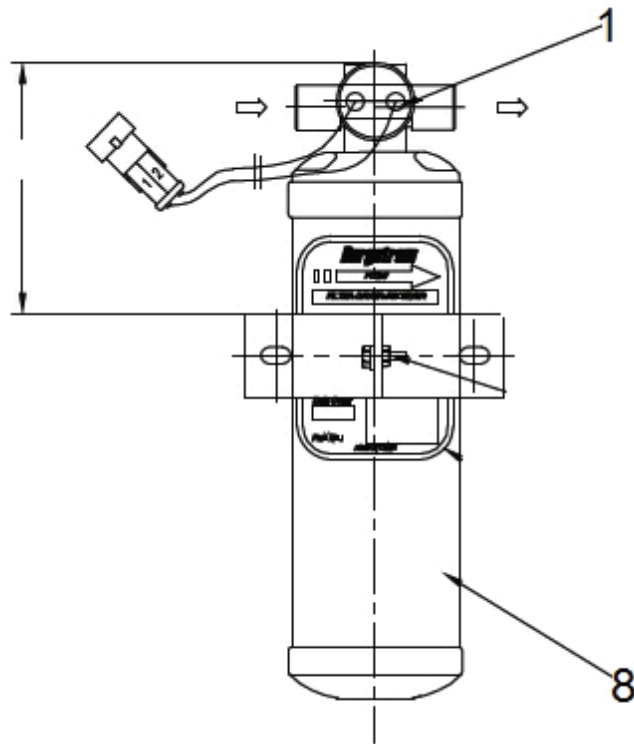
4812265842 Condensor



4812265842 Condensor

Item	Part No	Rem Qty	Description	Code
3	4812271702	3	Condensor fan	
4	4812271703	1	Condensor coil	

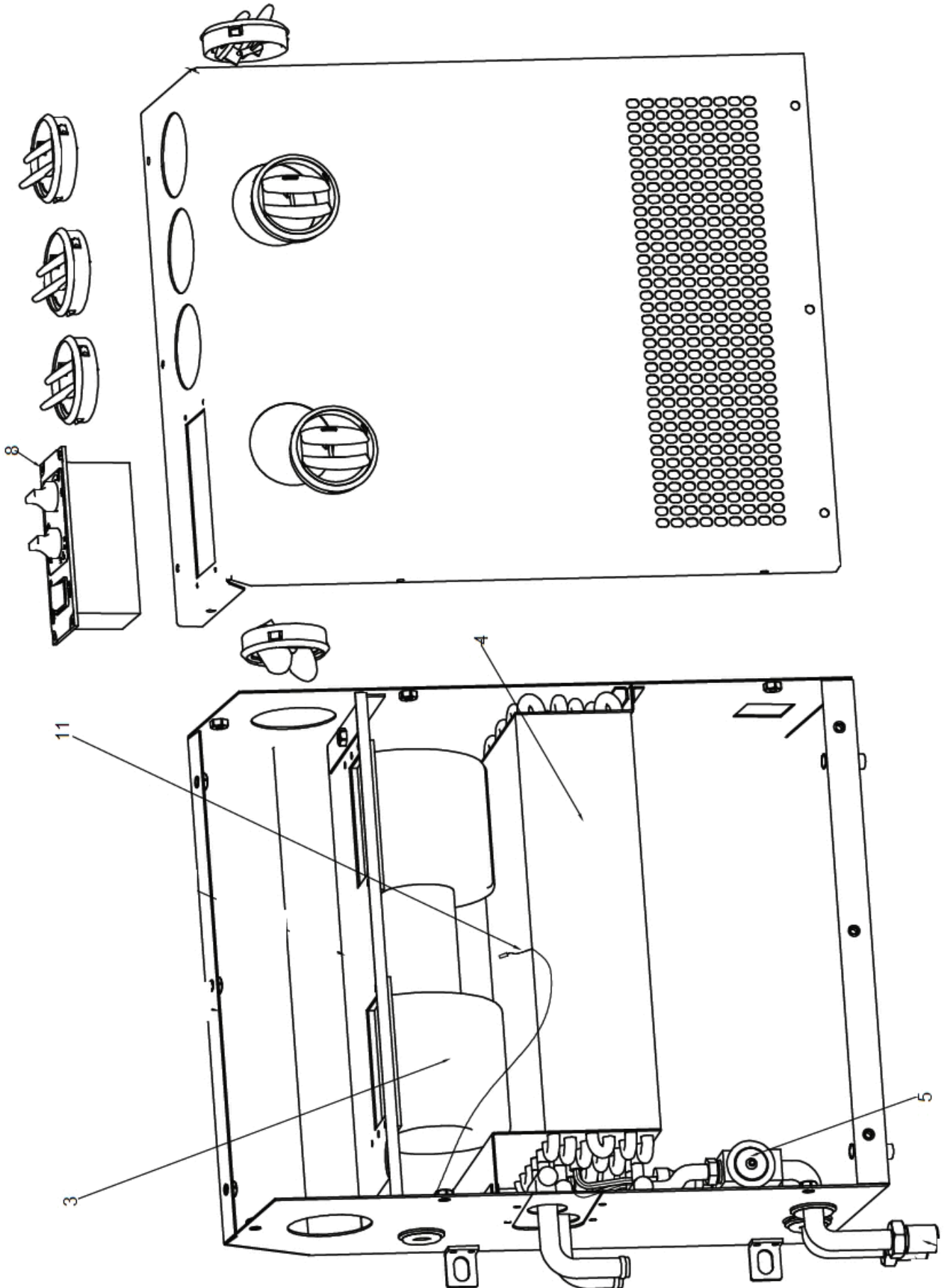
4812265845 Receiver drier



4812265845 Receiver drier

Item	Part No	Rem Qty	Description	Code
1	4812271704	1	Pressure switch	
8	4812271705	1	Receiver drier	

4812265847 Evaporimeter



4812265847 Evaporimeter

Item	Part No	Rem Qty	Description	Code
3	4812271698	1	Evaporimeter fan	
4	4812271699	1	Evaporimeter coil	
5	4812271700	1	Expansion valve	
8	4812271625	1	Control panel	
11	4812271701	1	Themostat	

NUMERICAL INDEX

Part Number	Page	Part Number	Page	Part Number	Page
4700100040	17,33	4700313093	65,69,71	4700357585	141
4700116041	21,47	4700313102	101,125,135,199	4700357643	151,163
4700160105	21,47	4700330170	61	4700357855	151
4700160132	115	4700330171	61	4700358142	151
4700160231	115	4700330330	199	4700358143	151
4700160269	141	4700330331	55	4700358172	23,45
4700160272	95	4700330333	89,91	4700358388	107
4700162008	101	4700330383	57	4700358452	145
4700162011	47,49	4700334121	115,125	4700358881	151,183,191
4700162017	47,49	4700334132	95,101	4700359550	101
4700162018	47	4700334138	95,101	4700359551	101
4700162024	47	4700334140	101	4700359552	101
4700162027	47,49	4700334196	135	4700370231	47
4700167023	47	4700334199	125	4700370803	161
4700167032	17,33	4700334205	115,131	4700371326	141
4700167033	17,33	4700334389	131	4700371344	141
4700202046	59	4700334419	115	4700371366	35,39
4700202047	37,41	4700334463	67,135	4700371512	51
4700212339	107	4700334468	101	4700371620	55
4700212553	79,87	4700334523	135	4700371669	125
4700230515	57	4700334558	125	4700371727	55
4700232039	133	4700337042	33	4700371730	173
4700232041	29	4700337045	17,33	4700371737	59
4700232097	125	4700337221	17,33	4700371774	59
4700232210	45,47,49	4700338304	125	4700371955	45
4700233304	133	4700340863	123	4700371956	45,47
4700234218	125	4700343159	33	4700372018	115
4700234243	101	4700343318	47	4700372029	133
4700234365	209	4700343744	47,49	4700372044	133
4700234382	115	4700343775	29	4700372087	29
4700234388	135	4700345234	115	4700372229	7,13,101
4700234622	135	4700345243	101	4700372235	95
4700234624	101	4700345874	17,33	4700372347	161
4700234626	125	4700345875	17,33	4700372409	161
4700234662	125	4700346230	209	4700372457	163
4700234843	131	4700347119	29	4700372489	161
4700234875	101	4700347512	149	4700372494	149,163
4700234888	131	4700348331	149,183	4700372513	125
4700234909	101	4700348481	25,155	4700372514	125
4700234958	101	4700349682	45	4700372575	37,41
4700244054	67	4700349715	47	4700372578	95,115
4700246069	61	4700349879	133	4700372580	95,103,115
4700272372	185	4700349880	133	4700372581	115
4700272373	183	4700349909	95	4700372586	95,103
4700281783	101	4700349971	45	4700372608	35,39
4700285909	155	4700349972	45	4700372609	37,41
4700285911	25,155	4700349973	23,45	4700372625	125
4700287597	141,201	4700355263	141	4700372658	195
4700287598	141	4700355301	141	4700372678	161
4700287724	95	4700355869	157	4700372695	37,41
4700288129	59	4700355890	195	4700372709	29
4700310008	17	4700355983	75	4700372757	149
4700311016	195	4700356348	135	4700372758	143
4700313001	67	4700357138	13,133	4700372772	55
4700313003	201	4700357278	101	4700372785	149,163
4700313004	199,209	4700357316	151	4700372837	195
4700313006	59	4700357320	151	4700372964	157
4700313010	59	4700357424	151	4700373112	103,115
4700313023	59	4700357488	29	4700373123	33
4700313035	155	4700357494	155	4700373184	143
4700313041	67	4700357501	155	4700373203	35
4700313075	61	4700357583	139	4700373204	35

NUMERICAL INDEX

Part Number	Page	Part Number	Page	Part Number	Page
4700373309	35,161	4700378213	55	4700384114	45,47
4700373361	101,111,113	4700378214	55	4700384121	45
4700373363	185	4700378308	163	4700384159	183
4700373364	185	4700379214	65	4700384163	143
4700373400	149	4700379236	167	4700384402	179
4700373423	61	4700379248	35	4700384403	179
4700373442	45	4700379251	35,39	4700384503	17,33
4700373443	45	4700379394	199,201	4700384589	209
4700373460	29,67	4700379608	165	4700384759	163
4700373574	67	4700379636	149,163	4700384761	201
4700373746	159	4700379637	161	4700384762	201
4700373747	159	4700379811	211	4700384877	209
4700373748	159	4700379812	211	4700384878	209
4700373749	159	4700379876	49	4700384879	209
4700373750	159	4700379878	47	4700384881	201
4700373768	45	4700380018	47,49	4700385100	73,75,77
4700373770	45	4700380079	123	4700385134	201
4700373854	161	4700380109	35,39	4700385152	35
4700373855	161	4700380113	149	4700385376	65
4700373891	139	4700380123	149	4700385379	65
4700373906	159	4700380146	115,123	4700385691	65
4700373907	159	4700380277	141	4700385692	65
4700373955	35,39	4700380278	141	4700385871	101
4700373956	35,39	4700380281	139	4700385873	63
4700373957	35,39	4700380366	155	4700386047	65
4700374028	135	4700380436	29	4700386152	69,71
4700374029	143	4700380490	101	4700386153	69,71
4700374030	143	4700380549	139	4700386163	69,71
4700374059	101	4700380577	139	4700386222	59
4700374217	115	4700380685	151	4700386272	21
4700374398	145	4700380699	139	4700386410	69
4700374471	149	4700380700	139	4700386641	65
4700374606	163	4700380727	149	4700386662	59
4700374607	163	4700380830	101,105,107,109	4700386663	59
4700374728	45	4700380963	159	4700386664	59
4700374744	29	4700380964	159	4700386688	55
4700374797	35,39	4700381027	47	4700386699	59
4700374798	35,39	4700381413	61	4700386768	153
4700374799	35,39	4700381462	143	4700386774	69,71
4700374854	37	4700381634	47,49	4700387128	55
4700374898	33	4700381989	35,39	4700387397	139
4700375171	59	4700382129	35,39	4700387418	141
4700375172	59	4700382130	35,39	4700387419	143
4700376000	125,129	4700382131	35,39	4700387427	139
4700376252	149,163	4700382132	35,39	4700387454	69,71
4700376488	161	4700382165	35,39	4700387466	199
4700376489	161	4700382335	35,39	4700387525	65
4700376561	61	4700382336	35,39	4700387554	139
4700376573	61	4700382349	153	4700387562	101
4700376619	69	4700382355	35,39	4700387633	153
4700376622	31	4700382391	55	4700387638	199,209
4700376819	31	4700382397	163	4700387699	69,71
4700376829	31	4700382582	149,163	4700387728	141
4700377221	29	4700382751	183	4700387964	65
4700377518	149,163	4700382782	141	4700388146	75
4700377556	149,163	4700382885	155	4700388203	153
4700377677	161	4700383705	151,163	4700388449	185
4700377742	185	4700383726	59	4700388650	69,71
4700377743	185	4700383856	73,85	4700388727	59
4700377744	183	4700383951	161	4700388728	59
4700378210	55	4700383955	75	4700388732	59
4700378211	55	4700383975	75	4700388800	69,71

NUMERICAL INDEX

Part Number	Page	Part Number	Page	Part Number	Page
4700388855	57	4700483028	95	4700500101	95
4700389138	55	4700483029	95	4700500109	103
4700389170	153	4700483031	115	4700500133	35,39,125
4700389175	153	4700483033	101	4700500134	45
4700389177	153	4700483040	131	4700500153	159
4700389184	153	4700483049	125	4700500154	57
4700389564	95,97	4700483109	125	4700500163	47,49,67
4700389577	145	4700483128	101	4700500188	29,33
4700389600	65	4700483188	135	4700500192	95,115,133,209
4700389662	139	4700483204	135	4700500194	55,115
4700390182	35	4700483445	135	4700500195	149,163
4700390483	209	4700483497	125	4700500196	47
4700390500	59	4700483498	125	4700500210	149
4700390589	75	4700483605	103	4700500211	149
4700390591	75	4700483622	103	4700500239	55,161
4700390743	55	4700483697	125	4700500263	101
4700390759	75	4700484044	115	4700500505	35,39
4700390760	75	4700484060	115	4700502034	125
4700390762	75	4700500004	209	4700502078	115
4700390896	19,47,49	4700500006	67	4700502132	95,101,115
4700390900	183	4700500008	61	4700506018	115
4700390927	169	4700500012	59,139,143	4700508029	55,125
4700391303	199	4700500013	35,39,57,145,155	4700508079	55
4700392027	125,127	4700500015	69,71,153	4700508080	115
4700392106	127	4700500018	35,39,59,135,209	4700509025	55
4700392107	127	4700500019	37,41,65,101,133	4700527002	45
4700392108	127		167,173,177,199	4700533001	25,155
4700392109	127		209	4700533013	141
4700392110	127	4700500021	35,39,65,101,139	4700533038	155
4700392170	61		145,151,155,159	4700533070	141
4700392233	65		161,195	4700535005	171
4700392313	61	4700500022	159,209	4700535011	35,39
4700392420	47,49	4700500023	125,209	4700541507	37,41
4700393280	199	4700500025	61	4700541702	141,143,145,151
4700393335	75,207	4700500026	35,39	4700541703	155
4700393367	29	4700500028	35,39,95,101,115	4700560033	61
4700393476	61	4700500029	29,59,69,71,149	4700560037	161
4700393695	115,117		163	4700570003	149,197
4700394210	199	4700500030	35,39,67,151	4700570004	35,39,59,141,153
4700394646	95	4700500031	61,157,211		155
4700394650	95	4700500033	67,101	4700570005	35,39,59,139,153
4700394683	65	4700500035	139		163,199
4700394690	11,13,65	4700500036	55	4700570006	125,133,209,211
4700394691	13,65	4700500037	33	4700573004	155
4700394902	125	4700500040	35,39,59,139,143	4700573008	153
4700397130	29		151,153	4700586001	141
4700397217	55	4700500043	29,143	4700586002	141,151,159
4700397284	55	4700500046	69,71,101	4700586003	55,65,125,145
4700397285	55	4700500048	157		155,159,177,209
4700413065	211	4700500053	59,69,71,135,139	4700586018	55,95,143
4700416004	155		149,167,199,209	4700586019	31,55
4700416034	153,155	4700500060	139	4700586021	173
4700482010	101	4700500061	101	4700588176	183
4700482056	131	4700500067	67,211	4700600008	125
4700482182	101	4700500070	55	4700601001	197
4700482391	101	4700500075	61,139,141	4700604007	115
4700482399	131	4700500076	31	4700624005	183
4700482516	131	4700500082	45,47,49	4700624016	161
4700482741	101	4700500088	35,39	4700624017	183
4700483022	95	4700500092	95	4700629016	155
4700483023	115	4700500093	31	4700629066	173
4700483024	115	4700500100	161,209	4700635061	29,127

NUMERICAL INDEX

Part Number	Page	Part Number	Page	Part Number	Page
4700747282	61,67	4700901444	75	4700903189	47
4700747691	55	4700901452	105	4700903190	47,67
4700791119	133	4700901453	97,99,105,111	4700903290	95,149,163
4700791120	133	4700901454	105	4700903395	155
4700791156	47,49	4700901455	105	4700903422	183
4700791172	211	4700901458	105	4700903423	185
4700791175	75	4700901465	107	4700903424	185
4700791176	75	4700901466	107	4700903425	183
4700791212	115	4700901467	107	4700903459	183
4700791218	163	4700901475	107	4700903570	105
4700791226	151,163	4700901476	109	4700903571	105
4700791306	55	4700901767	37,41,141	4700903580	105
4700791371	139	4700901834	77,85	4700903625	141
4700791468	55	4700901987	83,91	4700903631	139
4700791489	141	4700902115	115	4700903632	139
4700791503	139	4700902123	157	4700903640	139
4700791510	139	4700902125	135	4700903641	139
4700791511	139	4700902166	37,41,59,69,71	4700903679	209
4700791513	67		95	4700903714	61
4700791573	75	4700902187	155	4700903732	35,39
4700791595	139	4700902189	155	4700903741	199
4700791948	31	4700902191	155	4700903750	95
4700792052	139	4700902203	149	4700903768	139
4700792187	197	4700902223	141	4700903782	167
4700792261	75,207	4700902224	141	4700903812	125
4700792277	139	4700902225	141	4700903820	141
4700792299	115	4700902227	143	4700903831	125
4700792322	61	4700902260	123	4700903852	209
4700792464	45	4700902261	123	4700903875	141
4700792551	61	4700902264	123	4700903919	45
4700792654	115	4700902265	123	4700903953	59
4700792682	139	4700902284	35,39,139	4700903970	141
4700801567	139	4700902285	35,39,139,153	4700903985	75,183,205
4700802550	65	4700902286	35,39,139	4700904005	95,101,115,125
4700813316	125	4700902379	151	4700904036	139
4700813391	29	4700902558	67	4700904037	139
4700813434	139,209	4700902581	101,111	4700904038	143
4700813444	125	4700902610	195	4700904039	199
4700813499	95,101	4700902624	117	4700904156	209
4700813500	125	4700902625	117,121	4700904180	161
4700813618	51,111	4700902638	117	4700904213	101
4700813822	105,111	4700902687	117	4700904228	35,39,55,59,69
4700900229	101	4700902695	117		71,141,143,145
4700900255	77,85	4700902697	121		151,153,155,159
4700900552	67,131	4700902724	117	4700904229	29,33,55,59,65
4700900604	101	4700902752	117		67,69,71,101,125
4700900775	47,49	4700902783	121		133,135,139,145
4700900776	19,47,49	4700902811	121		149,153,155,159
4700900782	19,47,49	4700902814	121		163,167,173,177
4700900807	33	4700902866	35,39		199,209
4700900957	81,89	4700902895	155	4700904230	29,37,41,55,59
4700900966	81,89	4700902896	155		67,69,71,95,101
4700901145	75,149,163	4700902919	29,151		115,143,149,151
4700901155	115	4700902928	105,111		157,163,209,211
4700901157	115	4700902929	111	4700904231	33,35,39,47,55
4700901218	75	4700902930	111		67,69,71,115,125
4700901220	195	4700902944	111		149,163
4700901226	141	4700902960	111	4700904232	31,45,47,49,55
4700901240	141	4700902961	111		57,115,173
4700901328	109	4700902962	111	4700904233	29,45,57,75,149
4700901369	143	4700902984	111		163
4700901443	75	4700902996	113	4700904234	45,161

NUMERICAL INDEX

Part Number	Page	Part Number	Page	Part Number	Page
4700904241	35,39,69,71	4700908499	165,167,169	4700909581	79,87
4700904244	37,41	4700908501	209	4700909582	77,85
4700904281	61,67,139,141	4700908502	209	4700909584	77,85
4700904282	101	4700908503	209	4700909586	83,91
4700904314	143	4700908504	209	4700909596	89,91
4700904340	159	4700908506	167	4700909609	81,83,89,91
4700904379	55,211	4700908507	167	4700909616	81,89
4700904385	127	4700908545	165,169	4700909618	81,89
4700904433	149,163	4700908580	169	4700909619	81,89
4700904448	139	4700908581	169	4700909622	81,89
4700904479	33,45	4700908582	169	4700909624	81,89
4700904486	59	4700908583	169	4700909626	81,89
4700904495	115	4700908605	175	4700909727	105
4700904543	209	4700908617	175	4700910161	125
4700904551	59	4700908623	171	4700910995	33
4700904556	35,39,155,211	4700908624	171	4700911456	141
4700904557	29,35,39,67,211	4700908625	173	4700921031	143
4700904562	45,161	4700908626	173	4700921039	143,145
4700904567	35,39,61,133,209	4700908627	173	4700921050	61
4700904619	161	4700908628	173	4700921056	199,209
4700904623	61	4700908780	129	4700921063	57
4700904637	55,125	4700909259	99,111	4700921072	139
4700904638	55,95,101,115	4700909382	105	4700921084	101
	139	4700909386	105	4700921099	59
4700904639	139	4700909387	105	4700921104	139
4700904640	35,39,59,65,69	4700909388	105	4700921116	139
	71,151,161,195	4700909389	105	4700921132	199
4700904663	17	4700909390	105	4700921161	209
4700904695	67	4700909391	105	4700922325	155
4700904697	155	4700909392	105	4700923087	99,105,107
4700904698	141	4700909393	105	4700923342	79,87
4700904703	31,55	4700909398	105	4700923371	101
4700904734	161	4700909399	107	4700923384	95,101,115
4700904735	101	4700909428	107	4700923874	153
4700904737	47,49	4700909429	107	4700923976	141
4700904773	115	4700909432	107	4700924620	17,33
4700904793	101	4700909435	109	4700924791	159
4700904835	183	4700909436	109	4700924875	151
4700904846	141	4700909469	117,121	4700925519	55
4700904870	183	4700909514	117,121	4700925629	35,39
4700904874	35,39	4700909525	113	4700925631	67
4700905304	175	4700909544	81,89	4700925723	131
4700905305	175	4700909550	79	4700925802	55,143
4700905306	175	4700909551	79	4700926214	17,33,125
4700908136	59,135	4700909552	79	4700926781	83,91
4700908229	183	4700909553	79	4700926810	81,89
4700908265	173	4700909558	79	4700926847	81,89
4700908267	177	4700909559	79	4700926985	59
4700908352	105	4700909560	79	4700927117	29
4700908355	173	4700909561	79	4700927637	35,39
4700908359	177	4700909562	79	4700927857	69,71
4700908361	173	4700909563	79	4700927974	37,41,149,163
4700908383	117	4700909565	79	4700928497	25,155
4700908422	111	4700909566	79	4700928830	157
4700908426	111	4700909567	79,87	4700928850	29
4700908427	111	4700909568	79,87	4700929023	139
4700908432	105,107,111	4700909569	79,87	4700929123	125
4700908435	99,111	4700909570	79,87	4700929217	75
4700908440	99	4700909572	79,87	4700929447	21,47
4700908443	111	4700909574	79,87	4700929617	81,89
4700908448	109	4700909576	79,87	4700929626	87
4700908485	79,87	4700909580	79,87	4700929628	79

NUMERICAL INDEX

Part Number	Page	Part Number	Page	Part Number	Page
4700929629	79	4700935380	51	4700936558	105
4700929630	87	4700935381	51	4700936559	105
4700929631	87	4700935382	51	4700936560	105
4700929638	79,87	4700935386	51	4700936561	105
4700929644	79,87	4700935387	51	4700936562	107
4700929648	77,85	4700935388	51	4700936563	107
4700930153	141	4700935389	51	4700936564	107
4700930154	141	4700935394	51	4700936566	107
4700930163	141	4700935395	51	4700936567	107
4700930198	141	4700935396	51	4700936568	107
4700930200	141	4700935397	51	4700936570	107
4700932032	141	4700935400	51	4700936571	107
4700935164	119	4700935401	51	4700936582	105
4700935172	121	4700935402	51	4700936583	107
4700935192	117	4700935403	51	4700936593	113
4700935212	121	4700935404	51	4700936609	117,121
4700935219	117	4700935405	51	4700936612	117
4700935244	169	4700935411	51	4700936613	121
4700935245	169	4700935413	51	4700936614	121
4700935246	169	4700935414	51	4700936616	119
4700935247	169	4700935415	51	4700936617	119
4700935248	169	4700935429	129	4700936618	119
4700935249	169	4700935520	97,113	4700936619	119
4700935250	169	4700935521	111	4700936620	119
4700935253	169	4700935523	97	4700936621	119
4700935265	169	4700935524	99,111	4700936622	119
4700935266	169	4700935525	99,111	4700936623	119
4700935267	169	4700935526	111	4700936627	119
4700935268	169	4700935527	99,111	4700936628	119
4700935269	169	4700935530	111	4700936629	119
4700935270	169	4700935531	111	4700936630	119
4700935271	165,169	4700935533	111	4700936631	119
4700935272	165,169	4700935536	111	4700936632	119
4700935273	165,169	4700935537	97	4700936633	119
4700935274	165,169	4700935541	97	4700936634	119
4700935275	165,169	4700935543	99,111	4700936636	119
4700935276	165,169	4700935544	111	4700936637	119
4700935277	165,169	4700935545	111	4700936642	117
4700935278	165	4700935586	209	4700936643	117
4700935279	165	4700935613	157	4700936644	117
4700935280	165	4700935614	157	4700936646	117
4700935281	165	4700935644	79	4700936647	117
4700935282	165	4700935664	111	4700936648	117
4700935283	165	4700935741	111	4700936654	117
4700935284	165	4700935749	111	4700936655	117
4700935285	165	4700935750	111	4700936656	117
4700935286	165	4700935856	105	4700936657	121
4700935287	165	4700935857	107	4700936658	121
4700935288	165	4700936304	121	4700936659	121
4700935289	165	4700936305	121	4700936660	121
4700935290	165	4700936308	117	4700936661	121
4700935291	165	4700936313	121	4700936662	121
4700935293	165	4700936370	121	4700936663	121
4700935295	165	4700936394	121	4700936664	121
4700935296	165	4700936546	105	4700936665	121
4700935297	165	4700936547	105	4700936673	121
4700935298	165	4700936548	109	4700936686	117
4700935299	165	4700936549	105	4700936689	117
4700935300	167	4700936551	105	4700936898	101
4700935301	167	4700936553	105	4700937055	125
4700935302	167	4700936554	109	4700937150	107
4700935303	167	4700936557	105	4700937187	119

NUMERICAL INDEX

Part Number	Page	Part Number	Page	Part Number	Page
4700937240	121	4700939259	79,87	4700947680	153,155
4700937259	123	4700939260	79,87	4700950283	107
4700937363	113	4700939261	79,87	4700950284	107
4700937380	165	4700939262	79	4700950635	121
4700937381	165	4700939263	83,91	4700985012	141
4700937382	165	4700939264	83,91	4700985125	141
4700937383	165	4700939265	83,91	4700985146	141
4700937384	165	4700939266	83,91	4700989151	133
4700937385	165	4700939267	83,91	4700991658	185
4700937389	165	4700939268	83,91	4700999011	145
4700937390	169	4700939269	83,91	4700999027	139
4700937391	169	4700939270	83,91	47386084BR	183
4700937392	169	4700939271	83,91	47386084CN	183
4700937393	169	4700939272	83,91	47386084DE	183
4700937675	123	4700939273	83,91	47386084DK	183
4700937737	199	4700939275	83,91	47386084EN	183
4700937857	107	4700939276	83,91	47386084ES	183
4700937870	179	4700939277	83,91	47386084FI	183
4700937871	175	4700939278	83,91	47386084FR	183
4700938014	117	4700939280	81,89	47386084GR	183
4700938017	169	4700939281	81,89	47386084IS	183
4700938018	169	4700939282	81,89	47386084IT	183
4700938062	129	4700939283	81,89	47386084NL	183
4700938068	129	4700939284	81,89	47386084NO	183
4700938070	129	4700939285	81,89	47386084PT	183
4700938101	169	4700939286	81,89	47386084SE	183
4700938170	107	4700939287	81,89	4811000152	45
4700938252	107	4700939348	81,83	4812110216	143
4700938253	107	4700939349	83,91	4812110366	45
4700938273	55	4700939350	83,91	4812110552	45
4700938290	165	4700939351	83,91	4812110572	45
4700938291	165	4700939372	7,11,13,55	4812110576	45
4700938292	165	4700939373	55	4812110773	37,41
4700938296	81,89	4700939403	67	4812110835	45
4700938514	13,55	4700939404	7,11,13,67	4812110860	47
4700938516	13	4700939405	67	4812111126	55
4700938562	15,17	4700939489	107	4812112413	47
4700938621	201	4700939503	7,9,11,13,55	4812112591	29
4700938622	201	4700939504	55	4812112596	65
4700938638	201	4700939506	55	4812112597	61
4700938639	201	4700939693	201	4812112600	67
4700938645	201	4700939955	55	4812112601	67
4700938659	165	4700939960	55	4812112602	67
4700938883	15,23	4700940505	117	4812112749	47,49
4700938891	15,21	4700940507	117	4812112798	29
4700938983	81,89	4700940662	15,25	4812112944	139
4700938984	81,89	4700940676	117	4812112987	35
4700938989	79,87	4700940678	169	4812113709	67
4700938991	87	4700945140	55	4812113917	71
4700939003	83,91	4700945587	49	4812113918	59
4700939015	83,91	4700945594	47	4812113919	71
4700939016	83,91	4700945622	149,163	4812113920	71
4700939017	83,91	4700945652	5,7	4812114240	205
4700939019	83,91	4700945657	19	4812114368	59
4700939026	81,89	4700945757	97,111	4812114466	149,163
4700939035	81,89	4700945773	55	4812115828	115
4700939036	81,89	4700945774	55	4812115855	139
4700939173	117	4700945775	117	4812120119	187
4700939255	81,89	4700945776	117	4812155075	149
4700939256	81,89	4700945777	67	4812155683	47
4700939257	79	4700945880	123	4812155764	121
4700939258	79,87	4700945892	55	4812155780	99

NUMERICAL INDEX

Part Number	Page	Part Number	Page	Part Number	Page
4812156072	107	4812271702	213		
4812156092	123	4812271703	213		
4812156170	23	4812271704	215		
4812156652	105	4812271705	215		
4812156885	87	4812273529	211		
4812156886	87	D433722101	17,33		
4812156960	55	D433722102	17,33		
4812156961	55				
4812156977	119				
4812156978	119				
4812157260	165,169				
4812157261	165,169				
4812157268	5,9				
4812157269	5,11				
4812157270	5,13				
4812157578	99				
4812157653	97				
4812265106	39				
4812265107	39				
4812265108	39				
4812265109	39				
4812265111	61				
4812265113	39				
4812265114	39				
4812265128	41				
4812265129	39				
4812265465	197				
4812265746	193,197				
4812265828	183				
4812265829	183				
4812265832	41				
4812265833	209,211				
4812265836	187				
4812265837	187				
4812265838	187				
4812265839	209				
4812265841	209				
4812265842	209,213				
4812265843	209				
4812265844	209				
4812265845	209,215				
4812265846	209				
4812265847	209,217				
4812265848	209				
4812265849	209				
4812265850	209				
4812265851	209				
4812265853	209				
4812267208	211				
4812268934	209				
4812269767	193,203				
4812269829	187				
4812269831	183				
4812269858	185				
4812270031	207				
4812270032	205,207				
4812270033	203,205				
4812271625	217				
4812271698	217				
4812271699	217				
4812271700	217				
4812271701	217				

PARTS ALPHABETICAL INDEX

Description	Part No	Page
.	4812268934	209
Absorbent	4700372678	161
Absorbent holder	4700376488	161
Absorbent holder	4700376489	161
Adapter	4700234382	115
Adapter	4700234626	125
Adapter	4700234843	131
Adapter	4700334138	95,101
Adapter	4700334468	101
Adapter	4700792551	61
Adapter	4700900552	67,131
Adapter	4700900604	101
Adapter	4700904282	101
Adapter	4700923371	101
Adapter	4700936570	107
Adapter	4812112597	61
Adapter G3/4	4700791119	133
Adjusting screw	4700379811	211
Adjusting screw	4700379812	211
Air breather screw	4700384121	45
Air charging valve	4700791175	75
Air charging valve Straight	4700792261	75,207
Air cleaner, cpl	4700394683	65
Air filter element	4700384761	201
Air filter element, main	4700394690	11,13,65
Air filter element, safety	4700394691	13,65
Air guide	4812113919	71
Air inlet	4700386699	59
Air inlet	4812113918	59
Air inlet hose	4700392233	65
Air inlet hose	4812112596	65
Air intake hose	4700385691	65
Air leading plate	4700371737	59
Air leading plate	4700388732	59
Air leading plate	4700560033	61
All-weather prooftyre	4812270031	207
Alternator	4700945140	55
Arm	4700908355	173
Axial ball bearing	4700100040	17,33
Axial ball bearing	4700924620	17,33
Axle case	4700939263	83,91
Back-up ring	4700372457	163
Back-up ring	4700936673	121
Ball bushing	4700813316	125
Ball joint	4700416034	153,155
Ball valve	4700233304	133
Band, mounting	4700802550	65
Banjo nipple	4700330170	61
Battery	4700792682	139
Battery cable	4700791503	139
Battery cable	4700791511	139
Battery switch	4700903640	139
Bearing	4700901452	105
Bearing	4700901465	107
Bearing	4700902187	155
Bearing	4700902260	123
Bearing	4700902261	123
Bearing	4700936632	119
Bearing	4700939266	83,91
Bearing	4700939273	83,91
Bearing bush	4700936662	121
Bearing cover	4700337042	33
Bearing cover	4700373123	33
Bearing housing	4700343318	47
Bearing housing inner	4700392420	47,49
Bearing housing outer	4700379876	49
Bearing housing outer	4700379878	47
Bearing liner, 1 pair	4700936629	119
Bearing plate	4700902930	111
Bellows	4700382349	153
Belt	4700939373	55
Belt pliers	4700902610	195
Belt tightener	4700945774	55
Bevel gear set	4700212553	79,87
Blind rivet	4700624016	161
Blind rivet	4700624017	183
Blind rivet	4700904433	149,163
Blind rivet	4700904619	161

PARTS ALPHABETICAL INDEX

Description	Part No	Page
Blind rivet 3,2x6,1	4700624005	183
Bolt	4700909626	81,89
Bolt	4700935299	165
Bolt	4700938989	79,87
Bolt	4700938991	87
Bolt	4700939257	79
Bolt	4700939264	83,91
Bolt	4700939281	81,89
Bolt	4700939282	81,89
Bolt	4812156886	87
Bolt M12x40H 8,8	4700791948	31
Bowden cable	4700938645	201
Bowl	4700939405	67
Bracket	4700357316	151
Bracket	4700372608	35,39
Bracket	4700372772	55
Bracket	4700374030	143
Bracket	4700376561	61
Bracket	4700386768	153
Bracket	4700387397	139
Bracket	4700387964	65
Bracket	4700388203	153
Bracket	4700388728	59
Bracket	4700388855	57
Bracket	4700393476	61
Bracket	4700902189	155
Bracket	4700908136	59,135
Bracket	4700908361	173
Bracket	4700908583	169
Bracket	4700908623	171
Bracket	4700935297	165
Bracket	4700935298	165
Bracket	4812267208	211
Bracket Metal	4700935276	165,169
Bracket Rubber	4812157261	165,169
Brake disc kit	4700935400	51
Brake disc kit	4700939284	81,89
Brush profile	4700938101	169
Bulb 12V	4700985125	141
Bulb 2w	4700985012	141
Bulb 55w H3	4700901369	143
Bushing	4700285911	25,155
Bushing	4700357855	151
Bushing	4700936661	121
Buzzer	4700355301	141
Cab decal	4812265836	187
Cab decal	4812265837	187
Cab decal	4812265838	187
Cable	4700903970	141
Cable harness	4700357583	139
Cable harness	4700372758	143
Cable harness	4700373184	143
Cable harness	4700374398	145
Cable harness	4700380281	139
Cable harness	4700380549	139
Cable harness	4700380577	139
Cable harness	4700380699	139
Cable harness	4700380700	139
Cable harness	4700384402	179
Cable harness	4700384403	179
Cable harness	4700387418	141
Cable harness	4700387419	143
Cable harness	4700387427	139
Cable harness	4700387466	199
Cable harness	4700387554	139
Cable harness	4700387728	141
Cable harness	4700394210	199
Cable harness	4700937870	179
Cable harness	4812112944	139
Cable harness	4812115855	139
Cable holder	4700378214	55
Cable tie holder	4700904543	209
Cable ties	4700313102	101,125,135,199
Cable ties L=142 mm	4700925802	55,143
Cable ties L=200 mm	4700313041	67
Calcium chloride	4812114240	205
Cam disc	4700902895	155
Canopy anchor	4700373750	159

PARTS ALPHABETICAL INDEX

Description	Part No	Page
Canopy anchor	4700380963	159
Canopy anchor	4700380964	159
Canopy profile	4700373746	159
Canopy profile	4700373747	159
Canopy profile	4700373748	159
Canopy rib	4700373749	159
Cap	4700903714	61
Cap	4700908627	173
Cap	4700908628	173
Cap hydraulic	4700330383	57
Charge air tube	4700385692	65
Charge air tube	4700386047	65
Charge air tube	4700386641	65
Check valve	4700374059	101
Circlip	4700939267	83,91
Clamp	4700346230	209
Clamp	4700374797	35,39
Clamp	4700374798	35,39
Clamp	4700379214	65
Clamp	4700387525	65
Clamp	4700388800	69,71
Clamp	4700902558	67
Clamp	4700921031	143
Clamp	4700921050	61
Clamp	4700921063	57
Clamp	4700921072	139
Clamp	4700921099	59
Clamp	4700921104	139
Clamp	4700921116	139
Clamp	4700921132	199
Cleaning filter element Maximum 50 hours use	4700359552	101
Coil	4700909259	99,111
Compressor	4812273529	211
Condensor coil	4812271703	213
Condensor fan	4812271702	213
Connection block	4700345243	101
Connection cable	4700792277	139
Connection cable coarse	4700791510	139
Connection cable coarse	4700791595	139
Connection cable coarse	4700792052	139
Connector	4700230515	57
Connector	4700234388	135
Connector	4700234958	101
Connector	4700334389	131
Connector	4700334463	67,135
Connector	4700338304	125
Connector	4700372625	125
Connector	4700382391	55
Connector	4700385871	101
Connector	4700901155	115
Connector	4700901240	141
Connector	4700902125	135
Connector	4700925723	131
Contact block	4700930198	141
Contact piece, NC	4700930154	141
Contact piece, NO	4700930163	141
Control	4700389175	153
Control bracket	4700380366	155
Control bracket	4700382885	155
Control cable	4700902191	155
Control lever	4700357501	155
Control lever	4700387633	153
Control lever	4700909432	107
Control panel	4700358142	151
Control panel	4812271625	217
Control panel, left	4700380278	141
Control panel, right	4700380277	141
Control plate	4812156978	119
Control valve gasket	4700939489	107
Control valve, cpl	4700938170	107
Control valve, cpl	4700940507	117
Coolant hose	4700376573	61
Coolant hose	4700386663	59
Coolant hose	4700386664	59
Coolant hose	4700388727	59
Cooler frame	4700386662	59
Cooler, cpl	4812114368	59
Copper washer	4700330330	199

PARTS ALPHABETICAL INDEX

Description	Part No	Page
Copper washer	4700330333	89,91
Copper washer	4700747282	61,67
Coupling	4700371620	55
Coupling	4700935405	51
Coupling sleeve	4812156072	107
Cover	4700343159	33
Cover	4700348481	25,155
Cover	4700349879	133
Cover	4700357424	151
Cover	4700357494	155
Cover	4700358143	151
Cover	4700371344	141
Cover	4700373955	35,39
Cover	4700379236	167
Cover	4700379608	165
Cover	4700380727	149
Cover	4700397130	29
Cover	4700908582	169
Cover	4700935414	51
Cover	4700935613	157
Cover	4700937871	175
Cover	4700939255	81,89
Cover	4700939287	81,89
Cover	4812112798	29
Cover	4812156092	123
Cover assembly	4700936548	109
Cover cap	4811000152	45
Cover plate	4700380685	151
Cover plate	4700924791	159
Cover plate	4812265108	39
Cover plate	4812265109	39
Cradle	4700936618	119
Cradle bearing assembly, 1 set	4700936633	119
Crossbeam	4700393367	29
Cup spring stack	4700936617	119
Cylinder	4812156977	119
Cylinder block	4700902929	111
Cylinder block, cpl	4700901455	105
Decal "BATTERY POWER"	4700904835	183
Decal "COOLING LEVEL"	4700388449	185
Decal "FUEL"	4700991658	185
Decal "HOT SURFACE"	4700903424	185
Decal "HYDRAULIC OIL"	4700272372	185
Decal "HYDRAULIC OIL"	4700272373	183
Decal "LIFT POINT"	4700588176	183
Decal "SAFETY MANUAL"	4700903425	183
Decal "SAFETY"	4700903422	183
Decal "SAFETY"	4700903423	185
Decal "SAFETY"	4700903459	183
Decal "SAFETY", "TYRE IN BALLAST"	4700903985	75,183,205
Decal "TIE DOWN POINT"	4700382751	183
Decal "TYRE PRESSURE" 110kPa/16psi	4700390900	183
Decal "TYRE PRESSURE" 200kPa/29psi	4700355983	75
Decal AC H=140	4812269831	183
Decal AC H=250	4812269858	185
Decal AC H=45	4812269829	187
Decal AC H=80	4812120119	187
Decal Dynapac	4812265828	183
Decal Dynapac	4812265829	183
Delay relay	4700904846	141
Diesel engine Cummins 6BTAA-5.9	4812111126	55
Differential carrier	4700909550	79
Differential carrier cover	4700909562	79
Differential case	4700929630	87
Differential pinion	4700939262	79
Differential side gear	4700909558	79
Disc	4700939283	81,89
Disc kit	4700935644	79
Display panel	4700357585	141
Distance	4700908359	177
Distribution control plate	4700371326	141
Door frame	4700390927	169
Door handle with key	4700935244	169
Door, cpl	4700940678	169
Double break-off pin	4700909514	117,121
Drive disc	4700373770	45
Drive screw	4700527002	45
Drive shaft	4700349682	45

PARTS ALPHABETICAL INDEX

Description	Part No	Page
Drivers seat, cpl	4700377518	149,163
Drivers seat, cpl	4700377556	149,163
Drivers seat, cpl	4812114466	149,163
Drum	4700373768	45
Drum cartridge	4700945587	49
Drum cartridge	4700945594	47
Drum cartridge	4812155683	47
Drum frame	4700377221	29
Drum gear	4700371512	51
Dust seal ring	4700938062	129
Eccentric shaft	4812112749	47,49
Eccentric shaft kit	4700945657	19
Edge trim	4700287724	95
Edge trim	4700288129	59
Edge trim	4700902166	37,41,59,69,71
Edge trim		95
Edge trim	4700902379	151
Edge trim	4700903953	59
Elbow	4700903750	95
Elbow 45	4700234622	135
Elbow 45	4700234662	125
Elbow 45, O-ring	4700334132	95,101
Elbow 45, O-ring	4700813500	125
Elbow 45jã	4700234624	101
Elbow 45jã	4700791212	115
Elbow 45jã	4700792654	115
Elbow 90	4700234365	209
Elbow 90	4700334196	135
Elbow 90, O-ring	4700813444	125
Elbow 90, O-ring	4700813499	95,101
Elbow 90, O-ring	4700929123	125
Elbow 90jã	4700792299	115
Elbow 90jã	4700904495	115
Elbow 90jã, O-ring	4700334419	115
Elbow 90G with O-ring	4700334558	125
Elbow adapter	4700925631	67
Electric hydraulic control	4700935543	99,111
Emergency hammer	4700908506	167
Emergency hammer, hook	4700908507	167
Emergency stop	4700930200	141
End cap	4700935530	111
End cap, cpl	4700936560	105
End cover	4700385379	65
Engine bracket	4700378210	55
Engine bracket	4700378211	55
Engine bracket	4700378213	55
Engine hood	4812265106	39
Evaporimeter coil	4812271699	217
Evaporimeter fan	4812271698	217
Exhaust hose	4700386774	69,71
Exhaust pipe	4700387699	69,71
Expanding	4700629016	155
Expansion tank	4700392313	61
Expansion valve	4812271700	217
Fan	4700397285	55
Fan	4700938638	201
Fan clutch	4700397284	55
Fan guard	4700390500	59
Fan spacer	4700397217	55
Filter	4700908502	209
Filter bracket	4700380490	101
Filter element	4700901454	105
Filter frame	4700908501	209
Filter head	4700359551	101
Filter head	4700939403	67
Filter plug	4700232041	29
Fire extinguisher	4812265465	197
Flange	4700900255	77,85
Flange	4700902961	111
Flange coupling	4700345234	115
Flange half	4700232097	125
Flange half	4700923384	95,101,115
Flange with light	4700903875	141
Fops roof	4700372409	161
Fork	4700416004	155
Framing	4700902896	155
Friction washer	4700909559	79
Fuel cap	4700373460	29,67

PARTS ALPHABETICAL INDEX

Description	Part No	Page
Fuel cap	4700380436	29
Fuel filter bracket	4812112600	67
Fuel filter element	4700939372	7,11,13,55
Fuel gauge	4700355263	141
Fuel hose	4812112601	67
Fuel hose	4812112602	67
Fuel hose	4812113709	67
Fuel hose 3/8"	4700246069	61
Fuel level sender	4700904695	67
Fuse 20A Yellow Medium	4700903741	199
Fuse 30A	4700904037	139
Fuse 40A	4700904038	143
Fuse 50A Red High	4700904039	199
Fuse 7.5A	4700901226	141
Fuse box	4700903820	141
Fuse holder	4700904036	139
Gas spring	4700938018	169
Gas spring	4812265113	39
Gas spring	4812265114	39
Gas spring Left	4700390182	35
Gas spring Right	4700379248	35
Gasket	4700908427	111
Gasket	4700935541	97
Gasket	4700936561	105
Gasket	4700938516	13
Gasket	4700945777	67
Gasket	4812156961	55
Gasket	4812157653	97
Gear holder	4700373442	45
Gear holder	4700373443	45
Grab handle	4700285909	155
Grab handle	4700374854	37
Grab handle	4700380123	149
Grab handle	4700904874	35,39
Grab handle	4812265832	41
Grease fitting	4700926214	17,33,125
Grease gun	4700311016	195
Grease nipple	4700310008	17
Grid	4700372575	37,41
Grid	4700372609	37,41
Grid	4700372695	37,41
Guide	4700909387	105
Guide assy, 1pair	4700936554	109
Hair clip	4700635061	29,127
Half shaft	4700939277	83,91
Handle	4700908504	209
Hatch	4700384589	209
Heat protection	4700390743	55
Heat protection	4812113917	71
Heat protection	4812113920	71
Heater coil	4700938639	201
Heater control valve	4700939693	201
Hex screw m16x60 - lf140	4700500134	45
Hexagon head screw	4700500029	29,59,69,71,149
		163
Hexagon head screw M	4700500004	209
Hexagon head screw M	4700500018	35,39,59,135,209
Hexagon head screw M	4700500019	37,41,65,101,133
		167,173,177,199
		209
Hexagon head screw M	4700500022	159,209
Hexagon head screw M	4700500023	125,209
Hexagon head screw M	4700500031	61,157,211
Hexagon head screw M	4700500053	59,69,71,135,139
		149,167,199,209
Hexagon head screw M	4700500067	67,211
Hexagon head screw M	4700500100	161,209
Hexagon head screw M	4700500192	95,115,133,209
Hexagon head screw M	4700904379	55,211
Hexagon lock nut M10	4700586018	55,95,143
Hexagon lock nut with flange	4700902285	35,39,139,153
Hexagon lock nut with flange	4700902286	35,39,139
Hexagon nut M	4700570006	125,133,209,211
Hexagon socket countersunk screw	4700927637	35,39
Hinge	4700371366	35,39
Hinge	4700935273	165,169
Hitch	4700374898	33
Holder	4700374728	45

PARTS ALPHABETICAL INDEX

Description	Part No	Page
Holder	4700376622	31
Holder	4700380109	35,39
Holder	4700381989	35,39
Holder	4700382132	35,39
Holder	4700382336	35,39
Holder	4700390483	209
Holder	4700392170	61
Holder	4700393280	199
Holder Since SN C003981	4812265111	61
Holder plate	4700371955	45
Holder plate	4700371956	45,47
Holder plate	4700373203	35
Holder plate	4700373204	35
Holder plate	4700373309	35,161
Holder plate	4700373854	161
Holder plate	4700373855	161
Holder plate	4700374799	35,39
Holder plate	4700375171	59
Holder plate	4700375172	59
Holder plate	4700382129	35,39
Holder plate	4700382355	35,39
Holder plate	4700386163	69,71
Hole plug	4700911456	141
Hollow screw	4700330171	61
Hollow screw	4700747691	55
Hood	4812112987	35
Hook	4700382130	35,39
Hook	4700383951	161
Horn	4700999027	139
Hose	4700384881	201
Hose	4700937737	199
Hose clamp	4700313001	67
Hose clamp	4700313004	199,209
Hose clamp	4700313006	59
Hose clamp	4700313010	59
Hose clamp	4700313023	59
Hose clamp	4700313035	155
Hose clamp	4700313075	61
Hose clamp	4700349909	95
Hose clamp	4700372018	115
Hose clamp	4700372513	125
Hose clamp	4700372514	125
Hose clamp	4700372578	95,115
Hose clamp	4700372586	95,103
Hose clamp	4700374217	115
Hose clamp	4700386152	69,71
Hose clamp	4700389600	65
Hose clamp 15-25mm	4700313003	201
Hose connection	4700373574	67
Hose connection	4700386222	59
Hose connection	4700391303	199
Hose connection	4700792322	61
Hose connection M	4700387638	199,209
Hose guard	4700372235	95
Hose guard	4700904623	61
Hose reinforced	4700244054	67
Hour meter	4700801567	139
Housing	4700908422	111
Housing	4700908485	79,87
Housing	4700936546	105
Housing	4700939256	81,89
Housing	4812156652	105
Hydraulic hose	4700389138	55
Hydraulic hose	4700482010	101
Hydraulic hose	4700482056	131
Hydraulic hose	4700482182	101
Hydraulic hose	4700482391	101
Hydraulic hose	4700482399	131
Hydraulic hose	4700482516	131
Hydraulic hose	4700482741	101
Hydraulic hose	4700483022	95
Hydraulic hose	4700483023	115
Hydraulic hose	4700483024	115
Hydraulic hose	4700483028	95
Hydraulic hose	4700483029	95
Hydraulic hose	4700483031	115
Hydraulic hose	4700483033	101
Hydraulic hose	4700483040	131

PARTS ALPHABETICAL INDEX

Description	Part No	Page
Hydraulic hose	4700483049	125
Hydraulic hose	4700483109	125
Hydraulic hose	4700483128	101
Hydraulic hose	4700483188	135
Hydraulic hose	4700483204	135
Hydraulic hose	4700483445	135
Hydraulic hose	4700483497	125
Hydraulic hose	4700483498	125
Hydraulic hose	4700483605	103
Hydraulic hose	4700483622	103
Hydraulic hose	4700483697	125
Hydraulic hose	4700484044	115
Hydraulic hose	4700484060	115
Hydraulic hose	4700791468	55
Hydraulic hose	4700903812	125
Hydraulic motor, vibration	4700380079	123
Hydraulic oil cooler	4700387562	101
Hydraulic oil filter element	4700372229	7,13,101
Hydraulic oil filter, cpl	4700359550	101
Hydraulic oil tank	4700372029	133
Hydraulic oil tank, cpl	4700372044	133
Hydraulic pump	4700394902	125
Indicator	4700929023	139
Injector	4700939960	55
Instruction book holder	4700383705	151,163
Instructions	4812156170	23
Instructions Loading-Unloading	4700384159	183
Instrument box	4700357320	151
Junction block	4700903625	141
Key	4700903641	139
Key Marked "455"	4700902866	35,39
Lamp holder	4700358452	145
Lamp shield	4700374029	143
Lamp socket 2-POL	4700902225	141
Lath	4700373907	159
Leader	4700935247	169
Lever	4700936549	105
Lifting sign	4700904870	183
Link	4700909391	105
Lip-type oil seal	4700167032	17,33
List	4700372785	149,163
List	4700382582	149,163
List	4700935265	169
List	4700935266	169
List	4700935267	169
List	4700935268	169
List	4700935269	169
List	4700935270	169
List	4700935278	165
List	4700935279	165
List	4700935280	165
List	4700935281	165
List	4700935282	165
List	4700935283	165
List	4700935284	165
List	4700935285	165
List	4700935286	165
List	4700935287	165
List	4700935288	165
List	4700935289	165
List	4700935291	165
List	4700935293	165
List	4700938659	165
Lock	4700372658	195
Lock	4700935253	169
Lock	4700935301	167
Lock	4700938017	169
Lock clamp	4700382131	35,39
Lock nut	4700392109	127
Lock nut	4700586001	141
Lock nut	4700586019	31,55
Lock nut M20-10	4700901145	75,149,163
Lock nut M6 -8	4700586002	141,151,159
Lock nut M	4700586003	55,65,125,145,155 159,177,201
Lock nut M	4700791172	211
Lock pin	4700908580	169
Lock pin	4700935277	165,169

PARTS ALPHABETICAL INDEX

Description	Part No	Page
Lock pin	4812157260	165,169
Lock plate	4700939275	83,91
Lock plate	4700939286	81,89
Lock ring	4700929617	81,89
Lock washer	4700385134	201
Locking handle	4700382165	35,39
Locking screw	4700936304	121
Locking screw	4700936370	121
Locking screw	4700936613	121
Locking set	4700936658	121
Lube grease " DYNAPAC special approved "	4700904663	17
Magnetic plug	4700343744	47,49
Magnetic plug	4700813391	29
Magnetic plug	4700926810	81,89
Magnetic plug	4700939350	83,91
Measuring nipple	4700356348	135
Measuring nipple	4700900229	101
Measuring nipple	4700901157	115
Measuring nipple	4700902115	115
Measuring nipple	4700910161	125
Motor adapter	4812110860	47
Muffler	4700388650	69,71
Neutral start switch	4700938253	107
Non-spin unit	4700929626	87
Nut	4700506018	115
Nut	4700573004	155
Nut	4700900957	81,89
Nut	4700902638	117
Nut	4700902695	117
Nut	4700903831	125
Nut	4700923976	141
Nut	4700929638	79,87
Nut	4700936644	117
Nut	4700939016	83,91
Nut	4700939019	83,91
Nut M16	4700586021	173
Nut M24 -10 DIN985	4700792464	45
Nut M5	4700570003	149,197
Nut M5	4700902284	35,39,139
Nut M6X1,00 -8 A2K	4700570004	35,39,59,141,153
Nut M8	4700570005	155
Nut M8	4700570005	35,39,59,139,153
Nut M8	4700573008	163,199
Nut M8	4700573008	153
Oil cap	4812156960	55
Oil dipstick	4700945892	55
Oil filter element	4700939503	7,9,11,13,55
Oil level glass	4700989151	133
Oil pressure switch	4700939506	55
Orifice	4700909435	109
Orifice	4700936308	117
Orifice	4700936313	121
Orifice	4700936593	113
O-ring	4700160269	141
O-ring	4700160272	95
O-ring	4700349880	133
O-ring	4700372709	29
O-ring	4700384877	209
O-ring	4700384878	209
O-ring	4700384879	209
O-ring	4700813618	51,111
O-ring	4700900776	19,47,49
O-ring	4700900966	81,89
O-ring	4700901453	97,99,105,111
O-ring	4700902581	101,111
O-ring	4700902783	121
O-ring	4700902814	121
O-ring	4700904005	95,101,115,125
O-ring	4700904737	47,49
O-ring	4700904773	115
O-ring	4700908440	99
O-ring	4700908503	209
O-ring	4700908780	129
O-ring	4700909399	107
O-ring	4700909429	107
O-ring	4700909469	117,121
O-ring	4700909584	77,85
O-ring	4700909609	81,83,89,91

PARTS ALPHABETICAL INDEX

Description	Part No	Page
O-ring	4700909618	81,89
O-ring	4700909619	81,89
O-ring	4700923087	99,105,107
O-ring	4700929648	77,85
O-ring	4700935192	117
O-ring	4700935386	51
O-ring	4700935401	51
O-ring	4700935402	51
O-ring	4700935413	51
O-ring	4700935523	97
O-ring	4700935525	99,111
O-ring	4700935531	111
O-ring	4700935537	97
O-ring	4700935664	111
O-ring	4700936305	121
O-ring	4700936394	121
O-ring	4700936551	105
O-ring	4700936557	105
O-ring	4700936558	105
O-ring	4700936568	107
O-ring	4700936643	117
O-ring	4700936665	121
O-ring	4700937055	125
O-ring	4700937150	107
O-ring	4700938068	129
O-ring	4812157578	99
O-ring 120,32x2,62	4700160231	115
O-ring 124, 50x3, 00	4700160132	115
O-ring 70	4700160105	21,47
Pad lock	4700358881	151,183,191
Pilot lamp cpl Red	4700985146	141
Pin	4700813822	105,111
Pin	4700902687	117
Pin	4700909390	105
Pin	4700909392	105
Pin	4700935164	119
Pin	4700935212	121
Pin	4700936612	117
Pin	4700936642	117
Pin	4700936664	121
Pinion	4700909622	81,89
Pipe clamp	4700313093	65,69,71
Pipe clamp	4700791513	67
Pipe clamp	4700904340	159
Pipe clamp	4700921039	143,145
Pipe clamp	4700921084	101
Pipe clamp	4700927857	69,71
Pipe clamp covered	4700921056	199,209
Pipe clamp covered	4700921161	209
Piston	4700903570	105
Piston	4700935403	51
Piston	4700935526	111
Piston	4700936616	119
Piston	4700939280	81,89
Piston	4700945775	117
Piston assembly	4700935527	99,111
Piston rod	4700392110	127
Piston, cpl	4700936582	105
Planet gear	4700939272	83,91
Planet gear carrier Cpl.	4700939349	83,91
Planet gear carrier Cpl.	4700939351	83,91
Plastic cap, green	4700902996	113
Plate	4700935586	209
Plate	4812265129	39
Plate	4812265843	209
Platform	4700380113	149
Plug	4700232210	45,47,49
Plug	4700358388	107
Plug	4700370231	47
Plug	4700381634	47,49
Plug	4700900775	47,49
Plug	4700901476	109
Plug	4700902203	149
Plug	4700902625	117,121
Plug	4700902724	117
Plug	4700902811	121
Plug	4700902919	29,151
Plug	4700902928	105,111

PARTS ALPHABETICAL INDEX

Description	Part No	Page
Plug	4700904180	161
Plug	4700908432	105,107,111
Plug	4700909596	89,91
Plug	4700935219	117
Plug	4700935387	51
Plug	4700935394	51
Plug	4700936614	121
Plug	4700938296	81,89
Plug	4700939348	81,83
Plug G3/4	4700232039	133
Plug, cpl	4700908426	111
Plug, cpl	4700935741	111
Plug, cpl	4700936567	107
Port plate	4700936660	121
Port plate	4812155764	121
Pre-fuel filter element	4700939404	7,11,13,67
Pressure gauge	4700901220	195
Pressure override valve, cpl	4700936659	121
Pressure plate	4700903571	105
Pressure relief valve 350 bar	4700935172	121
Pressure relief valve 380 bar	4700936657	121
Pressure relief valve 430 bar	4700950635	121
Pressure relief valve 440 bar	4700937240	121
Pressure relief valve, cpl	4700936583	107
Pressure spring	4700936631	119
Pressure switch	4812271704	215
Protecting cover	4700385152	35
Protecting cover	4700386688	55
Protecting cover	4700394646	95
Protecting cover	4700394650	95
Protection	4700384163	143
Protection cover	4700373891	139
Protection cover	4700560037	161
Protection cover	4812265107	39
Protective plate	4700372087	29
Pulley, alternator	4700938273	55
Push button	4700928497	25,155
Push button	4700932032	141
Quick lock	4700904486	59
Quick lock washer	4700926985	59
Radiator, cpl	4700385873	63
Rear mirror	4700908624	171
Rear view mirror	4700908265	173
Rear view mirror, cpl	4700371730	173
Receiver drier	4812271705	215
Rect. seal	4700908443	111
Reducer	4700813434	139,209
Reducing	4700334523	135
Reflector, red	4700377742	185
Reflector, white	4700377743	185
Reflector, yellow	4700377744	183
Refrigerant	4700903679	209
Refrigerant hose	4812265844	209
Refrigerant hose	4812265846	209
Refrigerant hose	4812265853	209
Relay	4700287597	141,201
Relay	4700904448	139
Relay 12V-30A	4700287598	141
Relay, VBS	4700382782	141
Retainer	4700935249	169
Retainer guide	4700901458	105
Retaining ball	4700936628	119
Retaining plate	4700935857	107
Retaining plate	4700936627	119
Retaining ring	4700935389	51
Retaining ring	4700935411	51
Retaining ring	4700936634	119
Retaining ring	4700936636	119
Retaining ring	4700936637	119
Retaining ring	4700936656	117
Retaining ring	4700937187	119
Rim	4700393335	75,207
Rim cpl	4700383955	75
Ring	4700167033	17,33
Ring	4700901467	107
Ring	4700935303	167
Ring	4700939285	81,89
Ring gear	4700939268	83,91

PARTS ALPHABETICAL INDEX

Description	Part No	Page
Ring gear support	4700939269	83,91
Ring nut	4700939261	79,87
Rod	4700935250	169
Rod	4700935302	167
Rod	4700936646	117
Roll pin	4700909561	79
Roller bearing	4700935382	51
Roof	4700373906	159
Rops	4700372347	161
Rotary control	4700938621	201
Rotating beacon	4700999011	145
Rotating beacon 12V	4700389577	145
Rubber hose	4700381462	143
Rubber list	4700908499	165,167,169
Rubber part	4700372580	95,103,115
Rubber part	4700372581	115
Rubber seal	4700372489	161
Rubber strip	4700202047	37,41
Rubber strip	4700372494	149,163
Rubber strip 25x10	4700202046	59
Rubber washer	4700928830	157
Rubber washer	4700935275	165,169
Safety decal	4700908229	183
Safety decal, toxic gases kg	4700904156	209
Safety rod	4700374744	29
Safety rod	4700379251	35,39
Scraper	4700376829	31
Scraper bracket	4700376819	31
Screen	4700937380	165
Screen	4700937382	165
Screen	4700937383	165
Screen	4700937384	165
Screen	4700937385	165
Screen	4700937389	165
Screen	4700937390	169
Screen	4700937391	169
Screen	4700937392	169
Screen	4700937393	169
Screen	4700938290	165
Screen	4700938291	165
Screen	4700938292	165
Screen holder	4700935295	165
Screen, left	4700937381	165
Screw	4700500028	35,39,95,101,115
Screw	4700500036	55
Screw	4700500037	33
Screw	4700500092	95
Screw	4700500133	35,39,125
Screw	4700500153	159
Screw	4700500194	55,115
Screw	4700500195	149,163
Screw	4700500211	149
Screw	4700502078	115
Screw	4700508080	115
Screw	4700533001	25,155
Screw	4700533038	155
Screw	4700533070	141
Screw	4700535011	35,39
Screw	4700541507	37,41
Screw	4700791226	151,163
Screw	4700902223	141
Screw	4700902624	117
Screw	4700902697	121
Screw	4700902752	117
Screw	4700902944	111
Screw	4700902962	111
Screw	4700903732	35,39
Screw	4700903919	45
Screw	4700904241	35,39,69,71
Screw	4700904244	37,41
Screw	4700904385	127
Screw	4700908383	117
Screw	4700909382	105
Screw	4700909386	105
Screw	4700909388	105
Screw	4700909544	81,89
Screw	4700909563	79
Screw	4700909582	77,85

PARTS ALPHABETICAL INDEX

Description	Part No	Page
Screw	4700909624	81,89
Screw	4700924875	151
Screw	4700929217	75
Screw	4700929629	79
Screw	4700935274	165,169
Screw	4700935415	51
Screw	4700935544	111
Screw	4700936553	105
Screw	4700936559	105
Screw	4700936562	107
Screw	4700936563	107
Screw	4700936564	107
Screw	4700936566	107
Screw	4700936663	121
Screw	4700936689	117
Screw	4700937259	123
Screw	4700937857	107
Screw	4700939015	83,91
Screw	4700939026	81,89
Screw	4700939035	81,89
Screw	4700939173	117
Screw	4812110572	45
Screw	4812156885	87
Screw 3/8-16UNCx32 8,8	4700509025	55
Screw M10-1,5x20 8,8	4700500048	157
Screw M10-1,5x30H 8,8	4700508029	55,125
Screw M10-1,5x55 12,9	4700791156	47,49
Screw M10-1,5x60 8,8	4700500033	67,101
Screw M10-1,5x65 8,8	4700500109	103
Screw M10x035H 8.8 A3K	4700500030	35,39,67,151
Screw M10x16H 8,8	4700500043	29,143
Screw M12-1,25x60 12,9	4700791306	55
Screw M12-1,75x35H 8,8	4700508079	55
Screw M12-1,75x80 8.8	4700500196	47
Screw M12x020H	4700500035	139
Screw M12x025H	4700500046	69,71,101
Screw M12x16	4700500163	47,49,67
Screw M12x55 10.9 GEOMET	4700925519	55
Screw M16-2,0x25 8,8	4700500154	57
Screw M16x40	4700500093	31
Screw M16x50	4700500070	55
Screw M16x50H	4812110552	45
Screw M16x50H	4812110835	45
Screw M16x55	4700500076	31
Screw M16x70 8,8	4700500082	45,47,49
Screw M18x60	4700500263	101
Screw M20-2,5x100 8.8	4700500210	149
Screw M20-2,5x120 10,9	4700928850	29
Screw M20x100	4700927117	29
Screw M20x200	4700791218	163
Screw M20x50	4700500101	95
Screw M24x110 10,9	4700904479	33,45
Screw M24x120 10,9	4700900807	33
Screw M24x160 10.9	4700904562	45,161
Screw M4x20	4700533013	141
Screw M5-0,8x20 8.8	4700500060	139
Screw M5-0,8x30 8,8	4700500008	61
Screw M5x12	4700535005	171
Screw M5x12	4700903782	167
Screw M5x14	4700792187	197
Screw M5x16	4700500006	67
Screw M6-1,0x25 8.8	4700500075	61,139,141
Screw M6-1x16 8,8	4700500013	35,39,57,145,155
Screw M6-1x20 8,8	4700500040	35,39,59,139,143
Screw M6-1X35 8,8	4700500061	101
Screw M6x10	4700902224	141
Screw M6x12	4700500012	59,139,143
Screw M6x12	4700541702	141,143,145,151
Screw M6x16	4700541703	155
Screw M6X30 8.8	4700500015	69,71,153
Screw M6x40	4700500088	35,39
Screw M8-1,25x14 8,8	4700500188	29,33
Screw M8-1,25x25 8.8	4700500021	35,39,65,101,139
Screw M8-1,25x25 10.9	4700947680	145,151,155
Screw M8-1,25x50 8,8	4700500025	161,195
		61

PARTS ALPHABETICAL INDEX

Description	Part No	Page
Screw M8-1,25x60 8,8	4700500026	35,39
Screw M8x20 8.8	4700500505	35,39
Screw M8x25	4700923874	153
Screw M8x50H 8,8	4700500239	55,161
Screw ST3,5x9,5 Black	4700901767	37,41,141
Screw UNC 3/8 - 16	4700502034	125
Screw UNC 7/16" x 22	4700502132	95,101,115
Seal	4700909586	83,91
Seal	4700935245	169
Seal	4700935246	169
Seal	4700935381	51
Seal	4700939265	83,91
Seal	4700939271	83,91
Seal carrier	4812155780	99
Seal kit	4700392106	127
Seal kit	4700901328	109
Seal kit	4700935380	51
Seal kit	4700935429	129
Seal kit	4700935520	97,113
Seal kit	4700937675	123
Seal kit	4700940676	117
Seal list (Roller of 6 m)	4700908545	165,169
Seal lock nut	4700909398	105
Seal nut	4700909525	113
Seal plug	4700935524	99,111
Seal ring	4700162017	47,49
Seal ring	4700167023	47
Seal ring	4700900782	19,47,49
Seal ring	4700935395	51
Seal ring	4700945880	123
Seal washer	4700162008	101
Sealing	4700162018	47
Sealing	4700162027	47,49
Sealing	4700386272	21
Sealing washer	4700791120	133
Sealing washer	4700926847	81,89
Sealing washer	4700938983	81,89
Sealing washer	4700939036	81,89
Seat belt 2"	4700377677	161
Seat belt kit, static 3"	4700379637	161
Seat cover	4700348331	149,183
Seat switch	4700379636	149,163
Seat switch	4700945622	149,163
Seat switch	4812155075	149
Sensor Red (RW)	4700936898	101
Servo	4700903580	105
Servo arm, cpl	4700909727	105
Setting lug	4700935396	51
Shaft	4700347119	29
Shaft	4700392108	127
Shaft	4700901466	107
Shaft	4700909560	79
Shaft	4700909566	79
Shaft	4700935300	167
Shaft	4700936620	119
Shaft	4700937363	113
Shaft nut	4812112413	47
Shaft retainer	4700909565	79
Shaft seal 55x70x7	4700945757	97,111
Shaft seal 55x75x12	4700935536	111
Shaft, cpl	4700902960	111
Shaft, cpl	4700902984	111
Shim	4700373956	35,39
Shim	4700373957	35,39
Shim	4700936623	119
Shim	4812110773	37,41
Shim	4812265128	41
Shim t = 0.10mm	4700909553	79
Shim t = 0.10mm	4700909568	79,87
Shim t = 0.15mm	4700939258	79,87
Shim t = 0.15mm	4700939259	79,87
Shim t = 0.20mm	4700909569	79,87
Shim t = 0.20mm	4700909580	79,87
Shim t = 0.30mm	4700909551	79
Shim t = 0.30mm	4700909576	79,87
Shim t = 0.40mm	4700909552	79
Shim t = 0.40mm	4700929644	79,87
Shim t = 0.50mm	4700909570	79,87

PARTS ALPHABETICAL INDEX

Description	Part No	Page
Shim t = 0.50mm	4700939260	79,87
Shim T=0,10 mm	4700345875	17,33
Shim T=0,10 mm	D433722102	17,33
Shim T=0,15 mm	4700384503	17,33
Shim T=0,1mm	4700902264	123
Shim T=0,3 mm	4700902265	123
Shim T=0,35 mm	4700345874	17,33
Shim T=0,35 mm	D433722101	17,33
Shim T=1 mm	4700349973	23,45
Shim T=1,0 mm	4700337045	17,33
Shim T=1,0 mm	4700337221	17,33
Shim T=3 mm	4700349972	45
Shim T=5 mm	4700349971	45
Shock absorber	4700281783	101
Shock absorber	4700358172	23,45
Shock absorber	4700371774	59
Shock absorber	4700372757	149
Shock absorber	4700373400	149
Shock absorber	4700387128	55
Shock absorber	4700904551	59
Shock absorber	4700925629	35,39
Shock absorber Green	4700374606	163
Shock absorber Yellow	4700374607	163
Side ring	4700901444	75
Sign, rops	4700370803	161
Sleeve	4700371727	55
Sleeve	4700908625	173
Sleeve	4700938014	117
Slide ring	4700936619	119
Slip protection	4700373363	185
Slip protection	4700373364	185
Snap plate	4700389177	153
Snap ring	4700392107	127
Snap ring	4700901443	75
Solenoid	4700940505	117
Solenoid valve	4700938252	107
Solenoid valve assy	4700908435	99,111
Spacer	4700373112	103,115
Spacer	4700373423	61
Spacer	4700374471	149
Spacer	4700382397	163
Spacer	4700384114	45,47
Spacer	4700384759	163
Spacer	4700909567	79,87
Spacer	4700929631	87
Spacer	4700935856	105
Spacer	4700950283	107
Spacer	4700950284	107
Spacer	4812110366	45
Spacer	4812110576	45
Spacer ring	4700936648	117
Spacer sleeve	4700355869	157
Spacer sleeve	4700357278	101
Spacer sleeve	4700382335	35,39
Spherical roller bearing	4700390896	19,47,49
Spindle bolt	4700935397	51
Spirol pin	4700629066	173
Spirol pin	4700903395	155
Splined shaft	4700380018	47,49
Splined sleeve	4700340863	123
Splined sleeve	4700381027	47
Splined sleeve	4700901834	77,85
Spool	4700935533	111
Spring	4700349715	47
Spring	4700357488	29
Spring	4700908352	105
Spring	4700908626	173
Spring	4700909393	105
Spring	4700909436	109
Spring	4700909616	81,89
Spring	4700935404	51
Spring	4700936654	117
Spring	4700936686	117
Spring ball plunger	4700922325	155
Spring collar	4700936647	117
Spring collar	4700936655	117
Spring collar	4700945776	117
Spring guide assy	4700935749	111

PARTS ALPHABETICAL INDEX

Description	Part No	Page
Spring retainer	4700908448	109
Spring retainer	4700935750	111
Spring washer	4700604007	115
Spring washer	4700909572	79,87
Spring washer	4700939003	83,91
Starter	4700939504	55
Steel plain washer	4700601001	197
Steel plain washer	4700904229	29,33,55,59,65 67,69,71,101,125 133,135,139,145 149,153,155,159 163,167,173,177 199,209
Steel plain washer	4700904230	29,37,41,55,59 67,69,71,95,101 115,143,149,151 157,163,209,211
Steel plain washer	4700904234	45,161
Steel plain washer	4700904556	35,39,155,211
Steel plain washer	4700904557	29,35,39,67,211
Steel plain washer	4700904567	35,39,61,133,209
Steel plug	4700903190	47,67
Steering column	4700902123	157
Steering wheel, cpl	4700372964	157
Step	4700376252	149,163
Stop screw	4700903189	47
Stop screw	4700910995	33
Straight conector	4700334140	101
Straight connector	4700234909	101
Straight connector	4700334121	115,125
Straight connector	4700334205	115,131
Straight connector	4700371669	125
Straight o-ring connector	4700334199	125
Strap	4700389662	139
Strap	4700791371	139
Stud	4700939017	83,91
Stud	4700939278	83,91
Support plate	4700935388	51
Switch	4700791489	141
Switch	4700908617	175
Switch	4700930153	141
Switch	4700938622	201
Symbol, wiper	4700908605	175
Taper roller bearing	4700116041	21,47
Tapered roller bearing	4700909574	79,87
Tapered roller bearing	4700909581	79,87
Tapered roller bearing	4700923342	79,87
T-connector	4700234243	101
Tee-connector	4700234218	125
Tee-connector	4700234888	131
Tee-connector o-ring	4700234875	101
Temperature sensor Engine	4700903632	139
Temperature sensor Hydraulic oil	4700903631	139
Test panel	4700374028	135
Thermostat	4812271701	217
Thermal guard	4700376619	69
Thermal guard	4700386153	69,71
Thermal guard	4700386410	69
Thermal guard	4700387454	69,71
Thread rolling screw	4700903852	209
Threaded stud	4700903768	139
Throttle cable	4700389184	153
Throttle control, cpl	4700389170	153
Tool box	4700372837	195
Tool set Cpl	4700355890	195
Tractor frame	4812112591	29
Tractor wheel, cpl	4700390759	75
Tractor wheel, cpl	4700390760	75
Turbo charger, cpl	4700939955	55
Turning knob	4700935614	157
Turning mechanism	4700935248	169
Tyre	4700390589	75
Tyre	4700390591	75
Tyre	4700791573	75
Tyre	4700901218	75
V- belt pulley	4700945773	55
Vacuator valve	4700385376	65
Valve	4700212339	107

PARTS ALPHABETICAL INDEX

Description	Part No	Page
Valve	4700901475	107
Valve	4812265849	209
Valve cover gasket	4700938514	13,55
Valve foot	4700791176	75
Valve housing	4700935545	111
Valve plate	4700936547	105
Valve segment	4700935521	111
Valve shaft	4700383726	59
V-belt	4700413065	211
Vent nipple	4700938984	81,89
Ventilating filter	4700357138	13,133
Vibration pump	4812115828	115
V-ring	4700929447	21,47
Warning plate Brazil	47386084BR	183
Warning plate Chinese	47386084CN	183
Warning plate Danish	47386084DK	183
Warning plate Dutch	47386084NL	183
Warning plate English	47386084EN	183
Warning plate Finnish	47386084FI	183
Warning plate French	47386084FR	183
Warning plate German	47386084DE	183
Warning plate Greek	47386084GR	183
Warning plate Icelandic	47386084IS	183
Warning plate Italian	47386084IT	183
Warning plate Norwegian	47386084NO	183
Warning plate Portuguese	47386084PT	183
Warning plate Spanish	47386084ES	183
Warning plate Swedish	47386084SE	183
Washer	4700347512	149
Washer	4700381413	61
Washer	4700600008	125
Washer	4700904213	101
Washer	4700904232	31,45,47,49,55 57,115,173
Washer	4700904637	55,125
Washer	4700904703	31,55
Washer	4700904735	101
Washer	4700908581	169
Washer	4700909389	105
Washer	4700909428	107
Washer	4700927974	37,41,149,163
Washer	4700929628	79
Washer	4700935296	165
Washer	4700936571	107
Washer	4700936630	119
Washer	4700938070	129
Washer	4700939270	83,91
Washer 12x22x2	4700904638	55,95,101,115,139
Washer 13x24x2 300 HV	4700904231	33,35,39,47,55 67,69,71,115,125 149,163
Washer 18,2x23,9x1,5	4700330331	55
Washer 19x34x3	4700904793	101
Washer 21x36x3	4700904233	29,45,57,75,149 163
Washer 21x36x6	4700903290	95,149,163
Washer 3,2x6x0,5	4700904697	155
Washer 4,3x8x0,8	4700904698	141
Washer 5,3x10x1 300HV	4700904281	61,67,139,141
Washer 6,4x12x1,5	4700904228	35,39,55,59,69 71,141,143,145 151,153,155,159
Washer 6,7x14x1,5	4700904639	139
Washer 8,4x22x3	4700904640	35,39,59,65,69 71,151,161,195
Washer 8,4x26x4	4700904734	161
Washer, Black	4700935272	165,169
Washer, Flexible rubber	4700935271	165,169
Washer, sealing	4700162011	47,49
Washer, sealing	4700162024	47
Water hose	4812265841	209
Water hose	4812265848	209
Water hose	4812265851	209
Water hose M	4812265850	209
Wheel hub	4700939276	83,91
Wheel nut	4700901987	83,91
Wheel screw	4700926781	83,91
Wheel, cpl	4700388146	75

PARTS ALPHABETICAL INDEX

Description	Part No	Page
Wheel, cpl	4700390762	75
Wheel, tubeless, cpl	4700383975	75
Window lock, right	4700935290	165
Wiper arm	4700905305	175
Wiper blade	4700905306	175
Wiper motor	4700905304	175
Wire	4700343775	29
Wire	4700357643	151,163
Wire	4700384762	201
Wire	4700936621	119
Wire	4700936622	119
Wiring harness	4812265839	209
Work lamp	4700904314	143
Work lamp	4812110216	143
Work light	4700902227	143
Working light	4700908267	177



Dynapac (China) Compaction & Paving Equipment Co., Ltd.

Atlas Copco Construction Technique Product Company China
No. 38, QuanWang Road, WuQing High Tech Industrial Park, 301700, Tianjin, China

www.atlascopco.com