

OPERATION

Valid from Serial No 598 001

CA 15

VIBRATORY ROLLER

SERIES 2

Diesel engine: Deutz F4L 912
: Cummins 4BT 3.9

CONTENTS

Page

Page

Safety precautions	2	Stopping the engine	5
Before starting the engine	3	Lifting instructions	6
Starting the engine	3	Operating the roller after it has been lifted	6
Operating	4	Parking	7
Braking	5		

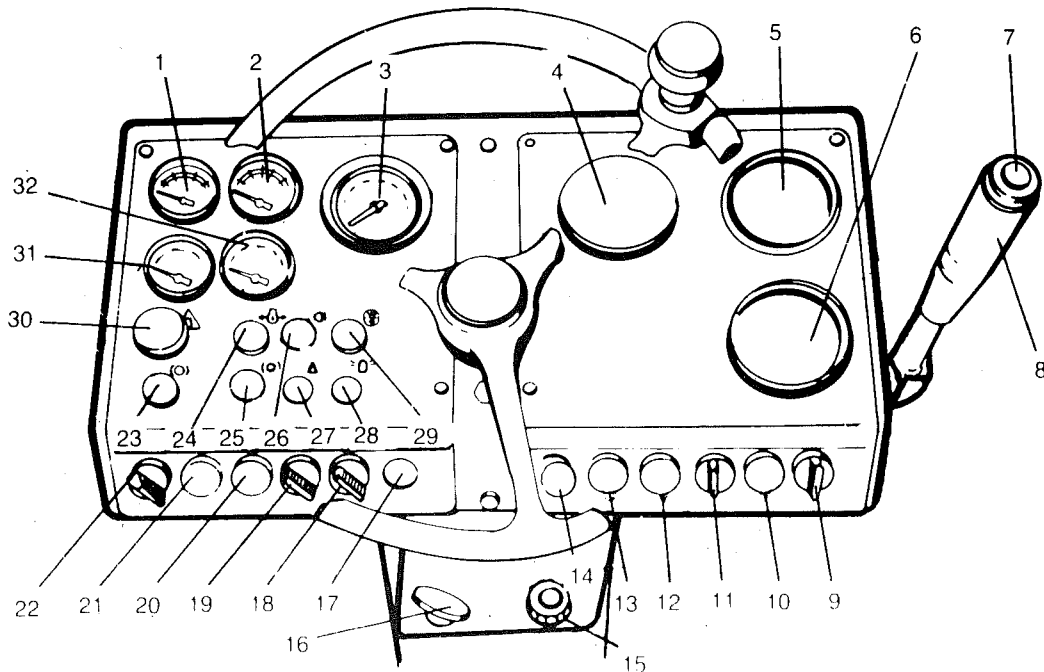


Fig 1

- | | |
|---|-----------------------------------|
| 1 Temperature gauge - hydraulic oil | 17 Direction of travel indicator* |
| 2 Temp. gauge, engine oil Deutz,
water Cummins | 18 Working lights* |
| 3 Tachometer/operating hour meter | 19 Light switch* |
| 4 Compaction meter* | 20 Horn |
| 5 Frequency meter* | 21 Starter switch |
| 6 Speedometer* | 22 Supply switch (stop Cummins) |
| 7 Vibration, ON/OFF | 23 Brake warning lamp |
| 8 Forward/reverse lever | 24 Oil pressure warning lamp |
| 9 High/low speed | 25 - |
| 10 - | 26 - |
| 11 Amplitude selector | 27 - |
| 12 - | 28 Rotating beacon* |
| 13 - | 29 Air cleaner warning lamp |
| 14 - | 30 Emergency stop |
| 15 Throttle | 31 Voltmeter |
| 16 Stop control (Deutz) | 32 Fuel gauge |

* Accessories

DYNAPAC

Heavy Equipment AB

PO Box 504 • S-371 23 KARLSKRONA • SWEDEN
Tel. 0455-229 30 • Telex 43041 dynkar
Telecopier 0455-295 39

We reserve the right to change specifications without notice

0-10216-1 ENG





SAFETY PRECAUTIONS



1. READ AND UNDERSTAND OPERATOR'S MANUAL BEFORE START UP.
2. OBSERVE AND FOLLOW ALL MAINTENANCE AND SERVICE INSTRUCTIONS.
3. DO NOT OPERATE ROLLER UNLESS QUALIFIED BY TRAINING OR EXPERIENCE.
4. DO NOT OPERATE ROLLER IF IN NEED OF REPAIR OR ADJUSTMENT.
5. OBEY ALL SAFETY RULES.
6. VISUALLY INSPECT FOR GROUND HAZARDS.
7. TEST ALL CONTROLS, BRAKES AND STEERING BEFORE WORKING.
8. BEFORE START UP:
 - PLACE FORWARD/REVERSE CONTROL IN NEUTRAL
 - BE FIRMLY AND SECURELY SEATED AT CONTROLS.
9. USE CAUTION ON UNEVEN SURFACES AND ROUGH TERRAIN.
10. LOOK BOTH WAYS WHEN REVERSING.
11. NO RIDERS ALLOWED.
12. DO NOT GET ON OR OFF MOVING ROLLER; ALWAYS USE PROPER STEPS AND HAND GRIPS.
13. BEFORE LEAVING ROLLER, VIBRATION OFF, ADJUST AND SET TRAVEL LEVER IN NEUTRAL, ENGINE OFF.
14. KEEP ROLLER CLEAN; AVOID DIRT AND GREASE ON OPERATOR PLATFORM.
15. KEEP ALL OPERATION PLATES AND DECALS CLEAN AND READABLE.
16. BLOCK ROLLS/TIRES AND FASTEN STEERING LOCK WHEN SERVICING OR REPAIRING ROLLER.
17. EXERCISE CAUTION WHEN FUELLING MACHINE:
 - SHUT DOWN ENGINE
 - NO SMOKING
 - GROUND FILLER AGAINST TANK NECK TO AVOID A SPARK.
18. DO NOT MODIFY THIS ROLLER IN ANY WAY WHICH WILL AFFECT SAFETY WITHOUT DYNAPAC WRITTEN APPROVAL.

BEFORE STARTING

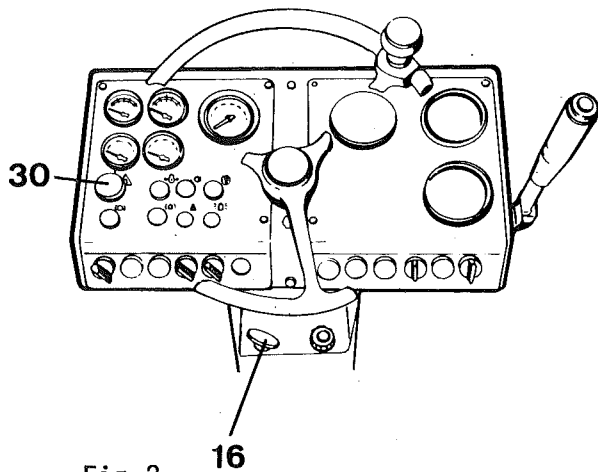


Fig 2

- 16 Stop control
- 30 Emergency stop

- 1 Ensure that the daily maintenance has been carried out (see the Maintenance Instructions).
- 2 Check that the battery master switch is in the ON position.
- 3 Ensure that the emergency stop (30) is depressed.
- 4 Ensure that the stop control (16) has been pressed in fully (applies only to Deutz).

STARTING

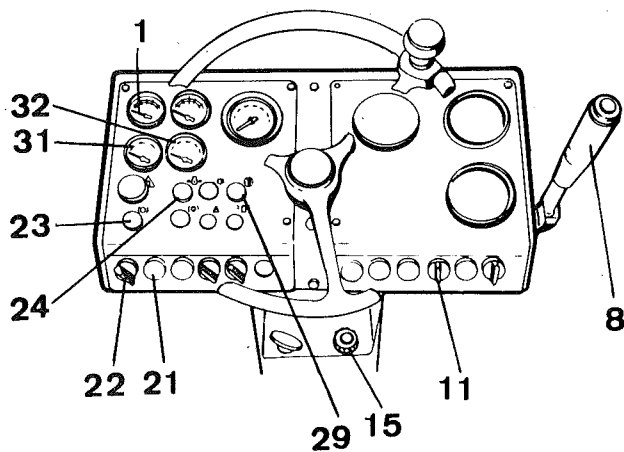


Fig 3

- 1 Temp. gauge, hydr. oil
- 8 Forward/reverse lever
- 11 Amplitude selector
- 15 Throttle
- 21 Starter switch
- 22 Supply switch
- 23 Brake warning lamp
- 29 Air cleaner warning lamp
- 31 Voltmeter
- 32 Fuel gauge

- 1 Move the forward/reverse lever (8) to NEUTRAL. The engine cannot be started with the lever in any other position.
- 2 Move the amplitude selector (11) to NEUTRAL.
- 3 Press in the button on the throttle (15) and pull out the throttle to 1/4 full throttle.
- 4 Turn the supply switch (22) to "I". Check that the fuel gauge (32) and the voltmeter (31) indicate readings, and that the oil pressure warning lamp (24) and the air cleaner warning lamp (29) light up.

If the horn should sound, set the forward/reverse lever to NEUTRAL so silence it.

- 5 Press in the starter switch (21). As soon as the engine has started, release the starter switch.
Note If the engine does not start, pause briefly before attempting to start it again.
- 6 Warm up the engine at approx. 1 000 rpm for 5-10 min, depending on the air temperature. When warming up the engine, check that the voltmeter (31) indicates 12 V and that the warning lamps (24) and (29) have gone out. If the air cleaner warning lamp (29) lights up when the engine is running, the air cleaner must be cleaned or replaced - see the Maintenance Instructions.

Max. hydr. oil temp. (1) approx. 90°C (approx. 194°F).

OPERATING

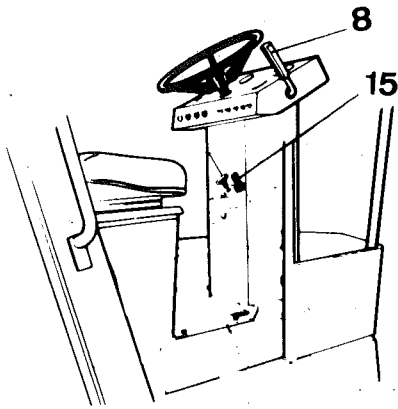


Fig 4


- 8 Forward/reverse lever
- 15 Throttle

- 1 Move the throttle (15) until the engine speed is 2400 rpm. Carry out fine adjustment by turning the control:

Anticlockwise to increase speed. Clockwise to reduce speed.

- 2 Ensure that the steering performs correctly, by turning the steering wheel once to the left and once to the right, with the roller stationary.
- 3 Move the High/low speed control (9), (Fig 1), to the desired position.

High speed, approx. 18 km/h
Low speed, approx. 8 km/h

 HIGH SPEED MAY ONLY BE USED FOR TRAVELLING ON SMOOTH GROUND.

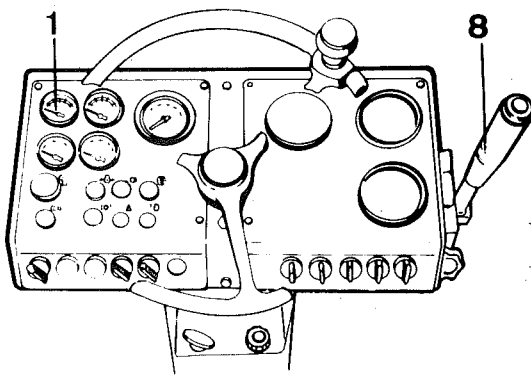


Fig 5

- 1 Temperature gauge
- hydraulic oil
- 8 Forward/reverse lever

- 4 First check that the road is clear both in front of and behind the roller. Move the forward/reverse lever (8), gently forward or backwards - depending on the desired direction of travel.

N.B. Always adjust the speed with the forward/reverse lever, not with the throttle.

- 5 Check the condition of the brakes in accordance with the "Maintenance Instructions". Carry out the check as often as required to ensure that the brakes are in good working order.
- 6 When driving, check that the instruments indicate normal readings and that the warning lamps do not light up.

Max. hydr. oil temp. (1) approx. 90°C (194°F)


Note If the horn sounds, it may indicate that the fan belt has broken. Stop the engine immediately. Find the fault and remedy it.

BRAKING

The roller is normally braked using the forward/-reverse lever. The hydrostatic transmission stops the roller when the lever is moved to NEUTRAL.

The wheel axle is also fitted with a multi-plate brake that will be engaged when the diesel engine is stopped or when the hydraulic pressure in the drive circuit drops to zero.

EMERGENCY BRAKING

 IN CASE OF EMERGENCY, PRESS THE EMERGENCY STOP CONTROL (see Fig 1).

Grip the steering wheel firmly when braking and reset the emergency stop after braking.

STOPPING

- 1 Switch off vibration.
- 2 Stop the roller by moving the forward/reverse lever to NEUTRAL.
- 3 Press in the throttle until the engine idles at 800-1000 rpm and let it run at this speed for a few minutes.
- 4 Pull out the stop control.
- 5 Turn the supply switch to the "0" position.

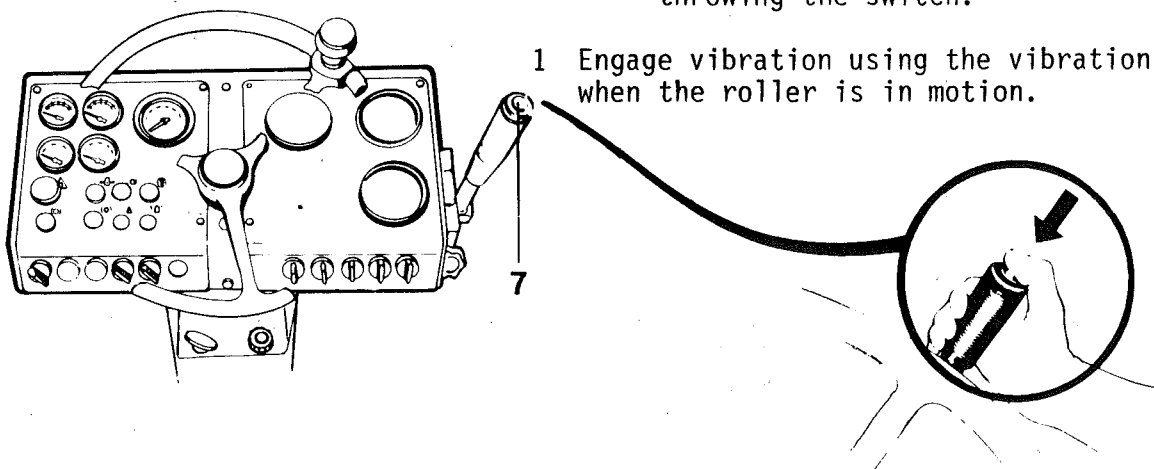
VIBRATION/DRIVING

Setting — high/low amplitude

Do not engage vibration when the roller is stationary.

Use the switch (11) to select high/low amplitude.

N.B. Avoid moving the amplitude selector switch when vibration is engaged. Switch off vibration and wait a few seconds before throwing the switch.



- 1 Engage vibration using the vibration switch (7) when the roller is in motion.

Fig 6

- 2 Vibration should not be switched off when changing the direction of travel of the roller.

LIFTING INSTRUCTIONS

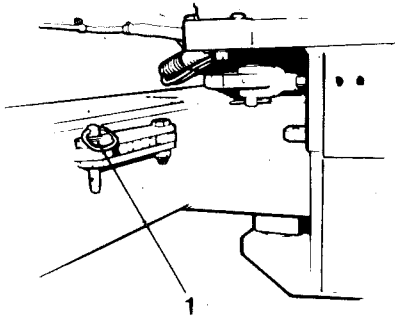


Fig 7 Articulated joint/
locking device

1 Position when driving

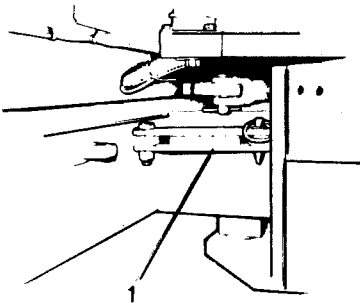



Fig 8 Articulated joint/
locking device

1 Position when lifting

 DO NOT WALK UNDER A SUSPENDED LOAD. ENSURE THAT THE HOOKS OF THE LIFTING TACKLE ARE FITTED SECURELY IN THEIR POSITIONS.

Before lifting the roller, lock the articulated joint, to prevent rotation about it. Swing out the arm and lock it as shown in Fig 7.

Fit the lifting chains into the lifting lugs and ensure that no parts will be crushed by the chains when lifting.

 WIRE ROPES, CHAINS, ETC. MUST BE DESIGNED IN ACCORDANCE WITH RELEVANT REGULATIONS.

Note: see decal

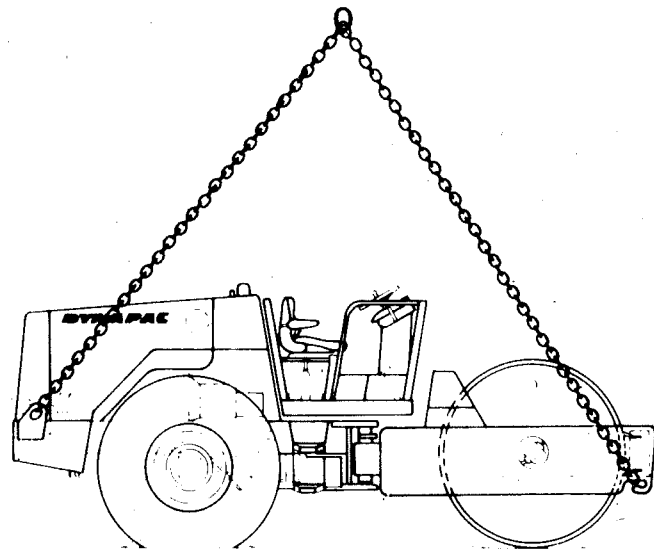


Fig 9

**Operating the roller after
it has been lifted**

Do not forget to restore the locking device to its original position before starting the engine. See Fig 7.

PARKING

Park the roller off the road.



NEVER LEAVE THE ROLLER
WHEN THE ENGINE IS
RUNNING.



NEVER PARK THE ROLLER WITH THE DIESEL ENGINE
RUNNING WITHOUT THE HANDBRAKE SWITCH (30),
BEING IN THE "ON" POSITION.

When parking for brief periods with the diesel engine running, the brake control (30) should be in the ON position. The handbrake warning lamp (23) should be alight.

The roller is also fitted with a parking brake that will be applied automatically when the engine is stopped or when the hydraulic pressure in the drive circuit drops to zero.

If the roller is parked on sloping ground, block the drum with a stone or suchlike.