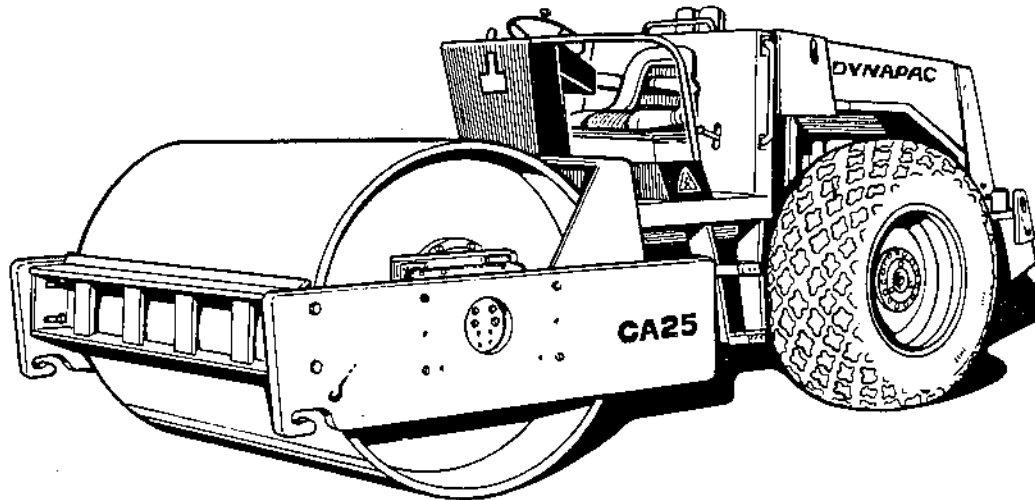


SPARE PARTS CATALOGUE



Caterpillar Diesel Engine-D 3208
Deutz Diesel Engine-F6L 912
Detroit Diesel Engine-GM 4-53
Detroit Diesel Engine-Gm 3-53T

SPARE PARTS CATALOGUE

CA 25

Series 2

VIBRATORY ROLLER

PA-25-2-PL
From S/N 4143 to 4310

Order No. 829020

DYNAPAC

HEAVY CONSTRUCTION EQUIPMENT

U.S.A.
P.O. Box 368,
Stanhope, N.J., 07874 U.S.A.
Phone: (201) 347-0700
Telex: 136481 DYNSTPE

BRAZIL
P.O. Box 5694,
Sao Paulo Brazil
Phone: 11-2100-144
Telex: 1121967 DYSP BR

CANADA
5340 Maingate Drive
Mississauga, L4W1R8 Ontario
Phone: 416-625-4784
Telex: 6861104 DYNTOR

SWEDEN
P.O. Box 1100,
S-17122 Solna, Sweden
Phone: 08-733-7000
Telex: 19531 DYNSQL

JAPAN
Ginza Wing Building 14-5, Ginza,
1-chome Chuo-ku, Tokyo 104, Japan
Phone: 03(535)3511
Telex: 2522360 DYNTOYO J



Revised June 1, 1985

USING THE CATALOGUE

This spare parts catalogue contains information about how to identify and order the replaceable parts and units included in the product which the catalogue deals with.

For correct spare parts ordering, refer to a later page.

This catalogue is based on a group system which is common to all Dynapac spare parts catalogues. It starts, as usual, with a list of contents, and this is followed by the groups and ends with a numerical register. This register comprises all part numbers included in the catalogue, with reference to the group and page on which each part is to be found.

The list of contents shows the groups included in the catalogue, together with a picture of the product. Each group, in turn, begins with a list of contents that describes the sections included in the group.

A section consists of one page with a picture and associated page or pages of tables. The picture is an exploded view or a drawing showing the ref. Nos. which refer to the numbers in the tables. The drawing shows the position of the part in the machine and, if it is basically a "complete" assembly, i.e. it comprises most parts on the page, the ref. No. will be enclosed by a rectangle □, or, if it is "less" complete, the number will be enclosed by a circle ○. The tables show the part numbers, with the quantity, part number and description (see the example).

1. A product, the part numbers of which are shown in the section.
2. Group and page numbers.
3. Picture number. This number is also shown in the bottom right-hand corner of the picture.
4. Spare part catalogue number, with issue number.
5. Name of the section. The main heading is generally the same as that shown in the list of contents.
6. Ref. No. The same number is shown on the picture depicting that particular part. An asterisk (6a) to the left of this column indicates that this line has been changed in this issue of the catalogue.

1

CA26D, CA26PD
Spare Parts Catalogue - Reservdelkatalog

DYNAPAC

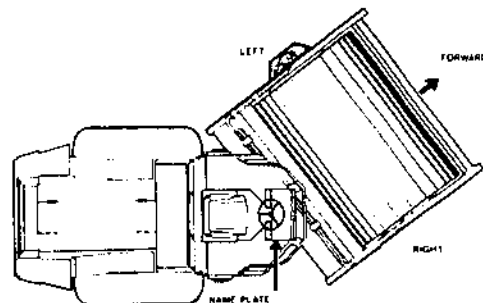
| Page Side | Group | Picture No. and n. | Issue | HYDRAULIC SYSTEM | HYDRAULIC SYSTEM |
|-----------|-------|--------------------|-----------|------------------|------------------|
| 12 | 05 | 10977-5 | S 10055-3 | Drum drive | Valdrivning |

| Ref. No. | Quantity/Amnt | Part No. | Description | Benämning | Note | C.P. K.C. |
|----------|---------------|--------------|-------------------------|---------------------|---------------------|-----------|
| 7a | 7b | 8 | 9 | 9 | 10 | 11 |
| 1 | 4 | 33 56 75 | Hose holder | Slanghållare | | |
| 2 | 4 | 82 30 40 | Sleeve | Hylla | | |
| 3 | 4 | 33 87 06 | Valve arrangement, cpl | Ventilordning, kpl | L=15 mm | 10a |
| 4 | 4 | 57 00 03 | *Nut | *Mutter | | |
| 5 | 8 | 433 87 05 15 | *Sleeve | *Hylla | | |
| 6 | 2 | 48 13 38 | *Operating section, cpl | *Åtdrivsektion, kpl | | |
| 7 | 1 | 48 05 81 | *Screen | *Skärm | | |
| 8 | 1 | 48 04 75 | *Valve cap | *Lock | | |
| 9 | 1 | 48 06 97 | *Poppet sleeve | *Hylla | | |
| 10 | 1 | 48 05 57 | *Poppet retainer | *Medelstoppare | | |
| 11 | 1 | 48 05 62 | *Ball | *Kula | | |
| 12 | 1 | 333 56 78 07 | Hydraulic hose | Hydraulslang | 1) 4872123 | |
| 13 | 1 | 48 21 05 | Hydraulic hose | Hydraulslang | 2) 1) | |
| 14 | 1 | | Return filter | Returfilter | See page 52 ref. 2) | |
| 15 | 1 | | Charge pump | Laddpump | | |
| 16 | 1 | | Comp. page 28 | Del se sida 28 | | |

1) CA 26 with Caterpillar CA 26 med Caterpillar
 2) CA26 with Deutz from ser. no. 4871984, with Caterpillar from ser. no. 4872124
 CA26 med Deutz fr o m 4871984, med Caterpillar fr o m 4872124

7. The quantity columns show the number of parts required for this ref. for the machine type shown at the head of the column (7a).
8. Part number, which is the number that should be specified on spare parts orders.
9. Columns of descriptions of the part in two languages. If the description is followed by "cpl", meaning complete or assembly, the part contains parts which are also shown immediately below the part marked "cpl" and are inset one character (9a). If the assembly is ordered, all the parts shown to be included in it in this way will also be supplied. Certain large, complete units may be shown on system pages as individual parts, in which case they will be followed by a reference (9b) to the page on which the exploded view of the part is shown.
10. Notes column, where footnotes, serial numbers, lengths and other information are shown.
 N.B. It is important to specify the correct length when ordering goods by length (10a).
11. The code column for spare parts coding is primarily intended for Dynapac internal work. But the codes may be of general interest. Code "A" indicates service part, "B" fast moving part, "C" exchanged part, "D" standard spare part and "S" indicates that the part is included in a spare parts kit. The figures after the letters indicate the rate of stock turnover, where "1" stands for the most frequently required parts, which should be as easily accessible as possible. The final rate, "4" indicates parts with low consumption rate.

To the right you will see a drawing showing what we mean by "front", "left" and "right" of the machine, together with the location of the name plate on the machine.



ORDERING SPARE PARTS

To avoid errors in delivery, please state the following particulars when ordering spare parts:

1. Type of machine
Type of appliance
2. Serial No.
3. Description of spare parts
4. Quantity required
5. Part No.
6. Dimensions when ordering
meter goods

COMMANDE DE PIECES DE RECHANGE

Les indications suivantes doivent être fournies lors de la commande de pièces de rechange, afin d'éviter toute erreur de livraison:

1. Type de machine
Type d'appareil
2. Numéro de série
3. Dénomination de la pièce de rechange
(Description)
4. Quantité désirée de la pièce de rechange (Qty)
5. Numéro de la pièce de rechange
(Part No.)
6. Mesures en cas de commande
par mètre

RESERVDELSBESTÄLLNING

Följande uppgifter ska lämnas vid beställning av reservdelar för att undvika leveransfel:

1. Maskintyp
Apparattyp
2. Tillverkningsnummer
3. Reservdelens benämning
(Description)
4. Antal av önskad reservdel (Qty)
5. Reservdelens artikelnummer
(Part No.)
6. Måttuppgift vid beställning av
metervara.

ERSATZTEILBESTELLUNG

Zur Vermeidung von Fehllieferungen sind bei der Bestellung von Ersatzteilen folgende Angaben zu machen:

1. Maschinentyp
Gerätetyp
2. Herstellungsnummer
3. Ersatzteilbenennung (Description)
4. Bestellmenge (Qty)
5. Ersatzteilnummer (Part No.)
6. Massangaben bei Bestellung
von Meterware

PEDIDO DE PIEZAS DE RECAMBIO

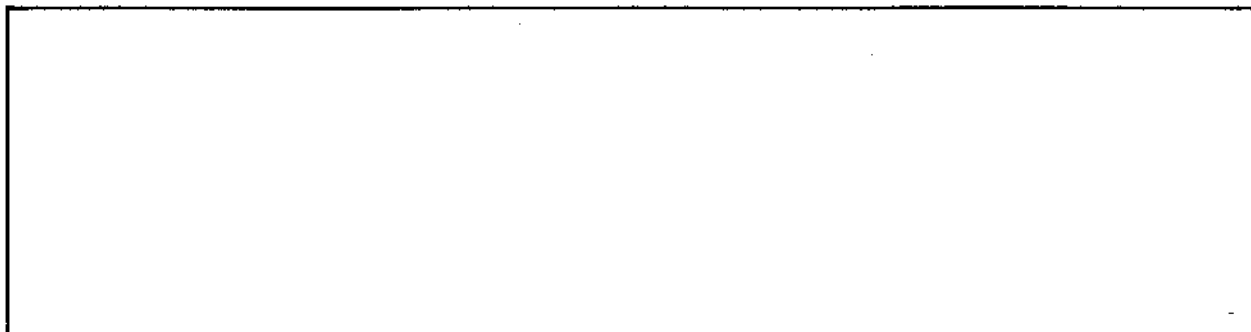
Para evitar errores en las entregas, deberán indicarse los siguientes datos al hacer un pedido de piezas de recambio:

1. Tipo de máquina
Tipo de aparato
2. Número de fabricación
3. Denominación de la pieza de recambio
(Descripción)
4. Cantidad de piezas deseada (Qty)
5. Número de artículo de la pieza de recambio (Part No.)
6. Indíquese la medida al solicitar un artículo que se expide por metros.

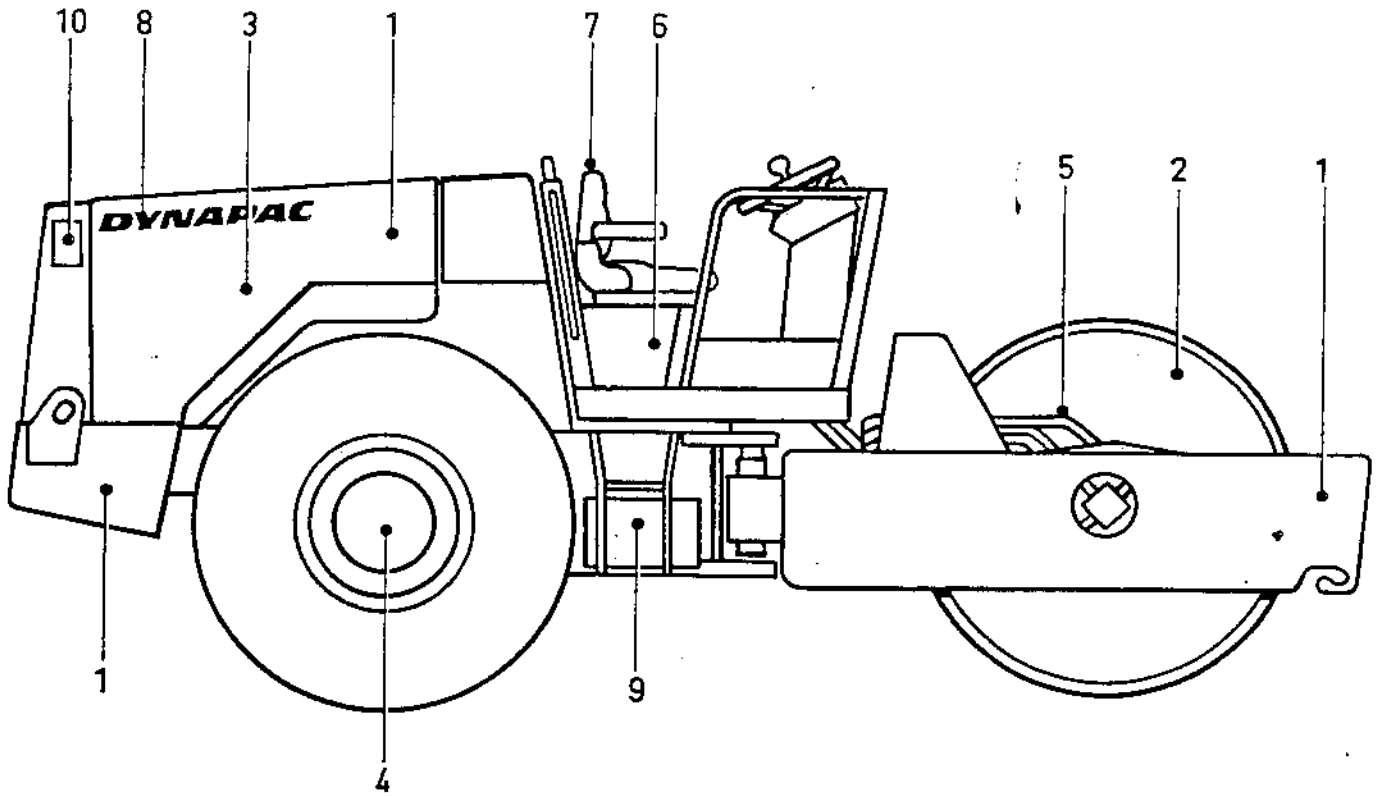
ORDINAZIONE DI PEZZI DI RICAMBIO

Per evitare sbagli de consegna vi preghiamo di comunicarci le seguenti informazioni al momento dell'ordinazione:

1. Tipo di macchina
Tipo di apparecchiatura
2. Numero di costruzione
3. Denominazione del pezzo di ricambio
4. Numero di pezzi desiderati
5. Numero di articolo del pezzo di ricambio
6. Indicazioni della misura
per ordinazione articolo
a metraggio.



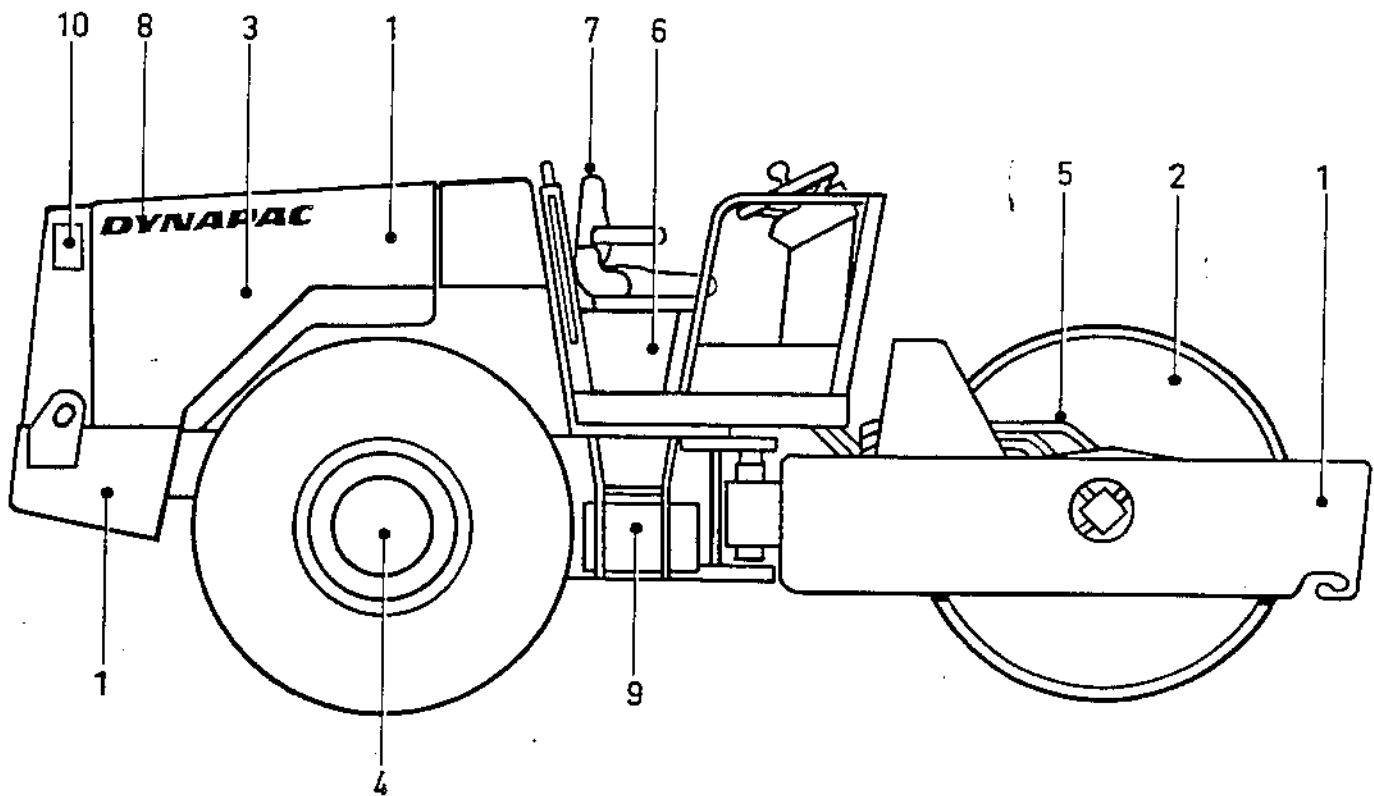
| Page Sida | Group Grupp | Picture No Bild nr | Issue Utgåva | GENERAL VIEW Contents | HUVUDSAMMANSTÄLLNING Innehåll |
|--------------|----------------|--|----------------------------------|--------------------------|----------------------------------|
| 2 | 00 | 13758-1 | S-10200-2 | | |
| Ref Pos | Group Grupp | Description | Benämning | See page Se sid | |
| 1 | Group 1 | FRAME | RAM | | |
| | | •Frames | •Ramar | 2 | |
| | | •Tracor upper section | •Traktoröverdel | 4 | |
| | | •Scrapers | •Skrapor | 6 | |
| | | •Steering link | •Styrlid | 8 | |
| 2 | Group 2 | DRUM | VALS | | |
| | | •Drum, CA25, CA25R | •Vals, CA25, CA25R | 2 | |
| | | •Drum, CA25D/PD | •Vals, CA25D/PD | 6 | |
| | | ••Torque hub | ••Planetväxel | 10 | |
| 3 | Group 3 | ENGINE | MOTOR | | |
| | | •Engine | •Motor | | |
| | | Caterpillar D-3208 | Caterpillar D-3208 | 2 | |
| | | Deutz F6L 912 | Deutz F6L 912 | 4 | |
| | | Detroit 3-53 | Detroit 3-53 | 8 | |
| | | •Cooling system | •Kylsystem | | |
| | | Caterpillar | Caterpillar | 10 | |
| | | Detroit | Detroit | 12 | |
| | | •Air cleaner | •Luftfilter | | |
| | | Caterpillar | Caterpillar | 14 | |
| | | Deutz | Deutz | 16 | |
| | | Detroit | Detroit | 18 | |
| | | •Fuel system | •Bränslesystem | | |
| | | Caterpillar | Caterpillar | 20 | |
| | | Deutz | Deutz | 22 | |
| | | Detroit | Detroit | 24 | |
| | | •Exhaust system | •Avgassystem | | |
| | | Caterpillar | Caterpillar | 26 | |
| | | Deutz | Deutz | 28 | |
| | | Detroit | Detroit | 30 | |
| | | •Hydraulic pump gearing | •Fördelningsväxellåda | 32 | |
| 4 | Group 4 | TRANSMISSION | KRAFTÖVERFÖRING | | |
| | | •Wheel | •Hjul | 2 | |
| | | •Gear box and wheel axle | •Växellåda och hjulaxel | 4 | |
| | | ••Three-speed gear box | ••Tre-växlad växellåda | | |
| | | Funk | Funk | 6 | |
| | | Renondin | Renondin | 10 | |
| | | •••Disc brake, Renondin | •••Skivbroms, Renondin | 14 | |
| | | ••Wheel axle and planetary gearing | ••Hjulaxel och planetväxel | 16 | |
| | | •••Differential carrier | •••Differentialhållare | 18 | |
| | | •••Brake | •••Broms | 22 | |



34 5585

CA25Π-13758-1

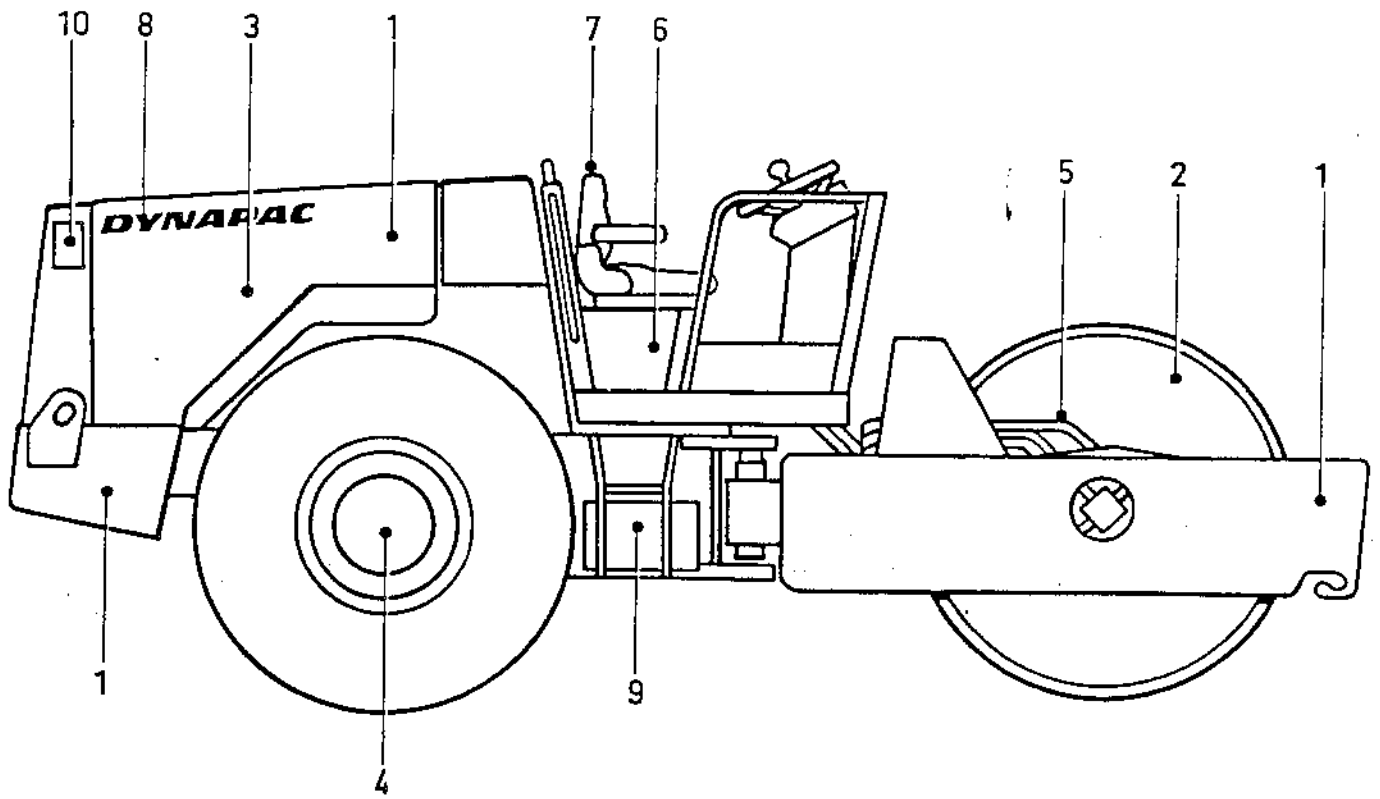
| Page Sida | Group Grupp | Picture No Bild nr | Issue Utgåva | GENERAL VIEW Contents | HUVUDSAMMANSTÄLLNING Innehåll |
|-----------|-------------|---|---|---|-------------------------------|
| 4 | 00 | 13758-1 | S-10200-2 | | |
| Ref Pos | Group Grupp | Description | Benämning | See page Se sid | |
| 5 | Group 5 | HYDRAULIC SYSTEM •Hydraulic diagram •Hydraulic system Propulsion Drum drive, CA25D/PD ••Variable displacement pump Propulsion Drum drive, CA25P/PD •••Charge pump •••Control valve, servo ••Hydraulic motor, wheel drive •••Manifold valve ••Hydraulic motor, drum drive •Hydraulic system, vibration ••Hydraulic pump, vibr. and steering ••Hydraulic motor, vibration ••Hydraulic control valve, vibration •Hydraulic system, steering ••Steering unit ••Steering cylinder | HYDRAULSYSTEM •Hydraulschema •Hydraulsystem Framdrivning Valsdrivning, CA25D/PD ••Hydraulpump Framdrivning Valsdrivning, CA25D/PD •••Matarpump •••Manöverventil, servo ••Hydraulmotor, hjuldrivning •••Ventilblock ••Hydraulmotor, valsdrivning •Hydraulsystem, vibration ••Hydraulpump, vibration och styrning .. ••Hydraulmotor, vibration ••Manöverventil, vibration •Hydraulsystem, styrning ••Styrventil ••Styrcylinder | 2 6 8 10 14 18 20 22 26 28 30 40 44 48 50 54 56 | |
| 6 | Group 6 | ELECTRICAL EQUIPMENT •Electrical equipment Caterpillar Deutz Detroit ••Electrical equipment, instrument board | ELEKTRISK UTRUSTNING •Elektrisk utrustning Caterpillar Deutz Detroit ••Elektrisk utrustning, instrumentpanel .. | 2 6 8 10 | |
| 7 | Group 7 | DRIVERS PLATFORM •Drivers platform •Instrument box •Controls and control cables •Brake control and gear shifter •Foot brake | FÖRARPLATS •Förarplattform •Instrumentlåda •Reglage och reglagekablar •Bromsreglage och växelspak •Fotbroms | 2 6 8 12 14 | |
| 8 | Group 8 | DECALS •Plates and decals | DEKALER •Skyltar och dekaler | 2 | |
| 9 | Group 9 | EQUIPMENT •Equipment, standard | UTRUSTNING •Utrustning, standard | 2 | |



34 5585

CA25Π-13758-1

| Page Sida | Group Grupp | Picture No Bild nr | Issue Utgåva | GENERAL VIEW Contents | HUVUDSAMMANSTÄLLNING Innehåll |
|-----------|-------------|--|--|--|-------------------------------|
| 6 | 00 | 13758-1 | S-10200-2 | | |
| Ref Pos | Group Grupp | Description | Benämning | See page Se sid | |
| 10 | Group 10 | OPTIONAL EQUIPMENT •Working light •Compaction meter •Frequency meter •Measure panel and safety belt •Side covers •Canopy •Rotating warning light •Drum conversion kit CA25 to CA25D CA25 to CA25PD CA25 to CA25R CA25D to CA25PD CA25PD to CA25D CA25R to CA25 R.O.P.S. & Seat Belt NUMERICAL REGISTER | EXTRA UTRUSTNING •Arbetsbelysning •Packningsmätare •Frekvensmätare •Mätpanel och säkerhetsbälte •Sidoluckor •Sol- och regnskydd •Roterande varningsljus •Ombyggnadssats CA25 till CA25D CA25 till CA25PD CA25 till CA25R CA25D till CA25PD CA25PD till CA25D CA25R till CA25 NUMMERREGISTER | 2 4 6 8 10 12 14 16 18 20 22 24 26 28 | |



34 5585

CA25Π-13758-1

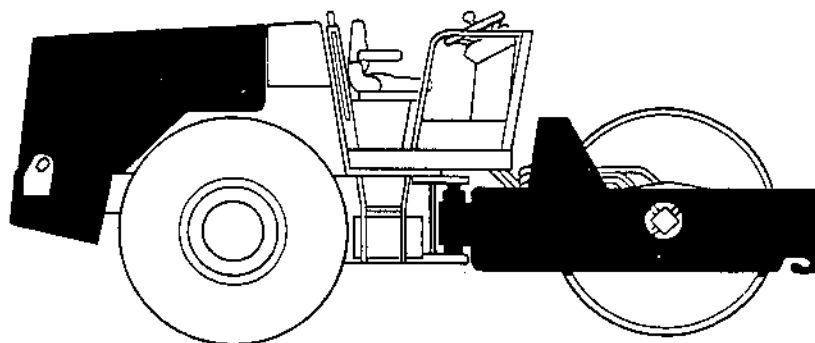
↓ DYNAPAC

FRAME

- Frames
- Tracor upper section
- Scrapers
- Steering link

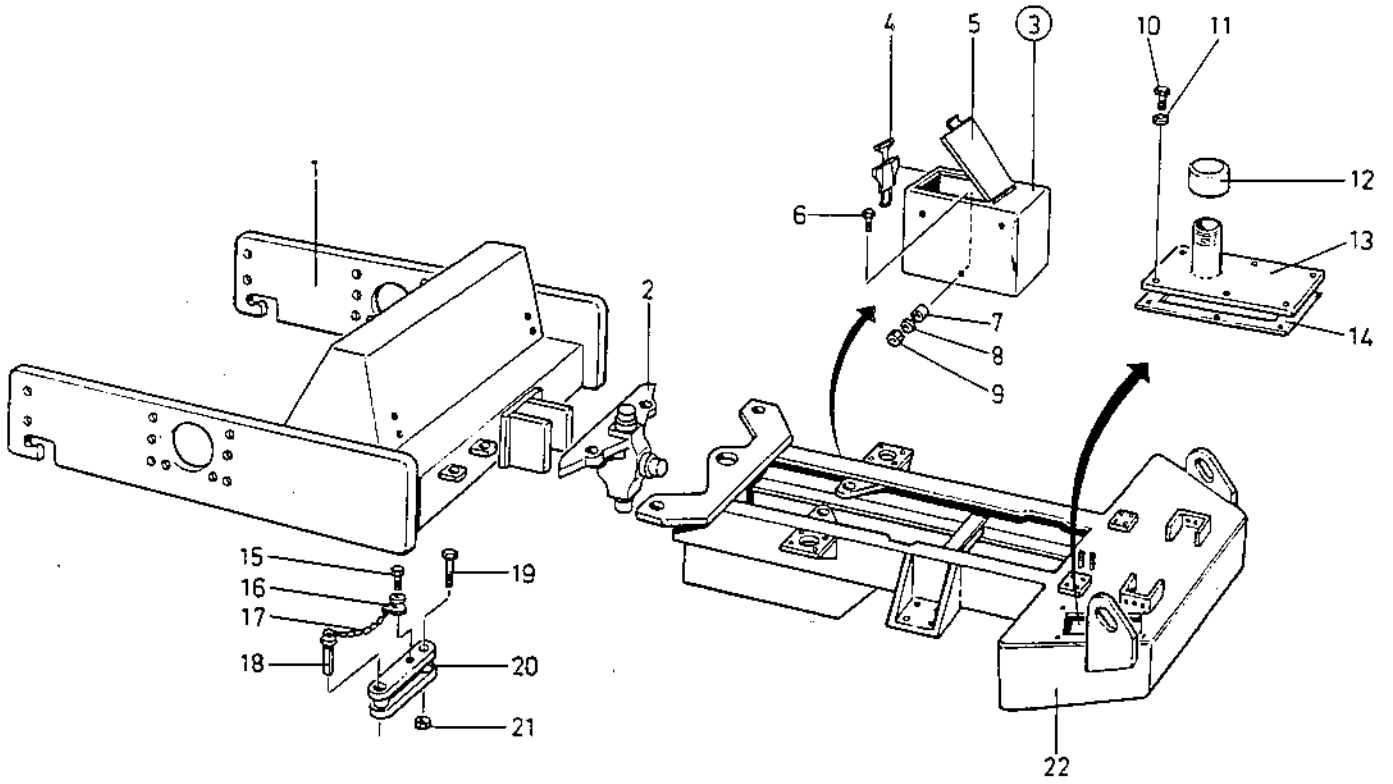
RAM

- Ramar 2
- Traktoröverdel 4
- Skrapor 6
- Styrled 8



| Page Sida | | Group Grupp | | Picture No Bild nr | | Issue Utgåva | | FRAMES | | RAMAR | |
|-----------|----------------|-------------|-------|--------------------|----------------|----------------------------|-------------------------|-----------------|--------------|-------|--|
| 2 | | 01 | | 13759-1 | | S-10200-2 | | | | | |
| Ref Pos | Quantity/Antal | | | | Part No Art nr | Description | Benämning | Note Anmärkning | C, P K, L | | |
| | CA | 25 D | 25 PD | 25 R | | | | | | | |
| 1 | 1 | 1 | 1 | 1 | 34 55 68 | Drum frame | Valsram | | | | |
| 2 | 1 | 1 | 1 | 1 | - | Steering link | Styrled | | | | |
| | | | | | | Comps, page 8 | Det. se sida 8 | | | | |
| 3 | 1 | 1 | 1 | 1 | 34 55 74 | Tool box, cpl | Verktygslåda, kpl. | | | | |
| 4 | 1 | 1 | 1 | 1 | 35 30 84 | •Eccentric lock | •Excenterregel | 4) | | | |
| 5 | 1 | 1 | 1 | 1 | 35 30 03 | •Hook | •Hake | 4) | | | |
| 6 | 3 | 3 | 3 | 3 | 50 00 47 | Screw | Skruv | | | | |
| 7 | 3xL | 3xL | 3xL | 3xL | 62 01 47 | Spacer | Distanshylsa | L = 10 mm | | | |
| 8 | 3 | 3 | 3 | 3 | 61 50 43 | Conical spring washer | Spännbricka | | | | |
| 9 | 3 | 3 | 3 | 3 | 57 00 05 | Nut | Mutter | | | | |
| 10 | 6 | 6 | 6 | 6 | 50 00 47 | Screw | Skruv | | | | |
| 11 | 6 | 6 | 6 | 6 | 61 50 43 | Conical spring washer | Spännbricka | | | | |
| 12 | 1 | 1 | 1 | 1 | 49 90 97 | Filler cap | Tanklock | | D 3 | | |
| 13 | 1 | 1 | 1 | 1 | 34 55 57 | Cover | Lock | | | | |
| 14 | 1 | 1 | 1 | 1 | 85 01 45 | Gasket | Packning | | | | |
| 15 | 1 | 1 | 1 | 1 | 50 20 31 | Screw | Skruv | | | | |
| 16 | 1 | 1 | 1 | 1 | 60 00 07 | Washer | Bricka | | | | |
| 17 | 1 | 1 | 1 | 1 | 41 80 21 | Chain | Kedja | | | | |
| 18 | 1 | 1 | 1 | 1 | 63 50 19 | Pin | Sprint | | | | |
| 19 | 1 | 1 | 1 | 1 | 50 21 24 | Screw | Skruv | | | | |
| 20 | 1 | 1 | 1 | 1 | 81 52 15 | Safety lock | Säkerhetslänk | | | | |
| 21 | 1 | 1 | 1 | 1 | 58 60 09 | Nut | Mutter | | | | |
| 22 | 1 | 1 | 1 | 1 | 34 55 45 | Tractor frame | Traktorram | | | | |
| 23 | 1 | 1 | 1 | 1 | 826765 | Tractor Frame (MOD.) | | GM 4-53 Eng. | | | |

4) Welded
Svetsad



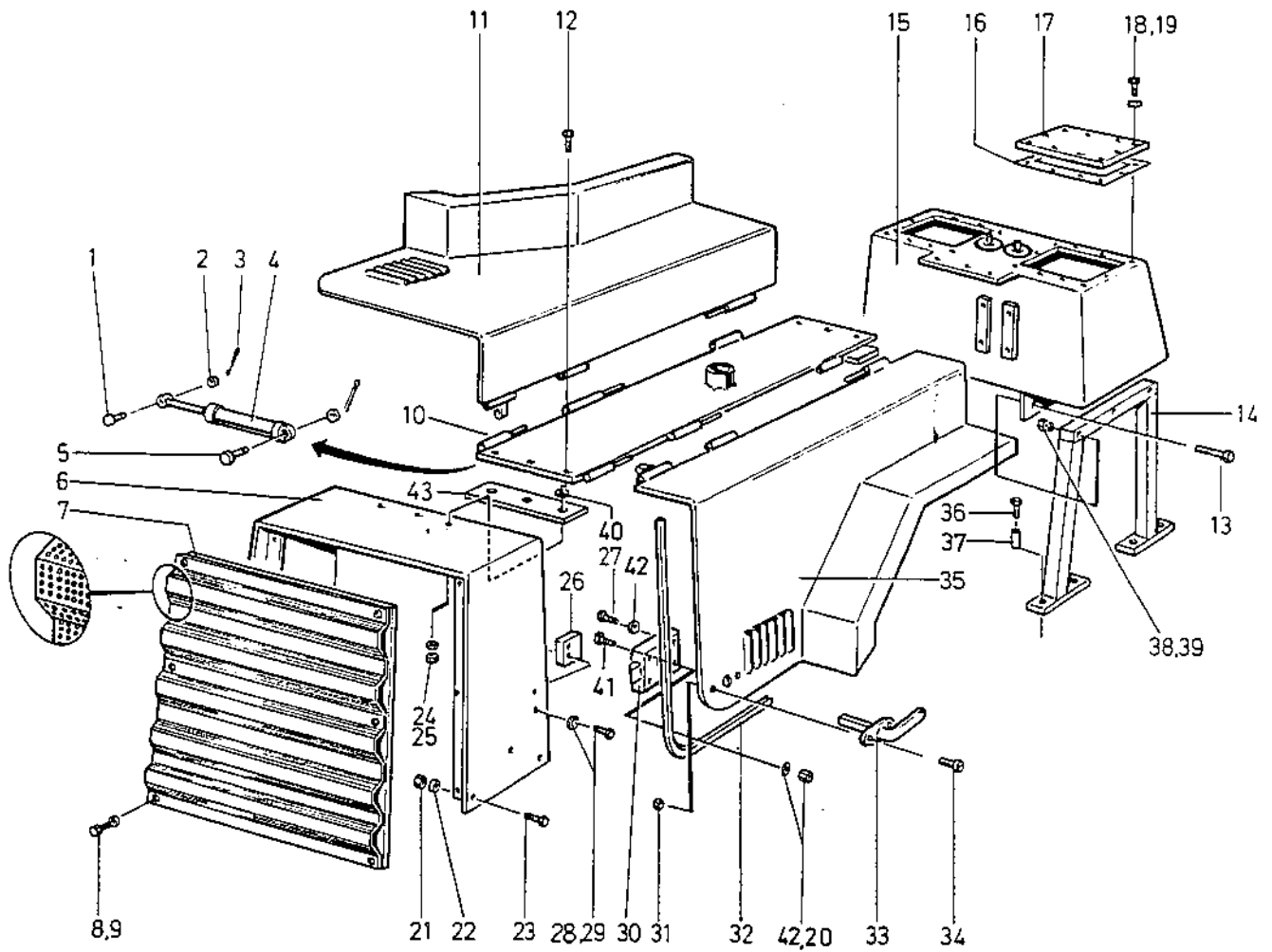
34 55 75
34 55 65

CA 25 II - 13759 - 1

| Page Sida | | Group Grupp | Picture No Bild nr | Issue Utgåva | TRACTOR UPPER SECTION TRAKTORÖVERDEL | | |
|-----------|----------------|-------------|--------------------|-----------------------------|--------------------------------------|-----------------|-----------|
| 4 | | 01 | 13760-2 | S-10200-2 | | | |
| Ref Pos | Quantity/Antal | | Part No Art nr | Description | Benämning | Note Anmärkning | C, P K, L |
| | CA | | | | | | |
| | 1)25 | | | | | | |
| 1 | 2 | | 53 00 32 | Bolt | Bult | | |
| 2 | 4 | | 60 00 06 | Washer | Bricka | | |
| 3 | 4 | | 63 00 03 | Cotter pin | Saxpinne | | |
| 4 | 2 | | 92 15 64 | Gas spring | Gasfjäder | | D 3 |
| 5 | 2 | | 53 00 29 | Bolt | Bult | | |
| 6 | 1 | | 34 54 86 | Radiator frame | Kylarstativ | 2,10) | |
| | 1 | | 34 58 39 | Radiator frame | Kylarstativ | 3) | |
| 7 | 1 | | 34 54 91 | Grid | Galler | | |
| 8 | 6 | | 50 00 29 | Screw | Skruv | | |
| 9 | 6 | | 61 50 44 | Conical spring washer | Spännbricka | | |
| 10 | 1 | | 34 60 94 | Hood roof | Huvtak | | |
| 11 | 1 | | 34 54 56 | Cover, left | Lucka, vänster | | |
| 12 | 6 | | 50 00 21 | Screw | Skruv | | |
| 13 | 6 | | 50 01 97 | Screw | Skruv | | |
| 14 | 2 | | 34 55 05 | Frame | Stativ | | |
| 15 | 1 | | 34 54 95 | Hydraulic oil tank | Hydrauloljetank | | |
| 16 | 2 | | 34 02 10 | Gasket | Packning | | D3 |
| 17 | 2 | | 34 59 95 | Cover | Lock | | |
| 18 | 20 | | 50 00 22 | Screw | Skruv | | |
| 19 | 20 | | 61 50 43 | Conical spring washer | Spännbricka | | |
| 20 | 4 | | 58 60 01 | Nut | Mutter | | |
| 21 | 6 | | 58 60 18 | Nut | Mutter | | |
| 22 | 6 | | 61 50 44 | Conical spring washer | Spännbricka | | |
| 23 | 6 | | 50 00 29 | Screw | Skruv | | |
| 24 | 6 | | 61 50 43 | Conical spring washer | Spännbricka | | |
| 25 | 6 | | 58 60 03 | Nut | Mutter | | |
| 26 | 2 | | 34 55 21 | Spacer plate | Distansplatta | | |
| 27 | 4 | | 50 00 87 | Screw | Skruv | | |
| 28 | 4 | | 61 50 43 | Conical spring washer | Spännbricka | | |
| 29 | 4 | | 50 00 21 | Screw | Skruv | | |
| 30 | 2 | | 47 50 65 | Lock | Lås | | |
| 31 | 4 | | 58 60 01 | Nut | Mutter | | |
| 32 | 2 x L | | 20 20 57 | List | List | L = 1750 mm | |
| 33 | 2 | | 47 50 66 | Handle | Handtag | | |
| 34 | 4 | | 53 30 12 | Screw | Skruv | | |
| 35 | 1 | | 34 54 58 | Cover, right | Lucka, höger | | |
| 36 | 8 | | 50 01 95 | Screw | Skruv | | |
| 37 | 8 | | 34 59 09 | Sleeve | Hylsa | | |
| 38 | 6 | | 58 60 19 | Nut | Mutter | | |
| 39 | 6 | | 61 50 96 | Washer | Bricka | | |
| 40 | 6 | | 60 00 06 | Washer | Bricka | | |
| 41 | 4 | | 50 00 08 | Screw | Skruv | | |
| 42 | 8 | | 61 50 41 | Conical spring washer | Spännbricka | | |
| 43 | 2 | | 345598 | Bracket | GM 4-53 Eng. | | |

1) CA25, all models
CA25, alla typer
2) CA25 with Caterpillar
CA25 med Caterpillar

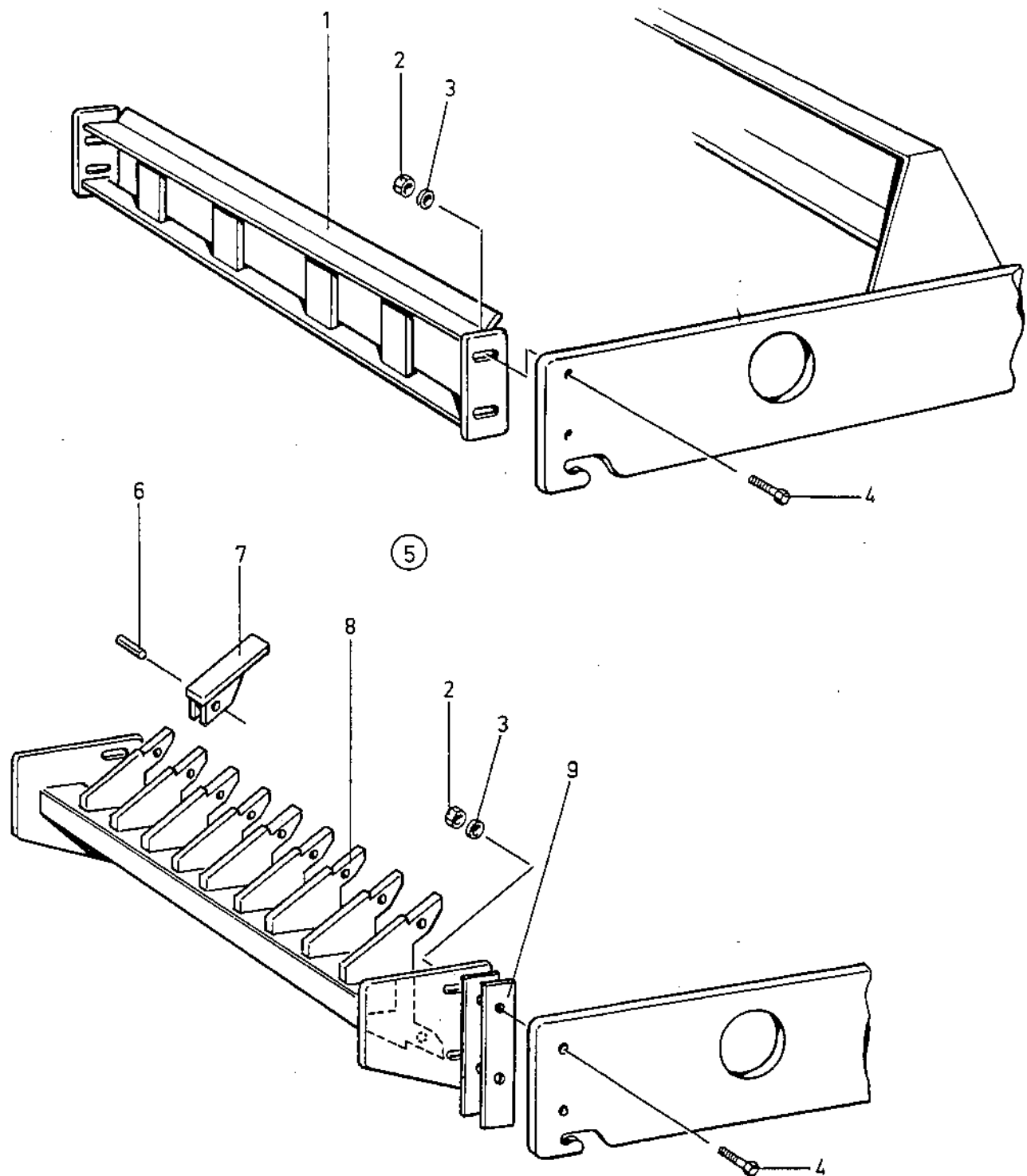
3) CA25 with Deutz
CA25 med Deutz
10) CA 25 with Detroit
CA 25 med Detroit



34 58 12
34 54 59

CA 25 II-13760-2

| Page Sida | | Group Grupp | | Picture No Bild nr | | Issue Utgåva | | SCRAPERS | | SKRAPOR | |
|--------------|----------------|----------------|----|-----------------------|-------------------|----------------------------|----------------------------|--------------------|--------------|---------|--|
| 6 | | 01 | | 13761-1 | | S-10200-2 | | | | | |
| Ref Pos | Quantity/Antal | | | | Part No Art nr | Description | Benämning | Note Anmärkning | C, P K, L | | |
| | CA | | | | | | | | | | |
| | 25 | 25 | 25 | 25 | | | | | | | |
| | D | PD | R | | | | | | | | |
| 1 | 1 | 1 | - | 1 | 34 58 63 | Scraper | Skrapa | | D4 | | |
| 2 | 4 | 4 | 4 | 4 | 58 60 23 | Nut | Mutter | | | | |
| 3 | 4 | 4 | 4 | 4 | 60 30 05 | Washer | Bricka | | | | |
| 4 | 4 | 4 | 4 | 4 | 50 02 83 | Screw | Skruv | | | | |
| 5 | - | - | 1 | - | 34 58 77 | Padfoot scraper, cpl. | Skrapa för pads, kpl. | | | | |
| 6 | - | - | 18 | - | 80 16 31 | •Bolt | •Ledbult | | | | |
| 7 | - | - | 18 | - | 80 16 30 | •Scraper | •Skrapa | | D4 | | |
| 8 | - | - | 1 | - | 34 58 64 | •Scraper beam | •Skrapbalk | | | | |
| 9 | - | - | 4 | - | 34 58 91 | Shim, 3 mm | Mellaniägg, 3 mm | | | | |

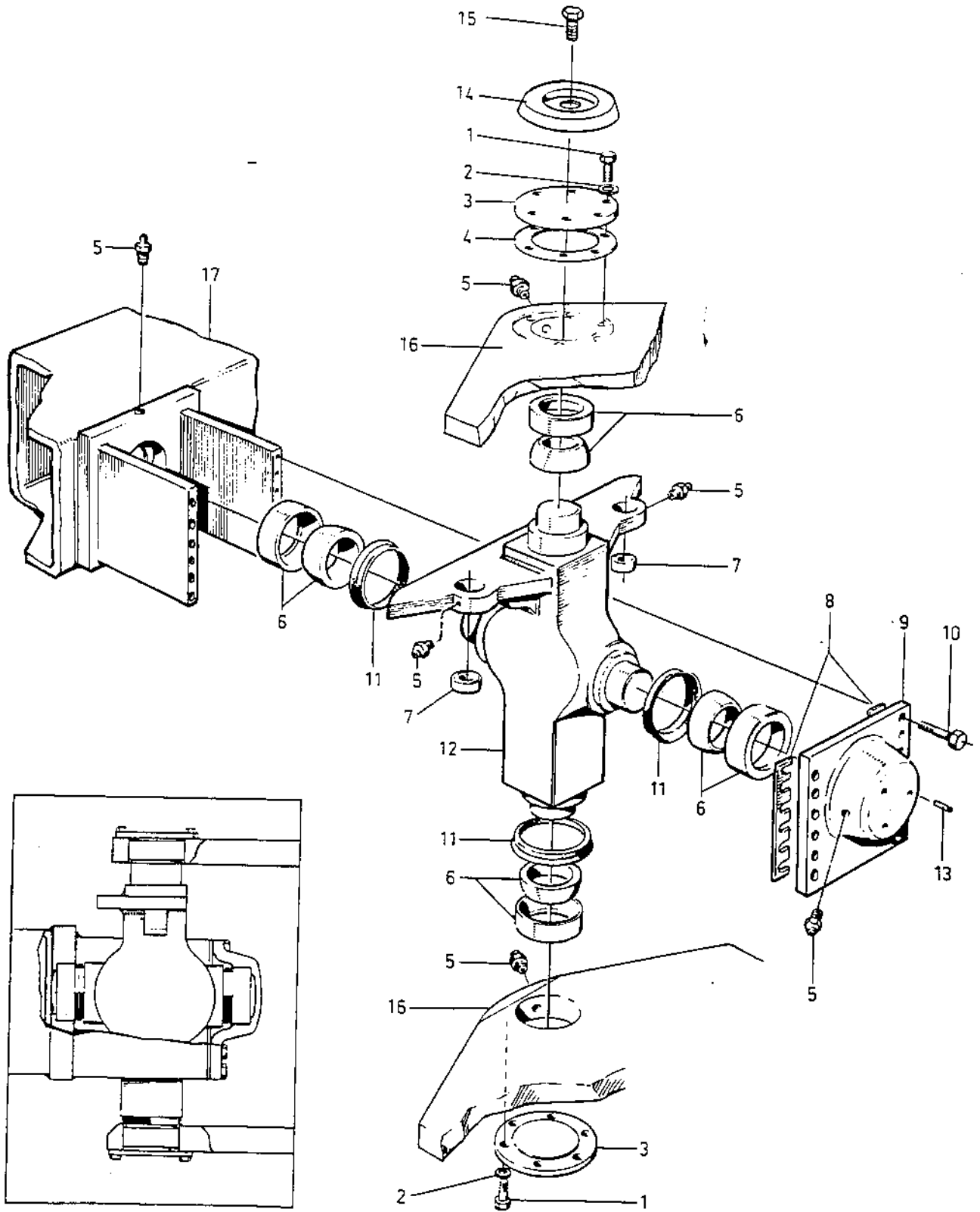


34 58 63
34 58 77

| Page Sida | | Group Grupp | | Picture No Bild nr | | Issue Utgåva | | STEERING LINK | | STYRLED | |
|--------------|----------------|----------------|---|-----------------------|----------------------------|---------------------------|--------------------|---------------|--|---------|--|
| 8 | | 01 | | 13762-1 | | S-10200-2 | | | | | |
| Ref Pos | Quantity/Antal | | | Part No Art nr | Description | Benämning | Note Anmärkning | C, P K, L | | | |
| | CA | | | | | | | | | | |
| | 1)25 | | | | | | | | | | |
| 1 | 12 | - | - | 50 00 37 | Screw | Skruv | | | | | |
| 2 | 12 | - | - | 61 50 45 | Conical spring washer | Spännbricka | | | | | |
| 3 | 2 | - | - | 33 70 42 | Cover | Lock | | | | | |
| 4 | n | - | - | 33 70 45 | Shim, 1,0 mm | Mellanlägg, 1,0 mm | 5) | D 3 | | | |
| | n | - | - | 34 58 74 | Shim, 0,35 mm | Mellanlägg, 0,35 mm | 5) | D 3 | | | |
| | n | - | - | 34 58 75 | Shim, 0,1 mm | Mellanlägg, 0,1 mm | 5) | D 3 | | | |
| 5 | 6 | - | - | 31 00 08 | Grease nipple | Smörjnippel | | | | | |
| 6 | 4 | - | - | 10 00 40 | Bearing | Lager | | D 3 | | | |
| 7 | 2 | - | - | 81 33 16 | Bearing | Lager | | D 3 | | | |
| 8 | n | - | - | 34 58 71 | Shim, 1,0 mm | Mellanlägg, 1,0 mm | 5) | D 3 | | | |
| | n | - | - | 34 58 72 | Shim, 0,35 mm | Mellanlägg, 0,35 mm | 5) | D 3 | | | |
| | n | - | - | 34 58 73 | Shim, 0,1 mm | Mellanlägg, 0,1 mm | 5) | D 3 | | | |
| 9 | 1 | - | - | 34 58 53 | Cover | Lock | | | | | |
| 10 | 12 | - | - | 50 02 87 | Screw | Skruv | | | | | |
| 11 | 3 | - | - | 16 70 32 | V-ring | V-ring | | D 3 | | | |
| 12 | 1 | - | - | 34 35 97 | Link | Styrknut | | D 4 | | | |
| 13 | 3 | - | - | 91 09 95 | Stop screw | Stoppskruv | | | | | |
| 14 | 1 | - | - | 34 31 59 | Cover | Lock | | | | | |
| 15 | 1 | - | - | 50 00 18 | Screw | Skruv | | | | | |
| 16 | 1 | - | - | - | Tractor frame | Traktorram | See page 2 ref. 22 | | | | |
| 17 | 1 | - | - | - | Drum frame | Valsram | See page 2 ref. 1 | | | | |

1) CA25, all models
CA25, alla typer

5) As required
Efter behov



34 55 75
34 55 65

CA 25 II-13762-1

↓ DYNAPAC

DRUM

Drum, CA25, CA25R

Drum, CA25D/PD

Torque hub

VALS

Vals, CA25, CA25R

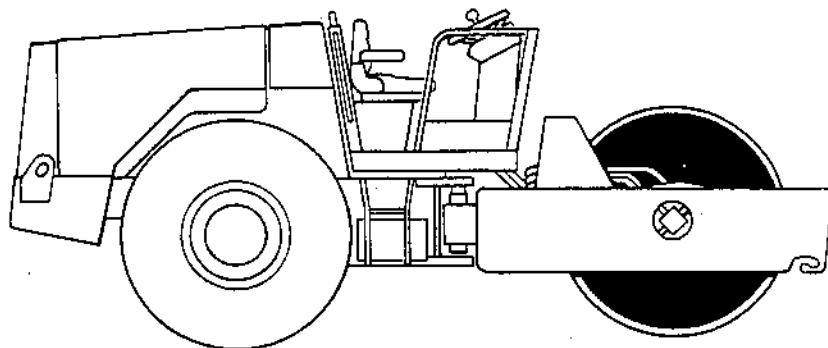
Vals, CA25D/PD

Planetväxel

2

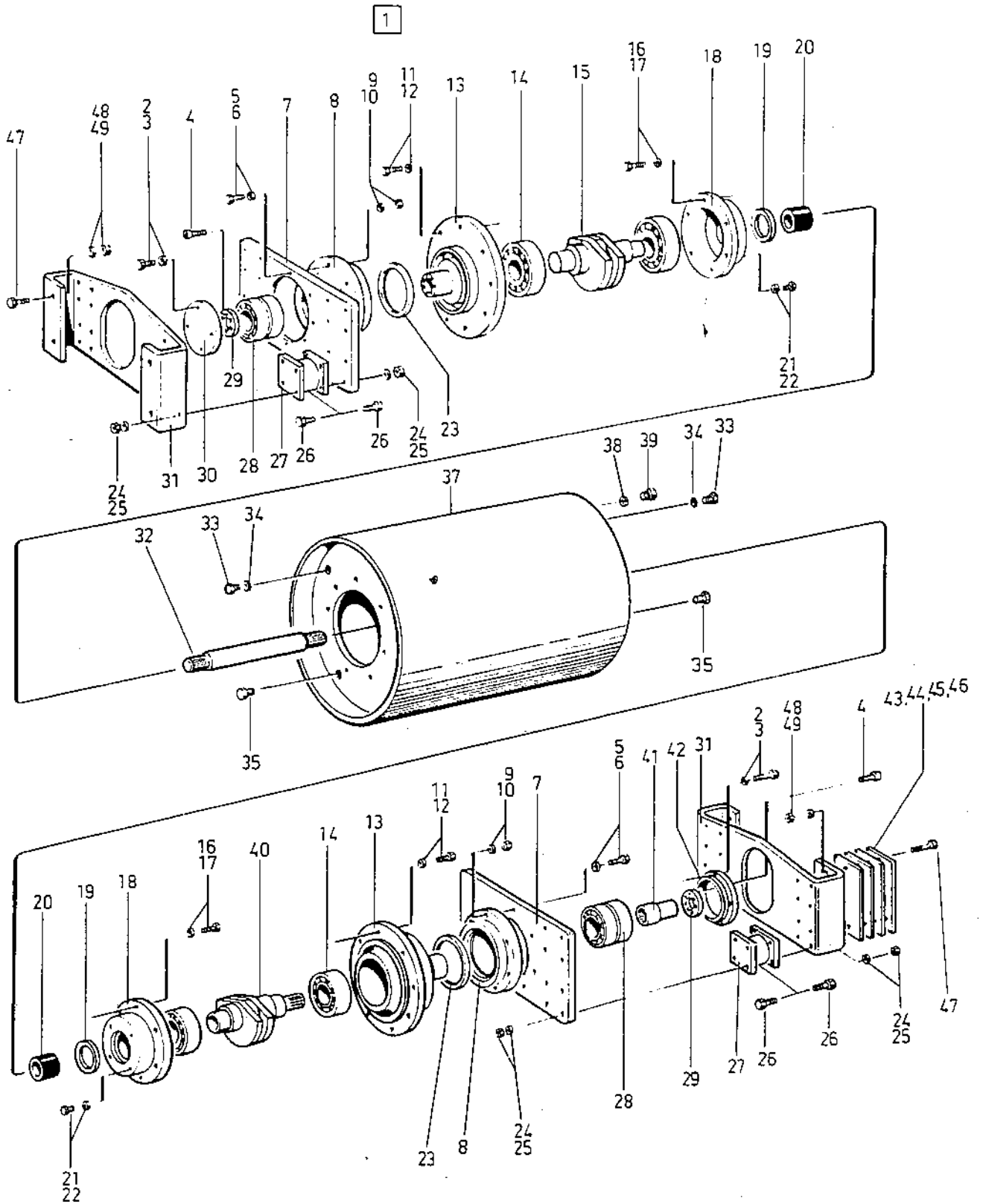
6

10



| Page Sida | | Group Grupp | | Picture No Bild nr | | Issue Utgåva | | DRUM | | VALS | |
|-----------|----------------|-------------|----------------|-------------------------------|----------------------------|-----------------|-----------|------|--|------|--|
| 2 | | 02 | | 13763-2 | | S-10200-2 | | | | | |
| Ref Pos | Quantity/Antal | | Part No Art nr | Description | Benämning | Note Anmärkning | C, P K, L | | | | |
| | CA | 25 R | | | | | | | | | |
| 1 | 1 | - | 34 34 50 | Drum, cpl. | Vals, kpl. | | | | | | |
| | - | 1 | 34 34 53 | Drum, cpl. | Vals, kpl. | | | | | | |
| 2 | 8 | 8 | 50 01 95 | •Screw | •Skruv | | | | | | |
| 3 | 8 | 8 | 61 50 45 | •Conical spring washer ... | •Spännbricka | | | | | | |
| 4 | 16 | 16 | 50 80 19 | •Screw | •Skruv | | | | | | |
| 5 | 16 | 16 | 50 00 76 | •Screw | •Skruv | | | | | | |
| 6 | 16 | 16 | 60 00 11 | •Washer | •Bricka | | | | | | |
| 7 | 2 | 2 | 34 33 22 | •Mounting plate | •Fästplåt | | | | | | |
| 8 | 2 | 2 | 34 33 18 | •Bearing housing | •Lagerhus | | D4 | | | | |
| 9 | 16 | 16 | 61 50 46 | •Conical spring washer ... | •Spännbricka | | | | | | |
| 10 | 16 | 16 | 57 00 08 | •Nut | •Mutter | | | | | | |
| 11 | 24 | 24 | 50 00 93 | •Screw | •Skruv | | | | | | |
| 12 | 24 | 24 | 61 50 46 | •Conical spring washer ... | •Spännbricka | | | | | | |
| 13 | 2 | 2 | 34 34 58 | •Bearing housing, outer .. | •Lagerhus, yttre | | D4 | | | | |
| 14 | 4 | 4 | 11 40 36 | •Drum bearing | •Valslager | | D 3 | | | | |
| 15 | 1 | 1 | 34 34 69 | •Eccentric shaft, left | •Excenteraxel, vänster ... | | D3 | | | | |
| 16 | 12 | 12 | 50 00 93 | •Screw | •Skruv | | | | | | |
| 17 | 12 | 12 | 61 50 46 | •Conical spring washer ... | •Spännbricka | | | | | | |
| 18 | 2 | 2 | 34 34 75 | •Bearing housing, inner .. | •Lagerhus, inre | | D4 | | | | |
| 19 | 2 | 2 | 81 36 97 | •Seal ring | •Tättningsring | | D 3 | | | | |
| 20 | 2 | 2 | 34 27 93 | •Rubber bushing | •Gummibussning | | D3 | | | | |
| 21 | 6 | 6 | 50 00 35 | •Screw | •Skruv | | | | | | |
| 22 | 6 | 6 | 16 20 27 | •Seal ring | •Tättningsring | | | | | | |
| 23 | 2 | 2 | 16 70 23 | •Seal ring | •Tättningsring | | B 2 | | | | |
| 24 | 64 | 64 | 58 60 19 | •Nut | •Mutter | | | | | | |
| 25 | 64 | 64 | 60 00 09 | •Washer | •Bricka | | | | | | |
| 26 | 64 | 64 | 50 01 94 | •Screw | •Skruv | | | | | | |
| 27 | 8 | 8 | 33 67 42 | •Shock absorber | •Gummielement | | B2 | | | | |
| 28 | 2 | 2 | 11 60 41 | •Frame bearing, set | •Ramlager, sats | | D 3 | | | | |
| 29 | 2 | 2 | 34 34 62 | •Bearing cover | •Lagerlock | | | | | | |
| 30 | 1 | 1 | 34 34 61 | •Cover | •Lock | | | | | | |
| 31 | 2 | 2 | 34 34 73 | •Shock absorber bracket | •Fäste för gummielement | | | | | | |
| 32 | 1 | 1 | 34 29 39 | •Drive shaft | •Drivaxel | | D3 | | | | |
| 33 | 2 | 2 | 23 22 47 | •Plug | •Plugg | | | | | | |
| 34 | 2 | 2 | 16 20 17 | •Seal ring | •Tättningsring | | D 3 | | | | |
| 35 | 2 | 2 | 92 25 52 | •Oil level glass | •Oljenivåglas | | D 3 | | | | |
| 36 | - | - | | | | | | | | | |
| 37 | 1 | - | 34 34 63 | •Drum | •Vals | | | | | | |
| | - | 1 | 34 34 77 | •Drum | •Vals | | | | | | |
| 38 | 1 | 1 | 16 20 27 | •Seal ring | •Tättningsring | | | | | | |
| 39 | 1 | 1 | 34 34 90 | •Breather | •Sinterfilter | | D3 | | | | |
| 40 | 1 | 1 | 34 34 68 | •Eccentric shaft, right | •Excenteraxel, höger | | D3 | | | | |
| 41 | 1 | 1 | 34 34 84 | •Splined sleeve | •Splineshylsa | | D3 | | | | |
| 42 | 1 | 1 | 34 34 60 | •Motor bracket | •Motorfäste | | | | | | |
| 43 | n | n | 34 56 78 | Drum shim, 1,5 mm | Valsshims, 1,5 mm | 5) | | | | | |
| 44 | n | n | 34 56 79 | Drum shim, 3 mm | Valsshims, 3 mm | 5) | | | | | |
| 45 | n | n | 34 58 84 | Drum shim, 6 mm | Valsshims, 6 mm | 5) | | | | | |
| 46 | n | n | 34 58 85 | Drum shim, 8 mm | Valsshims, 8 mm | 5) | | | | | |
| 47 | 8 | 8 | 50 02 28 | Screw | Skruv | | | | | | |

5) As required
Efter behov



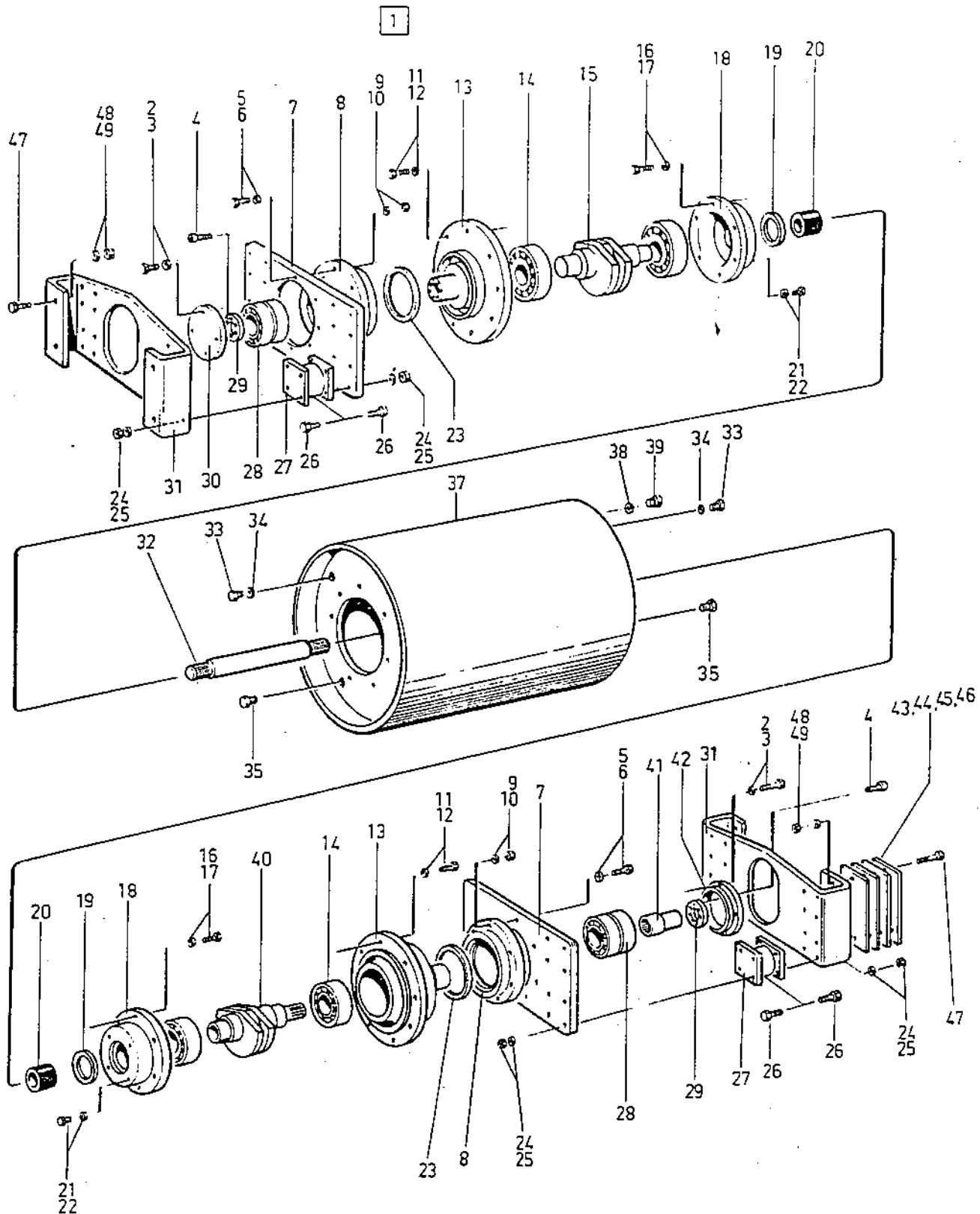
34 34 53
34 34 50

CA25, CA25R

Spare Parts Catalogue - Reservdelskatalog

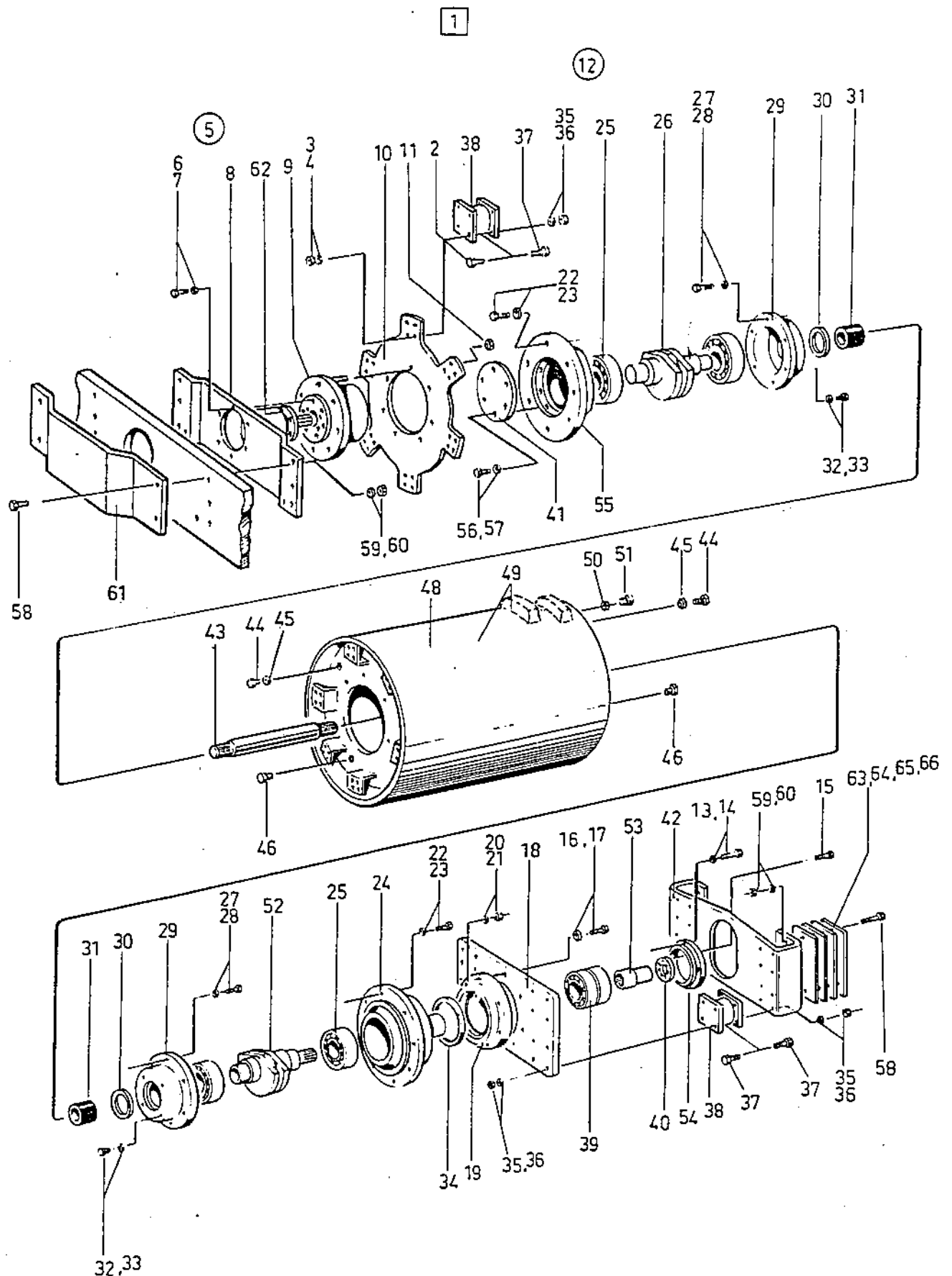


| Page Sida | | Group Grupp | | Picture No Bild nr | | Issue Utgåva | | DRUM | | VALS | |
|--------------|----------------|----------------|----|-----------------------|--------------|-----------------|--------------------|--------------|--|------|--|
| 4 | | 02 | | 13763-2 | | S-10200-2 | | | | | |
| Ref Pos | Quantity/Antal | | | Part No Art nr | Description | Benämning | Note Anmärkning | C, P K, L | | | |
| | CA | 25 | 25 | | | | | | | | |
| | | | R | | | | | | | | |
| 48 | 8 | 8 | | 60 00 13 | Washer | Bricka | | | | | |
| 49 | 8 | 8 | | 58 60 22 | Nut | Mutter | | | | | |



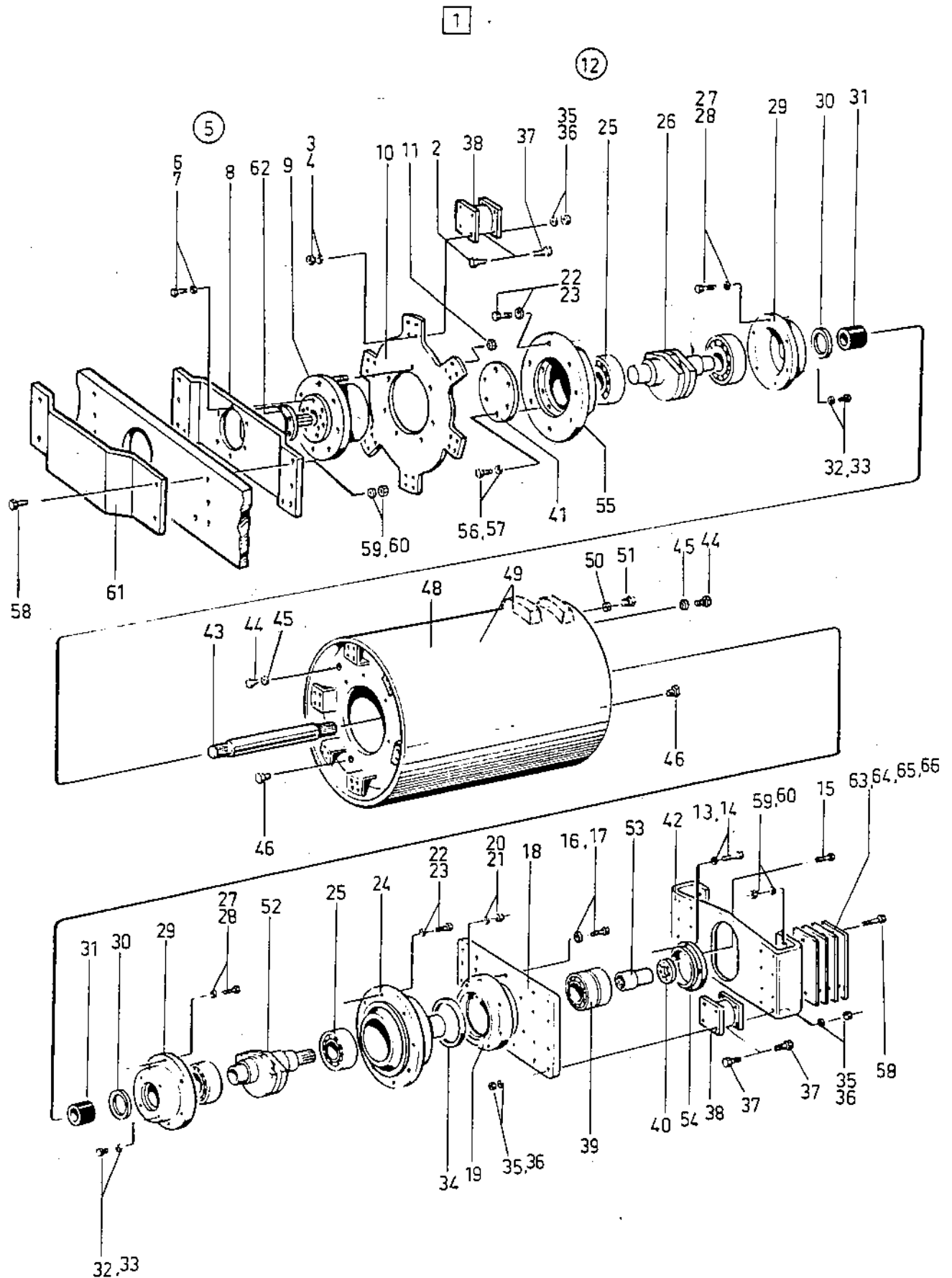
34 34 53
34 34 50

| Page Sida | | Group Grupp | | Picture No Bild nr | | Issue Utgåva | | DRUM | | VALS | |
|-----------|----------------|-------------|-------|--------------------|------------------------------------|---------------------------------|-----------------|-----------|--|------|--|
| 6 | | O2 | | 13764-2 | | S-10200-2 | | | | | |
| Ref Pos | Quantity/Antal | | | Part No Art nr | Description | Benämning | Note Anmärkning | C, P K, L | | | |
| | CA | 25 D | 25 PD | | | | | | | | |
| 1 | 1 | - | | 34 34 78 | Drum with drive unit, cpl. | Vals med drivenhet, kpl. | | | | | |
| | - | 1 | | 34 34 79 | Padfoot drum with drive unit, cpl. | Padvals med drivenhet, ... kpl. | | | | | |
| 2 | 24 | 24 | | 50 00 37 | •Screw | •Skruv | | | | | |
| 3 | 24 | 24 | | 60 00 09 | •Washer | •Bricka | | | | | |
| 4 | 24 | 24 | | 58 60 19 | •Nut | •Mutter | | | | | |
| 5 | 1 | 1 | | 34 07 61 | •Drive unit, cpl. | •Drivenhet, kpl. | | C4 | | | |
| 6 | 12 | 12 | | 50 30 56 | ••Screw | ••Skruv | | | | | |
| 7 | 12 | 12 | | 61 50 47 | ••Conical spring washer | ••Spännbricka | | | | | |
| 8 | 1 | 1 | | 34 07 63 | ••Bracket | ••Hållare | | | | | |
| 9 | 1 | 1 | | 80 11 50 | ••Torque hub | ••Planetväxel | | | | | |
| | | | | | Comps, page 10 | Det. se sida 10 | | | | | |
| 10 | 1 | 1 | | 34 07 62 | ••Drive plate | ••Drivplatta | | | | | |
| 11 | 12 | 12 | | 81 36 94 | ••Nut | ••Mutter | | | | | |
| 12 | 1 | - | | 34 34 51 | •Drum, cpl. | •Vals, kpl. | | | | | |
| | - | 1 | | 34 34 52 | •Padfoot drum, cpl. | •Padvals, kpl. | | | | | |
| 13 | 4 | 4 | | 50 01 95 | ••Screw | ••Skruv | | | | | |
| 14 | 4 | 4 | | 61 50 45 | ••Conical spring washer | ••Spännbricka | | | | | |
| 15 | 8 | 8 | | 50 80 19 | ••Screw | ••Skruv | | | | | |
| 16 | 8 | 8 | | 50 00 76 | ••Screw | ••Skruv | | | | | |
| 17 | 8 | 8 | | 60 00 11 | ••Washer | ••Bricka | | | | | |
| 18 | 1 | 1 | | 34 33 22 | ••Mounting plate | ••Fästplåt | | | | | |
| 19 | 1 | 1 | | 34 33 18 | ••Bearing housing | ••Lagerhus | | D4 | | | |
| 20 | 8 | 8 | | 61 50 46 | ••Conical spring washer | ••Spännbricka | | | | | |
| 21 | 8 | 8 | | 57 00 08 | ••Nut | ••Mutter | | | | | |
| 22 | 24 | 24 | | 50 00 93 | ••Screw | ••Skruv | | | | | |
| 23 | 24 | 24 | | 61 50 46 | ••Conical spring washer | ••Spännbricka | | | | | |
| 24 | 1 | 1 | | 34 34 58 | ••Bearing housing, outer | ••Lagerhus, yttre | | D4 | | | |
| 25 | 4 | 4 | | 11 40 36 | ••Drum bearing | ••Vallager | | D 3 | | | |
| 26 | 1 | - | | 34 34 69 | ••Eccentric shaft, left | ••Excenteraxel, vänster .. | | D3 | | | |
| | - | 1 | | 34 34 74 | ••Eccentric shaft, left | ••Excenteraxel, vänster .. | | D3 | | | |
| 27 | 12 | 12 | | 50 00 93 | ••Screw | ••Skruv | | | | | |
| 28 | 12 | 12 | | 61 50 46 | ••Conical spring washer | ••Spännbricka | | | | | |
| 29 | 2 | 2 | | 34 34 75 | ••Bearing housing, inner | ••Lagerhus, inre | | D4 | | | |
| 30 | 2 | 2 | | 81 36 97 | ••Seal ring | ••Tätningsring | | D 3 | | | |
| 31 | 2 | 2 | | 34 27 93 | ••Rubber bushing | ••Gummibussning | | D3 | | | |
| 32 | 6 | 6 | | 50 00 35 | ••Screw | ••Skruv | | | | | |
| 33 | 6 | 6 | | 16 20 27 | ••Seal ring | ••Tätningsring | | | | | |
| 34 | 1 | 1 | | 16 70 23 | ••Seal ring | ••Tätningsring | | B 2 | | | |
| 35 | 56 | 56 | | 58 60 19 | ••Nut | ••Mutter | | | | | |
| 36 | 56 | 56 | | 60 00 09 | ••Washer | ••Bricka | | | | | |
| 37 | 56 | 56 | | 50 01 94 | ••Screw | ••Skruv | | | | | |
| 38 | 10 | 10 | | 33 67 42 | ••Shock absorber | ••Gummiement | | B2 | | | |
| 39 | 1 | 1 | | 11 60 41 | ••Frame bearing, set | ••Ramlager, sats | | D 3 | | | |
| 40 | 1 | 1 | | 34 34 62 | ••Bearing cover | ••Lagerlock | | | | | |
| 41 | 1 | 1 | | 33 56 61 | ••Cover | ••Lock | | | | | |
| 42 | 1 | 1 | | 34 34 73 | ••Shock absorber | ••Fäste för | | | | | |
| | | | | | bracket | gummiement | | | | | |
| 43 | 1 | 1 | | 34 29 39 | ••Drive shaft | ••Drivaxel | | D3 | | | |
| 44 | 2 | 2 | | 23 22 47 | ••Plug | ••Plugg | | | | | |
| 45 | 2 | 2 | | 16 20 17 | ••Seal ring | ••Tätningsring | | D 3 | | | |



- 34 34 51
- 34 34 52
- 34 34 78
- 34 34 79

| Page Sida | | Group Grupp | | Picture No Bild nr | Issue Utgåva | DRUM | VALS |
|--------------|----------------|----------------|-------------------|-------------------------------------|-----------------------------------|--------------------|--------------|
| 8 | | 02 | | 13764-2 | S-10200-2 | | |
| Ref Pos | Quantity/Antal | | Part No Art nr | Description | Benämning | Note Anmärkning | C, P K, L |
| | CA | CA | | | | | |
| | 25 D | 25 PD | | | | | |
| • 46 | 2 | 2 | 92 25 52 | ••Oil level glass | ••Oljenivåglass | | D 3 |
| • 47 | - | - | - | - | - | | |
| 48 | 1 | - | 34 34 64 | ••Drum | ••Vals | | |
| 49 | - | 1 | 34 34 65 | ••Padfoot drum | ••Padvals | | |
| 50 | 1 | 1 | 16 20 27 | ••Seal ring | ••Tätningsring | | |
| 51 | 1 | 1 | 34 34 90 | ••Breather | ••Sinterfilter | | D3 |
| 52 | 1 | - | 34 34 68 | ••Eccentric shaft, right | ••Excenteraxel, höger | | D3 |
| | - | 1 | 34 34 72 | ••Eccentric shaft, right | ••Excenteraxel, höger | | D3 |
| 53 | 1 | 1 | 34 34 84 | ••Splined sleeve | ••Splineshylsa | | D3 |
| 54 | 1 | 1 | 34 34 60 | ••Motor bracket | ••Motorfäste | | |
| 55 | 1 | 1 | 34 34 70 | ••Bearing housing, outer | ••Lagerhus, yttre | | D4 |
| 56 | 6 | 6 | 50 00 28 | ••Screw | ••Skruv | | |
| 57 | 6 | 6 | 61 50 44 | ••Conical spring washer | ••Spännbricka | | |
| 58 | 12 | 12 | 50 02 28 | Screw | Skruv | | |
| 59 | 12 | 12 | 60 00 13 | Washer | Bricka | | |
| 60 | 12 | 12 | 58 60 22 | Nut | Mutter | | |
| 61 | 1 | 1 | 34 07 83 | Cover | Motorskydd | | |
| 62 | 1 | 1 | - | Hydraulic motor, drum drive | Hydraulmotor, valsdrivn. drive | See group 5 | |
| 63 | n | n | 34 56 78 | Drum shim, 1.5 mm | Valsshims, 1,5 mm | 5) | |
| 64 | n | n | 34 56 79 | Drum shim, 3 mm | Valsshims, 3 mm | 5) | |
| 65 | n | n | 34 58 84 | Drum shim, 6 mm | Valsshims, 6 mm | 5) | |
| 66 | n | n | 34 58 85 | Drum shim, 8 mm | Valsshims, 8 mm | 5) | |



34 34 51
34 34 52
34 34 78
34 34 79

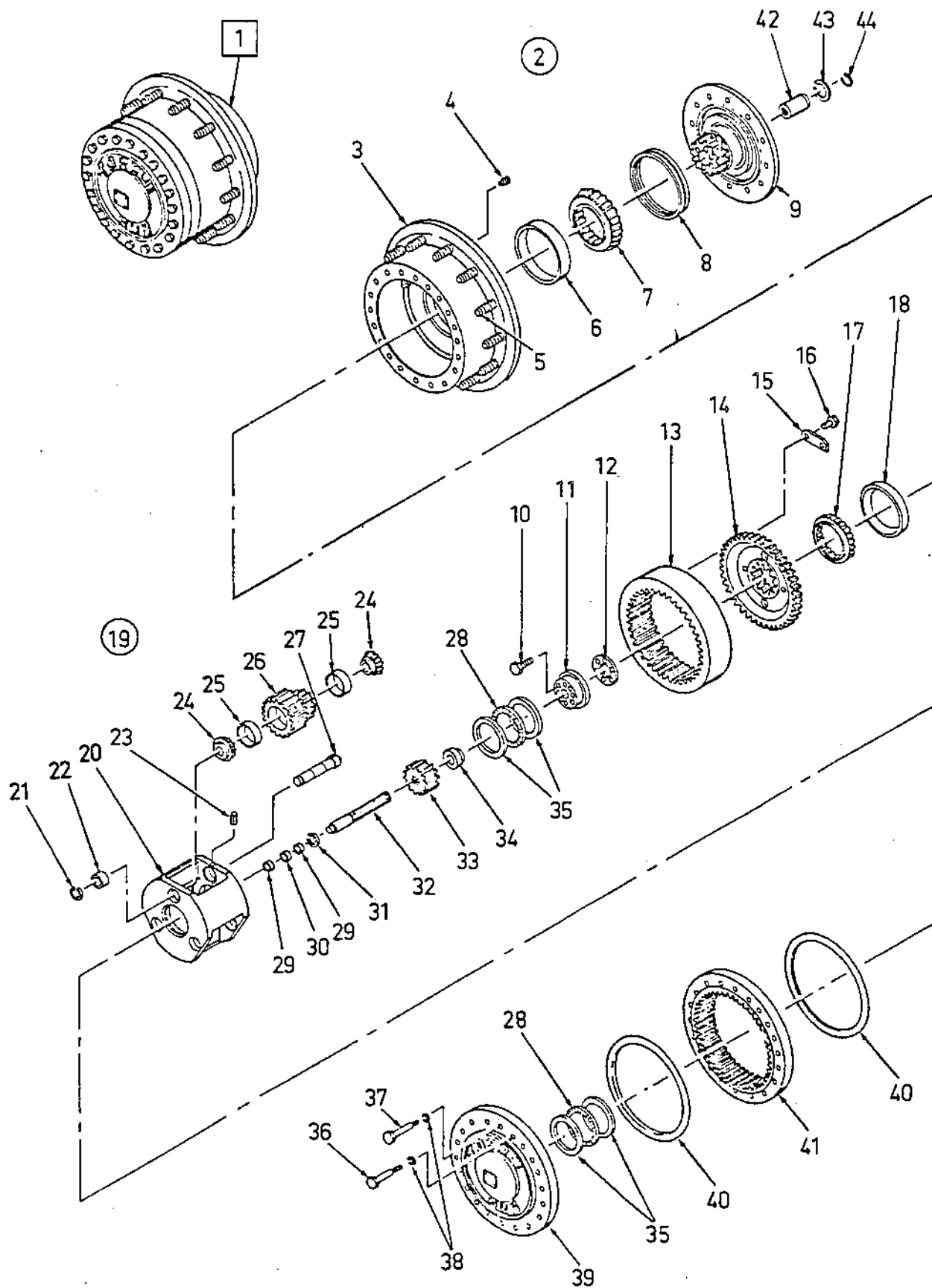
CA25D, CA25PD

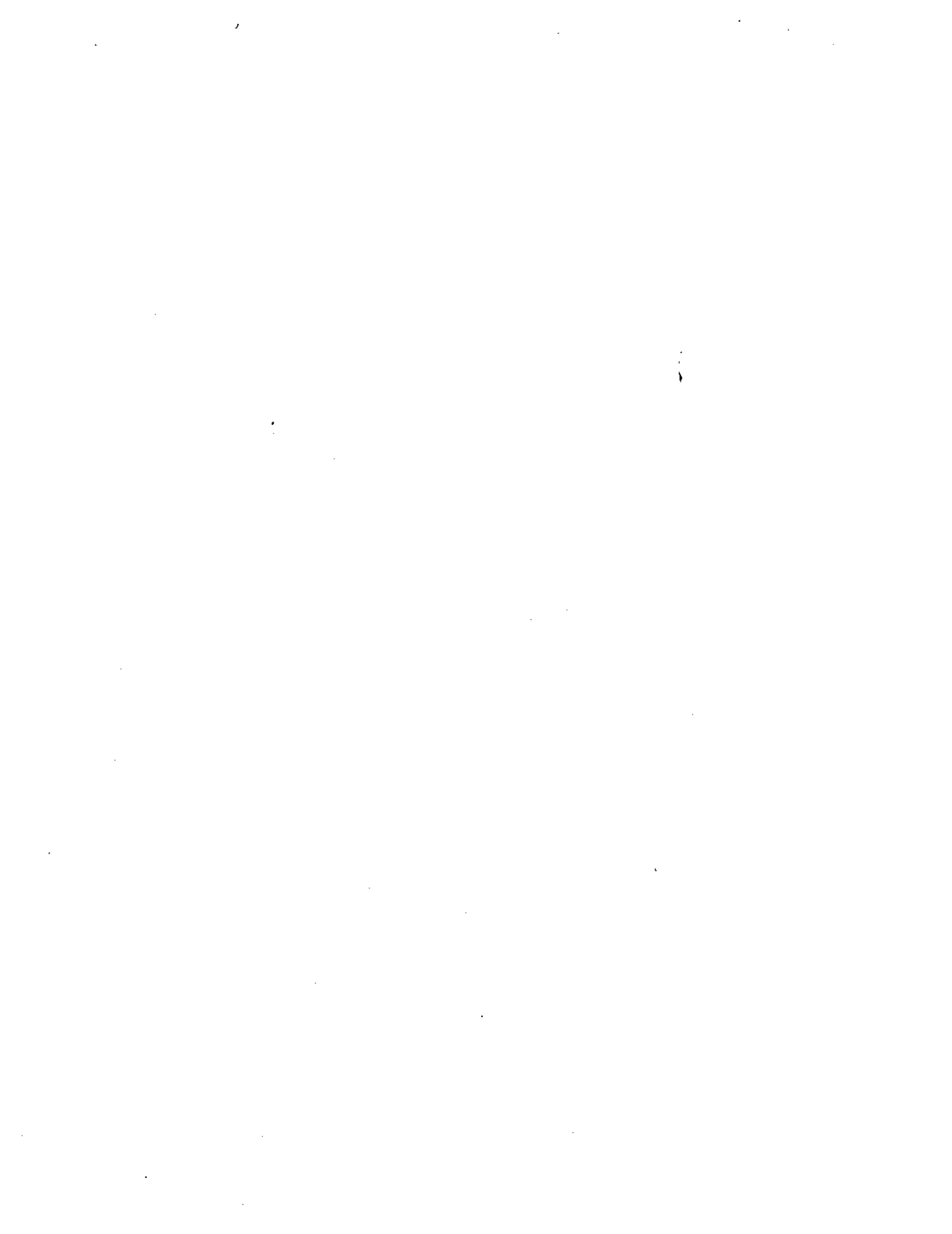
Spare Parts Catalogue - Reservdelskatalog



| Page Sida | | Group Grupp | | Picture No Bild nr | | Issue Utgåva | | TORQUE HUB | | PLANETVÄXEL | |
|-----------|----------------|-------------|-------|--------------------|-------------------------------|-----------------------------|-----------------|------------|--|-------------|--|
| 10 | | 02 | | 13765-1 | | S-10200-2 | | | | | |
| Ref Pos | Quantity/Antal | | | Part No Art nr | Description | Benämning | Note Anmärkning | C, P K, L | | | |
| | CA | 25 D | 25 PD | | | | | | | | |
| 1 | 1 | 1 | - | 80 11 50 | Torque hub, cpl. | Planetväxel, kpl. | | C 3 | | | |
| 2 | 1 | 1 | - | 89 34 46 | •Hub-Spindle, cpl. | •Nav och spindel, kpl. | | | | | |
| 3 | 1 | 1 | - | 42 33 27 | ••Hub | ••Nav | | | | | |
| 4 | 2 | 2 | - | 42 33 50 | ••Magnetic plug | ••Magnetplugg | | D 3 | | | |
| 5 | 12 | 12 | - | 42 31 49 | ••Stud | ••Pinnskruv | | D 3 | | | |
| 6 | 1 | 1 | - | 42 33 34 | ••Bearing cup | ••Yttering | | D 3 | | | |
| 7 | 1 | 1 | - | 42 33 30 | ••Bearing cone | ••Innerring med rullar | | D 3 | | | |
| 8 | 1 | 1 | - | 42 33 33 | ••Seal ring | ••Tätningsring | | D 3 | | | |
| 9 | 1 | 1 | - | 42 33 23 | ••Spindle | ••Spindel | | | | | |
| 10 | 6 | 6 | - | 42 33 39 | ••Screw | ••Skruv | | | | | |
| 11 | 1 | 1 | - | 42 33 24 | ••Bearing plate | ••Lagerlock | | | | | |
| 12 | 1 | 1 | - | 42 33 35 | ••Shim set | ••Shimssats | | D 4 | | | |
| 13 | 1 | 1 | - | 42 33 22 | ••Ring gear | ••Ringdrev | | | | | |
| 14 | 1 | 1 | - | 42 33 21 | ••Gear | ••Kuggjul | | | | | |
| 15 | 4 | 4 | - | 42 33 12 | ••Locking plate | ••Låsbleck | | | | | |
| 16 | 8 | 8 | - | 42 33 38 | ••Screw | ••Skruv | | | | | |
| 17 | 1 | 1 | - | 42 33 32 | ••Bearing cone | ••Innerring med rullar | | D 3 | | | |
| 18 | 1 | 1 | - | 42 33 31 | ••Bearing cup | ••Yttering | | D 3 | | | |
| 19 | 1 | 1 | - | 423315 | •Planetary Carrier, Cpl. | | | | | | |
| 20 | 1 | 1 | - | 423319 | ••Carrier | | | | | | |
| - | 1 | 1 | - | 928151 | ••Kit, Carrier Repair | | | | | | |
| 21 | 3 | 3 | - | 423345 | •••Snap Ring | | | | | | |
| 22 | n | n | - | 893451 | •••Spacer, 0.721/0.720" ... | | | | | | |
| - | n | n | - | 893452 | •••Spacer, 0.726/0.725" ... | | | | | | |
| - | n | n | - | 423336 | •••Spacer, 0.809/0.808" ... | | | | | | |
| 23 | 3 | 3 | - | 423346 | •••Roll Pin | | | | | | |
| 24 | 6 | 6 | - | 423329 | •••Bearing Cone | | | | | | |
| 25 | 6 | 6 | - | 423328 | •••Bearing Cup | | | | | | |
| 26 | 1 | 1 | - | 423320 | •••Planet Gear Set | | | | | | |
| 27 | 3 | 3 | - | 423316 | •••Shaft | | | | | | |
| 28 | 2 | 2 | - | 42 33 17 | •Thrust bearing | •Axiallager | | D 3 | | | |
| 29 | 2 | 2 | - | 42 33 11 | •Thrust washer | •Tryckbricka | | D 3 | | | |
| 30 | 1 | 1 | - | 42 33 10 | •Thrust bearing | •Axiallager | | D 3 | | | |
| 31 | 1 | 1 | - | 42 33 43 | •Snap ring | •Spärring | | | | | |
| 32 | 1 | 1 | - | 42 33 09 | •Shaft | •Axel | | | | | |
| 33 | 1 | 1 | - | 42 33 14 | •Gear | •Kuggjul | | D 4 | | | |
| 34 | 1 | 1 | - | 42 33 37 | •Spacer | •Distanshylsa | | | | | |
| 35 | 4 | 4 | - | 42 33 18 | •Thrust washer | •Tryckbricka | | D 3 | | | |
| 36 | 16 | 16 | - | 42 33 47 | •Screw | •Skruv | | | | | |
| 37 | 4 | 4 | - | 42 33 48 | •Screw | •Skruv | | | | | |
| 38 | 20 | 20 | - | 42 33 51 | •Lock washer | •Låsbricka | | | | | |
| 39 | 1 | 1 | - | 42 33 26 | •Cover | •Lock | | | | | |
| 40 | 2 | 2 | - | 42 33 40 | •O-ring | •O-ring | | D 3 | | | |
| 41 | 1 | 1 | - | 42 33 25 | •Ring gear | •Ringdrev | | D 4 | | | |
| 42 | 1 | 1 | - | 42 33 13 | •Coupling | •Koppling | | D 3 | | | |
| 43 | 1 | 1 | - | 42 33 44 | •Snap ring | •Spärring | | | | | |
| 44 | 1 | 1 | - | 42 33 42 | •Snap ring | •Spärring | | | | | |

5) As required
Efter behov





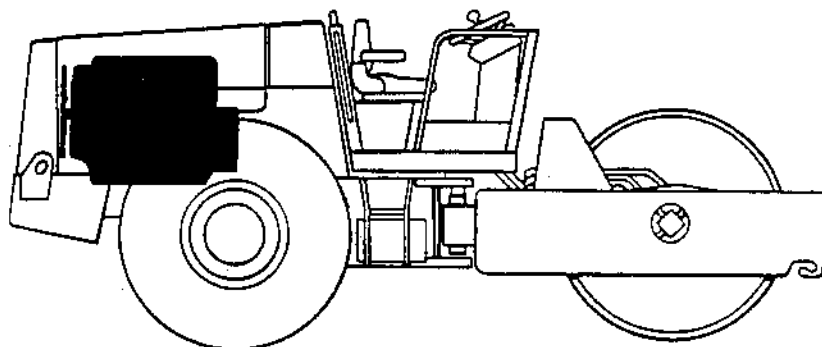
↓ **DYNAPAC**

ENGINE

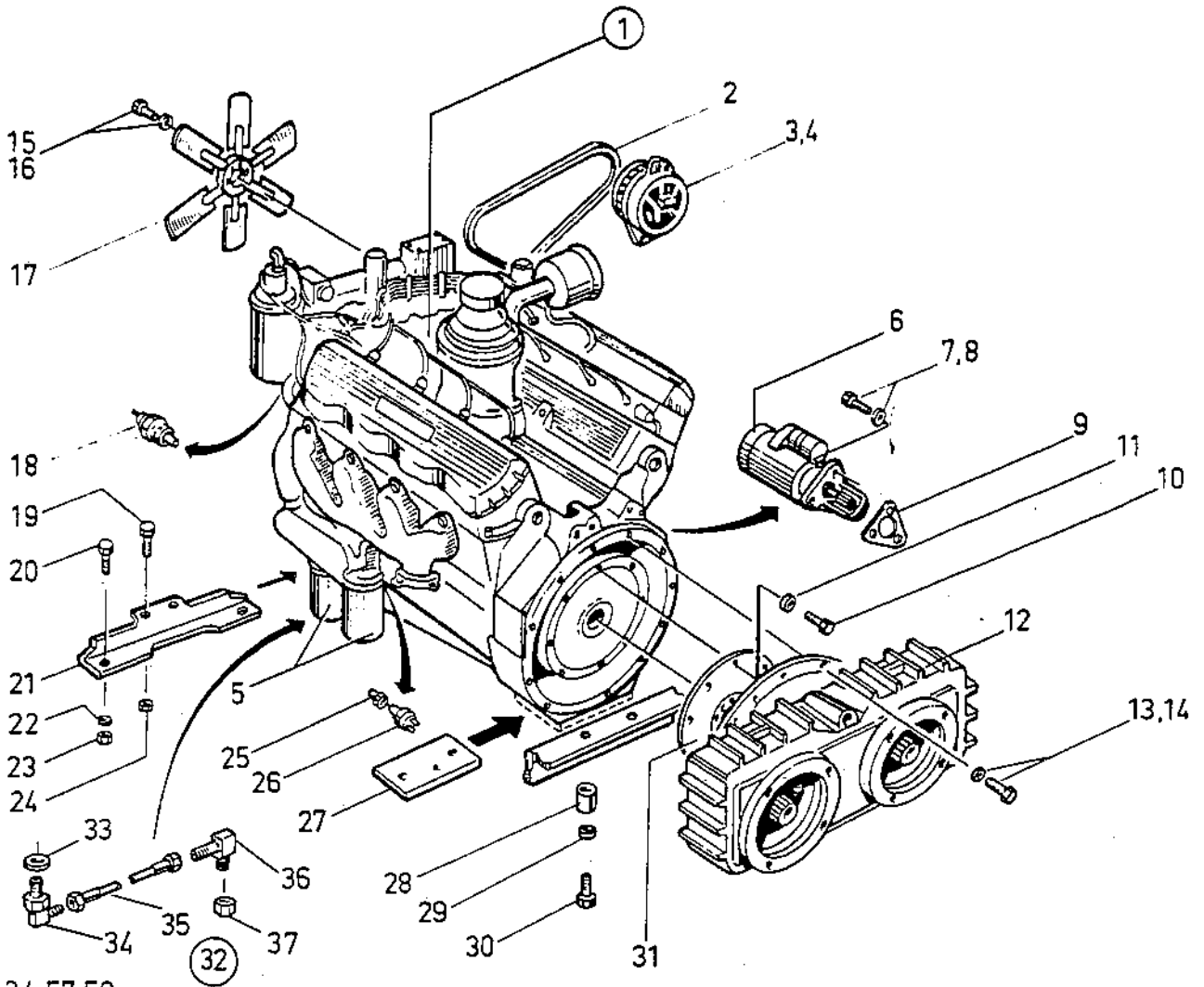
Engine
 Caterpillar D-3208
 Deutz F6L912
 Detroit 3-53T
 Detroit 4-53
 Cooling System
 Caterpillar
 Detroit 3-53T
 Detroit 4-53
 Air cleaner
 Caterpillar
 Deutz
 Detroit 3-53T
 Detroit 4-53
 Fuel system
 Caterpillar
 Deutz
 Detroit 3-53T
 Detroit 4-53
 Exhaust system
 Caterpillar
 Deutz
 Detroit 3-53T
 Detroit 4-53
 Hydraulic pump gearing

MOTOR

| Motor | |
|----------------------|-----|
| Caterpillar D-3208 | 2 |
| Deutz F6L912 | 4-6 |
| Detroit 3-53T | 8 |
| Detroit 4-53 | 8A |
| Kylsystem | |
| Caterpillar | 10 |
| Detroit 3-53T | 12 |
| Detroit 4-53 | 12A |
| Luftfilter | |
| Caterpillar | 14 |
| Deutz | 16 |
| Detroit 3-53T | 18 |
| Detroit 4-53 | 18A |
| Bränslesystem | |
| Caterpillar | 20 |
| Deutz | 22 |
| Detroit 3-53T | 24 |
| Detroit 4-53 | 24A |
| Avgassystem | |
| Caterpillar | 26 |
| Deutz | 28 |
| Detroit 3-53T | 30 |
| Detroit 4-53 | 30A |
| Fördelningsväxellåda | 32 |



| Page Sida | | Group Grupp | Picture No Bild nr | Issue Utgåva | ENGINE Caterpillar D-3208 | MOTOR Caterpillar D-3208 |
|--------------|----------------------|-------------------|------------------------------|-----------------------------|------------------------------|-----------------------------|
| Ref Pos | Quantity/Antal CA | Part No Art nr | Description | Benämning | Note Anmärkning | C, P K, L |
| 2 | | 03 | 13766-2 | S-10200-2 | | |
| 1 | 1 | 80 10 91 | Engine, cpl. | Motor, kpl. | | |
| 2 | 1 | 75 20 51 | •V-belt set (2 belts) | •Kilremssats (2 rem.) | | B 2 |
| 3 | 1 | 75 20 46 | •Alternator | •Växelströmgenerator ... | | C 3 |
| 4 | 1 | 75 20 28 | •Pulley for alternator | •Remskiva för generator | | |
| 5 | 2 | 75 20 91 | •Oil filter | •Oljefilter | | A 1 |
| 6 | 1 | 81 34 60 | Starter | Startmotor | | C 3 |
| 7 | 3 | 50 20 76 | Screw | Skruv | | |
| 8 | 3 | 60 40 11 | Spring washer | Fjäderbricka | | |
| 9 | 1 | 75 23 04 | Gasket | Packning | | |
| 10 | 8 | 50 20 33 | Screw | Skruv | | |
| 11 | 8 | 60 40 06 | Spring washer | Fjäderbricka | | |
| 12 | 1 | 34 11 06 | Hydraulic pump gearing .. | Fördelningsväxellåda | | |
| | | | Comps, page 32 | Det. se sida 32 | | |
| 13 | 12 | 50 20 35 | Screw | Skruv | | |
| 14 | 12 | 61 50 44 | Conical spring washer | Spännbricka | | |
| 15 | 4 | 50 20 28 | Screw | Skruv | | |
| 16 | 4 | 61 50 43 | Conical spring washer :... | Spännbricka | | |
| 17 | 1 | 80 11 51 | Fan | Fläkt | | D 3 |
| 18 | 1 | 98 90 78 | Water temp. sender | Givare för vattentemp. | | D 3 |
| 19 | 2 | 50 01 94 | Screw | Skruv | | |
| 20 | 2 | 50 00 56 | Screw | Skruv | | |
| 21 | 1 | 34 57 52 | Beam | Balk | | |
| 22 | 2 | 60 50 02 | Beam washer | Balkbricka | | |
| 23 | 2 | 57 00 07 | Nut | Mutter | | |
| 24 | 2 | 58 60 19 | Nut | Mutter | | |
| 25 | 1 | 81 34 65 | Bushing | Bussning | | |
| 26 | 1 | 81 34 62 | Oil pressure transmitter .. | Oljetrycksgivare | | D 3 |
| 27 | 1 | 34 59 06 | Spacer plate | Distansplatta | | |
| 28 | 2 | 34 57 51 | Spacer sleeve | Distanshylsa | | |
| 29 | 2 | 50 21 48 | Screw | Skruv | | |
| 30 | 2 | 60 00 13 | Washer | Bricka | | |
| 31 | 1 | - | Drive plate | Medbringarplatta | See page 32 ref. 2 | |
| * 32 | 1 | 34 62 67 | Oil drainage, cpl. | Oljeavtappning, kpl. | New design | |
| * 33 | 1 | 48 01 25 | •Washer | •Bricka | | |
| * 34 | 1 | 81 34 44 | •Elbow 90° | •Rörkrök 90° | | |
| * 35 | 1 | 48 21 67 | •Hose | •Slang | | |
| * 36 | 1 | 23 45 12 | •Bulk head union 90° | •Skottgenomgång 90° | | |
| * 37 | 1 | 33 03 83 | •Cap | •Huv | | |

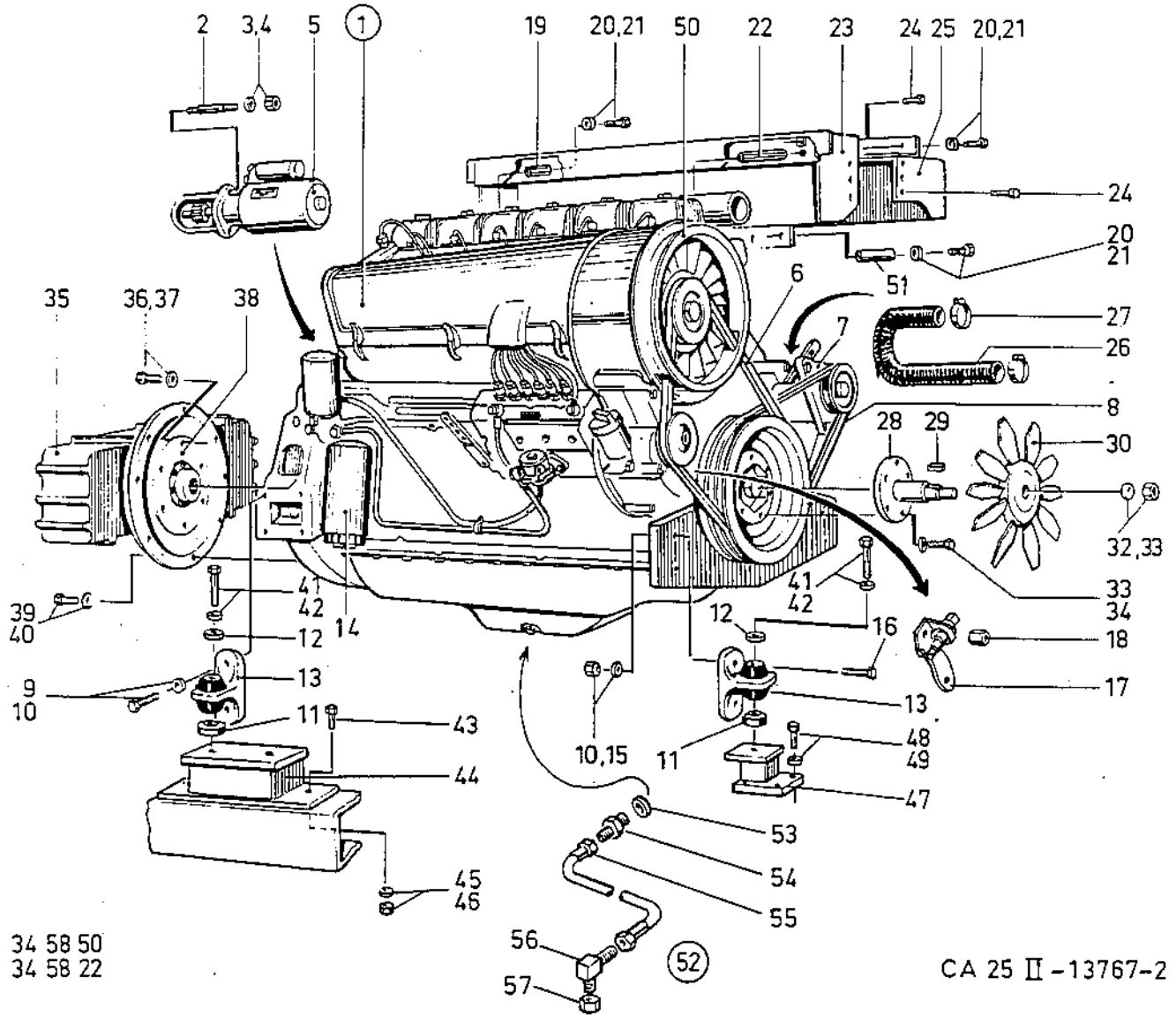


34 57 50
34 57 64

CA 25 II - 13766-2

| Page Sida | | Group Grupp | | Picture No Bild nr | | Issue Utgåva | | ENGINE Deutz F6L912 | | MOTOR Deutz F6L912 | |
|--------------|----------------|----------------|--|-----------------------|------------------------------|---------------------------------|--------------------|------------------------|--|-----------------------|--|
| 4 | | 03 | | 13767-2 | | S-10200-2 | | | | | |
| Ref Pos | Quantity/Antal | | | Part No Art nr | Description | Benämning | Note Anmärkning | C, P K, L | | | |
| | CA | | | | | | | | | | |
| | 3)25 | | | | | | | | | | |
| 1 | 1 | | | 34 60 99 | Engine, cpl. | Motor, kpl. | | | | | |
| 2 | 3 | | | 74 79 95 | •Stud | •Pinnskruv | | | | | |
| 3 | 3 | | | 74 76 37 | •Spring washer | •Fjäderbricka | | | | | |
| 4 | 3 | | | 74 79 93 | •Nut | •Mutter | | | | | |
| 5 | 1 | | | 69 20 55 | •Starter motor | •Startmotor | | C 3 | | | |
| 6 | 1 | | | 41 30 55 | •V-belt, fan | •Kilrem, fläkt | | B 2 | | | |
| 7 | 1 | | | 69 00 30 | •Alternator with relay | •Växelströmshgen. m. relä | | C 3 | | | |
| 8 | 1 | | | 74 75 43 | •V-belt, alternator | •Kilrem, generator | | B 2 | | | |
| 9 | 8 | | | 50 01 93 | •Screw | •Skruv | | | | | |
| 10 | 12 | | | 61 50 45 | •Conical spring washer ... | •Spännbricka | | | | | |
| 11 | 6 | | | 74 76 19 | •Washer | •Bricka | | | | | |
| 12 | 6 | | | 74 76 20 | •Washer | •Bricka | | | | | |
| 13 | 6 | | | 74 76 18 | •Engine bracket | •Motorfäste | | | | | |
| 14 | 1 | | | 74 74 76 | •Oil filter | •Oljefilter | | A 1 | | | |
| 15 | 4 | | | 57 00 07 | •Nut | •Mutter | | | | | |
| 16 | 4 | | | 50 00 56 | •Screw | •Skruv | | | | | |
| 17 | 1 | | | 74 79 68 | •V-belt failure switch | •Kilremsvakt | | D 4 | | | |
| 18 | 1 | | | 74 79 96 | •Nut | •Mutter | | | | | |
| 19 | 1 | | | 34 58 30 | Spacer nut | Distansmutter | | | | | |
| 20 | 12 | | | 50 00 19 | Screw | Skruv | | | | | |
| 21 | 11 | | | 61 50 43 | Conical spring washer | Spännbricka | | | | | |
| 22 | 4 | | | 34 58 29 | Spacer nut | Distansmutter | | | | | |
| 23 | 1 | | | 34 60 00 | Air duct, inner | Luftledarplåt, inre | | | | | |
| 24 | 10 | | | 50 00 12 | Screw | Skruv | | | | | |
| 25 | 1 | | | 34 60 05 | Air duct, outer | Luftledarplåt, yttre | | | | | |
| 26 | 1 x L | | | 28 50 08 | Hose | Slang | L = 940 mm | | | | |
| 27 | 2 | | | 81 33 11 | Hose clamp | Slangklämma | | | | | |
| 28 | 1 | | | 34 58 13 | Drive shaft | Medbringaraxel | | | | | |
| 29 | 1 | | | 35 01 05 | Key | Kil | | | | | |
| 30 | 1 | | | 92 20 07 | Fan | Fläkt | | D 3 | | | |
| 31 | 1 | | | 58 60 18 | Nut | Mutter | | | | | |
| 32 | 1 | | | 60 00 08 | Washer | Bricka | | | | | |
| 33 | 8 | | | 50 00 22 | Screw | Skruv | | | | | |
| 34 | 8 | | | 60 00 06 | Washer | Bricka | | | | | |
| 35 | 1 | | | 34 11 06 | Hydraulic pump gearing .. | Fördelningsväxellåda | | | | | |
| 36 | 8 | | | 50 00 43 | Screw | Skruv | | | | | |
| 37 | 8 | | | 60 40 07 | Spring washer | Fjäderbricka | | | | | |
| 38 | 1 | | | - | Drive plate | Medbringarplatta | See page 32 ref. 2 | | | | |
| 39 | 12 | | | 50 00 29 | Screw | Skruv | | | | | |
| 40 | 12 | | | 61 50 44 | Conical spring washer | Spännbricka | | | | | |
| 41 | 6 | | | 50 02 67 | Screw | Skruv | | | | | |
| 42 | 6 | | | 61 50 45 | Conical spring washer | Spännbricka | | | | | |
| 43 | 4 | | | 50 00 56 | Screw | Skruv | | | | | |
| 44 | 2 | | | 34 58 23 | Engine bracket | Motorfäste | | | | | |
| 45 | 4 | | | 60 50 02 | Beam washer | Balkbricka | | | | | |
| 46 | 4 | | | 58 60 19 | Nut | Mutter | | | | | |
| 47 | 2 | | | 34 58 26 | Engine bracket | Motorfäste | | | | | |
| 48 | 8 | | | 50 00 37 | Screw | Skruv | | | | | |

3) CA25 with Deutz
CA25 med Deutz

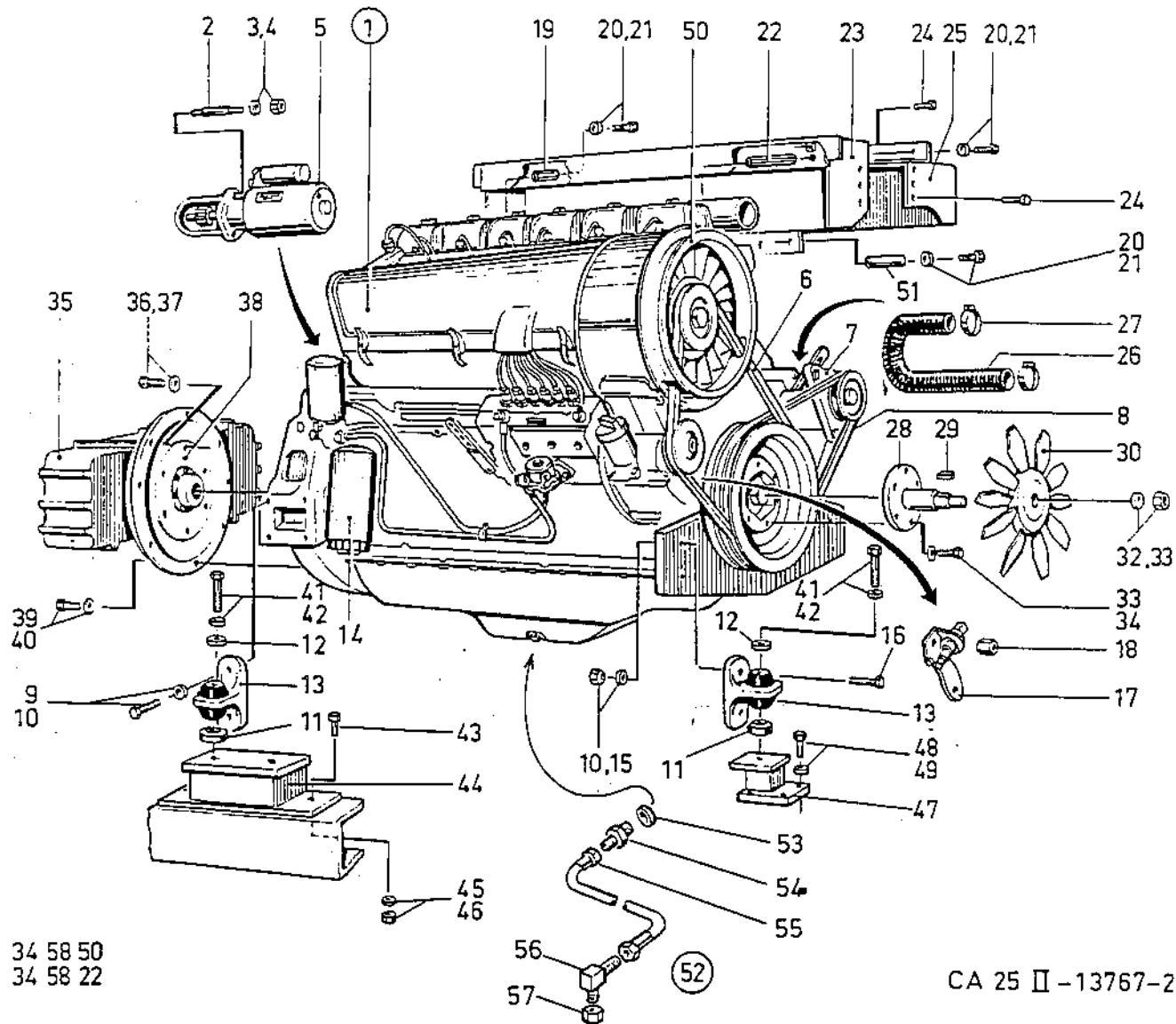


34 58 50
34 58 22

CA 25 II -13767-2

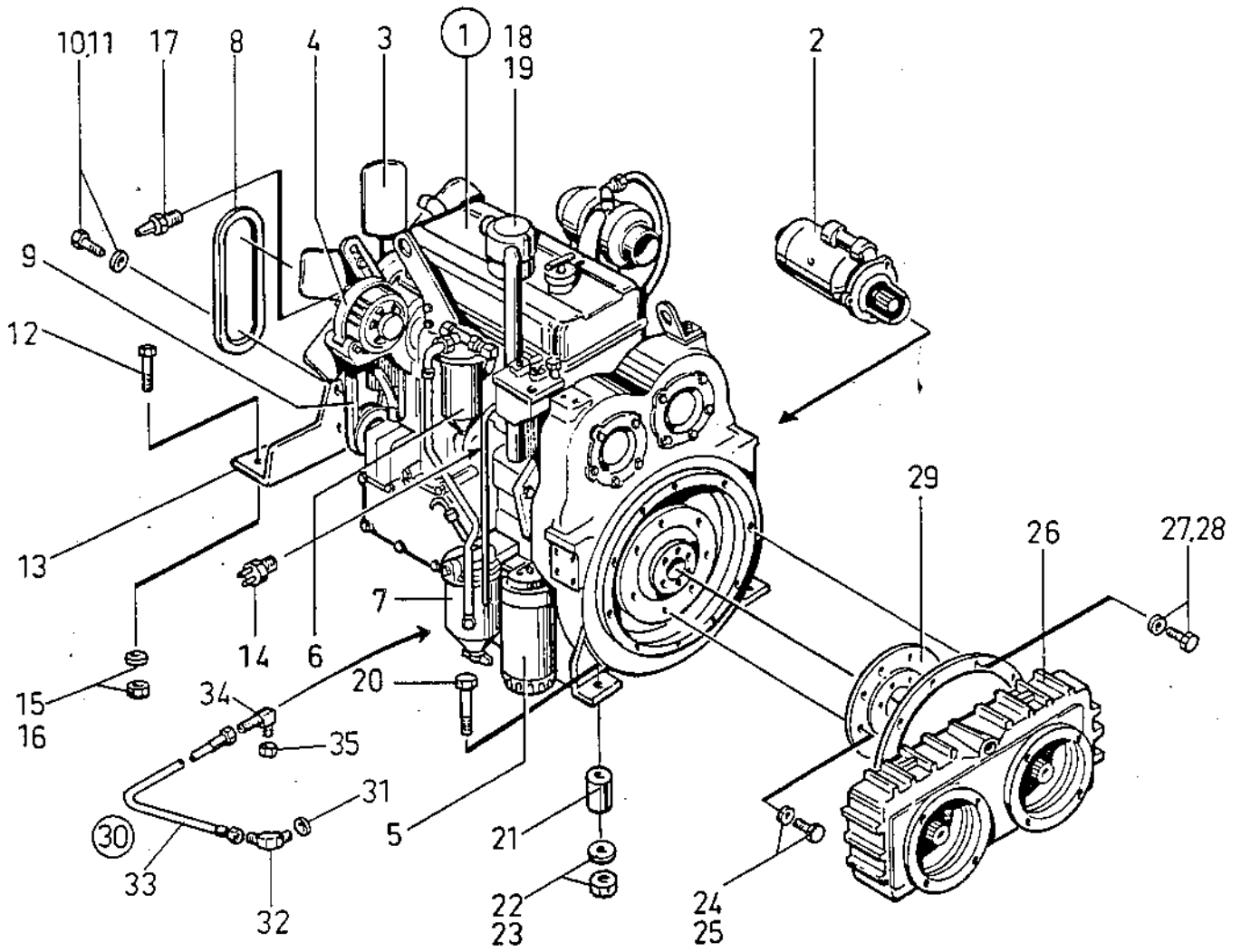
| Page Sida | | Group Grupp | Picture No Bild nr | Issue Utgåva | ENGINE Deutz F6L912 | MOTOR Deutz F6L912 |
|--------------|----------------------|-------------------|-----------------------------|---------------------------|------------------------|-----------------------|
| 6 | | 03 | 13767-2 | S-10200-2 | | |
| Ref Pos | Quantity/Antal CA | Part No Art nr | Description | Benämning | Note Anmärkning | C, P K, L |
| | 3)25 | | | | | |
| 49 | 8 | 61 50 45 | Conical spring washer | Spännbricka | | |
| 50 | 1xL | 20 20 57 | Seal list | Tätningsslist | L = 1030 mm | |
| * 51 | 2 | 34 60 09 | Spacer | Distanshylsa | | |
| * 52 | 1 | 34 62 68 | Oil drainage, cpl. | Oljeavtappning, kpl. | New design | |
| * 53 | 1 | 33 03 35 | •Washer | •Bricka | | |
| * 54 | 1 | 34 61 88 | •Adapter | •Adapter | | |
| * 55 | 1 | 48 21 67 | •Hose | •Slang | | |
| * 56 | 1 | 23 45 12 | •Bulk head union 90° | •Skottgenomgång | | |
| * 57 | 1 | 33 03 83 | •Cap | •Huv | | |

3) CA25 with Deutz
CA25 med Deutz



| Page Sida | Group Grupp | Picture No Bild nr | Issue Utgåva | ENGINE Detroit 3-53 | MOTOR Detroit 3-53 | |
|-----------|----------------|--------------------|-------------------------------|-----------------------------|-----------------------|--------------|
| 8 | 03 | 13919-1 | S-10200-2 | | | |
| Ref Pos | Quantity/Antal | Part No Art nr | Description | Benämning | Note Anmärkning | C, P K, L |
| | CA | | | | | |
| | 10)25 | | | | | |
| • 1 | 1 | 80 24 01 | Engine, cpl. | Motor, kpl. | | |
| 2 | 1 | 92 32 51 | •Starter | •startmotor | | C 3 |
| • 3 | 1 | 92 32 52 | •Fan | •Fläkt | | D 3 |
| 4 | 1 | 92 32 50 | •Alternator | •Växelströmgenerator ... | | C 3 |
| 5 | 1 | 49 95 45 | •Oil filter | •Oljefilter | | A 1 |
| • 6 | 1 | 49 93 14 | •Fuel filter element | •Bränslefilterelement | | A 1 |
| 7 | 1 | 49 93 15 | •Fuel strainer element | •Förfilterelement | | A 1 |
| 8 | 2 | 92 25 63 | •V-belt, fan | •Kilrem, fläkt | | B 2 |
| 9 | 1 | 89 27 13 | •V-belt set, alternator | •Kilremsats, växelstr.gen. | | B 2 |
| 10 | 4 | 50 21 13 | Screw | Skruv | | |
| 11 | 4 | 61 50 45 | Conical spring washer | Spännbricka | | |
| 12 | 2 | 50 00 56 | Screw | Skruv | | |
| 13 | 1 | 34 58 96 | Motor bracket, rear | Motorfäste, bakre | | |
| 14 | 1 | 81 34 62 | Oil pressure transmitter .. | Oljetrycksgivare | | D 3 |
| • 15 | 2 | 60 50 02 | Beam washer | Balkbricka | | |
| 16 | 2 | 58 60 19 | Nut | Mutter | | |
| 17 | 1 | 98 90 78 | Water temp. sender | Givare för vattentemp. | | D 3 |
| • 18 | 1 x L | 20 50 50 | Hose | Slang | L = 700 mm | |
| 19 | 1 | 31 30 35 | Hose clamp | Stangklämma | | |
| 20 | 2 | 50 02 90 | Screw | Skruv | | |
| • 21 | 2 | 34 57 51 | Spacer sleeve | Distanshylsa | | |
| 22 | 2 | 60 00 13 | Washer | Bricka | | |
| 23 | 2 | 57 00 19 | Nut | Mutter | | |
| 24 | 8 | 50 20 33 | Screw | Skruv | | |
| 25 | 8 | 60 40 06 | Spring washer | Fjäderbricka | | |
| 26 | 1 | 34 59 70 | Hydraulic pump gearing .. | Fördelningsväxellåda | | |
| | | | Comps, page 32 | Det. se sida 32 | | |
| 27 | 12 | 50 20 35 | Screw | Skruv | | |
| 28 | 12 | 61 50 44 | Conical spring washer | Spännbricka | | |
| 29 | 1 | - | Drive plate | Medbringarplatta | See page 32 ref. 2 | |
| • 30 | 1 | 34 62 69 | Oil drainage, cpl. | Oljeavtappning, kpl. | | |
| • 31 | 1 | 48 01 25 | •Washer | •Bricka | | |
| • 32 | 1 | 33 45 65 | •Elbow 45° | •Rörkrök 45° | | |
| • 33 | 1 | 84 28 47 | •Hose | •Slang | | |
| • 34 | 1 | 23 45 12 | •Bulk head union 90° | •Skottgenomgång 90° | | |
| • 35 | 1 | 33 03 83 | •Cap | •Huv | | |

10) CA 25 with Detroit
CA 25 med Detroit



34 5890
34 5895

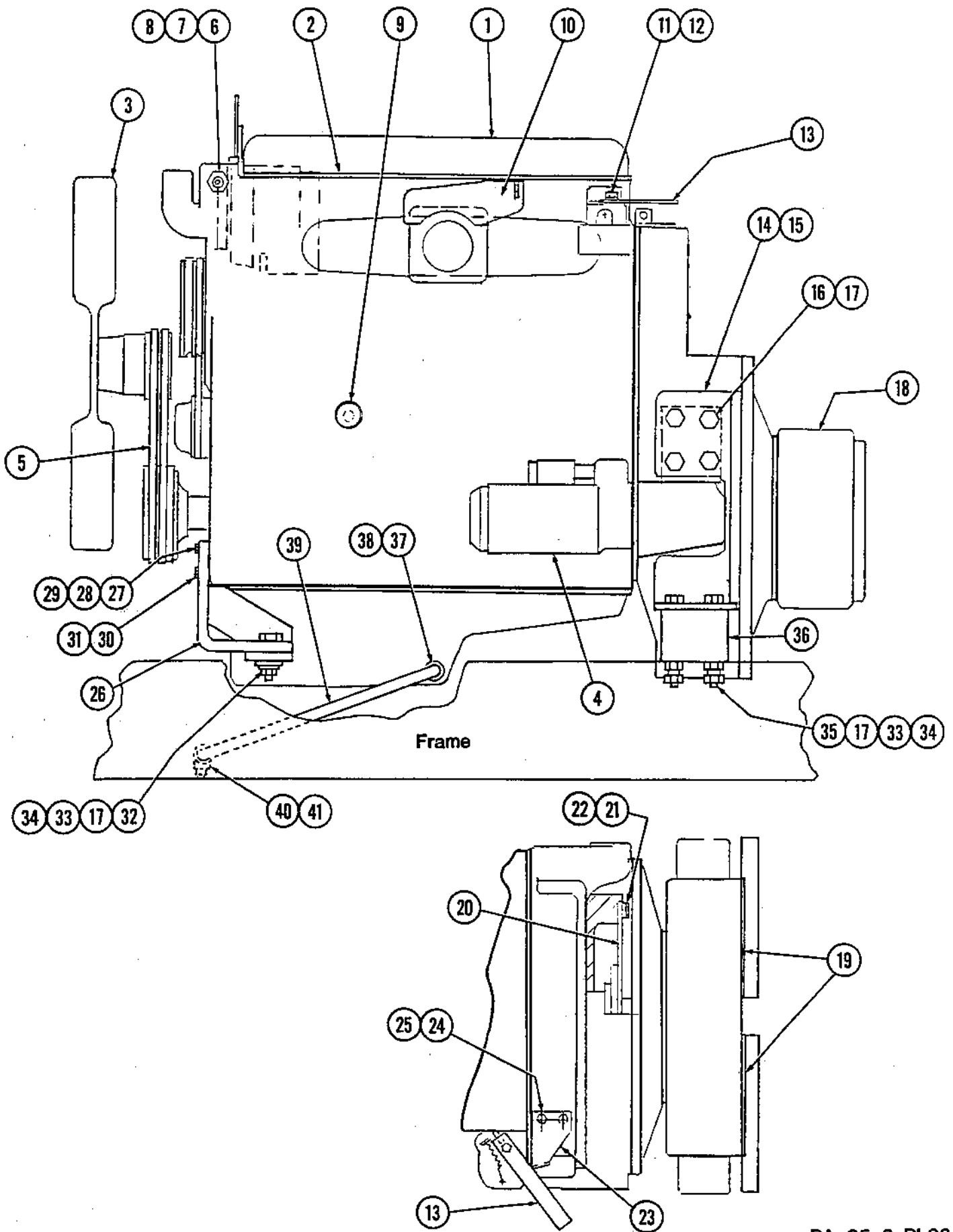
CA25 II-13919-1

CA25, CA25D, CA25PD, CA25R

Spare Parts Catalogue • Reservdelskatalog

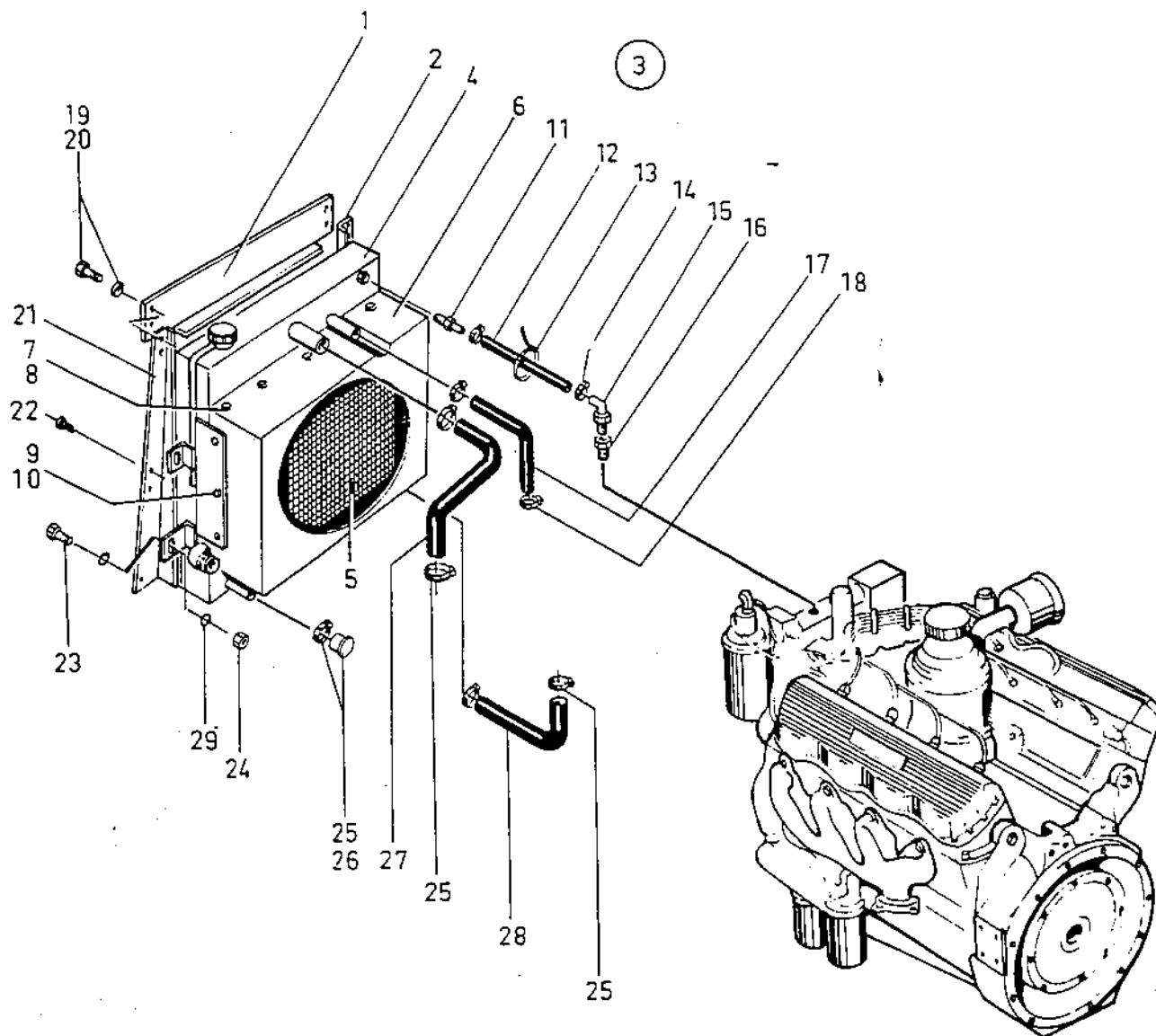


| Page | | Group | | Illustration Number | Catalog Number | Illustration | |
|----------|----------------|-------|--|---------------------|----------------|------------------------------------|---------------|
| 8A | | 3 | | PA-25-2-PL02 | PA-25-2-PL | Engine Assy.(Detroit 4-53) | |
| Ref. No. | Quantity/Model | | | | Part Number | Description | Serial Number |
| | CA | | | | | | |
| | 25 | | | | | | |
| 1 | 1 | | | | 801049 | Assy., Engine | |
| 2 | 1 | | | | NSS | Alternator | |
| 3 | 1 | | | | NSS | Fan | |
| 4 | 1 | | | | NSS | Motor, Starter | |
| 5 | 2 | | | | 922563 | V-Belt | |
| 6 | 1 | | | | 989078 | Sender, Water Temp | |
| 7 | 1 | | | | 801538 | Petcock | |
| 8 | 1 | | | | 813325 | Bushing, Reducer | |
| 9 | 1 | | | | 813462 | Switch, Oil Pressure | |
| 10 | 1 | | | | 826739 | Bracket, Cable | |
| 11 | 1 | | | | 502014 | Capscrew, HH | |
| 12 | 1 | | | | 615043 | Washer, Conical Spring | |
| 13 | 1 | | | | 842961 | Lever, Throttle | |
| 14 | 1 | | | | 826755 | Mount, Front L.H. Engine | |
| 15 | 1 | | | | 826756 | Mount, Front R.H. Engine | |
| 16 | 8 | | | | 502062 | Capscrew, HH | |
| 17 | 14 | | | | 604030 | Lockwasher | |
| 18 | 1 | | | | 345970 | Assembly, Pump Drive (Pg.32) | |
| 19 | 2 | | | | 160132 | O-Ring | |
| 20 | 1 | | | | 345910 | Plate, Drive (see Pg.32) | |
| 21 | 8 | | | | 502033 | Capscrew, HH | |
| 22 | 8 | | | | 604006 | Washer, Spring | |
| 23 | 1 | | | | 842965 | Bracket, Stop Cable | |
| 24 | 2 | | | | 502035 | Capscrew, HH | |
| 25 | 2 | | | | 615044 | Washer, Conical Spring | |
| 26 | 1 | | | | 826780 | Assy., Engine Bracket | |
| 27 | 2 | | | | 502053 | Capscrew, HH | |
| 28 | 2 | | | | 604079 | Lockwasher | |
| 29 | 2 | | | | 600010 | Washer, Flat | |
| 30 | 2 | | | | 502046 | Capscrew, HH | |
| 31 | 2 | | | | 604028 | Lockwasher | |
| 32 | 2 | | | | 502063 | Capscrew, HH | |
| 33 | 6 | | | | 604007 | Washer, Bevel | |
| 34 | 6 | | | | 571005 | Hex Nut | |
| 35 | 4 | | | | 502069 | Capscrew, HH | |
| 36 | 2 | | | | 826757 | Pad, Bevel | |
| — | 1 | | | | 826792 | Assy, Oil Drainage | |
| 37 | 1 | | | | 334410 | Adapter | |
| 38 | 1 | | | | 480125 | Washer | |
| 39 | 1 | | | | 334410 | Hose | |
| 40 | 1 | | | | 234512 | Elbow, Bulkhead | |
| 41 | 1 | | | | 330383 | Cap | |



| Page Sida | | Group Grupp | | Picture No Bild nr | Issue Utgåva | COOLING SYSTEM Caterpillar | | KYLSYSTEM Caterpillar | |
|--------------|----------------|----------------|--|-----------------------|------------------------------------|-------------------------------|--------------------|--------------------------|--|
| 10 | | 03 | | 13768-2 | S-10200-2 | | | | |
| Ref Pos | Quantity/Antal | | | Part No Art nr | Description | Benämning | Note Anmärkning | C, P K, L | |
| | CA | | | | | | | | |
| | 2)25 | | | | | | | | |
| 1 | 1 | | | 34 57 41 | Plate, upper | Recirk.-plåt, övre | | | |
| 2 | 1 | | | 34 57 36 | Plate, left | Recirk.-plåt, vänster | | | |
| 3 | 1 | | | 34 57 63 | Radiator and oil cooler ... cpl | Kylare och oljekylare kpl | | C 4 | |
| 4 | 1 | | | 34 60 86 | •Radiator | •Vattenkylare | | C 3 | |
| 5 | 1 | | | 34 60 87 | •Oil cooler | •Oljekylare | | C 3 | |
| 6 | 1 | | | 34 60 88 | •Fan shroud | •Flätkåpa | | | |
| 7 | 8 | | | 50 00 44 | •Screw | •Skruv | | | |
| 8 | 8 | | | 60 00 04 | •Washer | •Bricka | | | |
| 9 | 6 | | | 50 00 48 | •Screw | •Skruv | | | |
| 10 | 6 | | | 60 00 08 | •Washer | •Bricka | | | |
| 11 | 1 | | | 33 42 10 | Connection | Anslutning | | | |
| 12 | 1 x L | | | 20 50 02 | Hose | Slang | L = 440 mm | | |
| 13 | 1 | | | 31 30 41 | Cable tie | Buntband | | | |
| 14 | 2 | | | 31 30 51 | Hose clamp | Slangklämma | | | |
| 15 | 1 | | | 89 19 83 | Elbow | Rörkrök | | | |
| 16 | 1 | | | 33 46 03 | Reducing nipple | Reducering | | | |
| 17 | 1 | | | 33 72 03 | Radiator hose | Kylarslang | | D 3 | |
| 18 | 2 | | | 31 30 35 | Hose clamp | Slangklämma | | | |
| 19 | 4 | | | 50 00 13 | Screw | Skruv | | | |
| 20 | 4 | | | 60 00 04 | Washer | Bricka | | | |
| 21 | 1 | | | 34 57 37 | Plate, right | Recirk.-plåt, höger | | | |
| 22 | 2 | | | 54 15 14 | Screw | Skruv | | | |
| 23 | 4 | | | 50 00 37 | Screw | Skruv | | | |
| 24 | 4 | | | 57 00 07 | Nut | Mutter | | | |
| 25 | 5 | | | 31 30 10 | Hose clamp | Slangklämma | | | |
| 26 | 1 | | | 34 57 05 | Cap | Lock | | | |
| 27 | 1 | | | 34 57 68 | Radiator hose, outlet | Kylarslang, utlopp | | D 3 | |
| 28 | 1 | | | 33 72 02 | Radiator hose, inlet | Kylarslang, inlopp | | D 3 | |
| 29 | 8 | | | 61 50 45 | Conical spring washer | Spännbricka | | | |

2) CA25 with Caterpillar
CA25 med Caterpillar

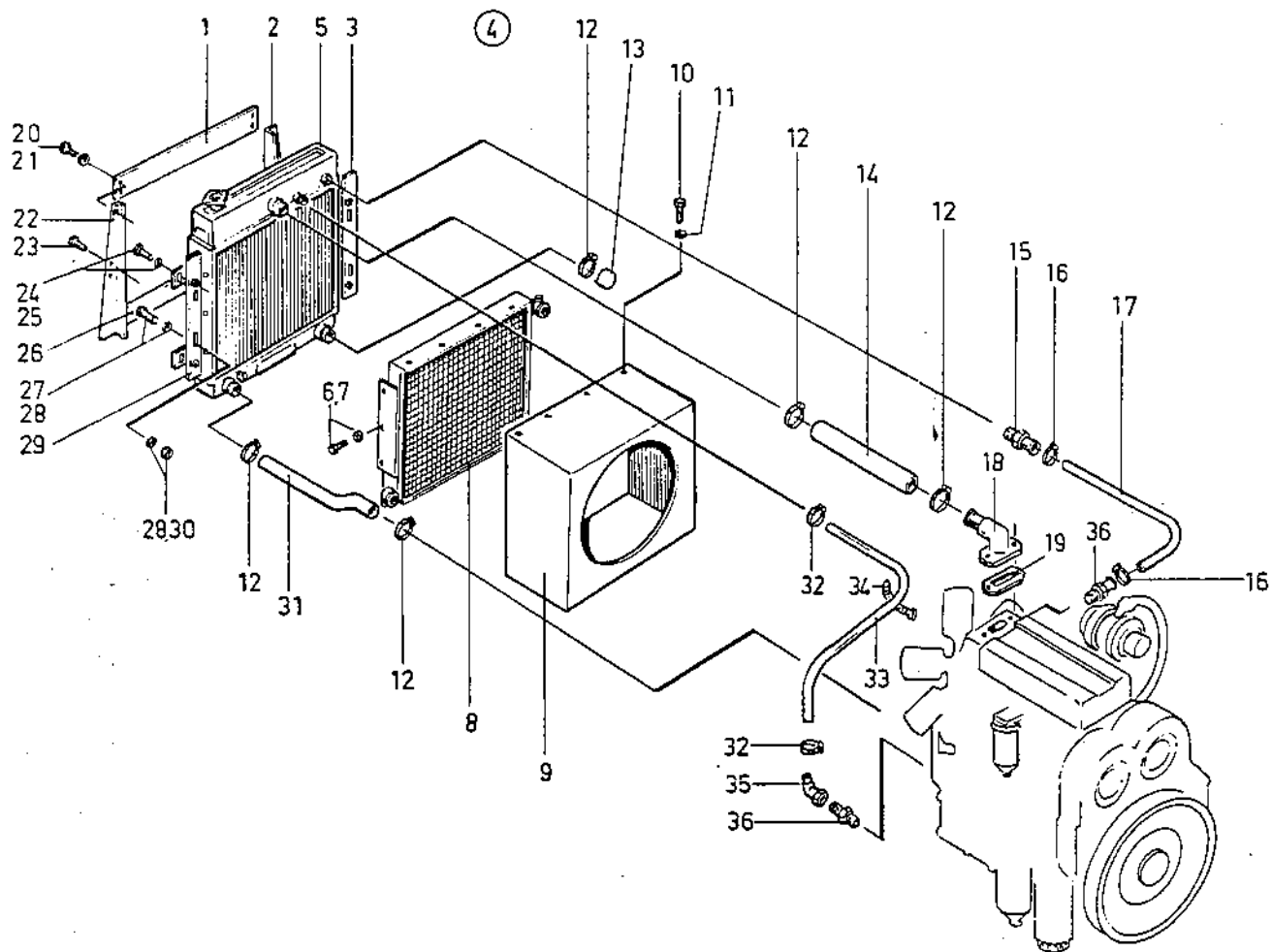


34 57 35

CA 25 II-13768-2

| Page Sida | | Group Grupp | Picture No Bild nr | Issue Utgåva | COOLING SYSTEM Detroit | KYLSYSTEM Detroit | |
|-----------|----------------|-------------|--------------------|-------------------------------|------------------------------|----------------------|--------------|
| 12 | | 03 | 13920-1 | S-10200-2 | | | |
| Ref Pos | Quantity/Antal | | Part No Art nr | Description | Benämning | Note Anmärkning | C, P K, L |
| | CA | | | | | | |
| 1 | 1 | | 34 57 41 | Plate, upper | Recirk.-plåt, övre | | |
| 2 | 1 | | 34 57 36 | Plate, left | Recirk.-plåt, vänster | | |
| 3 | | | 34 59 23 | Bracket, left | Fäste, vänster | | |
| 4 | 1 | | 34 60 06 | Radiat. and oil cool. cpl ... | Kylare o oljekylare, kpl ... | | C 4 |
| 5 | 1 | | 34 60 86 | •Radiator | •Kylare, vatten | | D 3 |
| 6 | 6 | | 50 00 48 | •Screw | •Skruv | | |
| 7 | 6 | | 60 00 09 | •Washer | •Bricka | | |
| 8 | 1 | | 34 60 87 | •Oil cooler | •Oljekylare | | D 3 |
| 9 | 1 | | 34 60 07 | •Fan shroud | •Flätkåpa | | |
| 10 | 8 | | 50 00 44 | •Screw | •Skruv | | |
| 11 | 8 | | 60 00 04 | •Washer | •Bricka | | |
| 12 | 5 | | 31 30 10 | Hose clamp | Slangklämma | | |
| 13 | 1 | | 92 09 53 | Cap | Lock | | |
| 14 | 1 x L | | 20 50 38 | Upper rad. hose, 410 mm | Övre kyl.slang. 410 mm ... | L = 410 mm | D 3 |
| 15 | 1 | | 33 42 10 | Connection | Anslutning | | |
| 16 | 2 | | 31 30 02 | Hose clamp | Slangklämma | | |
| 17 | 1 x L | | 20 50 02 | Hose | Slang | L = 600 mm | |
| 18 | 1 | | 92 25 54 | Elbow | Rörkrök | | |
| 19 | 1 | | 92 25 55 | Gasket | Packning | | |
| 20 | 8 | | 50 00 13 | Screw | Skruv | | |
| 21 | 8 | | 60 00 04 | Washer | Bricka | | |
| 22 | 1 | | 34 57 37 | Plate, right | Recirk.plåt, höger | | |
| 23 | 2 | | 54 15 14 | Screw | Skruv | | |
| 24 | 4 | | 50 00 51 | Screw | Skruv | | |
| 25 | 4 | | 61 50 45 | Conical spring washer | Spännbricka | | |
| 26 | 1 | | 34 55 17 | Plate, lower | Recirk.plåt, undre | | |
| 27 | 4 | | 50 00 37 | Screw | Skruv | | |
| 28 | 8 | | 61 50 45 | Conical spring washer | Spännbricka | | |
| 29 | 1 | | 34 59 21 | Bracket, right | Fäste, höger | | |
| 30 | 4 | | 57 00 07 | Nut | Mutter | | |
| 31 | 1 | | 34 59 24 | Radiator hose, lower | Kylarslang, undre | | D 3 |
| 32 | 2 | | 31 30 35 | Hose clamp | Slangklämma | | |
| 33 | 1 x L | | 20 50 30 | Hose | Slang | L = 1000 mm | |
| 34 | 1 | | 31 30 44 | Cable strap | Buntband | | |
| 35 | 1 | | 34 59 25 | Connection | Anslutning | | |
| 36 | 1 | | 33 41 57 | Adapter | Adapter | | |
| 37 | 1 | | 23 05 89 | Connection | Anslutning | | |

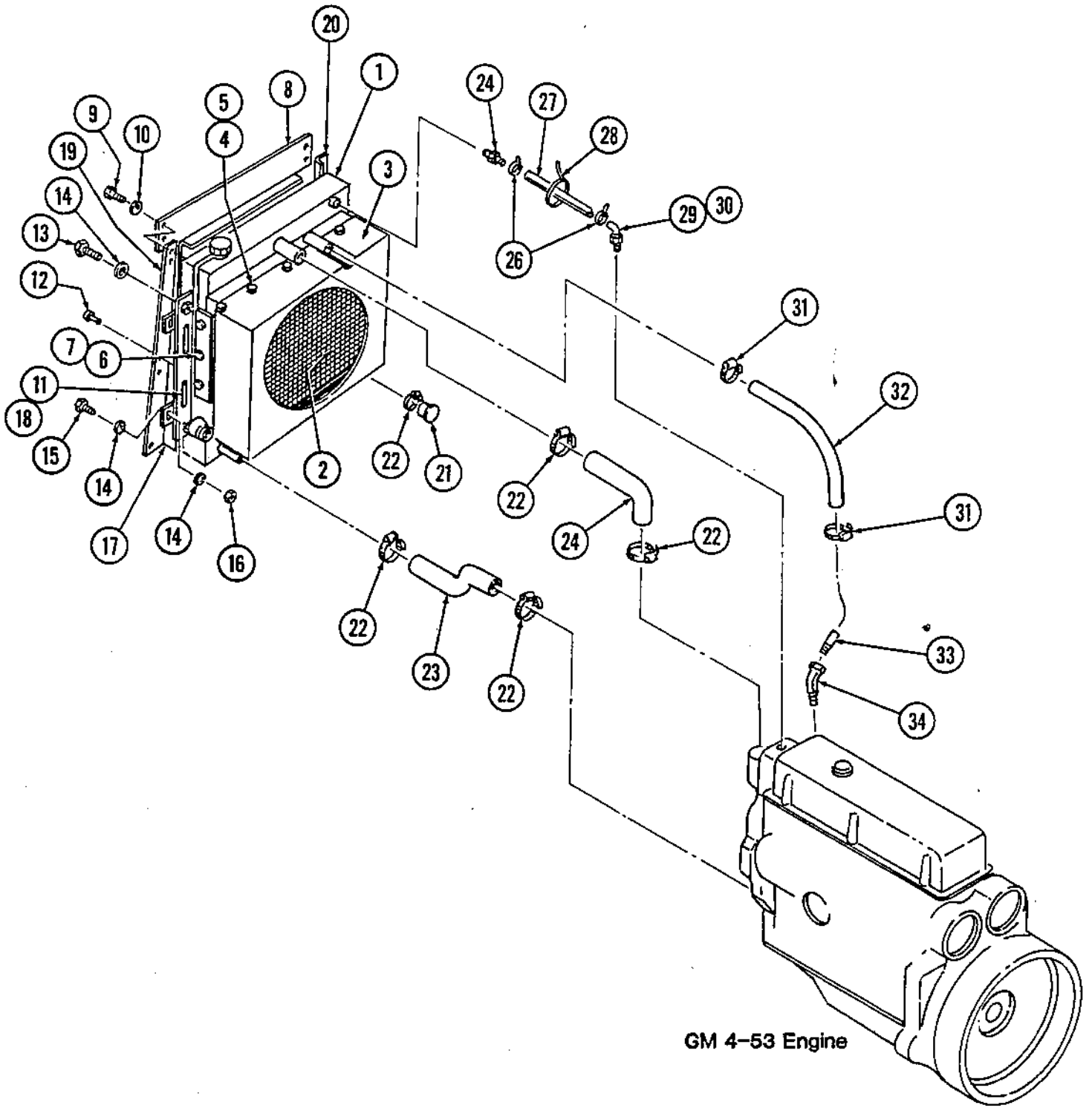
10) CA 25 with Detroit
CA 25 med Detroit



345915

CA25□-13920-1

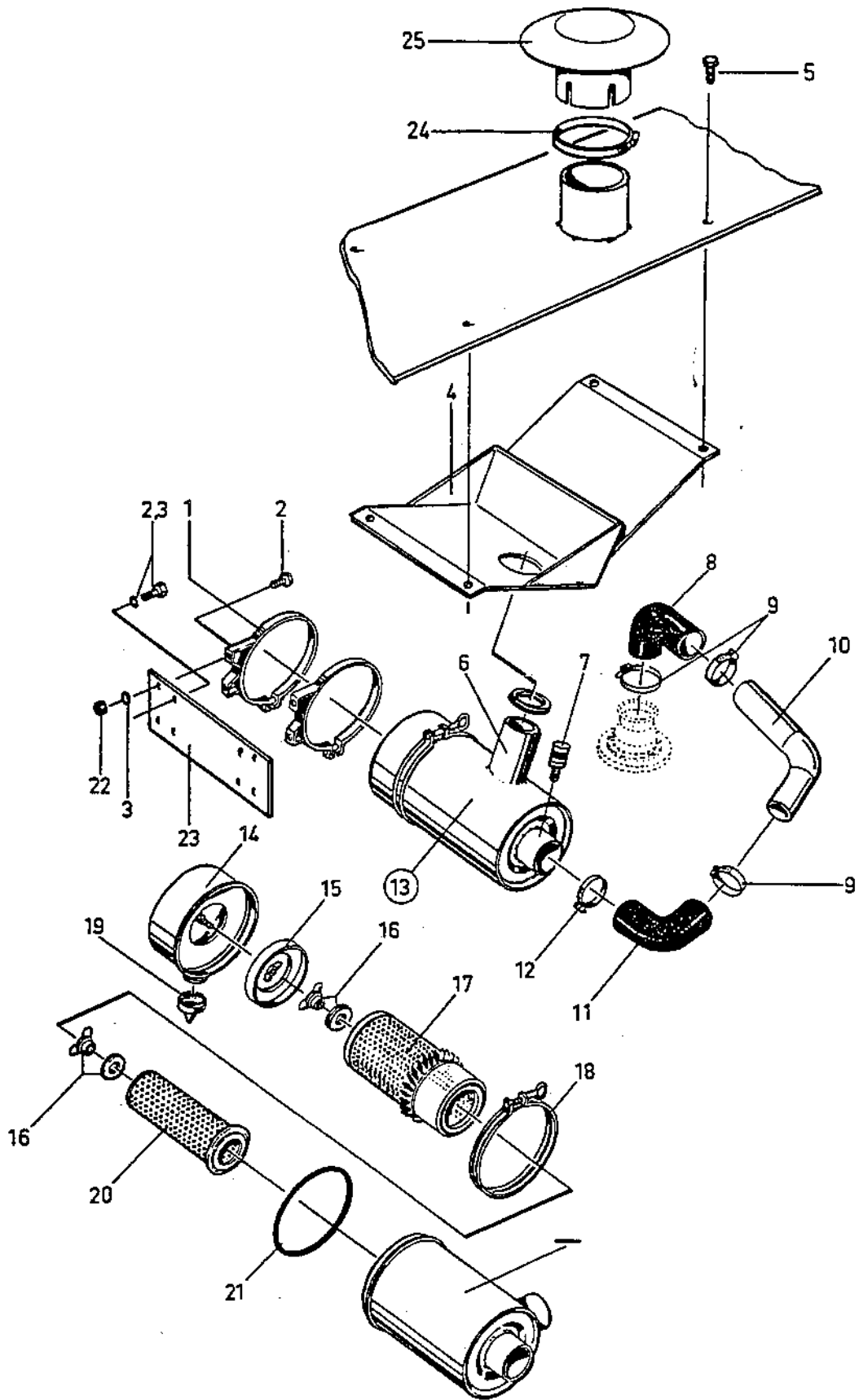
| Page | | Group | | Illustration Number | Catalog Number | Illustration | |
|----------|----------------|-------|--|---------------------|----------------|------------------------------------|---------------|
| 12A | | 3 | | CA-25-2-PL03 | PA-25-2-PL | Cooling System (GM 4-53) | |
| Ref. No. | Quantity/Model | | | | Part Number | Description | Serial Number |
| | CA | | | | | | |
| | 25 | | | | | | |
| - | 1 | | | | 345763 | Assy., Radiator & Oil Cooler | |
| 1 | 1 | | | | 346086 | Radiator | |
| 2 | 1 | | | | 346087 | Cooler, Oil | |
| 3 | 1 | | | | 346088 | Shroud, Fan | |
| 4 | 8 | | | | 500044 | Capscrew, HH | |
| 5 | 8 | | | | 600004 | Washer, Flat | |
| 6 | 6 | | | | 500048 | Capscrew, HH | |
| 7 | 6 | | | | 600008 | Washer, Flat | |
| 8 | 1 | | | | 345741 | Plate, Upper | |
| 9 | 8 | | | | 500013 | Capscrew, HH | |
| 10 | 8 | | | | 600004 | Washer, Flat | |
| 11 | 1 | | | | 345921 | Bracket, Right | |
| 12 | 2 | | | | 541514 | Capscrew, HH | |
| 13 | 4 | | | | 500051 | Capscrew, HH | |
| 14 | 12 | | | | 615045 | Washer, Conical Spring | |
| 15 | 4 | | | | 500037 | Capscrew, HH | |
| 16 | 4 | | | | 570007 | Hex Nut | |
| 17 | 1 | | | | 345517 | Plate, Bottom | |
| 18 | 1 | | | | 345923 | Bracket, Left | |
| 19 | 1 | | | | 345737 | Plate, Right | |
| 20 | 1 | | | | 345736 | Plate, Left | |
| 21 | 1 | | | | 345705 | Cap | |
| 22 | 5 | | | | 313010 | Clamp, Hose | |
| 23 | 1 | | | | 826758 | Hose, Bottom Radiator | |
| 24 | 1 | | | | 802471 | Hose, Upper Radiator | |
| 25 | 1 | | | | 334210 | Connector, Male | |
| 26 | 2 | | | | 313002 | Clamps, Hose | |
| 27 | 1 | | | | 814064 | Hose | |
| 28 | 1 | | | | 313044 | Ty-Rap | |
| 29 | 1 | | | | 334549 | Connector, Male | |
| 30 | 1 | | | | 334181 | Swivel, Female | |
| 31 | 2 | | | | 313035 | Clamp, Hose | |
| 32 | 1 | | | | 753010 | Hose | |
| 33 | 1 | | | | 814058 | Nipple, Toe | |
| 34 | 1 | | | | 234856 | Elbow | |



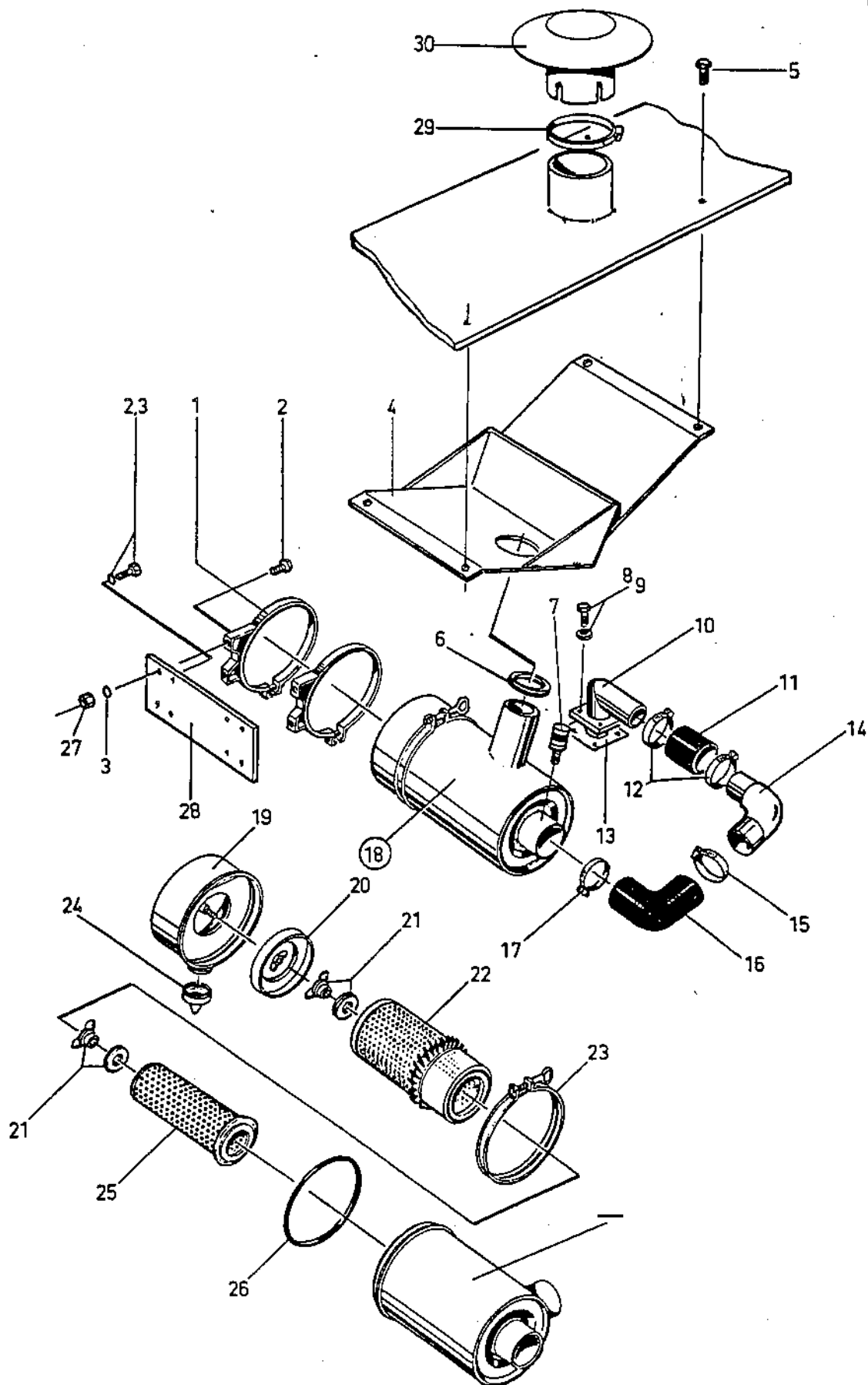
GM 4-53 Engine

| Page Sida | | Group Grupp | Picture No Bild nr | Issue Utgåva | AIR CLEANER Caterpillar | LUFTFILTER Caterpillar | |
|--------------|------------------------------|-------------------|------------------------------|-------------------------------|----------------------------|---------------------------|--|
| 14 | | 03 | 13769-2 | S-10200-3 | | | |
| Ref Pos | Quantity/Antal CA 2)25 | Part No Art nr | Description | Benämning | Note Anmärkning | C, P K, L | |
| 1 | 2 | 81 37 91 | Mounting band | Fästband | | | |
| 2 | 8 | 50 00 48 | Screw | Skruv | | | |
| 3 | 8 | 61 50 44 | Conical spring washer | Spännbricka | | | |
| 4 | 1 | 34 57 42 | Inlet hood | Insugningskåpa | | | |
| • 5 | 4 | 50 01 85 | Screw | Skruv | -575338 | | |
| • | 3 | 50 01 85 | Screw | Skruv | 575339- | | |
| • | 1 | 50 00 75 | Screw | Skruv | 575339- | | |
| • 6 | 1 | 16 70 09 | V-ring | V-ring | | | |
| • 7 | 1 | 80 11 74 | Indicator | Indikator | -575338 | D 3 | |
| • | 1 | 92 47 39 | Indicator | Indikator | 575339- | D 3 | |
| 8 | 1 | 91 23 85 | Rubber elbow | Gummikrök | | D 3 | |
| 9 | 3 | 31 31 05 | Hose clamp | Slangklämma | | | |
| 10 | 1 | 34 57 45 | Intake pipe | Insugningsrör | | | |
| 11 | 1 | 80 16 88 | Rubber elbow | Gummikrök | | D 3 | |
| 12 | 1 | 92 11 64 | Hose clamp | Slangklämma | | | |
| 13 | 1 | 80 21 46 | Air cleaner, cpl. | Luftfilter, kpl | | | |
| 14 | 1 | 49 95 54 | •Dust cup | •Dammsamlare | | | |
| 15 | 1 | 89 35 24 | •Baffle | •Gummikopp | | | |
| 16 | 2 | 49 95 49 | •Wing nut w. seal | •Vingmutter m. tät. | | | |
| 17 | 1 | 81 42 57 | •Primary filter element | •Primärfilterelement | | A 1 | |
| 18 | 1 | 89 32 28 | •Clamp | •Klammer | | | |
| 19 | 1 | 49 95 03 | •Vacuator valve | •Vakuumventil | | | |
| 20 | 1 | 81 42 56 | •Safety filter element | •Säkerhetsfilterelement | | A 1 | |
| 21 | 1 | 49 92 40 | •O-ring | •O-ring | | D 3 | |
| 22 | 4 | 57 00 06 | Nut | Mutter | | | |
| 23 | 1 | 34 59 13 | Bracket | Fäste | | | |
| 24 | 1 | 31 31 05 | Hose clamp | Slangklämma | 575011- | | |
| 25 | 1 | 81 37 92 | Protective cap | Skyddshuv | 575011- | D 4 | |

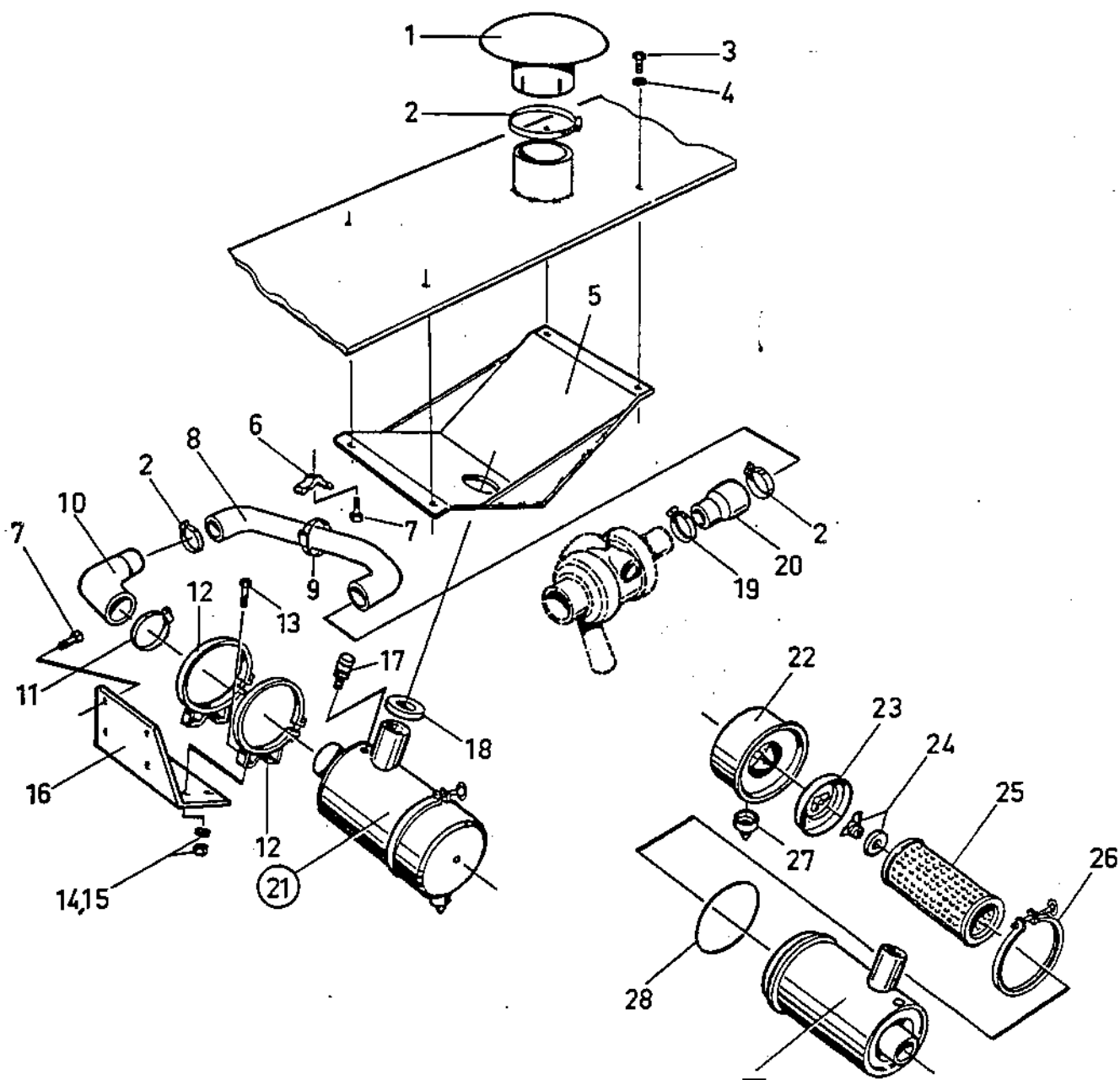
2) CA25 with Caterpillar
CA25 med Caterpillar



| Page Sida | | Group Grupp | Picture No Bild nr | Issue Utgåva | AIR CLEANER Deutz | LUFTFILTER Deutz | |
|--------------|----------------|----------------|-----------------------|------------------------------|-------------------------------|---------------------|--------------|
| 16 | | 03 | 13770-2 | S-10200-3 | | | |
| Ref Pos | Quantity/Antal | | Part No Art nr | Description | Benämning | Note Anmärkning | C, P K, L |
| | CA | | | | | | |
| 1 | 2 | | 81 37 91 | Mounting band | Fästband | | |
| 2 | 8 | | 50 00 48 | Screw | Skruv | | |
| 3 | 8 | | 61 50 44 | Conical spring washer | Spännbricka | | |
| 4 | 1 | | 34 57 42 | Inlet hood | Insugningskåpa | | |
| 5 | 4 | | 50 01 85 | Screw | Skruv | -575338 | |
| | 3 | | 50 01 85 | Screw | Skruv | 575339- | |
| | 1 | | 50 00 75 | Screw | Skruv | 575339- | |
| 6 | 1 | | 16 70 09 | V-ring | V-ring | | |
| 7 | 1 | | 49 91 31 | Indicator | Indikator | -575338 | D 3 |
| | 1 | | 92 47 37 | Indicator | Indikator | 575339- | D 3 |
| 8 | 4 | | 50 00 21 | Screw | Skruv | | |
| 9 | 4 | | 61 50 43 | Conical spring washer | Spännbricka | | |
| 10 | 1 | | 34 58 57 | Intake pipe | Insugningsrör | | |
| 11 | 1 x L | | 20 51 47 | Hose | Slang | L = 100 mm | |
| 12 | 2 | | 31 30 38 | Hose clamp | Slangklämma | | |
| 13 | 1 | | 33 87 32 | Gasket | Packning | | |
| 14 | 1 | | 34 58 49 | Intake pipe | Inloppsror | | |
| 15 | 1 | | 31 31 05 | Hose clamp | Slangklämma | | |
| 16 | 1 | | 80 16 88 | Rubber elbow | Gummikrök | | D 3 |
| 17 | 1 | | 92 11 64 | Hose clamp | Slangklämma | | |
| 18 | 1 | | 80 21 46 | Air cleaner, cpl. | Luftfilter, kpl. | | |
| 19 | 1 | | 49 95 54 | •Dust cup | •Dammsamlare | | |
| 20 | 1 | | 89 35 24 | •Baffle | •Gummikopp | | |
| 21 | 2 | | 49 95 49 | •Wing nut w. seal | •Vingmutter m. tätn. | | |
| 22 | 1 | | 81 42 57 | •Primary filter element ... | •Primärfilterlement | | A 1 |
| 23 | 1 | | 89 32 28 | •Clamp | •Klammer | | |
| 24 | 1 | | 49 95 03 | •Vacuator valve | •Vakuumentil | | |
| 25 | 1 | | 81 42 56 | •Safety filter element | •Säkerhetsfilterelement | | A 1 |
| 26 | 1 | | 49 92 40 | •O-ring | •O-ring | | D 3 |
| 27 | 4 | | 57 00 06 | Nut | Mutter | | |
| 28 | 1 | | 34 59 13 | Bracket | Fäste | | |
| 29 | 1 | | 31 31 05 | Hose clamp | Slangklämma | 575011- | |
| 30 | 1 | | 81 37 92 | Protective cap | Skyddshuv | 575011- | D 4 |



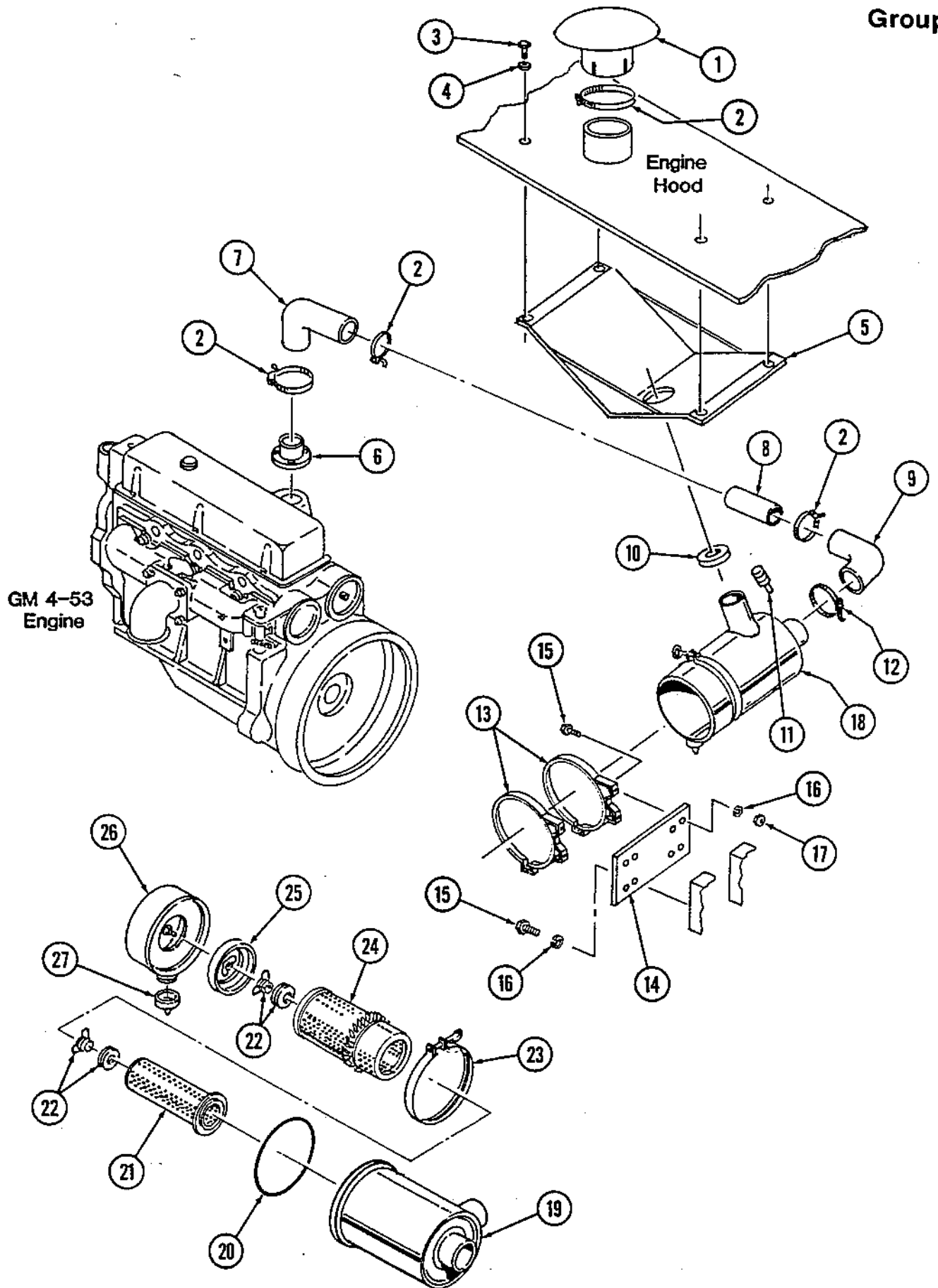
| Page Sida | | Group Grupp | | Picture No Bild nr | | Issue Utgåva | | AIR CLEANER Detroit | | LUFTFILTER Detroit | |
|--------------|----------------|----------------|--|-----------------------|-----------------------------|----------------------------|--------------------|------------------------|--|-----------------------|--|
| 18 | | 03 | | 13921-1 | | S-10200-3 | | | | | |
| Ref Pos | Quantity/Antal | | | Part No Art nr | Description | Benämning | Note Anmärkning | C, P K, L | | | |
| | CA | | | | | | | | | | |
| 1 | 1 | | | 81 37 92 | Protective cap | Skyddshuv | | D 4 | | | |
| 2 | 3 | | | 31 31 05 | Hose clamp | Slangklämma | | | | | |
| 3 | 4 | | | 50 00 12 | Screw | Skruv | -575338 | | | | |
| | 3 | | | 50 00 12 | Screw | Skruv | 575339- | | | | |
| | 1 | | | 50 00 75 | Screw | Skruv | 575339- | | | | |
| 4 | 4 | | | 61 50 42 | Conical spring washer | Spännbricka | | | | | |
| 5 | 1 | | | 34 59 27 | Inlet hood | Insugningskåpa | | | | | |
| 6 | 1 | | | 34 59 34 | Bracket | Fäste | | | | | |
| 7 | 5 | | | 50 00 43 | Screw | Skruv | | | | | |
| 8 | 1 | | | 34 59 33 | Intake pipe | Insugningsrör | | | | | |
| 9 | 1 | | | 31 30 33 | Hose clamp | Slangklämma | | | | | |
| 10 | 1 | | | 80 16 88 | Rubber elbow | Gummikrök | | D 3 | | | |
| 11 | 1 | | | 92 11 64 | Hose clamp | Slangklämma | | | | | |
| 12 | 2 | | | 91 09 97 | Mounting band | Fästband | | | | | |
| 13 | 4 | | | 50 00 48 | Screw | Skruv | | | | | |
| 14 | 4 | | | 61 50 44 | Conical spring washer | Spännbricka | | | | | |
| 15 | 4 | | | 57 00 06 | Nut | Mutter | | | | | |
| 16 | 1 | | | 34 59 31 | Bracket | Fäste | | | | | |
| 17 | 1 | | | 49 91 31 | Indicator | Indikator | -575338 | D 3 | | | |
| | 1 | | | 92 47 37 | Indicator | Indikator | 575339- | D 3 | | | |
| 18 | 1 | | | 16 70 10 | V-ring | V-ring | | | | | |
| 19 | 1 | | | 31 30 22 | Hose clamp | Slangklämma | | | | | |
| 20 | 1 | | | 49 95 57 | Rubber adapter | Gummiadapter | | D 3 | | | |
| 21 | 1 | | | 80 19 94 | Air cleaner, cpl. | Luftfilter, kpl. | | | | | |
| 22 | 1 | | | 49 95 52 | •Dust cup | •Dammsamlare | | | | | |
| 23 | 1 | | | 49 95 50 | •Baffle | •Gummikopp | | | | | |
| 24 | 1 | | | 49 95 49 | •Wing nut w. seal | •Vingmutter m. tätn. | | | | | |
| 25 | 1 | | | 49 95 38 | •Primary filter element ... | •Primärfilterelement | | A 1 | | | |
| 26 | 1 | | | 49 95 48 | •Clamp | •Klammer | | | | | |
| 27 | 1 | | | 49 95 03 | •Vacuator valve | •Vakuumentil | | | | | |
| 28 | 1 | | | 49 95 51 | •O-ring | •O-ring | | D 3 | | | |



34 5930

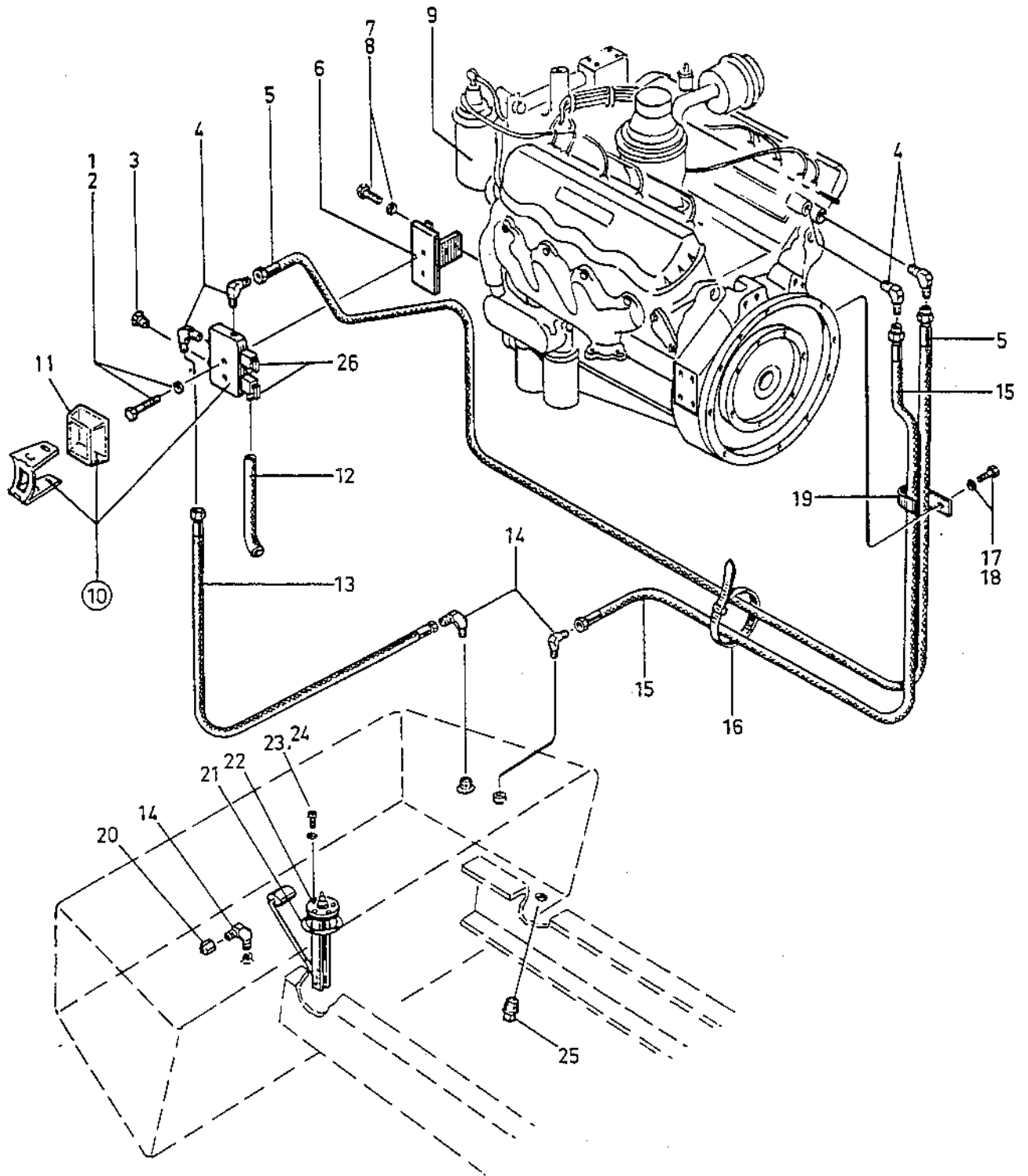
CA 25II-13921-1

| Page | | Group | | Illustration Number | Catalog Number | Illustration | |
|----------|----------------|-------|--|---------------------|----------------|--------------------------------------|---------------|
| 18A | | 3 | | PA-25-2-PL05 | PA-25-2-PL | Air Intake System (GM 4-53) | |
| Ref. No. | Quantity/Model | | | | Part Number | Description | Serial Number |
| | CA | | | | | | |
| | 25 | | | | | | |
| 1 | 1 | | | | 813792 | Cap, Protective | |
| 2 | 4 | | | | 313105 | Clamp, Hose | |
| 3 | 4 | | | | 500185 | Capscrew, HH. | |
| 4 | 4 | | | | 605042 | Washer, Conical Spring | |
| 5 | 1 | | | | 345742 | Hood, Air Inlet | |
| 6 | 1 | | | | 826744 | Pipe, Air Intake | |
| 7 | 1 | | | | 912385 | Elbow, 90° Rubber | |
| 8 | 1 | | | | 826745 | Pipe, Air Intake | |
| 9 | 1 | | | | 826746 | Elbow, 90° | |
| 10 | 1 | | | | 167009 | Ring, Sealing | |
| 11 | 1 | | | | 499131 | Indicator, Air Cleaner Service | |
| 12 | 1 | | | | 921164 | Clamp, Hose | |
| 13 | 2 | | | | 813791 | Band, Mounting | |
| 14 | 1 | | | | 345913 | Bracket, Air Cleaner Mounting | |
| 15 | 8 | | | | 500048 | Capscrew, HH | |
| 16 | 8 | | | | 615044 | Washer, Conical Spring | |
| 17 | 4 | | | | 570006 | Hex Nut | |
| 18 | 1 | | | | 802146 | Assembly, Air Cleaner | |
| 19 | 1 | | | | NSS | Body, Air Cleaner | |
| 20 | 1 | | | | 499240 | O-Ring | |
| 21 | 1 | | | | 814256 | Element, Air Cleaner Safety | |
| 22 | 2 | | | | 499549 | Nut Assembly | |
| 23 | 1 | | | | 893228 | Clamp Assembly | |
| 24 | 1 | | | | 499553 | Element, Primary Air Cleaner | |
| 25 | 1 | | | | 893524 | Baffle Assembly | |
| 26 | 1 | | | | 499554 | Cup Assembly | |
| 27 | 1 | | | | 499503 | Valve, Vacuator | |



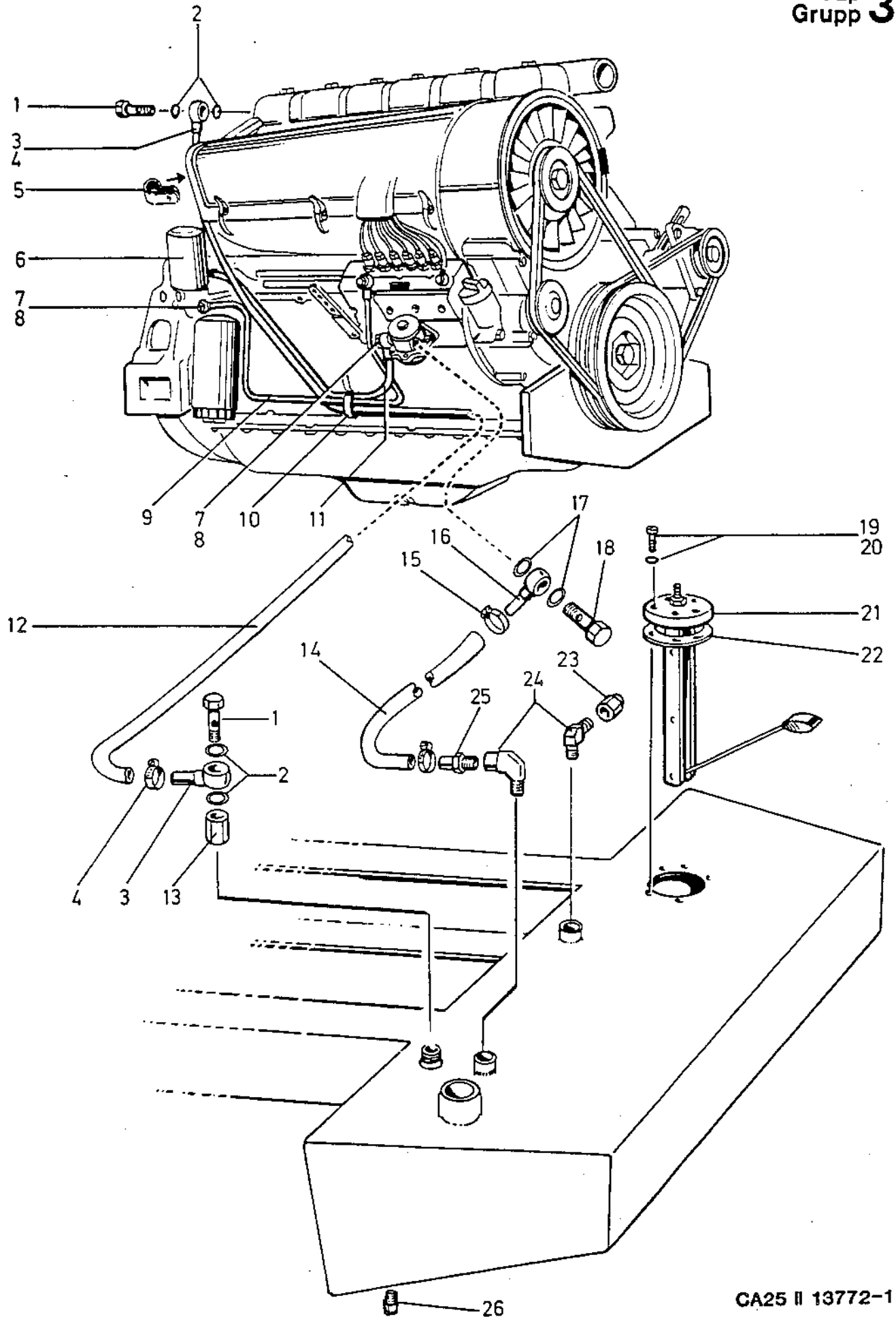
| Page Sida | Group Grupp | Picture No Bild nr | Issue Utgåva | FUEL SYSTEM Caterpillar | BRÄNSLESYSTEM Caterpillar | | |
|-----------|----------------|--------------------|----------------|-----------------------------|-----------------------------|-----------------|-----------|
| 20 | 03 | 13771-2 | S-10200-2 | | | | |
| Ref Pos | Quantity/Antal | | Part No Art nr | Description | Benämning | Note Anmärkning | C, P K, L |
| | CA | | | | | | |
| | 2)25 | | | | | | |
| 1 | 2 | | 50 00 53 | Screw | Skruv | | |
| 2 | 2 | | 61 50 43 | Conical spring washer | Spännbricka | | |
| 3 | 1 | | 75 23 06 | Plug | Plugg | | |
| 4 | 4 | | 23 46 19 | Elbow | Rörkrök | | |
| 5 | 1 | | 34 31 53 | Fuel hose | Bränsleslang | | |
| 6 | 1 | | 34 26 14 | Bracket | Hållare | | |
| 7 | 2 | | 50 20 53 | Screw | Skruv | | |
| 8 | 2 | | 61 50 45 | Conical spring washer | Spännbricka | | |
| 9 | 1 | | 75 20 47 | Fuel filter | Bränslefilter | | A 1 |
| 10 | 1 | | 80 17 11 | Water separator, cpl. | Vattenavskiljare, kpl. | | |
| 11 | 1 | | 92 32 45 | •Water sep. element | •Element-Vattenavskilj. .. | | D 3 |
| 12 | 1 x L | | 24 40 41 | Plastic tube | Plaströr | L=450 mm | |
| 13 | 1 | | 34 57 58 | Fuel hose | Bränsleslang | | |
| 14 | 3 | | 33 41 74 | Elbow | Rörkrök | | |
| 15 | 1 | | 34 57 59 | Fuel hose | Bränsleslang | | |
| 16 | 7 | | 31 30 41 | Cable tie | Buntband | | |
| 17 | 1 | | 50 20 59 | Screw | Skruv | | |
| 18 | 1 | | 61 50 45 | Conical spring washer | Spännbricka | | |
| 19 | 1 | | 34 57 60 | Clamp | Klammer | | |
| 20 | 1 | | 23 04 00 | Cap nut | Huvmutter | | |
| 21 | 1 | | 81 33 15 | Gasket | Packning | | D ? |
| 22 | 1 | | 81 33 14 | Fuel level sender | Bränslenivågivare | | D 3 |
| 23 | 5 | | 81 33 07 | Screw | Skruv | | |
| 24 | 5 | | 61 50 41 | Conical spring washer | Spännbricka | | |
| 25 | 2 | | 81 33 91 | Magnetic plug | Magnetplugg | | D 3 |
| 26 | 2 | | 75 23 07 | Drain cock | Dräneringskran | | |

2) CA25 with Caterpillar
CA25 med Caterpillar



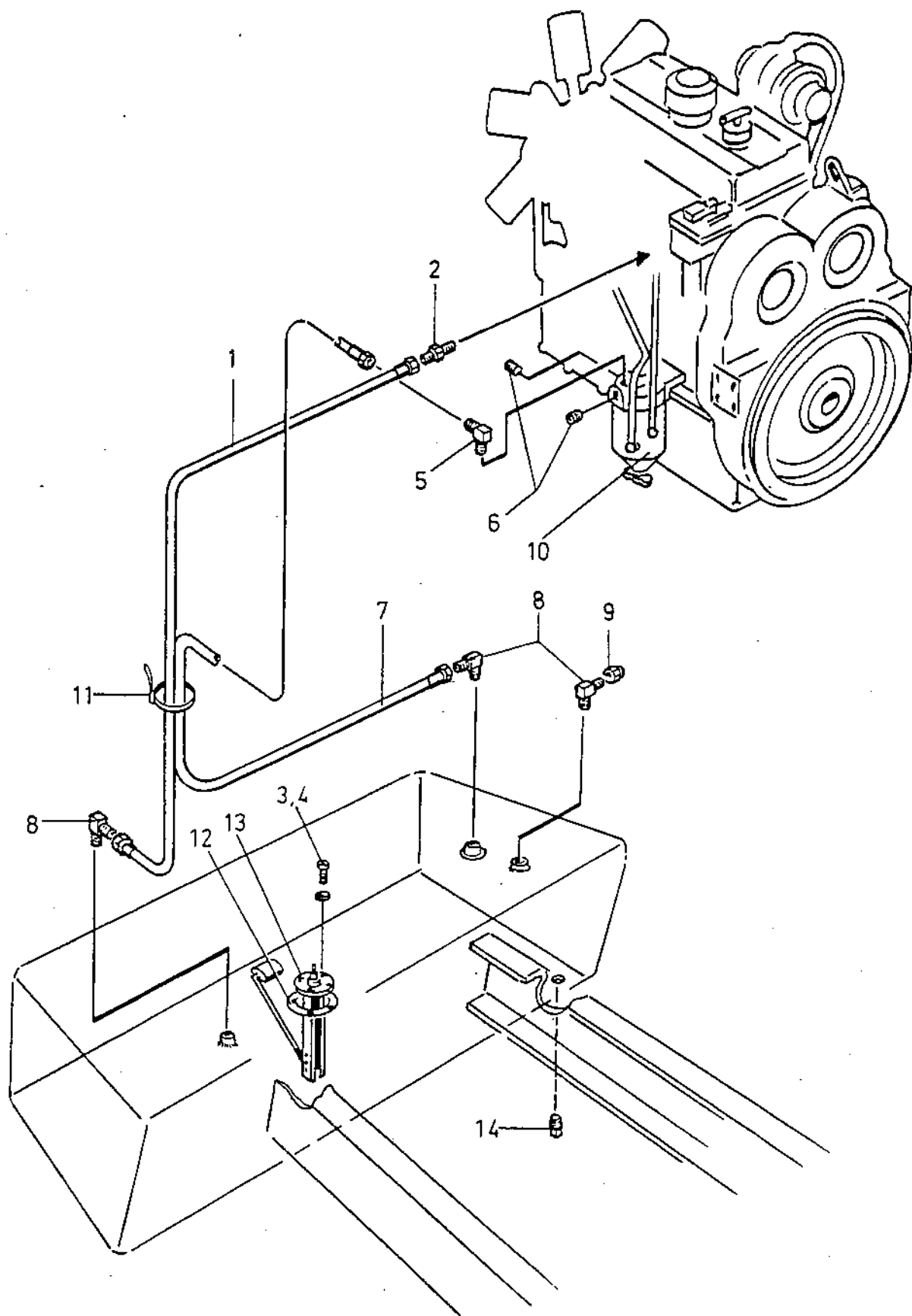
| Page Sida | | Group Grupp | Picture No Bild nr | Issue Utgåva | FUEL SYSTEM Deutz | BRÄNSLESYSTEM Deutz | | |
|-----------|----------------|-------------|--------------------|----------------|----------------------------|----------------------------|-----------------|--------------|
| 22 | | 03 | 13772-1 | S-10200-2 | | | | |
| Ref Pos | Quantity/Antal | | | Part No Art nr | Description | Benämning | Note Anmärkning | C, P K, L |
| | CA | | | | | | | |
| 1 | 2 | | | 23 01 95 | Banjo fitting | Banjobult | | |
| 2 | 4 | | | 74 81 15 | Copper washer | Kopparbricka | | |
| 3 | 2 | | | 33 40 41 | Banjo nipple | Banjonippel | | |
| 4 | 2 | | | 31 30 55 | Hose clamp | Slangklämma | | |
| 5 | 2 | | | 92 10 39 | Clamp | Klammer | | |
| 6 | 1 | | | 74 73 84 | Fuel filter | Bränslefilter | | A 1 |
| 7 | 4 | | | 33 01 71 | Banjo fitting | Banjobult | | |
| 8 | 8 | | | 74 72 82 | Copper washer | Kopparbricka | | |
| 9 | 1 | | | 74 85 26 | Fuel pipe | Bränslerör | | |
| 10 | 6 | | | 31 30 41 | Cable tie | Buntband | | |
| 11 | 1 | | | 74 85 25 | Fuel hose | Bränsleslang | | D 3 |
| 12 | 1xL | | | 20 50 69 | Fuel hose, 1300 mm | Bränsleslang, 1300 mm | L=1300 mm | D 3 |
| 13 | 1 | | | 33 87 21 | Adapter | Adapter | | |
| 14 | 1xL | | | 81 33 28 | Fuel hose, L=350 mm | Bränsleslang, L=350 mm | L=350 mm | D 3 |
| 15 | 2 | | | 81 33 29 | Hose clamp | Slangklämma | | |
| 16 | 1 | | | 33 01 70 | Banjo nipple | Banjonippel | | |
| 17 | 2 | | | 74 72 82 | Copper washer | Kopparbricka | | |
| 18 | 1 | | | 33 01 71 | Banjo fitting | Banjobult | | |
| 19 | 5 | | | 81 33 07 | Screw | Skruv | | |
| 20 | 5 | | | 61 50 41 | Conical spring washer | Spännbricka | | |
| 21 | 1 | | | 81 33 14 | Fuel level sender | Bränslenivågivare | | D 3 |
| 22 | 1 | | | 81 33 15 | Gasket | Packning | | D 3 |
| 23 | 1 | | | 23 04 00 | Cap nut | Huvmutter | | |
| 24 | 2 | | | 33 41 74 | Elbow | Rörkrök | | |
| 25 | 1 | | | 81 33 27 | Hose fitting | Slangnippel | | |
| 26 | 2 | | | 81 33 91 | Magnetic plug | Magnetplugg | | D 3 |

3) CA25 with Deutz
CA25 med Deutz

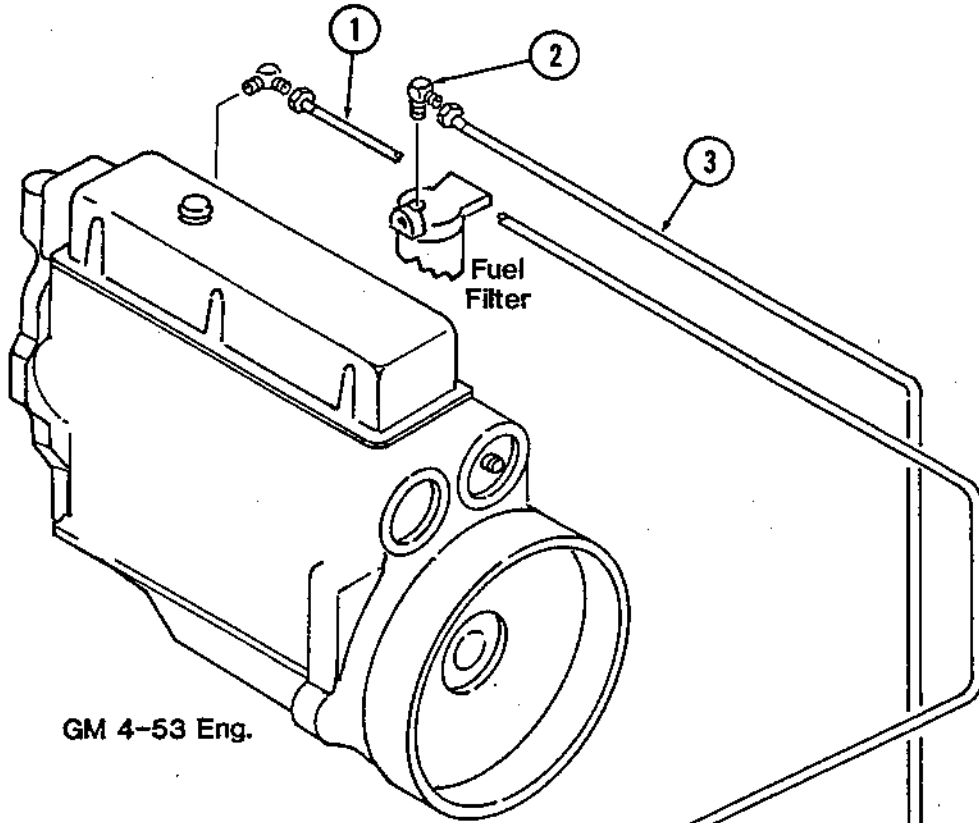


| Page Sida 24 | | Group Grupp 03 | | Picture No Bild nr 13922-1 | | Issue Utgåva S-10200-2 | | FUEL SYSTEM Detroit | | BRÄNSLESYSTEM Detroit | |
|-----------------|----------------------|-------------------|-----------------------------|-------------------------------|--------------------|---------------------------|-----|------------------------|--|--------------------------|--|
| Ref Pos | Quantity/Antal CA | Part No Art nr | Description | Benämning | Note Anmärkning | C, P K, L | | | | | |
| | 10)25 | | | | | | | | | | |
| 1 | 1 | 34 31 51 | Fuel hose | Bränsleslang | | | | | | | |
| 2 | 1 | 81 34 42 | Adapter | Adapter | | | | | | | |
| 3 | 5 | 81 33 07 | Screw | Skruv | | | | | | | |
| 4 | 5 | 61 50 41 | Conical spring washer | Spännbricka | | | | | | | |
| 5 | 1 | 23 46 19 | Elbow | Rörkrök | | | | | | | |
| 6 | 2 | 81 34 23 | Plug | Plugg | | | | | | | |
| 7 | 1 | 34 59 14 | Fuel hose | Bränsleslang | | | | | | | |
| 8 | 3 | 33 41 74 | Elbow | Rörkrök | | | | | | | |
| 9 | 1 | 23 04 00 | Cap nut | Huvmutter | | | | | | | |
| 10 | 1 | - | Fuel strainer element | Förfilterelement | See page 8 ref. 7 | | | | | | |
| 11 | 5 | 31 30 41 | Cable tie | Buntband | | | | | | | |
| 12 | 1 | 81 33 15 | Gasket | Packning | | | | | | | |
| 13 | 1 | 81 33 14 | Fuel level sender | Bränslenivågivare | | | D 3 | | | | |
| 14 | 2 | 81 33 91 | Magnetic plugg | Magnetplugg | | | D 3 | | | | |

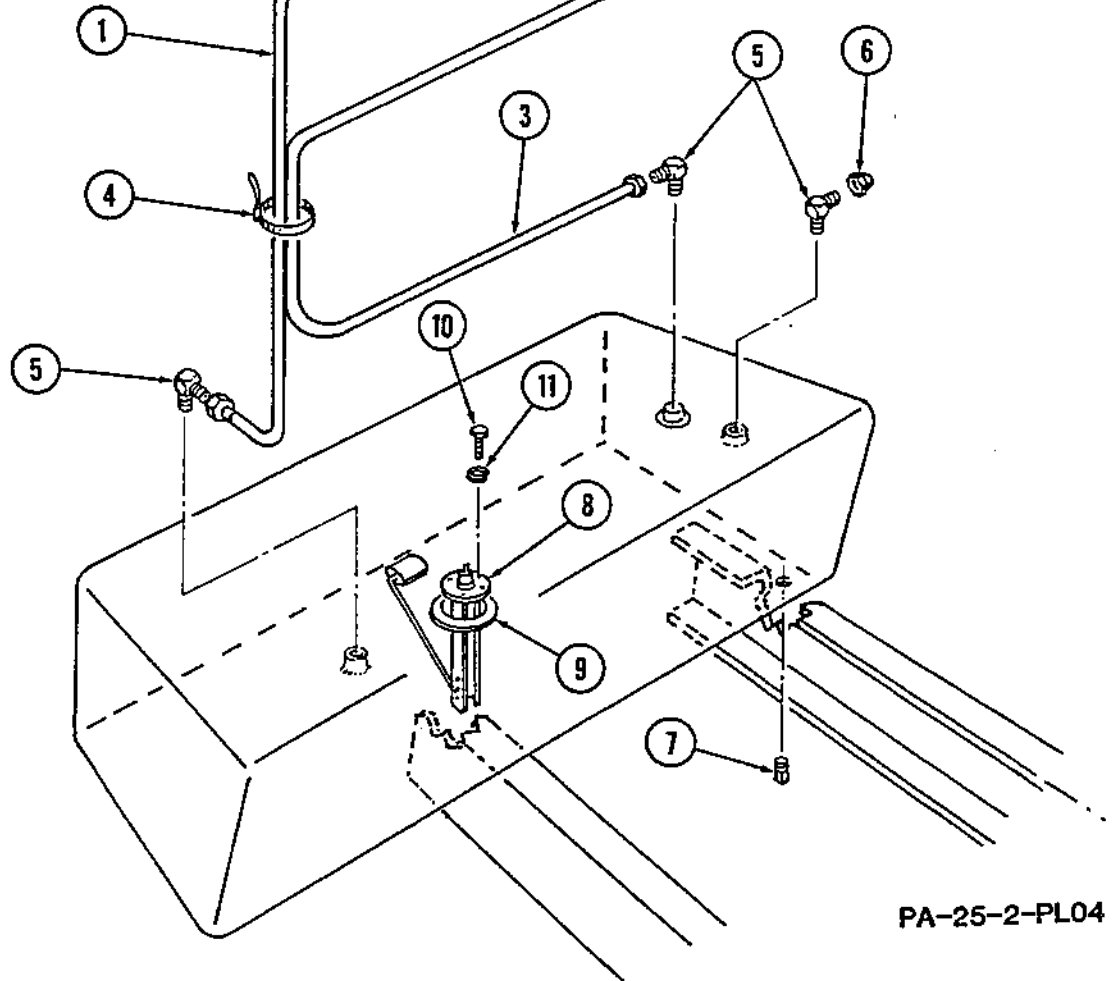
10) CA 25 with Detroit
CA 25 med Detroit



| Page | | Group | | Illustration Number | Catalog Number | Illustration | |
|----------|----------------|-------|--|---------------------|----------------|-------------------------------------|---------------|
| 24A | | 3 | | PA-25-2-PL04 | PA-25-2-PL | Fuel System (GM 4-53) | |
| Ref. No. | Quantity/Model | | | | Part Number | Description | Serial Number |
| | CA | | | | | | |
| | 25 | | | | | | |
| 1 | 1 | | | | 826741 | Hose Assy., Eng. To Fuel Tank | |
| 2 | 1 | | | | 234619 | Elbow, 90° | |
| 3 | 1 | | | | 826791 | Hose Assy., Fuel Tank To Eng. | |
| 4 | 5 | | | | 313041 | Ty-Rap | |
| 5 | 3 | | | | 334174 | Elbow, 90° | |
| 6 | 1 | | | | 230400 | Cap, Nut | |
| 7 | 2 | | | | 813391 | Plug, Magnetic | |
| 8 | 1 | | | | 813314 | Sender, Fuel Level | |
| 9 | 1 | | | | 813315 | Gasket, Fuel Sender | |
| 10 | 5 | | | | 813307 | Capscrew, HH | |
| 11 | 5 | | | | 615041 | Washer, Conical Spring | |

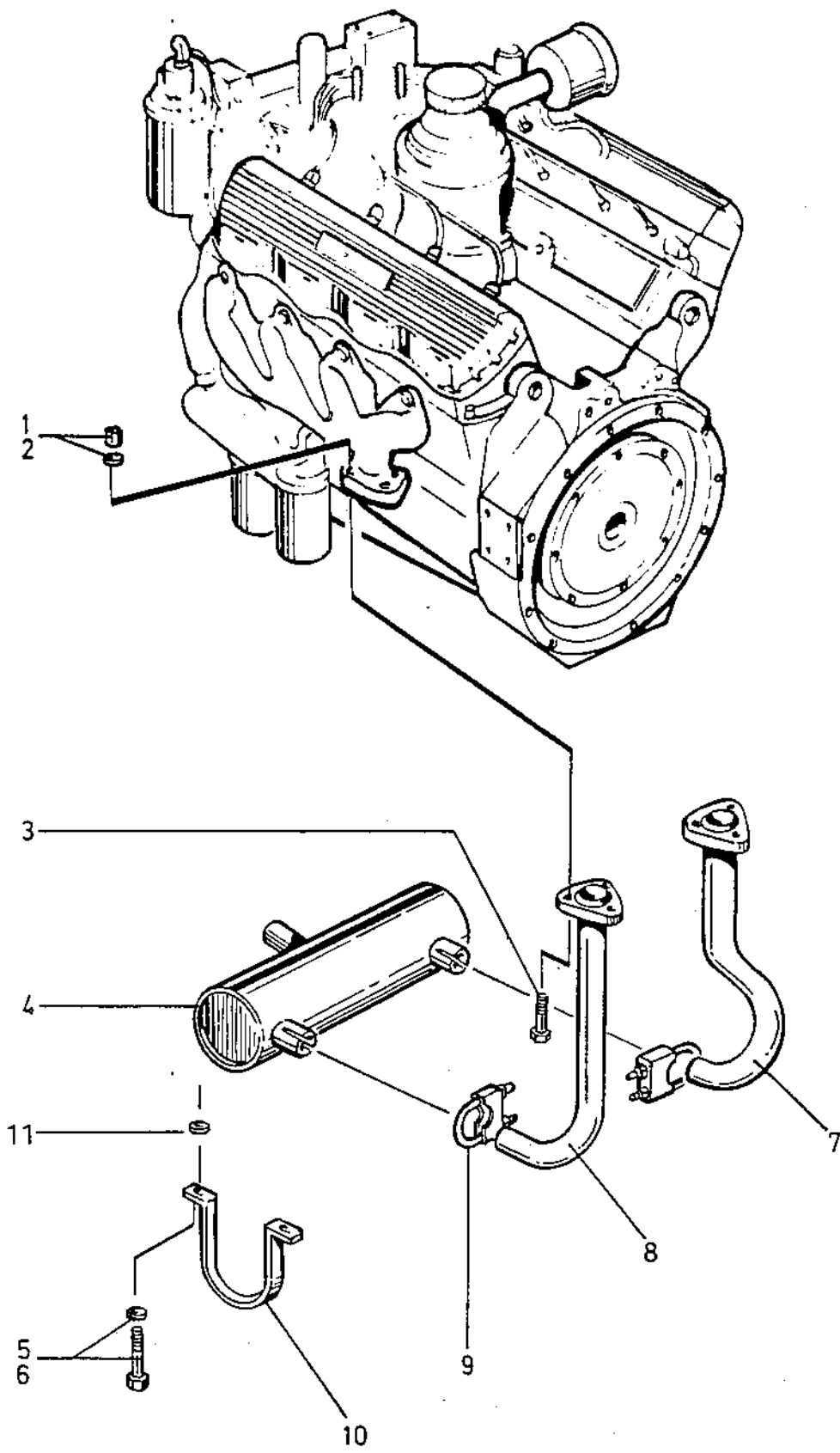


GM 4-53 Eng.



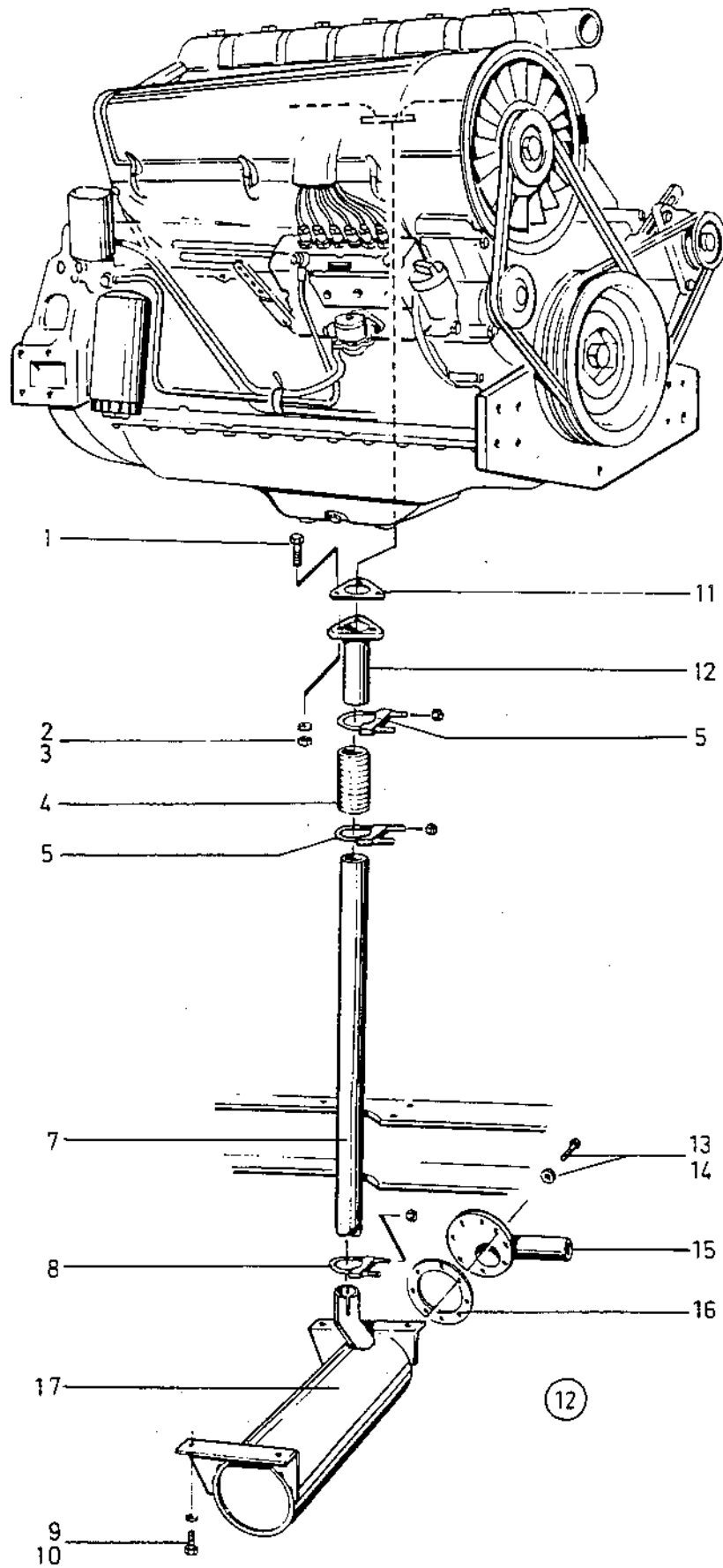
| Page Sida | | Group Grupp | | Picture No Bild nr | | Issue Utgåva | | EXHAUST SYSTEM Caterpillar | | AVGASSYSTEM Caterpillar | |
|--------------|----------------------|----------------|-------------------|-----------------------|-----------------------------|-------------------------|-----------|-------------------------------|--------------------|----------------------------|--------------|
| Ref Pos | Quantity/Antal CA | | Part No Art nr | | Description | | Benämning | | Note Anmärkning | | C, P K, L |
| | 2 | 25 | | | | | | | | | |
| 1 | 6 | | 57 00 06 | | Nut | Mutter | | | | | |
| 2 | 6 | | 60 40 07 | | Spring washer | Fjäderbricka | | | | | |
| 3 | 6 | | 50 00 31 | | Screw | Skruv | | | | | |
| 4 | 1 | | 75 20 39 | | Muffler | Ljuddämpare | | | | | D 3 |
| 5 | 4 | | 50 00 48 | | Screw | Skruv | | | | | |
| 6 | 4 | | 61 50 44 | | Conical spring washer | Spännbricka | | | | | |
| 7 | 1 | | 82 57 92 | | Exhaust pipe, left | Avgasrör, vänster | | | | | D3 |
| 8 | 1 | | 82 57 91 | | Exhaust pipe, right | Avgasrör, höger | | | | | D3 |
| 9 | 2 | | 81 42 61 | | Clamp | Klammer | | | | | |
| 10 | 2 | | 81 50 69 | | Mounting band | Fästband | | | | | |
| 11 | 4 | | 92 29 35 | | Washer | Bricka | | | | | |

2) CA25 with Caterpillar
CA25 med Caterpillar



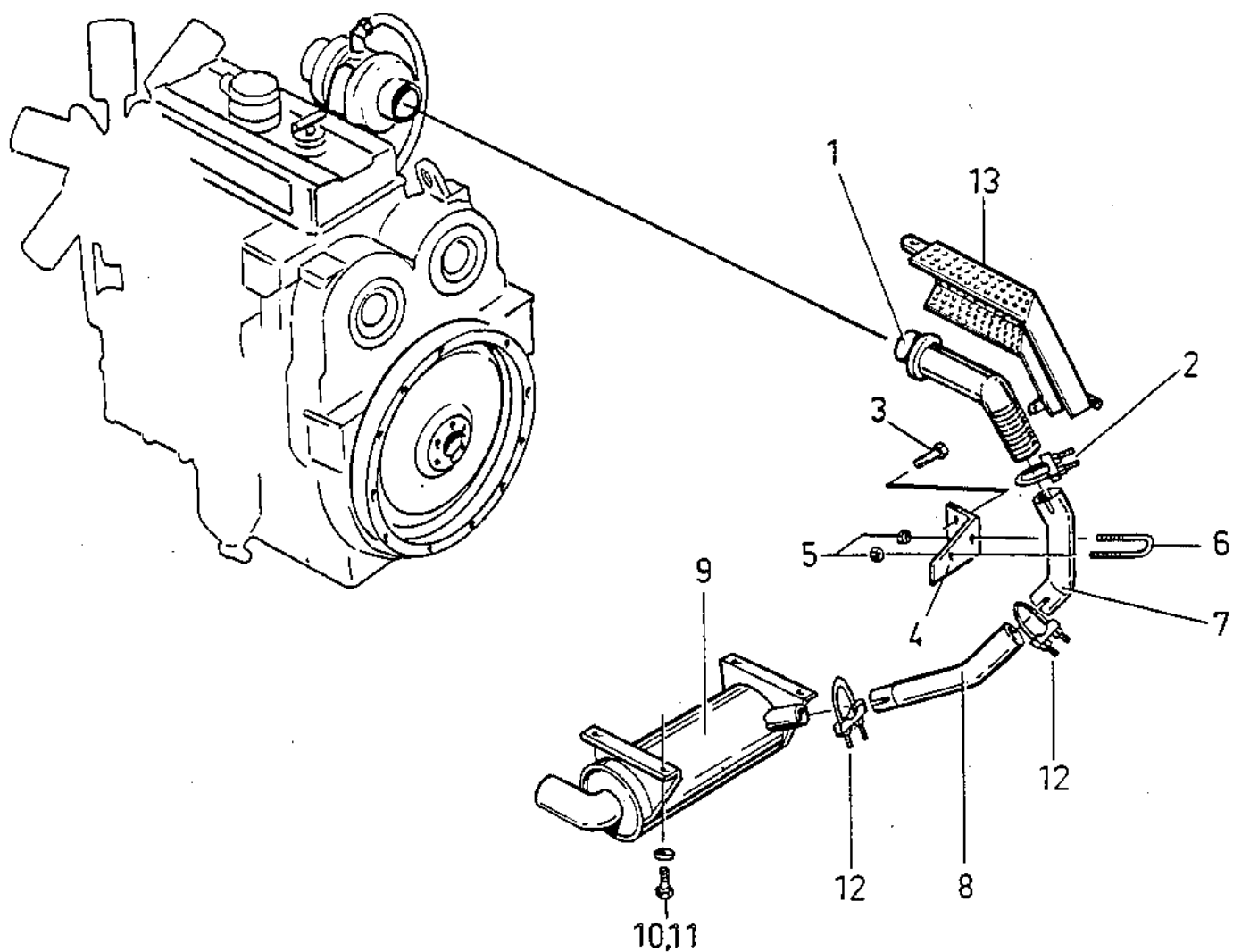
| Page Sida | | Group Grupp | Picture No Bild nr | Issue Utgåva | EXHAUST SYSTEM Deutz | AVGASSYSTEM Deutz | |
|--------------|--------------------|-------------------|-----------------------------|------------------------|-------------------------|----------------------|-----|
| 28 | | 03 | 13774-2 | S-10200-2 | | | |
| Ref Pos | Quantity/ Antal | Part No Art nr | Description | Benämning | Note Anmärkning | C, P K, L | |
| | CA | | | | | | |
| | 3)25 | | | | | | |
| 1 | 3 | 50 01 95 | Screw | Skruv | | | |
| 2 | 3 | 60 00 09 | Washer | Bricka | | | |
| 3 | 3 | 57 00 07 | Nut | Mutter | | | |
| 4 | 1 | 34 25 54 | Exhaust hose | Avgasslang | | | D3 |
| 5 | 2 | 31 30 93 | Clamp | Klammer | | | |
| 6 | 1 | 34 27 20 | Exhaust pipe | Avgasrör | | | D 3 |
| 7 | 1xL | 60 20 53 | Tube | Rör | L=490 mm | | |
| 8 | 1 | 31 30 94 | Clamp | Klammer | | | |
| 9 | 4 | 50 00 28 | Screw | Skruv | | | |
| 10 | 4 | 61 50 44 | Conical spring washer | Spännbricka | | | |
| 11 | 1 | 74 86 03 | Gasket | Packning | | | D 3 |
| 12 | 1 | 33 87 15 | Muffler, cpl. | Ljuddämpare, kpl. | | | |
| 13 | 8 | 50 20 58 | •Screw | •Skruv | | | |
| 14 | 8 | 60 40 09 | •Spring washer | •Fjäderbricka | | | |
| 15 | 1 | 33 87 13 | •Cover | •Gavel | | | |
| 16 | 1 | 33 87 16 | •Gasket | •Packning | | | D3 |
| 17 | 1 | 33 87 12 | •Muffler | •Ljuddämpare | | | D3 |

3) CA25 with Deutz
CA25 med Deutz



| Page Sida | Group Grupp | Picture No Bild nr | Issue Utgåva | EXHAUST SYSTEM Detroit | AVGASSYSTEM Detroit | |
|-----------|----------------|--------------------|-----------------------------|---------------------------|------------------------|--------------|
| 30 | 03 | 13923-1 | S-10200-2 | | | |
| Ref Pos | Quantity/Antal | Part No Art nr | Description | Benämning | Note Anmärkning | C, P K, L |
| | CA | | | | | |
| | 10)25 | | | | | |
| 1 | 1 | 34 59 39 | Exhaust pipe | Avgasrör | | |
| 2 | 1 | 92 10 97 | Clamp | Klammer | | |
| 3 | 2 | 50 20 97 | Screw | Skruv | | |
| 4 | 1 | 34 59 63 | Bracket | Fäste | | |
| 5 | 2 | 57 00 05 | Nut | Mutter | | |
| 6 | 1 | 34 59 64 | Clamp | Klammer | | |
| 7 | 1 | 34 59 37 | Exhaust pipe | Avgasrör | | D 3 |
| 8 | 1 | 34 59 38 | Exhaust pipe | Avgasrör | | D 3 |
| 9 | 1 | 34 59 50 | Muffler | Ljudämpare | | D 3 |
| 10 | 4 | 50 00 28 | Screw | Skruv | | |
| 11 | 4 | 61 50 44 | Conical spring washer | Spännbricka | | |
| 12 | 2 | 92 32 69 | Clamp | Klammer | | |
| 13 | 1 | 34 63 03 | Exhaust pipe shield | Avgasrörsskydd | | |

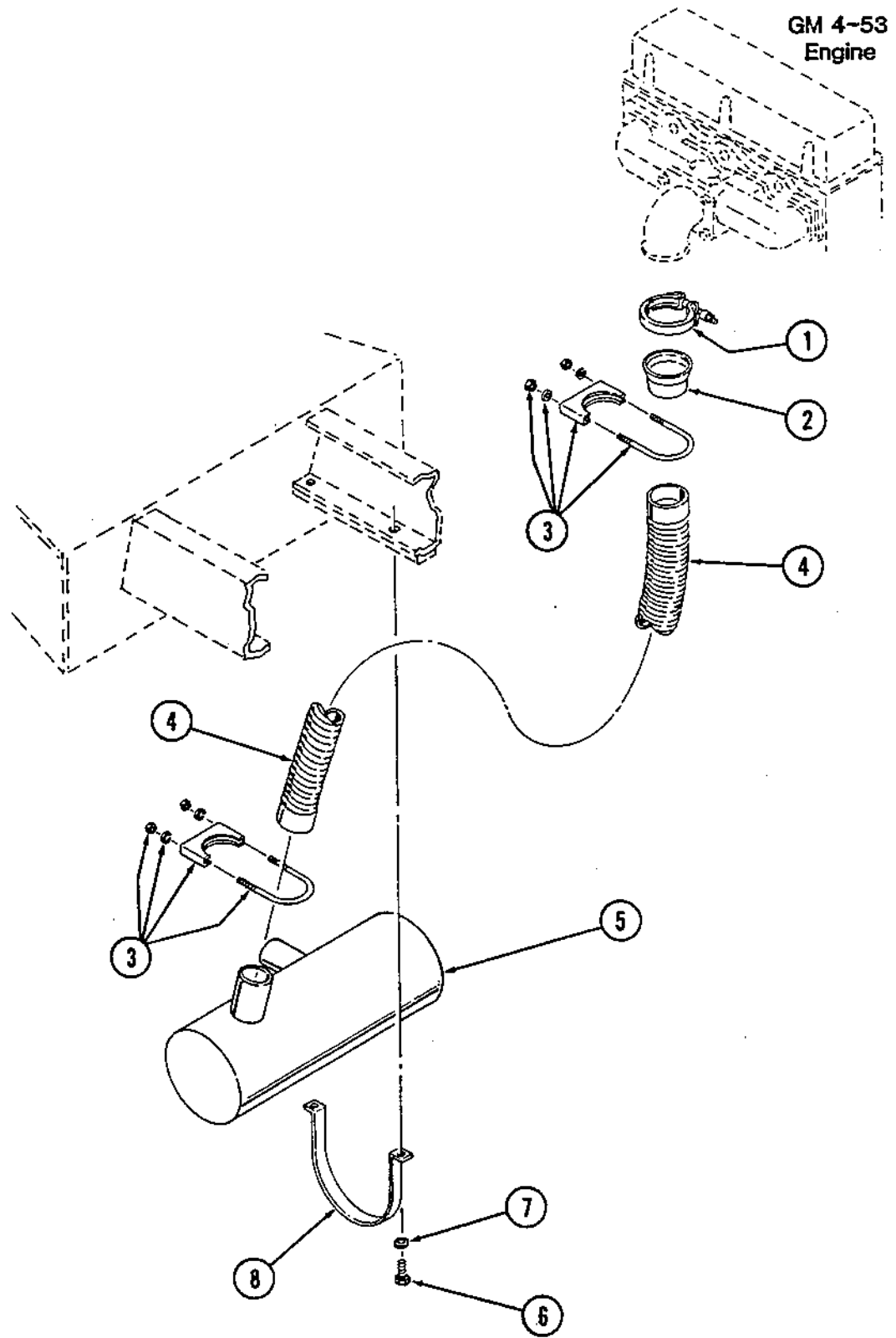
10) CA 25 with Detroit
CA 25 med Detroit



345942

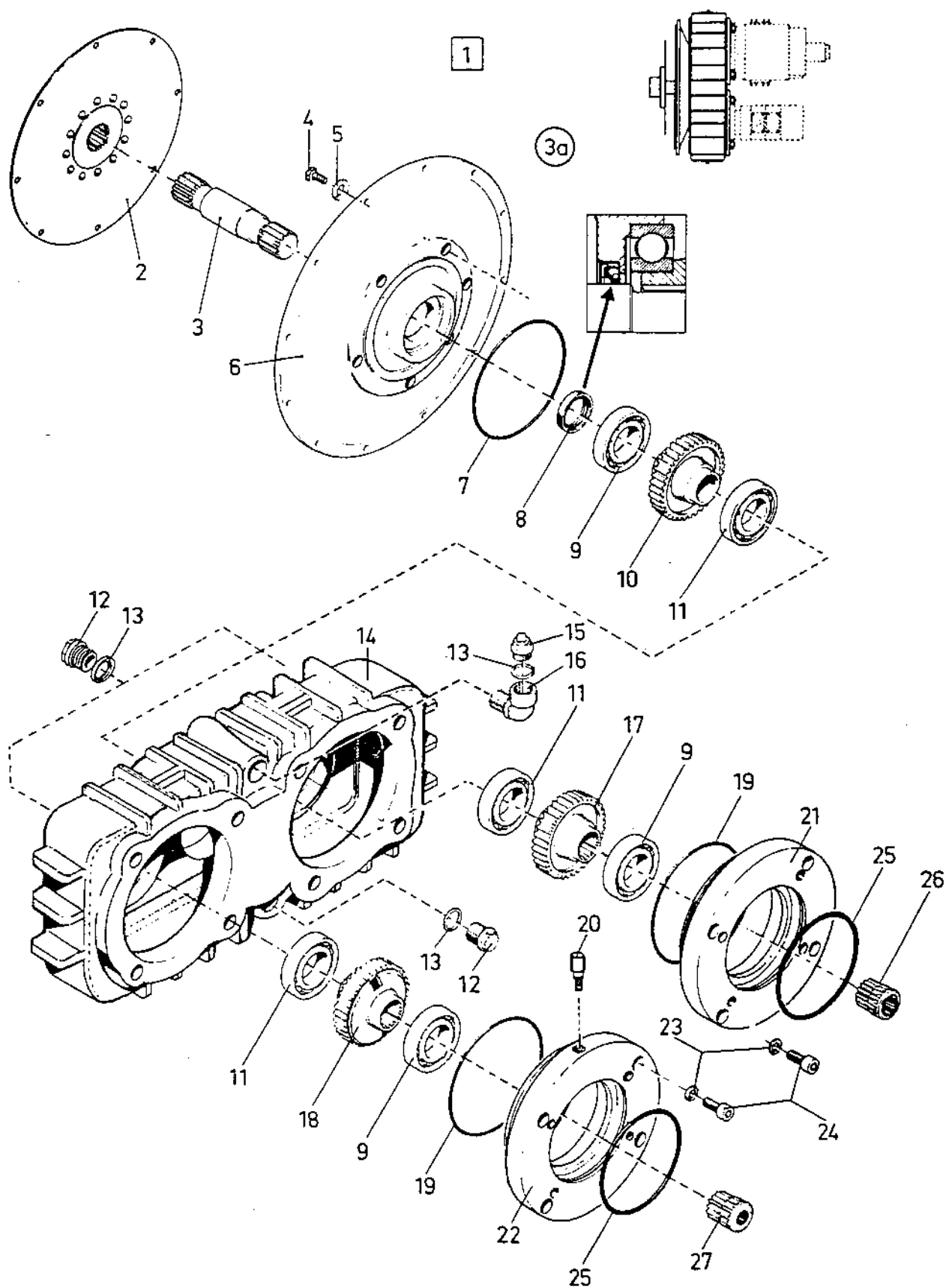
CA2511-139 23-1

| Page | | Group | | Illustration Number | Catalog Number | Illustration | |
|----------|----------------|-------|--|---------------------|----------------|------------------------------|---------------|
| 30A | | 3 | | PL-25-2-PL06 | PA-25-2-PL | Exhaust System (GM 4-53) | |
| Ref. No. | Quantity/Model | | | | Part Number | Description | Serial Number |
| | CA | | | | | | |
| | 25 | | | | | | |
| 1 | 1 | | | | 313065 | Clamp, Exhaust Pipe | |
| 2 | 1 | | | | 826748 | Pipe, Exhaust | |
| 3 | 2 | | | | 921097 | Clamp, Exhaust Pipe | |
| 4 | 1 | | | | 745016 | Pipe, Exhaust | |
| 5 | 1 | | | | 801058 | Muffler | |
| 6 | 4 | | | | 500028 | Capscrew, HH | |
| 7 | 4 | | | | 615044 | Washer, Conical Spring | |
| 8 | 2 | | | | 815069 | Clamp, Muffler | |



| Page Sida | | Group Grupp | Picture No Bild nr | Issue Utgåva | HYDRAULIC PUMP GEARING | FÖRDELNINGSVÄXELLÅDA |
|-----------|----------------|----------------|------------------------------|----------------------------------|------------------------|----------------------|
| 32 | | 03 | 13775-1 | S-10200-2 | | |
| Ref Pos | Quantity/Antal | Part No Art nr | Description | Benämning | Note Anmärkning | C, P K, L |
| | CA | | | | | |
| | 1)25 | | | | | |
| • 1 | 1 | 34 11 06 | Hydraulic pump gearing, cpl. | Fördelningsväxellåda, kpl. | 2,3) | C 3 |
| • | 1 | 34 59 70 | Hydraulic pump gearing, cpl. | Fördelningsväxellåda, kpl. | 10) | C 3 |
| • 2 | 1 | 34 08 55 | •Drive plate | •Medbringarplatta | 2,3) | D 3 |
| • | 1 | 34 59 10 | •Drive plate | •Medbringarplatta | 10) | D 3 |
| 3 | 1 | 34 08 64 | •Splined shaft | •Splinesaxel | | D 3 |
| 3a | 1 | - | •Hydraulic pump gearing | •Fördelningsväxellåda | 9) | |
| 4 | 6 | 50 00 93 | ••Screw | ••Skruv | | |
| 5 | 6 | 60 40 11 | ••Spring washer | ••Fjäderbricka | | |
| 6 | 1 | 34 08 59 | ••Flywheel cover | ••Svånghjulskåpa | | |
| 7 | 1 | 16 02 64 | ••O-ring | ••O-ring | | D 3 |
| 8 | 1 | 16 10 93 | ••Seal ring | ••Tätningssring | | D 3 |
| 9 | 3 | 11 11 96 | ••Ball bearing | ••Kullager | | D 3 |
| 10 | 1 | 34 08 56 | ••Gear | ••Kuggghjul | | D 4 |
| 11 | 3 | 11 10 63 | ••Ball bearing | ••Kullager | | D 3 |
| 12 | 3 | 23 20 56 | ••Plug | ••Plugg | | |
| 13 | 4 | 16 20 06 | ••Seal ring | ••Tätningssring | | |
| 14 | 1 | 34 08 50 | ••Housing | ••Hus | | |
| 15 | 1 | 23 20 56 | ••Plug | ••Plugg | | |
| 16 | 1 | 33 10 57 | ••Elbow | ••Rörkrok | | |
| 17 | 1 | 34 08 58 | ••Gear | ••Kuggghjul | | D 4 |
| 18 | 1 | 34 08 65 | ••Gear | ••Kuggghjul | | D 4 |
| 19 | 2 | 16 01 81 | ••O-ring | ••O-ring | | D 3 |
| 20 | 1 | 23 20 47 | ••Filter plug | ••Filterplugg | | D 4 |
| 21 | 1 | 34 08 57 | ••Bearing housing | ••Lagerhus | | D 4 |
| 22 | 1 | 34 08 66 | ••Bearing housing | ••Lagerhus | | D 4 |
| 23 | 8 | 60 40 15 | ••Spring washer | ••Fjäderbricka | | |
| 24 | 8 | 50 80 31 | ••Screw | ••Skruv | | |
| 25 | 2 | 16 01 32 | O-ring | O-ring | | D 3 |
| 26 | 1 | 34 08 61 | Splined sleeve | Splineshylsa | | D 4 |
| 27 | 1 | 34 08 62 | Splined sleeve | Splineshylsa | | D 4 |

- 1) CA25, all models
CA25, alla typer
- 2) CA25 with Caterpillar
CA25 med Caterpillar
- 3) CA25 with Deutz
CA25 med Deutz
- 9) Not sold as spare part
Säljes ej som reservdel
- 10) CA 25 with Detroit
CA 25 med Detroit



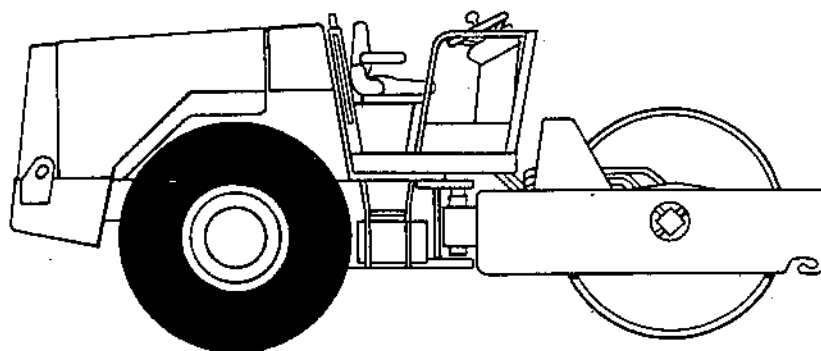
DYNAPAC

TRANSMISSION

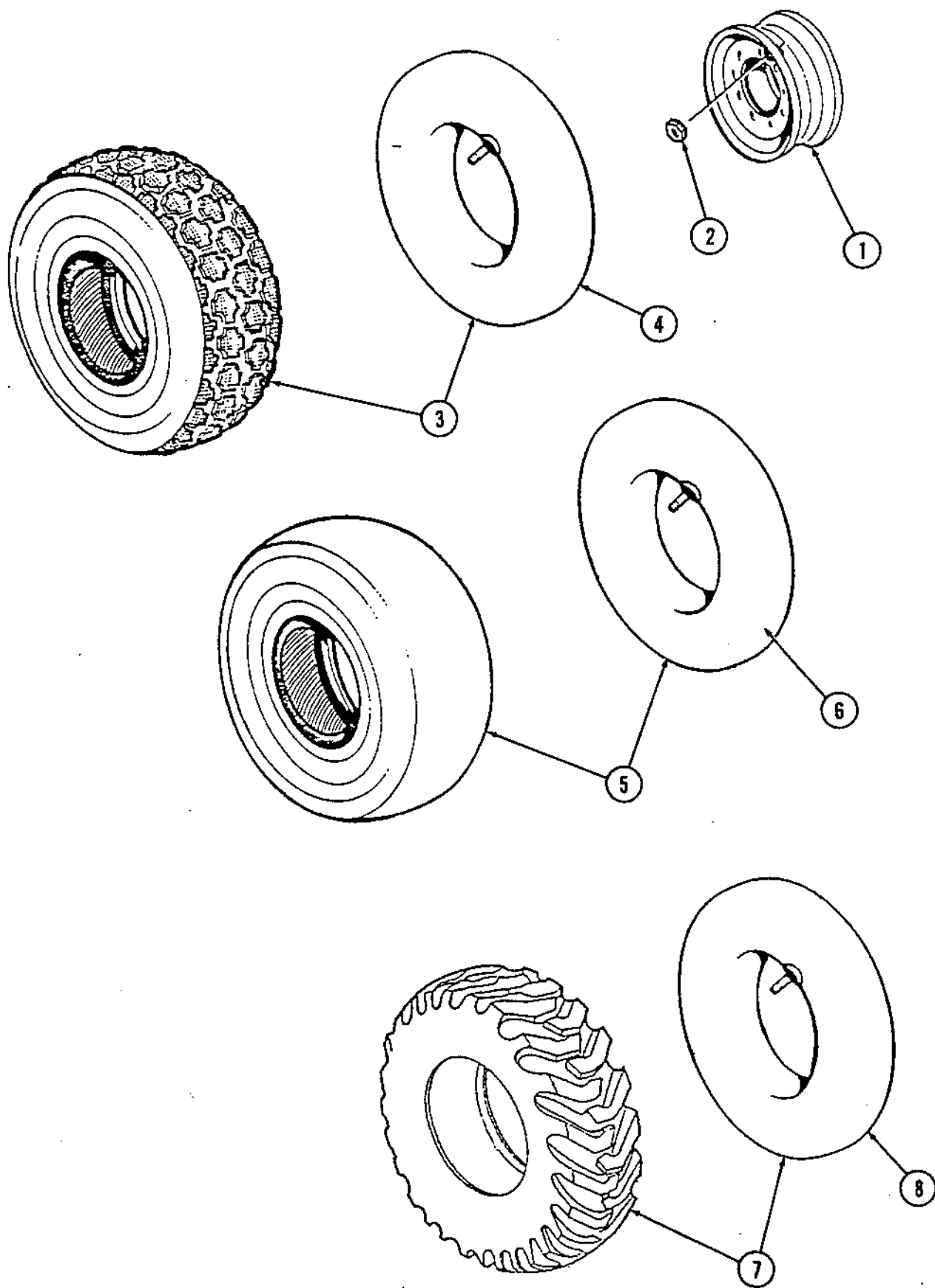
| |
|----------------------------------|
| Wheel |
| Gear box and wheel axle |
| Three-speed gear box |
| Funk |
| Renondin |
| Disc brake, Renondin |
| Wheel axle and planetary gearing |
| Differential carrier |
| Brake |

KRAFTÖVERFÖRING

| | |
|--------------------------|----|
| Hjul | 2 |
| Växellåda och hjulaxel | 4 |
| Tre-växlad växellåda | |
| Funk | 6 |
| Renondin | 10 |
| Skivbroms, Renondin | 14 |
| Hjulaxel och planetväxel | 16 |
| Differentialhållare | 18 |
| Broms | 22 |

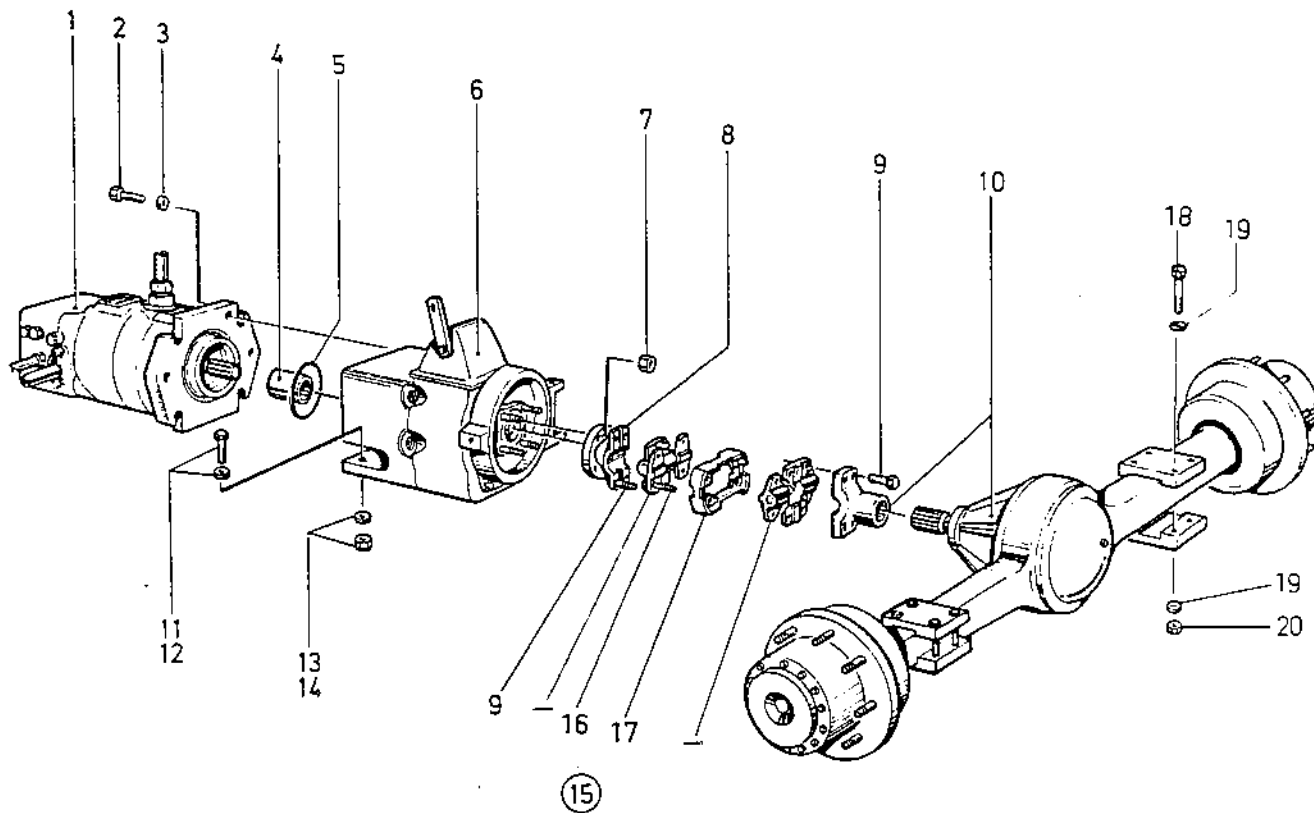


| Page Sida | | Group Grupp | | Picture No Bild nr | | Issue Utgåva | | WHEEL | | HJUL | |
|--------------|----------------|----------------|---------|-----------------------|-------------------|-------------------------|------------|--------------------|--------------|------|--|
| 2 | | 04 | | 13776-1 | | S-10200-2 | | | | | |
| Ref Pos | Quantity/Antal | | | | Part No Art nr | Description | Benämning | Note Anmärkning | C, P K, L | | |
| | CA | | | | | | | | | | |
| | 25 D | 25 PD | 25 R | | | | | | | | |
| 1 | 2 | 2 | 2 | | 335463 | Rim | | | | | |
| - | | | | 2 | 335461 | Rim | | | | | |
| 2 | 2 | 2 | 2 | 2 | 813382 | Nut, Rim | | | | | |
| 3 | 2 | 2 | - | - | 813379 | Assy., Tire & Tube | (Non Skid) | | | | |
| 4 | 1 | 1 | - | - | 813380 | Tube | | | | | |
| 5 | - | - | - | 2 | 813700 | Assy., Tire & Tube | (Smooth) | | | | |
| 6 | - | - | - | 1 | 892130 | Tube | | | | | |
| 7 | - | - | 2 | - | 801462 | Assy., Tire & Tube | (Cleated) | | | | |
| 8 | - | - | 1 | - | 813380 | Tube | | | | | |



| Page Sida | Group Grupp | Picture No Bild nr | Issue Utgåva | GEAR BOX AND WHEEL AXLE | VÄXELLÅDA OCH HJULAXEL | |
|-----------|----------------|--------------------|--|---|--------------------------------|-----------|
| 4 | 04 | 13777 | S-10200-2 | | | |
| Ref Pos | Quantity/Antal | Part No Art nr | Description | Benämning | Note Anmärkning | C, P K, L |
| | CA | | | | | |
| | 1)25 | | | | | |
| 1 | 1 | - | Hydr. motor, wheel drive | Hydr. motor, hjuldrivr Skruv | See group 5 | |
| 2 | 4 | 50 20 59 | Screw | Skruv | | |
| 3 | 4 | 60 30 03 | Washer | Bricka | | |
| 4 | 1 | - | Splined sleeve | Splineshylsa | See page 6 ref. 3, 10 ref. 3 | |
| 5 | 1 | 16 02 97 | O-ring | O-ring | | D 3 |
| 6 | 1 | 80 10 65 | Three-speed gear box Comps, page 6 | Tre-växlad växellåda Det. se sida 6 | -575010 | |
| 7 | 1 | 34 20 64 | Three-speed gear box Comps, page 10 | Tre-växlad växellåda Det. se sida 10 | 575011- | |
| 8 | 4 | - | Nut | Mutter | See page 8 ref. 81, 12 ref. 50 | |
| 9 | 1 | 81 33 18 | Connecting flange | Kopplingsfläns | | D 4 |
| 10 | 8 | 50 30 24 | Screw | Skruv | | |
| 11 | 1 | 33 54 64 | Wheel axle | Hjulaxel | | |
| 12 | 4 | - | Comps, page 16 | Det. se sida 16 | | |
| 13 | 4 | 50 00 82 | Screw | Skruv | | |
| 14 | 4 | 61 50 46 | Conical spring washer | Spännbricka | | |
| 15 | 4 | 60 30 07 | Washer | Bricka | | |
| 16 | 4 | 57 00 08 | Nut | Mutter | | |
| 17 | 1 | 81 33 03 | Universal joint, cpl. | Kardanknut, kpl. | | D 3 |
| 18 | 4 | 81 37 96 | •Screw | •Skruv | | |
| 19 | 1 | 81 37 95 | •Intermediate plate | •Mellanstycke | | |
| 20 | 8 | 50 02 95 | Screw | Skruv | | |
| | 16 | 60 00 14 | Washer | Bricka | | |
| | 8 | 58 60 22 | Nut | Mutter | | |

1) CA25, all models
CA25, alla typer

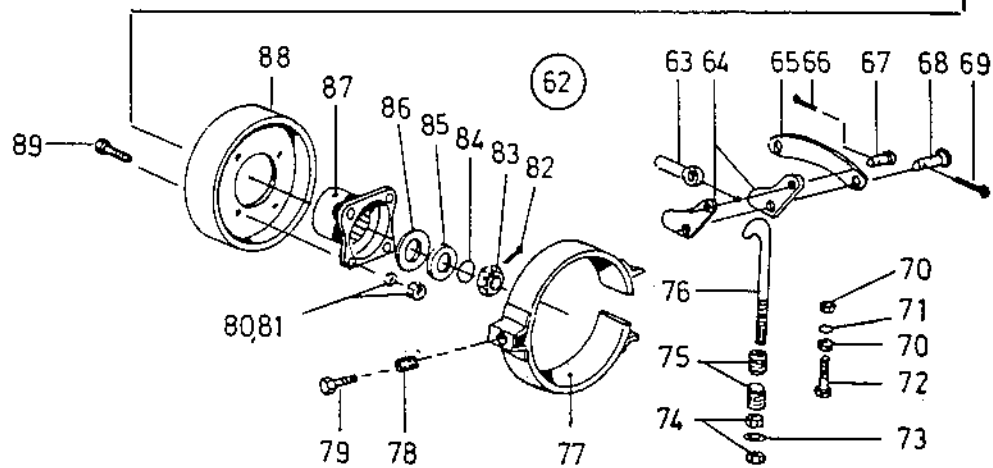
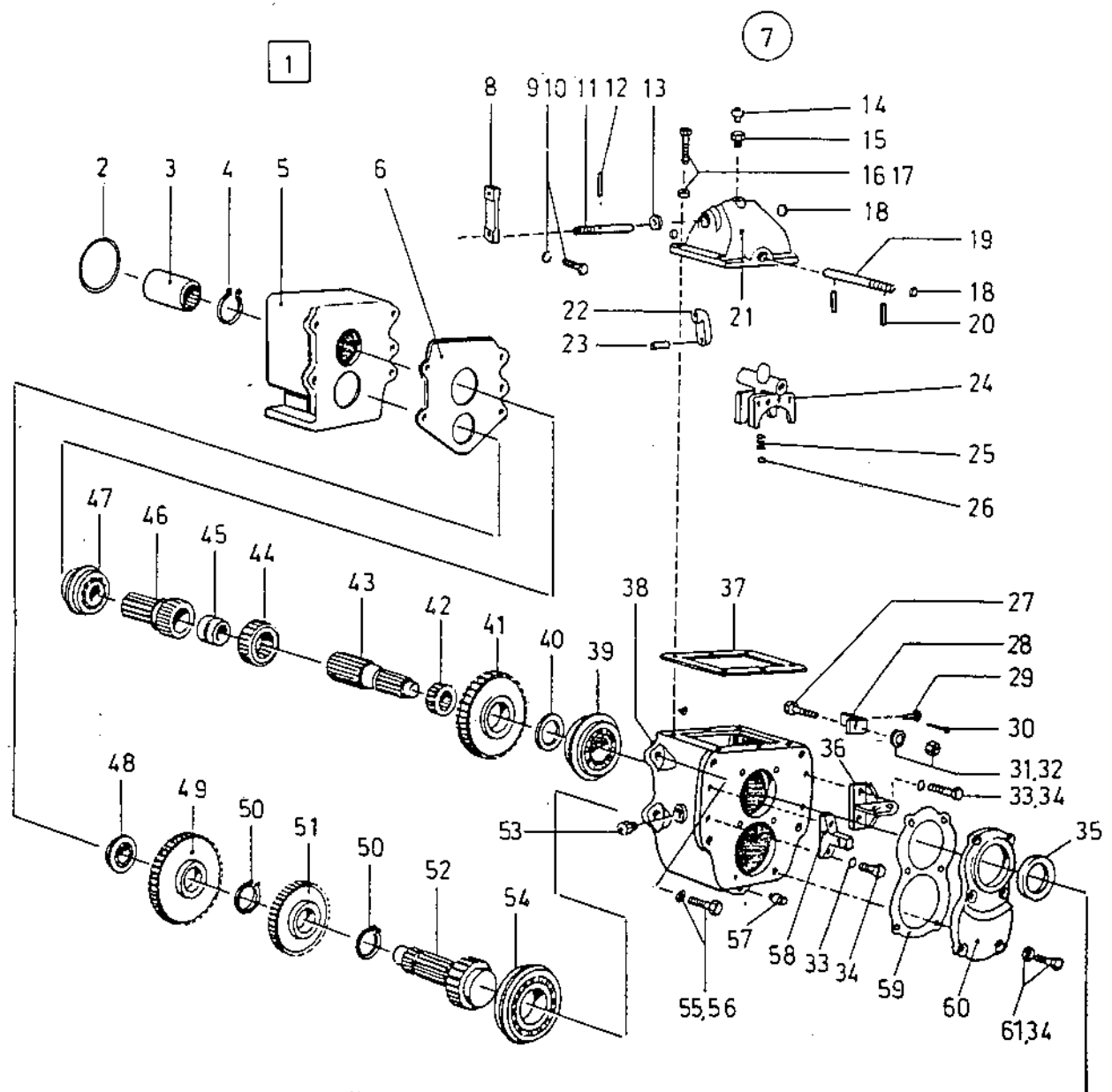


34 56 84

CA 25 II -13777

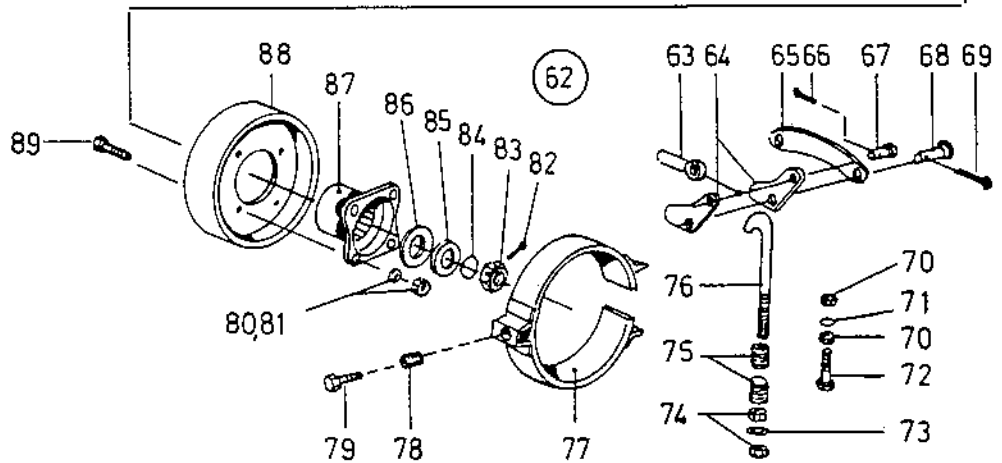
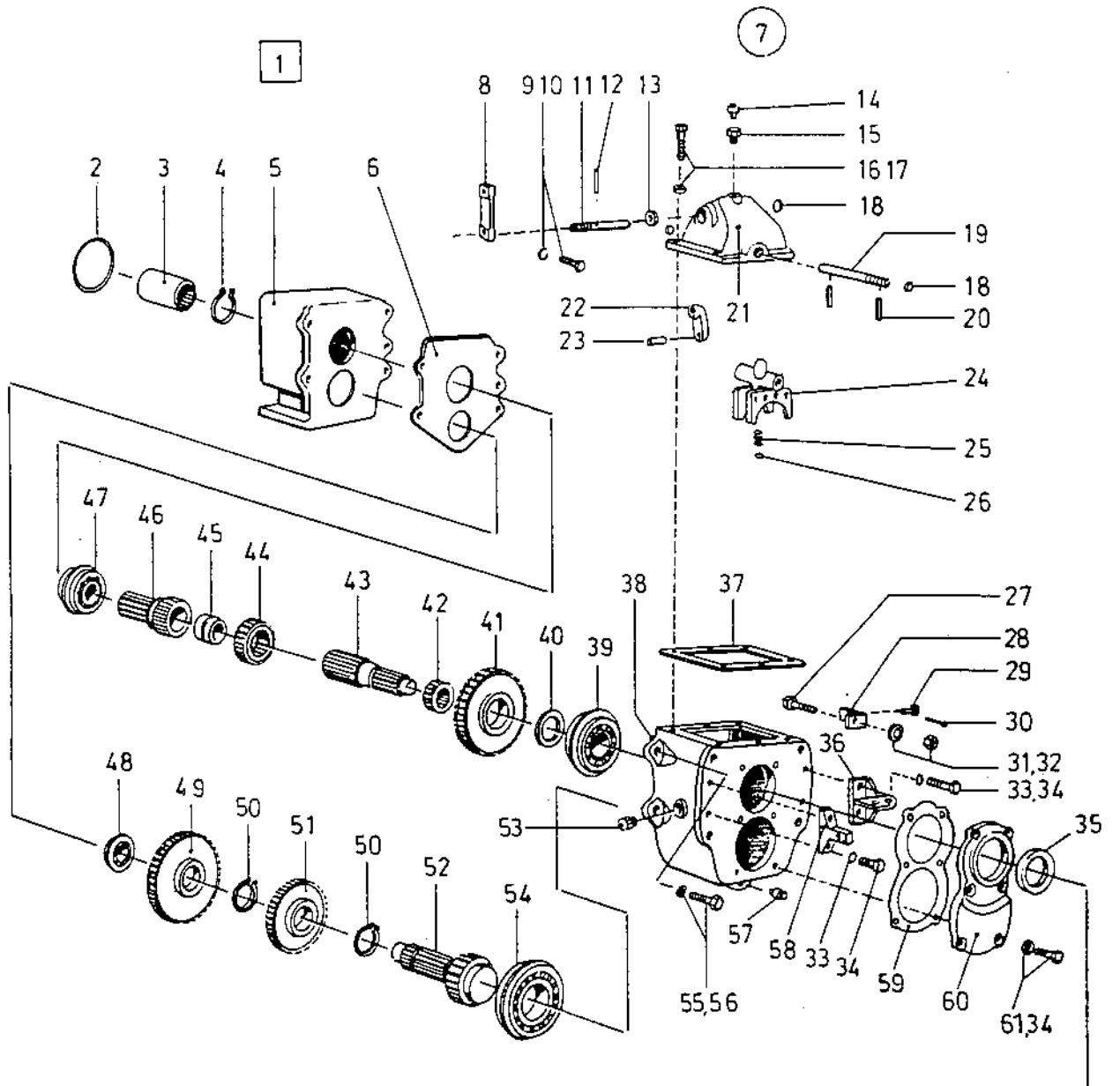
| Page Sida | Group Grupp | Picture No Bild nr | Issue Utgåva | THREE-SPEED GEAR BOX Funk | TRE-VÄXLAD VÄXELLÅDA Funk | |
|-----------|----------------|--------------------|----------------------------|-----------------------------|---------------------------|-----------|
| 6 | 04 | 13778-1 | S-10200-2 | | | |
| Ref Pos | Quantity/Antal | Part No Art nr | Description | Benämning | Note Anmärkning | C, P K, L |
| | 1)25 | | | | | |
| * 1 | 1 | 80 10 65 | Three-speed gear box cpl | Tre-växlad växellåda kpl | -575010 | C 4 |
| 2 | 1 | - | •O-ring | •O-ring | See page 4 ref. 5 | |
| * 3 | 1 | 81 36 52 | •Splined sleeve | •Splineshylsa | -575010 | |
| * 4 | 1 | 81 35 76 | •Snap ring | •Spårring | -575010 | |
| * 5 | 1 | 81 36 53 | •Housing | •Hus | -575010 | |
| * 6 | 1 | 81 35 97 | •Gasket | •Packning | -575010 | |
| * 7 | 1 | 81 38 05 | •Gear box cover, cpl | •Lock för växellåda, kpl .. | -575010 | |
| * 8 | 1 | 33 66 72 | ••Lever | ••Arm | -575010 | |
| * 9 | 1 | 50 20 37 | ••Screw | ••Skruv | -575010 | |
| * 10 | 1 | 60 40 06 | ••Spring washer | ••Fjäderbricka | -575010 | |
| * 11 | 1 | 81 35 92 | ••Shaft | ••Axel | -575010 | |
| * 12 | 1 | 81 36 86 | ••Pin | ••Pinne | -575010 | |
| * 13 | 1 | 81 36 70 | ••Seal ring | ••Tätningring | -575010 | D 4 |
| * 14 | 1 | 81 36 51 | ••Ventilating valve | ••Urluftningsventil | -575010 | |
| * 15 | 1 | 81 39 31 | ••Reducing nipple | ••Reduceringsnippel | -575010 | |
| * 16 | 6 | 50 20 35 | ••Screw | ••Skruv | -575010 | |
| * 17 | 6 | 60 40 06 | ••Spring washer | ••Fjäderbricka | -575010 | |
| * 18 | 3 | 81 36 89 | ••Plug | ••Propp | -575010 | |
| * 19 | 1 | 81 35 89 | ••Rod | ••Stång | -575010 | |
| * 20 | 2 | 81 36 85 | ••Pin | ••Pinne | -575010 | |
| * 21 | 1 | 81 35 88 | ••Gear box cover | ••Lock för växellåda | -575010 | |
| * 22 | 1 | 81 35 91 | ••Lever | ••Arm | -575010 | |
| * 23 | 1 | 81 36 87 | ••Pin | ••Pinne | -575010 | |
| * 24 | 1 | 81 38 06 | ••Fork | ••Gaffel | -575010 | |
| * 25 | 1 | 81 36 63 | ••Spring | ••Fjäder | -575010 | |
| * 26 | 1 | 81 36 88 | ••Ball | ••Kula | -575010 | |
| * 27 | 1 | 50 21 53 | •Screw | •Skruv | -575010 | |
| * 28 | 1 | 81 35 87 | •Bracket | •Fäste | -575010 | |
| * 29 | 1 | 81 36 45 | •Bolt | •Bult | -575010 | |
| * 30 | 1 | 63 00 69 | •Cotter pin | •Saxpinne | -575010 | |
| * 31 | 1 | 60 40 10 | •Spring washer | •Fjäderbricka | -575010 | |
| * 32 | 1 | 57 10 15 | •Nut | •Mutter | -575010 | |
| * 33 | 4 | 60 40 06 | •Spring washer | •Fjäderbricka | -575010 | |
| * 34 | 10 | 50 20 35 | •Screw | •Skruv | -575010 | |
| * 35 | 1 | 81 36 71 | •Seal ring | •Tätningring | -575010 | D 3 |
| * 36 | 1 | 81 35 86 | •Bracket | •Fäste | -575010 | |
| * 37 | 1 | 81 35 93 | •Gasket | •Packning | -575010 | D 4 |
| * 38 | 1 | 81 38 04 | •Housing | •Hus | -575010 | |
| * 39 | 1 | 81 36 60 | •Ball bearing | •Kullager | -575010 | D 4 |
| * 40 | 1 | 81 35 82 | •Washer | •Bricka | -575010 | |
| * 41 | 1 | 81 35 81 | •Gear | •Kugghjul | -575010 | |
| * 42 | 39 | 81 42 85 | •Needle roller | •Rulle för nållager | -575010 | D 4 |
| * 43 | 1 | 81 42 88 | •Shaft with gear | •Kuggaxel | -575010 | |
| * 44 | 1 | 81 42 90 | •Gear | •Kugghjul | -575010 | |
| * 45 | 1 | 81 42 84 | •Plain bearing | •Glidlager | -575010 | D 4 |
| * 46 | 1 | 81 42 89 | •Shaft with gear | •Kuggaxel | -575010 | |
| * 47 | 1 | 81 36 62 | •Ball bearing | •Kullager | -575010 | D 4 |
| * 48 | 1 | 81 36 58 | •Ball bearing | •Kullager | -575010 | D 4 |
| * 49 | 1 | 81 35 77 | •Gear | •Kugghjul | -575010 | |

1) CA25, all models
CA25, alla typer



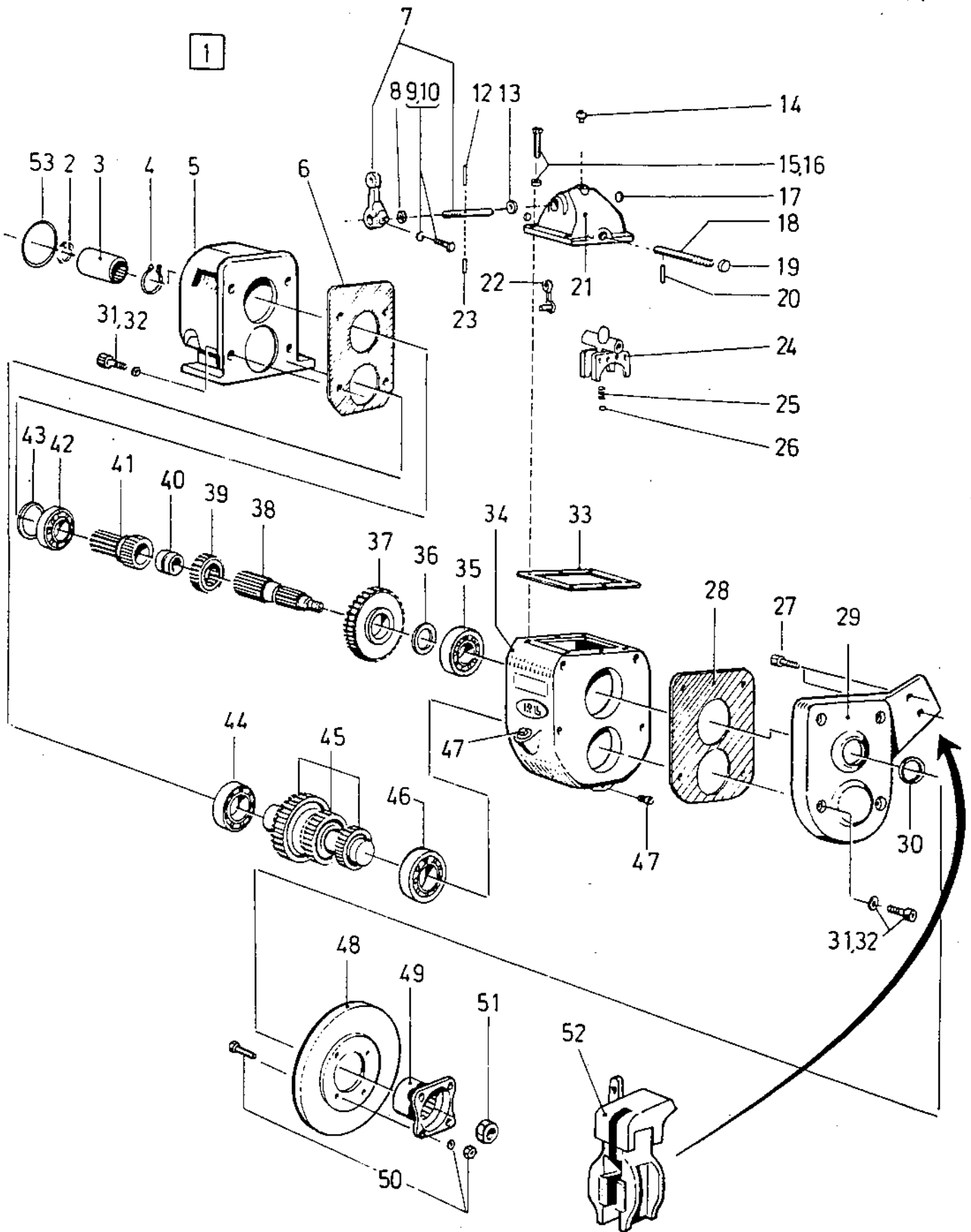
| Page Sida | Group Grupp | Picture No Bild nr | Issue Utgåva | THREE-SPEED GEAR BOX Funk | TRE-VÅXLAD VÅXELLÅDA Funk | |
|-----------|----------------|--------------------|-----------------------------|---------------------------|---------------------------|-----------|
| 8 | 04 | 13778-1 | S-10200-2 | | | |
| Ref Pos | Quantity/Antal | Part No Art nr | Description | Benämning | Note Anmärkning | C, P K, L |
| | 1)25 | | | | | |
| * 50 | 1 | 81 35 75 | •Snap ring | •Spårring | -575010 | |
| * 51 | 1 | 81 35 78 | •Gear | •Kugghjul | -575010 | |
| * 52 | 1 | 81 35 96 | •Shaft with gear | •Kuggaxel | -575010 | |
| * 53 | 1 | 81 34 79 | •Oil level plugg | •Nivåplugg | -575010 | |
| * 54 | 1 | 81 36 59 | •Ball bearing | •Kullager | -575010 | D 4 |
| * 55 | 5 | 60 40 10 | •Spring washer | •Fjäderbricka | -575010 | |
| * 56 | 5 | 50 21 53 | •Screw | •Skruv | -575010 | |
| * 57 | 1 | 81 37 83 | •Drain plug | •Avtappningsplugg | -575010 | |
| * 58 | 1 | 81 35 85 | •Brake lining bracket | •Bromsbandsfäste | -575010 | |
| * 59 | 1 | 81 35 84 | •Gasket | •Packning | -575010 | D 3 |
| * 60 | 1 | 81 35 83 | •Cover | •Lock | -575010 | |
| * 61 | 6 | 81 36 90 | •Washer | •Bricka | -575010 | |
| * 62 | 1 | 81 38 93 | •Brake without drum | •Broms utan | -575010 | D 4 |
| | | | | bromstrumma | | |
| * 63 | 1 | 81 36 38 | ••Link screw | ••Länkskruv | -575010 | |
| * 64 | 2 | 81 36 39 | ••Cam | ••Kam | -575010 | |
| * 65 | 1 | 81 36 40 | ••Link | ••Länk | -575010 | |
| * 66 | 1 | 81 38 10 | ••Cotter pin | ••Saxpinne | -575010 | |
| * 67 | 1 | 81 36 80 | ••Bolt | ••Bult | -575010 | |
| * 68 | 1 | 81 36 81 | ••Bolt | ••Bult | -575010 | |
| * 69 | 1 | 81 38 11 | ••Cotter pin | ••Saxpinne | -575010 | |
| * 70 | 2 | 81 36 07 | ••Nut | ••Mutter | -575010 | |
| * 71 | 1 | 81 36 08 | ••Spring washer | ••Fjäderbricka | -575010 | |
| * 72 | 1 | 81 35 73 | ••Screw | ••Skruv | -575010 | |
| * 73 | 1 | 81 36 09 | ••Spring washer | ••Fjäderbricka | -575010 | |
| * 74 | 2 | 81 36 10 | ••Nut | ••Mutter | -575010 | |
| * 75 | 2 | 81 36 41 | ••Spring | ••Fjäder | -575010 | D 4 |
| * 76 | 1 | 81 36 37 | ••Adjusting bolt | ••Justerskruv | -575010 | |
| * 77 | 1 | 81 36 35 | ••Brake lining | ••Bromsband | -575010 | D 3 |
| * 78 | 1 | 81 36 36 | ••Spring | ••Fjäder | -575010 | D 4 |
| * 79 | 1 | 81 36 79 | ••Screw | ••Skruv | -575010 | |
| * 80 | 4 | 60 40 08 | •Spring washer | •Fjäderbricka | -575010 | |
| * 81 | 4 | 57 20 08 | •Nut | •Mutter | -575010 | |
| * 82 | 1 | 63 00 10 | •Cotter pin | •Saxpinne | -575010 | |
| * 83 | 1 | 81 36 44 | •Crown nut | •Kronmutter | -575010 | |
| * 84 | 1 | 81 36 72 | •O-ring | •O-ring | -575010 | D 3 |
| * 85 | 1 | 81 36 67 | •Washer | •Bricka | -575010 | |
| * 86 | 1 | 81 35 94 | •Gasket | •Packning | -575010 | D 4 |
| * 87 | 1 | 81 42 87 | •Brake flange | •Fläns för bromstrumma | -575010 | |
| * 88 | 1 | 81 38 02 | •Brake drum | •Bromstrumma | -575010 | |
| * 89 | 4 | 81 38 03 | •Screw | •Skruv | -575010 | |

1) CA25, all models
CA25, alla typer



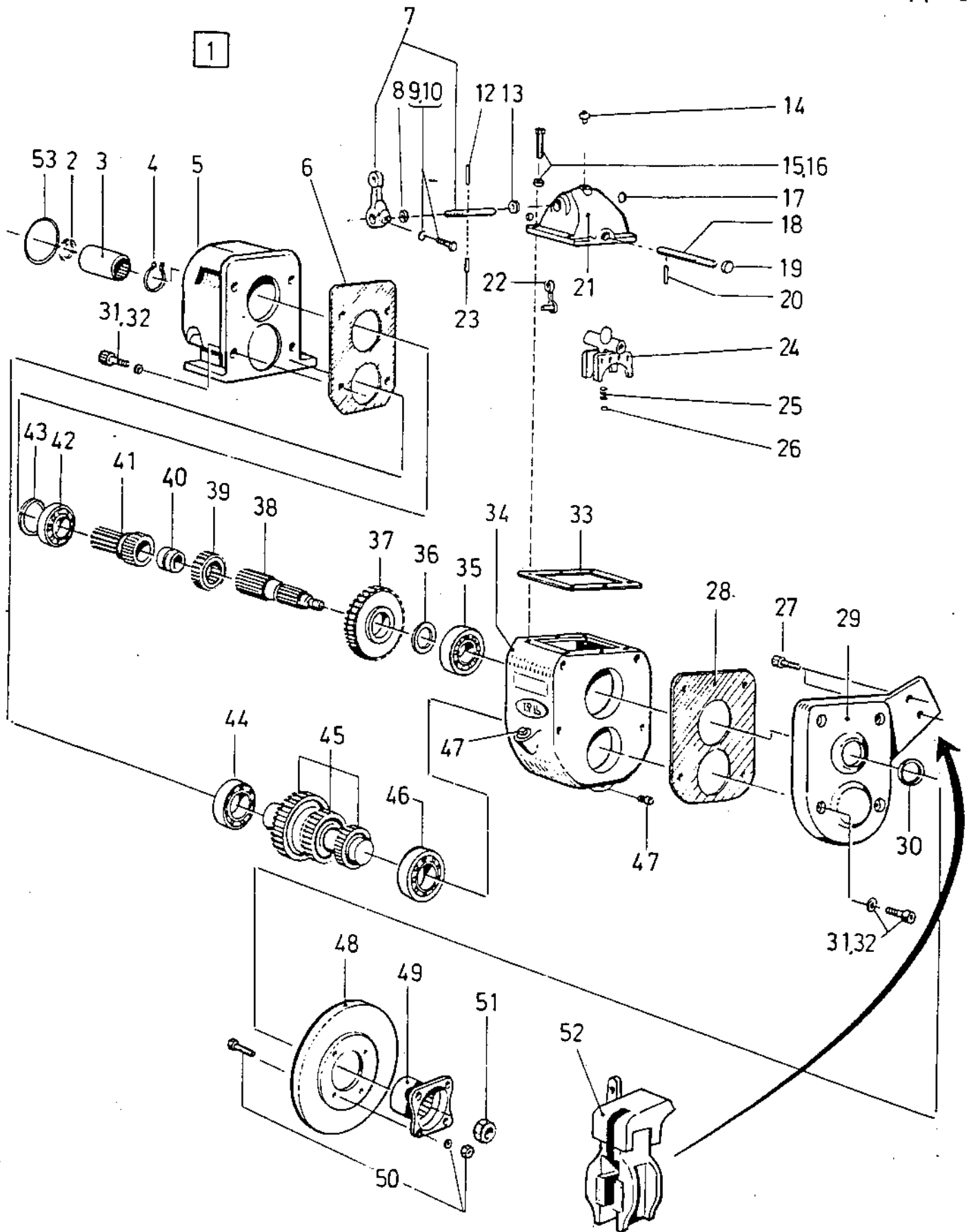
| Page Sida | | Group Grupp | | Picture No Bild nr | Issue Utgåva | THREE-SPEED GEAR BOX Renondin | | TRE-VÅXLAD VÅXELLÅDA Renondin | |
|--------------|----------------|----------------|--|-----------------------|-----------------------------------|----------------------------------|--------------------|----------------------------------|--|
| 10 | | 04 | | 13948-1 | S-10200-2 | | | | |
| Ref Pos | Quantity/Antal | | | Part No Art nr | Description | Benämning | Note Anmärkning | C, P K, L | |
| | CA | | | | | | | | |
| • 1 | 1 | | | 34 20 64 | Three-speed gear box, cpl | Tre-växlad växellåda, kpl. | 575011- | C 4 | |
| • 2 | 1 | | | 15 10 35 | •Snap ring | •Spårring | 575011- | | |
| • 3 | 1 | | | 42 33 91 | •Splined sleeve | •Splineshylsa | 575011- | D 3 | |
| • 4 | 1 | | | 15 00 20 | •Snap ring | •Spårring | 575011- | | |
| • 5 | 1 | | | 42 34 05 | •Housing | •Hus | 575011- | | |
| • 6 | 1 | | | 42 34 03 | •Gasket | •Packning | 575011- | D 3 | |
| • 7 | 1 | | | 42 33 98 | •Lever with shaft | •Arm med axel | 575011- | | |
| • 8 | 1 | | | 42 34 14 | •Seal ring | •Tätningssring | 575011- | D 3 | |
| • 9 | 1 | | | 50 00 28 | •Screw | •Skruv | 575011- | | |
| • 10 | 1 | | | 61 50 44 | •Conical spring washer ... | •Spännbricka | 575011- | | |
| • 11 | - | | | - | - | - | - | | |
| • 12 | 1 | | | 42 34 13 | •Expanding pin | •Fjädrande rörpinne | 575011- | | |
| • 13 | 1 | | | 42 33 86 | •Shim (set) | •Shims (sats) | 575011- | | |
| • 14 | 1 | | | 48 13 33 | •Ventilating valve | •Urluftningsventil | 575011- | D 4 | |
| • 15 | 8 | | | 50 00 21 | •Screw | •Skruv | 575011- | | |
| • 16 | 8 | | | 61 50 43 | •Conical spring washer ... | •Spännbricka | 575011- | | |
| • 17 | 1 | | | 42 33 84 | •Plug | •Plugg | 575011- | | |
| • 18 | 1 | | | 42 33 88 | •Rod | •Stång | 575011- | | |
| • 19 | 2 | | | 42 33 84 | •Plug | •Plugg | 575011- | | |
| • 20 | 1 | | | 42 34 13 | •Expanding pin | •Fjädrande rörpinne | 575011- | | |
| • 21 | 1 | | | 42 34 06 | •Cover | •Lock | 575011- | | |
| • 22 | 1 | | | 42 33 90 | •Lever | •Arm | 575011- | | |
| • 23 | 1 | | | 42 34 75 | •Expanding pin | •Fjädrande rörpinne | 575011- | | |
| • 24 | 1 | | | 42 33 96 | •Fork | •Gaffel | 575011- | D 4 | |
| • 25 | 1 | | | 42 33 89 | •Spring | •Fjäder | 575011- | D 3 | |
| • 26 | 1 | | | 13 30 41 | •Ball | •Kula | 575011- | D 3 | |
| • 27 | 2 | | | 55 01 16 | •Screw | •Skruv | 575011- | | |
| • 28 | 1 | | | 42 34 03 | •Gasket | •Packning | 575011- | D 3 | |
| • 29 | 1 | | | 42 34 08 | •Cover | •Lock | 575011- | | |
| • 30 | 1 | | | 42 34 09 | •Seal ring | •Tätningssring | 575011- | D 3 | |
| • 31 | 8 | | | 50 01 31 | •Screw | •Skruv | 575011- | | |
| • 32 | 8 | | | 67 50 70 | •Conical spring washer ... | •Spännbricka | 575011- | | |
| • 33 | 1 | | | 42 34 00 | •Gasket | •Packning | 575011- | D 3 | |
| • 34 | 1 | | | 42 34 07 | •Housing | •Hus | 575011- | | |
| • 35 | 1 | | | 11 12 08 | •Ball bearing | •Kullager | 575011- | D 3 | |
| • 36 | 1 | | | 42 33 93 | •Spacer | •Distansbricka | 575011- | | |
| • 37 | 1 | | | 42 33 87 | •Gear | •Kuggghjul | 575011- | | |
| • 38 | 1 | | | 42 34 01 | •Splined shaft | •Splinesaxel | 575011- | | |
| • 39 | 1 | | | 42 33 94 | •Gear | •Kuggghjul | 575011- | | |
| • 40 | 1 | | | 42 33 81 | •Needle bearing | •Nålllager | 575011- | D 3 | |
| • 41 | 1 | | | 42 34 02 | •Shaft with gear | •Kuggaxel | 575011- | | |
| • 42 | 1 | | | 11 12 09 | •Ball bearing | •Kullager | 575011- | D 3 | |
| • 43 | 1 | | | 42 33 92 | •Washer | •Bricka | 575011- | | |
| • 44 | 1 | | | 11 10 85 | •Ball bearing | •Kullager | 575011- | D 3 | |
| • 45 | 1 | | | 42 33 97 | •Shaft with gear | •Kuggaxel | 575011- | | |
| • 46 | 1 | | | 11 10 86 | •Ball bearing | •Kullager | 575011- | D 3 | |
| • 47 | 2 | | | 42 33 82 | •Plug | •Plugg | 575011- | D 4 | |
| • 48 | 1 | | | 42 34 04 | •Brake disc | •Bromsskiva | 575011- | | |

1) CA25, all models
CA25, alla typer



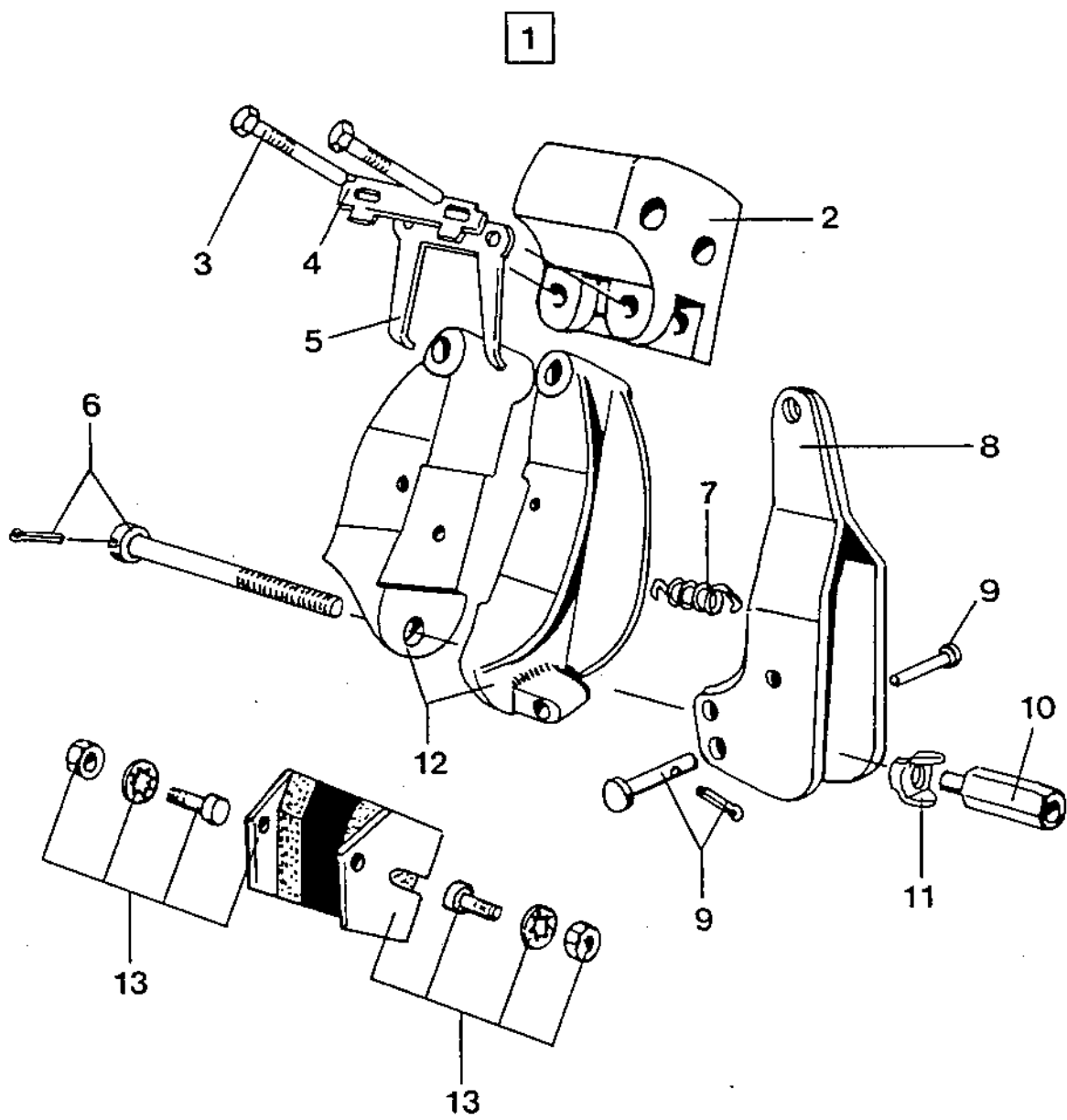
| Page Sida | | Group Grupp | | Picture No Bild nr | | Issue Utgåva | | THREE-SPEED GEAR BOX Renondin | | TRE-VÅXLAD VÅXELLÅDA Renondin | |
|--------------|----------------|----------------|--|-----------------------|--|--|--------------------|----------------------------------|--|----------------------------------|--|
| 12 | | 04 | | 13948-1 | | S-10200-2 | | | | | |
| Ref Pos | Quantity/Antal | | | Part No Art nr | Description | Benämning | Note Anmärkning | C, P K, L | | | |
| | CA | | | | | | | | | | |
| * 49 | 1 | | | 42 33 99 | •Hub | •Nav | 575011- | | | | |
| * 50 | 4 | | | 42 34 11 | •Bolt | •Bult | 575011- | | | | |
| * 51 | 1 | | | 42 33 85 | •Nut | •Mutter | 575011- | | | | |
| * 52 | 1 | | | 42 34 10 | •Disc brake, cpl. Comps, page 14 | •Skivbroms, kpl. Det. se sida 14 | 575011- | | | | |
| * 53 | 1 | | | - | O-ring | O-ring | See page 4 ref. 5 | | | | |

1) CA25, all models
CA25, alla typer



| Page Sida | | Group Grupp | | Picture No Bild nr | Issue Utgåva | DISC BRAKE Renordin | SKIVBROMS Renordin | |
|--------------|----------------|----------------|--|-----------------------|----------------------------|--------------------------|-----------------------|--------------|
| 14 | | 04 | | 13949-1 | S-10200-2 | | | |
| Ref Pos | Quantity/Antal | | | Part No Art nr | Description | Benämning | Note Anmärkning | C, P K, L |
| | CA | | | | | | | |
| • 1 | 1 | | | 42 34 10 | Disc brake, cpl. | Skivbroms, kpl. | 575011- | D 4 |
| • 2 | 1 | | | 91 10 86 | •Bracket | •Fäste | 575011- | |
| • 3 | 2 | | | 91 10 78 | •Screw | •Skruv | 575011- | |
| • 4 | 1 | | | 91 10 80 | •Lock plate | •Låsbleck | 575011- | D 3 |
| • 5 | 1 | | | 91 10 83 | •Fork | •Gaffel | 575011- | |
| • 6 | 1 | | | 91 10 85 | •Bolt with split pin | •Bult med saxpinne | 575011- | |
| • 7 | 1 | | | 91 10 79 | •Spring | •Fjäder | 575011- | D 3 |
| • 8 | 1 | | | 91 10 84 | •Control lever | •Reglagearm | 575011- | |
| • 9 | 2 | | | 91 10 82 | •Bolt with split pin | •Bult med saxpinne | 575011- | |
| • 10 | 1 | | | 91 10 76 | •Link sleeve | •Länkhylsa | 575011- | |
| • 11 | 1 | | | 91 10 77 | •Link nut | •Länkmutter | 575011- | |
| • 12 | 1 | | | 91 10 87 | •Brake shoe, set | •Bromssko, sats | 575011- | |
| • 13 | 2 | | | 91 10 81 | •Brake lining set | •Bromsbeläggsats | 575011- | D 3 |

1) CA25, all models
CA25, alla typer



34 20 64

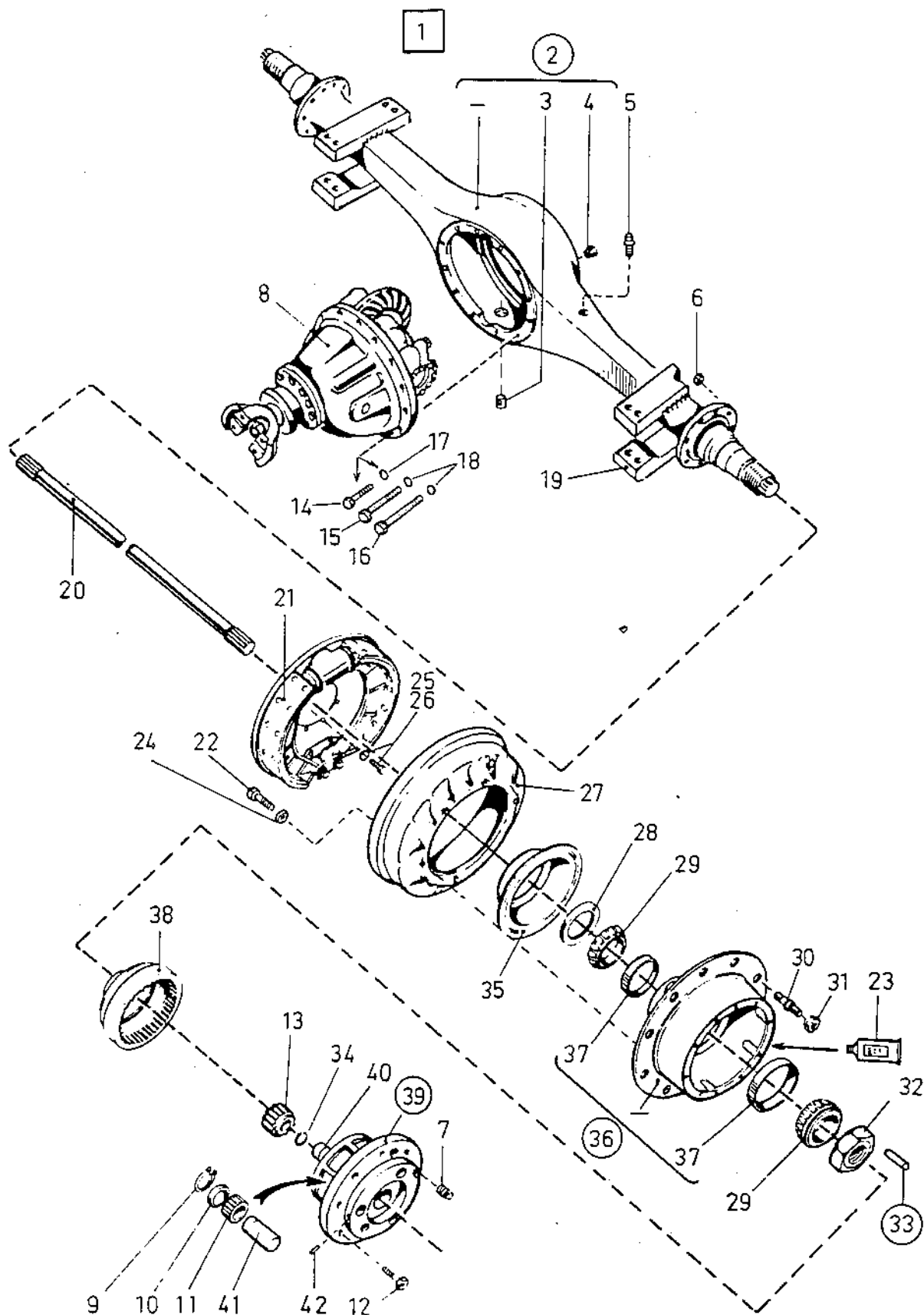
CA 25 II - 13949-1

| Page Sida | | Group Grupp | Picture No Bild nr | Issue Utgåva | 6) WHEEL AXLE Wheel axle and planetary gearing | 6) HJULAXEL Hjulaxel och planetväxel |
|--------------|--------------------|-------------------|----------------------------|------------------------------|--|---|
| 16 | | 04 | 13779-1 | S-10200-2 | | |
| Ref Pos | Quantity/ Antal | Part No Art nr | Description | Benämning | Note Anmärkning | C, P K, L |
| | CA 1)25 | | | | | |
| 1 | 1 | 33 54 64 | Wheel axle, compl. | Hjulaxel, kompl. | | |
| 2 | 1 | 91 03 77 | •Housing, compl. | •Hus, kompl. | | |
| 3 | 1 | 91 03 87 | ••Drain plug | ••Avtappningsplugg | | D 3 |
| 4 | 1 | 81 40 34 | ••Filling plug | ••Påfyllningsplugg | | D 3 |
| 5 | 1 | 81 40 08 | •Ventilating valve | •Urluftningsventil | | D 4 |
| 6 | 20 | 41 61 06 | •Nut | •Mutter | | |
| 7 | 2 | 92 29 91 | •Plug | •Plugg | | D 3 |
| 8 | 1 | - | •Differential carrier | •Differentialhållare | | |
| | | | Comps, page 18 | Det. se sida 18 | | |
| 9 | 6 | 81 39 67 | •Snap ring | •Spårring | | |
| 10 | 6 | 92 29 92 | •Thrust washer | •Tryckbricka | | |
| 11 | 6 | 41 61 91 | •Planet gear | •Planethjul | | D 4 |
| 12 | 32 | 81 39 36 | •Screw | •Skruv | | |
| 13 | 2 | 81 42 83 | •Sun gear | •Solhjul | | D 4 |
| 14 | 12 | 91 03 86 | •Screw, short | •Skruv, kort | | |
| 15 | 2 | 92 29 93 | •Screw, medium | •Skruv, medellång | | |
| 16 | 2 | 91 03 85 | •Screw, long | •Skruv, lång | | |
| 17 | 12 | 41 62 23 | •Washer | •Bricka | | |
| 18 | 4 | 41 61 26 | •Washer | •Bricka | | |
| 19 | 2 | 91 03 92 | •Support plate | •Stödplatta | | |
| 20 | 2 | 81 42 82 | •Shaft | •Axel | | D 4 |
| 21 | 2 | - | •Brake | •Broms | | |
| | | | Comps, page 22 | Det. se sida 22 | | |
| 22 | 20 | 91 03 84 | •Screw | •Skruv | | |
| 23 | n | 49 10 15 | •Liquid gasket (tube) | •Tätningssmassa (tub) | | D 4 |
| 24 | 20 | 81 39 53 | •Washer | •Bricka | | |
| 25 | 20 | 92 29 94 | •Washer | •Bricka | | |
| 26 | 20 | 91 03 83 | •Screw | •Skruv | | |
| 27 | 2 | 81 42 40 | •Brake drum | •Bromstrumma | | |
| 28 | 2 | 92 29 95 | •Seal ring | •Tätningsring | | D 3 |
| 29 | 4 | 81 40 28 | •Bearing cone | •Innerring med rullar | | D 4 |
| 30 | 16 | 81 36 93 | •Stud | •Pinnskruv | | D 3 |
| 31 | 16 | 81 36 94 | •Wheel nut | •Hjulmutter | | D 3 |
| 32 | 2 | 81 40 11 | •Nut lock | •Mutterlåsning | | D 4 |
| 33 | 1 | 92 29 96 | ••Pin | ••Pinne | | |
| 34 | 2 | 81 39 66 | •Snap ring | •Spårring | | |
| 35 | 2 | 81 39 95 | •Oil slinger | •Oljekastarring | | |
| 36 | 2 | 81 42 41 | •Hub, compl. | •Nav, kompl. | | |
| 37 | 2 | 81 40 27 | ••Bearing cup | ••Yttering | | D 4 |
| 38 | 2 | 81 39 99 | •Ring gear | •Krondev | | D 4 |
| 39 | 2 | 92 29 97 | •Planetary spider, compl. | •Planethjulshållare, kpl. .. | | |
| 40 | 1 | 81 39 68 | ••Thrust button | ••Tryckplatta | | |
| 41 | 3 | 92 29 98 | ••Shaft | ••Axel | | D 4 |
| 42 | 3 | 92 29 99 | ••Stop screw | ••Stoppsskruv | | |

1) CA25, all models
CA25, alla typer

6) When ordering spare parts for wheel axle, always state type designation of axle. Type sign is located on axlehousing between wheel and differential.

Vid beställning av reservdelar till hjulaxel, ange alltid typbeteckningen på axeln. Typskylten är placerad på axelhuset mellan hjul och differential.



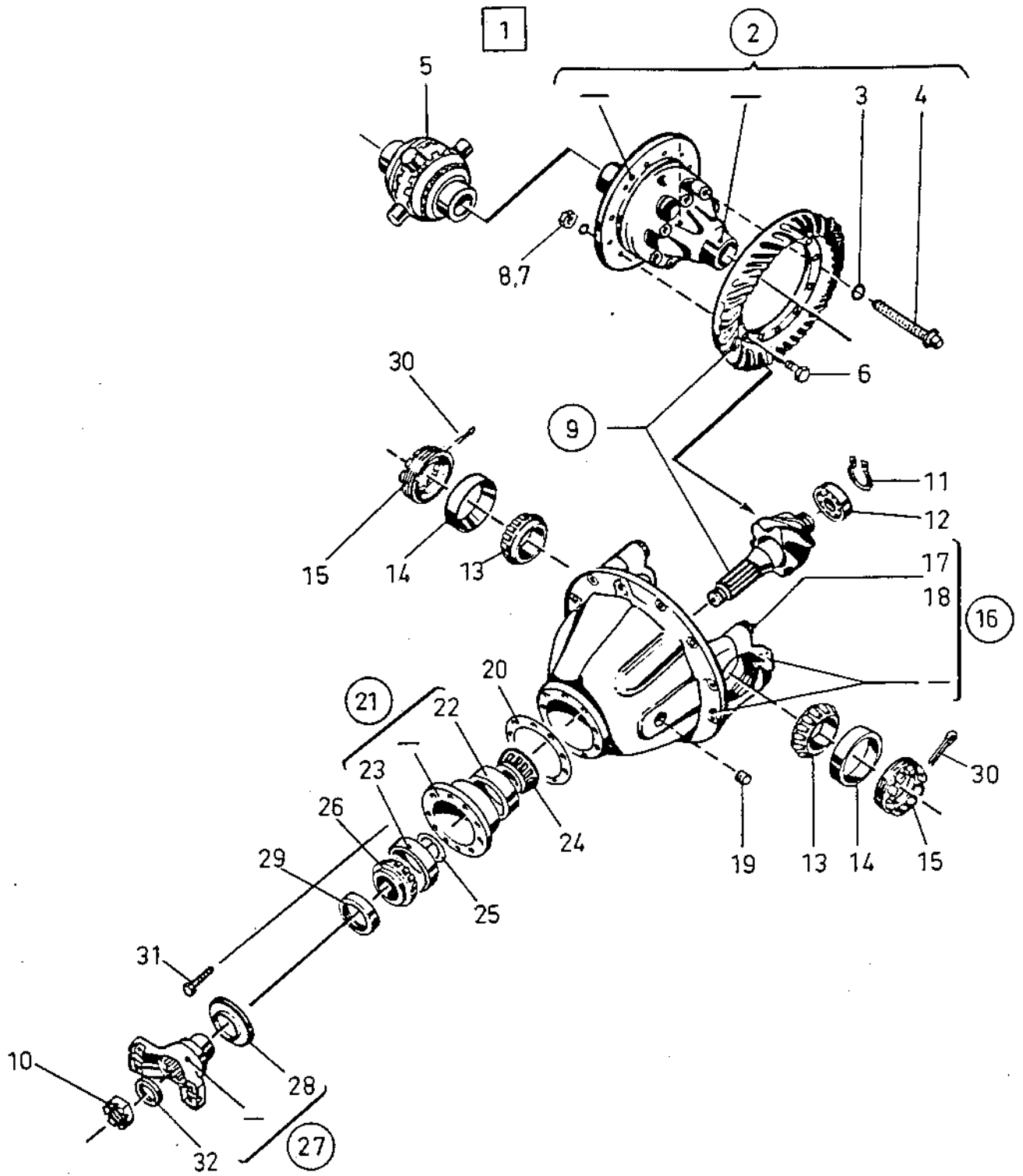
| Page Sida | Group Grupp | Picture No Bild nr | Issue Utgåva | 6) WHEEL AXLE Differential carrier | 6) HJULAXEL Differentialhållare | |
|-----------|----------------|--------------------|--------------------------------|--------------------------------------|---------------------------------|-----------|
| 18 | 04 | 13780-1 | S-10200-2 | | | |
| Ref Pos | Quantity/Antal | Part No Art nr | Description | Benämning | Note Anmärkning | C, P K, L |
| | 1)25 | | | | | |
| 1 | 1 | 89 02 03 | Differential carrier, cpl. ... | Differentialhållare, kpl. ... | | D 4 |
| 2 | 1 | 89 31 23 | •Differential case, cpl. | •Differentialhus, kpl. | | O |
| 3 | 8 | 41 62 23 | ••Washer | ••Bricka | | |
| 4 | 8 | 81 39 38 | ••Screw | ••Skruv | | |
| 5 | 1 | 81 40 06 | •No-Spin differential | •No-Spin-differential | | |
| 6 | 12 | 89 21 04 | •Screw | •Skruv | | |
| 7 | 12 | 41 62 23 | •Washer | •Bricka | | |
| 8 | 12 | 81 40 44 | •Nut | •Mutter | | |
| 9 | 1 | 81 40 18 | •Drive shaft w gear ring .. | •Drivaxel med kuggkrans | | D 4, |
| 10 | 1 | 91 03 88 | ••Nut | ••Mutter | | |
| 11 | 1 | 81 39 54 | ••Snap ring | ••Spårring | | |
| 12 | 1 | 81 39 48 | ••Roller bearing | ••Rullager | | D 4 |
| 13 | 2 | 81 40 03 | •Bearing cone | •Innerring med rullar | | D 3 |
| 14 | 2 | 89 14 15 | •Bearing cup | •Yttering | | D 3 |
| 15 | 2 | 81 39 86 | •Adjusting ring | •Justerring | | D 4 |
| 16 | 1 | 91 03 79 | •Bearing housing, cpl. | •Lagerhus, kpl. | | |
| 17 | 4 | 89 16 63 | ••Screw | ••Skruv | | |
| 18 | 4 | 81 39 53 | ••Washer | ••Bricka | | |
| 19 | 1 | 81 40 34 | •Filling plug | •Påfyllningsplugg | | D 3 |
| 20 | n | 89 23 06 | •Shim, .003" | •Mellanlägg, 0,003" | 5) | D 4 |
| | n | 89 23 09 | •Shim, .005" | •Mellanlägg, 0,005" | 5) | D 4 |
| | n | 89 33 39 | •Shim, .010" | •Mellanlägg, 0,010" | 5) | D 4 |
| 21 | 1 | 89 10 86 | •Bearing cage, cpl. | •Lagerhållare, kpl. | | D 4 |
| 22 | 1 | 91 02 38 | ••Bearing cup, inner | ••Yttering, inre | | D 4 |
| 23 | 1 | 81 40 05 | ••Bearing cup, outer | ••Yttering, yttre | | D 4 |
| 24 | 1 | 89 13 90 | •Bearing cone, inner | •Innerring med rullar, inre | | D 4 |
| 25 | n | 89 33 30 | •Spacer, .153" | •Distansring, 0,153" | 5) | |
| | n | 89 33 31 | •Spacer, .154" | •Distansring, 0,154" | 5) | |
| | n | 89 33 32 | •Spacer, .155" | •Distansring, 0,155" | 5) | |
| | n | 89 33 33 | •Spacer, .156" | •Distansring, 0,156" | 5) | |
| | n | 89 33 34 | •Spacer, .157" | •Distansring, 0,157" | 5) | |
| | n | 89 33 35 | •Spacer, .158" | •Distansring, 0,158" | 5) | |
| | n | 89 33 36 | •Spacer, .164" | •Distansring, 0,164" | 5) | |
| | n | 89 33 37 | •Spacer, .170" | •Distansring, 0,170" | 5) | |
| | n | 89 33 38 | •Spacer, .182" | •Distansring, 0,182" | 5) | |
| 26 | 1 | 81 40 04 | •Bearing cone, outer | •Innerring med rullar, yttre | | D 4 |
| 27 | 1 | 81 40 16 | •Connecting flange, cpl. | •Kopplingsfläns, kpl. | | |
| 28 | 1 | 91 03 91 | ••Ring | ••Ring | | |
| 29 | 1 | 89 10 67 | •Seal ring | •Tätningring | | D 3 |
| 30 | 2 | 81 39 46 | •Cotter pin | •Saxpinne | | |
| 31 | 8 | 89 32 61 | •Screw | •Skruv | | |

1) CA25, all models
CA25, alla typer

5) As required
Efter behov

6) When ordering spare parts for wheel axle, always state type designation of axle. Type sign is located on axlehousing between wheel and differential.

Vid beställning av reservdelar till hjulaxel, ange alltid typbeteckningen på axeln. Typskylten är placerad på axelhuset mellan hjul och differential.

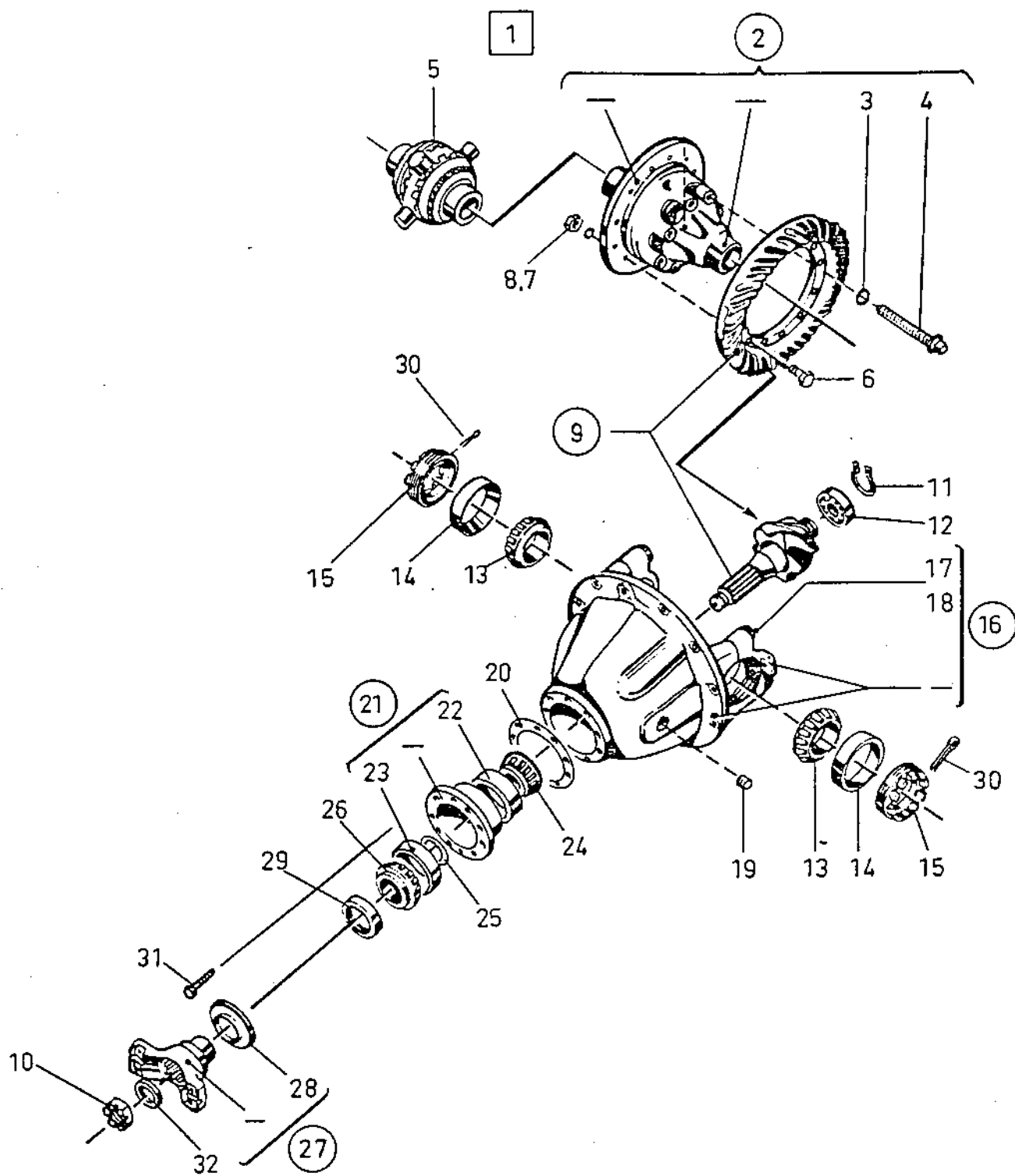


| Page Sida | | Group Grupp | | Picture No Bild nr | | Issue Utgåva | | 6) WHEEL AXLE Differential carrier | | 6) HJULAXEL Differentialhållare | |
|--------------|----------------|----------------|--|-----------------------|---------------|-----------------|--------------------|---------------------------------------|--|------------------------------------|--|
| 20 | | 04 | | 13780-1 | | S-10200-2 | | | | | |
| Ref Pos | Quantity/Antal | | | Part No Art nr | Description | Benämning | Note Anmärkning | C, P K, L | | | |
| | CA | | | | | | | | | | |
| | 1)25 | | | | | | | | | | |
| 32 | 1 | | | 81 39 49 | •Washer | •Bricka | | | | | |

1) CA25, all models
CA25, alla typer

6) When ordering spare parts for wheel axle, always state type designation of axle. Type sign is located on axlehousing between wheel and differential.

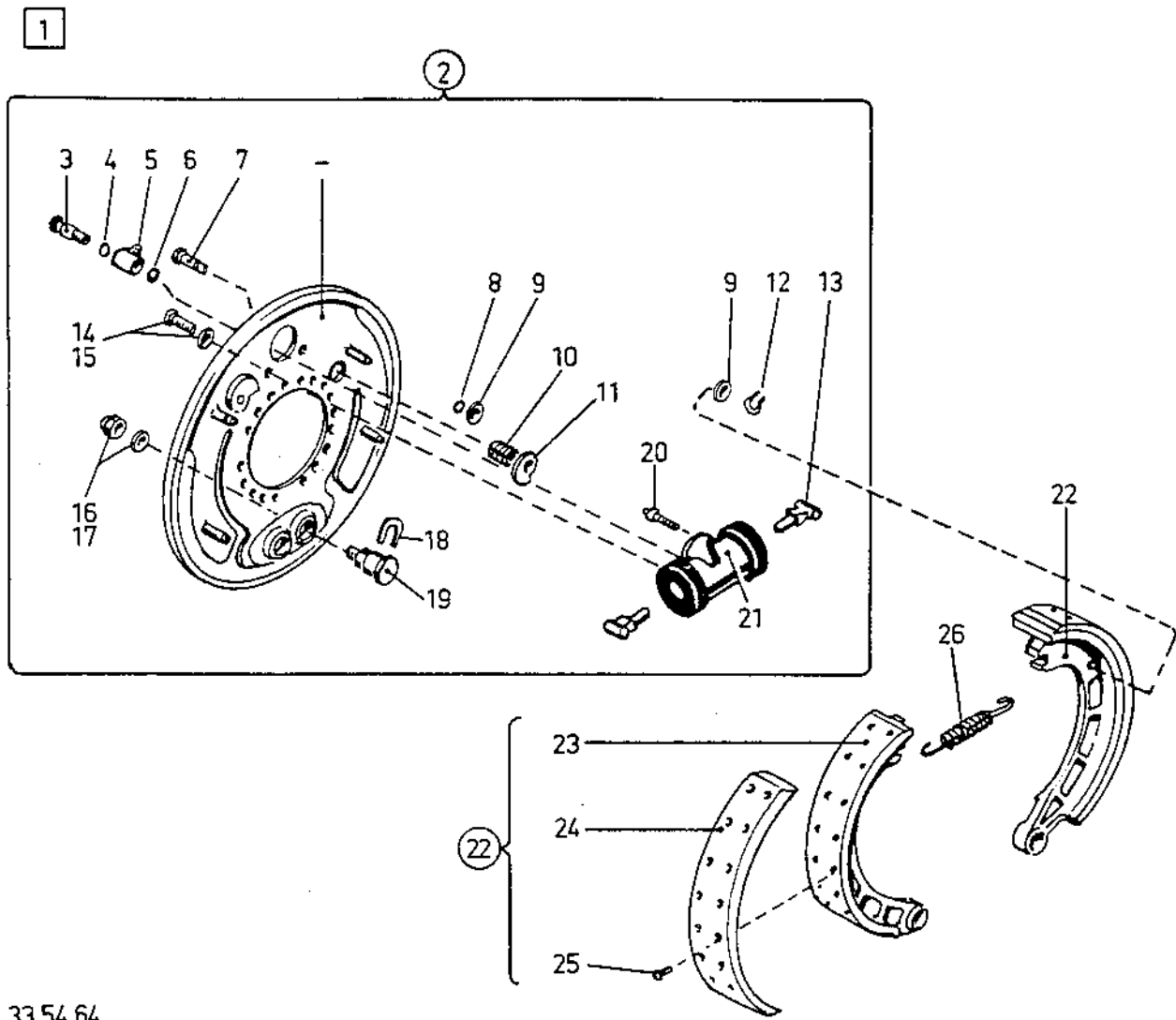
Vid beställning av reservdelar till hjulaxel, ange alltid typbeteckningen på axeln. Typskylten är placerad på axelhuset mellan hjul och differential.



| Page Sida | Group Grupp | Picture No Bild nr | Issue Utgåva | 6) WHEEL axle Brake | 6) HJULAXEL Broms | |
|--------------|----------------------|-----------------------|-------------------------------------|--------------------------------|----------------------|---------------|
| 22 | 04 | 13781-1 | S-10200-2 | | | |
| Ref Pos | Quantity/Antal CA | Part No Art nr | Description | Benämning | Note Anmärkning | C, P, K, L |
| | 1)25 | | | | | |
| 1 | 2 | 81 42 81 | Brake, compl. | Broms, kompl. | | |
| 2 | 1 | 81 40 14 | •Brake shield, compl. | •Bromssköld, kompl. | | |
| 3 | 1 | 91 03 90 | ••Bolt | ••Bult | | |
| 4 | 1 | 81 39 84 | ••Gasket | ••Packning | | D 3 |
| 5 | 1 | 81 39 42 | ••Inlet | ••Anslutning | | D 4 |
| 6 | 1 | 81 39 82 | ••Gasket | ••Packning | | D 3 |
| 7 | 2 | 81 40 12 | ••Bolt | ••Bult | | |
| 8 | 4 | 81 39 63 | ••Washer | ••Bricka | | |
| 9 | 8 | 81 39 51 | ••Washer | ••Bricka | | |
| 10 | 2 | 81 39 91 | ••Spring | ••Fjäder | | |
| 11 | 2 | 81 39 90 | ••Brake shoe eccentric ... | ••Bromsbacksexcenter ... | | |
| 12 | 4 | 81 39 62 | ••Washer | ••Bricka | | |
| 13 | 2 | 81 39 57 | ••Push rod | ••Tryckstång | | |
| 14 | 2 | 81 40 36 | ••Screw | ••Skruv | | |
| 15 | 2 | 81 40 41 | ••Spring washer | ••Fjäderbricka | | |
| 16 | 2 | 81 39 37 | ••Nut | ••Mutter | | |
| 17 | 2 | 81 39 52 | ••Lock washer | ••Låsbricka | | |
| 18 | 2 | 81 39 50 | ••Washer | ••Bricka | | |
| 19 | 2 | 81 39 58 | ••Adjusting bolt | ••Ställskruv | | |
| 20 | 1 | 81 39 44 | ••Bleeder screw | ••Uriuftningsskruv | | D 4 |
| 21 | 1 | 81 40 22 | ••Wheel brake cylinder .. | ••Bromscynder | | D 3 |
| 22 | 2 | 89 31 26 | •Brake shoe with lining, .. cpl. | •Bromsback med belägg, kpl. | | D 3 |
| 23 | 1 | 81 40 17 | ••Brake shoe | ••Bromsback | | D 4 |
| 24 | 1 | 89 33 46 | ••Brake lining | ••Bromsbelägg | | D 3 |
| 25 | 14 | 89 32 43 | ••Rivet | ••Nit | | D 3 |
| 26 | 1 | 81 39 88 | •Spring | •Fjäder | | D 4 |

1) CA25, all models
CA25, alla typer

6) When ordering spare parts for wheel axle, always state type designation of axle. Type sign is located on axlehousing between wheel and differential.
Vid beställning av reservdelar till hjulaxel, ange alltid typbeteckningen på axeln. Typskylten är placerad på axelhuset mellan hjul och differential.



33 54 64
33 55 52

CA 25 II - 13781 - 1

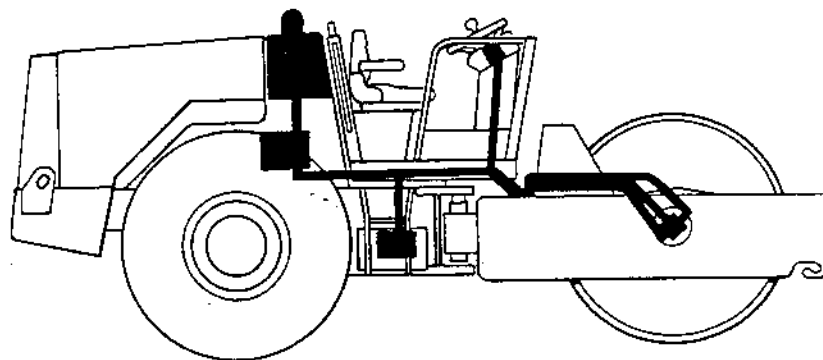
↓ **DYNAPAC**

HYDRAULIC SYSTEM

| |
|------------------------------------|
| Hydraulic diagram |
| Hydraulic system |
| Propulsion |
| Drum drive, CA25D/PD |
| Variable displacement pump |
| Propulsion |
| Drum drive, CA25P/PD |
| Charge pump |
| Control valve, servo |
| Hydraulic motor, wheel drive |
| Manifold valve |
| Hydraulic motor, drum drive |
| Hydraulic system, vibration |
| Hydraulic pump, vibr. and steering |
| Hydraulic motor, vibration |
| Hydraulic control valve, vibration |
| Hydraulic system, steering |
| Steering unit |
| Steering cylinder |

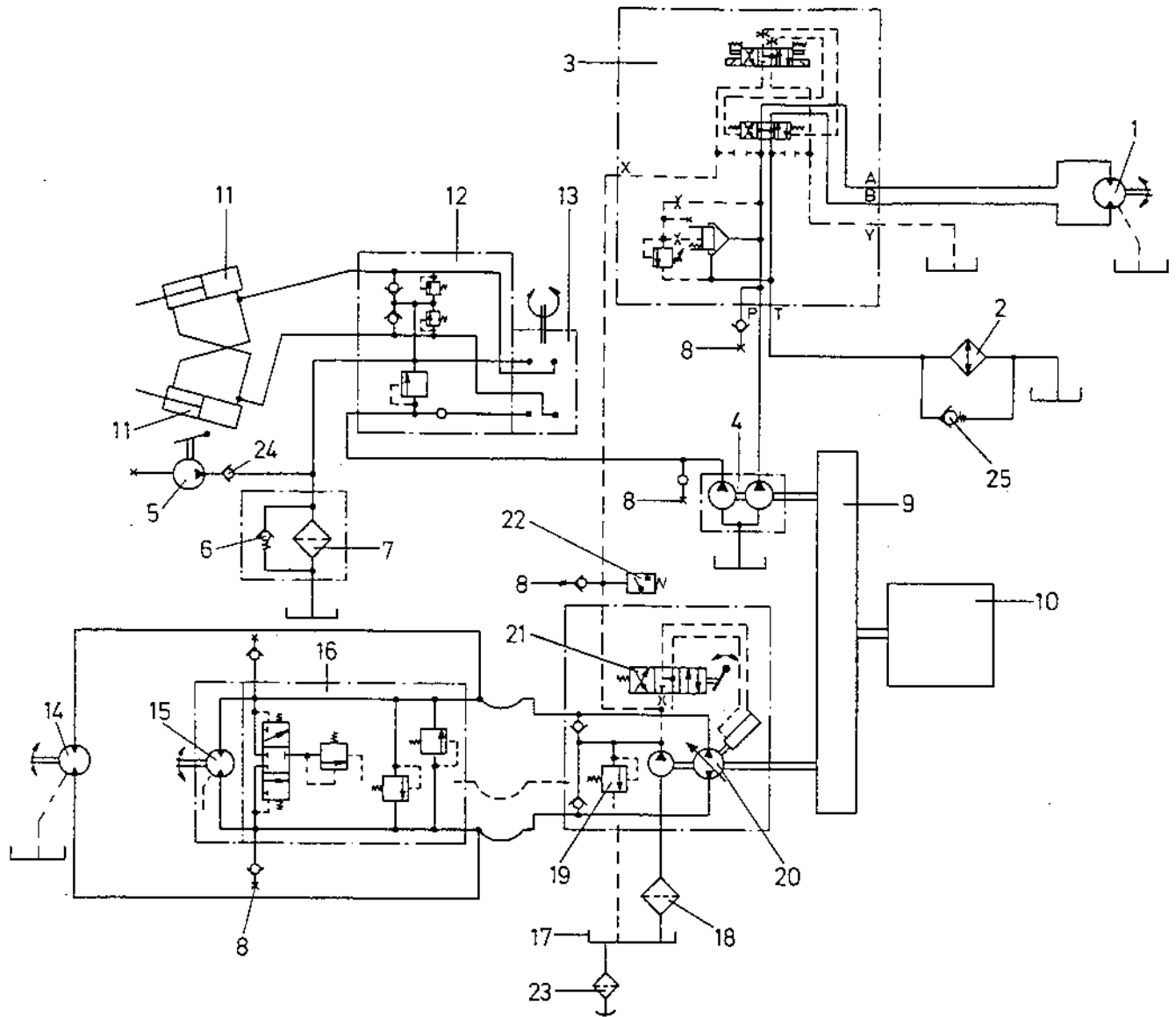
HYDRAULSYSTEM

| | |
|-------------------------------------|----|
| Hydraulschema | 2 |
| Hydraulsystem | |
| Framdrivning | 6 |
| Valsdrivning, CA25D/PD | 8 |
| Hydraulpump | |
| Framdrivning | 10 |
| Valsdrivning, CA25D/PD | 14 |
| Matarpump | 18 |
| Manöverventil, servo | 20 |
| Hydraulmotor, hjuldrivning | 22 |
| Ventilblock | 26 |
| Hydraulmotor, valsdrivning | 28 |
| Hydraulsystem, vibration | 30 |
| Hydraulpump, vibration och styrning | 40 |
| Hydraulmotor, vibration | 44 |
| Manöverventil, vibration | 48 |
| Hydraulsystem, styrning | 50 |
| Styrventil | 54 |
| Styrcylinder | 56 |



| Page Sida | Group Grupp | Picture No Bild nr | Issue Utgåva | HYDRAULIC DIAGRAM | HYDRAULSCHEMA | | | | |
|-----------|----------------|--------------------|--------------|-------------------|----------------|--|--|---|-----------|
| 2 | 05 | 13782-2 | S-10200-2 | | | | | | |
| Ref Pos | Quantity/Antal | | | | Part No Art nr | Description | Benämning | Note Anmärkning | C, P K, L |
| | CA | 25 D | 25 PD | 25 R | | | | | |
| 1 | 1 | 1 | - | 1 | | - Hydraulic motor, vibration Comps, page 44 | Hydraulmotor, vibration .. Det. se sida 44 | See page 30 ref. 14 | |
| * | - | - | 1 | - | | - Hydraulic motor, vibration Comps, page 46 | Hydraulmotor, vibration .. Det. se sida 46 | See page 34 ref. 14 | |
| 2 | 1 | 1 | 1 | 1 | | - Radiator and oil cooler | Kylare och oljekylare | 2,10) See group 3 | |
| | 1 | 1 | 1 | 1 | | - Oil cooler | Oljekylare | 3) See page 32 ref. 68 | |
| 3 | 1 | 1 | 1 | 1 | | - Hydraulic control valve, ... vibration Comps, page 48 | Manöverventil, vibration .. Det. se sida 48 | See page 30 ref. 31, 34 ref. 31 | |
| 4 | 1 | 1 | - | 1 | | - Hydraulic pump, vibration and steering Comps, page 40 | Hydraulpump, vibration .. och styrning Det. se sida 40 | See page 30 ref. 32 | |
| * | - | - | 1 | - | | - Hydraulic pump, vibration and steering Comps, page 42 | Hydraulpump, vibration .. och styrning Det. se sida 42 | See page 34 ref. 32 | |
| 5 | 1 | 1 | 1 | 1 | | - Hand pump | Handpump | See page 50 ref. 25 | |
| 6 | 1 | 1 | 1 | 1 | | - Check valve | Backventil | See page 50 ref. 40 | |
| 7 | 1 | 1 | 1 | 1 | | - Return filter | Returfilter | See page 50 ref. 39 | |
| 8 | 5 | 5 | 5 | 5 | | - Measuring nipple | Mät nipple | See page 26 ref. 14, 30 ref. 30, 32 ref. 58, 52 ref. 51 | |
| 9 | 1 | 1 | 1 | 1 | | - Hydraulic pump gearing .. | Fördelningsväxellåda | See group 3 | |
| 10 | 1 | 1 | 1 | 1 | | - Engine | Motor | See group 3 | |
| 11 | 2 | 2 | 2 | 2 | | - Steering cylinder | Styrcylinder | See page 50 ref. 33 | |
| | | | | | | Comps, page 56 | Det. se sida 56 | | |
| 12 | 1 | 1 | 1 | 1 | | - Relief valve block | Ventilblock | See page 50 ref. 13 | |
| 13 | 1 | 1 | 1 | 1 | | - Steering unit | Styrventil | See page 50 ref. 7 | |
| | | | | | | Comps, page 54 | Det. se sida 54 | | |
| 14 | - | 1 | 1 | - | | - Hydraulic motor, drum ... drive Comps, page 28 | Hydraulmotor, valsdrivning Det. se sida 28 | See page 8 ref. 36 | |
| 15 | 1 | 1 | 1 | 1 | | - Hydraulic motor, wheel ... drive Comps, page 22 | Hydraulmotor, hjuldrivning Det. se sida 22 | See page 6 ref. 12, 8 ref. 12 | |
| 16 | 1 | 1 | 1 | 1 | | - Manifold valve | Ventilblock | See page 22 ref. 2 | |
| | | | | | | Comps, page 26 | Det. se sida 26 | | |
| 17 | 1 | 1 | 1 | 1 | | - Hydraulic oil tank | Hydrauloljetank | See group 1 | |
| 18 | 1 | 1 | 1 | 1 | | - Suction filter | Sugfilter | See page 6 ref. 1, 8 ref. 1 | |
| 19 | 1 | 1 | 1 | 1 | | - Charge pump | Matarpump | See page 10 ref. 4, 14 ref. 4 | |
| | | | | | | Comps, page 18 | Det. se sida 18 | | |
| 20 | 1 | - | - | 1 | | - Variable displacement ... pump, propulsion Comps, page 10 | Hydraulpump, framdrivning Det. se sida 10 | See page 6 ref. 21 | |

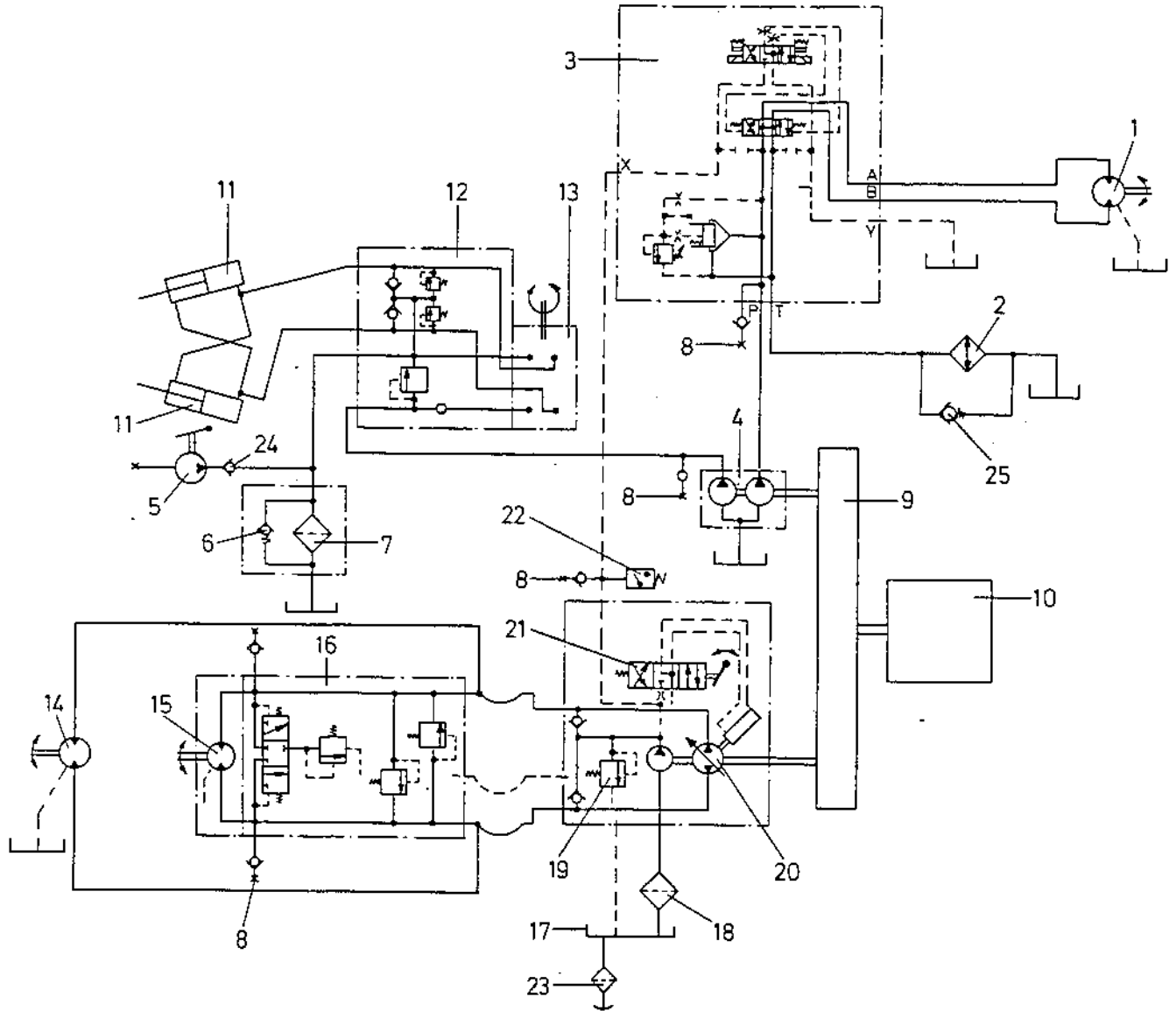
- 2) CA25 with Caterpillar
CA25 med Caterpillar
3) CA25 with Deutz
CA25 med Deutz
10) CA 25 with Detroit
CA 25 med Detroit



34 57 72
34 57 73
34 57 75

CA 25 II -13782-2

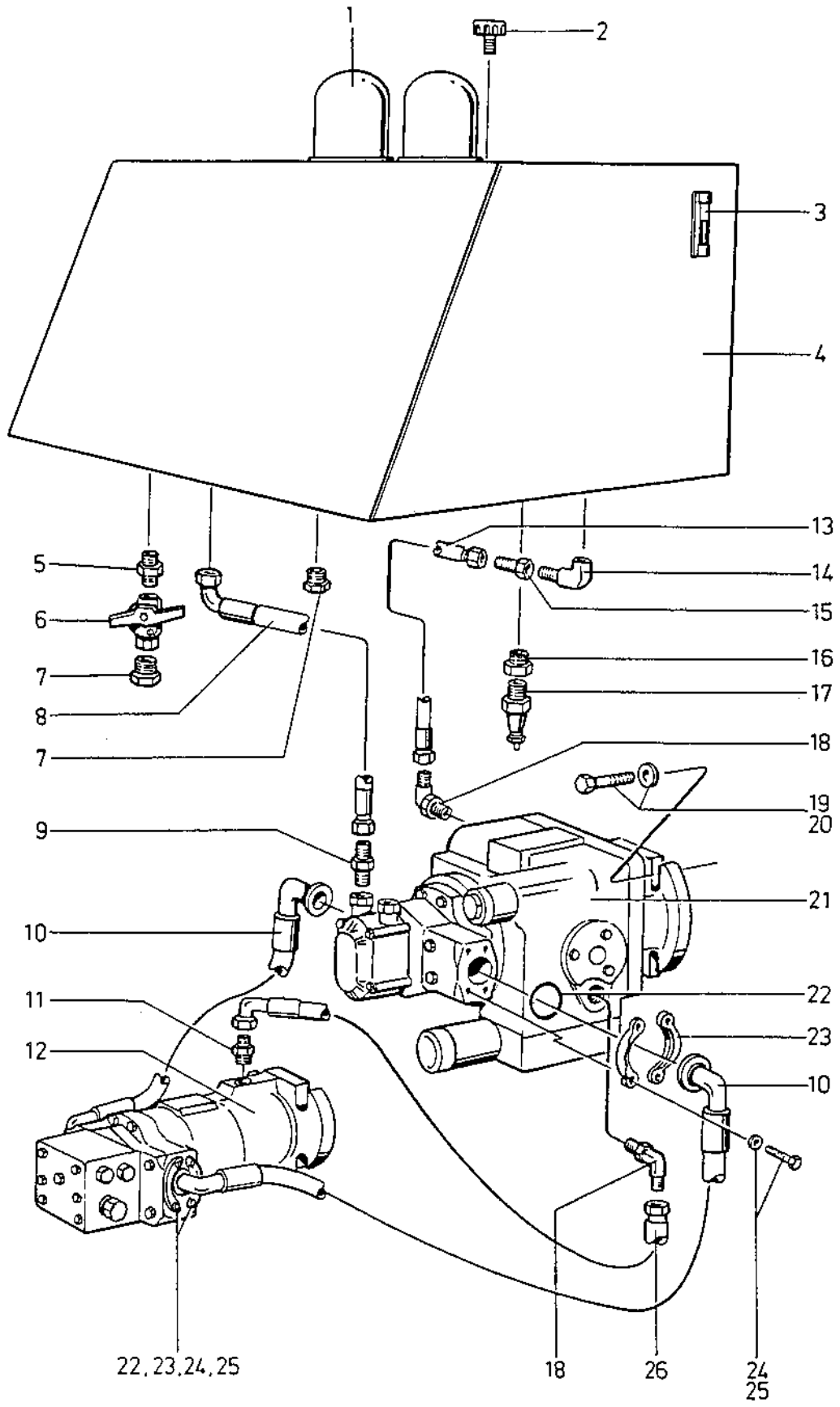
| Page Sida | | Group Grupp | | | | Picture No Bild nr | | Issue Utgåva | | HYDRAULIC DIAGRAM | | HYDRAULSCHEMA | |
|-----------|----------------|-------------|-------|------|----------------|--|---|------------------------------------|--------------|-------------------|--|---------------|--|
| 4 | | 05 | | | | 13782-2 | | S-10200-2 | | | | | |
| Ref Pos | Quantity/Antal | | | | Part No Art nr | Description | Benämning | Note Anmärkning | C, P K, L | | | | |
| | CA | 25 D | 25 PD | 25 R | | | | | | | | | |
| | - | 1 | 1 | - | | - Variable displacement pump, drum drive Comps, page 14 | Hydraulpump, valsdrivning Det. se sida 14 | See page 8 ref. 21 | | | | | |
| 21 | 1 | 1 | 1 | 1 | | - Control valve, servo Comps, page 20 | Manöverventil, servo Det. se sida 20 | See page 10 ref. 23, 14 ref. 23 | | | | | |
| 22 | 1 | 1 | 1 | 1 | | - Pressure switch | Manokontakt | See page 32 ref. 59 | | | | | |
| 23 | 1 | 1 | 1 | 1 | | - Breather filter | Avluftningsfilter | See page 6 ref. 2, 8 ref. 2 | | | | | |
| 24 | 1 | 1 | 1 | 1 | | - Check valve | Backventil | See page 50 ref. 20 | | | | | |
| 25 | - | - | 1 | - | | - Check valve | Backventil | See page 38 ref. 81 | | | | | |



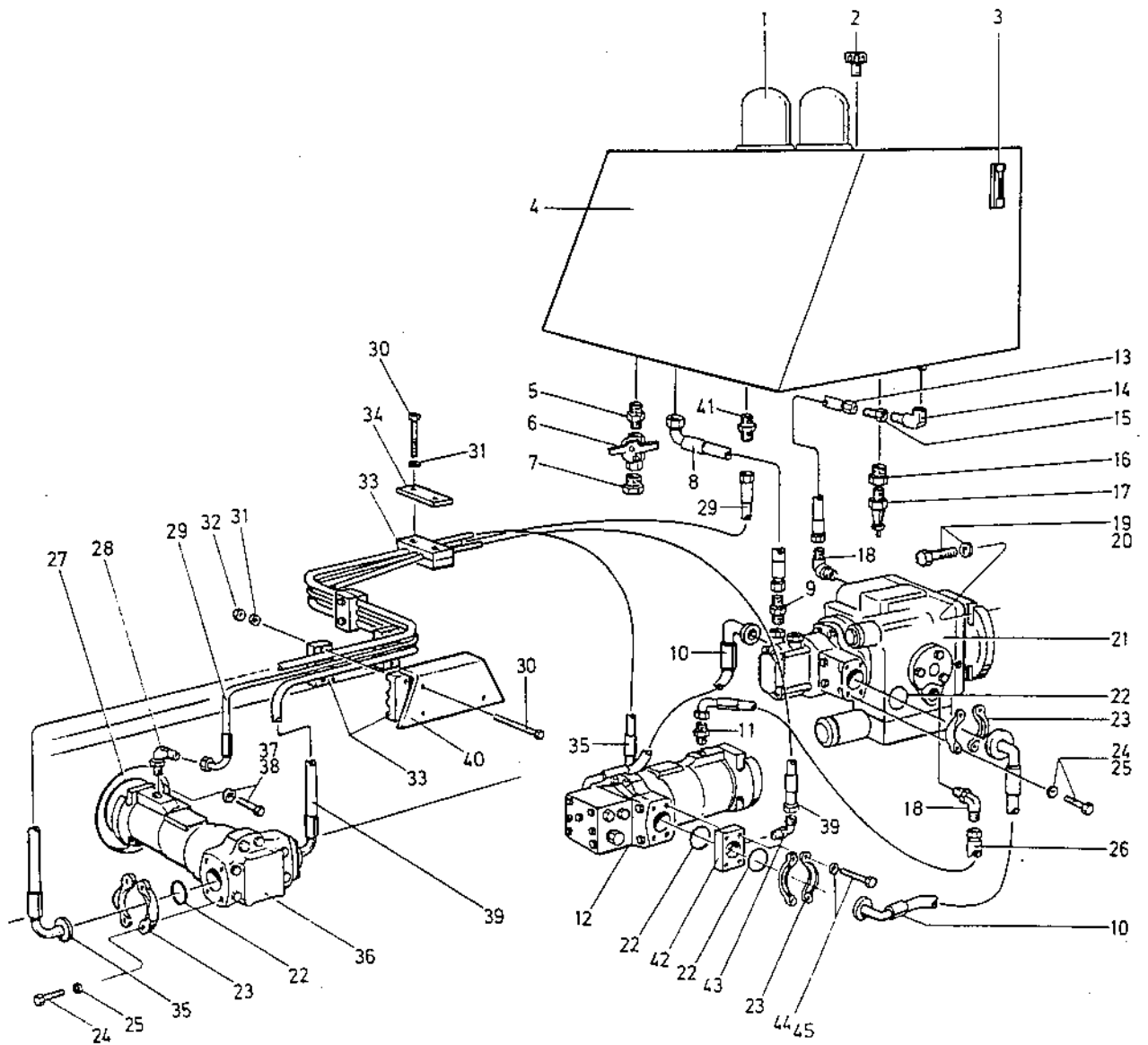
34 57 72
34 57 73
34 57 75

CA 25 II -13782-2

| Page Sida | | Group Grupp | | Picture No Bild nr | | Issue Utgåva | | HYDRAULIC SYSTEM Propulsion | | HYDRAULSYSTEM Framdrivning | |
|--------------|----------------|----------------|---|-----------------------|---|---|--------------------|--------------------------------|--|-------------------------------|--|
| 6 | | 05 | | 13783-1 | | S-10200-2 | | | | | |
| Ref Pos | Quantity/Antal | | | Part No Art nr | Description | Benämning | Note Anmärkning | C, P K, L | | | |
| | CA | 25 | R | | | | | | | | |
| 1 | 1 | 1 | | 49 93 49 | Suction filter | Sugfilter | See group 1 | A 1 | | | |
| 2 | 1 | 1 | | 23 33 27 | Breather filter | Avluftningsfilter | | D 3 | | | |
| 3 | 1 | 1 | | 98 91 51 | Oil level gauge | Oljenivårör | | D 3 | | | |
| 4 | 1 | 1 | | - | Hydraulic oil tank | Hydrauloljetank | | | | | |
| 5 | 1 | 1 | | 81 37 38 | Adapter | Adapter | | | | | |
| 6 | 1 | 1 | | 23 33 04 | Ball valve | Kulventil | | | | | |
| 7 | 2 | 2 | | 23 21 22 | Plug | Plugg | | | | | |
| 8 | 1 | 1 | | 48 20 01 | Suction hose | Sugslang | | D 3 | | | |
| 9 | 1 | 1 | | 33 42 28 | Adapter | Adapter | | | | | |
| 10 | 2 | 2 | | 333 56 03 26 | Hydraulic hose | Hydraulslang | | D 3 | | | |
| 11 | 1 | 1 | | 33 41 58 | Adapter | Adapter | | | | | |
| 12 | 1 | 1 | | 33 55 57 | Hydr. motor, wheel drive Comps, page 22 | Hydr. motor, hjuldrivr. Det. se sida 22 | | | | | |
| 13 | 1 | 1 | | 48 22 52 | Hydraulic hose | Hydraulslang | | D 3 | | | |
| 14 | 1 | 1 | | 81 42 51 | Elbow 90° | Rörkrök 90° | | | | | |
| 15 | 1 | 1 | | 81 42 50 | Check valve | Backventil | | | | | |
| 16 | 1 | 1 | | 81 34 34 | Adapter | Adapter | | | | | |
| 17 | 1 | 1 | | 98 91 50 | Hydr. oil temp. sender | Givare för hydr. oljetemp | | D 3 | | | |
| 18 | 2 | 2 | | 33 46 04 | Elbow 90° | Rörkrök 90° | | | | | |
| 19 | 4 | 4 | | 50 00 37 | Screw | Skruv | | | | | |
| 20 | 4 | 4 | | 61 50 45 | Conical spring washer | Spännbricka | | | | | |
| 21 | 1 | 1 | | 33 55 56 | Variable displ. pump, propulsion Comps, page 10 | Hydraulpump, framdr. Det. se sida 10 | | | | | |
| 22 | 4 | 4 | | 81 34 29 | O-ring | O-ring | | D 3 | | | |
| 23 | 8 | 8 | | 23 20 97 | Flange half | Flänshalva | | | | | |
| 24 | 16 | 16 | | 50 20 36 | Screw | Skruv | | | | | |
| 25 | 16 | 16 | | 60 00 07 | Washer | Bricka | | | | | |
| 26 | 1 | 1 | | 48 22 51 | Hydraulic hose | Hydraulslang | | D 3 | | | |



| Page Sida | | Group Grupp | | Picture No Bild nr | | Issue Utgåva | | HYDRAULIC SYSTEM Drum drive | | HYDRAULSYSTEM Valsdrivning | |
|--------------|----------------|----------------|----------|-----------------------|--|---|--------------------|--------------------------------|--|-------------------------------|--|
| 8 | | 05 | | 13784-1 | | S-10200-2 | | | | | |
| Ref Pos | Quantity/Antal | | | Part No Art nr | Description | Benämning | Note Anmärkning | C, P K, L | | | |
| | CA | 25 D | 25 PD | | | | | | | | |
| 1 | 1 | 1 | | 49 93 49 | Suction filter | Sugfilter | See group 1 | A 1 | | | |
| 2 | 1 | 1 | | 23 33 27 | Breather filter | Avluftningsfilter | | D 3 | | | |
| 3 | 1 | 1 | | 98 91 51 | Oil level gauge | Oljenivårör | | D 3 | | | |
| 4 | 1 | 1 | | | Hydraulic oil tank | Hydrauloljetank | | | | | |
| 5 | 1 | 1 | | 81 37 38 | Adapter | Adapter | | | | | |
| 6 | 1 | 1 | | 23 33 04 | Ball valve | Kulventil | | | | | |
| 7 | 1 | 1 | | 23 21 22 | Plug | Plugg | | | | | |
| 8 | 1 | 1 | | 48 20 01 | Suction hose | Sugslang | | D 3 | | | |
| 9 | 1 | 1 | | 33 42 28 | Adapter | Adapter | | | | | |
| 10 | 2 | 2 | | 333 56 03 26 | Hydraulic hose | Hydraulslang | | D 3 | | | |
| 11 | 1 | 1 | | 33 41 58 | Adapter | Adapter | | | | | |
| 12 | 1 | 1 | | 33 55 57 | Hydr. motor, wheel drive Comps, page 22 | Hydr. motor, hjuldrivn. Det. se sida 22 | | | | | |
| 13 | 1 | 1 | | 48 22 52 | Hydraulic hose | Hydraulslang | | D 3 | | | |
| 14 | 1 | 1 | | 81 42 51 | Elbow 90° | Rörkrök 90° | | | | | |
| 15 | 1 | 1 | | 81 42 50 | Check valve | Backventil | | | | | |
| 16 | 1 | 1 | | 81 34 34 | Adapter | Adapter | | | | | |
| 17 | 1 | 1 | | 98 91 50 | Hydr. oil temp. sender | Givare för hydr. oljetemp | | D 3 | | | |
| 18 | 2 | 2 | | 33 46 04 | Elbow 90° | Rörkrök 90° | | | | | |
| 19 | 4 | 4 | | 50 00 37 | Screw | Skruv | | | | | |
| 20 | 4 | 4 | | 61 50 45 | Conical spring washer | Spännbricka | | | | | |
| 21 | 1 | 1 | | 80 11 57 | Variable displ. pump, drum drive Comps, page 14 | Hydraulpump, valsdrivn. Det. se sida 14 | | | | | |
| 22 | 8 | 8 | | 81 34 29 | O-ring | O-ring | | D 3 | | | |
| 23 | 12 | 12 | | 23 20 97 | Flange half | Flänshalva | | | | | |
| 24 | 16 | 16 | | 50 20 36 | Screw | Skruv | | | | | |
| 25 | 16 | 16 | | 60 00 07 | Washer | Bricka | | | | | |
| 26 | 1 | 1 | | 48 22 51 | Hydraulic hose | Hydraulslang | | D 3 | | | |
| 27 | 1 | 1 | | 16 01 57 | O-ring | O-ring | | D 3 | | | |
| 28 | 1 | 1 | | 33 45 58 | Elbow 90° | Rörkrök 90° | | | | | |
| 29 | 1 | 1 | | 48 21 07 | Hydraulic hose | Hydraulslang | | D 3 | | | |
| 30 | 8 | 8 | | 50 01 92 | Screw | Skruv | | | | | |
| 31 | 8 | 8 | | 60 00 08 | Washer | Bricka | | | | | |
| 32 | 6 | 6 | | 57 00 06 | Nut | Mutter | | | | | |
| 33 | 4 | 4 | | 33 56 75 | Hose holder | Slanghållare | | | | | |
| 34 | 2 | 2 | | 33 56 32 | Plate | Platta | | | | | |
| 35 | 1 | 1 | | 48 21 06 | Hydraulic hose | Hydraulslang | | D 3 | | | |
| 36 | 1 | 1 | | 80 11 44 | Hydr. motor, drum drive .. Comps, page 28 | Hydr. motor, valsdrivn. Det. se sida 28 | | | | | |
| 37 | 4 | 4 | | 50 20 59 | Screw | Skruv | | | | | |
| 38 | 4 | 4 | | 60 30 03 | Washer | Bricka | | | | | |
| 39 | 1 | 1 | | 48 21 05 | Hydraulic hose | Hydraulslang | | D 3 | | | |
| 40 | 1 | 1 | | 34 55 89 | Hose guard | Slangskydd | | | | | |
| 41 | 1 | 1 | | 33 42 05 | Adapter | Adapter | | | | | |
| 42 | 2 | 2 | | 33 56 69 | Flange | Kopplingsfläns | | | | | |
| 43 | 2 | 2 | | 81 34 99 | Elbow 90° | Rörkrök 90° | | | | | |
| 44 | 8 | 8 | | 50 20 43 | Screw | Skruv | | | | | |
| 45 | 8 | 8 | | 61 50 44 | Conical spring washer | Spännbricka | | | | | |



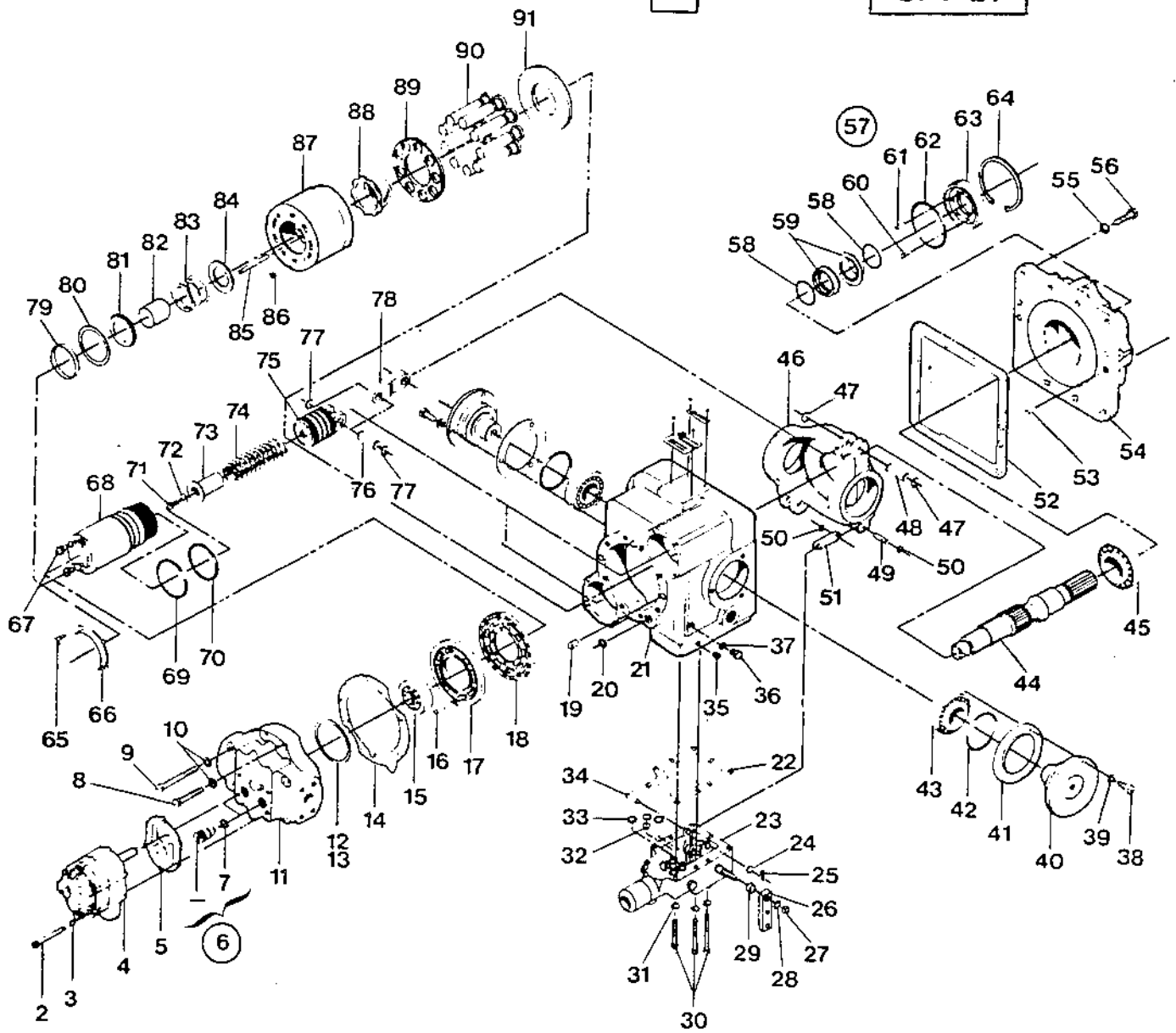
| Page Sida | Group Grupp | Picture No Bild nr | Issue Utgåva | VARIABLE DISPLACEMENT PUMP Propulsion | HYDRAULPUMP Framdrivning | |
|-----------|----------------|--------------------|--|---------------------------------------|--------------------------|-----------|
| 10 | 05 | 13785-1 | S-10200-2 | | | |
| Ref Pos | Quantity/Antal | Part No Art nr | Description | Benämning | Note Anmärkning | C, P K, L |
| | CA | | | | | |
| | 7)25 | | | | | |
| 1 | 1 | 33 55 56 | Variable displacement pump, propulsion, cpl. | Hydraulpump, framdrivning, kpl. | | C3 |
| 2 | 4 | 81 38 34 | •Screw | •Skruv | | |
| 3 | 4 | 81 38 44 | •Washer | •Bricka | | |
| 4 | 1 | 81 36 31 | •Charge pump cpl. Comps, page 18 | •Matarpump kpl. Det. se sida 18 | | |
| 5 | 1 | 81 36 33 | •Gasket | •Packning | | D 3 |
| 6 | 2 | 81 36 30 | •Check valve cpl. | •Backventil kpl. | | D 3 |
| 7 | 1 | 81 36 14 | ••O-ring | ••O-ring | | D 3 |
| 8 | 3 | 81 38 38 | •Screw | •Skruv | | |
| 9 | 5 | 81 38 39 | •Screw | •Skruv | | |
| 10 | 9 | 81 38 46 | •Washer | •Bricka | | |
| 11 | 1 | 48 03 05 | •Cover, rear | •Lock, bakre | | |
| 12 | n | 48 16 11 | •Shim, 0,25 mm | •Shim, 0,25 mm | 5) | |
| 13 | n | 48 16 12 | •Shim, 0,5 mm | •Shim, 0,5 mm | 5) | |
| 14 | 1 | 81 38 62 | •Gasket | •Packning | | D 3 |
| 15 | 1 | 81 38 13 | •Roller bearing | •Rullager | | |
| 16 | 1 | 81 38 21 | •Pin | •Pinne | | |
| 17 | 1 | 48 03 04 | •Valve plate | •Ventilplatta | | |
| 18 | 1 | 81 38 78 | •Bearing plate | •Lagerplatta | | |
| 19 | 2 | 81 38 22 | •Pin | •Pinne | | |
| 20 | 1 | 81 36 13 | •O-ring | •O-ring | | D 3 |
| 21 | 1 | 81 38 72 | •Pump housing | •Pumphus | | |
| 22 | 1 | 81 36 34 | •Gasket | •Packning | | D 3 |
| 23 | 1 | 81 36 32 | •Control valve, servo Comps, page 20 | •Manöverventil, servo Det. se sida 20 | | |
| 24 | 1 | 81 38 44 | •Washer | •Bricka | | |
| 25 | 1 | 81 38 20 | •Cotter pin | •Saxpinne | | |
| 26 | 1 | 33 55 93 | •Control lever | •Manöverarm | | |
| 27 | 1 | 81 38 16 | •Lock nut | •Låsmutter | | |
| 28 | 1 | 81 38 47 | •Washer | •Bricka | | |
| 29 | 1 | 81 38 88 | •Spacer ring | •Distansring | | |
| 30 | 9 | 81 38 33 | •Screw | •Skruv | | |
| 31 | 9 | 81 38 44 | •Washer | •Bricka | | |
| 32 | 1 | 81 36 28 | •Orifice plug | •Strypplugg | | |
| 33 | 3 | 81 36 13 | •O-ring | •O-ring | | D 3 |
| 34 | 1 | 81 38 90 | •Pin | •Pinne | | |
| 35 | 1 | 81 38 25 | •Plug | •Plugg | | |
| 36 | 1 | 81 38 26 | •Plug | •Plugg | | |
| 37 | 1 | 81 36 17 | •O-ring | •O-ring | | D 3 |
| 38 | 6 | 81 38 35 | •Screw | •Skruv | | |
| 39 | 6 | 81 38 45 | •Washer | •Bricka | | |
| 40 | 2 | 81 38 57 | •Bearing journal | •Lagertapp | | |
| 41 | n | 81 38 58 | •Shim | •Shim | 5) | |
| 42 | 2 | 81 38 19 | •O-ring | •O-ring | | D 3 |
| 43 | 2 | 48 03 18 | •Roller bearing | •Rullager | | |
| 44 | 1 | 81 38 63 | •Drive shaft | •Drivaxel | | |

5) As required
Efter behov

7) CA25, CA25R
CA25, CA25R

1

SPV 21



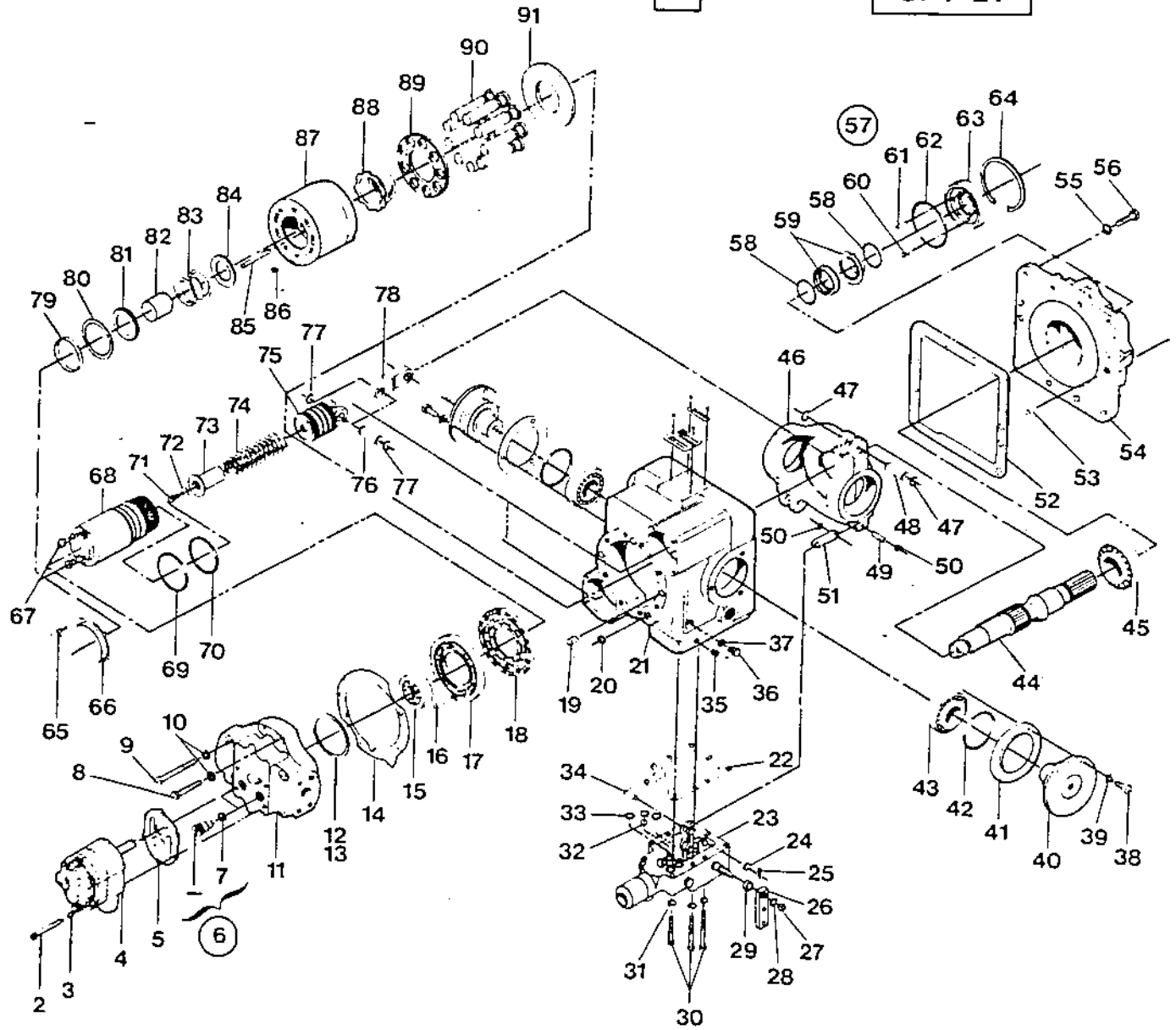
33 55 56

CA 25 II-13785-1

| Page Sida | Group Grupp | Picture No Bild nr | Issue Utgåva | VARIABLE DISPLACEMENT PUMP Propulsion | HYDRAULPUMP Framdrivning | |
|-----------|----------------|--------------------|-----------------------------|---------------------------------------|--------------------------|--------------|
| 12 | 05 | 13785-1 | S-10200-2 | | | |
| Ref Pos | Quantity/Antal | Part No Art nr | Description | Benämning | Note Anmärkning | C, P K, L |
| | 7)25 | | | | | |
| 45 | 1 | 81 38 15 | •Rollerbearing | •Rullager | | |
| 46 | 1 | 81 38 69 | •Swash plate | •Flödesplatta | | |
| 47 | 4 | 48 02 87 | •Retaining ring | •Låsbricka | | |
| 48 | 2 | 81 38 24 | •Pin | •Pinne | | |
| 49 | 1 | 81 38 23 | •Pin | •Pinne | | |
| 50 | 2 | 48 02 88 | •Retaining ring | •Låsbricka | | |
| 51 | 1 | 81 38 85 | •Link | •Länk | | |
| 52 | 1 | 81 36 23 | •Gasket | •Packing | | D 3 |
| 53 | 2 | 81 38 22 | •Pin | •Pinne | | |
| 54 | 1 | 81 38 61 | •Cover, front | •Lock, främre | | |
| 55 | 12 | 81 38 46 | •Washer | •Bricka | | |
| 56 | 12 | 81 38 37 | •Screw | •Skruv | | |
| 57 | 1 | 48 16 16 | •Drive shaft seal cpl. | •Drivaxeltätning kpl. | | D 3 |
| 58 | 2 | 81 36 16 | ••O-ring | ••O-ring | | |
| 59 | 1 | 81 36 24 | ••Seal rings (set) | ••Tätningssringar (sats) ... | | |
| 60 | 6 | 81 36 25 | ••Spring | ••Fjäder | | |
| 61 | 1 | 81 36 19 | ••Pin | ••Pinne | | |
| 62 | 1 | 81 36 12 | ••O-ring | ••O-ring | | |
| 63 | 1 | 81 36 22 | ••Seal ring carrier | ••Tätningshållare | | |
| 64 | 1 | 81 36 21 | ••Retaining ring | ••Låsring | | |
| 65 | 4 | 81 38 40 | •Screw | •Skruv | | |
| 66 | 2 | 81 38 50 | •Sleeve retainer | •Hylsfäste | | |
| 67 | 8 | 48 03 53 | •Plug | •Plugg | | |
| 68 | 2 | 48 03 01 | •Servo sleeve | •Servohylsa | | |
| 69 | 2 | 81 38 18 | •O-ring | •O-ring | | D 3 |
| 70 | 2 | 81 38 17 | •O-ring | •O-ring | | D 3 |
| 71 | 2 | 48 02 90 | •Screw | •Skruv | | |
| 72 | 2 | 48 02 92 | •Washer | •Bricka | | |
| 73 | 2 | 81 38 60 | •Spring guide | •Fjäderstyrning | | |
| 74 | 2 | 48 03 08 | •Spring | •Fjäder | | |
| 75 | 2 | 48 03 03 | Servo piston | Servokolv | | |
| 76 | 4 | 81 38 24 | •Pin | •Pinne | | |
| 77 | 4 | 81 38 31 | •Retaining ring | •Låsbricka | | |
| 78 | 2 | 48 03 02 | •Link | •Länk | | |
| 79 | 1 | 81 38 75 | •Guide ring | •Styrning | | |
| 80 | 1 | 81 38 29 | •Retaining ring | •Låsring | | |
| 81 | 1 | 81 38 55 | •Spring holder | •Fjäderhållare | | |
| 82 | 1 | 81 38 56 | •Spring guide | •Fjäderstyrning | | |
| 83 | 1 | 48 03 06 | •Spring | •Fjäder | | |
| 84 | 1 | 81 38 54 | •Spring holder | •Fjäderhållare | | |
| 85 | 6 | 91 10 60 | •Spring | •Fjäder | | |
| 86 | 1 | 81 38 51 | •Pin | •Pinne | | |
| 87 | 1 | 81 38 74 | •Cylinder block | •Cylinderhus | | |
| 88 | 1 | 81 38 66 | •Guide sleeve | •Styrhylsa | | |
| 89 | 1 | 81 38 70 | •Piston retainer | •Kolv med bringare | | |
| 90 | 9 | 81 38 73 | •Piston cpl. | •Kolv kpl. | | |
| 91 | 1 | 48 03 07 | •Thrust plate | •Tryckplatta | | |

1

SPV 21



33 55 56

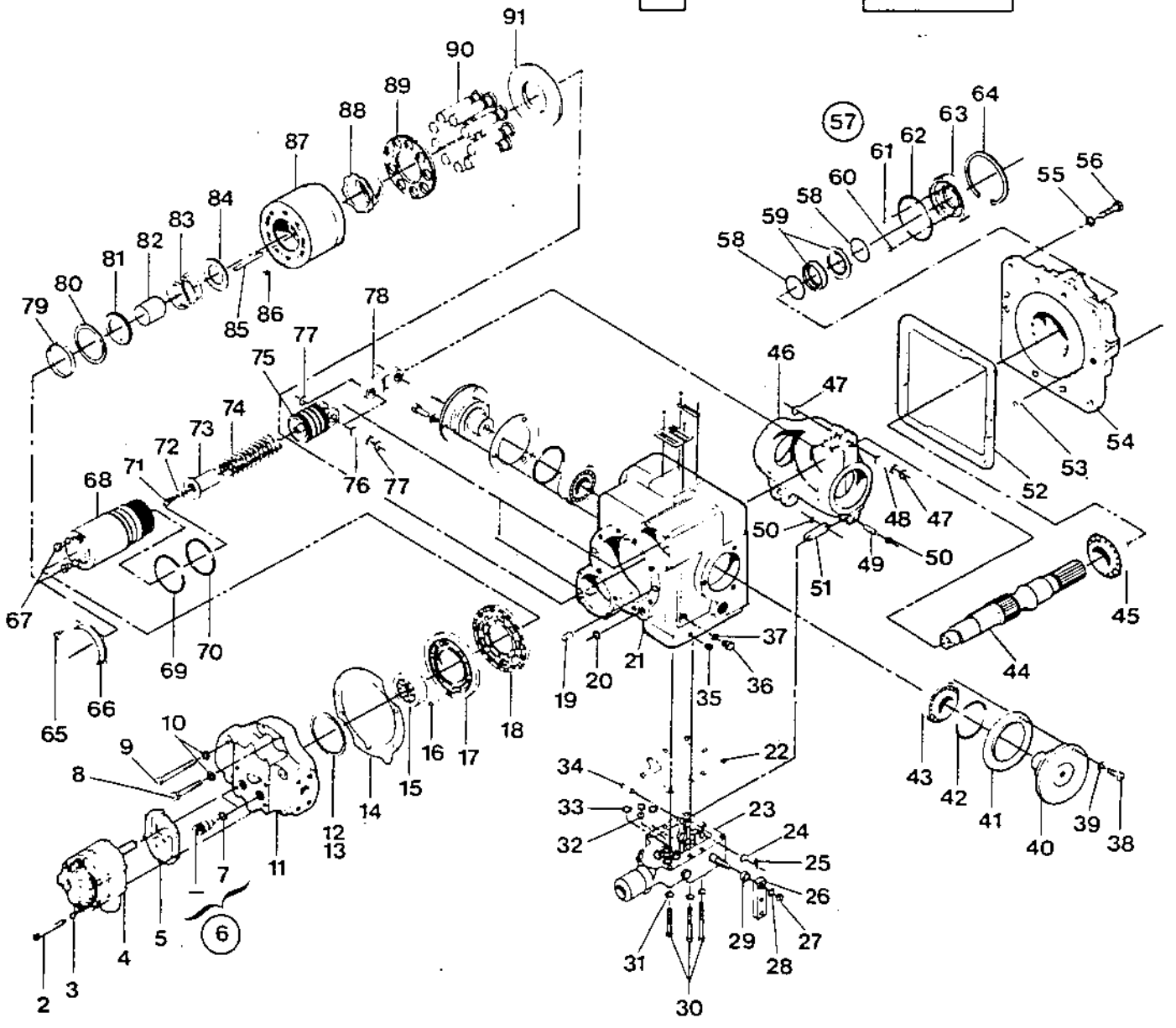
CA 25 II-13785-1

| Page Sida | | Group Grupp | | Picture No Bild nr | Issue Utgåva | VARIABLE DISPLACEMENT PUMP Drumdrive | HYDRAULPUMP Valsdrivning | |
|-----------|----------------|-------------|-------|--------------------|--|---|-----------------------------|--------------|
| 14 | | 05 | | 13786-1 | S-10200-2 | | | |
| Ref Pos | Quantity/Antal | | | Part No Art nr | Description | Benämning | Note Anmärkning | C, P K, L |
| | CA | 25 D | 25 PD | | | | | |
| 1 | 1 | 1 | | 80 11 57 | Variable displacement pump, drum drive, cpl. | Hydraulpump, valsdrivning, kpl. | | C 3 |
| 2 | 4 | 4 | | 91 10 53 | •Screw | •Skruv | | |
| 3 | 4 | 4 | | 81 38 44 | •Washer | •Bricka | | |
| 4 | 1 | 1 | | 48 15 08 | •Charge pump Comps, page 18 | •Matarpump Det. se sida 18 | | |
| 5 | 1 | 1 | | 81 36 33 | •Gasket | •Packning | | D 3 |
| 6 | 2 | 2 | | 81 36 30 | •Check valve, cpl. | •Backventil, kpl. | | D 3 |
| 7 | 1 | 1 | | 81 36 14 | •O-ring | •O-ring | | D 3 |
| 8 | 3 | 3 | | 81 38 38 | •Screw | •Skruv | | |
| 9 | 5 | 5 | | 81 38 39 | •Screw | •Skruv | | |
| 10 | 8 | 8 | | 81 38 46 | •Washer | •Bricka | | |
| 11 | 1 | 1 | | 91 10 56 | •Cover rear | •Lock, bakre | | |
| 12 | n | n | | 48 11 06 | •Shim | •Mellanlägg | 5) | |
| 13 | n | n | | 91 10 59 | •Shim | •Mellanlägg | 5) | |
| 14 | 1 | 1 | | 48 10 92 | •Gasket | •Packning | | D 3 |
| 15 | 1 | 1 | | 48 10 77 | •Roller Bearing | •Rullager | | |
| 16 | 1 | 1 | | 81 38 21 | •Pin | •Pinne | | |
| 17 | 1 | 1 | | 91 10 55 | •Valve plate | •Ventilplatta | | |
| 18 | 1 | 1 | | 48 11 05 | •Bearing plate | •Lagerplatta | | |
| 19 | 2 | 2 | | 81 38 22 | •Pin | •Pinne | | |
| 20 | 1 | 1 | | 81 36 13 | •O-ring | •O-ring | | D 3 |
| 21 | 1 | 1 | | 48 11 03 | •Pump housing | •Pumphus | | |
| 22 | 1 | 1 | | 81 36 34 | •Gasket | •Packning | | D 3 |
| 23 | 1 | 1 | | 81 36 32 | •Control valve Comps, page 20 | •Manöverventil Det. se sida 20 | | D 4 |
| 24 | 1 | 1 | | 81 38 44 | •Washer | •Bricka | | |
| 25 | 1 | 1 | | 81 38 20 | •Split pin | •Saxpinne | | |
| 26 | 1 | 1 | | 81 38 87 | •Control lever | •Manöverarm | | |
| 27 | 1 | 1 | | 81 38 16 | •Locking nut | •Låsmutter | | |
| 28 | 1 | 1 | | 81 38 47 | •Washer | •Bricka | | |
| 29 | 1 | 1 | | 81 38 88 | •Spacer ring | •Distansring | | |
| 30 | 9 | 9 | | 81 38 33 | •Screw | •Skruv | | |
| 31 | 9 | 9 | | 81 38 44 | •Washer | •Bricka | | |
| 32 | 1 | 1 | | 81 36 28 | •Orifice plug | •Strypbricka | | |
| 33 | 3 | 3 | | 81 36 13 | •O-ring | •O-ring | | D 3 |
| 34 | 1 | 1 | | 81 38 90 | •Pin | •Pinne | | |
| 35 | 1 | 1 | | 91 10 62 | •Plug | •Plugg | | |
| 36 | 1 | 1 | | 81 38 26 | •Plug | •Plugg | | |
| 37 | 1 | 1 | | 81 36 17 | •O-ring | •O-ring | | D 3 |
| 38 | 6 | 6 | | 48 10 82 | •Screw | •Skruv | | |
| 39 | 6 | 6 | | 81 38 46 | •Washer | •Bricka | | |
| 40 | 2 | 2 | | 48 10 86 | •Bearing journal | •Lagertapp | | |
| 41 | n | n | | 48 10 87 | •Shim | •Mellanlägg | 5) | |
| 42 | 2 | 2 | | 48 10 80 | •O-ring | •O-ring | | D 3 |
| 43 | 2 | 2 | | 48 10 78 | •Roller bearing | •Rullager | | |
| 44 | 1 | 1 | | 48 10 90 | •Drive shaft | •Drivaxel | | |
| 45 | 1 | 1 | | 48 10 79 | •Roller bearing | •Rullager | | |
| 46 | 1 | 1 | | 48 10 97 | •Swash plate | •Flödesplatta | | O |

5) As required
Efter behov

1

SPV 22



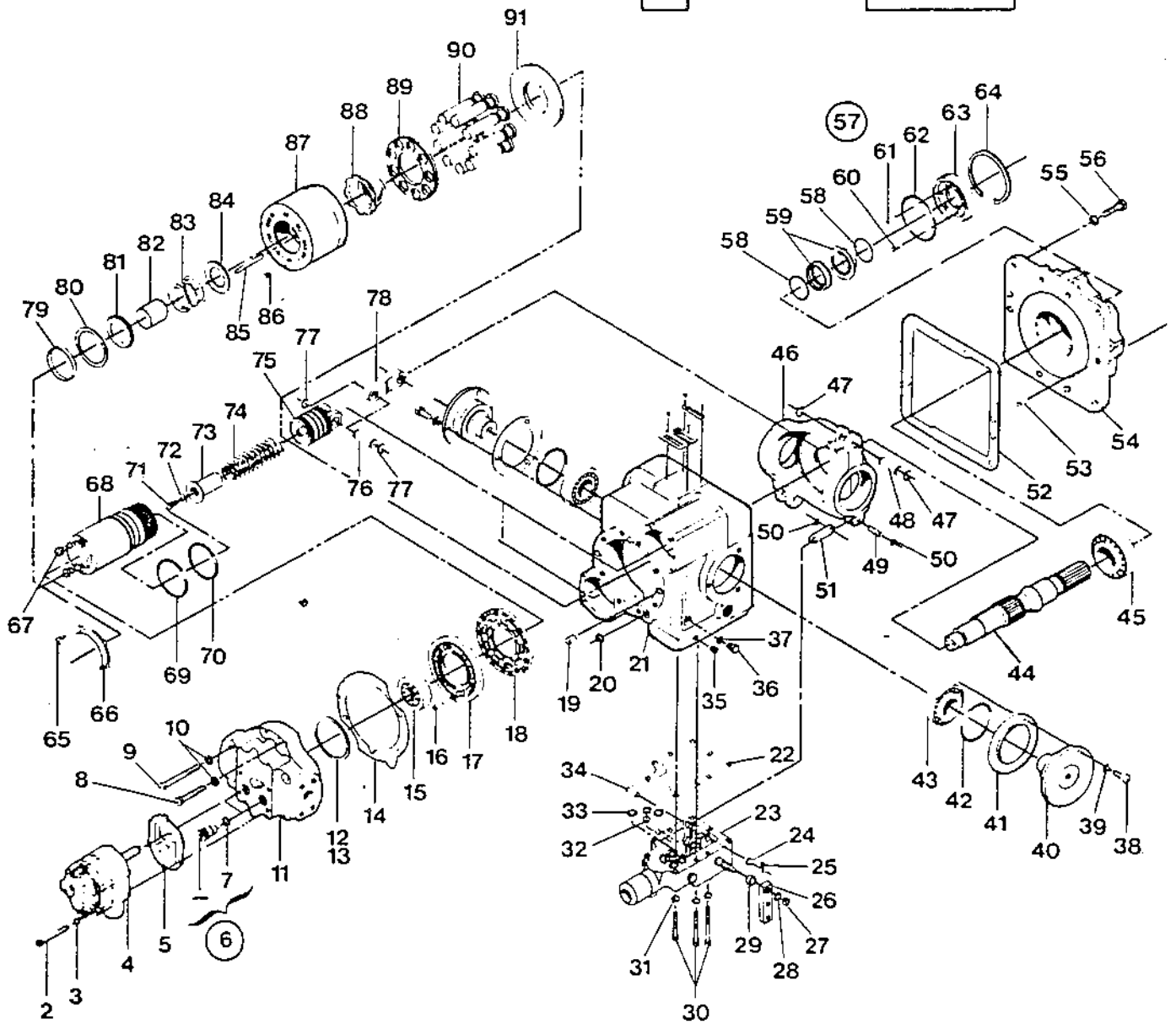
80 11 57

CA 25 II-13786-1

| Page Sida | | Group Grupp | | Picture No Bild nr | Issue Utgåva | VARIABLE DISPLACEMENT PUMP Drumdrive | HYDRAULPUMP Valsdrivning | | |
|--------------|----------------|----------------|----------|-----------------------|------------------------------|--|-----------------------------|--------------|-----|
| 16 | | 05 | | 13786-1 | S-10200-2 | | | | |
| Ref Pos | Quantity/Antal | | | Part No Art nr | Description | Benämning | Note Anmärkning | C, P K, L | |
| | CA | 25 D | 25 PD | | | | | | |
| 47 | 4 | 4 | | 48 11 68 | •Retaining ring | •Låsbricka | | | |
| 48 | 2 | 2 | | 48 03 51 | •Pin | •Pinne | | | |
| 49 | 1 | 1 | | 81 38 23 | •Pin | •Pinne | | | |
| 50 | 2 | 2 | | 48 02 88 | •Retaining ring | •Låsbricka | | | |
| 51 | 1 | 1 | | 81 38 85 | •Link | •Länk | | | |
| 52 | 1 | 1 | | 48 10 93 | •Gasket | •Packning | | | D 3 |
| 53 | 2 | 2 | | 81 38 22 | •Pin | •Pinne | | | |
| 54 | 1 | 1 | | 48 10 91 | •Cover, front | •Lock, främre | | | |
| 55 | 12 | 12 | | 81 38 46 | •Washer | •Bricka | | | |
| 56 | 12 | 12 | | 81 38 37 | •Screw | •Skruv | | | |
| 57 | 1 | 1 | | 48 16 16 | •Drive shaft seal, cpl. | •Drivaxeltätning, kpl. | | | D 3 |
| 58 | 2 | 2 | | 81 36 16 | ••O-ring | ••O-ring | | | |
| 59 | 1 | 1 | | 81 36 24 | ••Seal rings (set) | ••Tätningssats | | | |
| 60 | 6 | 6 | | 81 36 25 | ••Spring | ••Fjäder | | | |
| 61 | 1 | 1 | | 81 36 19 | ••Pin | ••Pinne | | | |
| 62 | 1 | 1 | | 81 36 12 | ••O-ring | ••O-ring | | | |
| 63 | 1 | 1 | | 81 36 22 | ••Seal ring carrier | ••Tätningshållare | | | |
| 64 | 1 | 1 | | 81 36 21 | ••Lock ring | ••Låsring | | | |
| 65 | 4 | 4 | | 81 38 40 | •Screw | •Skruv | | | |
| 66 | 2 | 2 | | 48 03 69 | •Sleeve retainer | •Hylsfäste | | | |
| 67 | 4 | 4 | | 48 03 53 | •Plug | •Plugg | | | |
| 68 | 2 | 2 | | 48 03 72 | •Servo sleeve | •Servohylsa | | | |
| 69 | 2 | 2 | | 48 03 42 | •O-ring | •O-ring | | | D 3 |
| 70 | 2 | 2 | | 48 03 41 | •O-ring | •O-ring | | | D 3 |
| 71 | 2 | 2 | | 48 03 59 | •Screw | •Skruv | | | |
| 72 | 2 | 2 | | 48 03 66 | •Washer | •Bricka | | | |
| 73 | 2 | 2 | | 48 03 71 | •Spring guide | •Fjäderstyrning | | | |
| 74 | 2 | 2 | | 48 03 70 | •Spring | •Fjäder | | | |
| 75 | 2 | 2 | | 48 04 00 | •Servo piston | •Servokolv | | | |
| 76 | 2 | 2 | | 48 03 51 | •Pin | •Pinne | | | |
| 77 | 4 | 4 | | 48 11 68 | •Retaining ring | •Låsbricka | | | |
| 78 | 2 | 2 | | 48 10 94 | •Link | •Länk | | | |
| 79 | 1 | 1 | | 48 11 01 | •Guide ring | •Styrning | | | |
| 80 | 1 | 1 | | 48 10 81 | •Lock ring | •Låsring | | | |
| 81 | 1 | 1 | | 48 10 89 | •Spring holder | •Fjäderhållare | | | |
| 82 | 1 | 1 | | 48 10 85 | •Spring guide | •Fjäderstyrning | | | |
| 83 | 1 | 1 | | 48 10 83 | •Spring | •Fjäder | | | |
| 84 | 1 | 1 | | 48 10 88 | •Spring holder | •Fjäderhållare | | | |
| 85 | 6 | 6 | | 48 10 84 | •Spring | •Fjäder | | | |
| 86 | 1 | 1 | | 48 03 73 | •Pin | •Pinne | | | |
| 87 | 1 | 1 | | 48 11 00 | •Cylinder block | •Cylinderhus | | | |
| 88 | 1 | 1 | | 48 10 95 | •Guide sleeve | •Styrhylsa | | | |
| 89 | 1 | 1 | | 48 10 99 | •Piston retainer | •Kolvmedbringare | | | |
| 90 | 9 | 9 | | 48 11 02 | •Piston, cpl. | •Kolv, kpl. | | | |
| 91 | 1 | 1 | | 48 10 98 | •Thrust plate | •Tryckplatta | | | |

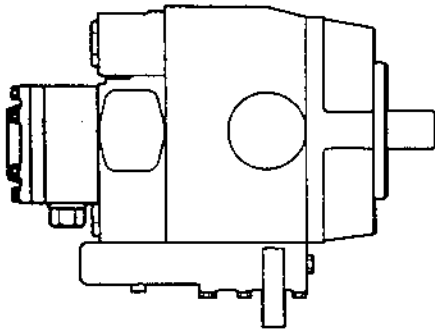
1

SPV 22

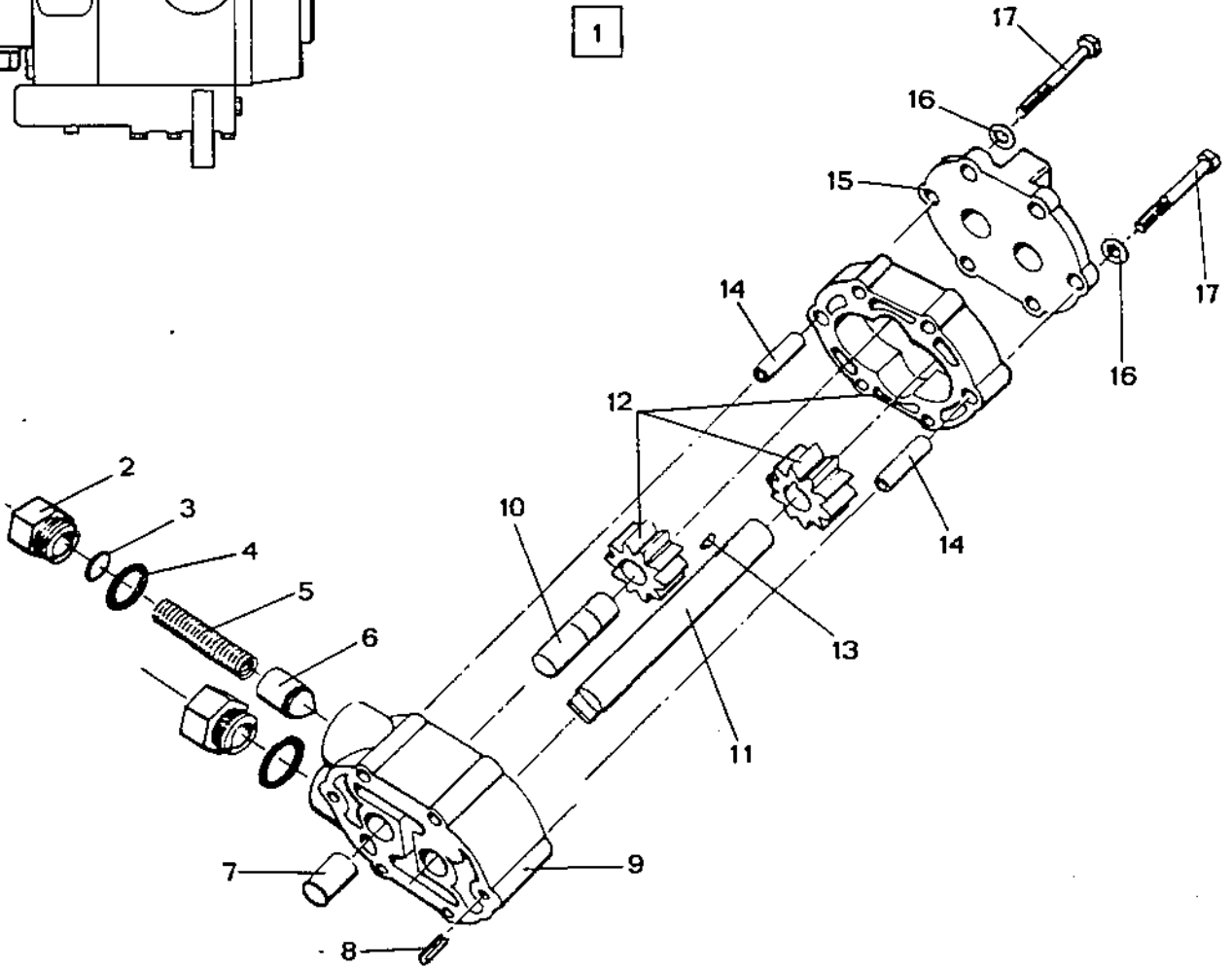


| Page Sida | | Group Grupp | | Picture No Bild nr | | Issue Utgåva | | CHARGE PUMP | | MATARPUMP | |
|-----------|----------------|-------------|----|--------------------|----------------|--------------------------|--------------------------|-----------------|-----------|-----------|--|
| 18 | | 05 | | 13787-1 | | S-10200-2 | | | | | |
| Ref Pos | Quantity/Antal | | | | Part No Art nr | Description | Benämning | Note Anmärkning | C, P K, L | | |
| | CA | | 25 | | | | | | | | |
| | 25 | D | PD | R | | | | | | | |
| 1 | 1 | - | - | 1 | 81 36 31 | Charge pump, cpl. | Matarpump, kpl. | | D 4 | | |
| | - | 1 | 1 | - | 48 15 08 | Charge pump, cpl. | Matarpump, kpl. | | D 4 | | |
| 2 | 1 | 1 | 1 | 1 | 48 04 08 | •Plug | •Plugg | | | | |
| 3 | n | n | n | n | 48 04 02 | •Shim | •Shim | 5) | | | |
| 4 | 1 | 1 | 1 | 1 | 81 36 18 | •O-ring | •O-ring | | D 3 | | |
| 5 | 1 | 1 | 1 | 1 | 48 04 13 | •Spring | •Fjäder | | | | |
| 6 | 1 | 1 | 1 | 1 | 48 04 14 | •Valve, relief | •Ventilkägla | | | | |
| 7 | 1 | - | - | 1 | 48 04 06 | •Spacer | •Distans | | | | |
| | - | 1 | 1 | - | 91 10 57 | •Spacer | •Distans | | | | |
| 8 | 1 | 1 | 1 | 1 | 92 30 75 | •Pin | •Pinne | | | | |
| 9 | 1 | 1 | 1 | 1 | 48 04 10 | •Pump housing | •Pumphus | | | | |
| 10 | 1 | - | - | 1 | 48 03 50 | •Pin | •Axel | | | | |
| | - | 1 | 1 | - | 91 10 51 | •Pin | •Axel | | | | |
| 11 | 1 | - | - | 1 | 48 04 05 | •Shaft, drive | •Drivaxel | | | | |
| | - | 1 | 1 | - | 91 10 58 | •Shaft, drive | •Drivaxel | | | | |
| 12 | 1 | 1 | 1 | 1 | - | •Spacer plate, cpl. | •Mellanplatta, kpl. | 9) | | | |
| 13 | 1 | 1 | 1 | 1 | 48 03 40 | •Key | •Kil | | | | |
| 14 | 2 | - | - | 2 | 48 03 52 | •Pin | •Pinne | | | | |
| | - | 2 | 2 | - | 91 10 52 | •Pin | •Pinne | | | | |
| 15 | 1 | 1 | 1 | 1 | 48 04 03 | •End cap | •Lock | | | | |
| 16 | 2 | 2 | 2 | 2 | 81 38 44 | •Washer | •Bricka | | | | |
| 17 | 2 | - | - | 2 | 48 03 64 | •Screw | •Skruv | | | | |
| | - | 2 | 2 | - | 91 10 54 | •Screw | •Skruv | | | | |

- 5) As required
Efter behov
- 9) Not sold as spare part
Säljes ej som reservdel



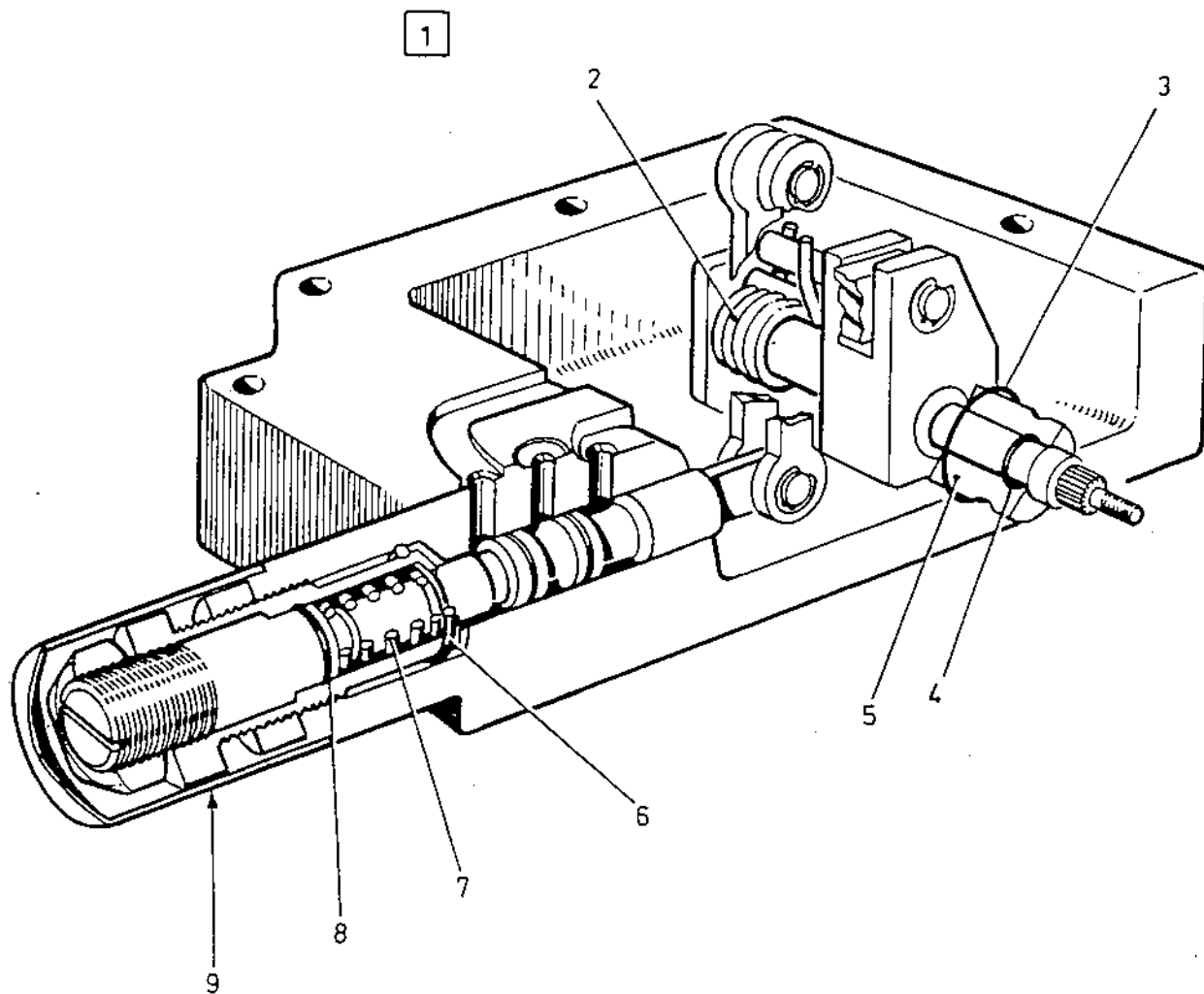
1



CA 25 II-13787-1

| Page Sida | Group Grupp | Picture No Bild nr | Issue Utgåva | CONTROL VALVE, SERVO MANÖVERVENTIL, SERVO | | |
|--------------|----------------------|-----------------------|-------------------------------|--|--------------------|--------------|
| Ref Pos | Quantity/Antal CA | Part No Art nr | Description | Benämning | Note Anmärkning | C, P K, L |
| 20 | 05 | 13788-1 | S-10200-2 | | | |
| | 1)25 | | | | | |
| 1 | 1 | 81 36 32 | Control valve, servo, cpl ... | Manöverventil, servo, kpl | | D 4 |
| 2 | 1 | 89 30 80 | •Spring | •Fjäder | | |
| 3 | 1 | 91 14 31 | •O-ring | •O-ring | | D 3 |
| 4 | 1 | 91 07 06 | •O-ring | •O-ring | | D 3 |
| 5 | 1 | 92 20 32 | •Bushing | •Bussning | | |
| 6 | 1 | 91 14 30 | •O-ring | •O-ring | | D 3 |
| 7 | 1 | 91 14 54 | •Spring | •Tryckfjäder | | |
| 8 | 1 | 81 36 13 | •O-ring | •O-ring | | D 3 |
| 9 | 1 | 91 14 68 | •Cover | •Skyddskåpa | | |

1) CA25, all models
CA25, alla typer

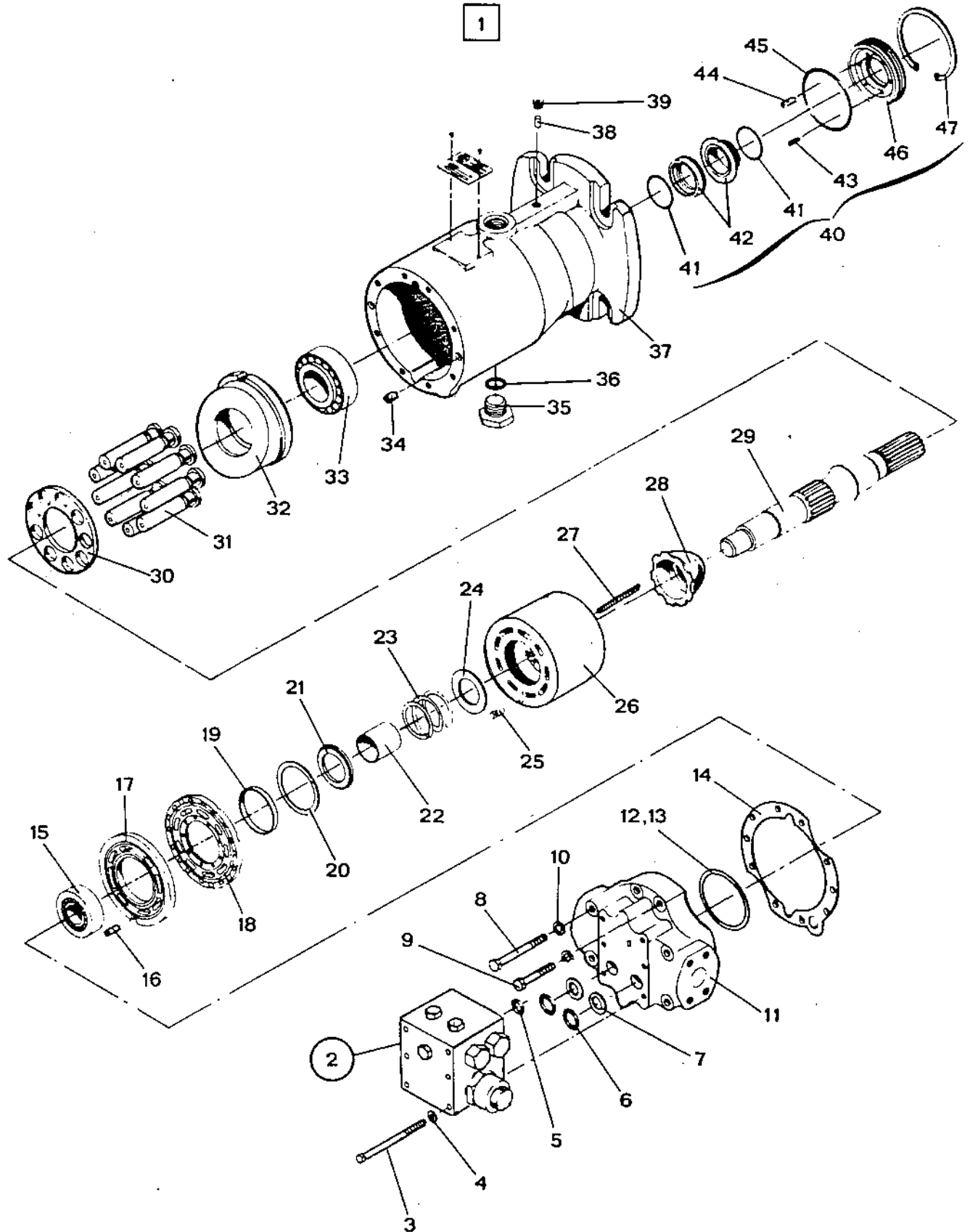


CA 25 II-13788-1

| Page Sida | | Group Grupp | | Picture No Bild nr | | Issue Utgåva | | HYDRAULIC MOTOR Wheel drive | | HYDRAULMOTOR Hjuldrivning | |
|-----------|----------------|-------------|----------------|---|---|-----------------|-----------|-----------------------------|--|---------------------------|--|
| 22 | | 05 | | 13789-1 | | S-10200-2 | | | | | |
| Ref Pos | Quantity/Antal | | Part No Art nr | Description | Benämning | Note Anmärkning | C, P K, L | | | | |
| | CA | 1)25 | | | | | | | | | |
| 1 | 1 | | 33 55 57 | Hydraulic motor, wheel ... drive, cpl. | Hydraulmotor, hjuldrivning, kpl. | | C3 | | | | |
| 2 | 1 | | 48 02 04 | •Manifold valve, cpl. Comps, page 26 | •Ventilblock, kpl. Det. se sida 26 | | | | | | |
| 3 | 6 | | 81 38 36 | •Screw | •Skruv | | | | | | |
| 4 | 6 | | 81 38 45 | •Washer | •Bricka | | | | | | |
| 5 | 1 | | 81 36 11 | •O-ring | •O-ring | | D 3 | | | | |
| 6 | 2 | | 81 36 15 | •O-ring | •O-ring | | D 3 | | | | |
| 7 | 2 | | 81 36 20 | •Back-up ring | •Stödtring | | D 3 | | | | |
| 8 | 5 | | 81 38 39 | •Screw | •Skruv | | | | | | |
| 9 | 3 | | 81 38 38 | •Screw | •Skruv | | | | | | |
| 10 | 8 | | 81 38 46 | •Washer | •Bricka | | | | | | |
| 11 | 1 | | 81 38 79 | •Cover, rear | •Lock, bakre | | | | | | |
| 12 | n | | 48 16 11 | •Shim, 0,25 mm | •Shim, 0,25 mm | 5) | | | | | |
| 13 | n | | 48 16 12 | •Shim, 0,5 mm | •Shim, 0,5 mm | 5) | | | | | |
| 14 | 1 | | 81 38 62 | •Gasket | •Packning | | D 3 | | | | |
| 15 | 1 | | 81 38 13 | •Roller bearing | •Rullager | | | | | | |
| 16 | 1 | | 81 38 21 | •Pin | •Pinne | | | | | | |
| 17 | 1 | | 81 38 68 | •Valve plate | •Ventilplatta | | | | | | |
| 18 | 1 | | 81 38 78 | •Bearing plate | •Lagerplatta | | | | | | |
| 19 | 1 | | 81 38 75 | •Guide ring | •Styrring | | | | | | |
| 20 | 1 | | 81 38 29 | •Retaining ring | •Låsring | | | | | | |
| 21 | 1 | | 81 38 55 | •Spring holder | •Fjäderhållare | | | | | | |
| 22 | 1 | | 81 38 56 | •Spring guide | •Fjäderstyrning | | | | | | |
| 23 | 1 | | 48 03 06 | •Spring | •Fjäder | | | | | | |
| 24 | 1 | | 81 38 54 | •Spring holder | •Fjäderhållare | | | | | | |
| 25 | 1 | | 81 38 51 | •Pin | •Pinne | | | | | | |
| 26 | 1 | | 81 38 74 | •Cylinder block | •Cylinderhus | | | | | | |
| 27 | 6 | | 91 10 60 | •Spring | •Fjäder | | | | | | |
| 28 | 1 | | 81 38 66 | •Guide sleeve | •Styrhylsa | | | | | | |
| 29 | 1 | | 81 38 64 | •Drive shaft | •Drivaxel | | | | | | |
| 30 | 1 | | 81 38 70 | •Piston retainer | •Kolvmedbringare | | | | | | |
| 31 | 9 | | 81 38 73 | •Piston cpl. | •Kolv kpl. | | | | | | |
| 32 | 1 | | 81 38 76 | •Swash plate | •Flödesplatta | | | | | | |
| 33 | 1 | | 81 38 15 | •Roller bearing | •Rullager | | | | | | |
| 34 | 2 | | 81 38 22 | •Pin | •Pinne | | | | | | |
| 35 | 1 | | 81 38 27 | •Plug | •Plugg | | | | | | |
| 36 | 1 | | 81 36 18 | •O-ring | •O-ring | | D 3 | | | | |
| 37 | 1 | | 81 38 65 | •Motor housing | •Motorhus | | | | | | |
| 38 | 1 | | 81 38 21 | •Pin | •Pinne | | | | | | |
| 39 | 1 | | 81 38 25 | •Pipe plug | •Rörplugg | | | | | | |
| 40 | 1 | | 48 16 16 | •Drive shaft seal cpl. | •Drivaxeltätning kpl. | | D 3 | | | | |
| 41 | 2 | | 81 36 16 | ••O-ring | ••O-ring | | | | | | |
| 42 | 1 | | 81 36 24 | ••Seal ring (set) | ••Tättningsring (sats) | | | | | | |
| 43 | 6 | | 81 36 25 | ••Spring | ••Fjäder | | | | | | |
| 44 | 1 | | 81 36 19 | ••Pin | ••Pinne | | | | | | |
| 45 | 1 | | 81 36 12 | ••O-ring | ••O-ring | | | | | | |

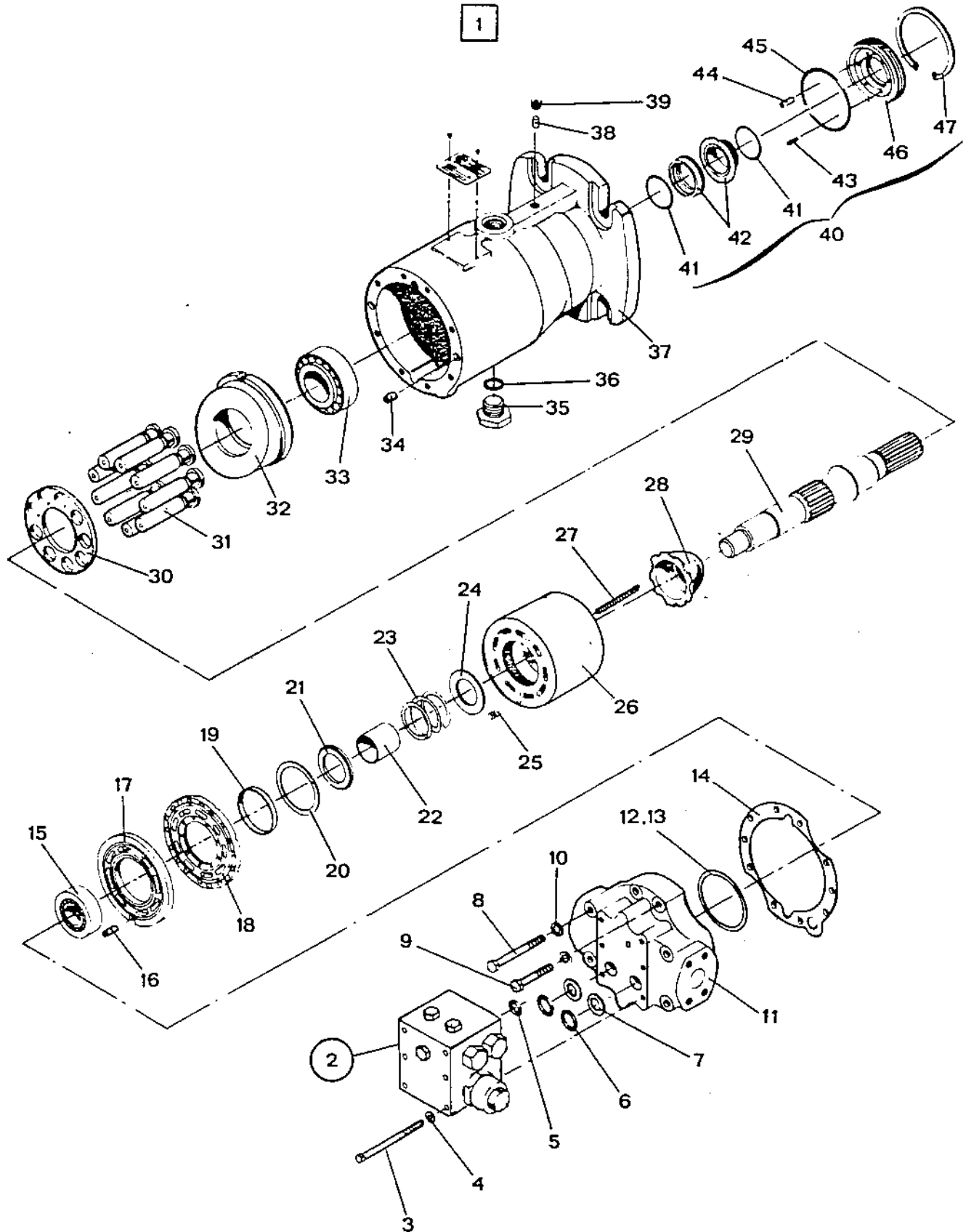
1) CA25, all models
CA25, alla typer

5) As required
Efter behov



| Page Sida | | Group Grupp | Picture No Bild nr | Issue Utgåva | HYDRAULIC MOTOR Wheel drive | HYDRAULMOTOR Hjuldrivning | | |
|--------------|----------------|----------------|-----------------------|-------------------|--------------------------------|------------------------------|--------------------|--------------|
| 24 | | 05 | 13789-1 | S-10200-2 | | | | |
| Ref Pos | Quantity/Antal | | | Part No Art nr | Description | Benämning | Note Anmärkning | C, P K, L |
| | CA | | | | | | | |
| | 1)25 | | | | | | | |
| 46 | 1 | | | 81 36 22 | ••Seal ring carrier | ••Tätningringshållare | | |
| 47 | 1 | | | 81 36 21 | ••Retaining ring | ••Låsring | | |

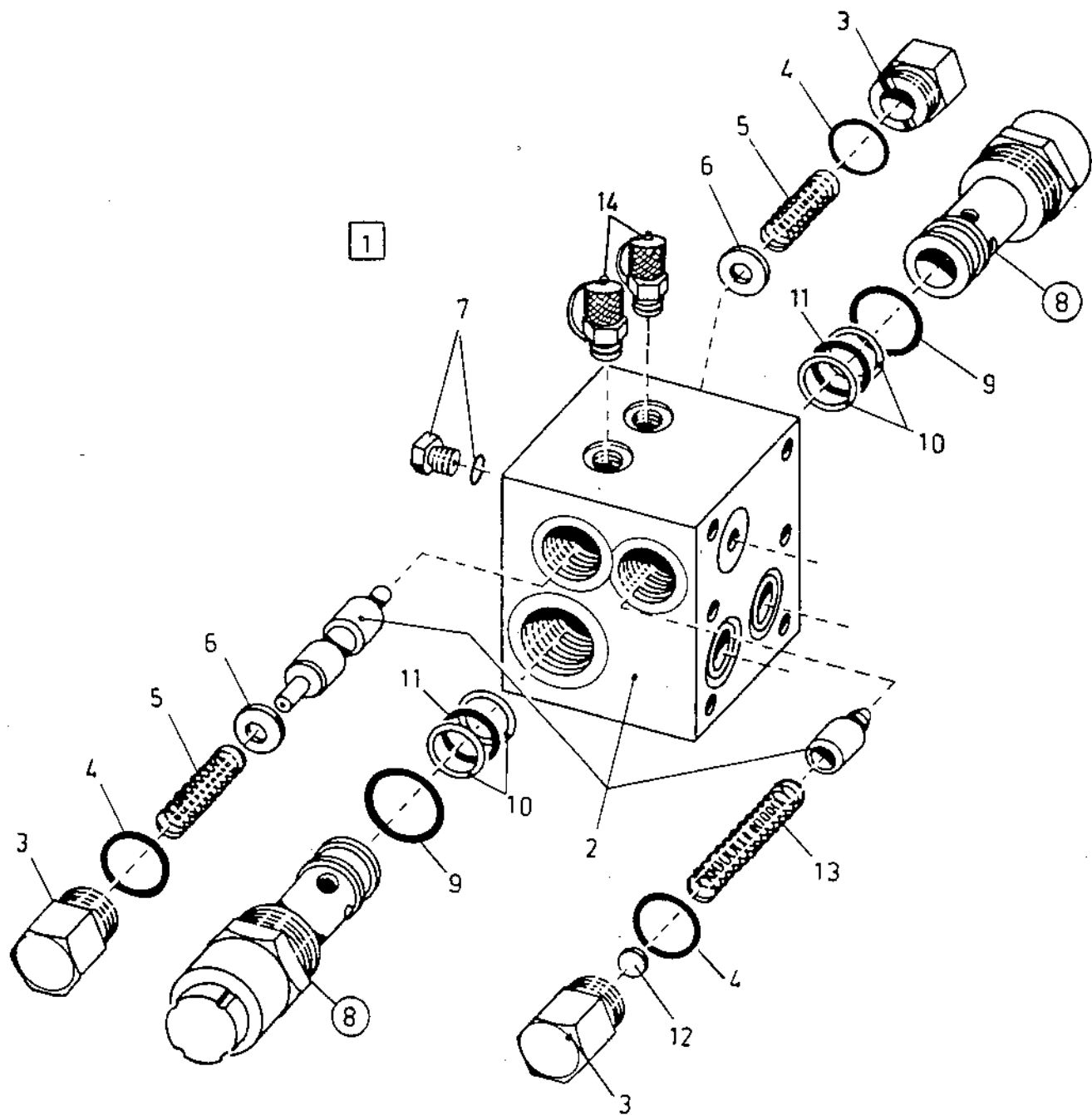
1) CA25, all models
CA25, alla typer



| Page Sida | | Group Grupp | Picture No Bild nr | Issue Utgåva | MANIFOLD VALVE | VENTILBLOCK | |
|-----------|----------------|-------------|--------------------|---|---|-----------------|-----------|
| 26 | | 05 | 13790-1 | S-10200-2 | | | |
| Ref Pos | Quantity/Antal | | Part No Art nr | Description | Benämning | Note Anmärkning | C, P K, L |
| | CA | | | | | | |
| | 1)25 | | | | | | |
| 1 | 1 | | 48 02 04 | Manifold valve, cpl. | Ventilblock, kpl. | | D 3 |
| 2 | 1 | | 48 05 65 | •Housing with shuttle and relief valve | •Hus med skyttel- och övertrycksventil | | |
| 3 | 3 | | 48 04 08 | •Plug | •Plugg | | |
| 4 | 3 | | 81 36 18 | •O-ring | •O-ring | | |
| 5 | 2 | | 48 04 07 | •Spring | •Fjäder | | |
| 6 | 2 | | 48 03 67 | •Washer | •Bricka | | |
| 7 | 1 | | 48 03 54 | •Plug and O-ring | •Plugg och O-ring | | |
| 8 | 2 | | 81 36 27 | •Overflow valve, cpl. | •Överströmningsventil, ... kpl. | | D 3 |
| 9 | 1 | | 48 03 48 | ••O-ring | ••O-ring | | |
| 10 | 2 | | 48 03 55 | ••Back-up ring | ••Stödring | | |
| 11 | 1 | | 48 03 44 | ••O-ring | ••O-ring | | |
| 12 | n | | 48 04 02 | •Shim | •Mellanlägg | 5) | |
| 13 | 1 | | 48 04 09 | •Spring | •Fjäder | | |
| 14 | 2 | | 91 01 62 | Measuring nipple | Mätnippel | | D 3 |

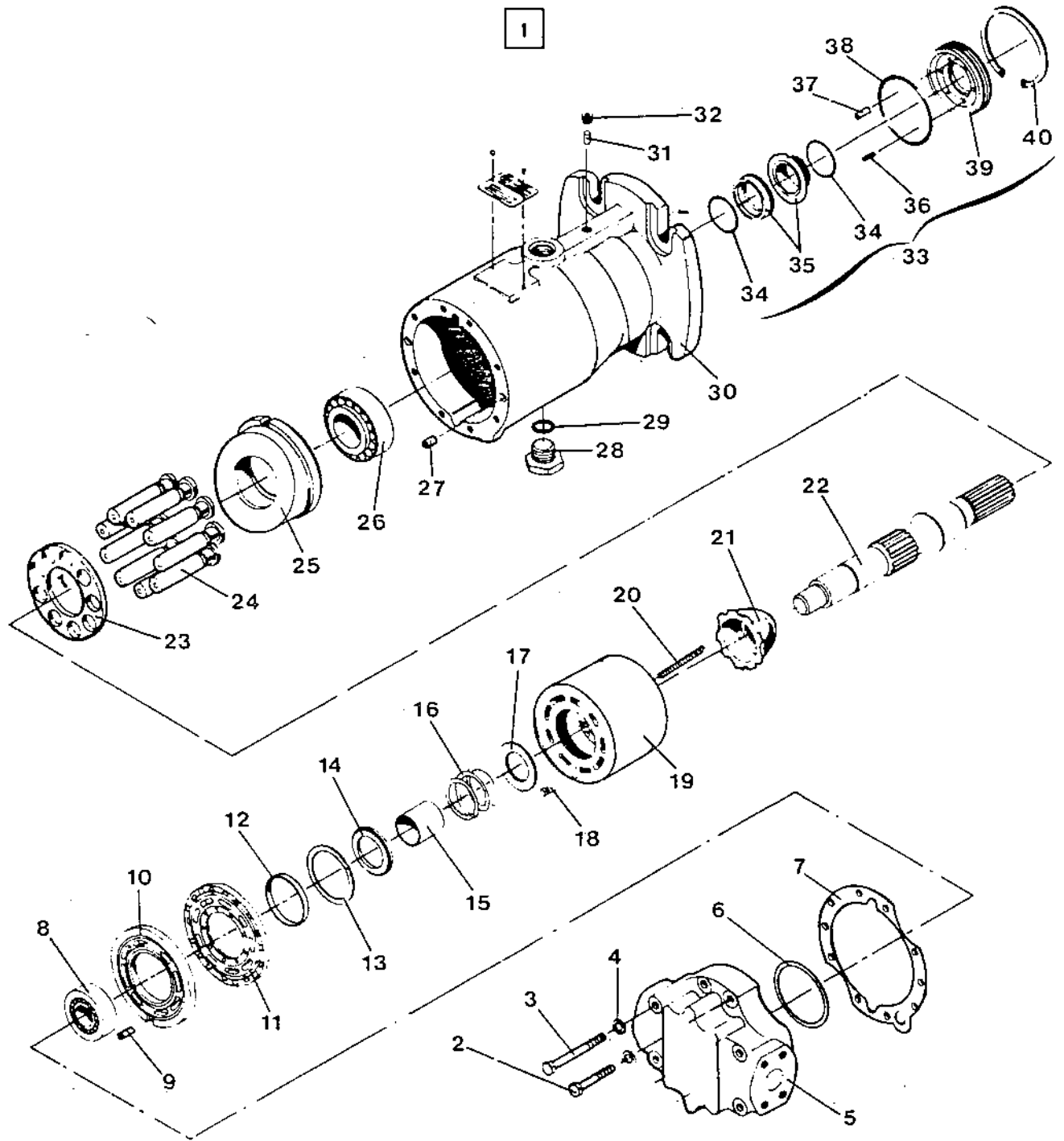
1) CA25, all models
CA25, alla typer

5) As required
Efter behov



| Page Sida | | Group Grupp | | Picture No Bild nr | | Issue Utgåva | | HYDRAULIC MOTOR Drum drive | | HYDRAULMOTOR Valsdrivning | |
|-----------|----------------|-------------|-------|--------------------|-----------------------------------|----------------------------------|-----------------|----------------------------|--|---------------------------|--|
| 28 | | 05 | | 13791-1 | | S-10200-2 | | | | | |
| Ref Pos | Quantity/Antal | | | Part No Art nr | Description | Benämning | Note Anmärkning | C, P K, L | | | |
| | CA | 25 D | 25 PD | | | | | | | | |
| 1 | 1 | 1 | | 80 11 44 | Hydraulic motor, drum drive, cpl. | Hydraulmotor, valsdrivning, kpl. | | C3 | | | |
| 2 | 3 | 3 | | 81 38 38 | •Screw | •Skruv | | | | | |
| 3 | 5 | 5 | | 81 38 39 | •Screw | •Skruv | | | | | |
| 4 | 8 | 8 | | 81 38 46 | •Washer | •Bricka | | | | | |
| 5 | 1 | 1 | | 91 10 61 | •Cover, rear | •Lock, bakre | | | | | |
| 6 | n | n | | 48 16 11 | •Shim, 0,25 mm | •Shim, 0,25 mm | 5) | | | | |
| | n | n | | 48 16 12 | •Shim, 0,5 mm | •Shim, 0,5 mm | 5) | | | | |
| 7 | 1 | 1 | | 81 38 62 | •Gasket | •Packning | | D 3 | | | |
| 8 | 1 | 1 | | 81 38 13 | •Roller bearing | •Rullager | | | | | |
| 9 | 1 | 1 | | 81 38 21 | •Pin | •Pinne | | | | | |
| 10 | 1 | 1 | | 81 38 68 | •Valve plate | •Ventilplatta | | | | | |
| 11 | 1 | 1 | | 81 38 78 | •Bearing plate | •Lagerplatta | | | | | |
| 12 | 1 | 1 | | 81 38 75 | •Guide ring | •Styrning | | | | | |
| 13 | 1 | 1 | | 81 38 29 | •Retaining ring | •Låsring | | | | | |
| 14 | 1 | 1 | | 81 38 55 | •Spring holder | •Fjäderhållare | | | | | |
| 15 | 1 | 1 | | 81 38 56 | •Spring guide | •Fjäderstyrning | | | | | |
| 16 | 1 | 1 | | 48 03 06 | •Spring | •Fjäder | | | | | |
| 17 | 1 | 1 | | 81 38 54 | •Spring holder | •Fjäderhållare | | | | | |
| 18 | 1 | 1 | | 81 38 51 | •Pin | •Pinne | | | | | |
| 19 | 1 | 1 | | 81 38 74 | •Cylinder block | •Cylinderhus | | | | | |
| 20 | 6 | 6 | | 91 10 60 | •Spring | •Fjäder | | | | | |
| 21 | 1 | 1 | | 81 38 66 | •Guide sleeve | •Styrhylsa | | | | | |
| 22 | 1 | 1 | | 91 10 63 | •Drive shaft | •Drivaxel | | | | | |
| 23 | 1 | 1 | | 81 38 70 | •Piston retainer | •Kolvmедbringare | | | | | |
| 24 | 9 | 9 | | 81 38 73 | •Piston cpl. | •Kolv kpl. | | | | | |
| 25 | 1 | 1 | | 81 38 76 | •Swash plate | •Flödesplatta | | | | | |
| 26 | 1 | 1 | | 81 38 15 | •Roller bearing | •Rullager | | | | | |
| 27 | 2 | 2 | | 81 38 22 | •Pin | •Pinne | | | | | |
| 28 | 1 | 1 | | 81 38 27 | •Plug | •Plugg | | | | | |
| 29 | 1 | 1 | | 81 36 18 | •O-ring | •O-ring | | D 3 | | | |
| 30 | 1 | 1 | | 81 38 65 | •Motor housing | •Motorhus | | | | | |
| 31 | 1 | 1 | | 81 38 21 | •Pin | •Pinne | | | | | |
| 32 | 1 | 1 | | 81 38 25 | •Pipe plug | •Rörplugg | | | | | |
| 33 | 1 | 1 | | 48 16 16 | •Drive shaft seal cpl. | •Drivaxeltätning kpl. | | D 3 | | | |
| 34 | 2 | 2 | | 81 36 16 | ••O-ring | ••O-ring | | | | | |
| 35 | 1 | 1 | | 81 36 24 | ••Seal ring (set) | ••Tätningssring (sats) | | | | | |
| 36 | 6 | 6 | | 81 36 25 | ••Spring | ••Fjäder | | | | | |
| 37 | 1 | 1 | | 81 36 19 | ••Pin | ••Pinne | | | | | |
| 38 | 1 | 1 | | 81 36 12 | ••O-ring | ••O-ring | | | | | |
| 39 | 1 | 1 | | 81 36 22 | ••Seal ring carrier | ••Tätningssringshållare | | | | | |
| 40 | 1 | 1 | | 81 36 21 | ••Retaining ring | ••Låsring | | | | | |

5) As required
Efter behov

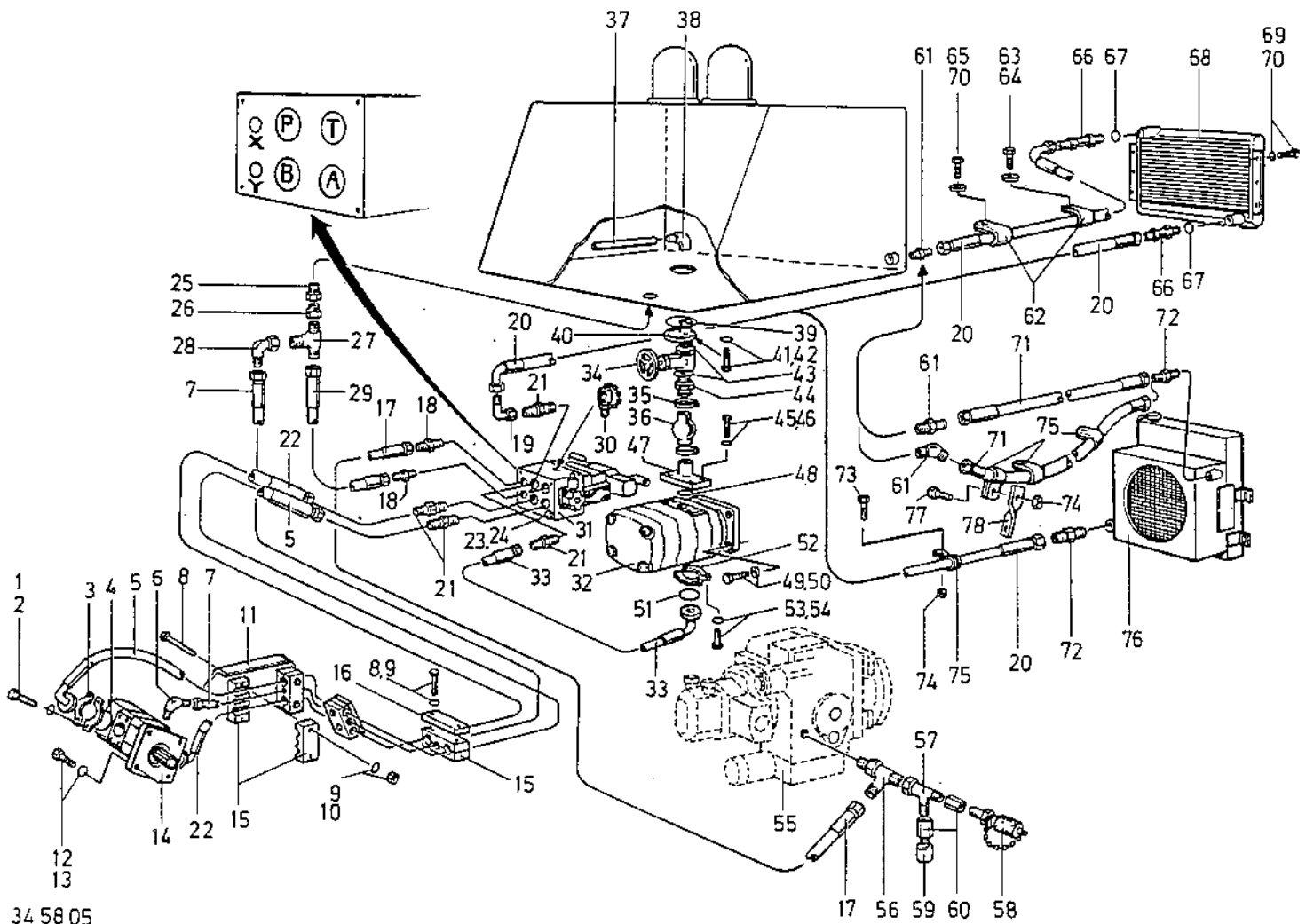


| Page Sida | | Group Grupp | | Picture No Bild nr | | Issue Utgåva | | HYDRAULIC SYSTEM Vibration | | HYDRAULSYSTEM Vibration | |
|-----------|----------------|-------------|------|--------------------|----------------------------------|----------------------------------|-----------------|----------------------------|--|-------------------------|--|
| 30 | | 05 | | 13792-2 | | S-10200-2 | | | | | |
| Ref Pos | Quantity/Antal | | | Part No Art nr | Description | Benämning | Note Anmärkning | C, P K, L | | | |
| | CA | 25 D | 25 R | | | | | | | | |
| • 1 | 8 | 8 | 8 | 50 22 00 | Screw | Skruv | | | | | |
| • 2 | 8 | 8 | 8 | 60 00 09 | Washer | Bricka | | | | | |
| • 3 | 4 | 4 | 4 | 23 20 98 | Flange half | Flänshalva | | | | | |
| • 4 | 2 | 2 | 2 | 16 01 86 | O-ring | O-ring | | D 3 | | | |
| • 5 | 1 | 1 | 1 | 48 21 09 | Hydraulic hose | Hydraulslang | | D3 | | | |
| • 6 | 1 | 1 | 1 | 33 45 29 | Elbow 45° | Rörkrök 45° | | | | | |
| • 7 | 1 | 1 | 1 | 48 20 55 | Hydraulic hose | Hydraulslang | | D3 | | | |
| • 8 | 8 | 8 | 8 | 50 01 92 | Screw | Skruv | | | | | |
| • 9 | 8 | 8 | 8 | 60 00 08 | Washer | Bricka | | | | | |
| • 10 | 6 | 6 | 6 | 57 00 06 | Nut | Mutter | | | | | |
| • 11 | 1 | 1 | 1 | 34 55 97 | Hose guard | Slangskydd | | | | | |
| • 12 | 4 | 4 | 4 | 50 01 93 | Screw | Skruv | | | | | |
| • 13 | 4 | 4 | 4 | 61 50 45 | Conical spring washer | Spännbricka | | | | | |
| • 14 | 1 | 1 | 1 | 33 55 53 | Hydr. motor, vibration | Hydr. motor, vibration | | | | | |
| | | | | | Comps, page 44 | Det. se sida 44 | | | | | |
| • 15 | 4 | 4 | 4 | 34 56 97 | Hose holder | Slanghållare | | | | | |
| • 16 | 2 | 2 | 2 | 33 56 32 | Plate | Platta | | | | | |
| • 17 | 1 | 1 | 1 | 48 22 57 | Hydraulic hose | Hydraulslang | | D3 | | | |
| • 18 | 2 | 2 | 2 | 33 41 43 | Adapter | Adapter | | | | | |
| • 19 | 1 | 1 | 1 | 33 42 39 | Elbow 90° | Rörkrök 90° | | | | | |
| • 20 | 1 | 1 | 1 | 48 22 60 | Hydraulic hose | Hydraulslang | 2,10) | D3 | | | |
| | 2 | 2 | 2 | 48 22 59 | Hydraulic hose | Hydraulslang | 3) | D3 | | | |
| • 21 | 4 | 4 | 4 | 33 41 40 | Adapter | Adapter | | | | | |
| • 22 | 1 | 1 | 1 | 48 21 08 | Hydraulic hose | Hydraulslang | | D 3 | | | |
| • 23 | 4 | 4 | 4 | 50 00 30 | Screw | Skruv | | | | | |
| • 24 | 4 | 4 | 4 | 60 00 08 | Washer | Bricka | | | | | |
| • 25 | 1 | 1 | 1 | 33 42 07 | Reducing nipple | Reducering | | | | | |
| • 26 | 1 | 1 | 1 | 33 44 47 | Reducing nipple | Reducering | | | | | |
| • 27 | 1 | 1 | 1 | 23 43 33 | L-adapter | L-adapter | | | | | |
| • 28 | 1 | 1 | 1 | 33 41 96 | Elbow 90° | Rörkrök 90° | | | | | |
| • 29 | 1 | 1 | 1 | 48 22 56 | Hydraulic hose | Hydraulslang | | D3 | | | |
| • 30 | 1 | 1 | 1 | 91 01 62 | Measuring nipple | Mät nipple | | D 3 | | | |
| • 31 | 1 | 1 | 1 | 34 56 86 | Hydr. control valve, vibr. | Manöverventil, vibr. | | | | | |
| | | | | | Comps, page 48 | Det. se sida 48 | | | | | |
| • 32 | 1 | 1 | 1 | 34 56 87 | Hydr. pump, vibr. and | Hydr. pump, vibr. o styrr. | | | | | |
| | | | | | steering | Det. se sida 40 | | | | | |
| | | | | | Comps, page 40 | | | | | | |
| • 33 | 1 | 1 | 1 | 48 22 53 | Hydraulic hose | Hydraulslang | | D3 | | | |
| • 34 | 1 | 1 | 1 | 23 31 41 | Shut-off valve | Avstängningsventil | | D 4 | | | |
| • 35 | 2 | 2 | 2 | 31 31 46 | Hose clamp | Slangklämma | | | | | |
| • 36 | 1 | 1 | 1 | 34 56 88 | Expansion bellow | Expansionsbålg | | D4 | | | |
| • 37 | 1 | 1 | 1 | 34 56 89 | Pipe | Rör | | | | | |
| • 38 | 1 | 1 | 1 | 23 11 94 | Elbow | Rörkrök | | | | | |
| • 39 | 1 | 1 | 1 | 16 01 11 | O-ring | O-ring | | D 3 | | | |

2) CA25 with Caterpillar
CA25 med Caterpillar

3) CA25 with Deutz
CA25 med Deutz

10) CA 25 with Detroit
CA 25 med Detroit



34 58 05
34 56 85
34 57 77

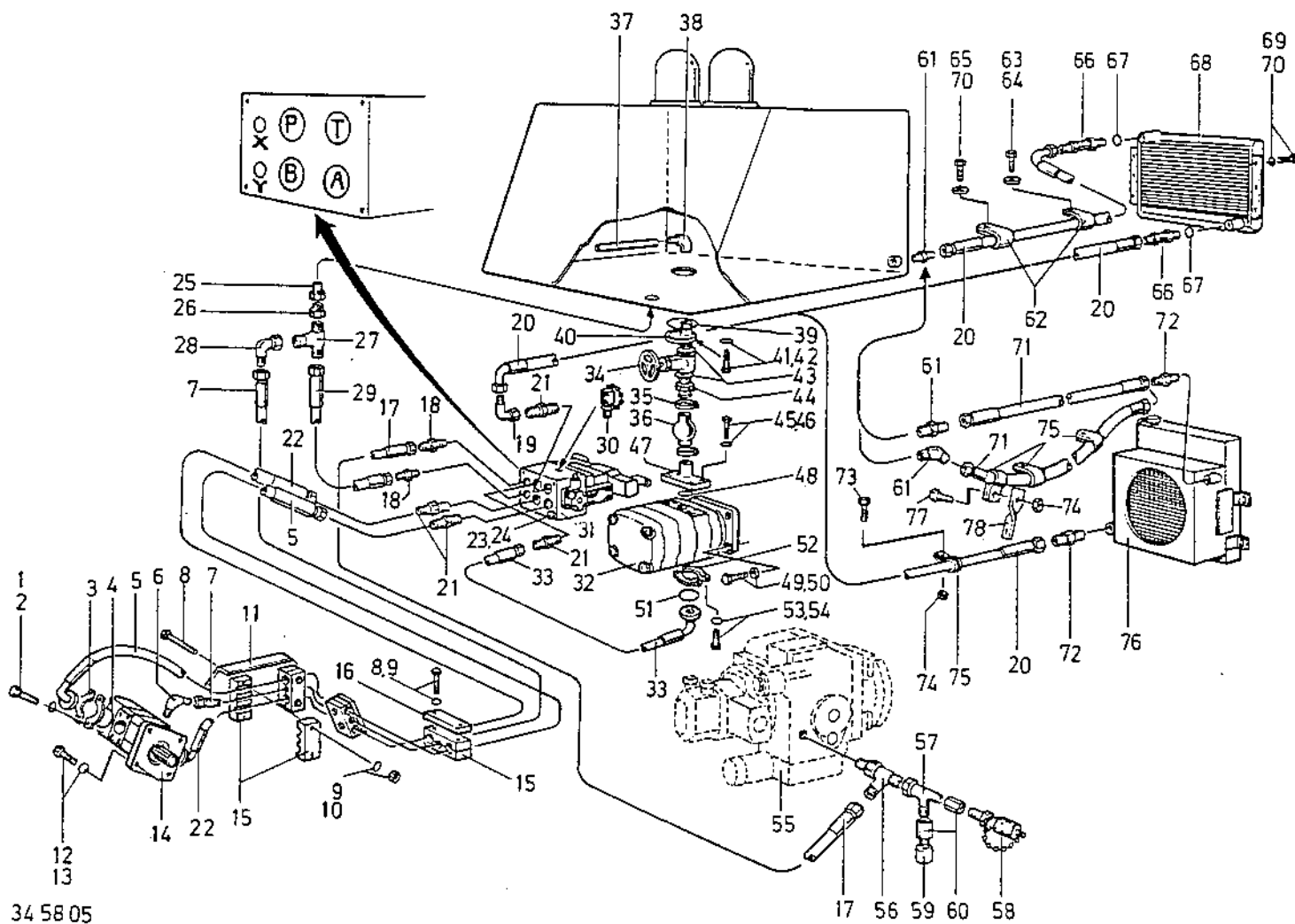
CA 25II-13792-2

| Page Sida | | Group Grupp | | Picture No Bild nr | | Issue Utgåva | | HYDRAULIC SYSTEM Vibration | | HYDRAULSYSTEM Vibration | |
|--------------|----------------|----------------|---------|-----------------------|-------------------------------|-----------------------------|-------------------------------|-------------------------------|--|----------------------------|--|
| 32 | | 05 | | 13792-2 | | S-10200-2 | | | | | |
| Ref Pos | Quantity/Antal | | | Part No Art nr | Description | Benämning | Note Anmärkning | C, P K, L | | | |
| | CA | 25 D | 25 R | | | | | | | | |
| 40 | 1 | 1 | 1 | 34 56 90 | Flange | Fläns | 2,10) | | | | |
| 41 | 1 | 1 | 1 | 34 56 99 | Flange | Fläns | 3) | | | | |
| 42 | 6 | 6 | 6 | 50 00 40 | Screw | Skruv | | | | | |
| 43 | 6 | 6 | 6 | 60 00 04 | Washer | Bricka | | | | | |
| 44 | 2 | 2 | 2 | 23 04 74 | Copper washer | Kopparbricka | | | | | |
| 45 | 1 | 1 | 1 | 34 56 93 | Nipple | Nippel | | | | | |
| 46 | 4 | 4 | 4 | 50 20 58 | Screw | Skruv | | | | | |
| 47 | 4 | 4 | 4 | 60 00 09 | Washer | Bricka | | | | | |
| 48 | 1 | 1 | 1 | 34 56 94 | Flange | Fläns | | | | | |
| 49 | 1 | 1 | 1 | 16 02 75 | O-ring | O-ring | | D 3 | | | |
| 50 | 4 | 4 | 4 | 50 01 93 | Screw | Skruv | | | | | |
| 51 | 4 | 4 | 4 | 61 50 45 | Conical spring washer | Spännbricka | | | | | |
| 52 | 1 | 1 | 1 | 81 34 29 | O-ring | O-ring | | D 3 | | | |
| 53 | 2 | 2 | 2 | 23 20 97 | Flange half | Flänshalva | | | | | |
| 54 | 4 | 4 | 4 | 50 20 36 | Screw | Skruv | | | | | |
| 55 | 4 | 4 | 4 | 60 00 08 | Washer | Bricka | | | | | |
| 56 | 1 | 1 | 1 | - | Variable displ. pump, | Hydr. pump, framdrivn. ... | See page 6 ref. 21, 8 ref. 21 | | | | |
| 57 | 1 | 1 | 1 | 23 46 20 | L-adapter | L-adapter | | | | | |
| 58 | 1 | 1 | 1 | 33 45 56 | L-adapter | L-adapter | | | | | |
| 59 | 1 | 1 | 1 | 91 01 61 | Measuring nipple | Mätnippel | | D 3 | | | |
| 60 | 1 | 1 | 1 | 34 43 28 | Pressure switch | Manokontakt | | D3 | | | |
| 61 | 2 | 2 | 2 | 33 83 04 | Nipple | Nippel | | | | | |
| 62 | 1 | 1 | 1 | 81 34 28 | Adapter | Adapter | 2,3) | | | | |
| 63 | 1 | 1 | 1 | 23 42 77 | Elbow 45° | Rörkrök 45° | 10) | | | | |
| 64 | 2 | 2 | 2 | 92 30 08 | Clamp | Klammer | 3) | | | | |
| 65 | 1 | 1 | 1 | 50 00 28 | Screw | Skruv | 3) | | | | |
| 66 | 1 | 1 | 1 | 60 00 08 | Washer | Bricka | 3) | | | | |
| 67 | 1 | 1 | 1 | 50 00 53 | Screw | Skruv | 3) | | | | |
| 68 | 2 | 2 | 2 | 34 59 68 | Adapter | Adapter | 3) | | | | |
| 69 | 2 | 2 | 2 | 33 04 74 | Copper washer | Kopparbricka | 3) | | | | |
| 70 | 1 | 1 | 1 | 33 85 94 | Oil cooler | Oljekylare | 3) | C3 | | | |
| 71 | 6 | 6 | 6 | 50 01 88 | Screw | Skruv | 3) | | | | |
| 72 | 7 | 7 | 7 | 61 50 43 | Conical spring washer | Spännbricka | 3) | | | | |
| 73 | 1 | 1 | 1 | 48 22 58 | Hydraulic hose | Hydraulslang | 2) | D3 | | | |
| 74 | 1 | 1 | 1 | 48 22 64 | Hydraulic hose | Hydraulslang | 10) | D 3 | | | |
| 75 | 2 | 2 | 2 | 89 19 53 | Adapter | Adapter | 2,10) | | | | |
| 76 | 1 | 1 | 1 | 50 00 15 | Screw | Skruv | 2,10) | | | | |
| 77 | 1 | 1 | 1 | 57 00 04 | Nut | Mutter | 2) | | | | |
| 78 | 2 | 2 | 2 | 57 00 04 | Nut | Mutter | 10) | | | | |
| 79 | 1 | 1 | 1 | 92 11 08 | Clamp | Klammer | 2) | | | | |
| 80 | 4 | 4 | 4 | 92 11 08 | Clamp | Klammer | 10) | | | | |
| 81 | 1 | 1 | 1 | - | Radiator and oil cooler | Kylare och oljekylare | 2,10) See group 3 | | | | |
| 82 | 1 | 1 | 1 | 50 00 40 | Screw | Skruv | 10) | | | | |
| 83 | 1 | 1 | 1 | 34 59 65 | Bracket | Fäste | 10) | | | | |

2) CA25 with Caterpillar
CA25 med Caterpillar

3) CA25 with Deutz
CA25 med Deutz

10) CA 25 with Detroit
CA 25 med Detroit



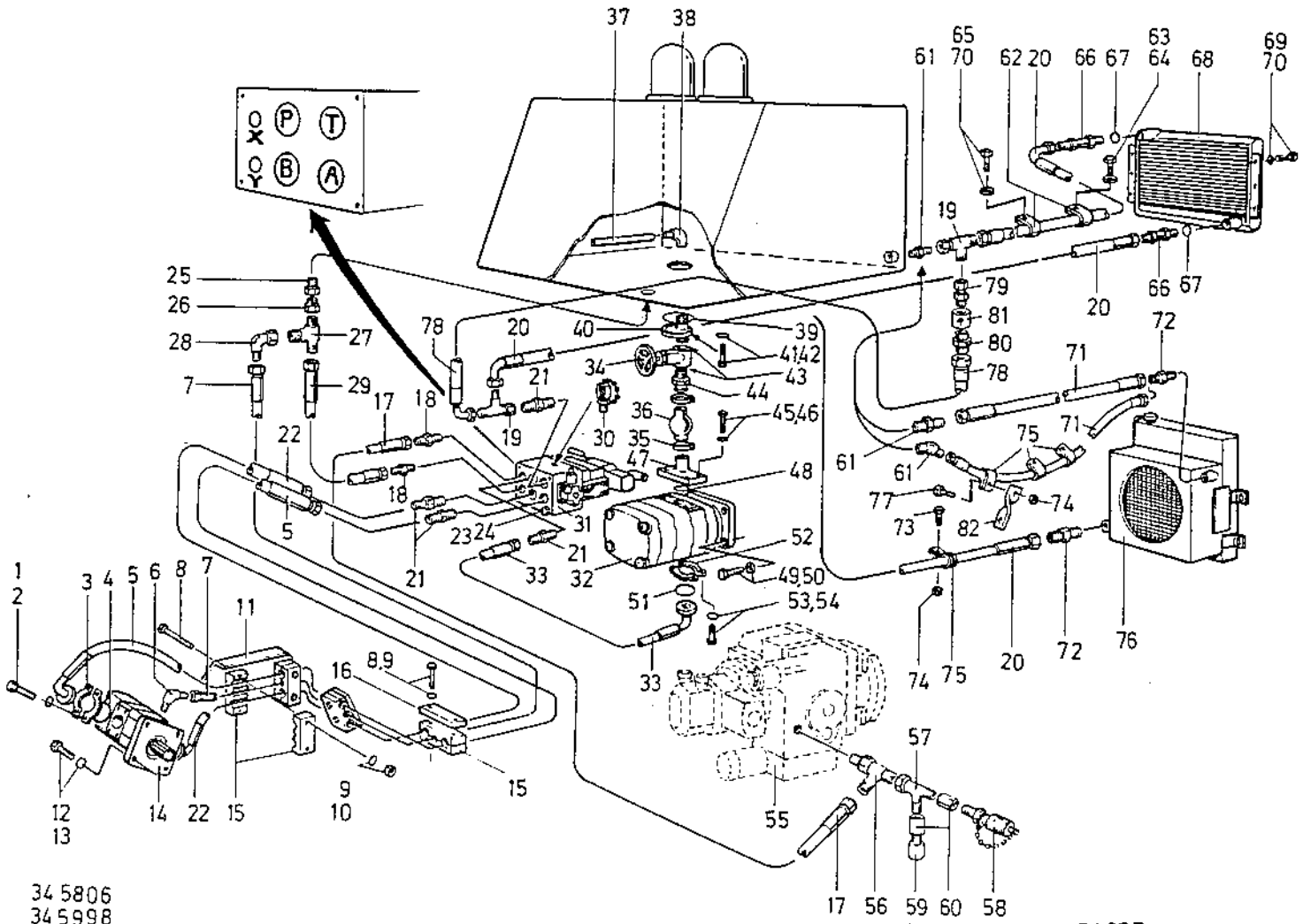
34 58 05
34 56 85
34 57 77

| Page Sida | | Group Grupp | Picture No Bild nr | Issue Utgåva | HYDRAULIC SYSTEM Vibration | HYDRAULSYSTEM Vibration | |
|--------------|-----------------|----------------|-----------------------|---------------------------------|-------------------------------|----------------------------|--------------|
| 34 | | 05 | 13944-1 | S-10200-2 | | | |
| Ref Pos | Quantity//Antal | | Part No Art nr | Description | Benämning | Note Anmärkning | C, P K, L |
| | CA | | | | | | |
| | 25 | | | | | | |
| | PD | | | | | | |
| 1 | 8 | | 50 22 00 | Screw | Skruv | | |
| 2 | 8 | | 60 00 09 | Washer | Bricka | | |
| 3 | 4 | | 23 20 98 | Flange half | Flänshalva | | |
| 4 | 2 | | 16 01 86 | O-ring | O-ring | | D 3 |
| 5 | 1 | | 48 21 09 | Hydraulic hose | Hydraulslang | | D 3 |
| 6 | 1 | | 33 45 29 | Elbow 45° | Rörkrök 45° | | |
| 7 | 1 | | 48 20 55 | Hydraulic hose | Hydraulslang | | D 3 |
| 8 | 8 | | 50 01 92 | Screw | Skruv | | |
| 9 | 8 | | 60 00 08 | Washer | Bricka | | |
| 10 | 6 | | 57 00 06 | Nut | Mutter | | |
| 11 | 1 | | 34 55 97 | Hose guard | Slangskydd | | |
| 12 | 4 | | 50 01 93 | Screw | Skruv | | |
| 13 | 4 | | 61 50 45 | Conical spring washer | Spännbricka | | |
| 14 | 1 | | 34 63 01 | Hydr.motor, vibration | Hydr.motor, vibration | | |
| | | | | Comps, page 46 | Det. se sida 46 | | |
| 15 | 4 | | 34 56 97 | Hose holder | Slanghållare | | |
| 16 | 2 | | 33 56 32 | Plate | Platta | | |
| 17 | 1 | | 48 22 57 | Hydraulic hose | Hydraulslang | | D 3 |
| 18 | 2 | | 33 41 43 | Adapter | Adapter | | |
| 19 | 2 | | 33 45 04 | L-adapter | L-adapter | | |
| 20 | 1 | | 48 22 60 | Hydraulic hose | Hydraulslang | 2,10) | D ? |
| | 2 | | 48 22 59 | Hydraulic hose | Hydraulslang | 3) | D 3 |
| 21 | 4 | | 33 41 40 | Adapter | Adapter | | |
| 22 | 1 | | 48 21 08 | Hydraulic hose | Hydraulslang | | D 3 |
| 23 | 4 | | 50 00 30 | Screw | Skruv | | |
| 24 | 4 | | 60 00 08 | Washer | Bricka | | |
| 25 | 1 | | 33 42 07 | Reducing nipple | Reducering | | |
| 26 | 1 | | 33 44 47 | Reducing nipple | Reducering | | |
| 27 | 1 | | 23 43 33 | L-adapter | L-adapter | | |
| 28 | 1 | | 33 41 96 | Elbow 90° | Rörkrök 90° | | |
| 29 | 1 | | 48 22 56 | Hydraulic hose | Hydraulslang | | D 3 |
| 30 | 1 | | 91 01 62 | Measuring nipple | Mät nipple | | D 3 |
| 31 | 1 | | 34 56 86 | Hydr. control valve, vibr. | Manöverventil, vibr. | | |
| | | | | Comps, page 48 | Det. se sida 48 | | |
| 32 | 1 | | 34 55 80 | Hydr. pump, vibr. and | Hydr. pump, vibr. o styren. | | |
| | | | | steering | Det. se sida 42 | | |
| | | | | Comps, page 42 | | | |
| 33 | 1 | | 48 22 53 | Hydraulic hose | Hydraulslang | | D 3 |
| 34 | 1 | | 23 31 41 | Shut-off valve | Avstängningsventil | | D 4 |
| 35 | 2 | | 31 31 46 | Hose clamp | Slangklämma | | |
| 36 | 1 | | 34 56 88 | Expansion bellow | Expansionsbälge | | D 4 |
| 37 | 1 | | 34 56 89 | Pipe | Rör | | |
| 38 | 1 | | 23 11 94 | Elbow | Rörkrök | | |
| 39 | 1 | | 16 01 11 | O-ring | O-ring | | D 3 |

2) CA25 with Caterpillar
CA25 med Caterpillar

3) CA25 with Deutz
CA25 med Deutz

10) CA 25 with Detroit
CA 25 med Detroit



34 5806
34 5998
34 5999

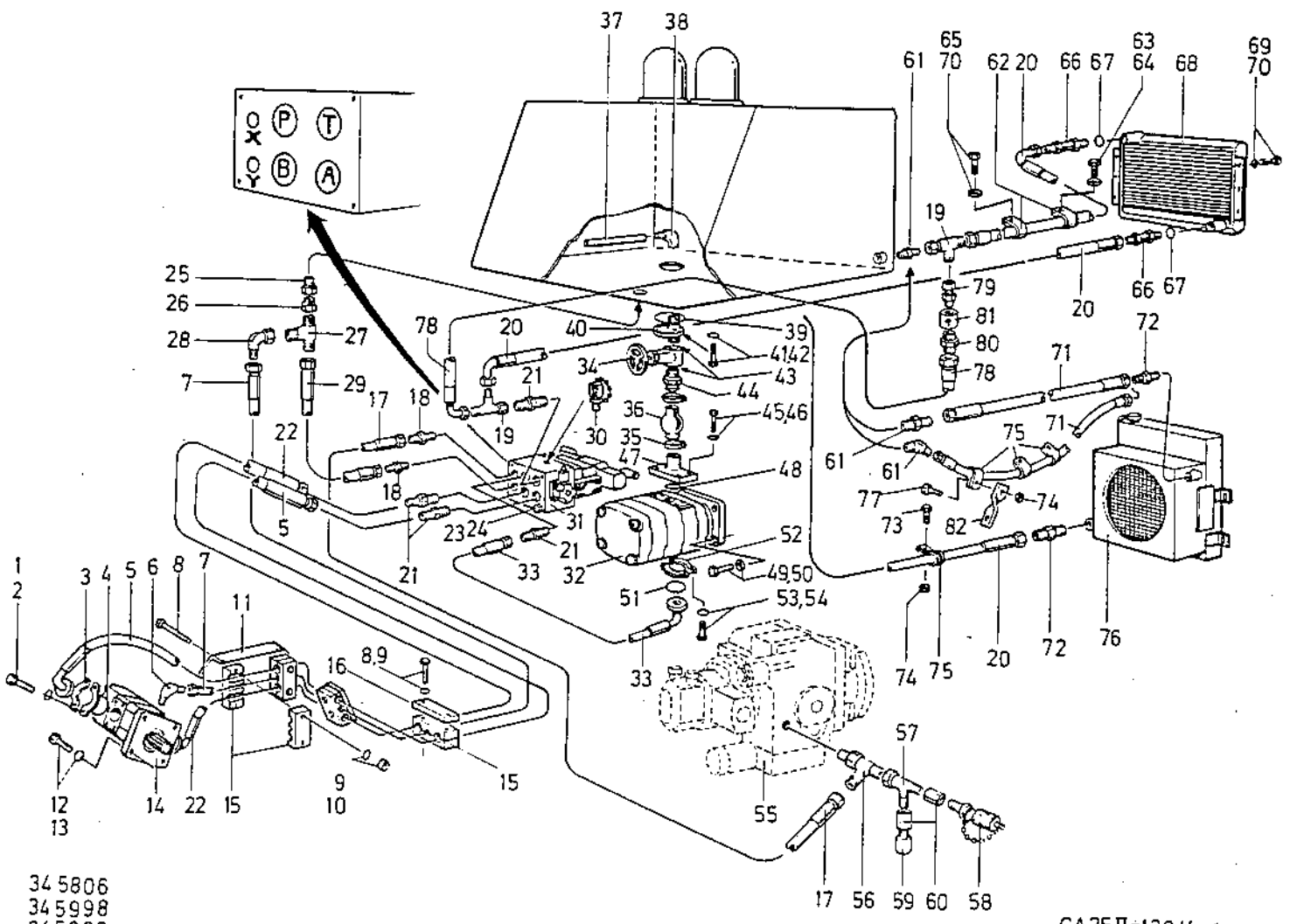
CA25D-1394-1

| Page Sida | | Group Grupp | | Picture No Bild nr | | Issue Utgåva | | HYDRAULIC SYSTEM Vibration | | HYDRAULSYSTEM Vibration | |
|--------------|----------------|----------------|-------------------|---|-----------------------------|--------------------|--------------|-------------------------------|--|----------------------------|--|
| 36 | | 05 | | 13944-1 | | S-10200-2 | | | | | |
| Ref Pos | Quantity/Antal | | Part No Art nr | Description | Benämning | Note Anmärkning | C, P K, L | | | | |
| | CA | PD | | | | | | | | | |
| 40 | 1 | | 34 56 90 | Flange | Fläns | 2,10) | | | | | |
| | 1 | | 34 56 99 | Flange | Fläns | 3) | | | | | |
| 41 | 6 | | 50 00 40 | Screw | Skruv | | | | | | |
| 42 | 6 | | 60 00 04 | Washer | Bricka | | | | | | |
| 43 | 2 | | 23 04 74 | Copper washer | Kopparbricka | | | | | | |
| 44 | 1 | | 34 56 93 | Nipple | Nippel | | | | | | |
| 45 | 4 | | 50 20 58 | Screw | Skruv | | | | | | |
| 46 | 4 | | 60 00 09 | Washer | Bricka | | | | | | |
| 47 | 1 | | 34 56 94 | Flange | Fläns | | | | | | |
| 48 | 1 | | 16 02 75 | O-ring | O-ring | | D 3 | | | | |
| 49 | 4 | | 50 01 93 | Screw | Skruv | | | | | | |
| 50 | 4 | | 61 50 45 | Conical spring washer | Spännbricka | | | | | | |
| 51 | 1 | | 81 34 29 | O-ring | O-ring | | D 3 | | | | |
| 52 | 2 | | 23 20 97 | Flange half | Flänshalva | | | | | | |
| 53 | 4 | | 50 20 36 | Screw | Skruv | | | | | | |
| 54 | 4 | | 60 00 08 | Washer | Bricka | | | | | | |
| 55 | 1 | | - | Variable displ. pump, propulsion | Hydr. pump, framdrivn. | See page 8 ref. 21 | | | | | |
| 56 | 1 | | 23 46 20 | L-adapter | L-adapter | | | | | | |
| 57 | 1 | | 33 45 56 | L-adapter | L-adapter | | | | | | |
| 58 | 1 | | 91 01 61 | Measuring nipple | Mät-nippel | | D | | | | |
| 59 | 1 | | 34 43 28 | Pressure switch | Manokontakt | | D 3 | | | | |
| 60 | 2 | | 33 83 04 | Nipple | Nippel | | | | | | |
| 61 | 1 | | 81 34 28 | Adapter | Adapter | 2,3) | | | | | |
| | 1 | | 23 42 77 | Elbow 45° | Rörkrök 45° | 10) | | | | | |
| 62 | 2 | | 92 30 08 | Clamp | Klammer | 3) | | | | | |
| 63 | 1 | | 50 00 28 | Screw | Skruv | 3) | | | | | |
| 64 | 1 | | 60 00 08 | Washer | Bricka | 3) | | | | | |
| 65 | 1 | | 50 00 53 | Screw | Skruv | 3) | | | | | |
| 66 | 2 | | 34 59 68 | Adapter | Adapter | 3) | | | | | |
| 67 | 2 | | 33 04 74 | Copper washer | Kopparbricka | 3) | | | | | |
| 68 | 1 | | 33 85 94 | Oil cooler | Oljekylare | 3) | C 3 | | | | |
| 69 | 6 | | 50 01 88 | Screw | Skruv | 3) | | | | | |
| 70 | 7 | | 61 50 43 | Conical spring washer | Spännbricka | 3) | | | | | |
| 71 | 1 | | 48 22 58 | Hydraulic hose | Hydraulslang | 2) | D 3 | | | | |
| | 1 | | 48 20 75 | Hydraulic hose | Hydraulslang | 10) | D 3 | | | | |
| 72 | 2 | | 89 19 53 | Adapter | Adapter | 2,10) | | | | | |
| 73 | 1 | | 50 00 15 | Screw | Skruv | 2,10) | | | | | |
| 74 | 1 | | 57 00 04 | Nut | Mutter | 2) | | | | | |
| | 2 | | 57 00 04 | Nut | Mutter | 10) | | | | | |
| 75 | 1 | | 92 11 08 | Clamp | Klammer | 2) | | | | | |
| | 4 | | 92 11 08 | Clamp | Klammer | 10) | | | | | |
| 76 | 1 | | - | Radiator and oil cooler | Kylare och oljekylare | 2,10) See group 3 | | | | | |
| 77 | 1 | | 50 00 40 | Screw | Skruv | 10) | | | | | |

2) CA25 with Caterpillar
CA25 med Caterpillar

3) CA25 with Deutz
CA25 med Deutz

10) CA 25 with Detroit
CA 25 med Detroit



34 5806
34 5998
34 5999

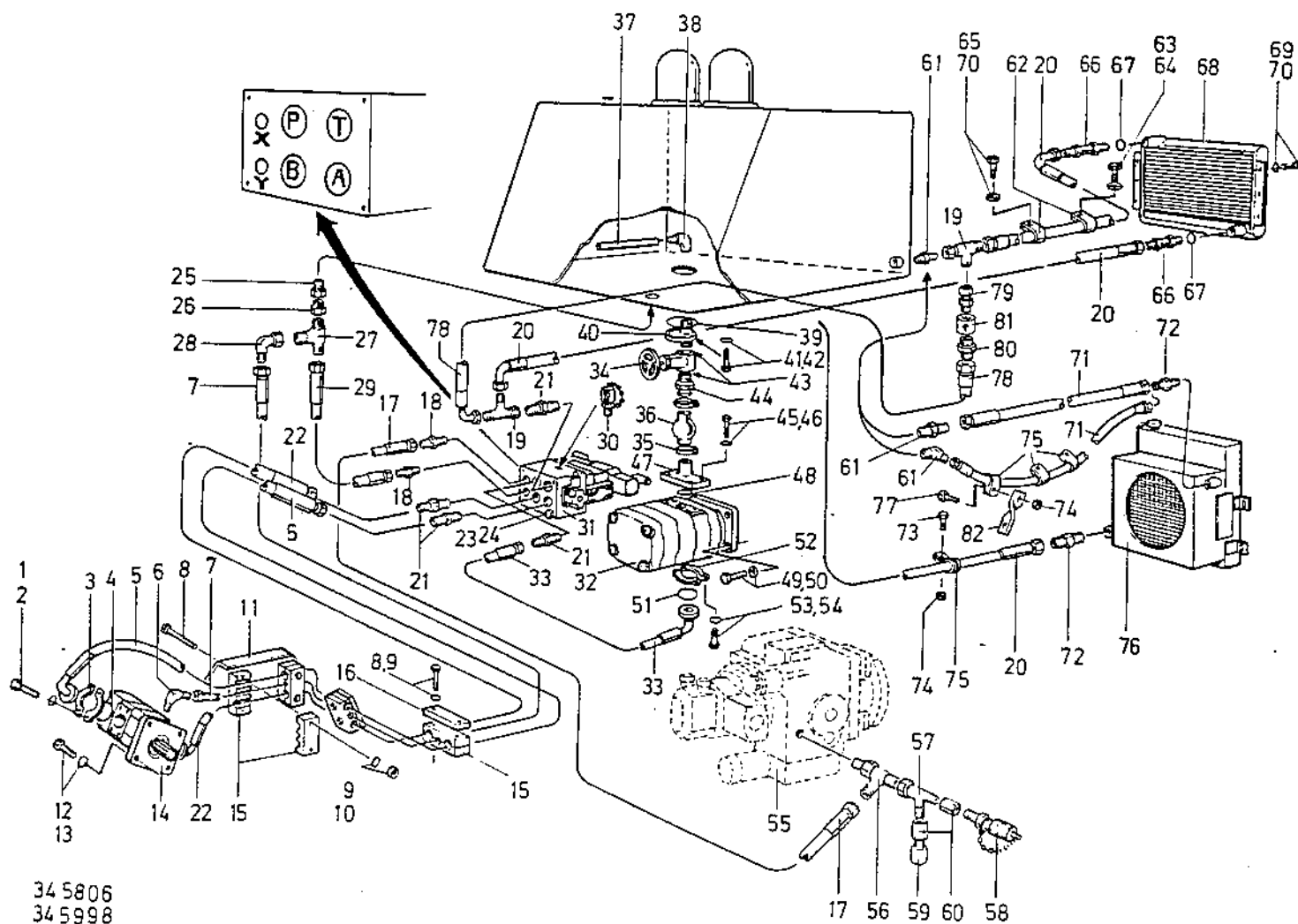
CA25Π-1394-1

| Page Sida | | Group Grupp | | Picture No Bild nr | | Issue Utgåva | | HYDRAULIC SYSTEM Vibration | | HYDRAULSYSTEM Vibration | |
|--------------|----------------|----------------|----|-----------------------|----------------------|--------------------|--------------------|-------------------------------|--|----------------------------|--|
| 38 | | 05 | | 13944-1 | | S-10200-2 | | | | | |
| Ref Pos | Quantity/Antal | | | Part No Art nr | Description | Benämning | Note Anmärkning | C, P K, L | | | |
| | CA | 25 | PD | | | | | | | | |
| 78 | 1 | | | 48 20 38 | Hydraulic hose | Hydraulslang | 2,3) | D 3 | | | |
| | 1 | | | 48 22 74 | Hydraulic hose | Hydraulslang | 10) | D 3 | | | |
| 79 | 1 | | | 23 49 57 | Adapter | Adapter | | | | | |
| 80 | 1 | | | 23 49 09 | Adapter | Adapter | | | | | |
| 81 | 1 | | | 23 33 12 | Check valve | Backventil | | D 3 | | | |
| 82 | 1 | | | 34 59 65 | Bracket | Fäste | 10) | | | | |

2) CA25 with Caterpillar
CA25 med Caterpillar

3) CA25 with Deutz
CA25 med Deutz

10) CA 25 with Detroit
CA 25 med Detroit

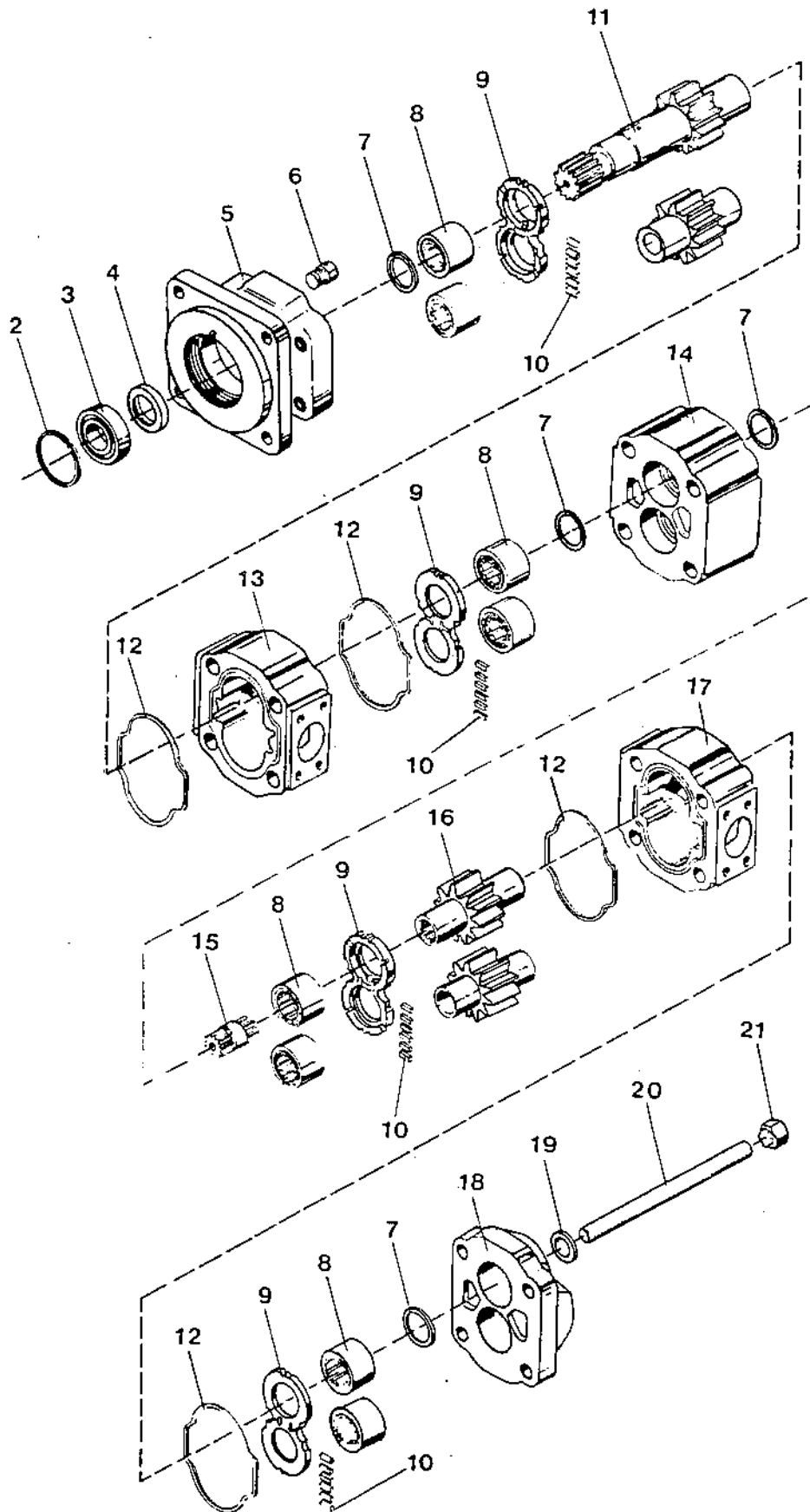


34 5806
34 5998
34 5999

CA25II-13944-1

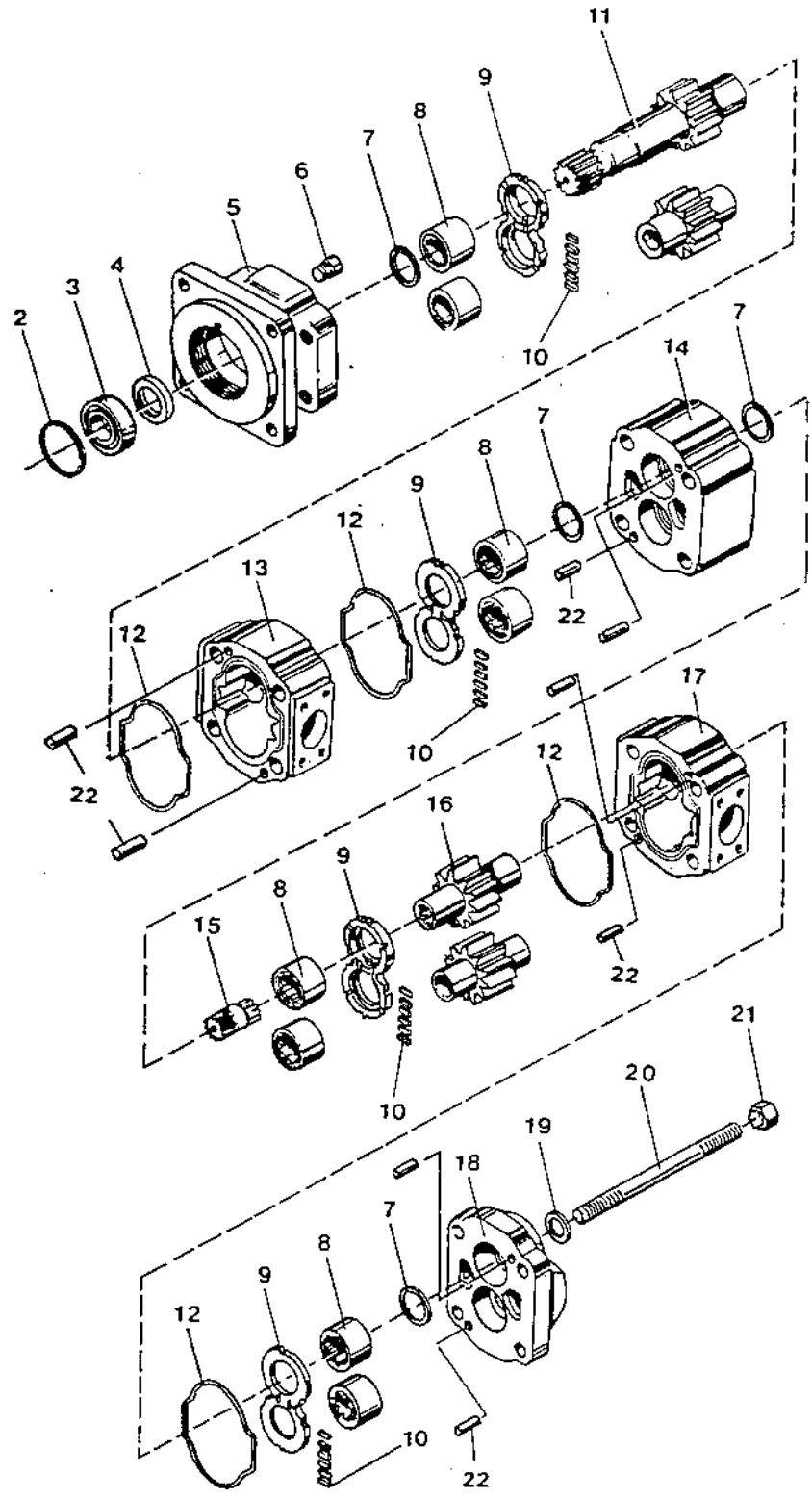
| Page Sida | Group Grupp | Picture No Bild nr | Issue Utgåva | HYDRAULIC PUMP Vibration and steering | HYDRAULPUMP Vibration och styrning | |
|--------------|----------------|-----------------------|--|--|---------------------------------------|--------------|
| 40 | 05 | 13793-1 | S-10200-2 | | | |
| Ref Pos | Quantity/Antal | Part No Art nr | Description | Benämning | Note Anmärkning | C, P K, L |
| | CA | | | | | |
| | 11)25 | | | | | |
| 1 | 1 | 34 56 87 | Hydraulic pump, vibration and steering, cpl. | Hydraulpump, vibration .. och styrning, kpl. | | C 3 |
| 2 | 1 | 81 36 77 | •Snap ring | •Spårring | | |
| 3 | 1 | 81 36 73 | •Ball bearing | •Kullager | | D 3 |
| 4 | 1 | 81 39 19 | •Seal ring | •Tätningarring | | D 3 |
| 5 | 1 | 81 39 04 | •Cover | •Lock | | |
| 6 | 1 | 81 39 07 | •Plug | •Plugg | | |
| 7 | 4 | 81 36 56 | •Seal ring | •Tätningarring | | D 3 |
| 8 | 8 | 81 36 82 | •Roller bearing | •Rullager | | D 3 |
| 9 | 4 | 81 36 42 | •Thrust plate | •Tryckbricka | | D 3 |
| 10 | 2 | 48 04 81 | •Sealing strip | •Tätningstremsa | | D 3 |
| 11 | 1 | 81 38 94 | •Drive shaft and gear | •Drivaxel och kuggjul | | |
| 12 | 4 | 81 36 68 | •Gasket | •Packning | | D 3 |
| 13 | 1 | 92 28 14 | •Housing | •Hus | | |
| 14 | 1 | 81 39 09 | •Bearing housing | •Lagerhus | | |
| 15 | 1 | 81 39 22 | •Shaft | •Axel | | |
| 16 | 1 | 81 39 08 | •Gear set | •Kuggjulssats | | |
| 17 | 1 | 81 36 64 | •Housing | •Hus | | |
| 18 | 1 | 81 39 20 | •Cover | •Lock | | |
| 19 | 4 | 81 39 15 | •Washer | •Bricka | | |
| 20 | 4 | 81 38 92 | •Stud | •Pinnskruv | | |
| 21 | 4 | 81 39 17 | •Nut | •Mutter | | |

1



| Page Sida | | Group Grupp | Picture No Bild nr | Issue Utgåva | HYDRAULIC PUMP Vibration and steering | HYDRAULPUMP Vibration och styrning | |
|--------------|----------------|----------------|-----------------------|--|--|---------------------------------------|--------------|
| 42 | | 05 | 13945-1 | S-10200-2 | | | |
| Ref Pos | Quantity/Antal | | Part No Art nr | Description | Benämning | Note Anmärkning | C, P K, L |
| | CA | | | | | | |
| | 25 | | | | | | |
| | PD | | | | | | |
| * 1 | 1 | | 34 55 80 | Hydraulic pump, vibration and steering, cpl. | Hydraulpump, vibration .. och styrning, kpl. | | C 3 |
| * 2 | 1 | | 81 36 77 | •Snap ring | •Spårring | | |
| * 3 | 1 | | 81 36 73 | •Ball bearing | •Kullager | | D 3 |
| * 4 | 1 | | 81 39 19 | •Seal ring | •Tätningarring | | D 3 |
| * 5 | 1 | | 92 33 89 | •Cover | •Lock | | |
| * 6 | 1 | | 81 39 07 | •Plug | •Plugg | | |
| * 7 | 4 | | 81 36 56 | •Seal ring | •Tätningarring | | D 3 |
| * 8 | 8 | | 81 36 82 | •Roller bearing | •Rullager | | D 3 |
| * 9 | 4 | | 81 36 42 | •Thrust plate | •Tryckbricka | | D 3 |
| * 10 | 2 | | 48 04 81 | •Sealing strip | •Tätningssremsa | | D 3 |
| * 11 | 1 | | 89 11 20 | •Drive shaft and gear | •Drivaxel och kugghjul | | |
| * 12 | 4 | | 81 36 68 | •Gasket | •Packning | | D 3 |
| * 13 | 1 | | 92 28 15 | •Housing | •Hus | | |
| * 14 | 1 | | 92 33 90 | •Bearing housing | •Lagerhus | | |
| * 15 | 1 | | 81 39 22 | •Shaft | •Axel | | |
| * 16 | 1 | | 81 39 08 | •Gear set | •Kugghjulssats | | |
| * 17 | 1 | | 92 33 91 | •Housing | •Hus | | |
| * 18 | 1 | | 92 33 92 | •Cover | •Lock | | |
| * 19 | 4 | | 81 39 15 | •Washer | •Bricka | | |
| * 20 | 4 | | 81 38 92 | •Stud | •Pinnskruv | | |
| * 21 | 4 | | 81 39 17 | •Nut | •Mutter | | |
| * 22 | 8 | | 91 16 50 | •Dowel pin | •Styrpinne | | |

1



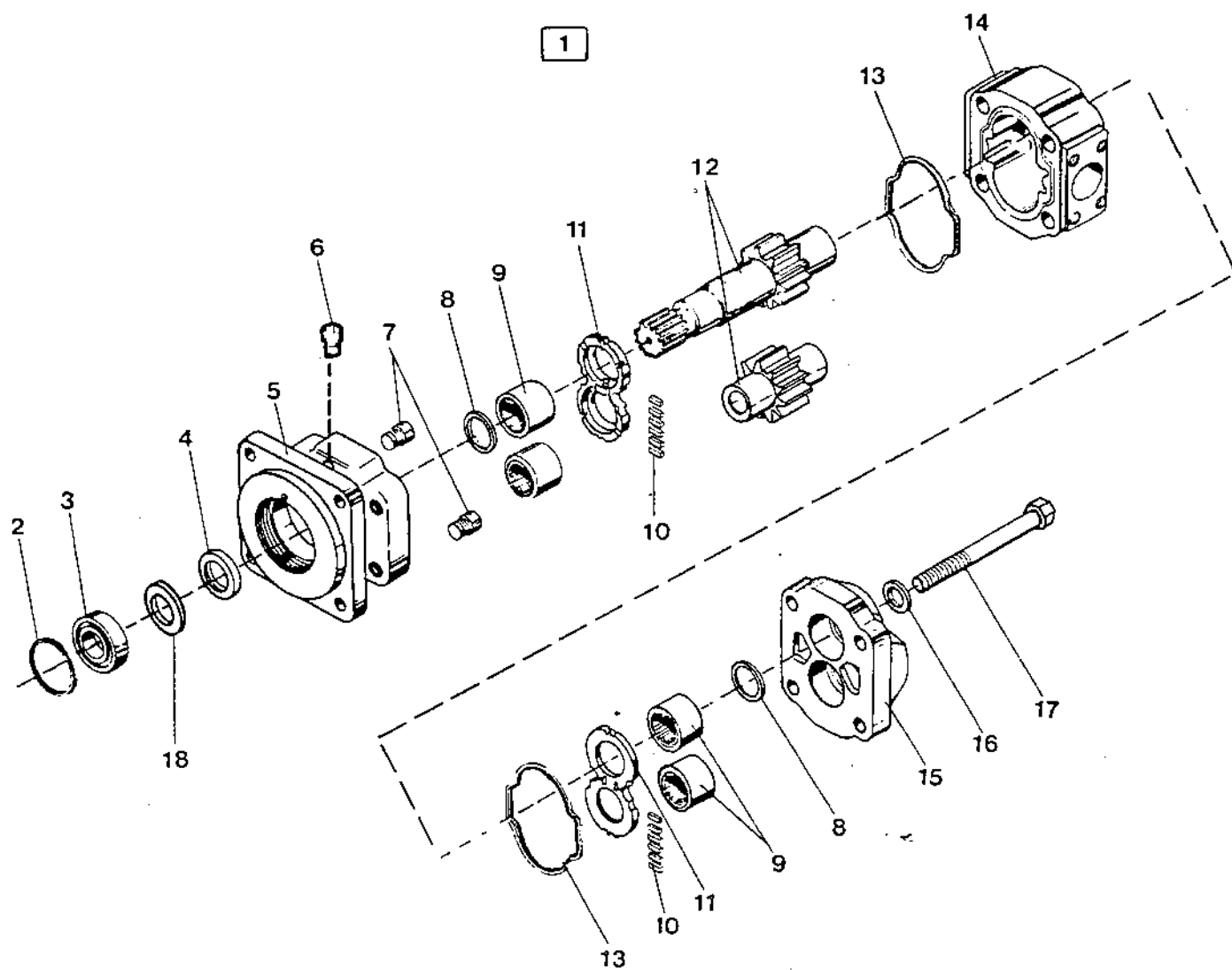
CA25, CA25D, CA25R

Spare Parts Catalogue • Reservdelskatalog



| Page Sida | | Group Grupp | Picture No Bild nr | Issue Utgåva | HYDRAULIC MOTOR Vibration | HYDRAULMOTOR Vibration |
|-----------|----------------|----------------|---|----------------------------------|---------------------------|------------------------|
| 44 | | 05 | 13794-1 | S-10200-2 | | |
| Ref Pos | Quantity/Antal | Part No Art nr | Description | Benämning | Note Anmärkning | C, P K, L |
| | CA | | | | | |
| | 11)25 | | | | | |
| 1 | 1 | 33 55 53 | Hydraulic motor, vibration, cpl. | Hydraulmotor, vibration, kpl. | | C 3 |
| 2 | 1 | 81 36 78 | •Snap ring | •Spårring | | |
| 3 | 1 | 81 36 74 | •Ball bearing | •Kullager | | D 3 |
| 4 | 1 | 81 36 76 | •Seal ring | •Tätningring | | D 3 |
| 5 | 1 | 81 39 02 | •Cover | •Lock | | |
| 6 | 1 | 81 39 10 | •Plug | •Plugg | | |
| 7 | 2 | 81 39 03 | •Check valve | •Backventil | | D 3 |
| 8 | 2 | 81 36 61 | •Seal ring | •Tätningring | | D 3 |
| 9 | 4 | 81 39 06 | •Roller bearing | •Rullager | | D 3 |
| 10 | 1 | 48 04 81 | •Sealing strip | •Tätningremsa | | D 3 |
| 11 | 2 | 81 36 83 | •Thrust plate | •Tryckbricka | | D 3 |
| 12 | 1 | 81 39 05 | •Drive shaft and gear | •Drivaxel och kuggjul | | |
| 13 | 2 | 81 36 69 | •Gasket | •Packning | | D 3 |
| 14 | 1 | 81 36 57 | •Housing | •Hus | | |
| 15 | 1 | 81 39 23 | •Cover | •Lock | | |
| 16 | 4 | 81 39 15 | •Washer | •Bricka | | |
| 17 | 4 | 81 39 16 | •Screw | •Skruv | | |
| 18 | 1 | 81 36 43 | •Seal retainer | •Tätningshållare | | |

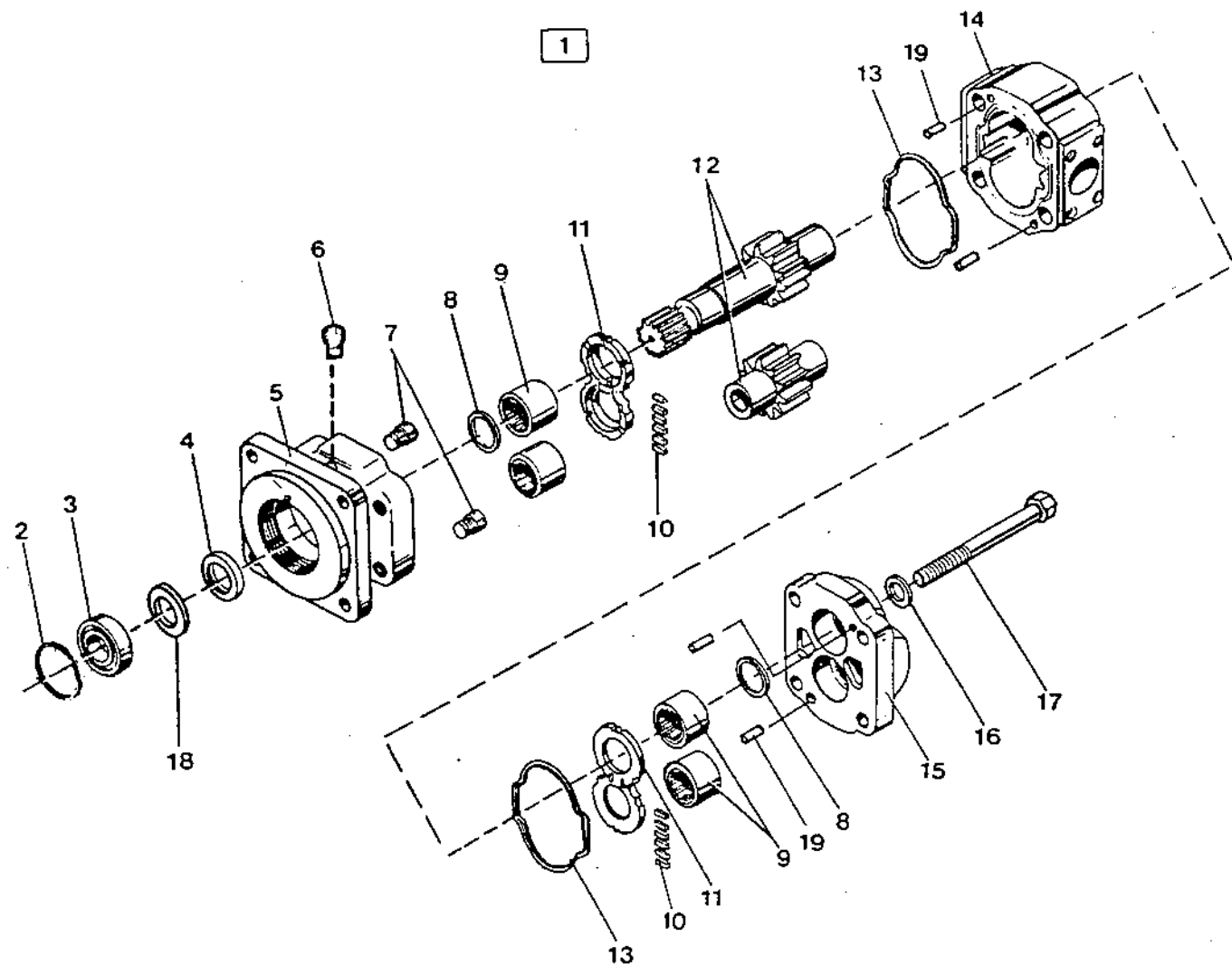
11) CA25, CA25D, CA25R
CA25, CA25D, CA25R



33 55 53

CA 25 II-13794-1

| Page Sida | | Group Grupp | | Picture No Bild nr | | Issue Utgåva | | HYDRAULIC MOTOR Vibration | | HYDRAULMOTOR Vibration | |
|--------------|----------------|----------------|-------------------|---|----------------------------------|--------------------|--------------|------------------------------|--|---------------------------|--|
| 46 | | 05 | | 13946-1 | | S-10200-2 | | | | | |
| Ref Pos | Quantity/Antal | | Part No Art nr | Description | Benämning | Note Anmärkning | C, P K, L | | | | |
| | CA | PD | | | | | | | | | |
| * 1 | 1 | | 34 63 01 | Hydraulic motor, vibration, cpl. | Hydraulmotor, vibration, kpl. | | C 3 | | | | |
| * 2 | 1 | | 81 36 78 | •Snap ring | •Spårring | | | | | | |
| * 3 | 1 | | 81 36 74 | •Ball bearing | •Kullager | | D 3 | | | | |
| * 4 | 1 | | 81 36 76 | •Seal ring | •Tätningarring | | D 3 | | | | |
| * 5 | 1 | | 92 33 93 | •Cover | •Lock | | | | | | |
| * 6 | 1 | | 81 39 10 | •Plug | •Plugg | | | | | | |
| * 7 | 2 | | 81 39 03 | •Check valve | •Backventil | | D 3 | | | | |
| * 8 | 2 | | 81 36 61 | •Seal ring | •Tätningarring | | D 3 | | | | |
| * 9 | 4 | | 81 39 06 | •Roller bearing | •Rullager | | D 3 | | | | |
| * 10 | 1 | | 48 04 81 | •Sealing strip | •Tätningstremsa | | D 3 | | | | |
| * 11 | 2 | | 81 36 83 | •Thrust plate | •Tryckbricka | | D 3 | | | | |
| * 12 | 1 | | 89 14 98 | •Drive shaft and gear | •Drivaxel och kugghjul | | | | | | |
| * 13 | 2 | | 81 36 69 | •Gasket | •Packning | | D 3 | | | | |
| * 14 | 1 | | 92 33 94 | •Housing | •Hus | | | | | | |
| * 15 | 1 | | 92 33 95 | •Cover | •Lock | | | | | | |
| * 16 | 4 | | 81 39 15 | •Washer | •Bricka | | | | | | |
| * 17 | 4 | | 81 39 16 | •Screw | •Skruv | | | | | | |
| * 18 | 1 | | 81 36 43 | •Seal retainer | •Tätningshållare | | | | | | |
| * 19 | 4 | | 91 16 50 | •Dowel pin | •Styrpinne | | | | | | |

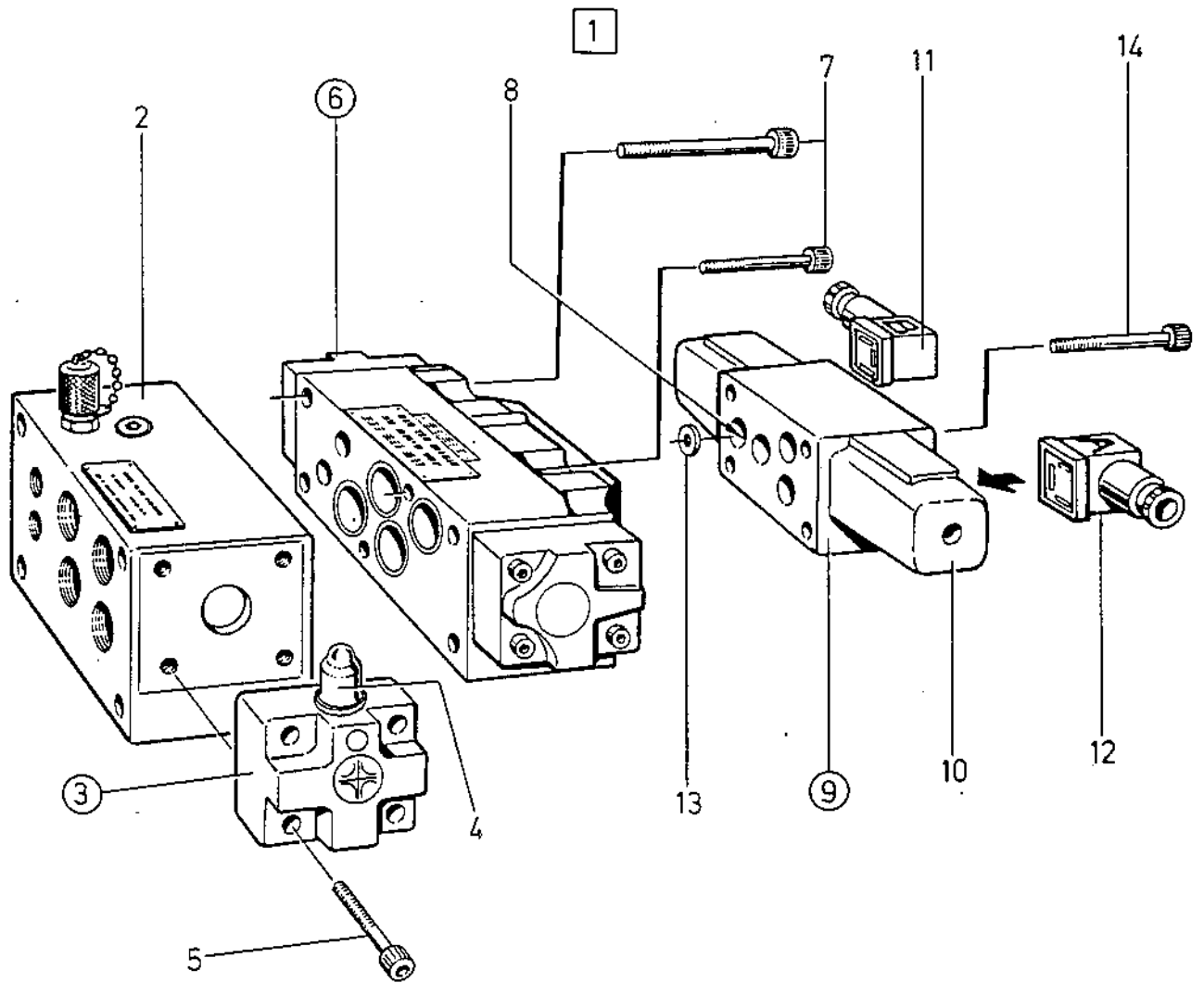


346301

CA25II-13946-1

| Page Sida | | Group Grupp | | Picture No Bild nr | | Issue Utgåva | | HYDRAULIC CONTROL VALVE Vibration | | MANÖVERVENTIL Vibration | |
|--------------|----------------|----------------|--|-----------------------|---|------------------------------------|--------------------|---|--|----------------------------|--|
| 48 | | 05 | | 13795-1 | | S-10200-2 | | | | | |
| Ref Pos | Quantity/Antal | | | Part No Art nr | Description | Benämning | Note Anmärkning | C, P K, L | | | |
| | CA | | | | | | | | | | |
| | 1)25 | | | | | | | | | | |
| 1 | 1 | | | 34 56 86 | Hydraulic control valve, ... vibr., cpl. | Manöverventil, vibr. kpl. ... | | C3 | | | |
| 2 | 1 | | | 92 27 91 | •Manifold block | •Anslutningsstycke | | | | | |
| 3 | 1 | | | 92 27 92 | •Pressure relief valve, cpl. | •Överströmningsventil, ... kpl. | | C 3 | | | |
| 4 | 1 | | | 92 27 93 | ••Seal kit, pressure adj. ... | ••Tätningssats, tryckjust. | | DO3 | | | |
| 5 | 4 | | | 92 28 13 | •Screw | •Skruv | | | | | |
| 6 | 1 | | | 92 27 94 | •Direction valve, cpl. | •Riktningventil. kpl. | | | | | |
| 7 | 1 | | | 92 27 95 | ••Bolt kit | ••Skruvsats | | | | | |
| 8 | 2 | | | 92 27 96 | ••Orifice | ••Strypning | | | | | |
| 9 | 1 | | | 92 27 97 | ••Pilot valve, cpl. | ••Pilotventil, kpl. | | D 4 | | | |
| 10 | 2 | | | 92 27 98 | •••Solenoid | •••Magnetspole | | D 3 | | | |
| 11 | 1 | | | 92 27 99 | •••Plug contact, B | •••Stickkontakt, B | | D 3 | | | |
| 12 | 1 | | | 92 28 00 | •••Plug contact, A | •••Stickkontakt, A | | D 3 | | | |
| 13 | 1 | | | 92 28 01 | •••Seal kit, pilot valve | •••Tät. sats, pilotventil .. | | D 3 | | | |
| 14 | 4 | | | 92 28 12 | ••Screw | ••Skruv | | | | | |

1) CA25, all models
CA25, alla typer

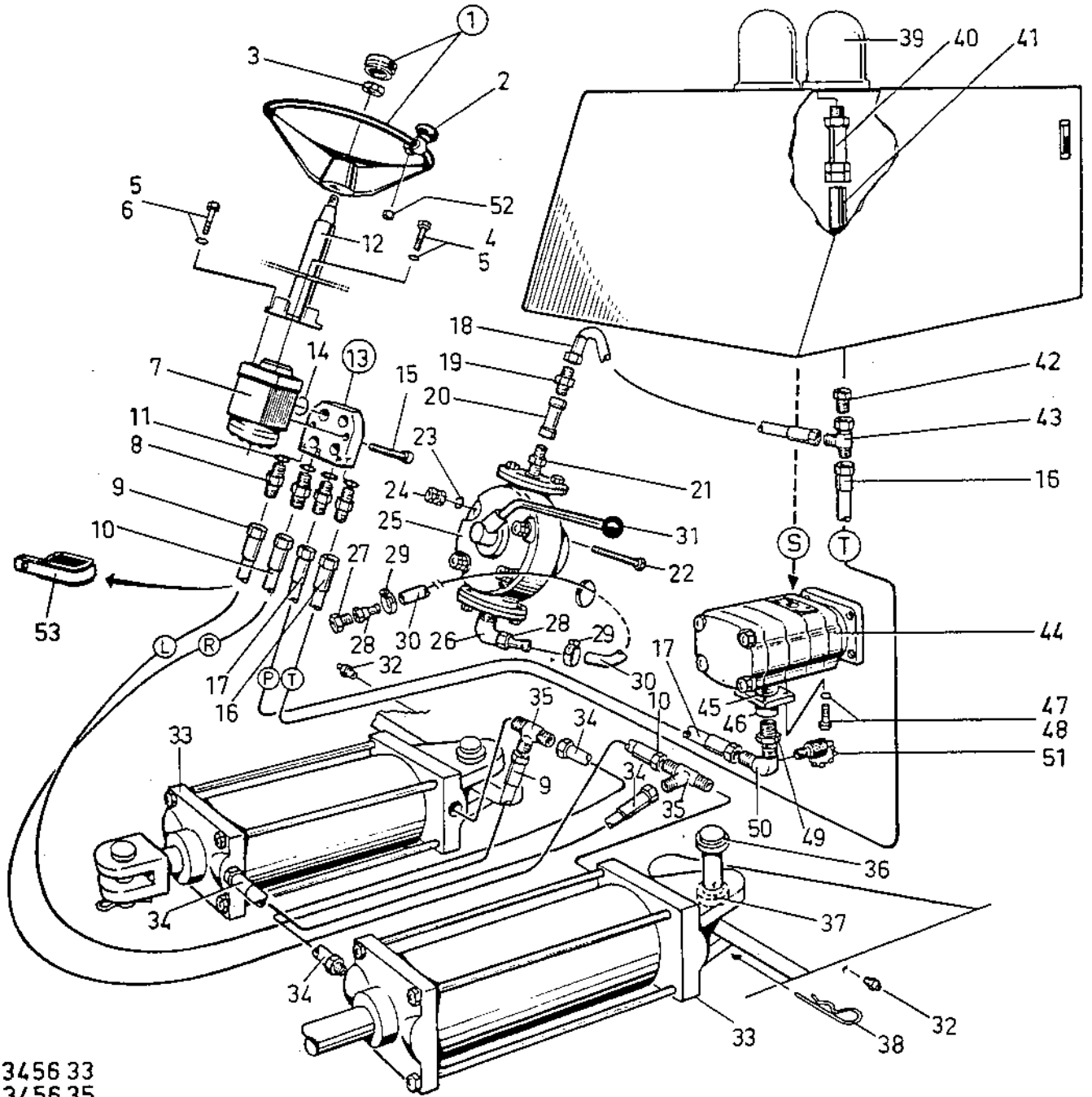


34 56 86

CA 25 II-13795-1

| Page Sida | | Group Grupp | | Picture No Bild nr | | Issue Utgåva | | HYDRAULIC SYSTEM Steering | | HYDRAULSYSTEM Styrning | |
|--------------|----------------|----------------|--|-----------------------|------------------------------------|---|--------------------|------------------------------|--|---------------------------|--|
| 50 | | 05 | | 13796-2 | | S-10200-2 | | | | | |
| Ref Pos | Quantity/Antal | | | Part No Art nr | Description | Benämning | Note Anmärkning | C, P K, L | | | |
| | CA | | | | | | | | | | |
| | 1)25 | | | | | | | | | | |
| • 1 | 1 | | | 34 37 82 | Steering wheel, cpl. | Ratt, kpl. | | D 3 | | | |
| • 2 | 1 | | | 81 33 49 | •Turning knob | •Rattspinnare | | | | | |
| • 3 | 1 | | | 81 33 42 | Wheel nut | Rattmutter | | | | | |
| • 4 | 2 | | | 50 00 30 | Screw | Skruv | | | | | |
| • 5 | 4 | | | 61 50 44 | Conical spring washer | Spännbricka | | | | | |
| • 6 | 2 | | | 50 00 48 | Screw | Skruv | | | | | |
| • 7 | 1 | | | 48 02 19 | Steering unit | Styrventil | | | | | |
| | | | | | Comps, page 54 | Det. se sida 54 | | | | | |
| 8 | 4 | | | 23 49 41 | Adapter | Adapter | | | | | |
| 9 | 1 | | | 48 22 61 | Hydraulic hose | Hydraulslang | | D3 | | | |
| 10 | 1 | | | 48 22 54 | Hydraulic hose | Hydraulslang | | D3 | | | |
| • 11 | 4 | | | 16 20 15 | Seal ring | Tätningssring | | | | | |
| 12 | 1 | | | 92 07 72 | Steering column | Rattstång | | C 4 | | | |
| 13 | 1 | | | 91 14 99 | Relief valve block, cpl. | Ventilblock, kpl. | | C 3 | | | |
| 14 | 1 | | | 92 03 63 | •Gasket set | •Packningssats | | D 3 | | | |
| 15 | 2 | | | 48 09 23 | ••Screw | ••Skruv | | | | | |
| 16 | 1 | | | 48 20 72 | Hydraulic hose | Hydraulslang | | D3 | | | |
| 17 | 1 | | | 48 20 69 | Hydraulic hose | Hydraulslang | | D3 | | | |
| 18 | 1 | | | 48 22 55 | Hydraulic hose | Hydraulslang | | D3 | | | |
| 19 | 1 | | | 33 42 05 | Adapter | Adapter | | | | | |
| 20 | 1 | | | 23 33 05 | Check valve | Backventil | | | | | |
| 21 | 1 | | | 81 37 38 | Adapter | Adapter | | | | | |
| 22 | 4 | | | 50 00 61 | Screw | Skruv | | | | | |
| 23 | 4 | | | 60 00 04 | Washer | Bricka | | | | | |
| 24 | 8 | | | 57 00 04 | Nut | Mutter | | | | | |
| 25 | 1 | | | 92 16 46 | Hand pump | Handpump | | | | | |
| 26 | 1 | | | 81 34 48 | Elbow 90° | Rörkrök 90° | | | | | |
| 27 | 1 | | | 33 10 92 | Plug | Plugg | | | | | |
| 28 | 2 | | | 23 48 00 | Hose nipple | Slangnippel | | | | | |
| 29 | 2 | | | 31 30 04 | Hose clamp | Slangklämma | | | | | |
| 30 | 1 x L | | | 24 40 59 | Hose | Slang | L = 3000 mm | | | | |
| 31 | 1 | | | 34 56 41 | Handle | Handtag | | | | | |
| 32 | 2 | | | 31 00 25 | Grease nipple | Smörjnippel | | | | | |
| 33 | 2 | | | 33 55 60 | Steering cylinder | Styrcylinder | | | | | |
| | | | | | Comps, page 56 | Det. se sida 56 | | | | | |
| 34 | 2 | | | 333 56 03 04 | Hydraulic hose | Hydraulslang | | D3 | | | |
| 35 | 2 | | | 33 40 70 | T-adapter | T-adapter | | | | | |
| 36 | 4 | | | - | Bolt | Bult | See page 56 ref. 8 | | | | |
| 37 | 2 | | | 81 33 16 | Bearing | Lager | | D 3 | | | |
| 38 | 4 | | | - | Locking pin | Låspinne | See page 56 ref. 9 | | | | |
| 39 | 1 | | | 49 93 49 | Return filter | Returfilter | | A 1 | | | |
| 40 | 1 | | | 23 31 42 | Check valve | Backventil | | D 3 | | | |
| 41 | 1 x L | | | 62 92 31 | Pipe | Rör | L = 150 mm | | | | |
| 42 | 1 | | | 33 41 42 | Adapter | Adapter | | | | | |
| 43 | 1 | | | 33 41 35 | L-adapter | L-adapter | | | | | |
| 44 | 1 | | | - | Hydr. pump. vibr./steering | Hydr. pump. vibr. o styrm. Det. se sida 40 | | | | | |
| | | | | | Comps, page 40 | | | | | | |
| 45 | 1 | | | 81 34 43 | O-ring | O-ring | | D 3 | | | |

1) CA25, all models
CA25, alla typer

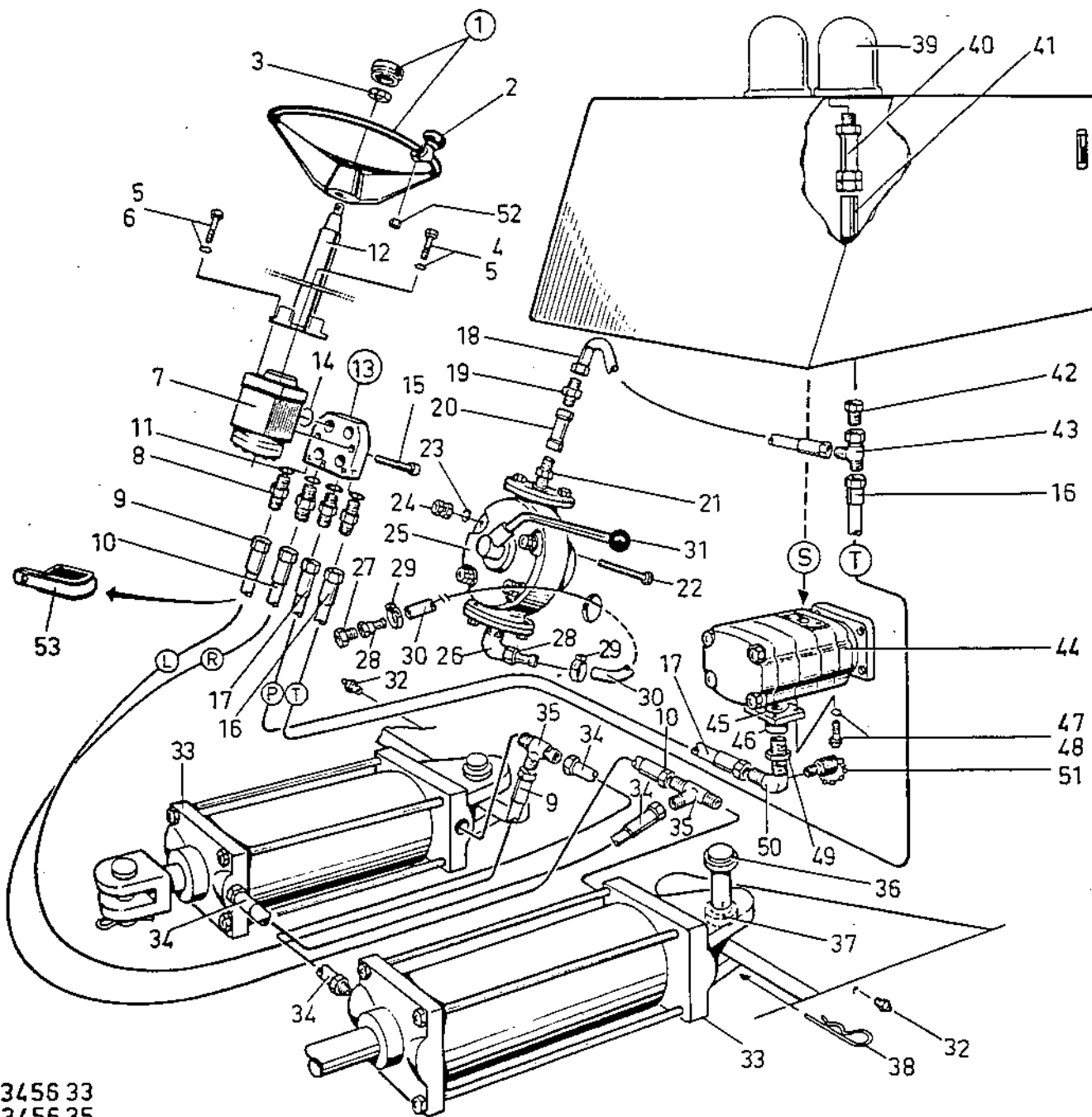


3456 33
3456 35

CA25II-13796-2

| Page Sida | | Group Grupp | | Picture No Bild nr | | Issue Utgåva | | HYDRAULIC SYSTEM Steering | | HYDRAULSYSTEM Styrning | |
|--------------|----------------|----------------|--|-----------------------|------------------------|------------------|--------------------|------------------------------|--|---------------------------|--|
| 52 | | 05 | | 13796-2 | | S-10200-2 | | | | | |
| Ref Pos | Quantity/Antal | | | Part No Art nr | Description | Benämning | Note Anmärkning | C, P K, L | | | |
| | CA | | | | | | | | | | |
| | 1)25 | | | | | | | | | | |
| 46 | 1 | | | 81 34 33 | Flange | Fläns | | | | | |
| 47 | 4 | | | 50 90 23 | Screw | Skruv | | | | | |
| 48 | 4 | | | 60 00 08 | Washer | Bricka | | | | | |
| 49 | 1 | | | 81 34 34 | Reducing nipple | Reducering | | | | | |
| 50 | 1 | | | 34 57 76 | Elbow | Rörkrök | | | | | |
| 51 | 1 | | | 91 01 61 | Measuring nipple | Mät nipple | | D 3 | | | |
| 52 | 1 | | | 58 10 20 | Nut | Mutter | | | | | |
| 53 | 1 | | | 92 11 19 | Clamp | Klammer | | | | | |

1) CA25, all models
CA25, alla typer

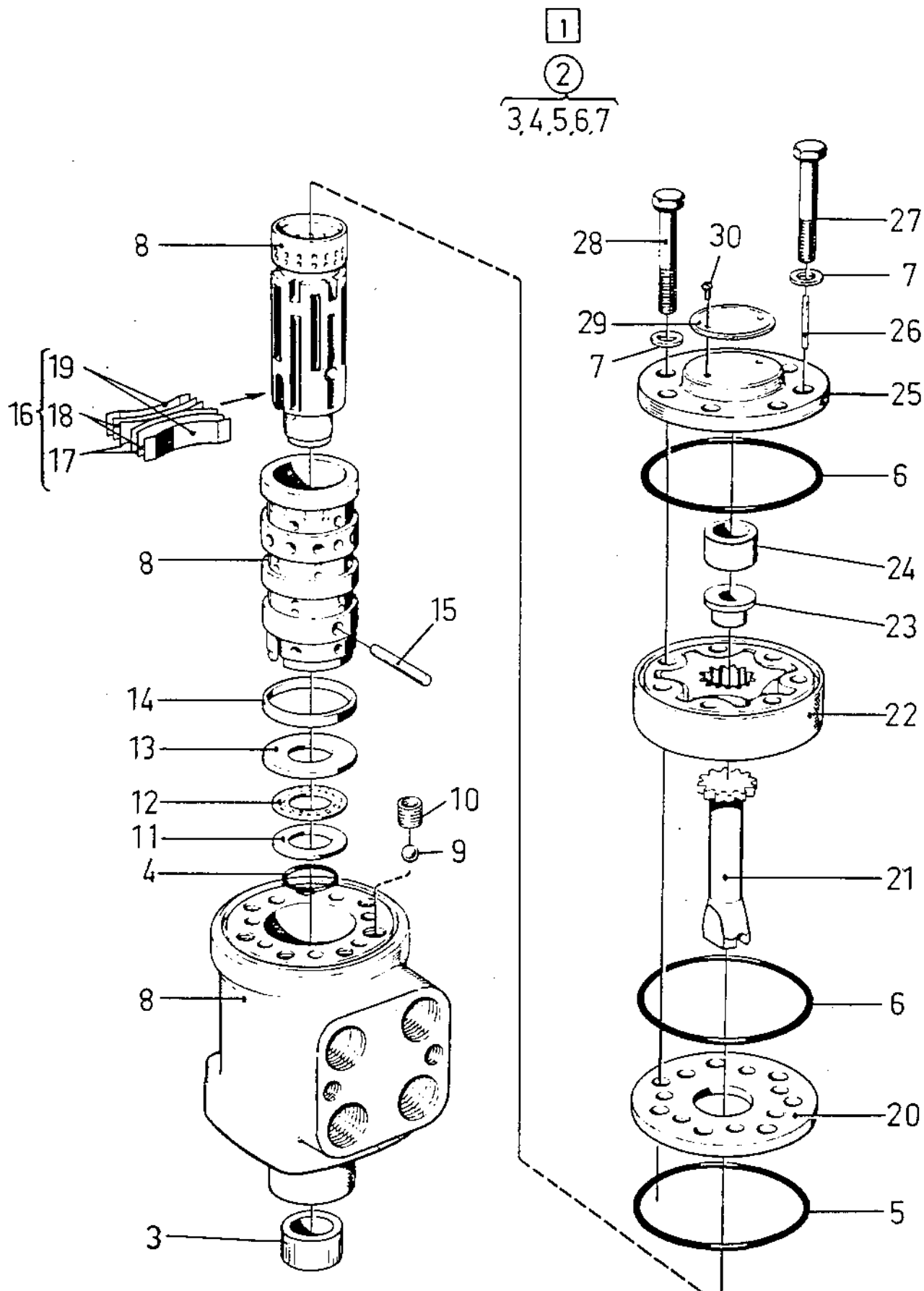


3456 33
3456 35

CA25II-13796-2

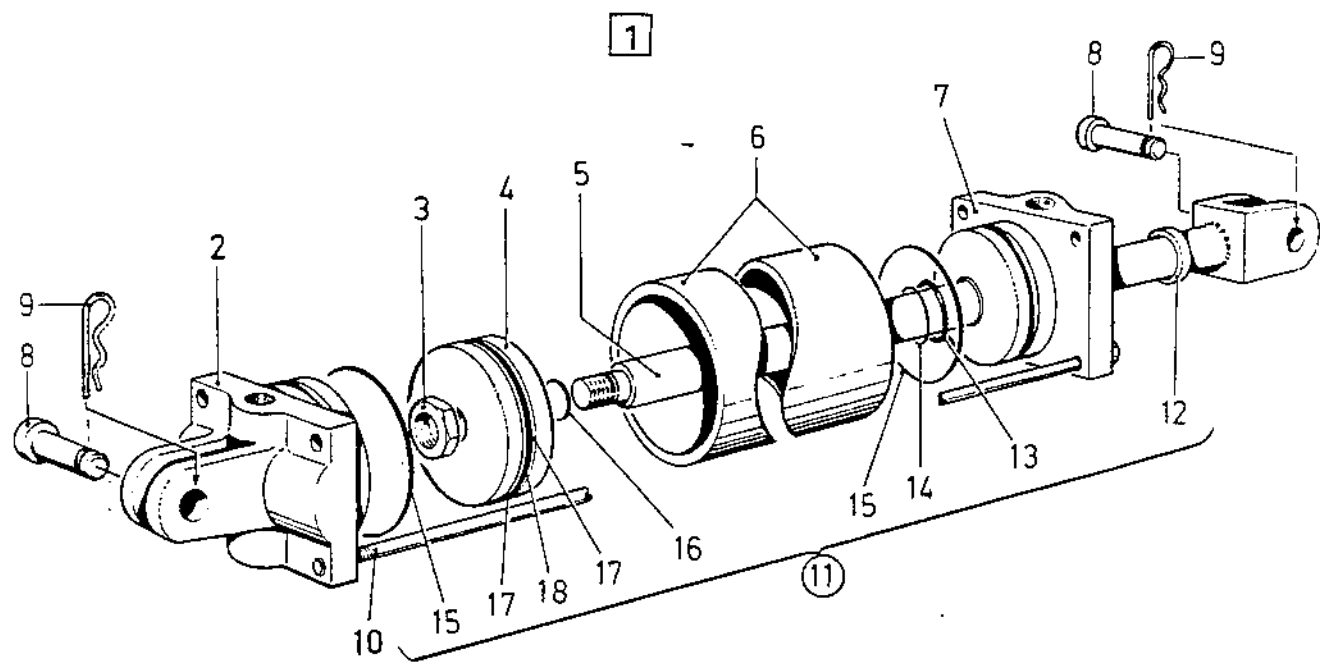
| Page Sida | | Group Grupp | Picture No Bild nr | Issue Utgåva | STEERING UNIT | STYRVENTIL | |
|--------------|--------------------|-------------------|----------------------------|---------------------------|--------------------|--------------|--|
| 54 | | 05 | 13797-1 | S-10200-2 | | | |
| Ref Pos | Quantity/ Antal | Part No Art nr | Description | Benämning | Note Anmärkning | C, P K, L | |
| | CA | | | | | | |
| | 1)25 | | | | | | |
| 1 | 1 | 48 02 19 | Steering unit, compl. | Styrventil, kompl. | | C 3 | |
| 2 | 1 | 48 04 57 | •Spare parts bag | •Reservdelsåats | | D 3 | |
| 3 | 1 | - | ••Seal ring | ••Tätningåring | | S | |
| 4 | 1 | - | ••O-ring | ••O-ring | | S | |
| 5 | 1 | - | ••O-ring | ••O-ring | | S | |
| 6 | 2 | - | ••O-ring | ••O-ring | | S | |
| 7 | 7 | - | ••Sealing washer | ••Tätningåbricka | | S | |
| 8 | 1 | 48 04 58 | •Housing with sleeves | •Hus med ventilhylåa | | | |
| 9 | 1 | 48 04 68 | •Ball | •Kula | | | |
| 10 | 1 | 48 04 46 | •Thread bushing | •Gångad bussning | | | |
| 11 | 1 | 48 04 52 | •Bearing race | •Bricka | | | |
| 12 | 1 | 48 04 53 | •Needle bearing | •Nållåger | | | |
| 13 | 1 | 48 04 51 | •Bearing race | •Bricka | | | |
| 14 | 1 | 48 04 49 | •Ring | •Ring | | | |
| 15 | 1 | 48 04 47 | •Cross pin | •Tapp | | | |
| 16 | 1 | 48 13 09 | •Set of springs | •Fjådersåts | | | |
| 17 | 2 | 48 13 08 | ••Spring, blue | ••Fjåder, blå | | | |
| 18 | 2 | 48 13 07 | ••Spring | ••Fjåder | | | |
| 19 | 2 | 48 04 48 | ••Spring | ••Fjåder | | | |
| 20 | 1 | 48 04 45 | •Valve plate | •Ventilplatta | | | |
| 21 | 1 | 48 04 54 | •Drive shaft | •Axel | | | |
| 22 | 1 | 48 05 77 | •Gear set | •Kugghjulååts | | | |
| 23 | 1 | 48 04 55 | •Spacer | •Distanshylåa | | | |
| 24 | 1 | 48 13 06 | •Spacer | •Distanshylåa | | | |
| 25 | 1 | 48 04 50 | •End cap | •Lock | | | |
| 26 | 1 | 48 04 66 | •Rolled pin | •Spånnstift | | | |
| 27 | 1 | 48 04 56 | •Screw with bore | •Skruv med håll | | | |
| 28 | 6 | 48 04 65 | •Screw | •Skruv | | | |
| 29 | 1 | 48 04 44 | •Rating plate | •Platta | | | |
| 30 | 2 | 48 04 64 | •Rivet | •Nit | | | |

1) CA25, all models
CA25, alla typer



| Page Sida | | Group Grupp | | Picture No Bild nr | Issue Utgåva | STEERING CYLINDER | | STYRCYLINDER | |
|--------------|----------------|----------------|--|-----------------------|------------------------------|-----------------------------|--------------------|--------------|-----|
| 56 | | 05 | | 13798-1 | S-10200-2 | | | | |
| Ref Pos | Quantity/Antal | | | Part No Art nr | Description | Benämning | Note Anmärkning | C, P K, L | |
| | CA | | | | | | | | |
| | 1)25 | | | | | | | | |
| 1 | 1 | | | 33 55 60 | Steering cylinder, cpl | Styrcylinder, kpl | | | C-3 |
| 2 | 1 | | | 81 37 72 | •Cylinder end | •Cylinderlock | | | |
| 3 | 1 | | | 81 35 43 | •Nut | •Mutter | | | D 4 |
| 4 | 1 | | | 81 35 39 | •Piston | •Kolv | | | D 4 |
| 5 | 1 | | | 89 18 27 | •Piston rod with fork | •Kolvstång med gaffel | | | D 4 |
| 6 | 1 | | | 81 35 38 | •Cylinder | •Cylinder | | | |
| 7 | 1 | | | 81 35 41 | •Stuffing box | •Packbox | | | |
| 8 | 2 | | | 81 37 74 | •Bolt | •Bult | | | D 3 |
| 9 | 2 | | | 81 37 75 | •Locking pin | •Låspinne | | | D 3 |
| 10 | 1 | | | 81 37 73 | •Stud | •Pinnskruv | | | D 4 |
| 11 | 1 | | | 81 35 51 | •Seal kit | •Tätningssats | | | D 2 |
| 12 | 1 | | | - | ••Scraper ring | ••Avstrykarring | | | S |
| 13 | 1 | | | - | ••Washer | ••Bricka | | | S |
| 14 | 1 | | | - | ••O-ring | ••O-ring | | | S |
| 15 | 2 | | | - | ••O-ring | ••O-ring | | | S |
| 16 | 1 | | | - | ••O-ring | ••O-ring | | | S |
| 17 | 2 | | | - | ••Washer | ••Bricka | | | S |
| 18 | 1 | | | - | ••O-ring | ••O-ring | | | S |

1) CA25, all models
CA25, alla typer



33 55 60

CA 25 II -13798-1

↓ **DYNAPAC**

ELECTRICAL EQUIP.

Electrical equipment

Caterpillar

Deutz

Detroit 3-53T

Detroit 4-53

Electrical equipment,
instrument panel

ELEKTRISK UTRUSTNING

Elektrisk utrustning

Caterpillar

Deutz

Detroit 3-53T

Detroit 4-53

Elektrisk utrustning,
instrumentpanel

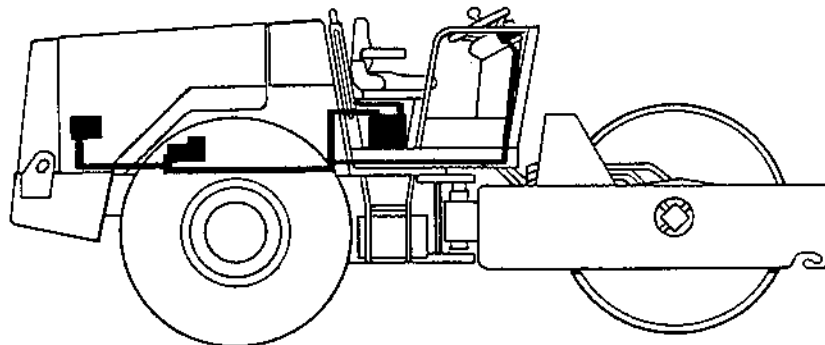
2

6

8

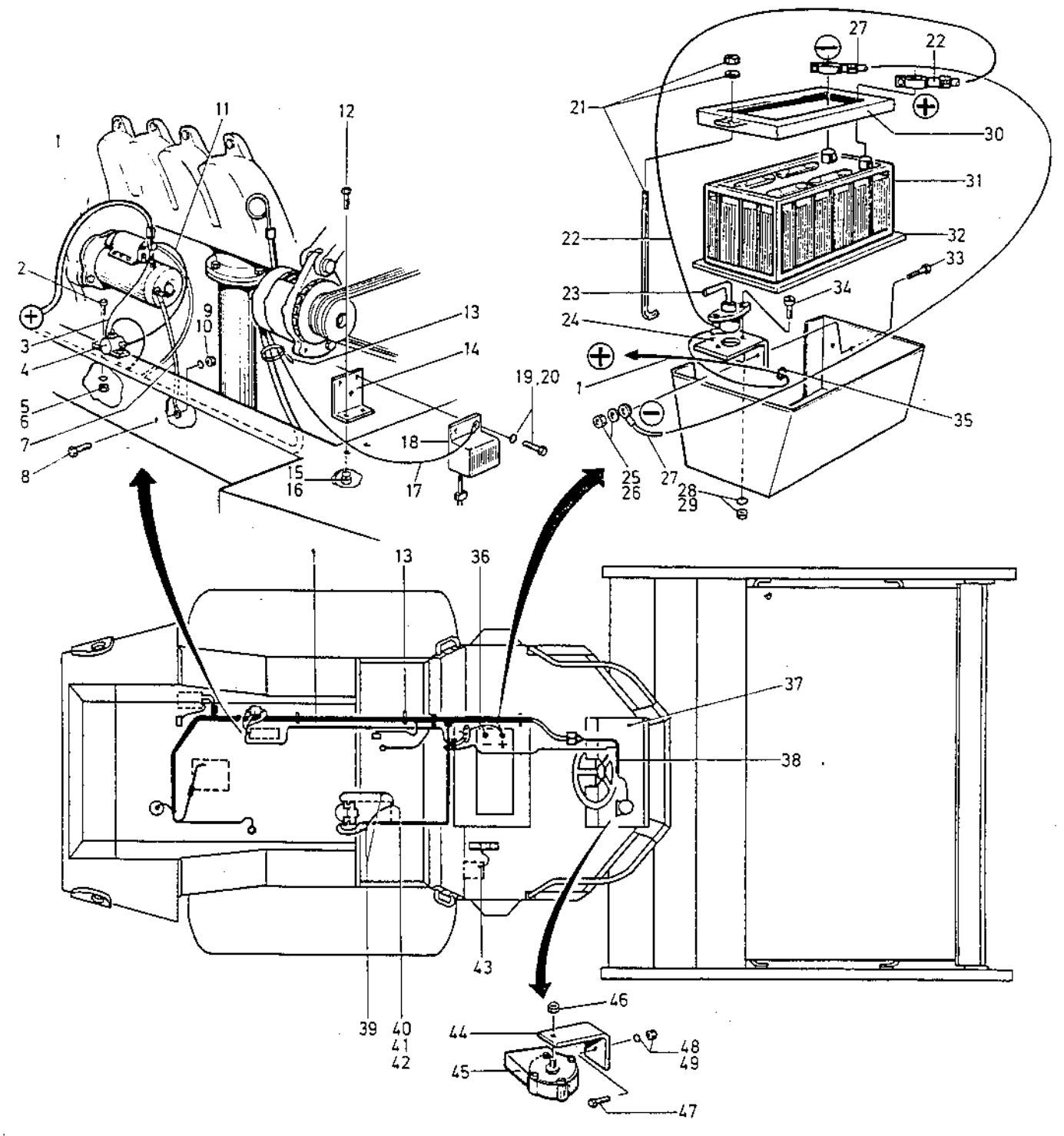
8A

10



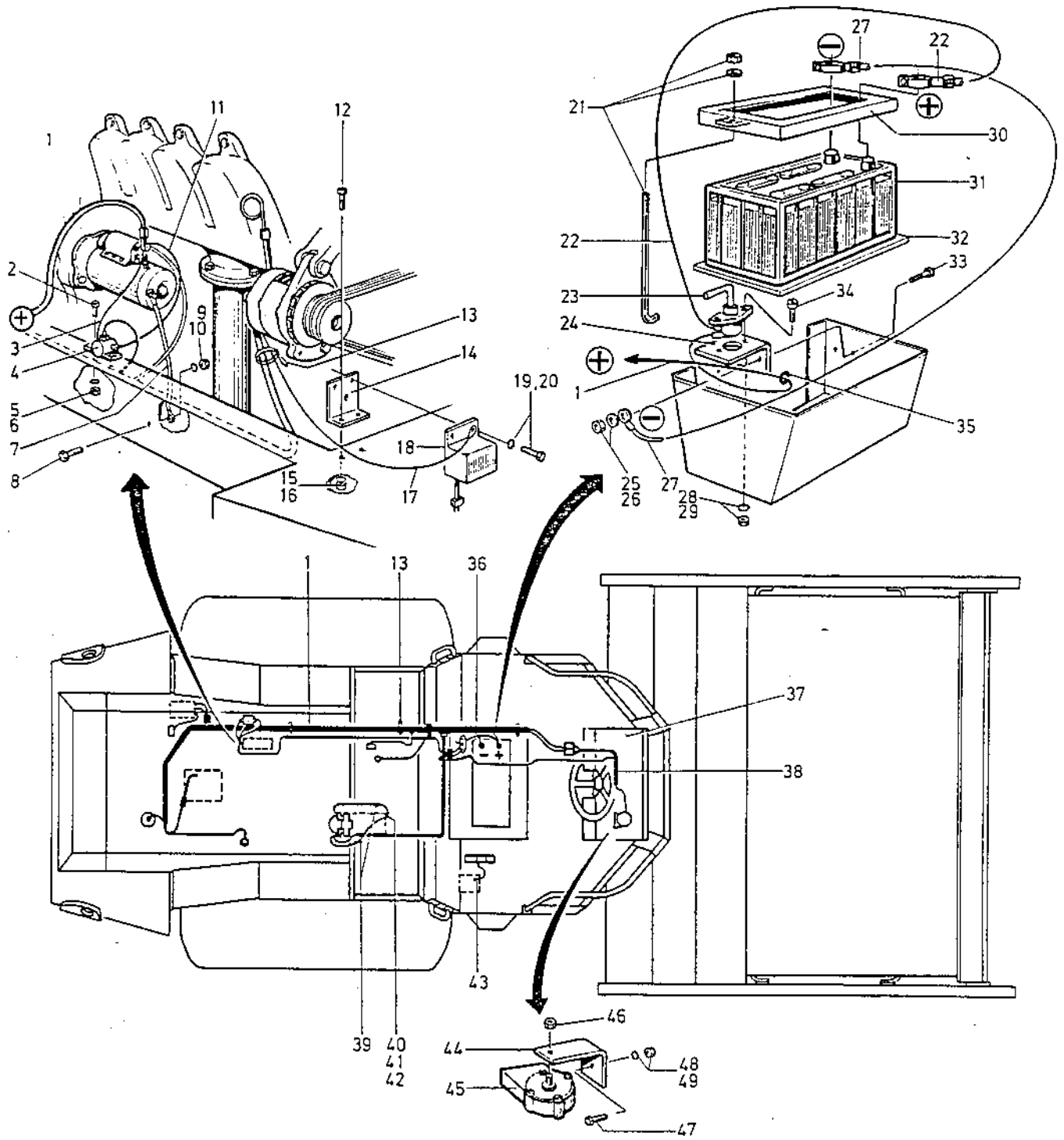
| Page Sida | | Group Grupp | | Picture No Bild nr | | Issue Utgåva | | ELECTRICAL EQUIPMENT Caterpillar | | ELEKTRISK UTRUSTNING Caterpillar | |
|--------------|----------------|----------------|-------------------|---|---------------------------------|--------------------|--------------|-------------------------------------|--|-------------------------------------|--|
| 2 | | 06 | | 13806-1 | | S-10200-2 | | | | | |
| Ref Pos | Quantity/Antal | | Part No Art nr | Description | Benämning | Note Anmärkning | C, P K, L | | | | |
| | CA | 2)25 | | | | | | | | | |
| 1 | 1 | | 34 57 25 | Starting cable | Startkabel | | | | | | |
| 2 | 2 | | 50 00 75 | Screw | Skruv | | | | | | |
| 3 | 1 | | 34 57 30 | Cable | Kabel | | | | | | |
| 4 | 1 | | 97 50 65 | Starter relay | Startrelä | | D 3 | | | | |
| 5 | 2 | | 61 50 42 | Conical spring washer | Spännbricka | | | | | | |
| 6 | 2 | | 57 00 04 | Nut | Mutter | | | | | | |
| 7 | 1 | | 34 57 28 | Ground cable | Jordkabel | | | | | | |
| 8 | 1 | | 50 00 48 | Screw | Skruv | | | | | | |
| 9 | 1 | | 61 50 44 | Conical spring washer | Spännbricka | | | | | | |
| 10 | 1 | | 57 00 06 | Nut | Mutter | | | | | | |
| 11 | 1 | | 34 57 29 | Cable | Kabel | | | | | | |
| 12 | 2 | | 50 00 53 | Screw | Skruv | | | | | | |
| 13 | 10 | | 31 30 41 | Cable tie | Buntband | | | | | | |
| 14 | 1 | | 34 60 54 | Voltage regulator bracket | Regulatorfäste | | | | | | |
| 15 | 2 | | 61 50 43 | Conical spring washer | Spännbricka | | | | | | |
| 16 | 2 | | 57 00 05 | Nut | Mutter | | | | | | |
| 17 | 1 | | 34 57 27 | Ground cable | Jordkabel | | | | | | |
| 18 | 1 | | 75 20 24 | Voltage regulator | Spänningsregulator | | D 3 | | | | |
| 19 | 3 | | 55 00 43 | Screw | Skruv | | | | | | |
| 20 | 3 | | 61 50 41 | Conical Spring washer | Spännbricka | | | | | | |
| 21 | 2 | | 81 33 30 | Screw | Skruv | | | | | | |
| 22 | 1 | | 826793 | Battery cable | Batterikabel | | | | | | |
| 23 | 1 | | 93 01 50 | Battery switch | Batteriströmställare | | D 3 | | | | |
| - | 1 | | 928021 | Handle. Switch | | | | | | | |
| 24 | 1 | | 34 42 90 | Bracket | Fäste | | | | | | |
| 25 | 2 | | 61 50 44 | Conical spring washer | Spännbricka | | | | | | |
| 26 | 2 | | 57 00 06 | Nut | Mutter | | | | | | |
| 27 | 1 | | 85021302 | Ground cable | Jordkabel | | | | | | |
| 28 | 2 | | 61 50 41 | Conical spring washer | Spännbricka | | | | | | |
| 29 | 2 | | 57 00 03 | Nut | Mutter | | | | | | |
| 30 | 1 | | 34 33 69 | Battery frame | Batteriram | | | | | | |
| 31 | 1 | | 47 00 20 | Battery | Batteri | | D 4 | | | | |
| 32 | 1 | | 34 27 74 | Rubber cushion | Gummiunderlägg | | | | | | |
| 33 | 2 | | 50 00 48 | Screw | Skruv | | | | | | |
| 34 | 2 | | 53 30 27 | Screw | Skruv | | | | | | |
| 35 | 1 | | 81 33 48 | Grommet | Genomföring | | | | | | |
| 36 | 1 | | 34 57 07 | Cable harness | Kabelhärva | | | | | | |
| 37 | 1 | | - | Electr. equip, instr. board Comps, page 10 | Elektr. utr, instr. panel | | | | | | |
| 38 | 1 | | - | Cable harness | Kabelhärva | See page 10 ref. 3 | | | | | |
| 39 | 2 | | 34 57 32 | Ground cable | Jordkabel | | | | | | |
| 40 | 1 | | 50 00 75 | Screw | Skruv | | | | | | |
| 41 | 1 | | 61 50 42 | Conical spring washer | Spännbricka | | | | | | |
| 42 | 1 | | 57 00 04 | Nut | Mutter | | | | | | |
| 43 | 1 | | 34 57 31 | Ground cable | Jordkabel | | | | | | |
| 44 | 1 | | 99 90 24 | Bracket | Fäste | | | | | | |
| 45 | 1 | | 99 90 23 | Horn | Signalhorn | | D 4 | | | | |
| 46 | 1 | | 99 90 25 | Nut | Mutter | | | | | | |
| 47 | 1 | | 50 00 53 | Screw | Skruv | | | | | | |
| 48 | 1 | | 61 50 43 | Conical spring washer | Spännbricka | | | | | | |

2) CA25 with Caterpillar
CA25 med Caterpillar



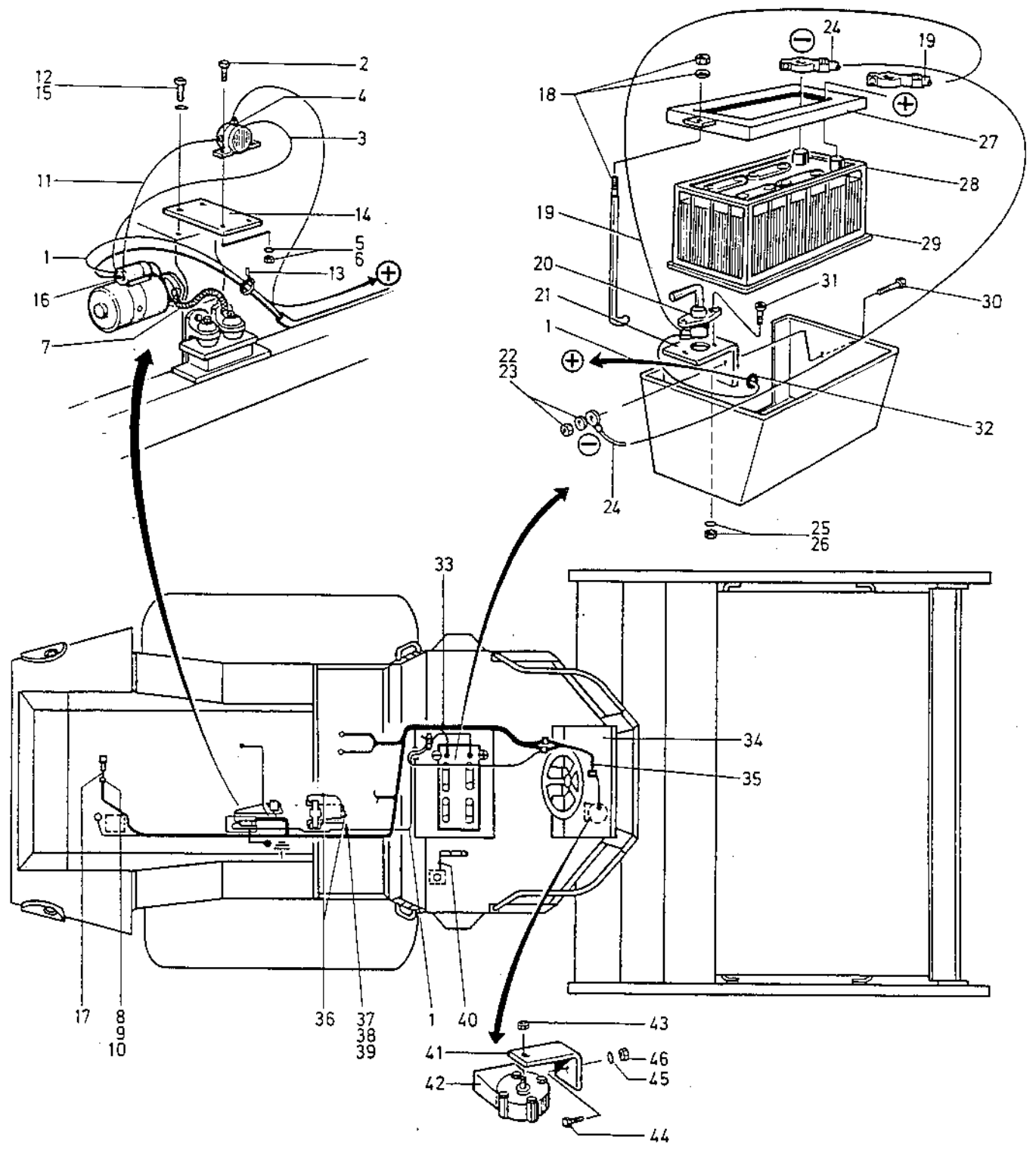
| Page Sida | | Group Grupp | Picture No Bild nr | Issue Utgåva | ELECTRICAL EQUIPMENT Caterpillar | ELEKTRISK UTRUSTNING Caterpillar | |
|--------------|----------------|----------------|-----------------------|-----------------|-------------------------------------|-------------------------------------|--------------|
| 4 | | 06 | 13806-1 | S-10200-2 | | | |
| Ref Pos | Quantity/Antal | | Part No Art nr | Description | Benämning | Note Anmärkning | C, P K, L |
| | CA | | | | | | |
| | 2)25 | | | | | | |
| 49 | 1 | | 57 00 05 | Nut | Mutter | | |

2) CA25 with Caterpillar
CA25 med Caterpillar



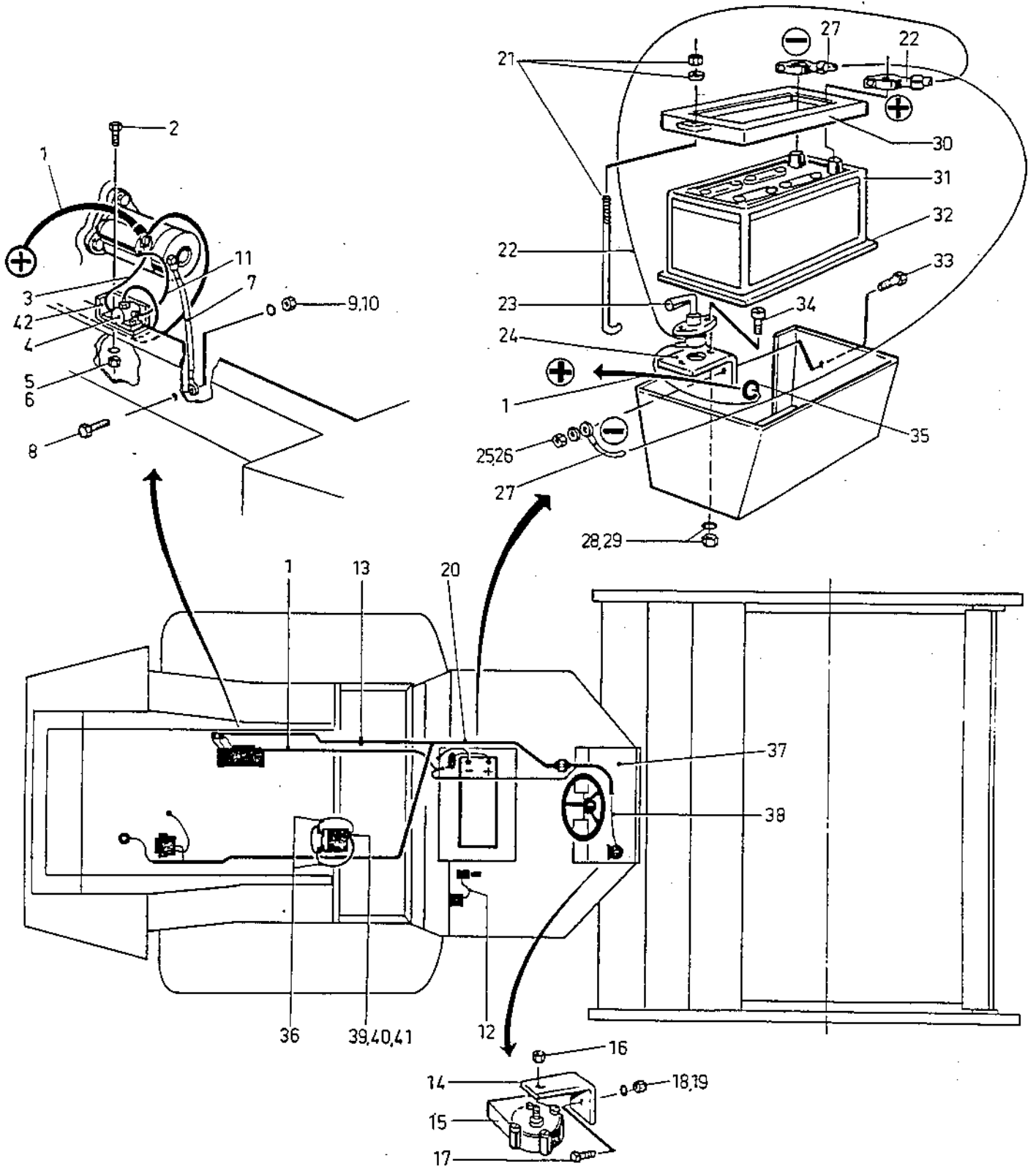
| Page Sida | Group Grupp | Picture No Bild nr | Issue Utgåva | ELECTRICAL EQUIPMENT Deutz | ELEKTRISK UTRUSTNING Deutz | |
|-----------|----------------|--------------------|---|---------------------------------|----------------------------|-----------|
| 6 | 06 | 13807-1 | S-10200-2 | | | |
| Ref Pos | Quantity/Antal | Part No Art nr | Description | Benämning | Note Anmärkning | C, P K, L |
| | 3)25 | | | | | |
| 1 | 1 | 34 57 25 | Starting cable | Startkabel | | |
| 2 | 2 | 50 00 13 | Screw | Skruv | | |
| 3 | 1 | 34 58 19 | Cable | Kabel | | |
| 4 | 1 | 97 50 65 | Starter relay | Startrelä | | D 3 |
| 5 | 2 | 61 50 42 | Conical spring washer ... | Spännbricka | | |
| 6 | 2 | 57 00 04 | Nut | Mutter | | |
| 7 | 1 | 34 58 20 | Ground cable | Jordkabel | | |
| 8 | 1 | 50 00 18 | Screw | Skruv | | |
| 9 | 1 | 61 50 43 | Conical spring washer | Spännbricka | | |
| 10 | 1 | 92 10 77 | Clamp | Klammer | | |
| 11 | 1 | 34 58 18 | Cable | Kabel | | |
| 12 | 2 | 50 00 48 | Screw | Skruv | | |
| 13 | 15 | 31 30 41 | Cable tie | Buntband | | |
| 14 | 1 | 34 58 21 | Bracket | Fäste | | |
| 15 | 2 | 61 50 44 | Conical spring washer | Spännbricka | | |
| 16 | 2 | 60 00 08 | Washer | Bricka | | |
| 17 | 1 | 33 86 81 | Ground cable | Jordkabel | | |
| 18 | 2 | 81 33 30 | Screw | Skruv | | |
| 19 | 1 | 34 57 24 | Battery cable | Batterikabel | | |
| 20 | 1 | 93 01 50 | Battery switch | Batteriströmställare | | D 3 |
| - | 1 | 928021 | Handie Switch | | | |
| 21 | 1 | 34 42 90 | Bracket | Fäste | | |
| 22 | 2 | 61 50 44 | Conical spring washer | Spännbricka | | |
| 23 | 2 | 57 00 06 | Nut | Mutter | | |
| 24 | 1 | 34 57 26 | Ground cable | Jordkabel | | |
| 25 | 2 | 61 50 41 | Conical spring washer | Spännbricka | | |
| 26 | 2 | 57 00 03 | Nut | Mutter | | |
| 27 | 1 | 34 33 69 | Battery frame | Batteriram | | |
| 28 | 1 | 47 00 20 | Battery | Batteri | | D 4 |
| 29 | 1 | 34 27 74 | Rubber cushion | Gummiunderlägg | | |
| 30 | 2 | 50 00 48 | Screw | Skruv | | |
| 31 | 2 | 53 30 27 | Screw | Skruv | | |
| 32 | 1 | 81 33 48 | Grommet | Genomföring | | |
| 33 | 1 | 34 58 11 | Cable harness | Kabelhärva | | |
| * 34 | 1 | - | Electr. equip, instr. board Comps, page 10 | Elektr. utr, instr. panel | | |
| 35 | 1 | - | Cable harness | Kabelhärva | See page 10 ref. 3 | |
| 36 | 2 | 34 57 32 | Ground cable | Jordkabel | | |
| 37 | 1 | 50 00 75 | Screw | Skruv | | |
| 38 | 1 | 61 50 42 | Conical spring washer | Spännbricka | | |
| 39 | 1 | 57 00 04 | Nut | Mutter | | |
| 40 | 1 | 34 57 31 | Ground cable | Jordkabel | | |
| 41 | 1 | 99 90 24 | Bracket | Fäste | | |
| 42 | 1 | 99 90 23 | Horn | Signalhorn | | D 4 |
| 43 | 1 | 99 90 25 | Nut | Mutter | | |
| 44 | 1 | 50 00 53 | Screw | Skruv | | |
| 45 | 1 | 61 50 43 | Conical spring washer | Spännbricka | | |
| 46 | 1 | 57 00 05 | Nut | Mutter | | |

3) CA25 with Deutz
CA25 med Deutz

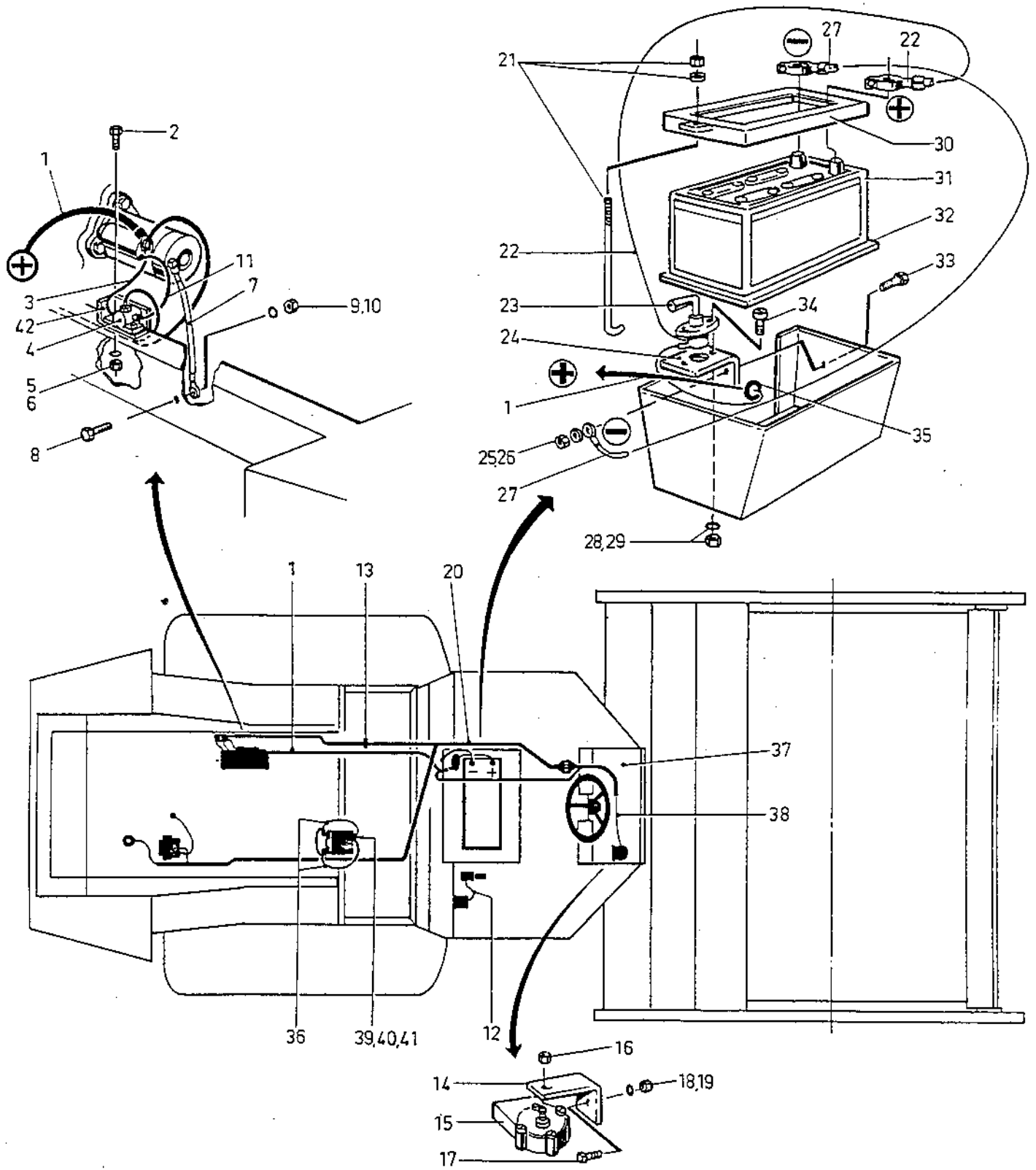


| Page Sida | | Group Grupp | Picture No Bild nr | Issue Utgåva | ELECTRICAL EQUIPMENT Detroit | ELEKTRISK UTRUSTNING Detroit | |
|--------------|----------------|----------------|-----------------------|---|---------------------------------|---------------------------------|--------------|
| 8 | | 06 | 13947-1 | S-10200-2 | | | |
| Ref Pos | Quantity/Antal | | Part No Art nr | Description | Benämning | Note Anmärkning | C, P K, L |
| | CA | | | | | | |
| 1 | 1 | | 34 57 25 | Starting cable | Startkabel | | |
| 2 | 2 | | 50 00 75 | Screw | Skruv | | |
| 3 | 1 | | 34 57 30 | Cable | Kabel | | |
| 4 | 1 | | 97 50 65 | Starter relay | Startrelä | | D 3 |
| 5 | 2 | | 61 50 42 | Conical spring washer | Spännbricka | | |
| 6 | 2 | | 57 00 04 | Nut | Mutter | | |
| 7 | 1 | | 34 57 28 | Ground cable | Jordkabel | | |
| 8 | 1 | | 50 00 48 | Screw | Skruv | | |
| 9 | 1 | | 61 50 44 | Conical spring washer | Spännbricka | | |
| 10 | 1 | | 57 00 06 | Nut | Mutter | | |
| 11 | 1 | | 34 57 29 | Cable | Kabel | | |
| 12 | 1 | | 34 57 31 | Ground cable | Jordkabel | | |
| 13 | 15 | | 31 30 41 | Cable tie | Buntband | | |
| * 14 | 1 | | 99 90 24 | Bracket | Fäste | | |
| * 15 | 1 | | 99 90 23 | Horn | Signalhorn | | D 4 |
| * 16 | 1 | | 99 90 25 | Nut | Mutter | | |
| * 17 | 1 | | 50 00 53 | Screw | Skruv | | |
| * 18 | 1 | | 61 50 43 | Conical spring washer | Spännbricka | | |
| * 19 | 1 | | 57 00 05 | Nut | Mutter | | |
| 20 | 1 | | 34 58 83 | Cable harness | Kabelhärva | | |
| * 21 | 2 | | 81 33 30 | Screw | Skruv | | |
| 22 | 1 | | 82 67 93 | Battery cable | Batterikabel | | |
| 23 | 1 | | 93 01 50 | Battery switch | Batteriströmställare | | D 3 |
| - | 1 | | 928021 | Handle, Switch | | | |
| 24 | 1 | | 34 42 90 | Bracket | Fäste | | |
| 25 | 2 | | 61 50 44 | Conical spring washer | Spännbricka | | |
| 26 | 2 | | 57 00 06 | Nut | Mutter | | |
| 27 | 1 | | 34 57 26 | Ground cable | Jordkabel | | |
| 28 | 2 | | 61 50 41 | Conical spring washer | Spännbricka | | |
| 29 | 2 | | 57 00 03 | Nut | Mutter | | |
| 30 | 1 | | 34 33 69 | Battery frame | Batteriram | | |
| 31 | 1 | | 47 00 20 | Battery | Batteri | | D 4 |
| 32 | 1 | | 34 27 74 | Rubber cushion | Gummiunderlägg | | |
| 33 | 2 | | 50 00 48 | Screw | Skruv | | |
| 34 | 2 | | 53 30 27 | Screw | Skruv | | |
| 35 | 1 | | 81 33 48 | Grommet | Genomföring | | |
| 36 | 2 | | 34 57 32 | Ground cable | Jordkabel | | |
| * 37 | 1 | | - | Electr. equip, instr. board Comps, page 10 | Elektr. utr, instr. panel | | |
| 38 | 1 | | - | Cable harness | Kabelhärva | See page 10 ref. 3 | |
| 39 | 1 | | 50 00 75 | Screw | Skruv | | |
| * 40 | 1 | | 61 50 42 | Conical spring washer | Spännbricka | | |
| * 41 | 1 | | 57 00 04 | Nut | Mutter | | |
| * 42 | 1 | | 34 60 08 | Shield | Skydd | | |

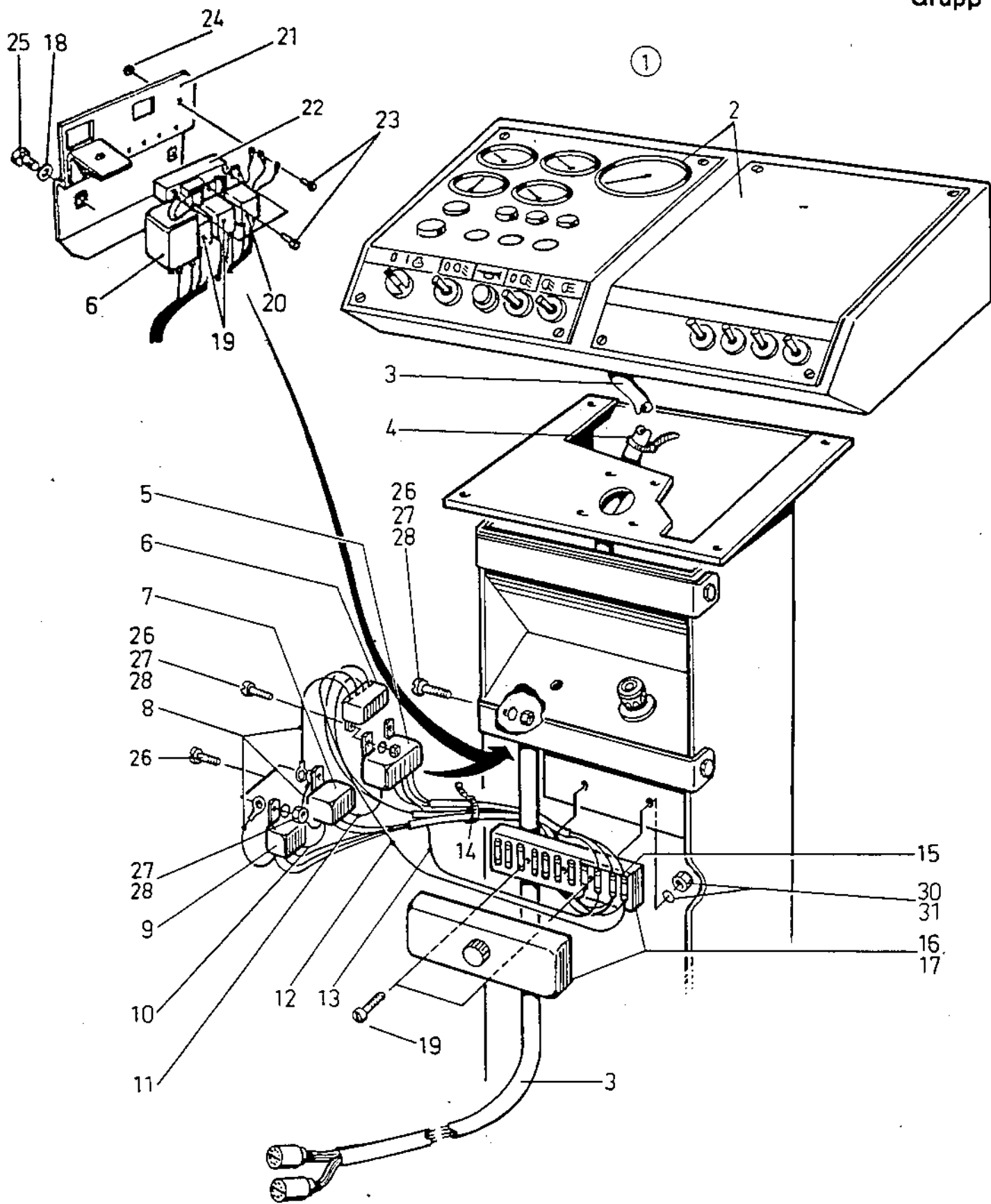
10) CA 25 with Detroit
CA 25 med Detroit



| Page | Group | Illustration Number | Catalog Number | Illustration | | | |
|----------|----------------|---------------------|----------------|--------------------------------|--|-------------|---------------|
| 8A | 6 | 13947-1 | PL-25-2-PL01 | Electrical Equipment (GM 4-53) | | | |
| Ref. No. | Quantity/Model | | | | Part Number | Description | Serial Number |
| | CA | | | | | | |
| | 25 | | | | | | |
| 1 | 1 | | | 345725 | Cable, Starter | | |
| 2 | 2 | | | 500075 | Capscrew, HH | | |
| 3 | 1 | | | NSS | Cable | | |
| 4 | 1 | | | 975065 | Relay, Starter | | |
| 5 | 2 | | | 615042 | Washer, Conical Spring | | |
| 6 | 2 | | | 570004 | Hex Nut | | |
| 7 | 1 | | | 345728 | Cable, Ground | | |
| 8 | 1 | | | 500048 | Capscrew, HH | | |
| 9 | 1 | | | 615044 | Washer, Conical Spring | | |
| 10 | 1 | | | 570006 | Hex Nut | | |
| 11 | 1 | | | 826790 | Cable | | |
| 12 | 1 | | | 345731 | Cable, Ground | | |
| 13 | 15 | | | 313041 | Ty-Rap | | |
| 14 | 1 | | | 999024 | Bracket, Horn Mount | | |
| 15 | 1 | | | 999023 | Horn | | |
| 16 | 1 | | | 999025 | Hex Nut | | |
| 17 | 1 | | | 500053 | Capscrew, HH | | |
| 18 | 1 | | | 615043 | Washer, Conical Spring | | |
| 19 | 1 | | | 570005 | Hex Nut | | |
| 20 | 1 | | | 826742 | Assy., Cable Harness | | |
| 21 | 2 | | | 813330 | Capscrew, HH | | |
| 22 | 1 | | | 826793 | Cable, Battery | | |
| 23 | 1 | | | 930150 | Switch, Battery | | |
| - | 1 | | | 928021 | Handle, Switch | | |
| 24 | 1 | | | 344290 | Bracket, Battery Switch | | |
| 25 | 2 | | | 615044 | Washer, Conical Spring | | |
| 26 | 2 | | | 570006 | Hex Nut | | |
| 27 | 1 | | | 85021302 | Cable, Ground | | |
| 28 | 2 | | | 615041 | Washer, Conical Spring | | |
| 29 | 2 | | | 570003 | Hex Nut | | |
| 30 | 1 | | | 343369 | Frame, Battery Holdown | | |
| 31 | 1 | | | 470020 | Battery | | |
| 32 | 1 | | | 342774 | Cushion, Rubber | | |
| 33 | 2 | | | 500048 | Capscrew, HH | | |
| 34 | 2 | | | 533027 | Capscrew, HH | | |
| 35 | 1 | | | 813348 | Grommet | | |
| 36 | 2 | | | 345732 | Cable, Ground | | |
| 37 | 1 | | | — | Panel, Instrument (see Pg.10) | | |
| 38 | 1 | | | — | Assy., Cable Harness (see Pg.10) | | |
| 39 | 1 | | | 500075 | Capscrew, HH | | |
| 40 | 1 | | | 615042 | Washer, Conical Spring | | |
| 41 | 1 | | | 570004 | Hex Nut | | |
| 42 | 1 | | | NSS | Shield | | |



| Page | Group | Illustration Number | Catalog Number | Illustration | | |
|----------|----------------|---------------------|----------------|------------------|--|---------------|
| 10 | 6 | 13808-2 | S-10200-3 | Instrument Panel | | |
| Ref. No. | Quantity/Model | | | Part Number | Description | Serial Number |
| | CA | | | | | |
| | 25 | | | | | |
| 1 | 1 | | | | Instrument panel, cpl. | See group 7 |
| 2 | 1 | | | | Instrument plate, left and right | See group 7 |
| 3 | 1 | | | 345706 | Cable harness | -575338 |
| - | 1 | | | 346250 | Cable harness | 575339- |
| 4 | 8 | | | 313041 | Ty-Rap | |
| 5 | 1 | | | 975037 | Horn relay | -575338 |
| 6 | 1 | | | 975079 | Relay vibr. circ. | |
| 7 | 1 | | | 975064 | Relay neutr start | -575338 |
| 8 | 3 | | | 345719 | Ground cable | |
| 9 | 1 | | | 975077 | Relay park brake | -575338 |
| 10 | 1 | | | 345721 | Cable | |
| 11 | 1 | | | 345720 | Cable | -575338 |
| 12 | 1 | | | 345723 | Cable | |
| 13 | 1 | | | 345722 | Cable | -575338 |
| - | 1 | | | 348377 | Cable | 575339- |
| 14 | 10 | | | 313041 | Ty-Rap | |
| 15 | 1 | | | 920065 | Connector plate | |
| 16 | 1 | | | 950030 | Fuse box | |
| 17 | 12 | | | 925702 | Fuse | |
| 18 | 2 | | | 615042 | Conical spring washer | 575339- |
| 19 | 2 | | | 975077 | Relay, neutral start, oil pressure | 575339- |
| 20 | 1 | | | 975004 | Relay, horn neutral start | 575339- |
| 21 | 1 | | | 346375 | Relay bracket | 575339- |
| 22 | 1 | | | 924651 | Screw relay | 575339- |
| 23 | 4 | | | 500003 | Screw, Battery | 575339- |
| 24 | 4 | | | 586001 | Locknut | 575339- |
| 25 | 2 | | | 500185 | Screw | 575339- |
| 26 | 6 | | | 533027 | Screw | -575338 |
| 27 | 6 | | | 615041 | Conical spring washer | -575338 |
| 28 | 6 | | | 570003 | Nut | -575338 |
| 29 | 2 | | | 533027 | Screw | |
| 30 | 2 | | | 615041 | Conical spring washer | |
| 31 | 2 | | | 570003 | Nut | |



34 57 03
34 58 09

CA 25 II-13808-2

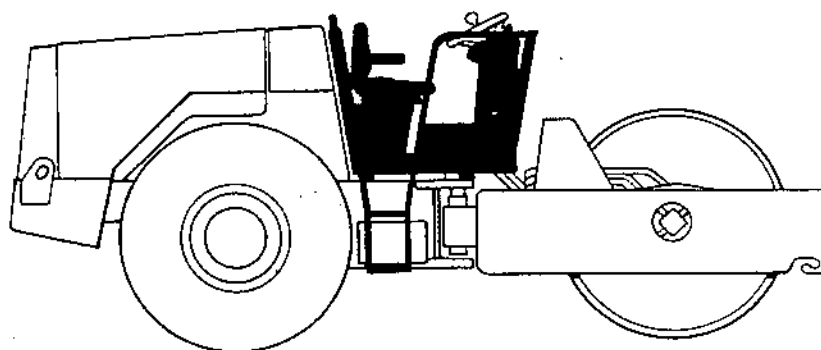
↓ DYNAPAC

DRIVERS PLATFORM

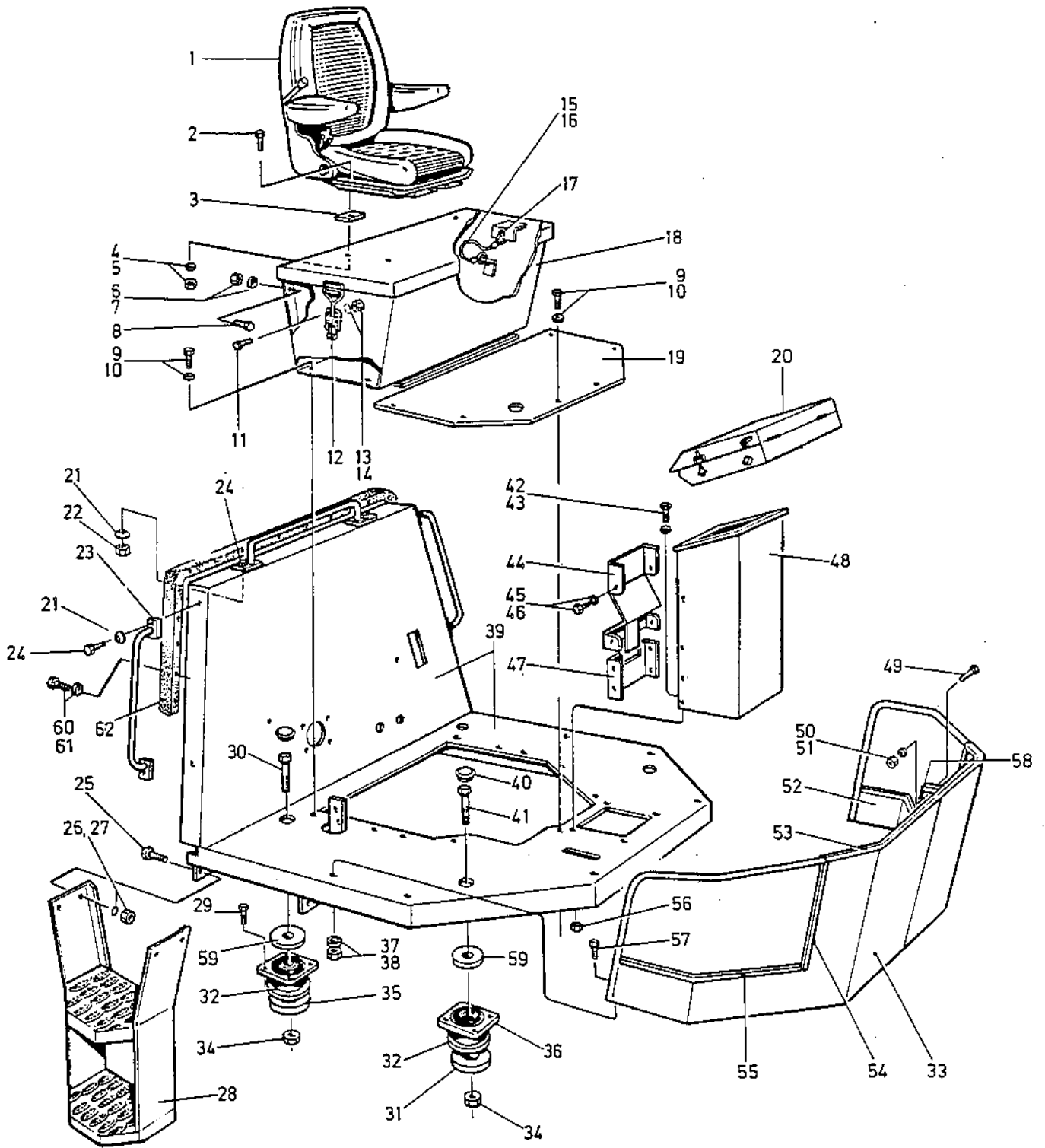
Drivers platform
Instrument box
Controls and control cables
Brake control and gear shifter
Foot brake

FÖRARPLATS

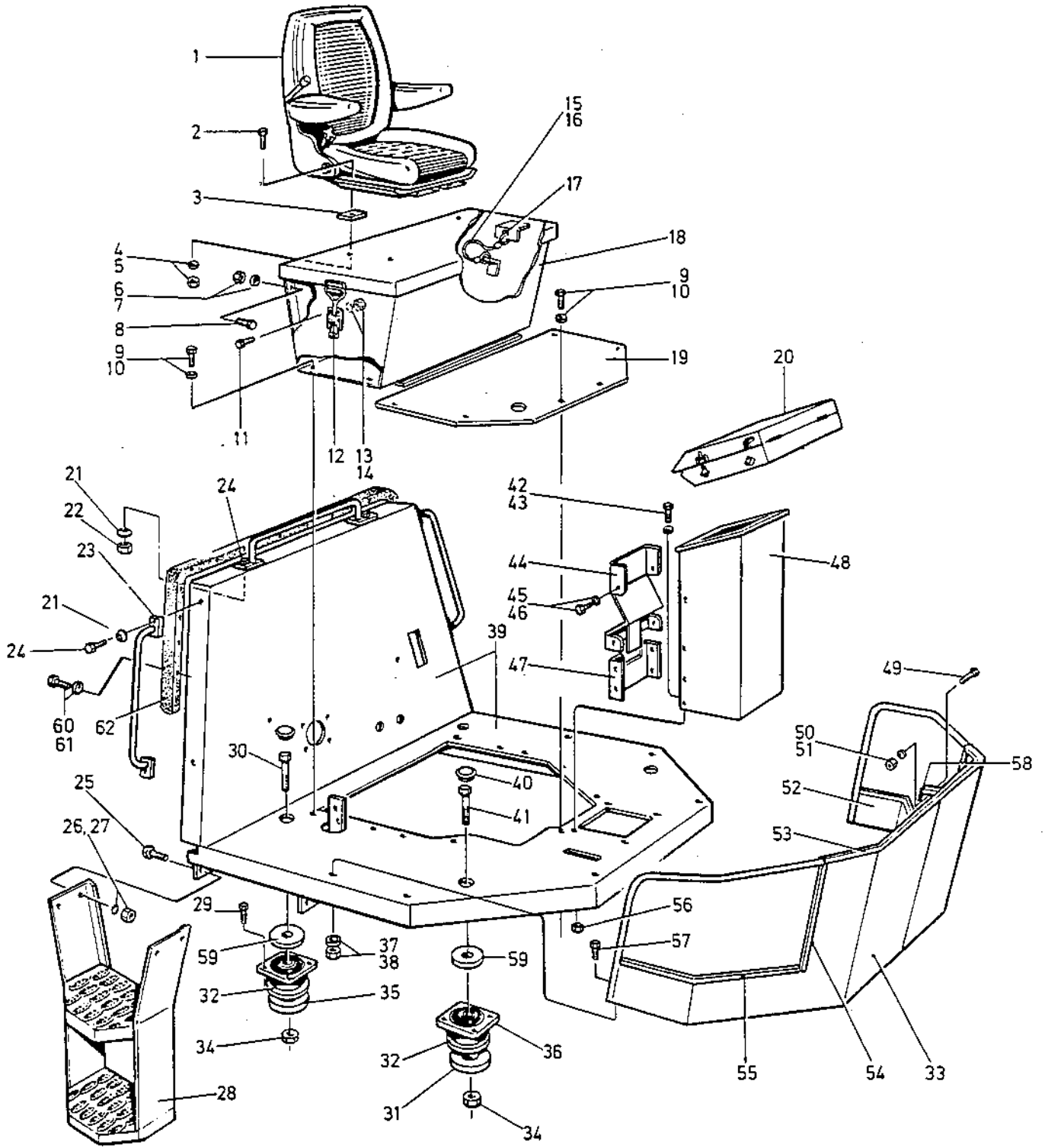
Förarplattform 2
Instrumentlåda 6
Reglage och reglagekablar 8
Bromsreglage och växelspak 12
Fotbroms 14



| Page | | Group | | Illustration Number | Catalog Number | Illustration | |
|----------|----------------|-------|--|---------------------|----------------|---|---------------|
| 2 | | 7 | | PA-25-2-PL07 | PA-25-2-PL | Drivers Platform | |
| Ref. No. | Quantity/Model | | | | Part Number | Description | Serial Number |
| | CA | | | | | | |
| | 25 | | | | | | |
| 1 | 1 | | | | 344374 | Seat, Driver | |
| 2 | 4 | | | | 500022 | Capscrew, HH | |
| 3 | 4 | | | | 342142 | Shim | |
| 4 | 4 | | | | 615043 | Washer, Conical Spring | |
| 5 | 4 | | | | 570005 | Hex Nut | |
| 6 | 2 | | | | 615043 | Washer, Conical Spring | |
| 7 | 2 | | | | 586003 | Hex Nut | |
| 8 | 2 | | | | 500053 | Capscrew, HH | |
| 9 | 10 | | | | 500019 | Capscrew, HH | |
| 10 | 10 | | | | 615043 | Washer, Conical Spring | |
| 11 | 2 | | | | 500184 | Capscrew, HH | |
| 12 | 1 | | | | 475067 | Lock, Eccentric | |
| 13 | 2 | | | | 615041 | Washer, Conical Spring | |
| 14 | 2 | | | | 586001 | Lock Nut | |
| 15 | 1 | | | | 244004 | Hose, Plastic (7 13/16" or 200MM) | |
| 16 | 1 | | | | 456103 | Wire (12½" or 320 MM) | |
| 17 | 2 | | | | 457057 | Lock, Wire | |
| 18 | 1 | | | | 345607 | Box, Battery | |
| 19 | 1 | | | | 345603 | Cover, Platform Floor | |
| 20 | 1 | | | | — | Panel, Instrument (See Pg. 6) | |
| 21 | 6 | | | | 615045 | Washer, Conical Spring | |
| 22 | 2 | | | | 586019 | Hex Nut | |
| 23 | 3 | | | | 345604 | Handle | |
| 24 | 6 | | | | 500193 | Capscrew, HH | |
| 25 | 8 | | | | 500029 | Capscrew, HH | |
| 26 | 8 | | | | 615044 | Washer, Conical Spring | |
| 27 | 8 | | | | 570006 | Hex Nut | |
| 28 | 2 | | | | 345668 | Ladder | |
| 29 | 16 | | | | 508074 | Capscrew, HH | |
| 30 | 2 | | | | 923843 | Capscrew, HH | |
| 31 | 2 | | | | 346356 | Washer, Stop | |
| 32 | 4 | | | | 450144 | Shock Absorber | |



| Page | Group | Illustration Number | Catalog Number | Illustration | | | |
|----------|----------------|---------------------|----------------|------------------|-------------|---------------------------------------|---------------|
| 4 | 7 | PA-25-2-PL07 | PA-25-2-PL | Drivers Platform | | | |
| Ref. No. | Quantity/Model | | | | Part Number | Description | Serial Number |
| | CA | | | | | | |
| | 25 | | | | | | |
| 33 | 1 | | | | 346047 | Right Protector, Operator | |
| 34 | 4 | | | | 586023 | Lock Nut | |
| 35 | 2 | | | | 346357 | Washer, Stop | |
| 36 | 4 | | | | 346354 | Plate, Mounting | |
| 37 | 6 | | | | 615045 | Washer, Conical Spring | |
| 38 | 6 | | | | 586019 | Lock Nut | |
| 39 | 1 | | | | 346322 | Platform | |
| 40 | 4 | | | | 924844 | Plug | |
| 41 | 2 | | | | 923842 | Capscrew, HH | |
| 42 | 4 | | | | 500028 | Capscrew, HH | |
| 43 | 4 | | | | 615044 | Washer, Conical Spring | |
| 44 | 1 | | | | 345615 | Plate, Cover | |
| 45 | 8 | | | | 500013 | Capscrew, HH | |
| 46 | 8 | | | | 615042 | Washer, Conical Spring | |
| 47 | 1 | | | | 345618 | Cover | |
| 48 | 1 | | | | 345611 | Pedestal, Instrument Panel | |
| 49 | 4 | | | | 500953 | Capscrew, HH | |
| 50 | 4 | | | | 615043 | Washer, Conical Spring | |
| 51 | 4 | | | | 586003 | Hex Nut | |
| 52 | 1 | | | | 346052 | Left Protector, Operator | |
| 53 | 1 | | | | 202028 | Trim, Edge (31 3/16" or 800 MM) | |
| 54 | 2 | | | | 202028 | Trim, Edge (23 3/8" or 600 MM) | |
| 55 | 2 | | | | 202028 | Trim, Edge (30 7/16" or 780 MM) | |
| 56 | 4 | | | | 586018 | Lock Nut | |
| 57 | 6 | | | | 500193 | Capscrew, HH | |
| 58 | 1 | | | | 202028 | Trim, Edge (19 1/2" or 500 MM) | |
| 59 | 4 | | | | 842756 | Washer | |
| 60 | 23 | | | | 923135 | Capscrew, HH | |
| 61 | 23 | | | | 601001 | Washer, Flat | |
| 62 | 1 | | | | 346079 | Molding | |



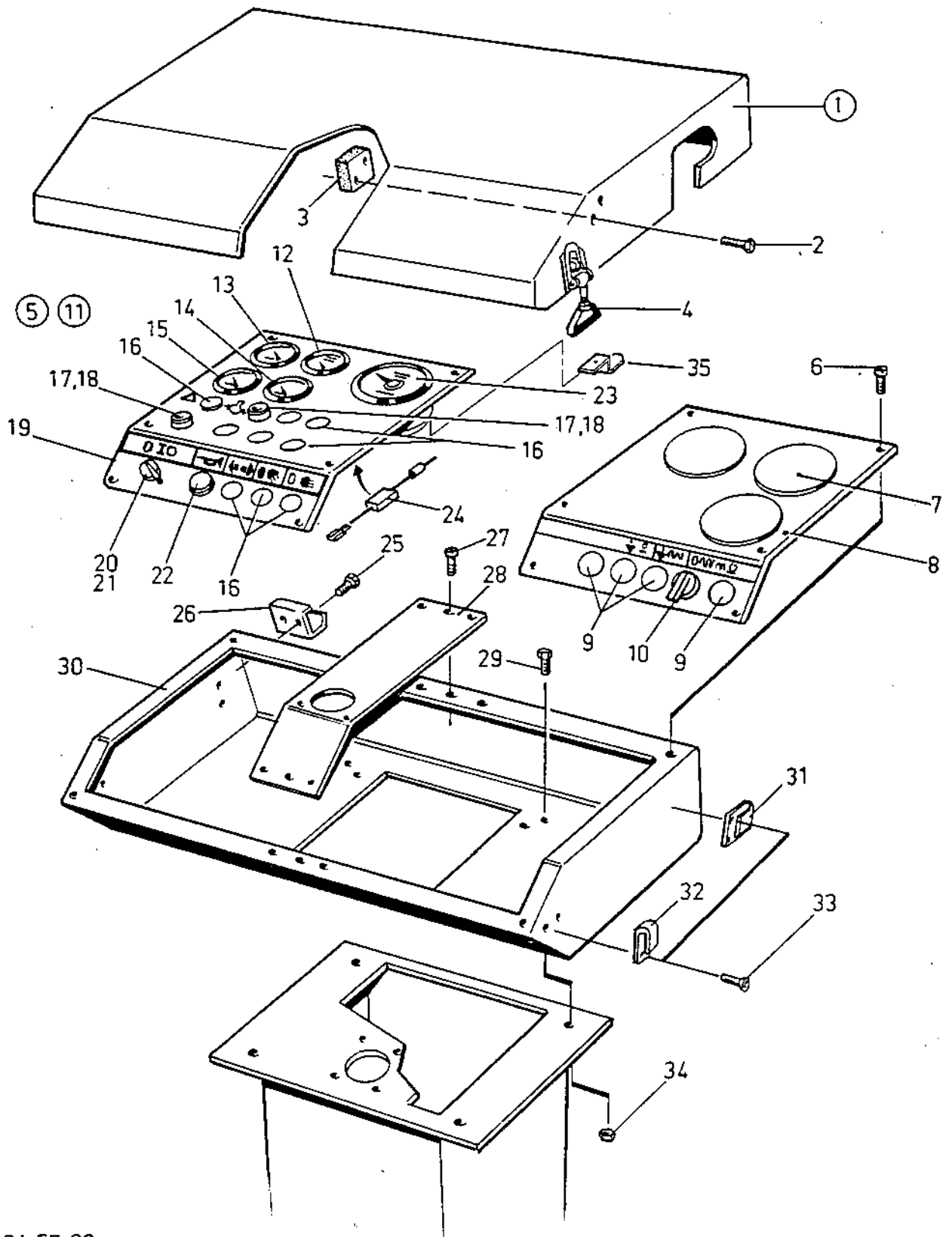
| Page Sida | | Group Grupp | | Picture No Bild nr | | Issue Utgåva | | INSTRUMENT BOX | | INSTRUMENTLÅDA | |
|--------------|----------------|----------------|-------|-----------------------|-------------------|--------------------------------------|-------------------------------------|-------------------------|--------------|----------------|--|
| 6 | | 07 | | 13810-2 | | S-10200-2 | | | | | |
| Ref Pos | Quantity/Antal | | | | Part No Art nr | Description | Benämning | Note Anmärkning | C, P K, L | | |
| | CA | | | | | | | | | | |
| | 2)25 | 3)25 | 10)25 | 11)25 | | | | | | | |
| * 1 | 1 | 1 | 1 | | 34 44 60 | Cover, Instrument Panel | Lock, kpl. | | | | |
| * 2 | 4 | 4 | 4 | | 50 00 04 | •Screw | •Skruv | | | | |
| * 3 | 2 | 2 | 2 | | 34 44 61 | •Plate | •Glidplatta | | | | |
| * 4 | 2 | 2 | 2 | | 35 30 84 | •Eccentric lock | •Excenterregel | 4) | | | |
| * 5 | 1 | - | - | | 34 57 02 | Instrument board, cpl. | Instrumentpanel, kpl. | | | | |
| * | - | 1 | - | | 34 58 09 | Instrument board, cpl. | Instrumentpanel, kpl. | | | | |
| * | - | - | 1 | | 34 58 81 | Instrument board, cpl. | Instrumentpanel, kpl. | | | | |
| * 6 | 11 | 11 | 11 | | 55 01 32 | •Screw | •Skruv | | | | |
| * 7 | 3 | 3 | 3 | | 34 51 39 | •Hole plug | •Blindplugg | | | | |
| * 8 | 1 | 1 | 1 | | 34 60 93 | •Instrument plate, right ... | •Instrumentplåt, höger ... | | | | |
| * 9 | 4 | 4 | 4 | | 91 14 56 | •Hole plug | •Blindplugg | | | | |
| * 10 | 1 | 1 | 1 | | 93 01 53 | •Switch-ampl. select | •Strömbr.-ampl. välj | | D 3 | | |
| * 11 | 1 | - | - | | 34 57 04 | •Instrument plate, left, ... cpl. | •Instrumentplåt, vänst. ... kpl. | | | | |
| * | - | 1 | - | | 34 58 10 | •Instrument plate, left, ... cpl. | •Instrumentplåt, vänst. ... kpl. | | | | |
| * | - | - | 1 | | 34 58 82 | •Instrument plate, left, ... cpl. | •Instrumentplåt, vänst. ... kpl. | | | | |
| * 12 | 1 | - | 1 | | 98 90 76 | ••Water temp. gauge | ••Vattentemp. mätare | | D 4 | | |
| * | - | 1 | - | | 34 58 70 | ••Hole plug | ••Blindplugg | | | | |
| * 13 | 1 | 1 | 1 | | 98 91 49 | ••Oil temp. gauge | ••Oljetemp. mätare | | D 4 | | |
| * 14 | 1 | 1 | 1 | | 98 90 79 | ••Fuel level gauge | ••Bränslemätare | | D 4 | | |
| * 15 | 1 | 1 | 1 | | 80 21 52 | ••Voltmeter | ••Voltmätare | | D 4 | | |
| * 16 | 9 | 9 | 9 | | 91 14 56 | ••Hole plug | ••Blindplugg | | | | |
| * 17 | 2 | 2 | 2 | | 98 51 46 | ••Control lamp, red | ••Signallampa, röd | | | | |
| * 18 | 2 | 2 | 2 | | 98 50 12 | ••Bulb | ••Glödlampa | | | | |
| * 19 | 1 | 1 | 1 | | 34 33 61 | ••Instrument plate, left ... | ••Instrumentplåt, vänster | | | | |
| * 20 | 1 | 1 | 1 | | 93 20 50 | ••Starter switch | ••Startvred | | D 3 | | |
| * 21 | 1 | 1 | 1 | | 93 01 82 | ••Contact piece | ••Kontaktblock | | | | |
| * 22 | 1 | 1 | 1 | | 93 20 32 | ••Horn button | ••Signalknapp | | D 4 | | |
| * 23 | 1 | 1 | 1 | | 34 57 18 | ••Tachometer/Hourmeter | ••Varvräknare/Timräkn. ... | | D 3 | | |
| * 24 | - | 1 | 1 | | 34 58 69 | ••Resistance | ••Motstånd | | | | |
| * 25 | 4 | 4 | 4 | | 50 00 41 | Screw | Skruv | | | | |
| * 26 | 2 | 2 | 2 | | 34 56 76 | Bracket | Fäste | | | | |
| * 27 | 2 | 2 | 2 | | 55 01 32 | Screw | Skruv | | | | |
| * 28 | 1 | 1 | 1 | | 34 56 21 | Center bracket | Mittkonsol | | | | |
| * 29 | 4 | 4 | 4 | | 50 00 53 | Screw | Skruv | | | | |
| * 30 | 1 | 1 | 1 | | 34 54 52 | Instrument box | Instrumentlåda | | | | |
| * 31 | 4 | 4 | 4 | | 34 60 80 | Lock plate | Låsplåt | | | | |
| * 32 | 4 | 4 | 4 | | 35 30 89 | Hook | Hake | | | | |
| * 33 | 8 | 8 | 8 | | 53 50 03 | Screw | Skruv | | | | |
| * 34 | 4 | 4 | 4 | | 58 60 03 | Nut | Mutter | | | | |
| 35 | 3 | 3 | 3 | | 925832 | Terminal, Spade | | (used on Early Trachs.) | | | |

2) CA25 with Caterpillar
CA25 med Caterpillar

3) CA25 with Deutz
CA25 med Deutz

4) Welded
Svetsad

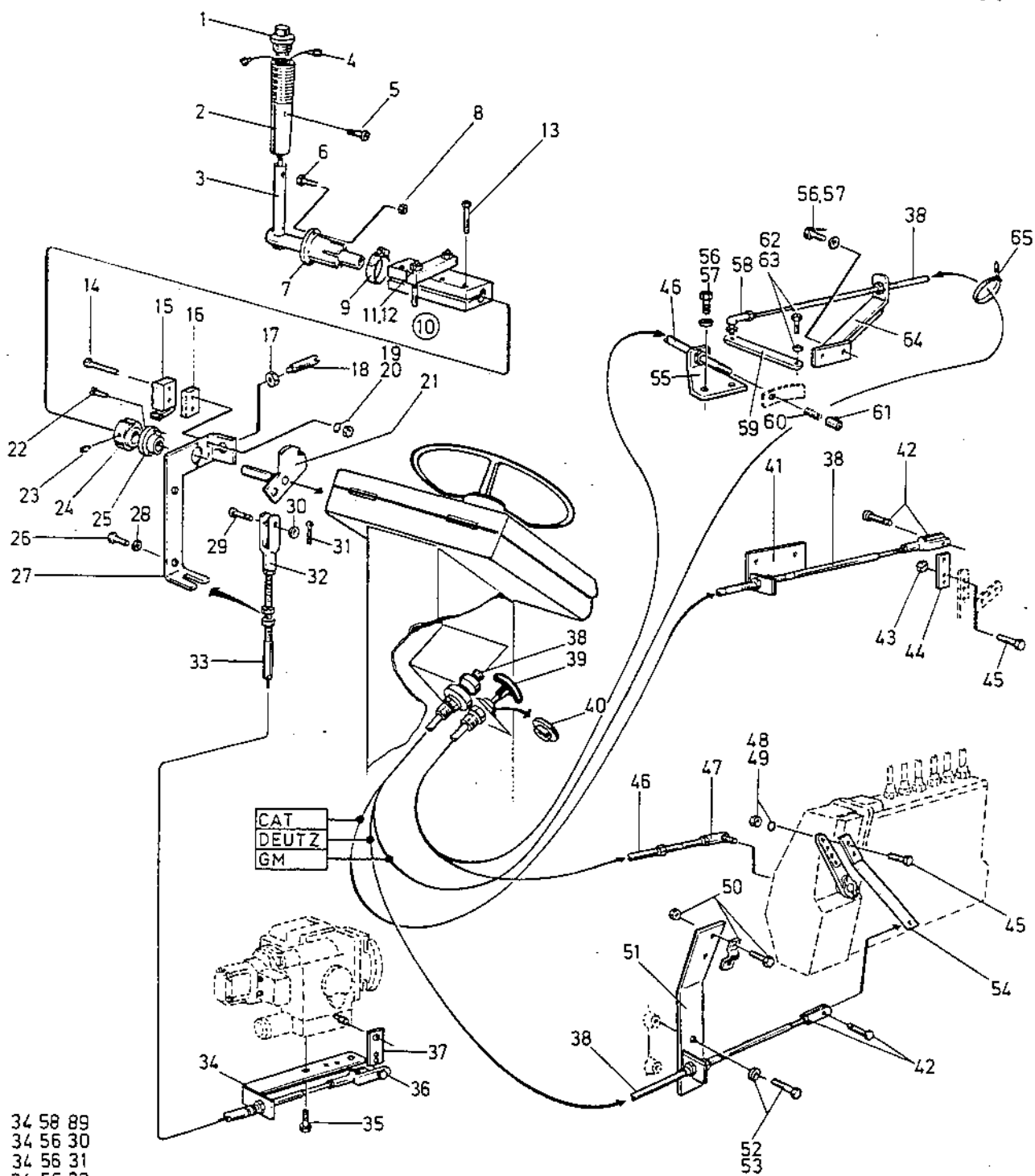
10) CA 25 with Detroit
CA 25 med Detroit



34 57 03
 34 55 91
 34 55 24
 34 56 67

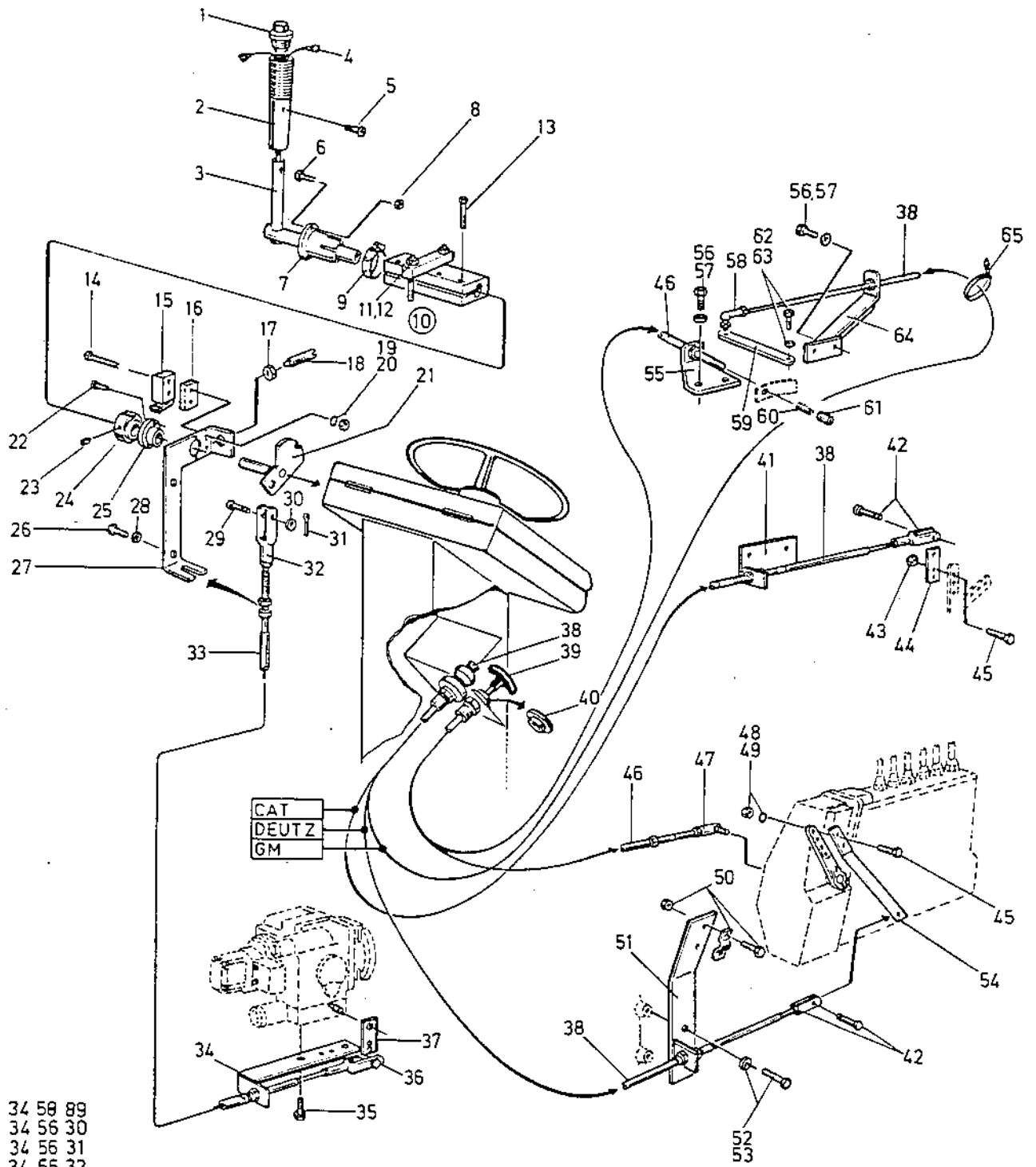
| Page Sida | | Group Grupp | | Picture No Bild nr | | Issue Utgåva | | CONTROLS AND CONTROL CABLES | | REGLAGE OCH REGLAGEKABLAR | |
|--------------|----------------|----------------|------|-----------------------|-------------------|------------------------------|----------------------------|--------------------------------|--------------|------------------------------|--|
| 8 | | 07 | | 13811-2 | | S-10200-2 | | | | | |
| Ref Pos | Quantity/Antal | | | | Part No Art nr | Description | Benämning | Note Anmärkning | C, P K, L | | |
| | CA | 2)25 | 3)25 | 10)25 | | | | | | | |
| * 1 | 1 | 1 | 1 | | 93 01 96 | Switch, vibr. control | Strömbr. vibr. regl. | | D 3 | | |
| * 2 | 1 | 1 | 1 | | 34 56 45 | Handle | Handtag | | | | |
| * 3 | 1 | 1 | 1 | | 34 56 42 | Lever | Handtag | | | | |
| * 4 | 1 | 1 | 1 | | 34 56 46 | Cable | Kabel | | | | |
| * 5 | 1 | 1 | 1 | | 53 30 01 | Screw | Skruv | | | | |
| * 6 | 2 | 2 | 2 | | 53 30 38 | Screw | Skruv | | | | |
| * 7 | 1 | 1 | 1 | | 34 59 92 | Bushing | Bussning | | | | |
| * 8 | 2 | 2 | 2 | | 58 60 02 | Nut | Mutter | | | | |
| * 9 | 1 | 1 | 1 | | 31 31 47 | Hose clamp | Slangklämma | | | | |
| * 10 | 1 | 1 | 1 | | 34 56 37 | Coupling, cpl. | Koppling, kpl. | | | | |
| * 11 | 2 | 2 | 2 | | 51 60 53 | •Stop screw | •Stoppsskruv | | | | |
| * 12 | 2 | 2 | 2 | | 57 00 05 | •Nut | •Mutter | | | | |
| * 13 | 3 | 3 | 3 | | 50 00 21 | Screw | Skruv | | | | |
| * 14 | 2 | 2 | 2 | | 53 30 83 | Screw | Skruv | | | | |
| * 15 | 1 | 1 | 1 | | 93 00 46 | Micro switch | Mikrobrytare | | D 3 | | |
| * 16 | 1 | 1 | 1 | | 34 59 05 | Plate | Platta | | | | |
| * 17 | 1 | 1 | 1 | | 57 00 08 | Nut | Mutter | | | | |
| * 18 | 1 | 1 | 1 | | 92 23 25 | Spring ball pin | Fjädrande tryckstift | | | | |
| * 19 | 2 | 2 | 2 | | 60 00 02 | Washer | Bricka | | | | |
| * 20 | 2 | 2 | 2 | | 57 00 01 | Nut | Mutter | | | | |
| * 21 | 1 | 1 | 1 | | 34 59 00 | Shaft | Axel | | | | |
| * 22 | 2 | 2 | 2 | | 53 30 58 | Screw | Skruv | | | | |
| * 23 | 1 | 1 | 1 | | 51 60 42 | Stop screw | Stoppsskruv | | | | |
| * 24 | 1 | 1 | 1 | | 34 59 04 | Ring | Ring | | | | |
| * 25 | 1 | 1 | 1 | | 34 56 40 | Bushing | Bussning | | | | |
| * 26 | 2 | 2 | 2 | | 50 00 53 | Screw | Skruv | | | | |
| * 27 | 1 | 1 | 1 | | 34 58 98 | Bracket | Hållare | | | | |
| * 28 | 1 | 1 | 1 | | 34 59 03 | Ring | Ring | | | | |
| * 29 | 1 | 1 | 1 | | 53 00 16 | Bolt | Bult | | | | |
| * 30 | 1 | 1 | 1 | | 60 00 06 | Washer | Bricka | | | | |
| * 31 | 1 | 1 | 1 | | 63 00 03 | Cotter pin | Saxpinne | | | | |
| * 32 | 1 | 1 | 1 | | 92 18 50 | Fork link | Gaffellänk | | | | |
| * 33 | 1 | 1 | 1 | | 34 56 47 | Control cable-forw.-rev. ... | Reglagekabel-fram-back | | D 3 | | |
| * 34 | 1 | 1 | 1 | | 34 56 48 | Bracket | Fäste | | | | |
| * 35 | 4 | 4 | 4 | | 50 20 12 | Screw | Skruv | | | | |
| * 36 | 1 | 1 | 1 | | 41 60 48 | Fork link | Gaffellänk | | | | |
| * 37 | 1 | 1 | 1 | | 33 55 93 | Link | Länk | | | | |
| * 38 | 1 | 1 | - | | 45 51 09 | Throttle control | Gasreglage | | D 3 | | |
| * 39 | - | - | 1 | | 45 51 13 | Throttle control | Gasreglage | | D 3 | | |
| * 40 | - | 1 | 1 | | 45 71 41 | T-handle | T-handtag | | | | |
| * 41 | 1 | - | - | | 92 20 12 | Hole plug | Blindplugg | | | | |
| * 42 | 1 | - | - | | 34 56 75 | Bracket | Fäste | | | | |
| * 43 | 1 | 1 | - | | 81 33 61 | Fork link | Gaffellänk | | | | |
| * 44 | 2 | - | - | | 58 60 02 | Nut | Mutter | | | | |
| | 1 | - | - | | 33 74 60 | Lever | Arm | | | | |

- 2) CA25 with Caterpillar
CA25 med Caterpillar
- 3) CA25 with Deutz
CA25 med Deutz
- 10) CA 25 with Detroit
CA 25 med Detroit



| Page Sida | | Group Grupp | | Picture No Bild nr | | Issue Utgåva | | CONTROLS AND CONTROL CABLES | | REGLAGE OCH REGLAGEKABLAR | |
|--------------|----------------|----------------|------|-----------------------|-----------------------------|--------------------|--------------------|--------------------------------|-------|------------------------------|--|
| 10 | | 07 | | 13811-2 | | S-10200-2 | | | | | |
| Ref Pos | Quantity/Antal | | | Part No Art nr | Description | Benämning | Note Anmärkning | C, P K, L | | | |
| | CA | 2)25 | 3)25 | | | | | | 10)25 | | |
| * 45 | 2 | 2 | - | 50 00 40 | Screw | Skruv | | | | | |
| * 46 | - | 1 | - | 45 51 10 | Stop control | Stoppreglage | | D 3 | | | |
| | - | - | 1 | 45 51 12 | Stop control | Stoppreglage | | D 3 | | | |
| * 47 | - | 1 | - | 41 60 06 | Ball link | Kullänk | | | | | |
| * 48 | - | 2 | - | 61 50 42 | Conical spring washer | Spännbricka | | | | | |
| * 49 | - | 2 | - | 57 00 04 | Nut | Mutter | | | | | |
| * 50 | - | 1 | - | 46 50 13 | Clamp | Klammer | | | | | |
| * 51 | - | 1 | - | 33 85 74 | Bracket | Hållare | | | | | |
| * 52 | - | 2 | - | 50 00 19 | Screw | Skruv | | | | | |
| * 53 | - | 2 | - | 61 50 43 | Conical spring washer | Spännbricka | | | | | |
| * 54 | - | 1 | - | 33 85 71 | Lever | Arm | | | | | |
| * 55 | - | - | 1 | 84 29 65 | Bracket | Fäste | | | | | |
| * 56 | - | - | 4 | 50 20 35 | Screw | Skruv | | | | | |
| * 57 | - | - | 4 | 61 50 44 | Conical spring washer | Spännbricka | | | | | |
| * 58 | - | - | 1 | 45 71 00 | Ball link | Kullänk | | | | | |
| * 59 | - | - | 1 | 84 29 61 | Lever | Arm | | | | | |
| * 60 | - | - | 1 | 30 02 42 | Spring | Fjäder | | | | | |
| * 61 | - | - | 1 | 45 71 22 | Wire nipple | Wirenippel | | | | | |
| * 62 | - | - | 1 | 50 20 14 | Screw | Skruv | | | | | |
| * 63 | - | - | 1 | 61 50 43 | Conical spring washer | Spännbricka | | | | | |
| * 64 | - | - | 1 | 84 29 68 | Bracket | Fäste | | | | | |
| * 65 | - | - | 3 | 31 30 41 | Cable tie | Buntband | | | | | |

- 2) CA25 with Caterpillar
CA25 med Caterpillar
- 3) CA25 with Deutz
CA25 med Deutz
- 10) CA 25 with Detroit
CA 25 med Detroit

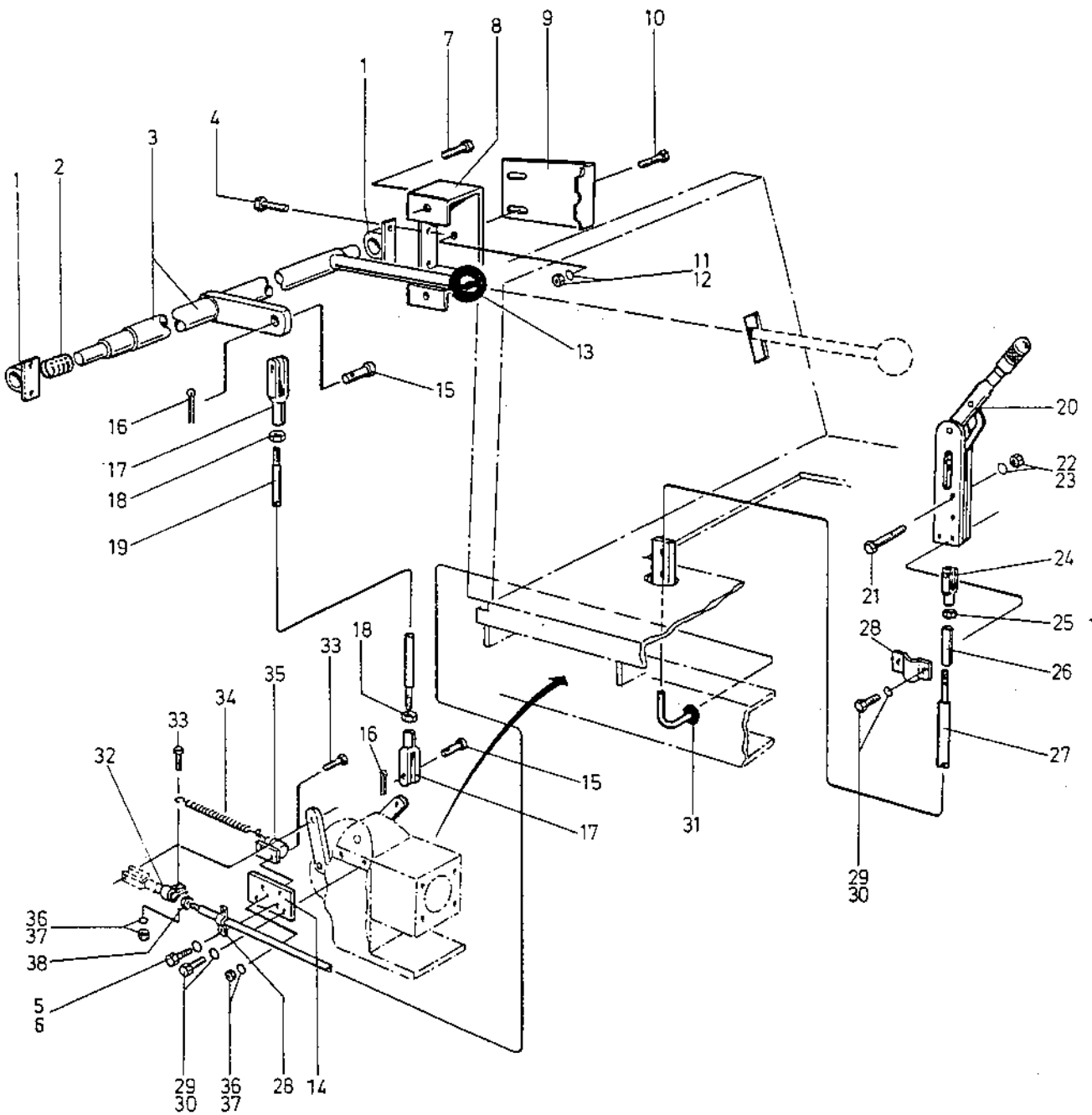


- 34 58 89
- 34 56 30
- 34 56 31
- 34 56 32
- 34 56 36
- 34 58 22

CA25, CA25D, CA25PD, CA25R
 Spare Parts Catalogue - Reservdelskatalog


| Page Sida | | Group Grupp | | Picture No Bild nr | | Issue Utgåva | | BRAKE CONTROL AND GEAR SHIFTER | | BROMSREGLAGE OCH VÄXELSPAK | |
|--------------|----------------|----------------|-------------------|-----------------------------|--------------------|--------------------|--------------|-----------------------------------|--|-------------------------------|--|
| 12 | | 07 | | 13812-2 | | S-10200-2 | | | | | |
| Ref Pos | Quantity/Antal | | Part No Art nr | Description | Benämning | Note Anmärkning | C, P K, L | | | | |
| | CA | | | | | | | | | | |
| 1 | 2 | | 81 37 86 | Bearing bracket | Lagerbock | | | | | | |
| 2 | 1 | | 30 02 46 | Spring | Fjäder | | | | | | |
| 3 | 1 | | 34 60 81 | Link arm | Länkarm | | | | | | |
| 4 | 4 | | 50 05 13 | Screw | Skruv | | | | | | |
| 5 | 2 | | 50 20 16 | Screw | Skruv | | | | | | |
| 6 | 2 | | 61 50 43 | Conical spring washer | Spännbricka | | | | | | |
| 7 | 2 | | 54 17 08 | Screw | Skruv | | | | | | |
| 8 | 1 | | 34 59 75 | Bracket | Fäste | | | | | | |
| 9 | 1 | | 34 59 82 | Plate | Plåt | | | | | | |
| 10 | 2 | | 50 00 19 | Screw | Skruv | | | | | | |
| 11 | 2 | | 61 50 43 | Conical spring washer | Spännbricka | | | | | | |
| 12 | 2 | | 57 00 06 | Nut | Mutter | | | | | | |
| 13 | 1 | | 31 20 81 | Handle ball | Handtagskula | | | | | | |
| 14 | 1 | | 33 88 35 | Bracket | Fäste | | | | | | |
| 15 | 2 | | 550033 | Pin, Clevis | | | | | | | |
| 16 | 2 | | 63 00 35 | Cotter pin | Saxpinne | | | | | | |
| 17 | 2 | | 81 33 55 | Fork link | Gaffellänk | | | | | | |
| 18 | 2 | | 57 20 03 | Nut | Mutter | | | | | | |
| 19 | 1 | | 34 56 58 | Rod | Stång | | | | | | |
| 20 | 1 | | 81 33 31 | Brake lever | Bromsreglage | | | | | | |
| 21 | 2 | | 50 20 39 | Screw | Skruv | | | | | | |
| 22 | 2 | | 60 40 06 | Spring washer | Fjäderbricka | | | | | | |
| 23 | 2 | | 57 10 03 | Nut | Mutter | | | | | | |
| 24 | 1 | | 81 33 69 | Fork link | Gaffellänk | | | | | | |
| 25 | 1 | | 57 20 02 | Nut | Mutter | | | | | | |
| 26 | 1 | | 81 33 59 | Link sleeve | Länkhylsa | | | | | | |
| 27 | 1 | | 45 60 23 | Brake cable | Bromskabel | | D 3 | | | | |
| 28 | 2 | | 81 33 53 | Clamp | Klammer | | | | | | |
| 29 | 4 | | 50 00 28 | Screw | Skruv | | | | | | |
| 30 | 4 | | 60 40 07 | Spring washer | Fjäderbricka | | | | | | |
| 31 | 1 | | 90 90 97 | Grommet | Genomföring | | | | | | |
| 32 | 1 | | 92 10 70 | Clamp | Klammer | | | | | | |
| 33 | 3 | | 50 00 06 | Screw | Skruv | | | | | | |
| 34 | 1 | | 34 56 64 | Spring | Fjäder | | | | | | |
| 35 | 1 | | 93 01 12 | Brake switch | Bromskontakt | | D 3 | | | | |
| 36 | 3 | | 60 00 03 | Washer | Bricka | | | | | | |
| 37 | 3 | | 58 60 01 | Nut | Mutter | | | | | | |
| 38 | 1 | | 57 20 03 | Nut | Mutter | | | | | | |

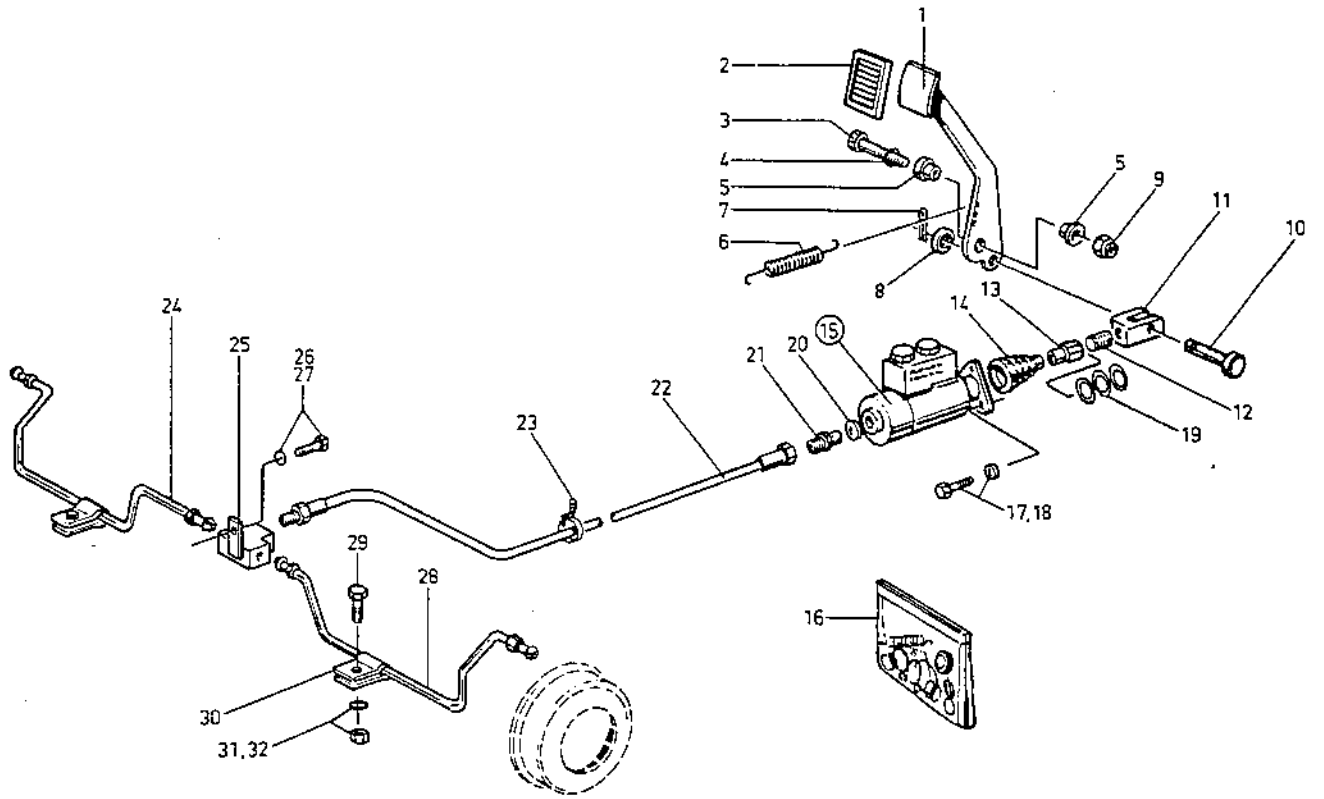
 1) CA25, all models
 CA25, alla typer



- 34 56 30
- 34 56 31
- 34 56 32
- 34 59 80

| Page Sida | | Group Grupp | | Picture No Bild nr | Issue Utgåva | FOOT BRAKE | | FOTBROMS | |
|--------------|----------------|----------------|--|-----------------------|------------------------------|----------------------------|--------------------|--------------|-----|
| 14 | | 07 | | 13813-1 | S-10200-2 | | | | |
| Ref Pos | Quantity/Antal | | | Part No Art nr | Description | Benämning | Note Anmärkning | C, P K, L | |
| | CA | | | | | | | | |
| 1 | 1 | | | 34 58 01 | Brake pedal | Bromspedal | | | |
| 2 | 1 | | | 34 58 00 | Pedal rubber | Pedalgummi | | | D 3 |
| 3 | 1 | | | 50 01 74 | Screw | Skruv | | | |
| 4 | 1 | | | 60 00 09 | Washer | Bricka | | | |
| 5 | 2 | | | 81 33 39 | Bushing | Bussning | | | |
| 6 | 1 | | | 34 56 81 | Spring | Fjäder | | | |
| 7 | 1 | | | 63 00 31 | Cotter pin | Saxpinne | | | |
| 8 | 1 | | | 60 00 06 | Washer | Bricka | | | |
| 9 | 1 | | | 58 60 19 | Nut | Mutter | | | |
| 10 | 1 | | | 81 33 41 | Bolt | Bult | | | |
| 11 | 1 | | | 33 55 85 | Link | Länk | | | |
| 12 | 1 | | | 51 70 63 | Stop screw | Stoppskruv | | | |
| 13 | 1 | | | 92 14 30 | Push rod | Tryckstång | | | |
| 14 | 1 | | | 92 14 29 | Boot | Gummiskydd | | | D 3 |
| 15 | 1 | | | 92 28 50 | Brake cylinder, cpl. | Bromscylinder, kpl. | | | D 4 |
| 16 | 1 | | | 92 28 73 | •Repair kit, brake cyl. | •Rep. sats, bromscyl. | | | D 3 |
| 17 | 3 | | | 50 00 21 | Screw | Skruv | | | |
| 18 | 3 | | | 61 50 43 | Conical spring washer | Spännbricka | | | |
| 19 | 3 | | | 60 00 08 | Washer | Bricka | | | |
| 20 | 1 | | | 81 33 51 | Copper washer | Kopparbricka | | | |
| 21 | 1 | | | 33 45 55 | Adapter | Adapter | | | |
| 22 | 1 | | | 33 84 89 | Hose | Slang | | | D 3 |
| 23 | 5 | | | 31 30 41 | Cable tie | Buntband | | | |
| 24 | 1 | | | 33 55 73 | Brake line, left | Bromsrör, vänster | | | |
| 25 | 1 | | | 81 33 10 | T-adapter | T-adapter | | | |
| 26 | 1 | | | 50 01 88 | Screw | Skruv | | | |
| 27 | 1 | | | 61 50 43 | Conical spring washer | Spännbricka | | | |
| 28 | 1 | | | 33 55 72 | Brake line, right | Bromsrör, höger | | | |
| 29 | 2 | | | 50 00 13 | Screw | Skruv | | | |
| 30 | 2 | | | 81 33 13 | Clamp | Klammer | | | |
| 31 | 2 | | | 61 50 42 | Conical spring washer | Spännbricka | | | |
| 32 | 2 | | | 57 00 04 | Nut | Mutter | | | |

1) CA25, all models
CA25, alla typer



34 56 80

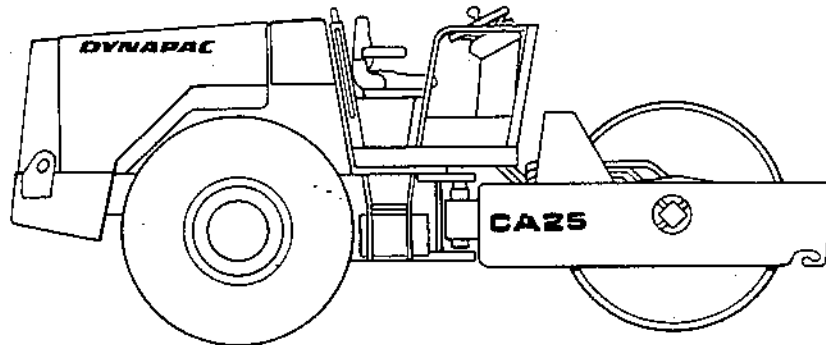
CA 25 II-13813-1

↓ DYNAPAC

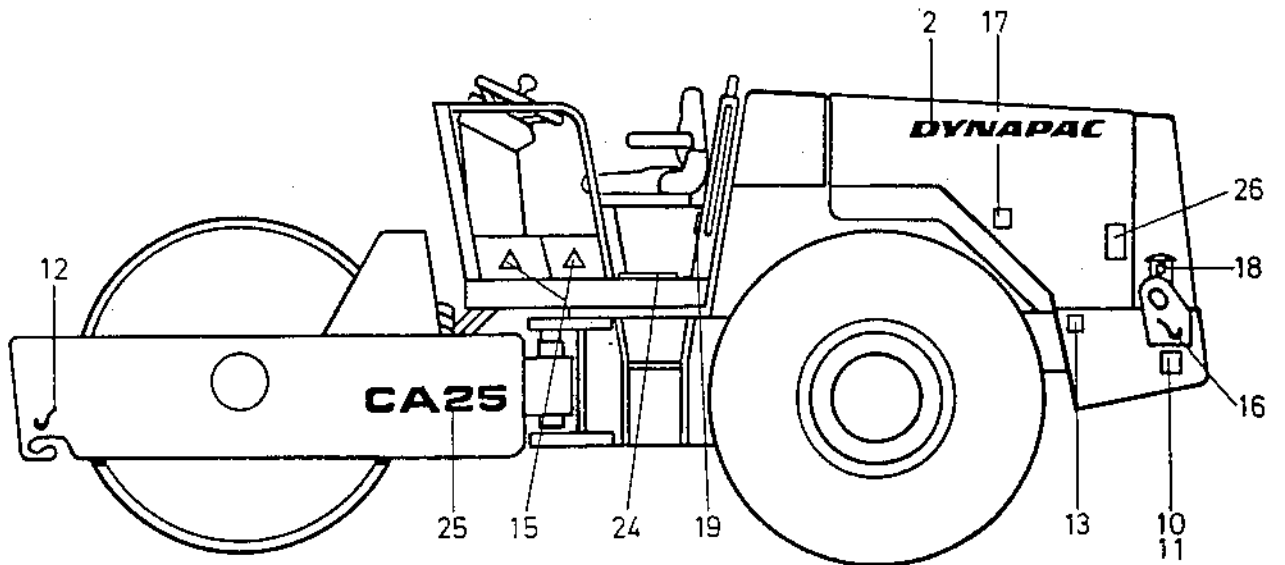
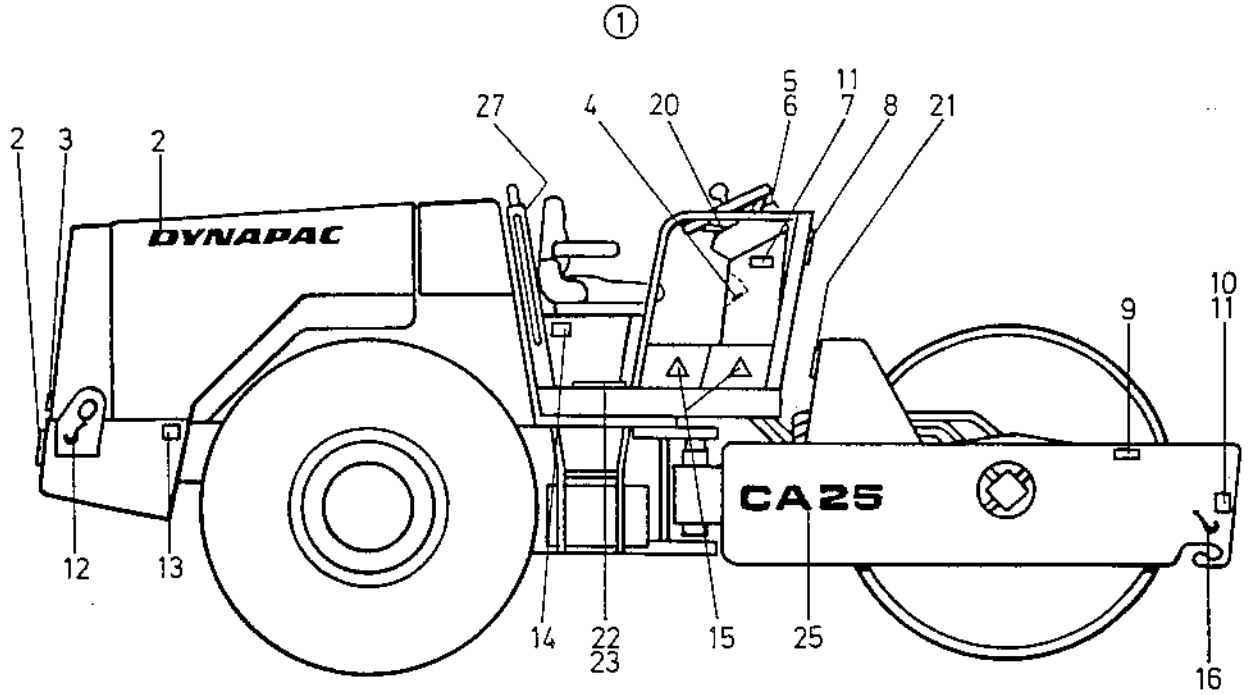
DECALS
Plates and decals

DEKALER
S skyltar och dekaler

2



| Page Sida | | Group Grupp | | Picture No Bild nr | | Issue Utgåva | | PLATES AND DECALS | | SKYLtar OCH DEKALER | |
|-----------|----------------|-------------|-------|--------------------|----------------|---------------------------------|-------------------------------|-------------------|-----------|---------------------|--|
| 2 | | 08 | | 13814-1 | | S-10200-2 | | | | | |
| Ref Pos | Quantity/Antal | | | | Part No Art nr | Description | Benämning | Note Anmärkning | C, P K, L | | |
| | CA | 25 D | 25 PD | 25 R | | | | | | | |
| 1 | 1 | 1 | 1 | 1 | 34 34 34 | Decals, Basic set | Dekaler, Grundsats | | | | |
| 2 | 3 | 3 | 3 | 3 | 309 10 05 02 | •Decal, DYNAPAC | •Dekal, DYNAPAC | | | | |
| 3 | 1 | 1 | 1 | 1 | 84 31 57 | •Cast name plate, | •Namnplåt, DYNAPAC | | | | |
| 4 | 1 | 1 | 1 | 1 | 34 20 45 | •Decal, Throttle control ... | •Dekal, Varvtalsreglage .. | | | | |
| 5 | 1 | 1 | 1 | 1 | - | •Decal, No-Spin | •Dekal, No-Spin | Rockwell | | | |
| 6 | 1 | 1 | 1 | 1 | 34 29 68 | •Decal, Speed selector ... | •Dekal, Hastighetsvälj. ... | | | | |
| 7 | 1 | 1 | 1 | 1 | 99 00 03 | •Type plate | •Maskinskytt | | | | |
| 8 | 1 | 1 | 1 | 1 | 34 26 62 | •Decal, Group symbol | •Dekal, Gruppssymbol | | | | |
| 9 | 1 | 1 | 1 | 1 | 34 30 16 | •Decal, Drum oil level | •Dekal, Valsoljenivå | | | | |
| 10 | 2 | 2 | 2 | 2 | 34 30 17 | •Lifting sign | •Lyftskytt | | | | |
| 11 | 12 | 12 | 12 | 12 | 62 40 16 | •Pop rivet | •Popnit | | | | |
| 12 | 2 | 2 | 2 | 2 | 49 91 30 | •Decal, Hook right | •Dekal, Krok höger | | | | |
| 13 | 2 | 2 | 2 | 2 | 99 19 90 | •Decal, Tyre pressure | •Dekal, Ringtryck | | | | |
| 14 | 1 | 1 | 1 | 1 | 27 23 72 | •Decal, Hydr. oil filling ... | •Dekal, Hydr. oljepåfyll. ... | | | | |
| 15 | 4 | 4 | 4 | 4 | 99 16 56 | •Decal, Warning | •Dekal, Varning | | | | |
| 16 | 2 | 2 | 2 | 2 | 49 91 11 | •Decal, Hook left | •Dekal, Krok vänster | | | | |
| 17 | 1 | 1 | 1 | 1 | 99 16 59 | •Decal, Lubr. oil filling | •Dekal, Smörjoljepåfyll. ... | | | | |
| 18 | 1 | 1 | 1 | 1 | 99 16 58 | •Decal, Fuel filling | •Dekal, Bränslepåfylln. ... | | | | |
| 19 | 1 | 1 | 1 | 1 | 34 35 26 | •Decal, Gear selector | •Dekal, Växelväljare | | | | |
| 20 | 1 | 1 | 1 | 1 | 34 34 97 | Decal, Operating instr. | Dekal, Körinstruktion | Swedish | | | |
| | 1 | 1 | 1 | 1 | 34 34 98 | Decal, Operating instr. | Dekal, Körinstruktion | English | | | |
| | 1 | 1 | 1 | 1 | 34 34 99 | Decal, Operating instr. | Dekal, Körinstruktion | Deutsch | | | |
| | 1 | 1 | 1 | 1 | 34 35 02 | Decal, Operating instr. | Dekal, Körinstruktion | Français | | | |
| | 1 | 1 | 1 | 1 | 34 35 01 | Decal, Operating instr. | Dekal, Körinstruktion | Español | | | |
| | 1 | 1 | 1 | 1 | 34 35 00 | Decal, Operating instr. | Dekal, Körinstruktion | Italiano | | | |
| 21 | 1 | 1 | 1 | 1 | 34 35 03 | Decal, Maintenance instr. | Dekal, Skötselinstr. | Swedish | | | |
| | 1 | 1 | 1 | 1 | 34 35 04 | Decal, Maintenance instr. | Dekal, Skötselinstr. | English | | | |
| | 1 | 1 | 1 | 1 | 34 35 05 | Decal, Maintenance instr. | Dekal, Skötselinstr. | Deutsch | | | |
| | 1 | 1 | 1 | 1 | 34 35 08 | Decal, Maintenance instr. | Dekal, Skötselinstr. | Français | | | |
| | 1 | 1 | 1 | 1 | 34 35 07 | Decal, Maintenance instr. | Dekal, Skötselinstr. | Español | | | |
| | 1 | 1 | 1 | 1 | 34 35 06 | Decal, Maintenance instr. | Dekal, Skötselinstr. | Italiano | | | |
| 22 | 1 | 1 | 1 | 1 | 333 54 82 12 | Safety walk, right | Halkskydd, höger | | | | |
| 23 | 1 | 1 | 1 | 1 | 34 35 34 | Safety walk, centre | Halkskydd, mittsekt. | | | | |
| 24 | 1 | 1 | 1 | 1 | 333 54 82 11 | Safety walk, left | Halkskydd, vänster | | | | |
| 25 | 1 | 1 | 1 | 1 | 34 35 30 | Decal, CA25 | Dekal, CA25 | | | | |
| 26 | 1 | 1 | 1 | 1 | 99 16 09 | Decal, Alternator | Dekal, Växelströmngen. ... | Swedish | | | |
| | 1 | 1 | 1 | 1 | 99 16 11 | Decal, Alternator | Dekal, Växelströmngen. ... | English | | | |
| | 1 | 1 | 1 | 1 | 99 16 10 | Decal, Alternator | Dekal, Växelströmngen. ... | Deutsch | | | |
| | 1 | 1 | 1 | 1 | 99 16 14 | Decal, Alternator | Dekal, Växelströmngen. ... | Français | | | |
| | 1 | 1 | 1 | 1 | 99 16 13 | Decal, Alternator | Dekal, Växelströmngen. ... | Español | | | |
| | 1 | 1 | 1 | 1 | 99 16 12 | Decal, Alternator | Dekal, Växelströmngen. ... | Italiano | | | |
| 27 | 1 | 1 | 1 | 1 | 82 67 88 | Decal, Operating Safety... | | | | | |



34 34 33
34 58 66

CA 25 II-13814-1

↓ DYNAPAC

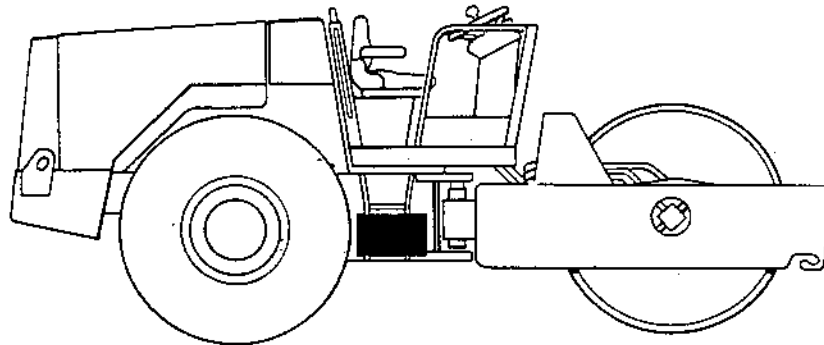
EQUIPMENT

Equipment, standard

UTRUSTNING

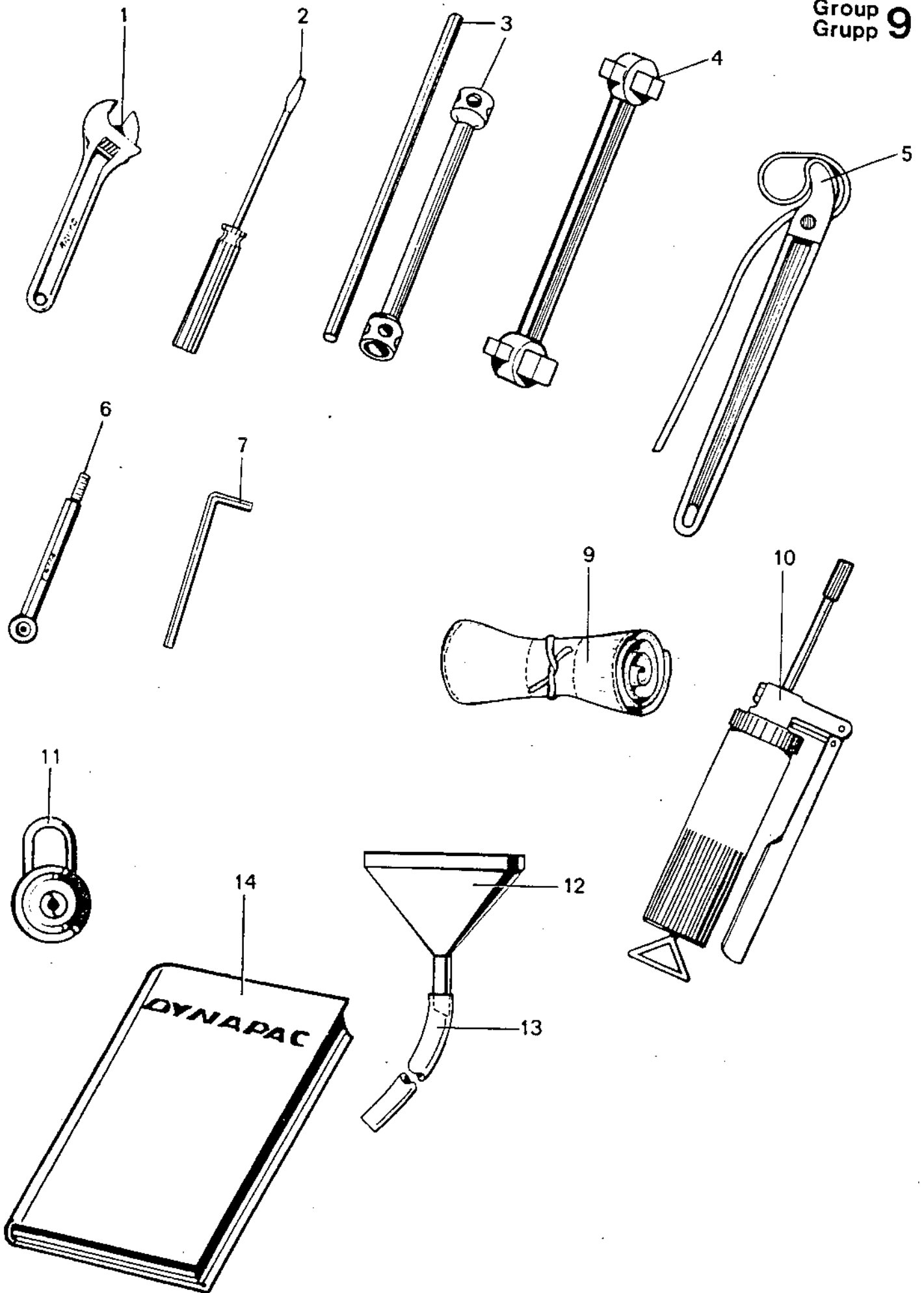
Utrustning, standard

2



| Page Sida | Group Grupp | Picture No Bild nr | Issue Utgåva | EQUIPMENT Standard | UTRUSTNING Standard | |
|-----------|----------------|--------------------|--------------------------------|-----------------------------|---------------------|--------------|
| 2 | 09 | 13815-1 | S-10200-2 | | | |
| Ref Pos | Quantity/Antal | Part No Art nr | Description | Benämning | Note Anmärkning | C, P K, L |
| | CA | | | | | |
| | 1)25 | | | | | |
| 1 | 1 | 48 50 11 | Adjustable wrench | Skiftnyckel | | |
| 2 | 1 | 48 50 19 | Screw driver | Skruvmejsel | | |
| 3 | 1 | 48 53 46 | Wheel nut spanner | Hjulmutternyckel | | |
| 4 | 1 | 48 53 45 | Plug spanner | Pluggnyckel | | |
| 5 | 1 | 48 50 75 | Strap spanner | Bandtång | | |
| 6 | 1 | 48 50 60 | Air pressure gauge | Lufttrycksmätare | | |
| 7 | 1 | 48 50 37 | Hex wrench | Sexkantnyckel | | |
| 8 | - | - | - | - | | |
| 9 | 1 | 27 79 92 | Tool bag | Verktygsväska | | |
| 10 | 1 | 31 10 16 | Grease gun | Smörjspruta | | |
| 11 | 4 | 48 50 02 | Pad lock | Hänglås | | |
| 12 | 1 | 48 50 40 | Filling funnel | Tratt | | |
| 13 | 1 x L | 24 40 26 | Plastic hose | Plastslang | L = 400 mm | |
| 14 | 1 | - | Documentation, CA25 | Dokumentation, CA25 | 10200 | |
| | 1 | - | •Warranty reg. card | •Garantikort | | |
| | 1 | - | •Technical description | •Teknisk beskrivning | D-10200 | |
| | 1 | - | •Operating instruction | •Körinstruktion | O-10200 | |
| | 1 | - | •Maintenance instruction | •Skötselinstruktion | M-10200 | |
| | 1 | - | •Workshop instruction | •Verkstadsinstruktion | W-10200 | |
| | 1 | - | •Spare parts catalogue | •Reservdelskatalog | S-10200 | |
| | 1 | - | •Instruction manual | •Instruktionsbok | 2), Cat. D-3208 | |
| | 1 | - | •Instruction manual | •Instruktionsbok | 3), Deutz F6L 912 | |
| | 1 | - | •Instruction manual | •Instruktionsbok | 10), Detroit 3-53 | |
| | 1 | - | •Spare parts catalogue | •Reservdelskatalog | 2), Cat. D-3208 | |
| | 1 | - | •Spare parts catalogue | •Reservdelskatalog | 3), Deutz F6L 912 | |
| | 1 | - | •Spare parts catalogue | •Reservdelskatalog | 10), Detroit 3-53 | |

- 1) CA25, all models
CA25, alla typer
- 2) CA25 with Caterpillar
CA25 med Caterpillar
- 3) CA25 with Deutz
CA25 med Deutz
- 10) CA 25 with Detroit
CA 25 med Detroit

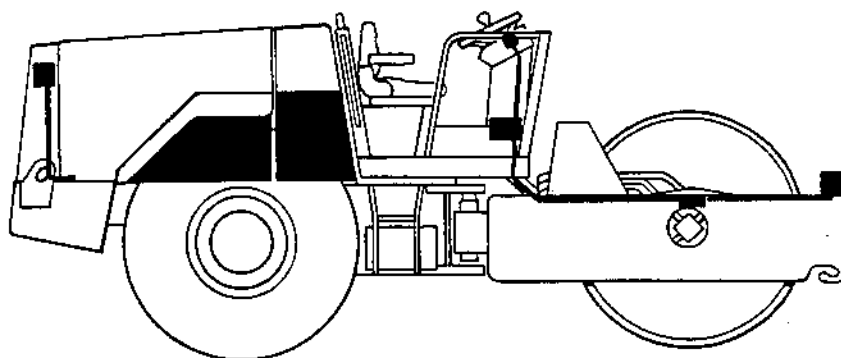


↓ DYNAPAC**OPTIONAL EQUIPMENT**

| |
|-------------------------------|
| Working light |
| Compaction meter |
| Frequency meter |
| Measure panel and safety belt |
| Side covers |
| Canopy |
| Rotating warning light |
| Drum conversion kit |
| CA25 to CA25D |
| CA25 to CA25PD |
| CA25 to CA25R |
| CA25D to CA25PD |
| CA25PD to CA25D |
| CA25R to CA25 |
| R.O.P.S. and Seat Belt |

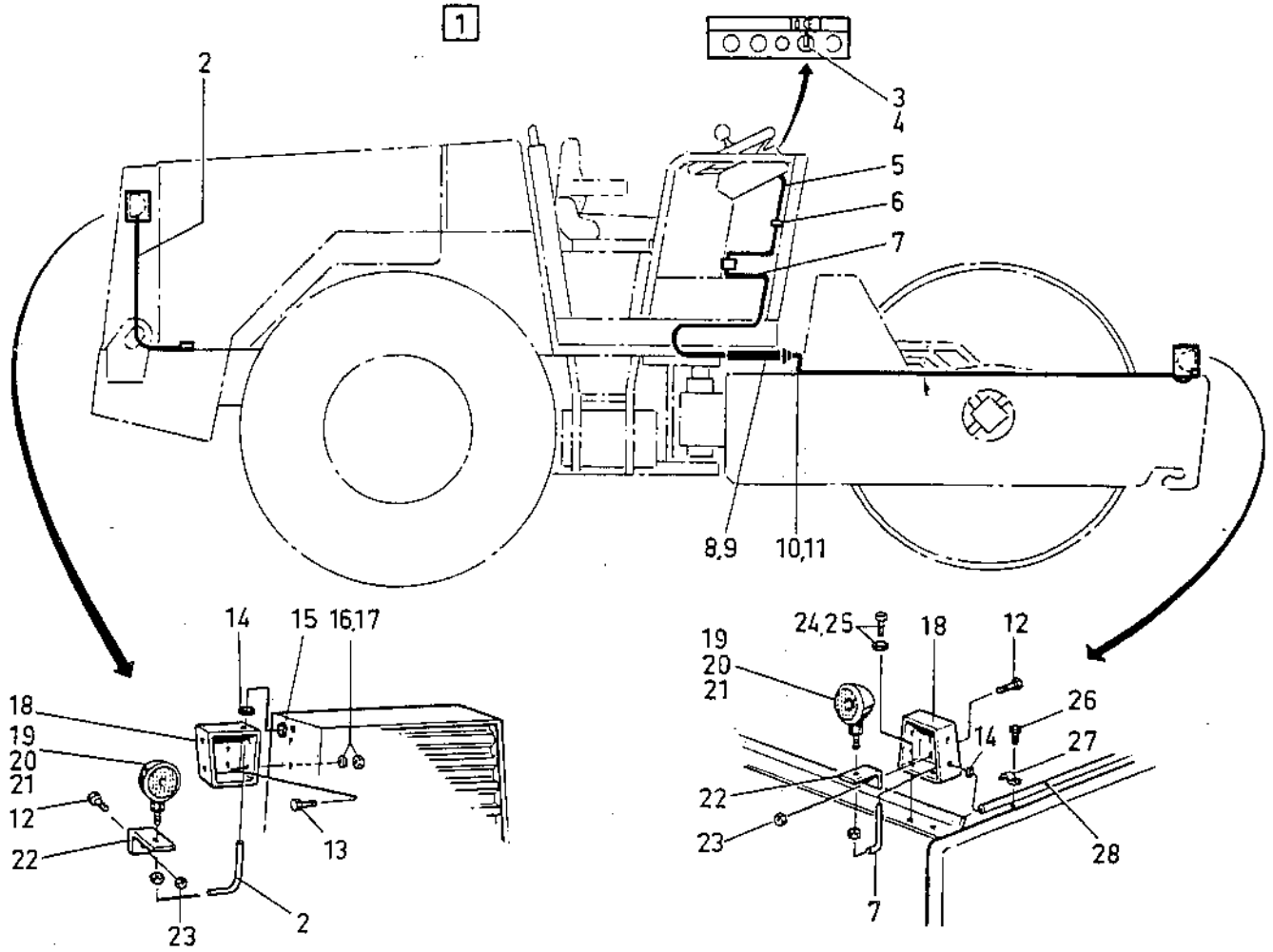
EXTRA UTRUSTNING

| | |
|-----------------------------|----|
| Arbetsbelysning | 2 |
| Packningsmätare | 4 |
| Frekvensmätare | 6 |
| Mätpanel och säkerhetsbälte | 8 |
| Sidoluckor | 10 |
| Sol- och regnskydd | 12 |
| Roterande varningsljus | 14 |
| Ombyggnadssats | |
| CA25 till CA25D | 16 |
| CA25 till CA25PD | 18 |
| CA25 till CA25R | 20 |
| CA25D till CA25PD | 22 |
| CA25PD till CA25D | 24 |
| CA25R till CA25 | 26 |
| | 28 |



| Page Sida | | Group Grupp | | Picture No Bild nr | | Issue Utgåva | | WORKING LIGHT ARBETSBELYSNING | |
|--------------|----------------|----------------|--|-----------------------|----------------------------|----------------------------|--------------------|----------------------------------|--|
| 2 | | 10 | | 13816-1 | | S-10200-2 | | | |
| Ref Pos | Quantity/Antal | | | Part No Art nr | Description | Benämning | Note Anmärkning | C, P K, L | |
| | CA | | | | | | | | |
| 1 | 1 | | | 34 57 92 | Working light, mount. kit | Arbetsbelysn. mont. sats | | | |
| 2 | 1 | | | 34 59 88 | •Cable | •Kabel | | | |
| 3 | 1 | | | 93 01 92 | •Head lamp switch | •Strömbr.-strålkastare ... | | | |
| 4 | 1 | | | 93 01 95 | •Contact piece | •Kontaktblock | | | |
| 5 | 1 | | | 34 59 86 | •Cable | •Kabel | | | |
| 6 | 15 | | | 31 30 41 | •Cable strap | •Buntband | | | |
| 7 | 1 | | | 34 59 87 | •Cable | •Kabel | | | |
| 8 | 1 | | | 31 30 04 | •Hose clamp | •Slangklämma | | | |
| 9 | 1 x L | | | 20 50 25 | •Protective hose | •Skydds slang | L = 650 mm | | |
| 10 | 1 | | | 34 59 89 | •Cable pipe, left | •Kabelrör, vänster | | | |
| 11 | 1 | | | 34 59 91 | •Cable pipe, right | •Kabelrör, höger | | | |
| 12 | 4 | | | 50 00 53 | •Screw | •Skruv | | | |
| 13 | 4 | | | 50 00 28 | •Screw | •Skruv | | | |
| 14 | 4 | | | 90 91 52 | •Grommet | •Genomföring | | | |
| 15 | 2 | | | 90 91 53 | •Grommet | •Genomföring | | | |
| 16 | 4 | | | 61 50 44 | •Conical spring washer ... | •Spännbricka | | | |
| 17 | 4 | | | 58 60 18 | •Nut | •Mutter | | | |
| 18 | 4 | | | 34 59 83 | •Light box | •Ljusbox | | | |
| 19 | 4 | | | 98 50 66 | •Head lamp | •Strålkastare | | | |
| 20 | 4 | | | 98 50 87 | •Bulb | •Glödlampa | | | |
| 21 | 4 | | | 96 00 79 | •Cable clip | •Kabelsko | | | |
| 22 | 4 | | | 34 59 84 | •Bracket | •Fäste | | | |
| 23 | 4 | | | 58 60 03 | •Nut | •Mutter | | | |
| 24 | 4 | | | 54 17 07 | •Screw | •Skruv | | | |
| 25 | 4 | | | 61 50 44 | •Conical spring washer ... | •Spännbricka | | | |
| 26 | 20 | | | 54 17 06 | •Screw | •Skruv | | | |
| 27 | 20 | | | 92 10 87 | •Clamp | •Klammer | | | |
| 28 | 4 | | | 34 59 90 | •Cable pipe | •Kabelrör | | | |

1) CA25, all models
CA25, alla typer



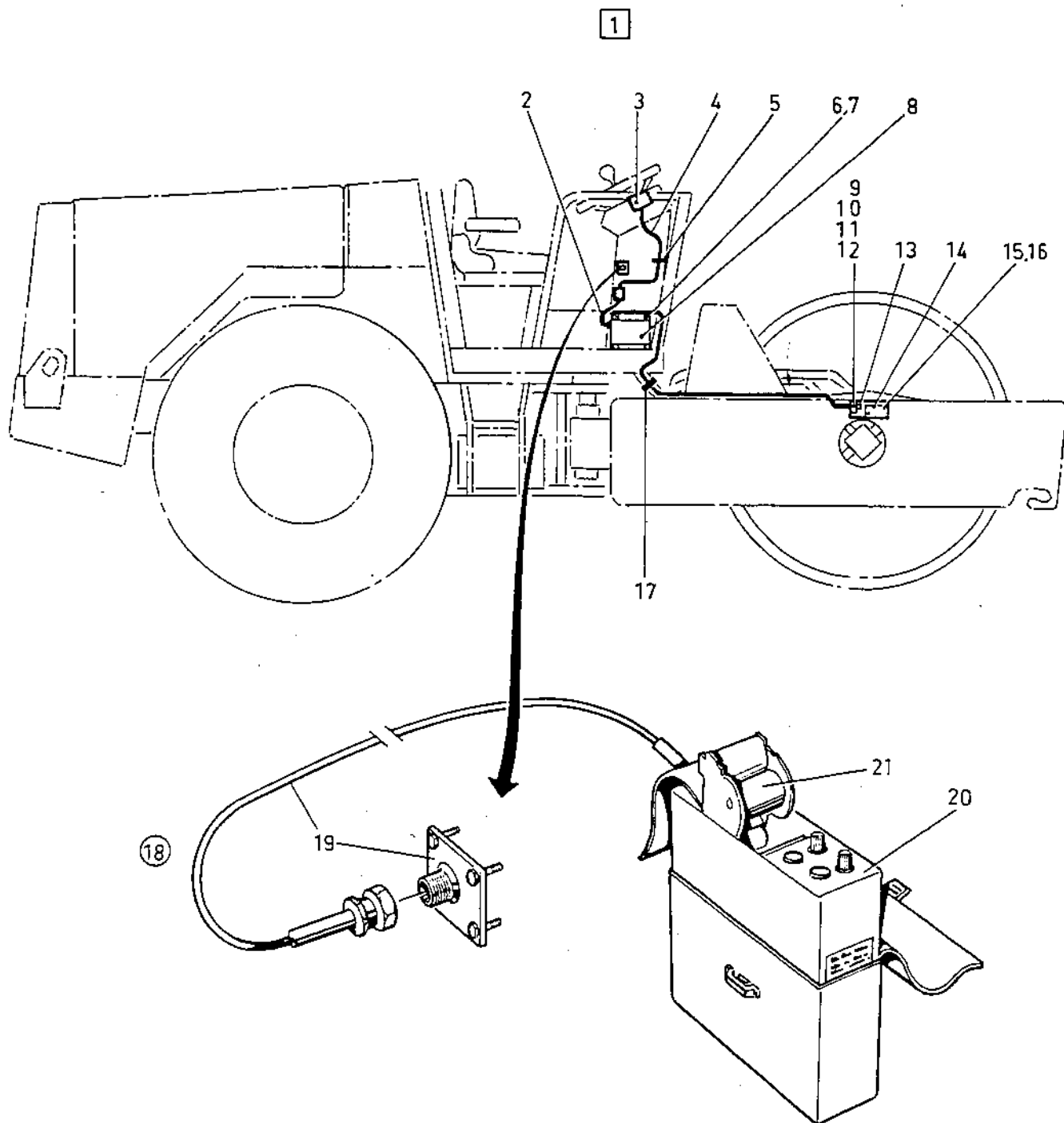
345865

CA 25 II-13816-1

| Page Sida | | Group Grupp | | Picture No Bild nr | | Issue Utgåva | | COMPACTION METER | | PACKNINGSMÄTARE | |
|--------------|----------------|----------------|--|-----------------------|---------------------------------------|------------------------------------|--------------------|------------------|--|-----------------|--|
| 4 | | 10 | | 13822-1 | | S-10200-2 | | | | | |
| Ref Pos | Quantity/Antal | | | Part No Art nr | Description | Benämning | Note Anmärkning | C, P K, L | | | |
| | CA | | | | | | | | | | |
| | 1)25 | | | | | | | | | | |
| 1 | 1 | | | 34 57 89 | Compaction meter, mount. kit | Packningsmätare, mont. ... sats | | | | | |
| 2 | 1 | | | 34 57 85 | •Ground cable | •Jordkabel | | | | | |
| 3 | 1 | | | 34 32 63 | •Pointer instrument | •Visarinstrument | | | | | |
| 4 | 1 | | | 34 57 82 | •Cable | •Kabel | | | | | |
| 5 | 10 | | | 31 30 41 | •Cable strap | •Buntband | | | | | |
| 6 | 4 | | | 45 00 72 | •Shock absorber | •Gummielement | | | | | |
| 7 | 8 | | | 58 60 02 | •Nut | •Mutter | | | | | |
| 8 | 1 | | | 34 32 55 | •Processor | •Processor | | | | | |
| 9 | 1 | | | 92 10 65 | •Clamp | •Rörklammer | | | | | |
| 10 | 1 | | | 50 00 13 | •Screw | •Skruv | | | | | |
| 11 | 1 | | | 58 60 02 | •Nut | •Mutter | | | | | |
| 12 | 2 | | | 60 00 04 | •Washer | •Bricka | | | | | |
| 13 | 1 | | | 34 32 56 | •Bracket | •Fäste | 4) | | | | |
| 14 | 1 | | | 34 32 54 | •Sensor w. cable | •Givare m. kabel | | | | | |
| 15 | 2 | | | 50 00 79 | •Screw | •Skruv | | | | | |
| 16 | 2 | | | 58 60 02 | •Nut | •Mutter | | | | | |
| 17 | 10 | | | 31 31 02 | •Cable strap | •Buntband | | | | | |
| 18 | 1 | | | 34 32 64 | Recorder, kit | Skrivare, sats | | | | | |
| 19 | 1 | | | 34 32 57 | •Terminal block | •Kopplingsplint | | | | | |
| 20 | 1 | | | 34 32 62 | •Recorder | •Skrivare | | | | | |
| 21 | 1 | | | 92 15 28 | ••Paper roll | ••Pappersrulle | | | | | |

1) CA25, all models
CA25, alla typer

4) Welded
Svetsad



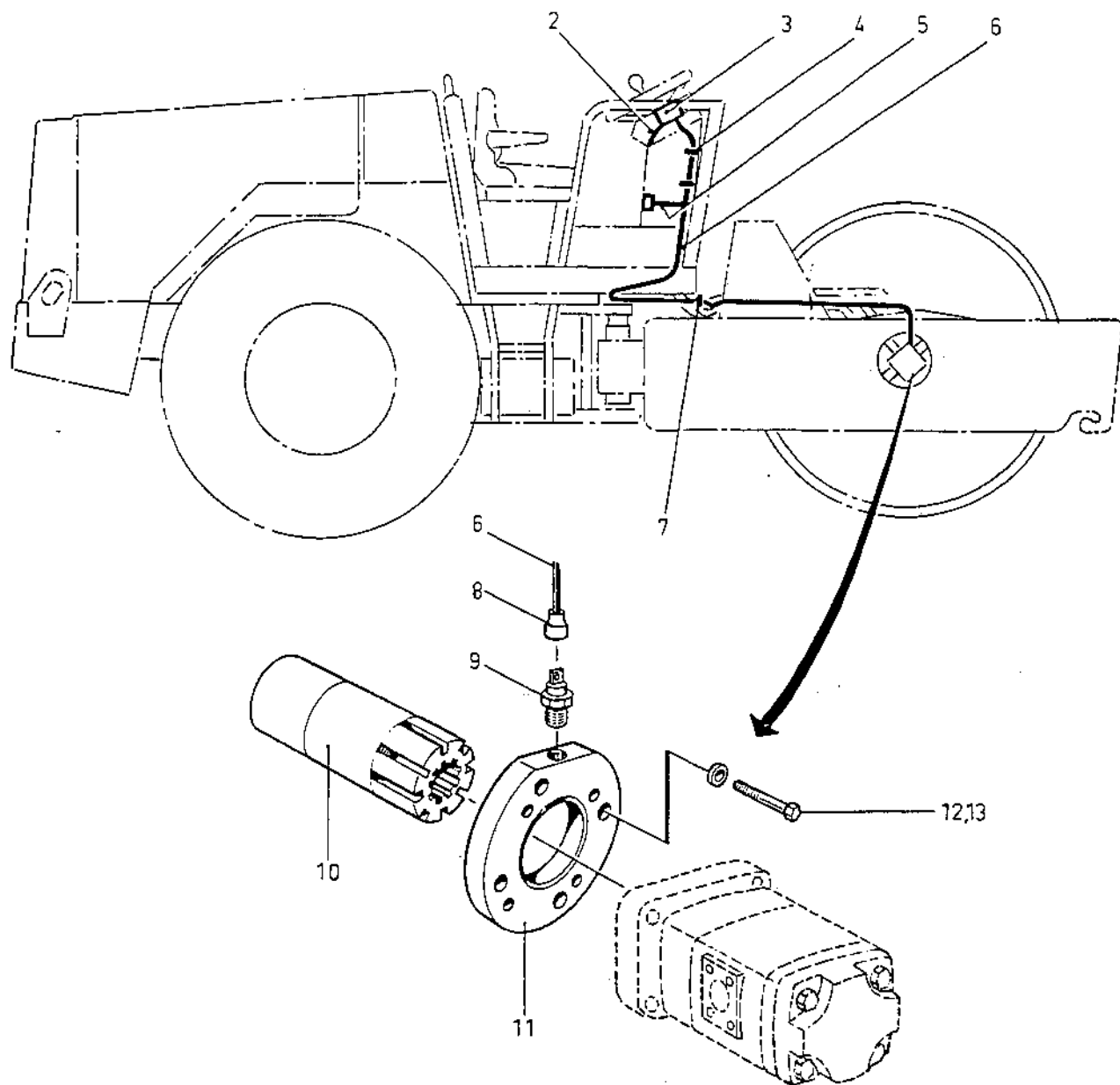
34 57 78

CA 25 II-13822 -1

| Page Sida | | Group Grupp | | Picture No Bild nr | | Issue Utgåva | | FREQUENCY METER | | FREKVENSMÄTARE | |
|--------------|----------------|----------------|--|-----------------------|-----------------------------|--------------------------------|--------------------|-----------------|--|----------------|--|
| 6 | | 10 | | 13823-1 | | S-10200-2 | | | | | |
| Ref Pos | Quantity/Antal | | | Part No Art nr | Description | Benämning | Note Anmärkning | C, P K, L | | | |
| | CA | | | | | | | | | | |
| 1 | 1 | | | 34 57 91 | Frequency meter, mount. kit | Frekvensmätare, mont. ... sats | | | | | |
| 2 | 1 | | | 34 57 87 | •Ground cable | •Jordkabel | | | | | |
| 3 | 1 | | | 80 16 66 | •Tachometer | •Varvårknare | | | | | |
| 4 | 10 | | | 31 30 41 | •Cable strap | •Buntband | | | | | |
| 5 | 1 | | | 34 57 88 | •Cable | •Kabel | | | | | |
| 6 | 1 | | | 34 57 86 | •Cable | •Kabel | | | | | |
| 7 | 10 | | | 31 31 02 | •Cable strap | •Buntband | | | | | |
| 8 | 1 | | | 80 16 68 | •Rubber protection | •Gummiskydd | | | | | |
| 9 | 1 | | | 80 17 05 | •Sensor | •Givare | | | | | |
| 10 | 1 | | | 34 59 97 | •Splined sleeve | •Splineshylsa | | | | | |
| 11 | 1 | | | 34 59 96 | •Motor adapter | •Motorfäste | | | | | |
| 12 | 4 | | | 50 01 96 | •Screw | •Skruv | | | | | |
| 13 | 4 | | | 61 50 45 | •Conical spring washer ... | •Spännbricka | | | | | |

1) CA25, all models
CA25, alla typer

1

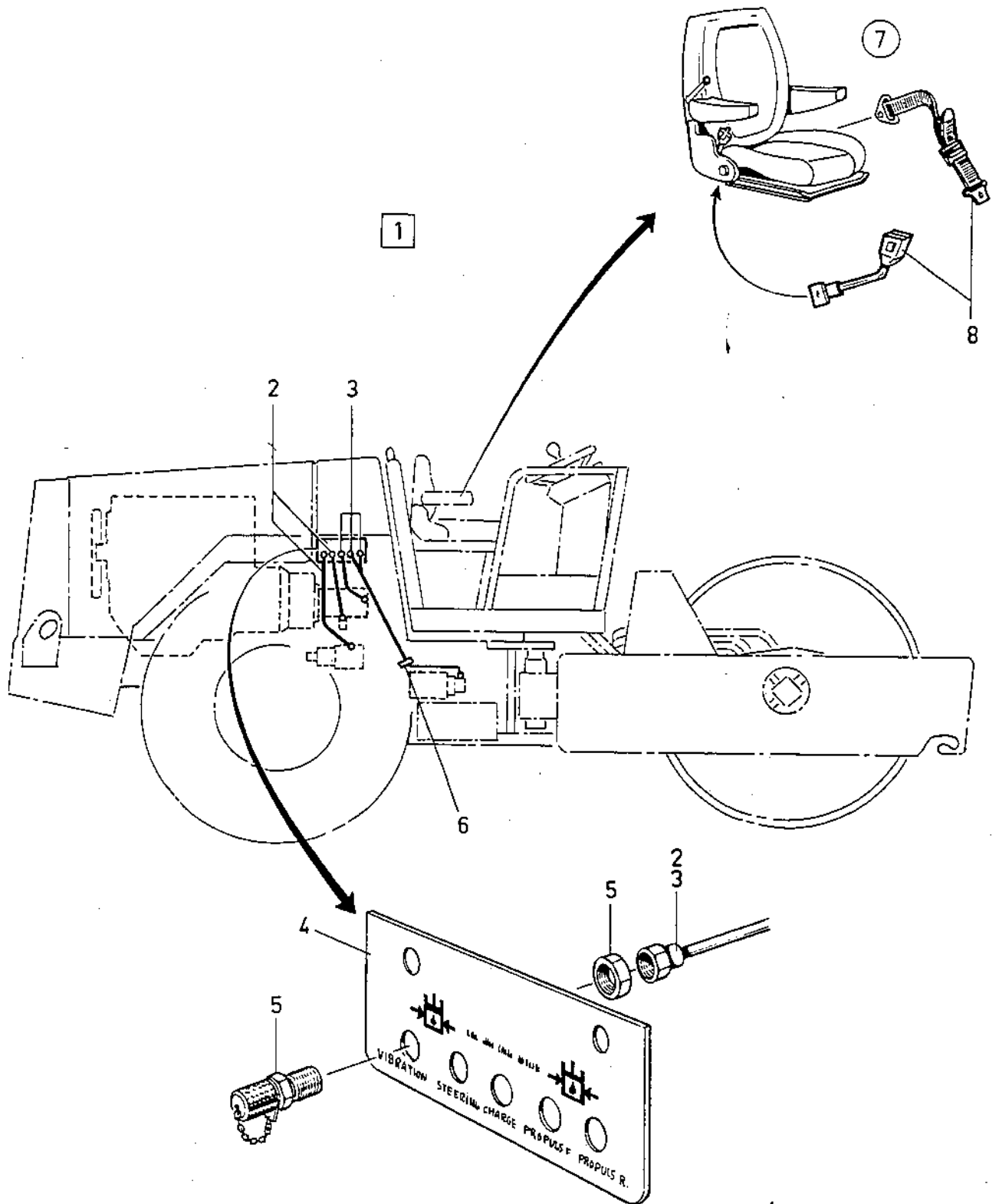


345867

CA 25 II-13823-1

| Page Sida | | Group Grupp | | Picture No Bild nr | | Issue Utgåva | | MEASURE PANEL AND SAFETY BELT | | MÄTPANEL OCH SÄKERHETSBÄLTE | |
|--------------|----------------|----------------|--|-----------------------|--|---|--------------------|----------------------------------|--|--------------------------------|--|
| 8 | | 10 | | 13824-1 | | S-10200-2 | | | | | |
| Ref Pos | Quantity/Antal | | | Part No Art nr | Description | Benämning | Note Anmärkning | C, P K, L | | | |
| | CA | | | | | | | | | | |
| 1 | 1 | | | 34 57 90 | Measure panel for hydr. ... press. mount, kit | Mätpanel för hydr. tryck, mont. sats | | | | | |
| 2 | 2 | | | 92 27 90 | •Measure hose | •Mät slang | | | | | |
| 3 | 3 | | | 92 27 89 | •Measure hose | •Mät slang | | | | | |
| 4 | 1 | | | 34 57 81 | •Measure panel | •Mätpanel | | | | | |
| 5 | 5 | | | 34 60 22 | •Measuring nipple | •Mät nippel | | | | | |
| 6 | 10 | | | 31 30 41 | •Cable strap | •Buntband | | | | | |
| 7 | 1 | | | 34 59 73 | Safety belt, mount. kit | Säkerhetsbälte, mont. sats | | | | | |
| 8 | 1 | | | 34 59 72 | •Safety belt | •Säkerhetsbälte | | | | | |

1) CA25, all models
CA25, alla typer

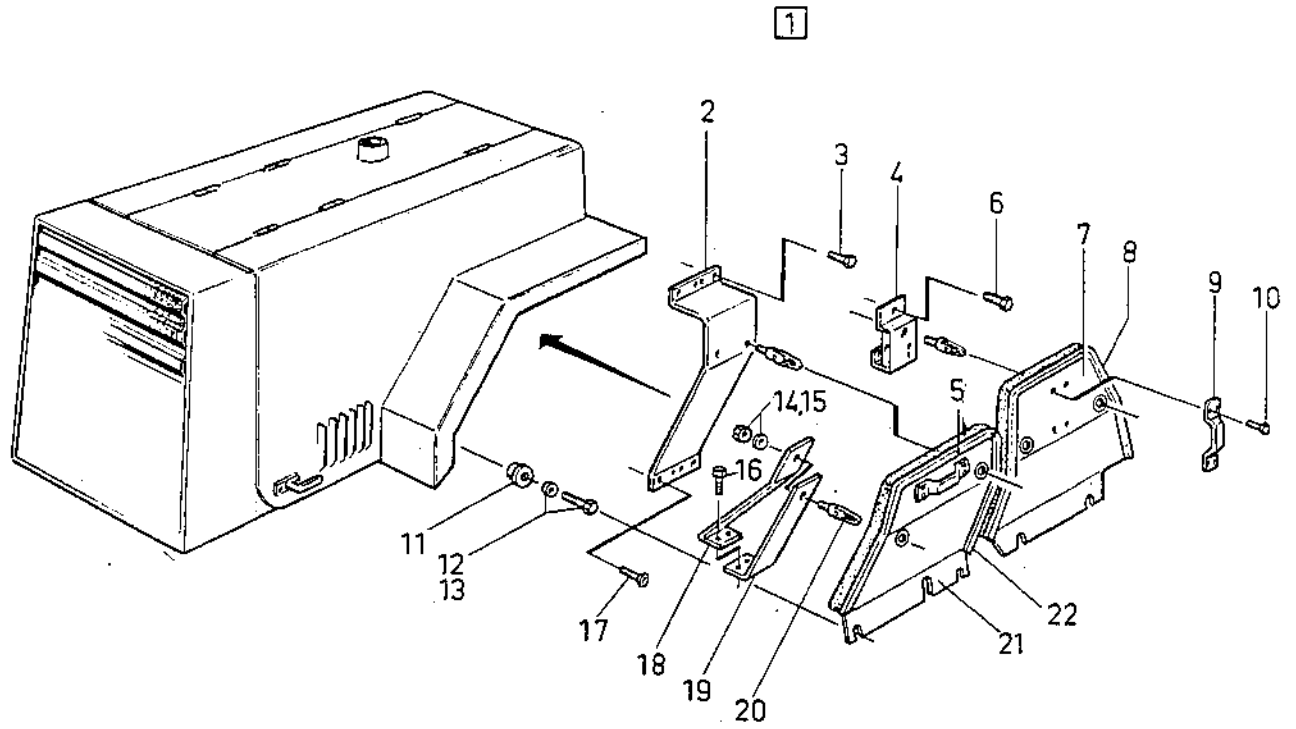


34 57 80
34 59 71

CA25 II-13824-1

| Page Sida | Group Grupp | Picture No Bild nr | Issue Utgåva | SIDE COVERS WITH NOISE SUPPRESSION | SIDOLUCKOR MED LJUDISOLERING | |
|--------------|----------------|-----------------------|------------------------------|---------------------------------------|---------------------------------|--------------|
| 10 | 10 | 13825-2 | S-10200-2 | | | |
| Ref Pos | Quantity/Antal | Part No Art nr | Description | Benämning | Note Anmärkning | C, P K, L |
| | CA 1)25 | | | | | |
| 1 | 1 | 34 59 66 | Side covers, mount. kit | Sidoluckor, mont. sats | | |
| 2 | 2 | 34 55 13 | •Support plate | •Stödplåt | | |
| 3 | 4 | 54 17 05 | •Screw | •Skruv | | |
| 4 | 1 | 34 59 75 | •Bracket | •Fäste | | |
| 5 | 2×L | 20 20 28 | •List | •List | L = 1085 mm | |
| 6 | 2 | 54 17 08 | •Screw | •Skruv | | |
| 7 | 1 | 34 59 61 | •Cover, right | •Lucka, höger | } Not shown | |
| | 1 | 34 59 62 | •Cover, left | •Lucka, vänster | | |
| 8 | 2×L | 20 20 28 | •List | •List | L = 1535 mm | |
| 9 | 4 | 35 30 96 | •Handle | •Handtag | | |
| 10 | 16 | 62 40 21 | •Pop rivet | •Popnit | | |
| 11 | 8 | 34 55 16 | •Plate holder | •Plåthållare | | |
| 12 | 8 | 50 00 51 | •Screw | •Skruv | | |
| 13 | 8 | 61 50 44 | •Conical spring washer ... | •Spännbricka | | |
| 14 | 8 | 57 00 07 | •Nut | •Mutter | | |
| 15 | 8 | 60 00 09 | •Washer | •Bricka | | |
| 16 | 4 | 50 00 28 | •Screw | •Skruv | | |
| 17 | 4 | 54 17 06 | •Screw | •Skruv | | |
| 18 | 2 | 34 55 18 | •Stiffening | •Förstyvning | | |
| 19 | 2 | 34 55 19 | •Support | •Stöd | | |
| 20 | 8 | 47 50 64 | •Latch | •Låsspärr | | |
| 21 | 1 | 34 59 59 | •Side plate, right | •Sidoplåt, höger | Not shown | |
| | 1 | 34 59 60 | •Side plate, left | •Sidoplåt, vänster | | |
| 22 | 2×L | 20 20 28 | •List | •List | L = 480 mm | |

1) CA25, all models
CA25, alla typer

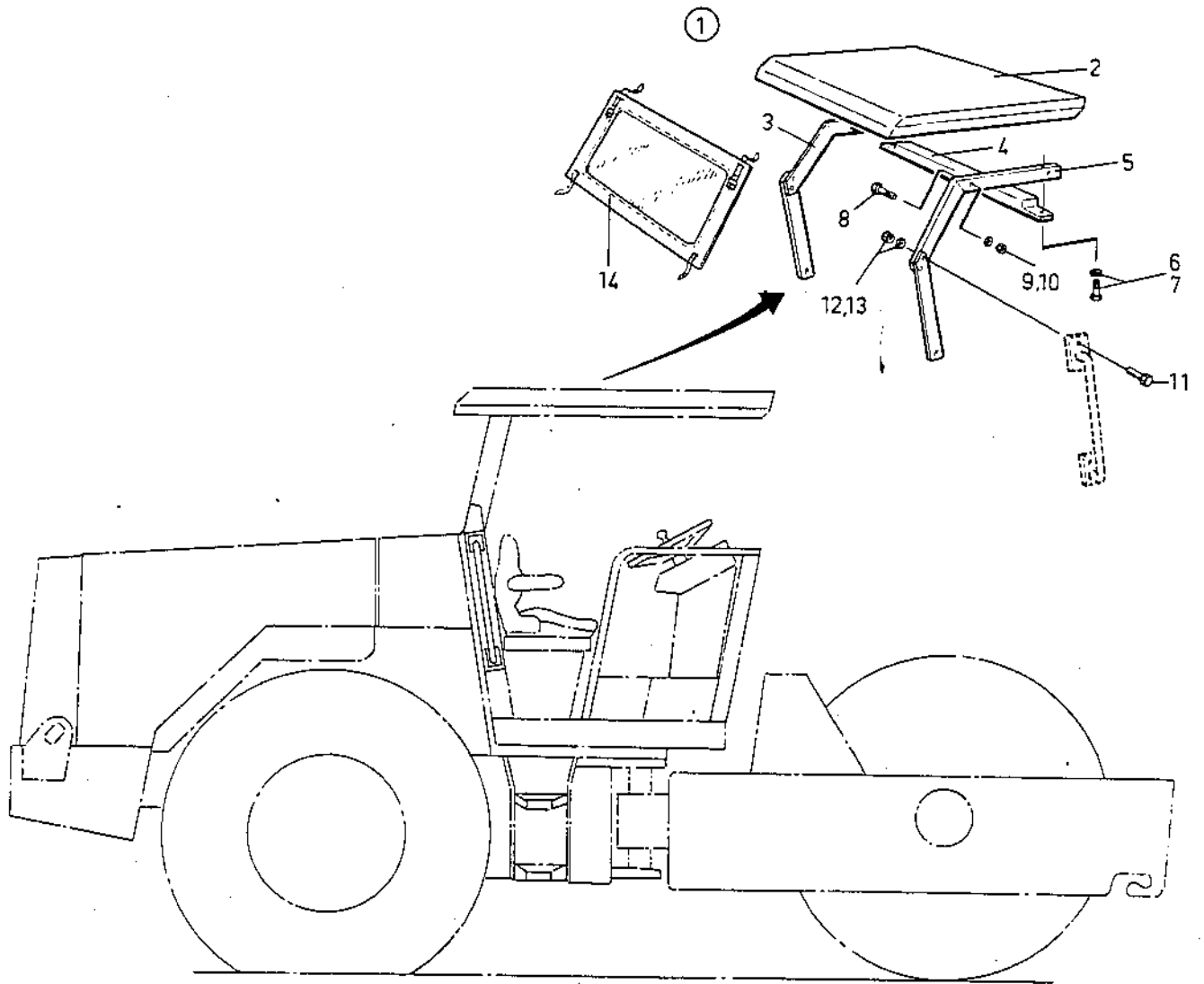


34 5510

CA25 II-13825-2

| Page Sida | | Group Grupp | | Picture No Bild nr | | Issue Utgåva | | CANOPY SOL- OCH REGNSKYDD | |
|--------------|----------------------|-------------------|----------------------------|-------------------------|--------------------|-----------------|--|------------------------------|--|
| 12 | | 10 | | 13950-1 | | S-10200-2 | | | |
| Ref Pos | Quantity/Antal CA | Part No Art nr | Description | Benämning | Note Anmärkning | C, P K, L | | | |
| | 1)25 | | | | | | | | |
| 1 | 1 | 34 60 24 | Canopy, kit | Sol-och regnskydd, sats | | | | | |
| 2 | 1 | 34 60 26 | •Roof | •Tak | | | | | |
| 3 | 1 | 34 60 38 | •Leg. left | •Ben. vänster | | | | | |
| 4 | 1 | 34 60 40 | •Reinforcement | •Förstärkning | | | | | |
| 5 | 1 | 34 60 33 | •Leg. right | •Ben. höger | | | | | |
| 6 | 2 | 50 01 88 | •Screw | •Skruv | | | | | |
| 7 | 2 | 61 50 43 | •Conical spring washer ... | •Spännbricka | | | | | |
| 8 | 4 | 50 01 92 | •Screw | •Skruv | | | | | |
| 9 | 4 | 61 50 44 | •Conical spring washer ... | •Spännbricka | | | | | |
| 10 | 4 | 58 60 18 | •Nut | •Mutter | | | | | |
| 11 | 4 | 50 01 97 | •Screw | •Skruv | | | | | |
| 12 | 4 | 61 50 45 | •Conical spring washer ... | •Spännbricka | | | | | |
| 13 | 4 | 58 60 19 | •Nut | •Mutter | | | | | |
| 14 | 1 | 34 60 23 | Canopy rear section | Bakstycke | | | | | |

1) CA25, all models
CA25, alla typer

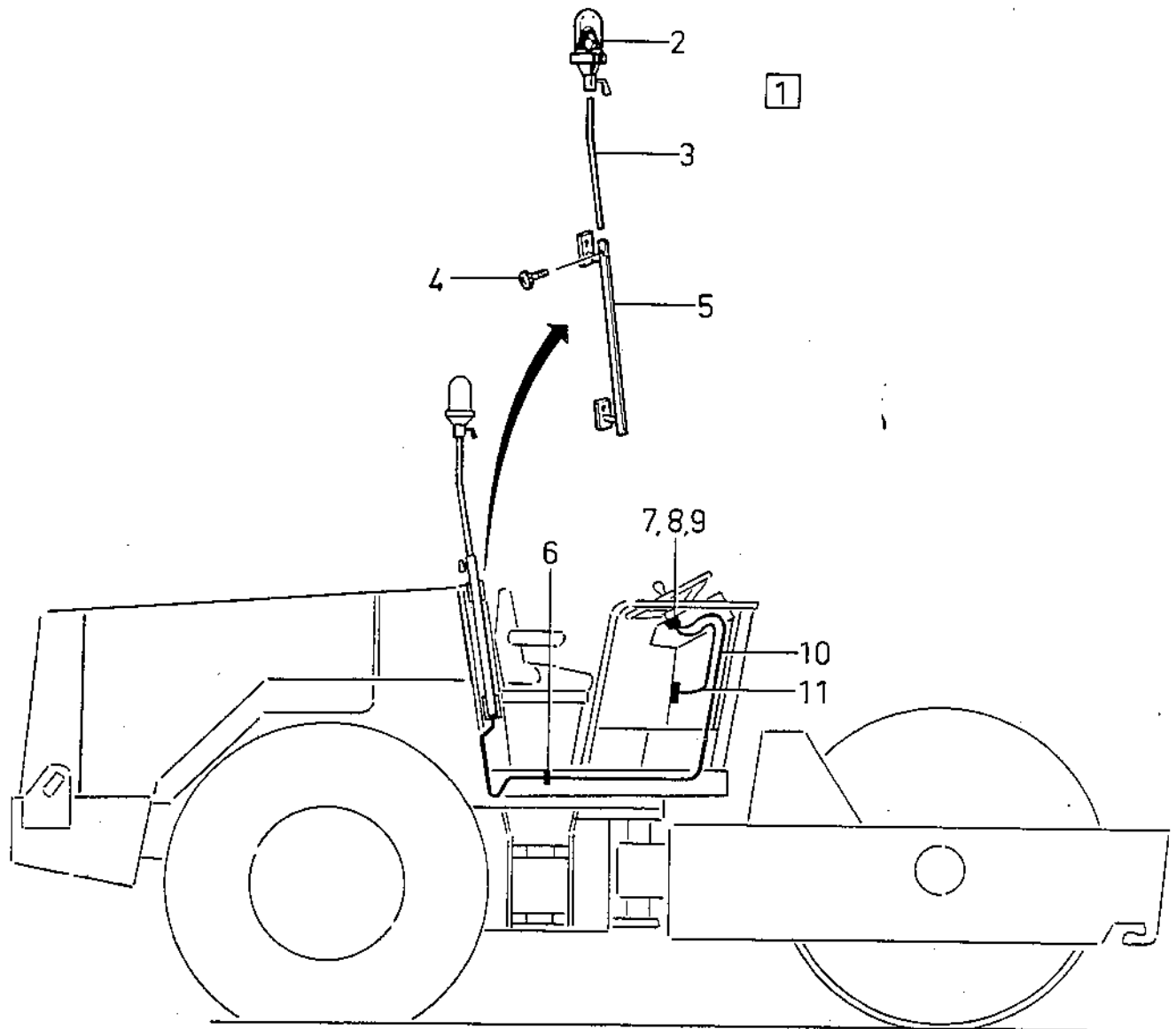


346025

CA 25 II -13950 -1

| Page Sida | | Group Grupp | Picture No Bild nr | Issue Utgåva | ROTATING WARNING LIGHT | ROTERADE VARNINGSLJUS |
|--------------|----------------|-------------------|-------------------------------|-------------------------------|---------------------------|--------------------------|
| 14 | | 10 | 13951-1 | S-10200-2 | | |
| Ref Pos | Quantity/Antal | Part No Art nr | Description | Benämning | Note Anmärkning | C, P K, L |
| | CA | | | | | |
| | 1)25 | | | | | |
| 1 | 1 | 34 57 93 | Rotating warn. light, kit ... | Rot. varningsljus, sats | | |
| 2 | 1 | 99 90 11 | •Rot. warning light | •Rot. varningsljus | | |
| 3 | 1 | 34 57 95 | •Pipe | •Rör | | |
| 4 | 2 | 49 91 62 | •Knob | •Stjärnvred | | |
| 5 | 1 | 34 57 94 | •Holder | •Hållare | | |
| 6 | 15 | 31 30 41 | •Cable tie | •Buntband | | |
| 7 | 1 | 93 01 66 | •Switch | •Strömställare | | |
| 8 | 1 | 93 01 65 | •Contact piece | •Kontaktblock | | |
| 9 | 1 | 98 50 12 | •Bulb | •Glödlampa | | |
| 10 | 1 | 34 57 98 | •Cable | •Kabel | | |
| 11 | 1 | 34 57 99 | •Cable | •Kabel | | |

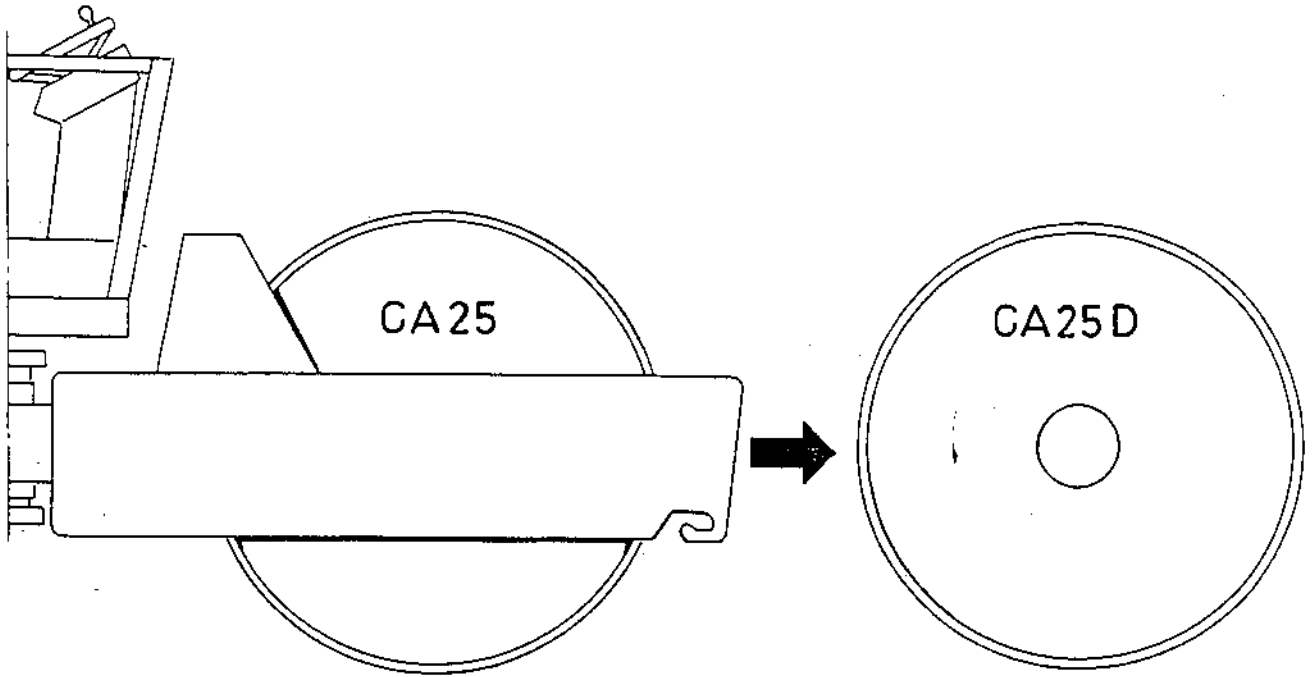
1) CA25, all models
CA25, alla typer



345779

CA25Π-13951-1

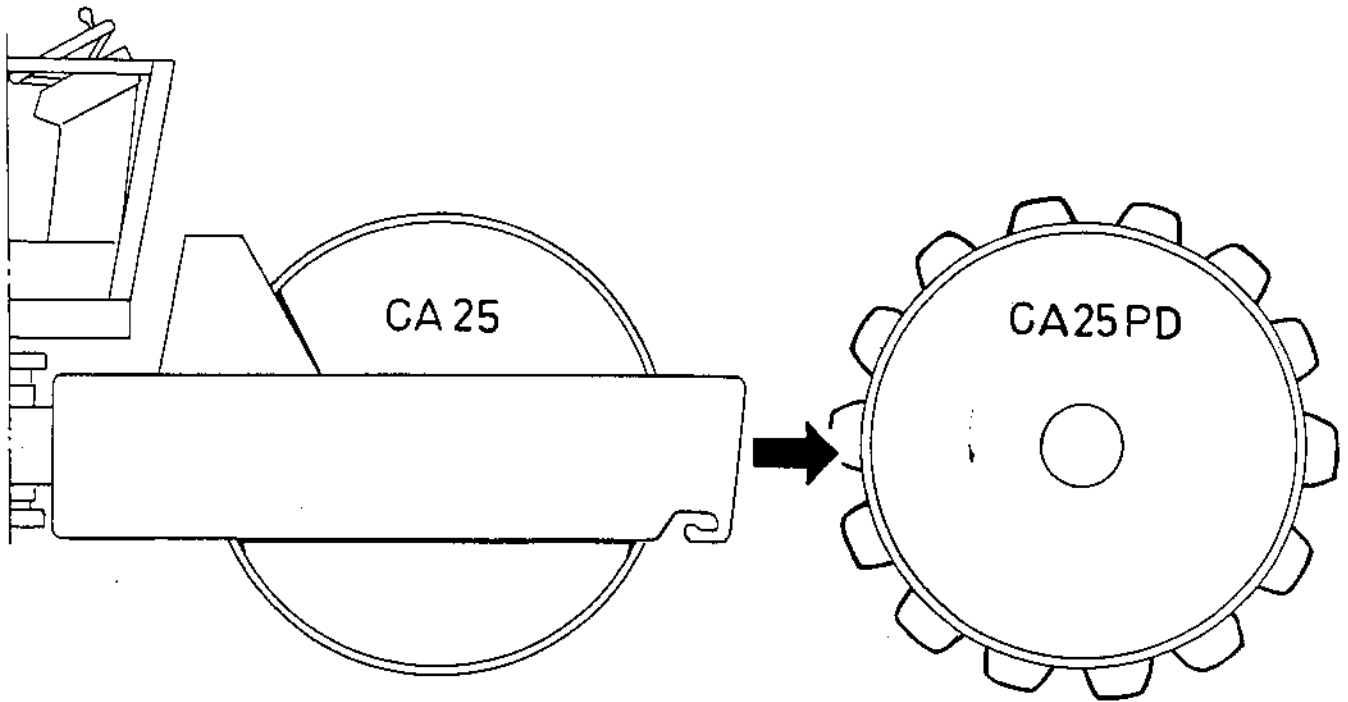
| Page Sida | | Group Grupp | Picture No Bild nr | Issue Utgåva | DRUM CONVERSION KIT CA25 to CA25D | OMBYGGNADSSATS CA25 till CA25D | | |
|-----------|----------------|-------------|--------------------|---|--------------------------------------|-----------------------------------|--------------|--|
| 16 | | 10 | 13952-1 | S-10200-2 | | | | |
| Ref Pos | Quantity/Antal | | Part No Art nr | Description | Benämning | Note Anmärkning | C, P K, L | |
| | CA | | | | | | | |
| 1 | 1 | | 34 34 85 | Drum conversion kit, CA25-CA25D | Ombyggnadssats, CA25-CA25D | | | |
| 2 | 1 | | 34 34 78 | •Drum w. drive unit, cpl. | •Vals m. drivenhet, kpl. ... | See group 2 | | |
| 3 | 1 | | 34 07 83 | •Cover | •Motorskydd | See group 2 | | |
| 4 | 1 | | 80 11 57 | •Variable displ. pump, drum drive | •Hydraulpump, valsdrivn. | See group 5 | | |
| 5 | 1 | | 80 11 44 | •Hydr. motor, drum drive | •Hydr. motor, valsdrivn. ... | See group 5 | | |
| 6 | 2 | | 33 56 69 | •Flange | •Kopplingsfläns | See group 5 | | |
| 7 | 2 | | 81 34 99 | •Elbow 90° | •Rörkrök 90° | See group 5 | | |
| 8 | 1 | | 33 42 05 | •Adapter | •Adapter | See group 5 | | |
| 9 | 1 | | 33 45 58 | •Elbow 90° | •Rörkrök 90° | See group 5 | | |
| 10 | 1 | | 48 21 05 | •Hydraulic hose | •Hydraulslang | See group 5 | | |
| 11 | 1 | | 48 21 06 | •Hydraulic hose | •Hydraulslang | See group 5 | | |
| 12 | 1 | | 48 21 07 | •Hydraulic hose | •Hydraulslang | See group 5 | | |
| 13 | 4 | | 23 20 97 | •Flange half | •Flänshalva | See group 5 | | |
| 14 | 4 | | 81 34 29 | •O-ring | •O-ring | See group 5 | | |
| 15 | 1 | | 16 01 57 | •O-ring | •O-ring | See group 5 | | |
| 16 | 1 | | 34 55 89 | •Hose guard | •Slangskydd | See group 5 | | |
| 17 | 4 | | 33 56 75 | •Hose holder | •Slanghållare | See group 5 | | |
| 18 | 2 | | 33 56 32 | •Plate | •Platta | See group 5 | | |
| 19 | 8 | | 50 01 92 | •Screw | •Skruv | See group 5 | | |
| 20 | 4 | | 50 20 59 | •Screw | •Skruv | See group 5 | | |
| 21 | 8 | | 50 20 43 | •Screw | •Skruv | See group 5 | | |
| 22 | 4 | | 50 02 28 | •Screw | •Skruv | See group 2 | | |
| 23 | 8 | | 57 00 06 | •Nut | •Mutter | See group 5 | | |
| 24 | 4 | | 58 60 22 | •Nut | •Mutter | See group 2 | | |
| 25 | 4 | | 60 00 13 | •Washer | •Bricka | See group 2 | | |
| 26 | 8 | | 60 00 08 | •Washer | •Bricka | See group 5 | | |
| 27 | 24 | | 61 50 44 | •Conical spring washer ... | •Spännbricka | See group 5 | | |



343485

CA 25II -13952 -1

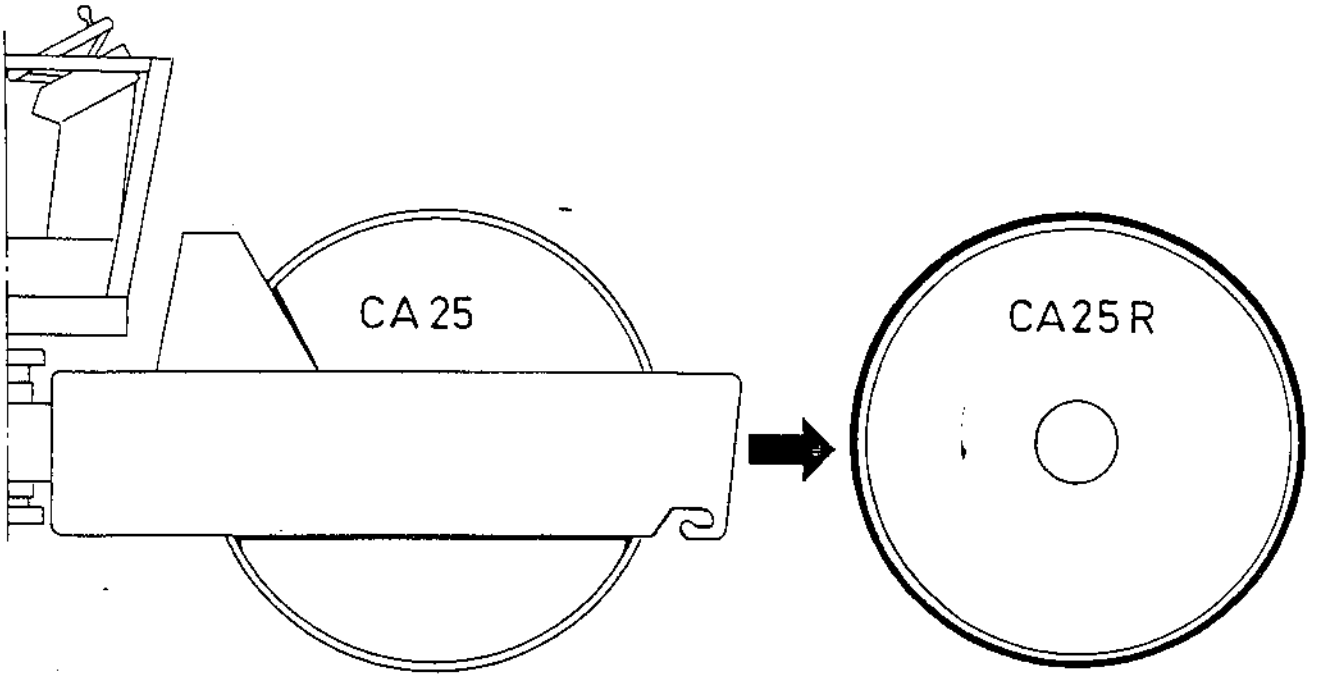
| Page Sida | | Group Grupp | | Picture No Bild nr | | Issue Utgåva | | DRUM CONVERSION KIT CA25 to CA25PD | | OMBYGGNADSSATS CA25 till CA25PD | |
|-----------|----------------|-------------|----------------|---|--------------------------------------|-----------------|-----------|------------------------------------|--|---------------------------------|--|
| 18 | | 10 | | 13953-1 | | S-10200-2 | | | | | |
| Ref Pos | Quantity/Antal | | Part No Art nr | Description | Benämning | Note Anmärkning | C, P K, L | | | | |
| | CA | 25 | | | | | | | | | |
| 1 | 1 | | 34 34 86 | Drum conversion kit, CA25-CA25PD | Ombyggnadssats, CA25-CA25PD | | | | | | |
| 2 | 1 | | 34 34 78 | •Drum w. drive unit, cpl ... | •Vals m. drivenhet, kpl. ... | See group 2 | | | | | |
| 3 | 1 | | 34 07 83 | •Cover | •Motorskydd | See group 2 | | | | | |
| 4 | 1 | | 80 11 57 | •Variable displ. pump, drum drive | •Hydraulpump, valsdrivn. | See group 5 | | | | | |
| 5 | 1 | | 80 11 44 | •Hydr. motor, drum drive | •Hydr. motor, valsdrivn. ... | See group 5 | | | | | |
| 6 | 2 | | 33 56 69 | •Flange | •Kopplingsfläns | See group 5 | | | | | |
| 7 | 2 | | 81 34 99 | •Elbow 90° | •Rörkrök 90° | See group 5 | | | | | |
| 8 | 1 | | 33 42 05 | | Adapter | See group 5 | | | | | |
| 9 | 1 | | 33 45 58 | •Elbow 90° | •Rörkrök 90° | See group 5 | | | | | |
| 10 | 1 | | 48 21 05 | •Hydraulic hose | •Hydraulslang | See group 5 | | | | | |
| 11 | 1 | | 48 21 06 | •Hydraulic hose | •Hydraulslang | See group 5 | | | | | |
| 12 | 1 | | 48 21 07 | •Hydraulic hose | •Hydraulslang | See group 5 | | | | | |
| 13 | 4 | | 23 20 97 | •Flange half | •Flänshalva | See group 5 | | | | | |
| 14 | 4 | | 81 34 29 | •O-ring | •O-ring | See group 5 | | | | | |
| 15 | 1 | | 16 01 57 | •O-ring | •O-ring | See group 5 | | | | | |
| 16 | 1 | | 34 55 89 | •Hose guard | •Slangskydd | See group 5 | | | | | |
| 17 | 4 | | 33 56 75 | •Hose holder | •Slanghållare | See group 5 | | | | | |
| 18 | 2 | | 33 56 32 | •Plate | •Platta | See group 5 | | | | | |
| 19 | 8 | | 50 01 92 | •Screw | •Skruv | See group 5 | | | | | |
| 20 | 4 | | 50 20 59 | •Screw | •Skruv | See group 5 | | | | | |
| 21 | 8 | | 50 20 43 | •Screw | •Skruv | See group 5 | | | | | |
| 22 | 4 | | 50 02 28 | •Screw | •Skruv | See group 2 | | | | | |
| 23 | 8 | | 57 00 06 | •Nut | •Mutter | See group 5 | | | | | |
| 24 | 4 | | 58 60 22 | •Nut | •Mutter | See group 2 | | | | | |
| 25 | 4 | | 60 00 13 | •Washer | •Bricka | See group 2 | | | | | |
| 26 | 8 | | 60 00 08 | •Washer | •Bricka | See group 5 | | | | | |
| 27 | 24 | | 61 50 44 | •Conical spring washer ... | •Spännbricka | See group 5 | | | | | |
| 28 | 1 | | 34 58 77 | •Padfoot scraper, cpl. | •Skrapa för pads, kpl. | See group 1 | | | | | |
| 29 | 4 | | 34 58 91 | •Shim, 3mm | •Mellanlägg, 3mm | See group 1 | | | | | |



343486

CA25 II - 13953 - 1

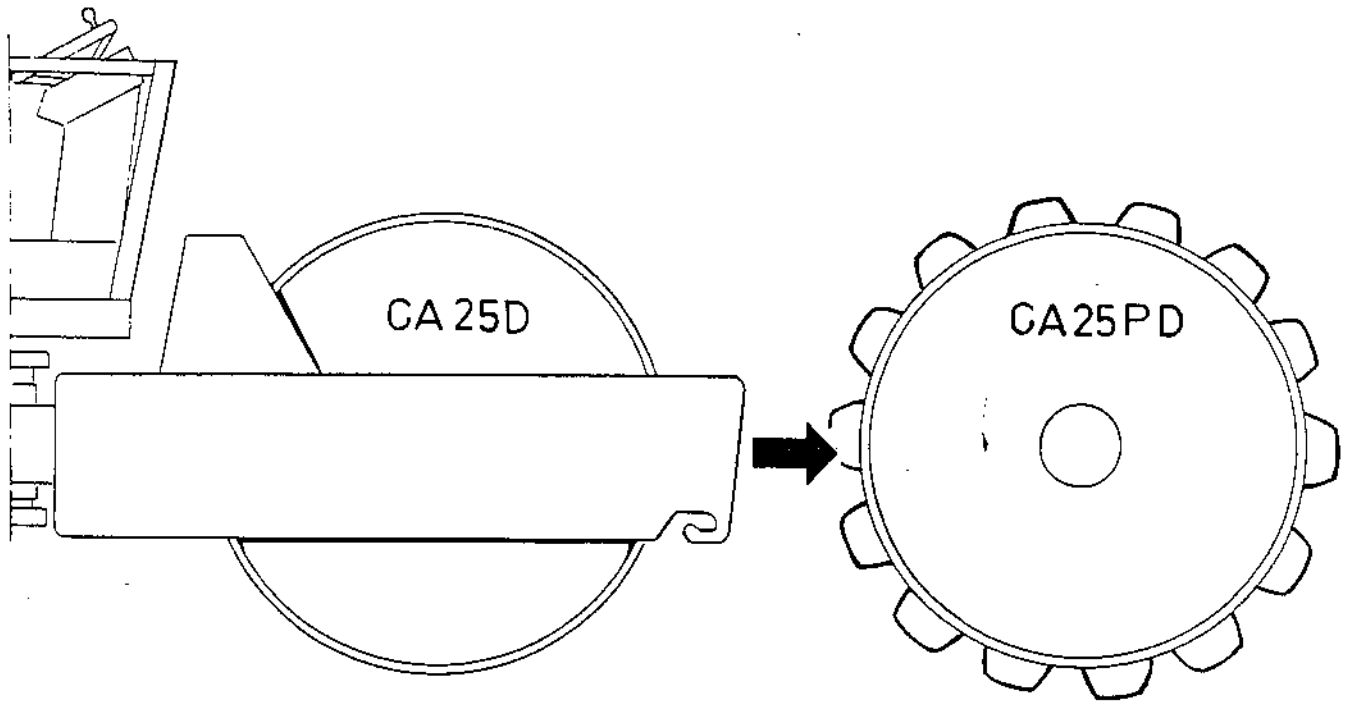
| Page Sida | | Group Grupp | Picture No Bild nr | Issue Utgåva | DRUM CONVERSION KIT CA25 to CA25R | OMBYGGNADSSATS CA25 till CA25R | | |
|--------------|----------------|----------------|-----------------------|--|--------------------------------------|-----------------------------------|--------------|--|
| Ref Pos | Quantity/Antal | | Part No Art nr | Description | Benämning | Note Anmärkning | C, P K, L | |
| | CA | | | | | | | |
| | 25 | | | | | | | |
| 1 | 1 | | 34 36 30 | Drum conversion kit, CA25-CA25R | Ombyggnadssats, CA25-CA25R | | | |
| 2 | 1 | | 34 34 53 | •Drum, cp6. | •Vals, kpl. | See group 2 | | |
| 3 | 2 | | 34 59 69 | •Wheel, cpl. | •Hjul, kpl. | See group 4 | | |



343630

CA 25 R - 13954 - 1

| Page Sida | | Group Grupp | Picture No Bild nr | Issue Utgåva | DRUM CONVERSION KIT CA25D to CA25PD | OMBYGGNADSSATS CA25D till CA25PD |
|-----------|----------------|----------------|--|---------------------------------------|--|-------------------------------------|
| 22 | | 10 | 13955-1 | S-10200-2 | | |
| Ref Pos | Quantity/Antal | Part No Art nr | Description | Benämning | Note Anmärkning | C, P K, L |
| | CA | | | | | |
| | 25 | | | | | |
| | D | | | | | |
| 1 | 1 | 34 34 88 | Drum conversion kit, CA25D-CA25PD | Ombyggnadssats, CA25D-CA25PD | | |
| 2 | 1 | 34 34 52 | •Padfoot drum, cpl. | •Padvals, kpl. | See group 2 | |
| 3 | 1 | 34 58 77 | •Padfoot scraper, cpl. | •Skrapa för pads, kpl. | See group 1 | |
| 4 | 4 | 34 58 91 | •Shim, 3mm | •Mellanlägg, 3mm | See group 1 | |



343488

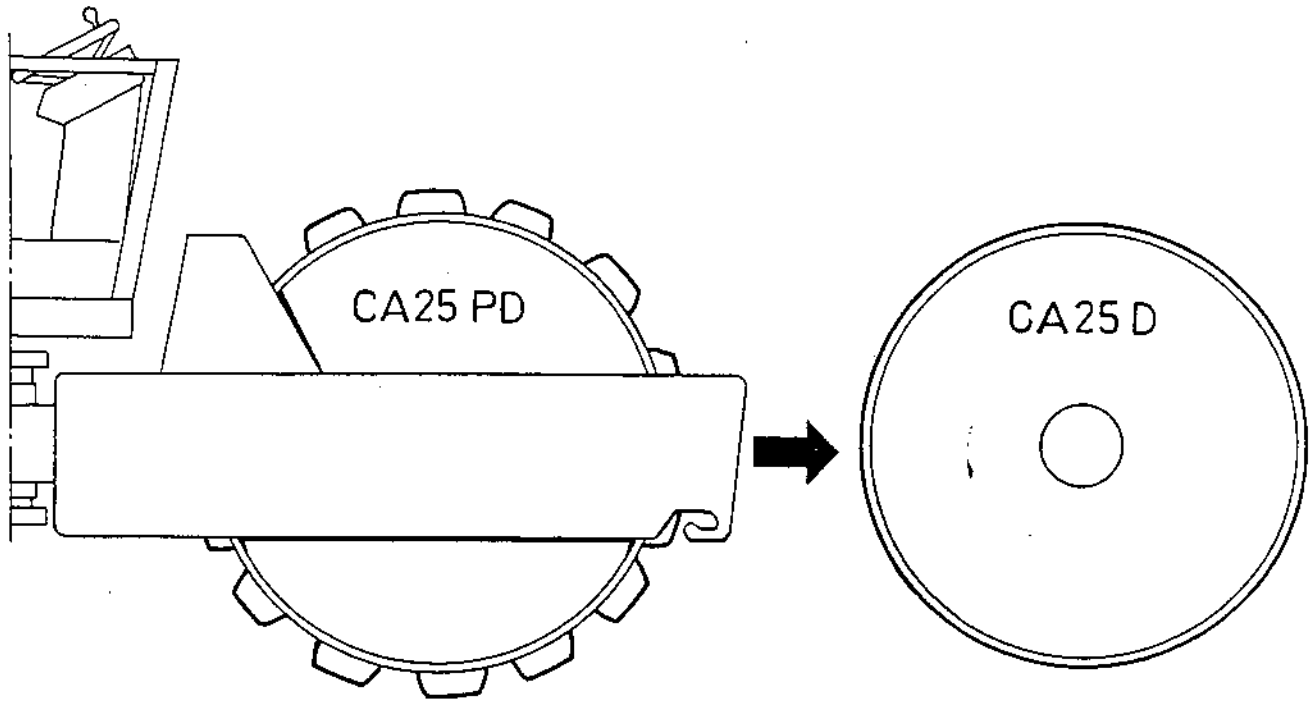
CA 25Π - 13955-1

CA25PD

Spare Parts Catalogue • Reservdelskatalog



| Page Sida | | Group Grupp | | Picture No Bild nr | | Issue Utgåva | | DRUM CONVERSION KIT CA25PD to CA25D | | OMBYGGNADSSATS CA25PD till CA25D | |
|--------------|----------------|----------------|----|-----------------------|--|---------------------------------------|--------------------|--|--|-------------------------------------|--|
| 24 | | 10 | | 13956-1 | | S-10200-2 | | | | | |
| Ref Pos | Quantity/Antal | | | Part No Art nr | Description | Benämning | Note Anmärkning | C, P K, L | | | |
| | CA | 25 | PD | | | | | | | | |
| 1 | 1 | | | 34 34 87 | Drum conversion kit, CA25PD-CA25D | Ombyggnadssats, CA25PD-CA25D | | | | | |
| 2 | 1 | | | 34 34 51 | •Drum, cpl. | •Vals, kpl. | See group 2 | | | | |
| 3 | 1 | | | 34 58 63 | •Scraper | •Skrapa | See group 1 | | | | |



343487

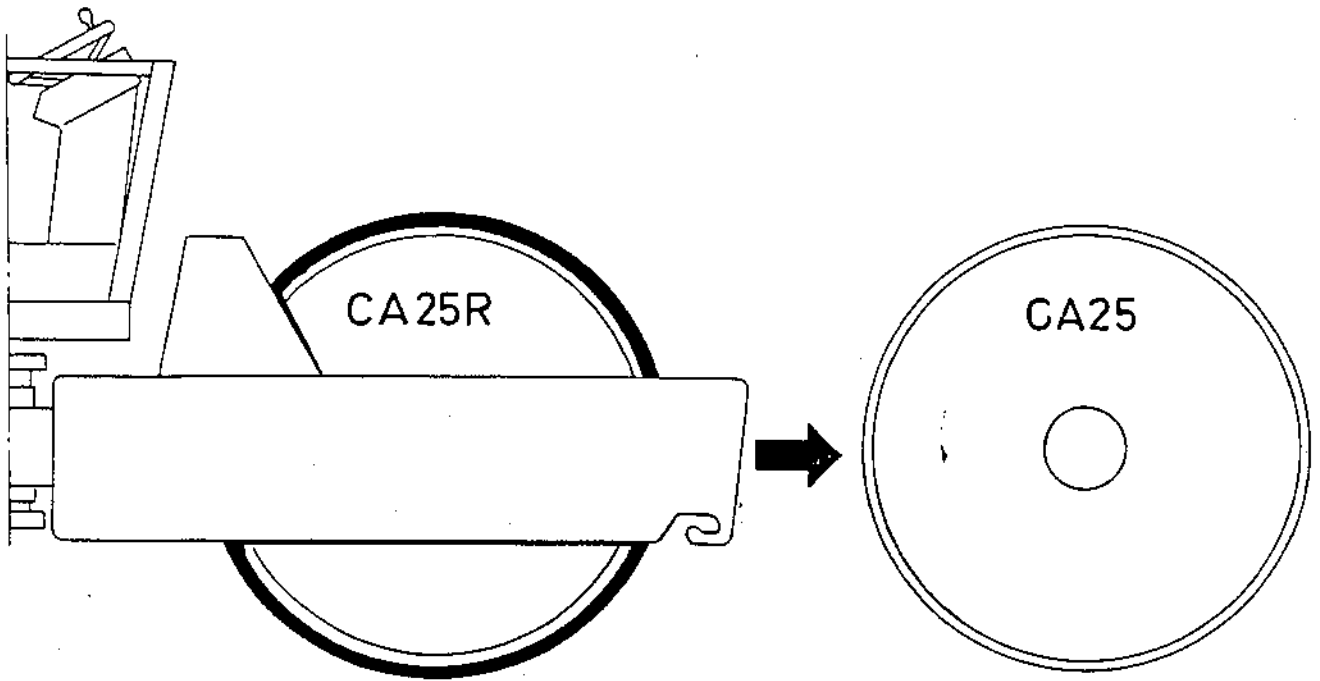
CA25 II -13956-1

CA25R

Spare Parts Catalogue • Reservdelskatalog



| Page Sida | | Group Grupp | | Picture No Bild nr | | Issue Utgåva | | DRUM CONVERSION KIT CA25R to CA25 | | OMBYGGNADSSATS CA25R till CA25 | | |
|--------------|---|----------------|--|-----------------------|--|-------------------------------------|--|--------------------------------------|-------------|-----------------------------------|--|--------------|
| Ref Pos | | Quantity/Antal | | Part No Art nr | | Description | | Benämning | | Note Anmärkning | | C, P K, L |
| | | CA | | | | | | | | | | |
| | | 25 | | | | | | | | | | |
| | | R | | | | | | | | | | |
| 1 | 1 | | | 34 36 31 | Drum conversion kit, CA25R-CA25 | Ombyggnadssats, CA25R-CA25 | | | | | | |
| 2 | 1 | | | 34 34 50 | •Drum, cpl. | •Vals, kpl. | | | See group 2 | | | |
| 3 | 2 | | | 34 56 83 | •Wheel, cpl. | •Hjul, kpl. | | | See group 4 | | | |

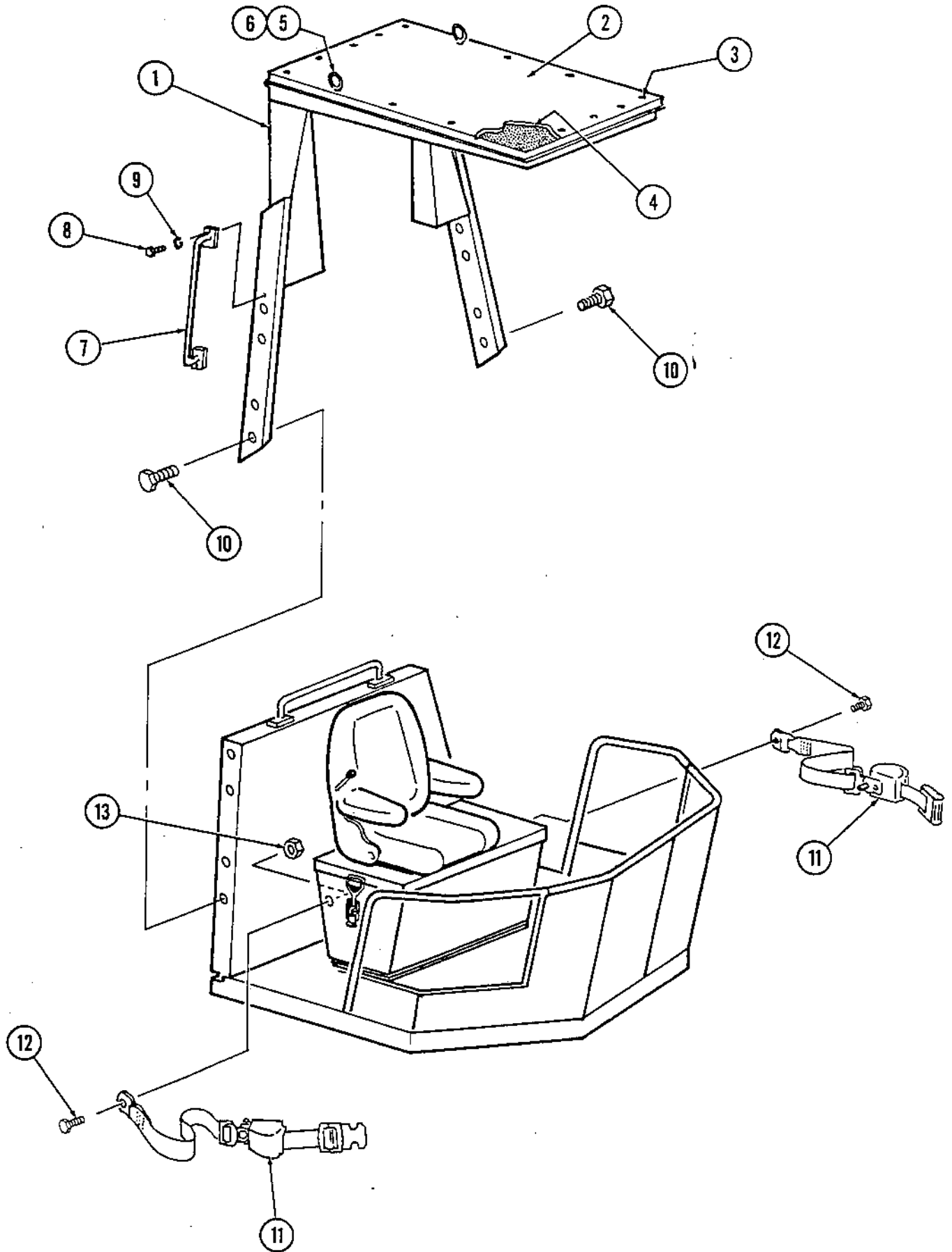


3436 31

CA 25 II-13957- 1



| Page | | Group | | Illustration Number | Catalog Number | Illustration | |
|----------|----------------|--------|--|---------------------|----------------|--------------------------|---------------|
| 28 | | 10 | | PA-25-2-PL01 | PA-25-2-PL | R.O.P.S. & Seat Belt | |
| Ref. No. | Quantity/Model | | | | Part Number | Description | Serial Number |
| | CA | | | | | | |
| | 25 PD | 25 PDB | | | | | |
| 1 | 1 | 1 | | | 346323 | R.O.P.S. | |
| 2 | 1 | 1 | | | 346364 | Cover, Roof | |
| 3 | 14 | 14 | | | 541703 | Capscrew, HH | |
| 4 | 1 | 1 | | | 346365 | Absorbent | |
| 5 | 2 | 2 | | | 353047 | Bolt, Eye | |
| 6 | 2 | 2 | | | 603012 | Washer, Flat | |
| 7 | 2 | 2 | | | 345604 | Handle, Grab | |
| 8 | 4 | 4 | | | 500133 | Capscrew, HH | |
| 9 | 4 | 4 | | | 615045 | Lockwasher, Conical | |
| 10 | 8 | 8 | | | 923855 | Capscrew, HH | |
| 11 | 1 | 1 | | | 345972 | Assembly, Seat Belt | |
| 12 | 2 | 2 | | | 500048 | Capscrew, HH | |
| 13 | 2 | 2 | | | 570006 | Hex Nut | |





| Page | | | Issue | | | Numerical Index | | | | | | | | |
|----------|-------|------|------------|-------|------|-----------------|-------|------|-----------|-------|------|--|--|--|
| 2 | | | PA-25-2-PL | | | | | | | | | | | |
| Part No. | Group | Page | Part No. | Group | Page | Part No. | Group | Page | Part No. | Group | Page | | | |
| 100040 | 1 | 8 | 205025 | 10 | 2 | 234619 | 3 | 24A | 313041 | 10 | 4 | | | |
| 111063 | 3 | 32 | 205030 | 3 | 12 | 234620 | 5 | 32 | 313041 | 10 | 6 | | | |
| 111085 | 4 | 10 | 205038 | 3 | 12 | 234620 | 5 | 36 | 313041 | 10 | 8 | | | |
| 111086 | 4 | 10 | 205050 | 3 | 8 | 234800 | 5 | 50 | 313041 | 10 | 14 | | | |
| 111196 | 3 | 32 | 205069 | 3 | 22 | 234856 | 3 | 12A | 313044 | 3 | 12 | | | |
| 111208 | 4 | 10 | 205147 | 3 | 16 | 234909 | 5 | 38 | 313044 | 3 | 12A | | | |
| 111209 | 4 | 10 | 230195 | 3 | 22 | 234941 | 5 | 50 | 313051 | 3 | 10 | | | |
| 114036 | 2 | 2 | 230400 | 3 | 20 | 234957 | 5 | 38 | 313055 | 3 | 22 | | | |
| 114036 | 2 | 6 | 230400 | 3 | 22 | 244004 | 7 | 2 | 313065 | 3 | 30A | | | |
| 116041 | 2 | 2 | 230400 | 3 | 24 | 244026 | 9 | 2 | 313093 | 3 | 28 | | | |
| 116041 | 2 | 6 | 230400 | 3 | 24A | 244041 | 3 | 20 | 313094 | 3 | 28 | | | |
| 133041 | 4 | 10 | 230474 | 5 | 32 | 244059 | 5 | 50 | 313102 | 10 | 4 | | | |
| 150020 | 4 | 10 | 230474 | 5 | 36 | 272372 | 8 | 2 | 313102 | 10 | 6 | | | |
| 151035 | 4 | 10 | 230589 | 3 | 12 | 277992 | 9 | 2 | 313105 | 3 | 14 | | | |
| 160111 | 5 | 30 | 231194 | 5 | 30 | 285008 | 3 | 4 | 313105 | 3 | 16 | | | |
| 160111 | 5 | 34 | 231194 | 5 | 34 | 300242 | 7 | 10 | 313105 | 3 | 18 | | | |
| 160132 | 3 | 8A | 232047 | 3 | 32 | 300246 | 7 | 12 | 313105 | 3 | 18A | | | |
| 160132 | 3 | 32 | 232056 | 3 | 32 | 309100502 | 8 | 2 | 313146 | 5 | 30 | | | |
| 160157 | 5 | 8 | 232097 | 5 | 6 | 310008 | 1 | 8 | 313146 | 5 | 34 | | | |
| 160157 | 10 | 16 | 232097 | 5 | 8 | 310025 | 5 | 50 | 313147 | 7 | 8 | | | |
| 160157 | 10 | 18 | 232097 | 5 | 32 | 311016 | 9 | 2 | 330170 | 3 | 22 | | | |
| 160181 | 3 | 32 | 232097 | 5 | 36 | 312081 | 7 | 12 | 330171 | 3 | 22 | | | |
| 160186 | 5 | 30 | 232097 | 10 | 16 | 313002 | 3 | 12 | 330335 | 3 | 6 | | | |
| 160186 | 5 | 34 | 232097 | 10 | 18 | 313002 | 3 | 12A | 330383 | 3 | 2 | | | |
| 160264 | 3 | 32 | 232098 | 5 | 30 | 313004 | 5 | 50 | 330383 | 3 | 6 | | | |
| 160275 | 5 | 32 | 232098 | 5 | 34 | 313004 | 10 | 2 | 330383 | 3 | 8 | | | |
| 160275 | 5 | 36 | 232122 | 5 | 6 | 313010 | 3 | 10 | 330383 | 3 | 8A | | | |
| 160297 | 4 | 4 | 232122 | 5 | 8 | 313010 | 3 | 12 | 330474 | 5 | 32 | | | |
| 161093 | 3 | 32 | 232247 | 2 | 2 | 313010 | 3 | 12A | 330474 | 5 | 36 | | | |
| 162006 | 3 | 32 | 232247 | 2 | 6 | 313022 | 3 | 18 | 331057 | 3 | 32 | | | |
| 162015 | 5 | 50 | 233141 | 5 | 30 | 313033 | 3 | 18 | 331092 | 5 | 50 | | | |
| 162017 | 2 | 2 | 233141 | 5 | 34 | 313035 | 3 | 8 | 333548211 | 8 | 2 | | | |
| 162017 | 2 | 6 | 233142 | 5 | 50 | 313035 | 3 | 10 | 333548212 | 8 | 2 | | | |
| 162027 | 2 | 2 | 233304 | 5 | 6 | 313035 | 3 | 12 | 333560304 | 5 | 50 | | | |
| 162027 | 2 | 6 | 233304 | 5 | 8 | 313035 | 3 | 12A | 333560326 | 5 | 6 | | | |
| 162027 | 2 | 8 | 233305 | 5 | 50 | 313038 | 3 | 16 | 333560326 | 5 | 8 | | | |
| 167009 | 3 | 14 | 233312 | 5 | 38 | 313041 | 3 | 10 | 334041 | 3 | 22 | | | |
| 167009 | 3 | 16 | 233327 | 5 | 6 | 313041 | 3 | 20 | 334070 | 5 | 50 | | | |
| 167009 | 3 | 18A | 233327 | 5 | 8 | 313041 | 3 | 22 | 334135 | 5 | 50 | | | |
| 167010 | 3 | 18 | 234277 | 5 | 32 | 313041 | 3 | 24 | 334140 | 5 | 30 | | | |
| 167023 | 2 | 2 | 234277 | 5 | 36 | 313041 | 3 | 24A | 334140 | 5 | 34 | | | |
| 167023 | 2 | 6 | 234333 | 5 | 30 | 313041 | 6 | 2 | 334142 | 5 | 50 | | | |
| 167032 | 1 | 8 | 234333 | 5 | 34 | 313041 | 6 | 6 | 334143 | 5 | 30 | | | |
| 202028 | 7 | 4 | 234512 | 3 | 2 | 313041 | 6 | 8 | 334143 | 5 | 34 | | | |
| 202028 | 10 | 10 | 234512 | 3 | 6 | 313041 | 6 | 8A | 334157 | 3 | 12 | | | |
| 202057 | 1 | 4 | 234512 | 3 | 8 | 313041 | 6 | 10 | 334158 | 5 | 6 | | | |
| 202057 | 3 | 6 | 234512 | 3 | 8A | 313041 | 7 | 10 | 334158 | 5 | 8 | | | |
| 205002 | 3 | 10 | 234619 | 3 | 20 | 313041 | 7 | 14 | 334174 | 3 | 20 | | | |
| 205002 | 3 | 12 | 234619 | 3 | 24 | 313041 | 10 | 2 | 334174 | 3 | 22 | | | |

| Page | | | Issue | | | Numerical Index | | | | | |
|----------|-------|------|------------|-------|------|-----------------|-------|------|----------|-------|------|
| 3 | | | PA-25-2-PL | | | | | | | | |
| Part No. | Group | Page | Part No. | Group | Page | Part No. | Group | Page | Part No. | Group | Page |
| 334174 | 3 | 24 | 335585 | 7 | 14 | 340859 | 3 | 32 | 343450 | 10 | 26 |
| 334174 | 3 | 24A | 335593 | 7 | 8 | 340861 | 3 | 32 | 343451 | 2 | 6 |
| 334181 | 3 | 12A | 335632 | 5 | 8 | 340862 | 3 | 32 | 343451 | 10 | 24 |
| 334196 | 5 | 30 | 335632 | 5 | 30 | 340864 | 3 | 32 | 343452 | 2 | 6 |
| 334196 | 5 | 34 | 335632 | 5 | 34 | 340865 | 3 | 32 | 343452 | 10 | 22 |
| 334205 | 5 | 8 | 335632 | 10 | 16 | 340866 | 3 | 32 | 343453 | 2 | 2 |
| 334205 | 5 | 50 | 335632 | 10 | 18 | 341106 | 3 | 2 | 343453 | 10 | 20 |
| 334205 | 10 | 16 | 335661 | 2 | 6 | 341106 | 3 | 4 | 343458 | 2 | 2 |
| 334205 | 10 | 18 | 335669 | 5 | 8 | 341106 | 3 | 32 | 343458 | 2 | 6 |
| 334207 | 5 | 30 | 335669 | 10 | 16 | 342045 | 8 | 2 | 343460 | 2 | 2 |
| 334207 | 5 | 34 | 335669 | 10 | 18 | 342064 | 4 | 4 | 343460 | 2 | 8 |
| 334210 | 3 | 10 | 335675 | 5 | 8 | 342064 | 4 | 10 | 343461 | 2 | 2 |
| 334210 | 3 | 12 | 335675 | 10 | 16 | 342142 | 7 | 2 | 343462 | 2 | 2 |
| 334210 | 3 | 12A | 335675 | 10 | 18 | 342554 | 3 | 28 | 343462 | 2 | 6 |
| 334228 | 5 | 6 | 336672 | 4 | 6 | 342614 | 3 | 20 | 343463 | 2 | 2 |
| 334228 | 5 | 8 | 336742 | 2 | 2 | 342662 | 8 | 2 | 343464 | 2 | 8 |
| 334239 | 5 | 30 | 336742 | 2 | 6 | 342720 | 3 | 28 | 343465 | 2 | 8 |
| 334410 | 3 | 8A | 337042 | 1 | 8 | 342774 | 6 | 2 | 343468 | 2 | 2 |
| 334447 | 5 | 30 | 337045 | 1 | 8 | 342774 | 6 | 6 | 343468 | 2 | 8 |
| 334447 | 5 | 34 | 337202 | 3 | 10 | 342774 | 6 | 8 | 343469 | 2 | 2 |
| 334504 | 5 | 34 | 337203 | 3 | 10 | 342774 | 6 | 8A | 343469 | 2 | 6 |
| 334529 | 5 | 30 | 337460 | 7 | 8 | 342793 | 2 | 2 | 343470 | 2 | 8 |
| 334529 | 5 | 34 | 338304 | 5 | 32 | 342793 | 2 | 6 | 343472 | 2 | 8 |
| 334549 | 3 | 12A | 338304 | 5 | 36 | 342939 | 2 | 2 | 343473 | 2 | 2 |
| 334555 | 7 | 14 | 338489 | 7 | 14 | 342939 | 2 | 6 | 343473 | 2 | 6 |
| 334556 | 5 | 32 | 338571 | 7 | 10 | 342968 | 8 | 2 | 343474 | 2 | 6 |
| 334556 | 5 | 36 | 338574 | 7 | 10 | 343016 | 8 | 2 | 343475 | 2 | 2 |
| 334558 | 5 | 8 | 338594 | 5 | 32 | 343017 | 8 | 2 | 343475 | 2 | 6 |
| 334558 | 10 | 16 | 338594 | 5 | 36 | 343151 | 3 | 24 | 343477 | 2 | 2 |
| 334558 | 10 | 18 | 338681 | 6 | 6 | 343153 | 3 | 20 | 343478 | 2 | 6 |
| 334565 | 3 | 8 | 338712 | 3 | 28 | 343159 | 1 | 8 | 343478 | 10 | 16 |
| 334603 | 3 | 10 | 338713 | 3 | 28 | 343254 | 10 | 4 | 343478 | 10 | 18 |
| 334604 | 5 | 6 | 338715 | 3 | 28 | 343255 | 10 | 4 | 343479 | 2 | 6 |
| 334604 | 5 | 8 | 338716 | 3 | 28 | 343256 | 10 | 4 | 343484 | 2 | 2 |
| 335461 | 4 | 2 | 338721 | 3 | 22 | 343257 | 10 | 4 | 343484 | 2 | 8 |
| 335463 | 4 | 2 | 338732 | 3 | 16 | 343262 | 10 | 4 | 343485 | 10 | 16 |
| 335464 | 4 | 4 | 338835 | 7 | 12 | 343263 | 10 | 4 | 343486 | 10 | 18 |
| 335464 | 4 | 16 | 340210 | 1 | 4 | 343264 | 10 | 4 | 343487 | 10 | 24 |
| 335553 | 5 | 30 | 340761 | 2 | 6 | 343318 | 2 | 2 | 343488 | 10 | 22 |
| 335553 | 5 | 44 | 340762 | 2 | 6 | 343318 | 2 | 6 | 343490 | 2 | 2 |
| 335556 | 5 | 6 | 340763 | 2 | 6 | 343322 | 2 | 2 | 343490 | 2 | 8 |
| 335556 | 5 | 10 | 340783 | 2 | 8 | 343322 | 2 | 6 | 343497 | 8 | 2 |
| 335557 | 5 | 6 | 340783 | 10 | 16 | 343361 | 7 | 6 | 343498 | 8 | 2 |
| 335557 | 5 | 8 | 340783 | 10 | 18 | 343369 | 6 | 2 | 343499 | 8 | 2 |
| 335557 | 5 | 22 | 340850 | 3 | 32 | 343369 | 6 | 6 | 343500 | 8 | 2 |
| 335560 | 5 | 50 | 340855 | 3 | 32 | 343369 | 6 | 8 | 343501 | 8 | 2 |
| 335560 | 5 | 56 | 340856 | 3 | 32 | 343369 | 6 | 8A | 343502 | 8 | 2 |
| 335572 | 7 | 14 | 340857 | 3 | 32 | 343434 | 8 | 2 | 343503 | 8 | 2 |
| 335573 | 7 | 14 | 340858 | 3 | 32 | 343450 | 2 | 2 | 343504 | 8 | 2 |

| Page | | | Issue | | | Numerical Index | | | | | | | | |
|----------|-------|------|------------|-------|------|-----------------|-------|------|----------|-------|------|--|--|--|
| 4 | | | PA-25-2-PL | | | | | | | | | | | |
| Part No. | Group | Page | Part No. | Group | Page | Part No. | Group | Page | Part No. | Group | Page | | | |
| 343505 | 8 | 2 | 345607 | 7 | 2 | 345678 | 6 | 8A | 345751 | 3 | 2 | | | |
| 343506 | 8 | 2 | 345611 | 7 | 2 | 345706 | 6 | 10 | 345751 | 3 | 8 | | | |
| 343507 | 8 | 2 | 345615 | 7 | 2 | 345707 | 6 | 2 | 345752 | 3 | 2 | | | |
| 343508 | 8 | 2 | 345618 | 7 | 2 | 345718 | 7 | 6 | 345758 | 3 | 20 | | | |
| 343526 | 8 | 2 | 345619 | 7 | 2 | 345719 | 6 | 10 | 345759 | 3 | 20 | | | |
| 343530 | 8 | 2 | 345621 | 7 | 6 | 345720 | 6 | 10 | 345760 | 3 | 20 | | | |
| 343534 | 8 | 2 | 345637 | 7 | 8 | 345721 | 6 | 10 | 345763 | 3 | 10 | | | |
| 343597 | 1 | 8 | 345640 | 7 | 8 | 345722 | 6 | 10 | 345763 | 3 | 12A | | | |
| 343630 | 10 | 20 | 345641 | 5 | 50 | 345723 | 6 | 10 | 345768 | 3 | 10 | | | |
| 343631 | 10 | 26 | 345642 | 7 | 8 | 345724 | 6 | 2 | 345776 | 5 | 52 | | | |
| 343782 | 5 | 50 | 345645 | 7 | 8 | 345724 | 6 | 6 | 345781 | 10 | 8 | | | |
| 344290 | 6 | 2 | 345646 | 7 | 8 | 345724 | 6 | 8 | 345782 | 10 | 4 | | | |
| 344290 | 6 | 6 | 345647 | 7 | 8 | 345725 | 6 | 2 | 345785 | 10 | 4 | | | |
| 344290 | 6 | 8 | 345648 | 7 | 8 | 345725 | 6 | 6 | 345786 | 10 | 6 | | | |
| 344290 | 6 | 8A | 345658 | 7 | 12 | 345725 | 6 | 8 | 345787 | 10 | 6 | | | |
| 344328 | 5 | 32 | 345664 | 7 | 12 | 345725 | 6 | 8A | 345788 | 10 | 6 | | | |
| 344328 | 5 | 36 | 345666 | 7 | 4 | 345726 | 6 | 2 | 345789 | 10 | 4 | | | |
| 344374 | 7 | 2 | 345668 | 7 | 2 | 345726 | 6 | 6 | 345790 | 10 | 8 | | | |
| 344460 | 7 | 6 | 345675 | 7 | 8 | 345726 | 6 | 8 | 345791 | 10 | 6 | | | |
| 344461 | 7 | 6 | 345676 | 7 | 6 | 345727 | 6 | 2 | 345792 | 10 | 2 | | | |
| 345139 | 7 | 6 | 345678 | 2 | 2 | 345728 | 6 | 2 | 345793 | 10 | 14 | | | |
| 345452 | 7 | 6 | 345678 | 2 | 8 | 345728 | 6 | 8 | 345794 | 10 | 14 | | | |
| 345456 | 1 | 4 | 345679 | 2 | 2 | 345728 | 6 | 8A | 345795 | 10 | 14 | | | |
| 345458 | 1 | 4 | 345679 | 2 | 8 | 345729 | 6 | 2 | 345798 | 10 | 14 | | | |
| 345486 | 1 | 4 | 345681 | 7 | 14 | 345729 | 6 | 8 | 345799 | 10 | 14 | | | |
| 345491 | 1 | 4 | 345683 | 4 | 2 | 345730 | 6 | 2 | 345800 | 7 | 14 | | | |
| 345495 | 1 | 4 | 345683 | 10 | 26 | 345730 | 6 | 8 | 345801 | 7 | 14 | | | |
| 345505 | 1 | 4 | 345686 | 5 | 30 | 345731 | 6 | 2 | 345809 | 7 | 6 | | | |
| 345513 | 10 | 10 | 345686 | 5 | 34 | 345731 | 6 | 2 | 345810 | 7 | 6 | | | |
| 345516 | 10 | 10 | 345686 | 5 | 48 | 345731 | 6 | 6 | 345811 | 6 | 6 | | | |
| 345517 | 3 | 12 | 345687 | 5 | 30 | 345731 | 6 | 8 | 345813 | 3 | 4 | | | |
| 345517 | 3 | 12A | 345687 | 5 | 40 | 345731 | 6 | 8A | 345818 | 6 | 6 | | | |
| 345518 | 10 | 10 | 345688 | 5 | 30 | 345732 | 6 | 2 | 345819 | 6 | 6 | | | |
| 345519 | 10 | 10 | 345688 | 5 | 34 | 345732 | 6 | 6 | 345820 | 6 | 6 | | | |
| 345521 | 1 | 4 | 345689 | 5 | 30 | 345732 | 6 | 8 | 345821 | 6 | 6 | | | |
| 345523 | 7 | 2 | 345689 | 5 | 34 | 345732 | 6 | 8A | 345823 | 3 | 4 | | | |
| 345545 | 1 | 2 | 345690 | 5 | 32 | 345736 | 3 | 10 | 345826 | 3 | 4 | | | |
| 345557 | 1 | 2 | 345690 | 5 | 36 | 345736 | 3 | 12 | 345829 | 3 | 4 | | | |
| 345568 | 1 | 2 | 345693 | 5 | 32 | 345736 | 3 | 12A | 345830 | 3 | 4 | | | |
| 345574 | 1 | 2 | 345693 | 5 | 36 | 345737 | 3 | 10 | 345839 | 1 | 4 | | | |
| 345580 | 5 | 34 | 345694 | 5 | 32 | 345737 | 3 | 12 | 345849 | 3 | 16 | | | |
| 345580 | 5 | 42 | 345694 | 5 | 36 | 345737 | 3 | 12A | 345853 | 1 | 8 | | | |
| 345589 | 5 | 8 | 345697 | 5 | 30 | 345741 | 3 | 10 | 345857 | 3 | 16 | | | |
| 345589 | 10 | 16 | 345697 | 5 | 34 | 345741 | 3 | 12 | 345863 | 1 | 6 | | | |
| 345589 | 10 | 18 | 345699 | 5 | 32 | 345741 | 3 | 12A | 345863 | 10 | 24 | | | |
| 345597 | 5 | 30 | 345699 | 5 | 36 | 345742 | 3 | 14 | 345864 | 1 | 6 | | | |
| 345597 | 5 | 34 | 345702 | 7 | 6 | 345742 | 3 | 16 | 345869 | 7 | 6 | | | |
| 345603 | 7 | 2 | 345704 | 7 | 6 | 345742 | 3 | 18A | 345870 | 7 | 6 | | | |
| 345604 | 7 | 2 | 345705 | 3 | 12A | 345745 | 3 | 14 | 345871 | 1 | 8 | | | |

| Page | | | Issue | | | Numerical Index | | | | | | | | |
|----------|-------|------|------------|-------|------|-----------------|-------|------|----------|-------|------|----------|-------|------|
| 5 | | | PA-25-2-PL | | | | | | | | | | | |
| Part No. | Group | Page | Part No. | Group | Page | Part No. | Group | Page | Part No. | Group | Page | Part No. | Group | Page |
| 345872 | 1 | 8 | 345962 | 10 | 10 | 346086 | 3 | 10 | 423322 | 2 | 10 | | | |
| 345873 | 1 | 8 | 345963 | 3 | 30 | 346086 | 3 | 12 | 423323 | 2 | 10 | | | |
| 345874 | 1 | 8 | 345964 | 3 | 30 | 346086 | 3 | 12A | 423324 | 2 | 10 | | | |
| 345875 | 1 | 8 | 345965 | 5 | 32 | 346087 | 3 | 10 | 423325 | 2 | 10 | | | |
| 345877 | 1 | 6 | 345965 | 5 | 38 | 346087 | 3 | 12 | 423326 | 2 | 10 | | | |
| 345877 | 10 | 18 | 345966 | 10 | 10 | 346087 | 3 | 12A | 423327 | 2 | 10 | | | |
| 345877 | 10 | 22 | 345967 | 7 | 2 | 346088 | 3 | 10 | 423328 | 2 | 10 | | | |
| 345881 | 7 | 6 | 345968 | 5 | 32 | 346088 | 3 | 12A | 423329 | 2 | 10 | | | |
| 345882 | 7 | 6 | 345968 | 5 | 36 | 346093 | 7 | 6 | 423330 | 2 | 10 | | | |
| 345883 | 6 | 8 | 345969 | 4 | 2 | 346094 | 1 | 4 | 423331 | 2 | 10 | | | |
| 345884 | 2 | 2 | 345969 | 10 | 20 | 346099 | 3 | 4 | 423332 | 2 | 10 | | | |
| 345884 | 2 | 8 | 345970 | 3 | 8 | 346188 | 3 | 6 | 423333 | 2 | 10 | | | |
| 345885 | 2 | 2 | 345970 | 3 | 8A | 346250 | 6 | 10 | 423334 | 2 | 10 | | | |
| 345885 | 2 | 8 | 345970 | 3 | 32 | 346267 | 3 | 2 | 423335 | 2 | 10 | | | |
| 345891 | 1 | 6 | 345972 | 10 | 8 | 346268 | 3 | 6 | 423336 | 2 | 10 | | | |
| 345891 | 10 | 18 | 345973 | 10 | 8 | 346269 | 3 | 8 | 423337 | 2 | 10 | | | |
| 345891 | 10 | 22 | 345975 | 7 | 12 | 346301 | 5 | 34 | 423338 | 2 | 10 | | | |
| 345896 | 3 | 8 | 345975 | 10 | 10 | 346301 | 5 | 46 | 423339 | 2 | 10 | | | |
| 345898 | 7 | 8 | 345982 | 7 | 12 | 346303 | 3 | 30 | 423340 | 2 | 10 | | | |
| 345900 | 7 | 8 | 345983 | 10 | 2 | 346375 | 6 | 10 | 423342 | 2 | 10 | | | |
| 345903 | 7 | 8 | 345984 | 10 | 2 | 346377 | 6 | 10 | 423343 | 2 | 10 | | | |
| 345904 | 7 | 8 | 345986 | 10 | 2 | 350105 | 3 | 4 | 423344 | 2 | 10 | | | |
| 345905 | 7 | 8 | 345987 | 10 | 2 | 353003 | 1 | 2 | 423345 | 2 | 10 | | | |
| 345906 | 3 | 2 | 345988 | 10 | 2 | 353084 | 1 | 2 | 423346 | 2 | 10 | | | |
| 345909 | 1 | 4 | 345989 | 10 | 2 | 353084 | 7 | 6 | 423347 | 2 | 10 | | | |
| 345910 | 3 | 8A | 345990 | 10 | 2 | 353089 | 7 | 6 | 423348 | 2 | 10 | | | |
| 345910 | 3 | 32 | 345991 | 10 | 2 | 353096 | 10 | 10 | 423350 | 2 | 10 | | | |
| 345913 | 3 | 14 | 345992 | 7 | 8 | 413055 | 3 | 4 | 423351 | 2 | 10 | | | |
| 345913 | 3 | 16 | 345995 | 1 | 4 | 416006 | 7 | 10 | 423352 | 2 | 10 | | | |
| 345913 | 3 | 18A | 345996 | 10 | 6 | 416048 | 7 | 8 | 423381 | 4 | 10 | | | |
| 345914 | 3 | 24 | 345997 | 10 | 6 | 416106 | 4 | 16 | 423382 | 4 | 10 | | | |
| 345921 | 3 | 12 | 346000 | 3 | 4 | 416126 | 4 | 16 | 423384 | 4 | 10 | | | |
| 345921 | 3 | 12A | 346005 | 3 | 4 | 416191 | 4 | 16 | 423385 | 4 | 12 | | | |
| 345923 | 3 | 12 | 346006 | 3 | 12 | 416223 | 4 | 16 | 423386 | 4 | 10 | | | |
| 345923 | 3 | 12A | 346007 | 3 | 12 | 416223 | 4 | 18 | 423387 | 4 | 10 | | | |
| 345924 | 3 | 12 | 346008 | 6 | 8 | 418021 | 1 | 2 | 423388 | 4 | 10 | | | |
| 345925 | 3 | 12 | 346009 | 3 | 6 | 423309 | 2 | 10 | 423389 | 4 | 10 | | | |
| 345927 | 3 | 18 | 346022 | 10 | 8 | 423310 | 2 | 10 | 423390 | 4 | 10 | | | |
| 345931 | 3 | 18 | 346023 | 10 | 12 | 423311 | 2 | 10 | 423391 | 4 | 10 | | | |
| 345933 | 3 | 18 | 346024 | 10 | 12 | 423312 | 2 | 10 | 423392 | 4 | 10 | | | |
| 345934 | 3 | 18 | 346026 | 10 | 12 | 423313 | 2 | 10 | 423393 | 4 | 10 | | | |
| 345937 | 3 | 30 | 346033 | 10 | 12 | 423314 | 2 | 10 | 423394 | 4 | 10 | | | |
| 345938 | 3 | 30 | 346040 | 10 | 12 | 423315 | 2 | 10 | 423396 | 4 | 10 | | | |
| 345939 | 3 | 30 | 346047 | 7 | 2 | 423316 | 2 | 10 | 423397 | 4 | 10 | | | |
| 345950 | 3 | 30 | 346052 | 7 | 4 | 423317 | 2 | 10 | 423398 | 4 | 10 | | | |
| 345959 | 10 | 10 | 346054 | 6 | 2 | 423318 | 2 | 10 | 423399 | 4 | 12 | | | |
| 345960 | 10 | 10 | 346079 | 7 | 4 | 423319 | 2 | 10 | 423400 | 4 | 10 | | | |
| 345961 | 10 | 10 | 346080 | 7 | 6 | 423320 | 2 | 10 | 423401 | 4 | 10 | | | |
| 345961 | 10 | 10 | 346081 | 7 | 12 | 423321 | 2 | 10 | 423402 | 4 | 10 | | | |

| Page | | | Issue | | | Numerical Index | | | | | | | | |
|----------|-------|------|------------|-------|------|-----------------|-------|------|----------|-------|------|--|--|--|
| 6 | | | PA-25-2-PL | | | | | | | | | | | |
| Part No. | Group | Page | Part No. | Group | Page | Part No. | Group | Page | Part No. | Group | Page | | | |
| 423403 | 4 | 10 | 480304 | 5 | 10 | 480451 | 5 | 54 | 481307 | 5 | 54 | | | |
| 423404 | 4 | 10 | 480305 | 5 | 10 | 480452 | 5 | 54 | 481308 | 5 | 54 | | | |
| 423405 | 4 | 10 | 480306 | 5 | 12 | 480453 | 5 | 54 | 481309 | 5 | 54 | | | |
| 423406 | 4 | 10 | 480306 | 5 | 22 | 480454 | 5 | 54 | 481333 | 4 | 10 | | | |
| 423407 | 4 | 10 | 480306 | 5 | 28 | 480455 | 5 | 54 | 481508 | 5 | 14 | | | |
| 423408 | 4 | 10 | 480307 | 5 | 12 | 480456 | 5 | 54 | 481508 | 5 | 18 | | | |
| 423409 | 4 | 10 | 480308 | 5 | 12 | 480457 | 5 | 54 | 481611 | 5 | 10 | | | |
| 423410 | 4 | 12 | 480318 | 5 | 10 | 480458 | 5 | 54 | 481611 | 5 | 22 | | | |
| 423410 | 4 | 14 | 480340 | 5 | 18 | 480464 | 5 | 54 | 481611 | 5 | 28 | | | |
| 423411 | 4 | 12 | 480341 | 5 | 16 | 480465 | 5 | 54 | 481612 | 5 | 10 | | | |
| 423413 | 4 | 10 | 480342 | 5 | 16 | 480466 | 5 | 54 | 481612 | 5 | 22 | | | |
| 423414 | 4 | 10 | 480344 | 5 | 26 | 480468 | 5 | 54 | 481612 | 5 | 28 | | | |
| 423475 | 4 | 10 | 480348 | 5 | 26 | 480481 | 5 | 40 | 481616 | 5 | 12 | | | |
| 450072 | 10 | 4 | 480350 | 5 | 18 | 480481 | 5 | 42 | 481616 | 5 | 16 | | | |
| 450172 | 7 | 2 | 480351 | 5 | 16 | 480481 | 5 | 44 | 481616 | 5 | 22 | | | |
| 455109 | 7 | 8 | 480352 | 5 | 18 | 480481 | 5 | 46 | 481616 | 5 | 28 | | | |
| 455110 | 7 | 10 | 480353 | 5 | 12 | 480565 | 5 | 26 | 482001 | 5 | 6 | | | |
| 455112 | 7 | 10 | 480353 | 5 | 16 | 480577 | 5 | 54 | 482001 | 5 | 8 | | | |
| 455113 | 7 | 8 | 480354 | 5 | 26 | 480923 | 5 | 50 | 482038 | 5 | 38 | | | |
| 456023 | 7 | 12 | 480355 | 5 | 26 | 481077 | 5 | 14 | 482055 | 5 | 30 | | | |
| 456103 | 7 | 2 | 480359 | 5 | 16 | 481078 | 5 | 14 | 482055 | 5 | 34 | | | |
| 457057 | 7 | 2 | 480364 | 5 | 18 | 481079 | 5 | 14 | 482069 | 5 | 50 | | | |
| 457100 | 7 | 10 | 480366 | 5 | 16 | 481080 | 5 | 14 | 482072 | 5 | 50 | | | |
| 457122 | 7 | 10 | 480367 | 5 | 26 | 481081 | 5 | 16 | 482075 | 5 | 36 | | | |
| 457141 | 7 | 8 | 480369 | 5 | 16 | 481082 | 5 | 14 | 482105 | 5 | 8 | | | |
| 465103 | 7 | 10 | 480370 | 5 | 16 | 481083 | 5 | 16 | 482105 | 10 | 16 | | | |
| 470020 | 6 | 2 | 480371 | 5 | 16 | 481084 | 5 | 16 | 482105 | 10 | 18 | | | |
| 470020 | 6 | 6 | 480372 | 5 | 16 | 481085 | 5 | 16 | 482106 | 5 | 8 | | | |
| 470020 | 6 | 8 | 480373 | 5 | 16 | 481086 | 5 | 14 | 482106 | 10 | 16 | | | |
| 470020 | 6 | 8A | 480400 | 5 | 16 | 481087 | 5 | 14 | 482106 | 10 | 18 | | | |
| 475064 | 10 | 10 | 480402 | 5 | 18 | 481088 | 5 | 16 | 482107 | 5 | 8 | | | |
| 475065 | 1 | 4 | 480402 | 5 | 26 | 481089 | 5 | 16 | 482107 | 10 | 16 | | | |
| 475066 | 1 | 4 | 480403 | 5 | 18 | 481090 | 5 | 14 | 482107 | 10 | 18 | | | |
| 475067 | 7 | 2 | 480405 | 5 | 18 | 481091 | 5 | 16 | 482108 | 5 | 30 | | | |
| 480125 | 3 | 2 | 480406 | 5 | 18 | 481092 | 5 | 14 | 482108 | 5 | 34 | | | |
| 480125 | 3 | 8 | 480407 | 5 | 26 | 481093 | 5 | 16 | 482109 | 5 | 30 | | | |
| 480125 | 3 | 8A | 480408 | 5 | 18 | 481094 | 5 | 16 | 482109 | 5 | 34 | | | |
| 480204 | 5 | 22 | 480408 | 5 | 26 | 481095 | 5 | 16 | 482167 | 3 | 2 | | | |
| 480204 | 5 | 26 | 480409 | 5 | 26 | 481097 | 5 | 14 | 482167 | 3 | 6 | | | |
| 480219 | 5 | 50 | 480410 | 5 | 18 | 481098 | 5 | 16 | 482251 | 5 | 6 | | | |
| 480219 | 5 | 54 | 480413 | 5 | 18 | 481099 | 5 | 16 | 482251 | 5 | 8 | | | |
| 480287 | 5 | 12 | 480414 | 5 | 18 | 481100 | 5 | 16 | 482252 | 5 | 6 | | | |
| 480288 | 5 | 12 | 480444 | 5 | 54 | 481101 | 5 | 16 | 482252 | 5 | 8 | | | |
| 480288 | 5 | 16 | 480445 | 5 | 54 | 481102 | 5 | 16 | 482253 | 5 | 30 | | | |
| 480290 | 5 | 12 | 480446 | 5 | 54 | 481103 | 5 | 14 | 482253 | 5 | 34 | | | |
| 480292 | 5 | 12 | 480447 | 5 | 54 | 481105 | 5 | 14 | 482254 | 5 | 50 | | | |
| 480301 | 5 | 12 | 480448 | 5 | 54 | 481106 | 5 | 14 | 482255 | 5 | 50 | | | |
| 480302 | 5 | 12 | 480449 | 4 | 54 | 481168 | 5 | 16 | 482256 | 5 | 30 | | | |
| 480303 | 5 | 12 | 480450 | 5 | 54 | 481306 | 5 | 54 | 482256 | 5 | 34 | | | |

| Page | | | Issue | | | Numerical Index | | | | | | | | |
|----------|-------|------|------------|-------|------|-----------------|-------|------|----------|-------|------|--|--|--|
| 7 | | | PA-25-2-PL | | | | | | | | | | | |
| Part No. | Group | Page | Part No. | Group | Page | Part No. | Group | Page | Part No. | Group | Page | | | |
| 482257 | 5 | 30 | 499552 | 3 | 18 | 500035 | 2 | 2 | 500076 | 2 | 6 | | | |
| 482257 | 5 | 34 | 499553 | 3 | 18A | 500035 | 2 | 6 | 500079 | 10 | 4 | | | |
| 482258 | 5 | 32 | 499554 | 3 | 14 | 500037 | 1 | 8 | 500082 | 4 | 4 | | | |
| 482258 | 5 | 36 | 499554 | 3 | 16 | 500037 | 2 | 6 | 500087 | 1 | 4 | | | |
| 482259 | 5 | 30 | 499554 | 3 | 18A | 500037 | 3 | 4 | 500093 | 2 | 2 | | | |
| 482259 | 5 | 34 | 499557 | 3 | 18 | 500037 | 3 | 10 | 500093 | 2 | 6 | | | |
| 482260 | 5 | 30 | 500004 | 7 | 6 | 500037 | 3 | 12 | 500093 | 3 | 32 | | | |
| 482260 | 5 | 34 | 500006 | 7 | 12 | 500037 | 5 | 6 | 500131 | 4 | 10 | | | |
| 482261 | 5 | 50 | 500008 | 1 | 4 | 500037 | 5 | 8 | 500133 | 7 | 4 | | | |
| 482264 | 5 | 32 | 500012 | 3 | 4 | 500040 | 5 | 32 | 500174 | 7 | 14 | | | |
| 482274 | 5 | 38 | 500012 | 3 | 18 | 500040 | 5 | 36 | 500184 | 7 | 2 | | | |
| 485002 | 9 | 2 | 500013 | 3 | 10 | 500040 | 7 | 10 | 500185 | 3 | 14 | | | |
| 485011 | 9 | 2 | 500013 | 3 | 12 | 500041 | 7 | 6 | 500185 | 3 | 16 | | | |
| 485019 | 9 | 2 | 500013 | 6 | 6 | 500043 | 3 | 4 | 500188 | 5 | 32 | | | |
| 485037 | 9 | 2 | 500013 | 7 | 2 | 500043 | 3 | 18 | 500188 | 5 | 36 | | | |
| 485040 | 9 | 2 | 500013 | 7 | 14 | 500044 | 3 | 10 | 500188 | 7 | 14 | | | |
| 485060 | 9 | 2 | 500013 | 10 | 4 | 500044 | 3 | 12 | 500188 | 10 | 12 | | | |
| 485075 | 9 | 2 | 500015 | 5 | 32 | 500047 | 1 | 2 | 500192 | 5 | 8 | | | |
| 485345 | 9 | 2 | 500015 | 5 | 36 | 500048 | 3 | 10 | 500192 | 5 | 30 | | | |
| 485346 | 9 | 2 | 500018 | 1 | 8 | 500048 | 3 | 12 | 500192 | 5 | 34 | | | |
| 491015 | 4 | 16 | 500018 | 6 | 6 | 500048 | 3 | 14 | 500192 | 10 | 12 | | | |
| 499097 | 1 | 2 | 500019 | 3 | 4 | 500048 | 3 | 16 | 500192 | 10 | 16 | | | |
| 499111 | 8 | 2 | 500019 | 7 | 2 | 500048 | 3 | 18 | 500192 | 10 | 18 | | | |
| 499130 | 8 | 2 | 500019 | 7 | 10 | 500048 | 3 | 26 | 500193 | 3 | 4 | | | |
| 499131 | 3 | 16 | 500019 | 7 | 12 | 500048 | 5 | 50 | 500193 | 5 | 30 | | | |
| 499131 | 3 | 18 | 500021 | 1 | 4 | 500048 | 6 | 2 | 500193 | 5 | 32 | | | |
| 499131 | 3 | 18A | 500021 | 3 | 16 | 500048 | 6 | 6 | 500193 | 5 | 34 | | | |
| 499162 | 10 | 14 | 500021 | 4 | 10 | 500048 | 6 | 8 | 500193 | 5 | 36 | | | |
| 499240 | 3 | 14 | 500021 | 7 | 8 | 500051 | 3 | 12 | 500193 | 7 | 2 | | | |
| 499240 | 3 | 16 | 500021 | 7 | 14 | 500051 | 10 | 10 | 500193 | 7 | 4 | | | |
| 499240 | 3 | 18A | 500022 | 1 | 4 | 500053 | 3 | 20 | 500194 | 2 | 2 | | | |
| 499314 | 3 | 8 | 500022 | 3 | 4 | 500053 | 5 | 32 | 500194 | 2 | 6 | | | |
| 499315 | 3 | 8 | 500022 | 7 | 2 | 500053 | 5 | 36 | 500194 | 3 | 2 | | | |
| 499349 | 5 | 6 | 500028 | 2 | 8 | 500053 | 6 | 2 | 500195 | 1 | 4 | | | |
| 499349 | 5 | 8 | 500028 | 3 | 28 | 500053 | 6 | 6 | 500195 | 2 | 2 | | | |
| 499349 | 5 | 50 | 500028 | 3 | 30 | 500053 | 6 | 8 | 500195 | 2 | 6 | | | |
| 499503 | 3 | 14 | 500028 | 4 | 10 | 500053 | 7 | 2 | 500195 | 3 | 28 | | | |
| 499503 | 3 | 16 | 500028 | 5 | 32 | 500053 | 7 | 4 | 500196 | 10 | 6 | | | |
| 499503 | 3 | 18 | 500028 | 5 | 36 | 500053 | 7 | 6 | 500197 | 1 | 4 | | | |
| 499503 | 3 | 18A | 500028 | 7 | 2 | 500053 | 7 | 8 | 500197 | 10 | 12 | | | |
| 499538 | 3 | 18 | 500028 | 10 | 2 | 500053 | 10 | 2 | 500199 | 7 | 2 | | | |
| 499545 | 3 | 8 | 500028 | 10 | 10 | 500056 | 3 | 2 | 500228 | 2 | 2 | | | |
| 499548 | 3 | 18 | 500029 | 1 | 4 | 500056 | 3 | 4 | 500228 | 2 | 8 | | | |
| 499549 | 3 | 14 | 500029 | 3 | 4 | 500056 | 3 | 8 | 500228 | 10 | 16 | | | |
| 499549 | 3 | 16 | 500029 | 7 | 2 | 500061 | 5 | 50 | 500228 | 10 | 18 | | | |
| 499549 | 3 | 18 | 500030 | 5 | 30 | 500075 | 6 | 2 | 500267 | 3 | 4 | | | |
| 499549 | 3 | 18A | 500030 | 5 | 34 | 500075 | 6 | 6 | 500283 | 1 | 6 | | | |
| 499550 | 3 | 18 | 500030 | 5 | 50 | 500075 | 6 | 8 | 500287 | 1 | 8 | | | |
| 499551 | 3 | 18 | 500031 | 3 | 26 | 500076 | 2 | 2 | 500290 | 3 | 8 | | | |

| Page | | | Issue | | | Numerical Index | | | | | | | | |
|----------|-------|------|------------|-------|------|-----------------|-------|------|----------|-------|------|--|--|--|
| 8 | | | PA-25-2-PL | | | | | | | | | | | |
| Part No. | Group | Page | Part No. | Group | Page | Part No. | Group | Page | Part No. | Group | Page | | | |
| 500295 | 4 | 4 | 517063 | 7 | 14 | 570006 | 3 | 26 | 586019 | 3 | 8 | | | |
| 500513 | 7 | 12 | 530016 | 7 | 8 | 570006 | 5 | 8 | 586019 | 7 | 2 | | | |
| 502012 | 7 | 8 | 530029 | 1 | 4 | 570006 | 5 | 30 | 586019 | 7 | 14 | | | |
| 502014 | 7 | 10 | 530032 | 1 | 4 | 570006 | 5 | 34 | 586019 | 10 | 12 | | | |
| 502016 | 7 | 12 | 533001 | 7 | 8 | 570006 | 6 | 2 | 586021 | 7 | 2 | | | |
| 502028 | 3 | 2 | 533012 | 1 | 4 | 570006 | 6 | 6 | 586022 | 2 | 4 | | | |
| 502031 | 1 | 2 | 533027 | 6 | 2 | 570006 | 6 | 8 | 586022 | 2 | 8 | | | |
| 502033 | 3 | 2 | 533027 | 6 | 6 | 570006 | 7 | 2 | 586022 | 4 | 4 | | | |
| 502033 | 3 | 8 | 533027 | 6 | 8 | 570006 | 7 | 12 | 586022 | 10 | 16 | | | |
| 502035 | 3 | 2 | 533027 | 6 | 10 | 570006 | 10 | 16 | 586022 | 10 | 18 | | | |
| 502035 | 3 | 8 | 533038 | 7 | 8 | 570006 | 10 | 18 | 586023 | 1 | 6 | | | |
| 502035 | 4 | 6 | 533058 | 7 | 8 | 570007 | 3 | 2 | 600002 | 7 | 8 | | | |
| 502035 | 7 | 10 | 533083 | 7 | 8 | 570007 | 3 | 4 | 600003 | 7 | 12 | | | |
| 502035 | 7 | 12 | 535003 | 7 | 6 | 570007 | 3 | 10 | 600004 | 3 | 10 | | | |
| 502036 | 5 | 6 | 541514 | 3 | 10 | 570007 | 3 | 12 | 600004 | 3 | 12 | | | |
| 502036 | 5 | 8 | 541514 | 3 | 12 | 570007 | 3 | 28 | 600004 | 5 | 32 | | | |
| 502036 | 5 | 32 | 541705 | 10 | 10 | 570007 | 10 | 10 | 600004 | 5 | 36 | | | |
| 502036 | 5 | 36 | 541706 | 10 | 2 | 570008 | 2 | 2 | 600004 | 5 | 50 | | | |
| 502037 | 4 | 6 | 541706 | 10 | 10 | 570008 | 2 | 6 | 600004 | 10 | 4 | | | |
| 502039 | 7 | 12 | 541707 | 10 | 2 | 570008 | 4 | 4 | 600006 | 1 | 4 | | | |
| 502043 | 5 | 8 | 541708 | 7 | 12 | 570008 | 7 | 8 | 600006 | 3 | 4 | | | |
| 502043 | 10 | 16 | 541708 | 10 | 10 | 570019 | 3 | 8 | 600006 | 7 | 8 | | | |
| 502043 | 10 | 18 | 550043 | 6 | 2 | 571003 | 7 | 12 | 600006 | 7 | 14 | | | |
| 502053 | 3 | 20 | 550116 | 4 | 10 | 571015 | 4 | 6 | 600007 | 1 | 2 | | | |
| 502058 | 3 | 28 | 550132 | 7 | 6 | 572002 | 7 | 12 | 600007 | 5 | 6 | | | |
| 502058 | 5 | 32 | 570001 | 7 | 8 | 572003 | 7 | 12 | 600007 | 5 | 8 | | | |
| 502058 | 5 | 36 | 570003 | 6 | 2 | 572008 | 4 | 8 | 600008 | 3 | 4 | | | |
| 502059 | 3 | 20 | 570003 | 6 | 6 | 581020 | 5 | 52 | 600008 | 3 | 10 | | | |
| 502059 | 4 | 4 | 570003 | 6 | 8 | 586001 | 1 | 4 | 600008 | 5 | 8 | | | |
| 502059 | 5 | 8 | 570003 | 6 | 10 | 586001 | 7 | 2 | 600008 | 5 | 30 | | | |
| 502059 | 10 | 16 | 570004 | 5 | 32 | 586001 | 7 | 12 | 600008 | 5 | 32 | | | |
| 502059 | 10 | 18 | 570004 | 5 | 36 | 586002 | 7 | 8 | 600008 | 5 | 34 | | | |
| 502076 | 3 | 2 | 570004 | 5 | 50 | 586002 | 10 | 4 | 600008 | 5 | 36 | | | |
| 502097 | 3 | 30 | 570004 | 6 | 2 | 586003 | 1 | 4 | 600008 | 5 | 52 | | | |
| 502113 | 3 | 8 | 570004 | 6 | 6 | 586003 | 7 | 2 | 600008 | 6 | 6 | | | |
| 502124 | 1 | 2 | 570004 | 6 | 8 | 586003 | 7 | 4 | 600008 | 7 | 14 | | | |
| 502148 | 3 | 2 | 570004 | 7 | 10 | 586003 | 7 | 6 | 600008 | 10 | 16 | | | |
| 502153 | 4 | 6 | 570004 | 7 | 14 | 586003 | 10 | 2 | 600008 | 10 | 18 | | | |
| 502153 | 4 | 8 | 570005 | 1 | 2 | 586009 | 1 | 2 | 600009 | 2 | 2 | | | |
| 502200 | 5 | 30 | 570005 | 3 | 30 | 586018 | 1 | 4 | 600009 | 2 | 6 | | | |
| 502200 | 5 | 34 | 570005 | 6 | 2 | 586018 | 3 | 4 | 600009 | 3 | 12 | | | |
| 503024 | 4 | 4 | 570005 | 6 | 4 | 586018 | 7 | 4 | 600009 | 3 | 28 | | | |
| 503056 | 2 | 6 | 570005 | 6 | 6 | 586018 | 10 | 2 | 600009 | 5 | 30 | | | |
| 508019 | 2 | 2 | 570005 | 6 | 8 | 586018 | 10 | 12 | 600009 | 5 | 32 | | | |
| 508019 | 2 | 6 | 570005 | 7 | 2 | 586019 | 1 | 4 | 600009 | 5 | 34 | | | |
| 508031 | 3 | 32 | 570005 | 7 | 8 | 586019 | 2 | 2 | 600009 | 5 | 36 | | | |
| 509023 | 5 | 52 | 570006 | 3 | 14 | 586019 | 2 | 6 | 600009 | 7 | 14 | | | |
| 516042 | 7 | 8 | 570006 | 3 | 16 | 586019 | 3 | 2 | 600009 | 10 | 10 | | | |
| 516053 | 7 | 8 | 570006 | 3 | 18 | 586019 | 3 | 4 | 600011 | 2 | 2 | | | |

| Page | | | Issue | | | Numerical Index | | | | | | | | |
|----------|-------|------|------------|-------|------|-----------------|-------|------|----------|-------|------|--|--|--|
| 9 | | | PA-25-2-PL | | | | | | | | | | | |
| Part No. | Group | Page | Part No. | Group | Page | Part No. | Group | Page | Part No. | Group | Page | | | |
| 600011 | 2 | 6 | 615043 | 3 | 2 | 615045 | 5 | 6 | 752046 | 3 | 2 | | | |
| 600013 | 2 | 4 | 615043 | 3 | 4 | 615045 | 5 | 8 | 752047 | 3 | 20 | | | |
| 600013 | 2 | 8 | 615043 | 3 | 16 | 615045 | 5 | 30 | 752051 | 3 | 2 | | | |
| 600013 | 3 | 2 | 615043 | 3 | 20 | 615045 | 5 | 32 | 752091 | 3 | 2 | | | |
| 600013 | 3 | 8 | 615043 | 4 | 10 | 615045 | 5 | 34 | 752304 | 3 | 2 | | | |
| 600013 | 10 | 16 | 615043 | 5 | 32 | 615045 | 5 | 36 | 752306 | 3 | 20 | | | |
| 600013 | 10 | 18 | 615043 | 5 | 36 | 615045 | 7 | 2 | 752307 | 3 | 20 | | | |
| 600014 | 4 | 4 | 615043 | 6 | 2 | 615045 | 10 | 6 | 753010 | 3 | 12A | | | |
| 601001 | 7 | 4 | 615043 | 6 | 6 | 615045 | 10 | 12 | 801049 | 3 | 8A | | | |
| 602053 | 3 | 28 | 615043 | 6 | 8 | 615046 | 2 | 2 | 801058 | 3 | 30A | | | |
| 603003 | 4 | 4 | 615043 | 7 | 2 | 615046 | 2 | 6 | 801065 | 4 | 4 | | | |
| 603003 | 5 | 8 | 615043 | 7 | 4 | 615046 | 4 | 4 | 801065 | 4 | 6 | | | |
| 603005 | 1 | 6 | 615043 | 7 | 10 | 615046 | 7 | 2 | 801091 | 3 | 2 | | | |
| 603007 | 4 | 4 | 615043 | 7 | 12 | 615047 | 2 | 6 | 801144 | 5 | 8 | | | |
| 604006 | 3 | 2 | 615043 | 7 | 14 | 615096 | 1 | 4 | 801144 | 5 | 28 | | | |
| 604006 | 3 | 8 | 615043 | 10 | 12 | 620147 | 1 | 2 | 801144 | 10 | 16 | | | |
| 604006 | 4 | 6 | 615044 | 1 | 4 | 624016 | 8 | 2 | 801144 | 10 | 18 | | | |
| 604006 | 7 | 12 | 615044 | 2 | 8 | 624021 | 10 | 10 | 801150 | 2 | 6 | | | |
| 604007 | 3 | 4 | 615044 | 3 | 2 | 629231 | 5 | 50 | 801150 | 2 | 10 | | | |
| 604007 | 3 | 8A | 615044 | 3 | 4 | 630003 | 1 | 4 | 801151 | 3 | 2 | | | |
| 604007 | 3 | 26 | 615044 | 3 | 8 | 630003 | 7 | 8 | 801157 | 5 | 8 | | | |
| 604008 | 4 | 8 | 615044 | 3 | 14 | 630010 | 4 | 8 | 801157 | 5 | 14 | | | |
| 604009 | 3 | 28 | 615044 | 3 | 16 | 630031 | 7 | 14 | 801157 | 10 | 16 | | | |
| 604010 | 4 | 6 | 615044 | 3 | 18 | 630035 | 7 | 12 | 801157 | 10 | 18 | | | |
| 604010 | 4 | 8 | 615044 | 3 | 26 | 630069 | 4 | 6 | 801174 | 3 | 14 | | | |
| 604011 | 3 | 2 | 615044 | 3 | 28 | 635019 | 1 | 2 | 801462 | 4 | 2 | | | |
| 604011 | 3 | 32 | 615044 | 3 | 30 | 675070 | 4 | 10 | 801538 | 3 | 8A | | | |
| 604015 | 3 | 32 | 615044 | 4 | 10 | 690030 | 3 | 4 | 801630 | 1 | 6 | | | |
| 605002 | 3 | 2 | 615044 | 5 | 8 | 692055 | 3 | 4 | 801631 | 1 | 6 | | | |
| 605002 | 3 | 4 | 615044 | 5 | 50 | 745016 | 3 | 30A | 801666 | 10 | 6 | | | |
| 605002 | 3 | 8 | 615044 | 6 | 2 | 747282 | 3 | 22 | 801668 | 10 | 6 | | | |
| 615041 | 1 | 4 | 615044 | 6 | 6 | 747384 | 3 | 22 | 801688 | 3 | 14 | | | |
| 615041 | 3 | 20 | 615044 | 6 | 8 | 747476 | 3 | 4 | 801688 | 3 | 16 | | | |
| 615041 | 3 | 22 | 615044 | 7 | 2 | 747543 | 3 | 4 | 801688 | 3 | 18 | | | |
| 615041 | 3 | 24 | 615044 | 7 | 10 | 747618 | 3 | 4 | 801705 | 10 | 6 | | | |
| 615041 | 6 | 2 | 615044 | 10 | 2 | 747619 | 3 | 4 | 801711 | 3 | 20 | | | |
| 615041 | 6 | 6 | 615044 | 10 | 10 | 747620 | 3 | 4 | 801994 | 3 | 18 | | | |
| 615041 | 6 | 8 | 615044 | 10 | 12 | 747637 | 3 | 4 | 802141 | 3 | 14 | | | |
| 615041 | 6 | 10 | 615044 | 10 | 16 | 747968 | 3 | 4 | 802141 | 3 | 16 | | | |
| 615041 | 7 | 2 | 615044 | 10 | 18 | 747993 | 3 | 4 | 802146 | 3 | 18A | | | |
| 615042 | 3 | 18 | 615045 | 1 | 8 | 747995 | 3 | 4 | 802152 | 7 | 6 | | | |
| 615042 | 6 | 2 | 615045 | 2 | 2 | 747996 | 3 | 4 | 802401 | 3 | 8 | | | |
| 615042 | 6 | 6 | 615045 | 2 | 6 | 748115 | 3 | 22 | 802471 | 3 | 12A | | | |
| 615042 | 6 | 8 | 615045 | 3 | 4 | 748525 | 3 | 22 | 813303 | 4 | 4 | | | |
| 615042 | 7 | 2 | 615045 | 3 | 6 | 748526 | 3 | 22 | 813307 | 3 | 20 | | | |
| 615042 | 7 | 10 | 615045 | 3 | 8 | 748603 | 3 | 28 | 813307 | 3 | 22 | | | |
| 615042 | 7 | 14 | 615045 | 3 | 10 | 752024 | 6 | 2 | 813307 | 3 | 24 | | | |
| 615043 | 1 | 2 | 615045 | 3 | 12 | 752028 | 3 | 2 | 813310 | 7 | 14 | | | |
| 615043 | 1 | 4 | 615045 | 3 | 20 | 752039 | 3 | 26 | 813311 | 3 | 4 | | | |

| Page | | | Issue | | | Numerical Index | | | | | | | | |
|----------|-------|------|------------|-------|------|-----------------|-------|------|----------|-------|------|--|--|--|
| 10 | | | PA-25-2-PL | | | | | | | | | | | |
| Part No. | Group | Page | Part No. | Group | Page | Part No. | Group | Page | Part No. | Group | Page | | | |
| 813313 | 7 | 14 | 813428 | 5 | 36 | 813607 | 4 | 8 | 813628 | 5 | 14 | | | |
| 813314 | 3 | 20 | 813429 | 5 | 6 | 813608 | 4 | 8 | 813630 | 5 | 10 | | | |
| 813314 | 3 | 22 | 813429 | 5 | 8 | 813609 | 4 | 8 | 813630 | 5 | 14 | | | |
| 813314 | 3 | 24 | 813429 | 5 | 32 | 813610 | 4 | 8 | 813631 | 5 | 10 | | | |
| 813314 | 3 | 24A | 813429 | 5 | 36 | 813611 | 5 | 22 | 813631 | 5 | 18 | | | |
| 813315 | 3 | 20 | 813429 | 10 | 16 | 813612 | 5 | 12 | 813632 | 5 | 10 | | | |
| 813315 | 3 | 22 | 813429 | 10 | 18 | 813612 | 5 | 16 | 813632 | 5 | 14 | | | |
| 813315 | 3 | 24 | 813433 | 5 | 52 | 813612 | 5 | 22 | 813632 | 5 | 20 | | | |
| 813315 | 3 | 24A | 813434 | 5 | 6 | 813612 | 5 | 28 | 813633 | 5 | 10 | | | |
| 813316 | 1 | 8 | 813434 | 5 | 8 | 813613 | 5 | 10 | 813633 | 5 | 14 | | | |
| 813316 | 5 | 50 | 813434 | 5 | 52 | 813613 | 5 | 14 | 813634 | 5 | 10 | | | |
| 813318 | 4 | 4 | 813442 | 3 | 24 | 813613 | 5 | 20 | 813634 | 5 | 14 | | | |
| 813325 | 3 | 8A | 813443 | 5 | 50 | 813614 | 5 | 10 | 813635 | 4 | 8 | | | |
| 813327 | 3 | 22 | 813444 | 3 | 2 | 813614 | 5 | 14 | 813636 | 4 | 8 | | | |
| 813328 | 3 | 22 | 813448 | 5 | 50 | 813615 | 5 | 22 | 813637 | 4 | 8 | | | |
| 813329 | 3 | 22 | 813460 | 3 | 2 | 813616 | 5 | 12 | 813638 | 4 | 8 | | | |
| 813330 | 6 | 2 | 813462 | 3 | 2 | 813616 | 5 | 16 | 813639 | 4 | 8 | | | |
| 813330 | 6 | 6 | 813462 | 3 | 8 | 813616 | 5 | 22 | 813640 | 4 | 8 | | | |
| 813330 | 6 | 8 | 813462 | 3 | 8A | 813616 | 5 | 28 | 813641 | 4 | 8 | | | |
| 813331 | 7 | 12 | 813465 | 3 | 2 | 813617 | 5 | 10 | 813642 | 5 | 40 | | | |
| 813339 | 7 | 14 | 813479 | 4 | 8 | 813617 | 5 | 14 | 813642 | 5 | 42 | | | |
| 813341 | 7 | 14 | 813499 | 5 | 8 | 813618 | 5 | 18 | 813643 | 5 | 44 | | | |
| 813342 | 5 | 50 | 813499 | 10 | 16 | 813618 | 5 | 22 | 813643 | 5 | 46 | | | |
| 813348 | 6 | 2 | 813499 | 10 | 18 | 813618 | 5 | 26 | 813644 | 4 | 8 | | | |
| 813348 | 6 | 6 | 813538 | 5 | 56 | 813618 | 5 | 28 | 813645 | 4 | 6 | | | |
| 813348 | 6 | 8 | 813539 | 5 | 56 | 813619 | 5 | 12 | 813651 | 4 | 6 | | | |
| 813348 | 6 | 8A | 813541 | 5 | 56 | 813619 | 5 | 16 | 813652 | 4 | 6 | | | |
| 813349 | 5 | 50 | 813543 | 5 | 56 | 813619 | 5 | 22 | 813653 | 4 | 6 | | | |
| 813351 | 7 | 14 | 813551 | 5 | 56 | 813619 | 5 | 28 | 813656 | 5 | 40 | | | |
| 813353 | 7 | 12 | 813573 | 4 | 8 | 813620 | 5 | 22 | 813656 | 5 | 42 | | | |
| 813355 | 7 | 12 | 813575 | 4 | 8 | 813621 | 5 | 12 | 813657 | 5 | 44 | | | |
| 813359 | 7 | 12 | 813576 | 4 | 6 | 813621 | 5 | 16 | 813658 | 4 | 6 | | | |
| 813361 | 7 | 8 | 813577 | 4 | 6 | 813621 | 5 | 24 | 813659 | 4 | 8 | | | |
| 813362 | 7 | 12 | 813578 | 4 | 8 | 813621 | 5 | 28 | 813660 | 4 | 6 | | | |
| 813369 | 7 | 12 | 813581 | 4 | 6 | 813622 | 5 | 12 | 813661 | 5 | 44 | | | |
| 813379 | 4 | 2 | 813582 | 4 | 6 | 813622 | 5 | 16 | 813661 | 5 | 46 | | | |
| 813379 | 4 | 2 | 813583 | 4 | 8 | 813622 | 5 | 24 | 813662 | 4 | 6 | | | |
| 813380 | 4 | 2 | 813584 | 4 | 8 | 813622 | 5 | 28 | 813663 | 4 | 6 | | | |
| 813380 | 4 | 2 | 813585 | 4 | 8 | 813623 | 5 | 12 | 813664 | 5 | 40 | | | |
| 813380 | 4 | 2 | 813586 | 4 | 6 | 813624 | 5 | 12 | 813667 | 4 | 8 | | | |
| 813381 | 4 | 2 | 813587 | 4 | 6 | 813624 | 5 | 16 | 813668 | 5 | 40 | | | |
| 813382 | 4 | 2 | 813588 | 4 | 6 | 813624 | 5 | 22 | 813668 | 5 | 42 | | | |
| 813382 | 4 | 2 | 813589 | 4 | 6 | 813624 | 5 | 28 | 813669 | 5 | 44 | | | |
| 813391 | 3 | 20 | 813591 | 4 | 6 | 813625 | 5 | 12 | 813669 | 5 | 46 | | | |
| 813391 | 3 | 22 | 813592 | 4 | 6 | 813625 | 5 | 16 | 813670 | 4 | 6 | | | |
| 813391 | 3 | 24 | 813593 | 4 | 6 | 813625 | 5 | 22 | 813671 | 4 | 6 | | | |
| 813391 | 3 | 24A | 813594 | 4 | 8 | 813625 | 5 | 28 | 813672 | 4 | 8 | | | |
| 813423 | 3 | 24 | 813596 | 4 | 8 | 813627 | 5 | 26 | 813673 | 5 | 40 | | | |
| 813428 | 5 | 32 | 813597 | 4 | 6 | 813628 | 5 | 10 | 813673 | 5 | 42 | | | |

| Page | | | Issue | | | Numerical Index | | | | | | | | |
|----------|-------|------|------------|-------|------|-----------------|-------|------|----------|-------|------|--|--|--|
| 11 | | | PA-25-2-PL | | | | | | | | | | | |
| Part No. | Group | Page | Part No. | Group | Page | Part No. | Group | Page | Part No. | Group | Page | | | |
| 813674 | 5 | 44 | 813805 | 4 | 6 | 813838 | 5 | 14 | 813868 | 5 | 22 | | | |
| 813674 | 5 | 46 | 813806 | 4 | 6 | 813838 | 5 | 22 | 813868 | 5 | 28 | | | |
| 813676 | 5 | 44 | 813810 | 4 | 8 | 813838 | 5 | 28 | 813869 | 5 | 12 | | | |
| 813676 | 5 | 46 | 813811 | 4 | 8 | 813839 | 5 | 10 | 813870 | 5 | 12 | | | |
| 813677 | 5 | 40 | 813813 | 5 | 10 | 813839 | 5 | 14 | 813870 | 5 | 22 | | | |
| 813677 | 5 | 42 | 813813 | 5 | 22 | 813839 | 5 | 22 | 813870 | 5 | 28 | | | |
| 813678 | 5 | 44 | 813813 | 5 | 28 | 813839 | 5 | 28 | 813872 | 5 | 10 | | | |
| 813678 | 5 | 46 | 813815 | 5 | 12 | 813840 | 5 | 12 | 813873 | 5 | 12 | | | |
| 813679 | 4 | 8 | 813815 | 5 | 22 | 813840 | 5 | 16 | 813873 | 5 | 22 | | | |
| 813680 | 4 | 8 | 813815 | 5 | 28 | 813844 | 5 | 10 | 813873 | 5 | 28 | | | |
| 813681 | 4 | 8 | 813816 | 5 | 10 | 813844 | 5 | 14 | 813874 | 5 | 12 | | | |
| 813682 | 5 | 40 | 813816 | 5 | 14 | 813844 | 5 | 18 | 813874 | 5 | 22 | | | |
| 813682 | 5 | 42 | 813817 | 5 | 12 | 813845 | 5 | 10 | 813874 | 5 | 28 | | | |
| 813683 | 5 | 44 | 813818 | 5 | 12 | 813845 | 5 | 22 | 813875 | 5 | 12 | | | |
| 813683 | 5 | 46 | 813819 | 5 | 10 | 813846 | 5 | 10 | 813875 | 5 | 22 | | | |
| 813685 | 4 | 6 | 813820 | 5 | 10 | 813846 | 5 | 12 | 813875 | 5 | 28 | | | |
| 813686 | 4 | 6 | 813820 | 5 | 14 | 813846 | 5 | 14 | 813876 | 5 | 22 | | | |
| 813687 | 4 | 6 | 813821 | 5 | 10 | 813846 | 5 | 16 | 813876 | 5 | 28 | | | |
| 813688 | 4 | 6 | 813821 | 5 | 14 | 813846 | 5 | 22 | 813878 | 5 | 10 | | | |
| 813689 | 4 | 6 | 813821 | 5 | 22 | 813846 | 5 | 28 | 813878 | 5 | 22 | | | |
| 813690 | 4 | 8 | 813821 | 5 | 28 | 813847 | 5 | 10 | 813878 | 5 | 28 | | | |
| 813693 | 4 | 16 | 813822 | 5 | 10 | 813847 | 5 | 14 | 813879 | 5 | 22 | | | |
| 813694 | 2 | 6 | 813822 | 5 | 12 | 813850 | 5 | 12 | 813885 | 5 | 12 | | | |
| 813694 | 4 | 16 | 813822 | 5 | 14 | 813851 | 5 | 12 | 813885 | 5 | 16 | | | |
| 813697 | 2 | 2 | 813822 | 5 | 16 | 813851 | 5 | 22 | 813887 | 5 | 10 | | | |
| 813697 | 2 | 6 | 813822 | 5 | 22 | 813851 | 5 | 28 | 813887 | 5 | 14 | | | |
| 813700 | 4 | 2 | 813822 | 5 | 28 | 813854 | 4 | 22 | 813888 | 5 | 10 | | | |
| 813738 | 5 | 6 | 813823 | 5 | 12 | 813854 | 5 | 12 | 813888 | 5 | 14 | | | |
| 813738 | 5 | 8 | 813823 | 5 | 16 | 813854 | 5 | 28 | 813890 | 5 | 10 | | | |
| 813738 | 5 | 50 | 813824 | 5 | 12 | 813855 | 5 | 12 | 813890 | 5 | 14 | | | |
| 813772 | 5 | 56 | 813825 | 5 | 10 | 813855 | 5 | 22 | 813892 | 5 | 40 | | | |
| 813773 | 5 | 56 | 813825 | 5 | 22 | 813855 | 5 | 28 | 813892 | 5 | 42 | | | |
| 813774 | 5 | 56 | 813825 | 5 | 28 | 813856 | 5 | 12 | 813893 | 4 | 8 | | | |
| 813775 | 5 | 56 | 813826 | 5 | 10 | 813856 | 5 | 22 | 813894 | 5 | 40 | | | |
| 813783 | 4 | 8 | 813826 | 5 | 14 | 813856 | 5 | 28 | 813902 | 5 | 44 | | | |
| 813786 | 7 | 12 | 813827 | 5 | 22 | 813857 | 5 | 10 | 813903 | 5 | 44 | | | |
| 813791 | 3 | 14 | 813827 | 5 | 28 | 813858 | 5 | 10 | 813903 | 5 | 46 | | | |
| 813791 | 3 | 16 | 813829 | 5 | 12 | 813860 | 5 | 12 | 813904 | 5 | 40 | | | |
| 813791 | 3 | 18A | 813829 | 5 | 22 | 813861 | 5 | 12 | 813905 | 5 | 44 | | | |
| 813792 | 3 | 14 | 813829 | 5 | 28 | 813862 | 5 | 10 | 813906 | 5 | 44 | | | |
| 813792 | 3 | 16 | 813831 | 5 | 12 | 813862 | 5 | 22 | 813906 | 5 | 46 | | | |
| 813792 | 3 | 18 | 813833 | 5 | 10 | 813862 | 5 | 28 | 813907 | 5 | 40 | | | |
| 813792 | 3 | 18A | 813833 | 5 | 14 | 813863 | 5 | 10 | 813907 | 5 | 42 | | | |
| 813795 | 4 | 4 | 813834 | 5 | 10 | 813864 | 5 | 22 | 813908 | 5 | 40 | | | |
| 813796 | 4 | 4 | 813835 | 5 | 10 | 813865 | 5 | 22 | 813908 | 5 | 42 | | | |
| 813802 | 4 | 8 | 813836 | 5 | 22 | 813865 | 5 | 28 | 813909 | 5 | 40 | | | |
| 813802 | 4 | 8 | 813837 | 5 | 12 | 813866 | 5 | 12 | 813910 | 5 | 44 | | | |
| 813803 | 4 | 8 | 813837 | 5 | 16 | 813866 | 5 | 22 | 813910 | 5 | 46 | | | |
| 813804 | 4 | 6 | 813838 | 5 | 10 | 813866 | 5 | 28 | 813915 | 5 | 40 | | | |

| Page | | | Issue | | | Numerical Index | | | | | |
|----------|-------|------|------------|-------|------|-----------------|-------|------|----------|-------|------|
| 12 | | | PA-25-2-PL | | | | | | | | |
| Part No. | Group | Page | Part No. | Group | Page | Part No. | Group | Page | Part No. | Group | Page |
| 813915 | 5 | 42 | 814014 | 4 | 22 | 826757 | 3 | 8A | 893338 | 4 | 18 |
| 813915 | 5 | 44 | 814016 | 4 | 18 | 826758 | 3 | 12A | 893339 | 4 | 18 |
| 813915 | 5 | 46 | 814017 | 4 | 22 | 826780 | 3 | 8A | 893346 | 4 | 22 |
| 813916 | 5 | 46 | 814018 | 4 | 18 | 826790 | 6 | 8A | 893446 | 2 | 10 |
| 813917 | 5 | 40 | 814022 | 4 | 22 | 826791 | 3 | 24A | 893451 | 2 | 10 |
| 813917 | 5 | 42 | 814027 | 4 | 16 | 826792 | 3 | 8A | 893452 | 2 | 10 |
| 813919 | 5 | 40 | 814028 | 4 | 16 | 826793 | 6 | 8A | 893524 | 3 | 14 |
| 813919 | 5 | 42 | 814034 | 4 | 16 | 842847 | 3 | 8 | 893524 | 3 | 16 |
| 813920 | 5 | 40 | 814034 | 4 | 18 | 842961 | 3 | 8A | 893524 | 3 | 18A |
| 813922 | 5 | 40 | 814036 | 4 | 22 | 842961 | 7 | 10 | 909097 | 7 | 12 |
| 813922 | 5 | 42 | 814041 | 4 | 22 | 842965 | 3 | 8A | 909152 | 10 | 2 |
| 813923 | 5 | 44 | 814044 | 4 | 18 | 842965 | 7 | 10 | 909153 | 10 | 2 |
| 813931 | 4 | 6 | 814058 | 3 | 12A | 842968 | 7 | 10 | 910161 | 5 | 32 |
| 813936 | 4 | 16 | 814064 | 3 | 12A | 843157 | 8 | 2 | 910161 | 5 | 36 |
| 813937 | 4 | 22 | 814240 | 4 | 16 | 850145 | 1 | 2 | 910161 | 5 | 52 |
| 813938 | 4 | 18 | 814241 | 4 | 16 | 85021302 | 6 | 8A | 910162 | 5 | 26 |
| 813942 | 4 | 22 | 814250 | 5 | 6 | 890203 | 4 | 18 | 910162 | 5 | 30 |
| 813944 | 4 | 22 | 814250 | 5 | 8 | 891067 | 4 | 18 | 910162 | 5 | 34 |
| 813946 | 4 | 18 | 814251 | 5 | 6 | 891086 | 4 | 18 | 910238 | 4 | 18 |
| 813948 | 4 | 18 | 814251 | 5 | 8 | 891120 | 5 | 42 | 910377 | 4 | 16 |
| 813949 | 4 | 20 | 814256 | 3 | 14 | 891390 | 4 | 18 | 910379 | 4 | 18 |
| 813950 | 4 | 22 | 814256 | 3 | 16 | 891415 | 4 | 18 | 910383 | 4 | 16 |
| 813951 | 4 | 22 | 814256 | 3 | 18A | 891498 | 5 | 46 | 910384 | 4 | 16 |
| 813952 | 4 | 22 | 814257 | 3 | 14 | 891663 | 4 | 18 | 910385 | 4 | 16 |
| 813953 | 4 | 16 | 814257 | 3 | 16 | 891827 | 5 | 56 | 910386 | 4 | 16 |
| 813953 | 4 | 18 | 814261 | 3 | 26 | 891953 | 5 | 32 | 910387 | 4 | 16 |
| 813954 | 4 | 18 | 814281 | 4 | 22 | 891953 | 5 | 36 | 910388 | 4 | 18 |
| 813957 | 4 | 22 | 814282 | 4 | 16 | 891983 | 3 | 10 | 910390 | 4 | 22 |
| 813958 | 4 | 22 | 814283 | 4 | 16 | 892104 | 4 | 18 | 910391 | 4 | 18 |
| 813962 | 4 | 22 | 814284 | 4 | 6 | 892130 | 4 | 2 | 910392 | 4 | 16 |
| 813963 | 4 | 22 | 814285 | 4 | 6 | 892306 | 4 | 18 | 910706 | 5 | 20 |
| 813966 | 4 | 16 | 814287 | 4 | 8 | 892309 | 4 | 18 | 910995 | 1 | 8 |
| 813967 | 4 | 16 | 814288 | 4 | 6 | 892713 | 3 | 8 | 910997 | 3 | 18 |
| 813968 | 4 | 16 | 814289 | 4 | 6 | 893080 | 5 | 20 | 911051 | 5 | 18 |
| 813982 | 4 | 22 | 814290 | 4 | 6 | 893123 | 4 | 18 | 911052 | 5 | 18 |
| 813984 | 4 | 22 | 815069 | 3 | 26 | 893126 | 4 | 22 | 911053 | 5 | 14 |
| 813986 | 4 | 18 | 815069 | 3 | 30A | 893228 | 3 | 14 | 911054 | 5 | 18 |
| 813988 | 4 | 22 | 815215 | 1 | 2 | 893228 | 3 | 16 | 911055 | 5 | 14 |
| 813990 | 4 | 22 | 825791 | 3 | 26 | 893228 | 3 | 18A | 911056 | 5 | 14 |
| 813991 | 4 | 22 | 825792 | 3 | 26 | 893243 | 4 | 22 | 911057 | 5 | 18 |
| 813995 | 4 | 16 | 826739 | 3 | 8A | 893261 | 4 | 18 | 911058 | 5 | 18 |
| 813999 | 4 | 16 | 826741 | 3 | 24A | 893330 | 4 | 18 | 911059 | 5 | 14 |
| 814003 | 4 | 18 | 826742 | 6 | 8A | 893331 | 4 | 18 | 911060 | 5 | 12 |
| 814004 | 4 | 18 | 826744 | 3 | 18A | 893332 | 4 | 18 | 911060 | 5 | 22 |
| 814005 | 4 | 18 | 826745 | 3 | 18A | 893333 | 4 | 18 | 911060 | 5 | 28 |
| 814006 | 4 | 18 | 826746 | 3 | 18A | 893334 | 4 | 18 | 911061 | 5 | 28 |
| 814008 | 4 | 16 | 826748 | 3 | 30A | 893335 | 4 | 18 | 911062 | 5 | 14 |
| 814011 | 4 | 16 | 826755 | 3 | 8A | 893336 | 4 | 18 | 911063 | 5 | 28 |
| 814012 | 4 | 22 | 826756 | 3 | 8A | 893337 | 4 | 18 | 911076 | 4 | 14 |

| Page | | | Issue | | | Numerical Index | | | | | | | | |
|----------|-------|------|------------|-------|------|-----------------|-------|------|----------|-------|------|--|--|--|
| 13 | | | PA-25-2-PL | | | | | | | | | | | |
| Part No. | Group | Page | Part No. | Group | Page | Part No. | Group | Page | Part No. | Group | Page | | | |
| 911077 | 4 | 14 | 922032 | 5 | 20 | 923392 | 5 | 42 | 989151 | 5 | 6 | | | |
| 911078 | 4 | 14 | 922325 | 7 | 8 | 923393 | 5 | 46 | 989151 | 5 | 8 | | | |
| 911079 | 4 | 14 | 922552 | 2 | 2 | 923394 | 5 | 46 | 990003 | 8 | 2 | | | |
| 911080 | 4 | 14 | 922552 | 2 | 8 | 923395 | 5 | 46 | 991609 | 8 | 2 | | | |
| 911081 | 4 | 14 | 922554 | 3 | 12 | 924651 | 6 | 10 | 991610 | 8 | 2 | | | |
| 911082 | 4 | 14 | 922555 | 3 | 12 | 925702 | 6 | 10 | 991611 | 8 | 2 | | | |
| 911083 | 4 | 14 | 922563 | 3 | 8 | 925832 | 7 | 6 | 991612 | 8 | 2 | | | |
| 911084 | 4 | 14 | 922563 | 3 | 8A | 928021 | 6 | 2 | 991613 | 8 | 2 | | | |
| 911085 | 4 | 14 | 922789 | 10 | 8 | 928021 | 6 | 6 | 991614 | 8 | 2 | | | |
| 911086 | 4 | 14 | 922790 | 10 | 8 | 928021 | 6 | 8 | 991656 | 8 | 2 | | | |
| 911087 | 4 | 14 | 922791 | 5 | 48 | 928021 | 6 | 8A | 991658 | 8 | 2 | | | |
| 911430 | 5 | 20 | 922792 | 5 | 48 | 930046 | 7 | 8 | 991659 | 8 | 2 | | | |
| 911431 | 5 | 20 | 922793 | 5 | 48 | 930112 | 7 | 12 | 991990 | 8 | 2 | | | |
| 911454 | 5 | 20 | 922794 | 5 | 48 | 930150 | 6 | 2 | 999011 | 10 | 14 | | | |
| 911456 | 7 | 6 | 922795 | 5 | 48 | 930150 | 6 | 6 | 999023 | 6 | 2 | | | |
| 911468 | 5 | 20 | 922796 | 5 | 48 | 930150 | 6 | 8 | 999023 | 6 | 6 | | | |
| 911499 | 5 | 50 | 922797 | 5 | 48 | 930150 | 6 | 8A | 999023 | 6 | 8 | | | |
| 911650 | 5 | 42 | 922798 | 5 | 48 | 930153 | 7 | 6 | 999023 | 6 | 8A | | | |
| 911650 | 5 | 46 | 922799 | 5 | 48 | 930165 | 10 | 14 | 999024 | 6 | 2 | | | |
| 912385 | 3 | 14 | 922800 | 5 | 48 | 930166 | 10 | 14 | 999024 | 6 | 6 | | | |
| 912385 | 3 | 18A | 922801 | 5 | 48 | 930182 | 7 | 6 | 999024 | 6 | 8 | | | |
| 920065 | 6 | 10 | 922812 | 5 | 48 | 930192 | 10 | 2 | 999024 | 6 | 8A | | | |
| 920363 | 5 | 50 | 922813 | 5 | 48 | 930195 | 10 | 2 | 999025 | 6 | 2 | | | |
| 920772 | 5 | 50 | 922814 | 5 | 40 | 930196 | 7 | 8 | 999025 | 6 | 6 | | | |
| 920953 | 3 | 10 | 922815 | 5 | 42 | 932032 | 7 | 6 | 999025 | 6 | 8 | | | |
| 920953 | 3 | 12 | 922850 | 7 | 14 | 932050 | 7 | 6 | 999025 | 6 | 8A | | | |
| 921039 | 3 | 22 | 922873 | 7 | 14 | 950030 | 6 | 10 | | | | | | |
| 921065 | 10 | 4 | 922935 | 3 | 26 | 960079 | 10 | 2 | | | | | | |
| 921070 | 7 | 12 | 922991 | 4 | 16 | 975037 | 6 | 10 | | | | | | |
| 921077 | 6 | 6 | 922992 | 4 | 16 | 975064 | 6 | 10 | | | | | | |
| 921087 | 10 | 2 | 922993 | 4 | 16 | 975065 | 6 | 2 | | | | | | |
| 921097 | 3 | 30 | 922994 | 4 | 16 | 975065 | 6 | 6 | | | | | | |
| 921097 | 3 | 30A | 922995 | 4 | 16 | 975065 | 6 | 8 | | | | | | |
| 921108 | 5 | 32 | 922996 | 4 | 16 | 975065 | 6 | 8A | | | | | | |
| 921108 | 5 | 36 | 922997 | 4 | 16 | 975077 | 6 | 10 | | | | | | |
| 921119 | 5 | 52 | 922998 | 4 | 16 | 975079 | 6 | 10 | | | | | | |
| 921164 | 3 | 14 | 922999 | 4 | 16 | 985012 | 7 | 6 | | | | | | |
| 921164 | 3 | 16 | 923008 | 5 | 32 | 985012 | 10 | 14 | | | | | | |
| 921164 | 3 | 18 | 923008 | 5 | 36 | 985066 | 10 | 2 | | | | | | |
| 921164 | 3 | 18A | 923075 | 5 | 18 | 985087 | 10 | 2 | | | | | | |
| 921429 | 7 | 14 | 923135 | 7 | 4 | 985146 | 7 | 6 | | | | | | |
| 921430 | 7 | 14 | 923245 | 3 | 20 | 989076 | 7 | 6 | | | | | | |
| 921528 | 10 | 4 | 923250 | 3 | 8 | 989078 | 3 | 2 | | | | | | |
| 921564 | 1 | 4 | 923251 | 3 | 8 | 989078 | 3 | 8 | | | | | | |
| 921646 | 5 | 50 | 923252 | 3 | 8 | 989078 | 3 | 8A | | | | | | |
| 921849 | 7 | 2 | 923269 | 3 | 30 | 989079 | 7 | 6 | | | | | | |
| 921850 | 7 | 8 | 923389 | 5 | 42 | 989149 | 7 | 6 | | | | | | |
| 922007 | 3 | 4 | 923390 | 5 | 42 | 989150 | 5 | 6 | | | | | | |
| 922012 | 7 | 8 | 923391 | 5 | 42 | 989150 | 5 | 8 | | | | | | |

