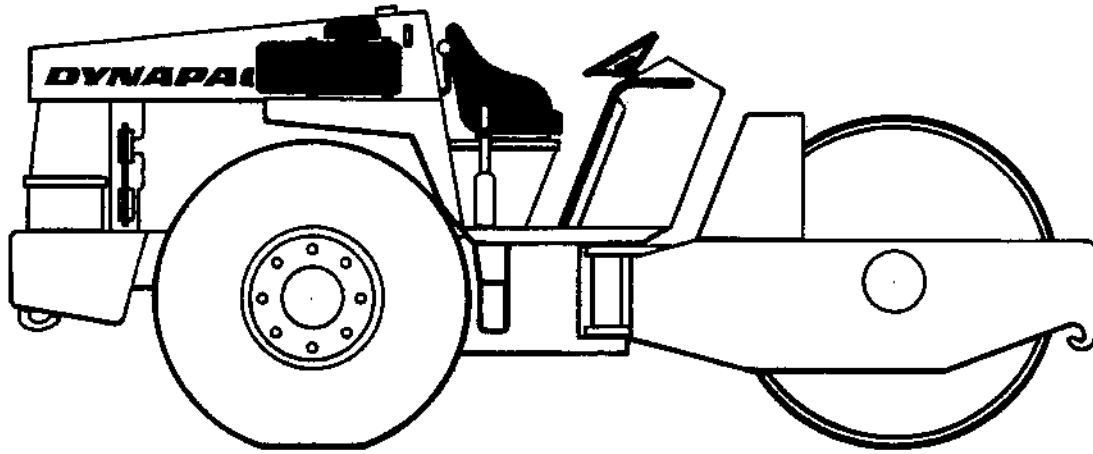


ILLUSTRATED PARTS MANUAL



MODEL CA-30, CA-30A
CA-30D & CA-30PD

VIBRATORY COMPACTOR

INTRODUCTION

1. This manual provides information for identifying and ordering all replaceable parts and assemblies for the DYNAPAC Model CA-30 Self-Propelled Vibratory Compactor manufactured by Dynapac Mfg Inc. Kelly Place, Stanhope, New Jersey 07874, U.S.A.
2. Using the Parts List.

The table of contents at the front of this manual lists the major assemblies and systems.

The **Index Number** column in the parts list contains reference numbers which correspond to those shown on the exploded views.

Parts which are indented in the Description column are part of the preceding assembly or subassembly.

The **Quantity** column indicates the quantity of each part required on a machine except when the parts are indented, in which case the quantity shown is the number required for the preceding assembly or subassembly.

EXAMPLE:

INDEX NUMBER	PART NUMBER	DESCRIPTION	QUANTITY
--	335567	Valve, Steering Assembly	1
1	814146	Seal, 1 1/4" OD x 1" ID	1
2	911582	Ring, Retaining	1

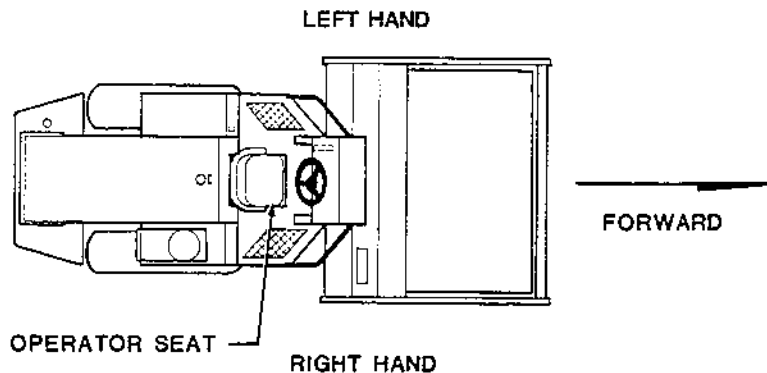
3. Terms and Abbreviations Used

- A. Right hand and left hand (R.H., L.H.) sides of the compactor are identified as viewed when sitting in the operator's seat with the engine behind and facing in the direction of forward travel. See illustration.
- B. Bolts and screws, etc. which are hex head and/or heat treated are indicated as HH and HT respectively.
- C. NSS identifies parts which are "not sold separately"
- D. A/R identifies parts to be ordered in quantities "as required".

4. Ordering Parts

All orders to your DYNAPAC Dealer for parts should include the model and serial numbers of the compactor, the complete description, correct part number, quantity required, method of shipment and shipping address. When ordering parts for complete vendor units or subassemblies, please include all data appearing on the identification plate.

ILLUSTRATION:



INDEX
CA-30 MODELS

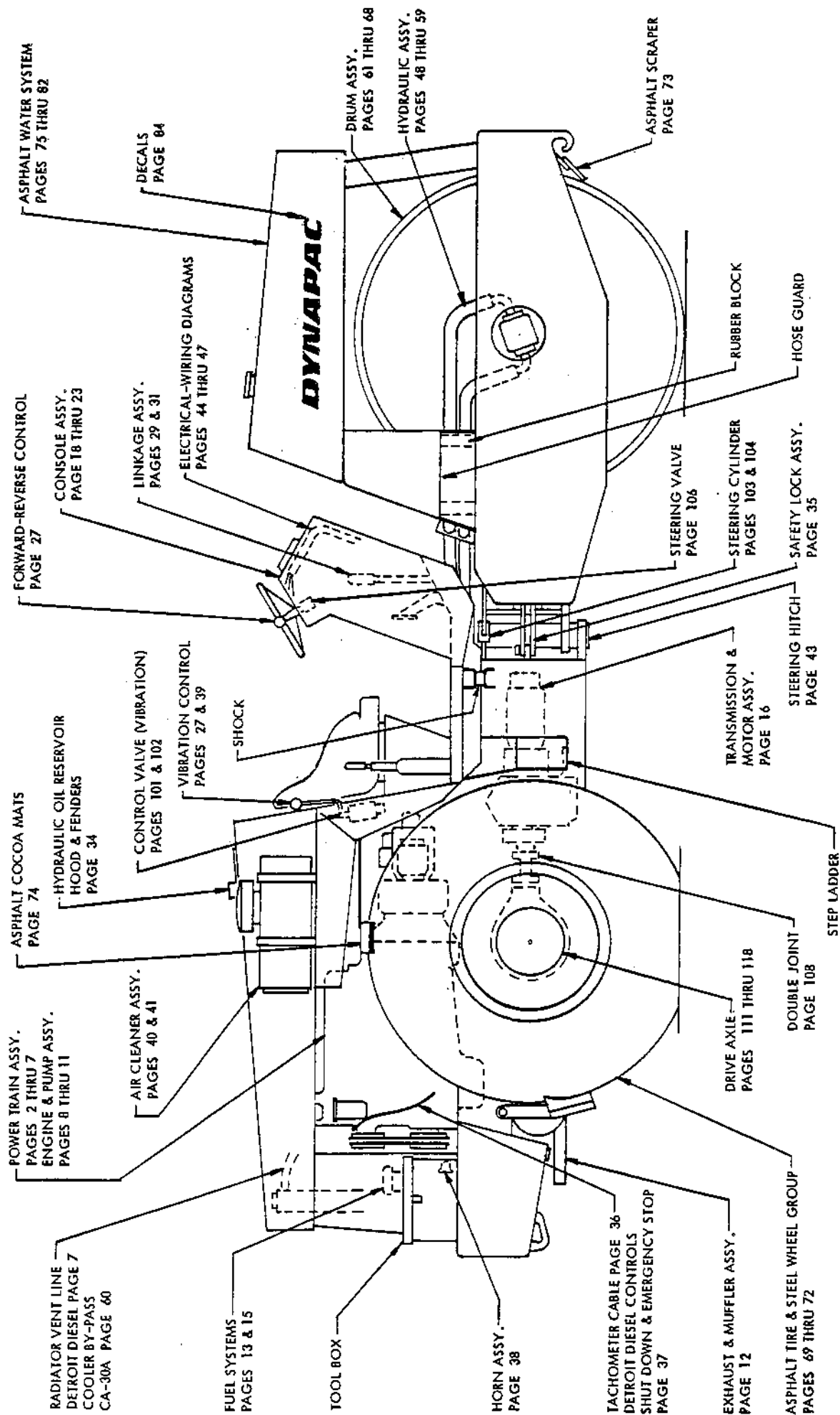
Page No. by Model Designation

<u>Description</u>		<u>CA-30</u>	<u>CA-30A</u>	<u>CA-30D</u>	<u>CA-30PD</u>
	Introduction & Index General Arrangement	i-iii 1	i-iii 1	i-iii 1	i-iii 1
A	Air Cleaner Assembly	40		40	40
C	Cab Assembly	121		121	121
	Cleaner Bar, Pad Drum				138
	Cocoa Mat-Wheel		74		
	Console Assembly	19	23	19	19
	Control Valve, Vibration	101	102	101	101
	Cooler By-Pass		60		
D	Decals	85	83	85	85
	Double Joint (Universal)	108	108	108	108
	Drive Axle	111	111	111	111
	Drive Hub			64	64
	Drive Hub Assy.			110	110
	Drum Assembly	65	65	67	68
	Drum Drive Assembly			63	63
	Drum Module Assembly	61	61	61	61
	Dual Amplitude Control Valve	53A-D		53A-D	53A-D
E	Electrical Wiring Diagrams				
	CAT	44	45	44	44
	Detroit	46	47	46	46
	Engine Emergency Shutdown	37	37	37	37
	Engine & Pump Assembly				
	CAT	9	9	9	9
	Detroit	11	11	11	11
	Exhaust & Muffler Assy.				
	CAT	12	12	12	12
	Detroit	7	7	7	7
F	Fwd.-Rev. & Vibration Control Assy.	33	27	33	33
	Fuel System				
	CAT	13-14A	13-14A	13-14A	13-14A
	Detroit	15	15	15	15
H	Headlights	120	120	120	120
	Heater & Defroster	130		130	130
	Horn Assembly	38	38	38	38
	Hydraulic Assembly	51	56	51	51
	Hydraulic Circuit, Vibration Pilot		59		
	Hydraulic Oil Filter	107	107	107	107
	Hydraulic Oil Reservoir, Hood & Fenders	34	34	34	34
	Hydraulic Schematic	48	48	48	48

INDEX
CA-30 MODELS

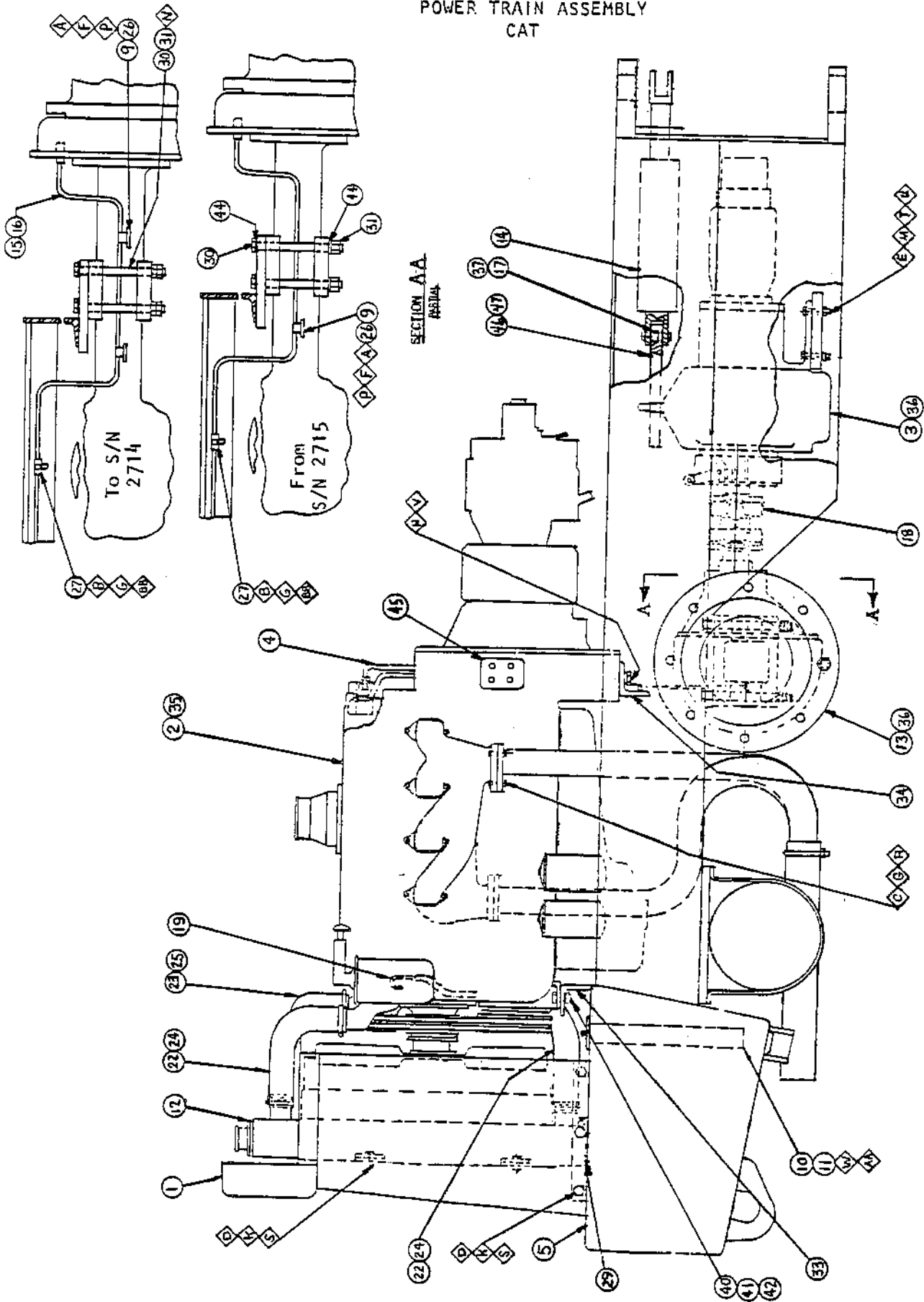
Page No. by Model Designation

<u>Description</u>		<u>CA-30</u>	<u>CA-30A</u>	<u>CA-30D</u>	<u>CA-30PD</u>
L	Linkage Assembly	29	31	29	29
M	Motor, Axle Traction	94	94	94	94
	Motor, Drum Traction			96	96
	Motor, Vibration	98	97	98	98
N	Noise Reduction Assy.	124	124	124	124
P	Pedestal Assembly		25		
	Power Train Assembly				
			CAT		
		2	2	2	2
		7	7	7	7
			Detroit		
	Pump, Drive	89	89	89	89
	Pump Traction	92	92	92	92
R	Pump, Vibration & Steering	99-100B	99-100B	99-100B	99-100B
	Radiator & Cooler Assy.	8A	8A	8A	8A
	Rollover Protection Structure (ROPS)	122		122	122
	Rubber Tire, Steel Wheel Mat & Scraper Assembly		69		
S	Safety Lock Assembly	35	35	35	35
	Scraper, Rubber Tire		71		
	Scraper, Steel Wheel		72		
	Scraper Assembly, Asphalt		73		
	Seat Belt	134		134	134
	Speed Control		133		
	Speedometer & Components		131-132A		
	Steering Cylinder	104	103	104	104
	Steering Hitch	43	43	43	43
T	Steering Valve	105-106	105-106	105-106	105-106
	Tachometer Cables	36	36	36	36
	Transmission & Motor Assy.	16	16	16	16
U	Transmission, 3-Speed	88	88	88	88
V	Umbrella	135	135	135	135
	Vibration Control Linkage	39		39	39
W	Vibrometer		136		
	Water Lines and Components		78		
	Water System Assembly		75		
	Water System, Electrical		80		
	Water System, Solvent Tank		82		
	Wheel & Tire Assembly	70	70	70	70



CA-30 GENERAL ARRANGEMENT

POWER TRAIN ASSEMBLY
CAT



Rev. 1-4-84

Page 2

PA-30-PL

POWER TRAIN ASSEMBLY

CAT

INDEX NUMBER	PART NUMBER	DESCRIPTION	QUANTITY
1	335540	Radiator Guard	1
2	See Page 9	Engine & Pump Assembly	
3	See Page 16	Trans. & Motor Assembly	
4	See Page 13	Fuel System	
5	826558	Frame (From S/N 2969 to 2972, 2977 & Up).	1
-	335537	Frame (To 2968, 2973 to 2976)	1
-	826585	Frame (CA-30A From S/N 2969 to 2972, 2977 & Up)	1
-	826242	Frame (CA-30A to 2968, 2973 to 2976)	1
9	825155	Tube Support	2
10	813314	Fuel Level Sender	1
11	813315	Gasket	1
12	See Page 8A	Radiator & Cooler Assembly	
13	335464	Axle - See pages 111 thru 118	1
14	*335560	Hydraulic Cylinder-Steering	2
	**801103	Hydraulic Cylinder-Steering	2
	See page 103 & 104		
15	335572	L. H. Axle Brake Line	1
16	335573	R. H. Axle Brake Line	1
17	813316	Bearing	2
18	813303	Double Joint	1
22	813308	Hose-Outlet	2
23	825885	Hose Water Pump	1
24	813311	Clamp	4
25	801246	Clamp	2
26	313064	Clamp	2
27	813310	Strap Tee	1
28	813306	Drain Cock	1

*Model CA-30A

**Model CA-30, CA-30D, CA-30PD

POWER TRAIN ASSEMBLY
CAT

INDEX NUMBER	PART NUMBER	DESCRIPTION	QUANTITY
29	813317	Neoprene Strip 15-1/2" Long	1
30	502314	Capscrew, HH/HT (From S/N 2715)	8
-	502142	Capscrew, HH/HT (To S/N 2714)	8
31	586050	Locknut, (From S/N 2715)	8
-	571024	Hex Nut, (To S/N 2714).....	16
33	825127	Front Engine Support	1
34	825128	Rear Engine Support	1
37	310025	Grease Fitting.....	2
38	825309	Spacer	2
40	502060	Capscrew, HH	2
41	586049	Locknut	2
42	602017	Plain Washer SAE	2
43	See Page 12	Muffler Assembly	
44	615033	Washer, Flat (From S/N 2715)	16
45	825309	Spacer	2
46	815272	Mounting Bracket, RH Cylinder.....	1
47	815273	Mounting Bracket, LH Cylinder.....	1
A	502004	Capscrew	2
B	502018	Capscrew	1
C	502037	Capscrew	6
D	502029	Capscrew	10
E	502079	Capscrew	4
F	604026	Lockwasher	4
G	604028	Lockwasher	6
K	604030	Lockwasher	10
M	604032	Lockwasher	4
N	604033	Lockwasher	*10
P	571001	Hex Nut	2
R	571003	Hex Nut	7
S	571005	Hex Nut	10
T	571006	Hex Nut	4
U	600011	Plain Washer	4
V	502138	Capscrew, HH.....	2
W	550028	Rd. Hd. Screw	5
AA	604019	Lockwasher.....	5
BB	604027	Lockwasher.....	1

*QUANTITY OF 8 USED ON AXLE UP TO S/N 2714

POWER TRAIN ASSEMBLY
DETROIT

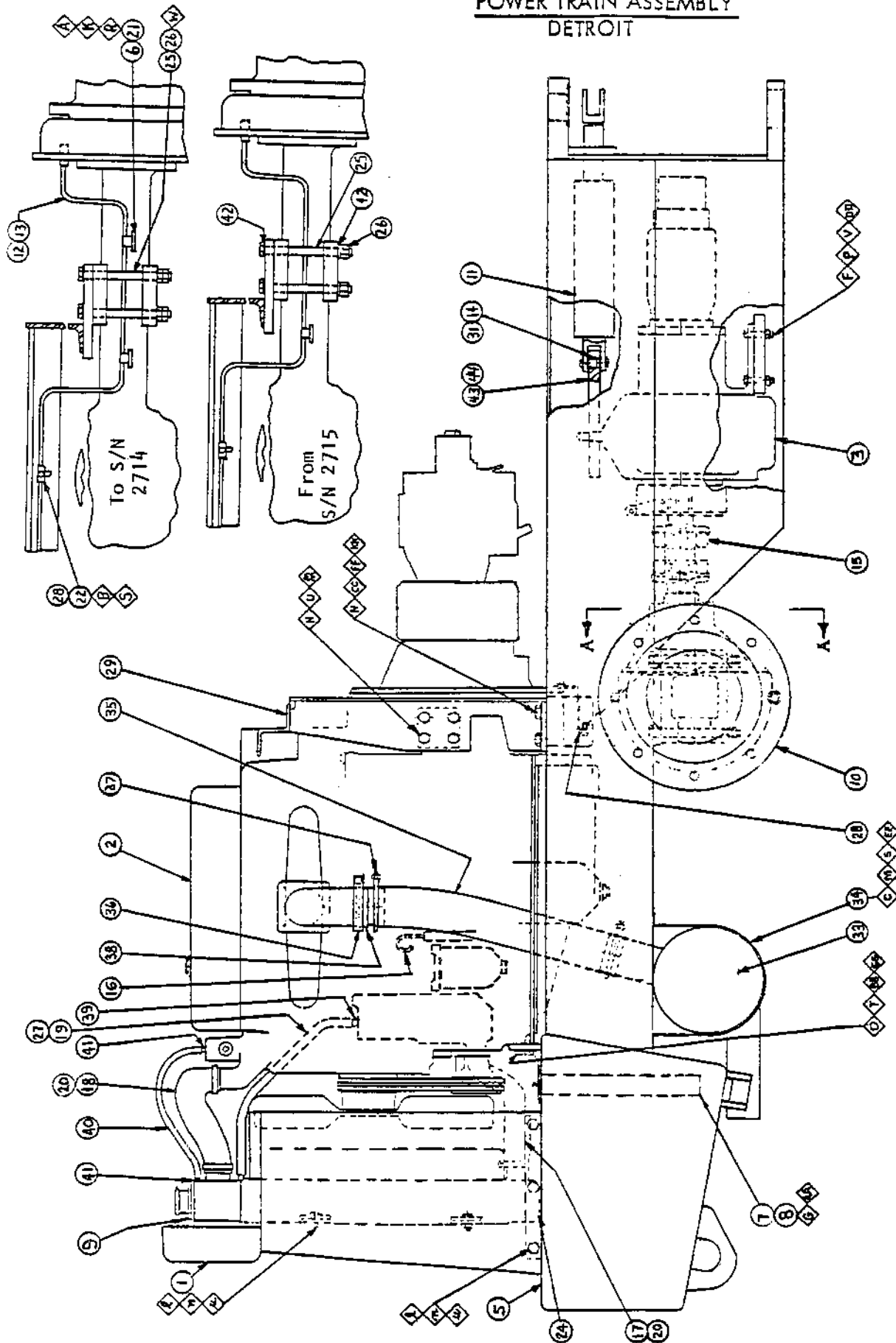
INDEX NUMBER	PART NUMBER	DESCRIPTION	QUANTITY
1	335540	Radiator Guard	1
2	See page 11	Engine & Pump Assembly	
3	See page 16	Trans & Motor Assembly	
4	See page 15	Fuel System	
5	826572	Frame (From S/N 2969 to 2972, 2977 & Up).	1
-	825707	Frame (To 2968, 2973 to 2976)	1
-	826586	Frame (CA-30A From S/N 2969 to 2972, 2977 & Up)	1
-	826242	Frame (CA-30A to 2968, 2973 to 2976)	1
6	825155	Tube Support	2
7	813314	Fuel Level Sender	1
8	813315	Gasket	1
9	See page 8A	Radiator & Cooler Assembly	
10	335464	Axle - see pages 111 thru 118	1
11	*335560	Hydraulic Cylinder-Steering	2
	**801103	Hydraulic Cylinder-Steering	2
	See page 103 & 104		
12	335572	L.H. Axle Brake Line	1
13	335573	R.H. Axle Brake Line	1
14	813316	Bearing	2
15	813303	Double Joint	1
17	499227	Hose-Inlet	1
18	745015	Hose-Outlet	1
19	753010	Hose 38" long	1
20	813311	Clamp	4
21	813313	Clamp	2
22	813310	Strap Tee	1
23	813306	Drain Cock	1
24	813317	Neoprene Strip 15-1/2" long	1
25	502314	Capscrew, HH/HT (From S/N 2715)	8
-	502229	Capscrew, HH/HT (To S/N 2714)	8
26	586050	Locknut, (From S/N 2715)	8
-	571024	Hex Nut, (To S/N 2714)	16
27	313064	Clamp	2
28	825711	Tee Support Bracket	1
29	825695	Reservoir Support Rear	1
31	310022	Grease Fitting	2
33	801058	Muffler	1
34	815069	Muffler Strap	1

*Model CA-30A
**Models CA-30, CA-30D, CA-30PD

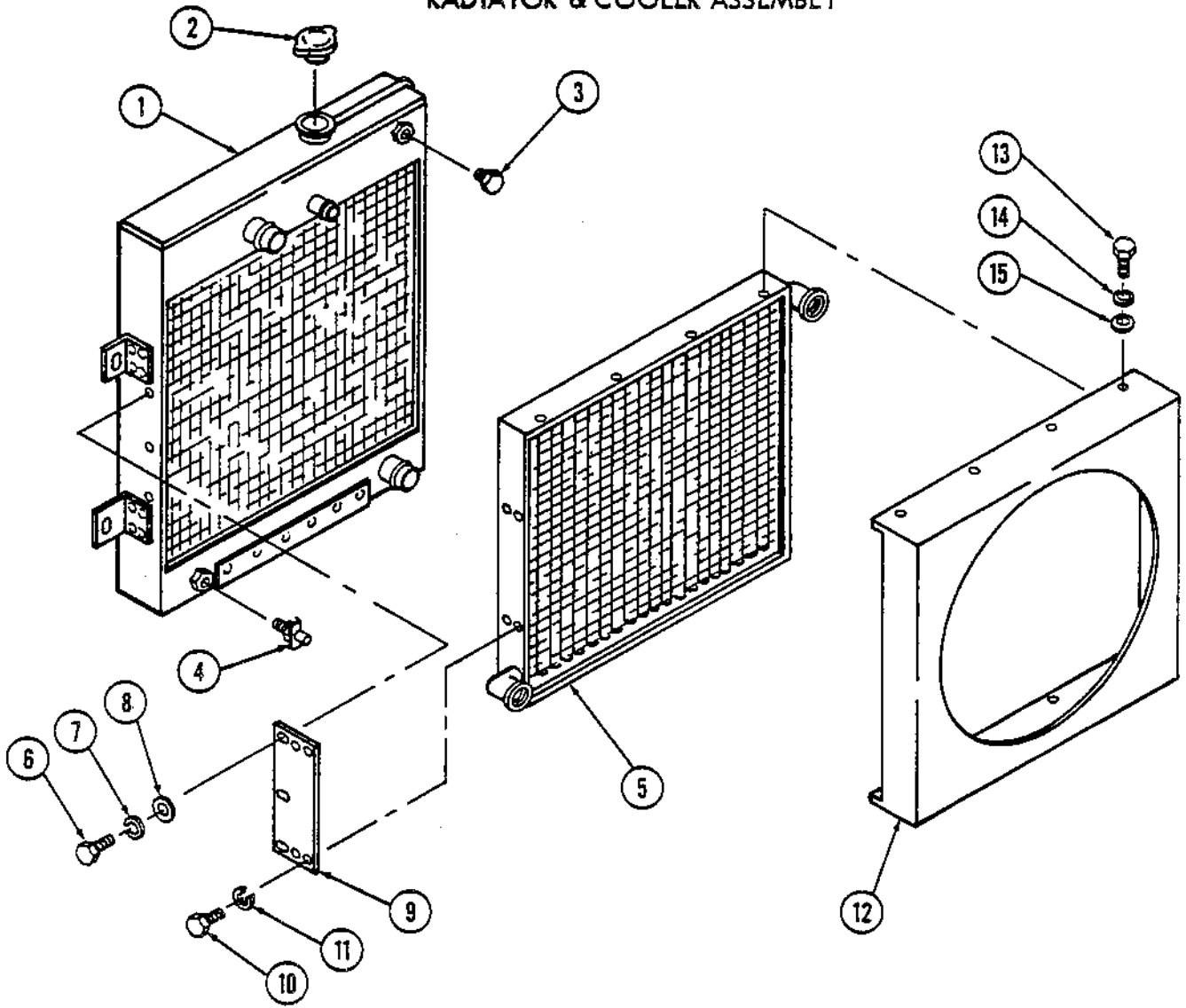
POWER TRAIN ASSEMBLY
DETROIT

INDEX NUMBER	PART NUMBER	DESCRIPTION	QUANTITY
35	745016	Flexible Pipe	1
36	313056	Clamp	1
37	921097	Pipe Clamp	2
38	745017	Flared Adapter	1
39	814058	Nipple TOE	1
40	814064	Vent Line - Radiator Hose 24" long	1
-	334181	Swivel Fitting, Female	2
41	334179	Connector	2
42	615033	Washer, Flat (From S/N 2715).....	16
43	815272	Mounting Bracket, RH Cylinder.....	1
44	815273	Mounting Bracket, LH Cylinder.....	1
A	502004	Capscrew	2
B	502035	Capscrew	1
C	502037	Capscrew	4
D	509077	Capscrew	2
E	502059	Capscrew	10
F	502079	Capscrew	4
G	550028	Rd. Hd. Screw	5
K	571001	Hex Nut	2
M	571003	Hex Nut	4
N	571005	Hex Nut	22
P	571006	Hex Nut	4
R	604026	Lockwasher	2
S	604028	Lockwasher	5
T	604029	Lockwasher	2
U	604030	Lockwasher	18
V	604032	Lockwasher	4
W	604033	Lockwasher (To S/N 2714).....	8
AA	604019	Lockwasher	5
BB	600069	Plain Washer	4
CC	600010	Plain Washer	4
DD	600011	Plain Washer	4
EE	605006	Bevel Washer	4
FF	605007	Bevel Washer	4
GG	502046	Capscrew	2
KK	502061	Capscrew	4
MM	502062	Capscrew	8

POWER TRAIN ASSEMBLY
DETROIT



RADIATOR & COOLER ASSEMBLY



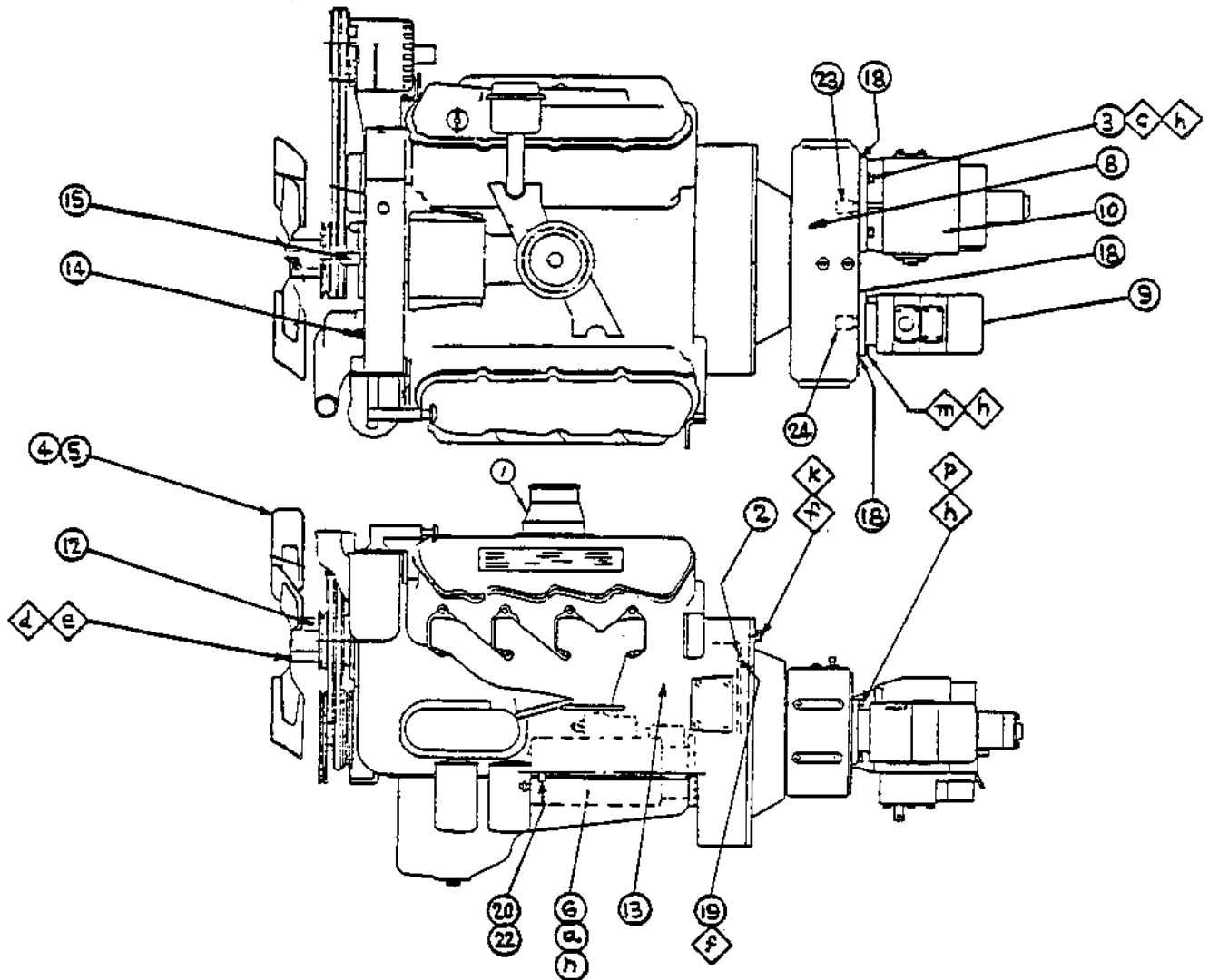
INDEX NUMBER	PART NUMBER	DESCRIPTION	QUANTITY
1	801590	Radiator	1
2	893488	Cap, Radiator	1
3	801291	Plug, Pipe (Cat eng. only)	1
4	813306	Petcock, Drain	1
5	801137	Cooler, Oil	1
6	502031	Capscrew, HH	6
7	604028	Lockwasher	6
8	600007	Washer, Flat	6
9	826261	Bracket, Radiator	1
10	502014	Capscrew, HH	8
11	604027	Lockwasher	8
12	801485	Shroud, Fan	1
13	502002	Capscrew, HH	8
14	604026	Lockwasher	8
15	600005	Washer, Flat	8

ENGINE & PUMP ASSEMBLY
CAT

INDEX NUMBER	PART NUMBER	DESCRIPTION	QUANTITY
2	814275	Drive Plate	1
3	335545	Special Washer	4
5	801151	Blower Fan (Standard)	1
6	813460	Starter - 12V - 35 Amp	1
8	335566	Pump Drive - See page 89	1
9	*801159	Pump, Vibration & Steering - See page 99	1
10	**335556	Pump Hydrostatic	1
-	***801157	Pump Hydrostatic	1
	See page 92		
12	752018	Fan Spacer	1
13	801091	Engine - Cat. 3208	1
14	989078	Temperature Sender (from s/n 1777 & up) .	1
-	989036	Temperature Sender (from s/n 1776 down) .	1
15	813466	Tachometer Adapter	1
18	813647	O-Ring - See page 89	2
19	502033	Capscrew, HH	8
20	813462	Pressure Switch	1
22	813465	Hex Bushing	1
23	813605	Adapter Sleeve - See page 89	1
24	813602	Adapter Sleeve - See page 89	1

*Models CA-30, CA-30A, CA-30D, CA-30PD
 **Model CA-30A
 ***Models CA-30, CA-30D, CA-30PD

ENGINE & PUMP ASSEMBLY
CAT



INDEX NUMBER	PART NUMBER	DESCRIPTION	QUANTITY
A	502076	Capscrew, HH	3
C	502059	Capscrew, HH	4
D	503054	Capscrew, HH	4
E	604027	Spring Lockwasher	4
F	604028	Spring Lockwasher	20
H	604030	Spring Lockwasher	8
K	502036	Capscrew, HH	12
M	502057	Capscrew, HH	2
N	604032	Lockwasher	3
P	502058	Capscrew	2

ENGINE & PUMP ASSEMBLY
DETROIT

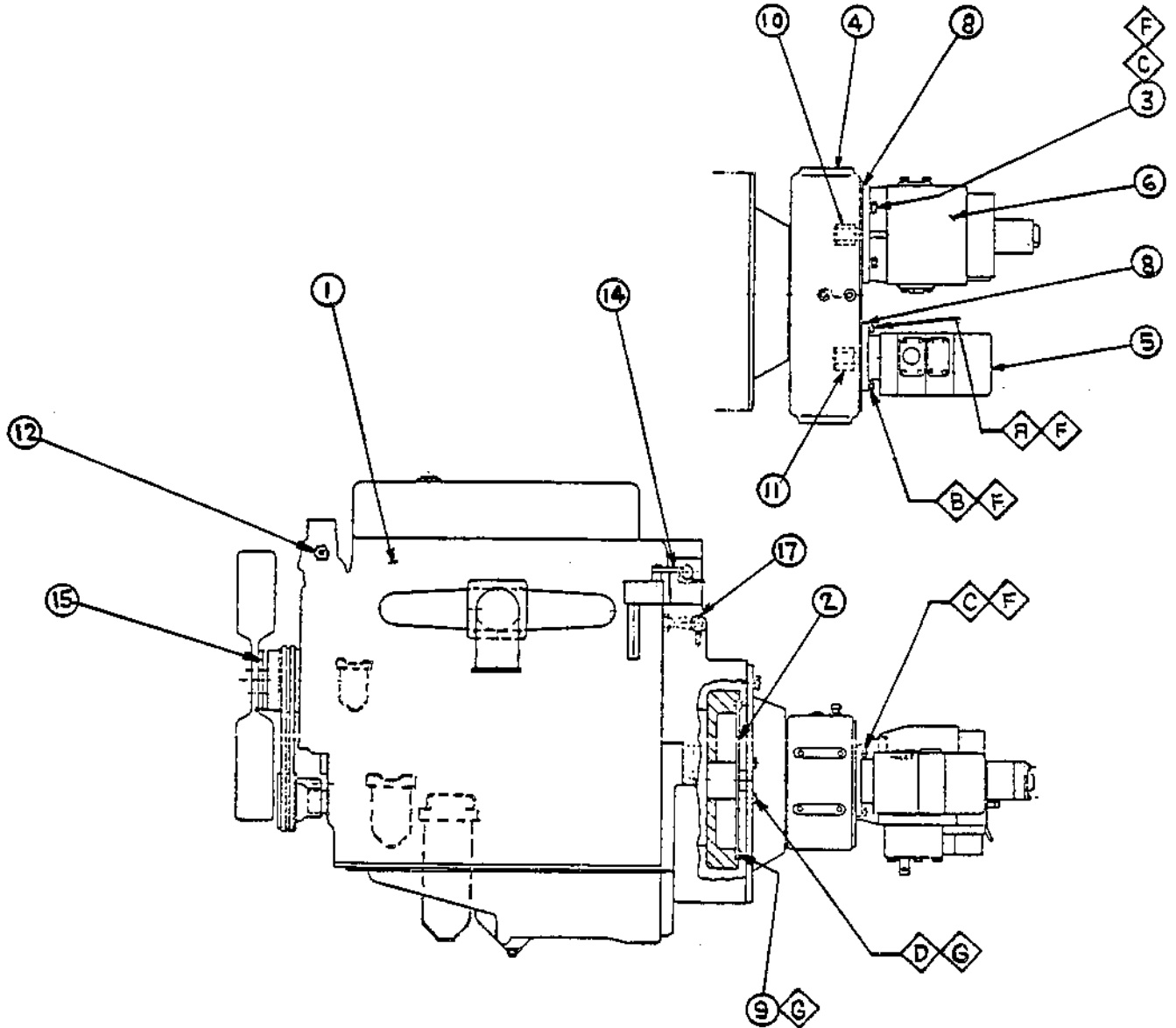
INDEX NUMBER	PART NUMBER	DESCRIPTION	QUANTITY
1	801049	Engine	1
2	480695	Drive Plate	1
3	335545	Special Washer	4
4	335566	Pump Drive - See page 89	1
5	*801159	Pump, Vibration & Steering - See page 99	1
6	**335556	Pump, Hydrostatic	1
	***801157	Pump, Hydrostatic	1
	See page 92		
8	813647	O-Ring - See page 89	2
9	502033	Capscrew, HH	8
10	813605	Adapter Sleeve - See page 89	1
11	813602	Adapter Sleeve - See page 89	1
12	989079	Temp Sender (from s/n 1777 & up)	1
	989055	Temp Sender (from s/n 1776 & down)	1
13	813462	Pressure Switch	1
14	825749	Throttle Link	1
15	745018	Fan Spacer	2
17	745020	Tachometer Adapter	1

*Models CA-30, CA-30D, CA-30PD, CA-30A

**Model CA-30A

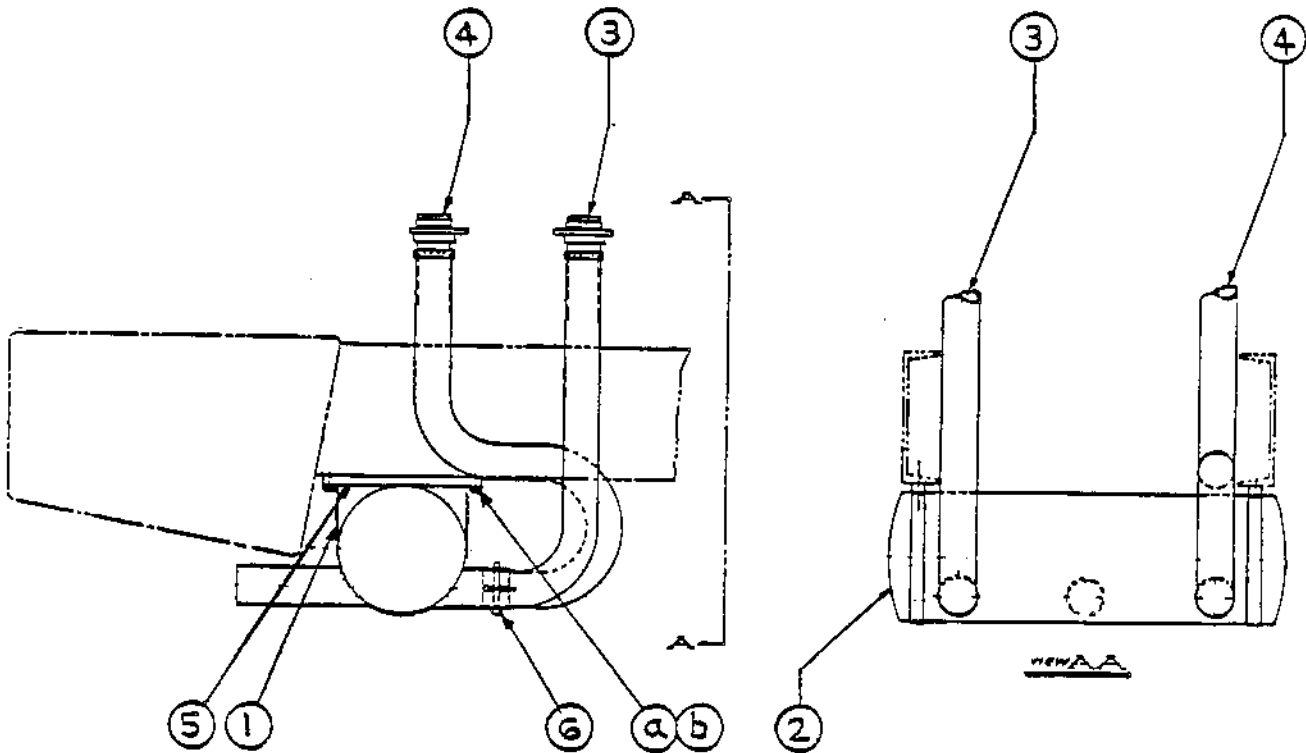
***Models CA-30, CA-30D, CA-30PD

ENGINE & PUMP
DETROIT

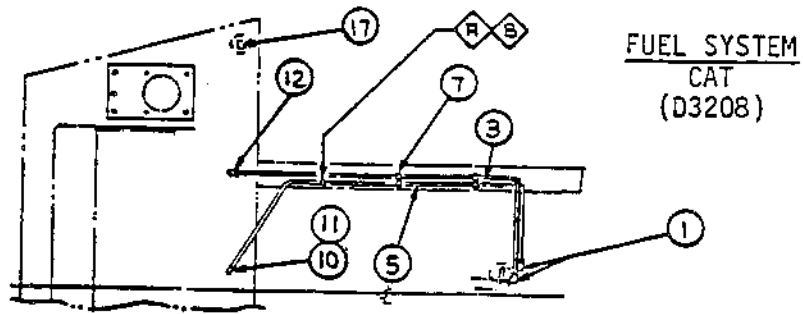


INDEX NUMBER	PART NUMBER	DESCRIPTION	QUANTITY
A	502058	Capscrew, HH	2
B	502057	Capscrew, HH	2
C	502059	Capscrew, HH	4
D	502036	Capscrew, HH	12
F	604030	Spring Lockwasher	8
G	604028	Spring Lockwasher	20
H	502016	Capscrew, HH	1
K	604027	Lockwasher	1

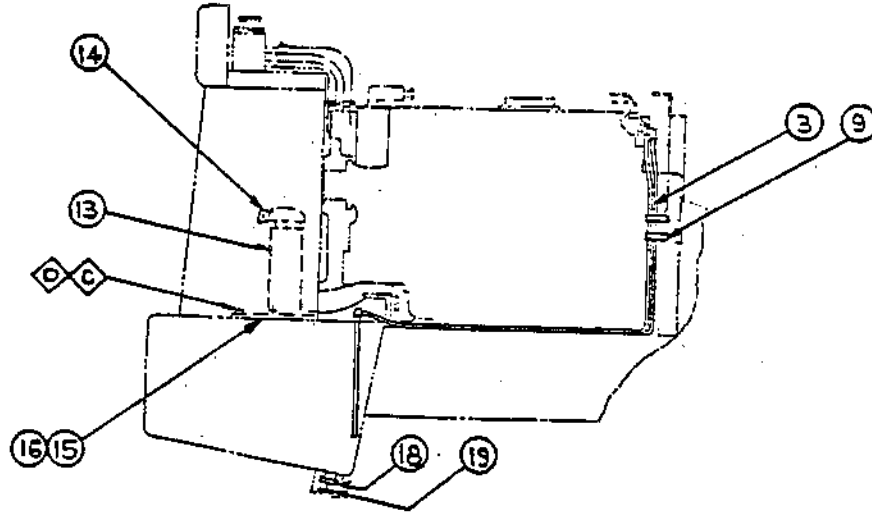
MUFFLER ASSEMBLY
CAT



INDEX NUMBER	PART NUMBER	DESCRIPTION	QUANTITY
1	815069	Muffler Strap	2
2	752039	Muffler	1
3	825791	R. H. Exhaust Assembly	1
4	825792	L. H. Exhaust Assembly	1
5	825779	Spacer	2
6	814261	Clamp	2
A	502033	Hex Hd. Capscrew	4
B	604028	Lockwasher	4

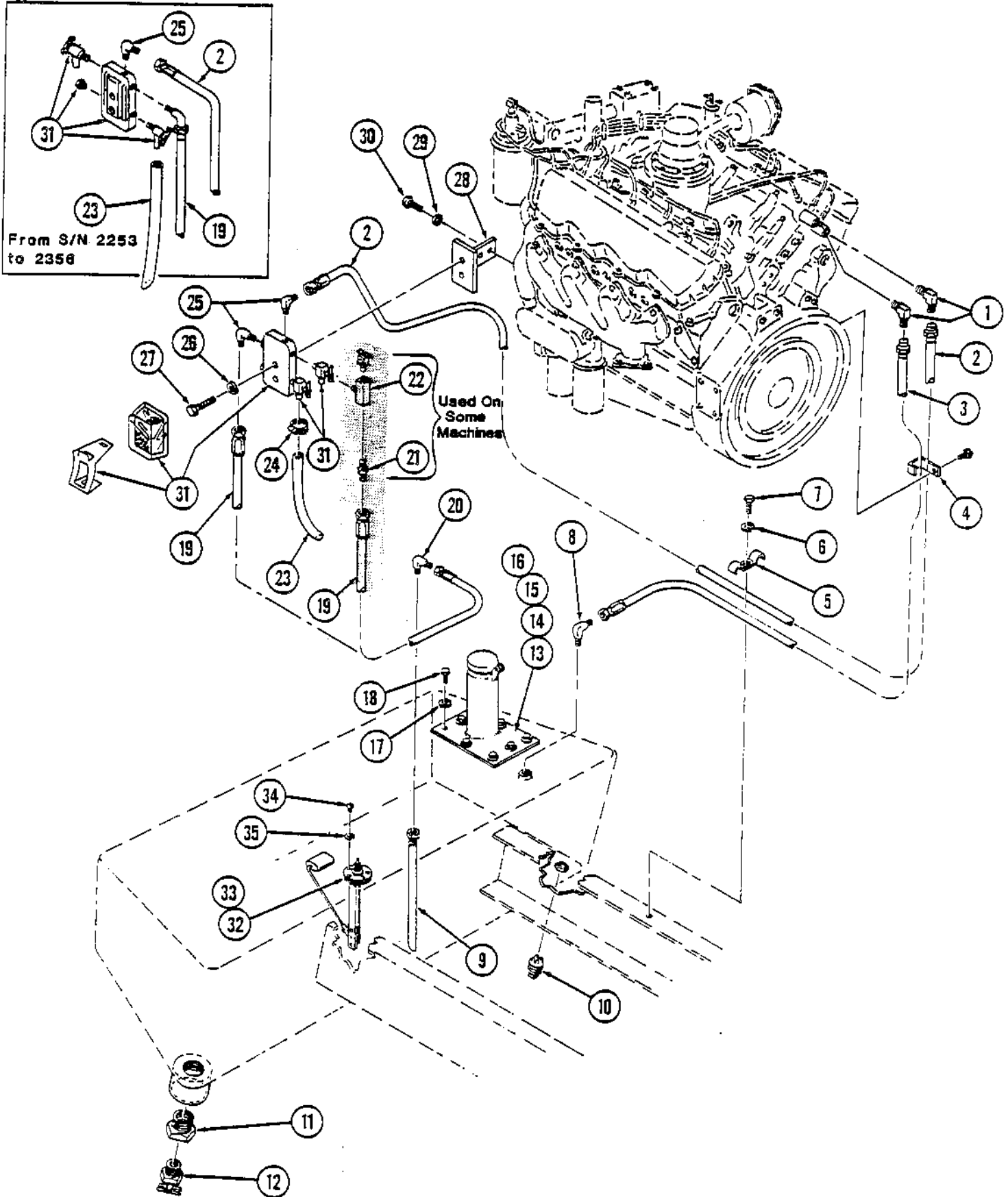


FUEL SYSTEM
CAT
(D3208)



INDEX NUMBER	PART NUMBER	DESCRIPTION	QUANTITY
1	331087	Elbow 90°	2
3	482007	Hose Assy	1
5	482008	Hose Assy	1
7	801650	Clamp	3
9	335544	Clamps	2
10	815597	Fuel Pipe	1
11	813321	Elbow 90°	1
12	334314	Elbow 90°	1
13	826262	Filler & Cover	1
14	80153305	Cap	1
15	850145	Gasket	1
17	813391	Magnetic Plug	1
18	334453	Bushing, Reducer	1
19	923297	Pet Cock	1
A	502002	Capscrew, HH	3
B	604026	Lockwasher	3
C	502036	Capscrew, HH	8
D	615077	Sealing Washer	8

Fuel System With Water Separator (CAT ENGINE)



FUEL SYSTEM WITH WATER SEPARATOR
(CAT ENGINE)

INDEX NUMBER	PART NUMBER	DESCRIPTION	QUANTITY
1	331087	Elbow, 90°	2
2	826199	Hose, Separator to Engine	1
3	84212729	Hose, Return to Tank	1
4	335544	Clamp, Fuel Line	2
5	801650	Clamp, Fuel Line	3
6	604026	Lockwasher	3
7	502002	Capscrew, HH	3
8	334314	Elbow, 90°	1
9	815597	Pipe, Fuel	1
10	813391	Plug, Magnetic	1
11	334453	Bushing, Reducer	1
12	923297	Petcock, Drain	1
13	826262	Cover Assembly, Fuel Tank	1
14	80153305	Cap, Fuel Tank Cover	1
15	850145	Gasket	1
16	801266	Caulking, Silicone	A/R
17	615077	Washer, Sealing	8
18	502036	Capscrew, HH	8
19	826198	Hose, Tank to Separator	1
20	893186	Elbow, 90°	1
21	* 234276	Adapter (Used on Some Machines)	1
22	* 234759	Tee Section (Used on Some Machines)	1
23	244041	Tube, Clear - 18" Lg.	1
24	313075	Clamp, Hose	1
25	* 234619	Elbow, 90°	2
26	604028	Lockwasher	2
27	502035	Capscrew, HH	2
28	826197	Bracket, Separator Mounting	1
29	604029	Lockwasher	2
30	502053	Capscrew, HH	2
31		Separator Assembly, Water (Supplied with Eng.)	
32	813314	Fuel Sender	1
33	813315	Gasket	1
34	550028	Screw, Rd. Hd.	5
35	604019	Lockwasher	5

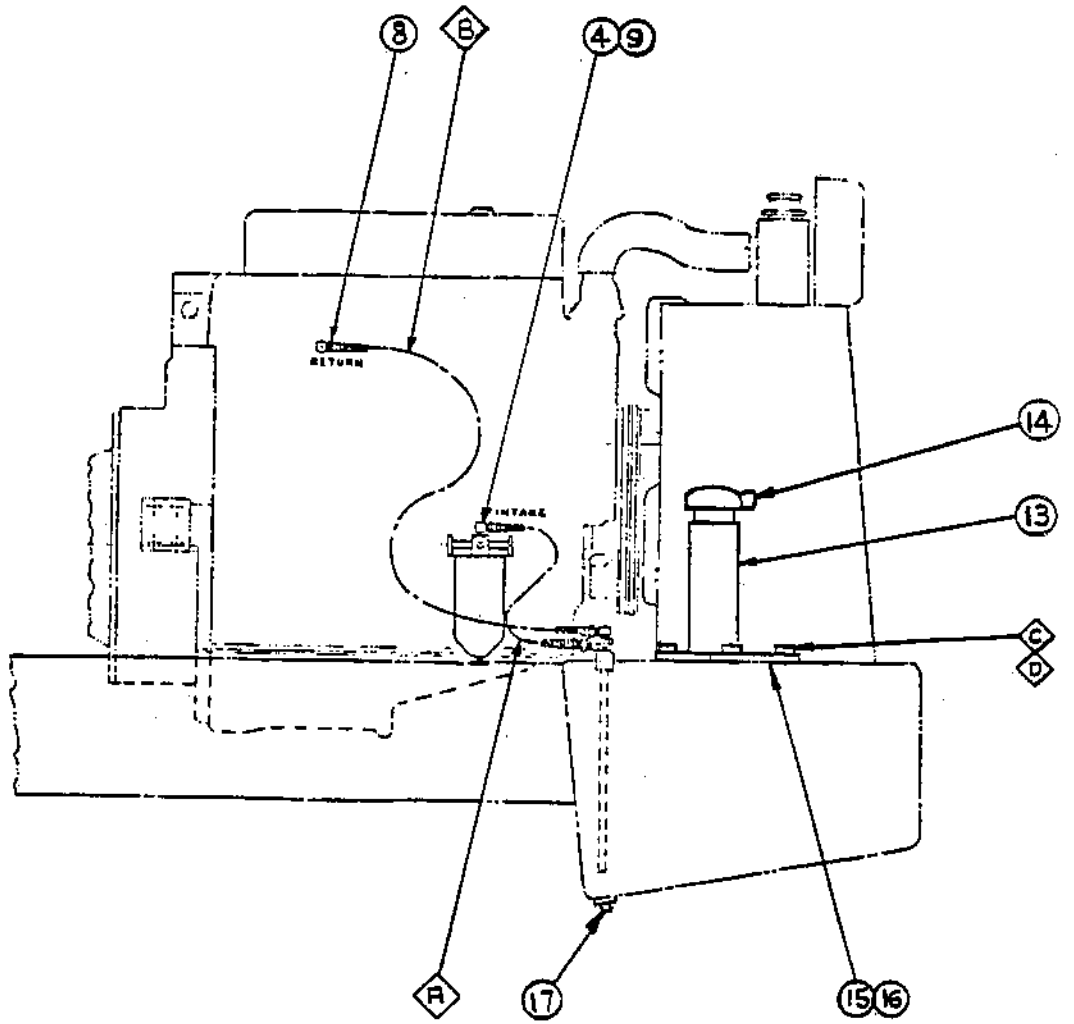
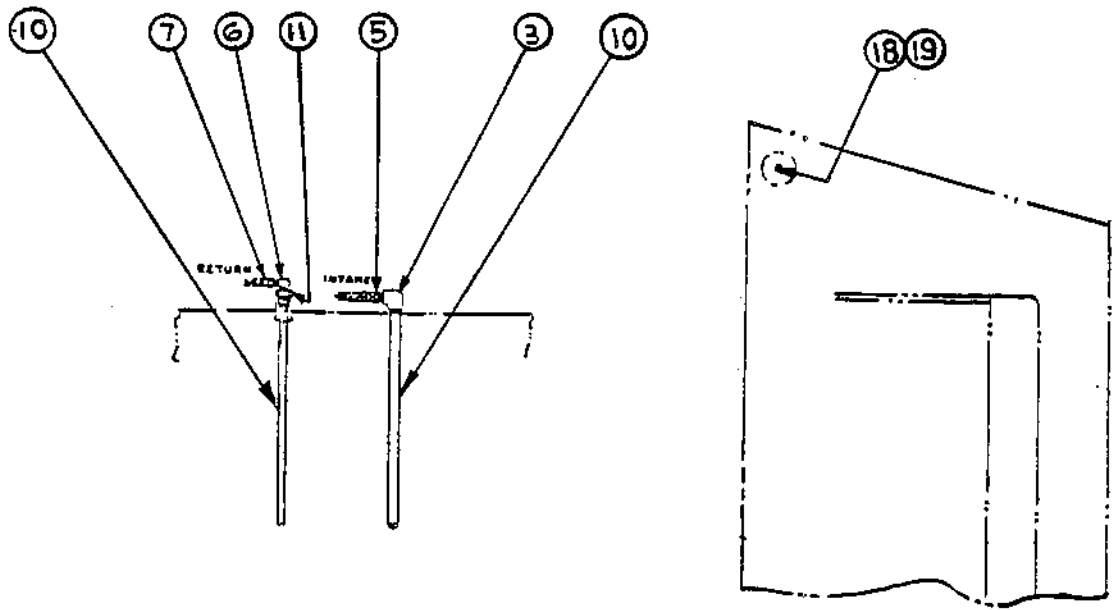
*Up to S/N 2252 used a quantity of 2, later models also used 2 90° elbows, parts should be changed to match this illustration to keep drain petcocks away from fan side of engine.

FUEL SYSTEM
DETROIT

INDEX NUMBER	PART NUMBER	DESCRIPTION	QUANTITY
3	813320	90° Elbow	1
* 4	813327	Female Swivel	1
* 5	813326	Male Pipe	1
6	334549	90° Elbow	1
* 7	334181	Female Swivel	1
* 8	334372	Male Swivel	1
9	234619	90° Elbow	1
10	815597	Fuel Pipe	2
11	334288	Bushing	1
13	826262	Filler & Cover	1
14	80153305	Cap	1
15	850145	Gasket	1
17	813391	Magnetic Plug	1
18	334453	Bushing, Reducer	1
19	923297	Pet Cock	1
A	826537	Hose Assy. Fuel Supply.....	1
B	826538	Hose Assy. Fuel Return.....	1
C	502036	Capscrew, HH	8
D	615077	Sealing Washer	8

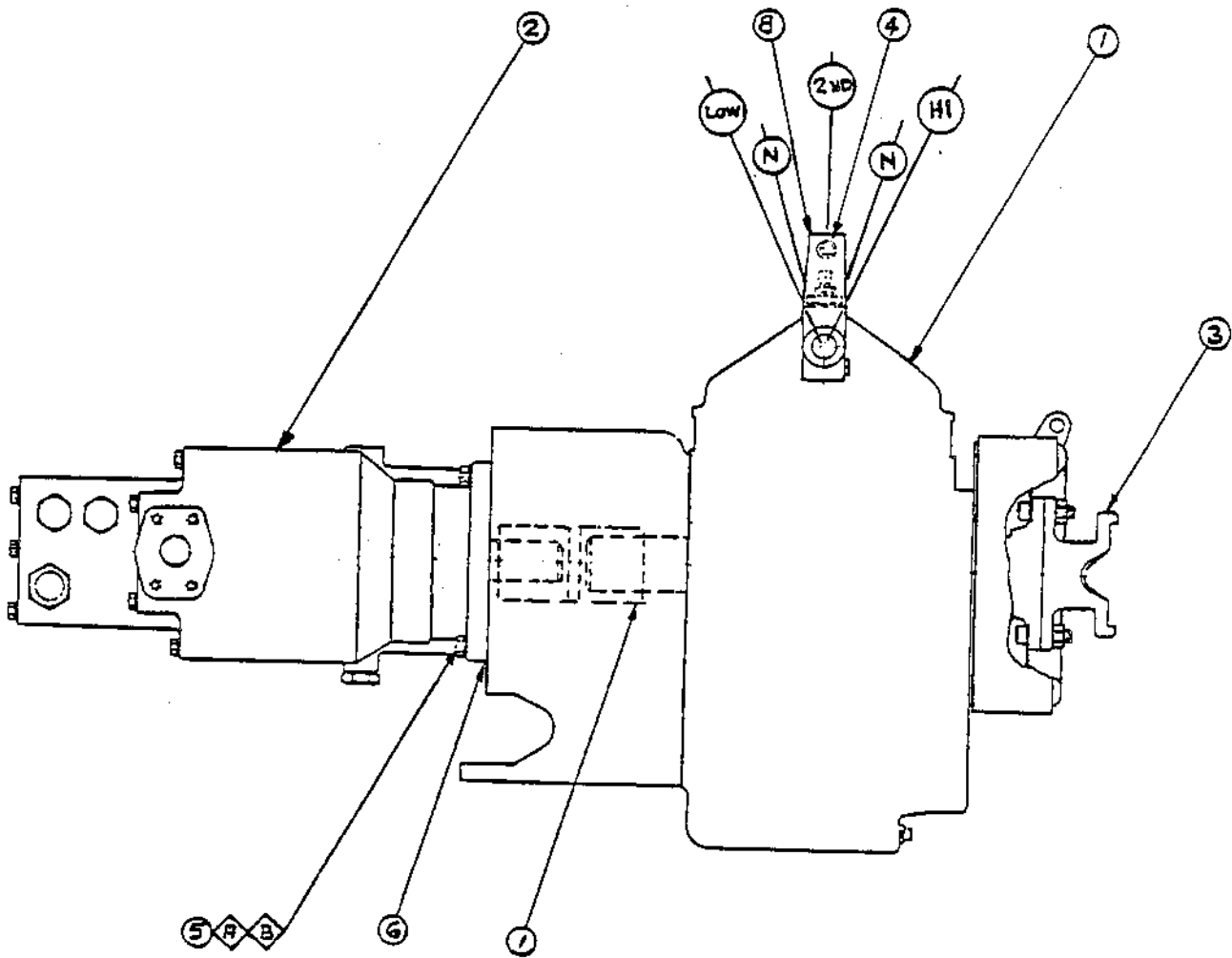
*Items 4,5,7 and 8 not needed with new Fuel Hose Assembly A & B

FUEL SYSTEM
DETROIT



FUEL SYSTEM
DETROIT

TRANSMISSION & MOTOR



INDEX NUMBER	PART NUMBER	DESCRIPTION	QUANTITY
1	801065	Transmission w/brake - See page 88	1
2	*335557	Hyd. Motor - See page 94	1
	**801158	Hyd. Motor - See page 94	1
3	813318	Flange Yoke	1
4	813319	Bushing	1
5	335545	Special Washer	4
6	813478	O-Ring	1
7	813652	Coupling	1
8	825912	Transmission Lever	1
A	502059	Capscrew, HH	4
B	604030	Spring Lockwasher	4

*Model CA-30A

**Models CA-30, CA-30D, CA-30PD

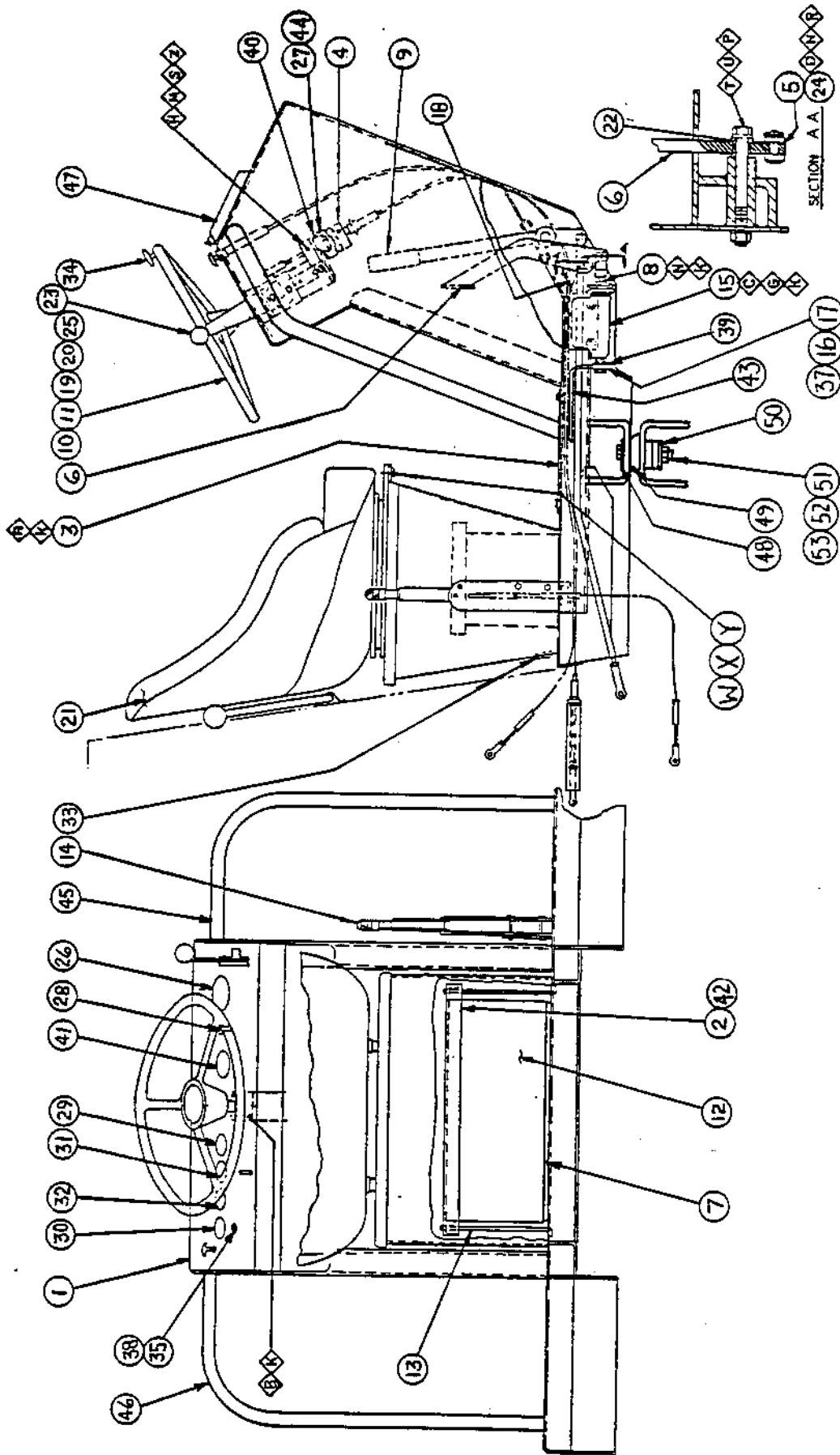
CONSOLE ASSEMBLY
SINGLE SEAT

INDEX NUMBER	PART NUMBER	DESCRIPTION	QUANTITY
1	335576	Console	1
2	335496	Battery Bracket	1
3	335497	Cover Plate	1
4	337843	Switch Bracket	1
5	335585	Clevis	1
6	335586	Brake Pedal	1
7	335587	Plywood	1
8	813512	Push Rod	1
9	See page 29	Linkage Assembly	1
10	335567	Steering Valve - See page 106	1
11	335563	Steering Column	1
12	470023	Battery	1
13	813330	Hold Down Bolts	2
14	813331	Brake Lever (w/2 spacers)	1
15	*813332	Master Cylinder	1
16	813333	Brake Conn.	1
17	813334	Connector Bolt	1
18	813335	Spring	1
19	813336	Steering Wheel	1
20	813337	Plug Button	1
21	813338	Seat	1
22	813339	Bushing	2
23	457086	Control Lever	1
24	550037	Clevis Pin 3/8	1
25	813342	Wheel Nut	1
26	813343	Tachometer	1
27	930099	Neutral Start Switch	1
28	813411	Ignition Switch	1
29	989019	Ammeter	1

*Master cylinder repair kit P/N 813497

CONSOLE ASSEMBLY
SINGLE SEAT

INDEX NUMBER	PART NUMBER	DESCRIPTION	QUANTITY
30	801607	Water Temp. (From S/N 1777 & Up).....	1
-	989037	Water Temp. (To S/N 1776).....	1
31	989079	Fuel Gauge.....	1
32	989077	Oil Temp. Gauge.....	1
33	813348	Grommet.....	1
34	813349	Knob.....	1
35	985060	Light, Pilot.....	1
37	813351	Washer, Brass.....	1
38	985086	Bulb.....	1
39	813314	Washer, Brass.....	1
40	457087	Actuator.....	1
41	985061	Light, Brake Pilot.....	1
42	801411	U-Channel, Rubber 22 1/2" Length.....	2
43	335574	Brake Line.....	1
44	826282	Strip, Insulation.....	1
45	826222	Handrail, RH.....	1
46	826223	Handrail, LH.....	1
47	335582	Instrument Guard.....	1
48	842136	Washer, Flat.....	2
49	450099	Mount, Shock.....	2
50	842137	Washer, Flat.....	2
51	502084	Capscrew, HH.....	2
52	586056	Lock Nut, Elast.....	2
53	600011	Washer, Flat.....	2
A	502033	Capscrew, HH.....	10
B	502036	Capscrew, HH.....	2
C	502046	Capscrew, HH.....	2
D	210301	Set Screw, Cup Point.....	1
G	571003	Hex Nut.....	2
H	550054	Capscrew, HH.....	2
K	604028	Lockwasher.....	13
M	604019	Lockwasher.....	2
N	600007	Washer, Flat.....	2
P	600010	Washer, Flat.....	1
R	630045	Pin, Cotter.....	1
S	600028	Washer, Flat.....	2
T	503065	Capscrew, HH.....	1
U	586007	Lock Nut.....	1
W	502018	Capscrew, HH.....	4
X	571002	Hex Nut.....	4
Y	604027	Lockwasher.....	4
Z	571019	Hex Nut.....	2



CONSOLE ASSEMBLY
SINGLE SEAT

CONSOLE ASSEMBLY
DUAL SEAT
 CA-30A

INDEX NUMBER	PART NUMBER	DESCRIPTION	QUANTITY
1	See page 31	Linkage Assembly	1
2	See page 25	Pedestal Assembly	1
3	825821	Console	1
4	*465030	Seat	2
5	*850629	Seat Support	2
6	465024	Spring	2
7	82584501	Railing - Right	1
8	82584502	Railing - Left	1
9	813332	Master Cylinder	1
10	813333	Brake Conn.	1
11	813334	Connector Bolt	1
12	813351	Brass Washer	1
13	813344	Brass Washer	1
14	813512	Push Rod	1
15	825865	Brake Pedal	1
16	825846	Brake Pedal	1
17	813339	Bushing	2
18	335585	Clevis	1
19	550037	Clevis Pin - 3/8	1
20	826408	Pillow Block	2
21	825838	Shaft - Brake	1
22	415193	Yoke - 1/2	2
23	550038	Clevis Pin - 1/2	2
24	825847	Conn. Rod	1
25	813335	Spring	2
26	335587	Plywood	1
27	813330	Hold Down Bolts	2
28	470023	Battery	1
29	335496	Battery Bracket	1
30	801411	Rubber U-Channel 22-1/2" long	2
31	499224	Weather Strip Adhesive	ar
32	475033	Padlock Handle	2
33	353061	Adj. Latch	2
34	825835	Supp. Dash Panel	1
35	825837	Access Cover	1
36	825834	Cover	1
37	825836	Dash Panel	1
38	850141	Instrument Guard	1
39	450101	Shock Mount	3
40	813343	Tachometer	1

*When Ordering Seat Prior to S/N 1583 Order Items 4 and 5.

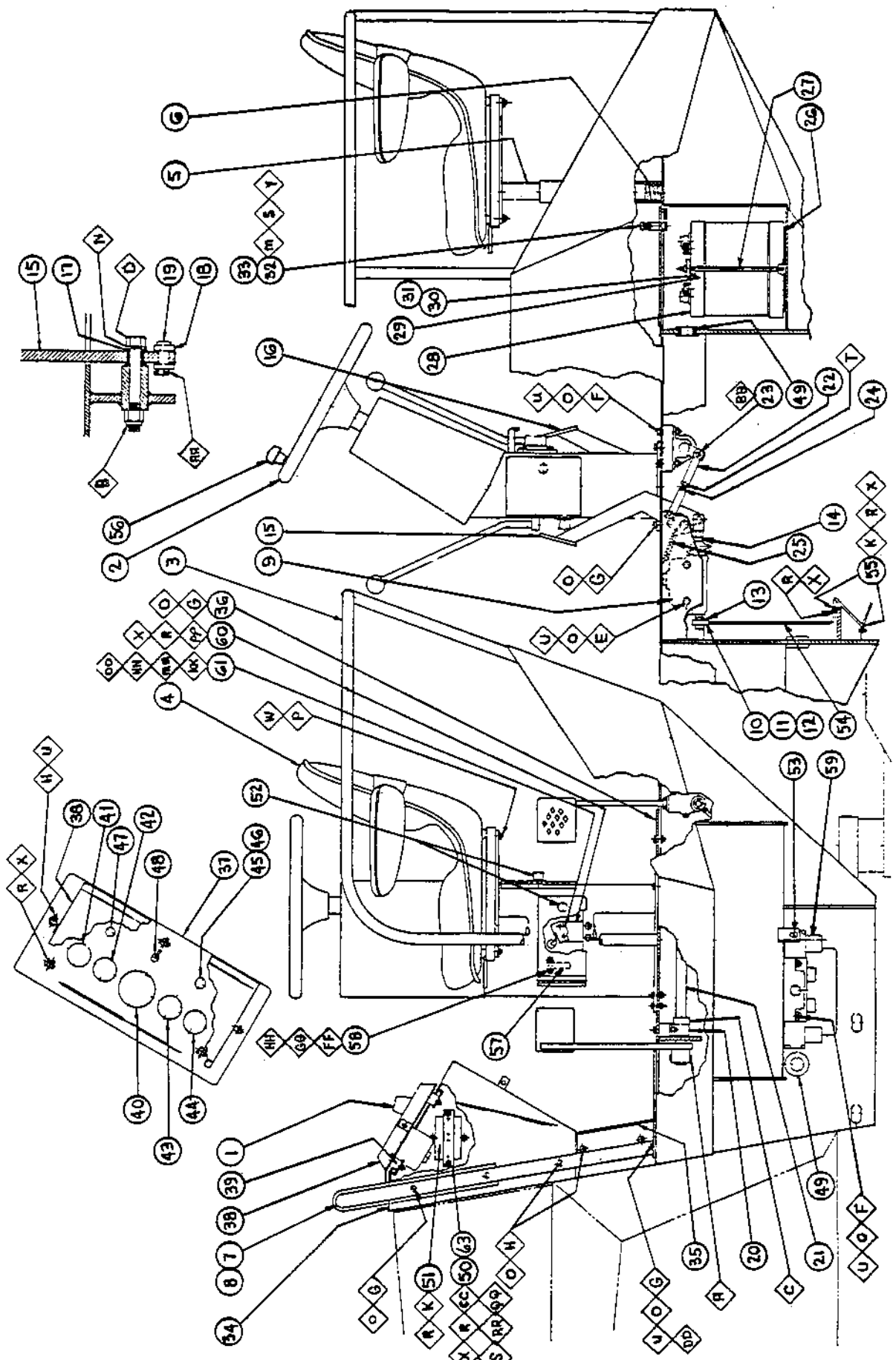
CA-30A
CONSOLE ASSEMBLY
 .DUAL SEAT

INDEX NUMBER	PART NUMBER	DESCRIPTION	QUANTITY
41	989019	Ammeter	1
42	989079	Fuel Gauge	1
43	989077	Oil Temp Gauge	1
44	801607	Water Temp Gauge (from s/n 1777 up)	1
-	989037	Water Temp Gauge (to s/n 1776)	1
45	985060	Light-Pilot	1
46	985086	Bulb	1
47	985061	Brake Pilot Light	1
48	813411	Ignition Switch	1
49	813343	Grommet	2
50	821398	Fuse Bracket	1
51	850193	Fuse Cover	1
52	801530	Latch	2
53	801343	Switch	1
54	825888	Master Cyl. Brake Line	1
55	813313	Clamp	2
56	813349	Wheel Spinner	1
57	821361	Thumb Screw Wrench	1
58	801531	Fuse Clip (Brass)	2
59	337510	Control Valve	1
60	821127	Switch Mounting Bracket	1
61	930046	Switch	2
63	821399	Spacer	2

See pg 102

CA-30A
CONSOLE ASSEMBLY
 DUAL SEAT

INDEX NUMBER	PART NUMBER	DESCRIPTION	QUANTITY
A	635035	Roll Pin Steel	1
B	586007	Locknut	1
C	801235	Mach. Collar	1
D	503091	Capscrew, HH	1
E	502046	Capscrew, HH	2
F	502039	Capscrew, HH	7
G	502036	Capscrew, HH	18
H	502035	Capscrew, HH	7
K	502004	Capscrew, HH	3
M	550078	Fl. Hd. Slot Screw	2
N	600010	Plain Washer	1
O	604028	Lockwasher	33
P	604027	Lockwasher	4
R	604026	Lockwasher	14
S	604019	Lockwasher	4
T	220714	Jam Nut	1
U	571003	Hex Nut	18
W	571002	Hex Nut	4
X	571001	Hex Nut	9
Y	813370	Hex Nut	2
AA	630045	Cotter Pin	1
BB	630008	Cotter Pin	2
CC	536055	Fl. Hd. Slot Screw	2
DD	600007	Plain Washer	4
EE	574011	Jam Nut	3
FF	550096	Rd. Hd. Screw (slotted)	2
GG	604024	Lockwasher	2
HH	571021	Hex Nut	2
KK	550068	Capscrew, HH	2
MM	571022	Hex Nut	2
NN	604021	Lockwasher	2
OO	600030	Plain Washer	2
PP	502004	Capscrew, HH	2
QQ	536041	Capscrew, Rd. Hd.	2
RR	571019	Hex Nuts	2

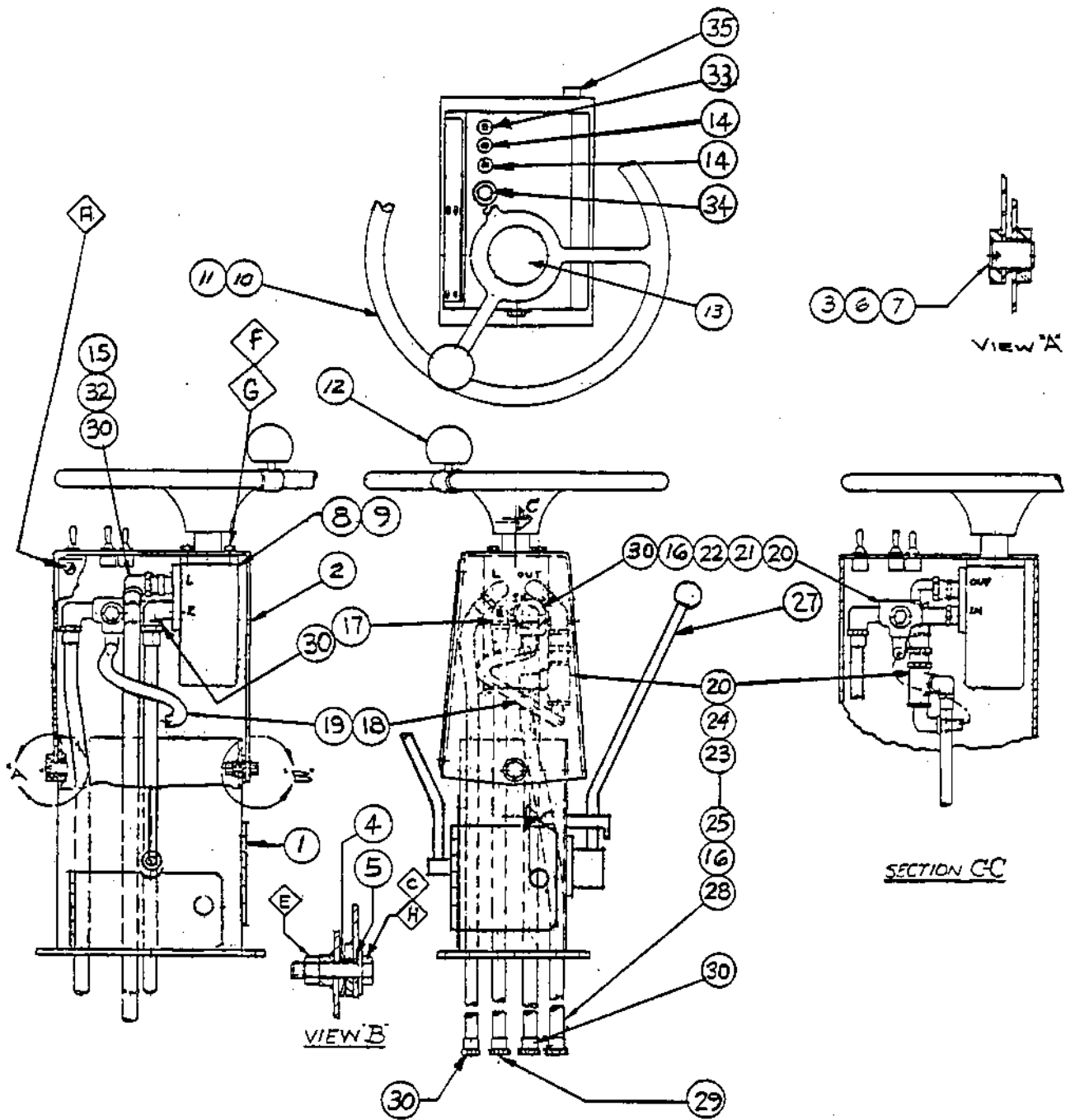


CA-30A
 CONSOLE ASSEMBLY
 DUAL SEAT

CA-30A
PEDESTAL ASSEMBLY
 DUAL SEAT

INDEX NUMBER	PART NUMBER	DESCRIPTION	QUANTITY
1	826264	Pedestal Base	1
2	826294	Pedestal	1
3	100056	Bushing	1
4	300221	Belleville Springs	2
5	100057	Bushing	1
6	850201	Pin	1
7	635015	Rollpin	1
8	335567	See pg 106	
9	335563	Steering Valve	1
10	813336	Steering Column	1
11	813342	Steering Wheel	1
12	813349	Wheel Nut	1
13	813349	Wheel Spinner	1
14	813337	Plug Button	1
15	814266	Switch	2
16	334121	Connector	1
17	813435	Elbow, 90°	2
18	813444	Elbow, 90°	1
19	85017233	Hose Assembly	1
20	334314	Elbow, 90°	2
21	813437	Bushing	2
22	234270	Nipple	1
23	480202	Relief Valve	1
24	234318	Elbow, 45°	1
25	234365	Elbow, 90°	1
26	334425	Tee	1
27	See Page 27		
28	82587302	For. Rev. & Vib. Control Assy	1
29	82587301	Hose Assembly (out)	1
30	82587303	Hose Assembly (R)	1
31	82587303	Hose Assembly (L) (in)	2
32	334197	Swivel El. 90°	1
33	801343	Switch	1
34	801549	Switch Reset	1
35	801551	Buzzer	1

CA-30A
PEDESTAL ASSEMBLY
DUAL SEAT

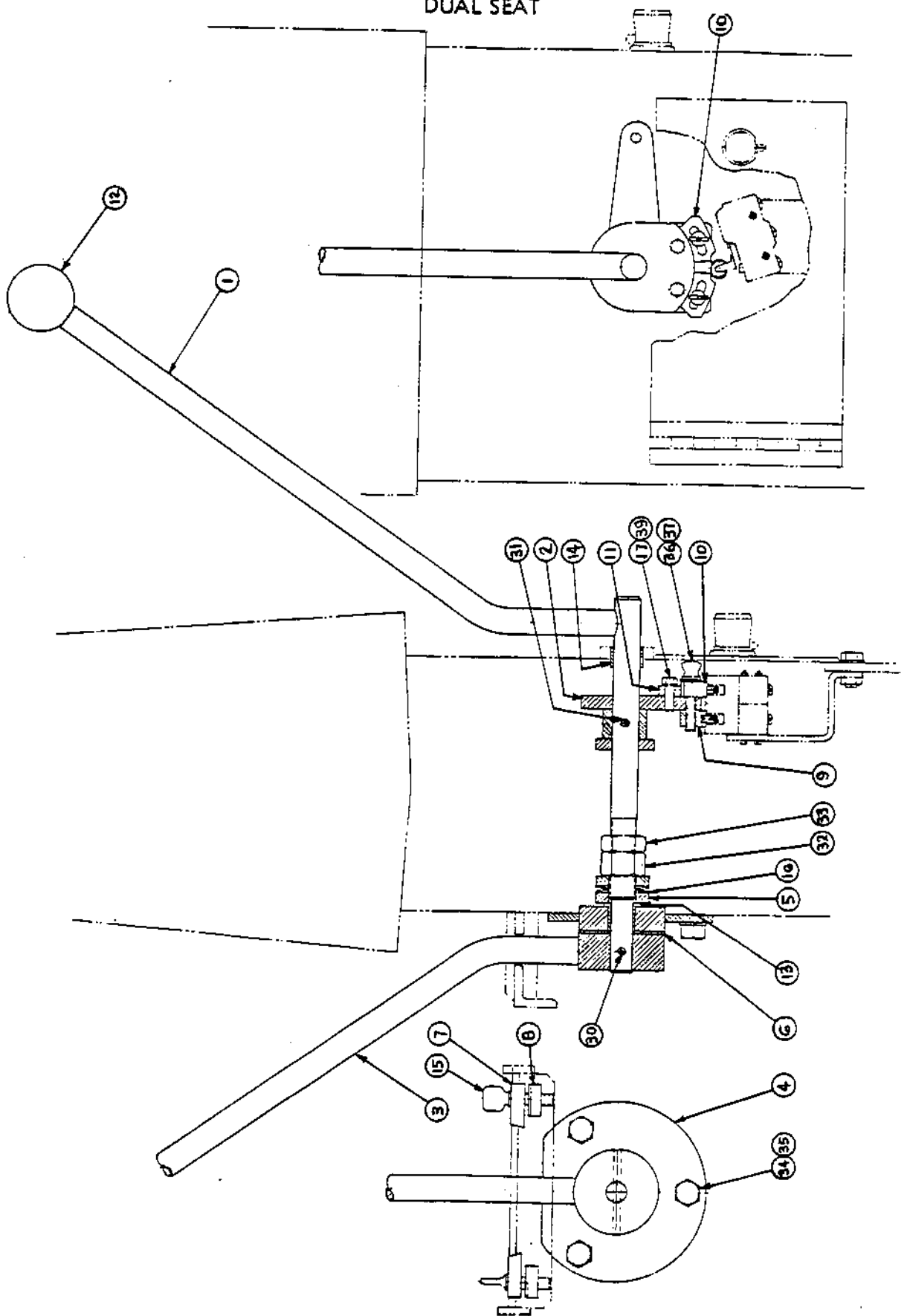


INDEX NUMBER	PART NUMBER	DESCRIPTION	QUANTITY
A	536054	Flat Head Screw	6
C	502061	Capscrew, HH	1
E	586049	Locknut	1
F	502036	Capscrew, HH	2
G	604028	Lockwasher	2
H	600010	Plain Washer	1

CA-30A
FORWARD, REVERSE & VIBRATION CONTROL ASSEMBLY
 DUAL SEAT

INDEX NUMBER	PART NUMBER	DESCRIPTION	QUANTITY
1	850654	Control Shaft	1
2	821124	Lever	1
3	850655	Control Lever	1
4	850687	Bushing Housing	1
5	821128	Washer	2
6	821129	Friction Disc	1
7	821130	Stop Block	2
8	821131	Stop Nut	2
9	825814	Cam #1	1
10	812815	Cam #2	2
11	825816	Guide, Cam #2	1
12	312061	Ball Handle	2
13	100077	Flange Bushing	1
14	100076	Bushing	1
15	550107	Thumb Screw (shoulder type)	2
16	300013	Belleville Sp. Washer	2
17	821402	Thumb Screw	2
30	635037	Roll Pin	1
31	635038	Roll Pin	1
32	572005	Hex Nut	1
33	574009	Hex Jam Nut	1
34	502035	Capscrew, HH	3
35	604028	Lockwasher	3
37	600028	Plain Washer	2
38	229001	Capscrew, HH	2
39	604019	Lockwasher	2

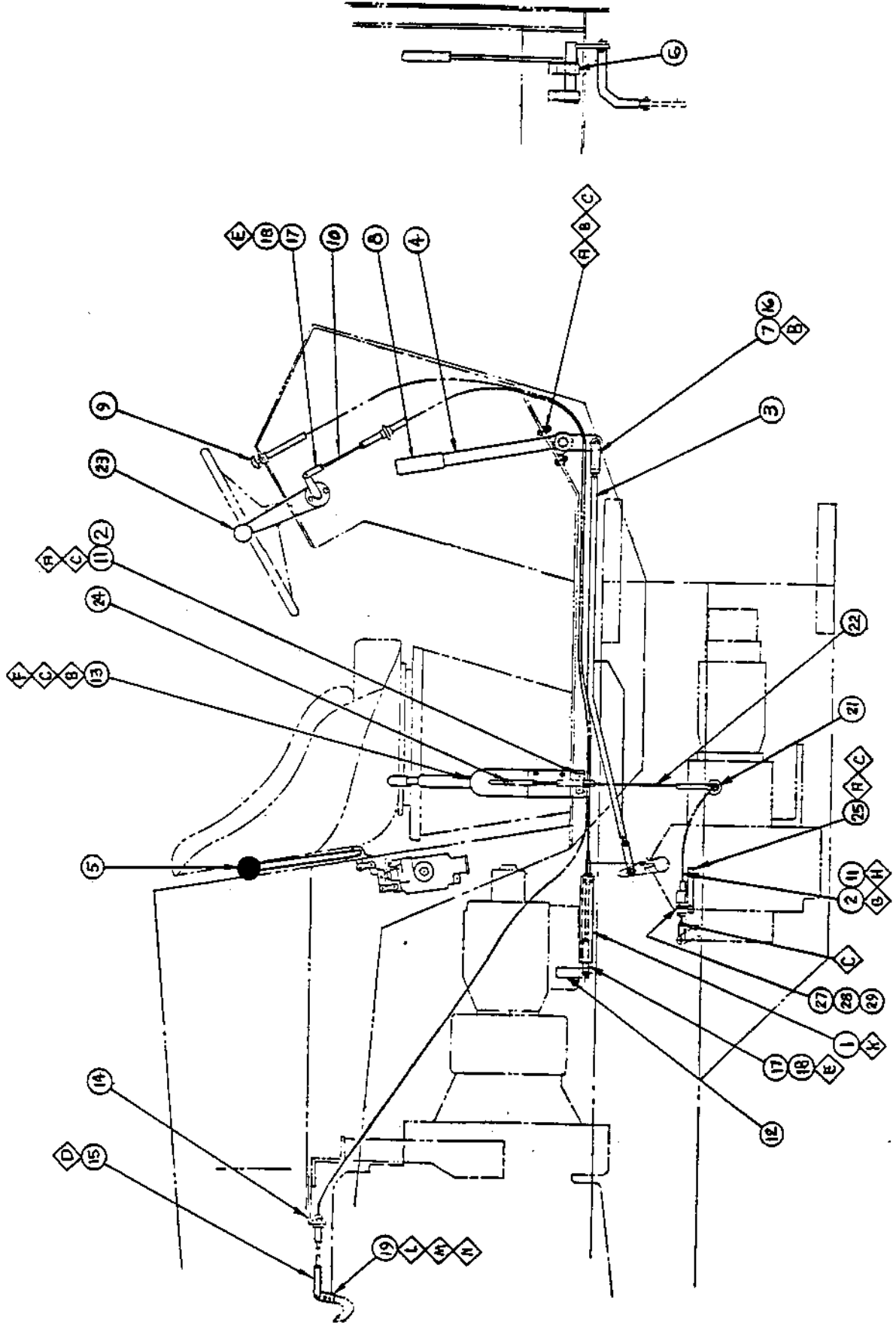
CA-30A
FORWARD, REVERSE & VIBRATION CONTROL ASSEMBLY
DUAL SEAT



LINKAGE ASSEMBLY
SINGLE SEAT

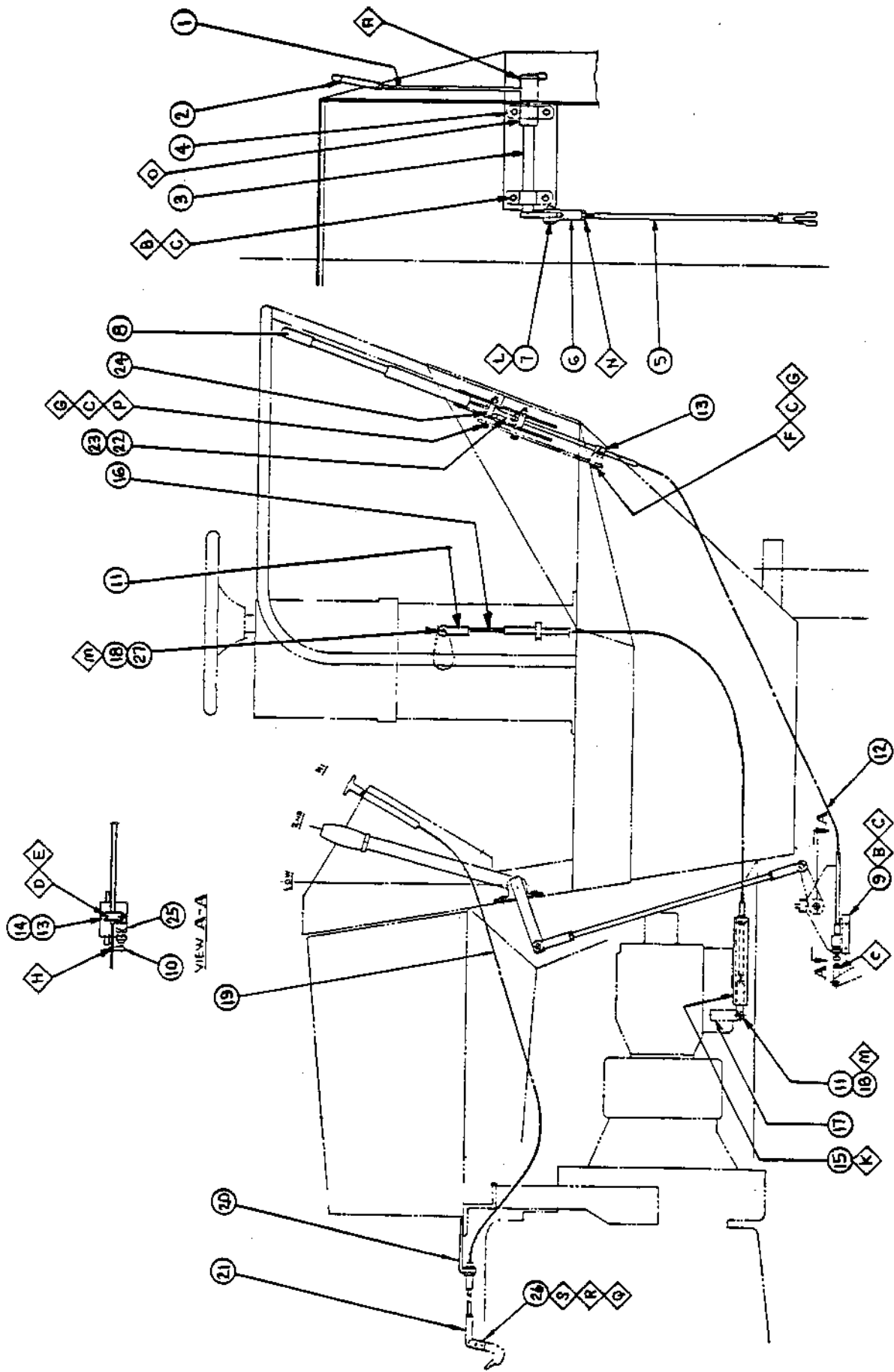
INDEX NUMBER	PART NUMBER	DESCRIPTION	QUANTITY
1	335589	Anchor Bracket	1
2	813353	Clamp	2
3	335590	Connecting Rod	1
4	825411	Trans. Control Lever	1
5	See page 39	Vibr. Control Link	1
6	826408	Pillow Block	2
7	813355	Yoke - 3/8	2
8	219002	Grip	1
9	456039	Cable (Throttle)	1
10	456040	Cable (For. & Rev.)	1
11	813359	Link Spacer	2
12	335593	Modified Lever	1
13	813331	Brake Lever w/spacers	1
14	825939	Cable Bracket	1
15	813361	Yoke	1
16	813362	Clevis Pin	2
17	813363	Yoke - 1/4	1
18	813364	Clevis Pin	1
19	825977	Lever Attachment	1
21	813367	Grommet	1
22	813368	Cable	1
23	457086 (See pg 33)	Control Lever	1
24	813369	Yoke - 5/16	1
25	335594	Brake Cable Bracket	1
27	930061	Brake Switch	1
28	335483	Switch Actuator	1
29	571057	HdTs. Soc. Hd. Set Screw	1
30	100053	Bushing	1
A	502035	Capscrew, HH	8
B	571003	Hex Nut	10
C	604028	Lockwasher	10
D	572009	Hex Nut	2
E	589010	Hex Nut	2
F	502039	Capscrew, HH	2
G	502018	Capscrew, HH	2
H	604027	Lockwasher	2
K	502012	Capscrew, HH	3
L	502006	Capscrew, HH	2
M	604026	Lockwasher	2
N	571001	Hex Nut	2

LINKAGE ASSEMBLY
SINGLE SEAT



CA-30A
LINKAGE ASSEMBLY
 DUAL SEAT

INDEX NUMBER	PART NUMBER	DESCRIPTION	QUANTITY
1	825843	Trans. Shift Lever	1
2	219002	Grip	1
3	825842	Lever - Trans. Link	1
4	826408	Pillow Block	2
5	825848	Conn. Rod	1
6	415193	Yoke 1/2	2
7	550038	Clevis Pin	2
8	415121	Brake Lever	1
9	335594	Brake Cable Bracket	1
10	335483	Switch Actuator	1
11	813363	Yoke 1/4	2
12	456048	Cable (72")	1
13	813353	Clamp	2
14	813359	Link Spacer	1
15	825906	Anchor Bracket	1
16	801528	Forward-Reverse Cable	1
17	335593	Modified Lever	1
18	813364	Clevis Pin	2
19	801651	Throttle Control	1
20	825939	Cable Bracket	1
21	813361	Yoke	1
22	813355	Yoke 3/8	2
23	813362	Clevis Pin	2
24	85021001	Spacers	2
25	930061	Brake Switch	Ref.
26	825977	Lever Attachment	1
27	801529	Bushing	1
A	635035	Roll-Pin Steel	1
B	502035	Capscrew, HH	6
C	604028	Lockwasher	11
D	502018	Capscrew, HH	2
E	604027	Lockwasher	2
F	502038	Capscrew, HH	2
G	571003	Hex Nut	4
H	517057	Hdls. Soc. Hd. SS/HT	1
K	502012	Capscrew	3
L	630007	Cotter Pin	2
M	630046	Cotter Pin	2
N	572004	Hex Nut	2
O	801235	Mach. Collar	1
P	502041	Capscrew, HH	2
Q	502006	Capscrew, HH	2
R	604026	Lockwasher	2
S	571001	Hex Nut	2

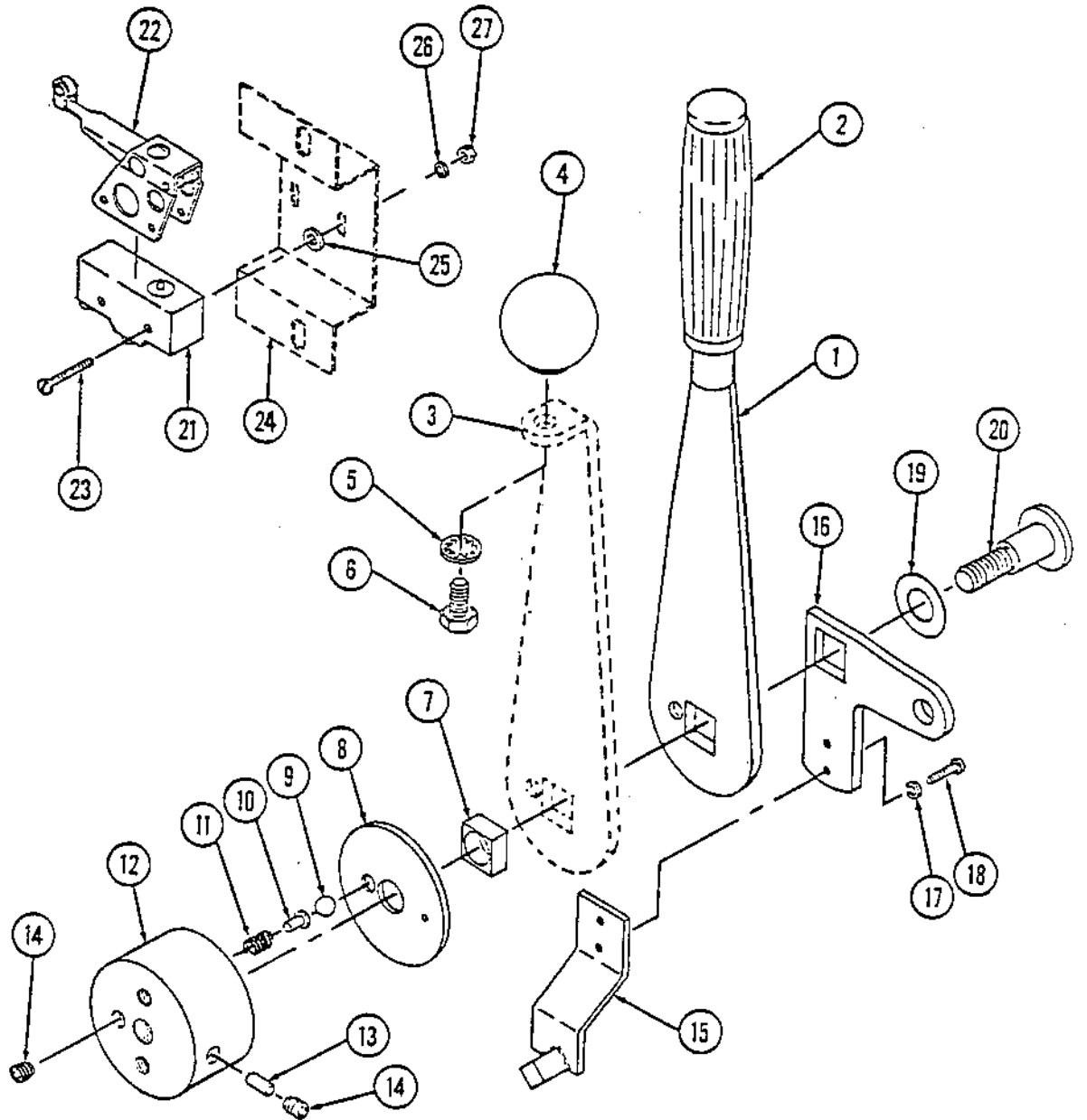


CA-30A
LINKAGE ASSEMBLY
DUAL SEAT

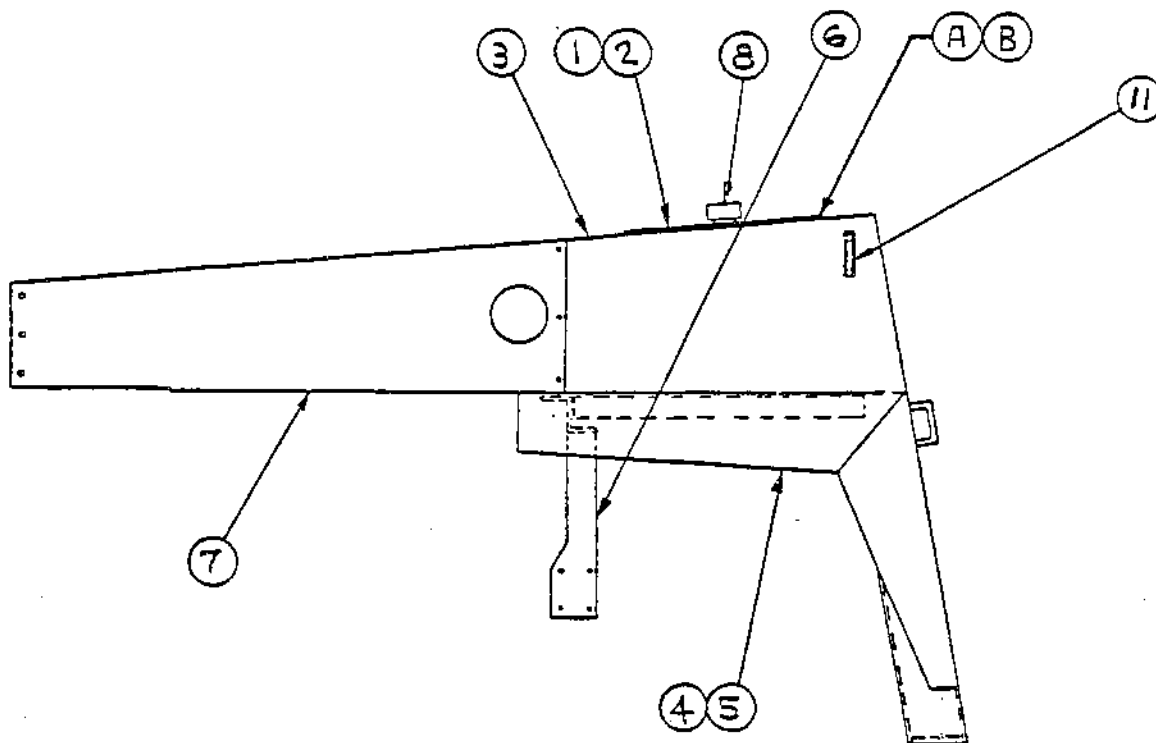
CONTROL ASSEMBLY

INDEX NUMBER	PART NUMBER	DESCRIPTION	QUANTITY
-	457086	Control, Forward/Reverse Assy	1
1	891813	Lever, Input	1
2	891816	Grip, Handle	1
3	891806	Lever, Input (repl. by 1 & 2)	1
4	891815	Ball, Input Lever (used with item 3)	1
5	891790	Washer	1
6	891791	Bolt, Hex	1
7	891806	Square, Locking	1
8	891814	Washer, Nylon 2" O.D.	1
9	891788	Ball	1
10	891198	Cap	1
11	891787	Spring	1
12	891803	Drum, Center	1
13	891804	Plug, Brass	1
14	891196	Setscrew, Allen Hd.	2
15	891811	Lever, Output, Actuator	1
16	891802	Lever, Output	1
17	604020	Lockwasher	2
18	517057	Screw, Rd. Hd.	2
19	891586	Washer, Nylon 1" O.D.	1
20	891805	Bolt, Centering	1
21	930099	Switch, Micro	1
22	457087	Actuator	1
23	893394	Screw, Rd. Hd. Brass	2
24	337843	Bracket, Mount, Switch	1
25	600028	Flatwasher	2
26	604024	Lockwasher, Int. Tooth	2
27	571021	Nut, Hex Brass	2

CONTROL ASSEMBLY

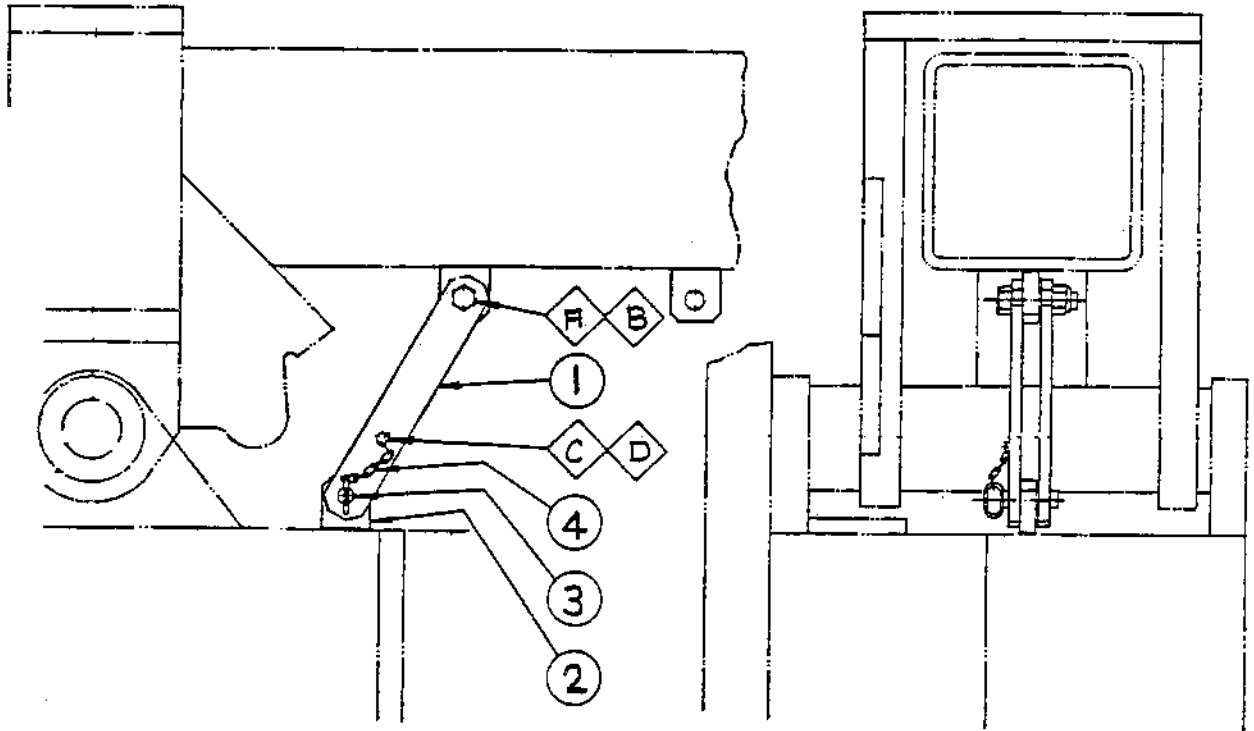


HYDRAULIC OIL RESERVOIR
HOOD & FENDERS



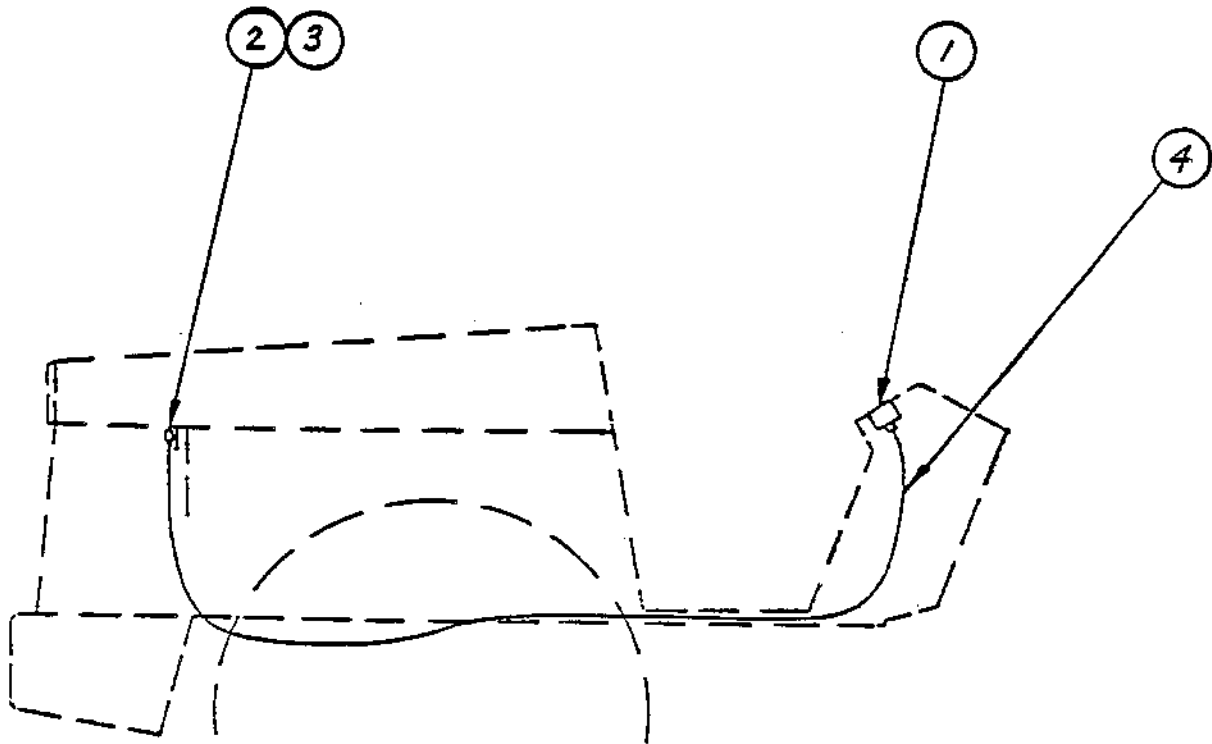
INDEX NUMBER	PART NUMBER	DESCRIPTION	QUANTITY
1	335534	Gasket	1
2	335533	Reservoir Cover	1
3	335526	Reservoir	1
4	825160	Fender LH	1
5	825161	Fender RH	1
6	825182	Reservoir Support Rear	1
7	335529	Hood	1
8	499432	Filler Cap Assembly	1
11	813377	Oil Lever Gauge	1
A	502035	Capscrew HH	12
B	801272	Sealing Washer	12

SAFETY LOCK



INDEX NUMBER	PART NUMBER	DESCRIPTION	QUANTITY
1	815215	Safety Lock	1
2	815256	Mounting Pad	1
3	635019	Hitch Pin Cotterless	1
4	418021	Brass Jack Chain	1
A	502124	Capscrew, HH	1
B	586050	Locknut	1
C	502031	Capscrew, HH	1
D	600007	Flat Washer	1

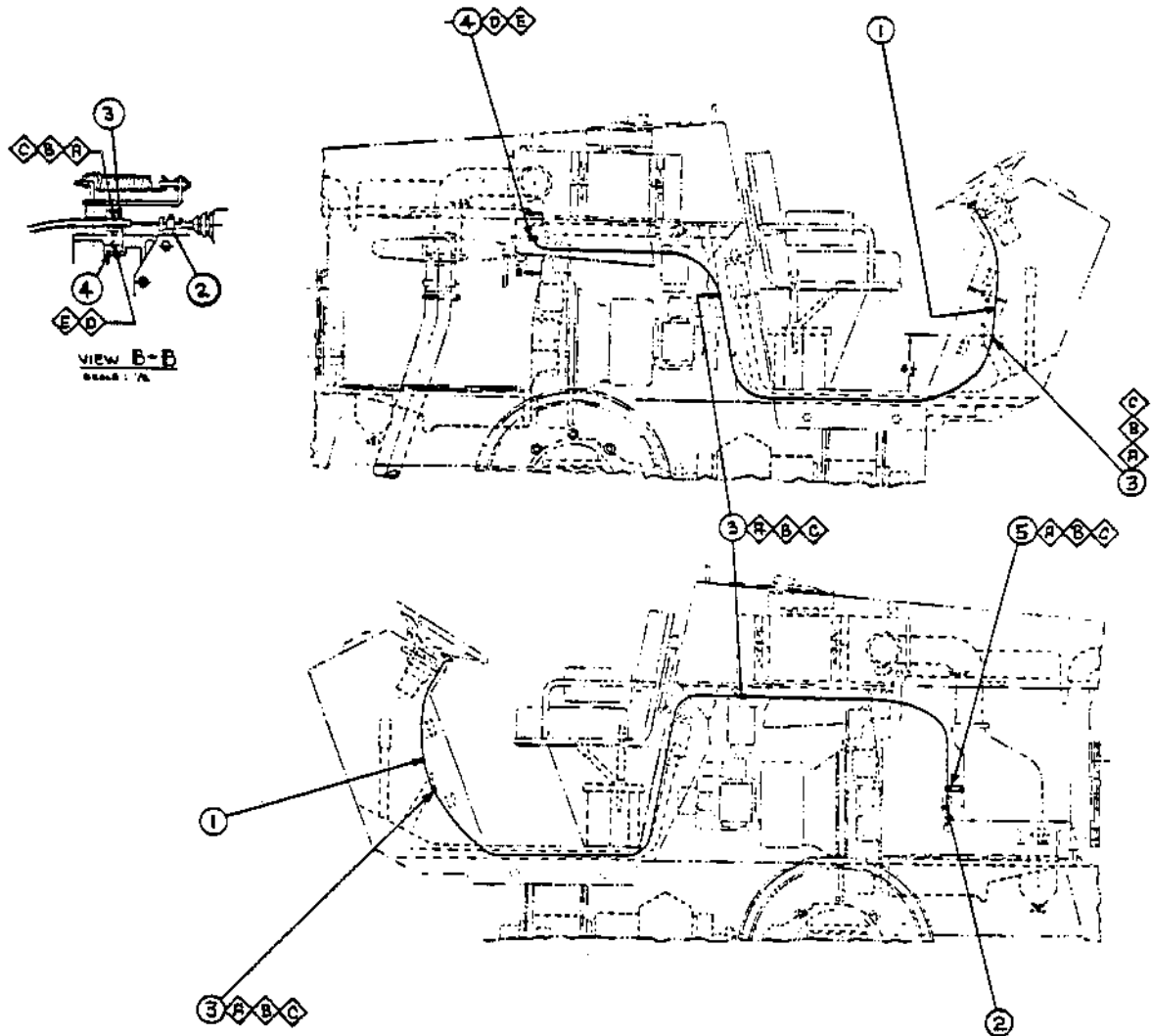
TACHOMETER CABLE



INDEX NUMBER	PART NUMBER	DESCRIPTION	QUANTITY
<u>(CA-30, CA-30D, CA-30PD) (CA-30A)</u>			
1	813343	Tachometer	1
2	813466	Adapter (Cat. Engine)	1
	745020	Adapter (G.M. Engine)	1
3	813396	Tachometer Key (Cat. Engine)	1
	*457083	Tachometer Key (G.M. Engine)	1
4	813395	Tachometer Cable (Cat. Engine)	1
	*456060	Tachometer Cable (G.M. Engine)	1

*Tachometer key should be ordered with tachometer cable.

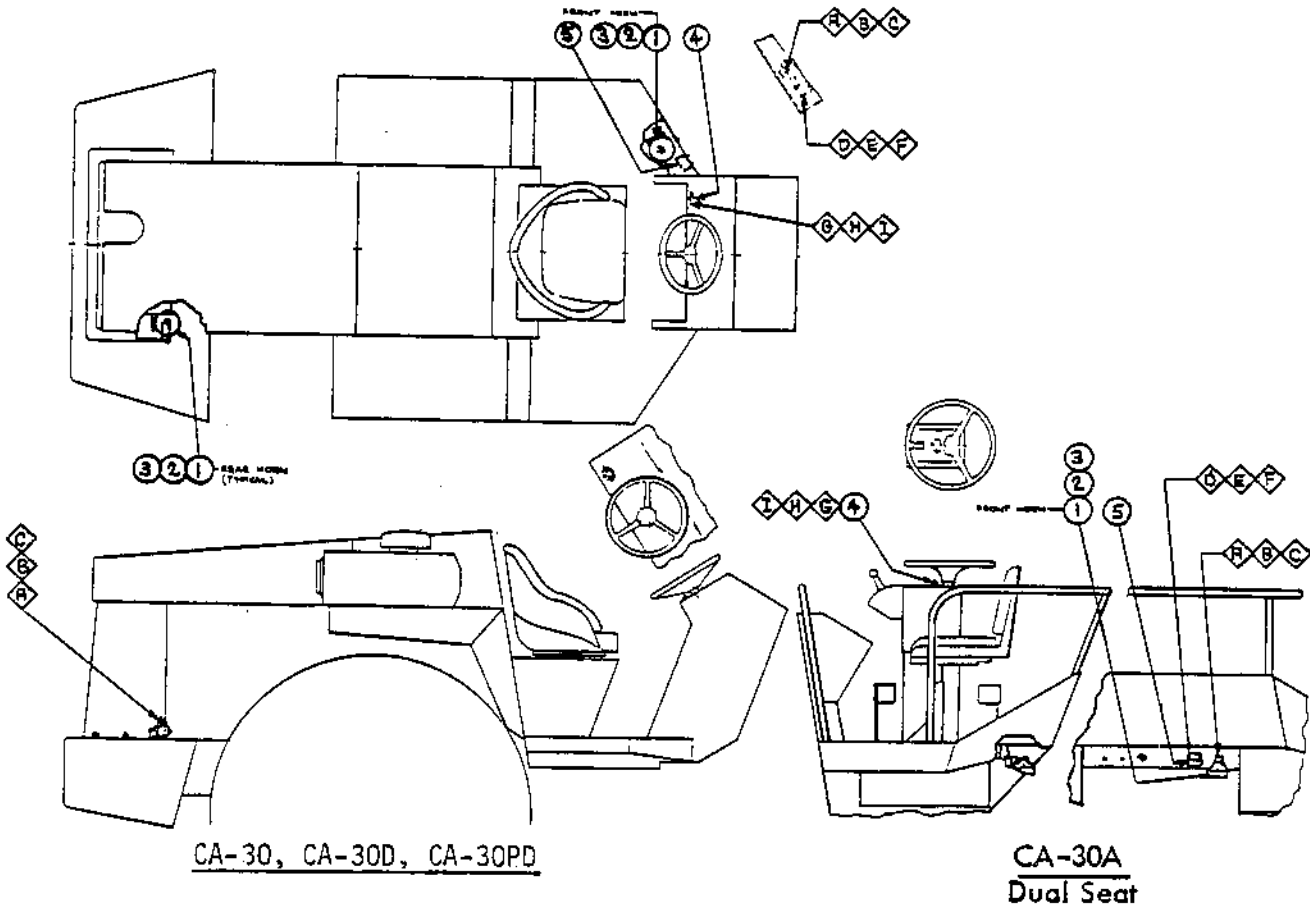
CONTROLS ENGINE SHUT DOWN & EMERGENCY STOP (DETROIT)



INDEX NUMBER	PART NUMBER	DESCRIPTION	QUANTITY	
			(to s/n 1918)	(from s/n 1919)
1	456069	Push-Pull Control	2	1
2	801186	Throttle Stop	2	1
3	813313	Clamp	6*	3*
4	815506	Cable Bracket	1	1
5	801377	Clamp	1	
A	502002	Capscrew	6*	1**
B	604026	Lockwasher	6*	1**
C	571001	Nut	6	3
D	550080	Round Hd. Screw		1
E	604019	Lockwasher		1

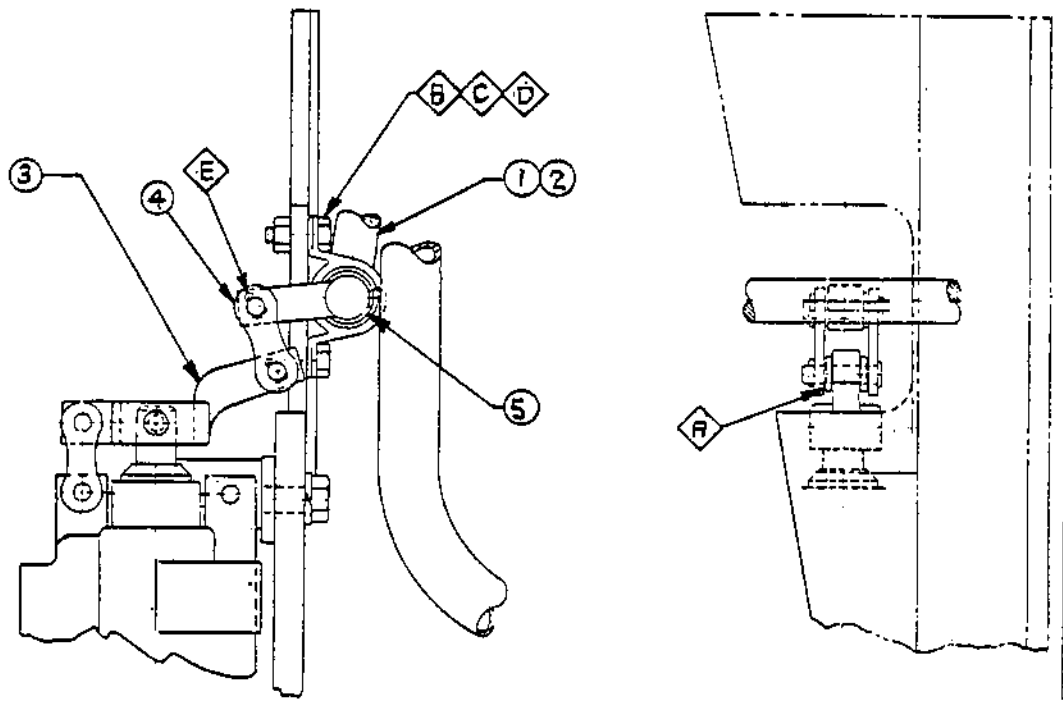
* (Single Seat)
** (Dual Seat)

HORN



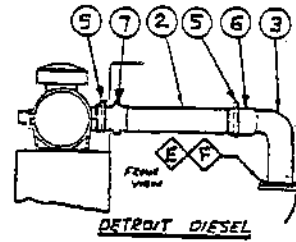
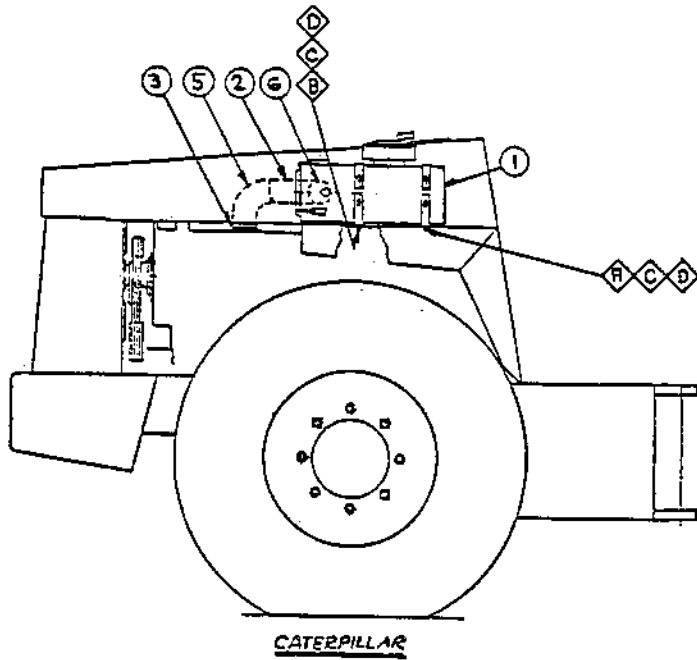
INDEX NUMBER	PART NUMBER	DESCRIPTION	QUANTITY
1	999023	Horn	2
2	999024	Horn Bracket	2
3	999025	Nut	2
4	842160	Horn Button	1
5	975037	Relay	1
A	503045	Capscrew, HH	2
B	604032	Lockwasher	2
C	571002	Hex Nut	2
D	502004	Capscrew, HH	2
E	604026	Lockwasher	2
F	571001	Hex Nut	2
G	229001	Capscrew, HH (plated)	2
H	604019	Lockwasher (plated)	2
I	572009	Hex Nut (plated)	2

CA-30, CA-30D, CA-30PD
VIBRATION CONTROL LINKAGE
 (SINGLE SEAT)



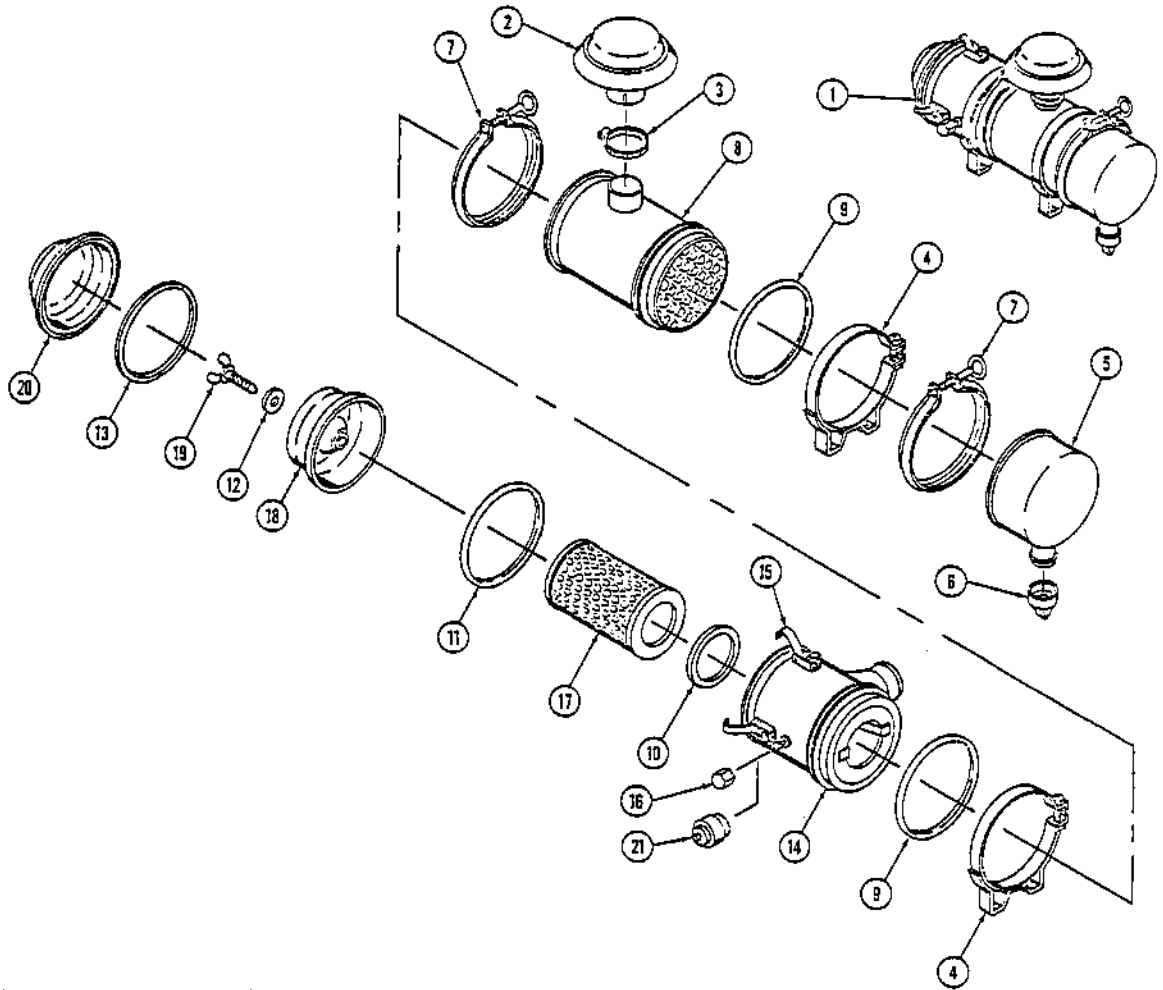
INDEX NUMBER	PART NUMBER	DESCRIPTION	QUANTITY
1	825914	Lever Assembly	1
2	813712	Knob	2
3	335761	Lever	1
4	813714	Conn. Link Assembly	1
5	813786	Pillow Block	2
		(Supplied with Item 1)	
A	801234	Washer	2
B	550079	Machine Screw F.H.	4
C	604023	Lockwasher	4
D	813799	Nut	4
E	630034	Cotter Pin	1

AIR CLEANER ASSEMBLY



INDEX NUMBER	PART NUMBER	DESCRIPTION	QUANTITY
<u>CATERPILLAR</u>			
1	335559 See pg 41	Air Cleaner	1
2	826207	Air Cleaner Tube	1
3	921121	Clamp	1
5	801178	Rubber Elbow 90°	1
6	801177	Rubber Elbow 45°	1
<u>DETROIT DIESEL</u>			
1	335559 See pg 41	Air Cleaner	1
2	826219	Air Cleaner Tube	1
3	826208	Elbow, Air Cleaner	1
5	921121	Clamp	4
6	801177	Rubber Elbow 45°	1
7	801179	Hump Hose	1
A	502035	Capscrew, HH	2
B	502037	Capscrew, HH	2
C	604028	Lockwasher	4
D	571003	Hex Nut	4
E	502018	Capscrew, HH	4
F	604027	Lockwasher	4

AIR CLEANER



INDEX NUMBER	PART NUMBER	DESCRIPTION	QUANTITY
1	335559	Air Cleaner Assembly	1
-	813792	Cap Assembly	1
2	891524	Cap	1
3	891530	Clamp	1
4	813791	Band, Mounting	2
5	499243	Cup, Dust, Horizontal	1
6	891522	Valve, Vacuator	1
7	499242	Clamp, Assembly	2
8	499239	Body, Lower Assembly	1
-	891432	Kit, Gasket	1
9	499240	O-Ring	2
10	499249	Gasket, Element	1
11	499238	Gasket, Cover, Inner	1
12	499250	Gasket, Washer	1
13	499248	Gasket, Cover	1
14	499237	Body, Upper, Assembly	1
15	499246	Spring, Clip, Cover	3
16	499236	Cap, Restriction	1
17	335656	Element, Cleaner, Air	1
18	499241	Cover, Inner	1
19	499245	Screw, Thumb	1
20	499247	Cover Assembly	1
21	801174	Indicator, Service	1

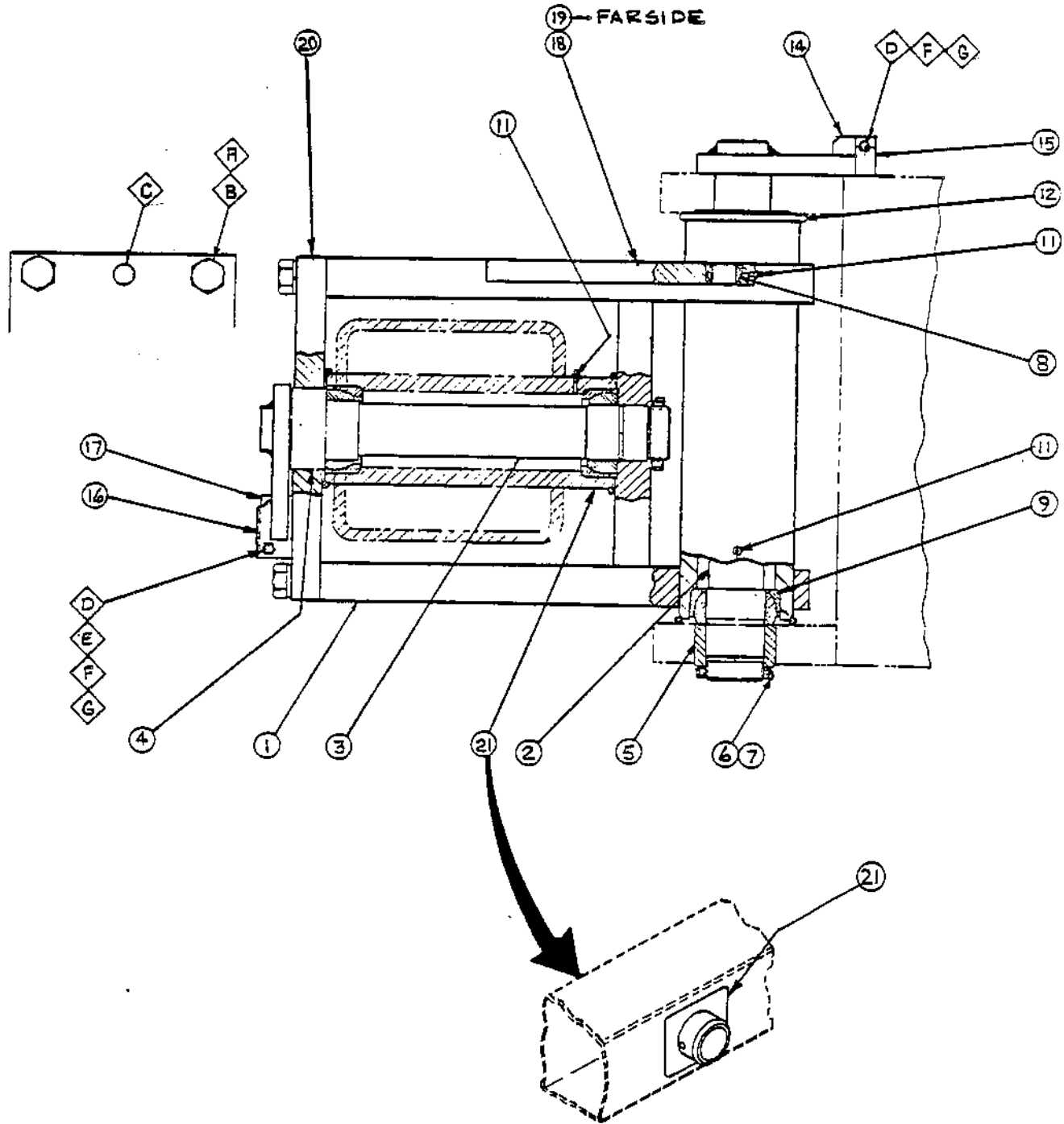
STEERING HITCH ASSEMBLY

(To S/N 2968, 2973 to 2976)

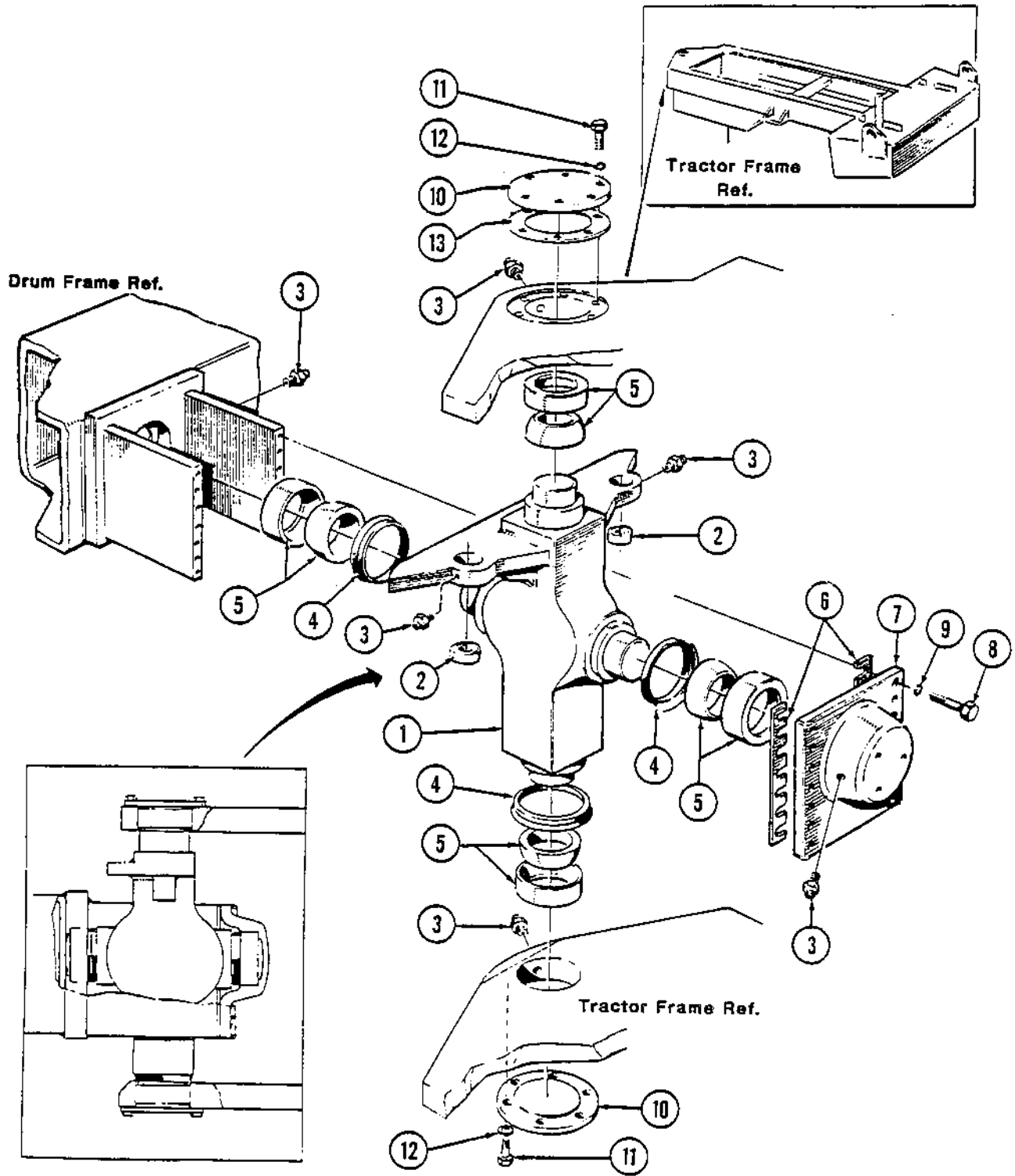
INDEX NUMBER	PART NUMBER	DESCRIPTION	QUANTITY
1	335622	Steering Hitch	1
2	335624	Pin	1
3	335625	Pin	1
4	825176	Spacer	1
5	335626	Spacer	1
6	813468	Locknut	2
7	813469	Lockwasher	2
8	813316	Bearing	2
9	801605	Bearing Assembly	4
11	310022	Grease Fitting	4
12	813473	O-Ring	4
14	826025	Hitch Lockplate	1
15	826026	Hitch Lockplate	1
16	850179	Hitch Lockplate	1
17	850251	Hitch Lockplate	1
18	826451	Ear, Left Hand	1
19	826450	Ear, Right Hand	1
20	433562201	Back Plate, Hitch	1
21	825984	Flange,Pivot(2596 to 2968,2973 to 2976)..	1
--	825909	Flange,Pivot(to 2588,2590,2591, 2593 to 2595).....	1
A	502141	Capscrew HH	4
B	604034	Lockwasher	4
C	923126	Dowel Pin	2
D	502060	Capscrew HH	2
E	600010	Flat Washer	1
F	604030	Lockwasher	2
G	571005	Hex Nut	2

STEERING HITCH ASSEMBLY

(To S/N 2968, 2973 to 2976)



STEERING HITCH ASSEMBLY
(From S/N 2969 To 2972, 2977 And Up)



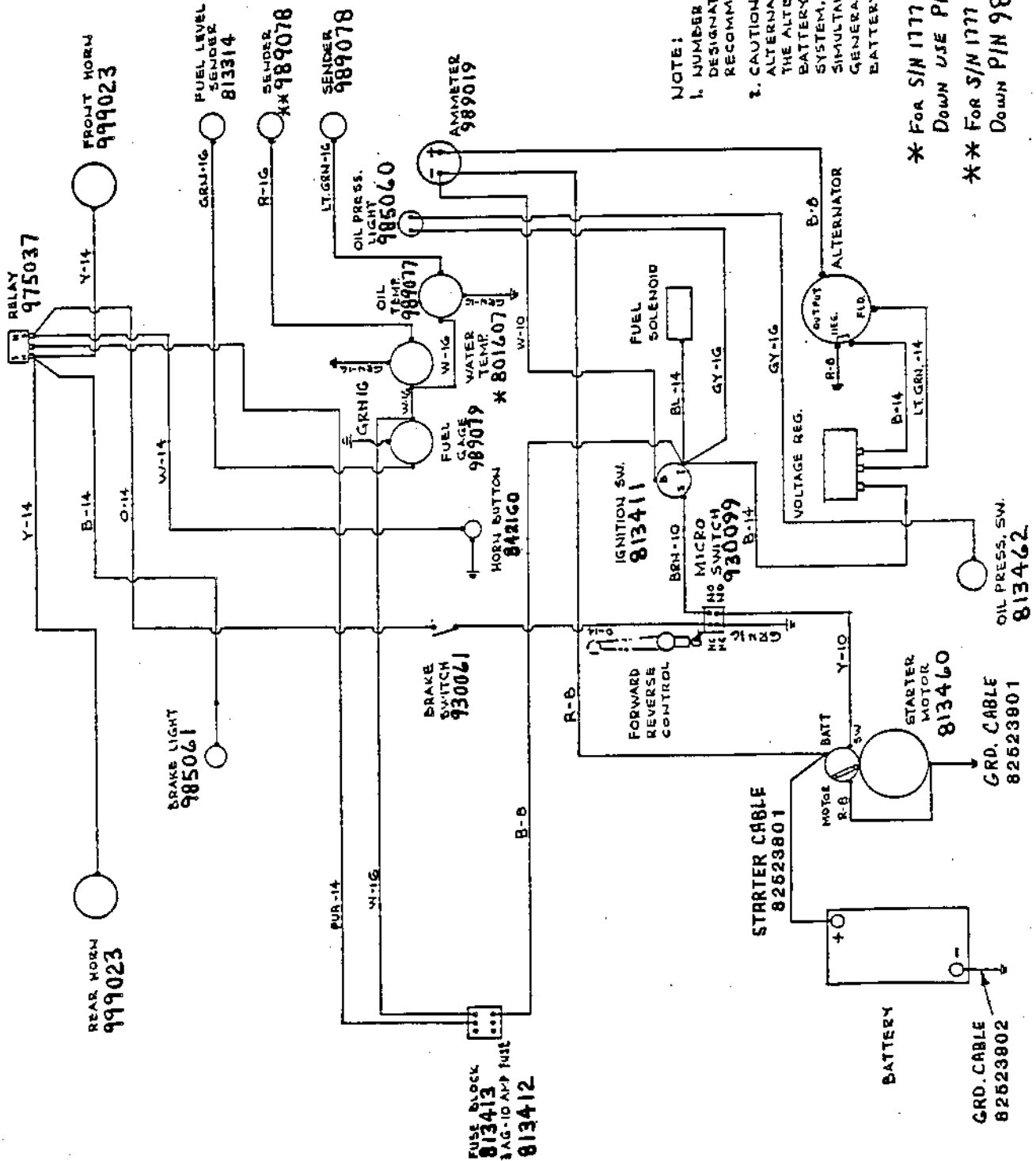
STEERING HITCH ASSEMBLY
 (FROM S/N 2969 To 2972, 2977 And Up)

INDEX NUMBER	PART NUMBER	DESCRIPTION	QUANTITY
1	342597	Link, Steering Hitch	1
2	813316	Bearing, Steering Cylinder	2
3	310035	Fitting, Lubrication	6
4	167032	V-Ring.....	3
5	801605	Bearing Assembly	4
6	337044	Shim, 1.0 mm	A/R
-	433704401	Shim, .035 mm	A/R
-	433704402	Shim, 0.1 mm	A/R
7	337043	Cover, Steering Link	1
8	502210	Capscrew, HH	14
9	604033	Lockwasher	14
10	337042	Cover, Top & Bottom	2
11	502058	Capscrew, HH	12
12	615045	Lockwasher	12
13	337045	Shim, 1.0 mm	A/R
-	433704501	Shim, .035 mm	A/R
-	433704502	Shim, 0.1 mm	A/R

COLOR CODE

B	BLACK
W	WHITE
R	RED
O	ORANGE
LT. GRN	LIGHT GREEN
Y	YELLOW
BL	BLUE
GRN	GREEN
GY	GREY
BRN	BROWN
PUR	PURPLE

MAIN WIRE
HARNESS # 825226

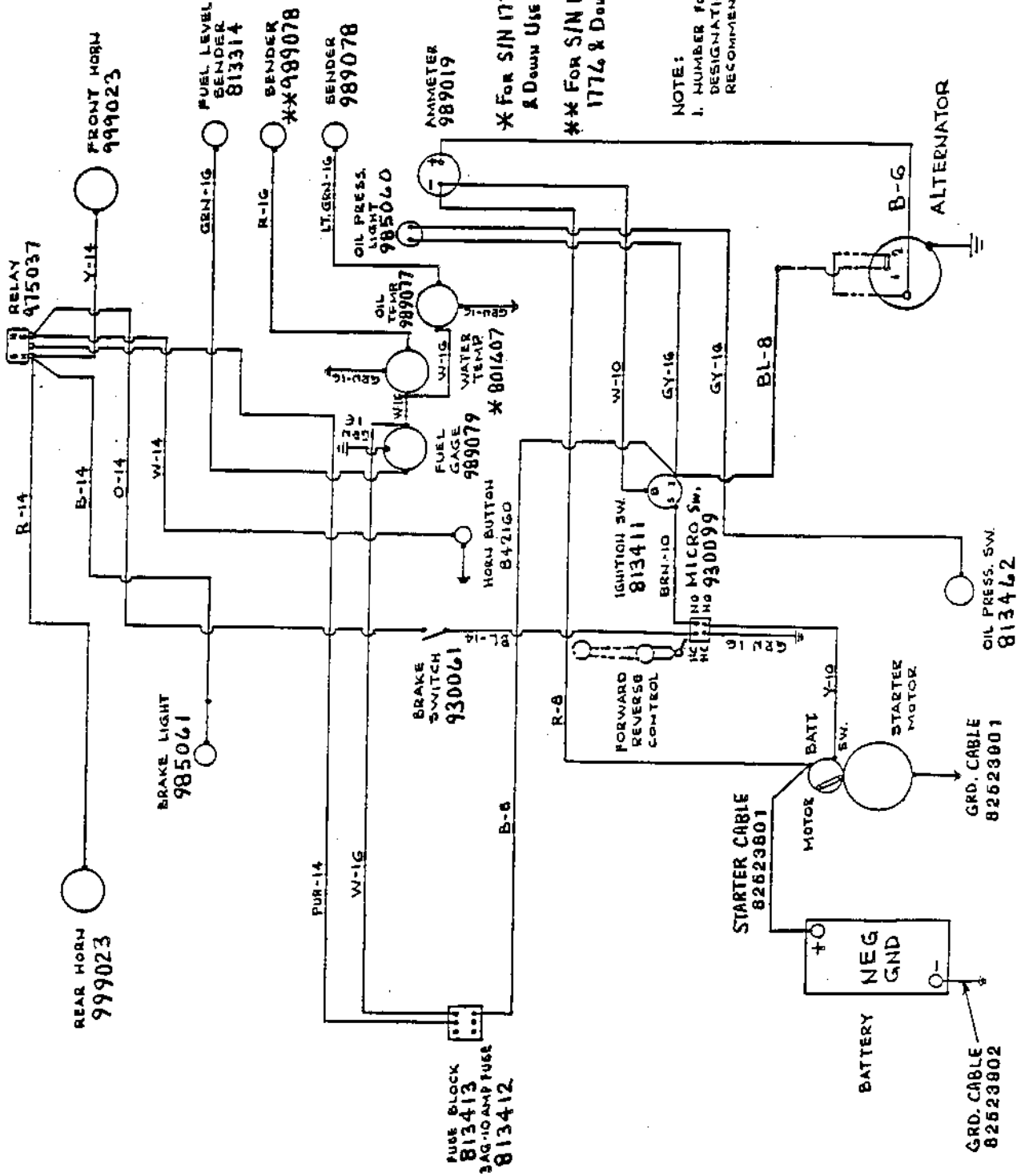


NOTE:
1. NUMBER FOLLOWING COLOR DESIGNATION INDICATES RECOMMENDED WIRE SIZE.
2. CAUTION! DO NOT POLARIZE THE ALTERNATOR. DO NOT OPERATE THE ALTERNATOR WITHOUT A BATTERY CONNECTED TO THE SYSTEM. DO NOT OPERATE SIMULTANEOUSLY WITH A D.C. GENERATOR TO CHARGE BATTERY.

* For SIN 1777 & Up. For SIN's 1776 AND Down USE PIN 989037
** For SIN 1777 & Up. For SIN's 1776 AND Down PIN 989036

COLOR CODE

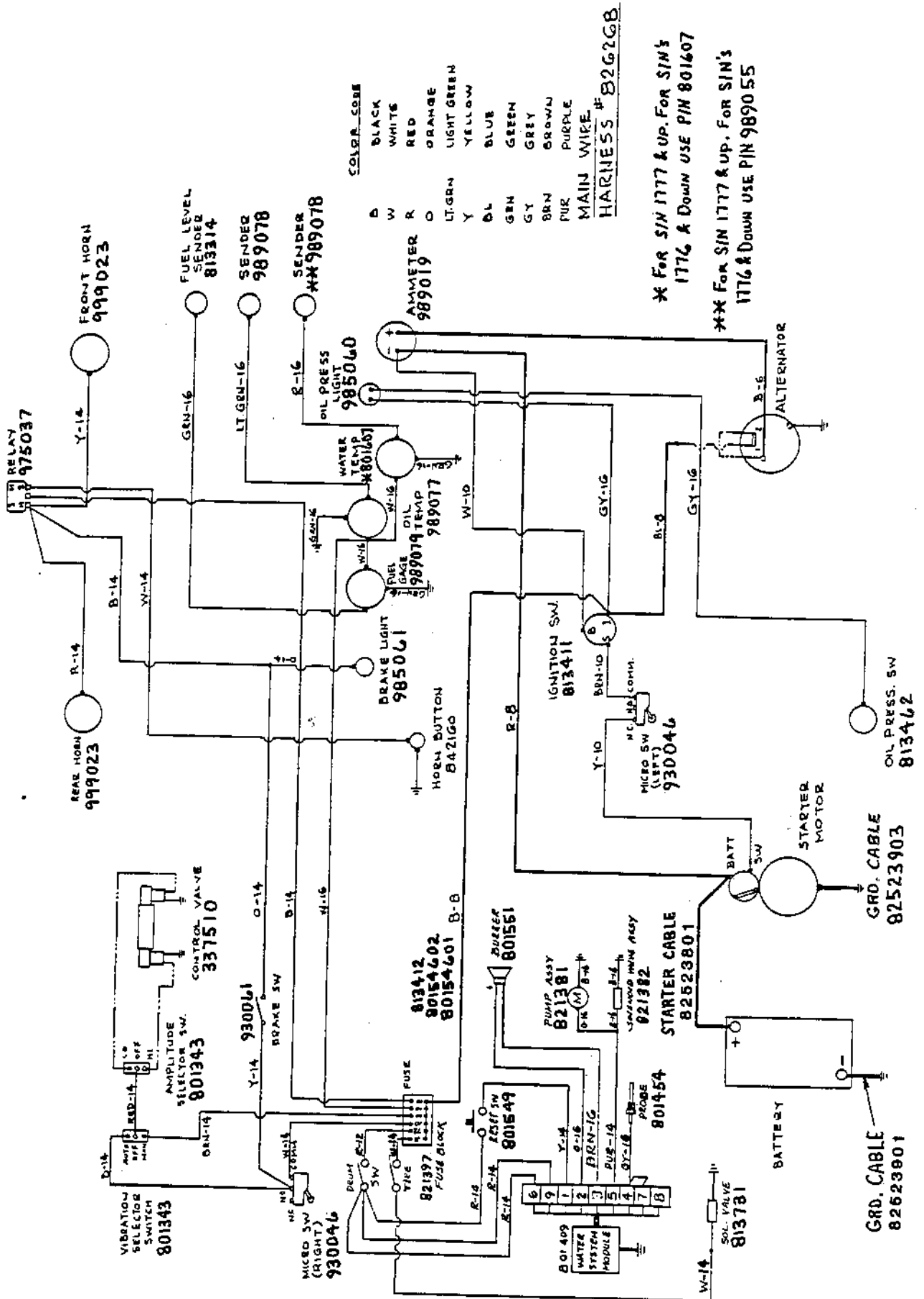
- B BLACK
- W WHITE
- R RED
- O ORANGE
- LT. GRN. LIGHT GREEN
- Y YELLOW
- BL BLUE
- GRN GREEN
- GY GREY
- BRN BROWN
- PUR PURPLE
- MAIN WIRE
- HAIRNESS # 826011



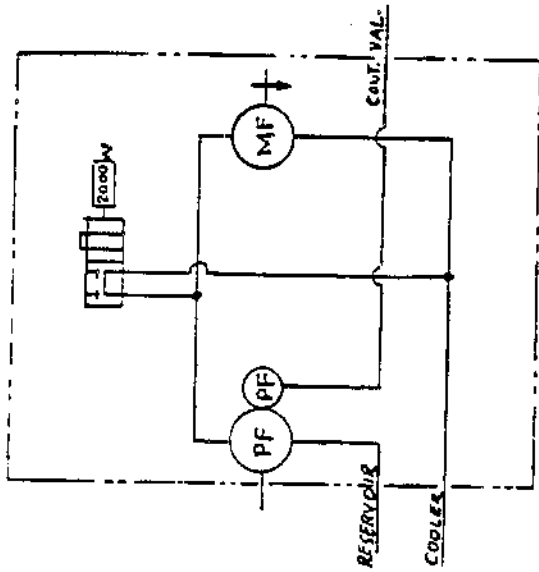
* For SIN 1777 & up. For SIN's 1776 & Down Use PIN 801607

** For SIN 1777 & up. For SIN's 1776 & Down Use PIN 989055

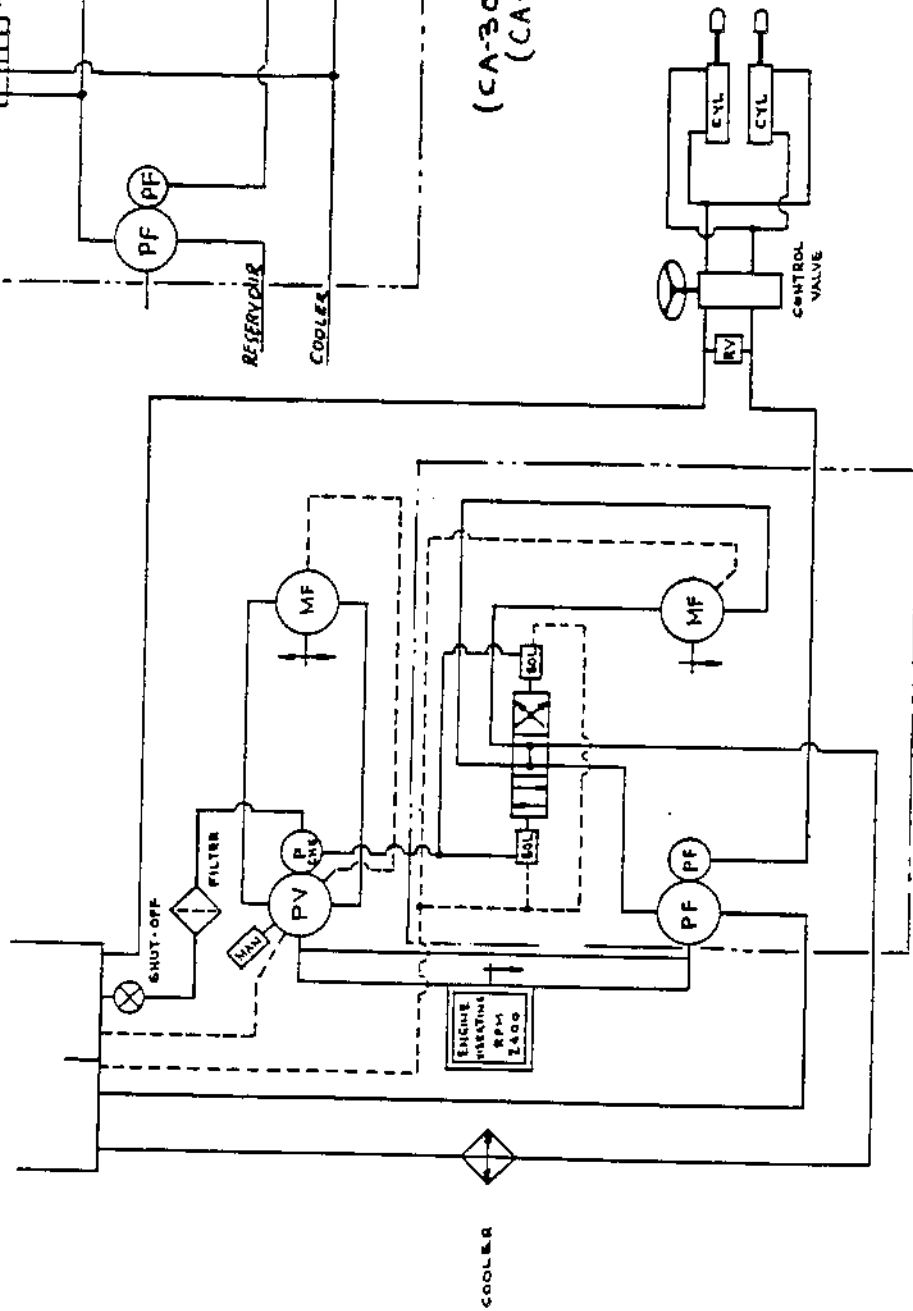
NOTE:
1. NUMBER FOLLOWING COLOR DESIGNATION INDICATES RECOMMENDED WIRE SIZE.



CA-30A ELECTRICAL DIAGRAM
DETROIT (WITH ALTERNATOR)



(CA-30, CA-30D)
(CA-30 PD)



(CA-30A)

HYDRAULIC SCHEMATIC

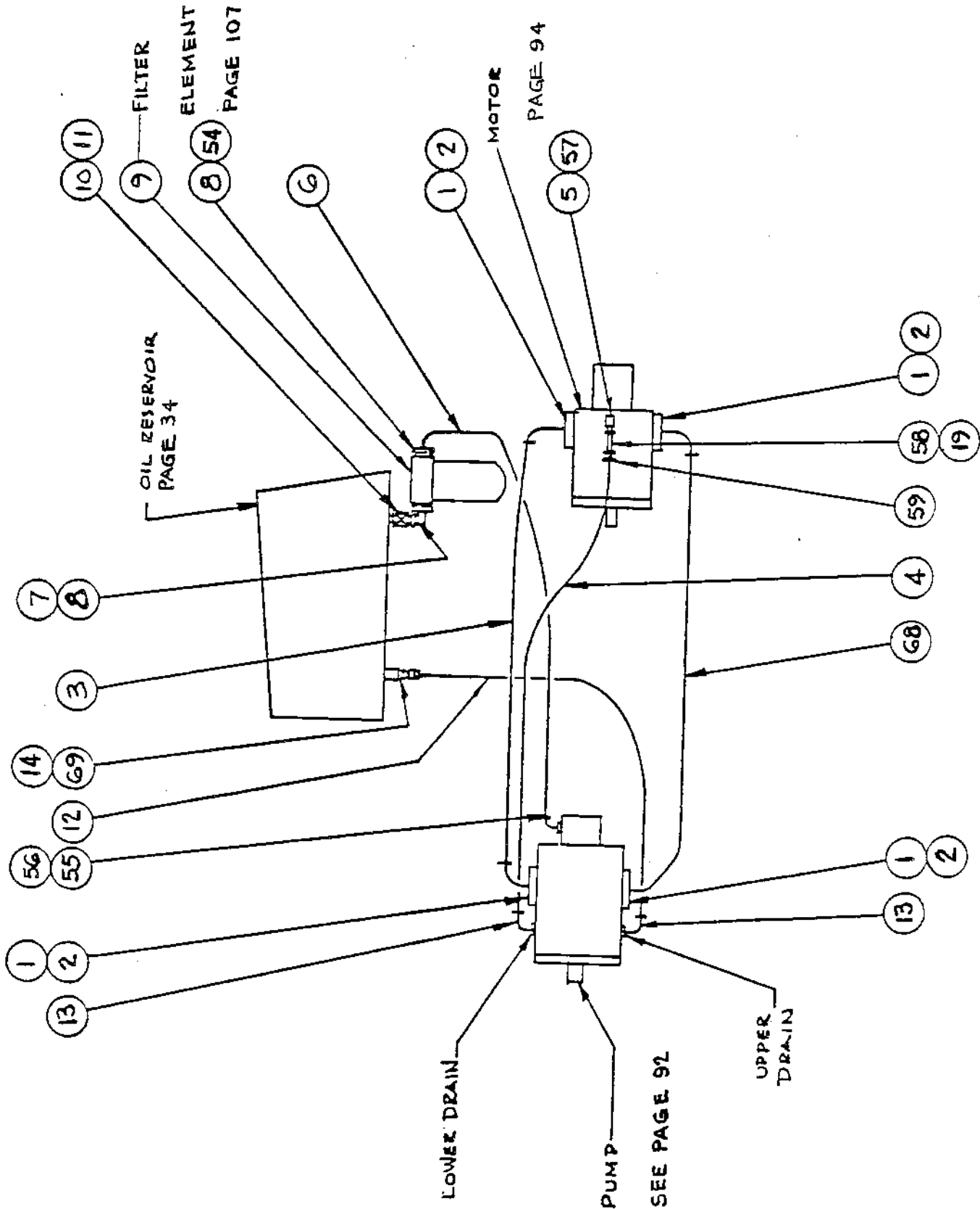
CA-30, CA-30D, CA-30PD
HYDRAULIC ASSEMBLY

INDEX NUMBER	PART NUMBER	DESCRIPTION	QUANTITY
1	813424	Split Flange	5
2	813429	O-Ring	5
3	82522726	Hose Assembly	1
4	82522701	Hose Assembly	1
5	989078	Temp Sender	1
6	82522702	Hose Assembly	1
7	234395	Elbow, 90°	1
8	813449	Hex Bushing	2
9	335554 (See pg 107)	Filter	1
10	813738	Nipple	1
11	813451	Gate Valve	1
12	82522703	Hose Assembly	1
13	85021601	Swivel Elbow 90°	2
13A	334117	Male Connector	2
14	814251	Adapter	1
15	82522704	Hose Assembly	2
16	234371	Tee Branch	3
17	82522721	Hose Assembly	1
18	82522722	Hose Assembly	1
19	813438	Close Nipple	2
20	82522724	Hose Assembly	1
21	813437	Adapter	1
22	82522723	Hose Assembly	1
23	814242	Tee Branch	1
25	82522708	Hose Assembly	1
26	82522709	Hose Assembly	1
26A	813425	Hex Bushing (To S/N 3123)	1
26C	813391	Magnetic Plug	3
27	82522710	Hose Assembly (To S/N 3123)	1
28	813417	Tee	1
29	82522711	Hose Assembly	1
30	813419	Elbow 90° Swivel	1
31	82549305	Hose Assembly	1
32	813416	Split Flange Assembly	2
33	813430	O-Ring	3
34	82549306	Hose Assembly	1

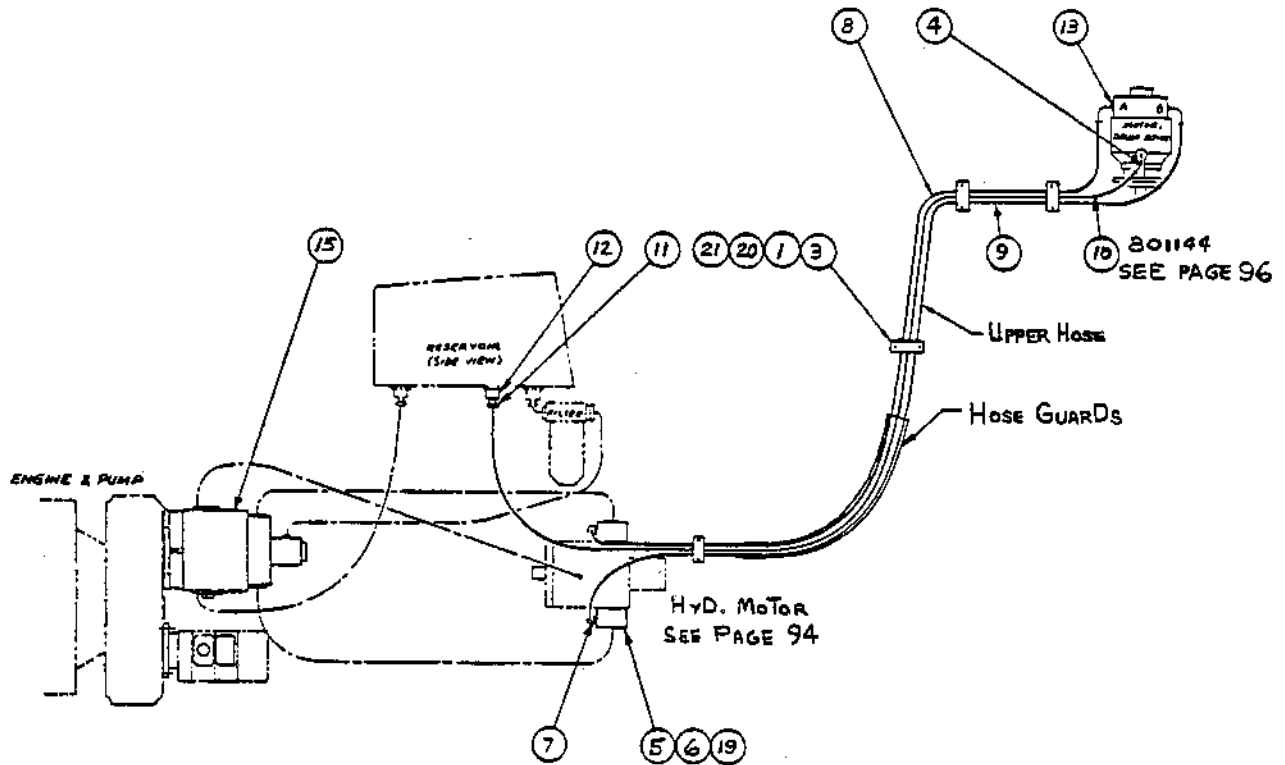
CA-30, CA-30D, CA30PD
HYDRAULIC ASSEMBLY

INDEX NUMBER	PART NUMBER	DESCRIPTION	QUANTITY
35	813420	Nipple.....	1
36	891866	Adapter.....	1
37	480202	Relief Valve.....	1
38	82522714	Hose Assembly.....	1
39	82549311	Hose Assembly (From S/N 2782).....	1
-	82549302	Hose Assembly (To S/N 2781).....	1
40	82549312	Hose Assembly (From S/N 2782).....	1
-	82549303	Hose Assembly (To S/N 2781).....	1
41	813426	Str. Elbow, 90°.....	1
42	813427	Hex Bushing.....	2
43	813468	Male Connector.....	1
44	See page 48	Hydraulic Schematic.....	1
45	813422	Plug.....	2
46	813433	Flange.....	1
47	813443	O-Ring.....	1
48	813423	Hex Plug.....	2
49	813431	Elbow, 45° (To S/N 3123).....	1
50	813434	Hex Bushing.....	1
51	*813435	Elbow, 90°.....	2
52	334163	Elbow, 90°.....	3
-	160154	O-Ring.....	1
53	*482167	Hose Assembly (Replaces 82522728).....	1
54	813453	Elbow, 45°.....	1
55	813456	Swivel Adapter.....	1
56	160144	O-Ring.....	1
57	801550	Tee.....	1
58	813455	Adapter.....	1
59	813483	Adapter.....	1
60	335602	Modified Tee.....	1
61	234279	Elbow, 90° (From S/N 2782).....	1
-	813719	Elbow, 90° (To S/N 2781).....	1
65	813416	Flange (To S/N 3123).....	1
66	334121	O-Ring Connector.....	3
68	82522727	Hose Assembly.....	1
69	814250	Check Valve.....	1
70	801269	Elbow, 45° Swivel (From S/N 2782).....	2
71	813427	Bushing, Hex (From S/N 2782).....	1
72	923811	Insert, 45° (From S/N 3124 & Up).....	1
73	923810	Hose (From S/N 3124 & Up).....	1
74	813311	Clamp (From S/N 3124 & Up).....	2
75	923812	Insert, 45° Flanged (From S/N 3124 & Up).....	1
A	509039	Capscrew, Soc. Hd.	4
B	604028	Lockwasher.....	4

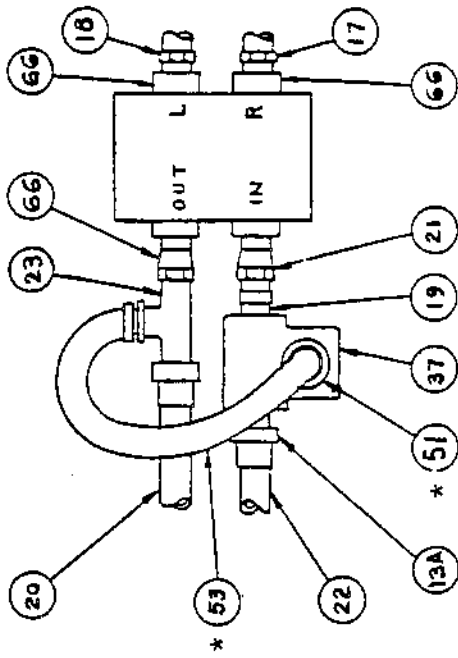
*NOTE: When replacing Hose P/N 482167 item 53 check item 37 Relief Valve for an item 13A Male Connector where this Hose connects. If there is a Male Connector order one of item 51, 813435 90° Elbow and replace the Connector.



CA-30D, CA-30PD TRACTION CIRCUIT

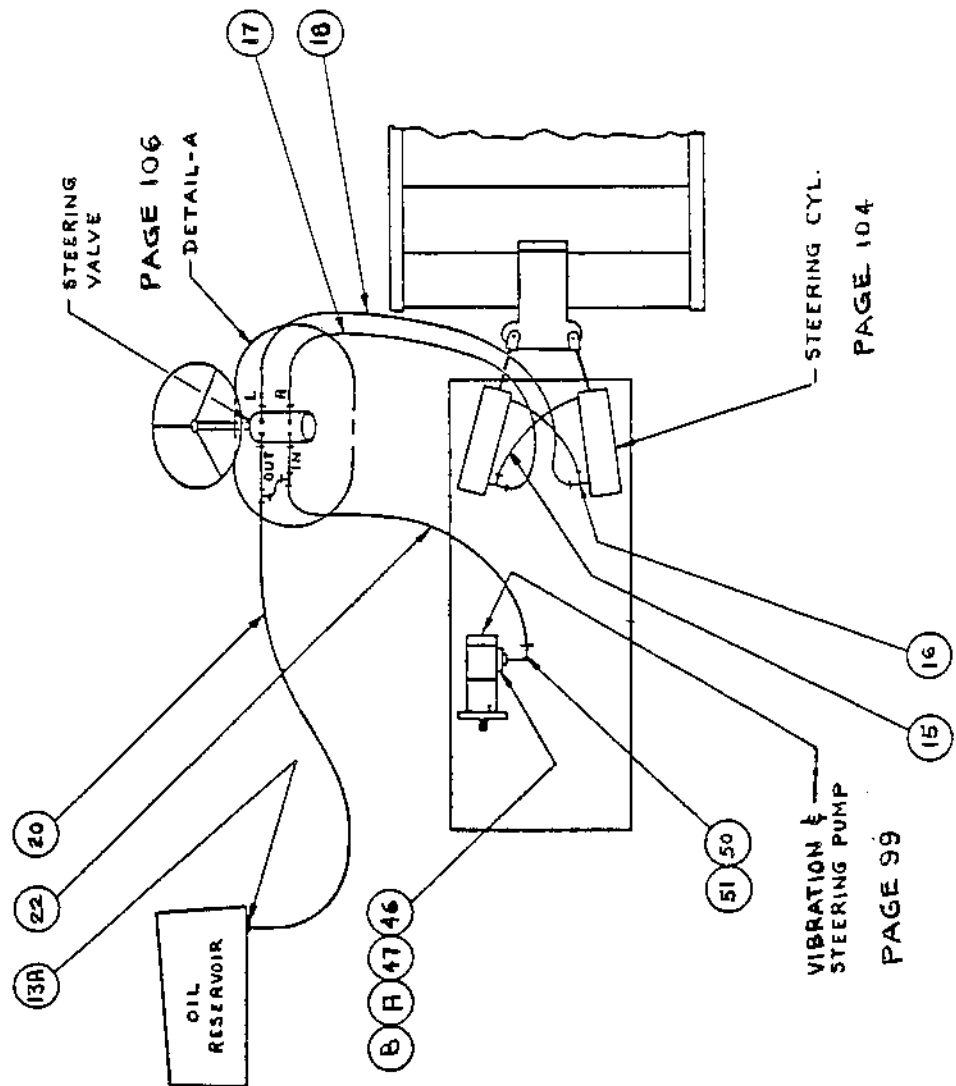


INDEX NUMBER	PART NUMBER	DESCRIPTION	QUANTITY
1	335632	Plate	4
3	825911	Rubber Block	4
4	814061	90° Elbow	1
5	813429	O-Ring	2
6	335669	Adapter	2
7	813721	90° Adj. Elbow	2
8	82540308	Hose Assembly	1
9	82540309	Hose Assembly	1
10	82540310	Hose Assembly	1
11	334117	Str. Adapter	1
12	813503	Red. Bushing	1
13	232097	Flange Kit	2
15	801157 (See pg 92)	Pump Hydrostatic	1
19	514014	Capscrew, Socket H	8
20	502043	Capscrew, HH	8
21	604028	Lockwasher	8

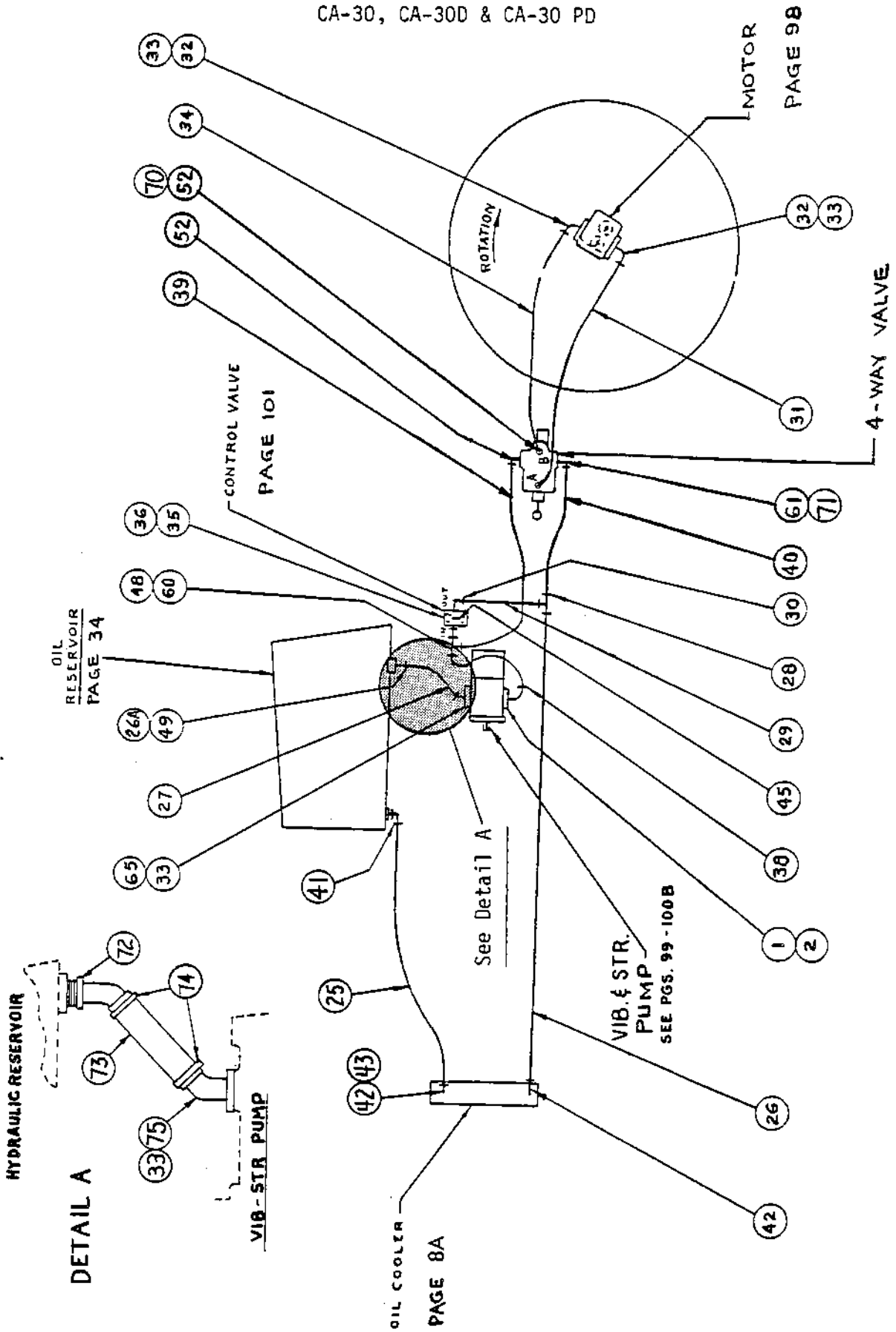


DETAIL - A

*Check Note on Parts page 50.

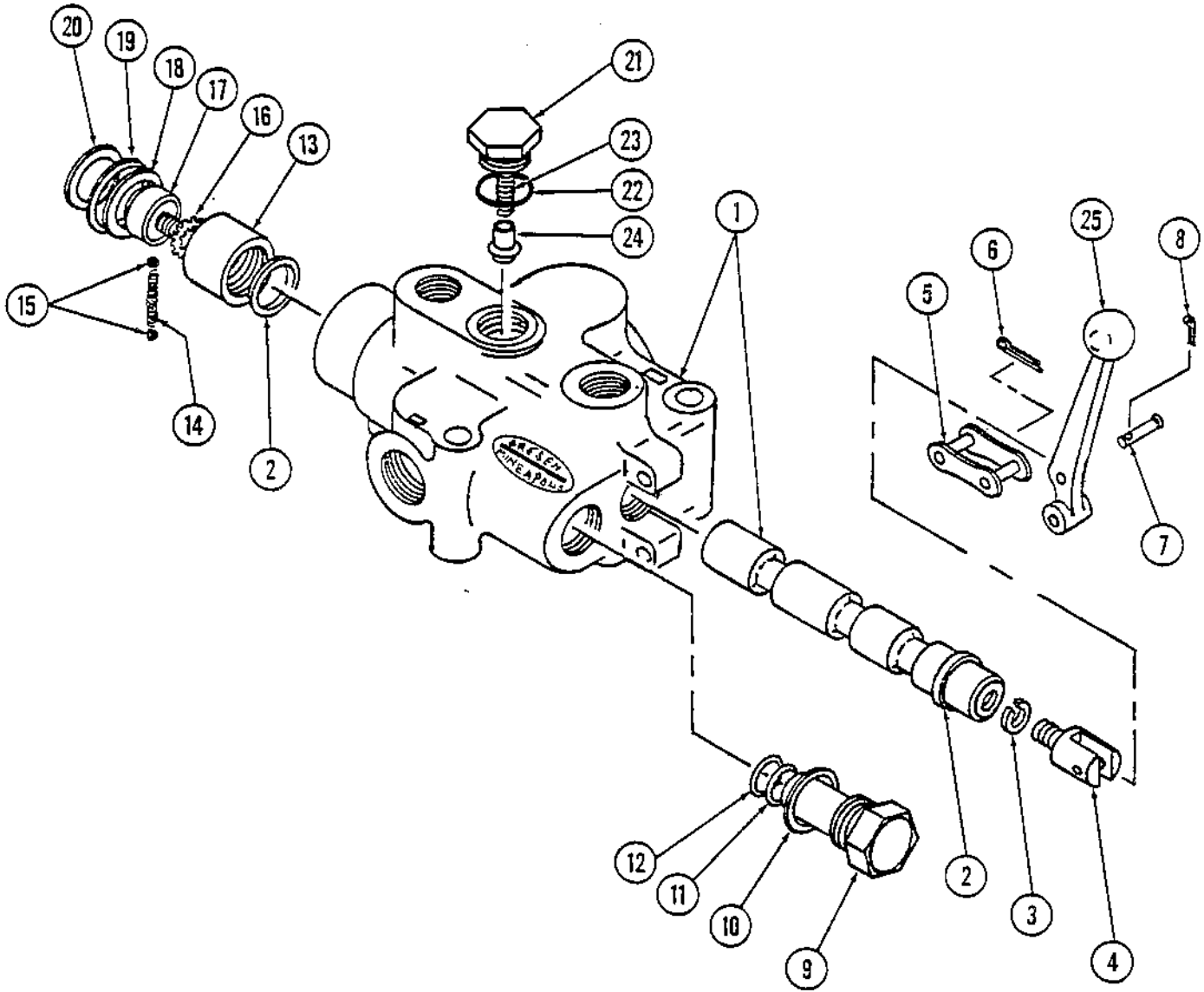


VIBRATION CIRCUIT
CA-30, CA-30D & CA-30 PD



See Page 53/ - 53D

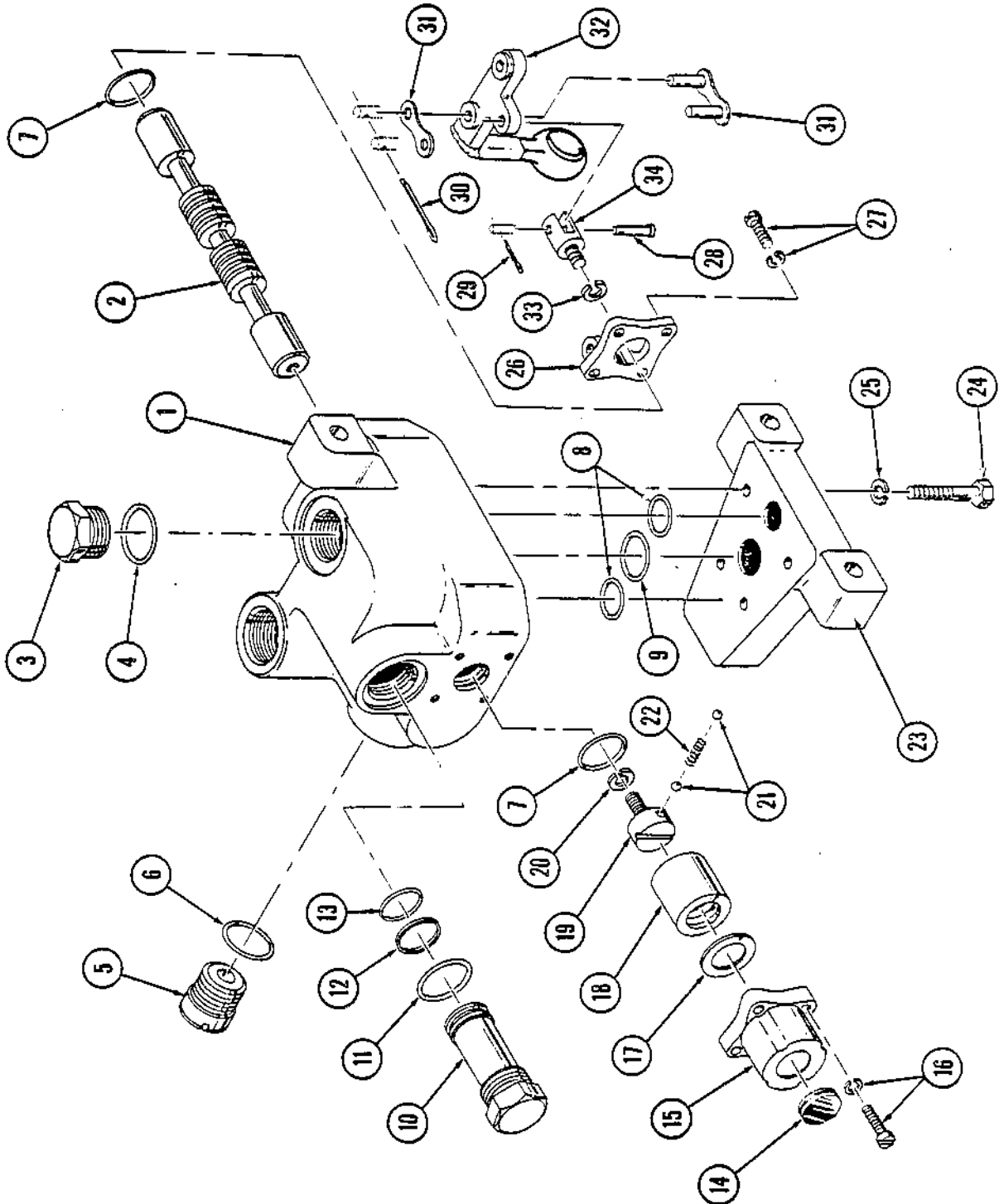
DUAL AMPLITUDE CONTROL VALVE
(To S/N 2616)



DUAL AMPLITUDE CONTROL VALVE
(To S/N 2616)

INDEX NUMBER	PART NUMBER	DESCRIPTION	QUANTITY
-	335692	Valve Assembly, Amplitude Control	1
1	NSS	Housing, Valve	1
-	NSS	Spool, 4 Way	1
2	814105	Seal, Spool	2
3	814078	Lockwasher, Handle Adapter	1
4	911577	Handle, Adapter	1
5	911576	Link, Handle	1
6	911578	Cotter, Handle Link	1
7	814083	Pin, Handle	1
8	814077	Cotter Pin, Handle	1
-	911575	No-Relief Kit, (incl. 9 thru 12).....	1
9	NSS	Cap, No Relief	1
10	NSS	O-Ring, Relief Body	1
11	NSS	Washer, Relief Back-Up	1
12	NSS	O-Ring, Relief Seal	1
--	911252	Pre-Position Detent Kit (incl. 13 thru 17)	1
13	NSS	Sleeve, Detent	1
14	NSS	Spring, Detent	1
15	NSS	Ball, Detent	2
16	NSS	Lockwasher, Detent Adapter	1
17	NSS	Holder, Detent	1
18	892078	Washer, Stop	1
19	*814014 - OBSOLETE - NLA *	Snap Ring, Bonnet	1
20	814109	Cap Assembly, Bonnet	1
--	911450	Check Plug Kit (incl. 21 thru 24) ...	1
21	NSS	Plug, Check	1
22	NSS	O-Ring, Check Plug	1
23	NSS	Spring, Check Poppet	1
24	NSS	Poppet, Check	1
25	825598	Handle, Control Valve	1

DUAL AMPLITUDE CONTROL VALVE
(From S/N 2617)



DUAL AMPLITUDE CONTROL VALVE

(From S/N 2617)

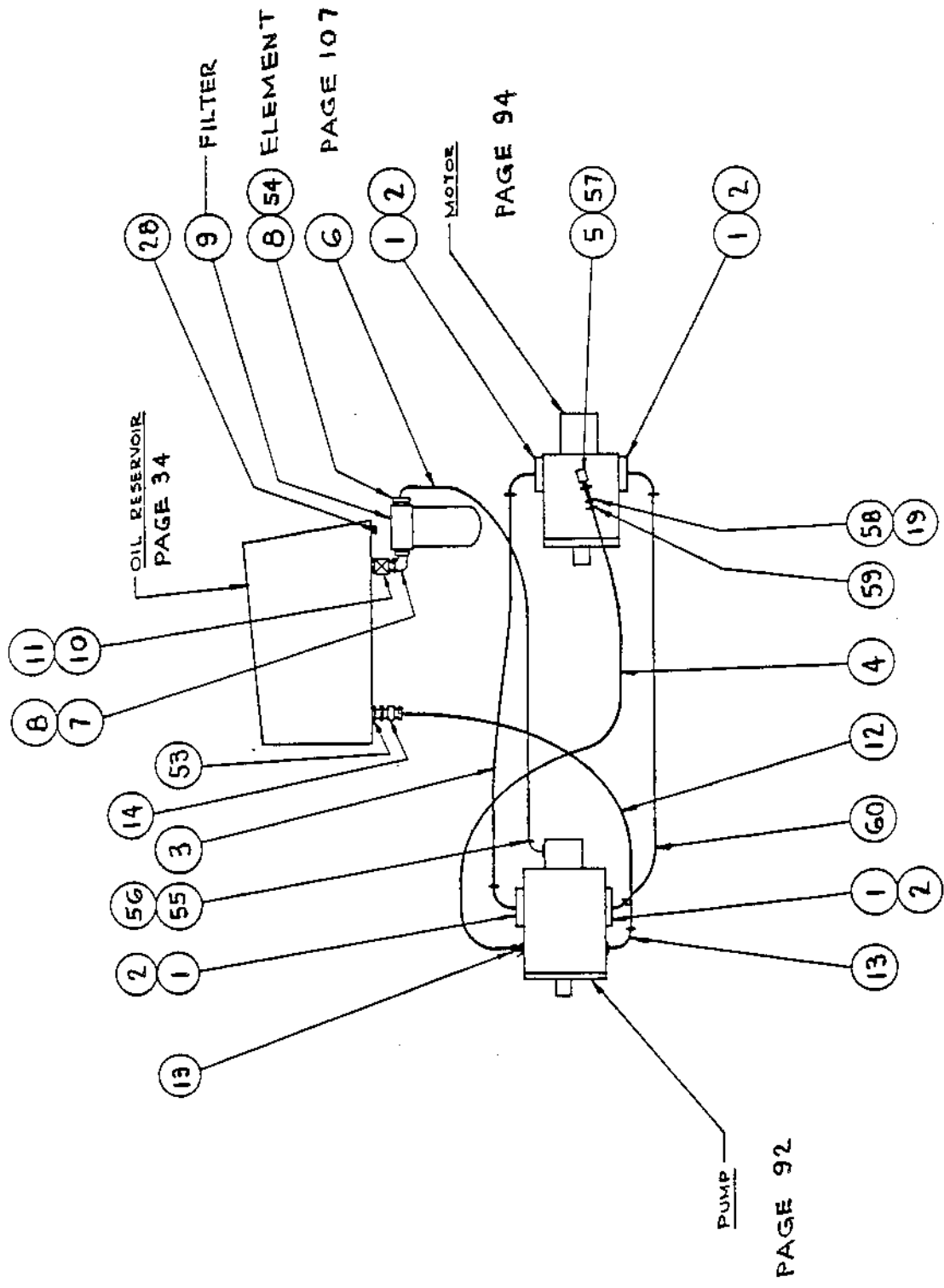
INDEX NO	PART NO	DESCRIPTION	QUANTITY
-	826595	Assembly, Valve & Handle (Includes Item 32).....	1
-	802026	Valve Assembly, Amplitude Control	1
1	NSS	Housing	1
2	NSS	Spool	1
3	920910	Plug	1
4	920911	O-Ring	1
5	920912	Plug, Check	1
-	920913	Kit, Main, Body Seal, (includes 6 thru 9)	1
6	NSS	O-Ring, Check Plug	1
7	NSS	O-Ring, Main Spool	2
8	NSS	O-Ring, End Cover	2
9	NSS	O-Ring, End Cover	1
-	911575	Kit, Relief Plug, (includes 10 thru 13).....	1
10	NSS	Plug	1
11	NSS	O-Ring	1
12	NSS	Washer, Backup	1
13	NSS	O-Ring	1
-	920914	Kit, Detent Replacement (includes 14 thru 22)....	1
14	NSS	Diaphragm, Bonnet	1
15	NSS	Bonnet	1
16	NSS	Screw & Washer	4
17	NSS	Spacer	1
18	NSS	Sleeve, Detent	1
19	NSS	Holder, Detent	1
20	NSS	Lockwasher	1
21	NSS	Ball, Detent	2
22	NSS	Spring, Detent	1
23	920915	Cover, End Outlet	1
-	920916	Kit, Bolt (includes 24 & 25)	1
24	NSS	Bolt	4
25	NSS	Lockwasher	4
-	920917	Kit, Handle Assembly (includes 26 thru 32)	1
26	NSS	Bracket, Handle	1
27	NSS	Screw & Washer	4
28	NSS	Pin, Handle	1
29	NSS	Pin, Handle Cotter.....	1
30	NSS	Pin, Link Cotter	1
31	NSS	Link	1
32	NSS	Handle, Modified (826545)	1
33	920918	Lockwasher	1
34	920919	Adapter, Spool.....	1

CA-30A
HYDRAULIC ASSEMBLY

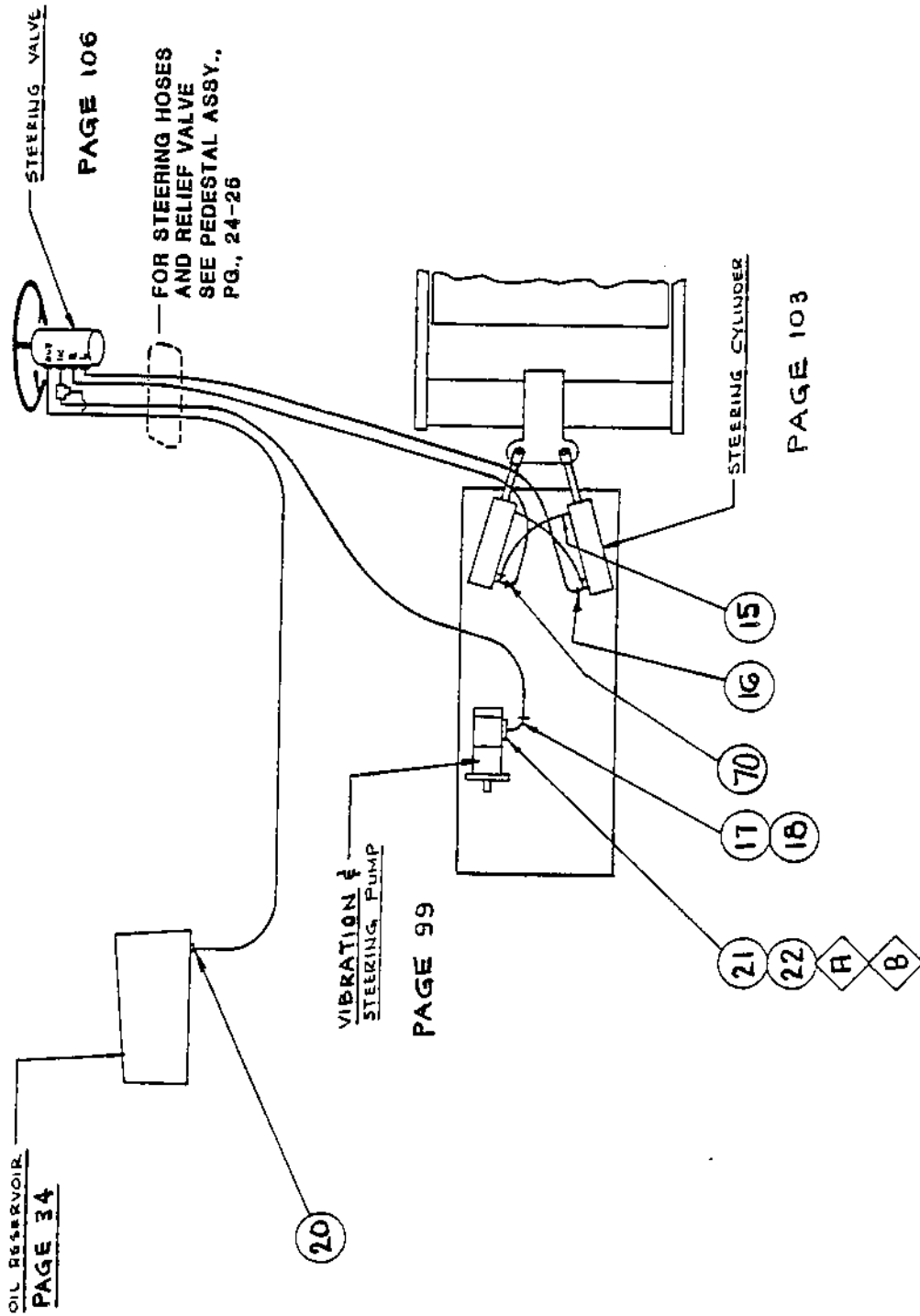
INDEX NUMBER	PART NUMBER	DESCRIPTION	QUANTITY
1	813424	Split Flange	5
2	813429	O-Ring	5
3	82522726	Hose Assembly	1
4	82522701	Hose Assembly	1
5	989078	Temp. Sender	1
6	82522702	Hose Assembly	1
7	234395	Elbow 90°	1
8	813449	Hex Bushing	2
9	335554 (See pg 107)	Filter	1
10	813738	Nipple	1
11	813451	Gate Valve	1
12	82522703	Hose Assembly	1
13	85021601	Swivel Elbow 90°	2
14	814251	Elbow 90°	1
15	82522704	Hose Assembly	2
16	234371	Tee Branch	2
17	813434	Hex Bushing	1
18	813435	Elbow 90°	1
19	813438	Close Nipple	1
20	334117	Male Connector	1
21	813433	Flange	1
22	813443	O-Ring	1
23	82587311	Hose Assembly	1
24	82587312	Hose Assembly	1
25	82587310	Hose Assembly	1
26	82587307	Hose Assembly	1
27	82522710	Hose Assembly (To S/N 3123)	1
28	813391	Magnetic Plug	2
29	813430	O-Ring	1
30	813416	Flange (To S/N 3123)	1
31	813425	Hex Bushing (To S/N 3123)	1
32	813431	Elbow 45° (To S/N 3123)	1
33	813427	Hex Bushing	2
34	813428	Male Connector	2
35	813426	Str. Elbow 90°	1
36	813721	Elbow 90°	2
37	82587306	Hose Assembly	1
38	82587308	Hose Assembly	1
39	82587309	Hose Assembly	1

CA-30A
HYDRAULIC ASSEMBLY

INDEX NUMBER	PART NUMBER	DESCRIPTION	QUANTITY
40	334453	Bushing	1
41	234377	Nipple	1
42	234373	Tee	1
43	813722	Elbow 90°	1
44	234322	Elbow 90°	1
45	234336	Tee	1
46	234335	Elbow	1
47	234435	Connector	3
48	234327	Elbow 45°	1
49	570201	Copper Tubing (16-1/2")	1
50	921102	Clamp	1
51	921114	Clamp	3
52	See page 60	Cooler By Pass Assembly	1
53	814250	Check Valve	1
54	334128	Elbow 90°	1
55	813456	Swivel Adapter	1
56	160144	O-Ring	1
57	801550	Tee	1
58	813445	Adapter	1
59	813483	Adapter	1
60	82522727	Hose Assembly	1
61	See page 48	Hydraulic Schematic	1
62	825904	Elbow 90°	1
63	332127	Pipe Plug	2
64	82587313	Hose Assembly	2
65	921103	Clamp	2
66	See page 59	Vibration Valve Pilot Circuit	1
67	825922	Elbow 90°	1
68	813721	Elbow 90°	2
69	801453	Valve Quick Stop	1
70	234662	Elbow, 45°	1
71	923812	Insert, 45° Flanged (From S/N 3124 & Up)	1
72	923810	Hose, 9" Length (From S/N 3124 & Up)	1
73	813311	Clamp (From S/N 3124 & Up)	2
74	923811	Insert, 45° (From S/N 3124 & Up)	1
A	509039	Capscrew, Soc. Hd.	4
B	813484	Lockwasher Hi-Collar	4
C	502036	Capscrew, HH	4
D	604028	Lockwasher	6
E	571003	Hex Nut	6
F	502018	Capscrew, HH	1
G	604027	Lockwasher	1
H	571002	Hex Nut	1
I	600007	Plain Washer	2
J	502046	Capscrew, HH	2

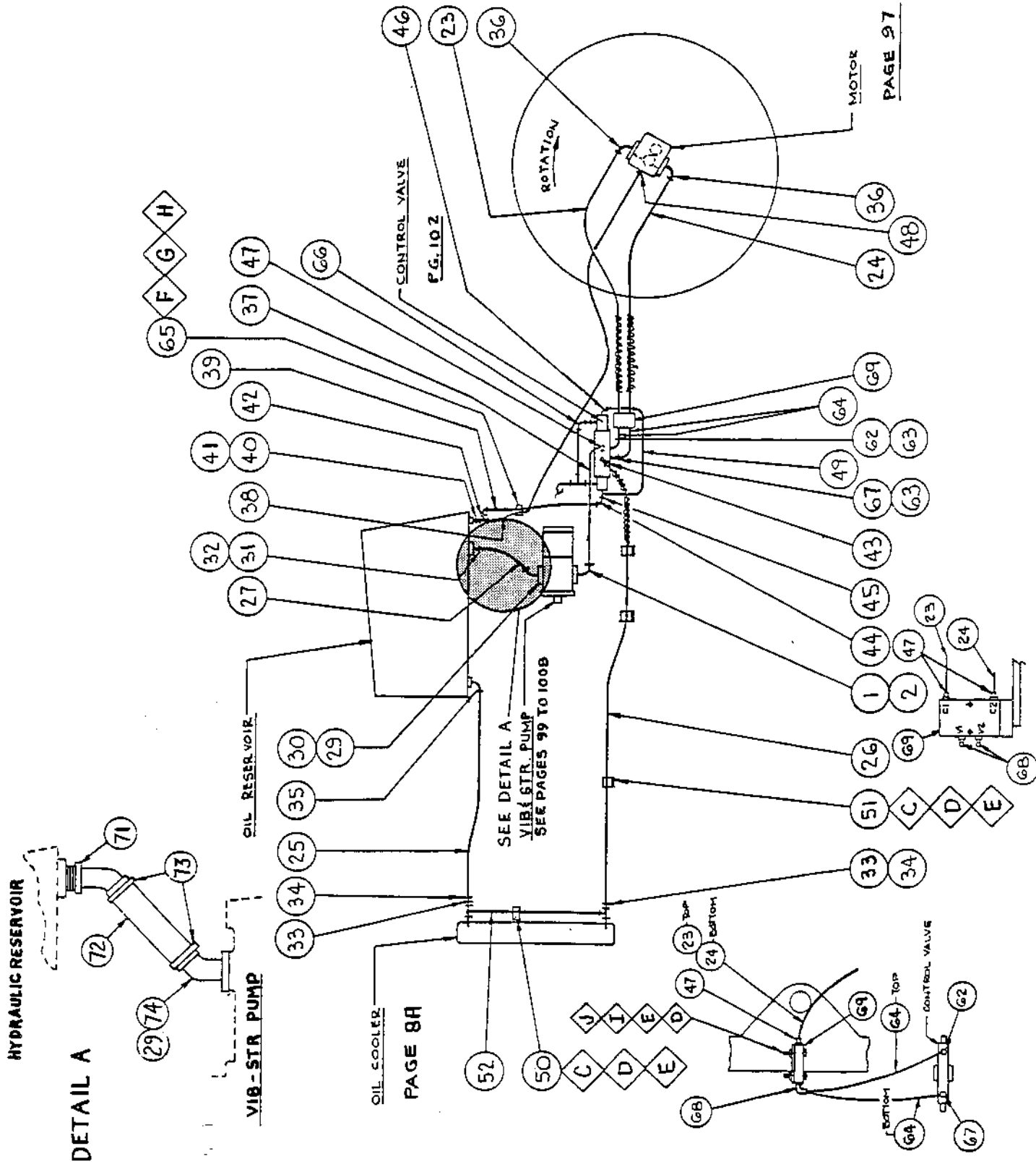


CA-30A
TRACTION CIRCUIT

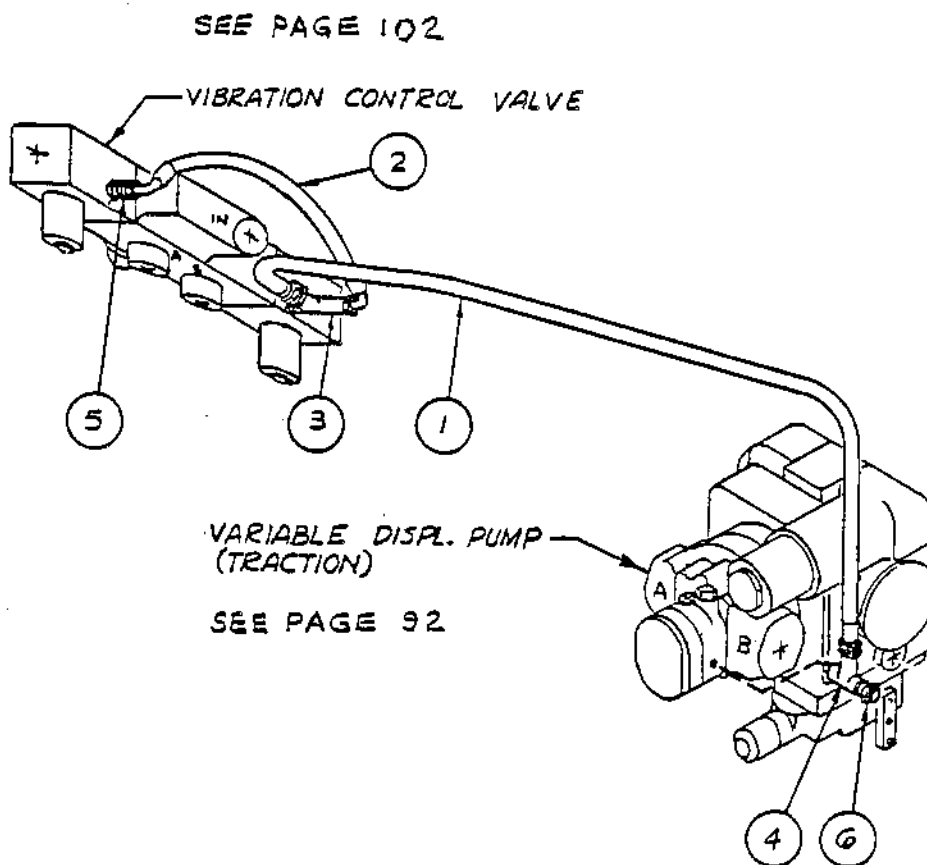


CA-30A
STEERING CIRCUIT

CA-30 A
VIBRATION CIRCUIT

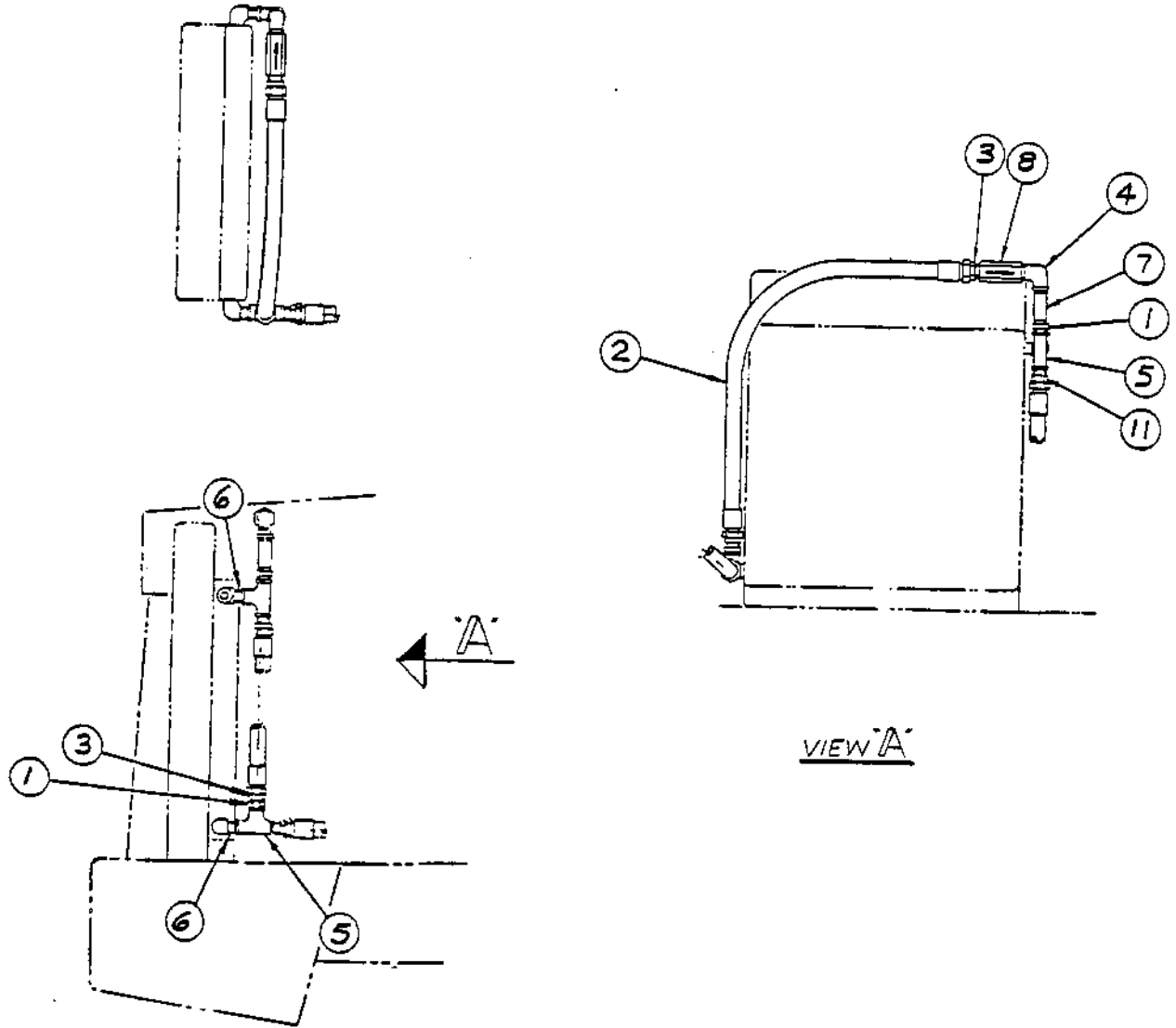


CA-30A
VIBRATION VALVE PILOT CIRCUIT



INDEX NUMBER	PART NUMBER	DESCRIPTION	QUANTITY
1	84218205	Hose Assembly	1
2	84218202	Hose Assembly	1
3	234333	Tee	1
4	334359	Tee	1
5	234358	Adapter	1
6	332125	Cap Unit	1

CA-30A
COOLER BY-PASS

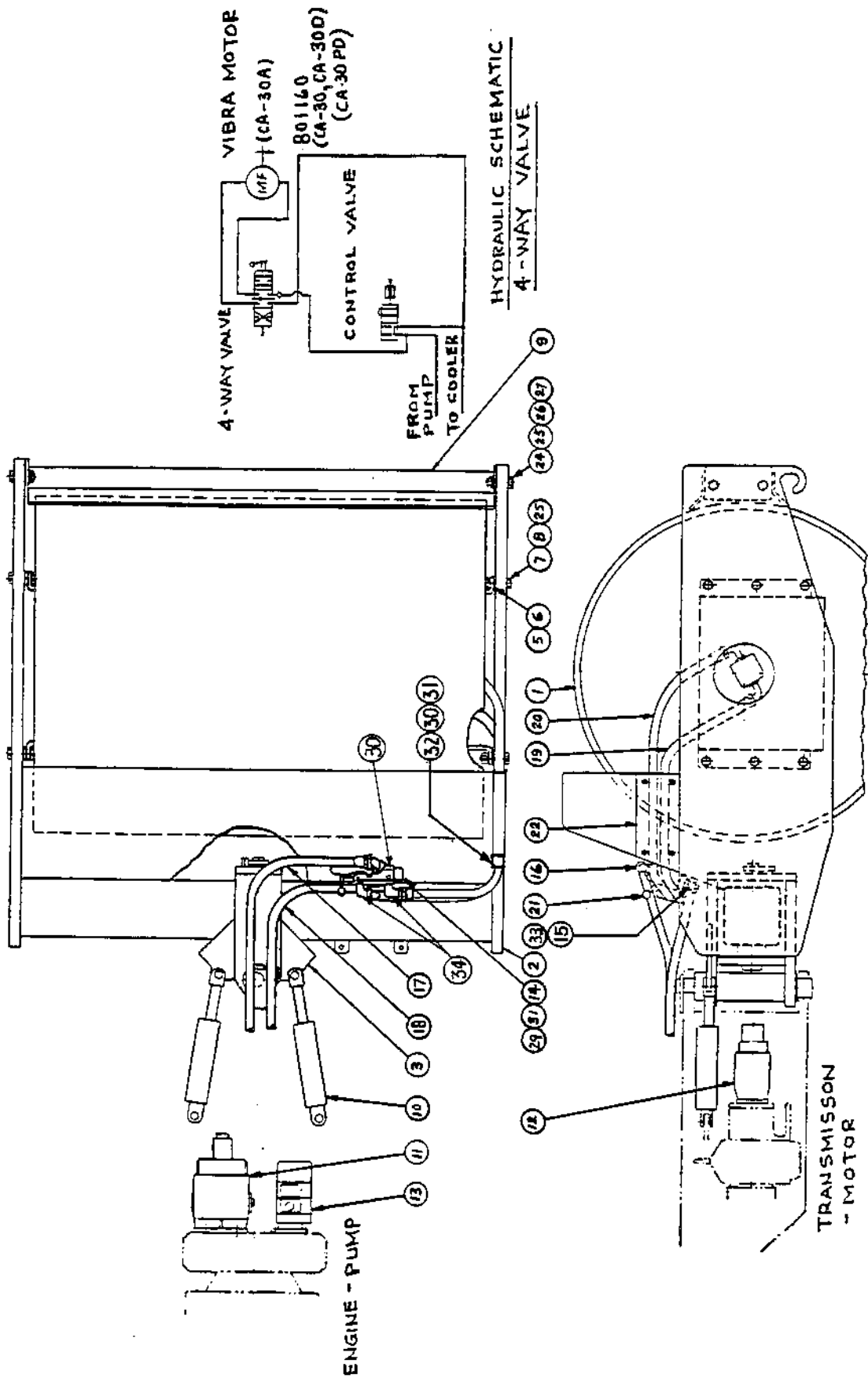


INDEX NUMBER	PART NUMBER	DESCRIPTION	QUANTITY
1	813449	Bushing	2
2	84212716	Hose Assembly	1
3	334157	Connector	2
4	334422	Elbow 90°	1
5	330373	Tee	2
6	334283	Nipple	2
7	334301	Nipple	1
8	233085	Check Valve	1

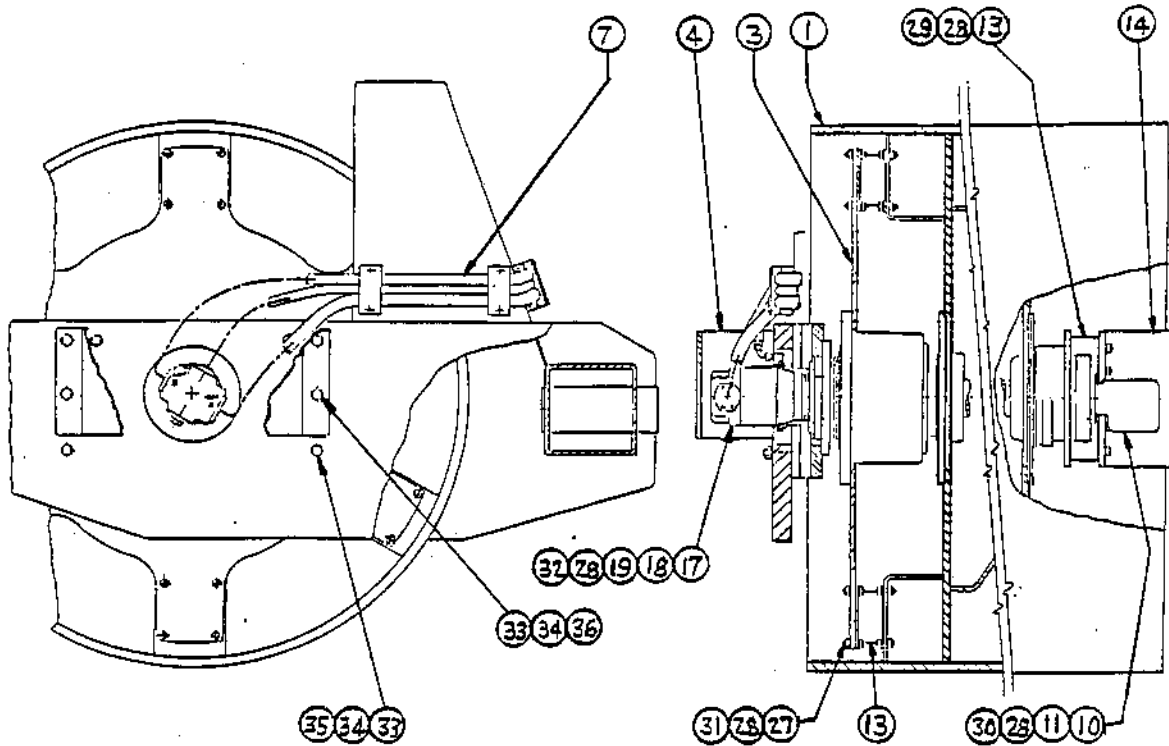
DRUM MODULE

INDEX NUMBER	PART NUMBER				DESCRIPTION	QUANTITY
	(CA-30)	(CA-30A)	(CA-30D)	(CA-30PD)		
1	See page 66 and 68				Drum Assembly.....	
2	826573	826574	826573	826573	Frame (from S/N 2969 to 2972, 2977 and up).....	1
-	826162	826163	826162	826162	Frame (to S/N 2968, 2973 to 2976).....	1
3	See page 42 to 43A				Hitch, Steering.....	1
5	850592	850592	850592	850592	Shim (1/8).....	ar
6	850593	850593	850593	850593	Shim (1/2).....	ar
7	502100	502100	502100	502100	Capscrew HH/HT.....	10
8	813475	813475	813475	586050	Elastic Stop Nut.....	14
9	826040	825804	826040	826285	Scraper.....	1
10	801103	335560	801103	801103	Steering Cylinder Pg 103, 104..	2
11	801157	335556	801157	801157	Pump Hydrostatic Pg 92.....	1
12	801158	335557	801158	801158	Motor See page 94.....	1
13	801159	801159	801159	801159	Pump See page 99.....	1
14	See page 53A to 53D				Valve, Dual Amp. Control	
15	234279	-----	234279	234279	Elbow, 90° (from S/N 2786 & up)	1
--	813719	-----	813719	813719	Elbow, 90° (to S/N 2785).....	1
16	334163	-----	334163	334163	Elbow, 90°.....	3
17	82549311	-----	82549311	82549311	Hose Assy., (from S/N 2786 & up)	1
--	82549302	-----	82549302	82549302	Hose Assy., (to S/N 2785).....	1
18	82549312	-----	82549312	82549312	Hose Assy., (from S/N 2786 & up)	1
--	82549303	-----	82549303	82549303	Hose Assy., (to S/N 2785).....	1
19	82549305	82549309	82549305	82549305	Hose Assembly.....	1
20	82549306	82549310	82549306	82549306	Hose Assembly.....	1
21	See page 53A to 53D				Handle, Valve.....	1
22	826170	826170	826170	826170	Hose Guard.....	1
24	600013	600013	600013	600013	Plain Washer.....	4
25	604033	604033	604033	604033	Lockwasher.....	18
26	571007	571007	571007	571007	Hex Nut.....	6
27	502086	502086	502086	502086	Capscrew, HH.....	4
29	502068	502068	502068	502068	Capscrew, HH.....	3
30	See page 53A to 53D				Valve, Dual Amp. Control.....	1
31	604030	604030	604030	604030	Lockwasher.....	5
32	-----	801344	-----	-----	Clamp.....	1
33	813427	-----	813427	813427	Bushing, Hex (from S/N 2786 and up).....	1
34	801269	-----	801269	801269	Elbow, Swivel (from S/N 2786 and up).....	2

DRUM MODULE

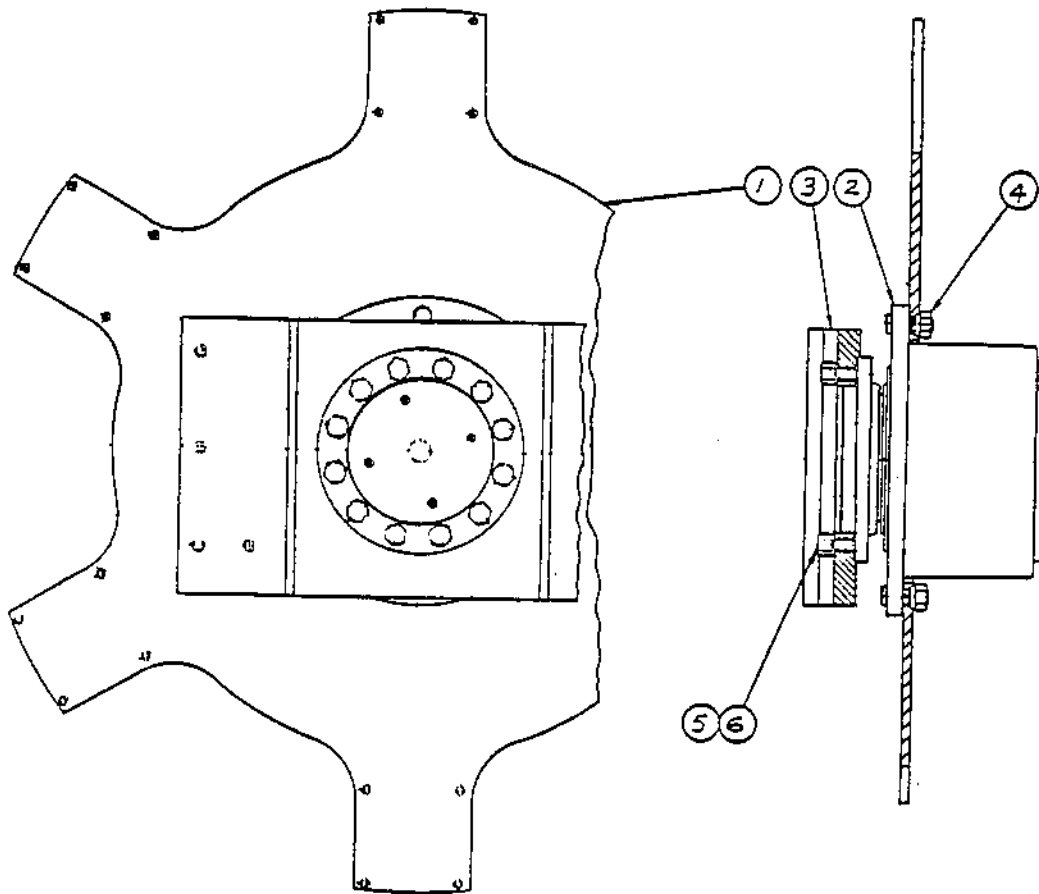


CA-30D, CA-30PD
DRUM DRIVE



INDEX NUMBER	PART NUMBER	DESCRIPTION	QUANTITY
1	See page 67 & 68	Drum Assembly	1
3	See page 109	Drive Hub Assembly	1
4	826148	Motor Guard	1
7	See page 49 to 53	Hydraulic Assembly	1
10	801160 (See pg 98)	Hyd. Motor Vibration	1
11	813478	O-Ring	1
13	801187	Shock	12
14	850590	Shock Mount Frame	1
17	335545	Special Washer	4
18	801144 (See pg 96)	Drive Motor	1
19	801413	O-Ring	1
27	586049	Locknut	48
28	604030	Spring Lockwasher	104
29	503034	Capscrew, HH	48
30	502028	Capscrew, HH	4
31	502060	Capscrew, HH	48
32	502059	Capscrew, HH	4
33	604033	Lockwasher	8
34	571007	Hex Nut	8
35	502124	Capscrew, HH	4
36	502097	Capscrew, HH	4

CA-30D, CA-30PD
DRIVE HUB ASSEMBLY



INDEX NUMBER	PART NUMBER	DESCRIPTION	QUANTITY
1	826005	Drive Plate	1
2	801150 (See pg 110)	Drive Hub	1
3	826146	Drive Hub Mounting Bracket	1
4	813694	Hex Nut	12
5	503056	Capscrew	12
6	604033	Lockwasher	12

*Select Spacer for Correct Fit, Use One Spacer per Cluster Gear
****NOTE:** Check Model No. Tag on front of Hub. If first four digits of Model No. are R7C2 use parts marked with **'s. If you need P/N 423327 Hub or P/N 423323 Spindle a 801150 Rebuilt Hub Assy. should be ordered due to Manufacturer's modifications. P/N 893446 is no longer available, it is replaced by 423470 Hub Sub-Assy. which will update your Hub Assy. to a R7C2 Tag Level.

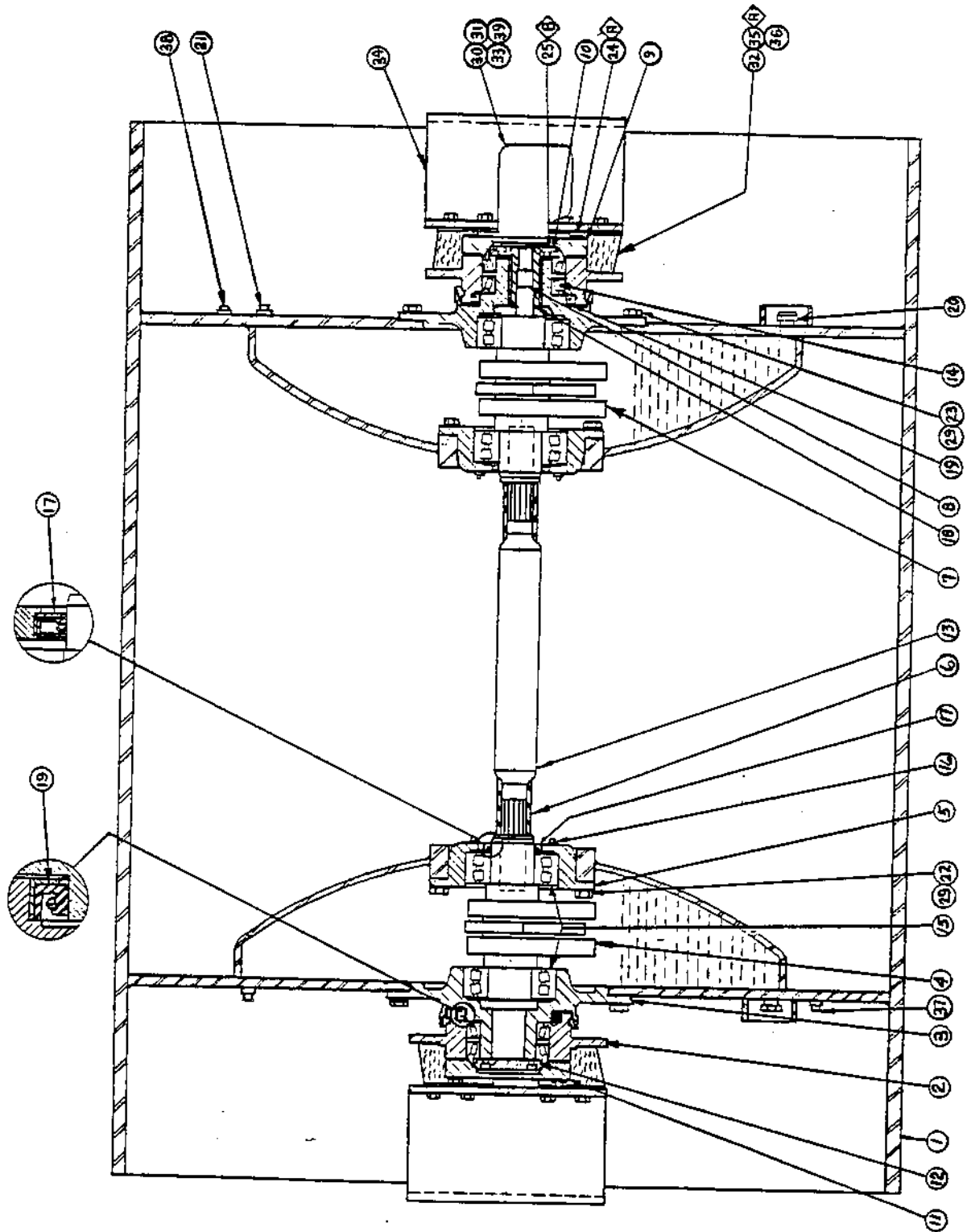
DRUM ASSEMBLY

INDEX NUMBER	PART NUMBER	DESCRIPTION	QUANTITY
	(CA-30)	(CA-30A)	
1	825617	825798 Drum	1
2	*850950	Housing, Frame Bearing.....	2
-	850589	Housing, Frame Bearing	2
3	*826564	Housing, Outer Bearing	2
-	335513	Housing, Outer Bearing	2
4	850414	826214 Eccentric Shaft LH	1
5	335514	Inner Bearing Housing.....	2
6	850064	Rubber Bushing	2
7	850415	826215 Eccentric Shaft RH	1
8	335522	Plug Coupling	1
9	+ *826567	Adapter, Motor	1
-	+ 335523	Adapter, Motor	1
10	825180	Bearing Clamp	1
11	*826568	Cover	1
-	335614	Cover	1
12	335524	Bearing Clamp	1
13	801037	Drive Shaft	1
14	*116041	Bearing	2
-	335561	Bearing	2
15	114036	Bearing	4
16	813479	Sq. Hd. Plug	6
17	813697	Seal	2
18	813480	Splined Coupling	1
19	813481	Seal	2
20	813482	Oil Eye Plug.....	2
21	813483	Magnetic Plug	2
22	801236	Sealing Capscrew, HH	12
23	801237	Sealing Capscrew, HH	24
24	502061	Capscrew, HH/HT	12
25	502035	Capscrew, Socket HD	12
29	615033	Plain Washer	36
30	801160 Pg.98	335553 Pg.97 Hydraulic Motor Vibration	1
31	502058	Capscrew, HH	4
32	801187	Shock	12
33	813478	O-Ring	1
34	850590	Shock Mount Frame.....	2
35	503034	Capscrew, HH	96
36	586049	Locknut	96
37	801176	Sq. Hd. Plug	1
38	332112	Breather	1
39	234308	Elbow 90°	2
A	604030	Lockwasher	12
B	813484	Lockwasher Hi-Collar	12

* NOTE: These parts are used on the following s/n machines; 2915, 2916, 2918, 2937, 3003, 3076, 3039, 3061 and Up.

+If machine is equipped with a Vibrometer see page 137.

DRUM ASSEMBLY



DRUM ASSEMBLY

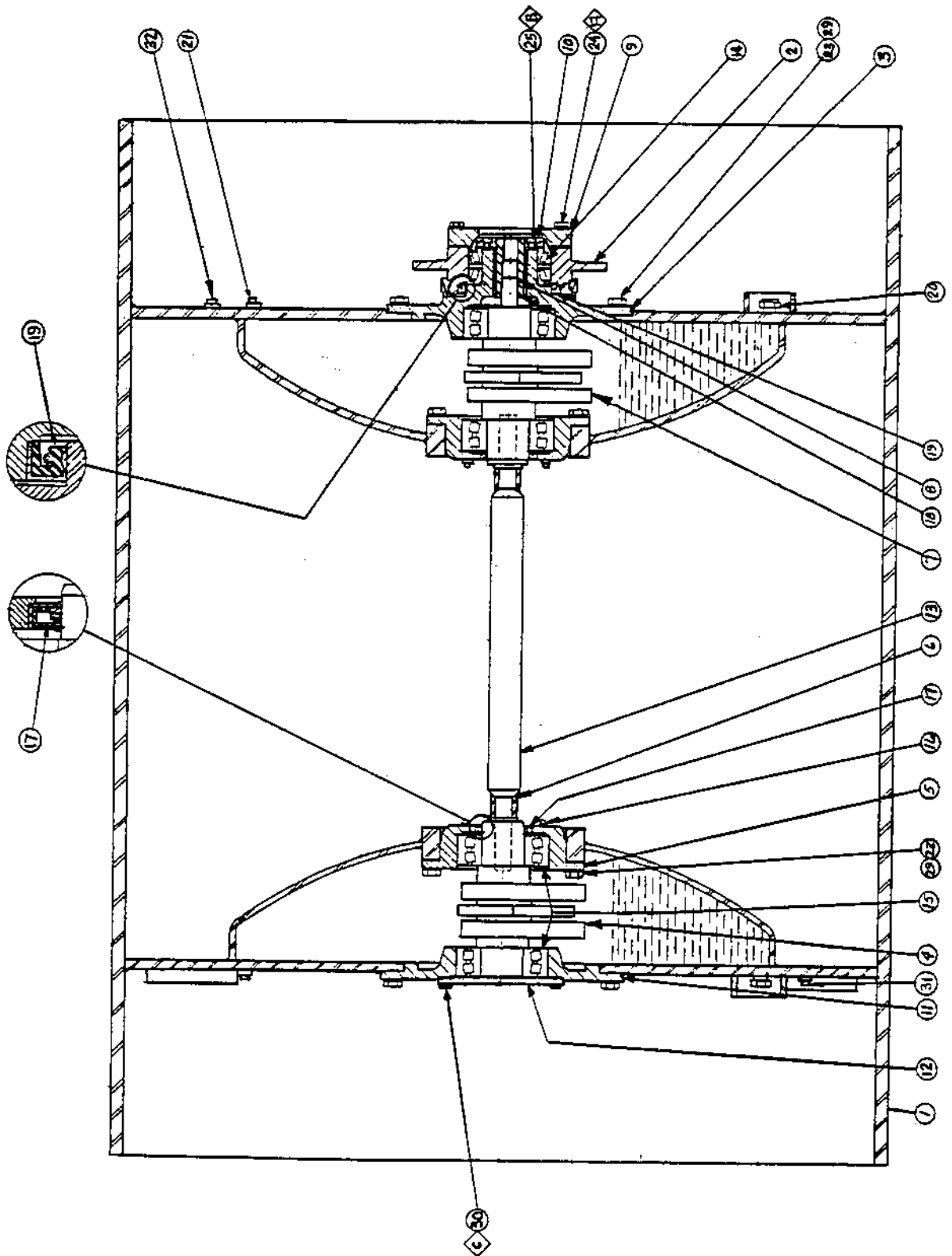
CA-30D
 DRUM ASSEMBLY
 FOR DRUM DRIVE ASSY. SEE PG. 63

INDEX NUMBER	PART NUMBER	DESCRIPTION	QUANTITY
1	826239	Drum	1
2	*850950	Housing, Frame Bearing	1
-	850589	Housing, Frame Bearing	1
3	*826564	Housing, Outer Bearing	1
-	335513	Housing, Outer Bearing	1
4	850414	Eccentric Shaft LH	1
5	335514	Inner Bearing Housing	2
6	850064	Rubber Bushing	2
7	850415	Eccentric Shaft RH	1
8	335522	Pipe Coupling	1
9	+ *826567	Adapter, Motor	1
-	+ 335523	Adapter, Motor	1
10	825180	Bearing Clamp	1
11	335664	Outer Bearing Housing	1
12	335661	Bearing Cover	1
13	801037	Drive Shaft	1
14	*116041	Bearing	1
-	335561	Bearing	2
15	114036	Bearing	4
16	813479	Sq. Hd. Plug	6
17	813697	Seal	2
18	813480	Splined Coupling	1
19	813481	Seal	1
20	813482	Oil Eye Plug	2
21	813483	Magnetic Plug	2
22	801236	Sealing Capscrew, HH	12
23	801237	Sealing Capscrew, HH	24
24	502061	Capscrew, HH	6
25	502035	Capscrew Socket HD	6
29	615033	Plain Washer	36
30	509012	Capscrew, HH	6
31	801176	Sq. Hd. Plug	1
32	332112	Breather	1
A	604030	Lockwasher	6
B	813484	Hi-Collar Lockwasher	6
C	604020	Lockwasher	6

*NOTE: These parts are used on the following s/n machines; 2915, 2916, 2937
 3003, 3039, 3061, 3076 and Up.

+If machine is equipped with a Vibrometer see page 137.

CA-30D
DRUM ASSEMBLY



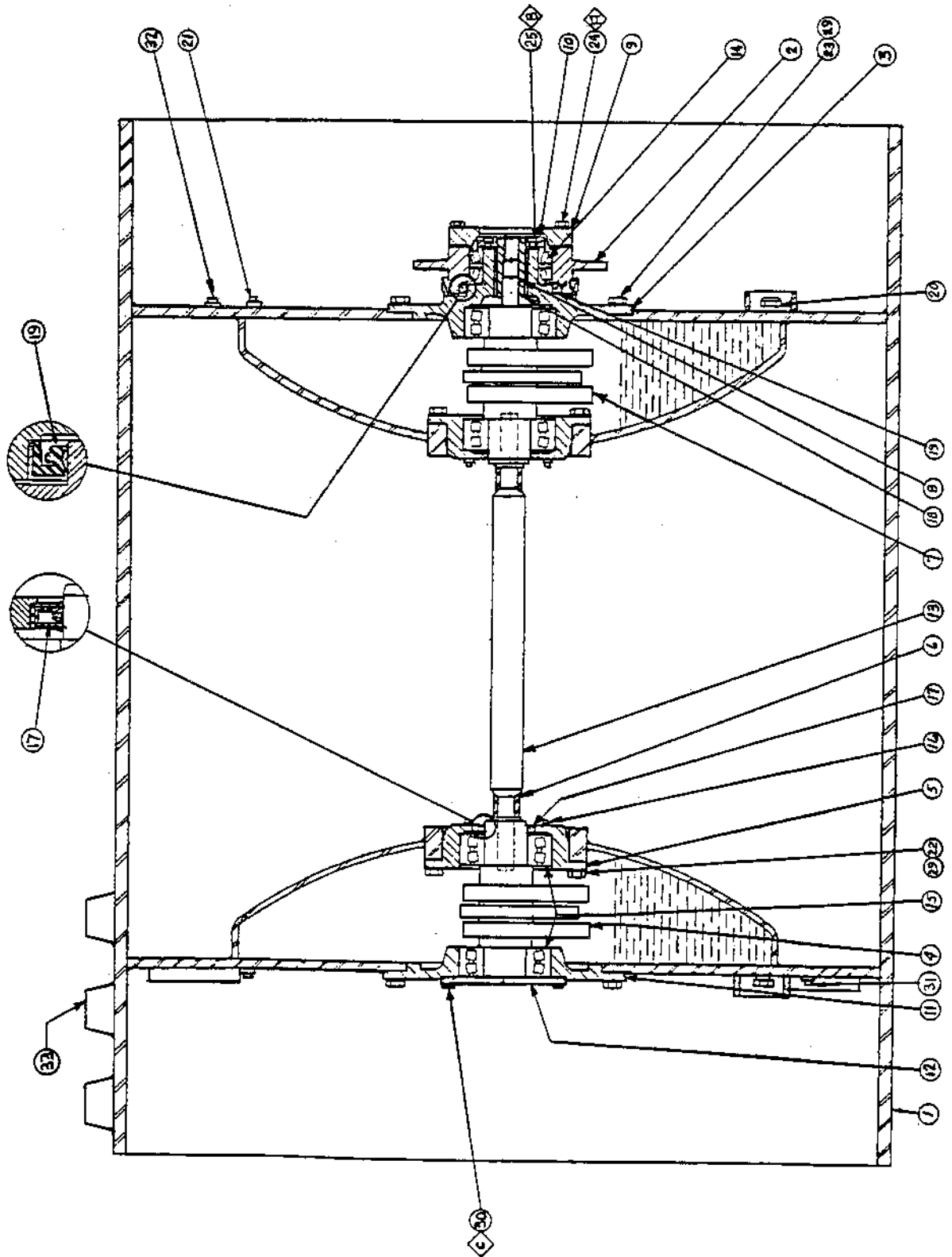
CA-30 PD
 DRUM ASSEMBLY
 (For Drum Drive Assy. see pg. 63)

INDEX NUMBER	PART NUMBER	DESCRIPTION	QUANTITY
1	816158	Drum	1
2	*850950	Housing, Frame Bearing	1
-	850589	Housing, Frame Bearing	1
3	*826564	Housing, Outer Bearing	1
-	335513	Housing, Outer Bearing	1
4	850414	Eccentric Shaft LH	1
5	335514	Inner Bearing Housing	2
6	850064	Rubber Bushing.....	2
7	850415	Eccentric Shaft RH	1
8	335522	Pipe Coupling	1
9	+ *826567	Adapter, Motor	1
-	+ 335523	Adapter, Motor	1
10	825180	Bearing Clamp	1
11	335664	Outer Bearing Housing	1
12	335661	Bearing Cover	1
13	801037	Drive Shaft	1
14	*116041	Bearing	1
-	335561	Bearing	1
15	114036	Bearing	4
16	813479	Sq. Hd. Plug	6
17	813697	Seal	2
18	813480	Splined Coupling	1
19	813481	Seal	1
20	813482	Oil Eye Plug	2
21	813483	Magnetic Plug	2
22	801236	Sealing Capscrew, HH	12
23	801237	Sealing Capscrew, HH	24
24	502061	Capscrew, HH.....	6
25	502035	Capscrew Socket HD.....	6
29	615033	Plain Washer	36
30	509012	Capscrew, HH.....	6
31	801176	Sq. Hd. Plug.....	1
32	332112	Breather	1
33	335659	L.P. Drum Pad.....	150
A	604030	Lockwasher.....	6
B	813484	Hi-Collar Lockwasher	6
C	604020	Lockwasher	6

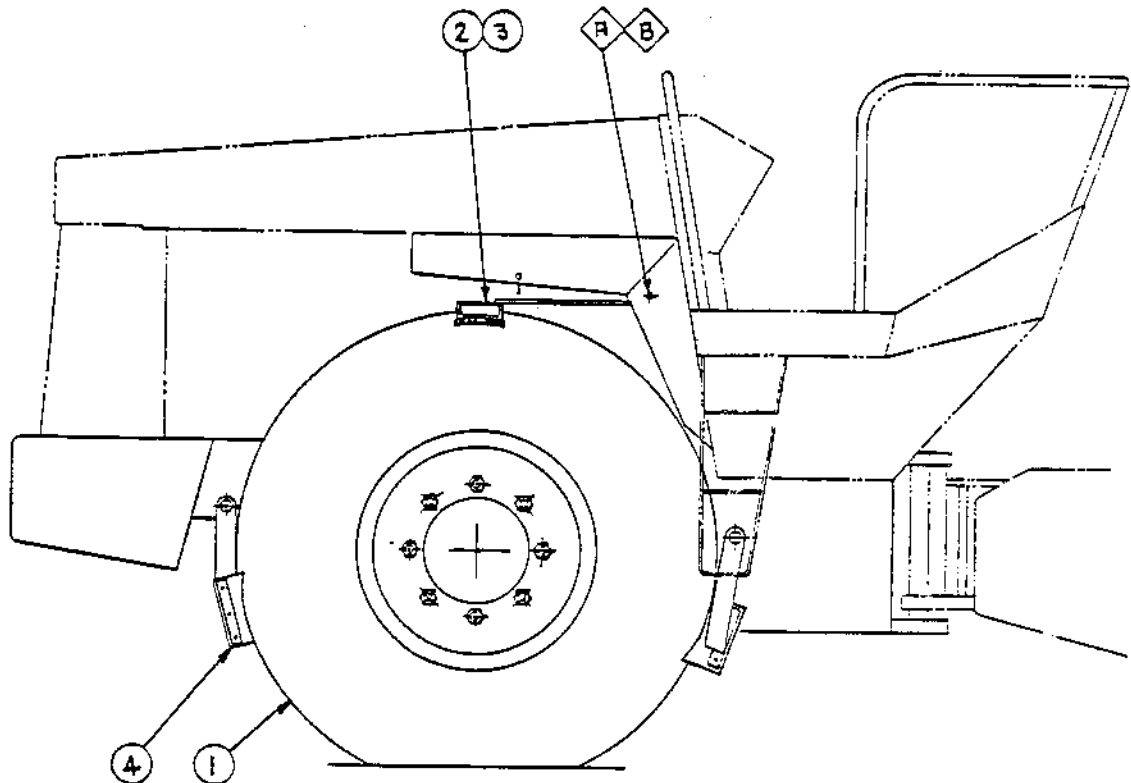
* NOTE: These parts are used on the following s/n machines; 2915, 2916, 2918, 2937, 3003, 3039, 3061, 3076 and Up.

+If machine is equipped with a Vibrometer see page 137.

CA-30PD
DRUM ASSEMBLY

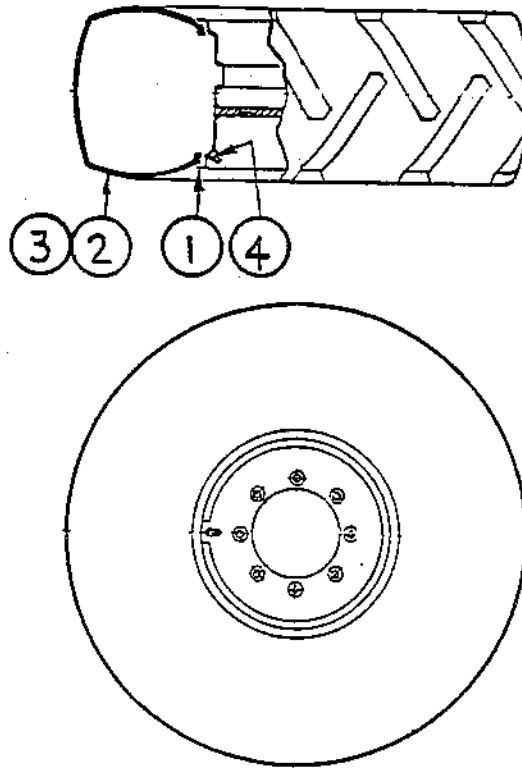


CA-30A
RUBBER TIRE & STEEL WHEEL MAT & SCRAPER



INDEX NUMBER	PART NUMBER	DESCRIPTION	QUANTITY
<u>ASPHALT TIRE GROUP</u>			
1	See page 70	Wheel & Tire Assembly	
2	See page 74	R.H. Mat Frame Assembly	
3	See page 74	L.H. Mat Frame Assembly	
4	See page 71	Tire Scraper Assembly	
A	502059	Capscrew, HH	2
B	586049	Locknut	2
<u>STEEL WHEEL GROUP</u>			
1	See page 72	Wheel & Scraper Assembly	
2	See page 74	R.H. Mat Frame Assembly	
3	See page 74	L.H. Mat Frame Assembly	
A	502059	Capscrew, HH	2
B	586049	Locknut	2

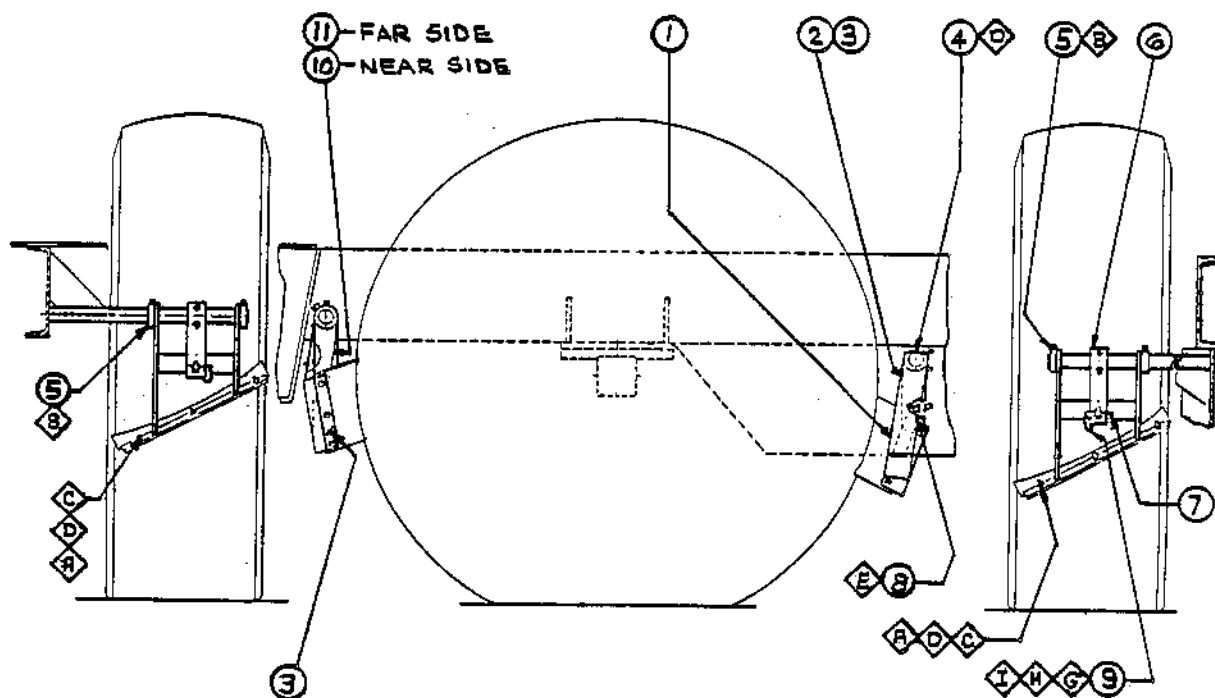
WHEEL & TIRE



INDEX NUMBER	PART NUMBER	DESCRIPTION	QUANTITY
<u>CA-30, CA-30D, CA-30PD</u>			
<u>WHEEL & TIRE ASSEMBLY</u>			
<u>TRACTION</u>			
1	335463	Wheel	1
2	813379	Tire & Tube	1
3	813380	Tube w/ TR218A	1
4	813382	Rim Nut	1
<u>CA-30A</u>			
<u>WHEEL & TIRE ASSEMBLY</u>			
<u>ASPHALT</u>			
1	335461	Wheel	1
2	813700	Tire & Tube	1
3	892130	Tube	1
4	813382	Rim Nut	1

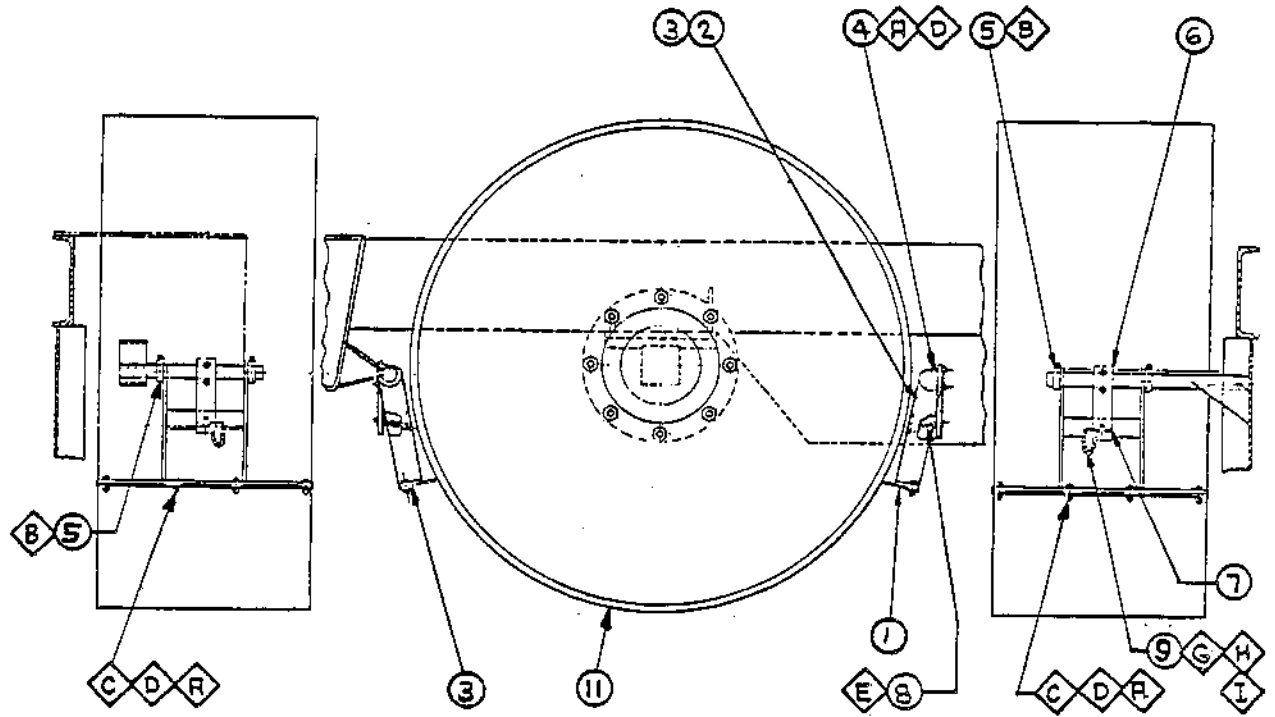
NOTE: When ordering tire, specify tread design

CA-30A
RUBBER TIRE SCRAPER

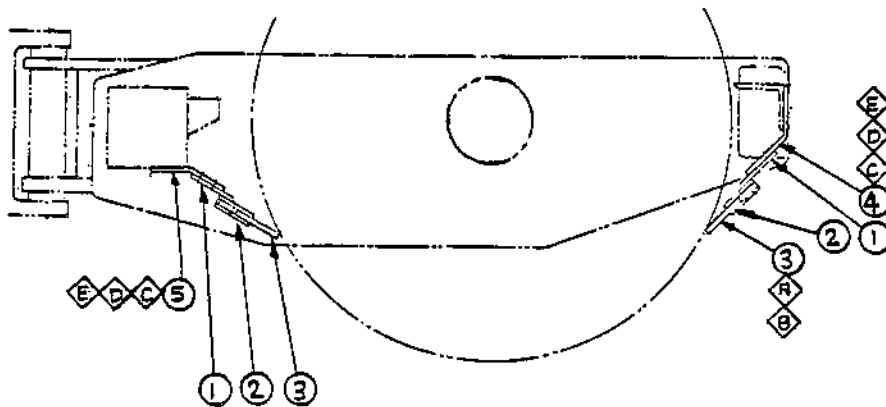
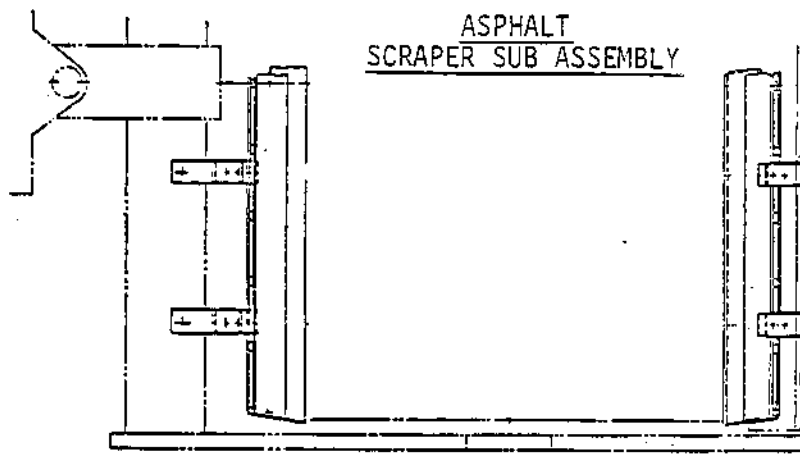


INDEX NUMBER	PART NUMBER	DESCRIPTION	QUANTITY
1	335745	Scraper-Nylon	4
2	335746	Scraper Bracket	2
3	825753	Scraper Clamp	4
4	813485	U-Bolt	4
5	813754	Set Collar	8
6	825793	Torque Arm	4
7	635020	Hair Pin-Clip	4
8	813757	Spring	4
9	NSS	Brass Jack Chain - 5 links	4
10	825795	Scraper Bracket RH	1
11	825796	Scraper Bracket LH	1
A	604028	Lockwasher	20
B	502033	HH Capscrew	8
C	502036	HH Capscrew	12
D	571003	Nut	12
E	600010	Plain Washer	4
F	503003	HH Capscrew	4
G	572001	Nut	4
H	600005	Plain Washer	4
I	604026	Lockwasher	4

STEEL WHEEL SCRAPER

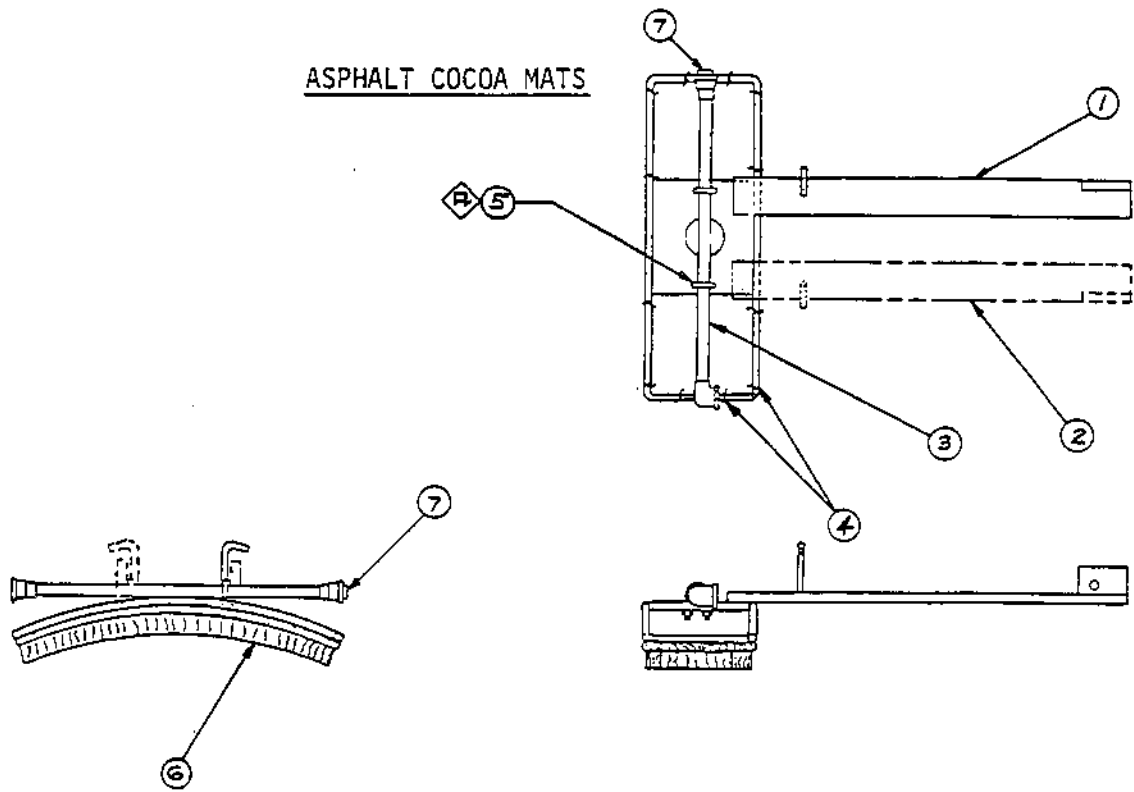


INDEX NUMBER	PART NUMBER	DESCRIPTION	QUANTITY
1	825762	Scraper (Steel)	4
2	825761	Scraper Bracket	4
3	825766	Scraper Clamp	4
4	813485	U-Bolt	4
5	813754	Set Collar	8
6	325793	Torque Arm	4
7	635020	Hair Pin Clip	4
8	813757	Spring	4
9	NSS	Brass Jack Chain - 5 links	4
11	825751	Wheel Assembly	2
A	604028	Lockwasher	24
B	502033	Capcrew, HH	8
C	502036	Capcrew, HH	16
D	571003	Nut	16
E	600010	Plain Washer	4
F	503003	Capcrew, HH	4
G	572001	Nut	4
H	600005	Plain Washer	4
I	604026	Lockwasher	4



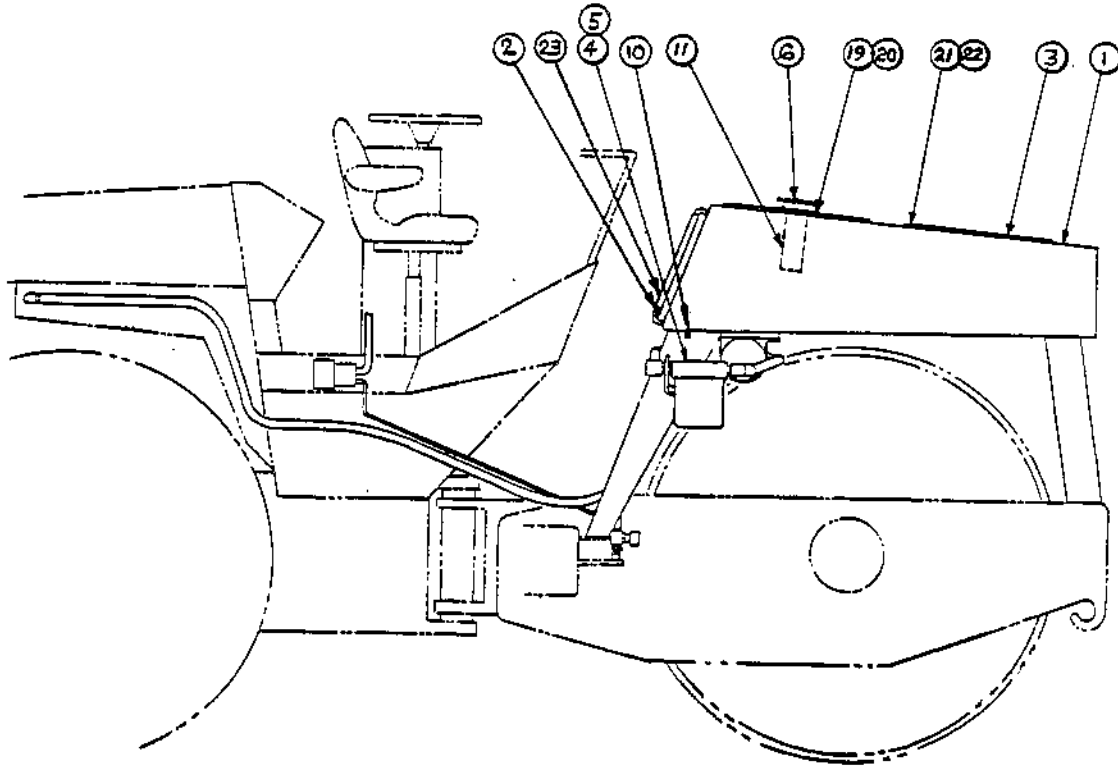
INDEX NUMBER	PART NUMBER	DESCRIPTION	QUANTITY
1	850347	Scraper Bracket	2
2	850348	Scraper Clamp	2
3	850357	Scraper - Rubber	2
4	850345	Scraper Mounting Bracket	4
5	850346	Scraper Mounting Bracket	4
A	502063	Capscrew, HH	22
B	586049	Locknut Hex	22
C	502110	Capscrew, HH	8
D	600011	Plain Washer	8
E	586045	Locknut	8

ASPHALT COCOA MATS



INDEX NUMBER	PART NUMBER	DESCRIPTION	QUANTITY
<u>ASPHALT TIRE</u>			
1	825594	Cocoa Mat Frame LH	1
2	825593	Cocoa Mat Frame RH	1
3	335741	Water Tube RH	1
	825592	Water Tube LH	1
4	813708	Hog Ring	16
5	550040	U-Bolt	2
6	499400	Cocoa Mat	1
7	813711	Drain Plug	1
<u>STEEL WHEEL</u>			
1	825755	Cocoa Mat Frame LH	1
2	825754	Cocoa Mat Frame RH	1
3	825757	Water Tube RH	1
	825756	Water Tube LH	1
4	813708	Hog Ring	20
5	550040	U-Bolt	2
6	801191	Cocoa Mat	1
7	813711	Drain Plug	1
A	604026	Lockwasher	4

ASPHALT WATER SYSTEM ASSEMBLY



INDEX NUMBER	PART NUMBER	DESCRIPTION	QUANTITY
1	850699	Front Tank Assembly	1
2	801452	Plastic Ball	1
3	335718	Gasket	2
4	See page 78	Water Lines & Comp.	
5	See page 80	Electrical Sch. & Comp.	
6	801533	Filler Cap Assy	1
-	499427	Filler Cap	1
-	80153302	Filler Neck	1
-	80153301	Gasket	1
10	801454	Water Level Probe	1
11	336488	Strainer	1
19	604019	Lockwasher Pltd.	6
20	550064	Capscrew Sl. Hd. Pltd.	6
21	604026	Lockwasher Pltd.	48
22	503002	Capscrew, HH Pltd.	48
23	244041	3/8 Clear Tube 15" long	1

CA-30A
WATER LINES WITH COMPONENTS

INDEX NUMBER	PART NUMBER	DESCRIPTION	QUANTITY
1	813722	Close Nipple	1
2	813439	Tee	1
3	813724	Valve	5
4	813725	El1 Hose Insert	6
5	333104	Pet Cock	1
6	813728	Clamp	12
7	813726	El1 Hose Insert	1
8	842130	Strainer (Modified)	1
-	891069	Strainer Screen	1
9	813485	U-Bolt	1
10	334353	Hex Adapter	1
11	*821382	Solenoid Valve	1
12	813727	5/8 Clear Tube 16" long	1
13	813434	Bushing	1
14	813732	Hose Insert	3
15	813727	5/8 Clear Tube 54" long	1
16	313062	Tube Clamp	2
17	813727	5/8 Clear Tube	1
18	813733	El1 Hose Insert	2
20	244041	3/8 Clear Tube 15" long	1
21	813727	5/8 Clear Tube 47" long	1
22	821381	Pump Assy.	1
-	892996	Kit, Impeller Rebuild	1
23	813741	Clamp	3
24	813727	5/8 Clear Tube 22-1/2" long	1
25	850647	Bracket-Filter Mounting	1
27	850283	Water Pump Clamp	2
28	234365	St. El1	1
29	850301	Sprinkler Bar	1
30	813438	Hex Nipple	1
31	821146	Filter	1
-	892185	Filter Element	1
32	233088	Combo Valve	1
33	*821382	Solenoid Valve	1
-	892376	Coil, Solenoid	1
34	813742	Split Eyelet	8
35	813744	Nozzle	8
36	233130	Pet Cock	1
37	234366	Elbow 90°	1

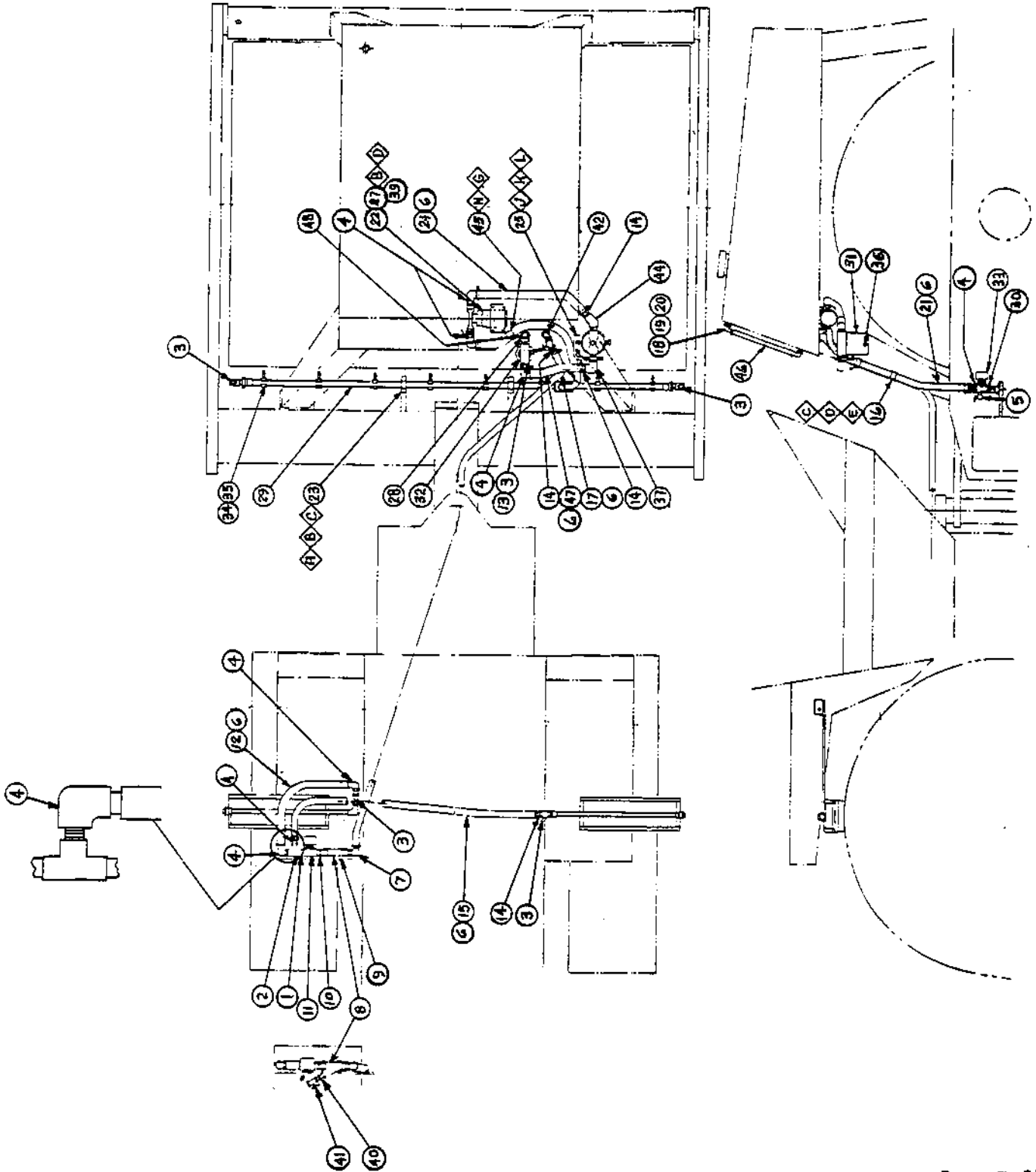
* 892124 rebuild kit less coil

CA-30A
WATER LINES WITH COMPONENTS

INDEX NUMBER	PART NUMBER	DESCRIPTION	QUANTITY
39	203037	Rubber Strip 12" long	2
40	234257	Pipe Nipple	2
41	233076	Ball Valve	1
42	334364	Street Elbow 45°	1
44	234318	45° Elbow	1
45	801454	Probe	1
46	801452	Plastic Ball	1
47	813727	5/8 Clear Tube 13" long	1
48	334353	Hex Nipple	1
A	502140	Capscrew, HH	6
B	604026	Lockwasher	10
C	571001	Hex Nut	8
D	502282	Capscrew, HH	6
E	600005	Plain Washer	2
G	604019	Lockwasher	1
H	571019	Hex Nut	1
J	502035	Capscrew, HH	2
K	571003	Hex Nut	2
L	604028	Lockwasher	2

CA-30A
WATER LINES WITH COMPONENTS

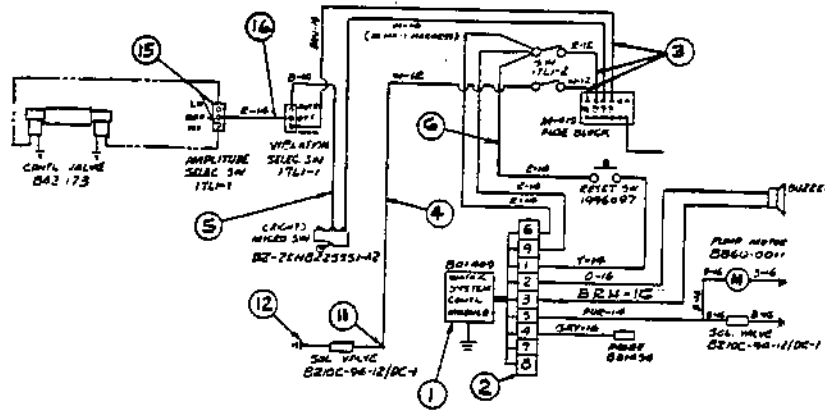
FRONT



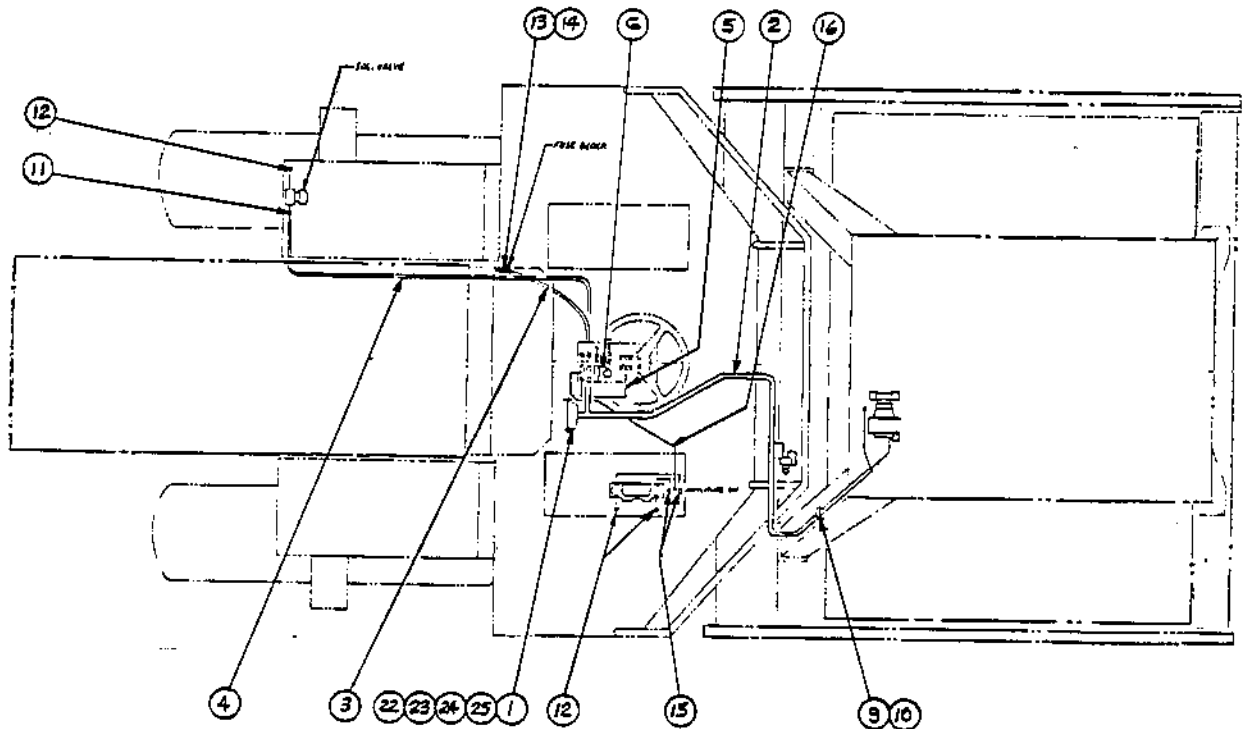
ELECTRICAL SCHEMATIC & COMPONENTS
WATER SYSTEM
 ASPHALT

INDEX NUMBER	PART NUMBER	DESCRIPTION	QUANTITY
1	801409	Water System Control Module	1
2	826291	Wiring Harness	1
3	826314	Wiring Harness	1
4	826315	Wiring Harness	1
5	85031121	Wire Assy	1
6	85031123	Wire Assy	1
9	813716	Clamp	2
10	813486	Ty-Rap	12
11	813717	Pigtail	1
12	80149038	Terminal, Ring	3
13	80154601	Fuse	1
14	80154602	Fuse	1
15	80149008	Terminal, Ring	2
16	826316	Wiring Harness	1
22	502004	Capscrew, HH	2
23	571001	Hex Nut	2
24	604026	Lockwasher	2
25	600005	Flat Washer	2

ELECTRICAL SCHEMATIC & COMPONENTS
WATER SYSTEM
ASPHALT



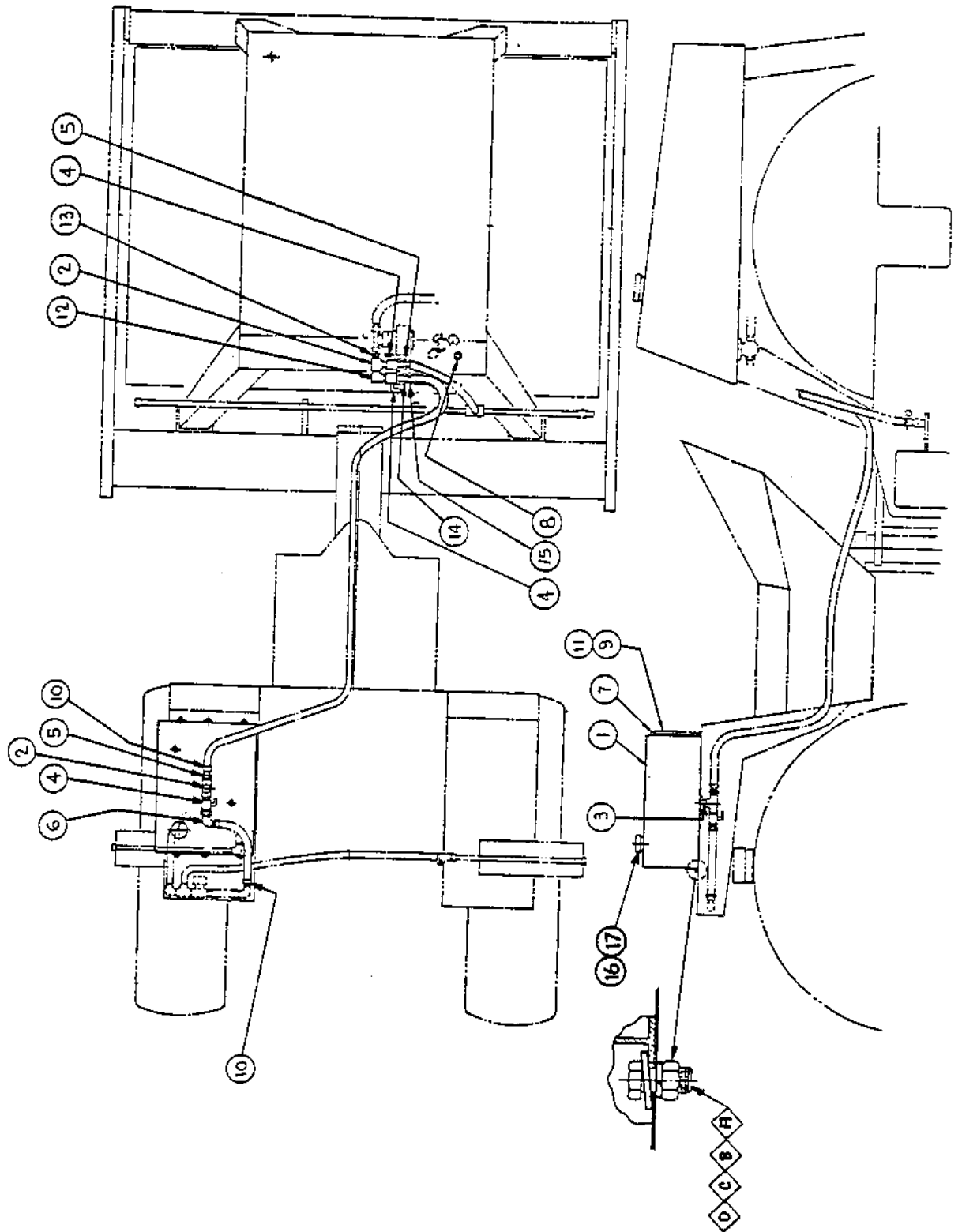
SCHEMATIC DIAGRAM

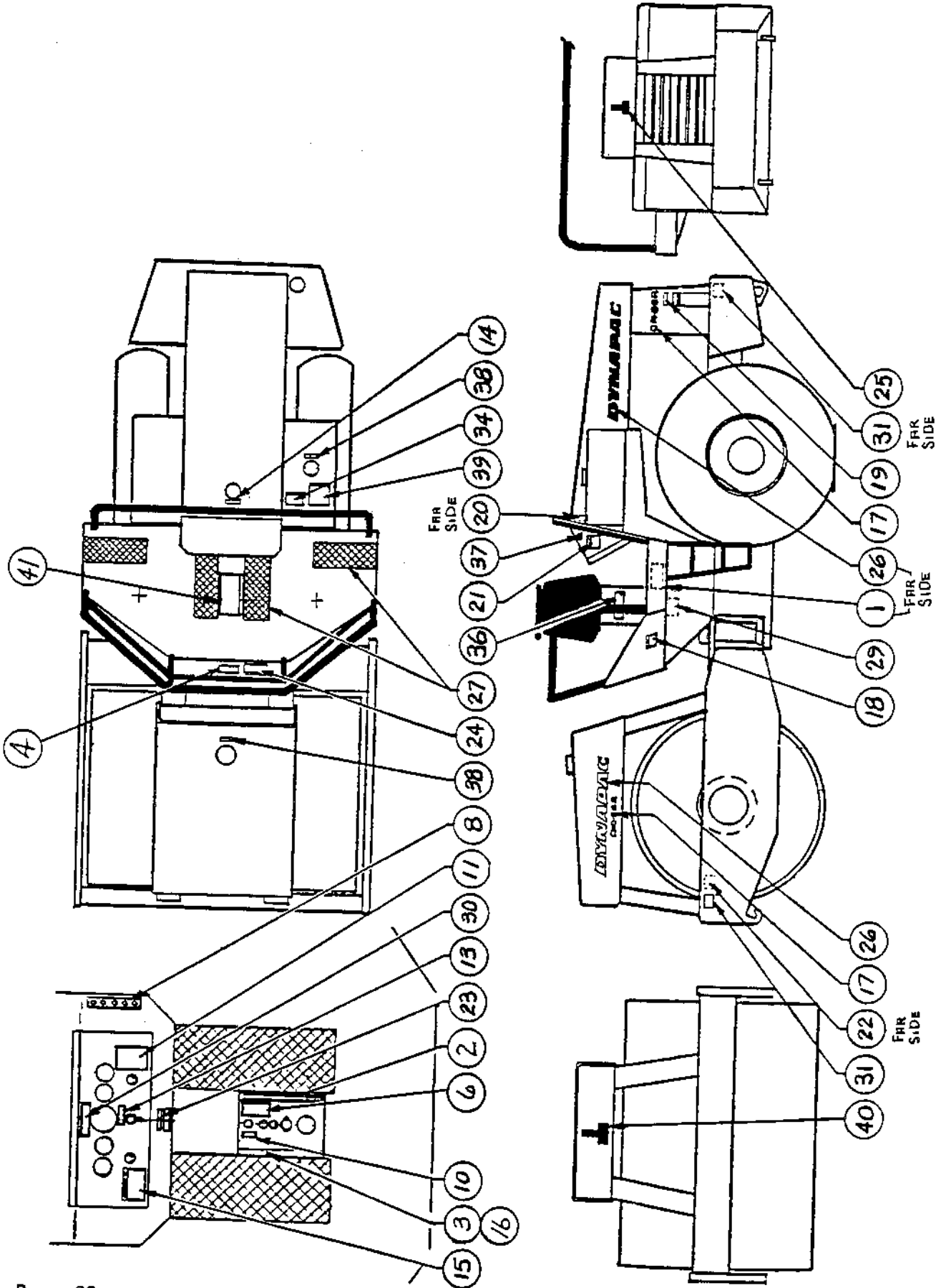


SOLVENT TANK ASSEMBLY
ASPHALT

INDEX NUMBER	PART NUMBER	DESCRIPTION	QUANTITY
1	335752	Solvent Tank	1
2	813439	Tee	2
3	813722	Close Nipple	1
4	813724	Valve	3
5	813732	Hose Insert	2
6	813725	El1 Hose Insert	1
7	813733	El1 Hose Insert	2
8	232115	Plug	1
9	244041	3/8 Clear Tube 7" long	1
10	813728	Clamp	4
12	234365	Street Elbow	1
13	234317	Nipple	1
14	334353	Hex Nipple	1
15	334324	Female Swivel	1
A	502059	HH Capscrew	6
B	571005	Nut	6
C	604030	Lockwasher	6
D	600010	Flat Washer	6

SOLVENT TANK ASSEMBLY





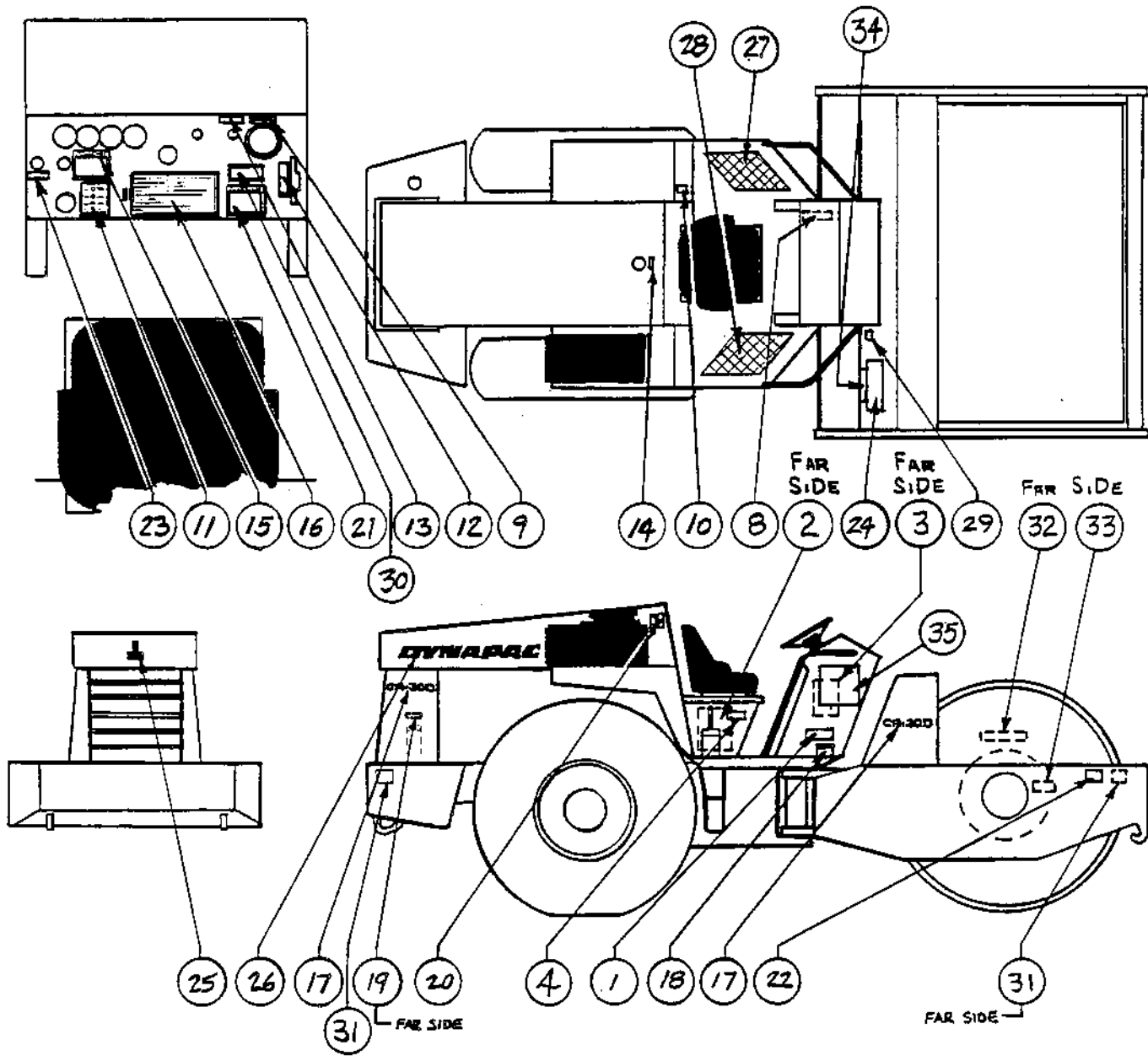
DECALS CA-30A

INDEX NUMBER	PART NUMBER	DESCRIPTION	QUANTITY
-	826212	Decal Kit	1
*1		Name Plate	1
*2	801458	Safety Precaution Plate	1
3		Towing Decal	1
4		Brake Safety	1
6		Water Pump	1
10		Vibration & Water Control	1
11		Transmission Speed	1
13		Ignition Switch	1
14		Hydraulic Oil	1
15		Towing, Oil Temp, Tire Pressure	1
16		Operating Instructions	1
17		Identification	4
18		Warning	2
19		Diesel Fuel	1
20		Hydraulic Oil Level	1
21		Transmission Shift Warning	1
22		Drum Oil Level	1
23		Throttle	1
24		Lube Chart	1
25	80110807	Group Symbol	1
26	309100502	Dynapac Decal	4
27	825675	Safety Walk	4
29		Amplitude Control	1
30		Vibration Frequency	1
31		Tie Down & Blocking	2
34		Tire Pick-Up	1
36		Working Speed	1
37		Fuses	1
38		Water	2
39		Wet System	1
40	80110806	Group Symbol	1
41	826788	Plate, Operating Safety.....	1

NOTE: Decals are not available separately but must be purchased as a Kit.
 Exceptions are Decals listed with a part number.

* Not included in Decal Kit.

DECALS CA-30, CA-30D & CA-30PD



DECALS CA-30, CA-30D & CA-30PD

INDEX NUMBER	CA-30& CA-30D	CA-30PD	DESCRIPTION	QUANTITY
-	(CA-30D) 826339		Decal Kit	1
-	(CA-30) 826213	826544	Decal Kit	1
*1			Name Plate	1
*2	801458	801458	Safety Precaution Plate	1
3			Towing Decal	1
4			Brake Safety	1
8			Transmission Selector	1
9			Tachometer Speed	1
10			Vibration	2
11			Transmission Speed	1
12			Motion Control	1
13			Ignition Switch	1
14			Hydraulic Oil	1
15			Towing, Oil Temp, Tire Pressure	1
16			Operating Instructions	1
17			Identification	4
18			Warning	2
19			Diesel Fuel	1
20			Hydraulic Oil Level	1
21			Transmission Shift Warning	1
22			Drum Oil Level	1
23			Throttle	1
24			Lube Chart	1
25	80110807	80110807	Group Symbol	1
26	309100502	309100502	Dynapac Decal	2
27	825680	825680	Safety Walk LH	1
28	825676	825676	Safety Walk RH	1
29			Amplitude Control	1
30			Vibration Frequency	1
31			Tie Down & Blocking	2
32			Oil Fill	
33			Oil Level	
34			Amplitude Control.....	1
35	826788	826788	Plate, Operating Safety.....	1

NOTE: Decals are not sold separately but must be purchased as a Kit. Exceptions are Decals listed with a part number.

* Not included in Decal Kit.

3 SPEED TRANSMISSION

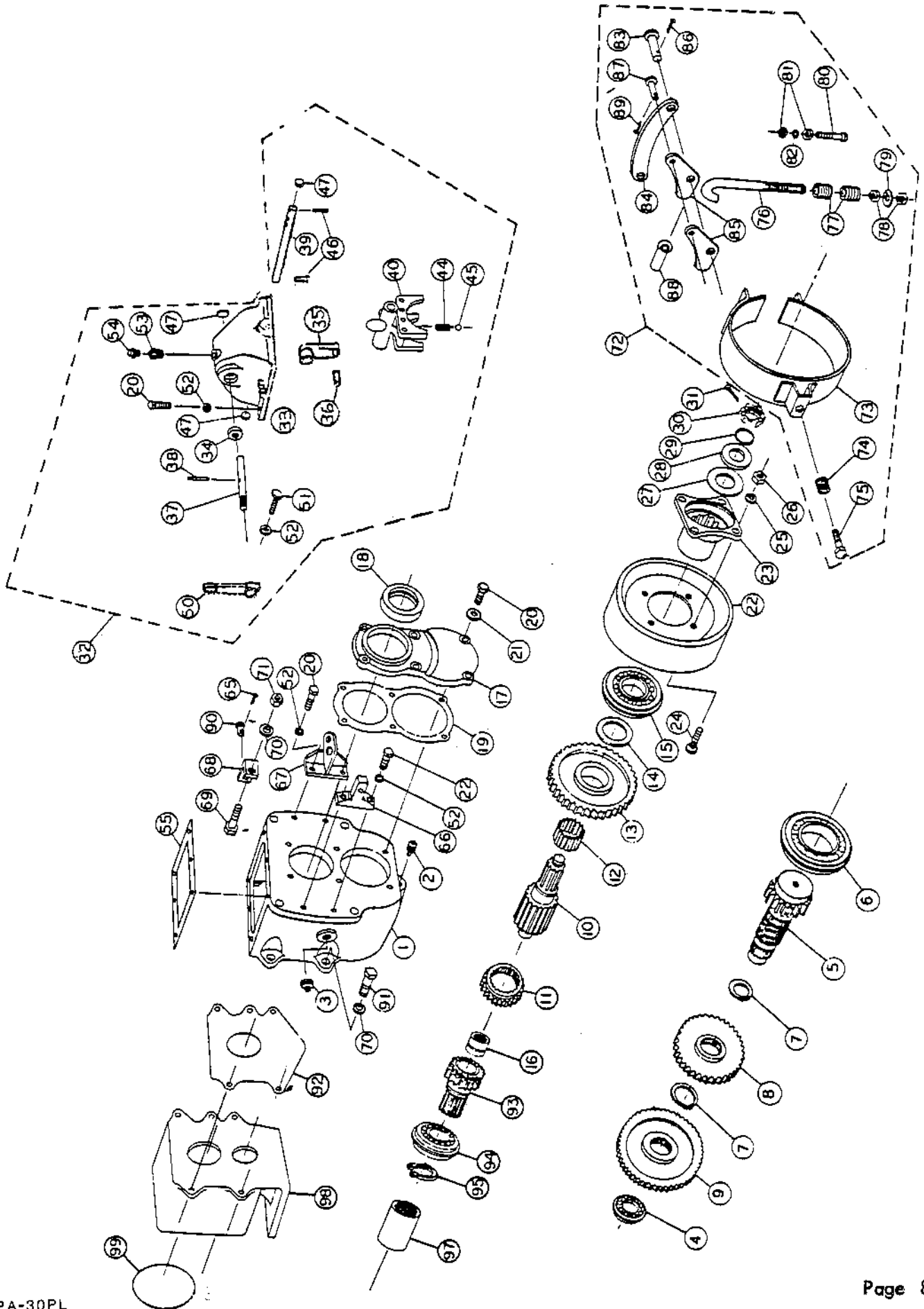
INDEX NUMBER	PART NUMBER	DESCRIPTION	QUANTITY
-	801065	Transmission Assembly, 3 Speed.....	1
1	813804	Case.....	1
2	926336	Drain Plug, Magnetic.....	1
3	813479	Oil Level Plug.....	1
4	813658	Bearing, Counter Front.....	1
5	813596	Gear, Counter Lo.....	1
6	813659	Bearing, Counter Rear.....	1
7	813575	Snap Ring.....	2
8	813578	Gear, Counter, 2nd.....	1
9	813577	Gear, Counter Driven.....	1
10	*813579	Shaft Kit, (To S/N 704, 706 & 707).....	1
--	814288	Main Shaft(From S/N 705, 708 & Up).....	1
11	813580	Gear, Main Shaft 2nd(To S/N 704,706, 707)	1
--	814290	Gear, Main Shaft 2nd(From S/N 705,708 & Up)	1
12	416216	Bearing, Gear Bore (To S/N 704, 706 & 707)	32
--	814285	Bearing, Gear Bore(From S/N 705,708 & Up)	.39
13	813581	Gear, Main Shaft Lo.....	1
14	815582	Washer, Lo Gear.....	1
15	813660	Bearing, Output.....	1
16	416213	Bearing, Pilot(To S/N 704, 706 & 707).....	1
--	814284	Bearing, Pilot (From S/N 705, 708 & Up)...	1
17	813583	Cover, Rear.....	1
18	813671	Oil Seal, Rear.....	1
19	813584	Gasket, Rear Cover.....	1
20	502035	Capscrew.....	16
21	813690	Washer, Dynaseal.....	6
22	813572	Drum, Brake.....	1
23	813571	Brake Flange.....	1
24	813803	Bolt, Brake Flange.....	4
25	604029	Lockwasher.....	4
26	572008	Nut.....	4
27	813594	Gasket, Flange.....	1
28	813667	Washer, Brake Flange.....	1
29	813672	O-Ring, Flange.....	1
30	813644	Nut, Brake Flange.....	1
31	630059	Cotter Pin.....	1
32	892574	Shift Cap Assembly.....	1
33	813805	Cap.....	1
34	813670	Oil Seal.....	1
35	813591	Lever, Inside.....	1
36	635034	Pin, Roll.....	1
37	813592	Lever, Shaft.....	1
38	813686	Pin, Roll.....	1
39	813589	Rail Shift.....	1
40	813590	Fork Assembly.....	1
41	893375	Fork.....	1

* Includes Parts to update modifications to Transmission.

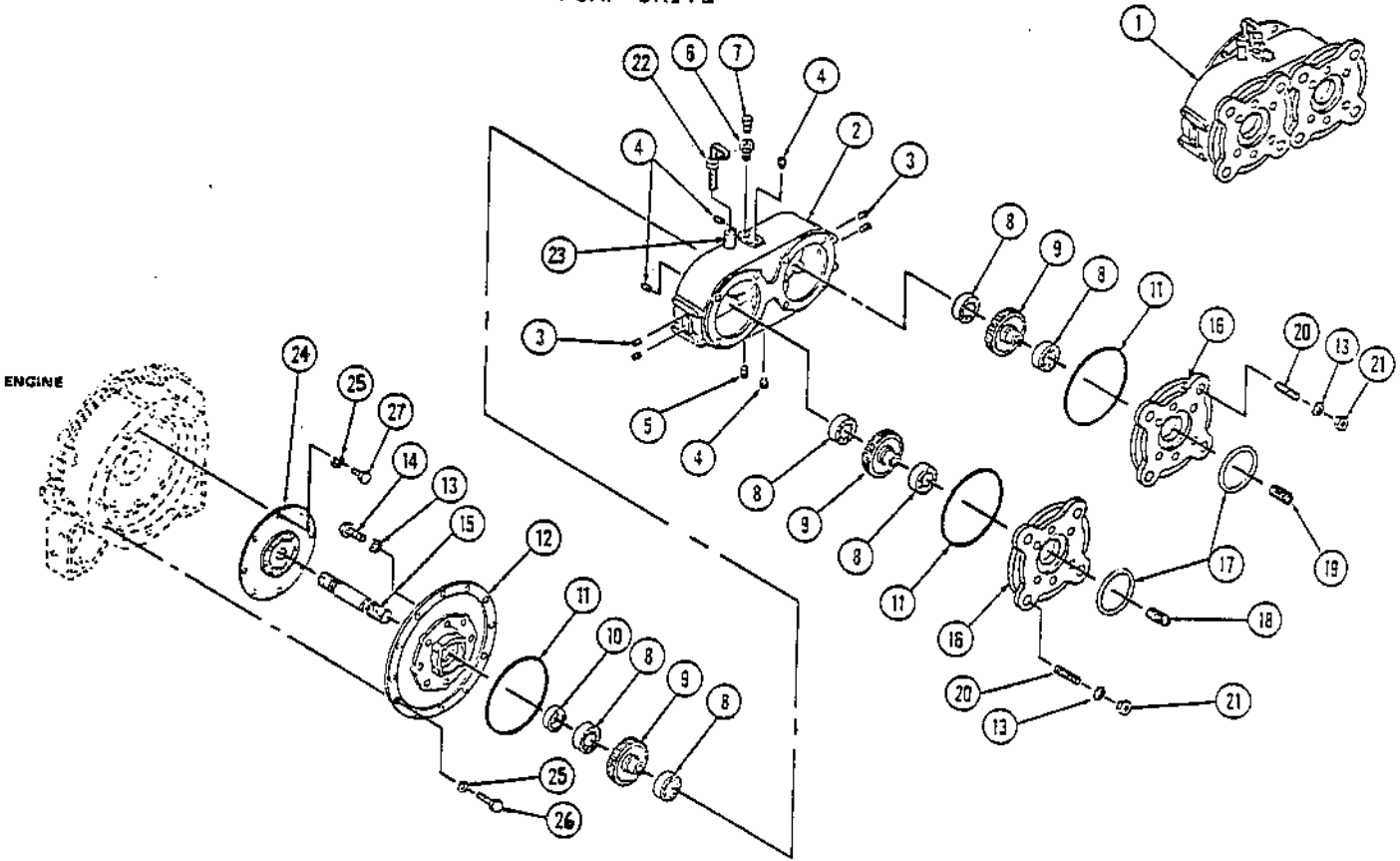
3 SPEED TRANSMISSION

INDEX NUMBER	PART NUMBER	DESCRIPTION	QUANTITY
42	813808	Plate Fork.....	2
43	NSS	Rivet.....	4
44	892559	Spring, Detent.....	1
45	813688	Ball, Detent.....	1
46	813685	Pin, Roll.....	2
47	NSS	Plug, Expansion.....	3
50	813595	Remote Lever.....	1
51	502037	Capscrew.....	1
52	604028	Lockwasher.....	13
53	NSS	Bushing, Reducing.....	1
54	813651	Breather.....	1
55	813593	Gasket, Cap.....	1
66	813585	Brake Band Anchor.....	1
67	813586	Brake Guide Bracket.....	1
68	813587	Brace Link Anchor.....	1
69	NSS	Capscrew.....	1
70	NSS	Lockwasher.....	6
71	NSS	Hex Nut.....	1
72	813893	Brake Band Assembly.....	1
73	813635	Band & Lining Assembly.....	1
74	813636	Anchor Clip Spring.....	1
75	813679	Anchor Capscrew.....	1
76	813637	Bolt, Brake Adj.....	1
77	813641	Spring, Brake Release.....	2
78	813610	Nut.....	2
79	813609	Lockwasher.....	1
80	813573	Screw, Fillester Head.....	1
81	813607	Nut.....	2
82	813608	Lockwasher.....	1
83	813681	Pin, Rod End.....	1
84	813640	Brace Link.....	1
85	813639	Cam Lever.....	2
86	813811	Cotter Pin.....	1
87	813680	Pin, Rod End.....	1
88	813638	Rod End.....	1
89	813810	Cotter Pin.....	1
90	813645	Clevis Pin.....	1
91	NSS	Capscrew, HH.....	5
92	813597	Front Gasket.....	1
93	813655	Input Gear (To S/N 704, 706 & 707).....	1
--	814289	Input Gear (From S/N 705, 708 & Up).....	1
94	813662	Input Bearing.....	1
95	813576	Snap Ring.....	1
96	813574	Snap Ring.....	1
97	813652	Coupling Assembly.....	1
98	813653	Adapter.....	1
99	813478	O-Ring (Not included in Assembly).....	1

3 SPEED TRANSMISSION



PUMP DRIVE



INDEX NUMBER	PART NUMBER	DESCRIPTION	QUANTITY
1	335566	Drive Assembly, Pump.....	1
2	813598	Housing, Double Pump.....	1
3	813898	Plug, Oil Level Check.....	4
4	813899	Plug, Magnetic.....	7
5	813900	Plug, Drain.....	1
6	813901	Bushing, Reducing.....	1
7	813651	Breather.....	1
8	813649	Bearing.....	6
9	813601	Gear.....	3
10	813650	Seal, Oil.....	1
11	892578	Seal.....	3
12	813600	Cover, Flywheel Housing SAE #2.....	1
13	813897	Starwasher.....	12
14	813895	Capscrew.....	4
15	813603	Shaft, Drive Gear.....	1
16	813599	Adapter, "C" Pump.....	2
17	813647	O-Ring, Pump "C".....	2
18	813602	Sleeve, Adapter.....	1
19	813605	Sleeve, "B" Adapter.....	1
20	813809	Stud.....	8
21	813896	Nut.....	8
22	892575	Dipstick, Oil.....	1
23	892577	Tube, Dipstick.....	1
24	814275	Plate Assembly, Drive (Cat Engine).....	1
--	480695	Plate Assembly, Drive (G.M. Engine).....	1
25	604028	Lockwasher.....	20
26	502033	Capscrew, HH/HT.....	8
27	502036	Capscrew, HH.....	12

VARIABLE DISPLACEMENT PUMP

INDEX NUMBER	PART NUMBER	DESCRIPTION	QUANTITY
	335556	801157	
1	813834	Hex Head Screw	4
2	813844	Washer	4
3	893073	Charge Pump Assy	1
4	813633	Charge Pump Gasket	1
5	813630	Check Valve Assy	2
5A	813886	Check Valve	2
5B	813614	O-Ring	2
6	813838	End Cap Screw	3
7	813839	End Cap Screw	5
8	813846	Washer	8
9	480305	911056 End Cap	1
10	813880	481106 Gasket	1
11	813862	481092 End Cap Gasket	1
12	813813	Rear Bearing	1
13	813821	Pin	1
14	813867	911055 Valve Plate	1
15	813878	481105 Bearing Plate	1
16	813822	Pin	2
17	813613	O-Ring	1
18	813872	481103 Pump Housing	1
19	813833	Hex Head Screw	7
20	813832	Hex Head Screw	2
21	813844	Washer	9
22	813816	Jam Nut	1
23	813847	Washer	1
24	335593	Control Handle	1
25	813888	Spacer	1
26	813820	Cotter Pin	1
27	813844	Washer	1
28	813889	813632 Control Valve Assy	1
29	813628	Orifice	1
30	813613	O-Ring	3
31	813890	Pin	1
32		Not Used	
33	813634	Control Valve Gasket	1
34	813825	Plug	1
35	813826	Hex Head Plug	1
36	813617	O-Ring	1
37	813835	481082 Hex Head Screw	6
38	813845	813846 Washer	6
39	813857	Trunnion	2

335556 (CA-30A)
 801157 (CA-30, CA-30D, CA-30PD)

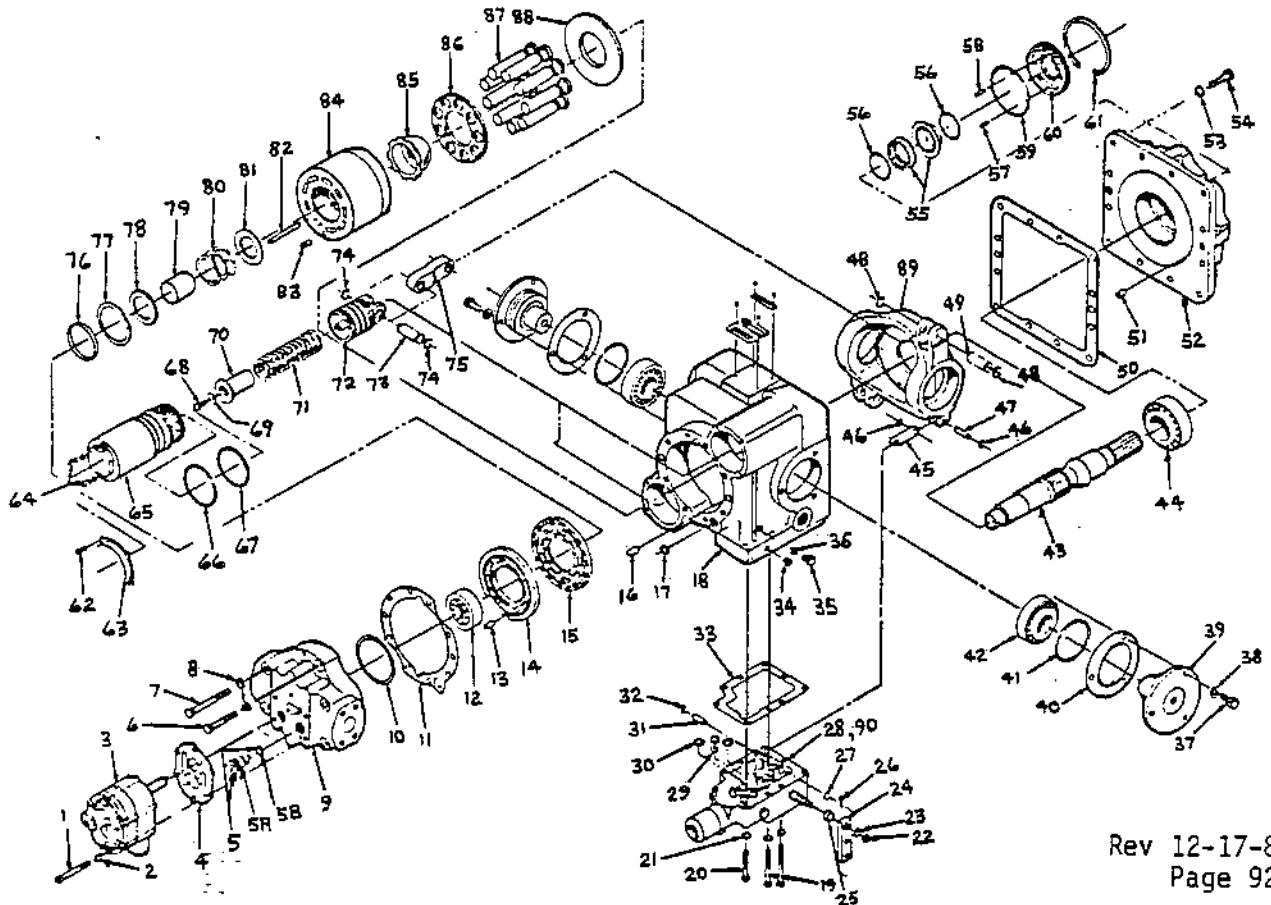
VARIABLE DISPLACEMENT PUMP

INDEX NUMBER	PART NUMBER	DESCRIPTION	QUANTITY
	335556	801157	
40	813858	Shim	ar
41	813819	481080 O-Ring	2
42	894020	Trunnion Bearing	2
43	813863	481090 Drive Shaft	1
44	813815	Front Bearing	1
45	813885	Connecting Link	1
46	813830	480288 Retaining Ring	2
47	813823	Pivot Pin	1
48	480287	481168 Retaining Ring	4
49	813824	892978 Pin	2
50	813623	481093 Front Cover Gasket	1
51	813822	Pin	2
52	813861	481091 Front Cover	1
53	813846	Washer	12
54	813837	Hex Head Screw	12
55	813624	Seal Kit	1
56	813616	O-Ring	2
57	813625	Seal Spring	6
58	813619	Groove Pin	1
59	813612	O-Ring	1
60	813622	Seal Retainer	1
61	813621	Retaining Ring	1
62	813840	480289 Socket Head Screw	4
63	813850	480369 Sleeve Retainer	2
64	813828	480353 Plug (not avail. separately)	4
65	480301	893018 Servo Sleeve	2
66	813818	480342 O-Ring	2
67	813817	480341 O-Ring	2
68	813841	480359 Cap Screw	2
69	813843	480366 Washer	2
70	813860	480371 Spring Guide	2
71	813859	893039 Servo Spring	2
72	480303	893017 Servo Piston	2
73	813824	892978 Pin	2
74	813831	481168 Retaining Ring	4
75	480302	481094 Servo Link	2
76	813875	481101 Pilot	1
77	813829	481081 Retaining Ring	1
78	813855	481089 Spring Retainer	1
79	813856	Spring Guide	1
80	480306	481083 Cylinder Block Spring	1

VARIABLE DISPLACEMENT PUMP

INDEX NUMBER	PART NUMBER	DESCRIPTION	QUANTITY	
	335556	801157		
81	813854	481088	Spring Seat	1
82	813853	481084	Retainer Spring	9
83	813851	480668	Pin	1
84	813874	911405	Cylinder Block Assy	1
85	813866	481095	Retainer Guide	1
86	813870	481099	Slipper Retainer	1
87	*813873	*911406	Piston Assy	9
88	813871	481096	Thrust Plate	1
89	813869	481097	Swashplate	1
90	893080		Spring Control Valve	1
	**813626		Shaft Seal Kit	1
	***893069		Gasket Kit	1

*Item 813873 Quantity of 9 Pieces, Item 911406 Quantity of 3 .
 **Kit includes items 51 thru 61
 ***Kit includes all gaskets and O-rings less items 55 thru 61



33557 (CA-30A)
 801158 (CA-30, CA-30D, CA-30PD)

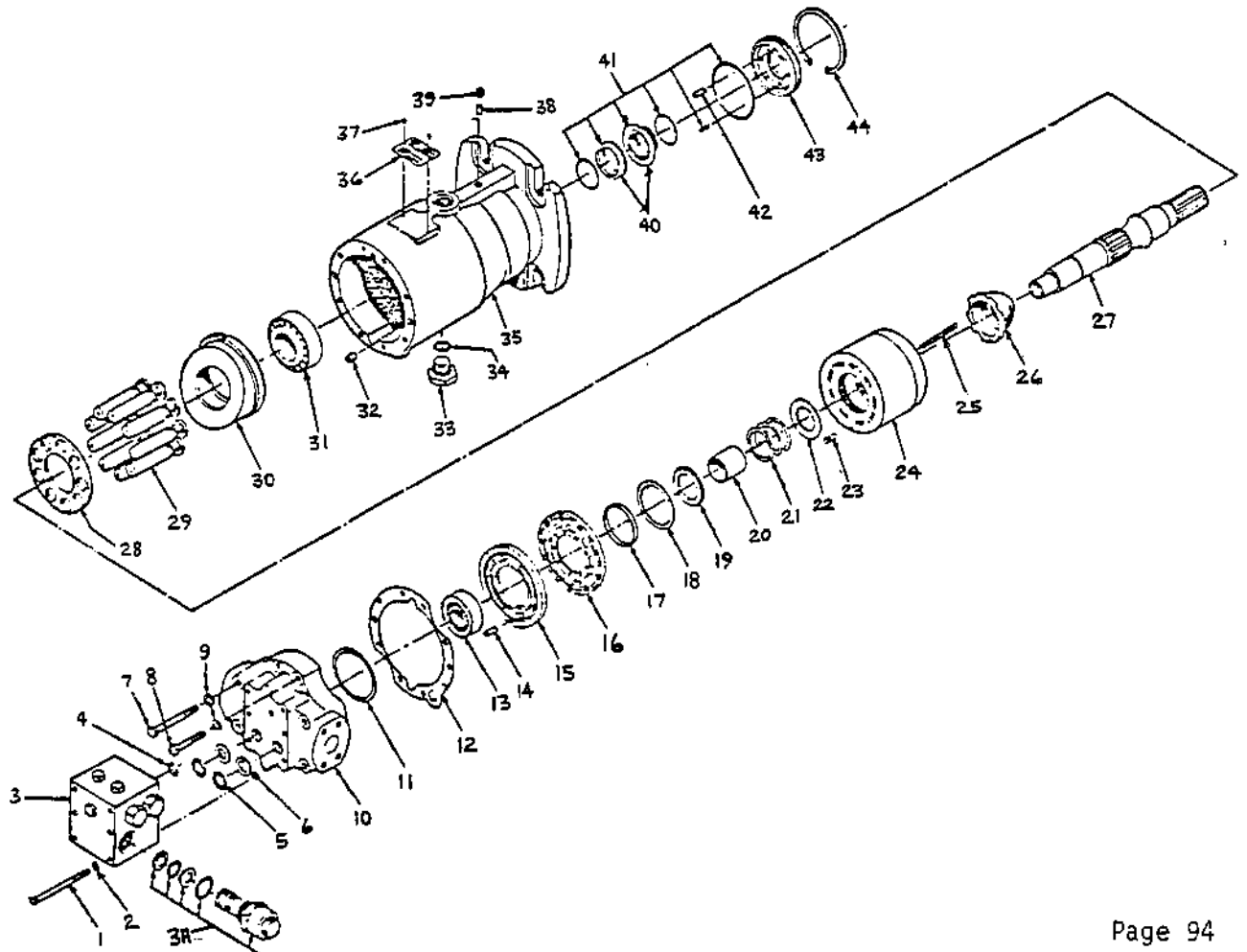
FIXED DISPLACEMENT MOTOR

INDEX NUMBER	PART NUMBER	DESCRIPTION	QUANTITY
	33557	801158	
1	813836	Hex Head Screw	6
2	813845	Washer	6
3	See Page 94A	Manifold Assy	1
3A	813627	High Pressure Valve Assy	2
		(Part of Ref. #3)	
4	813611	O-Ring	1
5	813615	O-Ring	2
6	813620	Back Up Ring	2
7	813839	Hex Head Screw	5
8	813838	Hex Head Screw	3
9	813846	Washer	8
10	813879	911574 End Cap	1
11	813880	481106 Shim	1 ar
12	813862	481092 End Cap Gasket	1
13	813813	Rear Bearing	1
14	813821	Pin	1
15	813868	912090 Valve Plate	1
16	813878	481105 Bearing Plate	1
17	813875	481101 Pilot	1
18	813829	481081 Retaining Ring	1
19	813855	481089 Spring Retainer	1
20	813856	481085 Spring Guide	1
21	480306	481083 Cylinder Block Spring	1
22	813854	481088 Spring Seat	1
23	813851	480668 Pin	1
24	813874	893017 Cylinder Block Assy	1
25	813853	481084 Retainer Spring	9 (6)**
26	813866	481095 Retainer Guide	1
27	813864	911571 Drive Shaft	1
28	813870	481099 Slipper Retainer	1
29	813873	911406 Piston Assembly	9
30	813876	911573 Swashplate	1
31	813815	Front Bearing	1
32	813822	Pin	2
33	813827	Hex Head Plug	1
34	813618	O-Ring	1
35	813865	911572 Motor Housing	1
36	813881	Nameplate	1
37	480291	Drive Screw	2
38	813821	911570 Pin	1

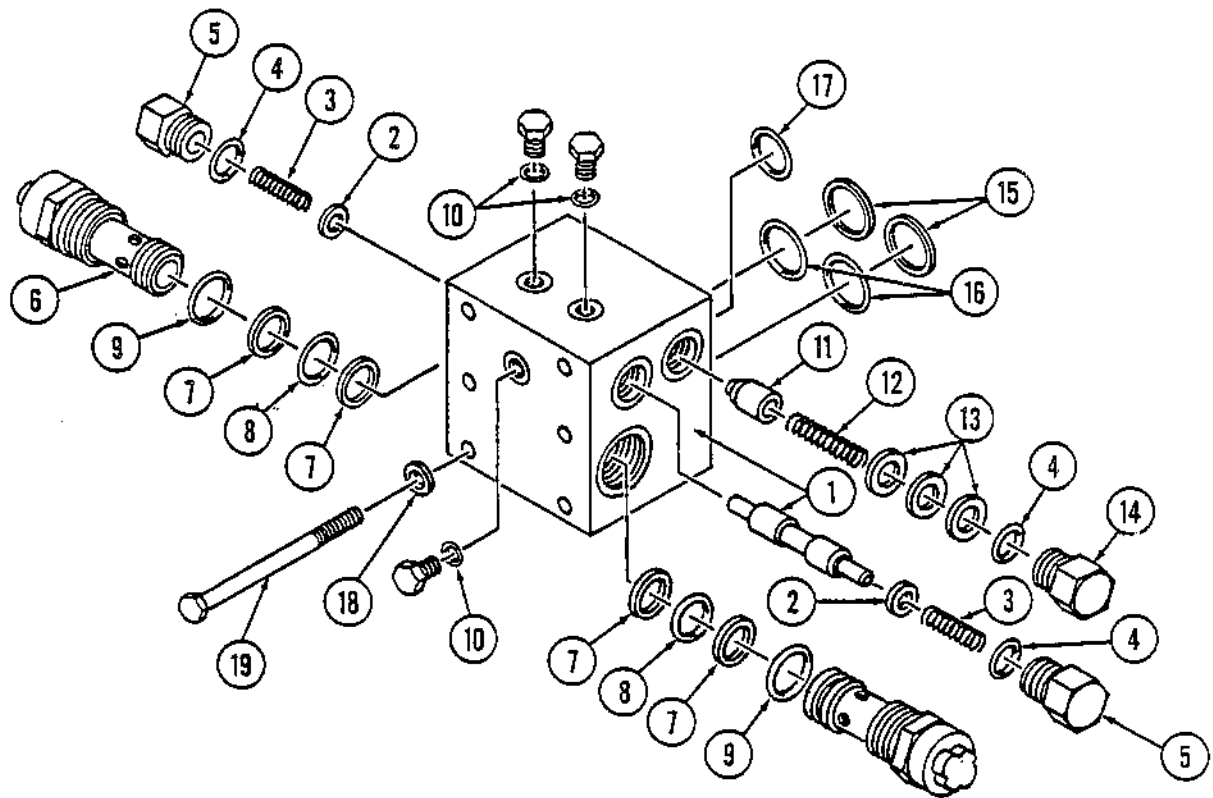
**Model 33557 only

FIXED DISPLACEMENT MOTOR

INDEX NUMBER	PART NUMBER	DESCRIPTION	QUANTITY
	33557		
	801158		
39	813825	Pipe Plug	1
40	813624	Seal	1
41	813626	Seal Kit (Incl. Ref. #40,42,43,44)	1
	813616	O-Ring	2
	813625	Spring Seal	6
	813612	O-Ring	1
42	813619	Groove Pin	1
43	813622	Seal Retainer	1
44	813621	Retaining Ring	1



MANIFOLD VALVE ASSEMBLY



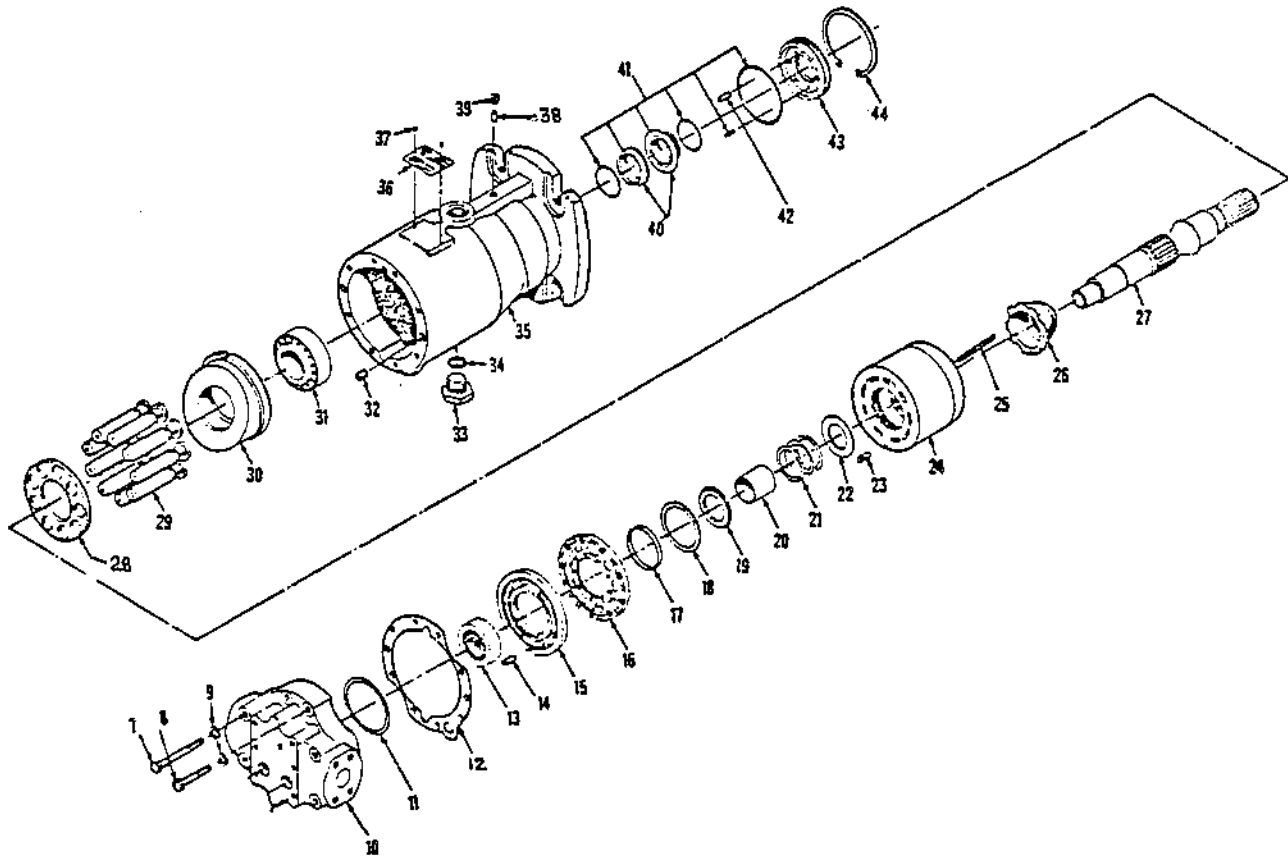
INDEX NUMBER	PART NUMBER	DESCRIPTION	QUANTITY
-	480204	Valve, Manifold Assembly	1
1	NSS	Housing & Shuttle Assembly	1
2	480367	Washer	2
3	480407	Spring, Shuttle Valve	2
4	813618	O-Ring	3
5	480408	Plug, Hex	2
6	813627	Valve, High Pressure Relief	2
7	480355	Ring, Back-Up	2
8	480344	O-Ring	1
9	480348	O-Ring	1
10	813617	O-Ring	3
11	233194	Valve, Charge Relief	1
12	911068	Spring, Charge Relief	1
13	480402	Shims	3
14	480408	Plug, Hex	1
15	813620	Ring, Back-Up	2
16	813615	O-Ring	2
17	813611	O-Ring	1
18	813845	Washer, Plain	6
19	813836	Screw, HH Cap	6

FIXED DISPLACEMENT MOTOR

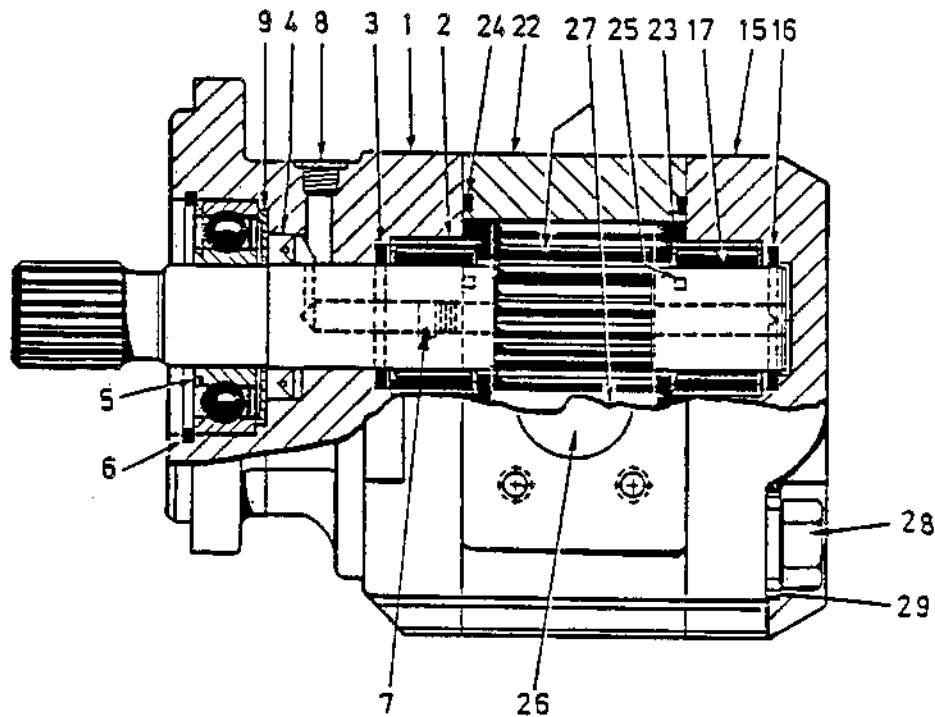
INDEX NUMBER	PART NUMBER	DESCRIPTION	QUANTITY
7	813838	Hex Head Screw	3
8	813839	Hex Head Screw	5
9	813846	Washer	8
10	911061	End Cap	1
11	813880	Shim	ar
12	813862	End Cap Gasket	1
13	813813	Rear Bearing	1
14	813821	Pin	1
15	893010	Valve Plate	1
16	813878	Bearing Plate	1
17	813875	Pilot	1
18	813829	Retaining Ring	1
19	813855	Spring Retainer	1
20	813856	Spring Guide	1
21	480306	Cylinder Block Spring	1
22	813854	Spring Seat	1
23	813851	Pin	1
24	813874	Cylinder Block Assembly	1
25	911060	Retainer Spring	6
26	813866	Retainer Guide	1
27	911063	Drive Shaft	1
28	813870	Slipper Retainer	1
29	813873	Piston	9
30	813876	Swashplate	1
31	813815	Front Bearing	1
32	813822	Pin	2
33	813827	Hex Head Plug	1
34	813618	O-Ring	1
35	813865	Motor Housing	1
36	813881	Nameplate	1
37	480291	Drive Screw	2
38	813821	Pin	1
39	813825	Pipe Plug	1
40	813624	Seal	1
41	813626	Seal Kit (Inc. Item 40, 42, 43, 44)	1
-	813616	O-Ring	2
-	813625	Spring Seal	6
-	813612	O-Ring	1

FIXED DISPLACEMENT MOTOR

INDEX NUMBER	PART NUMBER	DESCRIPTION	QUANTITY
42	813619	Groove Pin	1
43	813622	Seal Retainer	1
44	813621	Retaining Ring	1

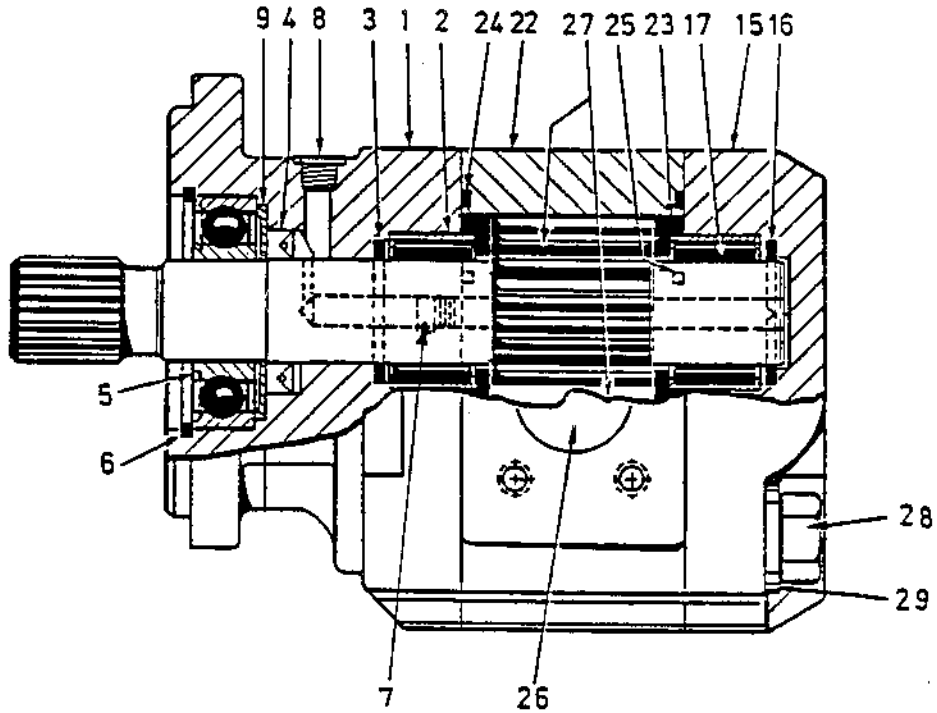


FIXED DISPLACEMENT MOTOR
(VIBRATION)



INDEX NUMBER	PART NUMBER	DESCRIPTION	QUANTITY
-	335553	Motor Complete	1
1	813902	Shaft End Cover	1
2	813906	Roller Bearing	2
3	813661	Ring Seal	1
4	813676	Lip Seal	1
5	813674	Bearing	1
6	813678	Snap Ring	1
7	480499	Check Assembly	2
8	813910	Plug	1
9	813643	Seal Retainer	1
15	813923	Port End Cover	1
16	813661	Ring Seal	1
17	813906	Roller Bearing	2
22	813657	Gear Housing	1
23	813683	Thrust Plate	2
24	813669	Gasket Seal	2
25	813646	Pocket Seal	12
26	813914	Closure	2
27	813905	Driven Gear & Shaft Set	1
28	813916	Capscrew	4
29	813915	Washer	4

FIXED DISPLACEMENT MOTOR (CA-30, CA-30D, CA-30PD)
(VIBRATION)

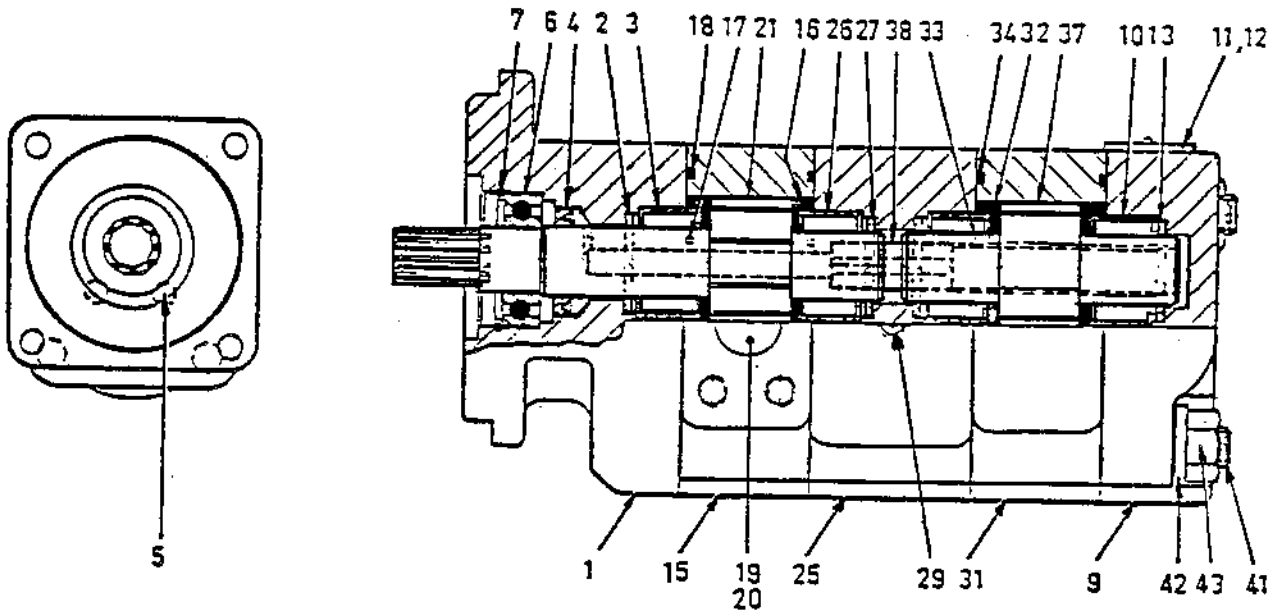


INDEX NUMBER	PART NUMBER	DESCRIPTION	QUANTITY
	801160	Motor Complete	
1	813902	Shaft End Cover	1
2	813906	Roller Bearing	2
3	813661	Ring Seal	1
4	813676	Lip Seal	1
5	813674	Bearing	1
6	813678	Snap Ring	1
7	480499	Check Assembly	2
8	813910	Plug	1
9	813643	Seal Retainer	1
15	813923	Port End Cover	1
16	813661	Ring Seal	1
17	813906	Roller Bearing	2
22	891457	Gear Housing	1
23	813683	Thrust Plate	2
24	813669	Gasket Seal	2
25	813646	Pocket Seal	12
26	813914	Closure	2
27	891498	Driven Gear & Shaft Set	1
28	813916	Capscrew	4
29	813915	Washers	4

FIXED DISPLACEMENT PUMP
(VIBRATION & STEERING)

(CA-30, CA-30A, CA-30D, CA-30PD)

(To S/N 3123)



INDEX NUMBER	PART NUMBER	DESCRIPTION	QUANTITY
-	* 801159	Assembly, Vibration & Steering Pump.....	1
1	813904	Shaft End Cover	1
2	813656	Ring Seal	1
3	813921	Roller Bearing	2
4	813919	Double Lip Seal	1
5	813907	Plug	1
6	813673	Bearing, Ball	1
7	813677	Ring, Retainer	1
9	813920	Port End Cover	1
10	813921	Roller Bearing	2
11	813918	Drive Screw	2
12	813891	Nameplate	1
13	813656	Ring Seal	1
15	891564	Gear Housing	1
16	813642	Thrust Plate	2

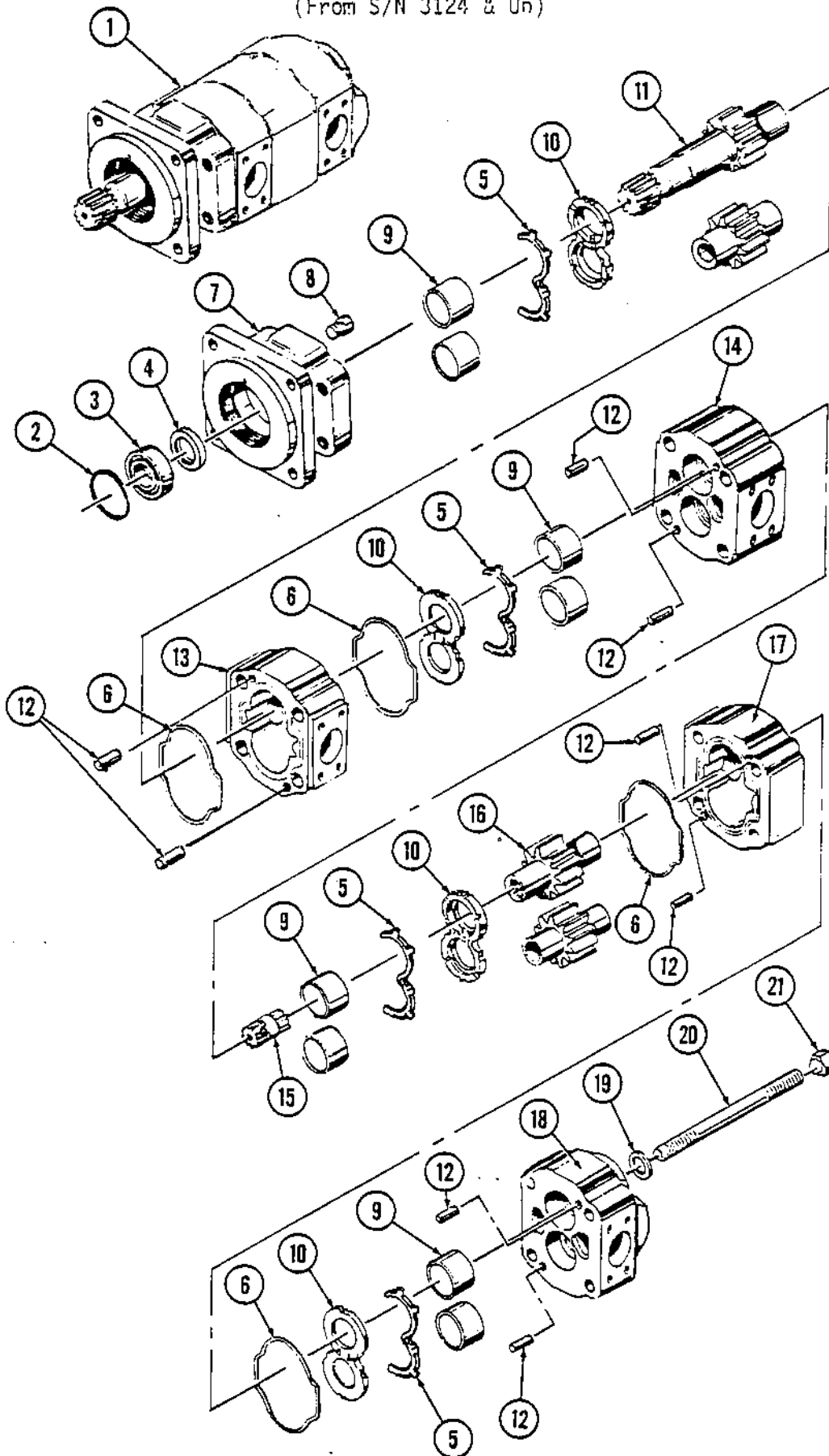
FIXED DISPLACEMENT PUMP
(VIBRATION & STEERING)
 (To S/N 3123)

INDEX NUMBER	PART NUMBER	DESCRIPTION	QUANTITY
17	813646	Pocket Seal	12
18	813668	Gasket Seal	2
19	813914	Closure	1
20	813913	Closure	1
21	891120	Gear & Shaft Set	1
25	813909	Bearing Carrier	1
26	813921	Roller Bearing	4
27	813656	Ring Seal	2
28	813912	Closure	1
29	813911	Plug	1
31	813664	Gear Housing	1
32	813642	Thrust Plate	2
33	813646	Pocket Seal	12
34	813668	Gasket Seal	2
37	813908	Gear Set	1
38	813922	Shaft	1
41	813892	Stud	4
42	813915	Washer	4
43	813917	Nut	4

* Pump 801159 is no longer available and has been replaced with Pump 802303. When replacing Pump 801159 with 802303, Hose Kit P/N 826737 is required for initial installation. See Detail A on page 53.

For S/N's 3124 & Up see pages 100A & 100B.

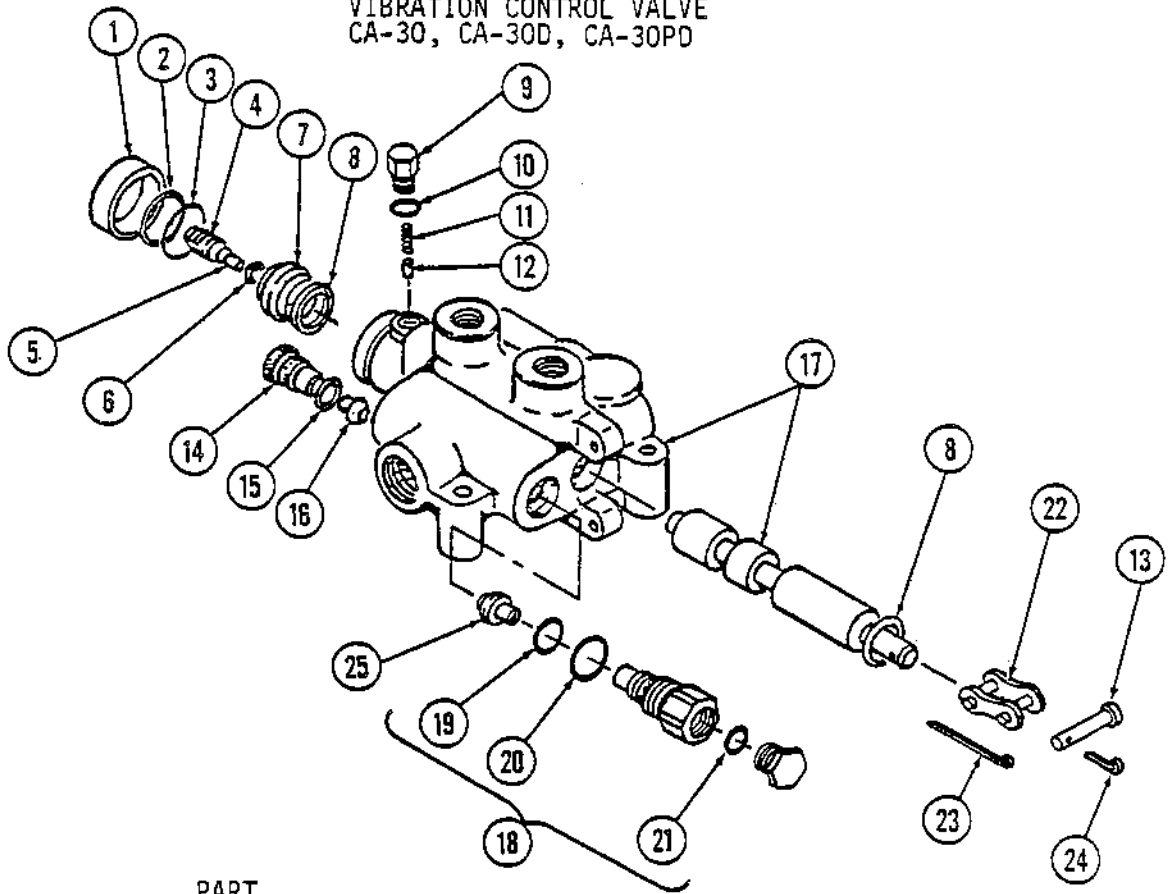
VIBRATION & STEERING PUMP
(From S/N 3124 & Un)



VIBRATION & STEERING PUMP
(From S/N 3124 & Up)

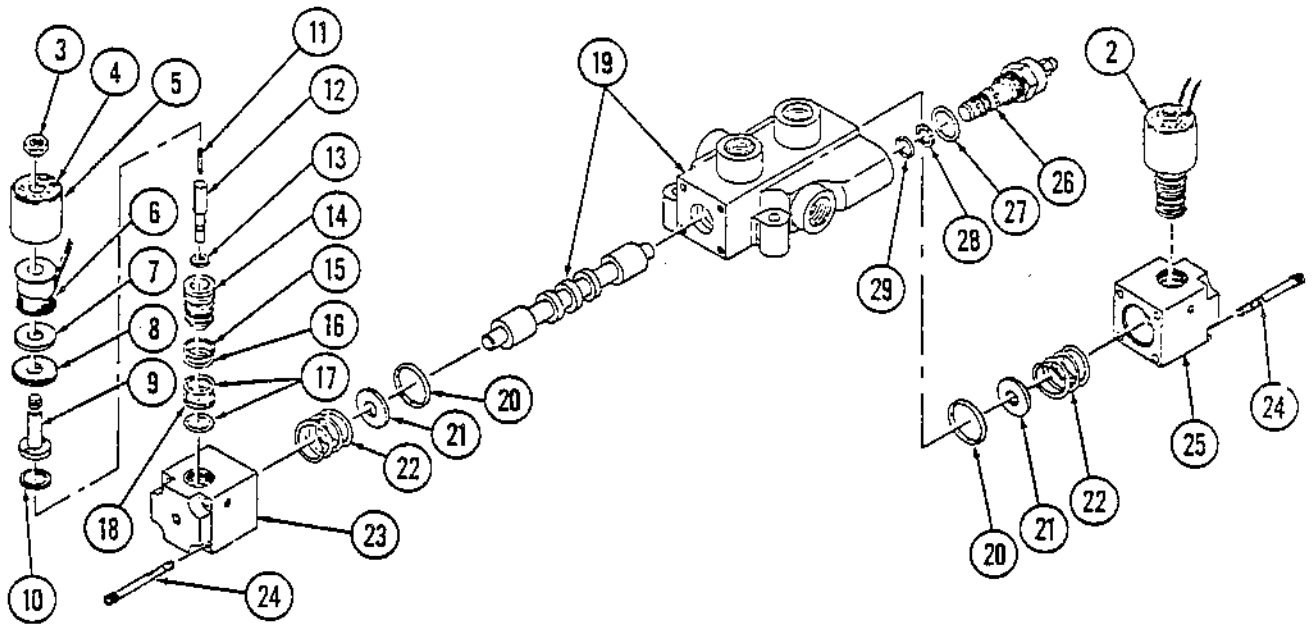
ITEM NUMBER	PART NUMBER	DESCRIPTION	QUANTITY
1	802303	Assembly, Vibration & Steering.....	1
2	813677	Ring, Retainer.....	1
3	813673	Bearing, Ball.....	1
-	924674	Kit, Vib. & Steering Pump Seal.....	1
4	813919	Seal, Lip.....	1
5	924663	Seal, Channel.....	4
6	813668	Seal, Gasket.....	4
7	924659	Cover, Shaft End.....	1
8	813907	Plug.....	2
9	924660	Bushing.....	8
10	924662	Plate, Thrust.....	4
11	924664	Set, Gear.....	1
12	911650	Pin, Dowel.....	8
13	924661	Housing, Gear.....	1
14	924665	Carrier, Bearing.....	1
15	924671	Shaft, Connecting.....	1
16	924672	Set, Gear.....	1
17	924667	Housing, Gear.....	1
18	924659	Cover, Port End.....	1
19	813915	Washer.....	4
20	924673	Stud.....	4
21	813917	Nut.....	4

VIBRATION CONTROL VALVE
CA-30, CA-30D, CA-30PD



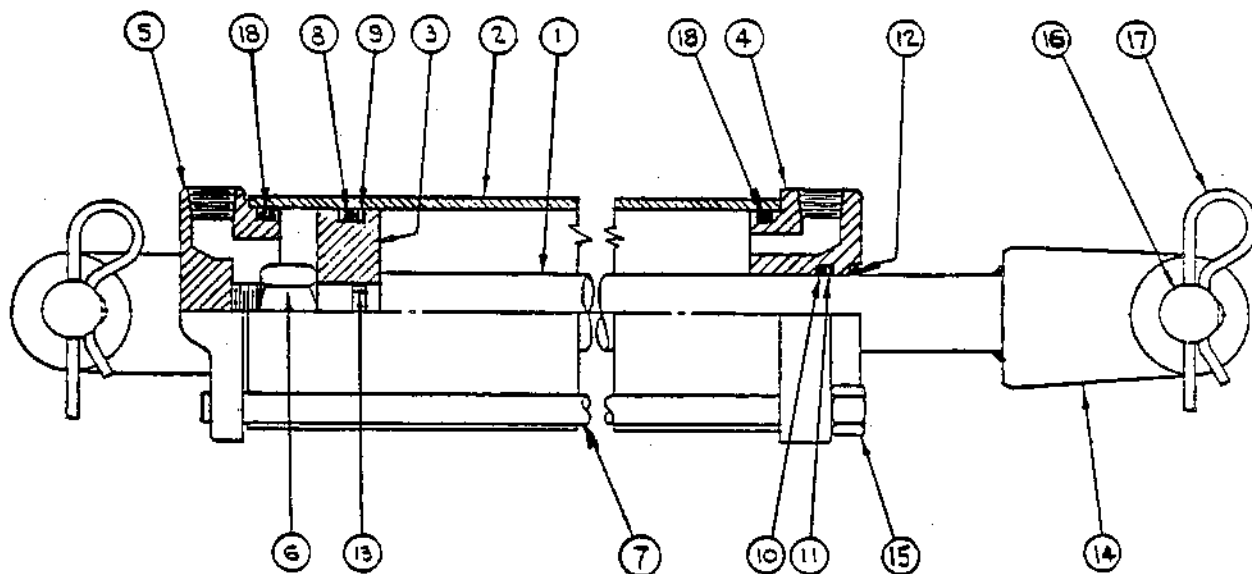
INDEX NUMBER	PART NUMBER	DESCRIPTION	QUANTITY
-	335564	Valve, Complete.....	1
1	814090	Cover, Rubber.....	1
2	814086	Snap Ring.....	1
3	814085	Disc.....	1
4	814094	Spring.....	1
5	814082	Bolt.....	1
6	814127	Lockwasher.....	1
7	814128	Detent Sleeve.....	1
8	814089	Seal Ring.....	2
9	814126	Plug.....	1
10	814092	Washer.....	1
11	814091	Spring.....	1
12	814093	Pin.....	1
13	814083	Pin, Clevis.....	1
14	NSS	*Plug.....	1
15	NSS	*O-Ring.....	1
16	NSS	*Valve Cone.....	1
17	NSS	Housing & Spindle.....	1
18	891745	WS Relief Cart 2000 PSI.....	1
19	NSS	**Seal.....	1
20	NSS	**Seal, O-Ring.....	1
21	NSS	**Cap, O-Ring.....	1
22	813714	Link, Connector.....	1
23	813714	Pin, Cotter.....	1
24	814077	Pin, Cotter.....	1
25	814132	Cone, Valve.....	1
*	814133	Seal Kit (Includes Items 14, 15, 16).....	1
**	911581	Seal Kit (Includes Items 19, 20, 21).....	1

VIBRATION CONTROL VALVE



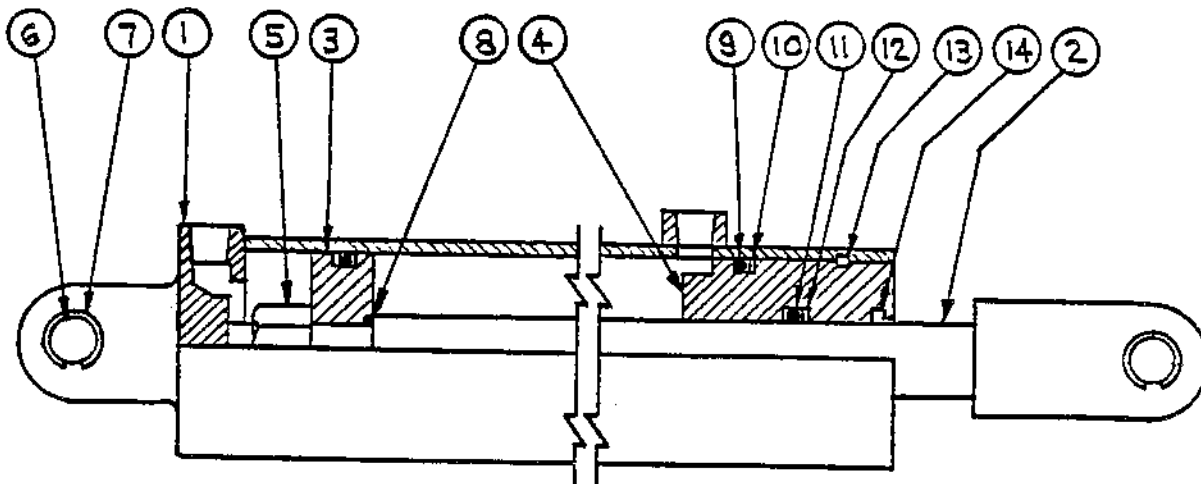
INDEX NUMBER	PART NUMBER	DESCRIPTION	QUANTITY
1	337510	Valve Assembly (includes following)	2
2	975048	Solenoid Assembly (incl. 3 thru 18)	2
3	NSS	Hex Nut	1
4	NSS	Nameplate	1
5	NSS	Housing Coil	1
6	975049	Coil, 12 Volt	1
7	NSS	Gasket, Housing	1
8	NSS	Washer, Housing	1
9	NSS	Sleeve, Assembly	1
10	NSS	Seal, Flange	1
11	NSS	Spring, Piston	1
12	NSS	Spool and Piston	1
13	NSS	Spacer	1
14	NSS	Body, Solenoid Cartridge	1
15	481116	Seal, Upper Back-up	1
16	481113	O-Ring, Upper Cartridge	1
17	481114	O-Ring, Lower Cartridge	2
18	481115	Seal, Lower Back-up	1
19	NSS	Body, Valve and Spool	1
20	481124	O-Ring	2
21	481111	Washer, Stop	2
22	481112	Spring, Centering	2
23	481120	Block, Solenoid - Right Side	1
24	481122	Capscrew	8
25	481119	Block, Solenoid - Left Side	1
26	333112	Valve Assy. Relief (2000PSI)	1
27	481125	O-Ring	1
28	481121	Washer, Back-up	1
29	481123	O-ring	1

STEERING CYLINDER 335560
CA-30A



INDEX NUMBER	PART NUMBER	DESCRIPTION	QUANTITY
1	891827	Piston Rod Assy. (Rod with welded clevis)	1
2	813538	Tube	1
3	813539	Piston	1
4	813541	Gland	1
5	813772	Butt	1
6	813543	Hex Nut	1
7	813773	Tie Rod	4
8	*813546	O-Ring	1
9	*813549	B/U Washer	2
10	*813545	O-Ring	1
11	*813548	B/U Washer	1
12	*813550	Wiper	1
13	*813544	O-Ring	1
14	416046	Clevis Assembly	1
15	892303	Hex Nut	4
16	635022	Clevis Pin	2
17	635020	Hairpin Clip	4
18	*813547	O-Ring	2
	813551	*Seal Kit	

STEERING CYLINDER
 CA-30, CA-30D, CA-30PD
 801103

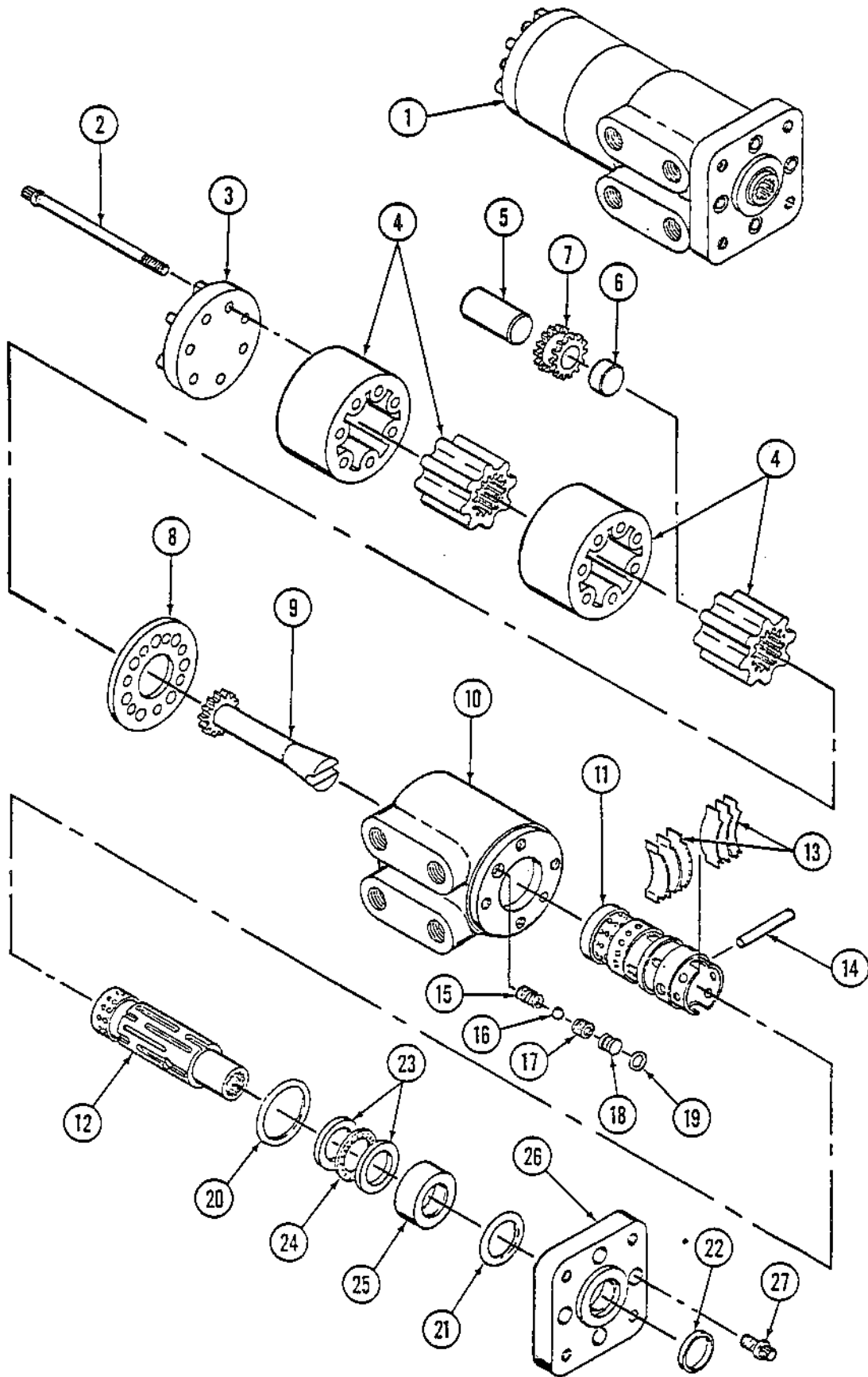


INDEX NUMBER	PART NUMBER	DESCRIPTION	QUANTITY
1	911690	Butt & Tube Assy.	1
2	911689	Piston Rod Assy.	1
3	813539	Piston	1
4	911691	Gland	1
5	813543	Locknut	1
6	921562	Clevis Pin	2
7	894023	Klip Ring	4
*8	813544	O-Ring	1
*9	813546	O-Ring	2
*10	813549	Bu-Washer	3
*11	813545	O-Ring	1
*12	813548	Bu-Washer	1
*13	911692	Sq. Retaining Ring	1
*14	813550	Wiper	1
*	893493	Seal Kit	

STEERING VALVE CYLINDER 335567
(Earlier Valves with Vendor Tag No. YS-11 or 12)

INDEX NUMBER	PART NUMBER	DESCRIPTION	QUANTITY
1	335567	Valve, Steering, Assembly	1
2	814155	Screw, Cap	7
3	481273	Cap, End	1
4	814160	Gerotor Set	2
5	892835	Spacer	1
6	892834	Spacer	1
7	814151	Spline	1
8	814156	Plate	1
9	814150	Drive	1
-	814159	Control Assembly	1
10	NSS	Housing, Valve	1
11	NSS	Sleeve, Control	1
12	NSS	Spool, Control	1
13	814143	Spring, Centering	6
14	892102	Pin, Centering	1
15	814148	Spring, Compression	1
16	892160	Ball, Steel	1
17	814149	Seat, Check	1
18	814167	Plug, Seal	1
19	892113	Seal, O-Ring	1
--	892716	Kit, Seal	1
19	892113	Seal, O-Ring	1
20	892119	Seal, O-Ring	1
21	892271	Seal, Quad Ring	1
22	814146	Seal, Oil	1
--	481272	Kit, Needle Bearing	1
23	NSS	Race, Bearing	2
24	NSS	Bearing, Needle Thrust	1
25	NSS	Locator, Bearing	1
26	814145	Plate, Mounting, Valve Housing	1
27	814165	Screw, Cap	4

STEERING VALVE ASSEMBLY

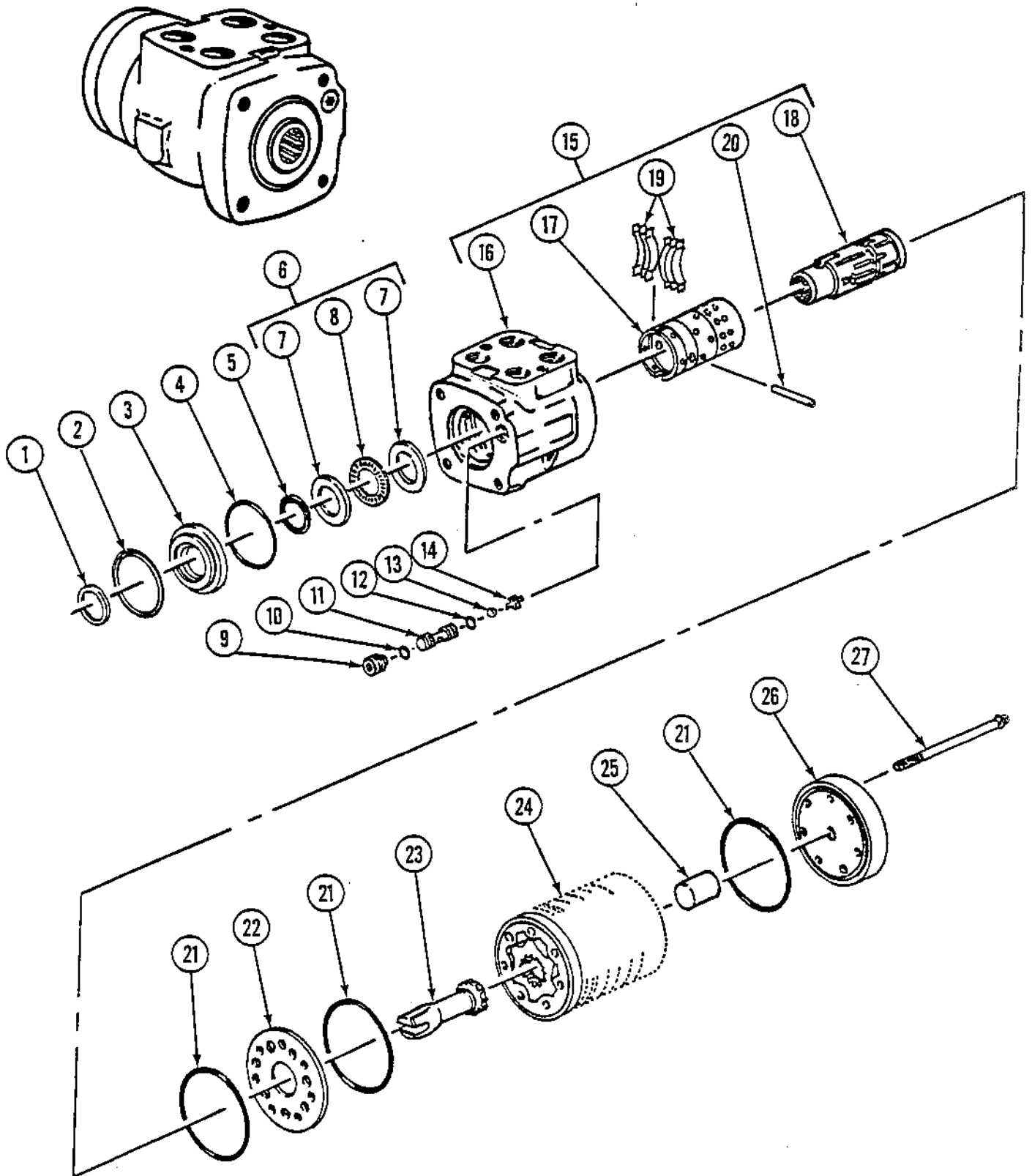


STEERING VALVE ASSEMBLY 335567
(Later Valves with Vendor Tag No. 211-1039)

INDEX NUMBER	PART NUMBER	DESCRIPTION	QUANTITY
-	335567	Valve, Steering Assembly	1
*1	814146	Seal, 1-1/4"ODx1"ID	1
2	911582	Ring, Retaining	1
3	911069	Bushing, Seal Gland	1
*4	911585	Seal, 2-1/8"ODx1/8"CS	1
*5	892271	Seal, Quad Ring 1-5/16"ODx1/8"CS	1
6	911608	Needle Bearing Kit	1
7	NSS	Race, Bearing	2
8	NSS	Bearing, Needle Thrust	1
9	911583	Screw, Set	1
*10	911584	Seal, 5/8"ODx3/32"CS	1
11	911590	Seat, Check Ball	1
*12	892113	Seal, 7/16"ODx1/16"CS	1
13	911586	Ball, Check	1
14	911588	Retainer, Check Ball	1
15	911591	Control Parts Assembly	1
16	NSS	Housing	1
17	NSS	Sleeve, Control	1
18	NSS	Spool, Control	1
19	814143	Spring, Centering	6
20	892102	Pin, Centering	1
*21	911587	Seal, 3"ODx1/16"CS	3
22	911589	Plate, Spacer	1
23	814150	Drive	1
24	911593	Gerotor	1
25	911592	Spacer (s)	1
26	911594	Cap, End	1
27	814155	Screw, Cap	7

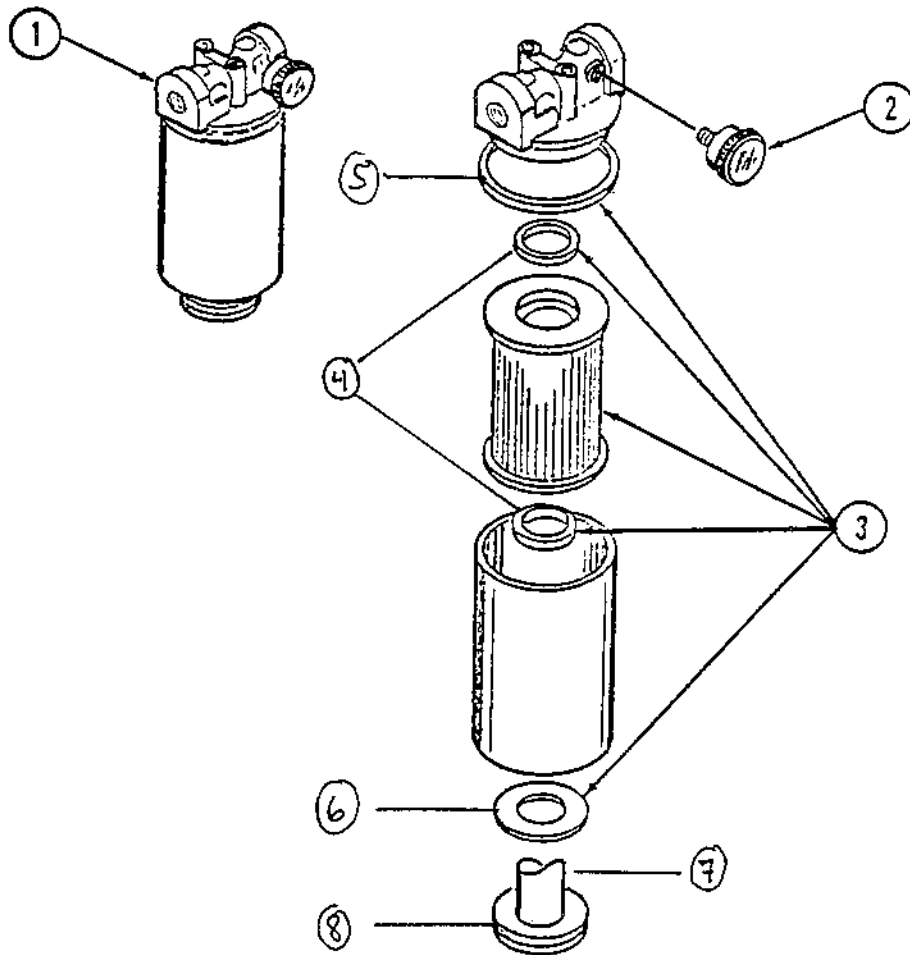
* Seal Kit--Contains Parts Indicated by * Seal Kit p/n 894013

STEERING VALVE ASSEMBLY



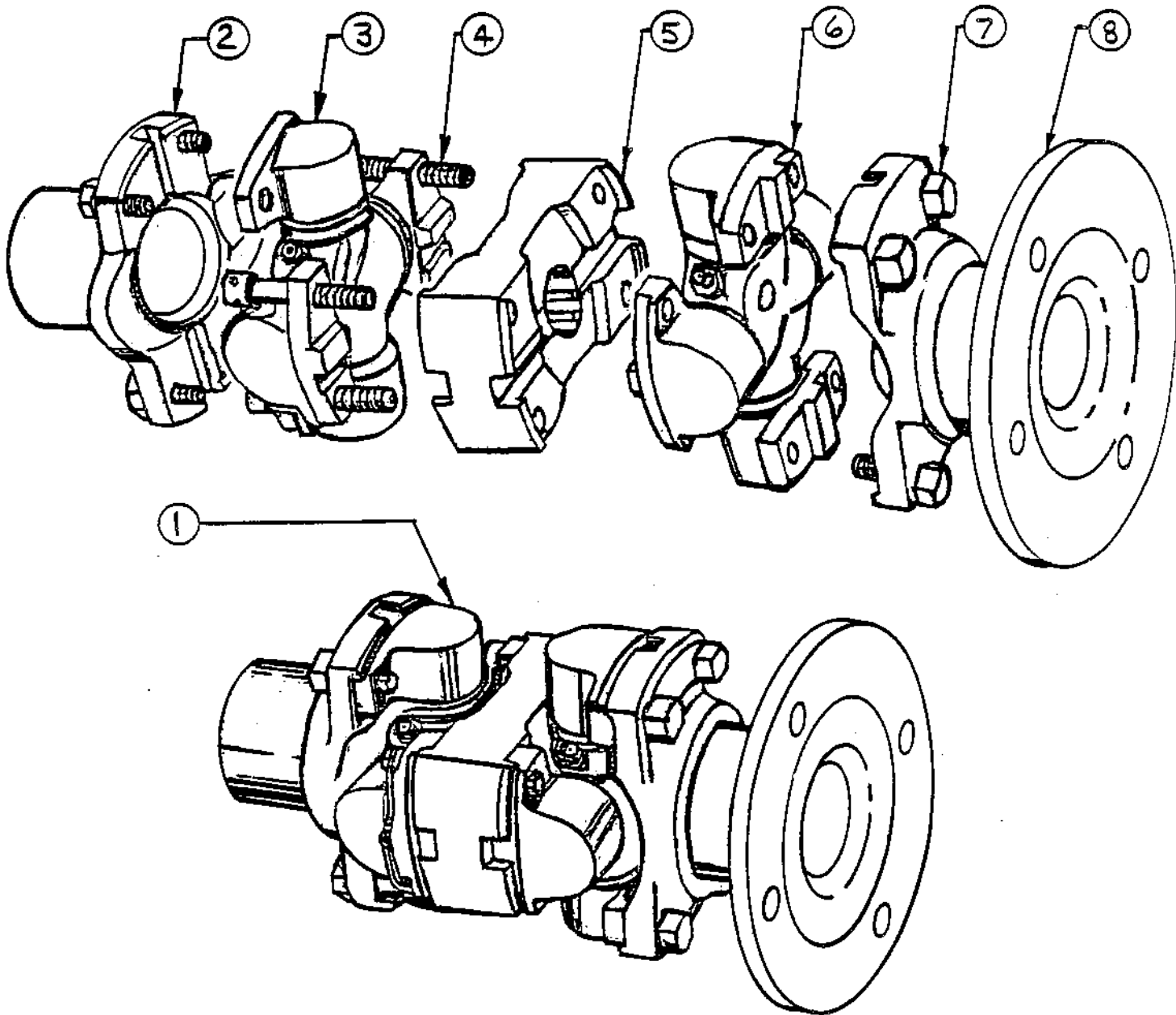
HYDRAULIC OIL FILTER

All Models



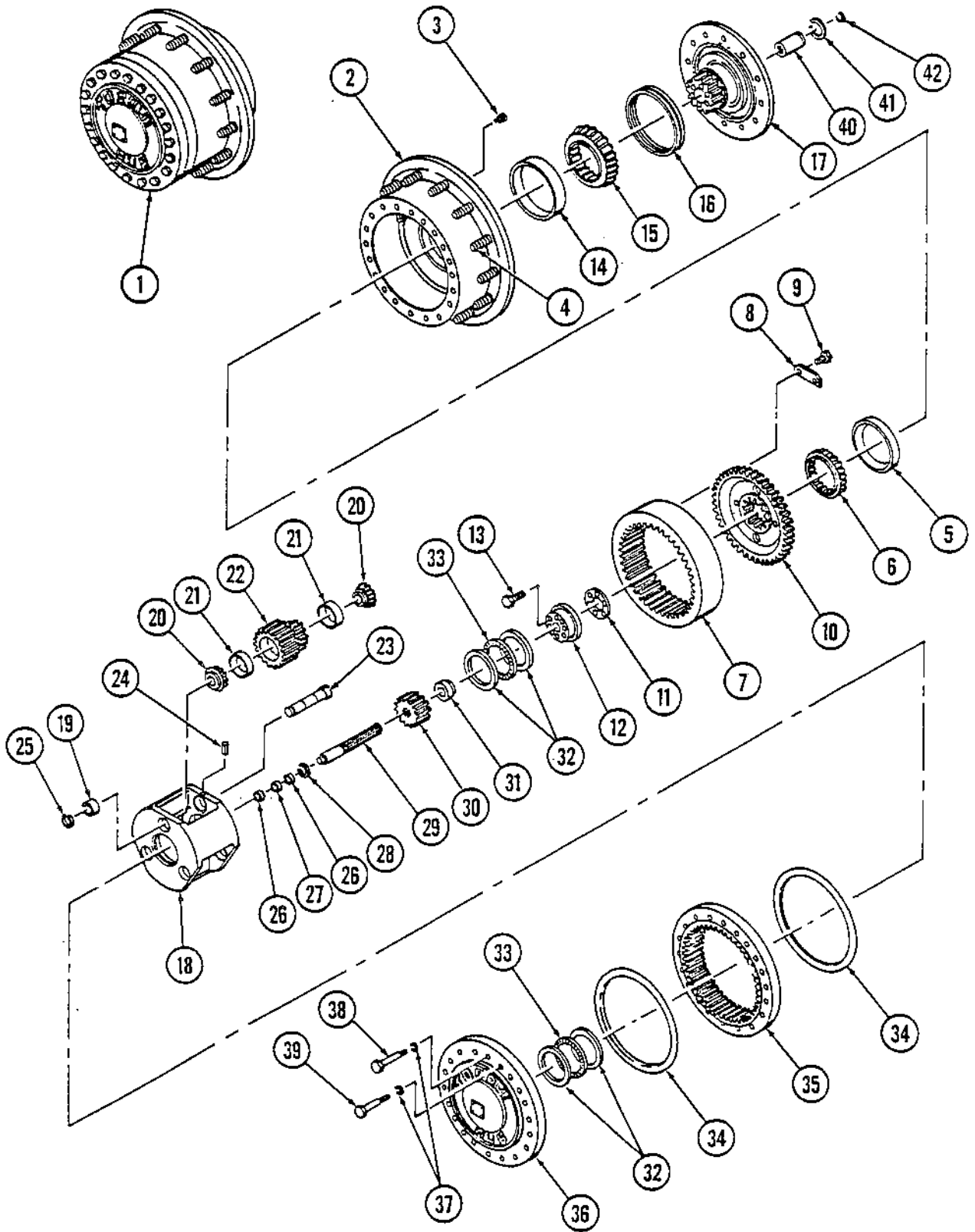
INDEX NUMBER	PART NUMBER	DESCRIPTION	QUANTITY
1	335554	Filter, Assembly, Hydraulic Oil	1
2	814118	Gauge, Vacuum	1
3	335657	Kit, Element, Filter, Hyd	1
4	814139	SEAL GASKET	
5	814117	O-RING GASKET	
6	814116	GASKET	
7	814140	WASHER	
8	814115	SPRING	

UNIVERSAL JOINT



INDEX NUMBER	PART NUMBER	DESCRIPTION	QUANTITY
1	813303	U-Joint Assembly Includes all but items 2,7,8	1
2	814016	Fitting Yoke (Axle End)	1
3	813793	Spider & Bearing Assembly	1
4	813796	Capscrew	4
5	813795	Center Plate	1
6	813794	Spider & Bearing Assembly tapped for screw	1
7	813304	Capscrew	8
8	813318	Fitting Yoke (Transmission End)	1

DRIVE HUB ASSEMBLY



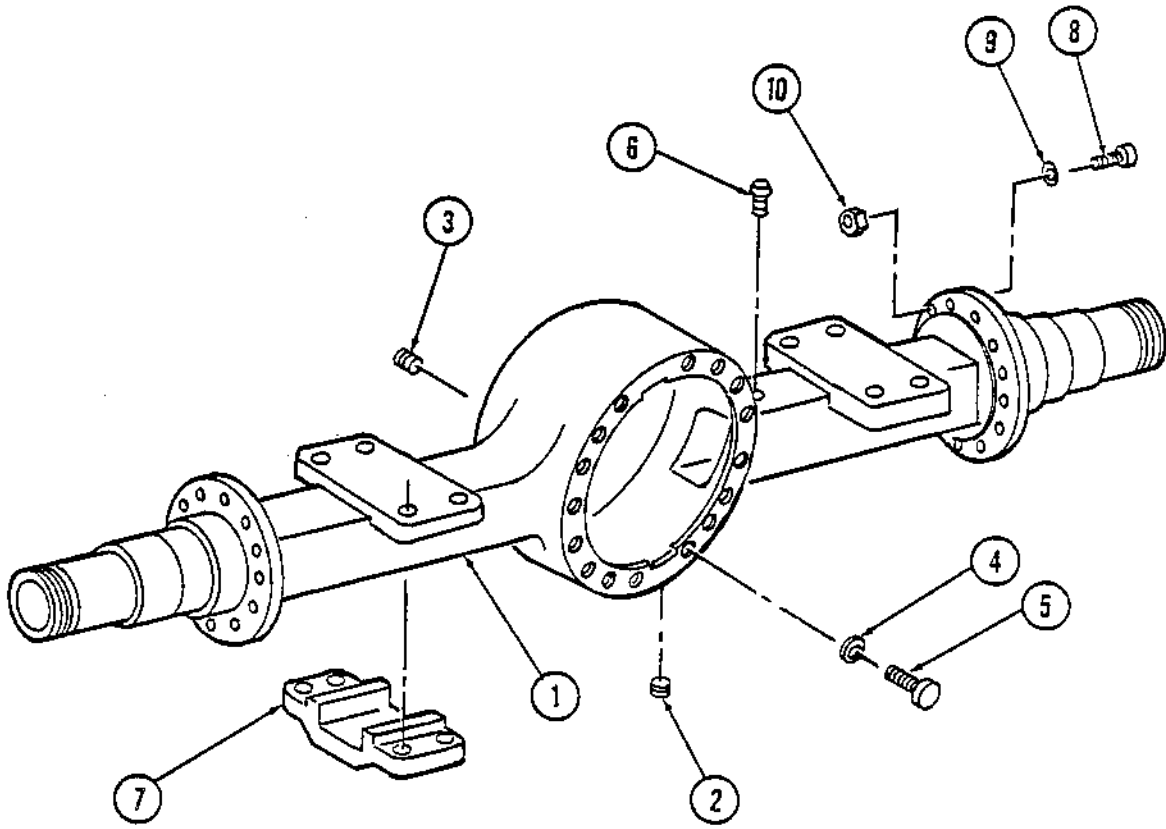
DRIVE HUB ASSEMBLY

INDEX NUMBER	PART NUMBER	DESCRIPTION	QUANTITY
1	801150	Hub Assembly, Drive.....	1
-	423470	**Hub Sub-Assembly, Spindle,(For R7C2).....	1
-	893446	Hub Sub-Assembly, Spindle.....	1
2	423473	**Hub, (For R7C2).....	1
-	423327	Hub, (See Note**).	1
3	423352	Plug, Magnetic Pipe.....	2
4	423149	Stud.....	12
5	423331	Bearing, Cup.....	1
6	423332	Bearing, Cone.....	1
7	423321	Gear, Internal.....	1
8	423312	Plate, Retainer.....	4
9	423338	Bolt.....	8
10	423322	Gear, Internal Hub.....	1
11	423335	Shim Set.....	1
12	423324	Plate, Bearing.....	1
13	423339	Bolt.....	6
14	423334	Bearing Cup.....	1
15	423330	Bearing Cone.....	1
16	423471	**Seal Face, (For R7C2).....	1
--	423333	Seal Face.....	1
17	423472	**Spindle, (For R7C2).....	1
--	423323	Spindle, (See Note**).	1
--	423315	Carrier, Sub-Assembly.....	1
18	423319	Carrier.....	1
--	928151	Kit, Carrier Repair.....	1
19	893451	*Spacer, (.721/.720).....	A/R
--	893452	*Spacer, (.726/.725).....	A/R
--	423336	*Spacer, (.809/.808).....	A/R
20	423329	Bearing, Cone.....	6
21	423328	Bearing, Cup.....	6
22	423320	Gear Assembly,(Includes items 19-25, Matched Set of Three).....	1
23	423316	Shaft, Planet.....	3
24	423346	Pin, Roll.....	3
25	423345	Ring, Retaining.....	3
26	423311	Washer, Thrust.....	2
27	423310	Bearing, Thrust.....	1
28	423343	Ring, Retaining.....	1
29	423309	Shaft, Input.....	1
30	423314	Gear, Input.....	1
31	423337	Spacer, Thrust.....	1
32	423318	Washer, Thrust.....	4
33	423317	Bearing, Thrust.....	2
34	423340	O-Ring.....	2
35	423325	Gear, Ring.....	1
36	892896	Cover.....	1
37	423351	Washer, Lock.....	20
38	423348	Bolt, Shoulder.....	4
39	423347	Bolt.....	16
40	892475	Coupling.....	1
41	423344	Ring, Retaining.....	1
42	423342	Ring, Retaining.....	1

*Select Spacer for correct fit, use one Spacer per Cluster Gear.
 **NOTE: Check Model No. Tag on front of Hub. If first 4 digits of no. are R7C2, use parts marked with **'s. If you need P/N 423327 Hub or 423323 Spindle, an 801150 rebuilt Hub Assy. should be ordered due to Mfg's. modifications. P/N 893446 is no longer available, and is replaced by 423470 Hub. Sub-Assy. which will update your Hub Assy. to an R7C2 Tag level.

Rev. 10/23/85
 Page 110

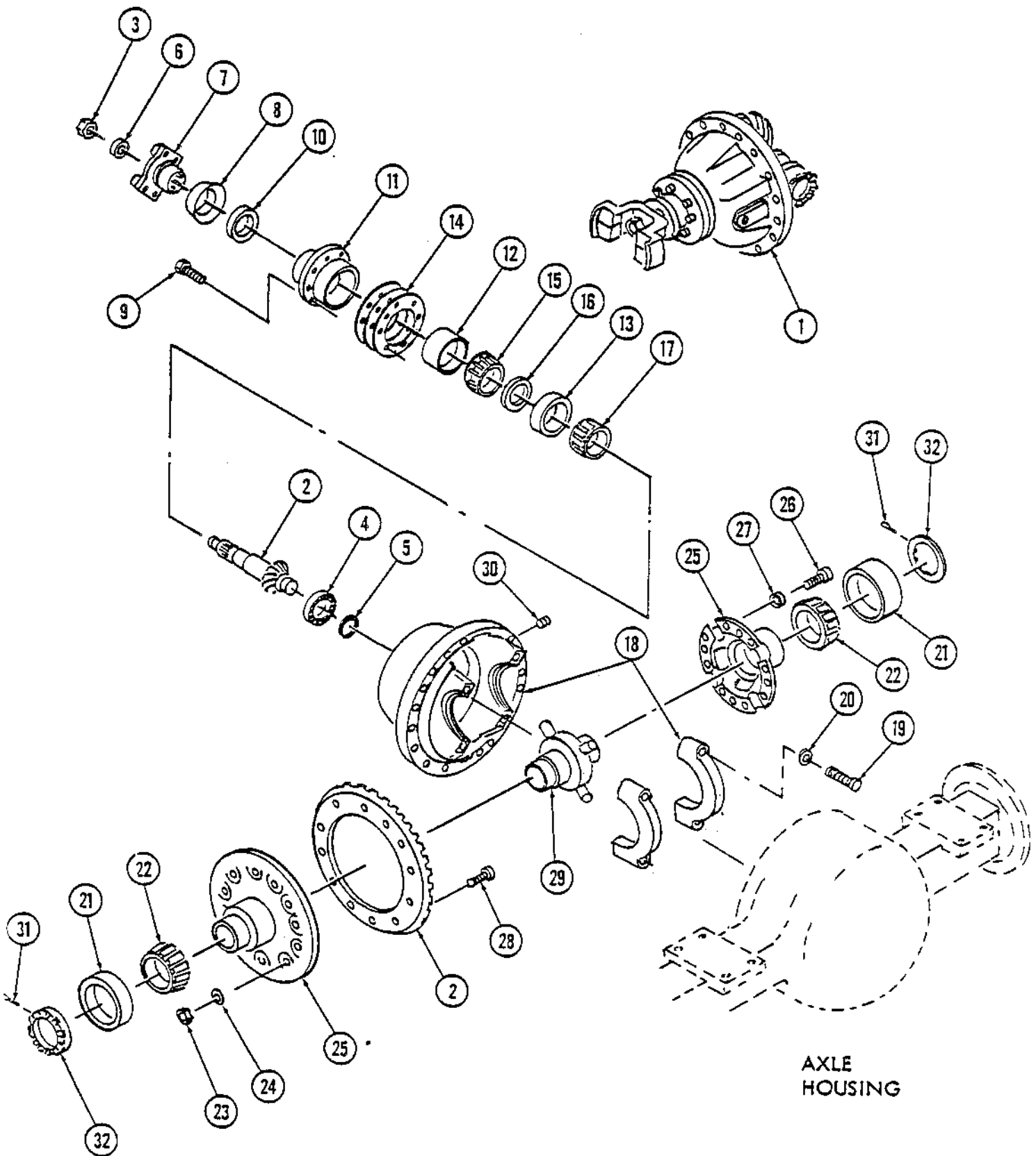
DRIVE AXLE



DRIVE AXLE 335464

INDEX NUMBER	PART NUMBER	DESCRIPTION	QUANTITY
1	910377	Housing Assembly	1
2	910999	Plug	1
3	814034	Plug	1
4	416223	Washer	12
-	416126	Washer	4
5	893249	Capscrew (Med.)	2
-	911003	Capscrew (Long)	2
-	910386	Capscrew (Short)	12
6	814008	Breather, Oil	1
7	893519	Seat, Spring	2
8	910383	Capscrew	20
9	911005	Washer	20
10	416016	Nut	20

DRIVE AXLE



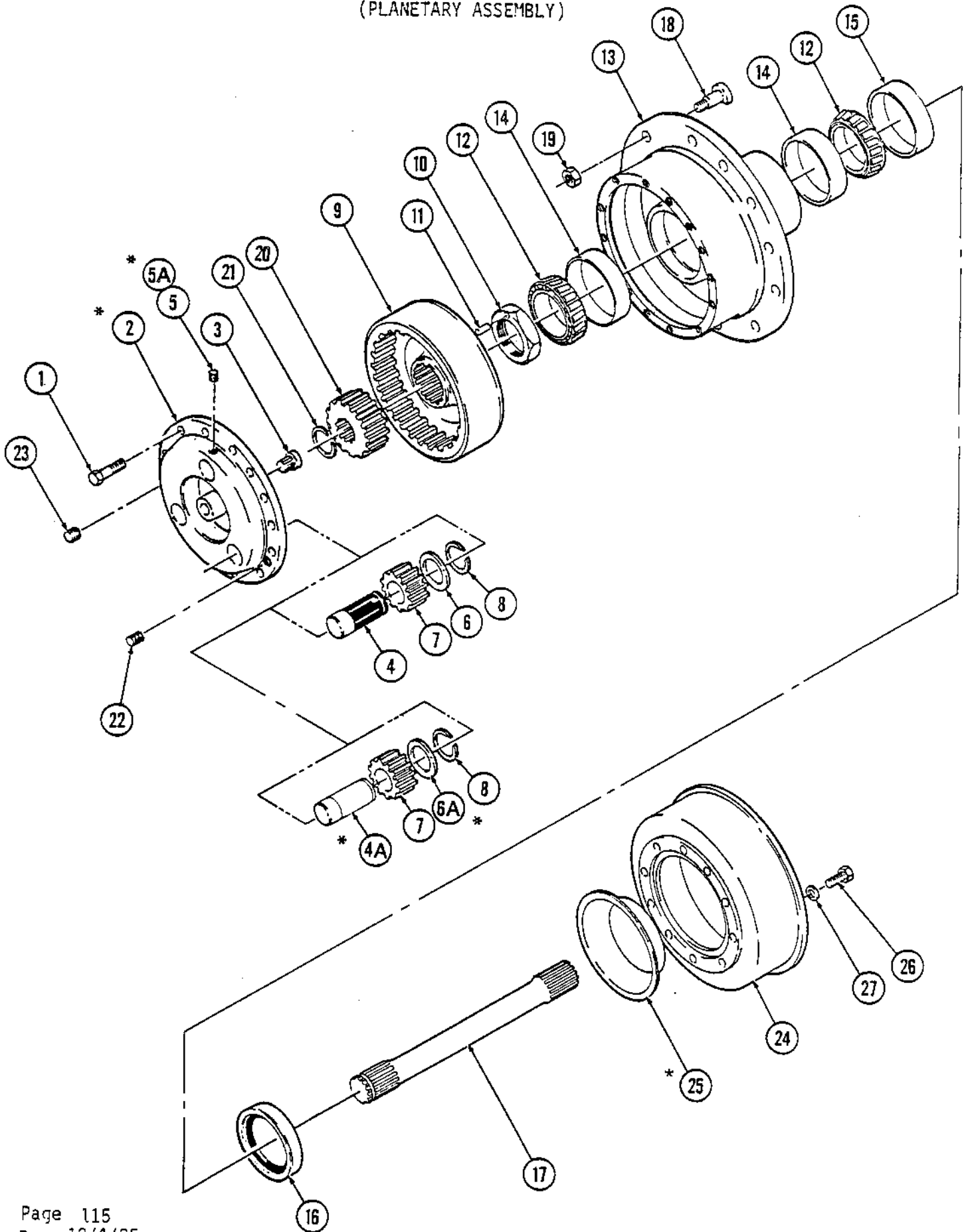
AXLE HOUSING

DRIVE AXLE 335464

INDEX NUMBER	PART NUMBER	DESCRIPTION	QUANTITY
1	890203	Differential, Complete Assy	1
2	814018	Gear, Bevel and Pinion	1
3	892054	Nut	1
4	813948	Bearing	1
5	813954	Ring, Snap	1
6	813949	Washer	1
7	814016	Yoke and Deflector	1
8	911011	Deflector	1
9	893249	Capscrew	8
10	891067	Seal, Oil	1
11	891086	Cage Assy	1
12	814005	Cup, Outer	1
13	910238	Cup, Inner	1
14	892309	Shim, (.005) use as req'd.	3
--	893339	Shim, (.010) use as req'd.	4
--	892306	Shim, (.003) use as req'd.	1
15	814004	Cone	1
16	813974	Spacer, (.176)	ar
--	893330	Spacer, (.153)	ar
--	893331	Spacer, (.154)	ar
--	893332	Spacer, (.155)	ar
--	893333	Spacer, (.156)	ar
--	893334	Spacer, (.157)	ar
--	893335	Spacer, (.158)	ar
--	893336	Spacer, (.164)	ar
--	893337	Spacer, (.170)	ar
--	893338	Spacer, (.182)	ar
17	891390	Cone	1
18	911008	Carrier and Cap Assembly	1
19	911009	Capscrew	4
20	813953	Washer	4
21	891415	Cup	2
22	814003	Cone	2
23	814044	Nut	12
24	416223	Washer	12
25	911007	Case, Differential Assembly	1
26	813938	Capscrew	8
27	416223	Washer	8
28	892104	Bolt	12
29	814006	No Spin Assembly	1
30	814034	Plug	1
31	813946	Cotter Pin	2
32	813986	Ring, Adjusting	2

use two
as
required

DRIVE AXLE 335464
(PLANETARY ASSEMBLY)



DRIVE AXLE 335464
(Planetary Assembly)

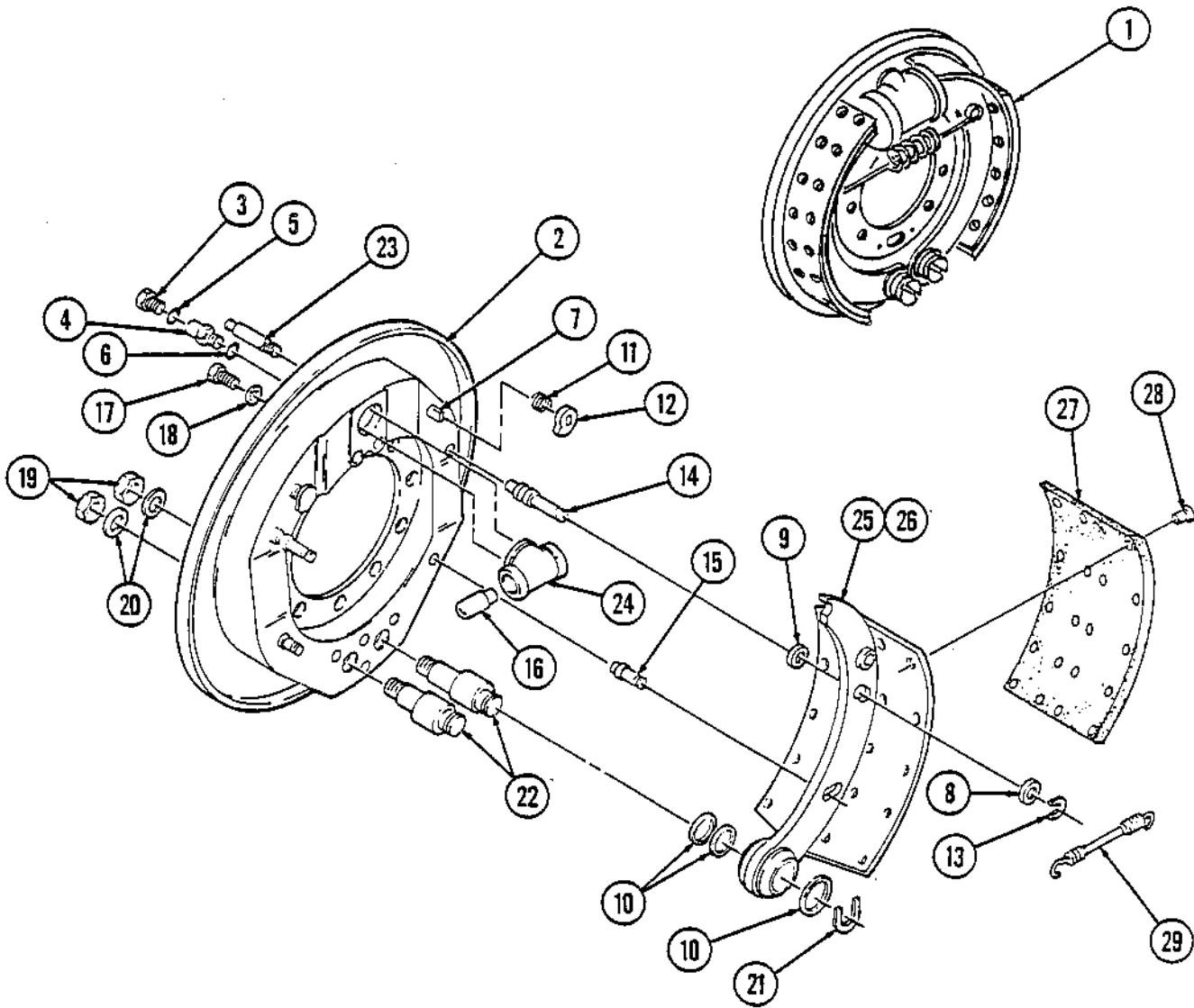
INDEX NUMBER	PART NUMBER	DESCRIPTION	QUANTITY
1	813936	Capscrew	32
2	*814001	Spider Assembly (See Note)	2
3	416151	Button, Thrust	1
4	923804	Shaft	3
5	922999	Setscrew	3
6	923805	Washer, Thrust	3
7	813998	Pinion.....	6
8	813967	Ring, Snap	6
9	813999	Gear	2
10	814011	Nut	2
11	416148	Pin	2
12	814028	Cone	4
13	814241	Hub Assembly	2
14	814027	Cup	4
15	**813945	Sleeve, Wear	2
16	**922995	Seal, Oil, (See Note).....	2
17	814282	Shaft, Axle	2
18	813939	Stud, Wheel	16
19	813694	Nut	16
20	814283	Gear	2
21	813966	Ring, Snap	2
22	814033	Plug	2
23	814034	Plug	2
24	814240	Drum, Brake	2
25	**813995	Slinger	2
26	911004	Capscrew	20
27	813953	Washer	20

*NOTE: If Item 4 (Planetary Pinion Shaft) has a black nylon coating, your Axle tag No. should read PRS-204-H29. Use the replacement parts listed above under Item 2 Spider Assembly. If the Shafts are not coated, order the parts below, unless you want to replace the entire Spider Assembly.

4A	813997	Shaft, Planetary Pinion.....	3
5A	814037	Setscrew.....	3
6A	813961	Washer, Thrust.....	3

**NOTE: Item 25 Slinger is not used on axle Tag. no.s PRS-204-H29 & Up. When replacing new style Oil Seal 922995 on Axles with Wear Sleeve- item 15 and Slinger- item 25 you can eliminate these two parts due to improved Oil Seal.

DRIVE AXLE 335464
(BRAKE ASSEMBLY)



DRIVE AXLE 335464
(BRAKE ASSEMBLY)

DRIVE AXLE 335464

Machine Serial Numbers----- 445-455,458-
1116, 1203-
1205, 1218,
1220 & Up.
Axle Tag Numbers-----
PR 65-HX-21
PR 65-HX-25
PR 65-HX-68
PR 65-HX-81
PR 65-HX-60
PRS-204-H10

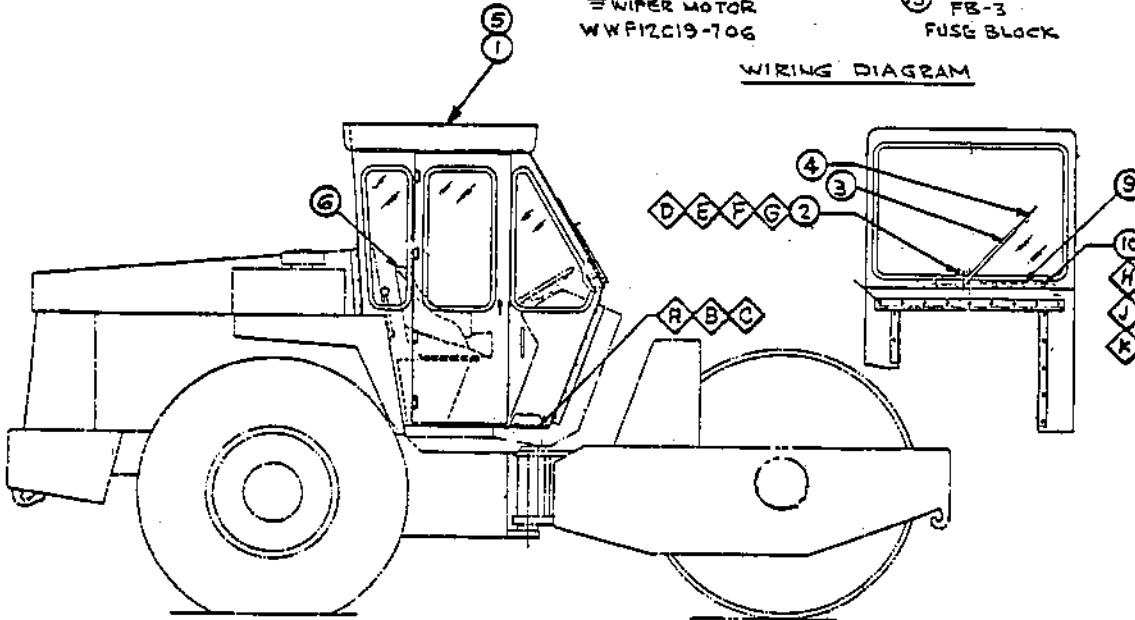
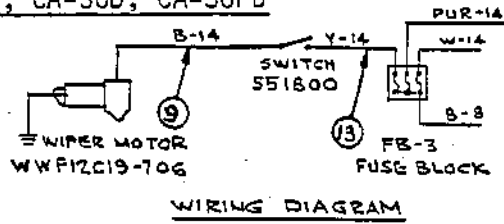
1117-1202,
1206-1217,
& 1219
PR 66-HX-11

ITEM	DESCRIPTION	QTY.	PART #	PART #
1	Brake Assembly	2	814281	911559
2	Brake Shield	1	814014	814014
3	Bolt, Inlet Fitting	1	911012	911012
4	Inlet, Brake Fitting	1	813942	813942
5	Gasket, Inlet Fitting	1	813984	813984
6	Gasket, Inlet Fitting	1	813982	813982
7	Bolt, Adj. Cam	2	814012	814012
8	Washer	2	416147	416147
9	Washer, Guide Pin	8	813963	813963
10	Washer, Anchor Pin	8	813951	813951
11	Spring, Cam Adj.	2	813991	813991
12	Eccentric, Brake Adj.	2	813990	813990
13	Lock Ring, Brake Shoe	4	813962	813962
14	Pin, Guide Shoe (Long)	2	813964	813964
15	Pin, Guide Shoe (Short)	2	813965	813965
16	Push Rod, Wheel Cyl.	2	813957	813957
17	Screw, Wheel Cyl.	2	814036	814036
18	Spring Washer	2	814041	814041
19	Nut	2	813937	911560
20	Lockwasher, Anchor Pin	2	813952	813952
21	Lock, Ring, Anchor Pin	2	813950	813950
22	Bolt, Adj.	2	813958	813958
23	Screw, Bleeder	1	813944	813944
24	Assembly, Wheel Cyl.	1	814022	893514
25	Brake Shoe & Lining	2	814279	893124
26	Brake Shoe	2	814017	415105
-	Kit, Lining & Rivets	2	813969	911562
27	Lining	2	893346	NSS
28	Rivet	28	893243	911561
29	Spring	1	813988	893348

HEADLIGHTS

INDEX NUMBER	PART NUMBER		DESCRIPTION	QUANTITY
<u>(CA-30, CA-30D, CA-30PD) (CA-30A)</u>				
1	813495		Headlight	4
2	801338		Switch	1
3	82558301	84214814	Wire Assembly	1
4	82558302	85033303	Wire Assembly	1
5	80133103		Loom - 166" long	1
6	813486		Ty-Rap Ties	10
7	814075		Pigtail Terminal	5
8	82558303	85033402	Wire	1
9	80133103		Loom - 38" long	1
10	82558304		Wire Assembly	1
11	80133103		Loom - 68" long	1
12	82558305	85033301	Wire	1
13	-----	85033401	Wire Assembly	1
14	82558306		Wire Assembly	1
15	892596		Sealed Beam	4
16	813529		Clamp	6
17	813528		Clamps	2
A	502004		Capscrew, HH	8
B	604026		Lockwasher	8
C	571001		Nut	8

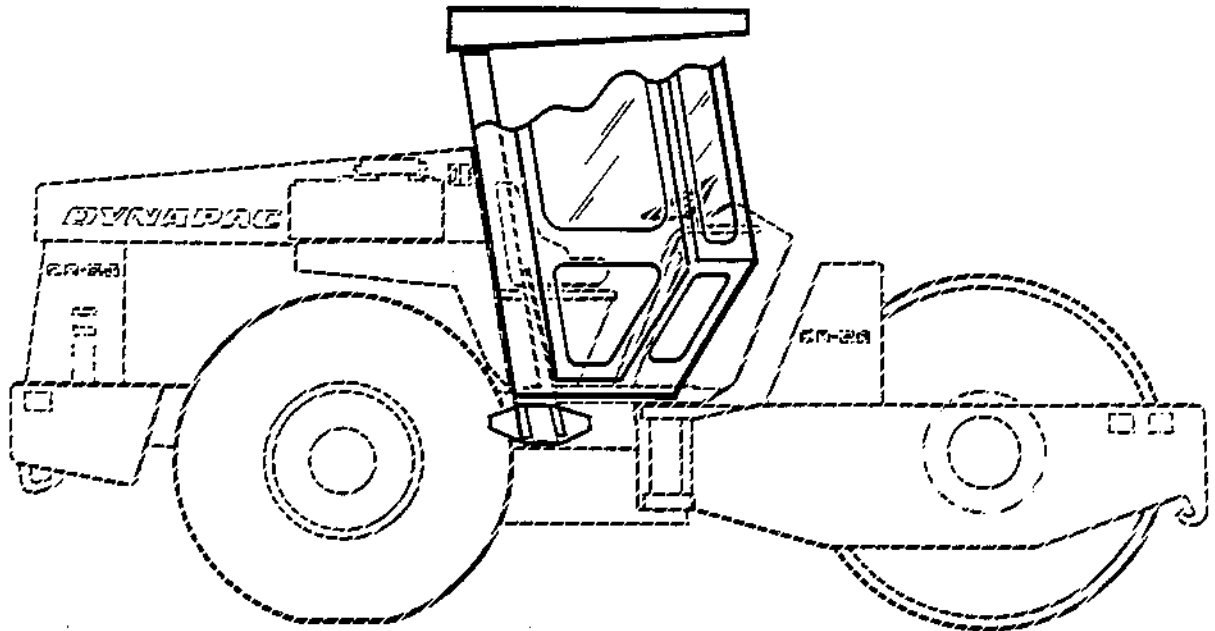
CAB
CA-30, CA-30D, CA-30PD



INDEX NUMBER	PART NUMBER	DESCRIPTION	QUANTITY
1	466200	Cab	1
2	499297	Wiper Motor	1
3	499298	Wiper Arm	1
4	499299	Wiper Blade	1
5	8252430	Installation Drawing	1
6	813338	Bucket Seat w/Dual Vibr. Cont.	1
9	815583	Wire Harness	1
10	921013	Clamp	4
13	826250	Wire Harness	1
A	502058	Capscrew, HH	8
B	571005	Hex Nut	8
C	604030	Lockwasher	8
D	502034	Capscrew, HH	32
E	571003	Hex Nut	32
F	604028	Lockwasher	32
G	600007	Flat Washer	32
H	502004	Capscrew, HH	6
J	571001	Hex Nut	6
K	604026	Lockwasher	6
L	550054	Capscrew, HH	1
M	571019	Hex Nut	1
N	604019	Lockwasher	1

ROLL OVER PROTECTION STRUCTURE

CA-30, CA-30D, CA-30PD

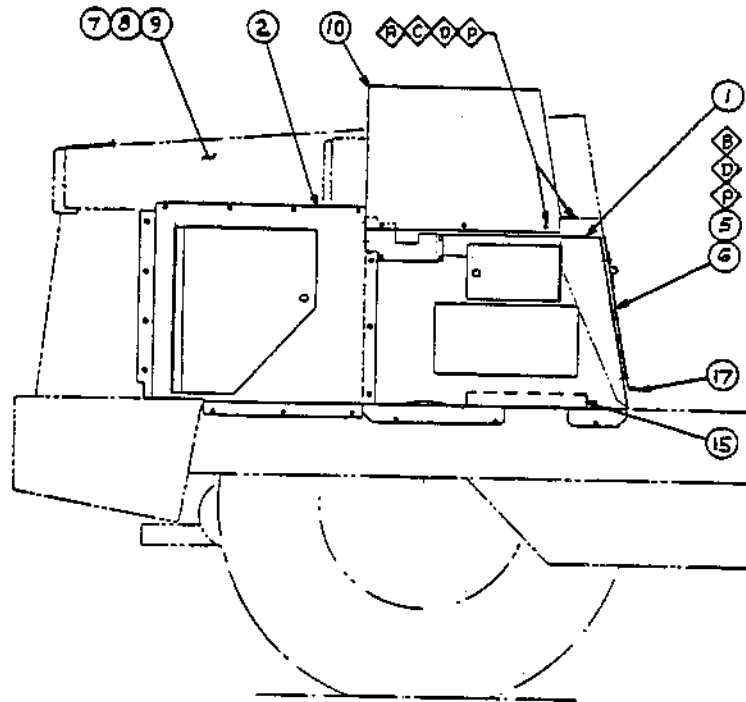


INDEX NUMBER	PART NUMBER	DESCRIPTION	QUANTITY
1	826230	R.O.P.S. Roll Over Protection Structure	1
2	826229	E.R.O.P.S. Enclosed Roll Over Protection Structure	1

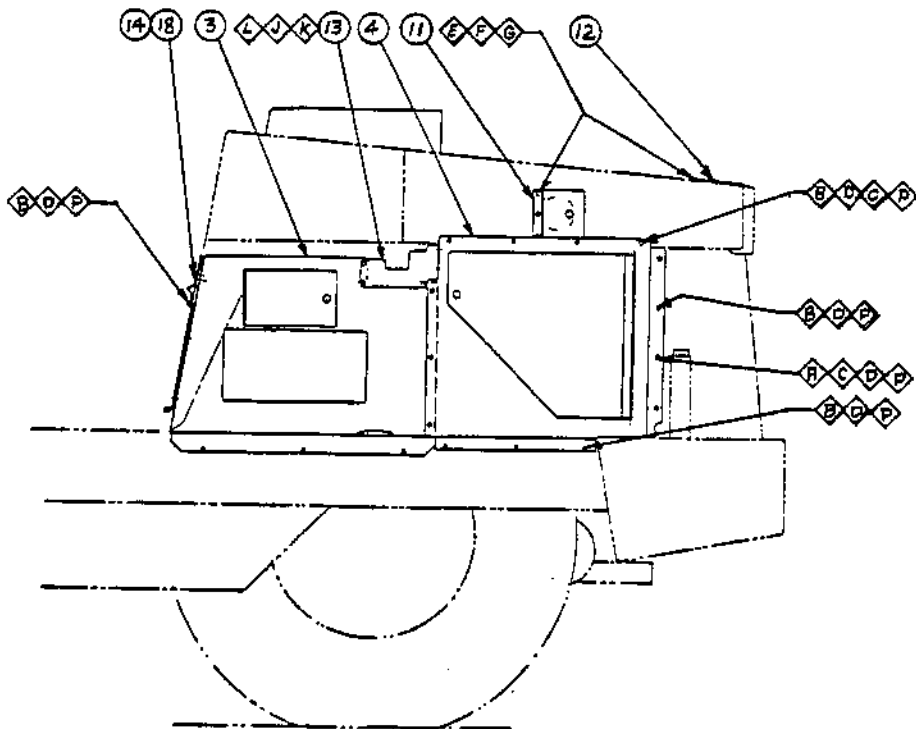
NOISE REDUCTION KIT

INDEX NUMBER	PART NUMBER	DESCRIPTION	QUANTITY
1	826087	Side Cover Assy. Front RH	1
2	826088	Side Cover Assy. Rear RH	1
3	826089	Side Cover Assy. Front LH	1
4	826090	Side Cover Assy. Rear LH	1
5	826019	Reservoir End Cover (CA-30, CA-30D, PD)..	1
6	826094	Tufcote Foam, End Cover (CA-30,CA-30D, PD)	1
7	826097	Tufcote Foam, Hood Top	1
8	826101	Tufcote Foam, Hood RH	1
9	826102	Tufcote Foam, Hood LH	1
10	826103	Air Cleaner Cover Assy	1
11	850395	Cover Assy. Oil Fill	1
	842196	Cover	1
	801201	Pawl Fastener	1
12	826116	Cover Assy. Radiator Fill	1
	826115	Cover	1
	801201	Pawl Fastener	1
13	826117	Cover, Side (CA-30, CA-30D-PD).....	2
	826227	Cover, Side (CA-30A)	2
14	826118	Control Lever Hole Cover	1
17	80123002	Rubber Strip	1
18	80123202	Rubber Strip	1
A	502035	Capscrew, HH	15
B	502033	Capscrew, HH	32
C	571003	Hex Nut	29
D	600007	Flat Washer	33
E	502016	Capscrew, HH	6
F	571002	Hex Nut	6
G	604027	Lockwasher	6
H	600005	Flat Washer	1
I	893529	Capscrew, HH	6
K	572009	Hex Nut	6
L	604019	Lockwasher	6
P	604028	Lockwasher	47

RIGHT SIDE COVER ASSEMBLY



LEFT SIDE COVER ASSEMBLY



NOISE REDUCTION

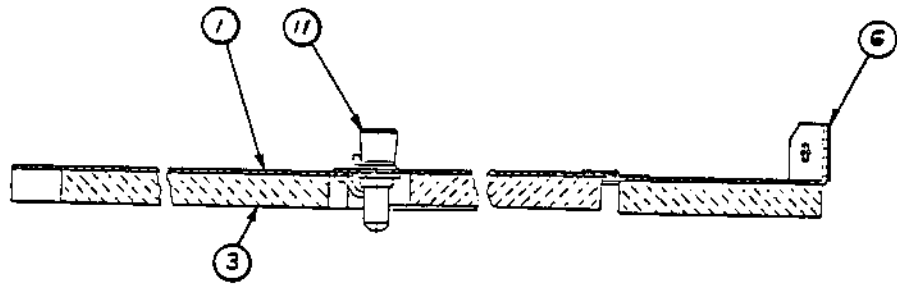
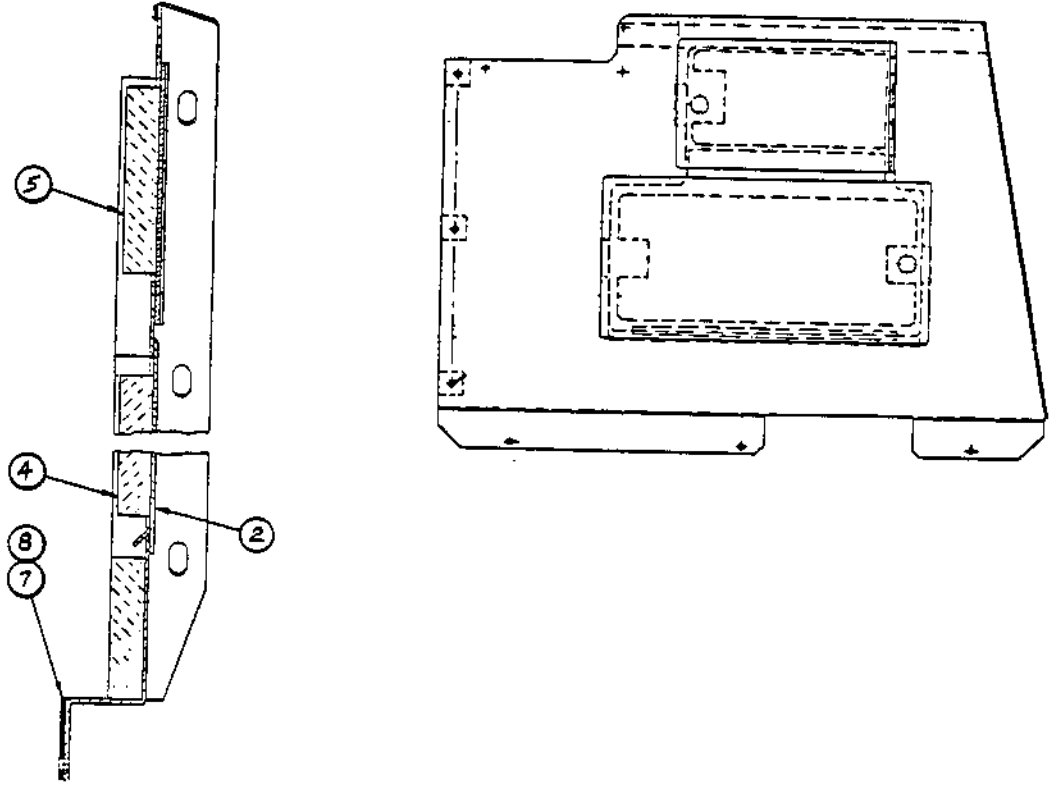
FRONT SIDE COVER ASSEMBLY (RH)

<u>INDEX NUMBER</u>	<u>PART NUMBER</u>	<u>DESCRIPTION</u>	<u>QUANTITY</u>
1	826068	Side Cover RH	1
2	826070	Cover RH (CA-30, CA-30D, CA-30PD)	1
	826225	Cover RH (CA-30A)	1
3	826106	Tufcote Foam RH	1
4	826108	Tufcote Foam	1
5	826109	Tufcote Foam	1
6	826110	Rubber Strip	1
7	826111	Rubber Strip RH	1
8	826112	Rubber Strip RH	1
11	801201	Pawl Fastener	2

FRONT SIDE COVER ASSEMBLY (LH)

<u>INDEX NUMBER</u>	<u>PART NUMBER</u>	<u>DESCRIPTION</u>	<u>QUANTITY</u>
1	826069	Side Cover LH	1
2	826071	Cover LH (CA-30, CA-30D, CA-30PD)	1
	826226	Cover LH (CA-30A)	1
3	826107	Tufcote Foam LH	1
4	826108	Tufcote Foam	1
5	826109	Tufcote Foam	1
6	826110	Rubber Strip	1
7	826113	Rubber Strip LH	1
11	801201	Pawl Fastener	2

FRONT SIDE COVER - R.H. & L.H.



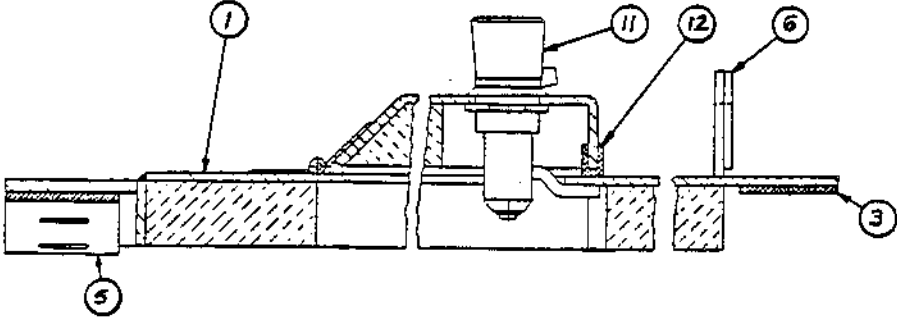
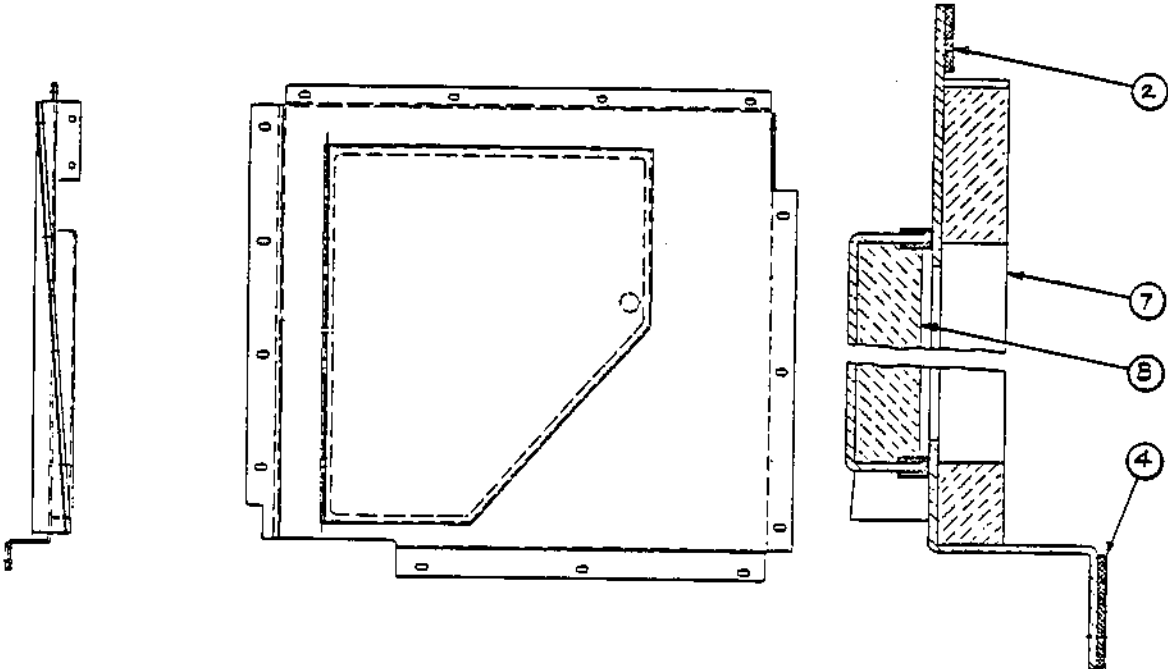
REAR SIDE COVER ASSEMBLY (RH)

INDEX NUMBER	PART NUMBER	DESCRIPTION	QUANTITY
1	826076	Side Cover	1
2	826078	Rubber Strip	1
3	826079	Rubber Strip	1
4	826080	Rubber Strip	1
5	826081	Rubber Strip	1
6	826082	Rubber Strip	1
7	826083	Tufcote Foam	1
8	826084	Tufcote Foam	1
11	475046	Pawl Fastener	1
12	80120406	U Channel, Rubber 54" long	1

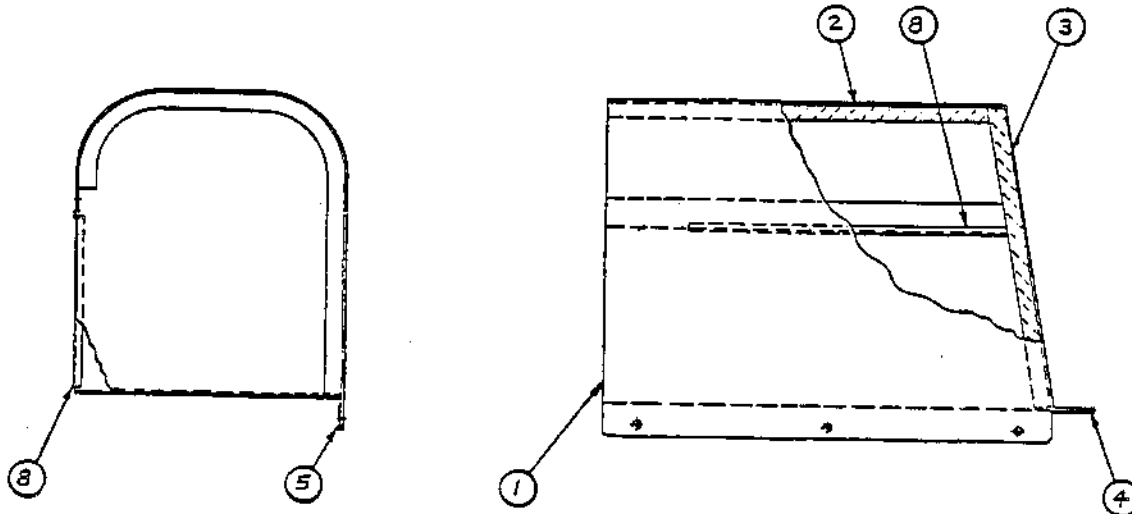
REAR SIDE COVER ASSEMBLY (LH)

INDEX NUMBER	PART NUMBER	DESCRIPTION	QUANTITY
1	826077	Side Cover	1
2	826078	Rubber Strip	1
3	826079	Rubber Strip	1
4	826080	Rubber Strip	1
5	826081	Rubber Strip	1
6	826082	Rubber Strip	1
7	826085	Tufcote Foam	1
8	826086	Tufcote Foam	1
11	475046	Pawl Fastener	1
12	80120401	U Channel, Rubber 64-1/2" long	1

REAR SIDE COVER - R.H. & L.H.

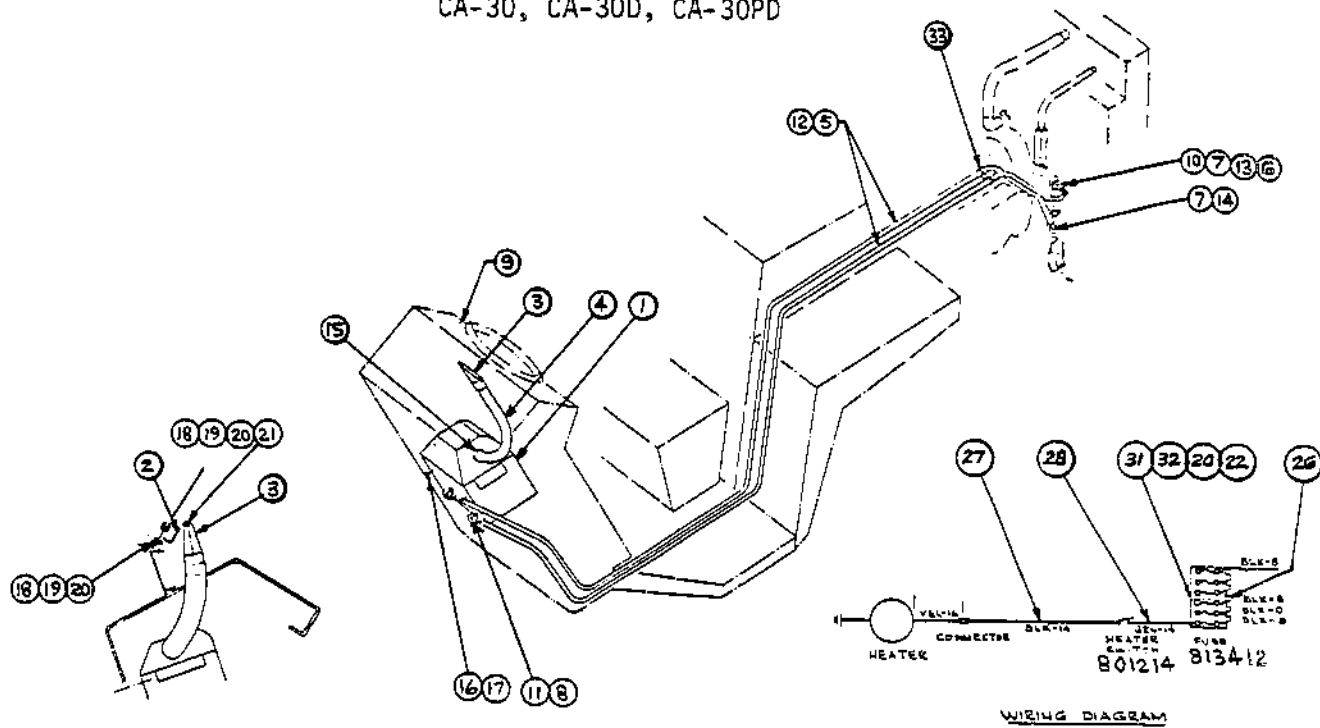


AIR CLEANER COVER



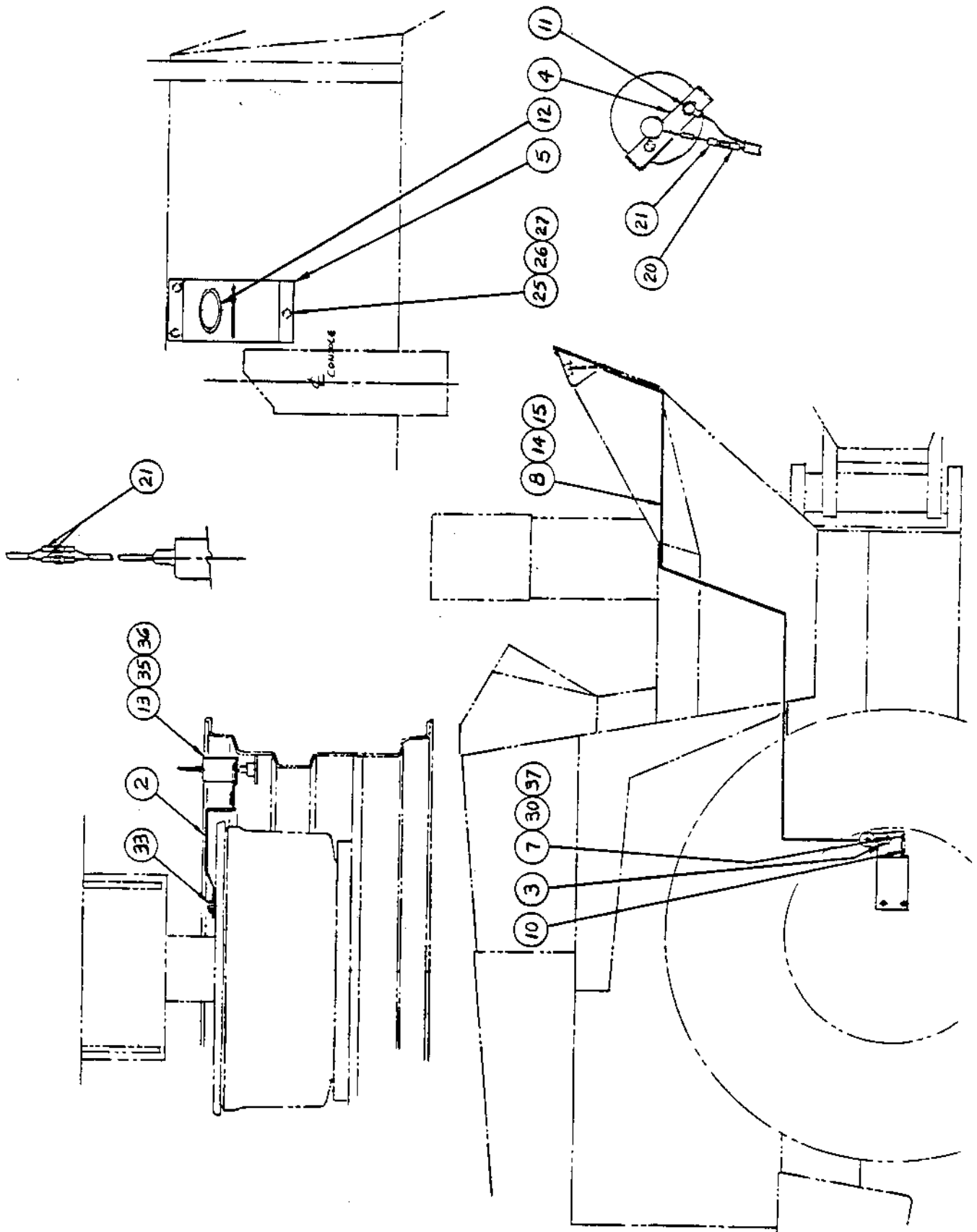
INDEX NUMBER	PART NUMBER	DESCRIPTION	QUANTITY
1	826065	Air Cleaner Cover	1
2	826095	Tufcote Foam	1
3	826096	Tufcote Foam	1
4	826104	Rubber Strip	1
5	826105	Rubber Strip	1
8	80120402	Rubber Channel 31" long	1

HEATER & DEFROSTER
CA-30, CA-30D, CA-30PD



INDEX NUMBER	PART NUMBER	DESCRIPTION	QUANTITY
1	801347	Heater & Defroster	1
2	826171	Nozzle Support	2
3	801219	Defroster Nozzle	1
4	801220	Defroster Hose 2"	2 ft.
5	801221	Heater Hose 5/8"	28 ft.
6	893360	Nipple Close	1
7	801741	Elbow 90°	2
8	801348	Pipe 3/8"	2
9	801214	Switch	1
10	233088	Shut-Off Valve	1
11	813320	Elbow 90°	2
12	801226	Hose Clamp	4
13	801227	Reducing Bushing	1
14	801228	Reducing Bushing	1
15	801350	Defroster Grommet	1
16	220012	Hex Nut	3
17	604027	Lockwasher	3
18	550074	Machine Screw	4
19	572009	Hex Nut	4
20	604019	Lockwasher	6
21	600028	Flat Washer	2
22	550104	Capscrew, HH	2
26	81516504	Wire Assy	3
27	81517416	Wire Assy	1
28	82526604	Wire Assy	1
31	813413	Fuse Block	1
32	813412	Fuse	3
33	813486	Ty-Rap	8

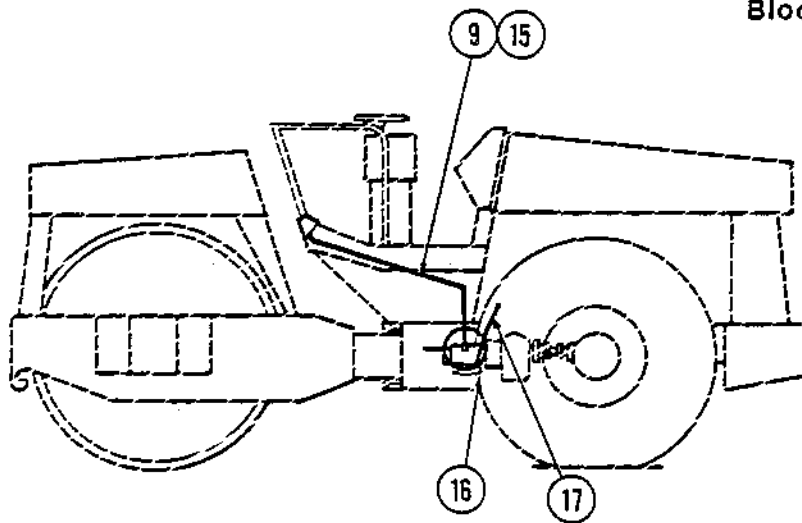
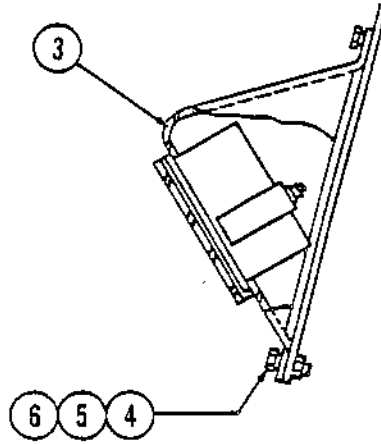
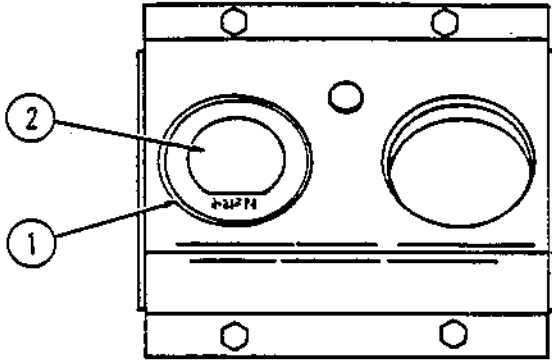
CA-30A
SPEEDOMETER & COMPONENTS



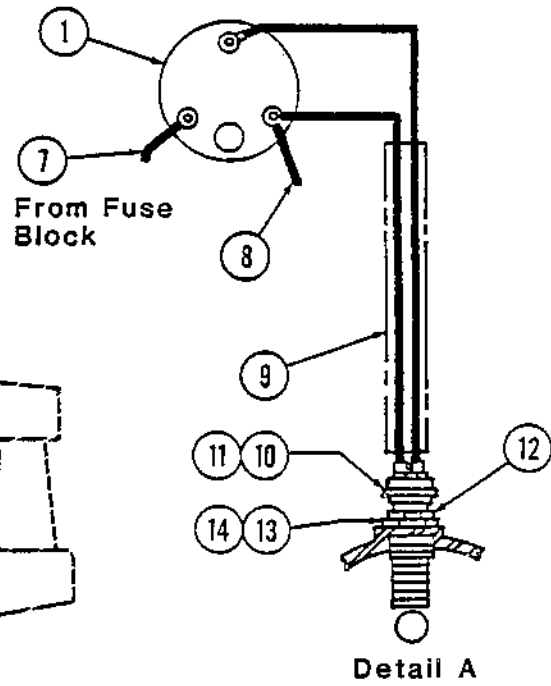
SPEEDOMETER & COMPONENTS
CA-30A

INDEX NUMBER	PART NUMBER	DESCRIPTION	QUANTITY
2	826257	Bracket, Generator	1
3	850660	Lever, Generator	1
4	850663	Clamp Speedometer	1
5	850666	Speedometer Mounting Bracket	1
7	850670	Lever Bushing	1
10	801633	Tension Spring	1
11	801634	Grommet	2
12	801371	Speedometer	1
13		Generator - Supplied w/801371	1
14		Cable - Supplied w/801371	1
15	813486	Ty-Rap	8
20	801636	Push-on Terminal	1
21	801635	Push-on Terminal	3
25	502016	Capscrew, HH	3
26	604027	Lockwasher	3
27	571002	Hex Nut	3
30	571001	Locknut	1
31	604026	Flat Washer	1
33	574013	Hex Jam Nut	2
35	550101	Capscrew, HH	2
36	604021	Lockwasher	2

SPEEDOMETER & COMPONENTS



See Detail A

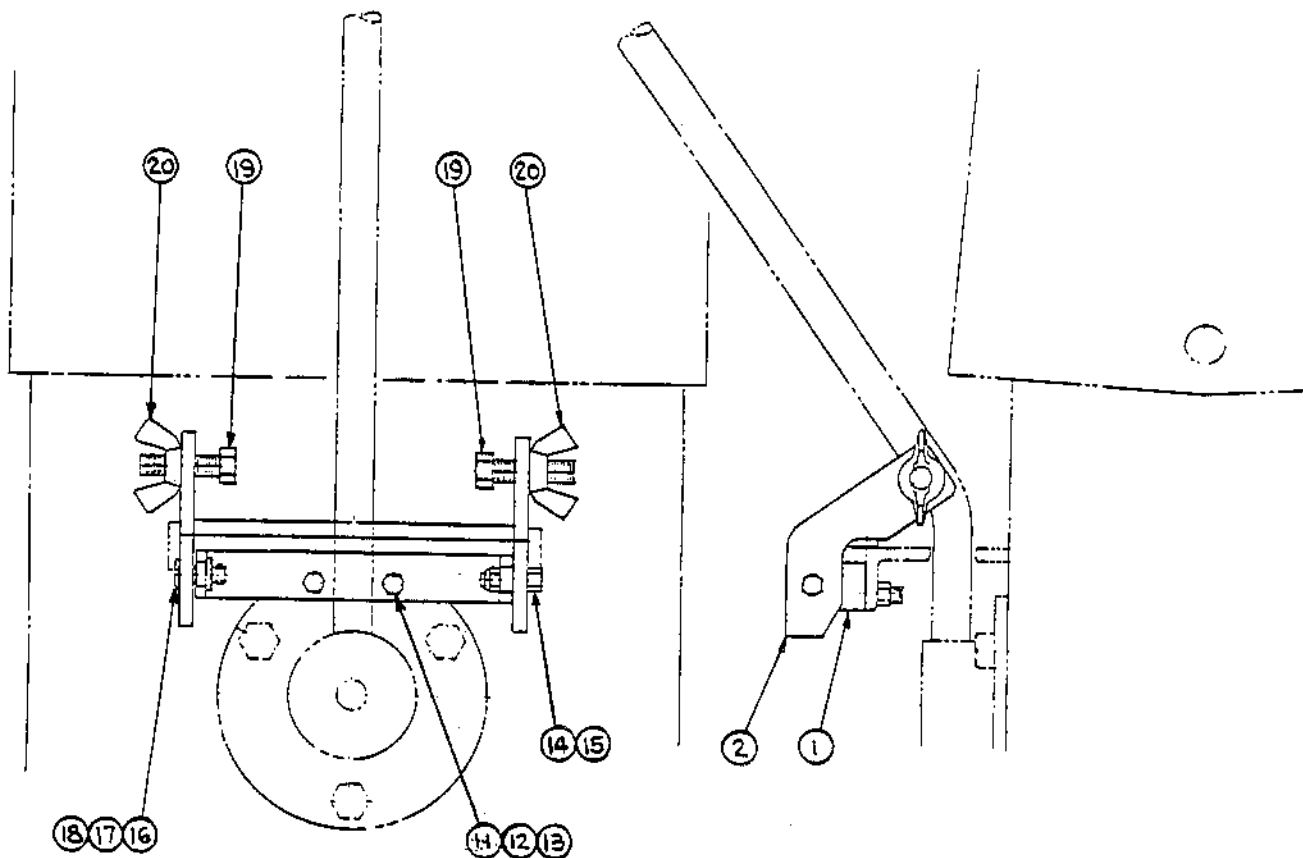


Detail A

SPEEDOMETER & COMPONENTS

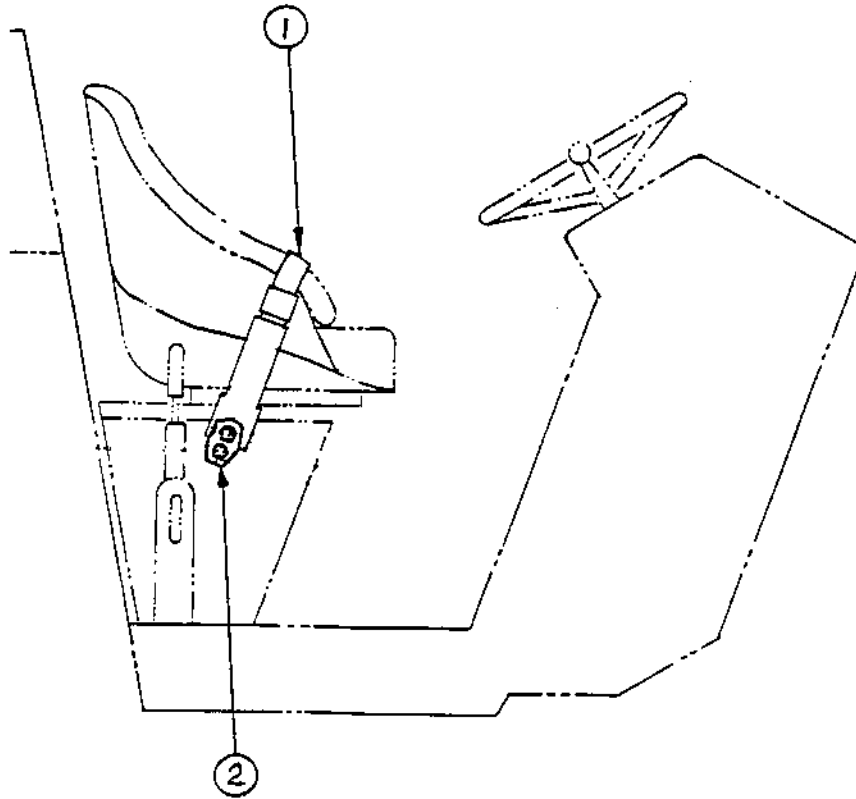
INDEX NO	PART NO	DESCRIPTION	QUANTITY
1	801666	Tachometer	1
2	815704	Decal, Speed	1
3	850819	Guard, Tachometer	1
4	502016	Capscrew	4
5	604027	Lockwasher	4
6	571002	Hex Nut	4
7	850825	Wire Assy. (From Fuse Block).....	1
8	850826	Wire Assy.	1
9	826431	Harness Assy. Speedometer	1
10	801667	Sensor	1
11	801668	Boot	1
12	801669	Nut, Tru-Seal	1
13	850769	Bushing	1
14	160144	O-Ring	1
15	313041	Ty-Rap	6
16	813448	Elbow, 90 ⁰	1
17	82522733	Hose Assy. Motor Drain	1

SPEED CONTROL
CA-30A



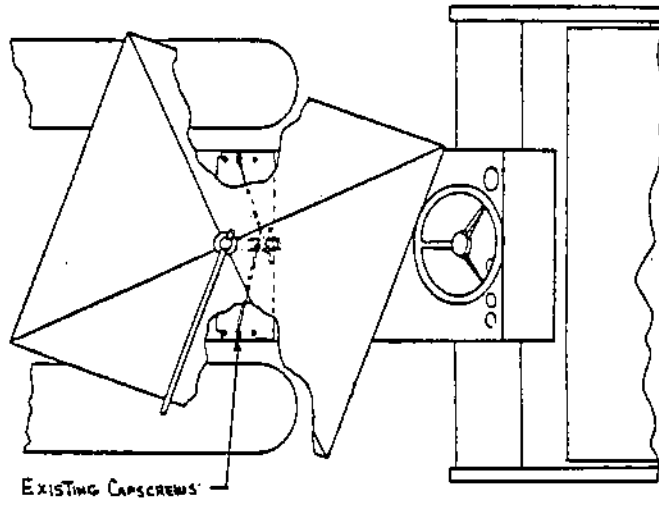
INDEX NUMBER	PART NUMBER	DESCRIPTION	QUANTITY
1	826323	Speed Control Bracket	1
2	826324	Speed Control Lever	1
11	502004	Capscrew, HH	2
12	604026	Lockwasher	2
13	571001	Hex Nut	2
14	502006	Capscrew, HH	1
15	571001	Hex Locknut	1
16	550108	Clevis Pin (1/4)	1
17	600005	Flat Washer	1
18	630052	Cotter Pin	1
19	80159403	Capscrew - Brass	2
20	80159401	Wing Nut - Brass	2

SEAT BELT
CA-30, CA-30D, CA-30PD

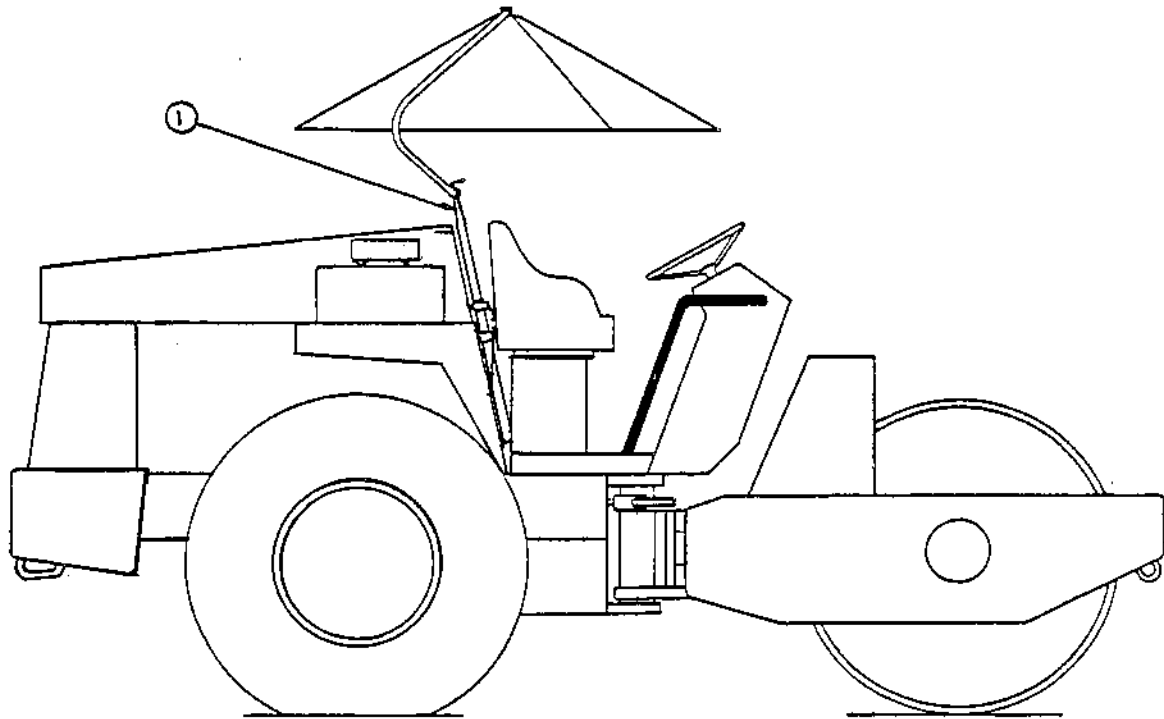


INDEX NUMBER	PART NUMBER	DESCRIPTION	QUANTITY
1	801208	Seat Belt	1
2	826119	Spacer	2

UMBRELLA

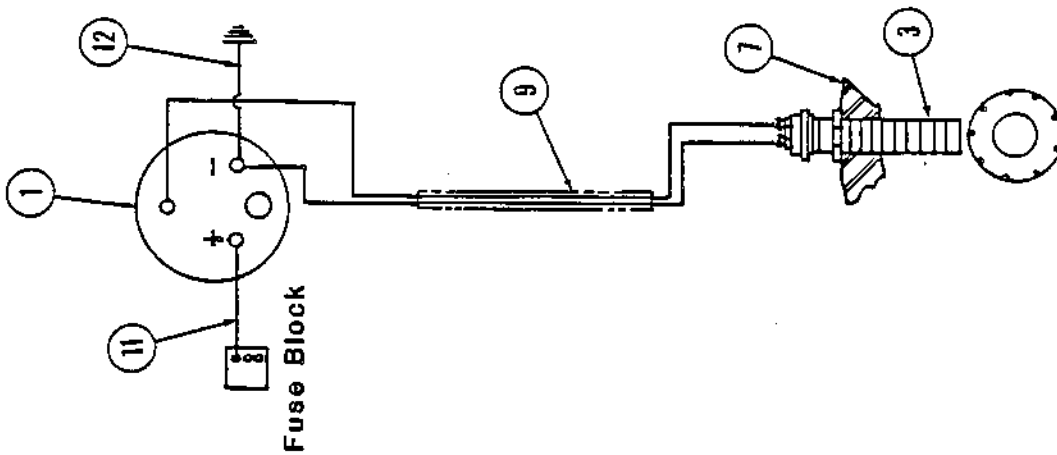
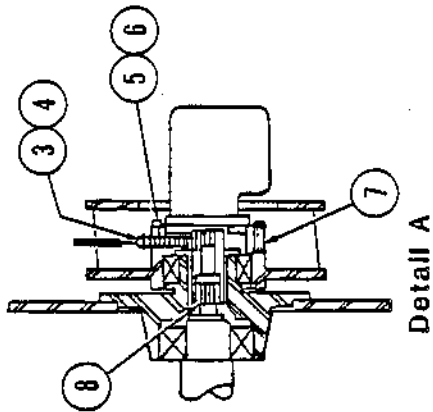
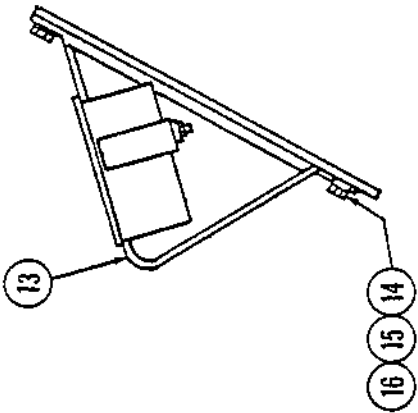
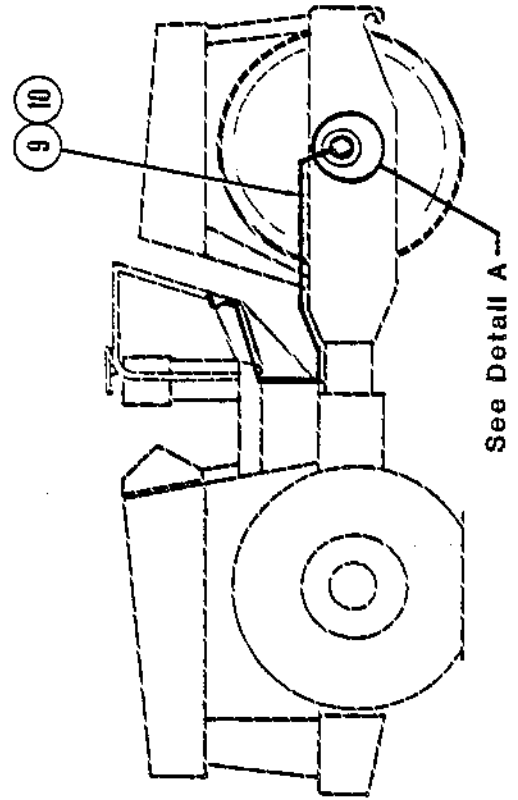
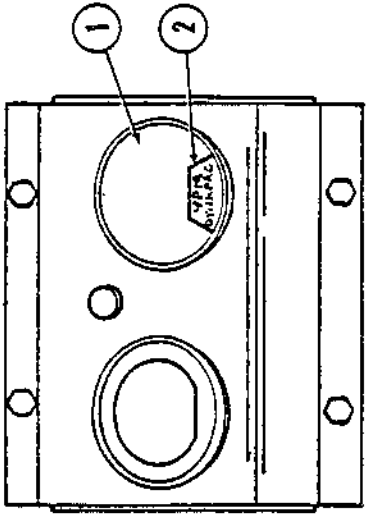


TOP VIEW



INDEX NUMBER	PART NUMBER	DESCRIPTION	QUANTITY
1	499421	Umbrella	1

VIBROMETER & COMPONENTS



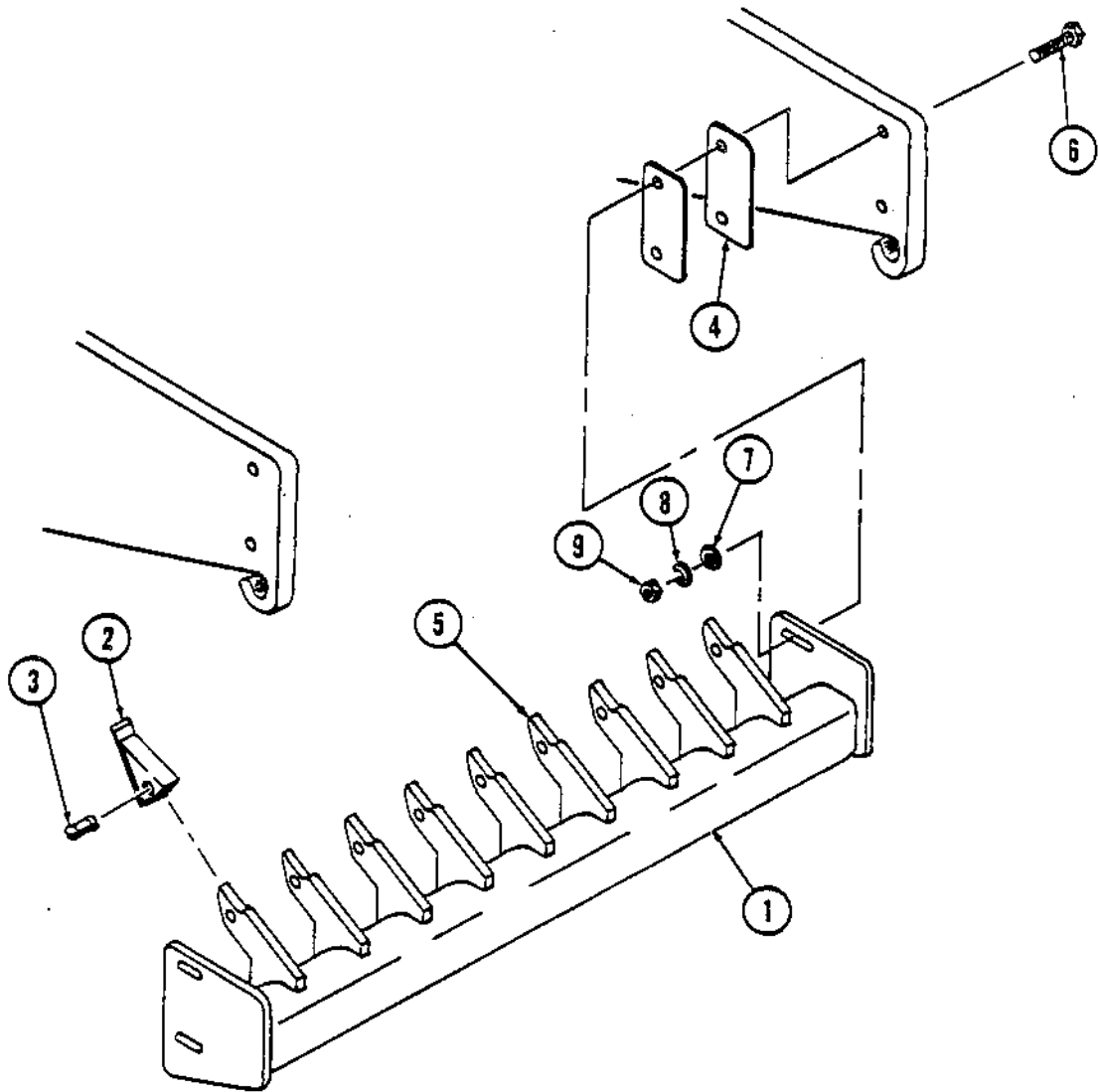
VIBROMETER & COMPONENTS

INDEX NO	PART NO	DESCRIPTION	QUANTITY
1	*801666	Tachometer	1
2	850791	Decal, Vibration	1
3	801705	Sensor	1
4	801668	Boot	1
5	502065	Capscrew, HH.....	6
6	604030	Lockwasher.....	6
7	**826781	Adapter Motor.....	1
-	***850760	Adapter, Motor	1
8	850778	Coupling	1
9	826433	Harness Assy. Vibrometer	1
10	313041	Ty-Rap	6
11	850825	Wire Assy. (Fuse To Tach)	1
12	850826	Wire Assy. (Tach. To Ground)	1
<p>*NOTE: If Vibrometer Assy. is being ordered without a Speedometer Assy. you will need the parts listed below.</p>			
13	850790	Bracket, Tach. Mounting	1
14	502016	Capscrew, HH	4
15	604027	Lockwasher.....	4
16	571002	Hex Nut	4

** NOTE: Motor Adapter for S/N 2915, 2916, 2918, 2937, 3003, 3039, 3061 and 3076 and up if Machine has a Vibrometer.

*** NOTE: Motor Adapter for S/N 2914, 2917, 2919 to 2936, 2938 to 3002, 3004 to 3075 if Machine has a Vibrometer.

CLEANER BAR ASSEMBLY (REPLACEABLE TEETH)



INDEX NUMBER	PART NUMBER	DESCRIPTION	QUANTITY
1	826285	Cleaner Bar	1
2	801630	Tooth	18
3	801631	Lock	18
4	826319	Shim	4
5	326325	Nose Piece.....	9
6	502148	Capscrew HH	4
7	600013	Flat Washer	4
8	604033	Lockwasher	4
9	571007	Hex Nut	4