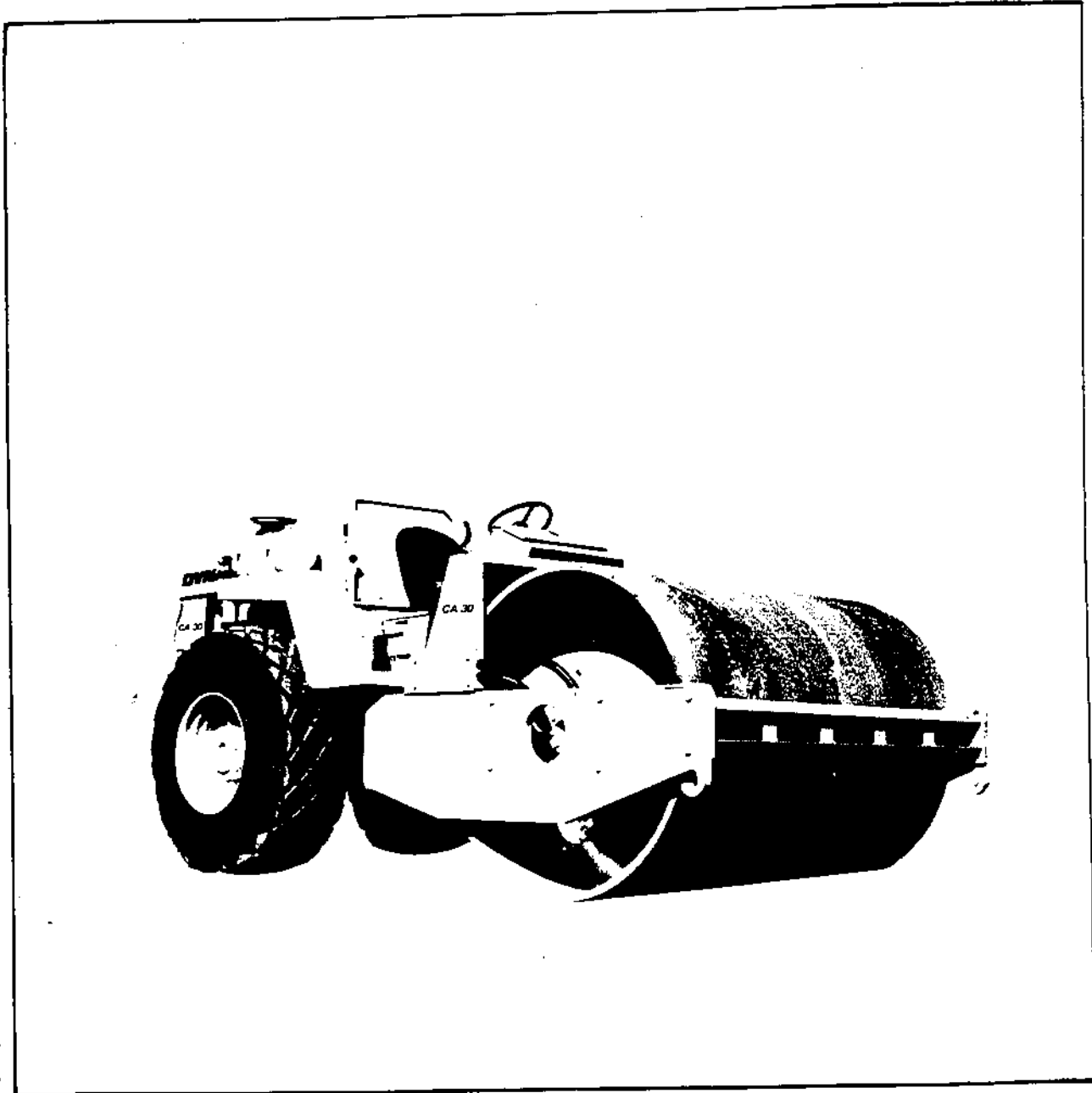


DYNAPAC®

SPARE PARTS CATALOGUE **VIBRATING ROLLER CA 30 · CA 30D**

Deutz diesel engine F6L 912



Dynapac offset 81.11.750

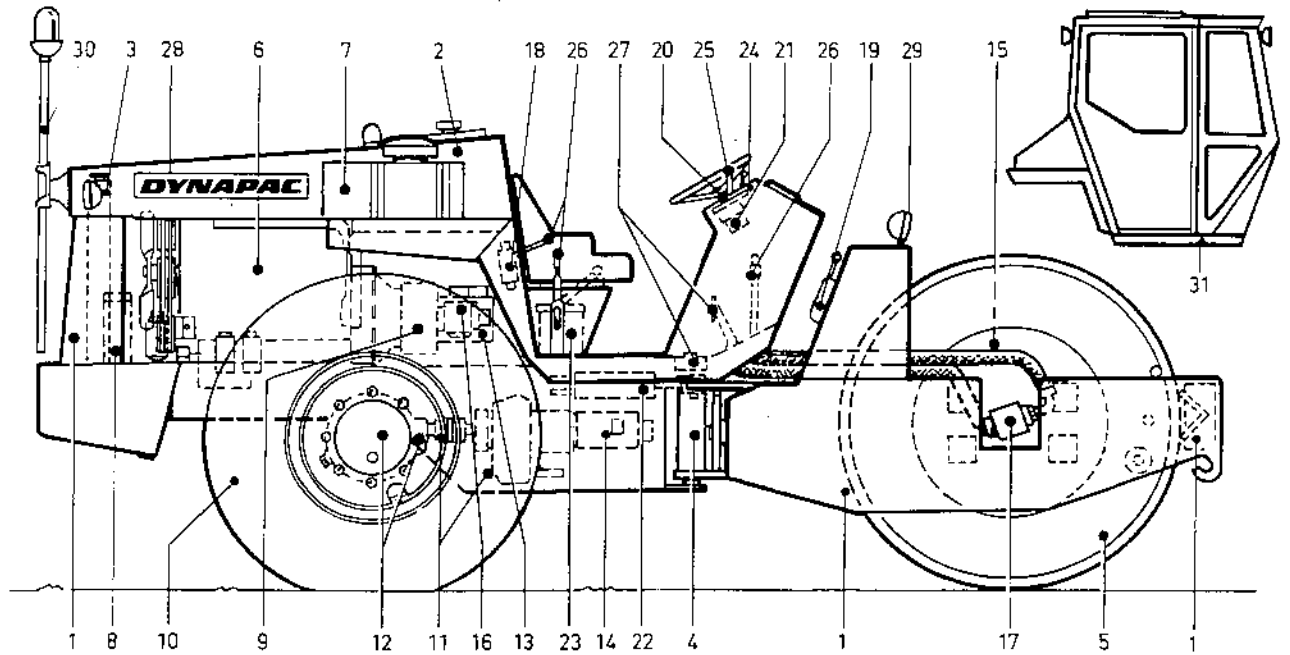
↓ DYNAPAC

P. O. Box 1103 · S-171 22 SOLNA · SWEDEN
Tel. 08-98 80 00 · Cables DYNAPAC, STOCKHOLM · Telex 19531 DYN SOL S

We reserve the right to change specifications without notice

S-10193-1

1.

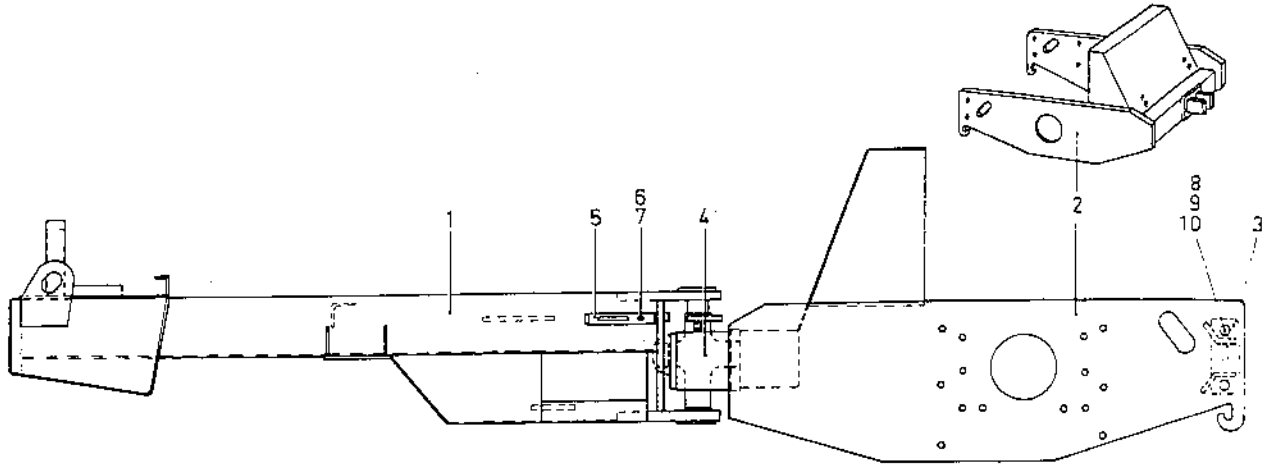


34 13 08
34 13 09

CA 30-13630-1

Page Sida	Group Grupp	Picture No Bild nr	Issue Utgåva	GENERAL VIEW Contents	HUVUDSAMMANSTÄLLNING Innehåll
~	00	13630-1	S-10193-1		
Ref Pos	Group Grupp	Description	Benämning	See page Se sid	
1	Group 1	FRAME	RAM	2	
2		•Frames and scraper	•Ramar och skrapa	4	
3		•Tractor upper section	•Traktoröverdel	6	
4		••Radiators stand	••Kylarstativ	8	
		•Steering link	•Styrlid		
5	Group 2	DRUM	VALS		
		•Drum with shock absorber	•Vals med gummielement		
		CA 30	CA 30	2	
		CA 30D	CA 30D	4	
		••Drum	••Vals		
		CA 30	CA 30	6	
		CA 30D	CA 30D	8	
		•Drive unit	•Drivenhet	10	
		••Torque hub	••Planetväxel	12	
6	Group 3	ENGINE	MOTOR		
7		•Engine	•Motor	2	
8		•Air cleaner	•Luftrenare	6	
		•Fuel system	•Bränslesystem	8	
		•Hydraulic pump gearing	•Fördelningsväxellåda	10	
10	Group 4	TRANSMISSION	KRAFTÖVERFÖRING		
11		•Wheel	•Hjul	2	
		•Gear box and wheel axle	•Växellåda och hjulaxel	4	
		••Three-speed gear box	••Tre-växlad växellåda	6	
		•••Disc brake	•••Skivbroms	10	
12		••Wheel axle and planetary gearing	••Hjulaxel och planetväxel	12	
		•••Differential carrier	•••Differentialhållare	14	
		•••Brake	•••Broms	16	
13	Group 5	HYDRAULIC SYSTEM	HYDRAULSYSTEM		
		•Hydraulic diagram	•Hydraulschema	2	
		•Hydraulic system	•Hydraulsystem		
		Propulsion	Framdrivning	4	
		Drum drive, CA 30D	Valsdrivning, CA 30D	6	
		••Variable displacement pump	••Hydraulpump		
		Propulsion	Framdrivning	8	
		Drum drive, CA 30D	Valsdrivning, CA 30D	12	
		•••Charge pump	•••Matarpump	16	
		•••Control valve, servo	•••Manöverventil, servo	18	
14		••Hydraulic motor, wheel drive	••Hydraulmotor, hjuldrivning	20	
		•••Manifold valve	•••Ventilblock	22	
15		••Hydraulic motor, drum drive	••Hydraulmotor, valsdrivning	24	
		•Hydraulic system, vibration	•Hydraulsystem, vibration	26	
16		••Hydraulic pump, vibration and steering	••Hydraulpump, vibration och styrning	30	
17		••Hydraulic motor, vibration	••Hydraulmotor, vibration	32	
18		••Hydraulic control valve, vibration	••Manöverventil, vibration	34	
19		••Operating valve, ampl. setting	••Manöverventil, ampl.-inst.	36	
		•Hydraulic system, steering	•Hydraulsystem, styrning	38	
20		••Wheel tube	••Rattstång	40	
21		••Steering unit	••Styrventil	42	
22		••Steering cylinder	••Styrcylinder	44	

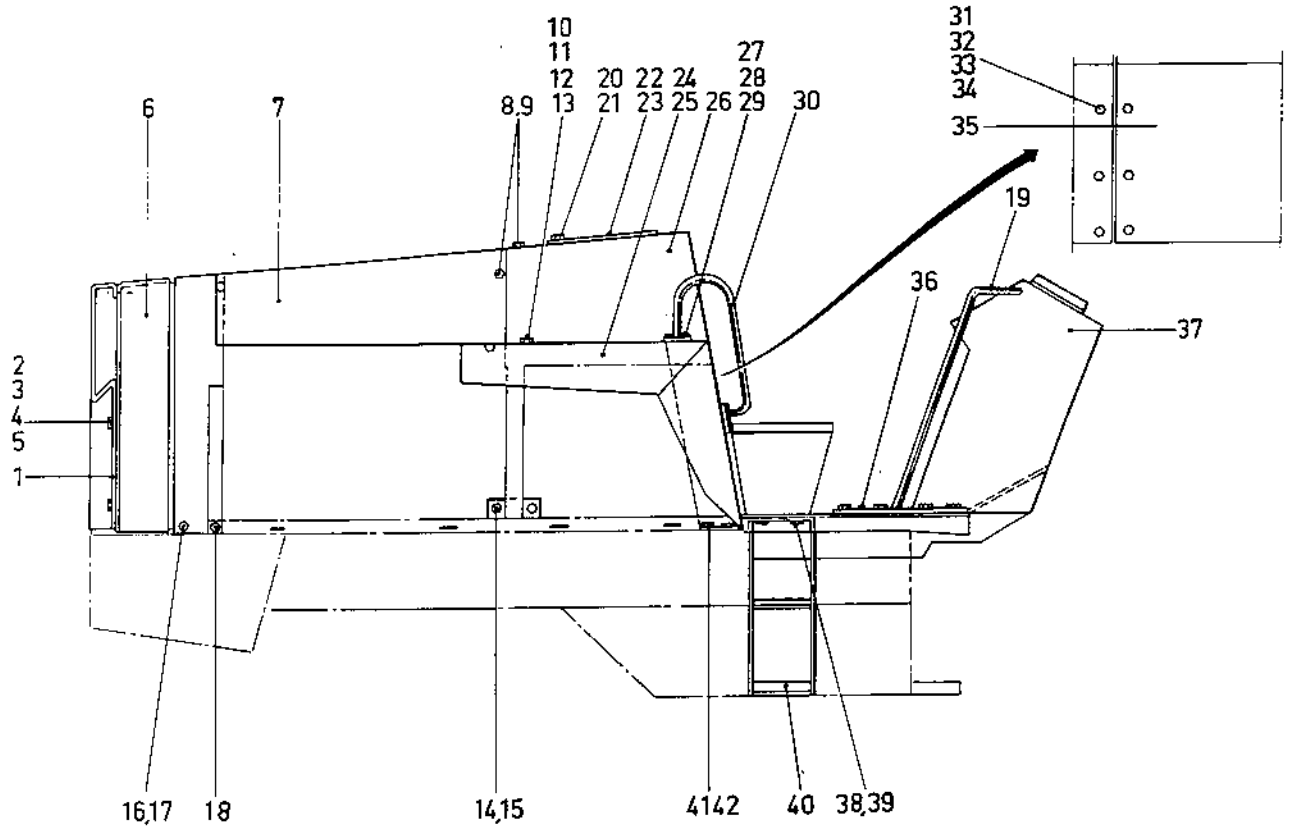
Page Sida	Group Grupp	Picture No Bild nr	Issue Utgåva	GENERAL VIEW Contents	HUVUDSAMMANSTÄLLNING Innehåll
4	00	13630-1	S-10193-1		
Ref Pos	Group Grupp	Description	Benämning	See page Se sid	
23	Group 6	ELECTRICAL EQUIPMENT •Electrical equipment	ELEKTRISK UTRUSTNING •Elektrisk utrustning	2	
24	Group 7	DRIVERS PLATFORM	FÖRARPLATS		
25		•Instruments and vibration control	•Instrument och vibrationsreglage	2	
26		•Controls and control cables	•Reglage och reglagekablar	4	
27		•Brake control and gear shifter	•Bromsreglage och växelspak	6	
		•Foot brake	•Fotbroms	8	
28	Group 8	DECALS •Plates and decals	DEKALER •Skyltar och dekaler	2	
	Group 9	EQUIPMENT •Equipment, standard	UTRUSTNING •Utrustning, standard	2	
29	Group 10	OPTIONAL EQUIPMENT	EXTRA UTRUSTNING		
30		•Working light	•Arbetsbelysning	2	
		•Rot. warning light, canopy and frequency meter	•Rot. varningsljus, solskydd och frekvensmätare	4	
		•Noise suppression kit	•Bullerdämpningsatts	6	
		•Compaction meter and printer	•Packningsmätare och siffertryckare	8	
31		•Cab ROPS, mounting	•Skyddshytt, montering	10	
		••Cap ROPS	••Skyddshytt	12	
		••Instruments and controls	••Instrument och reglage	16	
		••Foot brake	••Fotbroms	20	
		••Electrical equipment	••Elektrisk utrustning	22	
		••Cab heater	••Värmsystem	26	
		•Weather cab	•Väderhytt		
		••Mounting	••Montering	30	
	••Cab	••Hytt	32		
	••Cab heater	••Värmsystem	34		
	••Air condition and vent. equipment	••Luftkonditionering och vent. anlägg.	38		
	Group 11	NUMERICAL REGISTER	NUMMERREGISTER	2	



343154

CA30-13570-1

Page Sida		Group Grupp		Picture No Bild nr		Issue Utgåva		FRAMES AND SCRAPER RAMAR OCH SKRAPA	
2		01		13570-1		S-10193-1			
Ref Pos	Quantity/Antal			Part No Art nr	Description	Benämning	Note Anmärkning	C, P K, L	
	30	30	D						
1	1	1		33 85 61	Tractor frame	Traktorraam			
2	1	1		34 29 11	Drum frame	Valsram			
3	1	1		82 60 40	Scraper	Skrapa		D 4	
4	1	1		-	Steering link	Styrfled			
					Comps, page 8	Det. se sida 8			
5	2	2		33 71 80	Support for steering link	Stöd för styrfled			
6	4	4		50 20 94	Screw	Skruv		0	
7	4	4		60 00 13	Washer	Bricka		0	
8	4	4		50 21 88	Screw	Skruv		0	
9	4	4		60 00 16	Washer	Bricka		0	
10	4	4		58 60 16	Nut	Mutter		0	



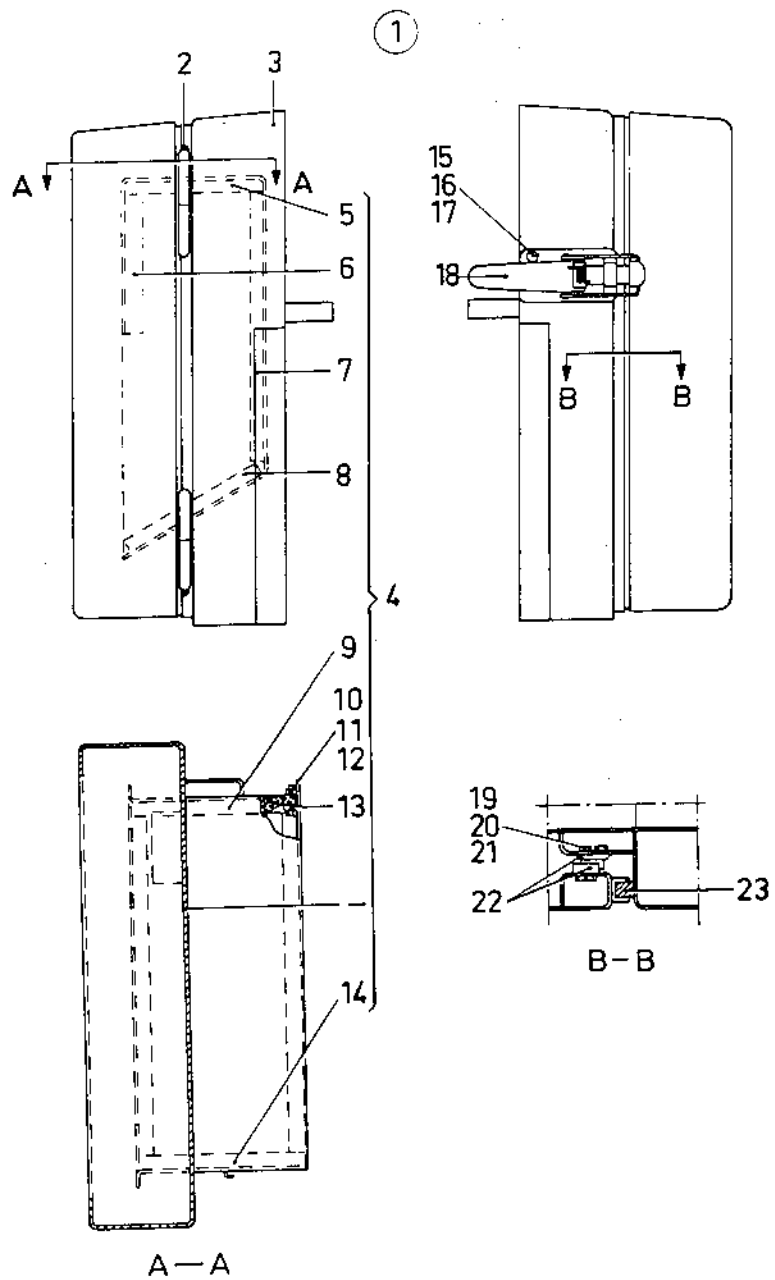
343137

CA 30-13571-1

Page Sida	Group Grupp	Picture No Bild nr	Issue Utgåva	TRACTOR FRAME Upper section	TRAKTORRAM Överdel			
4	01	13571-1	S-10193-1					
Ref Pos	Quantity/Antal			Part No Art nr	Description	Benämning	Note Anmärkning	C, P K, L
	Typ	CA						
	1)30							
1	1	-	-	33 86 52	Radiator guard	Kylargaller		
2	6	-	-	50 20 33	Screw	Skruv		0
3	6	-	-	61 50 44	Conical spring washer	Spännbricka		0
4	6	-	-	60 00 07	Washer	Bricka		0
5	6	-	-	57 10 03	Nut	Mutter		0
6	1	-	-	33 86 56	Radiator stand	Kylarstativ		
					Comps, page 6	Det. se sida 6		
7	1	-	-	34 26 63	Engine hood	Motorhuv		
8	15	-	-	50 00 48	Screw	Skruv		0
9	15	-	-	61 50 44	Conical spring washer	Spännbricka		0
10	8	-	-	50 20 58	Screw	Skruv		0
11	8	-	-	61 50 45	Conical spring washer	Spännbricka		0
12	8	-	-	60 00 10	Washer	Bricka		0
13	8	-	-	57 10 05	Nut	Mutter		0
14	4	-	-	50 20 33	Screw	Skruv		0
15	4	-	-	61 50 44	Conical spring washer	Spännbricka		0
16	4	-	-	50 20 57	Screw	Skruv		0
17	4	-	-	61 50 45	Conical spring washer	Spännbricka		0
18	2	-	-	51 40 05	Screw	Skruv		0
19	2	-	-	-	Hand rail	Räcke	See group 7	
20	12	-	-	50 00 30	Screw	Skruv		
21	12	-	-	61 50 44	Conical spring washer	Spännbricka		0
22	1	-	-	33 55 33	Cover	Lucka		
23	1	-	-	33 55 34	Gasket	Packning		
24	1	-	-	33 86 86	Fender, right	Skyddshuv, höger		
25	1	-	-	433 55 30 02	Fender, left	Skyddshuv, vänster	7)	
26	1	-	-	34 31 39	Hydr. oil tank with frame	Hydraultank med stativ ...		
27	8	-	-	50 20 57	Screw	Skruv		0
28	8	-	-	61 50 45	Conical spring washer	Spännbricka		0
29	8	-	-	57 10 05	Nut	Mutter		0
30	2	-	-	33 89 92	Handle	Handtag		
31	12	-	-	50 20 58	Screw	Skruv		0
32	12	-	-	61 50 45	Conical spring washer	Spännbricka		0
33	12	-	-	60 00 10	Washer	Bricka		0
34	12	-	-	57 10 05	Nut	Mutter		0
35	1	-	-	34 31 36	Cover plate	Täckplåt		
36	1	-	-	-	Cover plate	Täckplåt	See group 7	
37	1	-	-	-	Platform frame	Styrpanel	See group 7	
38	8	-	-	50 20 57	Screw	Skruv		0
39	8	-	-	61 50 45	Conical spring washer	Spännbricka		0
40	2	-	-	33 84 62	Ladder	Lejdare		
41	4	-	-	50 00 46	Screw	Skruv		0
42	4	-	-	61 50 45	Conical spring washer	Spännbricka		0

1) CA30, all models
CA30, alla typer

7) Not illustrated
Ej illustrerad

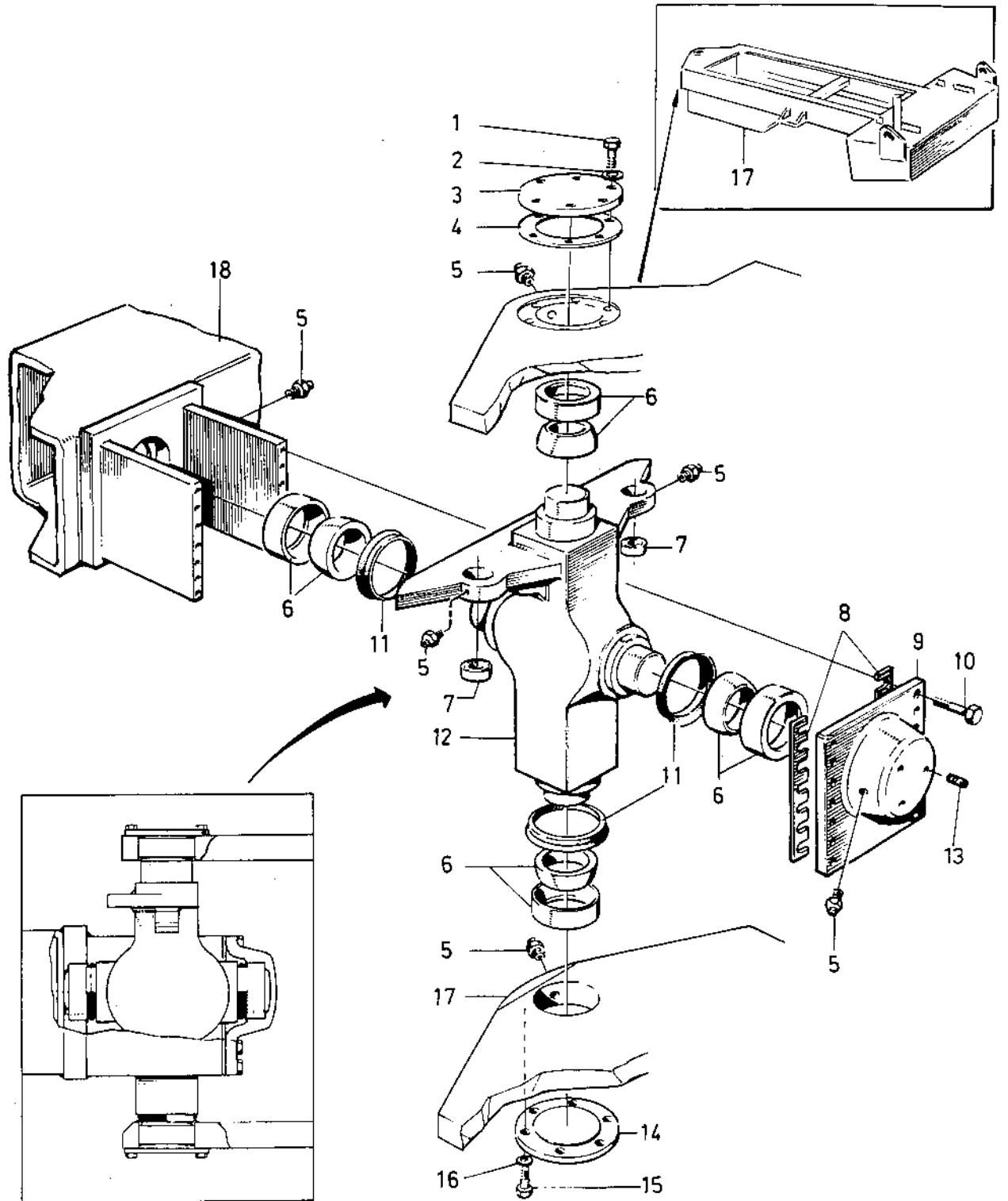


33 86 56

CA 30-13572 -1

Page Sida		Group Grupp		Picture No Bild nr		Issue Utgåva		RADIATOR STAND		KYLARSTATIV	
6		01		13572-1		S-10193-1					
Ref Pos	Quantity/Antal			Part No Art nr	Description	Benämning	Note Anmärkning	C, P K, L			
	Typ	CA									
	1)30										
1	1	-	-	33 86 56	Radiator stand, cpl	Kylarstativ, kpl					
2	2	-	-	31 00 08	•Grease nipple	•Smörjnippel		0			
3	1	-	-	33 86 58	•Radiator stand	•Kylarstativ					
4	1	-	-	33 86 57	•Radiator frame, cpl	•Kylarram, kpl					
5	1 x A	-	-	29 70 06	••Absorbent	••Absorbent	A = 240 x 360 mm	0			
6	1	-	-	33 86 71	••Absorbent	••Absorbent					
7	1	-	-	33 86 72	••Absorbent	••Absorbent					
8	1	-	-	33 86 73	••Absorbent	••Absorbent					
9	1	-	-	33 86 70	••Absorbent	••Absorbent					
10	2	-	-	50 00 60	••Screw	••Skruv		0			
11	2	-	-	61 50 41	••Conical spring washer	••Spännbricka		0			
12	2	-	-	57 00 03	••Nut	••Mutter		0			
13	1	-	-	34 05 60	••Strip	••List		0			
14	1	-	-	433 86 70 01	••Absorbent	••Absorbent					
15	4	-	-	50 20 16	•Screw	•Skruv		0			
16	4	-	-	61 50 43	•Conical spring washer ...	•Spännbricka		0			
17	4	-	-	57 10 02	•Nut	•Mutter		0			
18	1	-	-	47 50 43	•Lock	•Flaklås		0			
19	7	-	-	53 50 04	•Screw	•Skruv		0			
20	7	-	-	60 00 02	•Washer	•Bricka		0			
21	7	-	-	57 00 02	•Nut	•Mutter		0			
22	1	-	-	47 50 48	•Latch	•Dörrnäsa		0			
23	1 x L	-	-	20 20 37	•Foam rubber strip	•Skumgummilist	L = 3400 mm	0			

1) CA30, all models
CA30, alla typer



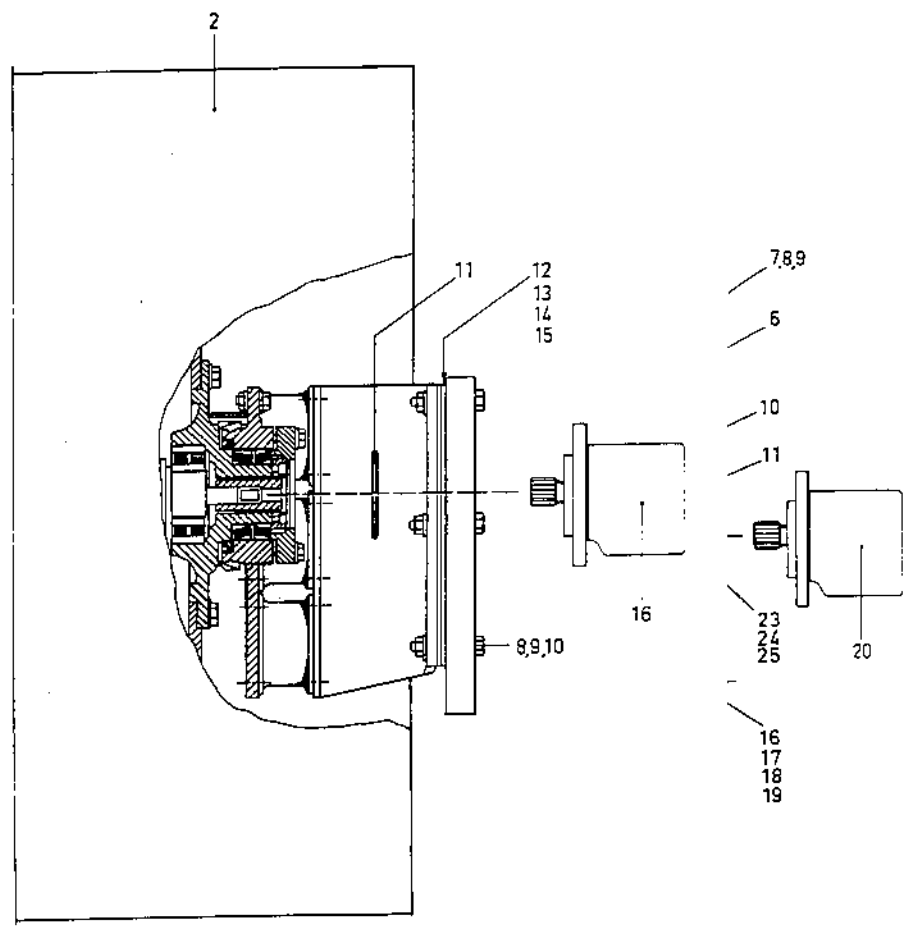
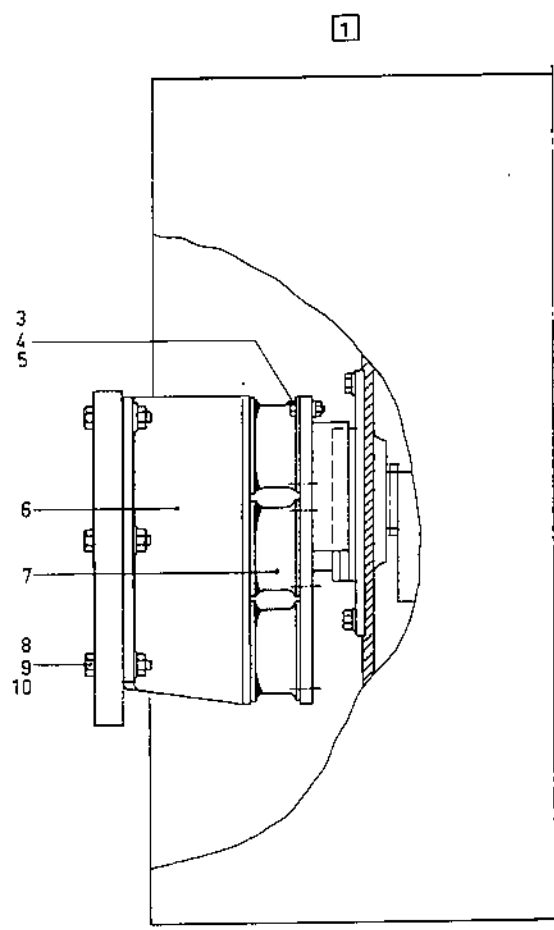
34 31 54

CA 30-13573-1

Page Sida	Group Grupp	Picture No Bild nr	Issue Utgåva	STEERING LINK	STYRLED			
8	01	13573-1	S-10193-1					
Ref Pos	Quantity/Antal			Part No Art nr	Description	Benämning	Note Anmärkning	C, P K, L
	1)30	Typ	CA					
1	6	-	-	50 20 58	Screw	Skruv		0
2	6	-	-	61 50 45	Conical spring washer	Spännbricka		0
3	1	-	-	33 70 42	Cover	Lock		
4	n	-	-	33 70 45	Shim, 1,0 mm	Mellanlägg, 1,0 mm	2)	D 3
	n	-	-	433 70 45 01	Shim, 0,35 mm	Mellanlägg, 0,35 mm	2)	D 3
	n	-	-	433 70 45 02	Shim, 0,1 mm	Mellanlägg, 0,1 mm	2)	D 3
5	6	-	-	31 00 08	Grease nipple	Smörjnippe		0
6	4	-	-	10 00 40	Bearing	Lager		DO3
7	2	-	-	81 33 16	Bearing	Lager		DO3
8	n	-	-	33 70 44	Shim, 1,0 mm	Mellanlägg, 1,0 mm	2)	D 3
	n	-	-	433 70 44 01	Shim, 0,35 mm	Mellanlägg, 0,35 mm	2)	D 3
	n	-	-	433 70 44 02	Shim, 0,1 mm	Mellanlägg, 0,1 mm	2)	D 3
9	1	-	-	33 70 43	Cover	Lock		
10	14	-	-	50 22 10	Screw	Skruv		0
11	3	-	-	16 70 32	V-ring	V-ring		DO3
12	1	-	-	34 07 25	Link	Styrknut		D 4
13	3	-	-	91 09 95	Stop screw	Stoppskruv		0
14	1	-	-	33 70 42	Cover	Lock		
15	6	-	-	50 20 58	Screw	Skruv		0
16	6	-	-	61 50 45	Conical spring washer	Spännbricka		0
17	1	-	-	-	Tractor frame	Traktorram	See page 2 ref. 1	
18	1	-	-	-	Drum frame	Valsram	See page 2 ref. 2	

1) CA30, all models
CA30, alla typer

2) As required
Efter behov



342914

CA30-13574 -1

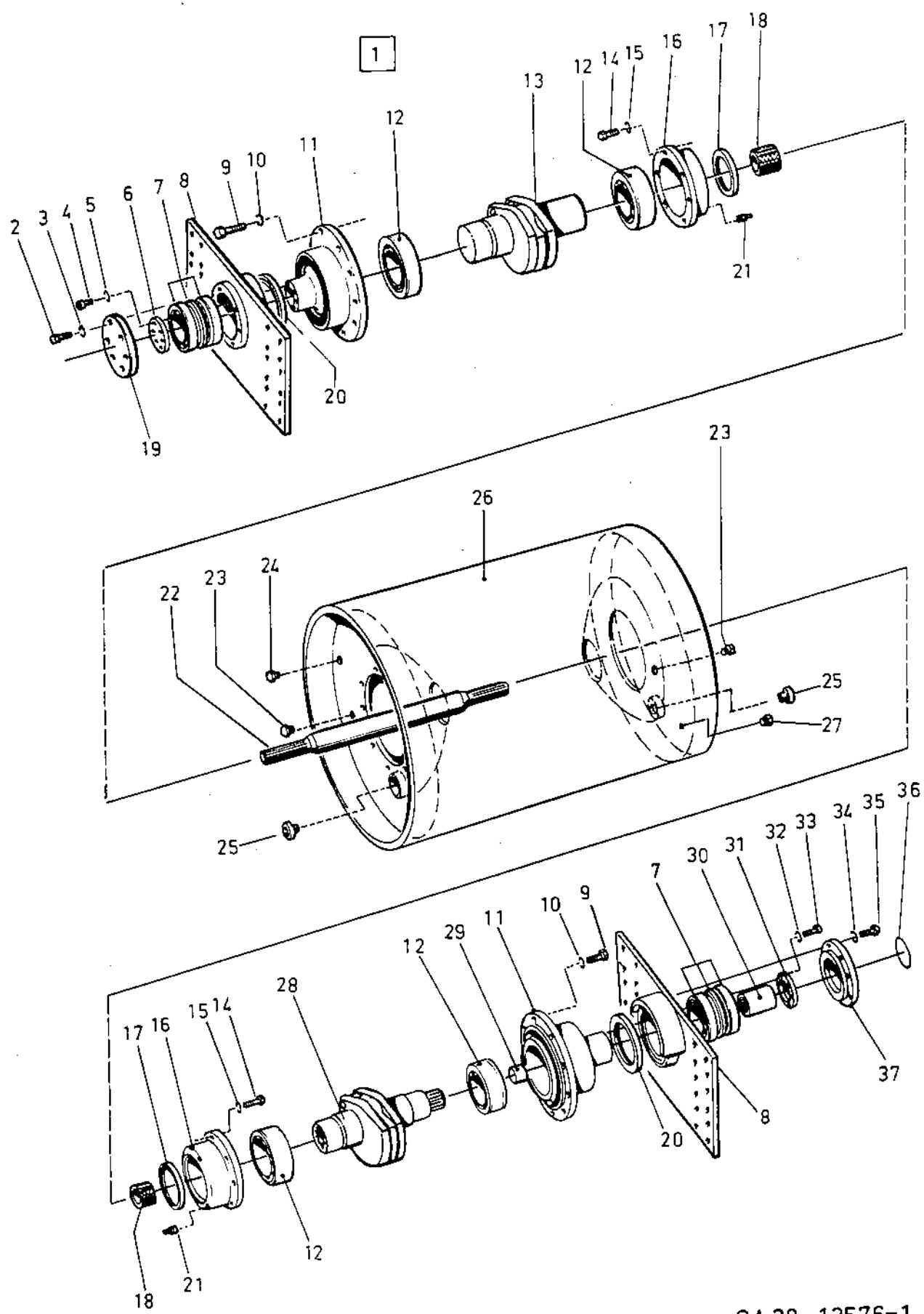
13575 -1

ge la	Group Grupp	Picture No Bild nr	Issue Utgåva	DRUM WITH SHOCK ABSORBER	VALS MED GUMMIELEMENT
	02	13575-1	S-10193-1		

JMMIELEMENT

Quantity/Antal				Part No Art nr	Description	Benämning	Note Anmärkning	C, P K, L
Typ	CA							
30								
D								
1	-	-	-	34 31 61	Drum with shock absorber	Vais med gummielement		
1	-	-	-	34 31 63	•Drum, cpl Comps, page 8	•Vais, kpl Det. se sida 8		
24	-	-	-	50 01 94	••Screw	••Skruv	O	O
24	-	-	-	60 00 09	••Washer	••Bricka	O	O
24	-	-	-	58 60 19	••Nut	••Mutter	O	O
12	-	-	-	45 01 22	••Shock absorber	••Gummielement	BO2	
48	-	-	-	58 60 19	••Nut	••Mutter	O	BO2
48	-	-	-	50 01 94	••Screw	••Skruv	O	O
48	-	-	-	60 00 09	••Washer	••Bricka	O	O
1	-	-	-	34 29 13	••Shock absorber bracket	••Fäste för gummielement		O
1	-	-	-		••O-ring	••O-ring	See page 8 ref. 37	
1	-	-	-	34 07 61	•Drive unit Comps, page 10	•Drivenhet Det. se sida 10		
24	-	-	-	50 00 37	•Screw	•Skruv	O	
24	-	-	-	60 00 09	•Washer	•Bricka	O	
24	-	-	-	58 60 19	•Nut	•Mutter	O	
n	-	-	-	33 56 27	Shim, 1,5 mm	Valsshims, 1,5 mm		2)
n	-	-	-	433 56 27 01	Shim, 3 mm	Valsshims, 3 mm		2)
n	-	-	-	433 56 27 02	Shim, 6 mm	Valsshims, 6 mm		2)
n	-	-	-	433 56 27 03	Shim, 8 mm	Valsshims, 8 mm		2)
1	-	-	-		Hydraulic motor, vibration	Hydraulmotor, vibration	See group 5	
1	-	-	-		Hydraulic motor, drum drive	Hydraulmotor, valsdrivning	See group 5	
1	-	-	-	34 07 83	Cover	Motorskydd		
14	-	-	-	50 21 48	Screw	Skruv	O	
14	-	-	-	60 00 13	Washer	Bricka	O	
14	-	-	-	58 60 09	Nut	Mutter	O	

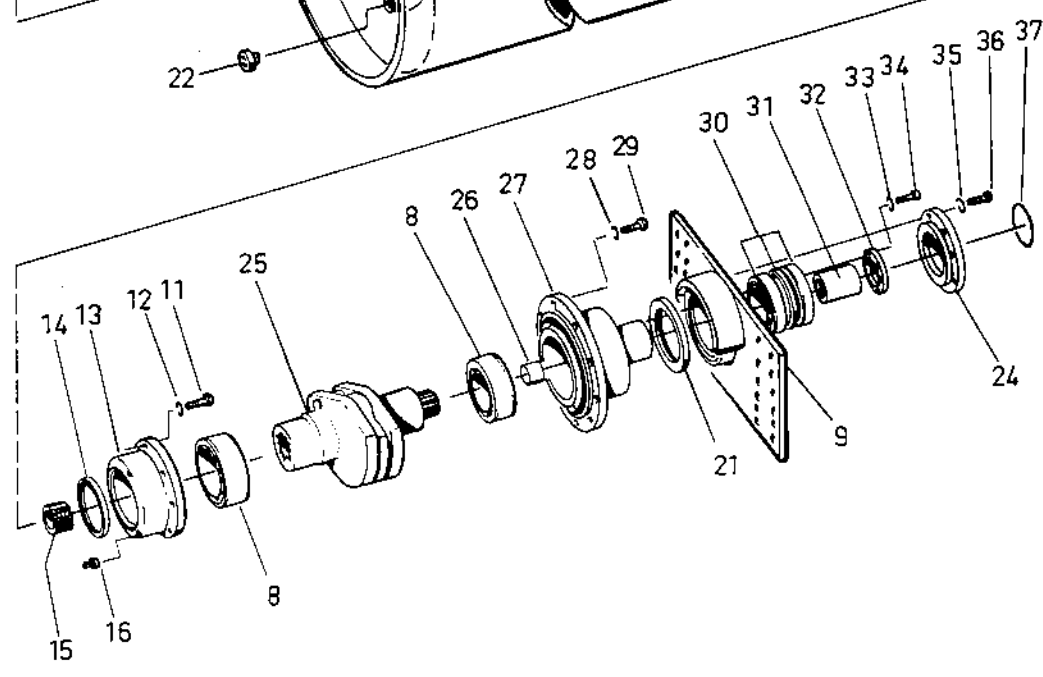
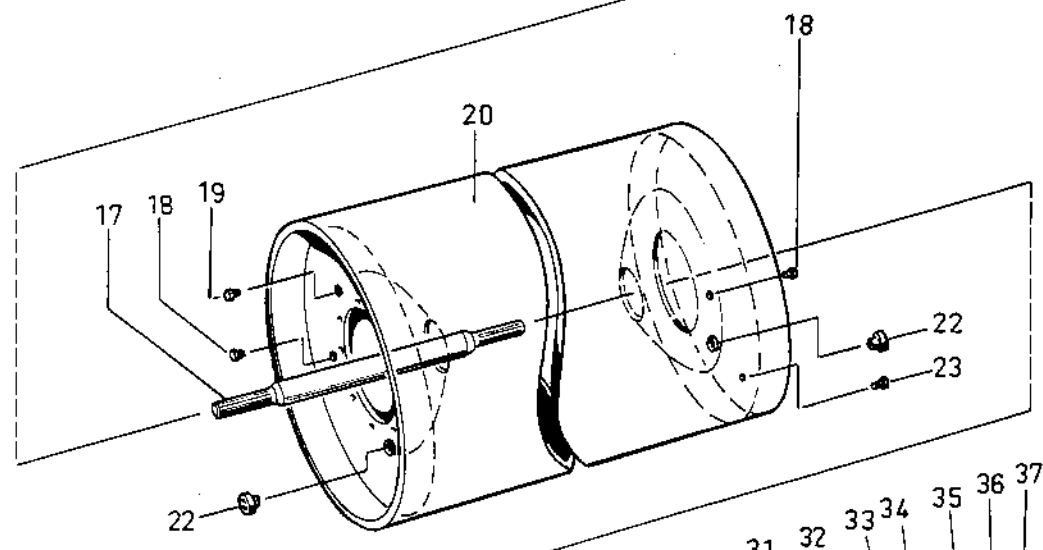
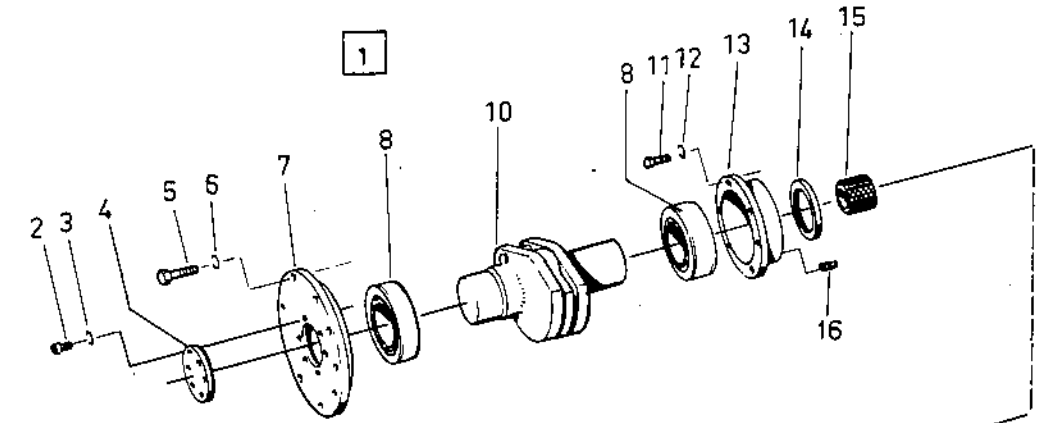
16



34 2914

CA 30-13576-1

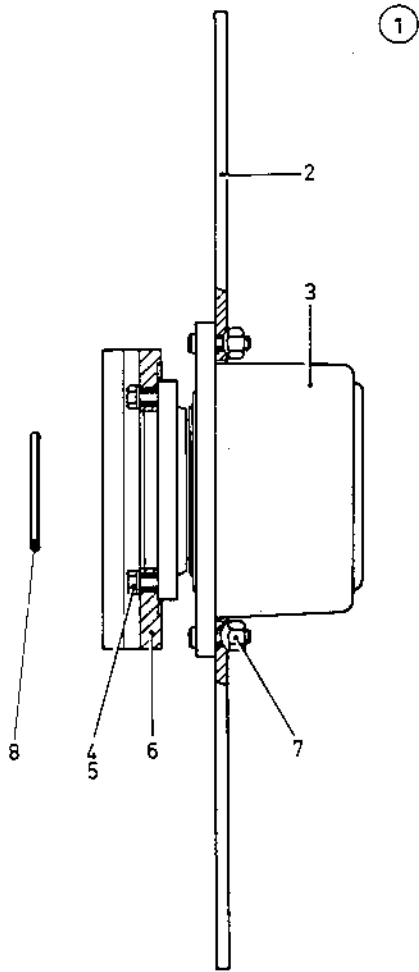
Page Sida	Group Grupp	Picture No Bild nr	Issue Utgåva	DRUM	VALS			
6	02	13576-1	S-10193-1					
Ref Pos	Quantity/Antal			Part No Art nr	Description	Benämning	Note Anmärkning	C, P K, L
	Typ	CA						
	30							
1	1	-	-	-	Drum, cpl.	Vals, kpl.	See page 2 ref. 1	
2	6	-	-	-	50 20 61 •Screw	•Skruv		0
3	6	-	-	-	60 40 09 •Spring washer	•Fjäderbricka		0
4	6	-	-	-	50 90 12 •Screw	•Skruv		0
5	6	-	-	-	81 34 84 •Lock washer	•Låsbricka		0
6	1	-	-	-	33 55 24 •Bearing cover	•Lagerlock		
7	2	-	-	-	11 40 72 •Frame bearing, set	•Ramlager, sats		DO3
8	2	-	-	-	85 05 89 •Frame bearing housing	•Ramlagerhus		D 4
9	24	-	-	-	50 21 38 •Screw	•Skruv		0
10	24	-	-	-	60 00 13 •Washer	•Bricka		0
11	2	-	-	-	33 55 13 •Drum bearing housing, .. outer	•Valslagerhus, yttre		D 4
12	4	-	-	-	11 40 36 •Drum bearing	•Valslager		DO3
13	1	-	-	-	34 29 08 •Eccentric shaft, left	•Excenteraxel, vänster		D 3
14	12	-	-	-	50 20 93 •Screw	•Skruv		0
15	12	-	-	-	60 00 13 •Washer	•Bricka		0
16	2	-	-	-	33 55 14 •Drum bearing housing, .. inner	•Valslagerhus, inre		D 4
17	2	-	-	-	81 36 97 •Seal ring	•Tätningring		DO3
18	2	-	-	-	34 27 93 •Rubber bushing	•Gummibussning		D 3
19	1	-	-	-	433 56 14 01 •Cover	•Lock		
20	2	-	-	-	81 34 81 •Seal ring	•Tätningring		BO2
21	6	-	-	-	81 34 79 •Plug	•Plugg		0
22	1	-	-	-	34 29 39 •Connecting shaft	•Drivaxel		D 3
23	2	-	-	-	81 34 83 •Magnetic plug	•Magnetplugg		DO3
24	1	-	-	-	81 34 22 •Plug	•Plugg		DO3
25	2	-	-	-	81 34 82 •Oil level glass	•Oljenivåglas		DO3
26	1	-	-	-	33 71 99 •Drum	•Vals		DO3
27	1	-	-	-	33 21 12 •Breather	•Urluftningsventil		DO3
28	1	-	-	-	34 29 07 •Eccentric shaft, right	•Excenteraxel, höger		D 3
29	1	-	-	-	33 55 22 •Coupling plug	•Kopplingsplugg		D 3
30	1	-	-	-	81 34 80 •Splined sleeve	•Splineshylsa		D 3
31	1	-	-	-	433 55 24 01 •Bearing cover	•Lagerlock		
32	6	-	-	-	81 34 84 •Lock washer	•Låsbricka		0
33	6	-	-	-	50 90 25 •Screw	•Skruv		0
34	6	-	-	-	60 40 09 •Spring washer	•Fjäderbricka		0
35	6	-	-	-	50 20 61 •Screw	•Skruv		0
36	1	-	-	-	81 34 78 •O-ring	•O-ring		DO3
37	1	-	-	-	433 55 23 01 •Motor bracket	•Motorfäste		



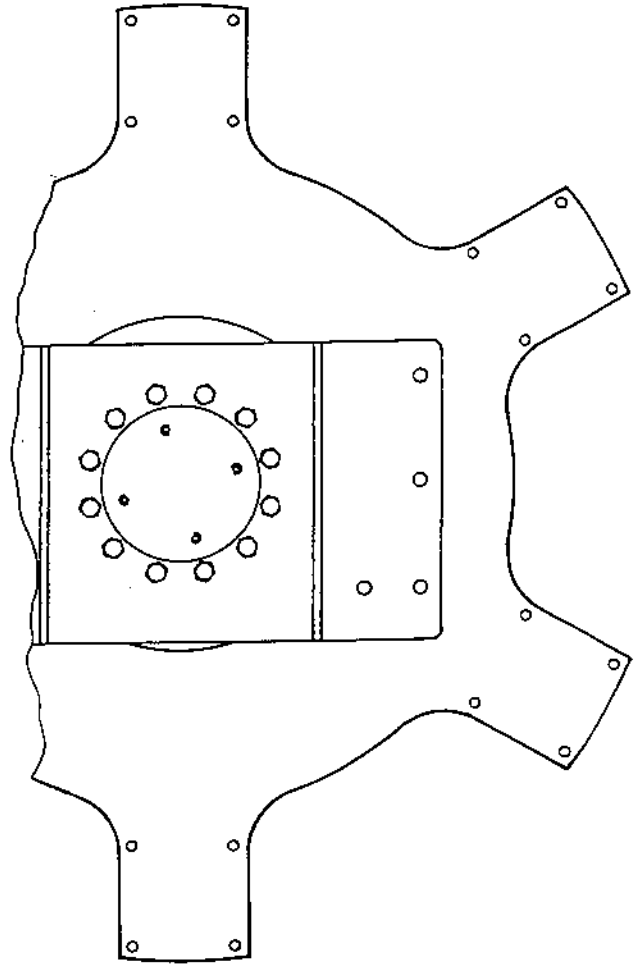
34 3163

CA30-13577-1

Page Sida		Group Grupp		Picture No Bild nr		Issue Utgåva		DRUM		VALS	
8		02		13577-1		S-10193-1					
Ref Pos	Quantity/Antal			Part No Art nr	Description	Benämning	Note Anmärkning	C, P K, L			
	Typ	CA									
	30										
	D										
1	1	-	-	-	-	Drum, cpl	Vals, kpl.	See page 4 ref. 2			
2	6	-	-	-	50 20 35 •Screw	•Skruv		O			
3	6	-	-	-	61 50 44 •Conical spring washer ...	•Spännbricka		O			
4	1	-	-	-	33 56 61 •Bearing cover	•Lagerlock					
5	12	-	-	-	50 21 38 •Screw	•Skruv		O			
6	12	-	-	-	60 00 13 •Washer	•Bricka		O			
7	1	-	-	-	33 56 64 •Drum bearing housing, .. outer	•Valslagerhus, yttre		D 4			
8	4	-	-	-	11 40 36 •Drum bearing	•Valslager		DO3			
9	1	-	-	-	85 05 89 •Frame bearing housing	•Ramlagerhus		D 4			
10	1	-	-	-	34 29 08 •Eccentric shaft, left	•Excenteraxel, vänster ...		O 3			
11	12	-	-	-	50 20 93 •Screw	•Skruv		O			
12	12	-	-	-	60 00 13 •Washer	•Bricka		O			
13	2	-	-	-	33 55 14 •Drum bearing housing, .. inner	•Valslagerhus, inre		D 4			
14	2	-	-	-	81 36 97 •Seal ring	•Tätningring		DO3			
15	2	-	-	-	34 27 93 •Rubber bushing	•Gummibussning		D 3			
16	6	-	-	-	81 34 79 •Plug	•Plugg		O			
17	1	-	-	-	34 29 39 •Connecting shaft	•Drivaxel		D 3			
18	2	-	-	-	81 34 83 •Magnetic plug	•Magnetplugg		DO3			
19	1	-	-	-	81 34 22 •Plug	•Plugg		DO3			
20	1	-	-	-	34 31 64 •Drum	•Vals					
21	1	-	-	-	81 34 81 •Seal ring	•Tätningring		BO2			
22	2	-	-	-	81 34 82 •Oil level glass	•Oljenivåglas		DO3			
23	1	-	-	-	33 21 12 •Breather	•Urluftningsventil		DO3			
24	1	-	-	-	433 55 23 01 •Motor bracket	•Motorfäste					
25	1	-	-	-	34 29 07 •Eccentric shaft, right	•Excenteraxel, höger		D 3			
26	1	-	-	-	33 55 22 •Coupling plug	•Kopplingsplugg		D 3			
27	1	-	-	-	33 55 13 •Drum bearing housing, .. outer	•Valslagerhus, yttre		D 4			
28	12	-	-	-	60 00 13 •Washer	•Bricka		O			
29	12	-	-	-	50 21 38 •Screw	•Skruv		O			
30	1	-	-	-	11 40 72 •Frame bearing, set	•Ramlager, sats		DO3			
31	1	-	-	-	81 34 80 •Splined sleeve	•Splineshylsa		D 3			
32	1	-	-	-	433 55 24 01 •Bearing cover	•Lagerlock					
33	6	-	-	-	81 34 84 •Lock washer	•Låsbricka		O			
34	6	-	-	-	50 90 25 •Screw	•Skruv		O			
35	6	-	-	-	61 50 45 •Conical spring washer ...	•Spännbricka		O			
36	6	-	-	-	50 20 62 •Screw	•Skruv		O			
37	1	-	-	-	81 34 78 •O-ring	•O-ring		DO3			



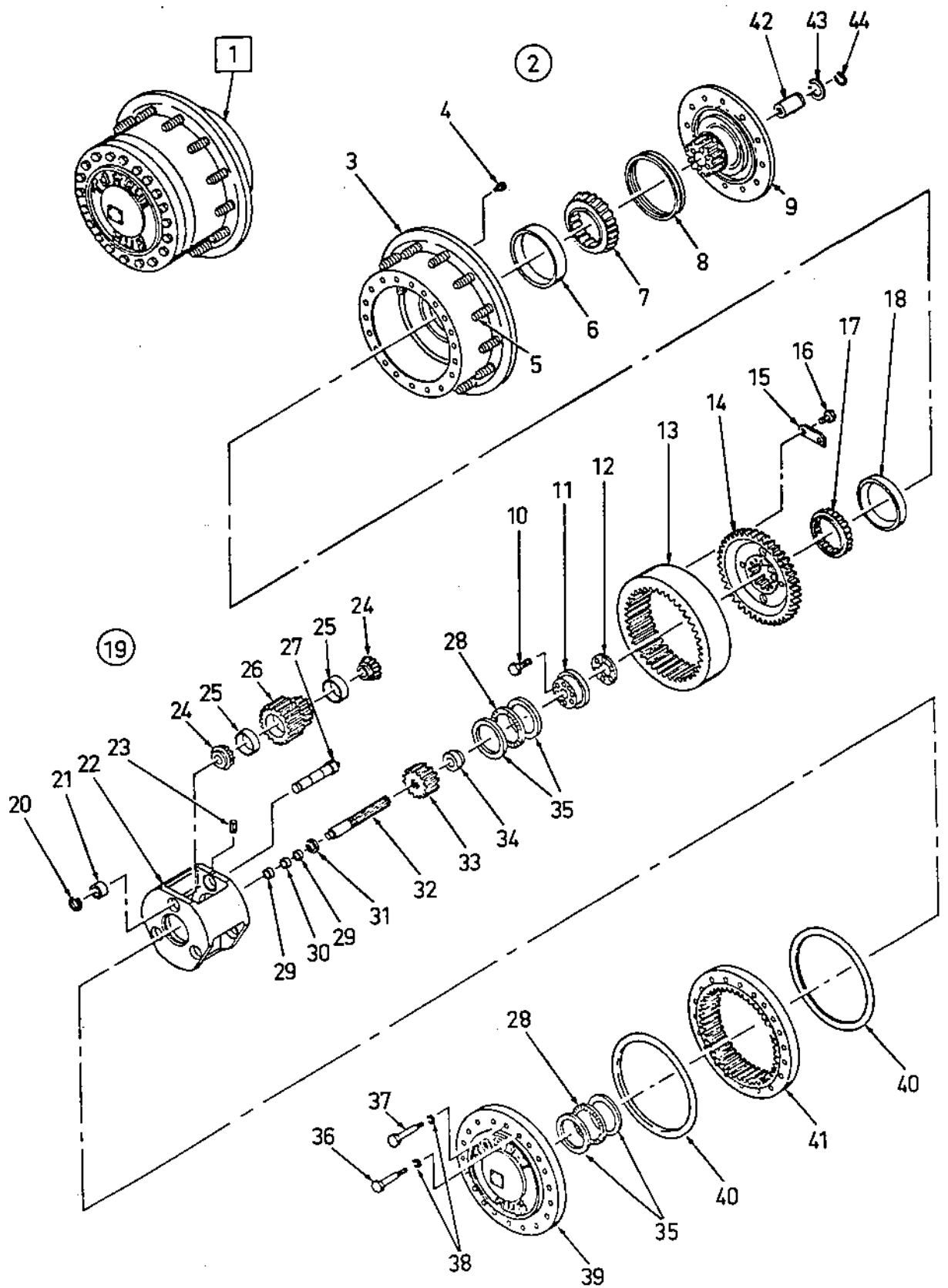
1



34 07 61

CA 30-13578-1

Page Sida		Group Grupp		Picture No Bild nr		Issue Utgåva		DRIVE UNIT		DRIVENHET	
10		02		13578-1		S-10193-1					
Ref Pos	Quantity/Antal			Part No Art nr	Description	Benämning	Note Anmärkning	C, P K, L			
	30 D	CA									
1	1	-	-	34 07 61	Drive unit, cpl.	Drivenhet, kpl.				C 3	
2	1	-	-	34 07 62	•Drive plate	•Drivplatta					
3	1	-	-	80 11 50	•Torque hub	•Planetväxel					
					Comps, page 12	Det. se sida 12					
4	12	-	-	50 30 56	•Screw	•Skruv				0	
5	12	-	-	61 50 47	Conical spring washer	Spännbricka				0	
6	1	-	-	34 07 63	•Bracket	•Hållare					
7	12	-	-	81 36 94	•Nut	•Mutter				0	
8	1	-	-	16 01 57	O-ring	O-ring				DO3	

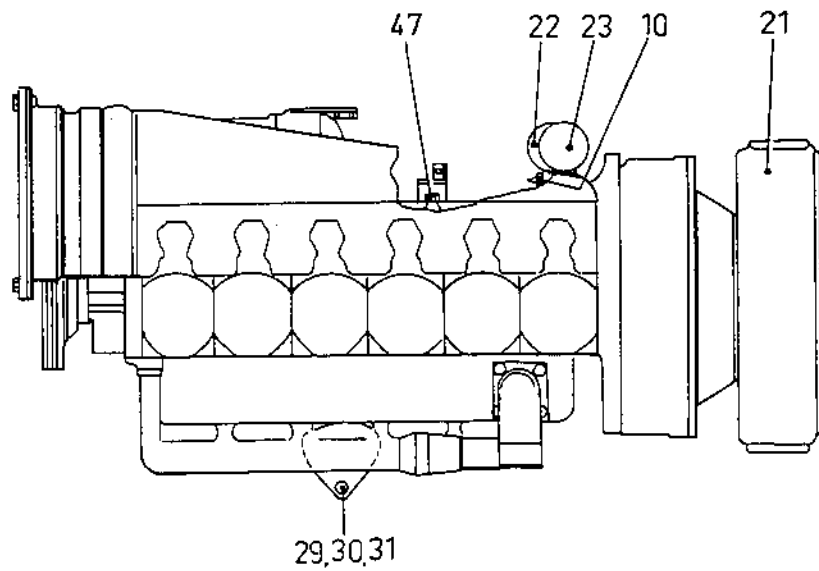
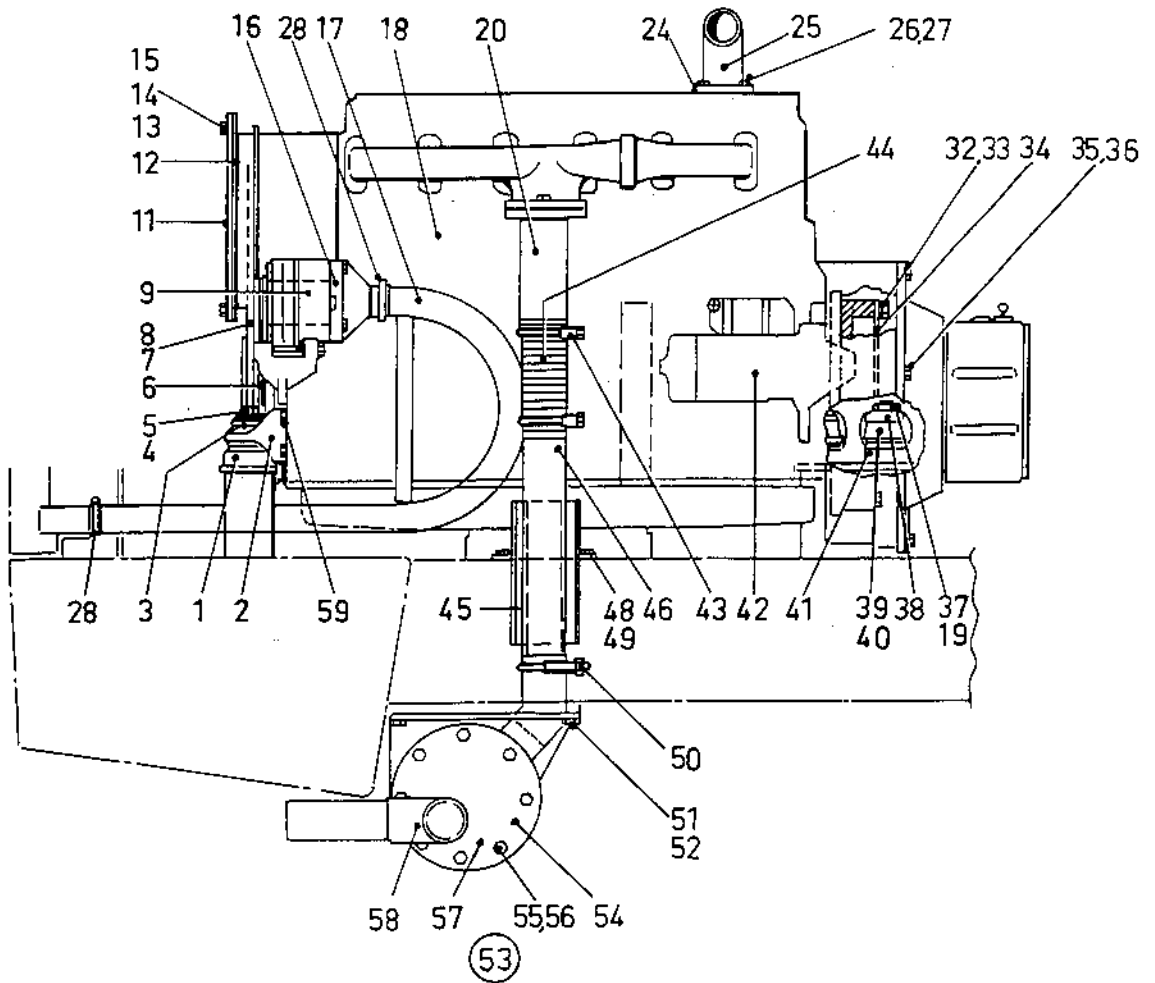


80 11 50

CA 30-13579-1

Page Sida		Group Grupp			Picture No Bild nr		Issue Utgåva		TORQUE HUB		PLANETVÄXEL	
12		02			13579-1		S-10193-1					
Ref Pos	Quantity/Antal			Part No Art nr	Description	Benämning	Note Anmärkning	C, P K, L				
	Typ	CA										
	30											
	D											
1	1	-	-	80 11 50	Torque hub, cpl.	Planetväxel, kpl.		C 3				
2	1	-	-	89 34 46	•Hub-Spindle, cpl.	•Nav och spindel, kpl.		0				
3	1	-	-	42 33 27	••Hub	••Nav		0				
4	2	-	-	42 33 50	••Magnetic plug	••Magnetplugg		DO3				
5	12	-	-	42 33 52	••Stud	••Pinnskruv		DO3				
6	1	-	-	42 33 34	••Bearing cup	••Yttering		DO3				
7	1	-	-	42 33 30	••Bearing cone	••Innerring med rullar		DO3				
8	1	-	-	42 33 33	••Seal ring	••Tätningsring		DO3				
9	1	-	-	42 33 23	••Spindle	••Spindel		0				
10	6	-	-	42 33 39	••Screw	••Skruv		0				
11	1	-	-	42 33 24	••Bearing plate	••Lagerlock		0				
12	1	-	-	42 33 35	••Shim set	••Shimssats		DO4				
13	1	-	-	42 33 22	••Ring gear	••Ringdrev		0				
14	1	-	-	42 33 21	••Gear	••Kuggjul		0				
15	4	-	-	42 33 12	••Locking plate	••Låsbleck		0				
16	8	-	-	42 33 38	••Screw	••Skruv		0				
17	1	-	-	42 33 32	••Bearing cone	••Innerring med rullar		DO3				
18	1	-	-	42 33 31	••Bearing cup	••Yttering		DO3				
19	1	-	-	42 33 15	•Planetary carrier, cpl.	•Planethållare, kpl.		0				
20	3	-	-	42 33 45	••Snap ring	••Spårring		DO4				
21	n	-	-	89 34 51	••Spacer, 0,721/0,720"	••Distansring, 2)		DO4				
	n	-	-	89 34 52	••Spacer, 0,726/,0725"	••Distansring, 2)		DO4				
	n	-	-	42 33 36	••Spacer, 0,809/0,808"	••Distansring, 2)		DO4				
22	1	-	-	42 33 19	••Carrier	••Hållare		0				
23	3	-	-	42 33 46	••Roll pin	••Rörpinne		0				
24	6	-	-	42 33 29	••Bearing cone	••Innerring med rullar		DO3				
25	6	-	-	42 33 28	••Bearing cup	••Yttering		DO3				
26	1	-	-	42 33 20	••Planet wheel set	••Planethjulssats		DO3				
27	3	-	-	42 33 16	••Shaft	••Axel		0				
28	2	-	-	42 33 17	•Thrust bearing	•Axiallager		DO3				
29	2	-	-	42 33 11	•Thrust washer	•Tryckbricka		DO3				
30	1	-	-	42 33 10	•Thrust bearing	•Axiallager		DO3				
31	1	-	-	42 33 43	•Snap ring	•Spårring		0				
32	1	-	-	42 33 09	•Shaft	•Axel		0				
33	1	-	-	42 33 14	•Gear	•Kuggjul		DO4				
34	1	-	-	42 33 37	•Spacer	•Distanshylsa		0				
35	4	-	-	42 33 18	•Thrust washer	•Tryckbricka		DO3				
36	16	-	-	42 33 47	•Screw	•Skruv		0				
37	4	-	-	42 33 48	•Screw	•Skruv		0				
38	20	-	-	42 33 51	•Lock washer	•Låsbricka		0				
39	1	-	-	42 33 26	•Cover	•Lock		0				
40	2	-	-	42 33 40	•O-ring	•O-ring		DO3				
41	1	-	-	42 33 25	•Ring gear	•Ringdrev		DO4				
42	1	-	-	42 33 13	•Coupling	•Koppling		DO3				
43	1	-	-	42 33 34	•Snap ring	•Spårring		0				
44	1	-	-	42 33 42	•Snap ring	•Spårring		0				

2) As required
Efter behov



3387 20
3385 51

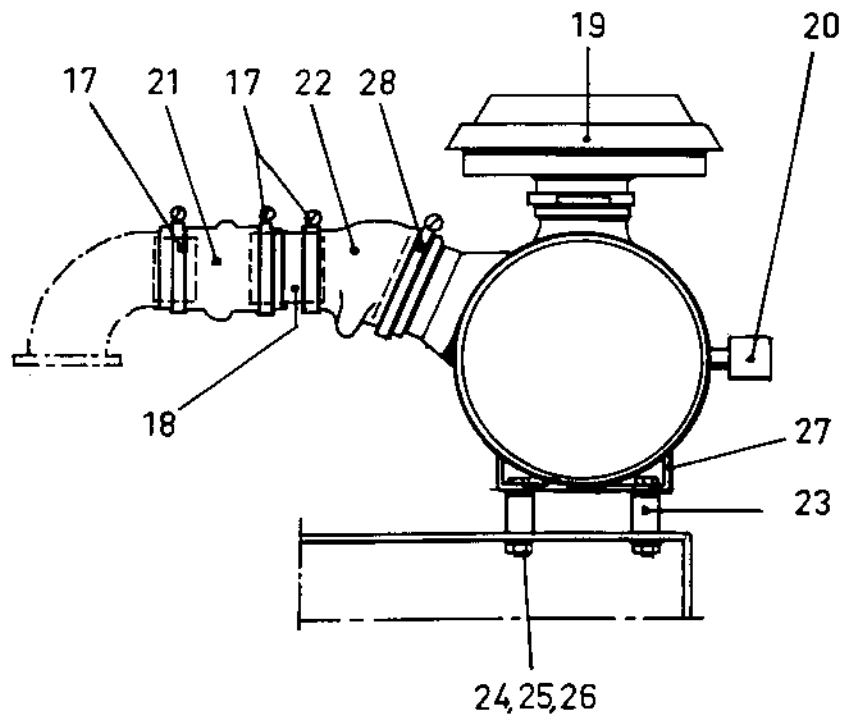
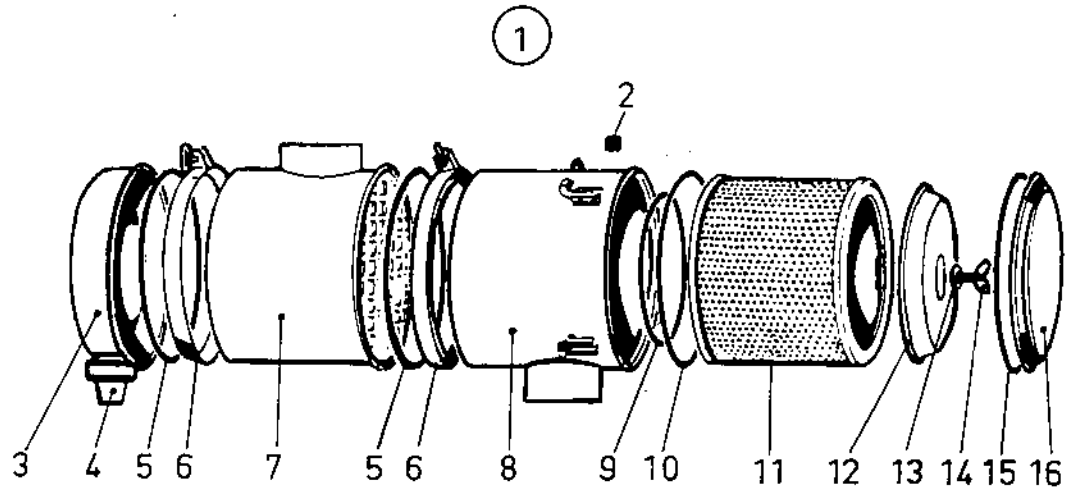
CA 30-13580-1

Page Sida	Group Grupp	Picture No Bild nr	Issue Utgåva	ENGINE Deutz F6L 912	MOTOR Deutz F6L 912			
2	03	13580-1	S-10193-1					
Ref Pos	Quantity/Antal			Part No Art nr	Description	Benämning	Note Anmärkning	C, P K, L
	Typ CA							
	1)30							
1	2	-	-	74 76 19	Washer	Bricka		0
2	2	-	-	74 76 18	Engine bracket	Motorfäste		0
3	2	-	-	74 76 20	Washer	Bricka		0
4	2	-	-	50 20 69	Screw	Skruv		0
5	2	-	-	61 50 45	Conical spring washer	Spännbricka		0
6	1	-	-	74 75 43	V-belt, alternator	Kilrem, generator		BO2
7	1	-	-	41 30 55	V-belt, fan	Kilrem, fläkt		BO2
8	1	-	-	74 79 68	V-belt failure switch	Kilremsvakt		DO4
9	1	-	-	69 00 30	Alternator with relay	Växelströmsgenerator		CO3
						med regulator		
10	1	-	-	74 73 65	Oil pressure transmitter ..	Oljetryckskontakt		DO3
11	1	-	-	74 79 57	Air guide ring	Luftledarring		0
12	1	-	-	33 85 70	Seal ring	Tätningring		D 4
13	12	-	-	50 00 03	Screw	Skruv		0
14	12	-	-	61 50 41	Conical spring washer	Spännbricka		0
15	12	-	-	60 00 03	Washer	Bricka		0
16	1	-	-	91 02 58	Alternator air duct	Tratt för generator		0
17	1 x L	-	-	28 50 08	Hose, 850 mm	Slang, 850 mm	L = 850 mm	DO3
18	1	-	-	33 85 50	Engine	Motor		0
19	4	-	-	61 50 45	Conical spring washer	Spännbricka		0
20	1	-	-	34 27 20	Exhaust pipe	Avgasrör		D 3
21	1	-	-	34 11 06	Hydraulic pump gearing ..	Fördelningsväxellåda		0
					Comps, page 10	Det. se sida 10		
22	1	-	-	74 74 76	Oil filter	Oljefilter		AO1
23	1	-	-	74 73 84	Fuel filter	Bränslefilter		AO1
24	1	-	-	33 87 32	Gasket	Packning		D 3
25	1	-	-	33 85 72	Air intake connection	Insugningsrör		0
26	4	-	-	50 00 21	Screw	Skruv		0
27	4	-	-	61 50 43	Conical spring washer	Spännbricka		0
28	2	-	-	81 33 11	Hose clamp	Slangklämma		0
29	3	-	-	50 00 56	Screw	Skruv		0
30	3	-	-	60 40 15	Spring washer	Fjäderbricka		0
31	3	-	-	57 00 07	Nut	Mutter		0
32	8	-	-	50 00 43	Screw	Skruv		0
33	8	-	-	60 40 07	Spring washer	Fjäderbricka		0
34	1	-	-	-	Drive plate	Medbringarpatta	See page 10 ref. 4	0
35	12	-	-	50 00 29	Screw	Skruv		0
36	12	-	-	60 40 07	Spring washer	Fjäderbricka		0
37	4	-	-	50 20 69	Screw	Skruv		0
38	4	-	-	74 76 20	Washer	Bricka		0
39	4	-	-	74 76 18	Engine bracket	Motorfäste		0
40	8	-	-	74 76 07	Screw	Skruv		0
41	4	-	-	74 76 19	Washer	Bricka		0
42	1	-	-	69 20 55	Starter motor	Startmotor		DO3
43	2	-	-	31 31 20	Clamp	Klammer		0
44	1	-	-	34 25 54	Exhaust hose	Avgasslang		D 3
45	1	-	-	33 87 19	Protective plate	Skärplåt		0
46	1 x L	-	-	60 20 53	Pipe	Rör	L = 490 mm	0
47	1	-	-	-	Bracket for controls	Hållare för reglage	See group 7	0
48	3	-	-	50 20 33	Screw	Skruv		0
49	3	-	-	61 50 44	Conical spring washer	Spännbricka		0
50	1	-	-	31 30 94	Clamp	Klammer		0
51	4	-	-	50 20 33	Screw	Skruv		0

1) CA30, all models
CA30, alla typer

Page Sida	Group Grupp	Picture No Bild nr	Issue Utgåva	ENGINE Deutz F6L 912	MOTOR Deutz F6L 912			
4	03	13580-1	S-10193-1					
Ref Pos	Quantity/Antal			Part No Art nr	Description	Benämning	Note Anmärkning	C, P K, L
	1)30							
52	4	-	-	61 50 44	Conical spring washer	Spännbricka		0
53	1	-	-	33 87 15	Muffler, cpl.	Ljuddämpare, kpl.		
54	1	-	-	33 87 12	•Muffler	•Ljuddämpare		D 3
55	8	-	-	50 20 58	•Screw	•Skruv		0
56	8	-	-	60 40 09	•Spring washer	•Fjäderbricka		0
57	1	-	-	33 87 16	•Gasket	•Packning		D 3
58	1	-	-	33 87 13	•Cover	•Gavel		
59	4	-	-	74 76 08	Screw	Skruv		0

1) CA30, all models
CA30, alla typer

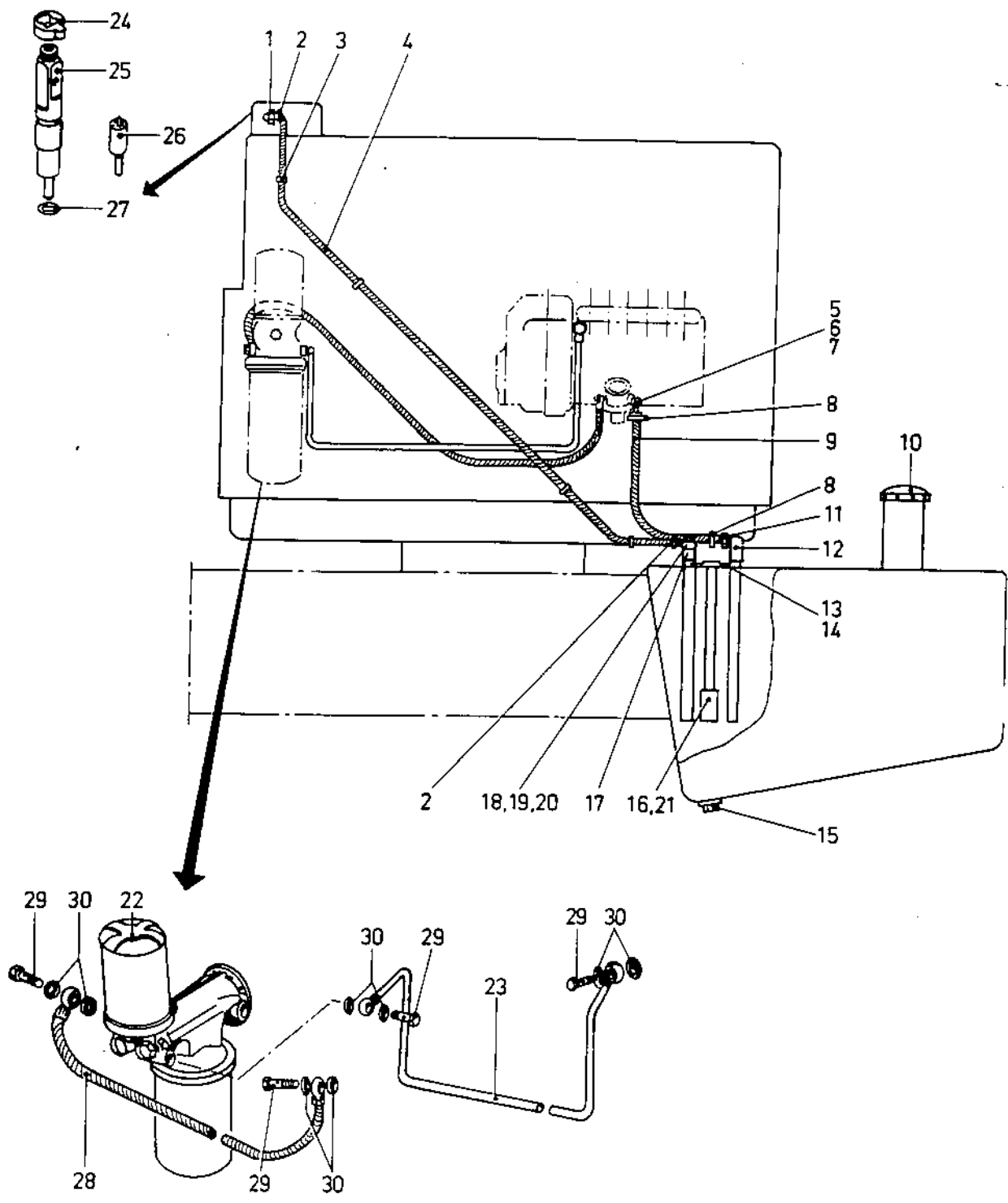


33 87 20

CA30-13581-1

Page Sida		Group Grupp		Picture No Bild nr		Issue Utgåva		AIR CLEANER		LUFTRENARE	
6		03		13581-1		S-10193-1					
Ref Pos	Quantity/Antal			Part No Art nr	Description	Benämning	Note Anmärkning	C, P K, L			
	Typ	CA									
	1)	30									
1	1	-	-	49 93 39	Air filter, cpl.	Lufffilter, kpl.			0		
2	1	-	-	49 92 36	•Restriction cap	•Plugg			0		
3	1	-	-	49 92 43	•Horizontal dust cap	•Horisontal dammsamlare			0		
4	1	-	-	49 92 44	•Vacuator valve	•Vakuumentil			0		
5	2	-	-	49 92 40	•Gasket	•Tätning			0		
6	2	-	-	49 92 42	•Clamp	•Klammer			0		
7	1	-	-	49 92 39	•Lower body	•Nedre hus			0		
8	1	-	-	49 92 37	•Upper body	•Övre hus			0		
9	1	-	-	49 92 49	•Element gasket	•Elementtätning			0		
10	1	-	-	49 92 38	•Inner cover gasket	•Inre locktätning			0		
11	1	-	-	33 56 56	•Air filter element	•Luftfilterinsats			A 1		
12	1	-	-	49 92 41	•Inner cover	•Inre lock			0		
13	1	-	-	49 92 50	•Gasket	•Packning			0		
14	1	-	-	49 92 45	•Thumb screw	•Vingskruv			0		
15	1	-	-	49 92 48	•Cover gasket	•Locktätning			0		
16	1	-	-	49 92 47	•Cover	•Lock			0		
17	3	-	-	31 30 38	Hose clamp	Slangklämma			0		
18	1	-	-	34 27 07	Steel pipe	Stålrör					
19	1	-	-	81 37 92	Protective cap	Skyddshuv			DO4		
20	1	-	-	49 91 31	Indicator	Indikator			DO3		
	1	-	-	74 50 57	Rubber adapter	Gummiadapter			DO3		
22	1	-	-	49 93 48	Rubber adapter	Gummiadapter			DO3		
23	4 x L	-	-	61 10 02	Spacer tube, 50 mm	Distansrör, 50 mm	L=50 mm		0		
24	4	-	-	50 20 42	Screw	Skruv			0		
25	4	-	-	61 50 44	Conical spring washer	Spännbricka			0		
26	4	-	-	57 10 03	Nut	Mutter			0		
27	2	-	-	81 37 91	Mounting band	Fästband			0		

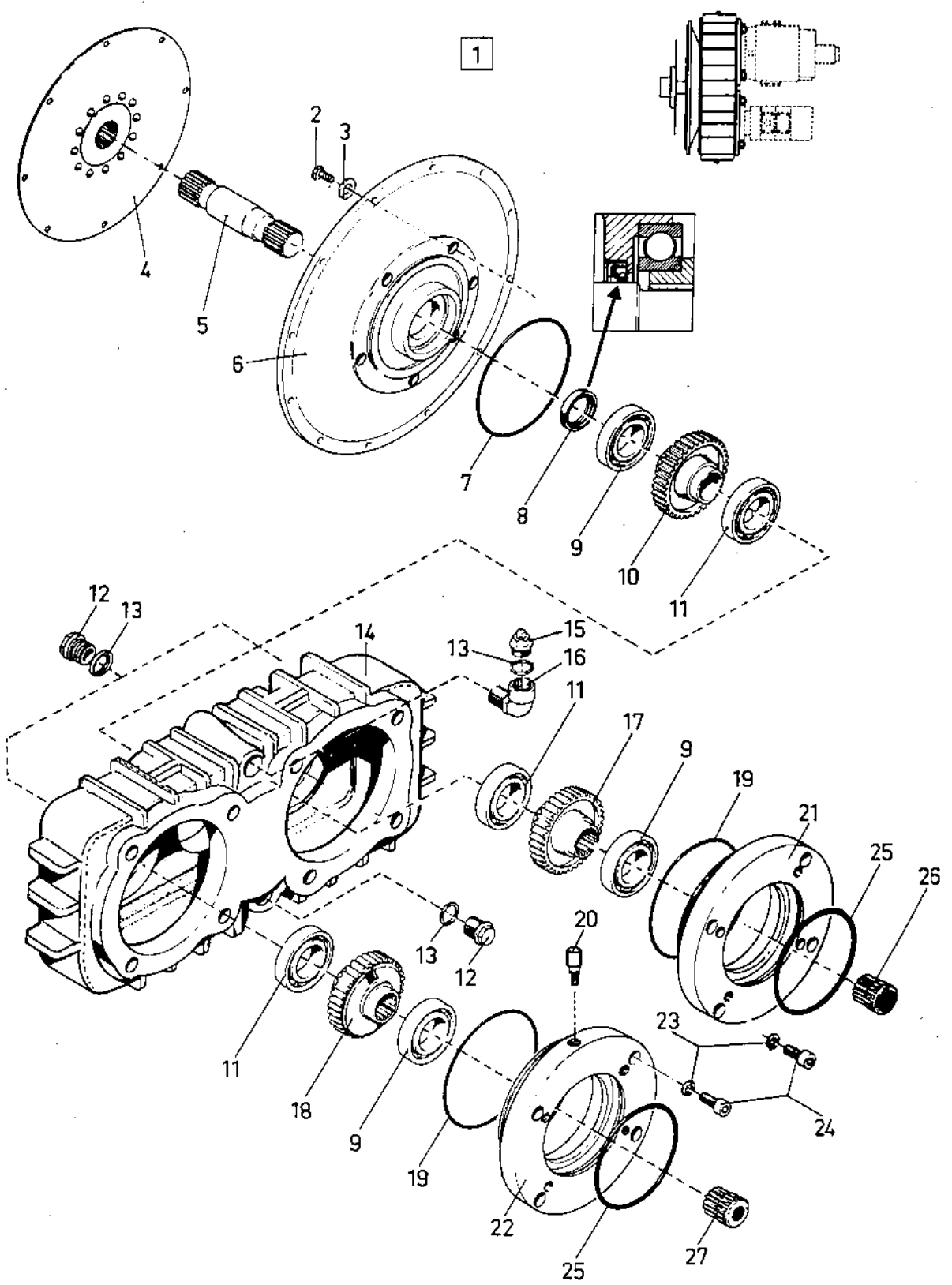
1) CA30, all models
CA30, alla typer



33 87 20

CA 30-13582-1

Page Sida	Group Grupp	Picture No Bild nr	Issue Utgåva	FUEL SYSTEM Deutz F6L 912	BRÄNSLESYSTEM Deutz F6L 912			
8	03	13582-1	S-10193-1					
Ref Pos	Quantity/Antal			Part No Art nr	Description	Benämning	Note Anmärkning	C, P K, L
	Typ CA							
	1)30							
1	1	-	-	33 40 41	Banjo nipple	Banjonippel		0
2	2	-	-	31 30 55	Hose clamp	Slangklämma		0
3	6	-	-	31 30 68	Cable strap	Buntband		0
4	1xL	-	-	20 50 69	Fuel hose, 1300 mm	Bränsleslang, 1300 mm	L = 1300 mm	DO3
5	1	-	-	33 01 70	Banjo nipple	Banjonippel		0
6	1	-	-	33 01 71	Banjo fitting	Banjobult		0
7	2	-	-	74 72 82	Copper washer	Kopparbricka		0
8	2	-	-	81 33 29	Hose clamp	Slangklämma		0
9	1xL	-	-	81 33 28	Fuel hose, 350 mm	Bränsleslang, 350 mm	L = 350 mm	DO3
10	1	-	-	49 90 97	Filler cap	Tanklock		DO3
11	1	-	-	81 33 27	Hose fitting	Slangnippel		0
12	1	-	-	33 41 74	Elbow, 90°	Rörkrök, 90°		0
13	5	-	-	81 33 07	Screw	Skruv		0
14	5	-	-	60 40 02	Spring washer	Fjäderbricka		0
15	2	-	-	81 33 91	Magnetic plug	Magnetplugg		DO3
16	1	-	-	81 33 14	Fuel level sender	Bränslenivågivare		DO3
17	1	-	-	33 87 21	Adapter	Adapter		
18	1	-	-	33 40 41	Banjo nipple	Banjonippel		0
19	1	-	-	23 01 95	Banjo fitting	Banjobult		0
20	2	-	-	74 81 15	Copper washer	Kopparbricka		0
21	1	-	-	81 33 15	Gasket	Packning		DO3
	1	-	-	-	Fuel filter	Bränslefilter	See page 2 ref. 23	
23	1	-	-	74 85 26	Fuel pipe	Bränslerör		0
24	6	-	-	74 79 86	Gasket	Packning		0
25	6	-	-	74 79 87	Injector	Spridare		0
26	6	-	-	74 79 89	Injector jet	Spridarmunstycke		0
27	6	-	-	74 79 88	Gasket	Packning		0
28	1	-	-	74 85 25	Fuel hose	Bränsleslang		DO3
29	4	-	-	33 01 71	Banjo fitting	Banjobult		0
30	8	-	-	74 72 82	Copper washer	Kopparbricka		0



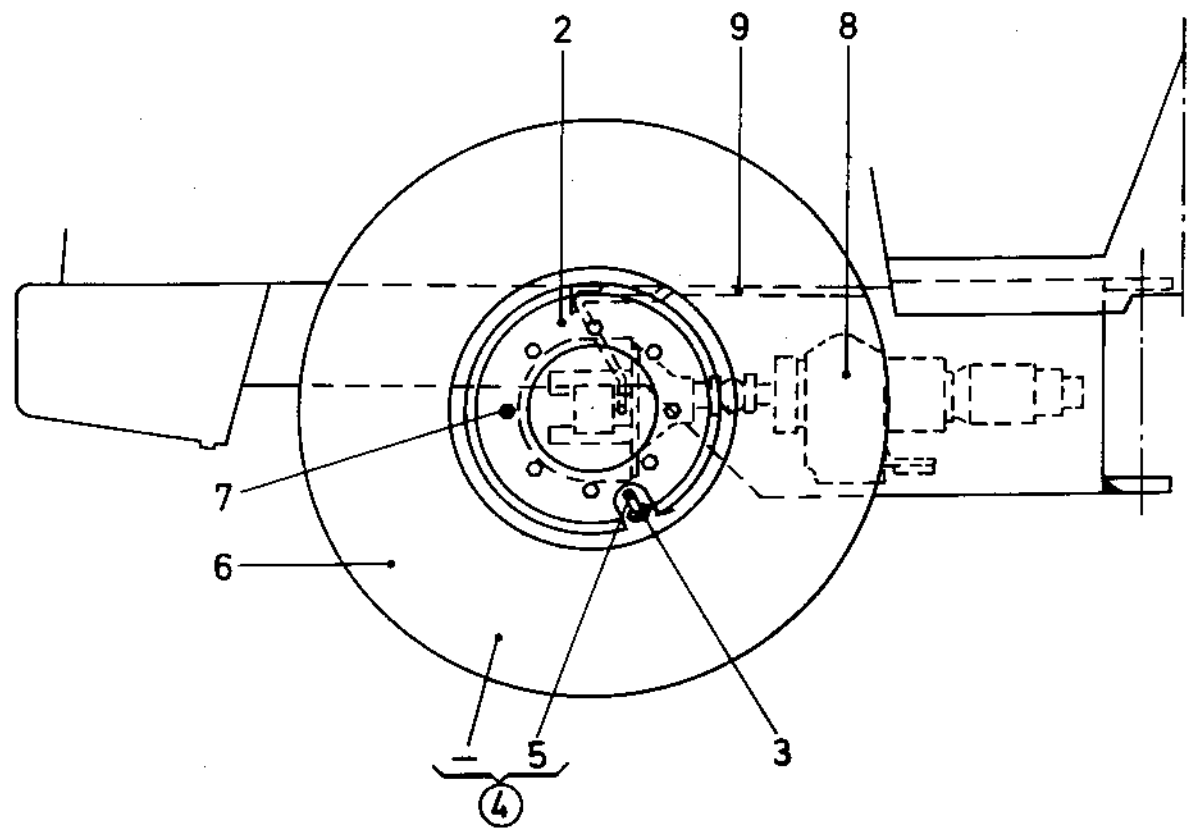
341106

CA 30-1358-1

Page Sida	Group Grupp	Picture No Bild nr	Issue Utgåva	HYDRAULIC PUMP GEARING	FÖRDELNINGSVÄXELLÅDA			
10	03	13583-1	S-10193-1					
Ref Pos	Quantity/Antal			Part No Art nr	Description	Benämning	Note Anmärkning	C, P K, L
	1)30	Typ CA						
1	1	-	-	34 11 06	Hydraulic pump gearing, cpl.	Fördelningsväxellåda, kpl.		C 3
2	6	-	-	50 00 93	•Screw	•Skruv		0
3	6	-	-	60 40 11	•Spring washer	•Fjäderbricka		0
4	1	-	-	34 08 55	•Drive plate	•Medbringarplatta		D 3
5	1	-	-	34 08 64	•Splined shaft	•Splinesaxel		D 3
6	1	-	-	34 08 59	•Flywheel cover	•Svänghjulsåpa		
7	1	-	-	16 02 64	•O-ring	•O-ring		DO3
8	1	-	-	16 10 93	•Seal ring	•Tätningring		DO3
9	3	-	-	11 11 96	•Ball bearing	•Kullager		DO3
10	1	-	-	34 08 56	•Gear	•Kuggjul		D 4
11	3	-	-	11 10 63	•Ball bearing	•Kullager		DO3
12	3	-	-	23 20 56	•Plug	•Plugg		0
13	4	-	-	16 20 06	•Seal ring	•Tätningring		0
14	1	-	-	34 08 50	•Housing	•Hus		
15	1	-	-	23 20 56	•Plug	•Plugg		0
16	1	-	-	33 10 57	•Elbow	•Rörkrök		0
17	1	-	-	34 08 58	•Gear	•Kuggjul		D 4
18	1	-	-	34 08 65	•Gear	•Kuggjul		D 4
19	2	-	-	16 01 81	•O-ring	•O-ring		DO3
20	1	-	-	23 20 47	•Filter plug	•Filterplugg		DO4
21	1	-	-	34 08 57	•Bearing housing	•Lagerhus		D 4
22	1	-	-	34 08 66	•Bearing housing	•Lagerhus		D 4
23	8	-	-	60 40 15	•Spring washer	•Fjäderbricka		0
24	8	-	-	50 80 31	•Screw	•Skruv		0
25	2	-	-	16 01 32	O-ring	O-ring		DO3
26	1	-	-	34 08 61	Splined sleeve	Splineshylsa		D 4
27	1	-	-	34 08 62	Splined sleeve	Splineshylsa		D 4

1) CA30, all models
CA30, alla typer

1

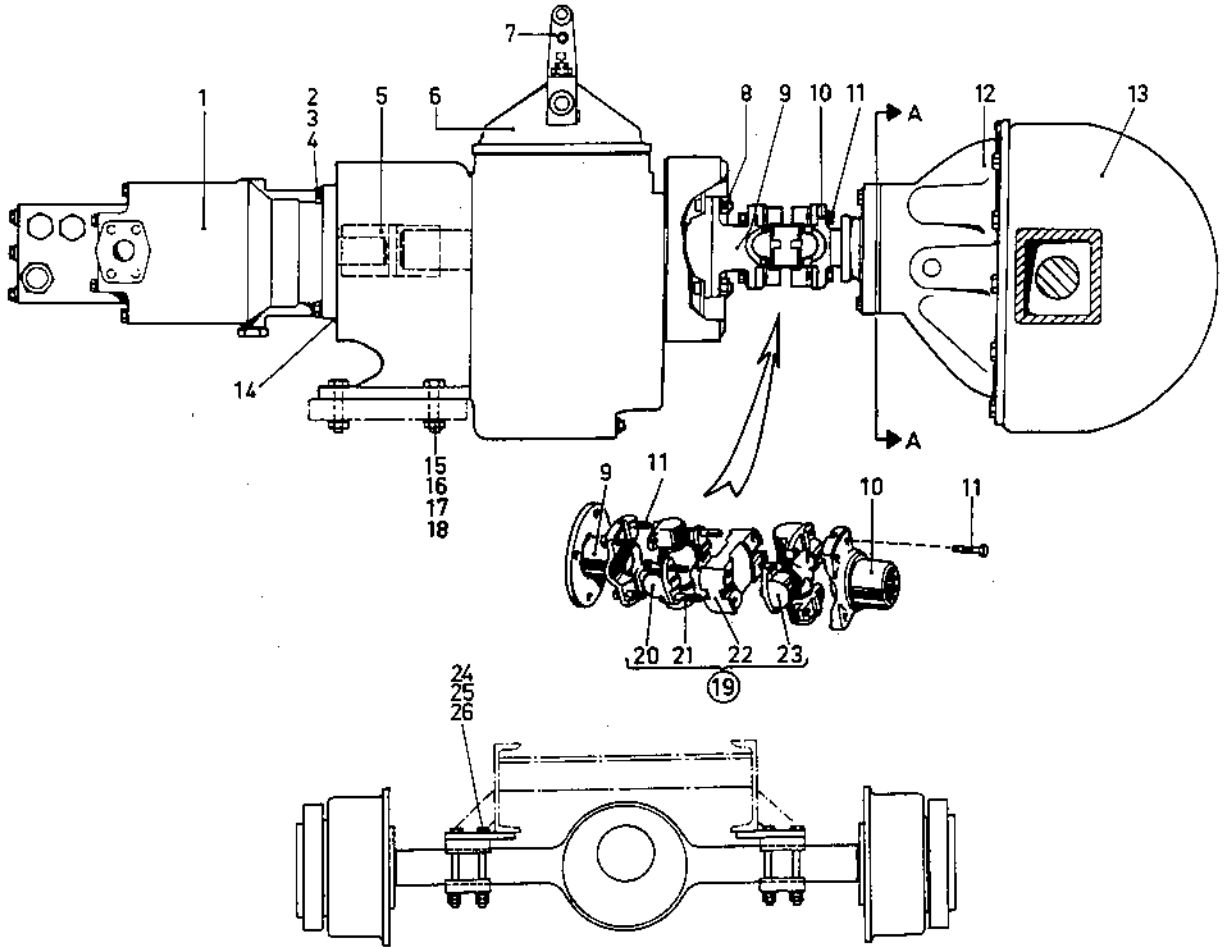


CA 30-13584-1

Page Sida		Group Grupp			Picture No Bild nr	Issue Utgåva	WHEEL	HJUL	
2		04			13584-1	S-10193-1			
Ref Pos	Quantity/Antal				Part No Art nr	Description	Benämning	Note Anmärkning	C, P K, L
	1)30								
1	2	-	-	-	433 55 96 11	Wheel, cpl.	Hjul, kpl.	4) See page 12 ref. 31 See page 4 ref. 6 See group 7	O DO3 O DO3
2	1	-	-	-	33 54 63	•Rim	•Fälg		
3	1	-	-	-	81 33 82	•Tyre valve nut	•Ventilmutter		
4	1	-	-	-	81 33 80	•Inner tube with tyre valve, cpl.	•Innerslang med ventil, kpl.		
5	1	-	-	-	81 33 81	••Tyre valve	••Ventil		
6	1	-	-	-	81 33 79	•Tyre	•Däck		
7	16	-	-	-	-	Wheel nut	Hjulmutter		
8	1	-	-	-	-	Three-speed gear box	Tre-växlad växellåda		
9	1	-	-	-	-	Comps, page 6 Brake line, master cyl.	Det. se sida 6 Bromsledning, huvudcyl.		

1) CA30, all models
CA30, alla typer

4) Not sold as spare part
Säljes ej som reservdel



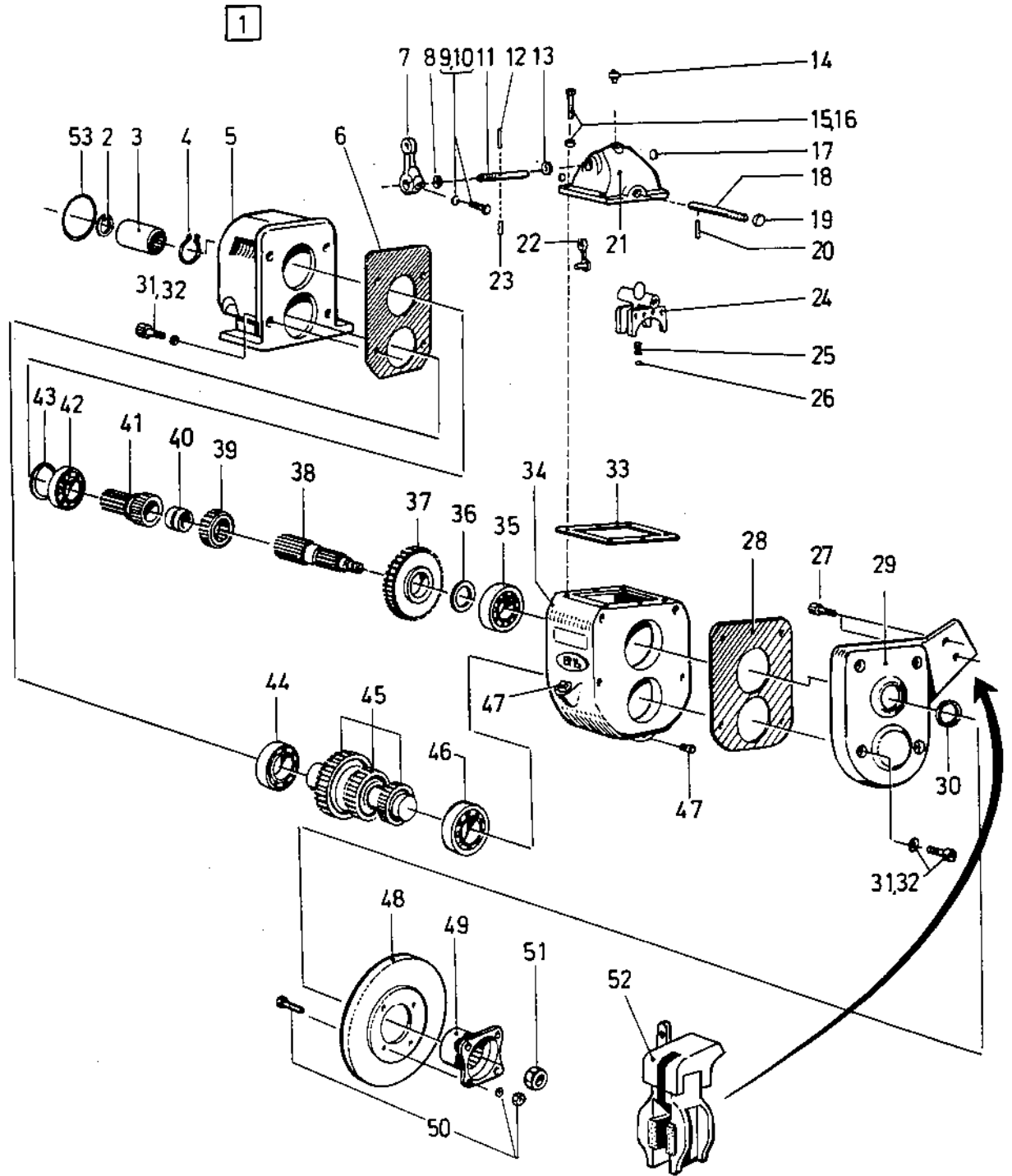
33 81 99

A — A

CA 30 - 13585 - 1

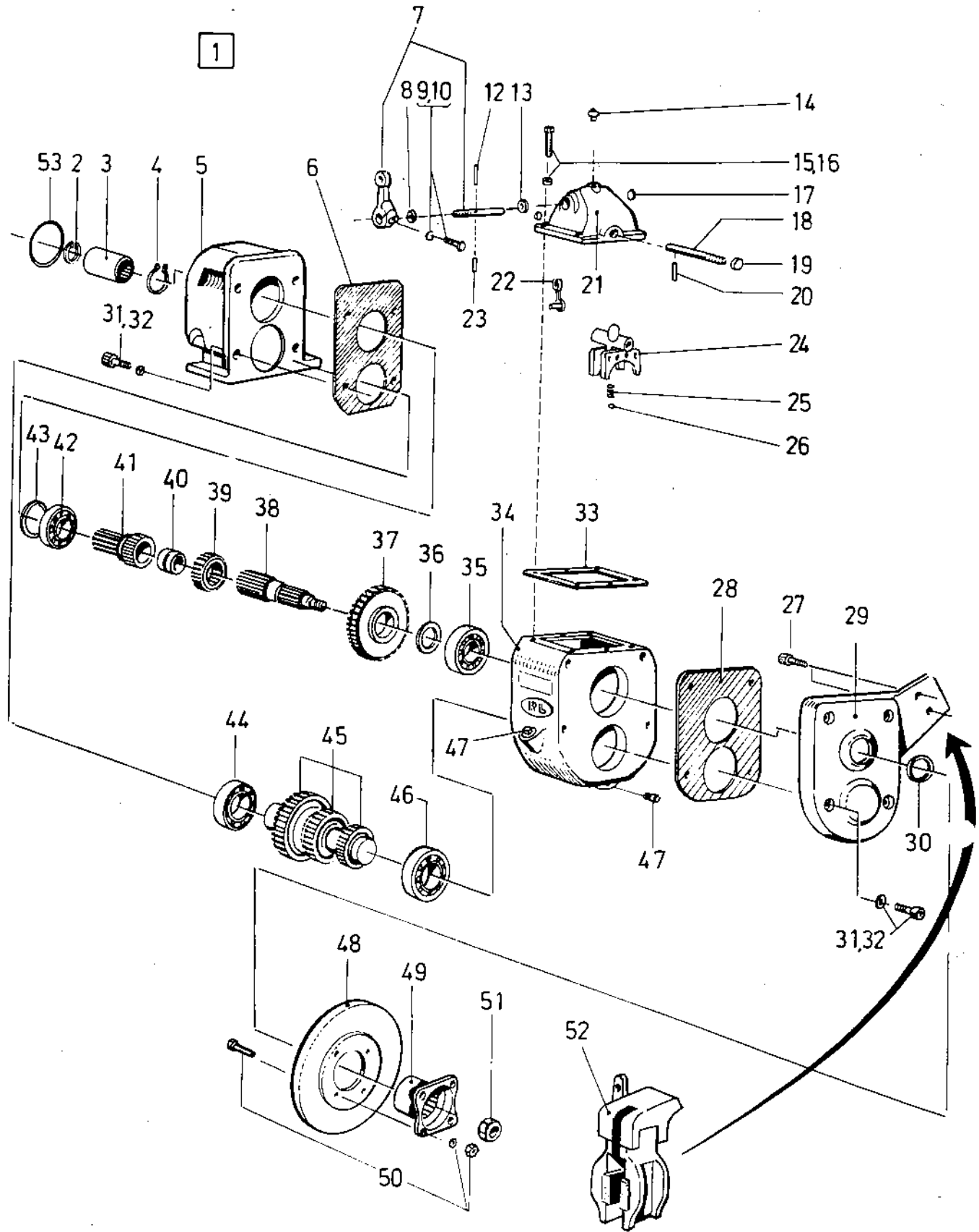
Page Sida	Group Grupp	Picture No Bild nr	Issue Utgåva	GEAR BOX AND WHEEL AXLE	VÄXELLÅDA OCH HJULAXEL				
4	04	13585-1	S-10193-1						
Ref Pos	Quantity/Antal			Part No Art nr	Description	Benämning	Note Anmärkning	C, P K, L	
	Typ CA								
	1)30								
1	1	-	-	-	-	Hydraulic motor, drive	Hydraulmotor, drivning ...	See group 5	
2	4	-	-	-	50 20 59	Screw	Skruv		0
3	4	-	-	-	60 40 09	Spring washer	Fjäderbricka		0
4	4	-	-	-	60 30 03	Washer	Bricka		0
5	1	-	-	-	-	Splined sleeve	Splineshylsa	See page 6 ref. 3	
6	1	-	-	-	34 20 64	Three-speed gear box	Tre-växlad växellåda		
						Comps, page 6	Det. se sida 6		
7	1	-	-	-	81 33 19	Bushing	Bussning		0
8	4	-	-	-	-	Bolt	Bult	See page 6 ref. 50	
9	1	-	-	-	81 33 18	Connecting flange	Kopplingsfläns		DO4
10	1	-	-	-	-	Connecting flange	Kopplingsfläns	See page 14 ref. 27	
11	8	-	-	-	50 30 24	Screw	Skruv		0
12	1	-	-	-	-	Differential carrier	Differentialhållare		
						Comps, page 14	Det. se sida 14		
13	1	-	-	-	33 54 64	Wheel axel and planetary gearing	Hjulaxel och planetväxel		
						Comps, page 12	Det. se sida 12		
14	1	-	-	-	-	O-ring	O-ring	See page 8 ref. 53	
15	4	-	-	-	50 20 80	Screw	Skruv		0
16	4	-	-	-	61 50 46	Conical spring washer	Spännbricka		0
17	4	-	-	-	60 30 04	Washer	Bricka		0
18	4	-	-	-	57 10 06	Nut	Mutter		0
19	1	-	-	-	81 33 03	Universal joint, cpl.	Kardanknut, kpl.		DO3
20	1	-	-	-	81 37 93	•Universal joint cross	•Kardanknutskors		DO4
21	4	-	-	-	81 37 96	•Screw	•Skruv		0
22	1	-	-	-	81 37 95	•Intermediate plate	•Mellanstycke		0
23	1	-	-	-	81 37 94	•Universal joint cross	•Kardanknutskors		DO4
24	8	-	-	-	50 21 42	Screw	Skruv		0
25	8	-	-	-	60 00 13	Washer	Bricka		0
26	16	-	-	-	57 10 07	Nut	Mutter		0

1) CA30, all models
CA30, alla typer



34 20 64

CA 30-13586-1



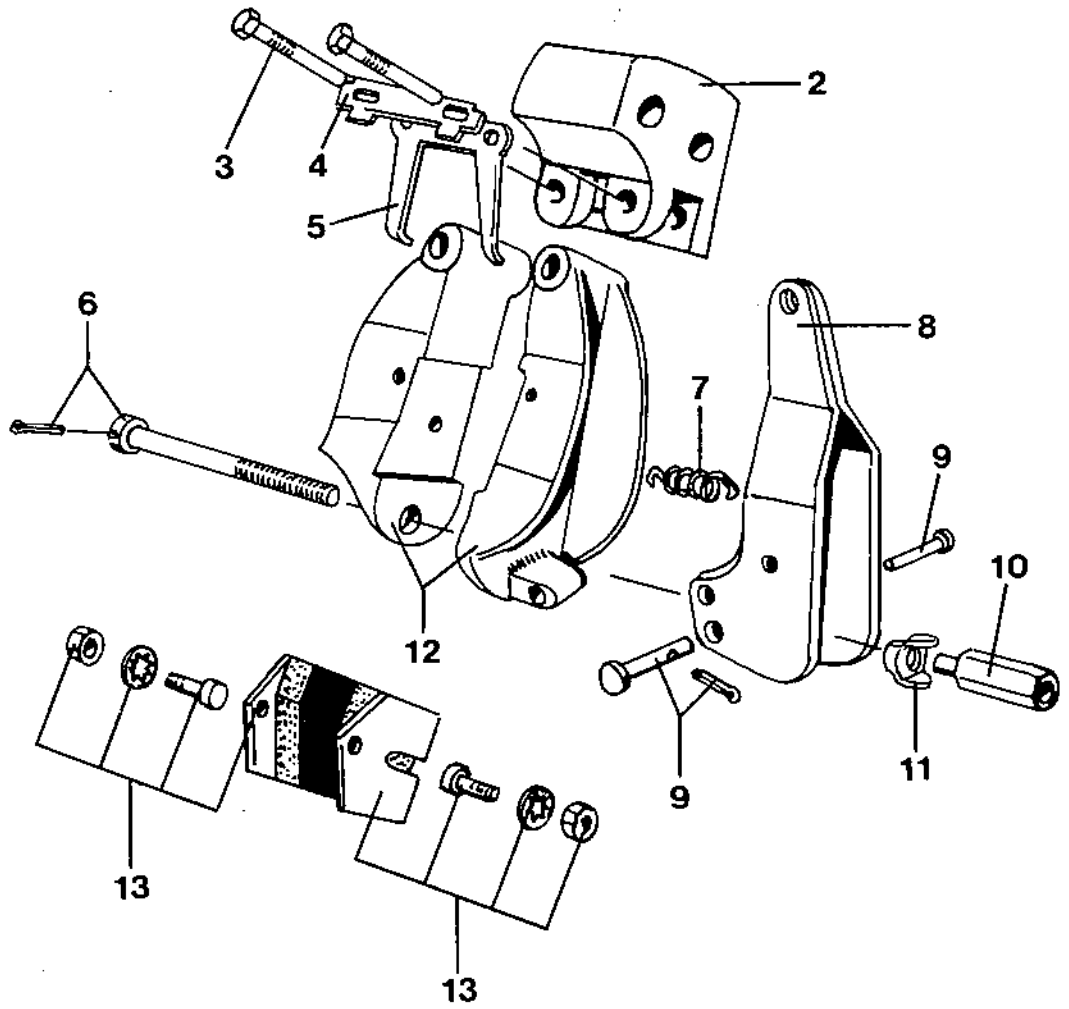
Page Sida	Group Grupp	Picture No Bild nr	Issue Utgåva	THREE-SPEED GEAR BOX	TRE-VÅXLAD VÅXELLÅDA			
6	04	13586-1	S-10193-1					
Ref Pos	Quantity/Antal			Part No Art nr	Description	Benämning	Note Anmärkning	C, P K, L
	1)30							
1	1	-	-	34 20 64	Three-speed gear box, cpl	Tre-våxlad växellåda, kpl.		C 4
2	1	-	-	15 10 35	•Snap ring	•Spårring		0
3	1	-	-	42 33 91	•Splined sleeve	•Splineshylsa		D 03
4	1	-	-	15 00 20	•Snap ring	•Spårring		0
5	1	-	-	42 34 05	•Housing	•Hus		0
6	1	-	-	42 34 03	•Gasket	•Packning		D 03
7	1	-	-	42 33 95	•Lever	•Arm		0
8	1	-	-	42 34 14	•Seal ring	•Tätningring		D 03
9	1	-	-	50 00 28	•Screw	•Skruv		0
10	1	-	-	61 50 44	•Conical spring washer ...	•Spännbricka		0
11	1	-	-	42 33 98	•Shaft	•Axel		0
12	1	-	-	42 34 13	•Expanding pin	•Fjädrande rörpinne		0
13	1	-	-	42 33 86	•Shim (set)	•Shims (sats)		0
14	1	-	-	48 13 33	•Ventilating valve	•Urluftningsventil		D 04
15	8	-	-	50 00 21	•Screw	•Skruv		0
16	8	-	-	61 50 43	•Conical spring washer ...	•Spännbricka		0
17	1	-	-	42 33 84	•Plug	•Plugg		0
18	1	-	-	42 33 88	•Rod	•Stång		0
19	2	-	-	42 33 84	•Plug	•Plugg		0
20	1	-	-	42 34 13	•Expanding pin	•Fjädrande rörpinne		0
	1	-	-	42 34 06	•Cover	•Lock		0
22	1	-	-	42 33 90	•Lever	•Arm		0
23	1	-	-	42 34 75	•Expanding pin	•Fjädrande rörpinne		0
24	1	-	-	42 33 96	•Fork	•Gaffel		D 04
25	1	-	-	42 33 89	•Spring	•Fjäder		D 03
26	1	-	-	13 30 41	•Ball	•Kula		D 03
27	2	-	-	55 01 16	•Screw	•Skruv		0
28	1	-	-	42 34 03	•Gasket	•Packning		D 03
29	1	-	-	42 34 08	•Cover	•Lock		0
30	1	-	-	42 34 09	•Seal ring	•Tätningring		D 03
31	8	-	-	50 01 31	•Screw	•Skruv		0
32	8	-	-	67 50 70	•Conical spring washer ...	•Spännbricka		0
33	1	-	-	42 34 00	•Gasket	•Packning		D 03
34	1	-	-	42 34 07	•Housing	•Hus		0
35	1	-	-	11 12 08	•Ball bearing	•Kullager		D 03
36	1	-	-	42 33 93	•Spacer	•Distansbricka		0
37	1	-	-	42 33 87	•Gear	•Kuggghjul		0
38	1	-	-	42 34 01	•Splined shaft	•Splinesaxel		0
39	1	-	-	42 33 94	•Gear	•Kuggghjul		0
40	1	-	-	42 33 81	•Needle bearing	•Nållager		D 03
41	1	-	-	42 34 02	•Shaft with gear	•Kuggaxel		0
42	1	-	-	11 12 09	•Ball bearing	•Kullager		D 03
43	1	-	-	42 33 92	•Washer	•Bricka		0
44	1	-	-	11 10 85	•Ball bearing	•Kullager		D 03
45	1	-	-	42 33 97	•Shaft with gear	•Kuggaxel		0
46	1	-	-	11 10 86	•Ball bearing	•Kullager		D 03
	2	-	-	42 33 82	•Plug	•Plugg		D 04
48	1	-	-	42 34 04	•Brake disc	•Bromsskiva		0
49	1	-	-	42 33 99	•Hub	•Nav		0
50	4	-	-	42 34 11	•Bolt	•Bult		0
51	1	-	-	42 33 85	•Nut	•Mutter		0

Page Sida		Group Grupp			Picture No Bild nr		Issue Utgåva		THREE-SPEED GEAR BOX		TRE-VÄXLAD VÄXELLÅDA	
8		04			13586-1		S-10193-1					
Ref Pos	Quantity/Antal				Part No Art nr	Description	Benämning	Note Anmärkning	C, P, K, L			
	Typ CA	1)30										
52	1	-	-	-	42 34 10	•Disc brake, cpl. Comps, page 10	•Skivbroms, kpl. Det. se sida 10					
53	1	-	-	-	16 02 97	O-ring	O-ring		D 03			

1) CA30, all models
CA30, alla typer

40
41

1



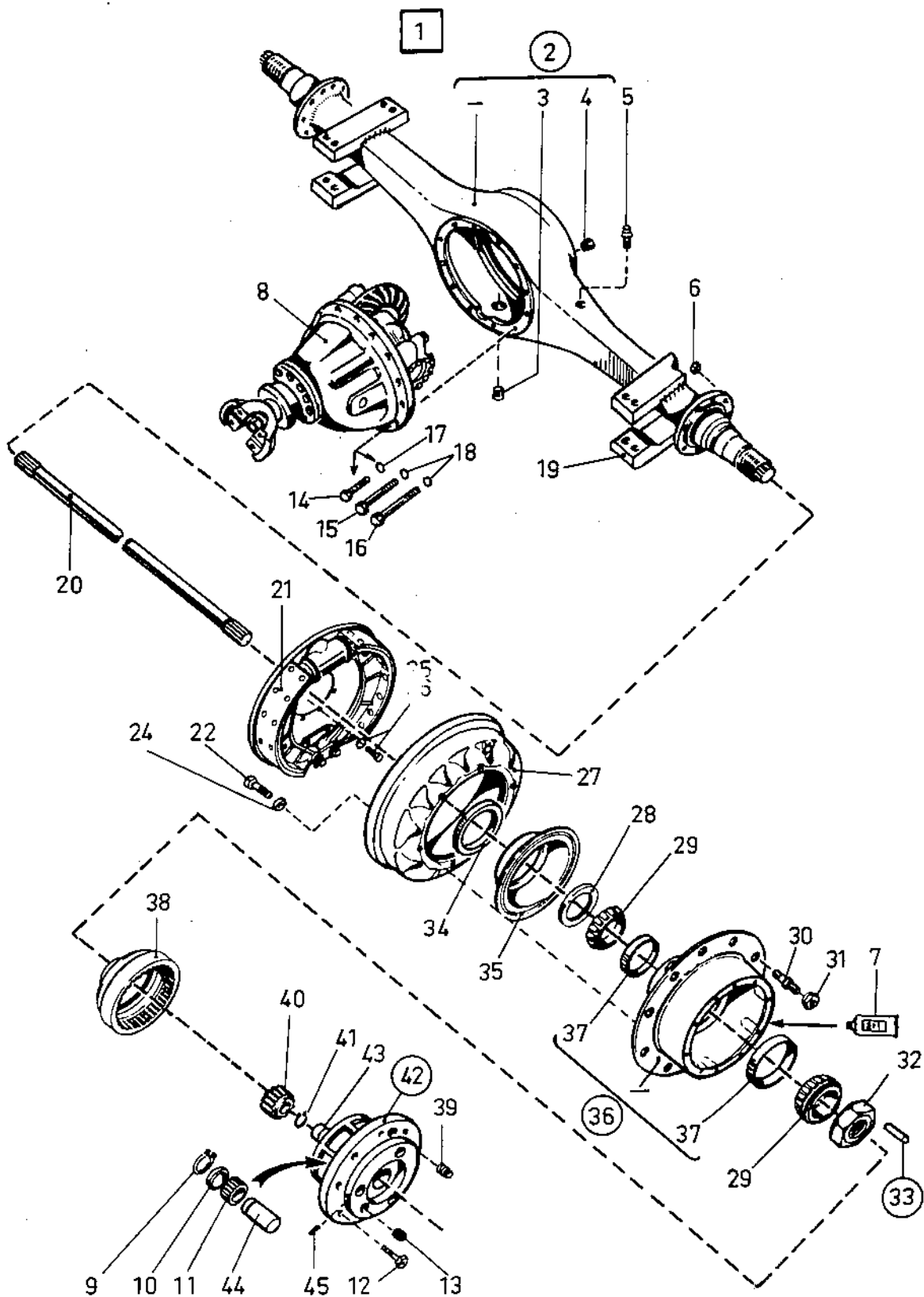
34 20 64

CA 30-13587-1

42

Page Sida		Group Grupp		Picture No Bild nr		Issue Utgåva		DISC BRAKE		SKIVBROMS	
10		04		13587-1		S-10193-1					
Ref Pos	Quantity/Antal				Part No Art nr	Description	Benämning	Note Anmärkning	C, P K, L		
	1)	30									
1	1	-	-	-	42 34 10	Disc brake, cpl.	Skivbroms, kpl.		DO4		
2	1	-	-	-	91 10 86	•Bracket	•Fäste		O		
3	2	-	-	-	91 10 78	•Screw	•Skruv		O		
4	1	-	-	-	91 10 80	•Lock plate	•Låsbleck		DO3		
5	1	-	-	-	91 10 83	•Fork	•Gaffel		O		
6	1	-	-	-	91 10 85	•Bolt with split pin	•Bult med saxpinne		O		
7	1	-	-	-	91 10 79	•Spring	•Fjäder		DO3		
8	1	-	-	-	91 10 84	•Control lever	•Reglagearm		O		
9	2	-	-	-	91 10 82	•Bolt with split pin	•Bult med saxpinne		O		
10	1	-	-	-	91 10 76	•Link sleeve	•Länkhylsa		O		
11	1	-	-	-	91 10 77	•Link nut	•Länkmutter		O		
12	1	-	-	-	91 10 87	•Brake shoe, set	•Bromssko, sats		O		
13	2	-	-	-	91 10 81	•Brake lining set	•Bromsbeläggssats		DO3		

1) CA30, all models
CA30, alla typer



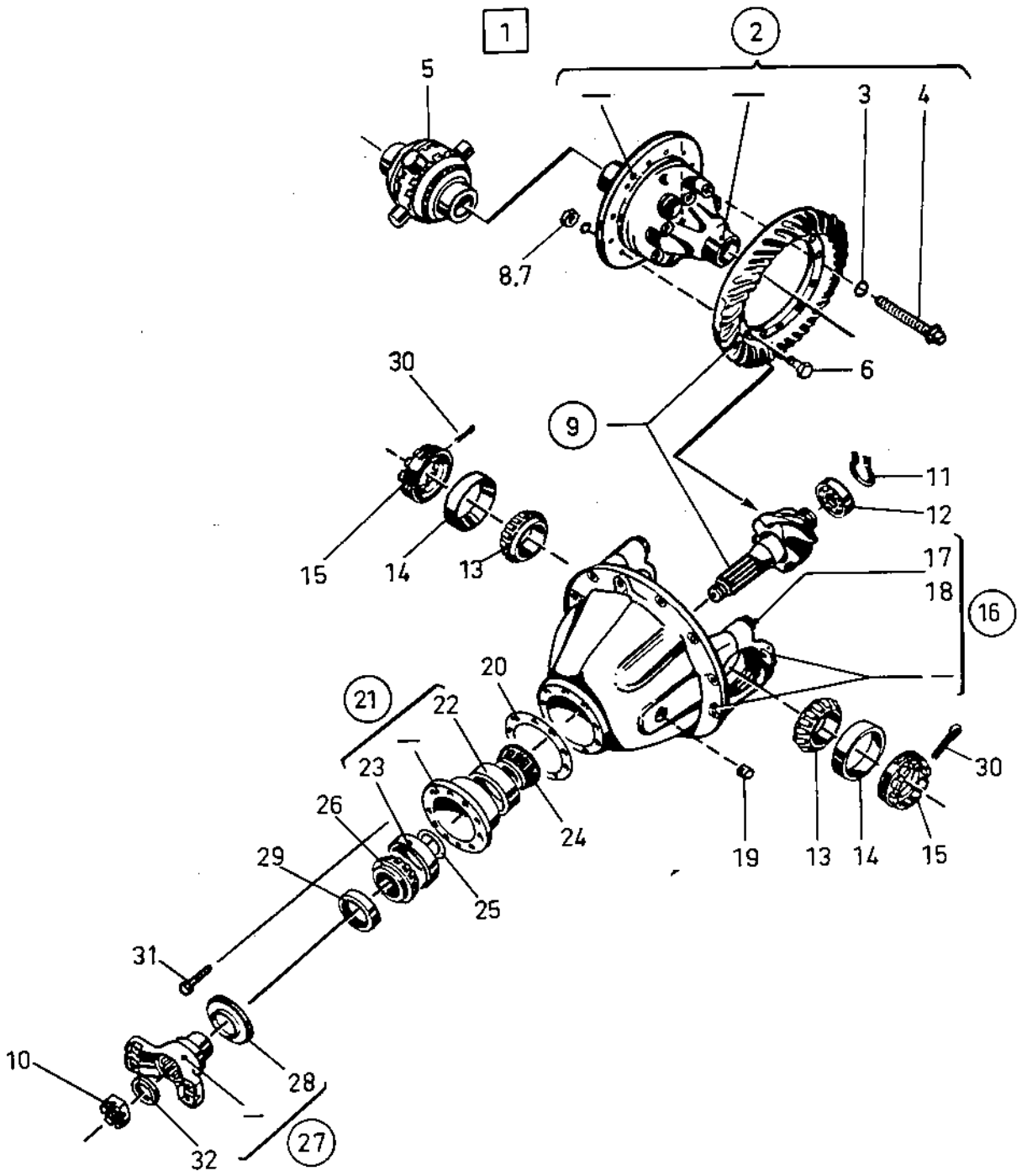
33 5464

CA 30-13588-1

Page Sida		Group Grupp		Picture No Bild nr		Issue Utgåva		3) WHEEL AXLE Wheel axle and planetary gearing		3) HJULAXEL Hjulaxel och planetväxel	
12		04		13588-1		S-10193-1					
Ref Pos	Quantity/Antal			Part No Art nr	Description	Benämning	Note Anmärkning	C, P K, L			
	Typ	CA	1)30								
1	1	-	-	33 54 64	Wheel axle, compl.	Hjulaxel, kompl.					
2	1	-	-	91 03 77	•Housing, compl.	•Hus, kompl.		O			
3	1	-	-	91 03 87	••Drain plug	••Avtappningsplugg		D O3			
4	1	-	-	81 40 34	••Filling plug	••Påfyllningsplugg		D O3			
5	1	-	-	81 40 08	•Ventilating valve	•Urluftsventil		D O4			
6	20	-	-	41 61 06	•Nut	•Mutter		O			
7	2	-	-	81 40 33	•Drain plug	•Avtappningsplugg		D O3			
8	1	-	-	-	•Differential carrier	•Differentialhållare					
					Comps, page 14	Det. se sida 14					
9	6	-	-	81 39 67	•Snap ring	•Spårring		O			
10	6	-	-	81 39 61	•Thrust washer	•Tryckbricka		O			
11	6	-	-	41 61 91	•Planet gear	•Planethjul		D O4			
12	32	-	-	81 39 36	•Screw	•Skruv		O			
13	2	-	-	81 40 34	•Filling plug	•Påfyllningsplugg		D O3			
14	12	-	-	91 03 86	•Screw, short	•Skruv, kort		O			
15	2	-	-	89 32 61	•Screw, medium	•Skruv, medellång		O			
16	2	-	-	91 03 85	•Screw, long	•Skruv, lång		O			
17	12	-	-	41 62 23	•Washer	•Bricka		O			
18	4	-	-	41 61 26	•Washer	•Bricka		O			
19	2	-	-	91 03 92	•Support plate	•Stödplatta		O			
20	2	-	-	81 42 82	•Shaft	•Axel		D O			
21	2	-	-	-	•Brake	•Broms					
					Comps, page 16	Det. se sida 16					
22	20	-	-	91 03 84	•Screw	•Skruv		O			
23	-	-	-	-	-	-					
24	20	-	-	81 39 53	•Washer	•Bricka		O			
25	20	-	-	91 03 89	•Washer	•Bricka		O			
26	20	-	-	91 03 83	•Screw	•Skruv		O			
27	2	-	-	81 42 40	•Brake drum	•Bromstrumma		O			
28	2	-	-	81 40 10	•Seal ring	•Tätningring		D O3			
29	4	-	-	81 40 28	•Bearing cone	•Innerring med rullar		D O4			
30	16	-	-	81 36 93	•Stud	•Pinnskruv		D O3			
31	16	-	-	81 36 94	•Wheel nut	•Hjulmutter		D O3			
32	2	-	-	81 40 11	•Nut lock	•Mutterlåsning		D O4			
33	1	-	-	41 61 48	••Pin	••Pinne		O			
34	2	-	-	81 39 45	•Wear sleeve	•Slithylsa		O			
35	2	-	-	81 39 95	•Oil slinger	•Oljekastarring		O			
36	2	-	-	81 42 41	•Hub, compl.	•Nav, kompl.		O			
37	2	-	-	81 40 27	••Bearing cup	••Yttering		D O4			
38	2	-	-	81 39 99	•Ring gear	•Krondev		D O4			
39	n	-	-	49 10 15	Liquid gasket (tube)	Tätningmassa (tub)		D O4			
40	2	-	-	81 42 83	•Sun gear	•Solhjul		D O4			
41	2	-	-	81 39 66	•Snap ring	•Spårring		O			
42	2	-	-	91 03 80	•Planetary spider, compl.	•Planethjulshållare, kpl. ...		O			
43	1	-	-	81 39 68	••Thrust button	••Tryckplatta		O			
44	3	-	-	81 39 97	••Shaft	••Axel		D O4			
45	3	-	-	81 40 37	••Stop screw	••Stoppkruv		O			

1) CA30, all models
CA30, alla typer

3) When ordering spare parts for wheel axle, always state type designation of axle. Type sign is located on axle housing between wheel and differential
Vid beställning av reservdelar till hjulaxel, ange alltid typbeteckningen på axeln. Typskylten är placerad på axelhuset mellan hjul och differential.



CA 30-13589-1

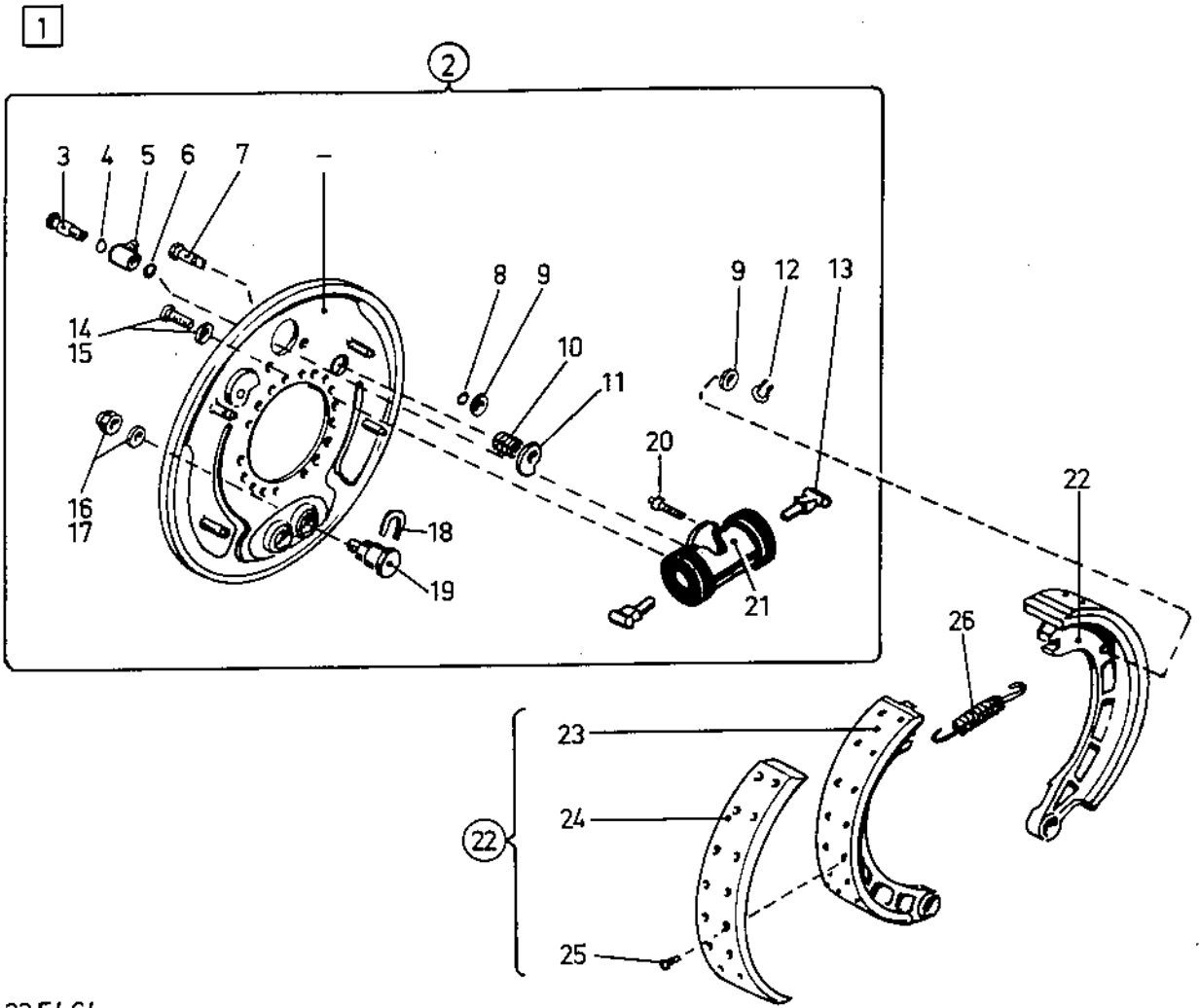
Page Sida		Group Grupp		Picture No Bild nr		Issue Utgåva		3) WHEEL AXLE Differential carrier		3) HJULAXEL Differentialhållare	
14		04		13589-1		S-10193-1					
Ref Pos	Quantity/Antal			Part No Art nr	Description	Benämning	Note Anmärkning	C, P K, L			
	Typ CA										
1	1	-	-	89 02 03	Differential carrier, cpl. ...	Differentialhållare, kpl. ...			D 04		
2	1	-	-	89 31 23	•Differential case, cpl.	•Differentialhus, kpl.			O		
3	8	-	-	41 62 23	••Washer	••Bricka			O		
4	8	-	-	81 39 38	••Screw	••Skruv			O		
5	1	-	-	81 40 06	•No-Spin differential	•No-Spin-differential			O		
6	12	-	-	89 21 04	•Screw	•Skruv			O		
7	12	-	-	41 62 23	•Washer	•Bricka			O		
8	12	-	-	81 40 44	•Nut	•Mutter			O		
9	1	-	-	81 40 18	•Drive shaft w gear ring ..	•Drivaxel med kuggkrans			D 04		
10	1	-	-	91 03 88	••Nut	••Mutter			O		
11	1	-	-	81 39 54	••Snap ring	••Spårring			O		
12	1	-	-	81 39 48	••Roller bearing	••Rullager			D 04		
13	2	-	-	81 40 03	•Bearing cone	•Innerring med rullar			D 03		
14	2	-	-	89 14 15	•Bearing cup	•Yttering			D 03		
15	2	-	-	81 39 86	•Adjusting ring	•Justerring			D 04		
16	1	-	-	91 03 79	•Bearing housing, cpl.	•Lagerhus, kpl.			O		
17	4	-	-	89 16 63	••Screw	••Skruv			O		
18	4	-	-	81 39 53	••Washer	••Bricka			O		
19	1	-	-	81 40 34	•Filling plug	•Påfyllningsplugg			D 03		
20	n	-	-	89 23 06	•Shim, .003"	•Mellanlägg, 0,003"	2)		D 04		
	n	-	-	89 23 09	•Shim, .005"	•Mellanlägg, 0,005"	2)		D C		
	n	-	-	89 33 39	•Shim, .010"	•Mellanlägg, 0,010"	2)		D O-		
21	1	-	-	89 10 86	•Bearing cage, cpl.	•Lagerhållare, kpl.			D 04		
22	1	-	-	91 02 38	••Bearing cup, inner	••Yttering, inre			D 04		
23	1	-	-	81 40 05	••Bearing cup, outer	••Yttering, yttre			D 04		
24	1	-	-	89 13 90	•Bearing cone, inner	•Innerring med rullar,			D 04		
						inre					
25	n	-	-	89 33 30	•Spacer, .153"	•Distansring, 0,153"	2)		O		
	n	-	-	89 33 31	•Spacer, .154"	•Distansring, 0,154"	2)		O		
	n	-	-	89 33 32	•Spacer, .155"	•Distansring, 0,155"	2)		O		
	n	-	-	89 33 33	•Spacer, .156"	•Distansring, 0,156"	2)		O		
	n	-	-	89 33 34	•Spacer, .157"	•Distansring, 0,157"	2)		O		
	n	-	-	89 33 35	•Spacer, .158"	•Distansring, 0,158"	2)		O		
	n	-	-	89 33 36	•Spacer, .164"	•Distansring, 0,164"	2)		O		
	n	-	-	89 33 37	•Spacer, .170"	•Distansring, 0,170"	2)		O		
	n	-	-	89 33 38	•Spacer, .182"	•Distansring, 0,182"	2)		O		
26	1	-	-	81 40 04	•Bearing cone, outer	•Innerring med rullar,			D 04		
						yttre					
27	1	-	-	81 40 16	•Connecting flange, cpl.	•Kopplingsfläns, kpl.			O		
28	1	-	-	91 03 91	••Ring	••Ring			O		
29	1	-	-	89 10 67	•Seal ring	•Tätningring			D 03		
30	2	-	-	81 39 46	•Cotter pin	•Saxpinne			O		
31	8	-	-	89 32 61	•Screw	•Skruv			O		
32	1	-	-	81 39 49	•Washer	•Bricka			O		

1) CA30, all models
CA30, alla typer

2) As required
Efter behov

3) When ordering spare parts for wheel axle, always state type designation of axle. Type sign is located on axle housing between wheel and differential

Vid beställning av reservdelar till hjulaxel, ange alltid typbeteckningen på axeln. Typskylten är placerad på axelhuset mellan hjul och differential.



33 54 64
33 55 52

CA 30-13590-1

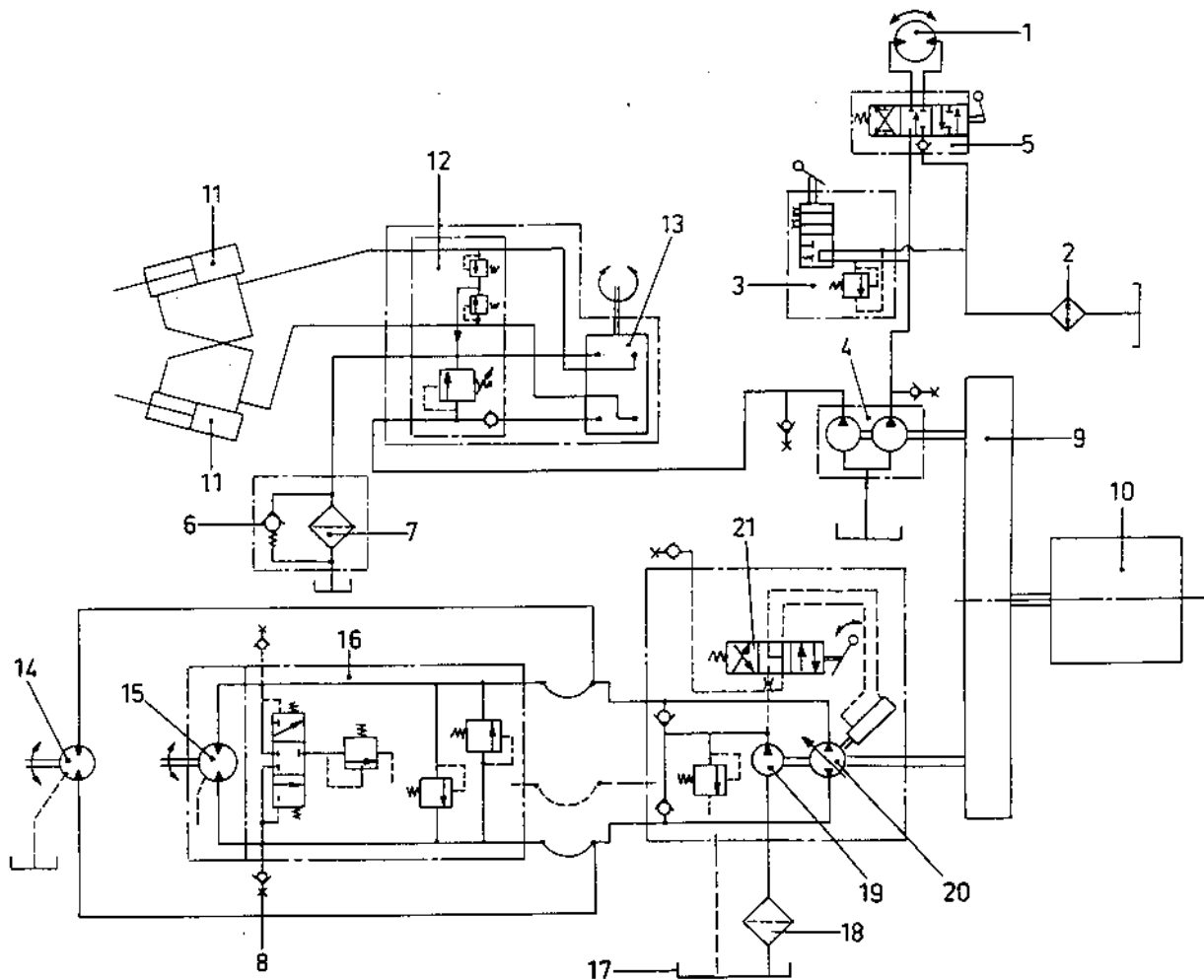
HB

Page Sida		Group Grupp		Picture No Bild nr		Issue Utgåva		3) WHEEL AXLE Brake		3) HJULAXEL Broms	
16		04		13590-1		S-10193-1					
Ref Pos	Quantity/Antal			Part No Art nr	Description	Benämning	Note Anmärkning	C, P K, L			
	Typ	CA	1)30								
1	2	-	-	81 42 81	Brake, compl.	Broms, kompl.		O			
2	1	-	-	81 40 14	•Brake shield, compl.	•Bromssköld, kompl.		O			
3	1	-	-	91 03 90	••Bolt	••Bult		O			
4	1	-	-	81 39 84	••Gasket	••Packning		D O3			
5	1	-	-	81 39 42	••Inlet	••Anslutning		D O4			
6	1	-	-	81 39 82	••Gasket	••Packning		D O3			
7	2	-	-	81 40 12	••Bolt	••Bult		O			
8	4	-	-	81 39 63	••Washer	••Bricka		O			
9	8	-	-	81 39 51	••Washer	••Bricka		O			
10	2	-	-	81 39 91	••Spring	••Fjäder		O			
11	2	-	-	81 39 90	••Brake shoe eccentric ...	••Bromsbacksexcenter ...		O			
12	4	-	-	81 39 62	••Washer	••Bricka		O			
13	2	-	-	81 39 57	••Push rod	••Tryckstång		O			
14	2	-	-	81 40 36	••Screw	••Skruv		O			
15	2	-	-	81 40 41	••Spring washer	••Fjäderbricka		O			
16	2	-	-	81 39 37	••Nut	••Mutter		O			
17	2	-	-	81 39 52	••Lock washer	••Låsbricka		O			
18	2	-	-	81 39 50	••Washer	••Bricka		O			
19	2	-	-	81 39 58	••Adjusting bolt	••Ställskruv		O			
20	1	-	-	81 39 44	••Bleeder screw	••Urluftningsskruv		D O4			
21	1	-	-	81 40 22	••Wheel brake cylinder ..	••Bromscylinder		D O*			
22	2	-	-	89 31 26	•Brake shoe with lining, .. cpl.	•Bromsback med belägg, kpl.		D C			
23	1	-	-	81 40 17	••Brake shoe	••Bromsback		D O4			
24	1	-	-	89 33 46	••Brake lining	••Bromsbelägg		D O3			
25	14	-	-	89 32 43	••Rivet	••Nit		D O3			
26	1	-	-	81 39 88	•Spring	•Fjäder		D O4			

1) CA30, all models
CA30, alla typer

3) When ordering spare parts for wheel axle, always state type designation of axle. Type sign is located on axle housing between wheel and differential

Vid beställning av reservdelar till hjulaxel, ange alltid typbeteckningen på axeln. Typskylten är placerad på axelhuset mellan hjul och differential.

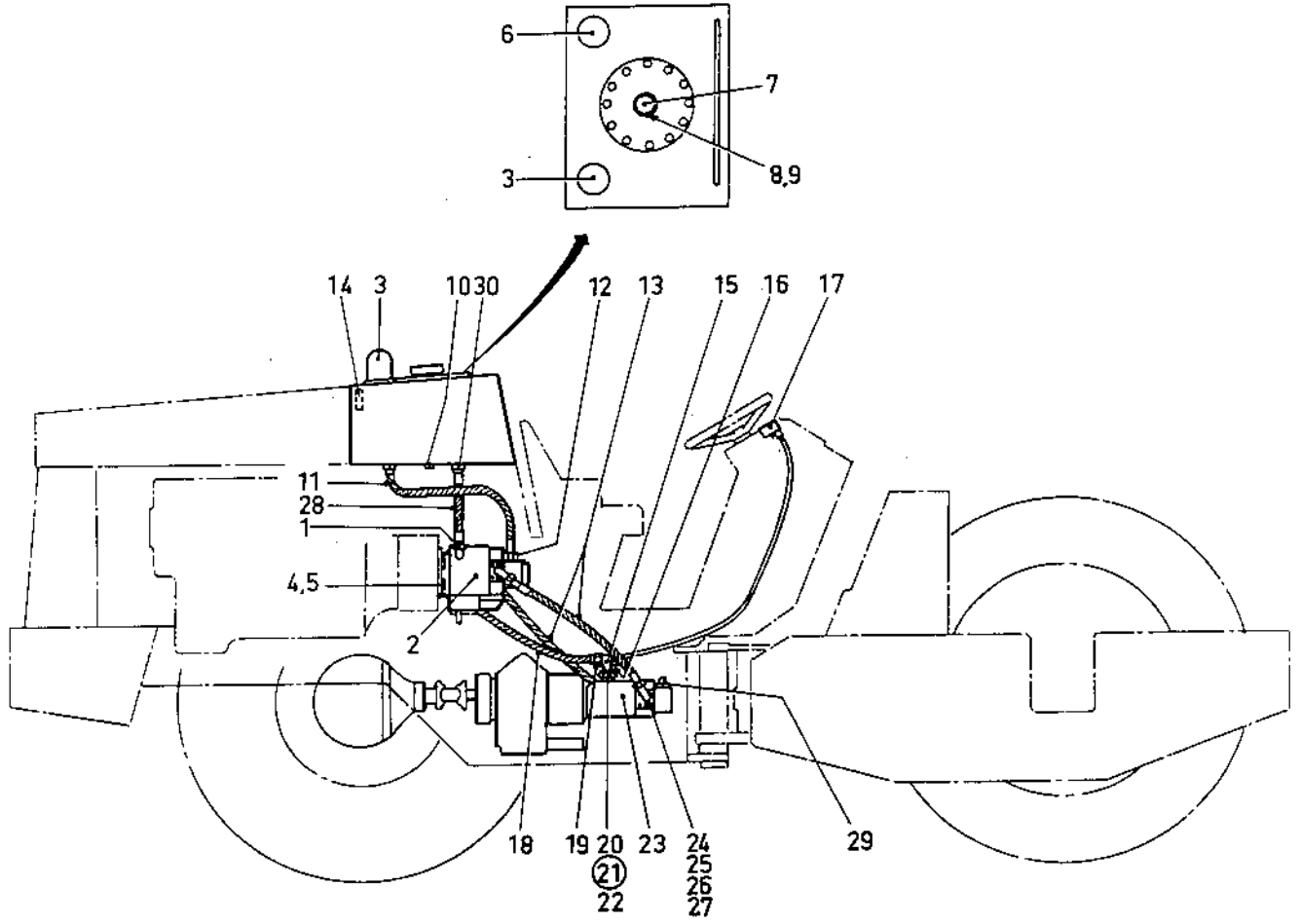


343142
343144

CA30-13591 - 1

4950

Page Sida	Group Grupp	Picture No Bild nr	Issue Utgåva	HYDRAULIC DIAGRAM	HYDRAULSCHEMA				
2	05	13591-1	S-10193-1						
Ref Pos	Quantity/Antal				Part No Art nr	Description	Benämning	Note Anmärkning	C, P K, L
	Typ CA	30	30	D					
1	1	1	-	-		- Hydraulic motor, vibration Comps, page 32	Hydraulmotor, vibration .. Det. se sida 32	See page 26 ref. 38	
2	1	1	-	-		- Oil cooler	Oljekylare	See page 26 ref. 9	
3	1	1	-	-		- Hydraulic control valve, vibration Comps, page 34	Manöverventil, vibration Det. se sida 34	See page 26 ref. 17	
4	1	1	-	-		- Hydraulic pump, vibration and steering Comps, page 30	Hydraulpump, vibration .. och styrning Det. se sida 30	See page 26 ref. 35	
5	1	1	-	-		- Operating valve, amplitude setting Comps, page 36	Manöverventil, .. amplitudinställn. Det. se sida 36	See page 28 ref. 58	
6	1	1	-	-		- Check valve	Backventil	See page 38 ref. 38	
7	1	1	-	-		- Return filter	Returfilter	See page 38 ref. 37	
8	5	5	-	-		- Measuring nipple	Mät nipple	See page 4 ref. 29, 28 ref. 50, 38 ref. 7	
9	1	1	-	-		- Hydraulic pump gearing ..	Fördelningsväxellåda	See group 3	
10	1	1	-	-		- Engine	Motor	See group 3	
11	2	2	-	-		- Steering cylinder	Styrcylinder	See page 38 ref. 8	
12	1	1	-	-		- Relief valve block	Ventilblock	See page 38 ref. 31	
13	1	1	-	-		- Steering unit	Styrventil	See page 38 ref. 14	
14	-	1	-	-		- Hydraulic motor, drum drive Comps, page 24	Hydraulmotor, .. valsdrivning Det. se sida 24	See page 6 ref. 23	
15	1	1	-	-		- Hydraulic motor, wheel drive Comps, page 20	Hydraulmotor, .. hjuldrivning Det. se sida 20	See page 4 ref. 23, 6 ref. 24	
16	1	1	-	-		- Manifold valve	Ventilblock	See page 20 ref. 2	
17	1	1	-	-		- Hydraulic oil tank	Hydrauloljetank	See group 1	
18	1	1	-	-		- Hydraulic oil filter	Hydrauloljefilter	See page 4 ref. 3	
19	1	1	-	-		- Charge pump	Matarpump	See page 8 ref. 4, 12 ref. 4	
20	1	-	-	-		- Variable displacement pump, propulsion Comps, page 8	Hydraulpump, .. framdrivning Det. se sida 8	See page 4 ref. 2	
	-	1	-	-		- Variable displacement pump, drum drive Comps, page 12	Hydraulpump, .. valsdrivning Det. se sida 12	See page 6 ref. 14	
21	1	1	-	-		- Control valve, servo	Manöverventil, servo	See page 8 ref. 23, 12 ref. 23	

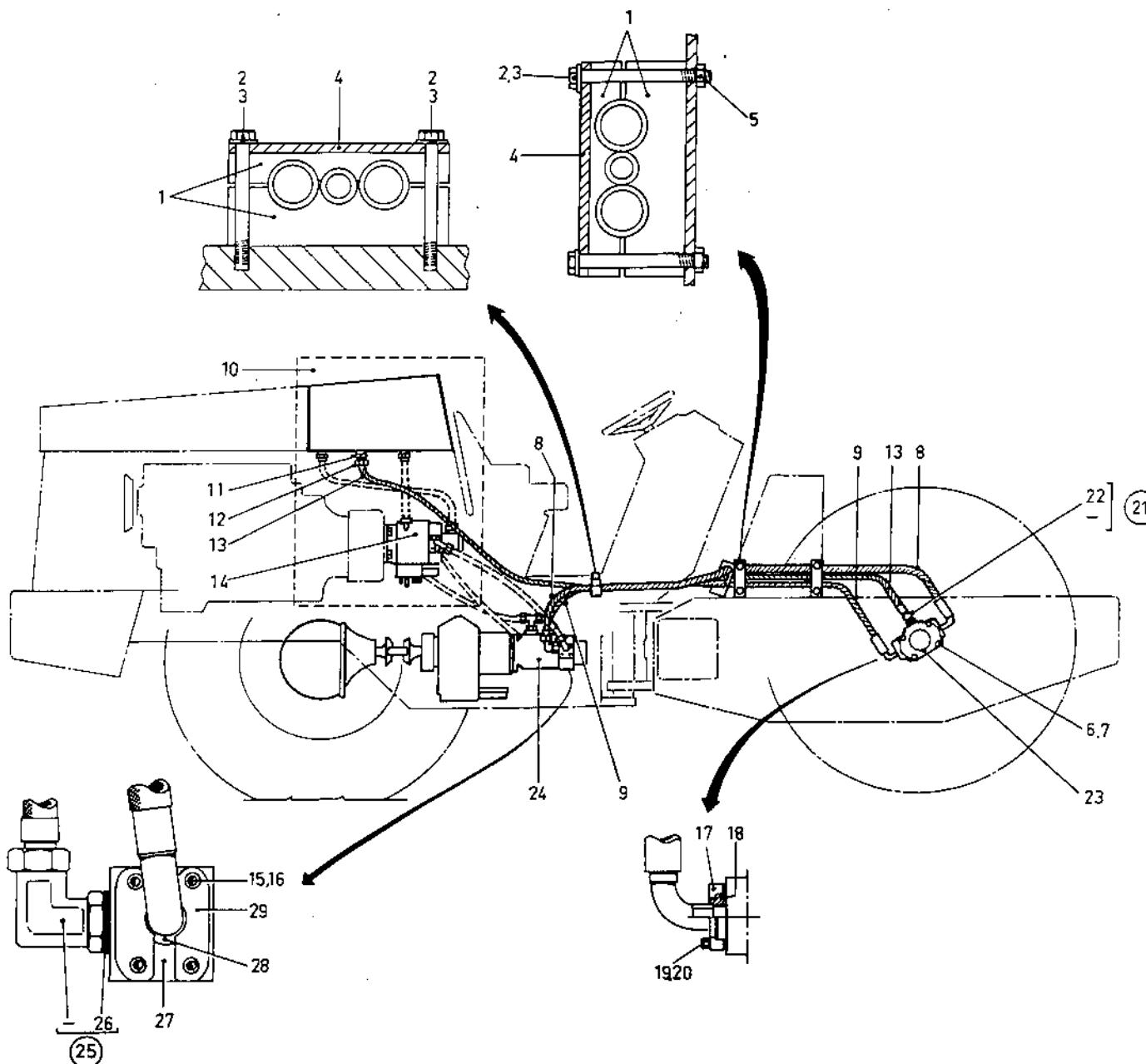


342051
338707

CA30-13592-1

Page Sida		Group Grupp			Picture No Bild nr		Issue Utgåva		HYDRAULIC SYSTEM Propulsion		HYDRAULSYSTEM Framdrivning	
4		05			13592-1		S-10193-1					
Ref Pos	Quantity/Antal				Part No Art nr	Description	Benämning	Note Anmärkning	C. P K. L			
	1)	30)										
1	2	-	-	-	81 34 52	Elbow	Rörkrök					0
2	1	-	-	-	33 55 56	Variable displacement pump Comps, page 8	Hydraulpump	Det. se sida 8				
3	1	-	-	-	33 89 90	Hydraulic oil filter	Hydrauloljefilter					A 1
4	4	-	-	-	50 00 37	Screw	Skruv					0
5	4	-	-	-	60 30 03	Washer	Bricka					0
6	1	-	-	-	-	Return filter	Returfilter	See page 38 ref. 37				
7	1	-	-	-	49 94 32	Filler cap	Tanklock					DO3
8	6	-	-	-	81 33 92	Screw	Skruv					0
9	6	-	-	-	60 40 02	Spring washer	Fjäderbricka					0
10	2	-	-	-	81 33 91	Magnetic plug	Magnetplugg					0
11	1	-	-	-	48 20 01	Suction hose	Sugslang					D 3
12	1	-	-	-	33 42 28	Adapter	Adapter					0
13	2	-	-	-	333 56 03 26	Hydraulic hose	Hydraulslang					D 3
14	1	-	-	-	49 94 47	Oil level pipe	Oljenivårör					DO3
15	1	-	-	-	81 34 39	T-adapter	T-adapter					0
16	1	-	-	-	98 90 78	Hydr. oil temp. sender	Givare för hydr. oljetemp.					DO3
17	1	-	-	-	-	Hydraulic oil temp. gauge	Temp. mätare för	See group 7				
18	1	-	-	-	333 56 03 01	Leakage oil hose	Läckoljeslang					D 3
19	1	-	-	-	81 34 54	Adapter	Adapter					0
20	1	-	-	-	81 34 38	Adapter	Adapter					0
21	1	-	-	-	81 34 55	Adapter, cpl.	Adapter, kpl.					0
22	1	-	-	-	16 01 52	•O-ring	•O-ring					0
23	1	-	-	-	33 55 57	Hydraulic motor, wheel ... drive Comps, page 20	Hydraulmotor,					
24	8	-	-	-	23 20 97	Flange half	Flänshalva					0
25	4	-	-	-	81 34 29	O-ring	O-ring					DO3
26	16	-	-	-	50 90 25	Screw	Skruv					0
27	16	-	-	-	60 40 06	Spring washer	Fjäderbricka					0
28	1	-	-	-	308 00 19 03	Return hose	Returslang					D 3
29	2	-	-	-	91 01 62	Measuring nipple	Mätnippel					DO3
30	1	-	-	-	33 41 57	Adapter	Adapter					0

1) CA30, all models
CA30, alla typer



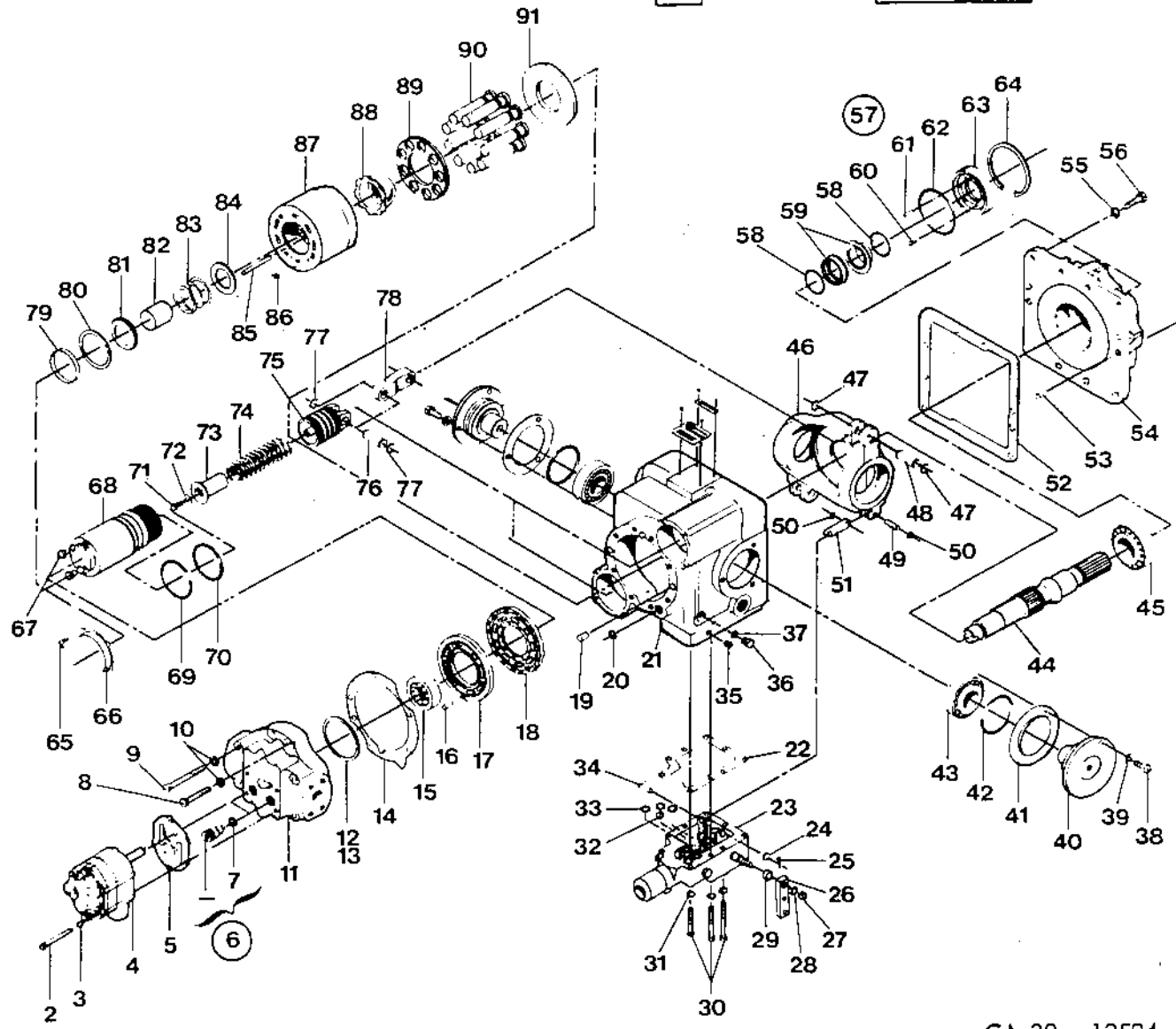
34 2051

CA 30-13593-1

Page Sida		Group Grupp			Picture No Bild nr		Issue Utgåva		HYDRAULIC SYSTEM Drum drive		HYDRAULSYSTEM Valsdrivning	
6		05			13593-1		S-10193-1					
Ref Pos	Quantity/Antal				Part No Art nr	Description	Benämning	Note Anmärkning	C, P K, L			
	30	D										
1	4	-	-	-	33 56 75	Hose holder	Slanghållare					
2	8	-	-	-	50 20 43	Screw	Skruv			O		
3	8	-	-	-	60 40 06	Spring washer	Fjäderbricka			O		
4	4	-	-	-	33 56 32	Plate	Platta					
5	6	-	-	-	57 10 03	Nut	Mutter			O		
6	4	-	-	-	50 20 59	Screw	Skruv			O		
7	4	-	-	-	60 30 03	Washer	Bricka			O		
8	1	-	-	-	48 21 06	Hydraulic hose	Hydraulslang			D 3		
9	1	-	-	-	48 21 05	Hydraulic hose	Hydraulslang			D 3		
10	1	-	-	-		Hydraulic system, propulsion Comps, page 4	Hydr. system, framdrivn. Det. se sida 4					
11	1	-	-	-	81 35 03	Reducing nipple	Reducering			O		
12	1	-	-	-	33 41 17	Adapter	Adapter			O		
13	1	-	-	-	48 21 07	Leakage oil hose	Läckoljeslang			D 3		
14	1	-	-	-	80 11 57	Variable displacement pump Comps, page 12	Hydraulpump Det. se sida 12					
15	8	-	-	-	51 00 52	Screw	Skruv			O		
16	8	-	-	-	60 40 06	Spring washer	Fjäderbricka			O		
17	4	-	-	-	23 20 97	Flange half	Flänshalva			O		
18	2	-	-	-	81 34 29	O-ring	O-ring			DO		
19	8	-	-	-	50 90 25	Screw	Skruv			O		
20	8	-	-	-	60 40 06	Spring washer	Fjäderbricka			O		
21	1	-	-	-	33 45 58	Adapter 90°, cpl.	Adapter 90°, kpl.			O		
22	1	-	-	-	16 01 52	•O-ring	•O-ring			O		
23	1	-	-	-	80 11 44	Hydraulic motor, drum drive Comps, page 24	Hydraulmotor, valsdrivn. Det. se sida 24					
24	1	-	-	-	33 55 57	Hydraulic motor, wheel drive Comps, page 20	Hydraulmotor, hjuldrivn. Det. se sida 20					
25	2	-	-	-	81 34 99	Elbow 90°, cpl.	Rörkrök 90°, kpl.			O		
26	1	-	-	-	16 01 53	•O-ring	•O-ring			O		
27	2	-	-	-	33 56 69	Flange	Kopplingsfläns					
28	4	-	-	-	81 34 29	O-ring	O-ring			DO3		
29	4	-	-	-	23 20 97	Flange half	Flänshalva			O		

1

SPV 21



335556

CA 30 - 13594-1

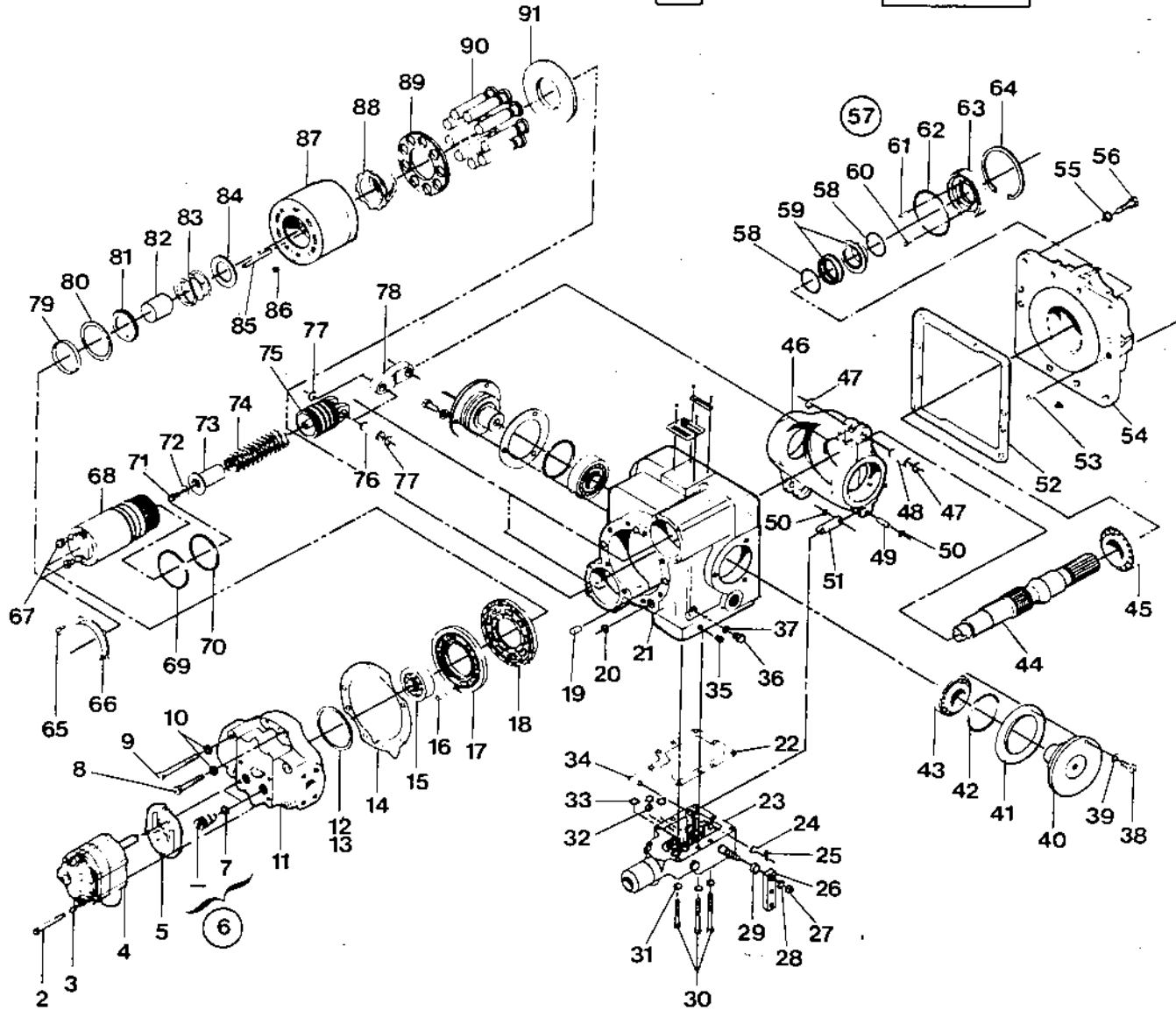
Page Sida	Group Grupp	Picture No Bild nr	Issue Utgåva	VARIABLE DISPLACEMENT PUMP Propulsion	HYDRAULPUMP Framdrivning			
8	05	13594-1	S-10193-1					
Ref Pos	Quantity/Antal			Part No Art nr	Description	Benämning	Note Anmärkning	C, P K, L
	30							
1	1	-	-	33 55 56	Variable displacement pump, propulsion, cpl.	Hydraulpump, framdrivning, kpl.		C3
2	4	-	-	81 38 34	•Screw	•Skruv		
3	4	-	-	81 38 44	•Washer	•Bricka		0
4	1	-	-	81 36 31	•Charge pump cpl.	•Matarpump kpl.		
5	1	-	-	81 36 33	Comps, page 16	Det. se sida 16		
6	2	-	-	81 36 30	•Gasket	•Packning		DO3
7	1	-	-	81 36 30	•Check valve cpl.	•Backventil kpl.		DO3
8	1	-	-	81 36 14	••O-ring	••O-ring		DO3
9	3	-	-	81 38 38	•Screw	•Skruv		0
10	5	-	-	81 38 39	•Screw	•Skruv		0
11	9	-	-	81 38 46	•Washer	•Bricka		0
12	1	-	-	48 03 05	•Cover, rear	•Lock, bakre		0
13	n	-	-	48 16 11	•Shim, 0,25 mm	•Shim, 0,25 mm	2)	0
14	n	-	-	48 16 12	•Shim, 0,5 mm	•Shim, 0,5 mm	2)	0
15	1	-	-	81 38 62	•Gasket	•Packning		DO3
16	1	-	-	81 38 13	•Roller bearing	•Rullager		0
17	1	-	-	81 38 21	•Pin	•Pinne		0
18	1	-	-	48 03 04	•Valve plate	•Ventilplatta		0
19	1	-	-	81 38 78	•Bearing plate	•Lagerplatta		0
20	2	-	-	81 38 22	•Pin	•Pinne		0
21	1	-	-	81 36 13	•O-ring	•O-ring		DC
22	1	-	-	81 38 72	•Pump housing	•Pumphus		0
23	1	-	-	81 36 34	•Gasket	•Packning		DO3
24	1	-	-	81 36 32	•Control valve, servo	•Manöverventil, servo		
25	1	-	-	81 38 44	Comps, page 18	Det. se sida 18		
26	1	-	-	81 38 20	•Washer	•Bricka		0
27	1	-	-	81 38 87	•Cotter pin	•Saxpinne		0
28	1	-	-	81 38 77	•Control lever	•Manöverarm		0
29	1	-	-	81 38 16	•Lock nut	•Låsmutter		0
30	1	-	-	81 38 47	•Washer	•Bricka		0
31	1	-	-	81 38 88	•Spacer ring	•Distansring		0
32	9	-	-	81 38 33	•Screw	•Skruv		0
33	9	-	-	81 38 44	•Washer	•Bricka		0
34	1	-	-	81 36 28	•Orifice plug	•Strypplugg		0
35	3	-	-	81 36 13	•O-ring	•O-ring		DO3
36	1	-	-	81 38 90	•Pin	•Pinne		0
37	1	-	-	81 38 25	•Plug	•Plugg		0
38	1	-	-	81 38 26	•Plug	•Plugg		0
39	1	-	-	81 36 17	•O-ring	•O-ring		DO3
40	6	-	-	81 38 35	•Screw	•Skruv		0
41	6	-	-	81 38 45	•Washer	•Bricka		0
42	2	-	-	81 38 57	•Bearing journal	•Lagertapp		0
43	n	-	-	81 38 58	•Shim	•Shim	2)	0
44	2	-	-	81 38 19	•O-ring	•O-ring		DO3
45	2	-	-	48 03 18	•Roller bearing	•Rullager		0
46	1	-	-	81 38 63	•Drive shaft	•Drivaxel		0
47	1	-	-	81 38 15	•Roller bearing	•Rullager		0
48	1	-	-	81 38 69	•Swash plate	•Flödesplatta		0
49	4	-	-	48 02 87	•Retaining ring	•Låsbricka		0
50	2	-	-	81 38 24	•Pin	•Pinne		0
	1	-	-	81 38 23	•Pin	•Pinne		0
	2	-	-	48 02 88	•Retaining ring	•Låsbricka		0

2) As required
Efter behov

Page Sida	Group Grupp	Picture No Bild nr	Issue Utgåva	VARIABLE DISPLACEMENT PUMP Propulsion	HYDRAULPUMP Framdrivning			
3	05	13594-1	S-10193-1					
Ref Pos	Quantity/Antal			Part No Art nr	Description	Benämning	Note Anmärkning	C, P K, L
	Typ	CA	30					
51	1	-	-	81 38 85	•Link	•Länk		0
52	1	-	-	81 36 23	•Gasket	•Packning		DO3
53	2	-	-	81 38 22	•Pin	•Pinne		0
54	1	-	-	81 38 61	•Cover, front	•Lock, främre		0
55	12	-	-	81 38 46	•Washer	•Bricka		0
56	12	-	-	81 38 37	•Screw	•Skruv		0
57	1	-	-	48 16 16	•Drive shaft seal cpl.	•Drivaxeltätning kpl.		DO3
58	2	-	-	81 36 16	••O-ring	••O-ring		0
59	1	-	-	81 36 24	••Seal rings (set)	••Tätningringsar (sats)		0
60	6	-	-	81 36 25	••Spring	••Fjäder		0
61	1	-	-	81 36 19	••Pin	••Pinne		0
62	1	-	-	81 36 12	••O-ring	••O-ring		0
63	1	-	-	81 36 22	••Seal ring carrier	••Tätningshållare		0
64	1	-	-	81 36 21	••Retaining ring	••Låsring		0
65	4	-	-	81 38 40	•Screw	•Skruv		0
66	2	-	-	81 38 50	•Sleeve retainer	•Hylsfäste		0
67	8	-	-	48 03 53	•Plug	•Plugg		0
68	2	-	-	48 03 01	•Servo sleeve	•Servohylsa		0
69	2	-	-	81 38 18	•O-ring	•O-ring		DO3
70	2	-	-	81 38 17	•O-ring	•O-ring		DO3
	2	-	-	48 02 90	•Screw	•Skruv		0
72	2	-	-	48 02 92	•Washer	•Bricka		0
73	2	-	-	81 38 60	•Spring guide	•Fjäderstyrning		0
74	2	-	-	48 03 08	•Spring	•Fjäder		0
75	2	-	-	48 03 03	Servo piston	Servokolv		0
76	4	-	-	81 38 24	•Pin	•Pinne		0
77	4	-	-	81 38 31	•Retaining ring	•Låsbricka		0
78	2	-	-	48 03 02	•Link	•Länk		0
79	1	-	-	81 38 75	•Guide ring	•Styrning		0
80	1	-	-	81 38 29	•Retaining ring	•Låsring		0
81	1	-	-	81 38 55	•Spring holder	•Fjäderhållare		0
82	1	-	-	81 38 56	•Spring guide	•Fjäderstyrning		0
83	1	-	-	48 03 06	•Spring	•Fjäder		0
84	1	-	-	81 38 84	•Spring holder	•Fjäderhållare		0
85	9	-	-	91 10 60	•Spring	•Fjäder		0
86	1	-	-	81 38 51	•Pin	•Pinne		0
87	1	-	-	81 38 74	•Cylinder block	•Cylinderhus		0
88	1	-	-	81 38 66	•Guide sleeve	•Styrhylsa		0
89	1	-	-	81 38 70	•Piston retainer	•Kolv med bringare		0
90	9	-	-	81 38 73	•Piston cpl.	•Kolv kpl.		0
91	1	-	-	48 03 07	•Thrust plate	•Tryckplatta		0

1

SPV 22



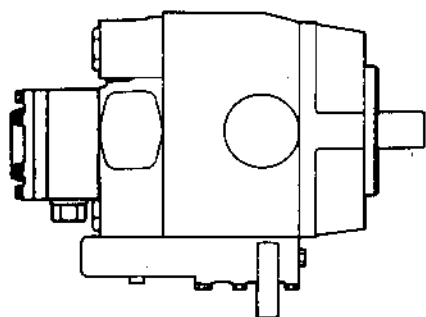
801157

CA 30 - 13595-1

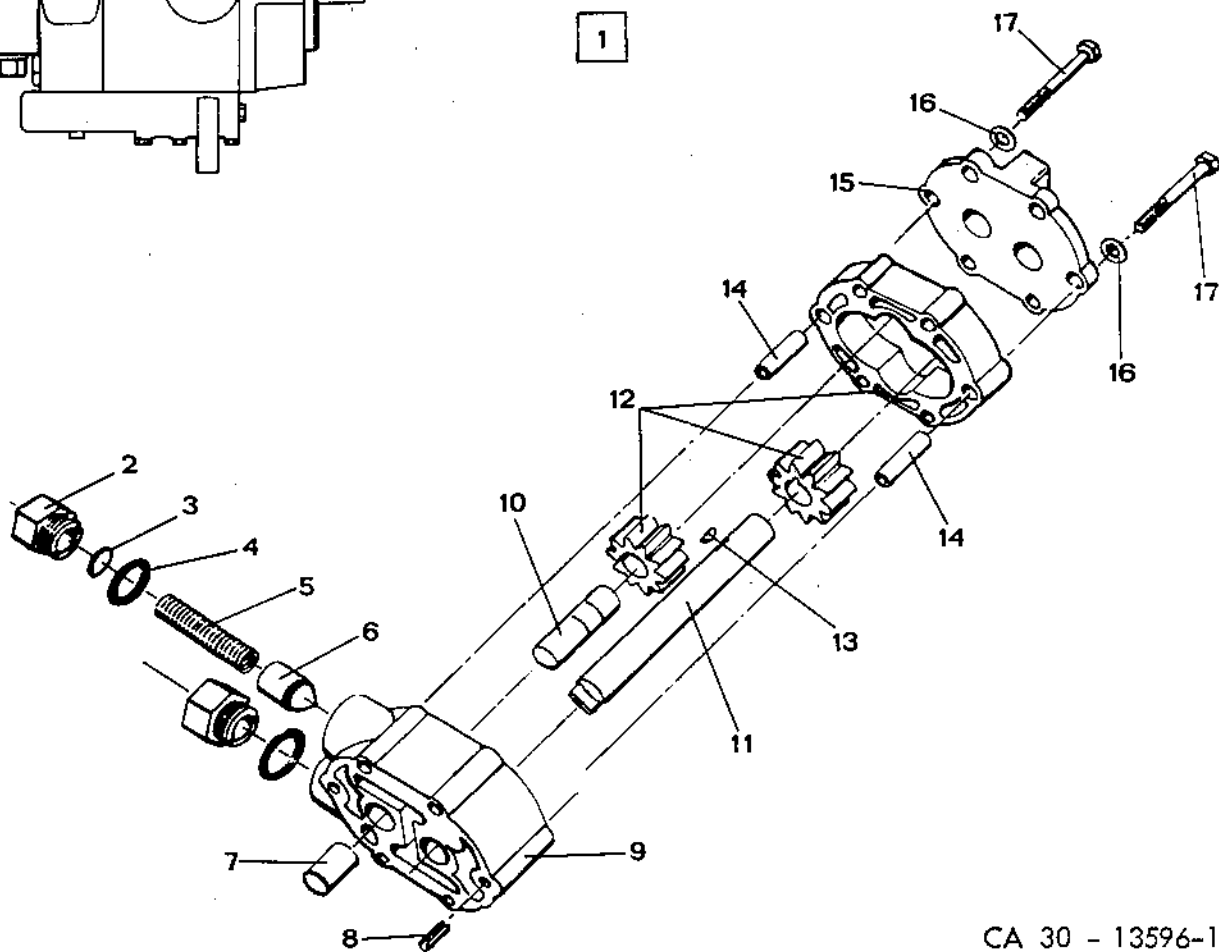
Page Sida	Group Grupp	Picture No Bild nr	Issue Utgåva	VARIABLE DISPLACEMENT PUMP Drum drive	HYDRAULPUMP Valsdrivning			
12	05	13595-1	S-10193-1					
Ref Pos	Quantity/Antal			Part No Art nr	Description	Benämning	Note Anmärkning	C, P K, L
	Typ	CA						
	30							
	D							
1	1	-	-	80 11 57	Variable displacement pump, drum drive, cpl.	Hydraulpump, valsdrivning, kpl.		C 3
2	4	-	-	91 10 53	•Screw	•Skruv		0
3	4	-	-	81 38 44	•Washer	•Bricka		0
4	1	-	-	48 15 08	•Charge pump Comps, page 16	•Matarpump Det. se sida 16		
5	1	-	-	81 36 33	•Gasket	•Packning		DO3
6	2	-	-	81 36 30	•Check valve, cpl.	•Backventil, kpl.		DO3
7	1	-	-	81 36 14	••O-ring	••O-ring		DO3
8	3	-	-	81 38 38	•Screw	•Skruv		0
9	5	-	-	81 38 39	•Screw	•Skruv		0
10	8	-	-	81 38 46	•Washer	•Bricka		0
11	1	-	-	91 10 56	•Cover rear	•Lock, bakre		0
12	n	-	-	48 11 06	•Shim	•Mellanlägg	2)	0
13	n	-	-	91 10 59	•Shim	•Mellanlägg	2)	0
14	1	-	-	48 10 92	•Gasket	•Packning		DO3
15	1	-	-	48 10 77	•Roller Bearing	•Rullager		0
16	1	-	-	81 38 21	•Pin	•Pinne		0
17	1	-	-	91 10 55	•Valve plate	•Ventilplatta		0
18	1	-	-	48 11 05	•Bearing plate	•Lagerplatta		0
	2	-	-	81 38 22	•Pin	•Pinne		0
20	1	-	-	81 36 13	•O-ring	•O-ring		DO3
21	1	-	-	48 11 03	•Pump housing	•Pumphus		0
22	1	-	-	81 36 34	•Gasket	•Packning		DO3
23	1	-	-	81 36 32	•Control valve, servo Comps, page 18	•Manöverventil, servo Det. se sida 18		
24	1	-	-	81 38 44	•Washer	•Bricka		0
25	1	-	-	81 38 20	•Cotter pin	•Saxpinne		0
26	1	-	-	81 38 87	•Control lever	•Manöverarm		0
27	1	-	-	81 38 16	•Locking nut	•Låsmutter		0
28	1	-	-	81 38 47	•Washer	•Bricka		0
29	1	-	-	81 38 88	•Spacer ring	•Distansring		0
30	9	-	-	81 38 33	•Screw	•Skruv		0
31	9	-	-	81 38 44	•Washer	•Bricka		0
32	1	-	-	81 36 28	•Orifice plug	•Strypbricka		0
33	3	-	-	81 36 13	•O-ring	•O-ring		DO3
34	1	-	-	81 38 90	•Pin	•Pinne		0
35	1	-	-	91 10 62	•Plug	•Plugg		0
36	1	-	-	81 38 26	•Plug	•Plugg		0
37	1	-	-	81 36 17	•O-ring	•O-ring		DO3
38	6	-	-	48 10 82	•Screw	•Skruv		0
39	6	-	-	81 38 46	•Washer	•Bricka		0
40	2	-	-	48 10 86	•Bearing journal	•Lagertapp		0
41	n	-	-	48 10 87	•Shim	•Mellanlägg	2)	0
42	2	-	-	48 10 80	•O-ring	•O-ring		DO3
43	2	-	-	48 10 78	•Roller bearing	•Rullager		0
	1	-	-	48 10 90	•Drive shaft	•Drivaxel		0
45	1	-	-	48 10 79	•Roller bearing	•Rullager		0
46	1	-	-	48 10 97	•Swash plate	•Flödesplatta		0
47	4	-	-	48 03 58	•Retaining ring	•Låsbricka		0
48	2	-	-	48 03 51	•Pin	•Pinne		0
49	1	-	-	81 38 23	•Pin	•Pinne		0
50	2	-	-	48 02 88	•Retaining ring	•Låsbricka		0

2) As required
Efter behov

Page Sida	Group Grupp	Picture No Bild nr	Issue Utgåva	VARIABLE DISPLACEMENT PUMP Drum drive	HYDRAULPUMP Valsdrivning			
14	05	13595-1	S-10193-1					
Ref Pos	Quantity/Antal			Part No Art nr	Description	Benämning	Note Anmärkning	C, P K, L
	Typ CA							
	30							
	D							
51	1	-	-	81 38 85	•Link	•Länk		O
52	1	-	-	48 10 93	•Gasket	•Packning		DO3
53	2	-	-	81 38 22	•Pin	•Pinne		O
54	1	-	-	48 10 91	•Cover, front	•Lock, främre		O
55	12	-	-	81 38 46	•Washer	•Bricka		O
56	12	-	-	81 38 37	•Screw	•Skruv		O
57	1	-	-	48 16 16	•Drive shaft seal, cpl.	•Drivaxeltätning, kpl.		DO3
58	2	-	-	81 36 16	••O-ring	••O-ring		O
59	1	-	-	81 36 24	••Seal rings (set)	••Tätningssats		O
60	6	-	-	81 36 25	••Spring	••Fjäder		O
61	1	-	-	81 36 19	••Pin	••Pinne		O
62	1	-	-	81 36 12	••O-ring	••O-ring		O
63	1	-	-	81 36 22	••Seal ring carrier	••Tätningshållare		O
64	1	-	-	81 36 21	••Lock ring	••Låsring		O
65	4	-	-	81 38 40	•Screw	•Skruv		O
66	2	-	-	48 03 69	•Sleeve retainer	•Hylsfäste		O
67	4	-	-	48 03 53	•Plug	•Plugg		O
68	2	-	-	48 03 72	•Servo sleeve	•Servohylsa		O
69	2	-	-	48 03 42	•O-ring	•O-ring		DO3
70	2	-	-	48 03 41	•O-ring	•O-ring		DO3
71	2	-	-	48 03 59	•Screw	•Skruv		O
72	2	-	-	48 03 66	•Washer	•Bricka		O
73	2	-	-	48 03 71	•Spring guide	•Fjäderstyrning		O
74	2	-	-	48 03 70	•Spring	•Fjäder		O
75	2	-	-	48 04 00	•Servo piston	•Servokolv		O
76	2	-	-	48 03 51	•Pin	•Pinne		O
77	4	-	-	48 03 58	•Retaining ring	•Låsbricka		O
78	2	-	-	48 10 94	•Link	•Länk		O
79	1	-	-	48 11 01	•Guide ring	•Styrning		O
80	1	-	-	48 10 81	•Lock ring	•Låsring		O
81	1	-	-	48 10 89	•Spring holder	•Fjäderhållare		O
82	1	-	-	48 10 85	•Spring guide	•Fjäderstyrning		O
83	1	-	-	48 10 83	•Spring	•Fjäder		O
84	1	-	-	48 10 88	•Spring holder	•Fjäderhållare		O
85	9	-	-	48 10 84	•Spring	•Fjäder		O
86	1	-	-	48 03 73	•Pin	•Pinne		O
87	1	-	-	48 11 00	•Cylinder block	•Cylinderhus		O
88	1	-	-	48 10 95	•Guide sleeve	•Styrhylsa		O
89	1	-	-	48 10 99	•Piston retainer	•Kolvmedbringare		O
90	9	-	-	48 11 02	•Piston, cpl.	•Kolv, kpl.		O
91	1	-	-	48 10 98	•Thrust plate	•Tryckplatta		O



1

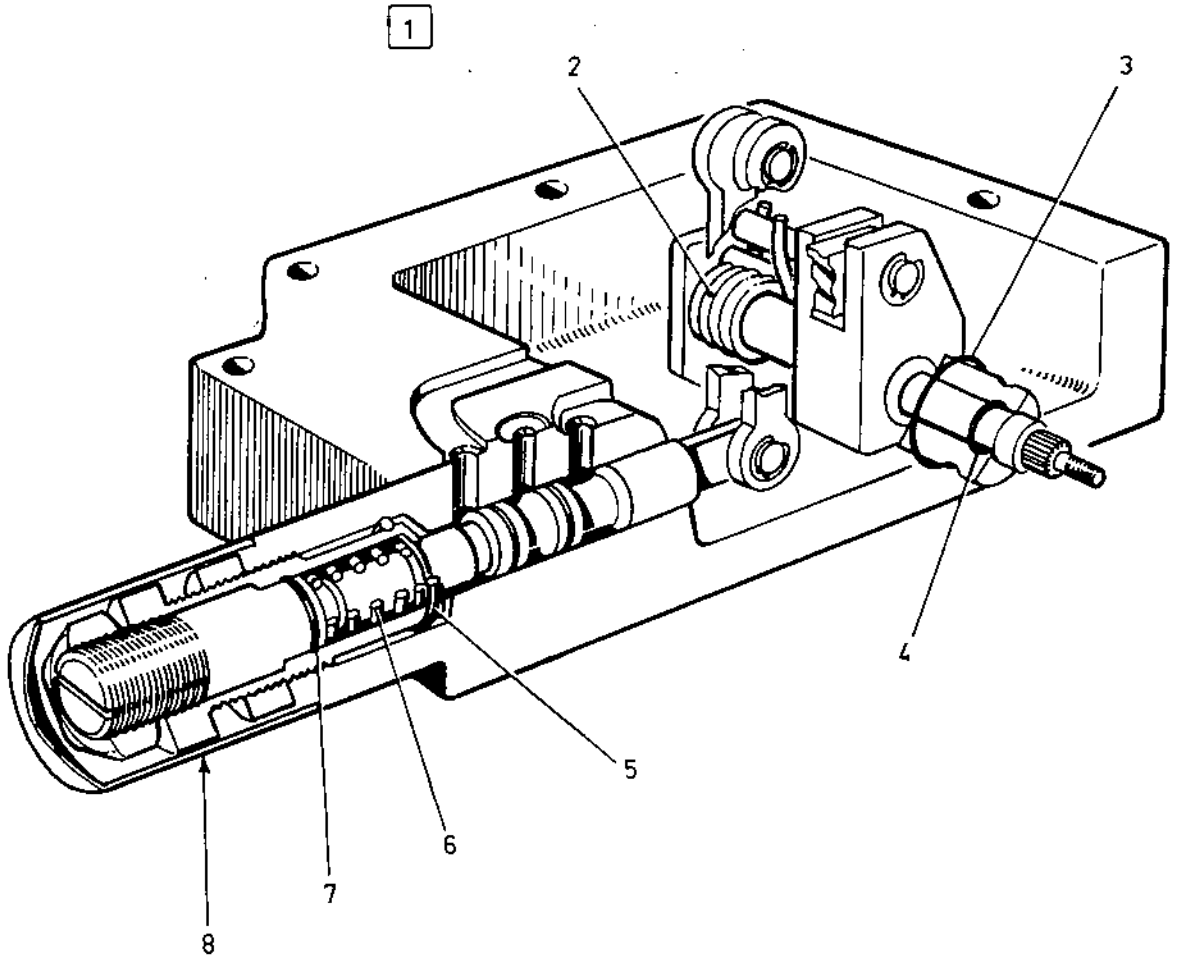


CA 30 - 13596-1

Page Sida		Group Grupp		Picture No Bild nr		Issue Utgåva		CHARGE PUMP		MATARPUMP	
16		05		13596-1		S-10193-1					
Ref Pos	Quantity/Antal			Part No Art nr	Description	Benämning	Note Anmärkning	C, P K, L			
	30	30	0								
1	1	-	-	81 36 31	Charge pump, cpl.	Matarpump, kpl.				DO4	
	-	1	-	48 15 08	Charge pump, cpl.	Matarpump, kpl.				DO4	
2	1	1	-	48 04 08	•Plug	•Plugg				O	
3	n	n	-	48 04 02	•Shim	•Shim	2)			O	
4	1	1	-	81 36 18	•O-ring	•O-ring				DO3	
5	1	1	-	48 04 13	•Spring	•Fjäder				O	
6	1	1	-	48 04 14	•Valve, relief	•Ventilkägla				O	
7	1	-	-	48 04 06	•Spacer	•Distans				O	
	-	1	-	91 10 57	•Spacer	•Distans				O	
8	1	1	-	48 03 49	•Pin	•Pinne				O	
9	1	1	-	48 04 10	•Pump housing	•Pumphus				O	
10	1	-	-	48 03 50	•Pin	•Axel				O	
	-	1	-	91 10 51	•Pin	•Axel				O	
11	1	-	-	48 04 05	•Shaft, drive	•Drivaxel				O	
	-	1	-	91 10 58	•Shaft, drive	•Drivaxel				O	
12	1	1	-	-	•Spacer plate, cpl.	•Mellanplatta, kpl.	4)			O	
13	1	1	-	48 03 40	•Key	•Kil				O	
14	2	-	-	48 03 52	•Pin	•Pinne				O	
	-	2	-	91 10 52	•Pin	•Pinne				O	
15	1	1	-	48 04 03	•End cap	•Lock				O	
16	2	2	-	81 38 44	•Washer	•Bricka				O	
17	2	-	-	48 03 64	•Screw	•Skruv				O	
	-	2	-	91 10 54	•Screw	•Skruv				O	

2) As required
Efter behov

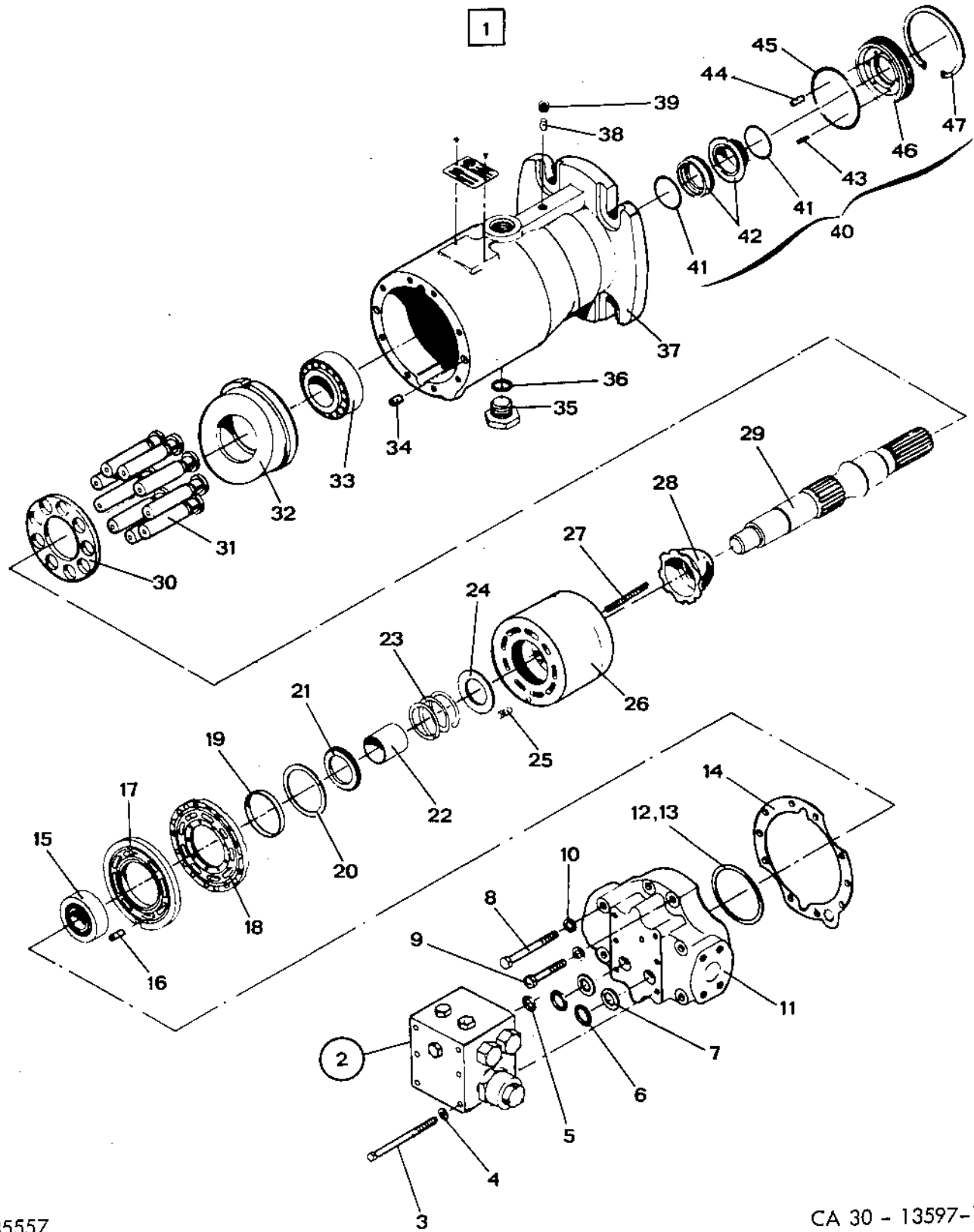
4) Not sold as spare part
Säljes ej som reservdel



CA 30 - 13683-1

Page Sida		Group Grupp			Picture No Bild nr		Issue Utgåva		CONTROL VALVE, SERVO		MANÖVERVENTIL, SERVO	
18		05			13683-1		S-10193-1					
Ref Pos	Quantity/Antal				Part No Art nr	Description	Benämning	Note Anmärkning	C, P K, L			
	1)30											
1	1	-	-	-	81 36 32	Control valve, servo, cpl ..	Manöverventil, servo, kpl					DO4
2	1	-	-	-	89 30 80	•Spring	•Fjäder					O
3	1	-	-	-	91 14 31	•O-ring	•O-ring					DO3
4	1	-	-	-	91 07 06	•O-ring	•O-ring					DO3
5	1	-	-	-	91 14 30	•O-ring	•O-ring					DO3
6	1	-	-	-	91 14 54	•Spring	•Tryckfjäder					O
7	1	-	-	-	81 36 13	•O-ring	•O-ring					DO3
8	1	-	-	-	91 14 68	•Cover	•Skyddskåpa					O

1) CA30, all models
CA30, alla typer

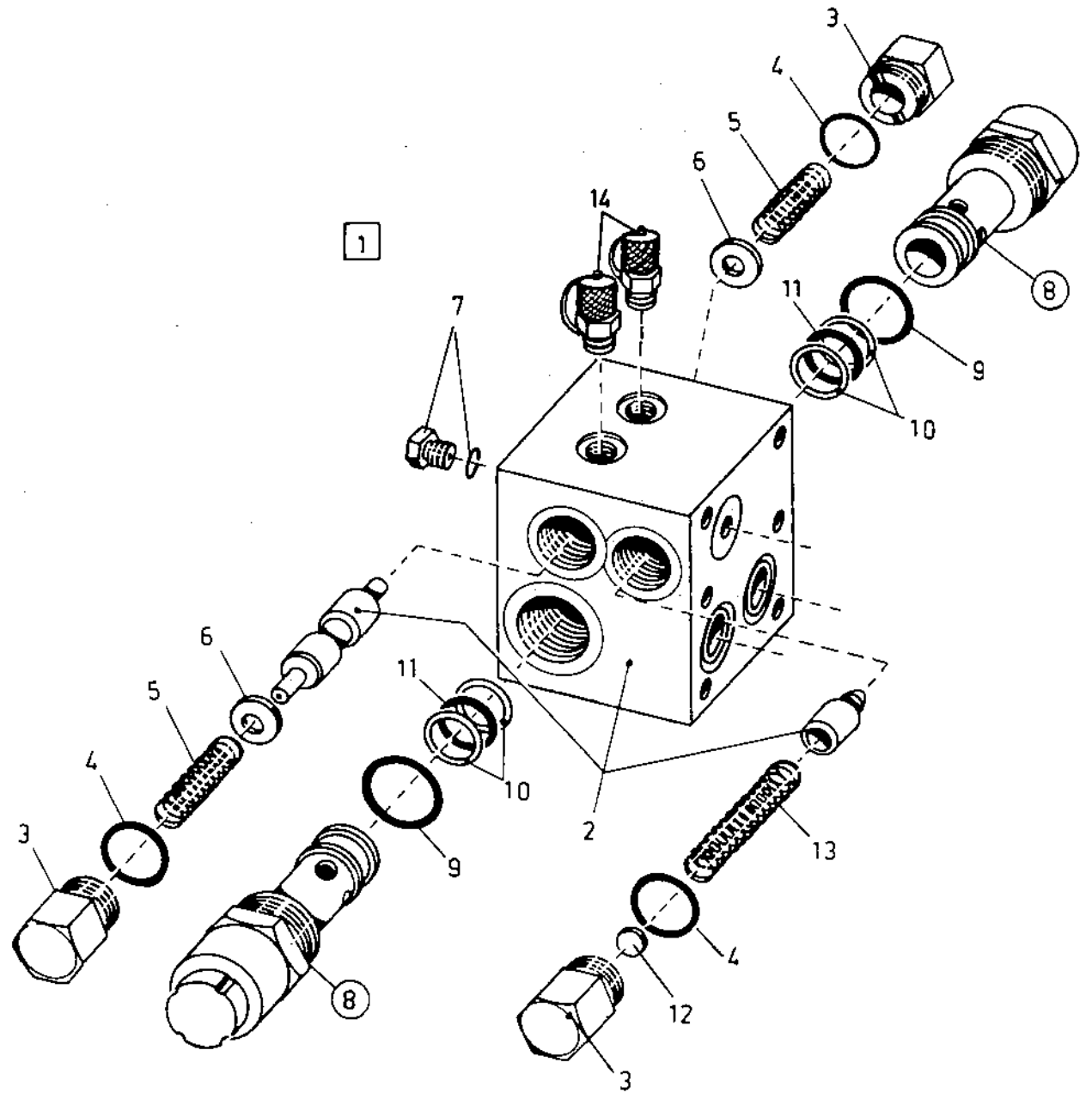


335557

CA 30 - 13597-1

Page Sida		Group Grupp		Picture No Bild nr		Issue Utgåva		HYDRAULIC MOTOR Wheel drive		HYDRAULMOTOR Hjuldrivning	
20		05		13597-1		S-10193-1					
Ref Pos	Quantity/Antal			Part No Art nr	Description	Benämning	Note Anmärkning	C, P K, L			
	Typ	CA	D								
1	1	1	-	33 55 57	Hydraulic motor, wheel ... drive, cpl.	Hydraulmotor, hjuldrivning, kpl.		C3			
2	1	1	-	48 02 04	•Manifold valve, cpl.	•Ventilblock, kpl.					
3	6	6	-	81 38 36	Comps, page 22	Det. se sida 22					
4	6	6	-	81 38 45	•Screw	•Skruv		0			
5	1	1	-	81 38 11	•Washer	•Bricka		0			
6	2	2	-	81 36 15	•O-ring	•O-ring		DO3			
7	2	2	-	81 36 20	•O-ring	•O-ring		DO3			
8	5	5	-	81 38 20	•Back-up ring	•Stödtring		DO3			
9	3	3	-	81 38 39	•Screw	•Skruv		0			
10	8	8	-	81 38 38	•Screw	•Skruv		0			
11	8	8	-	81 38 46	•Washer	•Bricka		0			
12	1	1	-	81 38 79	•Cover, rear	•Lock, bakre		0			
13	n	n	-	48 16 11	•Shim, 0,25 mm	•Shim, 0,25 mm	2)	0			
14	n	n	-	48 16 12	•Shim, 0,5 mm	•Shim, 0,5 mm	2)	0			
15	1	1	-	81 38 62	•Gasket	•Packning		DO3			
16	1	1	-	81 38 13	•Roller bearing	•Rullager		0			
17	1	1	-	81 38 21	•Pin	•Pinne		0			
18	1	1	-	81 38 68	•Valve plate	•Ventilplatta		0			
19	1	1	-	81 38 78	•Bearing plate	•Lagerplatta		0			
20	1	1	-	81 38 75	•Guide ring	•Styrning		0			
21	1	1	-	81 38 29	•Retaining ring	•Låsring		0			
22	1	1	-	81 38 55	•Spring holder	•Fjäderhållare		0			
23	1	1	-	81 38 56	•Spring guide	•Fjäderstyrning		0			
24	1	1	-	48 03 06	•Spring	•Fjäder		0			
25	1	1	-	81 38 54	•Spring holder	•Fjäderhållare		0			
26	1	1	-	81 38 51	•Pin	•Pinne		0			
27	1	1	-	81 38 74	•Cylinder block	•Cylinderhus		0			
28	9	9	-	91 10 60	•Spring	•Fjäder		0			
29	1	1	-	81 38 66	•Guide sleeve	•Styrhylsa		0			
30	1	1	-	81 38 64	•Drive shaft	•Drivaxel		0			
31	1	1	-	81 38 70	•Piston retainer	•Kolv med bringare		0			
32	9	9	-	81 38 73	•Piston cpl.	•Kolv kpl.		0			
33	1	1	-	81 38 76	•Swash plate	•Flödesplatta		0			
34	1	1	-	81 38 15	•Roller bearing	•Rullager		0			
35	2	2	-	81 38 22	•Pin	•Pinne		0			
36	1	1	-	81 38 27	•Plug	•Plugg		0			
37	1	1	-	81 36 18	•O-ring	•O-ring		DO3			
38	1	1	-	81 38 65	•Motor housing	•Motorhus		0			
39	1	1	-	81 38 21	•Pin	•Pinne		0			
40	1	1	-	81 38 25	•Pipe plug	•Rörplugg		0			
41	1	1	-	48 16 16	•Drive shaft seal cpl.	•Drivaxeltätning kpl.		DO3			
42	2	2	-	81 36 16	•O-ring	•O-ring		0			
43	1	1	-	81 36 24	•Seal ring (set)	•Tätningssats		0			
44	6	6	-	81 36 25	•Spring	•Fjäder		0			
45	1	1	-	81 36 19	•Pin	•Pinne		0			
46	1	1	-	81 36 12	•O-ring	•O-ring		0			
47	1	1	-	81 36 22	•Seal ring carrier	•Tätningssats		0			
				81 36 21	•Retaining ring	•Låsring		0			

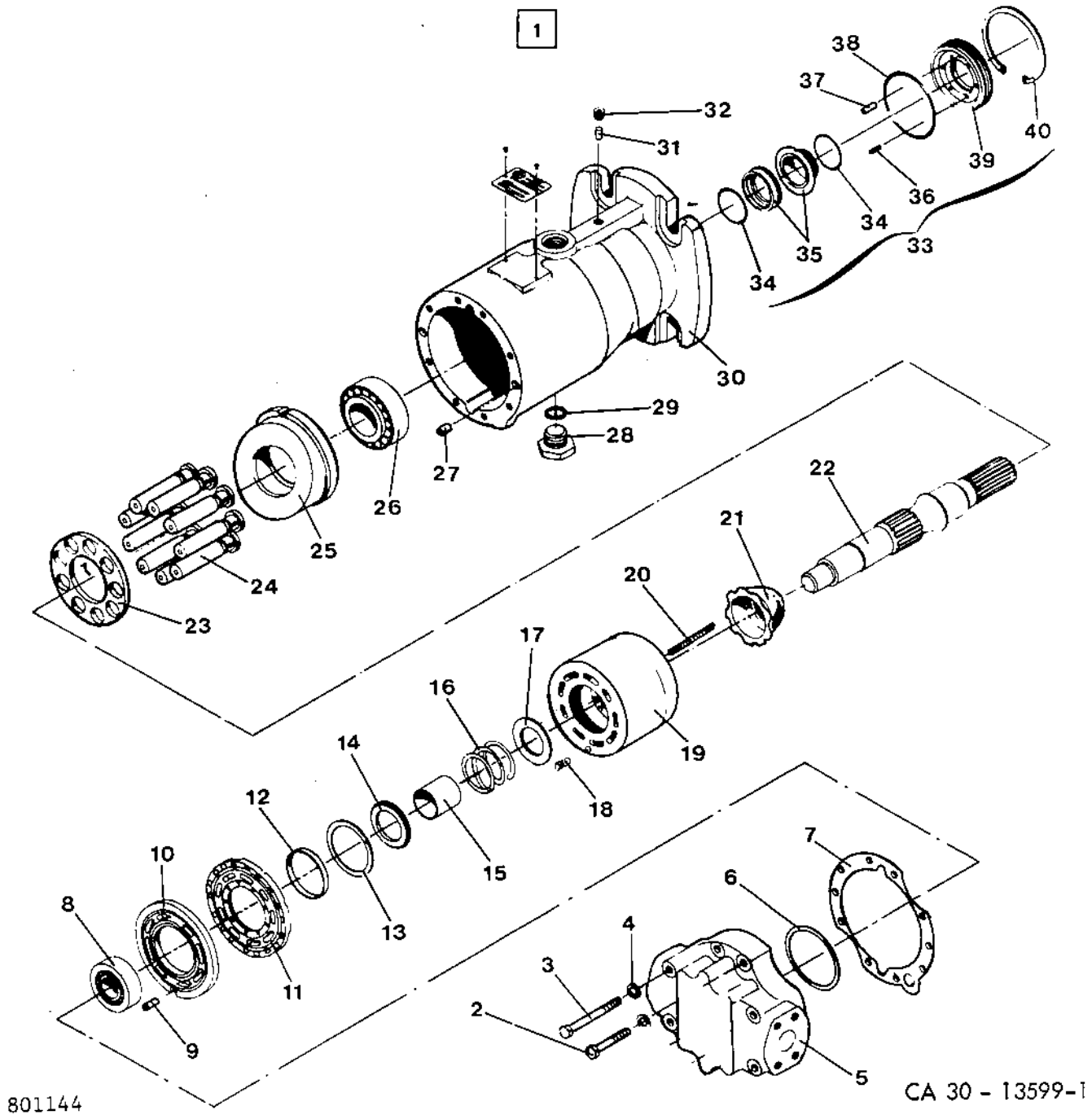
2) As required
Efter behov



CA 30 - 13598-1

Page Sida		Group Grupp		Picture No Bild nr		Issue Utgåva		MANIFOLD VALVE		VENTILBLOCK	
22		05		13598-1		S-10193-1					
Ref Pos	Quantity/Antal			Part No Art nr	Description	Benämning	Note Anmärkning	C, P K, L			
	30	30 D									
1	1	1	-	48 02 04	Manifold valve, cpl.	Ventilblock, kpl.				DO3	
2	1	1	-	48 05 65	•Housing with shuttle and relief valve	•Hus med skyttel- och övertrycksventil				O	
3	3	3	-	48 04 08	•Plug	•Plugg				O	
4	3	3	-	81 36 18	•O-ring	•O-ring				O	
5	2	2	-	48 04 07	•Spring	•Fjäder				O	
6	2	2	-	48 03 67	•Washer	•Bricka				O	
7	1	1	-	48 03 54	•Plug and O-ring	•Plugg och O-ring				O	
8	2	2	-	81 36 27	•Overflow valve, cpl.	•Överströmningsventil, ... kpl.				DO3	
9	1	1	-	48 03 48	••O-ring	••O-ring				O	
10	2	2	-	48 03 55	••Back-up ring	••Stödring				O	
11	1	1	-	48 03 44	••O-ring	••O-ring				O	
12	n	n	-	48 04 02	•Shim	•Mellanlägg	2)			O	
13	1	1	-	48 04 09	•Spring	•Fjäder				O	
14	2	2	-	-	Measuring nipple	Mätnippel	See page 4 ref. 29				

2) As required
Efter behov

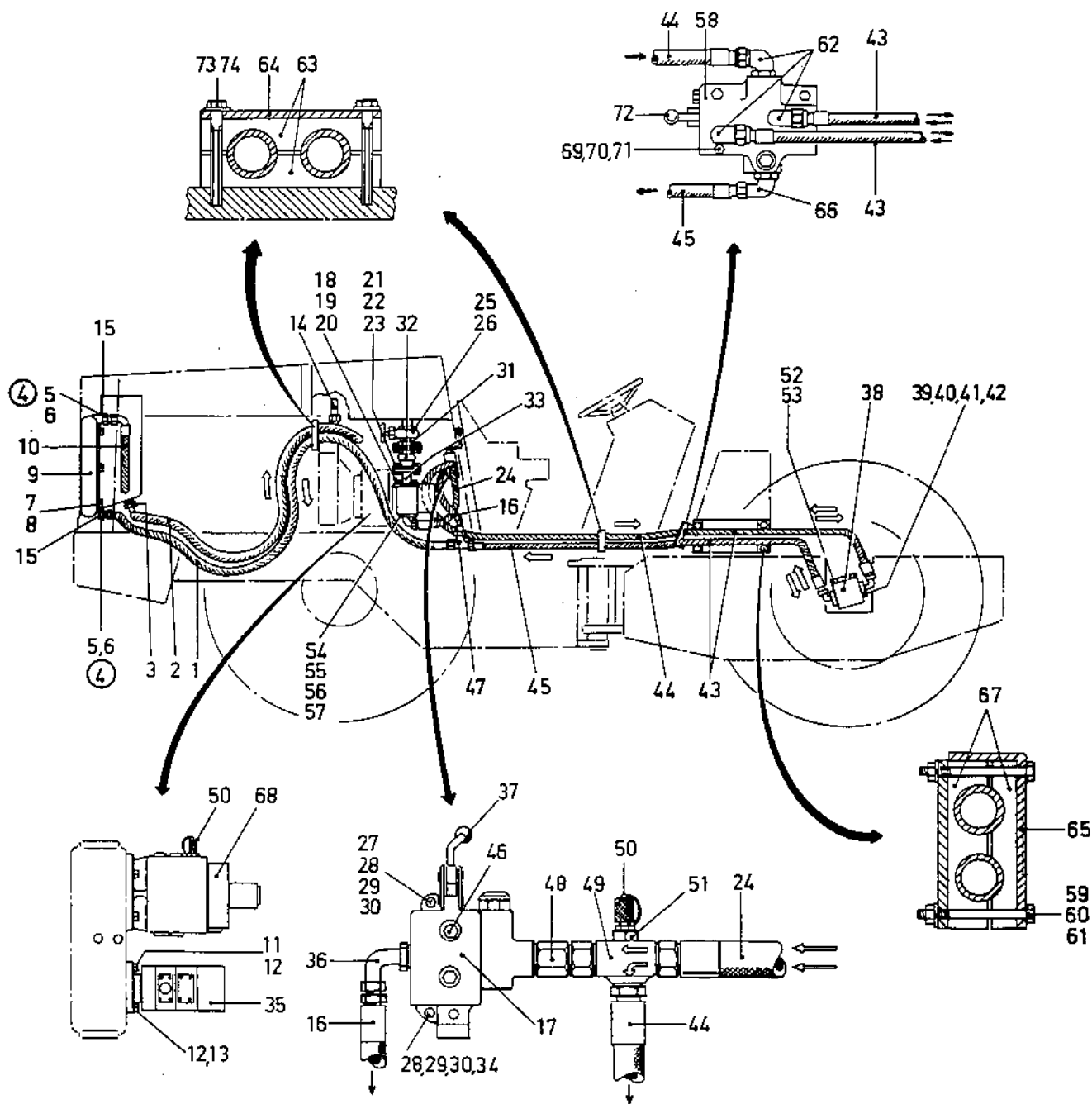


801144

CA 30 - 13599-1

Page Sida		Group Grupp		Picture No Bild nr		Issue Utgåva		HYDRAULIC MOTOR Drum drive		HYDRAULMOTOR Valsdrivning	
24		05		13599-1		S-10193-1					
Ref Pos	Quantity/Antal			Part No Art nr	Description	Benämning	Note Anmärkning	C, P K, L			
	Typ	CA									
	30										
	D										
1	1	-	-	80 11 44	Hydraulic motor, drum drive, cpl.	Hydraulmotor, valsdrivning, kpl.		C3			
2	3	-	-	81 38 38	•Screw	•Skruv		0			
3	5	-	-	81 38 39	•Screw	•Skruv		0			
4	8	-	-	81 38 46	•Washer	•Bricka		0			
5	1	-	-	91 10 61	•Cover, rear	•Lock, bakre		0			
6	n	-	-	48 16 11	•Shim, 0,25 mm	•Shim, 0,25 mm	2)	0			
	n	-	-	48 16 12	•Shim, 0,5 mm	•Shim, 0,5 mm	2)	0			
7	1	-	-	81 38 62	•Gasket	•Packning		DO3			
8	1	-	-	81 38 13	•Roller bearing	•Rullager		0			
9	1	-	-	81 38 21	•Pin	•Pinne		0			
10	1	-	-	81 38 68	•Valve plate	•Ventilplatta		0			
11	1	-	-	81 38 78	•Bearing plate	•Lagerplatta		0			
12	1	-	-	81 38 75	•Guide ring	•Styrning		0			
13	1	-	-	81 38 29	•Retaining ring	•Låsring		0			
14	1	-	-	81 38 55	•Spring holder	•Fjäderhållare		0			
15	1	-	-	81 38 56	•Spring guide	•Fjäderstyrning		0			
16	1	-	-	48 03 06	•Spring	•Fjäder		0			
17	1	-	-	81 38 54	•Spring holder	•Fjäderhållare		0			
18	1	-	-	81 38 51	•Pin	•Pinne		0			
19	1	-	-	81 38 74	•Cylinder block	•Cylinderhus		0			
20	6	-	-	91 10 60	•Spring	•Fjäder		0			
21	1	-	-	81 38 66	•Guide sleeve	•Styrhylsa		0			
22	1	-	-	91 10 63	•Drive shaft	•Drivaxel		0			
23	1	-	-	81 38 70	•Piston retainer	•Kolmedbringare		0			
24	9	-	-	81 38 73	•Piston cpl.	•Kolv kpl.		0			
25	1	-	-	81 38 76	•Swash plate	•Flödesplatta		0			
26	1	-	-	81 38 15	•Roller bearing	•Rullager		0			
27	2	-	-	81 38 22	•Pin	•Pinne		0			
28	1	-	-	81 38 27	•Plug	•Plugg		0			
29	1	-	-	81 36 18	•O-ring	•O-ring		DO3			
30	1	-	-	81 38 65	•Motor housing	•Motorhus		0			
31	1	-	-	81 38 21	•Pin	•Pinne		0			
32	1	-	-	81 38 25	•Pipe plug	•Rörplugg		0			
33	1	-	-	48 16 16	•Drive shaft seal cpl.	•Drivaxeltätning kpl.		DO3			
34	2	-	-	81 36 16	••O-ring	••O-ring		0			
35	1	-	-	81 36 24	••Seal ring (set)	••Tätningring (sats)		0			
36	6	-	-	81 36 25	••Spring	••Fjäder		0			
37	1	-	-	81 36 19	••Pin	••Pinne		0			
38	1	-	-	81 36 12	••O-ring	••O-ring		0			
39	1	-	-	81 36 22	••Seal ring carrier	••Tätningringshållare		0			
40	1	-	-	81 36 21	••Retaining ring	••Låsring		0			

2) As required
Efter behov



34 30 72

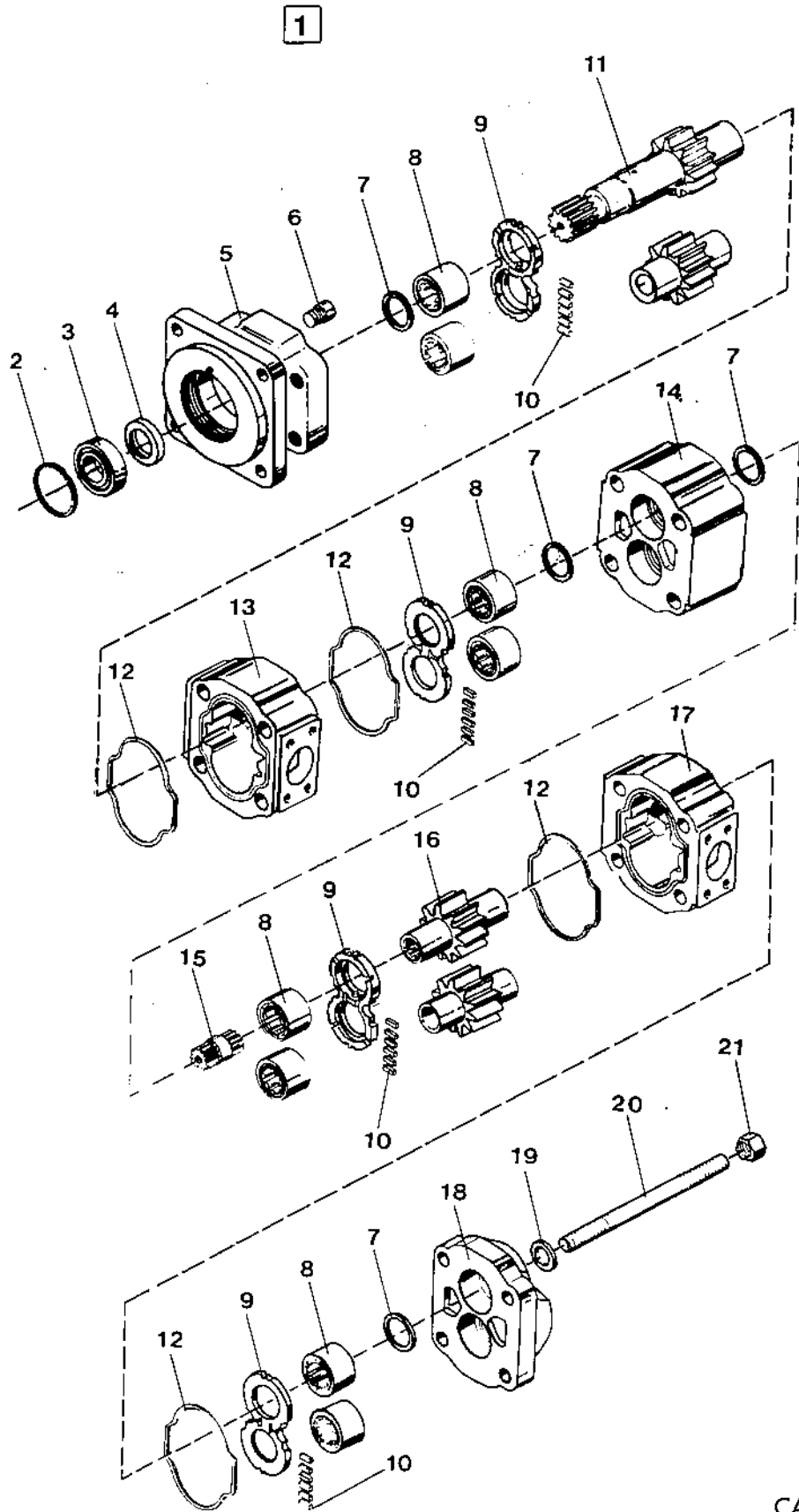
CA 30-13600-1

Page Sida		Group Grupp		Picture No Bild nr		Issue Utgåva		HYDRAULIC SYSTEM Vibration		HYDRAULSYSTEM Vibration	
26		05		13600-1		S-10193-1					
Ref Pos	Quantity/Antal			Part No Art nr	Description	Benämning	Note Anmärkning	C, P K, L			
	Typ	CA	1)30)								
1	1	-	-	48 21 13	Hydraulic hose	Hydraulslang		D 3			
2	1	-	-	308 00 19 01	Hydraulic hose	Hydraulslang		D 3			
3	1	-	-	33 46 18	Bulk head union	Skottgenomgång		0			
4	2	-	-	23 42 42	Adapter, cpl.	Adapter, kpl.		0			
5	1	-	-	33 04 48	•Support ring	•Stödring		0			
6	1	-	-	16 01 86	•O-ring	•O-ring		0			
7	6	-	-	50 20 16	Screw	Skruv		0			
8	6	-	-	61 50 43	Conical spring washer	Spännbricka		0			
9	1	-	-	33 85 94	Oil cooler	Oljekylare		C 3			
10	1	-	-	308 00 19 02	Hydraulic hose	Hydraulslang		D 3			
11	2	-	-	50 00 37	Screw	Skruv		0			
12	4	-	-	61 50 45	Conical spring washer	Spännbricka		0			
13	2	-	-	50 00 51	Screw	Skruv		0			
14	1	-	-	34 26 04	Tube fitting	Rörmoppel		0			
15	2	-	-	33 04 30	Copper washer	Kopparbricka		0			
16	1	-	-	48 22 26	Hydraulic hose	Hydraulslang		D 3			
17	1	-	-	33 55 64	Hydr. contr. valve, vibr. ...	Manöverventil, vibr.					
18	1	-	-	16 01 86	O-ring	O-ring		DO3			
19	4	-	-	50 22 00	Screw	Skruv		0			
20	4	-	-	60 40 08	Spring washer	Fjäderbricka		0			
21	8	-	-	50 20 78	Screw	Skruv		0			
22	8	-	-	60 40 11	Spring washer	Fjäderbricka		0			
23	8	-	-	57 10 06	Nut	Mutter		0			
24	1	-	-	48 22 25	Hydraulic hose	Hydraulslang		D 3			
25	1	-	-	23 31 41	Shut-off valve	Avstängningsventil		DO4			
26	2	-	-	23 04 74	Copper washer	Kopparbricka		0			
27	1	-	-	50 20 43	Screw	Skruv		0			
28	2	-	-	61 50 44	Conical spring washer	Spännbricka		0			
29	2	-	-	60 50 01	Washer	Bricka		0			
30	2	-	-	57 10 03	Nut	Mutter		0			
31	1	-	-	33 86 88	Flange	Fläns		0			
32	1	-	-	33 04 34	Compensator	Gummikompensator		0			
33	1	-	-	33 86 89	Inlet flange	Insugningsfläns		0			
34	1	-	-	50 20 46	Screw	Skruv		0			
35	1	-	-	80 11 59	Hydraulic pump, vibration and steering Comps, page 30	Hydraulpump, vibration .. och styrning Det. se sida 30		0			
36	1	-	-	33 45 89	Elbow	Rörkrök		0			
37	1	-	-		Vibration control lever	Spak för vibrationsregl.	See group 7				
38	1	-	-	80 11 60	Hydraulic motor,	Hydraulmotor, vibration ..					
39	4	-	-	23 20 98	Flange half	Flänshalva		0			
40	2	-	-	16 01 86	O-ring	O-ring		DO3			
41	8	-	-	50 22 00	Screw	Skruv		0			
42	8	-	-	60 40 08	Spring washer	Fjäderbricka		0			
43	2	-	-	48 22 22	Hydraulic hose	Hydraulslang		D 3			
44	1	-	-	48 22 24	Hydraulic hose	Hydraulslang		D 3			
45	1	-	-	48 22 23	Hydraulic hose	Hydraulslang		D 3			
46	2	-	-	81 34 22	Plug	Plugg		0			
47	1	-	-	23 43 79	T-adapter	T-adapter		0			
48	1	-	-	23 49 09	Adapter	Adapter		0			

1) CA30, all models
CA30, alla typer

Page Sida		Group Grupp		Picture No Bild nr		Issue Utgåva		HYDRAULIC SYSTEM Vibration		HYDRAULSYSTEM Vibration	
9		05		13600-1		S-10193-1					
Ref Pos	Quantity/Antal				Part No Art nr	Description	Benämning	Note Anmärkning	C, P K, L		
	1)	2)	3)	4)							
49	1	-	-	-	33 45 04	L-adapter	L-adapter			0	
50	2	-	-	-	91 01 61	Measuring nipple	Mät nipple			DO3	
51	1	-	-	-	81 34 65	Adapter	Adapter			0	
52	4	-	-	-	50 20 58	Screw	Skruv			0	
53	4	-	-	-	61 50 45	Conical spring washer	Spännbricka			0	
54	4	-	-	-	50 22 00	Screw	Skruv			0	
55	4	-	-	-	60 40 08	Spring washer	Fjäderbricka			0	
	2	-	-	-	23 20 97	Flange half	Flänshalva			0	
57	1	-	-	-	81 34 29	O-ring	O-ring			DO3	
58	1	-	-	-	80 20 26	Operating valve,	Manöverventil,				
						amplitude setting	amplitudinställn.				
						Comps, page 36	Det. se sida 36				
	4	-	-	-	50 01 97	Screw	Skruv			0	
60	4	-	-	-	61 50 45	Conical spring washer	Spännbricka			0	
61	4	-	-	-	57 00 07	Nut	Mutter			0	
62	3	-	-	-	33 41 63	Elbow	Rörkrök			0	
63	2	-	-	-	33 56 31	Hose holder	Slanghållare				
64	2	-	-	-	33 56 32	Plate	Platta				
65	1	-	-	-	33 56 35	Protecting plate	Slangskydd				
66	1	-	-	-	81 37 19	Elbow	Rörkrök			0	
	2	-	-	-	33 56 29	Hose holder	Slanghållare				
68	1	-	-	-		Variable displacement	Hydraulpump, framdr.	See page 4 ref. 2, 6 ref. 14			
						pump, propulsion					
69	3	-	-	-	50 01 97	Screw	Skruv			0	
70	3	-	-	-	61 50 45	Conical spring washer	Spännbricka			0	
71	3	-	-	-	57 00 07	Nut	Mutter			0	
72	1	-	-	-	82 65 45	Lever, amplitude setting	Spak, amplitudinställn.				
73	4	-	-	-	50 20 43	Screw	Skruv			0	
74	4	-	-	-	61 50 44	Conical spring washer	Spännbricka			0	

1) CA30, all models
CA30, alla typer

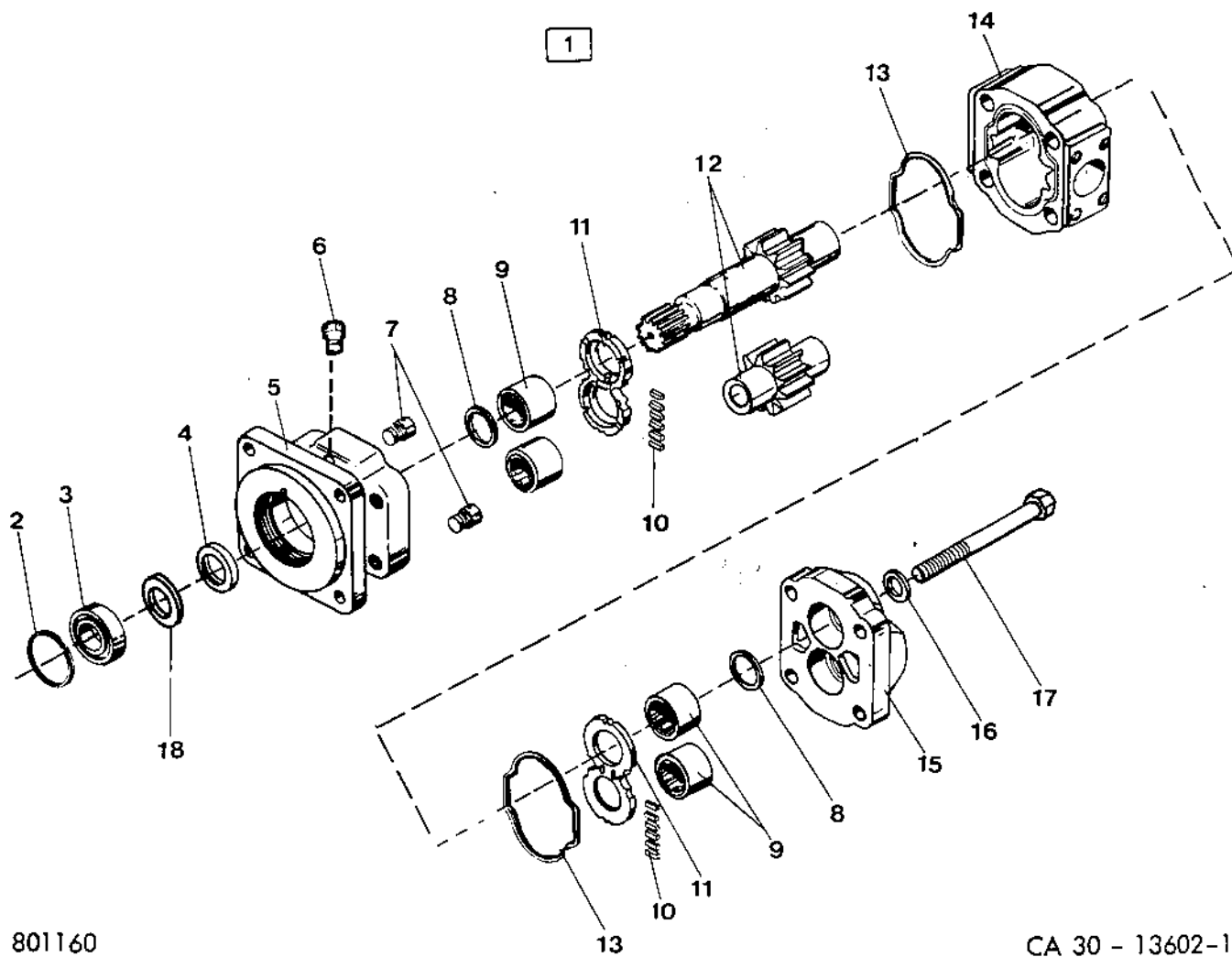


801159

CA 30 - 136...-1

Page Sida	Group Grupp	Picture No Bild nr	Issue Utgåva	HYDRAULIC PUMP Vibration and steering	HYDRAULPUMP Vibration och styrning			
30	05	13601-1	S-10193-1					
Ref Pos	Quantity/Antal			Part No Art nr	Description	Benämning	Note Anmärkning	C, P K, L
	1)30	Typ	CA					
1	1	-	-	80 11 59	Hydraulic pump, vibration and steering, cpl.	Hydraulpump, vibration .. och styrning, kpl.		C 3
2	1	-	-	81 36 77	•Snap ring	•Spårring		0
3	1	-	-	81 36 73	•Ball bearing	•Kullager		D03
4	1	-	-	81 39 19	•Seal ring	•Tätningarring		D03
5	1	-	-	81 39 04	•Cover	•Lock		0
6	1	-	-	81 39 07	•Plug	•Plugg		0
7	4	-	-	81 36 56	•Seal ring	•Tätningarring		D03
8	8	-	-	81 36 82	•Roller bearing	•Rullager		D03
9	4	-	-	81 36 42	•Thrust plate	•Tryckbricka		D03
10	24	-	-	81 36 46	•Sealing	•Tätning		D03
11	1	-	-	89 11 20	•Drive shaft and gear	•Drivaxel och kugghjul		0
12	4	-	-	81 36 68	•Gasket	•Packning		D03
13	1	-	-	89 15 64	•Housing	•Hus		0
14	1	-	-	81 39 09	•Bearing housing	•Lagerhus		0
15	1	-	-	81 39 22	•Shaft	•Axel		0
16	1	-	-	81 39 08	•Gear set	•Kugghjulssats		0
17	1	-	-	81 36 64	•Housing	•Hus		0
18	1	-	-	81 39 20	•Cover	•Lock		0
19	4	-	-	81 39 15	•Washer	•Bricka		0
20	4	-	-	81 38 92	•Stud	•Pinnskruv		0
21	4	-	-	81 39 17	•Nut	•Mutter		0

1) CA30, all models
CA30, alla typer

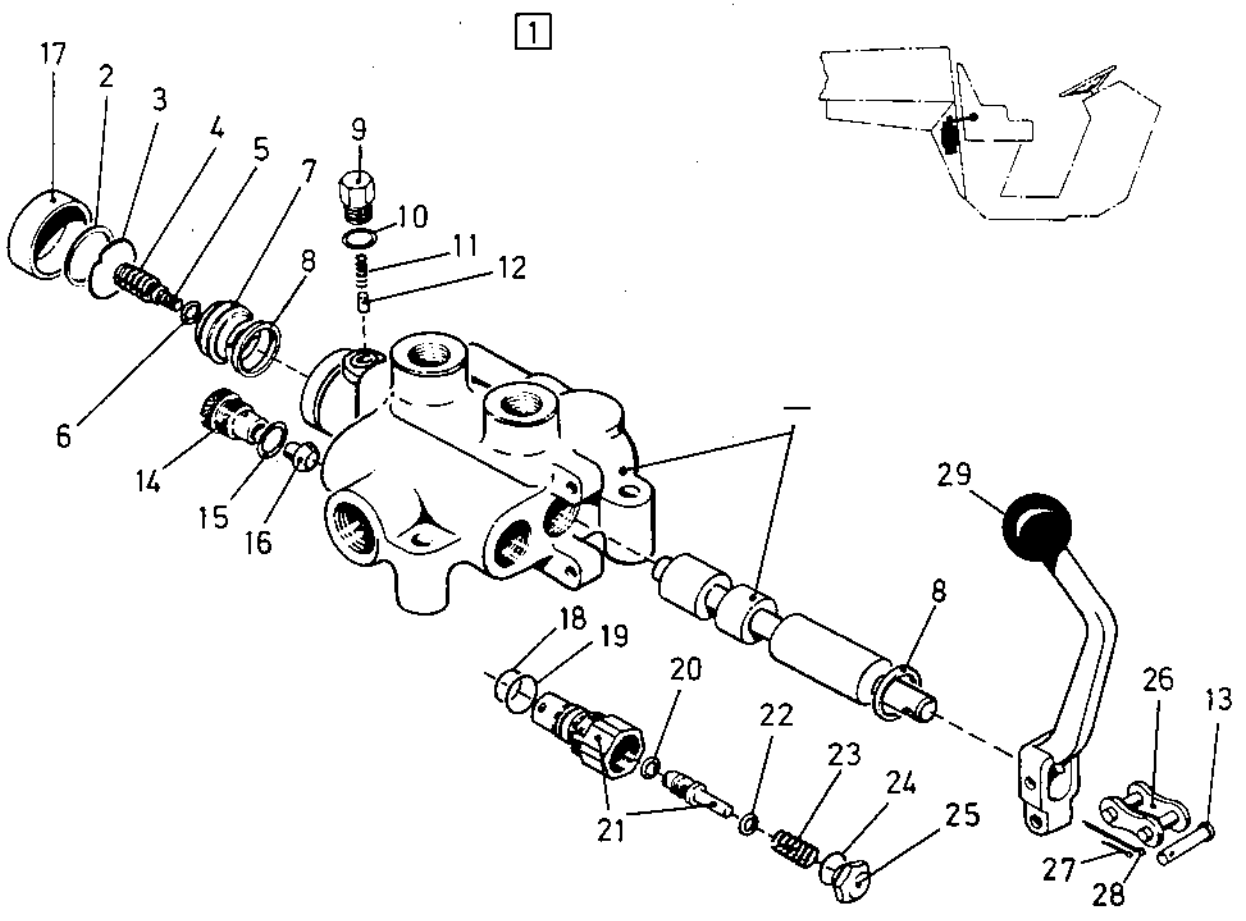


801160

CA 30 - 13602-1

Page Sida	Group Grupp	Picture No Bild nr	Issue Utgåva	HYDRAULIC MOTOR Vibration	HYDRAULMOTOR Vibration				
32	05	13602-1	S-10193-1						
Ref Pos	Quantity/Antal				Part No Art nr	Description	Benämning	Note Anmärkning	C, P K, L
	Typ CA								
	1)30								
1	1	-	-	-	80 11 60	Hydraulic motor, vibration, cpl.	Hydraulmotor, vibration, kpl.		C 3
2	1	-	-	-	81 36 78	•Snap ring	•Spårring		0
3	1	-	-	-	81 36 74	•Ball bearing	•Kullager		DO3
4	1	-	-	-	81 36 76	•Seal ring	•Tätningssring		DO3
5	1	-	-	-	81 39 02	•Cover	•Lock		0
6	1	-	-	-	81 39 10	•Plug	•Plugg		0
7	2	-	-	-	81 39 03	•Check valve	•Backventil		DO3
8	2	-	-	-	81 36 61	•Seal ring	•Tätningssring		DO3
9	4	-	-	-	81 39 06	•Roller bearing	•Rullager		DO3
10	12	-	-	-	81 36 46	•Sealing	•Tätning		DO3
11	2	-	-	-	81 36 83	•Thrust plate	•Tryckbricka		DO3
12	1	-	-	-	89 14 98	•Drive shaft and gear	•Drivaxel och kugghjul		0
13	2	-	-	-	81 36 69	•Gasket	•Packning		DO3
14	1	-	-	-	89 14 57	•Housing	•Hus		0
15	1	-	-	-	81 39 23	•Cover	•Lock		0
16	4	-	-	-	81 39 15	•Washer	•Bricka		0
17	4	-	-	-	81 39 16	•Screw	•Skruv		0
18	1	-	-	-	81 36 43	•Seal retainer	•Tätningshållare		0

1) CA30, all models
CA30, alla typer



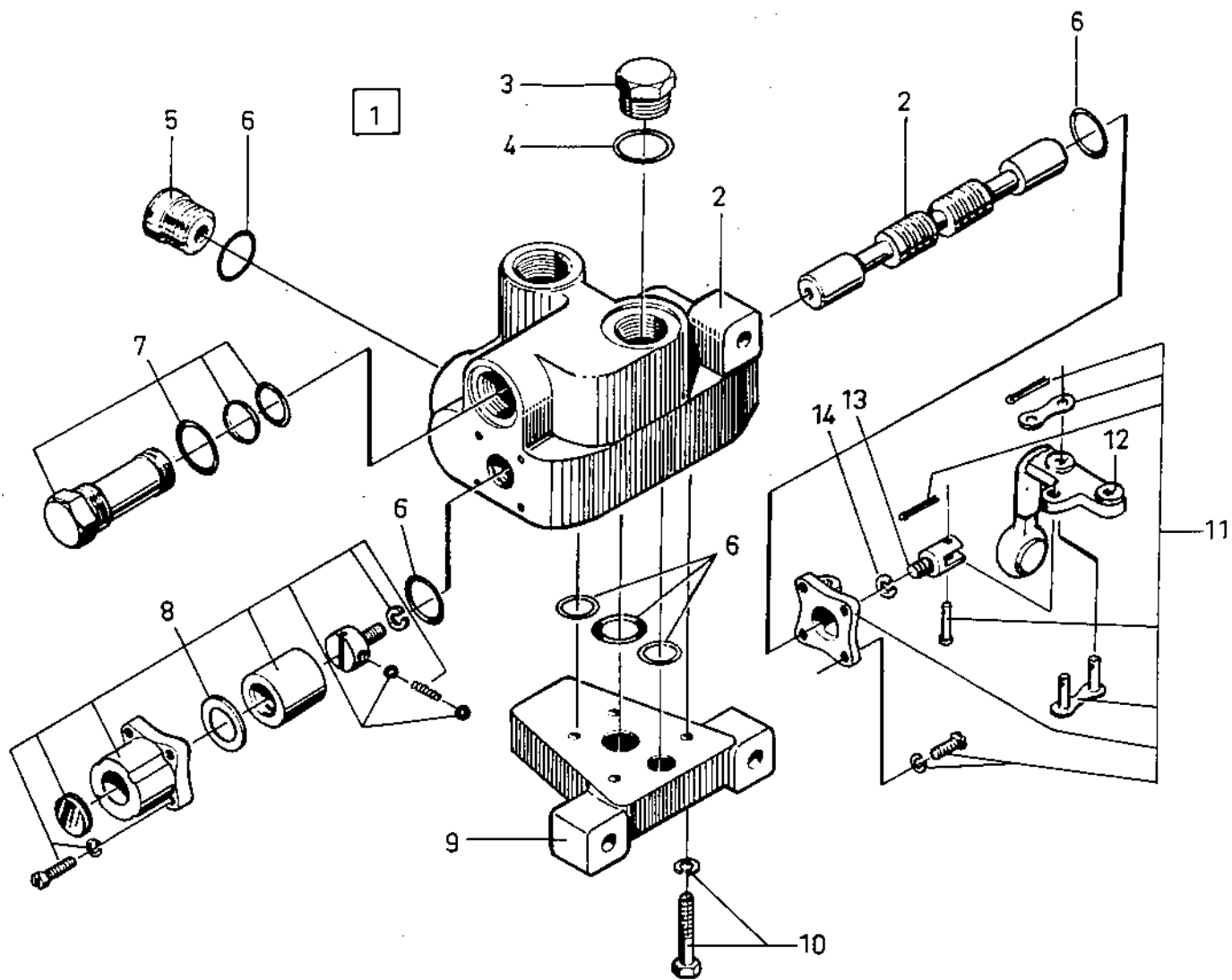
33 55 64

CA 30-13603-1

Page Sida	Group Grupp	Picture No Bild nr	Issue Utgåva	HYDRAULIC CONTROL VALVE Vibration	MANÖVERVENTIL Vibration				
34	05	13603-1	S-10193-1						
Ref Pos	Quantity/Antal				Part No Art nr	Description	Benämning	Note Anmärkning	C, P K, L
	1)30								
1	1	-	-	-	33 55 64	Hydraulic control valve, ... vibration, cpl.	Manöverventil, vibration, kpl.		C 3
2	1	-	-	-	81 40 86	•Snap ring	•Spårring		0
3	1	-	-	-	81 40 85	•Disc	•Bricka		0
4	1	-	-	-	81 40 94	•Spring	•Fjäder		0
5	1	-	-	-	81 40 82	•Bolt	•Bult		0
6	1	-	-	-	81 41 27	•Lock washer	•Låsbricka		0
7	1	-	-	-	81 41 28	•Detent sleeve	•Låshylsa		0
8	2	-	-	-	81 40 89	•Seal ring	•Tätningring		0
9	1	-	-	-	81 41 26	•Plug	•Plugg		0
10	1	-	-	-	81 40 92	•Washer	•Bricka		0
11	1	-	-	-	81 40 91	•Spring	•Fjäder		0
12	1	-	-	-	81 40 93	•Pin	•Pinne		0
13	1	-	-	-	81 40 83	•Bolt	•Bult		0
14	1	-	-	-	81 41 33	•Plug	•Plugg		0
15	1	-	-	-	81 40 95	•O-ring	•O-ring		0
16	1	-	-	-	81 41 32	•Valve cone	•Ventilkona		0
17	1	-	-	-	81 40 90	•Rubber cover	•Gummiskydd		0
18	1	-	-	-	81 41 38	•Seal ring	•Tätningring		0
19	1	-	-	-	81 41 19	•O-ring	•O-ring		0
20	1	-	-	-	81 41 25	•Washer	•Bricka		0
21	1	-	-	-	81 41 24	•Valve cone and housing, cpl.	•Ventilkona och hus, kpl.		0
22	n	-	-	-	81 40 81	•Spacer ring, 0,010"	•Distansring, 0,010"	2)	0
	n	-	-	-	81 40 80	•Spacer ring, 0,020"	•Distansring, 0,020"	2)	0
23	1	-	-	-	81 41 11	•Spring	•Fjäder		0
24	1	-	-	-	81 41 30	•Seal ring	•Tätningring		0
25	1	-	-	-	81 41 23	•Plug	•Plugg		0
26	1	-	-	-	81 37 14	•Link, cpl.	•Länk, kpl.		0
27	1	-	-	-	81 40 77	•Cotter pin	•Saxpinne		0
28	1	-	-	-	81 40 88	•Cotter pin	•Saxpinne		0
29	1	-	-	-	-	Vibration control lever	Spak, vibrationsregl.	See group 7	0

1) CA30, all models
CA30, alla typer

2) As required
Efter behov



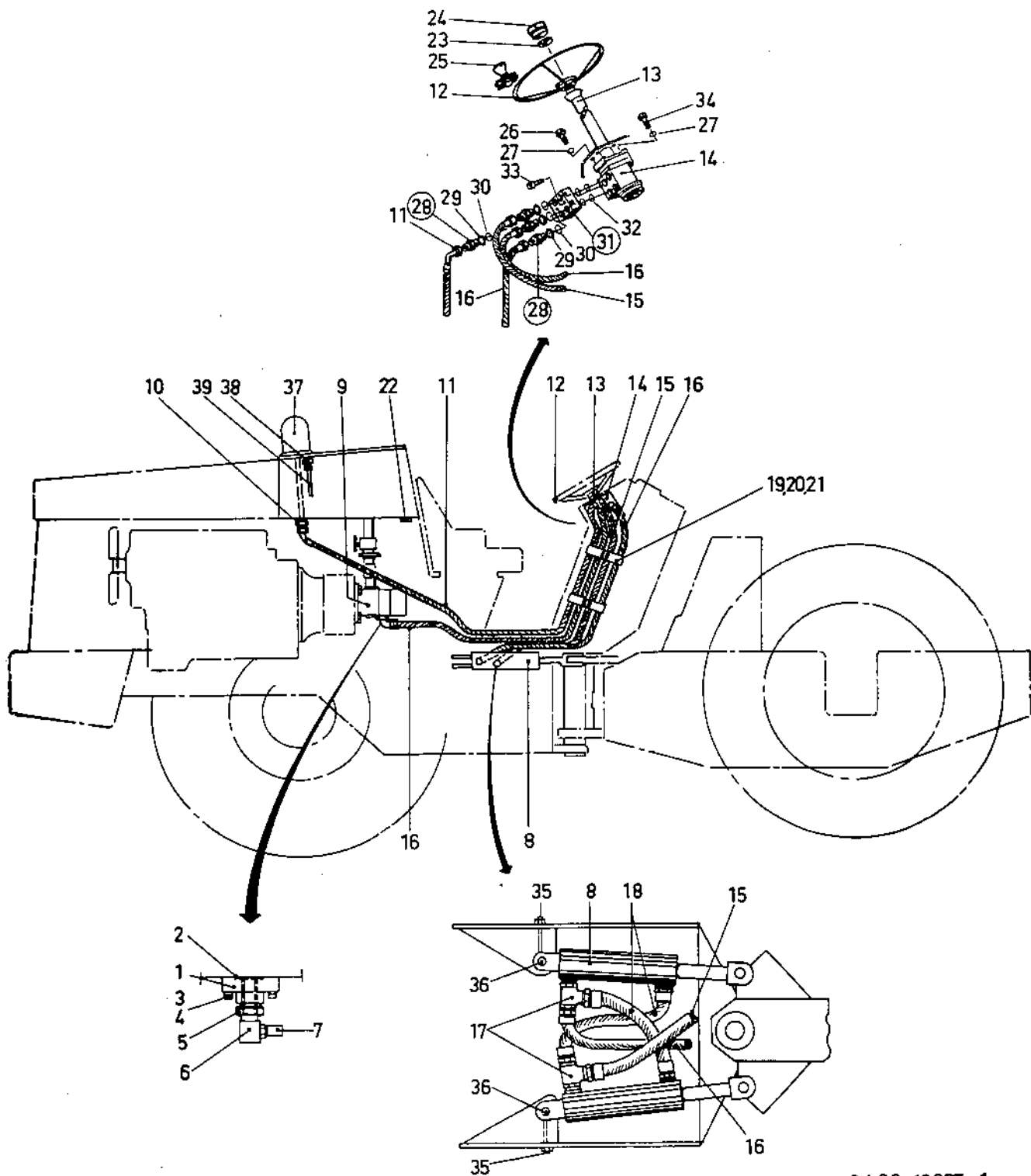
802026

CA30-13604-1

Page Sida 36	Group Grupp 05	Picture No Bild nr 13604-1	Issue Utgåva S-10193-1	OPERATING VALVE Amplitude setting	MANÖVERTIL Amplitudinställning
---------------------------	-----------------------------	---	------------------------------	--------------------------------------	-----------------------------------

Ref Pos	Quantity/Antal		Part No Art nr	Description	Benämning	Note Anmärkning	C, P K, L
	30 Typ	30 D					
1	1	1	80 20 26	Operating valve, ampl. setting, cpl.	Manöverventil, empl. inst., kpl.		C 3
2	1	1	-	•Housing and spool	•Hus och ventilslid	4)	
3	1	1	92 09 10	•Plug	•Plugg		0
4	1	1	92 09 11	•O-ring	•O-ring		0
5	1	1	92 09 12	•Plug	•Plugg		0
6	1	1	92 09 13	•Main body seal kit	•Tätningringsats		0
7	1	1	91 15 75	•Relief plug kit	•Pluggsats		0
8	1	1	92 09 14	•Detent replacem. kit	•Slidstopp, sats		0
9	1	1	92 09 15	•Cover	•Lock		0
10	1	1	92 09 16	•Bolt kit	•Bultsats		0
11	1	1	92 09 17	•Handle kit	•Handtag, sats		0
12	1	1	-	••Lever	••Spak	See page 28 ref. 72	
13	1	1	92 09 18	•Lock washer	•Låsbricka		0
14	1	1	92 09 19	•Spool adapter	•Slidfäste		0

4) Not sold as spare part
Säljes ej som reservdel

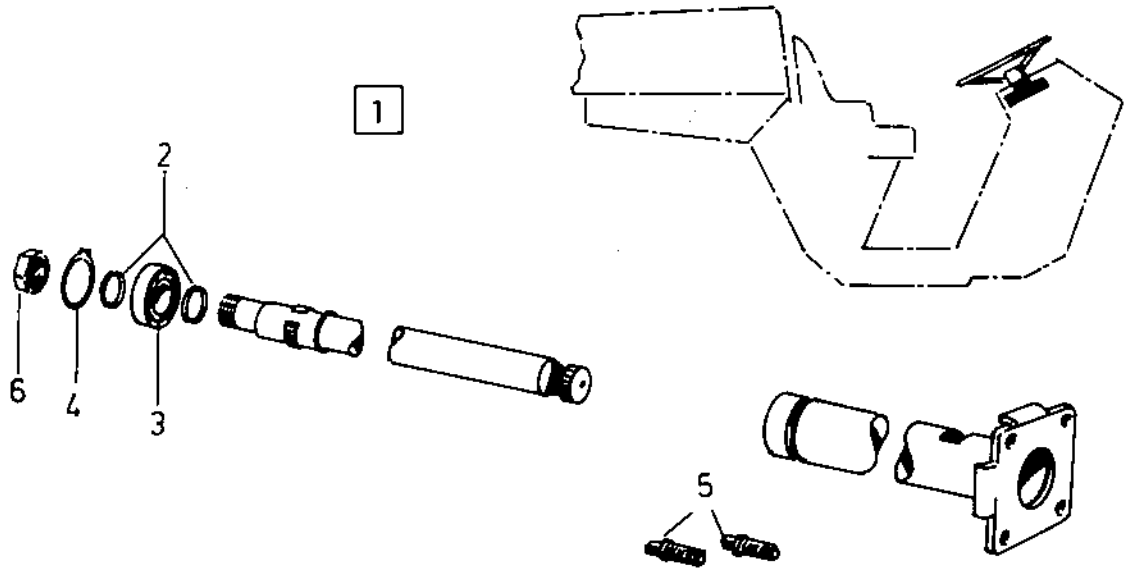


342916

CA 30-13605-1

Page Sida		Group Grupp			Picture No Bild nr		Issue Utgåva		HYDRAULIC SYSTEM Steering		HYDRAULSYSTEM Styrning	
38		05			13605-1		S-10193-1					
Ref Pos	Quantity/Antal				Part No Art nr	Description	Benämning	Note Anmärkning	C, P K, L			
	Typ CA											
	1)30											
1	1	-	-	-	81 34 33	Flange	Fläns		0			
2	1	-	-	-	81 34 43	O-ring	O-ring		DO3			
3	4	-	-	-	50 90 23	Screw	Skruv		0			
4	4	-	-	-	60 40 06	Spring washer	Fjäderbricka		0			
5	1	-	-	-	81 34 34	Reducing nipple	Reducering		0			
6	1	-	-	-	34 22 34	Elbow	Rörkrök					
7	1	-	-	-	91 01 61	Measuring nipple	Mätnippel		DO3			
8	2	-	-	-	34 08 96	Steering cylinder, cpl.	Styrcylinder, kpl.					
9	1	-	-	-		Comps, page 44 Hydraulic pump, vibration and steering Comps, page 30	Det. se sida 44 Hydraulpump, vibration och styrning Det. se sida 30					
10	1	-	-	-	33 41 42	Adapter	Adapter		0			
11	1	-	-	-	308 00 16 03	Return hose	Returslang		D 3			
12	1	-	-	-	81 33 36	Steering wheel	Ratt		DO3			
13	1	-	-	-	33 55 63	Wheel tube	Rattstång					
14	1	-	-	-	48 02 19	Comps, page 40 Steering unit	Det. se sida 40 Styrventil					
15	1	-	-	-	333 56 03 22	Comps, page 42 Hydraulic hose	Det. se sida 42 Hydraulslang		D 3			
16	2	-	-	-	48 20 69	Hydraulic hose	Hydraulslang		D 3			
17	2	-	-	-	33 40 70	T-adapter	T-adapter		0			
18	2	-	-	-	333 56 03 04	Hydraulic hose	Hydraulslang		D 3			
19	2	-	-	-	33 56 12	Clamp	Klammer					
20	2	-	-	-	50 20 32	Screw	Skruv		0			
21	2	-	-	-	60 40 06	Spring washer	Fjäderbricka		0			
22	1	-	-	-	81 34 22	Plug	Plugg		0			
23	1	-	-	-		Wheel nut	Rattmutter	See page 40 ref. 6				
24	1	-	-	-	27 11 29	Wheel cap	Rattlock					
25	1	-	-	-	31 20 37	Turning knob	Rattspinnare		DO3			
26	2	-	-	-	50 20 36	Screw	Skruv		0			
27	4	-	-	-	60 40 06	Spring washer	Fjäderbricka		0			
28	4	-	-	-	33 41 16	Adapter, cpl.	Adapter, kpl.		0			
29	1	-	-	-	33 02 62	•Support ring	•Stödring		0			
30	1	-	-	-	16 01 55	•O-ring	•O-ring		DO3			
31	1	-	-	-	48 09 52	Relief valve block, cpl.	Ventilblock, kpl.		CO3			
32	1	-	-	-	16 02 19	•Gasket set	•Packningssats		DO3			
33	2	-	-	-	48 09 23	••Screw	••Skruv		0			
34	2	-	-	-	50 20 32	Screw	Skruv		0			
35	2	-	-	-	31 00 25	Grease nipple	Smörjnippel		0			
36	2	-	-	-	81 33 16	Bearing	Lager		DO3			
37	1	-	-	-	33 89 90	Return filter	Returfilter		A 1			
38	1	-	-	-	23 31 42	Check valve	Backventil		DO3			
39	1 x L	-	-	-	62 92 31	Pipe	Rör	L = 150 mm	0			

1) CA30, all models
CA30, alla typer

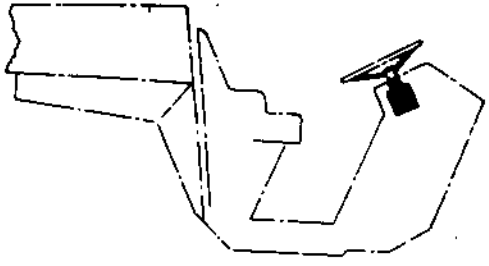


CA 30-13606-1

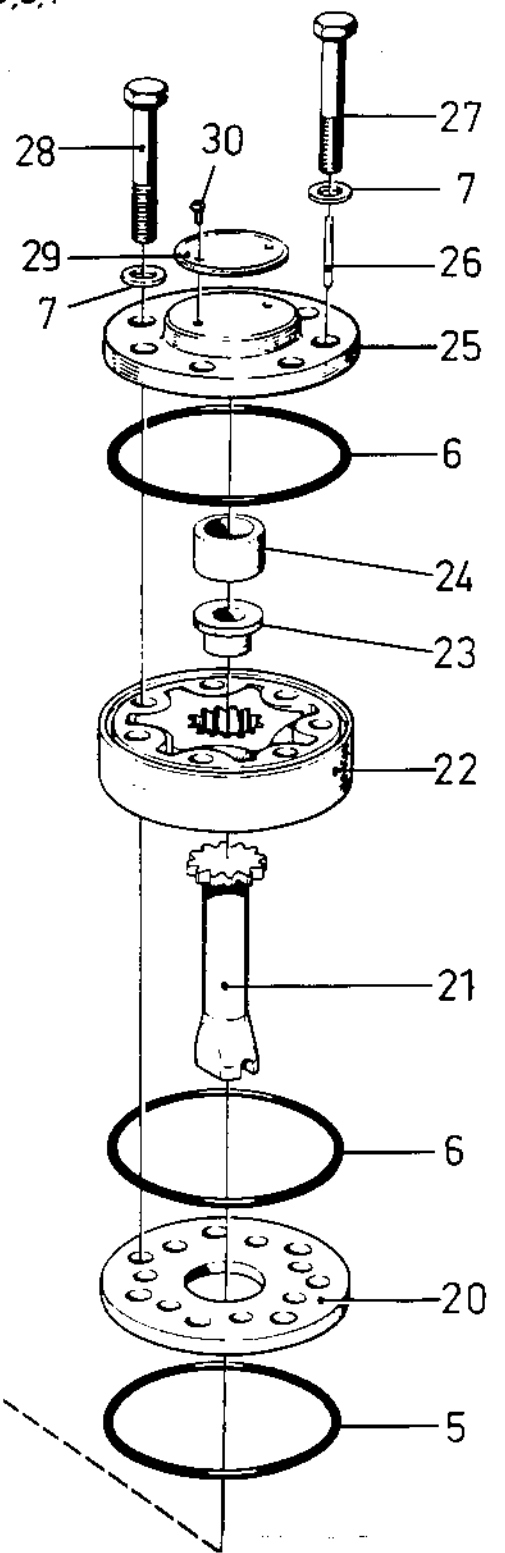
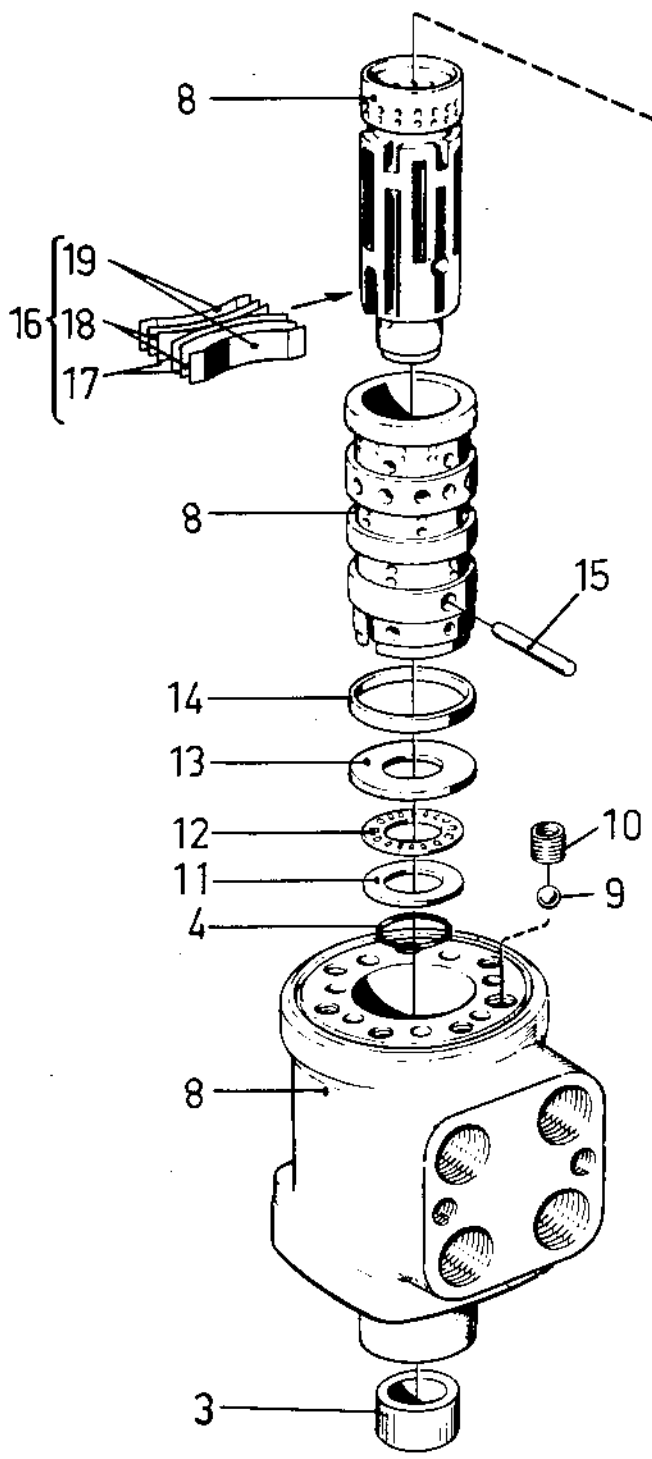
Page Sida 40	Group Grupp 05	Picture No Bild nr 13606-1	Issue Utgåva S-10193-1	WHEEL TUBE	RATTSTÅNG
--------------------	----------------------	----------------------------------	------------------------------	------------	-----------

Ref Pos	Quantity/Antal				Part No Art nr	Description	Benämning	Note Anmärkning	C, P K, L
	1)30								
1	1	-	-	-	33 55 63	Wheel tube, cpl.	Rattstång, kpl.		C 4
2	2	-	-	-	81 41 61	•Snap ring	•Spårring		0
3	1	-	-	-	81 41 68	•Ball bearing	•Kullager		0
4	1	-	-	-	81 41 52	•Retaining ring	•Låsring		0
5	2	-	-	-	81 41 66	•Screw	•Skruv		0
6	1	-	-	-	81 33 42	•Wheel nut	•Rattmutter		0

1) CA30, all models
CA30, alla typer

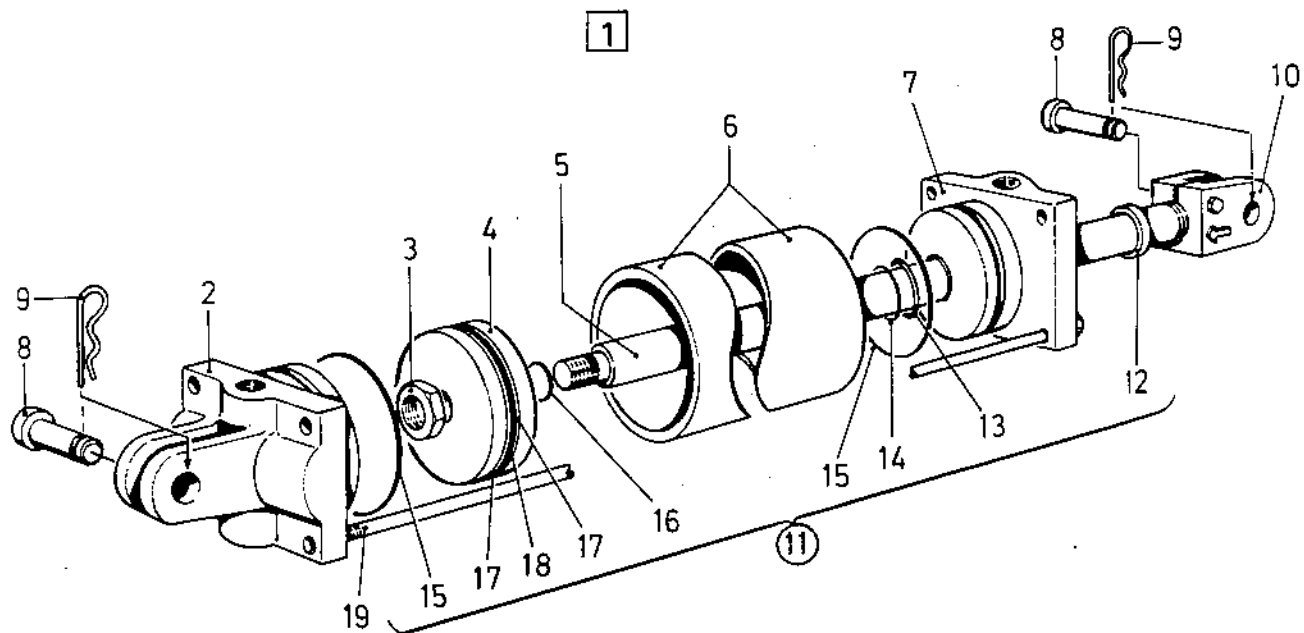


1
2
3,4,5,6,7



Page Sida		Group Grupp			Picture No Bild nr		Issue Utgåva		STEERING UNIT		STYRVENTIL	
42		05			13607-1		S-10193-1					
Ref Pos	Quantity/Antal				Part No Art nr	Description	Benämning	Note Anmärkning	C, P K, L			
	1)	30)										
1	1	-	-	-	48 02 19	Steering unit, compl.	Styrventil, kompl.		CO3			
2	1	-	-	-	48 04 57	•Spare parts bag	•Reservdelssats		DO3			
3	1	-	-	-	-	••Seal ring	••Tätningssring		S			
4	1	-	-	-	-	••O-ring	••O-ring		S			
5	1	-	-	-	-	••O-ring	••O-ring		S			
6	2	-	-	-	-	••O-ring	••O-ring		S			
7	7	-	-	-	-	••Sealing washer	••Tätningssbricka		S			
8	1	-	-	-	48 04 58	•Housing with sleeves	•Hus med ventilhylsa		O			
9	1	-	-	-	48 04 68	•Ball	•Kula		O			
10	1	-	-	-	48 04 46	•Thread bushing	•Gängad bussning		O			
11	1	-	-	-	48 04 52	•Bearing race	•Bricka		O			
12	1	-	-	-	48 04 53	•Needle bearing	•Nållager		O			
13	1	-	-	-	48 04 51	•Bearing race	•Bricka		O			
14	1	-	-	-	48 04 49	•Ring	•Ring		O			
15	1	-	-	-	48 04 47	•Cross pin	•Tapp		O			
16	1	-	-	-	48 13 09	•Set of springs	•Fjädersats		O			
17	2	-	-	-	48 13 08	••Spring, blue	••Fjäder, blå		O			
18	2	-	-	-	48 13 07	••Spring	••Fjäder		O			
19	2	-	-	-	48 04 48	••Spring	••Fjäder		O			
20	1	-	-	-	48 04 45	•Valve plate	•Ventilplatta		O			
21	1	-	-	-	48 04 54	•Drive shaft	•Axel		O			
22	1	-	-	-	48 05 77	•Gear set	•Kugghjulssats		O			
23	1	-	-	-	48 04 55	•Spacer	•Distanshylsa		O			
24	1	-	-	-	48 13 06	•Spacer	•Distanshylsa		O			
25	1	-	-	-	48 04 50	•End cap	•Lock		O			
26	1	-	-	-	48 04 66	•Rolled pin	•Spännstift		O			
27	1	-	-	-	48 04 56	•Screw with bore	•Skruv med hål		O			
28	6	-	-	-	48 04 65	•Screw	•Skruv		O			
29	1	-	-	-	48 04 44	•Rating plate	•Platta		O			
30	2	-	-	-	48 04 64	•Rivet	•Nit		O			

1) CA30, all models
CA30, alla typer

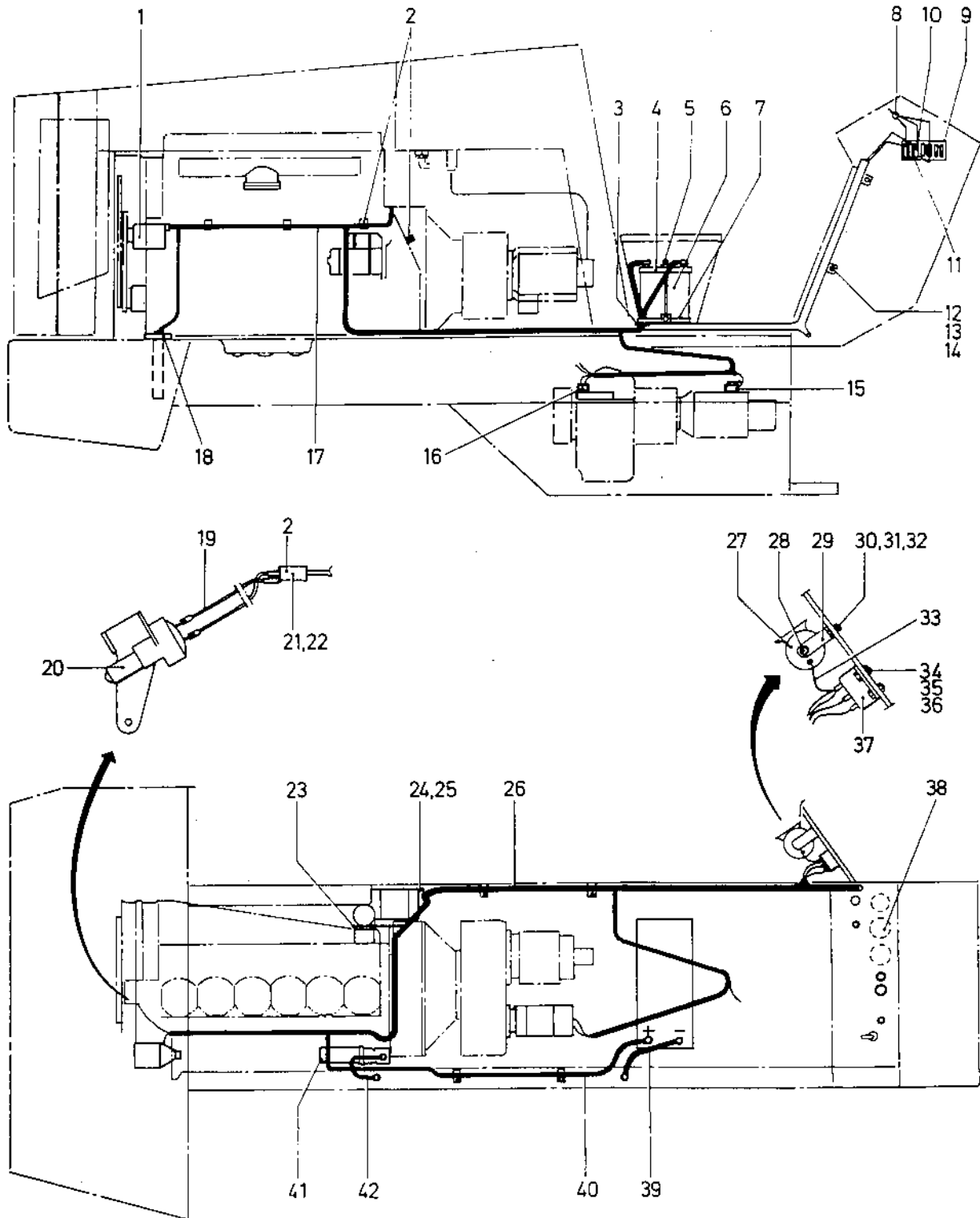


340896

CA 30 - 13608-1

Page Sida		Group Grupp		Picture No Bild nr		Issue Utgåva		STEERING CYLINDER		STYRCYLINDER	
44		05		13608-1		S-10193-1					
Ref Pos	Quantity/Antal			Part No Art nr	Description	Benämning	Note Anmärkning	C, P K, L			
	1)	30									
1	2	-	-	34 08 96	Steering cylinder cpl	Styrcylinder kpl		C 3			
2	1	-	-	48 10 55	•Cylinder	•Cylinder		O			
3	1	-	-	48 10 44	•Piston	•Kolv		D O4			
4	1	-	-	48 10 45	•Stuffing box	•Packbox		O			
5	1	-	-	48 10 47	•Cylinder end	•Cylinderlock		O			
6	1	-	-	48 10 51	•Nut	•Mutter		D O4			
7	1	-	-	48 10 42	•Seal kit	•Tätningssats		D O3			
8	1	-	-	-	••O-ring	••O-ring		S			
9	2	-	-	-	••Washer	••Bricka		S			
10	1	-	-	-	••O-ring	••O-ring		S			
11	1	-	-	-	••Washer	••Bricka		S			
12	1	-	-	-	••Scraper ring	••Avstrykarring		S			
13	1	-	-	-	••O-ring	••O-ring		S			
14	2	-	-	-	••O-ring	••O-ring		S			
15	1	-	-	48 10 46	•Fork	•Gaffel		D O3			
16	2	-	-	48 10 49	•Bolt	•Bult		D O3			
17	2	-	-	48 10 48	•Locking pin	•Låspinne		D O3			
18	1	-	-	48 10 43	•Piston rod	•Kolvstång		D O4			
19	4	-	-	48 10 56	•Stud	•Pinnskruv		D O4			

1) CA30, all models
CA30, alla typer

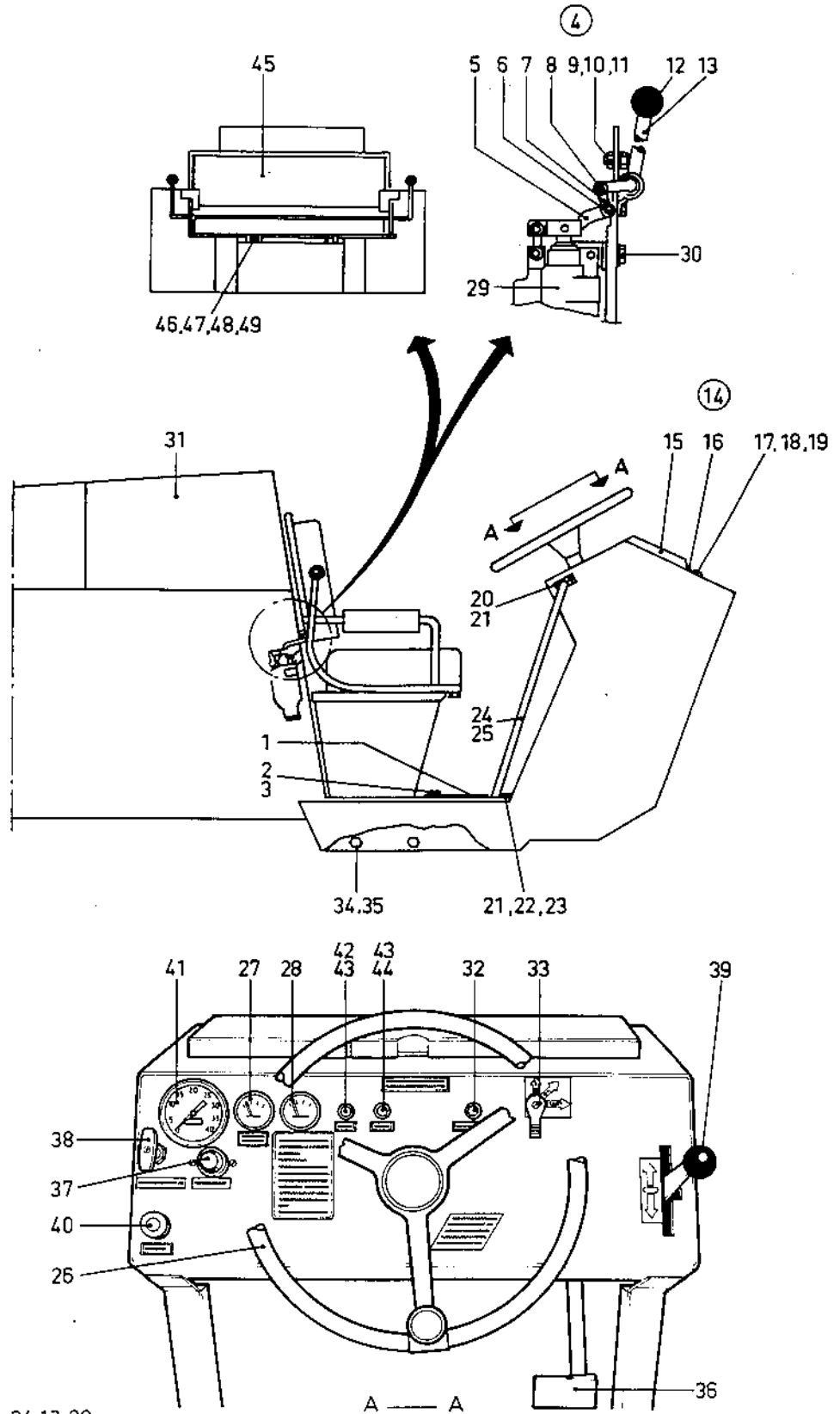


34 31 47

CA 30-13609-1

Page Sida		Group Grupp		Picture No Bild nr		Issue Utgåva		ELECTRICAL EQUIPMENT ELEKTRISK UTRUSTNING	
2		06		13609-1		S-10193-1			
Ref Pos	Quantity/Antal			Part No Art nr	Description	Benämning	Note Anmärkning	C, P K, L	
	Typ CA								
	1)30								
1	1	-	-	-	Alternator	Växleströmgenerator	See group 3		
2	6	-	-	-	92 10 77 Clamp	Klammer		0	
3	1	-	-	-	81 33 48 Grommet	Kabelgenomföring		0	
4	1	-	-	-	433 55 83 01 Battery frame	Batteriram			
5	2	-	-	-	81 33 30 Screw	Skruv		0	
6	1	-	-	-	47 00 20 Battery	Batteri		DO4	
7	1	-	-	-	33 55 87 Plywood	Underlägg			
8	1	-	-	-	34 31 49 Cable harness	Kabelstam			
9	1	-	-	-	95 00 28 Fuse box	Säkringslåda		DO4	
10	8	-	-	-	95 00 11 •Fuse	•Säkring		0	
11	2	-	-	-	54 15 12 Screw	Skruv		0	
12	2	-	-	-	33 56 12 Clamp	Klammer		0	
13	2	-	-	-	50 20 32 Screw	Skruv		0	
14	2	-	-	-	61 50 44 Conical spring washer	Spännbricka		0	
15	1	-	-	-	- Hydraulic oil temp. sender	Givare för	See group 5		
16	1	-	-	-	- Brake switch	Bromskontakt	See group 7		
17	1	-	-	-	33 85 97 Cable harness	Kabelstam			
18	1	-	-	-	- Fuel level sender	Bränslenivågivare	See group 3		
19	1	-	-	-	33 86 81 Cable	Kabel			
20	1	-	-	-	- V-belt failure switch	Kilremsvakt	See group 3		
21	1	-	-	-	50 00 18 Screw	Skruv		0	
22	1	-	-	-	61 50 43 Conical spring washer	Spännbricka		0	
23	1	-	-	-	- Oil pressure transmitter ..	Oljetrycksgivare	See group 3		
24	3	-	-	-	53 30 04 Screw	Skruv		0	
25	3	-	-	-	60 00 01 Washer	Bricka		0	
26	1	-	-	-	34 31 48 Cable harness	Kabelstam			
27	1	-	-	-	99 90 23 Horn	Signalhorn		DO4	
28	1	-	-	-	99 90 25 Nut	Mutter		0	
29	1	-	-	-	99 90 24 Bracket	Konsol		0	
30	1	-	-	-	50 20 18 Screw	Skruv		0	
31	1	-	-	-	61 50 43 Conical spring washer	Spännbricka		0	
32	1	-	-	-	57 10 02 Nut	Mutter		0	
33	1	-	-	-	433 86 81 01 Cable	Kabel		0	
34	2	-	-	-	50 20 04 Screw	Skruv		0	
35	2	-	-	-	61 50 42 Conical spring washer	Spännbricka		0	
36	2	-	-	-	57 10 01 Nut	Mutter		0	
37	1	-	-	-	97 50 37 Horn relay	Signalhornsrelä		DO4	
38	1	-	-	-	- Instruments	Instrument	See group 7		
39	1	-	-	-	433 56 07 01 Ground cable	Jordkabel			
40	1	-	-	-	33 56 08 Battery cable	Startkabel			
41	1	-	-	-	- Starter motor	Startmotor	See group 3		
42	1	-	-	-	33 86 79 Ground cable	Jordkabel			

1) CA30, all models
CA30, alla typer

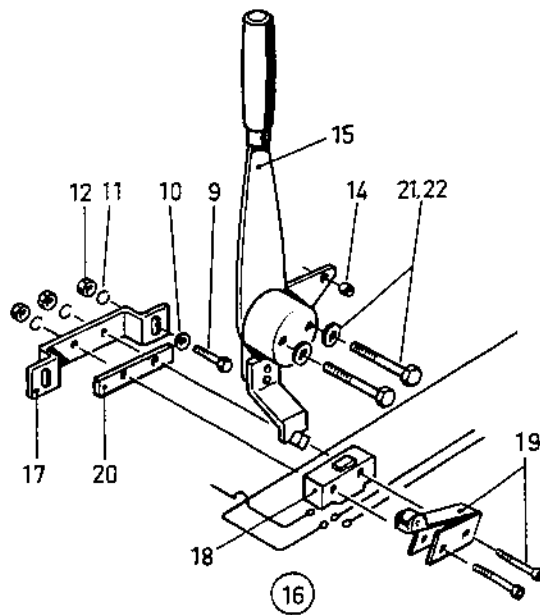
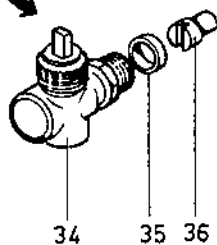
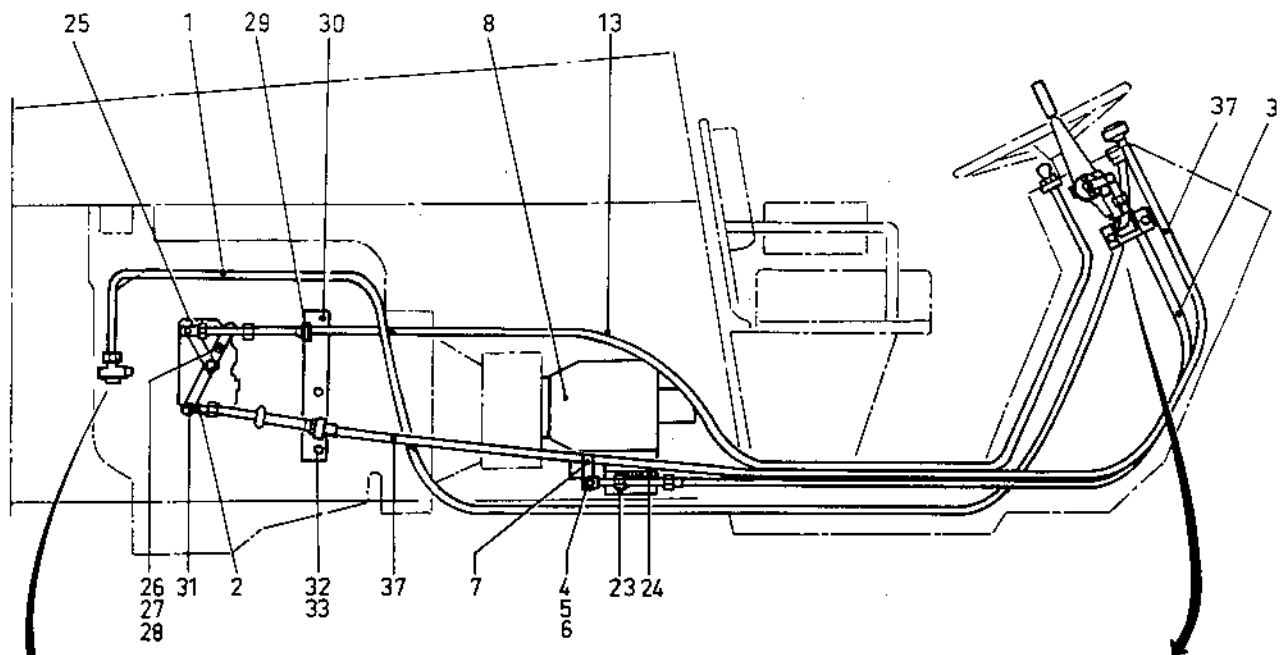


34 13 09
34 13 08
34 31 47
34 31 37

CA 30-13610-1

Page Sida		Group Grupp		Picture No Bild nr		Issue Utgåva		INSTRUMENTS AND VIBRATION CONTROL		INSTRUMENT OCH VIBRATIONSREGLAGE	
2		07		13610-1		S-10193-1					
Ref Pos	Quantity/Antal			Part No Art nr	Description	Benämning	Note Anmärkning	C, P K, L			
	Typ CA	1)30									
1	1			33 54 97	Cover palte	Täckplåt					
2	10			50 20 32	Screw	Skruv		0			
3	10			61 50 44	Conical spring washer	Spännbricka		0			
4	1	-	-	33 57 59	Vibration control, cpl.	Vibrationsreglage, kpl.					
5	1	-	-	33 57 61	•Lever	•Spak					
6	2	-	-	33 57 37	•Washer	•Bricka					
7	1	-	-	81 37 14	•Connecting link	•Kopplingslänk					
8	2	-	-	63 00 34	•Cotter pin	•Saxpinne					
9	4	-	-	50 20 04	•Screw	•Skruv		0			
10	4	-	-	60 40 04	•Spring washer	•Fjäderbricka		0			
11	4	-	-	57 10 01	•Nut	•Mutter		0			
12	2	-	-	81 37 12	•Handle knob	•Handtagskula		0			
13	1	-	-	33 57 60	•Lever	•Reglagearm		0			
14	1	-	-	433 55 76 02	Platform frame, cpl.	Styrpanel, kpl.					
15	1	-	-	33 55 82	•Instr. board cover, cpl.	•Lock för instr. panel, kpl.					
16	1 x L	-	-	46 63 32	••Rubber list	••Gummlist	L = 1650 mm	0			
17	5	-	-	53 50 07	•Screw	•Skruv		0			
18	5	-	-	60 00 03	•Washer	•Bricka		0			
19	5	-	-	58 60 01	•Nut	•Mutter		0			
20	4	-	-	50 01 91	•Screw	•Skruv		0			
21	8	-	-	61 50 44	•Conical spring washer	•Spännbricka		0			
22	4	-	-	50 00 28	•Screw	•Skruv		0			
23	4	-	-	57 00 06	•Nut	•Mutter		0			
24	1	-	-	34 30 40	•Hand rail, left	•Räcke, vänster	7)				
25	1	-	-	34 30 38	•Hand rail, right	•Räcke, höger					
26	1	-	-	-	Steering wheel	Ratt	See group 5				
27	1	-	-	98 90 77	Hydr. oil temp. gauge	Hydrauloljetemp.-mät.		DO4			
28	1	-	-	98 90 79	Fuel gauge	Bränslemätare		DO4			
29	1	-	-	-	Hydr. contr. valve, vibr.	Manövertentil, vibr.	See group 5				
30	3	-	-	-	Screw	Skruv	See group 5				
31	1	-	-	-	Hydraulic oil tank	Hydrauloljetank	See group 1				
32	1	-	-	98 50 81	Warn. lamp, park. brake	Varn. lampa, park.-broms		0			
33	1	-	-	75 22 84	Ignition switch	Startkontakt		DO3			
34	4	-	-	50 20 92	Screw	Skruv		0			
35	4	-	-	61 50 47	Conical spring washer	Spännbricka		0			
36	1	-	-	-	Foot brake	Fotbroms					
37	1	-	-	-	Comps, page 40 ref. 6	Det. se sida 40 pos. 6					
38	1	-	-	93 00 64	Horn button	Signalknapp		DO4			
39	1	-	-	-	Throttle control	Varvtalsreglage	See page 40 ref. 6				
40	1	-	-	-	Forward-reverse control	Fram-bäckreglage	See page 4 ref. 15				
41	1	-	-	-	Stop control	Stoppreglage	See page 4 ref. 15				
42	1	-	-	74 73 69	Tachom. with hourmeter	Varvräknare m. timräkn.		DO3			
43	1	-	-	74 74 98	Oil press. warning lamp	Oljetryckslampa		0			
44	2	-	-	98 50 12	Bulb	Glödlampa		0			
45	1	-	-	74 70 51	Charging indicator lamp	Laddningslampa		0			
46	1	-	-	81 37 79	Seat	Bänk		0			
47	4	-	-	33 59 97	Spacer	Distanshylsa					
48	4	-	-	50 00 96	Screw	Skruv		0			
49	4	-	-	61 50 43	Conical spring washer	Spännbricka		0			
50	4	-	-	57 00 05	Nut	Mutter		0			

- 1) CA30, all models
CA30, alla typer
- 7) Not illustrated
Ej illustrerad

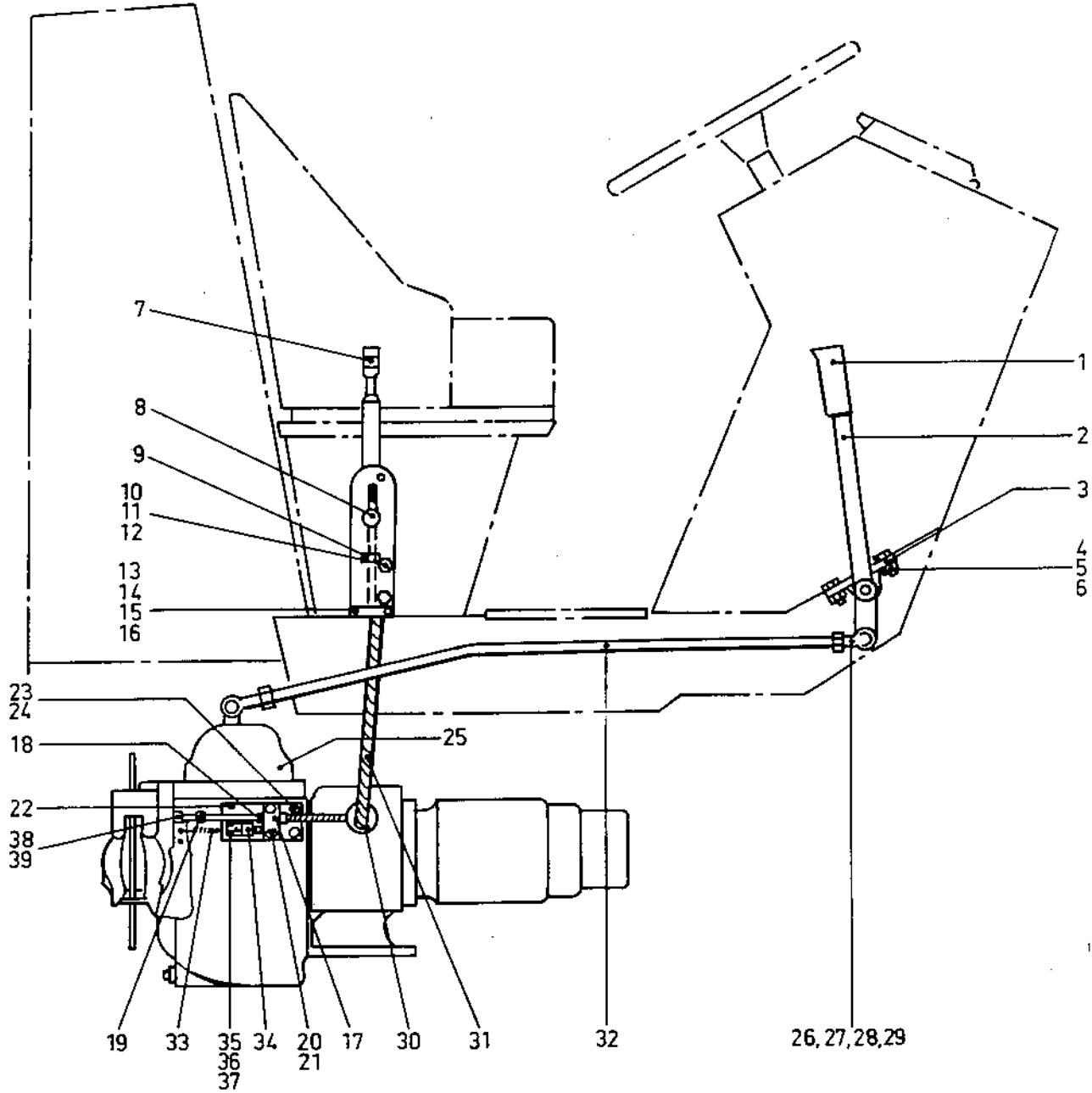


33 87 08

CA30-13611-1

Page Sida		Group Grupp		Picture No Bild nr		Issue Utgåva		CONTROLS AND CONTROL CABLES		REGLAGE OCH REGLAGEKABLAR	
4		07		13611-1		S-10193-1					
Ref Pos	Quantity/Antal			Part No Art nr	Description	Benämning	Note Anmärkning	C, P K, L			
	Typ CA										
	1)30										
1	1			33 87 22	Tachometer cable	Varvräknarkabel		D 3			
2	1			81 33 61	Connecting link	Kopplingslänk		O			
3	1	-	-	45 60 40	Forward-reverse control cable	Reglagekabel, fram-back		DO3			
4	2	-	-	81 33 63	Fork link	Gaffellänk		O			
5	2	-	-	81 33 64	Bolt	Bult		O			
6	2	-	-	63 00 35	Cotter pin	Saxpinne		O			
7	1	-	-	33 55 93	Control lever	Manöverarm					
8	1	-	-	-	Variable displacement pump. propulsion	Hydraulpump, framdrivning	See group 5				
9	2	-	-	50 00 06	Screw	Skruv		O			
10	2	-	-	60 00 03	Washer	Bricka		O			
11	2	-	-	60 40 02	Spring washer	Fjäderbricka		O			
12	2	-	-	58 60 01	Nut	Mutter		O			
13	1	-	-	45 50 79	Stop control	Stoppreglage		DO3			
14	1	-	-	10 00 53	Bushing	Bussning		O			
15	1	-	-	34 07 74	Forward-reverse control	Fram-backreglage		D 3			
16	1	-	-	33 78 44	Neutral start switch, cpl.	Neutralstartströmst. kpl.					
17	1	-	-	33 78 43	•Bracket	•Hållare					
18	1	-	-	93 00 99	•Switch	•Strömbrytare		DO3			
19	1	-	-	45 70 87	•Actuator with screws	•Brytararm med skruvar ..		DO?			
20	1	-	-	433 78 44 14	•Rubber pad insulation ...	•Gummiduksisolering					
21	2	-	-	50 30 10	Screw	Skruv		O			
22	2	-	-	60 40 05	Spring washer	Fjäderbricka		O			
23	1	-	-	33 55 89	Bracket	Stöd					
24	3	-	-	50 20 12	Screw	Skruv		O			
25	1	-	-	41 60 50	Ball link	Kullänk		O			
26	2	-	-	50 00 40	Screw	Skruv		O			
27	2	-	-	61 50 42	Conical spring washer	Spännbricka		O			
28	2	-	-	57 00 04	Nut	Mutter		O			
29	1	-	-	46 50 13	Clamp	Klammer		O			
30	1	-	-	33 85 74	Bracket for controls	Hållare för reglage					
31	1	-	-	33 85 71	Lever	Pumparm					
32	2	-	-	50 00 19	Screw	Skruv		O			
33	2	-	-	61 50 43	Conical spring washer	Spännbricka		O			
34	1	-	-	74 73 66	Tachometer angle gear ...	Vinkelväxel, varvräknare		DO3			
35	1	-	-	74 79 98	Sleeve	Hylsa		O			
36	1	-	-	74 73 68	Tachometer driver pin	Drivaxel, varvräknare		DO3			
37	1	-	-	45 50 95	Throttle contr. w cable ...	Varvtalsregl. m kabel		DO3			

1) CA30, all models
CA30, alla typer

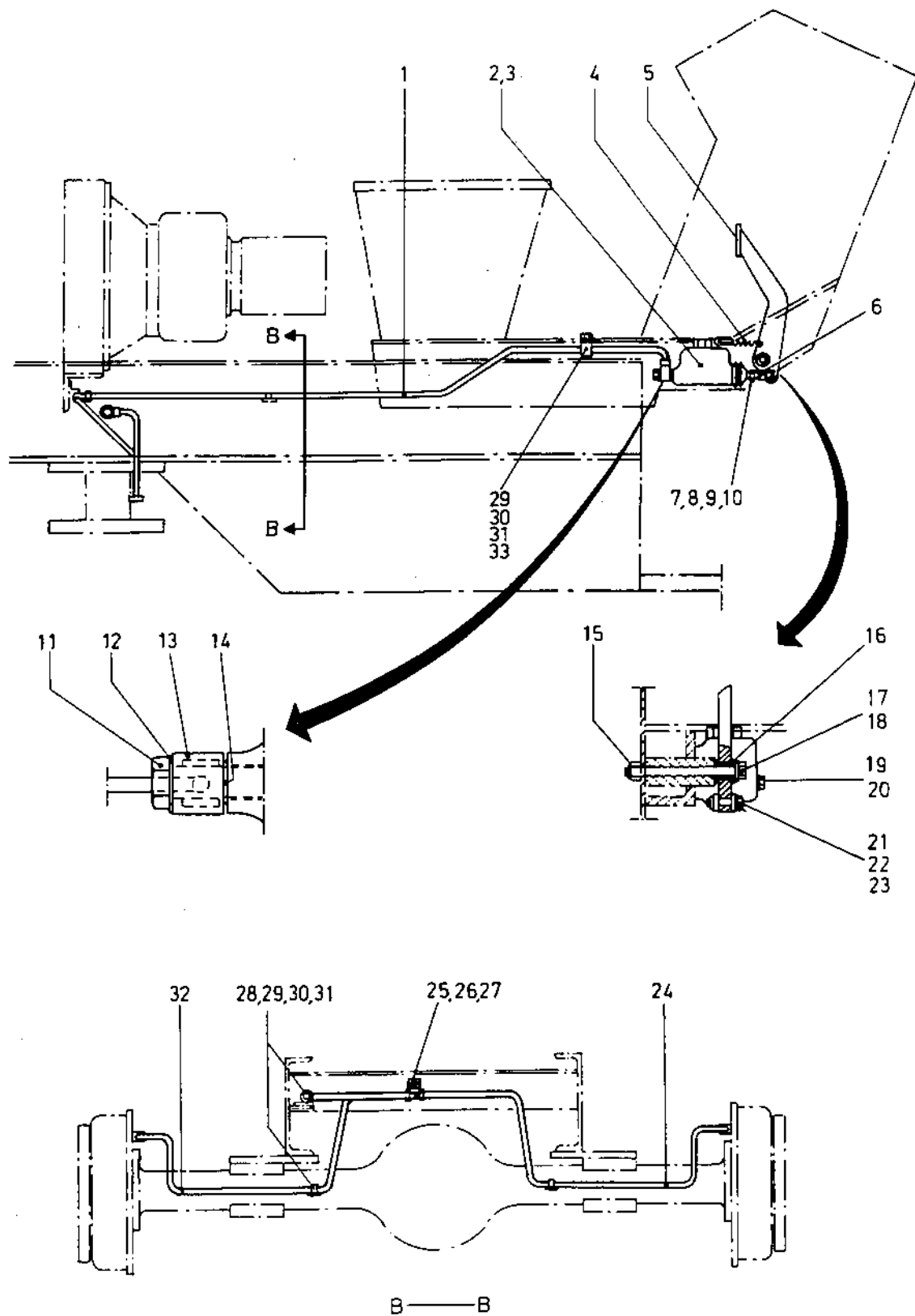


33 87 08

CA 30-13612-1

Page Sida	Group Grupp	Picture No Bild nr	Issue Utgåva	BRAKE CONTROL AND GEAR SHIFTER	BROMSREGLAGE OCH VÄXELSPAK				
6	07	13612-1	S-10193-1						
Ref Pos	Quantity/Amount				Part No Art nr	Description	Benämning	Note Anmärkning	C, P K, L
	Typ	CA							
	1)30								
1	1	-	-	-	21 90 02	Rubber handle	Gummihandtag		DO3
2	1	-	-	-	33 55 91	Gear shifter	Växelspak		
3	2	-	-	-	81 33 54	Bearing	Lager		DO3
4	4	-	-	-	50 20 18	Screw	Skruv		O
5	4	-	-	-	60 40 05	Spring washer	Fjäderbricka		O
6	4	-	-	-	57 10 02	Nut	Mutter		O
7	1	-	-	-	81 33 31	Brake lever	Bromsreglage		O
8	1	-	-	-	81 33 69	Fork link	Gaffellänk		O
9	1	-	-	-	57 20 02	Nut	Mutter		O
10	2	-	-	-	50 20 39	Screw	Skruv		O
11	2	-	-	-	60 40 06	Spring washer	Fjäderbricka		O
12	2	-	-	-	57 10 03	Nut	Mutter		O
13	1	-	-	-	81 33 53	Clamp	Klammer		O
14	1	-	-	-	81 33 59	Link sleeve	Länkhylsa		O
15	2	-	-	-	50 20 35	Screw	Skruv		O
16	2	-	-	-	60 40 06	Spring washer	Fjäderbricka		O
17	1	-	-	-	81 33 53	Clamp	Klammer		O
18	1	-	-	-	81 33 59	Link sleeve	Länkhylsa		O
19	1	-	-	-	57 20 03	Nut	Mutter		O
20	2	-	-	-	50 20 18	Screw	Skruv		O
21	2	-	-	-	60 40 05	Spring washer	Fjäderbricka		O
22	1	-	-	-	34 25 51	Bracket for brake cable ...	Stöd för bromskabel		O
23	2	-	-	-	50 20 16	Screw	Skruv		O
24	2	-	-	-	60 40 05	Spring washer	Fjäderbricka		O
25	1	-	-	-	-	Three-speed gear box	Tre-växlad växellåda	See group 4	
26	2	-	-	-	81 33 55	Fork link	Gaffellänk		O
27	2	-	-	-	81 33 62	Bolt	Bult		O
28	2	-	-	-	63 00 35	Cotter pin	Saxpinne		O
29	2	-	-	-	57 20 03	Nut	Mutter		O
30	1	-	-	-	90 90 97	Grommet	Genomföring		O
31	1	-	-	-	45 60 23	Brake cable	Bromskabel		DO3
32	1	-	-	-	33 55 90	Operating rod	Dragstång		
33	1	-	-	-	333 80 83 10	Spring	Fjäder		
34	1	-	-	-	93 01 12	Brake switch	Bromskontakt		DO3
35	2	-	-	-	50 00 06	Screw	Skruv		O
36	2	-	-	-	60 00 03	Washer	Bricka		O
37	2	-	-	-	58 60 01	Nut	Mutter		O
38	1	-	-	-	81 33 62	Bolt	Bult		O
39	1	-	-	-	81 33 55	Fork link	Gaffellänk		O

1) CA30, all models
CA30, alla typer

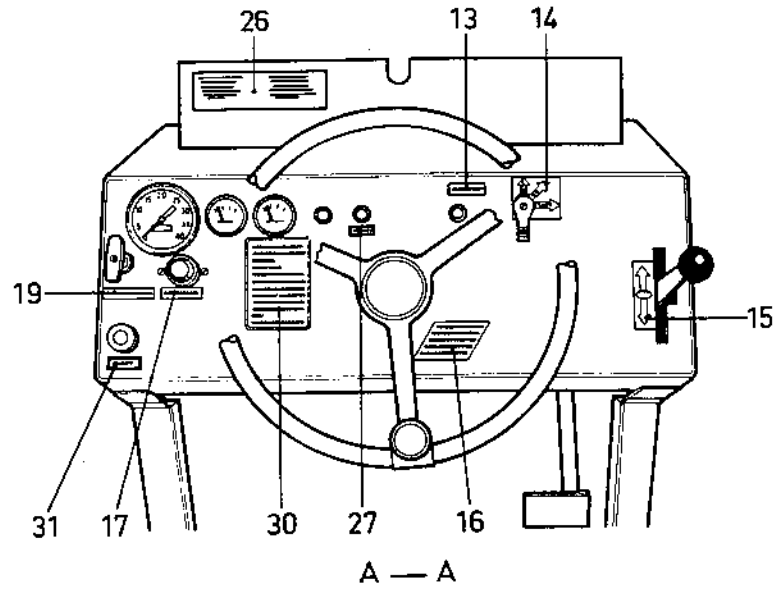
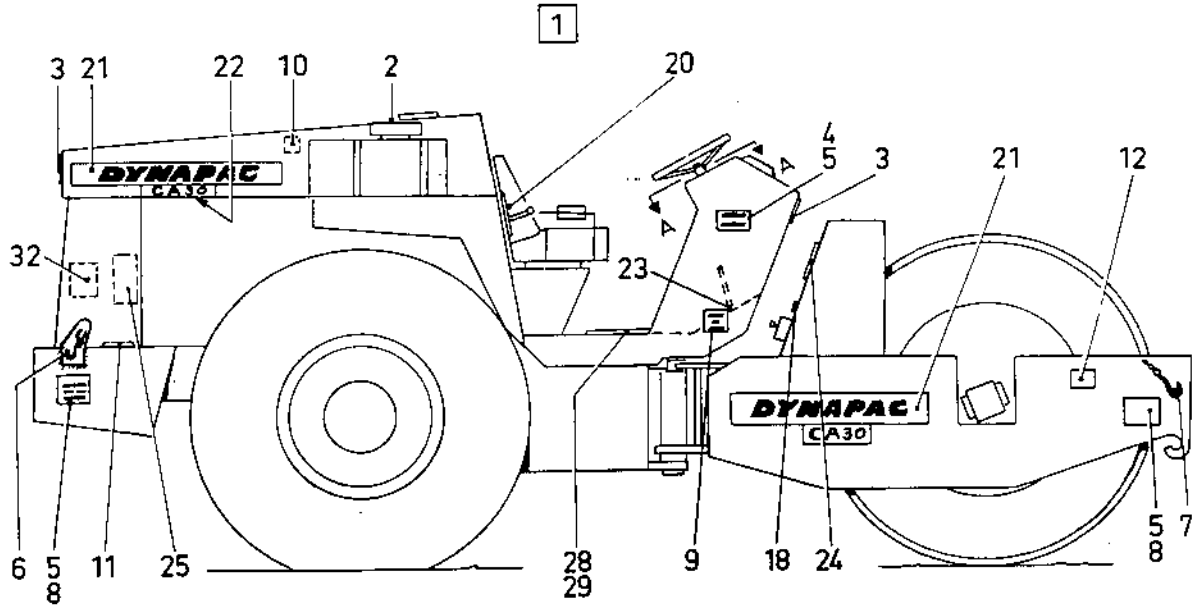


338198

CA 30-13613-1

Page Sida	Group Grupp	Picture No Bild nr	Issue Utgåva	FOOT BRAKE	FOTBROMS				
8	07	13613-1	S-10193-1						
Ref Pos	Quantity/Antal				Part No Art nr	Description	Benämning	Note Anmärkning	C, P K, L
	Typ CA								
	1)30								
1	1	-	-	-	33 55 74	Brake line, master cyl.	Bromsrör, huvudcyl.		
2	1	-	-	-	81 33 32	Brake master cylinder	Bromshuvudcylinder		DO4
3	1	-	-	-	81 34 97	Gasket kit	Packningssats		DO3
4	1	-	-	-	81 33 35	Spring	Fjäder		0
5	1	-	-	-	33 55 86	Brake pedal	Bromspedal		
6	1	-	-	-	33 55 85	Clevis	Gaffellänk		D 4
7	1	-	-	-	81 35 12	Push rod	Tryckstång		DO4
8	1	-	-	-	81 33 83	Stop screw	Stoppskruv		0
9	1	-	-	-	60 40 06	Spring washer	Fjäderbricka		0
10	1	-	-	-	60 00 07	Washer	Bricka		0
11	1	-	-	-	81 33 34	Hollow screw	Hålskruv		0
12	1	-	-	-	81 33 51	Brass washer	Mässingsbricka		0
13	1	-	-	-	81 33 33	Nipple	Nippel		0
14	1	-	-	-	81 33 44	Brass washer	Mässingsbricka		0
15	1	-	-	-	58 60 12	Nut	Mutter		0
16	2	-	-	-	81 33 39	Bushing	Bussning		0
17	1	-	-	-	50 30 65	Screw	Skruv		0
18	1	-	-	-	60 00 10	Washer	Bricka		0
19	2	-	-	-	50 20 46	Screw	Skruv		0
20	2	-	-	-	60 40 06	Spring washer	Fjäderbricka		0
21	1	-	-	-	81 33 41	Bolt	Bult		0
22	2	-	-	-	60 00 07	Washer	Bricka		0
23	1	-	-	-	63 00 31	Cotter pin	Saxpinne		0
24	1	-	-	-	33 55 73	Brake line, left	Bromsrör, vänster		
25	1	-	-	-	81 33 10	T-adapter	T-adapter		0
26	1	-	-	-	50 20 14	Screw	Skruv		0
27	1	-	-	-	61 50 43	Conical spring washer	Spännbricka		0
28	3	-	-	-	81 33 13	Clamp	Klammer		0
29	4	-	-	-	50 20 06	Screw	Skruv		0
30	4	-	-	-	60 40 04	Spring washer	Fjäderbricka		0
31	4	-	-	-	57 10 01	Nut	Mutter		0
32	1	-	-	-	33 55 72	Brake line, right	Bromsrör, höger		0
33	1	-	-	-	92 10 68	Clamp	Klammer		0

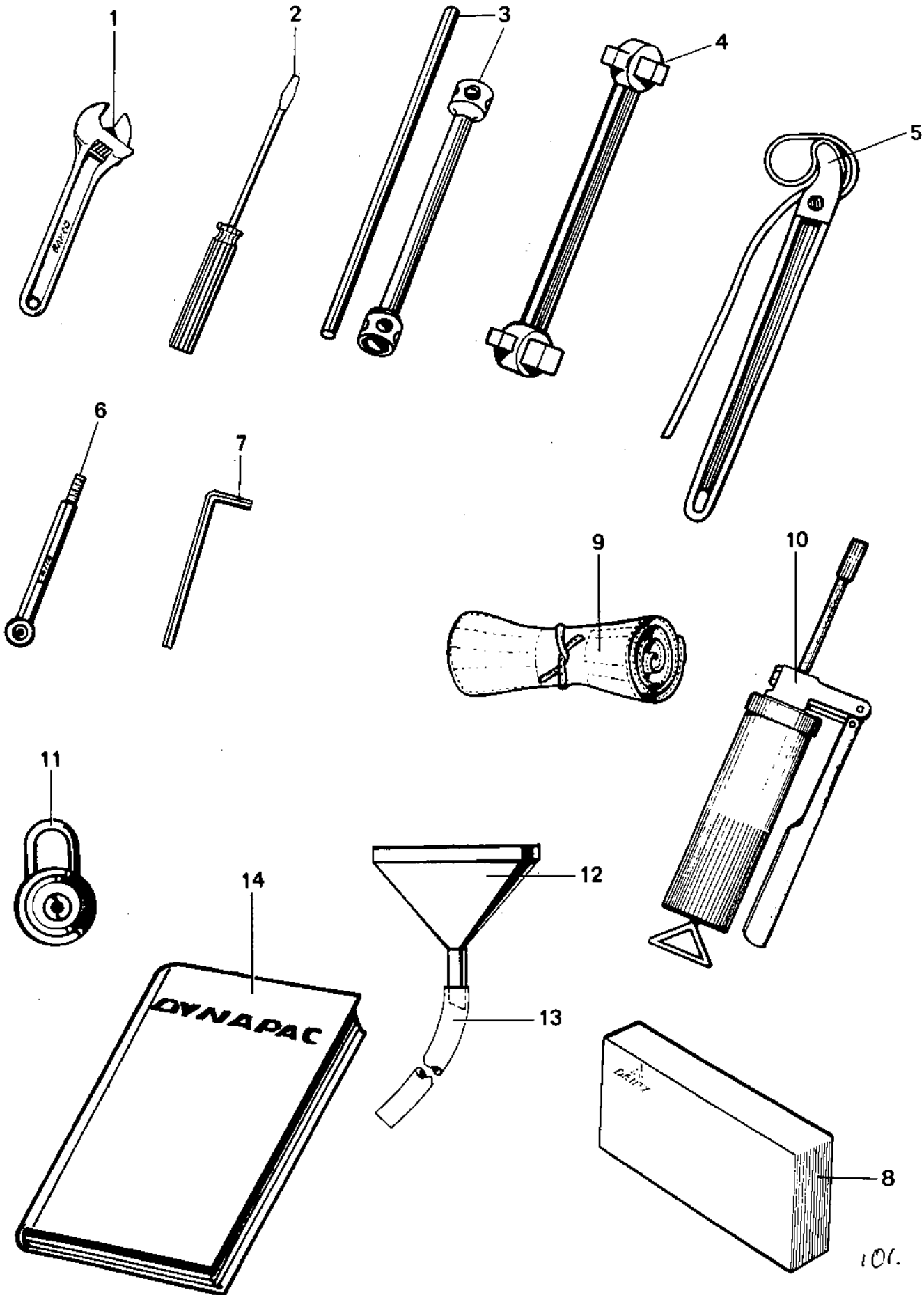
1) CA30, all models
CA30, alla typer



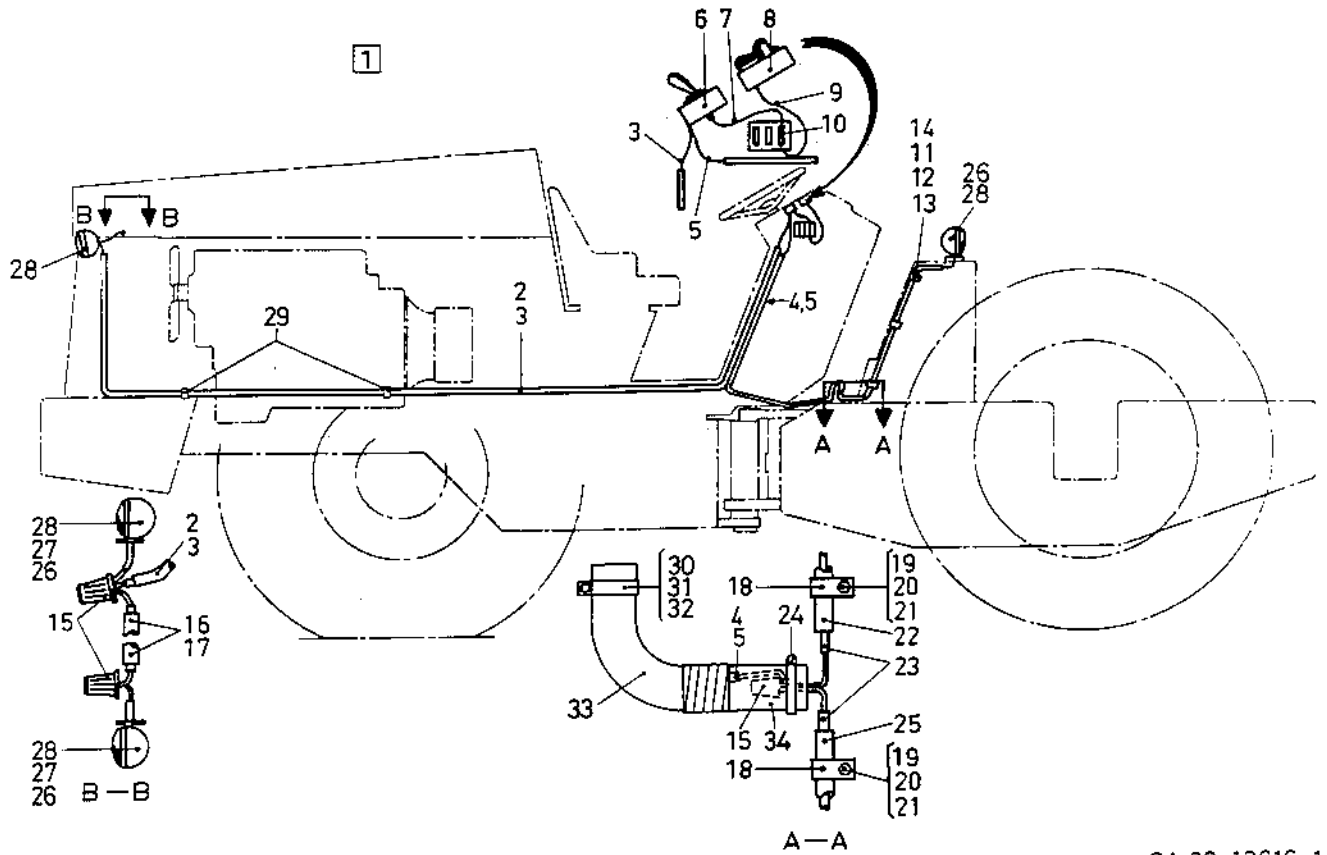
34 30 69
 34 30 61
 34 29 64
 34 13 08
 34 13 09

CA 30-13614-1

Page Sida		Group Grupp		Picture No Bild nr		Issue Utgåva		PLATES AND DECALS		SKYLtar OCH DEKALER	
2		08		13614-1		S-10193-1					
Ref Pos	Quantity/Antal			Part No Art nr	Description	Benämning	Note Anmärkning	C, P K, L			
	Typ	CA									
	30	30	D								
1	1	1	-	34 29 64	Decals, Basic set	Dekaler, Grundsats					
2	1	1	-	27 23 72	•Decal, Hydr. oil filling	•Dekal, Hydr.-oljafylln.					
3	2	2	-	309 10 12 05	•Decal, Group symbol	•Dekal, Gruppsymbol					
4	1	1	-	99 00 03	•Name plate	•Maskinskytit					
5	12	12	-	62 40 16	•Pop rivet	•Popnit					
6	2	2	-	49 91 30	•Decal, Hook, right	•Dekal, Krok, höger					
7	2	2	-	49 91 11	•Decal, Hook, left	•Dekal, Krok, vänster					
8	2	2	-	34 30 17	•Lifting sign	•Lyftskylt					
9	2	2	-	99 16 56	•Decal, Warn. crush area	•Dekal, Varning klämzon					
10	1	1	-	99 16 59	•Decal, Lubr. oil filling	•Dekal, Smörjoljafylln.					
11	1	1	-	99 16 58	•Decal, Fuel filling	•Dekal, Bränsleoljafylln.					
12	1	1	-	34 30 16	•Decal, Drum oil level	•Dekal, Valsoljenivå					
13	1	1	-	99 19 90	•Decal, Tyre pressure	•Dekal, Ringtryck					
14	1	1	-	99 20 74	•Decal, Ignition switch	•Dekal, Startvred					
15	1	1	-	99 16 50	•Decal, Forward-reverse	•Dekal, Fram-back					
16	1	1	-	-	•Decal, "No-Spin"	•Dekal, "No-Spin"	Rockwell				
17	1	1	-	99 20 42	•Decal, Horn	•Dekal, Signalhorn					
18	1	1	-	34 04 93	•Decal, Ampl. selector	•Dekal, Ampl.-väljare					
19	1	1	-	34 20 45	•Decal, Throttle control ...	•Dekal, Varvtalsreglage ..					
20	1	1	-	27 23 81	•Decal, Vibration	•Dekal, Vibration					
21	4	4	-	309 10 05 05	Decal, Dynapac	Dekal, Dynapac					
22	4	-	-	309 10 14 38	Decal, CA30	Dekal, CA30					
	-	4	-	309 10 14 43	Decal, CA30D	Dekal, CA30D					
23	1	1	-	99 19 40	Decal, Gear selector	Dekal, Växelväljare					
24	1	1	-	99 18 17	Decal, Maintenance instr	Dekal, Skötselinstr.	Swedish				
	1	1	-	99 18 19	Decal, Maintenance instr	Dekal, Skötselinstr.	English				
	1	1	-	99 18 21	Decal, Maintenance instr	Dekal, Skötselinstr.	Deutsch				
	1	1	-	99 18 23	Decal, Maintenance instr	Dekal, Skötselinstr.	Français				
	1	1	-	99 18 27	Decal, Maintenance instr	Dekal, Skötselinstr.	Español				
	1	1	-	99 18 25	Decal, Maintenance instr	Dekal, Skötselinstr.	Italiano				
25	1	1	-	99 16 09	Decal, Alternator	Dekal, Växelströmngen. ..	Swedish				
	1	1	-	99 16 11	Decal, Alternator	Dekal, Växelströmngen. ..	English				
	1	1	-	99 16 10	Decal, Alternator	Dekal, Växelströmngen. ..	Deutsch				
	1	1	-	99 16 14	Decal, Alternator	Dekal, Växelströmngen. ..	Français				
	1	1	-	99 16 13	Decal, Alternator	Dekal, Växelströmngen. ..	Español				
	1	1	-	99 16 12	Decal, Alternator	Dekal, Växelströmngen. ..	Italiano				
26	1	1	-	99 20 19	Decal, Operating instr.	Dekal, Körinstruktion	Swedish				
	1	1	-	99 20 20	Decal, Operating instr.	Dekal, Körinstruktion	English				
	1	1	-	99 20 21	Decal, Operating instr.	Dekal, Körinstruktion	Deutsch				
	1	1	-	99 20 24	Decal, Operating instr.	Dekal, Körinstruktion	Français				
	1	1	-	99 20 23	Decal, Operating instr.	Dekal, Körinstruktion	Español				
	1	1	-	99 20 22	Decal, Operating instr.	Dekal, Körinstruktion	Italiano				
27	1	1	-	34 04 94	Decal, Charging	Dekal, Laddning					
28	1	1	-	333 54 82 11	Safety walk, right	Halkskydd, höger					
29	1	1	-	333 54 82 12	Safety walk, left	Halkskydd, vänster					
30	1	-	-	34 29 68	Decal, Speed selector	Dekal, Hastighetsvälj.					
	-	1	-	34 29 67	Decal, Speed selector	Dekal, Hastighetsvälj.					
31	1	1	-	34 20 44	Decal, Engine stop	Dekal, Motorstopp					
32	1	1	-	74 77 04	Decal, Deutz engine	Dekal, Deutzmotor					



Page Sida	Group Grupp	Picture No Bild nr	Issue Utgåva	EQUIPMENT Standard	UTRUSTNING Standard			
2	09	13615-1	S-10193-1					
Ref Pos	Quantity/Antal			Part No Art nr	Description	Benämning	Note Anmärkning	C, P K, L
	Typ CA	30	30 D					
1	1	1	-	48 50 11	Adjustable wrench	Skiftnyckel		0
2	1	1	-	48 50 19	Screw driver	Skruvmejsel		0
3	1	1	-	48 53 46	Wheel nut spanner	Hjulmutternyckel		0
4	1	1	-	48 53 45	Plug spanner	Pluggnyckel		0
5	1	1	-	48 50 75	Strap spanner	Bandtång		0
6	1	1	-	48 50 60	Air pressure gauge	Luftrycksmätare		0
7	1	1	-	48 50 05	Hex wrench	Sexkantnyckel		0
8	1	1	-	74 76 43	Tool set, engine	Verktygssats, motor		0
9	1	1	-	27 79 92	Tool bag	Verktygsväska		0
10	1	1	-	31 10 16	Grease gun	Smörjspruta		0
11	4	4	-	48 50 02	Pad lock	Hänglås		0
12	1	1	-	48 50 40	Filling funnel	Tratt		0
13	1xL	1xL	-	24 40 28	Plastic hose	Plastslang	L=400 mm	0
14	1	1	-	-	Documentation, CA30	Dokumentation, CA30		
	1	1	-	-	•Warranty reg. card	•Garantikort		
	1	1	-	-	•Technical description	•Teknisk beskrivning		
	1	1	-	-	•Operating instruction	•Körinstruktion		
	1	1	-	-	•Maintenance instruction	•Skötselinstruktion		
	1	1	-	-	•Workshop instruction	•Verkstadsinstruktion		
	1	1	-	-	•Spare parts catalogue	•Reservdelskatalog		
	1	1	-	-	•Instruction manual	•Instruktionsbok	Deutz F6L 912	
	1	1	-	-	•Spare parts catalogue	•Reservdelskatalog	Deutz F6L 912	

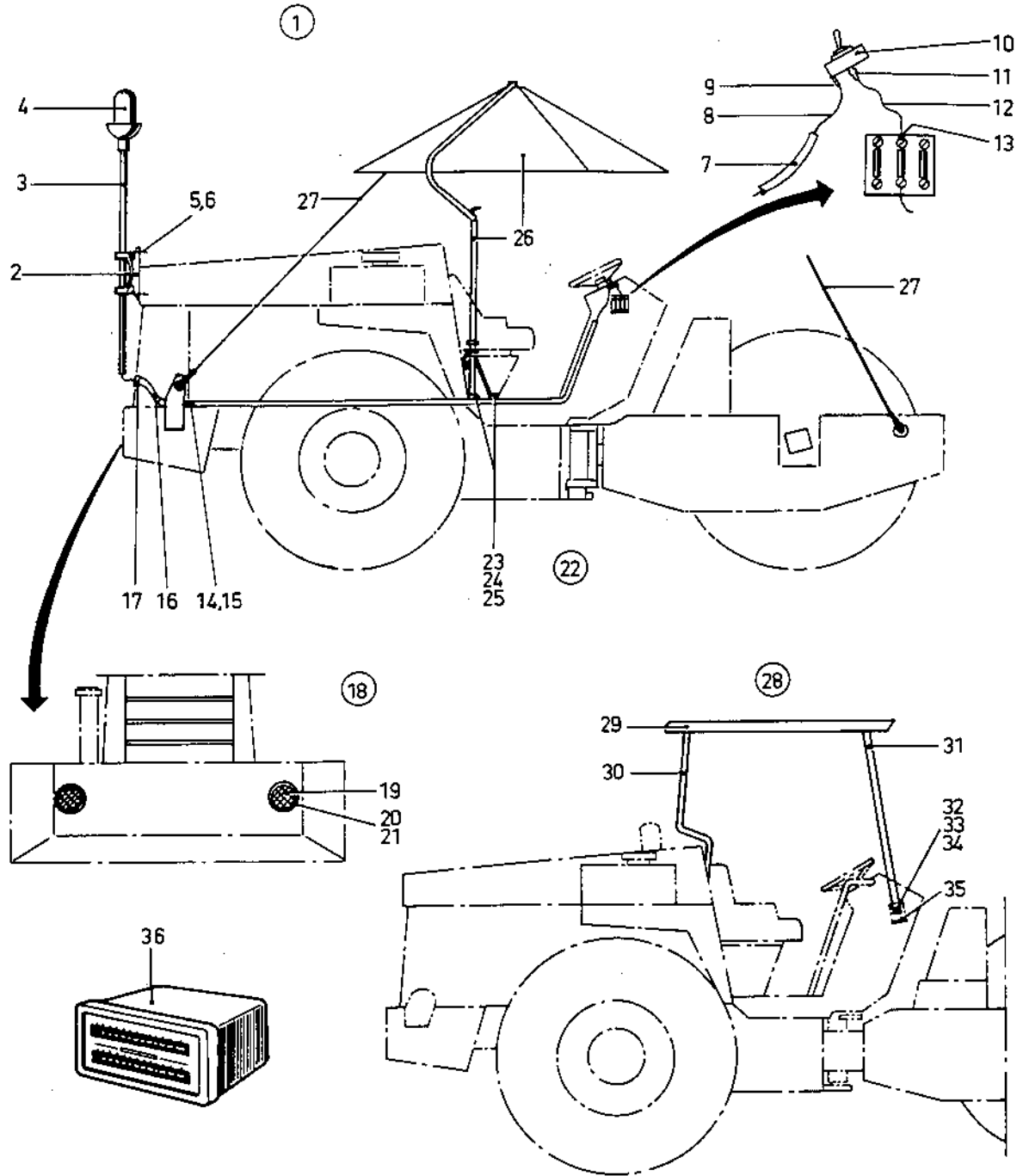


335708

CA 30-13616-1

Page Sida	Group Grupp	Picture No Bild nr	Issue Utgåva	WORKING LIGHT	ARBETSBELYSNING			
2	10	13616-1	S-10193-1					
Ref Pos	Quantity/Antal			Part No Art nr	Description	Benämning	Note Anmärkning	C, P K, L
	Typ CA							
	1)30							
1	1	-	-	34 27 29	Working light, kit	Arbetsbelysning, sats		
2	1xL	-	-	24 40 06	•Protective hose	•Skyddsslang	L=4215 mm	0
3	1	-	-	433 57 09 02	•Cable	•Kabel		
4	1xL	-	-	24 40 06	•Protective hose	•Skyddsslang	L=1725 mm	0
5	1	-	-	433 57 09 04	•Cable	•Kabel		
6	1	-	-	81 35 26	•Head lamp switch	•Strömställare, strålkast.		0
7	1	-	-	433 57 09 01	•Cable	•Kabel		
8	1	-	-	-	•Ignition switch	•Startkontakt	See group 7	
9	1	-	-	-	•Cable	•Kabel	See group 6	
10	1	-	-	95 00 40	•Fuse	•Säkring		0
11	12	-	-	81 37 16	•Clamp	•Klammer		0
12	6	-	-	50 20 04	•Screw	•Skruv		0
13	6	-	-	60 40 04	•Spring washer	•Fjäderbricka		0
14	6	-	-	57 10 01	•Nut	•Mutter		0
15	5	-	-	92 00 50	•Connecting piece	•Kopplingsstycke		0
16	1xL	-	-	24 40 06	•Protective hose	•Skyddsslang	L=965 mm	0
17	1xL	-	-	90 00 13	•Cable, white	•Kabel, vit	L=1016 mm	0
18	6	-	-	81 35 29	•Clamp	•Klammer		0
19	6	-	-	50 20 04	•Screw	•Skruv		0
20	6	-	-	60 40 04	•Spring washer	•Fjäderbricka		0
21	6	-	-	57 10 01	•Nut	•Mutter		0
22	1	-	-	433 57 10 01	•Cable tube	•Kabelrör		
23	2xL	-	-	90 00 13	•Cable, white	•Kabel, vit	L=2400 mm	0
24	1	-	-	31 30 06	•Hose clamp	•Slangklämma		0
25	1	-	-	433 57 10 02	•Cable tube	•Kabelrör		
26	4	-	-	96 00 45	•Cable clip	•Kabelsko		0
27	4	-	-	98 50 66	•Head lamp	•Strålkastare		0
28	4	-	-	98 50 87	•Bulb	•Glödlampa		0
29	10	-	-	31 30 41	•Cable strap	•Buntband		0
30	2	-	-	81 34 14	•Clamp	•Klammer		0
31	2	-	-	50 20 01	•Screw	•Skruv		0
32	2	-	-	60 40 04	•Spring washer	•Fjäderbricka		0
33	1xL	-	-	20 50 12	•Cable protection	•Kabelskydd	L=700 mm	0
34	1xL	-	-	20 50 25	•Cable protection	•Kabelskydd	L=200 mm	0

1) CA30, all models
CA30, alla typer



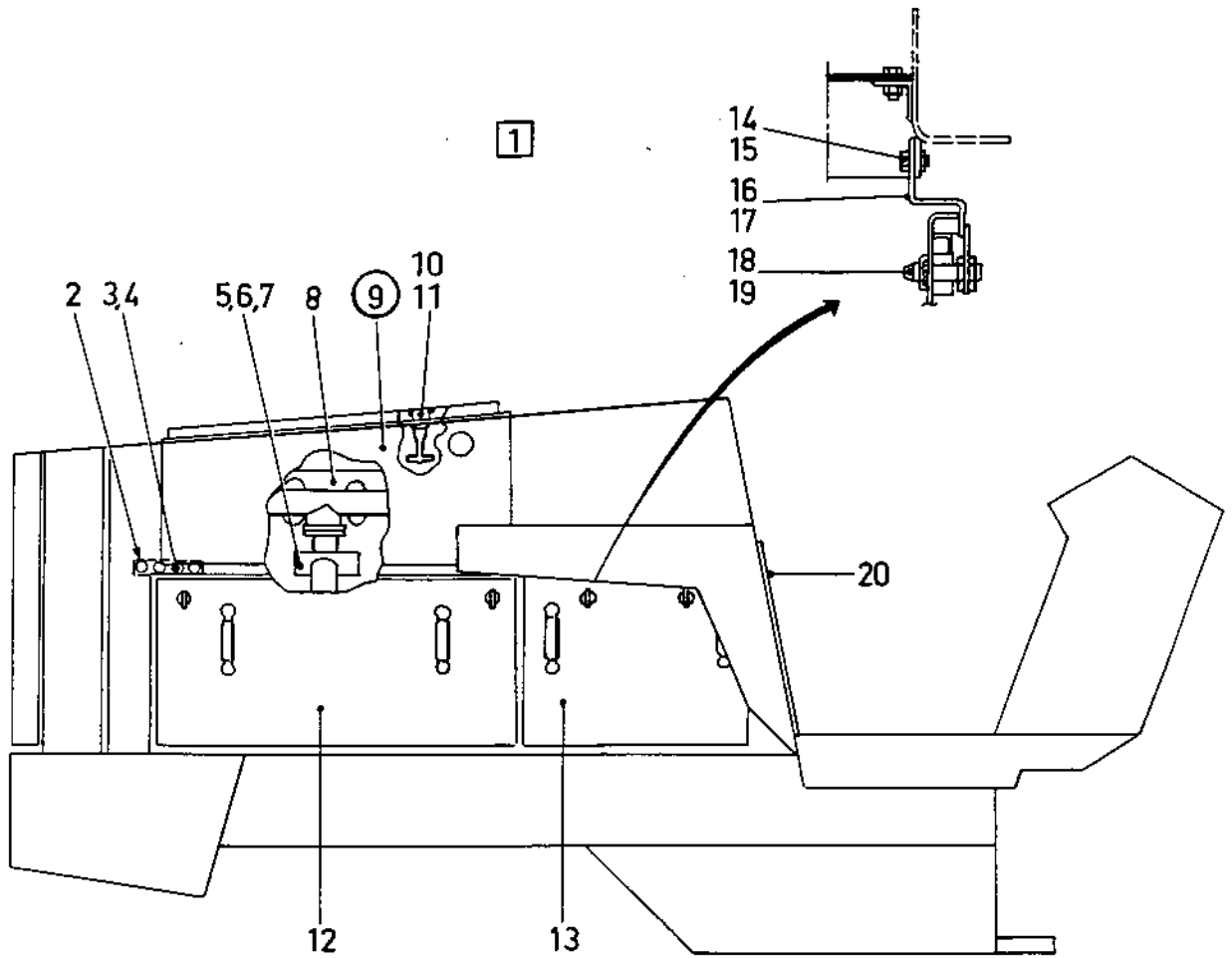
33 74 65
33 54 70
33 57 71

CA 30-13617-1

Page Sida	Group Grupp	Picture No Bild nr	Issue Utgåva	ROT. WARNING LIGHT, CANOPY AND FREQUENCY METER	ROT. VARNINGSLJUS, SOLSKYDD OCH FREKVENSMÄTARE				
4	10	13617-1	S-10193-1						
Ref Pos	Quantity/Antal				Part No Art nr	Description	Benämning	Note Anmärkning	C, P K, L
	Typ CA								
	1)30								
1	1	-	-	-	34 27 30	Rotating warn. light, kit ...	Rot. varningsljus, sats		
2	1	-	-	-	433 54 71 07	•Mounting plate	•Fästplatta		
3	1	-	-	-	99 90 12	•Holder	•Stativ		0
4	1	-	-	-	99 90 11	•Rotating warning light ...	•Roterande varningsljus		0
5	4	-	-	-	50 20 02	•Screw	•Skruv		0
6	4	-	-	-	60 40 04	•Spring washer	•Fjäderbricka		0
7	1xL	-	-	-	24 40 03	•Cable protection	•Kabelskydd	L=4500 mm	0
8	1xL	-	-	-	90 00 14	•Cable, black	•Kabel, svart	L=4500 mm	0
9	1	-	-	-	96 01 04	•Cable clip	•Kabelsko		0
10	1	-	-	-	81 35 26	•Switch	•Strömställare		0
11	1	-	-	-	96 01 04	•Cable clip	•Kabelsko		0
12	1xL	-	-	-	90 00 14	•Cable, black	•Kabel, svart	L=320 mm	0
13	1	-	-	-	96 00 43	•Cable clip	•Kabelsko		0
14	1xL	-	-	-	90 10 05	•Cable	•Kabel	L=2500 mm	0
15	6	-	-	-	31 30 41	•Cable strap	•Buntband		0
16	1	-	-	-	92 00 49	•Terminal board	•Kopplingsplint		0
17	1	-	-	-	90 90 69	•Grommet	•Kabelgenomföring		0
18	1	-	-	-	33 54 70	Reflectors, cpl.	Reflexer, kpl.		
19	2	-	-	-	47 60 03	•Reflector	•Reflex		0
20	4	-	-	-	53 80 12	•Screw	•Skruv		0
21	4	-	-	-	60 40 04	•Spring washer	•Fjäderbricka		0
22	1	-	-	-	34 27 31	Umbrella, kit	Paraply, sats		0
23	2	-	-	-	50 20 58	•Screw	•Skruv		0
24	2	-	-	-	61 50 08	•Lock washer	•Låsbricka		0
25	2	-	-	-	57 10 05	•Nut	•Mutter		0
26	1	-	-	-	49 94 21	•Umbrella	•Paraply		0
27	1	-	-	-	33 54 74	Lifting device	Lyftdon		
28	1	-	-	-	34 27 41	Canopy, kit	Solskydd, sats		
29	1	-	-	-	34 24 42	•Roof	•Tak		
30	2	-	-	-	34 24 62	•Rear leg	•Bakben		
31	2	-	-	-	34 24 61	•Front leg	•Framben		
32	8	-	-	-	50 00 28	•Screw	•Skruv		0
33	8	-	-	-	61 50 44	•Conical spring washer ...	•Spännbricka		0
34	8	-	-	-	57 00 06	•Nut	•Mutter		0
35	4	-	-	-	34 24 63	•Bracket	•Fäste	5)	0
36	1	-	-	-	98 90 12	Frequency meter	Frekvensmätare		0

1) CA30, all models
CA30, alla typer

5) Welded
Svetsad



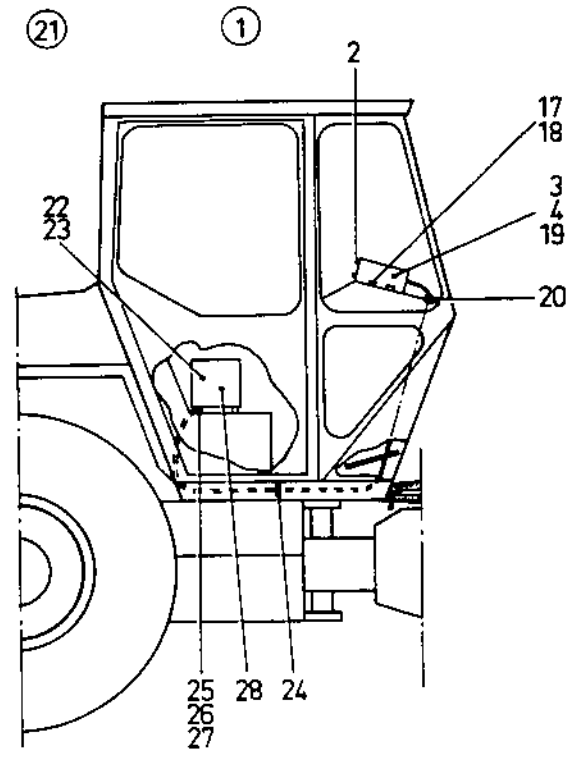
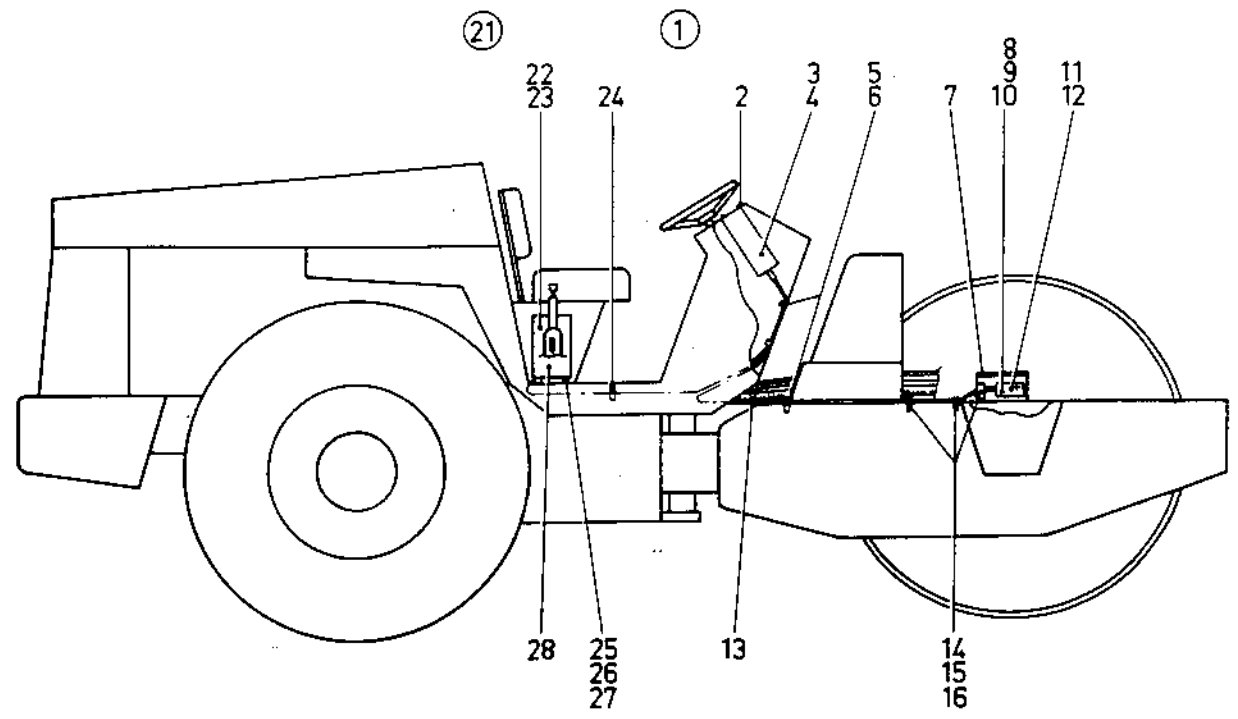
342664

CA30-13618-1

Page Sida		Group Grupp	Picture No Bild nr	Issue Utgåva	NOISE SUPPRESSION KIT	BULLERDÄMPNINGSSATS		
6		10	13618-1	S-10193-1				
Ref Pos	Quantity/Antal			Part No Art nr	Description	Benämning	Note Anmärkning	C, P K, L
	Typ CA							
	1)30							
1	1			34 26 64	Noise suppr. kit, cpl.	Bullerdämpn. sats, kpl.		
2	2			33 86 62	•Flat bar	•Plattstång		
3	14			50 20 32	•Screw	•Skruv		0
4	14			61 50 44	•Conical spring washer ...	•Spännbricka		0
5	2			33 85 69	•Protective plate	•Skyddsplåt		
6	17			50 00 19	•Screw	•Skruv		0
7	17			61 50 43	•Conical spring washer ...	•Spännbricka		0
8	1			33 85 59	•Air duct	•Luftledarkåpa		
9	1			33 85 90	•Engine hood, cpl.	•Motorhuv, kpl.		
10	2			47 50 22	••Latch, rubber part	••Huvregel, gummidel 5)		0
11	2			47 50 42	••Latch, stop plate	••Huvregel, motbleck 5)		0
12	2			433 86 74 01	•Cover, rear	•Lucka, bakre		
13	2			33 86 74	•Cover, front	•Lucka, främre		
14	6			50 20 33	•Screw	•Skruv		0
15	6			61 50 44	•Conical spring washer ...	•Spännbricka		0
16	1			33 86 68	•Spacer, right	•Mellandel, höger		
17	1			433 86 68 01	•Spacer, left	•Mellandel, vänster		
18	8			33 86 91	•Latch	•Låsspärr		
19	16			57 40 06	•Nut	•Mutter		0
20	1			33 86 85	•Cover plate	•Täckplåt		

1) CA30, all models
CA30, alla typer

5) Welded
Svetsad



34 22 75
34 21 39
34 21 38

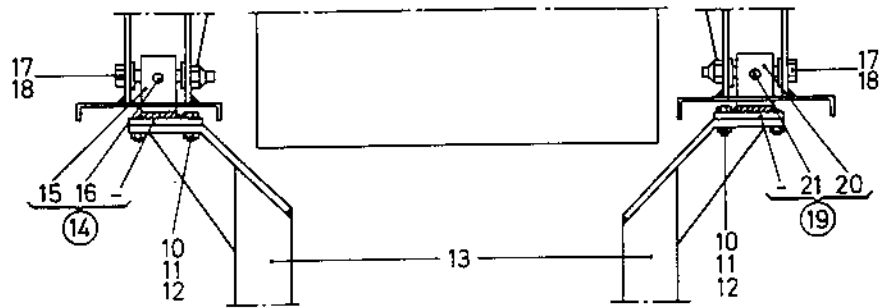
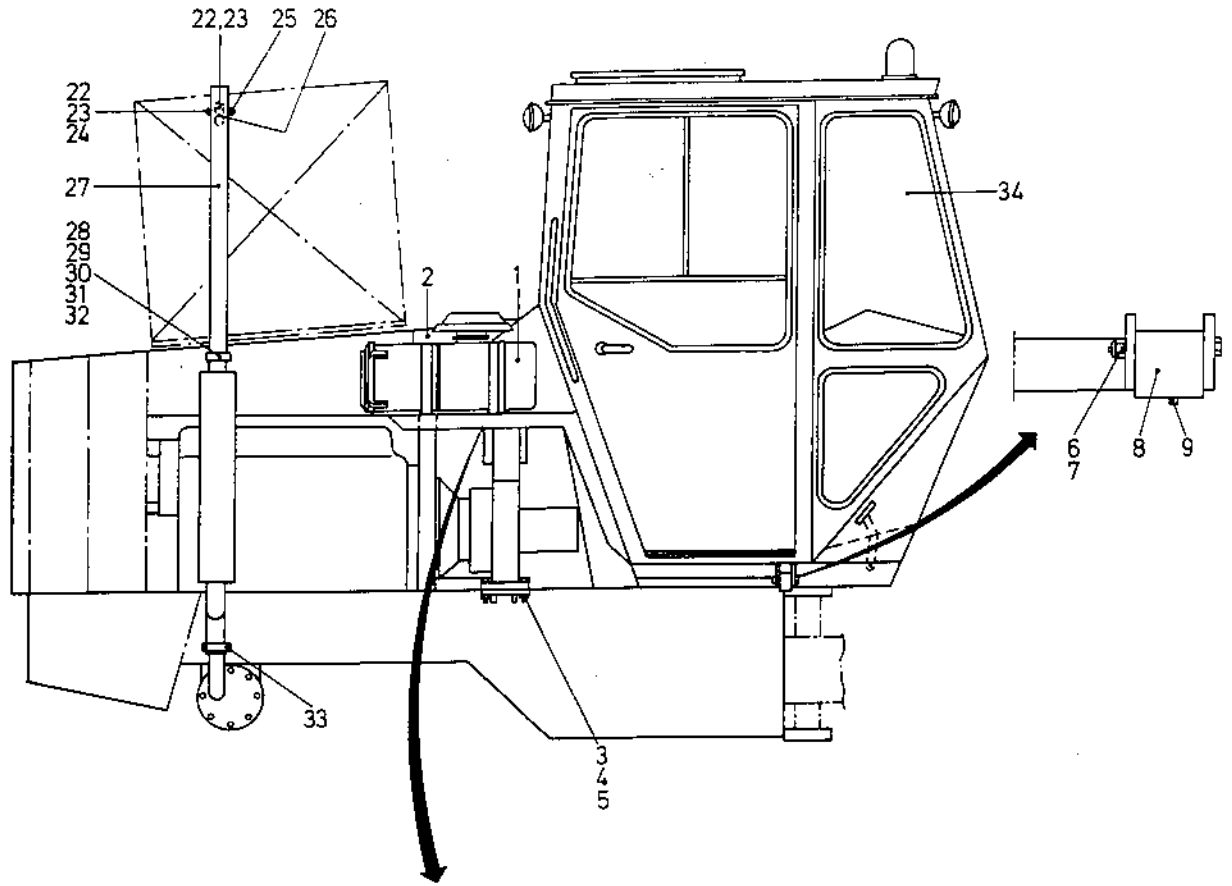
CA 30-13619-1

Page Sida	Group Grupp	Picture No Bild nr	Issue Utgåva	COMPACTION METER AND PRINTER	PACKNINGSMÄTARE OCH SIFFERTRYCKARE			
8	10	13619-1	S-10193-1					
Ref Pos	Quantity/Antal			Part No Art nr	Description	Benämning	Note Anmärkning	C, P K, L
	Typ CA							
	1)30							
1	1	-	-	34 29 27	Compaction meter, kit	Packningsmätare, sats		
	1	-	-	34 29 28	Compaction meter, kit	Packningsmätare, sats	6)	
2	4	-	-	50 80 17	•Screw	•Skruv		0
3	1	-	-	48 50 95	•Digital instrument	•Digitalinstrument		0
4	1	-	-	34 21 44	•Data plate	•Dataskylt		
5	3	-	-	92 10 46	•Clamp	•Klammer		0
	1	-	-	92 10 46	•Clamp	•Klammer	6)	0
6	3	-	-	50 00 59	•Screw	•Skruv		0
	1	-	-	50 00 59	•Screw	•Skruv	6)	0
7	1	-	-	34 22 72	•Bracket	•Fäste	5)	0
8	2	-	-	50 00 16	•Screw	•Skruv		0
9	2	-	-	60 00 04	•Washer	•Bricka		0
10	2	-	-	58 60 02	•Nut	•Mutter		0
11	1	-	-	48 50 99	•Sender with cable	•Givare med kabel		0
12	1	-	-	34 24 37	•Protective plate	•Skyddsplåt		0
13	6	-	-	31 31 02	•Cable strap	•Buntband		0
14	3	-	-	92 10 46	•Clamp	•Klammer		0
15	3	-	-	50 00 40	•Screw	•Skruv		0
16	3	-	-	58 60 02	•Nut	•Mutter		0
17	4	-	-	50 00 40	•Screw	•Skruv	6)	0
18	4	-	-	58 60 02	•Nut	•Mutter	6)	0
19	1	-	-	34 22 85	•Instrument box	•Instrumentlåda	6)	
20	1	-	-	90 90 85	•Grommet	•Kabelgenomföring	6)	0
21	1	-	-	34 29 29	Printer, kit	Siffertryckare, sats		
22	1	-	-	48 50 98	•Printer	•Siffertryckare		0
23	1	-	-	48 51 17	•Printer box	•Låda för siffertryckare ...		0
24	6	-	-	31 31 02	•Cable strap	•Buntband		0
25	4	-	-	45 00 72	•Shock absorber	•Gummielement		0
26	8	-	-	60 00 04	•Washer	•Bricka		0
27	8	-	-	58 60 02	•Nut	•Mutter		0
28	1	-	-	48 53 41	•Paper roll	•Pappersrulle		0

1) CA30, all models
CA30, alla typer

5) Welded
Svetsad

6) CA30 with cab
CA30 med hytt



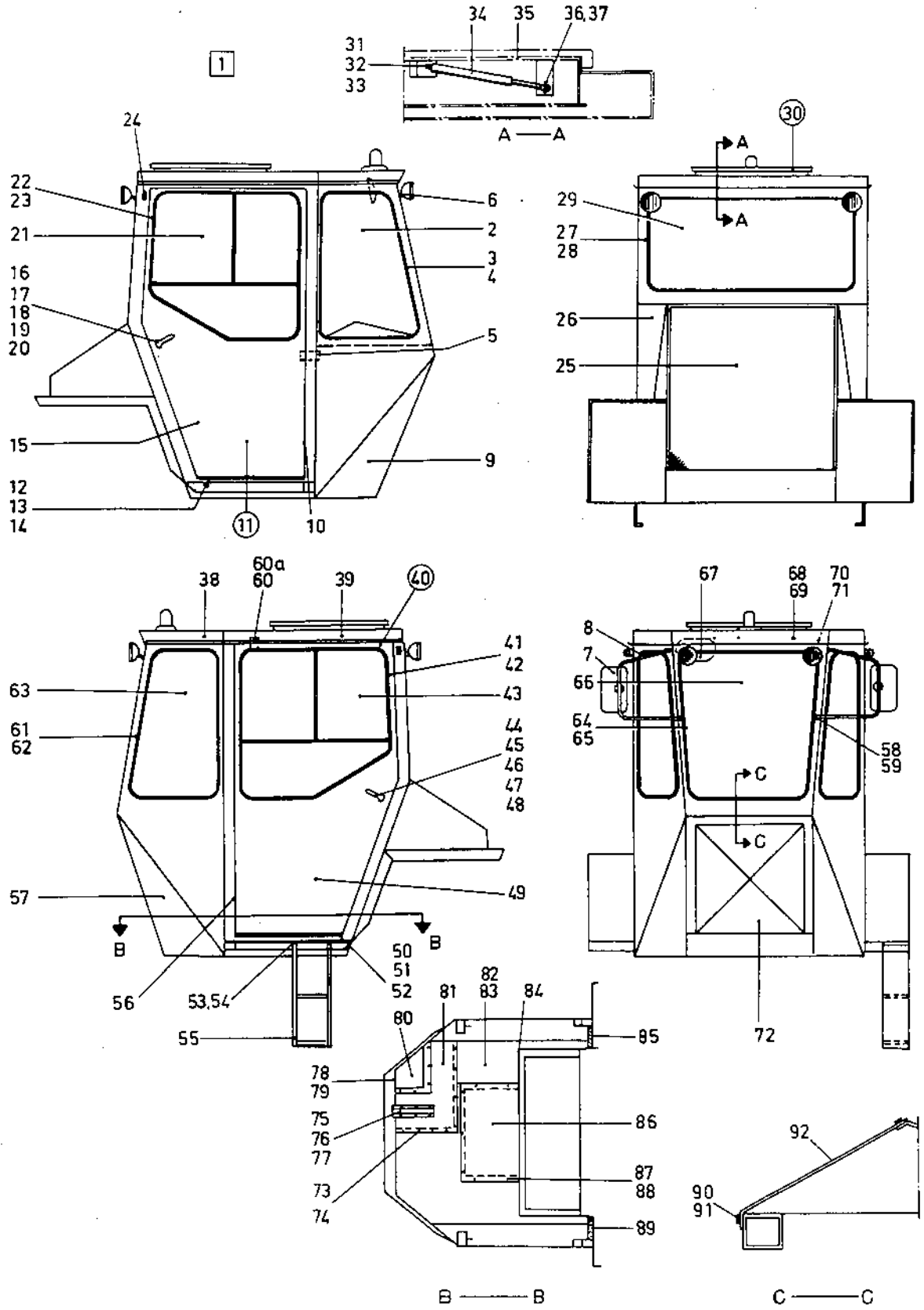
33 84 75
34 10 45
34 10 70

CA 30 -13620-1

Page Sida		Group Grupp			Picture No Bild nr		Issue Utgåva		CAB ROPS Mounting		SKYDDSHYTT Montering	
10		10			13620-1		S-10193-1					
Ref Pos	Quantity/Antal				Part No Art nr	Description	Benämning	Note Anmärkning	C, P K, L			
	1)30											
1	1				433 84 97 01	Air cleaner	Luftrenare					
2	1				34 10 63	Hydraulic oil tank	Hydrauloljetank					
3	8	-	-	-	50 20 08	Screw	Skruv					0
4	8	-	-	-	60 00 11	Washer	Bricka					0
5	8	-	-	-	58 60 08	Nut	Mutter					0
6	2	-	-	-	50 21 62	Screw	Skruv					0
7	2	-	-	-	58 60 16	Nut	Mutter					0
8	2	-	-	-	45 01 17	Shock absorber	Gummielement					0
9	2	-	-	-	51 70 39	Stop screw	Stoppskruv					0
10	8	-	-	-	50 20 61	Screw	Skruv					0
11	8	-	-	-	60 00 10	Washer	Bricka					0
12	8	-	-	-	58 60 07	Nut	Mutter					0
13	2	-	-	-	33 85 34	Rear bracket	Bakre fäste					
14	1	-	-	-	33 78 80	Rear bracket, left	Bakre fäste, vänster					
15	1	-	-	-	45 01 17	•Shock absorber	•Gummielement					0
16	1	-	-	-	51 70 39	•Stop screw	•Stoppskruv					0
17	2	-	-	-	50 21 62	Screw	Skruv					0
18	2	-	-	-	58 60 16	Nut	Mutter					0
19	1	-	-	-	433 78 80 01	Rear bracket, right	Bakre fäste, höger					
20	1	-	-	-	45 01 17	•Shock absorber	•Gummielement					0
21	1	-	-	-	51 70 39	•Stop screw	•Stoppskruv					0
22	4	-	-	-	53 50 07	Screw	Skruv	8)				0
23	4	-	-	-	57 00 03	Nut	Mutter	8)				0
24	2	-	-	-	60 00 07	Washer	Bricka	8)				0
25	1	-	-	-	45 00 66	Door stop, rubber part	Dörrstopp, gummidel	8)				0
26	1	-	-	-	45 00 67	Door stop, metal part	Dörrstopp, metalldel	8)				0
27	1	-	-	-	34 10 71	Exhaust pipe	Avgasrör					
28	1	-	-	-	31 31 01	Pipe clamp	Rörklammer					0
29	1	-	-	-	34 10 72	Bracket	Fäste					
30	3	-	-	-	50 20 35	Screw	Skruv					0
31	3	-	-	-	61 50 44	Conical spring washer	Spännbricka					0
32	3	-	-	-	57 10 03	Nut	Mutter					0
33	1	-	-	-	31 30 93	U-clamp	U-klammer					0
34	1	-	-	-	-	Cab ROPS	Skyddshytt					
						Comps, page 12	Det. se sida 12					

1) CA30, all models
CA30, alla typer

8) Valid only for rollers equipped with noise suppression.
Gäller endast för värtar utrustade med bullerdämpning.



3384 50

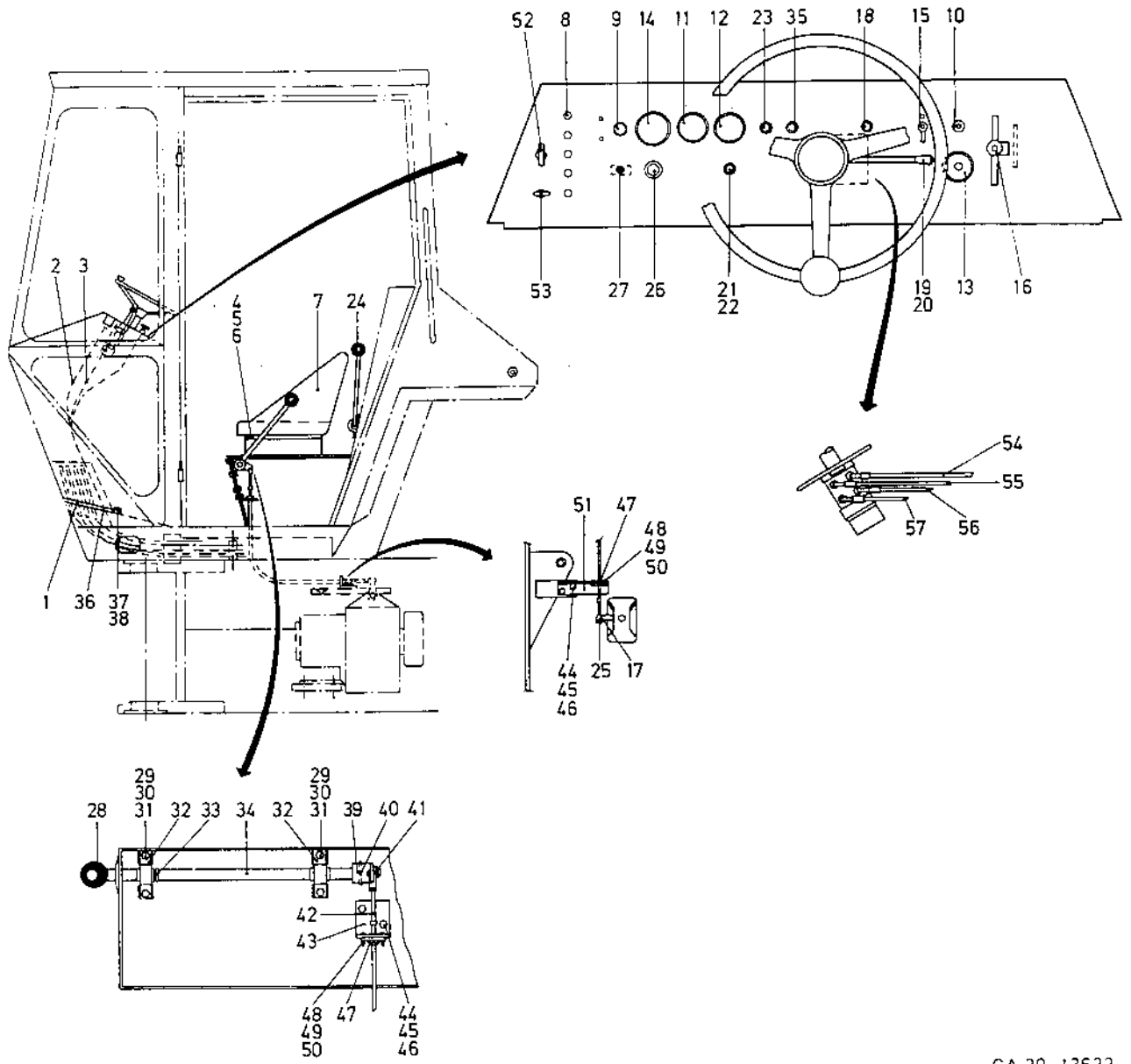
CA 30 - 13621 - 1

Page Sida		Group Grupp			Picture No Bild nr		Issue Utgåva		CAB ROPS		SKYDDSHYTT	
12		10			13621-1		S-10193-1					
Ref Pos	Quantity/Antal			Part No Art nr	Description	Benämning	Note Anmärkning	C, P K, L				
	Typ CA	1)30										
1	1	-	-	433 84 50 01	Cab ROPS, cpl.	Skyddshytt, kpl.						
2	1	-	-	333 84 55 12	•Side window	•Sidofönster						
3	1xL	-	-	20 20 39	•Rubber strip	•Fönsterlist	L = 2800 mm	0				
4	1xL	-	-	20 20 38	•Locking strip	•Killist	L = 2800 mm	0				
5	1	-	-	46 63 22	•Ash tray	•Askkopp		0				
6	10	-	-	90 91 08	•Grommet	•Kabelgenomföring		0				
7	2	-	-	46 63 90	•Outer rear mirror	•Yttre backspegel		0				
8	2	-	-	46 63 91	•Rear mirror bracket	•Bakspeglensfäste		0				
9	1	-	-	433 84 60 01	•Front insulation, right	•Främre isolering, höger		0				
10	1xL	-	-	20 20 40	•Sealing strip	•Tätningslist	L = 4000 mm	0				
11	1	-	-	433 84 52 01	•Door, right, cpl.	•Dörr, höger, kpl.		0				
12	1	-	-	54 00 17	••Rail	••Fästskena		0				
13	5	-	-	62 40 10	••Rivet	••Popnit		0				
14	1	-	-	33 79 11	••Sealing strip	••Tätningslist		0				
15	1xA	-	-	29 70 05	••Insulation, right door	••Isolering, höger dörr	A = 20 x 650 x 840 mm	0				
16	1	-	-	46 61 38	••Door lock	••Dörrlås		0				
17	4	-	-	53 80 23	••Screw	••Skruv		0				
18	4	-	-	60 40 02	••Spring washer	••Fjäderbricka		0				
19	1	-	-	46 61 61	••Handle without key	••Ytterhandtag, ej låsbart		0				
20	2	-	-	54 15 07	••Screw	••Plåtskruv		0				
21	1	-	-	333 84 55 16	••Door glass	••Dörrglas		0				
22	1xL	-	-	20 20 39	••Rubber strip	••Fönsterlist	L = 3200 mm	0				
23	1xL	-	-	20 20 38	••Locking strip	••Killist	L = 3200 mm	0				
24	2	-	-	46 61 69	•Hook	•Klädhängare		0				
25	1xA	-	-	29 70 31	•Rear insulation	•Bakre isolering	A = 900 x 700 mm	0				
26	1	-	-	433 84 51 01	•Cab frame	•Hyttstativ		0				
27	1xL	-	-	20 20 39	•Rubber strip	•Fönsterlist	L = 3500 mm	0				
28	1xL	-	-	20 20 38	•Locking strip	•Killist	L = 3500 mm	0				
29	1	-	-	333 84 55 13	•Rear window	•Bakre fönster		0				
30	1	-	-	33 84 53	•Roof, cpl.	•Plåttak, kpl.		0				
31	2	-	-	50 00 87	••Screw	••Skruv		0				
32	2	-	-	60 00 03	••Washer	••Bricka		0				
33	2	-	-	58 60 01	••Nut	••Mutter		0				
34	2	-	-	46 61 52	••Gas spring	••Gasfjäder		0				
35	1xA	-	-	29 70 05	••Insulation mat	••Isoleringsmatta	A = 20 x 638 x 668 mm	0				
36	2	-	-	63 00 35	••Split pin	••Saxpinne		0				
37	2	-	-	35 30 74	••Key ring	••Nyckelring		0				
38	1	-	-	33 84 54	•Front roof insulation	•Främre takisolering		0				
39	2	-	-	433 84 54 01	•Rear roof insulation	•Bakre takisolering		0				
40	1	-	-	33 84 52	•Door, left, cpl.	•Dörr, vänster, kpl.		0				
41	1xL	-	-	20 20 39	••Rubber strip	••Fönsterlist	L = 3200 mm	0				
42	1xL	-	-	20 20 38	••Locking strip	••Killist	L = 3200 mm	0				
43	1	-	-	333 84 55 15	••Door glass	••Dörrglas		0				
44	1	-	-	46 61 37	••Door lock	••Dörrlås		0				
45	4	-	-	53 80 23	••Screw	••Skruv		0				
46	4	-	-	60 40 02	••Spring washer	••Fjäderbricka		0				
47	1	-	-	46 61 57	••Handle key	••Ytterhandtag, låsbart		0				
48	2	-	-	54 15 07	••Screw	••Plåtskruv		0				
49	1xA	-	-	29 70 05	••Insulation, left door	••Isolering, vänster dörr	A = 20 x 650 x 840 mm	0				
50	1	-	-	54 00 17	••Rail	••Fästskena		0				
51	5	-	-	62 40 10	••Rivet	••Popnit		0				
52	1	-	-	33 79 11	••Sealing strip	••Tätningslist		0				
53	8	-	-	50 20 57	•Screw	•Skruv		0				

1) CA30, all models
CA30, alla typer

Page Sida		Group Grupp		Picture No Bild nr		Issue Utgåva		CAB ROPS		SKYDDSHYTT	
1		10		13621-1		S-10193-1					
Ref Pos	Quantity/Antal			Part No Art nr	Description	Benämning	Note Anmärkning	C, P K, L			
	Typ	CA									
54	8	-	-	61 50 45	•Conical spring washer ...	•Spännbricka		0			
55	2	-	-	33 84 62	•Ladder	•Lejdare		0			
56	1 x L	-	-	20 20 40	•Sealing strip	•Tättningslist	L = 4000 mm	0			
57	1	-	-	33 84 60	•Front insulation, left	•Främre isolering, vä.		0			
58	8	-	-	50 20 02	•Screw	•Skruv		0			
59	8	-	-	60 00 04	•Washer	•Bricka		0			
60	2	-	-	46 61 35	•Door strap	•Dörrstropp		0			
61	2	-	-	46 61 36	•Door strap	•Dörrstropp		0			
62	1 x L	-	-	20 20 39	•Rubber strip	•Fönsterlist	L = 2800 mm	0			
63	1 x L	-	-	20 20 38	•Locking strip	•Killist	L = 2800 mm	0			
64	1	-	-	333 84 55 12	•Side window	•Sidofönster		0			
65	1 x L	-	-	20 20 39	•Rubber strip	•Fönsterlist	L = 3100 mm	0			
66	1 x L	-	-	20 20 38	•Locking strip	•Killist	L = 3100 mm	0			
67	1	-	-	333 84 55 11	•Wind screen	•Vindruta		0			
68	1	-	-	46 61 65	•Rear mirror	•Bakspegel		0			
69	3	-	-	50 20 03	•Screw	•Skruv		0			
70	3	-	-	60 40 04	•Spring washer	•Fjäderbricka		0			
71	1	-	-	46 63 29	•Decal, "don't jump"	•Dekal, "Hoppa ej"		0			
72	1	-	-	99 18 35	•Name plate	•Schild, typbeteckning		0			
73	1 x A	-	-	29 70 05	•Front insulation	•Främre isolering	A = 20 x 680 x 500 mm	0			
74	8	-	-	50 20 03	•Screw	•Skruv		0			
75	8	-	-	60 40 04	•Spring washer	•Fjäderbricka		0			
76	1	-	-	33 84 61	•Sealing, left	•Tättningsborste, vänster		0			
77	1	-	-	433 84 61 01	•Sealing, right	•Tättningsborste, höger		0			
78	6	-	-	62 40 10	•Rivet	•Popnit		0			
79	4	-	-	50 20 03	•Screw	•Skruv		0			
80	4	-	-	60 40 04	•Spring washer	•Fjäderbricka		0			
81	1	-	-	433 84 56 13	•Cover plate, inner	•Täckplåt, inre		0			
82	1	-	-	433 84 56 12	•Cover plate, lower	•Täckplåt, undre		0			
83	1	-	-	33 84 58	•Floor mat	•Golvmatta		0			
84	1	-	-	433 84 58 01	•Floor insulation	•Golvisolering		0			
85	1 x L	-	-	29 70 30	•Rubber strip	•Gummlist	L = 3000 mm	0			
86	1 x A	-	-	29 70 05	•Rear insulation	•Bakre isolering	A = 20 x 100 x 1000 mm	0			
87	1	-	-	433 84 56 11	•Cover plate	•Täckplåt		0			
88	9	-	-	50 20 03	•Screw	•Skruv		0			
89	9	-	-	60 40 04	•Spring washer	•Fjäderbricka		0			
90	1 x A	-	-	29 70 05	•Rear insulation	•Bakre isolering	A = 20 x 100 x 1000 mm	0			
91	10	-	-	50 20 03	•Screw	•Skruv		0			
92	10	-	-	60 40 04	•Spring washer	•Fjäderbricka		0			
93	1	-	-	33 85 36	•Instrument board	•Instrumentpanel		0			

1) CA30, all models
CA30, alla typer



34 10 47

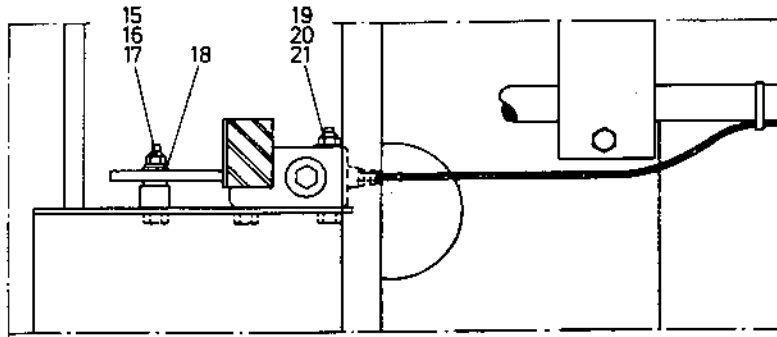
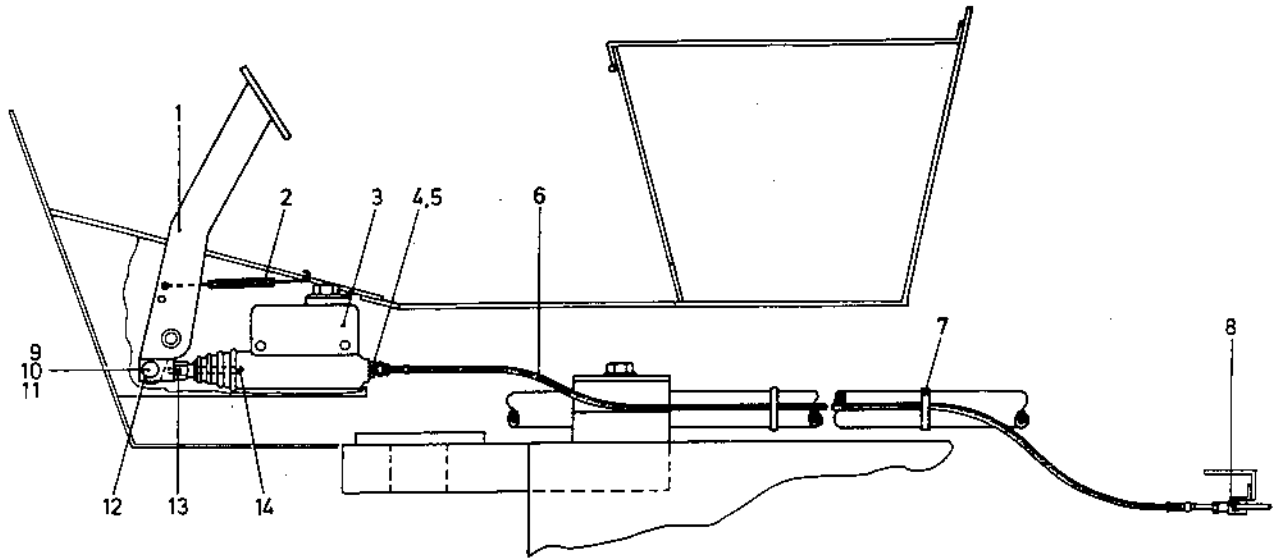
CA 30-13622-1

Page Sida		Group Grupp		Picture No Bild nr		Issue Utgåva		CAB ROPS Instruments and Controls		SKYDDSHYTT Instrument och Reglage	
16		10		13622-1		S-10193-1					
Ref Pos	Quantity/Antal			Part No Art nr	Description	Benämning	Note Anmärkning	C, P K, L			
	Typ	CA	1)30								
1	1	-	-	33 84 87	Rubber seal	Gummitätning					
2	1	-	-	-	Tachometer cable	Varvräknarkabel					
3	1	-	-	-	Forw-rev. contr. cable	Reglagekabel, fram-bak	See group 7				
4	4	-	-	50 20 18	Screw	Skruv	See group 7				
5	4	-	-	60 00 06	Washer	Bricka			0		
6	4	-	-	58 60 05	Nut	Mutter			0		
7	1	-	-	46 50 29	Driver seat	Förestol			0		
8	5	-	-	93 00 55	Switch	Strömbrytare			0		
9	1	-	-	46 61 44	Cigaret lighter	Cigarettändare			0		
10	1	-	-	-	Switch, cab heater	Strömbrytare, hyttvärme	See page 26 ref. 7				
11	1	-	-	-	Hydr. oil temp. gauge	Hydrauloljetemp.-mät.	See group 7				
12	1	-	-	-	Fuel gauge	Bränslemätare	See group 7				
13	1	-	-	-	Heater timer	Tidur	See page 26 ref. 9				
14	1	-	-	-	Tachometer w. hourm.	Varvräknare m. timräkn. ..	See group 7				
15	1	-	-	-	Ignition switch	Startkontakt	See group 7				
16	1	-	-	-	Forward-reverse control	Fram-backreglage	See group 7				
17	1	-	-	41 64 04	Fork link	Gaffellänk			0		
18	1	-	-	-	Warn. lamp, park. brake	Varn.-lampa park.-broms	See group 7				
19	1	-	-	93 01 83	Flasher switch	Blinkersomkopplare			0		
20	1	-	-	98 51 20	Bulb	Glödlampa			0		
21	1	-	-	98 50 56	Control lamp, rot.	Kontrolllampa, rot.			0		
22	1	-	-	-	warning light	varningsljus			0		
23	1	-	-	98 50 12	Bulb	Glödlampa			0		
24	1	-	-	-	Oil pressure warn. lamp ..	Oljetryckslampa	See group 7				
25	1	-	-	-	Vibration control	Vibr.-reglage	See group 7				
26	1	-	-	33 84 85	Bushing	Bussning					
27	1	-	-	-	Horn button	Signal knapp	See group 7				
28	1	-	-	93 00 62	Switch, head lights	Strömställare, strålk.			0		
29	4	-	-	31 20 30	Handle ball	Handtagskula			0		
30	4	-	-	50 20 18	Screw	Skruv			0		
31	4	-	-	60 00 06	Washer	Bricka			0		
32	4	-	-	58 60 05	Nut	Mutter			0		
33	2	-	-	81 33 54	Bearing	Lager			0		
34	1	-	-	62 90 17	Expanding pin	Fjädrande rörpinne			0		
35	1	-	-	33 84 78	Shift control	Växelslag			0		
36	1	-	-	-	Charging indicator lamp ..	Laddningslampa	See group 7				
37	1	-	-	90 90 98	Grommet	Kabelgenomföring			0		
38	4	-	-	50 20 02	Screw	Skruv			0		
39	4	-	-	60 40 04	Spring washer	Fjäderbricka			0		
40	1	-	-	33 84 80	Shift lever	Reglagearm			0		
41	1	-	-	62 90 64	Expanding pin	Fjädrande rörpinne			0		
42	1	-	-	41 64 04	Fork link	Gaffellänk			0		
43	1	-	-	45 50 76	Control cable	Reglagekabel			0		
44	1	-	-	33 84 82	Bracket	Fäste			0		
45	4	-	-	50 20 36	Screw	Skruv			0		
46	4	-	-	60 00 07	Washer	Bricka			0		
47	4	-	-	58 60 06	Nut	Mutter			0		
48	2	-	-	41 60 11	Ball link	Kullänk			0		
49	4	-	-	50 20 18	Screw	Skruv			0		
50	4	-	-	60 00 06	Washer	Bricka			0		
51	4	-	-	58 60 05	Nut	Mutter			0		
52	1	-	-	33 84 83	Bracket	Fäste			0		
				45 60 79	Throttle contr. w. cable ...	Varvtalsregl. m. kabel			0		

1) CA30, all models
CA30, alla typer

Page Sida		Group Grupp		Picture No Bild nr		Issue Utgåva		CAB ROPS Instruments and Controls		SKYDDSHYTT Instrument och Reglage	
18		10		13622-1		S-10193-1					
Ref Pos	Quantity/Antal				Part No Art nr	Description	Benämning	Note Anmärkning	C, P K, L		
	Typ CA										
	1)30										
53	1	-	-	-	45 60 80	Stop control	Stoppreglage		0		
54	1	-	-	-	33 84 86	Hydr. hose (to right cyl.)	Hydr. slang (till hö. cyl.) ..				
55	1	-	-	-	333 84 86 03	Hydraulic hose (to tank) ..	Hydraulslang (till tank)				
56	1	-	-	-	333 84 86 01	Hydr. hose (to left cyl.)	Hydr. slang (till vä. cyl.) ...				
57	1	-	-	-	333 84 86 02	Hydraulic hose (to pump)	Hydraulslang (till pump) ..				

1) CA30, alla modeller
CA30, alla typer

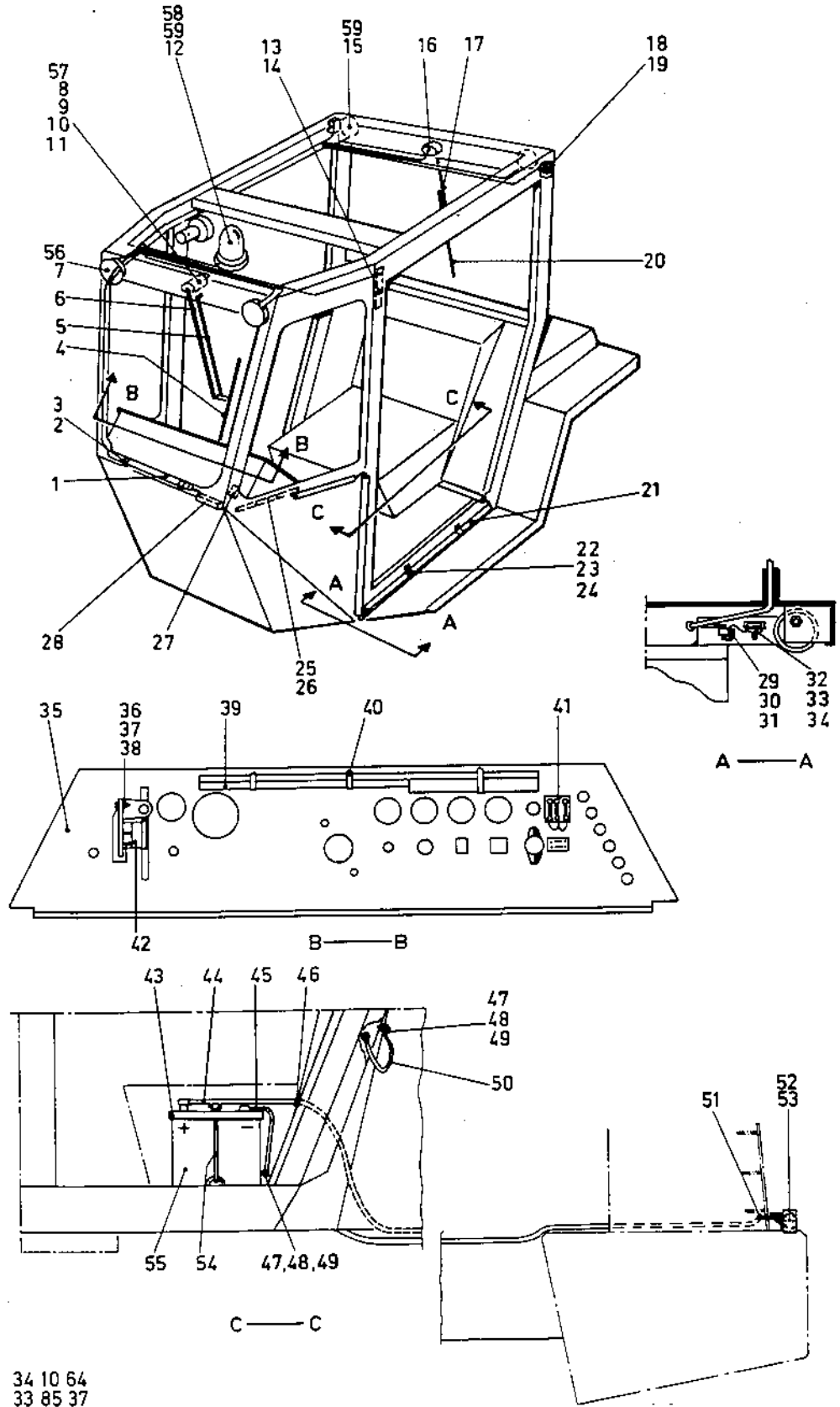


33 84 88

CA 30-13623-1

Page Sida		Group Grupp			Picture No Bild nr		Issue Utgåva		CAB ROPS Foot brake		SKYDDSHYTT Fotbroms	
20		10			13623-1		S-10193-1					
Ref Pos	Quantity/Antal				Part No Art nr	Description	Benämning	Note Anmärkning	C, P K, L			
	1)	30										
1	1	-	-	-	33 79 53	Brake pedal	Bromspedal					
2	1	-	-	-	33 84 90	Spring	Fjäder					
3	1	-	-	-	-	Brake master cylinder	Bromshuvudcylinder	See group 7				
4	1	-	-	-	81 33 51	Brass washer	Mässingsbricka					0
5	1	-	-	-	33 45 55	Adapter	Adapter					0
6	1	-	-	-	33 84 89	Brake hose	Bromsslang					0
7	4	-	-	-	31 30 41	Cable strap	Buntband					0
8	1	-	-	-	-	T-adapter	T-adapter	See group 7				0
9	1	-	-	-	81 33 41	Bolt	Bult					0
10	1	-	-	-	60 00 07	Washer	Bricka					0
11	1	-	-	-	63 00 31	Cotter pin	Saxpinne					0
12	1	-	-	-	-	Clevis	Gaffellänk	See group 7				0
13	1	-	-	-	-	Stop Screw	Stoppskruv	See group 7				0
14	1	-	-	-	-	Push rod	Tryckstång	See group 7				0
15	1	-	-	-	50 20 68	Screw	Skruv					0
16	1	-	-	-	60 00 10	Washer	Bricka					0
17	1	-	-	-	58 60 07	Nut	Mutter					0
18	2	-	-	-	-	Bushing	Bussning	See group 7				0
19	2	-	-	-	50 20 46	Screw	Skruv					0
20	2	-	-	-	60 00 07	Washer	Bricka					0
21	2	-	-	-	58 60 06	Nut	Mutter					0

1) CA30, all models
CA30, alla typer



34 10 64
33 85 37

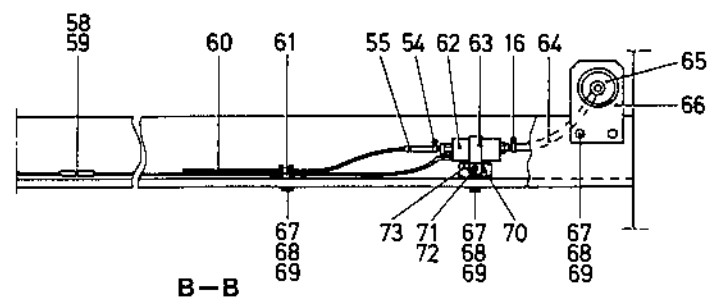
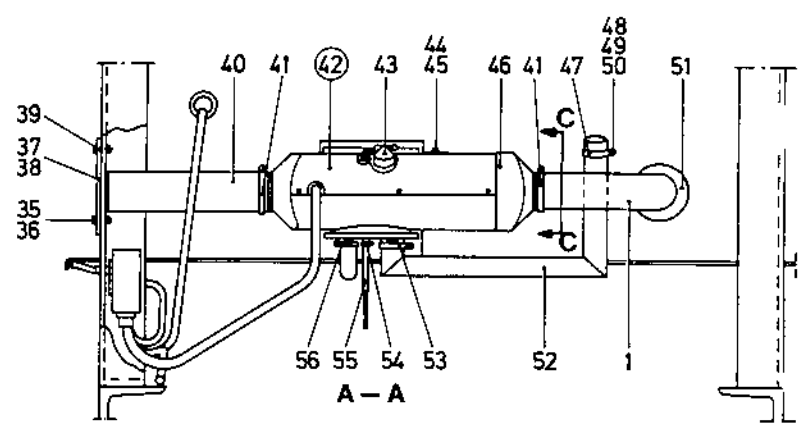
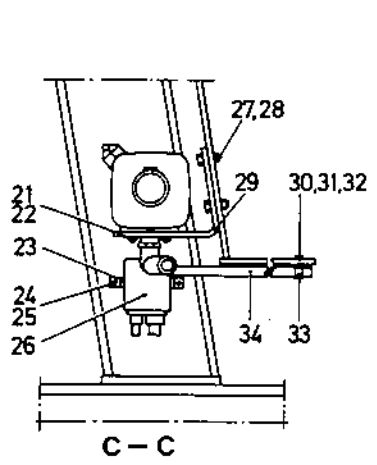
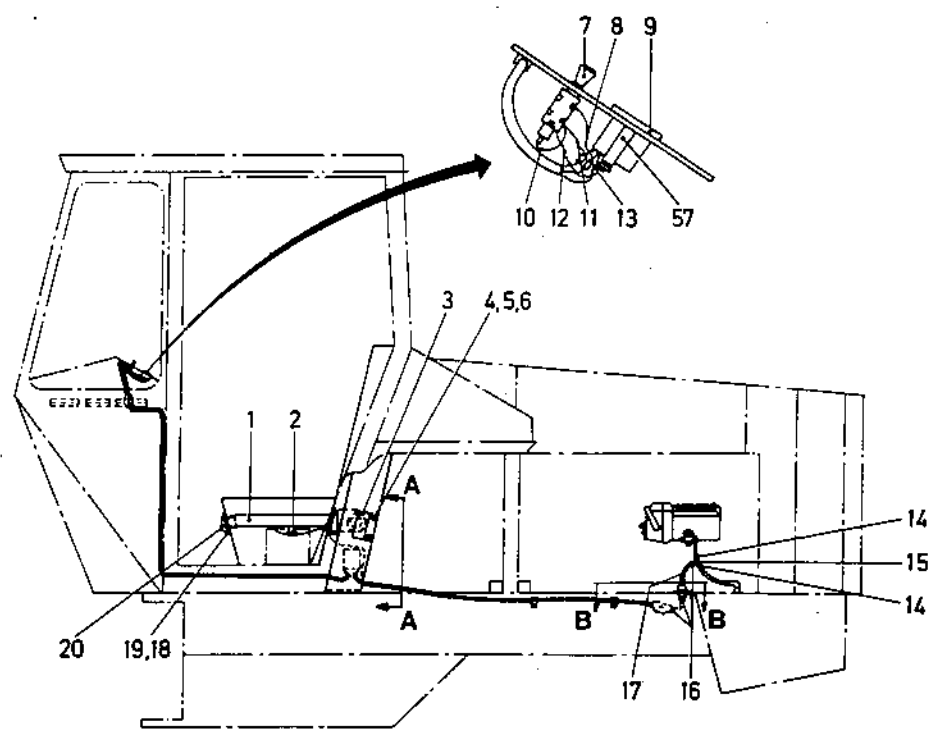
CA 30 - 13624 - 1

Page Sida		Group Grupp		Picture No Bild nr		Issue Utgåva		CAB ROPS Electrical equipment		SKYDDSHYTT Elektrisk utrustning	
22		10		13624-1		S-10193-1					
Ref Pos	Quantity/Antal				Part No Art nr	Description	Benämning	Note Anmärkning	C, P K, L		
	1)30										
1	1xL	-	-	-	99 80 12	Cable covering	Kabelskydd	L = 700 mm	0		
2	3	-	-	-	92 10 10	Cable clamp	Kabelklammer		0		
3	3	-	-	-	54 15 07	Screw	Plåtskruv	0			
4	1	-	-	-	49 94 52	Wiper blade, front	Främre torkarblad	0			
5	1	-	-	-	46 63 80	Parallel wiper arm	Parallellarm	0			
6	1	-	-	-	46 63 77	Wiper arm, front	Främre torkarm	0			
7	2	-	-	-	98 51 08	Head light, front	Främre strålkastare	0			
8	1	-	-	-	46 63 75	Wiper motor, front	Främre torkarmotor	0			
9	1	-	-	-	46 63 78	Adapter	Adapter	0			
10	1	-	-	-	50 00 22	Screw	Skruv	0			
11	1	-	-	-	57 00 05	Nut	Mutter	0			
12	1	-	-	-	99 90 29	Rotating warning light	Roterande varningsljus	0			
13	1	-	-	-	98 51 18	Inner light	Innerbelysning	0			
14	2	-	-	-	98 51 17	Bulb	Glödlampa	0			
15	2	-	-	-	98 51 07	Head light, rear	Bakre strålkastare	0			
16	1	-	-	-	49 94 49	Wiper motor, rear	Bakre torkarmotor	0			
17	1	-	-	-	49 94 50	Wiper arm, rear	Bakre torkarm	0			
18	2	-	-	-	98 51 19	Flasher	Blinkers	0			
19	2	-	-	-	98 51 13	Bulb	Glödlampa	0			
20	1	-	-	-	49 94 53	Wiper blade, rear	Bakre torkarblad	0			
21	1	-	-	-	-	Cable group	Kabelstam	See group 6	0		
22	2	-	-	-	92 10 45	Clamp	Klammer		0		
23	2	-	-	-	50 20 02	Screw	skruv	0			
24	2	-	-	-	61 50 41	Conical spring washer	Spännbricka	0			
25	3	-	-	-	92 00 63	Connector, male	Kopplingslist, hane	0			
26	3	-	-	-	92 00 64	Connector, female	Kopplingslist, hona	0			
27	1	-	-	-	97 50 55	Flasher relay	Blinkersrelä	0			
28	1	-	-	-	95 00 28	Fuse box	Säkringsdosa	0			
29	1	-	-	-	-	Horn relay	Signalhornsrelä	See group 6	0		
30	2	-	-	-	50 20 02	Screw	Skruv		0		
31	2	-	-	-	61 50 42	Conical spring washer	Spännbricka	0			
32	1	-	-	-	-	Signal horn	Signalhorn	See group 6	0		
33	1	-	-	-	50 20 14	Screw	Skruv		0		
34	1	-	-	-	61 50 43	Conical spring washer	Spännbricka	0			
35	1	-	-	-	-	Instrument board	Instrumentpanel	See page 14 ref. 92	0		
36	1	-	-	-	53 30 27	Screw	Skruv		0		
37	1	-	-	-	60 00 03	Washer	Bricka	0			
38	1	-	-	-	58 60 01	Nut	Mutter	0			
39	1	-	-	-	34 10 65	Cable group	Kabelstam	0			
40	5	-	-	-	31 30 68	Cable strap	Buntband	0			
41	1	-	-	-	-	Fuse box	Säkringsdosa	See group 6	0		
42	1	-	-	-	-	Neutral start switch	Neutralstartströmst.		See group 7	0	
43	1	-	-	-	-	Battery frame	Batteriram	See group 6		0	
44	1	-	-	-	-	Battery cable	Startkabel		See group 6	0	
45	1	-	-	-	-	Ground cable	Jordkabel	See group 6		0	
46	1	-	-	-	81 33 67	Grommet	Kabelgenomföring		0		
47	3	-	-	-	50 20 55	Screw	Skruv	0			
48	3	-	-	-	61 50 45	Conical spring washer	Spännbricka	0			
49	3	-	-	-	57 10 05	Nut	Mutter	0			
50	1	-	-	-	33 56 07	Ground cable	Jordkabel	0			
51	2	-	-	-	90 90 76	Grommet	Kabelgenomföring	0			
52	2	-	-	-	98 50 01	Rear light	Baklykta	0			
53	2	-	-	-	98 50 38	Bulb	Glödlampa	0			

1) CA30, all models
CA30, alla typer

Page Sida	Group Grupp	Picture No Bild nr	Issue Utgåva	CAB ROPS Electrical equipment	SKYDDSHYTT Elektrisk utrustning			
24	10	13624-1	S-10193-1					
Ref Pos	Quantity/Antal			Part No Art nr	Description	Benämning	Note Anmärkning	C, P K, L
	Typ CA							
	1)30							
54	2	-	-	-	Screw	Skruv	See group 6	
55	1	-	-	-	Battery	Batteri	See group 6	
56	2	-	-	98 51 43	Bulb	Glödlampa		0
57	1	-	-	46 63 81	Rubber cover	Gummiskydd		0
58	1	-	-	46 63 82	Gasket	Packning		0
59	3	-	-	98 51 26	Bulb	Glödlampa		0

1) CA30, all models
CA30, alla typer



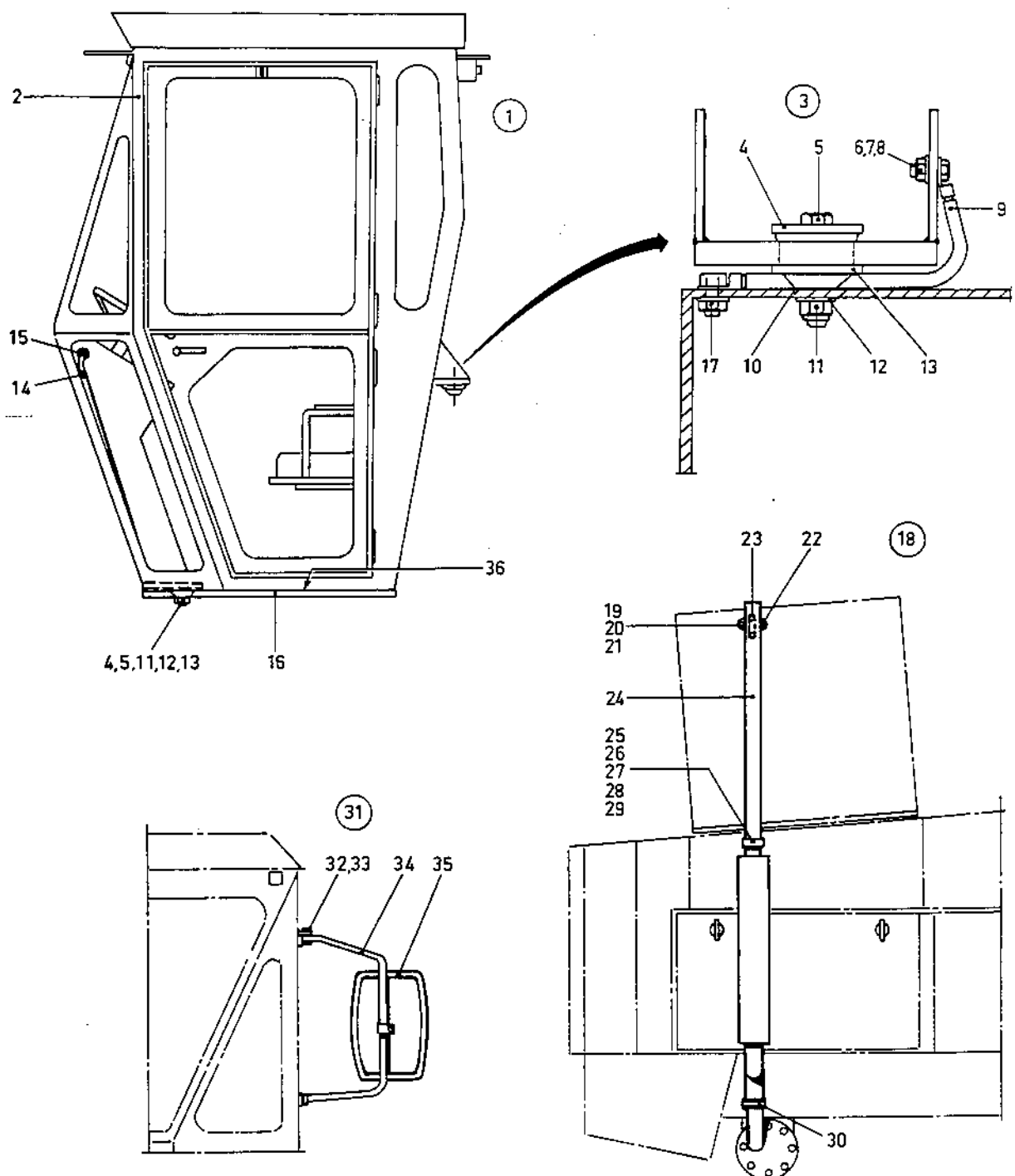
34 10 48

CA 30 - 13625 - 1

Page Sida	Group Grupp	Picture No Bild nr	Issue Utgåva	CAB ROPS Cab heater	SKYDDSHYTT Värmesystem			
5	10	13625-1	S-10193-1					
Ref Pos	Quantity/Amount Typ CA			Part No Art nr	Description	Benämning	Note Anmärkning	C, P K, L
	1)30							
1	1xL	-	-	46 64 06	Air hose	Luftslang	L=600 mm	0
2	1	-	-	46 63 96	Fuse holder	Säkringshållare		0
3	1	-	-	34 10 57	Cover	Kåpa		0
4	2	-	-	50 20 06	Screw	Skruv		0
5	2	-	-	61 50 43	Conical spring washer	Spännbricka		0
6	2	-	-	57 10 02	Nut	Mutter		0
7	1	-	-	46 63 47	Switch, cab heater	Strömbrytare, hyttvärme		0
8	1	-	-	434 10 55 02	Cable	Kabel		0
9	1	-	-	46 63 46	Heater timer	Tidur		0
10	1	-	-	34 10 56	Cable	Kabel		0
11	1	-	-	434 10 55 01	Cable	Kabel		0
12	1	-	-	34 10 55	Cable	Kabel		0
13	3	-	-	92 00 45	Connecting socket	Skarvklämma		0
14	2	-	-	46 64 02	Hose clamp	Slangklämma		0
15	1	-	-	46 63 98	T-connection	T-koppling		0
16	4	-	-	46 64 03	Hose clamp	Slangklämma		0
17	1xL	-	-	46 64 00	Fuel hose	Bränsleslang	L=80 mm	0
18	3	-	-	50 00 60	Screw	Skruv		0
19	3	-	-	58 60 01	Nut	Mutter		0
20	1	-	-	46 64 14	Air nozzle	Luftmunstycke		0
	4	-	-	57 00 04	Nut	Mutter		0
22	4	-	-	60 40 03	Spring washer	Fjäderbricka		0
23	1	-	-	46 64 08	Bracket	Fäste		0
24	2	-	-	50 00 60	Screw	Skruv		0
25	2	-	-	58 60 01	Nut	Mutter		0
26	1	-	-	46 64 12	Control unit	Styrenhet		0
27	3	-	-	57 10 02	Nut	Mutter		0
28	3	-	-	61 50 43	Conical spring washer	Spännbricka		0
29	1	-	-	34 10 52	Bracket	Fäste		0
30	1	-	-	50 20 04	Screw	Skruv		0
31	1	-	-	61 50 42	Conical spring washer	Spännbricka		0
32	1	-	-	57 10 01	Nut	Mutter		0
33	1	-	-	92 10 28	Clamp	Klammer		0
34	1	-	-	34 10 49	Combustion air hose	Förbränningsluftslang		0
35	3	-	-	50 00 60	Screw	Skruv		0
36	3	-	-	58 60 01	Nut	Mutter		0
37	1	-	-	34 10 54	Mesh	Nät		0
38	1	-	-	34 10 61	Washer	Bricka		0
39	1	-	-	46 64 15	Connection	Anslutning		0
40	1xL	-	-	46 64 06	Air hose	Luftslang	L=180 mm	0
41	2	-	-	46 64 05	Hose clamp	Slangklämma		0
42	1	-	-	46 63 44	Cab heater, cpl.	Hyttvärmare, kpl.		0
43	1	-	-	46 64 16	•Glow plug	•Glödstift		0
44	1	-	-	46 64 18	•Thermal cut-out switch	•Överhettningsskydd		0
45	1	-	-	46 64 17	•Temperatur switch	•Termoströmställare		0
46	1	-	-	46 64 10	Cover	Kåpa		0
	1	-	-	92 10 28	Clamp	Klammer		0
48	1	-	-	50 20 04	Screw	Skruv		0
49	1	-	-	61 50 42	Conical spring washer	Spännbricka		0
50	1	-	-	57 10 02	Nut	Mutter		0
51	1	-	-	46 63 42	Grommet	Gummigenomföring		0
52	1	-	-	34 10 50	Exhaust pipe	Avgasrör		0
53	1	-	-	46 64 01	Hose clamp	Slangklämma		0

Page Sida	Group Grupp	Picture No Bild nr	Issue Utgåva	CAB ROPS Cab heater	SKYDDSHYTT Värmesystem			
28	10	13625-1	S-10193-1					
Ref Pos	Quantity/Antal			Part No Art nr	Description	Benämning	Note Anmärkning	C, P K, L
	1)30	Typ	CA					
54	2	-	-	46 64 04	Hose Clamp	Slangklämma		0
55	2	-	-	46 63 99	Protective hose	Skydds slang		0
56	1	-	-	31 30 04	Hose clamp	Slangklämma		0
57	1	-	-	46 64 11	Heater timer clamp set	Tidursklammer, sats		0
58	2	-	-	92 10 47	Connecting sleeve	Skarvhylsa		0
59	4	-	-	96 00 79	Cable clip	Kabelsko		0
60	1	-	-	46 63 92	Fuel line	Bränsleledning		0
61	2	-	-	92 10 70	Clamp	Klammer		0
62	1	-	-	46 64 19	Fuel pump	Bränslepump		0
63	1	-	-	46 63 94	Clamp	Klammer		0
64	1 x L	-	-	46 64 00	Fuel hose	Bränsleslang	L = 180 mm	0
65	1	-	-	46 63 65	Fuel filter	Bränslefilter		0
66	1	-	-	46 64 13	Filter bracket	Filterhållare		0
67	5	-	-	50 20 06	Screw	Skruv		0
68	5	-	-	61 50 42	Conical spring washer	Spännbricka		0
69	5	-	-	57 10 01	Nut	Mutter		0
70	1	-	-	46 64 07	Shock absorber	Gummielement		0
71	2	-	-	57 00 04	Nut	Mutter		0
72	2	-	-	60 40 03	Spring washer	Fjäderbricka		0
73	1	-	-	46 64 09	Bracket	Fäste		0

1) CA30, all models
CA30, alla typer



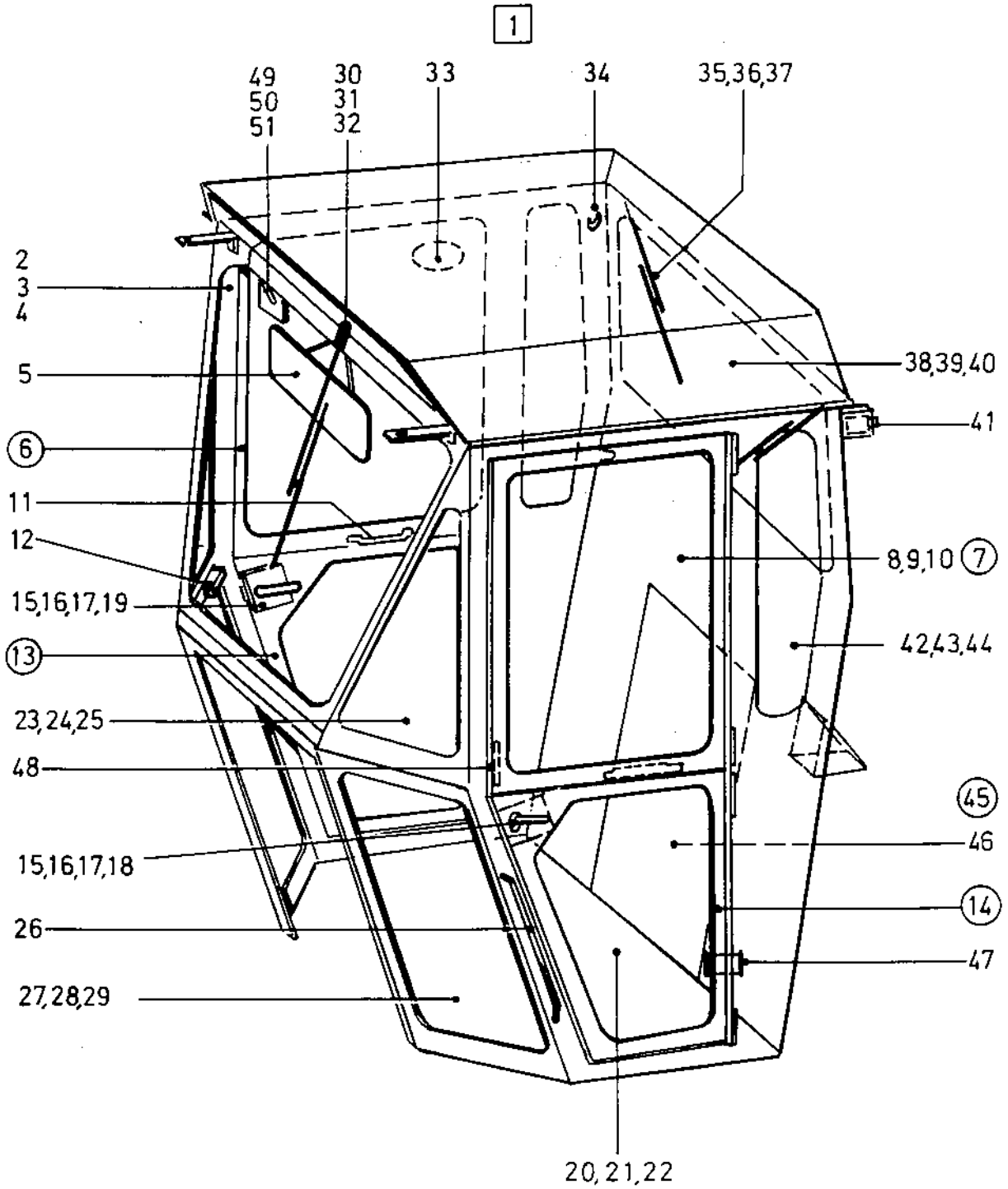
34 10 70
34 49 88
34 50 08

CA30-13626 -1

Page Sida	Group Grupp	Picture No Bild nr	Issue Utgåva	WEATHER CAB Mounting	VÄDERHYTT Montering			
30	10	13626-1	S-10193-1					
Ref Pos	Quantity/Antal			Part No Art nr	Description	Benämning	Note Anmärkning	C, P K, L
	1)30	Typ	CA					
1	1	-	-	34 50 10	Weather cab, kit	Väderhytt, sats		
2	1	-	-	34 49 89	•Weather cab	•Väderhytt		
3	1	-	-	34 49 90	Comps, page 32 •Mounting kit, weather ... cab	Det. se sida 32 •Monteringssats,		
4	4	-	-	92 08 81	••Washer	••Bricka		
5	4	-	-	50 00 94	••Screw	••Skruv		0
6	1	-	-	50 00 28	••Screw	••Skruv		0
7	1	-	-	61 50 44	••Conical spring washer	••Spännbricke		0
8	1	-	-	57 00 06	••Nut	••Mutter		0
9	1	-	-	433 56 07 01	••Ground cable	••Jordkabel		0
10	4	-	-	60 00 11	••Washer	••Bricka		0
11	4	-	-	58 60 21	••Nut	••Mutter		0
12	4	-	-	61 50 48	••Conical spring washer	••Spännbricke		0
13	4	-	-	80 16 98	••Shock absorber	••Gummielement		0
14	1	-	-	34 50 19	••Cable	••Kabel		0
15	1	-	-	90 91 38	••Grommet	••Kabelgenomföring		0
16	1xL	-	-	92 08 82	••Sealing list	••Tätninglist	L = 2000 mm	0
17	1	-	-	-	Screw (for handle)	Skruv (för handtag)	See group 1	0
18	1	-	-	34 50 18	Exhaust syst. mount. kit ..	Avgassystem, mont. sats		
19	4	-	-	53 50 07	Screw	Skruv	8)	0
20	4	-	-	57 00 03	Nut	Mutter	8)	0
21	2	-	-	60 00 07	Washer	Bricka	8)	0
22	1	-	-	45 00 66	Door stop, rubber part	Dörrstopp, gummidel	8)	0
23	1	-	-	45 00 67	Door stop, metal part	Dörrstopp, metalldel	8)	0
24	1	-	-	34 10 71	Exhaust pipe	Avgasrör		0
25	1	-	-	31 31 01	Pipe clamp	Rörklammer		0
26	1	-	-	34 10 72	Bracket	Fäste		0
27	3	-	-	50 20 35	Screw	Skruv		0
28	3	-	-	61 50 44	Conical spring washer	Spännbricke		0
29	3	-	-	57 10 03	Nut	Mutter		0
30	1	-	-	31 30 93	U-clamp	U-klammer		0
31	1	-	-	34 50 15	Outer rear mirror, kit	Yttre backspeglar, sats ...		0
32	8	-	-	50 00 12	•Screw	•Skruv		0
33	8	-	-	60 00 04	•Washer	•Bricka		0
34	2	-	-	46 63 91	•Rear mirror bracket	•Bakspegelfäste		0
35	2	-	-	46 63 90	•Outer rear mirror	•Yttre backspegel		0
36	1	-	-	34 50 09	Floor mat (noise abs.)	Golvmatte (ljudabs.)		0

1) CA30, all models
CA30, alla typer

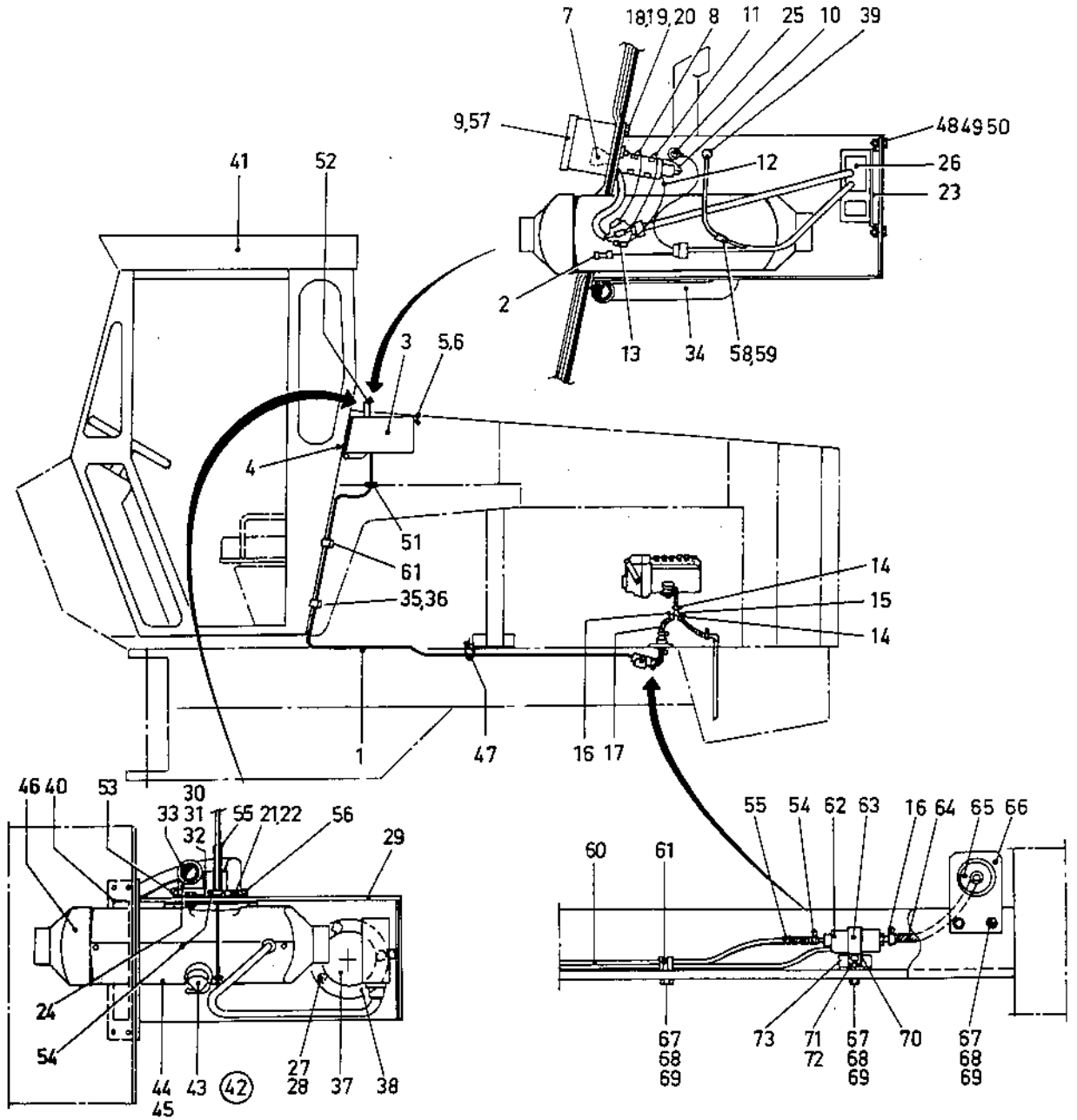
8) Valid only for rollers equipped with noise suppression.
Gäller endast för vältar utrustade med bullerdämpning.



344989

CA 30-13627-1

Page Sida	Group Grupp	Picture No Bild nr	Issue Utgåva	WEATHER CAB Cab	VÅDERHYTT Hytt	
32	10	13627-1	S-10193-1			
Ref Pos	Quantity/Antal Typ CA	Part No Art nr	Description	Benämning	Note Anmärkning	C, P K, L
	1)30					
1	1	34 49 89	Weather cab, cpl.	Väderhytt, kpl.		
2	1	46 64 22	•Wind screen	•Vindruta		
3	1	46 64 23	•Rubber list	•Gummlist		0
4	1	46 64 24	•Locking strip	•Killist		0
5	1	46 64 58	•Sun visor	•Solskydd		0
6	1	46 64 72	•Upper door, right, cpl. ...	•Övre dörr, höger, kpl.		0
7	1	46 64 71	•Upper door, left, cpl.	•Övre dörr, vänster, kpl. ...		0
8	2	46 64 31	••Door window, upper	••Dörruta, övre		0
9	2	46 64 32	••Rubber list	••Gummlist		0
10	2	46 64 33	••Locking strip	••Killist		0
11	2	46 64 55	•Handle	•Handtag		0
12	1	46 64 60	•Ash tray	•Askkopp		0
13	1	46 64 74	•Lower door, right, cpl. ...	•Nedre dörr, höger, kpl. ...		0
14	1	46 64 73	•Lower door, left, cpl.	•Undre dörr, vänster, kpl. ...		0
15	1	46 64 51	••Handle lock, outer	••Låshandtag, yttre		0
16	1	46 64 52	••Handle lock, inner	••Låshandtag, inre		0
17	1	46 64 54	••Latch bolt	••Låskolv		0
18	1	46 64 50	••Door lock, right	••Dörrlås, höger		0
19	1	46 64 49	••Door lock, left	••Dörrlås, vänster		0
20	1	46 64 34	••Door window, lower	••Dörruta, undre		0
21	1	46 64 35	••Rubber list	••Gummlist		0
22	1	46 64 36	••Locking strip	••Killist		0
23	2	46 64 25	•Side window, front	•Sidoruta, främre		0
24	2	46 64 26	•Rubber list	•Gummlist		0
25	2	46 64 27	•Locking strip	•Killist		0
26	2	46 64 56	•Handle, outer	•Handtag, yttre		0
27	2	46 64 28	•Side window, lower	•Sidoruta, undre		0
28	2	46 64 29	•Rubber list	•Gummlist		0
29	2	46 64 30	•Locking strip	•Killist		0
30	1	46 64 43	•Wiper motor, front	•Främre torkarmotor		0
31	1	46 64 44	•Wiper arm, front	•Främre torkarm		0
32	1	46 64 45	•Wiper blade, front	•Främre torkarblad		0
33	1	46 64 61	•Inner light	•Innerbelysning		0
34	1	46 64 59	•Hook	•Klädhängare		0
35	2	46 64 46	•Wiper motor, rear	•Bakre torkarmotor		0
36	2	46 64 47	•Wiper arm, rear	•Bakre torkarm		0
37	2	46 64 48	•Wiper blade, rear	•Bakre torkarblad		0
38	1	46 64 40	•Rear window	•Bakruta		0
39	1	46 64 41	•Rubber list	•Gummlist		0
40	1	46 64 42	•Locking strip	•Killist		0
41	2	46 64 53	•Door holder	•Dörrhållare		0
42	2	46 64 37	•Side window, rear	•Sidoruta, bakre		0
43	2	46 64 38	•Rubber list	•Gummlist		0
44	2	46 64 39	•Locking strip	•Killist		0
45	1	46 64 76	•Rear cover w isol.	•Bakre lucka m. isol.		0
46	1	46 64 75	••Cover	••Lucka		0
47	2	46 64 57	•Door strap	•Dörrstropp		0
48	2	46 64 77	•Door catch	•Dörregel		0
49	2	46 64 64	•Rear mirror, inner	•Bakspiegel, inre		0
50	2	46 64 65	•Bracket	•Fäste		0
51	2	46 64 66	•Mirror link	•Spegellänk		0



34 49 93

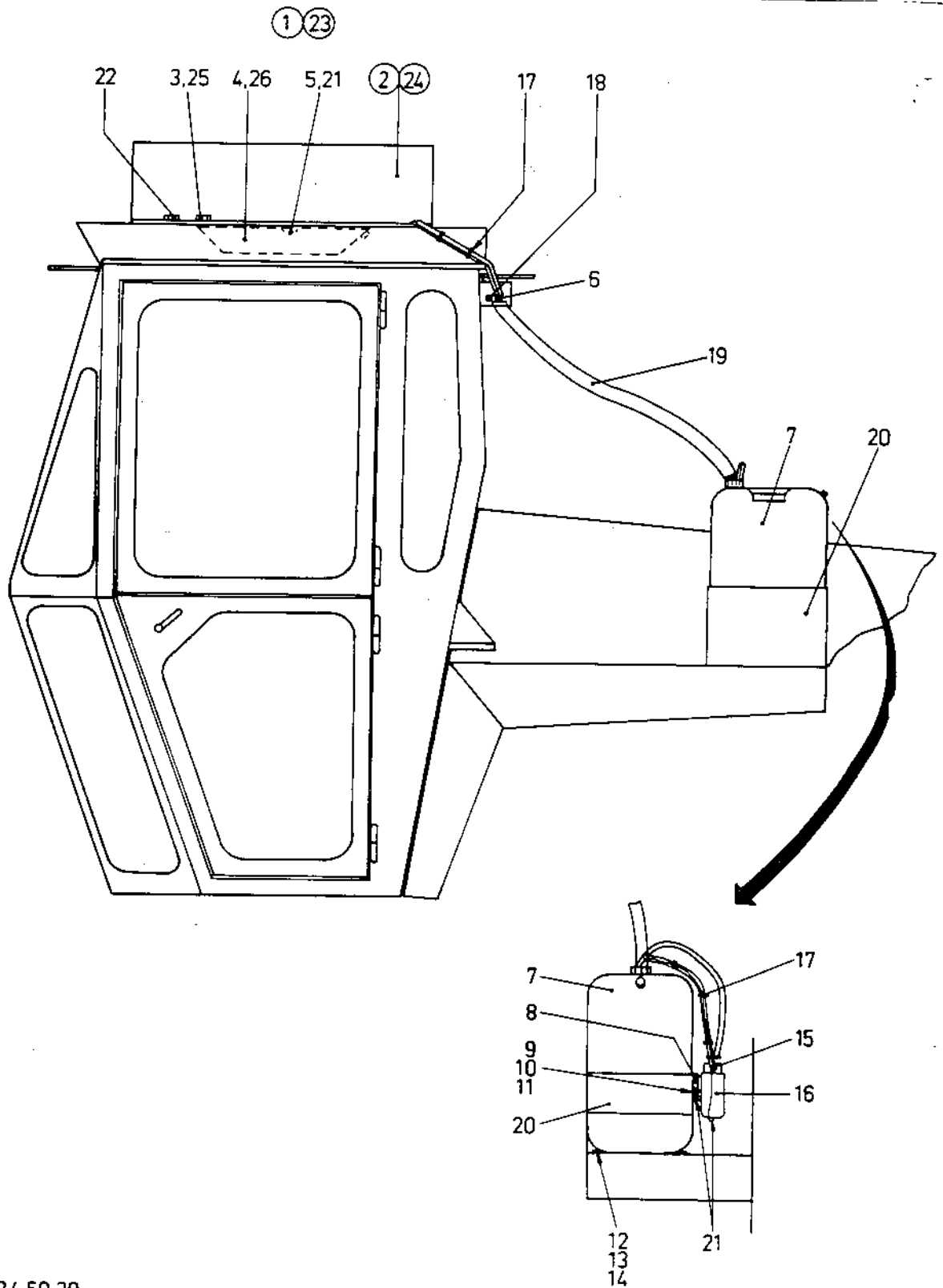
CA 30-13628 -1

Page Sida		Group Grupp		Picture No Bild nr		Issue Utgåva		WEATHER CAB Cab heater		VÄDERHYTT Värmesystem	
34		10		13628-1		S-10193-1					
Ref Pos	Quantity/Antal				Part No Art nr	Description	Benämning	Note Anmärkning	C, P K, L		
	Typ CA										
	1)30										
1	1xL	-	-	-	24 40 14	Protective hose	Skydds slang	L = 1500 mm	0		
2	1	-	-	-	96 01 95	Connecting sleeve	Skarvhylsa		0		
3	1	-	-	-	34 50 01	Cover	Kåpa				
4	1xL	-	-	-	81 34 87	Rubber list	Gummilist	L = 320 mm	0		
5	1	-	-	-	60 13 14	Washer	Bricka		0		
6	1	-	-	-	58 20 06	Wing nut	Vingmutter		0		
7	1	-	-	-	46 63 47	Switch, cab heater	Strömbytare, hyttvärme		0		
8	1	-	-	-	434 10 55 02	Cable	Kabel		0		
9	1	-	-	-	46 63 46	Heater timer	Tidur		0		
10	1	-	-	-	34 10 56	Cable	Kabel				
11	1	-	-	-	434 10 55 01	Cable	Kabel				
12	1	-	-	-	34 10 55	Cable	Kabel				
13	3	-	-	-	92 00 45	Connecting socket	Skarvklämma		0		
14	2	-	-	-	46 64 02	Hose clamp	Slangklämma		0		
15	1	-	-	-	46 63 98	T-connection	T-koppling		0		
16	4	-	-	-	46 64 03	Hose clamp	Slangklämma		0		
17	1xL	-	-	-	46 64 00	Fuel hose	Bränsleslang	L = 80 mm	0		
18	4	-	-	-	50 00 40	Screw	Skruv		0		
19	4	-	-	-	61 50 42	Conical spring washer	Spännbricka		0		
20	4	-	-	-	57 00 04	Nut	Mutter		0		
21	4	-	-	-	57 00 04	Nut	Mutter		0		
22	4	-	-	-	60 40 03	Spring washer	Fjäderbricka		0		
23	1	-	-	-	46 64 08	Bracket	Fäste		0		
24	1	-	-	-	34 50 00	Bracket	Fäste		0		
25	1	-	-	-	96 00 69	Cable clip	Kabelsko		0		
26	1	-	-	-	46 64 12	Control unit	Styrenhet		0		
27	3	-	-	-	50 00 04	Screw	Skruv		0		
28	3	-	-	-	61 50 41	Conical spring washer	Spännbricka		0		
29	1	-	-	-	34 49 96	Bracket	Konsol		0		
30	2	-	-	-	50 00 12	Screw	Skruv		0		
31	2	-	-	-	61 50 42	Conical spring washer	Spännbricka		0		
32	2	-	-	-	57 00 04	Nut	Mutter		0		
33	1	-	-	-	92 10 28	Clamp	Klammer		0		
34	1	-	-	-	34 49 94	Combustion air hose	Förbränningsluftslang		0		
35	2	-	-	-	50 00 12	Screw	Skruv		0		
36	2	-	-	-	61 50 42	Conical spring washer	Spännbricka		0		
37	1	-	-	-	34 10 54	Mesh	Nät		0		
38	1	-	-	-	34 10 61	Washer	Bricka		0		
39	1	-	-	-	90 90 76	Grommet	Gummigenomföring		0		
40	1	-	-	-	46 64 20	Decal, Cab heat. instr.	Dekal, Hyttvärm. instr.		0		
41	1	-	-	-	-	Weather cab	Väderhytt	See page 30 ref. 2	0		
42	1	-	-	-	46 63 44	Cab heater, cpl.	Hyttvärmare, kpl.		0		
43	1	-	-	-	46 64 16	•Glow plug	•Glödstick		0		
44	1	-	-	-	46 64 18	•Thermal cut-out switch	•Överhettningsskydd		0		
45	1	-	-	-	46 64 17	•Temperatur switch	•Termoströmsällare		0		
46	1	-	-	-	46 64 10	Cover	Kåpa		0		
47	3	-	-	-	31 30 41	Cable strap	Buntband		0		
48	2	-	-	-	50 00 04	Screw	Skruv		0		
49	2	-	-	-	61 50 41	Conical spring washer	Spännbricka		0		
50	2	-	-	-	57 00 03	Nut	Mutter		0		
51	1	-	-	-	90 91 06	Grommet	Gummigenomföring		0		
52	1	-	-	-	34 49 95	Exhaust pipe	Avgasrör		0		
53	1	-	-	-	46 64 01	Hose clamp	Slangklämma		0		

1) CA30, all models
CA30, alla typer

Page Sida	Group Grupp	Picture No Bild nr	Issue Utgåva	WEATHER CAB Cab heater	VÄDERHYTT Värmesystem				
26	10	13628-1	S-10193-1						
Ref Pos	Quantity/Antal				Part No Art nr	Description	Benämning	Note Anmärkning	C, P K, L
	Typ CA								
	1)30								
54	2	-	-	-	46 64 04	Hose Clamp	Slangklämma		0
55	2	-	-	-	46 63 99	Protective hose	Skyddsslang		0
56	1	-	-	-	31 30 04	Hose clamp	Slangklämma		0
57	1	-	-	-	46 64 11	Heater timer clamp set	Tidursklammaer, sats		0
58	2	-	-	-	92 10 47	Connecting sleeve	Skarvhylsa		0
59	2	-	-	-	96 00 79	Cable clip	Kabelsko		0
60	1	-	-	-	46 63 92	Fuel line	Bränsleledning		0
61	4	-	-	-	92 10-70	Clamp	Klammer		0
62	1	-	-	-	46 64 19	Fuel pump	Bränslepump		0
63	1	-	-	-	46 63 94	Clamp	Klammer		0
64	1 x L	-	-	-	46 64 00	Fuel hose	Bränsleslang	L=180 mm	0
65	1	-	-	-	46 63 65	Fuel filter	Bränslefilter		0
66	3	-	-	-	46 64 13	Filter bracket	Filterhållare		0
67	5	-	-	-	50 00 75	Screw	Skruv		0
68	5	-	-	-	61 50 42	Conical spring washer	Spännbricka		0
69	5	-	-	-	57 00 04	Nut	Mutter		0
70	1	-	-	-	46 64 07	Shock absorber	Gummi-element		0
71	2	-	-	-	57 00 04	Nut	Mutter		0
72	2	-	-	-	60 40 03	Spring washer	Fjäderbricka		0
73	1	-	-	-	46 64 09	Bracket	Fäste		0

1) CA30, all models
CA30, alla typer



34 50 20
34 50 06

CA 30-1362

Page Sida	Group Grupp	Picture No Bild nr	Issue Utgåva	WEATHER CAB Air condition and ventilating equipment	VÅDERHYTT Luftkonditionering och ventilationsanl.	
28	10	13629-1	S-10193-1			
Ref Pos	Quantity/Antal Typ CA	Part No Art nr	Description	Benämning	Note Anmärkning	C, P K, L
	1)30					
1	1	34 50 14	Air condition kit	Luftkonditionering, sats ..		
2	1	91 14 51	•Air condition, cpl.	•Luftkonditionering, kpl.		0
3	4	54 15 07	••Screw	••Skruv		0
4	1	92 09 09	••Diffuser	••Diffusor		0
5	1	54 15 09	••Screw	••Skruv		0
6	1	92 10 31	••Clamp	••Klammer		0
7	1	92 09 05	••Water jug	••Vattendunk		0
8	1	92 09 06	••Shock absorber	••Vibrationsdämpare		0
9	4	50 00 87	••Screw	••Skruv		0
10	4	60 00 03	••Washer	••Bricka		0
11	4	57 00 03	••Nut	••Mutter		0
12	4	50 00 75	••Screw	••Skruv		0
3	4	60 00 04	••Washer	••Bricka		0
14	4	57 00 04	••Nut	••Mutter		0
15	2	92 09 07	••Adapter	••Adapter		0
16	1	92 09 08	••Pump	••Pump		0
17	6	31 30 41	•Cable strap	•Buntband		0
18	1	54 15 12	•Screw	•Skruv		0
19	1xL	20 50 31	•Hose	•Slang	L=650 mm	0
20	1	34 50 07	•Can holder	•Dunkhållare		
	3	96 00 95	•Cable clip	•Kabelsko		0
22	6	50 00 75	Screw	Skruv		0
23	1	34 50 21	Ventilating equipm. kit ...	Ventilationsanl. sats		
24	1	92 02 45	•Ventilating equipm.	•Ventilationsanlägg.		0
25	4	54 15 07	••Screw	••Skruv		0
26	1	92 09 09	••Diffuser	••Diffusor		0

1) CA30, all models
CA30, alla typer

Page Sida	Group Grupp	Issue Utgåva	NUMERICAL REGISTER			NUMMERREGISTER		
2	11	S-10193-1						
Part No Art nr	Gr Gr	Page Sida	Part No Art nr	Gr Gr	Page Sida	Part No Art nr	Gr Gr	Page Sida
10 00 40	1	8	27 23 81	8	2	33 54 74	10	4
10 00 53	7	4	27 79 92	9	2	33 54 97	7	2
11 10 63	3	10	28 50 08	3	2	33 55 13	2	6
11 10 85	4	6	29 70 05	10	12		2	8
11 10 86	4	6		10	14	33 55 14	2	6
			29 70 06	1	6			
11 11 96	3	10	29 70 30	10	14	33 55 14	2	8
11 12 08	4	6	29 70 31	10	12	33 55 22	2	6
11 12 09	4	6	31 00 08	1	6		2	8
11 40 36	2	6		1	8	33 55 24	2	6
	2	8				33 55 33	1	4
			31 00 25	5	38			
11 40 72	2	6	31 10 16	9	2	33 55 34	1	4
	2	8	31 20 30	10	16	33 55 56	5	4
13 30 41	4	6	31 20 37	5	38		5	8
15 00 20	4	6	31 30 04	10	28	33 55 57	5	4
15 10 35	4	6					5	6
			31 30 04	10	36			
16 01 32	3	10	31 30 06	10	2	33 55 57	5	20
16 01 52	5	4	31 30 38	3	6	33 55 63	5	38
	5	6	31 30 41	10	2		5	40
16 01 53	5	6		10	4	33 55 64	5	26
16 01 55	5	38					5	34
			31 30 41	10	20			
16 01 57	2	10		10	34	33 55 72	7	8
16 01 81	3	10		10	38	33 55 73	7	8
16 01 86	5	26				33 55 74	7	8
16 02 19	5	38	31 30 55	3	8	33 55 82	7	2
16 02 64	3	10	31 30 68	3	8	33 55 85	7	8
16 02 97	4	8	31 30 68	10	22	33 55 86	7	8
16 10 93	3	10	31 30 93	10	10	33 55 87	6	2
16 20 06	3	10		10	30	33 55 89	7	4
16 70 32	1	8	31 30 94	3	2	33 55 90	7	6
20 20 37	1	6	31 31 01	10	10	33 55 91	7	6
20 20 38	10	12	31 31 01	10	30	33 55 93	7	4
	10	14	31 31 02	10	8	33 56 07	10	22
20 20 39	10	12	31 31 20	3	2	33 56 08	6	2
	10	14	33 01 70	3	8	33 56 12	5	38
20 20 40	10	12	33 01 71	3	8		6	2
20 20 40	10	14	33 02 62	5	38	33 56 27	2	2
20 50 12	10	2	33 04 30	5	26		2	4
20 50 25	10	2	33 04 34	5	26	33 56 29	5	28
20 50 31	10	38	33 04 48	5	26	33 56 31	5	28
20 50 69	3	8	33 10 57	3	10	33 56 32	5	6
21 90 02	7	6	33 21 12	2	6	33 56 32	5	28
23 01 95	3	8		2	8	33 56 35	5	28
23 04 74	5	26	33 40 41	3	8	33 56 56	3	6
23 20 47	3	10	33 40 70	5	38	33 56 61	2	8
23 20 56	3	10	33 41 16	5	38	33 56 64	2	8
23 20 97	5	4	33 41 17	5	6	33 56 69	5	6
	5	6	33 41 42	5	38	33 56 75	5	6
	5	28	33 41 57	5	4	33 57 37	7	2
23 20 98	5	26	33 41 63	5	28	33 57 59	7	2
23 31 41	5	26	33 41 74	3	8	33 57 60	7	2
23 31 42	5	38	33 42 28	5	4	33 57 61	7	2
23 42 42	5	26	33 45 04	5	28	33 59 97	7	2
23 43 79	5	26	33 45 55	10	20	33 70 42	1	8
23 49 09	5	26	33 45 58	5	6	33 70 43	1	8
24 40 03	10	4	33 45 89	5	26	33 70 44	1	8
24 40 06	10	2	33 46 18	5	26	33 70 45	1	8
24 40 14	10	34	33 54 63	4	2	33 71 80	1	2
24 40 26	9	2	33 54 64	4	4	33 71 99	2	6
27 11 29	5	38		4	12	33 78 43	7	4
27 23 72	8	2	33 54 70	10	4	33 78 44	7	4

Page Sida	Group Grupp	Issue Utgåva	NUMERICAL REGISTER			NUMMERREGISTER		
4	11	S-10193-1						
Part No Art nr	Gr Gr	Page Sida	Part No Art nr	Gr Gr	Page Sida	Part No Art nr	Gr Gr	Page Sida
46 63 65	10	36	46 64 23	10	32	48 02 88	5	8
46 63 75	10	22	46 64 24	10	32	48 02 90	5	10
46 63 77	10	22	46 64 25	10	32	48 02 92	5	10
46 63 78	10	22	46 64 26	10	32	48 03 01	5	10
46 63 80	10	22	46 64 27	10	32	48 03 02	5	10
46 63 81	10	24	46 64 28	10	32	48 03 03	5	10
46 63 82	10	24	46 64 29	10	32	48 03 04	5	8
46 63 90	10	12	46 64 30	10	32	48 03 05	5	8
	10	30	46 64 31	10	32	48 03 06	5	10
46 63 91	10	12	46 64 32	10	32	48 03 06	5	20
46 63 91	10	30	46 64 33	10	32		5	24
46 63 92	10	28	46 64 34	10	32	48 03 07	5	10
	10	36	46 64 35	10	32	48 03 08	5	10
46 63 94	10	28	46 64 36	10	32	48 03 18	5	8
	10	36	46 64 37	10	32	48 03 40	5	16
46 63 96	10	26	46 64 38	10	32	48 03 41	5	14
46 63 98	10	26	46 64 39	10	32	48 03 42	5	14
	10	34	46 64 40	10	32	48 03 44	5	22
46 63 99	10	28	46 64 41	10	32	48 03 48	5	22
	10	36	46 64 42	10	32	48 03 49	5	16
46 64 00	10	26	46 64 43	10	32	48 03 50	5	16
	10	28	46 64 44	10	32	48 03 51	5	12
	10	34	46 64 45	10	32		5	14
	10	36	46 64 46	10	32	48 03 52	5	16
46 64 01	10	26	46 64 47	10	32	48 03 53	5	10
46 64 01	10	34	46 64 48	10	32		5	14
46 64 02	10	26	46 64 49	10	32	48 03 54	5	22
	10	34	46 64 50	10	32	48 03 55	5	22
46 64 03	10	26	46 64 51	10	32	48 03 58	5	12
	10	34	46 64 52	10	32	48 03 58	5	14
46 64 04	10	28	46 64 53	10	32	48 03 59	5	14
	10	36	46 64 54	10	32	48 03 64	5	16
46 64 05	10	26	46 64 55	10	32	48 03 66	5	14
46 64 06	10	26	46 64 56	10	32	48 03 67	5	22
46 64 07	10	28	46 64 57	10	32	48 03 69	5	14
46 64 07	10	36	46 64 58	10	32	48 03 70	5	14
46 64 08	10	26	46 64 59	10	32	48 03 71	5	14
	10	34	46 64 60	10	32	48 03 72	5	14
46 64 09	10	28	46 64 61	10	32	48 03 73	5	14
	10	36	46 64 64	10	32	48 04 00	5	14
46 64 10	10	26	46 64 65	10	32	48 04 02	5	16
	10	34	46 64 66	10	32		5	22
46 64 11	10	28	46 64 71	10	32	48 04 03	5	16
	10	36	46 64 72	10	32	48 04 05	5	16
46 64 12	10	26	46 64 73	10	32	48 04 06	5	16
46 64 12	10	34	46 64 74	10	32	48 04 07	5	22
46 64 13	10	28	46 64 75	10	32	48 04 08	5	16
	10	36	46 64 76	10	32		5	22
46 64 14	10	26	46 64 77	10	32	48 04 09	5	22
46 64 15	10	26	47 00 20	6	2	48 04 10	5	16
46 64 16	10	26	47 50 22	10	6	48 04 13	5	16
	10	34	47 50 42	10	6	48 04 14	5	16
46 64 17	10	26	47 50 43	1	6	48 04 44	5	42
	10	34	47 50 48	1	6	48 04 45	5	42
46 64 18	10	26	47 60 03	10	4	48 04 46	5	42
46 64 18	10	34	48 02 04	5	20	48 04 47	5	42
46 64 19	10	28		5	22	48 04 48	5	42
	10	36	48 02 19	5	38	48 04 49	5	42
46 64 20	10	34		5	42	48 04 50	5	42
46 64 22	10	32	48 02 87	5	8			
						48 04 51	5	42
						48 04 52	5	42
						48 04 53	5	42
						48 04 54	5	42
						48 04 55	5	42
						48 04 56	5	42
						48 04 57	5	42
						48 04 58	5	42
						48 04 64	5	42
						48 04 65	5	42
						48 04 66	5	42
						48 04 68	5	42
						48 05 65	6	22
						48 05 77	5	42
						48 09 23	5	38
						48 09 52	5	38
						48 10 42	5	44
						48 10 43	5	44
						48 10 44	5	44
						48 10 45	5	44
						48 10 46	5	44
						48 10 47	5	44
						48 10 48	5	44
						48 10 49	5	44
						48 10 51	5	44
						48 10 55	5	44
						48 10 56	5	44
						48 10 77	5	12
						48 10 78	5	12
						48 10 79	5	12
						48 10 80	5	12
						48 10 81	5	14
						48 10 82	5	12
						48 10 83	5	14
						48 10 84	5	14
						48 10 85	5	14
						48 10 86	5	12
						48 10 87	5	12
						48 10 88	5	14
						48 10 89	5	14
						48 10 90	5	12
						48 10 91	5	14
						48 10 92	5	12
						48 10 93	5	14
						48 10 94	5	14
						48 10 95	5	14
						48 10 97	5	12
						48 10 98	5	14
						48 10 99	5	14
						48 11 00	5	14
						48 11 01	5	14
						48 11 02	5	14
						48 11 03	5	12
						48 11 05	5	12
						48 11 06	5	12
						48 13 06	5	42
						48 13 07	5	42
						48 13 08	5	42
						48 13 09	5	42
						48 13 33	4	6

NUMERICAL REGISTER			NUMMERREGISTER			Issue Utgåva	Group Grupp	Page Sida			
						S-10193-1	11	5			
Part No Art nr	Gr Gr	Page Sida	Part No Art nr	Gr Gr	Page Sida	Part No Art nr	Gr Gr	Page Sida	Part No Art nr	Gr Gr	Page Sida
48 15 08	5	12	49 94 47	5	4	50 20 06	7	8	50 21 62	10	10
	5	16	49 94 49	10	22		10	26	50 21 88	1	2
48 16 11	5	8	49 94 50	10	22		10	28	50 22 00	5	26
	5	20	49 94 52	10	22	50 20 08	10	10		5	28
	5	24	49 94 53	10	22	50 20 12	7	4	50 22 10	1	8
48 16 12	5	8	50 00 03	3	2	50 20 14	7	8	50 30 10	7	4
	5	20	50 00 04	10	34		10	22	50 30 24	4	4
	5	24	50 00 06	7	4	50 20 16	1	6	50 30 56	2	10
48 16 16	5	10		7	6		5	26	50 30 65	7	8
	5	14	50 00 12	10	30		7	6	50 80 17	10	8
48 16 16	5	20	50 00 12	10	34	50 20 18	6	2	50 80 31	3	10
	5	24	50 00 16	10	8		7	6	50 90 12	2	6
48 20 01	5	4	50 00 18	6	2		10	16	50 90 23	5	38
48 20 69	5	38	50 00 19	7	4	50 20 32	5	38	50 90 25	2	6
48 21 05	5	6		10	6		6	2		2	8
48 21 06	5	6	50 00 21	3	2	50 20 32	7	2	50 90 25	5	4
48 21 07	5	6		4	6		10	6		5	6
48 21 13	5	26	50 00 22	10	22	50 20 33	1	4	51 00 52	5	6
48 22 22	5	26	50 00 28	4	6		3	2	51 40 05	1	4
48 22 23	5	26		7	2		10	6	51 70 39	10	10
48 22 24	5	26	50 00 28	10	4	50 20 35	2	8	53 30 04	6	2
48 22 25	5	26		10	30		7	6	53 30 27	10	22
48 22 26	5	26	50 00 29	3	2		10	10	53 50 04	1	6
48 50 02	9	2	50 00 30	1	4		10	30	53 50 07	7	2
48 50 05	9	2	50 00 37	2	4	50 20 36	5	38		10	10
48 50 11	9	2	50 00 37	5	4	50 20 36	10	16	53 50 07	10	30
48 50 19	9	2		5	26	50 20 39	7	6	53 80 12	10	4
48 50 40	9	2	50 00 40	7	4	50 20 42	3	6	53 80 23	10	12
48 50 60	9	2		10	8	50 20 43	5	6	54 00 17	10	12
48 50 75	9	2		10	34		5	26	54 15 07	10	12
48 50 95	10	8	50 00 43	3	2	50 20 43	5	28	54 15 07	10	22
48 50 98	10	8	50 00 46	1	4	50 20 46	5	26		10	38
48 50 99	10	8	50 00 48	1	4		7	8	54 15 09	10	38
48 51 17	10	8	50 00 51	5	26		10	20	54 15 12	6	2
48 53 41	10	8	50 00 56	3	2	50 20 55	10	22		10	38
48 53 45	9	2	50 00 59	10	8	50 20 57	1	4	55 01 16	4	6
48 53 46	9	2	50 00 60	1	6		10	12	57 00 02	1	6
49 10 15	4	12		10	26	50 20 58	1	4	57 00 03	1	6
49 90 97	3	8	50 00 75	10	36		1	8		10	10
49 91 11	8	2		10	38		3	4		10	30
49 91 30	8	2	50 00 87	10	12	50 20 58	5	28	57 00 03	10	34
49 91 31	3	6		10	38		10	4		10	38
49 92 36	3	6	50 00 93	3	10	50 20 59	4	4	57 00 04	7	4
49 92 37	3	6	50 00 94	10	30		5	6		10	26
49 92 38	3	6	50 00 96	7	2	50 20 61	2	6		10	28
49 92 39	3	6	50 01 31	4	6	50 20 61	10	10	57 00 04	10	34
49 92 40	3	6	50 01 91	7	2	50 20 62	2	8		10	36
49 92 41	3	6	50 01 94	2	2	50 20 68	10	20		10	38
49 92 42	3	6		2	4	50 20 69	3	2	57 00 05	7	2
49 92 43	3	6	50 01 97	5	28	50 20 78	5	26		10	22
49 92 44	3	6	50 20 01	10	2	50 20 80	4	4	57 00 06	7	2
49 92 45	3	6	50 20 02	10	4	50 20 92	7	2		10	4
49 92 47	3	6		10	14	50 20 93	2	6		10	30
49 92 48	3	6		10	16		2	8	57 00 07	3	2
49 92 49	3	6		10	22	50 20 94	1	2		5	28
49 92 50	3	6	50 20 03	10	14	50 21 38	2	6	57 10 01	6	2
49 93 39	3	6	50 20 04	6	2		2	8		7	2
49 93 48	3	6		7	2	50 21 42	4	4		7	8
49 94 21	10	4		10	2	50 21 48	2	2		10	2
49 94 32	5	4		10	26		2	4		10	26

Page Sida		Group Grupp		Issue Utgåva		NUMERICAL REGISTER			NUMMERREGISTER		
6		11		S-10193-1							
Part No	Gr	Page	Part No	Gr	Page	Part No	Gr	Page	Part No	Gr	Page
Art nr	Gr	Sida	Art nr	Gr	Sida	Art nr	Gr	Sida	Art nr	Gr	Sida
57 10 01	10	28	60 00 07	10	20	61 50 41	10	34	74 50 57	3	8
57 10 02	1	6		10	30	61 50 42	6	2	74 70 51	7	2
	6	2	60 00 09	2	2		7	4	74 72 82	3	8
	7	6		2	4		10	22	74 73 65	3	2
	10	26	60 00 10	1	4		10	26	74 73 66	7	4
57 10 03	1	4	60 00 10	7	8	61 50 42	10	28	74 73 68	7	4
	3	6		10	10		10	34	74 73 69	7	2
	5	6		10	20		10	36	74 73 84	3	2
	5	26	60 00 11	10	10	61 50 43	1	6	74 74 76	3	2
	7	6		10	30		3	2	74 74 98	7	2
57 10 03	10	10	60 00 13	1	2	61 50 43	4	6	74 75 43	3	2
	10	30		2	2		5	26	74 76 07	3	2
57 10 05	1	4		2	4		6	2	74 76 08	3	4
	10	4		2	6		7	2	74 76 18	3	2
	10	22		2	8		7	4	74 76 19	3	2
57 10 06	4	4	60 00 13	4	4	61 50 43	7	8	74 76 20	3	2
	5	26	60 00 16	1	2		10	6	74 76 43	9	2
57 10 07	4	4	60 13 14	10	34		10	22	74 77 04	8	2
57 20 02	7	6	60 20 53	3	2		10	26	74 79 57	3	2
57 20 03	7	6	60 30 03	4	4	61 50 44	1	4	74 79 68	3	2
57 40 06	10	6	60 30 03	5	4	61 50 44	2	8	74 79 86	3	8
58 20 06	10	34		5	6		3	2	74 79 87	3	8
58 60 01	7	2	60 30 04	4	4		3	4	74 79 88	3	8
	7	4	60 40 02	3	8		3	6	74 79 89	3	8
	7	6		5	4		4	6	74 79 98	7	4
58 60 01	10	12	60 40 02	7	4	61 50 44	5	26	74 81 15	3	8
	10	22		10	12		5	28	74 85 25	3	8
	10	26	60 40 03	10	26		6	2	74 85 26	3	8
58 60 02	10	8		10	28		7	2	75 22 84	7	2
58 60 05	10	16		10	34		10	4	80 11 44	5	6
58 60 06	10	16	60 40 03	10	36	61 50 44	10	6	80 11 44	5	24
	10	20	60 40 04	7	2		10	10	80 11 50	2	10
58 60 07	10	10		7	8		10	30	80 11 57	2	12
	10	20		10	2	61 50 45	1	4		5	6
58 60 08	10	10		10	4		1	8		5	12
58 60 09	2	4	60 40 04	10	14	61 50 45	2	8	80 11 59	5	26
58 60 12	7	8		10	16		3	2		5	30
58 60 16	1	2	60 40 05	7	4		5	26	80 11 60	5	26
	10	10		7	6		5	28		5	32
58 60 19	2	2	60 40 06	5	4		10	14	80 16 98	10	30
58 60 19	2	4	60 40 06	5	6	61 50 45	10	22	80 20 26	5	28
58 60 21	10	30		5	38	61 50 46	4	4		5	36
60 00 01	6	2		7	6		10	30	81 33 03	4	4
60 00 02	1	6		7	8	61 50 47	2	10	81 33 07	3	8
60 00 03	3	2	60 40 07	3	2		7	2	81 33 10	7	8
60 00 03	7	2	60 40 08	5	26	62 40 10	10	12	81 33 11	3	2
	7	4		5	28		10	14	81 33 13	7	8
	7	6	60 40 09	2	6	62 40 16	8	2	81 33 14	3	8
	10	12		3	4	62 90 17	10	16	81 33 15	3	8
	10	22		4	4	62 90 64	10	16	81 33 16	1	8
60 00 03	10	38	60 40 11	3	10	62 92 31	5	38	81 33 16	5	38
60 00 04	10	8		5	26	63 00 31	7	8	81 33 18	4	4
	10	14	60 40 15	3	2		10	20	81 33 19	4	4
	10	30		3	10	63 00 34	7	2	81 33 27	3	8
	10	38	60 50 01	5	26	63 00 35	7	4	81 33 28	3	8
60 00 06	10	16	61 10 02	3	6	63 00 35	7	6	81 33 29	3	8
60 00 07	1	4	61 50 08	10	4		10	12	81 33 30	6	2
	7	8	61 50 41	1	6	67 50 70	4	6	81 33 31	7	6
	10	10		3	2	69 00 30	3	2	81 33 32	7	8
	10	16		10	22	69 20 55	3	2	81 33 33	7	8

NUMERICAL REGISTER			NUMMERREGISTER			Issue Utgåva	Group Grupp	Page Sida
						S-10193-1	11	9
Part No Art nr	Gr Gr	Page Sida	Part No Art nr	Gr Gr	Page Sida	Part No Art nr	Gr Gr	Page Sida
91 10 81	4	10	96 00 45	10	2	99 90 12	10	4
91 10 82	4	10	96 00 69	10	34	99 90 23	6	2
91 10 83	4	10	96 00 79	10	28	99 90 24	6	2
91 10 84	4	10		10	36	99 90 25	6	2
91 10 85	4	10	96 00 95	10	38	99 90 29	10	22
						308 00 16 03	5	38
91 10 86	4	10	96 01 04	10	4	308 00 19 01	5	26
91 10 87	4	10	96 01 95	10	34	308 00 19 02	5	26
91 14 30	5	18	97 50 37	6	2	308 00 19 03	5	4
91 14 31	5	18	97 50 55	10	22	309 10 05 05	8	2
91 14 51	10	38	98 50 01	10	22			
						309 10 12 05	8	2
91 14 54	5	18	98 50 12	7	2	309 10 14 38	8	2
91 14 88	5	18		10	18	309 10 14 43	8	2
91 15 75	5	36	98 50 38	10	22	333 54 82 11	8	2
92 00 45	10	26	98 50 56	10	18	333 54 82 12	8	2
	10	34	98 50 61	7	2			
						333 56 03 01	5	4
92 00 49	10	4	98 50 66	10	2	333 56 03 04	5	38
92 00 50	10	2	98 50 87	10	2	333 56 03 22	5	38
92 00 63	10	22	98 51 07	10	22	333 56 03 26	5	4
92 00 64	10	22	98 51 08	10	22	333 80 83 10	7	6
92 02 45	10	38	98 51 13	10	22			
						333 84 55 11	10	14
92 08 81	10	30	98 51 17	10	22	333 84 55 12	10	12
92 08 82	10	30	98 51 18	10	22		10	14
92 09 05	10	38	98 51 19	10	22	333 84 55 13	10	12
92 09 06	10	38	98 51 20	10	16	333 84 55 15	10	12
92 09 07	10	38	98 51 26	10	24			
						333 84 55 16	10	12
92 09 08	10	38	98 51 43	10	24	333 84 86 01	10	18
92 09 09	10	38	98 90 12	10	4	333 84 86 02	10	18
92 09 10	5	36	98 90 77	7	2	333 84 86 03	10	18
92 09 11	5	36	98 90 78	5	4	433 54 71 07	10	4
92 09 12	5	36	98 90 79	7	2			
						433 55 23 01	2	6
92 09 13	5	36	99 00 03	8	2		2	8
92 09 14	5	36	99 16 09	8	2	433 55 24 01	2	6
92 09 15	5	36	99 16 10	8	2		2	8
92 09 16	5	36	99 16 11	8	2	433 55 30 02	1	4
92 09 17	5	36	99 16 12	8	2			
						433 55 76 02	7	2
92 09 18	5	36	99 16 13	8	2	433 55 83 01	6	2
92 09 19	5	36	99 16 14	8	2	433 55 96 11	4	2
92 10 10	10	22	99 16 50	8	2	433 56 07 01	6	2
92 10 28	10	26	99 16 56	8	2		10	30
	10	34	99 16 58	8	2			
						433 56 14 01	2	6
92 10 31	10	38	99 16 59	8	2	433 56 27 01	2	2
92 10 45	10	22	99 18 17	8	2		2	4
92 10 46	10	8	99 18 19	8	2	433 56 27 02	2	2
92 10 47	10	28	99 18 21	8	2		2	4
	10	36	99 18 23	8	2			
						433 56 27 03	2	2
92 10 68	7	8	99 18 25	8	2		2	4
92 10 70	10	28	99 18 27	8	2	433 57 09 01	10	2
	10	36	99 18 35	10	14	433 57 09 02	10	2
92 10 77	6	2	99 19 40	8	2	433 57 09 04	10	2
93 00 55	10	16	99 19 90	8	2			
						433 57 10 01	10	2
93 00 62	10	16	99 20 19	8	2	433 57 10 02	10	2
93 00 64	7	2	99 20 20	8	2	433 70 44 01	1	8
93 00 99	7	4	99 20 21	8	2	433 70 44 02	1	8
93 01 12	7	6	99 20 22	8	2	433 70 45 01	1	8
93 01 83	10	16	99 20 23	8	2			
						433 70 45 02	1	8
95 00 11	6	2	99 20 24	8	2	433 78 44 14	7	4
95 00 28	6	2	99 20 42	8	2	433 78 80 01	10	10
	10	22	99 20 74	8	2	433 84 50 01	10	12
95 00 40	10	2	99 80 12	10	22	433 84 51 01	10	12
96 00 43	10	4	99 90 11	10	4			

