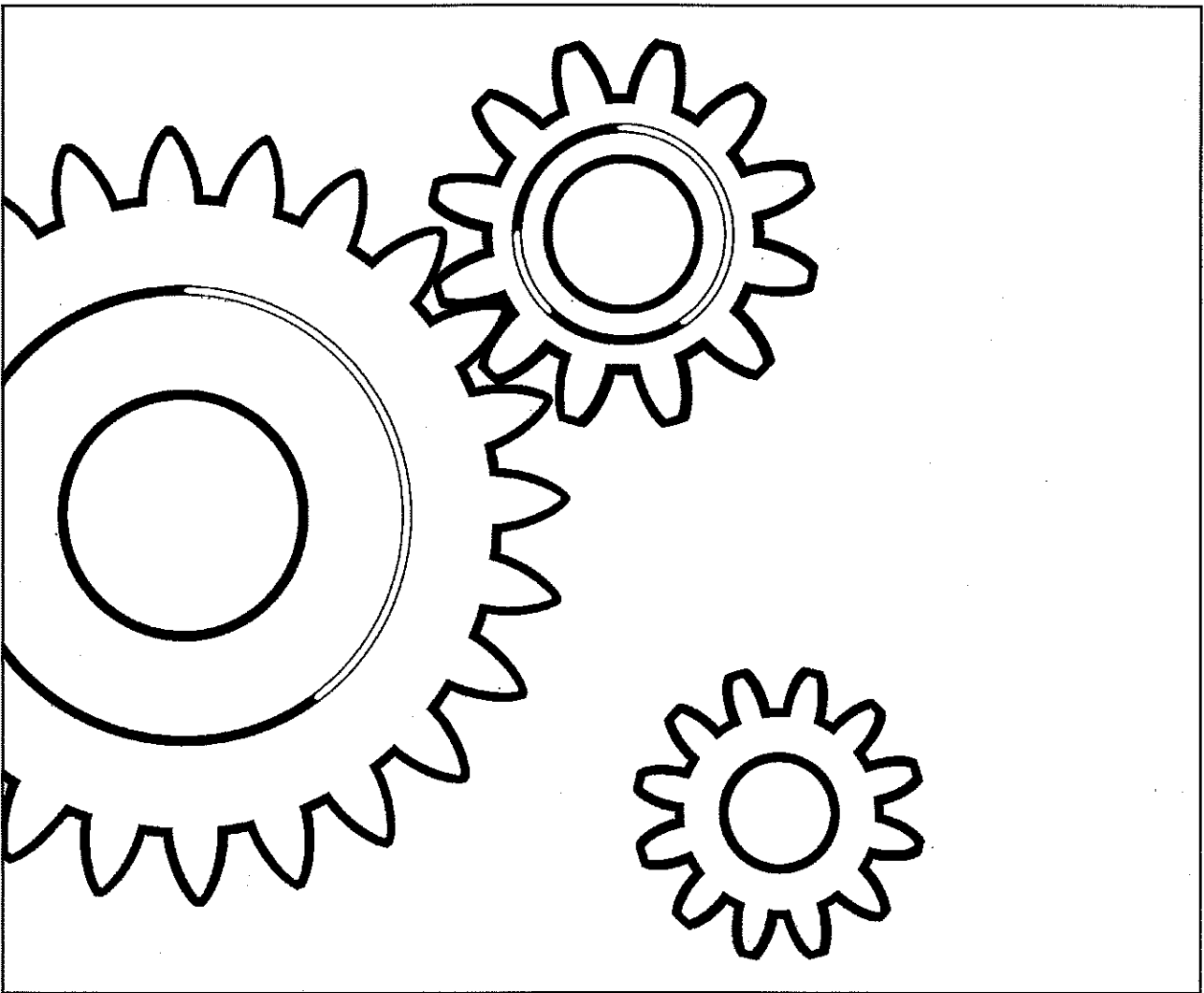


SVEDALA COMPACTION AND PAVING

**DYNAPAC**  
**CC 421/421C**  
**SPARE PARTS**  
**CATALOGUE**  
**S-232-4**



SVEDALA



**DYNAPAC**

**Svedala Compaction Equipment AB**

Box 504, SE-371 23 Karlskrona, Sweden

Telephone +46 455 627 00

Telefax +46 455 627 30

Telex 43041 dynkar s



# SPARE PARTS CATALOGUE

DEUTZ Diesel engine F6L 912  
CUMMINS Diesel engine 6BT 5.9

Valid from roller serial number:

CC 421: \*58010211\*

CC 421C: \*58020421\*

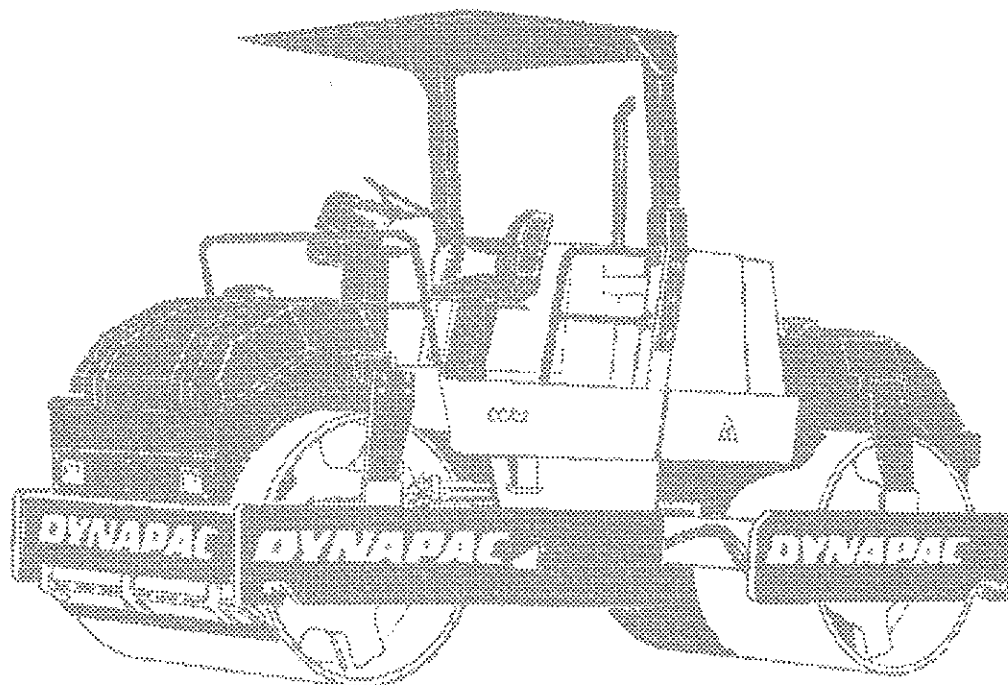
## Spare Parts CC 421/421C

VIBR / COMBI ROLLERS

S-232-4

### Published catalogue issues valid for these rollers:

Catalogue	Issue date	Valid for serial numbers
S-10232-1	1989 - 05	Replaced by S-10232-2
S-10232-2	1990 - 11	580 10002 - 580 10210
S-10232-3	1991 - 11	Replaced by S-232-4
S-10243-1	1991 - 05	Replaced by S-232-4
S-232-4	1993 - 12	CC 421: *58010211* - CC 421C: *58020421* -



We reserve the right to change specifications without notice.  
Printed in Sweden

SVEDALA  
**DYNAPAC**

**Svedala Compaction Equipment AB**

Box 504, SE-371 23 Karlskrona, Sweden  
Phone: +46 455 627 00; Fax: +46 455 627 30

## Changes

PARTS INFO	SERVICE INFO	GROUP	PAGE	NOTES

## Notes

---



---



---



---



---



---



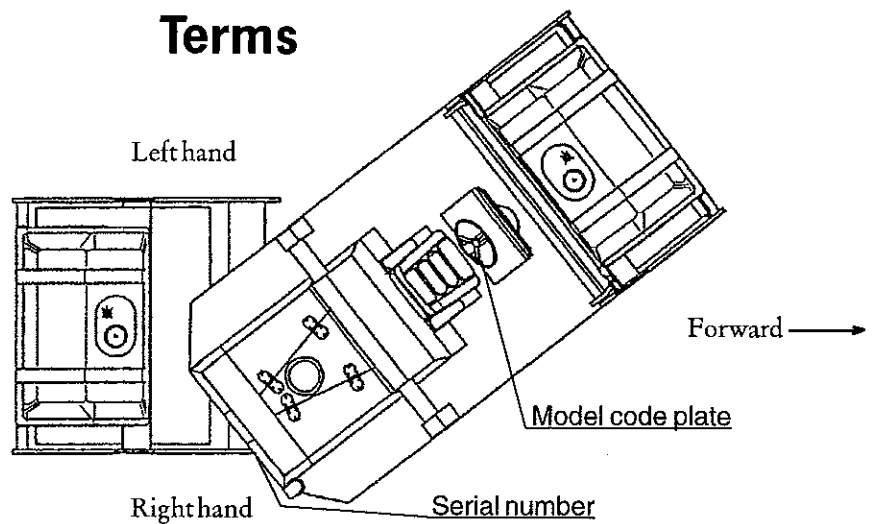
---

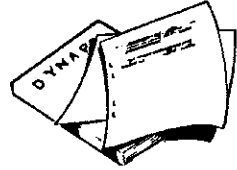
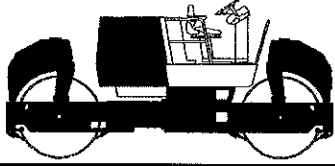
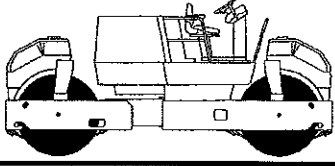
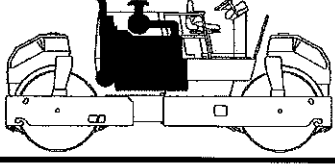
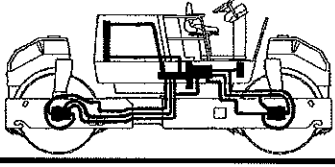
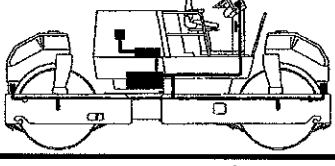
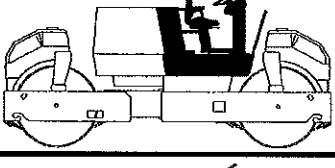
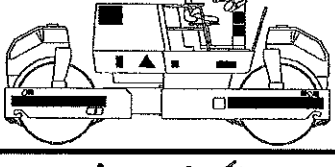
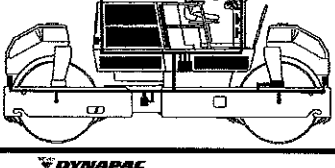
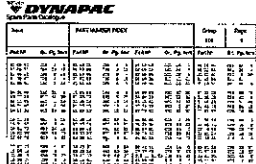


---

## Terms

Right hand and left hand side of the machine are identified as viewed from a position sitting in the drivers seat facing forward. The drawing shows the location of the product identification plate with the model code and roller serial number. If product plate is missing, the serial number is also stamped on the right side of the drum frame as the drawing shows.



Catalogue instructions Kataloganvisningar		
Frame Ram	<b>10</b>	
Drum Vals	<b>20</b>	
Engine Motor	<b>30</b>	
Hydraulic system Hydraulsystem	<b>50</b>	
Electrical equipment Elektrisk utrustning	<b>60</b>	
Drivers platform Förarplats	<b>70</b>	
Decals Dekaler	<b>80</b>	
Standard equipment Standardutrustning	<b>90</b>	
Optional equipment Extrautrustning	<b>91</b>	
Part number index Nummerregister	<b>100</b>	



## CATALOGUE INSTRUCTIONS

This spare parts catalogue contains information on how to identify and order parts for the roller model named in this catalogue.

### The structure of the catalogue

This catalogue is divided into groups listed in the index on page III. The groups are common to all catalogues from Svedala Compaction Equipment AB. Page one in each group has a listing showing on what page the actual subgroups are to be found. In the end of the catalogue there is a part number index.

The catalogue is written in Swedish and English. In addition page VI, ordering information, and page IX, label for catalogue binder identification, are in six languages (Swedish, English, German, Italian, Spanish and French). Notes and foot notes are in English only.

### Illustrations

The illustrations are generally exploded views where each component has an item number referred to on the opposite page. Assemblies are identified by squared or circled item numbers. The illustrations is repeated if the subgroup is covered on more than one page.

### Text pages

The text pages contain several boxes and columns as follows:

1. Catalogue number and revision.
2. Roller model covered in catalogue.
3. Catalogue issue, year and month.
4. Subgroup illustration number. Also found in lower left corner of the illustration.
5. Name of subgroup. Usually the same as in the listing on page one in each group.
6. Group and page number.
7. Item number, the connection between the part number and other ordering data in the text page, and the illustration.
8. Number of actual part in a complete machine. Given for each version of the machine type. Valid for all versions if nothing is given in the head.
9. The part number which shall be used when ordering spare parts.
10. Parts denomination in Swedish and English. Parts indicated by a dot and moved to the right are included when buying the assembled unit above.
11. Spare parts code mainly for internal use at DYNAPAC. "A" = Service part, "B" = Fast moving part, "C" = Suggested exchanged part and "D" = Regular spare part.
12. This column could contain explaining notes such as shortenings, references and dimensions. Longer notes has been given numbers in actual group and are written on the bottom of the page.

Utgåva Issue		Bildnr Picture No.		RAMAR OCH SCRAPOR		FRAMES AND SCRAPERS		Grupp Group	Sida Page
1982-03		15378		5		10221-3		6	2
Pos Item	Antal/Quantity	CA 011	CA 012	Art nr Part No	Beskrivning	Denomination	K Notes	Armröring Notes	
0010	1			81 02 10	RÄNNEHETSLÄNK	SAFETY ROD			
0040	2			00 02 08	SKRUV	SCREW			
0050	3			00 80 22	MUTTER	NUT			
0060	4			00 80 19	LÅSPÄNNE	LOCK PIN			
0100	12			24 37 70	WIRES	WIRES			
0110	6			00 20 31	SKRUV	SCREW			
0140	7			00 00 04	BRICKA	WASHER			
0180	8			01 02 45	BRICKA	WASHER			
0190	8			48 90 97	TÅNLOCK	CAP			
0200	10			36 54 10	LUCKA	COVER			
0270	11			36 04 72	PÅCKNING	GASSET			
0300	12			00 00 22	SKRUV	SCREW			
0380	13			01 35 01	MAGNETPLUGG	MAGNETIC PLUG			
0390	14			00 01 79	TRAKTORFRAM	TRACTOR FRAME			
0320	15			36 58 14	VALSFRAM	DRUM FRAME			
0010	1			00 00 00	VALSFRAM	DRUM FRAME			
0330	16			04 99 04	DETALJPLÅT	SHEET METAL PART			
0340	17			00 01 04	SKRUV	SCREW			
0360	18			01 00 62	BRICKA	WASHER			
0380	19			01 00 46	BRICKA	WASHER			
0400	20			00 00 08	BRICKA	WASHER			
0410	21			01 00 46	BRICKA	WASHER			
0420	22			00 80 87	SKRAPPÅSTE	SCRAPER BRACKET			
0440	23			04 11 34	DETALJPLÅT	SHEET METAL PART			
0460	24			00 34 74	DETALJPLÅT	SHEET METAL PART			
0480	25			00 32 30	SKRUV	SCREW			
0500	26			00 00 19	MUTTER	NUT			
0520	27			00 00 70	SKRUV	SCREW			
0540	28			04 46 02	SKARA	SCRAPER			
0560	29			00 16 30	SKRAPPÅND	SCRAPER TOOTH			
0580	30			00 16 81	FRÄSE	PIE			
0600	31			00 01 02	SKRUV	SCREW			
0620	32			00 06 36	DETALJPLÅT	SHEET METAL PART			

### Part number index

Last group in the catalogue is a listing of all part numbers, listed in numerical sequence and referring to the page where it can be found in the catalogue.

### The use of the catalogue

To find ordering data for a specific spare part, first select the group that covers the part. Find subgroup in the index on the first page in actual group. Locate the part in the illustration for this subgroup. The item number for the part refers to the opposite page where all ordering data for the actual spare part can be found.

If only the part number is known use the part number index to find the subgroup page from which all ordering information can be found. To locate the part on the machine and the function find the corresponding item number on the illustration.

## RESERVDLSBESTÄLLNING

Följande uppgifter ska lämnas vid beställning av reservdelar för att undvika leveransfel:

1. Maskintyp.
2. Vältens serienummer.
3. Antal av önskad reservdel.
4. Reserdelens artikelnummer.
5. Reservdelens benämning.
6. Måttuppgifter vid beställning av metervara.

## ERSATZTEILBESTELLUNG

Zur Vermeidung von Fehllieferungen sind bei der Bestellung von Ersatzteilen folgende Angaben zu machen:

1. Maschinentyp.
2. Herstellungsnummer.
3. Bestellmenge. (Quantity)
4. Ersatzteilnummer. (Part N<sup>o</sup>)
5. Ersatzteilbenennung. (Denomination)
6. Massangaben bei Bestellung von Meterware.

## PEDIDO DE RECAMBIOS

Para evitar errores en las entregas, deberán indicarse los siguientes datos al hacer un pedido de recambios:

1. Tipo de máquina.
2. Número de serie.
3. Cantidad de piezas deseadas. (Quantity)
4. Número de artículo de la pieza de recambio. (Part N<sup>o</sup>)
5. Denominación de la pieza. (Denomination)
6. Indíquese la medida al solicitar un artículo que se expide por metros.

## ORDERING SPARE PARTS

To avoid errors in delivery, please give the following information when ordering spare parts:

1. Type of machine.
2. Roller serial number.
3. Quantity required.
4. Part number.
5. Parts denomination.
6. Dimensions when ordering per length.

## ORDINI DI RICAMBI

Per evitare errori nelle consegne di ricambi, Vi preghiamo di comunicarci le seguenti informazioni al momento dell'ordinazione:

1. Tipo di macchina.
2. Numero di serie della macchina.
3. Quantità dei pezzi desiderati. (Quantity)
4. Numero di codice del pezzo. (Part N<sup>o</sup>)
5. Descrizione del pezzo di ricambio. (Denomination)
6. Misura, in caso di ordine per metro.

## COMMANDE DE PIÉCES DE RECHANGE

Les indications suivantes doivent être fournies lors de la commande de pièces de rechange, afin d'éviter toute erreur de livraison:

1. Type de machine.
2. Numéro de série.
3. Quantité désirée de pièce de rechange. (Quantity)
4. Numéro de la pièce de rechange. (Part N<sup>o</sup>)
5. Dénomination de la pièce de rechange. (Denomination)
6. Longueur en cas de commande au mètre.

**YOUR AGENT/DEALER:**



# SVEDALA WORLDWIDE

For information please contact the Svedala Sales Head Office in each country.

## Australia

Phone +61 2 9748 1777  
Fax +61 2 9748 1939

## Austria

Phone +43 1 813 65 08  
Fax +43 1 812 14 23

## Belgium

Phone +32 2 481 09 60  
Fax +32 2 481 09 61

## Brazil

Phone +55 152 25 28 11  
Fax +55 152 25 33 90

## Canada

Phone +1 613 962 34 11  
Fax +1 613 962 97 92

## Chile

Phone +56 2 232 43 65  
Fax +56 2 232 26 91

## China

Phone +86 10 65 76 55 82  
Fax +86 10 65 76 54 38

## The Czech Republic

Phone +42 5 74 40 26  
Fax +42 5 74 40 26

## Denmark

Phone +45 53 54 40 11  
Fax +45 53 54 41 42

## Estonia

Phone +372 65 654 11  
Fax +372 65 640 28

## Finland

Phone +358 9 22 19 50  
Fax +358 9 22 19 52 92

## France

Phone +33 1 64 42 59 00  
Fax +33 1 64 07 91 81

## Germany

Phone +49 2102 49 07 0  
Fax +49 2102 49 07 10

## Ghana

Phone +233 21 22 96 91  
Fax +233 21 22 96 91

## Hongkong

Phone +852 25 27 55 45  
Fax +852 28 61 26 52

## Hungary

Phone +36 1 343 22 69  
Fax +36 1 267 14 64

## India

Phone +91 11 688 16 59  
Fax +91 11 688 17 45

## Indonesia

Phone +62 21 735 25 92  
Fax +62 21 735 25 94

## Italy

Phone +39 2 90 35 41  
Fax +39 2 90 37 66 00

## Japan

Phone +81 3 56 88 16 21  
Fax +81 3 56 88 16 88

## Lebanon

Phone +961 3 23 72 34  
Fax +961 1 64 12 14

## Malaysia

Phone +60 3 632 83 88  
Fax +60 3 633 69 88

## Mexico

Phone +52 16 25 13 33  
Fax +52 16 25 13 30

## The Netherlands

Phone +31 78 61 868 88  
Fax +31 78 61 736 00

## New Zealand

Phone +64 7 888 56 99  
Fax +64 7 888 52 44

## Norway

Phone +47 22 90 35 00  
Fax +47 22 90 35 90

## Peru

Phone +51 1 422 51 74  
Fax +51 1 442 10 71

## The Philippines

Phone +63 2 899 56 54  
Fax +63 2 899 56 54

## Poland

Phone +48 32 105 31 37  
Fax +48 32 51 61 47

## Russia

Phone +7 812 172 46 33  
Fax +7 812 172 73 89

## South Africa

Phone +27 11 397 50 90  
Fax +27 11 397 59 60

## Spain

Phone +34 1 616 45 85  
Fax +34 1 616 48 35

## Sweden

Phone +46 40 24 58 00  
Fax +46 40 24 55 25

## Switzerland

Phone +41 1 844 32 46  
Fax +41 1 844 36 64

## Ukraine

Phone +380 564 72 81 44  
Fax +380 564 72 81 43

## United Kingdom

Phone +44 1788 53 21 00  
Fax +44 1788 54 65 63

## USA

Phone +1 414 798 62 00  
Fax +1 414 798 62 11

## Vietnam

Phone +84 8 822 62 28  
Fax +84 8 822 62 29

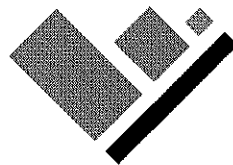
## Zimbabwe

Phone +263 9 678 22  
Fax +263 9 685 62

## Other countries

Please contact:  
Svedala International,  
Malmö, Sweden,  
Phone +46 40 24 58 00  
Fax +46 40 24 58 96

# SVEDALA



## Svedala Industri

Box 4004, SE-203 11 Malmö, Sweden  
Telephone Int +46 40 24 58 00. Telefax Int +46 40 24 58 78

### Svedala Crushing & Screening

Malmö, Sweden  
Phone: +46 40 24 58 00  
Fax: +46 40 24 58 75

### Svedala Conveyor Belting

Malmö, Sweden  
Phone: +46 40 24 58 00  
Fax: +46 40 24 58 65

### Svedala Wear Protection

Malmö, Sweden  
Phone: +46 40 24 58 00  
Fax: +46 40 24 58 65

### Svedala Compaction & Paving

Malmö, Sweden  
Phone: +46 40 24 58 00  
Fax: +46 40 97 22 70

### Svedala Grinding

York, PA, USA  
Phone: +1 717 843 8671  
Fax: +1 717 845 5154

### Svedala Pumps & Process

Malmö, Sweden  
Phone: +46 40 24 58 00  
Fax: +46 40 24 58 65

### Svedala Pyro Systems

Waukesha, WI, USA  
Phone: +1 414 798 6200  
Fax: +1 414 798 6211

### Svedala Bulk Materials Handling

Pittsburgh, PA, USA  
Phone: +1 412 269 5000  
Fax: +1 412 269 5050



## PÄRMETIKETT

För att undvika fel vid reservdelsbeställning finns här nedan två etiketter som passar i fickorna på pärmarnas ryggar. På dessa kan man se från vilket välnummer av aktuell maskin reservdelskatalogen gäller. Gör så här:

1. Tag denna sida ur pärmen.
2. Klipp ut etiketten till **VÄNSTER** (1) och sätt in den i fickan på **DENNA** pärmens rygg.
3. Finns det en etikett till **HÖGER** (2), kan denna användas på pärmen för **FÖREGÅENDE** utgåva av denna katalog.
4. Kasta detta papper.

## KATALOG-BESCHRIFTUNG

Zur Vermeidung von Fehlern bei der Ersatzteilbestellung benutzen Sie bitte die unteren Beschriftungen, um die Kataloge auf der Rückseite zu kennzeichnen. Auf der Beschriftung ist angegeben, für welche Maschinenummern der jeweilige Katalog gültig ist. Ablauf:

1. Nehmen Sie dieses Blatt aus dem Katalog.
2. Schneiden Sie die **LINKE** Beschriftung (1) aus. Schieben Sie die Beschriftung in die tasche auf **DEM** Katalogrücke.
3. Sollte die Beschriftung unten **RECHTS** (2) mitgeliefert werden, kennzeichnen Sie damit bitte die **ÄLTERE** Ausführung dieses Kataloges.
4. Den Rest dieses Blattes bitte vernichten.

## ETIQUETA PARA LA CARPETA

Para evitar errores al pedir repuestos utilicen las etiquetas abajo descritas para identificar los catálogos en la parte trasera de la carpeta. En la etiqueta se ven los números de referencia de la serie para la cual es válido el catálogo. Instrucciones:

1. Quitar esta página de la carpeta.
2. Corta la etiqueta **IZQUIERDA** (1) y ponerla en **ESTA** carpeta en la parte trasera.
3. Si hay una etiqueta en la parte **DERECHA** (2) se puede utilizar en la carpeta para el catálogo que **PRECEDE** a esta.
4. Tirar esta hoja.

1.



2.



## BINDER LABEL

To avoid errors when ordering spare parts use the labels below to identify the catalogues on the back of the binder. The label contain the serial number range for which the catalogue is valid. Do like this:

1. Remove this page from the binder.
2. Cut out the **LEFT** label (1) and put it on **THIS** binders back.
3. If there is a label to the **RIGHT** (2), it can be used on the binder for **PRECEDING** issue of this catalogue.
4. Throw away this paper.

## ETICHETTA POSTA SUL RACCOGLITORE

Per evitare errori quando ordinate pezzi di ricambio, usate le etichette in calce che servono ad identificare i cataloghi sul retro del raccoglitore. L'etichetta indica il numero di matricola delle macchine prese in considerazione nel catalogo.

1. Rimuovete questa pagina dal raccoglitore.
2. Ritagliate l'etichetta posta a **SINISTRA** (1) e ponetela sul retro **DEL** raccoglitore.
3. Se trovate anche un'etichetta sulla **DESTRA** (2), ritagliatela e ponetela sul raccoglitore relativo alla **PRECEDENTE** edizione del catalogo.
4. Distruggete questo foglio.

## ETIQUETAGE DU CATALOGUE

Afin d'éviter des erreurs lors de commandes de pièces de rechange, nous vous conseillons d'apposer les marquages ci-dessous à l'arrière du classeur, pour identifier les catalogues. Ce marquage indique les numéros de série pour lesquels le catalogue est adapté. Il convient de procéder de la façon suivante:

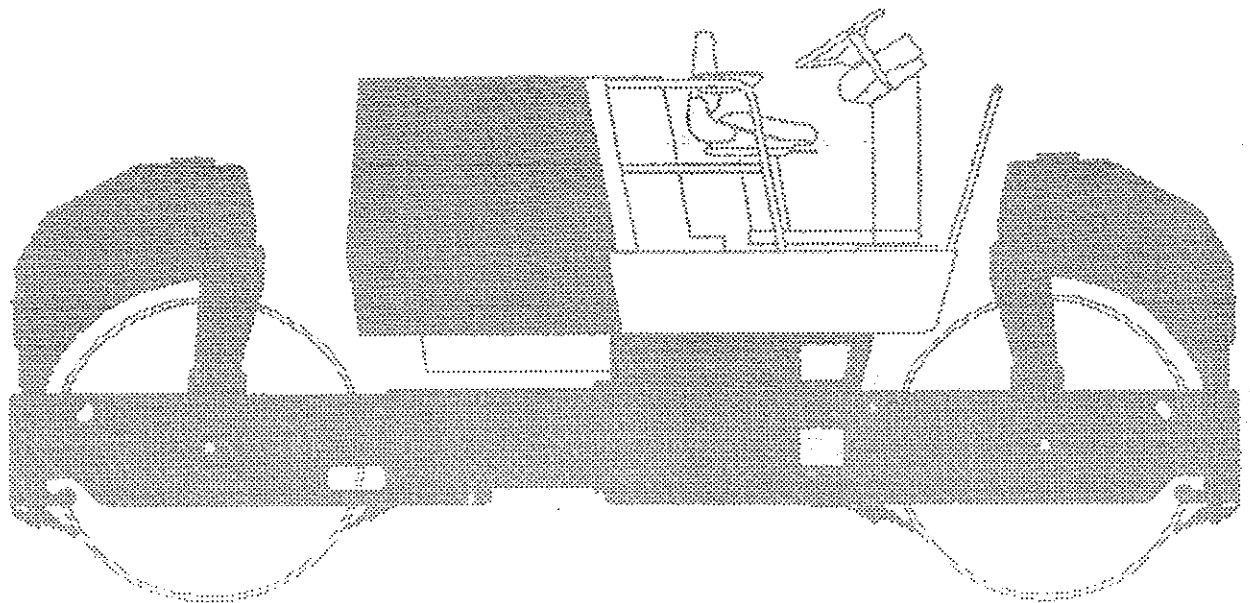
1. Retirez cette page du classeur.
2. Découpez l'étiquette de **GAUCHE** (1), et apposez-la à l'arrière de **CE** catalogue.
3. Si il y a une étiquette à **DROITE** (2), vous pourrez l'apposer sur le classeur de l'édition **PRECEDENTE** du catalogue.
4. Détruire cette feuille.



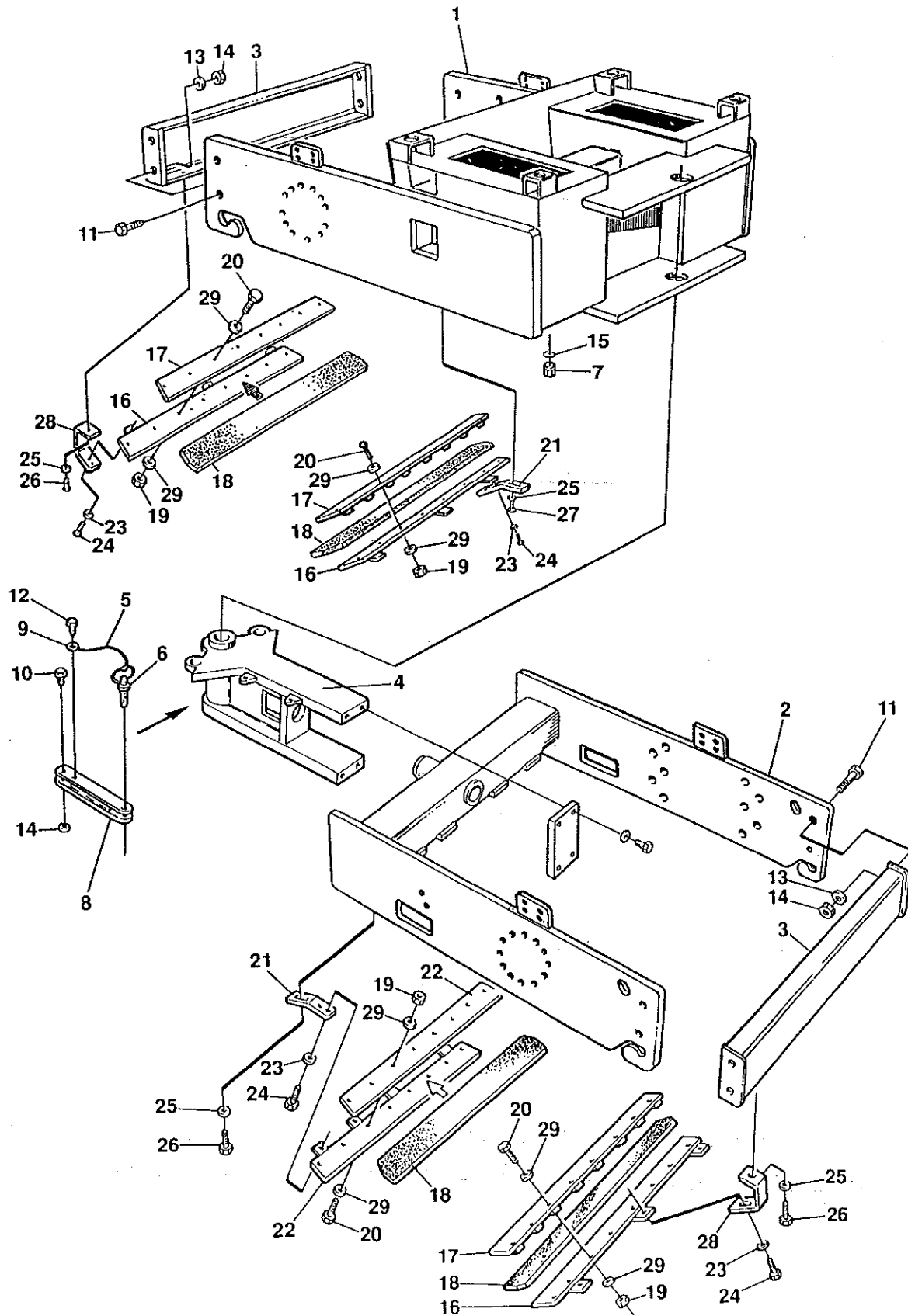
# ***DYNAPAC***

<b>RAM</b>	<b>FRAME</b>	<b>Page</b>
RAMAR & SKRAPOR, CC 421, *)	FRAMES & SCRAPERS, CC 421, *)	2
RAMAR & SKRAPOR, CC 421, *)	FRAMES & SCRAPERS, CC 421, *)	4
RAMAR & SKRAPOR, CC 421C, *)	FRAMES & SCRAPERS, CC 421C, *)	6
RAMAR & SKRAPOR, CC 421C, *)	FRAMES & SCRAPERS, CC 421C, *)	8
STYRLED	STEERING HITCH	10
ÖVERBYGGNAD	STRUCTURE	12
SPRINKLERSYSTEM	SPRINKLER SYSTEM	14
VATTENPUMP	SPRINKLING PUMP	20

\*) NOTE ROLLER SERIAL NUMBERS!



Group  
Grupp **10**



15360

34 97 73  
35 62 59

# DYNAPAC

Reservdelskatalog / Spare Parts Catalogue

S-232-4

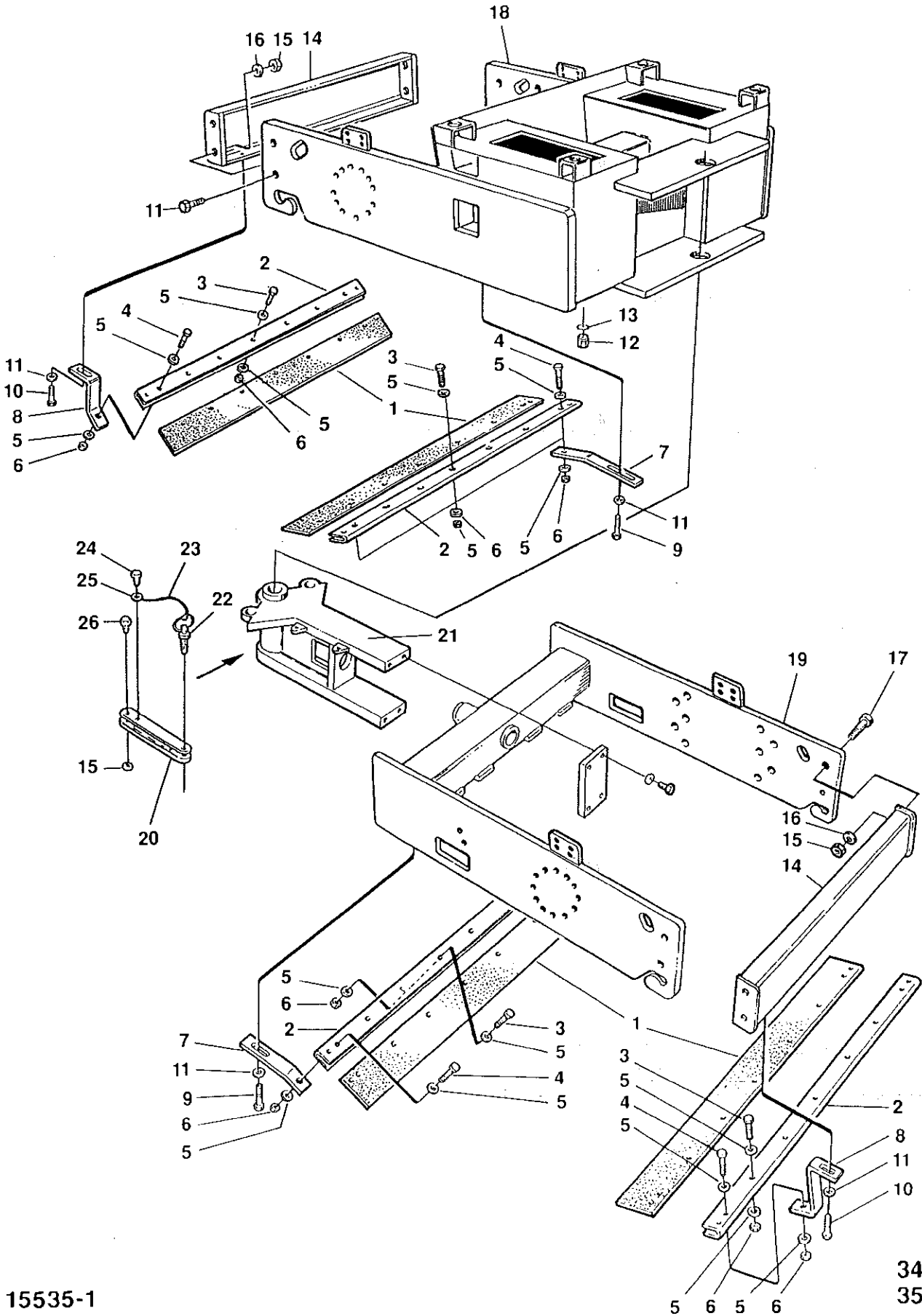
CC 421/421C

0010

Utgåva Issue		Bildnr. Picture N <sup>o</sup>		RAMAR & SKRAPOR CC 421 S/N -*58010304*, 1)		FRAMES & SCRAPERS CC 421 S/N -*58010304*, 1)		Grupp Group	Sida Page
1993-12		15360						010	2
Pos. Item	Antal / Quantity			Art.nr. Part N <sup>o</sup>	Benämning	Denomination	K C	Anmärkning Notes	
0020	1	1		35 62 21	VALSRAM	DRUM FRAME		FRONT	
0040	2	1		34 97 50	VALSRAM	DRUM FRAME		REAR.	
0060	3	2		34 97 51	TVÄRBALK	CROSS BEAM			
0080	4	1			STYRLAD	HITCH		SEE PAGE 10	
0100	5	1		34 37 75	WIRE	WIRE			
0120	6	1		63 50 19	LÄSPINNE	LOCK PIN			
0140	7	2		23 22 10	PLUGG	PLUG			
0160	8	1		84 35 05	MIDJELEDSLÅS	HITCH LOCK			
0180	9	1		61 50 44	BRICKA	WASHER			
0200	10	1		50 02 08	SKRUV	SCREW			
0220	11	8		50 02 07	SKRUV	SCREW			
0240	12	1		50 01 91	SKRUV	SCREW			
0260	13	8		61 50 47	BRICKA	WASHER			
0280	14	9		58 60 22	MUTTER	NUT			
0300	15	2		16 20 17	TÄTNING	SEALING	D		
0320	16	3		84 25 71	SKRAPFÄSTE	SCRAPER BRACKET			
0340	17	4		84 21 67	SKRAPFÄSTE	SCRAPER BRACKET			
0360	18	4		84 21 69	SKRAPBLAD	SCRAPER BLADE	B		
0380	19	32		58 60 19	MUTTER	NUT			
0400	20	32		50 00 49	SKRUV	SCREW			
0420	21	7		34 32 69	SKRAPFÄSTE	SCRAPER BRACKET			
0440	22	1		84 29 02	SKRAPFÄSTE	SCRAPER BRACKET			
0460	23	26		61 50 45	BRICKA	WASHER			
0480	24	26		50 01 93	SKRUV	SCREW			
0500	25	13		61 50 46	BRICKA	WASHER			
0520	26	10		50 01 02	SKRUV	SCREW			
0540	27	3		50 00 57	SKRUV	SCREW			
0560	28	6		34 97 74	SKRAPFÄSTE	SCRAPER BRACKET			
0580	29	64		60 00 09	BRICKA	WASHER			

1) ALSO VALID FOR S/Nos \*58010308\* AND \*58010309\*.

Group  
Grupp **10**



15535-1

34 97 73  
35 62 59



# DYNAPAC

Reservdelskatalog / Spare Parts Catalogue

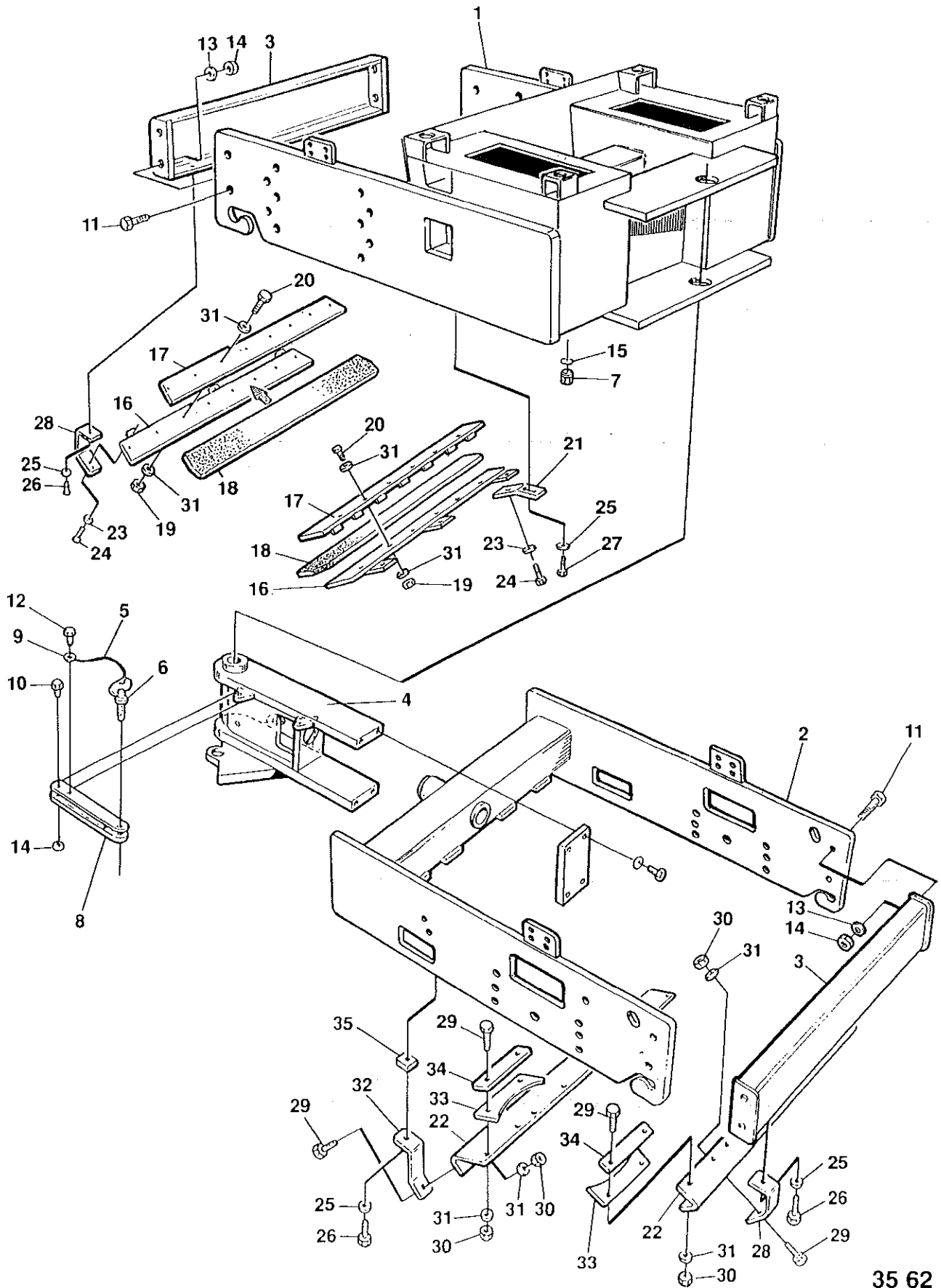
S-232-4

CC 421/421C

0012

Utgåva Issue		Bildnr. Picture N°		RAMAR & SKRAPOR CC 421 S/N *58010305*-, 2)		FRAMES & SCRAPERS CC 421 S/N *58010305*-, 2)		Grupp Group	Sida Page
1993-12		15535-1						010	4
Pos. Item	Antal / Quantity			Art.nr. Part N°	Benämning	Denomination	K C	Anmärkning Notes	
0020	1	4		35 76 24	SKRAPA	SCRAPER	B		
0040	2	4		35 76 26	SKRAPFÄSTE	SCRAPER BRACKET			
0060	3	23		50 01 94	SKRUV	SCREW			
0080	4	13		50 01 95	SKRUV	SCREW			
0100	5	68		60 00 09	BRICKA	WASHER			
0120	6	36		58 60 19	MUTTER	NUT			
0140	7	7		35 76 30	SKRAPFÄSTE	SCRAPER BRACKET			
0160	8	6		35 76 29	SKRAPFÄSTE	SCRAPER BRACKET			
0180	9	7		50 00 57	SKRUV	SCREW			
0200	10	6		50 01 02	SKRUV	SCREW			
0220	11	13		61 50 46	BRICKA	WASHER			
0240	12	2		23 22 10	PLUGG	PLUG			
0260	13	2		16 20 17	TÄTNING	SEALING	D		
0280	14	2		34 97 51	TVÄRBALK	CROSS BEAM			
0300	15	9		58 60 22	MUTTER	NUT			
0320	16	8		61 50 47	BRICKA	WASHER			
0340	17	8		50 02 07	SKRUV	SCREW			
0360	18	1		35 62 21	VALSRAM	DRUM FRAME		FRONT	
0380	19	1		34 97 50	VALSRAM	DRUM FRAME		REAR	
0400	20	1		84 35 05	MIDJELED SLÅS	HITCH LOCK			
0420	21	1			STYRLED	HITCH			
0440	22	1		63 50 19	LÅSPINNE	LOCK PIN		SEE PAGE 10	
0460	23	1		34 37 75	WIRE	WIRE			
0480	24	1		50 01 91	SKRUV	SCREW			
0500	25	1		61 50 44	BRICKA	WASHER			
0520	26	1		50 02 08	SKRUV	SCREW			

2) FOR S/Nos \*58010308\* AND \*58010309\*, SEE PAGE 2.



# DYNAPAC

Reservdelskatalog / Spare Parts Catalogue

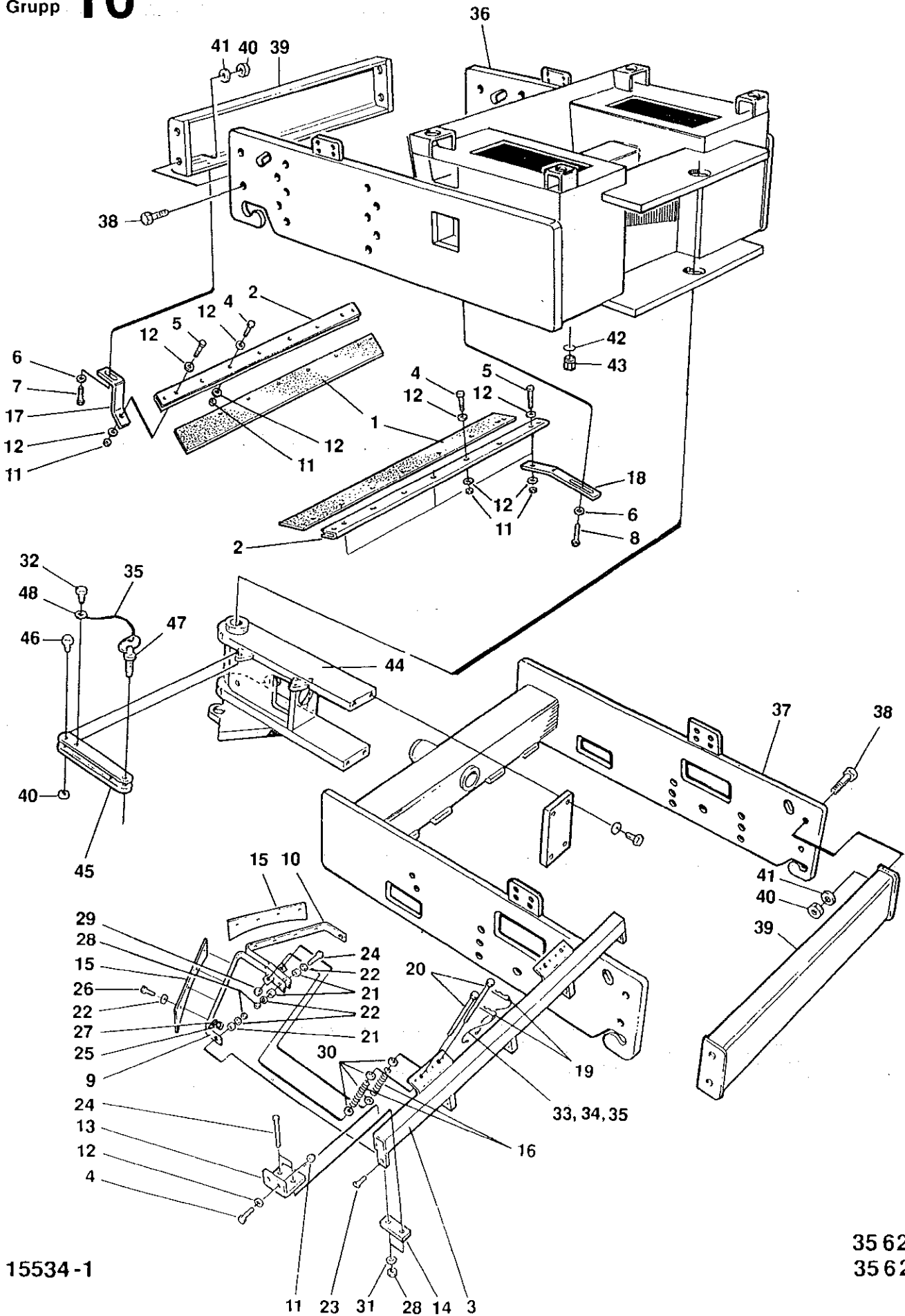
S-232-4

CC 421/421C

0015

Utgåva Issue 1993-12		Bildnr. Picture N° 15199-1		RAMAR & SKRAPOR CC 421C S/N -*58020448*		FRAMES & SCRAPERS CC 421C S/N -*58020448*		Grupp Group 010	Sida Page 6
Pos. Item	Antal / Quantity			Art.nr. Part N°	Benämning	Denomination	K C	Anmärkning Notes	
0020	1	1		35 62 21	VALSRAM	DRUM FRAME		FRONT	
0040	2	1		35 62 14	VALSRAM	DRUM FRAME		REAR	
0060	3	2		34 97 51	TVÄRBALK	CROSS BEAM			
0080	4	1			STYRLED	HITCH		SEE PAGE 10	
0100	5	1		34 37 75	WIRE	WIRE			
0120	6	1		63 50 19	LÄSPINNE	LOCK PIN			
0140	7	2		23 22 10	PLUGG	PLUG			
0160	8	1		84 35 05	MIDJELEDSLÄS	HITCH LOCK			
0180	9	1		61 50 44	BRICKA	WASHER			
0200	10	1		50 02 08	SKRUV	SCREW			
0220	11	8		50 02 07	SKRUV	SCREW			
0240	12	1		50 01 91	SKRUV	SCREW			
0260	13	8		61 50 47	BRICKA	WASHER			
0280	14	9		58 60 22	MUTTER	NUT			
0300	15	2		16 20 17	TÄTNING	SEALING		D	
0320	16	2		84 25 71	SKRAPFÄSTE	SCRAPER BRACKET			
0340	17	2		84 21 67	SKRAPFÄSTE	SCRAPER BRACKET			
0360	18	2		84 21 69	SKRAPBLAD	SCRAPER BLADE		B	
0380	19	16		58 60 19	MUTTER	NUT			
0400	20	16		50 00 49	SKRUV	SCREW			
0420	21	3		34 32 69	SKRAPFÄSTE	SCRAPER BRACKET			
0440	22	2		35 62 78	SKRAPFÄSTE	SCRAPER BRACKET			
0460	23	12		61 50 45	BRICKA	WASHER			
0480	24	12		50 01 93	SKRUV	SCREW			
0500	25	13		61 50 46	BRICKA	WASHER			
0520	26	10		50 01 02	SKRUV	SCREW			
0540	27	3		50 00 57	SKRUV	SCREW			
0560	28	6		34 97 74	SKRAPFÄSTE	SCRAPER BRACKET			
0580	29	23		50 01 94	SKRUV	SCREW			
0600	30	23		58 60 19	MUTTER	NUT			
0620	31	55		60 00 09	BRICKA	WASHER			
0640	32	4		35 61 87	SKRAPFÄSTE	SCRAPER BRACKET			
0660	33	8		35 62 79	SKRAPA	SCRAPER		B	
0680	34	8		35 61 89	DETALJ STÅNG	BAR			
0700	35	2		35 63 51	DETALJ PLÅT	SHEET METAL PART			

Group  
Grupp **10**



15534-1

35 62 77  
35 62 15

# DYNAPAC

Reservdelskatalog / Spare Parts Catalogue

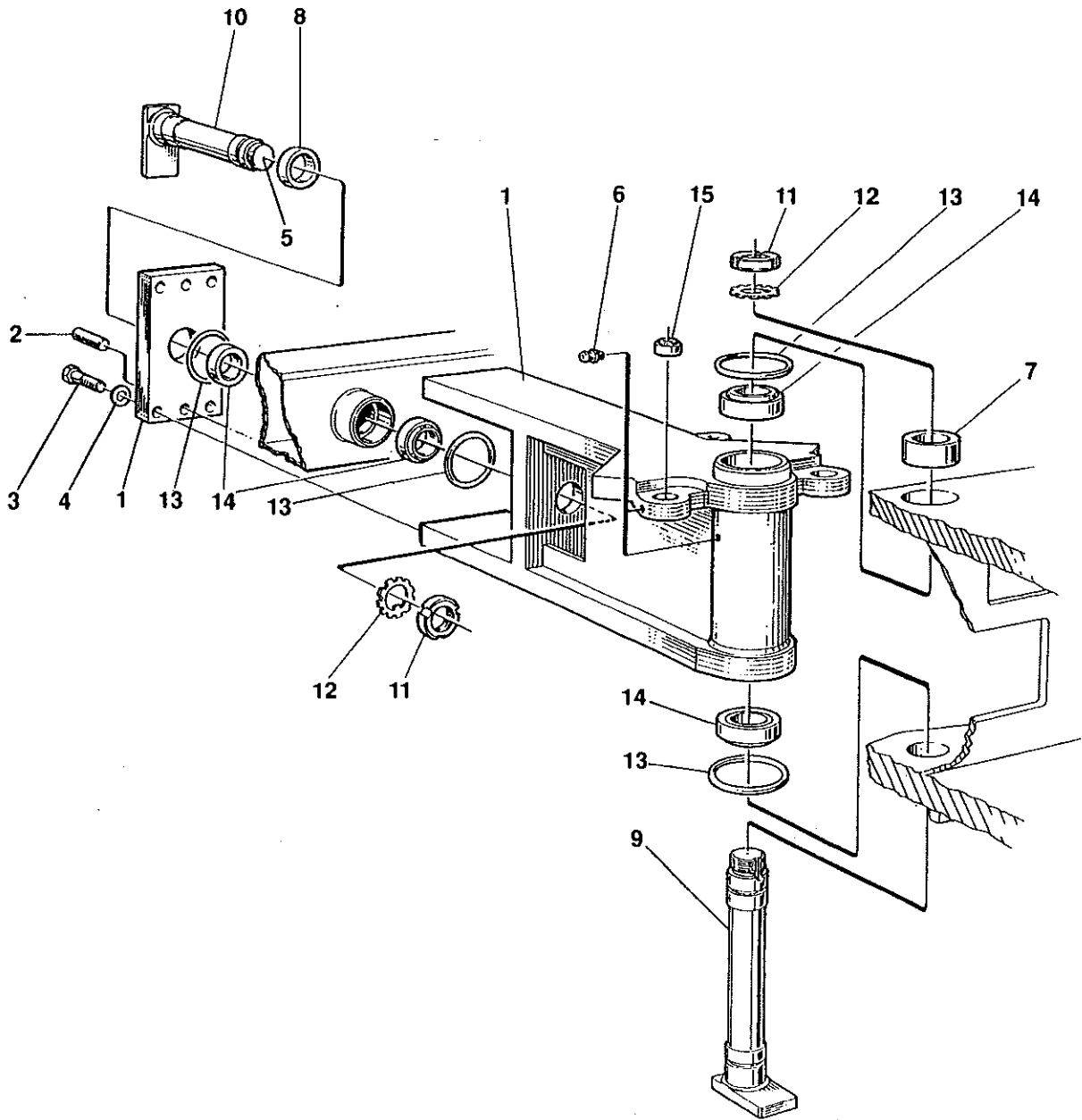
S-232-4

CC 421/421C

0017

Utgåva Issue 1993-12		Bildnr. Picture N° 15534-1		RAMAR & SKRAPOR CC 421C S/N *58020449*-		FRAMES & SCRAPERS CC 421C S/N *58020449*-		Grupp Group 010	Sida Page 8
Pos. Item	Antal / Quantity			Art.nr. Part N°	Benämning	Denomination	K C	Anmärkning Notes	
0020	1	2		35 76 24	SKRAPA	SCRAPER	B		
0040	2	2		35 76 26	SKRAPFÄSTE	SCRAPER BRACKET			
0060	3	1		35 79 41	SKRAPFÄSTE	SCRAPER BRACKET			
0080	4	16		50 01 94	SKRUV	SCREW			
0100	5	6		50 01 95	SKRUV	SCREW			
0120	6	6		61 50 46	BRICKA	WASHER			
0140	7	3		50 01 02	SKRUV	SCREW			
0160	8	3		50 00 57	SKRUV	SCREW			
0180	9	2		35 79 42	SKRAPFÄSTE	SCRAPER BRACKET			
0200	10	2		35 79 43	SKRAPFÄSTE	SCRAPER BRACKET			
0220	11	22		58 60 19	MUTTER	NUT			
0240	12	40		60 00 09	BRICKA	WASHER			
0260	13	2		35 78 44	PLÅT	PLATE			
0280	14	2		35 78 48	FÄSTE	BRACKET			
0300	15	4		35 79 44	SKRAPA	SCRAPER	B		
0320	16	4		35 78 47	FJÄDER	SPRING			
0340	17	3		35 76 29	SKRAPFÄSTE	SCRAPER BRACKET			
0360	18	3		35 76 30	SKRAPFÄSTE	SCRAPER BRACKET			
0380	19	4		63 50 61	SPRINT	HAIR PIN			
0400	20	4		35 68 36	SKRUV	SCREW			
0420	21	8		34 37 48	DISTANSHYLSA	SPACER SLEEVE			
0440	22	24		60 30 09	BRICKA	WASHER			
0460	23	2		53 50 39	SKRUV	SCREW			
0480	24	7		50 01 89	SKRUV	SCREW			
0500	25	16		58 60 03	MUTTER	NUT			
0520	26	16		50 00 47	SKRUV	SCREW			
0540	27	16		60 30 19	BRICKA	WASHER			
0560	28	9		57 00 05	MUTTER	NUT			
0580	29	4		58 60 18	MUTTER	NUT			
0600	30	8		60 00 08	BRICKA	WASHER			
0620	31	4		60 00 06	BRICKA	WASHER			
0640	32	1		50 00 91	SKRUV	SCREW			
0660	33	4		50 01 88	SKRUV	SCREW			
0680	34	4		61 50 43	BRICKA	WASHER			
0700	35	5		34 37 75	WIRE	WIRE			
0720	36	1		35 62 21	VALSRAM	DRUM FRAME		FRONT	
0740	37	1		35 62 14	VALSRAM	DRUM FRAME		REAR	
0760	38	8		50 02 07	SKRUV	SCREW			
0780	39	2		34 97 51	TVÄRBALK	CROSS BEAM			
0800	40	9		58 60 22	MUTTER	NUT			
0820	41	8		61 50 47	BRICKA	WASHER			
0840	42	2		16 20 17	TÄTNING	SEALING	D		
0860	43	1		23 22 10	PLUGG	PLUG			
0880	44	1			STYRLED	HITCH		SEE PAGE 10	
0900	45	1		84 35 05	MIDJELED SLÅS	HITCH LOCK			
0920	46	1		50 02 08	SKRUV	SCREW			
0940	47	1		63 50 19	LÅSPINNE	LOCK PIN			
0960	48	1		61 50 44	BRICKA	WASHER			

Group  
Grupp **10**



14843-1

84 35 06  
84 35 68

# DYNAPAC

Reservdelskatalog / Spare Parts Catalogue

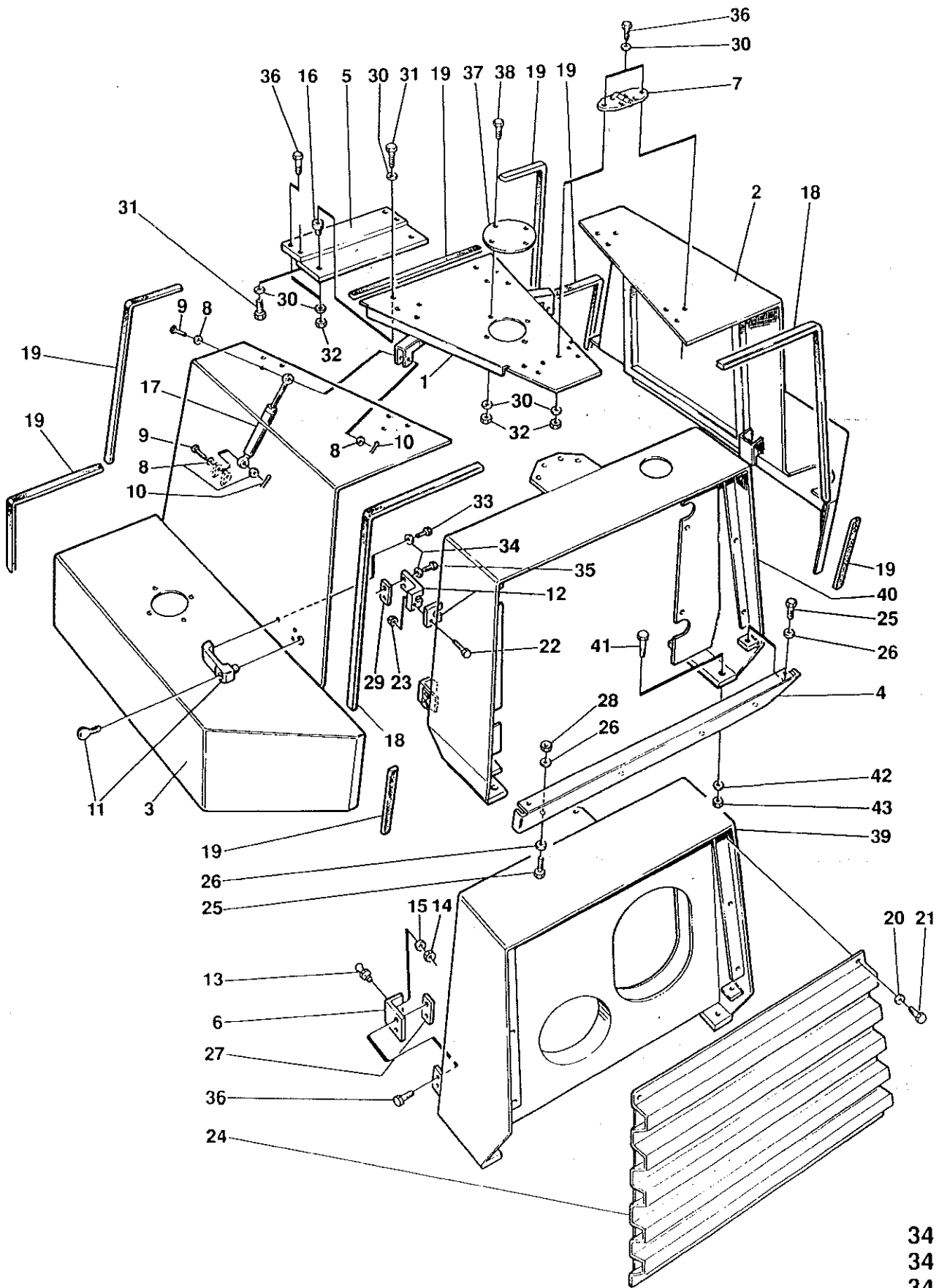
S-232-4

CC 421/421C

0020

Utgåva Issue 1993-12		Bildnr. Picture N <sup>o</sup> 14843-1		STYRLED		STEERING HITCH		Grupp Group 010	Sida Page 10
Pos. Item	Antal / Quantity			Art.nr. Part N <sup>o</sup>	Benämning	Denomination	K C	Anmärkning Notes	
0020	1	1		84 35 68	STYRLED	HITCH			
0040	2	2		62 80 24	.PINNE	.PIN			
0060	3	4		50 02 07	.SKRUV	.SCREW			
0080	4	4		61 50 47	.BRICKA	.WASHER			
0100	5	1		31 00 02	SMÖRJNIPPEL	LUBRICANT NIPPLE	D		
0120	6	3		31 00 22	SMÖRJNIPPEL	LUBRICANT NIPPLE	D		
0140	7	1		33 56 26	HYLSA	SLEEVE			
0160	8	1		82 51 76	HYLSA	SLEEVE			
0180	9	1		84 29 88	STYRLEDSAXEL	HITCH SHAFT			
0200	10	1		33 56 25	STYRLEDSAXEL	HITCH SHAFT			
0220	11	2		81 34 68	MUTTER	NUT			
0240	12	2		81 34 69	BRICKA	WASHER			
0260	13	4		81 34 73	O-RING	O-RING	D		
0280	14	4		10 00 40	LAGER	BUSHING	D		
0300	15	2		81 33 16	LAGER	BUSHING	D		

Group  
Grupp **10**



15201-1

34 82 70  
34 83 50  
34 87 20



# DYNAPAC

Reservdelskatalog / Spare Parts Catalogue

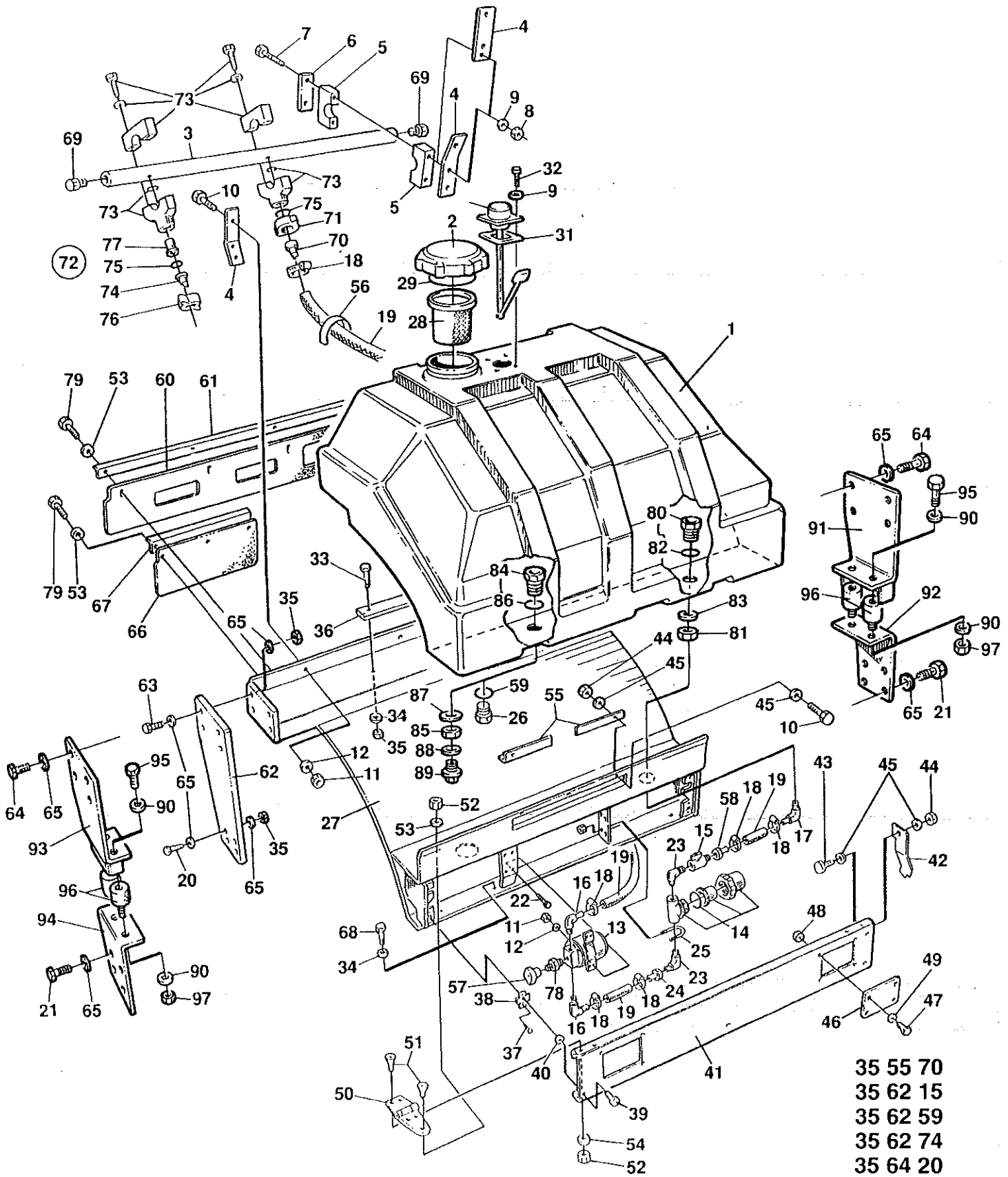
S-232-4

CC 421/421C

0030

Utgåva Issue 1993-12		Bildnr. Picture N° 15201-1		ÖVERBYGGNAD STRUCTURE		Grupp Group 010	Sida Page 12
Pos. Item	Antal / Quantity		Art.nr. Part N°	Benämning	Denomination	K C	Anmärkning Notes
0020	1	1	34 82 60	MOTORHUV	HOOD	S	TOP
0040	2	1	34 82 65	MOTORHUV	HOOD		RIGHT
0060	3	1	34 82 82	MOTORHUV	HOOD		LEFT
0080	4	1	34 82 89	DETALJ PLÅT	SHEET METAL PART		
0100	5	1	34 82 91	DETALJ PLÅT	SHEET METAL PART		
0120	6	2	34 77 08	DETALJ PLÅT	SHEET METAL PART		
0140	7	4	34 53 81	GÅNGJÄRN	HINGE		
0160	8	4	60 00 06	BRICKA	WASHER		
0180	9	4	53 00 32	CYLINDRISK BULT	CLEVIS PIN		
0200	10	4	63 00 03	PINNE	PIN		
0220	11	2	92 54 93	HANDTAG	GRAB HANDLE		
0230		2	92 86 72	NYCKEL	KEY	D	MARKED "1001"
0240	12	2	92 54 91	LÅS	LOCK	D	
0260	13	2	34 53 88	BULT	BOLT	D	
0280	14	2	34 70 45	MUTTER	NUT	D	
0300	15	2	61 50 45	BRICKA	WASHER		
0320	16	2	92 83 70	VIBRATIONS DÄMPARE	SHOCK ABSORBER	D	
0340	17	2	92 15 64	GASFJÄDER	GAS SPRING	D	
0360	18	2XL	20 20 28	KANTLIST	EDGE TRIM		L=1098 MM
0380	19	7XL	20 20 57	KANTLIST	EDGE TRIM		LENGTH AS REQUIRED
0400	20	6	61 50 44	BRICKA	WASHER		
0420	21	6	50 00 48	SKRUV	SCREW		
0440	22	2	92 54 64	SKRUV	SCREW		
0460	23	2	58 60 02	MUTTER	NUT		
0480	24	1	84 29 41	GALLER	GRID		
0500	25	4	50 00 48	SKRUV	SCREW		
0520	26	6	61 50 44	BRICKA	WASHER		
0540	27	2	34 75 93	DETALJ PLÅT	SHEET METAL PART		
0560	28	2	57 00 06	MUTTER	NUT		
0580	29	2	34 53 53	DETALJ PLÅT	SHEET METAL PART		
0600	30	38	61 50 43	BRICKA	WASHER		
0620	31	4	50 00 18	SKRUV	SCREW		
0640	32	10	58 60 03	MUTTER	NUT		
0660	33	6	92 54 92	SKRUV	SCREW		
0680	34	12	60 00 04	BRICKA	WASHER		
0700	35	4	50 00 75	SKRUV	SCREW		
0720	36	30	50 00 21	SKRUV	SCREW		
0740	37	1	34 82 63	DETALJ PLÅT	SHEET METAL PART		
0760	38	4	50 00 53	SKRUV	SCREW		
0780	39	1	34 83 54	KYLARSTATIV	COOLER FRAME		DEUTZ
0800	40	1	34 81 76	KYLARSTATIV	COOLER FRAME		CUMMINS
0820	41	4	50 01 94	SKRUV	SCREW		
0840	42	4	60 00 09	BRICKA	WASHER		
0860	43	4	58 60 19	MUTTER	NUT		

Group  
Grupp **10**



- 35 55 70
- 35 62 15
- 35 62 59
- 35 62 74
- 35 64 20
- 35 66 13
- 35 84 61

# DYNAPAC

Reservdelskatalog / Spare Parts Catalogue

S-232-4

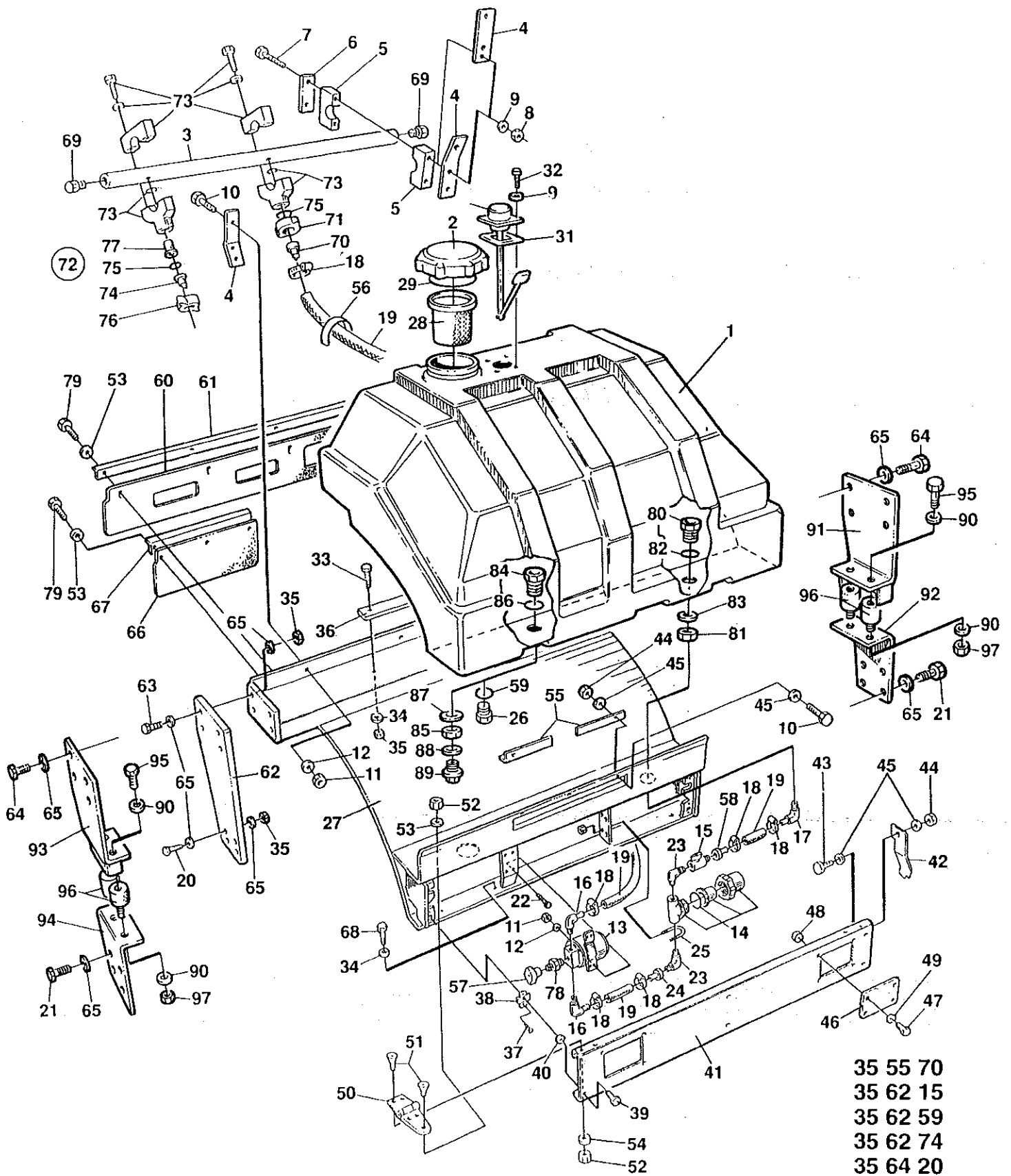
CC 421/421C

0040

Utgåva Issue		Bildnr. Picture N <sup>o</sup>		SPRINKLERSYSTEM FRAM/BAK	SPRINKLER SYSTEM FRONT/REAR	Grupp Group	Sida Page	
1993-12		15361-1				010	14	
Pos. Item	Antal / Quantity			Art.nr. Part N <sup>o</sup>	Benämning	Denomination	K C	Anmärkning Notes
0020	1	1		35 78 67	VATTENTANK	SFRINKLING TANK		3)
0040	2	1		33 32 28	TANKLOCK	.CAP	D	
0060	3	1		35 84 60	SPRINKLERRÖR	SPRINKLER PIPE		CC 421/421C, FRONT
0070		1		35 62 75	SPRINKLERRÖR	SPRINKLER PIPE		CC 421C, REAR
0080	4	4		34 97 63	DETALJ PLÅT	SHEET METAL PART		CC 421/421C, FRONT
0090		3		35 67 71	DETALJ PLÅT	SHEET METAL PART		CC 421C, REAR
0100	5	4		92 38 76	KLAMMER, 1 PAR	CLAMP, 1 PAIR	D	3 ON CC 421C, REAR
0120	6	4		92 38 59	DETALJ PLÅT	SHEET METAL PART	D	3 ON CC 421C, REAR
0140	7	8		50 01 87	SKRUV	SCREW		6 ON CC 421C, REAR
0160	8	8		57 00 04	MUTTER	NUT		6 ON CC 421C, REAR
0180	9	12		61 50 42	BRICKA	WASHER		10 ON CC 421C, REAR
0200	10	7		50 00 21	SKRUV	SCREW		6 ON CC 421C, REAR
0220	11	8		57 00 05	MUTTER	NUT		7 ON CC 421C, REAR
0240	12	8		61 50 43	BRICKA	WASHER		7 ON CC 421C, REAR
0260	13	1			VATTENPUMP	SPRINKLING PUMP		SEE PAGE 20
0280	14	1		92 07 75	SIL KPL	STRAINER CPL	D	
0285		1		92 14 23	.PACKNING	.GASKET	D	
0290		1		92 14 24	.SIL	.STRAINER	D	
0300	15	1		92 49 86	KULVENTIL	VALVE	D	
0320	16	2		92 37 34	SLANGKOPPLING	HOSE CONNECTION	D	
0340	17	1		92 49 96	SLANGKOPPLING	HOSE CONNECTION	D	
0360	18	6		31 30 02	SLANGKLÄMMA	HOSE CLAMP		
0380	19	3XL		24 40 54	PLASTSLANG	PLASTIC HOSE		LENGTH AS REQUIRED
0400	20	8		50 00 56	SKRUV	SCREW		4)
0420	21	8		50 01 95	SKRUV	SCREW		5)
0440	22	4		50 00 19	SKRUV	SCREW		
0460	23	2		90 12 98	ADAPTER	ADAPTER		
0480	24	1		90 12 97	SLANGKOPPLING	HOSE CONNECTION		
0500	25	2		92 39 84	KLAMMER	CLAMP		CPL
0520	26	1		92 80 12	PLUGG	PLUG		6)
0540	27	1		35 60 30	TANKSTATIV	TANK SUPPORT		
0560	28	1		84 26 64	SIL	STRAINER	D	
0580	29	1		16 01 22	O-RING	O-RING	D	
0600	30	1		96 07 09	NIVÅMÄTARE	LEVEL GAUGE	D	
0620	31	1		92 14 27	.PACKNING	.GASKET	D	
0640	32	4		53 30 38	SKRUV	SCREW		
0660	33	3		50 01 98	SKRUV	SCREW		
0680	34	9		61 50 45	BRICKA	WASHER		
0700	35	19		58 60 19	MUTTER	NUT		
0720	36	1		85 14 49	DETALJ PLÅT	SHEET METAL PART		
0740	37	4		92 84 28	NIT	RIVET		
0760	38	2		92 69 90	LÅS	LOCK		
0780	39	2		92 70 18	BULT	BOLT	D	
0800	40	2		92 52 39	LÅSBRICKA	WASHER	D	
0820	41	1		35 53 75	DETALJ PLÅT	SHEET METAL PART		
0840	42	1		35 50 84	DETALJ PLÅT	SHEET METAL PART		
0860	43	1		50 00 53	SKRUV	SCREW		
0880	44	5		58 60 03	MUTTER	NUT		
0900	45	10		60 00 06	BRICKA	WASHER		

- 3) ORIGINAL MOUNTED ON CC 421 FROM S/N \*58010313\* AND ON CC 421C FROM S/N \*58020448\*.  
4) FOR CC 421 UP TO S/N \*58010300\* EXEPT S/Nos \*297-298\* AND FOR CC 421C ON FRONT TANK UP TO S/N \*58020442\* EXEPT S/Nos \*438-439\*.  
5) FOR CC 421 FROM S/N \*58010297\* EXEPT S/Nos \*229-300\* AND FOR CC 421C ON FRONT TANK FROM S/N \*58020438\* EXEPT S/Nos \*440-442\*.  
6) FOR ORIGINAL MOUNTED TANK ON CC 421 UP TO S/N \*58010312\* AND ON CC 421C UP TO S/N \*58020448\*.  
7) VALID FOR CC 421C ON REAR WATER TANK UP TO S/N \*58020448\*.  
8) VALID FOR CC 421C ON REAR WATER TANK FROM S/N \*58020449\*.  
9) INCLUDED IN WATER TANK, ITEM 1.

Group  
Grupp **10**



- 35 55 70
- 35 62 15
- 35 62 59
- 35 62 74
- 35 64 20
- 35 66 13
- 35 84 61

# DYNAPAC

Reservdelskatalog / Spare Parts Catalogue

S-232-4

CC 421/421C

0040

Utgåva Issue 1993-12		Bildnr. Picture N <sup>o</sup> 15361-1		SPRINKLERSYSTEM FRAM/BAK	SPRINKLER SYSTEM FRONT/REAR	Grupp Group 010	Sida Page 16
Pos. Item	Antal / Quantity		Art.nr. Part N <sup>o</sup>	Benämning	Denomination	K C	Anmärkning Notes
0920	46	2	34 98 30	DETALJ PLÅT	SHEET METAL PART		
0940	47	8	53 30 08	SKRUV	SCREW		
0960	48	8	92 39 76	MUTTER	NUT		
0980	49	8	60 00 02	BRICKA	WASHER		
1000	50	2	92 80 41	GÅNGJÄRN	HINGE		
1020	51	10	51 30 12	SKRUV	SCREW		
1040	52	10	58 60 02	MUTTER	NUT		
1060	53	21	60 00 04	BRICKA	WASHER		
1080	54	4	92 84 67	BRICKA	WASHER		
1100	55	2	35 80 94	DETALJ PLÅT	SHEET METAL PART		3)
1110		1		.GUMMIDUK	.RUBBER CLOTH		3), 3X35x160 MM
1120	56	1XL	90 90 85	KABELGENOMFÖRING	GROMMET		L=105 MM
1140	57	1	90 13 09	KULVENTIL	VALVE		
1160	58	1	90 13 00	SLANGKOPPLING	HOSE CONNECTION		
1180	59	1	16 00 21	O-RING	O-RING		D 6)
1200	60	1	35 68 81	DETALJ GUMMI	RUBBER PART		D
1220	61	1	35 68 82	DETALJ STÅLPROFIL	STEEL PROFILE PART		
1240	62	2	34 97 52	DETALJ PLÅT	SHEET METAL PART		4), 7)
1250		2	35 79 55	DETALJ PLÅT	SHEET METAL PART		8)
1260	63	8	50 01 94	SKRUV	SCREW		4)
1280	64	8	50 00 56	SKRUV	SCREW		5)
1300	65	16	60 00 09	BRICKA	WASHER		
1320	66	2	35 63 27	DETALJ GUMMI	RUBBER PART		D
1340	67	2	35 63 39	DETALJ STÅLPROFIL	STEEL PROFILE PART		
1360	68	6	50 01 93	SKRUV	SCREW		
1380	69	2	92 36 83	PLUGG	PLUG		D
1400	70	1	92 93 48	SLANGKOPPLING	HOSE CONNECTION		D
1420	71	1	92 94 19	SNABBKOPPLING	COUPLING		D
1440	72	5	92 87 81	SPRINKLER KPL	SPRINKLER CPL		D 4 ON CC 421C, REAR
1450		2	90 29 11	SPRINKLER KPL	SPRINKLER CPL		D DRUM EDGE SPRINKL.
1460	73	1	92 36 80	.DYSHÅLLARE	.NOZZLE CLAMP		D
1470		1	92 39 62	.O-RING	.O-RING		D
1480	74	1	92 36 79	.DYSA	.NOZZLE BODY		D
1490		1	90 29 10	.DYSA	.NOZZLE BODY		D DRUM EDGE SPRINKL.
1500	75	1	92 36 82	.PACKNING	.GASKET		D
1520	76	1	92 36 81	.SNABBKOPPLING, SVART	.COUPLING, BLACK		D
1530		1	90 28 68	.SNABBKOPPLING, RÖD	.COUPLING, RED		D OPTION
1540	77	1	49 94 44	.SIL	STRAINER		B
1550		1	90 28 69	.SIL MED BACKVENTIL	.STRAINER W. VALVE		B OPTION
1555		1	90 30 10	.PACKNING TILL SIL	.GASKET TO STRAINER		D OPTION
1560	78	1	90 18 37	ADAPTER	ADAPTER		
1580	79	15	54 17 03	SKRUV	SCREW		

3) ORIGINAL MOUNTED ON CC 421 FROM S/N \*58010313\* AND ON CC 421C FROM S/N \*58020449\*.

4) FOR CC 421 UP TO S/N \*58010300\* EXEPT S/Nos \*297-298\* AND FOR CC 421C ON FRONT TANK UP TO

4) S/N \*58020442\* EXEPT S/Nos \*438-439\*. 5) FOR CC 421 FROM S/N \*58010297\* EXEPT S/Nos \*229-300\*

5) AND FOR CC 421C ON FRONT TANK FROM S/N \*58020438\* EXEPT S/Nos \*440-442\*.

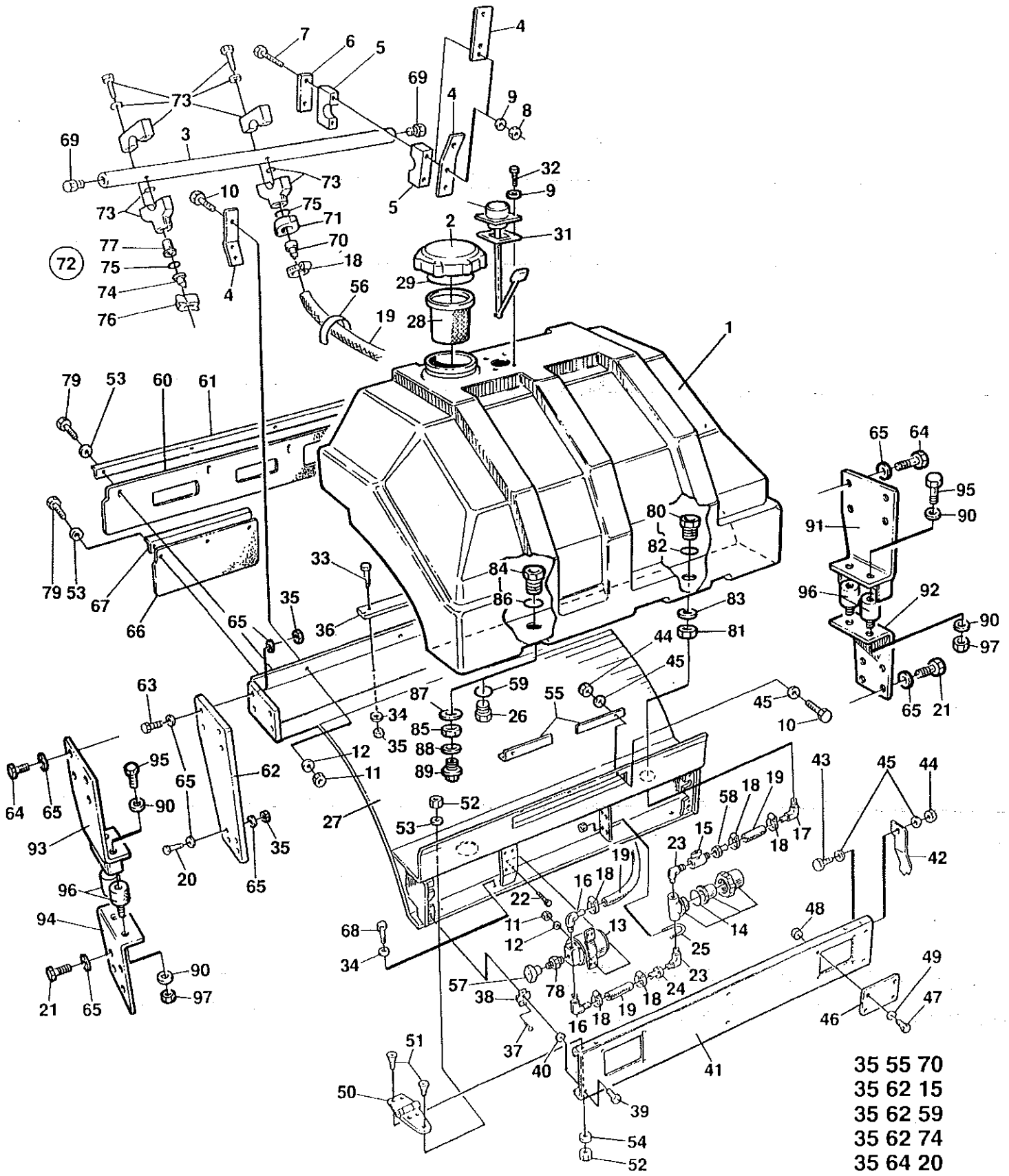
6) FOR ORIGINAL MOUNTED TANK ON CC 421 UP TO S/N \*58010312\* AND ON CC 421C UP TO S/N \*58020448\*.

7) VALID FOR CC 421C ON REAR WATER TANK UP TO S/N \*58020448\*.

8) VALID FOR CC 421C ON REAR WATER TANK FROM S/N \*58020449\*.

9) INCLUDED IN WATER TANK, ITEM 1.

Group  
Grupp **10**



- 35 55 70
- 35 62 15
- 35 62 59
- 35 62 74
- 35 64 20
- 35 66 13
- 35 84 61

# DYNAPAC

Reservdelskatalog / Spare Parts Catalogue

S-232-4

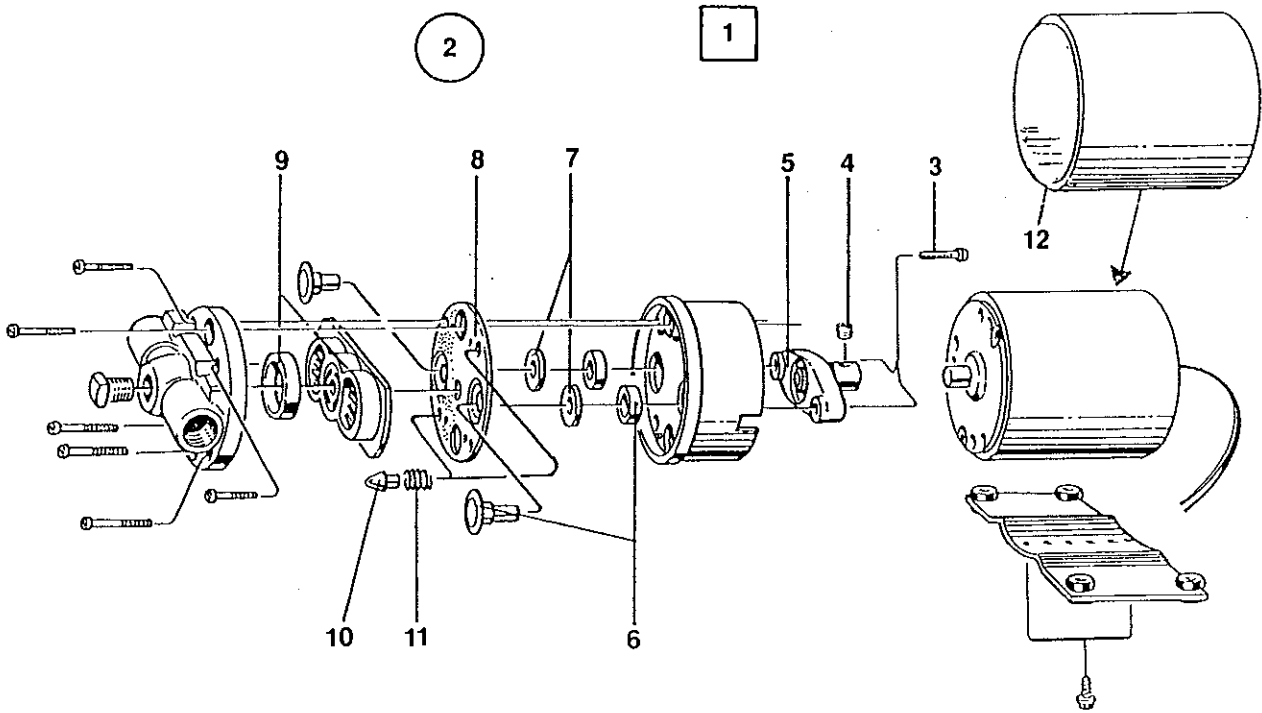
CC 421/421C

0040

Utgåva Issue		Bildnr. Picture N <sup>o</sup>		SPRINKLERSYSTEM FRAM/BAK	SPRINKLER SYSTEM FRONT/REAR	Grupp Group	Sida Page	
1993-12		15361-1				010	18	
Pos. Item	Antal / Quantity			Art.nr. Part N <sup>o</sup>	Benämning	Denomination	K C	Anmärkning Notes
1600		1		90 29 16	ADAPTER SATS	ADAPTER KIT		
1620	80	1			.ADAPTER	.ADAPTER		3), 9)
1640	81	1			.MUTTER	.NUT		3), 9)
1660	82	1		35 69 64	.TÄTNING	.SEAL	D	3), 9)
1680	83	1			.BRICKA	.WASHER		3), 9)
1700		1		90 29 17	ADAPTER SATS	ADAPTER KIT		
1720	84	1			.ADAPTER	.ADAPTER		3), 9)
1740	85	1			.MUTTER	.NUT		3), 9)
1760	86	1		35 76 50	.TÄTNING	.SEAL	D	3), 9)
1780	87	1			.BRICKA	.WASHER		3), 9)
1800		1		90 29 18	PLUGG SATS	PLUG KIT		
1820	88	1		35 76 51	.PACKNING	.GASKET	D	3), 9)
1840	89	1			.PLUGG	.PLUG		3), 9)
1860	90	8		61 50 44	BRICKA	WASHER		5)
1880	91	1		35 81 53	TANKSTATIV	TANK SUPPORT, 5)		FR:UP/LH, RE:UP/RH
1900	92	1		35 81 50	TANKSTATIV	TANK SUPPORT, 5)		FR:LO/LH, RE:LO/RH
1920	93	1		35 81 52	TANKSTATIV	TANK SUPPORT, 5)		FR:UP/RH, RE:UP/LH
1940	94	1		35 81 48	TANKSTATIV	TANK SUPPORT, 5)		FR:LO/RH, RE:LO/LH
1960	95	4		50 00 27	SKRUV	SCREW		5)
1980	96	4		28 00 81	GUMMIELEMENT	SHOCK ABSORBER	D	5)
2000	97	4		57 00 06	MUTTER	NUT		5)

- 3) ORIGINAL MOUNTED ON CC 421 FROM S/N \*58010313\* AND ON CC 421C FROM S/N \*58020449\*.  
 4) FOR CC 421 UP TO S/N \*58010300\* EXEPT S/Nos \*297-298\* AND FOR CC 421C ON FRONT TANK UP TO  
 4) S/N \*58020442\* EXEPT S/Nos \*438-439\*. 5) FOR CC 421 FROM S/N \*58010297\* EXEPT S/Nos \*229-300\*  
 5) AND FOR CC 421C ON FRONT TANK FROM S/N \*58020438\* EXEPT S/Nos \*440-442\*.  
 6) FOR ORIGINAL MOUNTED TANK ON CC 421 UP TO S/N \*58010312\* AND ON CC 421C UP TO S/N \*58020448\*.  
 7) VALID FOR CC 421C ON REAR WATER TANK UP TO S/N \*58020448\*.  
 8) VALID FOR CC 421C ON REAR WATER TANK FROM S/N \*58020449\*.  
 9) INCLUDED IN WATER TANK, ITEM 1.

Group **10**  
Grupp





# DYNAPAC

Reservdelskatalog / Spare Parts Catalogue

S-232-4

CC 421/421C

0050

Utgåva Issue		Bildnr. Picture N°		VATTENPUMP		SPRINKLING PUMP		Grupp Group	Sida Page
1993-12		14373-1						010	20
Pos. Item	Antal / Quantity			Art.nr. Part N°	Benämning	Denomination	K C	Anmärkning Notes	
0020	1	1		92 36 90	VATTENPUMP	SPRINKLING PUMP	C	CPL	
0040	2	1		92 86 49	..REPARATIONSSATS	..REPAIR KIT	D		
0060	3	1			..SKRUV SATS	..SCREW KIT			
0080	4	1			..SKRUV	..SCREW			
0100	5	1			..ROTOR	..ROTOR		CPL	
0120	6	1			..KOLV SATS	..PISTON SET			
0140	7	2			..SLITBRICKA	..WEARWASHER			
0160	8	1			..MEMBRAN	..DIAPHRAGM			
0180	9	1			..BACKVENTIL	..CHECK VALVE			
0200	10	2			..KÄGLA	..POPPET			
0220	11	2			..FJÄDER	..SPRING			
0240	12	1		92 98 81	..SKYDD	..PROTECTION			



# ***DYNAPAC***

## **VALS**

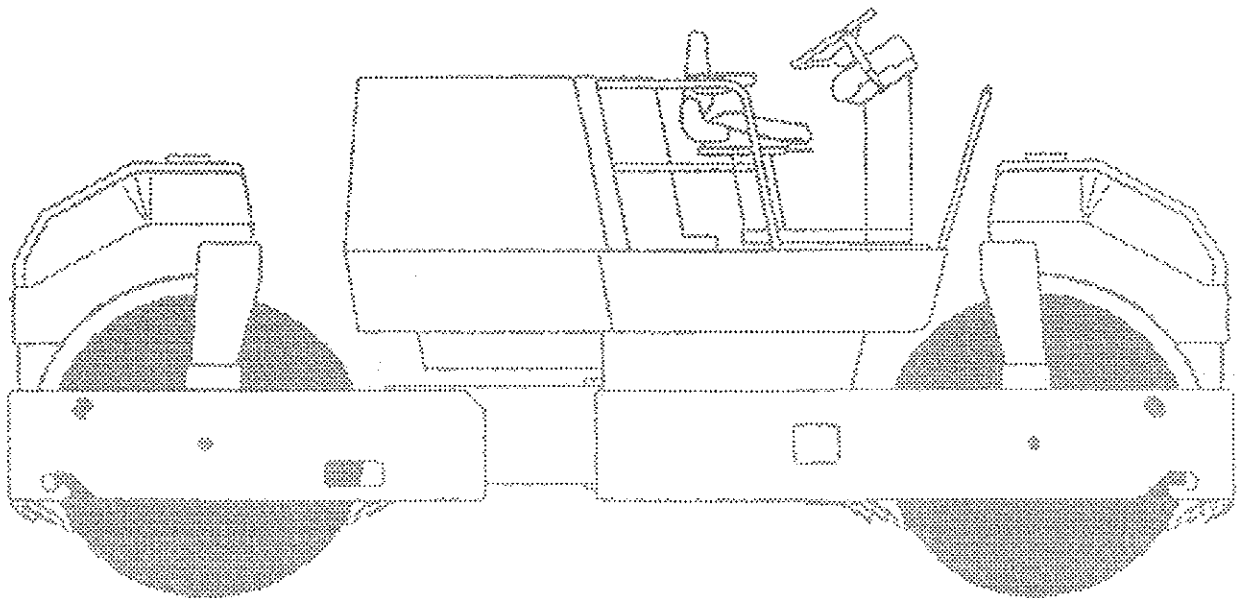
VALS  
VALSVÄXEL  
HJUL (ENDAST CC 421C)

## **DRUM**

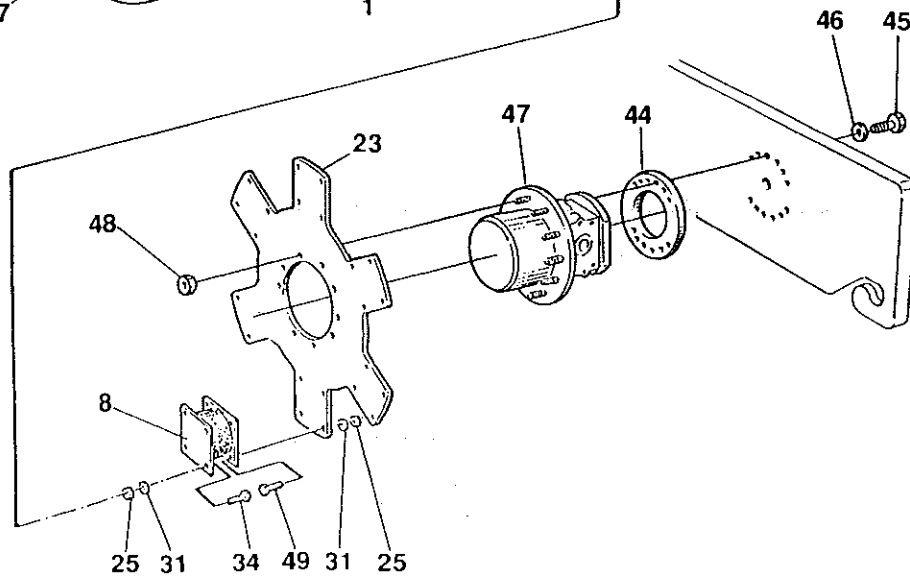
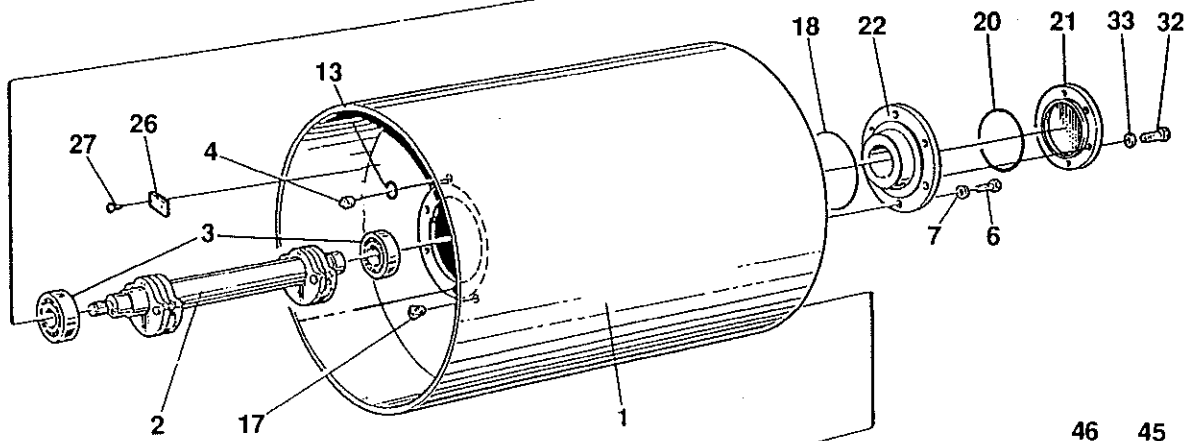
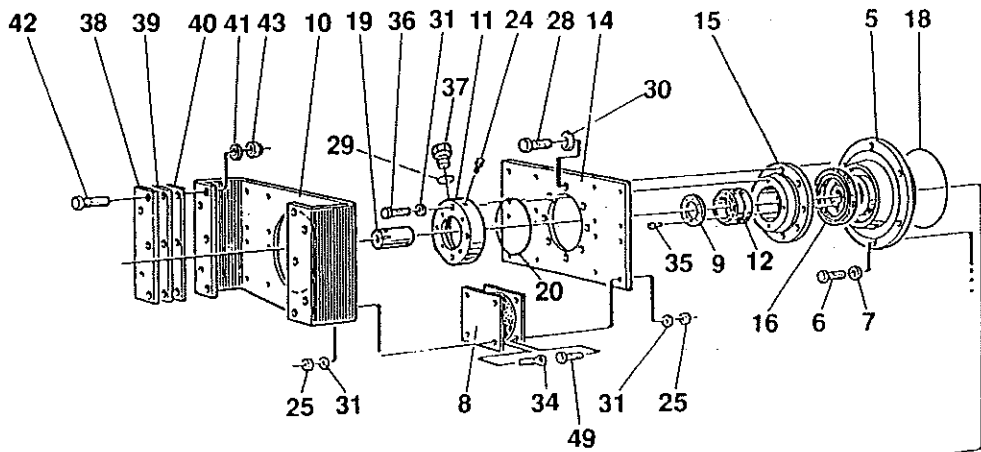
DRUM  
DRUM GEAR  
WHEELS (CC 421C ONLY)

## **Page**

2  
4  
8



Group  
Grupp **20**



15362

34 97 98  
34 97 99  
35 62 15  
35 62 59

# DYNAPAC

Reservdelskatalog / Spare Parts Catalogue

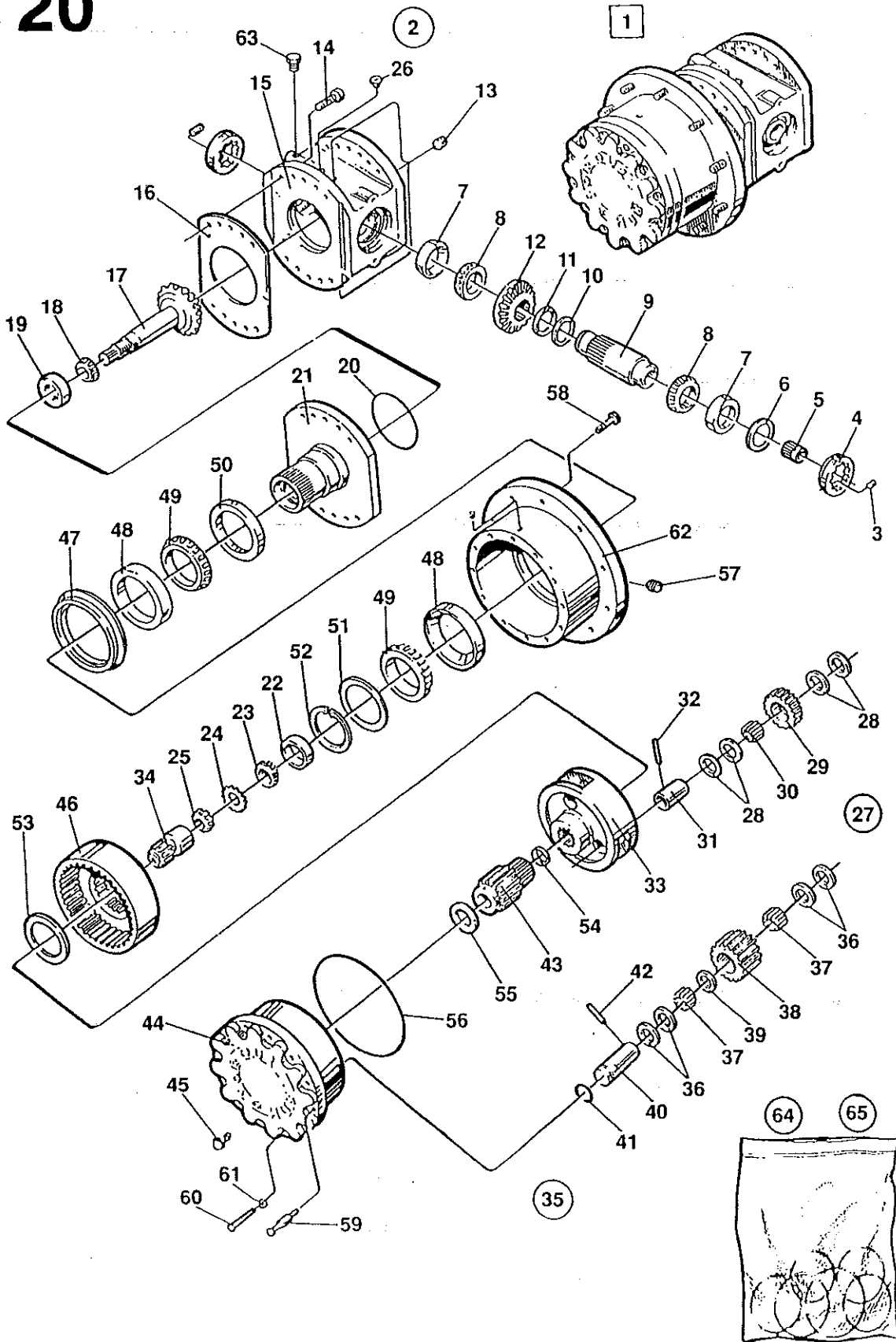
S-232-4

CC 421/421C

0010

Utgåva Issue		Bildnr. Picture N°		VALS CC 421: FRAM/BAK CC 421C: ENDAST FRAM		DRUM CC 421: FRONT/REAR CC 421C: FRONT ONLY		Grupp Group	Sida Page
1993-12		15362						020	2
Pos. Item	Antal / Quantity			Art.nr. Part N°	Benämning	Denomination	K C	Anmärkning Notes	
0020	1	1		84 35 51	VALS	DRUM			
0040	2	1		84 35 50	EXCENTER	ECCENTRIC			
0060	3	2		11 40 60	LAGER	BEARING	D		
0080	4	1		34 37 44	MAGNETPLUGG	MAGNETIC PLUG	D		
0100	5	1		34 33 20	LAGERHUS	BEARING HOUSING			
0120	6	16		50 01 02	SKRUV	SCREW			
0140	7	16		61 50 46	BRICKA	WASHER			
0160	8	10		80 11 87	GUMMELEMENT	SHOCK ABSORBER	B		
0180	9	1		34 34 62	LAGERLOCK	BEARING COVER			
0200	10	1		34 30 66	DETALJ PLÅT	SHEET METAL PART			
0220	11	1		34 35 61	ADAPTER	ADAPTER			
0240	12	1		11 60 41	LAGER	BEARING	D		
0260	13	1		16 20 17	TÄTNING	SEALING	D		
0280	14	1		34 33 22	DETALJ PLÅT	SHEET METAL PART			
0300	15	1		34 33 18	LAGERHUS	BEARING HOUSING			
0320	16	1		16 70 23	TÄTNING	SEALING	D		
0340	17	1		92 25 52	NIVÅGLAS	LEVEL GLASS	D		
0360	18	2		16 01 07	O-RING	O-RING	D		
0380	19	1		34 34 10	SPLINESHYLSA	SPLINED SLEEVE			
0400	20	2		16 01 05	O-RING	O-RING	D		
0420	21	1		34 33 21	LAGERLOCK	BEARING COVER			
0440	22	1		34 33 19	LAGERHUS	BEARING HOUSING			
0460	23	1		84 25 54	MEDBRINGARSKIVA	DRIVE DISC			
0480	24	1		92 67 36	AVLUFTNINGSFILTER	VENTILATING FILTER	B		
0500	25	80		58 60 19	MUTTER	NUT			
0520	26	1		34 38 01	SKYLT	SIGN			
0540	27	4		52 70 02	SKRUV	SCREW			
0560	28	8		50 00 76	SKRUV	SCREW			
0580	29	1		16 20 15	TÄTNING	SEALING	D		
0600	30	8		61 50 46	BRICKA	WASHER			
0620	31	84		60 00 09	BRICKA	WASHER			
0640	32	6		50 00 28	SKRUV	SCREW			
0660	33	6		61 50 44	BRICKA	WASHER			
0680	34	40		50 00 37	SKRUV	SCREW			
0700	35	8		50 80 19	SKRUV	SCREW			
0720	36	4		50 01 33	SKRUV	SCREW			
0740	37	1		23 20 70	PLUGG	PLUG			
0760	38	N		84 26 30	MELLANLÄGG	SHIM			T=6 MM
0780	39	N		84 26 31	MELLANLÄGG	SHIM			T=3 MM
0800	40	N		84 26 32	MELLANLÄGG	SHIM			T=1.5 MM
0820	41	10		61 50 46	BRICKA	WASHER			
0840	42	10		50 00 82	SKRUV	SCREW			
0860	43	10		58 60 21	MUTTER	NUT			
0880	44	1		34 95 19	DETALJ PLÅT	SHEET METAL PART			
0900	45	12		50 30 57	SKRUV	SCREW			
0920	46	12		60 40 17	BRICKA	WASHER			
0940	47	1			VALSVÄXEL	DRUM GEAR			SEE PAGE 4
0960	48	10		81 36 94	MUTTER	NUT			
0980	49	40		50 01 94	SKRUV	SCREW			

Group  
Grupp **20**



# DYNAPAC

Reservdelskatalog / Spare Parts Catalogue

S-232-4

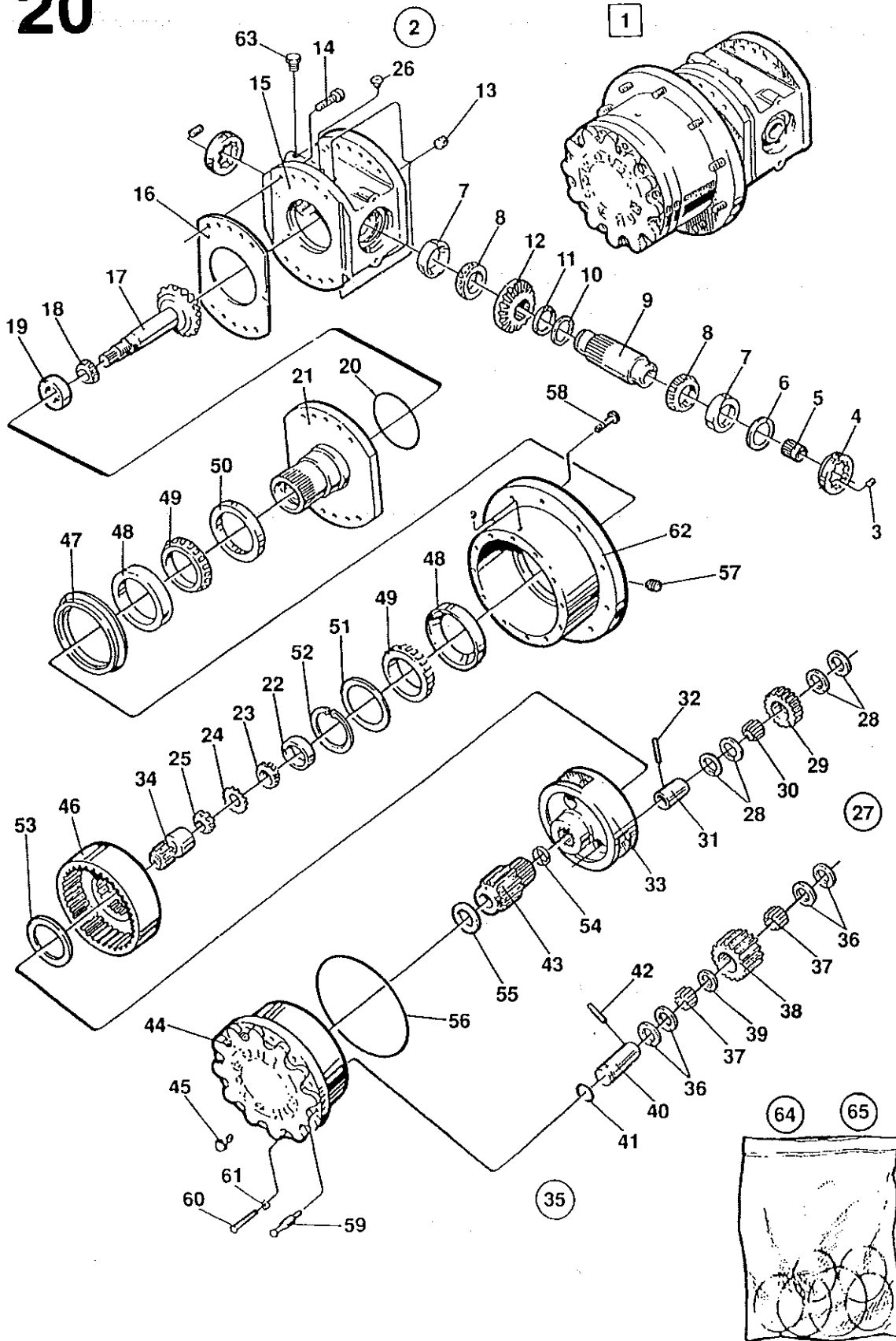
CC 421/421C

0020

Utgåva Issue		Bildnr. Picture N°		VALSVÄXEL	DRUM GEAR	Grupp Group	Sida Page	
1993-12		15203-1				020	4	
Pos. Item	Antal / Quantity			Art.nr. Part N°	Benämning	Denomination	K C	Anmärkning Notes
	1)	2)						
0020	1	1			VALSVÄXEL	DRUM GEAR		1), CPL
0030			1	35 83 96	VALSVÄXEL	DRUM GEAR	C	2), CPL
0040	2	1	1	90 03 94	..VINKELVÄXEL	..ANGEL GEAR	D	CPL
0060	3	2	2		..SKRUV	..SCREW		
0080	4	2	2		..MUTTER	..NUT		
0100	5	1	1	42 35 50	..KOPPLING	..COUPLING		
0120	6	1	1	42 33 43	..LÄSRING	..SNAP RING		
0140	7	2	2		..YTERRING	..BEARING CUP		
0160	8	2	2		..INNERRING	..BEARING CONE		
0180	9	1	1		..AXEL	..CROSS SHAFT		
0200	10	1	1		..LÄSRING	..SNAP RING		
0220	11	1	1		..DISTANS	..SPACER		
0240	12	1	1		..VINKELDREV	..BORE BEVEL GEAR		
0260	13	3	3	42 34 61	..PLUGG	..PLUG		
0280	14	10	10		..SKRUV	..SCREW		
0300	15	1	1		..HUS	..HOUSING		
0320	16	1	1		..MELLANLÄGG SATS	..SHIM KIT		
0340	17	1	1		..PINJONG	..STEM PINION		
0360	18	1	1		..INNERRING	..BEARING CONE		
0380	19	1	1		..YTERRING	..BEARING CUP		
0400	20	1	1		..O-RING	..O-RING		3)
0420	21	1	1		..SPINDEL	..SPINDLE		
0440	22	1	1		..YTERRING	..BEARING CUP		
0460	23	1	1		..INNERRING	..BEARING CONE		
0480	24	1	1		..LÄSBRICKA	..LOCK WASHER		
0500	25	1	1		..MUTTER	..NUT		
0520	26	1	1		..PLUGG	..PLUG		
0540	27	1	1	90 31 79	..INRE PLANET KPL	..PLANET INNER CPL	D	
0560	28	12	12		..TRYCKBRICKA	..THRUST WASHER		
0580	29	3	3		..KUGGHJUL	..GEAR		
0600	30	57	57		..RULLE	..NEEDLE ROLLER		
0620	31	3	3		..AXEL	..SHAFT		
0640	32	3	3		..PINNE	..DOWEL PIN		
0660	33	1	1		..PLANETHÅLLARE	..INPUT CARRIER		
0680	34	1	1		..KUGGHJUL	..GEAR		
0700	35	1	1	90 31 80	..YTTRE PLANET KPL	..PLANET OUTER CPL	D	
0720	36	12	12		..TRYCKBRICKA	..THRUST WASHER		
0740	37	108	108		..RULLE	..NEEDLE ROLLER		
0760	38	3	3		..KUGGHJUL	..GEAR		
0780	39	3	3		..DISTANS	..SPACER		
0800	40	3	3		..AXEL	..PLANET SHAFT		
0820	41	3	3		..O-RING	..O-RING		3)
0840	42	3	3		..PINNE	..DOWEL PIN		
0860	43	1	1		..KUGGHJUL	..GEAR		
0880	44	1	1		..PLANETHÅLLARE	..OUTPUT CARRIER		
0900	45	2	2	90 03 98	..MAGNETPLUGG	..MAGNETIC PLUG		
0920	46	1	1	90 04 62	..RINGDREV	..INTERNAL GEAR		
0940	47	1	1		..DAMÅSK	..SEAL BOOT		3)
0960	48	2	2	42 33 34	..YTERRING	..BEARING CUP		4)
0980	49	2	2	42 33 30	..INNERRING	..BEARING CONE		4)

- 1) ORIGINAL MOUNTED ON CC 421 UP TO S/N \*58010386\* AND ON CC 421C UP TO S/N \*58020450\*.  
 2) ORIGINAL MOUNTED ON CC 421 FROM S/N \*58010387\* AND ON CC 421C FROM S/N \*58020451\*.  
 3) INCLUDED IN KIT, ITEM 64.  
 4) INCLUDED IN KIT, ITEM 65.

Group  
Grupp **20**





# DYNAPAC

Reservdelskatalog / Spare Parts Catalogue

S-232-4

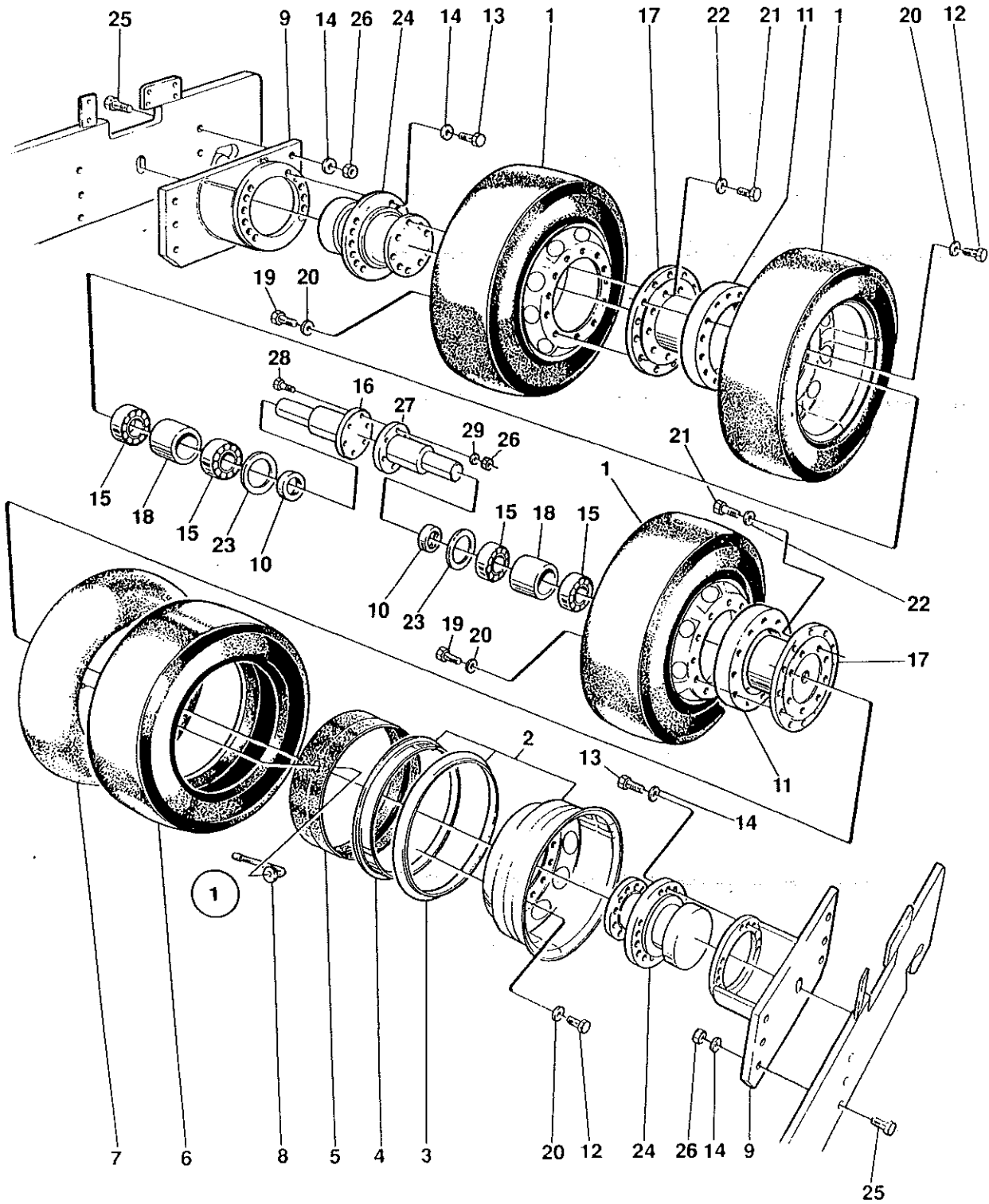
CC 421/421C

0020

Utgåva Issue		Bildnr. Picture N <sup>o</sup>		VALSVÄXEL		DRUM GEAR		Grupp Group	Sida Page
1993-12		15203-1						020	6
Pos. Item	Antal / Quantity		Art.nr. Part N <sup>o</sup>	Benämning	Denomination	K C	Anmärkning Notes		
	1)	2)							
1000	53	1		.PACKNING	.SEAL		3)		
1020	51	1	90 03 99	.MELLANLÄGG	.SHIM		4)		
1040	52	1		.LÅSRING	.SNAP RING		4)		
1060	53	1	90 04 02	.TRYCKBRICKA	.THRUST WASHER		3)		
1080	54	1	90 04 01	.DISTANS	.SPACER				
1100	55	1	42 35 52	.TRYCKBRICKA	.THRUST WASHER		3)		
1120	56	2		.O-RING	.O-RING		3)		
1140	57	2	42 33 50	.MAGNETPLUGG	.MAGNETIC PLUG				
1160	58	10	42 31 49	.PINNBULT	.STUD				
1180	59	4	90 11 24	.SKRUV	.SCREW				
1190			90 11 25	.SKRUV	.SCREW				
1200	60	8	90 11 25	.SKRUV	.SCREW				
1210			90 11 24	.SKRUV	.SCREW				
1220	61	8	90 04 05	.BRICKA	.WASHER				
1240	62	1		.NAV	.HUB				
1260	63	1	90 18 14	.AVLUFTNINGSPLOGG	.VENT PLUG				
1280	64	1	90 31 81	.PACKNINGSSATS	.SEAL KIT	D			
1300	65	1	90 31 82	.LAGERSATS	.BEARING KIT	D			

- 1) ORIGINAL MOUNTED ON CC 421 UP TO S/N \*58010386\* AND ON CC 421C UP TO S/N \*58020450\*.  
 2) ORIGINAL MOUNTED ON CC 421 FROM S/N \*58010387\* AND ON CC 421C FROM S/N \*58020451\*.  
 3) INCLUDED IN KIT, ITEM 64.  
 4) INCLUDED IN KIT, ITEM 65.

Group **20**  
 Grupp



15204-1

35 62 15  
 35 62 60

# DYNAPAC

Reservdelskatalog / Spare Parts Catalogue

S-232-4

CC 421/421C

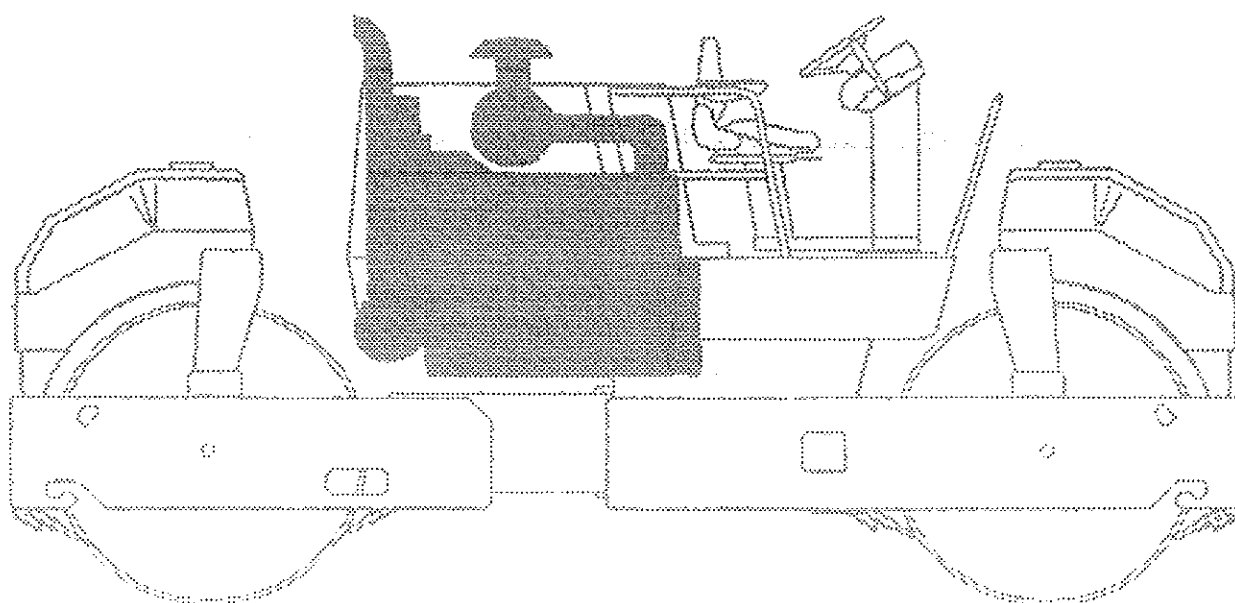
0030

Utgåva Issue		Bildnr. Picture N <sup>o</sup>		HJUL BAK ENDAST CC 421C		WHEELS REAR CC 421C ONLY		Grupp Group	Sida Page
1993-12		15204-1						020	8
Pos. Item	Antal / Quantity			Art.nr. Part N <sup>o</sup>	Benämning	Denomination	K C	Anmärkning Notes	
0020	1	4		35 60 72	HJUL	WHEEL			
0040	2	1		90 13 29	FÄLG	RIM			
0060	3	1		90 16 37	SIDRING	SIDE RING			
0080	4	1		90 16 36	LÅSRING	LOCK RING			
0100	5	1		90 13 32	FÄLGBAND	RIM LINER	D		
0120	6	1		90 13 17	DÄCK	TYRE	B		
0140	7	1		90 13 34	DÄCKSSLANG	TYRE TUBE	B		
0160	8	1		90 13 35	VENTIL	VALVE	B		
0180	9	2		35 62 18	MOTORFÄSTE	ENGINE BRACKET			
0200	10	2		90 13 79	TÄTNING	SEALING	D		
0220	11	2		35 62 16	DETALJ PLÅT	SHEET METAL PART			
0240	12	10		50 02 10	SKRUV	SCREW			
0260	13	20		50 01 02	SKRUV	SCREW			
0280	14	32		61 50 46	BRICKA	WASHER			
0300	15	4		90 13 21	LAGER	BEARING	D		
0320	16	1		35 63 86	AXEL	SHAFT		RIGHT	
0340	17	2		35 61 83	NAV	HUB			
0360	18	2		35 61 85	DETALJ STÅLRÖR	STEEL TUBE PART			
0380	19	10		50 02 00	SKRUV	SCREW			
0400	20	20		90 22 52	BRICKA	WASHER			
0420	21	24		50 00 49	SKRUV	SCREW			
0440	22	24		61 50 45	BRICKA	WASHER			
0460	23	2		90 13 78	SPÄRRING	RETAINING RING			
0480	24	1			HYDRAULMOTOR	HYDR MOTOR		SEE GROUP 50	
0500	25	12		50 00 82	SKRUV	SCREW			
0520	26	18		58 60 21	MUTTER	NUT			
0540	27	1		35 63 87	AXEL	SHAFT		LEFT	
0560	28	6		50 00 58	SKRUV	SCREW			
0580	29	6		60 00 11	BRICKA	WASHER			

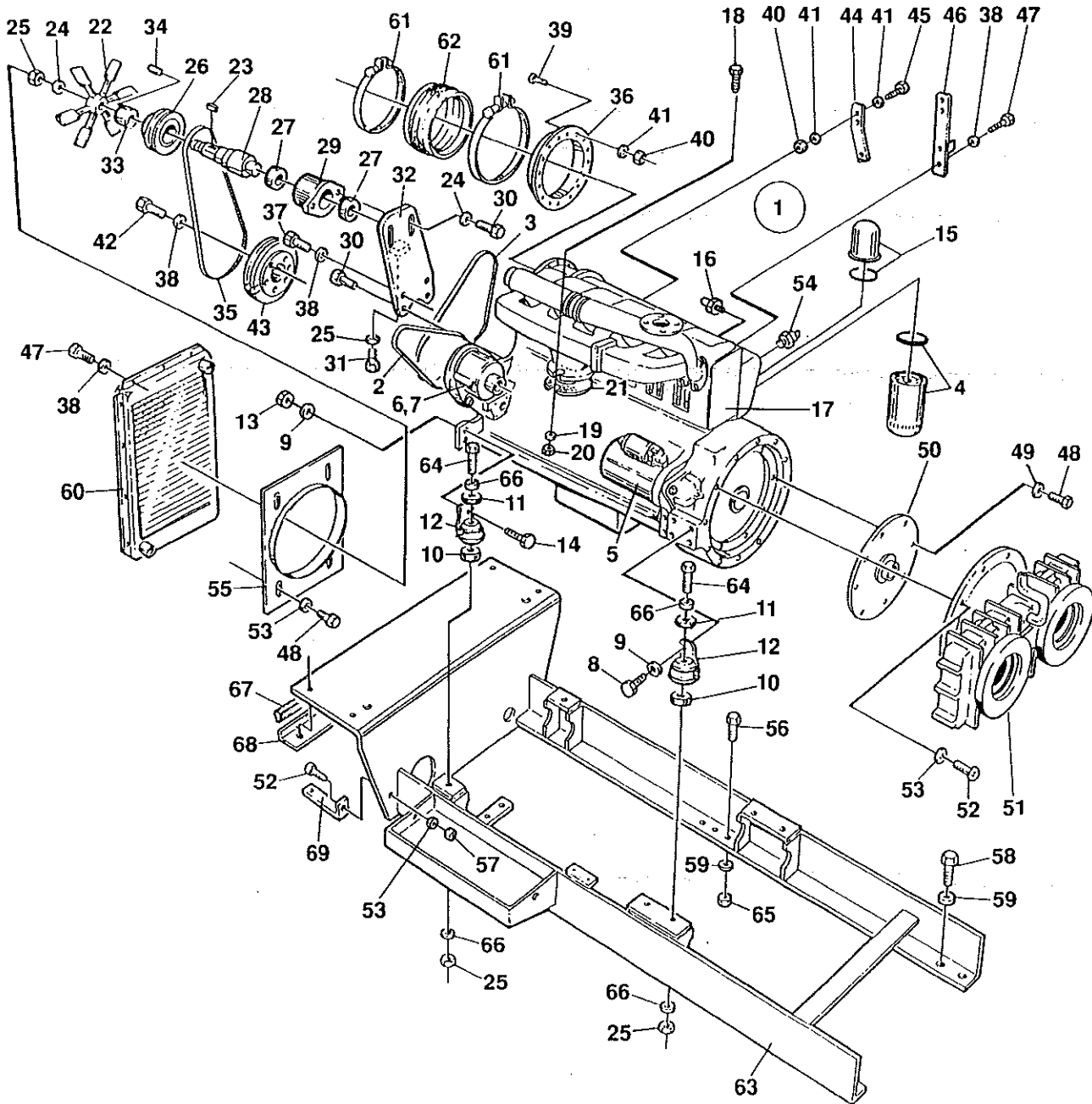


# ***DYNAPAC***

<b>MOTOR</b>	<b>ENGINE</b>	<b>Page</b>
MOTOR DEUTZ	ENGINE DEUTZ	2
MOTOR CUMMINS	ENGINE CUMMINS	6
KYLARE CUMMINS	COOLER CUMMINS	8
VÄXELLÅDA	GEAR BOX	10
INSUGNINGSSYSTEM	INTAKE SYSTEM	12
BRÄNSLESYSTEM	FUEL SYSTEM	14
AVGASSYSTEM	EXHAUST SYSTEM	16



Group **30**  
 Grupp



15363-1

34 13 69  
 34 83 50  
 34 83 51  
 34 84 71

# DYNAPAC

Reservdelskatalog / Spare Parts Catalogue

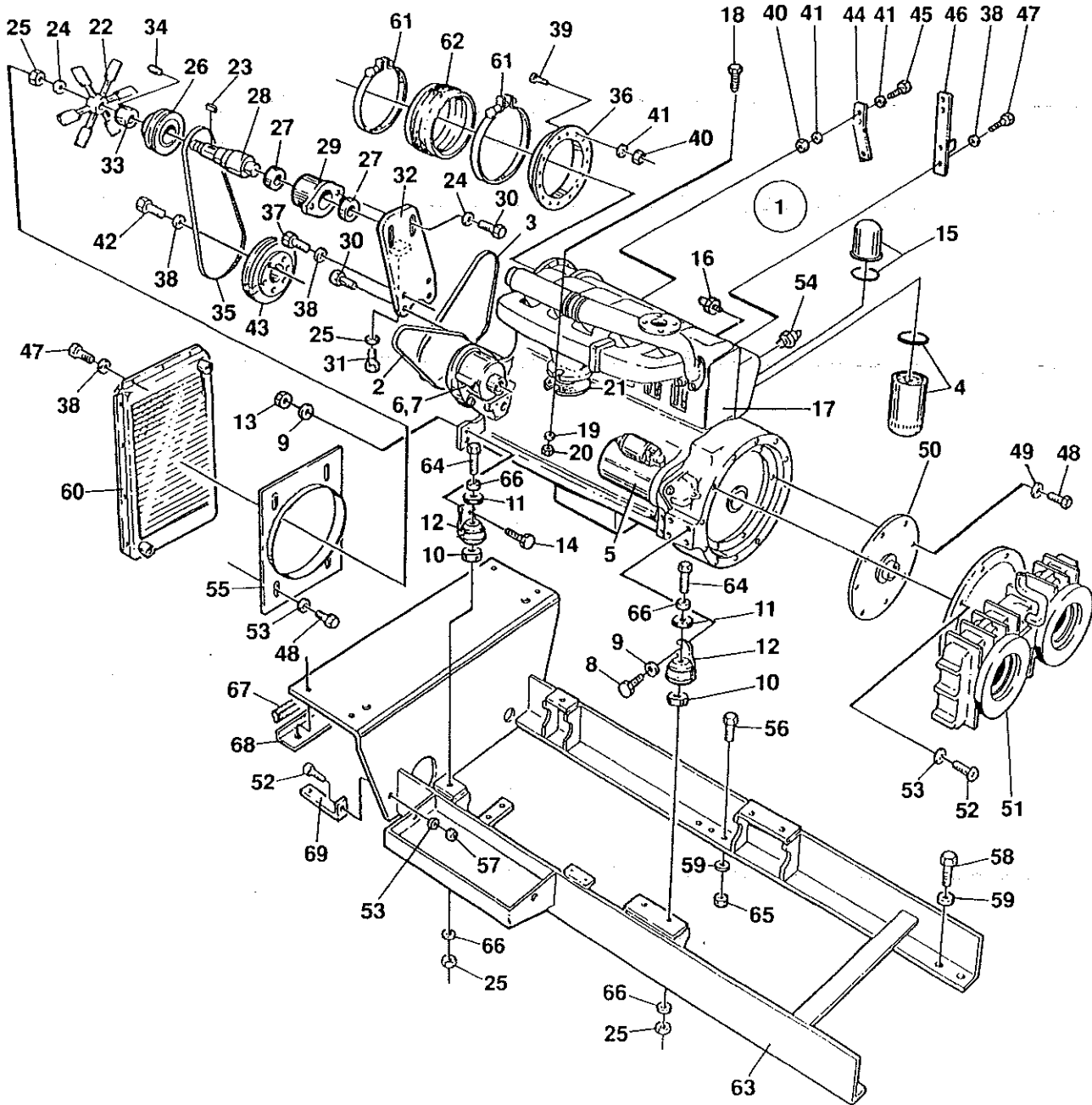
S-232-4

CC 421/421C

0010

Utgåva Issue 1993-12		Bildnr. Picture N <sup>o</sup> 15363-1		MOTOR DEUTZ F6L 912		ENGINE DEUTZ F6L 912		Grupp Group 030	Sida Page 2
Pos. Item	Antal / Quantity			Art.nr. Part N <sup>o</sup>	Benämning	Denomination	K C	Anmärkning Notes	
0020	1	1		34 60 99	MOTOR	ENGINE			
0040	2	1		74 75 43	KILREM	V-BELT	B	ALTERNATOR	
0060	3	1		41 30 55	KILREM	V-BELT	B	FAN AIR COOLER	
0080	4	1		74 74 76	OLJEFILTER	OIL FILTER	A		
0100	5	1		69 20 55	STARTMOTOR	STARTING MOTOR	C		
0120	6	1		69 00 30	GENERATOR	ALTERNATOR	C	CPL, 65 A	
0140	7	1		21 23 80	RELÄ	RELAY	D	TO 65 A ALTERNATOR	
0145	6	1		90 28 46	GENERATOR	ALTERNATOR	C	CPL, 95 A	
0150	7	1		90 28 47	RELÄ	RELAY	D	TO 95 A ALTERNATOR	
0160	8	8		50 01 93	SKRUV	SCREW			
0180	9	12		61 50 45	BRICKA	WASHER			
0200	10	6		74 76 19	BRICKA	WASHER			
0220	11	6		74 76 20	BRICKA	WASHER			
0240	12	6		74 76 18	MOTORFÄSTE	ENGINE BRACKET	D		
0260	13	4		57 00 07	MUTTER	NUT			
0280	14	4		50 00 56	SKRUV	SCREW			
0300	15	1		74 73 84	BRÄNSLEFILTER	FUEL FILTER	A		
0320	16	1		92 56 77	OLJETR.GIVARE	OIL PRESS. SWITCH	D		
0340	17	6		74 70 28	VENTILKÅPSPACKNING	VALVE COVER GASKET			
0360	18	3		74 76 40	SKRUV	SCREW			
0380	19	3		74 76 37	BRICKA	WASHER			
0400	20	3		74 76 12	MUTTER	NUT			
0420	21	1		74 74 72	PACKNING	GASKET	D		
0440	22	1		92 56 71	FLÄKT	FAN			
0460	23	1		35 00 18	KIL	KEY			
0480	24	3		61 50 45	BRICKA	WASHER			
0500	25	8		58 60 19	MUTTER	NUT			
0520	26	1		92 90 40	KILREMSSKIVA	V-BELT PULLEY	D		
0540	27	2		11 11 85	LAGER	BEARING			
0560	28	1		34 83 74	AXEL	SHAFT			
0580	29	1		34 84 72	LAGERHUS	BEARING HOUSING			
0600	30	2		50 00 37	SKRUV	SCREW			
0620	31	1		50 01 17	SKRUV	SCREW			
0640	32	1		34 84 73	DETALJ PLÅT	SHEET METAL PART			
0660	33	1		92 90 41	BUSSNING	BUSHING			
0680	34	2		92 90 43	SKRUV	SCREW			
0700	35	1		41 00 42	KILREM	V-BELT	B	FAN OIL COOLER	
0720	36	1		34 83 72	FLÄNS	FLANGE			
0740	37	2		50 01 15	SKRUV	SCREW			
0760	38	16		61 50 43	BRICKA	WASHER			
0780	39	12		50 01 85	SKRUV	SCREW			
0800	40	14		58 60 02	MUTTER	NUT			
0820	41	28		60 00 04	BRICKA	WASHER			
0840	42	6		50 00 21	SKRUV	SCREW			
0860	43	1		93 43 92	KILREMSSKIVA	V-BELT PULLEY			
0880	44	1		33 85 71	REGLAGESPAK	CONTROL LEVER			
0900	45	2		50 00 40	SKRUV	SCREW			
0920	46	1		33 85 74	REGLAGEFÄSTE	CONTROL BRACKET			
0940	47	8		50 00 19	SKRUV	SCREW			

Group  
Grupp **30**



- 34 13 69
- 34 83 50
- 34 83 51
- 34 84 71



# DYNAPAC

Reservdelskatalog / Spare Parts Catalogue

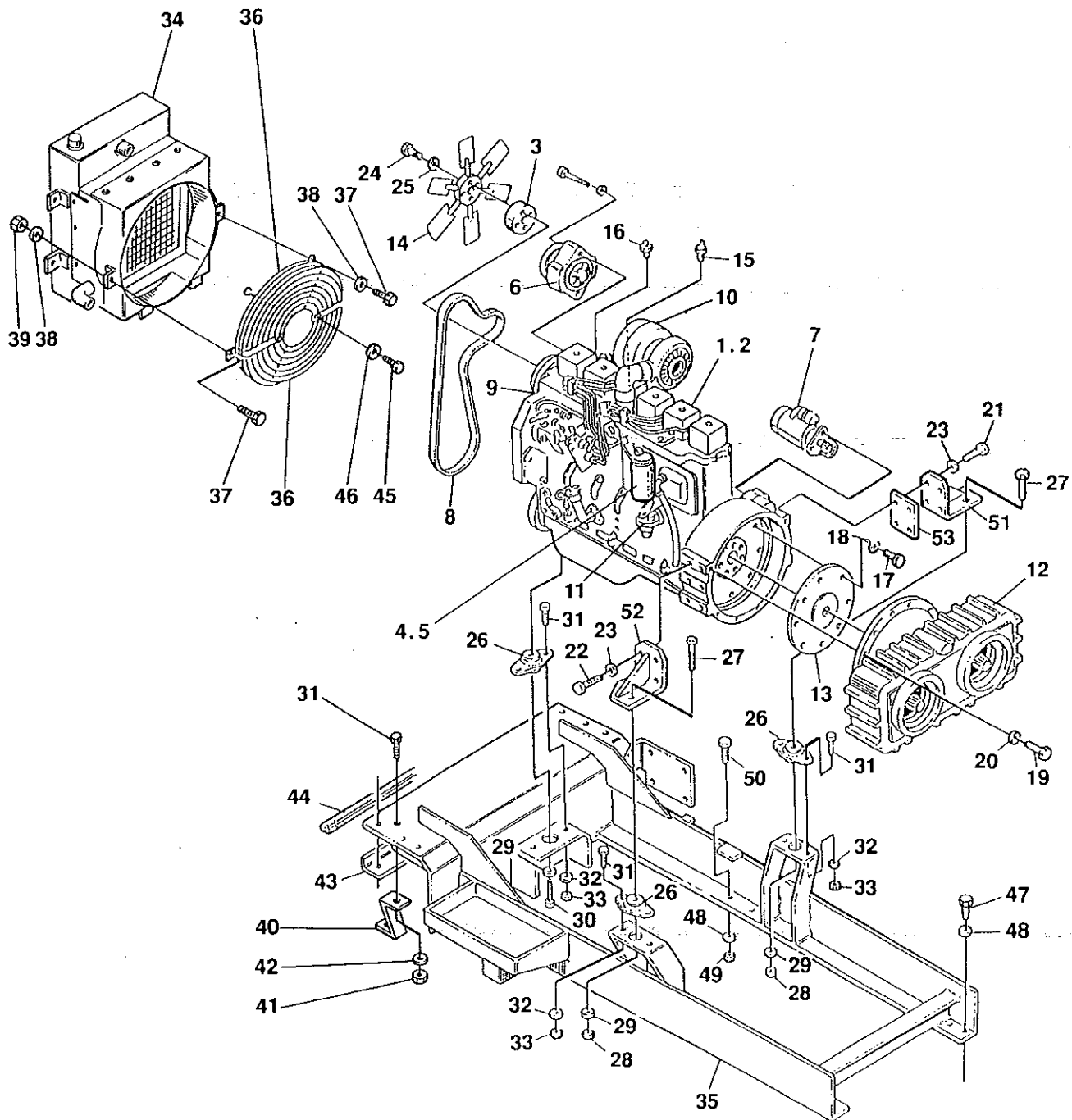
S-232-4

CC 421/421C

0010

Utgåva Issue		Bildnr. Picture N°		MOTOR DEUTZ F6L 912		ENGINE DEUTZ F6L 912		Grupp Group	Sida Page
1993-12		15363-1						030	4
Pos. Item	Antal / Quantity			Art.nr. Part N°	Benämning	Denomination	K C	Anmärkning Notes	
0960	48	12		50 00 43	SKRUV	SCREW			
0980	49	8		60 40 07	BRICKA	WASHER			
1000	50	1		34 08 55	MEDBRINGARSKIVA	DRIVE DISC			
1020	51	1			VÄXELLÅDA	GEAR BOX		SEE PAGE 12	
1040	52	14		50 00 29	SKRUV	SCREW			
1060	53	18		61 50 44	BRICKA	WASHER			
1080	54	1		98 91 52	TEMP.GIVARE	TEMP. SENSOR	D		
1100	55	1		34 83 53	DETALJ PLÅT	SHEET METAL PART			
1120	56	6		50 01 35	SKRUV	SCREW			
1140	57	2		57 00 06	MUTTER	NUT			
1160	58	4		50 00 93	SKRUV	SCREW			
1180	59	10		61 50 46	BRICKA	WASHER			
1200	60	1		33 85 94	OLJEKYLARE	OIL COOLER	C		
1220	61	2		92 70 88	SLANGKLÄMMA	HOSE CLAMP			
1240	62	1XL		92 79 38	PLASTRÖR	PLASTIC TUBE		L=160 MM	
1260	63	1		34 83 57	MOTORSTATIV	ENGINE FRAME			
1280	64	6		50 01 74	SKRUV	SCREW			
1300	65	6		57 00 08	MUTTER	NUT			
1320	66	12		60 00 09	BRICKA	WASHER			
1340	67	1XL		20 20 57	KANTLIST	EDGE TRIM		L=1080 MM	
1360	68	1		34 84 70	DETALJ PLÅT	SHEET METAL PART			
1380	69	2		34 84 69	DETALJ PLÅT	SHEET METAL PART			

Group **30**  
 Grupp



15364-1

34 13 70  
 34 87 20  
 34 87 27

# DYNAPAC

Reservdelskatalog / Spare Parts Catalogue

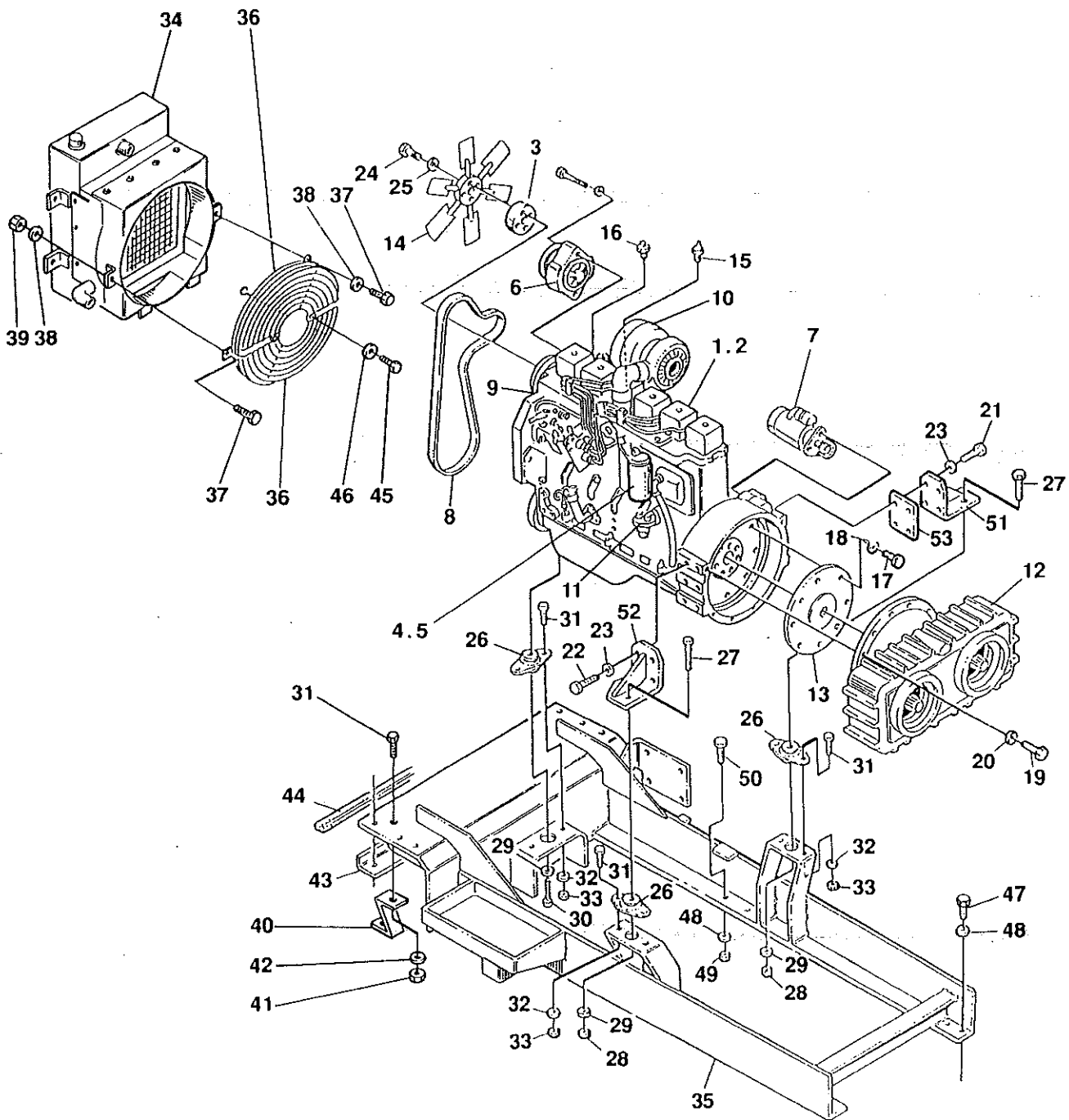
S-232-4

CC 421/421C

0020

Utgåva Issue 1993-12		Bildnr. Picture N <sup>o</sup> 15364-1		MOTOR CUMMINS 6BT 5.9		ENGINE CUMMINS 6BT 5.9		Grupp Group 030	Sida Page 6
Pos. Item	Antal / Quantity			Art.nr. Part N <sup>o</sup>	Benämning	Denomination	K C	Anmärkning Notes	
0020	1	1		80 26 32	MOTOR	ENGINE			
0040	2	1		21 23 96	OLJEFILTER	.OIL FILTER	A		
0060	3	1		90 15 19	HYLSA	.SLEEVE			
0080	4	1		90 08 27	BRÄNSLEFILTER	.FUEL FILTER	A	W. WATERSEPARATOR	
0100	5	1		90 08 29	BRÄNSLEFILTER	.FUEL FILTER	A		
0120	6	1		90 13 50	GENERATOR	ALTERNATOR	C		
0140	7	1		90 14 48	STARTMOTOR	.STARTING MOTOR	C		
0160	8	1		90 15 18	KILREM	.V-BELT	B		
0180	9	1		90 31 93	VATTENPUMP	.WATER PUMP	C		
0200	10	1		90 31 94	TURBOLADDARE	.TURBOCHARGER			
0220	11	1		90 31 95	BRÄNSLEMATARPUMP	.FUEL LIFT PUMP			
0240	12	1			VÄXELLÅDA	GEAR BOX		SEE PAGE 12	
0260	13	1		34 08 55	MEDBRINGARSKIVA	DRIVE DISC			
0280	14	1		35 58 33	FLÅKT	FAN			
0300	15	1		92 71 00	TRYCKGIVARE	PRESSURE SENDER	D		
0320	16	1		98 90 78	TEMP.GIVARE	SENSOR	D		
0340	17	8		50 20 33	SKRUV	SCREW			
0360	18	8		60 40 06	BRICKA	WASHER			
0380	19	12		50 00 29	SKRUV	SCREW			
0400	20	12		61 50 44	BRICKA	WASHER			
0420	21	4		50 01 95	SKRUV	SCREW			
0440	22	4		50 01 94	SKRUV	SCREW			
0460	23	8		61 50 45	BRICKA	WASHER			
0480	24	4		50 00 26	SKRUV	SCREW			
0500	25	4		60 40 05	BRICKA	WASHER			
0520	26	3		92 26 70	VIBRATIONSÅMPARE	SHOCK ABSORBER	D		
0540	27	2		50 01 07	SKRUV	SCREW			
0560	28	2		58 60 21	MUTTER	NUT			
0580	29	3		34 56 66	BRICKA	WASHER			
0600	30	1		50 01 35	SKRUV	SCREW			
0620	31	8		50 00 30	SKRUV	SCREW			
0640	32	6		60 00 08	BRICKA	WASHER			
0660	33	6		58 60 18	MUTTER	NUT			
0680	34	1			KYLARE	RADIATOR		SEE PAGE 10	
0700	35	1		34 87 22	MOTORSTATIV	ENGINE FRAME			
0720	36	2		34 87 64	FLÅKTGALLER	FAN GUARD			
0740	37	8		50 00 21	SKRUV	SCREW			
0760	38	8		61 50 43	BRICKA	WASHER			
0780	39	4		58 60 03	MUTTER	NUT			

Group **30**  
 Grupp



15364-1

34 13 70  
 34 87 20  
 34 87 27

# DYNAPAC

Reservdelskatalog / Spare Parts Catalogue

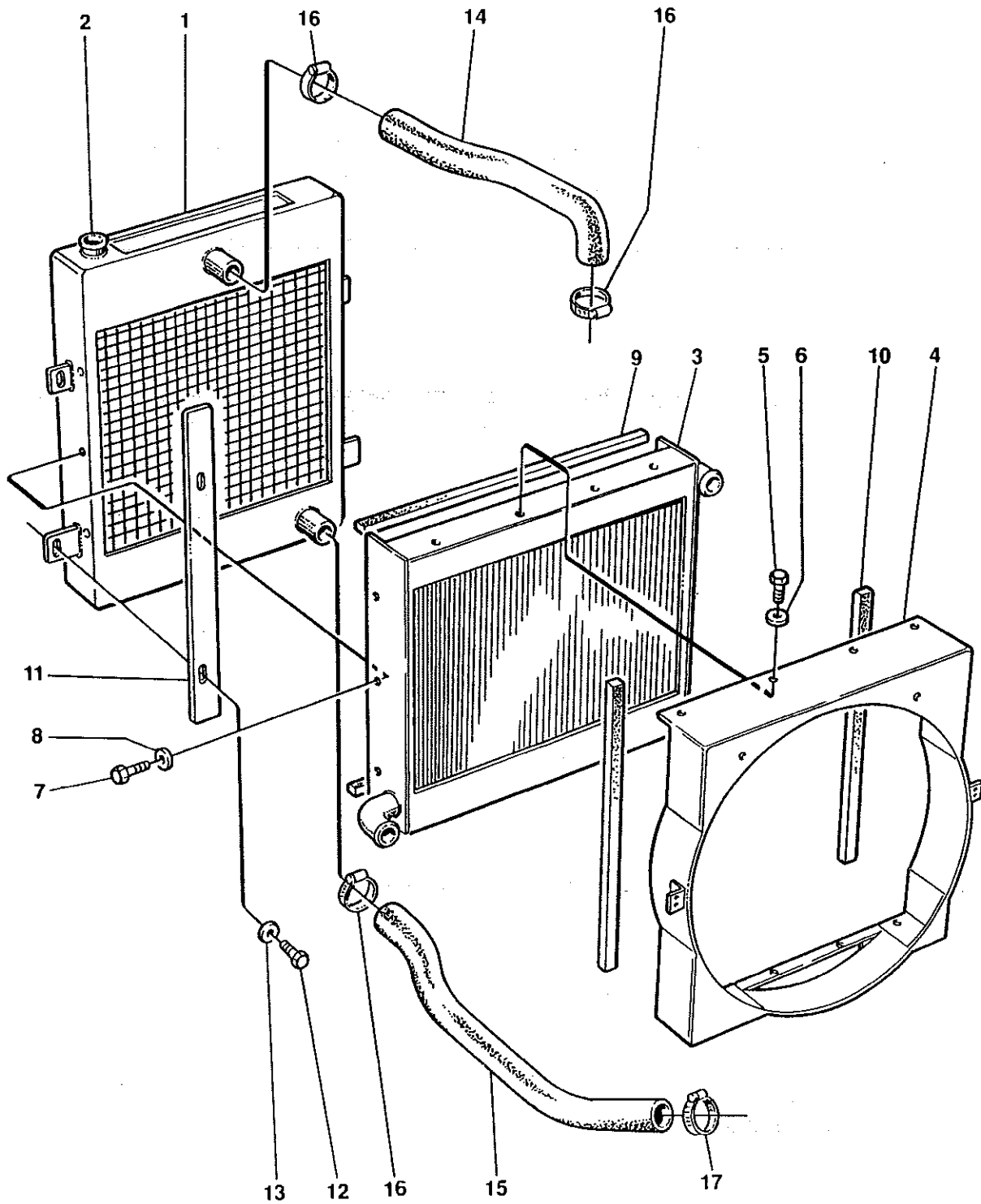
S-232-4

CC 421/421C

0020

Utgåva Issue		Bildnr. Picture N°		MOTOR CUMMINS 6BT 5.9		ENGINE CUMMINS 6BT 5.9		Grupp Group	Sida Page
1993-12		15364-1						030	8
Pos. Item	Antal / Quantity			Art.nr. Part N°	Benämning	Denomination	K C	Anmärkning Notes	
0800	40	2		34 82 90	DETALJ PLÅT	SHEET METAL PART			
0820	41	2		57 00 06	MUTTER	NUT			
0840	42	2		61 50 44	BRICKA	WASHER			
0860	43	1		34 87 55	DETALJ PLÅT	SHEET METAL PART			
0880	44	1XL		20 20 57	KANTLIST	EDGE TRIM		L=1080 MM	
0900	45	2		50 00 19	SKRUV	SCREW			
0920	46	2		60 00 06	BRICKA	WASHER			
0940	47	4		50 00 93	SKRUV	SCREW			
0960	48	10		61 50 46	BRICKA	WASHER			
0980	49	6		57 00 08	MUTTER	NUT			
1000	50	6		50 01 35	SKRUV	SCREW			
1020	51	1		34 87 34	MOTORFÄSTE	ENGINE BRACKET		LEFT	
1040	52	1		34 87 37	MOTORFÄSTE	ENGINE BRACKET		RIGHT	
1060	53	1		34 85 66	MELLANLÄGG	SHIM			

Group  
Grupp **30**



15207

34 87 23  
34 87 49

# DYNAPAC

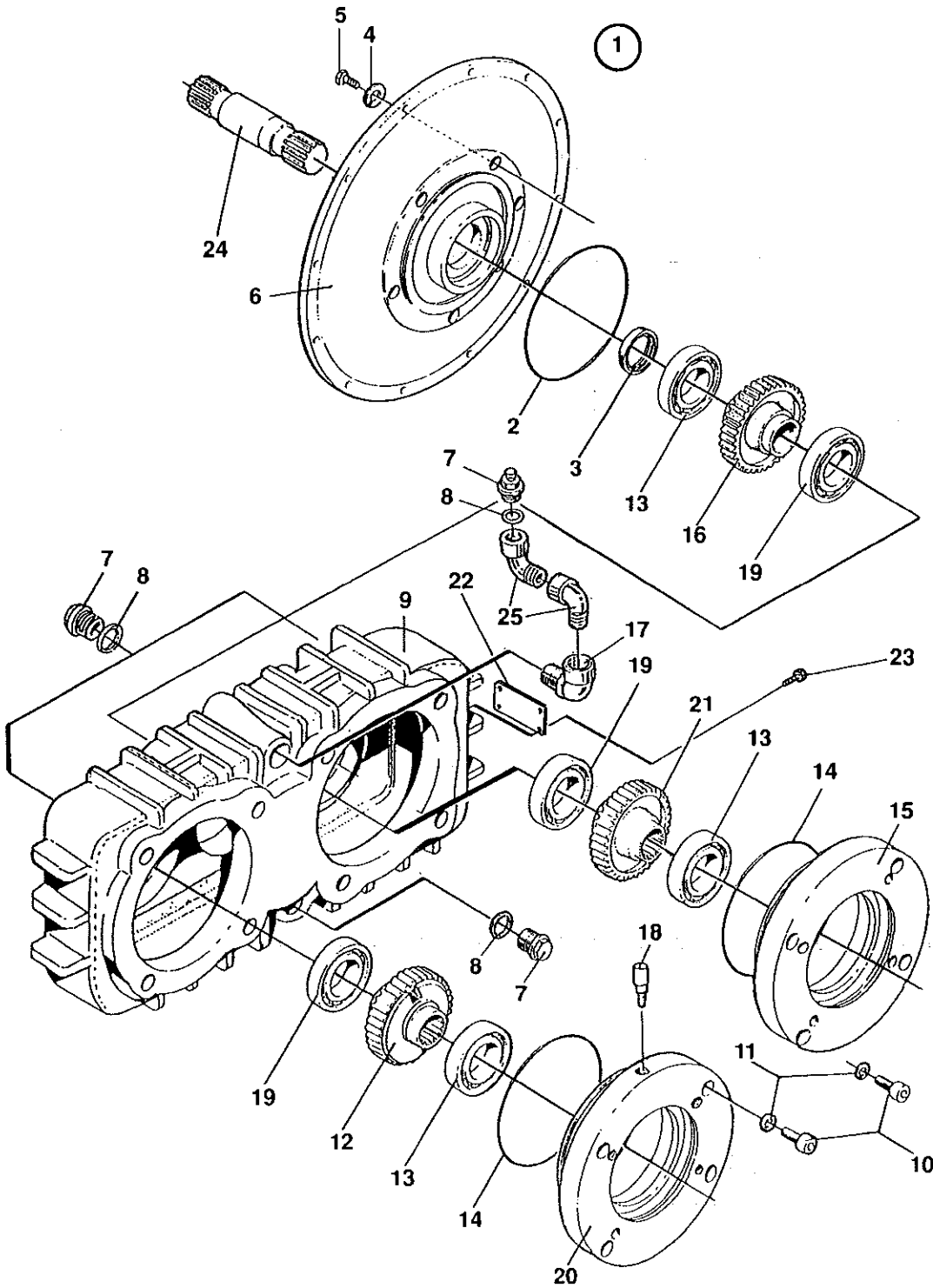
Reservdelskatalog / Spare Parts Catalogue

S-232-4

CC 421/421C

0030

Utgåva Issue 1993-12		Bildnr. Picture N° 15207		KYLARE CUMMINS		COOLER CUMMINS		Grupp Group 030	Sida Page 10
Pos. Item	Antal / Quantity			Art.nr. Part N°	Benämning	Denomination	K C	Anmärkning Notes	
0020	1	1		34 87 45	KYLARE	RADIATOR	C		
0040	2	1		91 03 63	KYLARLOCK	CAP	D		
0060	3	1		34 60 87	OLJEKYLARE	OIL COOLER	C		
0080	4	1		34 87 12	FLÄKTKÅPA	FAN SHROUD			
0100	5	8		50 00 44	SKRUV	SCREW			
0120	6	8		60 00 04	BRICKA	WASHER			
0140	7	6		50 00 48	SKRUV	SCREW			
0160	8	6		60 00 09	BRICKA	WASHER			
0180	9	2XL		20 20 41	GUMMILIST	RUBBER STRIP		L=655 MM	
0200	10	2XL		20 20 55	GUMMILIST	RUBBER STRIP		L=610 MM	
0220	11	2		84 35 76	DETALJ PLÅT	SHEET METAL PART			
0240	12	4		50 00 51	SKRUV	SCREW			
0260	13	4		61 50 45	BRICKA	WASHER			
0280	14	1		34 87 15	KYLARSLANG	COOLANT HOSE	D		
0300	15	1		34 87 13	KYLARSLANG	COOLANT HOSE	D		
0320	16	3		31 30 10	SLANGKLÄMMA	HOSE CLAMP			
0340	17	1		31 30 23	SLANGKLÄMMA	HOSE CLAMP			





# DYNAPAC

Reservdelskatalog / Spare Parts Catalogue

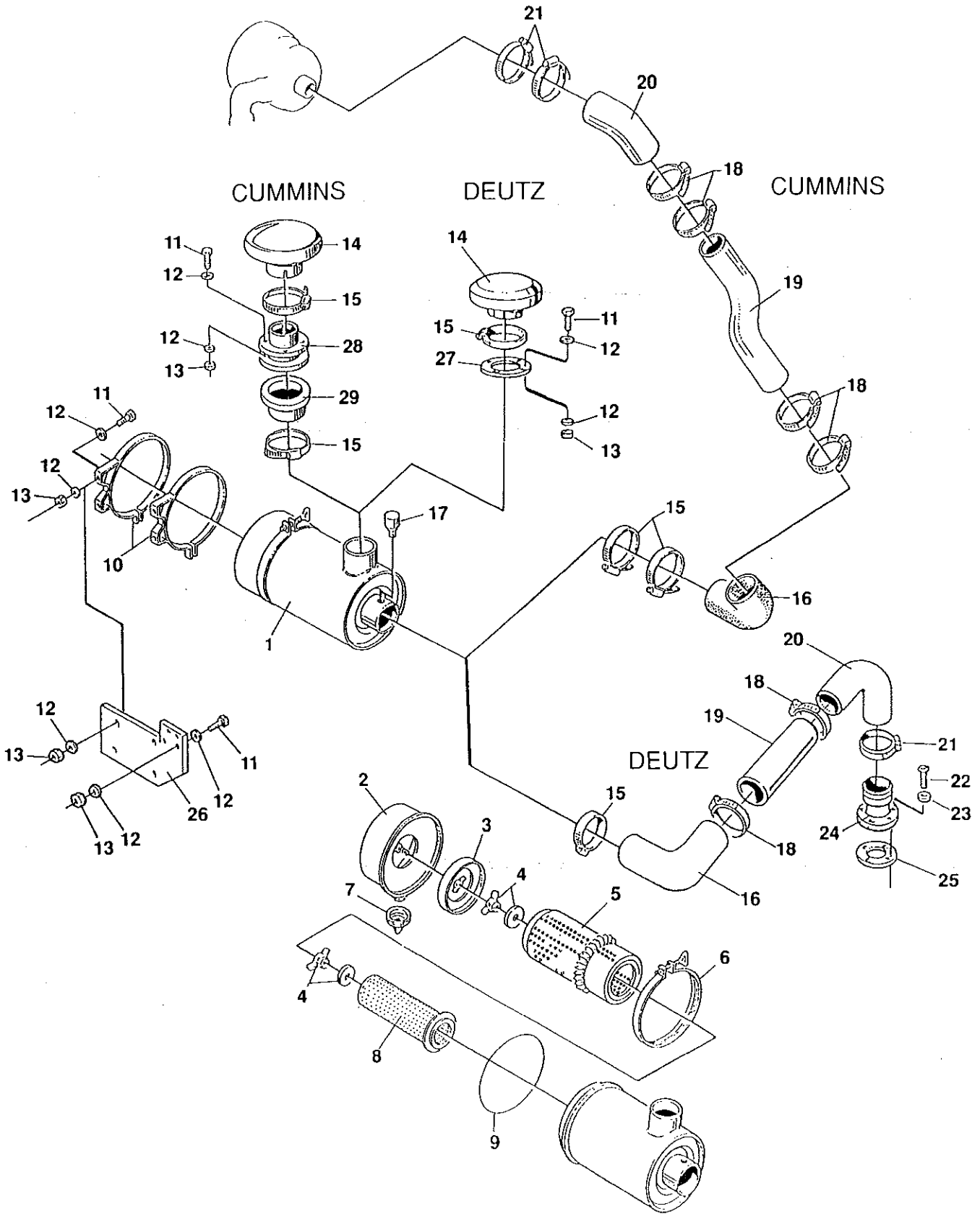
S-232-4

CC 421/421C

0040

Utgåva Issue		Bildnr. Picture N <sup>o</sup>		VÄXELLÅDA		GEAR BOX		Grupp Group	Sida Page
1993-12		14858-1						030	12
Pos. Item	Antal / Quantity			Art.nr. Part N <sup>o</sup>	Benämning	Denomination	K C	Anmärkning Notes	
0020	1	1		34 08 53	VÄXELLÅDA	GEAR BOX	C		
0040	2	1		16 02 64	.O-RING	.O-RING	D		
0060	3	1		16 10 93	.TÄTNING	.SEALING	D		
0080	4	6		60 40 11	.BRICKA	.WASHER			
0100	5	6		50 00 93	.SKRUV	.SCREW			
0120	6	1		34 08 59	.LAGERHUS	.BEARING HOUSING			
0140	7	4		23 20 56	.PLUGG	.PLUG			
0160	8	4		16 20 06	.TÄTNING	.SEALING	D		
0180	9	1		34 08 50	.VÄXELLÅDSHUS	.GEAR BOX HOUSING			
0200	10	8		50 80 31	.SKRUV	.SCREW			
0220	11	8		60 40 15	.BRICKA	.WASHER			
0240	12	1		34 08 65	.KUGGHJUL	.GEAR			
0260	13	3		11 11 96	.LAGER	.BEARING	D		
0280	14	2		16 01 81	.O-RING	.O-RING	D		
0300	15	1		34 08 57	.LAGERHUS	.BEARING HOUSING			
0320	16	1		34 08 56	.KUGGHJUL	.GEAR			
0340	17	1		33 10 57	.RÖRBÖJ	.BEND			
0360	18	1		23 20 47	.ANDNINGSFILTER	.AIR BREATHER	D		
0380	19	3		11 10 63	.LAGER	.BEARING	D		
0400	20	1		34 08 66	.LAGERHUS	.BEARING HOUSING			
0420	21	1		34 08 58	.KUGGHJUL	.GEAR			
0440	22	1		11 01 01	.SKYLT	.SIGN			
0460	23	4		52 70 02	.SKRUV	.SCREW			
0480	24	1		34 08 64	.SPLINESAXEL	.SPLINED SHAFT			
0500	25	2		33 10 57	.RÖRBÖJ	.BEND			

Group  
Grupp **30**



# DYNAPAC

Reservdelskatalog / Spare Parts Catalogue

S-232-4

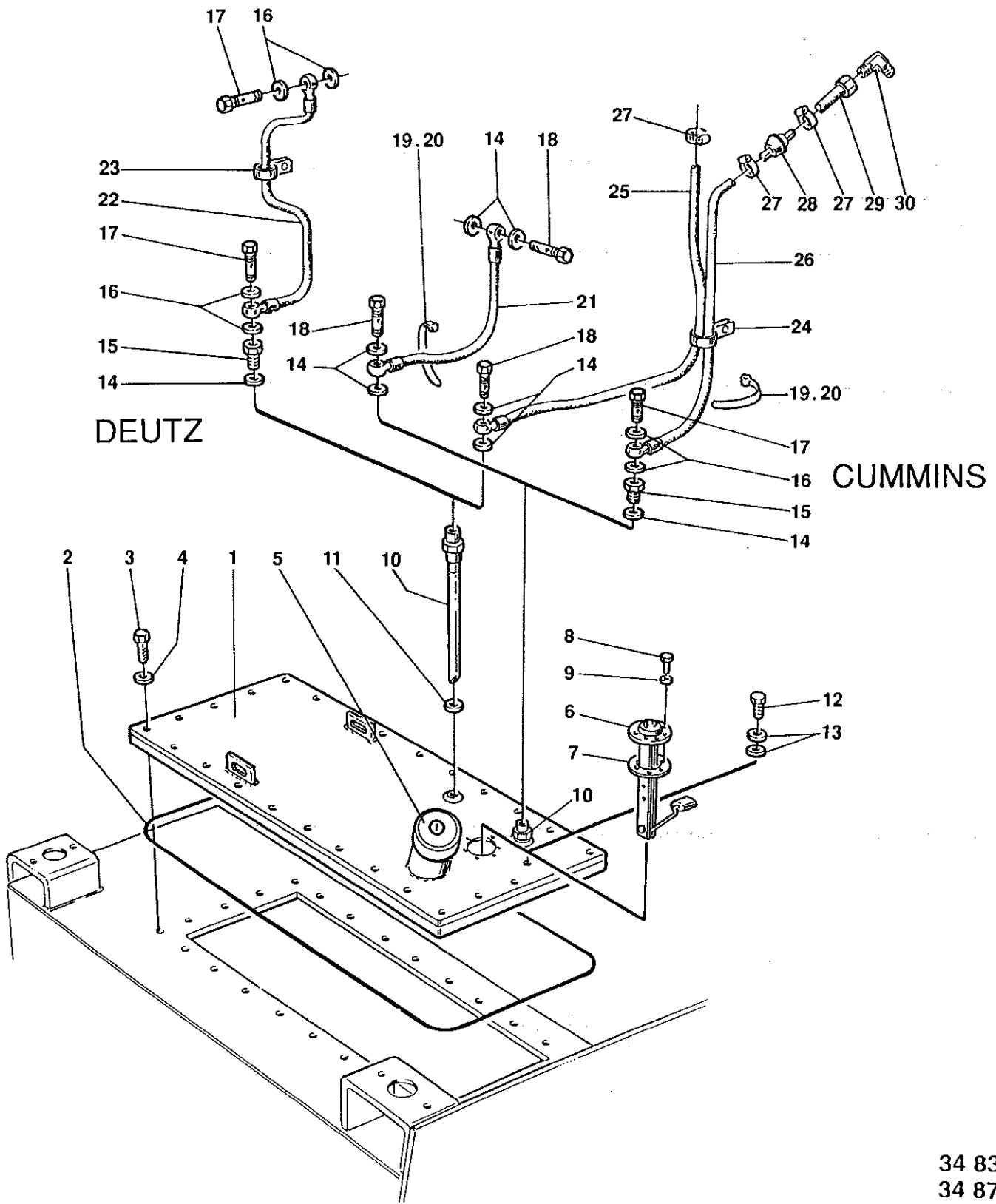
CC 421/421C

0050

Utgåva Issue		Bildnr. Picture N <sup>o</sup>		INSUGNINGSSYSTEM		INTAKE SYSTEM		Grupp Group	Sida Page
1993-12		15176-1						030	14
Pos. Item	Antal / Quantity			Art.nr. Part N <sup>o</sup>	Benämning	Denomination	K C	Anmärkning Notes	
	DTZ	CUM							
0020	1	1	1	80 21 46	LUFTRENARE	AIR CLEANER			
0040	2	1	1	49 95 54	.DAMMSAMLARE	.DUST CAP			
0060	3	1	1	89 35 24	.LOCK	.COVER			
0080	4	2	2	49 95 49	.VINGMUTTER	.WING NUT		WITH SEAL	
0100	5	1	1	81 42 57	.FILTERINSATS	.FILTER ELEMENT	A		
0120	6	1	1	89 32 28	.KLAMMER	.CLAMP			
0140	7	1	1	49 95 03	.VAKUUMVENTIL	.VACUATOR VALVE	D		
0160	8	1	1	81 42 56	.SÄKERHETSFILTER	.SAFETY ELEMENT	A		
0180	9	1	1	49 92 40	.TÄTNING	.SEALING	D		
0200	10	2	2	81 37 91	KLAMMER	CLAMP			
0220	11	12	8	50 00 28	SKRUV	SCREW			
0240	12	24	16	60 00 08	BRICKA	WASHER			
0260	13	12	8	58 60 18	MUTTER	NUT			
0280	14	1	1	49 92 66	SKYDDSHUV	COVER	D		
0300	15	2	4	31 31 05	SLANGKLÄMMA	HOSE CLAMP			
0320	16	1	1	80 16 88	DETALJ GUMMI	RUBBER PART	D		
0340	17	1		92 47 37	INDIKATOR	INDICATOR	D		
0360			1	92 90 23	INDIKATOR	INDICATOR	D		
0380	18	2		31 30 33	SLANGKLÄMMA	HOSE CLAMP			
0400			4	92 11 21	SLANGKLÄMMA	HOSE CLAMP			
0420	19	1		34 83 83	DETALJ STÅLRÖR	STEEL TUBE PART			
0440			1	34 87 19	LUFTINSUGNINGSRÖR	AIR INLET PIPE			
0460	20	1		34 83 82	DETALJ GUMMI	RUBBER PART	D		
0480			1	92 98 76	LUFTINSUGN.SLANG	AIR INLET HOSE	D		
0500	21	1		31 30 38	SLANGKLÄMMA	HOSE CLAMP			
0520			2	31 30 77	SLANGKLÄMMA	HOSE CLAMP			
0540	22	4		50 00 21	SKRUV	SCREW			
0560	23	4		61 50 43	BRICKA	WASHER			
0580	24	1		34 83 81	LUFTINSUGNINGSRÖR	AIR INLET PIPE			
0600	25	1		33 87 32	PACKNING	GASKET	D		
0620	26	1		34 83 85	DETALJ PLÅT	SHEET METAL PART			
0640	27	1		34 83 86	PACKNING	GASKET	D		
0660	28		1	34 83 06	LUFTINSUGNINGSRÖR	AIR INLET PIPE			
0680	29		1	34 83 09	BUSSNING	BUSHING			

DTZ) WITH DEUTZ ENGINE.  
CUM) WITH CUMMINS ENGINE.

Group **30**  
 Grupp



15364-1

34 83 49  
 34 87 30  
 34 97 79  
 35 62 15  
 35 62 59

# DYNAPAC

Reservdelskatalog / Spare Parts Catalogue

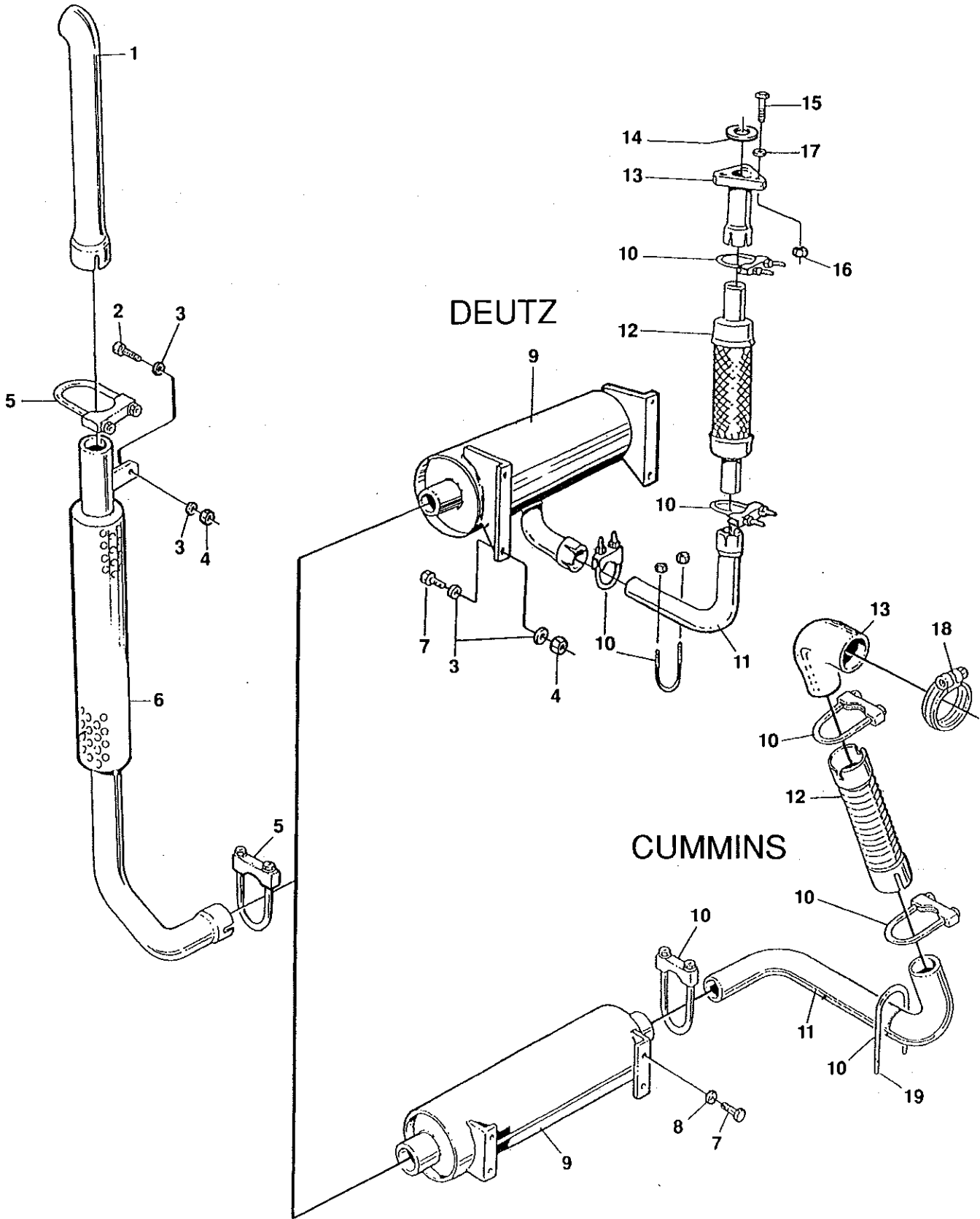
S-232-4

CC 421/421C

0060

Utgåva Issue		Bildnr. Picture N°		BRÄNSLESYSTEM		FUEL SYSTEM		Grupp Group	Sida Page
1993-12		15364-1						030	16
Pos. Item	Antal / Quantity			Art.nr. Part N°	Benämning	Denomination	K C	Anmärkning Notes	
	DTZ	CUM							
0020	1	1	1	35 62 26	LUCKA	COVER			
0040	2	1	1	35 62 33	O-RING	O-RING	D		
0060	3	26	26	50 00 53	SKRUV	SCREW			
0080	4	26	26	60 30 19	BRICKA	WASHER			
0100	5	1	1	49 90 97	TANKLOCK	CAP	D		
0110		1	1	92 89 22	NYCKEL	KEY	D	MARKED "510"	
0120	6	1	1	84 20 21	NIVÅGIVARE	LEVEL SENDER	D		
0140	7	1	1	81 33 15	PACKNING	GASKET			
0160	8	5	5	50 00 06	SKRUV	SCREW			
0180	9	5	5	61 50 41	BRICKA	WASHER			
0200	10	2	2	35 62 28	BRÄNSLERÖR	FUEL PIPE			
0220	11	2	2	16 20 17	TÄTNING	SEALING	D		
0240	12	1	1	50 00 99	SKRUV	SCREW			
0260	13	2	2	60 00 17	BRICKA	WASHER			
0280	14	5	3	74 72 82	BRICKA	WASHER			
0300	15	1	1	34 30 41	ADAPTER	ADAPTER			
0320	16	4	2	74 81 15	BRICKA	WASHER			
0340	17	2	1	23 01 95	HÅLSKRUV	HOLLOW SCREW			
0360	18	2	1	33 01 71	HÅLSKRUV	HOLLOW SCREW			
0380	19	N	N	31 30 68	BUNTBAND	CABLE TIES		L=92 MM	
0400	20	N	N	31 30 41	BUNTBAND	CABLE TIES		L=186 MM	
0420	21	1		90 18 94	BRÄNSLESLANG	FUEL HOSE	D		
0440	22	1		90 14 41	BRÄNSLESLANG	FUEL HOSE	D		
0460	23	1		92 10 39	KLAMMER	CLAMP			
0480	24		1	92 11 61	KLAMMER	CLAMP			
0500	25		1	90 14 39	BRÄNSLESLANG	FUEL HOSE	D		
0520	26		1	35 54 92	BRÄNSLESLANG	FUEL HOSE	D		
0540	27		3	31 30 75	SLANGKLÄMMA	HOSE CLAMP			
0560	28		1	92 93 22	BRÄNSLEFILTER	FUEL FILTER	A		
0580	29		1	90 14 38	BRÄNSLESLANG	FUEL HOSE	D		
0600	30		1	23 46 19	ADAPTER	ADAPTER			

DTZ) WITH DEUTZ ENGINE.  
CUM) WITH CUMMINS ENGINE.



# DYNAPAC

Reservdelskatalog / Spare Parts Catalogue

S-232-4

CC 421/421C

0070

Utgåva Issue 1993-12		Bildnr. Picture N° 15209		AVGASSYSTEM		EXHAUST SYSTEM		Grupp Group 030	Sida Page 18
Pos. Item	Antal / Quantity			Art.nr. Part N°	Benämning	Denomination	K C	Anmärkning Notes	
	DTZ	CUM							
0020	1	1	1	34 81 54	AVGASRÖR	EXHAUST PIPE	D		
0040	2	1	1	50 00 31	SKRUV	SCREW			
0060	3	10	2	60 00 08	BRICKA	WASHER			
0080	4	5	1	58 60 18	MUTTER	NUT			
0100	5	2	2	92 10 97	KLAMMER	CLAMP			
0120	6	1		34 93 71	AVGASRÖR	EXHAUST PIPE			
0140			1	34 87 18	AVGASRÖR	EXHAUST PIPE			
0160	7	4	4	50 00 30	SKRUV	SCREW			
0180	8		4	61 50 44	BRICKA	WASHER			
0200	9	1		34 93 70	LJUDDÄMPARE	MUFFLER	D		
0220			1	34 87 14	LJUDDÄMPARE	MUFFLER	D		
0240	10	4		31 30 93	KLAMMER	CLAMP			
0260			4	31 30 94	KLAMMER	CLAMP			
0280	11	1		34 83 89	AVGASRÖR	EXHAUST PIPE			
0290		1		90 19 32	KATALYSATOR	CATALYTIC CONVERT.		OPTION	
0300			1	34 87 16	AVGASRÖR	EXHAUST PIPE			
0320	12	1		34 79 44	AVGASSLANG	EXHAUST HOSE			
0340			1	92 90 87	AVGASSLANG	EXHAUST HOSE			
0360	13	1		34 25 56	AVGASRÖR	EXHAUST PIPE			
0380			1	34 94 31	AVGASRÖR	EXHAUST PIPE			
0400	14	1			PACKNING	GASKET		SEE PAGE 2	
0420	15	1			SKRUV	SCREW		SEE PAGE 2	
0440	16	1			MUTTER	NUT		SEE PAGE 2	
0460	17	3		60 00 09	BRICKA	WASHER			
0480	18		1	92 91 85	KLAMMER	CLAMP			
0500	19		2	60 00 06	BRICKA	WASHER			

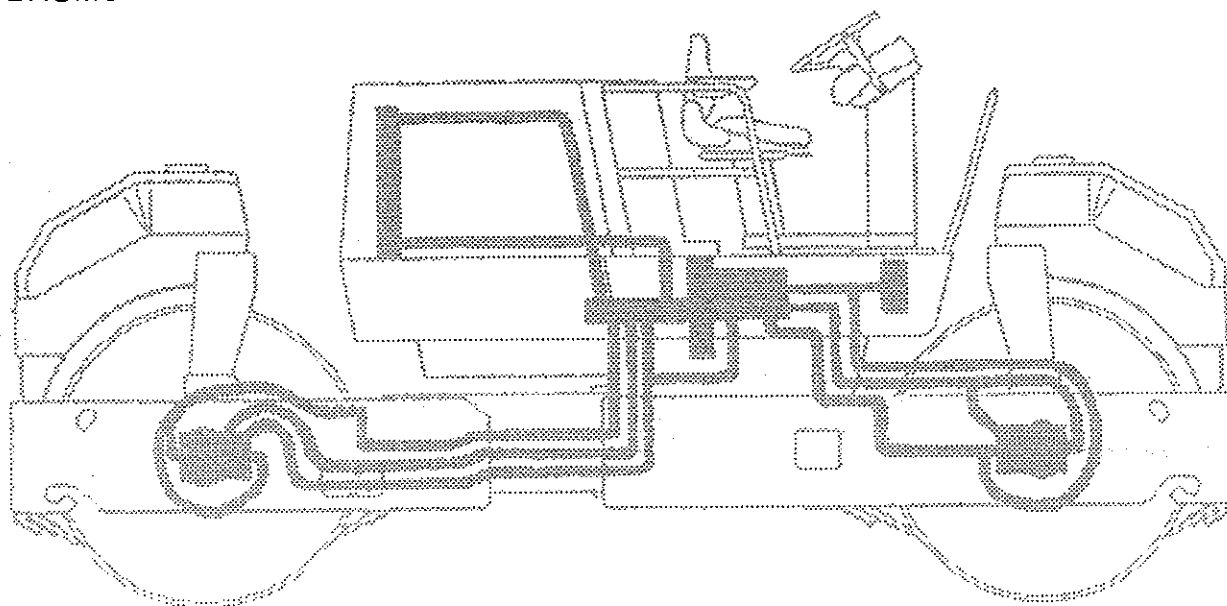
DTZ) WITH DEUTZ ENGINE.  
CUM) WITH CUMMINS ENGINE.



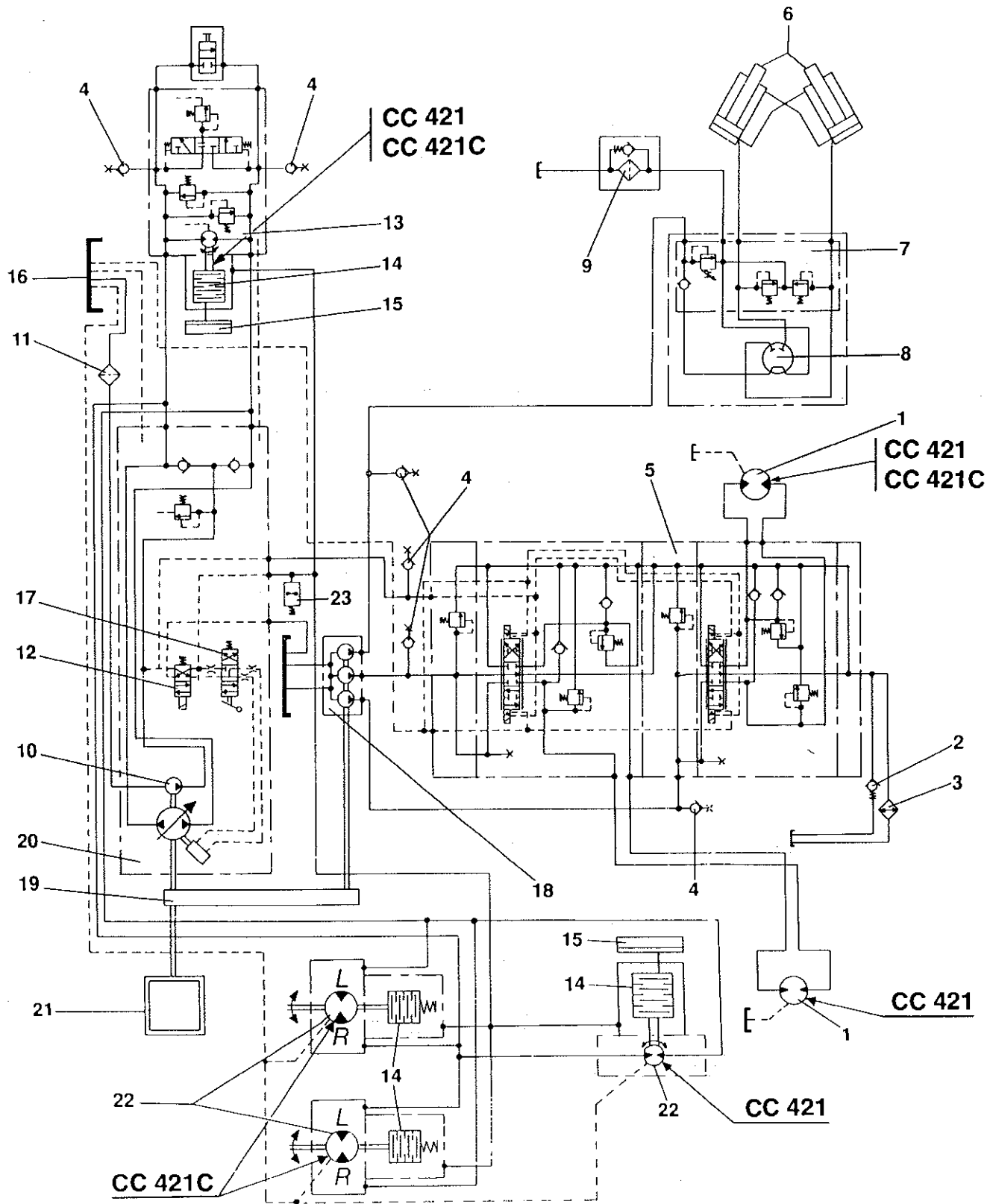


# **DYNAPAC**

<b>HYDRAULSYSTEM</b>	<b>HYDRAULIC SYSTEM</b>	<b>Page</b>
HYDRAULSCHEMA	HYDRAULIC DIAGRAM	2
FRAMDRIVNINGSSYSTEM	PROPULSION SYSTEM	4
HYDRAULPUMP FRAMDRIVNING	HYDRAULIC PUMP PROPULSION	8
MATARPUMP & SERVOVENTIL	CHARGE PUMP & PILOT VALVE	12
HYDR.MOTOR FRAMDR. FRÄMRE	HYDR MOTOR PROPULSION FRONT	14
HYDR.MOTOR FRAMDR. BAKRE	HYDR MOTOR PROPULSION REAR	18
HYDR.MOTOR FRAMDR. HJUL	HYDR MOTOR PROPULSION WHEELS	20
VIBRATIONSSYSTEM	VIBRATION SYSTEM	22
HYDR.PUMP VIBR. & STYRNING	HYDR PUMP VIBR. & STEERING	26
HYDRAULMOTOR VIBRATION	HYDRAULIC MOTOR VIBRATION	28
VIBRATIONSVENTIL, KPL	VIBRATION VALVE, CPL	30
VIBR.VENTIL MANÖVERSEKTION	VIBR. VALVE CONTROL SECTION	32
STYRSYSTEM	STEERING SYSTEM	34
STYRVENTIL	STEERING VALVE	36
STYRCYLINDER	STEERING CYLINDER	38
BROMSSYSTEM	BRAKE SYSTEM	40
BROMS	BRAKE	42



Group  
Grupp **50**



# DYNAPAC

Reservdelskatalog / Spare Parts Catalogue

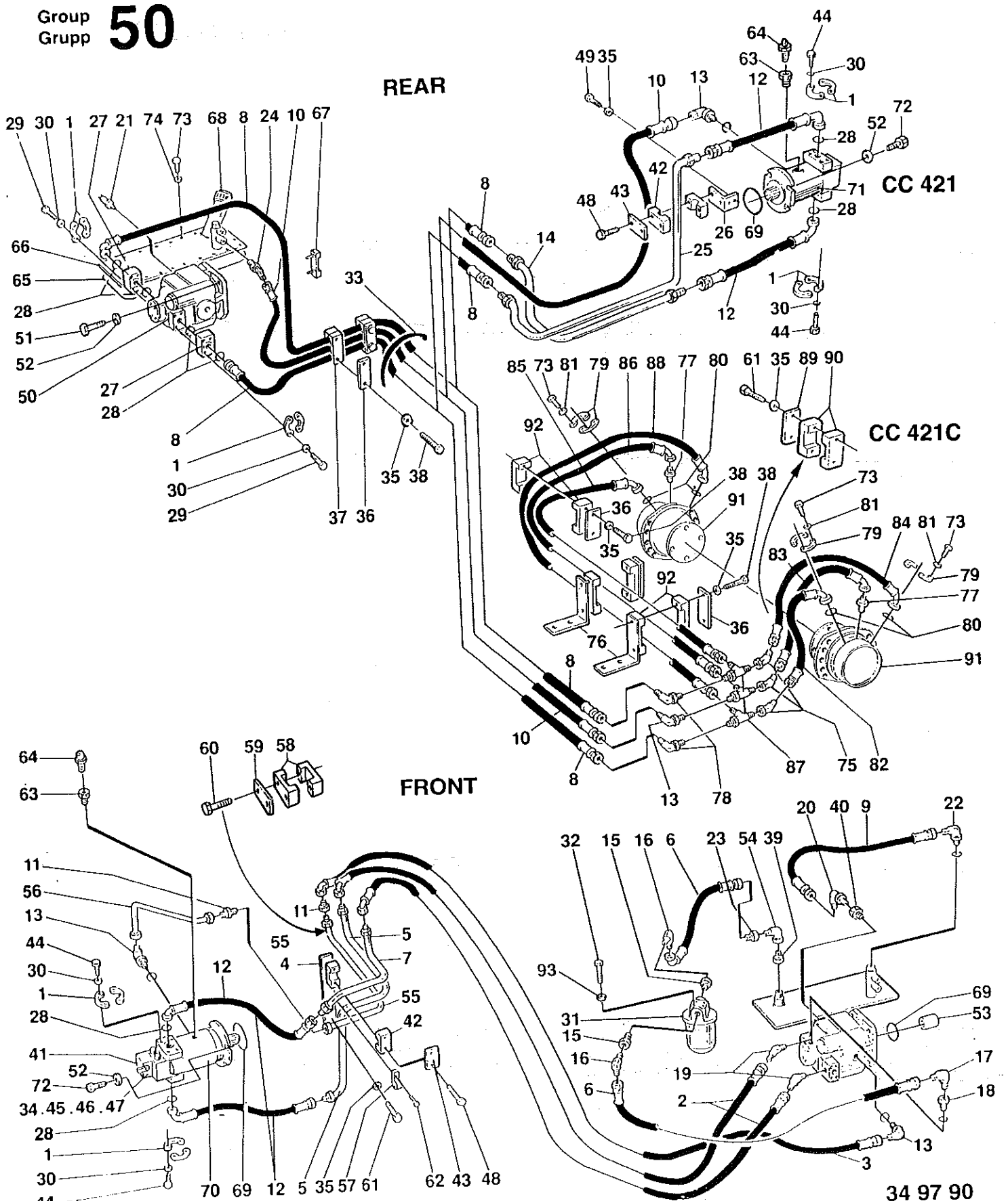
S-232-4

CC 421/421C

0010

Utgåva Issue		Bildnr. Picture N°		HYDRAULSCHEMA		HYDRAULIC DIAGRAM		Grupp Group	Sida Page
1993-12		15210-1						050	2
Pos. Item	Antal / Quantity			Art.nr. Part N°	Benämning	Denomination	K C	Anmärkning Notes	
	CC 421	CC 421 C							
0020	1	2	1		VIBRATIONSMOTOR	VIBRATION MOTOR			
0040	2	1	1		BACKVENTIL	CHECK VALVE			
0060	3	1	1		OLJEKYLARE	OIL COOLER		SEE GROUP 30	
0080	4	6	6		MÄTNIPPEL	MEASURING NIPPLE			
0100	5	1	1		VIBRATIONSVENTIL	VIBRATION VALVE			
0120	6	2	2		STYRCYLINDER	STEERING CYLINDER			
0140	7	1	1		VENTILBLOCK	VALVE BLOCK			
0160	8	1	1		STYRVENTIL	STEERING VALVE			
0180	9	1	1		RETURFILTER	RETURN FILTER			
0200	10	1	1		MATARPUMP	CHARGE PUMP			
0220	11	1	1		SUGFILTER	SUCTION FILTER			
0240	12	1	1		BROMSVENTIL	BRAKE VALVE			
0260	13	1	1		FRAMDRIVN.MOTOR	PROPULSION MOTOR		FRONT	
0280	14	2	3		BROMS	BRAKE			
0300	15	2	1		VALSVÄXEL	DRUM GEAR		SEE GROUP 20	
0320	16	1	1		HYDRAULOLJETANK	HYDRAULIC OIL TANK			
0340	17	1	1		SERVOVENTIL	PILOT VALVE			
0360	18	1	1		VIBRATIONSPUMP	VIBRATION PUMP		INCL. STEERING PUMP	
0380	19	1	1		VÄXELLÅDA	GEAR BOX		SEE GROUP 30	
0400	20	1	1		FRAMDRIVNINGSPUMP	PROPULSION PUMP			
0420	21	1	1		DIESELMOTOR	DIESEL ENGINE		SEE GROUP 30	
0440	22	1	2		FRAMDRIVN.MOTOR	PROPULSION MOTOR		REAR	
0460	23	1	1		MANOKONTAKT	PRESSURE SWITCH			

Group **50**  
Grupp



15564

- 34 97 90
- 35 62 15
- 35 62 46
- 35 62 59

# DYNAPAC

Reservdelskatalog / Spare Parts Catalogue

S-232-4

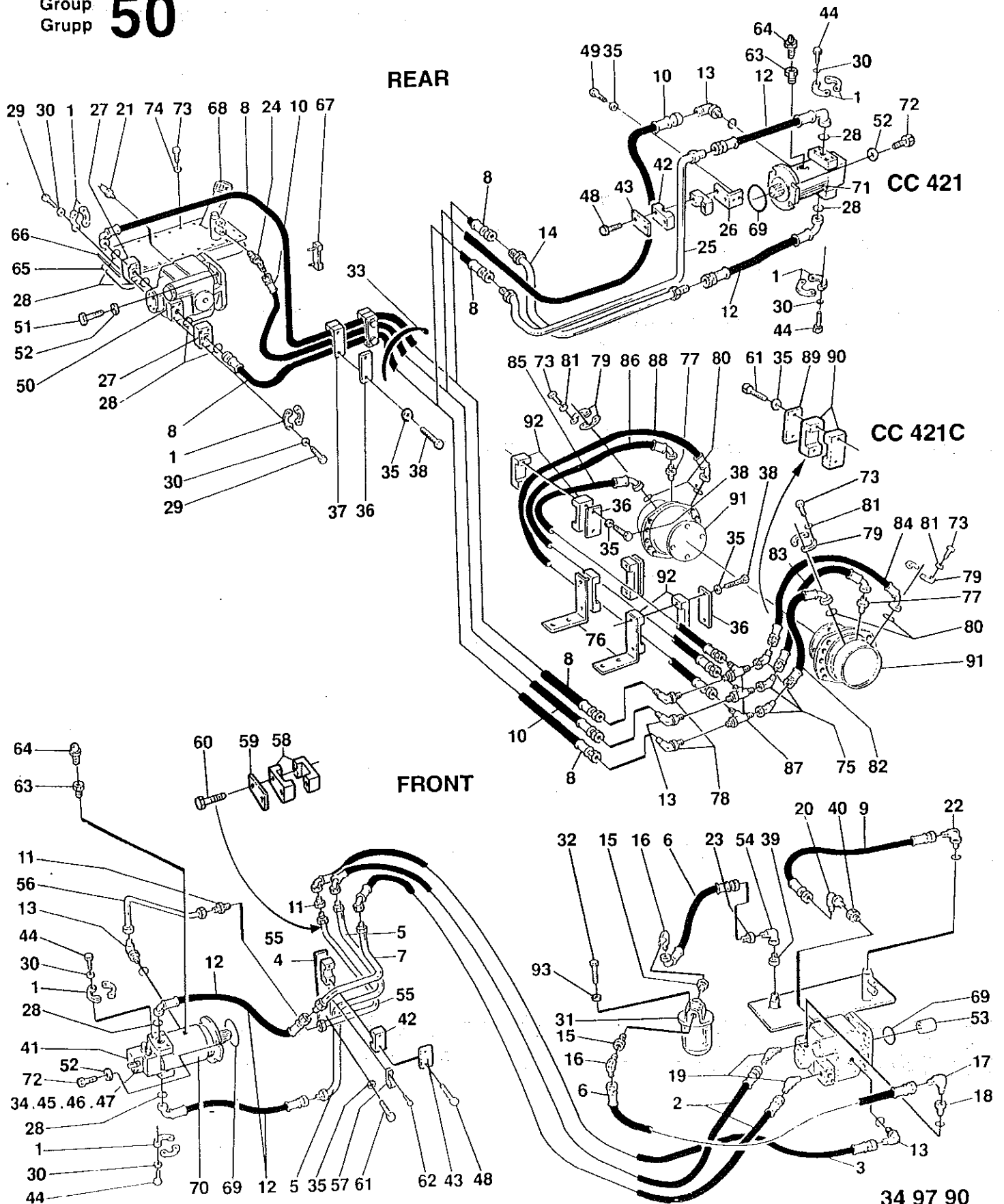
CC 421/421C

0020

Utgåva Issue		Bildnr. Picture N°		FRAMDRIVNINGSSYSTEM PROPULSION SYSTEM		Grupp Group	Sida Page	
1993-12		15564				050	4	
Pos. Item	Antal / Quantity			Art.nr. Part N°	Benämning	Denomination	K C	Anmärkning Notes
	CC 421	CC 421 C						
0020	1	12	8	23 20 97	FLÄNSHALVA	SPLIT FLANGE		
0040	2	2	2	48 26 47	HYDRAULSLANG	HYDR HOSE		
0060	3	1	1	48 26 48	HYDRAULSLANG	HYDR HOSE		
0080	4	1	1	34 38 53	DETALJ PLÅT	SHEET METAL PART		
0100	5	1	1	34 38 50	HYDRAULRÖR	HYDR PIPE		
0120	6	2	2	48 22 50	HYDRAULSLANG	HYDR HOSE		
0140	7	1	1	34 97 91	HYDRAULRÖR	HYDR PIPE		
0160	8	2	2	84 28 67	HYDRAULSLANG	HYDR HOSE		
0180	9	1	1	84 28 43	HYDRAULSLANG	HYDR HOSE		
0200	10	1	1	48 21 16	HYDRAULSLANG	HYDR HOSE		
0210			1	48 28 01	HYDRAULSLANG	HYDR HOSE		
0220	11	2	2	33 45 42	ADAPTER	CONNECTOR		
0240	12	4	2	48 26 49	HYDRAULSLANG	HYDR HOSE		
0260	13	3	3	33 41 18	ADAPTER	CONNECTOR		
0280	14	1	1	34 31 15	DETALJ STÅLRÖR	STEEL TUBE PART		
0300	15	2	2	81 34 27	BUSSNING	BUSHING		
0320	16	2	2	33 44 62	ADAPTER	CONNECTOR		
0340	17	1	1	33 42 28	ADAPTER	CONNECTOR		
0360	18	1	1	33 42 39	ADAPTER	CONNECTOR		
0380	19	2	2	33 41 32	ADAPTER	CONNECTOR		
0400	20	1	1	81 52 43	ADAPTER	CONNECTOR		
0420	21	1	1	98 90 78	TEMP.GIVARE	SENSOR	D	
0440	22	1	1	81 34 99	ADAPTER	CONNECTOR		
0460	23	1	1	23 48 03	ADAPTER	CONNECTOR		
0480	24	1	1	33 45 87	ADAPTER	CONNECTOR		
0500	25	1	1	34 31 11	HYDRAULRÖR	HYDR PIPE		
0520	26	2	2	34 30 65	DETALJ PLÅT	SHEET METAL PART		
0540	27	2	2	33 56 69	FLÄNSKOPPLING	FLANGE COUPLING		
0560	28	8	6	81 34 29	O-RING	O-RING	D	
0580	29	8	8	50 90 52	SKRUV	SCREW		
0600	30	24	16	60 40 06	BRICKA	WASHER		
0620	31	1	1	33 75 28	HYDR OLJEFILTER	HYDR OIL FILTER		1)
0630		1	1	21 21 08	FILTERELEMENT	FILTER ELEMENT	A	1)
0632		1	1	90 28 07	HYDR.OLJEFILTER	HYDR OIL FILTER		2)
0634		1	1	90 29 00	FILTERELEMENT	FILTER ELEMENT	A	2)
0636		1	1	90 30 05	PACKNING	GASKET		2)
0640	32	2	2	50 20 19	SKRUV	SCREW		1)
0650		2	2	50 00 20	SKRUV	SCREW		2)
0660	33	N	N	31 30 41	BUNTBAND	CABLE TIES		L=186 MM
0680	34	1	1	33 88 95	DETALJ STÅNG	BAR		
0700	35	10	14	61 50 44	BRICKA	WASHER		
0720	36	2	5	33 59 14	DETALJ PLÅT	SHEET METAL PART		
0740	37	2	2	34 34 29	SLANGHÅLLARE	HOSE CLAMP		
0760	38	4	10	50 01 92	SKRUV	SCREW		
0780	39	1	1	33 45 17	REDUCERING	REDUCING		
0800	40	1	1	81 40 60	REDUCERING	REDUCING		
0820	41	2	1	91 01 62	NIPPEL	FITTING	D	
0840	42	16	8	92 55 38	KLAMMER	CLAMP		
0860	43	8	4	92 55 39	BRICKA	WASHER		
0880	44	16	8	50 20 36	SKRUV	SCREW		

1) VALID FOR CC 421 UP TO S/N \*58010331\* AND FOR CC 421C UP TO S/N \*58020448\*.  
 2) VALID FOR CC 421 FROM S/N \*58010332\* AND FOR CC 421C FROM S/N \*58020449\*.

Group **50**  
Grupp



- 34 97 90
- 35 62 15
- 35 62 46
- 35 62 59

# DYNAPAC

Reservdelskatalog / Spare Parts Catalogue

S-232-4

CC 421/421C

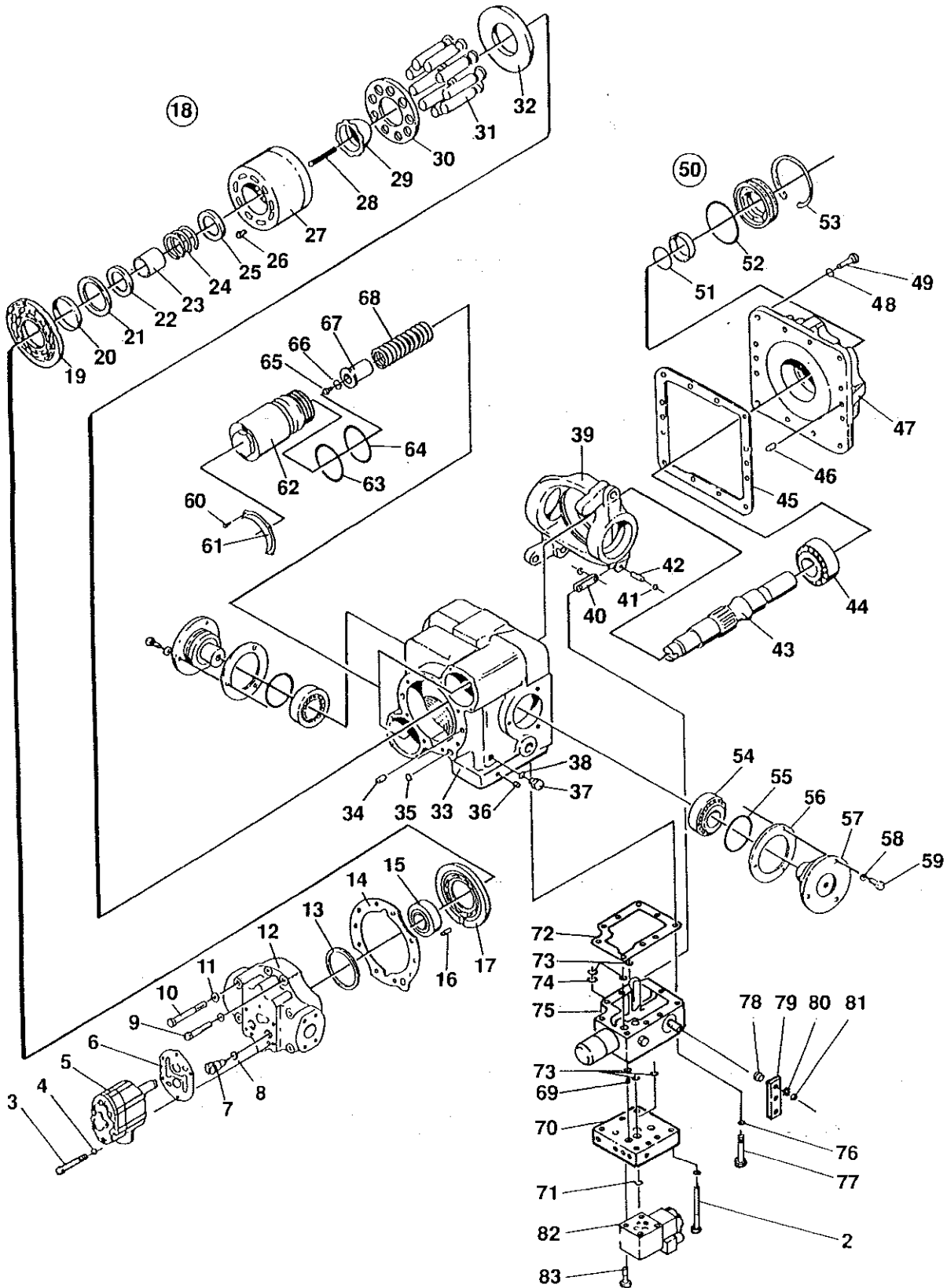
0020

Utgåva Issue		Bildnr. Picture N°		FRAMDRIVNINGSSYSTEM		PROPULSION SYSTEM		Grupp Group	Sida Page
1993-12		15564						050	6
Pos. Item	Antal / Quantity			Art.nr. Part N°	Benämning	Denomination	K C	Anmärkning Notes	
	CC 421	CC 421 C							
0900	45	1	1	50 00 40	SKRUV	SCREW			
0920	46	1	1	57 00 04	MUTTER	NUT			
0940	47	1	1	61 50 42	BRICKA	WASHER			
0960	48	16	8	50 01 49	SKRUV	SCREW			
0980	49	4		50 00 30	SKRUV	SCREW			
1000	50	1	1		HYDRAULPUMP	HYDR PUMP		SEE PAGE 8	
1020	51	4	4	50 00 37	SKRUV	SCREW			
1040	52	12	8	61 50 45	BRICKA	WASHER			
1060	53	1	1	34 08 61	SPLINESHYLSA	SPLINED SLEEVE			
1080	54	1	1	23 41 52	ADAPTER	CONNECTOR			
1100	55	1	1	35 51 77	HYDRAULRÖR	HYDR PIPE			
1120	56	1	1	34 97 92	HYDRAULRÖR	HYDR PIPE			
1140	57	1	1	92 93 34	KLAMMER	CLAMP			
1160	58	1	1	92 93 35	KLAMMER	CLAMP		2 PCS	
1180	59	1	1	92 93 36	TÄCKPLATTA	COVER PLATE			
1200	60	2	2	50 01 61	SKRUV	SCREW			
1220	61	2	4	50 00 48	SKRUV	SCREW			
1240	62	1	1	50 00 59	SKRUV	SCREW			
1260	63	2	1	34 88 59	ADAPTER	ADAPTER			
1280	64	2	1	92 94 67	AVLUFTNINGSFILTER	VENTILATING FILTER	B		
1300	65	1	1	35 62 33	O-RING	O-RING	D		
1320	66	1	1	35 62 24	LUCKA	COVER			
1340	67	1	1	98 91 51	NIVÅGLAS	LEVEL GLASS	D		
1360	68	1	1	49 94 32	TANKLOCK	CAP			
1370		5	5	53 30 26	SKRUV	SCREW			
1380	69	3	2	16 01 32	O-RING	O-RING	D		
1400	70	1	1		HYDRAULMOTOR	HYDR MOTOR		SEE PAGE 14	
1420	71	1	1		HYDRAULMOTOR	HYDR MOTOR		SEE PAGE 18	
1440	72	8	4	50 20 59	SKRUV	SCREW			
1460	73	26	42	50 00 53	SKRUV	SCREW			
1480	74	26	26	60 30 19	BRICKA	WASHER			
1500	75		2	92 32 01	ADAPTER	CONNECTOR			
1520	76		2	35 63 49	DETALJ PLÅT	SHEET METAL PART			
1540	77		2	23 43 82	ADAPTER	CONNECTOR			
1560	78		2	33 46 04	ADAPTER	CONNECTOR			
1580	79		8	90 04 30	FLÅNSHALVA	SPLIT FLANGE			
1600	80		4	16 01 90	O-RING	O-RING	D		
1620	81		16	60 40 05	BRICKA	WASHER			
1640	82		1	48 27 97	HYDRAULSLANG	HYDR HOSE			
1660	83		1	48 21 97	HYDRAULSLANG	HYDR HOSE			
1680	84		1	48 27 98	HYDRAULSLANG	HYDR HOSE			
1700	85		1	48 27 99	HYDRAULSLANG	HYDR HOSE			
1720	86		1	48 27 94	HYDRAULSLANG	HYDR HOSE			
1740	87		3	23 42 67	ADAPTER	CONNECTOR			
1760	88		1	48 28 00	HYDRAULSLANG	HYDR HOSE			
1780	89		1	34 94 30	DETALJ PLÅT	SHEET METAL PART			
1800	90		1	34 94 35	DETALJ GUMMI	RUBBER PART			
1820	91		2		HYDRAULMOTOR	HYDR MOTOR		SEE PAGE 20	
1840	92		6	34 37 32	SLANGHÅLLARE	HOSE CLAMP			
1860	93	2	2	61 50 43	BRICKA	WASHER			

1) VALID FOR CC 421 UP TO S/N \*58010331\* AND FOR CC 421C UP TO S/N \*58020448\*.  
 2) VALID FOR CC 421 FROM S/N \*58010332\* AND FOR CC 421C FROM S/N \*58020449\*.

Group  
Grupp **50**

1 84





# DYNAPAC

Reservdelskatalog / Spare Parts Catalogue

S-232-4

CC 421/421C

0030

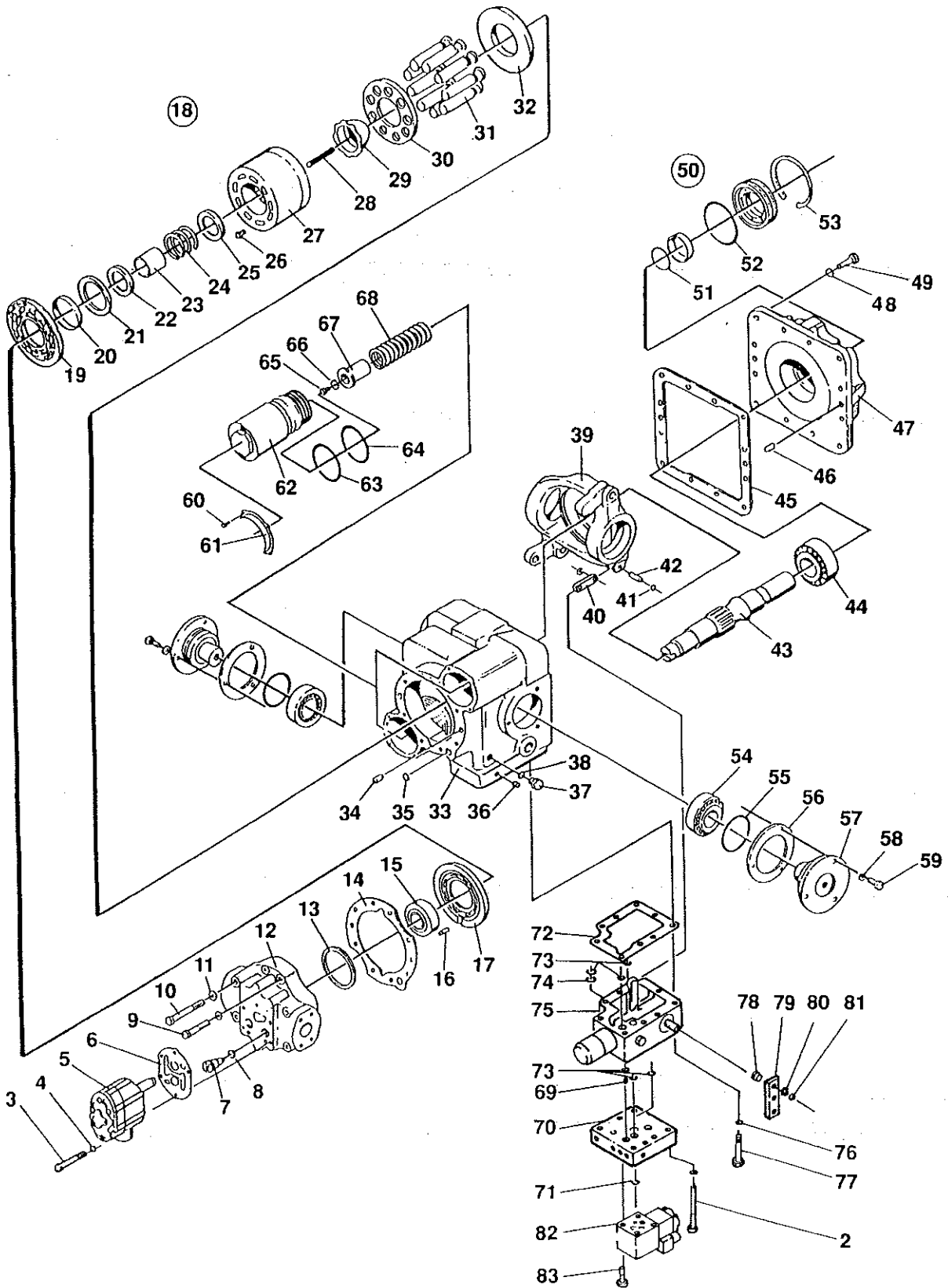
Utgåva Issue		Bildnr. Picture N°		HYDRAULPUMP FRAMDIVNING	HYDRAULIC PUMP PROPULSION	Grupp Group	Sida Page	
1993-12		14862-1				050	8	
Pos. Item	Antal / Quantity			Art.nr. Part N°	Benämning	Denomination	K C	Anmärkning Notes
0020	1	1		90 08 54	HYDRAULPUMP	HYDR PUMP	C	CPL
0040	2	6		92 75 09	.SKRUV	.SCREW		
0060	3	4		91 10 53	.SKRUV	.SCREW		
0080	4	4		81 38 44	.BRICKA	.WASHER		
0100	5	1			.MATARPUMP	.CHARGE PUMP		SEE PAGE 12
0120	6	1		81 36 33	.PACKNING	.GASKET	D	3)
0140	7	2		81 36 30	.BACKVENTIL	.CHECK VALVE	D	CPL
0160	8	1			.O-RING	.O-RING		3)
0180	9	3		81 38 38	.SKRUV	.SCREW		
0200	10	5		81 38 39	.SKRUV	.SCREW		
0220	11	9		81 38 46	.BRICKA	.WASHER		
0240	12	1		91 10 56	.LOCK	.COVER		FRONT
0260	13	N		48 11 06	.MELLANLÄGG	.SHIM		
0280	14	1			.PACKNING	.GASKET		3)
0300	15	1		48 10 77	.LAGER	.BEARING		
0320	16	1		81 38 21	.PINNE	.PIN		
0340	17	1		91 10 55	.VENTILPLATTA	.VALVE PLATE	D	
0360	18	1		92 71 34	.ROTANDE GRUPP	.ROTATING GROUP	D	CPL
0380	19	1		48 11 05	.LAGERPLATTA	.BEARING PLATE	D	
0400	20	1			.STYRRING	.GUIDE RING		
0420	21	1			.LÅSRING	.RETAINING RING		
0440	22	1			.FJÄDERHÅLLARE	.SPRING HOLDER		
0460	23	1			.FJÄDERSTYRNING	.SPRING GUIDE		
0480	24	1			.FJÄDER	.SPRING		
0500	25	1			.FJÄDERHÅLLARE	.SPRING HOLDER		
0520	26	1			.PINNE	.PIN		
0540	27	1			.CYLINDERHUS	.CYLINDER BLOCK		
0560	28	6			.FJÄDER	.SPRING		
0580	29	1			.STYRHYLSA	.GUIDE SLEEVE		
0600	30	1			.KOLVMEDBRINGARE	.PISTON RETAINER		
0620	31	9			.KOLV	.PISTON		CPL
0640	32	1		48 10 98	.TRYCKPLATTA	.THRUST PLATE		
0660	33	1		48 11 03	.PUMPHUS	.PUMP HOUSING		
0680	34	2		81 38 22	.PINNE	.PIN		
0700	35	1			.O-RING	.O-RING		3)
0720	36	1		91 10 62	.PLUGG	.PLUG		
0740	37	1		92 71 32	.PLUGG	.PLUG		CPL
0760	38	1			.O-RING	.O-RING		3)
0780	39	1		92 75 06	.FLÖDESPLATTA	.SWASH PLATE		
0800	40	1		81 38 85	.LÄNK	.LINK		
0820	41	2		48 02 88	.LÅSBRICKA	.RETAINING WASHER		
0840	42	1		81 38 23	.PINNE	.PIN		
0860	43	1		48 10 90	.AXEL	.SHAFT	D	
0880	44	1		48 10 19	.LAGER	.BEARING		
0900	45	1			.PACKNING	.GASKET		3)
0920	46	2		81 38 22	.PINNE	.PIN		
0940	47	1		48 10 91	.LOCK	.COVER		REAR
0960	48	12		81 38 46	.BRICKA	.WASHER		
0980	49	12		81 38 37	.SKRUV	.SCREW		

3) INCLUDED IN KIT, ITEM 84.

3) THE KIT ALSO INCLUDES ITEM 20 AND 21 ON PILOT VALVE, SEE PAGE 12.

Group  
Grupp **50**

1 84



# DYNAPAC

Reservdelskatalog / Spare Parts Catalogue

S-232-4

CC 421/421C

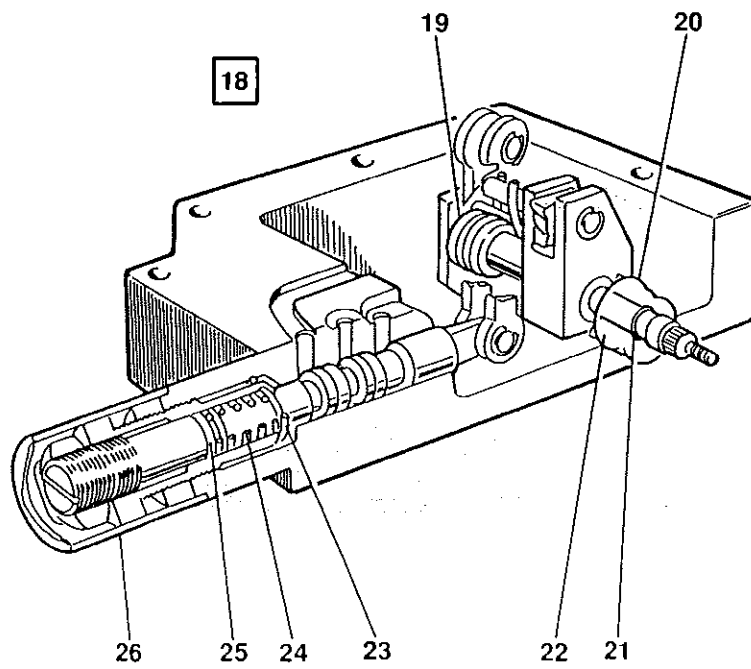
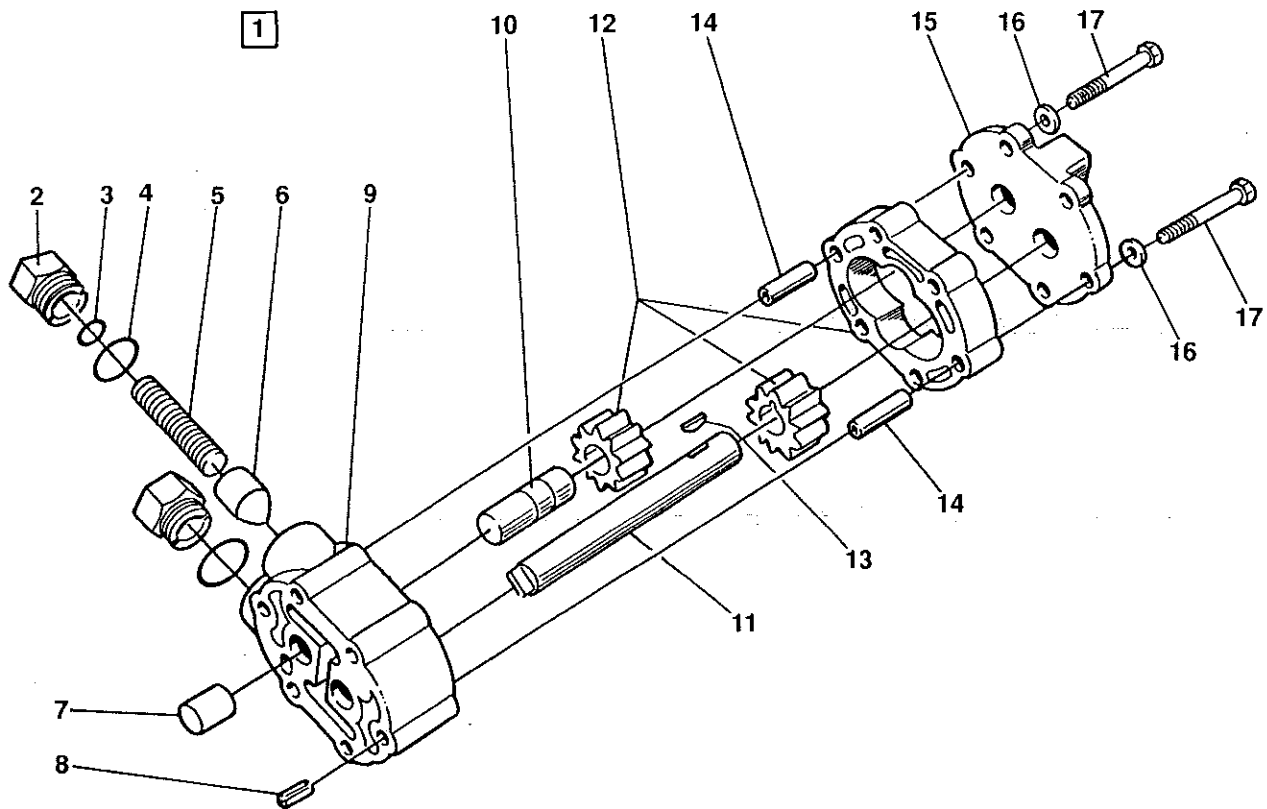
0030

Utgåva Issue 1993-12		Bildnr. Picture N° 14862-1		HYDRAULPUMP FRAMDIVNING	HYDRAULIC PUMP PROPULSION	Grupp Group 050	Sida Page 10	
Pos. Item	Antal / Quantity			Art.nr. Part N°	Benämning	Denomination	K C	Anmärkning Notes
1000	50	1		48 16 16	.AXELTÄTNING KPL	.SHAFT SEAL CPL	D	
1020	51	1			.O-RING	.O-RING		3)
1040	52	1			.O-RING	.O-RING		3)
1060	53	1		81 36 21	.LÅSRING	.RETAINING RING		
1080	54	2		48 10 78	.LAGER	.BEARING		
1100	55	2			.O-RING	.O-RING		3)
1120	56	N		48 10 87	.MELLANLÄGG	.SHIM		
1140	57	2		48 10 86	.LAGERTAPP	.BEARING JOURNAL		
1160	58	6		81 38 46	.BRICKA	.WASHER		
1180	59	6		48 10 82	.SKRUV	.SCREW		
1200	60	4		81 38 40	.SKRUV	.SCREW		
1220	61	2		48 03 69	.HYLSFÄSTE	.SLEEVE RETAINER		
1240	62	2		92 17 38	.SERVOCYLINDER	.SERVO CYLINDER		CPL
1260	63	2			.O-RING	.O-RING		3)
1280	64	2			.O-RING	.O-RING		3)
1300	65	2		48 03 59	.SKRUV	.SCREW		
1320	66	2		48 03 66	.BRICKA	.WASHER		
1340	67	2		48 03 71	.FJÄDERSTYRNING	.SPRING GUIDE		
1360	68	2		92 75 04	.FJÄDER	.SPRING		
1380	69	1		90 08 68	.STRYPNING	.ORIFICE		
1400	70	1		90 08 69	.ANSLUTNINGSPLATTA	.CONNECTION PLATE		
1420	71	4		92 75 11	.O-RING	.O-RING	D	
1440	72	1		81 36 34	.PACKNING	.GASKET	D	3)
1460	73	6		81 36 13	.O-RING	.O-RING	D	3)
1480	74	2		90 08 68	.STRYPNING	.ORIFICE		
1500	75	1			.SERVO VENTIL	.PILOT VALVE		SEE PAGE 12
1520	76	9		81 38 44	.BRICKA	.WASHER		
1540	77	3		81 38 33	.SKRUV	.SCREW		
1560	78	1		81 38 88	.DISTANSRING	.SPACER RING		
1580	79	1			.MANÖVERARM	.CONTROL LEVER		SEE GROUP 70
1600	80	1		81 38 47	.BRICKA	.WASHER		
1620	81	1		81 38 16	.MUTTER	.NUT		
1640	82	1		92 23 05	.BROMSVENTIL	.BRAKE VALVE	D	
1660	83	4		92 75 10	.SKRUV	.SCREW		
1680	84	1		92 71 33	.PACKNINGSSATS	.SEAL KIT	D	

3) INCLUDED IN KIT, ITEM 84.

3) THE KIT ALSO INCLUDES ITEM 20 AND 21 ON PILOT VALVE, SEE PAGE 12.

Group  
Grupp **50**



15240

48 15 08  
92 75 07

# DYNAPAC

Reservdelskatalog / Spare Parts Catalogue

S-232-4

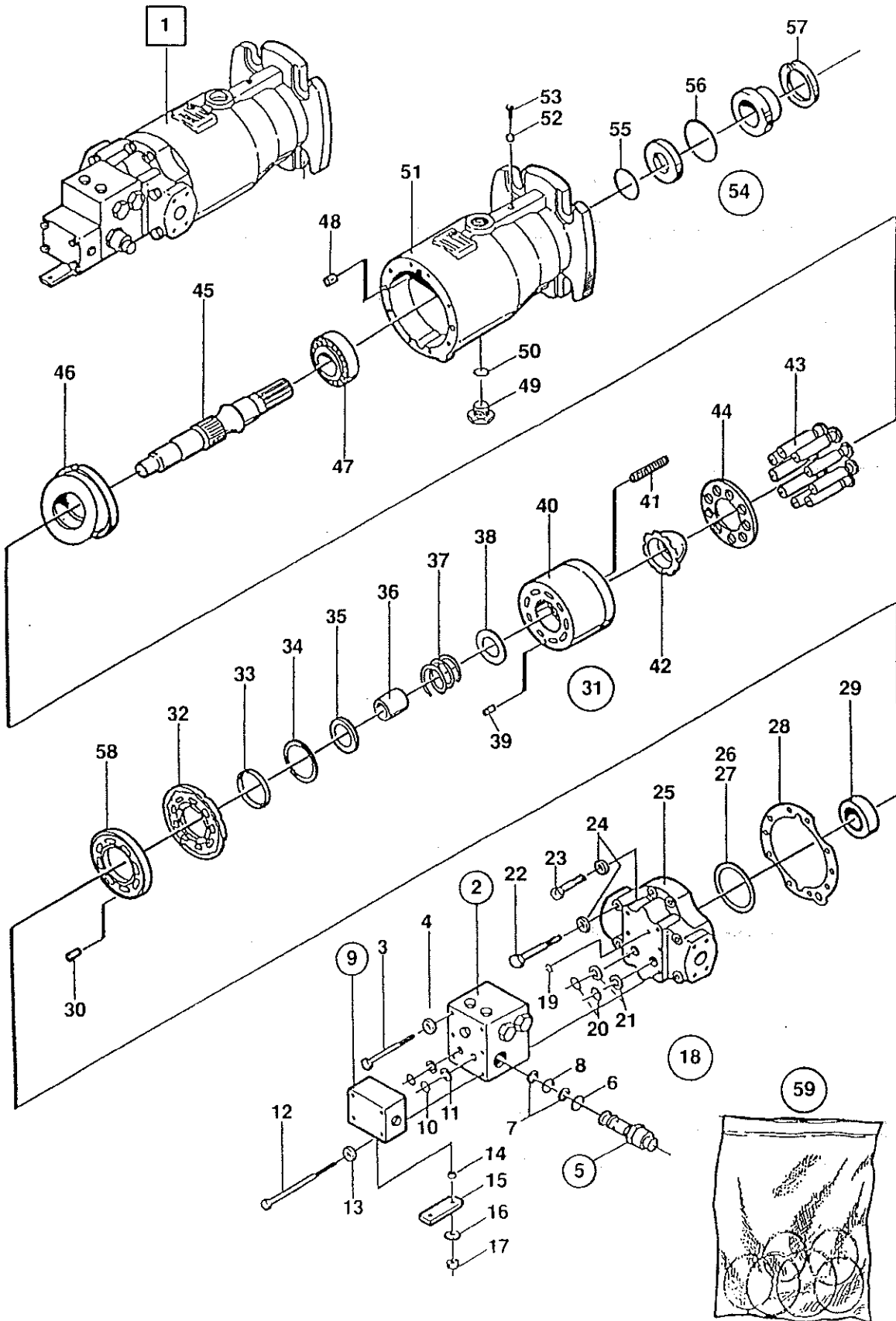
CC 421/421C

0040

Utgåva Issue 1993-12		Bildnr. Picture N° 15240		MATARPUMP OCH SERVOVENTIL FRAMDRIVNING		CHARGE PUMP AND PILOT VALVE PROPULSION		Grupp Group 050	Sida Page 12
Pos. Item	Antal / Quantity			Art.nr. Part N°	Benämning	Denomination	K C	Anmärkning Notes	
0020	1	1		48 15 08	MATARPUMP	CHARGE PUMP		CPL	
0040	2	1		48 04 08	.PLUGG	.PLUG			
0060	3	N		48 04 02	.MELLANLÄGG	.SHIM			
0080	4	1		81 36 18	.O-RING	.O-RING		D	
0100	5	1		48 04 13	.FJÄDER	.SPRING			
0120	6	1		48 04 12	.VENTILKÄGLA	.VALVE RELIEF			
0140	7	1		91 10 57	.DISTANS	.SPACER			
0160	8	1		92 30 75	.PINNE	.PIN			
0180	9	1		48 04 10	.PUMPHUS	.PUMP HOUSING			
0200	10	1		91 10 51	.PINNE	.PIN			
0220	11	1		91 10 58	.DRIVAXEL	.DRIVE SHAFT			
0240	12	1		48 04 04	.MELLANPLATTA	.SPACER PLATE		CPL	
0260	13	1		48 03 40	.KIL	.KEY			
0280	14	2		91 10 52	.PINNE	.PIN			
0300	15	1		48 04 03	.LOCK	.COVER			
0320	16	2		81 38 44	.BRICKA	.WASHER			
0340	17	2		91 10 54	.SKRUV	.SCREW			
0360	18	1		92 75 07	SERVOVENTIL KPL	PILOT VALVE CPL		D	
0380	19	1		89 30 80	.FJÄDER	.SPRING			
0400	20	1		91 14 31	.O-RING	.O-RING		D 4)	
0420	21	1		91 07 06	.O-RING	.O-RING		D 4)	
0440	22	1		92 20 32	.BUSSNING	.BUSHING			
0460	23	1		91 14 30	.O-RING	.O-RING		D	
0480	24	1		91 14 54	.FJÄDER	.SPRING			
0500	25	1		81 36 13	.O-RING	.O-RING		D	
0520	26	1		91 14 68	.SKYDDSKÅPA	.COVER			

4) INCLUDED IN KIT, ITEM 84 ON HYDR PUMP, SEE PAGE 10.

Group  
Grupp **50**



# DYNAPAC

Reservdelskatalog / Spare Parts Catalogue

S-232-4

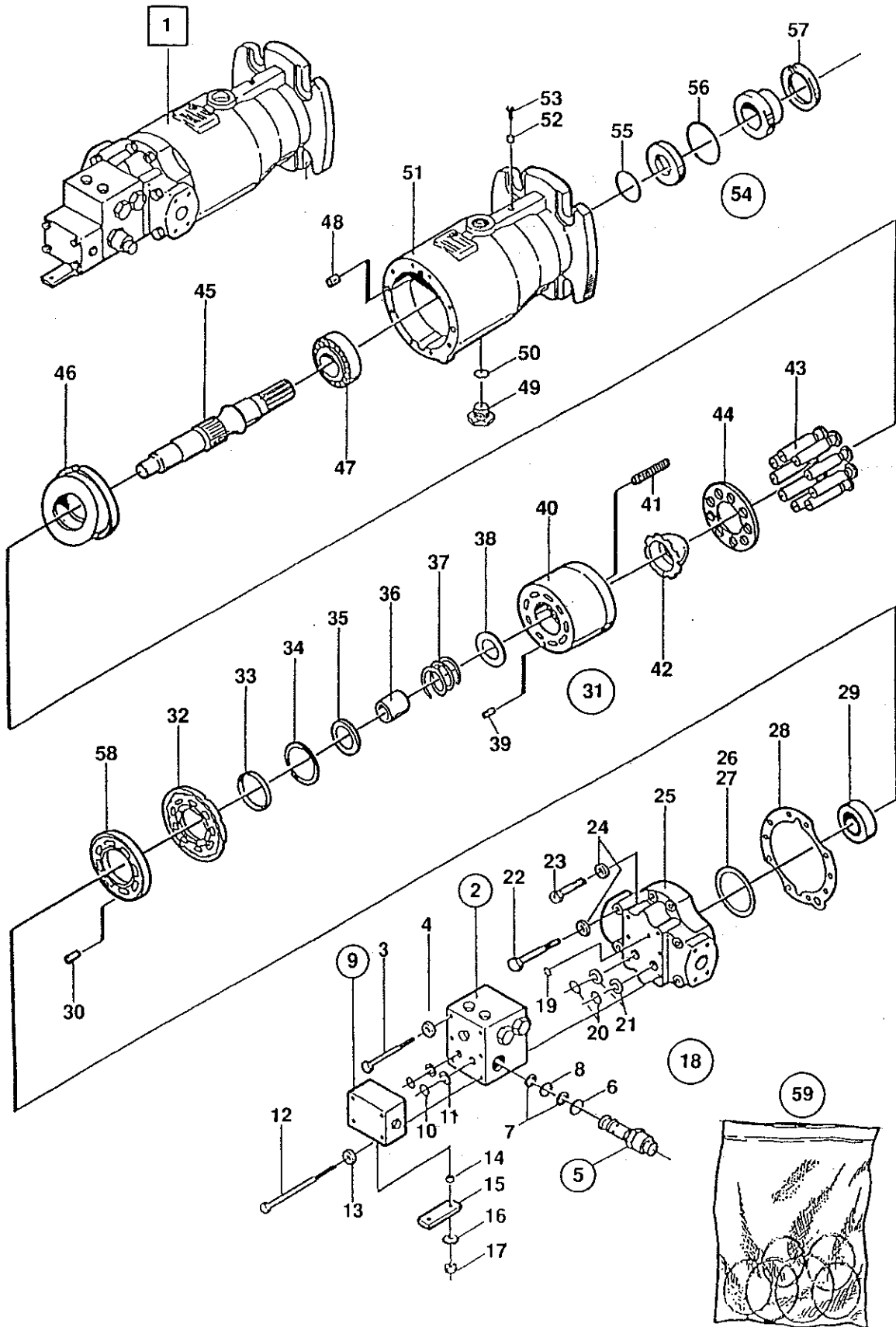
CC 421/421C

0050

Utgåva Issue 1993-12		Bildnr. Picture N° 13877-3		HYDRAULMOTOR FRAMDRIVNING FRÄMRE VALS		HYDRAULIC MOTOR PROPULSION FRONT DRUM		Grupp Group 050	Sida Page 14
Pos. Item	Antal / Quantity			Art.nr. Part N°	Benämning	Denomination	K C	Anmärkning Notes	
0020	1	1		80 19 89	HYDRAULMOTOR	HYDR MOTOR	C	CPL	
0040	2	1		82 15 30	..VENTILBLOCK	..VALVE BLOCK		CPL	
0060	3	2		81 38 36	..SKRUV	..SCREW			
0080	4	2		81 38 45	..BRICKA	..WASHER			
0100	5	2		81 36 27	..TRYCKBEGR.VENTIL	..PRESS. RELIEF VALVE	D	CPL	
0120	6	1		48 03 48	..O-RING	..O-RING	D		
0140	7	2		48 03 55	..STÖDRING	..BACK-UP RING	D		
0160	8	1		18 03 44	..O-RING	..O-RING	D		
0180	9	1		33 30 83	..KORTSL.VENTIL	..BY-PASS VALVE	D	CPL	
0200	10	2			..O-RING	..O-RING		5)	
0220	11	2			..STÖDRING	..BACK-UP RING		5)	
0240	12	4		92 13 71	..SKRUV	..SCREW			
0260	13	4		81 38 45	..BRICKA	..WASHER			
0280	14	1		81 38 88	..DISTANSHYLSA	..SPACER			
0300	15	1		81 38 87	..SPAK	..LEVER			
0320	16	1		81 38 47	..BRICKA	..WASHER			
0340	17	1		81 38 16	..MUTTER	..NUT			
0360	18	1		48 12 28	..PACKNINGSSATS	..SEAL KIT	D		
0380	19	1			..O-RING	..O-RING		5)	
0400	20	2			..O-RING	..O-RING		5)	
0420	21	2			..STÖDRING	..BACK-UP RING		5)	
0440	22	5		81 38 39	..SKRUV	..SCREW			
0460	23	3		81 38 38	..SKRUV	..SCREW			
0480	24	8		81 38 46	..BRICKA	..WASHER			
0500	25	1		81 38 79	..LOCK	..COVER		REAR	
0520	26	N		48 16 11	..MELLANLÄGG	..SHIM	D	T=0.25 MM	
0540	27	N		48 16 12	..MELLANLÄGG	..SHIM	D	T=0.50 MM	
0560	28	1			..PACKNING	..GASKET		5)	
0580	29	1		81 38 13	..LAGER	..BEARING			
0600	30	1		81 38 21	..PINNE	..PIN			
0620	31	1		92 71 31	..ROTANDE GRUPP	..ROTATING GROUP			
0640	32	1		81 38 78	..LAGERPLATTA	..BEARING PLATE			
0660	33	1			..STYRRING	..GUIDE RING			
0680	34	1			..LÅSRING	..RETAINING RING			
0700	35	1			..FJÄDERHÅLLARE	..SPRING HOLDER			
0720	36	1			..FJÄDERSTYRNING	..SPRING GUIDE			
0740	37	1			..FJÄDER	..SPRING			
0760	38	1			..FJÄDERHÅLLARE	..SPRING HOLDER			
0780	39	1			..PINNE	..PIN			
0800	40	1			..CYLINDERHUS	..CYLINDER BLOCK			
0820	41	6			..FJÄDER	..SPRING			
0840	42	1			..STYRHYLSA	..GUIDE SLEEVE			
0860	43	9			..KOLV	..PISTON		CPL	
0880	44	1			..KOLVMEDBRINGARE	..PISTON RETAINER			

5) INCLUDED IN KIT, ITEM 59.

Group  
Grupp **50**





# DYNAPAC

Reservdelskatalog / Spare Parts Catalogue

S-232-4

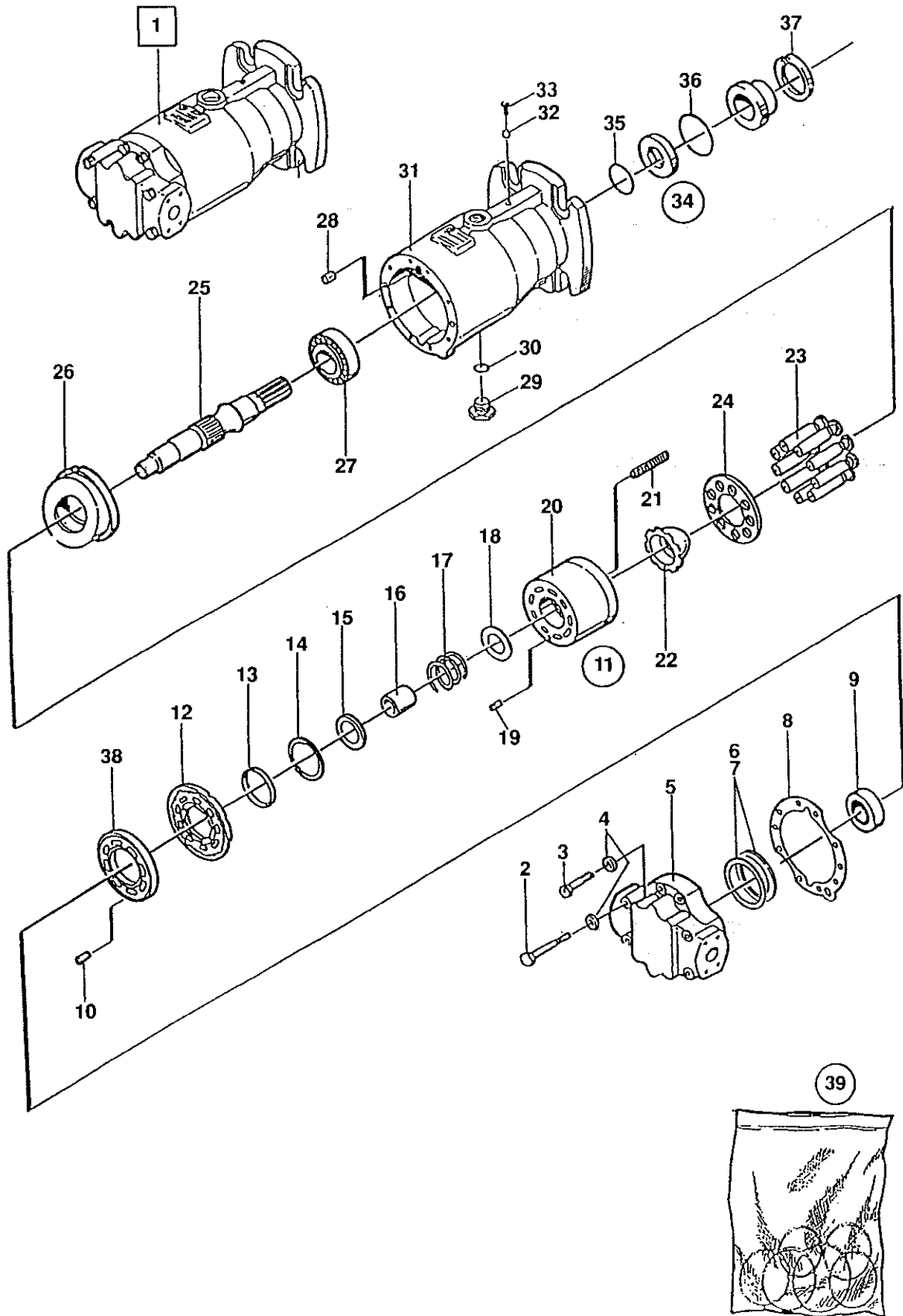
CC 421/421C

0050

Utgåva Issue		Bildnr. Picture N°		HYDRAULMOTOR FRAMDRIVNING FRÄMRE VALS		HYDRAULIC MOTOR PROPULSION FRONT DRUM		Grupp Group	Sida Page
1993-12		13877-3						050	16
Pos. Item	Antal / Quantity			Art.nr. Part N°	Benämning	Denomination	K C	Anmärkning Notes	
0900	45	1		91 10 63	.DRIVAXEL	.DRIVE SHAFT	D		
0920	46	1		81 38 76	.FLÖDESPLATTA	.SWASH PLATE			
0940	47	1		81 38 15	.LAGER	.BEARING			
0960	48	2		81 38 22	.PINNE	.PIN			
0980	49	1		48 11 32	.PLUGG	.PLUG			
1000	50	1			.O-RING	.O-RING		5)	
1020	51	1		81 38 65	.MOTORHUS	.MOTOR HOUSING			
1040	52	1		81 38 21	.PINNE	.PIN			
1060	53	1		81 38 25	.PLUGG	.PLUG			
1080	54	1		48 16 16	.AXELTÄTNING	.SHAFT SEAL	D	CPL	
1100	55	1			.O-RING	.O-RING		5)	
1120	56	1			.O-RING	.O-RING		5)	
1140	57	1		81 36 21	.LÅSRING	.RETAINING RING			
1160	58	1		81 38 68	.VENTILPLATTA	.VALVE PLATE			
1180	59	1		92 71 47	.PACKNINGSSATS	.SEAL KIT	D		

5) INCLUDED IN KIT, ITEM 59.

Group  
Grupp **50**



# DYNAPAC

Reservdelskatalog / Spare Parts Catalogue

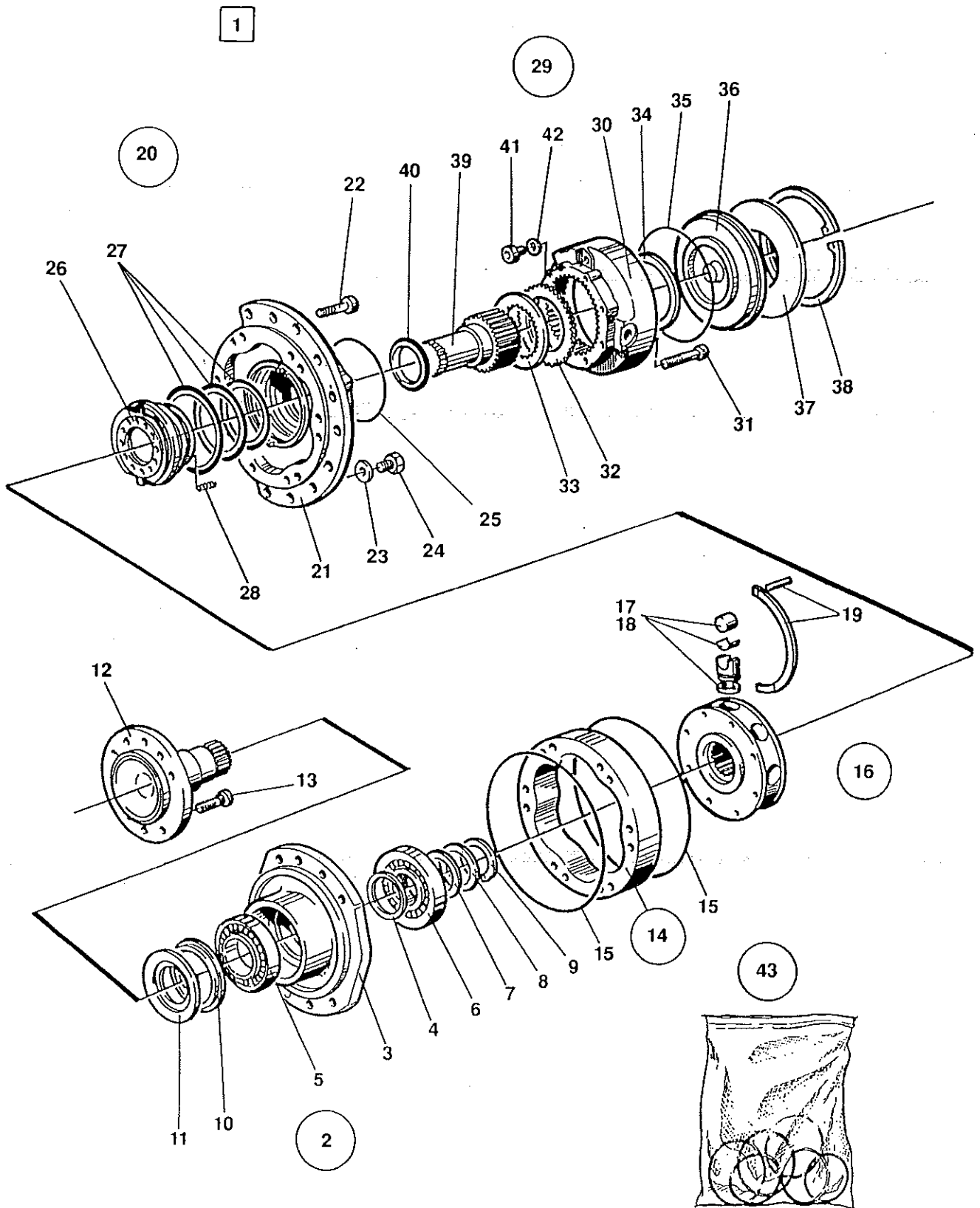
S-232-4

CC 421/421C

0060

Utgåva Issue		Bildnr. Picture N°		HYDRAULMOTOR FRAMDRIVNING BAKRE VALS	HYDRAULIC MOTOR PROPULSION REAR DRUM	Grupp Group	Sida Page	
1993-12		15366				050	18	
Pos. Item	Antal / Quantity			Art.nr. Part N°	Benämning	Denomination	K C	Anmärkning Notes
0020	1	1		80 11 44	HYDRAULMOTOR	HYDR MOTOR	C	CPL
0040	2	5		81 38 39	..SKRUV	..SCREW		
0060	3	3		81 38 38	..SKRUV	..SCREW		
0080	4	8		81 38 46	..BRICKA	..WASHER		
0100	5	1		91 10 61	..LOCK	..COVER		REAR
0120	6	N		48 16 11	..MELLANLÄGG	..SHIM	D	T=0.25 MM
0140	7	N		48 16 12	..MELLANLÄGG	..SHIM	D	T=0.50 MM
0160	8	1			..PACKNING	..GASKET		6)
0180	9	1		81 38 13	..LAGER	..BEARING		
0200	10	1		81 38 21	..PINNE	..PIN		
0220	11	1		92 71 31	..ROTÄRANDE GRUPP	..ROTATING GROUP		
0240	12	1		81 38 78	..LAGERPLATTA	..BEARING PLATE		
0260	13	1			..STYRRING	..GUIDE RING		
0280	14	1			..LÄSRING	..RETAINING RING		
0300	15	1			..FJÄDERHÅLLARE	..SPRING HOLDER		
0320	16	1			..FJÄDERSTYRNING	..SPRING GUIDE		
0340	17	1			..FJÄDER	..SPRING		
0360	18	1			..FJÄDERHÅLLARE	..SPRING HOLDER		
0380	19	1			..PINNE	..PIN		
0400	20	1			..CYLINDERHUS	..CYLINDER BLOCK		
0420	21	6			..FJÄDER	..SPRING		
0440	22	1			..STYRHYLSA	..GUIDE SLEEVE		
0460	23	9			..KOLV	..PISTON		CPL
0480	24	1			..KOLVMEDBRINGARE	..PISTON RETAINER		
0500	25	1		91 10 63	..DRIVAXEL	..DRIVE SHAFT	D	
0520	26	1		81 38 76	..FLÖDESPLATTA	..SWASH PLATE		
0540	27	1		81 38 15	..LAGER	..BEARING		
0560	28	2		81 38 22	..PINNE	..PIN		
0580	29	1		48 11 32	..PLUGG	..PLUG		
0600	30	1			..O-RING	..O-RING		6)
0620	31	1		81 38 65	..MOTORHUS	..MOTOR HOUSING		
0640	32	1		81 38 21	..PINNE	..PIN		
0660	33	1		81 38 25	..PLUGG	..PLUG		
0680	34	1		48 16 16	..AXELTÄTNING	..SHAFT SEAL	D	CPL
0700	35	1			..O-RING	..O-RING		6)
0720	36	1			..O-RING	..O-RING		6)
0740	37	1		81 36 21	..LÄSRING	..RETAINING RING		
0760	38	1		81 38 68	..VENTILPLATTA	..VALVE PLATE		
0780	39	1		92 78 55	..PACKNINGSSATS	..SEAL KIT	D	

6) INCLUDED IN KIT, ITEM 39.



# DYNAPAC

Reservdelskatalog / Spare Parts Catalogue

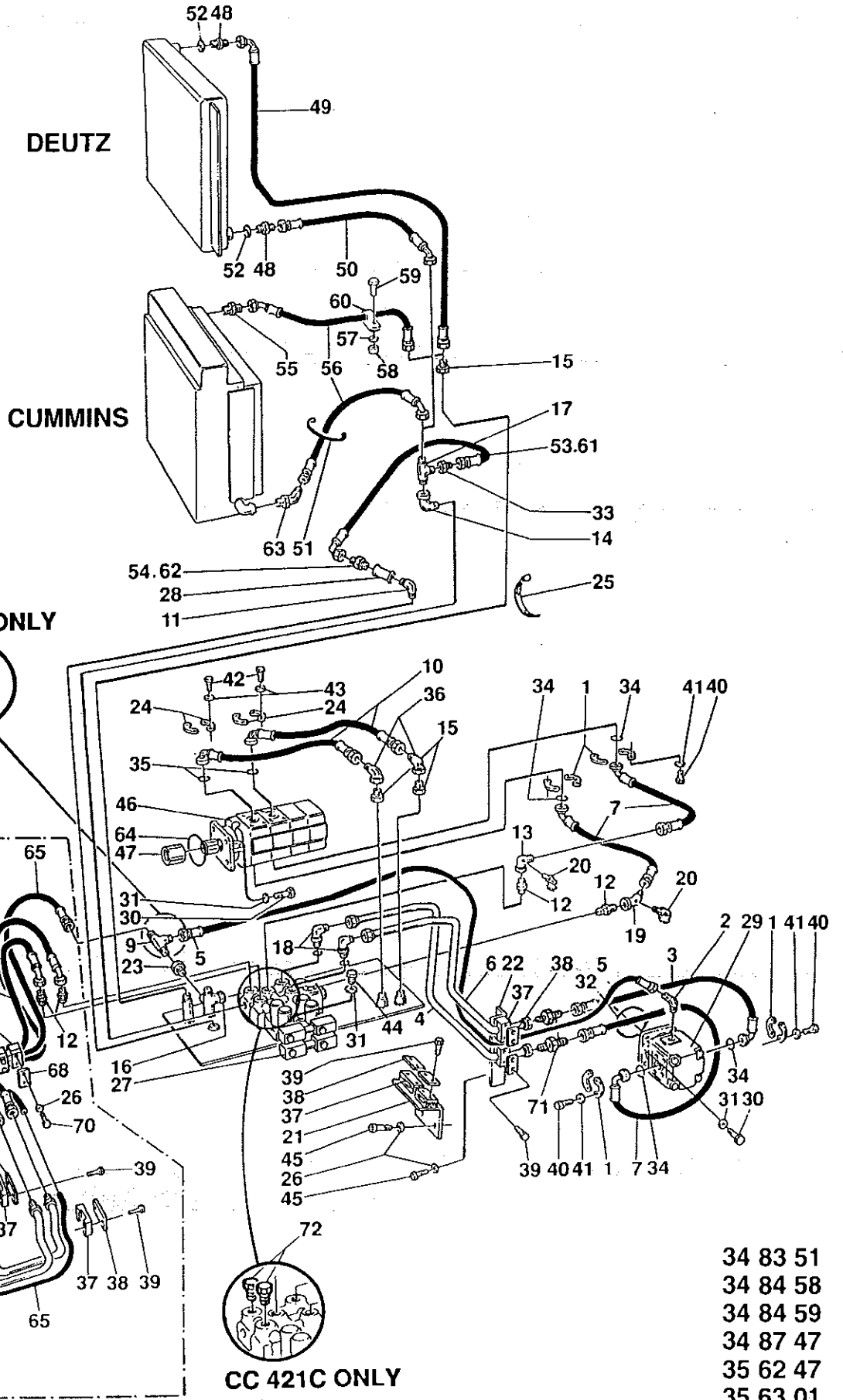
S-232-4

CC 421/421C

0065

Utgåva Issue 1993-12		Bildnr. Picture N <sup>o</sup> 15248-1		HYDRAULMOTOR FRAMDRIVNING HJUL	HYDRAULIC MOTOR PROPULSION WHEELS	Grupp Group 050	Sida Page 20	
Pos. Item	Antal / Quantity			Art.nr. Part N <sup>o</sup>	Benämning	Denomination	K C	Anmärkning Notes
0020	1	1		35 60 70	HYDRAULMOTOR	HYDR MOTOR	C	CPL
0040	2	1		90 17 12	..LAGERHUS	..BEARING SUPPORT		CPL
0060	3	1		90 05 60	..LAGERHUS	..BEARING SUPPORT		
0080	4	1			..AXELTÄTNING	..SHAFT SEAL		7)
0100	5	1		92 95 99	..LAGER	..BEARING		
0120	6	1		92 90 67	..LAGER	..BEARING		
0140	7	1		92 90 68	..SHIMSATS	..SHIM KIT	D	
0160	8	1		92 89 92	..DISTANS	..SPACER		
0180	9	1		92 85 14	..LÅSRING	..SNAP RING		
0200	10	1		90 17 72	..AXELTÄTNING	..SHAFT SEAL	D	7)
0220	11	1			..AVVISARE	..DEFLECTOR		7)
0240	12	1		90 17 74	..AXEL	..SHAFT		
0260	13	12			..HJULBULT	..WHEEL STUD		SEE GROUP 20
0280	14	1		90 17 99	..KOLVBANA	..CAMTRACK		CPL
0300	15	2			..O-RING	..O-RING		7)
0320	16	1		90 17 78	..KOLVHÅLLARE	..CYLINDER BLOCK		CPL
0340	17	10		90 17 79	..KOLV	..PISTON		CLASS 0
0360	18	10		90 17 80	..KOLV	..PISTON		CLASS 1
0380	19	1		90 17 81	..REP.SATS F. KOLV	..PISTON REPAIR KIT	D	
0400	20	1		90 17 82	..FÖRDELARVENTIL	..DISTRIBUT. VALVE		CPL
0420	21	1		90 17 83	..FÖRD.VENTIL KÅPA	..DISTR. VALVE COVER		
0440	22	16		90 17 84	..SKRUV	..SCREW		
0460	23	2			..TÄTNING	..SEALING		7)
0480	24	2		92 83 10	..SKRUV	..SCREW		
0500	25	1			..O-RING	..O-RING		7)
0520	26	1		90 17 85	..FÖRDELARVENTIL	..DISTRIBUT. VALVE		
0540	27	1		90 17 86	..TÄTNINGSSATS	..SEAL KIT	D	7)
0560	28	8		90 16 09	..FJÄDER	..SPRING		
0580	29	1		90 18 00	..BROMS	..BRAKE		CPL
0600	30	1		90 17 88	..BROMSHUS	..BRAKE HOUSING		
0620	31	8		90 17 89	..SKRUV	..SCREW		
0640	32	10		90 16 13	..DISC YTTRE	..DISC OUTER		
0660	33	9		90 16 14	..DISC INRE	..DISC INNER		
0680	34	1		90 17 90	..SHIMSATS	..SHIM KIT	D	
0700	35	1			..O-RING	..O-RING		7)
0720	36	1		90 17 92	..KOLV	..PISTON		
0740	37	1		90 17 93	..FJÄDER	..SPRING		
0760	38	1		90 17 94	..LÅSRING	..SNAP RING		
0780	39	1		90 17 95	..AXEL	..SHAFT		
0800	40	1			..TÄTNING	..SEALING		7)
0820	41	2		92 83 10	..SKRUV	..SCREW		
0840	42	2			..TÄTNING	..SEALING		7)
0860	43	1		90 17 98	..TÄTNINGSSATS	..SEAL KIT	D	

7) INCLUDED IN KIT, ITEM 43.



- 34 83 51
- 34 84 58
- 34 84 59
- 34 87 47
- 35 62 47
- 35 63 01
- 35 63 03

# DYNAPAC

Reservdelskatalog / Spare Parts Catalogue

S-232-4

CC 421/421C

0070

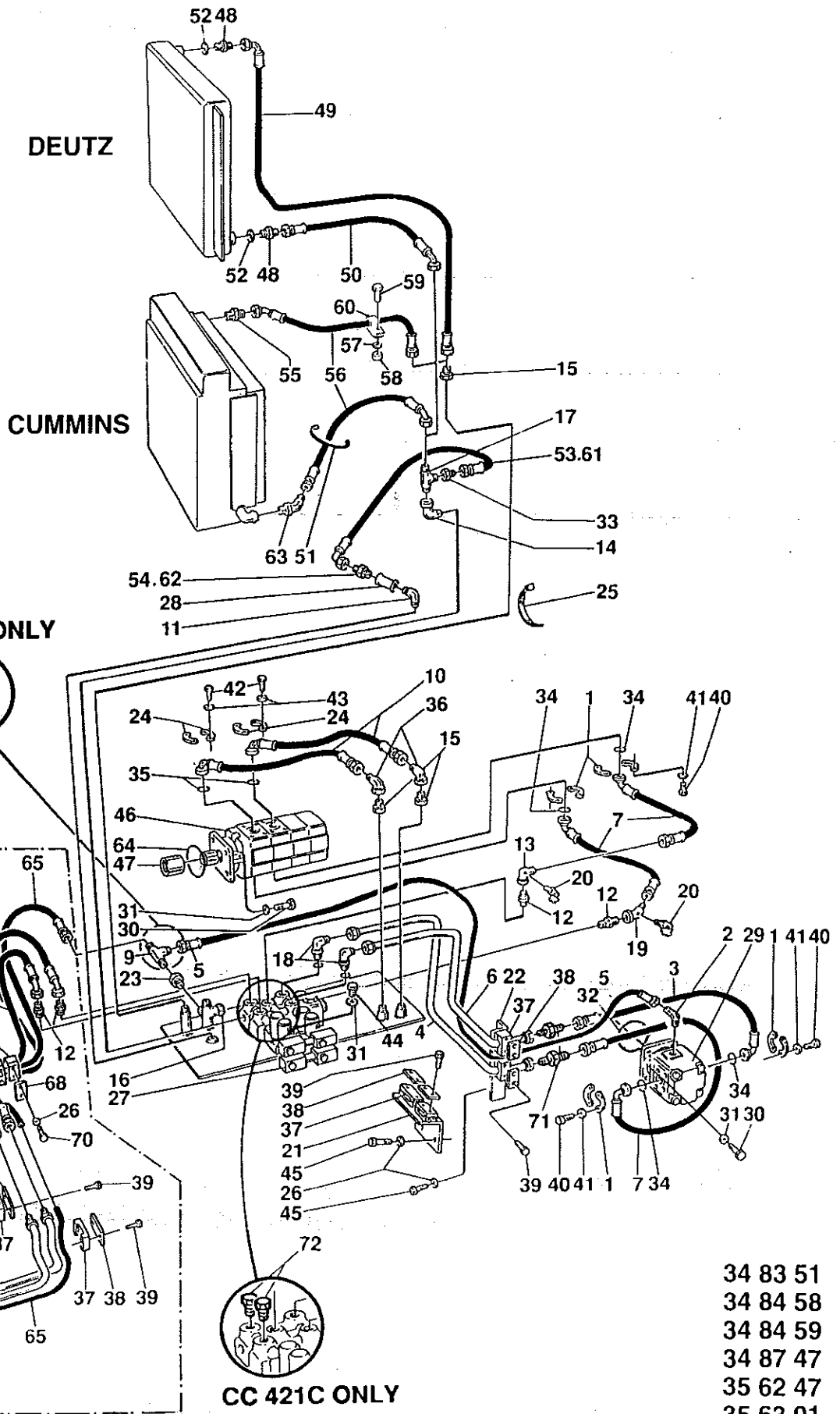
Utgåva Issue 1993-12		Bildnr. Picture N° 15367-1		VIBRATIONSSYSTEM		VIBRATION SYSTEM		Grupp Group 050	Sida Page 22
Pos. Item	Antal / Quantity				Art.nr. Part N°	Benämning	Denomination	K C	Anmärkning Notes
	421 DTZ	421 CUM	421 C DTZ	421 C CUM					
0020	1	12	12	8	8	23 20 97	FLÄNSHALVA	SPLIT FLANGE	
0040	2	2	2	1	1	33 45 29	ADAPTER	CONNECTOR	
0060	3	2	2	1	1	48 26 50	HYDRAULSLANG	HYDR HOSE	
0080	4	1	1	1	1	35 77 42	HYDRAULRÖR	HYDR PIPE	8)
0100	5	1	1	1	1	48 22 06	HYDRAULSLANG	HYDR HOSE	
0120	6	1	1	1	1	35 77 63	HYDRAULRÖR	HYDR PIPE	8)
0140	7	4	4	3	3	84 28 26	HYDRAULSLANG	HYDR HOSE	
0160	8	2	2			48 22 72	HYDRAULSLANG	HYDR HOSE	
0180	9	1	1			23 43 33	ADAPTER	CONNECTOR	
0200	10	2	2	2	2	48 22 67	HYDRAULSLANG	HYDR HOSE	
0220	11	1	1	1	1	81 34 48	ADAPTER	CONNECTOR	
0240	12	4	4	2	2	33 44 68	ADAPTER	CONNECTOR	
0260	13	1	1	1	1	34 34 26	ADAPTER	CONNECTOR	
0280	14	1	1	1	1	33 41 53	ADAPTER	CONNECTOR	
0300	15	3	3	3	3	23 48 03	ADAPTER	CONNECTOR	
0320	16	1	1	1	1	81 34 79	PLUGG	PLUG	
0340	17	1	1	1	1	33 41 89	ADAPTER	CONNECTOR	
0360	18	2	2	2	2	33 41 63	ADAPTER	CONNECTOR	
0380	19	1	1	1	1	34 34 27	ADAPTER	CONNECTOR	
0400	20	2	2	2	2	91 01 61	NIPPEL	FITTING	D
0420	21	1	1	1	1	34 38 62	DETALJ PLÅT	SHEET METAL PART	
0440	22	1	1	1	1	34 38 58	DETALJ PLÅT	SHEET METAL PART	
0460	23	1	1	1	1	33 44 47	BUSSNING	BUSHING	
0480	24	4	4	4	4	23 20 98	FLÄNSHALVA	SPLIT FLANGE	
0500	25	N	N	N	N	31 30 41	BUNTBAND	CABLE TIES	L=186 MM
0520	26	7	7	3	3	61 50 44	BRICKA	WASHER	
0540	27	1	1	1	1		VENTIL	VALVE	SEE PAGE 30
0560	28	1	1	1	1	23 33 12	VENTIL	VALVE	
0580	29	2	2	1	1		HYDRAULMOTOR	HYDR MOTOR	SEE PAGE 28
0600	30	12	12	8	8	50 01 93	SKRUV	SCREW	
0620	31	15	15	11	11	61 50 45	BRICKA	WASHER	
0640	32	2	2	1	1	16 00 32	O-RING	O-RING	D
0660	33	1	1	1	1	33 42 46	REDUCERING	REDUCING	
0680	34	6	6	4	4	81 34 29	O-RING	O-RING	D
0700	35	2	2	2	2	16 01 86	O-RING	O-RING	D
0720	36	2	2	2	2	23 41 52	ADAPTER	CONNECTOR	
0740	37	16	16	8	8	92 55 38	KLAMMER	CLAMP	
0760	38	8	8	4	4	92 55 39	BRICKA	WASHER	
0780	39	16	16	8	8	50 01 49	SKRUV	SCREW	
0800	40	24	24	16	16	50 20 36	SKRUV	SCREW	
0820	41	24	24	16	16	60 40 06	BRICKA	WASHER	
0840	42	8	8	8	8	50 20 54	SKRUV	SCREW	
0860	43	8	8	8	8	60 40 08	BRICKA	WASHER	
0880	44	3	3	3	3	50 00 56	SKRUV	SCREW	
0900	45	4	4	4	4	50 00 28	SKRUV	SCREW	
0920	46	1	1	1	1		HYDRAULPUMP	HYDR PUMP	SEE PAGE 26
0940	47	1	1	1	1	34 08 62	SPLINESHYLSA	SPLINED SLEEVE	

DTZ) WITH DEUTZ ENGINE.

CUM) WITH CUMMINS ENGINE.

8) OLD HYDR PIPES WITH ONE MALE END ARE REPLACED AND INTERCHANGEABLE WITH NEW PIPES WITH

8) TWO FEMALE ENDS, ITEM 4 & 6, AND ONE CONNECTOR, ITEM 71, EACH.



- 34 83 51
- 34 84 58
- 34 84 59
- 34 87 47
- 35 62 47
- 35 63 01
- 35 63 03



# DYNAPAC

Reservdelskatalog / Spare Parts Catalogue

S-232-4

CC 421/421C

0070

Utgåva Issue		Bildnr. Picture N°		VIBRATIONSSYSTEM		VIBRATION SYSTEM		Grupp Group	Sida Page
1993-12		15367-1						050	24
Pos. Item	Antal / Quantity				Art.nr. Part N°	Benämning	Denomination	K C	Anmärkning Notes
	421 DTZ	421 CUM	421 C DTZ	421 C CUM					
0960	48	2		2	34 84 60	ADAPTER	CONNECTOR		
0980	49	1		1	48 26 41	HYDRAULSLANG	HYDR HOSE		
1000	50	1		1	48 26 40	HYDRAULSLANG	HYDR HOSE		
1020	51	N		N	31 31 02	BUNTBAND	CABLE TIES		L=388 MM
1040	52	2		2	33 04 30	BRICKA	WASHER		
1060	53	1		1	48 22 51	HYDRAULSLANG	HYDR HOSE		
1080	54	1		1	33 41 57	ADAPTER	CONNECTOR		
1100	55		1		33 41 64	ADAPTER	CONNECTOR		
1120	56		2		84 28 79	HYDRAULSLANG	HYDR HOSE		
1140	57		1		61 50 44	BRICKA	WASHER		
1160	58		1		57 00 06	MUTTER	NUT		
1180	59		1		50 00 29	SKRUV	SCREW		
1200	60		1		92 11 19	KLAMMER	CLAMP		
1220	61		1		48 25 77	HYDRAULSLANG	HYDR HOSE		
1240	62		1		33 41 28	ADAPTER	CONNECTOR		
1260	63		1		81 34 31	ADAPTER	CONNECTOR		
1380	64	1	1	1	16 01 32	O-RING	O-RING	D	
1400	65	1	1		48 20 87	HYDRAULSLANG	HYDR HOSE		
1420	66	1	1		34 31 10	HYDRAULRÖR	HYDR PIPE		
1440	67	1	1		34 31 09	HYDRAULRÖR	HYDR PIPE		
1460	68	2	2		33 59 14	DETALJ PLÅT	SHEET METAL PART		
1480	69	2	2		34 34 29	SLANGHÅLLARE	HOSE CLAMP		
1500	70	4	4		50 01 92	SKRUV	SCREW		
1520	71	2	2	2	90 28 86	ADAPTER	CONNECTOR	8)	
1540	72			2	33 20 63	PLUGG	PLUG		
1560	73			1	23 43 42	ADAPTER	CONNECTOR		

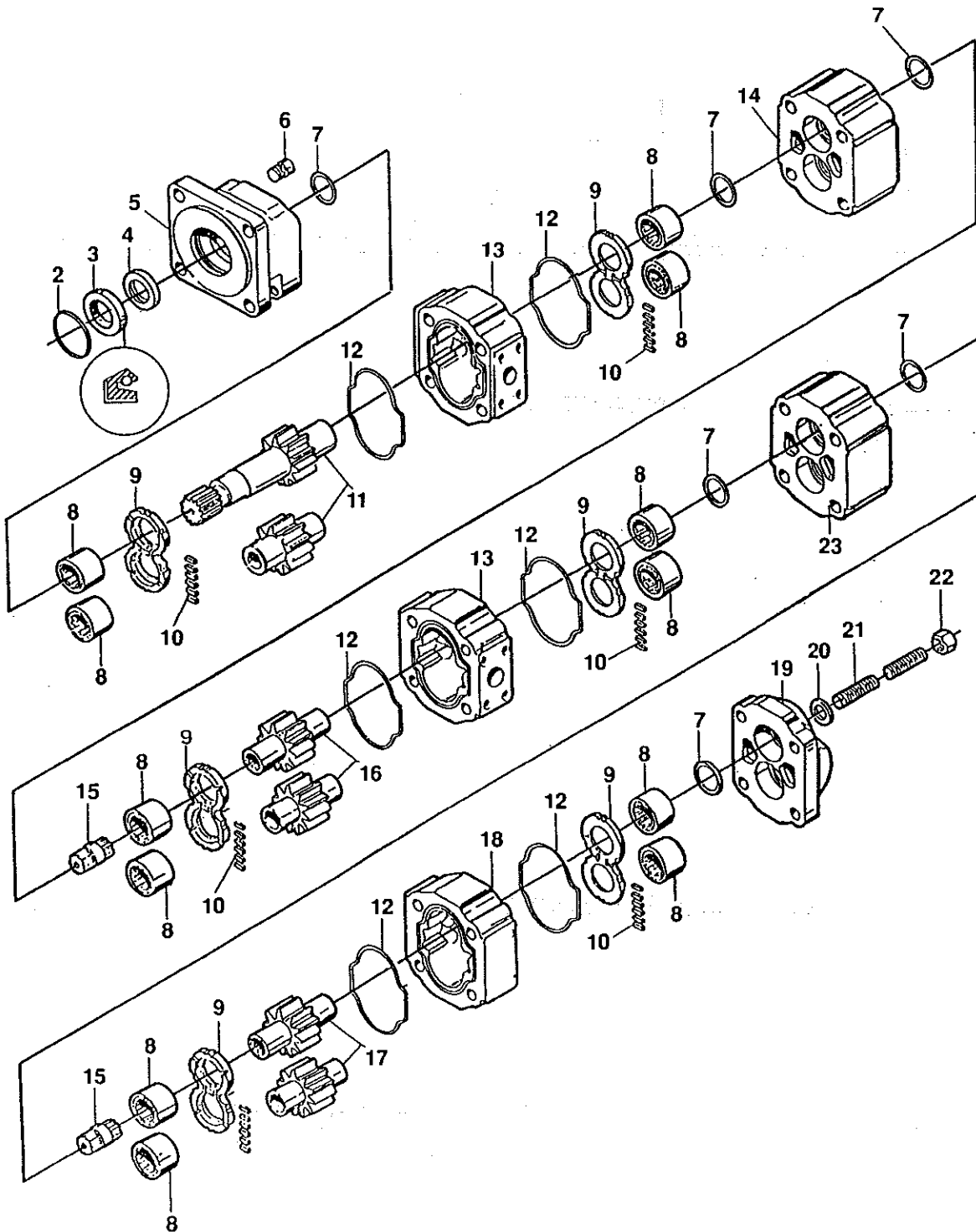
DTZ) WITH DEUTZ ENGINE.

CUM) WITH CUMMINS ENGINE.

8) OLD HYDR PIPES WITH ONE MALE END ARE REPLACED AND INTERCHANGEABLE WITH NEW PIPES WITH

8) TWO FEMALE ENDS, ITEM 4 & 6, AND ONE CONNECTOR, ITEM 71, EACH.

1



# DYNAPAC

Reservdelskatalog / Spare Parts Catalogue

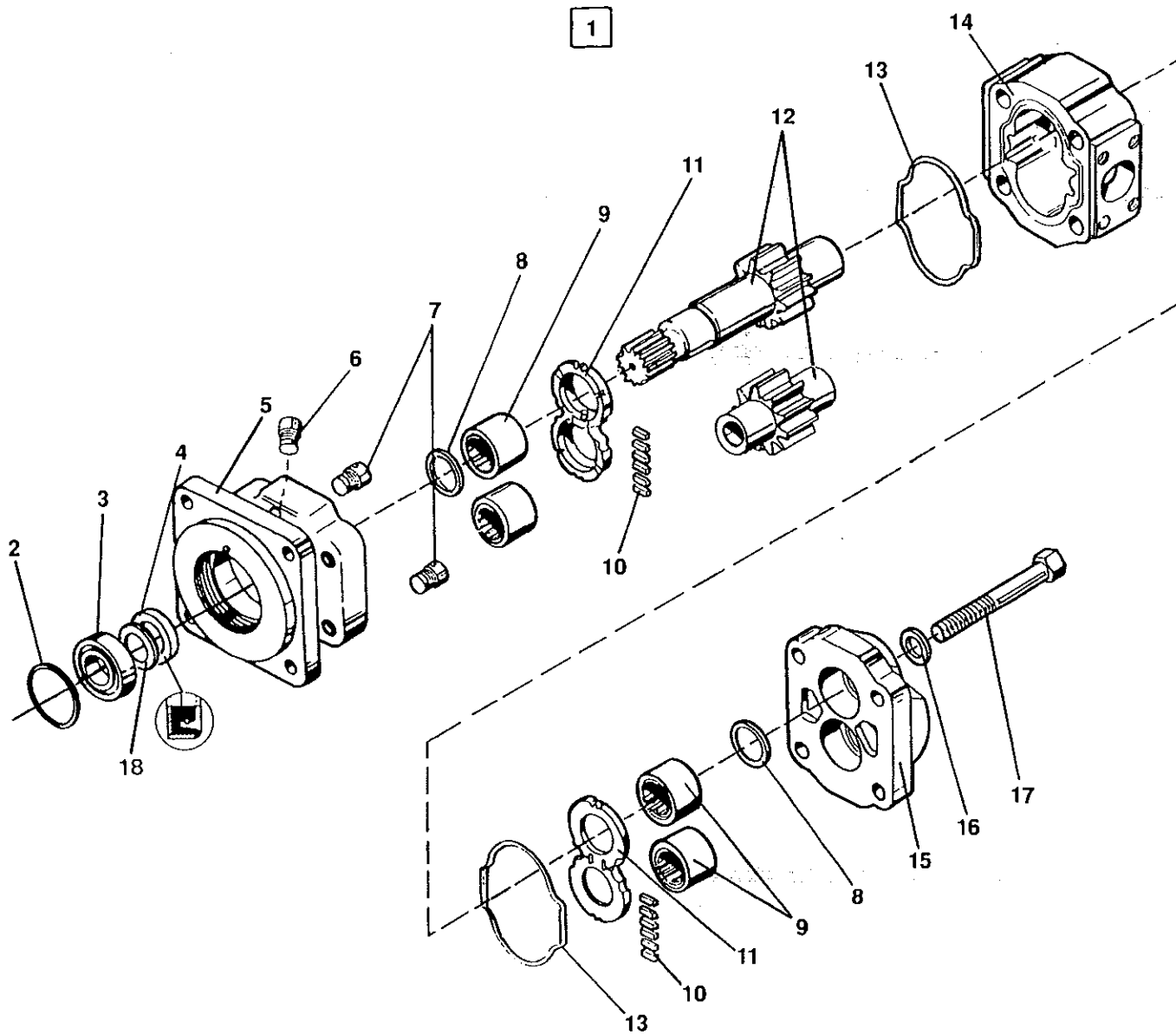
S-232-4

CC 421/421C

0080

Utgåva Issue		Bildnr. Picture N <sup>o</sup>		HYDRAULPUMP VIBRATION OCH STYRNING		HYDRAULIC PUMP VIBRATION AND STEERING		Grupp Group	Sida Page
1993-12		13881-1						050	26
Pos. Item	Antal / Quantity			Art.nr. Part N <sup>o</sup>	Benämning	Denomination	K C	Anmärkning Notes	
0020	1	1		80 10 32	HYDRAULPUMP	HYDR PUMP	C	CPL	
0040	2	1		81 36 77	.STOPPRING	.STOP RING	D		
0060	3	1		81 36 73	.LAGER	.BEARING	D		
0080	4	1		81 39 19	.TÄTNINGSRING	.SEAL RING	D		
0100	5	1		81 39 04	.LOCK	.COVER			
0120	6	1		81 39 07	.PLUGG	.PLUG			
0140	7	6		81 36 56	.TÄTNINGSRING	.SEAL RING	D		
0160	8	12		81 39 21	.LAGER	.BEARING	D		
0180	9	6		81 36 42	.TRYCKPLATTA	.THRUST PLATE	D		
0200	10	36		81 36 46	.TÄTNINGSRÄMSA	.SEALING STRIP	D		
0220	11	1		81 38 94	.AXEL OCH KUGGHJUL	.SHAFT AND GEAR			
0240	12	6		81 36 68	.TÄTNING	.SEALING	D		
0260	13	2		81 36 65	.HUS	.HOUSING			
0280	14	1		48 05 50	.LAGERHUS	.BEARING HOUSING			
0300	15	2		81 39 22	.AXEL	.SHAFT			
0320	16	1		48 05 53	.KUGGHJULSSATS	.GEAR SET			
0340	17	1		81 39 08	.KUGGHJULSSATS	.GEAR SET			
0360	18	1		81 36 64	.HUS	.HOUSING			
0380	19	1		81 39 20	.LOCK	.COVER			
0400	20	4		81 39 15	.BRICKA	.WASHER			
0420	21	4		48 06 84	.PINNSKRUV	.STUD			
0440	22	4		81 39 17	.MUTTER	.NUT			
0460	23	1		81 39 09	.LAGERHUS	.BEARING HOUSING			

Group  
Grupp **50**



# DYNAPAC

Reservdelskatalog / Spare Parts Catalogue

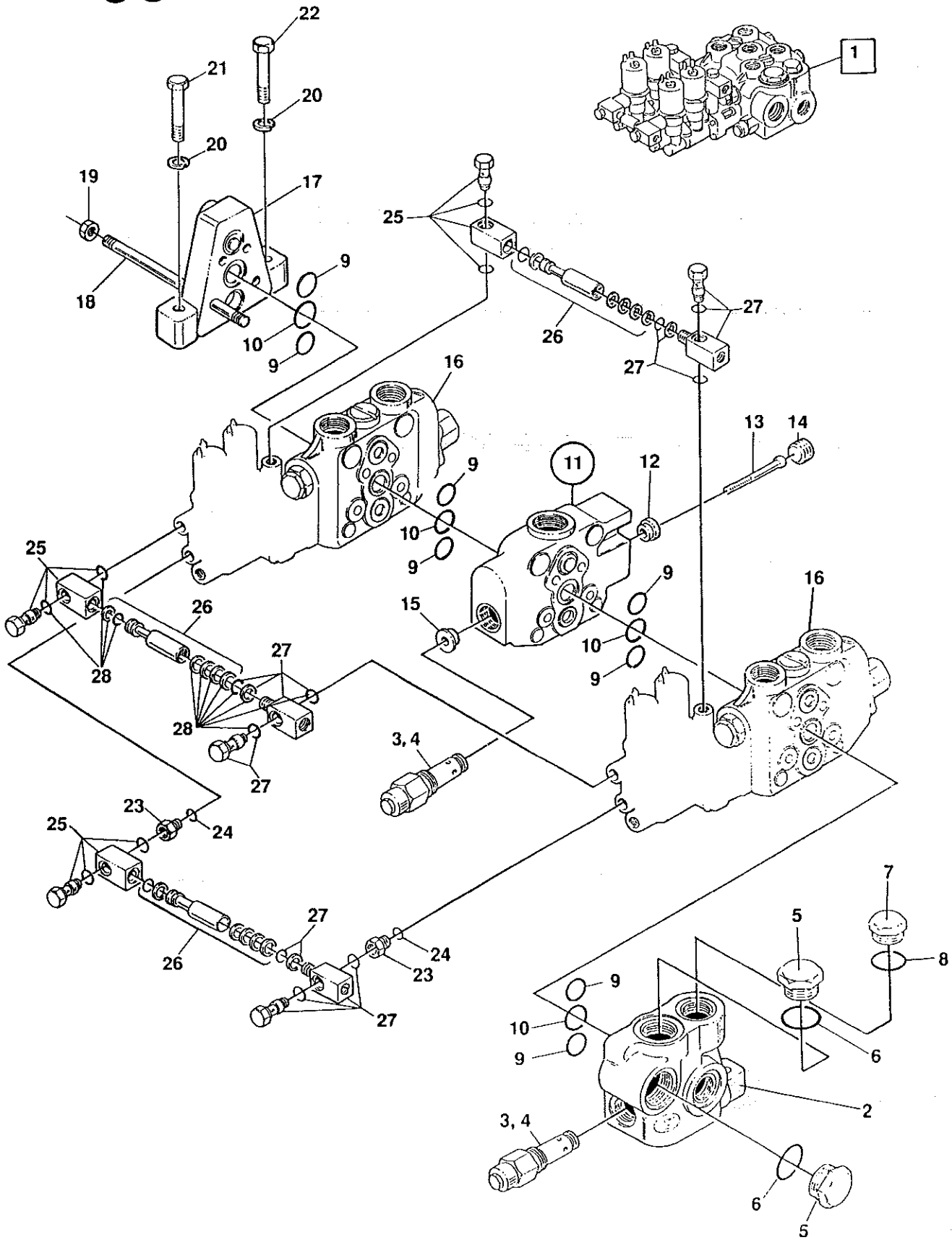
S-232-4

CC 421/421C

0090

Utgåva Issue 1993-12		Bildnr. Picture N <sup>o</sup> 13882-2		HYDRAULMOTOR VIBRATION	HYDRAULIC MOTOR VIBRATION	Grupp Group 050	Sida Page 28	
Pos. Item	Antal / Quantity			Art.nr. Part N <sup>o</sup>	Benämning	Denomination	K C	Anmärkning Notes
0020	1	1		80 10 54	HYDRAULMOTOR	HYDR MOTOR	C	CPL
0040	2	1		81 36 77	.STOPPRING	.STOP RING	D	
0060	3	1		81 36 73	.LAGER	.BEARING	D	
0080	4	1		48 05 63	.TÄTNINGSRING	.SEAL RING	D	
0100	5	1		89 14 95	.LOCK	.COVER		
0120	6	1		81 39 10	.PLUGG	.PLUG		
0140	7	2		81 39 03	.BACKVENTIL	.CHECK VALVE	D	
0160	8	2		81 36 56	.TÄTNINGSRING	.SEAL RING	D	
0180	9	4		81 36 82	.LAGER	.BEARING	D	
0200	10	12		81 36 46	.TÄTNINGSREMSA	.SEALING STRIP	D	
0220	11	2		81 36 42	.TRYCKPLATTA	.THRUST PLATE	D	
0240	12	1		48 03 29	.AXEL OCH KUGGHJUL	.SHAFT AND GEAR	D	
0260	13	2		81 36 68	.PACKNING	.GASKET	D	
0280	14	1		48 03 33	.HUS	.HOUSING		
0300	15	1		81 39 20	.LOCK	.COVER		
0320	16	4		81 39 15	.BRICKA	.WASHER		
0340	17	4		48 05 60	.SKRUV	.SCREW		
0360	18	1		48 04 74	.TÄTNINGSHÅLLARE	.SEAL RETAINER		

Group  
Grupp **50**



# DYNAPAC

Reservdelskatalog / Spare Parts Catalogue

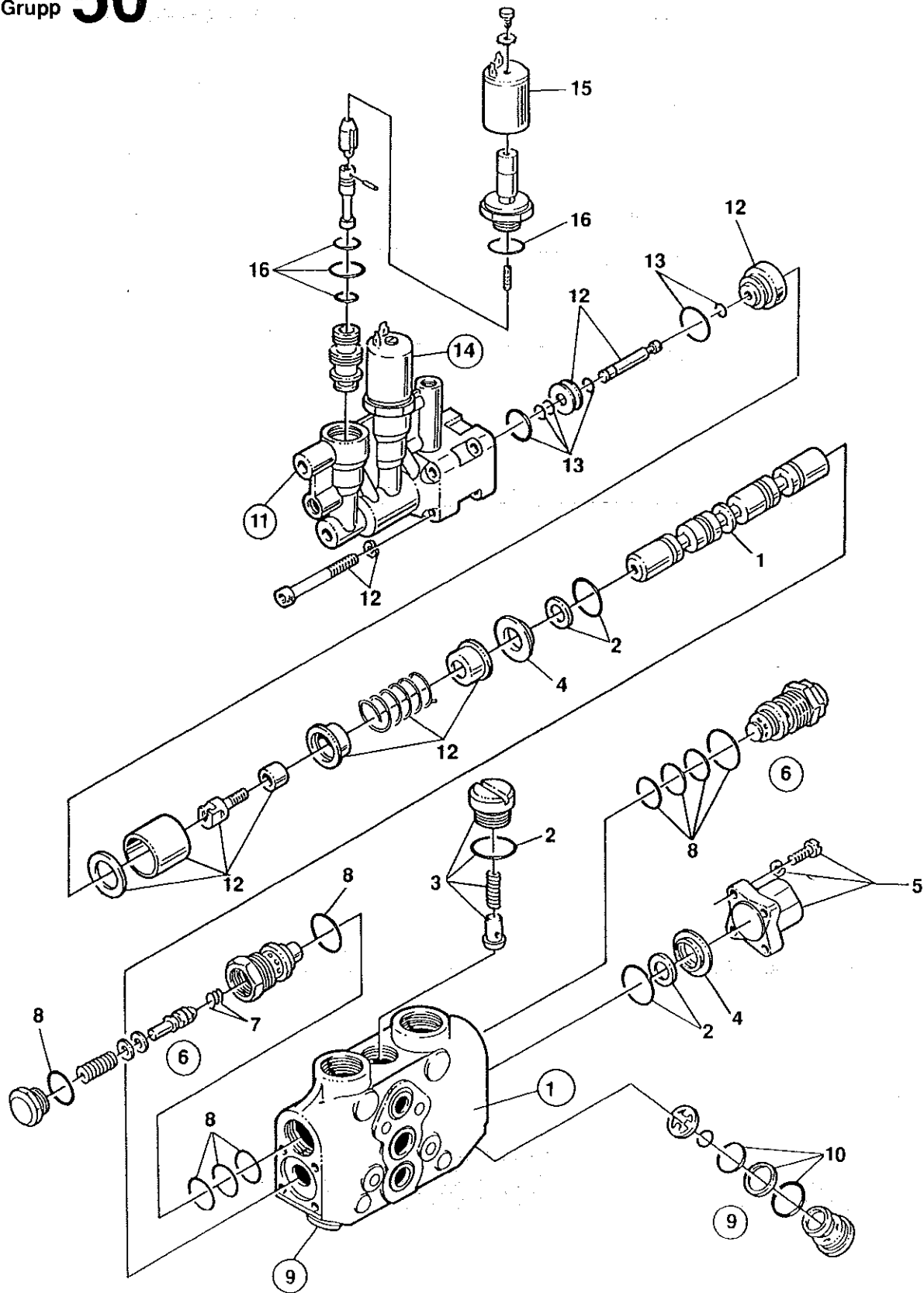
S-232-4

CC 421/421C

0100

Utgåva Issue		Bildnr. Picture N°		VIBRATIONSVENTIL KOMPLETT	VIBRATION VALVE COMPLETE	Grupp Group	Sida Page	
1993-12		15213-1				050	30	
Pos. Item	Antal / Quantity			Art.nr. Part N°	Benämning	Denomination	K C	Anmärkning Notes
0020	1	1		80 16 91	VIBRATIONSVENTIL	VIBRATION VALVE	C	CPL
0040	2	1		91 11 67	.INLOPPSSEKTION	.INLET COVER		
0060	3	2		21 24 25	.ÖVERSTR.VENTIL	.RELIEF VALVE	D	CPL
0080	4	1		21 24 26	.TÄTNINGSSATS	.SEAL KIT	D	
0100	5	2		23 21 20	.PLUGG	.PLUG		
0120	6	2		16 01 64	.O-RING	.O-RING	D	
0140	7	1		33 20 63	.PLUGG	.PLUG		
0160	8	1		16 01 54	.O-RING	.O-RING	D	
0180	9	8		91 11 66	.O-RING	.O-RING	D	
0200	10	4		91 10 99	.O-RING	.O-RING	D	
0220	11	1		23 32 00	.MITTSEKTION	.MIDDLE SECTION	D	CPL
0240	12	1		91 17 38	.ADAPTER	.ADAPTER		
0260	13	1		91 17 36	.SKRUV	.SCREW		
0280	14	1		91 17 26	.PLUGG	.PLUG		
0300	15	1		91 17 39	.PLUGG	.PLUG		
0320	16	2			.MANÖVERSEKT. KPL	.CONTROL SECT. CPL		SEE PAGE 32
0340	17	1		91 17 40	.UTLOPPSSEKTION	.OUTLET COVER		
0360	18	4		91 17 28	.PINNSKRUV	.STUD		
0380	19	8		91 17 27	.MUTTER	.NUT		
0400	20	3		60 40 30	.BRICKA	.WASHER		
0420	21	1		50 90 36	.SKRUV	.SCREW		
0440	22	2		50 20 62	.SKRUV	.SCREW		
0460	23	2		91 17 41	.ADAPTER	.ADAPTER		
0480	24	1		91 17 33	.O-RING	.O-RING	D	
0500	25	3		91 17 43	.ANSLUTNING	.FITTING	D	CPL
0520	26	3		91 17 42	.RÖR	.TUBE	D	CPL
0540	27	3		91 17 44	.ANSLUTNING	.FITTING	D	CPL
0560	28	3		91 14 03	.TÄTNINGSSATS	.SEAL KIT	D	

Group  
Grupp **50**





# DYNAPAC

Reservdelskatalog / Spare Parts Catalogue

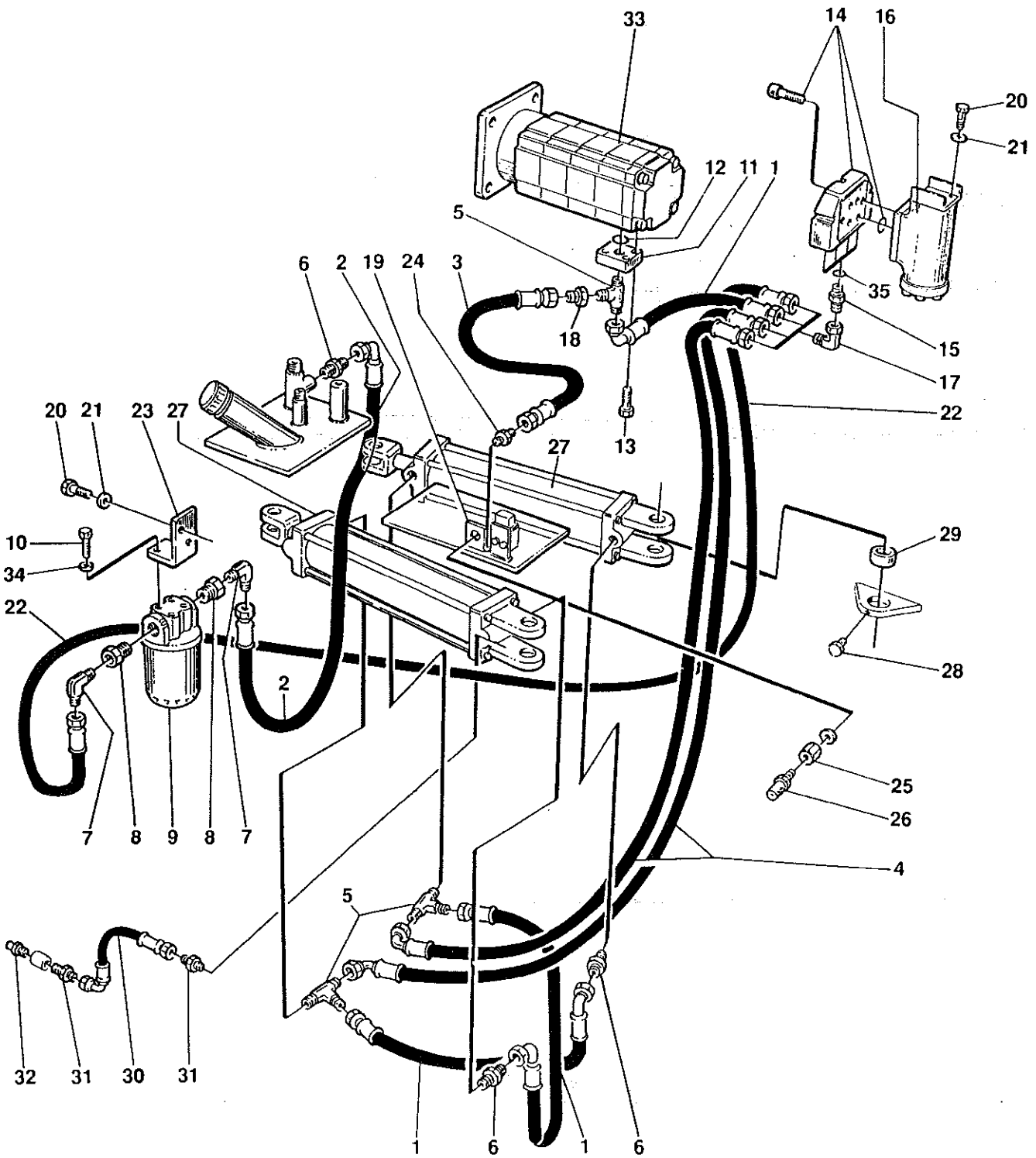
S-232-4

CC 421/421C

0110

Utgåva Issue 1993-12		Bildnr. Picture N <sup>o</sup> 15214-1		VIBRATIONSVENTIL MANÖVERSEKTION		VIBRATION VALVE CONTROL SECTION		Grupp Group 050		Sida Page 32	
Pos. Item	Antal / Quantity			Art.nr. Part N <sup>o</sup>	Benämning	Denomination	K C	Anmärkning Notes			
0020	1	2		91 10 98	HUS MED SPOLE	HOUSING W. SPOOL	D	CPL			
0040	2	1		91 10 90	..TÄTNINGSSATS	..SEAL KIT	D				
0060	3	1		91 10 97	..SERVICESATS	..SERVICE KIT	D				
0080	4	4		91 17 35	..TÄTNINGSHÅLLARE	..SEAL PLATE	D				
0100	5	1		91 17 34	..LOCK KPL	..COVER	D	CPL			
0120	6	2		23 31 99	..ÖVERSTR.VENTIL	..RELIEF VALVE	D	CPL			
0140	7	1		81 41 24	..SERVICESATS	..SERVICE KIT	D				
0160	8	1		92 16 92	..TÄTNINGSSATS	..SEAL KIT	D				
0180	9	2		23 31 97	..BACKVENTIL	..CHECK VALVE	D	CPL			
0200	10	1		91 10 91	..TÄTNINGSSATS	..SEAL KIT	D				
0220	11	1		91 17 37	..MAGNETREGLERING	..SOL. ACTUATOR	D	CPL			
0240	12	1		91 10 92	..REPARATIONSSATS	..REPLACEMENT KIT	D				
0260	13	1		91 10 93	..TÄTNINGSSATS	..SEAL KIT	D				
0280	14	2		23 31 98	..MAGNETVENTIL	..SOLENOID VALVE	D	CPL			
0300	15	1		91 11 68	..MAGNETSPOLE	..SOLENOID COIL	D				
0320	16	1		91 10 94	..TÄTNINGSSATS	..SEAL KIT	D				

Group **50**  
 Grupp



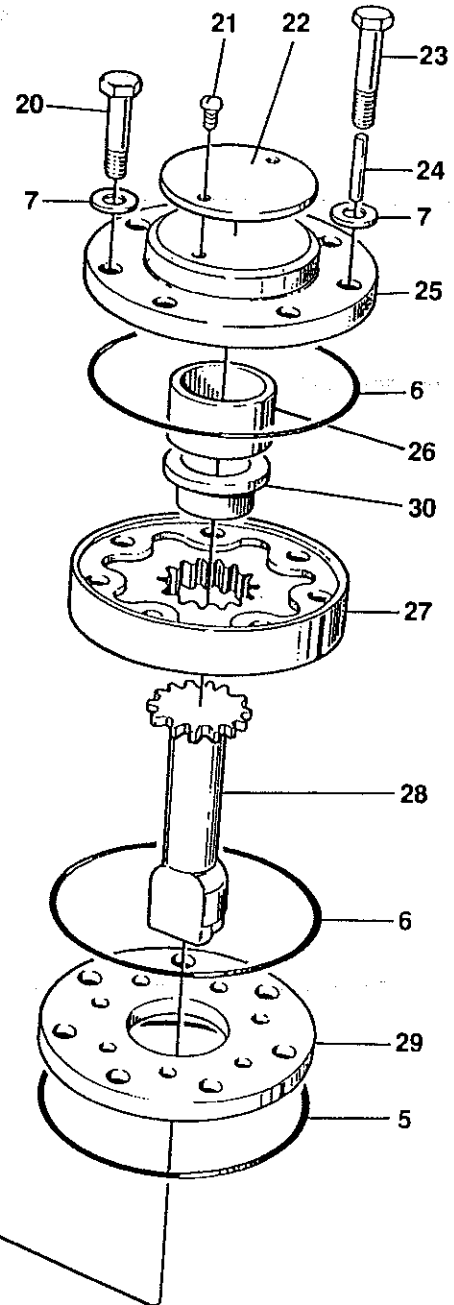
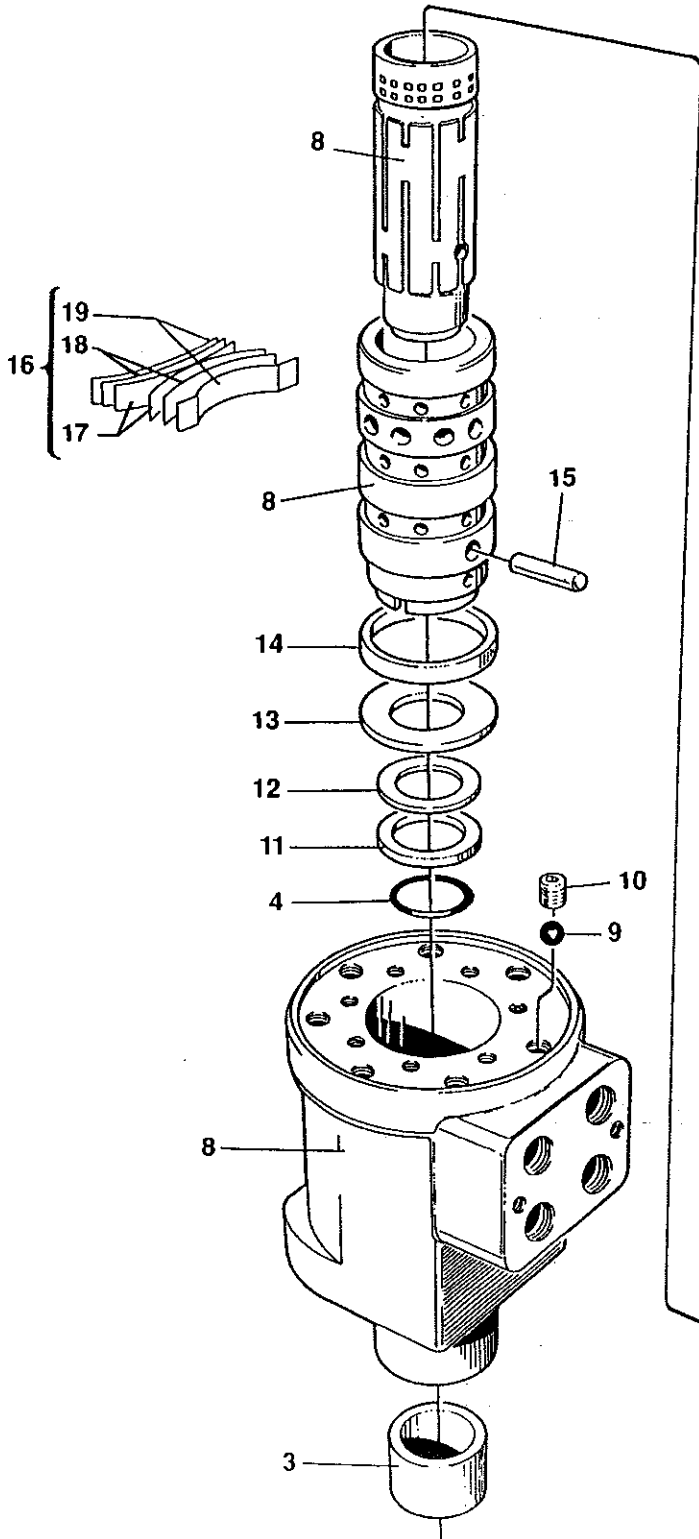
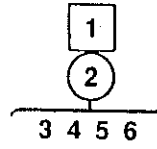
15368-1

34 78 27  
 35 62 15  
 35 62 59

0120

Utgåva Issue 1993-12		Bildnr. Picture N <sup>o</sup> 15368-1		STYRSYSTEM STEERING SYSTEM		Grupp Group 050	Sida Page 34
Pos. Item	Antal / Quantity			Art.nr. Part N <sup>o</sup>	Benämning	Denomination	K C Anmärkning Notes
0020	1	3		48 22 08	HYDRAULSLANG	HYDR HOSE	
0040	2	1		84 28 49	HYDRAULSLANG	HYDR HOSE	
0060	3	1		48 22 56	HYDRAULSLANG	HYDR HOSE	
0080	4	2		48 25 08	HYDRAULSLANG	HYDR HOSE	
0100	5	3		33 40 70	ADAPTER	CONNECTOR	
0120	6	3		33 41 17	ADAPTER	CONNECTOR	
0140	7	2		33 44 10	ADAPTER	CONNECTOR	
0160	8	2		81 34 49	REDUCERING	REDUCING	
0180	9	1		33 75 36	HYDR OLFILTER	HYDR OIL FILTER	1)
0190		1		21 21 08	.FILTERELEMENT	.FILTER ELEMENT	A 1)
0192		1		90 28 06	HYDR.OLFILTER	HYDR OIL FILTER	2)
0194		1		90 29 00	.FILTERELEMENT	.FILTER ELEMENT	A 2)
0196		1		90 30 05	.PACKNING	.GASKET	2)
0200	10	2		50 20 18	SKRUV	SCREW	1)
0210		2		50 00 21	SKRUV	SCREW	2)
0220	11	1		34 34 14	FLÄNSKOPPLING	FLANGE COUPLING	
0240	12	1		81 34 43	O-RING	O-RING	D
0260	13	4		50 90 39	SKRUV	SCREW	
0280	14	1		91 14 99	VENTILBLOCK	VALVE BLOCK	C
0285		1		92 03 63	.PACKNINGSSATS	.GASKET KIT	D
0290		2		48 09 23	.SKRUV	.SCREW	
0300	15	4		23 49 41	ADAPTER	CONNECTOR	SEE PAGE 36
0320	16	1			VENTIL	VALVE	
0340	17	4		33 41 97	ADAPTER	CONNECTOR	
0360	18	1		33 42 64	REDUCERING	REDUCING	
0380	19	1		34 78 02	DETALJ PLÅT	SHEET METAL PART	
0400	20	4		50 00 28	SKRUV	SCREW	
0420	21	4		61 50 44	BRICKA	WASHER	
0440	22	1		48 20 69	HYDRAULSLANG	HYDR HOSE	
0460	23	1		34 30 59	DETALJ PLÅT	SHEET METAL PART	
0480	24	1		33 04 35	ADAPTER	CONNECTOR	
0500	25	1		33 83 04	ADAPTER	CONNECTOR	
0520	26	1		91 01 61	NIPPEL	FITTING	D
0540	27	2			HYDR CYLINDER	HYDR CYLINDER	SEE PAGE 38
0560	28	2		23 21 24	PLUGG	PLUG	
0580	29	2		81 33 16	LAGER	BUSHING	D
0600	30	2		48 21 00	HYDRAULSLANG	HYDR HOSE	
0620	31	4		23 43 58	ADAPTER	CONNECTOR	
0640	32	2		31 00 22	SMÖRJNIPPEL	LUBRICANT NIPPLE	D
0660	33	1			HYDRAULPUMP	HYDR PUMP	SEE PAGE 26
0680	34	2		61 50 43	BRICKA	WASHER	2)
0700	35	4		16 20 15	TÄTNING	SEALING	D

1) VALID FOR CC 421 UP TO S/N \*58010331\* AND FOR CC 421C UP TO S/N \*58020448\*.  
 2) VALID FOR CC 421 FROM S/N \*58010332\* AND FOR CC 421C FROM S/N \*58020449\*.



# DYNAPAC

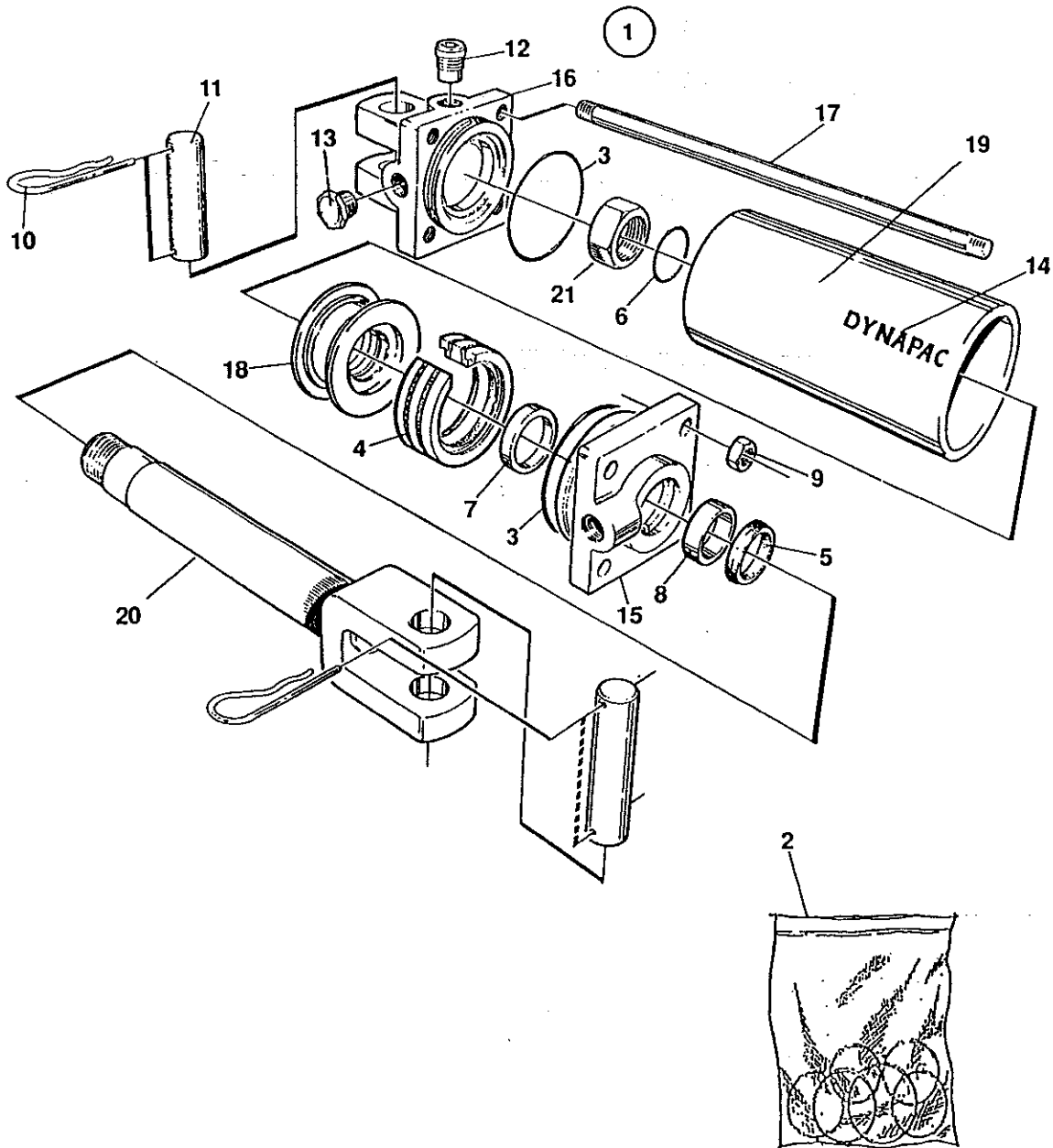
Reservdelskatalog / Spare Parts Catalogue

S-232-4

CC 421/421C

0130

Utgåva Issue 1993-12		Bildnr. Picture N° 14969-1		STYRVENTIL STEERING VALVE		Grupp Group 050	Sida Page 36
Pos. Item	Antal / Quantity			Art.nr. Part N°	Benämning	Denomination	K C Anmärkning Notes
0020	1	1		48 02 19	STYRVENTIL	STEERING VALVE	C CPL
0040	2	1		48 04 57	.TÄTNINGSSATS	.SEAL KIT	D
0060	3	1			.TÄTNINGSRING	.SEAL RING	
0080	4	1			.O-RING	.O-RING	
0100	5	1			.O-RING	.O-RING	
0120	6	2			.O-RING	.O-RING	
0140	7	7			.TÄTNINGSBRICKA	.SEAL WASHER	
0160	8	1		48 04 58	.HUS	.HOUSING	CPL
0180	9	1		48 04 68	.KULA	.BALL	
0200	10	1		48 04 46	.BUSSNING	.BUSHING	
0220	11	1		48 04 52	.BRICKA	.WASHER	
0240	12	1		48 04 53	.NÅLLAGER	.NEEDLE BEARING	
0260	13	1		48 04 51	.BRICKA	.WASHER	
0280	14	1		48 04 49	.RING	.RING	
0300	15	1		48 04 47	.PINNE	.PIN	
0320	16	1		48 13 09	.FJÄDERSATS	.SPRING KIT	D
0340	17	2		48 13 08	.FJÄDER	.SPRING	BLUE
0360	18	2		48 13 07	.FJÄDER	.SPRING	YELLOW-BROWN
0380	19	2		48 04 48	.FJÄDER	.SPRING	YELLOW-BROWN
0400	20	6		48 04 65	.SKRUV	.SCREW	
0420	21	2		48 04 64	.SKRUV	.SCREW	
0440	22	1		48 04 44	.TYPPLÅT	.MODEL PLATE	
0460	23	1		48 04 56	.SKRUV	.SCREW	
0480	24	1		48 04 66	.PINNE	.PIN	
0500	25	1		48 04 50	.LOCK	.COVER	
0520	26	1		48 13 06	.HYLSA	.SLEEVE	
0540	27	1		48 05 77	.KUGGHJULSSATS	.GEAR KIT	D
0560	28	1		48 04 54	.AXEL	.SHAFT	
0580	29	1		48 04 45	.PLATTA	.PLATE	
0600	30	1		48 04 55	.HYLSA	.SLEEVE	



# DYNAPAC

Reservdelskatalog / Spare Parts Catalogue

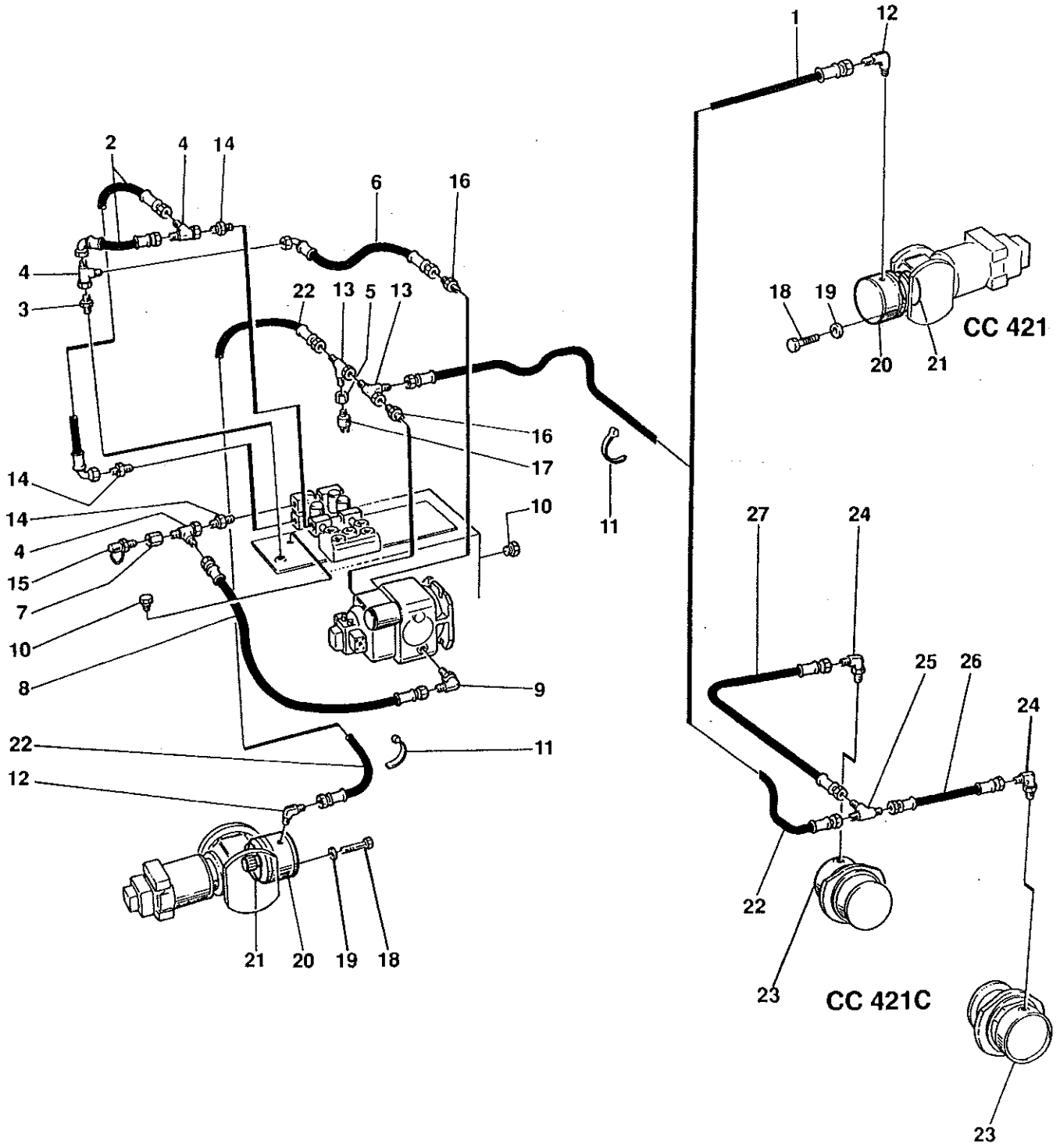
S-232-4

CC 421/421C

0140

Utgåva Issue		Bildnr. Picture N <sup>o</sup>		STYRCYLINDER	STEERING CYLINDER	Grupp Group	Sida Page	
1993-12		14866-1				050	38	
Pos. Item	Antal / Quantity			Art.nr. Part N <sup>o</sup>	Benämning	Denomination	K C	Anmärkning Notes
0020	1	1		34 71 10	STYRCYLINDER	STEERING CYLINDER	C	CPL
0040	2	1		92 70 36	.PACKNINGSSATS	.SEAL KIT	D	
0060	3	2			.O-RING	.O-RING		
0080	4	1			.KOLVTÄTNING	.PISTON SEAL		
0100	5	1			.AVSTRYKARE	.SCRAPER RING		
0120	6	1			.O-RING	.O-RING		
0140	7	1			.KOLVSTÄNGSTÄTN.	.PISTON ROD SEAL		
0160	8	1			.STYRRING	.GUIDE RING		
0180	9	4		92 69 77	.MUTTER	.NUT		
0200	10	4		63 50 61	.SPRINT	.HAIR PIN	D	
0220	11	2		34 71 19	.AXEL	.SHAFT	D	
0240	12	1		81 34 22	.PLUGG	.PLUG		
0260	13	2		92 58 06	.SKYDDSPUGG	.PROTECTIVE PLUG		
0280	14	1		34 76 13	.DEKAL	.DECAL		
0300	15	1		34 71 14	.CYLINDERGAVEL	.CYLINDER END		
0320	16	1		34 71 16	.CYLINDERGAVEL	.CYLINDER END		
0340	17	4		34 71 17	.BULT	.BOLT		
0360	18	1		34 71 18	.KOLV	.PISTON		
0380	19	1		34 71 15	.CYLINDERÖR	.CYLINDER		
0400	20	1		34 71 11	.KOLVSTÄNG	.PISTON ROD		
0420	21	1		92 63 30	.MUTTER	.NUT		

Group **50**  
 Grupp



15565

34 97 45  
 35 62 15  
 35 62 48  
 35 62 59



# DYNAPAC

Reservdelskatalog / Spare Parts Catalogue

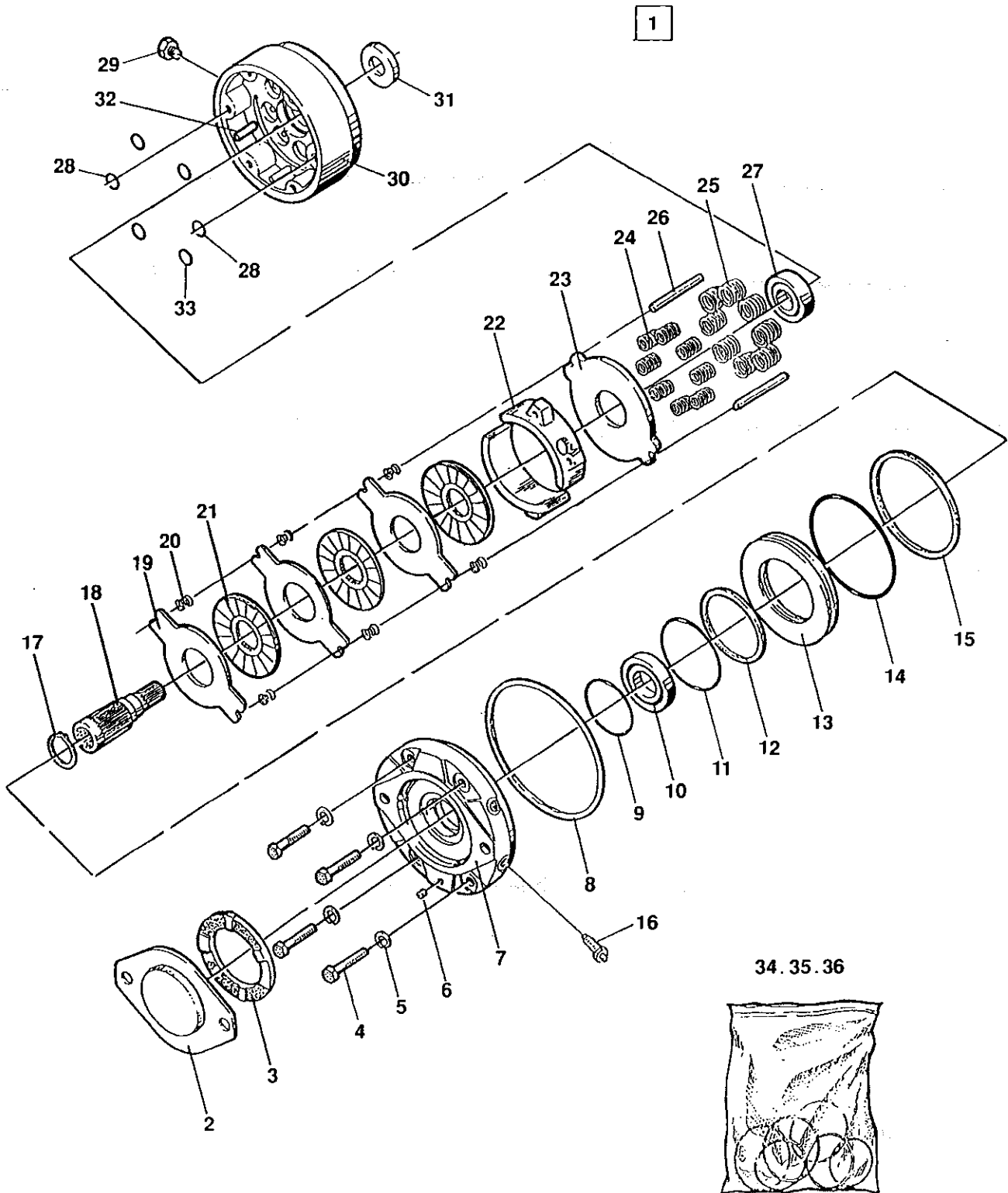
S-232-4

CC 421/421C

0150

Utgåva Issue		Bildnr. Picture N°		BROMSSYSTEM		BRAKE SYSTEM		Grupp Group	Sida Page
1993-12		15565						050	40
Pos. Item	Antal / Quantity			Art.nr. Part N°	Benämning	Denomination	K C	Anmärkning Notes	
	CC 421	CC 421 C							
0020	1	1		48 27 46	HYDRAULSLANG	HYDR HOSE			
0040	2	2		48 20 88	HYDRAULSLANG	HYDR HOSE			
0060	3	1	1	33 42 21	ADAPTER	CONNECTOR			
0080	4	3	3	33 45 56	ADAPTER	CONNECTOR			
0100	5	1	1	433 83 04 01	ADAPTER	CONNECTOR			
0120	6	1	1	48 25 71	HYDRAULSLANG	HYDR HOSE			
0140	7	1	1	33 83 04	ADAPTER	CONNECTOR			
0160	8	1	1	381 01 01 03	HYDRAULSLANG	HYDR HOSE			
0180	9	1	1	33 42 03	ADAPTER	CONNECTOR			
0200	10	2	2	81 34 23	PLUGG	PLUG			
0220	11	N	N	31 30 41	BUNTBAND	CABLE TIES		L=186 MM	
0240	12	2	1	23 48 06	ADAPTER	CONNECTOR			
0260	13	2	2	33 42 34	ADAPTER	CONNECTOR			
0280	14	3	3	23 43 88	ADAPTER	CONNECTOR			
0300	15	1	1	91 01 61	NIPPEL	FITTING	D		
0320	16	2	2	23 42 33	ADAPTER	CONNECTOR			
0340	17	1	1	34 09 54	TRYCKGIVARE	PRESSURE SENDER	D		
0360	18	4	2	50 20 70	SKRUV	SCREW			
0380	19	4	2	61 50 45	BRICKA	WASHER			
0400	20	2	1		BROMS (VALS)	BRAKE (DRUM)		SEE PAGE 42	
0420	21	2	1	16 01 11	O-RING	O-RING	D		
0440	22	1	2	48 22 85	HYDRAULSLANG	HYDR HOSE		SEE PAGE 20	
0460	23		2		BROMS (HJUL)	BRAKE (WHEELS)			
0480	24		2	92 89 08	ADAPTER	CONNECTOR			
0500	25		1	23 48 04	ADAPTER	CONNECTOR			
0520	26		1	48 25 42	HYDRAULSLANG	HYDR HOSE			
0540	27		1	48 27 96	HYDRAULSLANG	HYDR HOSE			

Group  
Grupp **50**



# DYNAPAC

Reservdelskatalog / Spare Parts Catalogue

S-232-4

CC 421/421C

0160

Utgåva Issue		Bildnr. Picture N°		BROMS		BRAKE		Grupp Group	Sida Page
1993-12		14849-1						050	42
Pos. Item	Antal / Quantity			Art.nr. Part N°	Benämning	Denomination	K C	Anmärkning Notes	
0020	1	1		34 88 61	BROMS	BRAKE	C	CPL	
0040	2	1		92 78 99	.LOCK	.COVER			
0060	3	1			.PACKNING	.GASKET		9)	
0080	4	4		92 79 01	.SKRUV	.SCREW			
0100	5	4		21 21 52	.BRICKA	.WASHER			
0120	6	1		92 79 03	.PLUGG	.PLUG			
0140	7	1		21 21 51	.LOCK	.COVER			
0160	8	1			.TÄTRING	.SEAL RING		9)	
0180	9	1			.O-RING	.O-RING		9),10)	
0200	10	1			.LAGER	.BEARING		10)	
0220	11	1			.O-RING	.O-RING		9)	
0240	12	1			.STÖDRING	.BACKUP RING		9)	
0260	13	1		92 79 10	.KOLV	.PISTON			
0280	14	1			.O-RING	.O-RING		9)	
0300	15	1			.STÖDRING	.BACKUP RING			
0320	16	1		92 79 13	.LUFTNING	.BREATHER			
0340	17	1			.LÅSRING	.LOCK RING		10)	
0360	18	1		21 21 56	.AXEL	.SHAFT			
0380	19	3			.PLATTA	.PLATE		11)	
0400	20	6		92 79 17	.FJÄDER	.SPRING			
0420	21	3			.LAMELL	.DISC		11)	
0440	22	2		92 79 20	.HÅLLARE	.HOLDER			
0460	23	1			.PLATTA	.PLATE		11)	
0480	24	8		92 79 22	.FJÄDER	.SPRING			
0500	25	8		92 79 23	.FJÄDER	.SPRING			
0520	26	2		92 79 24	.PINNE	.PIN			
0540	27	1			.LAGER	.BEARING		10)	
0560	28	2			.O-RING	.O-RING		9)	
0580	29	1		21 21 57	.PLUGG	.PLUG			
0600	30	1		21 21 55	.HUS	.HOUSING			
0620	31	1			.TÄTNING	.SEAL RING		9)	
0640	32	1		21 21 54	.PINNE	.PIN			
0660	33	4			.O-RING	.O-RING		9)	
0680	34	1		21 21 58	REPARATIONSSATS	REPAIR KIT	D		
0700	35	1		21 21 59	LAGERSATS	BEARING KIT	D		
0720	36	1		90 02 48	LAMELLSATS	DISC KIT	D		

9) INCLUDED IN KIT, ITEM 34.  
 10) INCLUDED IN KIT, ITEM 35.  
 11) INCLUDED IN KIT, ITEM 36.



# ***DYNAPAC***

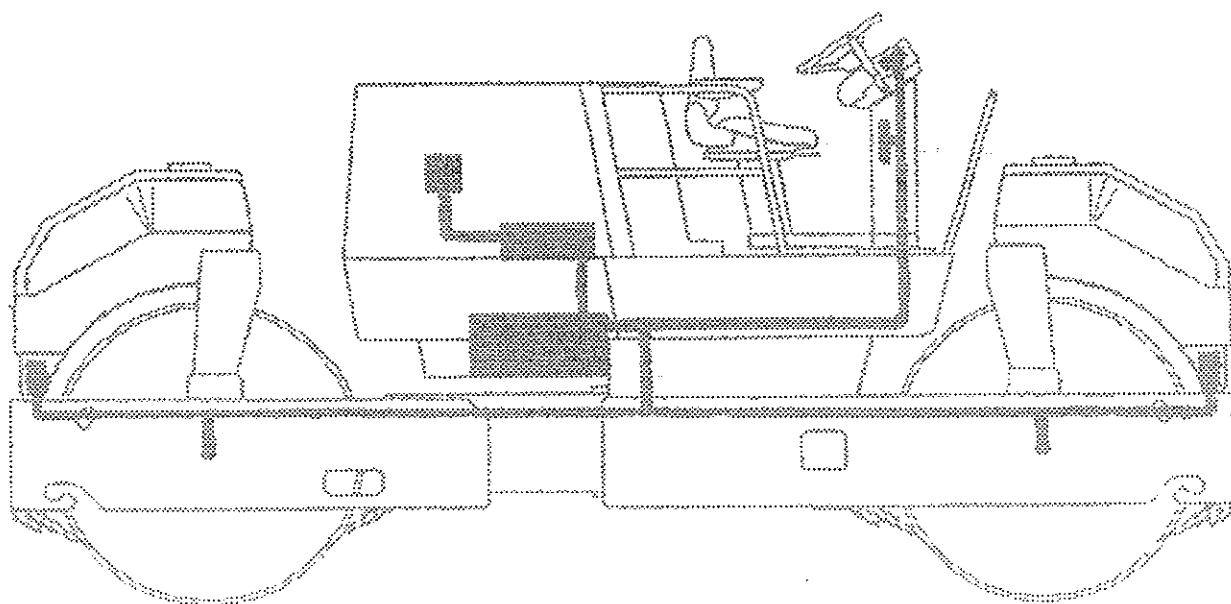
## **ELUTRUSTNING**

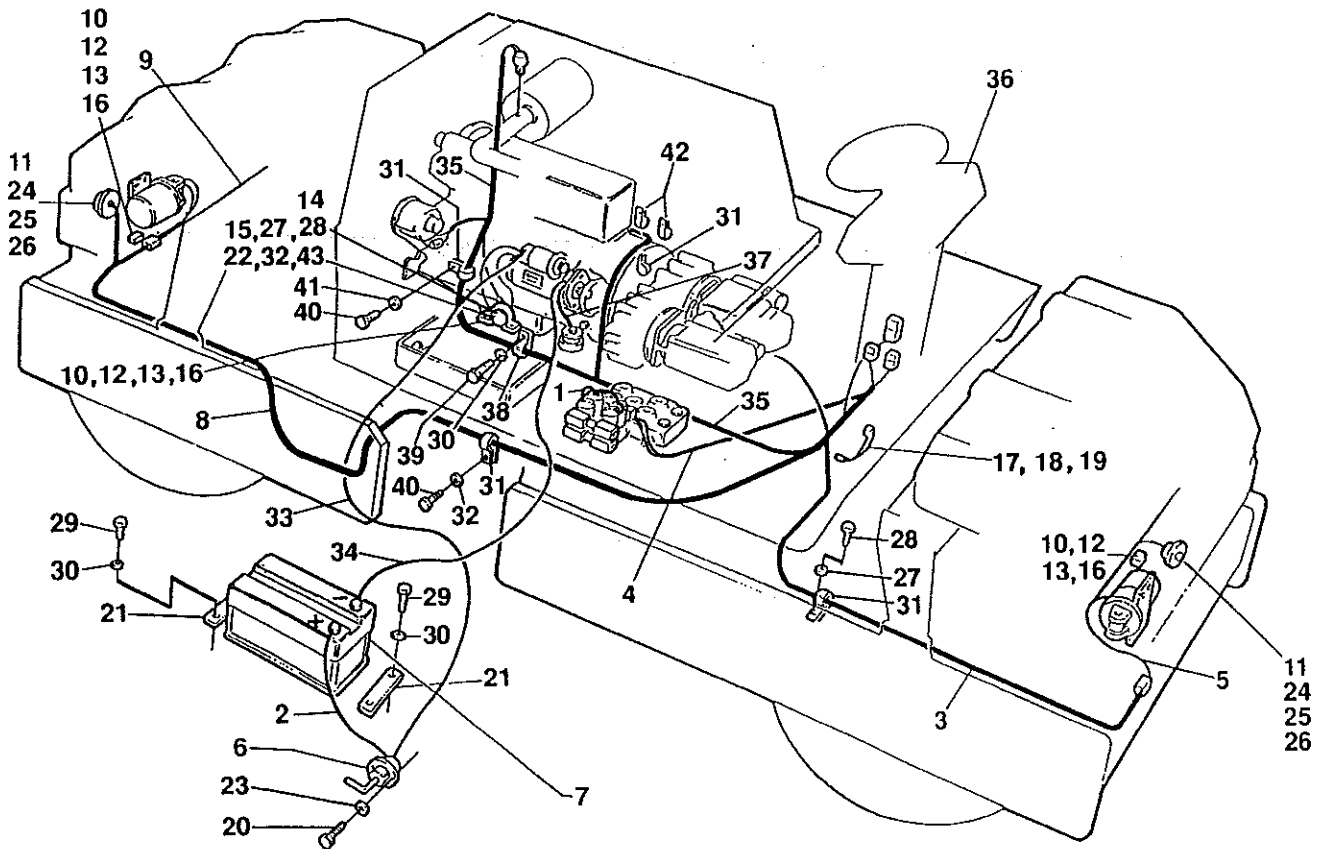
## **ELECTRICAL EQUIPMENT**

## **Page**

ELUTRUSTNING DEUTZ  
ELUTRUSTNING CUMMINS  
INSTRUMENTPELARE  
INSTRUMENTPANEL

ELECTRICAL EQUIPMENT DEUTZ 2  
ELECTRICAL EQUIPMENT CUMMINS 4  
INSTRUMENT COLUMN 6  
CONTROL PANEL 8





# DYNAPAC

Reservdelskatalog / Spare Parts Catalogue

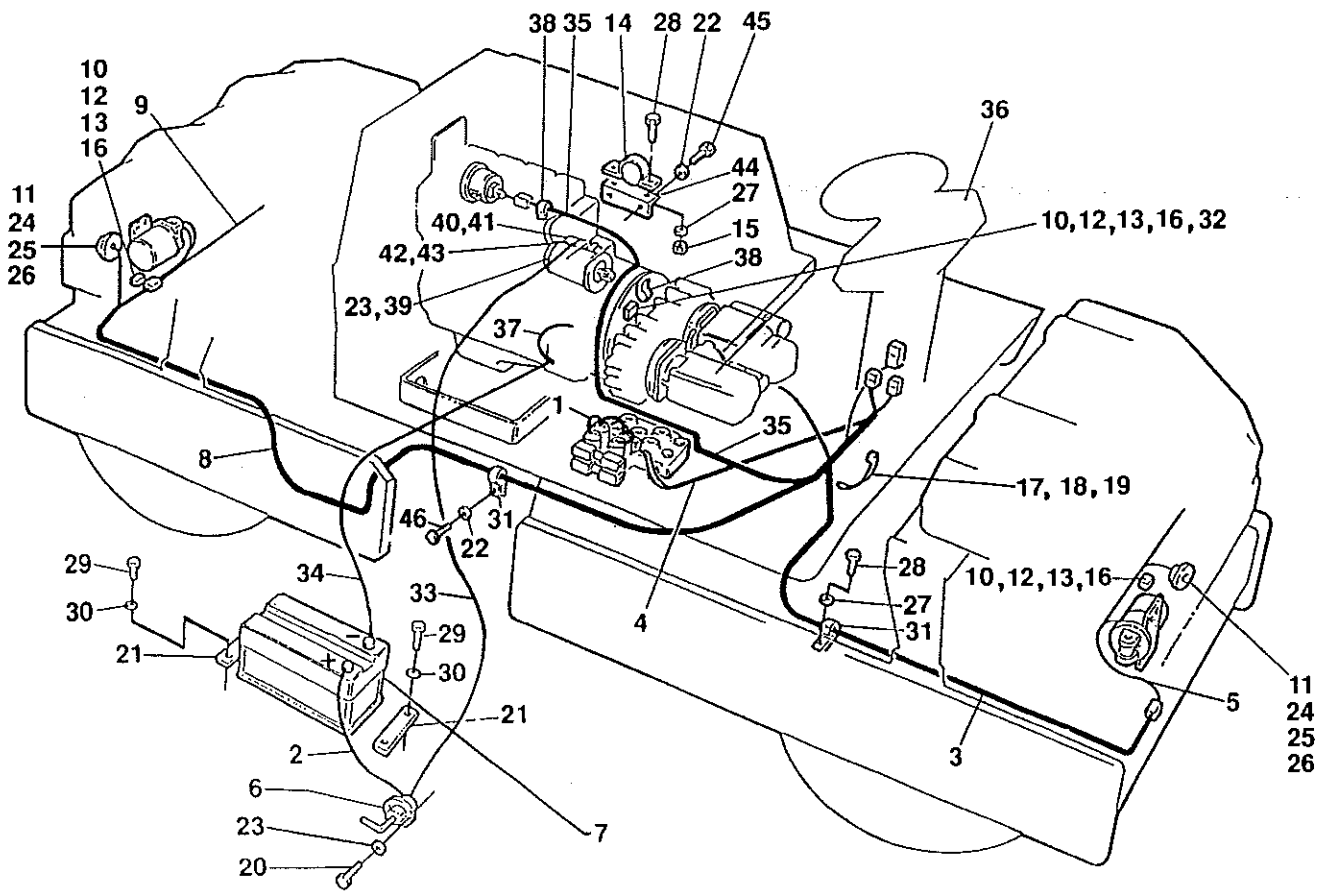
S-232-4

CC 421/421C

0010

Utgåva Issue		Bildnr. Picture N°		ELUTRUSTNING DEUTZ		ELECTRICAL EQUIPMENT DEUTZ		Grupp Group	Sida Page
1993-12		15370-1						060	2
Pos. Item	Antal / Quantity			Art.nr. Part N°	Benämning	Denomination	K C	Anmärkning Notes	
0020	1	1		34 37 31	KABELHÄRVA	WIRING HARNESS		ON VIBR. VALVE	
0040	2	1		34 78 09	BATTERIKABEL	BATTERY CABLE		(+)	
0060	3	1		35 64 84	KABELHÄRVA	WIRING HARNESS		1), FRONT RH SIDE	
0070		1		35 74 74	KABELHÄRVA	WIRING HARNESS		2), FRONT RH SIDE	
0080	4	1		35 64 74	KABELHÄRVA	WIRING HARNESS		TO VIBR. VALVE	
0100	5	1		35 64 82	KABELHÄRVA	WIRING HARNESS		FRONT	
0120	6	1		93 01 50	BRYTARE	BATTERY SWITCH	D		
0130		1		92 80 21	VRED	KEY	D		
0140	7	1		47 00 20	BATTERI	BATTERY			
0160	8	1		35 64 85	KABELHÄRVA	WIRING HARNESS		1), REAR RH SIDE	
0170		1		35 74 75	KABELHÄRVA	WIRING HARNESS		2), REAR RH SIDE	
0180	9	1		35 64 83	KABELHÄRVA	WIRING HARNESS		REAR	
0200	10	3		92 57 15	KOPPLINGSPLINT	JUNCTION BLOCK			
0220	11	2		99 90 27	SIGNALHORN	HORN			
0240	12	3		53 30 10	SKRUV	SCREW			
0260	13	3		92 39 76	MUTTER	NUT			
0280	14	1		97 50 65	STARTRELÄ	STARTER RELAY	D		
0300	15	2		57 00 04	MUTTER	NUT			
0320	16	3		60 00 02	BRICKA	WASHER			
0340	17	N		31 30 68	BUNTBAND	CABLE TIES		L=92 MM	
0360	18	N		31 30 41	BUNTBAND	CABLE TIES		L=186 MM	
0380	19	N		31 31 02	BUNTBAND	CABLE TIES		L=388 MM	
0400	20	2		50 00 13	SKRUV	SCREW			
0420	21	2		35 65 00	BATTERIHÅLLARE	BATTERY HOLDER			
0440	22	2		50 00 48	SKRUV	SCREW			
0460	23	2		60 00 04	BRICKA	WASHER			
0480	24	2		61 50 43	BRICKA	WASHER			
0500	25	2		57 00 05	MUTTER	NUT			
0520	26	2		50 00 23	SKRUV	SCREW			
0540	27	13		61 50 42	BRICKA	WASHER			
0560	28	13		50 00 12	SKRUV	SCREW			
0580	29	4		50 00 47	SKRUV	SCREW			
0600	30	7		60 00 06	BRICKA	WASHER			
0620	31	13		92 11 04	KLAMMER	CLAMP		15 PCS ON CC 421C	
0640	32	2		61 50 44	BRICKA	WASHER		4 PCS ON CC 421C	
0660	33	1		34 87 59	KOPPLINGSLEDNING	CONNECTION WIRE			
0680	34	1		34 83 03	JORDKABEL	GROUND CABLE		(-)	
0700	35	1		35 64 69	KABELHÄRVA	WIRING HARNESS		ON DIESEL ENGINE	
0710		1		96 07 96	KONTAKTDON	CONNECTOR	D	BLACK, MPM 182 09 ND	
0720	36	1			INSTRUMENT PANEL	CONTROL PANEL		SEE PAGE 6	
0740	37	1		34 57 28	JORDKABEL	GROUND CABLE			
0760	38	3		92 11 61	KLAMMER	CLAMP			
0780	39	3		50 00 19	SKRUV	SCREW			
0800	40	1		50 00 43	SKRUV	SCREW		3 PCS ON CC 421C	
0820	41	1		60 00 08	BRICKA	WASHER			
0840	42	2		92 10 77	KLAMMER	CLAMP			
0860	43	1		34 58 21	RELÄFÄSTE	RELAY BRACKET			

1) VALID FOR CC 421 UP TO S/N \*58010280\* AND FOR CC 421C UP TO S/N \*58020444\*.  
 2) VALID FOR CC 421 FROM S/N \*58010281\* AND FOR CC 421C FROM S/N \*58020445\*.





# DYNAPAC

Reservdelskatalog / Spare Parts Catalogue

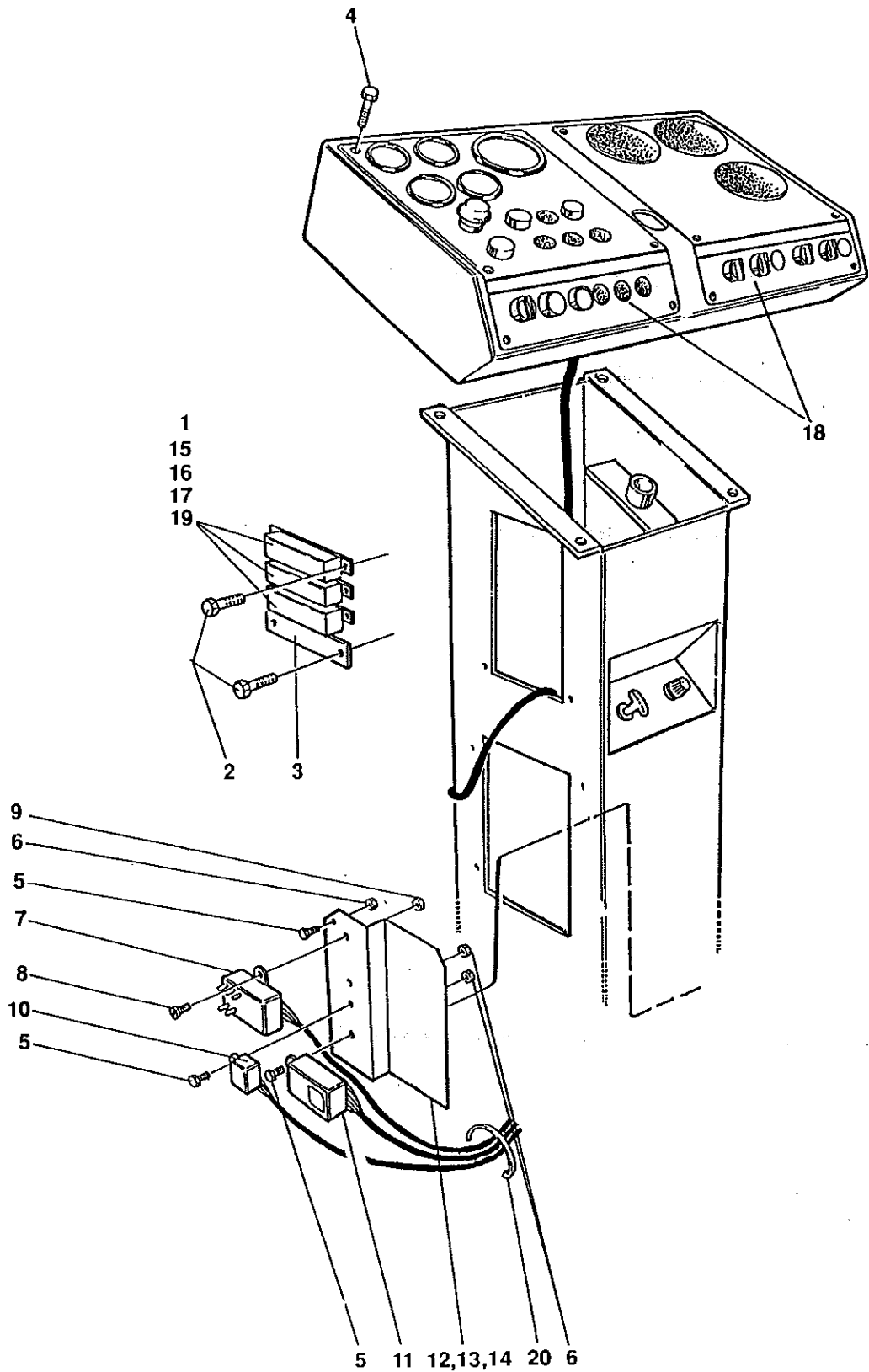
S-232-4

CC 421/421C

0020

Utgåva Issue 1993-12		Bildnr. Picture N° 15371-1		ELUTRUSTNING CUMMINS		ELECTRICAL EQUIPMENT CUMMINS		Grupp Group 060	Sida Page 4
Pos. Item	Antal / Quantity			Art.nr. Part N°	Benämning	Denomination	K C	Anmärkning Notes	
0020	1	1		34 37 31	KABELHÄRVA	WIRING HARNESS			ON VIBR. VALVE
0040	2	1		34 78 09	BATTERIKABEL	BATTERY CABLE			(+)
0060	3	1		35 64 84	KABELHÄRVA	WIRING HARNESS			1), FRONT RH SIDE
0070		1		35 74 74	KABELHÄRVA	WIRING HARNESS			2), FRONT RH SIDE
0080	4	1		35 64 74	KABELHÄRVA	WIRING HARNESS			TO VIBR. VALVE
0100	5	1		35 64 82	KABELHÄRVA	WIRING HARNESS			FRONT
0120	6	1		93 01 50	BRYTARE	BATTERY SWITCH			
0130		1		92 80 21	.VRED	.KEY	D		
0140	7	1		47 00 20	BATTERI	BATTERY	D		
0160	8	1		35 64 85	KABELHÄRVA	WIRING HARNESS			1), REAR RH SIDE
0170		1		35 74 75	KABELHÄRVA	WIRING HARNESS			2), REAR RH SIDE
0180	9	1		35 64 83	KABELHÄRVA	WIRING HARNESS			REAR
0200	10	3		92 57 15	KOPPLINGSPLINT	JUNCTION BLOCK			
0220	11	2		99 90 27	SIGNALHORN	HORN			
0240	12	3		53 30 10	SKRUV	SCREW			
0260	13	3		92 39 76	MUTTER	NUT			
0280	14	1		97 50 65	STARTRELÄ	STARTER RELAY	D		
0300	15	2		57 00 04	MUTTER	NUT			
0320	16	3		60 00 02	BRICKA	WASHER			
0340	17	N		31 30 68	BUNTBAND	CABLE TIES			L=92 MM
0360	18	N		31 30 41	BUNTBAND	CABLE TIES			L=186 MM
0380	19	N		31 31 02	BUNTBAND	CABLE TIES			L=388 MM
0400	20	2		50 00 13	SKRUV	SCREW			
0420	21	2		35 65 00	BATTERIHÅLLARE	BATTERY HOLDER			
0440	22	2		61 50 44	BRICKA	WASHER			4 PCS ON CC 421C
0460	23	3		60 00 04	BRICKA	WASHER			
0480	24	2		61 50 43	BRICKA	WASHER			
0500	25	2		57 00 05	MUTTER	NUT			
0520	26	2		50 00 23	SKRUV	SCREW			
0540	27	13		61 50 42	BRICKA	WASHER			
0560	28	13		50 00 12	SKRUV	SCREW			
0580	29	4		50 00 47	SKRUV	SCREW			
0600	30	4		60 00 06	BRICKA	WASHER			
0620	31	11		92 11 04	KLAMMER	CLAMP			13 PCS ON CC 421C
0640	32	1		35 65 13	FÄSTE	HOLDER			
0660	33	1		34 76 58	KOPPLINGSLEDNING	CONNECTION WIRE			
0680	34	1		34 83 03	JORDKABEL	GROUND CABLE			(-)
0700	35	1		35 64 93	KABELHÄRVA	WIRING HARNESS			ON DIESEL ENGINE
0710		1		96 07 96	.KONTAKTDON	.CONNECTOR	D		BLACK,MPM 182 09 ND
0720	36	1			INSTRUMENTPANEL	CONTROL PANEL			SEE PAGE 6
0740	37	1		34 87 02	JORDKABEL	GROUND CABLE			
0760	38	4		92 11 61	KLAMMER	CLAMP			
0780	39	1		57 00 04	MUTTER	NUT			
0800	40	1		57 00 06	MUTTER	NUT			
0820	41	1		60 00 08	BRICKA	WASHER			
0840	42	1		57 00 03	MUTTER	NUT			
0860	43	1		61 50 41	BRICKA	WASHER			
0880	44	1		34 90 88	RELÄFÄSTE	RELAY BRACKET			
0900	45	2		50 00 48	SKRUV	SCREW			
0920	46	2		50 00 43	SKRUV	SCREW			ON CC 421C ONLY

1) VALID FOR CC 421 UP TO S/N \*58010280\* AND FOR CC 421C UP TO S/N \*58020444\*.  
 2) VALID FOR CC 421 FROM S/N \*58010281\* AND FOR CC 421C FROM S/N \*58020445\*.



# DYNAPAC

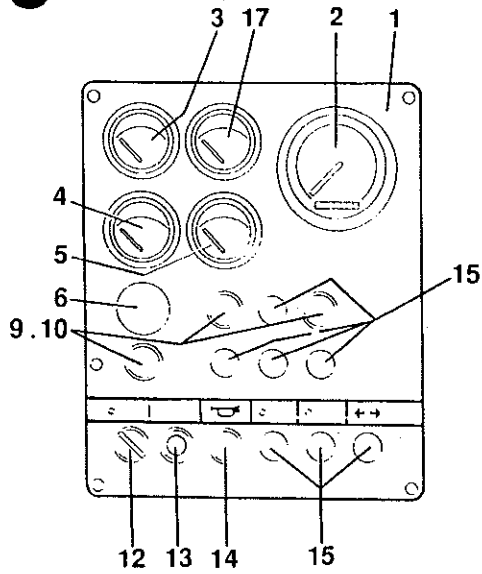
Reservdelskatalog / Spare Parts Catalogue

S-232-4

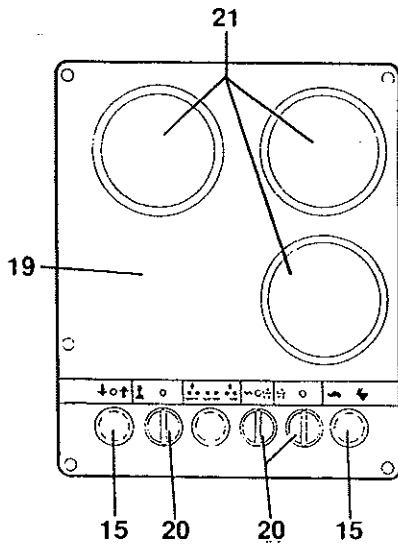
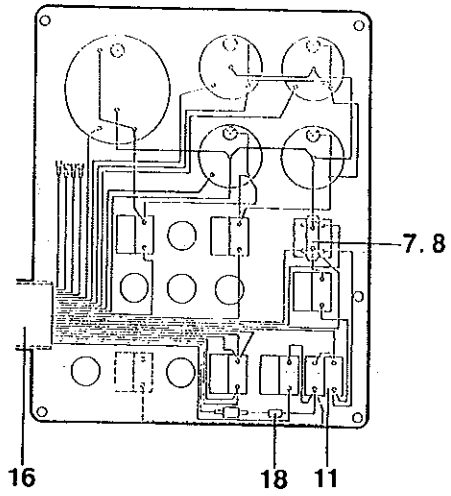
CC 421/421C

0030

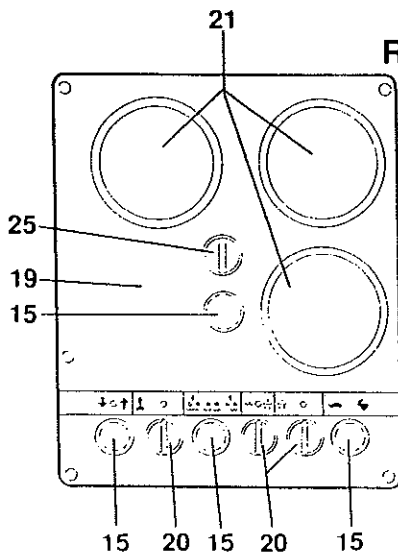
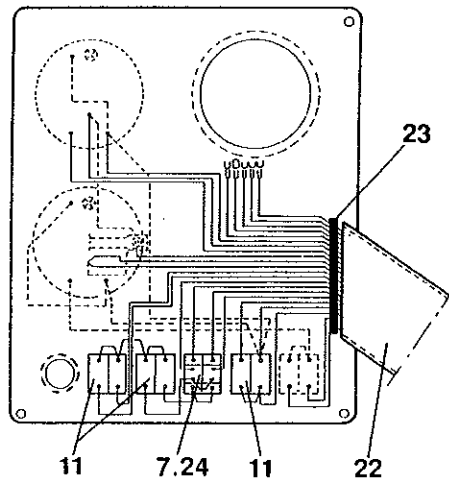
Utgåva Issue 1993-12		Bildnr. Picture N <sup>o</sup> 15349-1		INSTRUMENTPELARE		INSTRUMENT COLUMN		Grupp Group 060	Sida Page 6
Pos. Item	Antal / Quantity			Art.nr. Part N <sup>o</sup>	Benämning	Denomination	K C	Anmärkning Notes	
0020	1	3		90 12 56	SÄKRINGSDOSA	FUSE BOX	D		
0040	2	8		90 17 67	SKRUV	SCREW			
0060	3	1		35 65 19	DETALJ PLÅT	SHEET METAL PART			
0080	4	11		55 01 31	SKRUV	SCREW			
0100	5	3		50 00 03	SKRUV	SCREW			
0120	6	3		58 60 01	MUTTER	NUT			
0140	7	1		92 79 75	RELÄ	RELAY	D	VIBRATION	
0160	8	2		53 30 08	SKRUV	SCREW			
0180	9	2		92 39 76	MUTTER	NUT			
0200	10	1		97 50 77	RELÄ	RELAY	D	SPRINKLER	
0220	11	1		34 84 85	RELÄ	RELAY	D	NEUTRAL POSITION	
0240	12	1		34 81 02	RELÄFÄSTE	RELAY BRACKET			
0260	13	2		50 00 40	SKRUV	SCREW			
0280	14	2		61 50 42	BRICKA	WASHER			
0300	15	9		90 12 26	SÄKRING	FUSE	B	7.5 A	
0320	16	6		90 12 25	SÄKRING	FUSE	B	5 A	
0340	17	3		90 12 27	SÄKRING	FUSE	B	10 A	
0360	18	2			INSTRUMENTPANEL	CONTROL PANEL		SEE PAGE 8	
0380	19	8		90 12 40	KONTAKTDON	CONNECTOR		7 PCS ON CC 421C	
0400	20	N		31 30 68	BUNTBAND	CABLE TIES		L=92 MM	



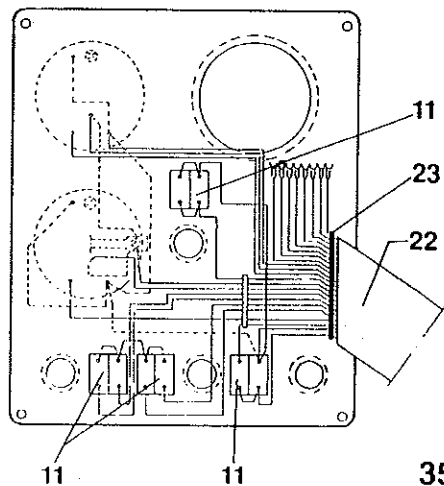
LEFT



RIGHT CC 421



RIGHT CC 421C



- 35 61 01
- 35 65 01
- 35 65 02
- 35 65 04
- 35 65 05

# DYNAPAC

Reservdelskatalog / Spare Parts Catalogue

S-232-4

CC 421/421C

0040

Utgåva Issue 1993-12		Bildnr. Picture N° 15566		INSTRUMENTPANEL		CONTROL PANEL		Grupp Group 060	Sida Page 8
Pos. Item	Antal / Quantity			Art.nr. Part N°	Benämning	Denomination	K C	Anmärkning Notes	
	CC 421	CC 421 C							
0020	1	1	1	34 84 93	INSTRUMENTPLÅT	CONTROL PANEL PLT			
0040	2	1	1	35 52 64	VARV/TIMRÅKNARE	TACHO-/HOUR METER	D		
0050		1	1	90 08 71	LAMPHÅLLARE	BULBHOLDER	B	WITH BULB	
0060	3	1	1	35 52 61	TEMP.MÅTARE	TEMP. METER	D	HYDR OIL	
0065		1	1	35 52 58	LAMPHÅLLARE	BULBHOLDER		3)	
0070		1	1	98 50 12	GLÖDLAMPA	BULB	B	3)	
0080	4	1	1	35 52 62	VOLTMÅTARE	VOLT METER	D	4)	
0100	5	1	1	35 52 63	BRÄNSLEMÅTARE	FUEL GAUGE	D	4)	
0120	6	1	1	93 20 36	NÖDSTOPP	EMERGENCY STOP	D		
0140	7	2	1	93 20 60	KONTAKTDON	CONNECTOR			
0160	8	1	1	93 01 63	KONTAKTBLOCK	CONNECTOR	D		
0180	9	3	3	98 51 46	SIGNALLAMPA	PILOT LAMP	D		
0200	10	3	3	98 50 12	GLÖDLAMPA	BULB	B		
0220	11	4	5	93 01 95	KONTAKTDON	CONNECTOR	D		
0240	12	1	1	93 01 92	STRÖMSTÄLLARE	SWITCH	D	IGNITION	
0260	13	1	1	92 89 28	STRÖMSTÄLLARE	SWITCH	D	STARTER	
0280	14	1	1	93 20 32	STRÖMSTÄLLARE	SWITCH	D	HORN	
0300	15	9	11	91 14 56	PLUGG	PLUG			
0320	16	1	1	35 64 68	KABELHÄRVA	WIRING HARNESS			
0340	17	1	1	35 52 60	TEMP.MÅTARE	TEMP. METER	D	4), DTZ), ENGINE OIL	
0350		1	1	35 52 59	VATTENTEMP.MÅTARE	WATER TEMP. METER	D	4), CUM)	
0360	18	1	1	34 58 69	MOTSTÅND	RESISTOR		DTZ)	
0370		1	1	35 61 09	KABELHÄRVA	WIRING HARNESS		CUM)	
0380	19	1		34 93 01	DETALJ PLÅT	SHEET METAL PART			
0390			1	35 60 97	DETALJ PLÅT	SHEET METAL PART			
0400	20	4	3	93 20 58	STRÖMSTÄLLARE	SWITCH	D	SPRINKLER/VIBRATION	
0420	21	3	3	34 51 39	PLUGG	PLUG			
0440	22	1	1	35 64 67	KABELHÄRVA	WIRING HARNESS			
0460	23	N	N	31 30 68	BUNTBAND	CABLE TIES		L=92 MM	
0480	24	2		93 01 54	KONTAKTBLOCK	CONNECTOR			
0500	25		1	93 20 50	STRÖMSTÄLLARE	SWITCH	D	REAR SPRINKLER	

3) ALSO INCLUDED IN ITEM 4, 5 AND 17.

4) SEE ITEM 3 FOR INCLUDED DETAILS.

DTZ) WITH DEUTZ ENGINE.

CUM) WITH CUMMINS ENGINE.



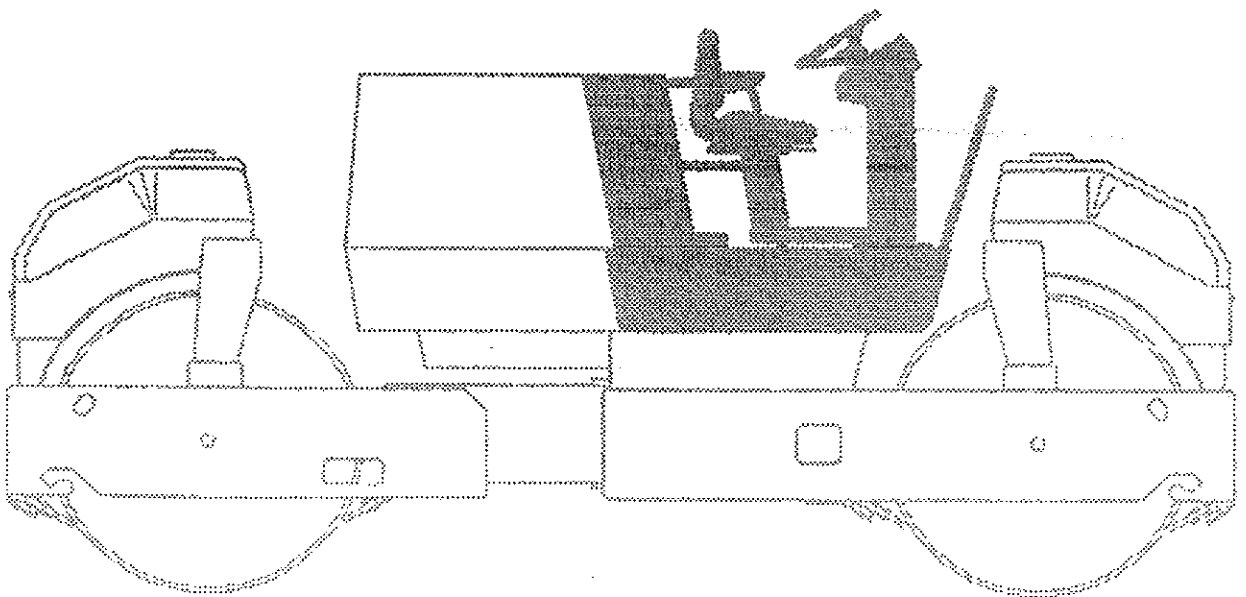
# **DYNAPAC**

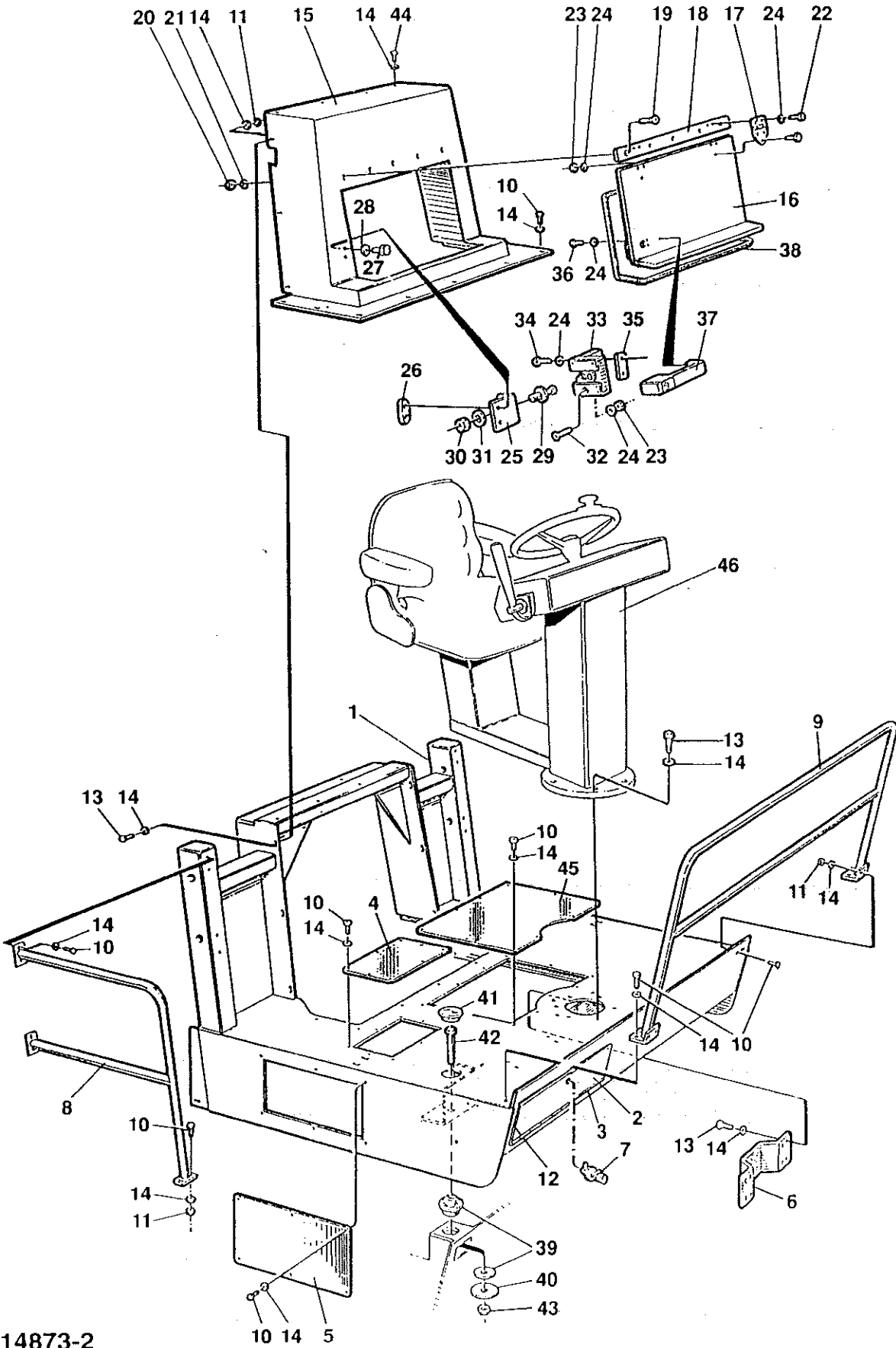
## **FÖRARPLATS**

FÖRARPLATTFORM  
FÖRARPLATS  
MOTOREGLAGE  
F/B REGLAGE

## **DRIVERS PLATFORM Page**

DRIVERS PLATFORM 2  
DRIVERS SEAT 4  
ENGINE CONTROLS 6  
F/R CONTROL 8







# DYNAPAC

Reservdelskatalog / Spare Parts Catalogue

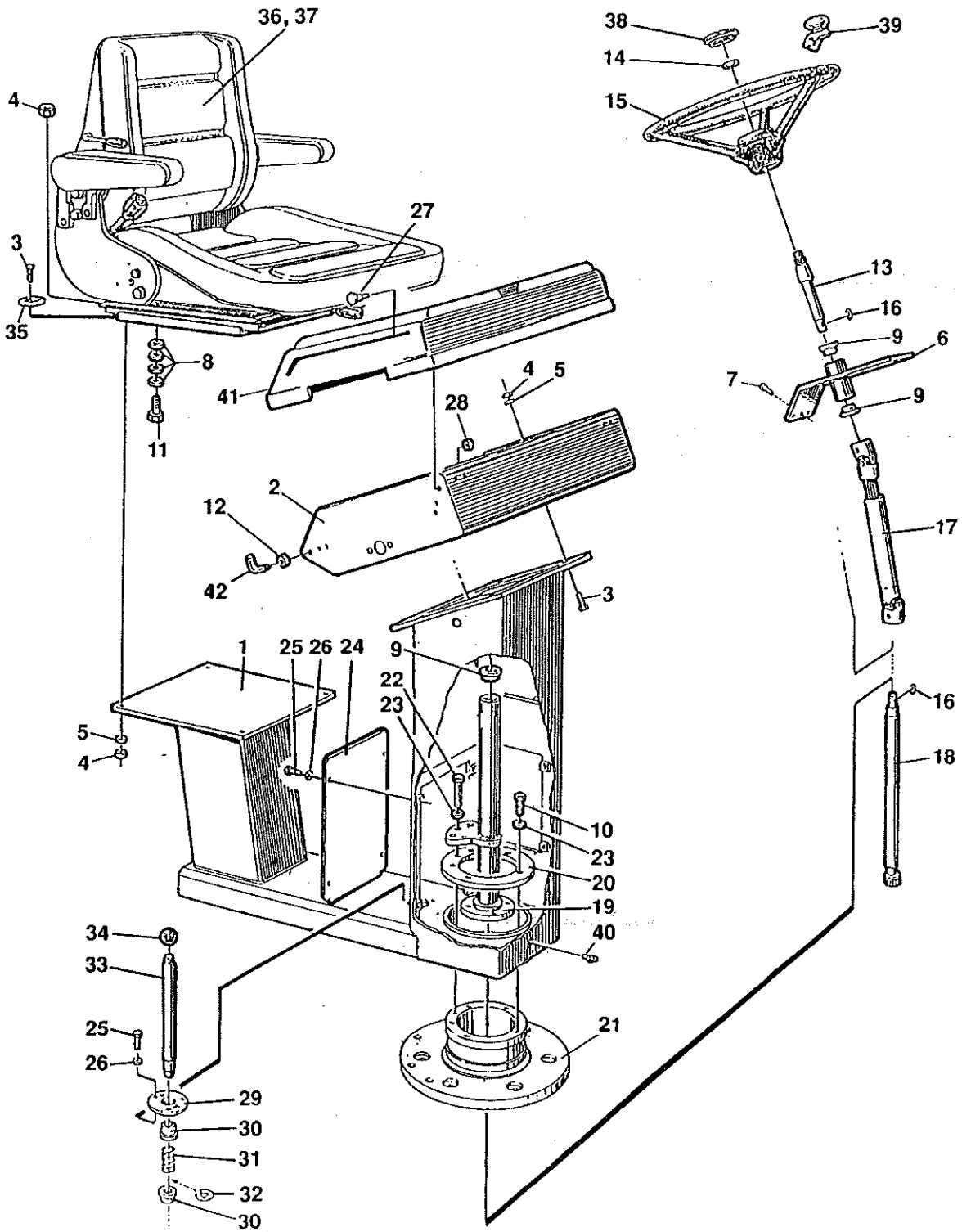
S-232-4

CC 421/421C

0010

Utgåva Issue		Bildnr. Picture N°		FÖRARPLATTFORM		DRIVERS PLATFORM		Grupp Group	Sida Page
1993-12		14873-2						070	2
Pos. Item	Antal / Quantity			Art.nr. Part N°	Benämning	Denomination	K C	Anmärkning Notes	
0020	1	1		34 69 60	PLATTFORM	PLATFORM			
0040	2	1		34 78 53	.LUCKA	.COVER			
0060	3	1		84 27 26	.GÅNGJÄRN	.HINGE			
0080	4	1		34 78 37	DETALJ PLÅT	SHEET METAL PART			
0100	5	1		84 27 39	DETALJ PLÅT	SHEET METAL PART			
0120	6	1		34 78 40	DETALJ PLÅT	SHEET METAL PART			
0140	7	1		47 50 39	LÅS	LOCK			
0160	8	2		34 33 24	SKYDD	PROTECTION			
0180	9	1		35 85 00	SKYDD	PROTECTION			
0200	10	53		50 00 28	SKRUV	SCREW			
0220	11	14		57 00 06	MUTTER	NUT			
0240	12	1XL		20 20 28	KANTLIST	EDGE TRIM		L=1098 MM	
0260	13	20		50 00 29	SKRUV	SCREW			
0280	14	83		61 50 44	BRICKA	WASHER			
0300	15	1		34 82 92	VÄGG	WALL			
0320	16	1		34 82 96	LUCKA	COVER			
0340	17	2		92 80 41	GÅNGJÄRN	HINGE			
0360	18	1		34 83 02	DETALJ STÅNG	BAR			
0380	19	5		50 80 96	SKRUV	SCREW			
0400	20	5		58 60 18	MUTTER	NUT			
0420	21	5		60 00 08	BRICKA	WASHER			
0440	22	10		92 58 46	SKRUV	SCREW			
0460	23	8		58 60 02	MUTTER	NUT			
0480	24	13		60 00 04	BRICKA	WASHER			
0500	25	1		34 77 08	DETALJ PLÅT	SHEET METAL PART			
0520	26	1		34 75 93	DETALJ PLÅT	SHEET METAL PART			
0540	27	2		50 00 53	SKRUV	SCREW			
0560	28	2		60 00 06	BRICKA	WASHER			
0580	29	1		34 53 88	BULT	BOLT	D		
0600	30	1		34 70 45	MUTTER	NUT			
0620	31	1		61 50 45	BRICKA	WASHER			
0640	32	2		92 54 64	SKRUV	SCREW			
0660	33	1		92 54 91	LÅS	LOCK	D		
0680	34	2		50 00 75	SKRUV	SCREW			
0700	35	1		34 53 53	DETALJ PLÅT	SHEET METAL PART			
0720	36	3		92 54 92	SKRUV	SCREW			
0740	37	1		92 54 93	HANDTAG	GRAB HANDLE			
0760	38	1XL		20 20 57	KANTLIST	EDGE TRIM		L=2380 MM	
0780	39	4		45 01 44	GUMMIELEMENT	SHOCK ABSORBER	D	BLUE MARKING	
0800	40	4		34 91 90	BRICKA	WASHER			
0820	41	2		23 21 29	PLUGG	PLUG			
0840	42	4		50 01 46	SKRUV	SCREW			
0860	43	4		58 60 23	MUTTER	NUT			
0880	44	4		50 00 48	SKRUV	SCREW			
0900	45	1		34 78 38	DETALJ PLÅT	SHEET METAL PART			
0920	46	1			FÖRARPLATS	DRIVERS SEAT		SEE PAGE 4	

Group  
Grupp **70**



# DYNAPAC

Reservdelskatalog / Spare Parts Catalogue

S-232-4

CC 421/421C

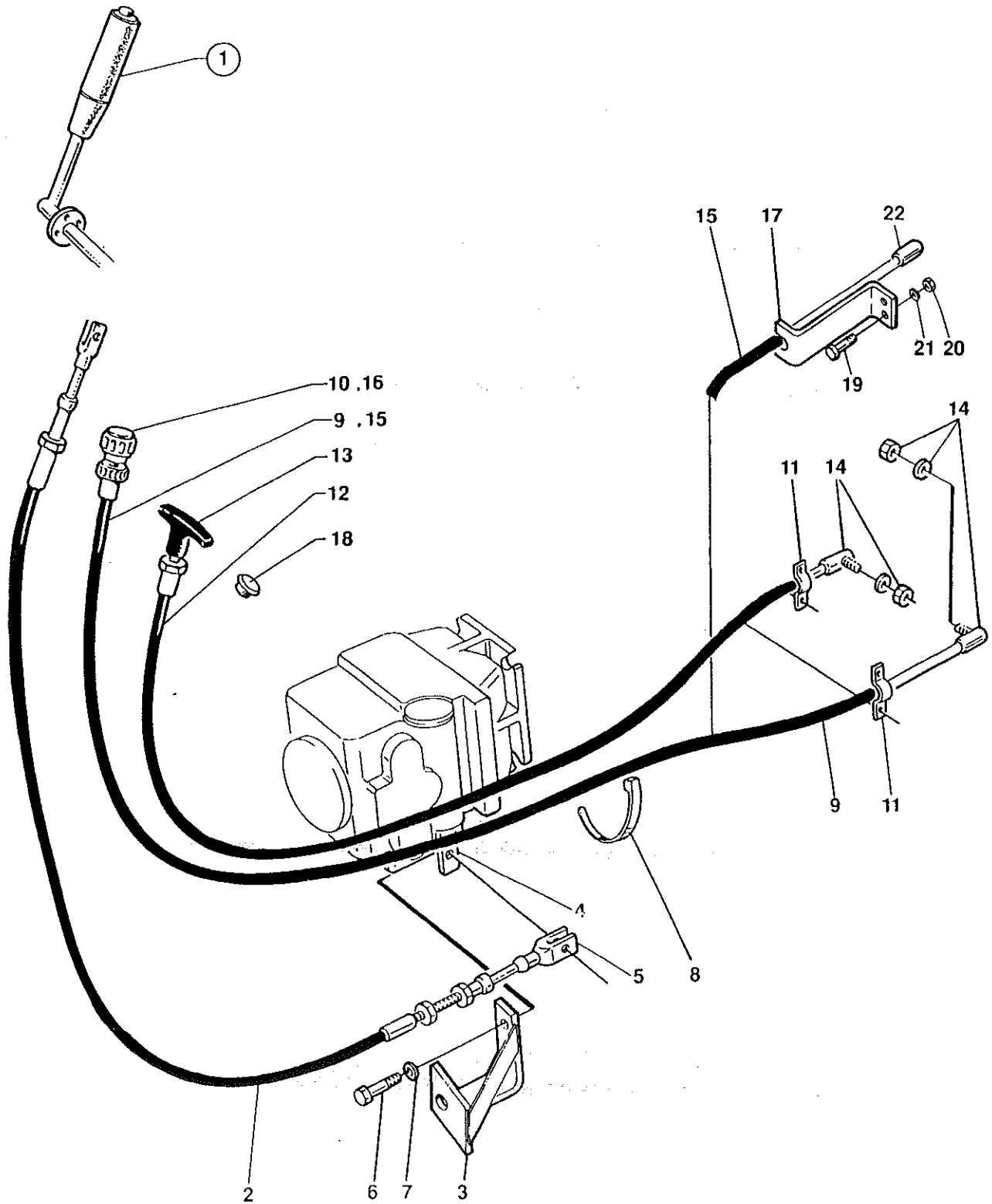
0020

Utgåva Issue		Bildnr. Picture N°		FÖRARPLATS		DRIVERS SEAT		Grupp Group	Sida Page
1993-12		15244						070	4
Pos. Item	Antal / Quantity			Art.nr. Part N°	Benämning	Denomination	K C	Anmärkning Notes	
0020	1	1		35 65 08	INSTRUMENTPANEL	CONTROL PANEL			
0040	2	1		34 54 52	INSTRUMENTLÅDA	INSTRUMENT BOX			
0060	3	8		50 00 53	SKRUV	SCREW			
0080	4	9		58 60 03	MUTTER	NUT			
0100	5	8		60 00 06	BRICKA	WASHER			
0120	6	1		34 74 79	DETALJ PLÅT	SHEET METAL PART			
0140	7	2		55 01 32	SKRUV	SCREW			
0160	8	4		61 50 43	BRICKA	WASHER			
0180	9	3		92 65 51	BUSSNING	BUSHING			
0200	10	3		50 00 28	SKRUV	SCREW			
0220	11	1		50 00 21	SKRUV	SCREW			
0240	12	2		57 00 06	MUTTER	NUT			
0260	13	1		34 74 66	AXEL	SHAFT			
0280	14	1		92 69 63	MUTTER	NUT			
0300	15	1		34 37 82	RATT	STEERING WHEEL			
0320	16	2		35 00 09	KIL	KEY			
0340	17	1		34 74 62	KARDANAXEL	CARDAN SHAFT			
0360	18	1		34 74 63	AXEL	SHAFT			
0380	19	1		34 74 67	STYRVENTILFÄSTE	BRACKET			
0400	20	1		34 74 70	DETALJ PLÅT	SHEET METAL PART			
0420	21	1		34 91 13	FLÅNS	FLANGE			
0430		1		35 84 97	FLÅNS	FLANGE			
0440	22	3		50 00 31	SKRUV	SCREW			
0460	23	6		60 00 08	BRICKA	WASHER			
0480	24	1		34 76 15	DETALJ PLÅT	SHEET METAL PART			
0500	25	7		50 01 85	SKRUV	SCREW			
0520	26	7		61 50 42	BRICKA	WASHER			
0540	27	2		34 83 38	BULT	BOLT			
0560	28	2		58 60 02	MUTTER	NUT			
0580	29	1		34 76 69	BUSSNING	BUSHING			
0600	30	2		92 65 52	BUSSNING	BUSHING			
0620	31	1		30 02 34	FJÄDER	SPRING			
0640	32	1		61 50 25	LÅSBRICKA	WASHER			
0660	33	1		34 76 68	SPAK	LEVER			
0680	34	1		31 20 61	SPAKHANDTAG	HANDLE GRIP			
0700	35	1		35 79 70	STOPP	STOP			
0720	36	1		34 83 31	STOLSKYDD	SEAT PROTECTION			
0740	37	1		34 43 74	FÖRARSTOL	SEAT			
0745		1		21 21 14	ARMSTÖD	ARM REST	D		BLACK GALON RIGHT
0750		1		21 21 15	ARMSTÖD	ARM REST	D		LEFT
0755		1		21 24 08	GLIDSKENOR	SLIDEBARS			ONE PAIR
0760	38	1		27 11 29	RATTMÄRKE	STEER. WHEEL MARK			
0780	39	1		31 20 82	RATTSPINNARE	TURNING KNOB	D		
0800	40	1		92 62 14	SMÖRJNIPPEL	LUBRICANT NIPPLE	D		
0820	41	1		34 83 36	SKYDD	COVER	D		
0840	42	2		34 83 37	BULT	BOLT	D		

OPTION, USA ONLY

BLACK GALON  
RIGHT  
LEFT  
ONE PAIR

Group  
Grupp **70**



15219-1

34 97 44  
34 98 00

# DYNAPAC

Reservdelskatalog / Spare Parts Catalogue

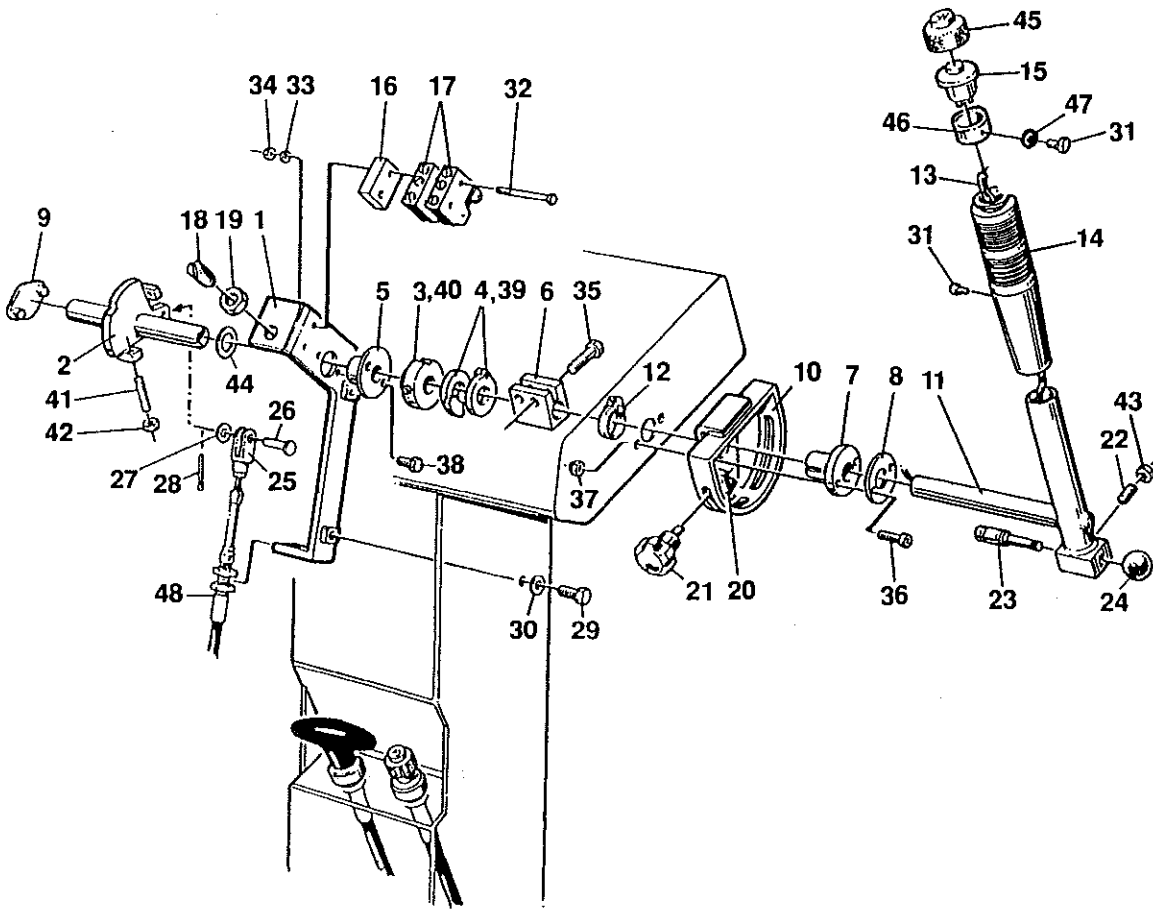
S-232-4

CC 421/421C

0030

Utgåva Issue		Bildnr. Picture N <sup>o</sup>		MOTORREGLAGE		ENGINE CONTROLS		Grupp Group	Sida Page
1993-12		15219-1						070	6
Pos. Item	Antal / Quantity			Art.nr. Part N <sup>o</sup>	Benämning	Denomination	K C	Anmärkning Notes	
	DTZ	CUM							
0020	1	1	1		REGLAGE	CONTROL		SEE PAGE 8 F/R	
0040	2	1	1	34 74 49	REGLAGEKABEL	CONTROL CABLE	D		
0060	3	1	1	34 70 35	REGLAGEFÄSTE	CONTROL BRACKET			
0080	4	1	1	33 55 93	GAFFELLÄNK	CLEVIS			
0100	5	1	1	41 60 48	GAFFELLÄNK	CLEVIS			
0120	6	2	2	50 00 53	SKRUV	SCREW			
0140	7	2	2	61 50 43	BRICKA	WASHER			
0160	8	N	N	31 30 41	BUNTBAND	CABLE TIES			
0180	9	1		45 50 63	REGLAGE	CONTROL	D		
0200	10	1		92 63 12	.SKYDDSHUV	.COVER	D		
0220	11	2		46 50 13	REGLAGEKLAMMER	CONTROL CLAMP			
0240	12	1		92 69 78	REGLAGE	CONTROL	D		
0260	13	1		45 71 41	HANDTAG	GRAB HANDLE	D		
0280	14	2		41 60 06	KULLED	BALL JOINT	D		
0300	15		1	45 60 99	REGLAGE	CONTROL	D		
0320	16		1	92 63 12	.SKYDDSHUV	.COVER	D		
0340	17		1	34 85 97	REGLAGEHÅLLARE	CONTROL BRACKET			
0360	18		1	90 12 74	PLUGG	PLUG			
0380	19		2	50 00 40	SKRUV	SCREW			
0400	20		2	58 60 02	MUTTER	NUT			
0420	21		2	60 00 04	BRICKA	WASHER			
0440	22		1	81 33 61	GAFFELLÄNK	CLEVIS			

DTZ) WITH DEUTZ ENGINE.  
CUM) WITH CUMMINS ENGINE.



# DYNAPAC

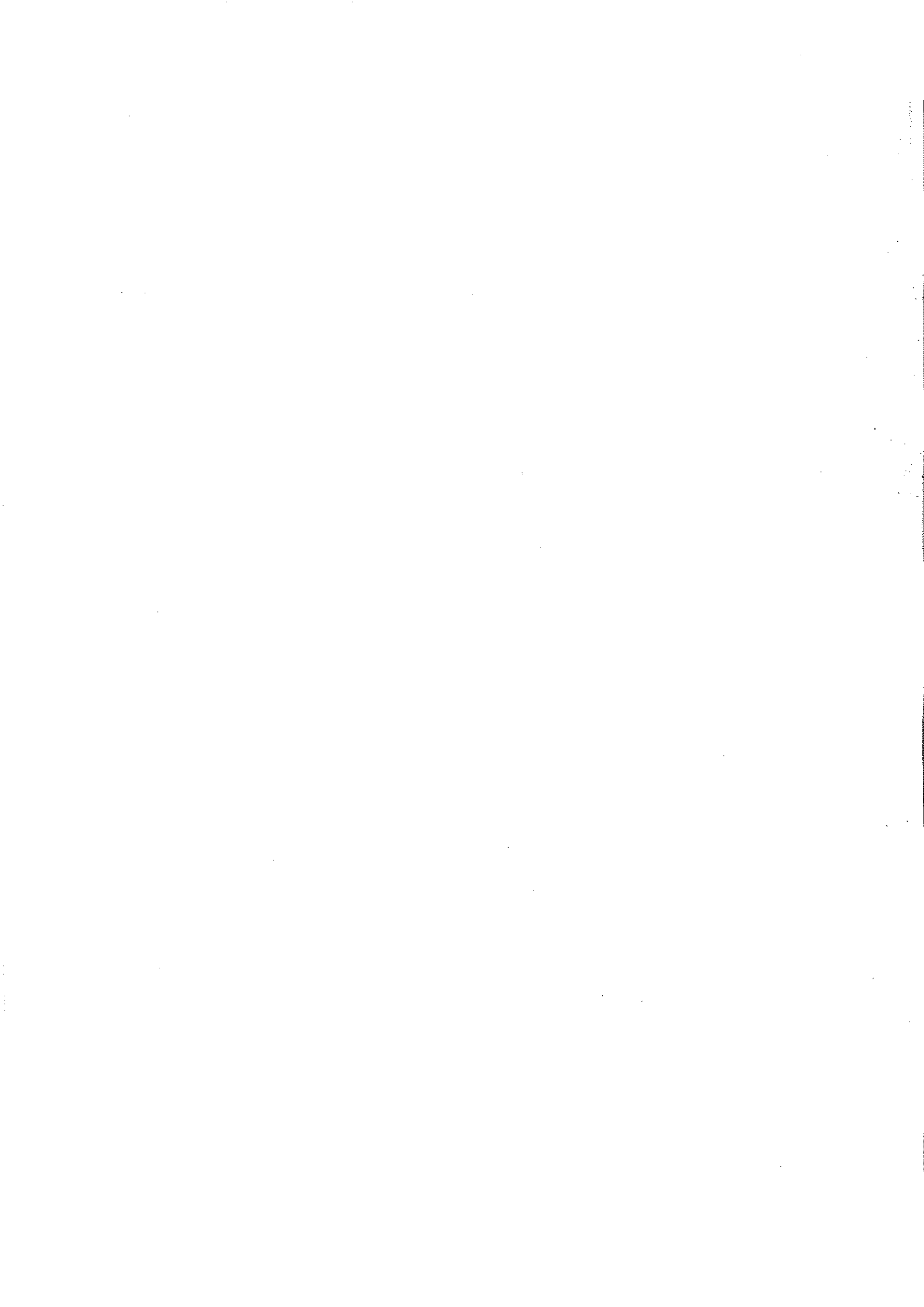
Reservdelskatalog / Spare Parts Catalogue

S-232-4

CC 421/421C

0040

Utgåva Issue		Bildnr. Picture N <sup>o</sup>		F/B REGLAGE		F/R CONTROL		Grupp Group	Sida Page
1993-12		14938-1						070	8
Pos. Item	Antal / Quantity			Art.nr. Part N <sup>o</sup>	Benämning	Denomination	K C	Anmärkning Notes	
0020	1	1		34 64 12	REGLAGEFÄSTE	CONTROL BRACKET			
0040	2	1		34 64 14	AXEL	SHAFT			
0060	3	1		34 59 04	KAMRING	CAM RING			
0080	4	2		34 64 17	KAMRING	CAM RING	D		
0100	5	1		34 56 40	BUSSNING	BUSHING			
0120	6	1		34 64 20	KOPPLING	CLUTCH			
0140	7	1		34 59 92	BUSSNING	BUSHING	D		
0160	8	1		34 64 21	BRICKA	WASHER	D		
0180	9	1		34 63 93	PLUGG	PLUG			
0200	10	1		34 64 22	STOPP	STOP			
0220	11	1		34 64 26	HANDTAG	GRAB HANDLE			
0240	12	1		31 31 47	SLANGKLÄMMA	HOSE CLAMP			
0260	13	1		34 84 82	KABELHÄRVA	WIRING HARNESS			
0280	14	1		28 59 09	HANDTAG	GRAB HANDLE	D		
0300	15	1		92 84 97	STRÖMSTÄLLARE	SWITCH	D		
0320	16	1		34 59 05	BRICKA	WASHER			
0340	17	2		93 00 46	MIKROBRYTARE	MICRO SWITCH	D		
0360	18	1		92 23 25	FJÄDR. TRYCKSTIFT	SPRING LOADED PIN			
0360	19	1		57 00 08	MUTTER	NUT			
0400	20	2		34 64 29	STOPP	STOP			
0420	21	2		49 91 62	STJÄRNVRED	HAND KNOB			
0440	22	1		92 39 00	FJÄDR. TRYCKSTIFT	SPRING LOADED PIN			
0460	23	1		34 64 31	BULT	BOLT			
0480	24	1		31 20 01	SPAKHANDTAG	HANDLE GRIP			
0500	25	1		92 18 50	GAFFELLÄNK	CLEVIS	D		
0520	26	1		53 00 16	BULT	BOLT			
0540	27	1		60 00 06	BRICKA	WASHER			
0560	28	1		63 00 03	PINNE	PIN			
0580	29	2		50 00 53	SKRUV	SCREW			
0600	30	2		61 50 43	BRICKA	WASHER			
0620	31	3		53 30 01	SKRUV	SCREW			
0640	32	2		92 39 01	SKRUV	SCREW			
0660	33	2		60 00 02	BRICKA	WASHER			
0680	34	2		57 00 01	MUTTER	NUT			
0700	35	2		50 00 22	SKRUV	SCREW			
0720	36	2		92 39 27	SKRUV	SCREW			
0740	37	2		58 60 02	MUTTER	NUT			
0760	38	2		50 00 12	SKRUV	SCREW			
0780	39	2		92 39 88	SKRUV	SCREW			
0800	40	1		51 60 42	SKRUV	SCREW			
0820	41	2		92 39 87	SKRUV	SCREW			
0840	42	2		57 00 04	MUTTER	NUT			
0860	43	1		57 00 05	MUTTER	NUT			
0880	44	2		92 57 49	BRICKA	WASHER			
0900	45	1		34 84 81	SKYDDSHUV	COVER	D		
0920	46	1		28 59 11	BUSSNING	BUSHING	D		
0940	47	5		60 00 01	BRICKA	WASHER			
0960	48	1			REGLAGEKABEL	CONTROL CABLE		SEE PAGE 6	





# ***DYNAPAC***

## **DEKALER**

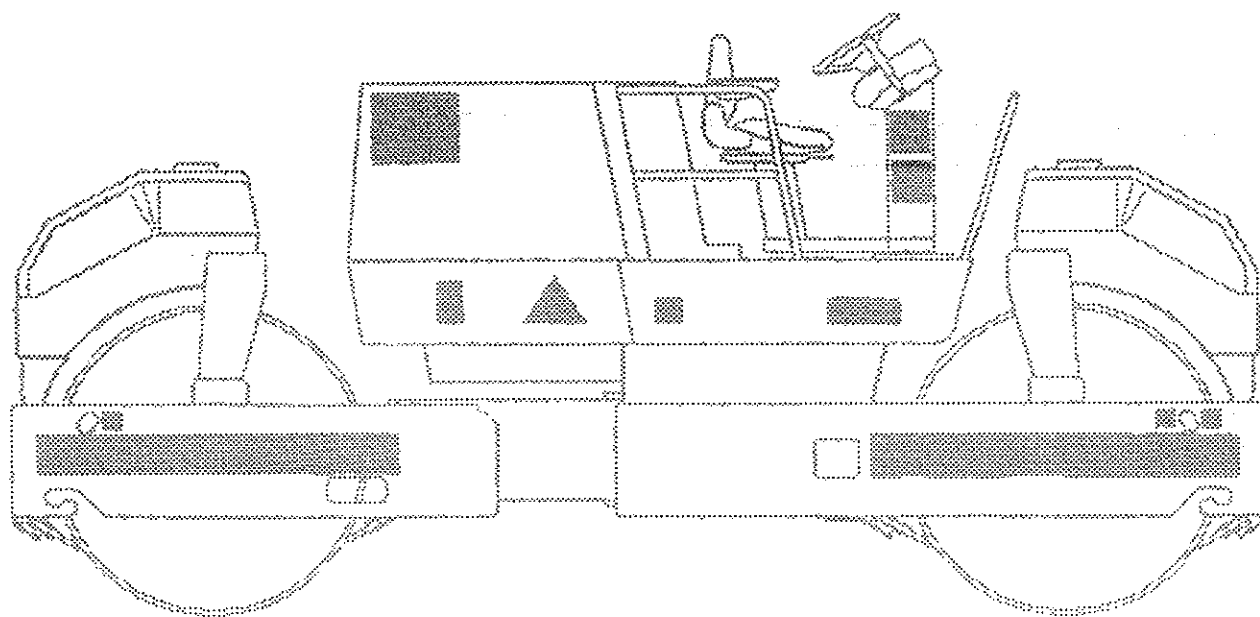
## **DECALS**

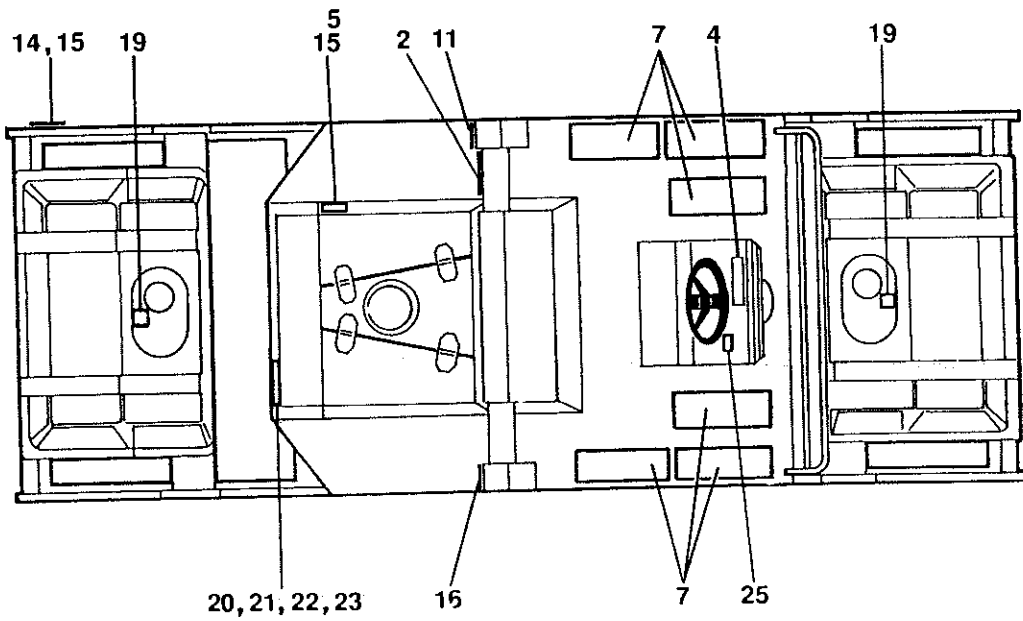
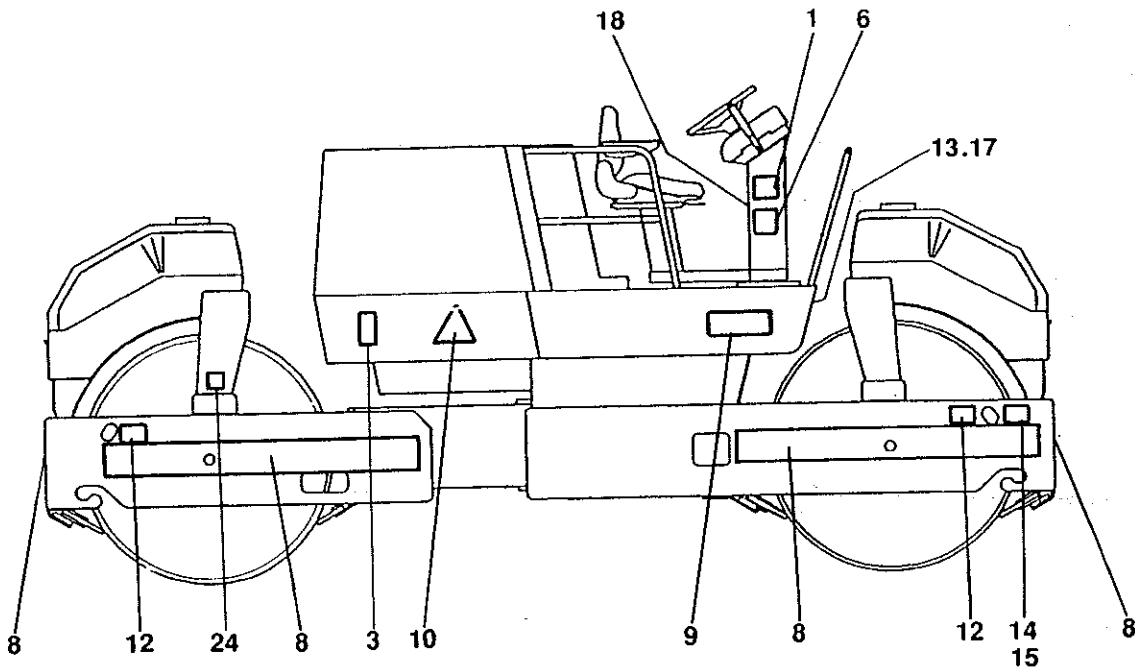
## **Page**

SKYLTAR OCH DEKALER

PLATES AND DECALS

2





# DYNAPAC

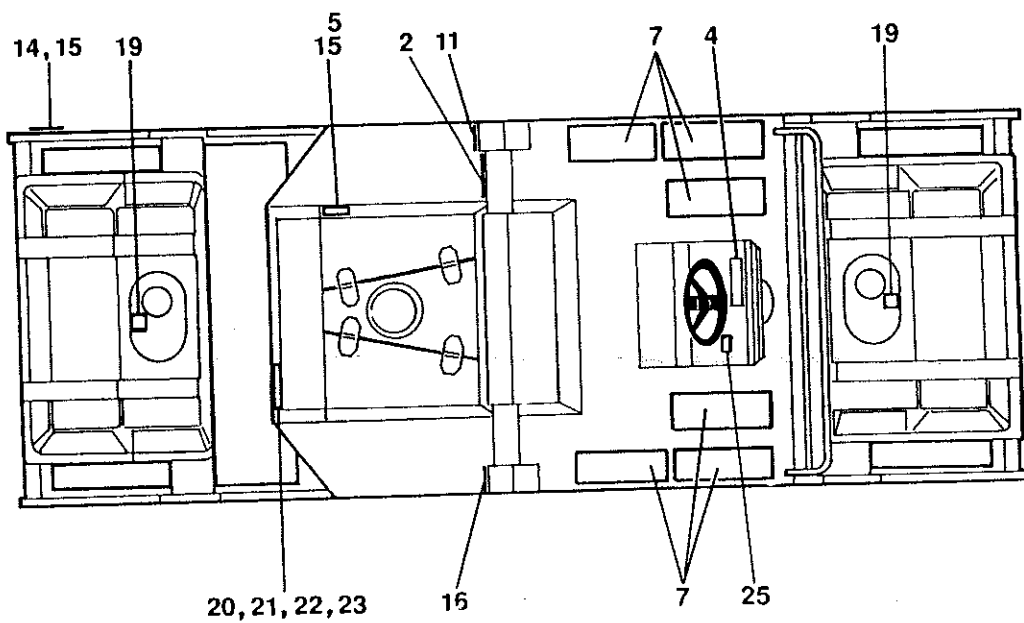
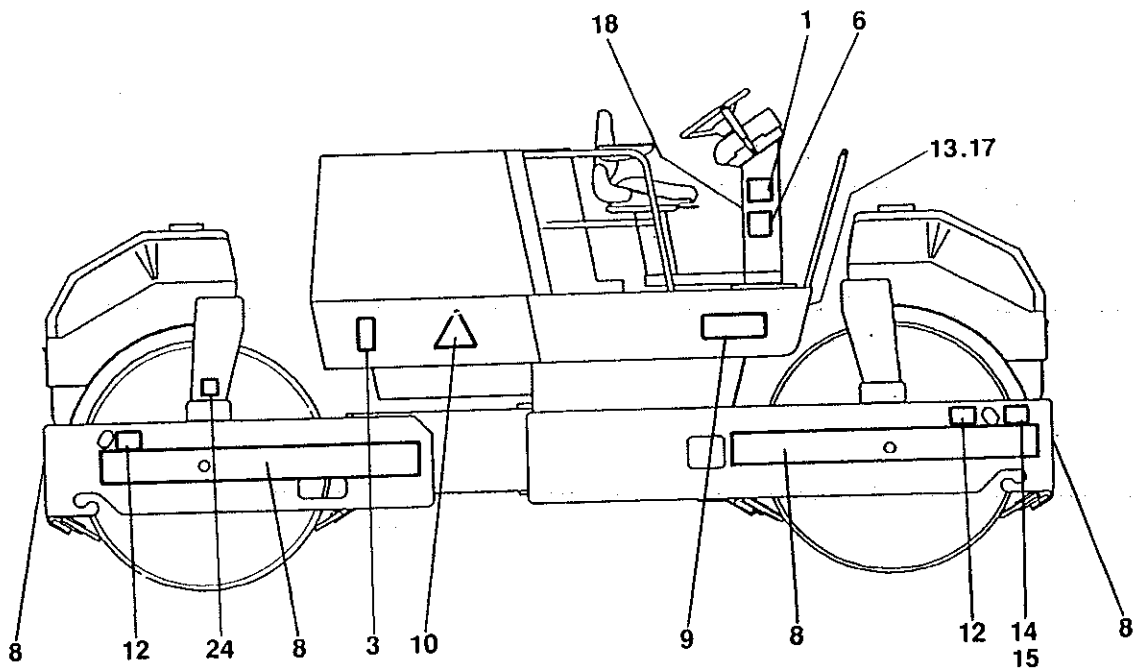
Reservdelskatalog / Spare Parts Catalogue

S-232-4

CC 421/421C

0010

Utgåva Issue		Bildnr. Picture N <sup>o</sup>		SKYLTAR OCH DEKALER PLATES AND DECALS		Grupp Group	Sida Page	
1993-12		15373-1				080	2	
Pos. Item	Antal / Quantity			Art.nr. Part N <sup>o</sup>	Benämning	Denomination	K C	Anmärkning Notes
0020	1	1		34 78 84	DEKAL KÖRINSTR.	DECAL OPERATION		SWEDISH
0040		1		34 78 85	DEKAL KÖRINSTR.	DECAL OPERATION		ENGLISH
0060		1		34 78 86	DEKAL KÖRINSTR.	DECAL OPERATION		GERMAN
0080		1		34 78 87	DEKAL KÖRINSTR.	DECAL OPERATION		ITALIAN
0100		1		34 78 88	DEKAL KÖRINSTR.	DECAL OPERATION		SPANISH
0120		1		34 78 89	DEKAL KÖRINSTR.	DECAL OPERATION		FRENCH
0140	2	1		35 50 94	DEKAL SKÖTSELINSTR.	DECAL MAINTANANCE		SWEDISH
0160		1		35 50 95	DEKAL SKÖTSELINSTR.	DECAL MAINTANANCE		ENGLISH
0180		1		35 50 96	DEKAL SKÖTSELINSTR.	DECAL MAINTANANCE		GERMAN
0200		1		35 50 97	DEKAL SKÖTSELINSTR.	DECAL MAINTANANCE		ITALIAN
0220		1		35 50 98	DEKAL SKÖTSELINSTR.	DECAL MAINTANANCE		SPANISH
0240		1		35 50 99	DEKAL SKÖTSELINSTR.	DECAL MAINTANANCE		FRENCH
0260	3	1		99 16 09	DEKAL VÄXELSTRÖM	DECAL AC		SWEDISH
0280		1		99 16 11	DEKAL VÄXELSTRÖM	DECAL AC		ENGLISH
0300		1		99 16 10	DEKAL VÄXELSTRÖM	DECAL AC		GERMAN
0320		1		99 16 12	DEKAL VÄXELSTRÖM	DECAL AC		ITALIAN
0340		1		99 16 13	DEKAL VÄXELSTRÖM	DECAL AC		SPANISH
0360		1		99 16 14	DEKAL VÄXELSTRÖM	DECAL AC		FRENCH
0380	4	1		34 92 48	DEKAL VARNING	DECAL WARNING		SWEDISH
0400		1		34 92 49	DEKAL VARNING	DECAL WARNING		ENGLISH
0420		1		34 92 50	DEKAL VARNING	DECAL WARNING		GERMAN
0440		1		34 92 51	DEKAL VARNING	DECAL WARNING		ITALIAN
0460		1		34 92 52	DEKAL VARNING	DECAL WARNING		SPANISH
0480		1		34 92 53	DEKAL VARNING	DECAL WARNING		FRENCH
0500	5	1		35 68 30	SKYLT SÄKERHET	SIGN SAFTY DIR		SWEDISH
0520		1		35 68 31	SKYLT SÄKERHET	SIGN SAFTY DIR		ENGLISH
0540		1		35 68 32	SKYLT SÄKERHET	SIGN SAFTY DIR		GERMAN
0560		1		35 68 33	SKYLT SÄKERHET	SIGN SAFTY DIR		ITALIAN
0580		1		35 68 34	SKYLT SÄKERHET	SIGN SAFTY DIR		SPANISH
0600		1		35 68 35	SKYLT SÄKERHET	SIGN SAFTY DIR		FRENCH
0620	6	1		90 15 44	DEKAL SVIVEL	DECAL SWIVEL		SWEDISH
0640		1		90 15 45	DEKAL SVIVEL	DECAL SWIVEL		ENGLISH
0660		1		90 15 46	DEKAL SVIVEL	DECAL SWIVEL		GERMAN
0680		1		90 15 47	DEKAL SVIVEL	DECAL SWIVEL		ITALIAN
0700		1		90 15 48	DEKAL SVIVEL	DECAL SWIVEL		SPANISH
0720		1		90 15 49	DEKAL SVIVEL	DECAL SWIVEL		FRENCH
0740	7	6		333 54 82 10	HALKSKYDD	SLIP PROTECTION		
0760	8	6		90 06 80	DEKAL DYNAPAC	DECAL DYNAPAC		L=1450 MM
0780	9	2		96 07 10	DEKAL TYPBETECKN.	DECAL MODEL CODE		
0800	10	2		99 16 56	DEKAL KLÄMZON	DECAL CRUSH AREA		
0820	11	1		99 16 58	DEKAL BRÄNSLE	DECAL FUEL		
0840	12	4		58 81 76	DEKAL LYFTSTÄLLE	DECAL LIFT POINT		
0860	13	4		90 29 15	SKRUV	SCREW		
0880	14	2		34 30 17	SKYLT LYFT	PLATE LIFTING		
0900	15	12		62 40 16	NIT	RIVET		
0920	16	1		27 23 72	DEKAL HYDR OLJA	DECAL HYDR OIL		



34 98 35  
34 98 40  
35 68 57  
35 68 58

# DYNAPAC

Reservdelskatalog / Spare Parts Catalogue

S-232-4

CC 421/421C

0010

Utgåva Issue 1993-12		Bildnr. Picture N° 15373-1		SKYLTAR OCH DEKALER PLATES AND DECALS		Grupp Group 080	Sida Page 4	
Pos. Item	Antal / Quantity			Art.nr. Part N°	Benämning	Denomination	K C	Anmärkning Notes
0940	17	1		96 07 87	SKYLT TYPBETECKN.	PLATE MODEL CODE		FRANCE ONLY EEC ONLY ITALY ONLY
0945		1		90 08 42	SKYLT TYPBETECKN.	PLATE MODEL CODE		
0950		1		35 80 90	SKYLT TYPBETECKN.	PLATE MODEL CODE		
0955		1		35 71 30	SKYLT TYPGODSK.	PLATE CERT. APPVL.		
0960	18	1		34 20 45	DEKAL GASREGLAGE	DECAL THROTTLE		
0980	19	2		99 16 57	DEKAL VATTEN	DECAL WATER		
1000	20	1		90 06 84	SKYLT DYNAPAC	PLATE DYNAPAC		
1020	21	2		53 50 07	SKRUV	SCREW		
1040	22	2		60 00 03	BRICKA	WASHER		
1060	23	2		58 60 01	MUTTER	NUT		
1080	24	6		35 59 83	DEKAL RINGTRYCK	DECAL TYRE PRESS.	CC 421C ONLY	
1100	25	1		35 60 99	DEKAL SPRINKLER	DECAL SPRINKLER	CC 421C ONLY	



# **DYNAPAC**

**STANDARD-  
UTRUSTNING**

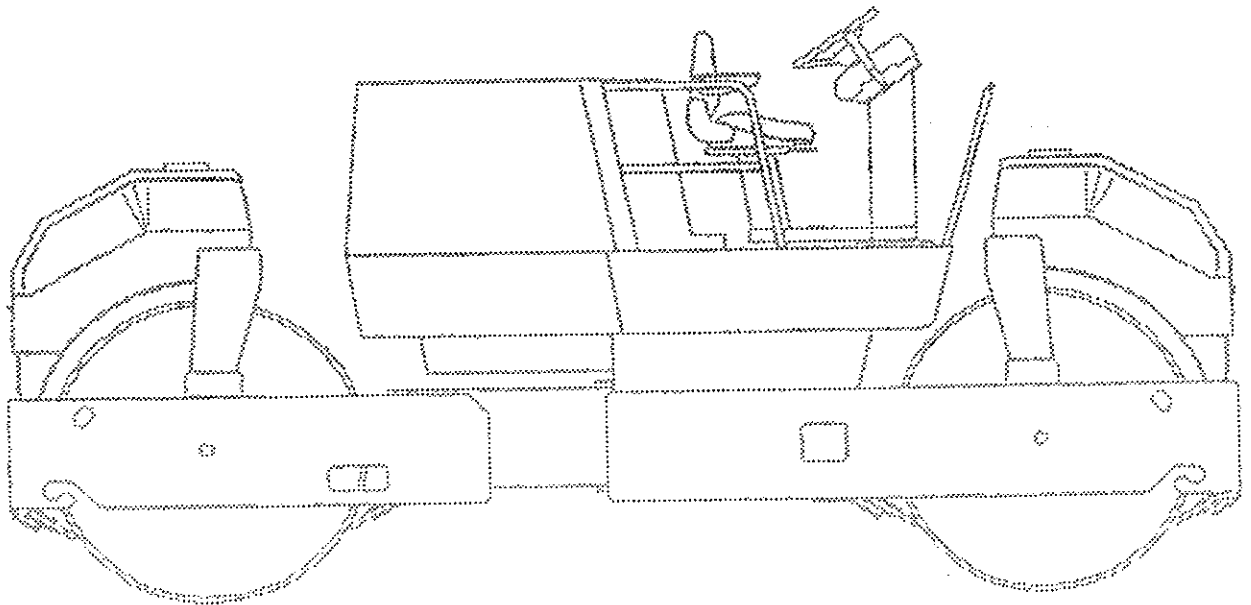
**STANDARD  
EQUIPMENT**

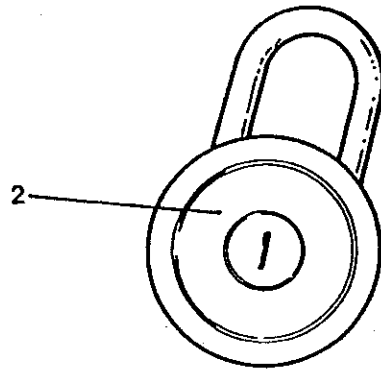
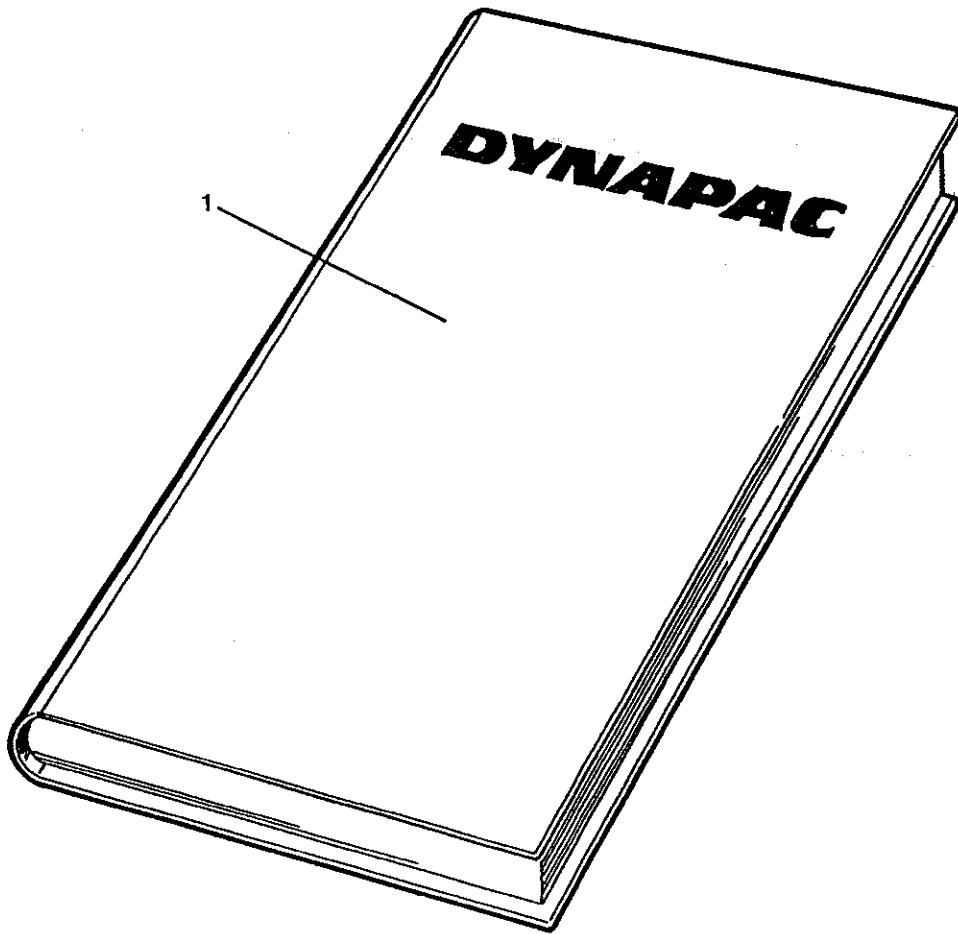
**Page**

STANDARDUTRUSTNING

STANDARD EQUIPMENT

2







# DYNAPAC

Reservdelskatalog / Spare Parts Catalogue

S-232-4

CC 421/421C

0010

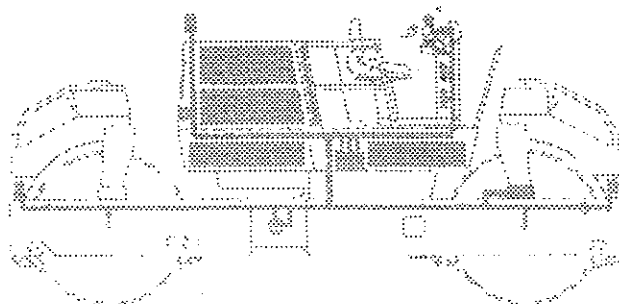
Utgåva Issue 1993-12		Bildnr. Picture N° 15166		STANDARDUTRUSTNING STANDARD EQUIPMENT		Grupp Group 090	Sida Page 2	
Pos. Item	Antal / Quantity			Art.nr. Part N°	Benämning	Denomination	K C	Anmärkning Notes
	CC 421	CC 421 C						
0020	1	1			DOKUMENTATION	DOCUMENTATION		232 (CC 421)
0040		1			.GARANTIKORT	.WARRANTY REG. CARD		O-232
0060		1			.KÖRINSTRUKTION	.DRIVING INSTRUCTION		M-232
0080		1			.SKÖTSELINSTR.	.MAINTENANCE INSTR.		S-232
0100		1			.RES.DELSKATALOG	.SPARE P. CATALOGUE		P-232
0110		1			.RES.DELSFÖRSLAG	.SPARE P. RECOMMEND.		DEUTZ F6L 912
0120		1			.INSTRUKTIONSBOK	.INSTRUCTION MANUAL		DEUTZ F6L 912
0140		1			.RES.DELSKATALOG	.SPARE P. CATALOGUE		CUMMINS 6BT 5.9
0160		1			.INSTRUKTIONSBOK	.INSTRUCTION MANUAL		CUMMINS 6BT 5.9
0180		1			.RES.DELSKATALOG	.SPARE P. CATALOGUE		243 (CC 421C)
0200			1		DOKUMENTATION	DOCUMENTATION		
0220			1		.GARANTIKORT	.WARRANTY REG. CARD		O-243
0240			1		.KÖRINSTRUKTION	.DRIVING INSTRUCTION		M-243
0260			1		.SKÖTSELINSTR.	.MAINTENANCE INSTR.		S-232
0280			1		.RES.DELSKATALOG	.SPARE P. CATALOGUE		P-232
0290			1		.RES.DELSFÖRSLAG	.SPARE P. RECOMMEND.		DEUTZ F6L 912
0300			1		.INSTRUKTIONSBOK	.INSTRUCTION MANUAL		DEUTZ F6L 912
0320			1		.RES.DELSKATALOG	.SPARE P. CATALOGUE		CUMMINS 6BT 5.9
0340			1		.INSTRUKTIONSBOK	.INSTRUCTION MANUAL		CUMMINS 6BT 5.9
0360			1		.RES.DELSKATALOG	.SPARE P. CATALOGUE		
0380	2	3	3	48 50 02	HÄNGLÅS	PAD LOCK		



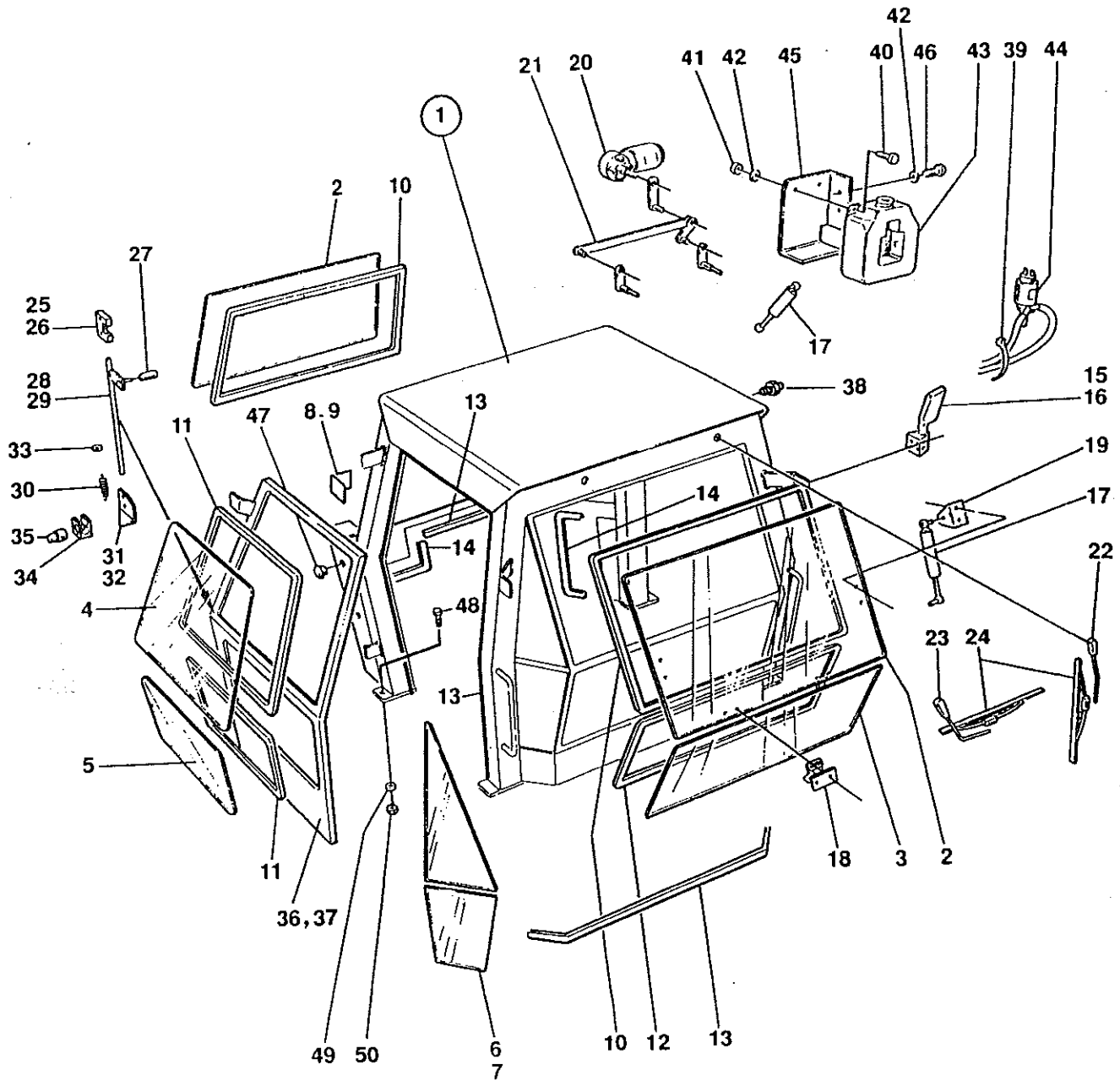
**DYNAPAC****EXTRAUTRUSTNING    OPTIONAL EQUIPMENT Page**

HYTT EXTERIÖR	CAB EXTERIOR	2
HYTT INTERIÖR	CAB INTERIOR	6
HYTT VÄRMARE	CAB HEATHER	8
ROPS OCH SÄKERHETSBJÄLTA	ROPS AND SEAT BELT	10
BELYSNING	LIGHTS	12
ROTANDEVARNINGSLJUS	ROTATING BEACON	16
PACKNINGSMÄTARE	COMPACTION METER	18
SKYLT LGF & FÖRBANDSLÅDA	SIGN SMV & FIRST AID BOX	20
VERKTYGSUTRUSTNING	TOOL EQUIPMENT	22
BULLERDÄMPNING (DEUTZ)	NOISE SUPPRESSION (DEUTZ)	24
BACKALARM	BACK-UP ALARM	26
BACKSPEGLAR	REAR MIRRORS	28
FÄRDSKRIVARE, *)	TACHOGRAPH, *)	30
FÄRDSKRIVARE, *)	TACHOGRAPH, *)	32
HASTIGHETSMÄTARE OCH FREKVENSMÄTARE	SPEEDOMETER AND FREQUENCY METER	34
FREKVENSMÄTARE DIGITAL	FREQUENCY METER DIGITAL	36
MULTIMETER	ROLLER MULTIMETER	38
SOL-REGNSKYDD	CANOPY	40
NÖDBEVATTNINGSSYSTEM	EMERGENCY WATER SUPPLY	42
BROMSFRILÄGGNING	BRAKE RELEASE	44
KASSETTBANDSPELARE	CASSETTE RECEIVER	46
F/B REGLAGE DUBBELT	F/R CONTROL DUAL	48
SIDOSTÄLLD VALS - STYRLAD	OFF-SET DRUM - HITCH	50
SIDOSTÄLLD VALS - HYDRAULIK	OFF-SET DRUM - HYDRAULIC	52
SKYDDSKAPPELL (CC 421C)	PROTECTIVE COVER (CC 421C)	56

\*) NOTE ROLLER SERIAL NUMBERS!



Group  
Grupp **91**



35 53 62  
35 53 63  
35 66 20

# DYNAPAC

Reservdelskatalog / Spare Parts Catalogue

S-232-4

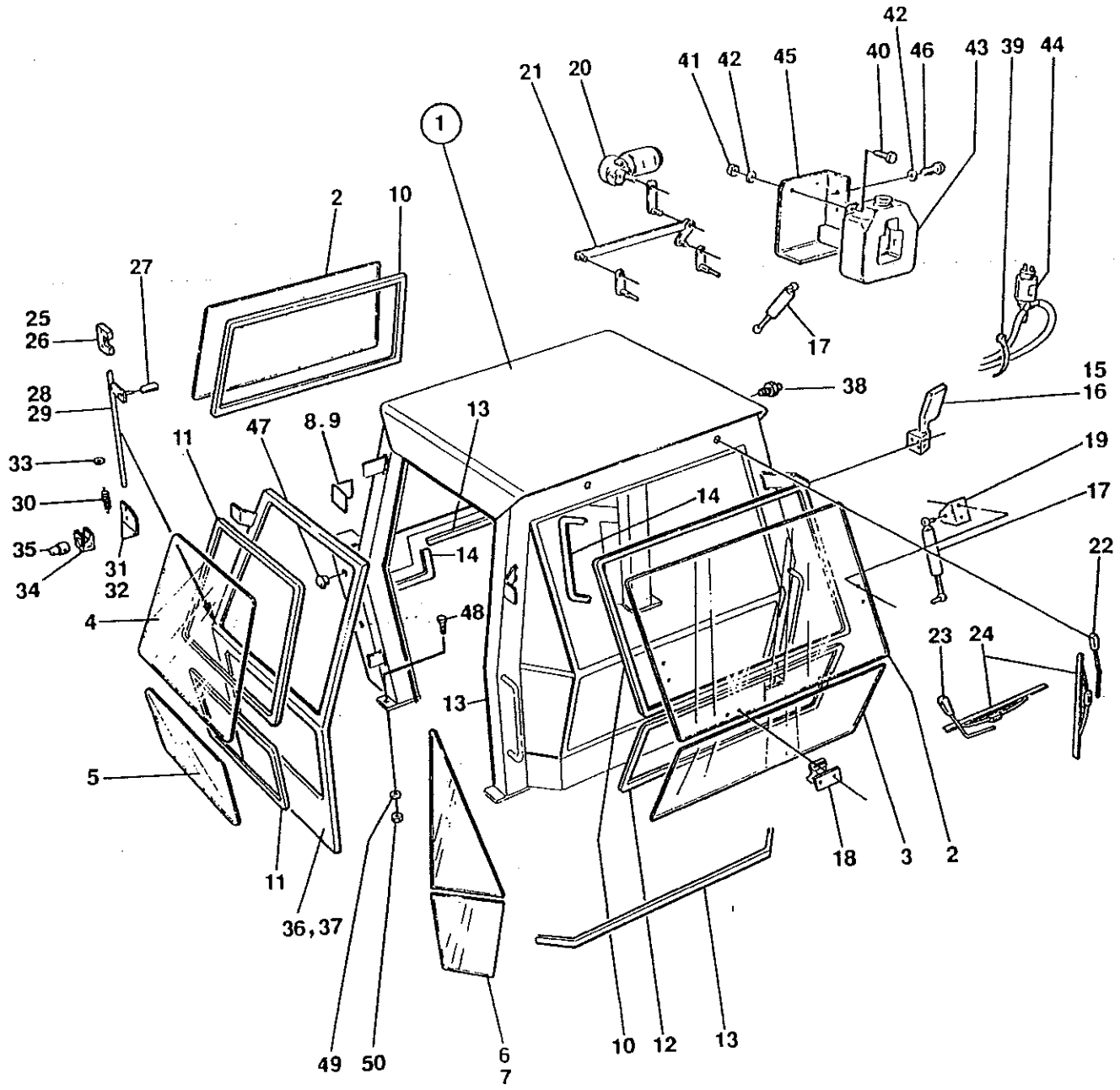
CC 421/421C

0010

Utgåva Issue 1993-12		Bildnr. Picture N <sup>o</sup> 15255-2		HYTT EXTERIÖR		CAB EXTERIOR		Grupp Group 091	Sida Page 2
Pos. Item	Antal / Quantity			Art.nr. Part N <sup>o</sup>	Benämning	Denomination	K C	Anmärkning Notes	
0020	1	1		35 63 82	HYTT	CAB			
0030		1		34 95 62	HYTT	CAB			
0040	2	2		90 16 59	.RUTA	.SCREEN	D	WITH HEATHER UPPER FR./RE.	
0060	3	1		90 16 60	.RUTA	.SCREEN	D	LOWER FR.	
0080	4	2		90 16 61	.RUTA	.SCREEN	D	UPPER DOOR	
0100	5	2		90 16 62	.RUTA	.SCREEN	D	LOWER DOOR	
0120	6	1		90 16 63	.RUTA	.SCREEN	D	LEFT	
0140	7	1		90 16 64	.RUTA	.SCREEN	D	RIGHT	
0160	8	1		90 16 65	.RUTA	.SCREEN	D	RIGHT	
0180	9	1		90 16 66	.RUTA	.SCREEN	D	LEFT	
0200	10	2XL		90 12 75	.GUMMILIST	.RUBBER STRIP		1)	
0220	11	4XL		90 15 12	.GUMMILIST	.RUBBER STRIP		1)	
0240	12	1XL		90 16 67	.GUMMILIST	.RUBBER STRIP		1)	
0260	13	4XL		90 12 94	.GUMMILIST	.RUBBER STRIP		1)	
0280	14	4XL		90 15 84	.GUMMILIST	.RUBBER STRIP		1)	
0300	15	1		92 99 60	.SPEGEL	.MIRROR	B	RIGHT	
0320	16	1		92 99 61	.SPEGEL	.MIRROR	B	LEFT	
0340	17	6		90 15 70	.GASFJÄDER	.GAS SPRING	D		
0360	18	4		92 99 55	.LÅS	.LOCK			
0380	19	4		92 99 56	.FÄSTE	.BRACKET			
0400	20	2		92 99 62	.TORKARMOTOR	.WIPER MOTOR	D		
0420	21	2		90 16 68	.TORKARLÄNK	.WIPER LINKAGE			
0440	22	2		90 16 69	.TORKARARM	.WIPER ARM		FR.LEFT/RE.RIGHT	
0460	23	2		90 16 70	.TORKARARM	.WIPER ARM		FR.RIGHT/RE.LEFT	
0480	24	4		92 99 65	.TORKARBLAD	.WIPER BLADE	B		
0500		2		90 30 00	.SPOLARMUNSTYCKE	.FLUSHING JET	D		
0520	25	1		92 99 68	.DÖRRLÅS	.DOOR LOCK		RIGHT	
0540	26	1		92 99 69	.DÖRRLÅS	.DOOR LOCK		LEFT	
0560	27	2		90 16 71	.PLASTRATT	.PLASTIC NUT			
0580	28	1		90 16 72	.LÅSLÄNK	.LOCK LINKAGE		RIGHT	
0600	29	1		90 16 73	.LÅSLÄNK	.LOCK LINKAGE		LEFT	
0620	30	2		90 16 74	.FJÄDER	.SPRING			
0640	31	1		90 16 75	.LÅSREGLAGE	.LOCK CONTROL		RIGHT	
0660	32	1		90 16 76	.LÅSREGLAGE	.LOCK CONTROL		LEFT	
0680	33	2		90 16 77	.PLASTCLIPS	.PLASTIC CLIP			
0700	34	2		92 99 75	.LÅSRING	.SNAP RING			
0720	35	2		92 99 74	.LÅSCYLINDER	.LOCK CYLINDER	D	WITH KEYS	
0740	36	1		90 21 19	.DÖRRAM	.DOOR FRAME		RIGHT	
0760	37	1		90 21 20	.DÖRRAM	.DOOR FRAME		LEFT	
0780	38	12		90 20 54	.KULLED	.KNUCKLE			
0800	39	N		31 30 68	BUNTBAND	CABLE TIES		L=92 MM	

1) LENGTH AS REQUIRED.

Group  
Grupp **91**



35 53 62  
35 53 63  
35 66 20

# DYNAPAC

Reservdelskatalog / Spare Parts Catalogue

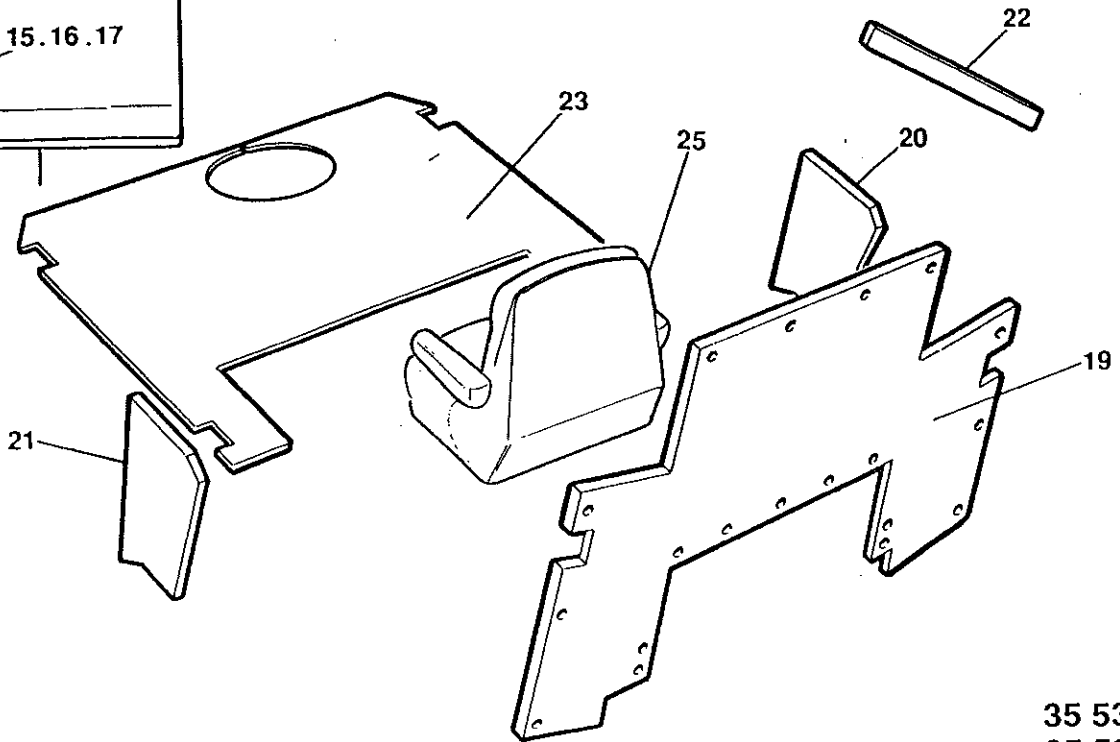
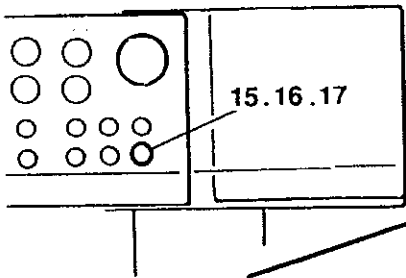
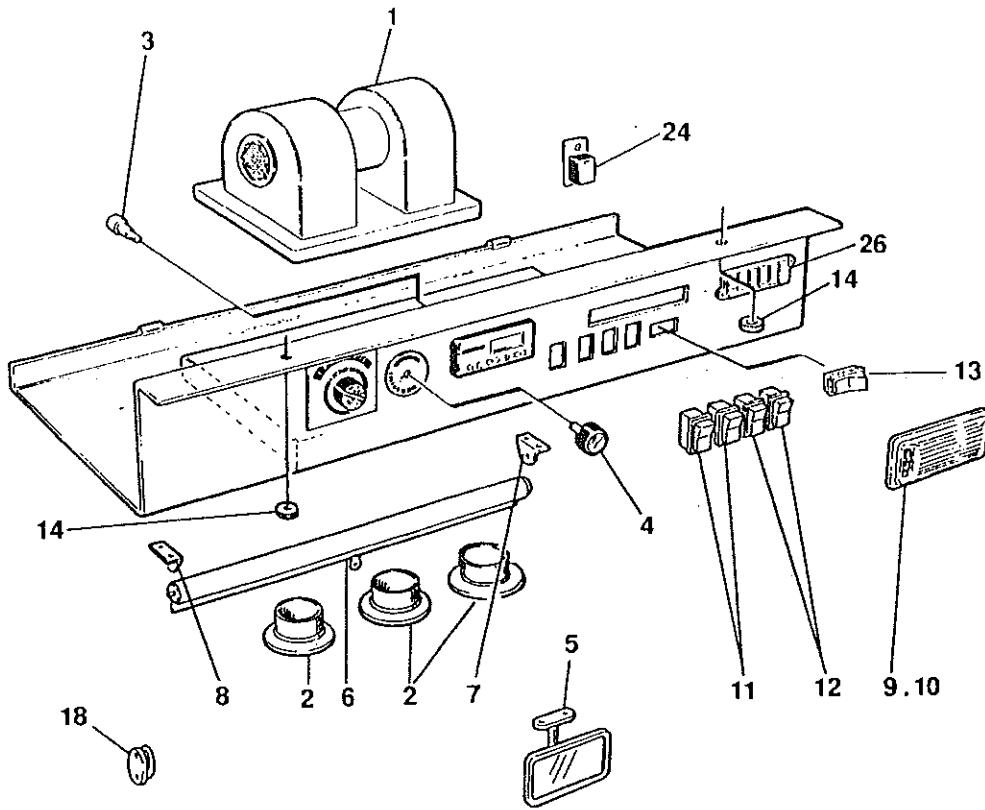
S-232-4

CC 421/421C

0010

Utgåva Issue		Bildnr. Picture N°		HYTT EXTERIÖR		CAB EXTERIOR		Grupp Group	Sida Page
1993-12		15255-2						091	4
Pos. Item	Antal / Quantity			Art.nr. Part N°	Benämning	Denomination	K C	Anmärkning Notes	
0820	40	2		50 00 13	SKRUV	SCREW	D		
0840	41	2		57 00 04	MUTTER	NUT			
0860	42	6		61 50 42	BRICKA	WASHER			
0880	43	1		90 09 98	SPOLARBEHÅLLARE	WATER RESERVOIR			
0900	44	1		90 09 99	VATTENPUMP	SPRINKLING PUMP			
0920	45	1		35 58 85	FÄSTE	BRACKET			
0940	46	2		50 00 75	SKRUV	SCREW			
0960	47	6		90 12 23	PROPP	PLUG			
0980	48	8		50 01 94	SKRUV	SCREW			
1000	49	8		61 50 45	BRICKA	WASHER			
1020	50	8		58 60 19	MUTTER	NUT			

1) LENGTH AS REQUIRED.





# DYNAPAC

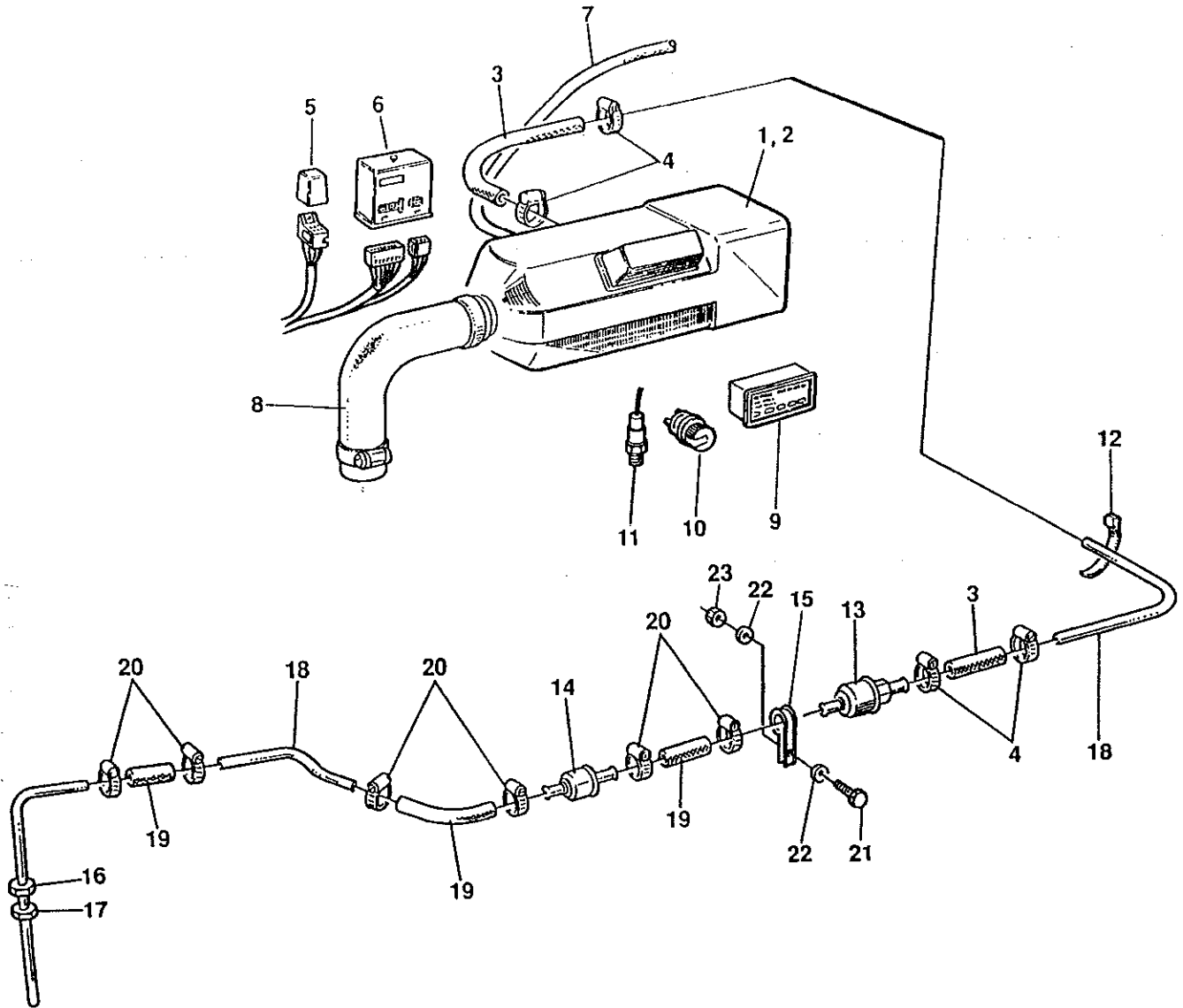
Reservdelskatalog / Spare Parts Catalogue

S-232-4

CC 421/421C

0020

Utgåva Issue 1993-12		Bildnr. Picture N° 15574		HYTT INTERIÖR		CAB INTERIOR		Grupp Group 091	Sida Page 6
Pos. Item	Antal / Quantity			Art.nr. Part N°	Benämning	Denomination	K C	Anmärkning Notes	
0020	1	1		90 11 43	FLÄKT	FAN	D		
0040	2	3		90 15 71	MUNSTYCKE	AIR OUTLET	D	FAN	
0060	3	1		90 12 31	BRYTARE	SWITCH	D	FAN	
0080	4	1		90 12 32	VRED	BUTTON	B		
0100	5	1		90 15 72	SPEGEL	MIRROR			
0120	6	1		90 16 22	RULLGARDIN	SUN SCREEN			
0140	7	1		90 15 74	FÄSTE	BRACKET		RIGHT	
0160	8	1		90 15 75	FÄSTE	BRACKET		LEFT	
0180	9	1		92 99 66	KUPÉBELYSNING	INTERNAL LIGHT			
0200	10	1		98 50 51	GLÖDLAMPA	BULB	B		
0220	11	2		90 12 86	STRÖMSTÄLLARE	SWITCH	D	WIPER	
0240	12	2		90 11 59	STRÖMSTÄLLARE	SWITCH	D	WORKING LIGHT	
0260	13	1		90 12 34	STRÖMSTÄLLARE	SWITCH	D	WASHER	
0280	14	5		90 15 78	PLASTRATT	PLASTIC NUT			
0300	15	1			STRÖMSTÄLLARE	SWITCH		SEE PAGE 16	
0320	16	1			GLÖDLAMPA	BULB		SEE PAGE 16	
0340	17	1			KONTAKTDON	CONNECTOR		SEE PAGE 16	
0360	18	1		90 15 76	HÄNGARE	COAT HOOK			
0380	19	1		35 56 33	ISOLERMATERIAL	INSUL MATERIAL		BACK	
0400	20	1		35 56 31	ISOLERMATERIAL	INSUL MATERIAL		RIGHT	
0420	21	1		35 56 32	ISOLERMATERIAL	INSUL MATERIAL		LEFT	
0440	22	2XA		90 11 33	ISOLERMATERIAL	INSUL MATERIAL		A=340x80 MM	
0460	23	1		35 56 27	GOLVMATTA	FLOOR MAT			
0480	24	1		97 50 77	RELÄ	RELAY	D	FAN	
0500	25	1		35 64 15	FÖRARSTOL	DRIVERS SEAT		GREY CLOTH	
0520	26	1		90 12 56	SÄKRINGSDOSA	FUSE BOX			
0540		N		90 12 26	SÄKRING	FUSE	B	7,5 A	
0560		N		90 12 27	SÄKRING	FUSE	B	10 A	
0580		N		90 12 28	SÄKRING	FUSE	B	15 A	
0600		N		90 12 29	SÄKRING	FUSE	B	25 A	



# DYNAPAC

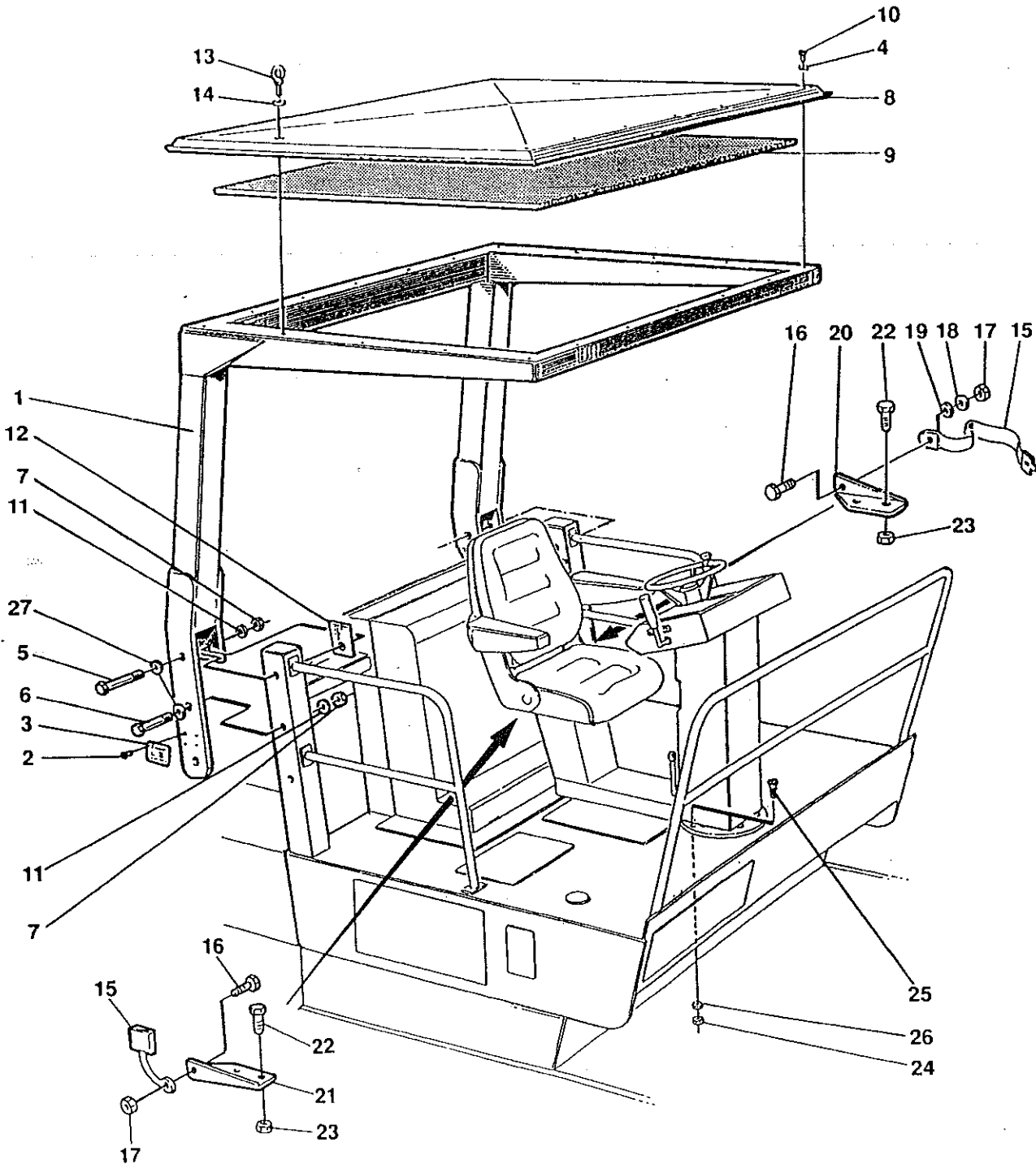
Reservdelskatalog / Spare Parts Catalogue

S-232-4

CC 421/421C

0030

Utgåva Issue 1993-12		Bildnr. Picture N° 15374-1		HYTT VÄRMARE		CAB HEATHER		Grupp Group 091	Sida Page 8
Pos. Item	Antal / Quantity			Art.nr. Part N°	Benämning	Denomination	K C	Anmärkning Notes	
0020	1	1		90 15 61	VÄRMARE	HEATER	D		
0040	2	1		90 15 62	.GLÖDSTIFT	.GLOW PLUG	D	M 24	
0050		1		90 30 06	.GLÖDSTIFT	.GLOW PLUG	D	M 14	
0060	3	2		90 15 56	BRÄNSLESLANG	FUEL HOSE			
0080	4	4		90 15 59	SLANGKLÄMMA	HOSE CLAMP			
0100	5	1		90 15 65	RELÄ	RELAY	D	HEATHER	
0120	6	1		90 15 64	STYRENHET	CONTROL UNIT	D		
0140	7	1		90 15 63	AVGASSLANG	EXHAUST HOSE			
0160	8	1XL		90 15 87	UTBLÄSNINGSSLANG	WARM AIR HOSE		L=350 MM	
0180	9	1		90 15 67	TIDUR	TIMER	D		
0200	10	1		90 15 68	REGLAGE	CONTROL			
0220	11	1		90 15 66	TEMP.GIVARE	SENSOR	D		
0240	12	1		31 30 68	BUNTBAND	CABLE TIES		L=92 MM	
0260	13	1		90 15 50	BRÄNSLEPUMP	FUEL PUMP	D		
0280	14	1		90 15 51	BRÄNSLEFILTER	FUEL FILTER	B		
0300	15	1		90 15 52	KLAMMER	CLAMP			
0320	16	1		35 59 02	BRÄNSLERÖR	FUEL PIPE			
0340	17	1		57 00 11	MUTTER	NUT			
0360	18	2XL		90 15 55	BRÄNSLERÖR	FUEL PIPE		LENGTH AS REQUIRED	
0380	19	3		90 15 57	BRÄNSLESLANG	FUEL HOSE			
0400	20	6		90 15 58	SLANGKLÄMMA	HOSE CLAMP			
0420	21	1		50 00 13	SKRUV	SCREW			
0440	22	2		61 50 42	BRICKA	WASHER			
0460	23	1		57 00 04	MUTTER	NUT			



# DYNAPAC

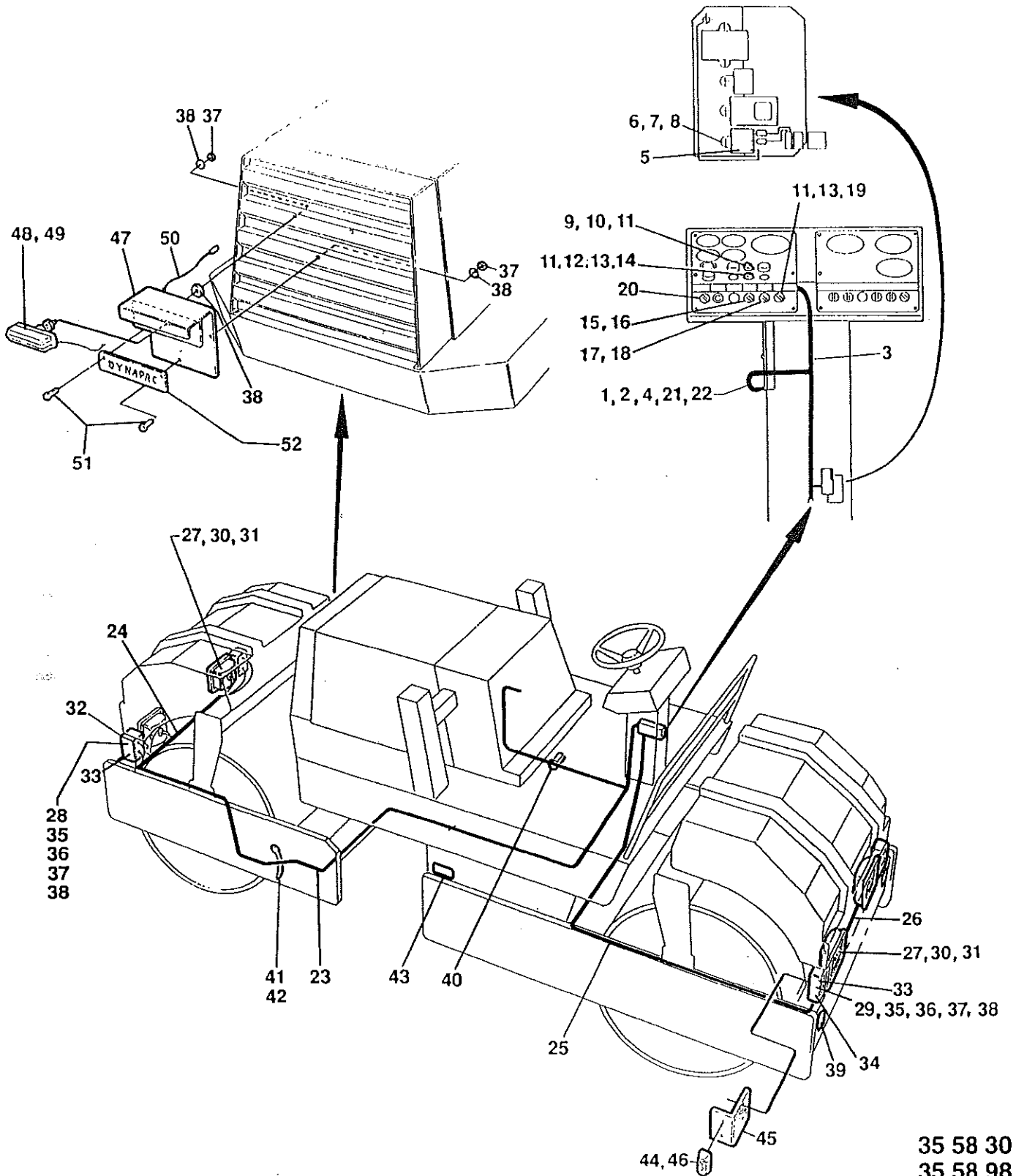
Reservdelskatalog / Spare Parts Catalogue

S-232-4

CC 421/421C

0040

Utgåva Issue		Bildnr. Picture N°		ROPS OCH SÄKERHETSÅLTE		ROPS AND SEAT BELT		Grupp Group	Sida Page
1993-12		15221-1						091	10
Pos. Item	Antal / Quantity			Art.nr. Part N°	Benämning	Denomination	K C	Anmärkning Notes	
0020	1	1		34 69 66	ROPS	ROPS			
0040	2	8		52 70 02	.SKRUV	.SCREW			
0060	3	1		34 78 97	.SKYLT ROPSSKRUVAR	.SIGN ROPS SCREWS			
0080	4	18		61 50 76	BRICKA	WASHER			
0100	5	2		92 56 46	SKRUV	SCREW			
0120	6	4		92 56 45	SKRUV	SCREW			
0140	7	6		92 94 62	MUTTER	NUT			
0160	8	1		34 70 11	TAK	ROOF			
0180	9	1		34 70 12	ISOLERMATERIAL	INSUL MATERIAL			
0200	10	18		54 17 03	SKRUV	SCREW			
0220	11	6		60 00 25	BRICKA	WASHER			
0240	12	N		34 70 16	MELLANLÄGG	SHIM			
0260	13	2		35 30 47	SKRUV	BOLT			
0280	14	2		60 30 12	BRICKA	WASHER			
0300	15	1		34 49 50	SÄKERHETSÅLTE	SEAT BELT			
0320	16	2			.SKRUV	.SCREW			
0340	17	2			.MUTTER	.NUT			
0360	18	1			.DISTANSRING	.SPACER RING			
0380	19	1			.BRICKA	.WASHER			
0400	20	1		34 99 68	DETALJ PLÅT	SHEET METAL PART	LEFT		
0420	21	1		34 99 69	DETALJ PLÅT	SHEET METAL PART	RIGHT		
0440	22	4		50 00 29	SKRUV	SCREW			
0460	23	4		58 60 18	MUTTER	NUT			
0480	24	2		57 00 05	MUTTER	NUT			
0500	25	2		90 08 19	SKRUV	SCREW			
0520	26	2		61 50 43	BRICKA	WASHER			
0540	27	6		92 60 74	BRICKA	WASHER			



- 35 58 30
- 35 58 98
- 35 65 17
- 35 65 18
- 35 65 63
- 35 65 65
- 35 68 49

# DYNAPAC

Reservdelskatalog / Spare Parts Catalogue

S-232-4

CC 421/421C

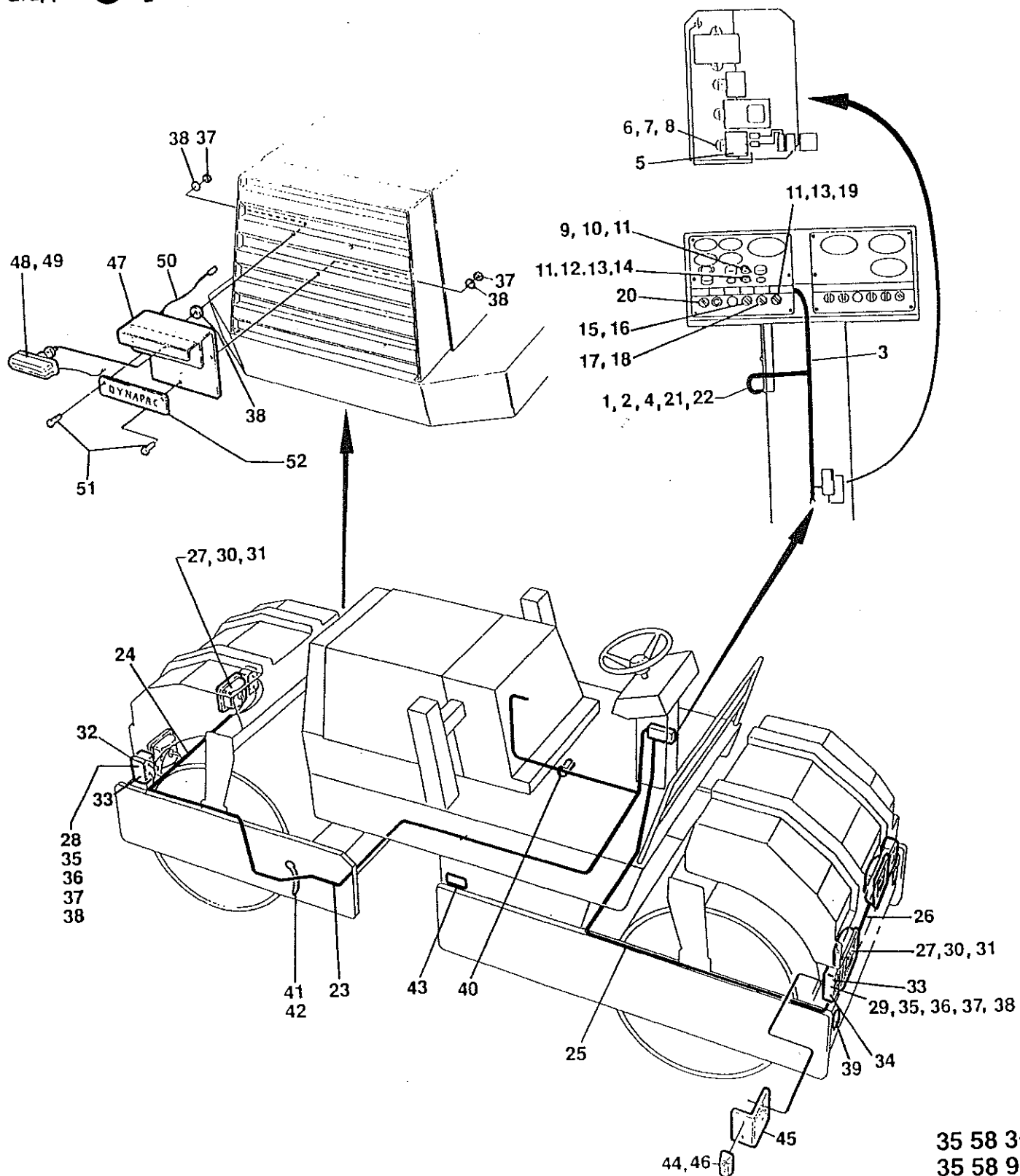
0050

Utgåva Issue 1993-12		Bildnr. Picture N° 15241-1		TRAFIK- & ARBETSBELYSN. NUMMERSKYLTBELYSNING SIDOBLINKERS		DRIVING & WORK LIGHTS LICENCE PLATE LIGHT SIDE DIRECTION LIGHTS		Grupp Group 091	Sida Page 12
Pos. Item	Antal / Quantity			Art.nr. Part N°	Benämning	Denomination	K C	Anmärkning Notes	
	DRI	WOR							
0020	1	1		90 12 56	SÄKRINGSBOKS	FUSE BOX			
0040	2	2		90 17 67	SKRUV	SCREW			
0060	3	1		35 64 81	KABELHÄRVA	WIRING HARNESS		SWITCHES-FUSES	
0080	4	4	1	90 12 40	KONTAKTDON	CONNECTOR			
0100	5	1		97 50 62	BLINKRELÄ	FLASH RELAY	D		
0120	6	1		53 30 26	SKRUV	SCREW			
0140	7	1		57 00 03	MUTTER	NUT			
0160	8	1		61 50 41	BRICKA	WASHER			
0180	9	1		93 20 57	STRÖMSTÄLLARE	SWITCH	D	HEAD LIGHT	
0200	10	1		93 01 98	KONTAKTDON	CONNECTOR			
0220	11	3		98 50 12	GLÖDLAMPA	BULB	B	SWITCHES	
0240	12	1		93 20 56	STRÖMSTÄLLARE	SWITCH	D	HAZARD	
0260	13	2		93 01 62	KONTAKTDON	CONNECTOR			
0280	14	1		93 01 63	KONTAKTBLOCK	CONNECTOR	D	SMALL	
0300	15	1		93 20 58	STRÖMSTÄLLARE	SWITCH	D	LIGHTS	
0320	16	1		93 01 82	KONTAKTDON	CONNECTOR			
0340	17	1	1	93 01 92	STRÖMSTÄLLARE	SWITCH	D	WORKING LIGHTS	
0360	18	1	1	93 01 55	KONTAKTDON	CONNECTOR			
0380	19	1		93 01 61	STRÖMSTÄLLARE	SWITCH	D	TURN SIGNAL	
0400	20	1		93 01 63	KONTAKTBLOCK	CONNECTOR	D	SMALL	
0420	21	2		90 12 25	SÄKRING	FUSE	B	5 A	
0440	22	4		90 12 26	SÄKRING	FUSE	B	7.5 A	
0460	23	1		35 64 71	KABELHÄRVA	WIRING HARNESS		1), REAR RH SIDE	
0470		1		35 74 72	KABELHÄRVA	WIRING HARNESS		2), REAR RH SIDE	
0480	24	1		35 64 80	KABELHÄRVA	WIRING HARNESS		REAR	
0500	25	1		35 64 70	KABELHÄRVA	WIRING HARNESS		1), FRONT RH SIDE	
0510		1		35 74 73	KABELHÄRVA	WIRING HARNESS		2), FRONT RH SIDE	
0520	26	1		35 64 79	KABELHÄRVA	WIRING HARNESS		FRONT	
0540	27	2		90 07 92	STRÅLKASTARE	HEAD LIGHT		RIGHT ASYM., H4	
0545		2		90 19 94	STRÅLKASTARE	HEAD LIGHT		LEFT ASYM., H4	
0550		2		90 19 93	STRÅLKASTARE	HEAD LIGHT		H3	
0555		16	4	58 60 01	MUTTER	NUT			
0560	28	2	16	90 07 93	BAKLJUS	TAIL LIGHT			
0580	29	2		90 07 94	BLINKERS	TURN SIGNALS			
0600	30	2		91 09 92	KONTAKTDON	CONNECTOR			
0620	31	2		90 07 90	GLÖDLAMPA	BULB	B	H4, HEAD LIGHT	
0630		2	4	90 13 69	GLÖDLAMPA	BULB	B	H3, HEAD LIGHT	
0640	32	2		90 07 91	GLÖDLAMPA	BULB	B	TAIL/STOP LIGHT	
0660	33	4		92 85 02	GLÖDLAMPA	BULB	B	TURN SIGNAL	
0680	34	2		98 50 14	GLÖDLAMPA	BULB	B	PARKING LIGHT	
0700	35	4		34 97 95	DETALJ PLÅT	SHEET METAL PART			
0720	36	8		50 00 06	SKRUV	SCREW			
0740	37	11	3	58 60 01	MUTTER	NUT			
0760	38	23	15	60 00 03	BRICKA	WASHER			
0780	39	2		90 11 82	REFLEX	REFLECTOR		RED	

- DRI) VALID FOR ROLLERS EQUIPED WITH DRIVING LIGHTS.  
 WOR) VALID FOR ROLLERS EQUIPED WITH WORKING LIGHTS.  
 2) VALID FOR CC 421 UP TO S/N \*58010260\* AND FOR CC 421C UP TO S/N \*58020444\*.  
 3) VALID FOR CC 421 FROM S/N \*58010261\* AND FOR CC 421C FROM S/N \*58020445\*.  
 4) VALID FOR CC 421 UP TO S/N \*58010242\* AND FOR CC 421C UP TO S/N \*58020444\*.  
 5) VALID FOR CC 421 FROM S/N \*58010243\* AND FOR CC 421C FROM S/N \*58020445\*.

Group  
Grupp

# 91



- 35 58 30
- 35 58 98
- 35 65 17
- 35 65 18
- 35 65 63
- 35 65 65
- 35 68 49



# DYNAPAC

Reservdelskatalog / Spare Parts Catalogue

S-232-4

CC 421/421C

0050

Utgåva Issue		Bildnr. Picture N°		TRAFIK- & ARBETSBELYSN. NUMMERSKYLTBELYSNING SIDOBLINKERS		DRIVING & WORK LIGHTS LICENCE PLATE LIGHT SIDE DIRECTION LIGHTS		Grupp Group	Sida Page
1993-12		15241-1						091	14
Pos. Item	Antal / Quantity			Art.nr. Part N°	Benämning	Denomination	K C	Anmärkning Notes	
	DRI	WOR							
0800	40	1		92 10 39	KLAMMER	CLAMP			
0820	41	N		31 31 02	BUNTBAND	CABLE TIES		L=388 MM	
0840	42	N		31 30 41	BUNTBAND	CABLE TIES		L=186 MM	
0860	43	2		90 11 83	REFLEX	REFLECTOR		YELLOW	
0880	44	2		90 12 08	BLINKERS	TURN SIGNALS		4)	
0890	44	2		90 20 64	BLINKERS	TURN SIGNALS		5)	
0900	45	2		35 59 08	DETALJ PLÅT	SHEET METAL PART		4)	
0910	45	2		35 72 50	DETALJ PLÅT	SHEET METAL PART		5)	
0920	46	2		98 50 51	GLÖDLAMPA	BULB	B	4), TURN SIGNAL	
0930	46	2		98 50 13	GLÖDLAMPA	BULB	B	5), TURN SIGNAL	
0940	47	1	1	35 57 97	DETALJ PLÅT	SHEET METAL PART			
0960	48	1	1	92 94 55	NUMMERBELYSNING	NUMBER PLATE LAMP			
0980	49	1	1	98 50 13	GLÖDLAMPA	BULB	B	NUMBER PLATE LAMP	
1000	50	1	1	35 58 29	KABELHÄRVA	WIRING HARNESS			
1020	51	3	3	53 50 06	SKRUV	SCREW			
1040	52	1	1		SKYLT DYNAPAC	PLATE DYNAPAC		SEE GROUP 80	

DRI) VALID FOR ROLLERS EQUIPED WITH DRIVING LIGHTS.

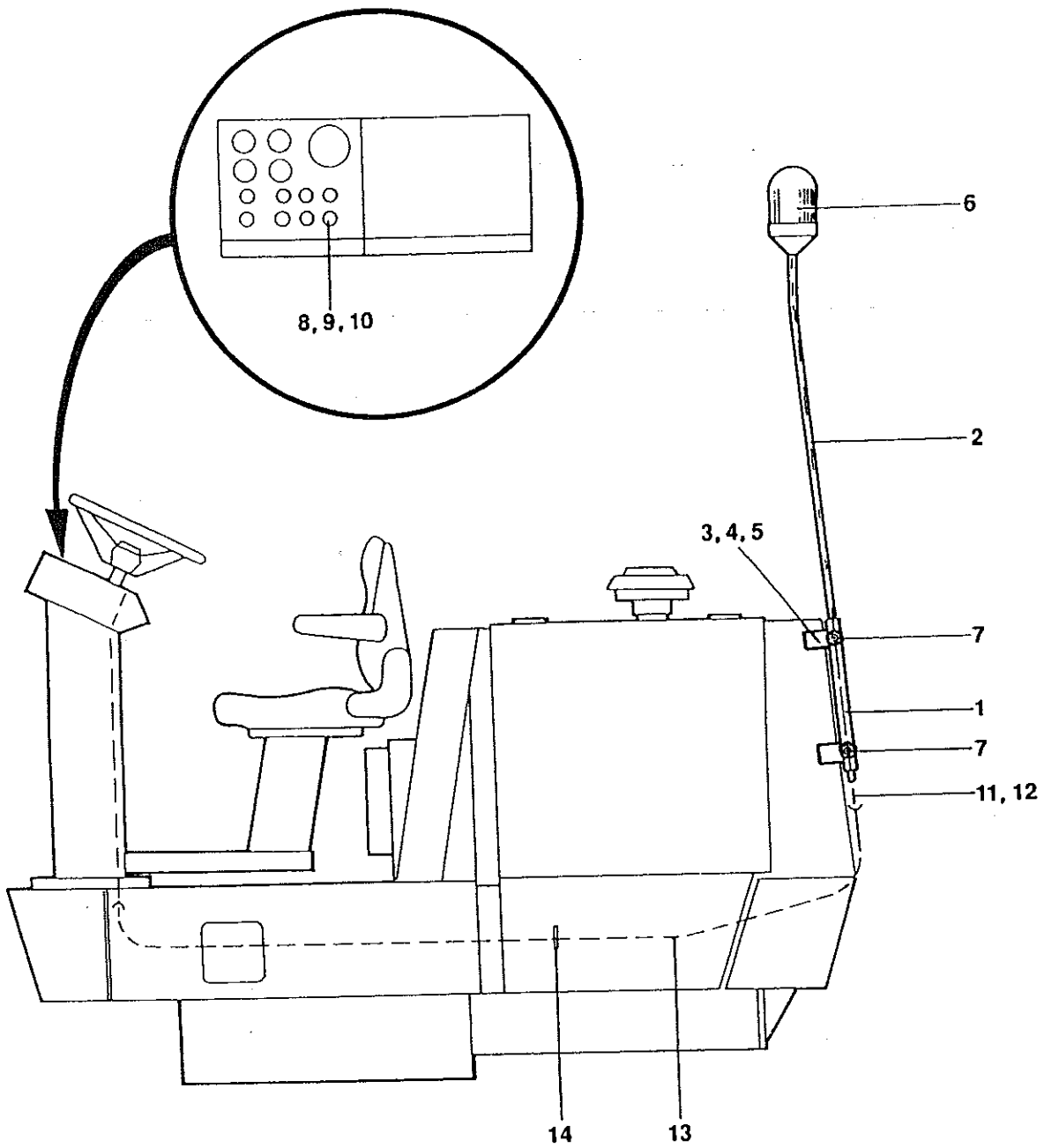
WOR) VALID FOR ROLLERS EQUIPED WITH WORKING LIGHTS.

2) VALID FOR CC 421 UP TO S/N \*58010260\* AND FOR CC 421C UP TO S/N \*58020444\*.

3) VALID FOR CC 421 FROM S/N \*58010261\* AND FOR CC 421C FROM S/N \*58020445\*.

4) VALID FOR CC 421 UP TO S/N \*58010242\* AND FOR CC 421C UP TO S/N \*58020444\*.

5) VALID FOR CC 421 FROM S/N \*58010243\* AND FOR CC 421C FROM S/N \*58020445\*.



# DYNAPAC

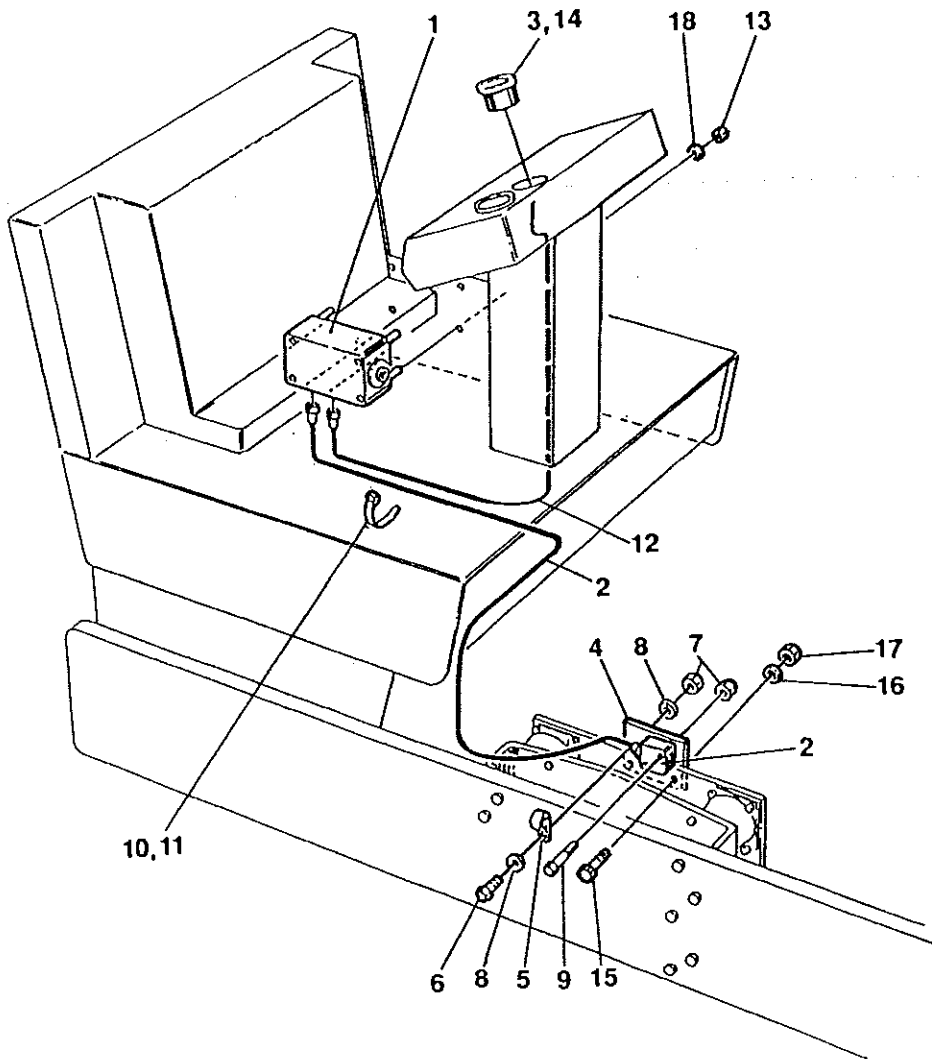
Reservdelskatalog / Spare Parts Catalogue

S-232-4

CC 421/421C

0060

Utgåva Issue 1993-12		Bildnr. Picture N° 14941-1		ROTERANDE VARNINGSLJUS		ROTATING BEACON		Grupp Group 091	Sida Page 16
Pos. Item	Antal / Quantity			Art.nr. Part N°	Benämning	Denomination	K C	Anmärkning Notes	
0020	1	1		34 39 75	LAMPFÄSTE	LAMP HOLDER			
0040	2	1		34 72 37	LAMPFÄSTE	LAMP HOLDER			
0060	3	2		50 00 29	SKRUV	SCREW			
0080	4	2		58 60 18	MUTTER	NUT			
0100	5	2		60 00 08	BRICKA	WASHER			
0120	6	1		99 90 11	ROT VARNINGSLJUS	BEACON, ROTATING	D	ORANGE	
0125		1		98 51 26	.GLÖDLAMPA	.BULB	B	ROT. BEACON	
0130		1		90 19 83	ROT VARNINGSLJUS	BEACON, ROTATING	D	YELLOW	
0132		1		90 28 03	.LYKTGLAS	.LAMP GLASS	B	YELLOW	
0135		1		98 51 26	.GLÖDLAMPA	.BULB	B	ROT. BEACON	
0140	7	2		49 91 62	STJÄRNVRED	HAND KNOB			
0160	8	1		93 01 66	STRÖMSTÄLLARE	SWITCH	D	ROT. BEACON	
0180	9	1		98 50 12	GLÖDLAMPA	BULB	B	SWITCH	
0200	10	1		93 01 65	KONTAKTDON	CONNECTOR			
0220	11	1XL		90 01 00	KABEL	CABLE		L=1500 MM	
0240	12	1XL		24 40 02	PLASTSLANG	PLASTIC HOSE		L=1400 MM	
0260	13	1		35 64 78	KABELHÄRVA	WIRING HARNESS			
0280	14	N		31 30 41	BUNTBAND	CABLE TIES		L=186 MM	



# DYNAPAC

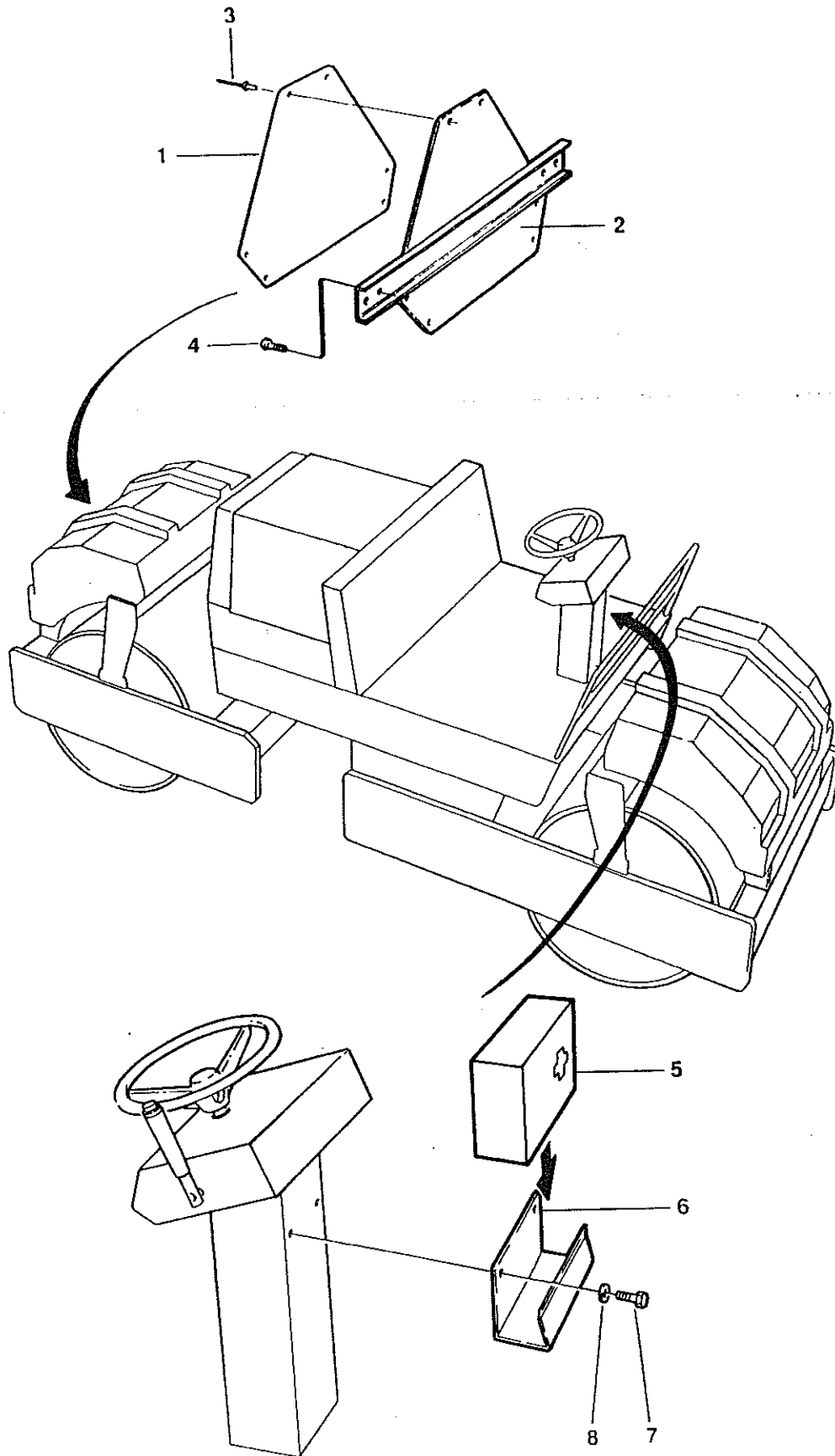
Reservdelskatalog / Spare Parts Catalogue

S-232-4

CC 421/421C

0070

Utgåva Issue 1993-12		Bildnr. Picture N <sup>o</sup> 14877-3		PACKNINGSMÄTARE COMPACTION METER		Grupp Group 091	Sida Page 18	
Pos. Item	Antal / Quantity			Art.nr. Part N <sup>o</sup>	Benämning	Denomination	K C	Anmärkning Notes
0020	1	1		34 82 22	PROCESSOR	PROCESSOR	D	
0040	2	1		34 82 13	GIVARE M. KABEL	SENSOR W. CABLE	D	
0060	3	1		34 84 28	INSTRUMENT	INSTRUMENT		
0080	4	1		34 32 56	DETALJ PLÅT	SHEET METAL PART		
0100	5	1		92 10 47	KLAMMER	CLAMP		
0120	6	1		50 00 13	SKRUV	SCREW		
0140	7	3		58 60 02	MUTTER	NUT		
0160	8	3		60 00 04	BRICKA	WASHER		
0180	9	2		50 00 79	SKRUV	SCREW		
0200	10	N		31 30 41	BUNTBAND	CABLE TIES		L=186 MM
0220	11	N		31 31 02	BUNTBAND	CABLE TIES		L=388 MM
0240	12	1		34 82 49	KABELHÄRVA	WIRING HARNESS		
0260	13	4		92 88 15	SKYDDSHUV	COVER		
0280	14	1		74 75 83	GLÖDLAMPA	BULB	B	INSTRUMENT
0300	15	2		50 01 94	SKRUV	SCREW		
0320	16	2		60 00 09	BRICKA	WASHER		
0340	17	2		58 60 19	MUTTER	NUT		
0360	18	4		57 00 04	MUTTER	NUT		



15550

35 51 91  
35 81 07

# DYNAPAC

Reservdelskatalog / Spare Parts Catalogue

S-232-4

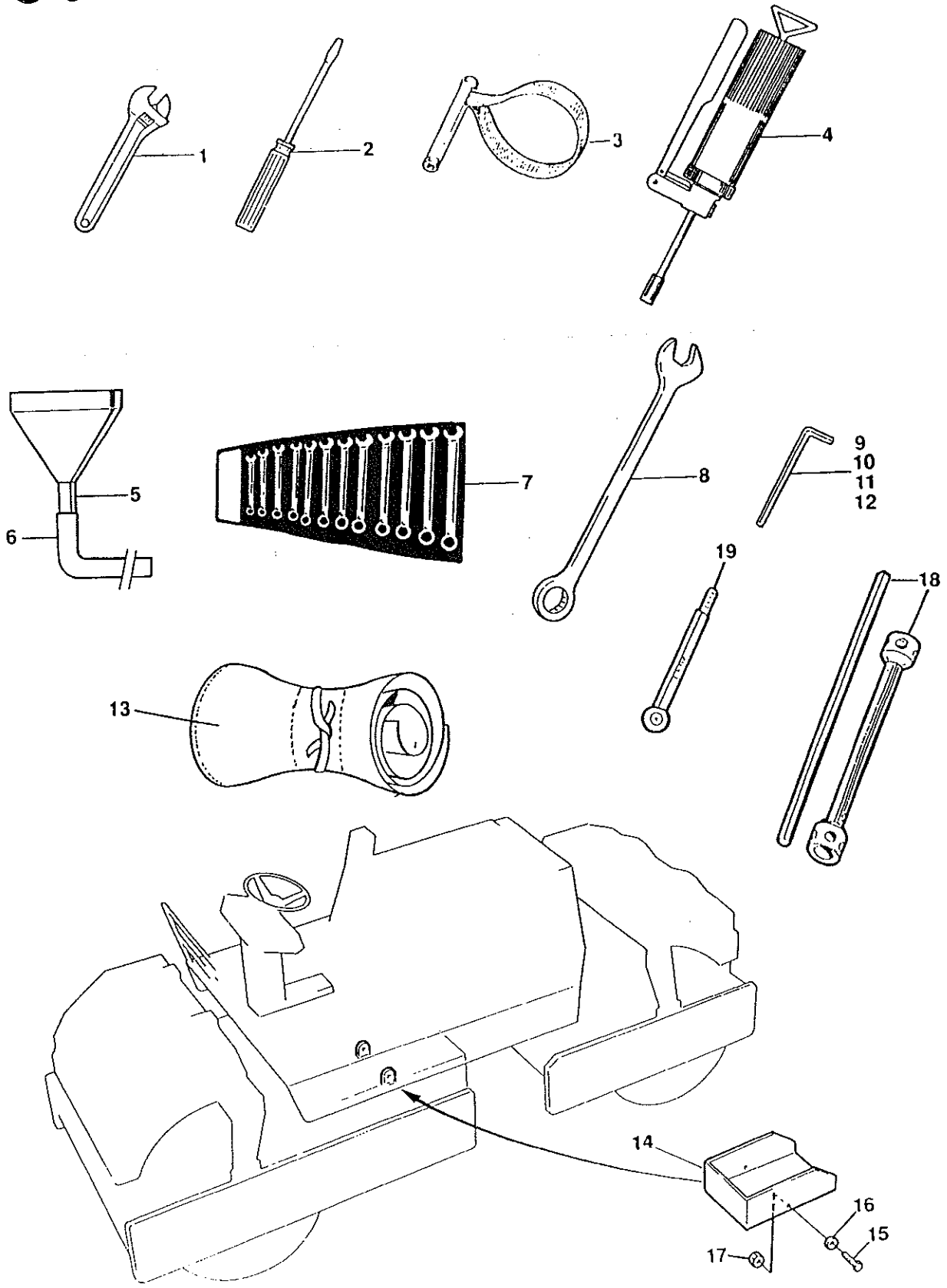
CC 421/421C

0080

Utgåva Issue 1993-12		Bildnr. Picture N° 15550		SKYLTLGF FÖRBANDSLÅDA		SIGN SMV FIRST AID BOX		Grupp Group 091	Sida Page 20
Pos. Item	Antal / Quantity				Art.nr. Part N°	Benämning	Denomination	K C	Anmärkning Notes
0020	1	1			47 60 19	SKYLTLGF	SIGN SMV		
0040	2	1			35 81 24	SKYLTHÅLLARE	SIGN HOLDER		
0060	3	6			62 40 11	NIT	RIVET		
0080	4	2			50 00 23	SKRUV	SCREW		
0100	5	1			90 25 08	FÖRBANDSLÅDA	FIRST AID BOX	D	
0120	6	1			35 80 98	FÄSTE	BRACKET		
0140	7	2			90 13 15	SKRUV	SCREW		
0160	8	2			60 00 02	BRICKA	WASHER		

Group  
Grupp

# 91



35 58 89  
35 59 17  
35 79 52



# DYNAPAC

Reservdelskatalog / Spare Parts Catalogue

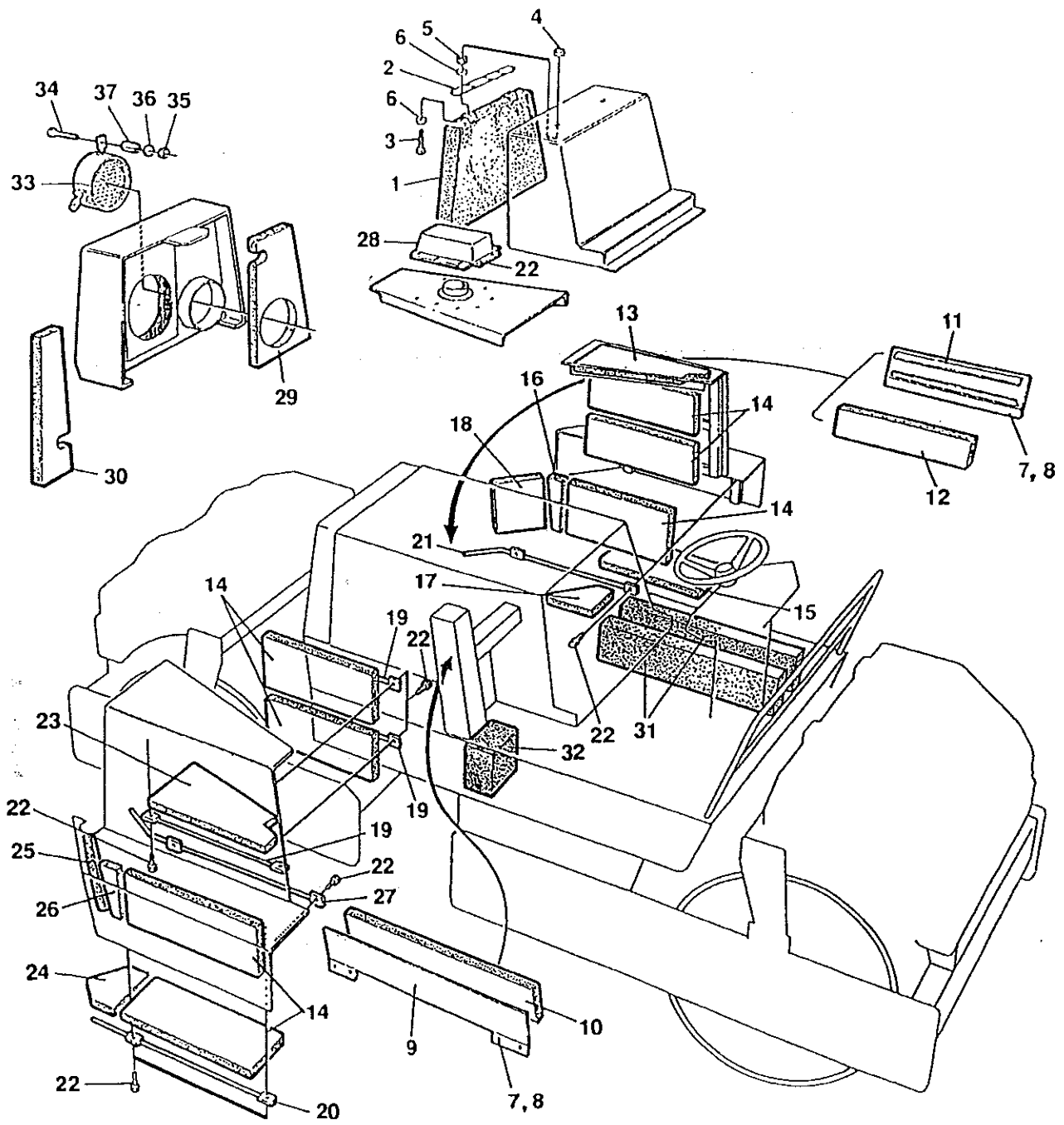
S-232-4

CC 421/421C

0090

Utgåva Issue 1993-12		Bildnr. Picture N° 15223-2		VERKTYGSUTRUSTNING TOOL EQUIPMENT		Grupp Group 091	Sida Page 22
Pos. Item	Antal / Quantity			Art.nr. Part N°	Benämning	Denomination	K C Anmärkning Notes
0020	1	1		48 50 11	SKIFTNYCKEL	WRENCH	
0040	2	1		48 50 19	SKRUVMEJSEL	SCREW DRIVER	
0060	3	1		90 26 10	BANDTÅNG	BELT PLIERS	
0080	4	1		31 10 16	FETTSPRUTA	GREASE GUN	
0100	5	1		48 50 40	TRATT	FUNNEL	
0120	6	1XL		24 40 26	PLASTSLANG	PLASTIC HOSE	L=400 MM
0140	7	1		90 12 12	U-RINGSNYCKEL	OPEN END SPANNER	KIT
0160	8	1		90 12 13	U-RINGSNYCKEL	OPEN END SPANNER	24 MM
0170		1		90 25 78	U-RINGSNYCKEL	OPEN END SPANNER	22 MM
0180	9	1		48 50 05	INSEXNYCKEL	ALLEN WRENCH	1/4"
0200	10	1		48 50 37	INSEXNYCKEL	ALLEN WRENCH	3/8"
0220	11	1		48 53 88	INSEXNYCKEL	ALLEN WRENCH	6 MM
0240	12	1		48 50 06	INSEXNYCKEL	ALLEN WRENCH	8 MM
0260	13	1		27 79 92	VERKTYGSVÅSKA	TOOL BAG	
0280	14	1		84 30 07	VERKTYGSLÅDA	TOOL BOX	
0300	15	2		50 00 75	SKRUV	SCREW	
0320	16	2		57 00 04	MUTTER	NUT	
0340	17	2		61 50 42	BRICKA	WASHER	
0360	18	1		90 13 80	HJULMUTTERNYCKEL	WHEEL NUT KEY	30/32 MM
0380	19	1		90 12 20	TRYCKMÅTARE	PRESSURE GAUGE	

Group  
Grupp **91**



# DYNAPAC

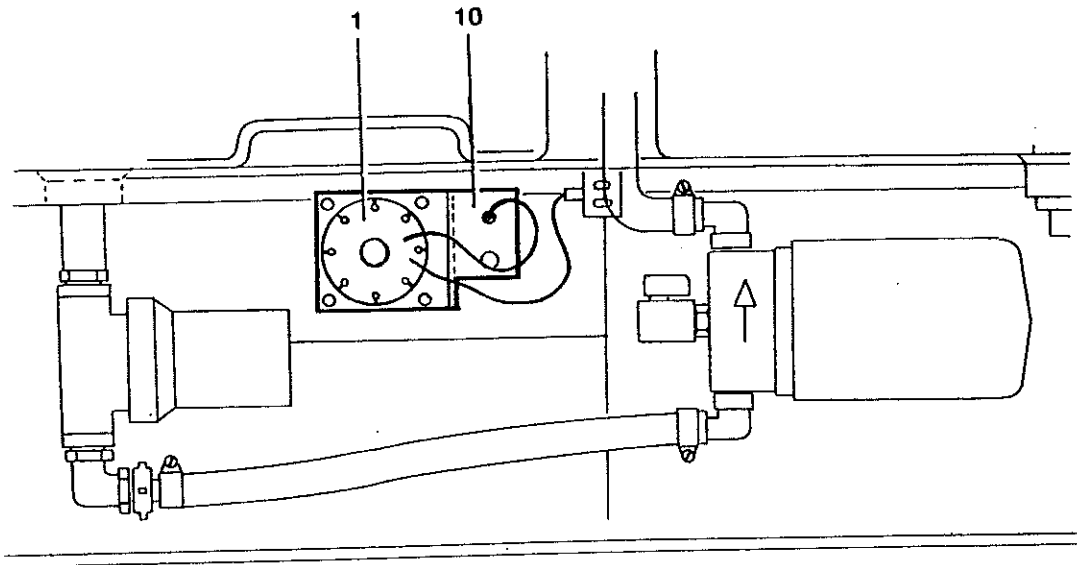
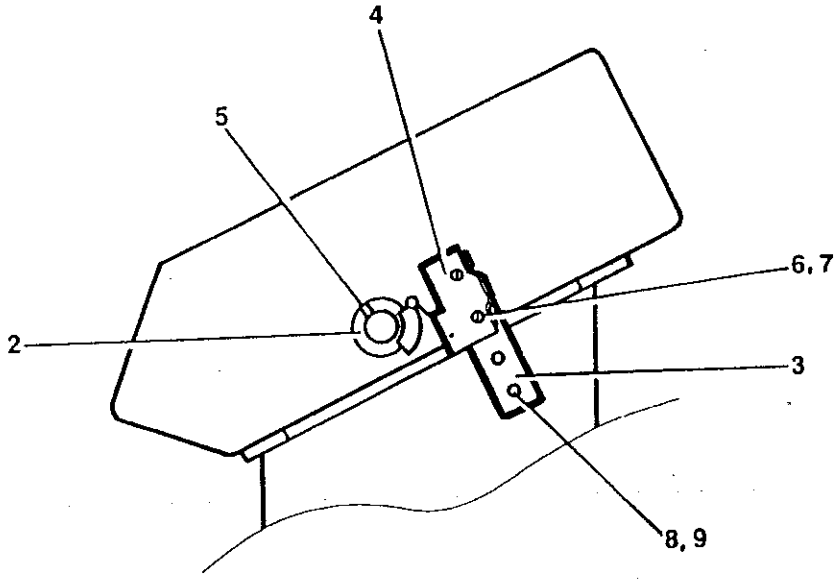
Reservdeiskatalog / Spare Parts Catalogue

S-232-4

CC 421/421C

0100

Utgåva Issue		Bildnr. Picture N°		BULLERDÄMPNING (ENDAST MED DEUTZ MOTOR)		NOISE SUPPRESSION (WITH DEUTZ ENGINE ONLY)		Grupp Group		Sida Page	
1993-12		14885-1						091		24	
Pos. Item	Antal / Quantity			Art.nr. Part N°	Benämning	Denomination	K C	Anmärkning Notes			
0020	1	1		34 90 36	ISOLERMATERIAL	INSUL MATERIAL					
0040	2	1		49 91 23	KAPELLSTRÄCKARE	COVER STRETCHER					
0060	3	2		50 00 47	SKRUV	SCREW					
0080	4	2		58 60 03	MUTTER	NUT					
0100	5	2		57 00 05	MUTTER	NUT					
0120	6	4		61 50 43	BRICKA	WASHER					
0140	7	10		50 01 85	SKRUV	SCREW					
0160	8	10		61 50 42	BRICKA	WASHER					
0180	9	1		35 65 37	LUCKA	COVER					
0200	10	1		35 65 50	ISOLERMATERIAL	INSUL MATERIAL					
0220	11	1		34 90 30	LUCKA	COVER					
0240	12	1		34 90 34	ISOLERMATERIAL	INSUL MATERIAL					
0260	13	1		34 90 39	ISOLERMATERIAL	INSUL MATERIAL					
0280	14	7		34 90 41	ISOLERMATERIAL	INSUL MATERIAL					
0300	15	1		34 90 42	ISOLERMATERIAL	INSUL MATERIAL					
0320	16	1		34 90 45	ISOLERMATERIAL	INSUL MATERIAL					
0340	17	1		34 90 46	ISOLERMATERIAL	INSUL MATERIAL					
0360	18	1		34 90 47	ISOLERMATERIAL	INSUL MATERIAL					
0380	19	6		34 90 51	LÅSLÄNK	COUPLING LINK					
0400	20	2		34 90 53	LÅSLÄNK	COUPLING LINK					
0420	21	1		34 90 55	LÅSLÄNK	COUPLING LINK					
0440	22	28		54 17 05	SKRUV	SCREW					
0460	23	1		34 90 40	ISOLERMATERIAL	INSUL MATERIAL					
0480	24	1		34 90 48	ISOLERMATERIAL	INSUL MATERIAL					
0500	25	1		34 90 49	ISOLERMATERIAL	INSUL MATERIAL					
0520	26	1		34 90 50	ISOLERMATERIAL	INSUL MATERIAL					
0540	27	1		34 90 58	LÅSLÄNK	COUPLING LINK					
0560	28	1		34 90 64	LUFTINSUGSKÅPA	AIR INLET COVER					
0580	29	1		34 90 43	ISOLERMATERIAL	INSUL MATERIAL					
0600	30	1		34 90 44	ISOLERMATERIAL	INSUL MATERIAL					
0620	31	2		34 90 73	ISOLERMATERIAL	INSUL MATERIAL					
0640	32	1		34 90 74	ISOLERMATERIAL	INSUL MATERIAL					
0660	33	1		34 90 65	LUFTINSUGNINGSRÖR	AIR INLET PIPE					
0680	34	3		50 00 79	SKRUV	SCREW					
0700	35	3		58 60 02	MUTTER	NUT					
0720	36	3		60 00 04	BRICKA	WASHER					
0740	37	3		34 90 52	DETALJ STÅLRÖR	STEEL TUBE PART					



# DYNAPAC

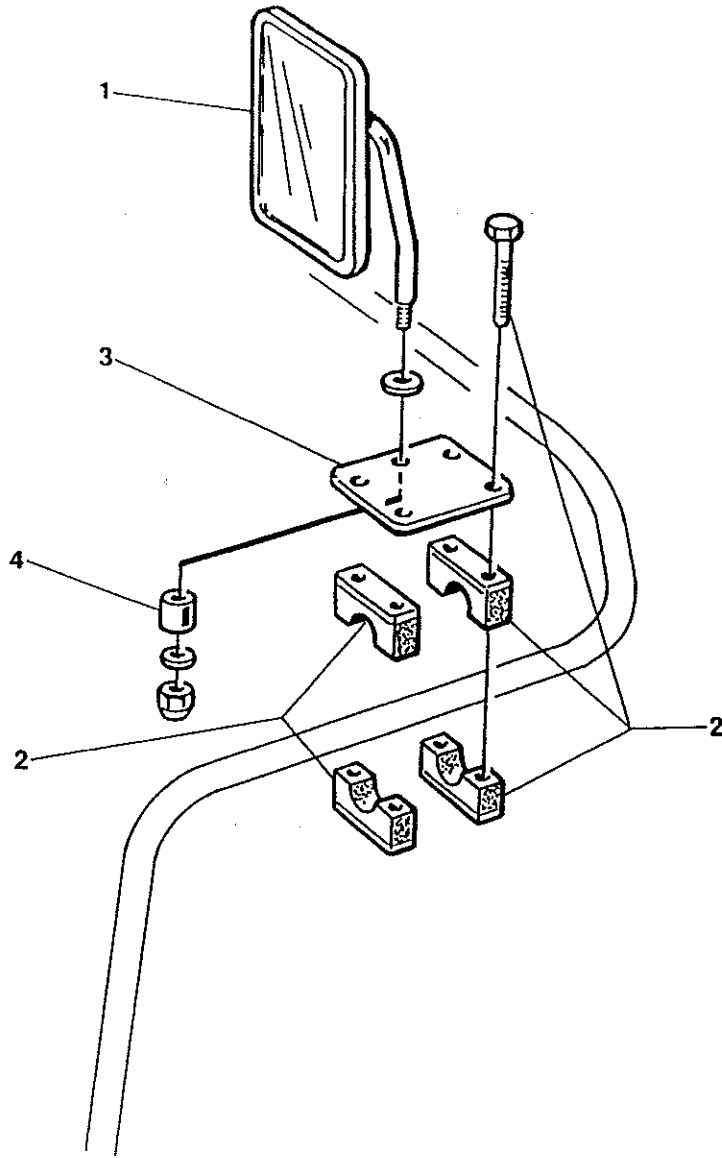
Reservdelskatalog / Spare Parts Catalogue

S-232-4

CC 421/421C

0110

Utgåva Issue		Bildnr. Picture N°		BACKALARM		BACK-UP ALARM		Grupp Group	Sida Page
1993-12		15553						091	26
Pos. Item	Antal / Quantity			Art.nr. Part N°	Benämning	Denomination	K C	Anmärkning Notes	
0020	1	1		90 07 98	BACKALARM	BACK-UP ALARM	D		
0024		4			.SKRUV	.SCREW			
0028		4			.BRICKA	.WASHER			
0032		4			.MUTTER	.NUT			
0040	2	1		34 64 17	KAMRING	CAM RING	D		
0060	3	1		34 94 68	DETALJ PLÅT	SHEET METAL PART			
0080	4	1		93 00 46	MIKROBRYTARE	MICRO SWITCH	D		
0100	5	1		92 39 88	STOPPSKRUV	SET SCREW			
0120	6	2		90 02 43	SKRUV	SCREW			
0140	7	2		92 89 27	MUTTER	NUT			
0160	8	2		50 00 12	SKRUV	SCREW			
0180	9	2		61 50 42	BRICKA	WASHER			
0200	10	1		34 73 74	DETALJ PLÅT	SHEET METAL PART			



# DYNAPAC

Reservdelskatalog / Spare Parts Catalogue

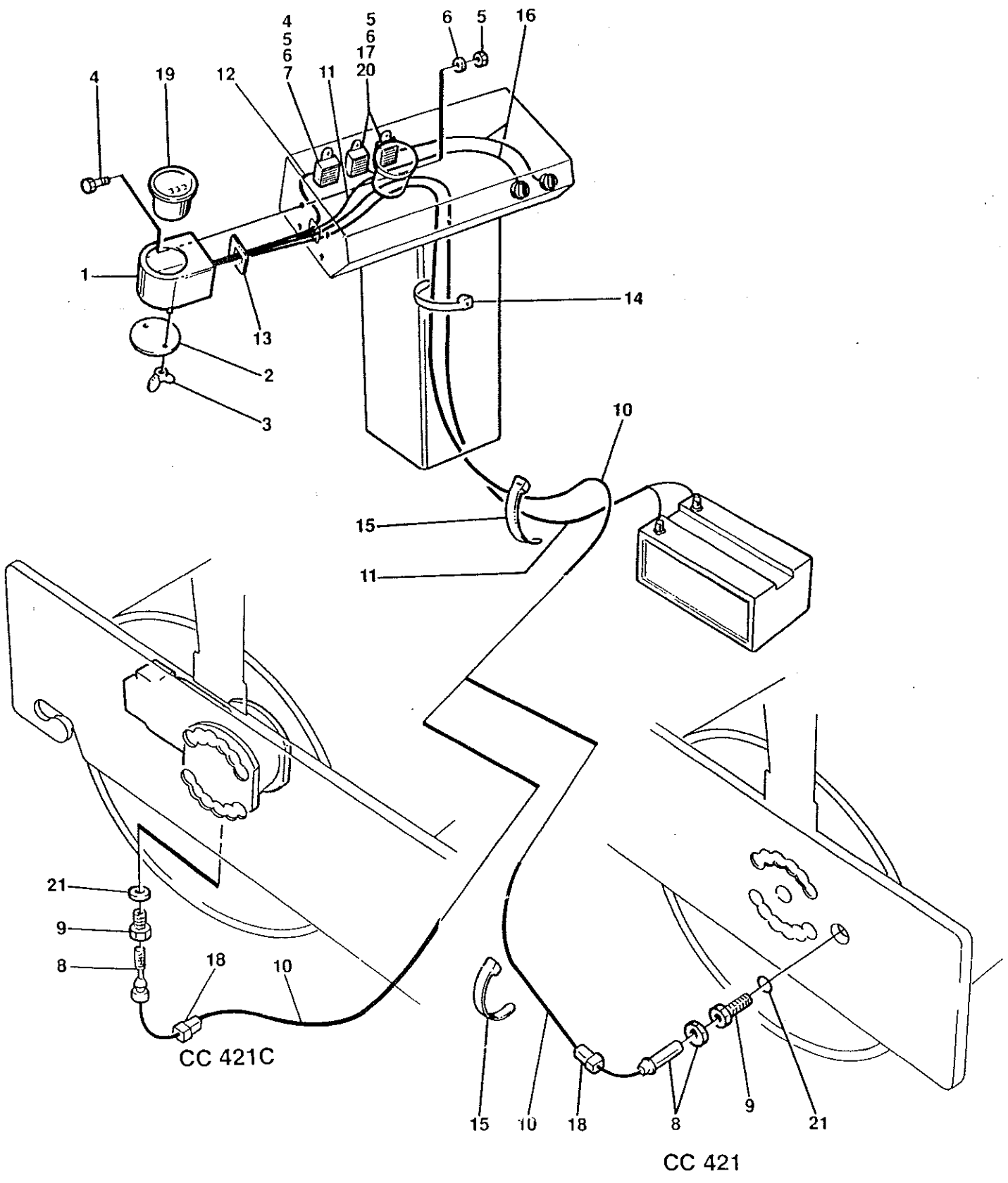
S-232-4

CC 421/421C

0120

Utgåva Issue		Bildnr. Picture N°		BACKSPEGLAR		REAR MIRRORS		Grupp Group	Sida Page
1993-12		15073						091	28
Pos. Item	Antal / Quantity			Art.nr. Part N°	Benämning	Denomination	K C	Anmärkning Notes	
0020	1	2		35 57 05	BACKSPEGEL	REAR MIRROR	D		
0040	2	4		90 11 39	KLAMMER	CLAMP			
0060	3	2		35 56 72	DETALJ PLÅT	SHEET METAL PART			
0080	4	2		34 37 48	HYLSA	SLEEVE			

Group  
Grupp **91**





# DYNAPAC

Reservdelskatalog / Spare Parts Catalogue

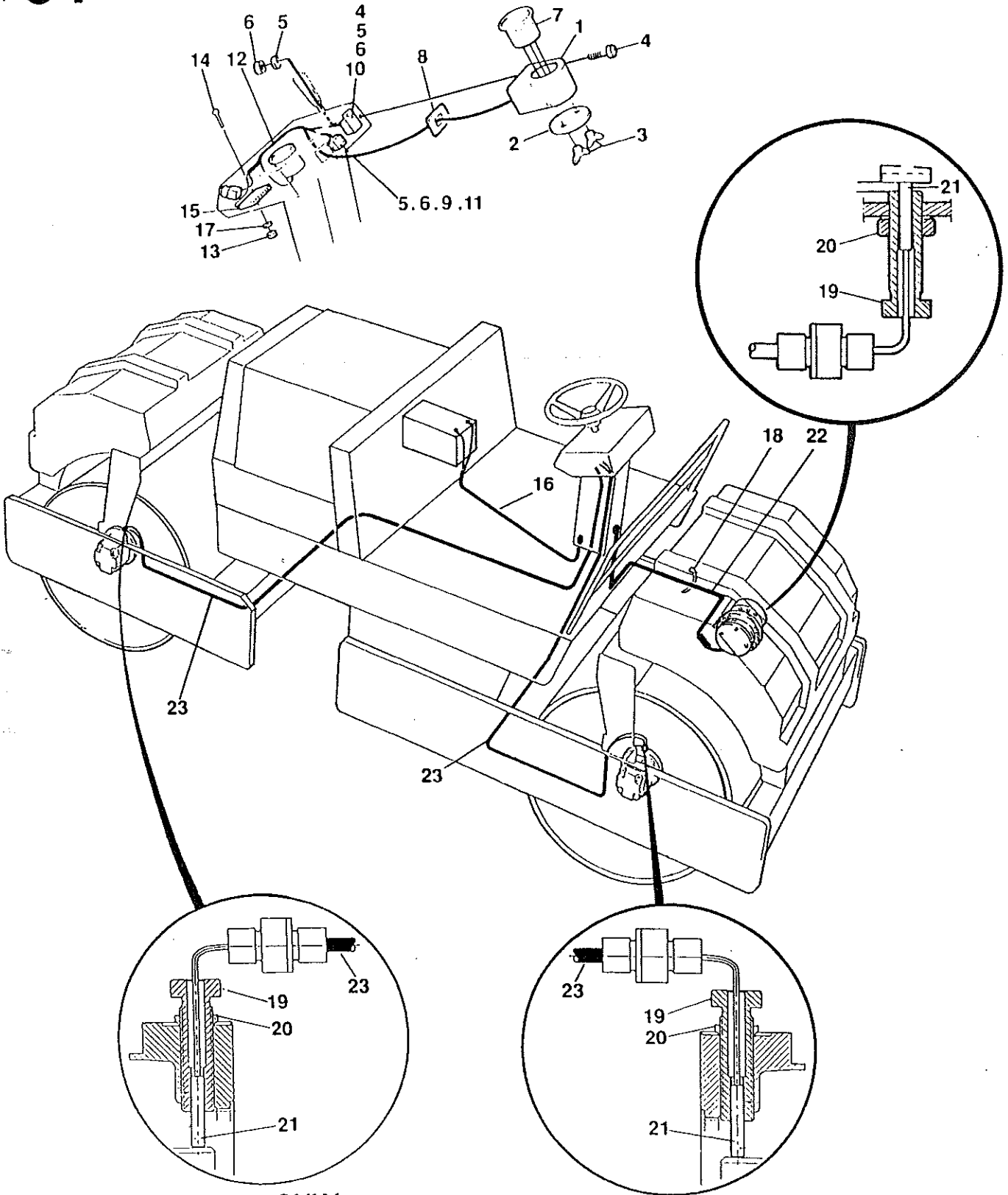
S-232-4

CC 421/421C

0130

Utgåva Issue		Bildnr. Picture N°		FÄRDSKRIVARE CC 421: S/N -*58010263* CC 421C: S/N -*58020440*		TACHOGRAPH CC 421: S/N -*58010263* CC 421C: S/N -*58020440*		Grupp Group	Sida Page
1993-12		15576						091	30
Pos. Item	Antal / Quantity			Art.nr. Part N°	Benämning	Denomination	K C	Anmärkning Notes	
0020	1	1		35 51 32	INSTRUMENTLÅDA	INSTRUMENT BOX			
0040	2	1		35 51 35	INSTRUMENTPLÅT	CONTR. PANEL PLATE			
0060	3	2		58 20 06	MUTTER	NUT			
0080	4	5		50 00 04	SKRUV	SCREW			
0100	5	7		57 00 03	MUTTER	NUT			6 PCS ON CC 421C
0120	6	7		61 50 41	BRICKA	WASHER			6 PCS ON CC 421C
0140	7	1		97 50 77	RELÄ	RELAY	D		
0160	8	1		35 51 36	GIVARE	SENSOR	D		
0180	9	1		35 52 85	ADAPTER	ADAPTER			
0200	10	1		35 51 29	KABELHÄRVA	WIRING HARNESS			TO PICKUP
0220	11	1		35 51 30	KABELHÄRVA	WIRING HARNESS			TO TACHOM. & BATT.
0230		1		95 00 63	SÄKRINGSHÅLLARE	FUSE HOLDER			
0235		1		80 15 46 02	SÄKRING	FUSE	B		7,5 A
0240	12	1		35 51 31	KABELHÄRVA	WIRING HARNESS			TO RELAY
0260	13	1XL		90 09 04	KABELGENOMFÖRING	GROMMET			L=90 MM
0280	14	N		31 30 68	BUNTBAND	CABLE TIES			L=92 MM
0300	15	N		31 30 41	BUNTBAND	CABLE TIES			L=186 MM
0320	16	2		35 51 52	KOPPLINGSLEDNING	CONNECTION WIRE			1 PCS ON CC 421C
0340	17	2		92 85 16	DIOD	DIODE	D		1 PCS ON CC 421C
0360	18	1		92 47 56	KLAMMER	STRAP			
0380	19	1		90 12 09	FÄRDSKRIVARE	TRIP RECORDER			
0400	20	2		50 00 60	SKRUV	SCREW			1 PCS ON CC 421C
0420	21	1		16 01 44	O-RING	O-RING			

Group  
Grupp **91**



CC 421 ONLY

# DYNAPAC

Reservdelskatalog / Spare Parts Catalogue

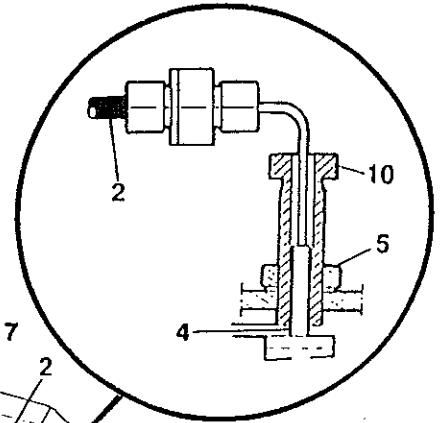
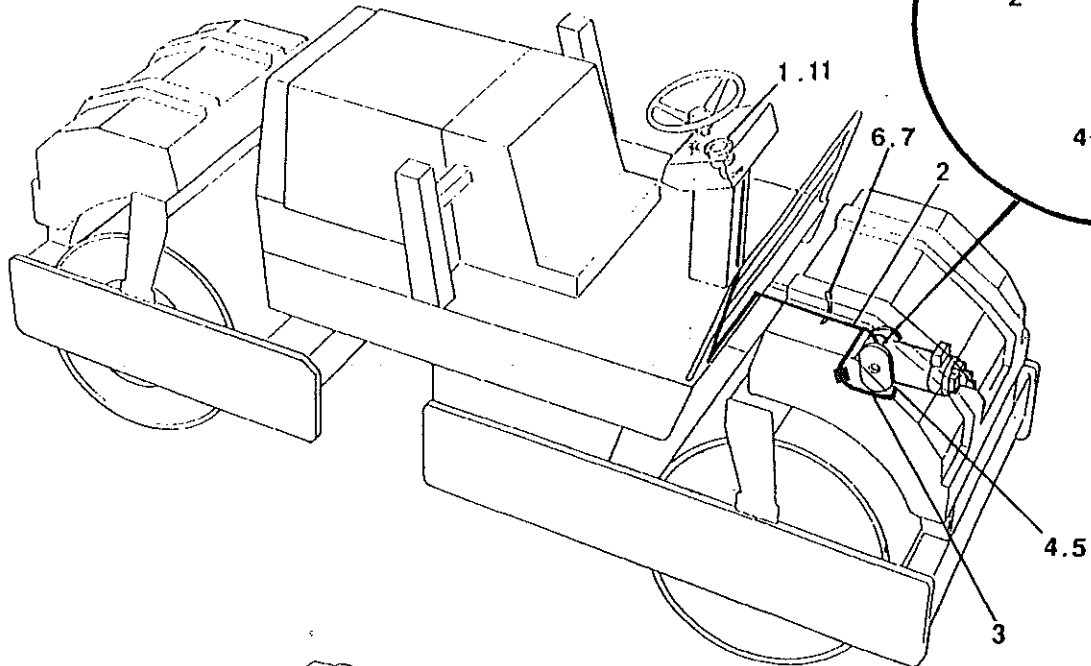
S-232-4

CC 421/421C

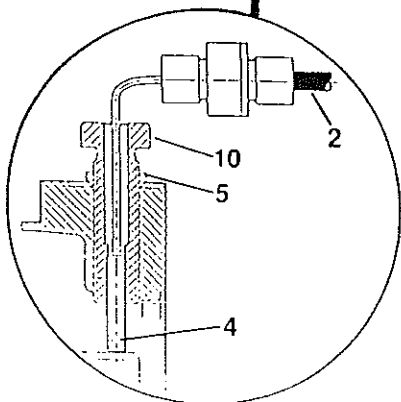
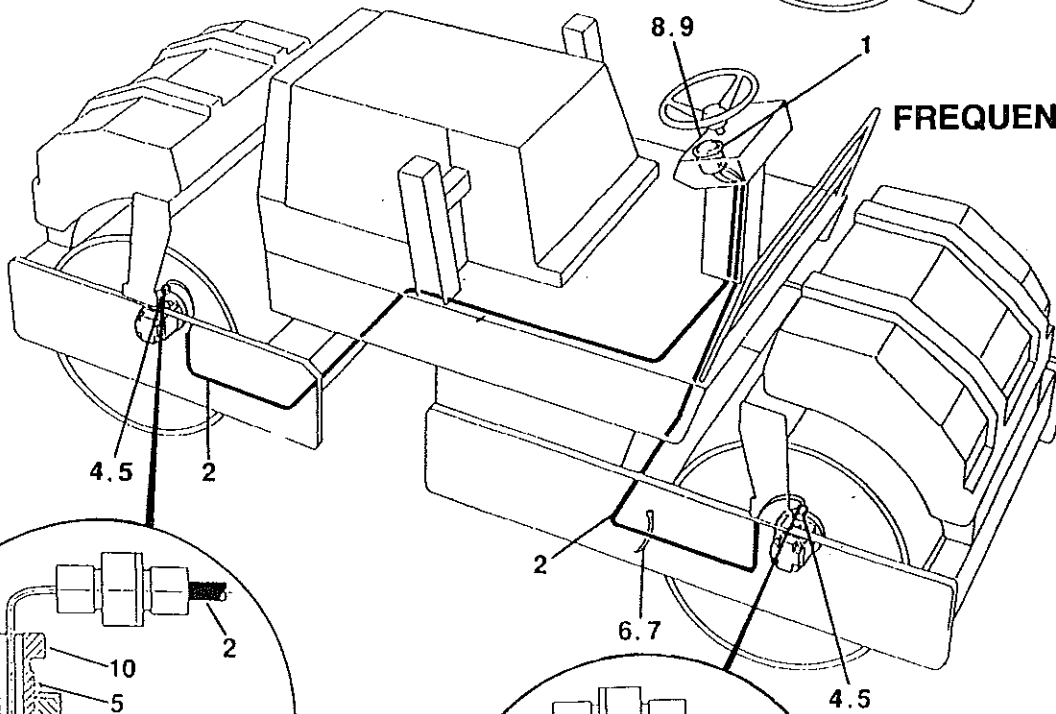
0135

Utgåva Issue		Bildnr. Picture N <sup>o</sup>		FÄRDSKRIVARE CC 421: S/N *58010264* CC 421C: S/N *58020441*		TACHOGRAPH CC 421: S/N *58010264* CC 421C: S/N *58020441*		Grupp Group	Sida Page
1993-12		15577						091	32
Pos. Item	Antal / Quantity			Art.nr. Part N <sup>o</sup>	Benämning	Denomination	K C	Anmärkning Notes	
0020	1	1		35 51 32	INSTRUMENTLÅDA	INSTRUMENT BOX			
0040	2	1		35 51 35	INSTRUMENTPLÅT	CONTROL PANEL PLT			
0060	3	2		58 20 06	MUTTER	NUT			4 PCS ON CC 421C
0080	4	5		50 00 04	SKRUV	SCREW			4 PCS ON CC 421C
0100	5	6		57 00 03	MUTTER	NUT			4 PCS ON CC 421C
0120	6	6		61 50 41	BRICKA	WASHER			
0140	7	1		90 12 09	FÄRDSKRIVARE	TRIP RECORDER			LENGTH AS REQUIRED
0160	8	1XL		90 09 04	KABELGENOMFÖRING	GROMMET			NOT ON CC 421C
0180	9	1		50 00 60	SKRUV	SCREW			NOT ON CC 421C
0200	10	1		97 50 77	RELÄ	RELAY	D		
0220	11	1		92 85 16	DIOD	DIODE	D		TO TRIP RECORDER
0240	12	1		35 75 33	KABELHÄRVA	WIRING HARNESS			
0260	13	2		92 39 76	MUTTER	NUT			
0280	14	2		53 30 10	SKRUV	SCREW			
0300	15	1		92 29 16	KOPPLINGSPLINT	JUNCTION BLOCK			
0320	16	1		35 75 32	KABELHÄRVA	WIRING HARNESS			
0330		1		95 00 63	.SÄKRINGSHÅLLARE	.FUSE HOLDER			
0335		1		80 15 46 02	.SÄKRING	.FUSE	B		7,5 A
0340	17	2		60 00 02	BRICKA	WASHER			L=186 MM
0360	18	N		31 30 41	BUNTBAND	CABLE TIES			2 PCS ON CC 421C
0380	19	3		35 74 85	ADAPTER	CONNECTOR			2 PCS ON CC 421C
0400	20	3		80 16 69	MUTTER	NUT			2 PCS ON CC 421C
0420	21	3		90 21 70	GIVARE	SENSOR	D		
0440	22	1		35 65 30	KABELHÄRVA	WIRING HARNESS			SEE GROUP 60
0460	23	2			KABELHÄRVA	WIRING HARNESS			

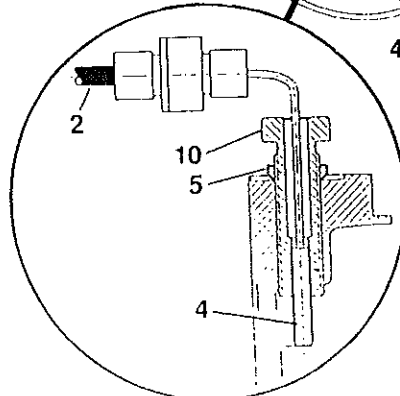
## SPEEDOMETER



## FREQUENCY METER



CC 421 ONLY



- 35 65 71
- 35 65 73
- 35 75 24
- 35 75 27
- 35 75 29

# DYNAPAC

Reservdelskatalog / Spare Parts Catalogue

S-232-4

CC 421/421C

0140

Utgåva Issue 1993-12		Bildnr. Picture N° 15375-1		HASTIGHETSMÄTARE OCH FREKVENSMÄTARE		SPEEDOMETER AND FREQUENCY METER		Grupp Group 091	Sida Page 34
Pos. Item	Antal / Quantity			Art.nr. Part N°	Benämning	Denomination	K C	Anmärkning Notes	
	SP	FR							
0020	1	1		35 52 65	HASTIGHETSMÄTARE	SPEEDOMETER		6), CC 421 ONLY 7), CC 421 ONLY 8) 9) 6), WITH 2 WIRES WITH 3 WIRES SEE GROUP 60 6) D 6) D 8) 1 PCS ON CC 421C D 7), 9) 1 PCS ON CC 421C L=186 MM L=388 MM D 7), 9), 1 ON CC 421C 7), 9), 10)	
0030		1		35 75 21	HASTIGHETSMÄTARE	SPEEDOMETER			
0040			1	35 52 66	FREKVENSMÄTARE	FREQUENCY METER			
0050			1	35 75 19	FREKVENSMÄTARE	FREQUENCY METER			
0060	2	1		34 97 84	KABELHÄRVA	WIRING HARNESS			
0065		1		35 65 30	KABELHÄRVA	WIRING HARNESS			
0080			1		KABELHÄRVA	WIRING HARNESS			
0100	3	1		35 66 31	KABELHÄRVA	WIRING HARNESS			
0120	4	1		80 16 67	GIVARE	SENSOR	D		
0140			2	80 17 05	GIVARE	SENSOR	D		
0150		1	2	90 21 70	GIVARE	SENSOR	D		
0160	5	1	2	80 16 69	MUTTER	NUT			
0180	6	N	N	31 30 41	BUNTBAND	CABLE TIES			
0200	7	N	N	31 31 02	BUNTBAND	CABLE TIES			
0220	8		1	93 01 95	KONTAKTDON	CONNECTOR	D		
0240	9		1	93 20 58	STRÖMSTÄLLARE	SWITCH			
0260	10	1	2	35 74 85	ADAPTER	ADAPTER			
0280	11	1	1	35 75 26	MOTSTÅND	RESISTOR			

SP) FOR SPEEDOMETER.

FR) FOR FREQUENCY METER.

6) VALID FOR SPEEDOMETER ON CC 421 UP TO S/N \*58010440\*.

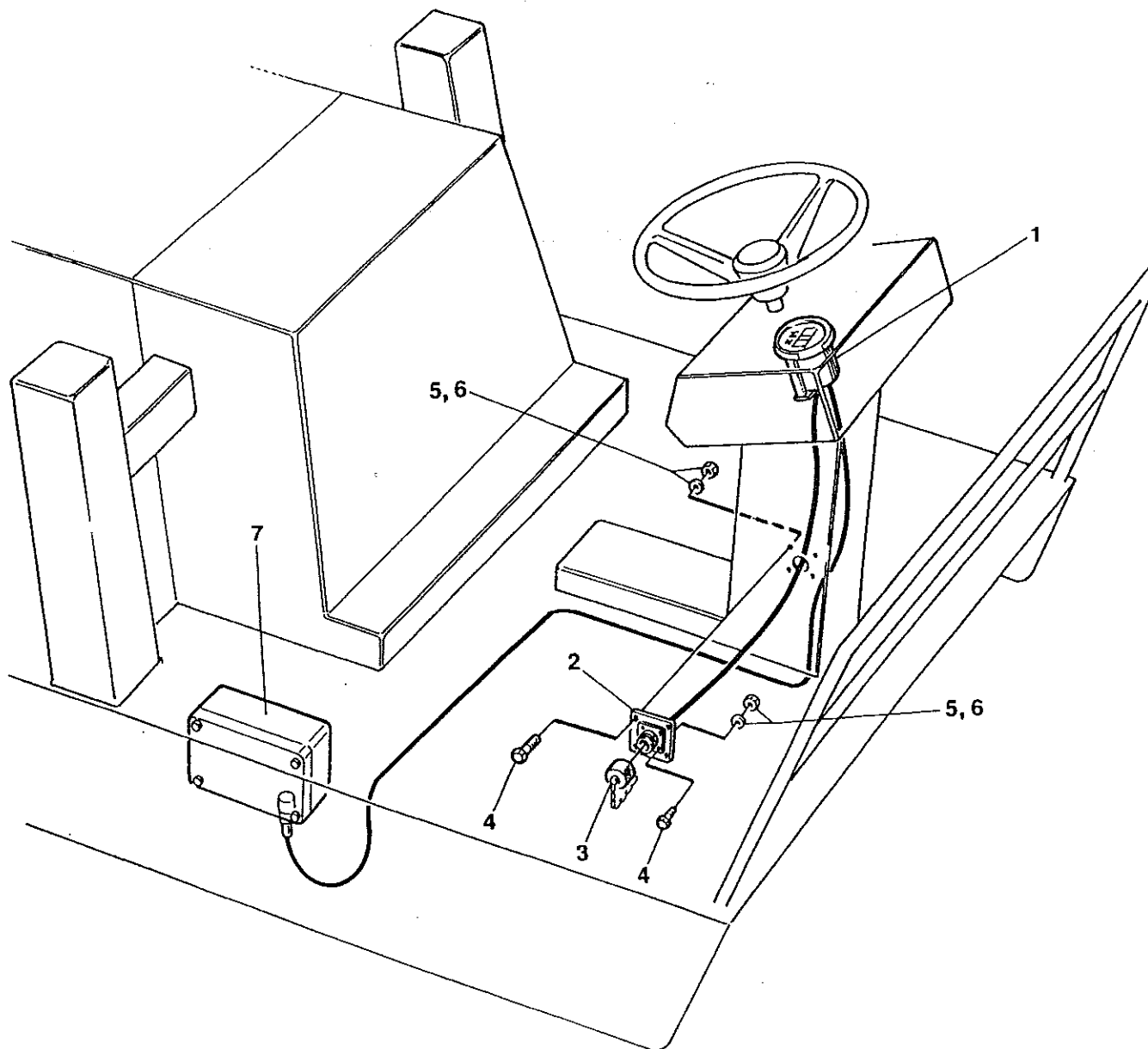
7) VALID FOR SPEEDOMETER ON CC 421 FROM S/N \*58010441\*.

8) VALID FOR FREQ. METER ON CC 421 UP TO S/N \*58010289\* AND ON CC 421C UP TO S/N \*58020450\*.

9) VALID FOR FREQ. METER ON CC 421 FROM S/N \*58010290\* AND ON CC 421C FROM S/N \*58020451\*.

10) NOT USED ON ROLLERS EQUIPED WITH TACHOGRAPH OR MULTIMETER.

Group  
Grupp **91**



# DYNAPAC

Reservdelskatalog / Spare Parts Catalogue

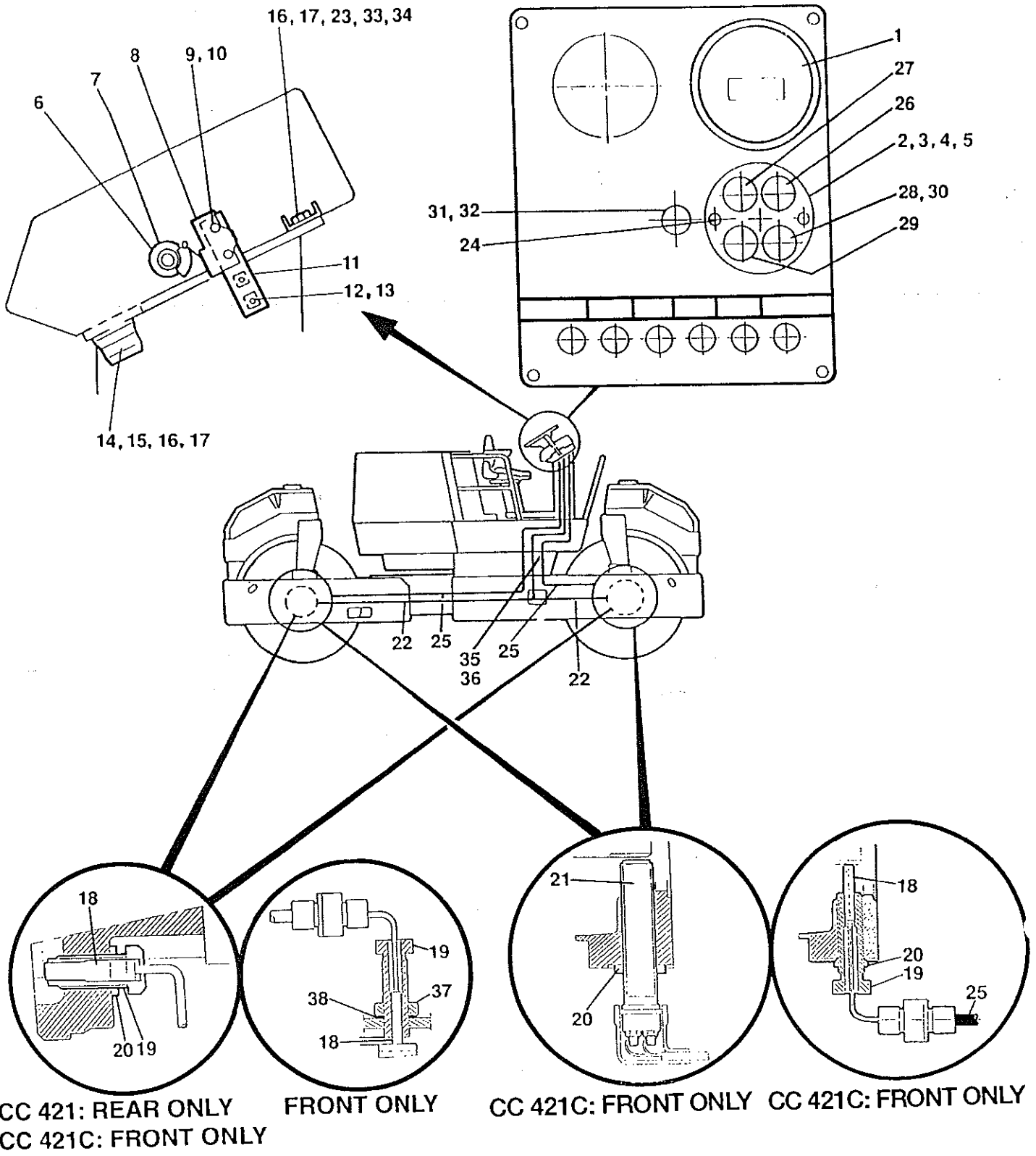
S-232-4

CC 421/421C

0150

Utgåva Issue 1993-12		Bildnr. Picture N° 15125		FREKVENSMÄTARE DIGITAL		FREQUENCY METER DIGITAL		Grupp Group 091	Sida Page 36
Pos. Item	Antal / Quantity			Art.nr. Part N°	Benämning	Denomination	K C	Anmärkning Notes	
0020	1	1		34 90 93	FREKVENSMÄTARE	FREQUENCY METER		INCL. CABLES       SEE PAGE 18	
0040	2	1		34 84 48	DETALJ PLÅT	SHEET METAL PART			
0060	3	1		92 88 59	PLUGG	PLUG			
0080	4	8		53 30 02	SKRUV	SCREW			
0100	5	8		57 00 01	MUTTER	NUT			
0120	6	8		60 00 01	BRICKA	WASHER			
0140	7	1			PROCESSOR	PROCESSOR			

Group **91**  
Grupp



CC 421: REAR ONLY  
CC 421C: FRONT ONLY

FRONT ONLY

CC 421C: FRONT ONLY CC 421C: FRONT ONLY

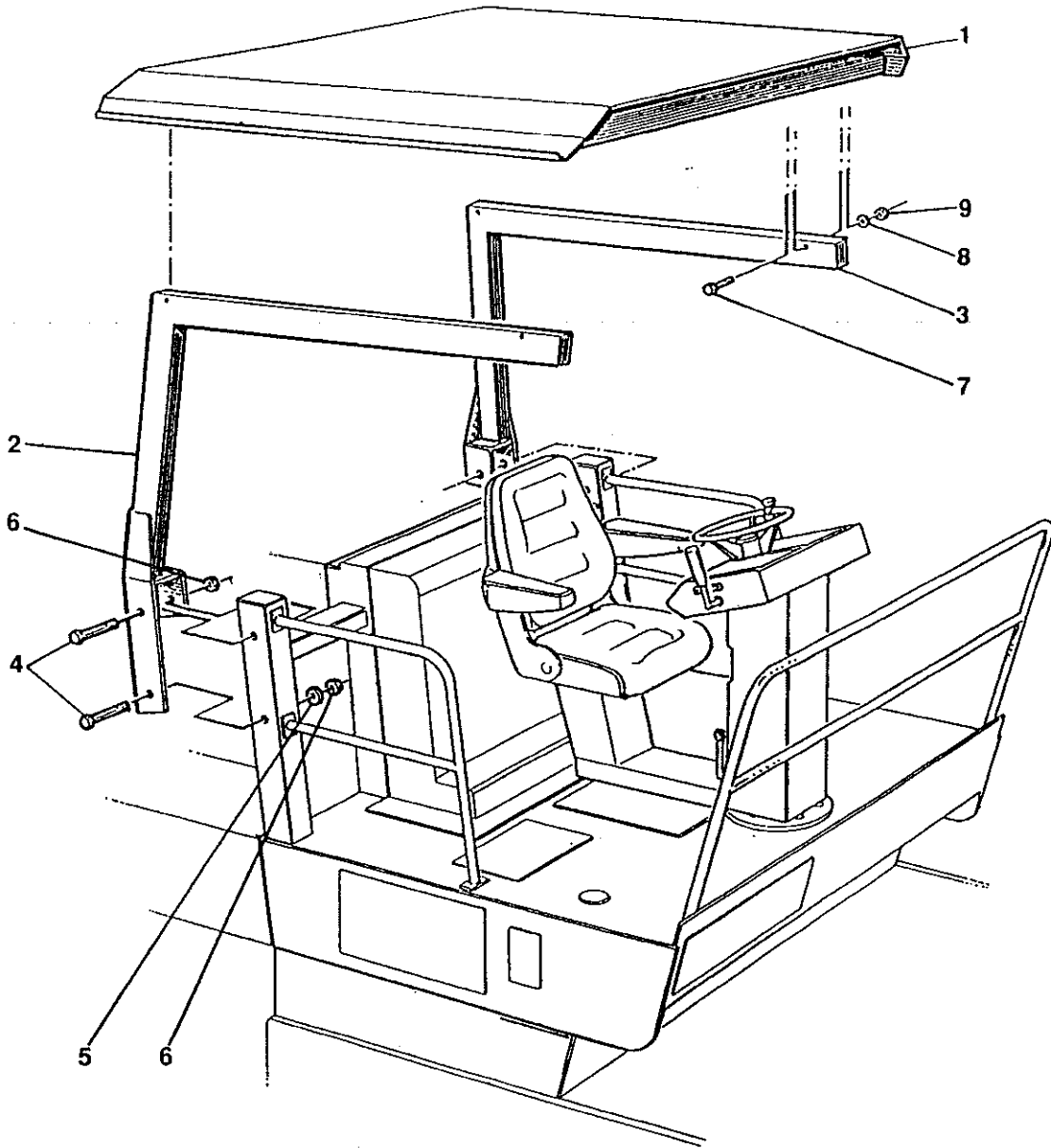
- 35 53 00
- 35 60 56
- 35 75 54
- 35 75 58



0160

Utgåva Issue		Bildnr. Picture N <sup>o</sup>		MULTIMETER		ROLLER MULTIMETER		Grupp Group	Sida Page
1993-12		15354-1						091	38
Pos. Item	Antal / Quantity			Art.nr. Part N <sup>o</sup>	Benämning	Denomination	K C	Anmärkning Notes	
	CC 421	CC 421 C							
0020	1	1	1	34 95 54	MULTIMETER	ROLLER MULTIMETER		11)	
0030		1	1	35 75 52	MULTIMETER	ROLLER MULTIMETER		12)	
0040	2	1	1	34 94 23	DETALJ AL-PLÅT	SHEET METAL PART AL			
0060	3	2	2	34 94 60	DETALJ PLÅT	SHEET METAL PART			
0080	4	2	2	53 30 62	SKRUV	SCREW			
0100	5	2	2	58 60 02	MUTTER	NUT			
0120	6	1	1	34 64 17	KAMRING	CAM RING	D		
0140	7	1	1	92 39 88	SKRUV	SCREW			
0160	8	1	1	93 00 46	MIKROBRYTARE	MICRO SWITCH	D		
0180	9	2	2	90 02 43	SKRUV	SCREW			
0200	10	2	2	92 89 27	MUTTER	NUT			
0220	11	1	1	34 94 68	DETALJ PLÅT	SHEET METAL PART			
0240	12	2	2	50 00 12	SKRUV	SCREW			
0260	13	2	2	61 50 42	BRICKA	WASHER			
0280	14	1	1	35 53 01	SUMMER	BUZZER	D		
0300	15	1	1	53 30 14	SKRUV	SCREW			
0320	16	2	2	60 00 02	BRICKA	WASHER			
0340	17	2	2	92 39 76	MUTTER	NUT		11)	
0350		4	4	92 39 76	MUTTER	NUT		12)	
0360	18	1	1	35 51 36	GIVARE	SENSOR	D	11), LEFT (SPEED)	
0370		3	2	90 21 70	GIVARE	SENSOR	D	12)	
0380	19	1	1	35 51 20	ADAPTER	ADAPTER		11)	
0390		3	2	35 74 85	ADAPTER	ADAPTER		12)	
0400	20	3	2	80 16 69	MUTTER	NUT		11)	
0410		2	1	80 16 69	MUTTER	NUT		12)	
0420	21	2	1	80 17 05	GIVARE	SENSOR		11), RIGHT (FREQ.)	
0440	22	1	1	35 55 91	KABELHÄRVA	WIRING HARNESS		11), LEFT (SPEED)	
0450		1	1	35 65 30	KABELHÄRVA	WIRING HARNESS		12)	
0460	23	1	1	35 55 92	KABELHÄRVA	WIRING HARNESS		11), TO MULTIMETER	
0470		1	1	35 75 51	KABELHÄRVA	WIRING HARNESS		12), TO MULTIMETER	
0460	24	1	1	35 53 04	KABELHÄRVA	WIRING HARNESS		TO SWITCHES	
0500	25	1	1	35 55 93	KABELHÄRVA	WIRING HARNESS		11), FR, RH (FREQ.)	
0510		1	1	35 55 94	KABELHÄRVA	WIRING HARNESS		11), RE, RH (FREQ.)	
0515		1	1		KABELHÄRVA	WIRING HARNESS		12), SEE GROUP 60	
0520	26	1	1	92 89 28	STRÖMSTÄLLARE	SWITCH		BLACK (START)	
0540	27	1	1	90 08 90	STRÖMSTÄLLARE	SWITCH		GREEN (CLEAR)	
0560	28	1	1	90 08 91	STRÖMSTÄLLARE	SWITCH		RED (STOP)	
0580	29	1	1	90 08 92	STRÖMSTÄLLARE	SWITCH		YELLOW (NEXT)	
0600	30	1	1	93 01 55	KONTAKTDON	CONNECTOR			
0620	31	1	1	98 50 12	GLÖDLAMPA	BULB	B	FOR INDICATOR LAMP	
0640	32	1	1	98 51 46	SIGNALLAMPA	PILOT LAMP			
0660	33	1	1	92 57 15	KOPPLINGSPLINT	JUNCTION BLOCK		11)	
0670		1	1	92 29 16	KOPPLINGSPLINT	JUNCTION BLOCK		12)	
0680	34	1	1	53 30 08	SKRUV	SCREW		11)	
0690		1	1	53 30 10	SKRUV	SCREW		12)	
0700	35	N	N	31 30 41	BUNTBAND	CABLE TIES		L=186 MM	
0720	36	2	2	90 08 94	FÄSTE	HOLDER			
0740	37	1	1	90 22 93	MUTTER	NUT		12)	
0760	38	1	1	90 22 93	TÄTNING	SEALING	D	12)	

11) VALID FOR CC 421 UP TO S/N \*58010289\* AND FOR CC 421C UP TO S/N \*58020450\*.  
 12) VALID FOR CC 421 FROM S/N \*58010290\* AND FOR CC 421C FROM S/N \*58020451\*.



# DYNAPAC

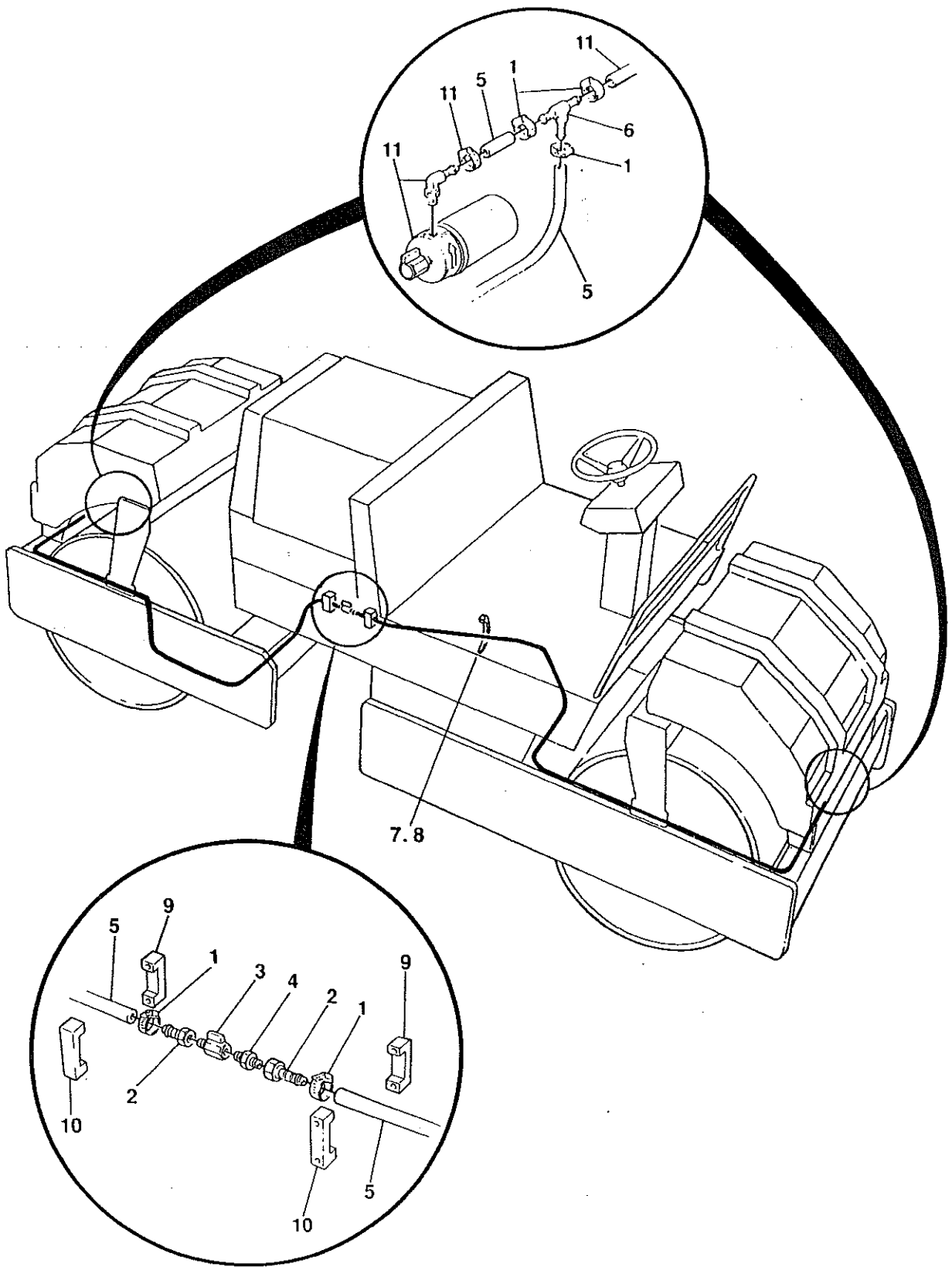
Reservdelskatalog / Spare Parts Catalogue

S-232-4

CC 421/421C

0170

Utgåva Issue 1993-12		Bildnr. Picture N° 14339-2		SOL-REGNSKYDD CANOPY		Grupp Group 091	Sida Page 40	
Pos. Item	Antal / Quantity			Art.nr. Part N°	Benämning	Denomination	K C	Anmärkning Notes
0020	1	1		34 62 81	TAK	ROOF		
0040	2	1		34 62 88	TAKBALK	ROOF BEAM		RIGHT
0060	3	1		34 62 96	TAKBALK	ROOF BEAM		LEFT
0080	4	4		92 32 47	SKRUV	SCREW		
0100	5	2		34 56 66	BRICKA	WASHER		
0120	6	4		58 60 21	MUTTER	NUT		
0140	7	4		50 01 92	SKRUV	SCREW		
0160	8	4		60 00 08	BRICKA	WASHER		
0180	9	4		58 60 18	MUTTER	NUT		



# DYNAPAC

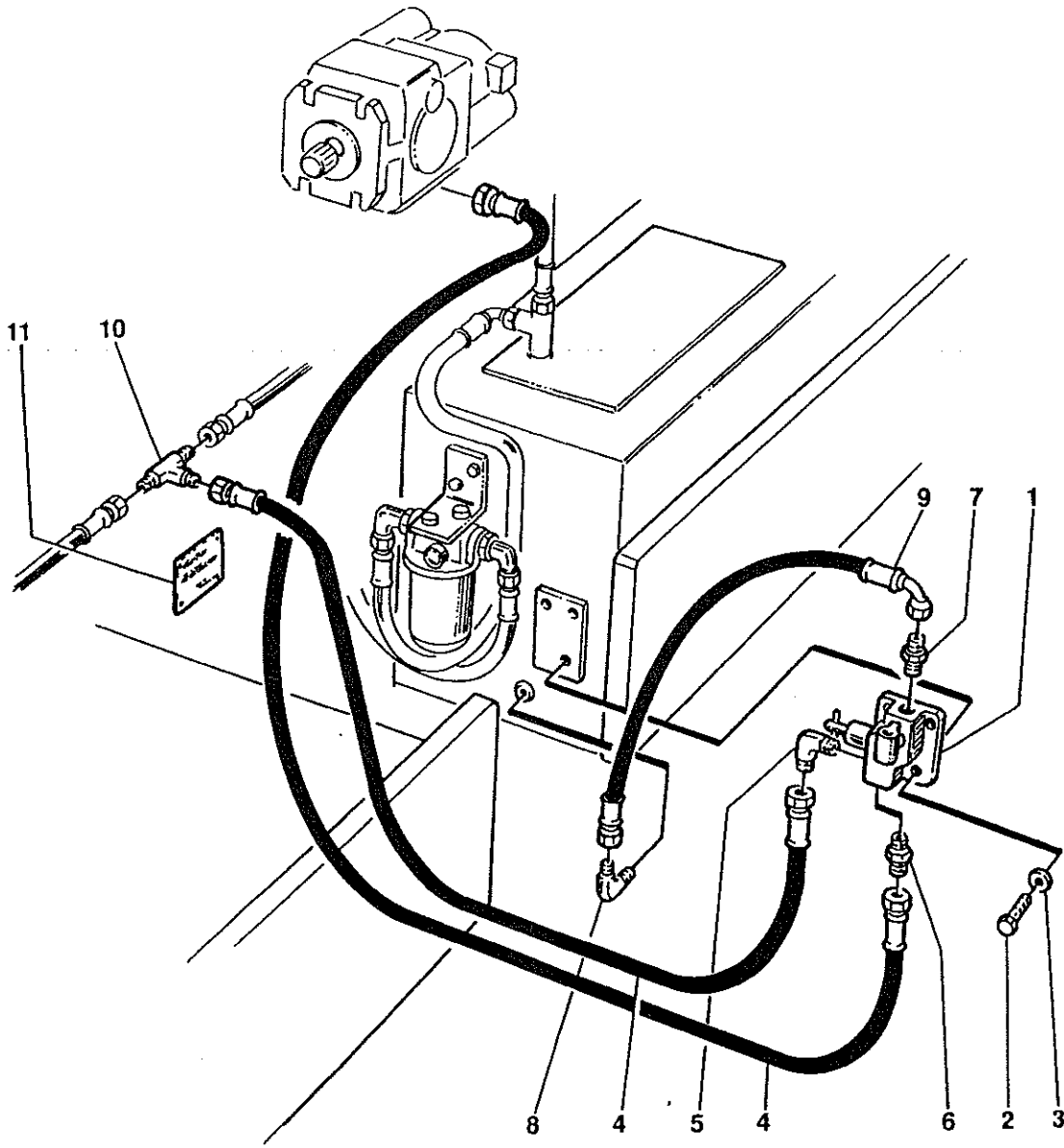
Reservdelskatalog / Spare Parts Catalogue

S-232-4

CC 421/421C

0180

Utgåva Issue 1993-12		Bildnr. Picture N° 15578		NÖDBEVATTNINGS- SYSTEM		EMERGENCY WATER SUPPLY		Grupp Group 091	Sida Page 42
Pos. Item	Antal / Quantity			Art.nr. Part N°	Benämning	Denomination	K C	Anmärkning Notes	
0020	1	8		31 30 02	SLANGKLÄMMA	HOSE CLAMP			
0040	2	2		90 13 00	SLANGKOPPLING	HOSE CONNECTION			
0060	3	1		92 49 86	KULVENTIL	VALVE			
0080	4	1		90 12 99	ADAPTER	CONNECTOR	D		
0100	5	4XL		24 40 54	PLASTSLANG	PLASTIC HOSE		LENGTH AS REQUIRED	
0120	6	2		92 37 35	SLANGKOPPLING	HOSE CONNECTION			
0140	7	N		92 58 02	BUNTBAND	CABLE TIES		L=142 MM	
0160	8	N		31 31 02	BUNTBAND	CABLE TIES		L=388 MM	
0180	9	2		34 37 32	SLANGHÅLLARE	HOSE CLAMP			
0200	10	2		34 38 72	SLANGHÅLLARE	HOSE CLAMP			
0220	11	1			BEFINTLIGA ARTIKLAR	EXISTING PARTS		SEE GROUP 10	



# DYNAPAC

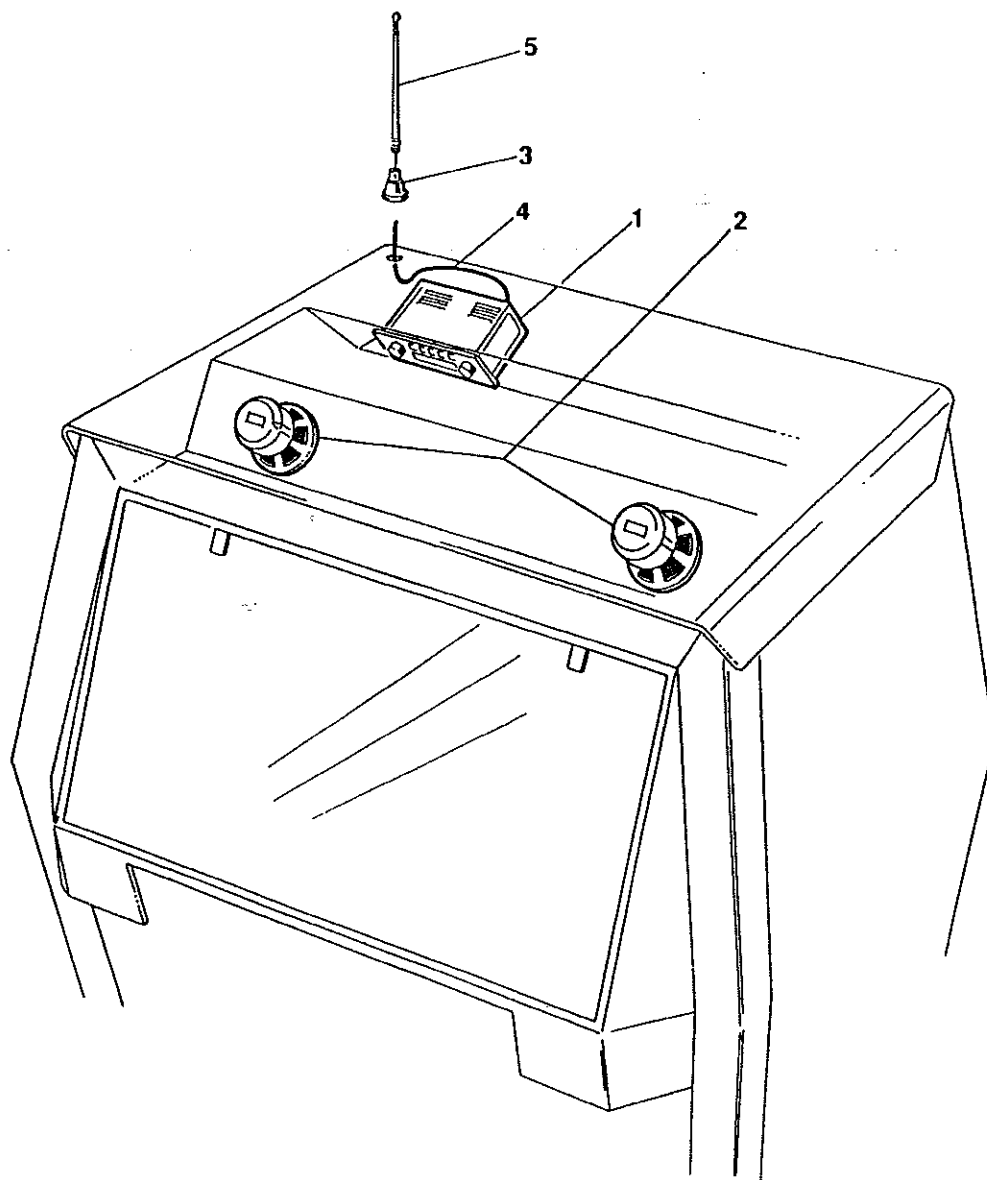
Reservdelskatalog / Spare Parts Catalogue

S-232-4

CC 421/421C

0190

Utgåva Issue 1993-12		Bildnr. Picture N° 15175		BROMSFRILÄGGNING BRAKE RELEASE		Grupp Group 091	Sida Page 44	
Pos. Item	Antal / Quantity			Art.nr. Part N°	Benämning	Denomination	K C	Anmärkning Notes
0020	1	1		41 53 29	PUMP	PUMP	D	
0040		1		92 20 60	.TÄTNINGSSATS	.SEAL KIT	D	
0060		1		92 20 61	.SKYTTELVENTILSATS	.VALVE KIT		
0080	2	3		50 80 28	SKRUV	SCREW		
0100	3	3		61 50 44	BRICKA	WASHER		
0120	4	2		48 25 44	HYDRAULSLANG	HYDR HOSE		
0140	5	1		33 43 89	ADAPTER	CONNECTOR		
0160	6	1		23 42 33	ADAPTER	CONNECTOR		
0180	7	1		33 41 43	ADAPTER	CONNECTOR		
0200	8	1		33 45 49	ADAPTER	CONNECTOR		
0220	9	1		48 20 89	HYDRAULSLANG	HYDR HOSE		
0240	10	1		23 48 04	ADAPTER	CONNECTOR		
0260	11	1		35 78 99	DEKAL HANDPUMP	DECAL HANDPUMP		SWEDISH
0280		1		84 33 17	DEKAL HANDPUMP	DECAL HANDPUMP		ENGLISH
0300		1		35 79 00	DEKAL HANDPUMP	DECAL HANDPUMP		GERMAN
0320		1		35 79 01	DEKAL HANDPUMP	DECAL HANDPUMP		ITALIAN
0340		1		35 79 02	DEKAL HANDPUMP	DECAL HANDPUMP		SPANISH
0360		1		35 79 03	DEKAL HANDPUMP	DECAL HANDPUMP		FRENCH





# DYNAPAC

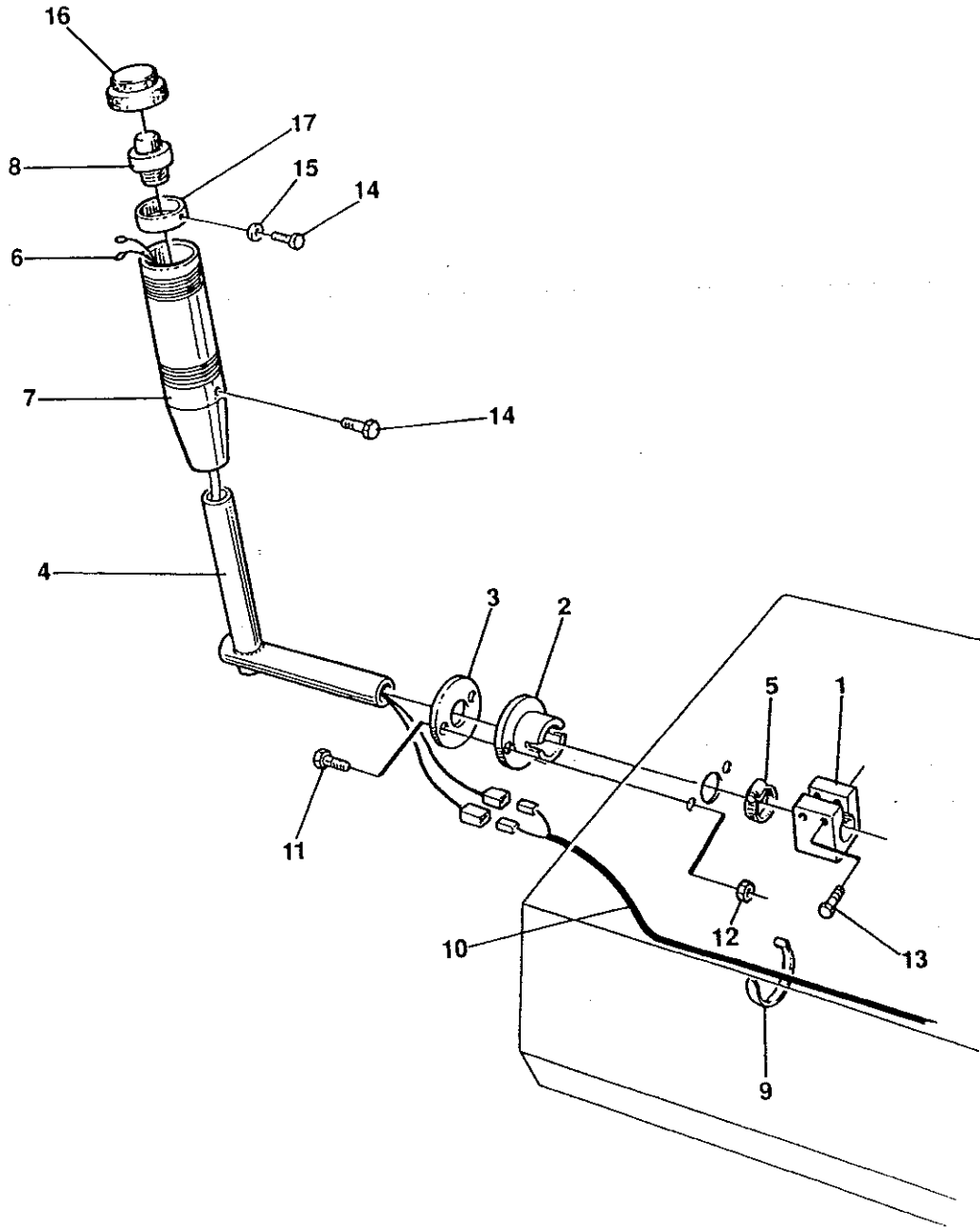
Reservdelskatalog / Spare Parts Catalogue

S-232-4

CC 421/421C

0200

Utgåva Issue		Bildnr. Picture N°		KASSETTBANDSPELARE		CASSETTE RECEIVER		Grupp Group	Sida Page
1993-12		15120						091	46
Pos. Item	Antal / Quantity			Art.nr. Part N°	Benämning	Denomination	K C	Anmärkning Notes	
0020	1	1		90 11 65	KASSETTB.SPELARE	CASSETTE RECEIVER			
0040	2	1		90 11 66	HÖGTALARE	LOUD SPEAKERS		2 PCS	
0060	3	1		90 11 68	ANTENNFÄSTE	ANTENNA HOLDER			
0080	4	1		90 11 69	ANTENNKABEL	ANTENNA CABLE			
0100	5	1		90 11 67	ANTENN	ANTENNA	D		



# DYNAPAC

Reservdelskatalog / Spare Parts Catalogue

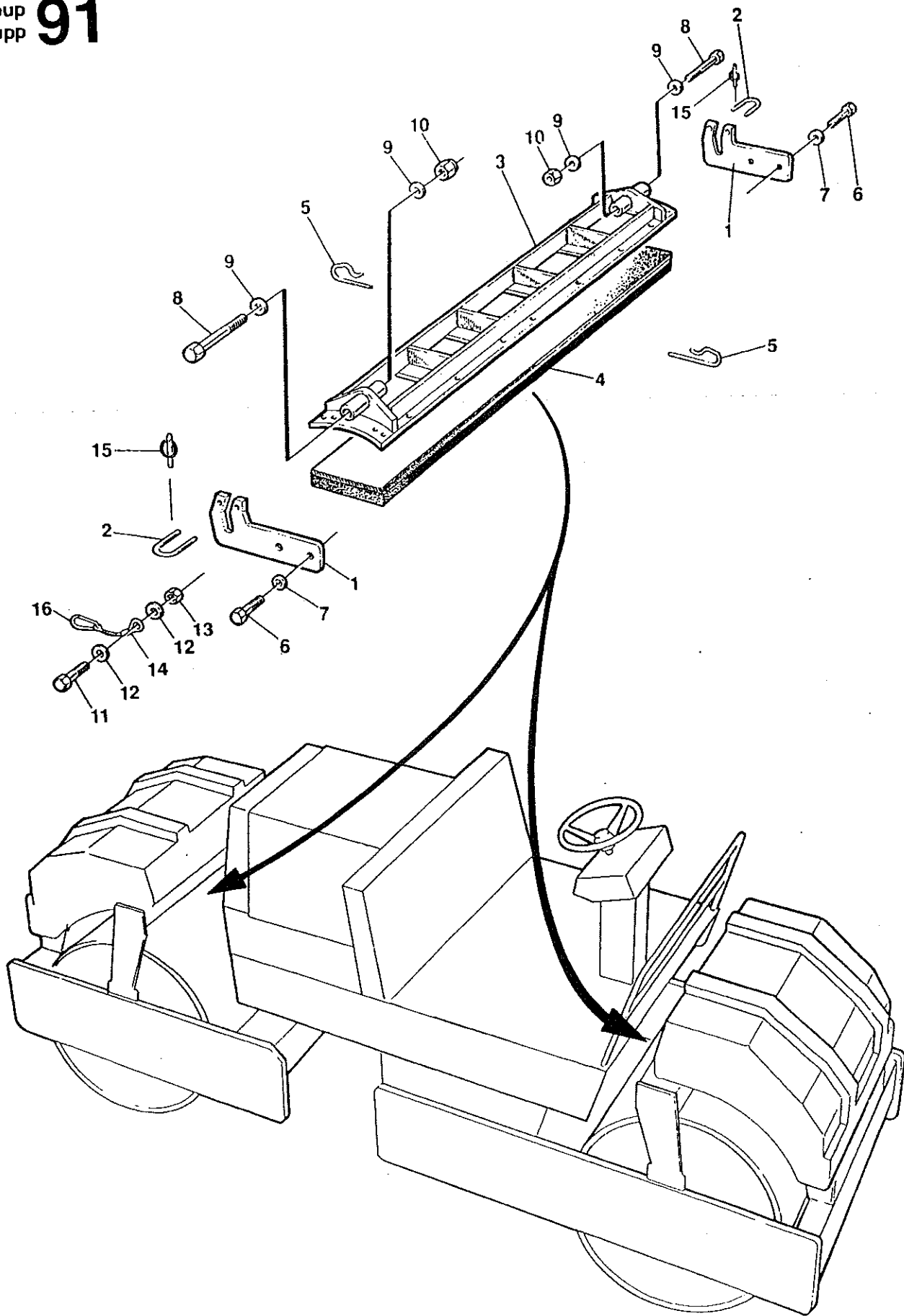
S-232-4

CC 421/421C

0210

Utgåva Issue 1993-12		Bildnr. Picture N° 15335		F/B REGLAGE DUBBELT		F/R CONTROL DUAL		Grupp Group 091	Sida Page 48
Pos. Item	Antal / Quantity			Art.nr. Part N°	Benämning	Denomination	K C	Anmärkning Notes	
0020	1	1		34 64 20	KOPPLING	COUPLING			
0040	2	1		34 59 92	BUSSNING	BUSHING	D		
0060	3	1		34 64 21	BRICKA	WASHER	D		
0080	4	1		34 56 42	REGLAGESPAK	CONTROL LEVER			
0100	5	1		31 31 47	SLANGKLÄMMA	HOSE CLAMP			
0120	6	1		34 84 82	KABELHÄRVA	WIRING HARNESS			
0140	7	1		28 59 09	HANDTAG	GRAB HANDLE	D		
0160	8	1		92 84 97	STRÖMSTÄLLARE	SWITCH	D	VIBRATION	
0180	9	N		31 30 41	BUNTBAND	CABLE TIES		L=186 MM	
0200	10	1		35 65 21	KABELHÄRVA	WIRING HARNESS			
0220	11	2		92 39 27	SKRUV	SCREW			
0240	12	2		58 60 02	MUTTER	NUT			
0260	13	2		50 00 22	SKRUV	SCREW			
0280	14	3		53 30 01	SKRUV	SCREW			
0300	15	2		60 00 01	BRICKA	WASHER			
0320	16	1		34 84 81	SKYDDSHUV	COVER	D		
0340	17	1		28 59 11	BUSSNING	BUSHING	D		

Group  
Grupp **91**



# DYNAPAC

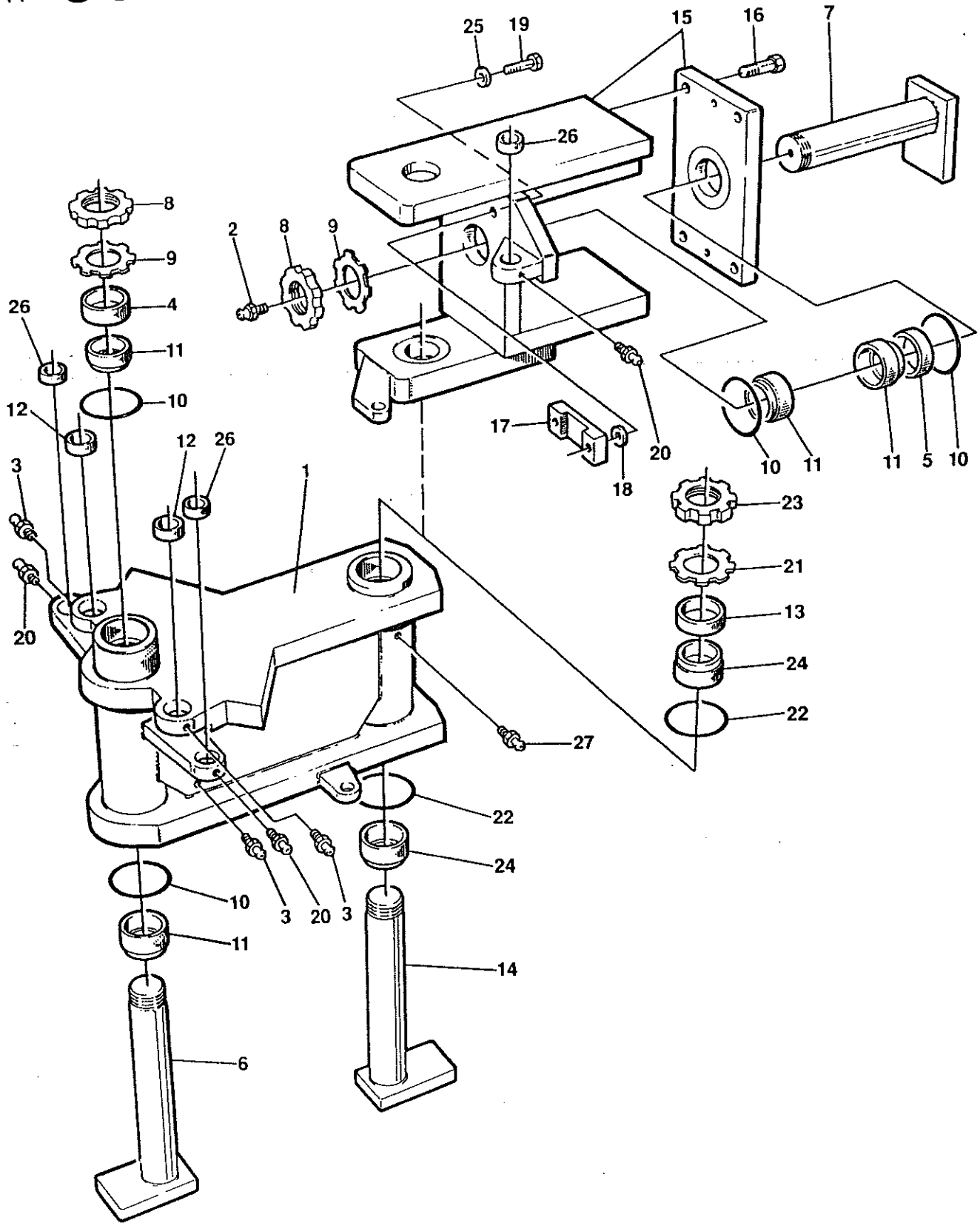
Reservdelskatalog / Spare Parts Catalogue

S-232-4

CC 421/421C

0240

Utgåva Issue 1993-12		Bildnr. Picture N° 15591		SPRINKLERMATTAN		SPRINKLER MAT		Grupp Group 091		Sida Page 50	
Pos. Item	Antal / Quantity			Art.nr. Part N°	Benämning	Denomination	K C	Anmärkning Notes			
0020	1	4		35 87 30	DETALJ PLÅT	SHEET METAL PART					
0040	2	4		35 87 33	DETALJ STÅNG	BAR					
0060	3	2		35 87 23	HÅLLARE	HOLDER					
0080	4	2		90 30 47	SPRINKLERMATTAN	ROLLER MAT	D				
0100	5	36		63 50 61	HÅRNÅLSSPRINT	HAIR PIN					
0120	6	8		50 00 46	SKRUV	SCREW					
0140	7	8		60 00 09	BRICKA	WASHER					
0160	8	4		50 02 82	SKRUV	SCREW					
0180	9	8		60 00 14	BRICKA	WASHER					
0200	10	4		58 60 22	MUTTER	NUT					
0220	11	2		50 00 30	SKRUV	SCREW					
0240	12	4		60 00 08	BRICKA	WASHER					
0260	13	2		58 60 18	MUTTER	NUT					
0280	14	2		35 87 32	WIRE	WIRE					
0300	15	4		90 31 84	LÅSPINNE	LOCK PIN					
0320	16	2		92 68 70	HÅKE	HOOK					



# DYNAPAC

Reservdelskatalog / Spare Parts Catalogue

S-232-4

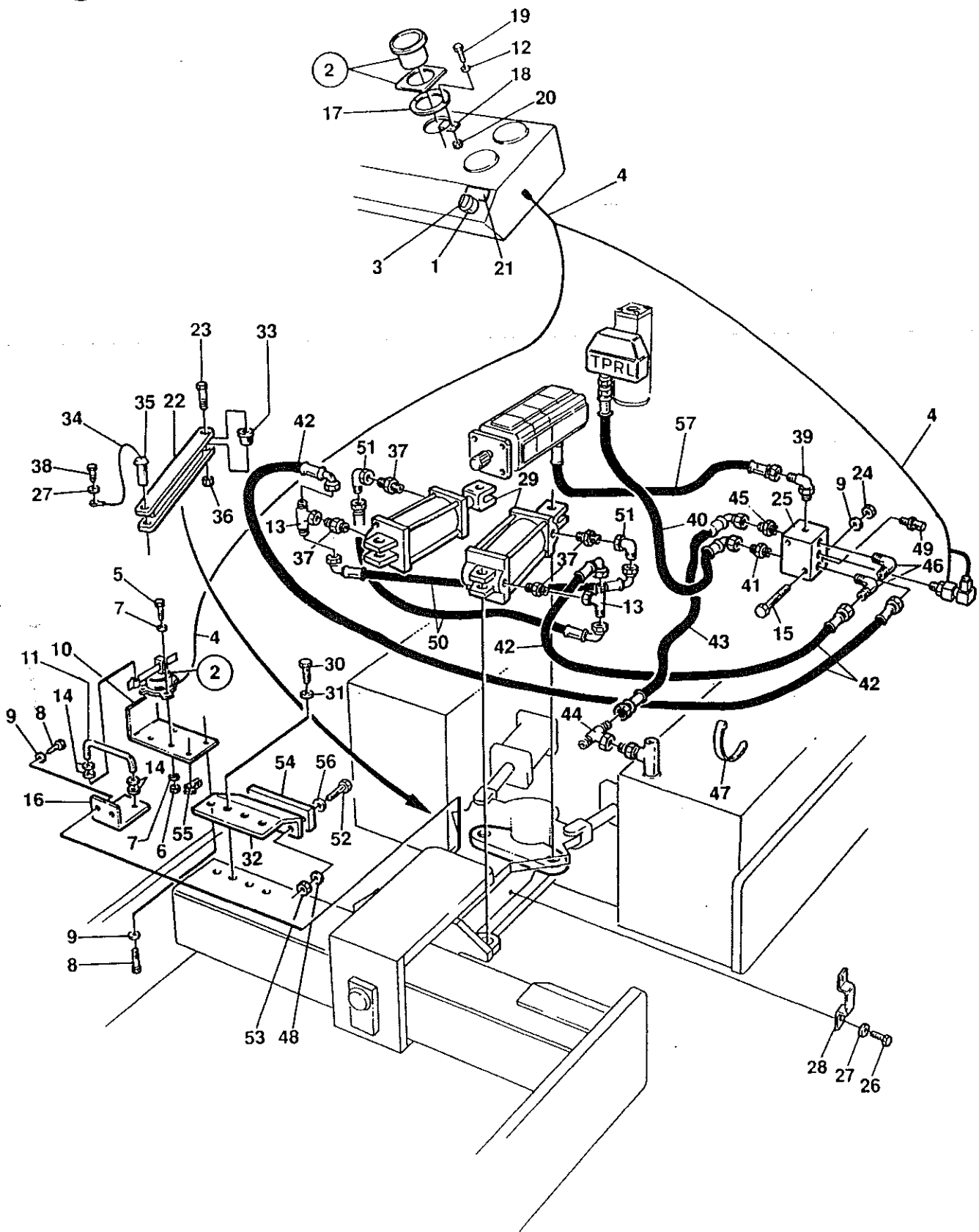
CC 421/421C

0290

Utgåva Issue		Bildnr. Picture N°		SIDOSTÄLLD VALS STYRLED		OFF-SET DRUM HITCH		Grupp Group	Sida Page
1993-12		15376						091	52
Pos. Item	Antal / Quantity			Art.nr. Part N°	Benämning	Denomination	K C	Anmärkning Notes	
0020	1	1		35 64 09	STYRLED	HITCH			
0040	2	1			SMÖRJNIPPEL	LUBRICANT NIPPLE			13)
0060	3	3			SMÖRJNIPPEL	LUBRICANT NIPPLE			13)
0080	4	1			HYLSA	SLEEVE			13)
0100	5	1			HYLSA	SLEEVE			13)
0120	6	1			STYRLEDSAXEL	HITCH SHAFT			13)
0140	7	1			STYRLEDSAXEL	HITCH SHAFT			13)
0160	6	2			LÅSMUTTER	LOCK NUT			13)
0180	9	2			BRICKA	WASHER			13)
0200	10	4			O-RING	O-RING			13)
0220	11	4			LAGER	BUSHING			13)
0240	12	2			LAGER	BUSHING			13)
0260	13	1		35 64 18	DISTANSRING	SPACER RING			
0280	14	1		35 64 13	STYRLEDSAXEL	HITCH SHAFT			
0300	15	1		35 63 96	STYRLED	HITCH			
0320	16	4		50 02 07	SKRUV	SCREW			
0340	17	1		35 64 19	MUTTER	NUT			
0360	18	N		90 19 30	FJÄDER	SPRING			
0380	19	2		50 00 76	SKRUV	SCREW			
0400	20	4		31 00 22	SMÖRJNIPPEL	LUBRICANT NIPPLE		D	
0420	21	1		81 34 69	BRICKA	WASHER		D	
0440	22	2		61 34 73	O-RING	O-RING		D	
0460	23	1		81 34 68	LÅSMUTTER	LOCK NUT		D	
0480	24	2		10 00 40	LAGER	BUSHING		D	
0500	25	2		61 50 46	BRICKA	WASHER		D	
0520	26	4		81 33 16	LAGER	BUSHING		D	
0540	27	1		31 00 02	SMÖRJNIPPEL	LUBRICANT NIPPLE		D	

13) SEE GROUP 10.

Group  
Grupp **91**





# DYNAPAC

Reservdelskatalog / Spare Parts Catalogue

S-232-4

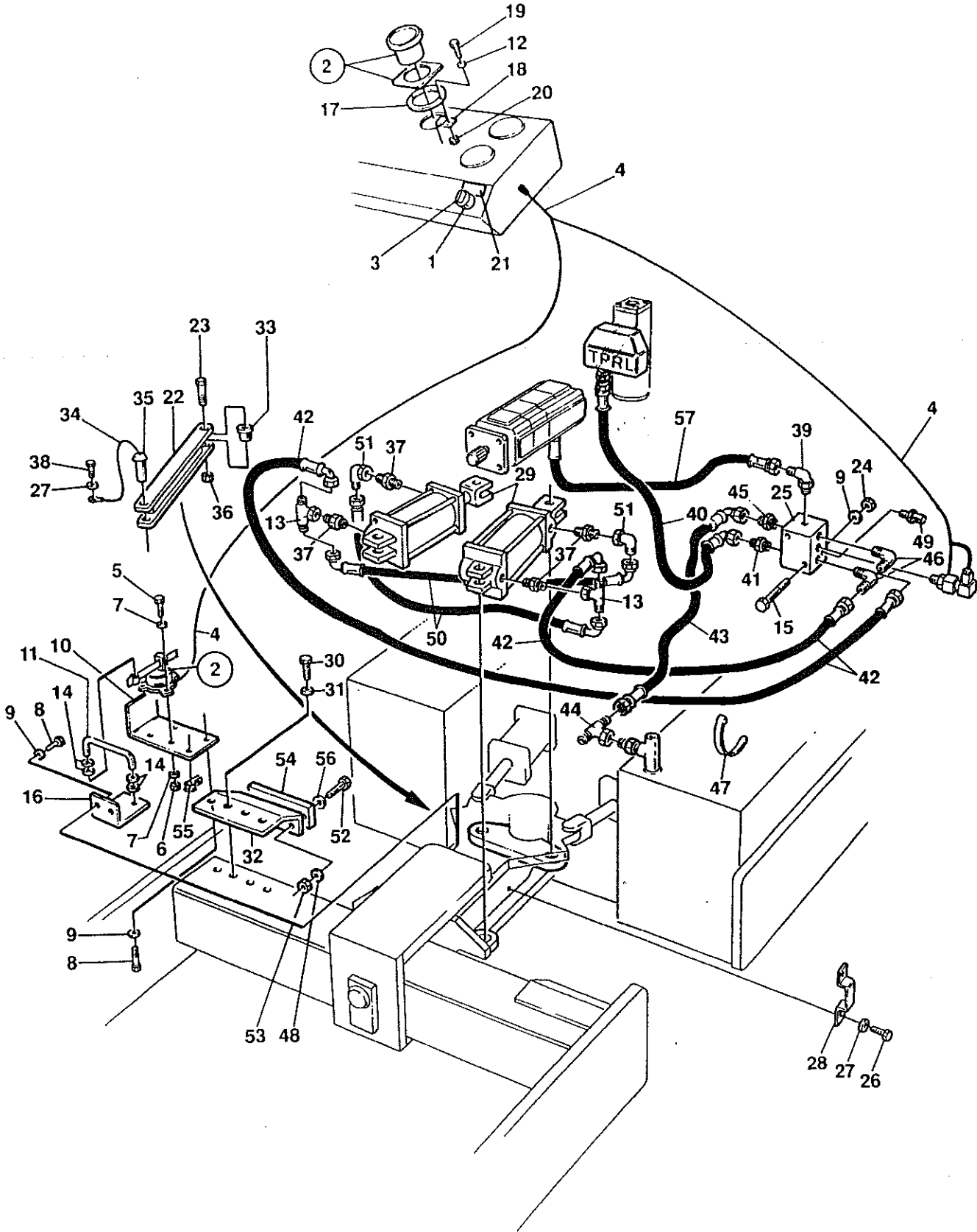
CC 421/421C

0300

Utgåva Issue 1993-12		Bildnr. Picture N° 15377-1		SIDOSTÄLLD VALS HYDRAULISK MANÖVRERING		OFF-SET DRUM HYDRAULIC OPERATION		Grupp Group 091	Sida Page 54
Pos. Item	Antal / Quantity			Art.nr. Part N°	Benämning	Denomination	K C	Anmärkning Notes	
0020	1	1		93 01 95	KONTAKTDON	CONNECTOR	D	CPL	
0040	2	1		35 64 54	GIVARE	SENSOR			
0045		1		90 18 55	.INDIKATOR/MONT.SATS	.INDICATOR/ASSY KIT	D		
0050		1		90 18 02	.GIVARE	.SENDER	D	OFF-SET DRUM	
0060	3	1		92 57 13	STRÖMSTÄLLARE	SWITCH			
0080	4	1		35 62 68	KABELHÄRVA	WIRING HARNESS			
0090		2		96 07 96	.KONTAKTDON	.CONNECTOR		BLACK, MPM 182 09 ND	
0100	5	3		53 30 14	SKRUV	SCREW			
0120	6	3		92 39 78	MUTTER	NUT			
0140	7	6		60 00 02	BRICKA	WASHER			
0160	8	4		50 00 19	SKRUV	SCREW			
0180	9	6		61 50 43	BRICKA	WASHER			
0200	10	1		35 64 90	DETALJ PLÅT	SHEET METAL PART			
0220	11	1		35 64 91	LÄNKARM	ROD END			
0240	12	2		60 00 04	BRICKA	WASHER			
0260	13	2		23 48 88	ADAPTER	CONNECTOR			
0280	14	4		90 17 70	SPÄNNRING	RETAINING RING			
0300	15	2		50 02 37	SKRUV	SCREW			
0320	16	1		35 64 92	DETALJ STÅLPROFIL	STEEL PROFILE PART			
0340	17	1		35 64 55	DETALJ AL-PLÅT	SHEET METAL PART AL			
0360	18	2		34 94 60	DETALJ PLÅT	SHEET METAL PART			
0380	19	2		53 30 62	SKRUV	SCREW			
0400	20	2		58 60 02	MUTTER	NUT			
0420	21	1		35 64 66	DEKAL SIDST. VALSAR	DECAL OFF-SET DRUMS			
0440	22	1		35 64 89	MIDJELEDSLÅS	HITCH LOCK			
0460	23	1		50 02 11	SKRUV	SCREW			
0480	24	2		58 60 03	MUTTER	NUT			
0500	25	1		35 62 09	VENTIL	VALVE			
0520	26	4		50 00 43	SKRUV	SCREW			
0540	27	5		61 50 44	BRICKA	WASHER			
0560	28	2		35 64 58	SLANGHÅLLARE	HOSE CLAMP			
0580	29	2		34 71 10	HYDR CYLINDER	HYDR CYLINDER		14)	
0600	30	8		50 01 93	SKRUV	SCREW			
0620	31	8		61 50 45	BRICKA	WASHER			
0640	32	2		35 65 10	DETALJ PLÅT	SHEET METAL PART			
0660	33	1		35 65 09	HYLSA	SLEEVE			
0680	34	1			WIRE	WIRE		13)	
0700	35	1			LÅSPINNE	LOCK PIN		13)	
0720	36	1			MUTTER	NUT		13)	
0740	37	4		23 48 40	ADAPTER	CONNECTOR			
0760	38	1		50 01 91	SKRUV	SCREW			
0780	39	1		81 34 44	ADAPTER	CONNECTOR			
0800	40	1		83 11 50	HYDRAULSLANG	HYDR HOSE			
0820	41	1		33 41 21	ADAPTER	CONNECTOR			
0840	42	2		83 11 79	HYDRAULSLANG	HYDR HOSE			

13) SEE GROUP 10.

14) FOR COMPLETE CYLINDER, SEE GROUP 50.



# DYNAPAC

Reservdelskatalog / Spare Parts Catalogue

S-232-4

CC 421/421C

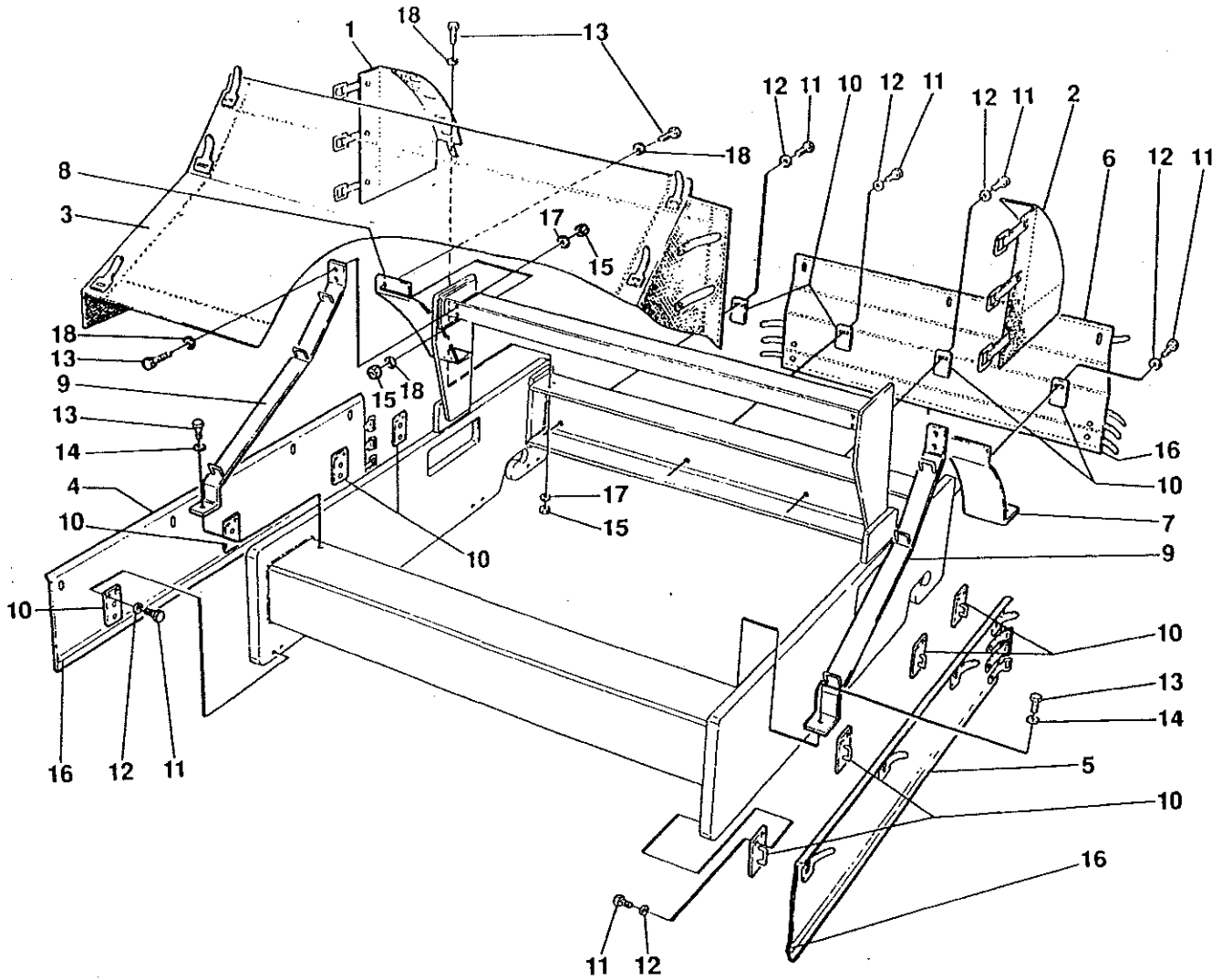
0300

Utgåva Issue 1993-12		Bildnr. Picture N <sup>o</sup> 15377-1		SIDOSTÄLLD VALS HYDRAULISK MANÖVRERING		OFF-SET DRUM HYDRAULIC OPERATION		Grupp Group 091	Sida Page 56
Pos. Item	Antal / Quantity			Art.nr. Part N <sup>o</sup>	Benämning	Denomination	K C	Anmärkning Notes	
0860	43	1		48 27 81	HYDRAULSLANG	HYDR HOSE			
0880	44	1		23 49 53	ADAPTER	CONNECTOR			
0900	45	1		23 42 33	ADAPTER	CONNECTOR			
0920	46	2		33 43 89	ADAPTER	CONNECTOR			
0940	47	N		31 30 41	BUNTBAND	CABLE TIES			L=186 MM
0960	48	4		60 00 09	BRICKA	WASHER			
0980	49	1		90 02 29	NIPPEL	FITTING	D		
1000	50	2		48 25 19	HYDRAULSLANG	HYDR HOSE			
1020	51	2		33 45 24	ADAPTER	CONNECTOR			
1040	52	4		50 00 56	SKRUV	SCREW			
1060	53	4		58 60 19	MUTTER	NUT			
1080	54	2		35 66 73	DETALJ PLAST	PLASTIC PART			
1100	55	1		92 10 77	KLAMMER	CLAMP			
1120	56	4		61 50 96	BRICKA	WASHER			
1140	57	1			HYDRAULSLANG	HYDR HOSE			SEE GROUP 50

13) SEE GROUP 10.

14) FOR COMPLETE CYLINDER, SEE GROUP 50.

Group  
Grupp **91**



# DYNAPAC

Reservdelskatalog / Spare Parts Catalogue

S-232-4

CC 421/421C

0320

Utgåva Issue		Bildnr. Picture N°		SKYDDSKAPELL ENDAST CC 421C		PROTECTIVE COVER CC 421C ONLY		Grupp Group	Sida Page
1993-12		15229-1						091	58
Pos. Item	Antal / Quantity			Art.nr. Part N°	Benämning	Denomination	K C	Anmärkning Notes	
0020	1	1		35 64 27	SKYDDSKAPELL	PROTECTIVE COVER		RIGHT	
0040	2	1		35 64 28	SKYDDSKAPELL	PROTECTIVE COVER		LEFT	
0060	3	1		35 64 37	SKYDDSKAPELL	PROTECTIVE COVER		FRONT	
0080	4	1		35 64 29	SKYDDSKAPELL	PROTECTIVE COVER		RIGHT LOWER	
0100	5	1		35 64 30	SKYDDSKAPELL	PROTECTIVE COVER		LEFT LOWER	
0120	6	1		35 64 31	SKYDDSKAPELL	PROTECTIVE COVER		REAR LOWER	
0140	7	1		35 64 33	KAPELLSTRÄCKARE	COVER STRETCHER		LEFT	
0160	8	1		35 64 34	KAPELLSTRÄCKARE	COVER STRETCHER		RIGHT	
0180	9	2		35 64 36	FÄSTE	BRACKET			
0200	10	12		35 63 76	FÄSTPLÅT	HOLDER PLATE			
0220	11	12		50 01 88	SKRUV	SCREW			
0240	12	12		61 50 43	BRICKA	WASHER			
0260	13	14		50 00 75	SKRUV	SCREW			
0280	14	2		61 50 42	BRICKA	WASHER			
0300	15	12		57 00 04	MUTTER	NUT			
0320	16	3XL		90 16 87	PLASTRÖR	PLASTIC TUBE		L=1695 MM	
0340	17	8		60 30 10	BRICKA	WASHER			
0360	18	16		60 00 04	BRICKA	WASHER			



# DYNAPAC

## NUMMERREGISTER PART NUMBER INDEX

### DYNAPAC

Spare Parts Catalogue

Issue			PART NUMBER INDEX						Group	Page	
									100	1	
Part No	Group	Page	Part No	Group	Page	Part No	Group	Page	Part No	Group	Page
10 01 30	030	4	21 24 75	030	78	31 30 07	070	8	33 01 32	050	4
10 01 40	030	14	21 25 26	030	78	31 30 10	030	8	33 01 33	050	10
11 01 01	030	10	21 26 37	030	14	31 30 20	030	8	33 01 34	050	20
11 01 02	030	10	21 27 47	030	10	31 30 30	030	12	33 01 35	030	77
11 01 03	030	4	21 28 56	030	10	31 30 38	030	12	33 01 36	030	20
11 01 44	030	10	21 29 70	030	2	31 30 41	030	10	33 01 37	030	29
11 01 45	030	7	21 30 87	030	4	31 30 42	030	4	33 01 38	030	20
11 01 46	030	2	21 31 93	030	20	31 30 43	030	20	33 01 39	030	27
11 01 47	030	20	21 32 01	030	20	31 30 44	030	24	33 01 40	030	34
11 01 48	030	20	21 33 10	030	78	31 30 45	030	2	33 01 41	030	40
11 01 49	030	7	21 34 24	030	23	31 30 46	030	4	33 01 42	030	14
11 01 50	030	2	21 35 37	030	2	31 30 47	030	8	33 01 43	030	2
11 01 51	030	10	21 36 46	030	2	31 30 48	030	10	33 01 44	030	36
11 01 52	030	8	21 37 57	030	14	31 30 49	030	14	33 01 45	030	4
11 01 53	030	4	21 38 68	030	10	31 30 50	030	14	33 01 46	030	20
11 01 54	030	20	21 39 79	030	20	31 30 51	030	20	33 01 47	030	77
11 01 55	030	20	21 40 89	030	20	31 30 52	030	20	33 01 48	030	20
11 01 56	030	20	21 41 99	030	20	31 30 53	030	20	33 01 49	030	20
11 01 57	030	20	21 42 09	030	20	31 30 54	030	20	33 01 50	030	20
11 01 58	030	20	21 43 19	030	20	31 30 55	030	20	33 01 51	030	20
11 01 59	030	20	21 44 29	030	20	31 30 56	030	20	33 01 52	030	20
11 01 60	030	20	21 45 39	030	20	31 30 57	030	20	33 01 53	030	20
11 01 61	030	20	21 46 49	030	20	31 30 58	030	20	33 01 54	030	20
11 01 62	030	20	21 47 59	030	20	31 30 59	030	20	33 01 55	030	20
11 01 63	030	20	21 48 69	030	20	31 30 60	030	20	33 01 56	030	20
11 01 64	030	20	21 49 79	030	20	31 30 61	030	20	33 01 57	030	20
11 01 65	030	20	21 50 89	030	20	31 30 62	030	20	33 01 58	030	20
11 01 66	030	20	21 51 99	030	20	31 30 63	030	20	33 01 59	030	20
11 01 67	030	20	21 52 09	030	20	31 30 64	030	20	33 01 60	030	20
11 01 68	030	20	21 53 19	030	20	31 30 65	030	20	33 01 61	030	20
11 01 69	030	20	21 54 29	030	20	31 30 66	030	20	33 01 62	030	20
11 01 70	030	20	21 55 39	030	20	31 30 67	030	20	33 01 63	030	20
11 01 71	030	20	21 56 49	030	20	31 30 68	030	20	33 01 64	030	20
11 01 72	030	20	21 57 59	030	20	31 30 69	030	20	33 01 65	030	20
11 01 73	030	20	21 58 69	030	20	31 30 70	030	20	33 01 66	030	20
11 01 74	030	20	21 59 79	030	20	31 30 71	030	20	33 01 67	030	20
11 01 75	030	20	21 60 89	030	20	31 30 72	030	20	33 01 68	030	20
11 01 76	030	20	21 61 99	030	20	31 30 73	030	20	33 01 69	030	20
11 01 77	030	20	21 62 09	030	20	31 30 74	030	20	33 01 70	030	20
11 01 78	030	20	21 63 19	030	20	31 30 75	030	20	33 01 71	030	20
11 01 79	030	20	21 64 29	030	20	31 30 76	030	20	33 01 72	030	20
11 01 80	030	20	21 65 39	030	20	31 30 77	030	20	33 01 73	030	20
11 01 81	030	20	21 66 49	030	20	31 30 78	030	20	33 01 74	030	20
11 01 82	030	20	21 67 59	030	20	31 30 79	030	20	33 01 75	030	20
11 01 83	030	20	21 68 69	030	20	31 30 80	030	20	33 01 76	030	20
11 01 84	030	20	21 69 79	030	20	31 30 81	030	20	33 01 77	030	20
11 01 85	030	20	21 70 89	030	20	31 30 82	030	20	33 01 78	030	20
11 01 86	030	20	21 71 99	030	20	31 30 83	030	20	33 01 79	030	20
11 01 87	030	20	21 72 09	030	20	31 30 84	030	20	33 01 80	030	20
11 01 88	030	20	21 73 19	030	20	31 30 85	030	20	33 01 81	030	20
11 01 89	030	20	21 74 29	030	20	31 30 86	030	20	33 01 82	030	20
11 01 90	030	20	21 75 39	030	20	31 30 87	030	20	33 01 83	030	20
11 01 91	030	20	21 76 49	030	20	31 30 88	030	20	33 01 84	030	20
11 01 92	030	20	21 77 59	030	20	31 30 89	030	20	33 01 85	030	20
11 01 93	030	20	21 78 69	030	20	31 30 90	030	20	33 01 86	030	20
11 01 94	030	20	21 79 79	030	20	31 30 91	030	20	33 01 87	030	20
11 01 95	030	20	21 80 89	030	20	31 30 92	030	20	33 01 88	030	20
11 01 96	030	20	21 81 99	030	20	31 30 93	030	20	33 01 89	030	20
11 01 97	030	20	21 82 09	030	20	31 30 94	030	20	33 01 90	030	20
11 01 98	030	20	21 83 19	030	20	31 30 95	030	20	33 01 91	030	20
11 01 99	030	20	21 84 29	030	20	31 30 96	030	20	33 01 92	030	20
11 02 00	030	20	21 85 39	030	20	31 30 97	030	20	33 01 93	030	20









# DYNAPAC

Spare Parts Catalogue

S-232-4

CC 421/421C

Issue			PART NUMBER INDEX						Group	Page	
1993-12									100	3	
Part N°	Gr.	Pg. Item	Part N°	Gr.	Pg. Item	Part N°	Gr.	Pg. Item	Part N°	Gr.	Pg. Item
34 87 64	030	6 36	34 97 51	010	6 3	35 56 32	091	6 21	35 64 29	091	58 4
34 88 59	050	6 63	34 97 51	010	8 39	35 56 33	091	6 19	35 64 30	091	58 5
34 88 61	050	42 1	34 97 52	010	16 62	35 56 72	091	28 3	35 64 31	091	58 6
34 90 30	091	24 11	34 97 63	010	14 4	35 57 05	091	28 1	35 64 33	091	58 7
34 90 34	091	24 12	34 97 74	010	2 28	35 57 97	091	14 47	35 64 34	091	58 8
34 90 36	091	24 1	34 97 74	010	6 28	35 58 29	091	14 50	35 64 36	091	58 9
34 90 39	091	24 13	34 97 84	091	34 2	35 58 33	030	6 14	35 64 37	091	58 3
34 90 40	091	24 23	34 97 91	050	4 7	35 58 85	091	4 45	35 64 54	091	54 2
34 90 41	091	24 14	34 97 92	050	6 56	35 59 02	091	8 16	35 64 55	091	54 17
34 90 42	091	24 15	34 97 95	091	12 35	35 59 08	091	14 45	35 64 58	091	54 28
34 90 43	091	24 29	34 98 30	010	16 46	35 59 83	080	4 24	35 64 66	091	54 21
34 90 44	091	24 30	34 99 68	091	10 20	35 60 30	010	14 27	35 64 67	060	8 22
34 90 45	091	24 16	34 99 69	091	10 21	35 60 70	050	20 1	35 64 68	060	8 16
34 90 46	091	24 17	35 00 09	070	4 16	35 60 72	020	8 1	35 64 69	060	2 35
34 90 47	091	24 18	35 00 18	030	2 23	35 60 97	060	8 -	35 64 70	091	12 25
34 90 48	091	24 24	35 30 47	091	10 13	35 60 99	080	4 25	35 64 71	091	12 23
34 90 49	091	24 25	35 50 84	010	14 42	35 61 09	060	8 -	35 64 74	060	2 4
34 90 50	091	24 26	35 50 94	080	2 2	35 61 83	020	8 17	35 64 74	060	4 4
34 90 51	091	24 19	35 50 95	080	2 -	35 61 85	020	8 18	35 64 78	091	16 13
34 90 52	091	24 37	35 50 96	080	2 -	35 61 87	010	6 32	35 64 79	091	12 26
34 90 53	091	24 20	35 50 97	080	2 -	35 61 89	010	6 34	35 64 80	091	12 24
34 90 55	091	24 21	35 50 98	080	2 -	35 62 09	091	54 25	35 64 81	091	12 3
34 90 58	091	24 27	35 50 99	080	2 -	35 62 14	010	6 2	35 64 82	060	2 5
34 90 64	091	24 28	35 51 20	091	38 19	35 62 14	010	8 37	35 64 82	060	4 5
34 90 65	091	24 33	35 51 29	091	30 10	35 62 16	020	8 11	35 64 83	060	2 9
34 90 73	091	24 31	35 51 30	091	30 11	35 62 18	020	8 9	35 64 83	060	4 9
34 90 74	091	24 32	35 51 31	091	30 12	35 62 21	010	2 1	35 64 84	060	2 3
34 90 88	060	4 44	35 51 32	091	30 1	35 62 21	010	4 18	35 64 84	060	4 3
34 90 93	091	36 1	35 51 32	091	32 1	35 62 21	010	6 1	35 64 85	060	2 8
34 91 13	070	4 21	35 51 35	091	30 2	35 62 21	010	8 36	35 64 85	060	4 8
34 91 90	070	2 40	35 51 35	091	32 2	35 62 24	050	6 66	35 64 89	091	54 22
34 92 48	080	2 4	35 51 36	091	30 8	35 62 26	030	16 1	35 64 90	091	54 10
34 92 49	080	2 -	35 51 36	091	38 18	35 62 28	030	16 10	35 64 91	091	54 11
34 92 50	080	2 -	35 51 52	091	30 16	35 62 33	030	16 2	35 64 92	091	54 16
34 92 51	080	2 -	35 51 77	050	6 55	35 62 33	050	6 65	35 64 93	060	4 35
34 92 52	080	2 -	35 52 58	060	8 -	35 62 68	091	54 4	35 65 00	060	2 21
34 92 53	080	2 -	35 52 59	060	8 -	35 62 75	010	14 -	35 65 00	060	4 21
34 93 01	060	8 19	35 52 60	060	8 17	35 62 78	010	6 22	35 65 08	070	4 1
34 93 70	030	18 9	35 52 61	060	8 3	35 62 79	010	6 33	35 65 09	091	54 33
34 93 71	030	18 6	35 52 62	060	8 4	35 63 27	010	16 66	35 65 10	091	54 32
34 94 23	091	38 2	35 52 63	060	8 5	35 63 39	010	16 67	35 65 13	060	4 32
34 94 30	050	6 89	35 52 64	060	8 2	35 63 49	050	6 76	35 65 19	060	6 3
34 94 31	030	18 -	35 52 65	091	34 1	35 63 51	010	6 35	35 65 21	091	48 10
34 94 35	050	6 90	35 52 66	091	34 -	35 63 76	091	58 10	35 65 30	091	32 22
34 94 60	091	38 3	35 52 85	091	30 9	35 63 82	091	2 1	35 65 30	091	34 -
34 94 60	091	54 18	35 53 01	091	38 14	35 63 86	020	8 16	35 65 30	091	38 -
34 94 68	091	26 3	35 53 04	091	38 24	35 63 87	020	8 27	35 65 37	091	24 9
34 94 68	091	38 11	35 53 75	010	14 41	35 63 96	091	52 15	35 65 50	091	24 10
34 95 19	020	2 44	35 54 92	030	16 26	35 64 09	091	52 1	35 66 31	091	34 3
34 95 54	091	38 1	35 55 91	091	38 22	35 64 13	091	52 14	35 66 73	091	56 54
34 95 62	091	2 -	35 55 92	091	38 23	35 64 15	091	6 25	35 67 71	010	14 -
34 97 50	010	2 2	35 55 93	091	38 25	35 64 18	091	52 13	35 68 30	080	2 5
34 97 50	010	4 19	35 55 94	091	38 -	35 64 19	091	52 17	35 68 31	080	2 -
34 97 51	010	2 3	35 56 27	091	6 23	35 64 27	091	58 1	35 68 32	080	2 -
34 97 51	010	4 14	35 56 31	091	6 20	35 64 28	091	58 2	35 68 33	080	2 -

# DYNAPAC

Spare Parts Catalogue

S-232-4

CC 421/421C

Page		Group		PART NUMBER INDEX						Issue						
4		100								1993-12						
Part N°	Gr.	Pg.	Item	Part N°	Gr.	Pg.	Item	Part N°	Gr.	Pg.	Item	Part N°	Gr.	Pg.	Item	
35 68 34	080	2	-	35 81 48	010	18	94	48 04 45	050	36	29	48 20 88	050	40	2	
35 68 35	080	2	-	35 81 50	010	18	92	48 04 46	050	36	10	48 20 89	091	44	9	
35 68 36	010	8	20	35 81 52	010	18	93	48 04 47	050	36	15	48 21 00	050	34	30	
35 68 81	010	16	60	35 81 53	010	18	91	48 04 48	050	36	19	48 21 16	050	4	10	
35 68 82	010	16	61	35 83 96	020	4	-	48 04 49	050	36	14	48 21 97	050	6	83	
35 69 64	010	18	82	35 84 60	010	14	3	48 04 50	050	36	25	48 22 06	050	22	5	
35 71 30	080	4	-	35 84 97	070	4	-	48 04 51	050	36	13	48 22 08	050	34	1	
35 72 50	091	14	-	35 85 00	070	2	9	48 04 52	050	36	11	48 22 50	050	4	6	
35 74 72	091	12	-	35 87 23	091	50	3	48 04 53	050	36	12	48 22 51	050	24	53	
35 74 73	091	12	-	35 87 30	091	50	1	48 04 54	050	36	28	48 22 56	050	34	3	
35 74 74	060	2	-	35 87 32	091	50	14	48 04 55	050	36	30	48 22 67	050	22	10	
35 74 74	060	4	-	35 87 33	091	50	2	48 04 56	050	36	23	48 22 72	050	22	8	
35 74 75	060	2	-	381 01 01	03	050	40	8	48 04 57	050	36	2	48 22 85	050	40	22
35 74 75	060	4	-	41 00 42	030	2	35	48 04 58	050	36	8	48 25 08	050	34	4	
35 74 85	091	32	19	41 30 55	030	2	3	48 04 64	050	36	21	48 25 19	091	56	50	
35 74 85	091	34	10	41 53 29	091	44	1	48 04 65	050	36	20	48 25 42	050	40	26	
35 74 85	091	38	-	41 60 06	070	6	14	48 04 66	050	36	24	48 25 44	091	44	4	
35 75 19	091	34	-	41 60 48	070	6	5	48 04 68	050	36	9	48 25 71	050	40	6	
35 75 21	091	34	-	42 31 49	020	6	58	48 04 74	050	28	18	48 25 77	050	24	61	
35 75 26	091	34	11	42 33 30	020	4	49	48 05 50	050	26	14	48 26 40	050	24	50	
35 75 32	091	32	16	42 33 34	020	4	48	48 05 53	050	26	16	48 26 41	050	24	49	
35 75 33	091	32	12	42 33 43	020	4	6	48 05 60	050	28	17	48 26 47	050	4	2	
35 75 51	091	38	-	42 33 50	020	6	57	48 05 63	050	28	4	48 26 48	050	4	3	
35 75 52	091	38	-	42 34 61	020	4	13	48 05 77	050	36	27	48 26 49	050	4	12	
35 76 24	010	4	1	42 35 50	020	4	5	48 06 84	050	26	21	48 26 50	050	22	3	
35 76 24	010	8	1	42 35 52	020	6	55	48 09 23	050	34	-	48 27 46	050	40	1	
35 76 26	010	4	2	433 83 04	01	050	40	5	48 10 19	050	8	44	48 27 81	091	56	43
35 76 26	010	8	2	45 01 44	070	2	39	48 10 77	050	8	15	48 27 94	050	6	86	
35 76 29	010	4	8	45 50 63	070	6	9	48 10 78	050	10	54	48 27 96	050	40	27	
35 76 29	010	8	17	45 60 99	070	6	15	48 10 82	050	10	59	48 27 97	050	6	82	
35 76 30	010	4	7	45 71 41	070	6	13	48 10 86	050	10	57	48 27 98	050	6	84	
35 76 30	010	8	18	46 50 13	070	6	11	48 10 87	050	10	56	48 27 99	050	6	85	
35 76 50	010	18	86	47 00 20	060	2	7	48 10 90	050	8	43	48 28 00	050	6	88	
35 76 51	010	18	88	47 00 20	060	4	7	48 10 91	050	8	47	48 28 01	050	4	-	
35 77 42	050	22	4	47 50 39	070	2	7	48 10 98	050	8	32	48 50 02	090	2	2	
35 77 63	050	22	6	47 60 19	091	20	1	48 11 03	050	8	33	48 50 05	091	22	9	
35 78 44	010	8	13	48 02 19	050	36	1	48 11 05	050	8	19	48 50 06	091	22	12	
35 78 47	010	8	16	48 02 88	050	8	41	48 11 06	050	8	13	48 50 11	091	22	1	
35 78 48	010	8	14	48 03 29	050	28	12	48 11 32	050	16	49	48 50 19	091	22	2	
35 78 67	010	14	1	48 03 33	050	28	14	48 11 32	050	18	29	48 50 37	091	22	10	
35 78 99	091	44	11	48 03 40	050	12	13	48 12 28	050	14	18	48 50 40	091	22	5	
35 79 00	091	44	-	48 03 48	050	14	6	48 13 06	050	36	26	48 53 88	091	22	11	
35 79 01	091	44	-	48 03 55	050	14	7	48 13 07	050	36	18	49 90 97	030	16	5	
35 79 02	091	44	-	48 03 59	050	10	65	48 13 08	050	36	17	49 91 23	091	24	2	
35 79 03	091	44	-	48 03 66	050	10	66	48 13 09	050	36	16	49 91 62	070	8	21	
35 79 41	010	8	3	48 03 69	050	10	61	48 15 08	050	12	1	49 91 62	091	16	7	
35 79 42	010	8	9	48 03 71	050	10	67	48 16 11	050	14	26	49 92 40	030	14	9	
35 79 43	010	8	10	48 04 02	050	12	3	48 16 11	050	18	6	49 92 66	030	14	14	
35 79 44	010	8	15	48 04 03	050	12	15	48 16 12	050	14	27	49 94 32	050	6	68	
35 79 55	010	16	-	48 04 04	050	12	12	48 16 12	050	18	7	49 94 44	010	16	77	
35 79 70	070	4	35	48 04 08	050	12	2	48 16 16	050	10	50	49 95 03	030	14	7	
35 80 90	080	4	-	48 04 10	050	12	9	48 16 16	050	16	54	49 95 49	030	14	4	
35 80 94	010	16	55	48 04 12	050	12	6	48 16 16	050	18	34	49 95 54	030	14	2	
35 80 98	091	20	6	48 04 13	050	12	5	48 20 69	050	34	22	50 00 03	060	6	5	
35 81 24	091	20	2	48 04 44	050	36	22	48 20 87	050	24	65	50 00 04	091	30	4	



Page 6		Group 100		PART NUMBER INDEX						Issue 1993-12					
Part N°	Gr.	Pg.	Item	Part N°	Gr.	Pg.	Item	Part N°	Gr.	Pg.	Item	Part N°	Gr.	Pg.	Item
53 30 26	050	6	-	58 60 01	091	12	-	60 00 02	010	16	49	60 00 09	091	56	48
53 30 26	091	12	6	58 60 02	010	12	23	60 00 02	060	2	16	60 00 11	020	8	29
53 30 38	010	14	32	58 60 02	010	16	52	60 00 02	060	4	16	60 00 14	091	50	9
53 30 62	091	38	4	58 60 02	030	2	40	60 00 02	070	8	33	60 00 17	030	16	13
53 30 62	091	54	19	58 60 02	070	2	23	60 00 02	091	20	8	60 00 25	091	10	11
53 50 06	091	14	51	58 60 02	070	4	28	60 00 02	091	32	17	60 30 09	010	8	22
53 50 07	080	4	21	58 60 02	070	6	20	60 00 02	091	38	16	60 30 10	091	58	17
53 50 39	010	8	23	58 60 02	070	8	37	60 00 02	091	54	7	60 30 12	091	10	14
54 17 03	010	16	79	58 60 02	091	18	7	60 00 03	080	4	22	60 30 19	010	8	27
54 17 03	091	10	10	58 60 02	091	24	35	60 00 03	091	12	38	60 30 19	030	16	4
54 17 05	091	24	22	58 60 02	091	38	5	60 00 04	010	12	34	60 30 19	050	6	74
55 01 31	060	6	4	58 60 02	091	48	12	60 00 04	010	16	53	60 40 05	030	6	25
55 01 32	070	4	7	58 60 02	091	54	20	60 00 04	030	2	41	60 40 05	050	6	81
57 00 01	070	8	34	58 60 03	010	8	25	60 00 04	030	10	6	60 40 06	030	6	18
57 00 01	091	36	5	58 60 03	010	12	32	60 00 04	060	2	23	60 40 06	050	4	30
57 00 03	060	4	42	58 60 03	010	14	44	60 00 04	060	4	23	60 40 06	050	22	41
57 00 03	091	12	7	58 60 03	030	6	39	60 00 04	070	2	24	60 40 07	030	4	49
57 00 03	091	30	5	58 60 03	070	4	4	60 00 04	070	6	21	60 40 08	050	22	43
57 00 03	091	32	5	58 60 03	091	24	4	60 00 04	091	18	8	60 40 11	030	12	4
57 00 04	010	14	8	58 60 03	091	54	24	60 00 04	091	24	36	60 40 15	030	12	11
57 00 04	050	6	46	58 60 18	010	8	29	60 00 04	091	54	12	60 40 17	020	2	46
57 00 04	060	2	15	58 60 18	030	6	33	60 00 04	091	58	18	60 40 30	050	30	20
57 00 04	060	4	39	58 60 18	030	14	13	60 00 06	010	8	31	61 50 25	070	4	32
57 00 04	060	4	15	58 60 18	030	18	4	60 00 06	010	12	8	61 50 41	030	16	9
57 00 04	070	8	42	58 60 18	070	2	20	60 00 06	010	14	45	61 50 41	060	4	43
57 00 04	091	4	41	58 60 18	091	10	23	60 00 06	030	8	46	61 50 41	091	12	8
57 00 04	091	8	23	58 60 18	091	16	4	60 00 06	030	18	19	61 50 41	091	30	6
57 00 04	091	18	18	58 60 18	091	40	9	60 00 06	060	2	30	61 50 41	091	32	6
57 00 04	091	22	16	58 60 18	091	50	13	60 00 06	060	4	30	61 50 42	010	14	9
57 00 04	091	58	15	58 60 19	010	2	19	60 00 06	070	2	28	61 50 42	050	6	47
57 00 05	010	8	28	58 60 19	010	4	6	60 00 06	070	4	5	61 50 42	060	2	27
57 00 05	010	14	11	58 60 19	010	6	30	60 00 06	070	8	27	61 50 42	060	4	27
57 00 05	060	2	25	58 60 19	010	6	19	60 00 08	010	8	30	61 50 42	060	6	14
57 00 05	060	4	25	58 60 19	010	8	11	60 00 08	030	6	32	61 50 42	070	4	26
57 00 05	070	8	43	58 60 19	010	12	43	60 00 08	030	14	12	61 50 42	091	4	42
57 00 05	091	10	24	58 60 19	010	14	35	60 00 08	030	18	3	61 50 42	091	8	22
57 00 05	091	24	5	58 60 19	020	2	25	60 00 08	060	2	41	61 50 42	091	22	17
57 00 06	010	12	28	58 60 19	030	2	25	60 00 08	060	4	41	61 50 42	091	24	8
57 00 06	010	18	97	58 60 19	091	4	50	60 00 08	070	2	21	61 50 42	091	26	9
57 00 06	030	4	57	58 60 19	091	18	17	60 00 08	070	4	23	61 50 42	091	38	13
57 00 06	030	8	41	58 60 19	091	56	53	60 00 08	091	16	5	61 50 42	091	58	14
57 00 06	050	24	58	58 60 21	020	2	43	60 00 08	091	40	8	61 50 43	010	8	34
57 00 06	060	4	40	58 60 21	020	8	26	60 00 08	091	50	12	61 50 43	010	12	30
57 00 06	070	2	11	58 60 21	030	6	28	60 00 09	010	2	29	61 50 43	010	14	12
57 00 06	070	4	12	58 60 21	091	40	6	60 00 09	010	4	5	61 50 43	030	2	38
57 00 07	030	2	13	58 60 22	010	2	14	60 00 09	010	6	31	61 50 43	030	6	38
57 00 08	030	4	65	58 60 22	010	4	15	60 00 09	010	8	12	61 50 43	030	14	23
57 00 08	030	8	49	58 60 22	010	6	14	60 00 09	010	12	42	61 50 43	050	6	93
57 00 08	070	8	19	58 60 22	010	8	40	60 00 09	010	16	65	61 50 43	050	34	34
57 00 11	091	8	17	58 60 22	091	50	10	60 00 09	020	2	31	61 50 43	060	2	24
58 20 06	091	30	3	58 60 23	070	2	43	60 00 09	030	4	66	61 50 43	060	4	24
58 20 06	091	32	3	58 81 76	080	2	12	60 00 09	030	10	8	61 50 43	070	4	8
58 60 01	060	6	6	60 00 01	070	8	47	60 00 09	030	18	17	61 50 43	070	6	7
58 60 01	080	4	23	60 00 01	091	36	6	60 00 09	091	18	16	61 50 43	070	8	30
58 60 01	091	12	37	60 00 01	091	48	15	60 00 09	091	50	7	61 50 43	091	10	26

# DYNAPAC

Spare Parts Catalogue

S-232-4

CC 421/421C

Issue			PART NUMBER INDEX												Group	Page
1993-12															100	7
Part N°	Gr.	Pg. Item	Part N°	Gr.	Pg. Item	Part N°	Gr.	Pg. Item	Part N°	Gr.	Pg. Item	Part N°	Gr.	Pg. Item		
61 50 43	091	24 6	61 50 76	091	10 4	81 34 27	050	4 15	81 38 22	050	8 34					
61 50 43	091	54 9	61 50 96	091	56 56	81 34 29	050	4 28	81 38 22	050	16 48					
61 50 43	091	58 12	62 40 11	091	20 3	81 34 29	050	22 34	81 38 22	050	18 28					
61 50 44	010	2 9	62 40 16	080	2 15	81 34 31	050	24 63	81 38 23	050	8 42					
61 50 44	010	4 25	62 80 24	010	10 2	81 34 43	050	34 12	81 38 25	050	16 53					
61 50 44	010	6 9	63 00 03	010	12 10	81 34 44	091	54 39	81 38 25	050	18 33					
61 50 44	010	8 48	63 00 03	070	8 28	81 34 48	050	22 11	81 38 33	050	10 77					
61 50 44	010	12 26	63 50 19	010	2 6	81 34 49	050	34 8	81 38 36	050	14 3					
61 50 44	010	12 20	63 50 19	010	4 22	81 34 68	010	10 11	81 38 37	050	8 49					
61 50 44	010	18 90	63 50 19	010	6 6	81 34 68	091	52 23	81 38 38	050	8 9					
61 50 44	020	2 33	63 50 19	010	8 47	81 34 69	010	10 12	81 38 38	050	14 23					
61 50 44	030	4 53	63 50 61	010	8 19	81 34 69	091	52 21	81 38 38	050	18 3					
61 50 44	030	6 20	63 50 61	050	38 10	81 34 73	010	10 13	81 38 39	050	8 10					
61 50 44	030	8 42	63 50 61	091	50 5	81 34 73	091	52 22	81 38 39	050	14 22					
61 50 44	030	18 8	69 00 30	030	2 6	81 34 79	050	22 16	81 38 39	050	18 2					
61 50 44	050	4 35	69 20 55	030	2 5	81 34 99	050	4 22	81 38 40	050	10 60					
61 50 44	050	22 26	74 70 28	030	2 17	81 36 13	050	10 73	81 38 44	050	8 4					
61 50 44	050	24 57	74 72 82	030	16 14	81 36 13	050	12 25	81 38 44	050	10 76					
61 50 44	050	34 21	74 73 84	030	2 15	81 36 18	050	12 4	81 38 44	050	12 16					
61 50 44	060	2 32	74 74 72	030	2 21	81 36 21	050	10 53	81 38 45	050	14 13					
61 50 44	060	4 22	74 74 76	030	2 4	81 36 21	050	16 57	81 38 45	050	14 4					
61 50 44	070	2 14	74 75 43	030	2 2	81 36 21	050	18 37	81 38 46	050	8 48					
61 50 44	091	44 3	74 75 83	091	18 14	81 36 27	050	14 5	81 38 46	050	8 11					
61 50 44	091	54 27	74 76 12	030	2 20	81 36 30	050	8 7	81 38 46	050	10 58					
61 50 45	010	2 23	74 76 18	030	2 12	81 36 33	050	8 6	81 38 46	050	14 24					
61 50 45	010	6 23	74 76 19	030	2 10	81 36 34	050	10 72	81 38 46	050	18 4					
61 50 45	010	12 15	74 76 20	030	2 11	81 36 42	050	26 9	81 38 47	050	10 80					
61 50 45	010	14 34	74 76 37	030	2 19	81 36 42	050	28 11	81 38 47	050	14 16					
61 50 45	020	8 22	74 76 40	030	2 18	81 36 46	050	26 10	81 38 65	050	16 51					
61 50 45	030	2 24	74 81 15	030	16 16	81 36 46	050	28 10	81 38 65	050	18 31					
61 50 45	030	2 9	80 10 32	050	26 1	81 36 56	050	26 7	81 38 68	050	16 58					
61 50 45	030	6 23	80 10 54	050	28 1	81 36 56	050	28 8	81 38 68	050	18 38					
61 50 45	030	10 13	80 11 44	050	18 1	81 36 64	050	26 18	81 38 76	050	16 46					
61 50 45	050	6 52	80 11 87	020	2 8	81 36 65	050	26 13	81 38 76	050	18 26					
61 50 45	050	22 31	80 15 46 02	091	30 -	81 36 68	050	26 12	81 38 78	050	14 32					
61 50 45	050	40 19	80 15 46 02	091	32 -	81 36 68	050	28 13	81 38 78	050	18 12					
61 50 45	070	2 31	80 16 67	091	34 4	81 36 73	050	26 3	81 38 79	050	14 25					
61 50 45	091	4 49	80 16 69	091	32 20	81 36 73	050	28 3	81 38 85	050	8 40					
61 50 45	091	54 31	80 16 69	091	34 5	81 36 77	050	26 2	81 38 87	050	14 15					
61 50 46	010	2 25	80 16 69	091	38 -	81 36 77	050	28 2	81 38 88	050	10 78					
61 50 46	010	4 11	80 16 69	091	38 20	81 36 82	050	28 9	81 38 88	050	14 14					
61 50 46	010	6 25	80 16 88	030	14 16	81 36 94	020	2 48	81 38 94	050	26 11					
61 50 46	010	8 6	80 16 91	050	30 1	81 37 91	030	14 10	81 39 03	050	28 7					
61 50 46	020	2 41	80 17 05	091	34 -	81 38 13	050	14 29	81 39 04	050	26 5					
61 50 46	020	2 30	80 17 05	091	38 21	81 38 13	050	18 9	81 39 07	050	26 6					
61 50 46	020	2 7	80 19 89	050	14 1	81 38 15	050	16 47	81 39 08	050	26 17					
61 50 46	020	8 14	80 21 46	030	14 1	81 38 15	050	18 27	81 39 09	050	26 23					
61 50 46	030	4 59	80 26 32	030	6 1	81 38 16	050	10 81	81 39 10	050	28 6					
61 50 46	030	8 48	81 33 15	030	16 7	81 38 16	050	14 17	81 39 15	050	26 20					
61 50 46	091	52 25	81 33 16	010	10 15	81 38 21	050	8 16	81 39 15	050	28 16					
61 50 47	010	2 13	81 33 16	050	34 29	81 38 21	050	14 30	81 39 17	050	26 22					
61 50 47	010	4 16	81 33 16	091	52 26	81 38 21	050	16 52	81 39 19	050	26 4					
61 50 47	010	6 13	81 33 61	070	6 22	81 38 21	050	18 32	81 39 20	050	26 19					
61 50 47	010	8 41	81 34 22	050	38 12	81 38 21	050	18 10	81 39 20	050	28 15					
61 50 47	010	10 4	81 34 23	050	40 10	81 38 22	050	8 46	81 39 21	050	26 8					

Page		Group		PART NUMBER INDEX								Issue			
8		100										1993-12			
Part N <sup>o</sup>	Gr.	Pg.	Item	Part N <sup>o</sup>	Gr.	Pg.	Item	Part N <sup>o</sup>	Gr.	Pg.	Item	Part N <sup>o</sup>	Gr.	Pg.	Item
81 39 22	050	26	15	90 04 01	020	6	54	90 12 26	060	6	15	90 15 57	091	8	19
81 40 60	050	4	40	90 04 02	020	6	53	90 12 26	091	6	-	90 15 58	091	8	20
81 41 24	050	32	7	90 04 05	020	6	61	90 12 26	091	12	22	90 15 59	091	8	4
81 42 56	030	14	8	90 04 30	050	6	79	90 12 27	060	6	17	90 15 61	091	8	1
81 42 57	030	14	5	90 04 62	020	4	46	90 12 27	091	6	-	90 15 62	091	8	2
81 52 43	050	4	20	90 05 60	050	20	3	90 12 28	091	6	-	90 15 63	091	8	7
82 15 30	050	14	2	90 06 80	080	2	8	90 12 29	091	6	-	90 15 64	091	8	6
82 51 76	010	10	8	90 06 84	080	4	20	90 12 31	091	6	3	90 15 65	091	8	5
83 11 50	091	54	40	90 07 90	091	12	31	90 12 32	091	6	4	90 15 66	091	8	11
83 11 79	091	54	42	90 07 91	091	12	32	90 12 34	091	6	13	90 15 67	091	8	9
84 20 21	030	16	6	90 07 92	091	12	27	90 12 40	060	6	19	90 15 68	091	8	10
84 21 67	010	2	17	90 07 93	091	12	28	90 12 40	091	12	4	90 15 70	091	2	17
84 21 67	010	6	17	90 07 94	091	12	29	90 12 56	060	6	1	90 15 71	091	6	2
84 21 69	010	2	18	90 07 98	091	26	1	90 12 56	091	6	26	90 15 72	091	6	5
84 21 69	010	6	18	90 08 19	091	10	25	90 12 56	091	12	1	90 15 74	091	6	7
84 25 54	020	2	23	90 08 27	030	6	4	90 12 74	070	6	18	90 15 75	091	6	8
84 25 71	010	2	16	90 08 29	030	6	5	90 12 75	091	2	10	90 15 76	091	6	18
84 25 71	010	6	16	90 08 42	080	4	-	90 12 86	091	6	11	90 15 78	091	6	14
84 26 30	020	2	38	90 08 54	050	8	1	90 12 94	091	2	13	90 15 84	091	2	14
84 26 31	020	2	39	90 08 68	050	10	74	90 12 97	010	14	24	90 15 87	091	8	8
84 26 32	020	2	40	90 08 68	050	10	69	90 12 98	010	14	23	90 16 09	050	20	28
84 26 64	010	14	28	90 08 69	050	10	70	90 12 99	091	42	4	90 16 13	050	20	32
84 27 26	070	2	3	90 08 71	060	8	-	90 13 00	010	16	58	90 16 14	050	20	33
84 27 39	070	2	5	90 08 90	091	38	27	90 13 00	091	42	2	90 16 22	091	6	6
84 28 26	050	22	7	90 08 91	091	38	28	90 13 09	010	16	57	90 16 36	020	8	4
84 28 43	050	4	9	90 08 92	091	38	29	90 13 15	091	20	7	90 16 37	020	8	3
84 28 49	050	34	2	90 08 94	091	38	36	90 13 17	020	8	6	90 16 59	091	2	2
84 28 67	050	4	8	90 09 04	091	30	13	90 13 21	020	8	15	90 16 60	091	2	3
84 28 79	050	24	56	90 09 04	091	32	8	90 13 29	020	8	2	90 16 61	091	2	4
84 29 02	010	2	22	90 09 98	091	4	43	90 13 32	020	8	5	90 16 62	091	2	5
84 29 41	010	12	24	90 09 99	091	4	44	90 13 34	020	8	7	90 16 63	091	2	6
84 29 88	010	10	9	90 11 24	020	6	-	90 13 35	020	8	8	90 16 64	091	2	7
84 30 07	091	22	14	90 11 24	020	6	59	90 13 50	030	6	6	90 16 65	091	2	8
84 33 17	091	44	-	90 11 25	020	6	60	90 13 69	091	12	-	90 16 66	091	2	9
84 35 05	010	2	8	90 11 25	020	6	-	90 13 78	020	8	23	90 16 67	091	2	12
84 35 05	010	4	20	90 11 33	091	6	22	90 13 79	020	8	10	90 16 68	091	2	21
84 35 05	010	6	8	90 11 39	091	28	2	90 13 80	091	22	18	90 16 69	091	2	22
84 35 05	010	8	45	90 11 43	091	6	1	90 14 38	030	16	29	90 16 70	091	2	23
84 35 50	020	2	2	90 11 59	091	6	12	90 14 39	030	16	25	90 16 71	091	2	27
84 35 51	020	2	1	90 11 65	091	46	1	90 14 41	030	16	22	90 16 72	091	2	28
84 35 68	010	10	1	90 11 66	091	46	2	90 14 48	030	6	7	90 16 73	091	2	29
84 35 76	030	10	11	90 11 67	091	46	5	90 15 12	091	2	11	90 16 74	091	2	30
85 14 49	010	14	36	90 11 68	091	46	3	90 15 18	030	6	8	90 16 75	091	2	31
89 14 95	050	28	5	90 11 69	091	46	4	90 15 19	030	6	3	90 16 76	091	2	32
89 30 80	050	12	19	90 11 82	091	12	39	90 15 44	080	2	6	90 16 77	091	2	33
89 32 28	030	14	6	90 11 83	091	14	43	90 15 45	080	2	-	90 16 87	091	58	16
89 35 24	030	14	3	90 12 08	091	14	44	90 15 46	080	2	-	90 17 12	050	20	2
90 01 00	091	16	11	90 12 09	091	30	19	90 15 47	080	2	-	90 17 67	060	6	2
90 02 29	091	56	45	90 12 09	091	32	7	90 15 48	080	2	-	90 17 67	091	12	2
90 02 43	091	26	6	90 12 12	091	22	7	90 15 49	080	2	-	90 17 70	091	54	14
90 02 43	091	38	9	90 12 13	091	22	8	90 15 50	091	8	13	90 17 72	050	20	10
90 02 48	050	42	36	90 12 20	091	22	19	90 15 51	091	8	14	90 17 74	050	20	12
90 03 94	020	4	2	90 12 23	091	4	47	90 15 52	091	8	15	90 17 78	050	20	16
90 03 98	020	4	45	90 12 25	060	6	16	90 15 55	091	8	18	90 17 79	050	20	17
90 03 99	020	6	51	90 12 25	091	12	21	90 15 56	091	8	3	90 17 80	050	20	18



# DYNAPAC

Spare Parts Catalogue

S-232-4

CC 421/421C

Issue			PART NUMBER INDEX												Group			Page		
1993-12															100			9		
Part N <sup>o</sup>	Gr.	Pg. Item	Part N <sup>o</sup>	Gr.	Pg. Item	Part N <sup>o</sup>	Gr.	Pg. Item	Part N <sup>o</sup>	Gr.	Pg. Item	Part N <sup>o</sup>	Gr.	Pg. Item	Part N <sup>o</sup>	Gr.	Pg. Item			
90 17 81	050	20 19	90 30 00	091	2 -	91 17 33	050	30 24	92 38 59	010	14 6	92 38 59	010	14 6						
90 17 82	050	20 20	90 30 05	050	4 -	91 17 34	050	32 5	92 38 76	010	14 5	92 38 76	010	14 5						
90 17 83	050	20 21	90 30 05	050	34 -	91 17 35	050	32 4	92 39 00	070	8 22	92 39 00	070	8 22						
90 17 84	050	20 22	90 30 06	091	8 -	91 17 36	050	30 13	92 39 01	070	8 32	92 39 01	070	8 32						
90 17 85	050	20 26	90 30 10	010	16 -	91 17 37	050	32 11	92 39 27	070	8 36	92 39 27	070	8 36						
90 17 86	050	20 27	90 30 47	091	50 4	91 17 38	050	30 12	92 39 27	091	48 11	92 39 27	091	48 11						
90 17 88	050	20 30	90 31 79	020	4 27	91 17 39	050	30 15	92 39 62	010	16 -	92 39 62	010	16 -						
90 17 89	050	20 31	90 31 80	020	4 35	91 17 40	050	30 17	92 39 76	010	16 48	92 39 76	010	16 48						
90 17 90	050	20 34	90 31 81	020	6 64	91 17 41	050	30 23	92 39 76	060	2 13	92 39 76	060	2 13						
90 17 92	050	20 36	90 31 82	020	6 65	91 17 42	050	30 26	92 39 76	060	4 13	92 39 76	060	4 13						
90 17 93	050	20 37	90 31 84	091	50 15	91 17 43	050	30 25	92 39 76	060	6 9	92 39 76	060	6 9						
90 17 94	050	20 38	90 31 93	030	6 9	91 17 44	050	30 27	92 39 76	091	32 13	92 39 76	091	32 13						
90 17 95	050	20 39	90 31 94	030	6 10	92 03 63	050	34 -	92 39 76	091	38 -	92 39 76	091	38 -						
90 17 98	050	20 43	90 31 95	030	6 11	92 07 75	010	14 14	92 39 76	091	38 17	92 39 76	091	38 17						
90 17 99	050	20 14	90 90 85	010	16 56	92 10 39	030	16 23	92 39 76	091	54 6	92 39 76	091	54 6						
90 18 00	050	20 29	91 01 61	050	22 20	92 10 39	091	14 40	92 39 84	010	14 25	92 39 84	010	14 25						
90 18 02	091	54 -	91 01 61	050	34 26	92 10 47	091	18 5	92 39 87	070	8 41	92 39 87	070	8 41						
90 18 14	020	6 63	91 01 61	050	40 15	92 10 77	060	2 42	92 39 88	070	8 39	92 39 88	070	8 39						
90 18 37	010	16 78	91 01 62	050	4 41	92 10 77	091	56 55	92 39 88	091	26 5	92 39 88	091	26 5						
90 18 55	091	54 -	91 03 63	030	10 2	92 10 97	030	18 5	92 39 88	091	38 7	92 39 88	091	38 7						
90 18 94	030	16 21	91 07 06	050	12 21	92 11 04	060	2 31	92 47 37	030	14 17	92 47 37	030	14 17						
90 19 30	091	52 18	91 09 92	091	12 30	92 11 04	060	4 31	92 47 56	091	30 18	92 47 56	091	30 18						
90 19 32	030	18 -	91 10 51	050	12 10	92 11 19	050	24 60	92 49 86	010	14 15	92 49 86	010	14 15						
90 19 83	091	16 -	91 10 52	050	12 14	92 11 21	030	14 -	92 49 86	091	42 3	92 49 86	091	42 3						
90 19 93	091	12 -	91 10 53	050	8 3	92 11 61	030	16 24	92 49 96	010	14 17	92 49 96	010	14 17						
90 19 94	091	12 -	91 10 54	050	12 17	92 11 61	060	2 38	92 52 39	010	14 40	92 52 39	010	14 40						
90 20 54	091	2 38	91 10 55	050	8 17	92 11 61	060	4 38	92 54 64	010	12 22	92 54 64	010	12 22						
90 20 64	091	14 -	91 10 56	050	8 12	92 13 71	050	14 12	92 54 64	070	2 32	92 54 64	070	2 32						
90 21 19	091	2 36	91 10 57	050	12 7	92 14 23	010	14 -	92 54 91	010	12 12	92 54 91	010	12 12						
90 21 20	091	2 37	91 10 58	050	12 11	92 14 24	010	14 -	92 54 91	070	2 33	92 54 91	070	2 33						
90 21 70	091	32 21	91 10 61	050	18 5	92 14 27	010	14 31	92 54 92	010	12 33	92 54 92	010	12 33						
90 21 70	091	34 -	91 10 62	050	8 36	92 15 64	010	12 17	92 54 92	070	2 36	92 54 92	070	2 36						
90 21 70	091	38 -	91 10 63	050	16 45	92 16 92	050	32 8	92 54 93	010	12 11	92 54 93	010	12 11						
90 22 52	020	8 20	91 10 63	050	18 25	92 17 38	050	10 62	92 54 93	070	2 37	92 54 93	070	2 37						
90 22 93	091	38 38	91 10 90	050	32 2	92 18 50	070	8 25	92 55 38	050	4 42	92 55 38	050	4 42						
90 22 93	091	38 37	91 10 91	050	32 10	92 20 32	050	12 22	92 55 38	050	22 37	92 55 38	050	22 37						
90 25 08	091	20 5	91 10 92	050	32 12	92 20 60	091	44 -	92 55 39	050	4 43	92 55 39	050	4 43						
90 25 78	091	22 -	91 10 93	050	32 13	92 20 61	091	44 -	92 55 39	050	22 38	92 55 39	050	22 38						
90 26 10	091	22 3	91 10 94	050	32 16	92 23 05	050	10 82	92 56 45	091	10 6	92 56 45	091	10 6						
90 28 03	091	16 -	91 10 97	050	32 3	92 23 25	070	8 18	92 56 46	091	10 5	92 56 46	091	10 5						
90 28 06	050	34 -	91 10 98	050	32 1	92 25 52	020	2 17	92 56 77	030	2 16	92 56 77	030	2 16						
90 28 07	050	4 -	91 10 99	050	30 10	92 26 70	030	6 26	92 57 13	091	54 3	92 57 13	091	54 3						
90 28 46	030	2 6	91 11 66	050	30 9	92 29 16	091	32 15	92 57 15	060	2 10	92 57 15	060	2 10						
90 28 47	030	2 7	91 11 67	050	30 2	92 29 16	091	38 -	92 57 15	060	4 10	92 57 15	060	4 10						
90 28 68	010	16 -	91 11 68	050	32 15	92 30 75	050	12 8	92 57 15	091	38 33	92 57 15	091	38 33						
90 28 69	010	16 -	91 14 03	050	30 28	92 32 01	050	6 75	92 57 49	070	8 44	92 57 49	070	8 44						
90 28 86	050	24 71	91 14 30	050	12 23	92 32 47	091	40 4	92 58 02	091	42 7	92 58 02	091	42 7						
90 29 00	050	4 -	91 14 31	050	12 20	92 36 79	010	16 74	92 58 06	050	38 13	92 58 06	050	38 13						
90 29 00	050	34 -	91 14 54	050	12 24	92 36 80	010	16 73	92 58 46	070	2 22	92 58 46	070	2 22						
90 29 10	010	16 -	91 14 56	060	8 15	92 36 81	010	16 76	92 58 71	030	2 22	92 58 71	030	2 22						
90 29 11	010	16 -	91 14 68	050	12 26	92 36 82	010	16 75	92 60 74	091	10 27	92 60 74	091	10 27						
90 29 15	080	2 13	91 14 99	050	34 14	92 36 83	010	16 69	92 62 14	070	4 40	92 62 14	070	4 40						
90 29 16	010	18 -	91 17 26	050	30 14	92 36 90	010	20 1	92 63 12	070	6 16	92 63 12	070	6 16						
90 29 17	010	18 -	91 17 27	050	30 19	92 37 34	010	14 16	92 63 12	070	6 10	92 63 12	070	6 10						
90 29 18	010	18 -	91 17 28	050	30 18	92 37 35	091	42 6	92 63 30	050	38 21	92 63 30	050	38 21						

# DYNAPAC

Spare Parts Catalogue

S-232-4

CC 421/421C

Page		Group		PART NUMBER INDEX						Issue					
10		100								1993-12					
Part N°	Gr.	Pg.	Item	Part N°	Gr.	Pg.	Item	Part N°	Gr.	Pg.	Item	Part N°	Gr.	Pg.	Item
92 65 51	070	4	9	92 87 81	010	16	72	93 01 66	091	16	8	99 16 13	080	2	-
92 65 52	070	4	30	92 88 15	091	18	13	93 01 82	091	12	16	99 16 14	080	2	-
92 67 36	020	2	24	92 88 59	091	36	3	93 01 92	060	8	12	99 16 56	080	2	10
92 68 70	091	50	16	92 89 08	050	40	24	93 01 92	091	12	17	99 16 57	080	4	19
92 69 63	070	4	14	92 89 22	030	16	-	93 01 95	060	8	11	99 16 58	080	2	11
92 69 77	050	38	9	92 89 27	091	26	7	93 01 95	091	34	8	99 90 11	091	16	6
92 69 78	070	6	12	92 89 27	091	38	10	93 01 95	091	54	1	99 90 27	060	2	11
92 69 90	010	14	38	92 89 28	060	8	13	93 01 98	091	12	10	99 90 27	060	4	11
92 70 18	010	14	39	92 89 28	091	38	26	93 20 32	060	8	14				
92 70 36	050	38	2	92 89 92	050	20	8	93 20 36	060	8	6				
92 70 88	030	4	61	92 90 23	030	14	-	93 20 50	060	8	25				
92 71 00	030	6	15	92 90 40	030	2	26	93 20 56	091	12	12				
92 71 31	050	14	31	92 90 41	030	2	33	93 20 57	091	12	9				
92 71 31	050	18	11	92 90 43	030	2	34	93 20 58	060	8	20				
92 71 32	050	8	37	92 90 67	050	20	6	93 20 58	091	12	15				
92 71 33	050	10	84	92 90 68	050	20	7	93 20 58	091	34	9				
92 71 34	050	8	18	92 90 87	030	18	-	93 20 60	060	8	7				
92 71 47	050	16	59	92 91 85	030	18	18	93 43 92	030	2	43				
92 75 04	050	10	68	92 93 22	030	16	28	95 00 63	091	30	-				
92 75 06	050	8	39	92 93 34	050	6	57	95 00 63	091	32	-				
92 75 07	050	12	18	92 93 35	050	6	58	96 07 09	010	14	30				
92 75 09	050	8	2	92 93 36	050	6	59	96 07 10	080	2	9				
92 75 10	050	10	83	92 93 48	010	16	70	96 07 87	080	4	17				
92 75 11	050	10	71	92 94 19	010	16	71	96 07 96	060	2	-				
92 78 55	050	18	39	92 94 55	091	14	48	96 07 96	060	4	-				
92 78 99	050	42	2	92 94 62	091	10	7	96 07 96	091	54	-				
92 79 01	050	42	4	92 94 67	050	6	64	97 50 62	091	12	5				
92 79 03	050	42	6	92 95 99	050	20	5	97 50 65	060	2	14				
92 79 10	050	42	13	92 98 76	030	14	-	97 50 65	060	4	14				
92 79 13	050	42	16	92 98 81	010	20	12	97 50 77	060	6	10				
92 79 17	050	42	20	92 99 55	091	2	18	97 50 77	091	6	24				
92 79 20	050	42	22	92 99 56	091	2	19	97 50 77	091	30	7				
92 79 22	050	42	24	92 99 60	091	2	15	97 50 77	091	32	10				
92 79 23	050	42	25	92 99 61	091	2	16	98 50 12	060	8	10				
92 79 24	050	42	26	92 99 62	091	2	20	98 50 12	060	8	-				
92 79 38	030	4	62	92 99 65	091	2	24	98 50 12	091	12	11				
92 79 75	060	6	7	92 99 66	091	6	9	98 50 12	091	16	9				
92 80 12	010	14	26	92 99 68	091	2	25	98 50 12	091	38	31				
92 80 21	060	2	-	92 99 69	091	2	26	98 50 13	091	14	49				
92 80 21	060	4	-	92 99 74	091	2	35	98 50 13	091	14	-				
92 80 41	010	16	50	92 99 75	091	2	34	98 50 14	091	12	34				
92 80 41	070	2	17	93 00 46	070	8	17	98 50 51	091	6	10				
92 83 10	050	20	41	93 00 46	091	26	4	98 50 51	091	14	46				
92 83 10	050	20	24	93 00 46	091	38	8	98 51 26	091	16	-				
92 83 70	010	12	16	93 01 50	060	2	6	98 51 26	091	16	-				
92 84 28	010	14	37	93 01 50	060	4	6	98 51 46	060	8	9				
92 84 67	010	16	54	93 01 54	060	8	24	98 51 46	091	38	32				
92 84 97	070	8	15	93 01 55	091	12	18	98 90 78	030	6	16				
92 84 97	091	48	8	93 01 55	091	38	30	98 90 78	050	4	21				
92 85 02	091	12	33	93 01 61	091	12	19	98 91 51	050	6	67				
92 85 14	050	20	9	93 01 62	091	12	13	98 91 52	030	4	54				
92 85 16	091	30	17	93 01 63	060	8	8	99 16 09	080	2	3				
92 85 16	091	32	11	93 01 63	091	12	20	99 16 10	080	2	-				
92 86 49	010	20	2	93 01 63	091	12	14	99 16 11	080	2	-				
92 86 72	010	12	-	93 01 65	091	16	10	99 16 12	080	2	-				