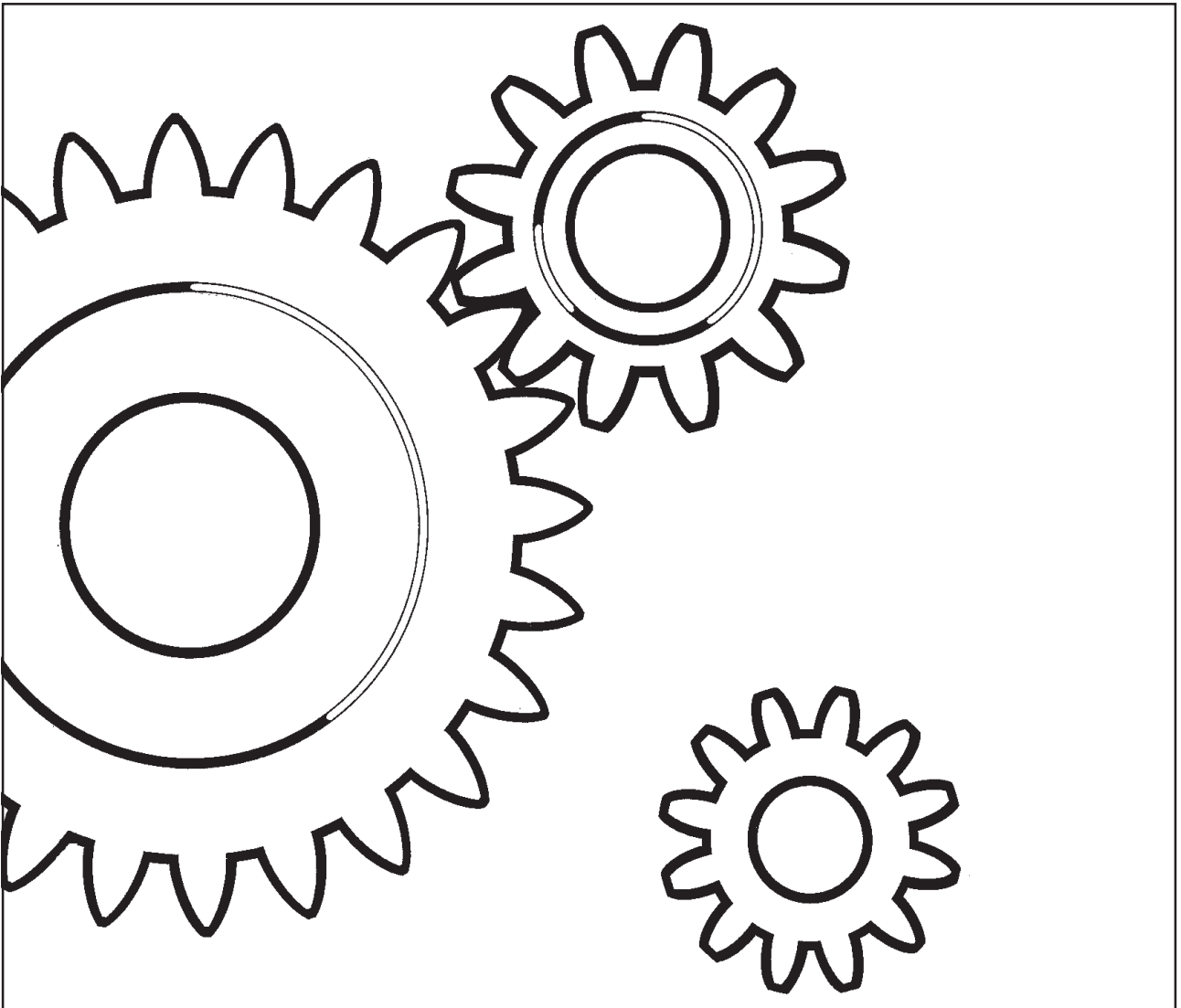


**DYNAPAC
CA260D
SPARE PARTS
CATALOGUE
SCA260D-US3EN1**



DYNAPAC

Box 504, SE-371 23 Karlskrona, Sweden
Phone: +46 455 30 60 00, Fax: +46 455 30 60 10
www.dynapac.com

Vibratory Roller CA260D

Spare Parts Catalogue SCA260D-US3EN1

Valid from roller serial number:

**7822US5400*-*

Diesel engines:

CUMMINS QSB 6.7 C

Published catalogue issues valid for these rollers:

<i>Catalogue</i>	<i>Issue date</i>	<i>Valid for serial numbers</i>
<i>SCA260D-US3EN1</i>	<i>2007-06</i>	<i>See above</i>



RESERVDLSBESTÄLLNING

Följande uppgifter ska lämnas vid beställning av reservdelar för att undvika leveransfel:

1. Maskintyp.
2. Vältensserienummer.
3. Antal av önskad reservdel.
4. Reserdelens artikelnummer.
5. Reservdelens benämning.
6. Måttuppgifter vid beställning av metervara.

ERSATZTEILBESTELLUNG

Zur Vermeidung von Fehllieferungen sind bei der Bestellung von Ersatzteilen folgende Angaben zu machen:

1. Maschinentyp.
2. Herstellungsnummer.
3. Bestellmenge. (Quantity)
4. Ersatzteilnummer. (Part N°)
5. Ersatzteilbenennung. (Denomination)
6. Massangaben bei Bestellung von Meterware.

PEDIDO DE RECAMBIOS

Para evitar errores en las entregas, deberán indicarse los siguientes datos al hacer un pedido de recambios:

1. Tipo de máquina.
2. Número de serie.
3. Cantidad de piezas deseadas. (Quantity)
4. Número de artículo de la pieza de recambio. (Part N°)
5. Denominación de la pieza. (Denomination)
6. Indíquese la medida al solicitar un artículo que se expide por metros.

ORDERING SPARE PARTS

To avoid errors in delivery, please give the following information when ordering spare parts:

1. Type of machine.
2. Roller serial number.
3. Quantity required.
4. Part number.
5. Parts denomination.
6. Dimensions when ordering per length.

ORDINI DI RICAMBI

Per evitare errori nelle consegne di ricambi, Vi preghiamo di comunicarci le seguenti informazioni al momento dell'ordinazione:

1. Tipo di macchina.
2. Numero di serie della macchina.
3. Quantità dei pezzi desiderati. (Quantity)
4. Numero di codice del pezzo. (Part N°)
5. Descrizione del pezzo di ricambio. (Denomination)
6. Misura, in caso di ordine per metro.

COMMANDE DE PIÈCES DE RECHANGE

Les indications suivantes doivent être fournies lors de la commande de pièces de rechange, afin d'éviter toute erreur de livraison:

1. Type de machine.
2. Numéro de série.
3. Quantité désirée de pièce de rechange. (Quantity)
4. Numéro de la pièce de rechange. (Part N°)
5. Dénomination de la pièce de rechange. (Denomination)
6. Longueur en cas de commande au mètre.

YOUR AGENT/DEALER:

DYNAPAC

Text pages

The text pages is structured as the picture on the right.

1. This is the remarks for specific items and the descriptions of the remarks is at the bottom of the parts list.
2. Parts indicated by a dot and moved to the right are included when buying the assembled unit above.
3. Spare parts and service code for a specific part, mainly for internal use at Dynapac. "A" = Service part, "B" = Fast moving part, "C" = Suggested exchanged part and "D" = Regular spare part.

DYNAPAC		Cooling system		Metso Dynapac AB		
Ref. No.	Part No.	Rem.	Qty	Description	Code	
1	223047		1	Water cooler	Ⓚ C	
2	935852		1	Radiator cap	D	
3	935851	Ⓚ	1	Cock		
4	373263	A	1	Radiator hose	D	
5	313009		6	Clamp		
6	205058	B	1XL	Rubber clotch		
7	373261	C	1	Radiator hose	D	
8			1	Oil cooler	D	
9	223289		1	Plate		
10	902166	D	1XL	Edge trim		
11	223287	E	1	Holder		
12	223288	F	1	Holder		
13	908168		1	Fan guard		
14	908170		1	Fan shroud		
15	908171		2	Mounting bar		
16	908169		1	Fan guard		
17	500021		14	Screw		
18	902286		14	Nut		
19	600006		14	Washer		
20	313102		2	Cable strap		

Ⓚ A) Upper
Ⓚ B) L=060MM
Ⓚ C) Lower
Ⓚ D) L=2280MM
Ⓚ E) Left
Ⓚ F) Right

Changes

PARTS INFO	SERVICE INFO	GROUP	PAGE	NOTES

Notes

PÄRMETIKETT

För att undvika fel vid reservdelsbeställning finns här nedan två etiketter som passar i fickorna på pärmarnas ryggar. På dessa kan man se från vilket vältnummer av aktuell maskin reservdelskatalogen gäller. Gör så här:

1. Tag denna sida ur pärmen.
2. Klipp ut etiketten till **VÄNSTER** (1) och sätt in den i fickan på **DENNA** pärmens rygg.
3. Finns det en etikett till **HÖGER** (2), kan denna användas på pärmen för **FÖREGÅENDE** utgåva av denna katalog.
4. Kasta detta papper.

KATALOG-BESCHRIFTUNG

Zur Vermeidung von Fehlern bei der Ersatzteilbestellung benutzen Sie bitte die unteren Beschriftungen, um die Kataloge auf der Rückseite zu kennzeichnen. Auf der Beschriftung ist angegeben, für welche Maschinennummern der jeweilige Katalog gültig ist. Ablauf:

1. Nehmen Sie dieses Blatt aus dem Katalog.
2. Schneiden Sie die **LINKE** Beschriftung (1) aus. Schieben Sie die Beschriftung in die tasche auf **DEM** Katalogrücke.
3. Sollte die Beschriftung unten **RECHTS** (2) mitgeliefert werden, kennzeichnen Sie damit bitte die **ÄLTERE** Ausführung dieses Kataloges.
4. Den Rest dieses Blattes bitte vernichten.

ETIQUETA PARA LA CARPETA

Para evitar errores al pedir repuestos utilicen las etiquetas abajo descritas para identificar los catálogos en la parte trasera de la carpeta. En la etiqueta se ven los números de referencia de la serie para la cual es válido el catálogo. Instrucciones:

1. Quitar esta página de la carpeta.
2. Corta la etiqueta **IZQUIERDA** (1) y ponerla en **ESTA** carpeta en la parte trasera.
3. Si hay una etiqueta en la parte **DERECHA** (2) se puede utilizar en la carpeta para el catálogo que **PRECEDE** a esta.
4. Tirar esta hoja.

BINDER LABEL

To avoid errors when ordering spare parts use the labels below to identify the catalogues on the back of the binder. The label contain the serial number range for which the catalogue is valid. Do like this:

1. Remove this page from the binder.
2. Cut out the **LEFT** label (1) and put it on **THIS** binders back.
3. If there is a label to the **RIGHT** (2), it can be used on the binder for **PRECEDING** issue of this catalogue.
4. Throw away this paper.

ETICHETTAPOSTA SUL RACCOGLITORE

Per evitare errori quando ordinate pezzi di ricambio, usate le etichette in calce che servono ad identificare i cataloghi sul retro del raccoglitore. L'etichetta indica il numero di matricola delle macchine prese in considerazione nel catalogo.

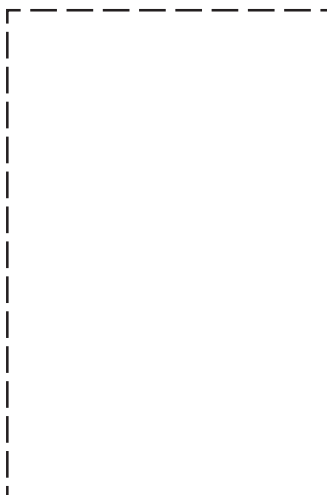
1. Rimuovete questa pagina dal raccoglitore.
2. Ritagliate l'etichetta posta a **SINISTRA** (1) e ponetela sul retro **DEL** raccoglitore.
3. Se trovate anche un'etichetta sulla **DESTRA** (2), ritagliatela e ponetela sul raccoglitore relativo alla **PRECEDENTE** edizione del catalogo.
4. Distruggete questo foglio.

ETIQUETAGE DU CATALOGUE

Afin d'éviter des erreurs lors de commandes de pièces de rechange, nous vous conseillons d'apposer les marquages ci-dessous à l'arrière du classeur, pour identifier les catalogues. Ce marquage indique les numéros de série pour lesquels le catalogue est adapté. Il convient de procéder de la façon suivante:

1. Retirez cette page du classeur.
2. Découpez l'étiquette de **GAUCHE** (1), et apposez-la à l'arrière de **CE** catalogue.
3. Si il y a une étiquette à **DROITE** (2), vous pourrez l'apposer sur le classeur de l'édition **PRECEDENTE** du catalogue.
4. Détruire cette feuille.

1.



CA260D SN 7822US5400 -	2
Service kits	4
Service kits	6
945197 Service kit 50 h	8
945198 Service kit 500 h	10
945199 Service kit 1000 h	12
Repair kits	14
Repair kits	16
938558 Steering hitch kit	18
945657 Eccentric shaft kit	20
938891 Drum rotation kit	22
938878 Shock absorber kit, drum	24
Frame	26
Frames	28
Side covers Option	30
Scraper and beam	32
Scrapers, Urethan Rubber Option	34
Scrapers, Spring Steel Option	36
Hitch	38
Structure	40
Drum	42
Drum	44
Drum cartridge Drive side	46
Drum cartridge Vibration side	48
Engine	50
Engine Cummins QSB 6.7C	52
Cooling system	54
Combustion air system	58
Fuel system	60
Exhaust system	62
Transmission	64
Rear axle and wheels	66
383857 Rear axle	68
Differential with limited slip	70
Differential housing and brakes	72
Planet gear	74
383856 Rear axle No-Spin, Option	76
Differential with No-Spin	78
Differential housing and brakes	72
Planet gear	80
Hydraulic system	82
Drive system	84
Vibration system	88
380145 Hydraulic motor, vibration	90
Steering system	92
376000 Steering valve	94
Brake system	96

Electric system	98
Electric system	100
Control panel	102
Working lights Option	104
Rotating beacon Option	106
Back-up alarm Option	108
Compaction meter Option	110
 Drivers platform	 112
Drivers platform	114
Control panel	116
Forward and reverse control	118
Forward and reverse control handle	120
Steering column	122
Canopy Option	124
Rops and fops	126
Cab mounting	128
Cab Screens	130
Cab Door, left side	134
Cab Interior rear mirror	136
Cab Exterior, rear mirror	138
Wiper arm with blade, front	140
Cab Work light	142
Cab Electric	144
 Decals	 146
Decals	148
Decals	150
 Standard equipment	 152
Standard equipment	154
 Optional equipment	 156
Tool equipment	158
Scraper and beam	160
Pad shell	162
Dy-Mic	164
Heater Simple cab	166
379394 Heater box	168



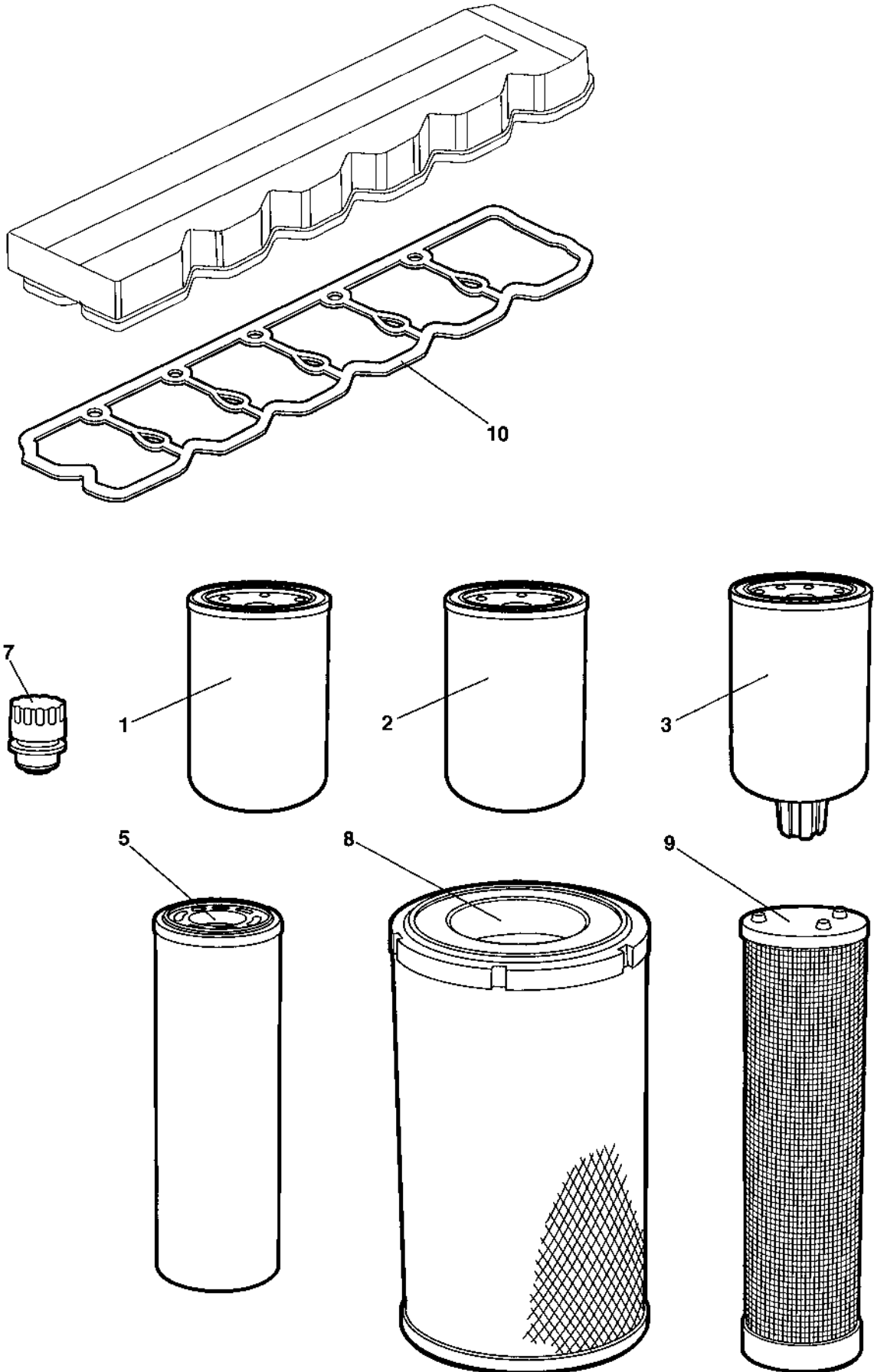
Ref. No.	Part No.	Rem.	Qty	Description	Code
1				Service kits (Page 4)	
2				Repair kits (Page 14)	
10				Frame (Page 26)	
20				Drum (Page 42)	
30				Engine (Page 50)	
40				Transmission (Page 64)	
50				Hydraulic system (Page 82)	
60				Electric system (Page 98)	
70				Drivers platform (Page 112)	
80				Decals (Page 146)	
90				Standard equipment (Page 152)	
91				Optional equipment (Page 156)	

Service kits

Ref. No.	Part No.	Rem.	Qty	Description	Code
-1				Service kits (Page 6)	
10	945197			Service kit (Page 8)	50 h
20	945198			Service kit (Page 10)	500 h
30	945199			Service kit (Page 12)	1000 h

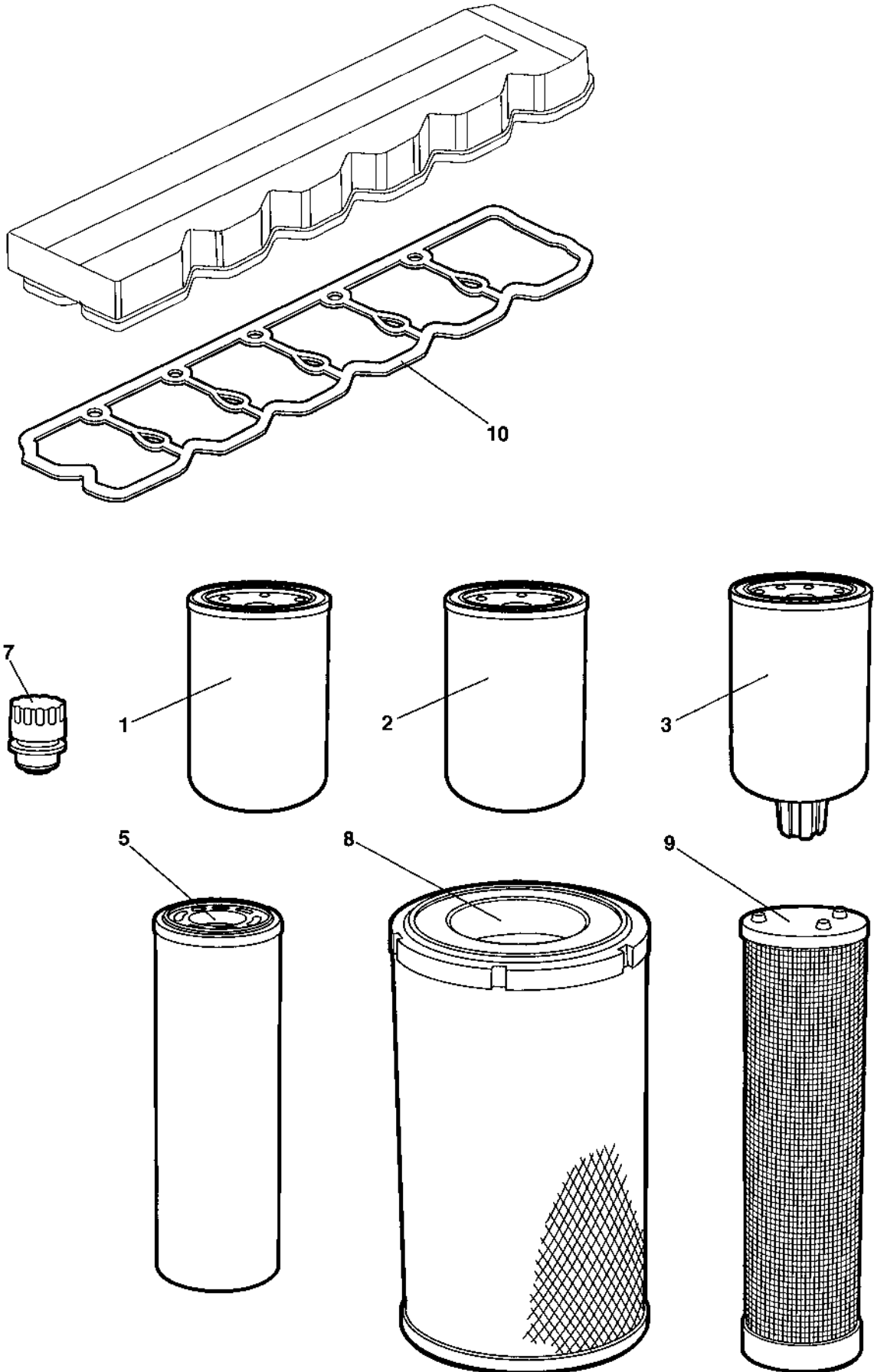
Service kits

Ref. No.	Part No.	Rem. Qty	Description	Code
10	945197		Service kit (Page 8)	50 h
20	945198		Service kit (Page 10)	500 h
30	945199		Service kit (Page 12)	1000 h



Ref. No.	Part No.	Rem.	Qty	Description	Code
1	945145		1	Oil filter element	A
2	945146		1	Fuel filter element	A
3	945147		1	Pre-fuel filter element	A
5	372229		2	Hydraulic oil filter element	A

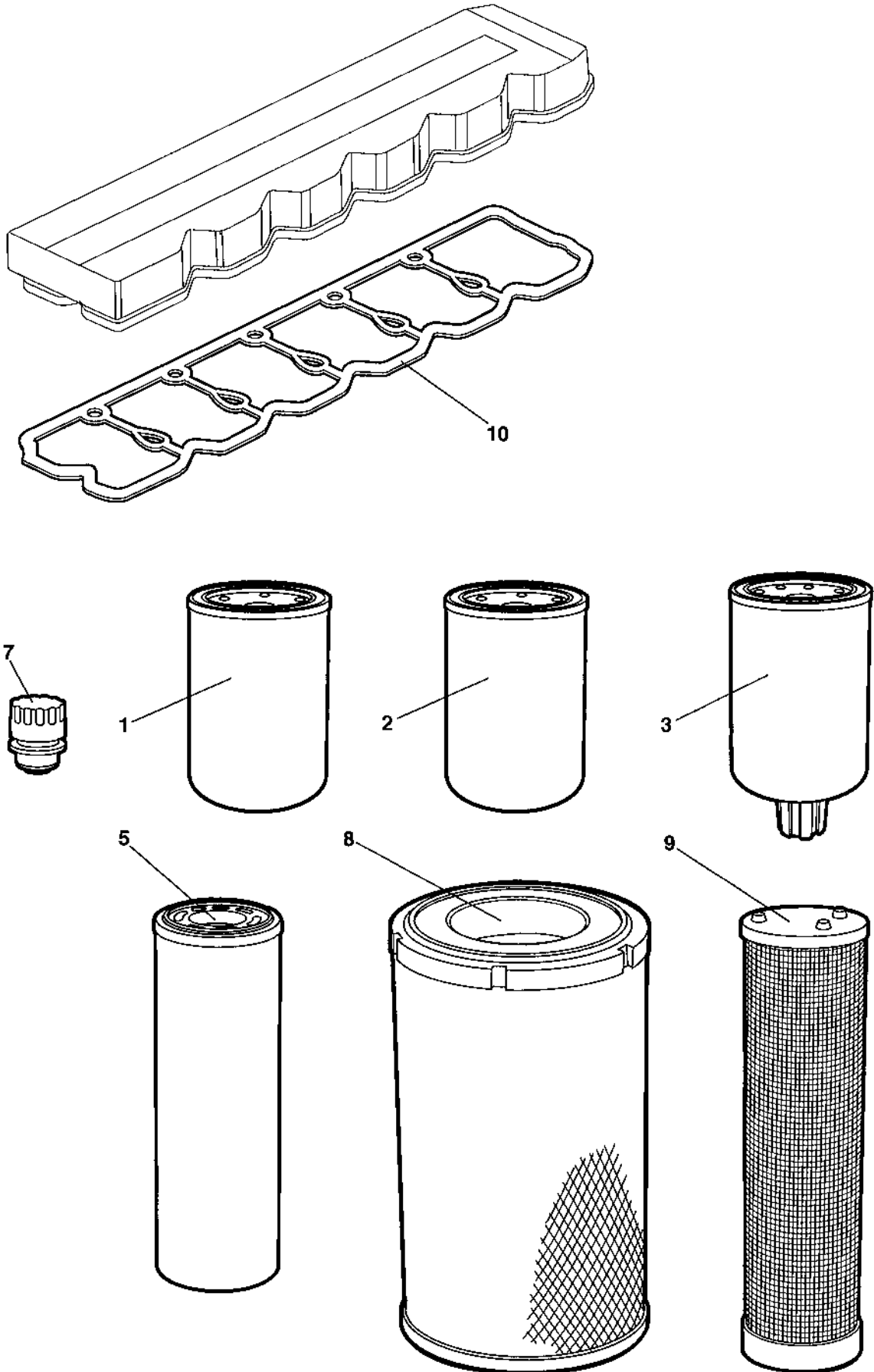
A)



Ref. No.	Part No.	Rem.	Qty	Description	Code
1	945145		1	Oil filter element	A
2	945146		1	Fuel filter element	A
3	945147		1	Pre-fuel filter element	A
8	385377		1	Air filter element	A

Main

A)



945199 Service kit 1000 h

Ref. No.	Part No.	Rem.	Qty	Description	Code
1	945145		1	Oil filter element	A
2	945146		1	Fuel filter element	A
3	945147		1	Pre-fuel filter element	A
5	372229		2	Hydraulic oil filter element	A
7	357138	B	1	Ventilating filter	A
8	385377		1	Air filter element	Main Safety
9	385378		1	Air filter element	A
10	945171		1	Valve cover gasket	A

B) Ventilated oil filler cap for the hydraulic oil tank

A)

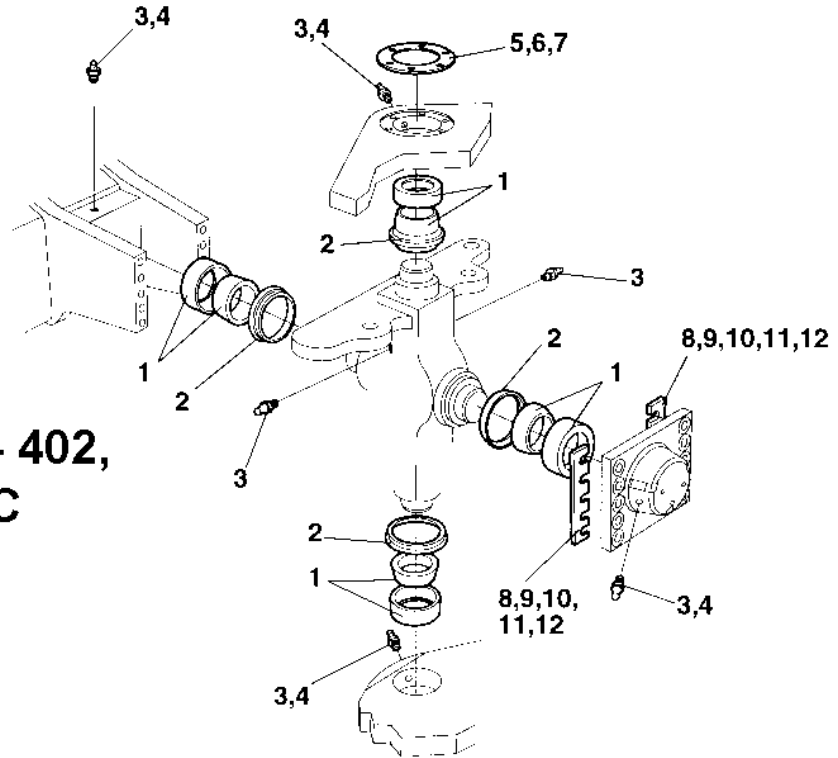
Repair kits

Ref. No.	Part No.	Rem.	Qty	Description	Code
-1				Repair kits (Page 16)	
1	938558			Steering hitch kit (Page 18)	
2	945657			Eccentric shaft kit (Page 20)	
3	938891			Drum rotation kit (Page 22)	
4	938878			Shock absorber kit, drum (Page 24)	

Repair kits

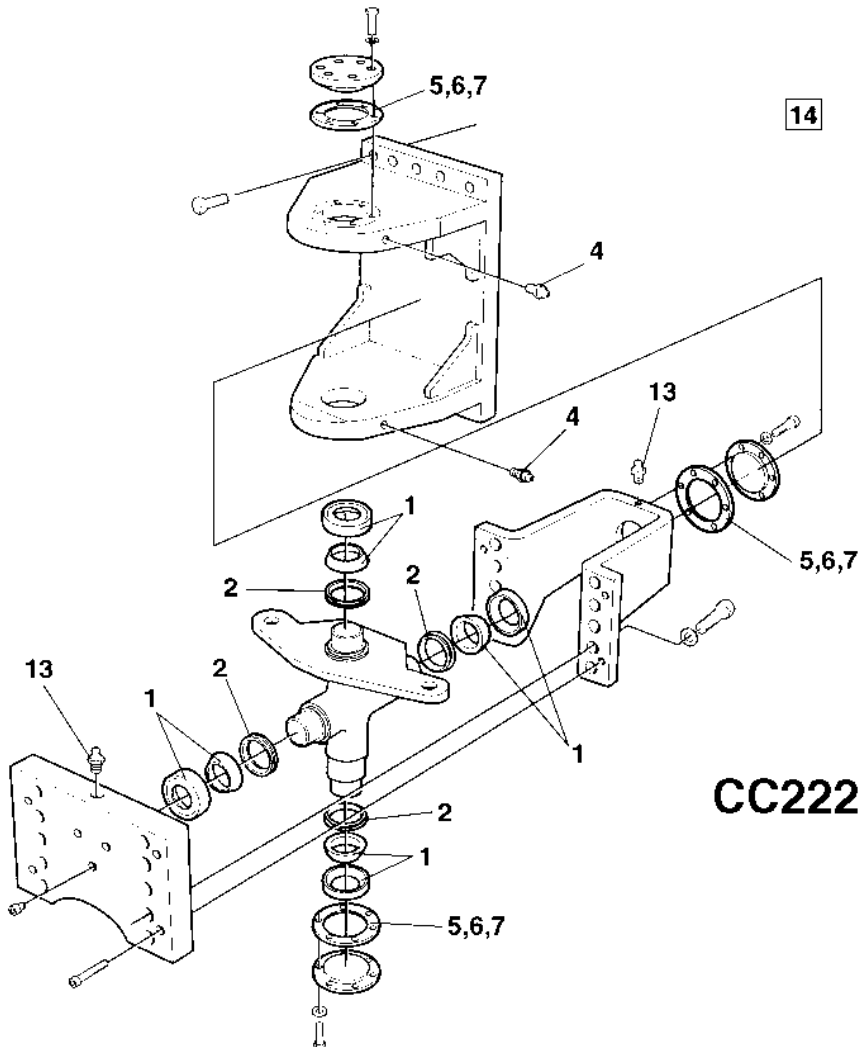
Ref. No.	Part No.	Rem. Qty	Description	Code
1	938558		Steering hitch kit (Page 18)	
2	945657		Eccentric shaft kit (Page 20)	
3	938891		Drum rotation kit (Page 22)	
4	938878		Shock absorber kit, drum (Page 24)	

**CA150 - 402,
CC501/C**



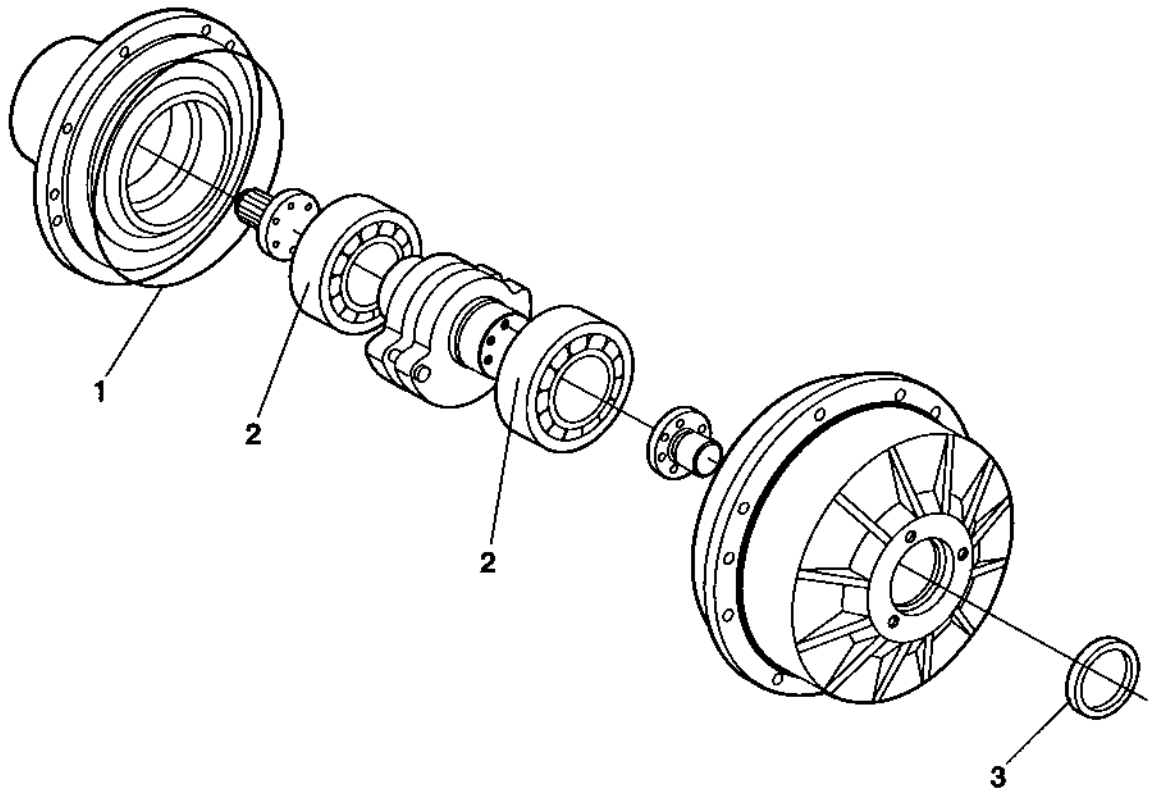
14

CC222-622/C



Ref. No.	Part No.	Rem.	Qty	Description	Code
1	100040		4	Axial ball bearing	D
2	167032		4	Lip-type oil seal	D
3	310008	2	3	Grease nipple	D
4	926214		2	Grease fitting	D
5	337045		3	Shim	T=1,0 mm D
6	345874		3	Shim	T=0,35 mm D
7	345875		3	Shim	T=0,10 mm D
8	345871	1	2	Shim	T=1,0 mm D
9	345872	1	2	Shim	T=0,35 mm D
10	345873	1	2	Shim	T=0,10 mm D
11	380993	1	2	Shim	T = 2,0 mm D
12	384498	1	2	Shim	T = 0,15 mm D
13	929863	3	1	Grease nipple	D
14	904663		1	Lube grease	" DYNAPAC special approved "
15			1	Instructions	

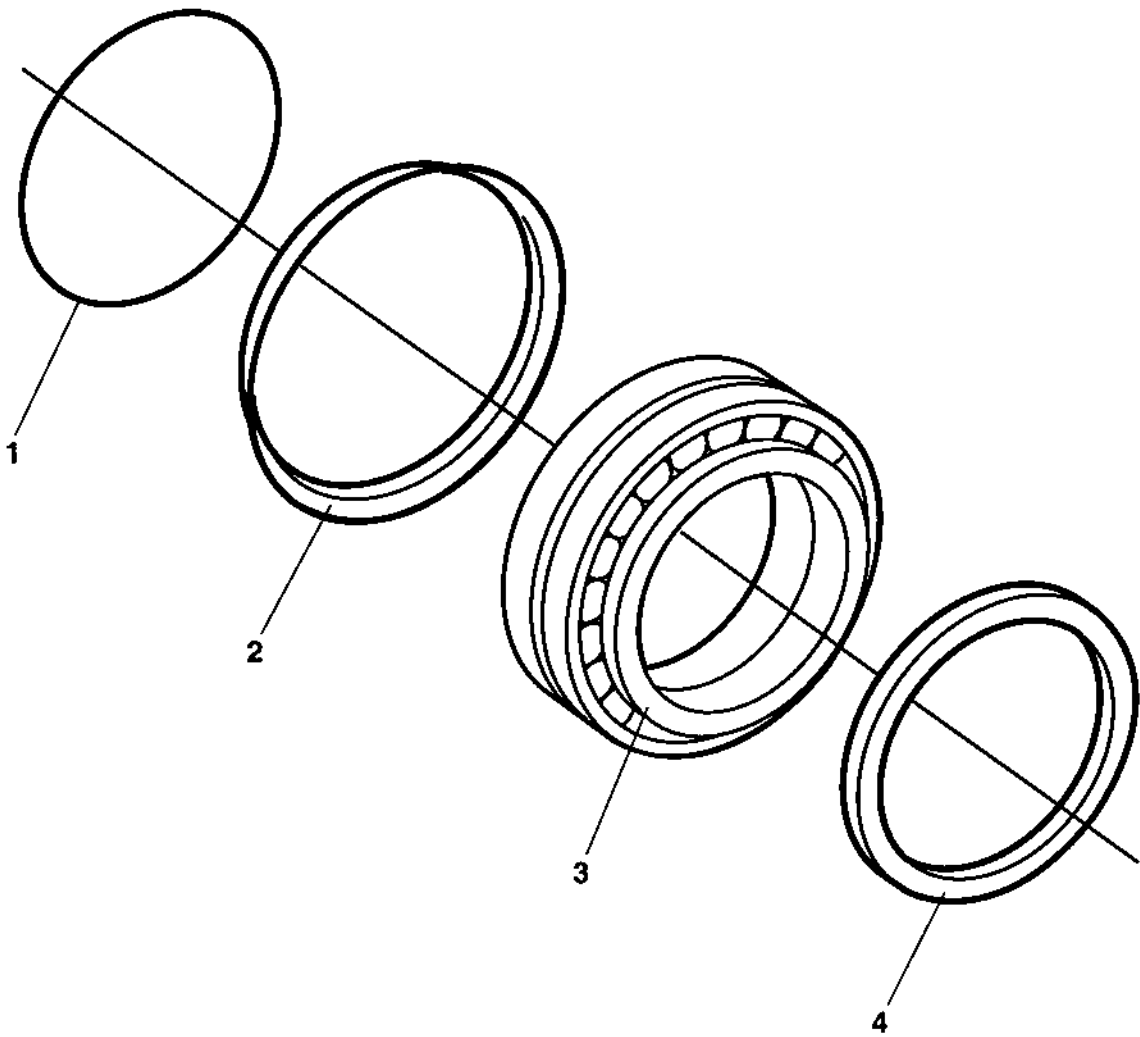
- 1) Valid for CA150-402 and CC501/C
- 2) Valid for CC501/C
- 3) Valid for CC222/232/322/422/432/522/622/C
- D)



945657 Eccentric shaft kit

Ref. No.	Part No.	Rem.	Qty	Description	Code
1	900776		1	O-ring	D
2	390896		2	Spherical roller bearing	D
3	900782		1	Seal ring	D

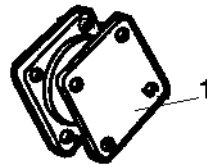
D)



938891 Drum rotation kit

Ref. No.	Part No.	Rem.	Qty	Description	Code
1	160105		1	O-ring 70	D
2	929447		1	V-ring	D
3	116041		1	Taper roller bearing	D
4	386272		1	Sealing	D

D)



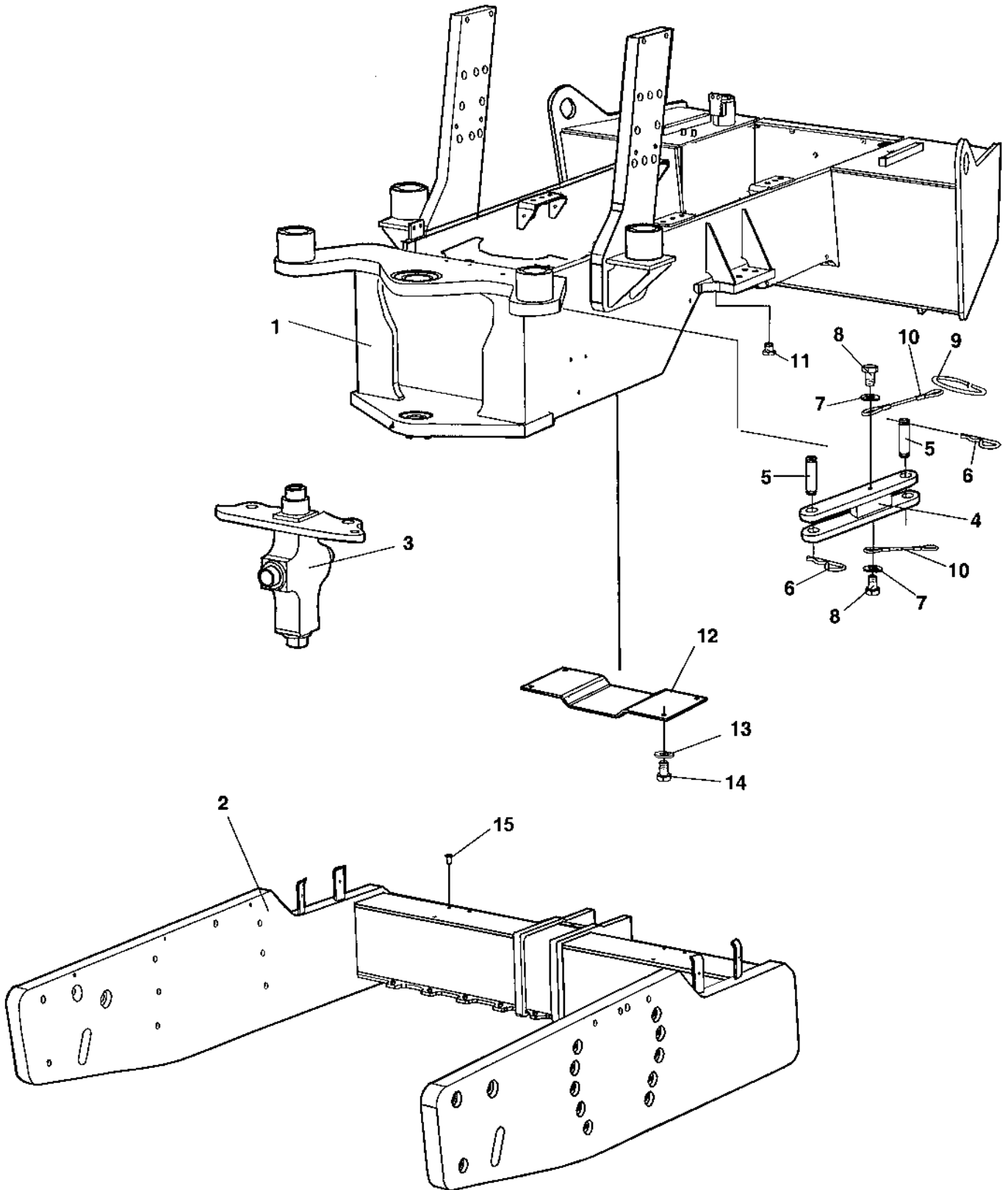
938878 Shock absorber kit, drum

Ref. No.	Part No.	Rem.	Qty	Description	Code
1	801187		10	Shock absorber	B

B)

Frame

Ref. No.	Part No.	Rem.	Qty	Description	Code
10				Frames (Page 28)	
15				Side covers (Page 30)	Option
30				Scraper and beam (Page 32)	
45				Scrapers, Urethan Rubber (Page 34)	Option
55				Scrapers, Spring Steel (Page 36)	Option
60				Hitch (Page 38)	
70				Structure (Page 40)	

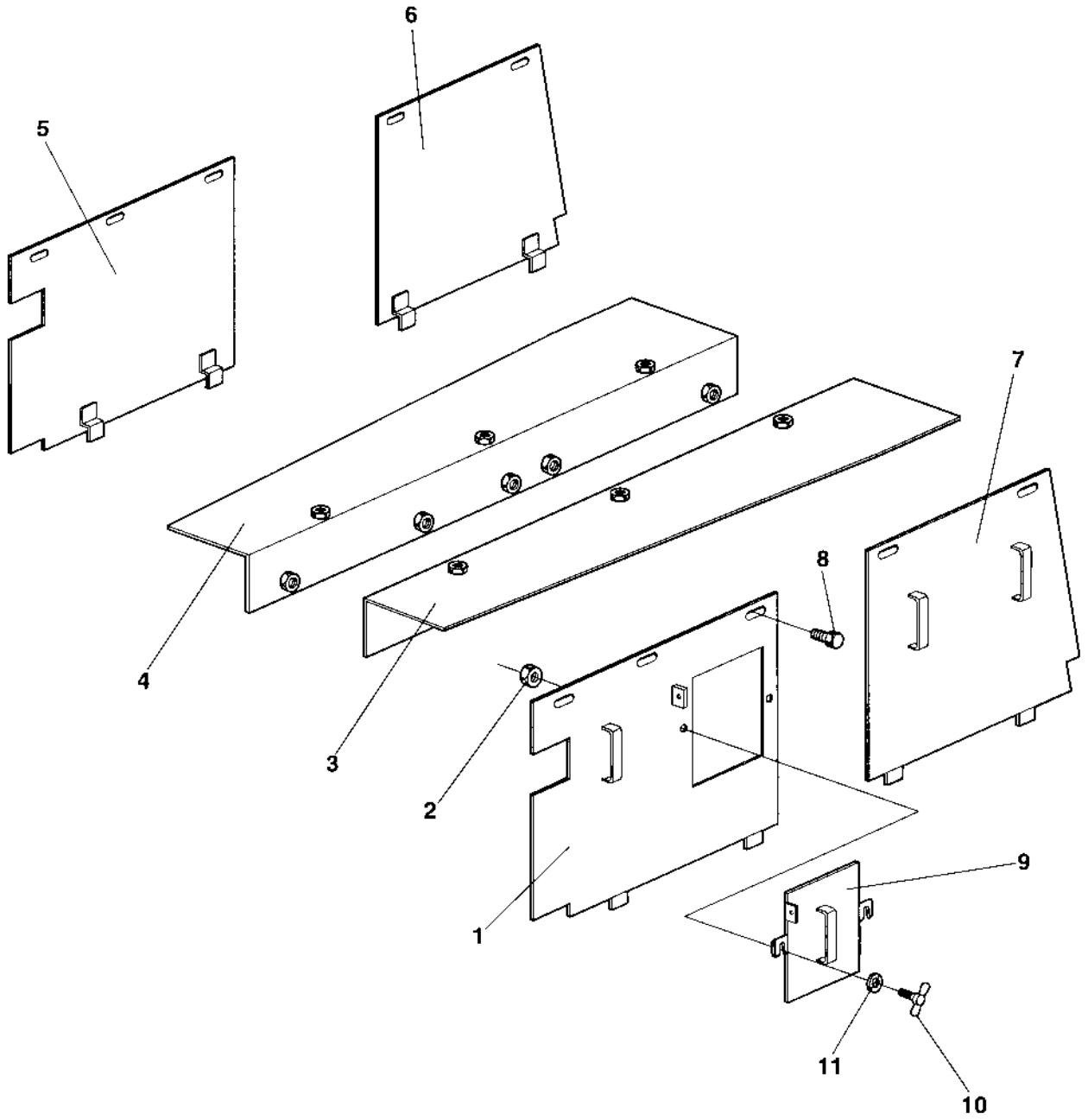


Frames

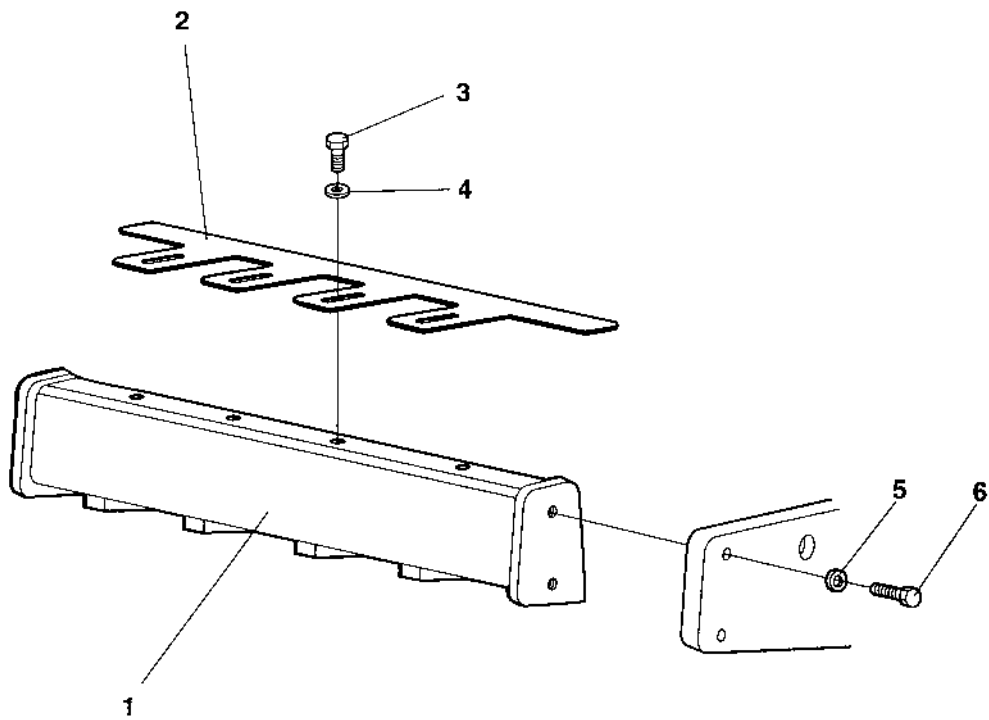
Ref. No.	Part No.	Rem.	Qty	Description	Code
1	392791		1	Tractor frame	
2	376701		1	Drum frame	
3			1	Hitch (Page 38)	
4	374744		1	Safety rod	
5	347119		2	Shaft	D
6	635061		3	Hair clip	D
7	904230		4	.Washer	10,5x22x2
8	500043		2	Screw	M10x16H 8,8
9	357488		1	Spring	
10	343775		2	Wire	
11	813391		1	Magnetic plug	D
12	372087		1	Protection plate	
13	904557		4	Washer	10,5x22x4
14	500029		4	Screw	M10-1,5x30 8.8
15	902919		6	Plug	

D)

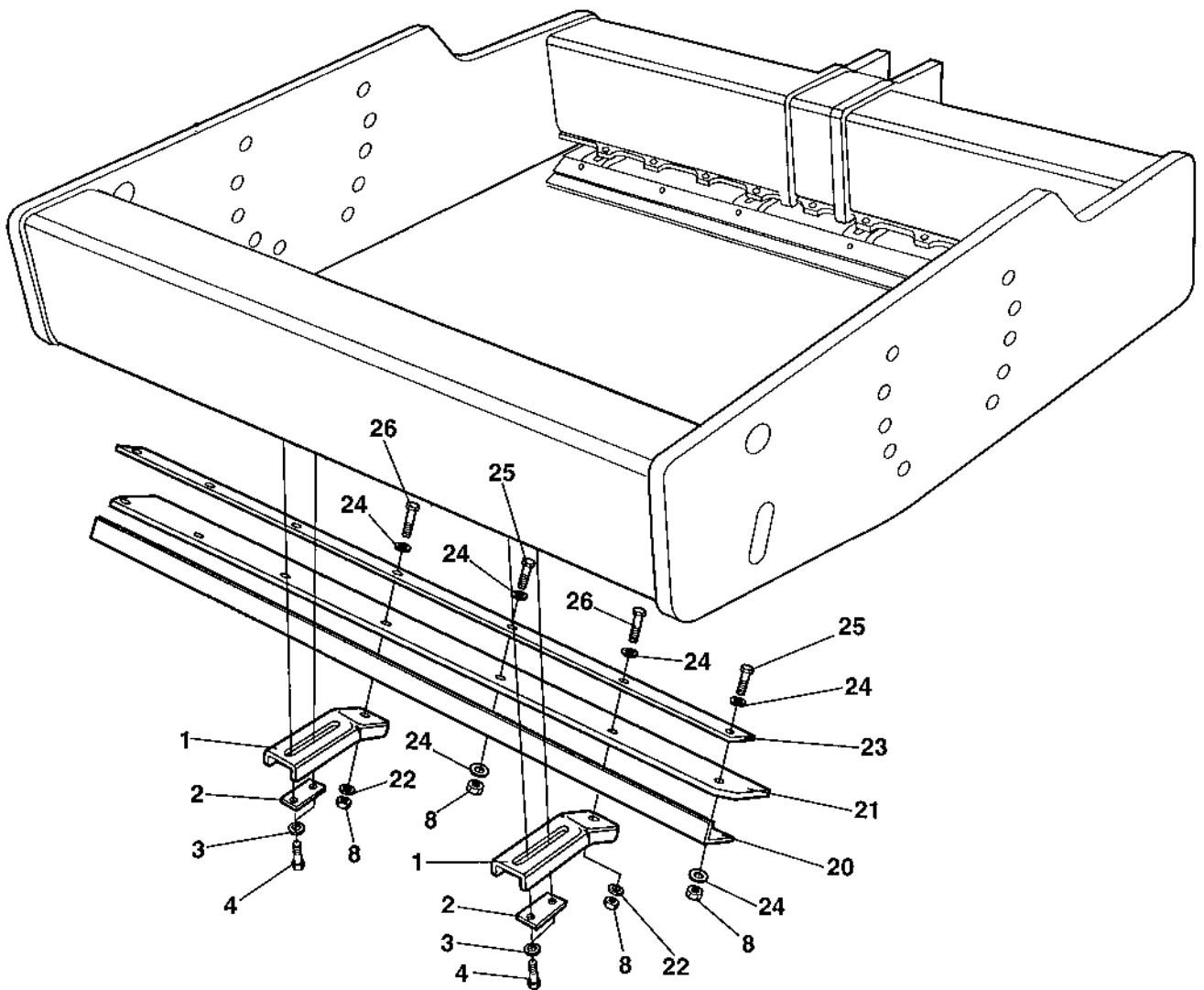
16958



Ref. No.	Part No.	Rem.	Qty	Description	Code
1	380053		1	Side cover, right	
2	586003		2	Lock nut	M8
3	387089		1	Holder, right	
4	387090		1	Holder, left	
5	380058		1	Side cover, left	
6	380057		1	Side cover, left	
7	380052		1	Side cover, right	
8	500053		16	Screw	M8-1,25x20 8.8
9	381033		1	Cover	
10	904718		2	Wing screw	
11	904640		18	Washer	8,4x22x3



Ref. No.	Part No.	Rem.	Qty	Description	Code
1	376667		1	Cross beam	
	376652	A	1	Cross beam	
2	384048		1	Scraper	
3	500102		4	Screw	M16x45
4	904558		4	Washer	17x30x6
5	904234		4	Washer	25x45x4
6	500283		4	Screw	M24x120
A)	Heavy beam, Option				

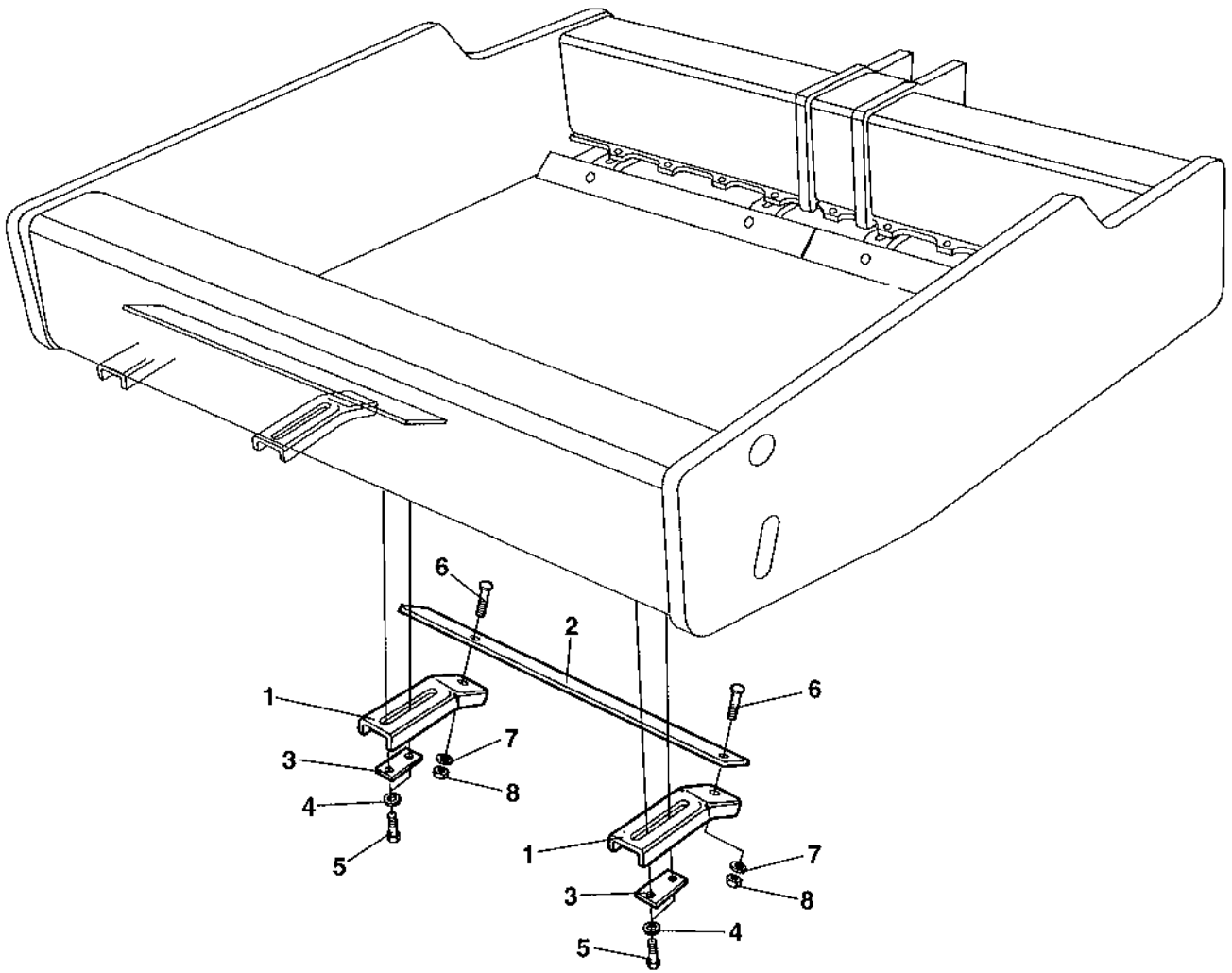


Scrapers, Urethan Rubber Option

Ref. No.	Part No.	Rem.	Qty	Description	Code
1	376819	A	8	Scraper bracket	
2	376622	A	8	Holder	
3	904232		16	Washer	17x30x3
4	500076		16	Screw	M16x55
8	586019		18	Lock nut	M12
20	376825	A	2	Scraper bracket	
21	358033	A	2	Scraper blade	B
22	904213		8	Washer	13x30x4
23	376826	A	2	Scraper bracket	
24	904231		28	Washer	13x24x2
25	500056		10	Screw	M12x45 8,8
26	500049		8	Screw	M12-1,75x60 8.8

A) Mounted on the front and rear of the drum.

B)



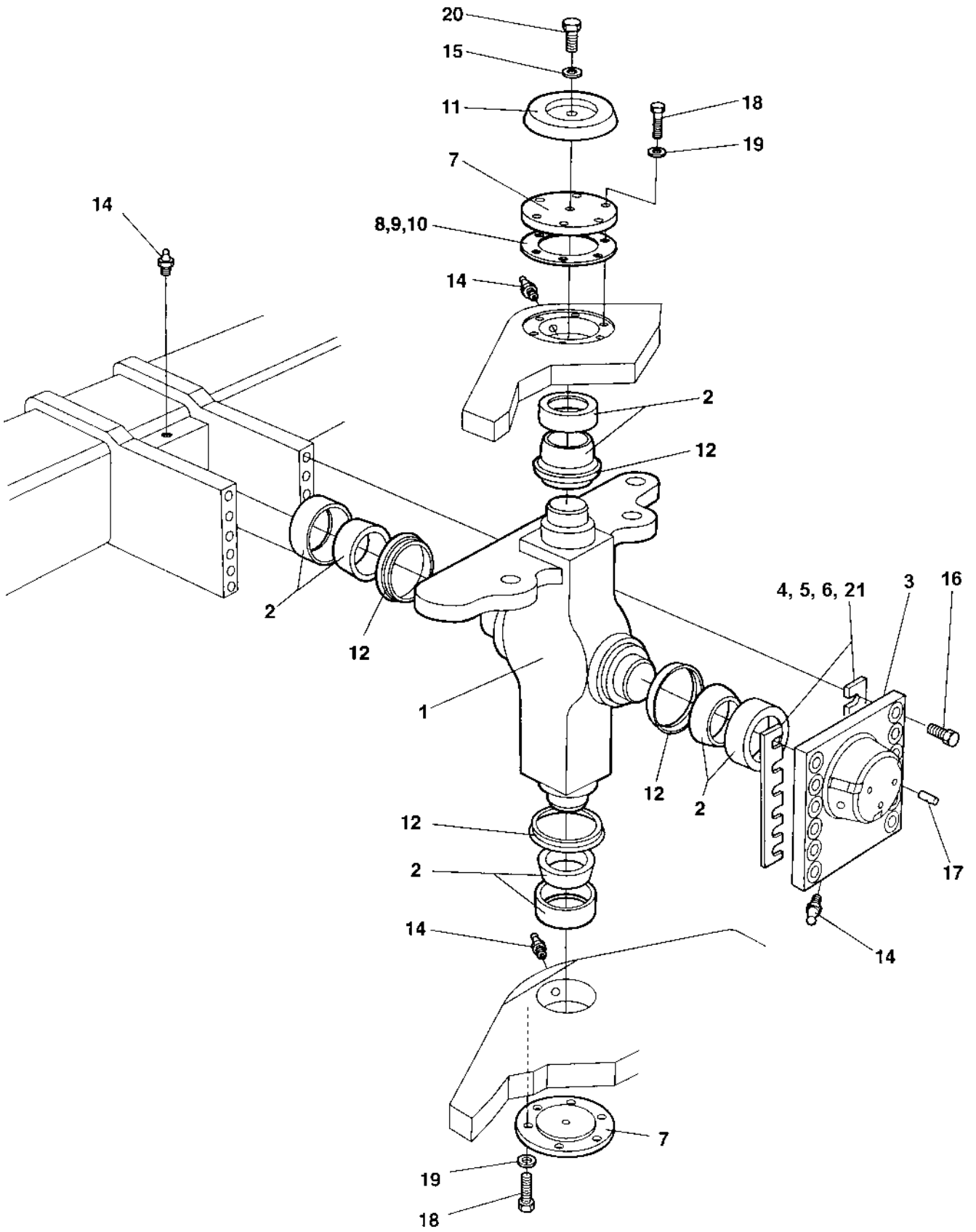
Scrapers, Spring Steel Option

Ref. No.	Part No.	Rem.	Qty	Description	Code
1	376819		8	Scraper bracket	
2	376829		4	Scraper	
3	376622		8	Holder	
4	904232		16	Washer	17x30x3
5	500076		16	Screw	M16x55
6	791948	A	8	Bolt	M12x40H 8,8
7	904703		8	Washer	13x24x4
8	586019		8	Lock nut	M12

A) Cup square neck bolt.

Hitch

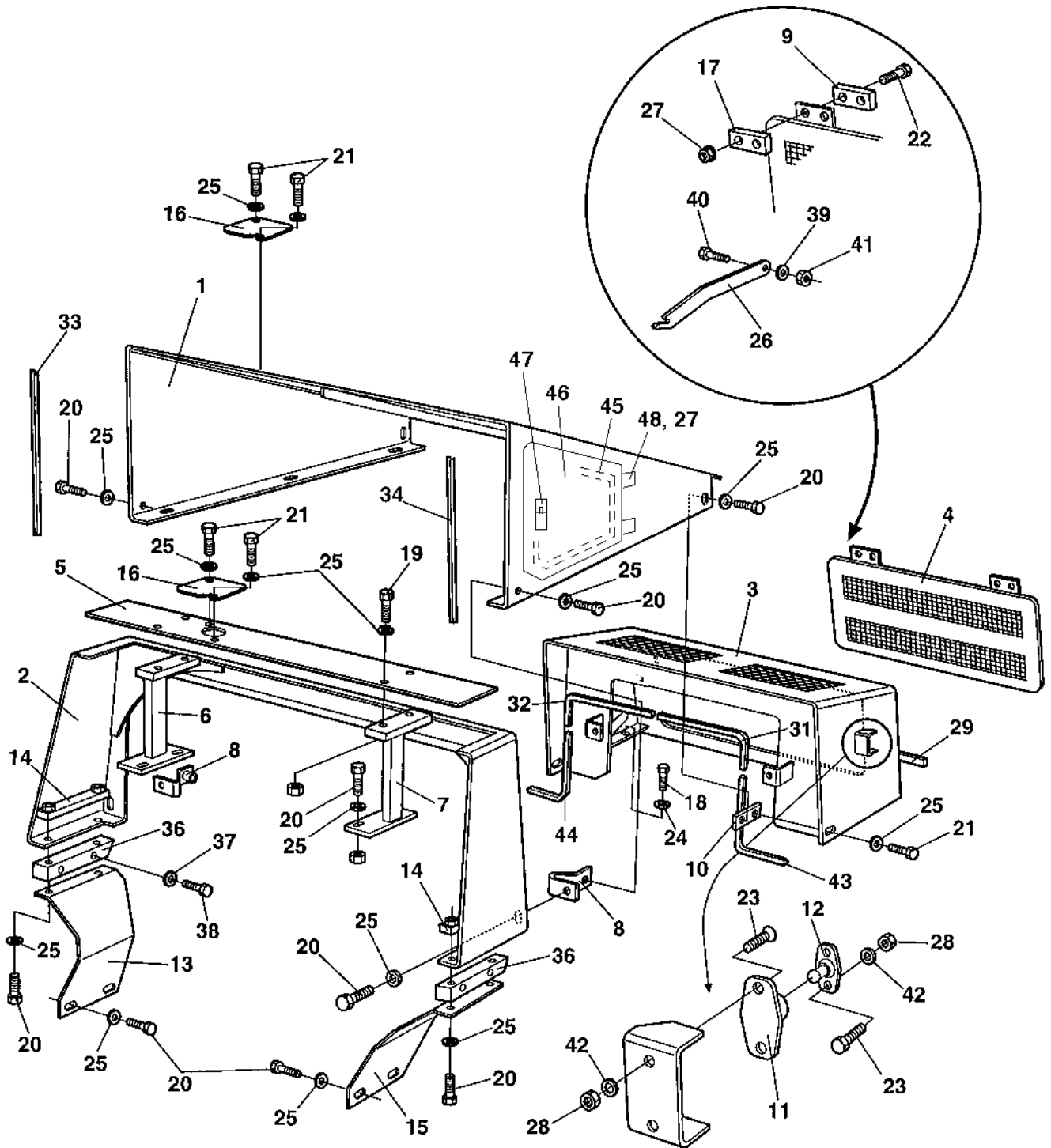
16083



Hitch

Ref. No.	Part No.	Rem.	Qty	Description	Code
1	374900		1	Hitch	
2	100040		4	Axial ball bearing	D
3	373421		1	Bearing cover	
4	345871	N		Shim	T=1,0 mm D
5	345872	N		Shim	T=0,35 mm D
6	345873	N		Shim	T=0,10 mm D
7	337042		2	Bearing cover	
8	337045	N		Shim	T=1,0 mm D
9	345874	N		Shim	T=0,35 mm D
10	345875	N		Shim	T=0,10 mm D
11	343159		1	Cover	
12	167032		4	Lip-type oil seal	D
14	926214		4	Grease fitting	D
15	904229		1	Washer	8,4x16x1,5
16	500287		12	Screw	
17	910995		3	Stop screw	
18	500037		12	Screw	M12-1,75x35 8,8
19	904231		12	Washer	13x24x2
20	500188		1	Screw	M8-1,25x14 8,8
21	380993	N		Shim	T = 2,0 mm D
	384498	N		Shim	T = 0,15 mm D

D)



Structure

Ref. No.	Part No.	Rem.	Qty	Description	Code
1	392784		1	Hood	
2	376340		1	Protecting cover	
3	376818		1	Hood	
	791475	A	2	Grommet	
4	382406		1	Rear cover	
5	376354		1	Cover	
6	392786		1	Holder, right	
7	376349		1	Holder, left	
8	376366		2	Holder	
9	380755		2	Holder	
10	380109		2	Holder	
11	450066		2	Door bumper	D
12	450067		2	Door bumper	D
13	381348		1	Holder	
14	381330		2	Holder	
15	381347		1	Holder	
16	381297		2	Cover	
17	380012		2	Holder	
18	500031		4	Screw	M10-1,5x40 8,8
19	500047		4	Screw	M8-1,25x35 8,8
20	500022		20	Screw	M8-1,25x30 8,8
21	500053		10	Screw	M8-1,25x20 8.8
22	924875		4	Screw	M6x35
23	904504		8	Screw	M5 x 18
24	904557		4	Washer	10,5x22x4
25	904640		34	Washer	8,4x22x3
26	382411		1	Hook	
27	902285		8	Lock nut	M6
28	586001		8	Lock nut	M5
29	902379	B	1XL	Edge trim	
30	902379	C	1XL	Edge trim	
31	902166	D	1XL	Edge trim	3-5
32	902166	E	1XL	Edge trim	3-5
33	902166	F	1XL	Edge trim	3-5
34	902166	G	1XL	Edge trim	3-5
36	381989		2	Holder	
37	904231		4	Washer	13x24x2
38	500133		4	Screw	M12x70
39	904228		2	Washer	6,4x12x1,5
40	500040		1	Screw	M6-1x20 8,8
41	586002		1	Lock nut	M6
42	904281		8	Washer	5,3x10x1
43	902166	H	1XL	Edge trim	3-5
44	902166	C	1XL	Edge trim	3-5
45	202028	J	1XL	Edge trim	
46	393857		1	Cover	
47	792549		1	Lock	
48	513012		4	Screw	M6x20 10,9

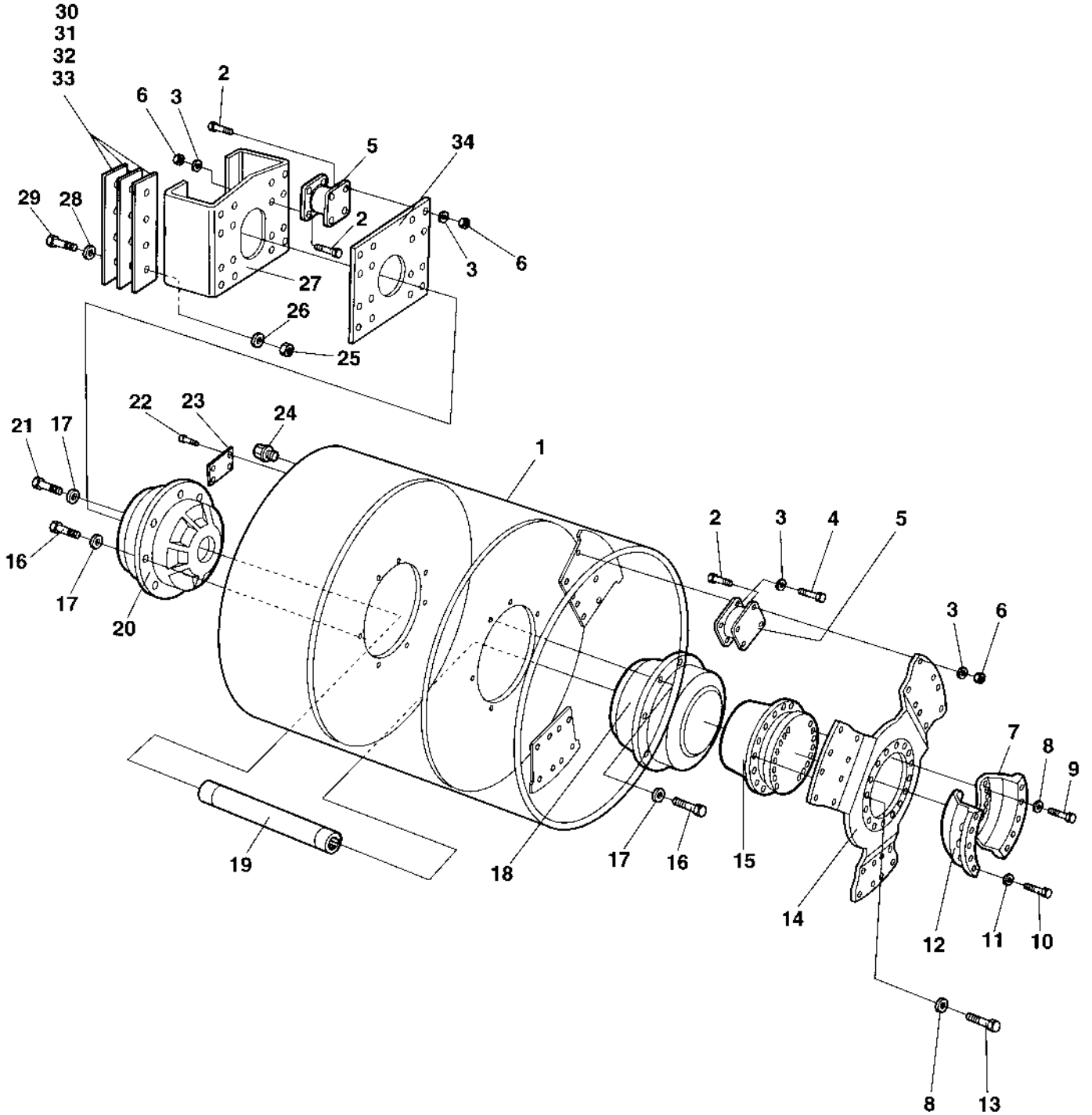
- A) With membrane
- B) L=0,330 m
- C) L=0,550 m
- D) L=0,560 m
- E) L=0,310 m
- F) L=0,460 m
- G) L=0,460 m
- H) L=0,580 m
- J) L=1,120 m
- D)

Drum

Ref. No.	Part No.	Rem.	Qty	Description	Code
10				Drum (Page 44)	
20				Drum cartridge (Page 46)	Drive side
30				Drum cartridge (Page 48)	Vibration side

Drum

16959



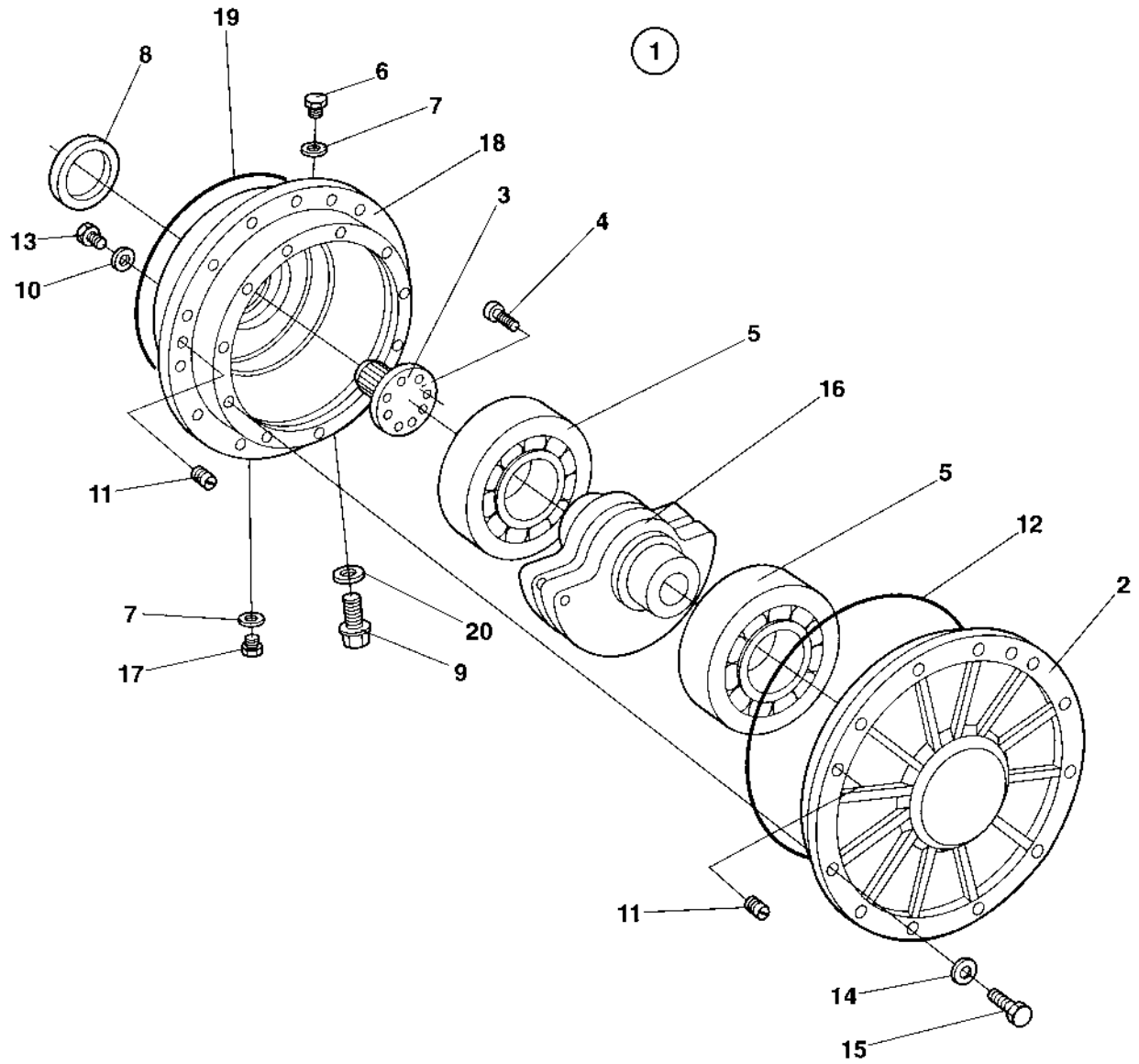
Drum

Ref. No.	Part No.	Rem.	Qty	Description	Code
1	372529		1	Drum	
2	500194		56	Screw	M12x40H 8.8
3	904231		80	Washer	13x24x2
4	500051		24	Screw	M12-1,75x25 8,8
5	801187		10	Shock absorber	
6	570007		56	Lock nut	M12
7	373442	A	1	Gear holder	
8	904233		32	Washer	21x36x3
9	903919		16	Screw	
10	500146		10	Screw	M24-3,0x110 8,8
11	904234		10	Washer	25x45x4
12	373443	B	1	Gear holder	
13	903281		16	Screw	
14	372236		1	Drive disc	
15	380462		1	Drum gear	
16	500082		23	Screw	M16x70
17	384114		24	Spacer	
18			1	Drum cartridge (Page 46)	Drive side
19	349682		1	Drive shaft	
20			1	Drum cartridge (Page 48)	Vibration side
21	384121		1	Air breather screw	
22	527002		4	Drive screw	
23	343801		1	Sign plate	
24	232210		1	Plug	
25	925867		6	Nut	M20
26	904233		6	Washer	21x36x3
27	355676		1	Bracket	
28	904233		6	Washer	21x36x3
29	928850		6	Screw	M20-2,5x120 10,9
30	345678		N	Shim	T = 1,5 mm
31	345679		N	Shim	T = 3 mm
32	345884		N	Shim	T = 6 mm
33	345885		N	Shim	T = 8 mm
34	343322		1	Holder plate	

A) Right

B) Left

B)



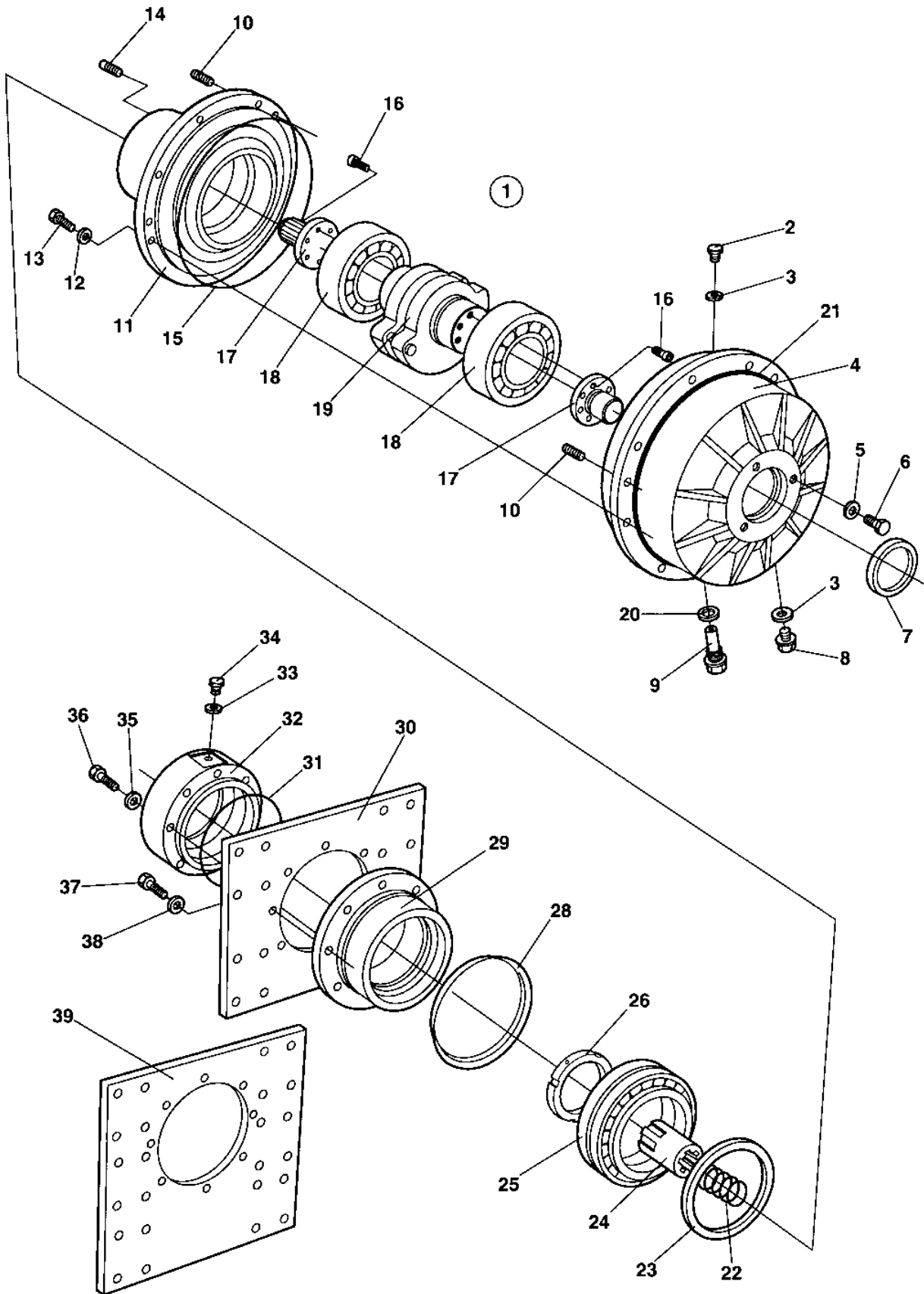
Drum cartridge Drive side

Ref. No.	Part No.	Rem.	Qty	Description	Code
1	945584		1	Drum cartridge	
2	379876		1	.Bearing housing outer	
3	380018		1	.Splined shaft	
4	791156		8	.Screw M10-1,5x55 12,9	
5	390896		2	.Spherical roller bearing	D
6	343744		1	.Magnetic plug	M30 D
7	162017		2	.Seal ring	M30 D
8	900782		1	.Seal ring	D
9	381634		1	.Plug	
10	162027		3	.Sealing	M12 D
11	900775		6	.Plug	
12	900776		1	.O-ring	D
13	500163		3	.Screw	M12x16
14	904232		12	.Washer	17x30x3
15	500082		12	.Screw	M16x70
16	381761		1	.Eccentric shaft	
17	232210		1	.Plug	
18	379880		1	.Bearing housing inner	
19	904737		1	.O-ring	
20	162011		1	.Washer, sealing	D

D)

Drum cartridge Vibration side

18388

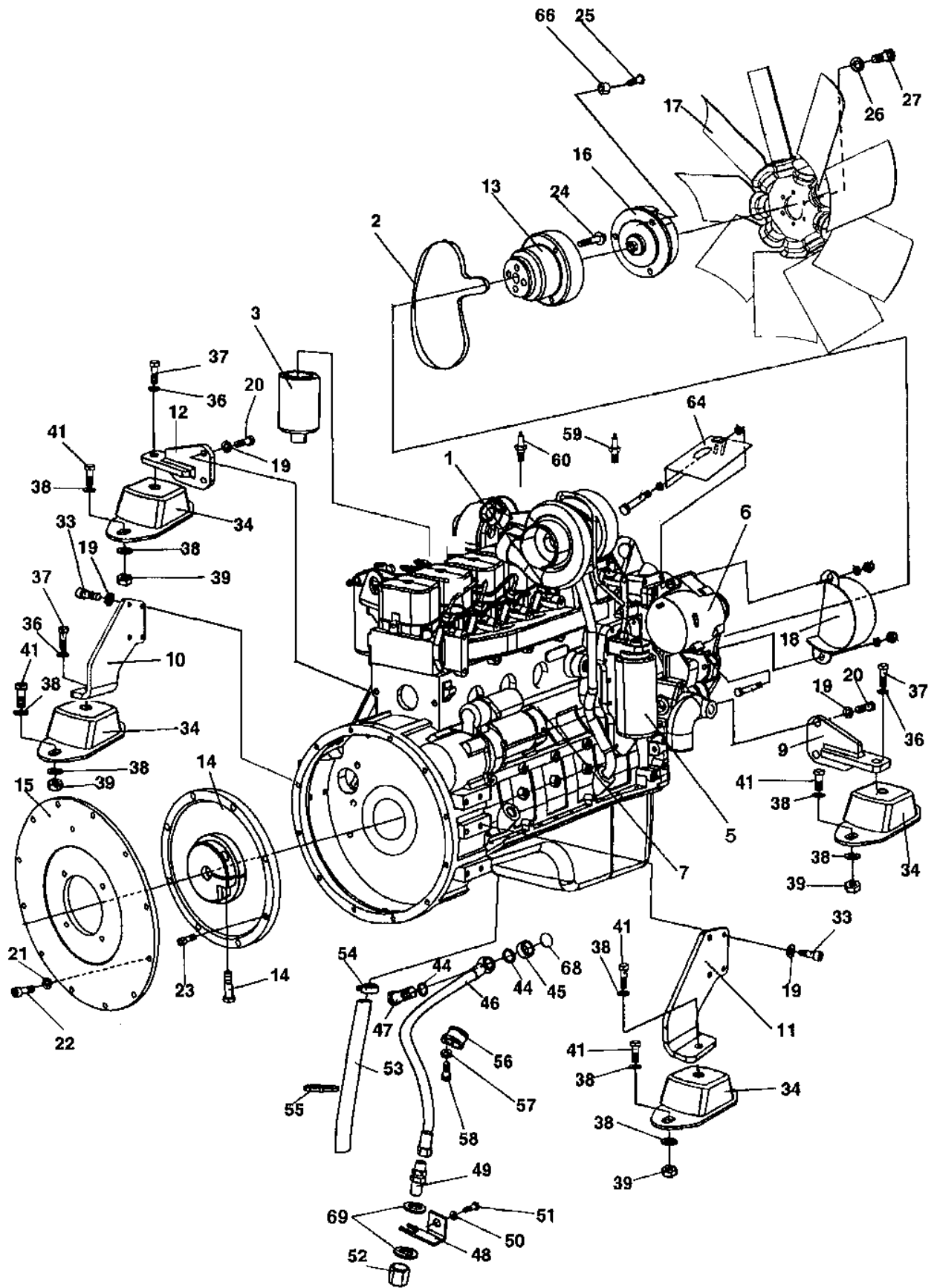


Drum cartridge Vibration side

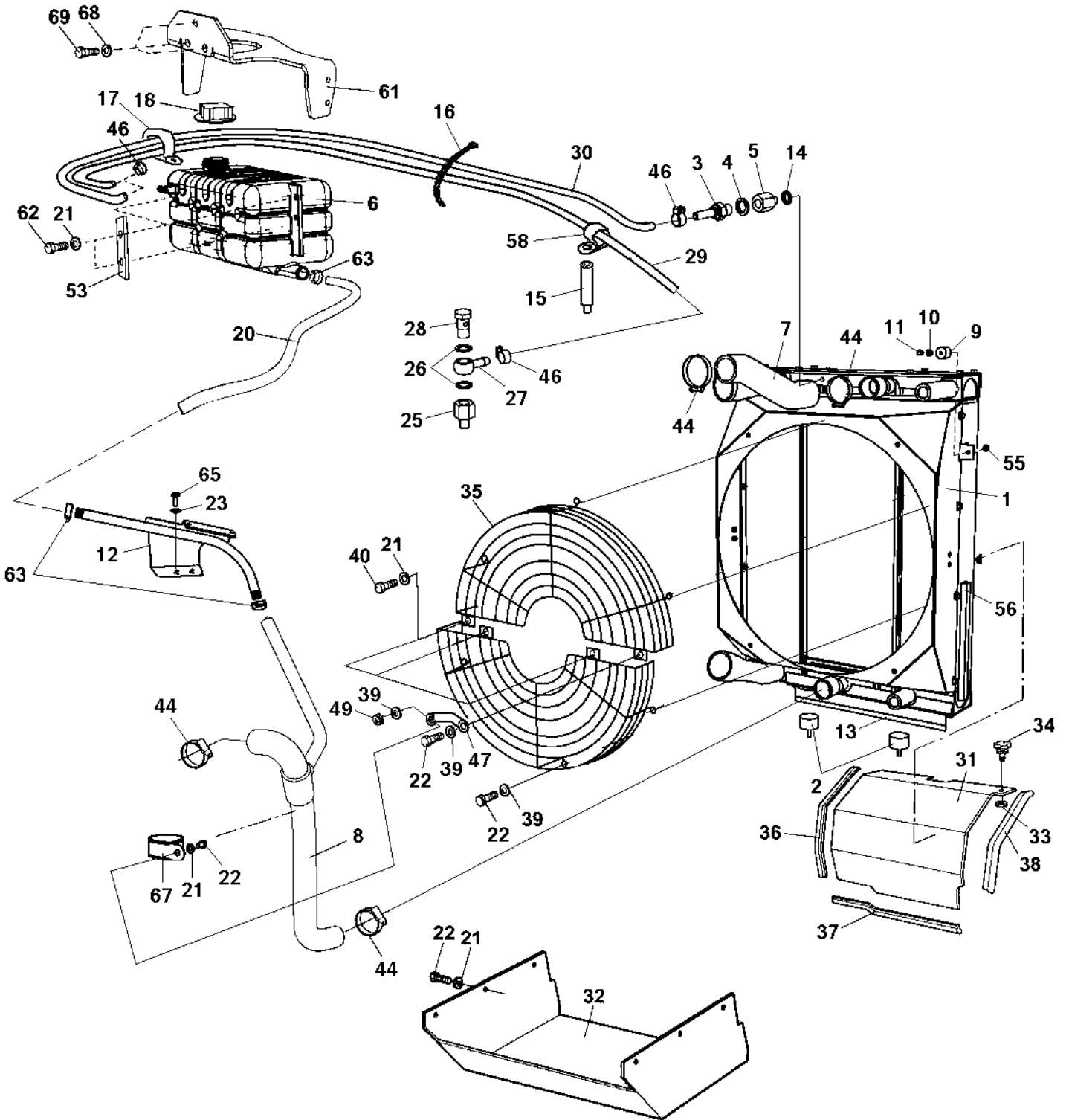
Ref. No.	Part No.	Rem.	Qty	Description	Code
1	945588		1	Drum cartridge	
2	343744		1	.Magnetic plug	M30 D
3	162017		2	.Seal ring	M30 D
4	379880		1	.Bearing housing inner	
5	162027		3	.Sealing	M12 D
6	500163		3	.Screw	M12x16
7	900782		1	.Seal ring	D
8	232210		1	.Plug	
9	381634		1	.Plug	
10	900775		6	.Plug	
11	379878		1	.Bearing housing outer	
12	904232		12	.Washer	17x30x3
13	500082		12	.Screw	M16x70
14	903189		3	.Stop screw	
15	900776		1	.O-ring	D
16	791156		16	.Screw M10-1,5x55 12,9	
17	380018		2	.Splined shaft	
18	390896		2	.Spherical roller bearing	D
19	381761		1	.Eccentric shaft	
20	162011		1	.Washer, sealing	D
21	904737		1	O-ring	
22	349715		1	Spring	
23	167023		1	Seal ring	D
24	381027		1	Splined sleeve	
25	116041		1	Taper roller bearing	D
26	390897		1	Shaft nut	
28	929447		1	V-ring	D
29	343318		1	Bearing housing	D
30	343322		1	Holder plate	
31	160105		1	O-ring 70	D
32	390771		1	Motor adapter	
33	162018		1	Sealing	D
34	370231		1	Plug	
35	904231		4	Washer	13x24x2
36	500196		4	Screw	M12-1,75x80 8.8
37	500082		8	Screw	M16x70
38	384114		8	Spacer	
39				Not used on this model	

D)

Ref. No.	Part No.	Rem.	Qty	Description	Code
10				Engine (Page 52)	Cummins QSB 6.7C
20				Cooling system (Page 54)	
30				Combustion air system (Page 58)	
40				Fuel system (Page 60)	
50				Exhaust system (Page 62)	



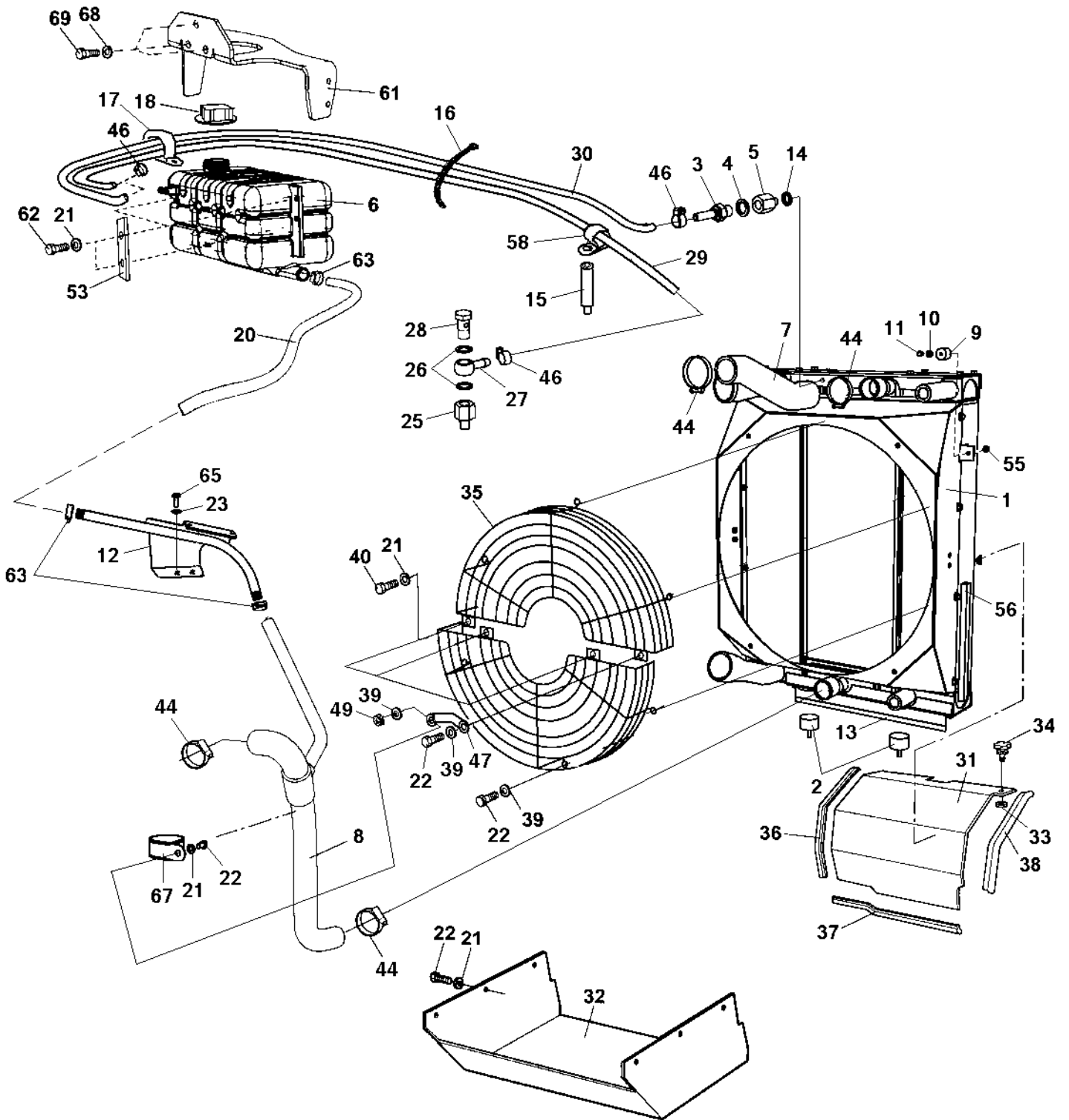
Ref. No.	Part No.	Rem.	Qty	Description	Code
1	390898		1	Diesel engine	Cummins QSB 6.7C
2	945148		1	.Belt	B
3	945146		1	.Fuel filter element	A
5	945145		1	.Oil filter element	A
6	945140		1	.Alternator	C
7	939979		1	.Starter	C
9	392284		1	Engine bracket,	Left
10	378728		1	Engine bracket,	Right
11	378729		1	Engine bracket,	Left
12	392283		1	Engine bracket,	Right
13	378408		1	Connector	
14	371620		1	Coupling	
15	372772		1	Bracket	
16	382394		1	Fan hub	
17	379164		1	Fan	
18	379163		1	V-belt cover	
19	904703		12	Washer	13x24x4
20	500194		4	Screw	M12x40H 8.8
21	904637		12	Washer	10x18x2
22	508029		12	Screw	M10-1,5x30H 8,8
23	509025		8	Screw	3/8-16UNCx32 8,8
24	792275		4	Socket head cap screw	7/16-20UNFX32 12.9
25	792081		3	Socket head cap screw	M12x50 10,9
26	904229		7	Washer	8,4x16x1,5
27	500047		6	Screw	M8-1,25x35 8,8
33	500056		8	Screw	M12x45 8,8
34	387128		4	Shock absorber	
36	904232		5	Washer	17x30x3
37	500070		4	Screw	M16x50
38	904703		16	Washer	13x24x4
39	586019		8	Lock nut	M12
40	904230		2	Washer	10,5x22x2
41	500194		8	Screw	M12x40H 8.8
42	586019		8	Lock nut	M12
44	330331		3	Washer	18,2x23,9x1,5
45	371727		1	Sleeve	
46	389138		1	Hydraulic hose	
47	747691		1	Hollow screw	
48	388855		1	Bracket	
49	230515		1	Connector	
50	904232		1	Washer	17x30x3
51	500154		1	Screw	M16-2,0x25 8,8
52	330383		1	Cap hydraulic	
53	791468		1	Hydraulic hose	
54	313004		1	Hose clamp	19-28
55	925802		N	Cable ties	L=142 mm
56	921063		1	Clamp	
57	904228		1	Washer	6,4x12x1,5
58	500013		1	Screw	M6-1x16 8,8
59	939506		1	Oil pressure switch	D
60	903632		1	Temperature sensor	Engine
61	378214		1	Cable holder	
62	904230		1	Washer	10,5x22x2
63	500036		1	Screw	
64	390743		1	Heat protection	
65	904230		2	Washer	10,5x22x2
66	791572		3	Spacer washer	
67	508004		1	Socket head cap screw	M8-1,25x12H 8.8
68	330333		1	Copper washer	D
69	904233		1	Washer	21x36x3



Cooling system

Ref. No.	Part No.	Rem.	Qty	Description	Code
1	385873		1	Radiator	
2	904551		2	Shock absorber	
3	792322		1	Hose connection	
4	162004		1	Sealing	
5	792551		1	Adapter	
6	392313		1	Expansion tank	
7	379602		1	Coolant hose	
8	378690		1	Coolant hose	
9	371774		2	Shock absorber	
10	904228		9	Washer	6,4x12x1,5
11	500012		2	Screw	M6x12
12	379538		1	Hose bracket	
13	902166		1	Edge trim	3-5
14	792552		1	Sealing	
15	393855		1	Distance screw	
16	313102		N	Cable ties	
	313041		N	Cable ties	L=186 mm
17	921084		1	Pipe clamp	
	904228	H	1	Washer	6,4x12x1,5
	500040	H	1	Screw	M6-1x20 8,8
18	903714		1	Cap	
20	205027	A	1XL	Coolant hose	
21	904229		11	Washer	8,4x16x1,5
22	500053		16	Screw	M8-1,25x20 8.8
23	904230		2	Washer	10,5x22x2
25	393917		1	Connector	
26	747282		2	Copper washer	14x20x1,5
27	330170		1	Banjo nipple	
28	330171		1	Hollow screw	
29	246069	B	1XL	Fuel hose	3/8"
30	246069	C	1XL	Fuel hose	3/8"
31	386699		1	Air inlet	
32	388732		1	Air leading plate	
33	926985		2	Quick lock washer	
34	904486		2	Quick lock	
35	390500		2	Fan guard	
36	902166	D	1XL	Edge trim	3-5
37	902166	E	1XL	Edge trim	3-5
38	902166	F	1XL	Edge trim	3-5
39	904640		9	Washer	8,4x22x3
40	500018		3	Screw	M8-1,25x12 8,8
44	313010		2	Hose clamp	
46	313075		4	Hose clamp	
47	391302		1	Bracket	
49	570005		2	Nut	M8
53	381413		2	Washer	
55	570004		2	Nut	M6
56	202046	G	2XL	Rubber strip	25x10
58	921050		1	Clamp	
	500053	H	1	Screw	M8-1,25x20 8.8
	904229	H	1	Washer	8,4x16x1,5
61	392170		1	Holder	
62	500075		4	Screw	M6-1,0x25 8.8

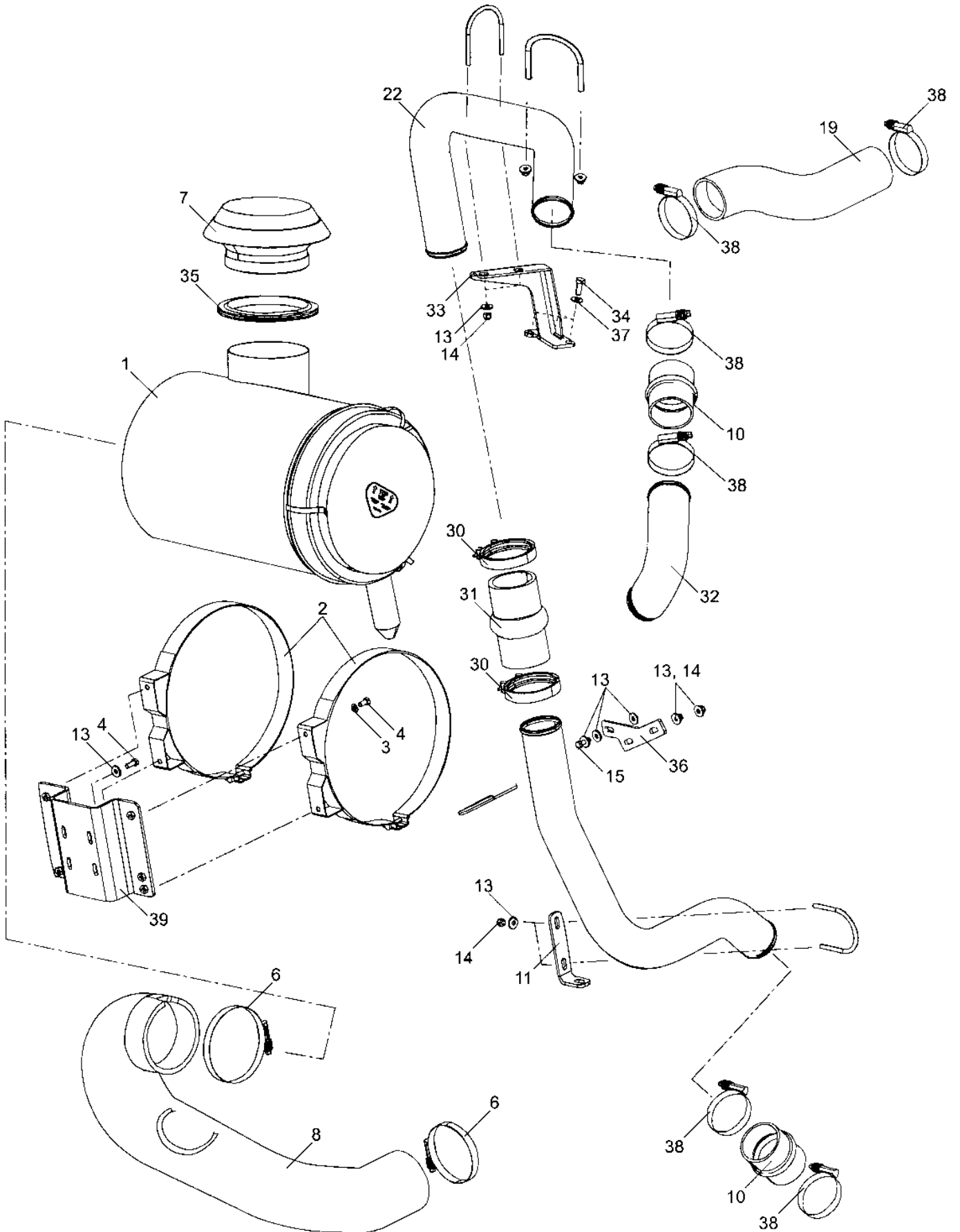
- A) L=1 m
- B) L=1,5 m
- C) L=2,0 m
- D) L=0,39 m
- E) L=0,61 m
- F) L=0,42 m
- G) L=0,40 m
- H) Not illustrated



Cooling system

Ref. No.	Part No.	Rem.	Qty	Description	Code
63	313004		3	Hose clamp	19-28
65	500048		4	Screw	M10-1,5x20 8.8
67	904352		1	Clamp	32x8,4x20
68	904567		3	Washer	10,5x28x6 HB305
69	500030		3	Screw	M10-1,5x35H 8,8

18483

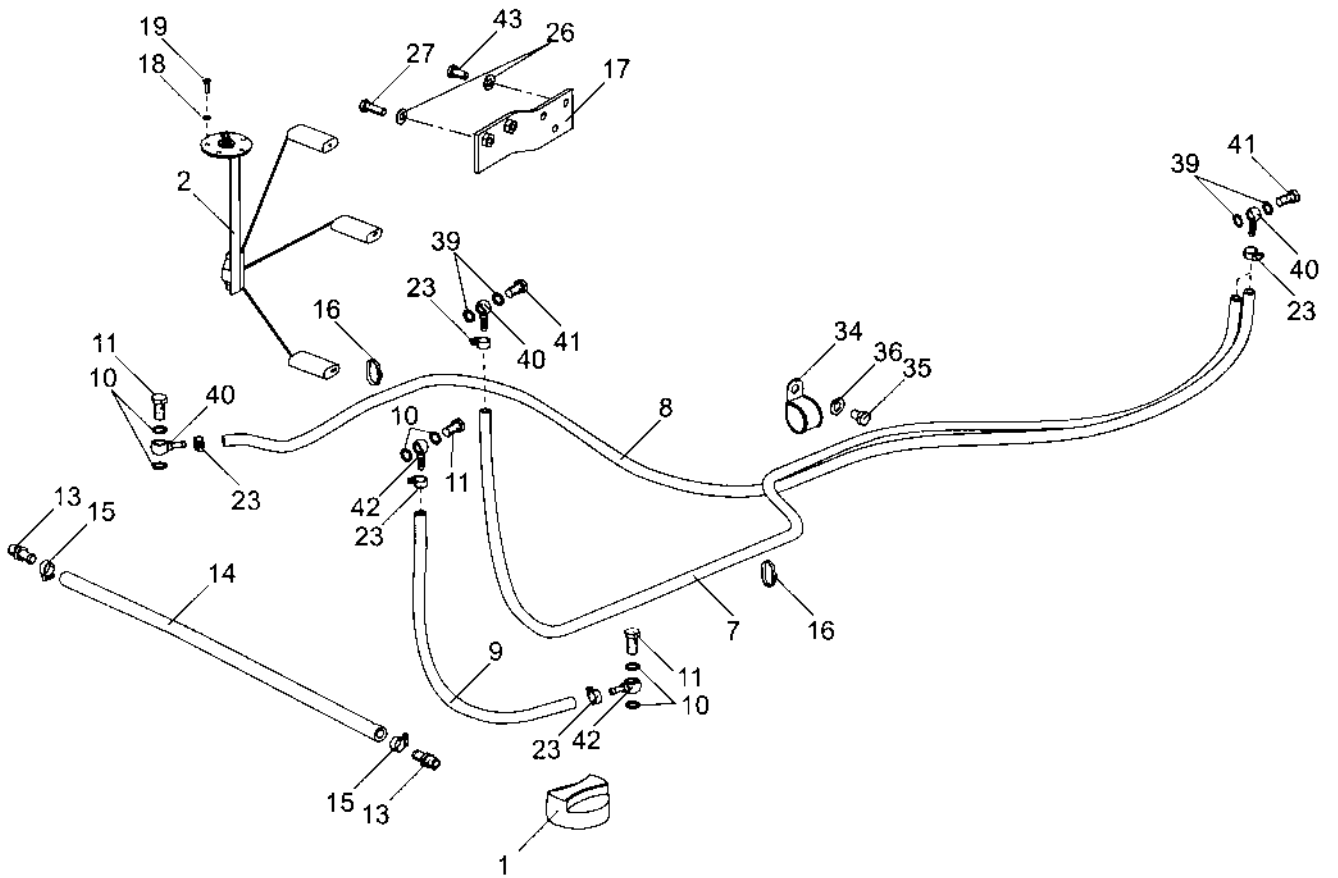


Ref. No.	Part No.	Rem.	Qty	Description		Code
1	385171		1	Air cleaner, cpl		
	385377	B	1	.Air filter element	Main	A
	385378	C	1	.Air filter element	Safety	A
	385376		1	.Vacuator valve		D
	385379		1	.End cover		A
2	802550		2	Band, mounting		
3	904229		4	Washer	8,4x16x1,5	
4	500053		4	Screw	M8-1,25x20 8.8	
6	379214		1	Hose clamp		
7	900170		1	Air inlet hood		D
8	392885		1	Air inlet hose		
10	385691		2	Air intake hose		
11	390083		1	Holder		
12	313093		4	Pipe clamp		
13	904640		15	Washer	8,4x22x3	
14	586003		8	Lock nut	M8	
15	500021		1	Screw	M8-1,25x25 8.8	
19	379086		1	Charge air hose		
21	379085		1	Charge air tube		
22	379936		1	Charge air tube		
30	386966	A	6	Hose clamp	2.3/4"-3.5/8"	
31	385403	A	1	Air inlet hose		
32	379084		1	Charge air tube		
33	379269		1	Holder		
34	500028		1	Screw	M10-1,5x25 8,8	
35	902166		0.52	Edge trim	3-5	
36	393153		1	Bracket		
37	904230		3	Washer	10,5x22x2	
38	386966		6	Hose clamp	2.3/4"-3.5/8"	
39	392985		1	Filter bracket		

- A) Supplied with engine
- B) Main
- C) Safety
- A)
- D)

Fuel system

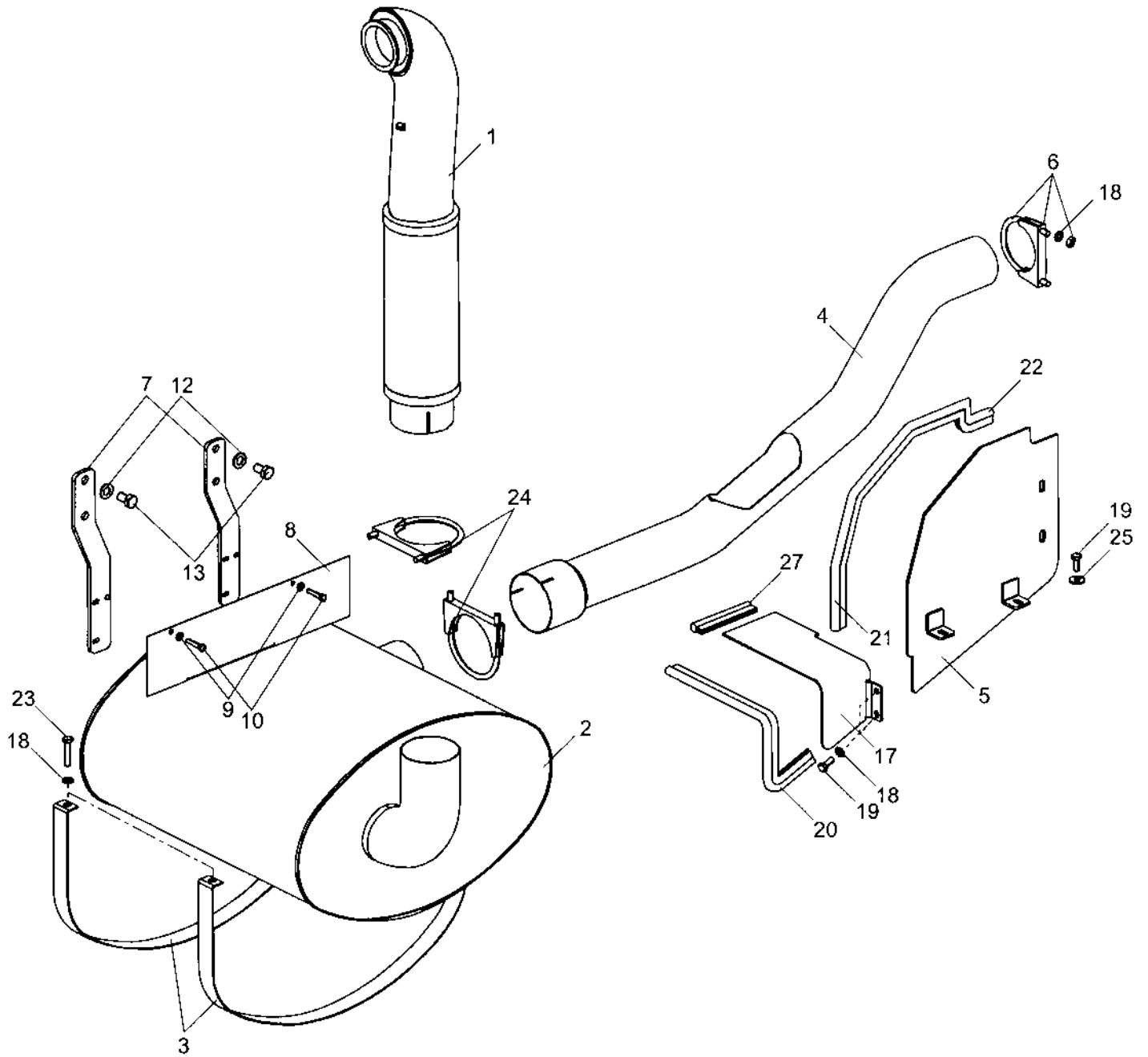
18482



Fuel system

Ref. No.	Part No.	Rem.	Qty	Description	Code
1	373460		1	Fuel cap	D
2	904695		1	Fuel level sender	D
7	904984		1	Fuel hose	D
8	904984		1	Fuel hose	D
9	904984		1	Fuel hose	D
10	747282		4	Copper washer	14x20x1,5
11	330171		2	Hollow screw	
13	373574		2	Hose connection	
14	244054		1	Hose reinforced	
15	313002		2	Hose clamp	13-20 mm
16	313041	N		Cable ties	L=186 mm
17	390885		1	Bracket	
18	904281		5	Washer	5,3x10x1
19	500006		5	Screw	M5x16
23	313001		6	Hose clamp	11-17 mm
26	904230		5	Washer	10,5x22x2
27	500029		2	Screw	M10-1,5x30 8.8
34	791513		1	Pipe clamp	
35	500163		1	Screw	M12x16
36	904231		1	Washer	13x24x2
39	230277		8	Copper washer	12,2x17,9x1,5
40	792251		4	Banjo coupling	M12 Hose 8
41	234919		4	Screw	M12-1,5-24-3
42	901121		2	Banjo fitting	14x6 Hose 8
43	500048		3	Screw	M10-1,5x20 8.8

D)



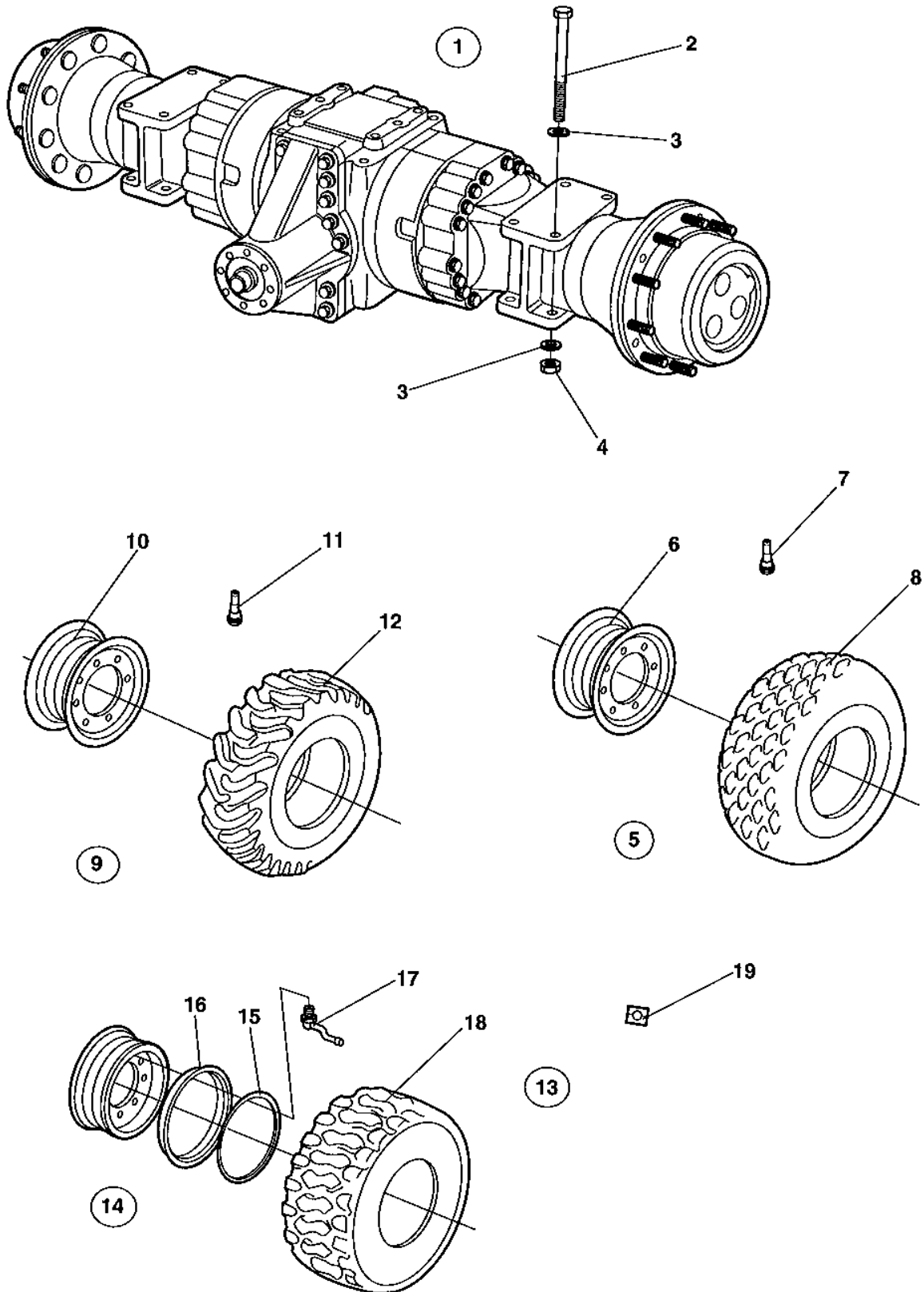
Exhaust system

Ref. No.	Part No.	Rem.	Qty	Description	Code
1	378940		1	Exhaust hose	
2	378941		1	Muffler	
3	388800		2	Clamp	
4	387699		1	Exhaust pipe	
5	376619		1	Thermal guard	
6	313093		1	Pipe clamp	
7	390016		2	Bracket	
8	386153		1	Thermal guard	
9	904228		2	Washer	6,4x12x1,5
10	500015		2	Screw	M6-1x30 8,8
12	904231		4	Washer	13x24x2
13	500035		4	Screw	M12x020H
17	386410		1	Thermal guard	
18	904229		6	Washer	8,4x16x1,5
19	500053		4	Screw	M8-1,25x20 8.8
20	902166	A	1XL	Edge trim	3-5
21	902166	B	1XL	Edge trim	3-5
22	902166	C	1XL	Edge trim	3-5
23	904241		4	Screw	M8x40
24	927857		2	Pipe clamp	
25	904640		2	Washer	8,4x22x3
26			1	Pipe clamp	
27	902166		0,11	Edge trim	3-5

- A) L= 0,330 m
 B) L= 0,460 m
 C) L = 0,080 m

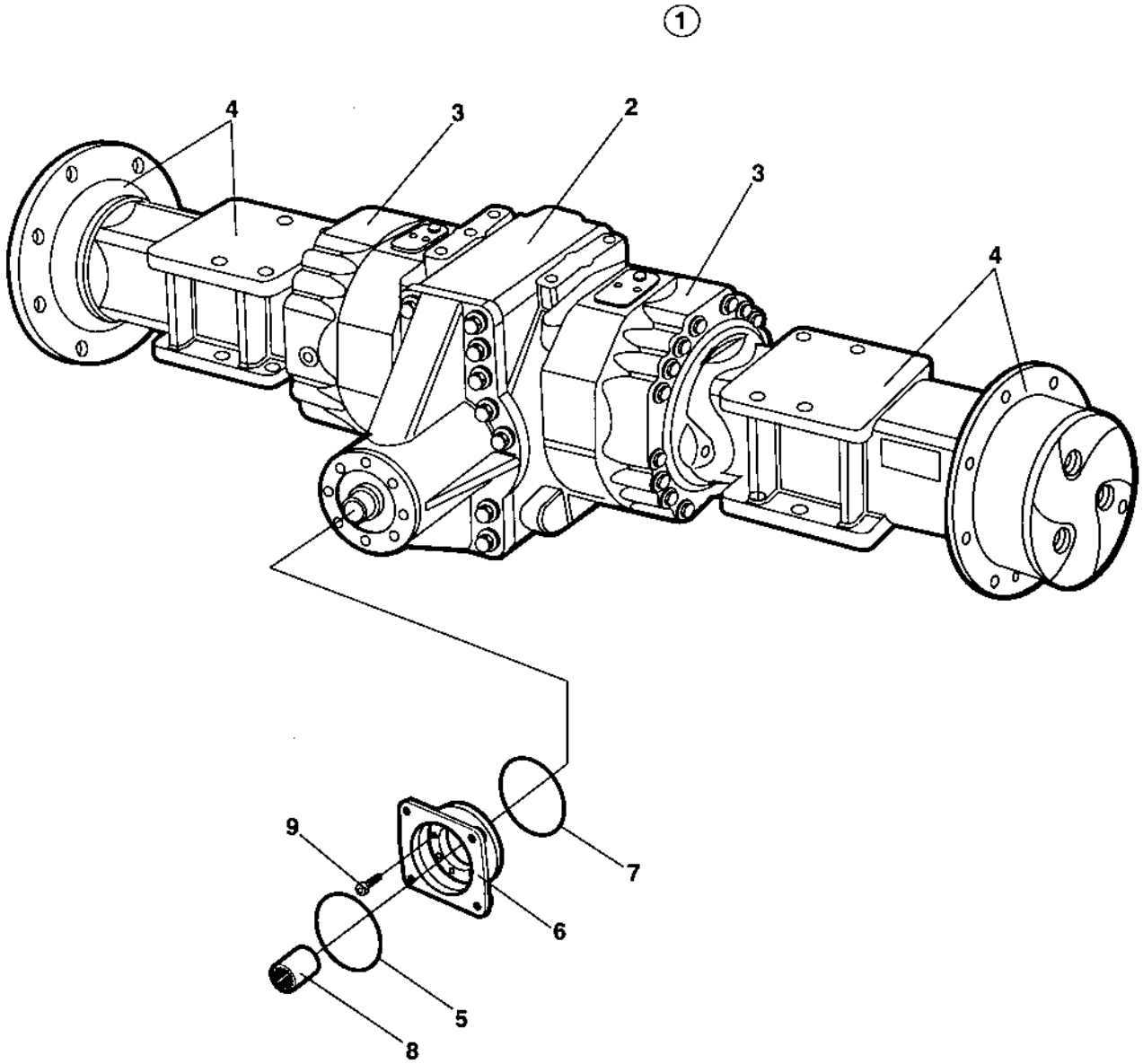
Transmission

Ref. No.	Part No.	Rem.	Qty	Description	Code
17				Rear axle and wheels (Page 66)	
20	383857			Rear axle (Page 68)	
70	383856			Rear axle (Page 76)	No-Spin, Option



Ref. No.	Part No.	Rem.	Qty	Description	Code
1	383857		1	Rear axle (Page 68)	
2	929217		8	Screw	
3	904233		16	Washer	21x36x3
4	901145		8	Lock nut	M20-10
5	390590		2	Wheel, cpl	
	390762	A	2	Wheel, cpl	
	388145	A,G	1	Wheel, cpl	
	388146	G	1	Wheel, cpl	
6	383933		1	.Rim	
7	792261		1	.Air charging valve	Straight
8	390591		1	.Tyre	B
	791573	J,G	1	.Tyre	D
9	390588	B	1	Tractor wheel, cpl	D
	390587	C	1	Tractor wheel, cpl	
	390759	D	1	Tractor wheel, cpl	
	390760	E	1	Tractor wheel, cpl	
10	383933		1	.Rim	
11	792261		1	.Air charging valve	Straight
12	390589		1	.Tyre	B
13	383974	F	2	Wheel, tubeless, cpl	D
	383975	K	2	Wheel, tubeless, cpl	
14	383955		1	.Rim cpl	
15	901443		1	..Snap ring	
16	901444		1	..Side ring	
17	791175		1	.Air charging valve	
	791176		1	.Valve foot	
18	901218		1	.Tyre	D
19	355983	H	2	Decal "TYRE PRESSURE"	200kPa/29psi
	903985	I	2	Decal "SAFETY", "TYRE IN BALLAST"	

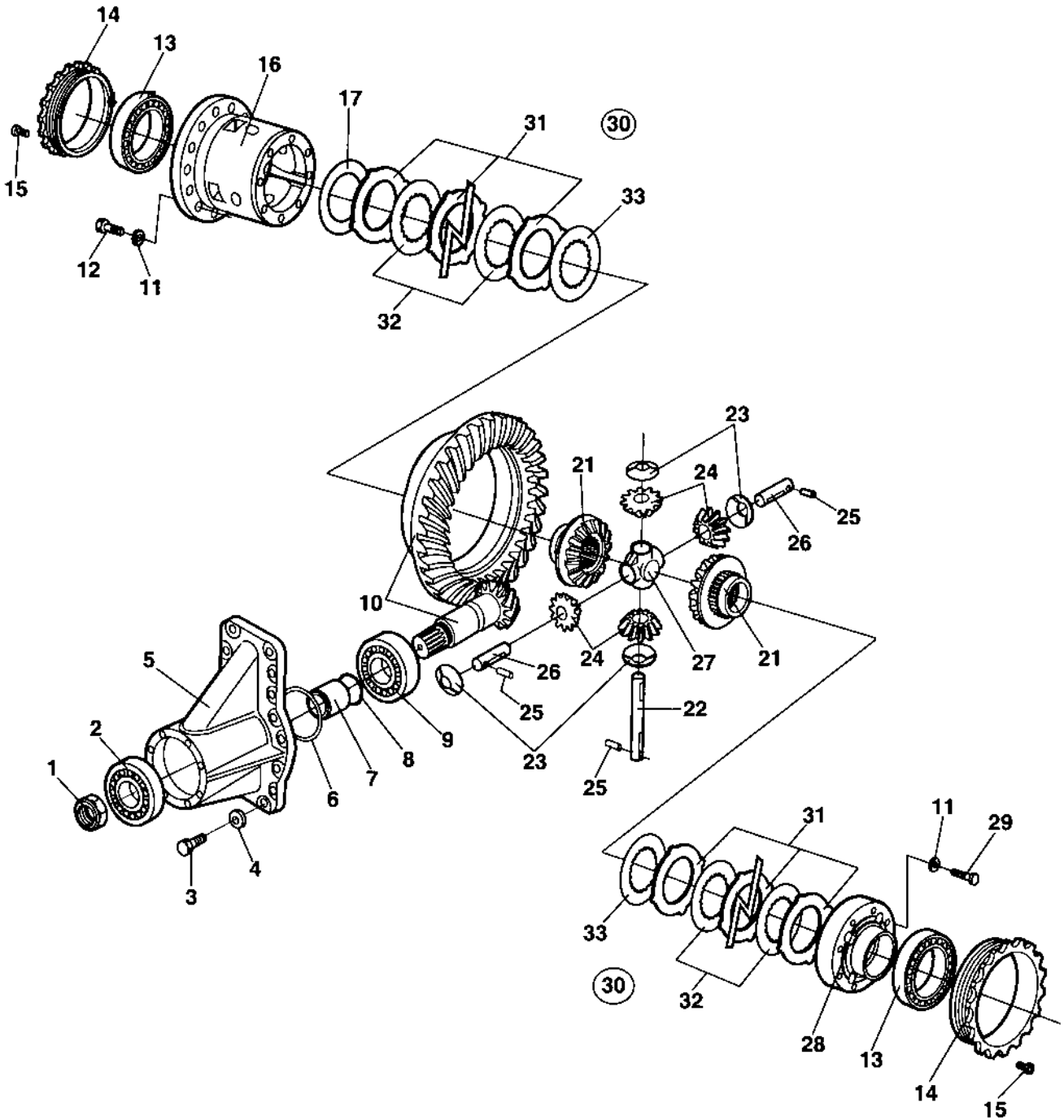
- A) Liquidfilled, option.
- B) Left, option.
- C) Right, option.
- D) Liquidfilled tyre, right, option.
- E) Liquidfilled tyre, left, option.
- F) Option, Michelin branded.
- G) For Chinese market only.
- H) Used with item 13, 383974. 383975.
- I) Used with Liqued filled tyres.
- J) Used together with 388145 and 388146.
- K) Liquidfilled, option, Michelin branded.
- B)
- D)



383857 Rear axle

Ref. No.	Part No.	Rem.	Qty	Description	Code
1			1	Rear axle	
2			1	.Differential with limited slip (Page 70)	
3			2	.Differential housing and brakes (Page 72)	
4			2	.Planet gear (Page 74)	
5	909584		1	O-ring	D
6	909583		1	Flange	
7	929648		1	O-ring	D
8	901834		1	Splined sleeve	
9	909582		8	Screw	

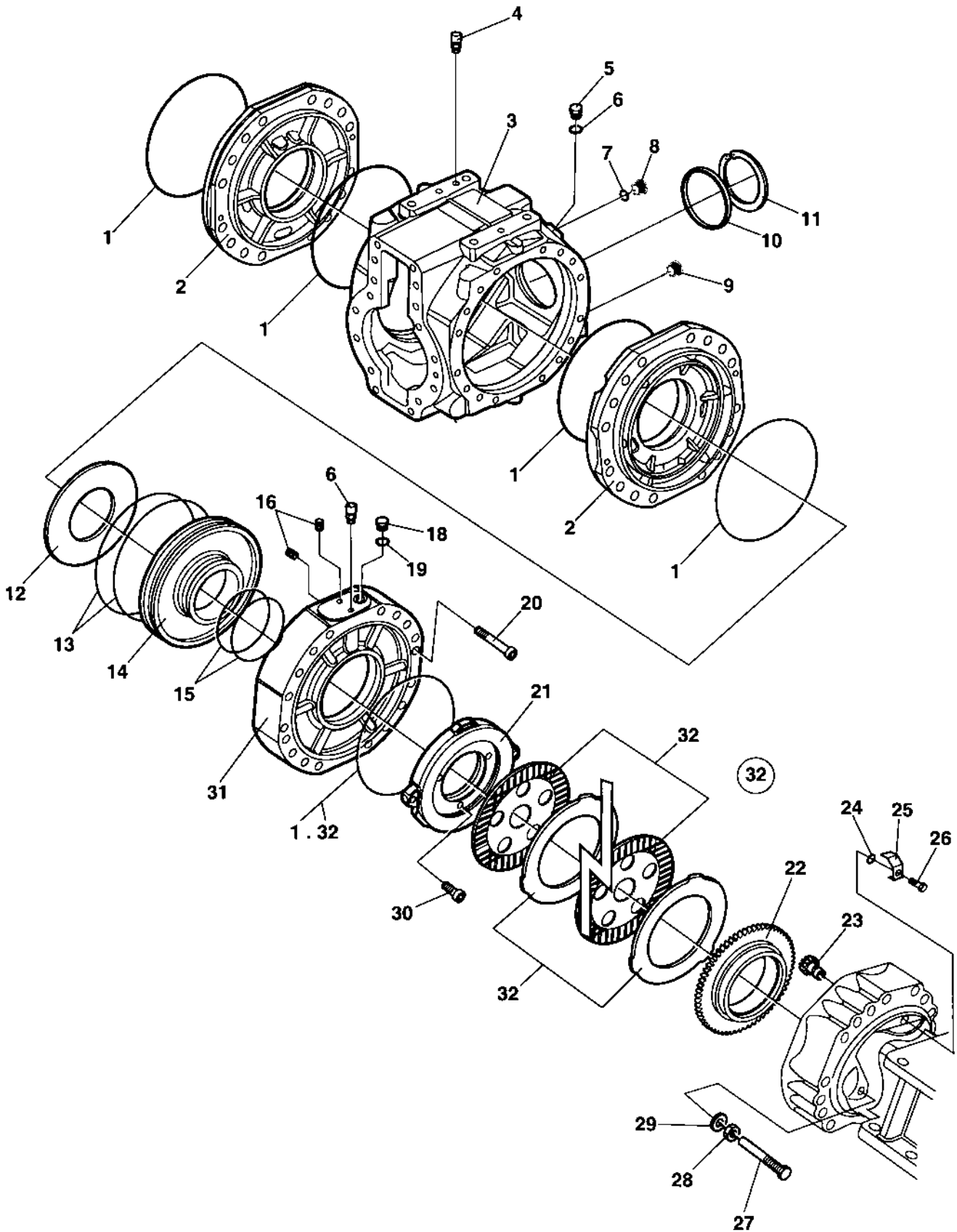
D)



Differential with limited slip

Ref. No.	Part No.	Rem.	Qty	Description	Code
1	929638		1	Nut	
2	909574		1	Roller bearing	
3	939257		16	Bolt	
4	909572		16	Spring washer	
5	908485		1	Housing	
6	909568		1	Shim	0,10mm
	909569		1	Shim	0,20mm
	909570		1	Shim	0,50mm
	939258		1	Shim	0,15mm
7	909567		1	Spacer	
8	939259		1	Shim	0,15mm
	909580		1	Shim	0,20mm
	909576		1	Shim	0,30mm
	929644		1	Shim	0,40mm
	939260		1	Shim	0,50mm
9	909581		1	Roller bearing	
10	212553		1	Bevel gear set	
11	929628		16	Washer	
12	929629		16	Screw	
13	923342		1	Bearing	
14	939261		2	Nut	
15	938989		2	Screw	
16	909550		1	Differential carrier	
17	909551		1	Shim	0,30mm
	909552		1	Shim	0,40mm
	909553		1	Shim	0,10mm
21	909558		2	Differential gear	
22	909566		1	Shaft	
23	909559		4	Friction washer	
24	939262		4	Differential pinion	
25	909561		3	Rolled pin	
26	909560		2	Shaft	
27	909565		1	Shaft retainer	
28	909562		1	Differential carrier cover	
29	909563		8	Screw	
30	935644		2	Disc kit	D
31			10	.Limited slip disc	D
32			8	.Limited slip disc	D
33			2	.Limited slip disc	D

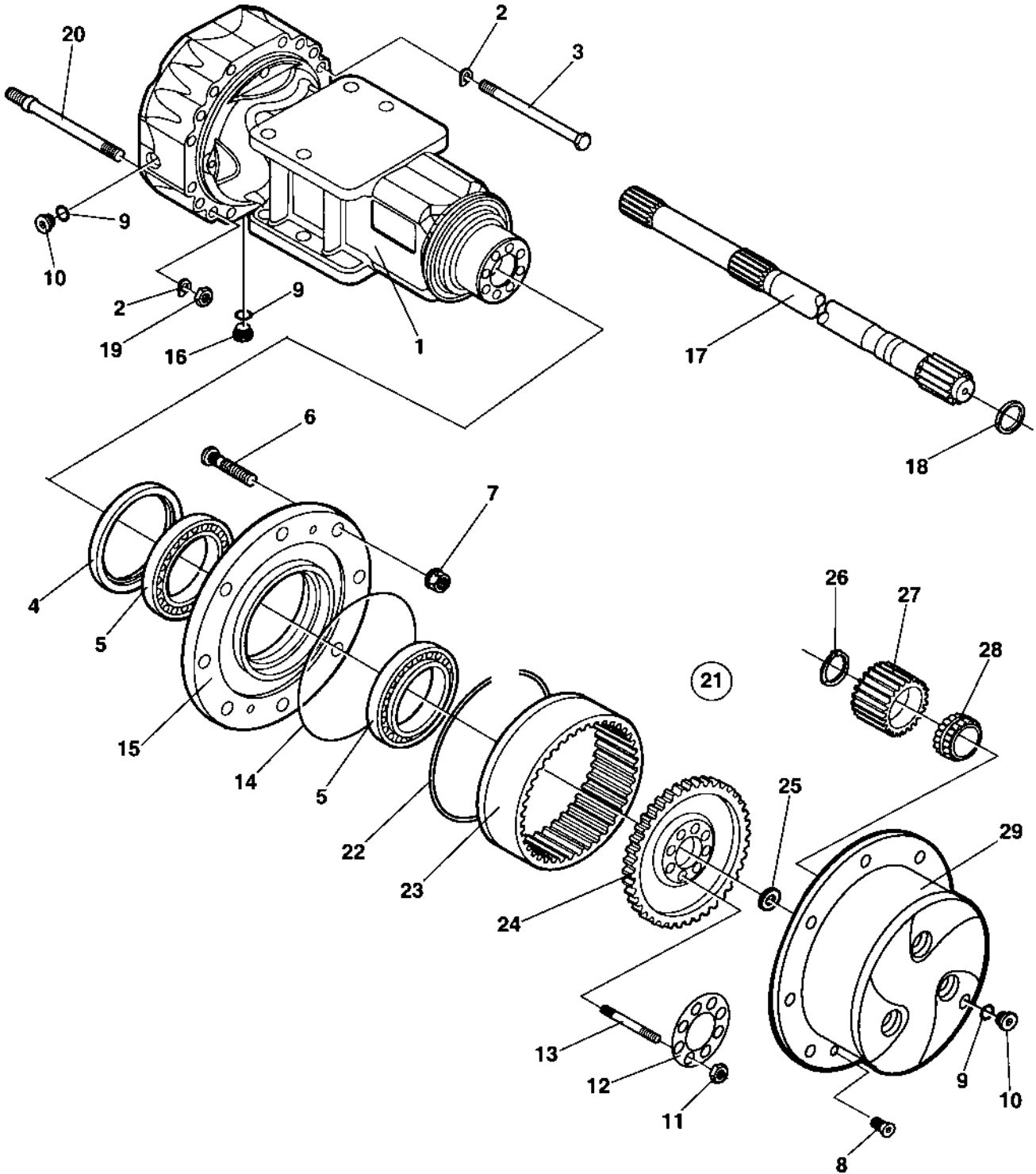
D)



Differential housing and brakes

Ref. No.	Part No.	Rem.	Qty	Description	Code
1	909609		6	O-ring	D
2	939255		2	Cover	
3	939256		1	Housing	
4	938984		1	Vent nipple	
5	909544		2	Screw	
6	938983		2	Seal washer	
7	909607		1	Seal	D
8	909596		1	Plug	
9	926810		1	Magnetic plug	
10	938296		1	Plug	
11	929617		1	Lock ring	
12	909616		2	Spring	
13	909618		4	O-ring	D
14	939280		2	Piston	
15	909619		4	O-ring	D
16	939281		4	Bolt	
17	938984		2	Vent nipple	
18	939282		2	Bolt	
19	939036		2	Seal washer	
20	939035		4	Screw	
21	939283		2	Disc	
22	939285		2	Ring	
23	909622		2	Pinion	
24	900966		2	O-ring	D
25	939286		2	Locking plate	
26	909624		2	Screw	
27	909626		4	Bolt	
28	900957		4	Nut	
29	926847		4	Seal washer	
30	939026		6	Screw	
31	939287		2	Cover	
32	939284		2	Brake disc kit	
			12	.Brake disc	
			12	.Brake disc	
	909609		2	.O-ring	D

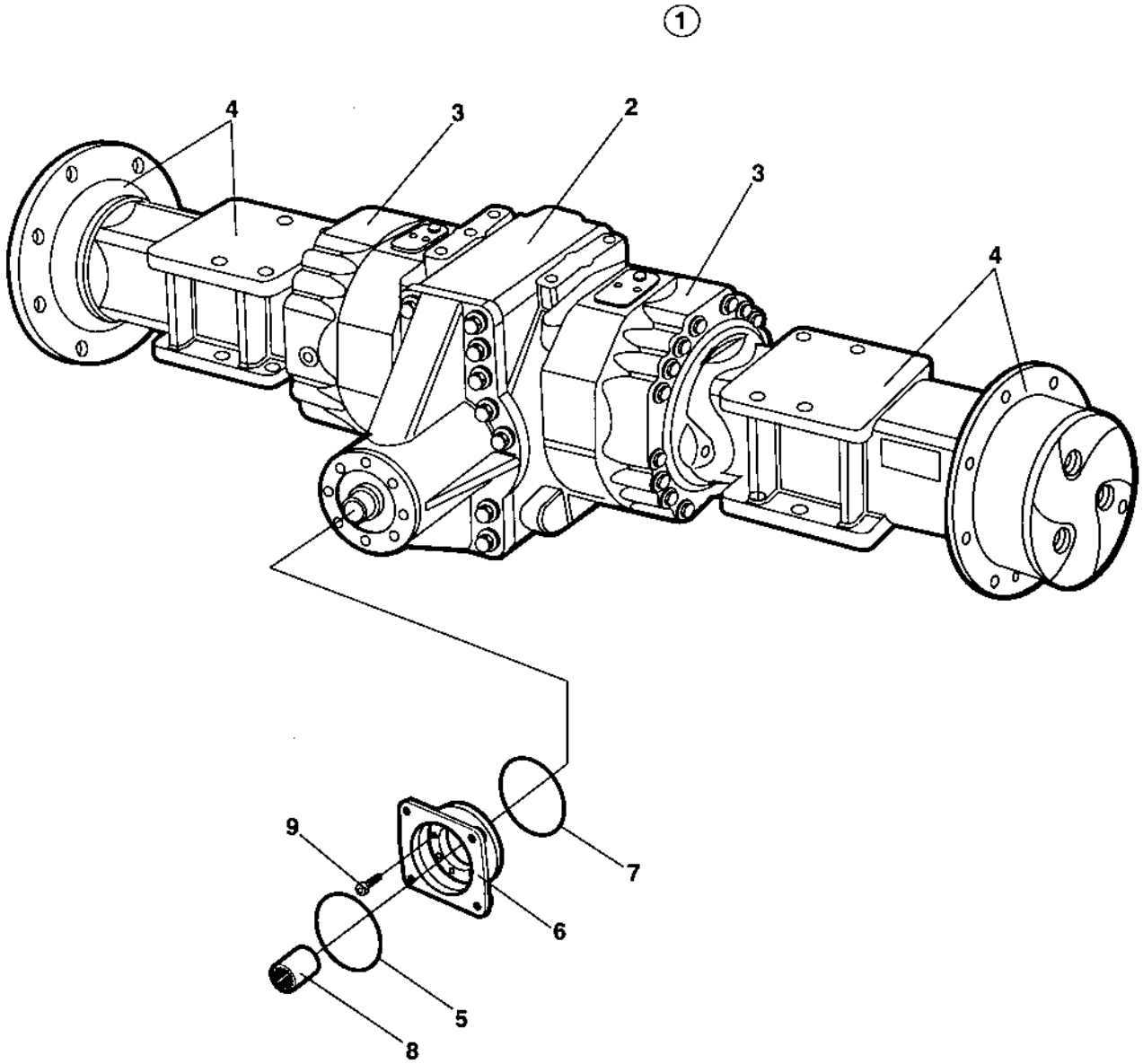
D)



Planet gear

Ref. No.	Part No.	Rem.	Qty	Description	Code
1	939263		2	Axle case	
2	939003		32	Spring washer	
3	939264		24	Bolt	
4	939265		2	Seal	
5	939266		4	Bearing	
6	926781		20	Wheel screw	
7	901987		20	Wheel nut	
8	939015		4	Screw	
9	330333		6	Copper washer	D
10	909596		4	Plug	
11	939016		20	Nut	
12	939275		2	Locking plate	
13	939017		20	Stud	
14	929612		2	O-ring	
15	939276		2	Wheel hub	
16	938985		2	Magnetic plug	
17	939277		2	Half shaft	
18	909586		2	Seal	D
19	939019		8	Nut	
20	939278		8	Stud	
21	939279		2	Planet gear carrier Cpl.	
22	939267		2	.Circlip	
23	939268		2	.Ring gear	
24	939269		2	.Ring gear support	
25	939270		2	.Washer	
26	939271		6	.Seal	
27	939272		6	.Planet gear	
28	939273		6	.Bearing	
29	939274		2	.Planet gear carrier	

D)

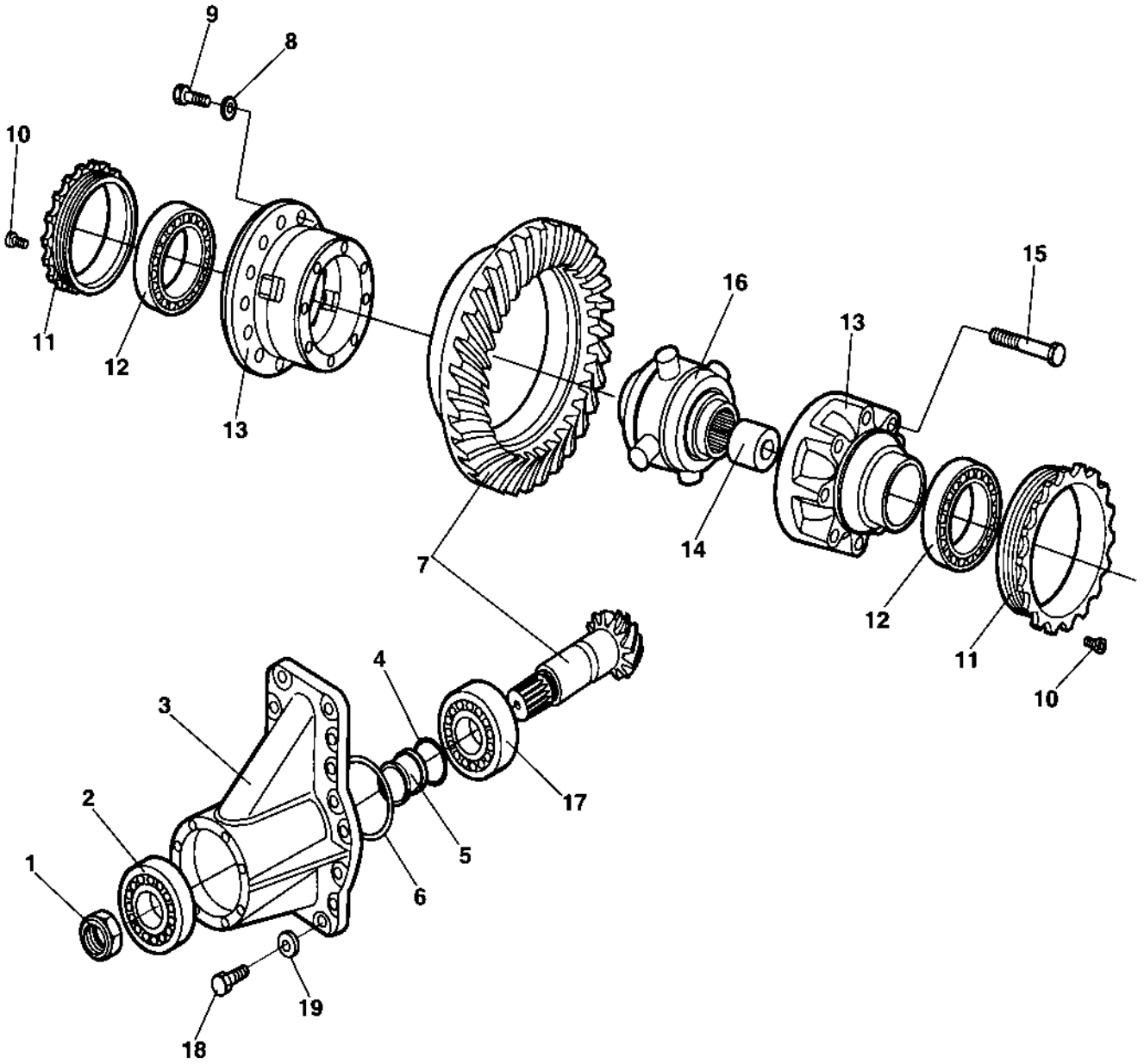


383856 Rear axle No-Spin, Option

Ref. No.	Part No.	Rem.	Qty	Description	Code
1			1	Rear axle	
2			1	.Differential (Page 78)	with No-Spin
3			2	.Differential housing and brakes (Page 72)	
4			2	.Planet gear (Page 80)	
5	909584		1	O-ring	D
6	909583		1	Flange	
7	929648		1	O-ring	D
8	901834		1	Splined sleeve	
9	909582		8	Screw	

D)

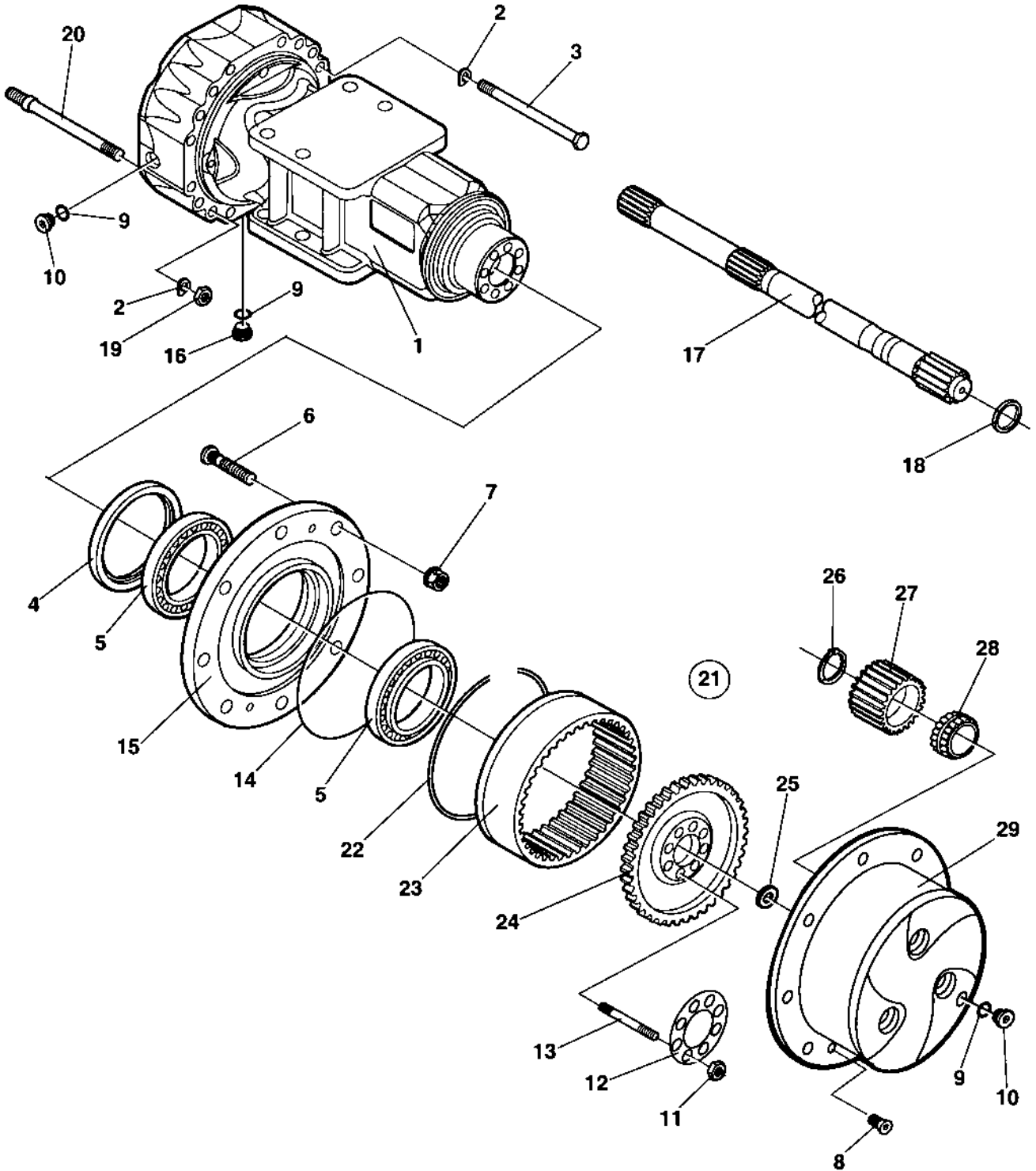
17689



Ref. No.	Part No.	Rem.	Qty	Description	Code
1	929638		1	Nut	
2	909574		1	Roller bearing	
3	908485		1	Housing	
4	939259		1	Shim	0,15mm
	909580		1	Shim	0,20mm
	909576		1	Shim	0,30mm
	929644		1	Shim	0,40mm
	939260		1	Shim	0,50mm
5	909567		1	Spacer	
6	909568		1	Shim	0,10mm
	909569		1	Shim	0,20mm
	909570		1	Shim	0,50mm
	939258		1	Shim	0,15mm
7	212553		1	Bevel gear set	
8	929628		16	Washer	
9	929629		16	Screw	
10	938989		2	Screw	
11	939261		2	Nut	
12	923342		1	Bearing	
13	929630		1	Differential case	
14	929631		1	Spacer	
15	929625		8	Screw	
16	929626		1	Non-spin unit	
17	909581		1	Roller bearing	
18	939257		16	Bolt	
19	909572		16	Spring washer	

Planet gear

17673



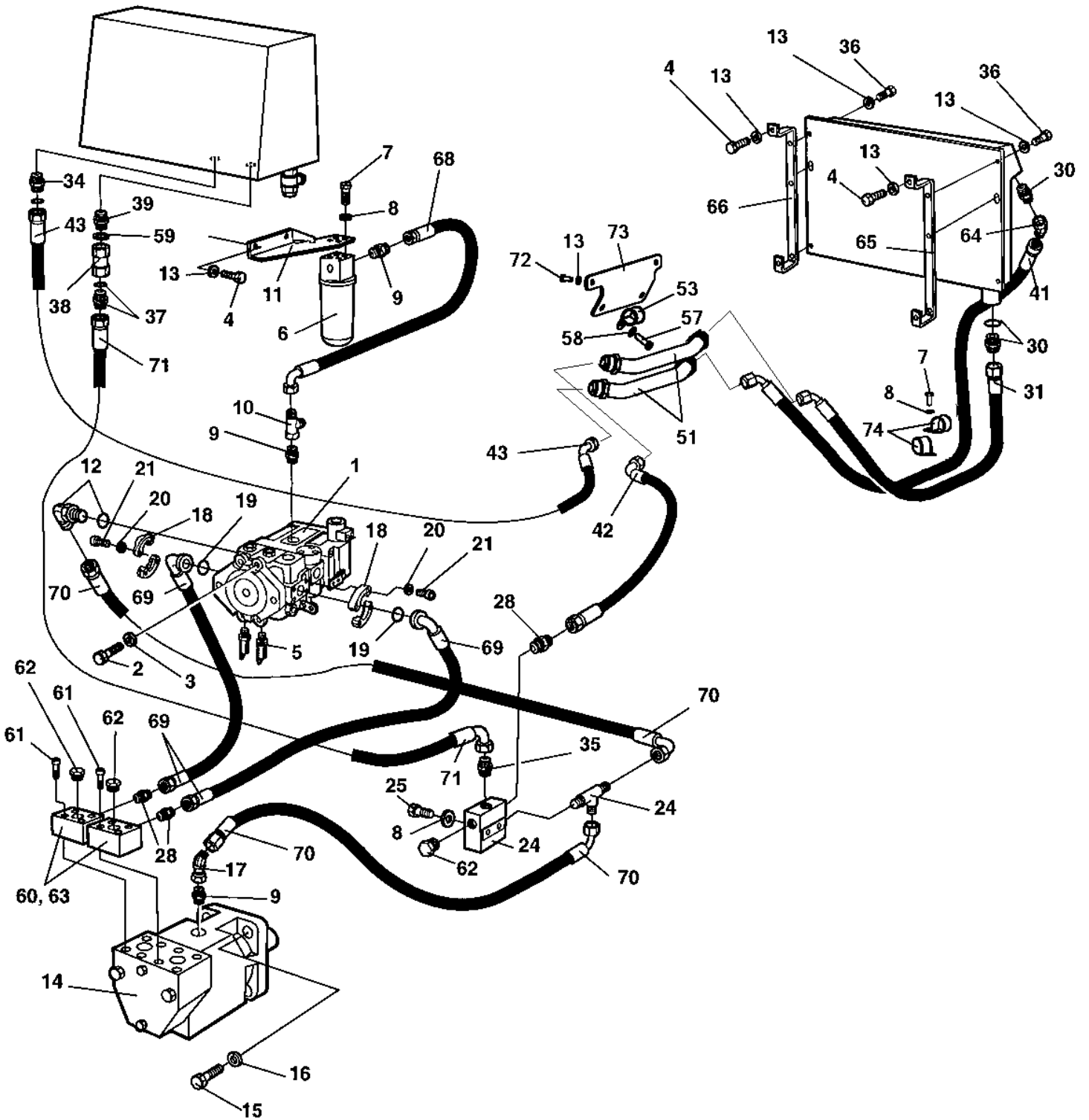
Planet gear

Ref. No.	Part No.	Rem.	Qty	Description	Code
1	939263		2	Axle case	
2	939003		32	Spring washer	
3	939264		24	Bolt	
4	939265		2	Seal	
5	939266		4	Bearing	
6	926781		20	Wheel screw	
7	901987		20	Wheel nut	
8	939015		4	Screw	
9	330333		6	Copper washer	D
10	909596		4	Plug	
11	939016		20	Nut	
12	939275		2	Locking plate	
13	939017		20	Stud	
14	929612		2	O-ring	
15	939276		2	Wheel hub	
16	938985		2	Magnetic plug	
17	939277		2	Half shaft	
18	909586		2	Seal	D
19	939019		8	Nut	
20	939278		8	Stud	
21	939351		2	Planet gear carrier Cpl.	
22	939267		2	.Circlip	
23	939268		2	.Ring gear	
24	939269		2	.Ring gear support	
25	939270		2	.Washer	
26	939271		8	.Seal	
27	939272		8	.Planet gear	
28	939273		8	.Bearing	
29	939349		2	.Planet gear carrier	

D)

Hydraulic system

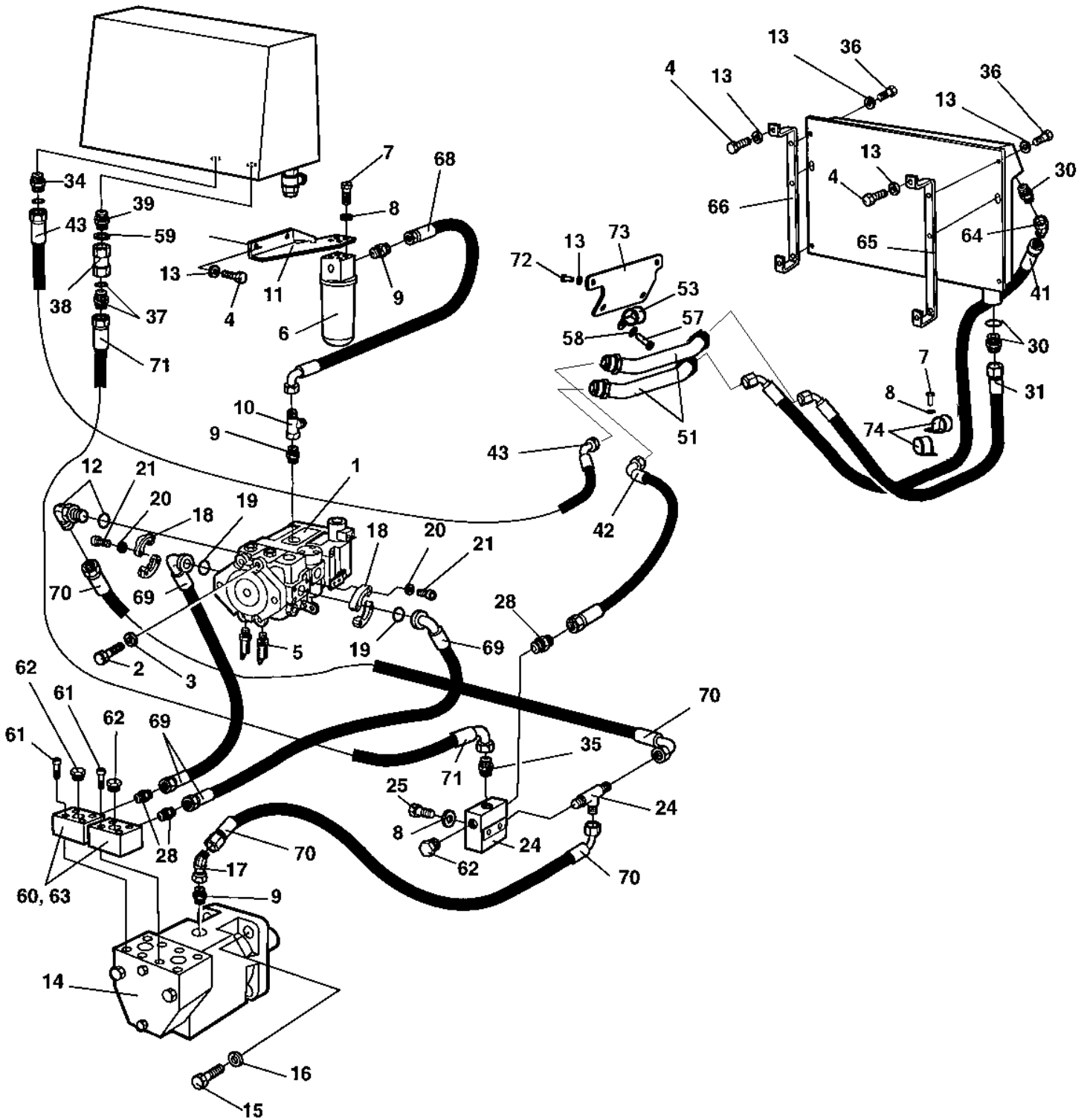
Ref. No.	Part No.	Rem.	Qty	Description	Code
10				Drive system (Page 84)	
20				Vibration system (Page 88)	
30				Steering system (Page 92)	
60				Brake system (Page 96)	



Drive system

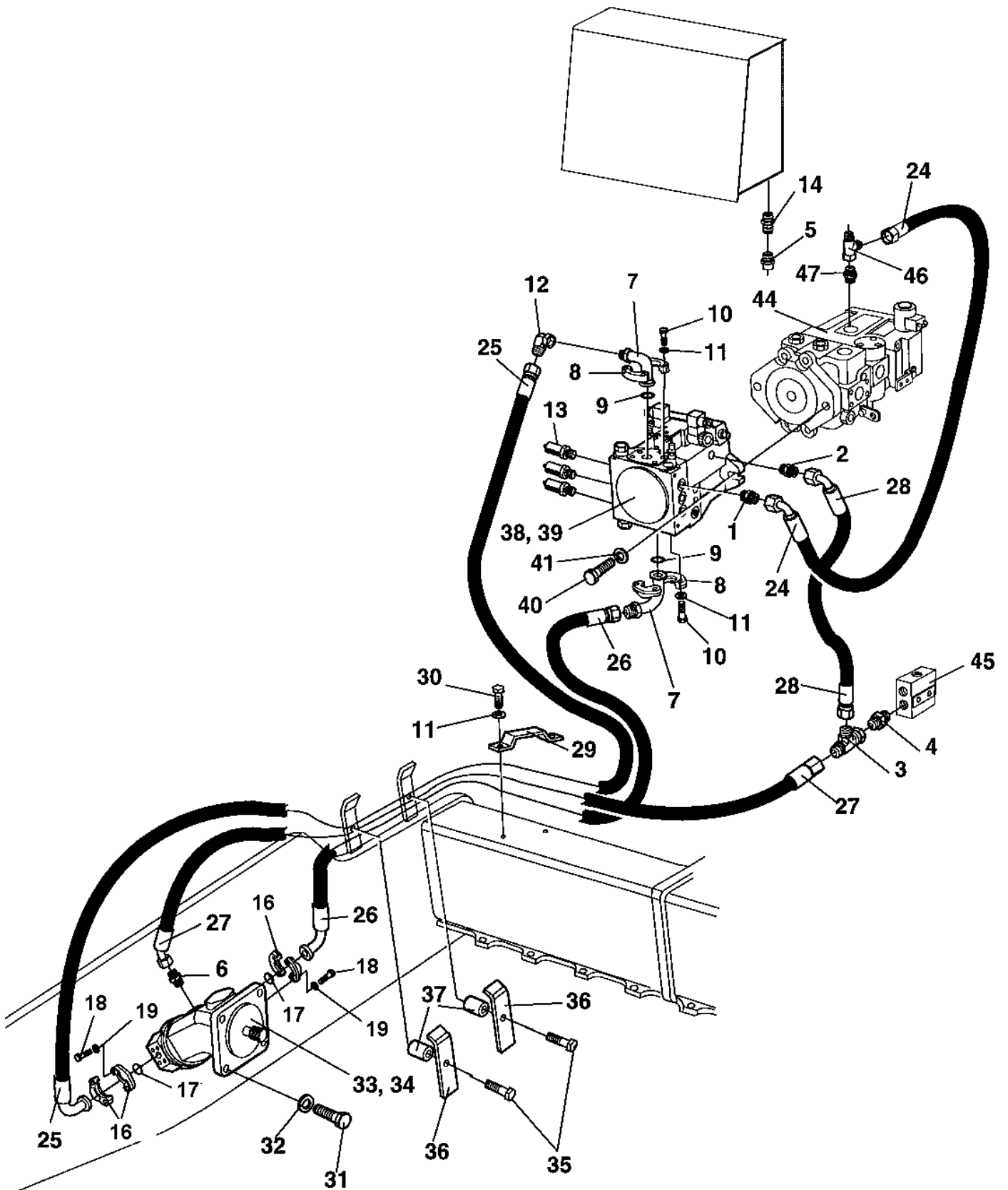
Ref. No.	Part No.	Rem.	Qty	Description	Code
1	380830		1	Propulsion pump	C
2	500046		4	Screw	M12x30H 8,8 FZB
3	904213		4	Washer	13x30x4
4	500021		6	Screw	M8-1,25x25 8.8
5	900229		2	Measuring nipple	D
6	359550		1	Hydraulic oil filter, cpl	
	359551		1	.Filter head	
	359552		1	.Cleaning filter element	Maximum 50 hours use
	372229	A	1	Hydraulic oil filter element	A
7	500028		5	Screw	M10-1,5x25 8,8
8	904230		15	Washer	10,5x22x2
9	334468		3	Adapter	
10	234243		1	T-connector	
11	379482		1	Filter bracket	
12	813499		1	Elbow 90, O-ring	
13	904229		12	Washer	8,4x16x1,5
14	375999		1	Hydraulic motor	
15	500263		4	Screw	M18x60
16	904793		8	Washer	19x34x3
17	334248		1	Elbow 45, O-ring	
18	923384		8	Flange half	
19	904005		4	O-ring	
20	904638		16	Washer	12x22x2
21	502132		16	Screw	UNC 7/16" x 22
24	345243		1	Connection block	
25	500109		2	Screw	M10-1,5x65 8,8
26	234875		1	Tee-connector o-ring	
28	792339		2	Straight connector orfs	
29	387562		1	Hydraulic oil cooler	
30	234958		4	Connector	
31	484106		1	Hydraulic hose	
34	234909		1	Straight connector	
35	334138		1	Adapter	
36	500239		4	Screw	M8-1.25x50
37	923371		1	Adapter	
38	374059		1	Check valve	
39	904282		1	Adapter	
41	484107		1	Hydraulic hose	
42	483128		1	Hydraulic hose	
43	482741		1	Hydraulic hose	
44	313102		1	Cable ties	
45	372235		1	Hose guard	
49	902919		2	Plug	
51	392234		2	Hydraulic pipe	
53	921099		4	Clamp	
57	500030		2	Screw	M10-1,5x35H 8,8
58	904228		4	Washer	6,4x12x1,5
59	162008		1	Seal washer	
60	380717		2	Flange coupling	
61	509034		8	Screw	
62	232222		2	Plug	
63	904171		2	O-ring	
64	234624		1	Elbow 45	
65	390856		1	Cooler frame	
66	390857		1	Cooler frame	
68	482010		1	Hydraulic hose	D
69	483922		2	Hydraulic hose	
70	482391		1	Hydraulic hose	
71	482182		1	Hydraulic hose	D
72	500053		2	Screw	M8-1,25x20 8.8

A) Spare part for ordinary service



Drive system

Ref. No.	Part No.	Rem.	Qty	Description	Code
73	392281		1	Holder	
74	923008		2	Clamp	



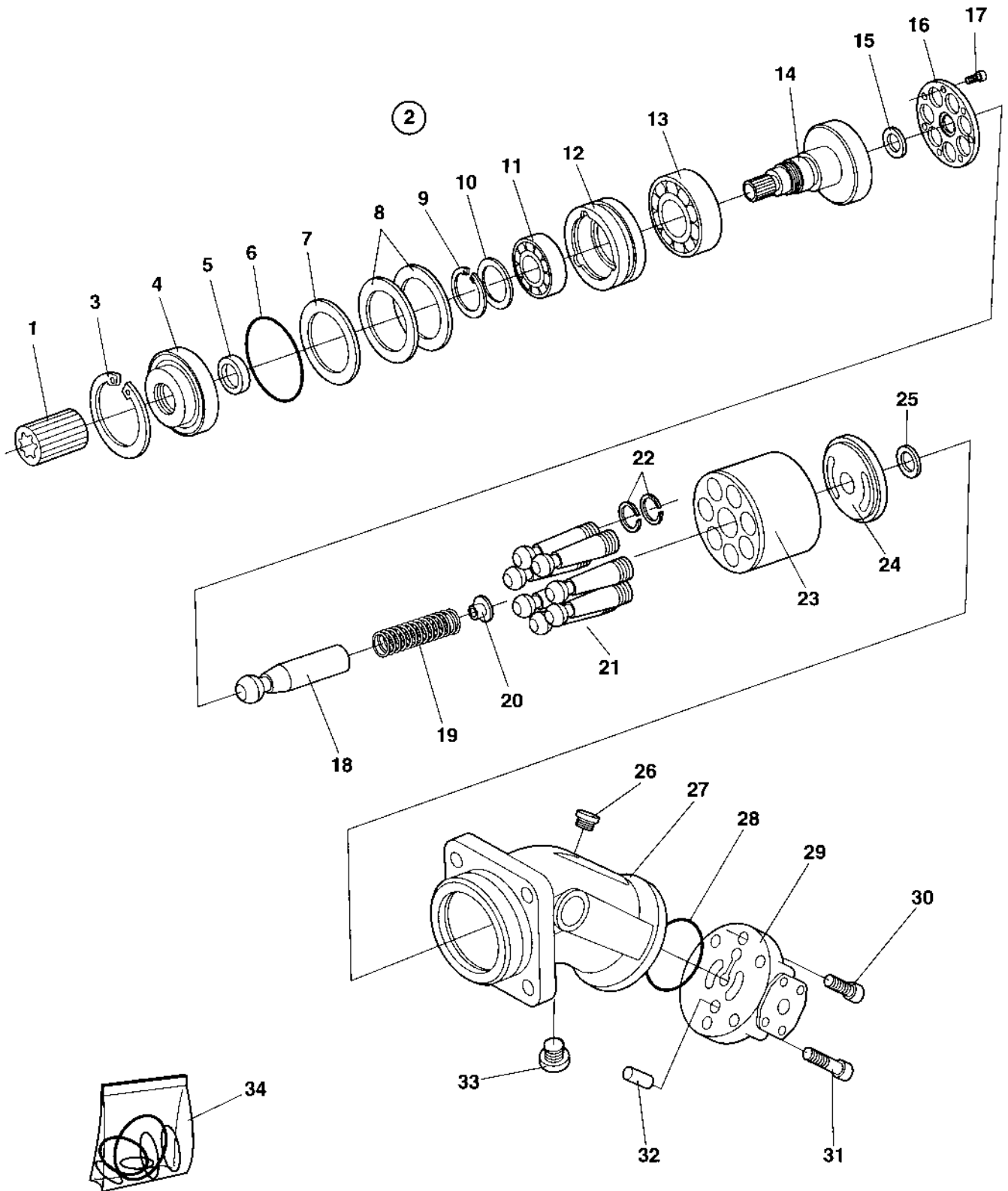
Vibration system

Ref. No.	Part No.	Rem.	Qty	Description	Code
1	234382		1	Adapter	
2	901155		1	Connector	
3	334135		1	Tee-connector	
4	334122		1	Adapter	
5	330383		1	Cap hydraulic	
6	334121		1	Straight connector	
7	904767		2	Flange adapter	
8	929226		4	Flange half	
9	904773		2	O-ring	
10	500030		8	Screw	M10-1,5x35H 8,8
11	904230		14	Washer	10,5x22x2
12	904781		1	Adapter	
13	901157		3	Measuring nipple	D
14	334205		1	Straight connector	
16	900430		4	Flange half	
17	904774		2	O-ring	
18	502019		8	Screw	
19	904229		8	Washer	8,4x16x1,5
24	483286		1	Hydraulic hose	
25	483910		1	Hydraulic hose	
26	483911		1	Hydraulic hose	
27	483031		1	Hydraulic hose	
28	483397		1	Hydraulic hose	
29	373017		2	Hose clamp	
30	500028		4	Screw	M10-1,5x25 8,8
31	500194		4	Screw	M12x40H 8.8
32	904231		4	Washer	13x24x2
33	380145		1	Hydraulic motor, vibration (Page 90)	C
34	160132		1	O-ring	124, 50x3, 00
35	500032		2	Screw	M10 x 55
36	373270		2	Hose clamp	
37	373424		2	Spacer	
38	383958		1	Vibration pump	C
39	903877		1	O-ring	
40	502078		2	Screw	
41	904232		2	Washer	17x30x3
44		A	1	Hydraulic pump	
45		A	1	Connection block	
46		A	1	Tee-connector	
47		A	1	Straight connector	

A) See section "Hydraulic propulsion"

C)

D)

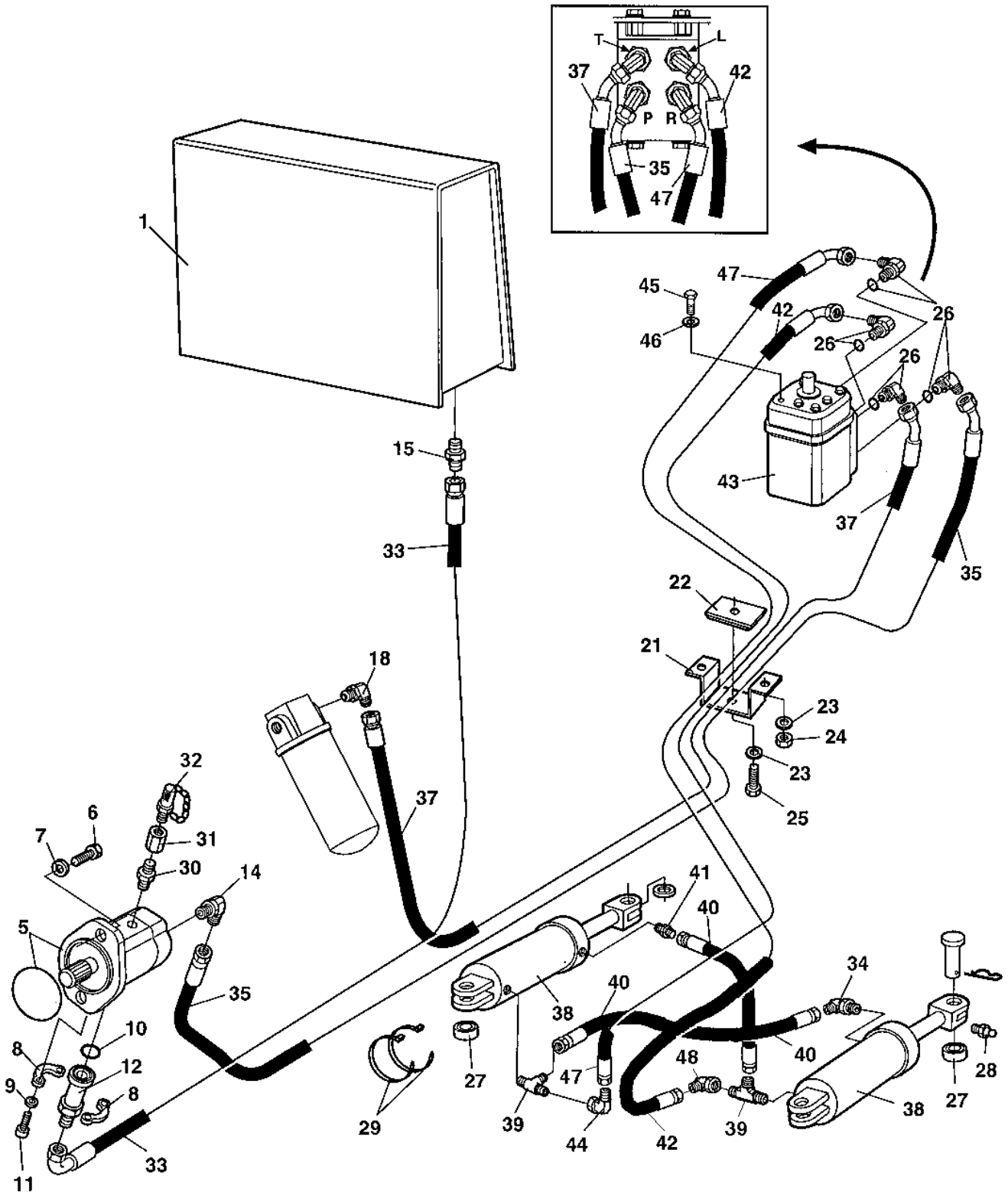


380145 Hydraulic motor, vibration

Ref. No.	Part No.	Rem.	Qty	Description	Code
			1	Hydraulic motor, vibration	
1	340863		1	..Splined sleeve	D
2	380078		1	..Hydraulic motor, vibration	
3	901387		1	..Snap ring	
4	937261		1	..Cover	
5	937264	1	1	..Seal ring	
6	937265	1	1	..O-ring	
7	901390		1	..Shim	T=0,3 mm
8	901389		2	..Shim	T=0,1 mm
9	938042		1	..Retainer ring	
10	938041		1	..Back-up plate	
11	901386		1	..Bearing	
12	937260		1	..Bearing ring	
13	901385		1	..Bearing	
14	938040		1	..Shaft	
15	937262		1	..Washer	
16	903495		1	..Retainer plate	
17	903494		7	..Screw	
18	938030		1	..Pin	
19	938036		1	..Spring	
20	938035		1	..Spring collar	
21	938031		7	..Piston	
	938038		1	...Piston	
22	938039		2	...Sealing ring	
23	938002		1	..Cylinder	
24	901391		1	..Pressure plate	
25	938037		1	..Washer	
26	937995		1	..Screw	
27	937256		1	..Housing	
28	937258	1	1	..O-ring	
29	937257		1	..Plate	
30	902655		2	..Screw	
31	927350		4	..Screw	
32	937993		1	..Pin	
33	937259	1	1	..Screw	
34	937674		1	..Seal kit	

1) Included in seal kit, item 34

D)



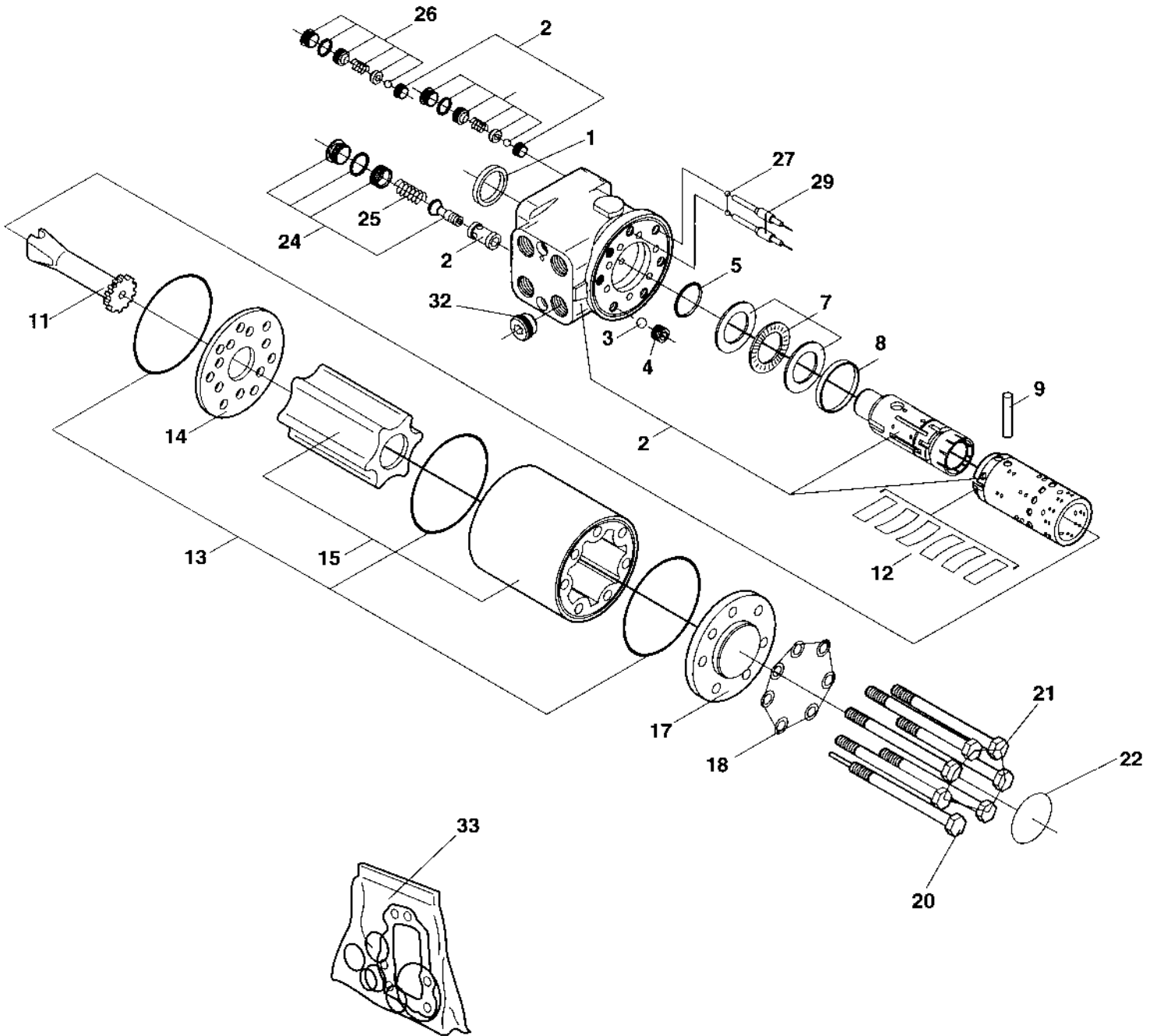
Steering system

Ref. No.	Part No.	Rem.	Qty	Description	Code
1				Hydraulic oil tank	
5	392483		1	Hydraulic pump	
6	500046		2	Screw	M12x30H 8,8 FZB
7	904231		4	Washer	13x24x2
8	232097		2	Flange half	
9	904637		4	Washer	10x18x2
10	904005		1	O-ring	
11	508029		4	Screw	M10-1,5x30H 8,8
12	379481		1	Connector	
13	903831		2	Nut	M12
14	334558	B	1	Elbow 90G with O-ring	
	334197	A	1	Elbow 90	
15	234626		1	Adapter	
17	570006		4	Nut	M10
18	929123		1	Elbow 90, O-ring	
19	903812		2	Hydraulic hose	
20	371669		2	Straight connector	
21	372513		1	Hose clamp	
22	372514		1	Hose clamp	
23	904229		3	Washer	8,4x16x1,5
24	586003		2	Lock nut	M8
25	500023		1	Screw	M8-1,25x40 8,8
26	813444		4	Elbow 90, O-ring	
27	379630		4	Bearing	
28	500044		4	Screw	M6x8
29	313102		N	Cable ties	
30	792237		1	Elbow 90, O-ring	
31	338304		1	Connector	
32	910161		1	Measuring nipple	
33	483049		1	Hydraulic hose	
34	813500		1	Elbow 45, O-ring	
35	483160		1	Hydraulic hose	
37	483498		1	Hydraulic hose	
38	392002		2	Steering cylinder	
39	234218		2	Tee connector	
40	483109		2	Hydraulic hose	
41	334121		1	Straight connector	
42	483497		1	Hydraulic hose	
43	376000		1	Steering valve (Page 94)	
44	334197		1	Elbow 90	
45	502034		4	Screw	UNC 3/8 - 16
46	600008		4	Washer	
47	483280		1	Hydraulic hose	
48	234662		1	Elbow 45	

A) In use together with 334558

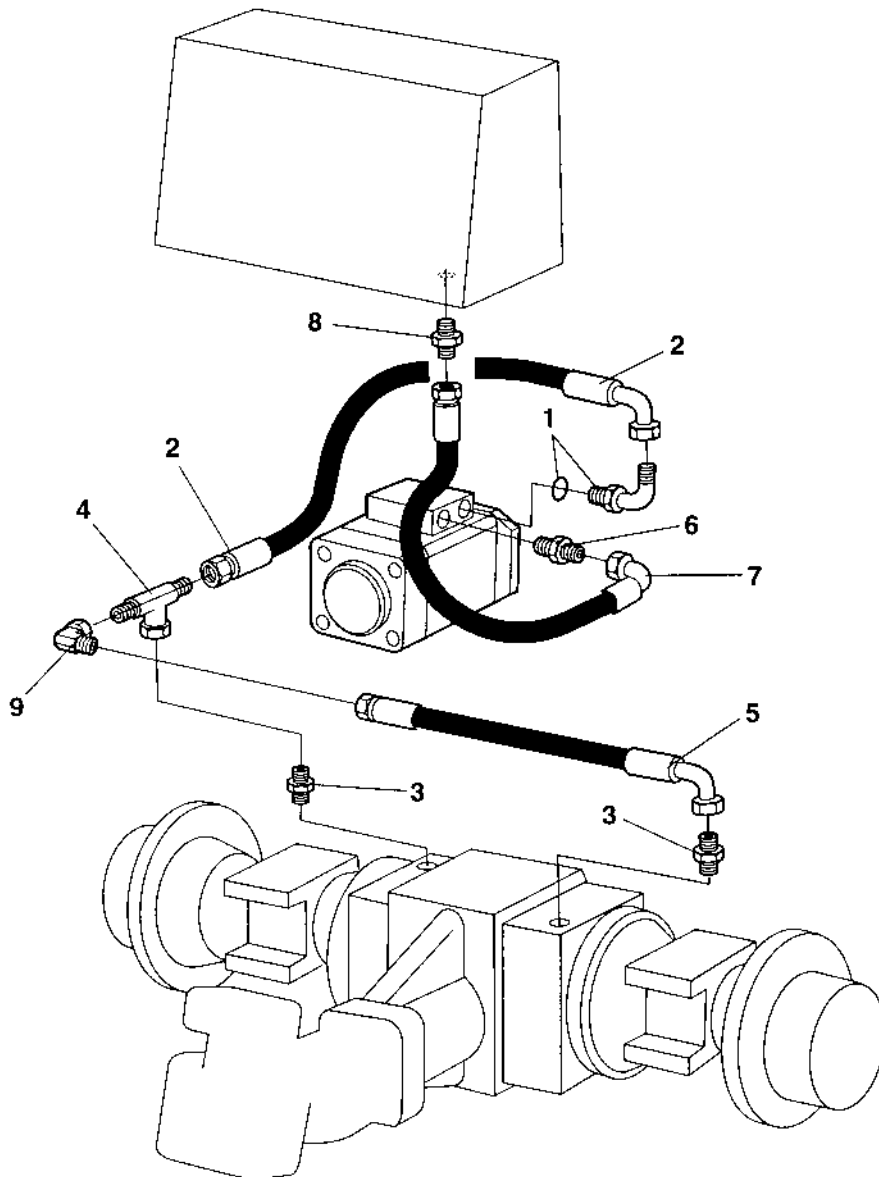
B) In use together with 334197

D)



Ref. No.	Part No.	Rem.	Qty	Description	Code
1	938062	A	1	Dust seal ring	
2			1	Housing, spool and sleeve	
3	938063		1	Ball	
4	938064		1	Threaded bushing	
5	908780	A	1	O-ring	
7	911620		1	Bearing	D
8	938065		1	Ring	
9	938066		1	Cross pin	
11	902861		1	Cardan shaft	
12	938067		1	Set of springs	
13	938068	A	3	O-ring	
14	902862		1	Valve plate	
15	903457		1	Gear wheel set	
17	938069		1	End cover	
18	938070	A	7	Washer	
20	938071		1	Screw with pin	
21	935468		6	Spring washer	
22	938072		1	Name plate	
24	938073		1	Pressure relief valve	
25	902864		1	Spring	
26	938074		2	Shock valve	
27	929013		2	Ball	
29	929014		2	Rolled pin	
32	938075		1	Check valve	
33	935429		1	Seal kit	

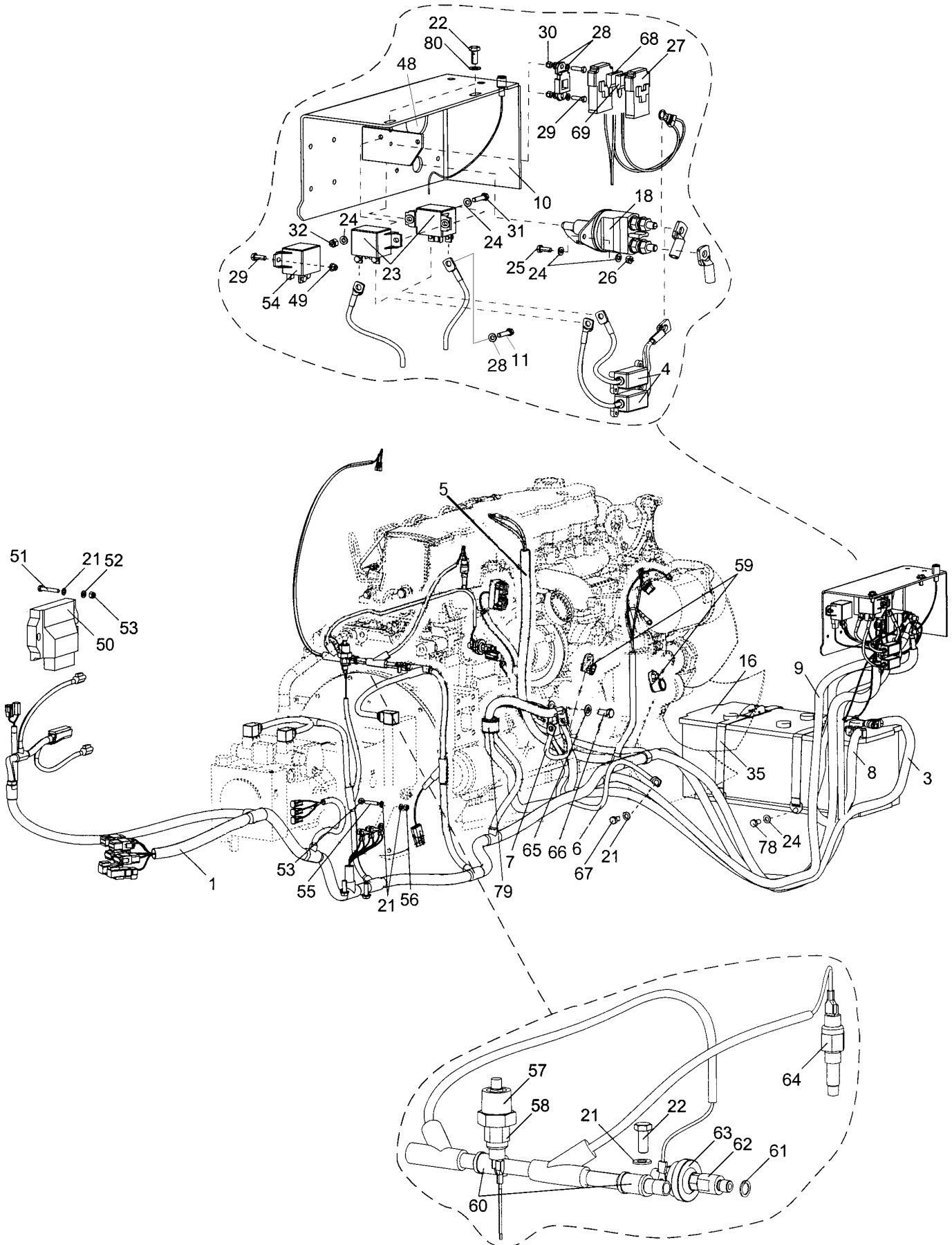
- A) Included in seal kit, item 33
D)



Brake system

Ref. No.	Part No.	Rem.	Qty	Description	Code
1	334389		1	Connector	
2	482056		1	Hydraulic hose	
3	900552		2	Adapter	
4	234888		1	Tee-connector	
5	482399		1	Hydraulic hose	
6	234843		1	Adapter	
7	482474		1	Hydraulic hose	
8	334205		1	Straight connector	
9	334524		1	Connector	

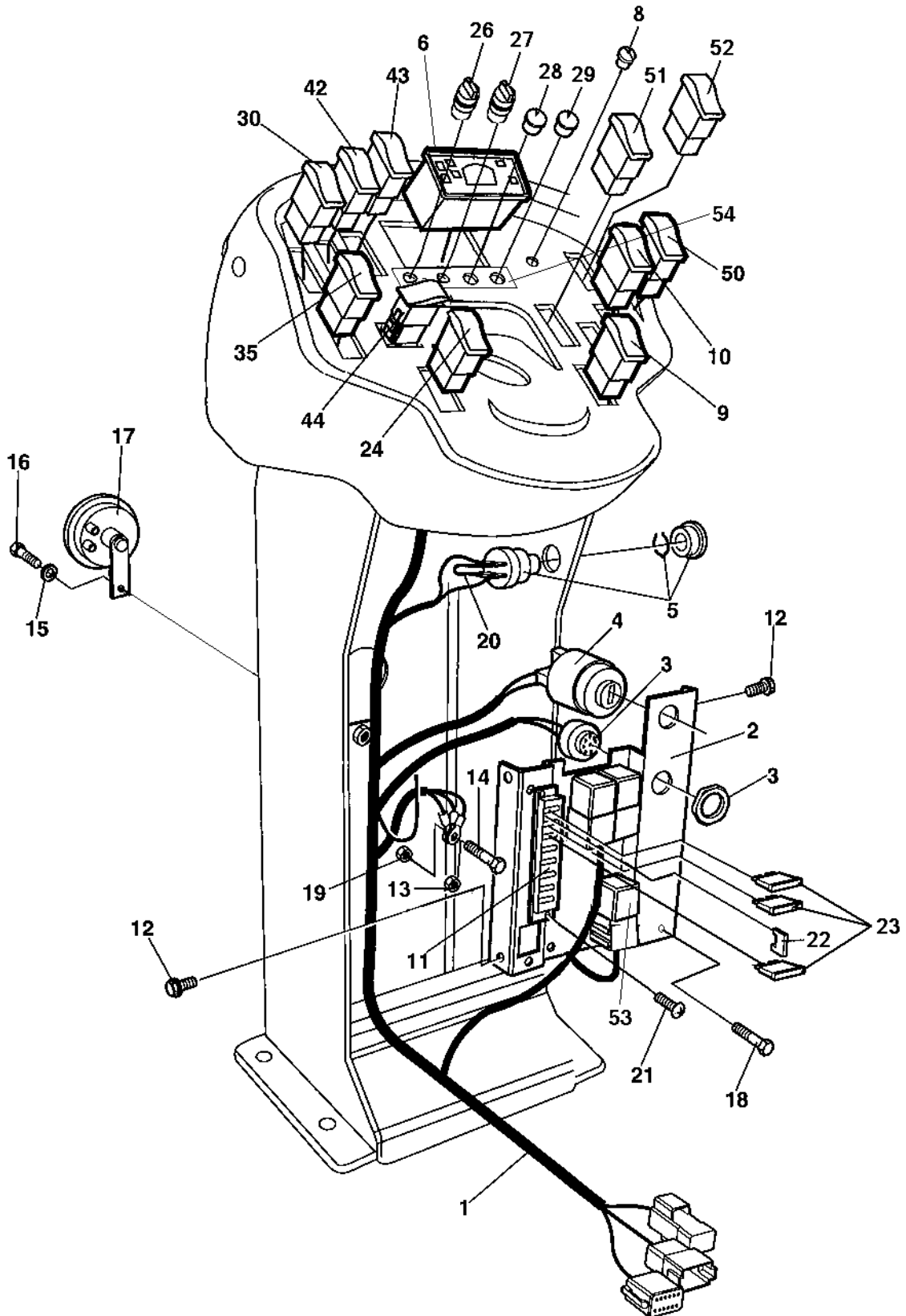
Ref. No.	Part No.	Rem.	Qty	Description	Code
10			1	Electric system (Page 100)	
20			1	Control panel (Page 102)	
50			1	Working lights (Page 104)	Option
70			1	Rotating beacon (Page 106)	Option
80			1	Back-up alarm (Page 108)	Option
90			1	Compaction meter (Page 110)	Option



Electric system

Ref. No.	Part No.	Rem.	Qty	Description	Code
1	393694		1	Cable harness engine	
3	791511		1	Battery cable	
4	387427		1	Cable harness	
	791477		1	.Fuse holder	
	791479		1	.Fuse, 125A, Orange	
5	392937		1	Cable harness	
6	791510		1	Connection cable, coarse	
7	792265		1	Connection cable, coarse	
8	791503		1	Battery cable	
9	393683		1	Connection cable, coarse	
10	386999		1	Holder	
11	500004		4	Screw	M5 0,8x12 8,8
16	470020		1	Battery	
18	903640		1	Battery switch	D
21	904229		13	Washer	8,4x16x1,5
22	500053		6	Screw	M8-1,25x20 8.8
23	791183		2	Relay	D
24	904228		8	Washer	6,4x12x1,5
25	500013		2	Screw	M6-1x16 8,8
26	570004		3	Nut	M6
27	904036		1	Fuse holder	
28	904281		10	Washer	5,3x10x1
29	500060		4	Screw	M5-0,8x20 8.8
30	586001		2	Lock nut	M5
31	500075		3	Screw	M6-1,0x25 8.8
32	586002		3	Lock nut	M6
35	791371		2	Strap	
48	345870		1	Plug	
49	902284		2	Nut	M5
50	378745		1	Control unit, ECU	
51	500025		2	Screw	M8-1,25x50 8,8
52	904556		2	Washer	8,4x16x3,0
53	586003		5	Lock nut	M8
54	904448		1	Relay	D
55	903768		3	Threaded stud	
56	570005		3	Nut	M8
57	813434		1	Reducer	
58	903631		1	Temperature sensor	Hydraulic oil
59	960727		2	Clamp	D
60	921072		2	Clamp	
61	330328		1	Copper washer	10x14x1
62	390327		1	Adapter	
63	813462		1	Oil pressure sender	D
64	903632		1	Temperature sensor	Engine
65	904231		1	Washer	13x24x2
66	500051		1	Screw	M12-1,75x25 8,8
67	500019		1	Screw	M8-1,25x16 8.8
68	904038		1	Fuse	40A
69	904037		1	Fuse	30A
78	500012		1	Screw	M6x12
79	923008		1	Clamp	
80	904230		2	Washer	10,5x22x2

D)

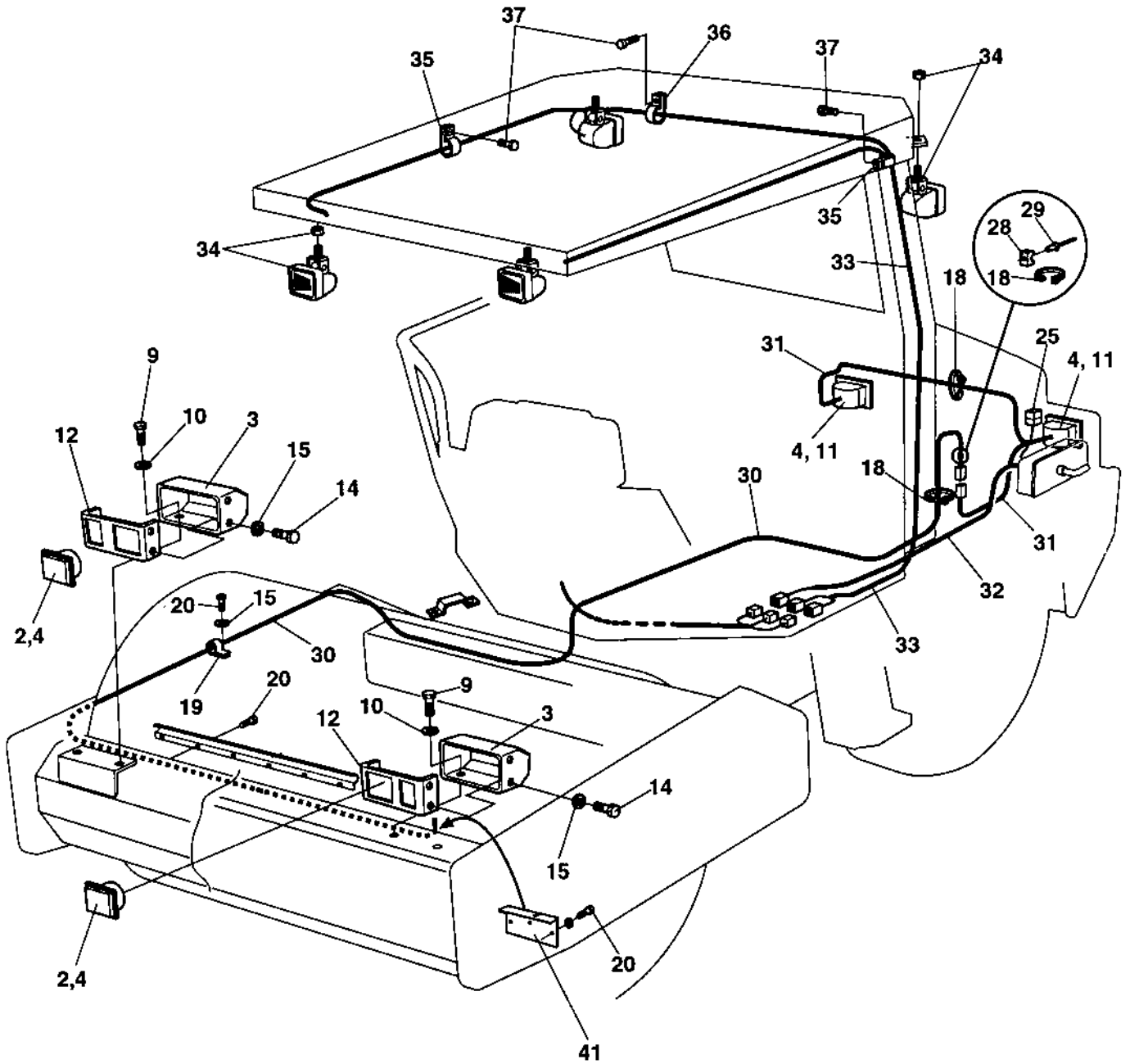


Control panel

Ref. No.	Part No.	Rem.	Qty	Description	Code	
1	392507	B	1	Cable harness control panel		
2	387683		1	Distribution control plate		
3	385599		1	Buzzer		
4	238158		1	Ignition switch		
	940451		1	.Key		
5	791647		1	Emergency stop		
6	392996		1	Control panel		
8	792083	N		Plug		
9	792414		1	Switch, RPM		
10	792461		1	Switch, vibration		
11	791185		1	Fuse box		
12	903782		4	Screw	M5x12	
13	570004		3	Nut	M6	
14	500075		1	Screw	M6-1,0x25 8.8	
15	904229		1	Washer	8,4x16x1,5	
16	500053		1	Screw	M8-1,25x20 8.8	
17	999027		1	Horn		D
18	500075		1	Screw	M6-1,0x25 8.8	
19	586002		1	Lock nut	M6	
20	791517		1	Connection cable		
21	901767		2	Screw	ST3,5x9,5 Black	
22	791211	N		Contact bridge		
23	901228	N		Fuse	15A	
	901227	N		Fuse	10A	B
	901225	N		Fuse	5A	B
24	791582		1	Switch, parking brake		
26	792317		1	Switch		
27	792318		1	Switch		
28	792435		1	Pilot lamp		
	792432		1	Illuminated block red		
29	792319		1	Pilot lamp,	Yellow	
	792315		1	Illuminated block yellow		
30	791587	A	1	Switch, working light		
35	791585	A	1	Switch, rotating beacon		
42	791583	A	1	Switch, driving light		
43	791584	A	1	Switch, warning blinkers		
44	792413	A	1	Switch, drive direction		
50	791588		1	Panel plug		
	792463	A	1	Switch, Power distribution		
51	791578		1	Switch, horn		
52	792462	A	1	Switch, TC & TM		
	791657		1	Switch, Hi-Lo Speed		
53	903956	A	1	Relay		D
54	394061		1	Decal		

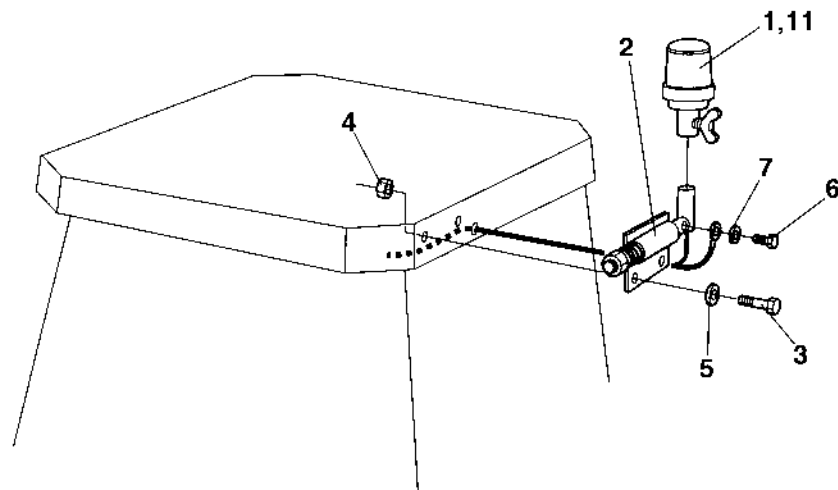
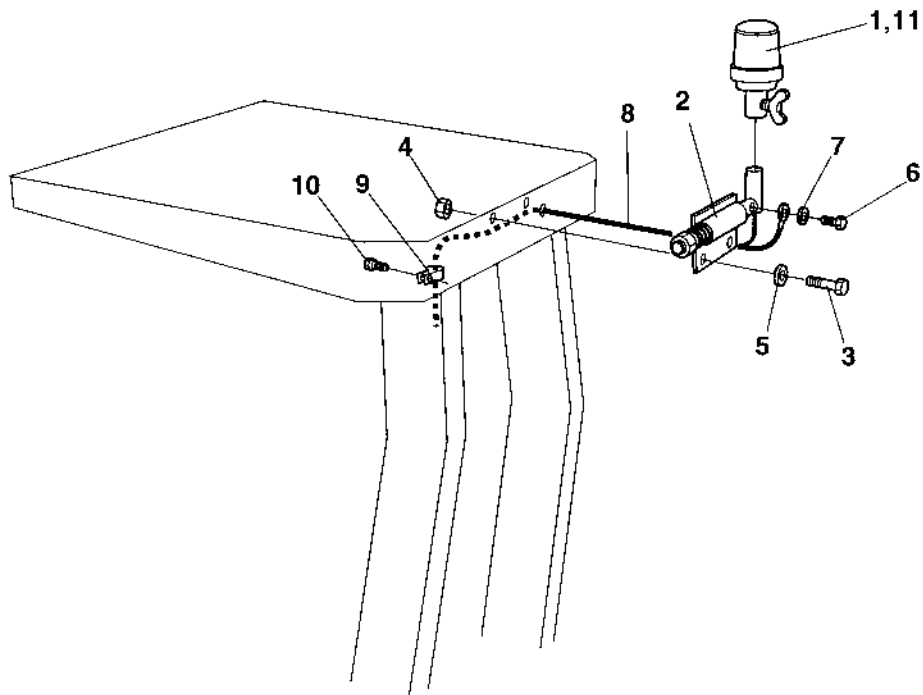
- A) Option
 B) Control panel
 B)
 D)

18490



Ref. No.	Part No.	Rem.	Qty	Description	Code
2	902227		2	Work light	
3	374029		2	Lamp shield	
4	901369		4	Bulb	55w H3
9	500053		6	Screw	M8-1,25x20 8.8
10	904640		6	Washer	8,4x22x3
11	904314		2	Work lamp	
12	374030		2	Bracket	
14	500040		8	Screw	M6-1x20 8,8
15	904228		11	Washer	6,4x12x1,5
18	925802		7	Cable ties	L=142 mm
19	921039		8	Pipe clamp	
20	500012		3	Screw	M6x12
25	904038		1	Fuse	40A
28	904543		7	Cable tie holder	
29	903436		7	Blind rivet	
30	392771		1	Cable harness	
31	392856		1	Cable harness	
32	373184		1	Cable harness	
33	392772		1	Cable harness	
34	904314		4	Work lamp	
35	921039		2	Pipe clamp	
36	791341		9	Clamp	
37	541702		11	Screw	M6x12
41	384163		2	Protection	

B)
D)

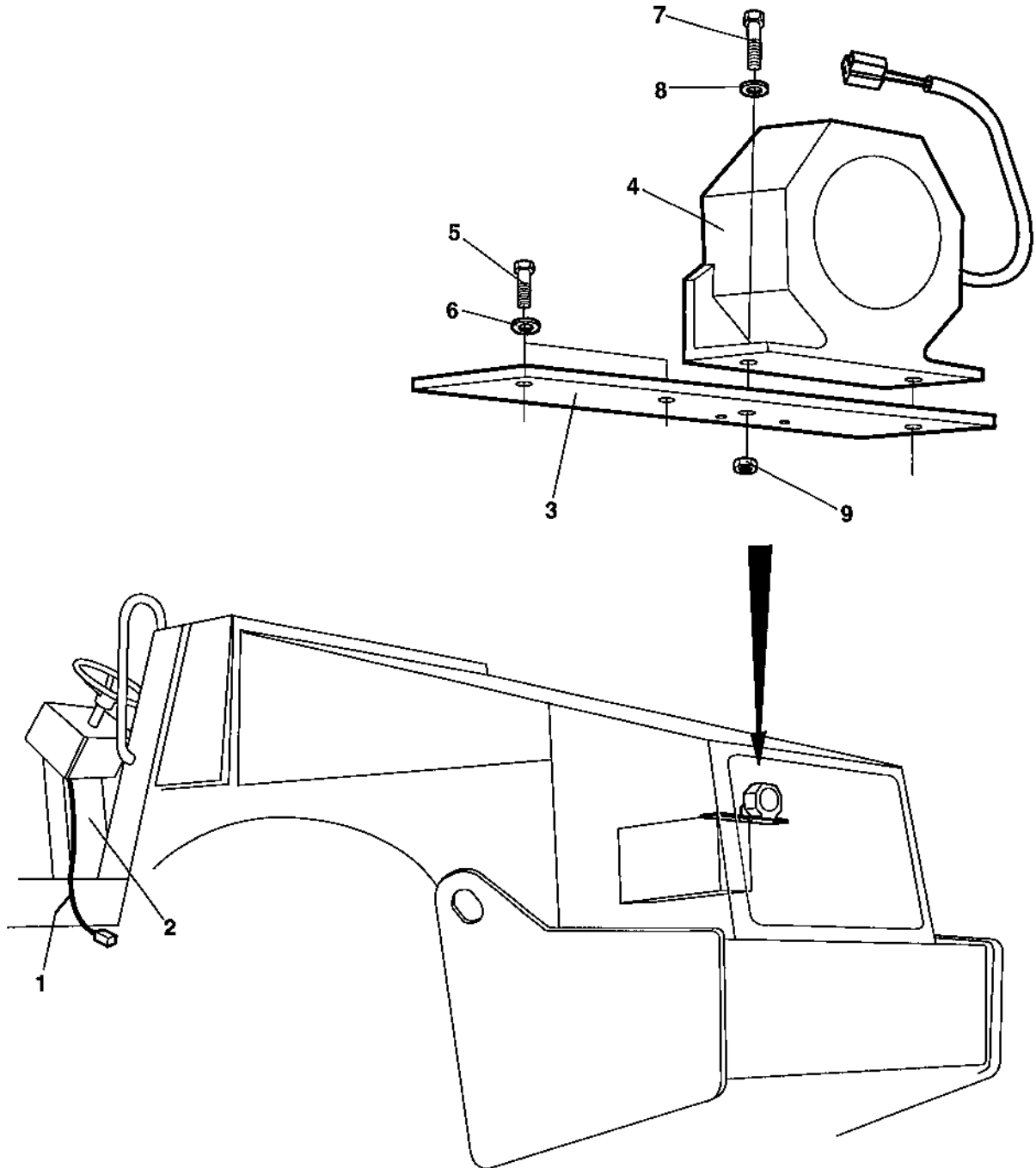


Ref. No.	Part No.	Rem.	Qty	Description	Code
1	999011	1	1	Rotating beacon	D
2	358452		1	Lamp holder	
3	500021		2	Screw	M8-1,25x25 8.8
4	586003		2	Lock nut	M8
5	904229		4	Washer	8,4x16x1,5
6	500013		1	Screw	M6-1x16 8,8
7	904228		1	Washer	6,4x12x1,5
8	392773		1	Cable harness	
9	921039		1	Pipe clamp	
10	541702		1	Screw	M6x12
11	389577	2	1	Rotating beacon	D

1) Is replaced by item 11, P/N 389577

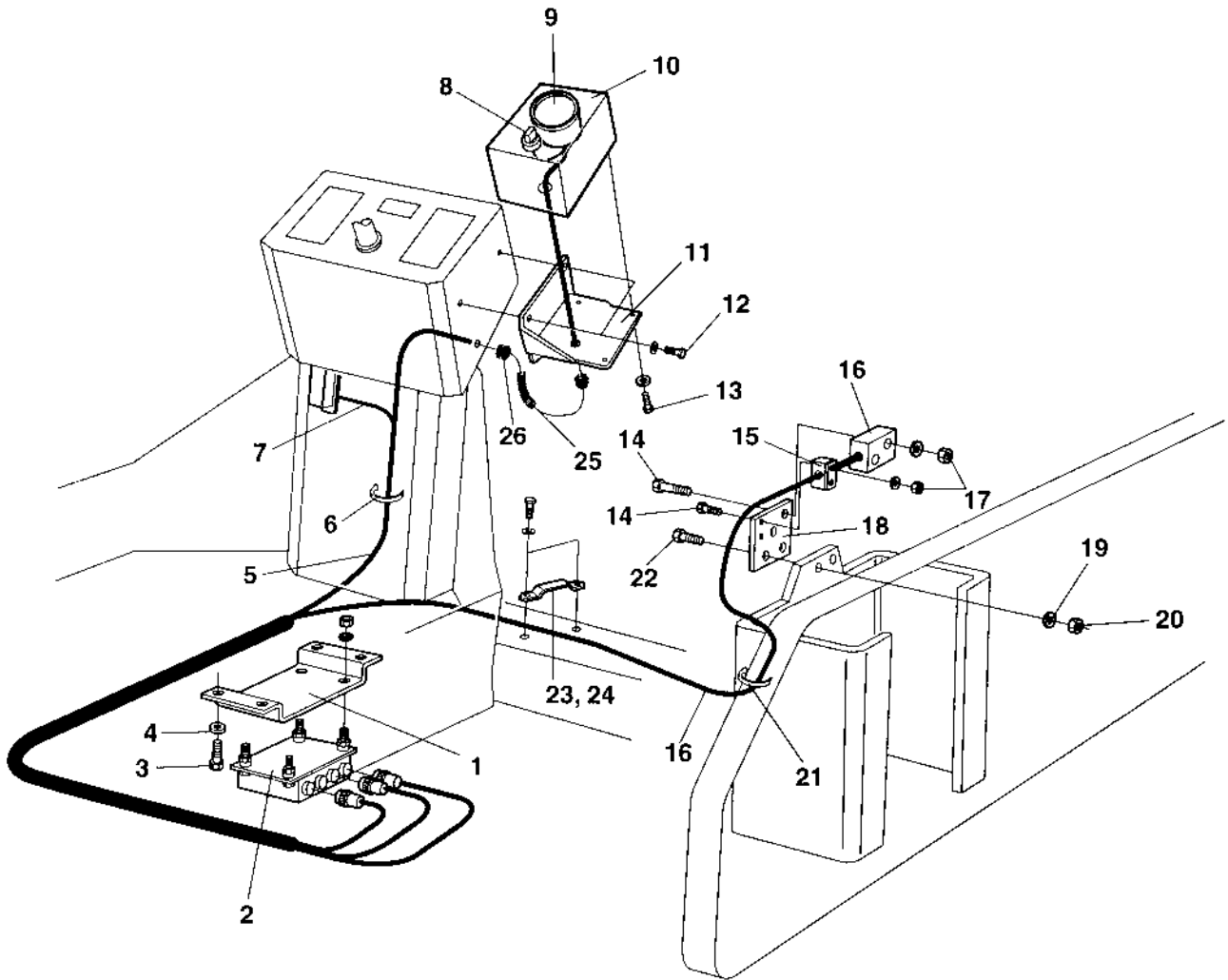
2) Replaces item 1, P/N 999011

D)



Ref. No.	Part No.	Rem.	Qty	Description	Code
1	380798	A	1	Cable harness	
2	901224	B	1	Fuse	3A
3	377071		1	Bracket	
4	904910		1	Back-up alarm	
5	500053		2	Screw	M8-1,25x20 8.8
6	904229		2	Washer	8,4x16x1,5
7	500040		2	Screw	M6-1x20 8,8
8	904228		2	Washer	6,4x12x1,5
9	902285		2	Lock nut	M6

- A) Is connected to the main wiring harness.
- B) Located in the fusebox on the control panel.
- D)

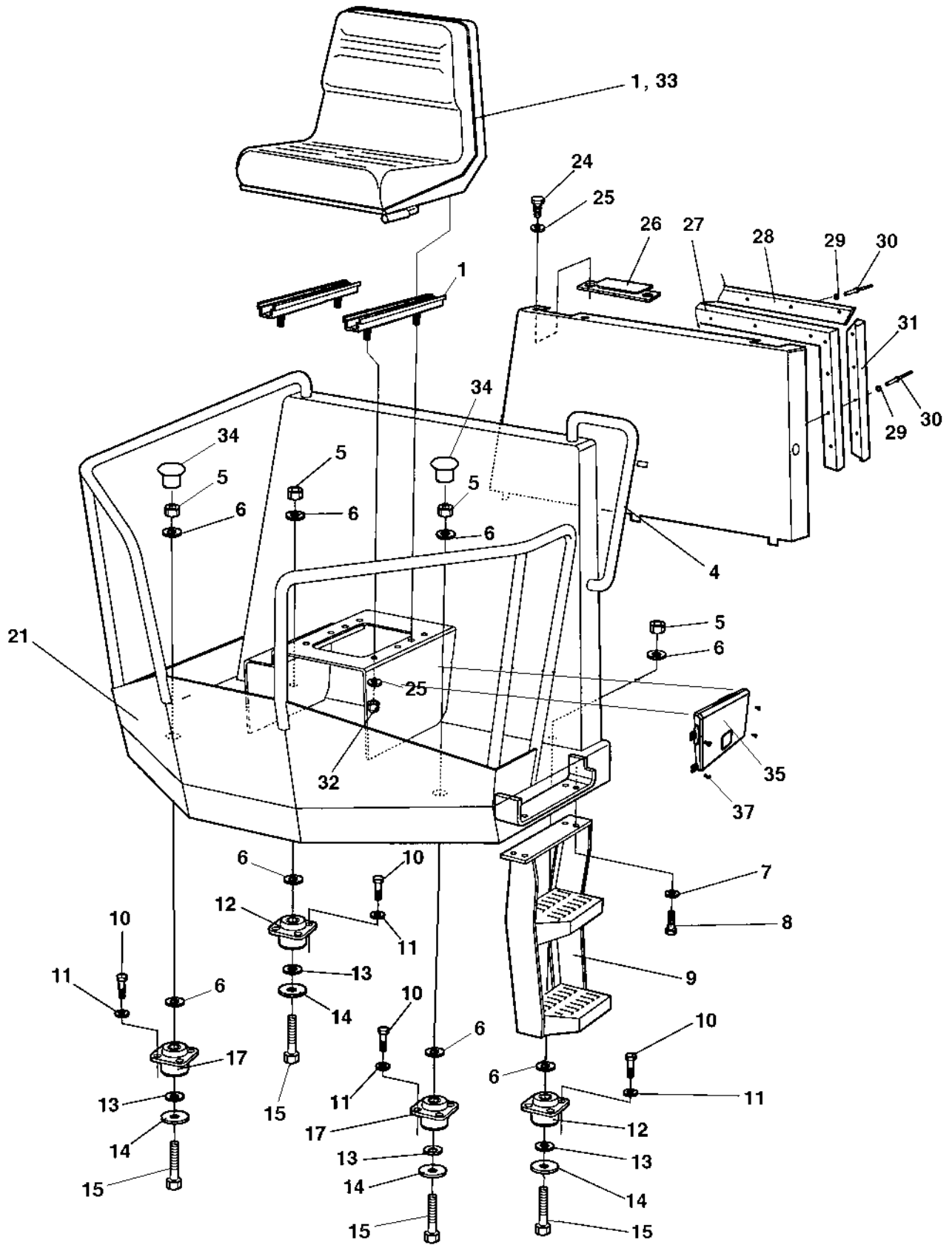


Ref. No.	Part No.	Rem.	Qty	Description	Code
1	372836		1	Bracket	
2	372008		1	Processor comp.meter	
3	500053		4	Screw	M8-1,25x20 8.8
4	904229		4	Washer	8,4x16x1,5
5	372784		1	Cable harness	
6	313102		N	Cable ties	
7	381351		1	Cable harness	
8	930151		1	Switch	D
9	383452		1	Compaction meter	
10	373096		1	Instrument box	
11	393543		1	Bracket	
12	904206		3	Screw	M6X16
13	541526		4	Screw	
14	500079		4	Screw	M6-1x50 8,8
15	902496		1	Clamp	
16	348213		1	Sensor, cpl	
17	902285		7	Lock nut	M6
18	373140		1	Bracket	
19	904231		2	Washer	13x24x2
20	902288		2	Nut	M12
21	313041		N	Cable ties	L=186 mm
22	500194		2	Screw	M12x40H 8.8
23	373016		1	Hose clamp	
24	349435		1	Rubber part	
25	901190	A	1	Conduit	
26	903192		2	Grommet	

A) L=230mm
 D)

Drivers platform

Ref. No.	Part No.	Rem.	Qty	Description	Code
10				Drivers platform (Page 114)	
20				Control panel (Page 116)	
40				Forward and reverse control (Page 118)	
52				Steering column (Page 122)	
100				Canopy (Page 124)	Option
110				Rops and fops (Page 126)	
120				Cab mounting (Page 128)	
130				Cab (Page 130)	Screens
140				Cab (Page 134)	Door, left side
150				Cab (Page 136)	Interior rear mirror
160				Cab (Page 138)	Exterior, rear mirror
170				Wiper arm with blade, front (Page 140)	
180				Cab (Page 142)	Work light
190				Cab (Page 144)	Electric



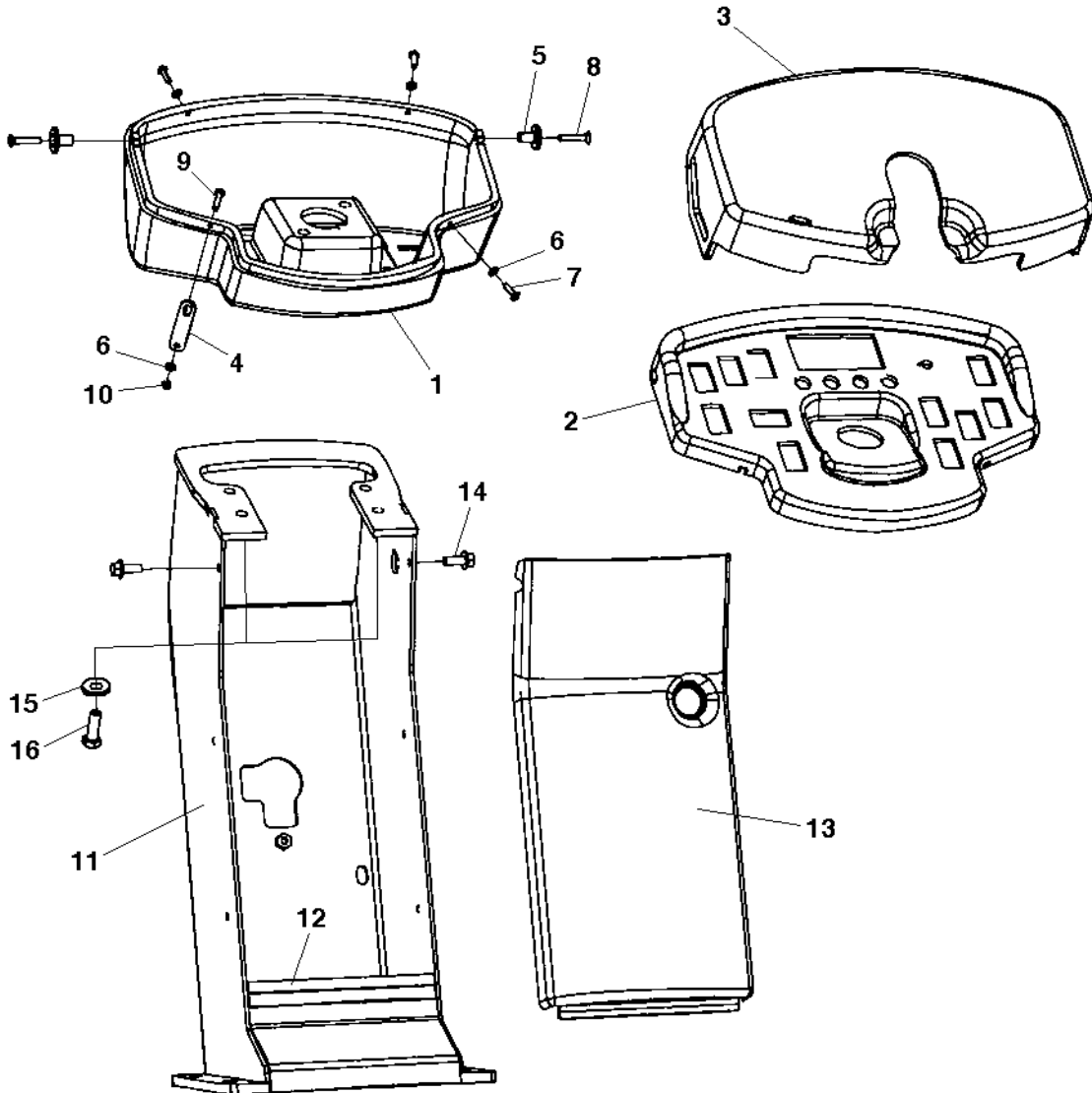
Drivers platform

Ref. No.	Part No.	Rem.	Qty	Description	Code
1	377556		1	Seat	
	377518	A	1	Drivers seat, cpl	
	348331		1	Seat cover	D
2	508006		4	Screw	
3	904229		4	Washer	8,4x16x1,5
4	380123	F	1	Grab handle	
5	901145		4	Lock nut	M20-10
6	904233		4	Washer	21x36x3
7	904230		8	Washer	10,5x22x2
8	500029		4	Screw	M10-1,5x30 8.8
9	376252		1	Step	
10	500195		16	Screw	M12-1,75x50 8.8
11	904231		16	Washer	13x24x2
12	372757		2	Shock absorber	
13	903290		4	Washer	21x36x6
14	347512		4	Washer	
15	500210		4	Screw	M20-2,5x100 8.8
16	374471		4	Spacer	
17	373400		2	Shock absorber	
21	392394		1	Platform	
24	500053		4	Screw	M8-1,25x20 8.8
25	904229		8	Washer	8,4x16x1,5
26	380727		2	Cover	
27	372494	E	1	Rubber strip	
28	372785		1	List	
29	927974		13	Washer	5x19x1
30	904433		13	Blind rivet	
31	382582		2	List	
32	586003		4	Lock nut	M8
33	379636		1	Seat switch	
34	902203		2	Plug	
35	383705		1	Instruction book holder	
	357643	G	1	Wire	
37	791226		4	Screw	

- A) Option
E) L=2,4 M
F) Welded with platform 380113
G) Not illustrated
D)

Control panel

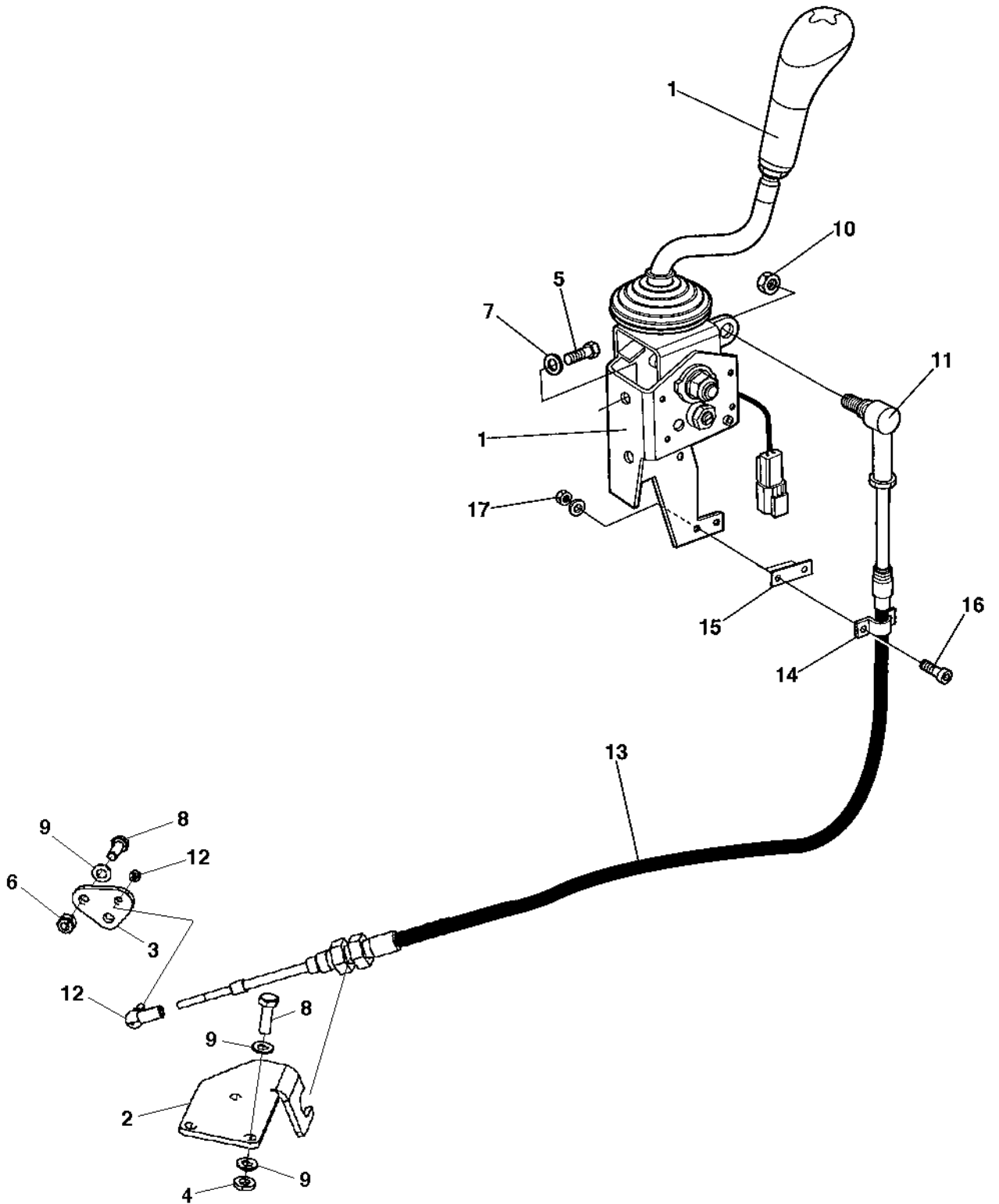
18487



Control panel

Ref. No.	Part No.	Rem.	Qty	Description	Code
1	387720		1	Control panel holder	
2	391784		1	Control panel	
3	387227		1	Control panel cover	
4	387545		1	Latch	
5	357855		2	Bushing	
6	904281		4	Washer	5,3x10x1
7	904653		3	Screw	M5x16 A2-70
8	513017		2	Screw	M6x30H 10,9
9	500007		1	Screw	M5-0,8x22H 8,8
10	791476		1	Nut	M5 -8
11	378335		1	Control panel column	
12	902166	A	1XL	Edge trim	3-5
13	387226		1	Column cover	
14	500505		2	Screw	M8x20 8.8
15	904230		4	Washer	10,5x22x2
16	500029		4	Screw	M10-1,5x30 8.8

A) L=0,190 m



Forward and reverse control

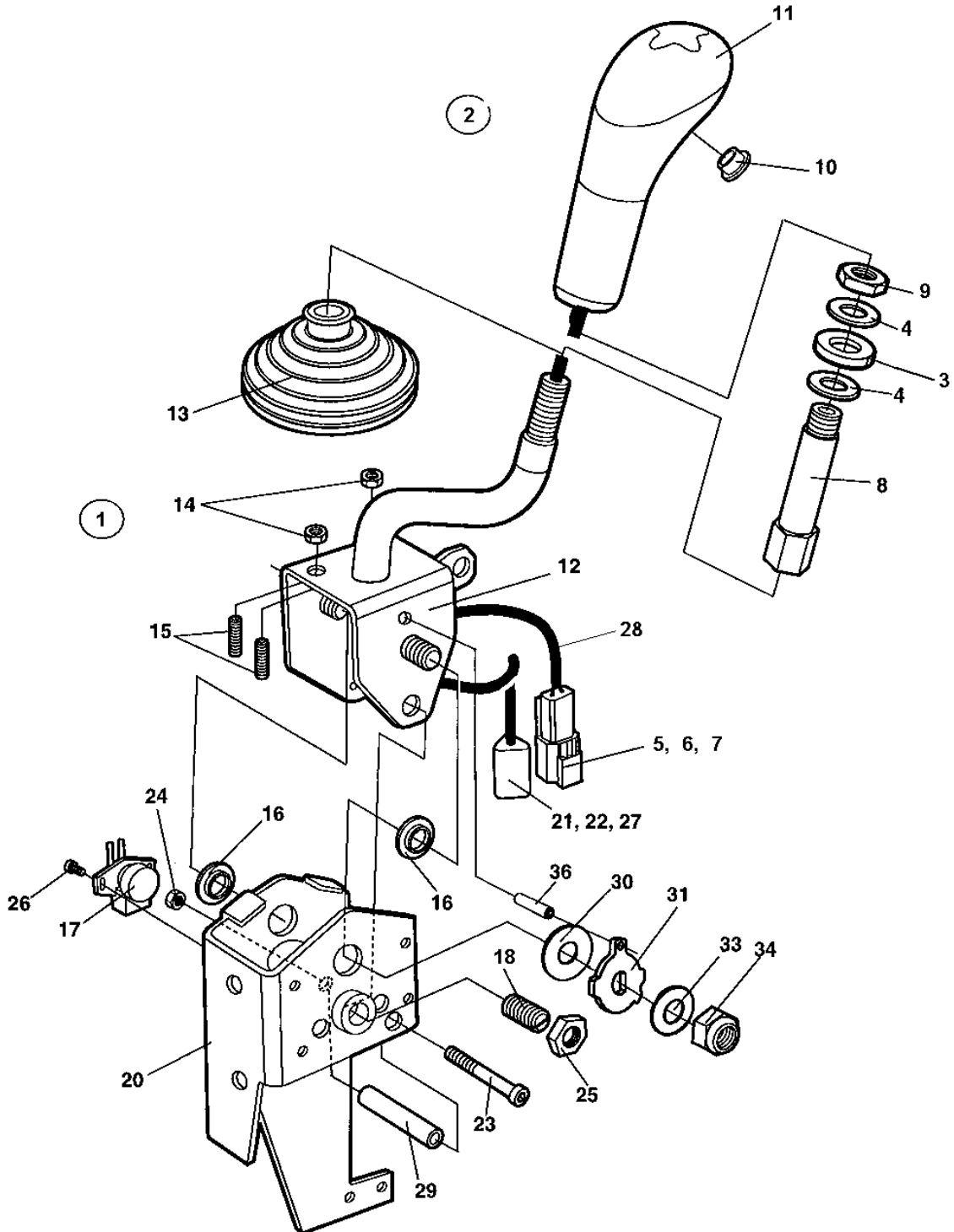
Ref. No.	Part No.	Rem.	Qty	Description	Code
1			1	Forward and reverse control handle (Page 120)	
2	392899		1	Control bracket	
3	392900		1	Control lever	
4	904556		3	Washer	8,4x16x3,0
5	508092		2	Screw	M8-1,25x20H 8,8
6	586003		2	Lock nut	M8
7	904556		2	Washer	8,4x16x3,0
8	500021		5	Screw	M8-1,25x25 8.8
9	904229		8	Washer	8,4x16x1,5
10	586003		1	Lock nut	M8
11	377019		1	Ball joint	
12	416034		1	Ball joint	
13	377024	A	1	Cable	Forward/Reverse
14	377020		1	Clamp	
15	377021		1	Spacer	
16	926537		2	Screw	M5-0,8x16H 8,8
17	586001		2	Lock nut	M5

A) L=1900MM

D)

Forward and reverse control handle

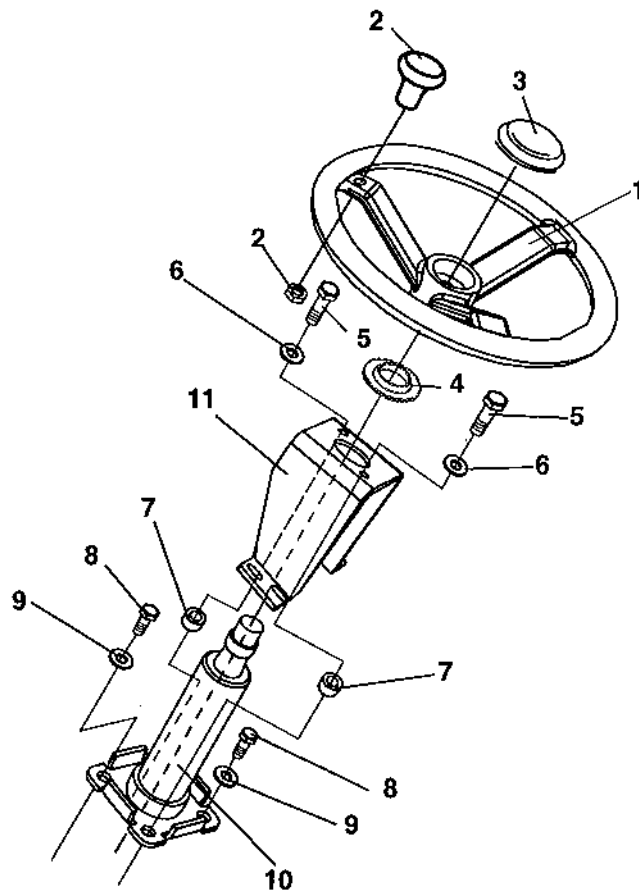
18071-2



Forward and reverse control handle

Ref. No.	Part No.	Rem.	Qty	Description	Code
1	945407		1	Lever, cpl	
2	940374		1	.Handle kit, cpl	
			1	..Handle	
			1	...Button	
			1	...Cable	
			1	..Lockfluid	
			1	..Service information	
3			1	..Washer	
4			2	..Washer	
5			1	..Connector, receptable	
6			1	..Lock wedge	
7			2	..Pin	
8			1	..Rod	
9			1	..Nut	
10	377018		1	..Protection plug	
11	378759		1	..Handle top	
12	391379		1	.Lever	
13	377009		1	.Bellows	
14	570004		2	.Nut	M6
15	377015		2	.Set screw	
16	391381		1	Bushing	
17	391382		1	Potentiometer with cable	
18	377016		1	Spring loaded pin	
20	377010		1	Bracket	
21	903945		1	Connector, plug	
22	903946		1	Lock wedge	
23	508068		1	Screw	
24	904563		1	Lock nut	M6
25	927233		1	Nut	
26	391383		1	Screw	
27	903947		3	Pin	
28		B	1	Cable	
29	377011		1	Spacer	
30	377012		1	Friction washer	
31	391380		1	Cam washer	
33	377014		1	Spring washer	
34	586019		1	Lock nut	M12
36	391386		1	Spirol pin	

B) Included in potentiometer Pos 17

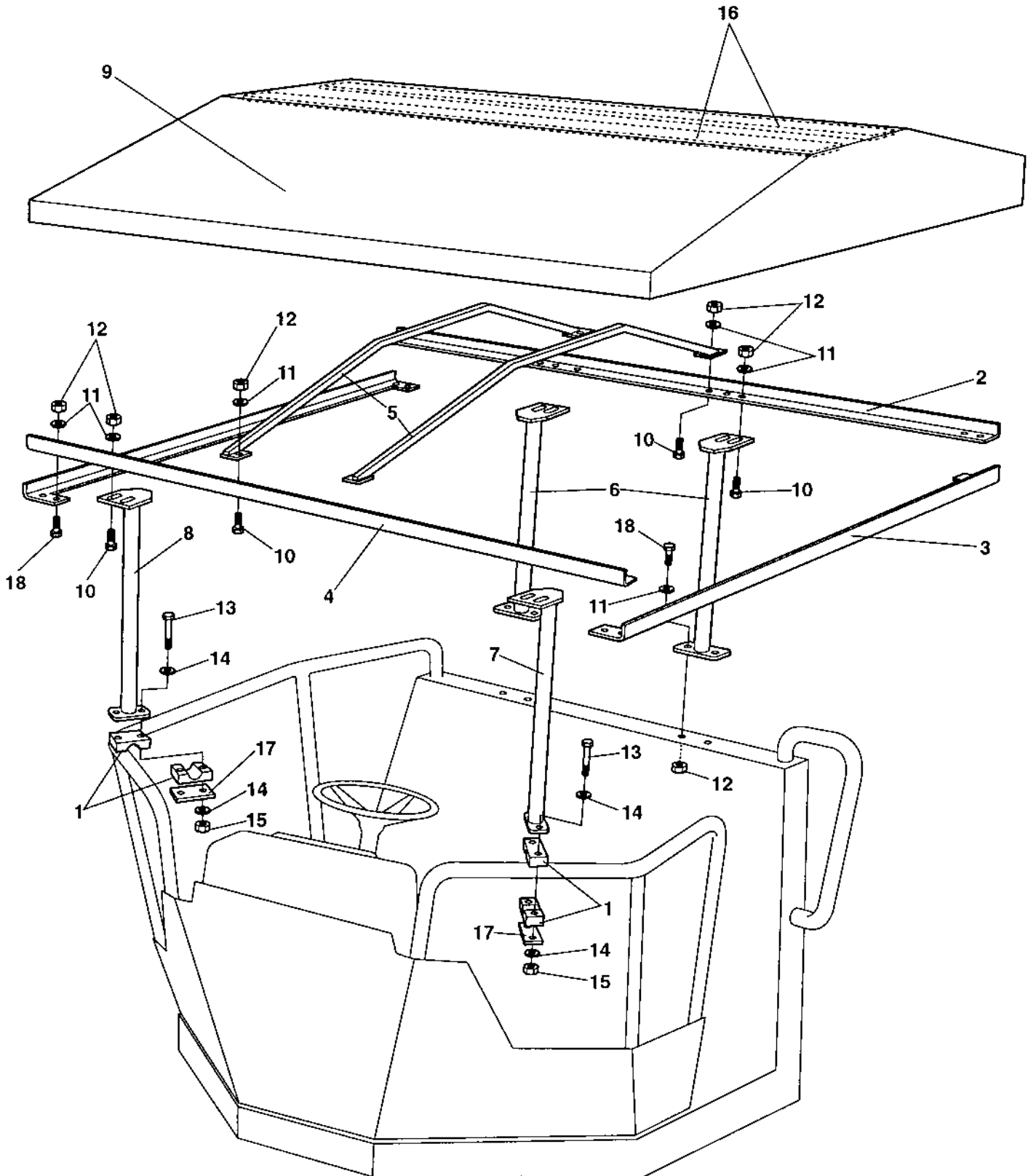


Steering column

Ref. No.	Part No.	Rem.	Qty	Description	Code
1	372964		1	Steering wheel, cpl	
2	935614		1	.Turning knob	D
3	935613		1	.Cover	
4	928830		1	Rubber washer	
5	500031		2	Screw	M10-1,5x40 8,8
6	904230		2	Washer	10,5x22x2
7	355869		2	Spacer sleeve	
8	500048		2	Screw	M10-1,5x20 8.8
9	904230		2	Washer	10,5x22x2
10	902123		1	Steering column	
11		A	1	Bracket	

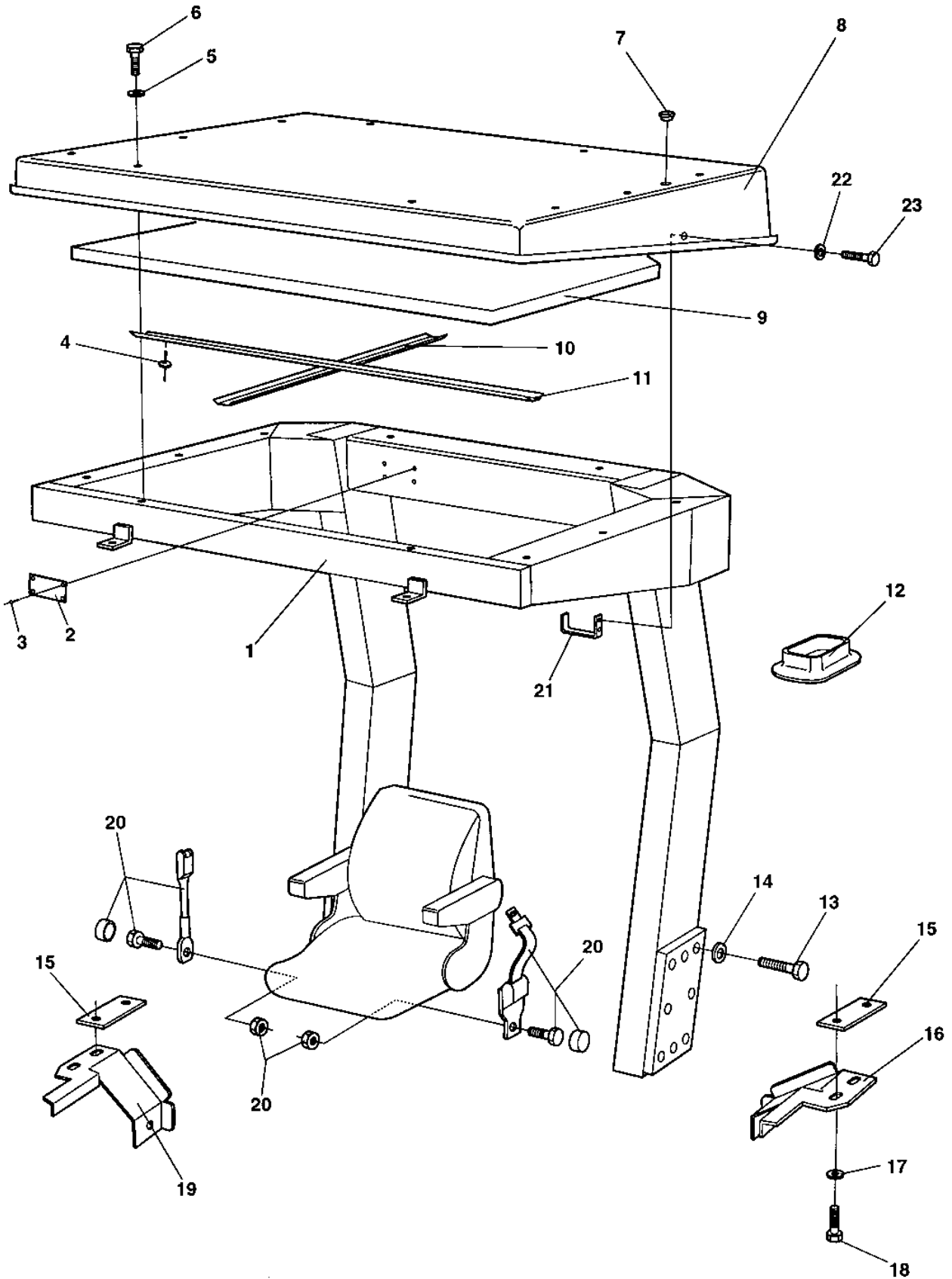
A) Included in control panel

D)



Canopy Option

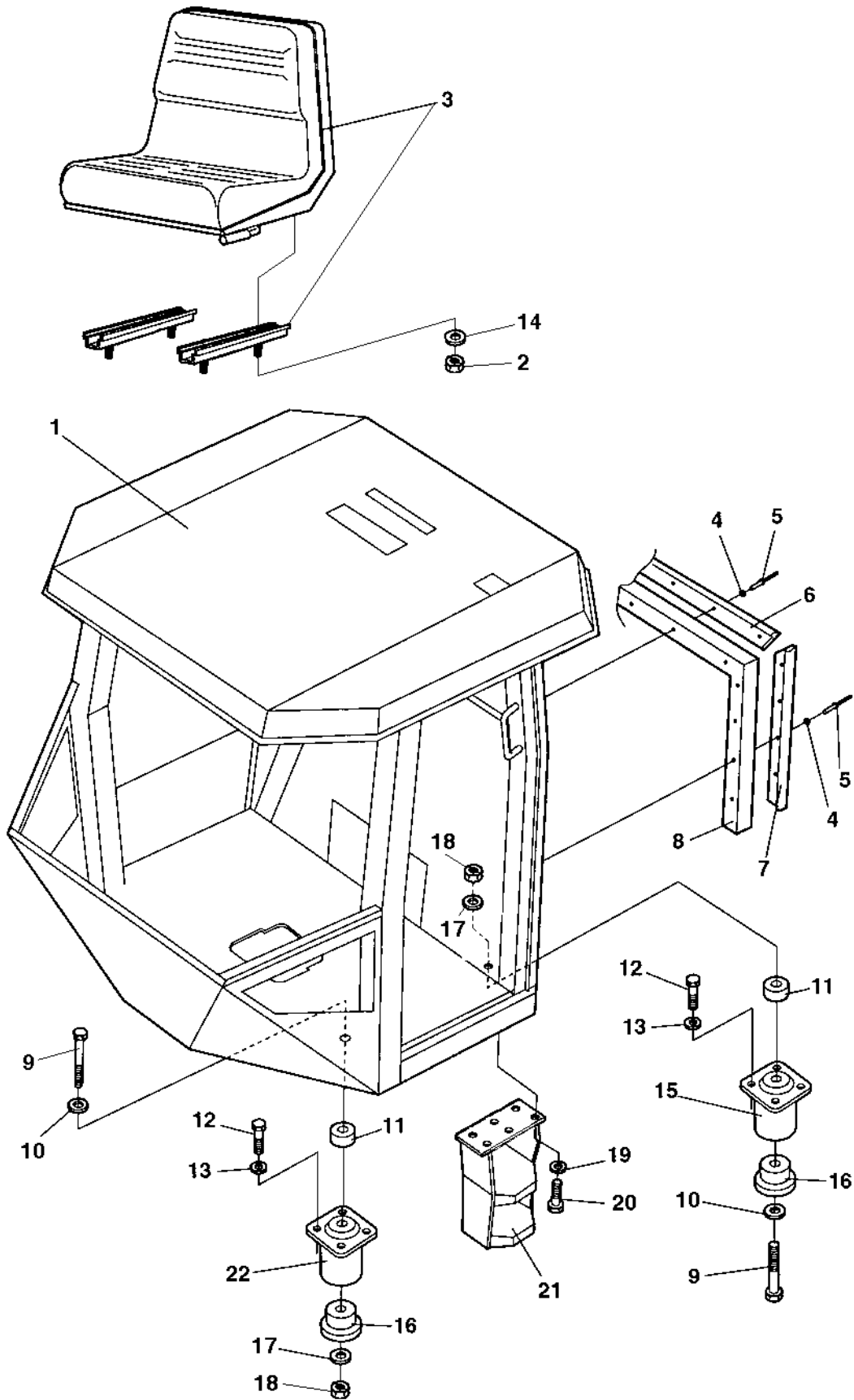
Ref. No.	Part No.	Rem.	Qty	Description	Code
1	904340		2	Pipe clamp	
2	373746		1	Canopy profile	
3	373747		2	Canopy profile	
4	373748		1	Canopy profile	
5	373749		4	Canopy rib	
6	373750		2	Canopy anchor	
7	380963		1	Canopy anchor	
8	380964		1	Canopy anchor	
9	373906		1	Roof	
10	500021		16	Screw	M8-1,25x25 8.8
11	904229		44	Washer	8,4x16x1,5
12	586003		22	Lock nut	M8
13	500153		4	Screw	
14	904228		8	Washer	6,4x12x1,5
15	586002		4	Lock nut	M6
16	373907		2	Lath	
17	924791		2	Cover plate	
18	500022		8	Screw	M8-1,25x30 8,8



Rops and fops

Ref. No.	Part No.	Rem.	Qty	Description	Code
1	372347		1	Rops	
2	370803		1	.Sign, rops	
3	624016		4	.Blind rivet	
4	904619		12	Blind rivet	
5	904734		19	Washer	8,4x26x4
6	500239		19	Screw	M8-1.25x50
7	904180		4	Plug	
8	372409		1	Fops roof	
	370792		1	.Sign, fops	
	624016		4	.Blind rivet	
9	372678		1	Absorbent	
10	376489		1	Absorbent holder	
11	376488		1	Absorbent holder	
12	372489		2	Rubber seal	
13	904562		12	Screw	
14	904234		12	Washer	25x45x4
15	381330		2	Holder	
16	381353		1	Holder plate	
17	904640		8	Washer	8,4x22x3
18	500022		8	Screw	M8-1,25x30 8,8
19	381352		1	Holder plate	
20	377677		1	Seat belt	2"
	379637	A	1	Seat belt	3"
21	383225		2	Hook	
22	904734		4	Washer	8,4x26x4
23	500100		4	Screw	

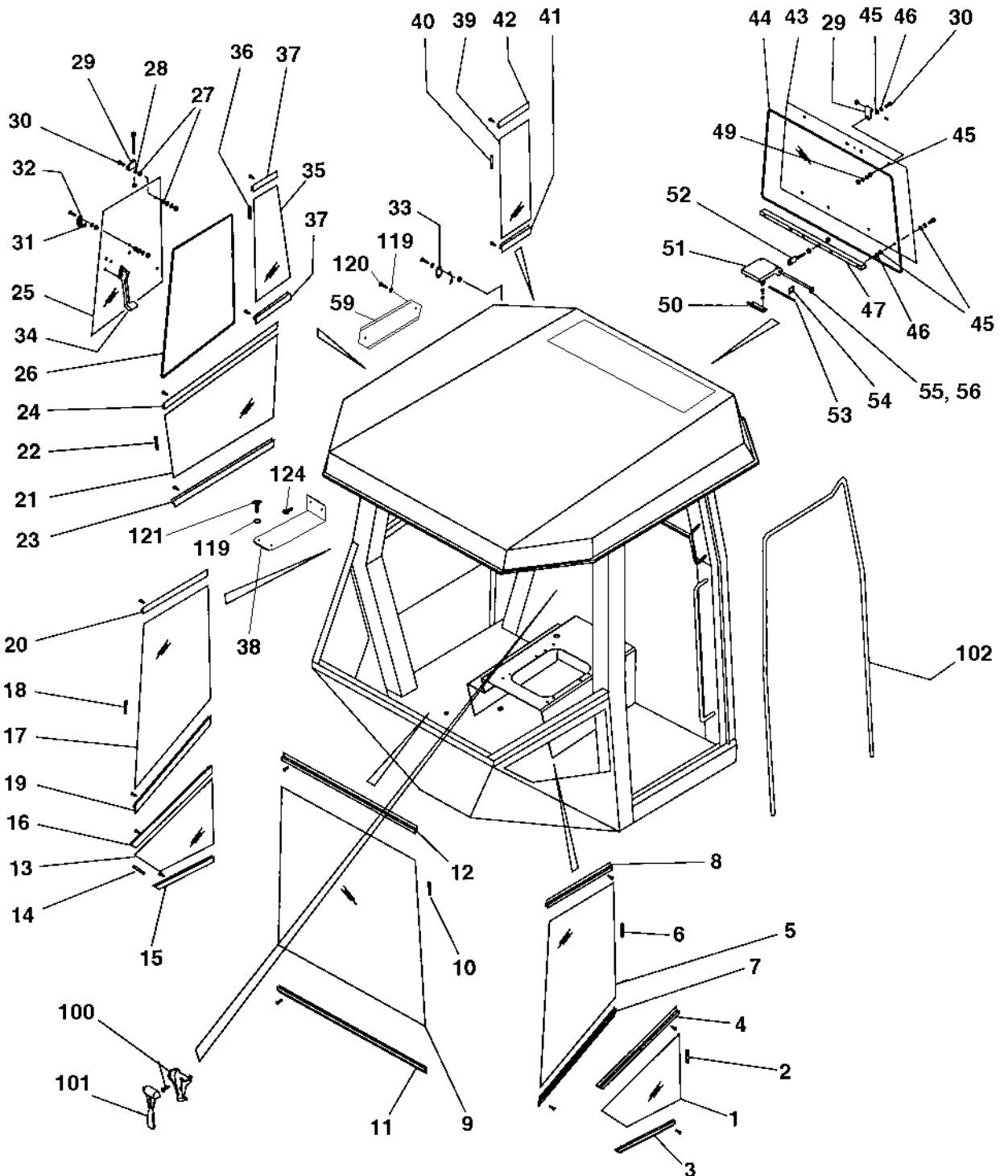
A) Option 3"



Cab mounting

Ref. No.	Part No.	Rem.	Qty	Description	Code
1	378308		1	Cab	
2	570005		4	Nut	M8
3	377556		1	Seat	
	377518	D	1	Drivers seat, cpl	
4	927974		13	Washer	5x19x1
5	904433		13	Blind rivet	
6	372785		1	List	
7	382582		2	List	
8	372494	A	N	Rubber strip	
9	791218		4	Screw	M20x200
10	904233		4	Washer	21x36x3
11	384759		4	Spacer	
12	500195		16	Screw	M12-1,75x50 8.8
13	904231		16	Washer	13x24x2
14	904229		4	Washer	8,4x16x1,5
15	374606	B	2	Shock absorber	Green
16	372457		4	Back-up ring	
17	903290		4	Washer	21x36x6
18	901145		4	Lock nut	M20-10
19	904230		6	Washer	10,5x22x2
20	500029		6	Screw	M10-1,5x30 8.8
21	376252		1	Step	
22	374607	C	2	Shock absorber	Yellow
23	382397		2	Spacer	

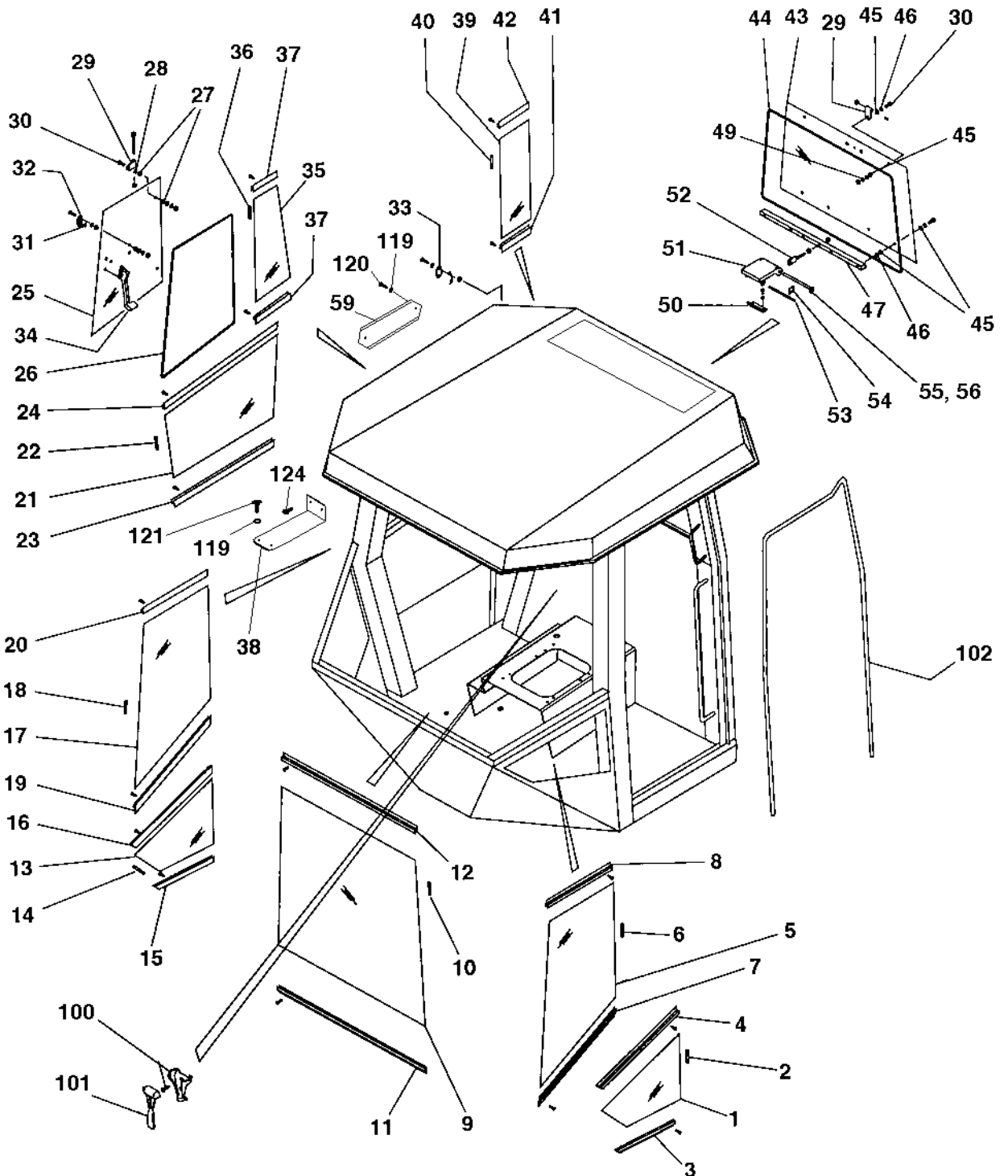
- A) L=2400 mm
 B) Rear
 C) Front
 D) Option
 D)



Cab Screens

Ref. No.	Part No.	Rem.	Qty	Description	Code
1	937380		1	Screen	
2	908545		XL	Seal list	
3	935278		1	List	
4	935279		1	List	
5	937381		1	Screen, left	
6	908545		XL	Seal list	
7	935280		1	List	
8	935281		1	List	
9	937382		1	Screen	
10	908545	D	1	Seal list	
11	935282		1	List	
12	935283		1	List	
13	937383		1	Screen	
14	908545		XL	Seal list	
15	935284		1	List	
16	935285		1	List	
17	937384		1	Screen	
18	908545	C	1	Seal list	
19	935286		1	List	
20	935287		1	List	
21	937385		1	Screen	
22	908545	A	1	Seal list	
23	935288		1	List	
24	935289		1	List	
25	938290		1	Screen	
26	908499	E	1	Rubber list	
27	935271		8	Washer, Flexible rubber	
28	935272		8	Washer, Black	
29	935273		4	Hinge	
30	935274		4	Screw	
31	935275		1	Rubber washer	
32	935276		1	Bracket	
33	935277		1	Lock pin	
34	935290		1	Window lock, right	
35	938291		1	Screen	
36	908545	B	1	Seal list	
37	935291		1	List	
38	379608		1	Cover	
39	938292		1	Screen	
40	908545	B	1	Seal list	
41	935293		1	List	
42	938659		1	List	
43	937389		1	Screen	
44	908499	F	1	Rubber list	
45	935271		12	Washer, Flexible rubber	
46	935272		12	Washer, Black	
47	935295		1	Screen holder	
49	935296		2	Washer	
50	935297		1	Bracket	
51	935298		2	Bracket	
52	935299		1	Bolt	
53	935300		1	Shaft	
54	935301		2	Lock	
55	935302		1	Rod	

- A) L=1100 mm
 B) L=1400 mm
 C) L=1900 mm
 D) L=2100 mm
 E) L=2700 mm
 F) L=3300 mm

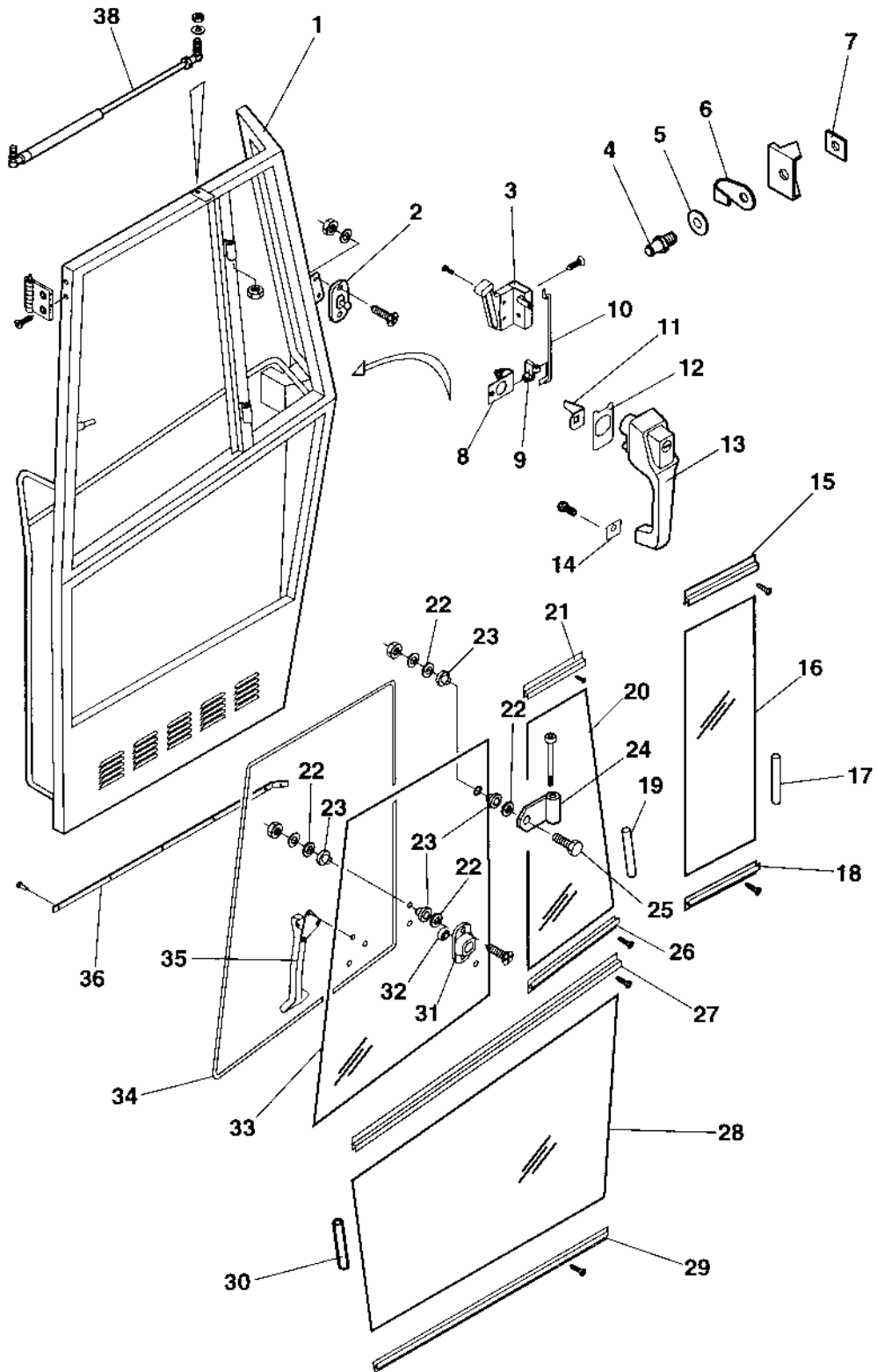


Cab Screens

Ref. No.	Part No.	Rem.	Qty	Description	Code
56	935303		1	Ring	
59	379236		1	Cover	
100	908506		1	Holder	
101	908507		1	Emergency hammer	
102	908499	G	1	Rubber list	
119	904229		16	Washer	8,4x16x1,5
120	500019		14	Screw	M8-1,25x16 8.8
121	500053		2	Screw	M8-1,25x20 8.8
124	903782		2	Screw	M5x12
G)	L=5 m				

Cab Door, left side

16967-1



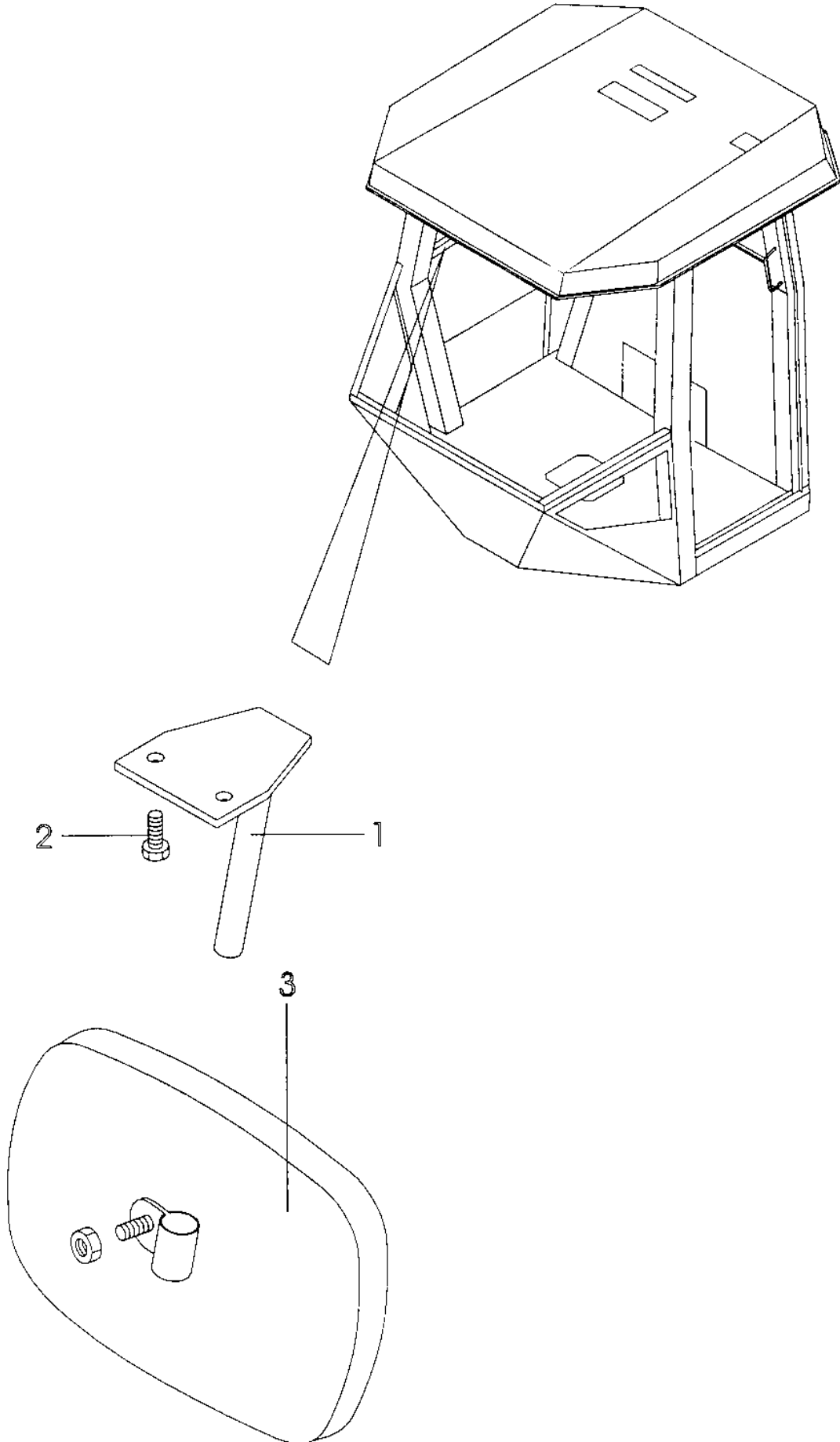
Cab Door, left side

Ref. No.	Part No.	Rem.	Qty	Description	Code
	940678		1	Door, cpl	
1	390927		1	.Door frame	
2	935277		1	.Lock pin	
3	938017		1	.Lock	
4	908580		1	.Lock pin	
5	908581		1	.Washer	
6	908582		1	.Cover	
7	908583		1	.Bracket	
8	935248		1	.Turning mechanism	
9	935249		1	.Retainer	
10	935250		1	.Rod	
11	935247		1	.Leader	
12	935246		1	.Seal	
13	935244		1	.Door handle with key	
14	935245		1	.Seal	
15	935268		1	.List	
16	937391		1	.Screen	
17	908545	A	1	.Seal list	
18	935267		1	.List	
19	908545	A	1	.Seal list	
20	937392		1	.Screen	
21	935270		1	.List	
22	935272		8	.Washer, Black	
23	935271		8	.Washer, Flexible rubber	
24	935273		2	.Hinge	
25	935274		2	.Screw	
26	935269		1	.List	
27	935266		1	.List	
28	937390		1	.Screen	
29	935265		1	.List	
30	908545	B	1	.Seal list	
31	935276		1	.Bracket	
32	935275		1	.Rubber washer	
33	937393		1	.Screen	
34	908499	C	1	.Rubber list	
35	935253		1	.Lock	
36	938101		XL	.Brush profile	
38	938018		1	.Gas spring	

A) L=1400 mm

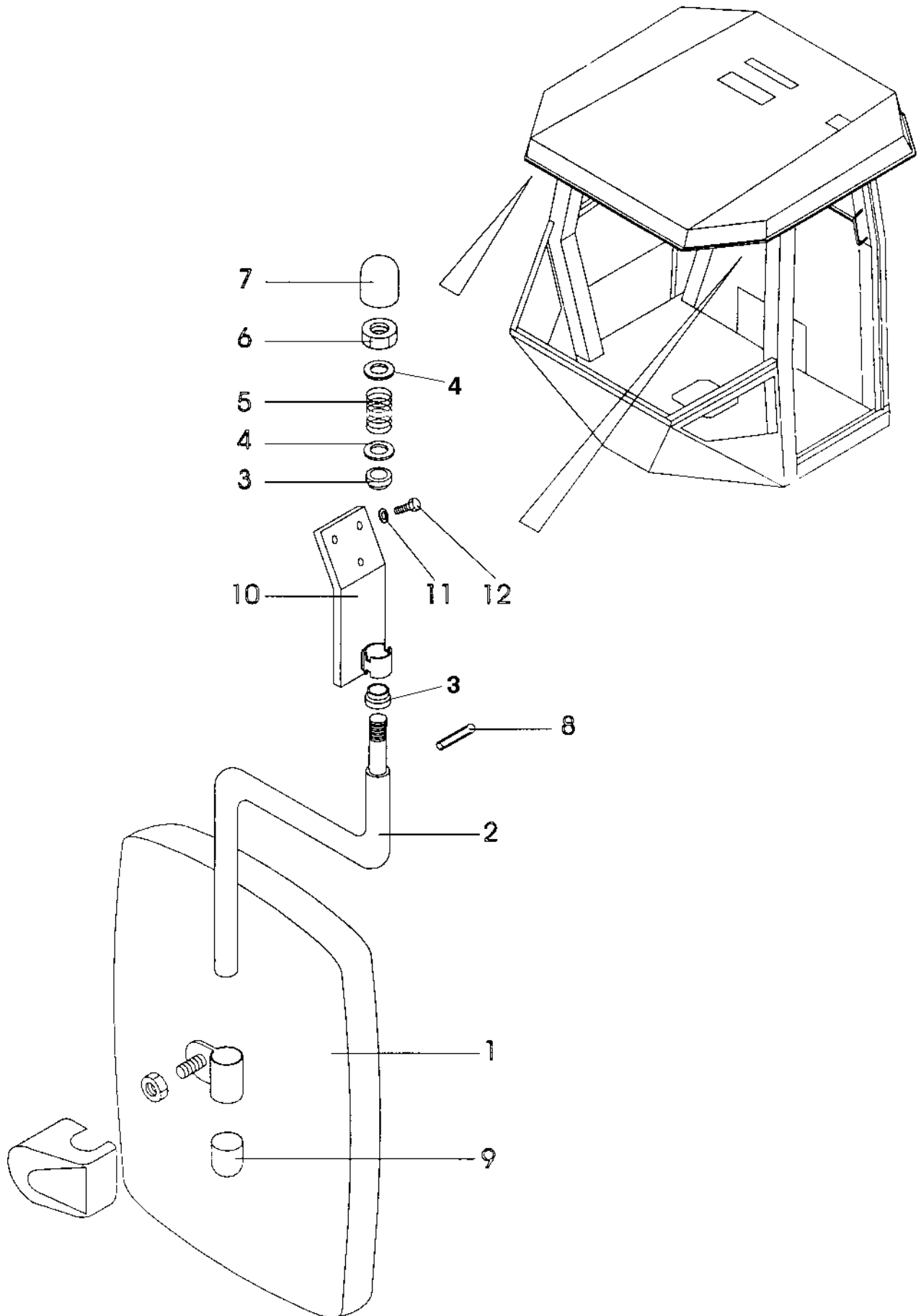
B) L=1100 mm

C) L=2700 mm



Cab Interior rear mirror

Ref. No.	Part No.	Rem.	Qty	Description	Code
1	908623		1	Bracket	
2	535005		2	Screw	M5x12
3	908624		1	Rear mirror	



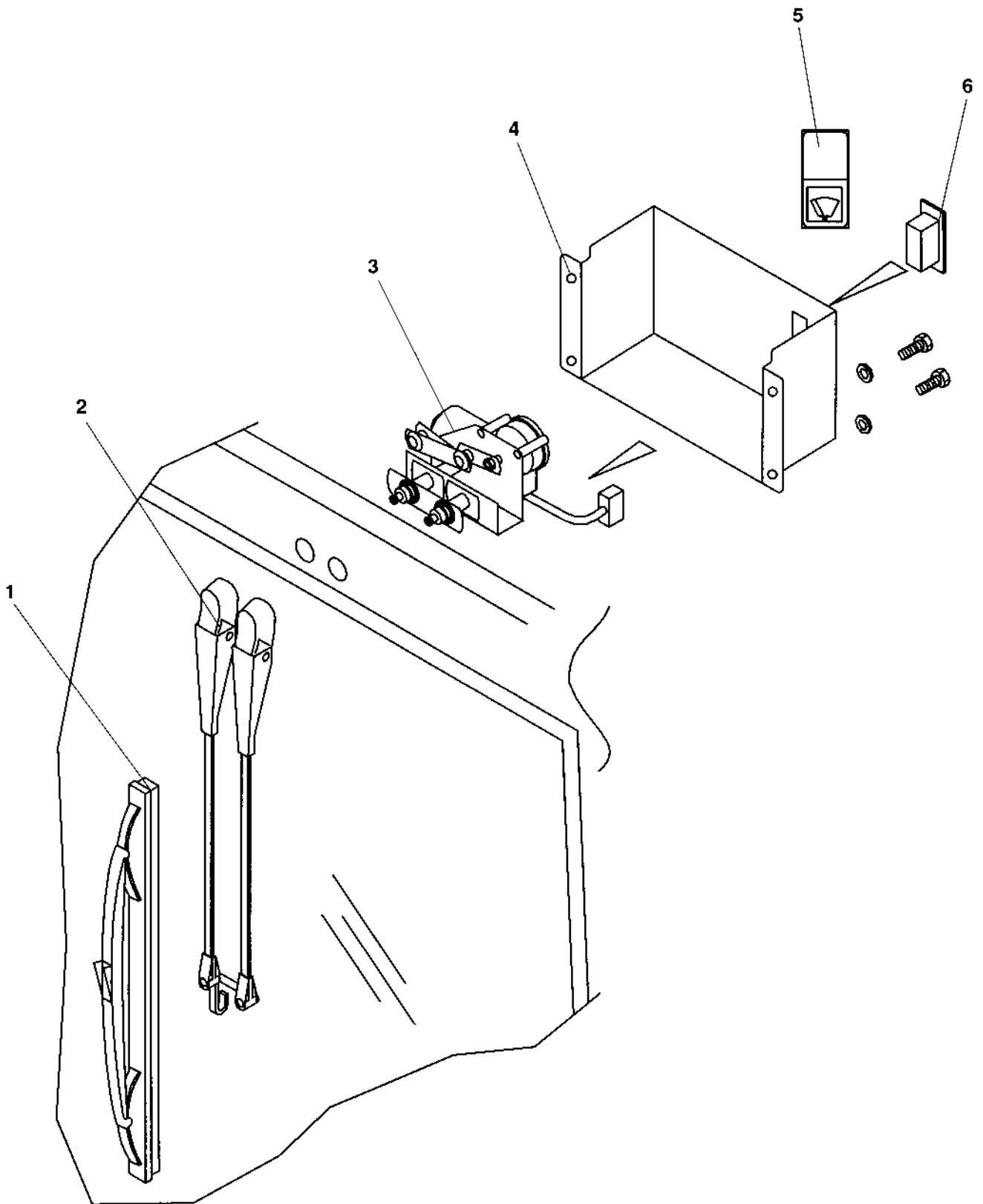
Cab Exterior, rear mirror

Ref. No.	Part No.	Rem.	Qty	Description	Code
1	371730	A	2	Rear view mirror, cpl	
	908265		1	.Rear view mirror	
2	908355		1	.Arm	
3	908625		2	.Sleeve	
4	904232		2	.Washer	17x30x3
5	908626		1	.Spring	
6	586021		1	.Nut	M16
7	908627		1	.Cap	
8	629066		1	.Spirol pin	
9	908628		1	.Cap	
10	908361		1	.Bracket	
11	904229		6	Washer	8,4x16x1,5
12	500019		6	Screw	M8-1,25x16 8.8

A) Option

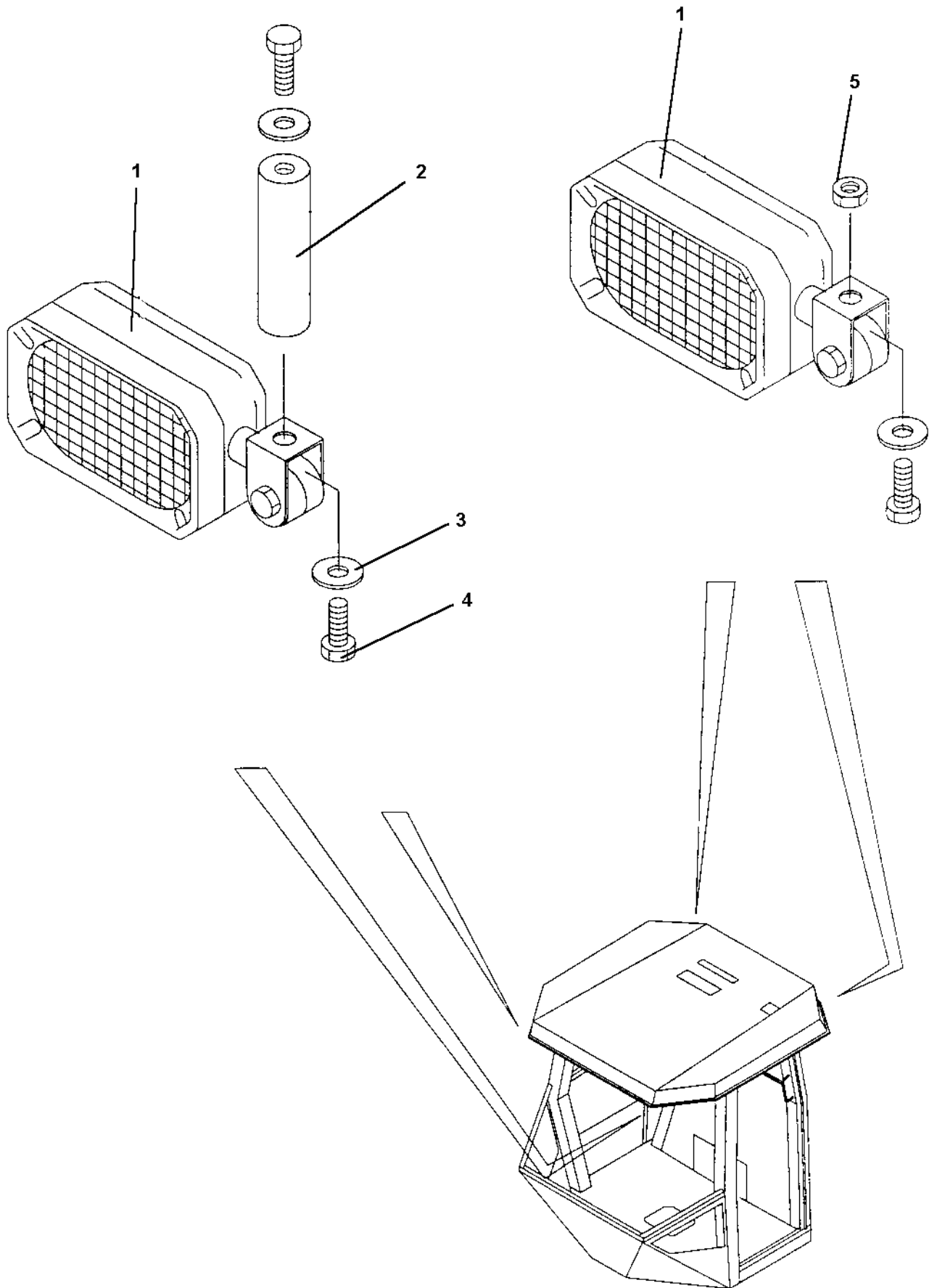
Wiper arm with blade, front

16968



Wiper arm with blade, front

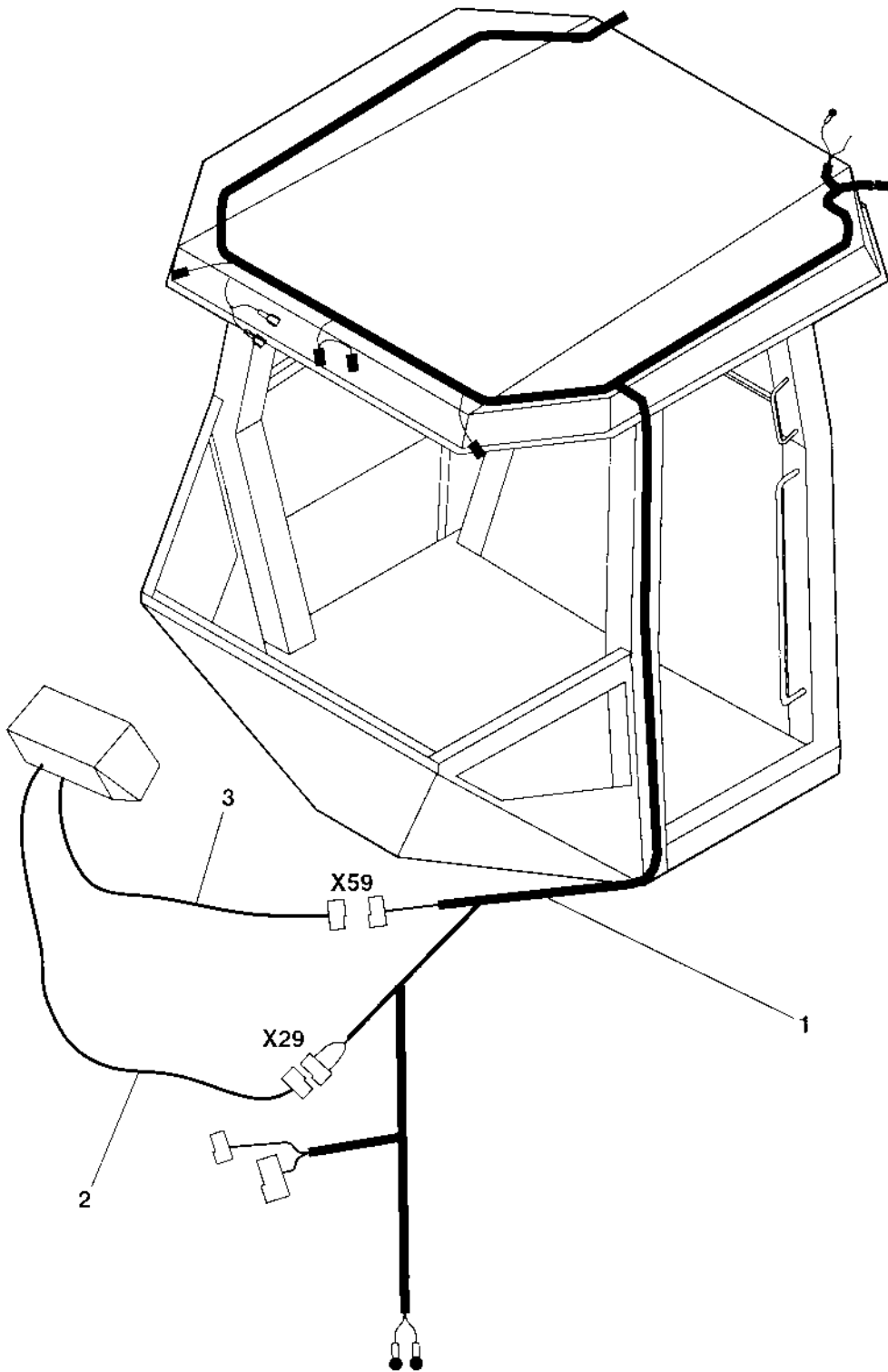
Ref. No.	Part No.	Rem.	Qty	Description	Code
1	905306		1	Wiper blade	
2	905305		1	Wiper arm	
3	905304		1	Wiper motor	
4	937871		1	Cover	
5	908605		1	Symbol wiper	
6	908617		1	Switch	



Cab Work light

Ref. No.	Part No.	Rem.	Qty	Description	Code
1	908267		4	Working light	D
2	908359		2	Distance	
3	904229		4	Washer	8,4x16x1,5
4	500019		4	Screw	M8-1,25x16 8.8
5	586003		2	Lock nut	M8

D)



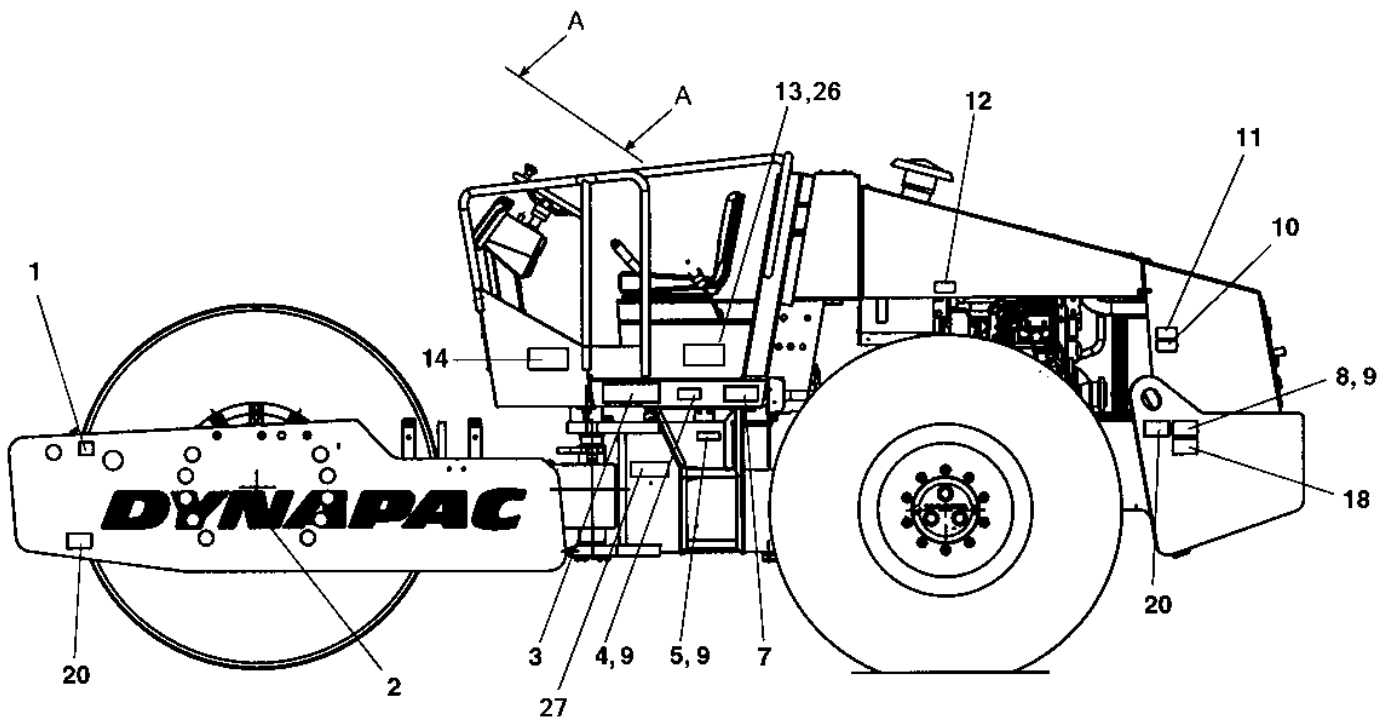
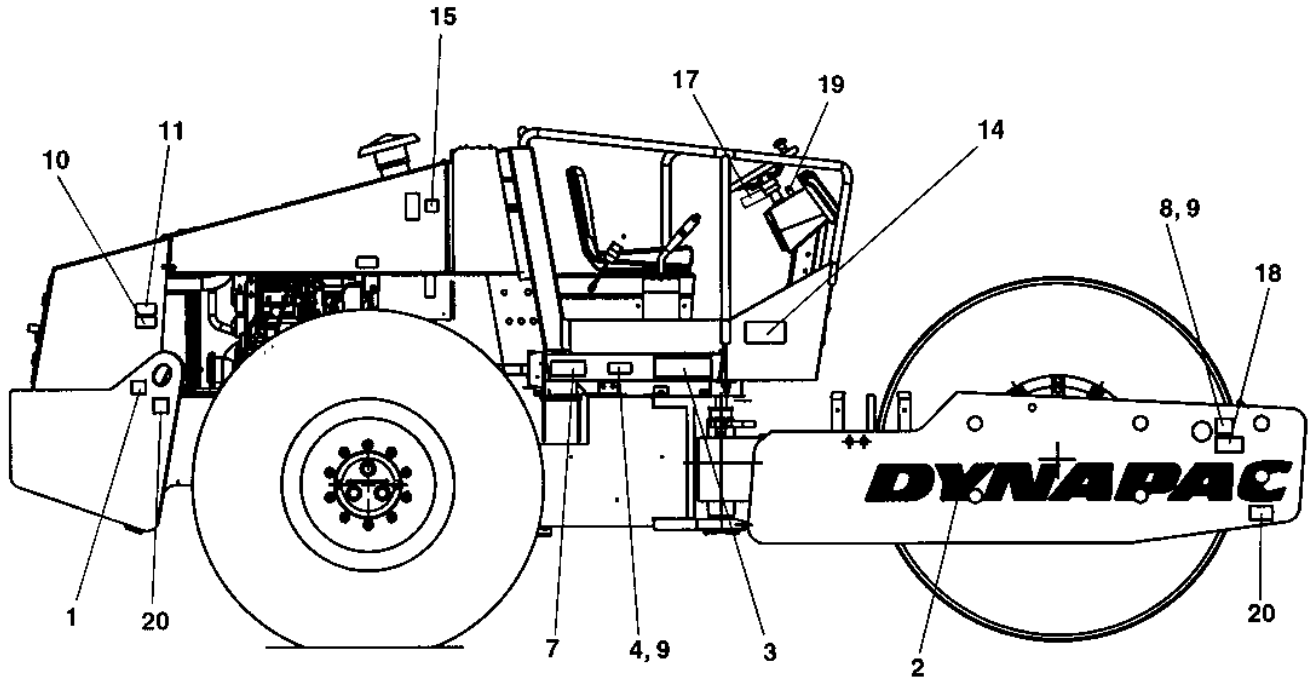
Cab Electric

Ref. No.	Part No.	Rem.	Qty	Description	Code
1	937870	A	1	Cable harness	
2	384403	B	1	Cable harness	
3	384402	C	1	Cable harness	

- A) Main supply
- B) Horn
- C) Windshield wiper

Decals

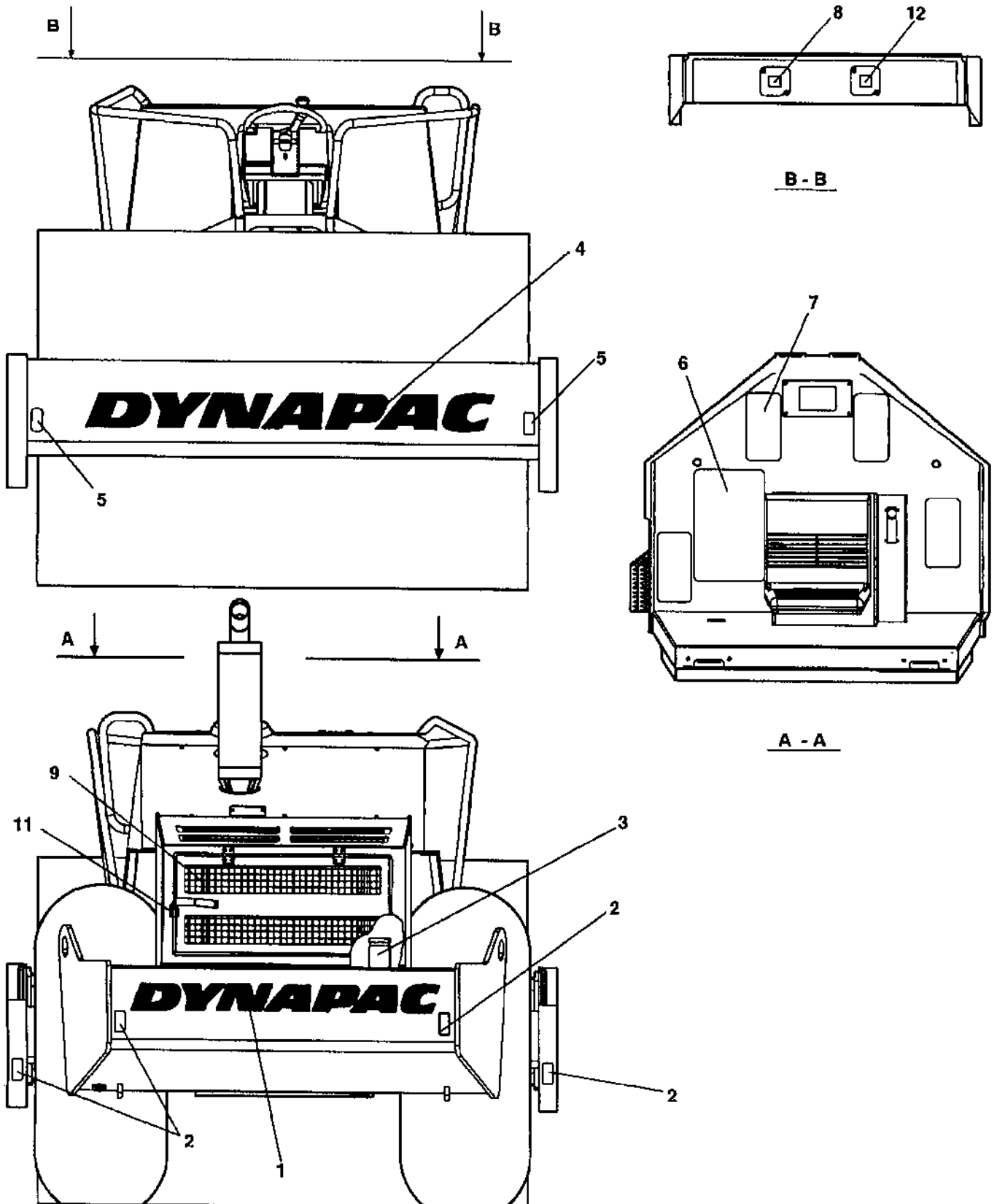
Ref. No.	Part No.	Rem.	Qty	Description	Code
10				Decals (Page 148)	
20				Decals (Page 150)	



Decals

Ref. No.	Part No.	Rem.	Qty	Description	Code
1	588176		2	Decal "LIFT POINT"	
2	904068		2	Decal "DYNAPAC"	L=1770 mm
3	904723		2	Decal "MODEL CODE"	
4	377744		2	Reflector, yellow	B
5	358090		1	Product plate ce	
6	902915		4	Screw	
7	903459		2	Decal "SAFETY"	
8	343017		2	Lifting sign	
9	624016		12	Blind rivet	
10	903424		2	Decal "HOT SURFACE"	
11	903423		2	Decal "SAFETY"	
12	991990		2	Decal "TYRE PRESSURE"	110-150kPA/16-21psi
	390900		1	Decal "TYRE PRESSURE"	110kPA/16psi
13	903425		1	Decal "SAFETY MANUAL"	
14	903422		2	Decal "SAFETY"	
15	272373		1	Decal "HYDRAULIC OIL"	
16	386084EN		1	Warning plate	English
	386084ES		1	Warning plate	Spanish
17	384159		1	Instructions	Loading-Unloading
18	908229		2	Safety decal	
19	358881		1	Pad lock	
20	382751		4	Decal "TIE DOWN POINT"	
25	791642		1	Decal "WARNING"	Use of starting fluid prohib.

B)

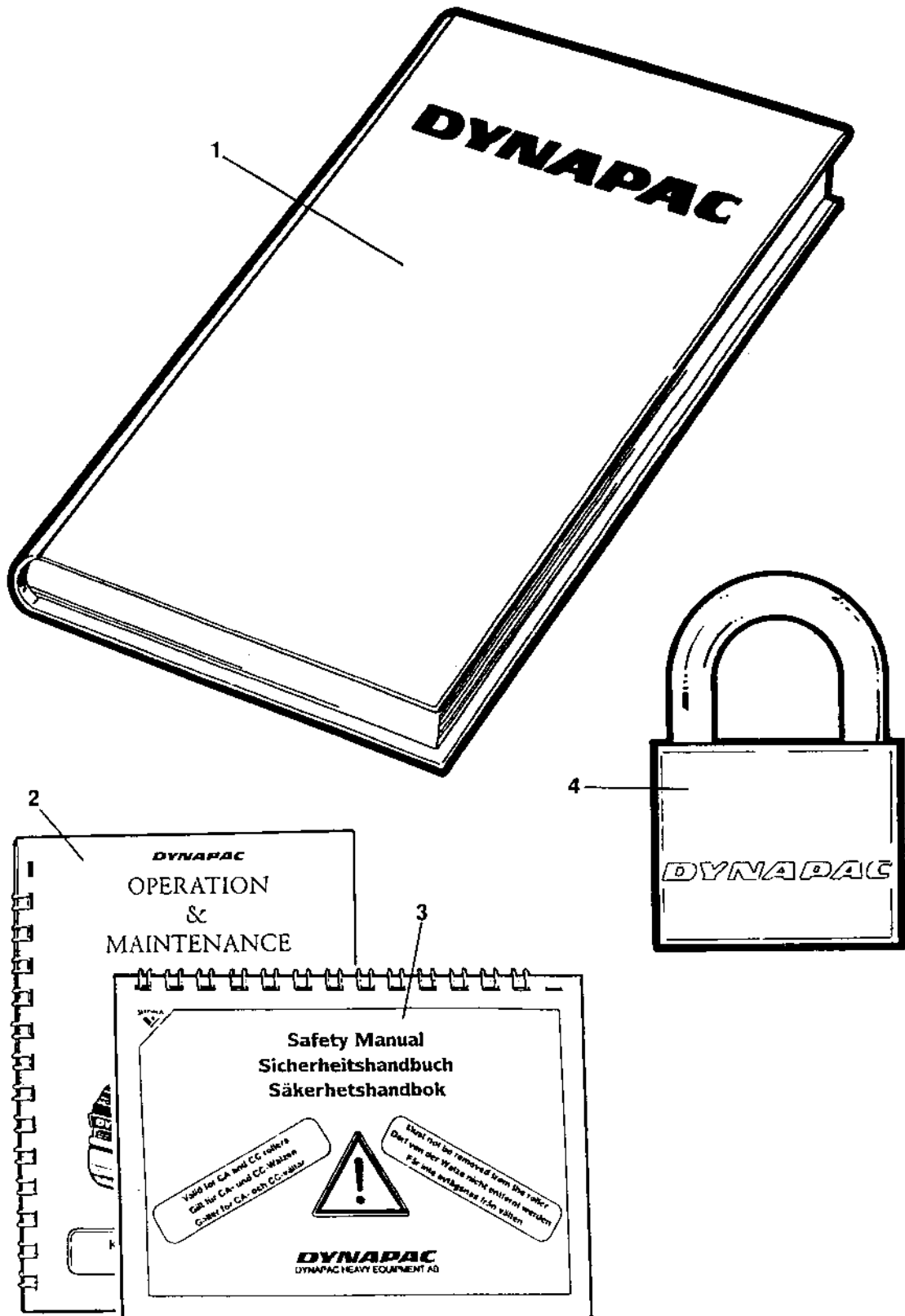


Decals

Ref. No.	Part No.	Rem.	Qty	Description	Code
1	904098		1	Decal "DYNAPAC"	L=1350 mm
2	377742		4	Reflector, red	B
3	991658		1	Decal "FUEL"	
4	904068		1	Decal "DYNAPAC"	L=1770 mm
5	377743		2	Reflector, white	B
6	373364		1	Slip protection	
7	373363		4	Slip protection	
8	272372		1	Decal "HYDRAULIC OIL"	
9	904835		1	Decal "BATTERY POWER"	
11	358881		1	Pad lock	
12	388449		1	Decal "Engine coolant fill"	

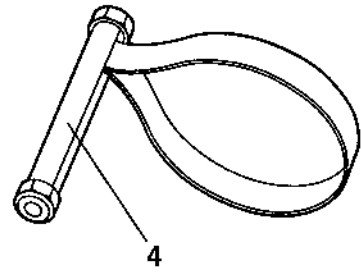
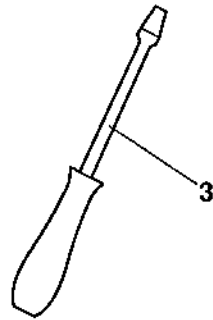
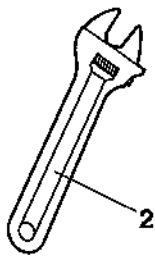
B)

Ref. No.	Part No.	Rem.	Qty	Description	Code
100				Standard equipment (Page 154)	

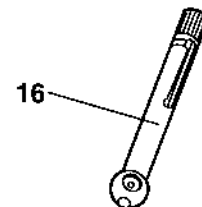
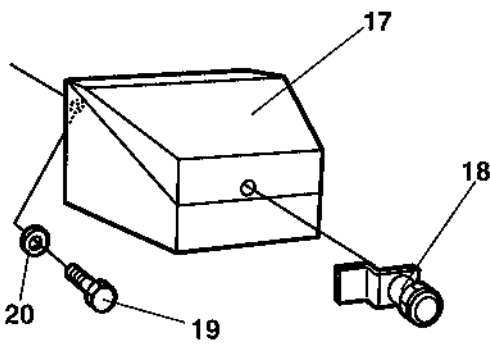
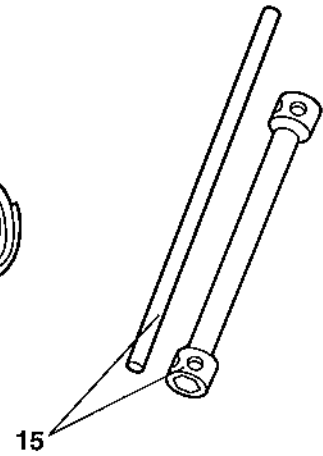
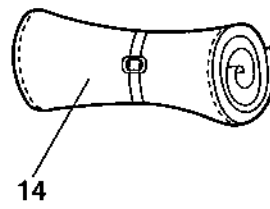
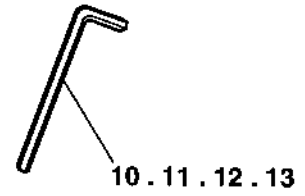
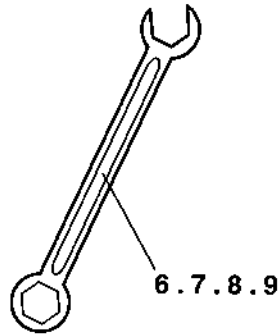
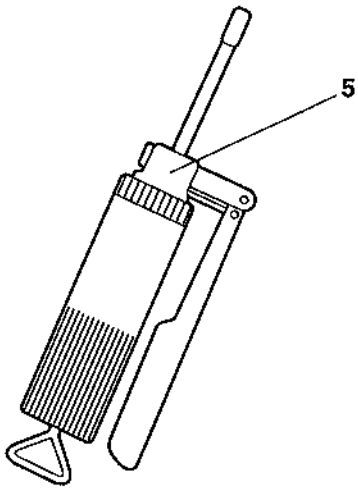


Ref. No.	Part No.	Rem.	Qty	Description	Code
1			1	Documentation	ISCA260D
			1	.Warranty registration card	
			1	.Operation and maintenance	ICA260
			1	.Spare parts catalogue	SCA260D
			1	.Instruction manual	Cummins QSB 6.7 C
2			1	.Operation / maintenance instruction	I5CA260
3			1	.Safety manual	RSAFE
4	358881		1	Pad lock	

Ref. No.	Part No.	Rem.	Qty	Description	Code
10				Tool equipment (Page 158)	
30				Scraper and beam (Page 160)	
40				Pad shell (Page 162)	
100				Dy-Mic (Page 164)	
230				Heater (Page 166)	Simple cab

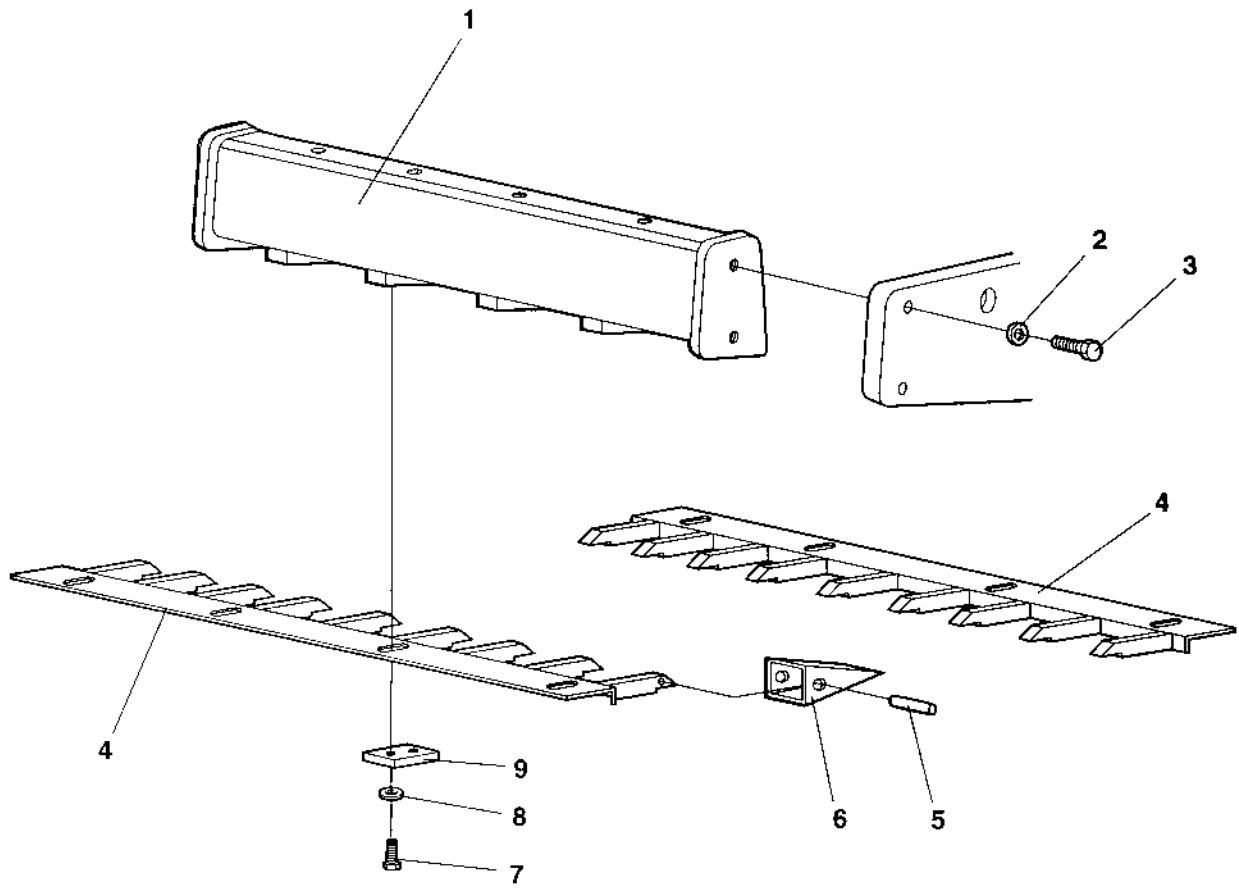


1



Tool equipment

Ref. No.	Part No.	Rem.	Qty	Description	Code
1	355890		1	Tool set Cpl	
2			1	.Adjustable wrench	
3			1	.Screw driver	
4	902610		1	.Belt pliers	
5	311016		1	.Grease gun	
6			1	.Open end spanner	10mm
7			1	.Open end spanner	13mm
8			1	.Open end spanner	16mm
9			1	.Open end spanner	18mm
10			1	.Allen wrench	10mm
11			1	.Allen wrench	12mm
12			1	.Allen wrench	6mm
13			1	.Allen wrench	8mm
14			1	.Tool bag	
15			1	.Wheel nut key	30/32mm
16	901220		1	.Pressure gauge	
17	372837		1	Tool box	
18	372658		1	.Lock	
19	500019		3	Screw	M8-1,25x16 8.8
20	904640		3	Washer	8,4x22x3

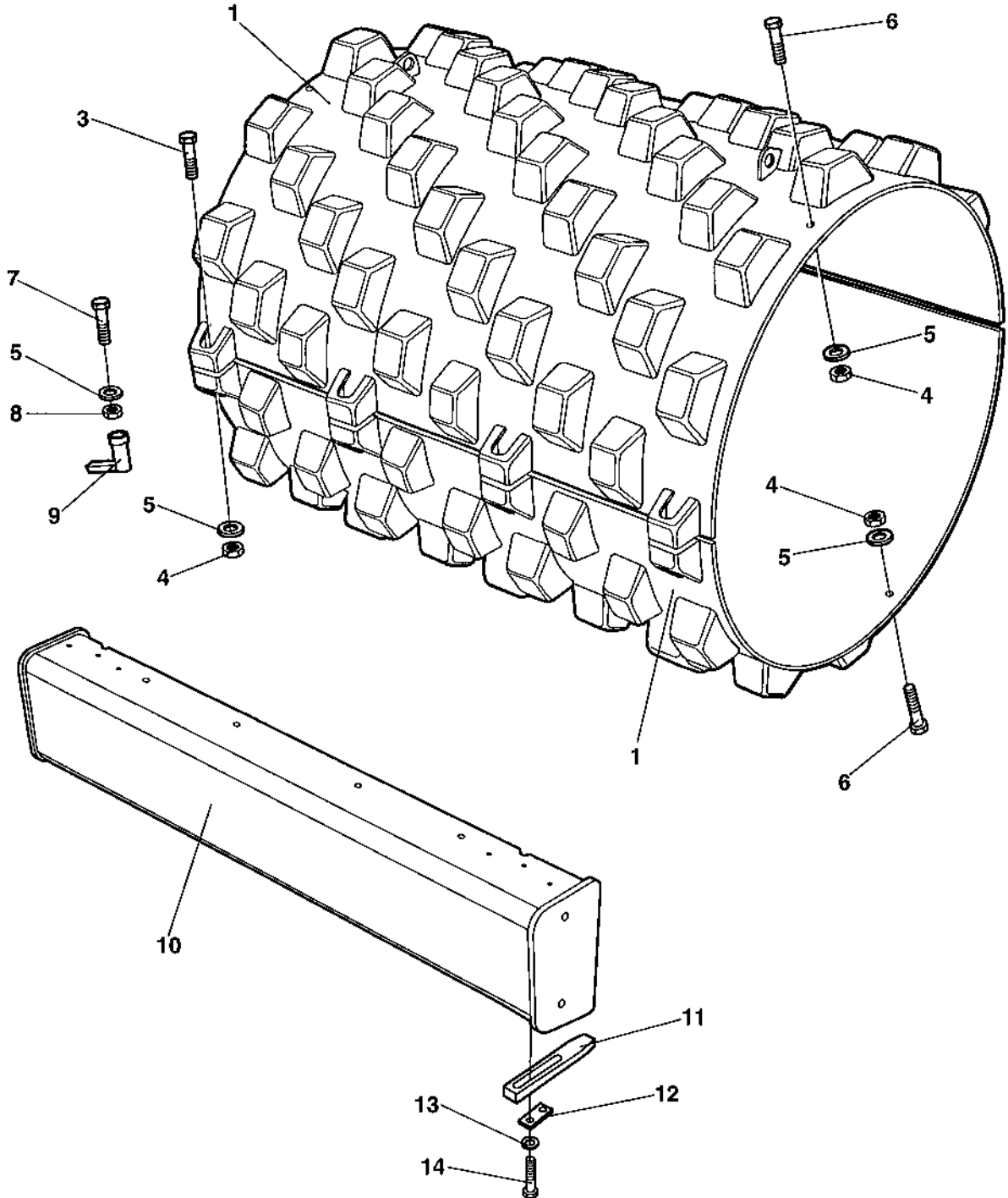


Ref. No.	Part No.	Rem.	Qty	Description	Code
1			1	Cross beam	
2	904234		4	Washer	25x45x4
3	500147		4	Screw	M24x130
4	344962		2	Scraper	
5	801631		18	Flexible pin	56,5x40
6	383844		18	Tooth	
7	500102		16	Screw	M16x45
8	615046		16	Conical spring washer	17x39
9	355639		8	Bracket	

B)

Pad shell

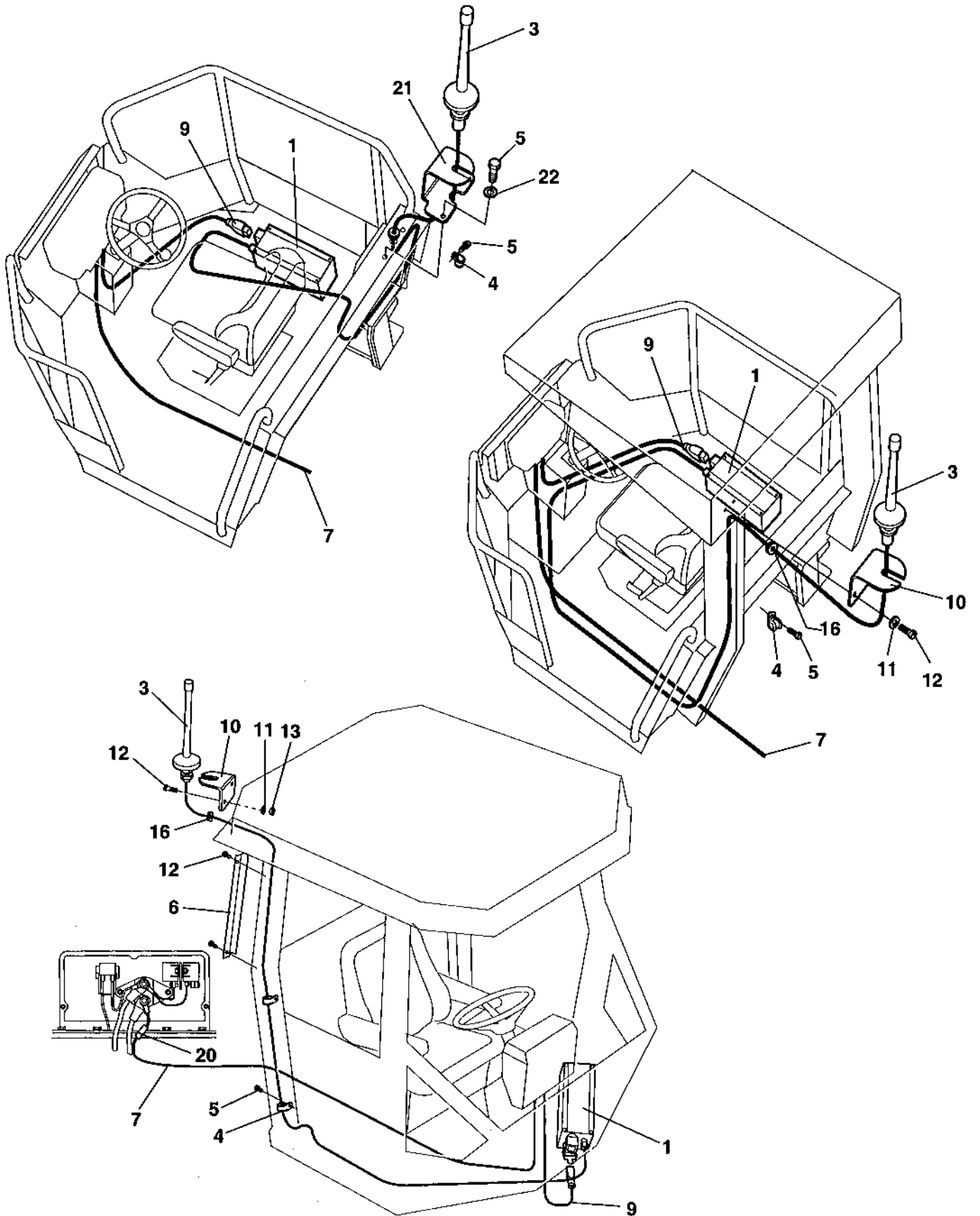
18170



Pad shell

Ref. No.	Part No.	Rem.	Qty	Description	Code
1	382139		2	Pad shell	
3	500286		8	Screw	M20-2,5x140 8.8
4	586022		12	Lock nut	M20-8
5	904233		16	Washer	21x36x3
6	500206		4	Screw	M20-2,5X60 8.8
7	382572		4	Mounting screw	
8	570015		4	Nut	M20
9	382571		1	Hexagon sleeve	
10		A	1	Cross beam	
11	376551		18	Scraper tooth	
12	376622		18	Holder	
13	904232		36	Washer	17x30x3
14	500165		36	Screw	M16-2,0x75 8,8

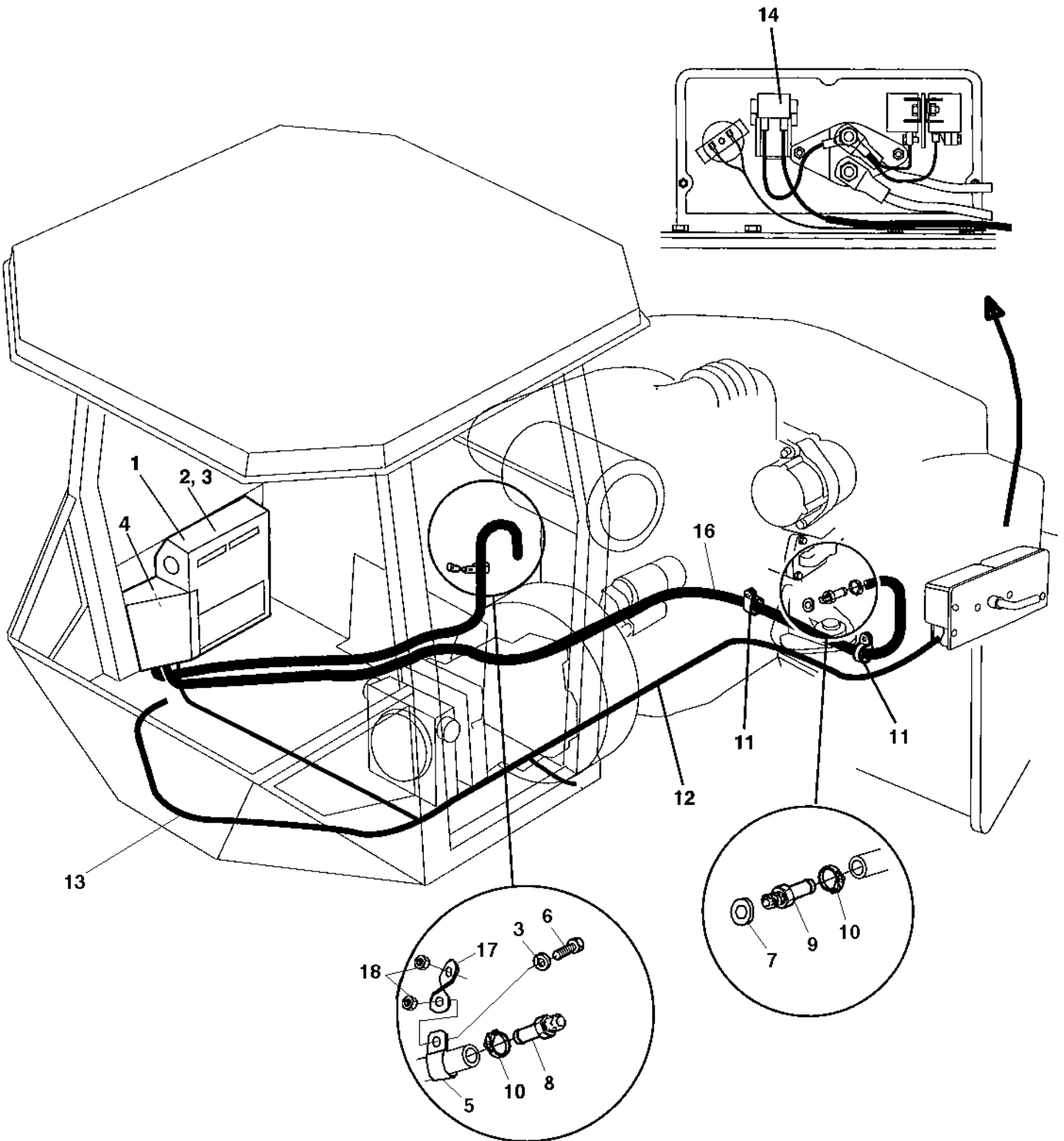
A) See section "Frames".



Dy-Mic

Ref. No.	Part No.	Rem.	Qty	Description	Code
1	386390		1	Communicator box	
	508002		4	Screw	
3	386391		1	Antenna	Cpl
4	921039		4	Pipe clamp	
5	904415		4	Screw	
6	386512		1	Cable holder	
7	386533		1	Cable harness	
8	930154		3	Contact piece, NC	
9	386392		1	Cable harness	
10	386506		1	Antenna holder	
11	904228		4	Washer	6,4x12x1,5
12	500040		4	Screw	M6-1x20 8,8
13	586002		2	Lock nut	M6
16	909122		1	Grommet	
17	313102		N	Cable ties	
18	313041		N	Cable ties	L=186 mm
20	901224		1	Fuse	3A
21	386507		1	Antenna holder	
22	904281		2	Washer	5,3x10x1

D)



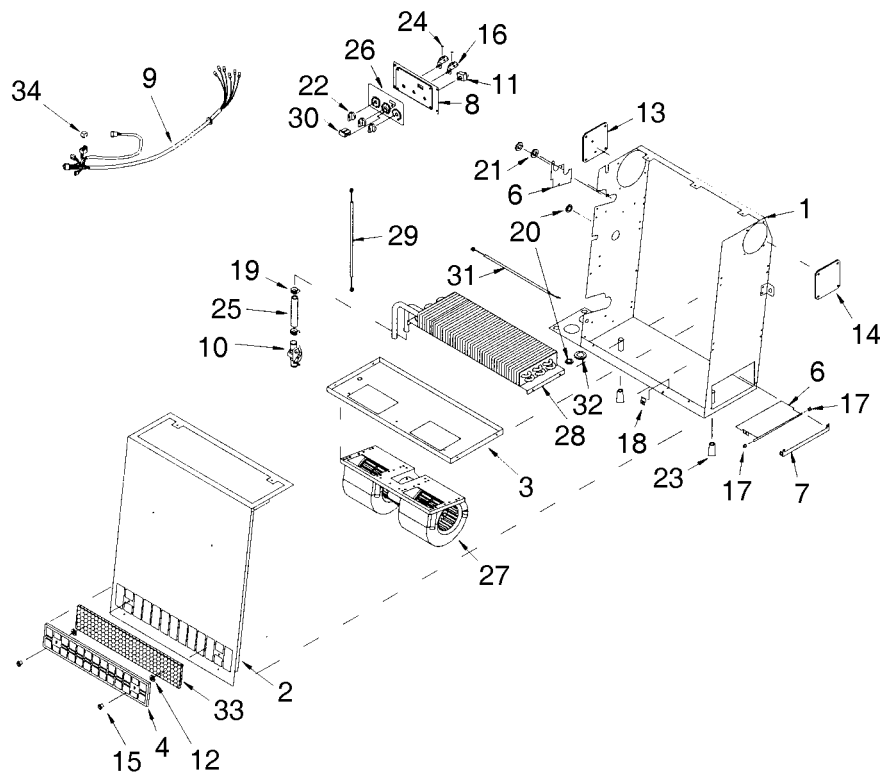
Heater Simple cab

Ref. No.	Part No.	Rem.	Qty	Description	Code	
1	379394		1	Heater box (Page 168)		
2	500019		5	Screw	M8-1,25x16 8.8	
3	904229		6	Washer	8,4x16x1,5	
4	903741		2	Fuse	20A Yellow Medium	B
5	921056		1	Clamp		
6	500053		1	Screw	M8-1,25x20 8.8	
7	330330		1	Seal ring		
8	387638		1	Hose connection		
9	391303		1	Hose connection		
10	313004		4	Hose clamp	19-28	
11	921132		2	Clamp		
12	387466		1	Cable harness		
13	394210		1	Cable harness		
14	904039		1	Fuse	50A Red High	D
15	313102		N	Cable ties		
16	937737	A	2XL	Hose		
17	393280		1	Holder		
18	570005		2	Nut	M8	

A) L=3600 mm

B)

D)



Ref. No.	Part No.	Rem.	Qty	Description	Code
10	939693		1	.Heater control valve	
11	938622		1	.Switch	
16	938621		2	.Rotary control	
19	313003		2	.Hose clamp	15-24
24	385134		2	.Lock washer	D
25	384881	A	1	.Hose	
27	938638		1	.Fan	
28	938639		1	.Heater coil	
29	938645		1	.Bowden cable	
31	384762		1	.Wire	
33	384761		1	.Air filter element	
34	287597		1	.Relay	D

A) L=200 mm

D)

Part Number	Page	Part Number	Page	Part Number	Page
100040	19,39	334197	93	372087	29
116041	23,49	334205	89,97	372229	9,13,85
160105	23,49	334248	85	372235	85
160132	89	334389	97	372236	45
162004	55	334468	85	372347	127
162008	85	334524	97	372409	127
162011	47,49	334558	93	372457	129
162017	47,49	337042	39	372489	127
162018	49	337045	19,39	372494	115,129
162027	47,49	338304	93	372513	93
167023	49	340863	91	372514	93
167032	19,39	343017	149	372529	45
202028	41	343159	39	372658	159
202046	55	343318	49	372678	127
205027	55	343322	45,49	372757	115
212553	71,79	343744	47,49	372772	53
230277	61	343775	29	372784	111
230515	53	343801	45	372785	115,129
232097	93	344962	161	372836	111
232210	45,47,49	345243	85	372837	159
232222	85	345678	45	372964	123
234218	93	345679	45	373016	111
234243	85	345870	101	373017	89
234382	89	345871	19,39	373096	111
234624	85	345872	19,39	373140	111
234626	93	345873	19,39	373184	105
234662	93	345874	19,39	373270	89
234843	97	345875	19,39	373363	151
234875	85	345884	45	373364	151
234888	97	345885	45	373400	115
234909	85	347119	29	373421	39
234919	61	347512	115	373424	89
234958	85	348213	111	373442	45
238158	103	348331	115	373443	45
244054	61	349435	111	373460	61
246069	55	349682	45	373574	61
272372	151	349715	49	373746	125
272373	149	355639	161	373747	125
287597	169	355676	45	373748	125
310008	19	355869	123	373749	125
311016	159	355890	159	373750	125
313001	61	355983	67	373906	125
313002	61	357138	13	373907	125
313003	169	357488	29	374029	105
313004	53,55,167	357643	115	374030	105
313010	55	357855	117	374059	85
313041	55,61,111,165	358033	35	374471	115
313075	55	358090	149	374606	129
313093	59,63	358452	107	374607	129
313102	55,85,93,111,165	358881	149,151,155	374744	29
	167	359550	85	374900	39
330170	55	359551	85	375999	85
330171	55,61	359552	85	376000	93,95
330328	101	370231	49	376252	115,129
330330	167	370792	127	376340	41
330331	53	370803	127	376349	41
330333	53,75,81	371620	53	376354	41
330383	53,89	371669	93	376366	41
334121	89,93	371727	53	376488	127
334122	89	371730	139	376489	127
334135	89	371774	55	376551	163
334138	85	372008	111	376619	63

Part Number	Page	Part Number	Page	Part Number	Page
376622	35,37,163	380052	31	385134	169
376652	33	380053	31	385171	59
376667	33	380057	31	385376	59
376701	29	380058	31	385377	11,13,59
376818	41	380078	91	385378	13,59
376819	35,37	380109	41	385379	59
376825	35	380123	115	385403	59
376826	35	380145	89,91	385599	103
376829	37	380462	45	385691	59
377009	121	380717	85	385873	55
377010	121	380727	115	386084EN	149
377011	121	380755	41	386084ES	149
377012	121	380798	109	386153	63
377014	121	380830	85	386272	23
377015	121	380963	125	386390	165
377016	121	380964	125	386391	165
377018	121	380993	19,39	386392	165
377019	119	381027	49	386410	63
377020	119	381033	31	386506	165
377021	119	381297	41	386507	165
377024	119	381330	41,127	386512	165
377071	109	381347	41	386533	165
377518	115,129	381348	41	386699	55
377556	115,129	381351	111	386966	59
377677	127	381352	127	386999	101
377742	151	381353	127	387089	31
377743	151	381413	55	387090	31
377744	149	381634	47,49	387128	53
378214	53	381761	47,49	387226	117
378308	129	381989	41	387227	117
378335	117	382139	163	387427	101
378408	53	382394	53	387466	167
378690	55	382397	129	387545	117
378728	53	382406	41	387562	85
378729	53	382411	41	387638	167
378745	101	382571	163	387683	103
378759	121	382572	163	387699	63
378940	63	382582	115,129	387720	117
378941	63	382751	149	388145	67
379084	59	383225	127	388146	67
379085	59	383452	111	388449	151
379086	59	383705	115	388732	55
379163	53	383844	161	388800	63
379164	53	383856	65,77	388855	53
379214	59	383857	65,67,69	389138	53
379236	133	383933	67	389577	107
379269	59	383955	67	390016	63
379394	167,169	383958	89	390083	59
379481	93	383974	67	390327	101
379482	85	383975	67	390500	55
379538	55	384048	33	390587	67
379602	55	384114	45,49	390588	67
379608	131	384121	45	390589	67
379630	93	384159	149	390590	67
379636	115	384163	105	390591	67
379637	127	384402	145	390743	53
379876	47	384403	145	390759	67
379878	49	384498	19,39	390760	67
379880	47,49	384759	129	390762	67
379936	59	384761	169	390771	49
380012	41	384762	169	390856	85
380018	47,49	384881	169	390857	85

Part Number	Page	Part Number	Page	Part Number	Page
390885	61	483128	85	500154	53
390896	21,47,49	483160	93	500163	47,49,61
390897	49	483280	93	500165	163
390898	53	483286	89	500188	39
390900	149	483397	89	500194	45,53,89,111
390927	135	483497	93	500195	115,129
391302	55	483498	93	500196	49
391303	167	483910	89	500206	163
391379	121	483911	89	500210	115
391380	121	483922	85	500239	85,127
391381	121	484106	85	500263	85
391382	121	484107	85	500283	33
391383	121	500004	101	500286	163
391386	121	500006	61	500287	39
391784	117	500007	117	500505	117
392002	93	500012	55,101,105	502019	89
392170	55	500013	53,101,107	502034	93
392234	85	500015	63	502078	89
392281	85	500018	55	502132	85
392283	53	500019	101,133,139,143	508002	165
392284	53		159,167	508004	53
392313	55	500021	59,85,107,119	508006	115
392394	115		125	508029	53,93
392483	93	500022	41,125,127	508068	121
392507	103	500023	93	508092	119
392771	105	500025	101	509025	53
392772	105	500028	59,85,89	509034	85
392773	107	500029	29,61,115,117	513012	41
392784	41		129	513017	117
392786	41	500030	57,85,89	527002	45
392791	29	500031	41,123	535005	137
392856	105	500032	89	541526	111
392885	59	500035	63	541702	105,107
392899	119	500036	53	570004	55,101,103,121
392900	119	500037	39	570005	55,101,129,167
392937	101	500040	41,55,105,109	570006	93
392985	59		165	570007	45
392996	103	500043	29	570015	163
393153	59	500044	93	586001	41,101,119
393280	167	500046	85,93	586002	41,101,103,125
393543	111	500047	41,53		165
393683	101	500048	57,61,123	586003	31,59,93,101,107
393694	101	500049	35		115,119,125,143
393855	55	500051	45,101	586019	35,37,53,121
393857	41	500053	31,41,55,59,63	586021	139
393917	55		85,101,103,105	586022	163
394061	103		109,111,115,133	588176	149
394210	167		167	600008	93
416034	119	500056	35,53	615046	161
450066	41	500060	101	624016	127,149
450067	41	500070	53	629066	139
470020	101	500075	55,101,103	635061	29
482010	85	500076	35,37	747282	55,61
482056	97	500079	111	747691	53
482182	85	500082	45,47,49	791156	47,49
482391	85	500100	127	791175	67
482399	97	500102	33,161	791176	67
482474	97	500109	85	791183	101
482741	85	500133	41	791185	103
483031	89	500146	45	791211	103
483049	93	500147	161	791218	129
483109	93	500153	125	791226	115

Part Number	Page	Part Number	Page	Part Number	Page
791341	105	900776	21,47,49	903782	103,133
791371	101	900782	21,47,49	903812	93
791468	53	900957	73	903831	93
791475	41	900966	73	903877	89
791476	117	901121	61	903919	45
791477	101	901145	67,115,129	903945	121
791479	101	901155	89	903946	121
791503	101	901157	89	903947	121
791510	101	901190	111	903956	103
791511	101	901218	67	903985	67
791513	61	901220	159	904005	85,93
791517	103	901224	109,165	904036	101
791572	53	901225	103	904037	101
791573	67	901227	103	904038	101,105
791578	103	901228	103	904039	167
791582	103	901369	105	904068	149,151
791583	103	901385	91	904098	151
791584	103	901386	91	904171	85
791585	103	901387	91	904180	127
791587	103	901389	91	904206	111
791588	103	901390	91	904213	35,85
791642	149	901391	91	904228	41,53,55,63,85
791647	103	901443	67		101,105,107,109
791657	103	901444	67		125,165
791948	37	901767	103	904229	39,53,55,59,63
792081	53	901834	69,77		85,89,93,101,103
792083	103	901987	75,81		107,109,111,115
792237	93	902123	123		119,125,129,133
792251	61	902166	41,55,59,63,117		139,143,167
792261	67	902203	115	904230	29,53,55,59,61
792265	101	902227	105		85,89,101,115
792275	53	902284	101		117,123,129
792315	103	902285	41,109,111	904231	35,39,41,45,49
792317	103	902288	111		61,63,89,93,101
792318	103	902379	41		111,115,129
792319	103	902496	111	904232	35,37,47,49,53
792322	55	902610	159		89,139,163
792339	85	902655	91	904233	45,53,67,115,129
792413	103	902861	95		163
792414	103	902862	95	904234	33,45,127,161
792432	103	902864	95	904241	63
792435	103	902915	149	904281	41,61,101,117
792461	103	902919	29,85		165
792462	103	903189	49	904282	85
792463	103	903192	111	904314	105
792549	41	903281	45	904340	125
792551	55	903290	115,129	904352	57
792552	55	903422	149	904415	165
801187	25,45	903423	149	904433	115,129
801631	161	903424	149	904448	101
802550	59	903425	149	904486	55
813391	29	903436	105	904504	41
813434	101	903457	95	904543	105
813444	93	903459	149	904551	55
813462	101	903494	91	904556	101,119
813499	85	903495	91	904557	29,41
813500	93	903631	101	904558	33
900170	59	903632	53,101	904562	127
900229	85	903640	101	904563	121
900430	89	903714	55	904567	57
900552	97	903741	167	904619	127
900775	47,49	903768	101	904637	53,93

Part Number	Page	Part Number	Page	Part Number	Page
904638	85	909569	71,79	929629	71,79
904640	31,41,55,59,63 105,127,159	909570	71,79	929630	79
904653	117	909572	71,79	929631	79
904663	19	909574	71,79	929638	71,79
904695	61	909576	71,79	929644	71,79
904703	37,53	909580	71,79	929648	69,77
904718	31	909581	71,79	929863	19
904723	149	909582	69,77	930151	111
904734	127	909583	69,77	930154	165
904737	47,49	909584	69,77	935244	135
904767	89	909586	75,81	935245	135
904773	89	909596	73,75,81	935246	135
904774	89	909607	73	935247	135
904781	89	909609	73	935248	135
904793	85	909616	73	935249	135
904835	151	909618	73	935250	135
904910	109	909619	73	935253	135
904984	61	909622	73	935265	135
905304	141	909624	73	935266	135
905305	141	909626	73	935267	135
905306	141	910161	93	935268	135
908229	149	910995	39	935269	135
908265	139	911620	95	935270	135
908267	143	921039	105,107,165	935271	131,135
908355	139	921050	55	935272	131,135
908359	143	921056	167	935273	131,135
908361	139	921063	53	935274	131,135
908485	71,79	921072	101	935275	131,135
908499	131,133,135	921084	55	935276	131,135
908506	133	921099	85	935277	131,135
908507	133	921132	167	935278	131
908545	131,135	923008	87,101	935279	131
908580	135	923342	71,79	935280	131
908581	135	923371	85	935281	131
908582	135	923384	85	935282	131
908583	135	924791	125	935283	131
908605	141	924875	41	935284	131
908617	141	925802	53,105	935285	131
908623	137	925867	45	935286	131
908624	137	926214	19,39	935287	131
908625	139	926537	119	935288	131
908626	139	926781	75,81	935289	131
908627	139	926810	73	935290	131
908628	139	926847	73	935291	131
908780	95	926985	55	935293	131
909122	165	927233	121	935295	131
909544	73	927350	91	935296	131
909550	71	927857	63	935297	131
909551	71	927974	115,129	935298	131
909552	71	928830	123	935299	131
909553	71	928850	45	935300	131
909558	71	929013	95	935301	131
909559	71	929014	95	935302	131
909560	71	929123	93	935303	131
909561	71	929217	67	935429	95
909562	71	929226	89	935468	95
909563	71	929447	23,49	935613	123
909565	71	929612	75,81	935614	123
909566	71	929617	73	935644	71
909567	71,79	929625	79	937256	91
909568	71,79	929626	79	937257	91
		929628	71,79	937258	91

Part Number	Page	Part Number	Page	Part Number	Page
937259	91	938878	15,17,25	945198	5,7,11
937260	91	938891	15,17,23	945199	5,7,13
937261	91	938983	73	945407	121
937262	91	938984	73	945584	47
937264	91	938985	75,81	945588	49
937265	91	938989	71,79	945657	15,17,21
937380	131	939003	75,81	960727	101
937381	131	939015	75,81	991658	151
937382	131	939016	75,81	991990	149
937383	131	939017	75,81	999011	107
937384	131	939019	75,81	999027	103
937385	131	939026	73		
937389	131	939035	73		
937390	135	939036	73		
937391	135	939255	73		
937392	135	939256	73		
937393	135	939257	71,79		
937674	91	939258	71,79		
937737	167	939259	71,79		
937870	145	939260	71,79		
937871	141	939261	71,79		
937993	91	939262	71		
937995	91	939263	75,81		
938002	91	939264	75,81		
938017	135	939265	75,81		
938018	135	939266	75,81		
938030	91	939267	75,81		
938031	91	939268	75,81		
938035	91	939269	75,81		
938036	91	939270	75,81		
938037	91	939271	75,81		
938038	91	939272	75,81		
938039	91	939273	75,81		
938040	91	939274	75		
938041	91	939275	75,81		
938042	91	939276	75,81		
938062	95	939277	75,81		
938063	95	939278	75,81		
938064	95	939279	75		
938065	95	939280	73		
938066	95	939281	73		
938067	95	939282	73		
938068	95	939283	73		
938069	95	939284	73		
938070	95	939285	73		
938071	95	939286	73		
938072	95	939287	73		
938073	95	939349	81		
938074	95	939351	81		
938075	95	939506	53		
938101	135	939693	169		
938290	131	939979	53		
938291	131	940374	121		
938292	131	940451	103		
938296	73	940678	135		
938558	15,17,19	945140	53		
938621	169	945145	9,11,13,53		
938622	169	945146	9,11,13,53		
938638	169	945147	9,11,13		
938639	169	945148	53		
938645	169	945171	13		
938659	131	945197	5,7,9		

