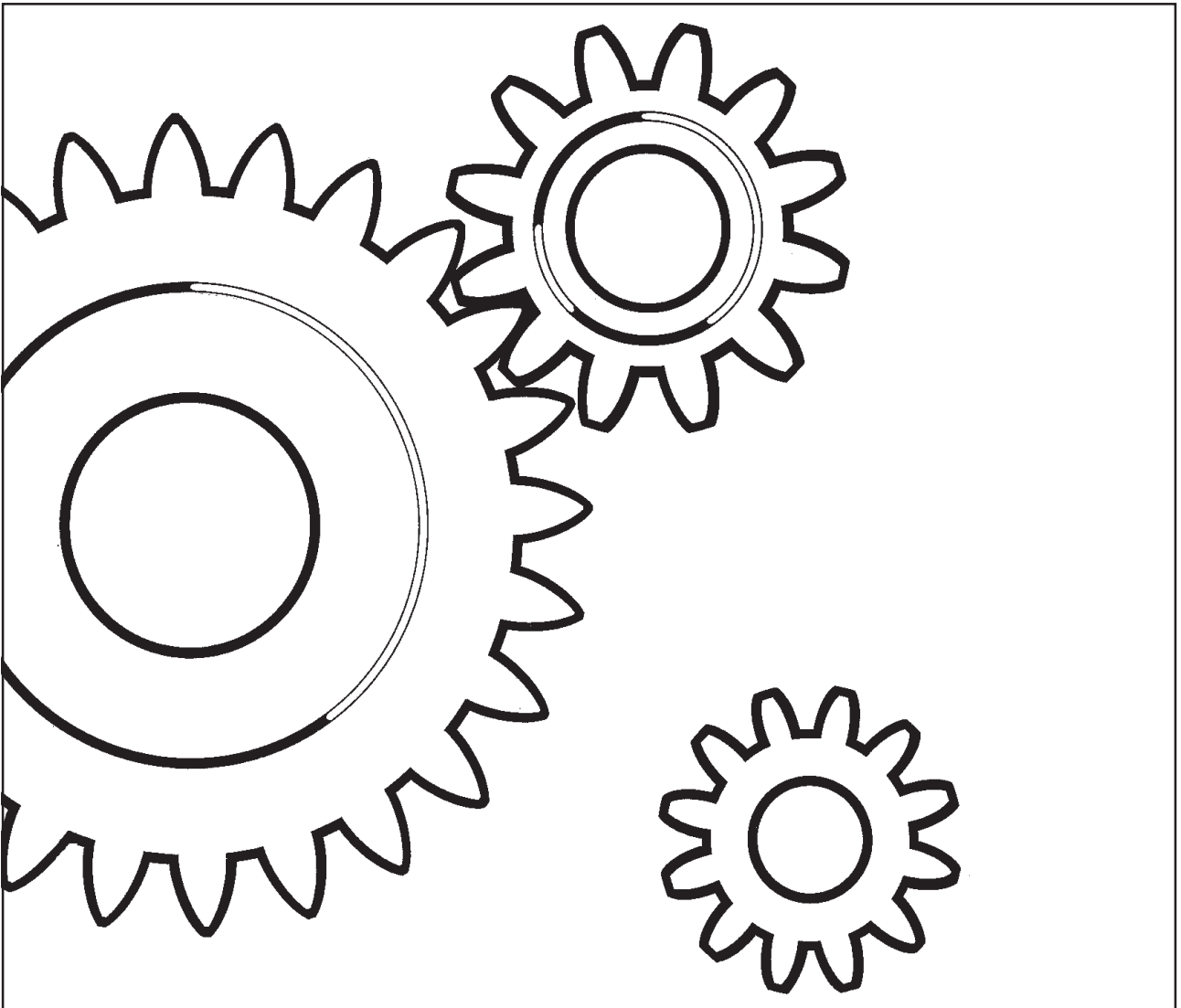


**DYNAPAC
CA260PD
SPARE PARTS
CATALOGUE
SCA260PD-3EN1**



DYNAPAC

Box 504, SE-371 23 Karlskrona, Sweden
Phone: +46 455 30 60 00, Fax: +46 455 30 60 10
www.dynapac.com

Vibratory Roller CA260PD

Spare Parts Catalogue SCA260PD-3EN1

Valid from roller serial number:

**78320260*-*

Diesel engines:

CUMMINS QSB 6.7 C

Published catalogue issues valid for these rollers:

<i>Catalogue</i>	<i>Issue date</i>	<i>Valid for serial numbers</i>
<i>SCA260PD-3EN1</i>	<i>2007-06</i>	<i>See above</i>



RESERVDLSBESTÄLLNING

Följande uppgifter ska lämnas vid beställning av reservdelar för att undvika leveransfel:

1. Maskintyp.
2. Vältensserienummer.
3. Antal av önskad reservdel.
4. Reserdelens artikelnummer.
5. Reservdelens benämning.
6. Måttuppgifter vid beställning av metervara.

ERSATZTEILBESTELLUNG

Zur Vermeidung von Fehllieferungen sind bei der Bestellung von Ersatzteilen folgende Angaben zu machen:

1. Maschinentyp.
2. Herstellungsnummer.
3. Bestellmenge. (Quantity)
4. Ersatzteilnummer. (Part N^o)
5. Ersatzteilbenennung. (Denomination)
6. Massangaben bei Bestellung von Meterware.

PEDIDO DE RECAMBIOS

Para evitar errores en las entregas, deberán indicarse los siguientes datos al hacer un pedido de recambios:

1. Tipo de máquina.
2. Número de serie.
3. Cantidad de piezas deseadas. (Quantity)
4. Número de artículo de la pieza de recambio. (Part N^o)
5. Denominación de la pieza. (Denomination)
6. Indíquese la medida al solicitar un artículo que se expide por metros.

ORDERING SPARE PARTS

To avoid errors in delivery, please give the following information when ordering spare parts:

1. Type of machine.
2. Roller serial number.
3. Quantity required.
4. Part number.
5. Parts denomination.
6. Dimensions when ordering per length.

ORDINI DI RICAMBI

Per evitare errori nelle consegne di ricambi, Vi preghiamo di comunicarci le seguenti informazioni al momento dell'ordinazione:

1. Tipo di macchina.
2. Numero di serie della macchina.
3. Quantità dei pezzi desiderati. (Quantity)
4. Numero di codice del pezzo. (Part N^o)
5. Descrizione del pezzo di ricambio. (Denomination)
6. Misura, in caso di ordine per metro.

COMMANDE DE PIÈCES DE RECHANGE

Les indications suivantes doivent être fournies lors de la commande de pièces de rechange, afin d'éviter toute erreur de livraison:

1. Type de machine.
2. Numéro de série.
3. Quantité désirée de pièce de rechange. (Quantity)
4. Numéro de la pièce de rechange. (Part N^o)
5. Dénomination de la pièce de rechange. (Denomination)
6. Longueur en cas de commande au mètre.

YOUR AGENT/DEALER:

DYNAPAC

Text pages

The text pages is structured as the picture on the right.

1. This is the remarks for specific items and the descriptions of the remarks is at the bottom of the parts list.

2. Parts indicated by a dot and moved to the right are included when buying the assembled unit above.

3. Spare parts and service code for a specific part, mainly for internal use at Dynapac. "A" = Service part, "B" = Fast moving part, "C" = Suggested exchanged part and "D" = Regular spare part.

DYNAPAC		Cooling system			Metso Dynapac AB
Ref. No.	Part No.	Rem.	Qty	Description	Code
1	223047		1	Water cooler	③ C
2	935852		1	Radiator cap	D
3	935851	①	1	Cock	
4	373263	A	1	Radiator hose	D
5	313009		6	Clamp	
6	205058	B	1XL	Rubber clotch	
7	373261	C	1	Radiator hose	D
8			1	Oil cooler	D
9	223289		1	Plate	
10	902166	D	1XL	Edge trim	
11	223287	E	1	Holder	
12	223288	F	1	Holder	
13	908168		1	Fan guard	
14	908170		1	Fan shroud	
15	908171		2	Mounting bar	
16	908169		1	Fan guard	
17	500021		14	Screw	
18	902286		14	Nut	
19	600006		14	Washer	
20	313102		2	Cable strap	

①
 A) Upper
 B) L=060MM
 C) Lower
 D) L=2280MM
 E) Left
 F) Right

Changes

PARTS INFO	SERVICE INFO	GROUP	PAGE	NOTES

Notes

PÄRMETIKETT

För att undvika fel vid reservdelsbeställning finns här nedan två etiketter som passar i fickorna på pärmarnas ryggar. På dessa kan man se från vilket vältnummer av aktuell maskin reservdelskatalogen gäller. Gör så här:

1. Tag denna sida ur pärmen.
2. Klipp ut etiketten till **VÄNSTER** (1) och sätt in den i fickan på **DENNA** pärmens rygg.
3. Finns det en etikett till **HÖGER** (2), kan denna användas på pärmen för **FÖREGÅENDE** utgåva av denna katalog.
4. Kasta detta papper.

KATALOG-BESCHRIFTUNG

Zur Vermeidung von Fehlern bei der Ersatzteilbestellung benutzen Sie bitte die unteren Beschriftungen, um die Kataloge auf der Rückseite zu kennzeichnen. Auf der Beschriftung ist angegeben, für welche Maschinennummern der jeweilige Katalog gültig ist. Ablauf:

1. Nehmen Sie dieses Blatt aus dem Katalog.
2. Schneiden Sie die **LINKE** Beschriftung (1) aus. Schieben Sie die Beschriftung in die tasche auf **DEM** Katalogrücke.
3. Sollte die Beschriftung unten **RECHTS** (2) mitgeliefert werden, kennzeichnen Sie damit bitte die **ÄLTERE** Ausführung dieses Kataloges.
4. Den Rest dieses Blattes bitte vernichten.

ETIQUETA PARA LA CARPETA

Para evitar errores al pedir repuestos utilicen las etiquetas abajo descritas para identificar los catálogos en la parte trasera de la carpeta. En la etiqueta se ven los números de referencia de la serie para la cual es válido el catálogo. Instrucciones:

1. Quitar esta página de la carpeta.
2. Corta la etiqueta **IZQUIERDA** (1) y ponerla en **ESTA** carpeta en la parte trasera.
3. Si hay una etiqueta en la parte **DERECHA** (2) se puede utilizar en la carpeta para el catálogo que **PRECEDE** a esta.
4. Tirar esta hoja.

BINDER LABEL

To avoid errors when ordering spare parts use the labels below to identify the catalogues on the back of the binder. The label contain the serial number range for which the catalogue is valid. Do like this:

1. Remove this page from the binder.
2. Cut out the **LEFT** label (1) and put it on **THIS** binders back.
3. If there is a label to the **RIGHT** (2), it can be used on the binder for **PRECEDING** issue of this catalogue.
4. Throw away this paper.

ETICHETTAPOSTA SUL RACCOGLITORE

Per evitare errori quando ordinate pezzi di ricambio, usate le etichette in calce che servono ad identificare i cataloghi sul retro del raccoglitore. L'etichetta indica il numero di matricola delle macchine prese in considerazione nel catalogo.

1. Rimuovete questa pagina dal raccoglitore.
2. Ritagliate l'etichetta posta a **SINISTRA** (1) e ponetela sul retro **DEL** raccoglitore.
3. Se trovate anche un'etichetta sulla **DESTRA** (2), ritagliatela e ponetela sul raccoglitore relativo alla **PRECEDENTE** edizione del catalogo.
4. Distruggete questo foglio.

ETIQUETAGE DU CATALOGUE

Afin d'éviter des erreurs lors de commandes de pièces de rechange, nous vous conseillons d'apposer les marquages ci-dessous à l'arrière du classeur, pour identifier les catalogues. Ce marquage indique les numéros de série pour lesquels le catalogue est adapté. Il convient de procéder de la façon suivante:

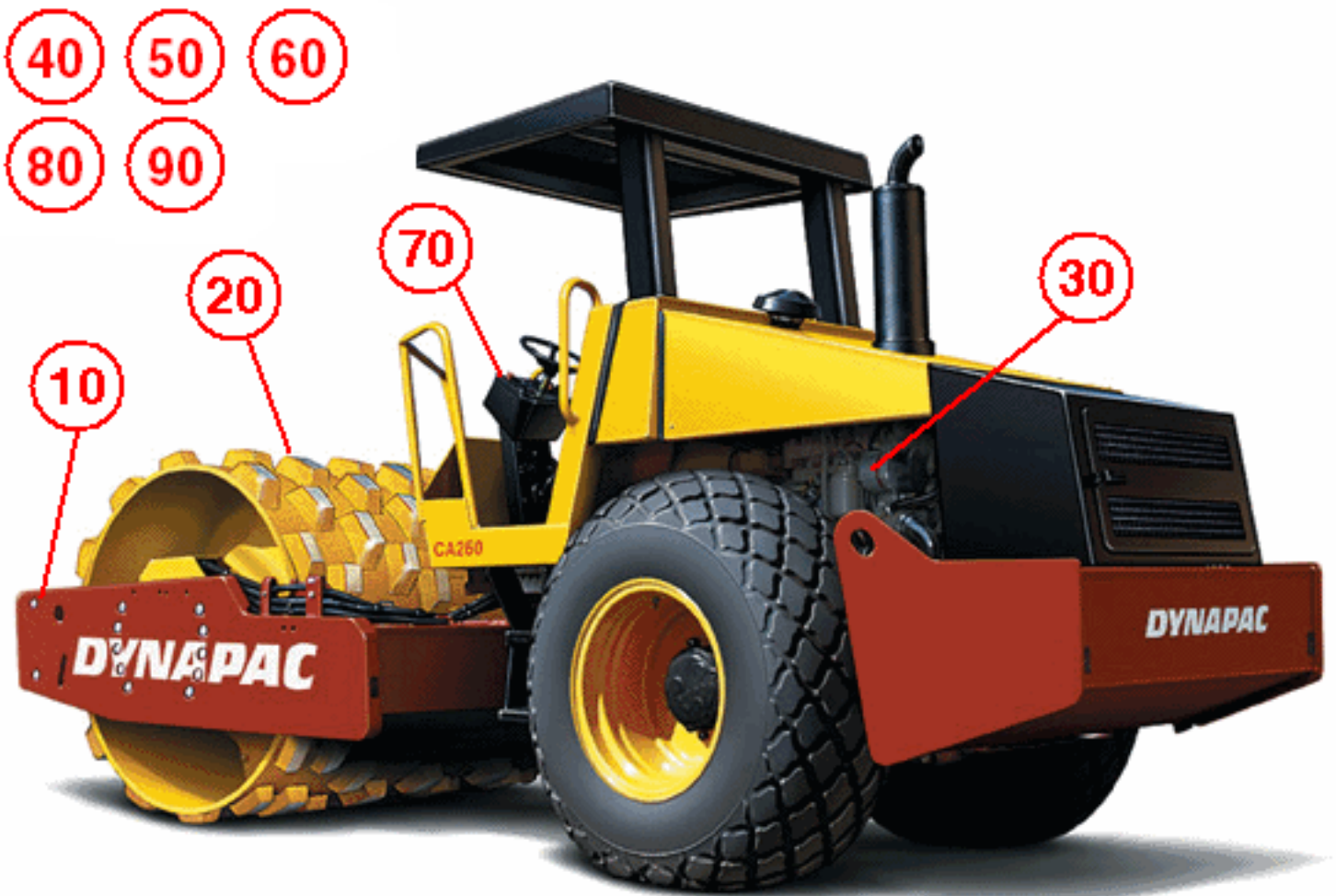
1. Retirez cette page du classeur.
2. Découpez l'étiquette de **GAUCHE** (1), et apposez-la à l'arrière de **CE** catalogue.
3. Si il y a une étiquette à **DROITE** (2), vous pourrez l'apposer sur le classeur de l'édition **PRECEDENTE** du catalogue.
4. Détruire cette feuille.

1.



CA260PD SN 78320260 -	2
Service kits	4
Service kits	6
945197 Service kit 50 h	8
945198 Service kit 500 h	10
945199 Service kit 1000 h	12
Repair kits	14
Repair kits	16
938558 Steering hitch kit	18
945657 Eccentric shaft kit	20
938891 Drum rotation kit	22
938878 Shock absorber kit, drum	24
Frame	26
Frames	28
Side covers Option	30
Scrapers and beam	32
Hitch	34
Structure	36
Drum	38
Drum	40
Drum cartridge Drive side	42
Drum cartridge Vibration side	44
Engine	46
Engine Cummins QSB 6.7C	48
Cooling system	50
Combustion air system	54
Fuel system	56
Exhaust system	58
Transmission	60
Rear axle and wheels	62
383857 Rear axle	64
Differential with limited slip	66
Differential housing and brakes	68
Planet gear	70
383856 Rear axle No-Spin, Option	72
Differential with No-Spin	74
Differential housing and brakes	68
Planet gear	76
Hydraulic system	78
Drive system	80
Vibration system	84
380145 Hydraulic motor, vibration	86
Steering system	88
376000 Steering valve	90
Brake system	92
Electric system	94
Electric system	96

Control panel	98
Working lights Option	100
Rotating beacon Option	102
Back-up alarm Option	104
Compaction meter Option	106
Drivers platform	108
Drivers platform	110
Control panel	112
Forward and reverse control	114
Forward and reverse control handle	116
Steering column	118
Canopy Option	120
Rops and fops	122
Cab mounting	124
Cab Screens	126
Cab Door, left side	130
Cab Interior rear mirror	132
Cab Exterior, rear mirror	134
Wiper arm with blade, front	136
Cab Work light	138
Cab Electric	140
Decals	142
Decals	144
Decals	146
Standard equipment	148
Standard equipment	150
Optional equipment	152
Tool equipment	154
Dy-Mic	156
Heater Simple cab	158
379394 Heater box	160



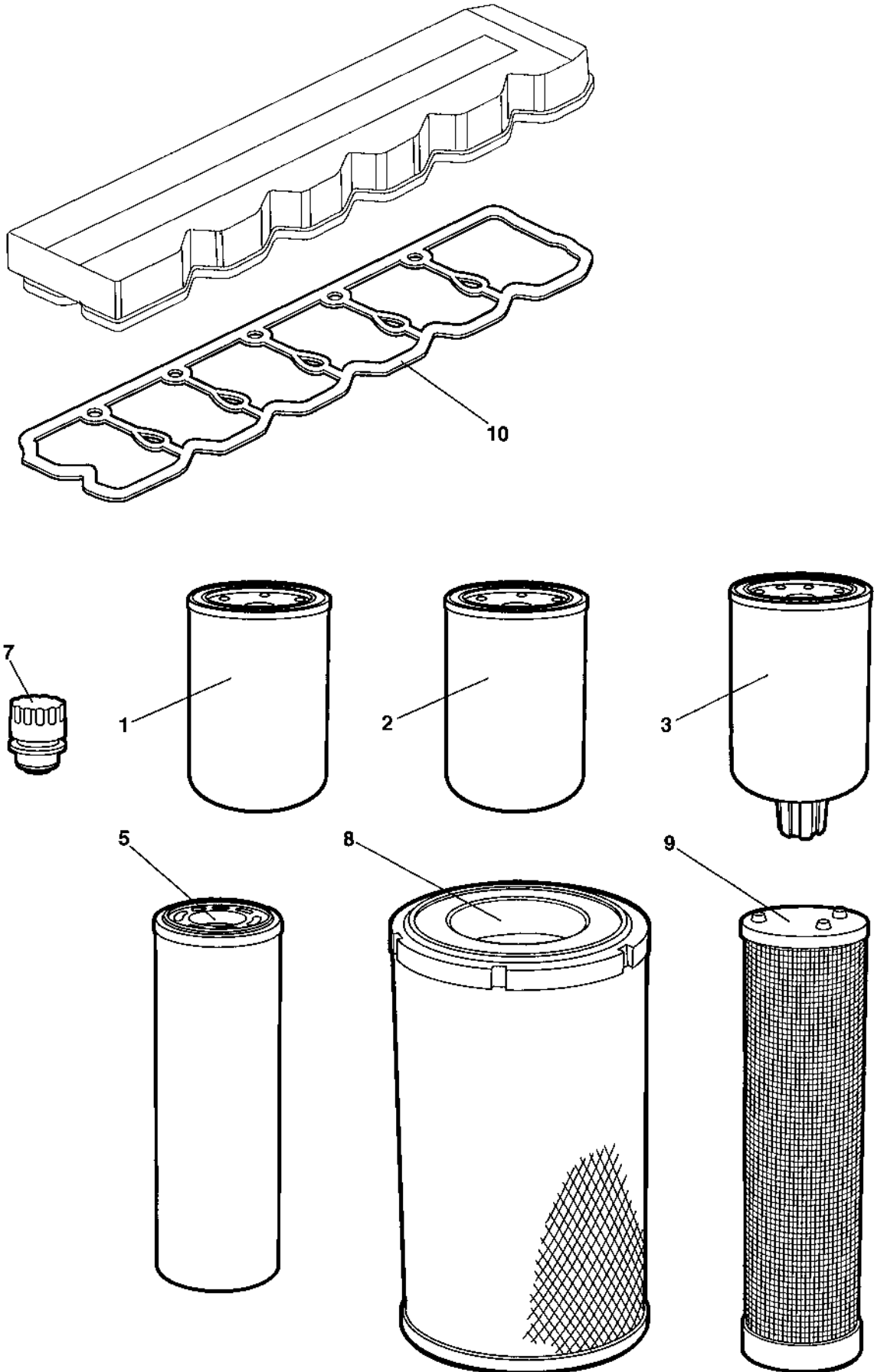
Ref. No.	Part No.	Rem.	Qty	Description	Code
1				Service kits (Page 4)	
2				Repair kits (Page 14)	
10				Frame (Page 26)	
20				Drum (Page 38)	
30				Engine (Page 46)	
40				Transmission (Page 60)	
50				Hydraulic system (Page 78)	
60				Electric system (Page 94)	
70				Drivers platform (Page 108)	
80				Decals (Page 142)	
90				Standard equipment (Page 148)	
91				Optional equipment (Page 152)	

Service kits

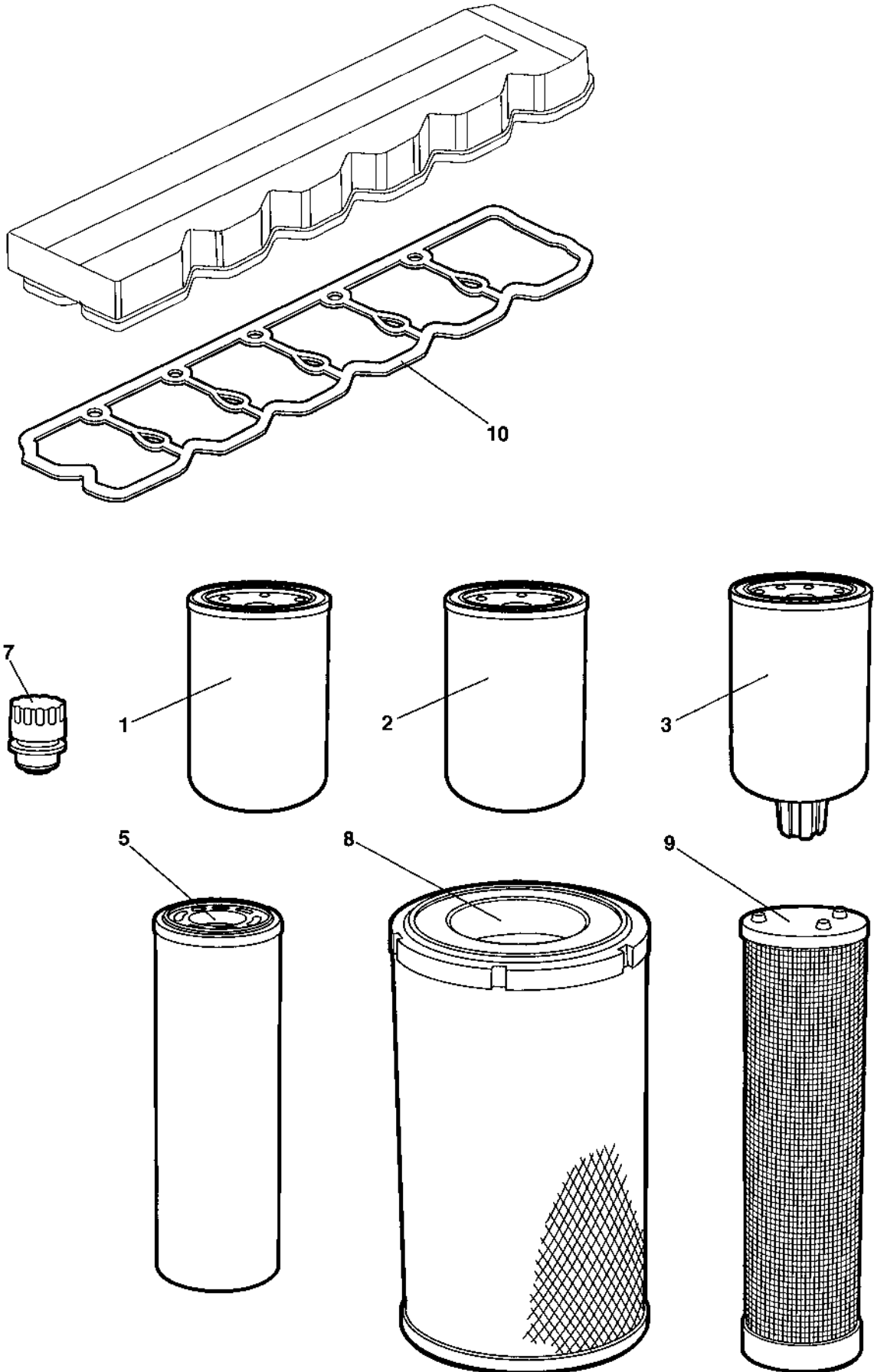
Ref. No.	Part No.	Rem.	Qty	Description	Code
-1				Service kits (Page 6)	
10	945197			Service kit (Page 8)	50 h
20	945198			Service kit (Page 10)	500 h
30	945199			Service kit (Page 12)	1000 h

Service kits

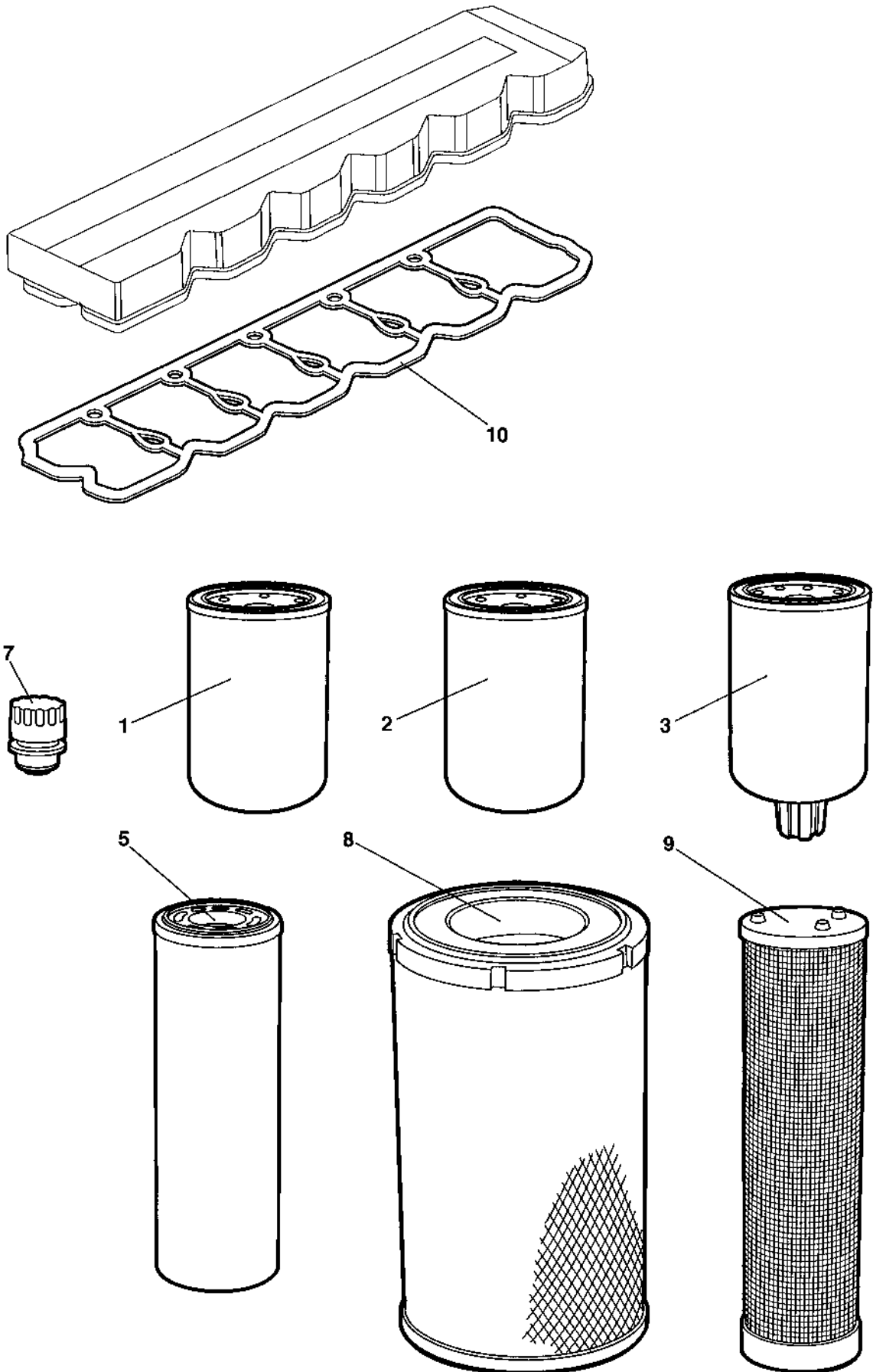
Ref. No.	Part No.	Rem.	Qty	Description	Code
10	945197			Service kit (Page 8)	50 h
20	945198			Service kit (Page 10)	500 h
30	945199			Service kit (Page 12)	1000 h



Ref. No.	Part No.	Rem.	Qty	Description	Code
1	945145		1	Oil filter element	A
2	945146		1	Fuel filter element	A
3	945147		1	Pre-fuel filter element	A
5	372229		2	Hydraulic oil filter element	A



Ref. No.	Part No.	Rem.	Qty	Description	Code
1	945145		1	Oil filter element	A
2	945146		1	Fuel filter element	A
3	945147		1	Pre-fuel filter element	A
8	385377		1	Air filter element	A
				Main	



945199 Service kit 1000 h

Ref. No.	Part No.	Rem.	Qty	Description	Code
1	945145		1	Oil filter element	A
2	945146		1	Fuel filter element	A
3	945147		1	Pre-fuel filter element	A
5	372229		2	Hydraulic oil filter element	A
7	357138	B	1	Ventilating filter	A
8	385377		1	Air filter element	Main A
9	385378		1	Air filter element	Safety A
10	945171		1	Valve cover gasket	

B) Ventilated oil filler cap for the hydraulic oil tank

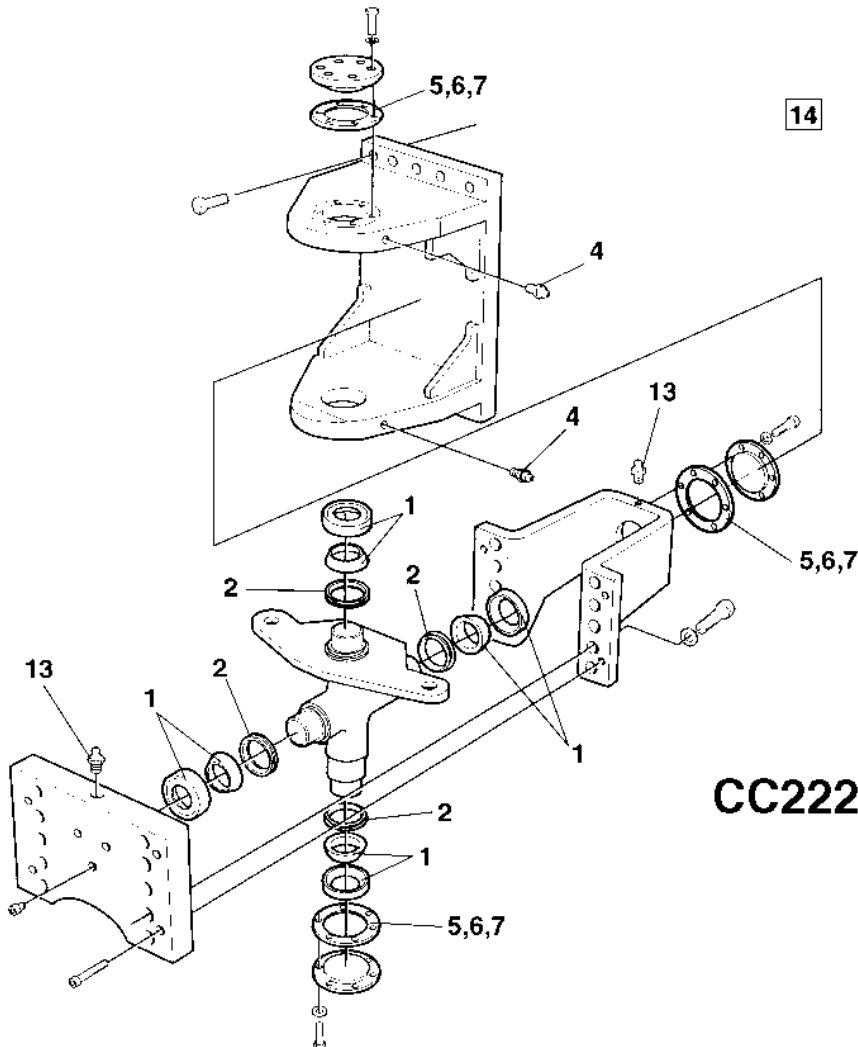
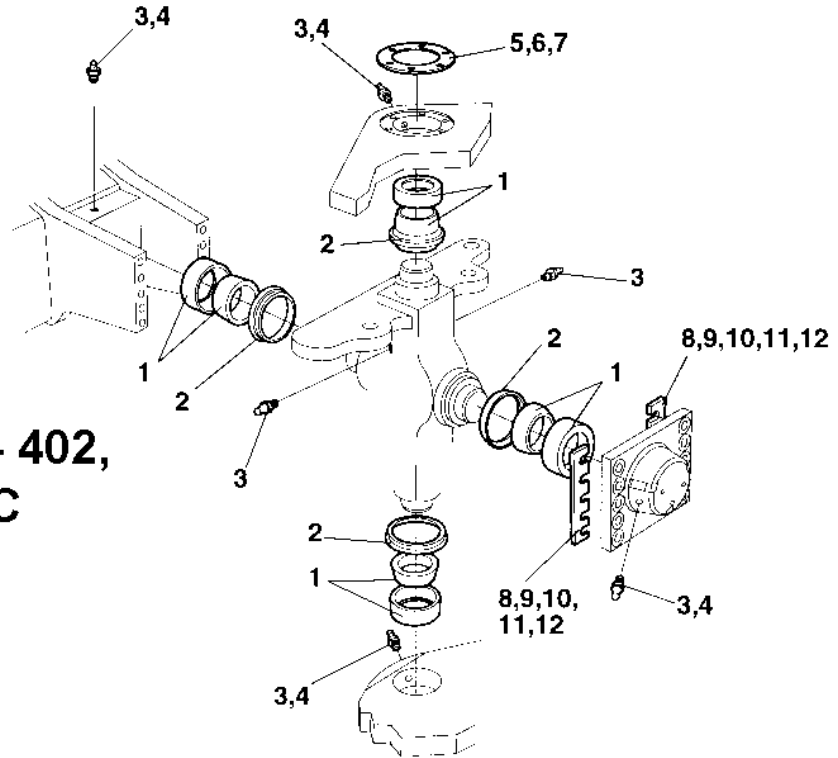
Repair kits

Ref. No.	Part No.	Rem.	Qty	Description	Code
-1				Repair kits (Page 16)	
1	938558			Steering hitch kit (Page 18)	
2	945657			Eccentric shaft kit (Page 20)	
3	938891			Drum rotation kit (Page 22)	
4	938878			Shock absorber kit, drum (Page 24)	

Repair kits

Ref. No.	Part No.	Rem. Qty	Description	Code
1	938558		Steering hitch kit (Page 18)	
2	945657		Eccentric shaft kit (Page 20)	
3	938891		Drum rotation kit (Page 22)	
4	938878		Shock absorber kit, drum (Page 24)	

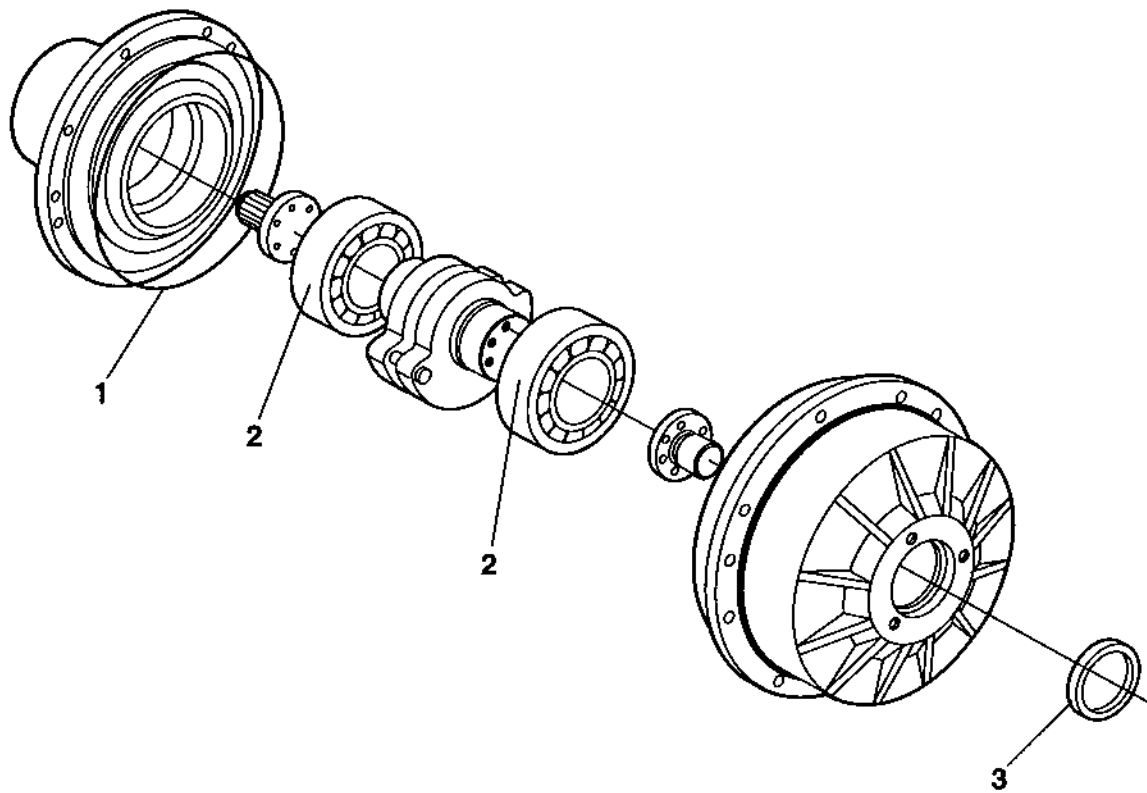
**CA150 - 402,
CC501/C**



CC222-622/C

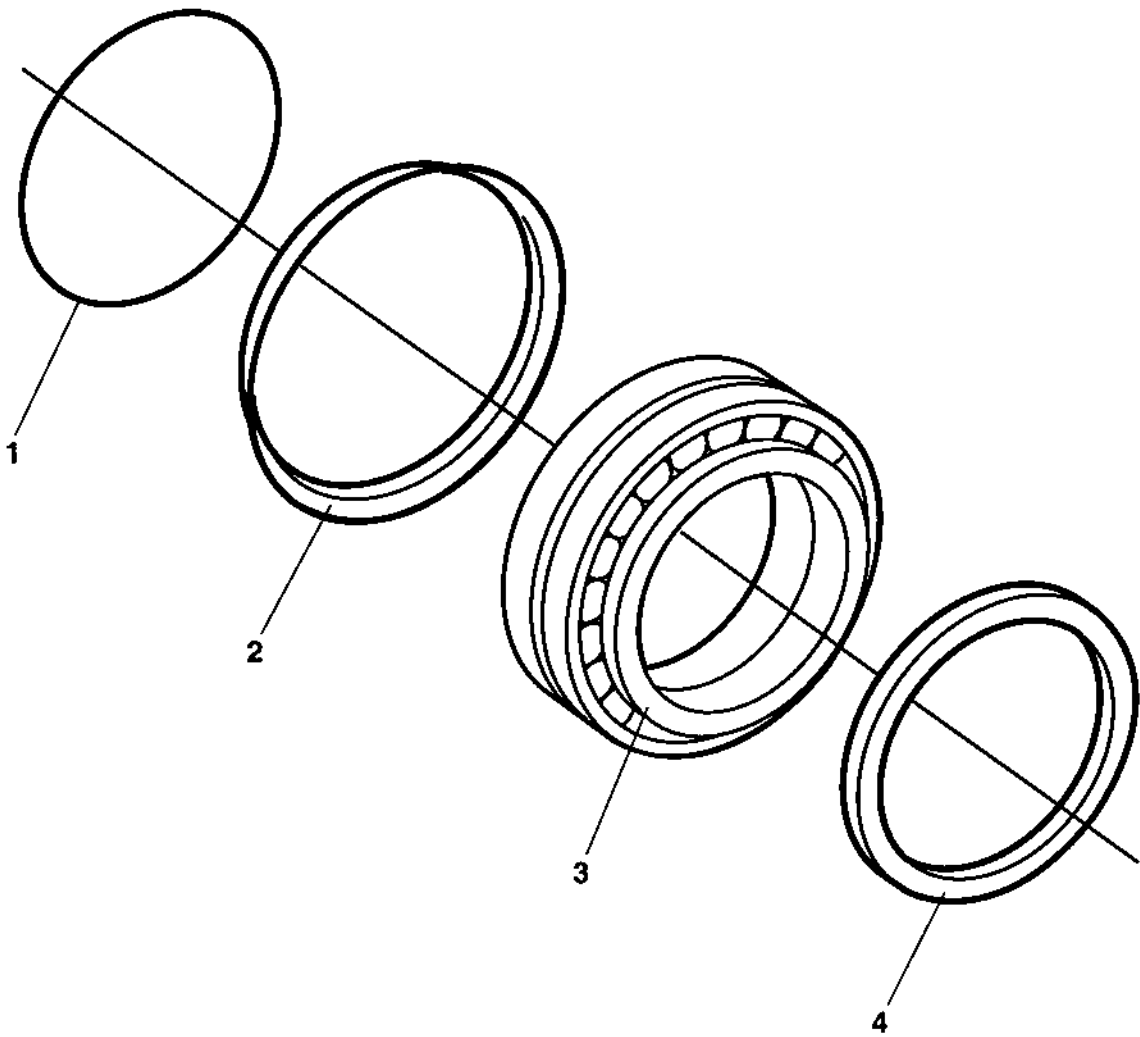
Ref. No.	Part No.	Rem.	Qty	Description	Code
1	100040		4	Axial ball bearing	D
2	167032		4	Lip-type oil seal	D
3	310008	2	3	Grease nipple	D
4	926214		2	Grease fitting	D
5	337045		3	Shim	T=1,0 mm D
6	345874		3	Shim	T=0,35 mm D
7	345875		3	Shim	T=0,10 mm D
8	345871	1	2	Shim	T=1,0 mm D
9	345872	1	2	Shim	T=0,35 mm D
10	345873	1	2	Shim	T=0,10 mm D
11	380993	1	2	Shim	T = 2,0 mm D
12	384498	1	2	Shim	T = 0,15 mm D
13	929863	3	1	Grease nipple	D
14	904663		1	Lube grease	" DYNAPAC special approved "
15			1	Instructions	

- 1) Valid for CA150-402 and CC501/C
- 2) Valid for CC501/C
- 3) Valid for CC222/232/322/422/432/522/622/C



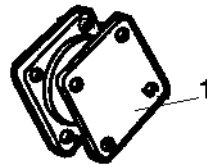
945657 Eccentric shaft kit

Ref. No.	Part No.	Rem.	Qty	Description	Code
1	900776		1	O-ring	D
2	390896		2	Spherical roller bearing	D
3	900782		1	Seal ring	D



938891 Drum rotation kit

Ref. No.	Part No.	Rem.	Qty	Description	Code
1	160105		1	O-ring 70	D
2	929447		1	V-ring	D
3	116041		1	Taper roller bearing	D
4	386272		1	Sealing	D

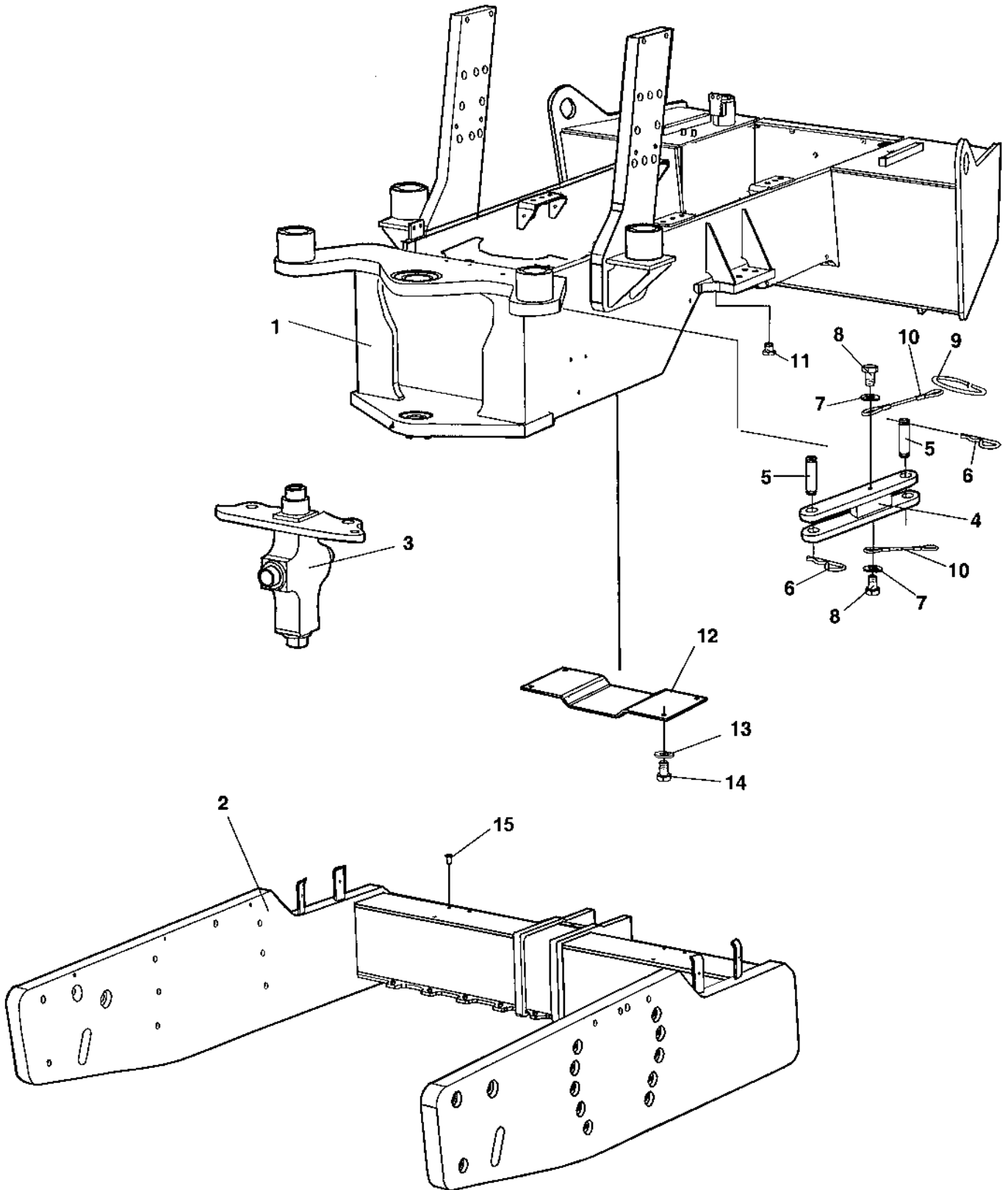


938878 Shock absorber kit, drum

Ref. No.	Part No.	Rem.	Qty	Description	Code
1	801187		10	Shock absorber	B

Frame

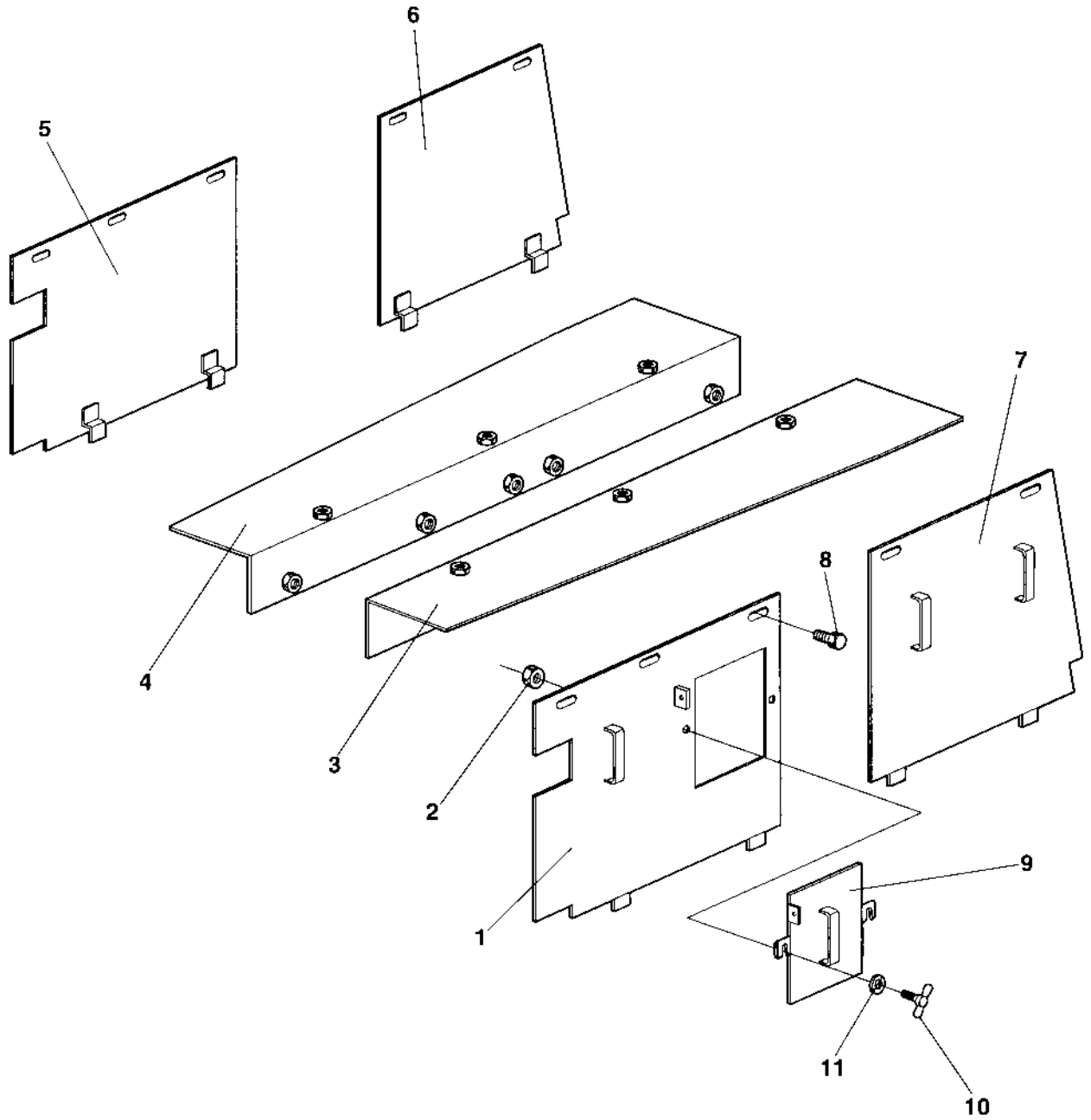
Ref. No.	Part No.	Rem.	Qty	Description	Code
10				Frames (Page 28)	
15				Side covers (Page 30)	Option
30				Scrapers and beam (Page 32)	
60				Hitch (Page 34)	
70				Structure (Page 36)	



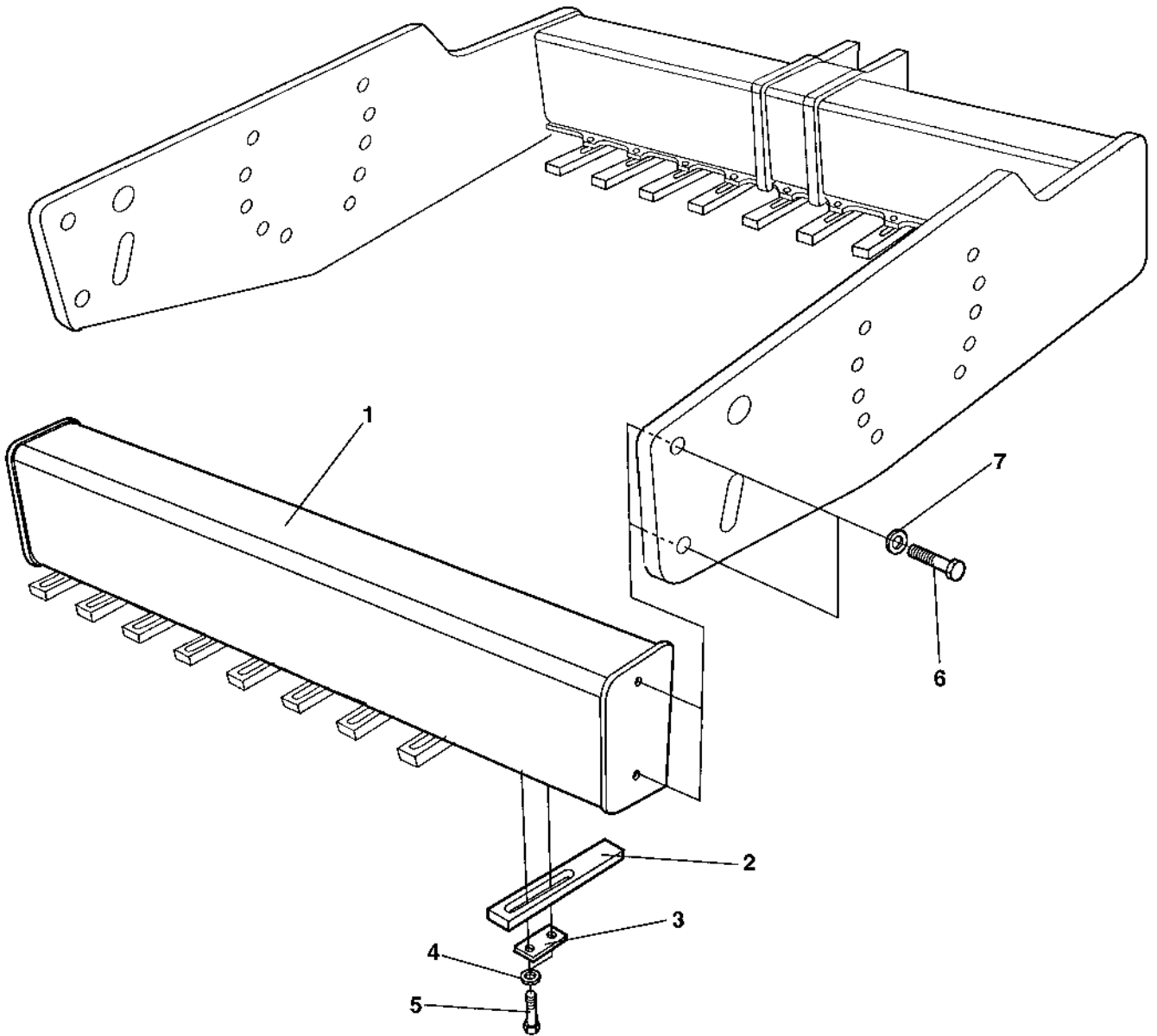
Frames

Ref. No.	Part No.	Rem.	Qty	Description	Code
1	392791		1	Tractor frame	
2	376701		1	Drum frame	
3			1	Hitch (Page 34)	
4	374744		1	Safety rod	
5	347119		2	Shaft	D
6	635061		3	Hair clip	D
7	904230		4	.Washer	10,5x22x2
8	500043		2	Screw	M10x16H 8,8
9	357488		1	Spring	
10	343775		2	Wire	
11	813391		1	Magnetic plug	D
12	372087		1	Protection plate	
13	904557		4	Washer	10,5x22x4
14	500029		4	Screw	M10-1,5x30 8.8
15	902919		6	Plug	

16958



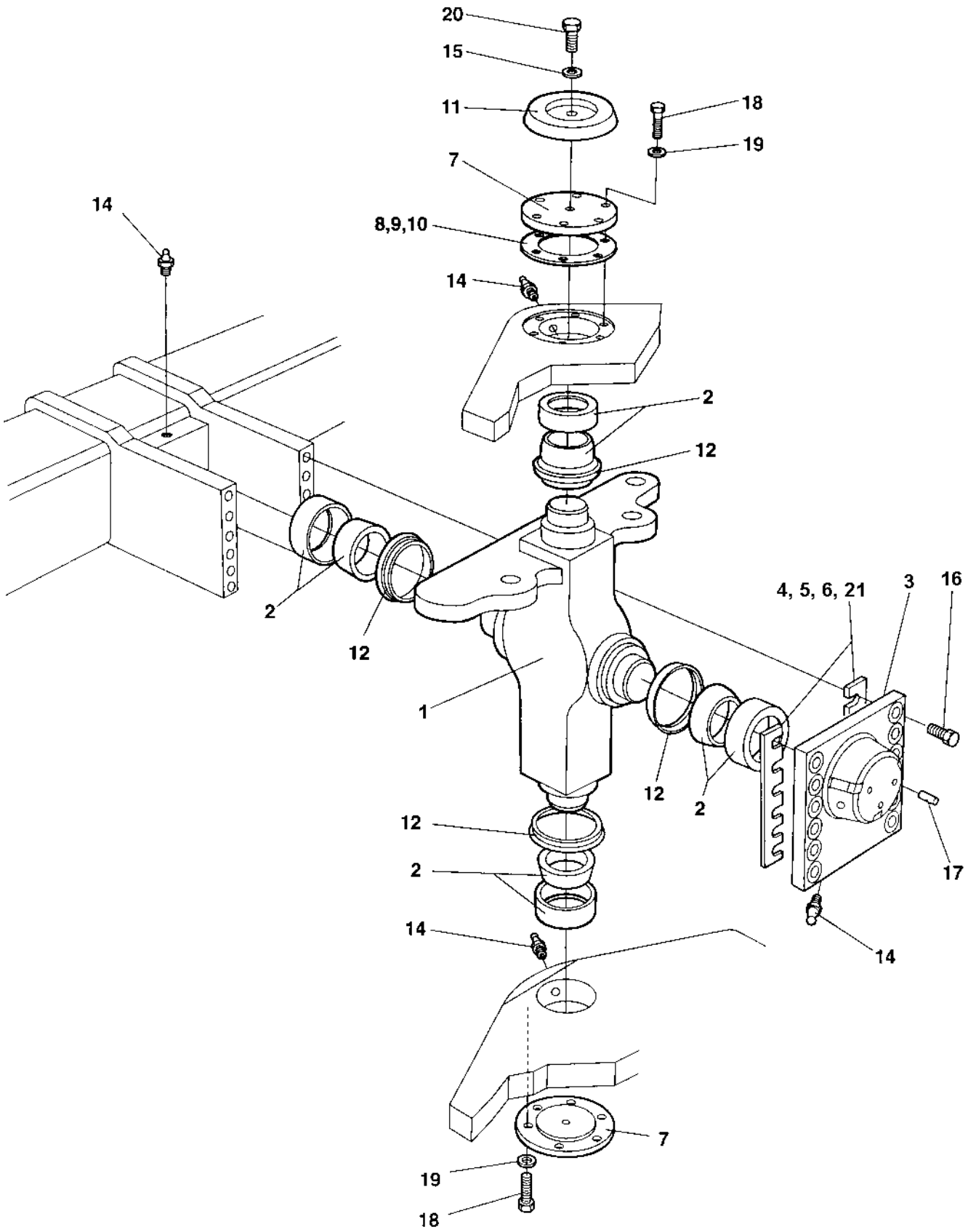
Ref. No.	Part No.	Rem.	Qty	Description	Code
1	380053		1	Side cover, right	
2	586003		2	Lock nut	M8
3	387089		1	Holder, right	
4	387090		1	Holder, left	
5	380058		1	Side cover, left	
6	380057		1	Side cover, left	
7	380052		1	Side cover, right	
8	500053		16	Screw	M8-1,25x20 8.8
9	381033		1	Cover	
10	904718		2	Wing screw	
11	904640		18	Washer	8,4x22x3



Ref. No.	Part No.	Rem.	Qty	Description	Code
1	389907		1	Cross beam	
2	376551		18	Scraper tooth	
3	376622		18	Holder	
4	904232		36	Washer	17x30x3
5	500165		36	Screw	M16-2,0x75 8,8
6	500283		4	Screw	M24x120
7	904234		4	Washer	25x45x4

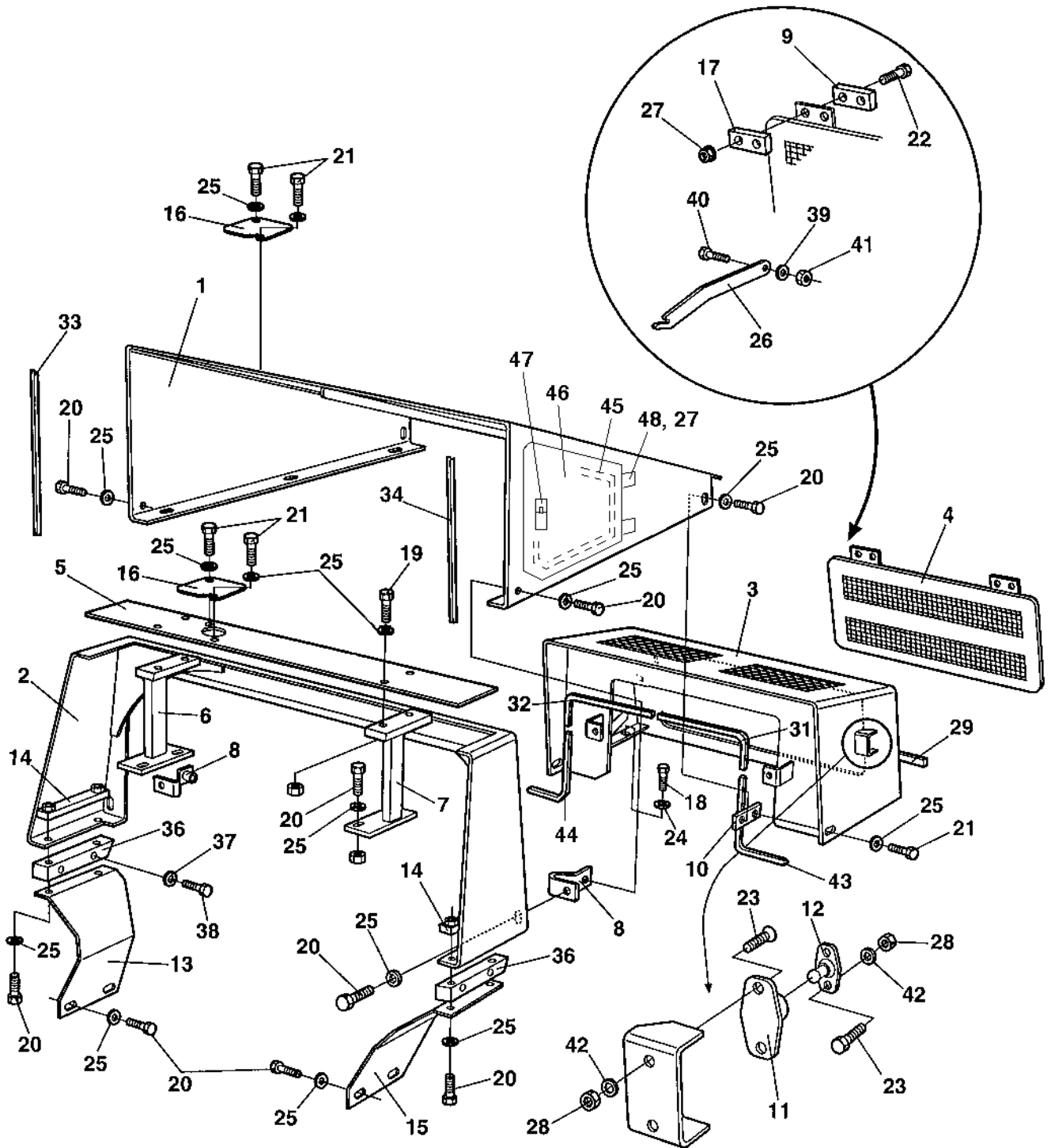
Hitch

16083



Hitch

Ref. No.	Part No.	Rem.	Qty	Description	Code
1	374900		1	Hitch	
2	100040		4	Axial ball bearing	D
3	373421		1	Bearing cover	
4	345871	N		Shim	T=1,0 mm D
5	345872	N		Shim	T=0,35 mm D
6	345873	N		Shim	T=0,10 mm D
7	337042		2	Bearing cover	
8	337045	N		Shim	T=1,0 mm D
9	345874	N		Shim	T=0,35 mm D
10	345875	N		Shim	T=0,10 mm D
11	343159		1	Cover	
12	167032		4	Lip-type oil seal	D
14	926214		4	Grease fitting	D
15	904229		1	Washer	8,4x16x1,5
16	500287		12	Screw	
17	910995		3	Stop screw	
18	500037		12	Screw	M12-1,75x35 8,8
19	904231		12	Washer	13x24x2
20	500018		1	Screw	M8-1,25x12 8,8
21	380993	N		Shim	T = 2,0 mm D
	384498	N		Shim	T = 0,15 mm D



Structure

Ref. No.	Part No.	Rem.	Qty	Description	Code
1	392784		1	Hood	
2	376340		1	Protecting cover	
3	376818		1	Hood	
	791475	A	2	Grommet	
4	382406		1	Rear cover	
5	376354		1	Cover	
6	392786		1	Holder, right	
7	376349		1	Holder, left	
8	376366		2	Holder	
9	380755		2	Holder	
10	380109		2	Holder	
11	450066		2	Door bumper	D
12	450067		2	Door bumper	D
13	381348		1	Holder	
14	381330		2	Holder	
15	381347		1	Holder	
16	381297		2	Cover	
17	380012		2	Holder	
18	500031		4	Screw	M10-1,5x40 8,8
19	500047		4	Screw	M8-1,25x35 8,8
20	500022		20	Screw	M8-1,25x30 8,8
21	500053		10	Screw	M8-1,25x20 8.8
22	924875		4	Screw	M6x35
23	904504		8	Screw	M5 x 18
24	904557		4	Washer	10,5x22x4
25	904640		34	Washer	8,4x22x3
26	382411		1	Hook	
27	902285		8	Lock nut	M6
28	586001		8	Lock nut	M5
29	902379	B	1XL	Edge trim	
30	902379	C	1XL	Edge trim	
31	902166	D	1XL	Edge trim	3-5
32	902166	E	1XL	Edge trim	3-5
33	902166	F	1XL	Edge trim	3-5
34	902166	G	1XL	Edge trim	3-5
36	381989		2	Holder	
37	904231		4	Washer	13x24x2
38	500133		4	Screw	M12x70
39	904228		2	Washer	6,4x12x1,5
40	500040		1	Screw	M6-1x20 8,8
41	586002		1	Lock nut	M6
42	904281		8	Washer	5,3x10x1
43	902166	H	1XL	Edge trim	3-5
44	902166	C	1XL	Edge trim	3-5
45	202028	J	1XL	Edge trim	
46	393857		1	Cover	
47	792549		1	Lock	
48	513012		4	Screw	M6x20 10,9

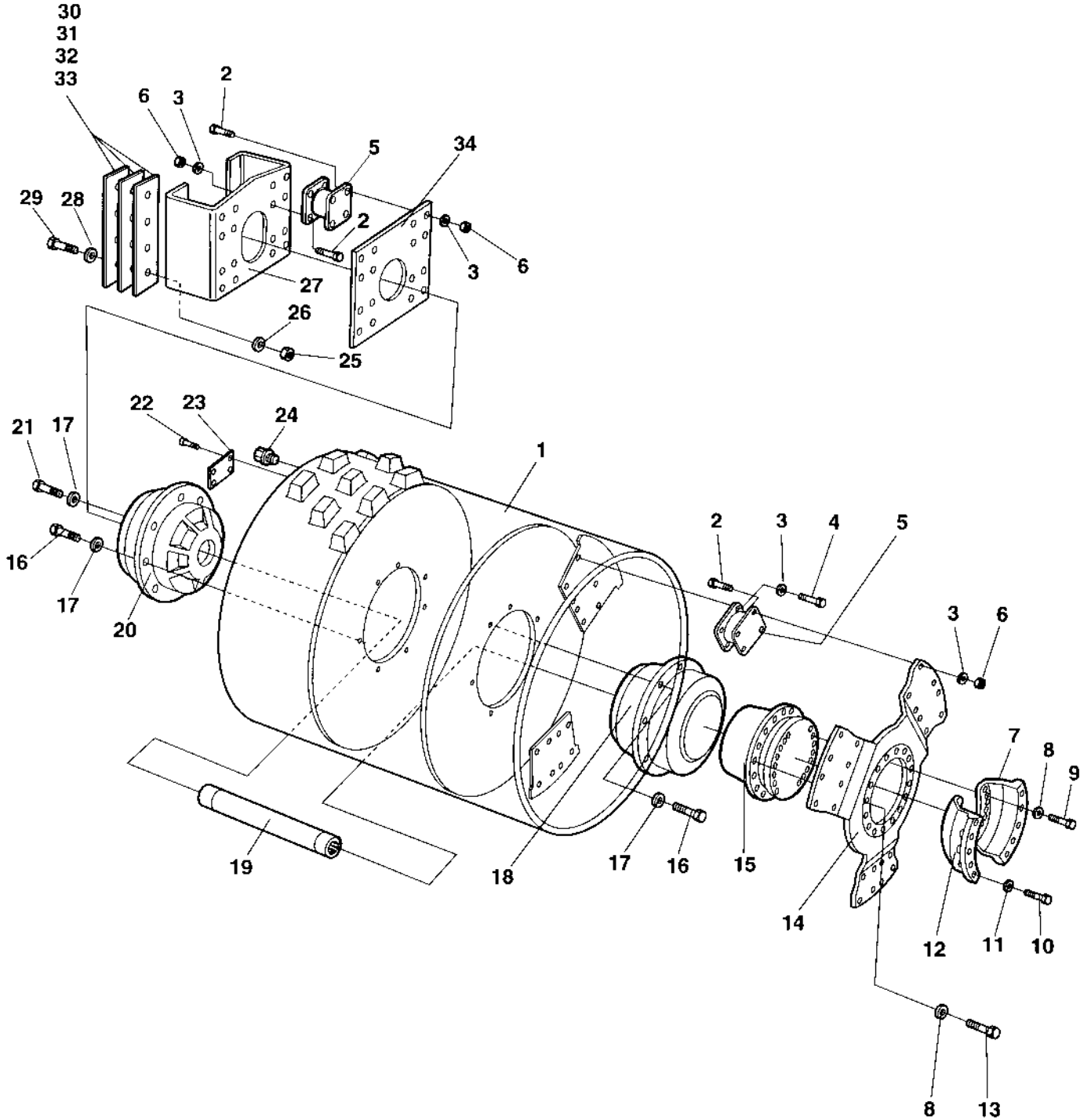
- A) With membrane
- B) L=0,330 m
- C) L=0,550 m
- D) L=0,560 m
- E) L=0,310 m
- F) L=0,460 m
- G) L=0,460 m
- H) L=0,580 m
- J) L=1,120 m

Drum

Ref. No.	Part No.	Rem.	Qty	Description	Code
10				Drum (Page 40)	
20				Drum cartridge (Page 42)	Drive side
30				Drum cartridge (Page 44)	Vibration side

Drum

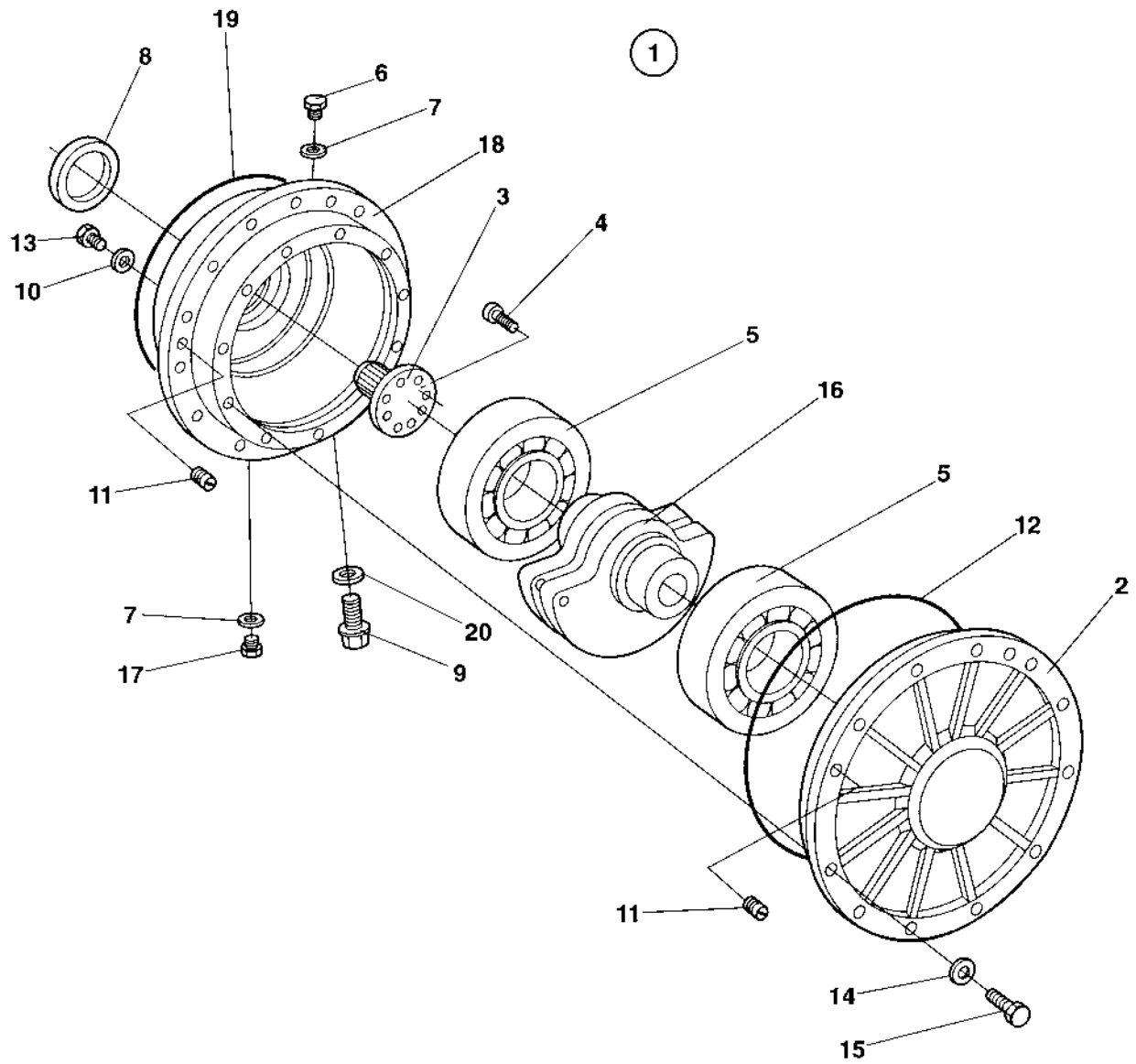
16960



Drum

Ref. No.	Part No.	Rem.	Qty	Description	Code
1	374927		1	Drum	
2	500194		56	Screw	M12x40H 8.8
3	904231		80	Washer	13x24x2
4	500051		24	Screw	M12-1,75x25 8,8
5	801187		10	Shock absorber	
6	570007		56	Lock nut	M12
7	373442	A	1	Gear holder	
8	904233		32	Washer	21x36x3
9	903919		16	Screw	
10	500146		10	Screw	M24-3,0x110 8,8
11	904234		10	Washer	25x45x4
12	373443	B	1	Gear holder	
13	903281		16	Screw	
14	372236		1	Drive disc	
15	380462		1	Drum gear	
16	500082		23	Screw	M16x70
17	904232		24	Washer	17x30x3
18			1	Drum cartridge (Page 42)	Drive side
19	349682		1	Drive shaft	
20			1	Drum cartridge (Page 44)	Vibration side
21	384121		1	Air breather screw	
22	527002		4	Drive screw	
23	343801		1	Sign plate	
24	232210		1	Plug	
25	925867		6	Nut	M20
26	904233		6	Washer	21x36x3
27	355676		1	Bracket	
28	904233		6	Washer	21x36x3
29	928850		6	Screw	M20-2,5x120 10,9
30	345678		N	Shim	T = 1,5 mm
31	345679		N	Shim	T = 3 mm
32	345884		N	Shim	T = 6 mm
33	345885		N	Shim	T = 8 mm
34	343322		1	Holder plate	

A) Right
B) Left

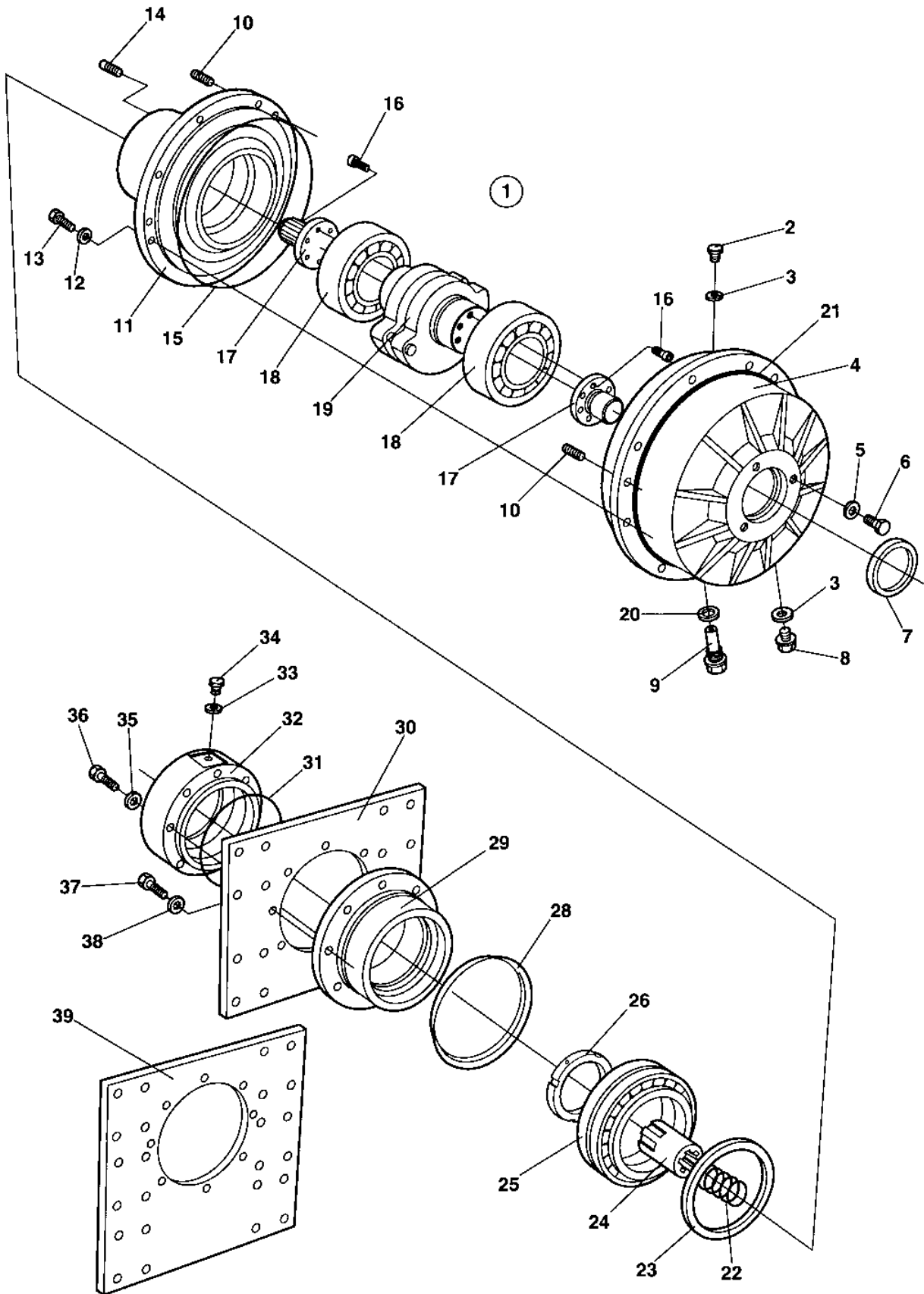


Drum cartridge Drive side

Ref. No.	Part No.	Rem.	Qty	Description	Code
1	945585		1	Drum cartridge	
2	379876		1	.Bearing housing outer	
3	380018		1	.Splined shaft	
4	791156		8	.Screw M10-1,5x55 12,9	
5	390896		2	.Spherical roller bearing	D
6	343744		1	.Magnetic plug	M30 D
7	162017		2	.Seal ring	M30 D
8	900782		1	.Seal ring	D
9	381634		1	.Plug	
10	162027		3	.Sealing	M12 D
11	900775		6	.Plug	
12	900776		1	.O-ring	D
13	500163		3	.Screw	M12x16
14	904232		12	.Washer	17x30x3
15	500082		12	.Screw	M16x70
16	381760		1	.Eccentric shaft	
17	232210		1	.Plug	
18	379880		1	.Bearing housing inner	
19	904737		1	.O-ring	
20	162011		1	.Washer, sealing	D

Drum cartridge Vibration side

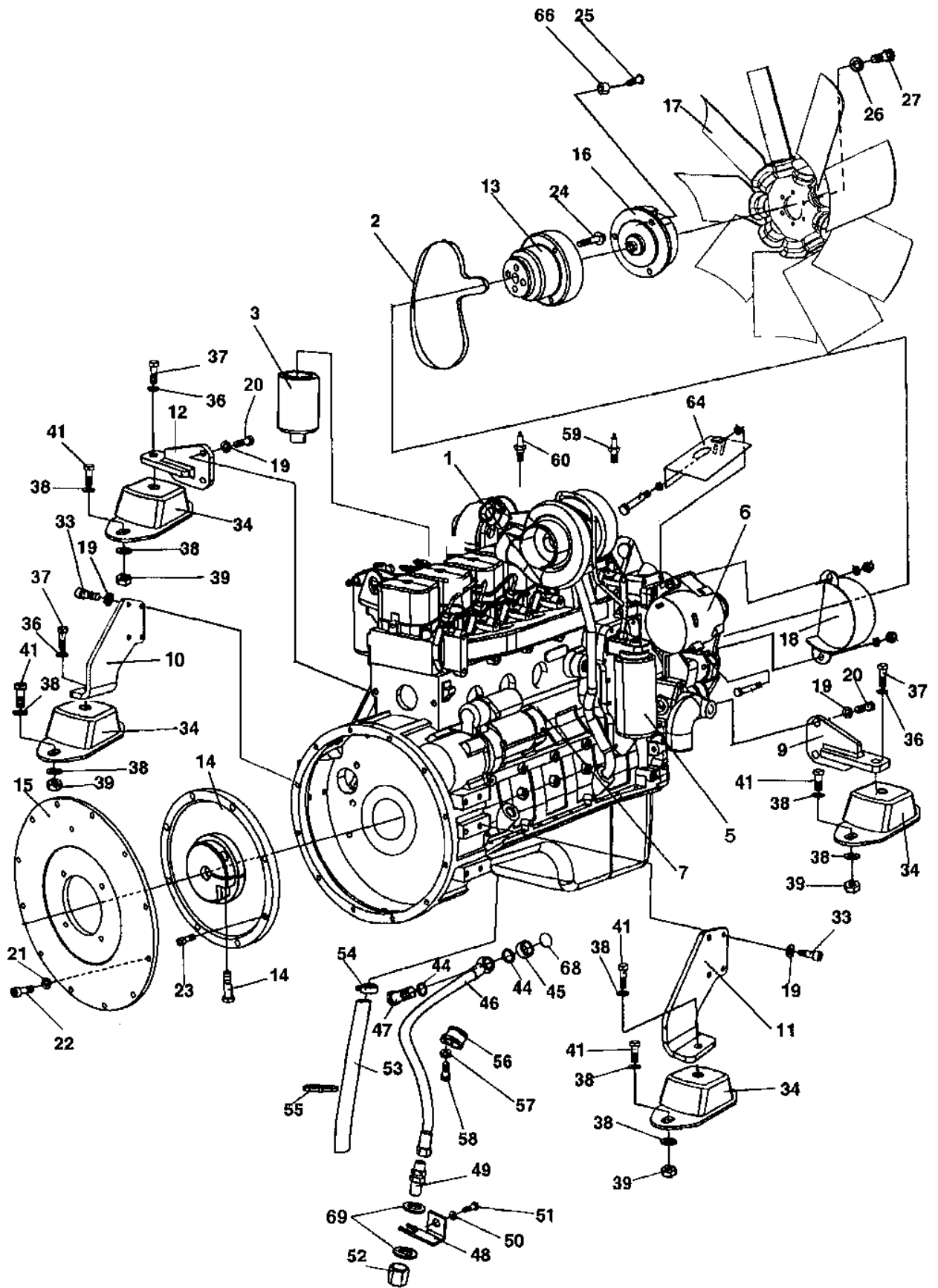
18388



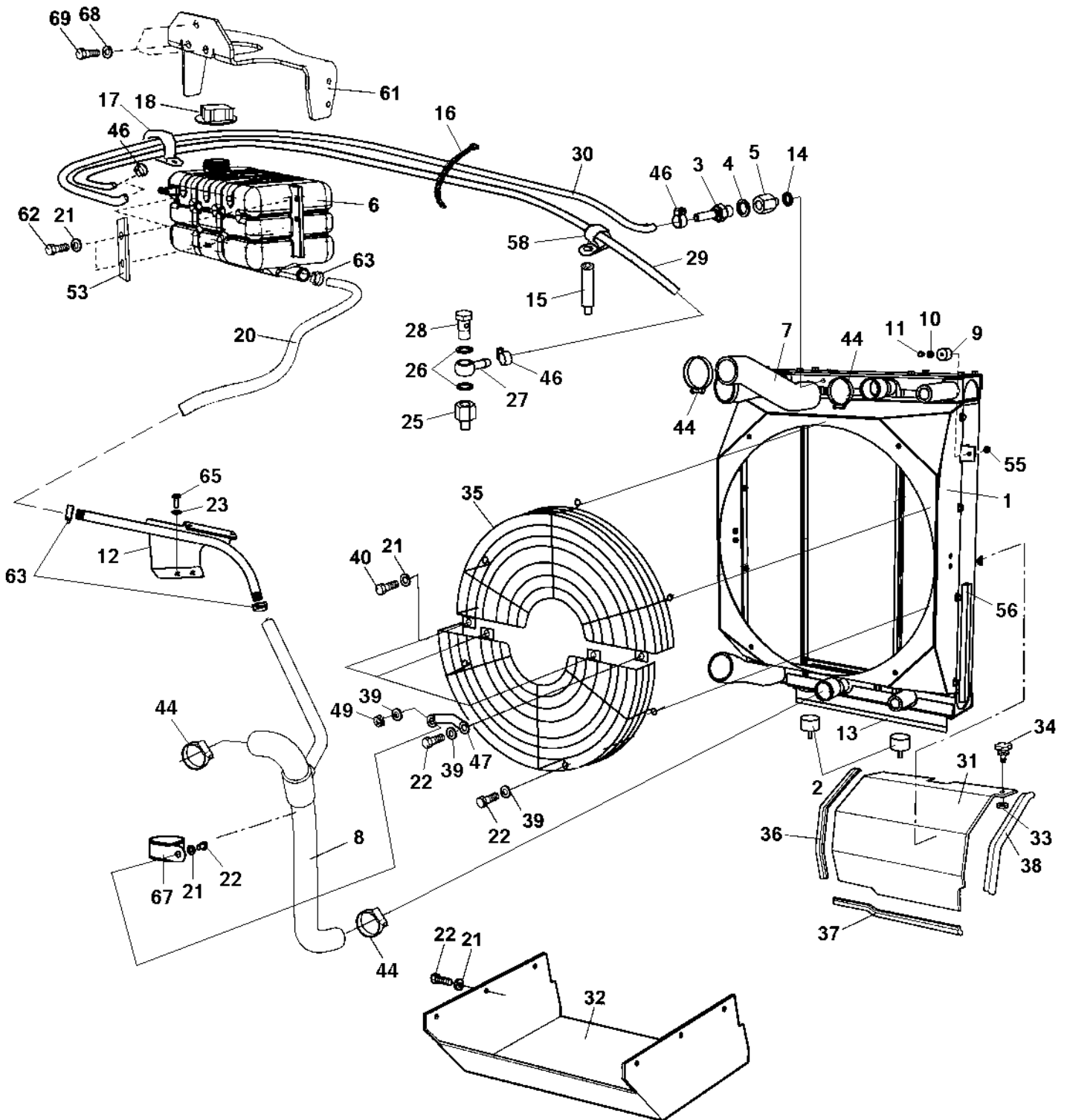
Drum cartridge Vibration side

Ref. No.	Part No.	Rem.	Qty	Description	Code
1	945589		1	Drum cartridge	
2	343744		1	.Magnetic plug	M30 D
3	162017		2	.Seal ring	M30 D
4	379880		1	.Bearing housing inner	
5	162027		3	.Sealing	M12 D
6	500163		3	.Screw	M12x16
7	900782		1	.Seal ring	D
8	232210		1	.Plug	
9	381634		1	.Plug	
10	900775		6	.Plug	
11	379878		1	.Bearing housing outer	
12	904232		12	.Washer	17x30x3
13	500082		12	.Screw	M16x70
14	903189		3	.Stop screw	
15	900776		1	.O-ring	D
16	791156		16	.Screw M10-1,5x55 12,9	
17	380018		2	.Splined shaft	
18	390896		2	.Spherical roller bearing	D
19	381760		1	.Eccentric shaft	
20	162011		1	.Washer, sealing	D
21	904737		1	O-ring	
22	349715		1	Spring	
23	167023		1	Seal ring	D
24	381027		1	Splined sleeve	
25	116041		1	Taper roller bearing	D
26	390897		1	Shaft nut	
28	929447		1	V-ring	D
29	343318		1	Bearing housing	D
30	343322		1	Holder plate	
31	160105		1	O-ring 70	D
32	390771		1	Motor adapter	
33	162018		1	Sealing	D
34	370231		1	Plug	
35	904231		4	Washer	13x24x2
36	500196		4	Screw	M12-1,75x80 8.8
37	500082		8	Screw	M16x70
38	384114		8	Spacer	
39				Not used on this model	

Ref. No.	Part No.	Rem.	Qty	Description	Code
10				Engine (Page 48)	Cummins QSB 6.7C
20				Cooling system (Page 50)	
30				Combustion air system (Page 54)	
40				Fuel system (Page 56)	
50				Exhaust system (Page 58)	



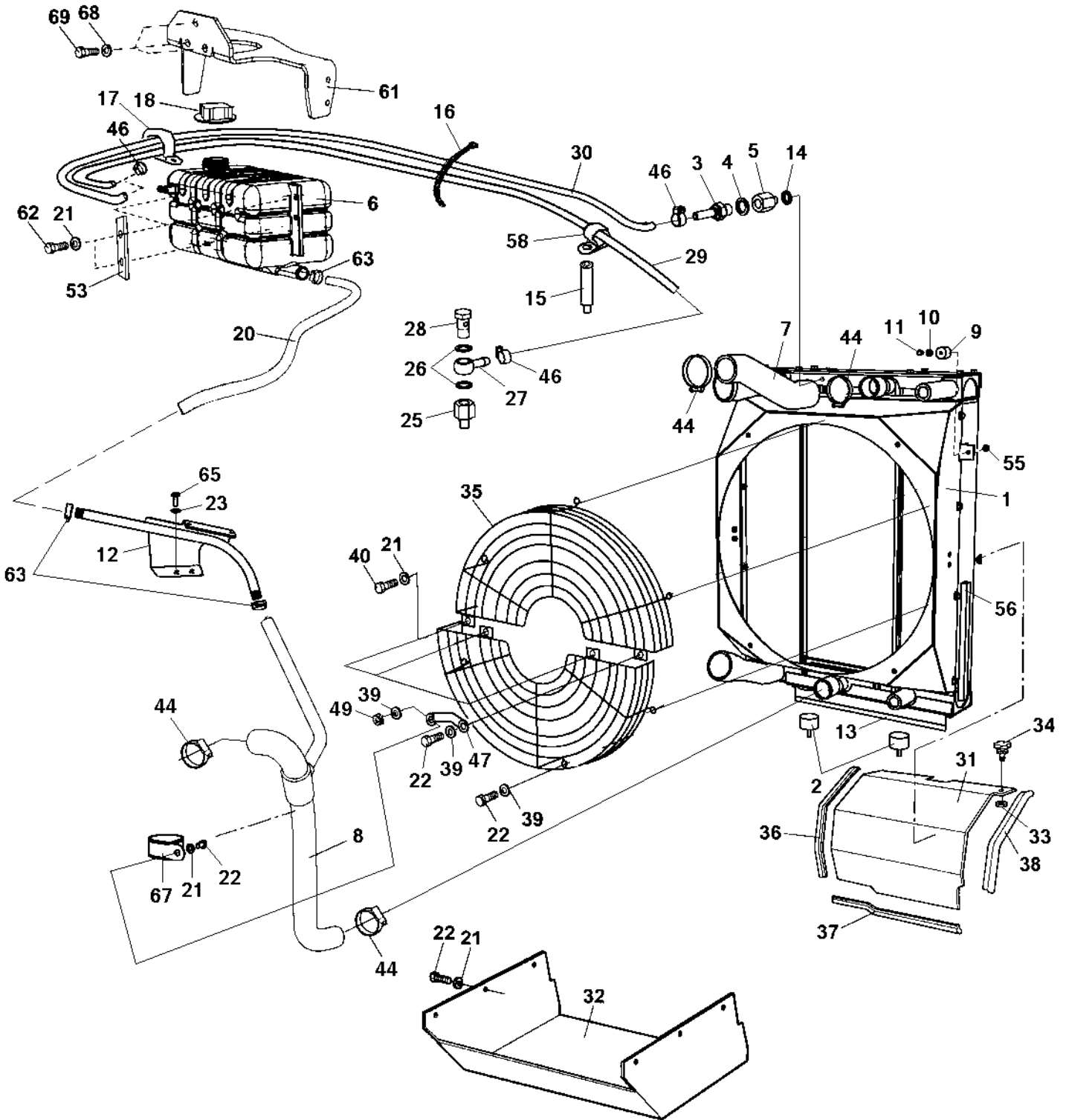
Ref. No.	Part No.	Rem.	Qty	Description	Code
1	390898		1	Diesel engine	Cummins QSB 6.7C
2	945148		1	.Belt	B
3	945146		1	.Fuel filter element	A
5	945145		1	.Oil filter element	A
6	945140		1	.Alternator	C
7	939979		1	.Starter	C
9	392284		1	Engine bracket,	Left
10	378728		1	Engine bracket,	Right
11	378729		1	Engine bracket,	Left
12	392283		1	Engine bracket,	Right
13	378408		1	Connector	
14	371620		1	Coupling	
15	372772		1	Bracket	
16	382394		1	Fan hub	
17	379164		1	Fan	
18	379163		1	V-belt cover	
19	904703		12	Washer	13x24x4
20	500194		4	Screw	M12x40H 8.8
21	904637		12	Washer	10x18x2
22	508029		12	Screw	M10-1,5x30H 8,8
23	509025		8	Screw	3/8-16UNCx32 8,8
24	792275		4	Socket head cap screw	7/16-20UNFX32 12.9
25	792081		3	Socket head cap screw	M12x50 10,9
26	904229		7	Washer	8,4x16x1,5
27	500047		6	Screw	M8-1,25x35 8,8
33	500056		8	Screw	M12x45 8,8
34	387128		4	Shock absorber	
36	904232		5	Washer	17x30x3
37	500070		4	Screw	M16x50
38	904703		16	Washer	13x24x4
39	586019		8	Lock nut	M12
40	904230		2	Washer	10,5x22x2
41	500194		8	Screw	M12x40H 8.8
42	586019		8	Lock nut	M12
44	330331		3	Washer	18,2x23,9x1,5
45	371727		1	Sleeve	
46	389138		1	Hydraulic hose	
47	747691		1	Hollow screw	
48	388855		1	Bracket	
49	230515		1	Connector	
50	904232		1	Washer	17x30x3
51	500154		1	Screw	M16-2,0x25 8,8
52	330383		1	Cap hydraulic	
53	791468		1	Hydraulic hose	
54	313004		1	Hose clamp	19-28
55	925802		N	Cable ties	L=142 mm
56	921063		1	Clamp	
57	904228		1	Washer	6,4x12x1,5
58	500013		1	Screw	M6-1x16 8,8
59	939506		1	Oil pressure switch	D
60	903632		1	Temperature sensor	Engine
61	378214		1	Cable holder	
62	904230		1	Washer	10,5x22x2
63	500036		1	Screw	
64	390743		1	Heat protection	
65	904230		2	Washer	10,5x22x2
66	791572		3	Spacer washer	
67	508004		1	Socket head cap screw	M8-1,25x12H 8.8
68	330333		1	Copper washer	D
69	904233		1	Washer	21x36x3



Cooling system

Ref. No.	Part No.	Rem.	Qty	Description	Code
1	385873		1	Radiator	
2	904551		2	Shock absorber	
3	792322		1	Hose connection	
4	162004		1	Sealing	
5	792551		1	Adapter	
6	392313		1	Expansion tank	
7	379602		1	Coolant hose	
8	378690		1	Coolant hose	
9	371774		2	Shock absorber	
10	904228		9	Washer	6,4x12x1,5
11	500012		2	Screw	M6x12
12	379538		1	Hose bracket	
13	902166		1	Edge trim	3-5
14	792552		1	Sealing	
15	393855		1	Distance screw	
16	313102		N	Cable ties	
	313041		N	Cable ties	L=186 mm
17	921084		1	Pipe clamp	
	904228	H	1	Washer	6,4x12x1,5
	500040	H	1	Screw	M6-1x20 8,8
18	903714		1	Cap	
20	205027	A	1XL	Coolant hose	
21	904229		11	Washer	8,4x16x1,5
22	500053		16	Screw	M8-1,25x20 8.8
23	904230		2	Washer	10,5x22x2
25	393917		1	Connector	
26	747282		2	Copper washer	14x20x1,5
27	330170		1	Banjo nipple	
28	330171		1	Hollow screw	
29	246069	B	1XL	Fuel hose	3/8"
30	246069	C	1XL	Fuel hose	3/8"
31	386699		1	Air inlet	
32	388732		1	Air leading plate	
33	926985		2	Quick lock washer	
34	904486		2	Quick lock	
35	390500		2	Fan guard	
36	902166	D	1XL	Edge trim	3-5
37	902166	E	1XL	Edge trim	3-5
38	902166	F	1XL	Edge trim	3-5
39	904640		9	Washer	8,4x22x3
40	500018		3	Screw	M8-1,25x12 8,8
44	313010		2	Hose clamp	
46	313075		4	Hose clamp	
47	391302		1	Bracket	
49	570005		2	Nut	M8
53	381413		2	Washer	
55	570004		2	Nut	M6
56	202046	G	2XL	Rubber strip	25x10
58	921050		1	Clamp	
	500053	H	1	Screw	M8-1,25x20 8.8
	904229	H	1	Washer	8,4x16x1,5
61	392170		1	Holder	
62	500075		4	Screw	M6-1,0x25 8.8

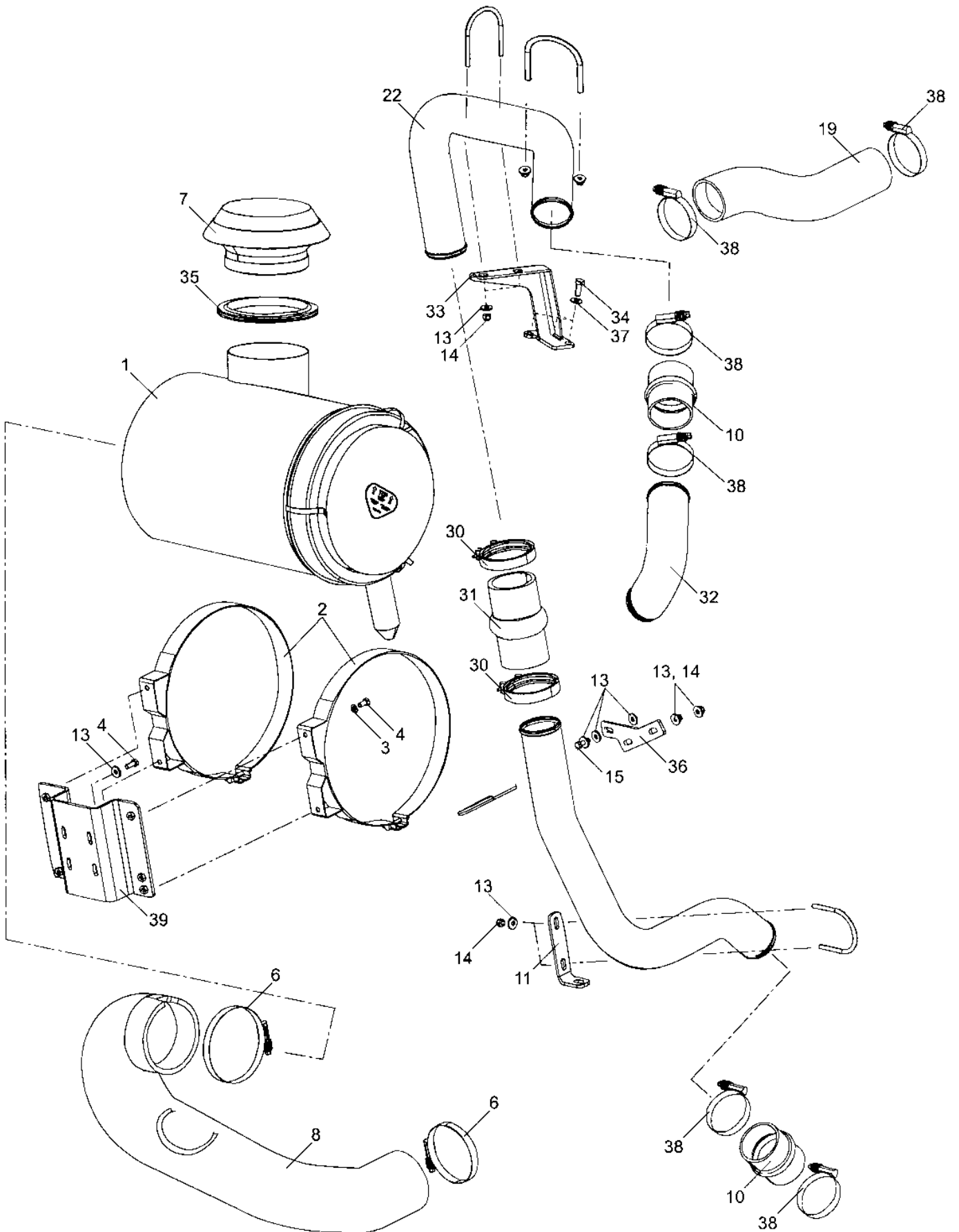
- A) L=1 m
- B) L=1,5 m
- C) L=2,0 m
- D) L=0,39 m
- E) L=0,61 m
- F) L=0,42 m
- G) L=0,40 m
- H) Not illustrated



Cooling system

Ref. No.	Part No.	Rem.	Qty	Description	Code
63	313004		3	Hose clamp	19-28
65	500048		4	Screw	M10-1,5x20 8.8
67	904352		1	Clamp	32x8,4x20
68	904567		3	Washer	10,5x28x6 HB305
69	500030		3	Screw	M10-1,5x35H 8,8

18483

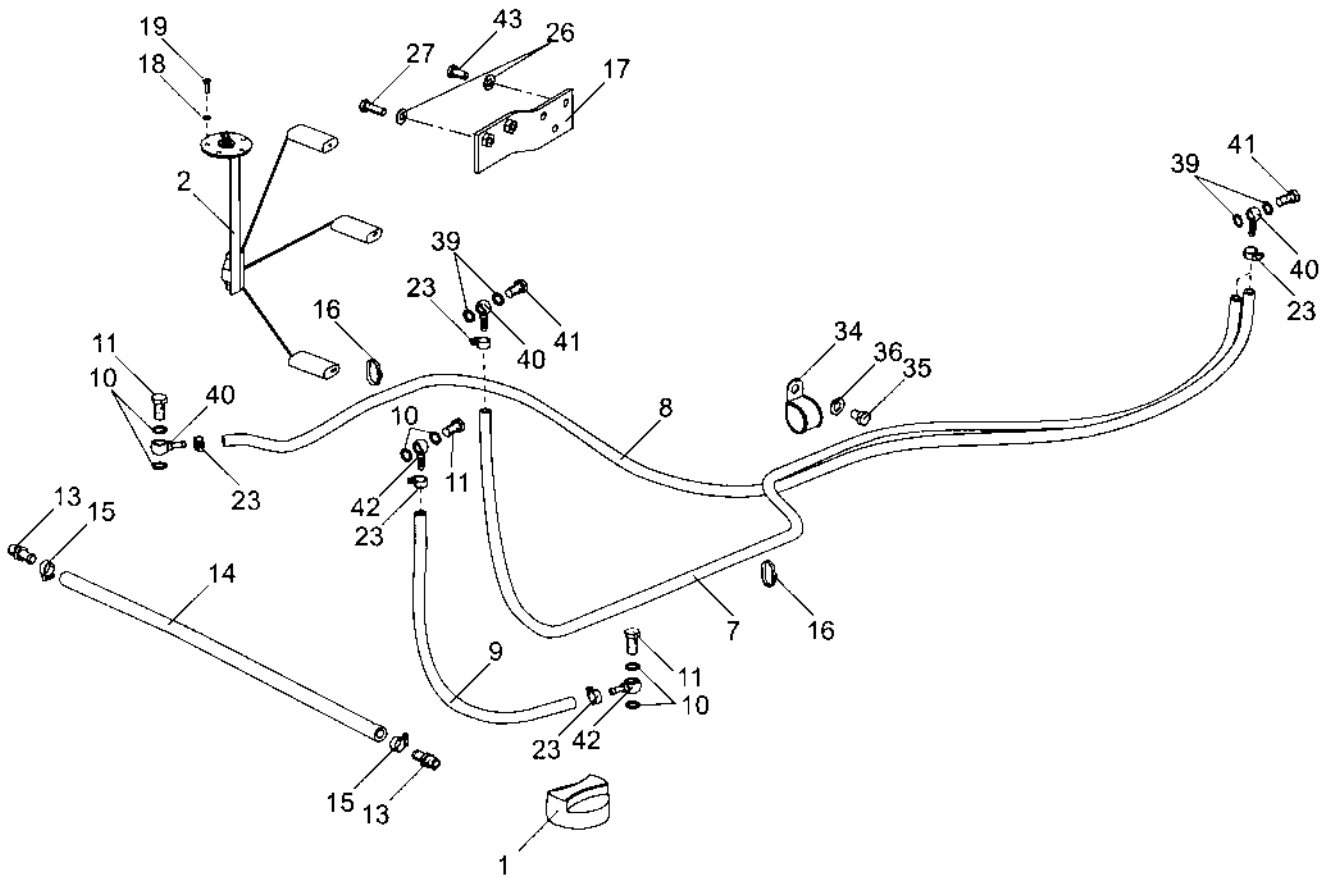


Ref. No.	Part No.	Rem.	Qty	Description		Code
1	385171		1	Air cleaner, cpl		
	385377	B	1	.Air filter element	Main	A
	385378	C	1	.Air filter element	Safety	A
	385376		1	.Vacuator valve		D
	385379		1	.End cover		A
2	802550		2	Band, mounting		
3	904229		4	Washer	8,4x16x1,5	
4	500053		4	Screw	M8-1,25x20 8.8	
6	379214		1	Hose clamp		
7	900170		1	Air inlet hood		D
8	392885		1	Air inlet hose		
10	385691		2	Air intake hose		
11	390083		1	Holder		
12	313093		4	Pipe clamp		
13	904640		15	Washer	8,4x22x3	
14	586003		8	Lock nut	M8	
15	500021		1	Screw	M8-1,25x25 8.8	
19	379086		1	Charge air hose		
21	379085		1	Charge air tube		
22	379936		1	Charge air tube		
30	386966	A	6	Hose clamp	2.3/4"-3.5/8"	
31	385403	A	1	Air inlet hose		
32	379084		1	Charge air tube		
33	379269		1	Holder		
34	500028		1	Screw	M10-1,5x25 8,8	
35	902166		0.52	Edge trim	3-5	
36	393153		1	Bracket		
37	904230		3	Washer	10,5x22x2	
38	386966		6	Hose clamp	2.3/4"-3.5/8"	
39	392985		1	Filter bracket		

- A) Supplied with engine
- B) Main
- C) Safety

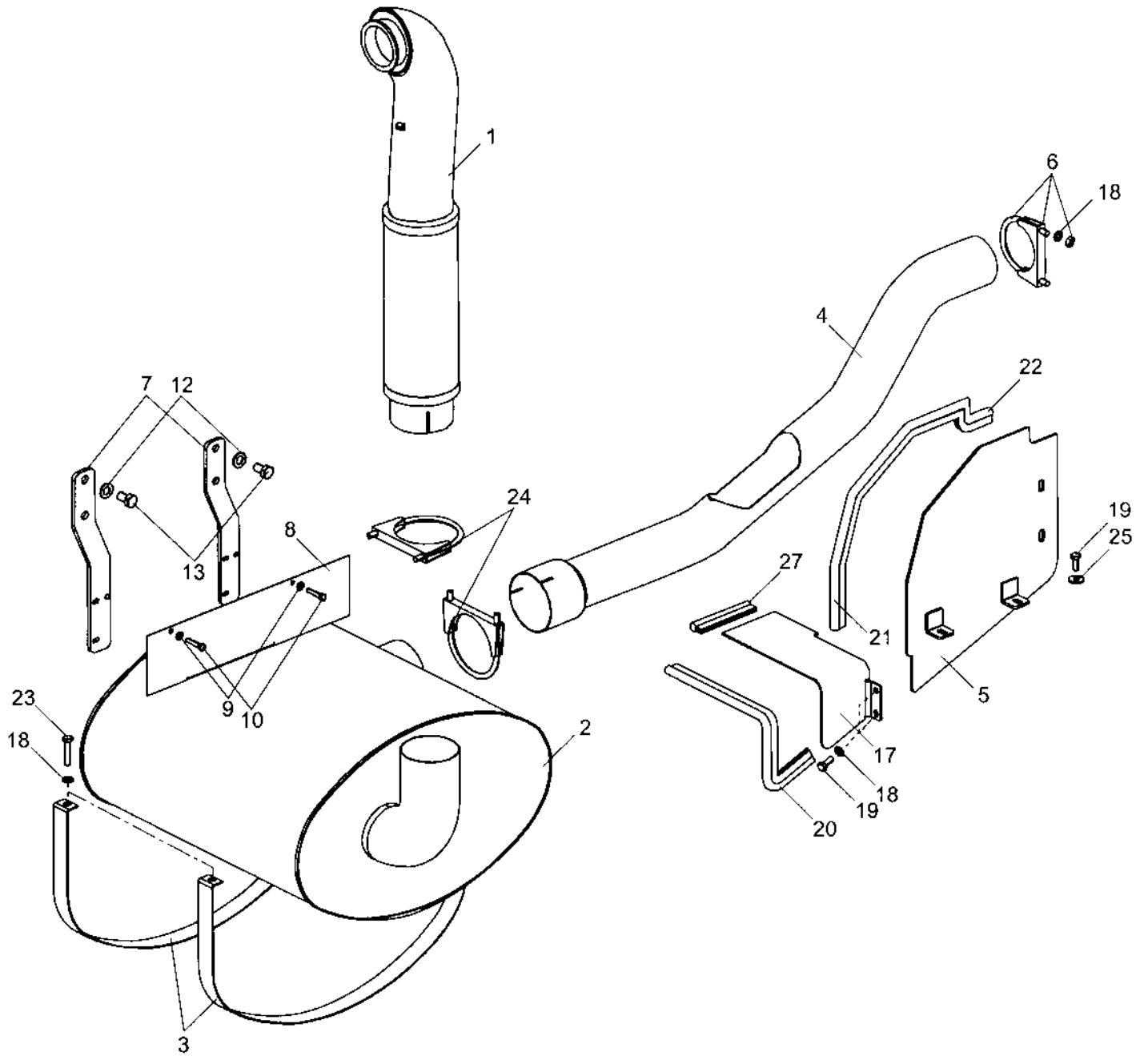
Fuel system

18482



Fuel system

Ref. No.	Part No.	Rem.	Qty	Description	Code
1	373460		1	Fuel cap	D
2	904695		1	Fuel level sender	D
7	904984		1	Fuel hose	D
8	904984		1	Fuel hose	D
9	904984		1	Fuel hose	D
10	747282		4	Copper washer	14x20x1,5
11	330171		2	Hollow screw	
13	373574		2	Hose connection	
14	244054		1	Hose reinforced	
15	313002		2	Hose clamp	13-20 mm
16	313041	N		Cable ties	L=186 mm
17	390885		1	Bracket	
18	904281		5	Washer	5,3x10x1
19	500006		5	Screw	M5x16
23	313001		6	Hose clamp	11-17 mm
26	904230		5	Washer	10,5x22x2
27	500029		2	Screw	M10-1,5x30 8.8
34	791513		1	Pipe clamp	
35	500163		1	Screw	M12x16
36	904231		1	Washer	13x24x2
39	230277		8	Copper washer	12,2x17,9x1,5
40	792251		4	Banjo coupling	M12 Hose 8
41	234919		4	Screw	M12-1,5-24-3
42	901121		2	Banjo fitting	14x6 Hose 8
43	500048		3	Screw	M10-1,5x20 8.8



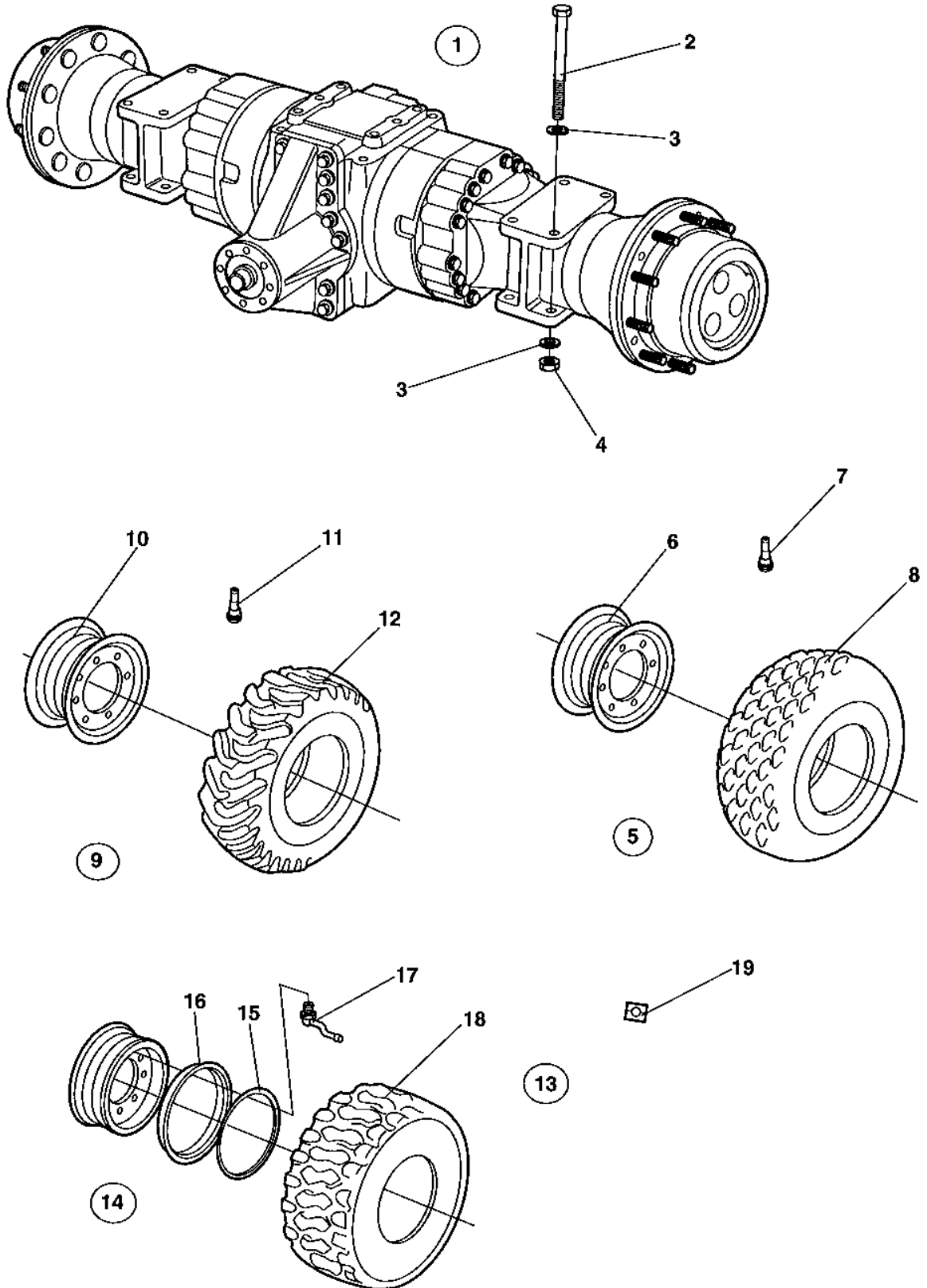
Exhaust system

Ref. No.	Part No.	Rem.	Qty	Description	Code
1	378940		1	Exhaust hose	
2	378941		1	Muffler	
3	388800		2	Clamp	
4	387699		1	Exhaust pipe	
5	376619		1	Thermal guard	
6	313093		1	Pipe clamp	
7	390016		2	Bracket	
8	386153		1	Thermal guard	
9	904228		2	Washer	6,4x12x1,5
10	500015		2	Screw	M6-1x30 8,8
12	904231		4	Washer	13x24x2
13	500035		4	Screw	M12x020H
17	386410		1	Thermal guard	
18	904229		6	Washer	8,4x16x1,5
19	500053		4	Screw	M8-1,25x20 8.8
20	902166	A	1XL	Edge trim	3-5
21	902166	B	1XL	Edge trim	3-5
22	902166	C	1XL	Edge trim	3-5
23	904241		4	Screw	M8x40
24	927857		2	Pipe clamp	
25	904640		2	Washer	8,4x22x3
26			1	Pipe clamp	
27	902166		0,11	Edge trim	3-5

- A) L= 0,330 m
 B) L= 0,460 m
 C) L = 0,080 m

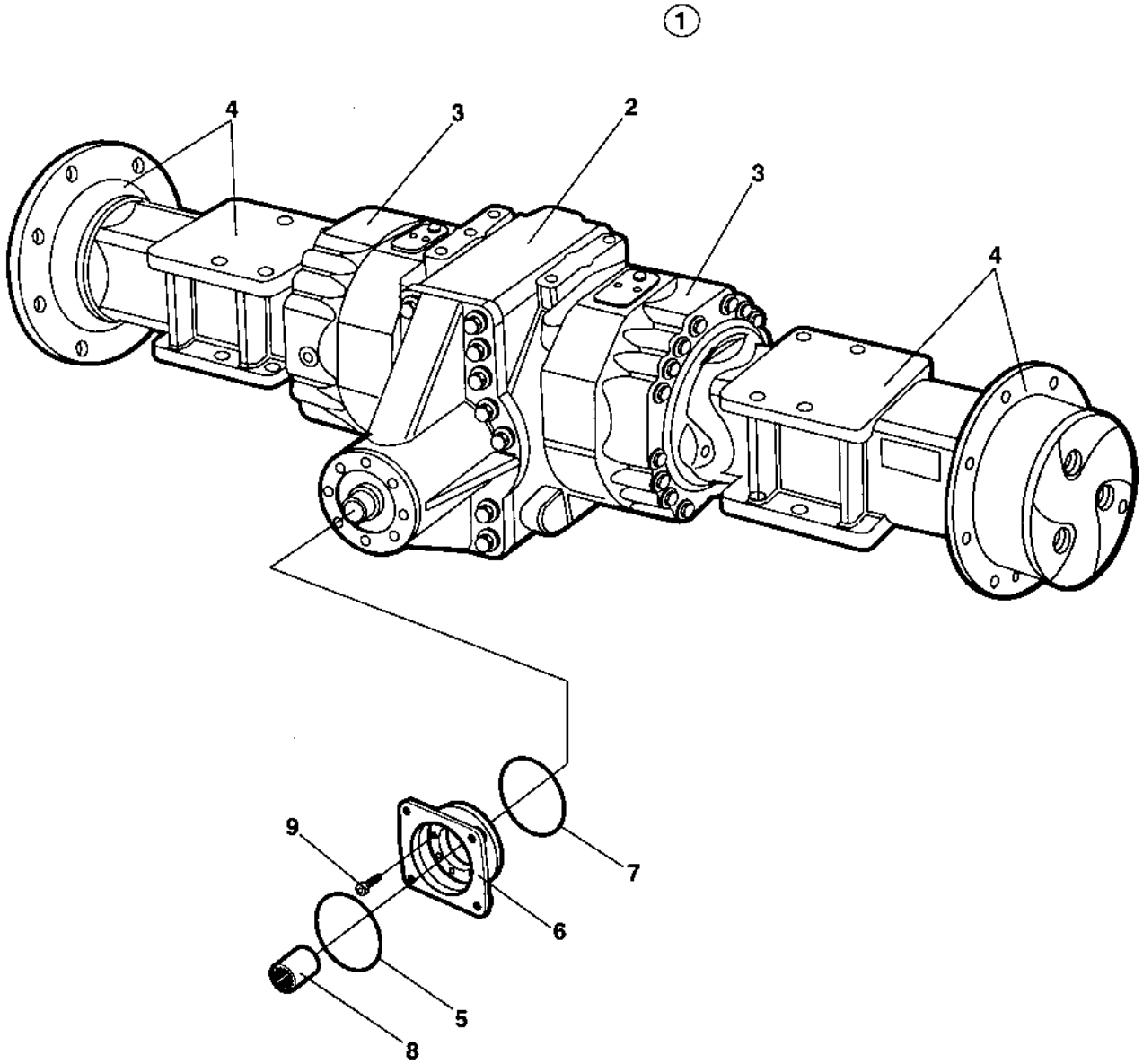
Transmission

Ref. No.	Part No.	Rem.	Qty	Description	Code
17				Rear axle and wheels (Page 62)	
20	383857			Rear axle (Page 64)	
70	383856			Rear axle (Page 72)	No-Spin, Option



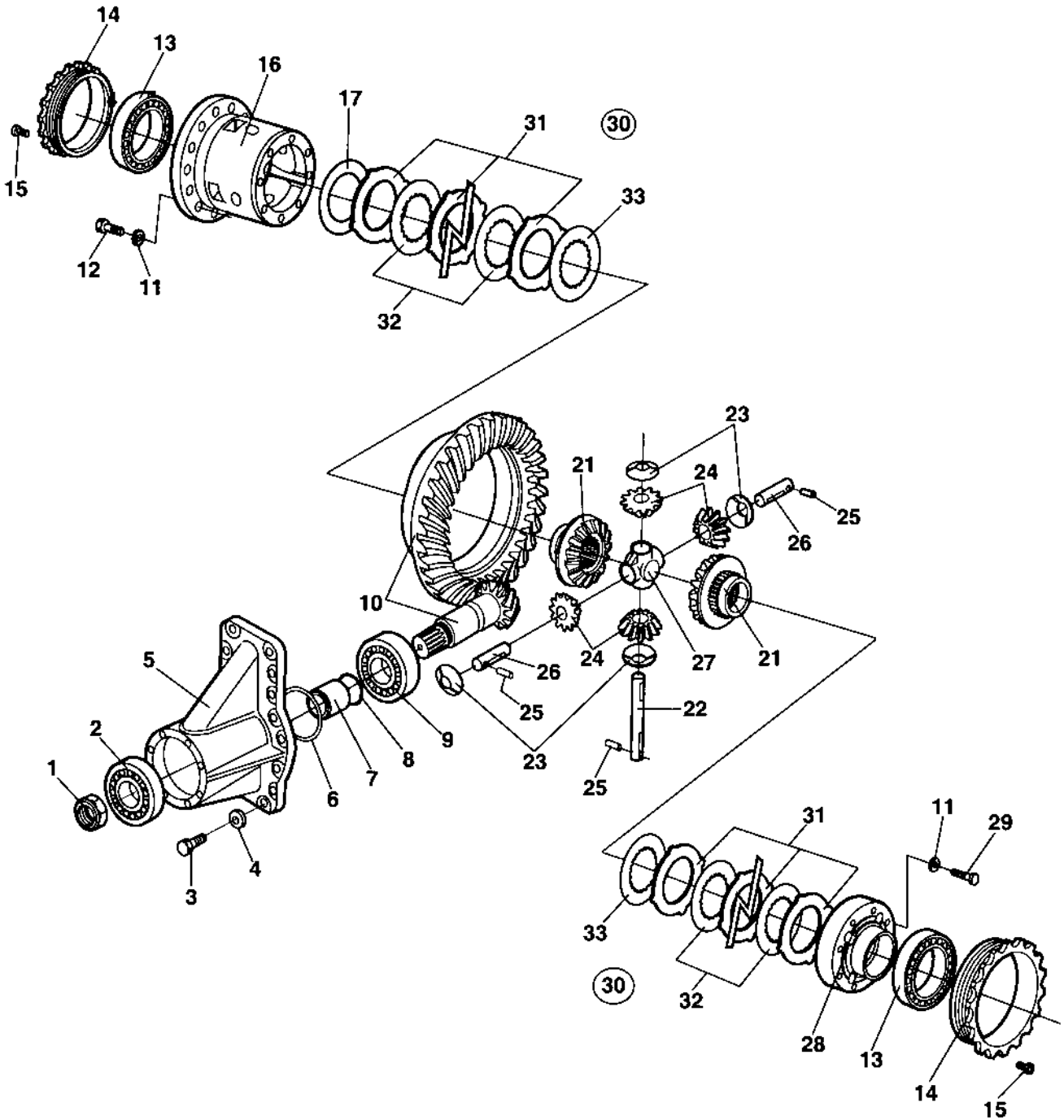
Ref. No.	Part No.	Rem.	Qty	Description	Code
1	383857		1	Rear axle (Page 64)	
2	929217		8	Screw	
3	904233		16	Washer	21x36x3
4	901145		8	Lock nut	M20-10
5	390590		2	Wheel, cpl	
	390762	A	2	Wheel, cpl	
	388145	A,G	1	Wheel, cpl	
	388146	G	1	Wheel, cpl	
6	383933		1	.Rim	
7	792261		1	.Air charging valve	Straight
8	390591		1	.Tyre	B
	791573	J,G	1	.Tyre	D
9	390588	B	1	Tractor wheel, cpl	D
	390587	C	1	Tractor wheel, cpl	
	390759	D	1	Tractor wheel, cpl	
	390760	E	1	Tractor wheel, cpl	
10	383933		1	.Rim	
11	792261		1	.Air charging valve	Straight
12	390589		1	.Tyre	B
13	383974	F	2	Wheel, tubeless, cpl	D
	383975	K	2	Wheel, tubeless, cpl	
14	383955		1	.Rim cpl	
15	901443		1	..Snap ring	
16	901444		1	..Side ring	
17	791175		1	.Air charging valve	
	791176		1	.Valve foot	
18	901218		1	.Tyre	D
19	355983	H	2	Decal "TYRE PRESSURE"	200kPa/29psi
	903985	I	2	Decal "SAFETY", "TYRE IN BALLAST"	

- A) Liquidfilled, option.
- B) Left, option.
- C) Right, option.
- D) Liquidfilled tyre, right, option.
- E) Liquidfilled tyre, left, option.
- F) Option, Michelin branded.
- G) For Chinese market only.
- H) Used with item 13, 383974. 383975.
- I) Used with Liqueed filled tyres.
- J) Used together with 388145 and 388146.
- K) Liquidfilled, option, Michelin branded.



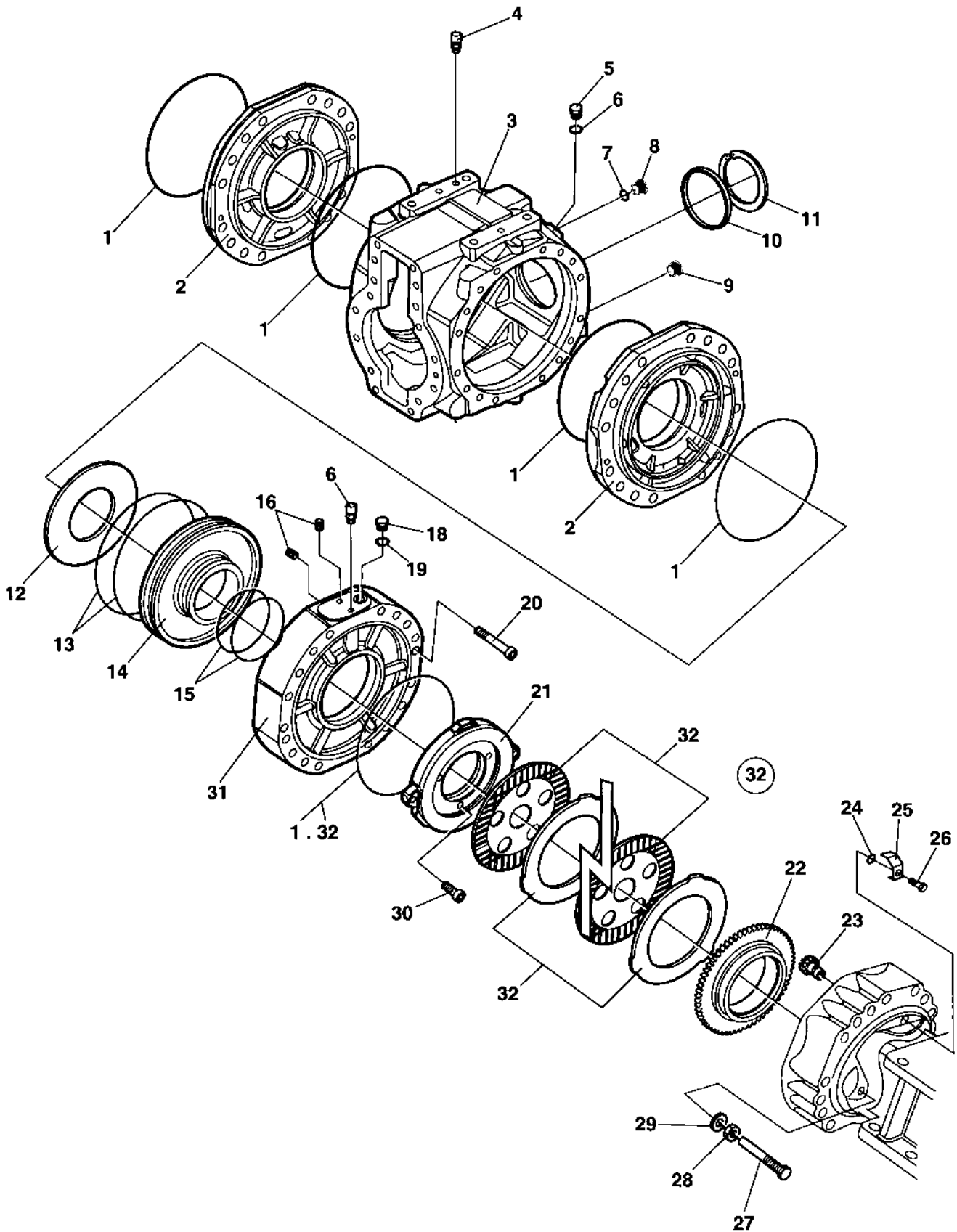
383857 Rear axle

Ref. No.	Part No.	Rem.	Qty	Description	Code
1			1	Rear axle	
2			1	.Differential with limited slip (Page 66)	
3			2	.Differential housing and brakes (Page 68)	
4			2	.Planet gear (Page 70)	
5	909584		1	O-ring	D
6	909583		1	Flange	
7	929648		1	O-ring	D
8	901834		1	Splined sleeve	
9	909582		8	Screw	



Differential with limited slip

Ref. No.	Part No.	Rem.	Qty	Description	Code
1	929638		1	Nut	
2	909574		1	Roller bearing	
3	939257		16	Bolt	
4	909572		16	Spring washer	
5	908485		1	Housing	
6	909568		1	Shim	0,10mm
	909569		1	Shim	0,20mm
	909570		1	Shim	0,50mm
	939258		1	Shim	0,15mm
7	909567		1	Spacer	
8	939259		1	Shim	0,15mm
	909580		1	Shim	0,20mm
	909576		1	Shim	0,30mm
	929644		1	Shim	0,40mm
	939260		1	Shim	0,50mm
9	909581		1	Roller bearing	
10	212553		1	Bevel gear set	
11	929628		16	Washer	
12	929629		16	Screw	
13	923342		1	Bearing	
14	939261		2	Nut	
15	938989		2	Screw	
16	909550		1	Differential carrier	
17	909551		1	Shim	0,30mm
	909552		1	Shim	0,40mm
	909553		1	Shim	0,10mm
21	909558		2	Differential gear	
22	909566		1	Shaft	
23	909559		4	Friction washer	
24	939262		4	Differential pinion	
25	909561		3	Rolled pin	
26	909560		2	Shaft	
27	909565		1	Shaft retainer	
28	909562		1	Differential carrier cover	
29	909563		8	Screw	
30	935644		2	Disc kit	D
31			10	.Limited slip disc	D
32			8	.Limited slip disc	D
33			2	.Limited slip disc	D

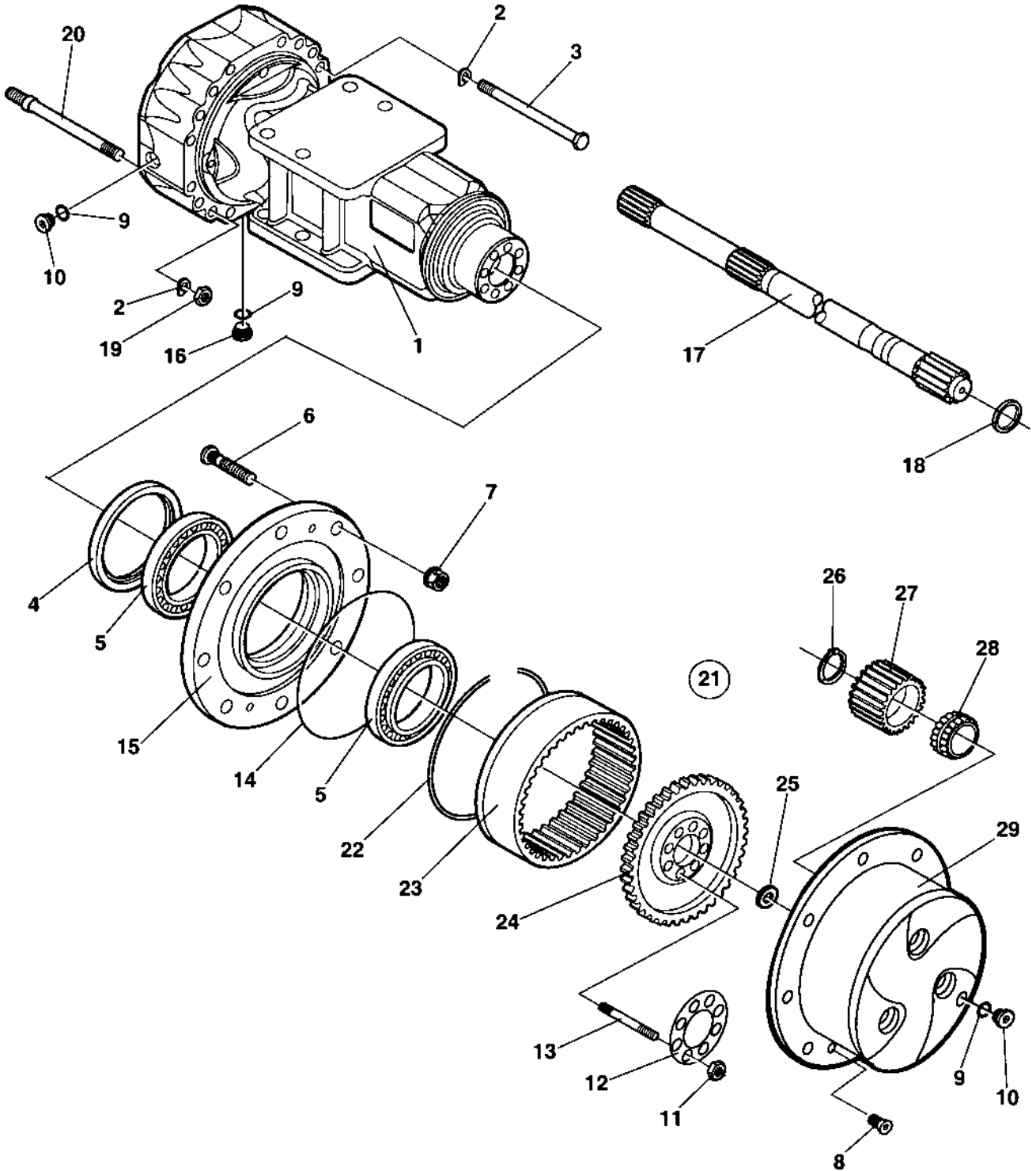


Differential housing and brakes

Ref. No.	Part No.	Rem.	Qty	Description	Code
1	909609		6	O-ring	D
2	939255		2	Cover	
3	939256		1	Housing	
4	938984		1	Vent nipple	
5	909544		2	Screw	
6	938983		2	Seal washer	
7	909607		1	Seal	D
8	909596		1	Plug	
9	926810		1	Magnetic plug	
10	938296		1	Plug	
11	929617		1	Lock ring	
12	909616		2	Spring	
13	909618		4	O-ring	D
14	939280		2	Piston	
15	909619		4	O-ring	D
16	939281		4	Bolt	
17	938984		2	Vent nipple	
18	939282		2	Bolt	
19	939036		2	Seal washer	
20	939035		4	Screw	
21	939283		2	Disc	
22	939285		2	Ring	
23	909622		2	Pinion	
24	900966		2	O-ring	D
25	939286		2	Locking plate	
26	909624		2	Screw	
27	909626		4	Bolt	
28	900957		4	Nut	
29	926847		4	Seal washer	
30	939026		6	Screw	
31	939287		2	Cover	
32	939284		2	Brake disc kit	
			12	.Brake disc	
			12	.Brake disc	
	909609		2	.O-ring	D

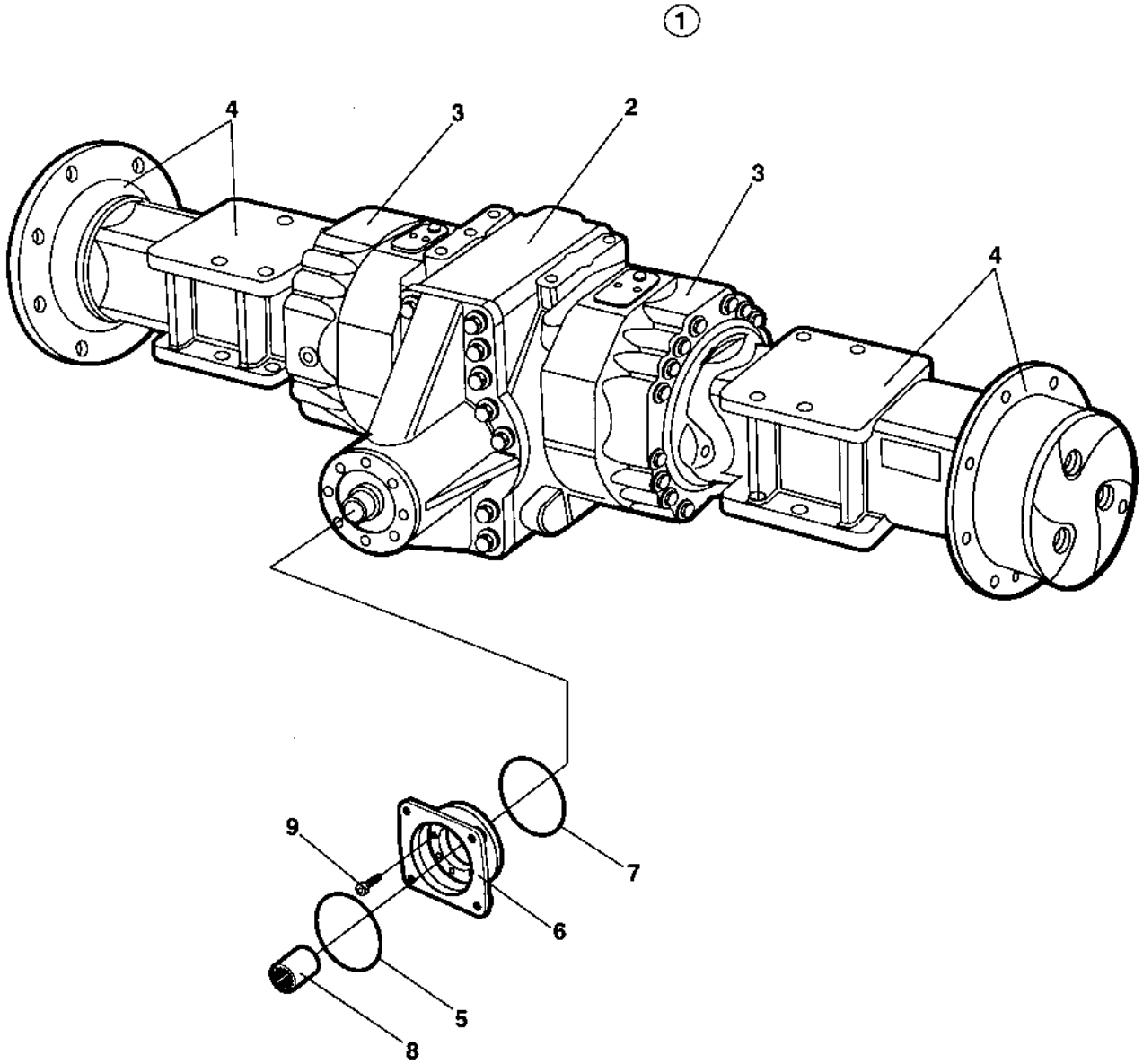
Planet gear

17673



Planet gear

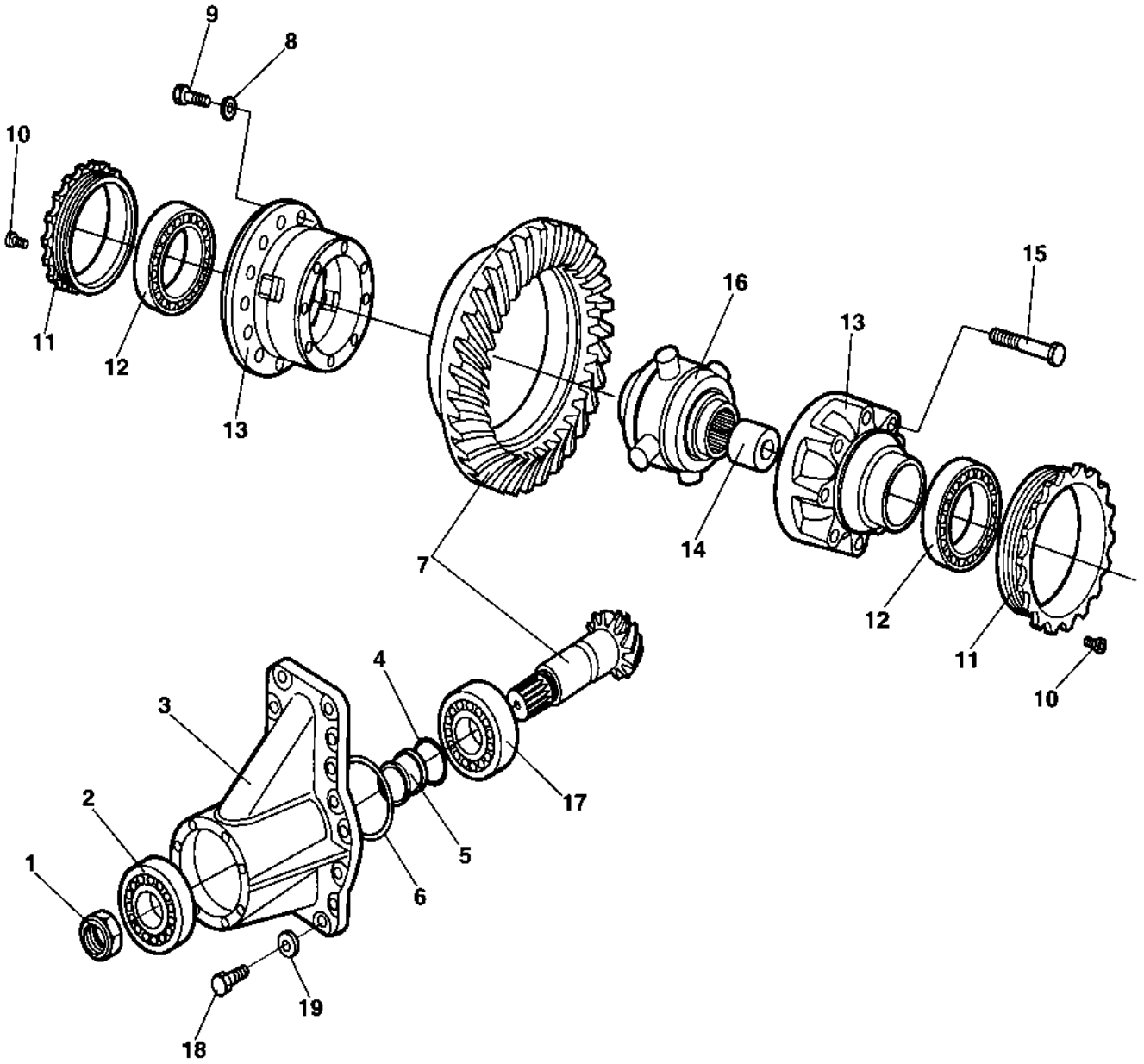
Ref. No.	Part No.	Rem.	Qty	Description	Code
1	939263		2	Axle case	
2	939003		32	Spring washer	
3	939264		24	Bolt	
4	939265		2	Seal	
5	939266		4	Bearing	
6	926781		20	Wheel screw	
7	901987		20	Wheel nut	
8	939015		4	Screw	
9	330333		6	Copper washer	D
10	909596		4	Plug	
11	939016		20	Nut	
12	939275		2	Locking plate	
13	939017		20	Stud	
14	929612		2	O-ring	
15	939276		2	Wheel hub	
16	938985		2	Magnetic plug	
17	939277		2	Half shaft	
18	909586		2	Seal	D
19	939019		8	Nut	
20	939278		8	Stud	
21	939279		2	Planet gear carrier Cpl.	
22	939267		2	.Circlip	
23	939268		2	.Ring gear	
24	939269		2	.Ring gear support	
25	939270		2	.Washer	
26	939271		6	.Seal	
27	939272		6	.Planet gear	
28	939273		6	.Bearing	
29	939274		2	.Planet gear carrier	



383856 Rear axle No-Spin, Option

Ref. No.	Part No.	Rem.	Qty	Description	Code
1			1	Rear axle	
2			1	.Differential (Page 74)	with No-Spin
3			2	.Differential housing and brakes (Page 68)	
4			2	.Planet gear (Page 76)	
5	909584		1	O-ring	D
6	909583		1	Flange	
7	929648		1	O-ring	D
8	901834		1	Splined sleeve	
9	909582		8	Screw	

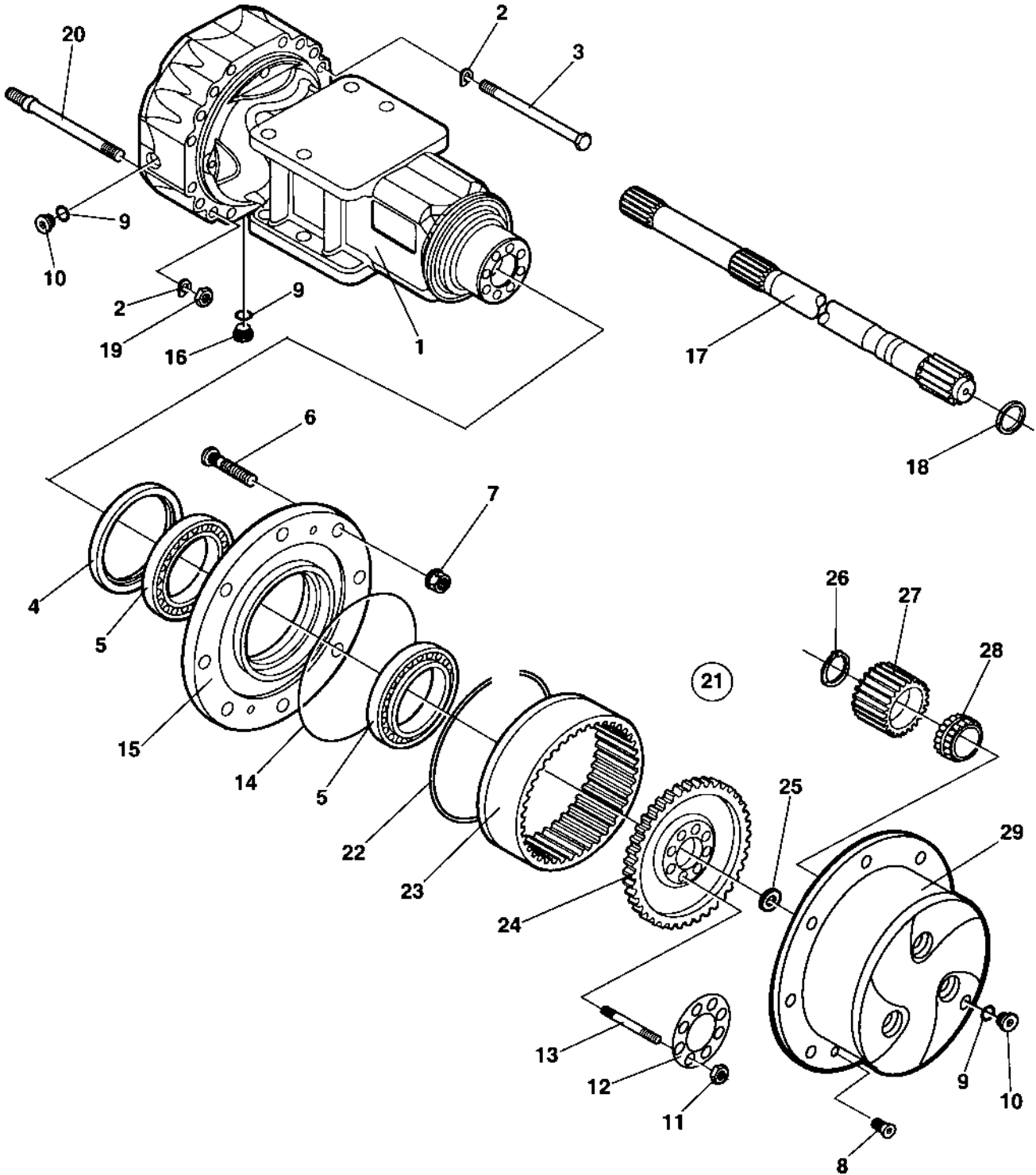
17689



Ref. No.	Part No.	Rem.	Qty	Description	Code
1	929638		1	Nut	
2	909574		1	Roller bearing	
3	908485		1	Housing	
4	939259		1	Shim	0,15mm
	909580		1	Shim	0,20mm
	909576		1	Shim	0,30mm
	929644		1	Shim	0,40mm
	939260		1	Shim	0,50mm
5	909567		1	Spacer	
6	909568		1	Shim	0,10mm
	909569		1	Shim	0,20mm
	909570		1	Shim	0,50mm
	939258		1	Shim	0,15mm
7	212553		1	Bevel gear set	
8	929628		16	Washer	
9	929629		16	Screw	
10	938989		2	Screw	
11	939261		2	Nut	
12	923342		1	Bearing	
13	929630		1	Differential case	
14	929631		1	Spacer	
15	929625		8	Screw	
16	929626		1	Non-spin unit	
17	909581		1	Roller bearing	
18	939257		16	Bolt	
19	909572		16	Spring washer	

Planet gear

17673



Planet gear

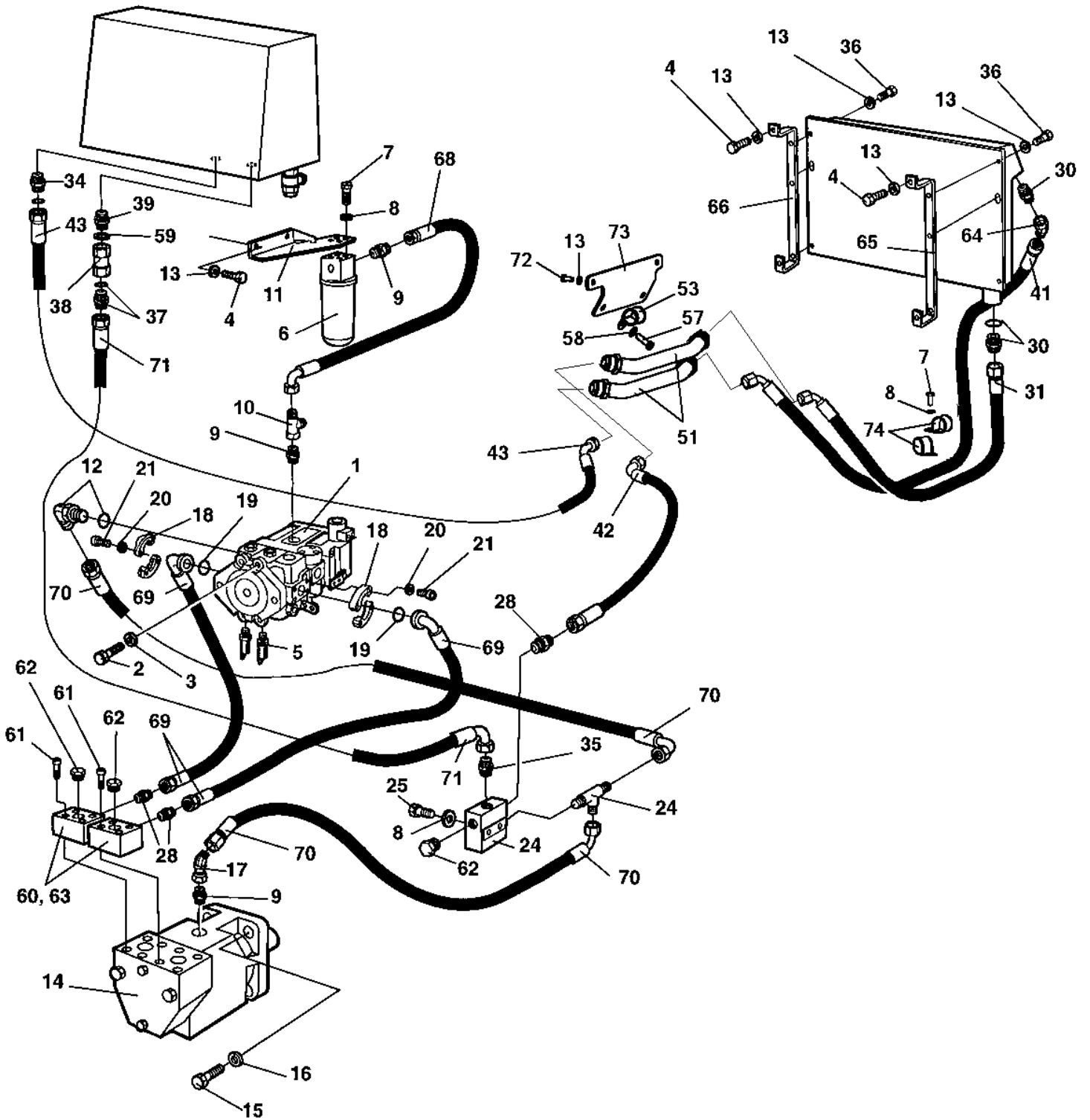
Ref. No.	Part No.	Rem.	Qty	Description	Code
1	939263		2	Axle case	
2	939003		32	Spring washer	
3	939264		24	Bolt	
4	939265		2	Seal	
5	939266		4	Bearing	
6	926781		20	Wheel screw	
7	901987		20	Wheel nut	
8	939015		4	Screw	
9	330333		6	Copper washer	D
10	909596		4	Plug	
11	939016		20	Nut	
12	939275		2	Locking plate	
13	939017		20	Stud	
14	929612		2	O-ring	
15	939276		2	Wheel hub	
16	938985		2	Magnetic plug	
17	939277		2	Half shaft	
18	909586		2	Seal	D
19	939019		8	Nut	
20	939278		8	Stud	
21	939351		2	Planet gear carrier Cpl.	
22	939267		2	.Circlip	
23	939268		2	.Ring gear	
24	939269		2	.Ring gear support	
25	939270		2	.Washer	
26	939271		8	.Seal	
27	939272		8	.Planet gear	
28	939273		8	.Bearing	
29	939349		2	.Planet gear carrier	

Hydraulic system

Ref. No.	Part No.	Rem.	Qty	Description	Code
10				Drive system (Page 80)	
20				Vibration system (Page 84)	
30				Steering system (Page 88)	
60				Brake system (Page 92)	

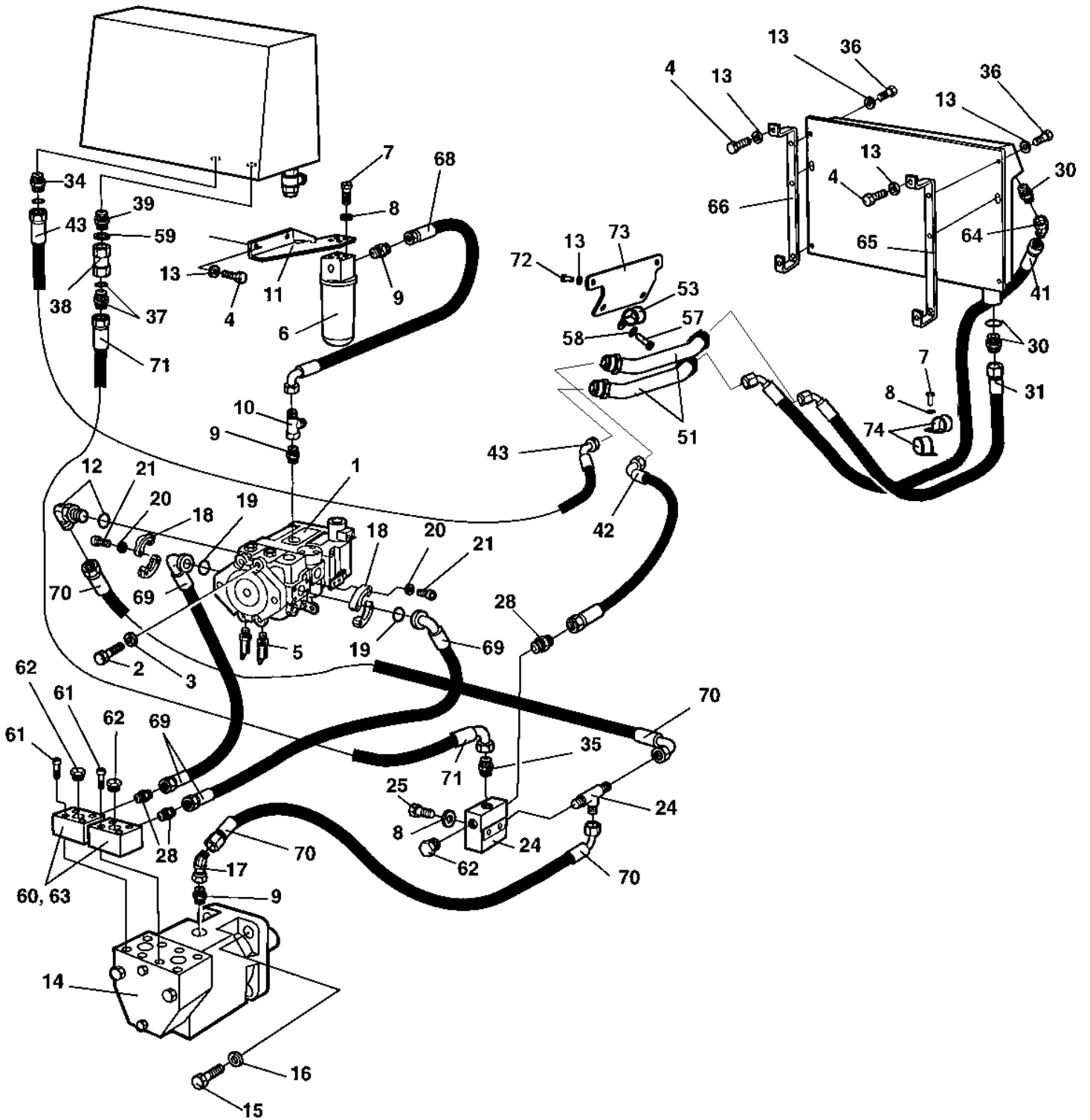
Drive system

18491



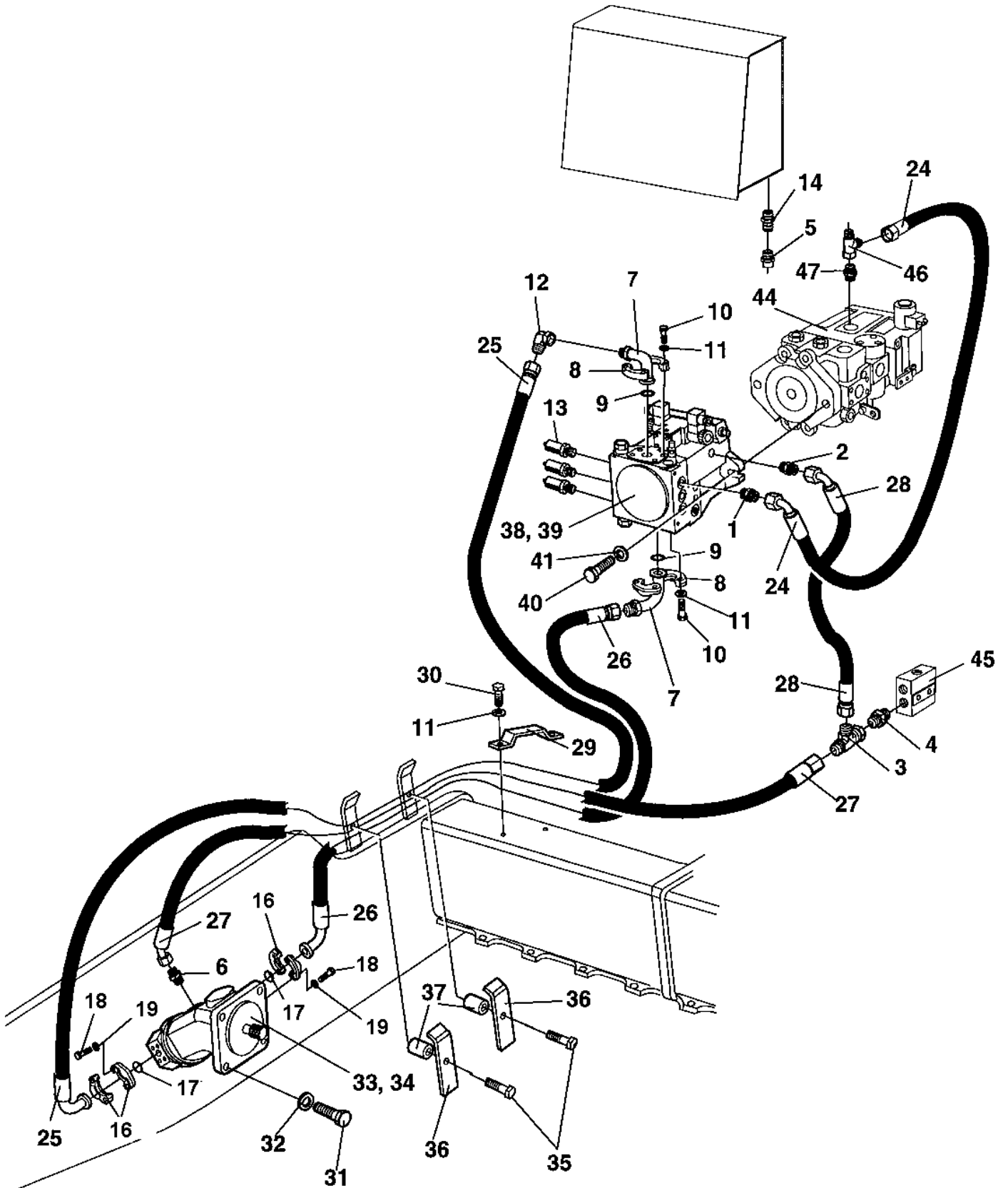
Drive system

Ref. No.	Part No.	Rem.	Qty	Description	Code
1	380830		1	Propulsion pump	C
2	500046		4	Screw	M12x30H 8,8 FZB
3	904213		4	Washer	13x30x4
4	500021		6	Screw	M8-1,25x25 8.8
5	900229		2	Measuring nipple	D
6	359550		1	Hydraulic oil filter, cpl	
	359551		1	.Filter head	
	359552		1	.Cleaning filter element	Maximum 50 hours use
	372229	A	1	Hydraulic oil filter element	A
7	500028		5	Screw	M10-1,5x25 8,8
8	904230		15	Washer	10,5x22x2
9	334468		3	Adapter	
10	234243		1	T-connector	
11	379482		1	Filter bracket	
12	813499		1	Elbow 90, O-ring	
13	904229		12	Washer	8,4x16x1,5
14	375999		1	Hydraulic motor	
15	500263		4	Screw	M18x60
16	904793		8	Washer	19x34x3
17	334248		1	Elbow 45, O-ring	
18	923384		8	Flange half	
19	904005		4	O-ring	
20	904638		16	Washer	12x22x2
21	502132		16	Screw	UNC 7/16" x 22
24	345243		1	Connection block	
25	500109		2	Screw	M10-1,5x65 8,8
26	234875		1	Tee-connector o-ring	
28	792339		2	Straight connector orfs	
29	387562		1	Hydraulic oil cooler	
30	234958		4	Connector	
31	484106		1	Hydraulic hose	
34	234909		1	Straight connector	
35	334138		1	Adapter	
36	500239		4	Screw	M8-1.25x50
37	923371		1	Adapter	
38	374059		1	Check valve	
39	904282		1	Adapter	
41	484107		1	Hydraulic hose	
42	483128		1	Hydraulic hose	
43	482741		1	Hydraulic hose	
44	313102		1	Cable ties	
45	372235		1	Hose guard	
49	902919		2	Plug	
51	392234		2	Hydraulic pipe	
53	921099		4	Clamp	
57	500030		2	Screw	M10-1,5x35H 8,8
58	904228		4	Washer	6,4x12x1,5
59	162008		1	Seal washer	
60	380717		2	Flange coupling	
61	509034		8	Screw	
62	232222		2	Plug	
63	904171		2	O-ring	
64	234624		1	Elbow 45	
65	390856		1	Cooler frame	
66	390857		1	Cooler frame	
68	482010		1	Hydraulic hose	D
69	483922		2	Hydraulic hose	
70	482391		1	Hydraulic hose	
71	482182		1	Hydraulic hose	D
72	500053		2	Screw	M8-1,25x20 8.8



Drive system

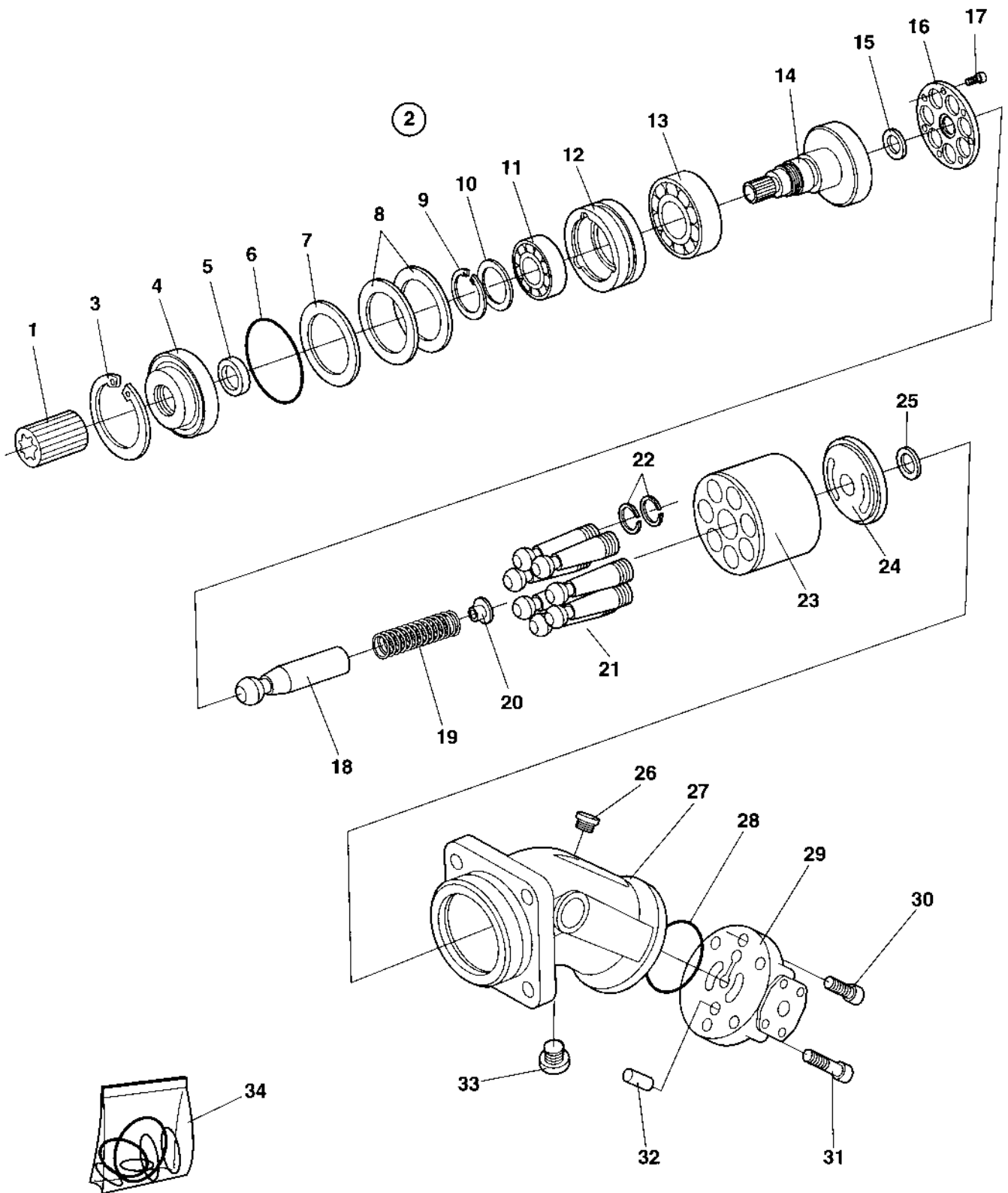
Ref. No.	Part No.	Rem.	Qty	Description	Code
73	392281		1	Holder	
74	923008		2	Clamp	



Vibration system

Ref. No.	Part No.	Rem.	Qty	Description	Code
1	234382		1	Adapter	
2	901155		1	Connector	
3	334135		1	Tee-connector	
4	334122		1	Adapter	
5	330383		1	Cap hydraulic	
6	334121		1	Straight connector	
7	904767		2	Flange adapter	
8	929226		4	Flange half	
9	904773		2	O-ring	
10	500030		8	Screw	M10-1,5x35H 8,8
11	904230		14	Washer	10,5x22x2
12	904781		1	Adapter	
13	901157		3	Measuring nipple	D
14	334205		1	Straight connector	
16	900430		4	Flange half	
17	904774		2	O-ring	
18	502019		8	Screw	
19	904229		8	Washer	8,4x16x1,5
24	483286		1	Hydraulic hose	
25	483910		1	Hydraulic hose	
26	483911		1	Hydraulic hose	
27	483031		1	Hydraulic hose	
28	483397		1	Hydraulic hose	
29	373017		2	Hose clamp	
30	500028		4	Screw	M10-1,5x25 8,8
31	500194		4	Screw	M12x40H 8.8
32	904231		4	Washer	13x24x2
33	380145		1	Hydraulic motor, vibration (Page 86)	C
34	160132		1	O-ring	124, 50x3, 00
35	500032		2	Screw	M10 x 55
36	373270		2	Hose clamp	
37	373424		2	Spacer	
38	383958		1	Vibration pump	C
39	903877		1	O-ring	
40	502078		2	Screw	
41	904232		2	Washer	17x30x3
44		A	1	Hydraulic pump	
45		A	1	Connection block	
46		A	1	Tee-connector	
47		A	1	Straight connector	

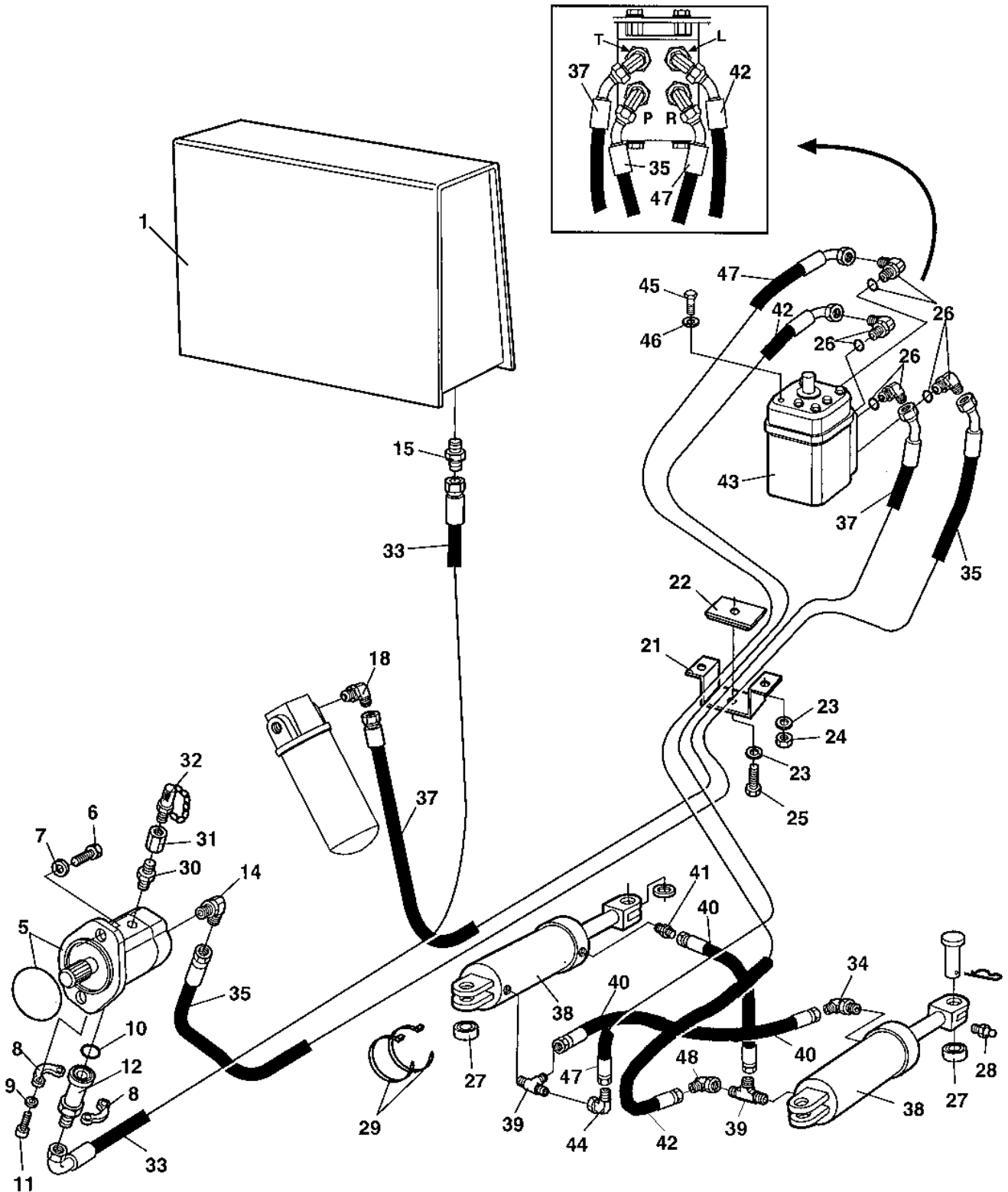
A) See section "Hydraulic propulsion"



380145 Hydraulic motor, vibration

Ref. No.	Part No.	Rem.	Qty	Description	Code
			1	Hydraulic motor, vibration	
1	340863		1	..Splined sleeve	D
2	380078		1	..Hydraulic motor, vibration	
3	901387		1	..Snap ring	
4	937261		1	..Cover	
5	937264	1	1	..Seal ring	
6	937265	1	1	..O-ring	
7	901390		1	..Shim	T=0,3 mm
8	901389		2	..Shim	T=0,1 mm
9	938042		1	..Retainer ring	
10	938041		1	..Back-up plate	
11	901386		1	..Bearing	
12	937260		1	..Bearing ring	
13	901385		1	..Bearing	
14	938040		1	..Shaft	
15	937262		1	..Washer	
16	903495		1	..Retainer plate	
17	903494		7	..Screw	
18	938030		1	..Pin	
19	938036		1	..Spring	
20	938035		1	..Spring collar	
21	938031		7	..Piston	
	938038		1	...Piston	
22	938039		2	...Sealing ring	
23	938002		1	..Cylinder	
24	901391		1	..Pressure plate	
25	938037		1	..Washer	
26	937995		1	..Screw	
27	937256		1	..Housing	
28	937258	1	1	..O-ring	
29	937257		1	..Plate	
30	902655		2	..Screw	
31	927350		4	..Screw	
32	937993		1	..Pin	
33	937259	1	1	..Screw	
34	937674		1	..Seal kit	

1) Included in seal kit, item 34

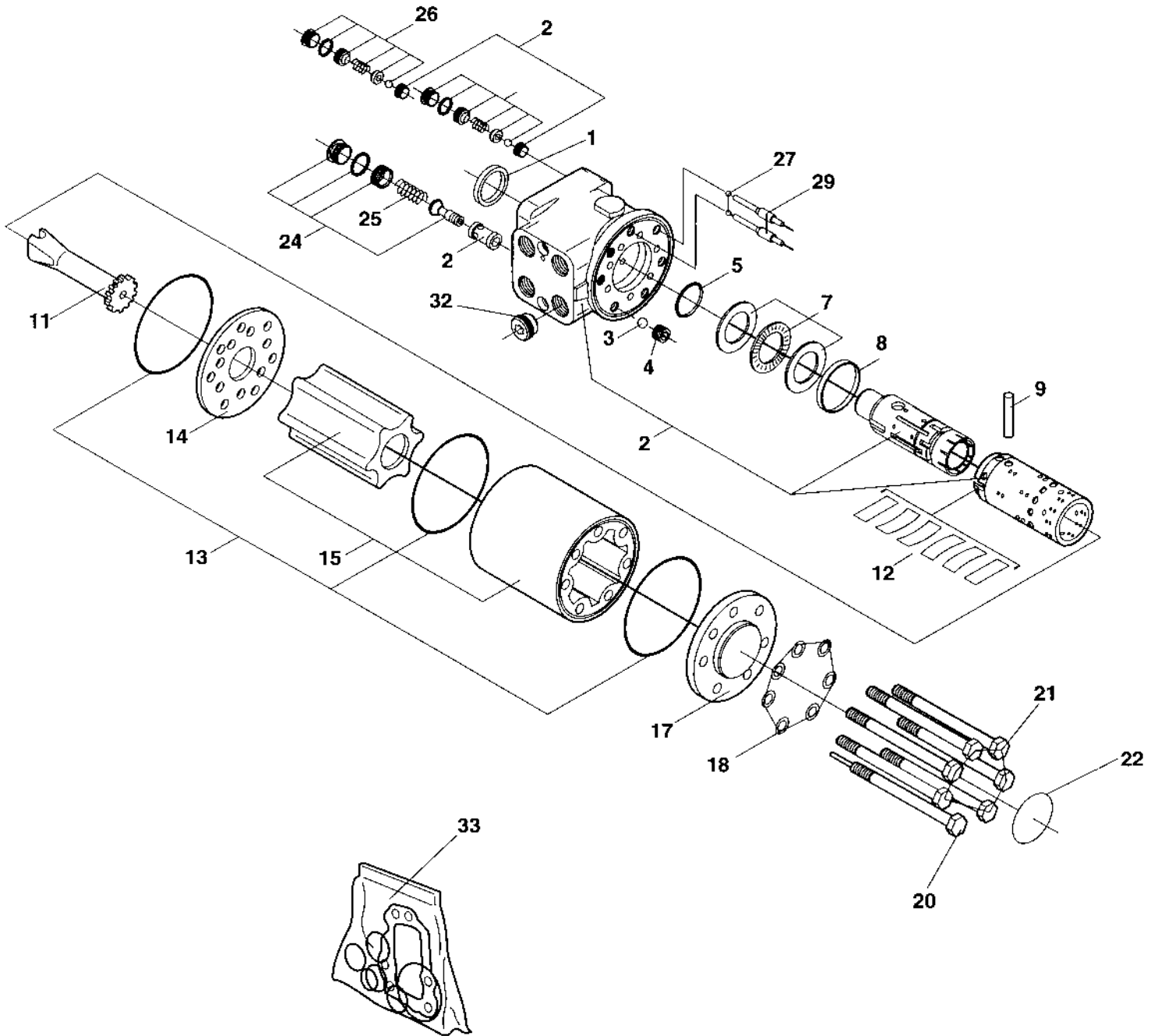


Steering system

Ref. No.	Part No.	Rem.	Qty	Description	Code
1				Hydraulic oil tank	
5	392483		1	Hydraulic pump	
6	500046		2	Screw	M12x30H 8,8 FZB
7	904231		4	Washer	13x24x2
8	232097		2	Flange half	
9	904637		4	Washer	10x18x2
10	904005		1	O-ring	
11	508029		4	Screw	M10-1,5x30H 8,8
12	379481		1	Connector	
13	903831		2	Nut	M12
14	334558	B	1	Elbow 90G with O-ring	
	334197	A	1	Elbow 90	
15	234626		1	Adapter	
17	570006		4	Nut	M10
18	929123		1	Elbow 90, O-ring	
19	903812		2	Hydraulic hose	
20	371669		2	Straight connector	
21	372513		1	Hose clamp	
22	372514		1	Hose clamp	
23	904229		3	Washer	8,4x16x1,5
24	586003		2	Lock nut	M8
25	500023		1	Screw	M8-1,25x40 8,8
26	813444		4	Elbow 90, O-ring	
27	379630		4	Bearing	
28	500044		4	Screw	M6x8
29	313102		N	Cable ties	
30	792237		1	Elbow 90, O-ring	
31	338304		1	Connector	
32	910161		1	Measuring nipple	
33	483049		1	Hydraulic hose	
34	813500		1	Elbow 45, O-ring	
35	483160		1	Hydraulic hose	
37	483498		1	Hydraulic hose	
38	392002		2	Steering cylinder	
39	234218		2	Tee connector	
40	483109		2	Hydraulic hose	
41	334121		1	Straight connector	
42	483497		1	Hydraulic hose	
43	376000		1	Steering valve (Page 90)	
44	334197		1	Elbow 90	
45	502034		4	Screw	UNC 3/8 - 16
46	600008		4	Washer	
47	483280		1	Hydraulic hose	
48	234662		1	Elbow 45	

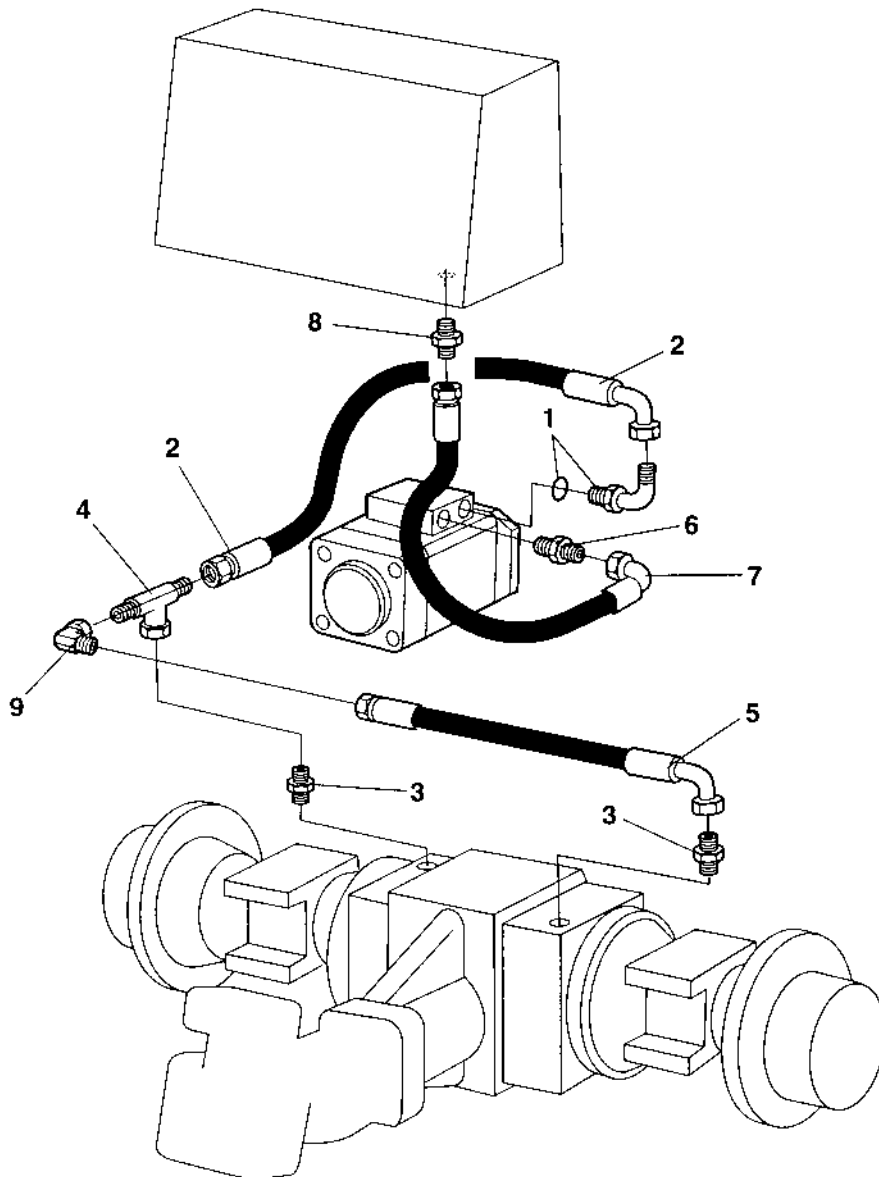
A) In use together with 334558

B) In use together with 334197



Ref. No.	Part No.	Rem.	Qty	Description	Code
1	938062	A	1	Dust seal ring	
2			1	Housing, spool and sleeve	
3	938063		1	Ball	
4	938064		1	Threaded bushing	
5	908780	A	1	O-ring	
7	911620		1	Bearing	D
8	938065		1	Ring	
9	938066		1	Cross pin	
11	902861		1	Cardan shaft	
12	938067		1	Set of springs	
13	938068	A	3	O-ring	
14	902862		1	Valve plate	
15	903457		1	Gear wheel set	
17	938069		1	End cover	
18	938070	A	7	Washer	
20	938071		1	Screw with pin	
21	935468		6	Spring washer	
22	938072		1	Name plate	
24	938073		1	Pressure relief valve	
25	902864		1	Spring	
26	938074		2	Shock valve	
27	929013		2	Ball	
29	929014		2	Rolled pin	
32	938075		1	Check valve	
33	935429		1	Seal kit	

A) Included in seal kit, item 33

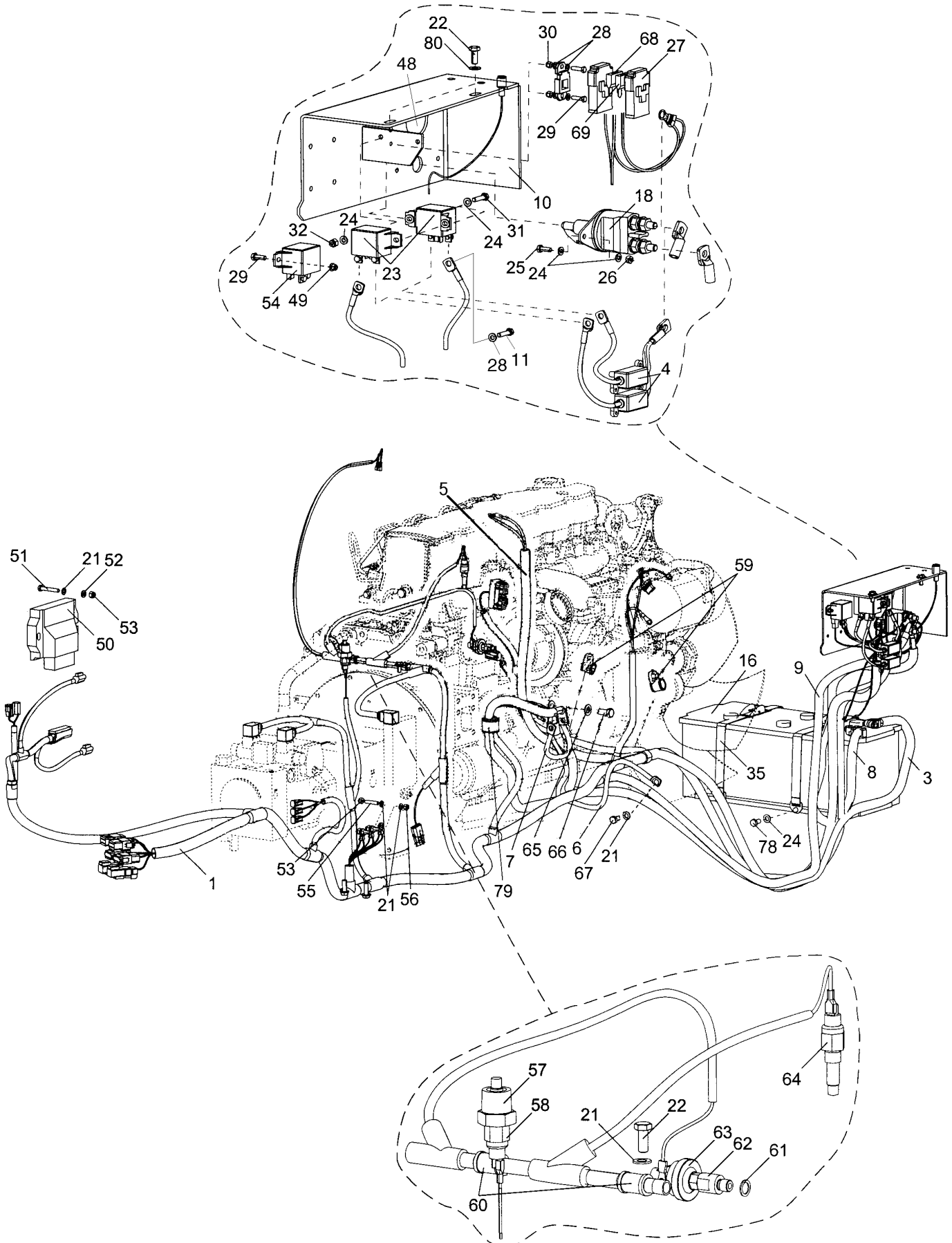


Brake system

Ref. No.	Part No.	Rem.	Qty	Description	Code
1	334389		1	Connector	
2	482056		1	Hydraulic hose	
3	900552		2	Adapter	
4	234888		1	Tee-connector	
5	482399		1	Hydraulic hose	
6	234843		1	Adapter	
7	482474		1	Hydraulic hose	
8	334205		1	Straight connector	
9	334524		1	Connector	

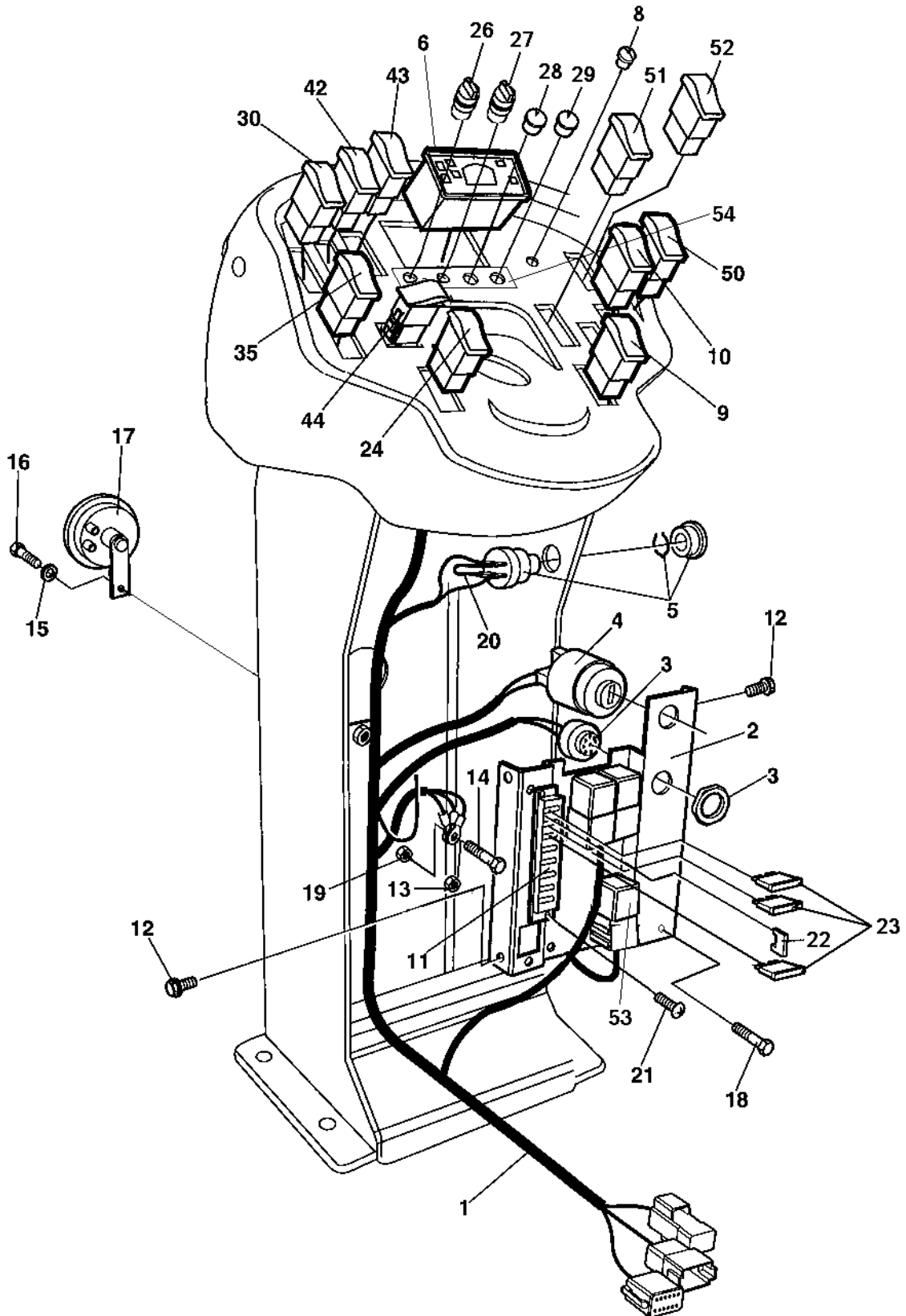
Electric system

Ref. No.	Part No.	Rem.	Qty	Description	Code
10			1	Electric system (Page 96)	
20			1	Control panel (Page 98)	
50			1	Working lights (Page 100)	Option
70			1	Rotating beacon (Page 102)	Option
80			1	Back-up alarm (Page 104)	Option
90			1	Compaction meter (Page 106)	Option



Electric system

Ref. No.	Part No.	Rem.	Qty	Description	Code
1	393694		1	Cable harness engine	
3	791511		1	Battery cable	
4	387427		1	Cable harness	
	791477		1	.Fuse holder	
	791479		1	.Fuse, 125A, Orange	
5	392937		1	Cable harness	
6	791510		1	Connection cable, coarse	
7	792265		1	Connection cable, coarse	
8	791503		1	Battery cable	
9	393683		1	Connection cable, coarse	
10	386999		1	Holder	
11	500004		4	Screw	M5 0,8x12 8,8
16	470020		1	Battery	
18	903640		1	Battery switch	D
21	904229		13	Washer	8,4x16x1,5
22	500053		6	Screw	M8-1,25x20 8.8
23	791183		2	Relay	D
24	904228		8	Washer	6,4x12x1,5
25	500013		2	Screw	M6-1x16 8,8
26	570004		3	Nut	M6
27	904036		1	Fuse holder	
28	904281		10	Washer	5,3x10x1
29	500060		4	Screw	M5-0,8x20 8.8
30	586001		2	Lock nut	M5
31	500075		3	Screw	M6-1,0x25 8.8
32	586002		3	Lock nut	M6
35	791371		2	Strap	
48	345870		1	Plug	
49	902284		2	Nut	M5
50	378745		1	Control unit, ECU	
51	500025		2	Screw	M8-1,25x50 8,8
52	904556		2	Washer	8,4x16x3,0
53	586003		5	Lock nut	M8
54	904448		1	Relay	D
55	903768		3	Threaded stud	
56	570005		3	Nut	M8
57	813434		1	Reducer	
58	903631		1	Temperature sensor	Hydraulic oil D
59	960727		2	Clamp	
60	921072		2	Clamp	
61	330328		1	Copper washer	10x14x1
62	390327		1	Adapter	
63	813462		1	Oil pressure sender	D
64	903632		1	Temperature sensor	Engine
65	904231		1	Washer	13x24x2
66	500051		1	Screw	M12-1,75x25 8,8
67	500019		1	Screw	M8-1,25x16 8.8
68	904038		1	Fuse	40A D
69	904037		1	Fuse	30A D
78	500012		1	Screw	M6x12
79	923008		1	Clamp	
80	904230		2	Washer	10,5x22x2

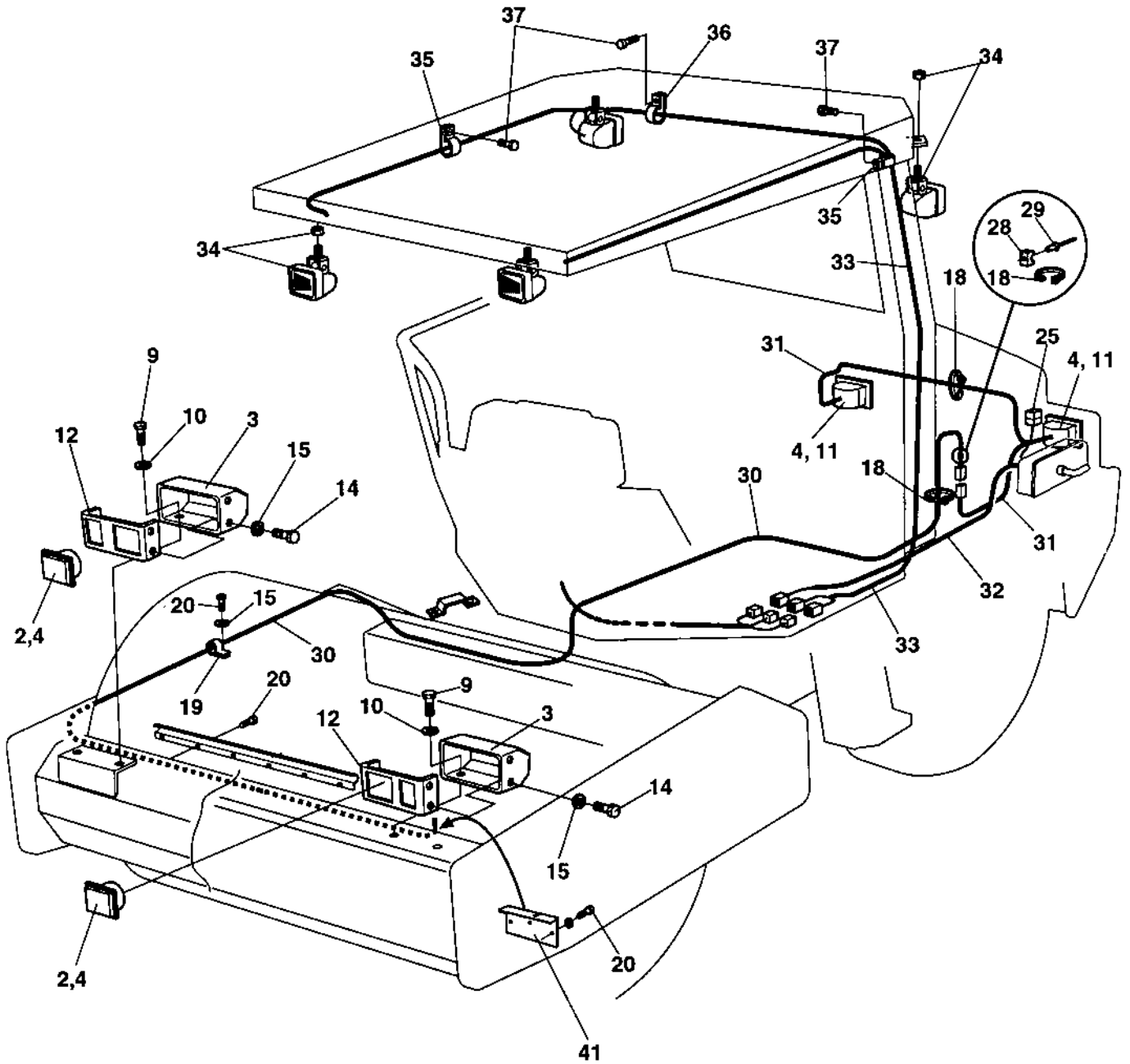


Control panel

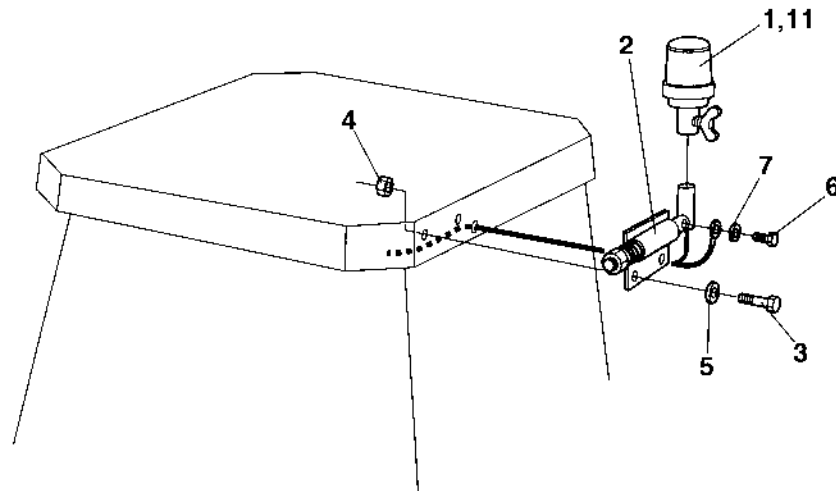
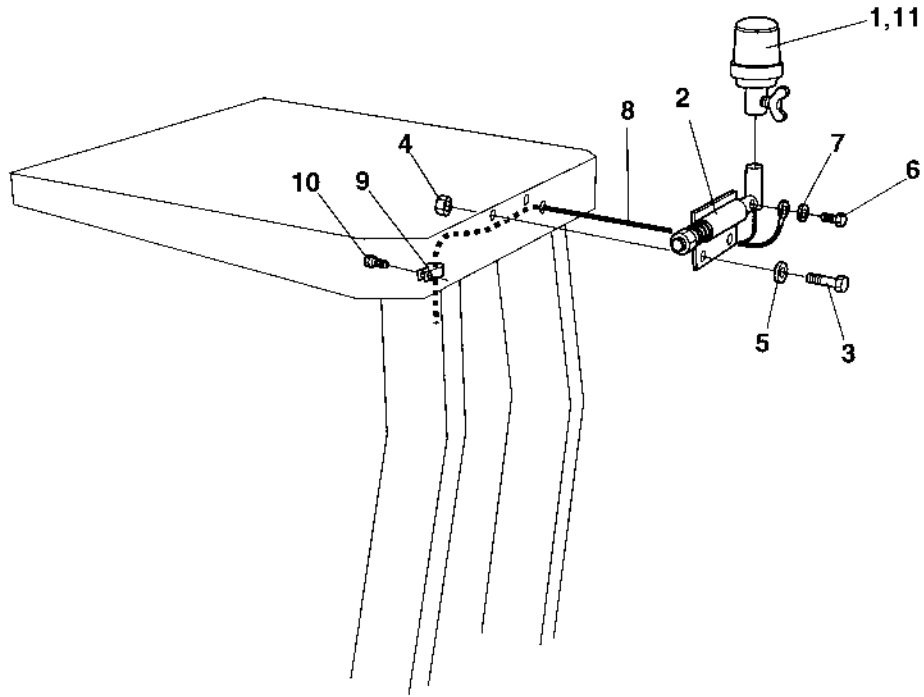
Ref. No.	Part No.	Rem.	Qty	Description	Code
1	392507	B	1	Cable harness control panel	
2	387683		1	Distribution control plate	
3	385599		1	Buzzer	
4	238158		1	Ignition switch	D
	940451		1	.Key	
5	791647		1	Emergency stop	
6	392996		1	Control panel	
8	792083	N		Plug	
9	792414		1	Switch, RPM	
10	792461		1	Switch, vibration	
11	791185		1	Fuse box	
12	903782		4	Screw	M5x12
13	570004		3	Nut	M6
14	500075		1	Screw	M6-1,0x25 8.8
15	904229		1	Washer	8,4x16x1,5
16	500053		1	Screw	M8-1,25x20 8.8
17	999027		1	Horn	
18	500075		1	Screw	M6-1,0x25 8.8
19	586002		1	Lock nut	M6
20	791517		1	Connection cable	
21	901767		2	Screw	ST3,5x9,5 Black
22	791211	N		Contact bridge	
23	901228	N		Fuse	15A
	901227	N		Fuse	10A
	901225	N		Fuse	5A
24	791582		1	Switch, parking brake	
26	792317		1	Switch	
27	792318		1	Switch	
28	792435		1	Pilot lamp	
	792432		1	Illuminated block red	
29	792319		1	Pilot lamp,	Yellow
	792315		1	Illuminated block yellow	
30	791587	A	1	Switch, working light	
35	791585	A	1	Switch, rotating beacon	
42	791583	A	1	Switch, driving light	
43	791584	A	1	Switch, warning blinkers	
44	792413	A	1	Switch, drive direction	
50	791588		1	Panel plug	
	792463	A	1	Switch, Power distribution	
51	791578		1	Switch, horn	
52	792462	A	1	Switch, TC & TM	
	791657		1	Switch, Hi-Lo Speed	
53	903956	A	1	Relay	D
54	394061		1	Decal	

- A) Option
B) Control panel

18490

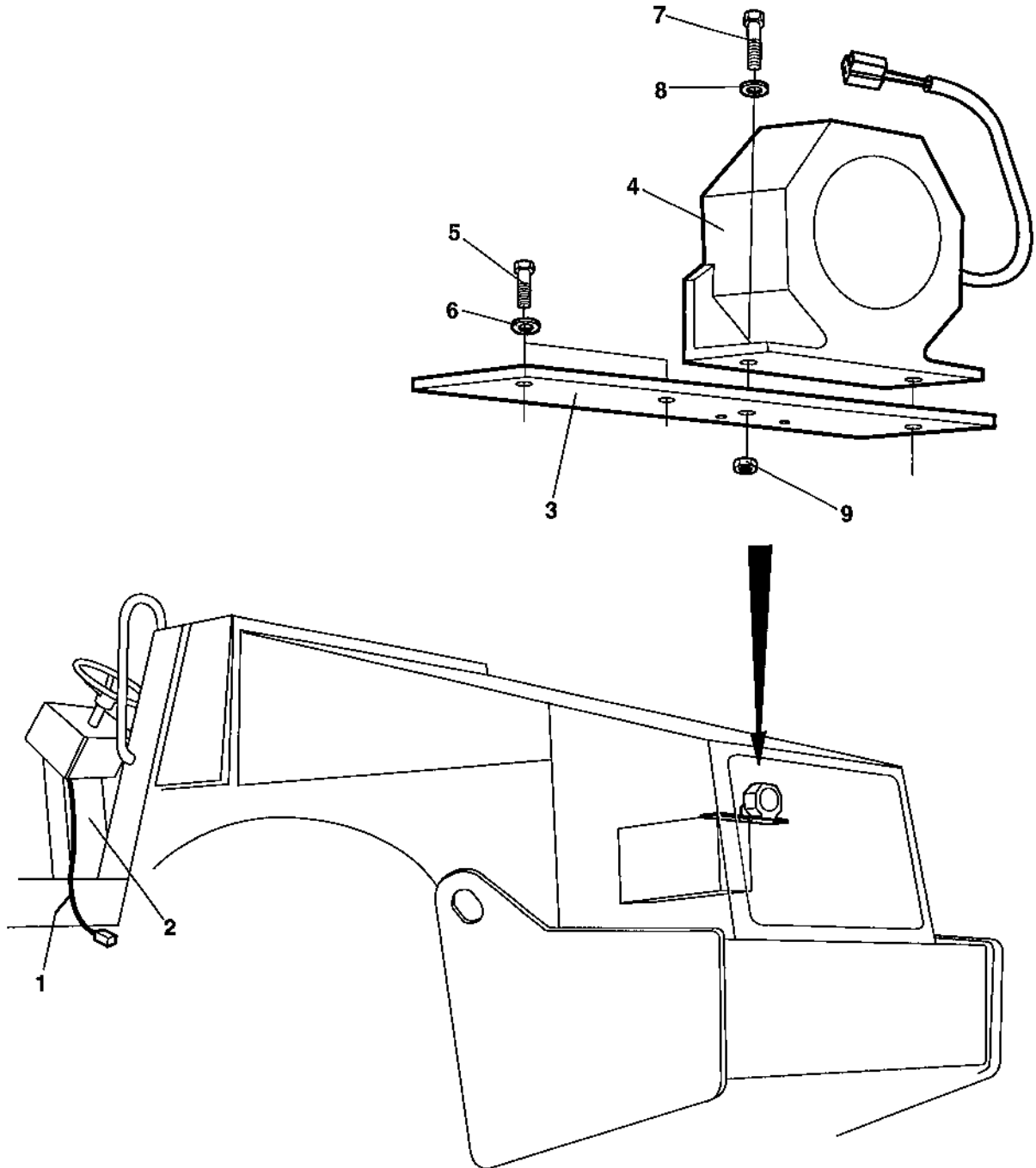


Ref. No.	Part No.	Rem.	Qty	Description	Code
2	902227		2	Work light	
3	374029		2	Lamp shield	
4	901369		4	Bulb	55w H3
9	500053		6	Screw	M8-1,25x20 8.8
10	904640		6	Washer	8,4x22x3
11	904314		2	Work lamp	
12	374030		2	Bracket	
14	500040		8	Screw	M6-1x20 8,8
15	904228		11	Washer	6,4x12x1,5
18	925802		7	Cable ties	L=142 mm
19	921039		8	Pipe clamp	
20	500012		3	Screw	M6x12
25	904038		1	Fuse	40A
28	904543		7	Cable tie holder	
29	903436		7	Blind rivet	
30	392771		1	Cable harness	
31	392856		1	Cable harness	
32	373184		1	Cable harness	
33	392772		1	Cable harness	
34	904314		4	Work lamp	
35	921039		2	Pipe clamp	
36	791341		9	Clamp	
37	541702		11	Screw	M6x12
41	384163		2	Protection	



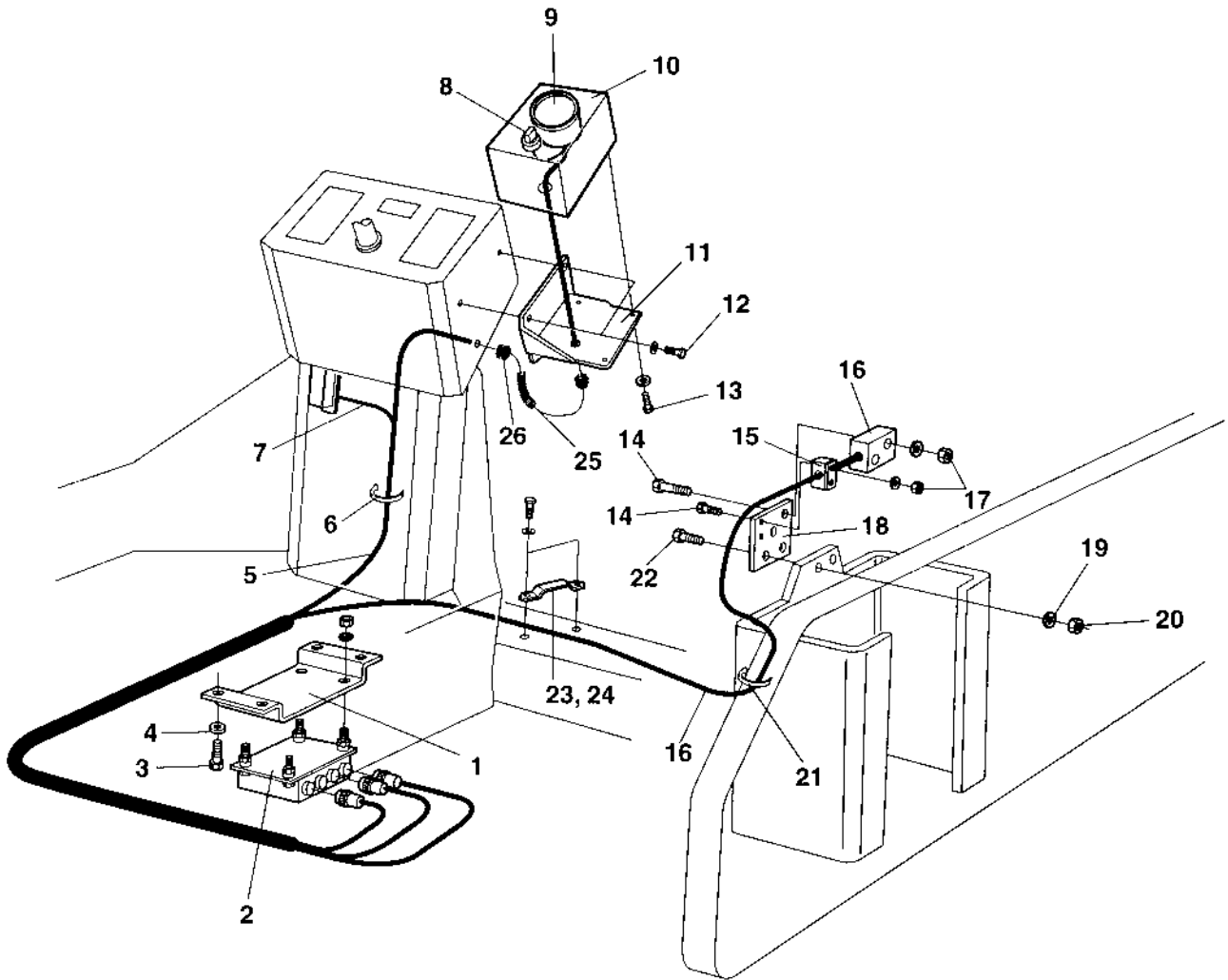
Ref. No.	Part No.	Rem.	Qty	Description	Code
1	999011	1	1	Rotating beacon	D
2	358452		1	Lamp holder	
3	500021		2	Screw	M8-1,25x25 8.8
4	586003		2	Lock nut	M8
5	904229		4	Washer	8,4x16x1,5
6	500013		1	Screw	M6-1x16 8,8
7	904228		1	Washer	6,4x12x1,5
8	392773		1	Cable harness	
9	921039		1	Pipe clamp	
10	541702		1	Screw	M6x12
11	389577	2	1	Rotating beacon	D

- 1) Is replaced by item 11, P/N 389577
- 2) Replaces item 1, P/N 999011



Ref. No.	Part No.	Rem.	Qty	Description	Code
1	380798	A	1	Cable harness	
2	901224	B	1	Fuse	3A D
3	377071		1	Bracket	
4	904910		1	Back-up alarm	
5	500053		2	Screw	M8-1,25x20 8.8
6	904229		2	Washer	8,4x16x1,5
7	500040		2	Screw	M6-1x20 8,8
8	904228		2	Washer	6,4x12x1,5
9	902285		2	Lock nut	M6

- A) Is connected to the main wiring harness.
- B) Located in the fusebox on the control panel.

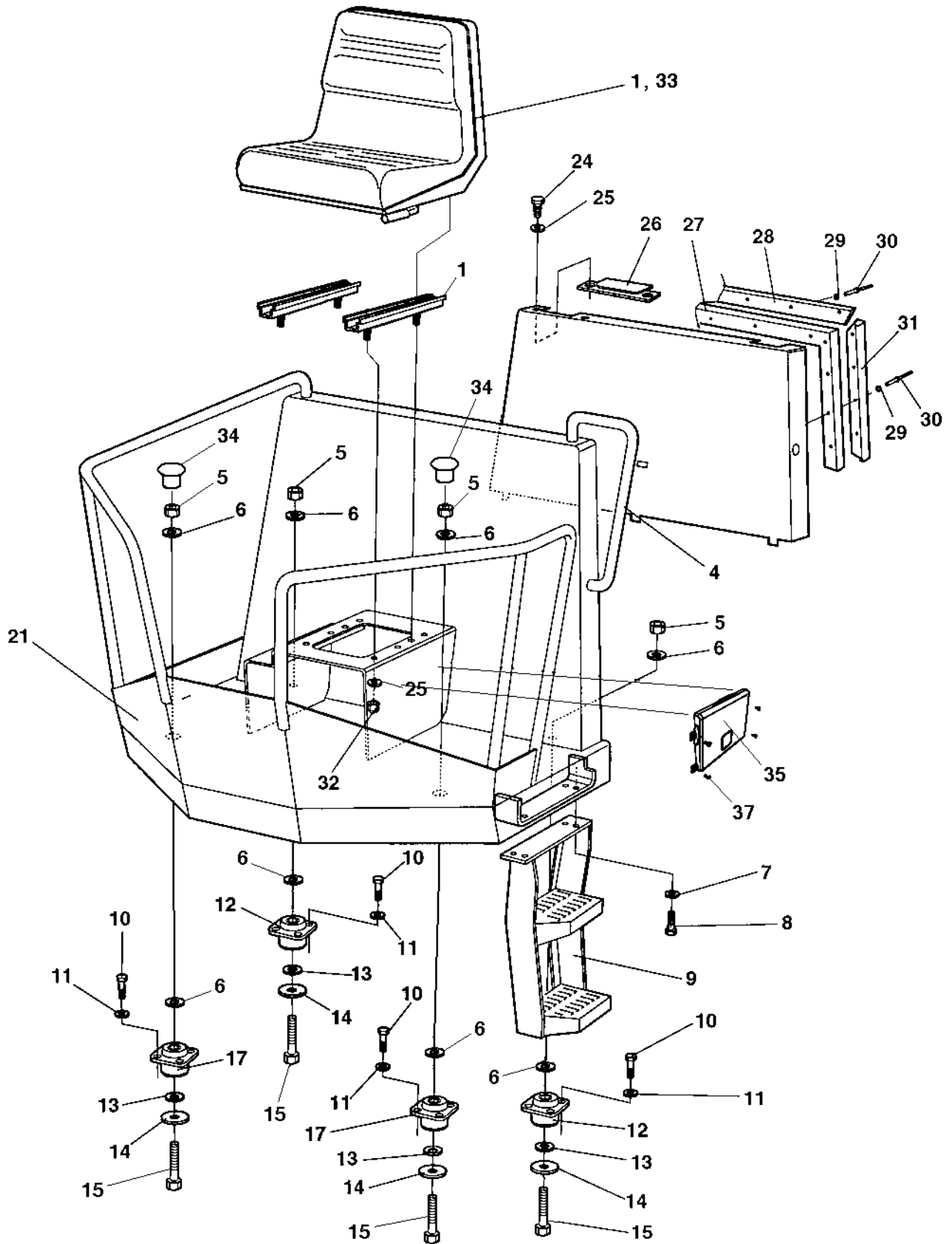


Ref. No.	Part No.	Rem.	Qty	Description	Code
1	372836		1	Bracket	
2	372008		1	Processor comp.meter	
3	500053		4	Screw	M8-1,25x20 8.8
4	904229		4	Washer	8,4x16x1,5
5	372784		1	Cable harness	
6	313102		N	Cable ties	
7	381351		1	Cable harness	
8	930151		1	Switch	D
9	383452		1	Compaction meter	
10	373096		1	Instrument box	
11	393543		1	Bracket	
12	904206		3	Screw	M6X16
13	541526		4	Screw	
14	500079		4	Screw	M6-1x50 8,8
15	902496		1	Clamp	
16	348213		1	Sensor, cpl	
17	902285		7	Lock nut	M6
18	373140		1	Bracket	
19	904231		2	Washer	13x24x2
20	902288		2	Nut	M12
21	313041		N	Cable ties	L=186 mm
22	500194		2	Screw	M12x40H 8.8
23	373016		1	Hose clamp	
24	349435		1	Rubber part	
25	901190	A	1	Conduit	
26	903192		2	Grommet	

A) L=230mm

Drivers platform

Ref. No.	Part No.	Rem.	Qty	Description	Code
10				Drivers platform (Page 110)	
20				Control panel (Page 112)	
40				Forward and reverse control (Page 114)	
52				Steering column (Page 118)	
100				Canopy (Page 120)	Option
110				Rops and fops (Page 122)	
120				Cab mounting (Page 124)	
130				Cab (Page 126)	Screens
140				Cab (Page 130)	Door, left side
150				Cab (Page 132)	Interior rear mirror
160				Cab (Page 134)	Exterior, rear mirror
170				Wiper arm with blade, front (Page 136)	
180				Cab (Page 138)	Work light
190				Cab (Page 140)	Electric



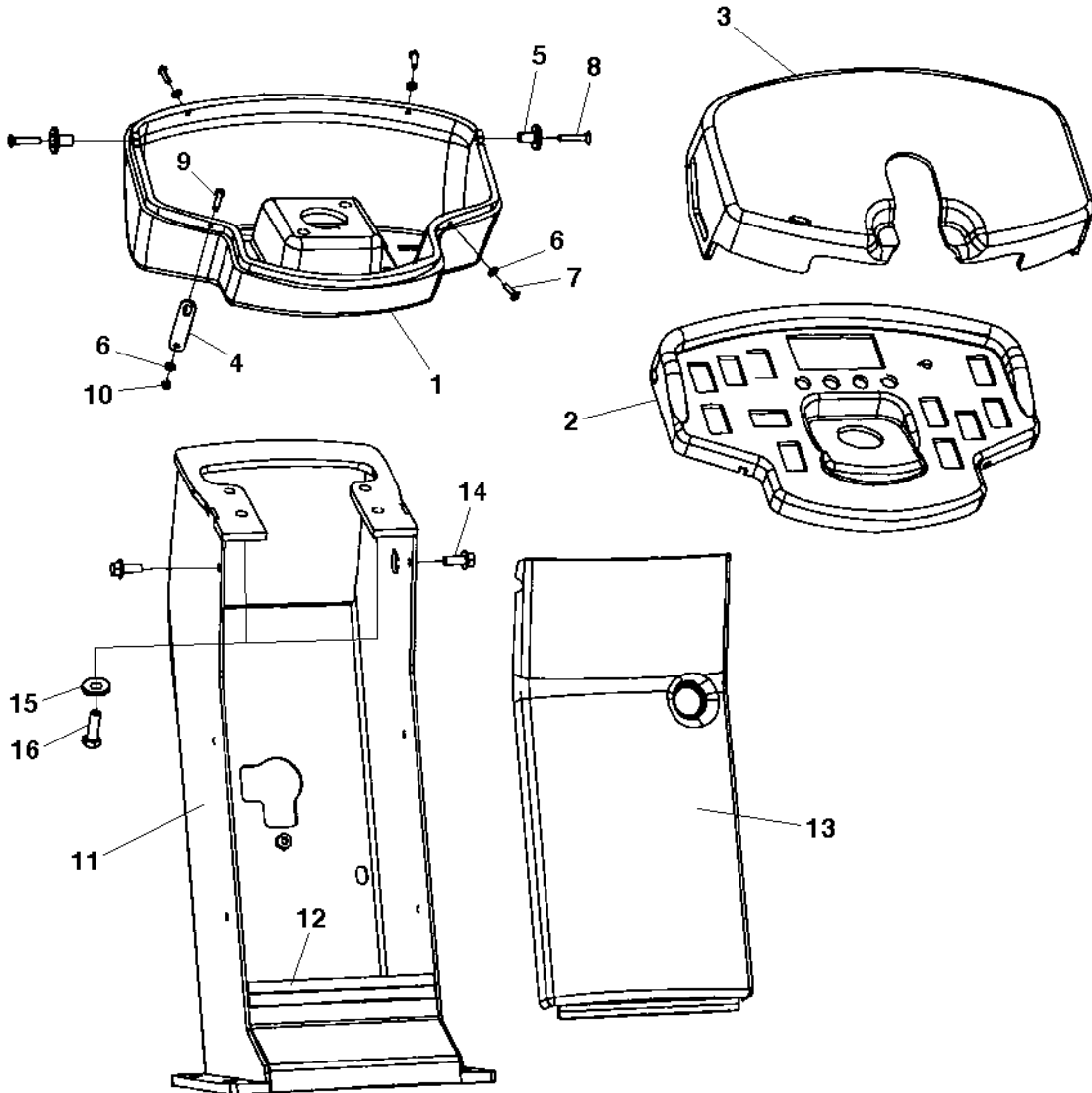
Drivers platform

Ref. No.	Part No.	Rem.	Qty	Description	Code
1	377556		1	Seat	
	377518	A	1	Drivers seat, cpl	
	348331		1	Seat cover	D
2	508006		4	Screw	
3	904229		4	Washer	8,4x16x1,5
4	380123	F	1	Grab handle	
5	901145		4	Lock nut	M20-10
6	904233		4	Washer	21x36x3
7	904230		8	Washer	10,5x22x2
8	500029		4	Screw	M10-1,5x30 8.8
9	376252		1	Step	
10	500195		16	Screw	M12-1,75x50 8.8
11	904231		16	Washer	13x24x2
12	372757		2	Shock absorber	D
13	903290		4	Washer	21x36x6
14	347512		4	Washer	
15	500210		4	Screw	M20-2,5x100 8.8
16	374471		4	Spacer	
17	373400		2	Shock absorber	D
21	392394		1	Platform	
24	500053		4	Screw	M8-1,25x20 8.8
25	904229		8	Washer	8,4x16x1,5
26	380727		2	Cover	
27	372494	E	1	Rubber strip	
28	372785		1	List	
29	927974		13	Washer	5x19x1
30	904433		13	Blind rivet	
31	382582		2	List	
32	586003		4	Lock nut	M8
33	379636		1	Seat switch	
34	902203		2	Plug	
35	383705		1	Instruction book holder	
	357643	G	1	Wire	
37	791226		4	Screw	

- A) Option
E) L=2,4 M
F) Welded with platform 380113
G) Not illustrated

Control panel

18487



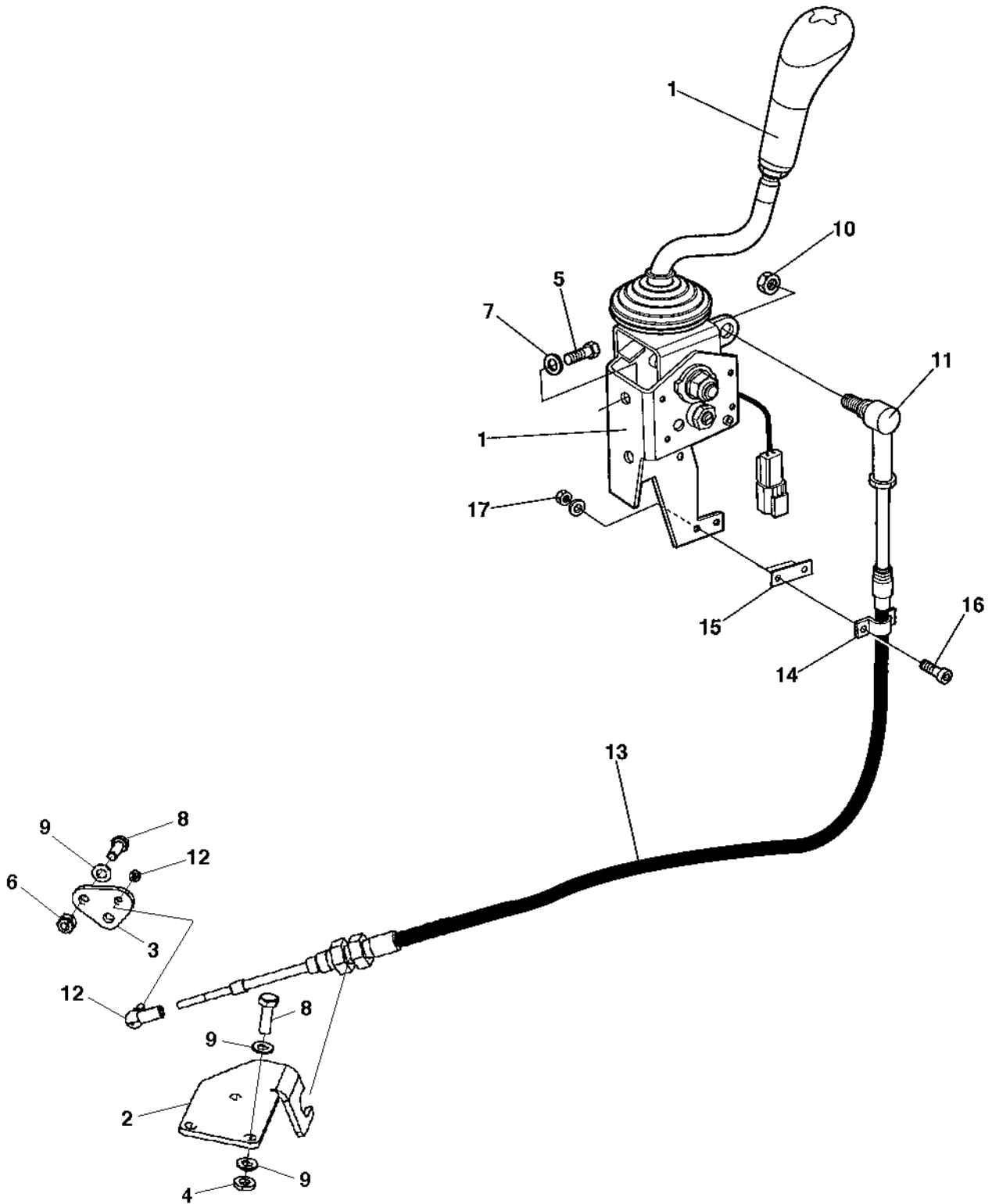
Control panel

Ref. No.	Part No.	Rem.	Qty	Description	Code
1	387720		1	Control panel holder	
2	391784		1	Control panel	
3	387227		1	Control panel cover	
4	387545		1	Latch	
5	357855		2	Bushing	
6	904281		4	Washer	5,3x10x1
7	904653		3	Screw	M5x16 A2-70
8	513017		2	Screw	M6x30H 10,9
9	500007		1	Screw	M5-0,8x22H 8,8
10	791476		1	Nut	M5 -8
11	378335		1	Control panel column	
12	902166	A	1XL	Edge trim	3-5
13	387226		1	Column cover	
14	500505		2	Screw	M8x20 8.8
15	904230		4	Washer	10,5x22x2
16	500029		4	Screw	M10-1,5x30 8.8

A) L=0,190 m

Forward and reverse control

18489



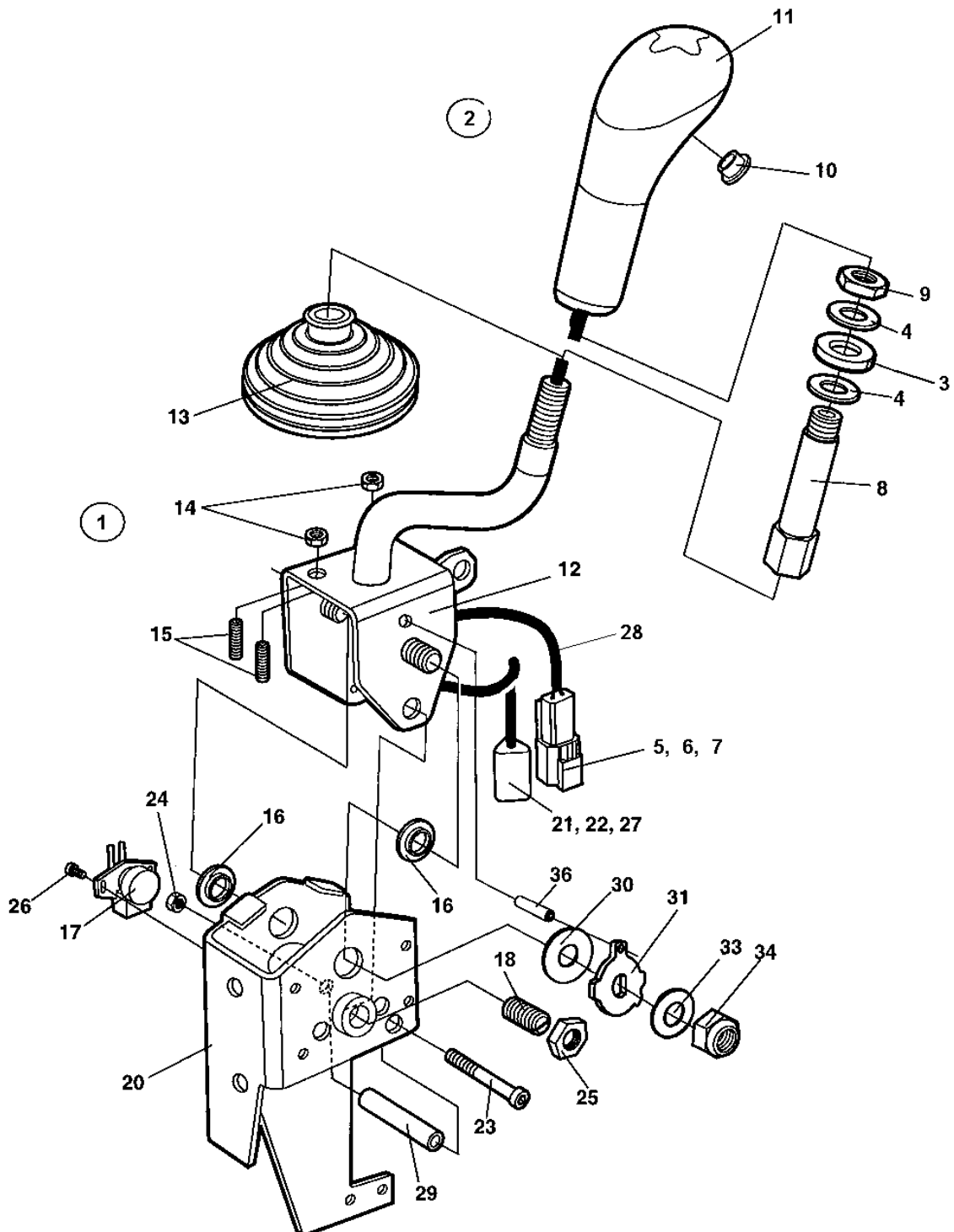
Forward and reverse control

Ref. No.	Part No.	Rem.	Qty	Description	Code
1			1	Forward and reverse control handle (Page 116)	
2	392899		1	Control bracket	
3	392900		1	Control lever	
4	904556		3	Washer	8,4x16x3,0
5	508092		2	Screw	M8-1,25x20H 8,8
6	586003		2	Lock nut	M8
7	904556		2	Washer	8,4x16x3,0
8	500021		5	Screw	M8-1,25x25 8.8
9	904229		8	Washer	8,4x16x1,5
10	586003		1	Lock nut	M8
11	377019		1	Ball joint	
12	416034		1	Ball joint	
13	377024	A	1	Cable	Forward/Reverse
14	377020		1	Clamp	
15	377021		1	Spacer	
16	926537		2	Screw	M5-0,8x16H 8,8
17	586001		2	Lock nut	M5

A) L=1900MM

Forward and reverse control handle

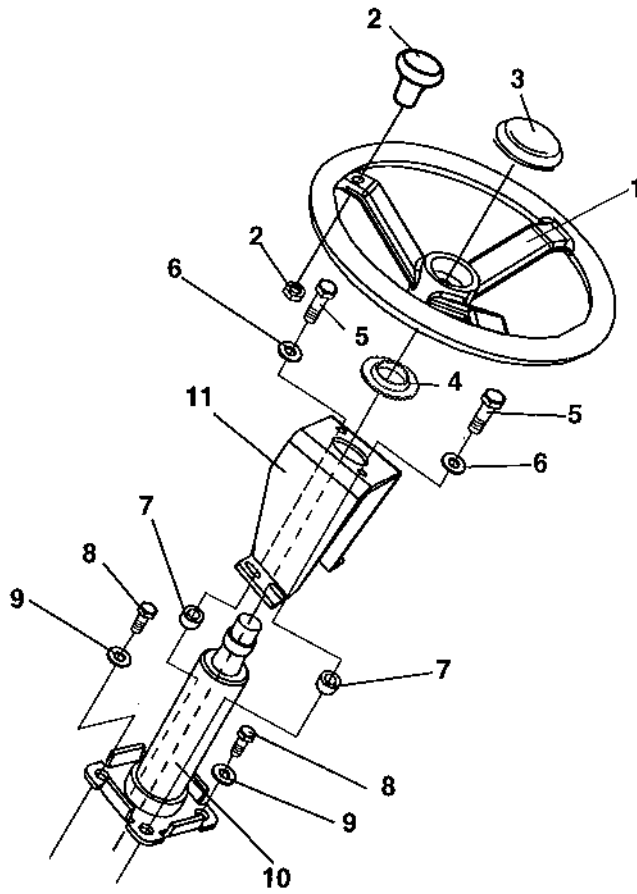
18071-2



Forward and reverse control handle

Ref. No.	Part No.	Rem.	Qty	Description	Code
1	945407		1	Lever, cpl	
2	940374		1	.Handle kit, cpl	
			1	..Handle	
			1	...Button	
			1	...Cable	
			1	..Lockfluid	
			1	..Service information	
3			1	..Washer	
4			2	..Washer	
5			1	..Connector, receptable	
6			1	..Lock wedge	
7			2	..Pin	
8			1	..Rod	
9			1	..Nut	
10	377018		1	..Protection plug	
11	378759		1	..Handle top	
12	391379		1	.Lever	
13	377009		1	.Bellows	
14	570004		2	.Nut	M6
15	377015		2	.Set screw	
16	391381		1	Bushing	
17	391382		1	Potentiometer with cable	
18	377016		1	Spring loaded pin	
20	377010		1	Bracket	
21	903945		1	Connector, plug	
22	903946		1	Lock wedge	
23	508068		1	Screw	
24	904563		1	Lock nut	M6
25	927233		1	Nut	
26	391383		1	Screw	
27	903947		3	Pin	
28		B	1	Cable	
29	377011		1	Spacer	
30	377012		1	Friction washer	
31	391380		1	Cam washer	
33	377014		1	Spring washer	
34	586019		1	Lock nut	M12
36	391386		1	Spirol pin	

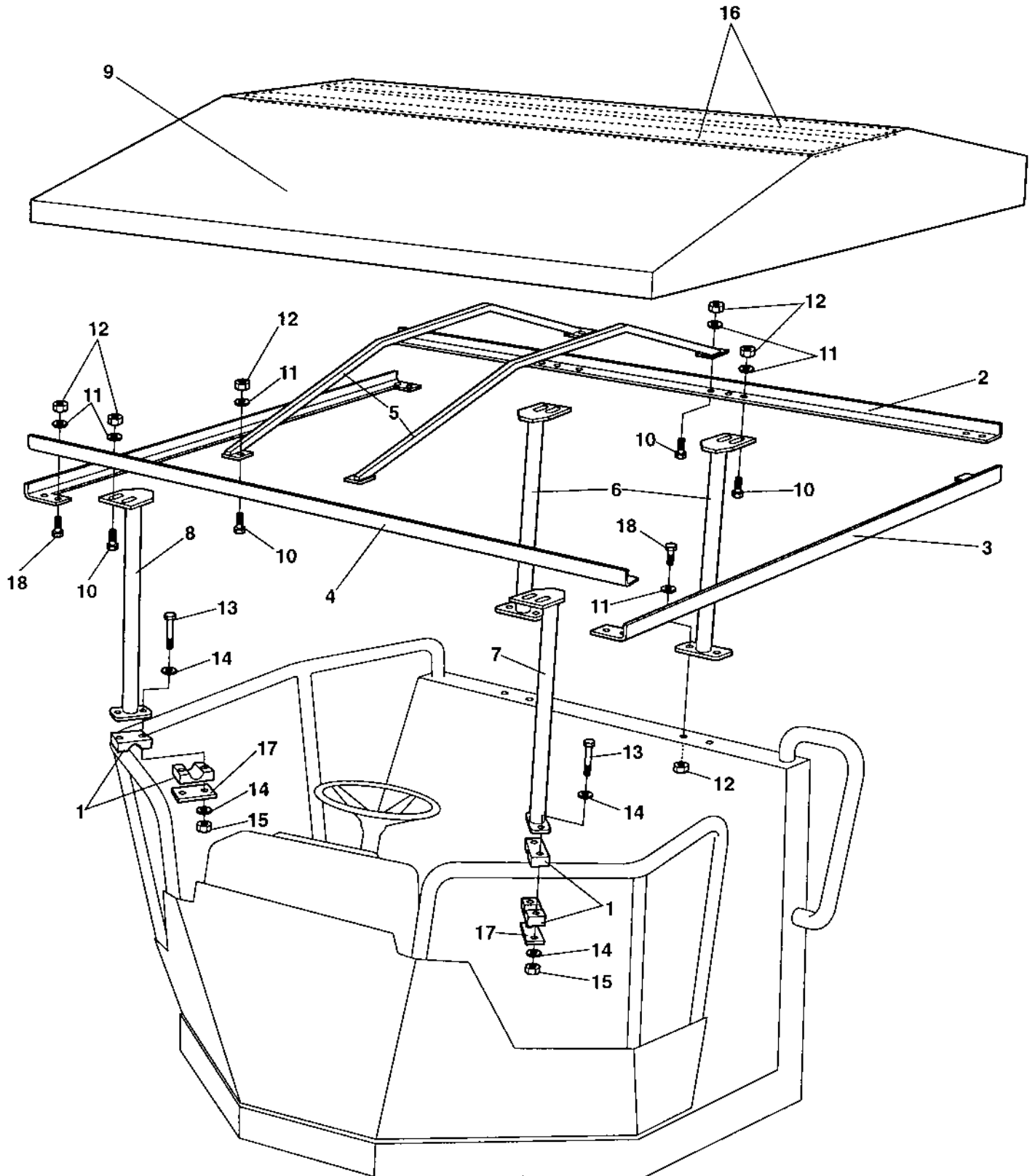
B) Included in potentiometer Pos 17



Steering column

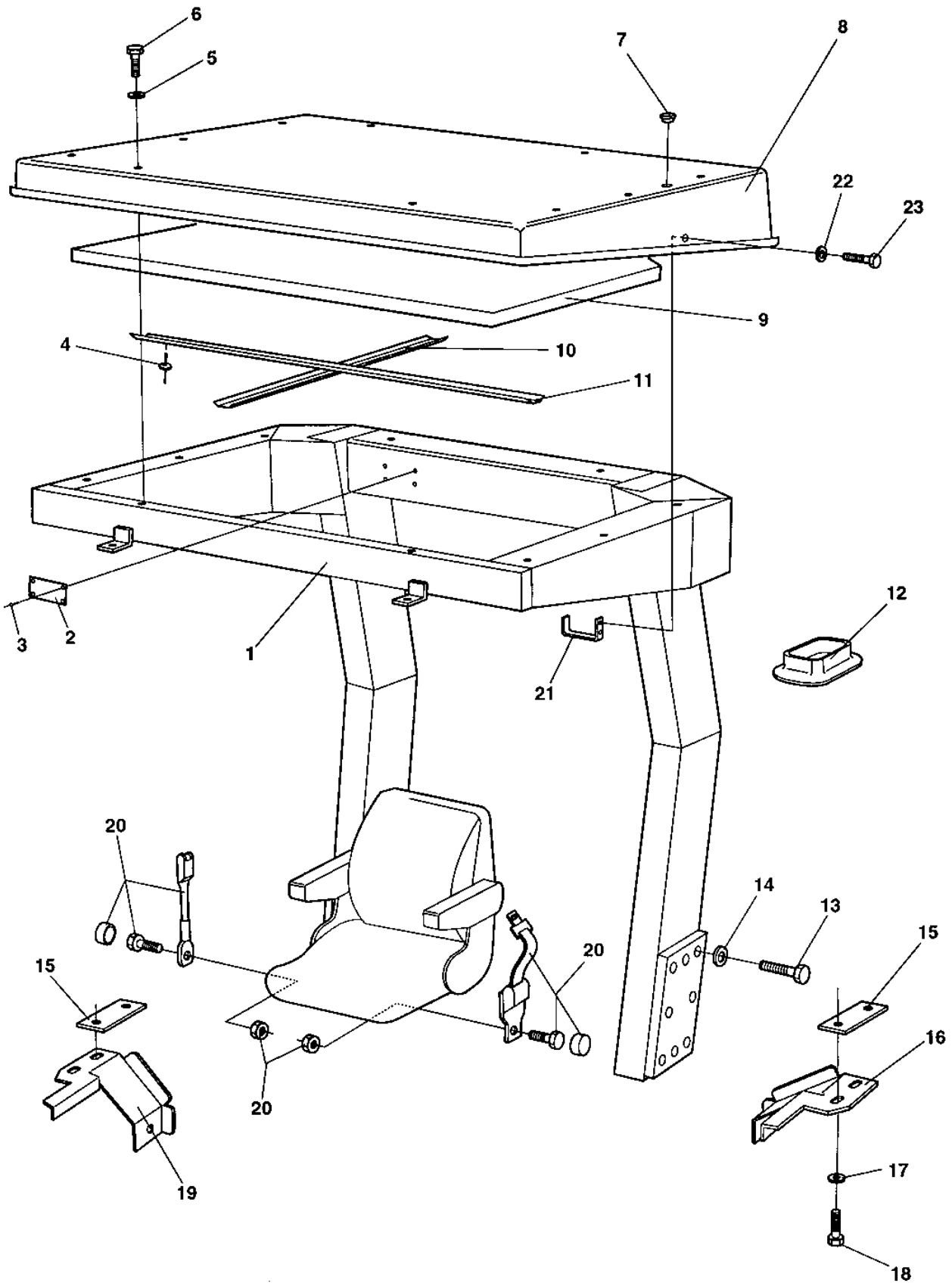
Ref. No.	Part No.	Rem.	Qty	Description	Code
1	372964		1	Steering wheel, cpl	
2	935614		1	.Turning knob	D
3	935613		1	.Cover	
4	928830		1	Rubber washer	
5	500031		2	Screw	M10-1,5x40 8,8
6	904230		2	Washer	10,5x22x2
7	355869		2	Spacer sleeve	
8	500048		2	Screw	M10-1,5x20 8.8
9	904230		2	Washer	10,5x22x2
10	902123		1	Steering column	
11		A	1	Bracket	

A) Included in control panel



Canopy Option

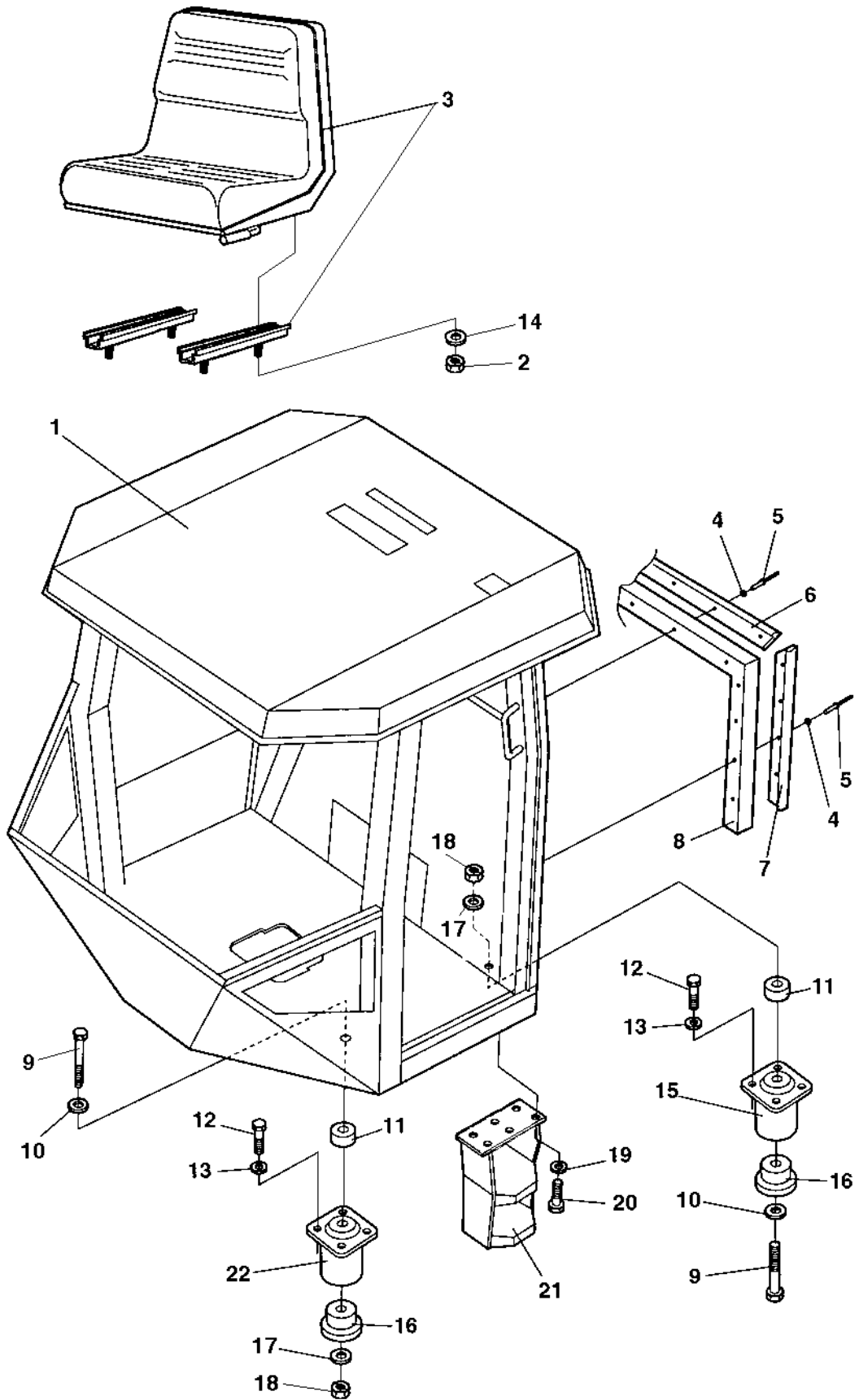
Ref. No.	Part No.	Rem.	Qty	Description	Code
1	904340		2	Pipe clamp	
2	373746		1	Canopy profile	
3	373747		2	Canopy profile	
4	373748		1	Canopy profile	
5	373749		4	Canopy rib	
6	373750		2	Canopy anchor	
7	380963		1	Canopy anchor	
8	380964		1	Canopy anchor	
9	373906		1	Roof	
10	500021		16	Screw	M8-1,25x25 8.8
11	904229		44	Washer	8,4x16x1,5
12	586003		22	Lock nut	M8
13	500153		4	Screw	
14	904228		8	Washer	6,4x12x1,5
15	586002		4	Lock nut	M6
16	373907		2	Lath	
17	924791		2	Cover plate	
18	500022		8	Screw	M8-1,25x30 8,8



Rops and fops

Ref. No.	Part No.	Rem.	Qty	Description	Code
1	372347		1	Rops	
2	370803		1	.Sign, rops	
3	624016		4	.Blind rivet	
4	904619		12	Blind rivet	
5	904734		19	Washer	8,4x26x4
6	500239		19	Screw	M8-1.25x50
7	904180		4	Plug	
8	372409		1	Fops roof	
	370792		1	.Sign, fops	
	624016		4	.Blind rivet	
9	372678		1	Absorbent	
10	376489		1	Absorbent holder	
11	376488		1	Absorbent holder	
12	372489		2	Rubber seal	
13	904562		12	Screw	
14	904234		12	Washer	25x45x4
15	381330		2	Holder	
16	381353		1	Holder plate	
17	904640		8	Washer	8,4x22x3
18	500022		8	Screw	M8-1,25x30 8,8
19	381352		1	Holder plate	
20	377677		1	Seat belt	2"
	379637	A	1	Seat belt	3"
21	383225		2	Hook	
22	904734		4	Washer	8,4x26x4
23	500100		4	Screw	

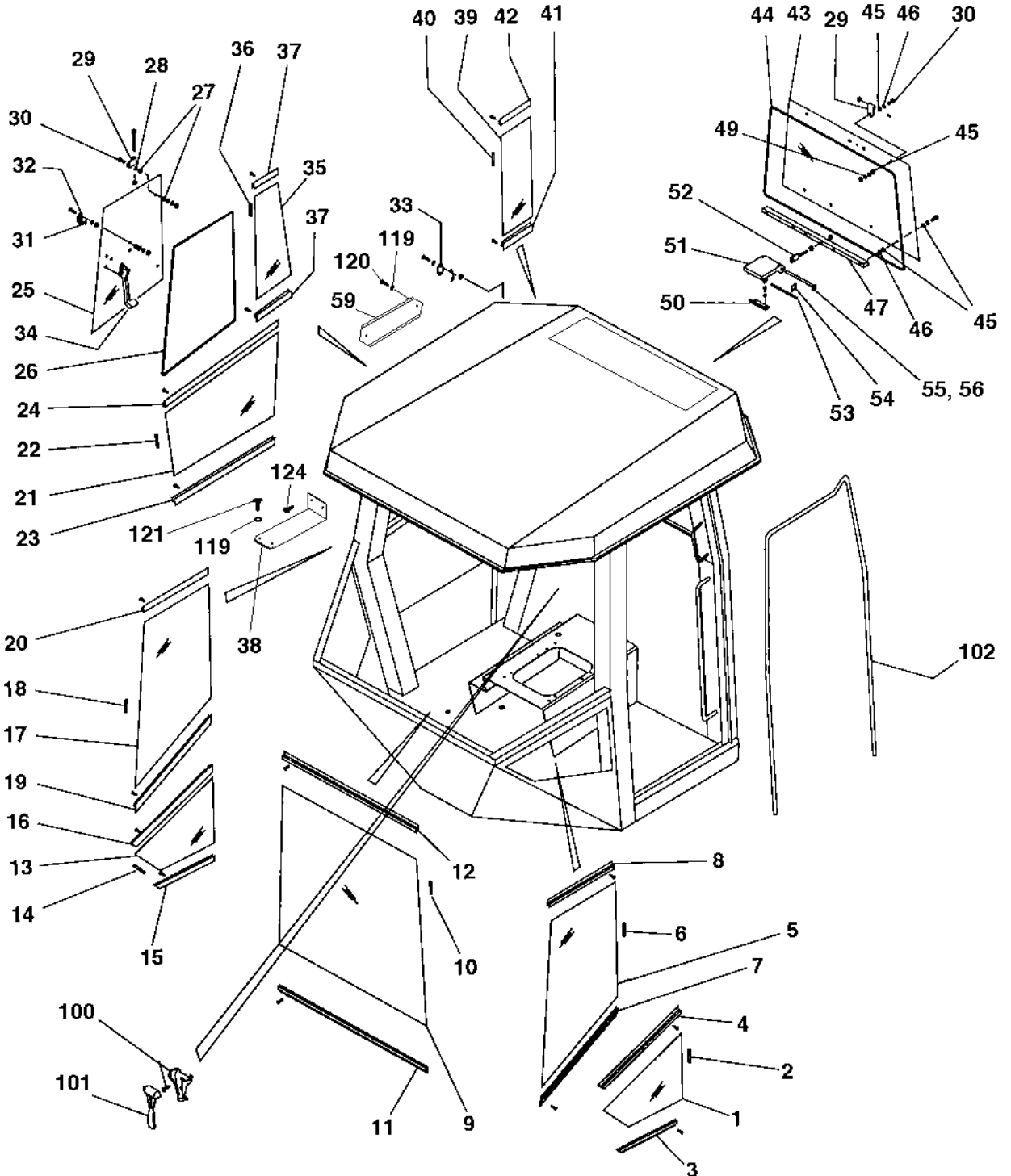
A) Option 3"



Cab mounting

Ref. No.	Part No.	Rem.	Qty	Description	Code
1	378308		1	Cab	
2	570005		4	Nut	M8
3	377556		1	Seat	
	377518	D	1	Drivers seat, cpl	
4	927974		13	Washer	5x19x1
5	904433		13	Blind rivet	
6	372785		1	List	
7	382582		2	List	
8	372494	A	N	Rubber strip	
9	791218		4	Screw	M20x200
10	904233		4	Washer	21x36x3
11	384759		4	Spacer	
12	500195		16	Screw	M12-1,75x50 8.8
13	904231		16	Washer	13x24x2
14	904229		4	Washer	8,4x16x1,5
15	374606	B	2	Shock absorber	Green
16	372457		4	Back-up ring	
17	903290		4	Washer	21x36x6
18	901145		4	Lock nut	M20-10
19	904230		6	Washer	10,5x22x2
20	500029		6	Screw	M10-1,5x30 8.8
21	376252		1	Step	
22	374607	C	2	Shock absorber	Yellow
23	382397		2	Spacer	

- A) L=2400 mm
 B) Rear
 C) Front
 D) Option



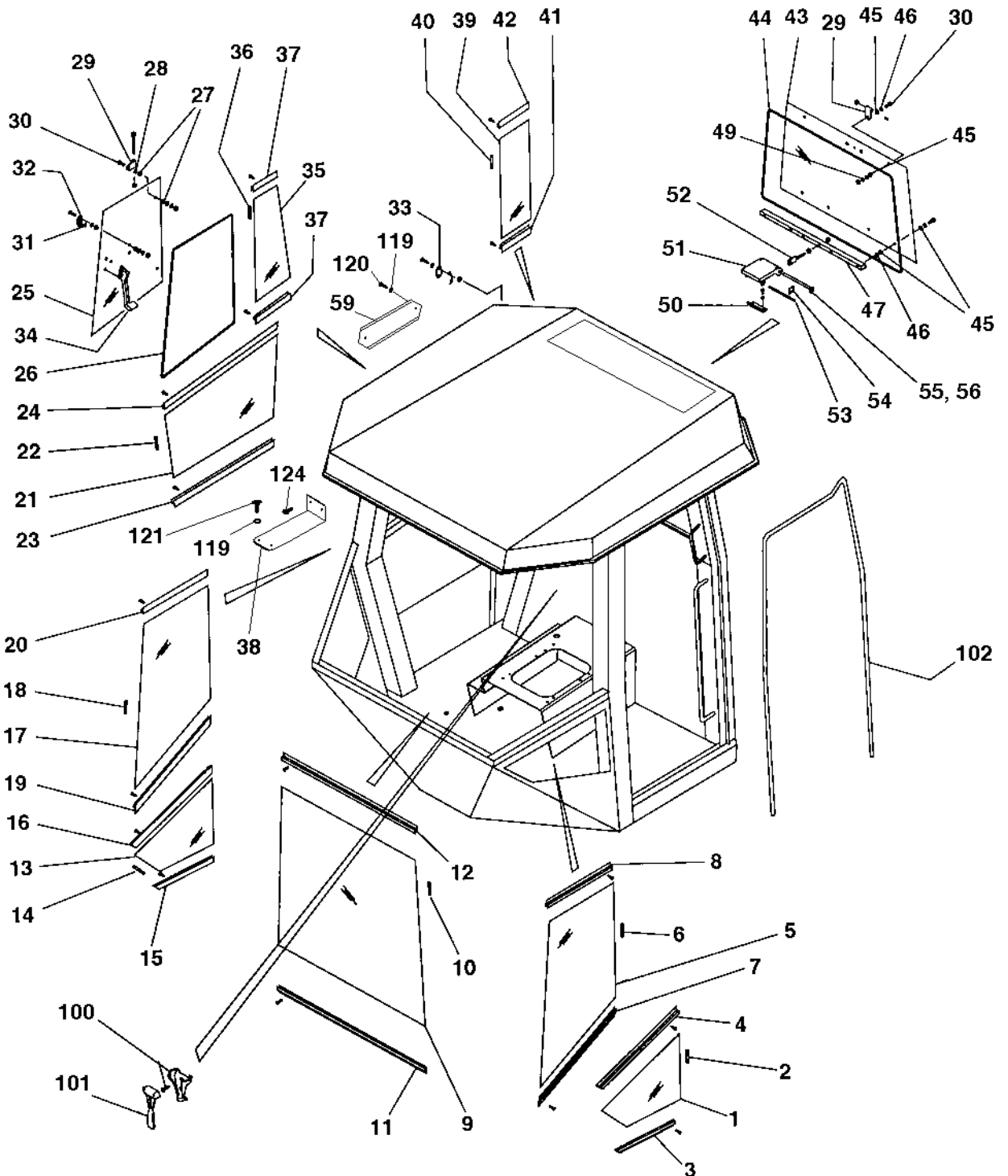
Cab Screens

Ref. No.	Part No.	Rem.	Qty	Description	Code
1	937380		1	Screen	
2	908545		XL	Seal list	
3	935278		1	List	
4	935279		1	List	
5	937381		1	Screen, left	
6	908545		XL	Seal list	
7	935280		1	List	
8	935281		1	List	
9	937382		1	Screen	
10	908545	D	1	Seal list	
11	935282		1	List	
12	935283		1	List	
13	937383		1	Screen	
14	908545		XL	Seal list	
15	935284		1	List	
16	935285		1	List	
17	937384		1	Screen	
18	908545	C	1	Seal list	
19	935286		1	List	
20	935287		1	List	
21	937385		1	Screen	
22	908545	A	1	Seal list	
23	935288		1	List	
24	935289		1	List	
25	938290		1	Screen	
26	908499	E	1	Rubber list	
27	935271		8	Washer, Flexible rubber	
28	935272		8	Washer, Black	
29	935273		4	Hinge	
30	935274		4	Screw	
31	935275		1	Rubber washer	
32	935276		1	Bracket	
33	935277		1	Lock pin	
34	935290		1	Window lock, right	
35	938291		1	Screen	
36	908545	B	1	Seal list	
37	935291		1	List	
38	379608		1	Cover	
39	938292		1	Screen	
40	908545	B	1	Seal list	
41	935293		1	List	
42	938659		1	List	
43	937389		1	Screen	
44	908499	F	1	Rubber list	
45	935271		12	Washer, Flexible rubber	
46	935272		12	Washer, Black	
47	935295		1	Screen holder	
49	935296		2	Washer	
50	935297		1	Bracket	
51	935298		2	Bracket	
52	935299		1	Bolt	
53	935300		1	Shaft	
54	935301		2	Lock	
55	935302		1	Rod	

- A) L=1100 mm
 B) L=1400 mm
 C) L=1900 mm
 D) L=2100 mm
 E) L=2700 mm
 F) L=3300 mm

Cab Screens

18431

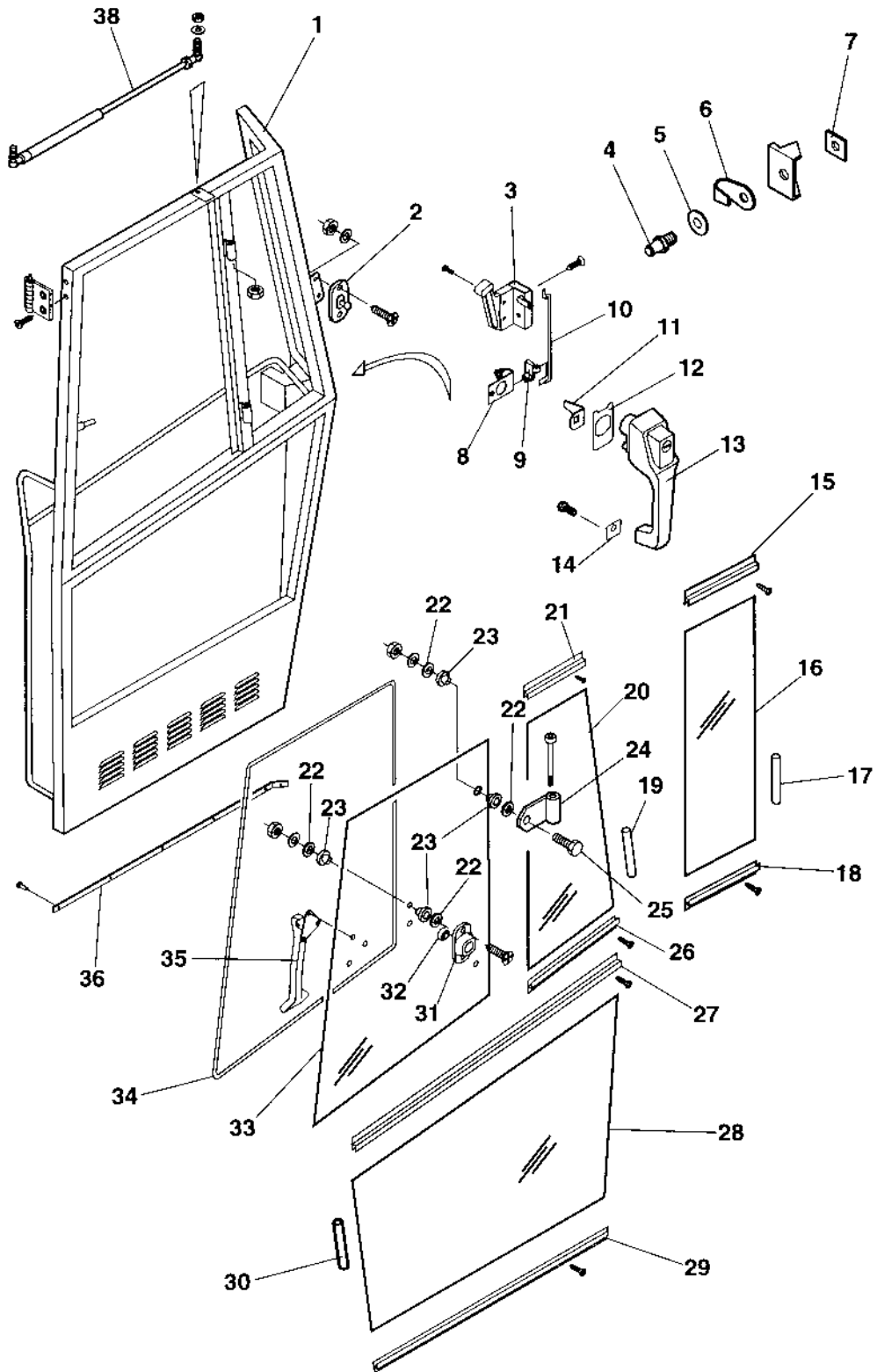


Cab Screens

Ref. No.	Part No.	Rem.	Qty	Description	Code
56	935303		1	Ring	
59	379236		1	Cover	
100	908506		1	Holder	
101	908507		1	Emergency hammer	
102	908499	G	1	Rubber list	
119	904229		16	Washer	8,4x16x1,5
120	500019		14	Screw	M8-1,25x16 8.8
121	500053		2	Screw	M8-1,25x20 8.8
124	903782		2	Screw	M5x12
G)	L=5 m				

Cab Door, left side

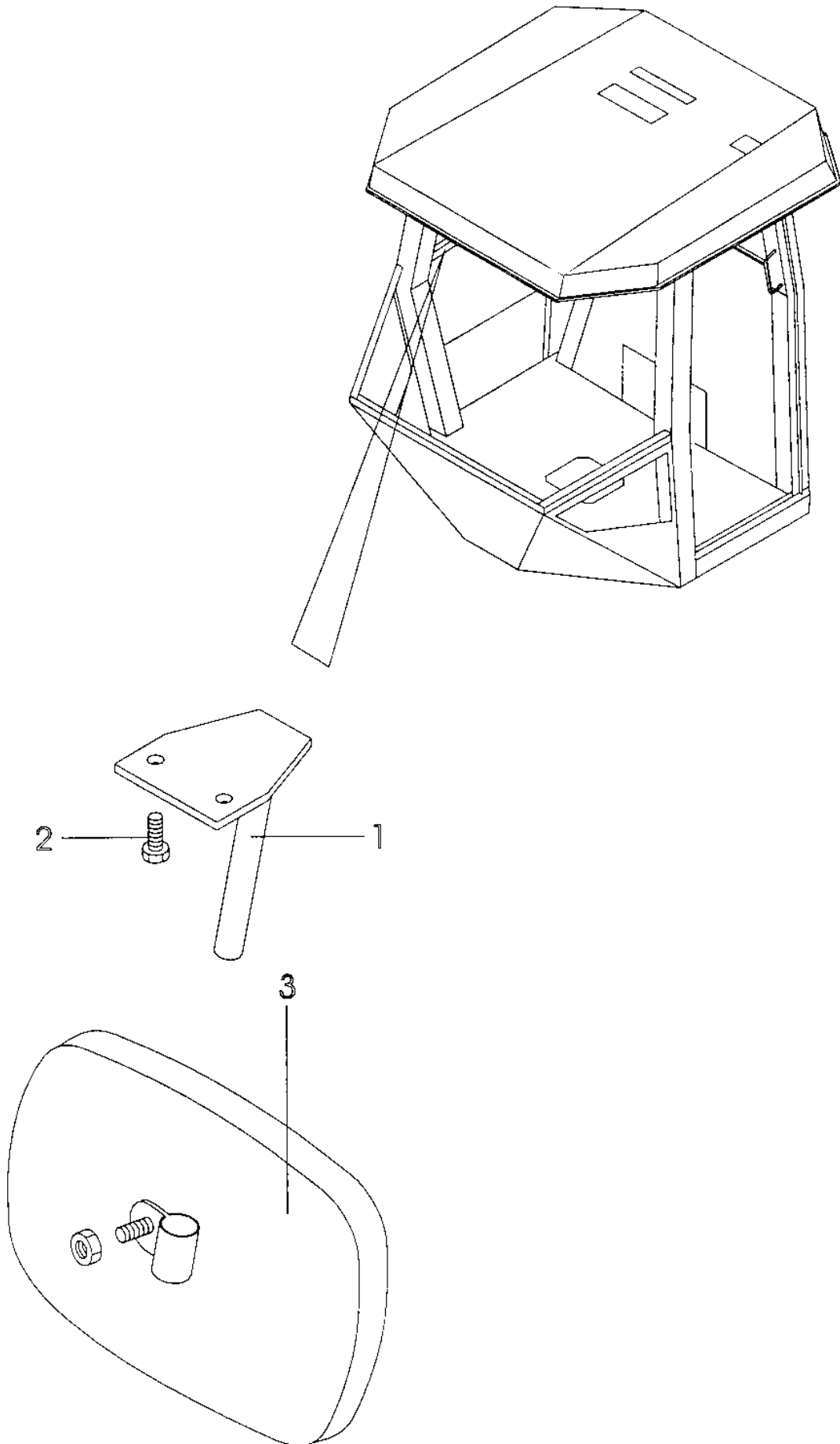
16967-1



Cab Door, left side

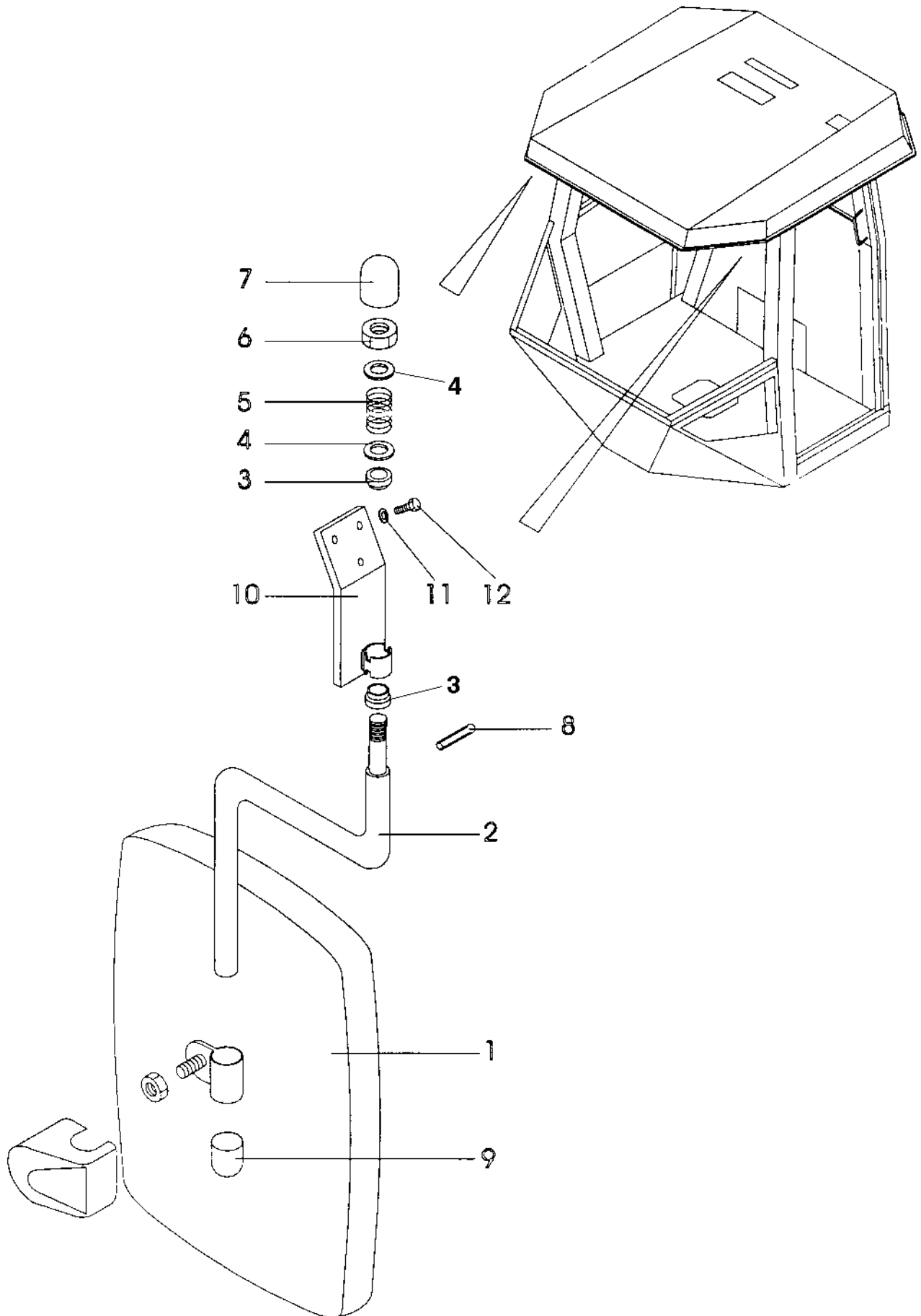
Ref. No.	Part No.	Rem.	Qty	Description	Code
	940678		1	Door, cpl	
1	390927		1	.Door frame	
2	935277		1	.Lock pin	
3	938017		1	.Lock	
4	908580		1	.Lock pin	
5	908581		1	.Washer	
6	908582		1	.Cover	
7	908583		1	.Bracket	
8	935248		1	.Turning mechanism	
9	935249		1	.Retainer	
10	935250		1	.Rod	
11	935247		1	.Leader	
12	935246		1	.Seal	
13	935244		1	.Door handle with key	
14	935245		1	.Seal	
15	935268		1	.List	
16	937391		1	.Screen	
17	908545	A	1	.Seal list	
18	935267		1	.List	
19	908545	A	1	.Seal list	
20	937392		1	.Screen	
21	935270		1	.List	
22	935272		8	.Washer, Black	
23	935271		8	.Washer, Flexible rubber	
24	935273		2	.Hinge	
25	935274		2	.Screw	
26	935269		1	.List	
27	935266		1	.List	
28	937390		1	.Screen	
29	935265		1	.List	
30	908545	B	1	.Seal list	
31	935276		1	.Bracket	
32	935275		1	.Rubber washer	
33	937393		1	.Screen	
34	908499	C	1	.Rubber list	
35	935253		1	.Lock	
36	938101		XL	.Brush profile	
38	938018		1	.Gas spring	

- A) L=1400 mm
 B) L=1100 mm
 C) L=2700 mm



Cab Interior rear mirror

Ref. No.	Part No.	Rem.	Qty	Description	Code
1	908623		1	Bracket	
2	535005		2	Screw	M5x12
3	908624		1	Rear mirror	



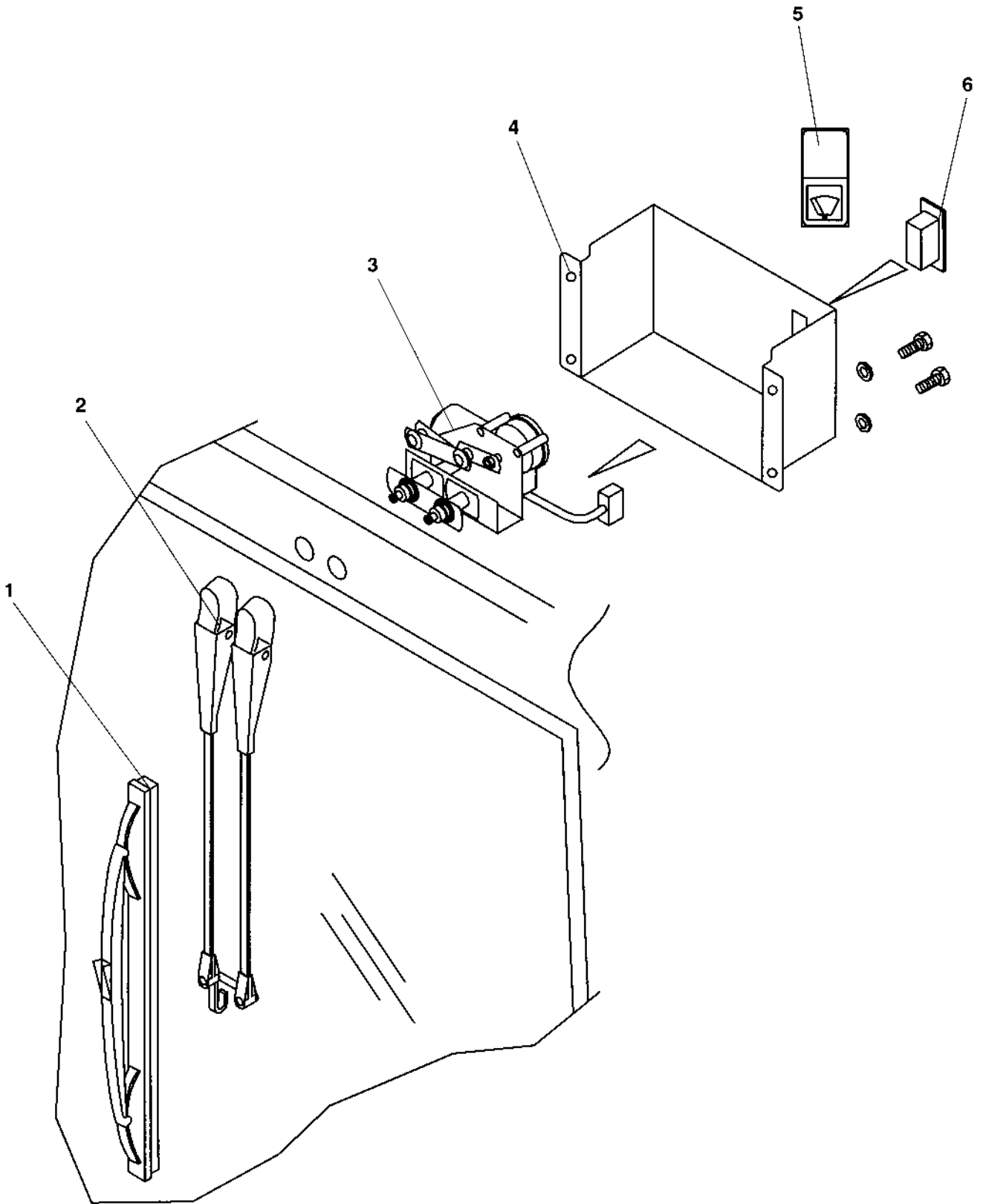
Cab Exterior, rear mirror

Ref. No.	Part No.	Rem.	Qty	Description	Code
1	371730	A	2	Rear view mirror, cpl	
	908265		1	.Rear view mirror	
2	908355		1	.Arm	
3	908625		2	.Sleeve	
4	904232		2	.Washer	17x30x3
5	908626		1	.Spring	
6	586021		1	.Nut	M16
7	908627		1	.Cap	
8	629066		1	.Spirol pin	
9	908628		1	.Cap	
10	908361		1	.Bracket	
11	904229		6	Washer	8,4x16x1,5
12	500019		6	Screw	M8-1,25x16 8.8

A) Option

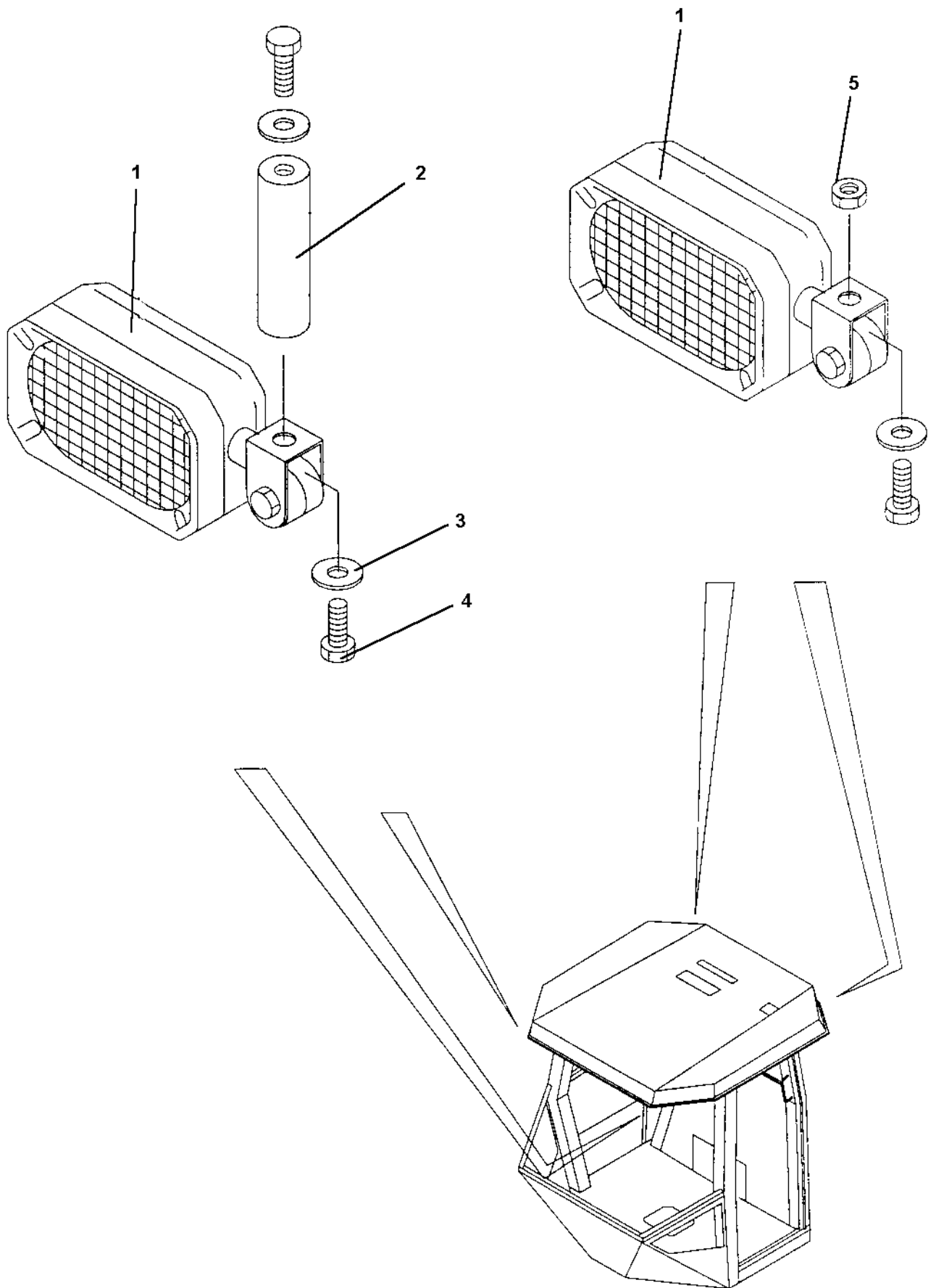
Wiper arm with blade, front

16968



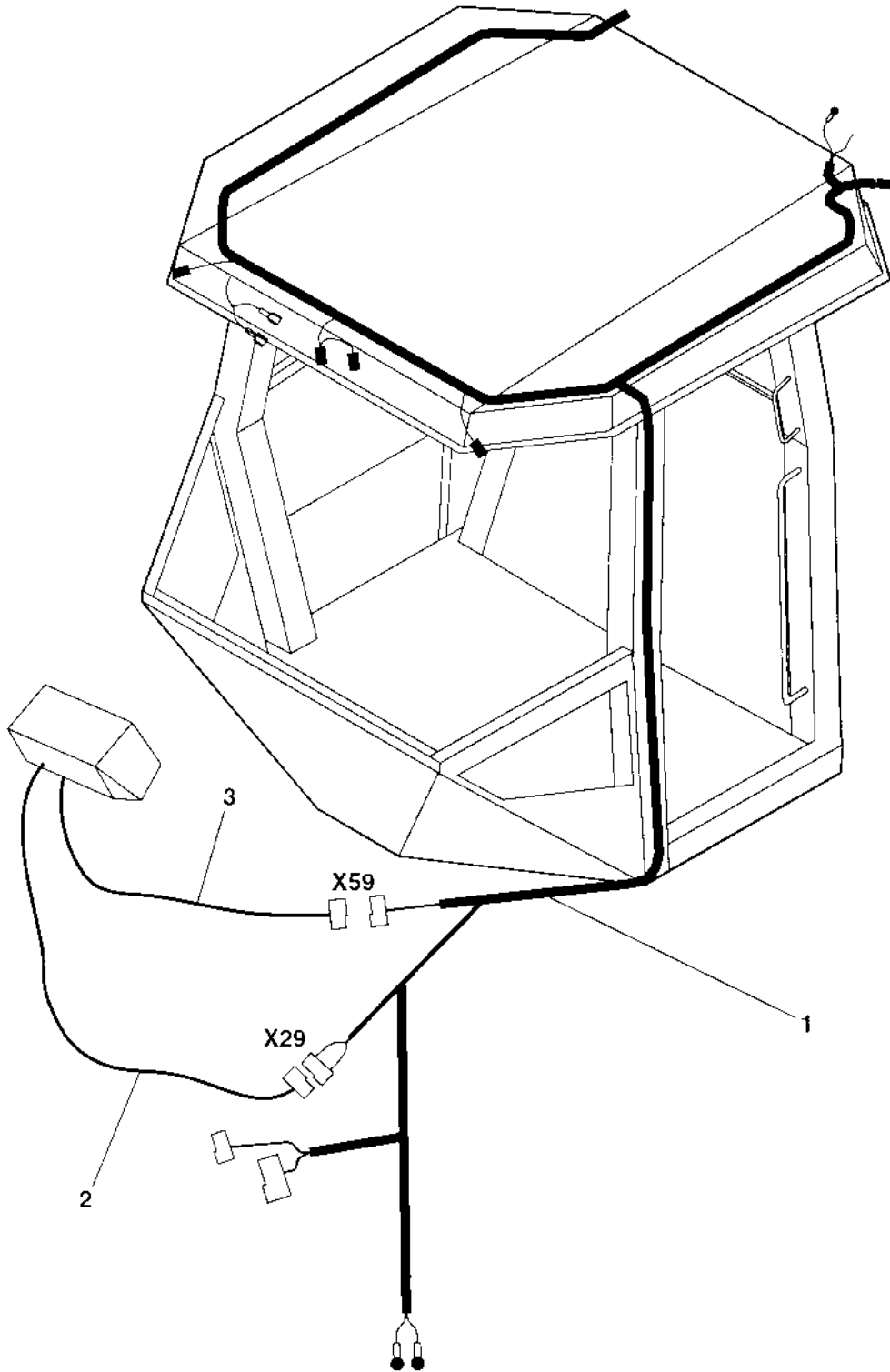
Wiper arm with blade, front

Ref. No.	Part No.	Rem.	Qty	Description	Code
1	905306		1	Wiper blade	
2	905305		1	Wiper arm	
3	905304		1	Wiper motor	
4	937871		1	Cover	
5	908605		1	Symbol wiper	
6	908617		1	Switch	



Cab Work light

Ref. No.	Part No.	Rem.	Qty	Description	Code
1	908267		4	Working light	D
2	908359		2	Distance	
3	904229		4	Washer	8,4x16x1,5
4	500019		4	Screw	M8-1,25x16 8.8
5	586003		2	Lock nut	M8



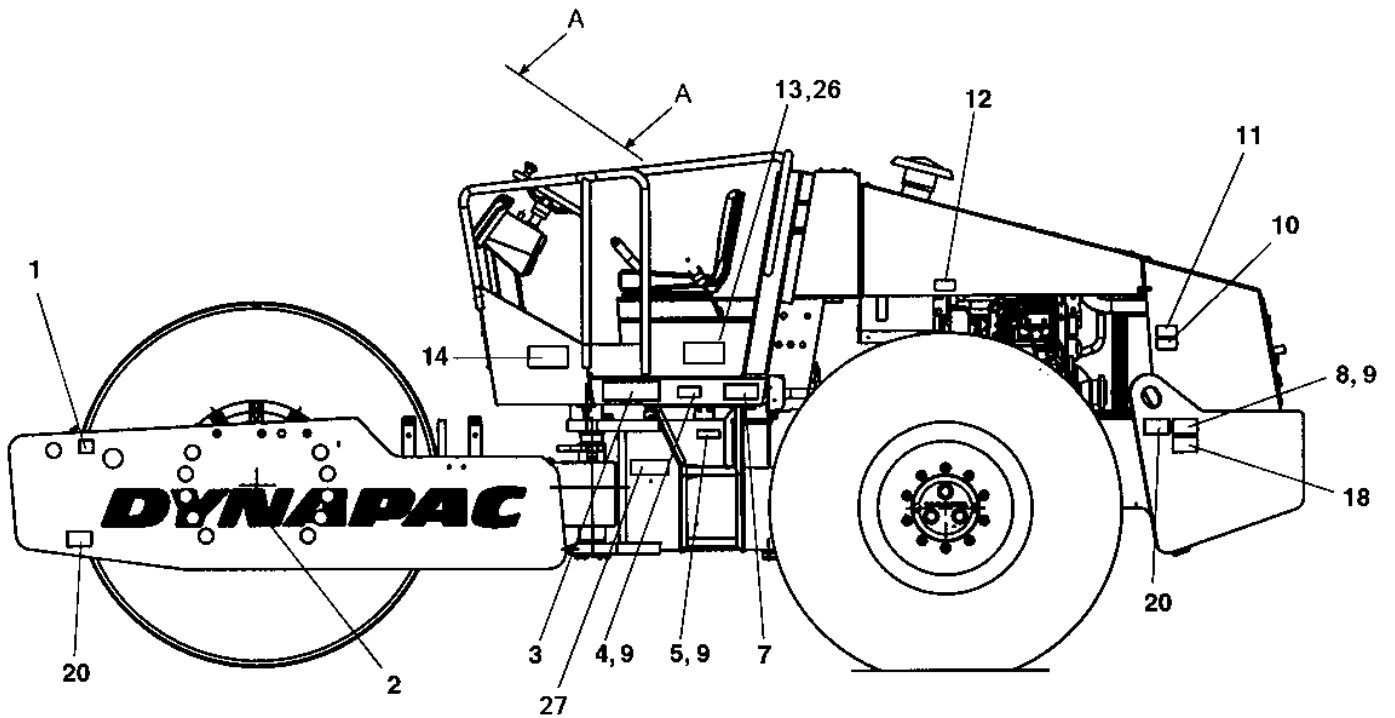
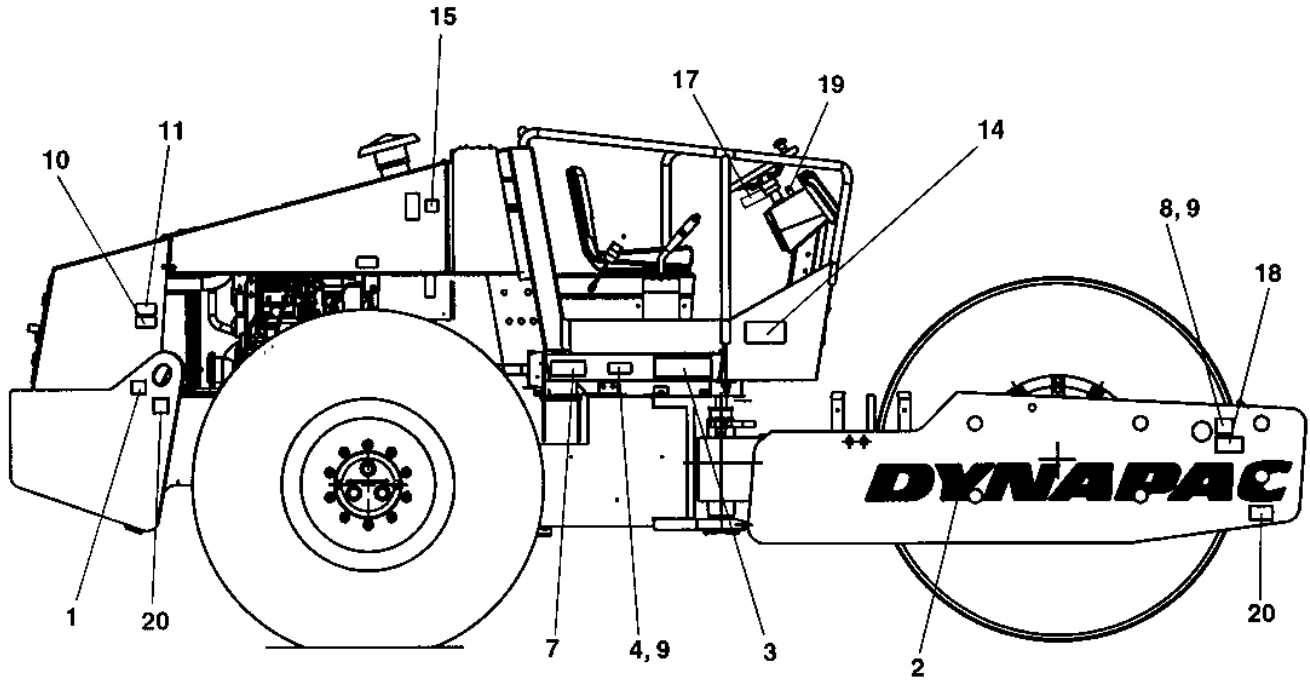
Cab Electric

Ref. No.	Part No.	Rem.	Qty	Description	Code
1	937870	A	1	Cable harness	
2	384403	B	1	Cable harness	
3	384402	C	1	Cable harness	

- A) Main supply
- B) Horn
- C) Windshield wiper

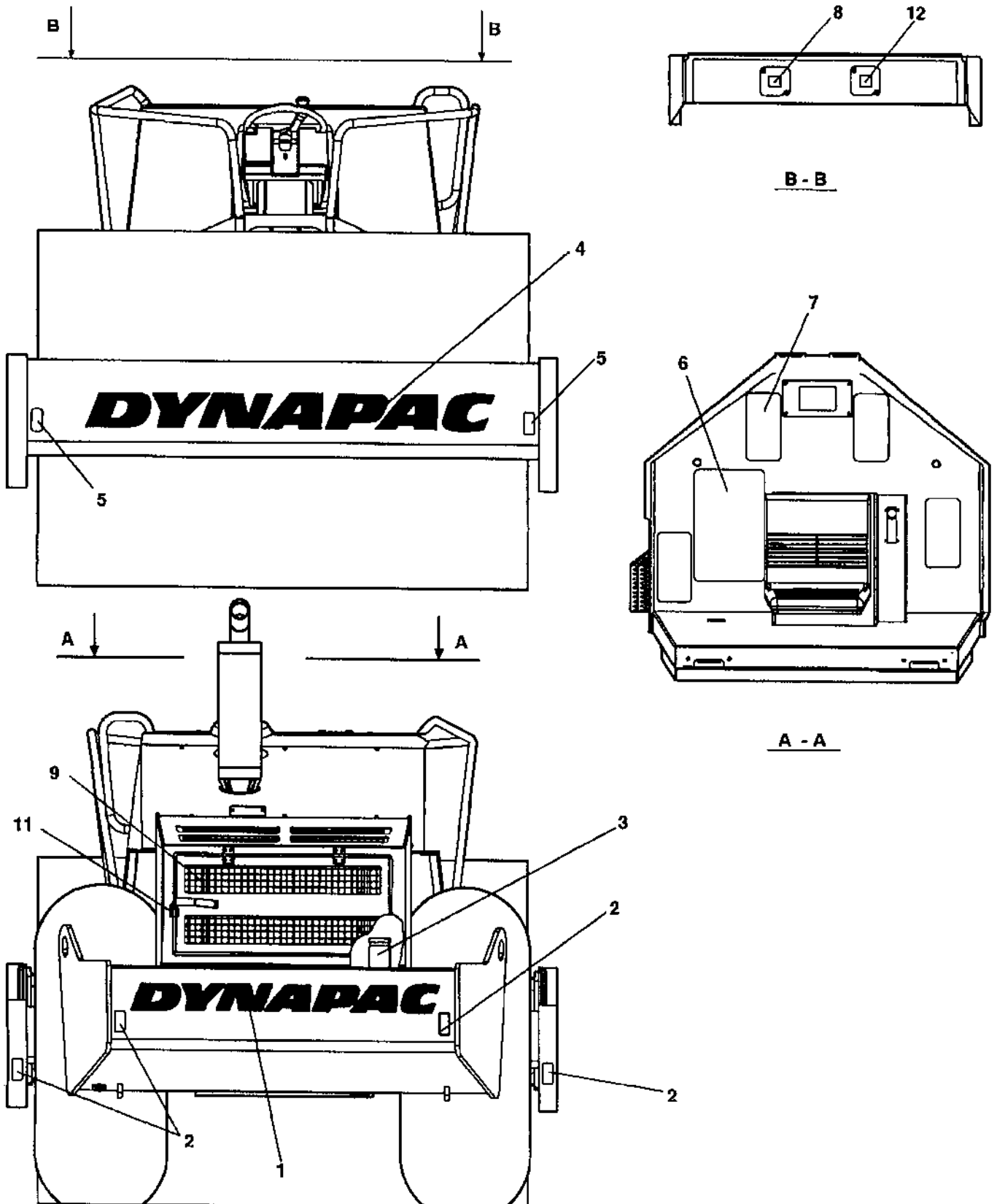
Decals

Ref. No.	Part No.	Rem.	Qty	Description	Code
10				Decals (Page 144)	
20				Decals (Page 146)	



Decals

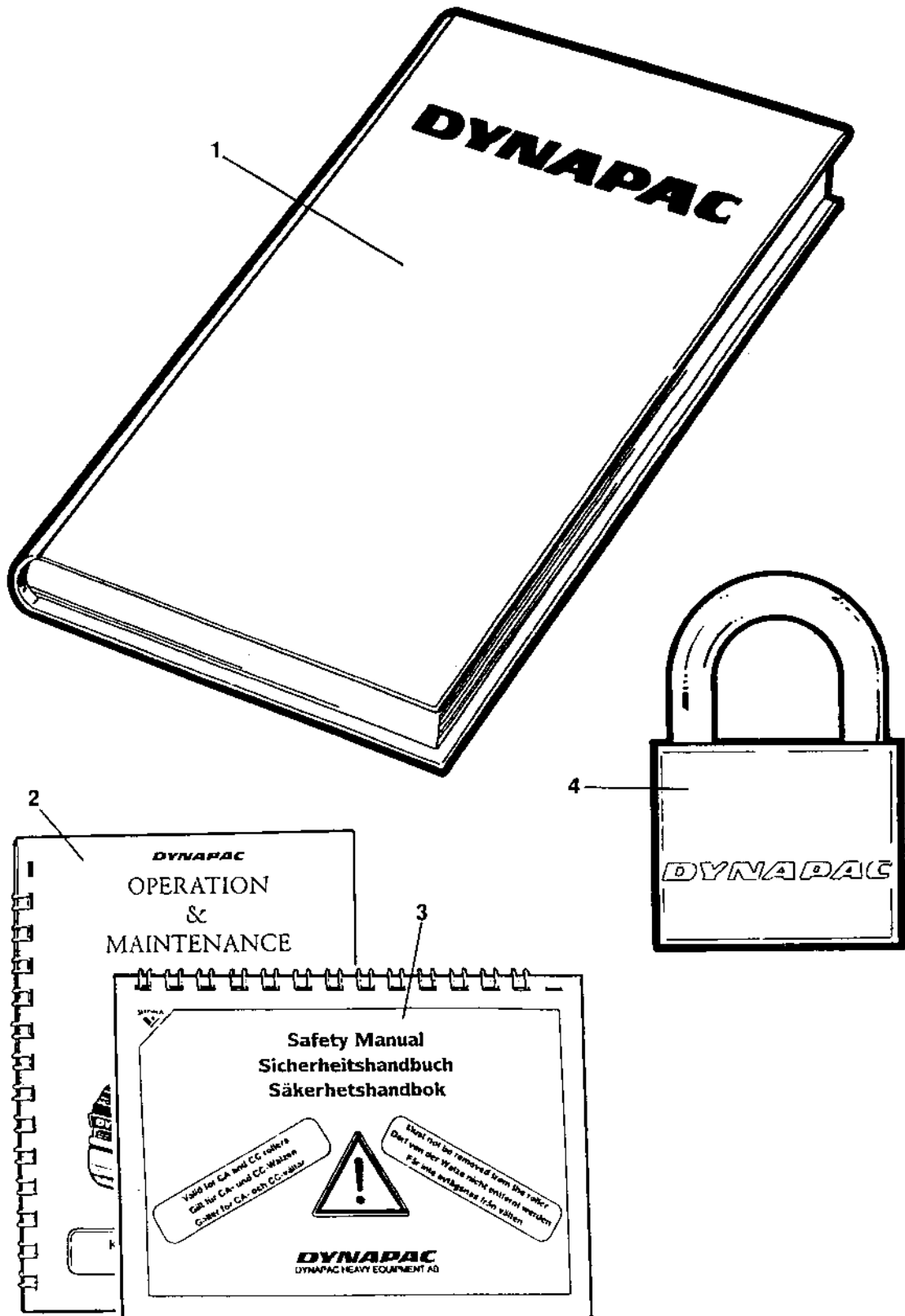
Ref. No.	Part No.	Rem.	Qty	Description	Code
1	588176		2	Decal "LIFT POINT"	
2	904068		2	Decal "DYNAPAC"	L=1770 mm
3	904723		2	Decal "MODEL CODE"	
4	377744		2	Reflector, yellow	B
5	358090		1	Product plate ce	
6	902915		4	Screw	
7	903459		2	Decal "SAFETY"	
8	343017		2	Lifting sign	
9	624016		12	Blind rivet	
10	903424		2	Decal "HOT SURFACE"	
11	903423		2	Decal "SAFETY"	
12	991990		2	Decal "TYRE PRESSURE"	110-150kPA/16-21psi
	390900		1	Decal "TYRE PRESSURE"	110kPA/16psi
13	903425		1	Decal "SAFETY MANUAL"	
14	903422		2	Decal "SAFETY"	
15	272373		1	Decal "HYDRAULIC OIL"	
16	386084EN		1	Warning plate	English
	386084ES		1	Warning plate	Spanish
17	384159		1	Instructions	Loading-Unloading
18	908229		2	Safety decal	
19	358881		1	Pad lock	
20	382751		4	Decal "TIE DOWN POINT"	
25	791642		1	Decal "WARNING"	Use of starting fluid prohib.



Decals

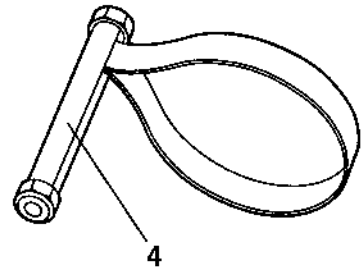
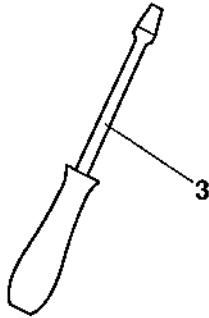
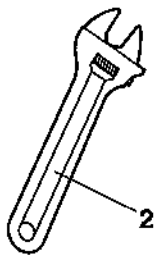
Ref. No.	Part No.	Rem.	Qty	Description	Code
1	904098		1	Decal "DYNAPAC"	L=1350 mm
2	377742		4	Reflector, red	B
3	991658		1	Decal "FUEL"	
4	904068		1	Decal "DYNAPAC"	L=1770 mm
5	377743		2	Reflector, white	B
6	373364		1	Slip protection	
7	373363		4	Slip protection	
8	272372		1	Decal "HYDRAULIC OIL"	
9	904835		1	Decal "BATTERY POWER"	
11	358881		1	Pad lock	
12	388449		1	Decal "Engine coolant fill"	

Ref. No.	Part No.	Rem.	Qty	Description	Code
100				Standard equipment (Page 150)	

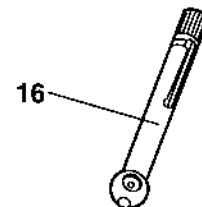
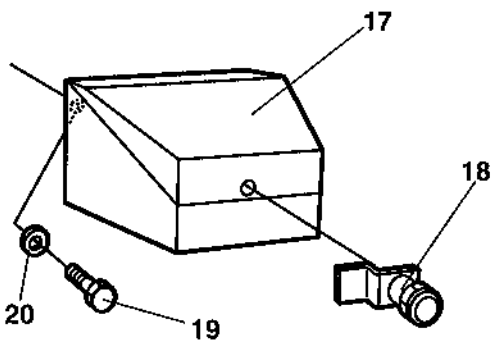
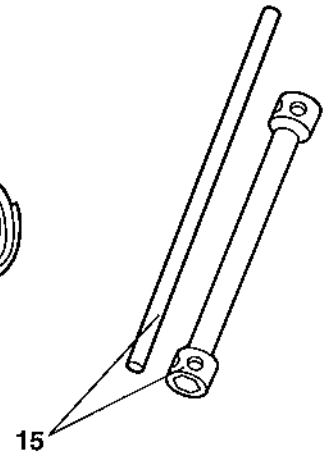
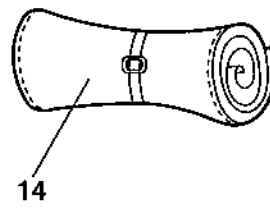
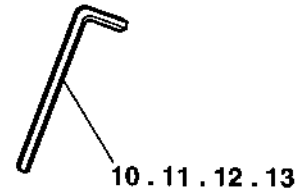
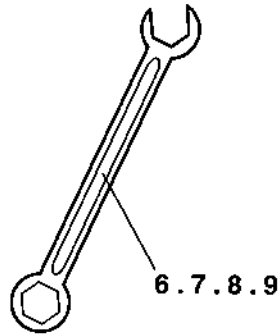
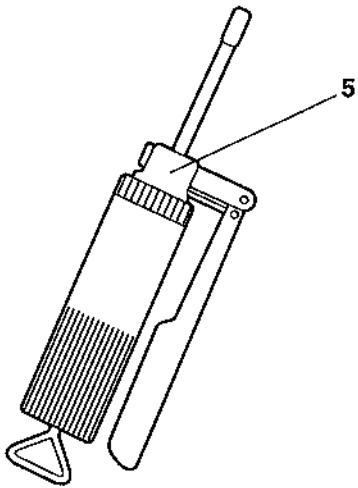


Ref. No.	Part No.	Rem.	Qty	Description	Code
1			1	Documentation	ISCA260PD
			1	.Warranty registration card	
			1	.Operation and maintenance	ICA260
			1	.Spare parts catalogue	SCA260PD
			1	.Instruction manual	Cummins QSB 6.7 C
2			1	.Operation / maintenance instruction	I5CA260
3			1	.Safety manual	RSAFE
4	358881		1	Pad lock	

Ref. No.	Part No.	Rem.	Qty	Description	Code
10				Tool equipment (Page 154)	
100				Dy-Mic (Page 156)	
230				Heater (Page 158)	Simple cab

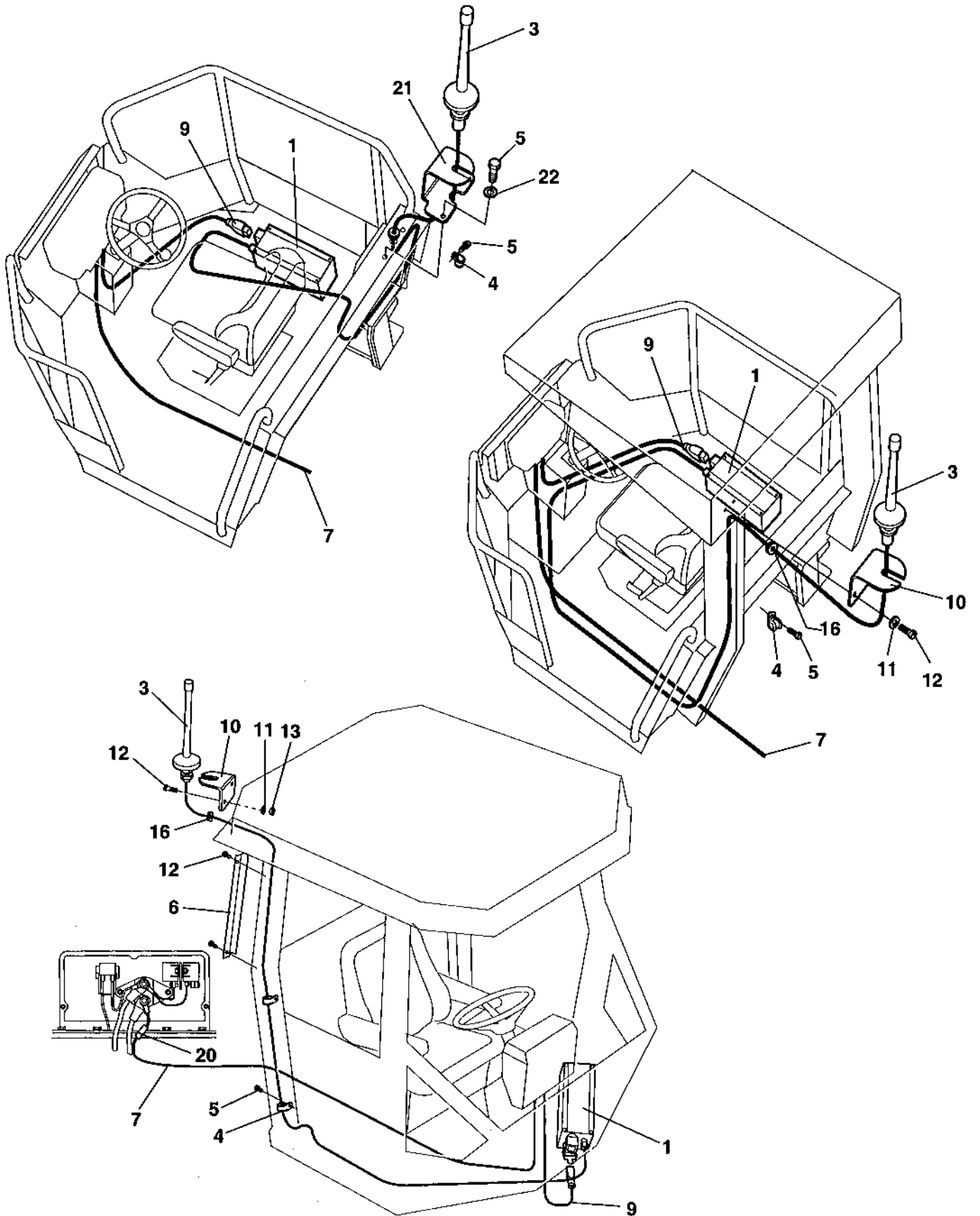


1



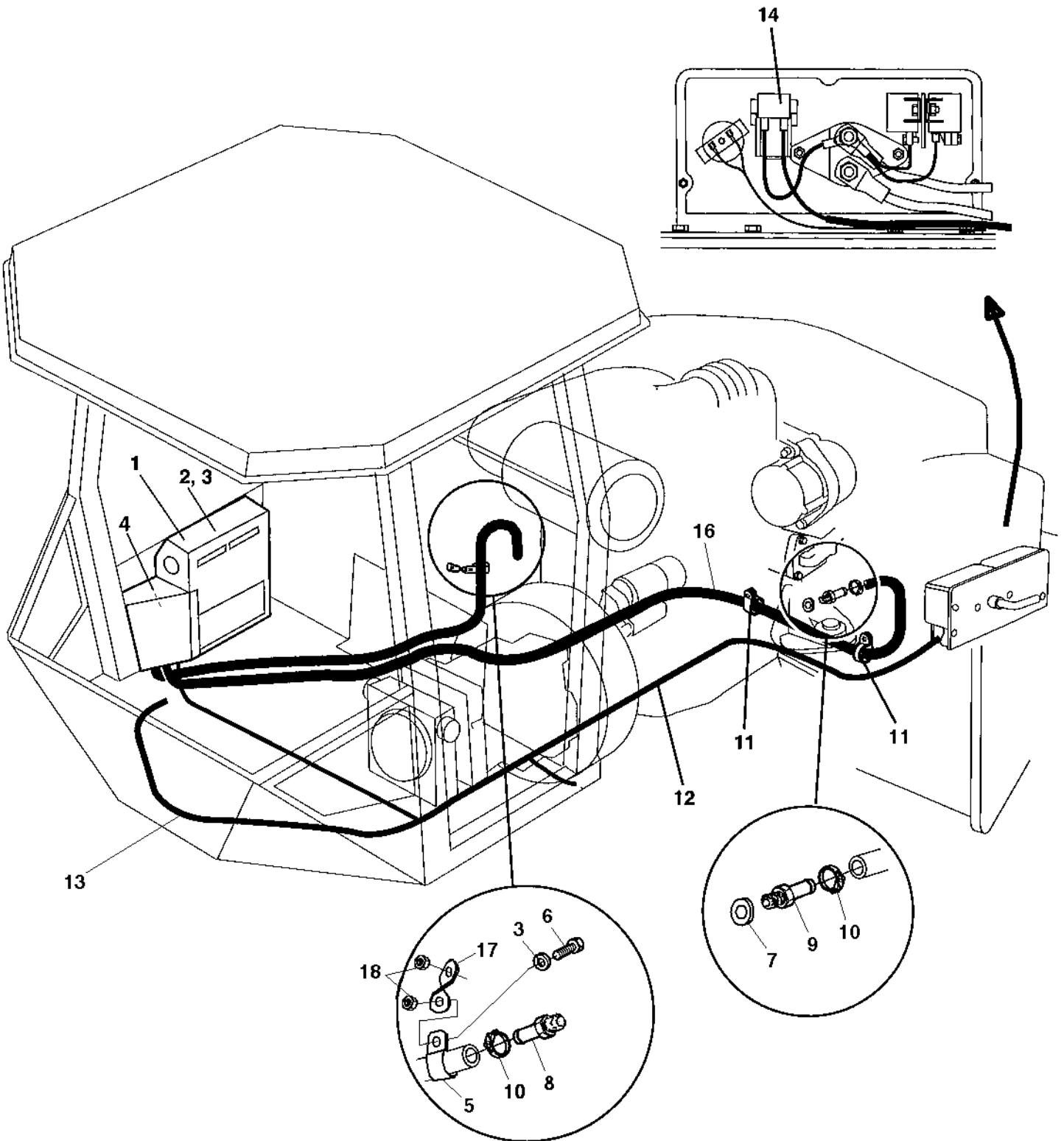
Tool equipment

Ref. No.	Part No.	Rem.	Qty	Description	Code
1	355890		1	Tool set Cpl	
2			1	.Adjustable wrench	
3			1	.Screw driver	
4	902610		1	.Belt pliers	
5	311016		1	.Grease gun	
6			1	.Open end spanner	10mm
7			1	.Open end spanner	13mm
8			1	.Open end spanner	16mm
9			1	.Open end spanner	18mm
10			1	.Allen wrench	10mm
11			1	.Allen wrench	12mm
12			1	.Allen wrench	6mm
13			1	.Allen wrench	8mm
14			1	.Tool bag	
15			1	.Wheel nut key	30/32mm
16	901220		1	.Pressure gauge	
17	372837		1	Tool box	
18	372658		1	.Lock	
19	500019		3	Screw	M8-1,25x16 8.8
20	904640		3	Washer	8,4x22x3



Dy-Mic

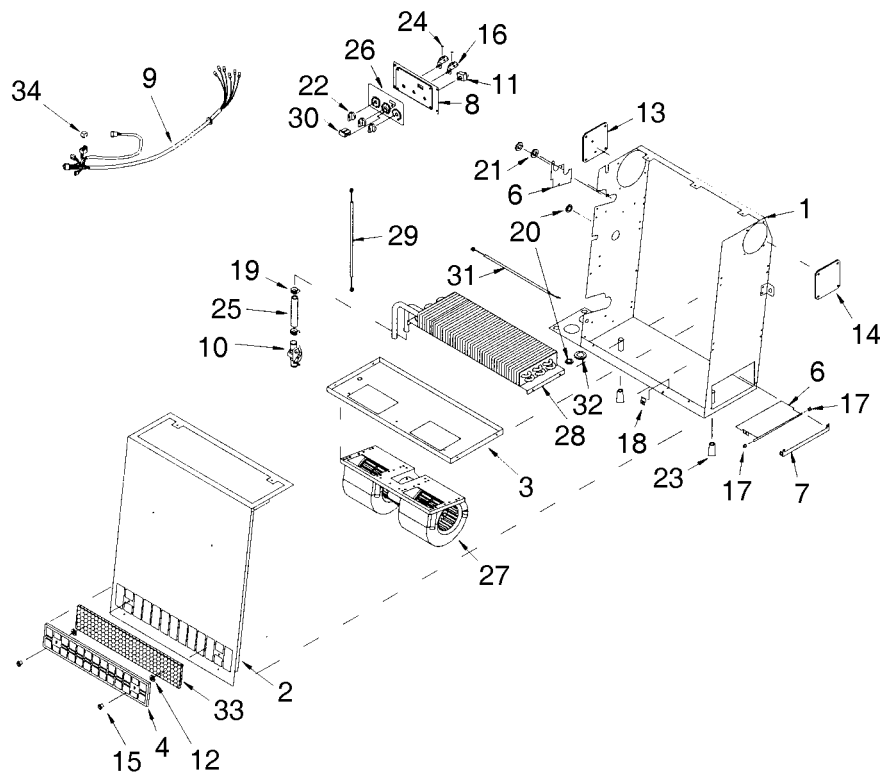
Ref. No.	Part No.	Rem.	Qty	Description	Code
1	386390		1	Communicator box	
	508002		4	Screw	
3	386391		1	Antenna	Cpl
4	921039		4	Pipe clamp	
5	904415		4	Screw	
6	386512		1	Cable holder	
7	386533		1	Cable harness	
8	930154		3	Contact piece, NC	
9	386392		1	Cable harness	
10	386506		1	Antenna holder	
11	904228		4	Washer	6,4x12x1,5
12	500040		4	Screw	M6-1x20 8,8
13	586002		2	Lock nut	M6
16	909122		1	Grommet	
17	313102		N	Cable ties	
18	313041		N	Cable ties	L=186 mm
20	901224		1	Fuse	3A
21	386507		1	Antenna holder	
22	904281		2	Washer	5,3x10x1



Heater Simple cab

Ref. No.	Part No.	Rem.	Qty	Description	Code	
1	379394		1	Heater box (Page 160)		
2	500019		5	Screw	M8-1,25x16 8.8	
3	904229		6	Washer	8,4x16x1,5	
4	903741		2	Fuse	20A Yellow Medium	B
5	921056		1	Clamp		
6	500053		1	Screw	M8-1,25x20 8.8	
7	330330		1	Seal ring		
8	387638		1	Hose connection		
9	391303		1	Hose connection		
10	313004		4	Hose clamp	19-28	
11	921132		2	Clamp		
12	387466		1	Cable harness		
13	394210		1	Cable harness		
14	904039		1	Fuse	50A Red High	D
15	313102		N	Cable ties		
16	937737	A	2XL	Hose		
17	393280		1	Holder		
18	570005		2	Nut	M8	

A) L=3600 mm



379394 Heater box

Ref. No.	Part No.	Rem.	Qty	Description	Code
10	939693		1	.Heater control valve	
11	938622		1	.Switch	
16	938621		2	.Rotary control	
19	313003		2	.Hose clamp	15-24 D
24	385134		2	.Lock washer	
25	384881	A	1	.Hose	
27	938638		1	.Fan	
28	938639		1	.Heater coil	
29	938645		1	.Bowden cable	
31	384762		1	.Wire	
33	384761		1	.Air filter element	
34	287597		1	.Relay	D

A) L=200 mm

Part Number	Page	Part Number	Page	Part Number	Page
100040	19,35	334197	89	372236	41
116041	23,45	334205	85,93	372347	123
160105	23,45	334248	81	372409	123
160132	85	334389	93	372457	125
162004	51	334468	81	372489	123
162008	81	334524	93	372494	111,125
162011	43,45	334558	89	372513	89
162017	43,45	337042	35	372514	89
162018	45	337045	19,35	372658	155
162027	43,45	338304	89	372678	123
167023	45	340863	87	372757	111
167032	19,35	343017	145	372772	49
202028	37	343159	35	372784	107
202046	51	343318	45	372785	111,125
205027	51	343322	41,45	372836	107
212553	67,75	343744	43,45	372837	155
230277	57	343775	29	372964	119
230515	49	343801	41	373016	107
232097	89	345243	81	373017	85
232210	41,43,45	345678	41	373096	107
232222	81	345679	41	373140	107
234218	89	345870	97	373184	101
234243	81	345871	19,35	373270	85
234382	85	345872	19,35	373363	147
234624	81	345873	19,35	373364	147
234626	89	345874	19,35	373400	111
234662	89	345875	19,35	373421	35
234843	93	345884	41	373424	85
234875	81	345885	41	373442	41
234888	93	347119	29	373443	41
234909	81	347512	111	373460	57
234919	57	348213	107	373574	57
234958	81	348331	111	373746	121
238158	99	349435	107	373747	121
244054	57	349682	41	373748	121
246069	51	349715	45	373749	121
272372	147	355676	41	373750	121
272373	145	355869	119	373906	121
287597	161	355890	155	373907	121
310008	19	355983	63	374029	101
311016	155	357138	13	374030	101
313001	57	357488	29	374059	81
313002	57	357643	111	374471	111
313003	161	357855	113	374606	125
313004	49,51,159	358090	145	374607	125
313010	51	358452	103	374744	29
313041	51,57,107,157	358881	145,147,151	374900	35
313075	51	359550	81	374927	41
313093	55,59	359551	81	375999	81
313102	51,81,89,107,157	359552	81	376000	89,91
	159	370231	45	376252	111,125
330170	51	370792	123	376340	37
330171	51,57	370803	123	376349	37
330328	97	371620	49	376354	37
330330	159	371669	89	376366	37
330331	49	371727	49	376488	123
330333	49,71,77	371730	135	376489	123
330383	49,85	371774	51	376551	33
334121	85,89	372008	107	376619	59
334122	85	372087	29	376622	33
334135	85	372229	9,13,81	376701	29
334138	81	372235	81	376818	37

Part Number	Page	Part Number	Page	Part Number	Page
377009	117	380717	81	386390	157
377010	117	380727	111	386391	157
377011	117	380755	37	386392	157
377012	117	380798	105	386410	59
377014	117	380830	81	386506	157
377015	117	380963	121	386507	157
377016	117	380964	121	386512	157
377018	117	380993	19,35	386533	157
377019	115	381027	45	386699	51
377020	115	381033	31	386966	55
377021	115	381297	37	386999	97
377024	115	381330	37,123	387089	31
377071	105	381347	37	387090	31
377518	111,125	381348	37	387128	49
377556	111,125	381351	107	387226	113
377677	123	381352	123	387227	113
377742	147	381353	123	387427	97
377743	147	381413	51	387466	159
377744	145	381634	43,45	387545	113
378214	49	381760	43,45	387562	81
378308	125	381989	37	387638	159
378335	113	382394	49	387683	99
378408	49	382397	125	387699	59
378690	51	382406	37	387720	113
378728	49	382411	37	388145	63
378729	49	382582	111,125	388146	63
378745	97	382751	145	388449	147
378759	117	383225	123	388732	51
378940	59	383452	107	388800	59
378941	59	383705	111	388855	49
379084	55	383856	61,73	389138	49
379085	55	383857	61,63,65	389577	103
379086	55	383933	63	389907	33
379163	49	383955	63	390016	59
379164	49	383958	85	390083	55
379214	55	383974	63	390327	97
379236	129	383975	63	390500	51
379269	55	384114	45	390587	63
379394	159,161	384121	41	390588	63
379481	89	384159	145	390589	63
379482	81	384163	101	390590	63
379538	51	384402	141	390591	63
379602	51	384403	141	390743	49
379608	127	384498	19,35	390759	63
379630	89	384759	125	390760	63
379636	111	384761	161	390762	63
379637	123	384762	161	390771	45
379876	43	384881	161	390856	81
379878	45	385134	161	390857	81
379880	43,45	385171	55	390885	57
379936	55	385376	55	390896	21,43,45
380012	37	385377	11,13,55	390897	45
380018	43,45	385378	13,55	390898	49
380052	31	385379	55	390900	145
380053	31	385403	55	390927	131
380057	31	385599	99	391302	51
380058	31	385691	55	391303	159
380078	87	385873	51	391379	117
380109	37	386084EN	145	391380	117
380123	111	386084ES	145	391381	117
380145	85,87	386153	59	391382	117
380462	41	386272	23	391383	117

Part Number	Page	Part Number	Page	Part Number	Page
391386	117	500006	57	508006	111
391784	113	500007	113	508029	49,89
392002	89	500012	51,97,101	508068	117
392170	51	500013	49,97,103	508092	115
392234	81	500015	59	509025	49
392281	81	500018	35,51	509034	81
392283	49	500019	97,129,135,139	513012	37
392284	49		155,159	513017	113
392313	51	500021	55,81,103,115	527002	41
392394	111		121	535005	133
392483	89	500022	37,121,123	541526	107
392507	99	500023	89	541702	101,103
392771	101	500025	97	570004	51,97,99,117
392772	101	500028	55,81,85	570005	51,97,125,159
392773	103	500029	29,57,111,113	570006	89
392784	37		125	570007	41
392786	37	500030	53,81,85	586001	37,97,115
392791	29	500031	37,119	586002	37,97,99,121,157
392856	101	500032	85	586003	31,55,89,97,103
392885	55	500035	59		111,115,121,139
392899	115	500036	49	586019	49,117
392900	115	500037	35	586021	135
392937	97	500040	37,51,101,105	588176	145
392985	55		157	600008	89
392996	99	500043	29	624016	123,145
393153	55	500044	89	629066	135
393280	159	500046	81,89	635061	29
393543	107	500047	37,49	747282	51,57
393683	97	500048	53,57,119	747691	49
393694	97	500051	41,97	791156	43,45
393855	51	500053	31,37,51,55,59	791175	63
393857	37		81,97,99,101,105	791176	63
393917	51		107,111,129,159	791183	97
394061	99	500056	49	791185	99
394210	159	500060	97	791211	99
416034	115	500070	49	791218	125
450066	37	500075	51,97,99	791226	111
450067	37	500079	107	791341	101
470020	97	500082	41,43,45	791371	97
482010	81	500100	123	791468	49
482056	93	500109	81	791475	37
482182	81	500133	37	791476	113
482391	81	500146	41	791477	97
482399	93	500153	121	791479	97
482474	93	500154	49	791503	97
482741	81	500163	43,45,57	791510	97
483031	85	500165	33	791511	97
483049	89	500194	41,49,85,107	791513	57
483109	89	500195	111,125	791517	99
483128	81	500196	45	791572	49
483160	89	500210	111	791573	63
483280	89	500239	81,123	791578	99
483286	85	500263	81	791582	99
483397	85	500283	33	791583	99
483497	89	500287	35	791584	99
483498	89	500505	113	791585	99
483910	85	502019	85	791587	99
483911	85	502034	89	791588	99
483922	81	502078	85	791642	145
484106	81	502132	81	791647	99
484107	81	508002	157	791657	99
500004	97	508004	49	792081	49

Part Number	Page	Part Number	Page	Part Number	Page
792083	99	902123	119	904229	115,121,125,129
792237	89	902166	37,51,55,59,113		135,139,159
792251	57	902203	111	904230	29,49,51,55,57
792261	63	902227	101		81,85,97,111,113
792265	97	902284	97		119,125
792275	49	902285	37,105,107	904231	35,37,41,45,57
792315	99	902288	107		59,85,89,97,107
792317	99	902379	37		111,125
792318	99	902496	107	904232	33,41,43,45,49
792319	99	902610	155		85,135
792322	51	902655	87	904233	41,49,63,111,125
792339	81	902861	91	904234	33,41,123
792413	99	902862	91	904241	59
792414	99	902864	91	904281	37,57,97,113,157
792432	99	902915	145	904282	81
792435	99	902919	29,81	904314	101
792461	99	903189	45	904340	121
792462	99	903192	107	904352	53
792463	99	903281	41	904415	157
792549	37	903290	111,125	904433	111,125
792551	51	903422	145	904448	97
792552	51	903423	145	904486	51
801187	25,41	903424	145	904504	37
802550	55	903425	145	904543	101
813391	29	903436	101	904551	51
813434	97	903457	91	904556	97,115
813444	89	903459	145	904557	29,37
813462	97	903494	87	904562	123
813499	81	903495	87	904563	117
813500	89	903631	97	904567	53
900170	55	903632	49,97	904619	123
900229	81	903640	97	904637	49,89
900430	85	903714	51	904638	81
900552	93	903741	159	904640	31,37,51,55,59
900775	43,45	903768	97		101,123,155
900776	21,43,45	903782	99,129	904653	113
900782	21,43,45	903812	89	904663	19
900957	69	903831	89	904695	57
900966	69	903877	85	904703	49
901121	57	903919	41	904718	31
901145	63,111,125	903945	117	904723	145
901155	85	903946	117	904734	123
901157	85	903947	117	904737	43,45
901190	107	903956	99	904767	85
901218	63	903985	63	904773	85
901220	155	904005	81,89	904774	85
901224	105,157	904036	97	904781	85
901225	99	904037	97	904793	81
901227	99	904038	97,101	904835	147
901228	99	904039	159	904910	105
901369	101	904068	145,147	904984	57
901385	87	904098	147	905304	137
901386	87	904171	81	905305	137
901387	87	904180	123	905306	137
901389	87	904206	107	908229	145
901390	87	904213	81	908265	135
901391	87	904228	37,49,51,59,81	908267	139
901443	63		97,101,103,105	908355	135
901444	63		121,157	908359	139
901767	99	904229	35,49,51,55,59	908361	135
901834	65,73		81,85,89,97,99	908485	67,75
901987	71,77		103,105,107,111	908499	127,129,131

Part Number	Page	Part Number	Page	Part Number	Page
908506	129	921132	159	935278	127
908507	129	923008	83,97	935279	127
908545	127,131	923342	67,75	935280	127
908580	131	923371	81	935281	127
908581	131	923384	81	935282	127
908582	131	924791	121	935283	127
908583	131	924875	37	935284	127
908605	137	925802	49,101	935285	127
908617	137	925867	41	935286	127
908623	133	926214	19,35	935287	127
908624	133	926537	115	935288	127
908625	135	926781	71,77	935289	127
908626	135	926810	69	935290	127
908627	135	926847	69	935291	127
908628	135	926985	51	935293	127
908780	91	927233	117	935295	127
909122	157	927350	87	935296	127
909544	69	927857	59	935297	127
909550	67	927974	111,125	935298	127
909551	67	928830	119	935299	127
909552	67	928850	41	935300	127
909553	67	929013	91	935301	127
909558	67	929014	91	935302	127
909559	67	929123	89	935303	127
909560	67	929217	63	935429	91
909561	67	929226	85	935468	91
909562	67	929447	23,45	935613	119
909563	67	929612	71,77	935614	119
909565	67	929617	69	935644	67
909566	67	929625	75	937256	87
909567	67,75	929626	75	937257	87
909568	67,75	929628	67,75	937258	87
909569	67,75	929629	67,75	937259	87
909570	67,75	929630	75	937260	87
909572	67,75	929631	75	937261	87
909574	67,75	929638	67,75	937262	87
909576	67,75	929644	67,75	937264	87
909580	67,75	929648	65,73	937265	87
909581	67,75	929863	19	937380	127
909582	65,73	930151	107	937381	127
909583	65,73	930154	157	937382	127
909584	65,73	935244	131	937383	127
909586	71,77	935245	131	937384	127
909596	69,71,77	935246	131	937385	127
909607	69	935247	131	937389	127
909609	69	935248	131	937390	131
909616	69	935249	131	937391	131
909618	69	935250	131	937392	131
909619	69	935253	131	937393	131
909622	69	935265	131	937674	87
909624	69	935266	131	937737	159
909626	69	935267	131	937870	141
910161	89	935268	131	937871	137
910995	35	935269	131	937993	87
911620	91	935270	131	937995	87
921039	101,103,157	935271	127,131	938002	87
921050	51	935272	127,131	938017	131
921056	159	935273	127,131	938018	131
921063	49	935274	127,131	938030	87
921072	97	935275	127,131	938031	87
921084	51	935276	127,131	938035	87
921099	81	935277	127,131	938036	87

Part Number	Page	Part Number	Page	Part Number	Page
938037	87	939271	71,77		
938038	87	939272	71,77		
938039	87	939273	71,77		
938040	87	939274	71		
938041	87	939275	71,77		
938042	87	939276	71,77		
938062	91	939277	71,77		
938063	91	939278	71,77		
938064	91	939279	71		
938065	91	939280	69		
938066	91	939281	69		
938067	91	939282	69		
938068	91	939283	69		
938069	91	939284	69		
938070	91	939285	69		
938071	91	939286	69		
938072	91	939287	69		
938073	91	939349	77		
938074	91	939351	77		
938075	91	939506	49		
938101	131	939693	161		
938290	127	939979	49		
938291	127	940374	117		
938292	127	940451	99		
938296	69	940678	131		
938558	15,17,19	945140	49		
938621	161	945145	9,11,13,49		
938622	161	945146	9,11,13,49		
938638	161	945147	9,11,13		
938639	161	945148	49		
938645	161	945171	13		
938659	127	945197	5,7,9		
938878	15,17,25	945198	5,7,11		
938891	15,17,23	945199	5,7,13		
938983	69	945407	117		
938984	69	945585	43		
938985	71,77	945589	45		
938989	67,75	945657	15,17,21		
939003	71,77	960727	97		
939015	71,77	991658	147		
939016	71,77	991990	145		
939017	71,77	999011	103		
939019	71,77	999027	99		
939026	69				
939035	69				
939036	69				
939255	69				
939256	69				
939257	67,75				
939258	67,75				
939259	67,75				
939260	67,75				
939261	67,75				
939262	67				
939263	71,77				
939264	71,77				
939265	71,77				
939266	71,77				
939267	71,77				
939268	71,77				
939269	71,77				
939270	71,77				

