

Spare Parts Catalogue

SCA602PD-4EN2

Valid from roller serial number:
10000122x0A000001 -



Diesel engines:
Cummins QSB 6.7

Published catalogue issues valid for these rollers:

Catalogue	Issue date	Valid for serial numbers
SCA602PD-4EN1	2010-03	Replaced by SCA602PD-4EN2
SCA602PD-4EN2	2011-10	See above



RESERVDLSBESTÄLLNING

Följande uppgifter ska lämnas vid beställning av reservdelar för att undvika leveransfel:

1. Maskintyp.
2. Vältens serienummer.
3. Antal av önskad reservdel.
4. Reserdelens artikelnummer.
5. Reservdelens benämning.
6. Måttuppgifter vid beställning av metervara.

ORDERING SPARE PARTS

To avoid errors in delivery, please give the following information when ordering spare parts:

1. Type of machine.
2. Roller serial number.
3. Quantity required.
4. Part number.
5. Parts denomination.
6. Dimensions when ordering per length.

ERSATZTEILBESTELLUNG

Zur Vermeidung von Fehllieferungen sind bei der Bestellung von Ersatzteilen folgende Angaben zu machen:

1. Maschinentyp.
2. Herstellungsnummer.
3. Bestellmenge. (Quantity)
4. Ersatzteilnummer. (Part N°)
5. Ersatzteilbenennung. (Denomination)
6. Massangaben bei Bestellung von Meterware.

ORDINI DI RICAMBI

Per evitare errori nelle consegne di ricambi, Vi preghiamo di comunicarci le seguenti informazioni al momento dell'ordinazione:

1. Tipo di macchina.
2. Numero di serie della macchina.
3. Quantità dei pezzi desiderati. (Quantity)
4. Numero di codice del pezzo. (Part N°)
5. Descrizione del pezzo di ricambio. (Denomination)
6. Misura, in caso di ordine per metro.

PEDIDO DE RECAMBIOS

Para evitar errores en las entregas, deberán indicarse los siguientes datos al hacer un pedido de recambios:

1. Tipo de máquina.
2. Número de serie.
3. Cantidad de piezas deseadas. (Quantity)
4. Número de artículo de la pieza de recambio. (Part N°)
5. Denominación de la pieza. (Denomination)
6. Indíquese la medida al solicitar un artículo que se expide por metros.

COMMANDE DE PIÉCES DE RECHANGE

Les indications suivantes doivent être fournies lors de la commande de pièces de rechange, afin d'éviter toute erreur de livraison:

1. Type de machine.
2. Numéro de série.
3. Quantité désirée de pièce de rechange. (Quantity)
4. Numéro de la pièce de rechange. (Part N°)
5. Dénomination de la pièce de rechange. (Denomination)
6. Longueur en cas de commande au mètre.

YOUR AGENT/DEALER:

PÄRMETIKETT

För att undvika fel vid reservdelsbeställning finns här nedan två etiketter som passar i fickorna på pärmarnas ryggar. På dessa kan man se från vilket vältnummer av aktuell maskin reservdelskatalogen gäller. Gör så här:

1. Tag denna sida ur pärmen.
2. Klipp ut etiketten till **VÄNSTER** (1) och sätt in den i fickan på **DENNA** pärmens rygg.
3. Finns det en etikett till **HÖGER** (2), kan denna användas på pärmen för **FÖREGÅENDE** utgåva av denna katalog.
4. Kasta detta papper.

KATALOG-BESCHRIFTUNG

Zur Vermeidung von Fehlern bei der Ersatzteilbestellung benutzen Sie bitte die unteren Beschriftungen, um die Kataloge auf der Rückseite zu kennzeichnen. Auf der Beschriftung ist angegeben, für welche Maschinennummern der jeweilige Katalog gültig ist. Ablauf:

1. Nehmen Sie dieses Blatt aus dem Katalog.
2. Schneiden Sie die **LINKE** Beschriftung (1) aus. Schieben Sie die Beschriftung in die tasche auf **DEM** Katalogrücke.
3. Sollte die Beschriftung unten **RECHTS** (2) mitgeliefert werden, kennzeichnen Sie damit bitte die **ÄLTERE** Ausführung dieses Kataloges.
4. Den Rest dieses Blattes bitte vernichten.

ETIQUETA PARA LA CARPETA

Para evitar errores al pedir repuestos utilicen las etiquetas abajo descritas para identificar los catálogos en la parte trasera de la carpeta. En la etiqueta se ven los números de referencia de la serie para la cual es válido el catálogo. Instrucciones:

1. Quitar esta página de la carpeta.
2. Corta la etiqueta **IZQUIERDA** (1) y ponerla en **ESTA** carpeta en la parte trasera.
3. Si hay una etiqueta en la parte **DERECHA** (2) se puede utilizar en la carpeta para el catálogo que **PRECEDE** a esta.
4. Tirar esta hoja.

BINDER LABEL

To avoid errors when ordering spare parts use the labels below to identify the catalogues on the back of the binder. The label contain the serial number range for which the catalogue is valid. Do like this:

1. Remove this page from the binder.
2. Cut out the **LEFT** label (1) and put it on **THIS** binders back.
3. If there is a label to the **RIGHT** (2), it can be used on the binder for **PRECEDING** issue of this catalogue.
4. Throw away this paper.

ETICHETTAPOSTASULRACCOGLITORE

Per evitare errori quando ordinate pezzi di ricambio, usate le etichette in calce che servono ad identificare i cataloghi sul retro del raccoglitore. L'etichetta indica il numero di matricola delle macchine prese in considerazione nel catalogo.

1. Rimuovete questa pagina dal raccoglitore.
2. Ritagliate l'etichetta posta a **SINISTRA** (1) e ponetela sul retro **DEL** raccoglitore.
3. Se trovate anche un'etichetta sulla **DESTRA** (2), ritagliatela e ponetela sul raccoglitore relativo alla **PRECEDENTE** edizione del catalogo.
4. Distruggete questo foglio.

ETIQUETAGE DU CATALOGUE

Afin d'éviter des erreurs lors de commandes de pièces de rechange, nous vous conseillons d'apposer les marquages ci-dessous à l'arrière du classeur, pour identifier les catalogues. Ce marquage indique les numéros de série pour lesquels le catalogue est adapté. Il convient de procéder de la façon suivante:

1. Retirez cette page du classeur.
2. Découpez l'étiquette de **GAUCHE** (1), et apposez-la à l'arrière de **CE** catalogue.
3. Si il y a une étiquette à **DROITE** (2), vous pourrez l'apposer sur le classeur de l'édition **PRECEDENTE** du catalogue.
4. Détruire cette feuille.

1 .



TABLE OF CONTENTS

	Page
CA602PD SN 10000122x 0A000001 -	2
Service kits	4
4700945197 Service kit 50 h	6
4700950324 Service kit 500 h	8
4700945199 Service kit 1000 h	10
Repair kits	12
4700938562 Steering hitch kit	14
4700945657 Eccentric shaft kit	16
4700938891 Drum rotation kit	18
4700938883 Shock absorber kit, drum	20
4700940663 F/R control button kit	22
Frame	24
Frames	26
Scrapers	28
Scrapers	30
Heavy duty scraper Option	32
Hitch	34
Structure	36
Drum	40
Drum	42
Drum cartridge Vibration side	44
Drum cartridge Drive side	46
Drum gear	48
Engine	50
Engine Cummins QSB 6.7C	52
Cooling system	54
Radiator Up to 0A008003	58
Combustion air system	60
Fuel system	62
Exhaust system	64
Transmission	66
Rear axle and wheels	68
4700385100 Rear axle Limited slip	70
Differential with limited slip	72
Differential housing and brakes	74
Planet gear	76
4700383856 Rear axle No-Spin, Option	78
Differential with no-spin	80

TABLE OF CONTENTS

Page

Differential housing and brakes	82
Planet gear	84
Hydraulic system	86
Propulsion system, Front	88
4700382088 Propulsion motor	90
Propulsion and Oil cooling system, Rear	94
4700380830 Propulsion pump	98
4700373361 Propulsion motor	104
4700376377 Hydraulic oil cooler	108
Vibration system	110
4700383959 Vibration pump	112
Rotating group, cpl	114
4700936609 Valve block, cpl	116
4700380146 Hydraulic motor, vibration	118
Steering system	120
4700372424 Pilot valve, steering	122
4700392027 Steering cylinder	124
Brake system	126
Hydraulic oil tank	128
Central test panel hydraulic Option	130
Central test panel Option	132
Emergency steering Option	134
Electrical equipment	136
Electric system Up to 0A005462	138
Electric system From 0A005463	142
Relay and Fuses	146
Instrument box	148
Instrument panel Main	150
Instrument panel Upper left	152
Instrument panel Upper right	154
Instrument panel Upper right	156
Instrument panel Lower left	158
Instrument panel Lower right	160
Emergency stop panel	162
Emergency and Parking brake panel	164
Driving lights Option	166
Working lights Option	170
Rotating beacon Option	172
Compaction meter Option	174
Speedometer and frequency meter Option	176
Tachograph, platform Option	178
Tachograph , cab Option	180

TABLE OF CONTENTS

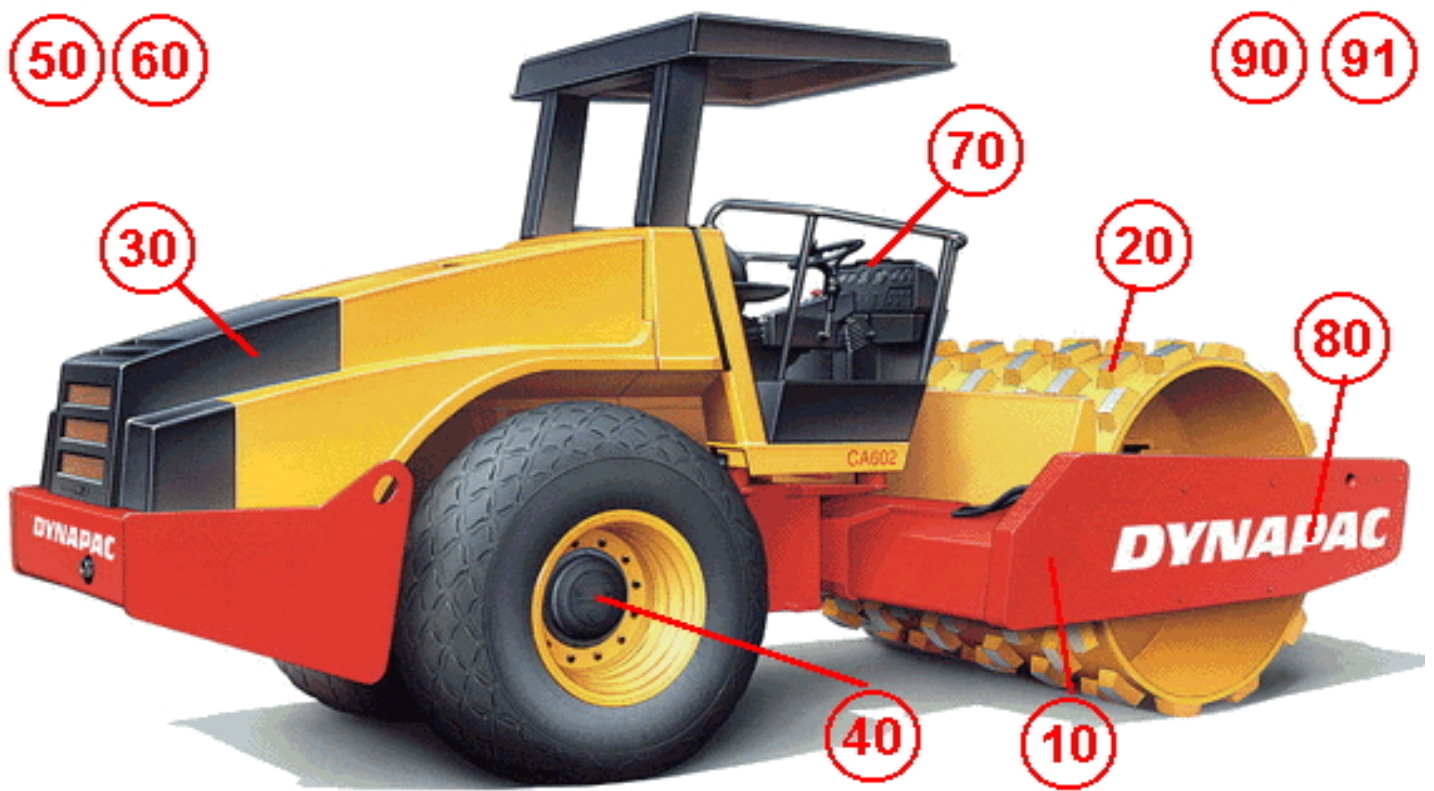
Page

Tachograph, simple cab Option	182
Back-up alarm Option	184
Protecting cover, Headlight Option	186
Field computer assembly Option	188
Compaction Analyzer Option	190
Geodynamic Compaction indicator Option	192
GPS Option	194
GPS Option	196
Engine pre-heater, Cab Option	198
Engine pre-heater, Platform Option	200
Drivers platform	202
Drivers platform	204
Drivers platform, for cab	208
Drivers seat Standard platform	210
Drivers seat Turn-over platform	212
Drivers seat Turn-over in cab	214
4700359918 Steering column	216
Steering column	218
Steering system	220
Turning Controls	222
Turning Carrier	224
Forward and reverse control	226
Rops and fops	228
Cab 4700383030	230
Cab Interior	232
Cab Inside panels	234
Cab Screens	236
Cab Door	240
Cab Wipers front and rear	244
Cab Mirror, Sun curtain	246
Cab Electric	248
Cab Heater system	250
4700385434 Cab heater, cpl	252
Cab Cable harness	254
Cab Work lights	256
Cab Exterior, rear mirror	258
Radio and cassette/cd player Option	260
Cab, 12V contact	262
Cab mounting	264
Cab 4700378308	266
Cab Screens	268
Cab Door, left side	272

TABLE OF CONTENTS

Page

Cab Interior rear mirror	274
Wiper arm with blade, front	276
Cab Electric	278
Bracket, Steering valve vibration isolated Option	280
Decals	282
Decals	284
Decals	286
Standard equipment	288
Standard equipment	290
Optional equipment	292
Tool equipment	294
SMV-sign, First aid box	296
Canopy	298
Air conditioner assembly	300
Air conditioner and heater, Simple cab	302
4700383413 Condensor, cpl	306
Air conditioner and heater unit	308
Evaporator assembly	310
Fire extinguisher assembly	312
Fire extinguisher Platform	314
Fire extinguisher Cab	316
Anti-spin CA	318
4700382133 Propulsion pump	320
4700382089 Propulsion motor	326
4700383856 Rear axle No-Spin, Option	78
Differential with no-spin	80
Differential housing and brakes	82
Planet gear	84
4700382088 Propulsion motor	90
Anti-spin CA	330
4700382133 Propulsion pump	320
4700382089 Propulsion motor	326
4700383856 Rear axle No-Spin, Option	78
Differential with no-spin	80
Differential housing and brakes	82
Planet gear	84
4700382088 Propulsion motor	90
Anti spin, Potentiometer installation	332

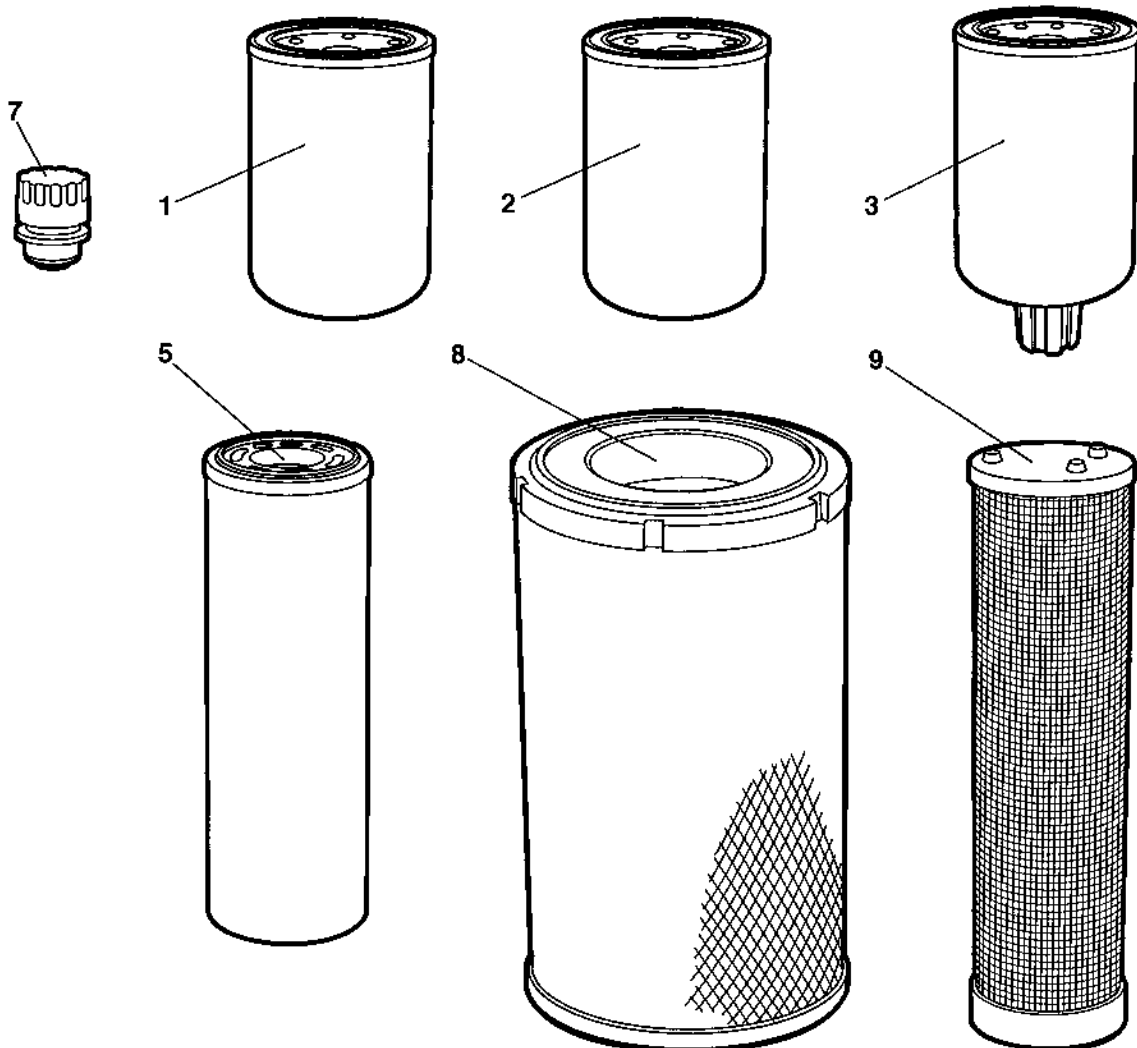
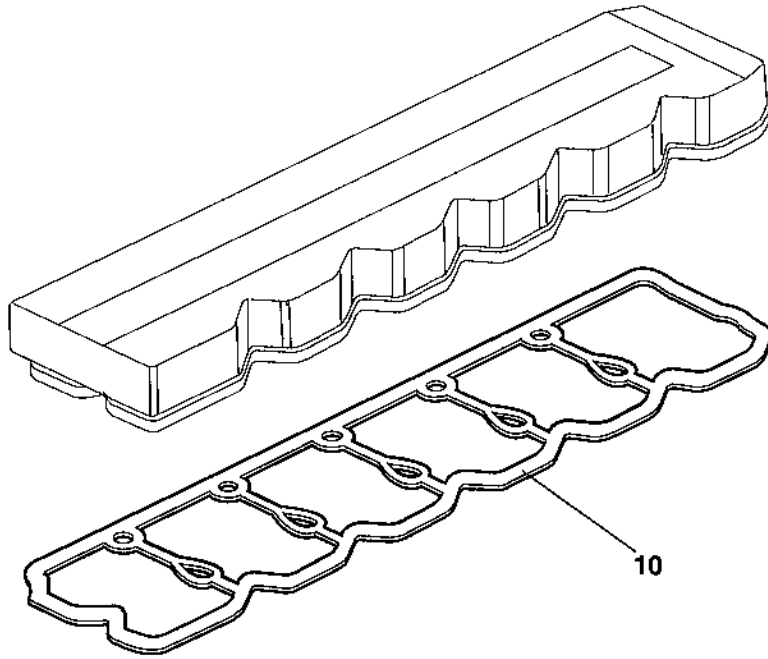


CA602PD SN 10000122x 0A000001 -

Item	Part No	Rem Qty	Description	Code
1			Service kits (Page 4)	
2			Repair kits (Page 12)	
10			Frame (Page 24)	
20			Drum (Page 40)	
30			Engine (Page 50)	
40			Transmission (Page 66)	
50			Hydraulic system (Page 86)	
60			Electrical equipment (Page 136)	
70			Drivers platform (Page 202)	
80			Decals (Page 282)	
90			Standard equipment (Page 288)	
91			Optional equipment (Page 292)	

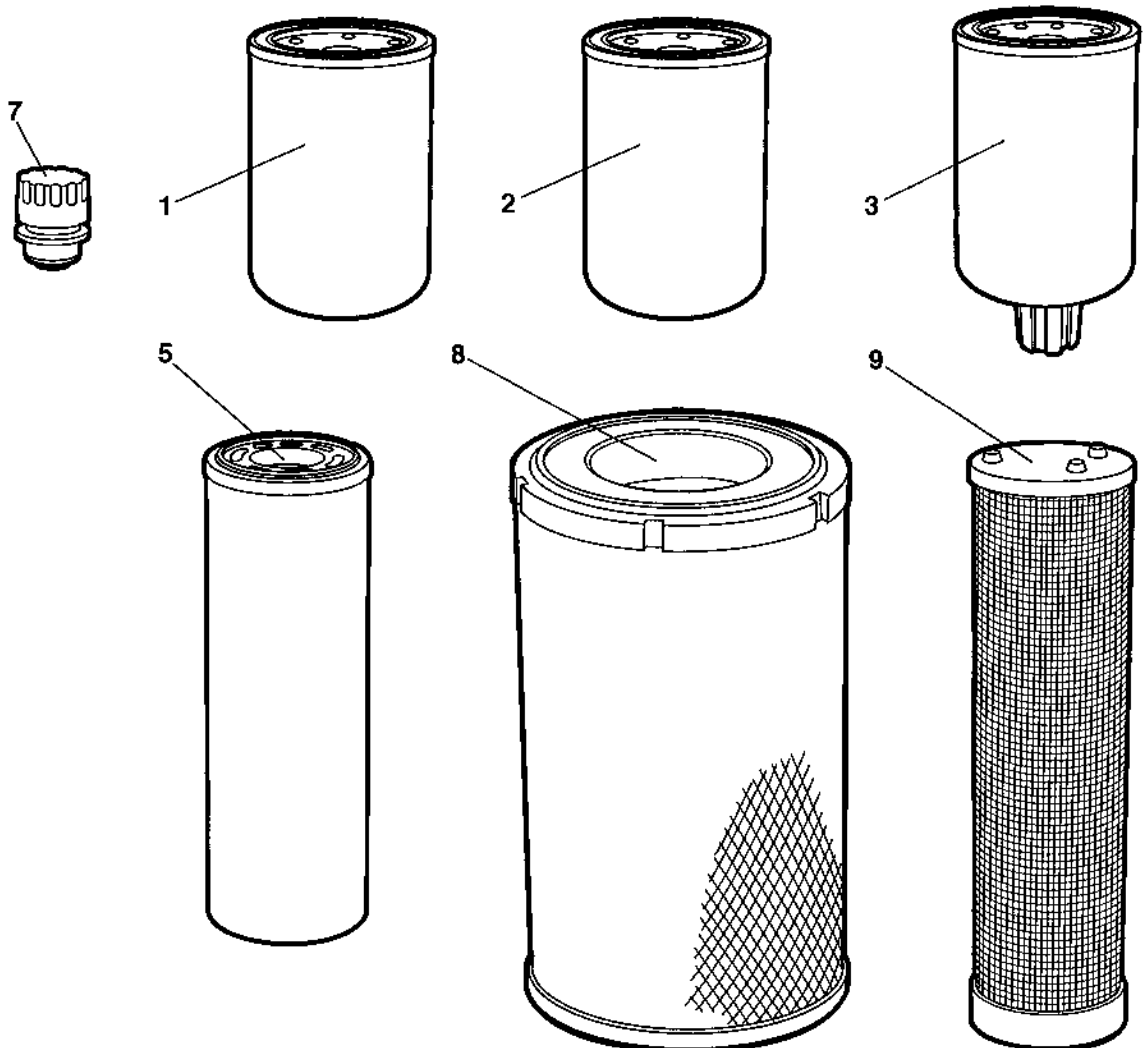
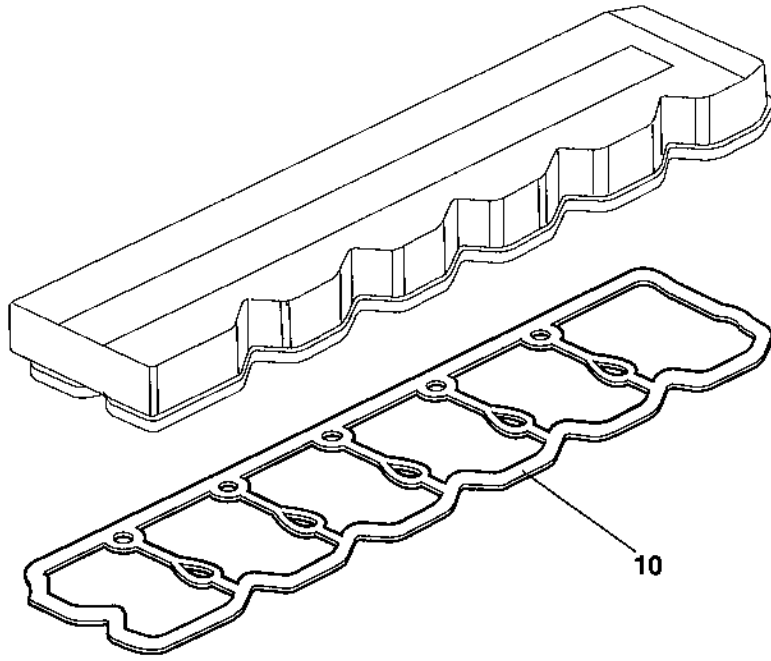
Service kits

Item	Part No	Rem Qty	Description	Code
10	4700945197		Service kit 50 h (Page 6)	
20	4700950324		Service kit 500 h (Page 8)	
30	4700945199		Service kit 1000 h (Page 10)	



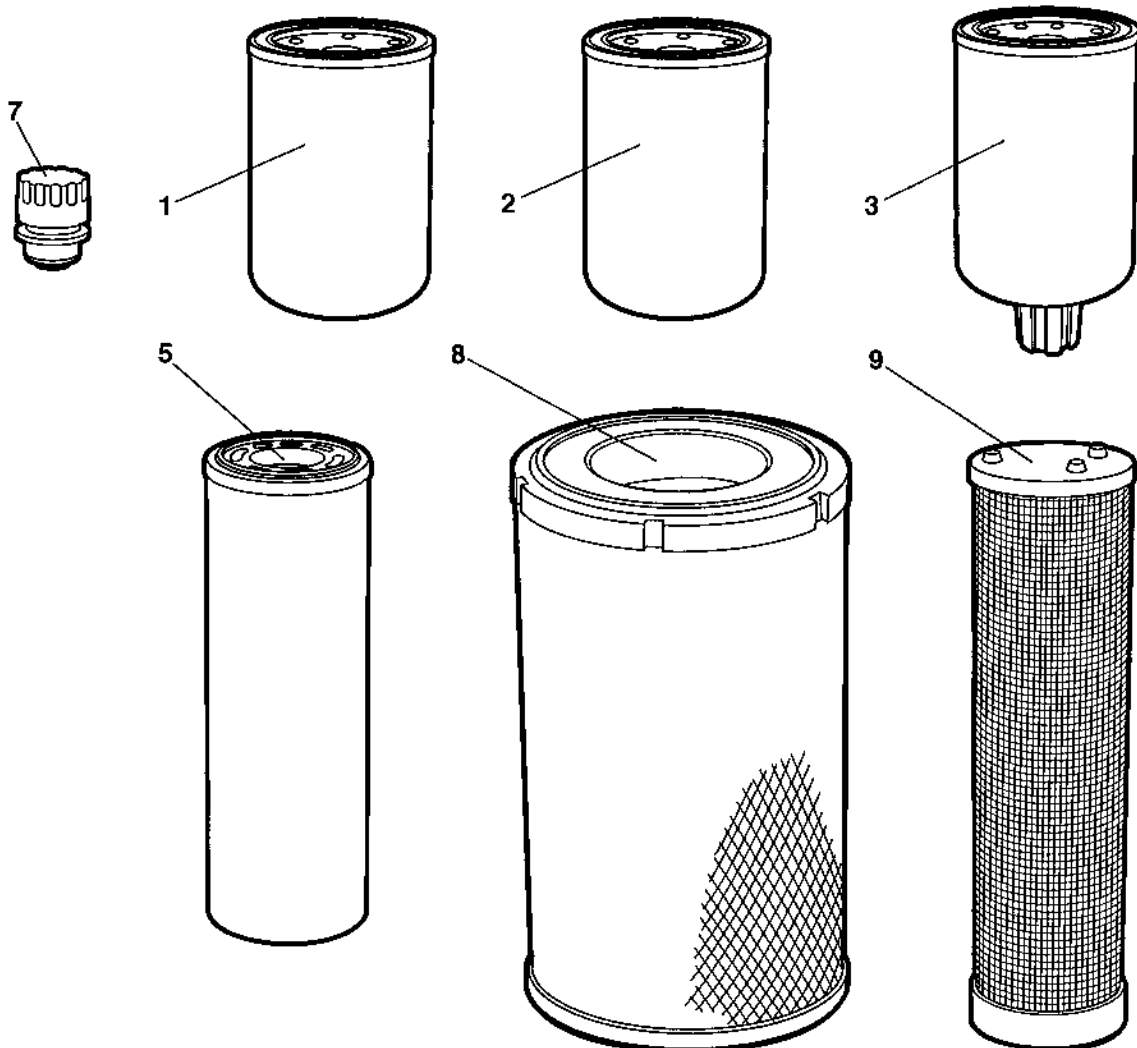
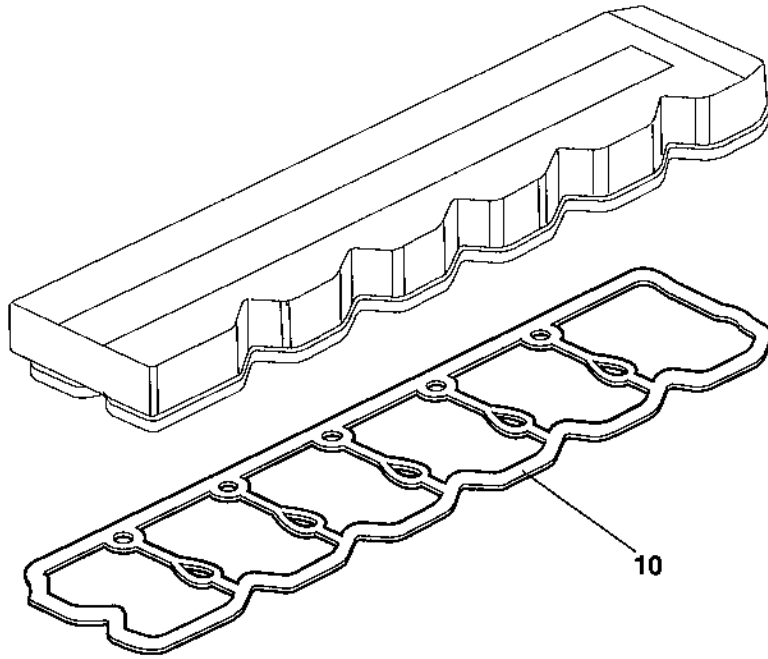
4700945197 Service kit 50 h

Item	Part No	Rem Qty	Description	Code
	4700945197		Service kit 50 h (Page 6)	
1	4700945145	1	Oil filter element	A
2	4700945146	1	Fuel filter element	A
3	4700945147	1	Pre-fuel filter element	
5	4700372229	2	Hydraulic oil filter element	A



4700950324 Service kit 500 h

Item	Part No	Rem Qty	Description	Code
	4700950324		Service kit 500 h (Page 8)	
1	4700945145	1	Oil filter element	A
2	4700945146	1	Fuel filter element	A
3	4700945147	1	Pre-fuel filter element	
8	4700394690	1	Air filter element, main	A



4700945199 Service kit 1000 h

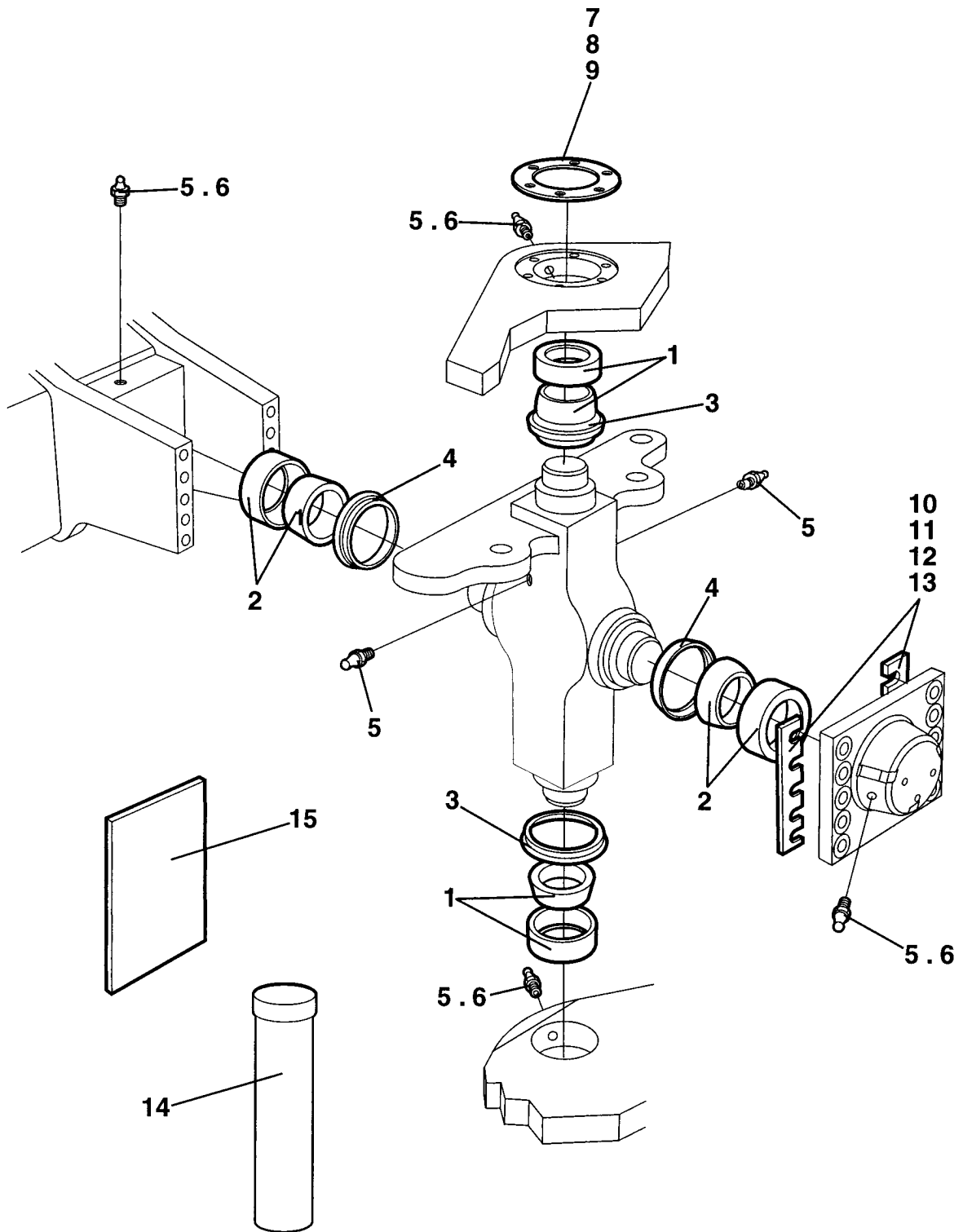
Item	Part No	Rem	Qty	Description	Code
	4700945199			Service kit 1000 h (Page 10)	
1	4700945145		1	Oil filter element	A
2	4700945146		1	Fuel filter element	A
3	4700945147		1	Pre-fuel filter element	
5	4700372229		2	Hydraulic oil filter element	A
7	4700357138	B	1	Ventilating filter	A
8	4700394690		1	Air filter element, main	A
9	4700394691		1	Air filter element, safety	A
10	4700945171		1	Valve cover gasket	

B) Ventilated oil filler cap for the hydraulic oil tank

Repair kits

Item	Part No	Rem Qty	Description	Code
10	4700938562	1	Steering hitch kit (Page 14)	
20	4700945657	1	Eccentric shaft kit (Page 16)	
30	4700938891	1	Drum rotation kit (Page 18)	A
40	4700938883	1	Shock absorber kit, drum (Page 20)	
50	4700940663		F/R control button kit (Page 22)	

4700938562 Steering hitch kit

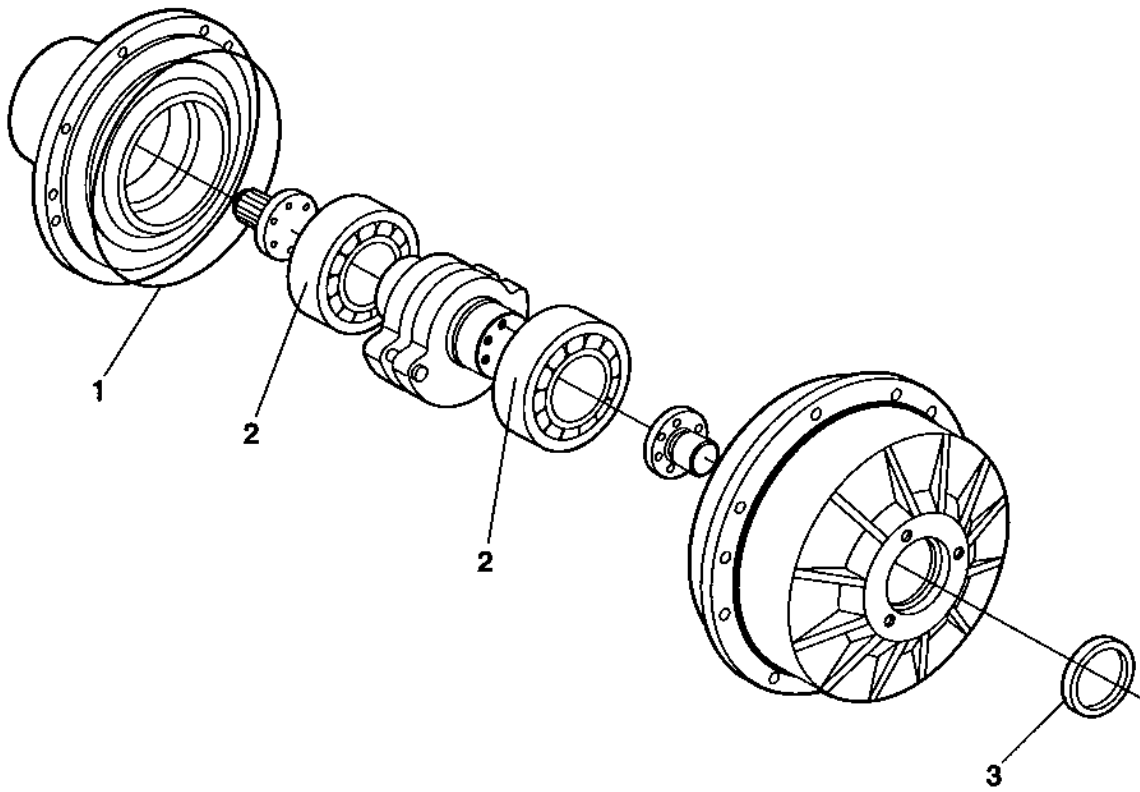


4700938562 Steering hitch kit

Item	Part No	Rem Qty	Description	Code
	4700938562		Steering hitch kit (Page 14)	
1	4700100040	2	Axial ball bearing	B
2	4700924620	2	Axial ball bearing	D
3	4700167032	2	Lip-type oil seal	C
4	4700167033	2	Ring	D
5	4700310008	A 3	Grease nipple	C
6	4700926214	2	Grease fitting	C
7	4700337045	2	Shim T=1,0 mm	C
8	4700345874	2	Shim T=0,35 mm	C
9	4700345875	2	Shim T=0,10 mm	C
10	4700337221	2	Shim T=1,0 mm	C
11	D433722101	2	Shim T=0,35 mm	D
12	D433722102	2	Shim T=0,10 mm	D
13	4700384503	2	Shim T=0,15 mm	C
14	4700904663	1	Lube grease " DYNAPAC special approved "	A
15		1	Instructions	

A) Valid for CC501/CC722 only.

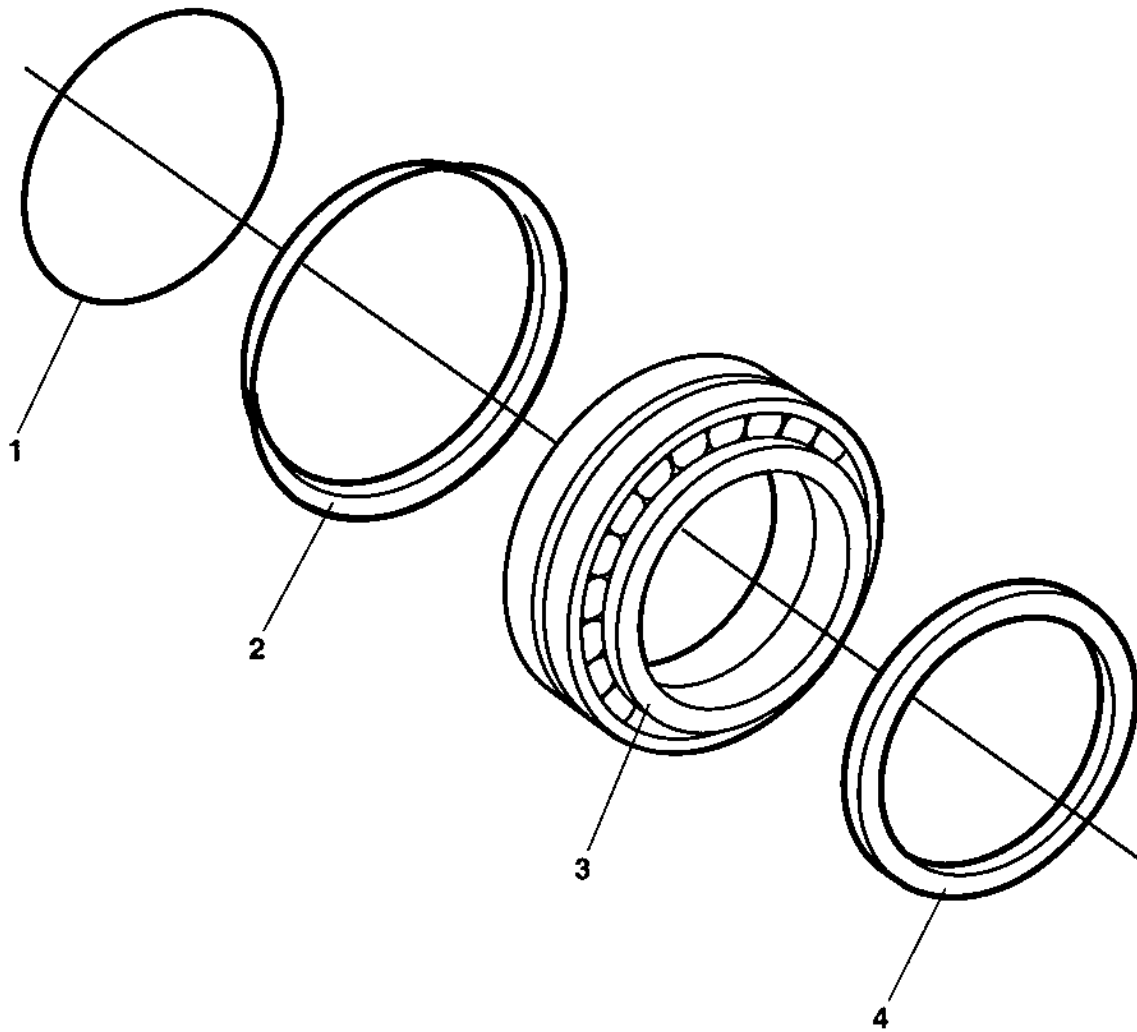
4700945657 Eccentric shaft kit



4700945657 Eccentric shaft kit

Item	Part No	Rem Qty	Description	Code
	4700945657		Eccentric shaft kit (Page 16)	
1	4700900776	1	O-ring	D
2	4700390896	2	Spherical roller bearing	B
3	4700900782	1	Seal ring	D

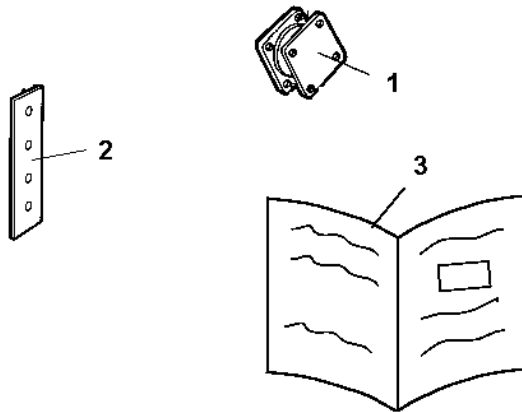
4700938891 Drum rotation kit



4700938891 Drum rotation kit

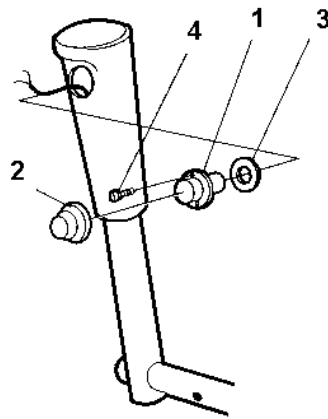
Item	Part No	Rem Qty	Description	Code
	4700938891		Drum rotation kit (Page 18)	A
1	4700160105	1	O-ring 70	C
2	4700929447	1	V-ring	B
3	4700116041	1	Taper roller bearing	B
4	4700386272	1	Sealing	B

4700938883 Shock absorber kit, drum



4700938883 Shock absorber kit, drum

Item	Part No	Rem Qty	Description	Code
	4700938883		Shock absorber kit, drum (Page 20)	
1	4700358172	22	Shock absorber	B
2	4700349973	4	Shim T=1 mm	C
3	4812156170	1	Instructions	



4700940663 F/R control button kit

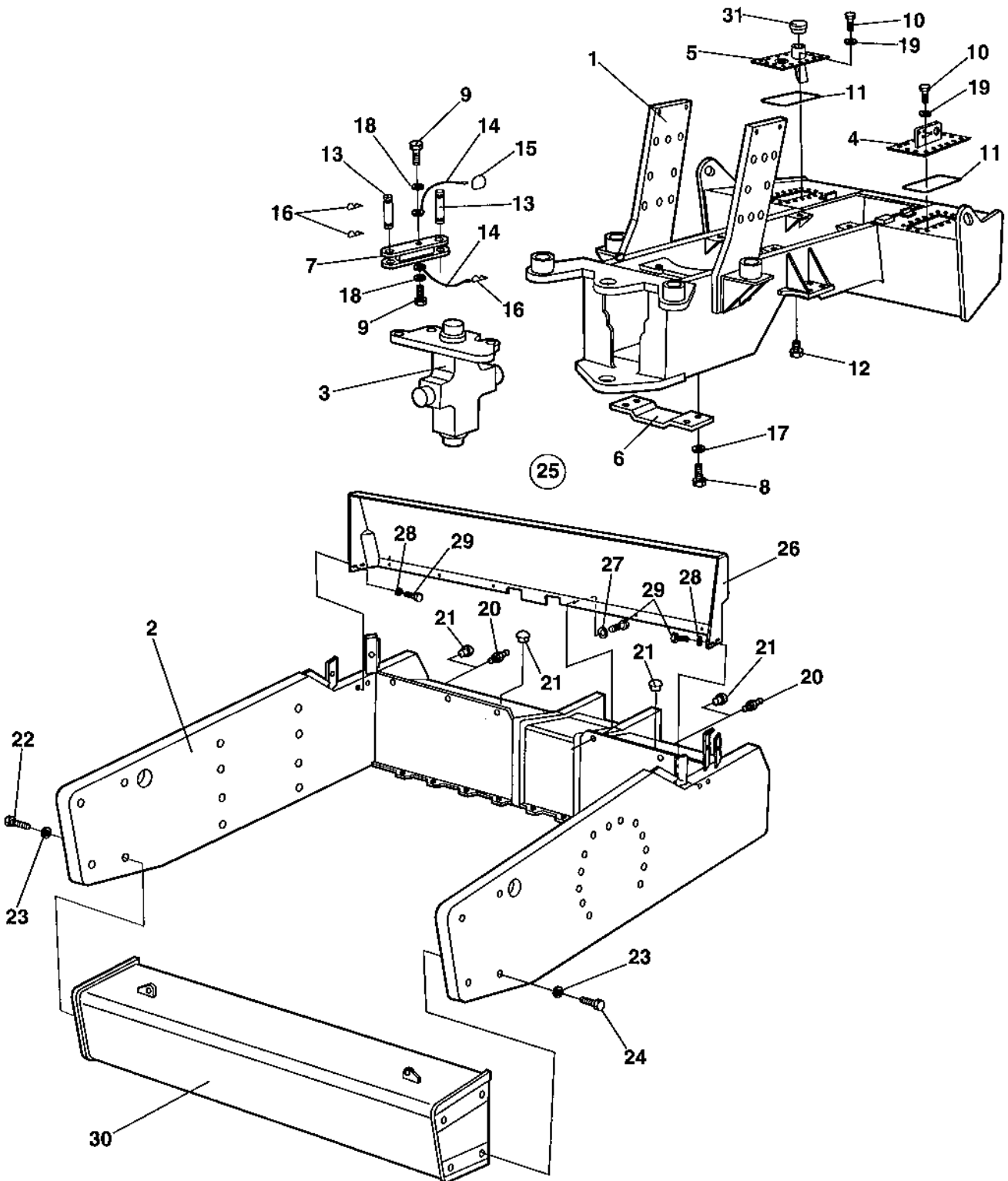
Item	Part No	Rem Qty	Description	Code
1	4700928497	1	Push button	B
2	4700348481	1	Cover	B
3	4700359940	1	Washer	C
4	4700371009	2	Screw	D

Frame

Frame

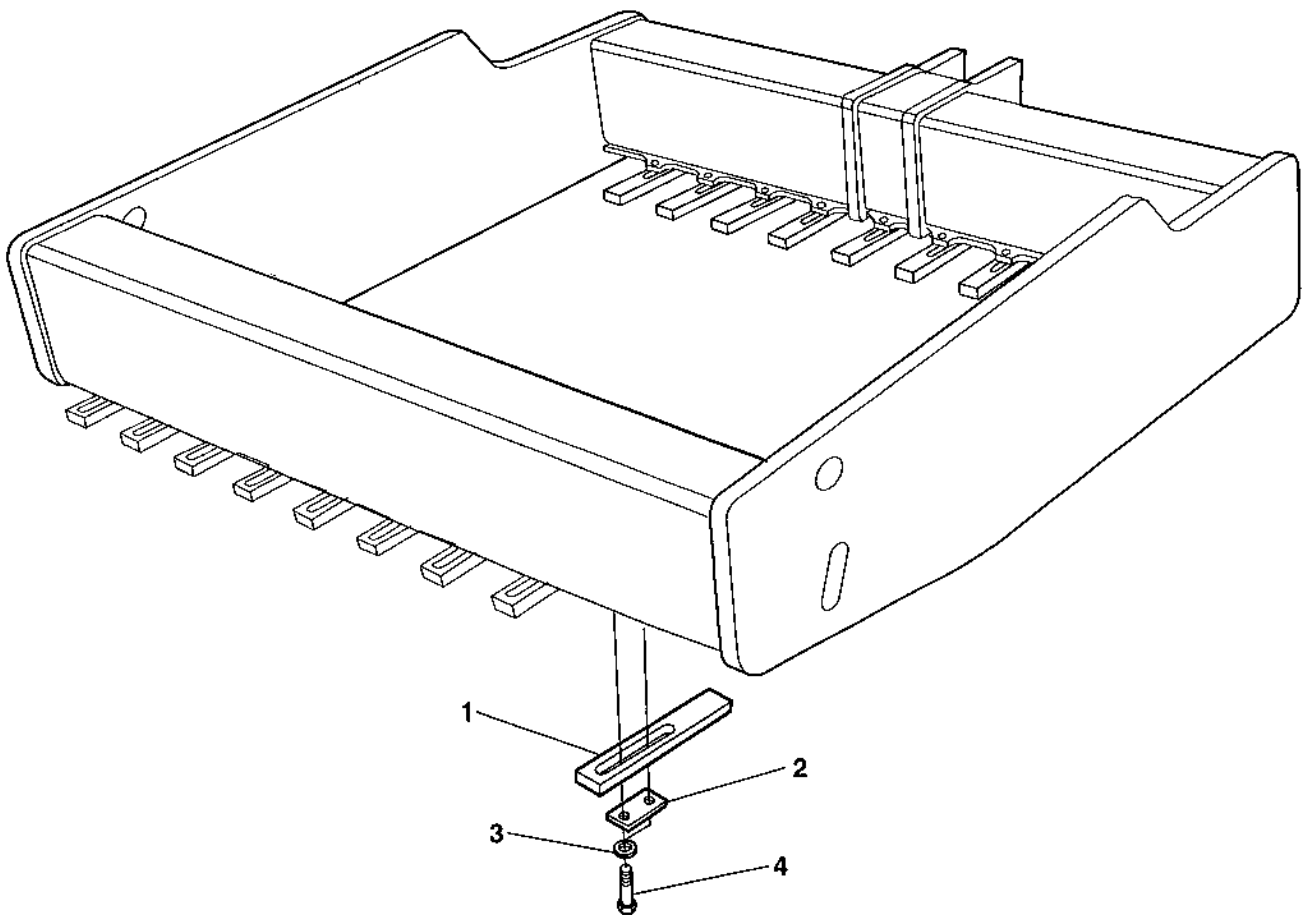
Item	Part No	Rem Qty	Description	Code
10			Frames (Page 26)	
25			Scrapers (Page 28)	
26			Scrapers (Page 30)	
28			Heavy duty scraper Option (Page 32)	
30			Hitch (Page 34)	
40			Structure (Page 36)	

Frames



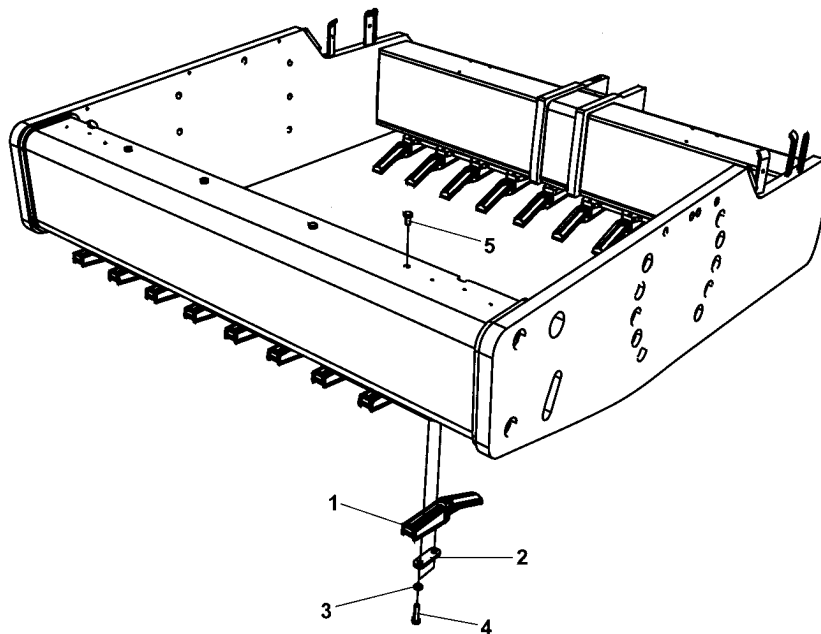
Frames

Item	Part No	Rem Qty	Description	Code
1	4700379153	1	Tractor frame	D
2	4700376707	1	Drum frame	D
3		1	Hitch (Page 34)	
4	4812110986	1	Cover Up to 0A005462	D
	4812113003	1	Cover From 0A005463	
5	4700388186	1	Cover	D
6	4700372087	1	Protective plate	D
7	4700374744	1	Safety rod	D
8	4700500029	4	Hexagon head screw	C
9	4700500043	2	Screw M10x16H 8,8	D
10	4700500188	32	Screw M8-1,25x14 8,8	D
11	4700372709	2	O-ring	D
12	4700813391	1	Magnetic plug	D
13	4700347119	2	Shaft	C
14	4700343775	2	Wire	D
15	4700357488	1	Spring	D
16	4700635061	3	Hair clip	B
17	4700904557	4	Steel plain washer	C
18	4700904230	2	Steel plain washer	C
19	4700904229	32	Steel plain washer 8,4x16x1,5	C
20	4700232041	1	Filter plug	D
21	4700902919	4	Plug	
22	4700928850	4	Screw M20-2,5x120 10,9	D
23	4700904233	8	Washer 21x36x3	C
24	4700927117	4	Screw M20x100	D
25			Drum shroud Cpl, option	
26	4700372169	1	. Drum shroud	D
27	4700904230	6	. Steel plain washer	C
28	4700904567	4	. Washer 10,5x28x6 HB305	C
29	4700500029	10	. Hexagon head screw	C
30	4700376763	1	Cross beam	D
31	4700499097	1	Filler cap	C



Scrapers

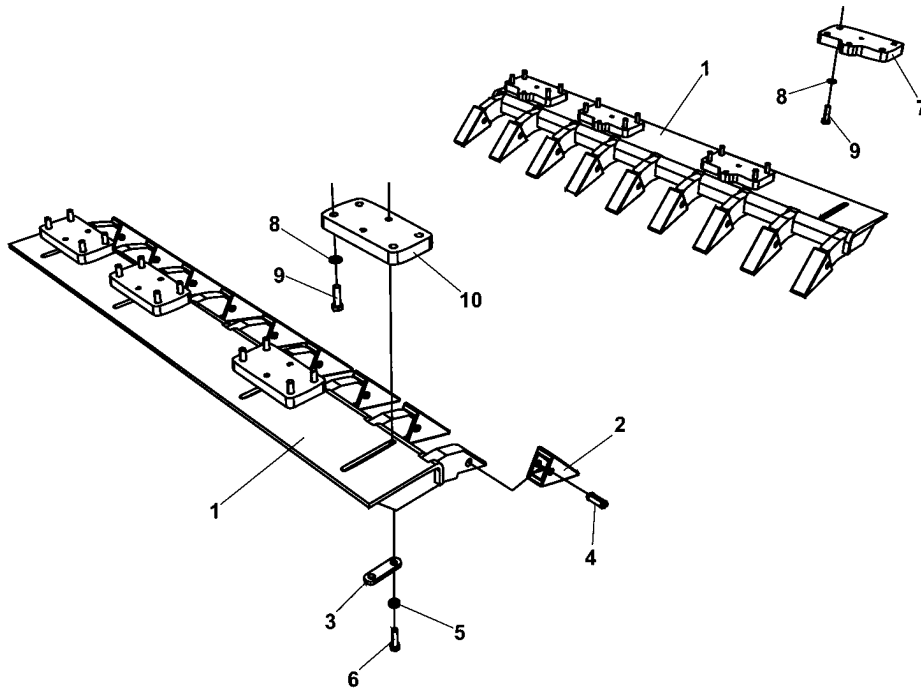
Item	Part No	Rem Qty	Description	Code
1	4700376551	18	Scraper tooth	B
2	4700376622	18	Holder	D
3	4700904232	36	Washer	C
4	4700500165	36	Screw M16-2,0x75 8,8	D



Scrapers

Item	Part No	Rem Qty	Description	Code
1	4700397305	18	Scraper tooth	B
2	4812111103	18	Holder	C
3	4700904232	40	Washer	C
4	4700500134	36	Screw	C
5	4700500154	4	Screw M16-2,0x25 8,8	

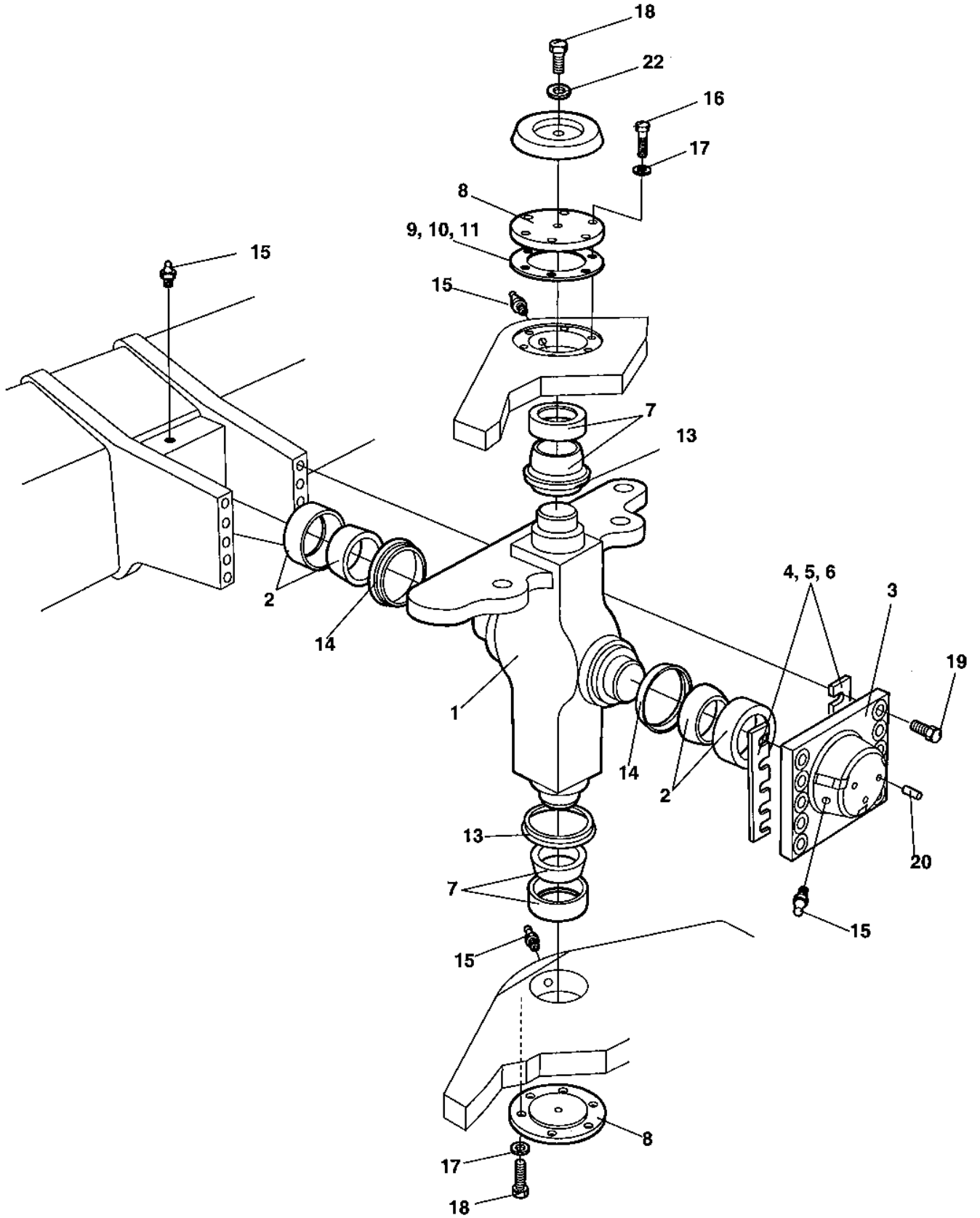
Heavy duty scraper Option



Heavy duty scraper Option

Item	Part No	Rem Qty	Description	Code
1	4812114496	2	PD-scraper	
2	4700383844	18	Tooth	B
3	4812111103	8	Holder	C
4	4700801631	18	Flexible pin 56,5x40	D
5	4700904558	16	Washer 17X30X6 300HV	C
6	4700947698	16	Screw M16x55 10.9	C
7	4812114929	4	Adapter plate	
8	4700904232	32	Washer	C
9	4700500123	32	Screw M16x35	D
10	4812114929	4	Adapter plate	

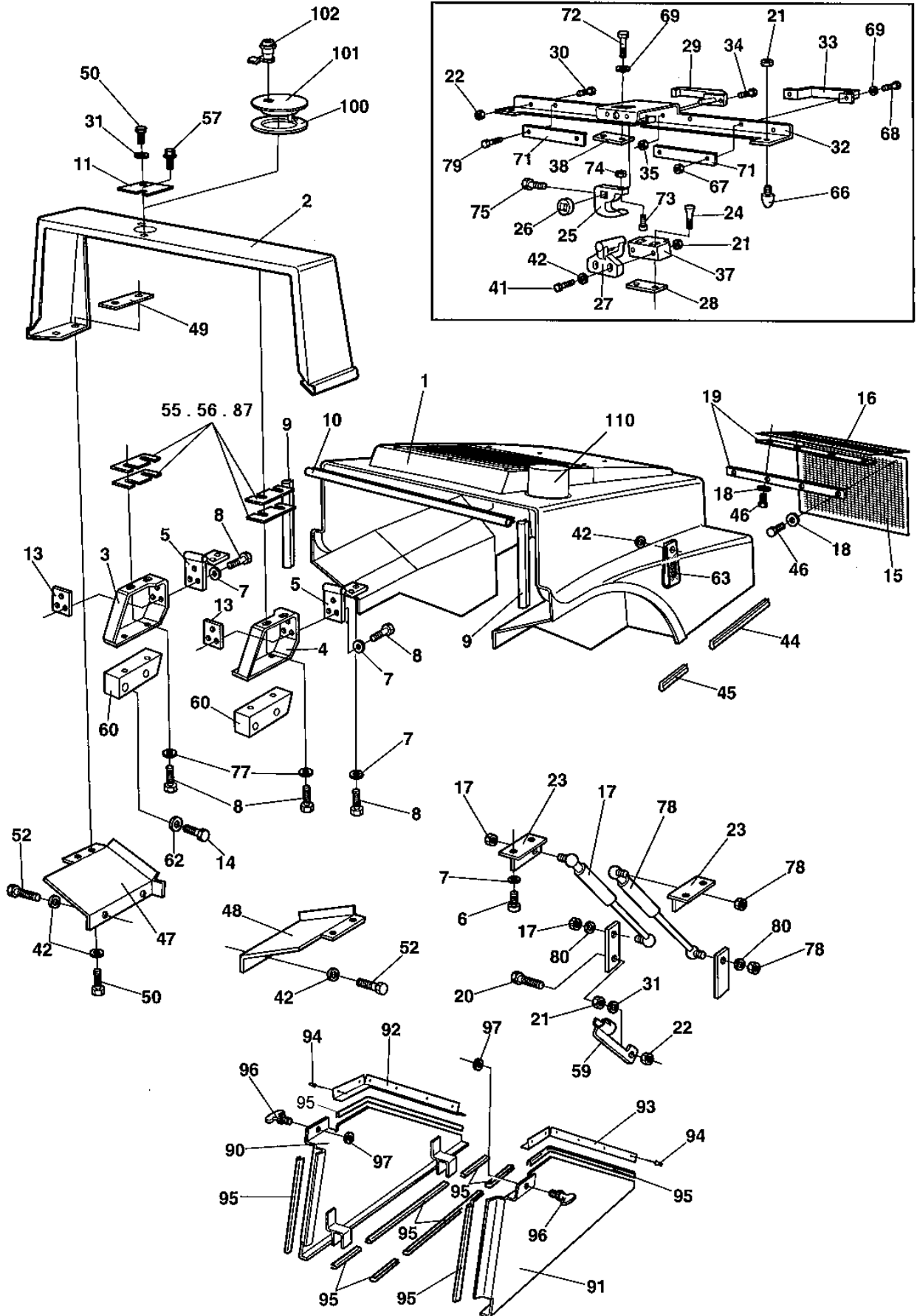
Hitch



Hitch

Item	Part No	Rem Qty	Description	Code
1	4700374898	1	Hitch	D
2	4700924620	2	Axial ball bearing	D
3	4700373123	1	Bearing cover	D
4	4700337221	N	Shim T=1,0 mm	C
5	D433722101	N	Shim T=0,35 mm	D
6	D433722102	N	Shim T=0,10 mm	D
7	4700100040	2	Axial ball bearing	B
8	4700337042	2	Bearing cover	D
9	4700337045	N	Shim T=1,0 mm	C
10	4700345874	N	Shim T=0,35 mm	C
11	4700345875	N	Shim T=0,10 mm	C
12	4700343159	1	Cover	D
13	4700167032	2	Lip-type oil seal	C
14	4700167033	2	Ring	D
15	4700926214	4	Grease fitting	C
16	4700500037	12	Screw	C
17	4700904231	12	Washer 13x24x2 300 HV	C
18	4700500188	1	Screw M8-1,25x14 8,8	D
19	4700904479	10	Screw M24x110 10,9	
	4700900807	10	Screw M24x120 10,9	D
20	4700910995	3	Stop screw	C
22	4700904229	1	Steel plain washer 8,4x16x1,5	C

Structure

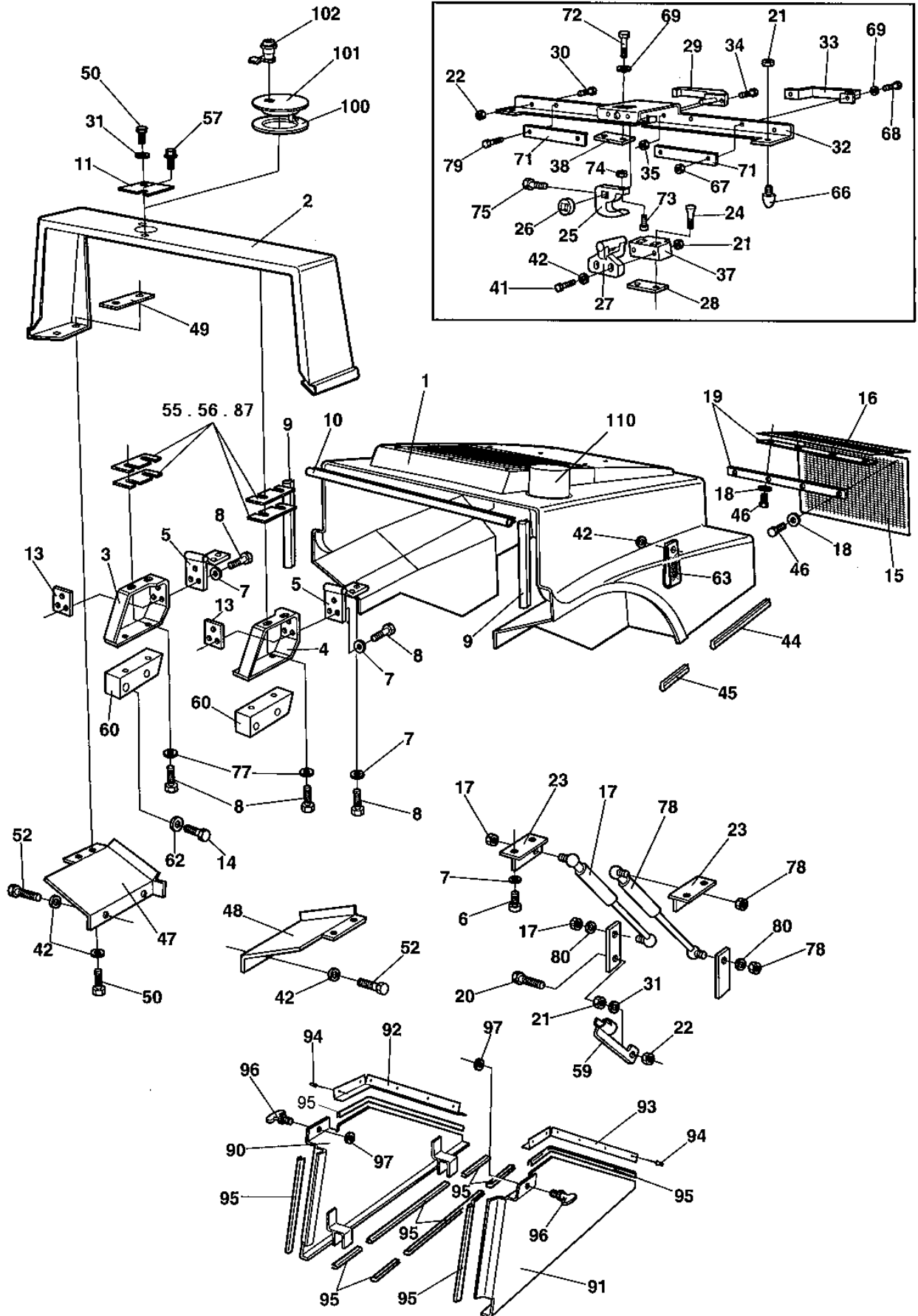


Structure

Item	Part No	Rem	Qty	Description	Code
1	4700945977	1	1	Engine hood, cpl	D
2	4700385152		1	Protecting cover	D
3	4700374797	A	1	Clamp	D
4	4700374798	B	1	Clamp	D
5	4700371366		2	Hinge	D
6	4700500028		10	Screw	C
7	4700904557		12	Steel plain washer	C
8	4700500030		10	Screw M10x035H 8.8 A3K	C
9	4700902166	C	2XL	Edge trim	D
10	4700902166	D	1XL	Edge trim	D
11	4700373955		1	Cover	D
13	4700374799		2	Holder plate	C
14	4700500133		4	Screw	C
15	4700372609		1	Grid	D
16	4700372695		1	Grid	D
17	4700390182		1	Gas spring Left	B
18	4700927974		20	Washer	C
19	4700202047	E	NXL	Rubber strip	D
20	4700904241		1	Screw	C
21	4700570005		5	Nut M8	C
22	4700902286		3	Hexagon lock nut with flange	C
23	4700379252		2	Bracket	D
24	4700903732		2	Screw	
25	4700382130		1	Hook	
26	4700382335		1	Spacer sleeve	
27	4700382131		1	Lock clamp	
28	4700380109		1	Holder	D
29	4700382165		1	Locking handle	
	4700902866		1	. Key Marked "455"	
30	4700927637		2	Hexagon socket countersunk screw	D
31	4700904556		2	Washer 8,4x16x3,0	C
32	4700382129		1	Holder plate	D
33	4700904874		1	Grab handle	D
34	4700535011		2	Screw	D
35	4700902284		2	Nut M5	C
37	4700382132		1	Holder	D
38	4700382336		1	Holder	D
41	4700500026		2	Screw M8-1,25x60 8,8	
42	4700904640		11	Washer 8,4x22x3	C
44	4700902166	G	2XL	Edge trim	D
45	4700902166	H	2XL	Edge trim	D
46	4700904244		18	Screw	
47	4700373204	I	1	Holder plate	D
48	4700373203	J	1	Holder plate	D
49	4700373309		2	Holder plate	D
50	4700500021		5	Screw M8-1,25x25 8.8	C

- 1) Hood cpl. with Gas springs, Lock, Edge trims, Hinges and Grids.
- A) Right
- B) Left
- C) L = 0.940 m
- D) L = 0.630 m
- E) Total length = 4.910 m
- G) L = 0.340 m
- H) L = 0.040 m
- I) Right side
- J) Left side

Structure



Structure

Item	Part No	Rem	Qty	Description	Code
52	4700500019		4	Hexagon head screw M8x16H 8,8	C
55	4700373956		N	Shim	C
56	4700373957		N	Shim	C
57	4700500505		1	Screw M8x20 8.8	C
59	4700379251		1	Safety rod	D
60	4700381989		2	Holder	D
62	4700904231		4	Washer 13x24x2 300 HV	C
63	4700374854		1	Grab handle	D
66	4700925629		2	Shock absorber	
67	4700902285		2	Hexagon lock nut with flange	C
68	4700500088		2	Screw M6x40	
69	4700904228		4	Washer 6,4x12x1,5	C
71	4700382355		2	Holder plate	D
72	4700500013		2	Screw M6-1x16 8,8	C
73	4700500040		1	Screw M6-1x20 8,8	C
74	4700570004		1	Nut M6X1,00 -8 A2K	C
75	4700500018		1	Screw M8-1,25x12 8,8	C
77	4700904567		8	Washer 10,5x28x6 HB305	C
78	4700390182		1	Gas spring Left	B
79	4700541507		2	Screw	D
80	4700904230		2	Steel plain washer	C
87	4812110773		N	Shim	
90	4700393781	K	1	Cover, right	D
91	4700393780	K	1	Cover, left	D
92	4700390360	I	1	Sealing strip	D
93	4700390361	J	1	Sealing strip	D
94	4700624020		12	Blind rivet	D
95	4700202056	M	NXL	Edge trim	D
96	4700904075		2	Quick lock	
97	4700926985		2	Quick lock washer	C
100	4700375681	K	1	Gasket	D
101	4700375678	K	1	Cover	D
102	4700372658	K	1	Lock	D
	4700902866		1	. Key Marked "455"	
110	4700379246	2	1	Air inlet pipe	D

2) Included in item 1, Engine hood Cpl.

I) Right side

J) Left side

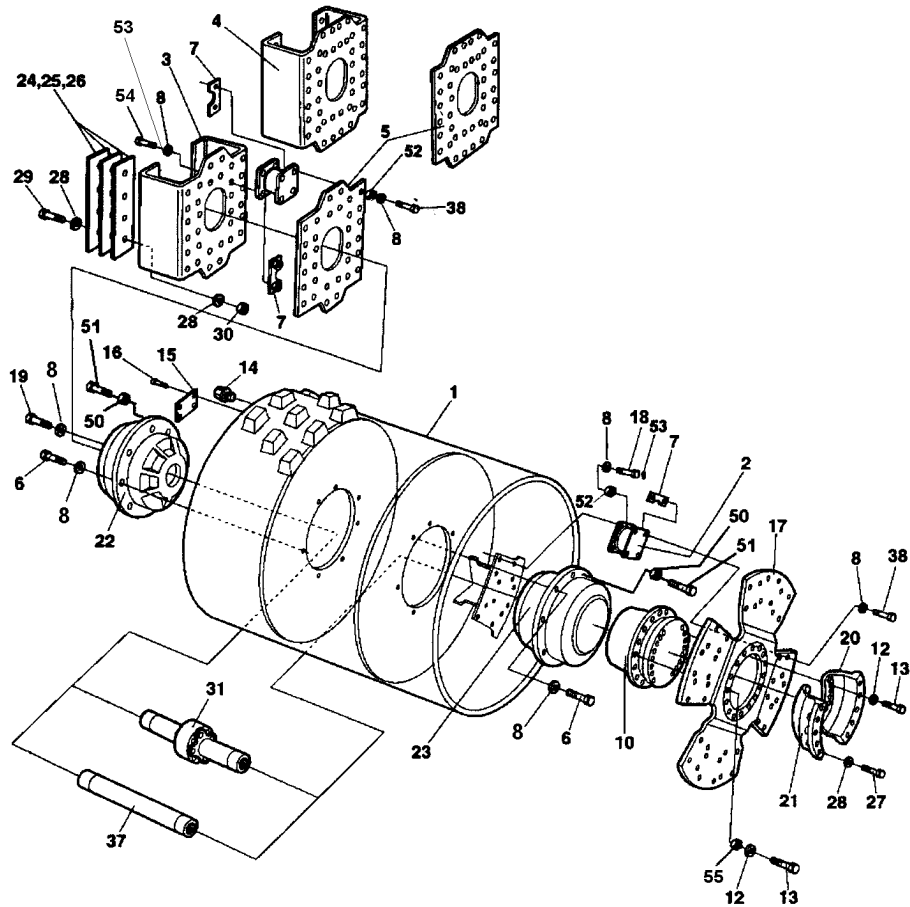
K) Option

M) Total length = 4.590 m

Drum

Item	Part No	Rem Qty	Description	Code
10			Drum (Page 42)	
25			Drum cartridge Vibration side (Page 44)	
35			Drum cartridge Drive side (Page 46)	
40			Drum gear (Page 48)	

Drum

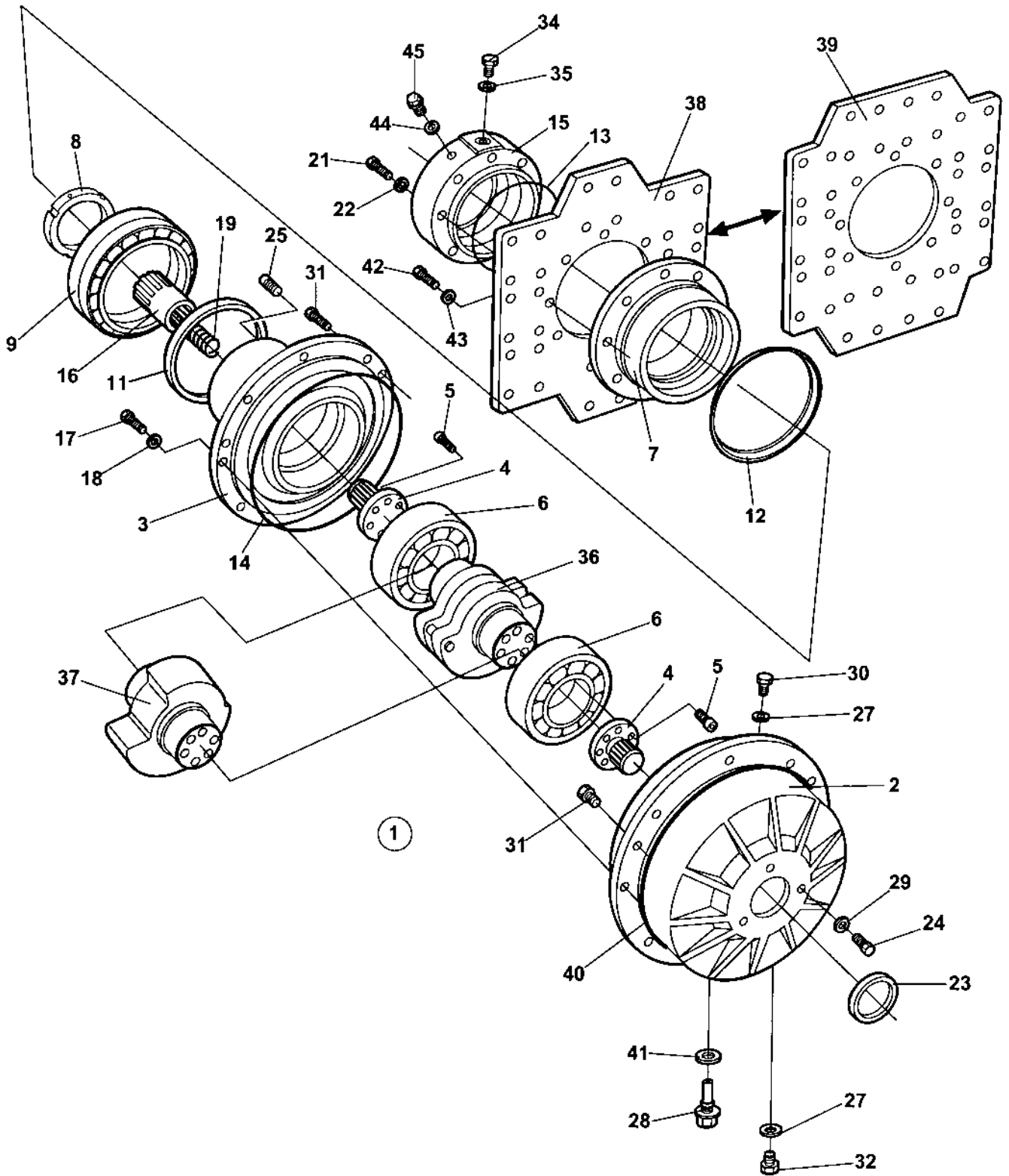


Drum

Item	Part No	Rem Qty	Description	Code
1	4700373769	1	Drum	D
2	4700358172	22	Shock absorber	B
3			Not used on this model	
4	4700371955	1	Holder plate	D
5	4700371956	1	Holder plate	D
6	4700500082	23	Screw M16x70 8,8	D
7	4700374728	C 64	Holder	D
8	4700904232	200	Washer	C
10		1	Drum gear (Page 48)	
12	4700904233	32	Washer 21x36x3	C
13	4700903919	32	Screw	
14	4700232210	1	Plug	B
15	4700343801	1	Sign plate	D
16	4700527002	4	Drive screw	C
17	4700373770	1	Drive disc	D
18	4812110835	48	Screw M16x50H	
19	4700384121	1	Air breather screw	B
20	4700373442	A 1	Gear holder	D
21	4700373443	B 1	Gear holder	D
22		1	Drum cartridge Vibration side (Page 44)	
23		1	Drum cartridge Drive side (Page 46)	
24	4700349971	N	Shim T=5 mm	C
25	4700349972	N	Shim T=3 mm	C
26	4700349973	N	Shim T=1 mm	C
27	4700500146	10	Screw M24x110 8,8	D
28	4700904234	26	Steel plain washer	C
29	4700923843	8	Screw	D
30	4700586023	8	Nut M24-8 DIN985	D
31			Not used on this model	
37	4700349682	1	Drive shaft	D
38	4812110552	128	Screw M16x50H	
50	4700384114	24	Spacer	A
51	4700500134	24	Screw	C
52	4812110576	88	Spacer	
53	4811000152	48	Cover cap	
54	4812110572	40	Screw	
55	4812110366	32	Spacer	

- A) Right
- B) Left
- C) Replaces nuts with P/N 4700586021, 128 pcs.

Drum cartridge Vibration side

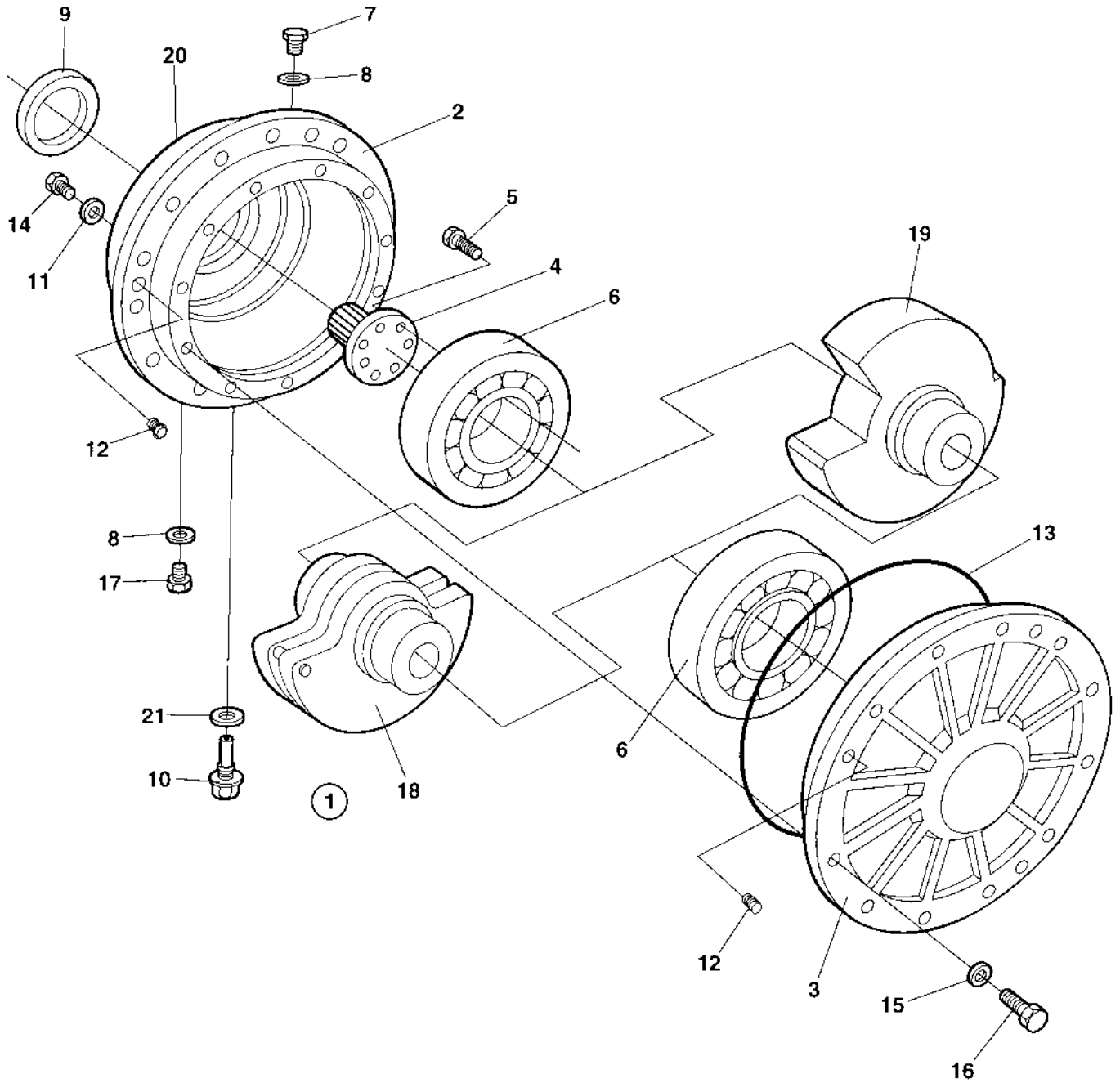


Drum cartridge Vibration side

Item	Part No	Rem	Qty	Description	Code
1	4700945594		1	Drum cartridge	D
	4812155683	1	1	Drum cartridge	D
2	4700392420	2	1	Bearing housing inner	D
3	4700379878	2	1	Bearing housing outer	D
4	4700380018	2	2	Splined shaft	D
5	4700791156	2	16	Screw M10-1,5x55 12,9	D
6	4700390896	2	2	Spherical roller bearing	B
7	4700343318		1	Bearing housing	D
8	4812112413		1	Shaft nut	C
9	4700116041		1	Taper roller bearing	B
11	4700167023		1	Seal ring	B
12	4700929447		1	V-ring	B
13	4700160105		1	O-ring 70	C
14	4700900776	2	1	O-ring	D
15	4812110860		1	Motor adapter	
16	4700381027		1	Splined sleeve	D
17	4700500082	2	12	Screw M16x70 8,8	D
18	4700904232	2	12	Washer	C
19	4700349715		1	Spring	D
21	4700500196		4	Screw M12-1,75x80 8.8	D
22	4700904231		4	Washer 13x24x2 300 HV	C
23	4700900782	2	1	Seal ring	D
24	4700500163	2	3	Screw M12x16	D
25	4700903189	2	3	Stop screw	
27	4700162017	2	2	Seal ring	B
28	4700381634	2	1	Plug	C
29	4700162027	2	3	Sealing	B
30	4700343744	2	1	Magnetic plug	C
31	4700900775	2	6	Plug	C
32	4700232210	2	1	Plug	B
34	4700370231		1	Plug	C
35	4700162018		1	Sealing	B
36			1	Not used on this model	
37	4812112749	2	1	Eccentric shaft	
38			1	Not used on this model	
39	4700371956		1	Holder plate	D
40	4700904737		1	O-ring	D
41	4700162011	2	1	Washer, sealing	D
42	4700500082		8	Screw M16x70 8,8	D
43	4700384114		8	Spacer	A
44	4700162024		1	Washer, sealing	D
45	4700903190		1	Steel plug	

- 1) With pre-mounted shaft nut item 8. Includes also item 7,9,11 and 12.
 2) Included in complete drum cartridge, item 1

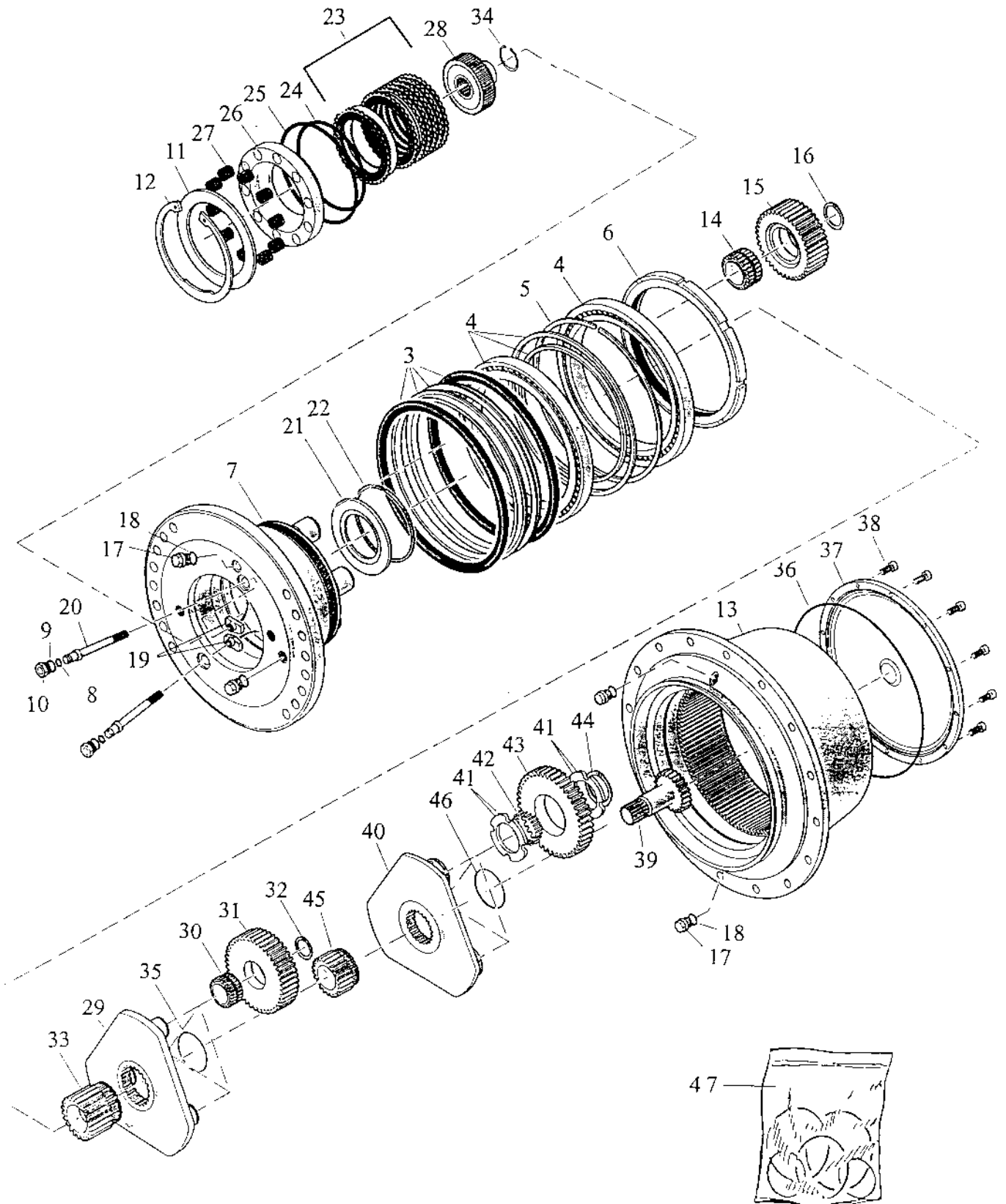
Drum cartridge Drive side



Drum cartridge Drive side

Item	Part No	Rem Qty	Description	Code
1	4700945587	1	Drum cartridge	D
2	4700392420	1	. Bearing housing inner	D
3	4700379876	1	. Bearing housing outer	D
4	4700380018	1	. Splined shaft	D
5	4700791156	8	. Screw M10-1,5x55 12,9	D
6	4700390896	2	. Spherical roller bearing	B
7	4700343744	1	. Magnetic plug	C
8	4700162017	2	. Seal ring	B
9	4700900782	1	. Seal ring	D
10	4700381634	1	. Plug	C
11	4700162027	3	. Sealing	B
12	4700900775	6	. Plug	C
13	4700900776	1	. O-ring	D
14	4700500163	3	. Screw M12x16	D
15	4700904232	12	. Washer	C
16	4700500082	12	. Screw M16x70 8,8	D
17	4700232210	1	. Plug	B
18			Not used on this model	
19	4812112749	1	. Eccentric shaft	
20	4700904737	1	. O-ring	D
21	4700162011	1	. Washer, sealing	D

Drum gear



Drum gear

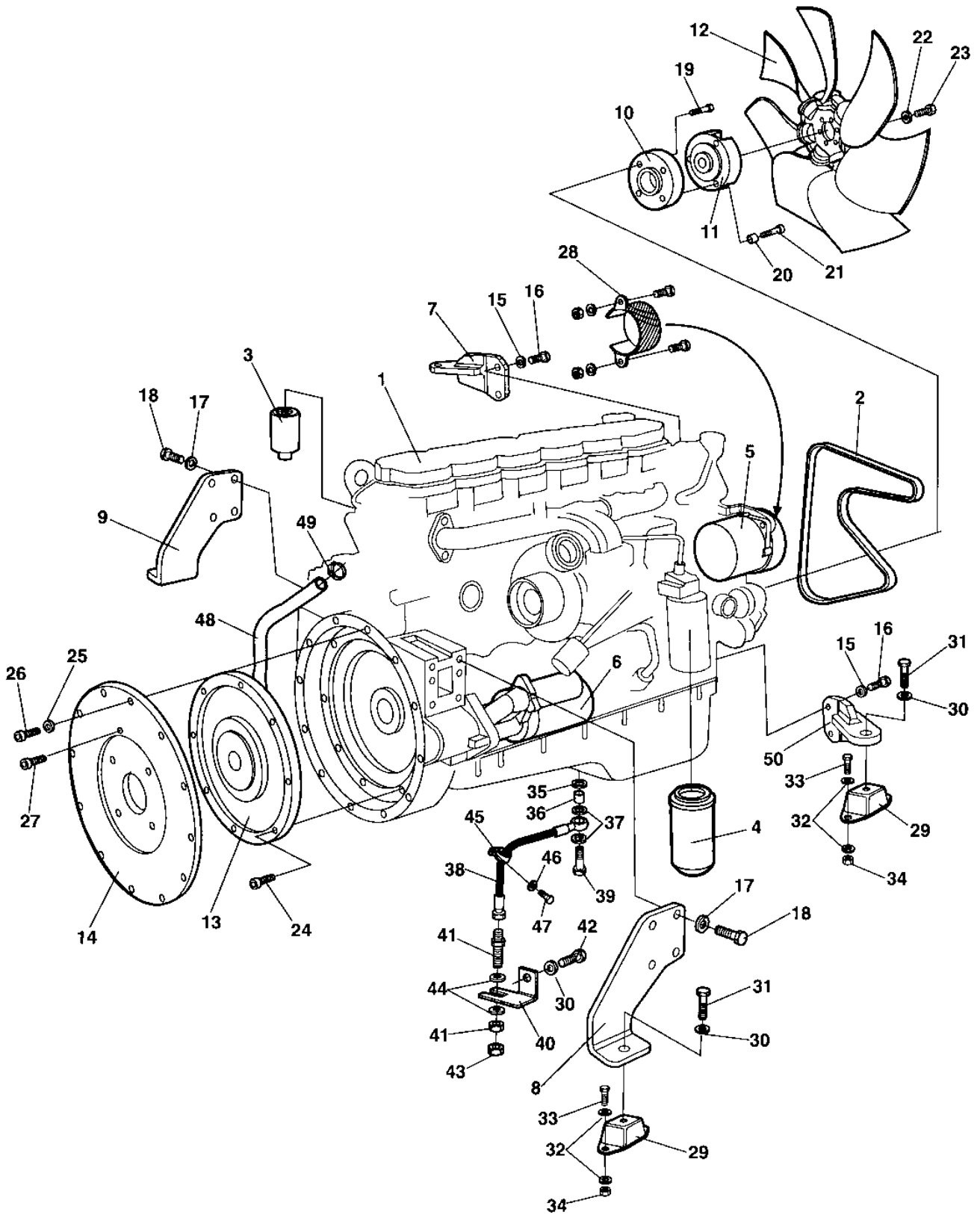
Item	Part No	Rem	Qty	Description	Code
1	4700371512		1	Drum gear	D
3	4700935381		1	. Seal	
4	4700935382		1	. Roller bearing	
5		B	NA	. Spring ring	
6		B	NA	. Nut	
7		B	NA	. Hub	
8	4700935386	A	2	. O-ring	
9	4700813618	A	2	. O-ring	C
10	4700935387		2	. Plug	
11	4700935388		1	. Support plate	
12	4700935389		1	. Retaining ring	
13		B	NA	. Hollow wheel	
14		B	NA	. Roller bearing	
15		B	NA	. Planet gear	
16		B	NA	. Reaining ring	
17	4700935394		4	. Plug	
18	4700935395	A	4	. Seal ring	
19	4700935396		2	. Setting lug	
20	4700935397		2	. Spindle bolt	
21		B	NA	. Plate	
22		B	NA	. Spring ring	
23	4700935400		1	. Brake disc kit	
24	4700935401	A	1	. O-ring	
25	4700935402	A	1	. O-ring	
26	4700935403		1	. Piston	
27	4700935404		10	. Spring	
28	4700935405		1	. Coupling	
29		B	NA	. Planet carrier	
30		B	NA	. Roller bearing	
31		B	NA	. Planet gear	
32		B	NA	. Retaining ring	
33		B	NA	. Sun wheel	
34	4700935411		1	. Retaining ring	
35		B	NA	. Spring ring	
36	4700935413	A	1	. O-ring	
37	4700935414		1	. Cover	
38	4700935415		12	. Screw	
39		B	NA	. Sun wheel	
40		B	NA	. Planet carrier	
41		B	NA	. Plate	
42		B	NA	. Needle roller bearing	
43		B	NA	. Planet gear	
44		B	NA	. Retaining ring	
45		B	NA	. Sun wheel	
46		B	NA	. Spring ring	
47	4700935380		1	Seal kit	

- A) Incl. in item 47
- B) Not available as spare part.

Engine

Item	Part No	Rem Qty	Description	Code
15			Engine Cummins QSB 6.7C (Page 52)	
20			Cooling system (Page 54)	
31			Combustion air system (Page 60)	
45			Fuel system (Page 62)	
50			Exhaust system (Page 64)	

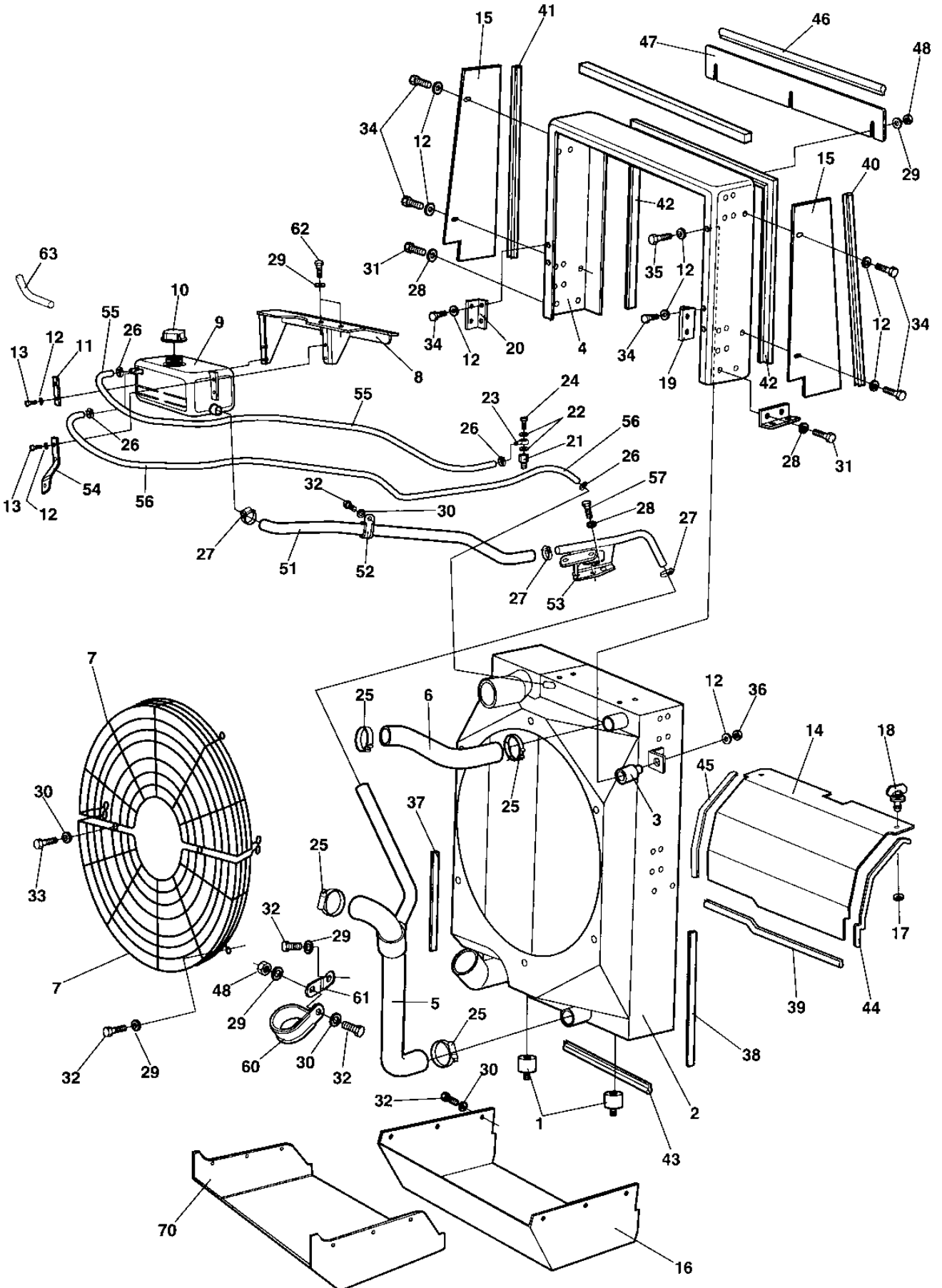
Engine Cummins QSB 6.7C



Engine Cummins QSB 6.7C

Item	Part No	Rem	Qty	Description	Code
1	4700378586		1	Diesel engine Cummins QSB 6.7C	D
	4812114638	1	1	Diesel engine Cummins QSB 6.7C	D
	4812114640	2	1	Diesel engine Cummins QSB 6.7C	D
2	4700945731		1	. V-belt	A
	4700945313	A	1	. V-belt	A
3	4700945146		1	. Fuel filter element	A
4	4700945145		1	. Oil filter element	A
5	4700945140		1	. Alternator	C
6	4700939979		1	. Starter	C
7	4700392283		1	Engine bracket, Right	
8	4700378729		1	Engine bracket Left	D
9	4700378728		1	Engine bracket Right	D
10	4700378408		1	Connector	C
11	4700382394		1	Fan hub	D
12	4700379164		1	Fan	D
13	4700371620		1	Coupling	D
14	4700372772		1	Bracket	C
15	4700904638		4	Washer 12x22x2	C
16	4700500194		4	Screw	C
17	4700904703		8	Washer	B
18	4700500056		8	Screw	
19	4700792275		4	Socket head cap screw 7/16-20UNFX32 12.9	D
20	4700791572		3	Spacer washer	C
21	4700792081		3	Socket head cap screw M12x50 10,9	D
22	4700904556		6	Washer 8,4x16x3,0	C
23	4700500047		6	Hexagon head screw	C
24	4700509025		8	Screw 3/8-16UNCx32 8,8	
25	4700904637		12	Washer	C
26	4700508029		12	Screw M10-1,5x30H 8,8	C
27	4700508004		1	Socket head cap screw M8-1,25x12H 8.8	D
28	4700379163		1	V-belt cover	
29	4700387128		4	Shock absorber	
30	4700904232		5	Washer	C
31	4700500070		4	Screw M16x50	C
32	4700904703		16	Washer	B
33	4700500194		8	Screw	C
34	4700586019		8	Lock nut	C
35	4700330333		1	Copper washer	D
36	4700379480		1	Reducer	
37	4700330331		2	Washer 18,2x23,9x1,5	C
38	4700379621		1	Hydraulic hose	D
39	4700904292		1	Hollow screw	
40	4700388855		1	Bracket	D
41	4700230515		1	Connector	C
42	4700500154		1	Screw M16-2,0x25 8,8	
43	4700330383		1	Cap hydraulic	
44	4700904233		2	Washer 21x36x3	C
45	4700921028		1	Clamp	C
46	4700904228		1	Washer 6,4x12x1,5	C
47	4700500013		1	Screw M6-1x16 8,8	C
48	4700791468		1	Hydraulic hose	D
49	4700313035		1	Hose clamp	D
50	4700392284		1	Engine bracket, Left	

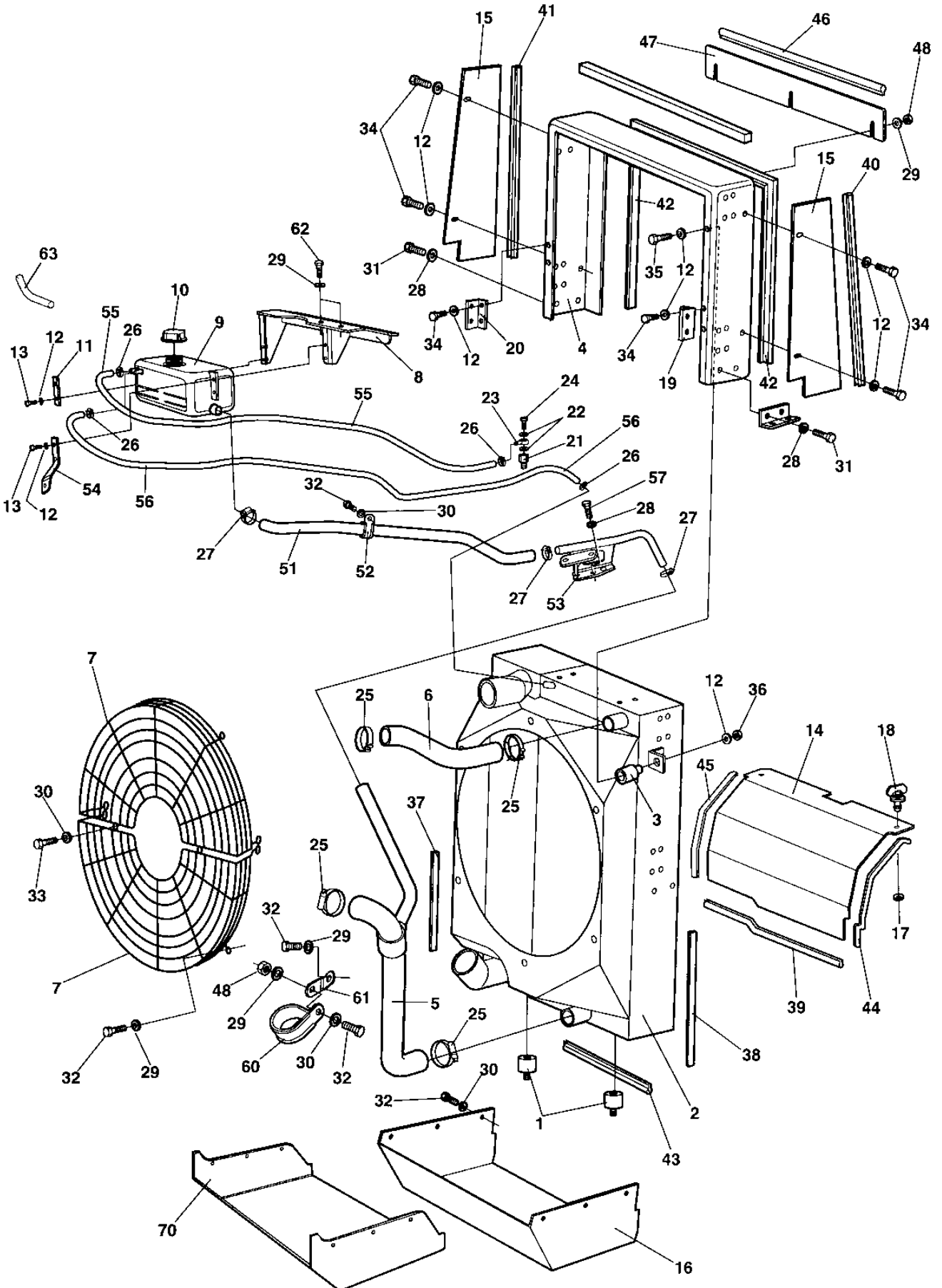
- 1) Non certified.
- 2) Exemption engine US.
- A) To be used with engine mounted AC-compressor.



Cooling system

Item	Part No	Rem	Qty	Description	Code
1	4700904551		2	Shock absorber	
2			1	Radiator Up to 0A008003 (Page 58)	C
	4700940263		1	. Water cooler Up to 0A008003	D
	4700940264		1	. Charge air cooler Up to 0A008003	D
	4812114368		1	Cooler, cpl From 0A008004	
	4812156658		1	. Drain valve From 0A008004	
	4812156659		1	. Fan cover From 0A008004	
	4812156660		1	. Oil cooler From 0A008004	
	4812156661		1	. Water cooler From 0A008004	
3	4700371774		2	Shock absorber	D
4	4700386091		1	Cooler frame	D
5	4700378690		1	Coolant hose	D
6	4700379602		1	Coolant hose	D
7	4700390500		2	Fan guard	D
8	4700379537		1	Holder	D
9	4700387130		1	Expansion tank	D
10	4700903714		1	Cap	
11	4700381413		1	Washer	
12	4700904228		16	Washer 6,4x12x1,5	C
13	4700500075		4	Screw M6-1,0x25 8.8	C
14	4700386699		1	Air inlet	D
15	4700371737		2	Air leading plate	D
16	4700388732		1	Air leading plate	D
17	4700926985		2	Quick lock washer	C
18	4700904486		2	Quick lock	
19	4700375172		1	Holder plate	D
20	4700375171		1	Holder plate	D
21	4700386118		1	Connector	D
22	4700330328		2	Copper washer 10x14x1	C
23	4700903916		1	Banjo coupling	
24	4700903915		1	Hollow screw	
25	4700313010		4	Hose clamp	C
26	4700313075		4	Hose clamp	D
27	4700313004		3	Hose clamp	D
28	4700904230		6	Steel plain washer	C
29	4700904640		13	Washer 8,4x22x3	C
30	4700904229		11	Steel plain washer 8,4x16x1,5	C
31	4700500029		4	Hexagon head screw	C
32	4700500053		15	Screw M8x20H 8.8	C
33	4700500018		3	Screw M8-1,25x12 8,8	C
34	4700500040		8	Screw M6-1x20 8,8	C
35	4700500012		2	Screw M6x12	C
36	4700570004		2	Nut M6X1,00 -8 A2K	C
37	4700202046	A	1XL	Rubber strip 25x10	D
38	4700202046	B	1XL	Rubber strip 25x10	D
39	4700902166	C	1XL	Edge trim	D
40	4700902166	D	1XL	Edge trim	D
41	4700902166	D	1XL	Edge trim	D
42	4700903953	E	1XL	Edge trim	D
43	4700902166	F	1XL	Edge trim	D
44	4700902166	G	1XL	Edge trim	D

- A) L = 0,375M
- B) L = 0,400M
- C) L = 0,610M
- D) L = 0,555M
- E) L = 1,650m
- F) L = 0,390M
- G) L = 0,420M



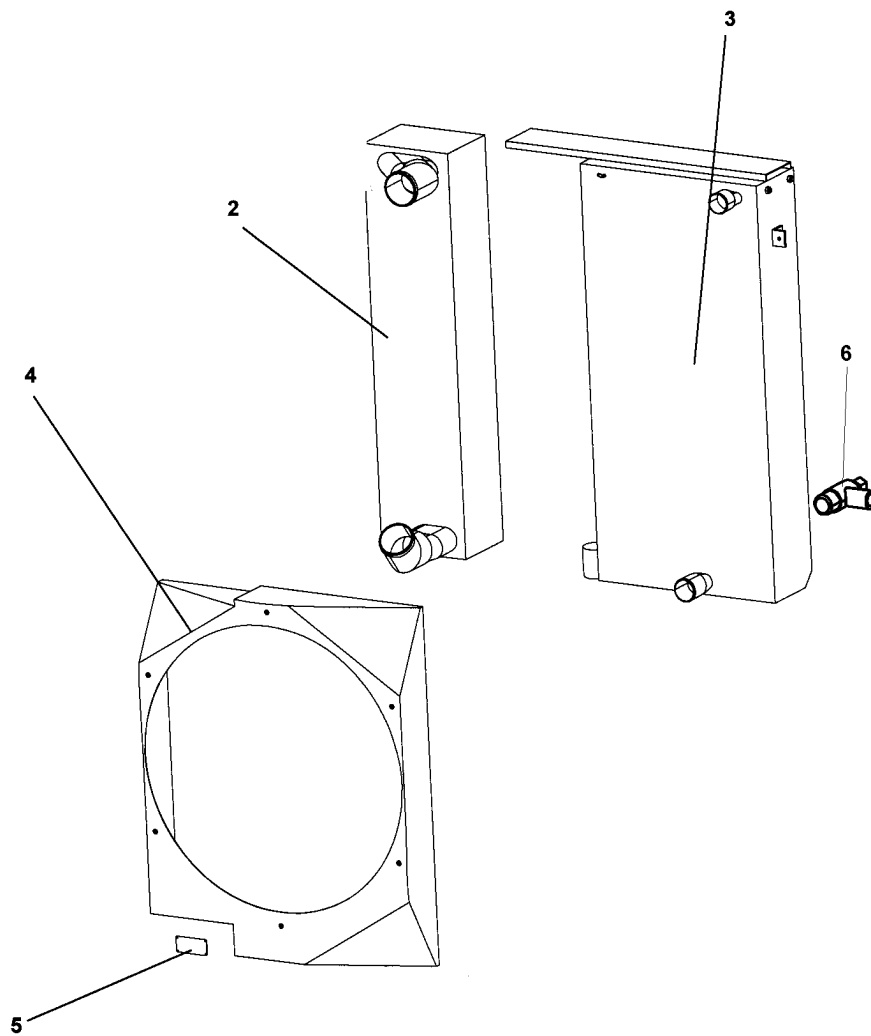
Cooling system

Item	Part No	Rem	Qty	Description	Code
45	4700902166	H	1XL	Edge trim	D
46	4700288129	I	1XL	Edge trim	D
47	4700387326		1	Air inlet	D
48	4700570005		4	Nut M8	C
49	4700313041		N	Cable ties	B
50	4700313102		N	Cable ties	
51	4700379600		1	Coolant hose	D
52	4700921050		1	Clamp	C
53	4700379538		1	Hose bracket	D
54	4700390474		1	Bracket	D
55	4700379601		1	Rubber hose	D
56	4700387218		1	Rubber hose	D
57	4700500048		2	Screw M10-1,5x20 8,8	C
60	4700904352		1	Clamp	
61	4700391302		1	Bracket	D
62	4700508048		2	Hexagon socket head cap screw	C
63	4700904623		1	Hose guard	D
70				Not used on this model	

H) L = 0,390M

I) L = 0,730M

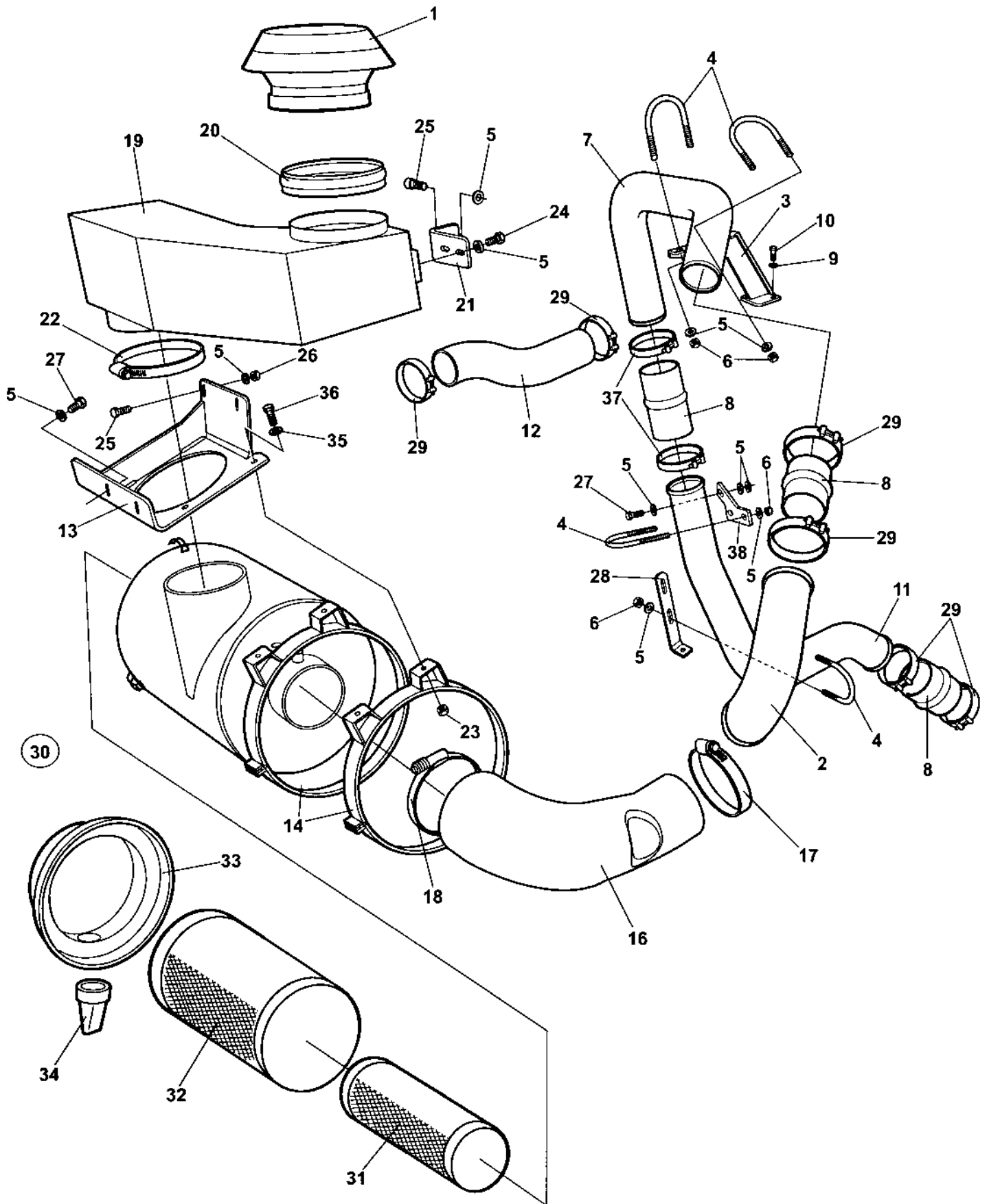
1



Radiator

Item	Part No	Rem Qty	Description	Code
1	4700385873	1	Radiator, cpl	
2		1	. Air cooler	
3		1	. Water cooler	
4		1	. Frame	
5		1	. Fan cover	
6		1	. Drain cock	

Combustion air system

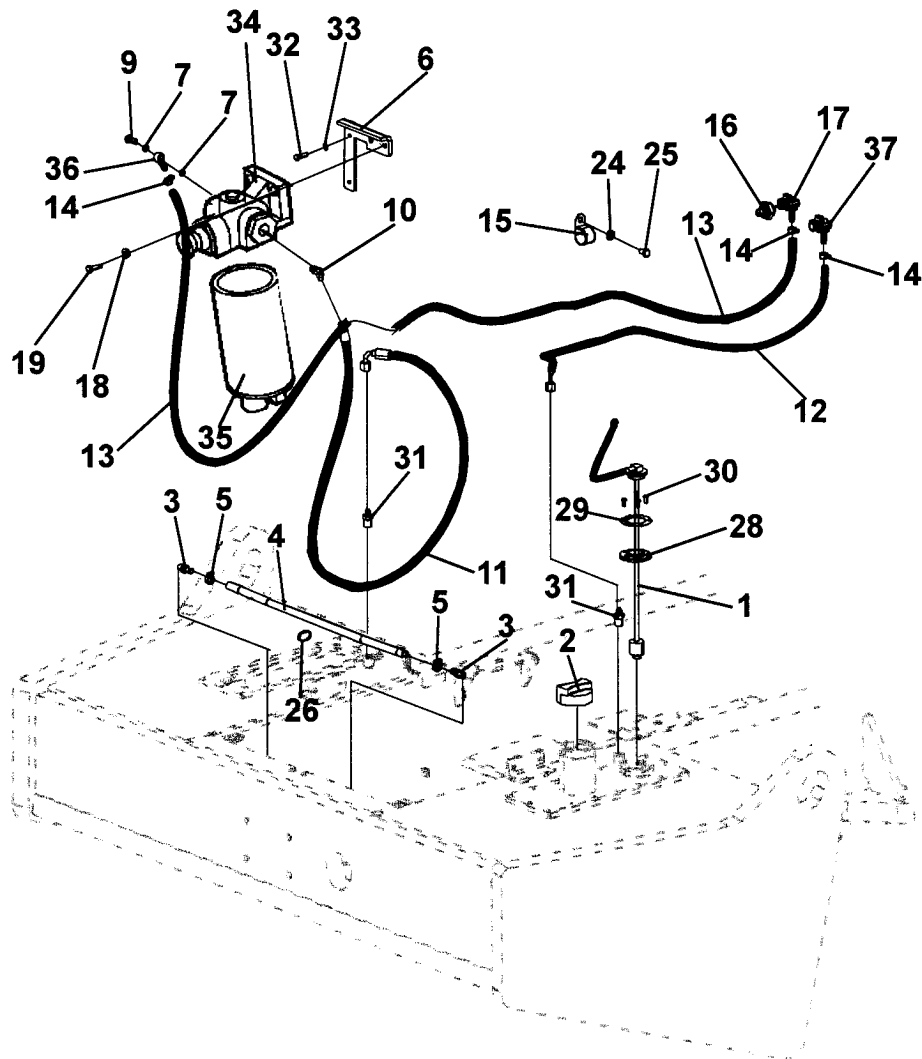


Combustion air system

Item	Part No	Rem	Qty	Description	Code
1	4700900170		1	Air inlet hood	D
2	4700379084		1	Charge air tube	D
3	4700379269		1	Holder	D
4	4700313093		4	Pipe clamp	D
5	4700904640		18	Washer 8,4x22x3	C
6	4700586003		8	Lock nut M8	C
7	4700379936		1	Charge air tube	D
8	4700385691		2	Air intake hose	D
9	4700904230		3	Steel plain washer	C
10	4700500028		3	Screw	C
11	4700379085		1	Charge air tube	D
12	4700379086		1	Charge air hose	D
13	4700379209		1	Holder	D
14	4700802550		2	Band, mounting	D
16	4700379208		1	Air inlet hose	D
17	4700389600		1	Hose clamp	D
18	4700379214		1	Hose clamp	D
19	4700379245		1	Air inlet duct	D
20	4700288129	A	1XL	Edge trim	D
21	4700379478		1	Holder	D
22	4700379215		1	Clamp	D
23	4700570005		4	Nut M8	C
24	4700500053		2	Screw M8x20H 8.8	C
25	4700791614		3	Screw	D
26	4700791182		3	Lock nut M8	
27	4700500021		3	Screw M8-1,25x25 8.8	C
28	4700390083		1	Holder	D
29	4700386966		6	Hose clamp 2.3/4"-3.5/8"	B
30	4700394683		1	Air cleaner, cpl	D
31	4700394691		1	. Air filter element, safety	A
32	4700394690		1	. Air filter element, main	A
33	4700385379		1	. End cover	A
34	4700385376		1	. Vacuator valve	D
35	4700904229		4	Steel plain washer 8,4x16x1,5	C
36	4700500053		4	Screw M8x20H 8.8	C
37	4700385404		2	Hose clamp	D
38	4812112336		1	Bracket	D

A) L = 0,500M

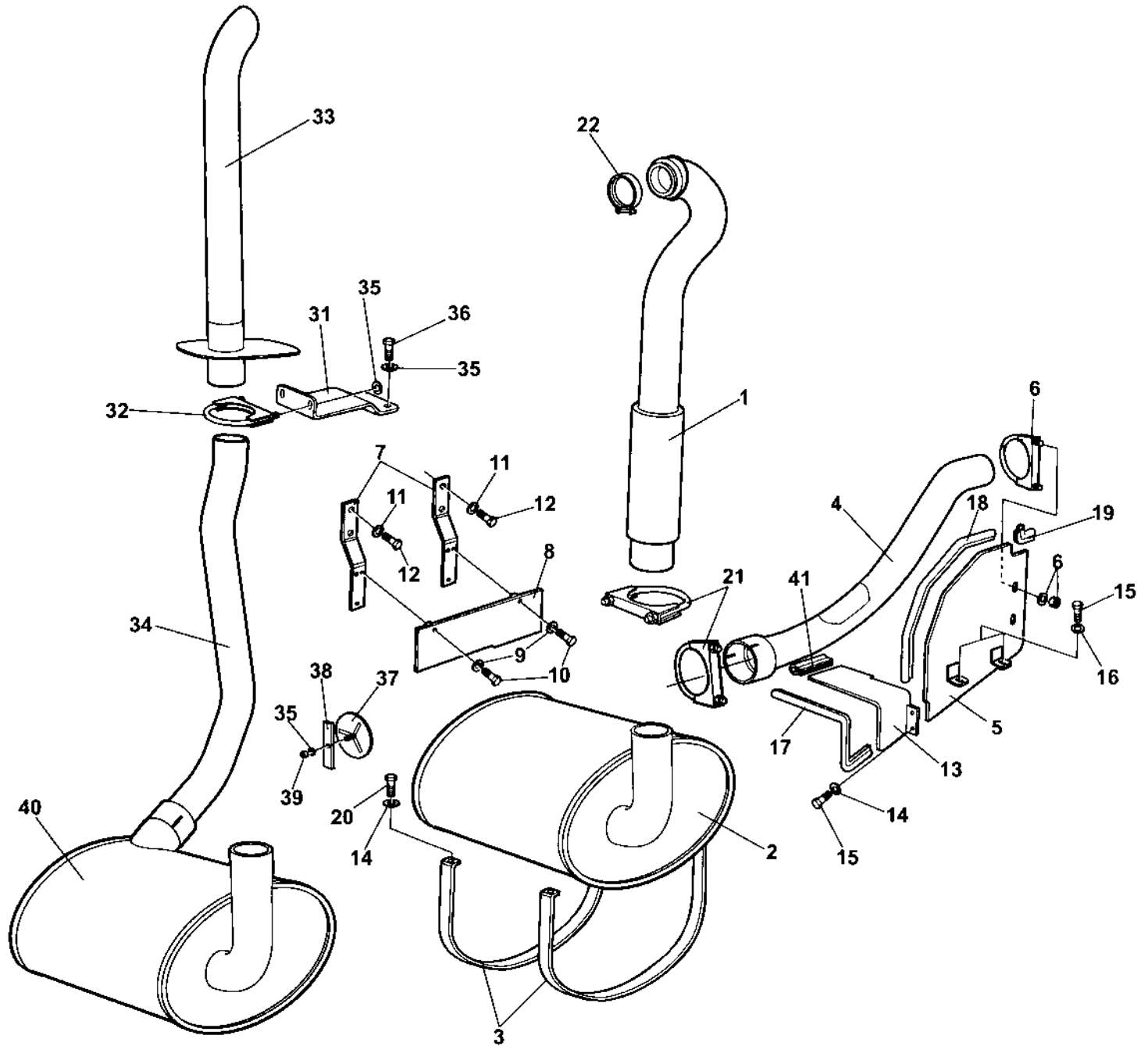
Fuel system



Fuel system

Item	Part No	Rem Qty	Description	Code
1	4700387112	1	Fuel sender	C
2	4700373460	1	Fuel cap	D
3	4700373574	2	Hose connection	D
4	4700244054	1	Hose reinforced	C
5	4700313002	2	Hose clamp 13-20 mm	
6	4700392159	1	Fuel filter bracket	D
7	4700230277	2	Copper washer 12,2x17,9x1,5	D
9	4700234919	1	Screw M12-1,5-24-3	
10	4700928910	1	Adapter 90 with O-ring	C
11	4700393385	1	Fuel hose	D
12	4700393386	1	Fuel hose	D
13	4700904985	A	Fuel hose	C
14	4700313001	3	Hose clamp	C
15	4700791513	1	Pipe clamp	D
16	4700792814	1	Quick connect coupling	D
17	4700792547	1	Quick connect coupling	D
18	4700904557	2	Steel plain washer	C
19	4700500030	2	Screw M10x035H 8.8 A3K	C
24	4700904231	1	Washer 13x24x2 300 HV	C
25	4700500163	1	Screw M12x16	D
26	4700313041	N	Cable ties	B
28	4700370745	1	Flange, cpl	C
29	4700372718	1	Lid	D
30	4700904206	5	Screw	C
31	4700234840	2	Connector	C
32	4700500022	2	Screw M8x30H 8.8 A2K	C
33	4700904229	2	Steel plain washer 8,4x16x1,5	C
34	4700945538	1	Fuel filter head with hand pump	A
35	4700945147	1	Pre-fuel filter element	
36	4700792808	1	Banjo coupling	D
37	4700792526	1	Quick connect coupling	

A) L = 2,8 m



Exhaust system

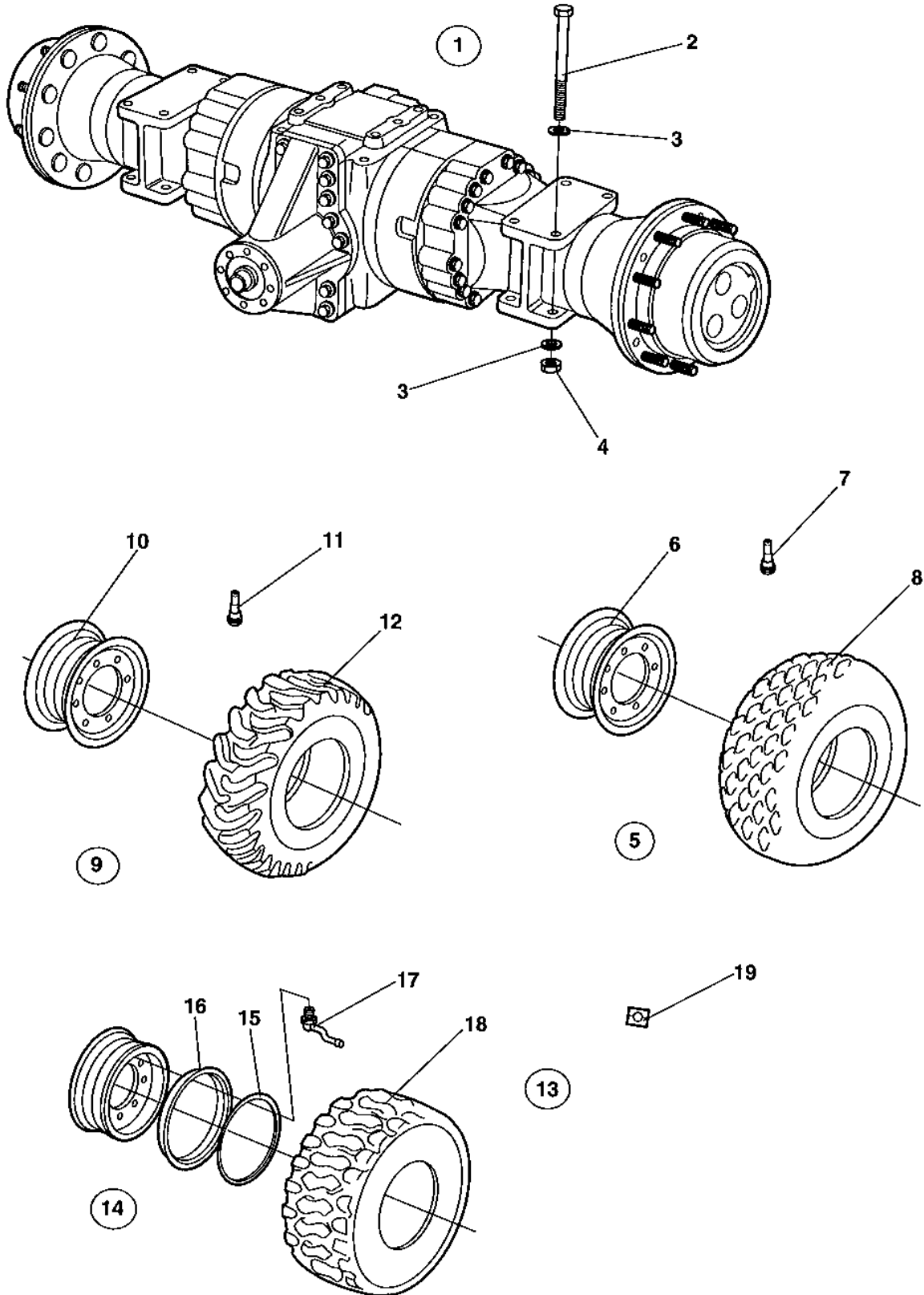
Item	Part No	Rem	Qty	Description	Code
1	4700378940		1	Exhaust hose	D
2	4700378941		1	Muffler	D
3	4700388800		2	Clamp	D
4	4700387699		1	Exhaust pipe	D
5	4700376619		1	Thermal guard	D
6	4700313093		1	Pipe clamp	D
7	4812111323		2	Cable holder	
8	4812111322		1	Thermal guard	
9	4700904228		2	Washer 6,4x12x1,5	C
10	4700500015		2	Screw M6X30 8.8	C
11	4700904231		4	Washer 13x24x2 300 HV	C
12	4700500035		4	Screw M12x020H	
13	4700386410		1	Thermal guard	D
14	4700904229		7	Steel plain washer 8,4x16x1,5	C
15	4700500053		4	Screw M8x20H 8.8	C
16	4700904640		3	Washer 8,4x22x3	C
17	4700902166	A	1XL	Edge trim	D
18	4700902166	B	1XL	Edge trim	D
19	4700902166	C	1XL	Edge trim	D
20	4700904241		4	Screw	C
21	4700927857		2	Pipe clamp	D
22			1	Clamp	
31	4700375041	D	1	Bracket	D
32	4700313094	D	1	Pipe clamp	C
33	4700375181	D	1	Exhaust pipe	D
34	4700390510	D	1	Exhaust pipe	D
35	4700904229	D	5	Steel plain washer 8,4x16x1,5	C
36	4700500053	D	2	Screw M8x20H 8.8	C
37	4700372722	D	1	Cover plate	D
38	4700372725	D	1	Holder	D
39	4700586003	D	1	Lock nut M8	C
40	4700389129	D	1	Muffler	D
41	4700902166	E	1XL	Edge trim	D

- A) L = 0,33M
- B) L = 0,46M
- C) L = 0,08M
- D) Option
- E) L=0,11M

Transmission

Item	Part No	Rem Qty	Description	Code
17			Rear axle and wheels (Page 68)	
20	4700385100		Rear axle Limited slip (Page 70)	
100	4700383856		Rear axle No-Spin, Option (Page 78)	

Rear axle and wheels

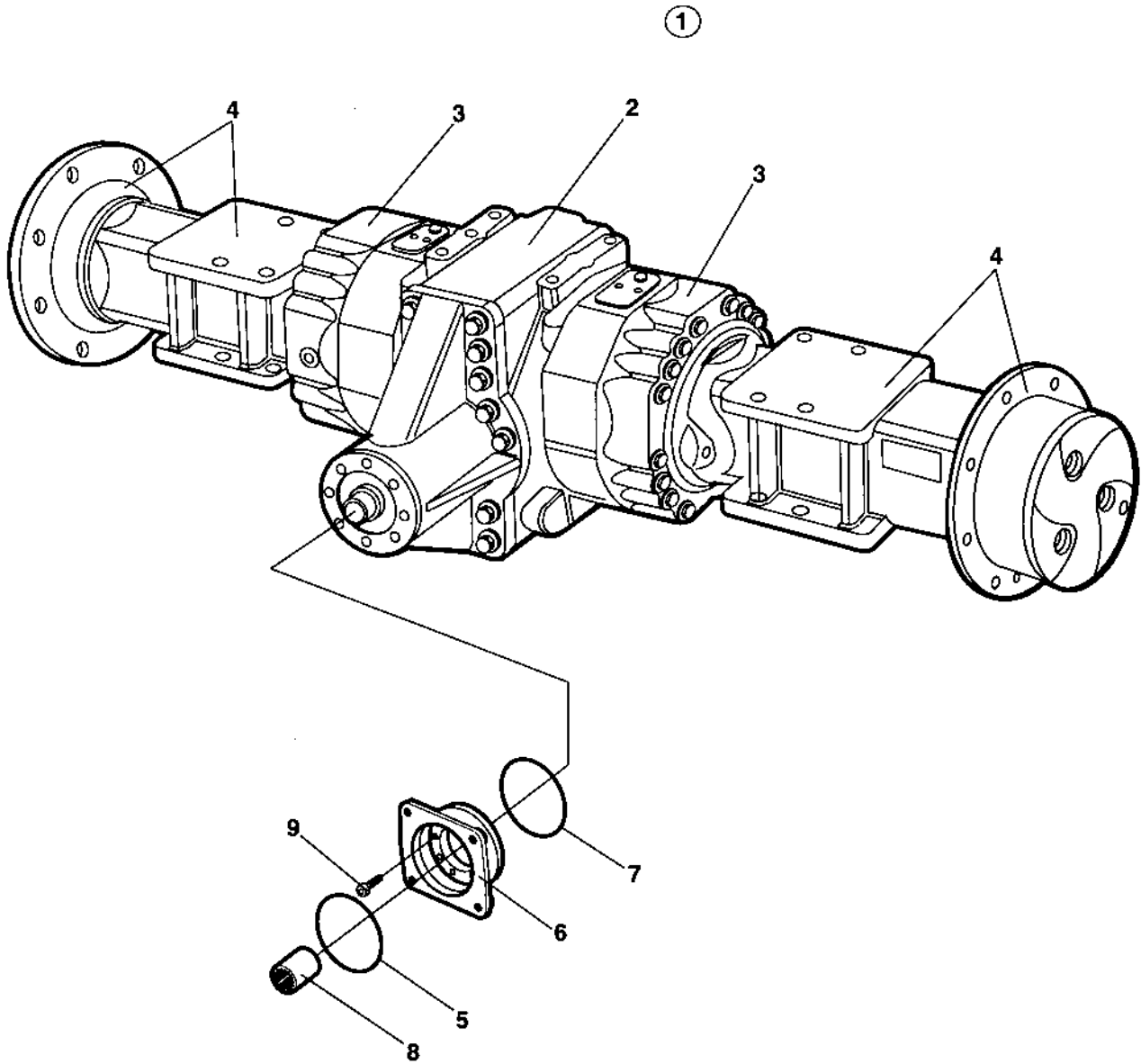


Rear axle and wheels

Item	Part No	Rem Qty	Description	Code
1	4700385100	1	Rear axle Limited slip (Page 70)	
2	4700929217	8	Screw	D
3	4700904233	16	Washer 21x36x3	C
4	4700901145	8	Lock nut M20-10	
5	4700379691	A 2	Wheel, cpl	D
	4700388146	A,I 2	Wheel, cpl	D
6	4700383933	1	. Rim	D
7	4700792261	1	. Air charging valve Straight	B
8	4700379632	1	. Tyre	D
	4700791573	J 1	. Tyre	D
9	4700390760	D 1	Tractor wheel, cpl	D
	4700390759	E 1	Tractor wheel, cpl	D
10	4700383933	1	. Rim	D
11	4700792261	1	. Air charging valve Straight	B
12	4700390589	1	. Tyre	D
13	4700383975	B 2	Wheel, tubeless, cpl	D
14	4700383955	1	. Rim cpl	D
15	4700901443	1	. . Snap ring	
16	4700901444	1	. . Side ring	
17	4700791175	1	. Air charging valve	B
	4700791176	1	. Valve foot	D
18	4700901218	1	. Tyre	D
19	4700903985	G 1	Decal "SAFETY", "TYRE IN BALLAST"	
	4700355983	H 2	Decal "TYRE PRESSURE" 200kPa/29psi	D

- A) Liquidfilled
- B) Liquidfilled, Option, Michelin branded.
- D) Liquidfilled tyre, left.
- E) Liquidfilled tyre, right.
- G) Used with Liquid filled tyres.
- H) Used with item 13, 4700383975.
- I) For Chinese market.
- J) Used with 4700388146.

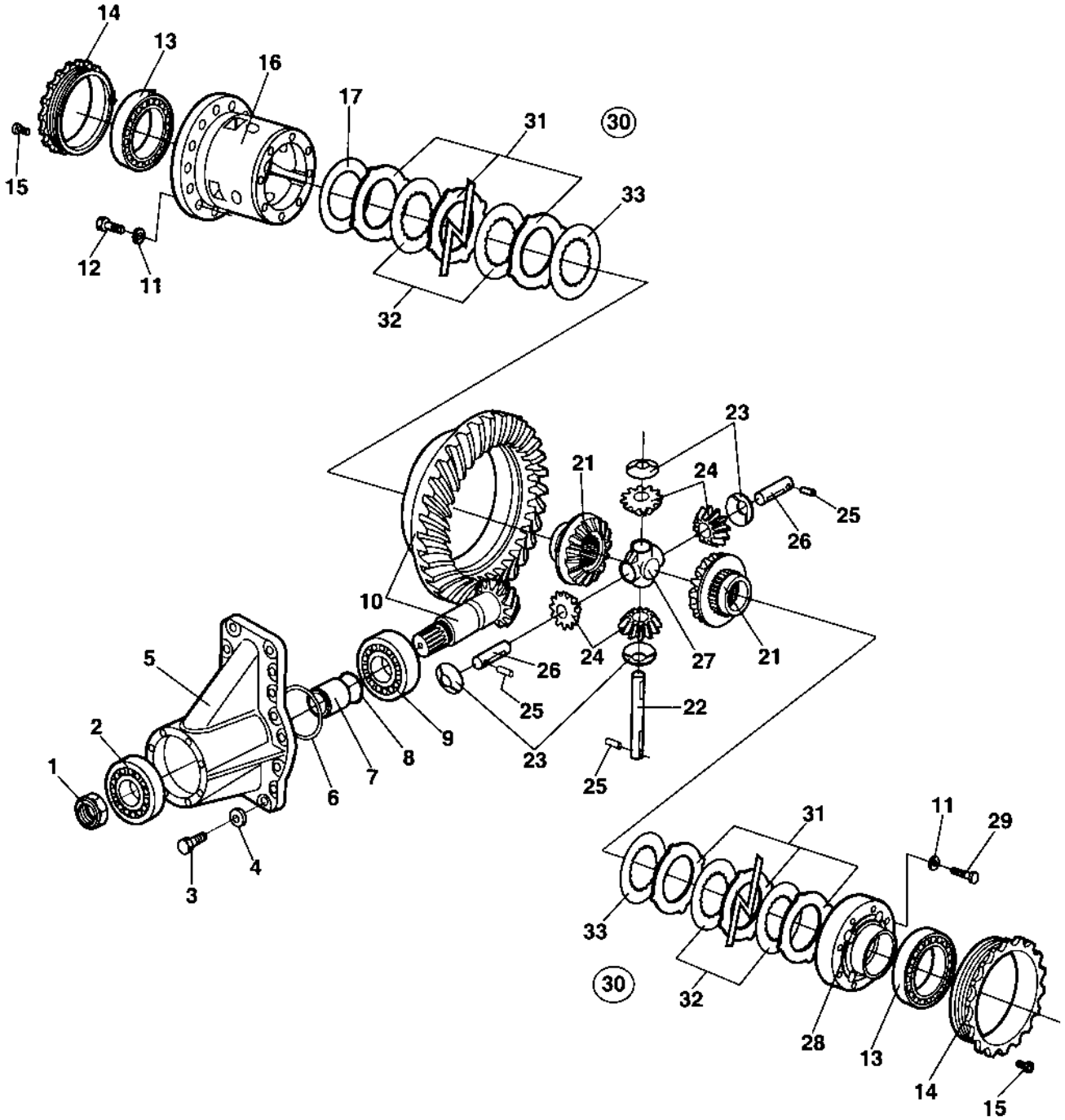
4700385100 Rear axle Limited slip



4700385100 Rear axle Limited slip

Item	Part No	Rem Qty	Description	Code
1		1	Rear axle	
2		1	. Differential with limited slip (Page 72)	
3		2	. Differential housing and brakes (Page 74)	
4		2	. Planet gear (Page 76)	
5	4700909584	1	O-ring	D
6	4700900255	1	Flange	D
7	4700929648	1	O-ring	D
8	4700901834	1	Splined sleeve	
9	4700909582	8	Screw	

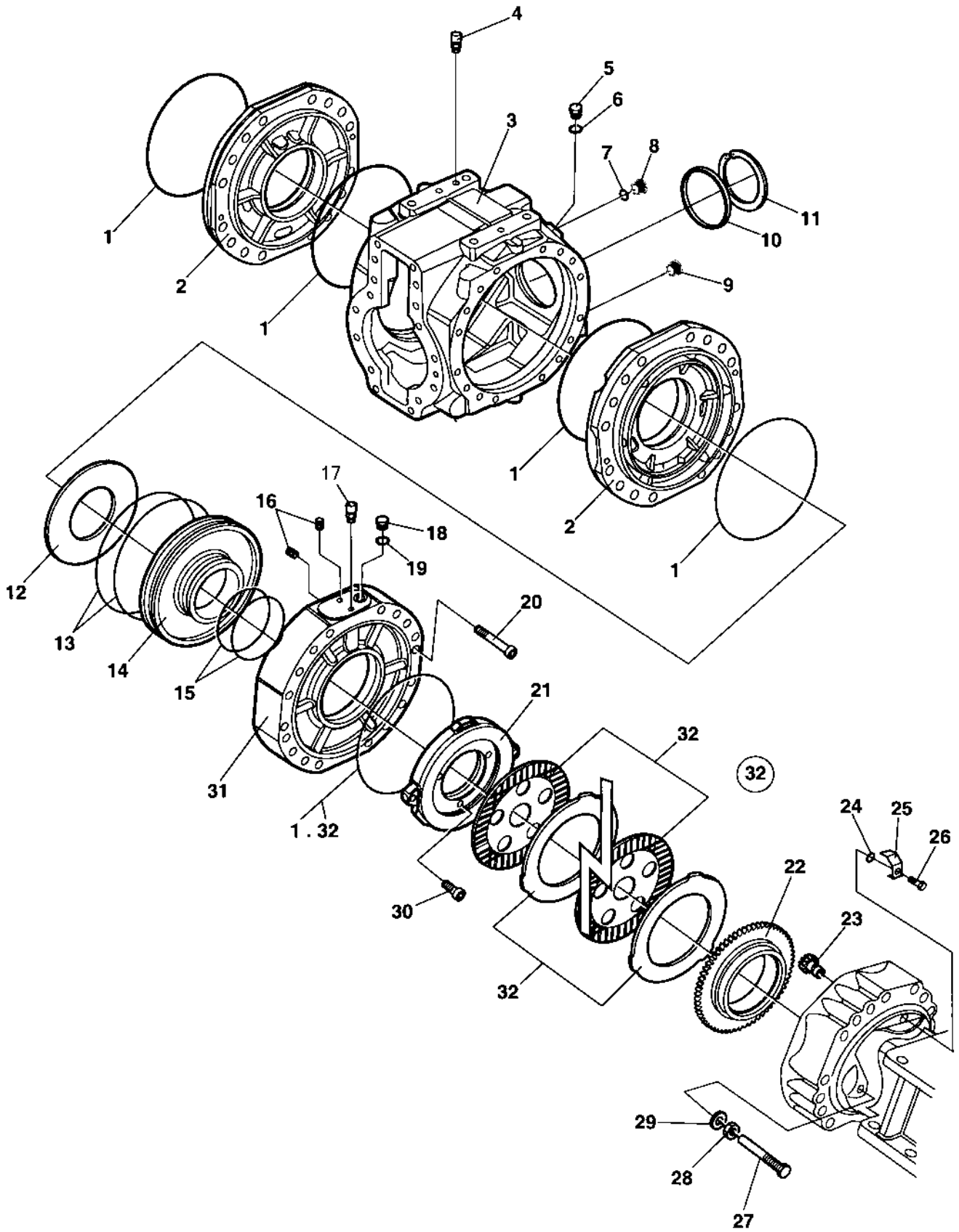
Differential with limited slip



Differential with limited slip

Item	Part No	Rem Qty	Description	Code
1	4700929638	1	Nut	D
2	4700909574	1	Tapper roller bearing	
3	4700939257	16	Bolt	
4	4700909572	16	Spring washer	
5	4700908485	1	Housing	D
6	4700909568	1	Shim 0,10mm	
	4700909569	1	Shim 0,20mm	
	4700909570	1	Shim 0,50mm	
	4700939258	1	Shim 0,15mm	
7	4700909567	1	Spacer	
8	4700939259	1	Shim 0,15mm	
	4700909580	1	Shim 0,20mm	
	4700909576	1	Shim 0,30mm	
	4700929644	1	Shim 0,40mm	
	4700939260	1	Shim 0,50mm	
9	4700909581	1	Tapper roller bearing	
10	4700212553	1	Bevel gear set	
11	4700929628	16	Washer	C
12	4700929629	16	Screw	D
13	4700923342	1	Tapper roller bearing	
14	4700939261	2	Ring nut	
15	4700938989	2	Bolt	
16	4700909550	1	Differential carrier	D
17	4700909551	1	Shim 0,30mm	
	4700909552	1	Shim 0,40mm	
	4700909553	1	Shim 0,10mm	
21	4700909558	2	Differential side gear	
22	4700909566	1	Shaft	
23	4700909559	4	Friction washer	
24	4700939262	4	Differential pinion	
25	4700909561	3	Roll pin	
26	4700909560	2	Shaft	
27	4700909565	1	Shaft retainer	
28	4700909562	1	Differential carrier cover	
29	4700909563	8	Screw	
30	4700935644	2	Disc kit	D
31		10	. Limited slip disc	
32		8	. Limited slip disc	
33		2	. Limited slip disc	

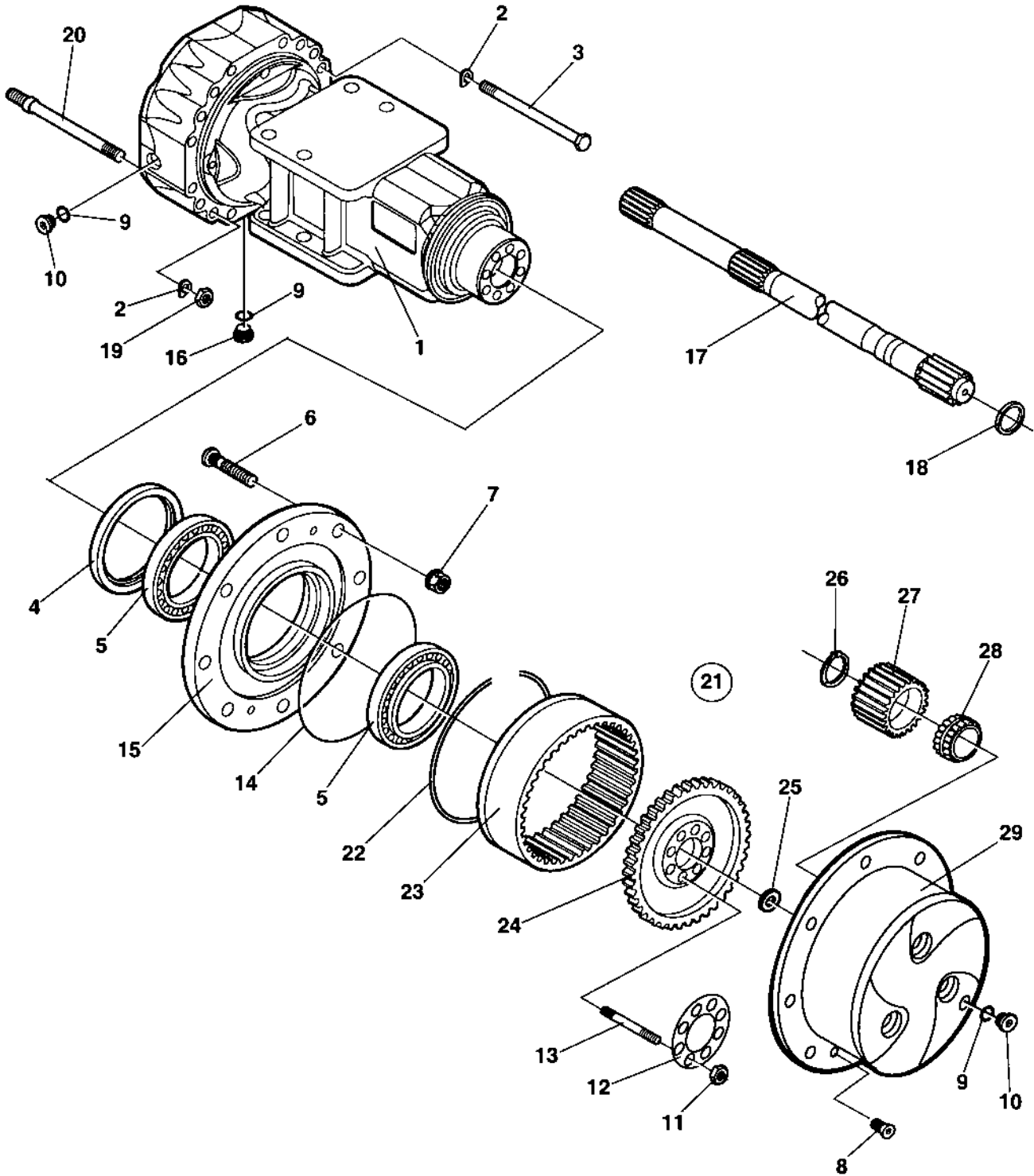
Differential housing and brakes



Differential housing and brakes

Item	Part No	Rem Qty	Description	Code
1	4700909609	6	O-ring	D
2	4700939255	2	Cover	D
3	4700939256	1	Housing	D
4	4700938984	1	Vent nipple	
5	4700909544	2	Screw	
6	4700938983	2	Sealing washer	
7		0	Not used on this model	
8	4700939348	1	Plug	
9	4700926810	1	Magnetic plug	
10	4700938296	1	Plug	
11	4700929617	1	Lock ring	D
12	4700909616	2	Spring	
13	4700909618	4	O-ring	D
14	4700939280	2	Piston	C
15	4700909619	4	O-ring	D
16	4700939281	4	Bolt	C
17	4700938984	2	Vent nipple	
18	4700939282	2	Bolt	
19	4700939036	2	Sealing washer	C
20	4700939035	4	Screw	C
21	4700939283	2	Disc	C
22	4700939285	2	Ring	D
23	4700909622	2	Pinion	D
24	4700900966	2	O-ring	D
25	4700939286	2	Lock plate	D
26	4700909624	2	Screw	C
27	4700909626	4	Bolt	
28	4700900957	4	Nut	D
29	4700926847	4	Sealing washer	
30	4700939026	6	Screw	C
31	4700939287	2	Cover	C
32	4700939284	2	Brake disc kit	C
		12	. Brake disc	
		12	. Brake disc	
	4700909609	2	. O-ring	D

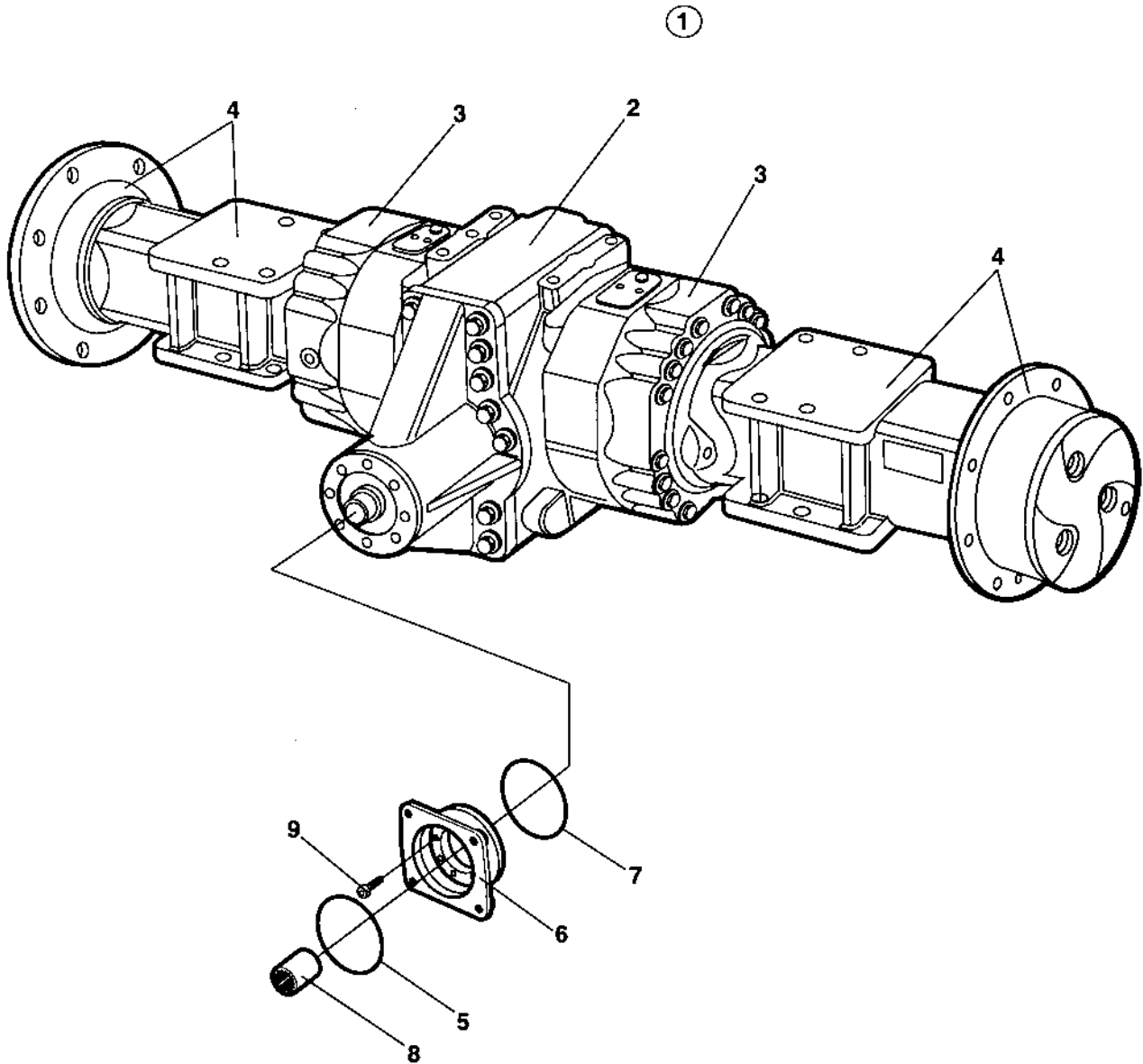
Planet gear



Planet gear

Item	Part No	Rem Qty	Description	Code
1	4700939263	2	Axle case	D
2	4700939003	32	Spring washer	C
3	4700939264	24	Bolt	C
4	4700939265	2	Seal	
5	4700939266	4	Bearing	
6	4700926781	20	Wheel screw	
7	4700901987	20	Wheel nut	
8	4700939015	4	Screw	
9		0	Not used on this model	
10	4700939348	4	Plug	
11	4700939016	20	Nut	D
12	4700939275	2	Lock plate	
13	4700939017	20	Stud	D
14	4700909609	2	O-ring	D
15	4700939276	2	Wheel hub	
16	4700939350	2	Magnetic plug	
17	4700939277	2	Half shaft	D
18	4700909586	2	Seal	D
19	4700939019	8	Nut	D
20	4700939278	8	Stud	D
21	4700939351	2	Planet gear carrier Cpl.	D
22	4700939267	2	. Circlip	
23	4700939268	2	. Ring gear	D
24	4700939269	2	. Ring gear support	
25	4700939270	2	. Washer	
26	4700939271	8	. Seal	
27	4700939272	8	. Planet gear	
28	4700939273	8	. Bearing	
29	4700939349	2	. Planet gear carrier Cpl.	

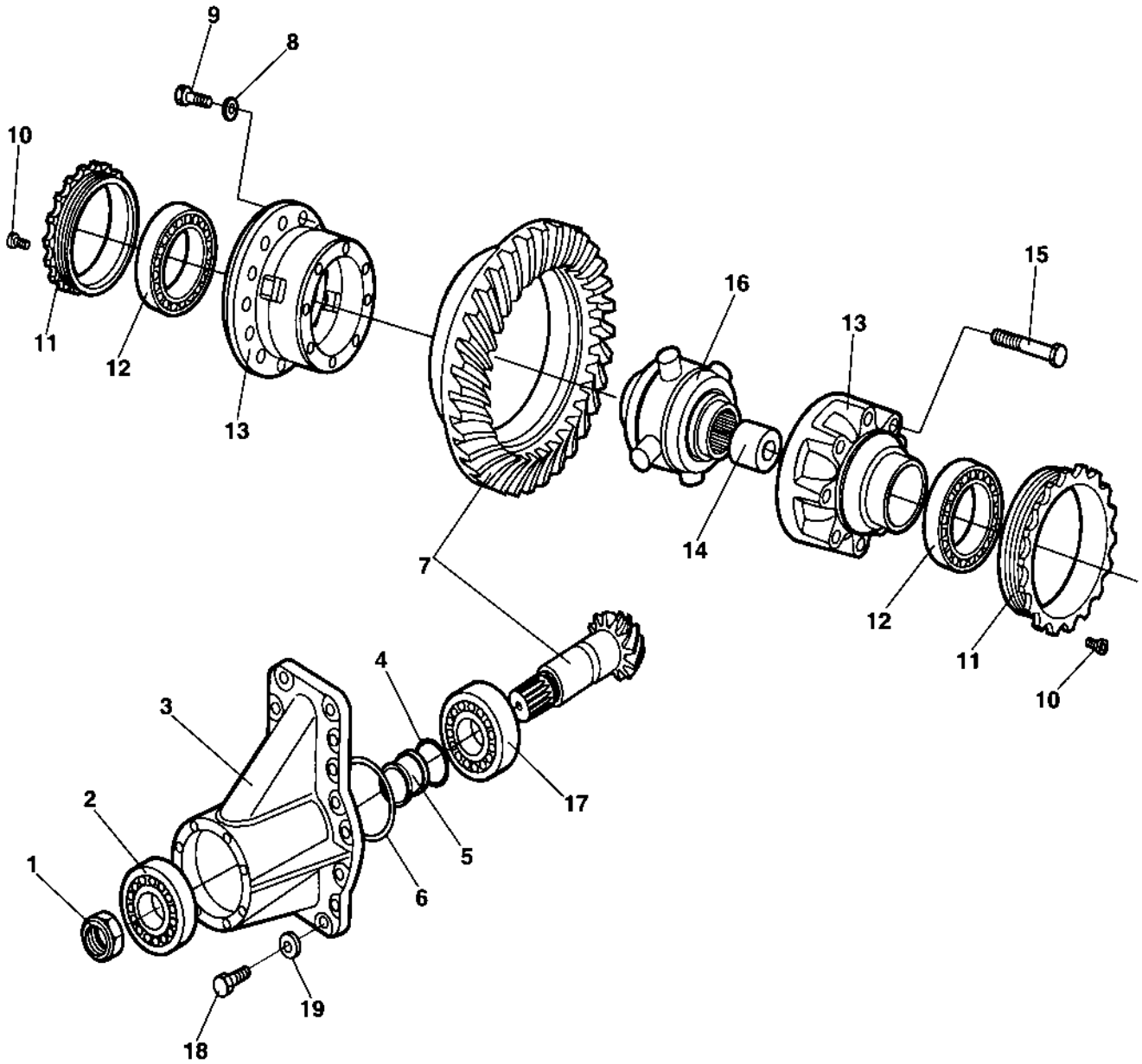
4700383856 Rear axle No-Spin, Option



4700383856 Rear axle No-Spin, Option

Item	Part No	Rem Qty	Description	Code
1		1	Rear axle	
2		1	. Differential with no-spin (Page 80)	
3		2	. Differential housing and brakes (Page 82)	
4		2	. Planet gear (Page 84)	
5	4700909584	1	O-ring	D
6	4700900255	1	Flange	D
7	4700929648	1	O-ring	D
8	4700901834	1	Splined sleeve	
9	4700909582	8	Screw	

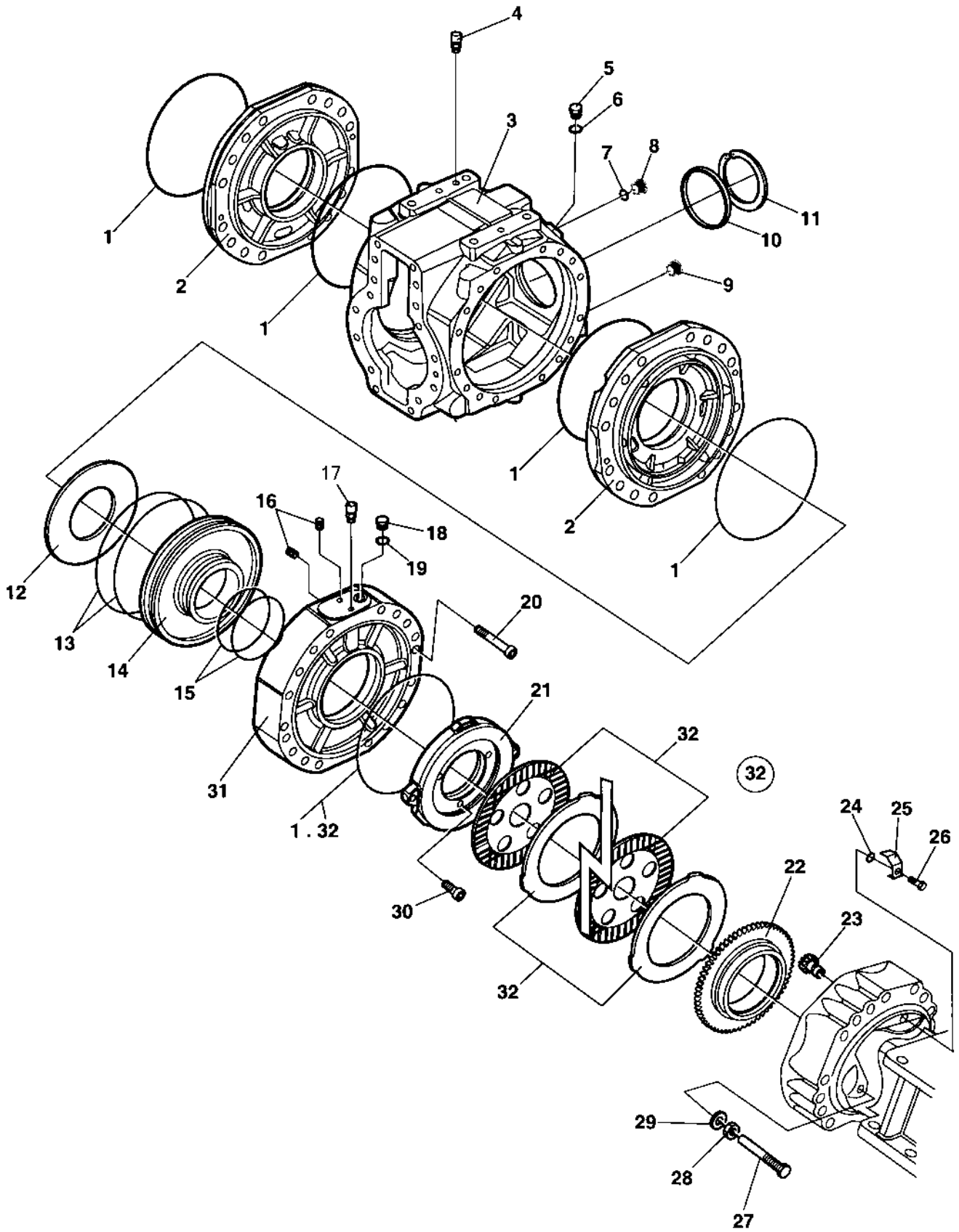
Differential with no-spin



Differential with no-spin

Item	Part No	Rem Qty	Description	Code
1	4700929638	1	Nut	D
2	4700909574	1	Tapper roller bearing	
3	4700908485	1	Housing	D
4	4700939259	1	Shim 0,15mm	
	4700909580	1	Shim 0,20mm	
	4700909576	1	Shim 0,30mm	
	4700929644	1	Shim 0,40mm	
	4700939260	1	Shim 0,50mm	
5	4700909567	1	Spacer	
6	4700909568	1	Shim 0,10mm	
	4700909569	1	Shim 0,20mm	
	4700909570	1	Shim 0,50mm	
	4700939258	1	Shim 0,15mm	
7	4700212553	1	Bevel gear set	
9	4700938991	16	Bolt	D
10	4700938989	2	Bolt	
11	4700939261	2	Ring nut	
12	4700923342	1	Tapper roller bearing	
13	4700929630	1	Differential case	D
14	4700929631	1	Spacer	D
15	4812156885	8	Screw	C
16	4700929626	1	Non-spin unit	D
17	4700909581	1	Tapper roller bearing	
18	4812156886	16	Bolt	
19	4700909572	16	Spring washer	

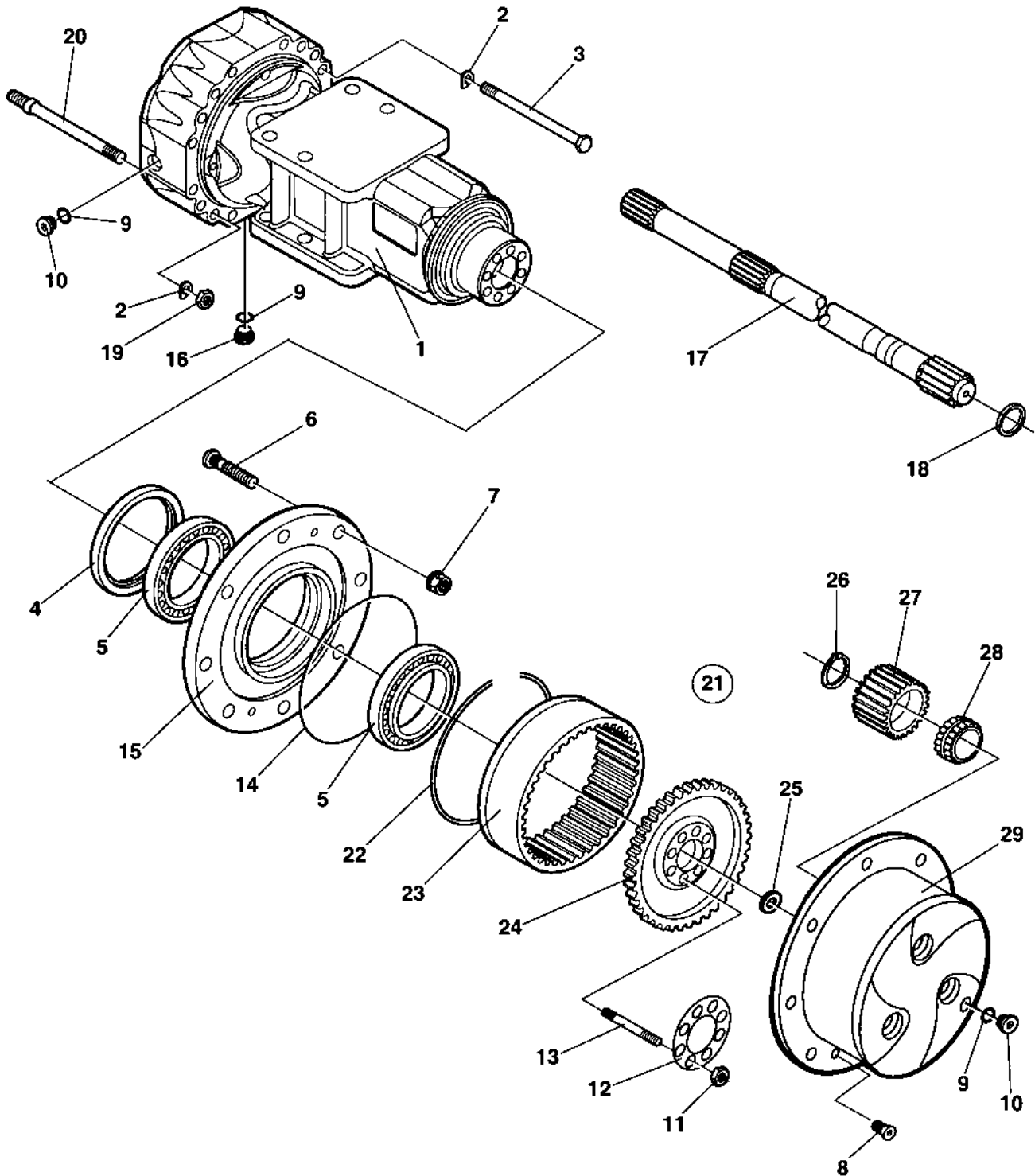
Differential housing and brakes



Differential housing and brakes

Item	Part No	Rem Qty	Description	Code
1	4700909609	6	O-ring	D
2	4700939255	2	Cover	D
3	4700939256	1	Housing	D
4	4700938984	1	Vent nipple	
5	4700909544	2	Screw	
6	4700938983	2	Sealing washer	
7	4700330333	1	Copper washer	D
8	4700909596	1	Plug	C
9	4700926810	1	Magnetic plug	
10	4700938296	1	Plug	
11	4700929617	1	Lock ring	D
12	4700909616	2	Spring	
13	4700909618	4	O-ring	D
14	4700939280	2	Piston	C
15	4700909619	4	O-ring	D
16	4700939281	4	Bolt	C
17	4700938984	2	Vent nipple	
18	4700939282	2	Bolt	
19	4700939036	2	Sealing washer	C
20	4700939035	4	Screw	C
21	4700939283	2	Disc	C
22	4700939285	2	Ring	D
23	4700909622	2	Pinion	D
24	4700900966	2	O-ring	D
25	4700939286	2	Lock plate	D
26	4700909624	2	Screw	C
27	4700909626	4	Bolt	
28	4700900957	4	Nut	D
29	4700926847	4	Sealing washer	
30	4700939026	6	Screw	C
31	4700939287	2	Cover	C
32	4700939284	2	Brake disc kit	C
		12	. Brake disc	
		12	. Brake disc	
	4700909609	2	. O-ring	D

Planet gear



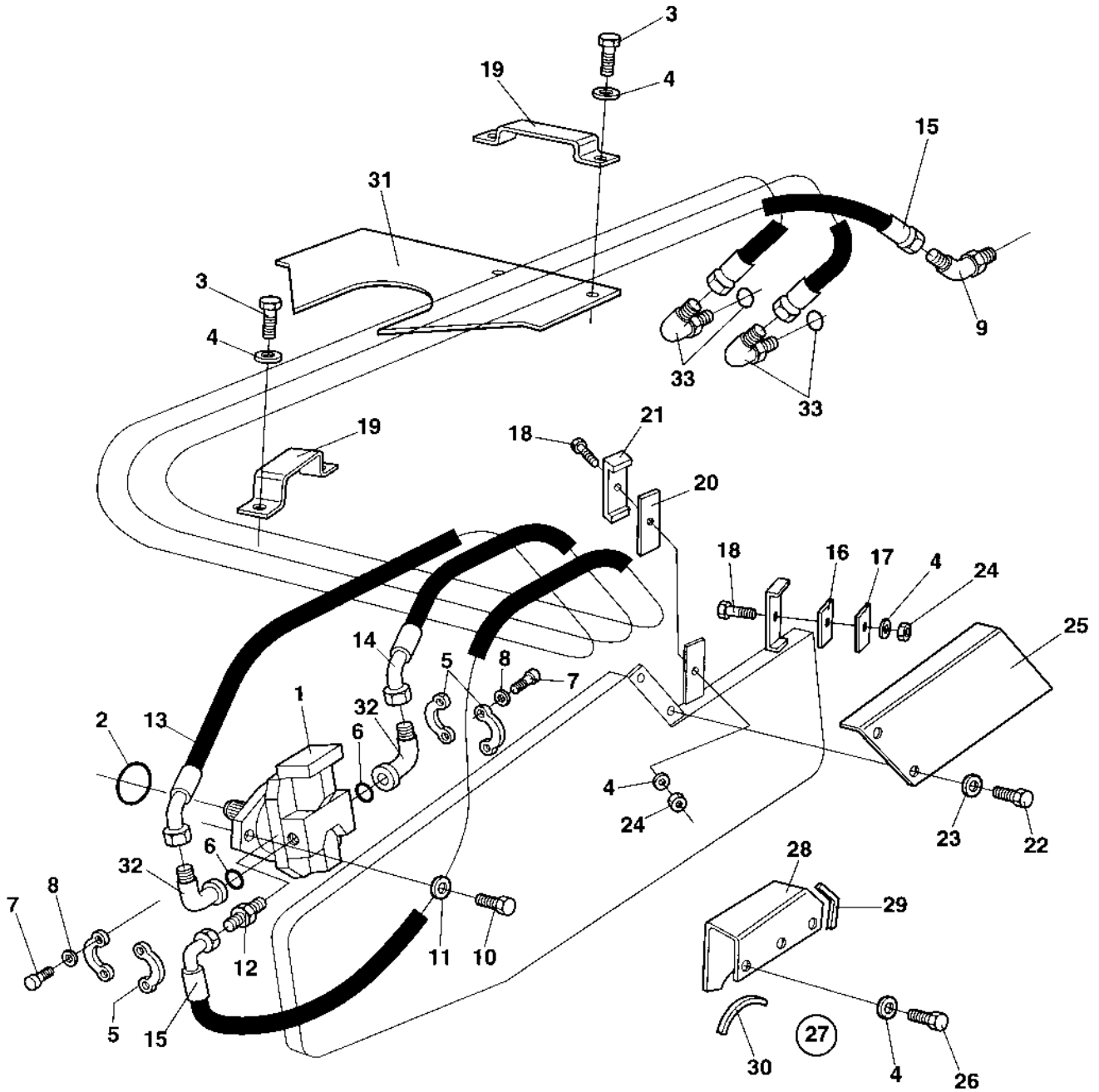
Planet gear

Item	Part No	Rem Qty	Description	Code
1	4700939263	2	Axle case	D
2	4700939003	32	Spring washer	C
3	4700939264	24	Bolt	C
4	4700939265	2	Seal	
5	4700939266	4	Bearing	
6	4700926781	20	Wheel screw	
7	4700901987	20	Wheel nut	
8	4700939015	4	Screw	
9	4700330333	6	Copper washer	D
10	4700909596	4	Plug	C
11	4700939016	20	Nut	D
12	4700939275	2	Lock plate	
13	4700939017	20	Stud	D
14	4700909609	2	O-ring	D
15	4700939276	2	Wheel hub	
16	4700939350	2	Magnetic plug	
17	4700939277	2	Half shaft	D
18	4700909586	2	Seal	D
19	4700939019	8	Nut	D
20	4700939278	8	Stud	D
21	4700939351	2	Planet gear carrier Cpl.	D
22	4700939267	2	. Circlip	
23	4700939268	2	. Ring gear	D
24	4700939269	2	. Ring gear support	
25	4700939270	2	. Washer	
26	4700939271	8	. Seal	
27	4700939272	8	. Planet gear	
28	4700939273	8	. Bearing	
29	4700939349	2	. Planet gear carrier Cpl.	

Hydraulic system

Item	Part No	Rem Qty	Description	Code
10			Propulsion system, Front (Page 88)	
15			Propulsion and Oil cooling system, Rear (Page 94)	
20			Vibration system (Page 110)	
30			Steering system (Page 120)	
40			Brake system (Page 126)	
45			Hydraulic oil tank (Page 128)	
50			Central test panel hydraulic Option (Page 130)	
51			Central test panel Option (Page 132)	
60			Emergency steering Option (Page 134)	

Propulsion system, Front

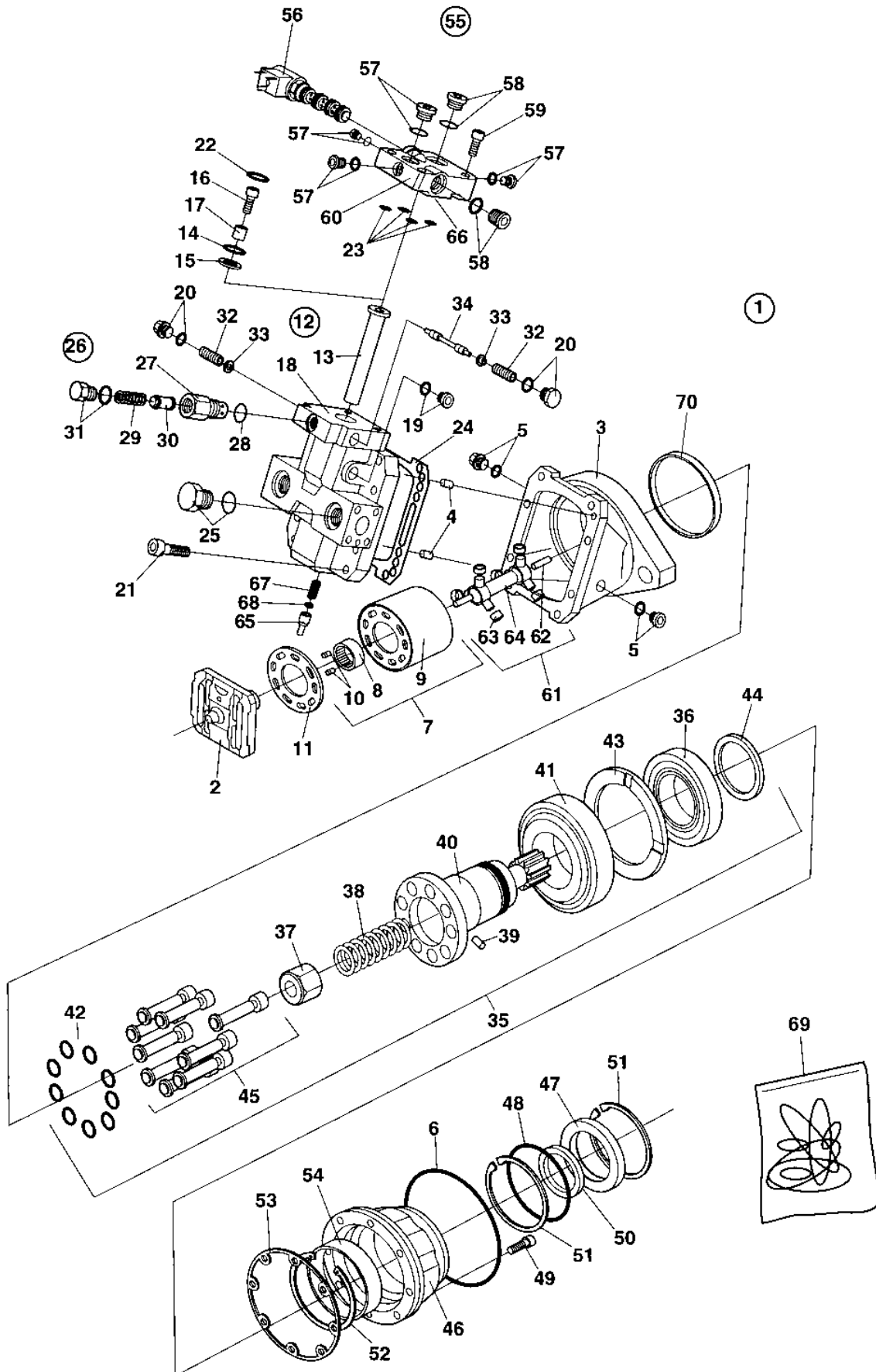


Propulsion system, Front

Item	Part No	Rem Qty	Description	Code
1	4700389564	1	Propulsion motor	C
	4700382088	A 1	Propulsion motor (Page 90)	
2	4700160272	1	O-ring	D
3	4700500028	4	Screw	C
4	4700904230	9	Steel plain washer	C
5	4700923384	4	Flange half	C
6	4700904005	2	O-ring	B
7	4700502132	8	Screw UNC 7/16" x 22	D
8	4700904638	8	Washer 12x22x2	C
9	4700334132	1	Elbow 45, O-ring	C
10	4700500101	2	Screw M20x50	C
11	4700903290	2	Washer 21x36x6	C
12	4700334138	1	Adapter	C
13	4700483941	E 1	Hydraulic hose	D
14	4700483926	F 1	Hydraulic hose	D
15	4700483022	G 1	Hydraulic hose	D
16	4700372581	1	Rubber part	D
17	4700372578	1	Hose clamp	D
18	4700500092	2	Screw	D
19	4700349909	2	Hose clamp	D
20	4700372580	1	Rubber part	D
21	4700372586	1	Hose clamp	D
22	4700500019	4	Hexagon head screw M8x16H 8,8	C
23	4700904640	4	Washer 8,4x22x3	C
24	4700586018	2	Hexagon lock nut	C
25	4700374706	1	Cover	D
26	4700500192	3	Screw M10x80	C
27	4700394646	1	Protecting cover	D
28	4700394650	1	. Protecting cover	D
29	4700287724	1	. Edge trim	
30	4700902166	1	. Edge trim	D
31	4700372235	1	Hose guard	D
32	4700904615	1	Connector	
33	4700791231	1	Elbow 90	D

- A) With Anti spin, Option
- E) L = 4,0 m
- F) L = 3,65 m
- G) L = 4,25 m

4700382088 Propulsion motor

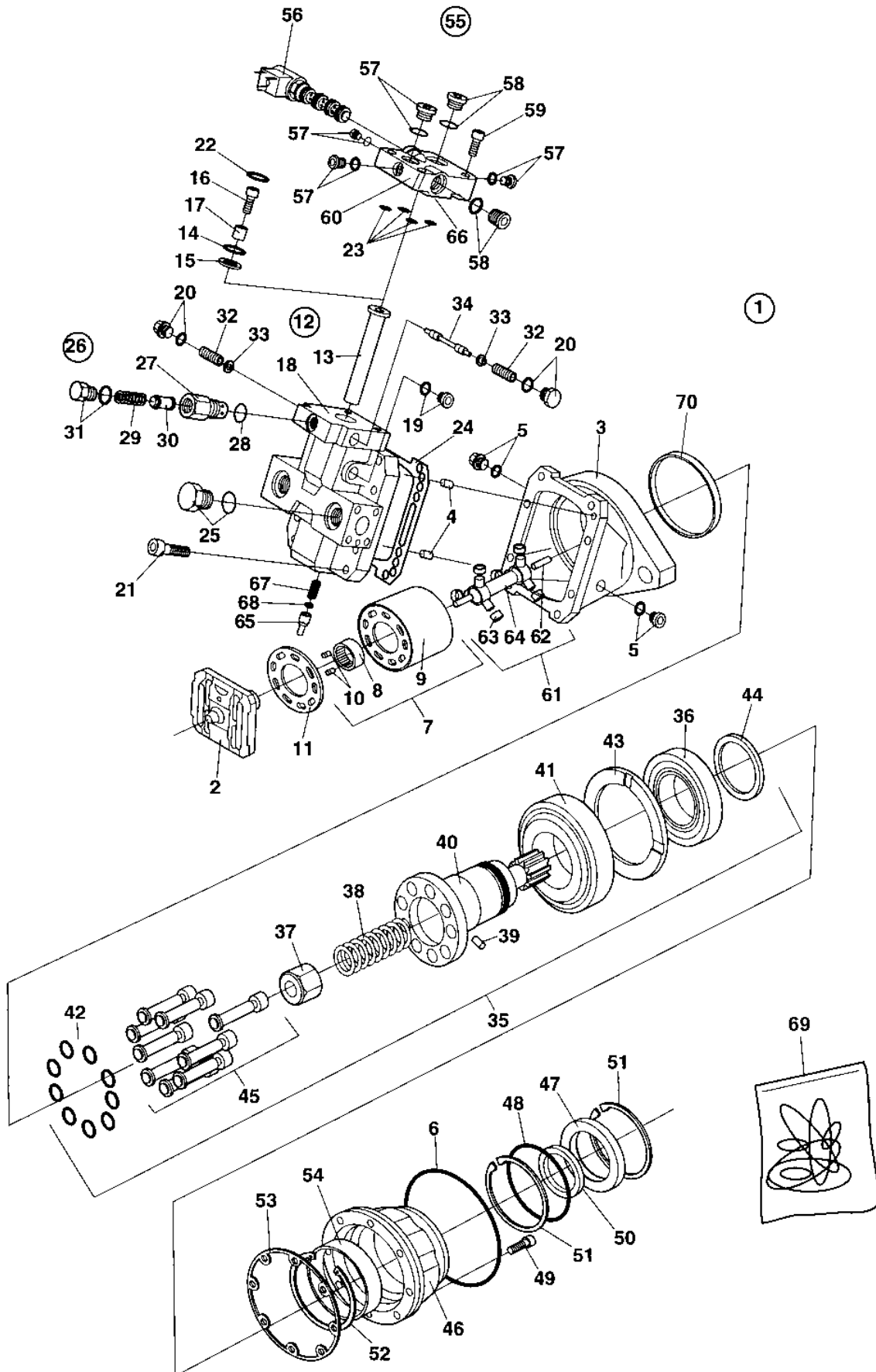


4700382088 Propulsion motor

Item	Part No	Rem	Qty	Description	Code
1			1	Propulsion motor, Cpl	
2	4700935521		1	. Valve segment	
3			1	. Housing	
4	4700813822		2	. Pin	D
5	4700902928		2	. Plug	C
	4700901453	1	2	. . O-ring	C
6	4700935523	1	1	. O-ring	
7	4700902929		1	. Cylinder block	
8			1	. . Bush	
9			1	. . Cylinder block	
10			2	. . Pin	
11	4700902930		1	. Bearing plate	
12	4700935527		1	. Piston assembly	
13	4700935526		1	. . Piston	
14	4700935525	1	1	. . O-ring	D
15	4700935524	1	1	. . Seal plug	D
16			1	. Not used on this model	
17			1	. Not used on this model	
18	4700935530		1	. End cap	
19	4700908432		1	. Plug	C
20	4700935741		2	. Plug, cpl	
21	4700902944		8	. Screw	
22	4700935531	1	1	. O-ring	D
23	4700908443	1	5	. Rect. seal	D
24	4700908427	1	1	. Gasket	D
25	4700902928		2	. Plug	C
	4700901453	1	2	. . O-ring	C
26	4700936590		1	. Loop Flushing assy.	
27			1	. . Adjusting screw kit	
28	4700926658	1	1	. . O-ring	C
29			1	. . Spring	
30			1	. . Valve cone	
31			1	. . Plug assy.	
32	4700935749		2	. Spring	
33	4700935750		2	. Spring retainer	
34	4700935533		1	. Spool	
35			1	. Shaft, cpl	
36			1	. . Bearing	
37			1	. . Spring guide	
38			1	. . Spring	
39			1	. . Pin	
40			1	. . Shaft	
41			1	. . Bearing	
42	4700902985		9	. . Piston ring cpl	
43			1	. . Spacer	
44			1	. . Nut	
45			9	. . Piston	
46	4700935535		1	. Housing	
47	4700935536		1	. Shaft seal 55x75x12	D
	4700945757	1	1	. Shaft seal 55x70x7	
48	4700935537	1	1	. O-ring	
49	4700902940		8	. Screw	C
50	4700935538		1	. Seal	
51	4700935539		2	. Retaining ring	
52	4700935540		1	. Retaining ring	
53	4700935541	1	1	. Gasket	
54	4700935542		1	. Spacer	
55			1	. Electric hydraulic control	
56	4700908435		1	. . Solenoid valve assy	C

1) Included in seal kit, item 69

4700382088 Propulsion motor

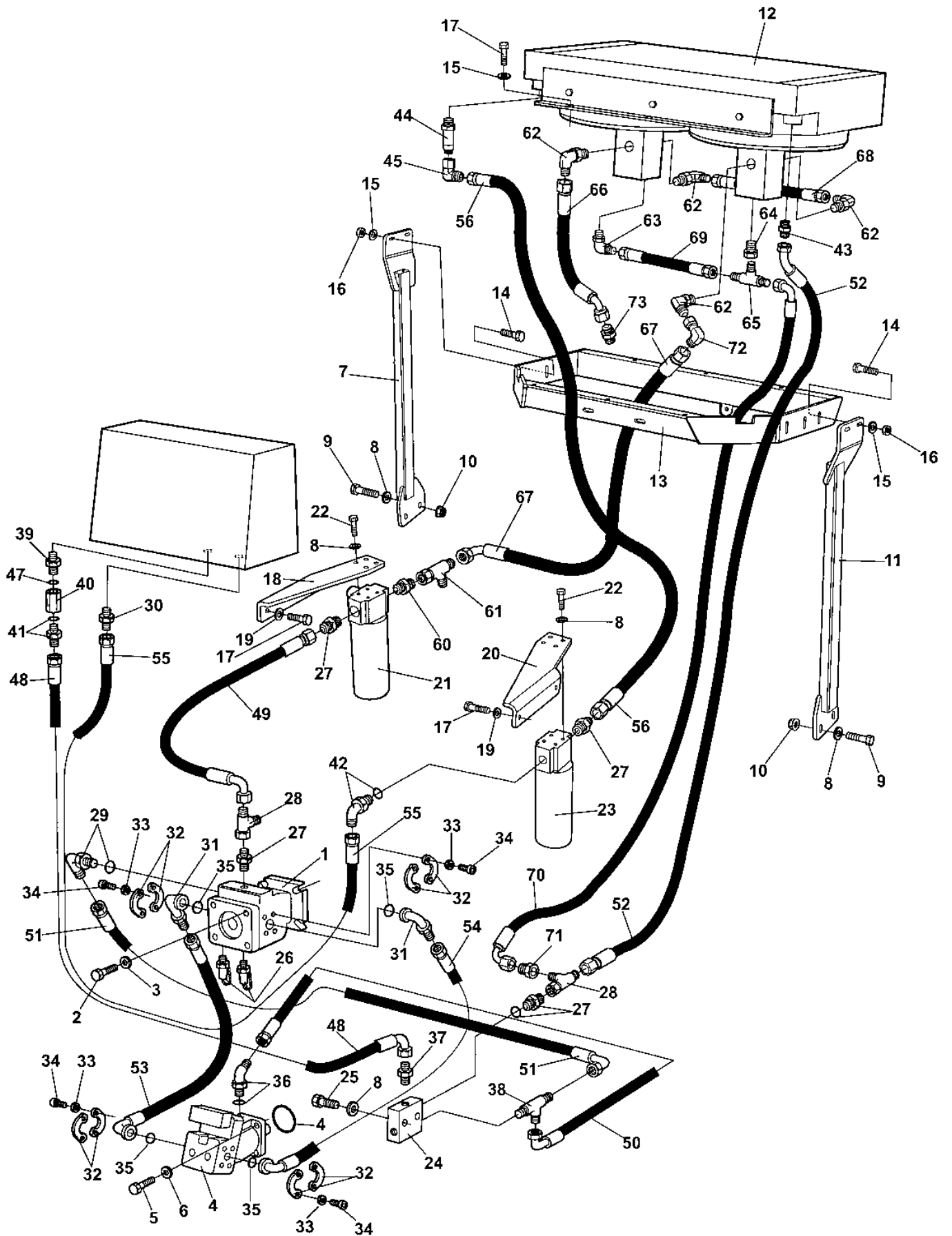


4700382088 Propulsion motor

Item	Part No	Rem Qty	Description	Code
57	4700908426	4	. . Plug, cpl	D
58	4700908432	2	. . Plug	C
59	4700935544	4	. . Screw	
60		1	. . Valve housing	
61	4700902984	1	. Shaft, cpl	
62		2	. . Pin	
63		6	. . Roller	
64		1	. . Shaft	
65	4700902996	1	. Plastic cap, green	
66		2	. Orifice	
67	4700902995	1	. Headless screw	
68	4700909525	1	. Seal nut	
69	4700935520	1	Seal kit	D
70	4700935546	1	Magnetic ring	

1) Included in seal kit, item 69

Propulsion and Oil cooling system, Rear

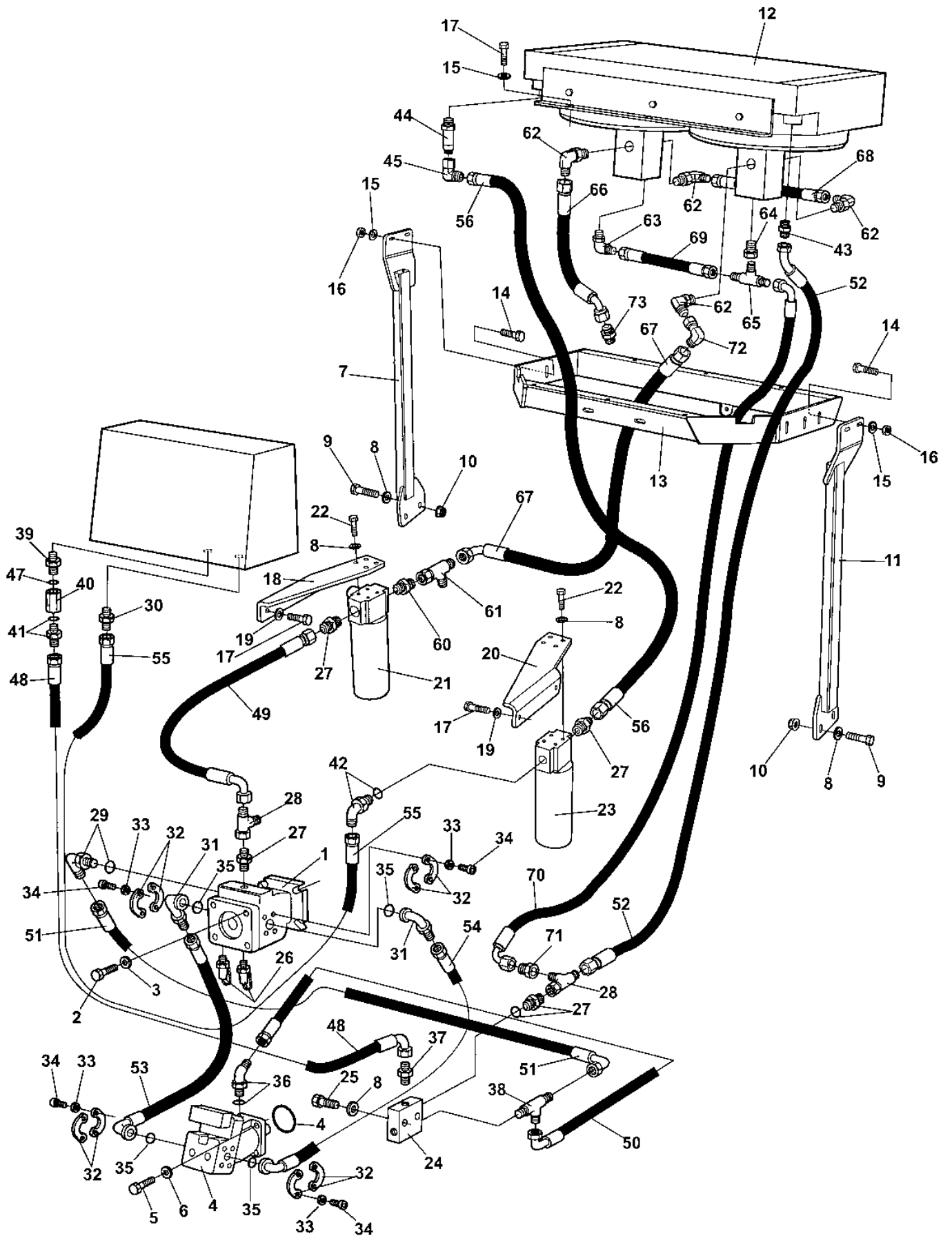


Propulsion and Oil cooling system, Rear

Item	Part No	Rem Qty	Description	Code
1	4700380830	1	Propulsion pump (Page 98)	C
2	4700500046	4	Screw M12x025H	C
3	4700904213	4	Washer	C
4	4700373361	1	Propulsion motor (Page 104)	C
	4700902581	1	. O-ring	D
5	4700500263	4	Screw M18x60	D
6	4700604012	4	Washer 19,3x31,3x4	D
7	4700379210	1	Stay, right	D
8	4700904230	14	Steel plain washer	C
9	4700500149	4	Screw M10x70	D
10	4700902287	4	Nut	C
11	4700379211	1	Stay, left	D
12	4700376377	1	Hydraulic oil cooler (Page 108)	
13	4700379479	1	Cooler frame	D
14	4700791614	4	Screw	D
15	4700904640	10	Washer 8,4x22x3	C
16	4700791182	4	Lock nut M8	
17	4700500022	10	Screw M8x30H 8.8 A2K	C
18	4700379482	1	Filter bracket	D
19	4700904229	4	Steel plain washer 8,4x16x1,5	C
20	4700380490	1	Filter bracket	D
21	4700359550	A	Hydraulic oil filter, cpl	A
	4700359551	1	. Filter head	A
	4700359552	1	. Cleaning filter element Maximum 50 hours use	A
	4700372229	C	. Hydraulic oil filter element	A
22	4700500028	8	Screw	C
23	4700372435	B	Hydraulic oil filter, cpl	A
	4700372436	1	. Filter head	D
	4700359552	1	. Cleaning filter element Maximum 50 hours use	A
	4700372229	C	. Hydraulic oil filter element	A
24	4700345243	1	Connection block	
25	4700500033	2	Screw M10-1,5x60 8,8	D
26	4700900229	2	Measuring nipple	C
27	4700334468	4	Adapter	C
28	4700234243	2	T-connector	C
29	4700813499	1	Elbow 90, O-ring	D
30	4700234909	1	Straight connector	
31	4700791213	1	Flange fitting 90	D
32	4700923384	8	Flange half	C
33	4700904638	16	Washer 12x22x2	C
34	4700502132	16	Screw UNC 7/16" x 22	D
35	4700904005	4	O-ring	B
36	4700334132	1	Elbow 45, O-ring	C
37	4700334138	1	Adapter	C
38	4700234875	1	Tee-connector o-ring	
39	4700904282	1	Adapter	
40	4700374059	1	Check valve	C
41	4700923371	1	Adapter	C
42	4700334163	1	Adapter	

- A) Suction.
- B) Return.
- C) Spare part for ordinary service.

Propulsion and Oil cooling system, Rear



Propulsion and Oil cooling system, Rear

Item	Part No	Rem	Qty	Description	Code
43	4700334156		1	Adapter	C
44	4700904110		1	Connector	C
45				Not used on this model	
47	4700162008		1	Seal washer	B
48	4700482182	E	1	Hydraulic hose	D
49	4700482391	F	1	Hydraulic hose	D
50	4700482391	F	1	Hydraulic hose	D
51	4700482391	F	1	Hydraulic hose	D
52	4700482912	G	1	Hydraulic hose	D
53	4700483558	H	1	Hydraulic hose	D
54	4700483558	H	1	Hydraulic hose	D
55	4700483128	K	1	Hydraulic hose	D
56	4700482404	L	1	Hydraulic hose	D
57	4700313102		N	Cable ties	
60	4700334468		1	Adapter	C
61	4700234243		1	T-connector	C
62	4700334237		4	Adapter	C
63	4700334563		1	Adapter	C
64	4700334520		1	Adapter	
65	4700234888		1	Tee-connector	D
66	4811000299	D	1	Hydraulic hose	
67	4700482404		1	Hydraulic hose	D
68	4700483475		1	Hydraulic hose	D
69	4700482103		1	Hydraulic hose	D
70	4700482613		1	Hydraulic hose	D
71	4700929122		1	Reducing	D
72	4700334248		1	Elbow 45, O-ring	C
73	4700334158	D	1	Adapter	D

D) Mounted on to the Steering pump on Engine.

E) L = 0,53 m

F) L = 0,71 m

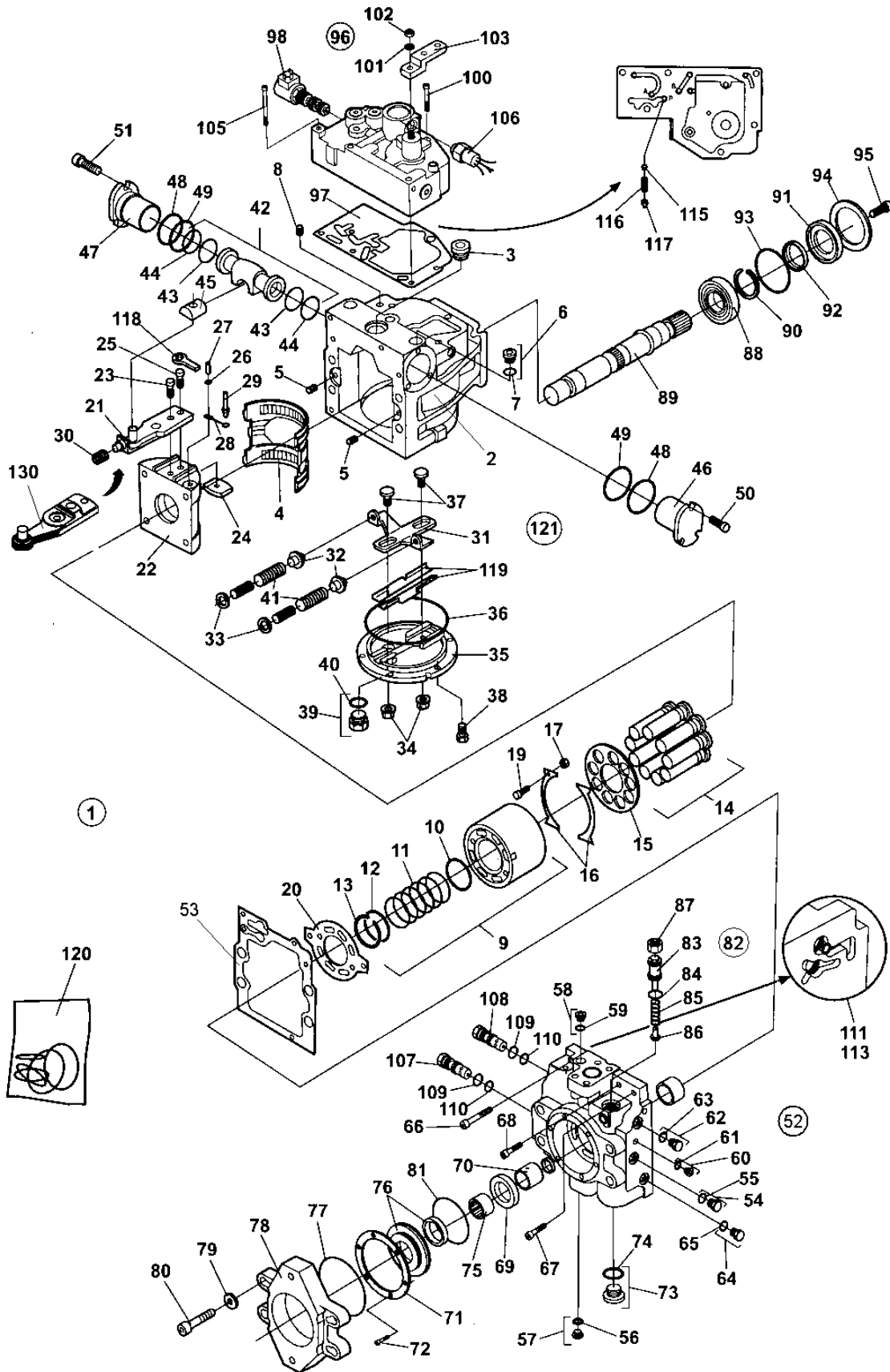
G) L = 1,32 m

H) L = 0,81 m

K) L = 0,80 m

L) L = 1,0 m

4700380830 Propulsion pump



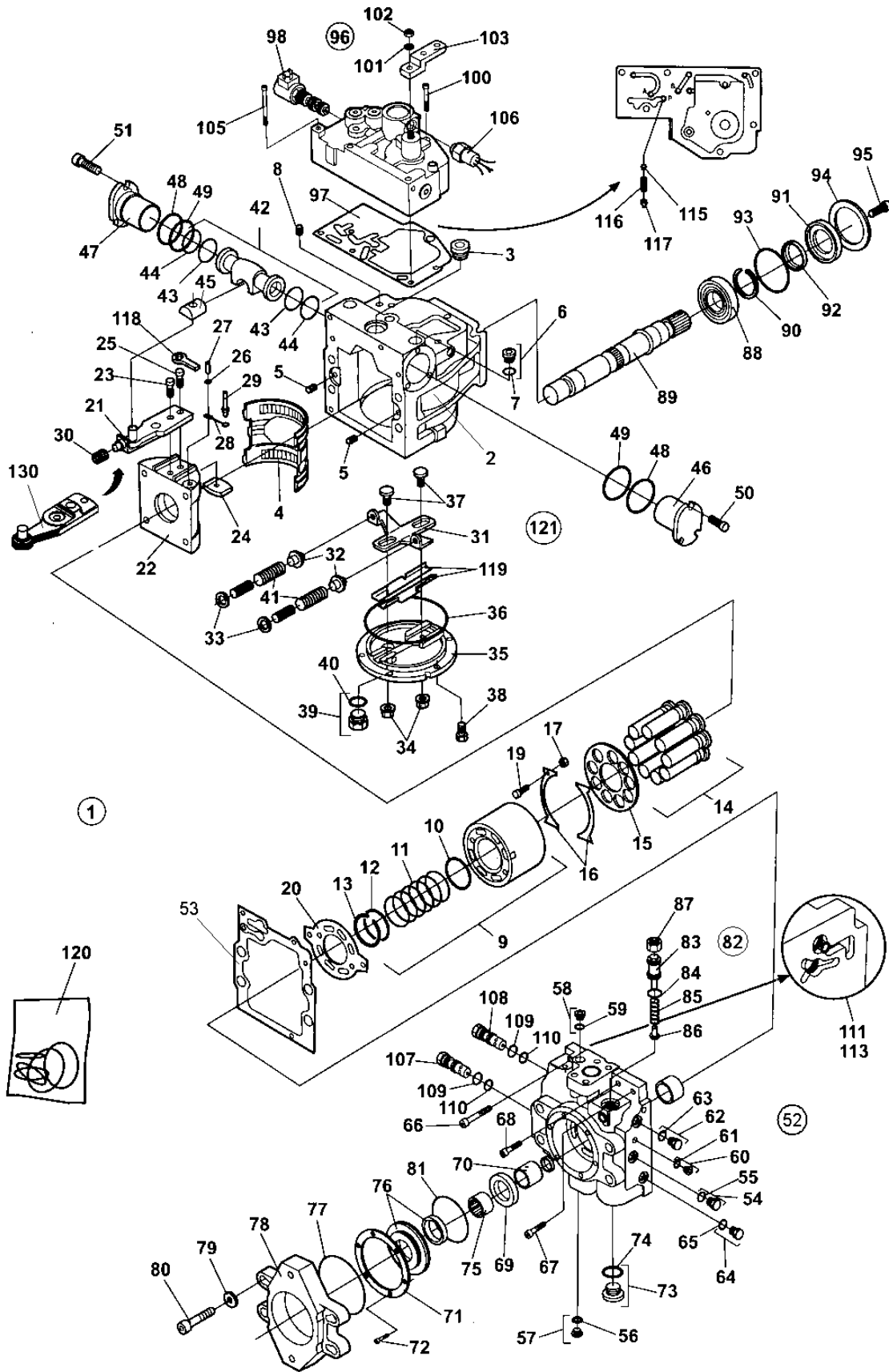
4700380830 Propulsion pump

Item	Part No	Rem	Qty	Description	Code
1	4700380830		1	Propulsion pump (Page 98)	C
2	4700936546		1	. Housing	
	4812156652	2	1	. Housing	
3	4700902928		1	. Plug	C
4	4700901452		1	. Bearing	
		2	1	. Bearing	
5	4700813822		2	. Pin	D
6	4700908432		2	. Plug	C
7	4700923087	1	2	. . O-ring	C
8	4700901454		3	. Filter element	D
9	4700901455		1	. Cylinder block, cpl	
10			1	. . Spacer	
11			1	. . Spring	
12			1	. . Spring retainer	
13			1	. . Ring retainer	
14	4700903570		9	. Piston	D
15	4700903571		1	. Pressure plate	D
16	4700901458		2	. Retainer guide	D
17	4700935856		4	. Spacer	
19	4700909382		4	. Screw	C
20	4700936547		1	. Valve plate	
21	4700909727		1	. Servo arm, cpl	
22			1	. Swash plate	
		2	1	. Swash plate	
23	4700909386		1	. Screw	C
		2	1	. Screw	
24	4700909387		1	. Guide	
25	4700909388		1	. Screw	C
26	4700909389		1	. Washer	C
27	4700909390		1	. Pin	C
28	4700909391		1	. Link	C
29	4700909392		1	. Pin	C
30	4700909393		1	. Spring	C
31			1	. Lever	
32			2	. Spring support	
33			2	. Washer	
34	4700909398	1	2	. Seal lock nut	B
35			1	. Cover	
		2	1	. Cover	
36	4700936551	1	1	. O-ring	
37			2	. Guide post	
38	4700936553		6	. Screw	C
39	4700902928		1	. Plug	C
40	4700901453	1	1	. . O-ring	C
41	4700908352		2	. Spring	D
42	4700936582		1	. Piston, cpl	
43		1	2	. . O-ring	
44		1	2	. . Seal ring	
45			1	. . Guide	
46	4700903580		1	. Servo	
47	4700903580		1	. Servo	
48	4700936557	1	2	. O-ring	
49	4700936558	1	2	. O-ring	
50	4700936559		3	. Screw	
51	4700936559		3	. Screw	
52	4700936560		1	. End cap, cpl	
53	4700936561	1	1	. Gasket	
54	4700358388		1	. Plug	C

1) Included in item 120, Seal kit

2) Valid with item 130

4700380830 Propulsion pump



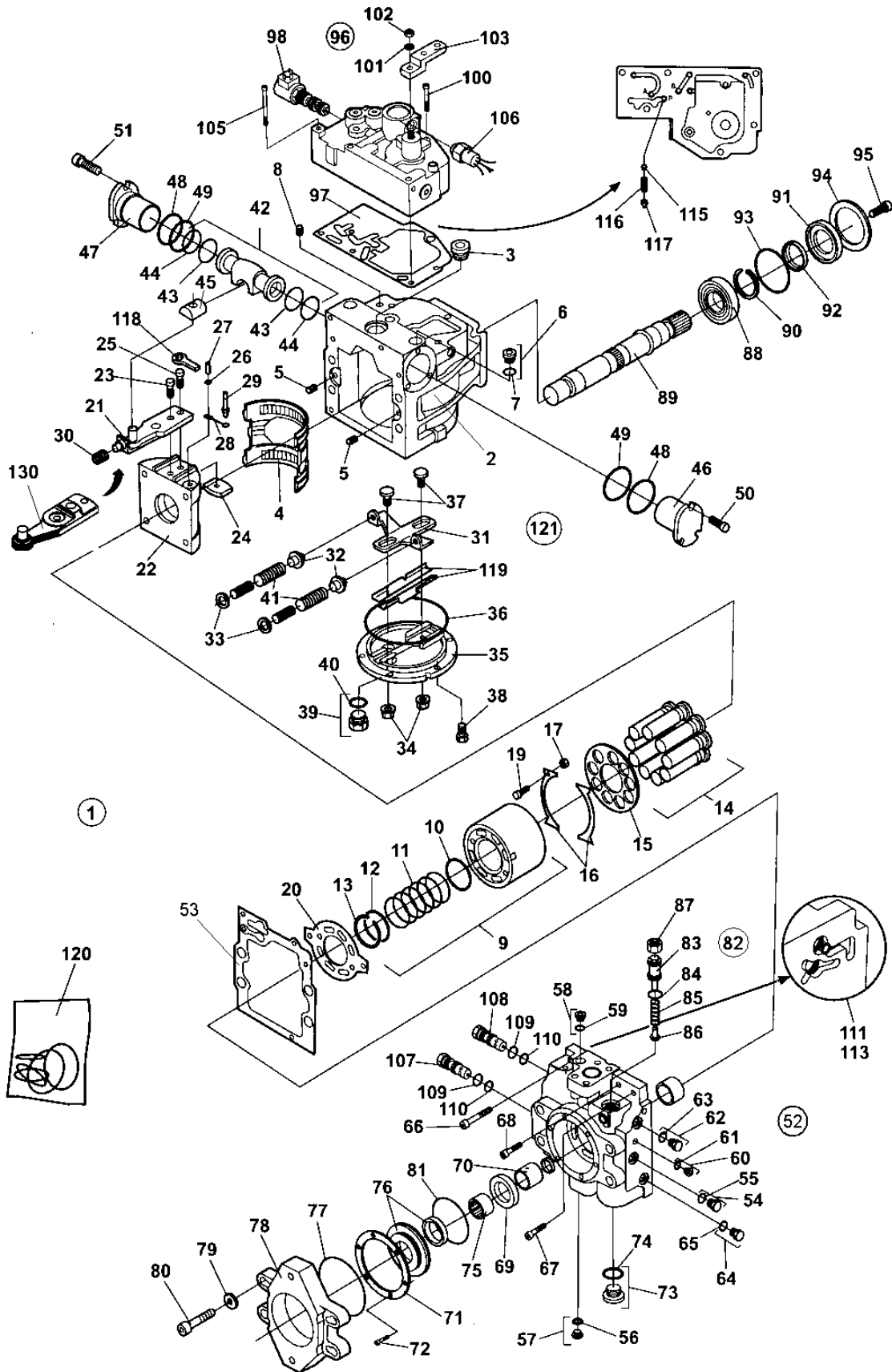
4700380830 Propulsion pump

Item	Part No	Rem	Qty	Description	Code
55	4700923087	1	1	. . O-ring	C
56	4700908432		1	. Plug	C
57	4700923087	1	1	. . O-ring	C
58	4700908432		1	. Plug	C
59	4700923087	1	1	. . O-ring	C
60	4700908432		1	. Plug	C
61	4700923087	1	1	. . O-ring	C
62	4700358388		1	. Plug	C
63	4700923087	1	1	. . O-ring	C
64	4700358388		1	. Plug	C
65	4700923087	1	1	. . O-ring	C
66	4700936562		1	. Screw	
67	4700936563		1	. Screw	
68	4700936564		1	. Screw	
69	4700950283		1	. Spacer	D
70	4700950284		1	. Spacer	D
71	4700935857		1	. Retaining plate	
72	4700936566		6	. Screw	
73	4700936567		1	. Plug, cpl	
74	4700936568	1	1	. . O-ring	
75	4812156072		1	. Coupling sleeve	
76			1	. Not used on this model	
77	4700909399	1	1	. O-ring	C
78	4700936570		1	. Adapter	
79	4700936571		4	. Washer	
			4	.	
81	4700937150		1	. O-ring	D
82	4700936583		1	. Pressure relief valve, cpl	
83			1	. . Screw	
84		1	1	. . O-ring	
85			1	. . Spring	
86			1	. . Valve cone	
87			1	. . Nut	
88	4700901465		1	. Bearing	
89	4700901466		1	. Shaft	
90	4700901467		1	. Ring	
91			1	. Pressure plate	
92		1	1	. Seal	
		2	1	. Seal	
93		1	1	. O-ring	
94			1	. Retaining plate	
95			3	. Screw	
96	4700938170		1	. Control valve, cpl	
97	4700939489	1	1	. . Control valve gasket	
98	4700938252		1	. . Solenoid valve	
100			1	. . Screw	
101	4700909428		1	. . Washer	C
102	4700909429		1	. . O-ring	C
103	4700909432		1	. . Control lever	D
105	4700937857		5	. . Screw	D
106	4700938253		1	. . Neutral start switch	
107	4700212339		1	. Valve	C
108	4700212339		1	. Valve	C
109		1	2	. . O-ring	
110		1	2	. . O-ring	
111	4700901475		2	. Valve	D
113	4700901476		2	. Plug	D
115	4700909435		1	. Orifice	C

1) Included in item 120, Seal kit

2) Valid with item 130

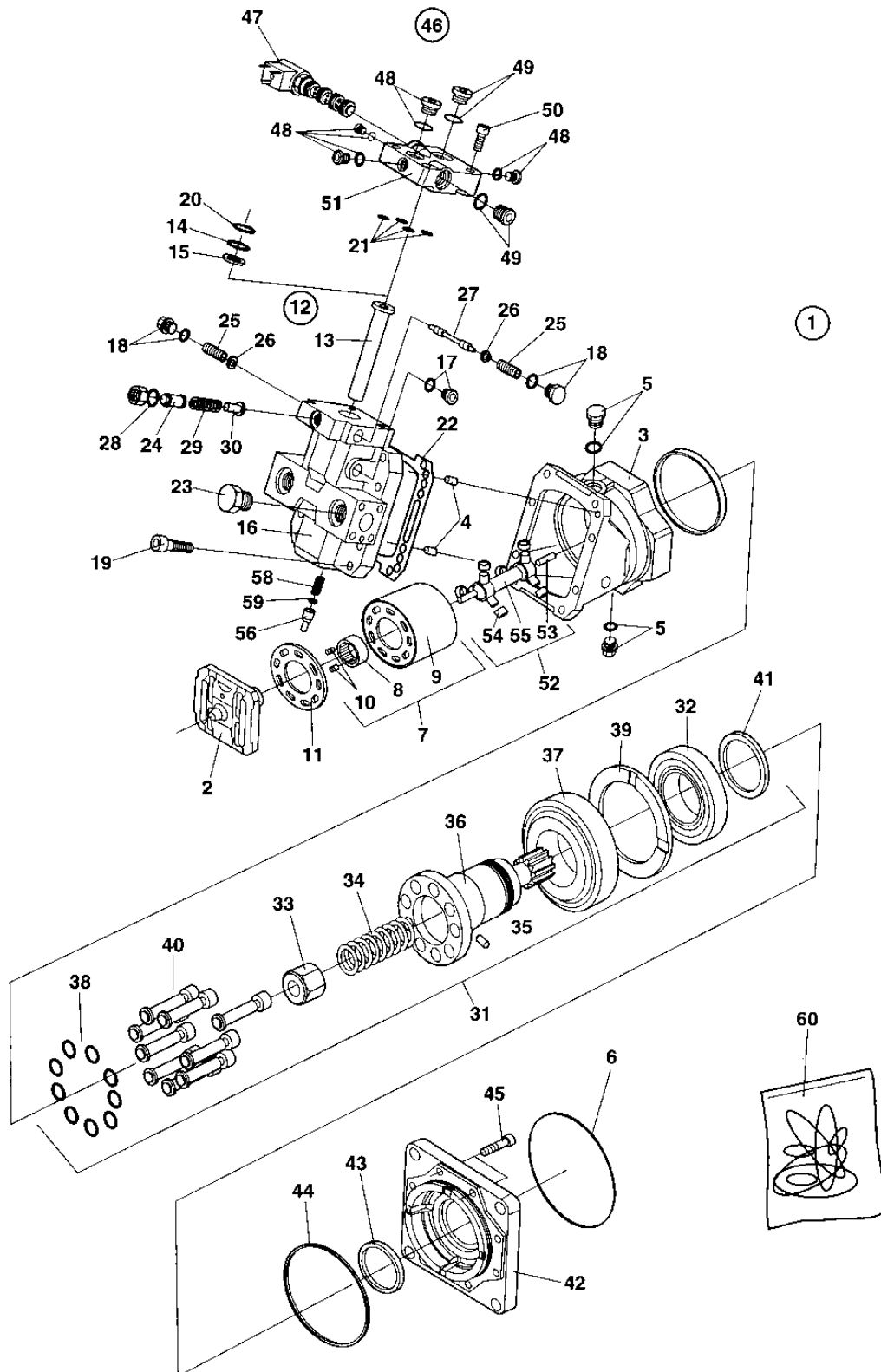
4700380830 Propulsion pump



4700380830 Propulsion pump

Item	Part No	Rem Qty	Description	Code
116	4700909436	1	. Spring	C
117	4700908448	1	. Spring retainer	C
118		1	. Link	
119		1	. Guide assy, 1pair	
120	4700901328	1	. Seal kit	D
121	4700936548	1	. Cover assembly	
130		1	. Servo arm	

4700373361 Propulsion motor

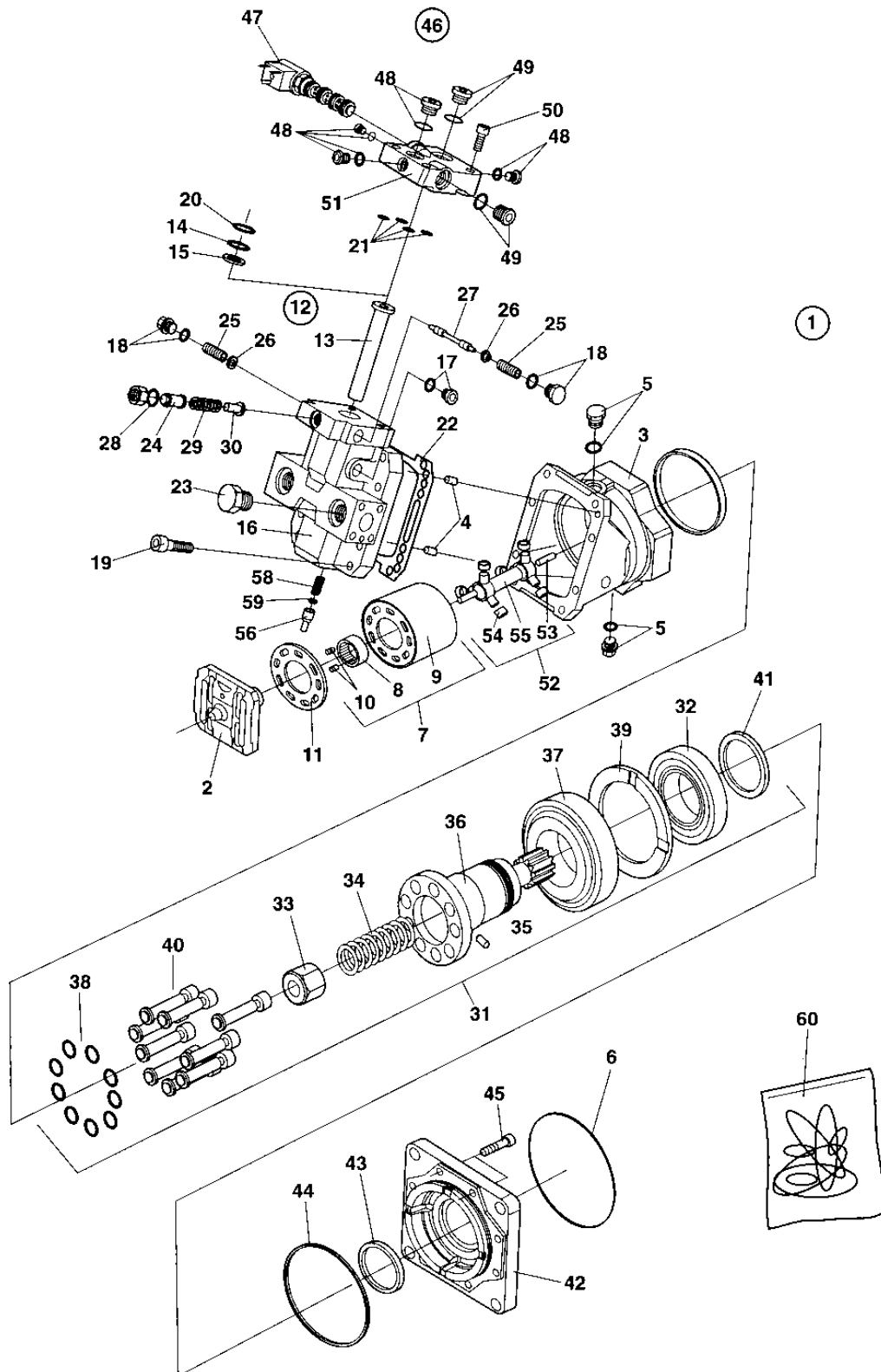


4700373361 Propulsion motor

Item	Part No	Rem	Qty	Description	Code
1			1	Hydraulic motor, Cpl	
2	4700935521		1	. Valve segment	
3	4700908422		1	. Housing	D
4	4700813822		2	. Pin	D
5	4700902928		2	. Plug	C
	4700901453	1	2	. . O-ring	C
6	4700902581	1	1	. O-ring	D
7	4700902929		1	. Cylinder block	
8			1	. . Bush	
9			1	. . Cylinder block	
10			2	. . Pin	
11	4700902930		1	. Bearing plate	
12	4700935527		1	. Piston assembly	
13	4700935526		1	. . Piston	
14	4700935525	1	1	. . O-ring	D
15	4700935524	1	1	. . Seal plug	D
16	4700935530		1	. End cap	
17	4700908432		1	. Plug	C
18	4700935741		2	. Plug, cpl	
19	4700902944		8	. Screw	
20	4700935531	1	1	. O-ring	D
21	4700908443	1	5	. Rect. seal	D
22	4700908427	1	1	. Gasket	D
23	4700902928		2	. Plug	C
	4700901453	1	2	. . O-ring	C
24			1	. Adapter	
25	4700935749		2	. Spring	
26	4700935750		2	. Spring retainer	
27	4700935533		1	. Spool	
28	4700813618	1	1	. O-ring	C
29			1	. Spring	
30			1	. Valve cone	
31	4700902960		1	. Shaft, cpl	
32			1	. . Roller bearing	
33			1	. . Spring guide	
34			1	. . Spring	
35			1	. . Pin	
36			1	. . Shaft	
37			1	. . Roller bearing	
38			9	. . Piston ring	
39			1	. . Spacer	
40			9	. . Piston	
41			1	. . Nut	
42	4700902961		1	. Flange	
43	4700935536		1	. Shaft seal 55x75x12	D
	4700945757	1	1	. Shaft seal 55x70x7	
44	4700935664	1	1	. O-ring	D
45	4700902962		8	. Screw	
46	4700935543		1	. Electric hydraulic control	
47	4700908435		1	. . Solenoid valve assy	C
48	4700908426		4	. . Plug, cpl	D
49	4700908432		2	. . Plug	C
50	4700935544		4	. . Screw	
51	4700935545		1	. . Valve housing	
52	4700902984		1	. Shaft, cpl	
53			2	. . Pin	
54			6	. . Roller	
55			1	. . Shaft	
56	4700902996		1	. Plastic cap, green	

1) Included in seal kit item 60

4700373361 Propulsion motor

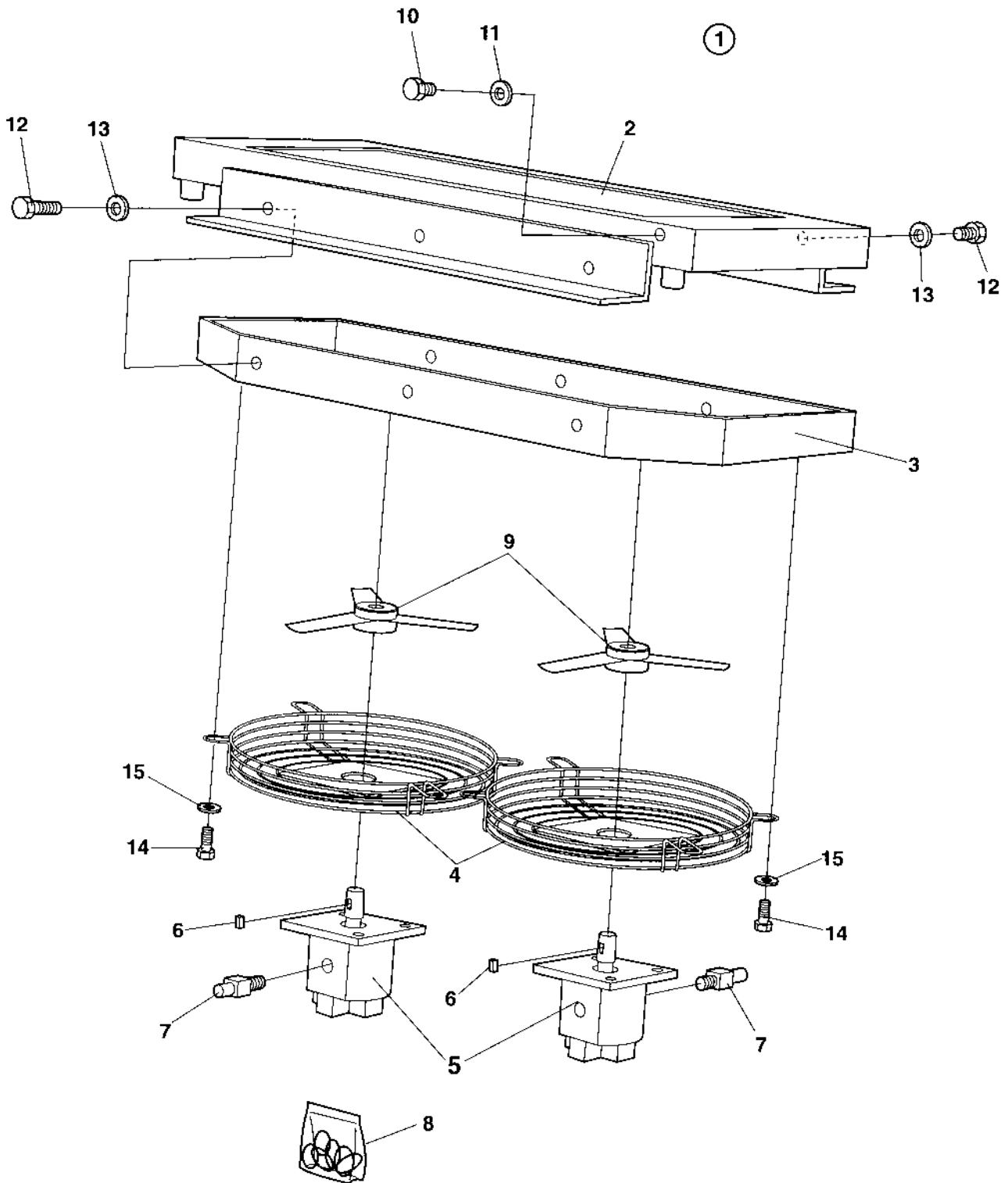


4700373361 Propulsion motor

Item	Part No	Rem	Qty	Description	Code
57	4700936593		2	. Orifice	
58	4700937363		1	. Shaft	
59	4700909525	1	1	. Seal nut	
60	4700935520		1	Seal kit	D

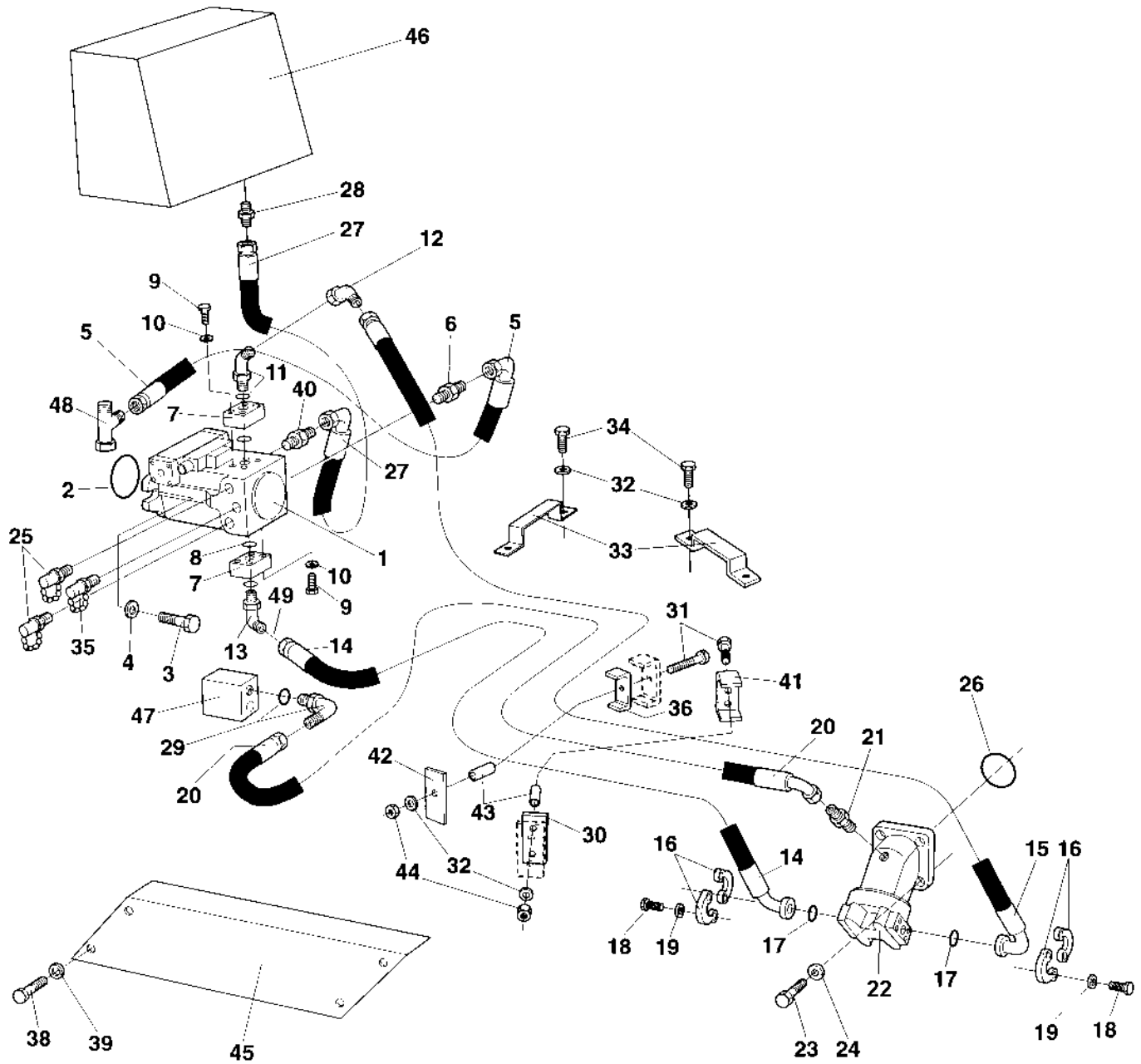
1) Included in seal kit item 60

4700376377 Hydraulic oil cooler



4700376377 Hydraulic oil cooler

Item	Part No	Rem Qty	Description	Code
1		1	Hydraulic oil cooler	
2	4700936924	1	. Oil cooler	
3	4700936925	1	. Cover	
4	4700359223	2	. Grid	D
5	4700359226	2	. Hydraulic motor	C
6	4700935783	2	. . Key	A
7		2	. . Valve	
8	4700902882	2	. . Seal kit	B
9	4700935781	2	. Fan	C
10	4700332038	1	. Plug	D
11	4700162004	1	. Sealing	B
12		6	. Screw	
13		6	. Washer	
14		8	. Screw	
15		8	. Washer	

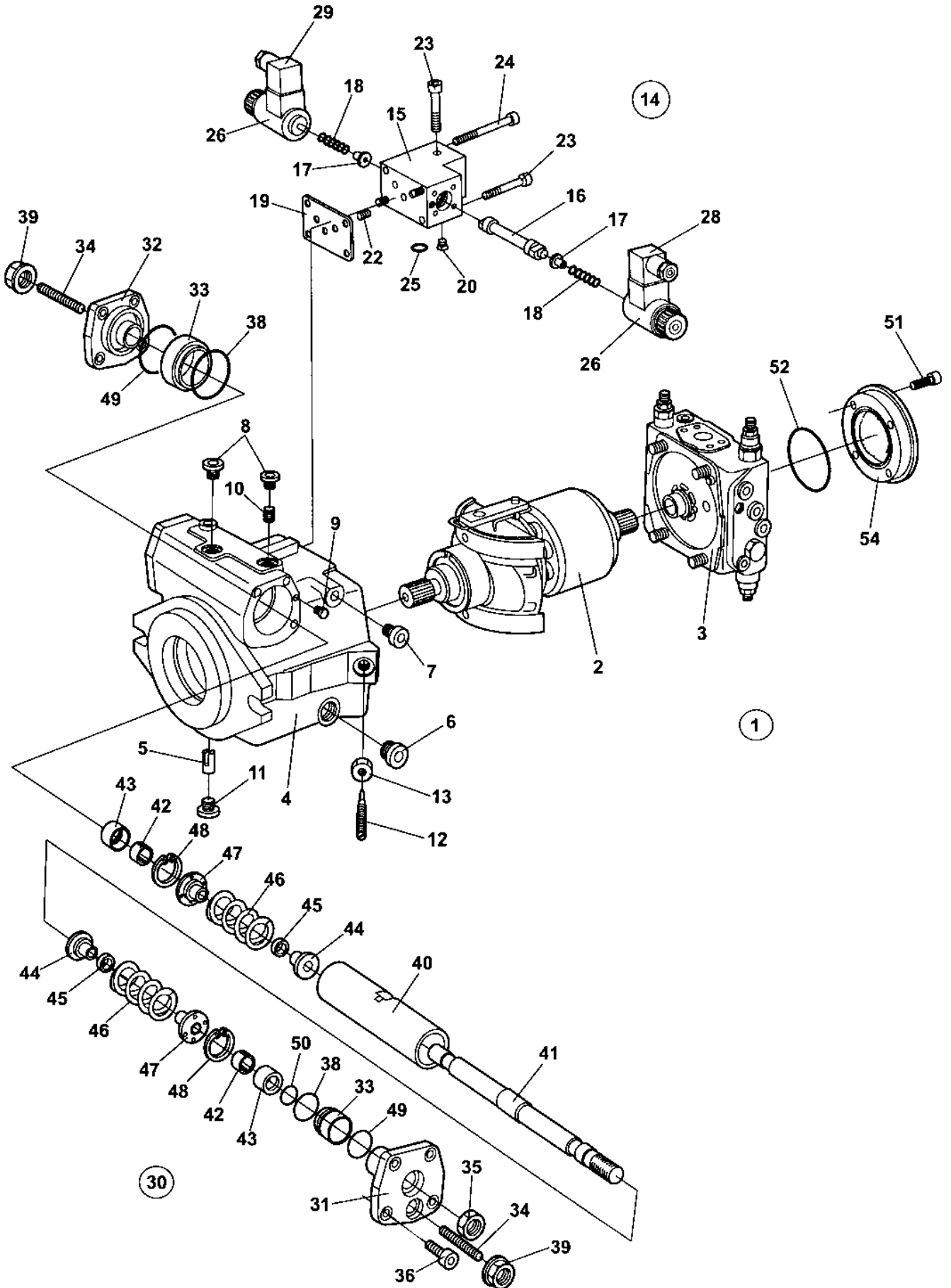


Vibration system

Item	Part No	Rem Qty	Description	Code
1	4700383959	1	Vibration pump (Page 112)	C
2	4700160231	1	O-ring 120,32x2,62	D
3	4700502078	2	Screw	D
4	4700904232	2	Washer	C
5	4700483023	B	Hydraulic hose	D
6	4700234382	1	Adapter	
7	4700345234	2	Flange coupling	C
8	4700904773	2	O-ring	D
9	4700508080	8	Screw	
10	4700604007	8	Spring washer	D
11	4700791212	1	Elbow 45	C
12	4700904495	1	Elbow 90	
13	4700792299	1	Elbow 90	
14	4700483948	C	Hydraulic hose	D
15	4700453949	D	Hydraulic hose	
16	4700923384	4	Flange half	C
17	4700904005	2	O-ring	B
18	4700502132	8	Screw UNC 7/16" x 22	D
19	4700904638	8	Washer 12x22x2	C
20	4700483031	D	Hydraulic hose	D
21	4700334121	1	Straight connector	C
22	4700380146	1	Hydraulic motor, vibration (Page 118)	C
23	4700500194	4	Screw	C
24	4700904231	4	Washer 13x24x2 300 HV	C
25	4700901157	2	Measuring nipple	C
26	4700160132	1	O-ring 124, 50x3, 00	B
27	4700483024	E	Hydraulic hose	D
28	4700334205	1	Straight connector	D
29	4700334419	1	Elbow 90, O-ring	D
30	4700372580	1	Rubber part	D
31	4700500192	3	Screw M10x80	C
32	4700904230	7	Steel plain washer	C
33	4700372018	2	Hose clamp	D
34	4700500028	4	Screw	C
35	4700902115	1	Measuring nipple	C
36	4700372581	1	Rubber part	D
38	4700500019	4	Hexagon head screw M8x16H 8,8	C
39	4700904229	4	Steel plain washer 8,4x16x1,5	C
40	4700901155	1	Connector	C
41	4700374217	1	Hose clamp	D
42	4700372578	1	Hose clamp	D
43	4700373112	3	Spacer	D
44	4700506018	3	Nut	D
45	4700374707	1	Cover	D
46		1	Hydraulic oil tank	
47		A	Connection block	
48		A	Adapter	
49	4700792654	1	Elbow 45	

- A) See section: Propulsion system Rear.
- B) L = 0,71 m
- C) L = 3,55 m
- D) L = 4,0 m
- E) L = 0,85 m

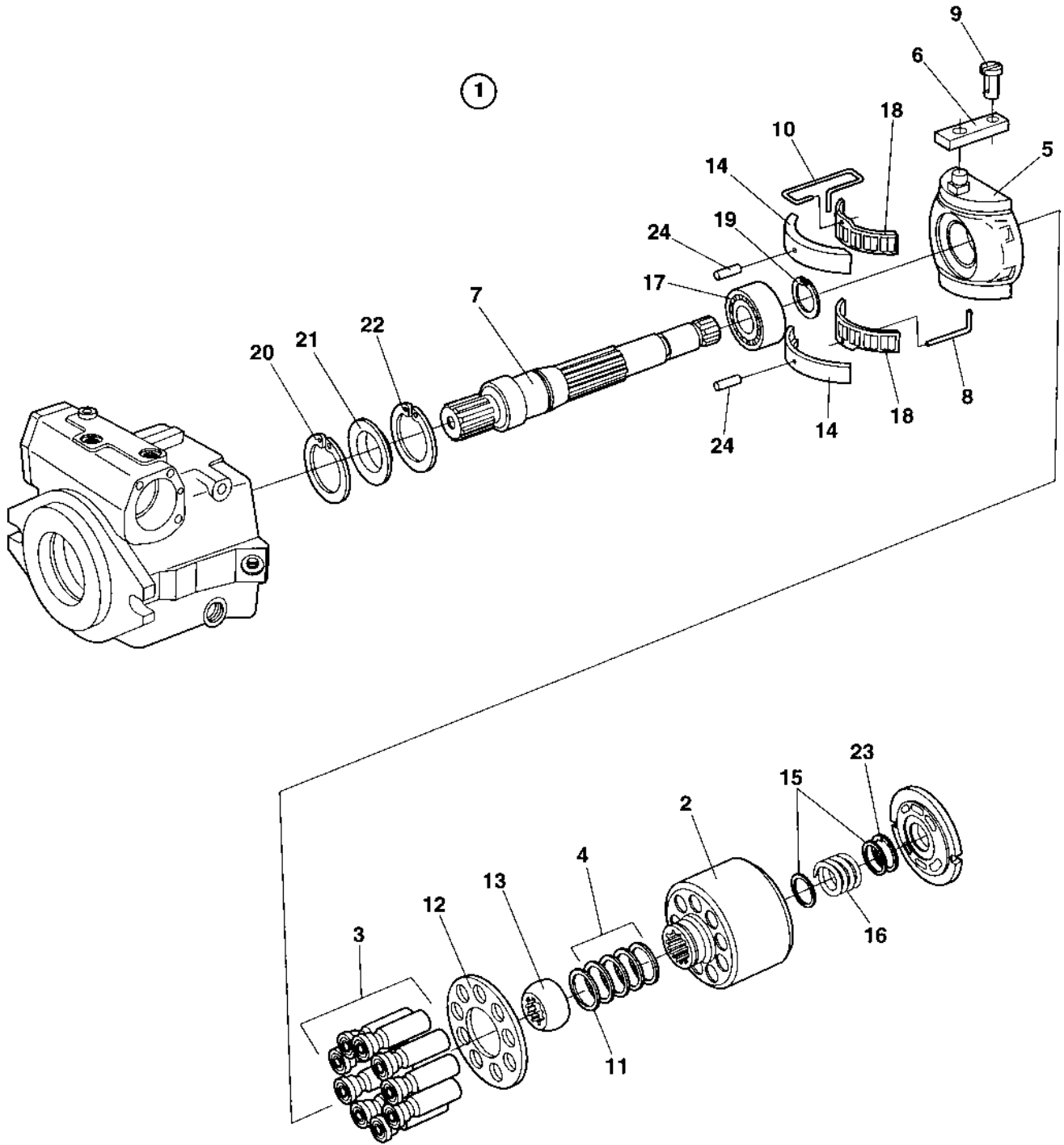
4700383959 Vibration pump



4700383959 Vibration pump

Item	Part No	Rem Qty	Description	Code
1		1	Vibration pump, cpl	
	4700940676	1	. Seal kit	B
2		1	. Rotating group, cpl (Page 114)	
3	4700936609	1	. Valve block, cpl (Page 116)	
4		1	. Housing	
5	4700936612	1	. Pin	
6	4700935219	1	. Plug	
7	4700902724	1	. Plug	
8	4700902625	1	. Plug	
9	4700909514	2	. Double break-off pin	
10	4700936308	2	. Orifice	
11	4700902624	1	. Screw	
12	4700902687	1	. Pin	
13	4700902695	1	. Nut	
14	4700940507	1	. Control valve, cpl	C
15		1	. . Housing	
16	4700945775	1	. . Piston	D
17	4700945776	2	. . Spring collar	D
18	4700936686	2	. . Spring	
19		1	. . Gasket	
20		2	. . Pin	
22	4700909514	1	. . Double break-off pin	
23	4700936689	3	. . Screw	
24	4700908383	2	. . Screw	D
25		1	. . O-ring	
26	4700940505	2	. . Solenoid	B
28		1	. . Socket	
29		1	. . Socket	
30		1	. Hydraulic control, cpl	
31		1	. . Cover	
32		1	. . Cover	
33		2	. . Guide ring	
34	4700936642	2	. . Pin	
35	4700902638	1	. . Nut	
36	4700902752	8	. . Screw	
38		1	. . Seal ring	
39	4700936644	1	. . Nut	
40		1	. . Piston	
41	4700936646	1	. . Rod	
42		2	. . Ring	
43	4700938014	2	. . Sleeve	
44	4700936647	2	. . Spring collar	
45	4700936648	2	. . Spacer ring	
46	4700936654	2	. . Spring	
47	4700936655	2	. . Spring collar	
48	4700936656	2	. . Retaining ring	
49	4700936643	1	. . O-ring	
50	4700909469	1	. O-ring	
51	4700939173	4	. Screw	
52	4700935192	1	. O-ring	
54		1	Cover	

1) Included in seal kit

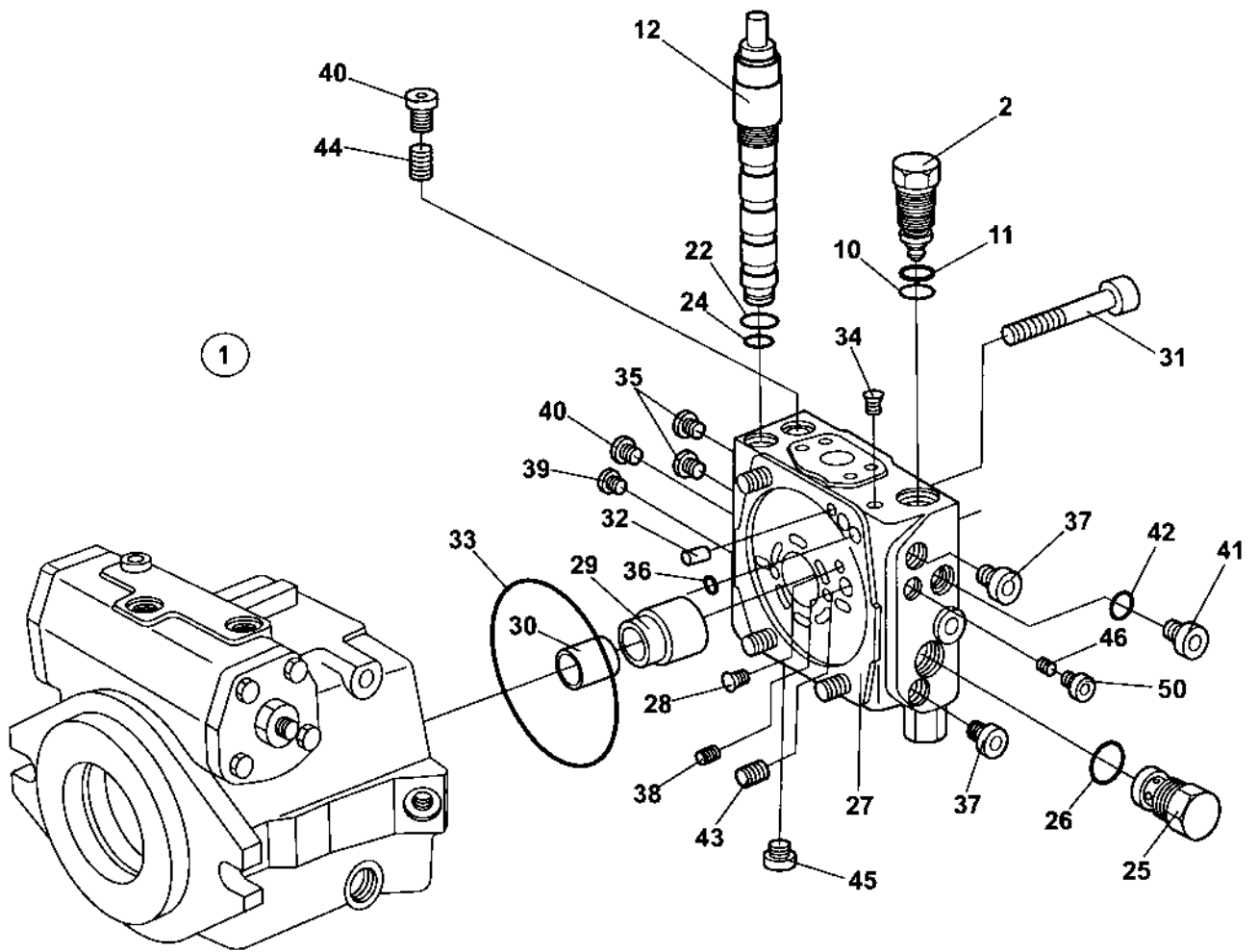


Rotating group, cpl

Item	Part No	Rem Qty	Description	Code
1		1	Rotating group, cpl	
2	4812156977	1	. Cylinder	
	4812156978	1	. Control plate	
3	4700936616	9	. Piston	
4	4700936617	1	. Cup spring stack	
5	4700936618	1	. Cradle	
6	4700936619	1	. Slide ring	
7	4700936620	1	. Shaft	
8	4700936621	1	. Wire	
9	4700935164	1	. Pin	
10	4700936622	1	. Wire	
11	4700936623	1	. Shim	
12	4700936627	1	. Retaining plate	
13	4700936628	1	. Retaining ball	
14	4700936629	1	. Bearing liner, 1 pair	
15	4700936630	2	. Washer	
16	4700936631	1	. Pressure spring	
17	4700936632	1	. Bearing	
18	4700936633	1	. Cradle bearing assembly, 1 set	
19	4700937187	1	. Retaining ring	
20	4700936634	1	. Retaining ring	
21		1	. Seal ring	
22	4700936636	1	. Retaining ring	
23	4700936637	1	. Retaining ring	
24		2	. Pin	

1) Includes in seal kit

4700936609 Valve block, cpl

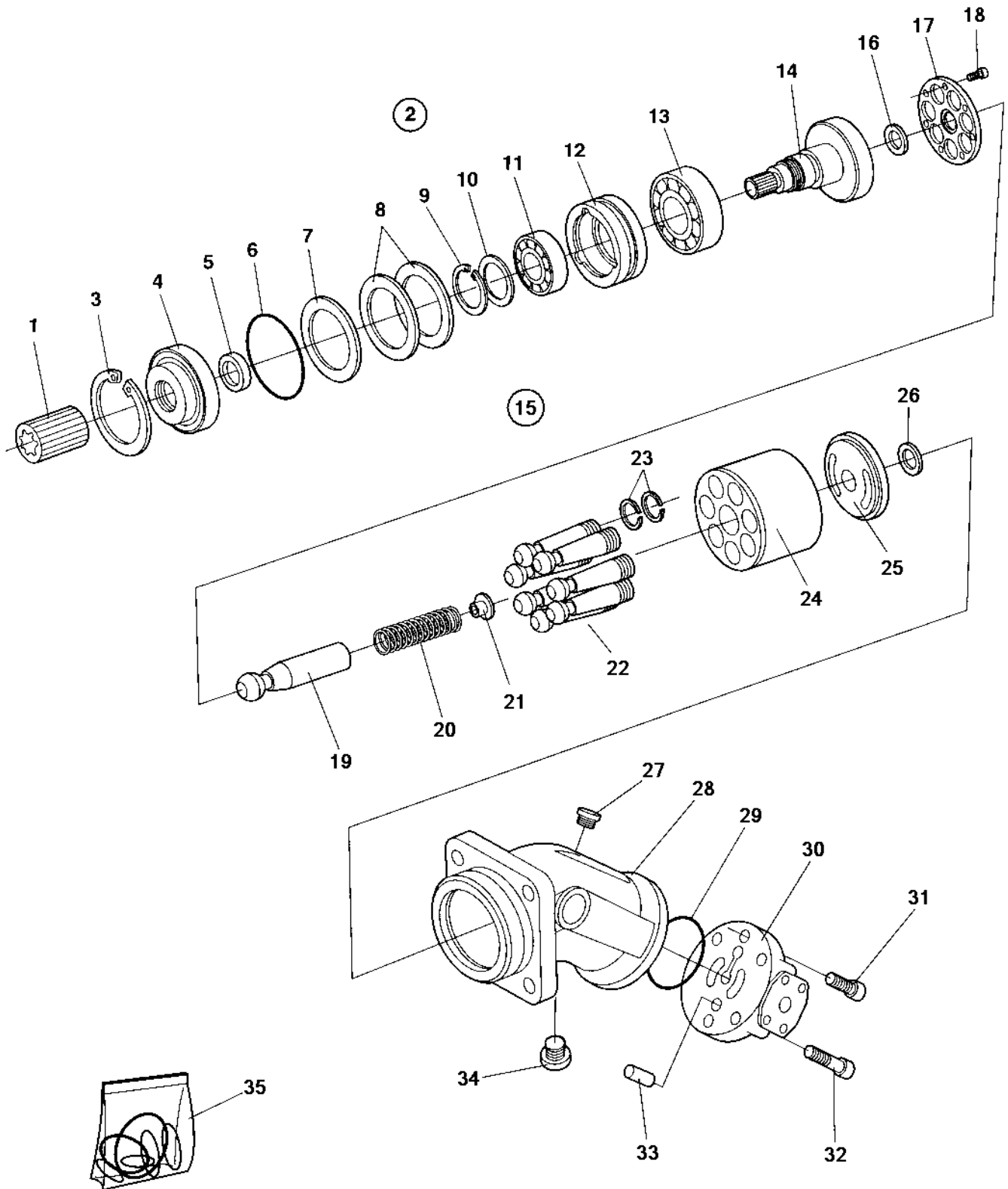


4700936609 Valve block, cpl

Item	Part No	Rem	Qty	Description	Code
1			1	Valve block, cpl	
2			2	. Pressure relief valve, cpl 310 bar	
	4700935172		2	. Pressure relief valve 350 bar	D
	4700936657		2	. Pressure relief valve 380 bar	
	4700937240		2	. Pressure relief valve 440 bar	
	4700950635		1	. Pressure relief valve 430 bar	
10	4700902814	1	1	. . O-ring	D
11	4700936673	1	1	. . Back-up ring	
12	4700936659		1	. Pressure override valve, cpl	
22	4700902783	1	1	. . O-ring	
24	4700936394	1	1	. . O-ring	
25	4700936658		1	. Locking set	
26	4700902814	1	1	. O-ring	D
27	4700936660	B	1	. Port plate	
	4812155764		1	. Port plate	D
28			1	. Pin	
29	4700936661		1	. Bushing	
30	4700936662		1	. Bearing bush	
31	4700936663		4	. Screw	
32	4700936664		2	. Pin	
33	4700936665	1	1	. O-ring	
34	4700909514		3	. Double break-off pin	
35	4700936370	1	2	. Locking screw	
36	4700909469	1	2	. O-ring	
37	4700902625	1	2	. Plug	
38			1	. Pin	
39	4700902625	1	1	. Plug	
40	4700902811	1	3	. Plug	D
41	4700936304		1	. Locking screw	
42	4700936305	1	1	. O-ring	
43	4700902697		1	. Screw	
44	4700936613		1	. Locking screw	
45	4700936614	1	1	. Plug	
46	4700936313		1	. Orifice	
50	4700936370		1	. Locking screw	
	4700935212	A	1	. Pin	

- 1) Includes in seal kit
- A) Used with item 27, P/N 4812155764.
- B) Replaced by P/N 4812155764.

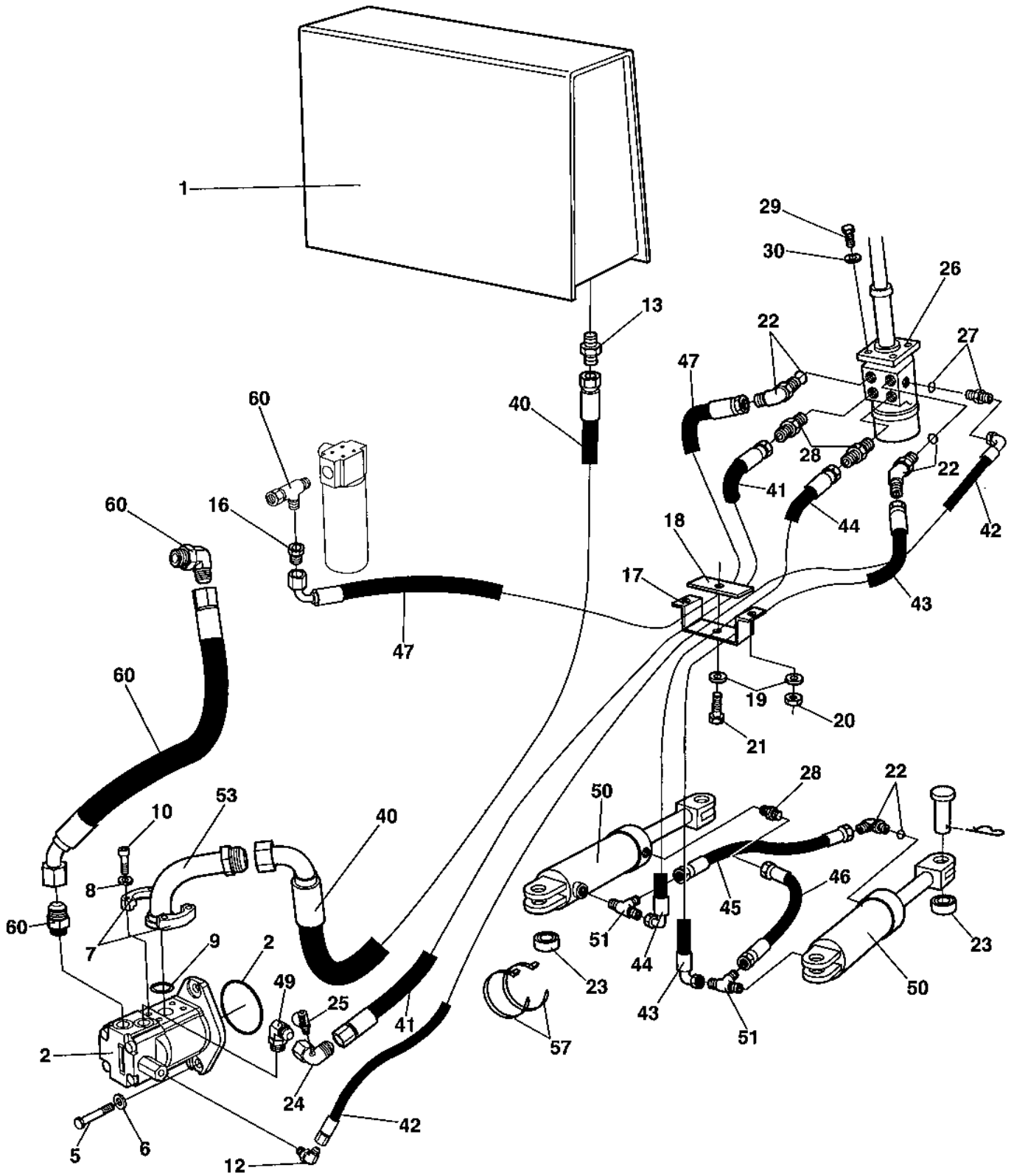
4700380146 Hydraulic motor, vibration



4700380146 Hydraulic motor, vibration

Item	Part No	Rem	Qty	Description	Code
1	4700340863		1	. Splined sleeve	D
2	4700380079		1	. Hydraulic motor, vibration	C
3			1	.. Snap ring	
4	4812156092		1	.. Cover	
5	4700945880	1	1	.. Seal ring	D
6		1	1	.. O-ring	
7	4700902265		1	.. Shim T=0,3 mm	D
8	4700902264		2	.. Shim T=0,1mm	D
9			1	.. Retaining ring	
10			1	.. Back-up plate	
11	4700902261		1	.. Bearing	D
12			1	.. Bearing ring	
13	4700902260		1	.. Bearing	D
14			1	.. Shaft	
15			1	. Rotary group, hydr.section	
16			1	.. Washer	
17			1	.. Retaining plate	
18			7	.. Screw	
19			1	.. Pin	
20			1	.. Spring	
21			1	.. Spring collar	
22			7	.. Piston	
			1	... Piston	
23			2	... Sealing ring	
24			1	.. Cylinder	
25			1	.. Pressure plate	
26			1	.. Washer	
27			1	.. Screw	
28			1	.. Housing	
29		1	1	.. O-ring	
30			1	.. Plate	
31			2	.. Screw	
32			4	.. Screw	
33			1	.. Pin	
34	4700937259	1	1	.. Screw	
35	4700937675		1	Seal kit	

1) Included in seal kit, item 34

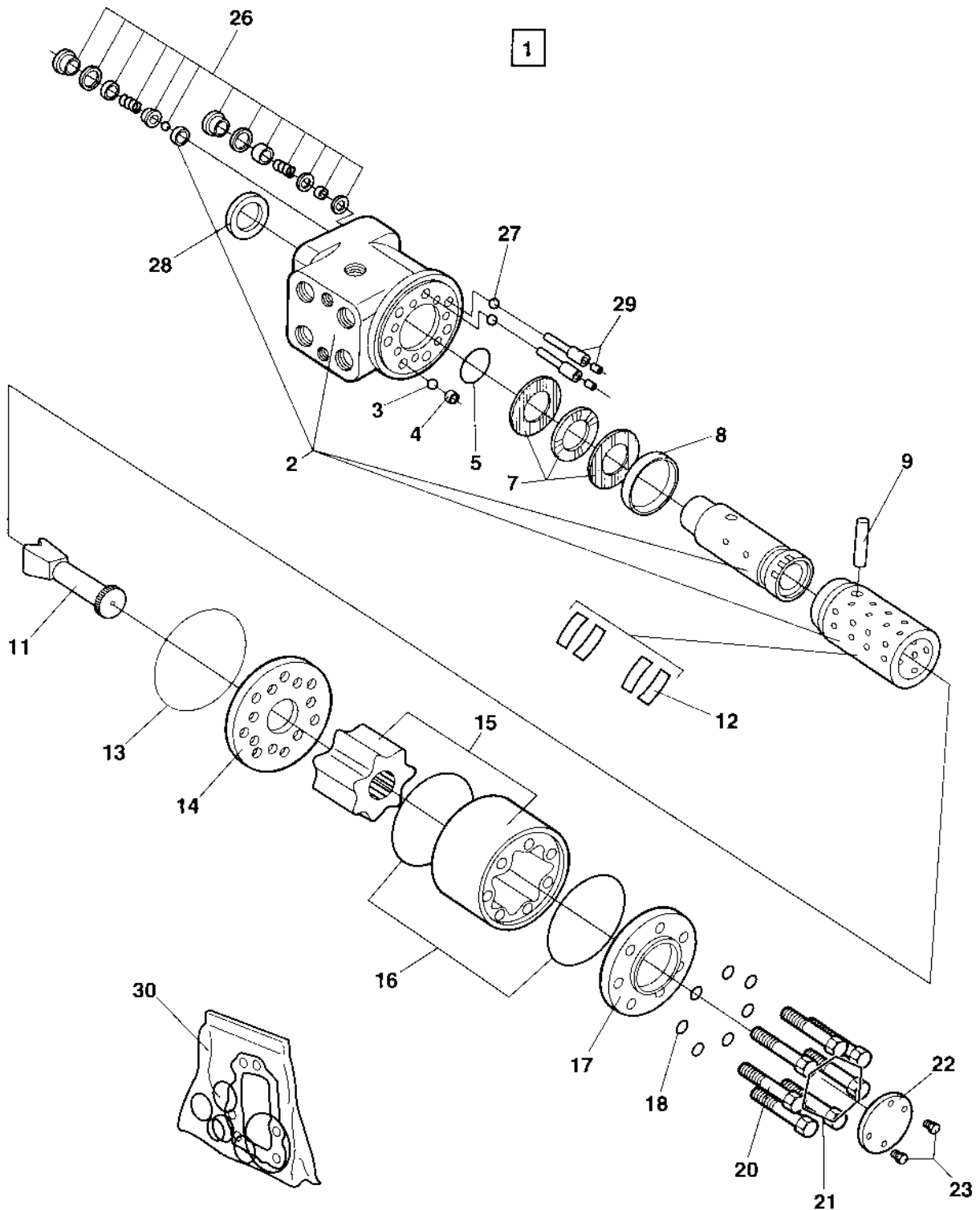


Steering system

Item	Part No	Rem Qty	Description	Code
1		1	Hydraulic oil tank	
2	4812110290	1	Steering pump	D
		1	. O-ring	
	4700950580	1	Seal kit	D
5	4700500046	2	Screw M12x025H	C
6	4700904231	2	Washer 13x24x2 300 HV	C
7	4700232097	2	Flange half	C
8	4700904637	4	Washer	C
9	4700904005	1	O-ring	B
10	4700508029	4	Screw M10-1,5x30H 8,8	C
12	4700334203	1	Elbow 90, O-ring	C
13	4700234626	1	Adapter	C
16	4700234667	1	Reducer	
17	4700372513	1	Hose clamp	D
18	4700372514	1	Hose clamp	D
19	4700904229	3	Steel plain washer 8,4x16x1,5	C
20	4700586003	2	Lock nut M8	C
21	4700500023	1	Screw M8-1,25x40 8,8	C
22	4700813500	3	Elbow 45, O-ring	C
23	4700379630	4	Radial spherical plain bearing	D
24	4700375669	1	Adapter	C
25	4700910161	1	Measuring nipple	C
26	4700372424	1	Pilot valve, steering (Page 122)	C
27	4700334143	1	Straight connector	C
28	4700334121	3	Straight connector	C
29	4700502034	4	Screw UNC 3/8 - 16	D
30	4700904230	4	Steel plain washer	C
40	4700483049	1	Hydraulic hose	D
41	4700482863	1	Hydraulic hose	D
42	4700482341	1	Hydraulic hose	D
43	4700483026	1	Hydraulic hose	D
44	4700483026	1	Hydraulic hose	D
45	4700483109	1	Hydraulic hose	D
46	4700483109	1	Hydraulic hose	D
47	4700482937	1	Hydraulic hose	D
49	4700813444	1	Elbow 90, O-ring	C
50	4700392027	2	Steering cylinder (Page 124)	
51	4700234218	2	Tee-connector	C
53	4700379481	1	Connector	D
54	4700500044	2	Screw M6x8	C
57	4700313102	N	Cable ties	
60		A	Hydraulic hose and adapters	

A) See section "Propulsion and Oil cooling system".

4700372424 Pilot valve, steering

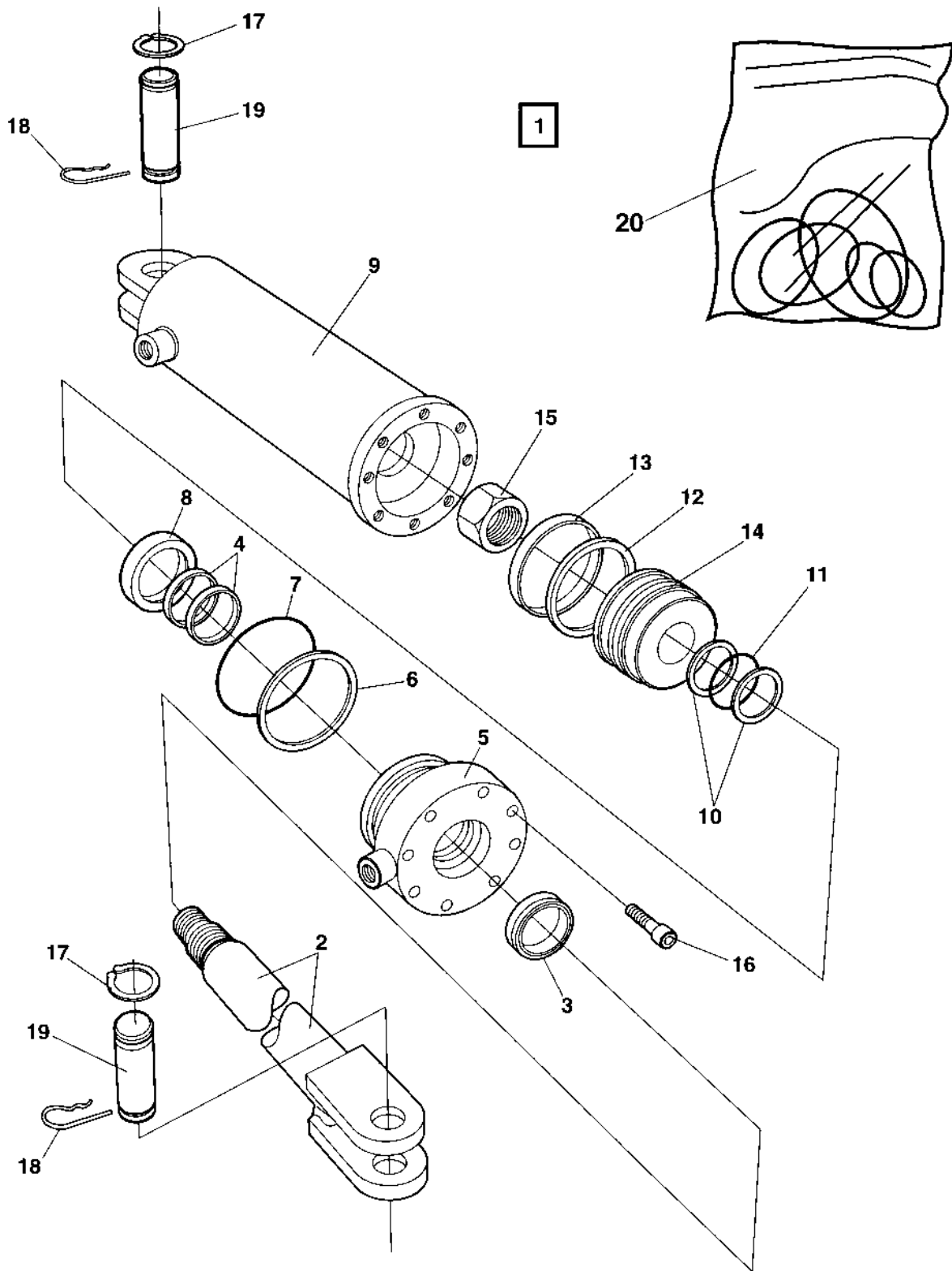


4700372424 Pilot valve, steering

Item	Part No	Rem	Qty	Description	Code
1	4700372424		1	Pilot valve, steering (Page 122)	C
2			1	. Housing , spool and sleeve , cpl	
3	4700480468		1	. Ball	D
4	4700480446		1	. Threaded bushing	D
5		1	1	. O-ring	
7	4700911620		1	. Bearing	B
8	4700480449		1	. Ring	D
9	4700480447		1	. Cross pin	C
11	4700902861		1	. Cardan shaft	C
12	4700909211		1	. Set of springs	C
13		1	1	. O-ring	
14	4700902862		1	. Valve plate	C
15	4700903457		1	. Gear wheel set	D
16		1	2	. O-ring	
17	4700480450		1	. End cap	D
18		1	7	. Washer	
20	4700480456		1	. Screw with hole	D
21	4700935428		6	. Screw	
22			1	. Name plate	
23			2	. Screw	
26	4700929012		2	. Shock valve 22,5-24,0 MPa	C
27	4700929013		2	. Ball	D
28		1	1	. Seal ring	
29	4700929014		2	. Rolled pin	D
30	4700935429		1	. Seal kit	

1) Included in seal kit item 30

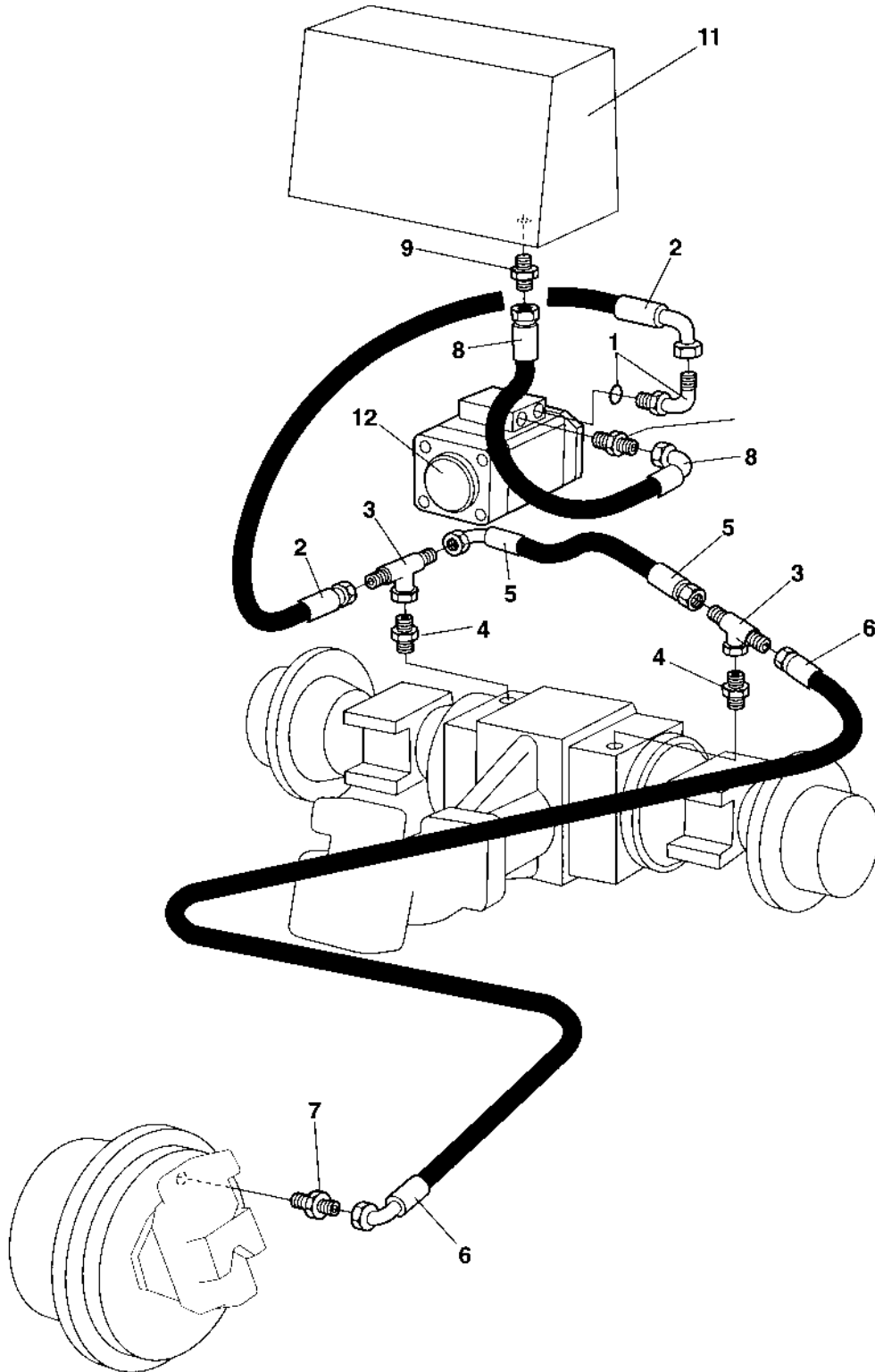
4700392027 Steering cylinder



4700392027 Steering cylinder

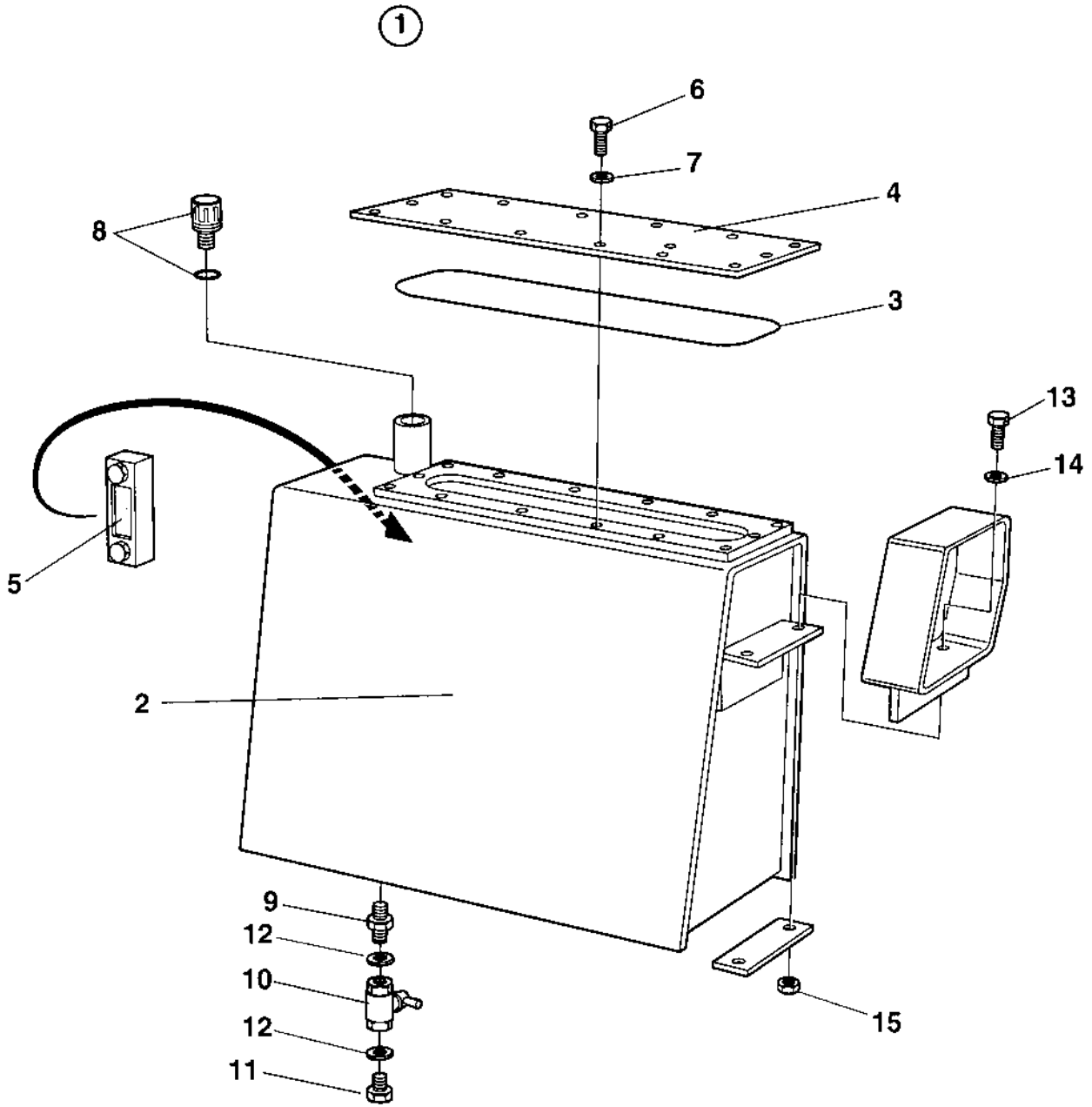
Item	Part No	Rem	Qty	Description	Code
1	4700392027		1	Steering cylinder (Page 124)	
2	4700392110		1	. Piston rod	D
3		A	1	. Shear wiper	
4		A	2	. Guide ring	
5			1	. Guide	
6		A	1	. Back-up ring	
7		A	1	. O-ring	
8		A	1	. Piston rod seal	
9			1	. Cylinder tube	
10		A	2	. Back-up ring	
11		A	1	. O-ring	
12		A	1	. Piston seal	
13		A	1	. Guide ring	
14			1	. Piston block	
15	4700392109	A	1	. Lock nut	D
16	4700904385		8	. Screw	
17	4700392107		2	. Snap ring	D
18	4700635061		2	. Hair clip	B
19	4700392108		2	. Shaft	C
20	4700392106		1	Seal kit	D

A) Includes in seal kit item 20.



Brake system

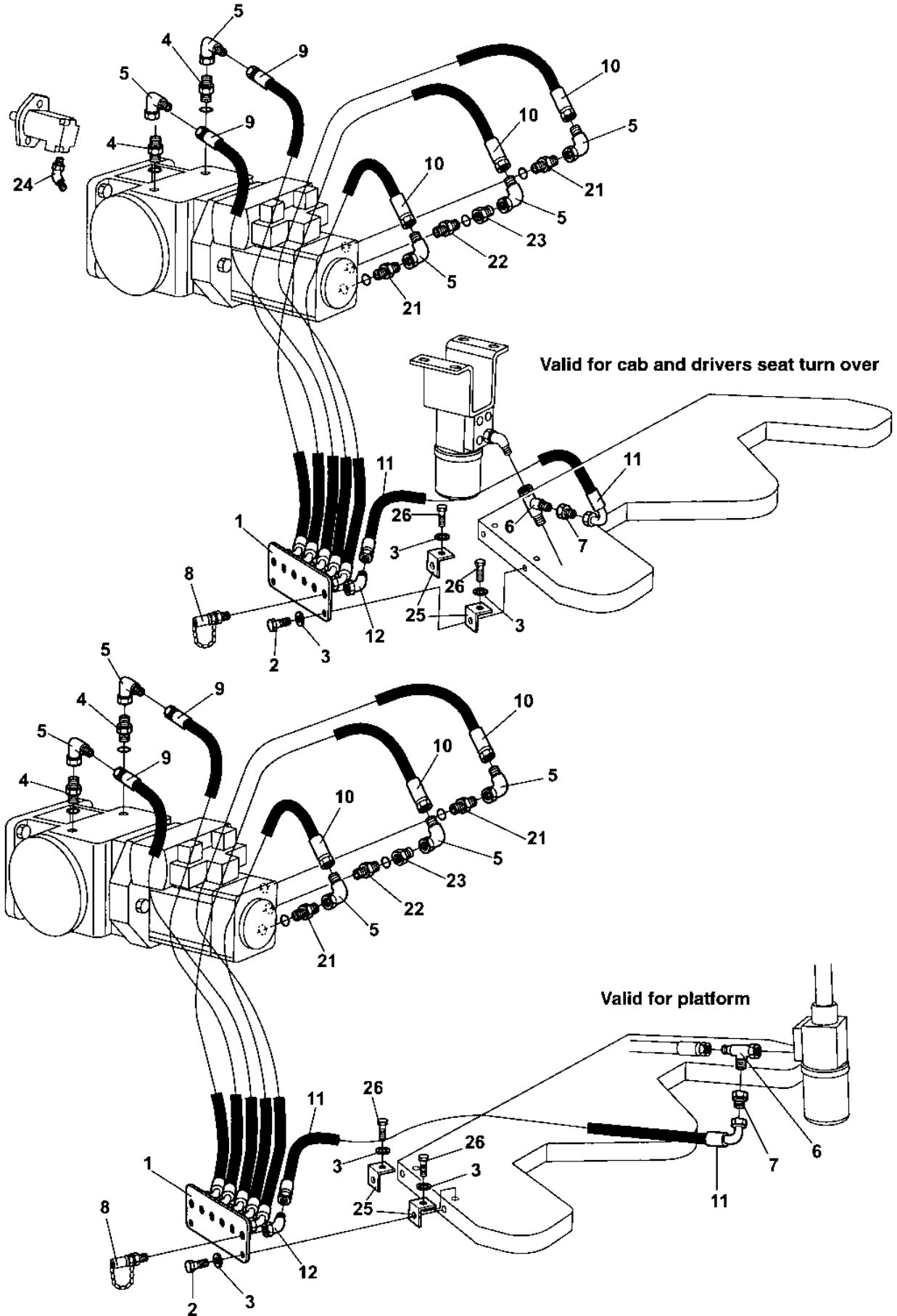
Item	Part No	Rem Qty	Description	Code
1	4700334389	1	Connector	D
2	4700482056	1	Hydraulic hose	D
3	4700234888	2	Tee-connector	D
4	4700900552	2	Adapter	C
5	4700482399	1	Hydraulic hose	D
6	4700483040	1	Hydraulic hose	D
7	4700925723	1	Connector	C
8	4700482516	1	Hydraulic hose	D
9	4700334205	1	Straight connector	D
10	4700234843	1	Adapter	
11		1	Hydraulic oil tank	
12		1	Propulsion pump	



Hydraulic oil tank

Item	Part No	Rem Qty	Description	Code
1	4700372044	1	Hydraulic oil tank, cpl	D
2	4700372029	1	. Hydraulic oil tank	D
3	4700349880	1	. O-ring	C
4	4700349879	1	. Cover	D
5	4700989151	1	. Oil level glass	C
6	4700500019	14	. Hexagon head screw M8x16H 8,8	C
7	4700904229	14	. Steel plain washer 8,4x16x1,5	C
8	4700357138	1	. Ventilating filter	A
9	4700791119	1	. Adapter G3/4	D
10	4700233304	1	. Ball valve	C
11	4700232039	1	. Plug G3/4	C
12	4700791120	2	. Sealing washer	
13	4700500030	4	Screw M10x035H 8.8 A3K	C
14	4700904567	4	Washer 10,5x28x6 HB305	C
16			Not used on this model	

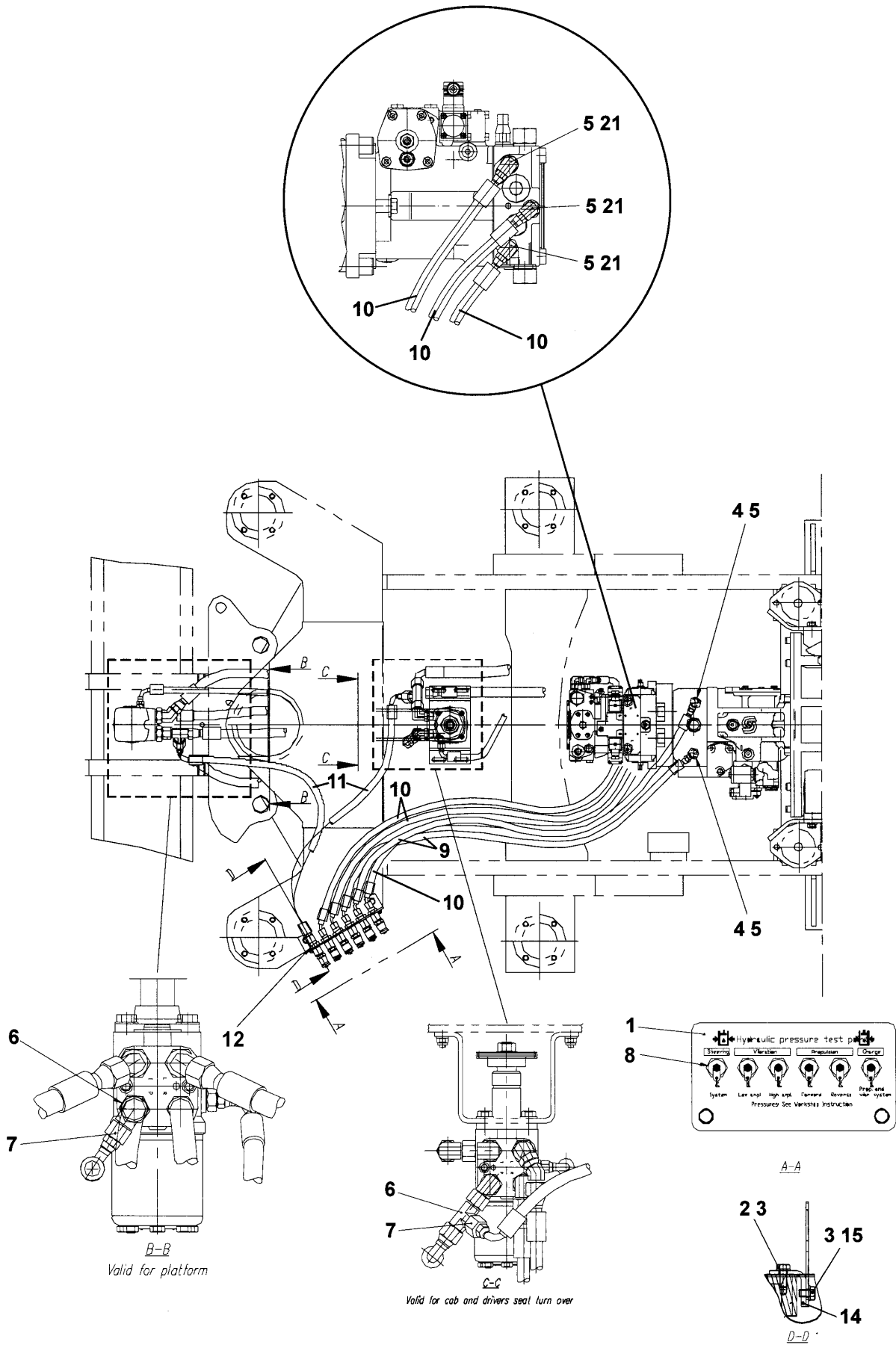
Central test panel hydraulic Option



Central test panel hydraulic Option

Item	Part No	Rem Qty	Description	Code
1	4700374028	1	Test panel	D
2	4700500053	2	Screw M8x20H 8.8	C
3	4700904229	4	Steel plain washer 8,4x16x1,5	C
4	4700234388	2	Connector	C
5	4700334196	5	Elbow 90	C
6	4700334135	1	Tee-connector	C
7	4700334264	1	Reducing	D
8	4700356348	6	Measuring nipple	D
9	4700483188	2	Hydraulic hose	D
10	4700483445	3	Hydraulic hose	D
11	4700482726	1	Hydraulic hose	D
12	4700234622	1	Elbow 45	C
21	4700902125	2	Connector	
22	4700334463	1	Connector	B
23	4700334523	1	Reducing	C
24	4700334197	1	Elbow 90	C
25	4700908136	2	Bracket	D
26	4700500018	2	Screw M8-1,25x12 8,8	C

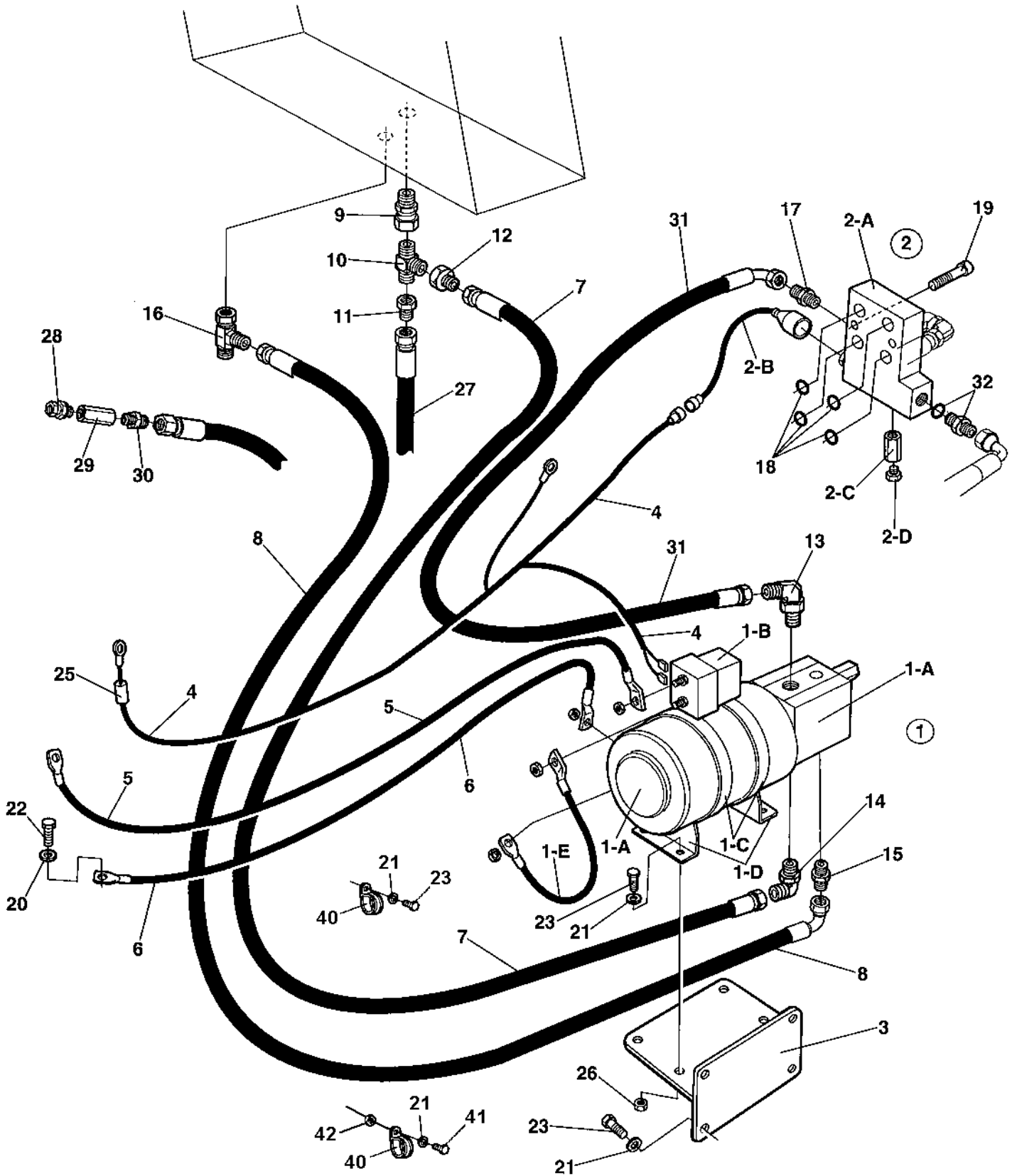
Central test panel Option



Central test panel Option

Item	Part No	Rem Qty	Description	Code
1	4812113146	1	Test panel	D
2	4700904229	4	Steel plain washer 8,4x16x1,5	C
3	4700500053	2	Screw M8x20H 8.8	C
4	4700791914	2	Straight connector orfs	D
5	4812113110	5	Elbow 90	D
6	4700334135	1	Tee-connector	C
7	4811000332	1	Reducer	D
8	4812110422	6	Measuring nipple	C
9	4811000329	2	Hydraulic hose	
10	4811000328	3	Hydraulic hose	
11	4811000363	1	Hydraulic hose	
12	4700792450	6	Nut	D
13	4700313102	N	Cable ties	
14	4700908136	2	Bracket	D
15	4700500018	2	Screw M8-1,25x12 8,8	C
21	4700791538	3	Straight connector	C

Emergency steering Option



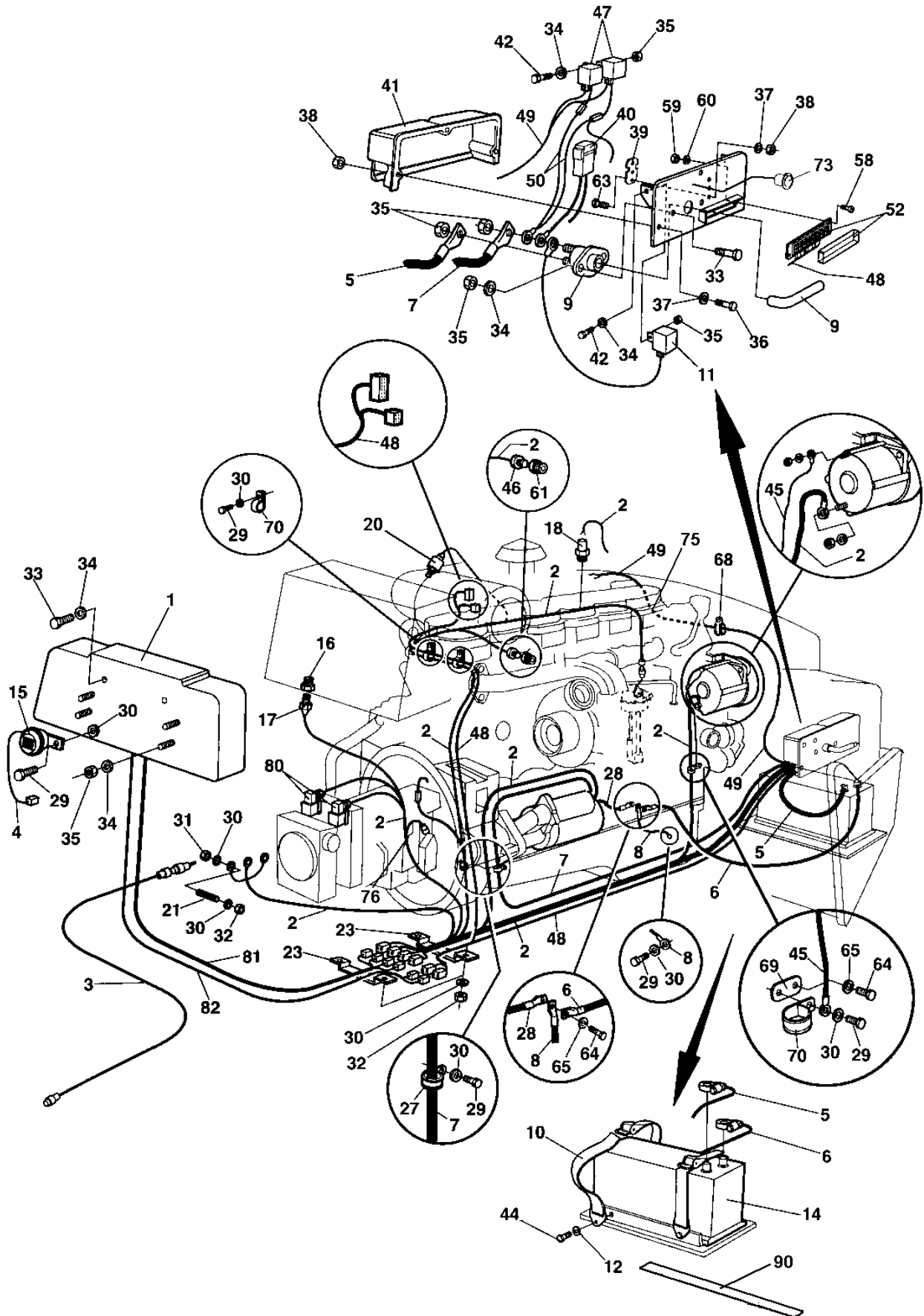
Emergency steering Option

Item	Part No	Rem	Qty	Description	Code
1	4700381254		1	Emergency steering pump	D
1-A	4700937964		1	. Pump unit	
1-B	4700937965		1	. Relay/Start solenoid	
1-C	4700937966		2	. Clamp	
1-D	4700937967		1	. Engine foundation	
1-E	4700937968		1	. Cable	
2	4700381684		1	Valve block, cpl	D
2-A	4700381594		1	. Valve block	D
2-B	4700381877		1	. Pressure switch	D
2-C	4700937931		1	. Check valve	D
2-D	4700937969		1	. Plug	
3	4700381595		1	Bracket	D
4	4700386653		1	Cable harness	D
5	4811000388	A	1	Connection cable	D
6	4700791391	B	1	Connection cable	D
7	4700482254		1	Hydraulic hose	D
8	4700482306		1	Hydraulic hose	C
9	4700234957		1	Adapter	
10	4700234379		1	Tee-connector	
11	4700330418		1	Adapter	D
12	4700334142		1	Connector	D
13	4700334235		1	Elbow 90	D
14	4700334238		1	Elbow 90 o-ring	C
15	4700234659		1	Straight o-ring connector	
16	4700334135		1	Tee-connector	C
17	4700924731		1	Connector	C
18	4700160287		4	O-ring	C
19	4700903773		2	Screw M10x1x50 8,8	C
20	4700904231		1	Washer 13x24x2 300 HV	C
21	4700904229		14	Steel plain washer 8,4x16x1,5	C
22	4700500035		1	Screw M12x020H	
23	4700500053		9	Screw M8x20H 8.8	C
24	4700313041	N		Cable ties	B
25	4700901224		1	Fuse 3A	A
26	4700586003		4	Lock nut M8	C
27	4700482467		1	Hydraulic hose	D
28	4700792069	E	1	Straight o-ring connector	D
29	4700377511	E	1	Check valve	D
30	4700334144	E	1	Connector	C
31	4700482782	C	1	Hydraulic hose	D
31-1	4700482482	D	1	Hydraulic hose	D
32	4700334116	C	1	Straight o-ring connector	C
32-1	4700334238	D	1	Elbow 90 o-ring	C
40	4700960727		2	Clamp	
41	4700500026		1	Screw M8-1,25x60 8,8	
42	4700902286		1	Hexagon lock nut with flange	C

- A) To battery switch.
- B) To engine block.
- C) With driver seat turn over.
- D) With driver seat standard platform.
- E) Connected to steering pump.

Electrical equipment

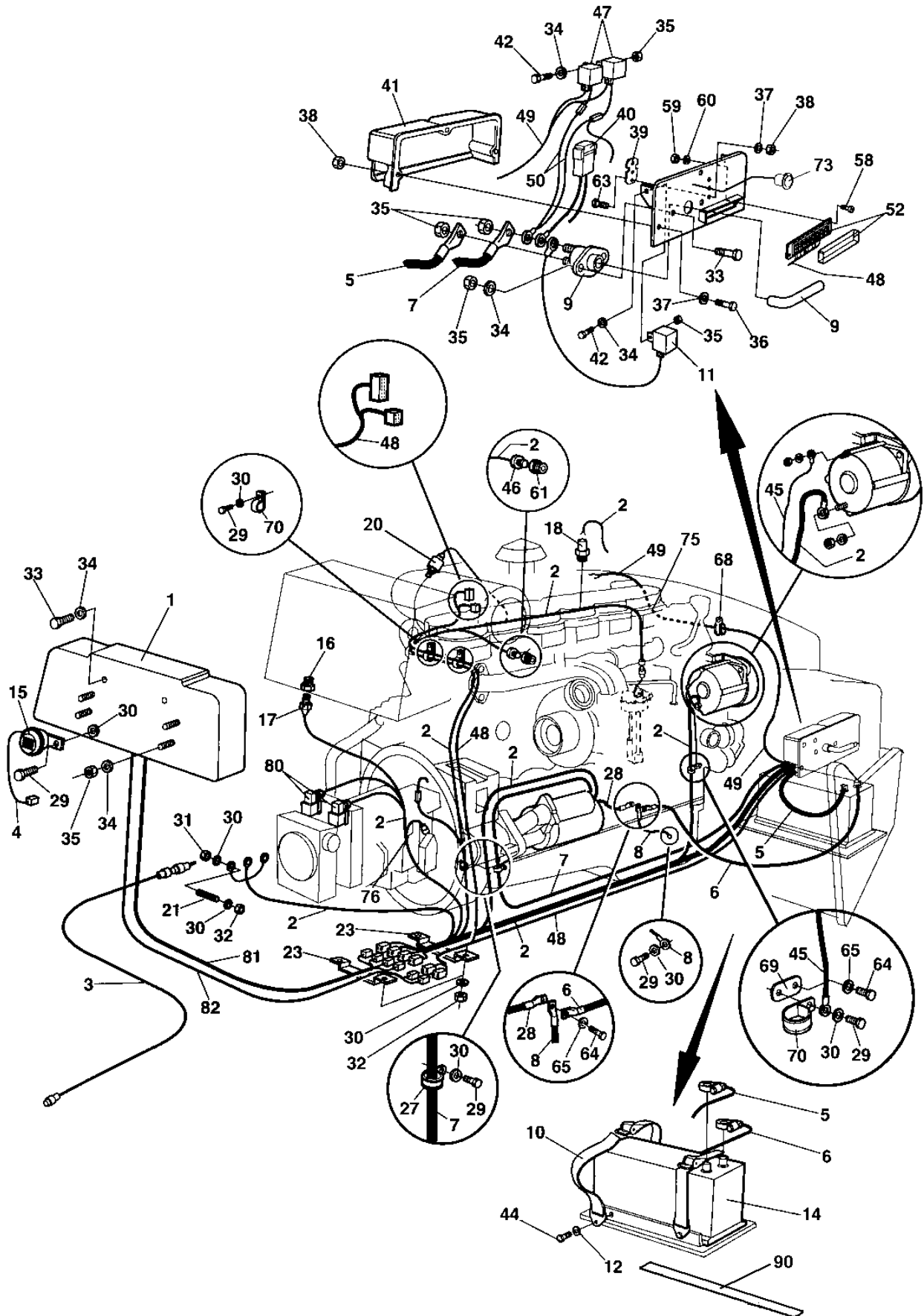
Item	Part No	Rem Qty	Description	Code
100			Electric system Up to 0A005462 (Page 138)	
105			Electric system From 0A005463 (Page 142)	
150			Relay and Fuses (Page 146)	
200			Instrument box (Page 148)	
310			Instrument panel Main (Page 150)	
325			Instrument panel Upper left (Page 152)	
350			Instrument panel Upper right (Page 154)	
355			Instrument panel Upper right (Page 156)	
375			Instrument panel Lower left (Page 158)	
400			Instrument panel Lower right (Page 160)	
510			Emergency stop panel (Page 162)	
530			Emergency and Parking brake panel (Page 164)	
550			Driving lights Option (Page 166)	
560			Working lights Option (Page 170)	
570			Rotating beacon Option (Page 172)	
581			Compaction meter Option (Page 174)	
595			Speedometer and frequency meter Option (Page 176)	
605			Tachograph, platform Option (Page 178)	
607			Tachograph , cab Option (Page 180)	
608			Tachograph, simple cab Option (Page 182)	
615			Back-up alarm Option (Page 184)	
620			Protecting cover, Headlight Option (Page 186)	
630			Field computer assembly Option (Page 188)	
640			Compaction Analyzer Option (Page 190)	
650			Geodynamic Compaction indicator Option (Page 192)	
660			GPS Option (Page 194)	
			GPS Option (Page 196)	
670			Engine pre-heater, Cab Option (Page 198)	
671			Engine pre-heater, Platform Option (Page 200)	



Electric system

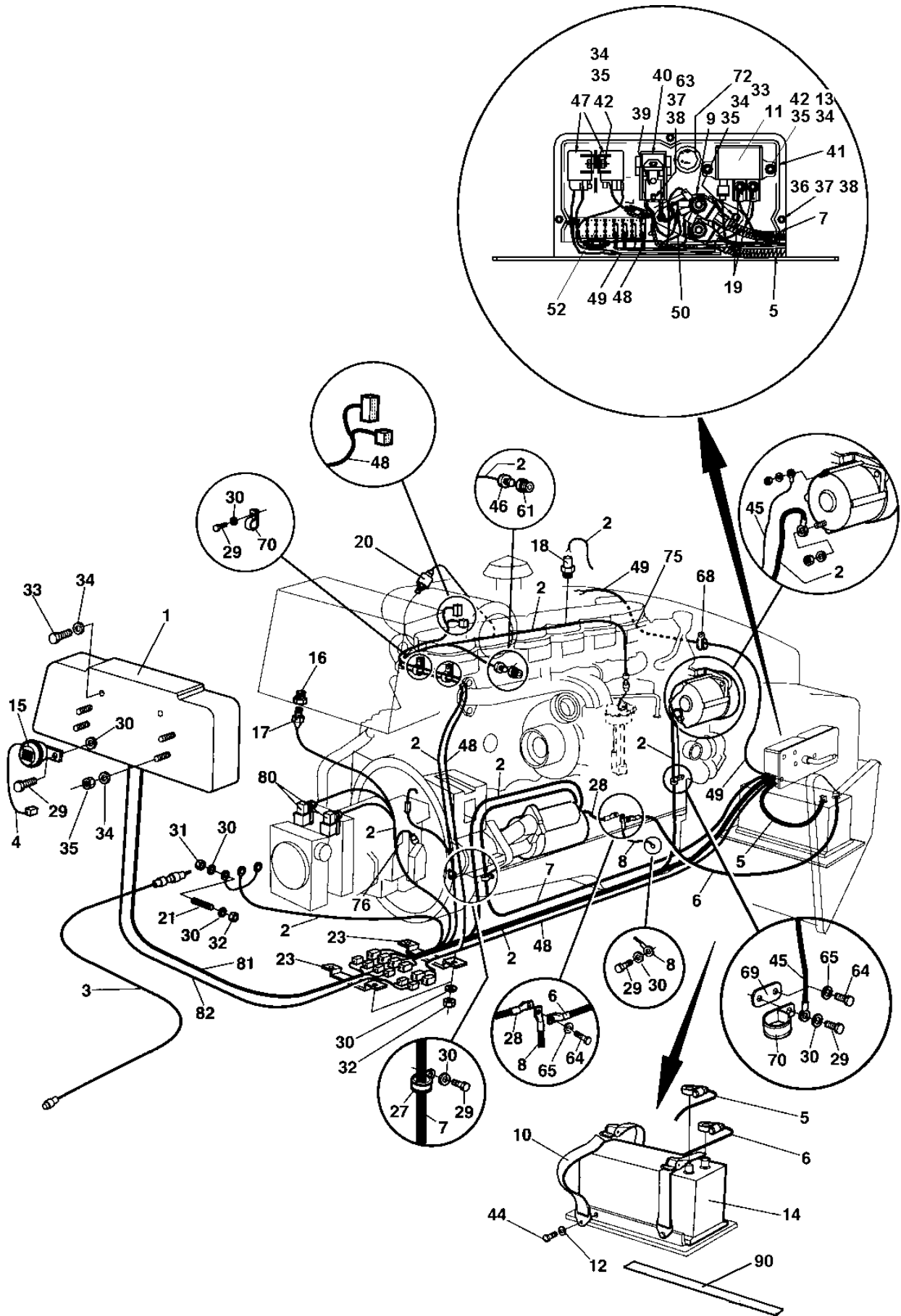
Item	Part No	Rem Qty	Description	Code
1		1	Control panel	
2	4700379292	1	Cable harness	D
3	4700372206	1	Cable harness	D
4	4700372997	1	Cable harness	D
5	4700791458	1	Battery cable	D
6	4700791511	1	Battery cable	D
7	4700391337	1	Connection cable	D
8	4700791510	1	Connection cable, coarse	D
9	4700930150	1	Battery switch	B
	4700928021	1	. Key	A
10	4700791371	2	Strap	D
11	4700791183	B 1	Relay	A
12	4700904228	4	Washer 6,4x12x1,5	C
14	4700950339	1	Battery	D
15	4700999027	1	Horn	C
16	4700813434	1	Reducer	C
17	4700903631	1	Temperature sensor Hydraulic oil	B
18	4700903632	1	Temperature sensor Engine	
20	4700929023	1	Indicator	B
21	4700903768	3	Threaded stud	C
23	4700372649	2	Cable holder	D
27	4700921050	1	Clamp	C
28	4700792265	1	Connection cable, coarse	D
29	4700500053	6	Screw M8x20H 8.8	C
30	4700904229	14	Steel plain washer 8,4x16x1,5	C
31	4700570005	4	Nut M8	C
32	4700586003	7	Lock nut M8	C
33	4700500040	5	Screw M6-1x20 8,8	C
34	4700904639	11	Washer 6,7x14x1,5	C
35	4700586002	9	Lock nut M6 -8	C
36	4700500184	3	Screw M5-0,8x14 8,8	D
37	4700904281	8	Washer 5,3x10x1 300HV	C
38	4700586001	5	Lock nut	C
39	4700904036	1	Fuse holder	D
40	4700904037	1	Fuse 30A	A
41	4700373605	1	Cover	D
42	4700500075	2	Screw M6-1,0x25 8.8	C
44	4700500012	4	Screw M6x12	C
45	4700792294	1	Connection cable	D
46	4700813462	1	Oil pressure sender	B
47	4700791183	2	Relay	A
48	4700379293	1	Cable harness	D
49	4700385660	1	Cable harness	D
50	4700390377	1	Cable harness	D
	4700791477	2	. Fuse holder	D
	4700792268	2	. Fuse, Natural 80A	A
52	4700791185	1	Fuse box	
	4700791186	1	Fuse box cover	D
	4700901225	2	Fuse 5A	A
	4700901230	1	Fuse 30A	A
	4700901227	1	Fuse 10A	A
	4700791211	1	Contact bridge	C
58	4700533010	2	Screw	D
59	4700923976	2	Nut	C
60	4700904698	2	Washer 4,3x8x0,8	C
61	4700390327	1	Adapter	D
63	4700500006	2	Screw M5x16	C
64	4700500046	2	Screw M12x025H	C

B) Replaces P/N 4700904448 as Start relay from January 2009.



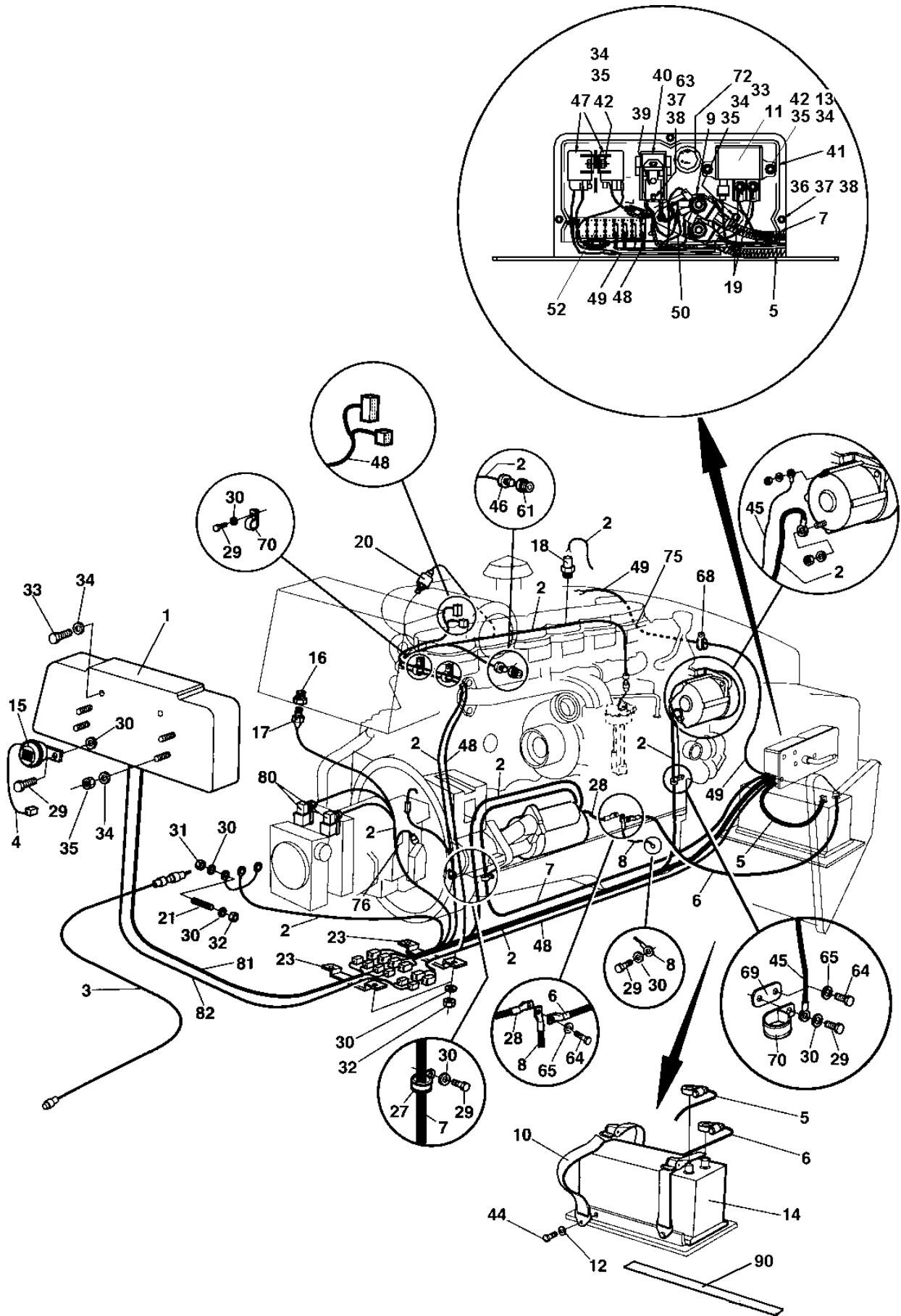
Electric system

Item	Part No	Rem Qty	Description	Code
65	4700904231	2	Washer 13x24x2 300 HV	C
67	4700570003	1	Nut M5	C
68	4700960727	1	Clamp	
	4700500067	1	Screw M8-1,25x55 8,8	C
	4700904229	1	Steel plain washer 8,4x16x1,5	C
69	4700378214	1	Cable holder	D
70	4700904346	3	Clamp	D
73	4812110560	1	Power socket 12V	D
75	4700921028	1	Clamp	C
	4700500067	1	Screw M8-1,25x55 8,8	C
	4700904229	1	Steel plain washer 8,4x16x1,5	C
76	4700921080	1	Clamp	C
80	4700960796	3	Connector black, MPM 182 09 ND	C
81	4812110866	1	Cable harness	D
82	4812110867	1	Cable harness	D
90	4812110818	2	Rubber cloth	



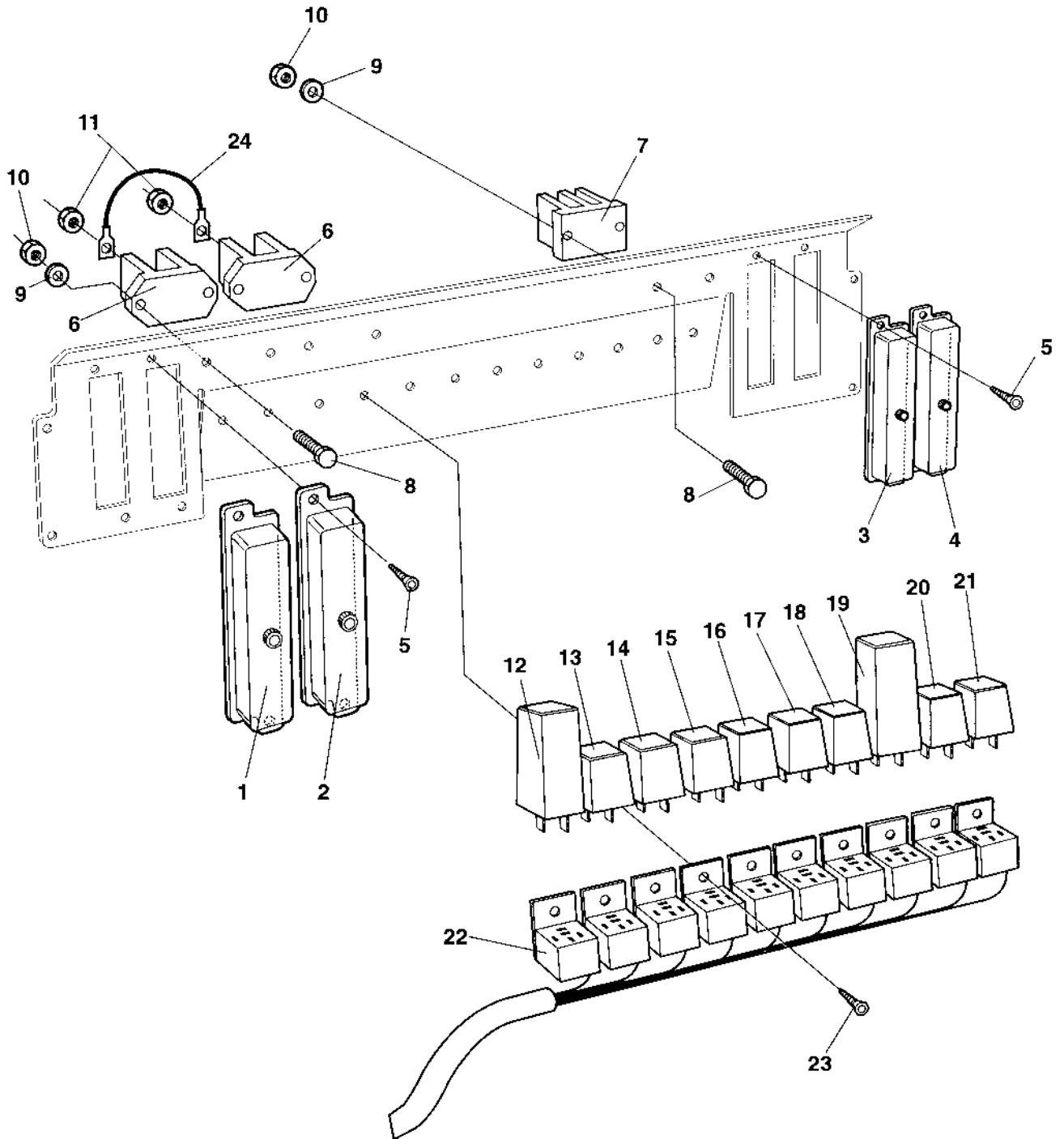
Electric system

Item	Part No	Rem Qty	Description	Code
1		1	Control panel	
2	4812113097	1	Cable harness	D
3	4700372206	1	Cable harness	D
4	4700372997	1	Cable harness	D
5	4700791458	1	Battery cable	D
6	4700791511	1	Battery cable	D
7	4700391337	1	Connection cable	D
8	4700791510	1	Connection cable, coarse	D
9	4700903640	1	Battery switch	D
	4700928021	1	. Key	A
10	4700791371	2	Strap	D
11	4811000312	1	Starter relay	A
12	4700904228	4	Washer 6,4x12x1,5	C
13	4700394417	2	Spacer	
14	4700792682	1	Battery	D
15	4700999027	1	Horn	C
16	4700813434	1	Reducer	C
17	4700903631	1	Temperature sensor Hydraulic oil	B
18	4700903632	1	Temperature sensor Engine	
19	4700902285	2	Hexagon lock nut with flange	C
20	4700929023	1	Indicator	B
21	4700903768	3	Threaded stud	C
23	4700372649	2	Cable holder	D
27	4700921050	1	Clamp	C
28	4700792265	1	Connection cable, coarse	D
29	4700500053	6	Screw M8x20H 8.8	C
30	4700904229	18	Steel plain washer 8,4x16x1,5	C
31	4700570005	4	Nut M8	C
32	4700586003	7	Lock nut M8	C
33	4700500040	5	Screw M6-1x20 8,8	C
34	4700904639	11	Washer 6,7x14x1,5	C
35	4700586002	9	Lock nut M6 -8	C
36	4700500184	3	Screw M5-0,8x14 8,8	D
37	4700904281	8	Washer 5,3x10x1 300HV	C
38	4700586001	5	Lock nut	C
39	4700904036	1	Fuse holder	D
40	4700904037	1	Fuse 30A	A
41	4700373605	1	Cover	D
42	4700500061	2	Screw M6-1X35 8,8	C
44	4700500012	4	Screw M6x12	C
45	4700792294	1	Connection cable	D
46	4700813462	1	Oil pressure sender	B
47	4700791183	2	Relay	A
48	4700379293	1	Cable harness	D
49	4700385660	1	Cable harness	D
50	4700390377	1	Cable harness	D
	4700791477	2	. Fuse holder	D
	4700792268	2	. Fuse, Natural 80A	A
52	4700791185	1	Fuse box	
	4700791186	1	Fuse box cover	D
	4700901225	2	Fuse 5A	A
	4700901230	1	Fuse 30A	A
	4700901227	1	Fuse 10A	A
	4700791211	1	Contact bridge	C
58	4700500238	2	Screw	C
59	4700923976	4	Nut	C
60	4700904698	4	Washer 4,3x8x0,8	C
61	4700390327	1	Adapter	D
63	4700500006	2	Screw M5x16	C
64	4700500046	2	Screw M12x025H	C



Electric system

Item	Part No	Rem Qty	Description	Code
65	4700904231	2	Washer 13x24x2 300 HV Not used on this model	C
68	4700960727	2	Clamp	
	4700500067	2	Screw M8-1,25x55 8,8	C
	4700904229	1	Steel plain washer 8,4x16x1,5	C
69	4700378214	1	Cable holder	D
70	4700904346	3	Clamp	D
72	4812110560	1	Power socket 12V	D
75	4700921028	1	Clamp	C
	4700500067	2	Screw M8-1,25x55 8,8	C
	4700904229	1	Steel plain washer 8,4x16x1,5	C
76	4700921080	1	Clamp	C
80	4700960796	3	Connector black, MPM 182 09 ND	C
81	4812110866	1	Cable harness	D
82	4812110867	1	Cable harness	D
90	4812110818	2	Rubber cloth	

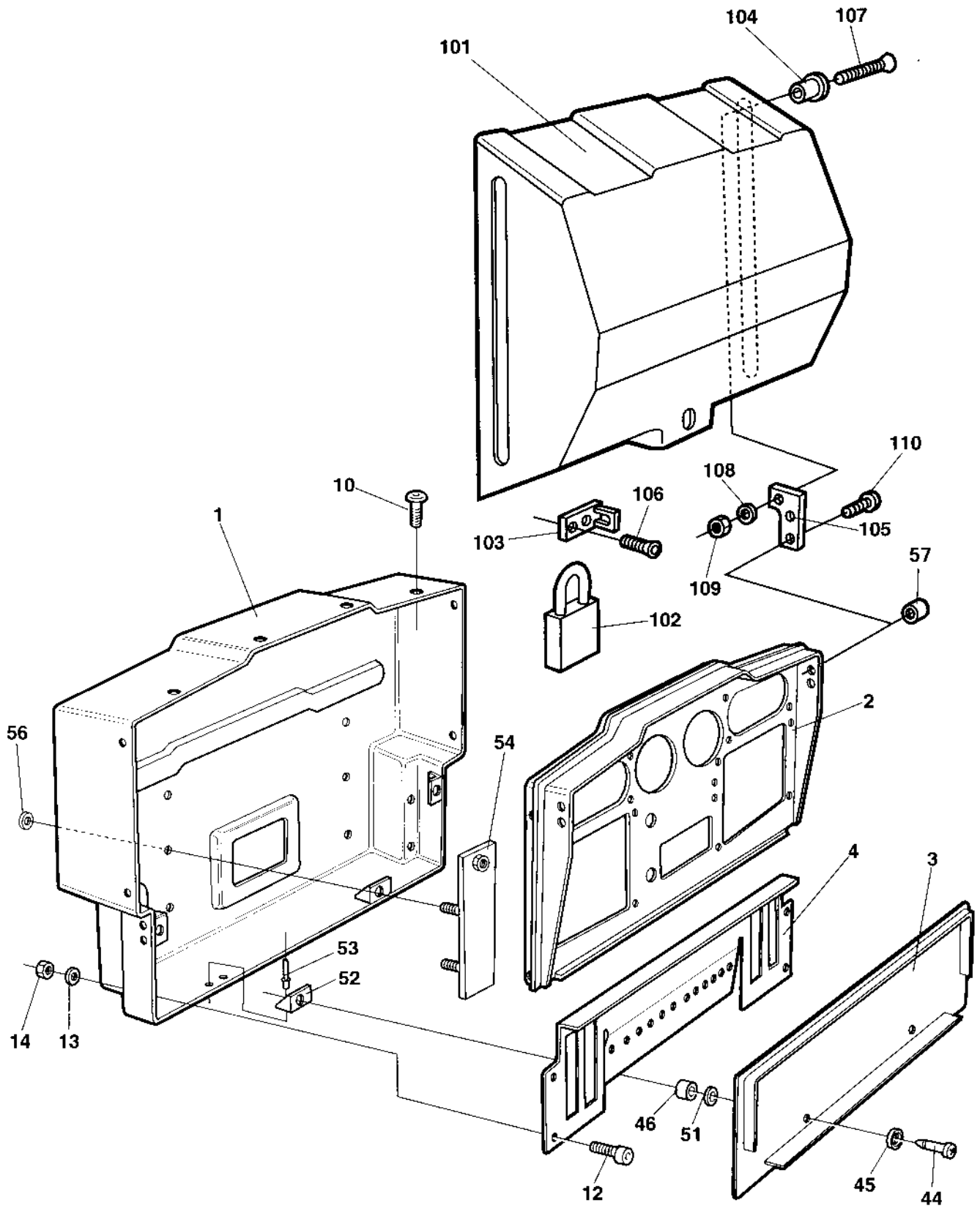


Relay and Fuses

Item	Part No	Rem	Qty	Description	Code
1	4700901256		1	Fuse box	D
	4700908110		1	. Cover	D
	4700901224	N		Fuse 3A	A
	4700901225	N		Fuse 5A	A
	4700901226	N		Fuse 7,5A	
	4700901227	N		Fuse 10A	A
	4700903741	N		Fuse 20A Yellow Medium	A
2	4700901256		1	Fuse box	D
	4700901240		1	Connector	B
3	4700901256		1	Fuse box	D
4	4700901256		1	Fuse box	D
5	4700901767		8	Screw ST3,5x9,5 Black	
6	4700392930		2	Junction box	D
7	4700903625		1	Junction block	C
8	4700533013		6	Screw M4x20	D
9	4700600002		6	Washer	D
10	4700923976		6	Nut	C
11	4700570004		2	Nut M6X1,00 -8 A2K	C
12	4700382782		1	Relay, VBS	A
13	4700791138	A	1	Relay	A
14	4700903956	B	1	Relay	A
15			1	Not used on this model	
16	4700903956	D	1	Relay	A
17	4700903956	E	1	Relay	A
18	4700903956	F	1	Relay	A
19	4700904989		1	Flash relay Option	A
20	4700791138	G	1	Relay	A
21	4700287598	H	1	Relay 12V-30A	A
22	4700357562		10	Relay holder	D
23	4700902223		9	Screw	D
24	4700903970		1	Cable	B

- A) Main relay
- B) Horn relay
- D) Fuel level relay
- E) Back-up alarm relay
- F) Light relay
- G) Brake relay
- H) Air Condition relay

Instrument box

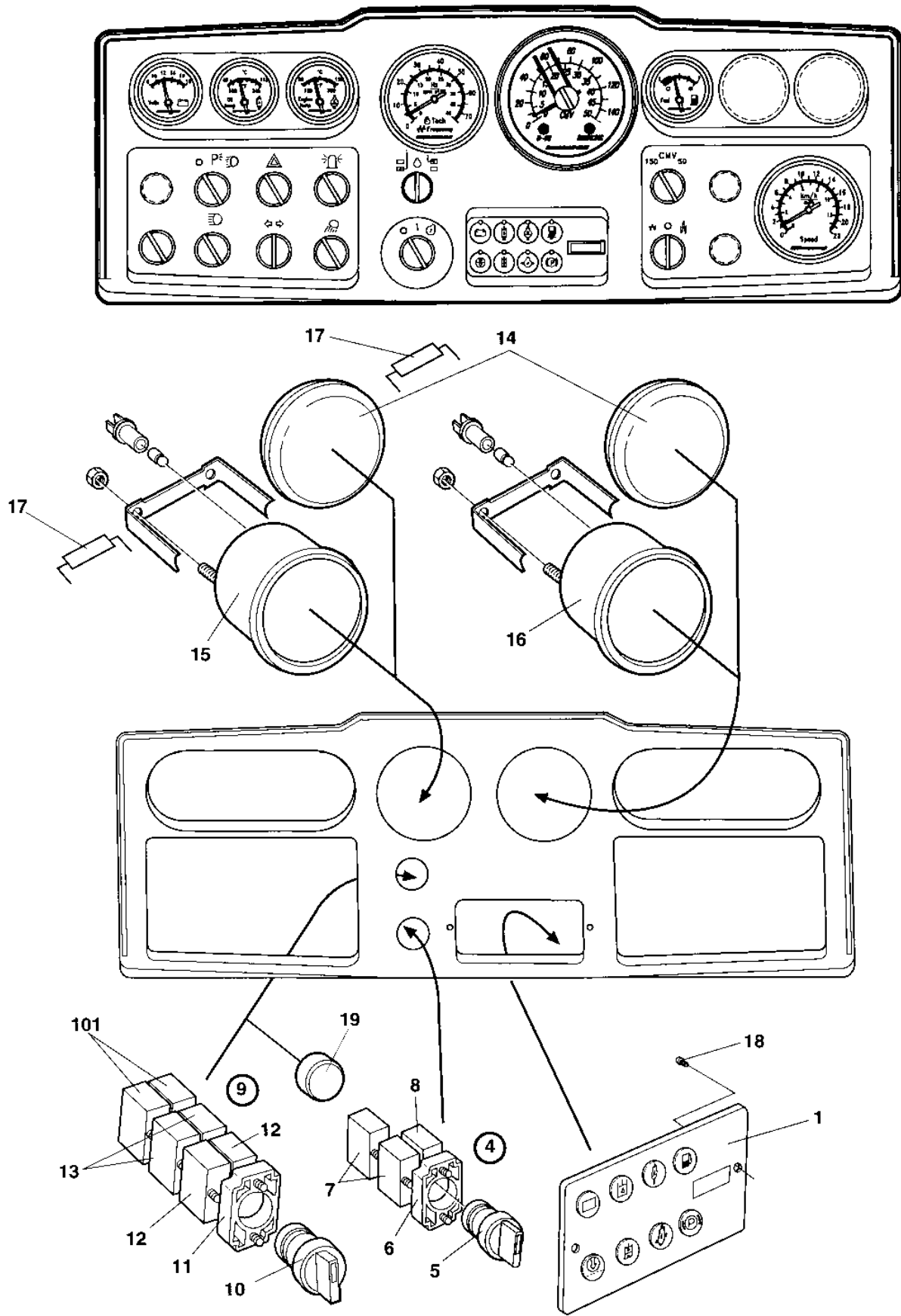


Instrument box

Item	Part No	Rem Qty	Description	Code
1	4700374098	1	Instrument box	D
2	4700374379	1	Control panel	D
3	4700359845	1	Cover	D
4	4700370165	1	Relay bracket	D
10	4700903658	8	Screw M5x10	C
12	4700500040	4	Screw M6-1x20 8,8	C
13	4700904228	4	Washer 6,4x12x1,5	C
14	4700902285	4	Hexagon lock nut with flange	C
44	4700903599	4	Trunnion	D
45	4700903600	4	Rubber washer	C
46	4700903601	4	Washer	C
51	4700903678	4	Rubber washer	C
52	4700903602	4	Locking device	D
53	4700903436	8	Blind rivet	D
54	4700374099	2	Bracket	D
56	4700903961	4	Washer	C
57	4700903653	4	Plug	C
100		A 1	Control panel cover	
101	4700372103	1	Cover	D
102	4700358881	1	Pad lock	D
103	4700372104	1	Eyelet	C
104	4700357855	2	Bushing	C
105	4700372105	2	Bracket	D
106	4700904207	2	Screw	C
107	4700904208	2	Screw	C
108	4700904228	2	Washer 6,4x12x1,5	C
109	4700586002	2	Lock nut M6 -8	C
110	4700903658	4	Screw M5x10	C

A) Option

Instrument panel Main

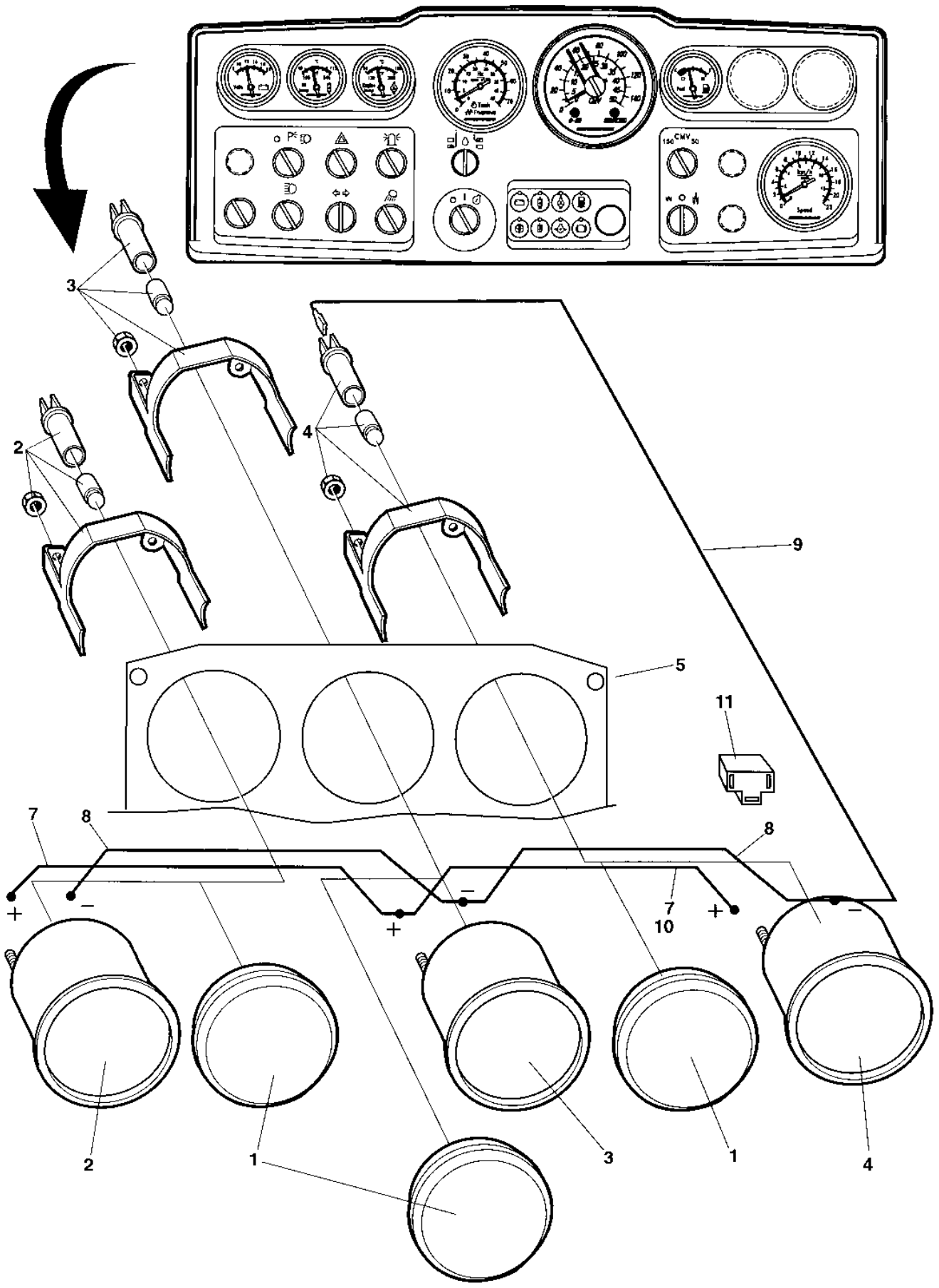


Instrument panel Main

Item	Part No	Rem	Qty	Description	Code
1	4700380660		1	Display	D
4		B	1	Switch	
5	4700932050		1	. Switch	B
6	4700903876		1	. Connector	C
7	4700930154		2	. Contact piece, NC	B
8	4700930163		1	. Contact piece, NO	B
9			1	. Frequency/tacho selector	
10	4700932058		1	. Switch	B
11	4700903876		1	. Connector	C
12	4700930163		2	. Contact piece, NO	B
13	4700930154		2	. Contact piece, NC	B
14	4700345139		2	Hole plug	C
15	4700371275		1	Tachometer and frequency meter	B
			1	Bulb	
16	4700372663		1	Speedometer	B
			1	Bulb	
17	4700357526		2	Resistor	D
18	4700903657		2	Screw	C
19	4700911456		1	Hole plug	C
101	4700930163	C	2	Contact piece, NO	B

- B) Start
- C) Option tachograph

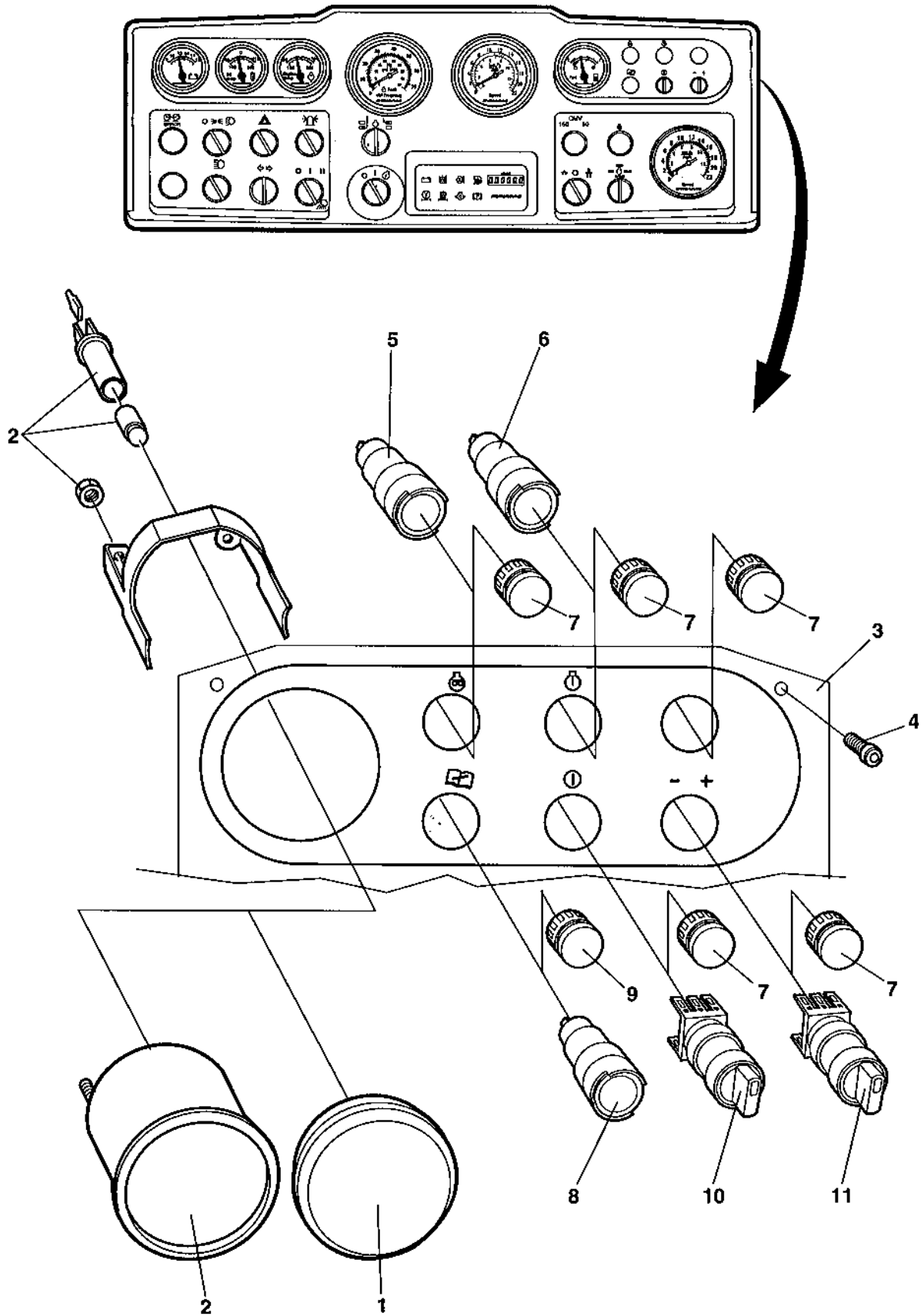
Instrument panel Upper left



Instrument panel Upper left

Item	Part No	Rem Qty	Description	Code
1	4700345870	3	Plug	C
2	4700359340	1	Volt meter	B
	4700355258	1	. Lamp holder	D
	4700985012	1	. Bulb	B
3	4700359341	1	Temperature meter, hydraulic oil	B
	4700355258	1	. Lamp holder	D
	4700985012	1	. Bulb	B
4	4700381874	1	Water temperature gauge	D
	4700904890	1	. Lamp holder	D
	4700904889	1	. Bulb	D
5		1	Control panel plate	
7	4700343550	1	Connection cable	B
8	4700903927	2	Cable	B
9	4700904016	3	Cable	B
10	4700343551	1	Cable	B
11	4700904819	1	Contact	D
		1		

Instrument panel Upper right

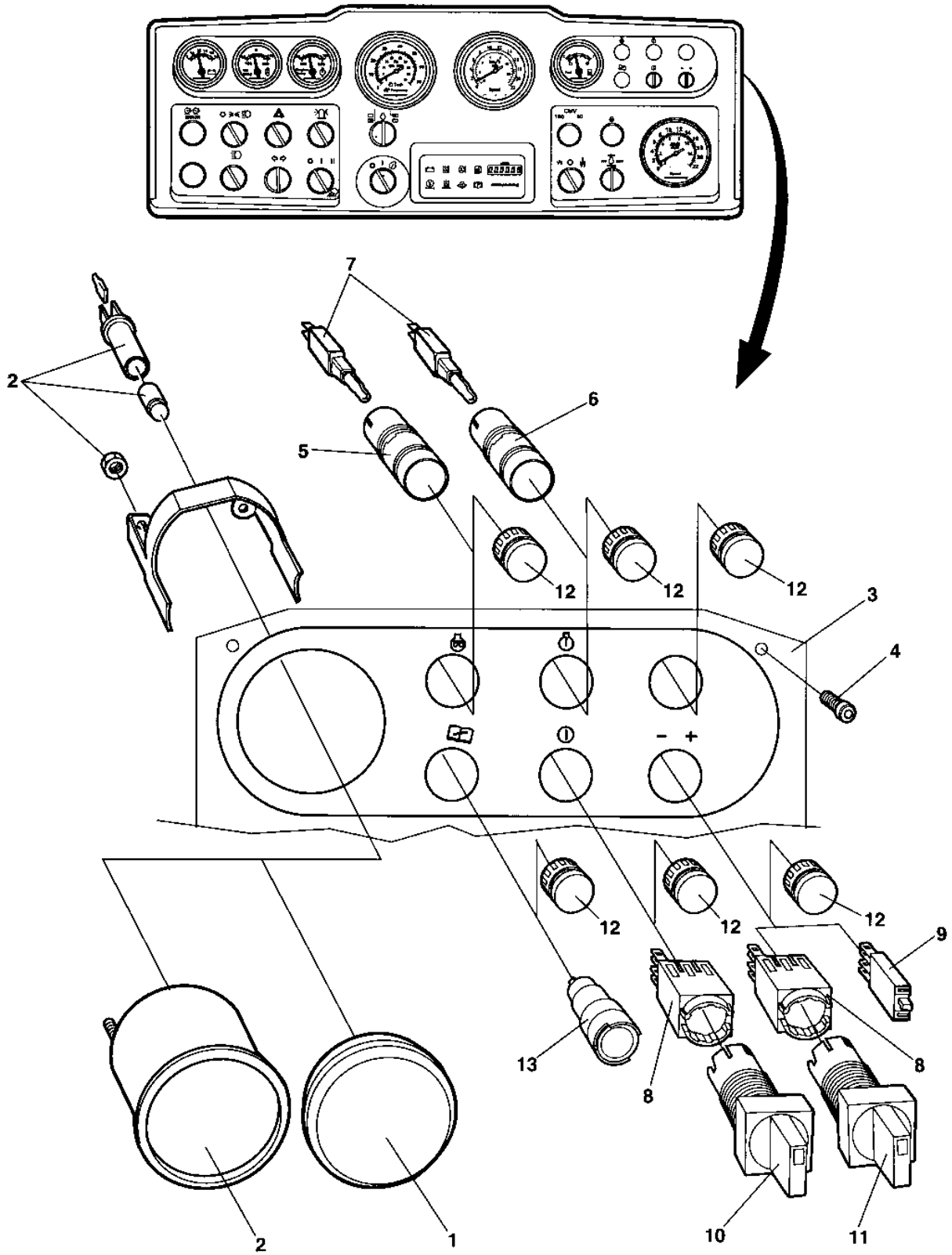


Instrument panel Upper right

Item	Part No	Rem	Qty	Description	Code
1	4700345870		1	Plug	C
2	4700359343		1	Fuel gauge	B
	4700355258		1	. Lamp holder	D
	4700985012		1	. Bulb	B
3	4700386189		1	Control panel plate	D
4	4700903657		6	Screw	C
5	4700791349	A	1	Pilot lamp Yellow	D
6	4700791349	B	1	Pilot lamp Yellow	D
7	4700791345		5	Blind plug	D
8				Not used on this model	
9	4700791345		1	Blind plug	D
10	4700791347	D	1	Switch	D
11	4700791346	E	1	Switch	D

- A) Pre-heater lamp.
- B) Fault alarm lamp.
- D) Diagnostic "ON".
- E) Error code scroll switch.

Instrument panel Upper right

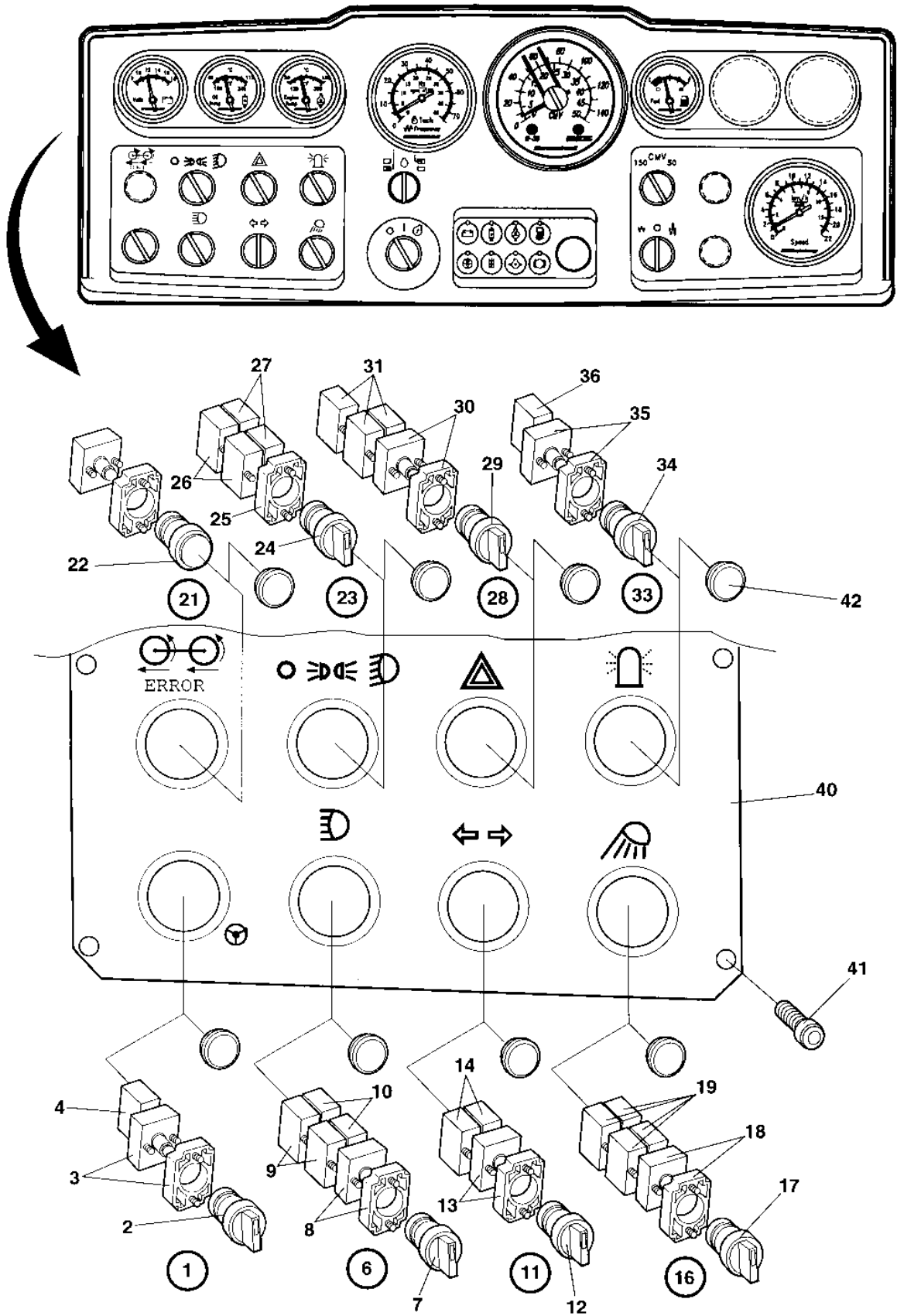


Instrument panel Upper right

Item	Part No	Rem	Qty	Description	Code
1	4700345870		1	Plug	C
2	4700359343		1	Fuel gauge	B
	4700355258		1	. Lamp holder	D
	4700985012		1	. Bulb	B
3	4700386189		1	Control panel plate	D
4	4700903657		6	Screw	C
5	4700792319	A	1	Pilot lamp Yellow	D
6	4700792319	B	1	Pilot lamp Yellow	D
7	4700792315		2	Illuminated block yellow	D
8	4700792314		2	Connector	C
9	4700792313		1	Connector	D
10	4700792317	D	1	Switch	D
11	4700792318	E	1	Switch	D
12	4700792320		6	Plug	D
13				Not used on this model	

- A) Pre-heater lamp.
- B) Fault alarm lamp.
- D) Diagnostic "ON".
- E) Error code scroll switch.

Instrument panel Lower left

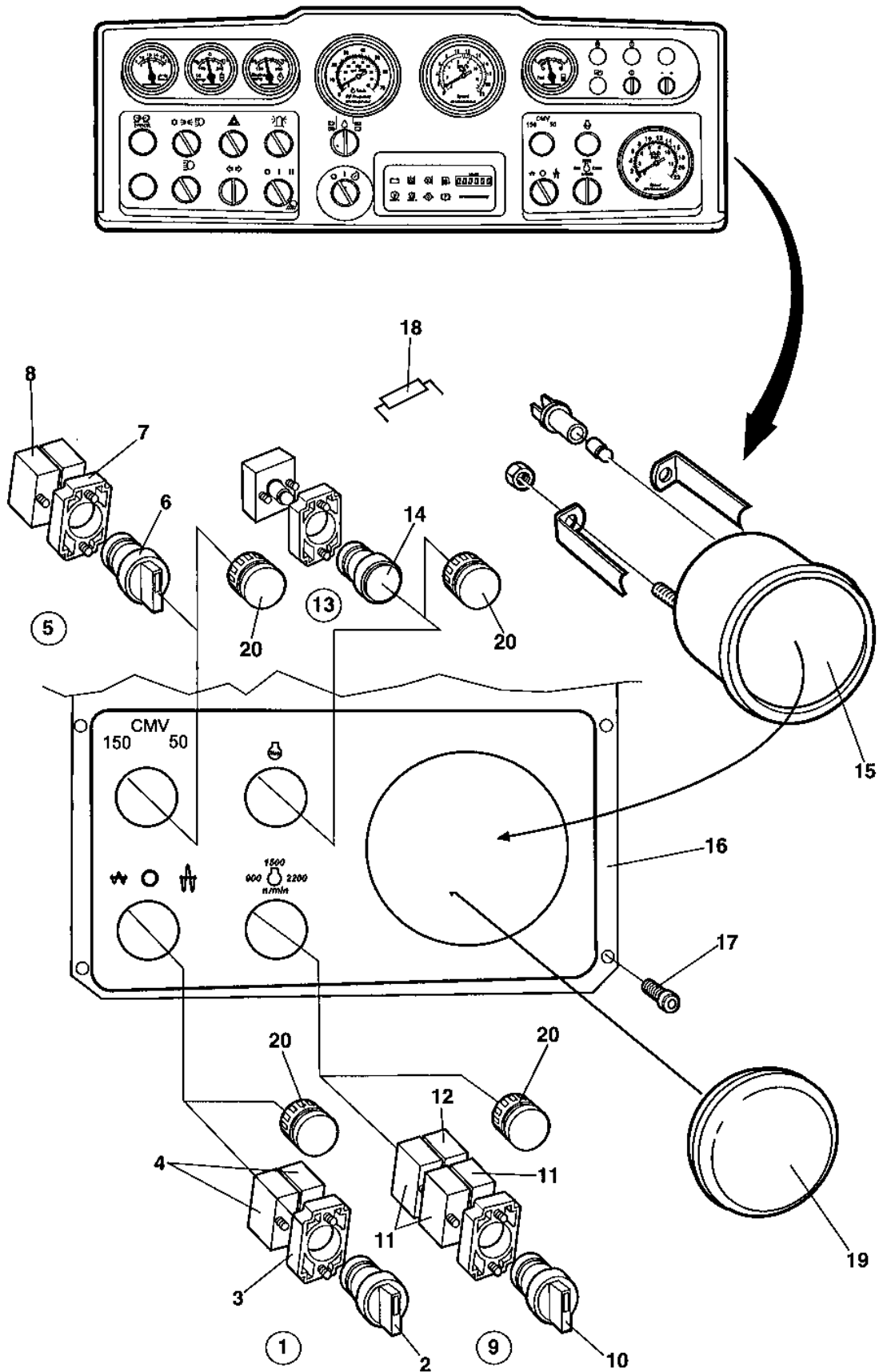


Instrument panel Lower left

Item	Part No	Rem	Qty	Description	Code
6		C	1	Switch, cpl	
7	4700932057	M	1	Switch	B
8	4700903875		1	. Flange with light	C
	4700985012		1	Bulb	B
9	4700930154		2	. Contact piece, NC	B
10	4700930163		2	. Contact piece, NO	B
11		D	1	Switch, cpl	
12	4700930161	E	1	. Switch	B
13	4700903875		1	. Flange with light	C
	4700985012		1	Bulb	B
14	4700930163		2	. Contact piece, NO	B
16		F	1	Switch, cpl	
17	4700930166	B	1	. Switch	B
18	4700903875		1	. Flange with light	C
	4700985012		1	Bulb	B
19	4700930163		4	. Contact piece, NO	B
21	4700985146	A	1	Pilot lamp cpl Red	B
	4700985012		1	Bulb	B
22	4700932034	G	1	. Lamp glass, Red	
23		H	1	Switch, cpl	
24	4700932058	I	1	. Switch	B
25	4700903876		1	. Connector	C
26	4700930154		2	. Contact piece, NC	B
27	4700930163		2	. Contact piece, NO	B
28		J	1	Switch, cpl	
29	4700932056	G	1	. Switch	B
30	4700903875		1	. Flange with light	C
	4700985012		1	Bulb	B
31	4700930163		3	. Contact piece, NO	B
33		L	1	. Switch, cpl	
34	4700930166	B	1	. Switch	B
35	4700903875		1	. Flange with light	C
	4700985012		1	Bulb	B
36	4700930163		1	. Contact piece, NO	B
40	4700372665		1	Control panel plate	D
41	4700903657		6	Screw	C
42	4700911456	K	-	Hole plug	C

- A) Anti spin
- B) Yellow
- C) Main beam
- D) Direction indicator
- E) Green
- F) Working light
- G) Red
- H) Parking/dipped beam
- I) Black
- J) Hazard flasher
- K) Quantity as required
- L) Rotating beacon
- M) Blue

Instrument panel Lower right

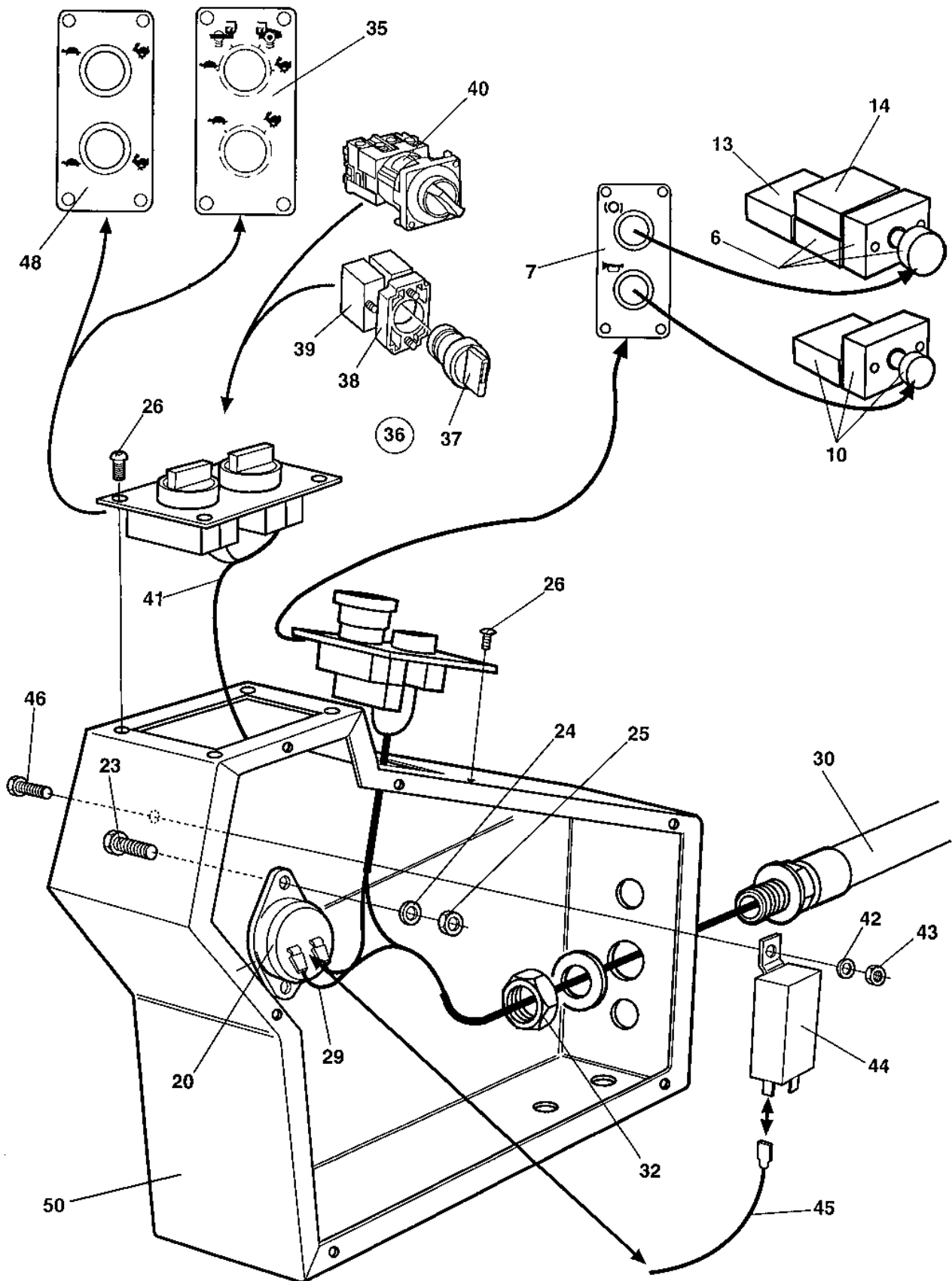


Instrument panel Lower right

Item	Part No	Rem	Qty	Description	Code
1		A	1	Switch, cpl	
2	4700932058	B	1	. Switch	B
3	4700903876		1	. Connector	C
4	4700930163		2	. Contact piece, NO	B
5		C	1	Switch, cpl	
6	4700930192	B	1	. Switch	B
7	4700903876		1	. Connector	C
8	4700930163		1	. Contact piece, NO	B
9		D	1	Switch, cpl	
10	4700930153	B	1	. Switch	D
11	4700930163		3	. Contact piece, NO	B
12	4700930154		1	. Contact piece, NC	B
13	4700985146		1	Pilot lamp cpl Red	B
	4700985012		1	Bulb	B
14	4700932034		1	Lamp glass, Red	
15	4700372663		1	Speedometer	B
			1	Bulb	
16	4700386189		1	Control panel plate	D
17	4700903657		6	Screw	C
18	4700357526		1	Resistor	D
19	4700345139		1	Hole plug	C
20	4700911456		4	Hole plug	C

- A) Amplitude selector
- B) Black
- C) Cmv selector
- D) Rev selector.

Emergency stop panel

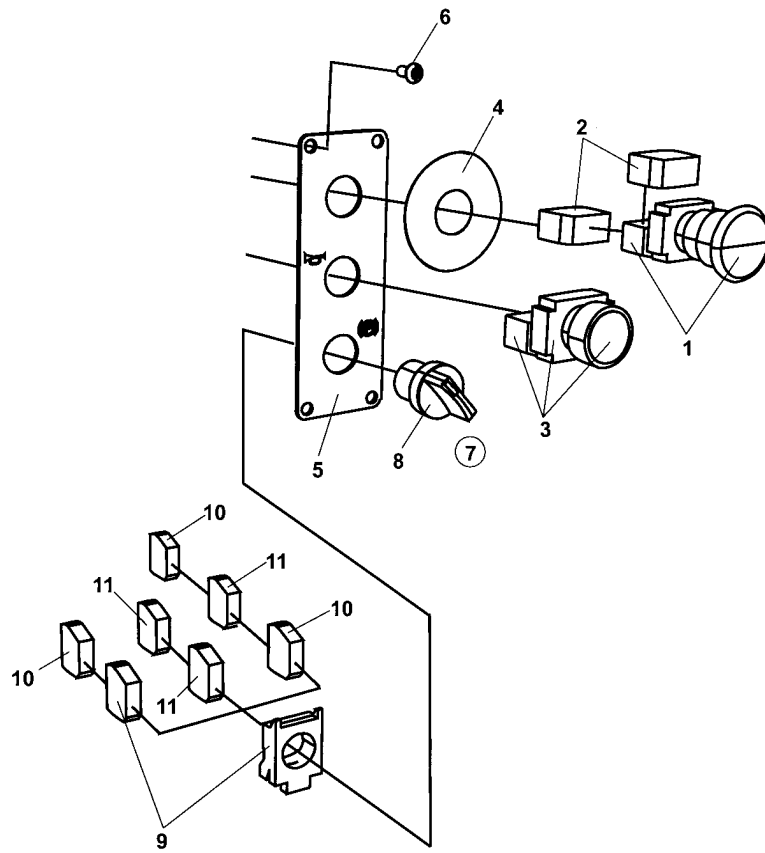


Emergency stop panel

Item	Part No	Rem	Qty	Description	Code
				A	
				A	
				A	
				A	
				A	
20	4700355301		1	Buzzer	B
23	4700500086		1	Screw	D
24	4700904698		1	Washer 4,3x8x0,8	C
25	4700570002		1	Nut M4	C
26	4700904206		8	Screw	C
	4700903658		8	Screw M5x10	C
29	4700960792		1	Cable	B
30	4812110865		1	Cable harness	C
32	4700791253		1	Nut	D
35	4700389075		1	Control panel plate	D
36			1	Switch, cpl	
37	4700930192	C	1	. Switch	B
38	4700903876		1	. Connector	C
39	4700930163		1	. Contact piece, NO	B
40	4700389119	B	1	Switch	D
41	4700343550		1	Connection cable	B
42	4700904228		1	Washer 6,4x12x1,5	C
43	4700586002		1	Lock nut M6 -8	C
44	4700792548	D	1	Delay relay	A
45				Not used on this model	
46	4700904206		1	Screw	C
48				Not used on this model	
50	4812110972		1	Control cover	D

- A) See section "Emergency and Parking brake panel".
- B) Traction control, 4-way switch.
- C) Black
- D) Interlock, Option

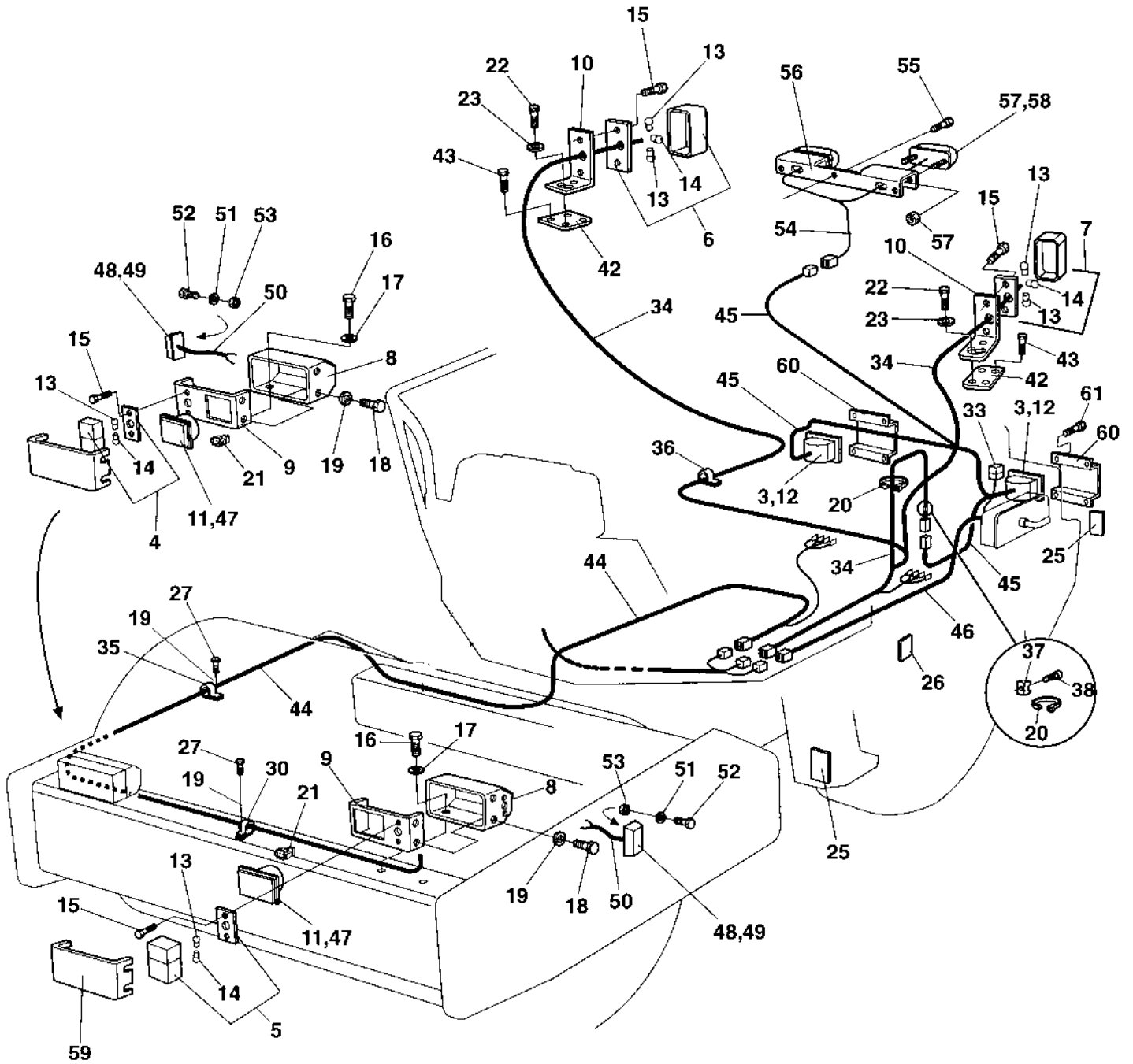
Emergency and Parking brake panel



Emergency and Parking brake panel

Item	Part No	Rem	Qty	Description	Code
1	4700930200		1	Emergency stop	B
	4700930154		1	. Contact piece, NC	B
2	4700930154		2	Contact piece, NC	B
3	4700932032	A	1	Push button	B
	4700930163		1	. Contact piece, NO	B
4	4812110967	B	1	Decal	D
5	4812110960		1	Control panel plate	D
6	4700903658		4	Screw M5x10	C
7			1	Parking brake switch Cpl.	
8	4700791722		1	. Switch, black	D
9	4700389840		1	. Connector w. Fixing collar N/C	C
10	4700791736		3	. Connector N/O	C
11	4700791723		3	. Connector N/C	B

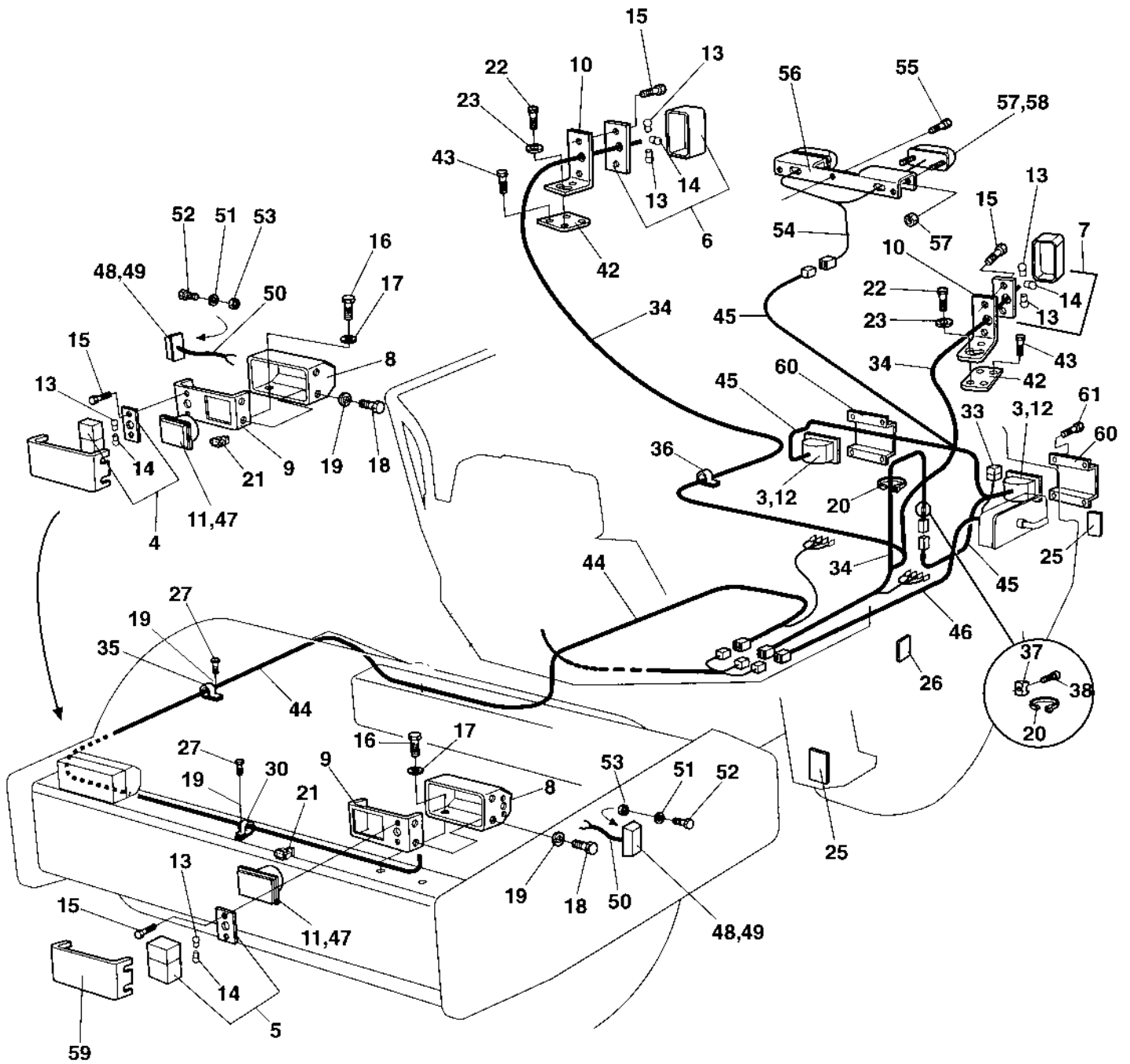
- A) Horn
B) Yellow



Driving lights Option

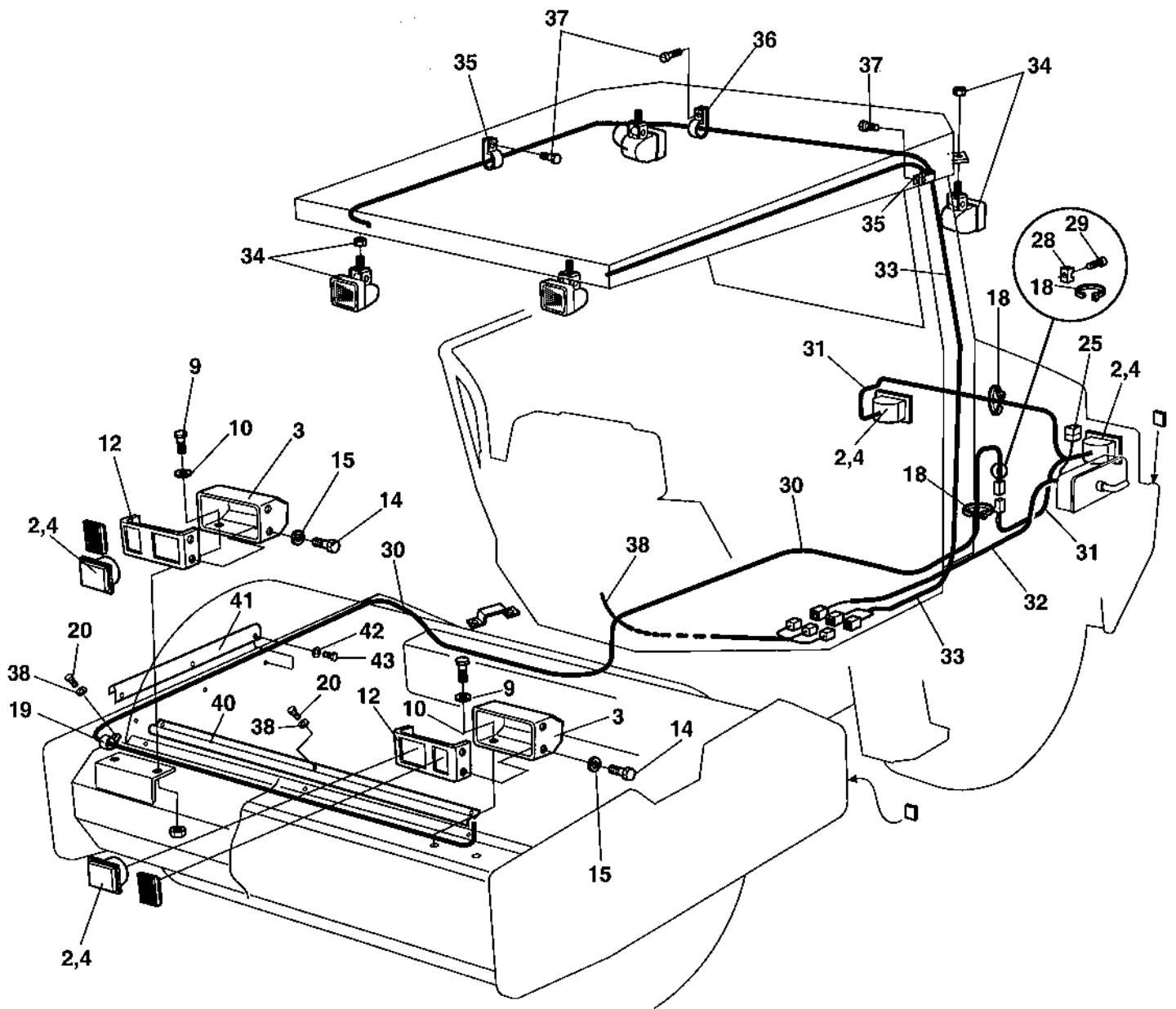
Item	Part No	Rem	Qty	Description	Code
3	4700902227		2	Work light	B
4	4700904316	A	1	Direction lamp Right	B
	4700937107		1	. Lamp glass	B
5	4700904315	B	1	Direction lamp Left	B
	4700937106		1	. Lamp glass	B
6	4700904318	C	1	Direction lamp Right	B
	4700937109		1	. Lamp glass	B
7	4700904317	D	1	Direction lamp Left	B
	4700937108		1	. Lamp glass	B
8	4700374029		2	Lamp shield	D
9	4700374030		2	Bracket	D
10	4700374089		2	Bracket	D
11	4700900790		2	Bulb 60/55w H4	B
12	4700901369		2	Bulb 55w H3	B
13	4700928502		6	Bulb 21w	B
14	4700985014		4	Bulb 5w	B
15	4700533010		8	Screw	D
16	4700500043		6	Screw M10x16H 8,8	D
17	4700904230		6	Steel plain washer	C
18	4700500040		8	Screw M6-1x20 8,8	C
19	4700904228		12	Washer 6,4x12x1,5	C
20	4700925802		11	Cable ties L=142 mm	C
21	4700903899		2	Connector	
22	4700500019		4	Hexagon head screw M8x16H 8,8	C
23	4700904229		4	Steel plain washer 8,4x16x1,5	C
25	4700901182		4	Reflector, red	B
26	4700901183		2	Reflector, yellow	B
27	4700500012		12	Screw M6x12	C
28	4700313041	N		Cable ties	B
30	4700921031		6	Clamp	C
33	4700904038		1	Fuse 40A	A
34	4700374168		1	Cable harness	D
35	4700921028		6	Clamp	C
36	4700921028		6	Clamp	C
37	4700904543		3	Cable tie holder	
38	4700903852		3	Screw ST4,2x13	C
42	4700374088		2	Holder plate	D
43	4700513009		4	Screw	D
44	4700374194		1	Cable harness	D
45	4700374195		1	Cable harness	D
46	4700373184		1	Cable harness	D
47	4700902066		2	Headlight	B
	4700904313	E	2	Headlight	B
48	4700902064		2	Direction lights	B
49	4700985013		2	Bulb 12V,5W	B
50	4700374526		2	Cable harness	D
51	4700904281		4	Washer 5,3x10x1 300HV	C
52	4700926611		4	Screw	C
53	4700586001		4	Lock nut	C
54	4700374196		1	Cable harness	D
55	4700903969		3	Screw ST4,8x19 Black	C
56	4700374184		1	Licence plate light bracket	D
57	4700929455		2	Licence plate light	D
58	4700985013		2	Bulb 12V,5W	B
59	4700374120		2	Protecting cover	D

- A) Front right
- B) Front left
- C) Rear right
- D) Rear left
- E) Left hand asymmet.



Driving lights Option

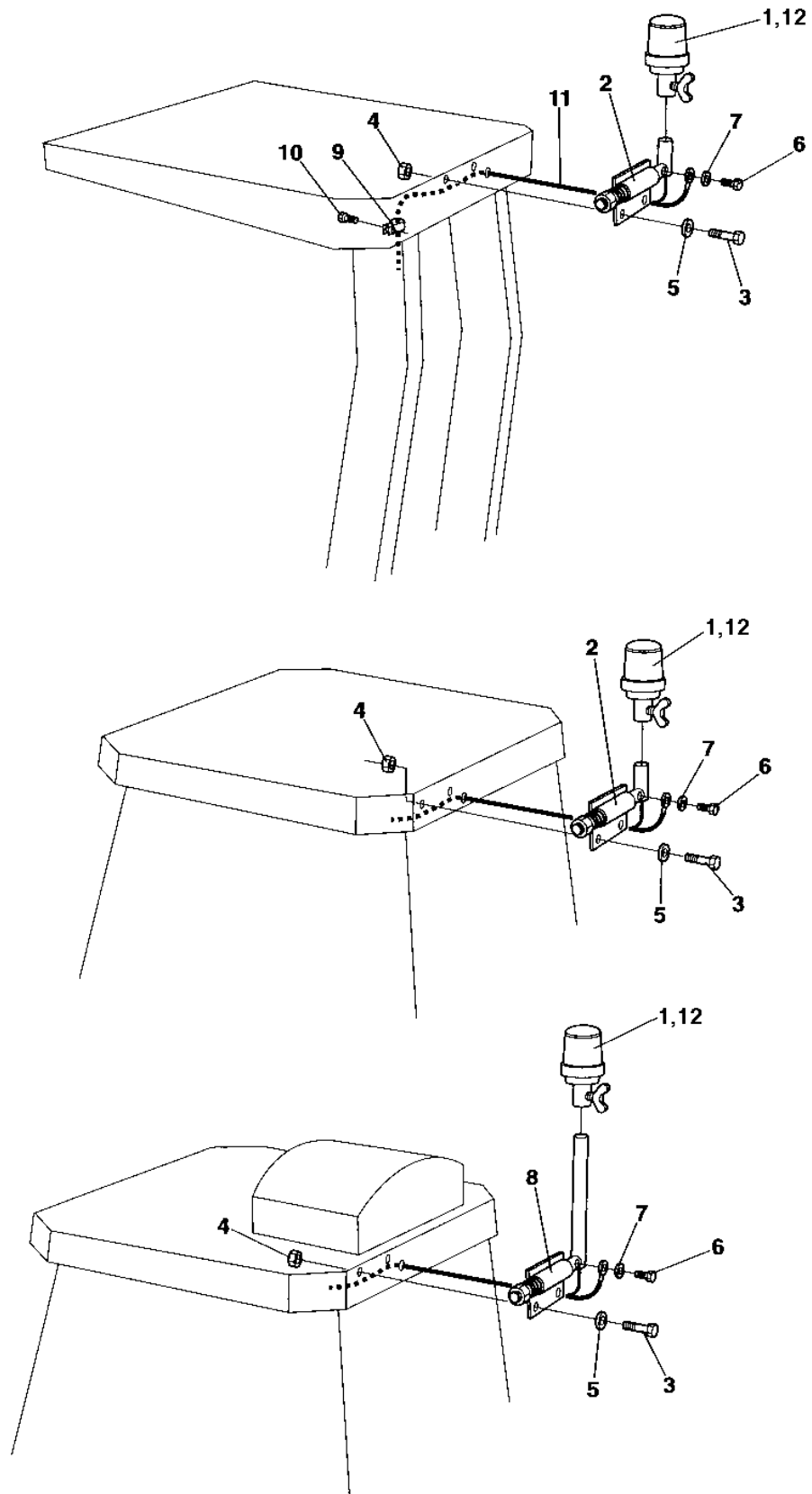
Item	Part No	Rem Qty	Description	Code
60	4700374327	2	Protecting cover	D
61	4700903969	8	Screw ST4,8x19 Black	C



Working lights Option

Item	Part No	Rem Qty	Description	Code
2	4700902227	4	Work light	B
3	4700374029	2	Lamp shield	D
4	4700901369	4	Bulb 55w H3	B
5	4700901187	2	Reflector, white	B
6	4700901182	4	Reflector, red	B
9	4700500043	6	Screw M10x16H 8,8	D
10	4700904230	6	Steel plain washer	C
12	4700374030	2	Bracket	D
14	4700500040	8	Screw M6-1x20 8,8	C
15	4700904228	9	Washer 6,4x12x1,5	C
18	4700925802	9	Cable ties L=142 mm	C
19	4700921039	1	Pipe clamp	C
20	4700500012	4	Screw M6x12	C
25	4700904038	1	Fuse 40A	A
28	4700904543	3	Cable tie holder	C
29	4700903852	3	Screw ST4,2x13	D
30	4700373359	1	Cable harness	D
	4700391772	1	Cable harness	D
31	4700373360	1	Cable harness	D
32	4700373184	1	Cable harness	D
33	4700372758	1	Cable harness	D
34	4812110216	4	Work lamp	C
	4700904230	4	Steel plain washer	C
	4700586018	4	Hexagon lock nut	C
35	4700921039	10	Pipe clamp	C
36	4700921031	3	Clamp	C
37	4700541702	13	Screw M6x12	C
38	4700904228	4	Washer 6,4x12x1,5	C
40	4700384162	1	Cable holder	D
	4700392721	1	Cable holder	D
41	4700388466	1	Cable holder	D
42	4700904229	3	Steel plain washer 8,4x16x1,5	C
43	4700500019	3	Hexagon head screw M8x16H 8,8	C

Option



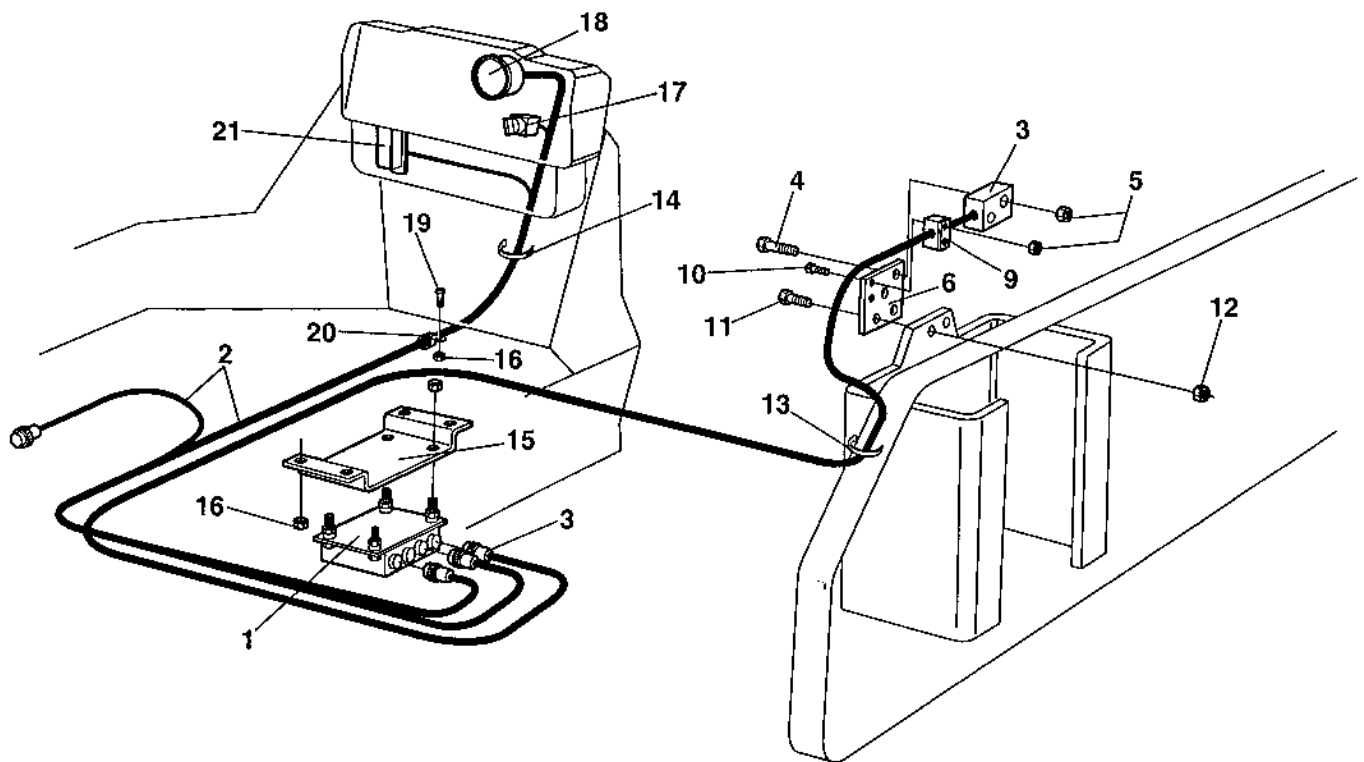
Rotating beacon

Option

Item	Part No	Rem	Qty	Description	Code
1	4700999011	1	1	Rotating beacon	B
2	4700358452		1	Lamp holder	D
3	4700500021		2	Screw M8-1,25x25 8.8	C
4	4700586003		2	Lock nut M8	C
5	4700904229		2	Steel plain washer 8,4x16x1,5	C
6	4700500013		1	Screw M6-1x16 8,8	C
7	4700904228		1	Washer 6,4x12x1,5	C
8	4700371364		1	Lamp holder	D
9	4700921039		1	Pipe clamp	
10	4700541702		1	Screw M6x12	C
11	4700374398		1	Cable harness	D
12	4700389577	2	1	Rotating beacon 12V	B

- 1) Replaced by item 12, P/N 4700389577
- 2) Replaces item 1, P/N 4700999011.

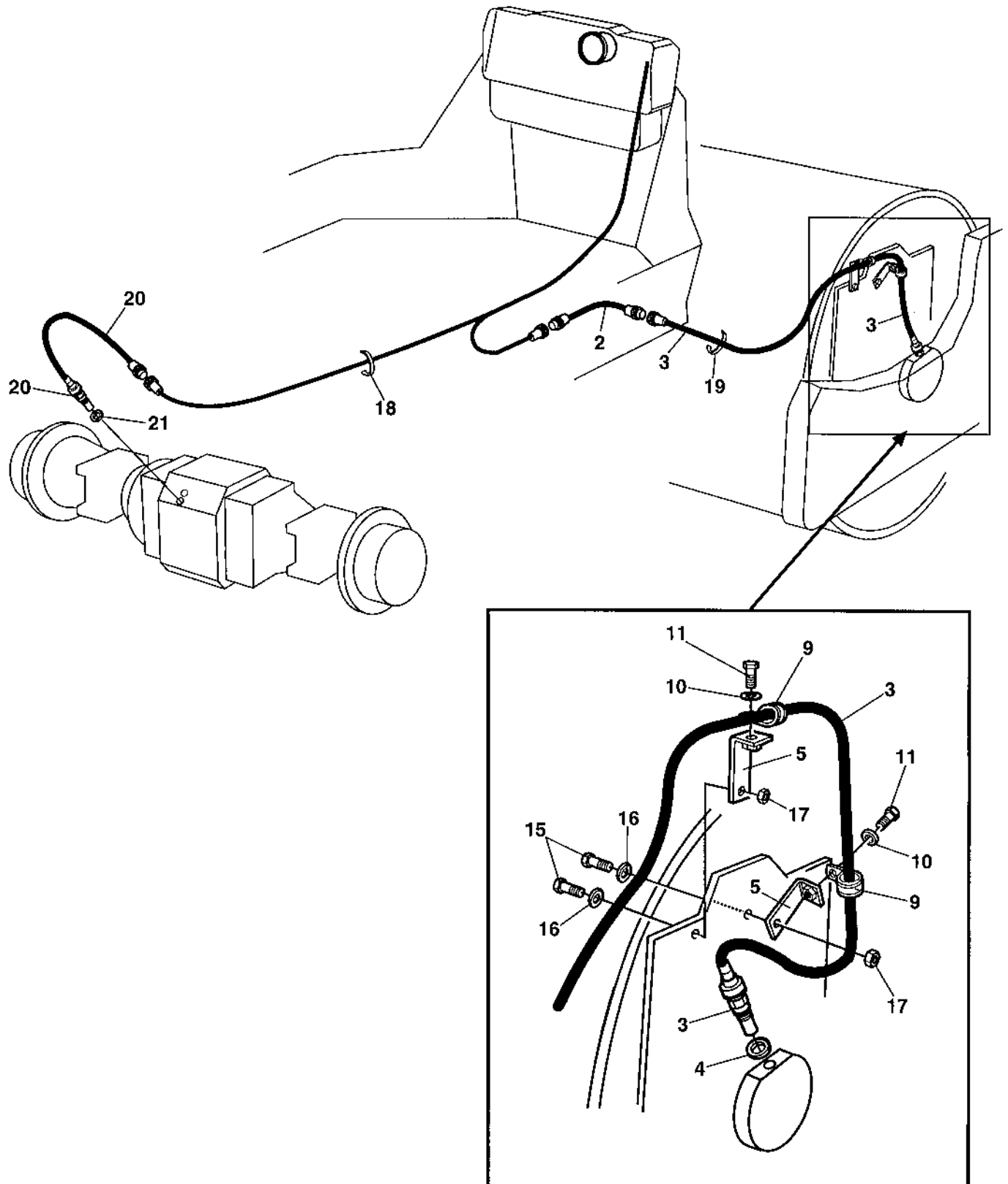
Compaction meter Option



Compaction meter Option

Item	Part No	Rem Qty	Description	Code
1	4700388210	1	Processor comp.meter	D
2	4700388211	1	Cable harness	D
3	4700348213	1	Sensor, cpl	C
4	4700500079	2	Screw M6-1x50 8,8	C
5	4700902285	4	Hexagon lock nut with flange	C
6	4700373140	1	Bracket	D
9	4700902496	1	Clamp	D
10	4700500079	2	Screw M6-1x50 8,8	C
11	4700500194	2	Screw	C
12	4700902288	2	Nut M12	D
13	4700313102	15	Cable ties	
14	4700313041	15	Cable ties	B
15	4700372836	1	Bracket	D
16	4700902286	5	Hexagon lock nut with flange	C
17	4700930151	1	Switch	B
18	4700383452	1	Compaction meter	D
	4700904890	2	. Lamp holder	D
	4700904889	2	. Bulb	D
19	4700500047	1	Hexagon head screw	C
20	4700921072	1	Clamp	
21	4700901224	1	Fuse 3A	A

Speedometer and frequency meter Option

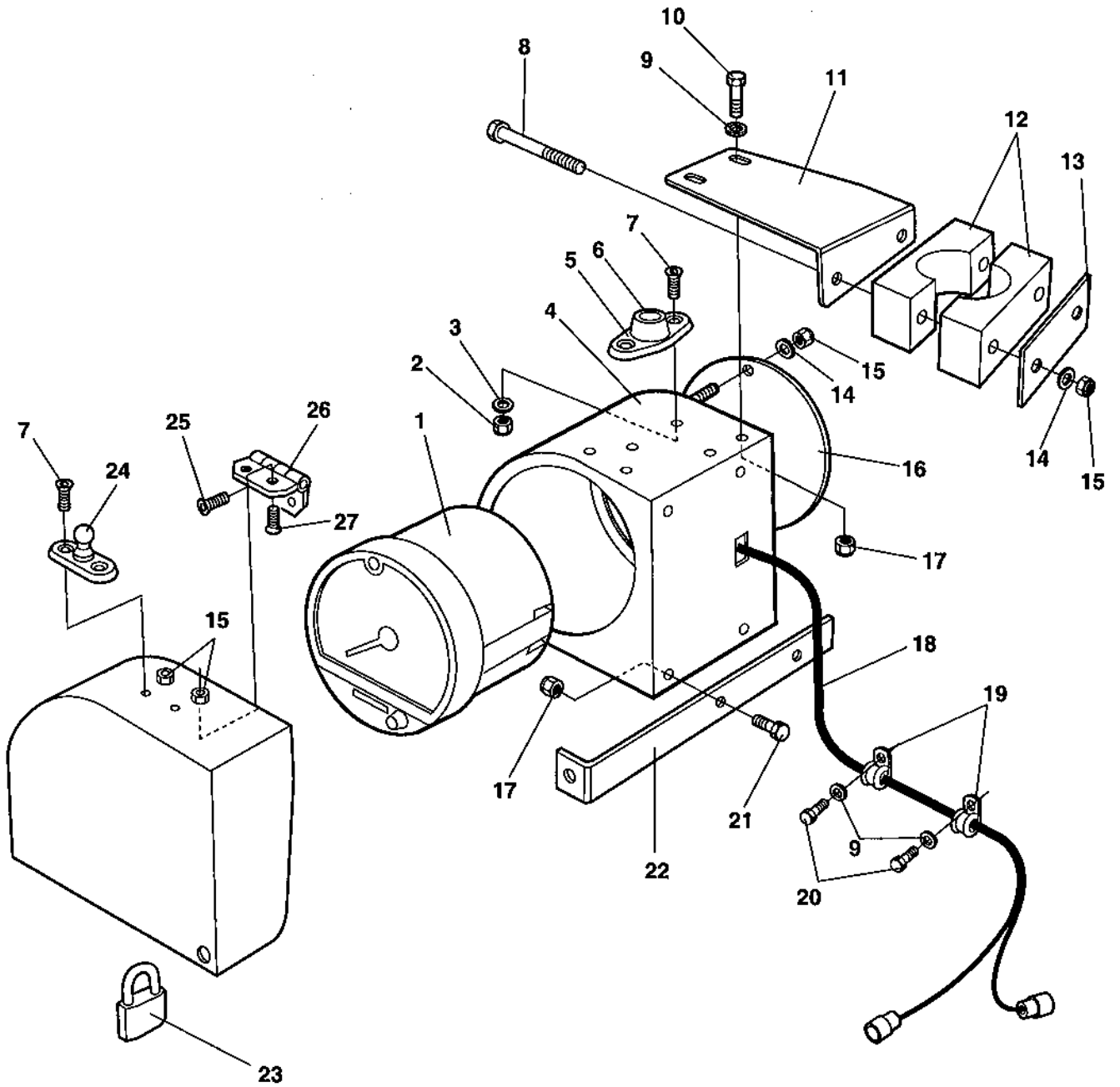


Speedometer and frequency meter Option

Item	Part No	Rem	Qty	Description	Code
2	4700376937		1	Cable harness	D
3	4700376935	A	1	Sensor	B
4	4700801669		1	. Thru-seal nut	D
5	4700376938		2	Holder	D
9	4700921078		2	Clamp	
10	4700904228		2	Washer 6,4x12x1,5	C
11	4700500013		2	Screw M6-1x16 8,8	C
15	4700791976		2	Screw M16x70H 8,8	D
	4812113030		2	Screw M16x70H 8.8 A3K	
16	4700904232		2	Washer	C
17	4700586021		2	Nut M16	
	4700570008		2	Nut M16 -8	C
18	4700313041		N	Cable ties	B
19	4700313102		N	Cable ties	
20	4700384069	B	1	Sensor	B
21	4700903769		1	. Sealing	B

- A) Tach/Frequency meter
- B) Speedometer

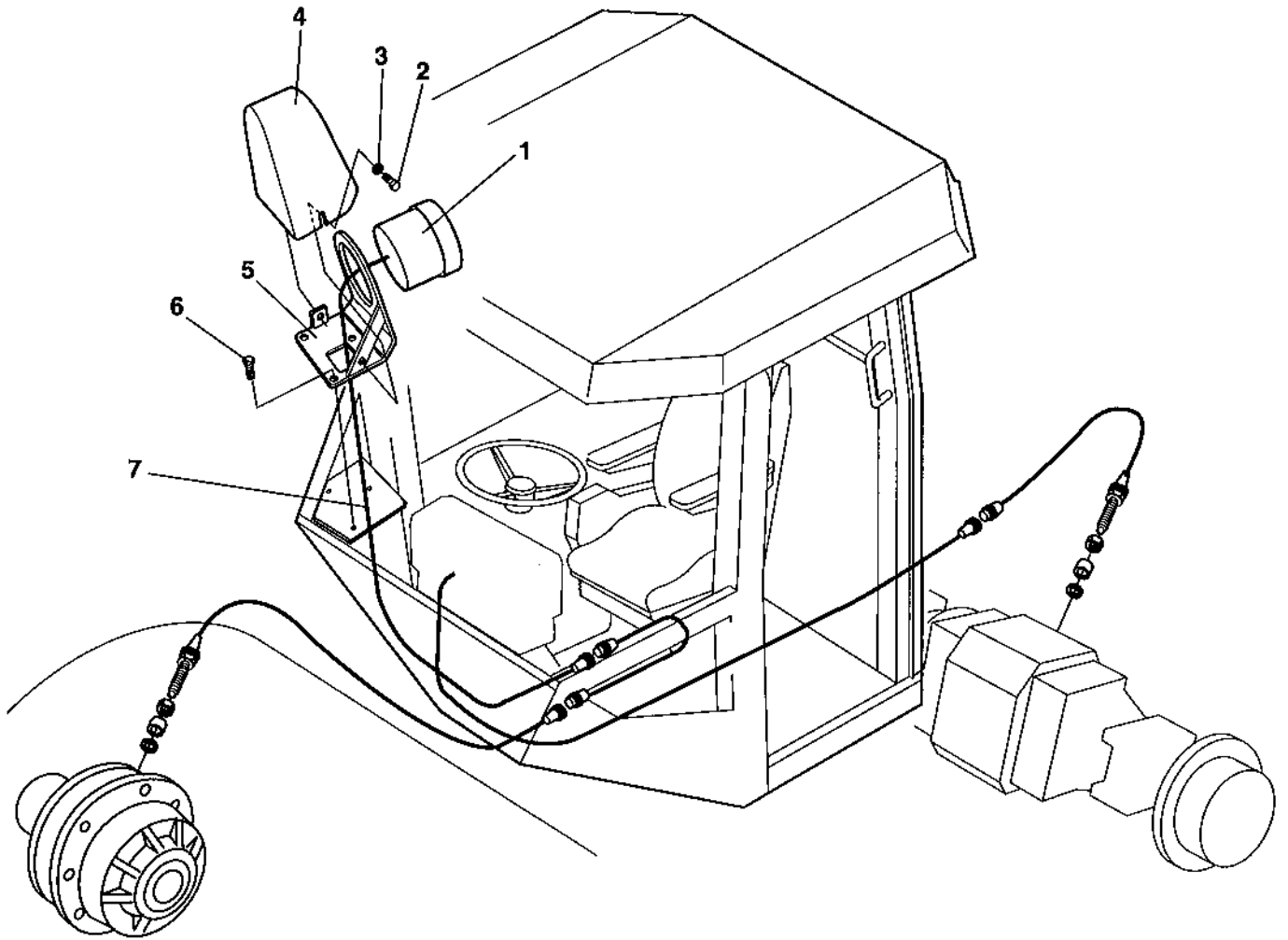
Tachograph, platform Option



Tachograph, platform Option

Item	Part No	Rem Qty	Description	Code
1	4700901209	1	Tachograph	B
2	4700923976	4	Nut	C
3	4700904698	4	Washer 4,3x8x0,8	C
4	4700355132	1	Tachograph box	D
5	4700904907	1	Door bumper	D
6	4700904908	1	Rubber part	D
7	4700535004	4	Screw M4x16	D
8	4700500292	2	Screw M6x75	D
9	4700904281	12	Washer 5,3x10x1 300HV	C
10	4700500006	2	Screw M5x16	C
11	4700382549	1	Bracket	D
12	4700904340	1	Pipe clamp	
13	4700924791	1	Cover plate	
14	4700904228	8	Washer 6,4x12x1,5	C
15	4700586002	6	Lock nut M6 -8	C
16	4700355135	1	Tachograph cover	D
17	4700586001	6	Lock nut	C
18	4700372497	1	Cable harness	D
19	4700921031	3	Clamp	C
20	4700500006	3	Screw M5x16	C
21	4700500060	1	Screw M5-0,8x20 8.8	C
22	4700385551	1	Holder plate	D
23	4700358881	1	Pad lock	D
24	4700904909	1	Door bumper	D
25	4700535014	2	Screw	D
26	4700903907	1	Hinge	C
27	4700535013	2	Screw	D

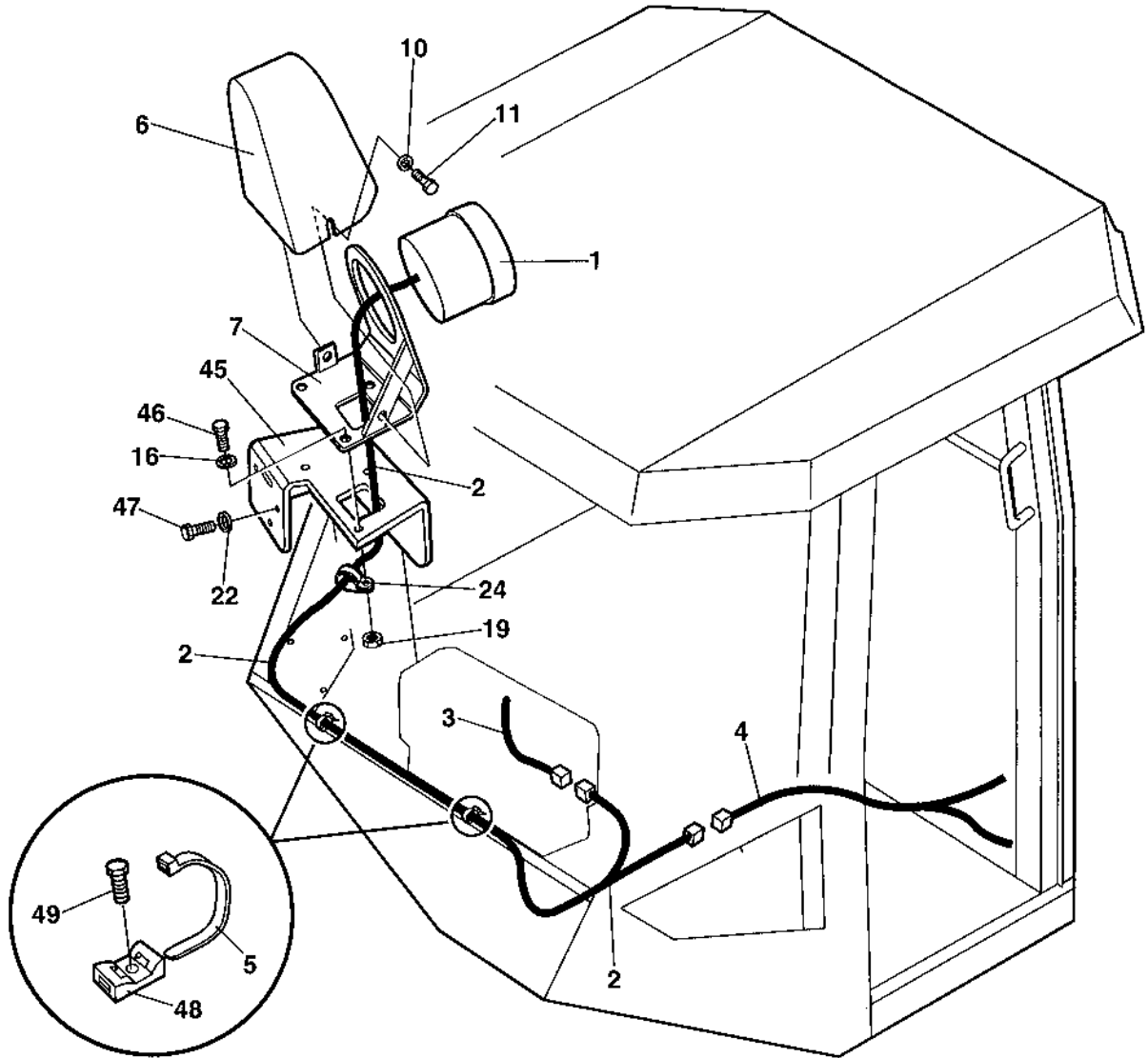
Tachograph , cab Option



Tachograph , cab Option

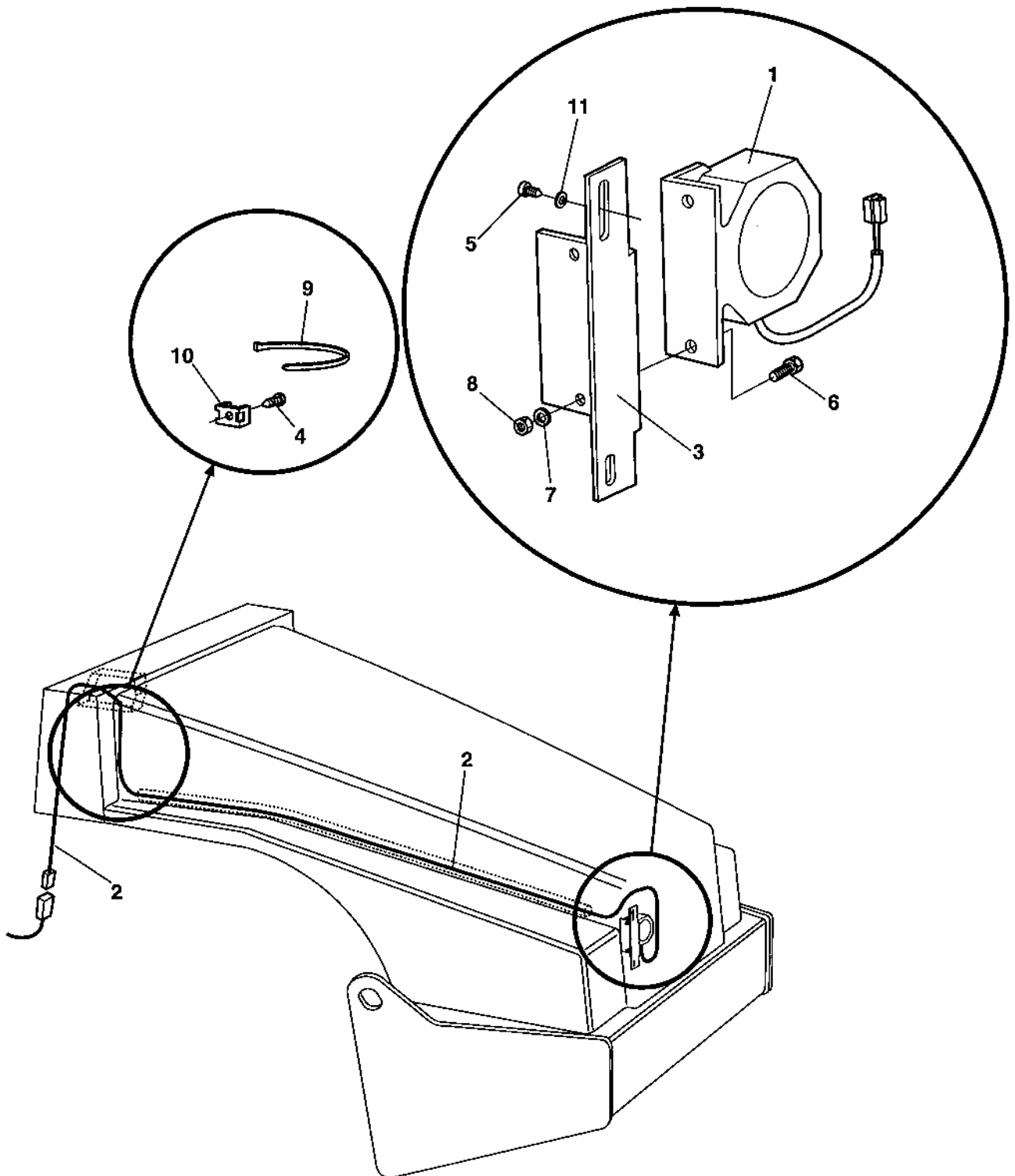
Item	Part No	Rem Qty	Description	Code
1	4700901209	1	Tachograph	B
2	4700500004	2	Screw M5 0,8x12 8,8	C
3	4700904281	2	Washer 5,3x10x1 300HV	C
4	4700385527	1	Cover	D
5	4700385526	1	Holder plate	D
6	4700541704	3	Screw	D
7	4700385542	1	Cable harness	D

Tachograph, simple cab Option



Tachograph, simple cab Option

Item	Part No	Rem Qty	Description	Code
1	4700901209	1	Tachograph	B
2	4700372497	1	Cable harness	D
	4700908496	1	. Grommet	D
	4700903717	1	. Resistor 470 ohm, 0.5w	
3	4700372496	1	Cable harness	D
4	4700372495	1	Cable harness	D
	4700904015	1	. Fuse holder	D
	4700904140	1	. Fuse 0.5A	A
5	4700313041	N	Cable ties	B
6	4700385527	1	Cover	D
7	4700385526	1	Holder plate	D
10	4700904281	2	Washer 5,3x10x1 300HV	C
11	4700500004	2	Screw M5 0,8x12 8,8	C
16	4700904228	3	Washer 6,4x12x1,5	C
19	4700586002	1	Lock nut M6 -8	C
22	4700904229	3	Steel plain washer 8,4x16x1,5	C
24	4700921031	1	Clamp	C
45	4700378110	1	Bracket	D
46	4700500075	3	Screw M6-1,0x25 8.8	C
47	4700500053	3	Screw M8x20H 8.8	C
48	4700904543	2	Cable tie holder	
49	4700903852	2	Screw ST4,2x13	C

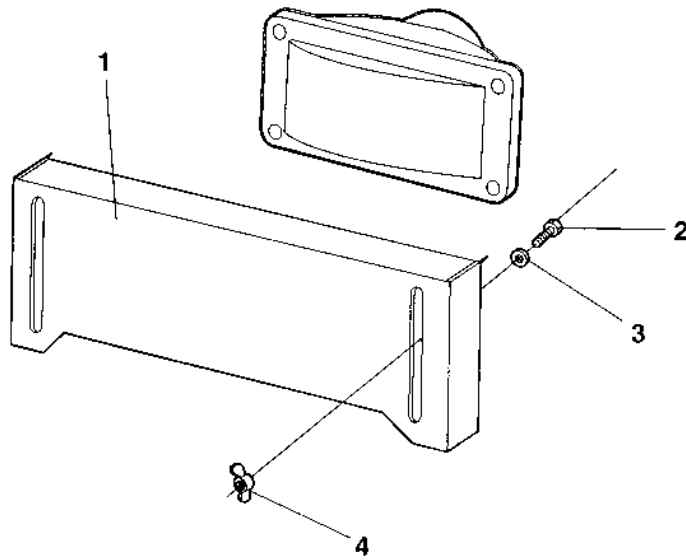


Back-up alarm Option

Item	Part No	Rem	Qty	Description	Code
1	4700904910		1	Back-up alarm	B
2	4700373286	A	1	Cable harness	D
3	4700376896		1	Bracket	D
4	4700903852		3	Screw ST4,2x13	C
5	4812110748		2	Screw KX-PT K50X18 A2K	
6	4700500013		2	Screw M6-1x16 8,8	C
7	4700904228		2	Washer 6,4x12x1,5	C
8	4700586002		2	Lock nut M6 -8	C
9	4700925802	N		Cable ties L=142 mm	C
10	4700904543		3	Cable tie holder	
11		B		Existing washer	

- A) Not valid for machines equipped with working/driving lights.
B) Use existing washers on grid.

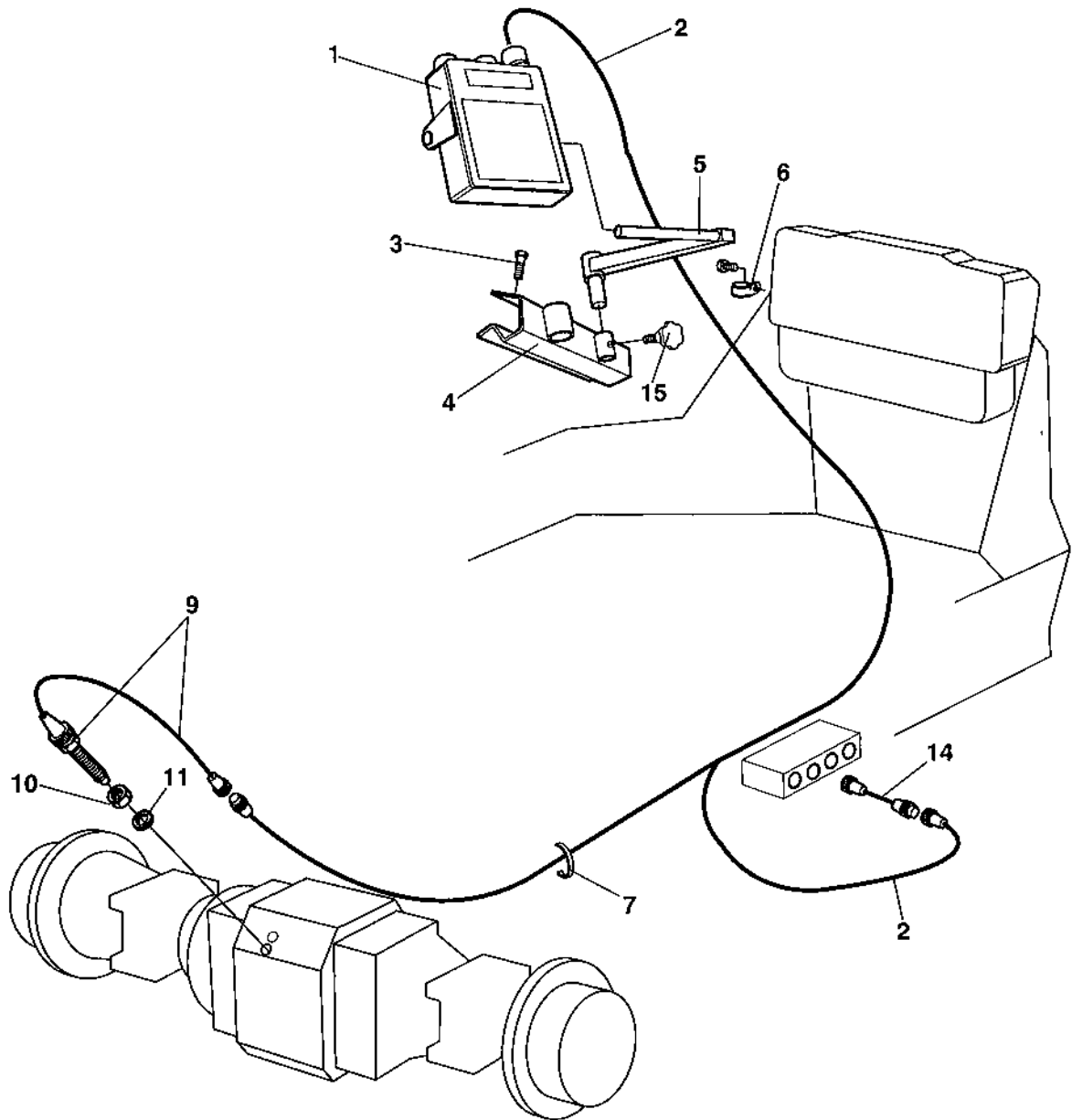
Protecting cover, Headlight Option



Protecting cover, Headlight Option

Item	Part No	Rem Qty	Description	Code
1	4700376068	1	Protecting plate	D
2	4700500013	2	Screw M6-1x16 8,8	C
3	4700904228	2	Washer 6,4x12x1,5	C
4	4700582006	2	Wing nut	D

Field computer assembly Option

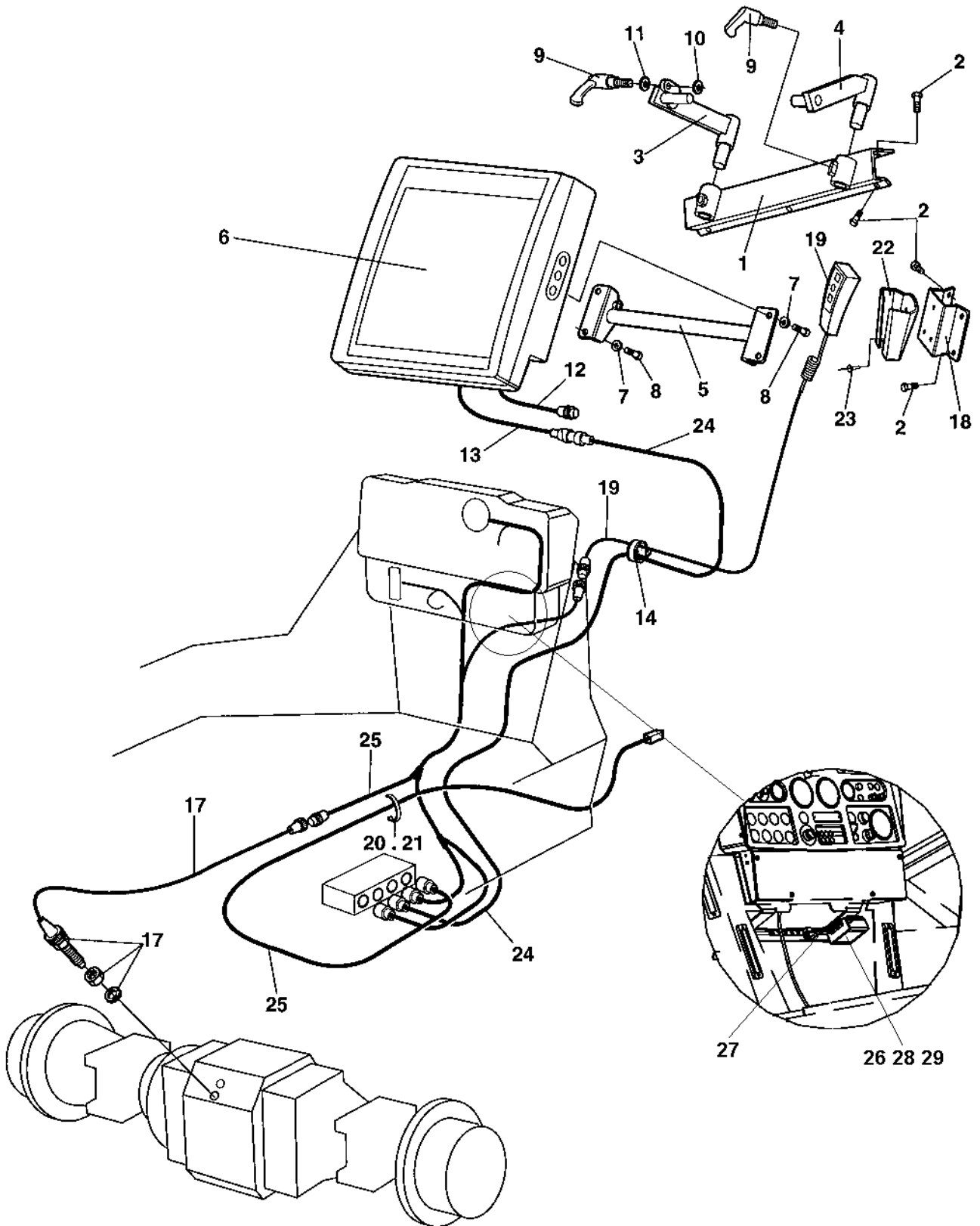


Field computer assembly Option

Item	Part No	Rem	Qty	Description	Code
1	4700373860		1	Field computer	D
2	4700384070		1	Cable harness	D
3	4700541703		5	Screw M6x16	D
4	4700373979		1	Bracket	D
5	4700373980		1	Lever	D
6	4700921065		2	Clamp	C
7	4700313041		N	Cable ties	B
9		A	1	Sensor	
10			1	. Nut	
11			1	. Sealing	
14	4700389786		1	Cable harness	D
15	4700499162		1	Hand knob	D

A) See section "Speedometer and Frequency meter".

Compaction Analyzer Option

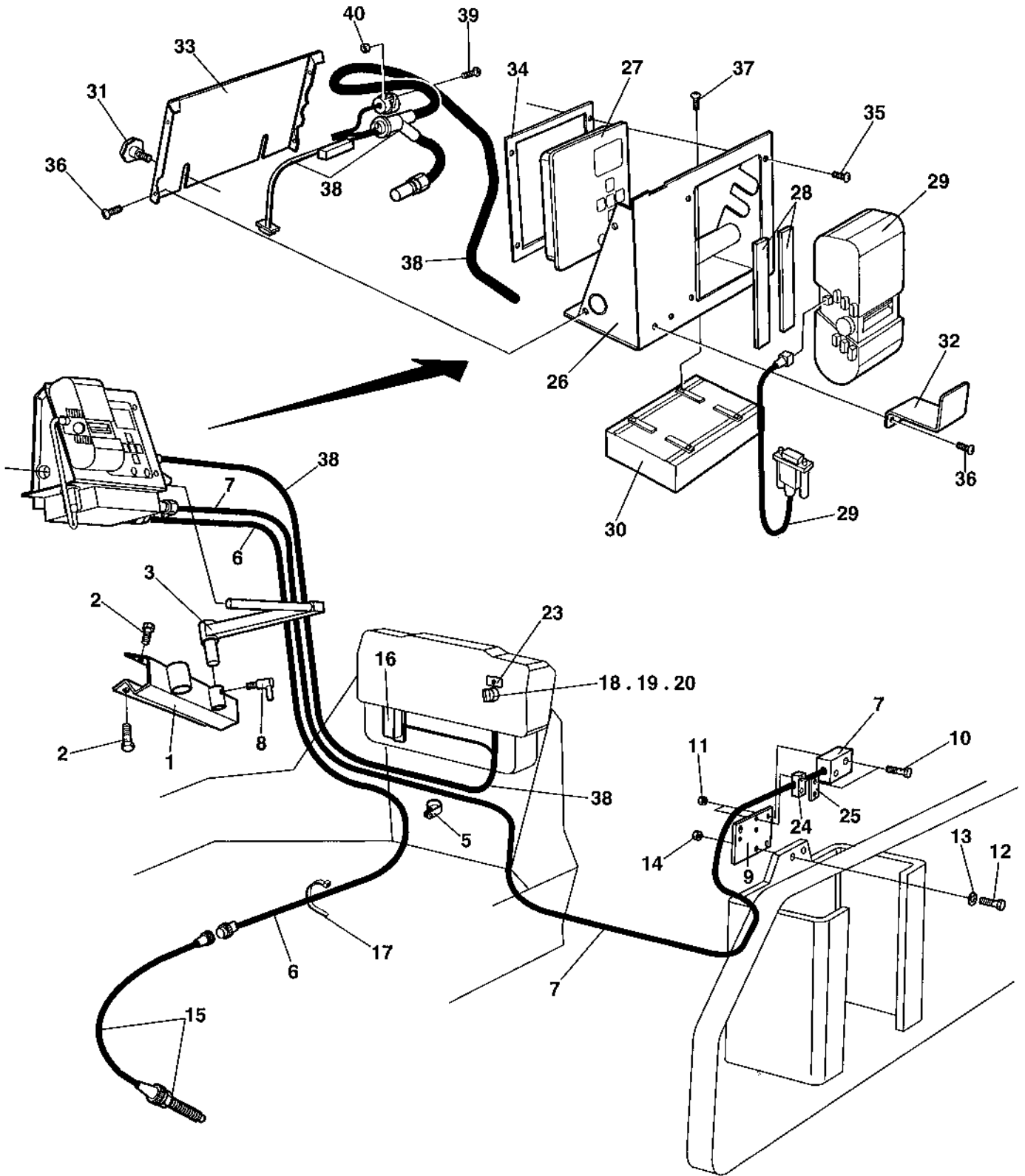


Compaction Analyzer Option

Item	Part No	Rem Qty	Description	Code
1	4700387968	1	Holder	D
2	4700938686	10	Screw	
3	4700387969	1	Lever	D
4	4700388189	1	Lever	D
5	4700387571	1	Computer holder	D
6	4700388209	1	Computer	D
7	4700904228	4	Washer 6,4x12x1,5	C
8	4700500013	4	Screw M6-1x16 8,8	C
9	4700791452	3	Lock handle	D
10	4700904640	1	Washer 8,4x22x3	C
11	4700904229	1	Steel plain washer 8,4x16x1,5	C
12	4700390962	A	Cable harness	D
13	4700388213	1	Cable harness	D
14	4700921046	5	Clamp	
17		B	Sensor	
18	4700389591	1	Bracket	D
19	4700388212	1	Control box	D
20	4700313041	N	Cable ties	B
21	4700313102	N	Cable ties	
22	4700387941	1	Control box holder	D
23	4700624021	3	Pop rivet	D
24	4700389570	1	Cable harness	D
25		C	Cable harness	
26	4811000244	1	Power converter	
27	4812112481	1	Cable harness	
28	4700904653	3	Screw M5x16 A2-70	C
29	4700586001	3	Lock nut	C

- A) Connected to 12V contact on Cab.
- B) See section " Speedometer and Frequency meter".
- C) See section "Compaction meter".

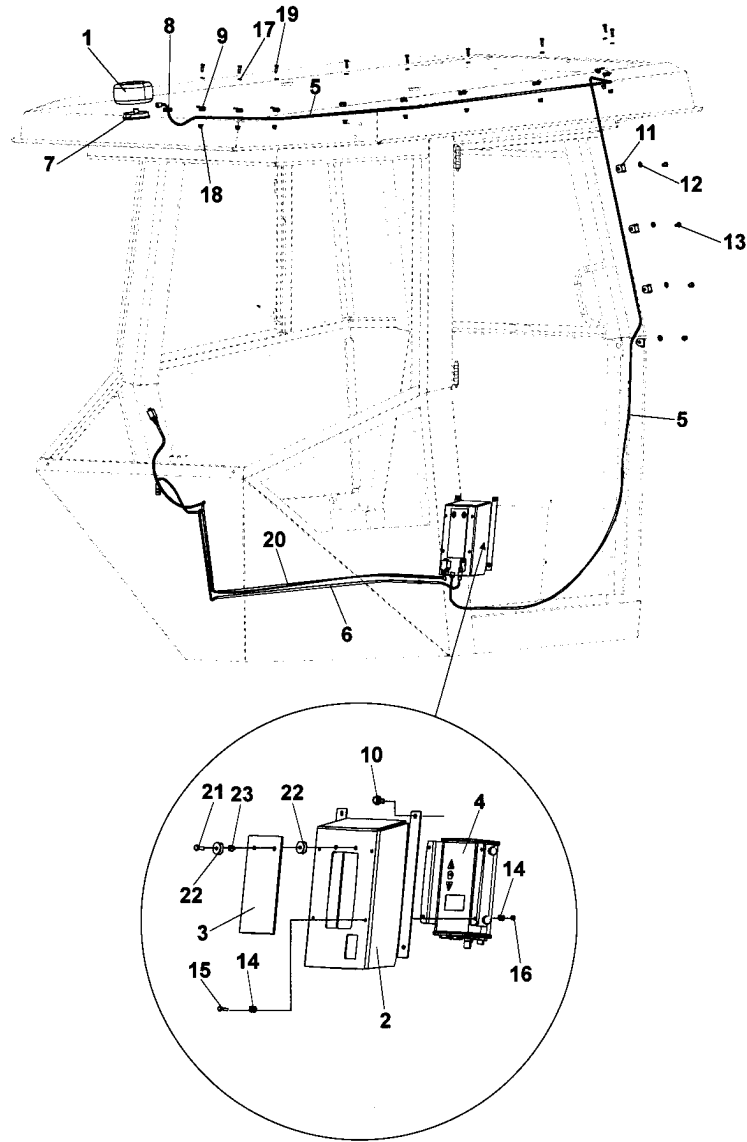
Geodynamic Compaction indicator Option



Geodynamic Compaction indicator Option

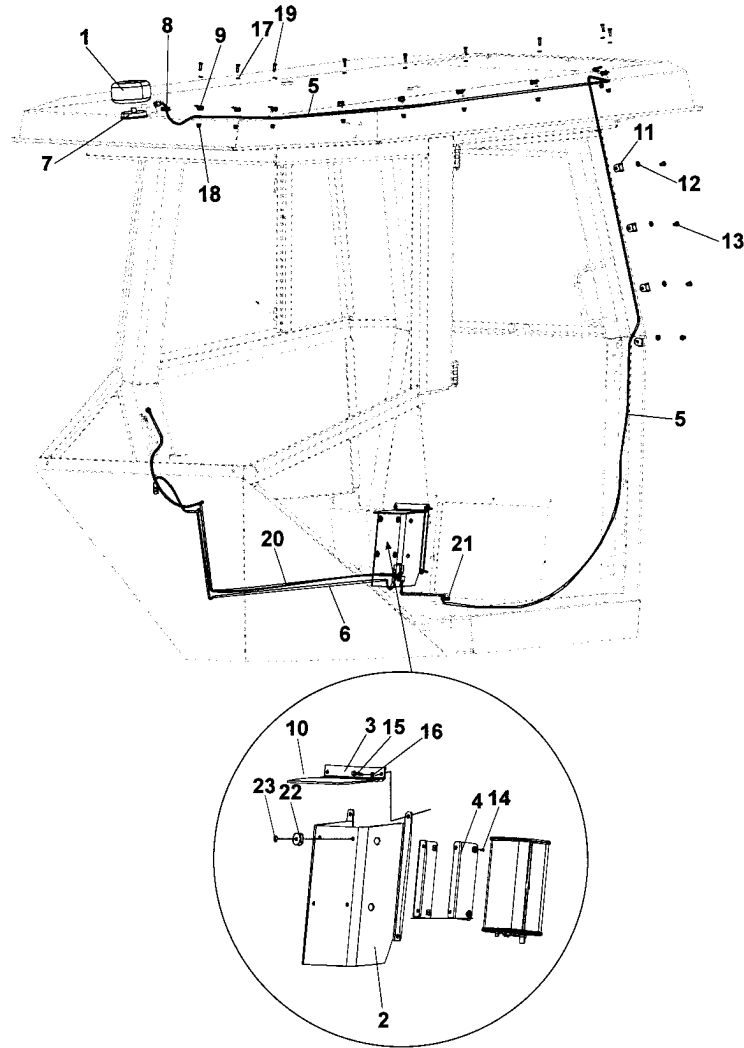
Item	Part No	Rem Qty	Description	Code
1	4700373979	1	Bracket	D
2	4700541703	5	Screw M6x16	D
3	4700373980	1	Lever	D
5	4700921046	3	Clamp	
6	4700386645	1	Cable harness	D
7	4700386646	1	Cable harness with sensor	D
8	4700791452	1	Lock handle	D
9	4700373140	1	Bracket	D
10	4700500016	4	Screw M6x55 8.8 A2K	C
11	4700902285	4	Hexagon lock nut with flange	C
12	4700500194	2	Screw	C
13	4700904231	2	Washer 13x24x2 300 HV	C
14	4700902288	2	Nut M12	D
15		A 1	Sensor	
16	4700901224	1	Fuse 3A	A
17	4700313041	N	Cable ties	B
18	4700932056	1	Switch	B
19	4700930165	1	Contact block	B
20	4700985012	1	Bulb	B
23	4700387283	1	Decal	D
24	4700791453	1	Pipe clamp block	
25	4700791454	1	Cover plate	
26	4700386298	1	Holder	D
27	4700387280	1	Display unit	D
28	4700926911	B 2XL	Rubber strip	D
29	4700387282	1	Printer	D
		1	. Printer cable	
30	4700387281	1	Processor	D
31	4700499162	1	Hand knob	D
32	4700386300	1	Holder	D
33	4700386301	1	Cover plate	D
34	4700386299	1	Display holder	D
35	4700791171	4	Screw	D
36	4700904206	6	Screw	C
37	4700904289	4	Screw	C
38	4700386647	C 1	Cable harness	D
39	4700900528	2	Screw	D
40	4700928927	2	Lock nut	D

- A) See section "Speedometer and Frequencymeter".
- B) L=0,240MM
- C) C1-cable



GPS Option

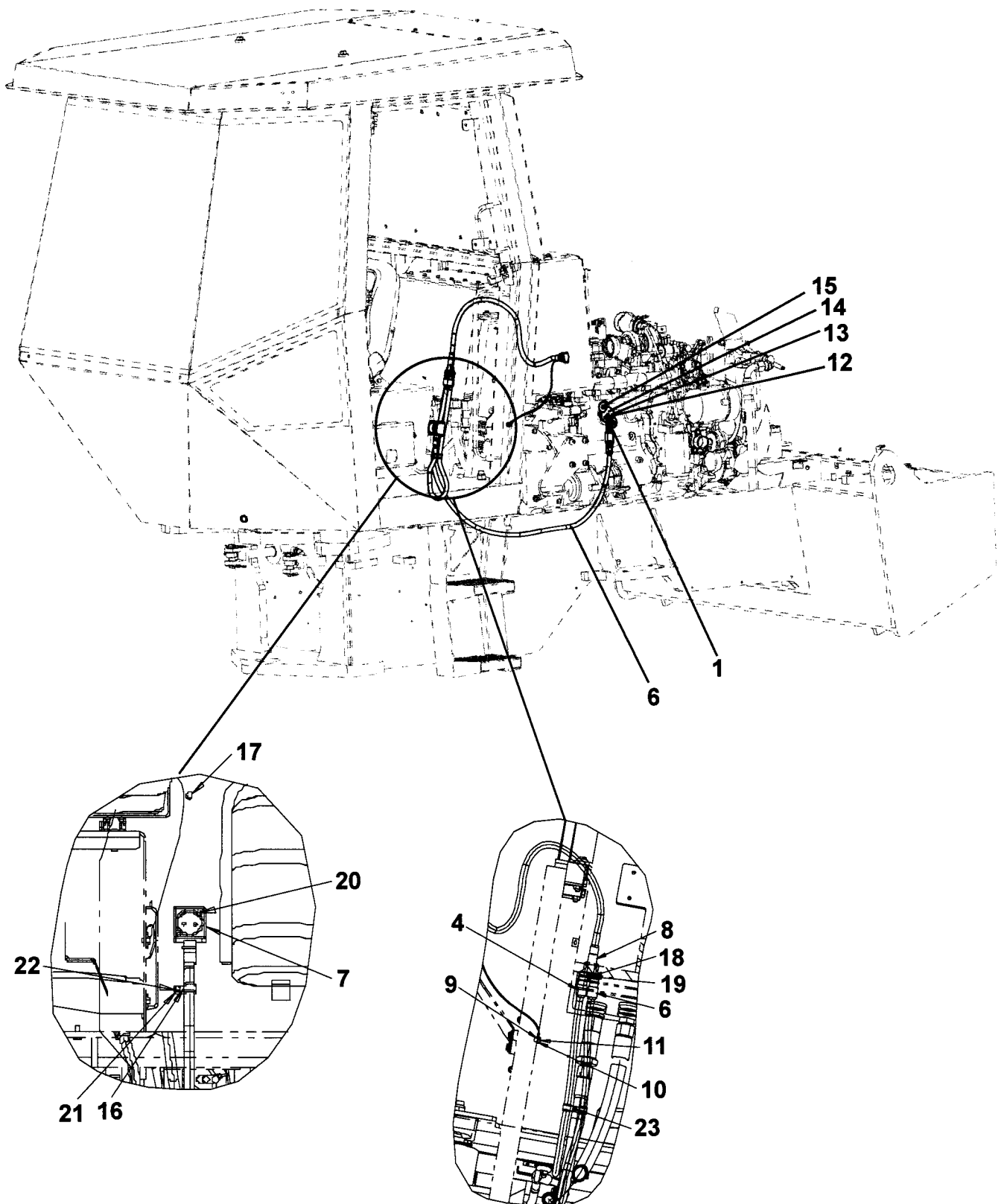
Item	Part No	Rem Qty	Description	Code
1	4812113058	1	Antenna	
2	4812113556	1	Bracket	
3	4812113564	1	Rubber cloth	
4	4812113157	1	Receiver	
5	4812113158	1	Antenna lead	
6	4812113159	1	Cable Communication	
7	4812113160	1	Bracket	
8	4700791475	1	Grommet	D
9	4700791388	9	Clamp	D
10	4700541705	5	Screw	D
11	4700904780	4	Hose clamp	D
12	4700904229	4	Steel plain washer 8,4x16x1,5	C
13	4700500042	4	Screw	
14	4700904698	8	Washer 4,3x8x0,8	C
15	4700500086	4	Screw	D
16	4700570002	4	Nut M4	C
17	4700904228	9	Washer 6,4x12x1,5	C
18	4700902285	9	Hexagon lock nut with flange	C
19	4700500040	1	Screw M6-1x20 8,8	C
20	4812113171	1	Cable Power	
21	4700500004	2	Screw M5 0,8x12 8,8	C
22	4700927974	4	Washer	C
23	4700586001	2	Lock nut	C



GPS Option

Item	Part No	Rem Qty	Description	Code
1	4812113058	1	Antenna	
2	4812114185	1	Bracket	
3	4812114190	1	Rubber cloth	
4	4812114146	1	Receiver	
5	4812113158	1	Antenna lead	
6	4812113159	1	Cable Communication	
7	4812113160	1	Bracket	
8	4700791475	1	Grommet	D
9	4700791388	9	Clamp	D
10	4811000395	1	Bracket	D
11	4700904780	4	Hose clamp	D
12	4700904229	4	Steel plain washer 8,4x16x1,5	C
13	4700500042	4	Screw	
14	4700533008	4	Screw M8x10H 4,8 A2K	D
15	4811000457	4	Thread rolling screw	D
16	4700601001	2	Washer	C
17	4700904228	9	Washer 6,4x12x1,5	C
18	4700902285	9	Hexagon lock nut with flange	C
19	4700500040	1	Screw M6-1x20 8,8	C
20	4812114184	1	Cable Power	
21	4700909130	1	Grommet	C
22	4700927974	4	Washer	C
23	4700923253	4	Rivet	C

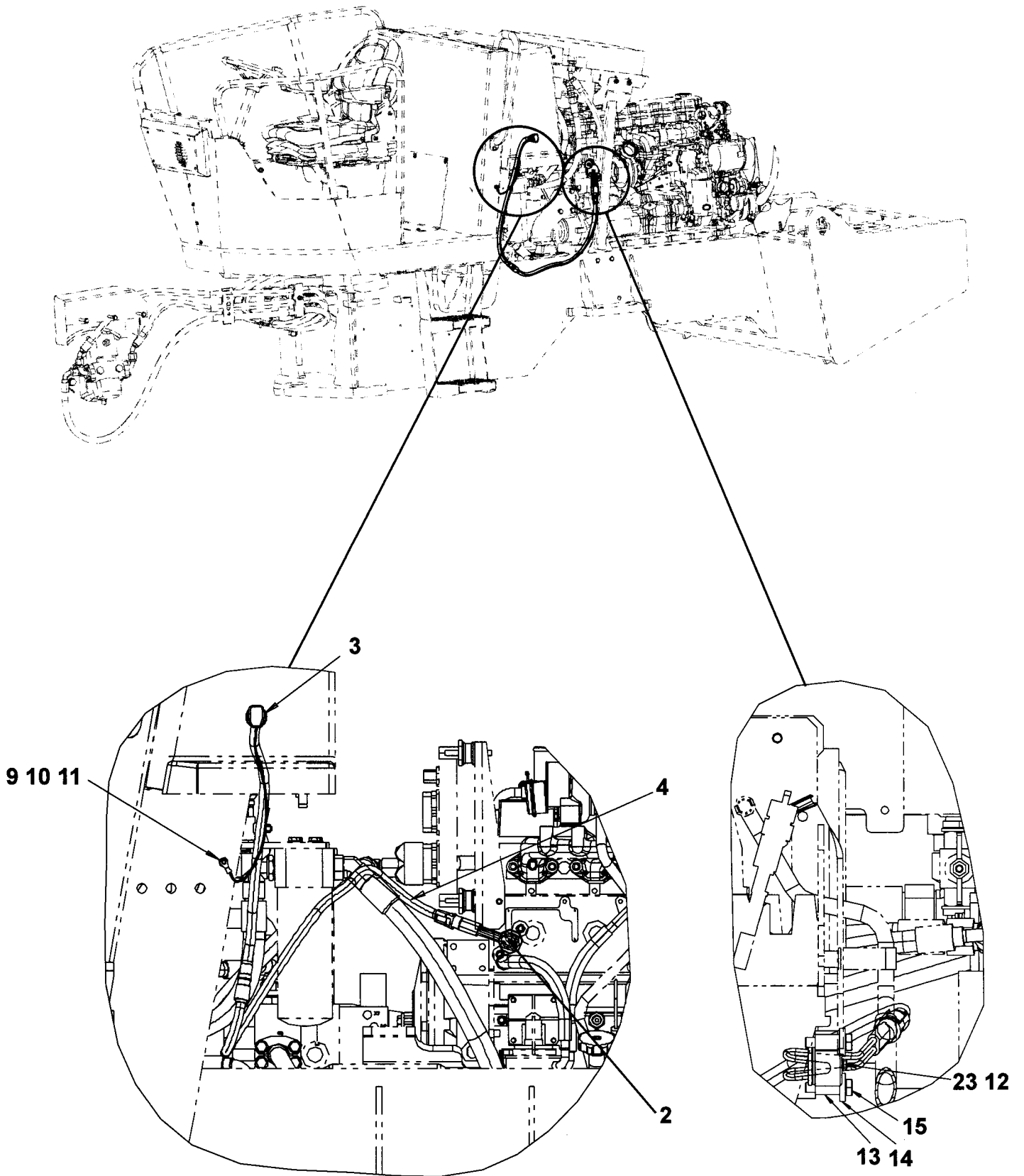
Engine pre-heater, Cab Option



Engine pre-heater, Cab Option

Item	Part No	Rem Qty	Description	Code
1	4700396041	1	Heater	
3	4700396045	1	Cable	
4	4700396046	1	Cable	
5	4700396048	1	Cable	
6	4700396047	1	Cable	
7	4700396044	1	Connector	
8	4700396043	1	Branching	
9	4700960051	1	Connector	
10	4700904229	1	Steel plain washer 8,4x16x1,5	C
11	4700500042	1	Screw	
12	4700500006	1	Screw M5x16	C
13	4700791304	2	Washer	C
14	4700901688	2	Washer	
15	4700500053	2	Screw M8x20H 8.8	C
16	4700921046	3	Clamp	
17	4700928346	1	Screw M6x40H 8.8	C
18	4700904228	1	Washer 6,4x12x1,5	C
19	4700586002	1	Lock nut M6 -8	C
20	4700533016	2	Screw	D
21	4700904281	2	Washer 5,3x10x1 300HV	C
22	4700500060	1	Screw M5-0,8x20 8.8	C
23	4700586001	1	Lock nut	C

Engine pre-heater, Platform Option

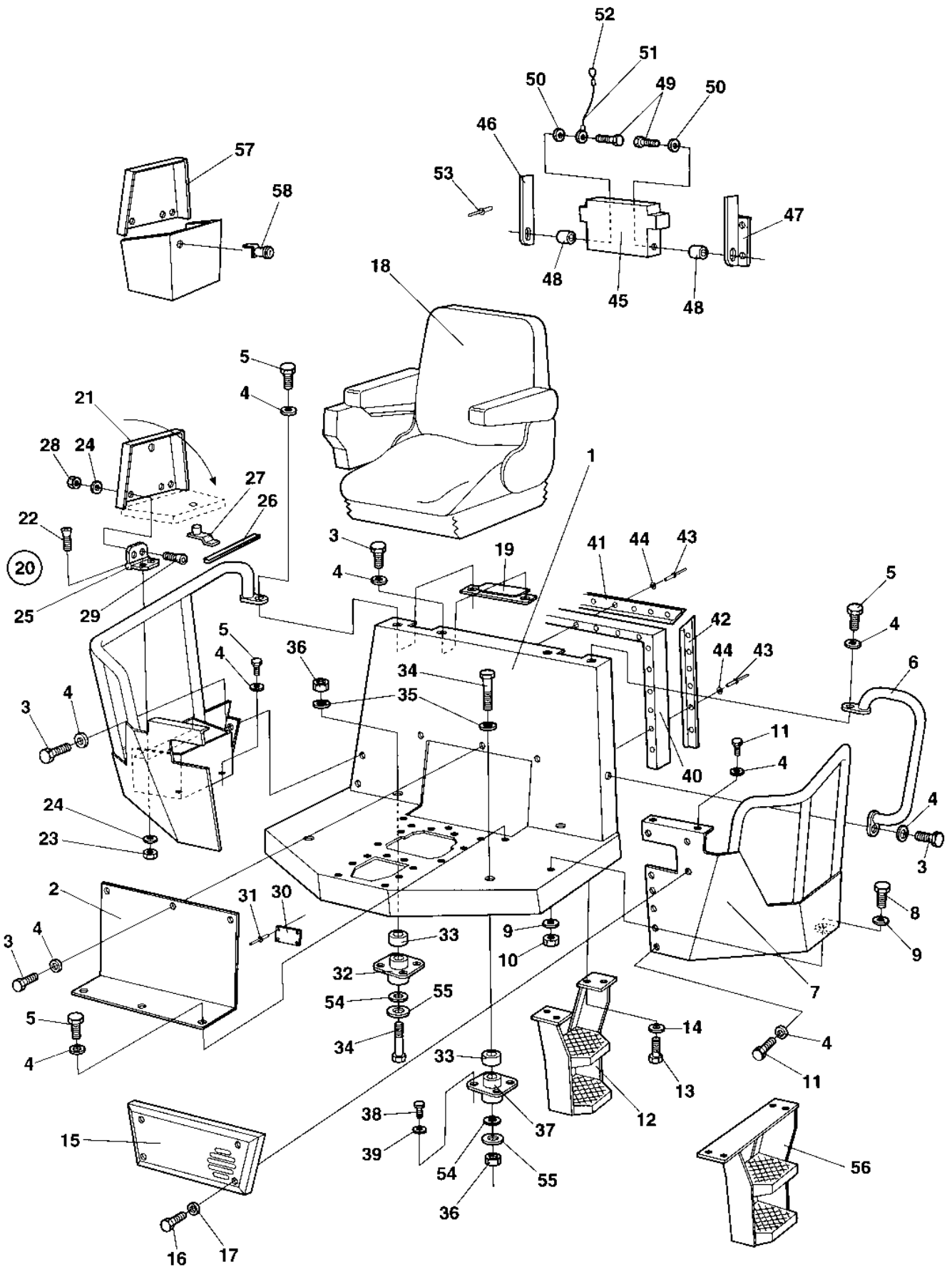


Engine pre-heater, Platform Option

Item	Part No	Rem Qty	Description	Code
2	4700396041	1	Heater	
3	4700396045	1	Cable	
4	4700396046	1	Cable	
5	4700396048	1	Cable	
9	4700960051	1	Connector	
10	4700904229	1	Steel plain washer 8,4x16x1,5	C
11	4700500042	1	Screw	
12	4700500006	1	Screw M5x16	C
13	4700791304	2	Washer	C
14	4700901688	2	Washer	
15	4700500053	2	Screw M8x20H 8.8	C
23	4700586001	1	Lock nut	C

Drivers platform

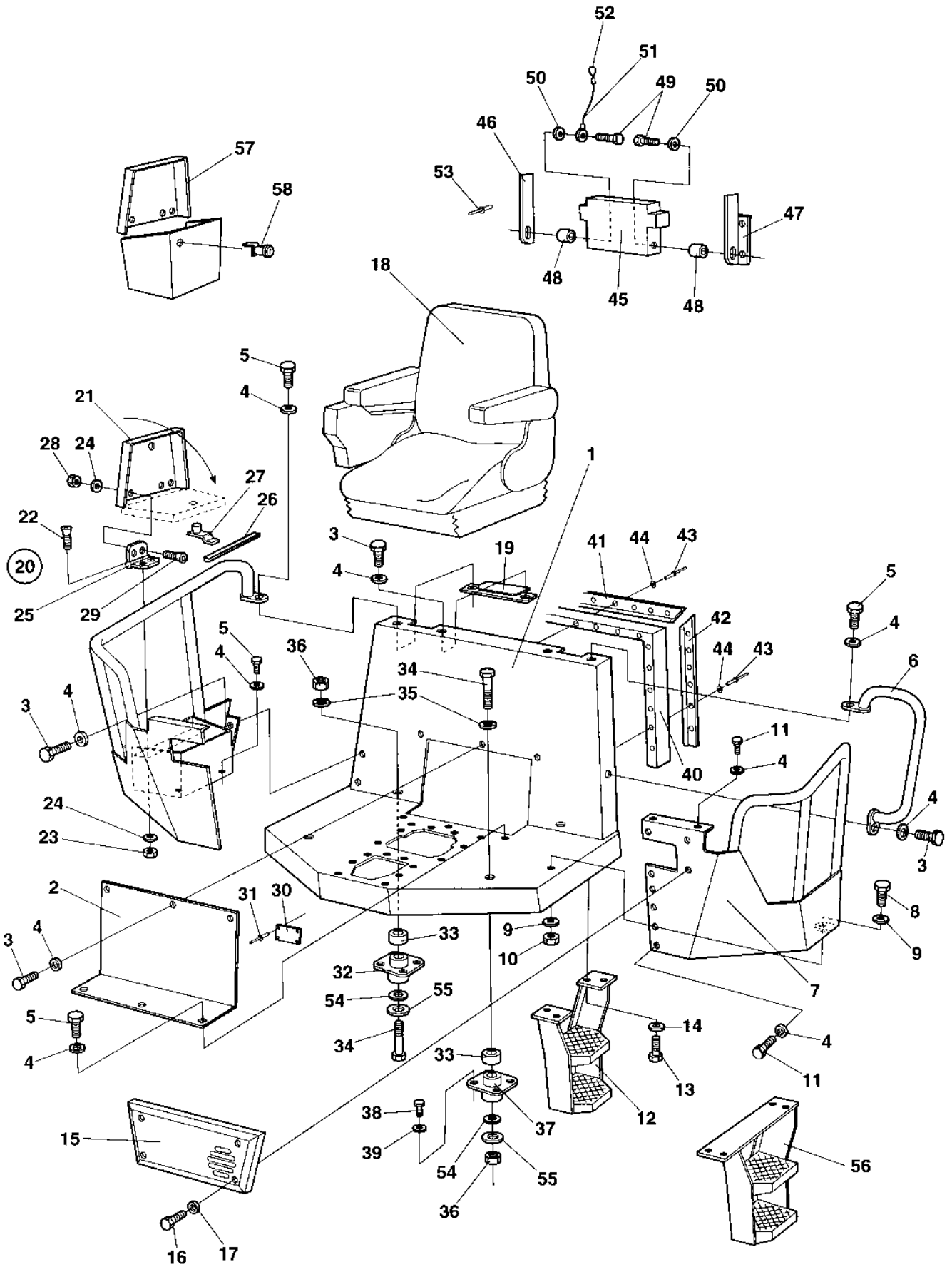
Item	Part No	Rem Qty	Description	Code
10			Drivers platform (Page 204)	
16			Drivers platform, for cab (Page 208)	
18			Drivers seat Standard platform (Page 210)	
21			Drivers seat Turn-over platform (Page 212)	
25			Drivers seat Turn-over in cab (Page 214)	
27	4700359918		Steering column (Page 216)	D
28			Steering column (Page 218)	D
29			Steering system (Page 220)	
30			Turning Controls (Page 222)	
40			Turning Carrier (Page 224)	
50			Forward and reverse control (Page 226)	
90			Rops and fops (Page 228)	
100			Cab 4700383030 (Page 230)	
110			Cab Work lights (Page 256)	
120			Cab Exterior, rear mirror (Page 258)	
130			Radio and cassette/cd player Option (Page 260)	
140			Cab, 12V contact (Page 262)	
150			Cab mounting (Page 264)	
160			Cab 4700378308 (Page 266)	
170			Bracket, Steering valve vibration isolated Option (Page 280)	



Drivers platform

Item	Part No	Rem Qty	Description	Code
1	4700371100	1	Platform	
2	4700372053	1	Cover	D
3	4700500053	10	Screw M8x20H 8.8	C
4	4700904229	22	Steel plain washer 8,4x16x1,5	C
5	4700500021	7	Screw M8-1,25x25 8.8	C
6	4700371202	A	Hand rail	D
7	4700371967	A	Operator protection	D
8	4700500031	5	Screw M10x040 8.8	C
9	4700904557	10	Steel plain washer	C
10	4700570006	5	Nut	B
11	4700500019	7	Hexagon head screw M8x16H 8,8	C
12		0	Not used on this model	
13	4700500029	4	Hexagon head screw	C
14	4700904230	4	Steel plain washer	C
15	4700382849	1	Protecting cover	D
16	4700904206	4	Screw	C
17	4700904941	H	Spacer screw	D
18		1	Drivers seat Standard platform (Page 210)	
		1	Drivers seat Turn-over platform (Page 212)	
		1	Forward and reverse control	
19	4700380727	2	Cover	D
20	4700371966	B	Operator protection	D
21		1	Not used on this model	
22	4700535015	4	. Screw	D
23	4700586002	4	. Lock nut M6 -8	C
24	4700904228	8	. Washer 6,4x12x1,5	C
25	4700903907	2	. Hinge	C
26		0	Not used on this model	
27		0	Not used on this model	
28		0	Not used on this model	
29	4700535013	4	. Screw	D
30	4700343801	1	Sign plate	D
31	4700903962	4	Blind rivet	
32	4700372757	E	Shock absorber	D
33	4700374471	4	Spacer	D
34	4700500226	4	Screw M20-2.5x180 8,8	D
35	4700904233	8	Washer 21x36x3	C
36	4700586022	4	Lock nut M20-8	C
37	4700370255	F	Shock absorber	A
38	4700500111	16	Screw M12x55 8,8	C
39	4700904231	16	Washer 13x24x2 300 HV	C
40	4700372494	G	Rubber strip	D
41	4700372785	1	List	D
42	4700372786	2	List	D
43	4700904433	13	Blind rivet	
44	4700927974	13	Washer	C
45		0	Not used on this model	
46		0	Not used on this model	
47		0	Not used on this model	
48		0	Not used on this model	
49		0	Not used on this model	

- A) Left
- B) Right
- E) Rear
- F) Front
- G) L = 2.400 m
- H) Mounted on the inside of item 15, Protection cover P/N 4700382849.

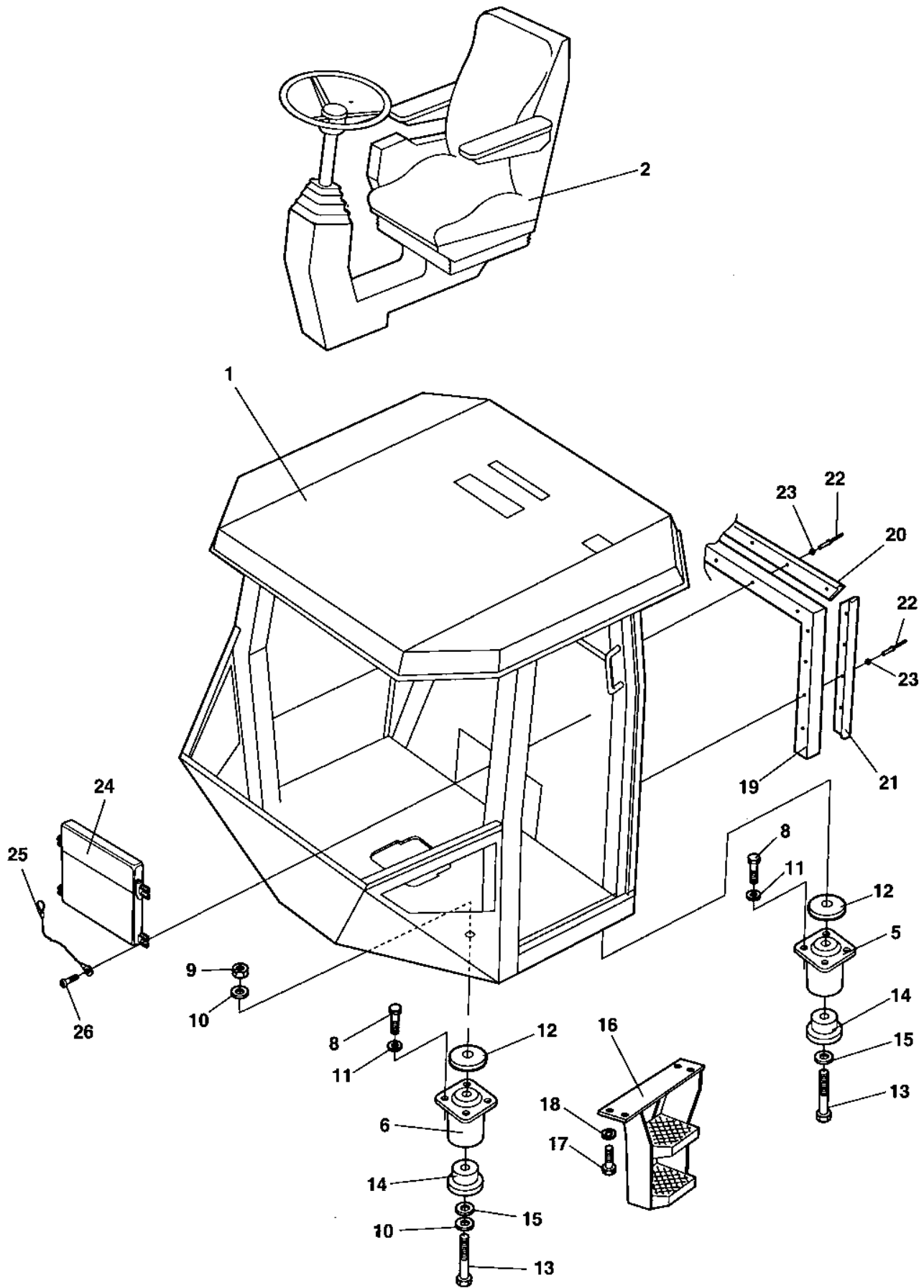


Drivers platform

Item	Part No	Rem Qty	Description	Code
50		0	Not used on this model	
51		0	Not used on this model	
	4700384584	I 1	Wire	
52		0	Not used on this model	
53		0	Not used on this model	
	4700904855	I 4	Blind rivet	D
54	4700903290	4	Washer 21x36x6	C
55	4700347512	4	Washer	D
56	4700376252	1	Step	D
57	4700376079	1	Cover	D
58	4700376118	1	Lock	D
59	4700902866	1	. Key Marked "455"	

I) Mounted in the Operators manual box on the right side of the driver seat.

Drivers platform, for cab

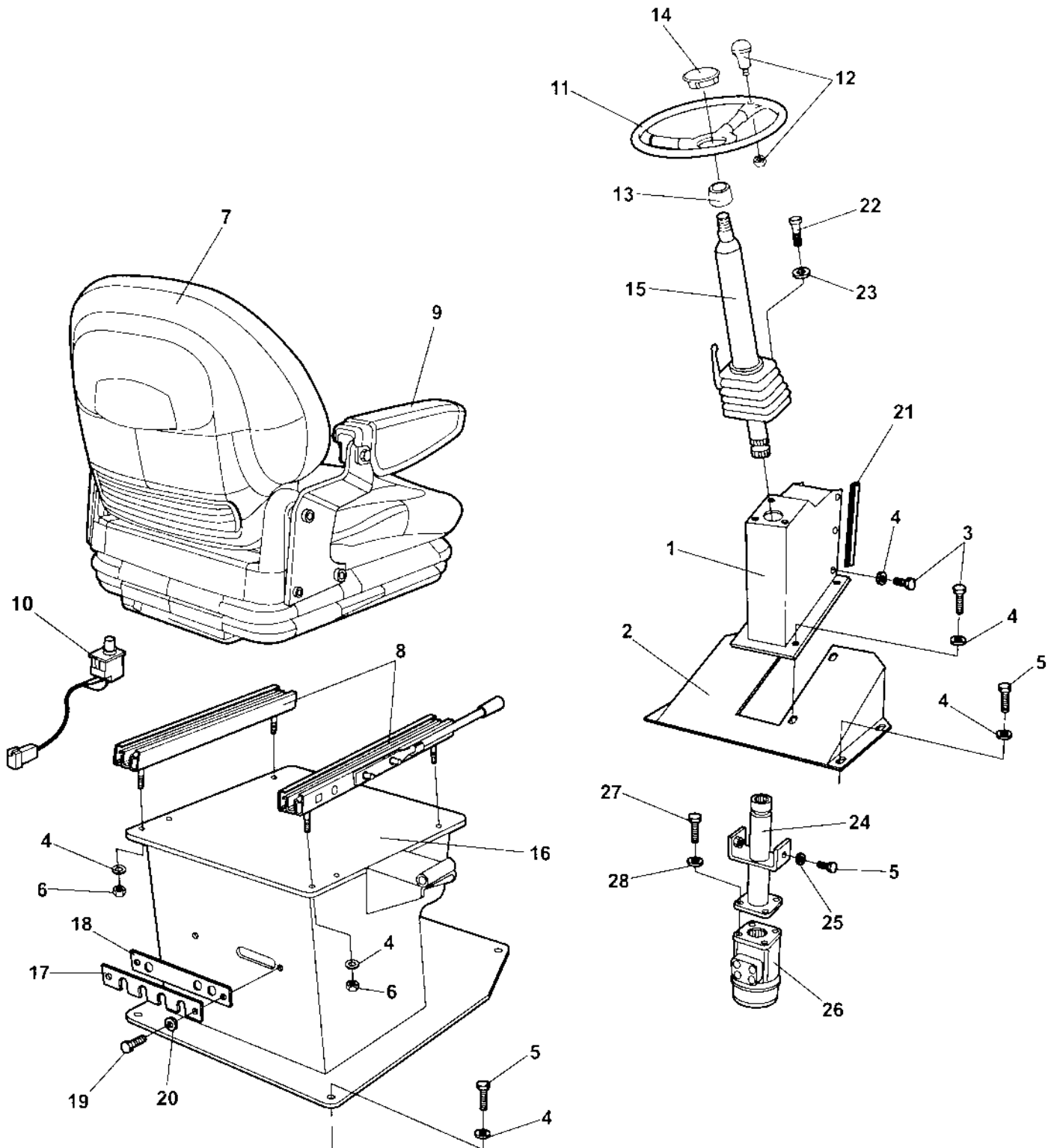


Drivers platform, for cab

Item	Part No	Rem	Qty	Description	Code
1			1	Cab 4700383030 (Page 230)	
2				Drivers seat Turn-over in cab (Page 214)	
				Forward and reverse control	
5	4700374606		2	Shock absorber Green	D
6	4700374607		2	Shock absorber Yellow	D
8	4700500195		16	Screw	C
9	4700901145		4	Lock nut M20-10	
10	4700904233		6	Washer 21x36x3	C
11	4700904231		16	Washer 13x24x2 300 HV	C
12	4700384759		4	Spacer	D
13	4700791218		4	Screw M20x200	D
14	4700372457		4	Back-up ring	C
15	4700903290		4	Washer 21x36x6	C
16	4700376252		1	Step	D
17	4700500029		6	Hexagon head screw	C
18	4700904230		6	Steel plain washer	C
19	4700372494	A	1XL	Rubber strip	D
20	4700372785		1	List	D
21	4700372786		2	List	D
22	4700904433		13	Blind rivet	
23	4700927974		13	Washer	C
24	4700383705		1	Instruction book holder	D
25	4700357643		1	Wire	D
26	4700791226		4	Screw	C

A) L = 2,400 m

Drivers seat Standard platform



Drivers seat Standard platform

Item	Part No	Rem	Qty	Description	Code
1	4700371968		1	Steering console	D
2	4700371213		1	Foot rest	D
3	4700500053		10	Screw M8x20H 8.8	C
4	4700904229		18	Steel plain washer 8,4x16x1,5	C
5	4700500021		10	Screw M8-1,25x25 8.8	C
6	4700570005		6	Nut M8	C
7	4700377518		1	Drivers seat, cpl	D
8	4700945661	C	1	. Adjuster kit	D
9	4700390963	A	1	. Arm rest kit	D
10	4700945622		1	. Seat switch	B
11	4700372964		1	Steering wheel, cpl	D
			1	. Steering wheel	
12	4700935614		1	. Turning knob	D
13			1	. Insert adapter	
14	4700935613		1	. Cover	D
15			1	Steering column (Page 218)	D
16	4700391179		1	Seat frame	D
17	4700359914		1	Cover	D
18	4700359915		1	Grommet	D
19	4700500075		2	Screw M6-1,0x25 8.8	C
20	4700904228		2	Washer 6,4x12x1,5	C
21	4700202028	B	2XL	Edge trim	D
22	4700500029		3	Hexagon head screw	C
23	4700904557		3	Steel plain washer	C
24	4700370977		1	Linkage shaft	D
25	4700904640		2	Washer 8,4x22x3	C
26			1	Steering valve	
27	4700502034		4	Screw UNC 3/8 - 16	D
28	4700904230		4	Steel plain washer	C

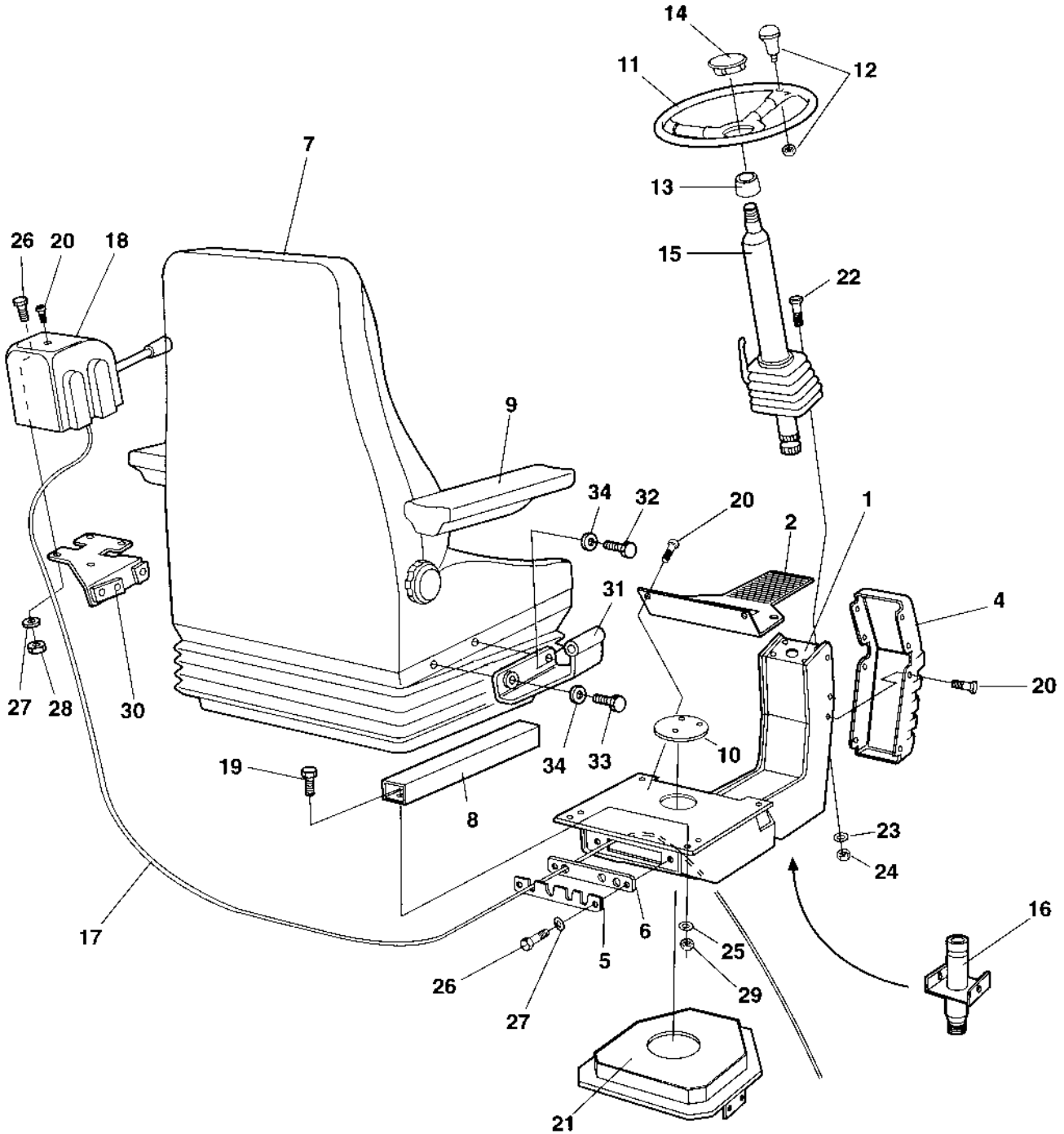
- A) One pair
- B) L = 0.290 m
- C) Left and right sliding rail.

Drivers seat Turn-over platform

Item	Part No	Rem	Qty	Description	Code
1	4700359900		1	Seat frame	D
3	4700381400		1	Bearing cover	D
4	4700359574		1	Cover	D
5	4700359914		1	Cover	D
6	4700359915		1	Grommet	D
7	4700377518		1	Drivers seat, cpl	D
8	4700945661	B	1	. Adjuster kit	D
9	4700390963	A	1	. Arm rest kit	D
10	4700945622		1	. Seat switch	B
11	4700372964		1	Steering wheel, cpl	D
			1	. Steering wheel	
12	4700935614		1	. Turning knob	D
13			1	. Insert adapter	
14	4700935613		1	. Cover	D
15			1	Steering column (Page 218)	D
16			0	Steering system (Page 220)	
17			0	Turning Controls	
18	4700359419		1	Control cover	D
20	4700904206		16	Screw	C
21			0	Turning Carrier	
22	4700500028		3	Screw	C
23	4700904557		3	Steel plain washer	C
24	4700570006		3	Nut	B
25	4700391346		1	Seat frame	D
26	4700500021		6	Screw M8-1,25x25 8.8	C
27	4700603019		6	Washer	D
28	4700921104		1	Clamp	C
29	4700904229		16	Steel plain washer 8,4x16x1,5	C
30	4700570005		12	Nut M8	C
31	4700359920		1	Plug	C
32	4700500040		6	Screw M6-1x20 8,8	C
33	4700904228		6	Washer 6,4x12x1,5	C
34	4700586002		4	Lock nut M6 -8	C
35	4700371407		1	Cover	D
36	4700500019		8	Hexagon head screw M8x16H 8,8	C
37	4700904229		12	Steel plain washer 8,4x16x1,5	C
38	4700500021		4	Screw M8-1,25x25 8.8	C
39	4700904229		1	Steel plain washer 8,4x16x1,5	C
100	4700348331		1	Seat cover	D

- A) One pair
- B) Left and right sliding rail.

Drivers seat Turn-over in cab

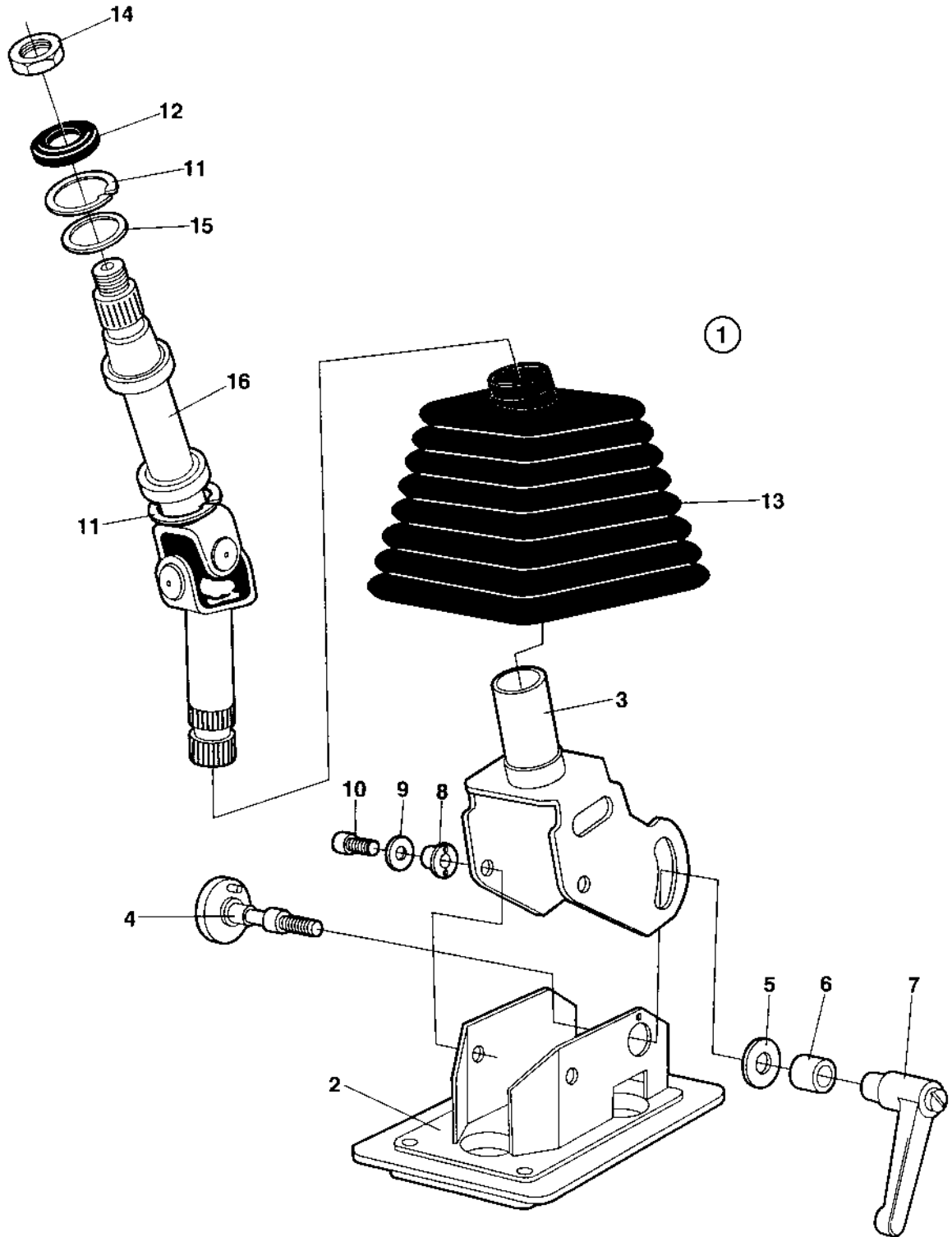


Drivers seat Turn-over in cab

Item	Part No	Rem Qty	Description	Code
1	4700359900	1	Seat frame	D
2	4700381400	1	Bearing cover	D
4	4700359574	1	Cover	D
5	4700359914	1	Cover	D
6	4700359915	1	Grommet	D
7	4700359917	1	Drivers seat	D
	4700937892	1	. Seat switch	B
8	4700938047	A 1	Slide rail	
9	4700937621	1	Arm rest, left	D
	4700937620	1	Arm rest, right	D
10	4700359920	1	Plug	C
11	4700372964	1	Steering wheel, cpl	D
		1	. Steering wheel	
12	4700935614	1	. Turning knob	D
13		1	. Insert adapter	
14	4700935613	1	. Cover	D
15	4700359918	1	Steering column (Page 216)	D
16		0	Steering system (Page 220)	
17		0	Turning Controls (Page 222)	
18	4700359419	1	Control cover	D
19	4700500053	6	Screw M8x20H 8.8	C
20	4700904206	14	Screw	C
21		0	Turning Carrier (Page 224)	
22	4700500028	3	Screw	C
23	4700904557	3	Steel plain washer	C
24	4700570006	3	Nut	B
25	4700904229	6	Steel plain washer 8,4x16x1,5	C
26	4700500040	6	Screw M6-1x20 8,8	C
27	4700904228	6	Washer 6,4x12x1,5	C
28	4700586002	4	Lock nut M6 -8	C
29	4700570005	6	Nut M8	C
30	4700359972	1	Control cable holder	D
31	4700359971	1	Control cable holder	D
32	4700500031	2	Screw M10x040 8.8	C
33	4700903914	2	Screw	C
34	4700904230	4	Steel plain washer	C

A) One pair

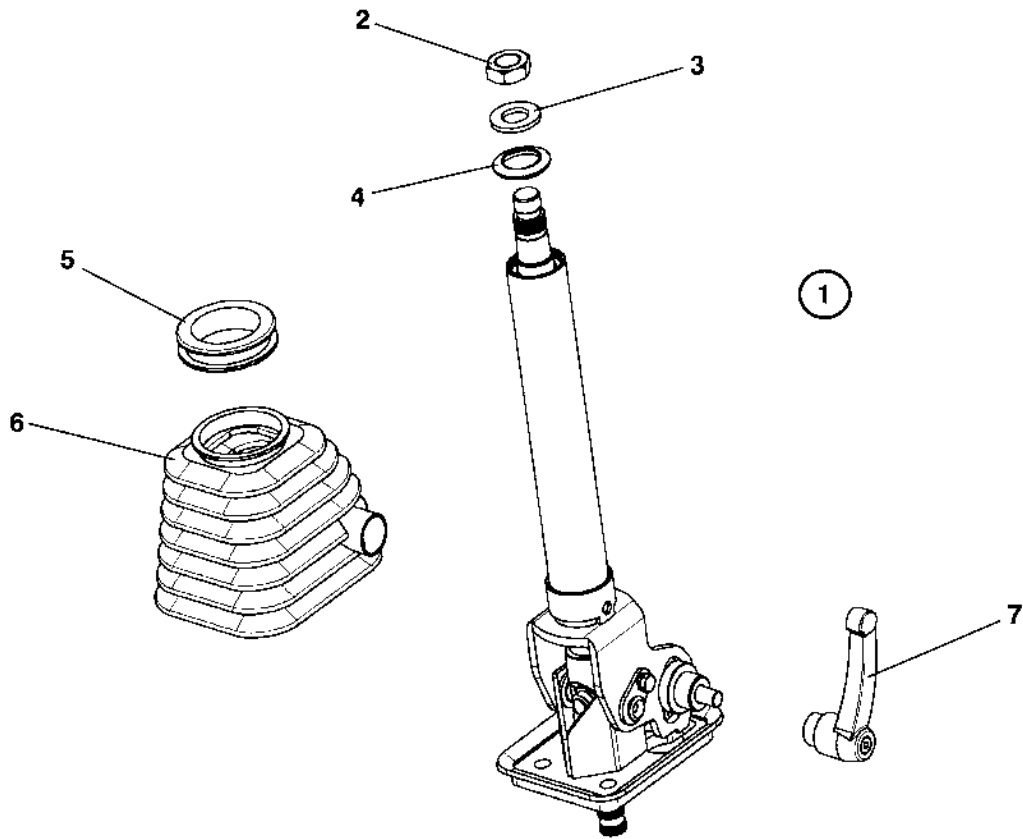
4700359918 Steering column



4700359918 Steering column

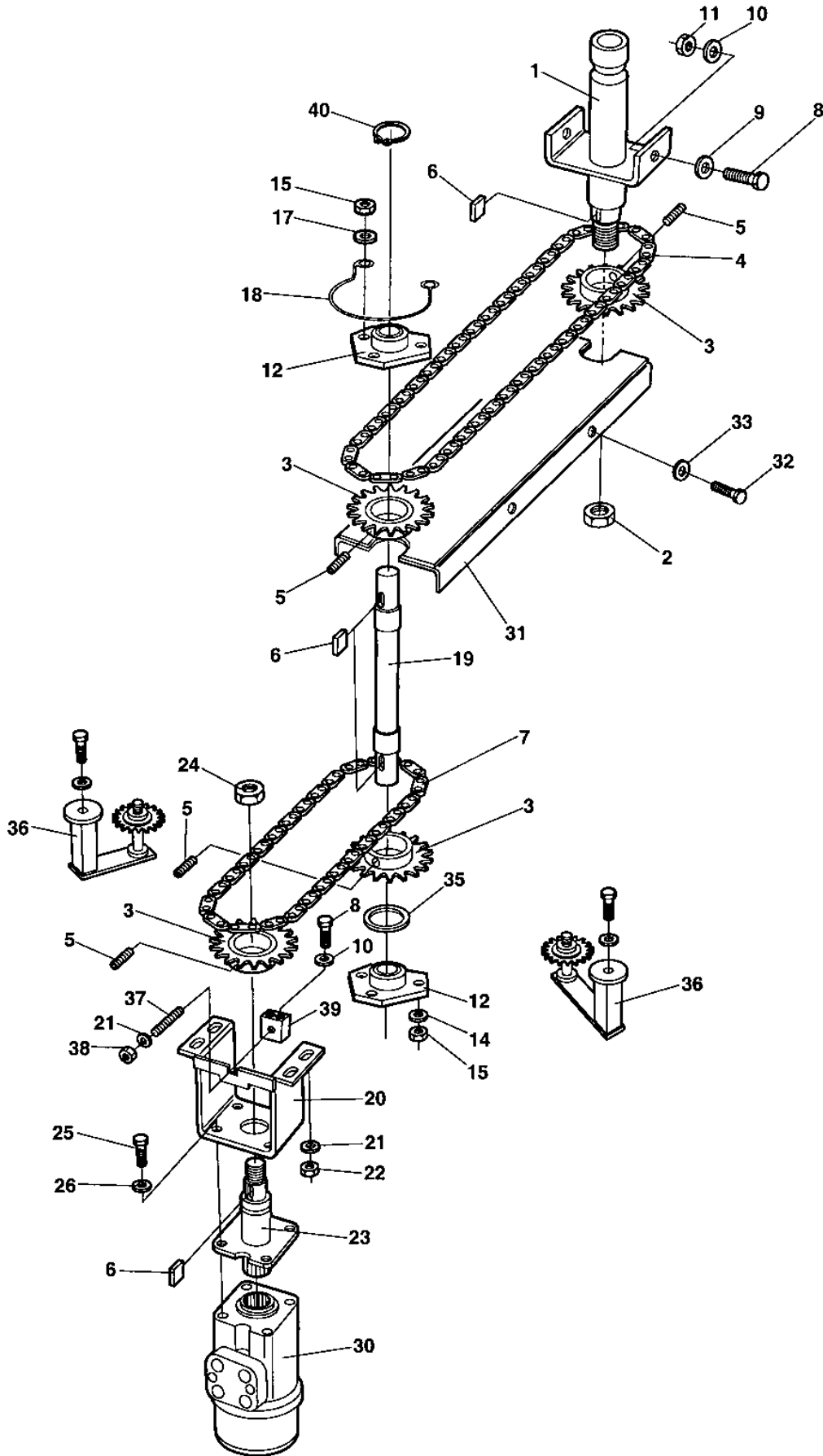
Item	Part No	Rem	Qty	Description	Code
1	4700359918		1	Steering column (Page 216)	D
2	4700935229	A	1	. Frame	
3	4700935230	B	1	. Frame	
4	4700935231		1	. Screw	C
5	4700935232		1	. Washer	
6	4700935233		1	. Sleeve	C
7	4700935234		1	. Lever	D
8	4700935235		2	. Washer	
9	4700935236		2	. Washer	
10	4700935237		2	. Screw	C
11	4700935238		2	. Retaining ring	C
12	4700935239		1	. Seal	B
13	4700935240		1	. Bellows	C
14	4700935241		1	. Nut	C
15	4700935242		1	. Washer	
16	4700935243		1	. Cardan shaft	C

- A) Lower
- B) Upper



Steering column

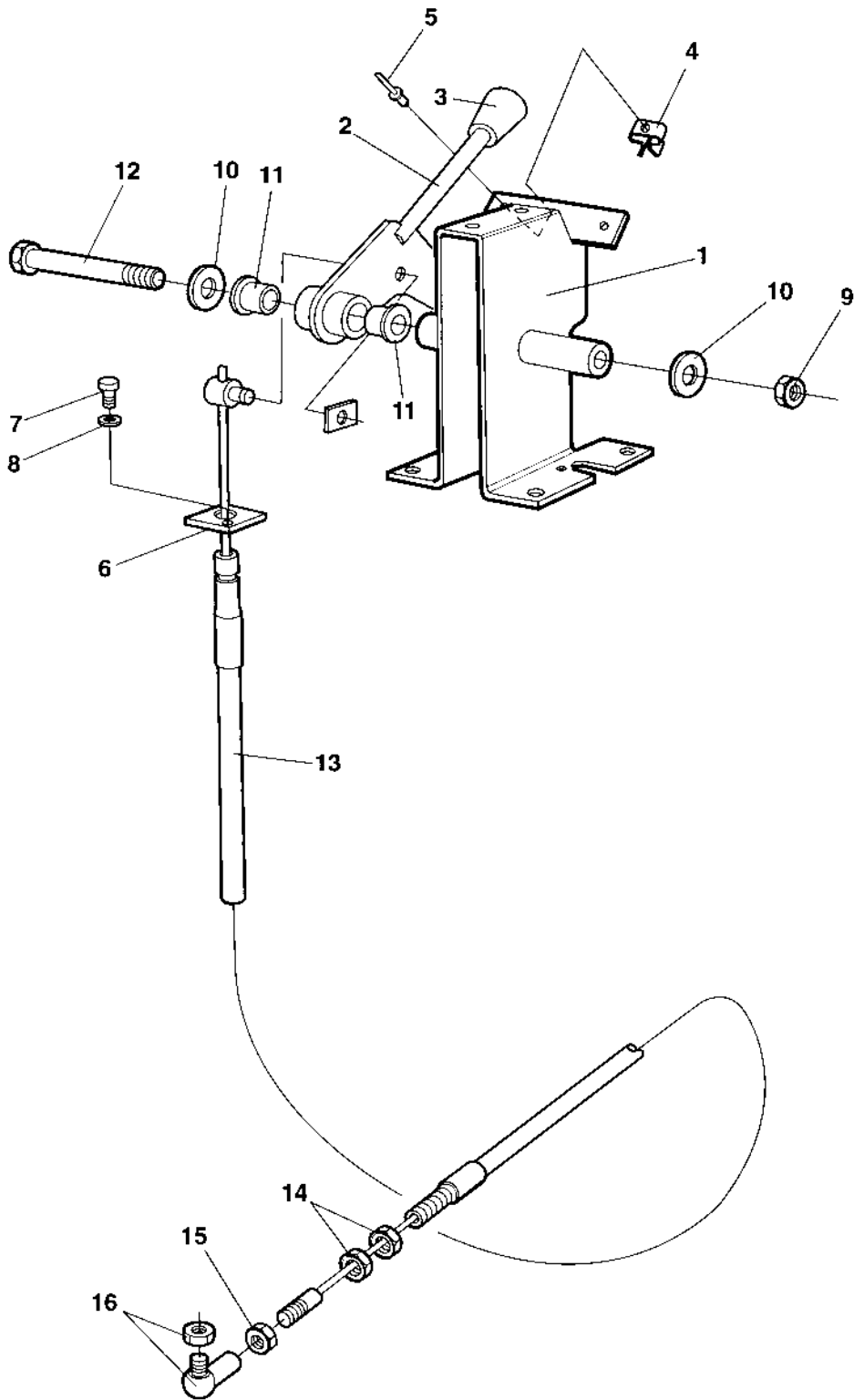
Item	Part No	Rem Qty	Description	Code
1			Steering column	D
2	4700945632	1	. Nut	C
3	4700945633	1	. Washer	C
4	4700945634	1	. Rubber cap	C
5	4700945635	1	. Bellows ring	C
6	4700945636	1	. Bellows	C
7	4700945637	1	. Locking handle	D



Steering system

Item	Part No	Rem Qty	Description	Code
1	4700359919	1	Shaft	C
2		1	. Nut	
3	4700359916	4	Chain wheel	D
4	4700359921	1	Chain	D
5	4700516051	4	Set screw	C
6	4700350009	4	Flat key	C
7	4700372653	A 1	Chain	D
	4700372654	B 1	Chain	D
8	4700500021	3	Screw M8-1,25x25 8.8	C
9	4700904734	2	Steel plain washer	
10	4700904229	3	Steel plain washer 8,4x16x1,5	C
11	4700586003	2	Lock nut M8	C
12	4700903917	C 2	Bearing outer	B
	4700903918	D 2	Bearing inner	B
14	4700904228	4	Washer 6,4x12x1,5	C
15	4700586002	6	Lock nut M6 -8	C
17	4700603001	2	Washer	C
18	4700372672	1	Chain guard	D
19	4700374933	A 1	Shaft	C
	4700374934	B 1	Shaft	D
20	4700381567	E 1	Bracket	D
21	4700904640	5	Washer 8,4x22x3	C
22	4700586003	4	Lock nut M8	C
23	4700370978	1	Linkage shaft	D
24		1	. Nut	
25	4700502036	4	Screw 3/8"-16UNCx11/4"8.8	C
26	4700904230	4	Steel plain washer	C
30		1	Steering valve	
31	4700381403	1	Chain supporter	D
32	4700500040	4	Screw M6-1x20 8,8	C
33	4700904735	4	Washer	C
35	4700904214	1	Washer 15x30x4 300 HV	C
36	4700904739	2	Chain tensioner	D
37	4700904802	1	Threaded stud	D
38	4700586003	1	Lock nut M8	C
39	4700381571	1	Bracket	D
40	4700150004	1	Retaining ring	D

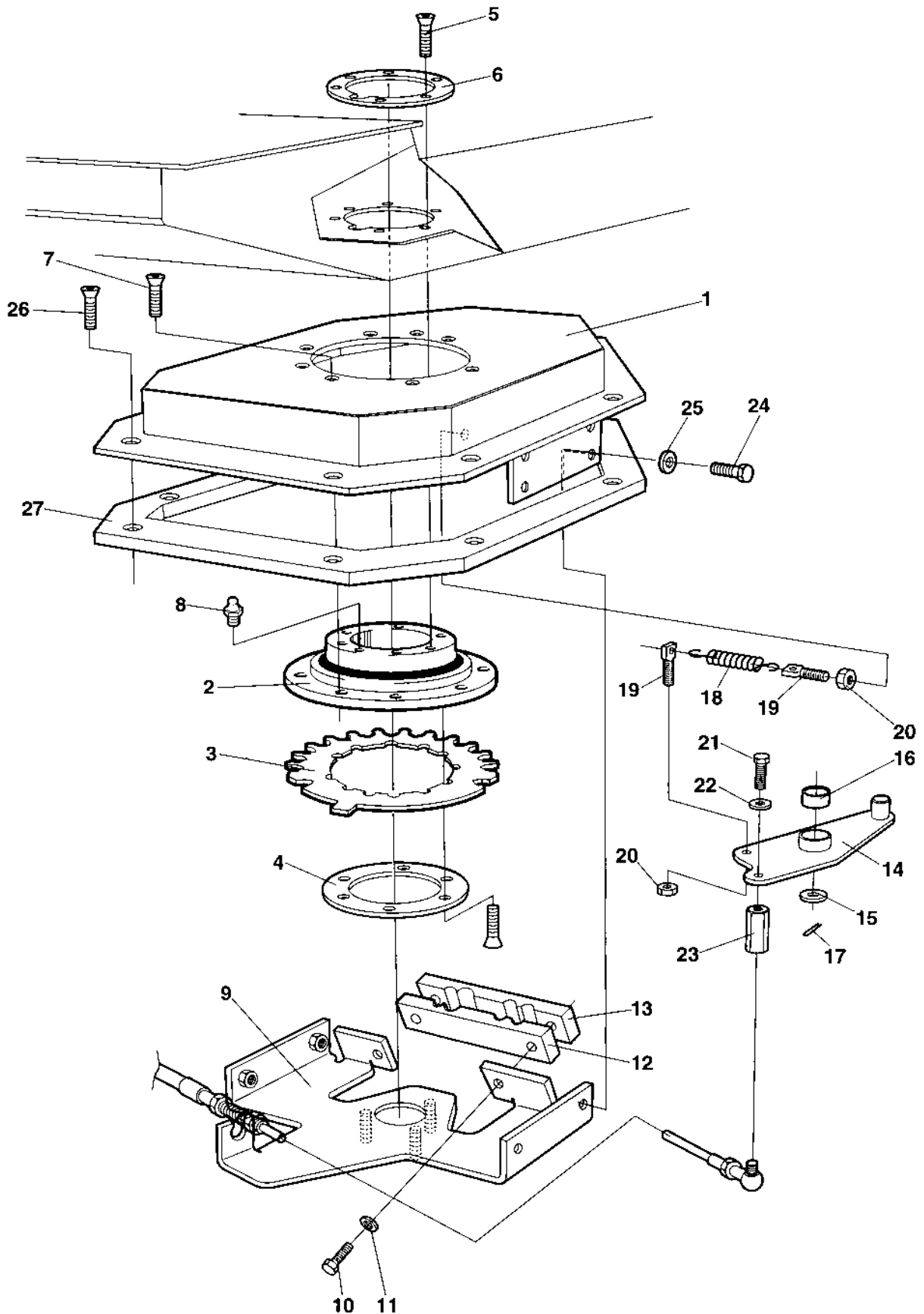
- A) For cab
- B) For platform
- C) Outer
- D) Inner
- E) Steering valve



Turning Controls

Item	Part No	Rem Qty	Description	Code
1	4700935771	1	Framing	D
2	4700909745	1	Lever	D
3	4700908190	1	Ball knob	D
4	4700908189	1	Lever lock	D
5	4700624016	1	Blind rivet	D
6	4700908188	1	Cable holder	D
7	4700533024	1	Screw	D
8	4700615041	1	Washer 5,3x11	C
9	4700586002	1	Lock nut M6 -8	C
10	4700928381	2	Washer 6,4x18x1,6	C
11	4700908187	2	Plain bearing	B
12	4700500169	1	Screw	C
13	4700935774	A 1	Cable, cpl	D
14	4700927233	2	. Nut	C
15	4700570004	1	. Nut M6X1,00 -8 A2K	C
16	4700416034	1	Ball joint	C

A) Turning

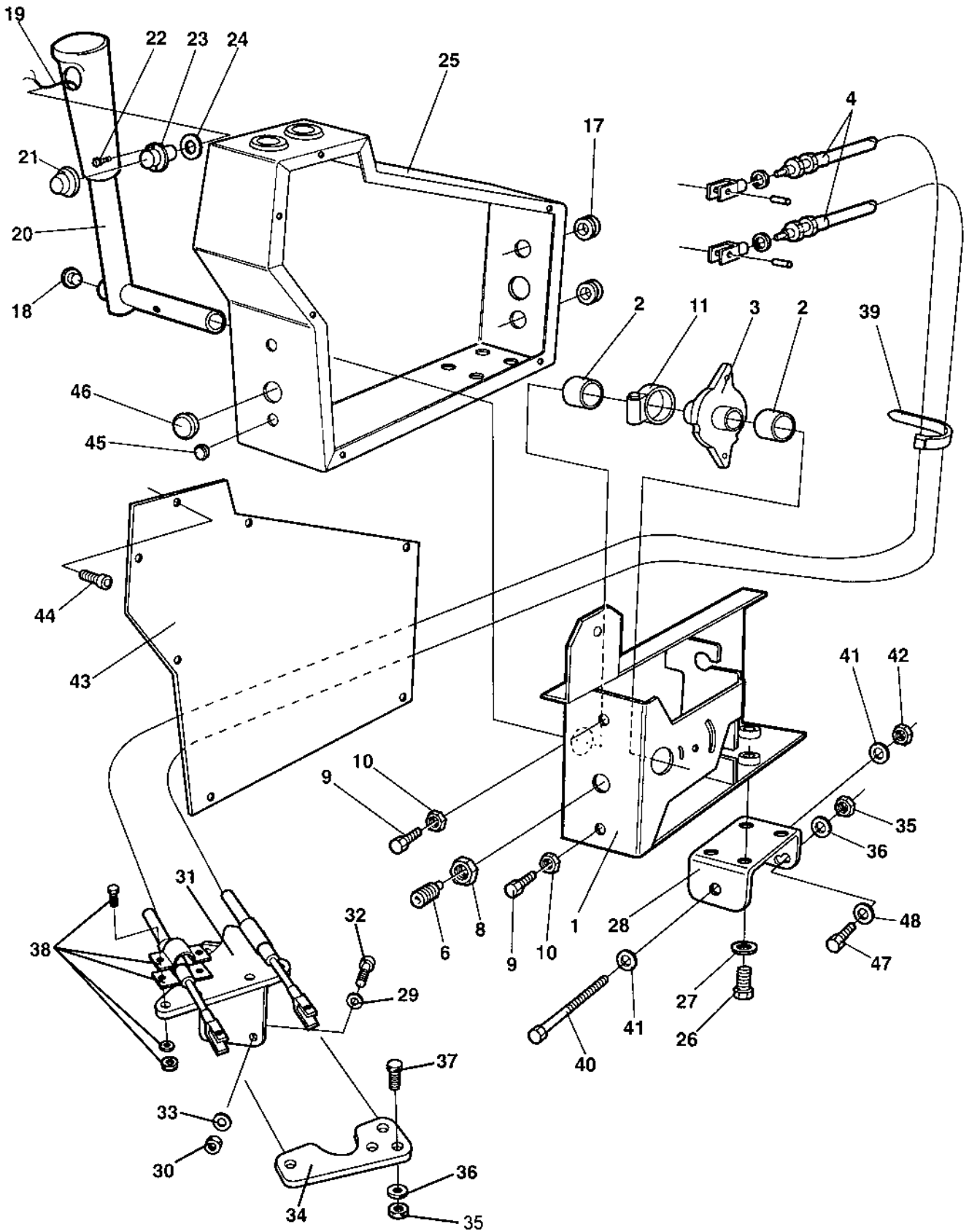


Turning Carrier

Item	Part No	Rem Qty	Description	Code
1	4700371374	1	Bearing housing	D
2	4700359125	1	Ball bearing	B
3	4700370955	1	Locking disc	D
4	4700372966	A	Lock ring	C
5	4700902520	12	Screw	C
6	4700372965	B	Lock ring	C
7	4700513003	8	Screw	C
8	4700926214	1	Grease fitting	C
9	4700371418	1	Bracket	D
10	4700508056	2	Screw M8x40	D
11	4700904229	2	Steel plain washer 8,4x16x1,5	C
12	4700372961	1	Clamp	D
13	4700372671	1	Clamp	D
14	4700374417	C	Coupling link	C
15	4700904231	1	Washer 13x24x2 300 HV	C
16	4700359820	1	Bushing	D
17	4700630035	1	Split pin	C
18	4700359043	1	Spring	D
19	4700359818	2	Spring collar	D
20	4700573008	2	Nut M8	C
21	4700500013	1	Screw M6-1x16 8,8	C
22	4700904228	1	Washer 6,4x12x1,5	C
23	4700373547	D	Spacer	D
	4700372459	E	Spacer	D
24	4700500021	4	Screw M8-1,25x25 8.8	C
25	4700904556	4	Washer 8,4x16x3,0	C
26	4700513013	D	Screw	D
	4700903644	E	Screw	C
27	4700372083	F	Spacer	D

- A) Lower
- B) Upper
- C) For turning
- D) Platform
- E) Cab
- F) Only for cab

Forward and reverse control

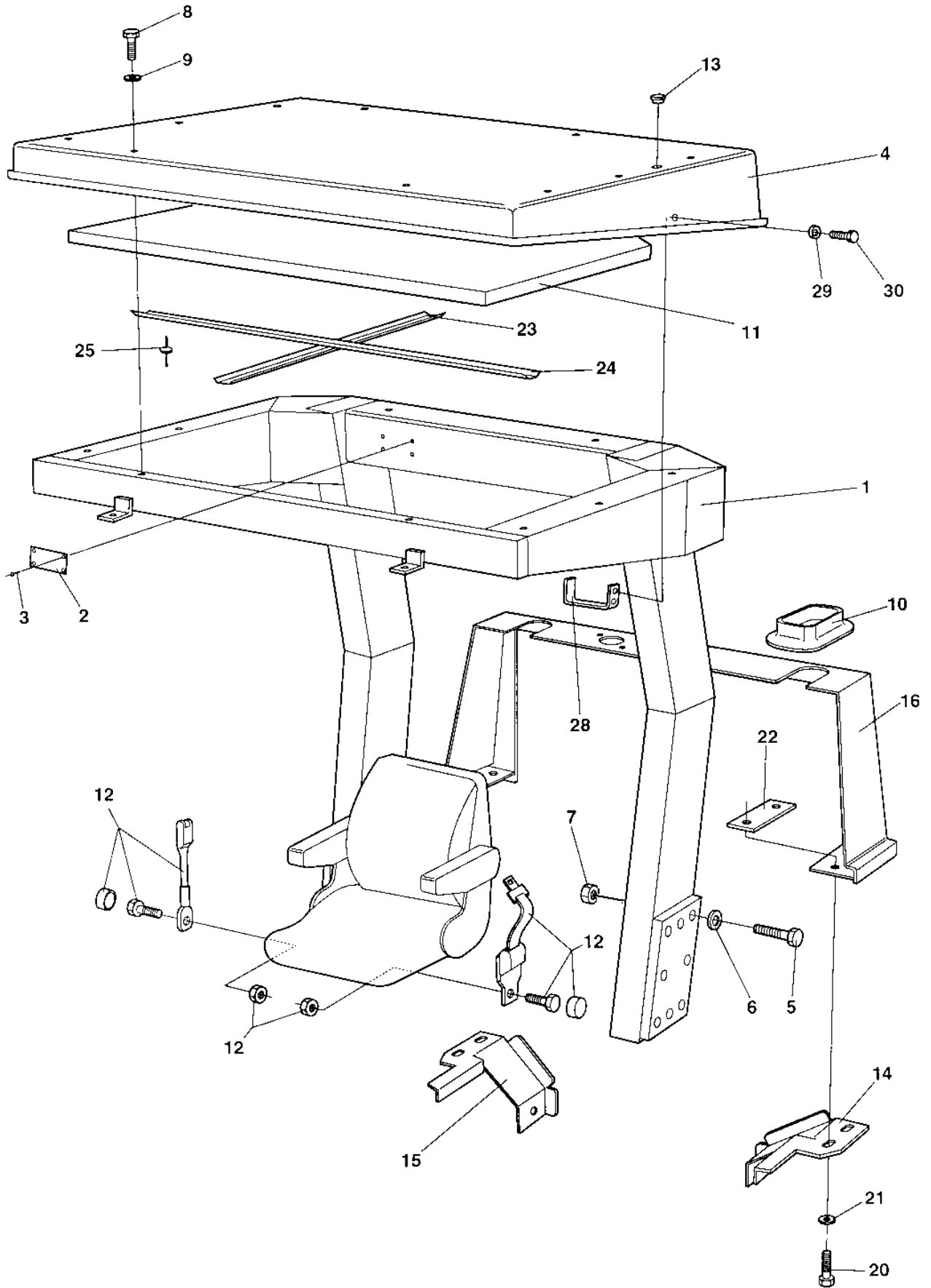


Forward and reverse control

Item	Part No	Rem	Qty	Description	Code
1	4700909747		1	Framing	D
2	4700908200		2	Bearing	B
3	4700909748		1	Cam disc	C
4	4700935225	A	2	Cable	
	4700573004		4	. Nut	C
	4700908193		2	. Fork	D
6	4700922325		1	Spring ball plunger	C
8	4700573004		1	Nut	C
9	4700533038		2	Screw	D
10	4700570004		2	Nut M6X1,00 -8 A2K	C
11	4700313147		1	Hose clip	C
17	4700909122		2	Grommet	C
18	4700902203		1	Plug	C
19	4700372782		1	Cable harness	D
20	4700359575		1	Control lever	D
21	4700348481		1	Cover	B
22	4700371009		2	Screw	D
23	4700928497		1	Push button	B
24	4700395325		1	Washer	D
25	4700372322		1	Control cover	D
26	4700500053		2	Screw M8x20H 8.8	C
27	4700904229		2	Steel plain washer 8,4x16x1,5	C
28	4700381676	B	1	Bracket	D
29	4700904229		3	Steel plain washer 8,4x16x1,5	C
30	4700904556		3	Washer 8,4x16x3,0	C
31	4700382884		1	Control bracket	D
32	4700947680		3	Screw M8-1,25x25 10.9	D
33	4700904229		3	Steel plain washer 8,4x16x1,5	C
34	4700372568		1	Control bracket	D
35	4700586003		3	Lock nut M8	C
36	4700904229		3	Steel plain washer 8,4x16x1,5	C
37	4700500021		2	Screw M8-1,25x25 8.8	C
38	4700465013		2	Clamp	C
39	4700313041		N	Cable ties	B
40	4700500267		1	Screw M12x120 8,8 FZB	D
41	4700904231		2	Washer 13x24x2 300 HV	C
42	4700586019		1	Lock nut	C
43	4700372321		1	Cover	D
44	4700903658		7	Screw M5x10	C
45	4700900986		2	Plug	D
46	4700287373		1	Plug	
47	4700508092		1	Screw	C
48	4700904229	C	1	Steel plain washer 8,4x16x1,5	C

- A) Forward/reverse
- B) Regarding "double hole". Upper hole for standard seat. Lower hole for accessorie seat.
- C) Only in use on standard seat

Rops and fops



Rops and fops

Item	Part No	Rem Qty	Description	Code
1	4700372347	1	Rops	D
2	4700370803	1	Sign, rops	D
3	4700624016	4	Blind rivet	D
4	4700372409	1	Fops roof	D
5	4700904562	16	Screw M24x160 10.9	
6	4700904234	16	Steel plain washer	C
7		0	Not used on this model	
8	4700500239	10	Screw M8x50H 8,8	C
9	4700904734	10	Steel plain washer	
10	4700372489	2	Rubber seal	D
11	4700372678	1	Absorbent	D
12	4700377677	1	Seat belt 2"	B
	4700383200	A 1	Seat belt 3"	B
		2	. Screw	
		2	. Nut	
		2	. Cap	
13	4700904180	2	Plug	C
14	4700373854	1	Holder plate	D
15	4700373855	1	Holder plate	D
16	4700373799	1	Protecting cover	D
20	4700500021	4	Screw M8-1,25x25 8.8	C
21	4700904640	4	Washer 8,4x22x3	C
22		2	Holder plate	
23	4700376489	1	Absorbent holder	D
24	4700376488	1	Absorbent holder	D
25	4700904619	12	Blind rivet	C
28	4700383951	4	Hook	D
29	4700904734	4	Steel plain washer	
30	4700500100	4	Screw	C
A)	Option 3"			

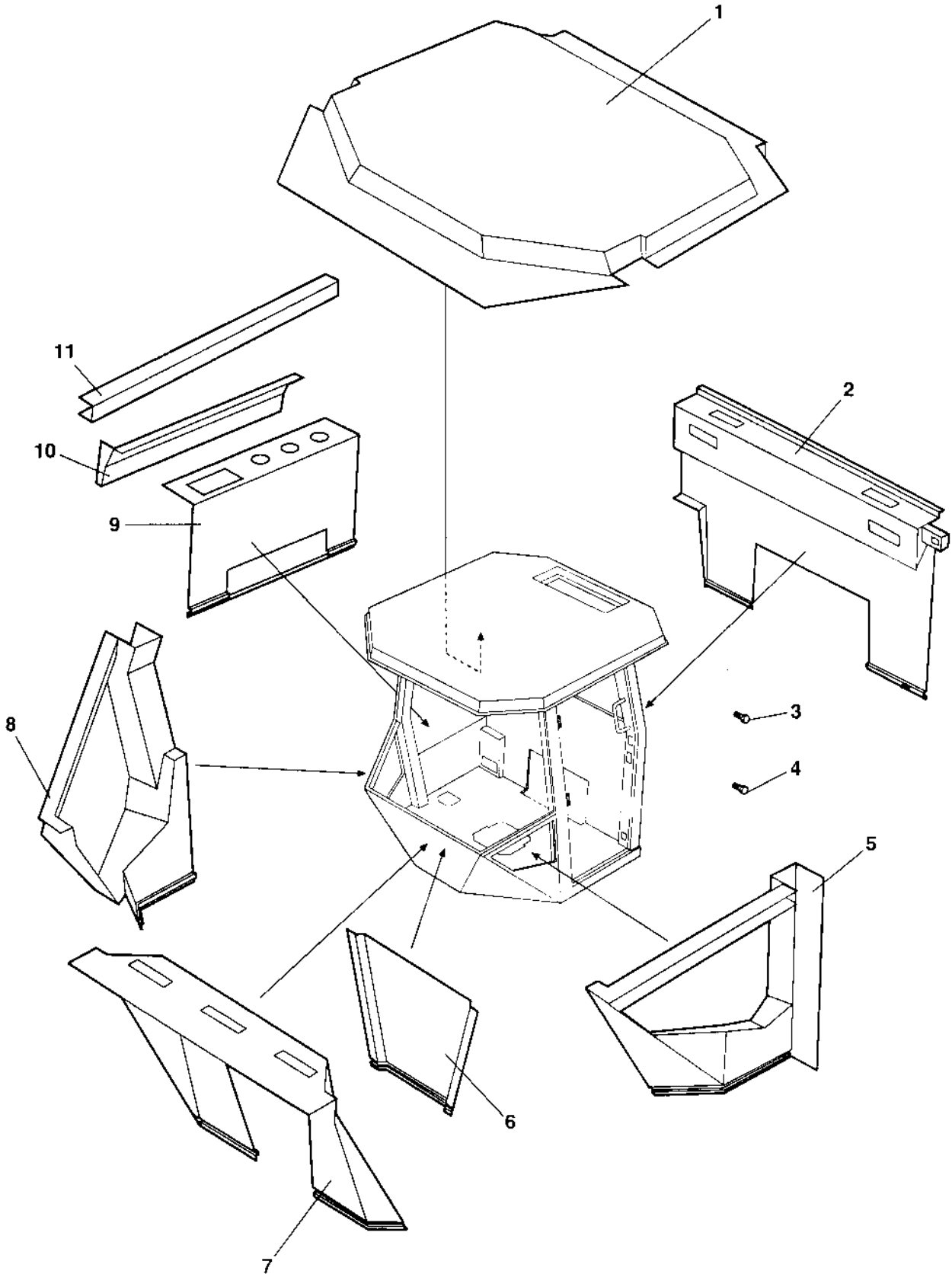
Cab 4700383030

Item	Part No	Rem Qty	Description	Code
300			Cab Interior (Page 232)	
310			Cab Inside panels (Page 234)	
320			Cab Screens (Page 236)	
330			Cab Door (Page 240)	
340			Cab Wipers front and rear (Page 244)	
350			Cab Mirror, Sun curtain (Page 246)	
360			Cab Electric (Page 248)	
370			Cab Heater system (Page 250)	
380	4700385434		Cab heater, cpl (Page 252)	
390			Cab Cable harness (Page 254)	

Cab Interior

Item	Part No	Rem Qty	Description	Code
1	4700908515	1	Inner light	D
2	4700985013	1	Bulb 12V,5W	B
3	4700541535	2	Screw	D
4	4700985051	1	Bulb 12V,10W	B
5	4700500053	22	Screw M8x20H 8.8	C
6	4700904229	31	Steel plain washer 8,4x16x1,5	C
7	4700938678	1	Cover	D
8	4700938679	1	Cover	D
9	4700586003	18	Lock nut M8	C
10	4700904229	31	Steel plain washer 8,4x16x1,5	C
11	4700500053	22	Screw M8x20H 8.8	C
12	4700935589	1	Decal	D
13	4700935590	1	Cover plate	
14	4700938675	1	List	
15	4700938672	1	List	
16	4700938671	4	Screw	
17	4700938674	1	List	
18	4700938673	1	List	
19	4700938671	3	Screw	
20	4700908587	A 2	Edge trim	D
21	4700908505	1	Hook	D
22	4700938676	2	Screw	C
23	4700925784	2	Screw	
24	4700908500	1	Door switch	B
25	4700908506	1	Emergency hammer	D
26	4700938670	2	Screw	
27	4700938677	2	Screw	C
28	4700935591	1	Handle	
29	4700908507	1	Holder	D
30	4700908499	B 1	Rubber list	D
31	4700535007	9	Screw M5x16	D
32	4700935578	1	Edge trim	
33	4700935577	1	Floor material	
34	4700908512	1	Cover	D
35	4700935579	1	Cover	
36	4700935580	2	Bracket	
37	4700500004	16	Screw M5 0,8x12 8,8	C
38	4700500018	6	Screw M8-1,25x12 8,8	C
39	4700586003	10	Lock nut M8	C
40	4700935583	2	Holder plate	
41	4700935582	1	Grommet kit	
42	4700935581	1	Metal gasket	
43	4700500115	2	Screw M8-1,25x90 8.8	C
44	4700500047	2	Hexagon head screw	C
45	4700935584	1	Panel plate	
46	4700535007	4	Screw M5x16	D
47	4700904281	4	Washer 5,3x10x1 300HV	C
48	4700586001	4	Lock nut	C
49	4700909510	9	Grommet	C
50	4700935585	1	Bracket	
51	4700500004	16	Screw M5 0,8x12 8,8	C
52	4700908496	5	Grommet	D
53	4700935586	2	Bracket	
54	4700908502	1	Filter	A
55	4700908501	1	Filter frame	D
56	4700908504	2	Handle	D
57	4700908503	2	O-ring	D

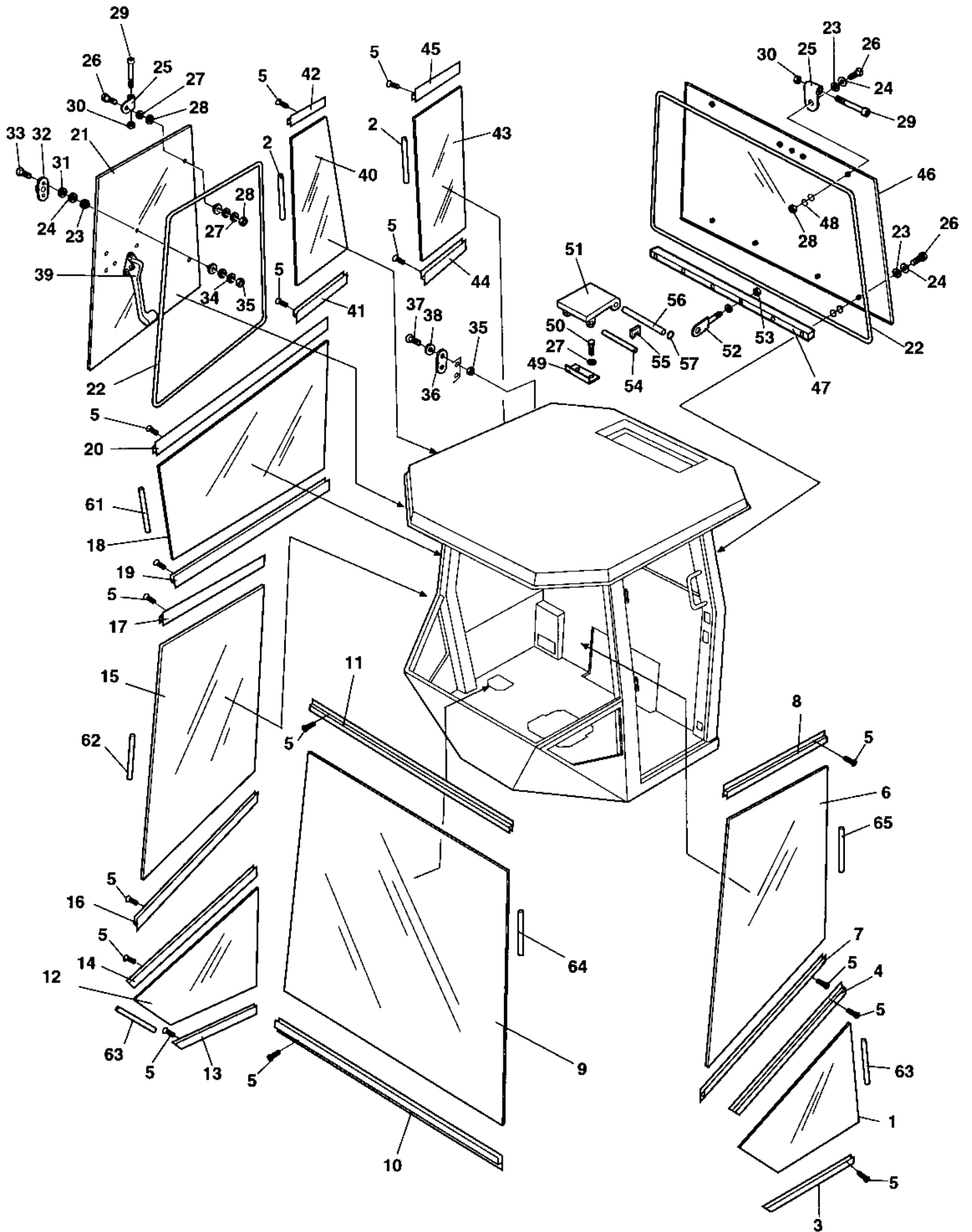
A) L=2 M
B) L=5,0 M



Cab Inside panels

Item	Part No	Rem Qty	Description	Code
1	4700938681	1	Panel	
2	4700938685	1	Panel	
3	4700938677	50	Screw	C
4	4700937932		Screw	D
5	4700935600	1	Panel	
6	4700935599	1	Panel	
7	4700935598	1	Panel	
8	4700938684	1	Panel	
9	4700938683	1	Panel	
10	4700938682	1	Panel	
11	4700935594	1	Panel	

Cab Screens



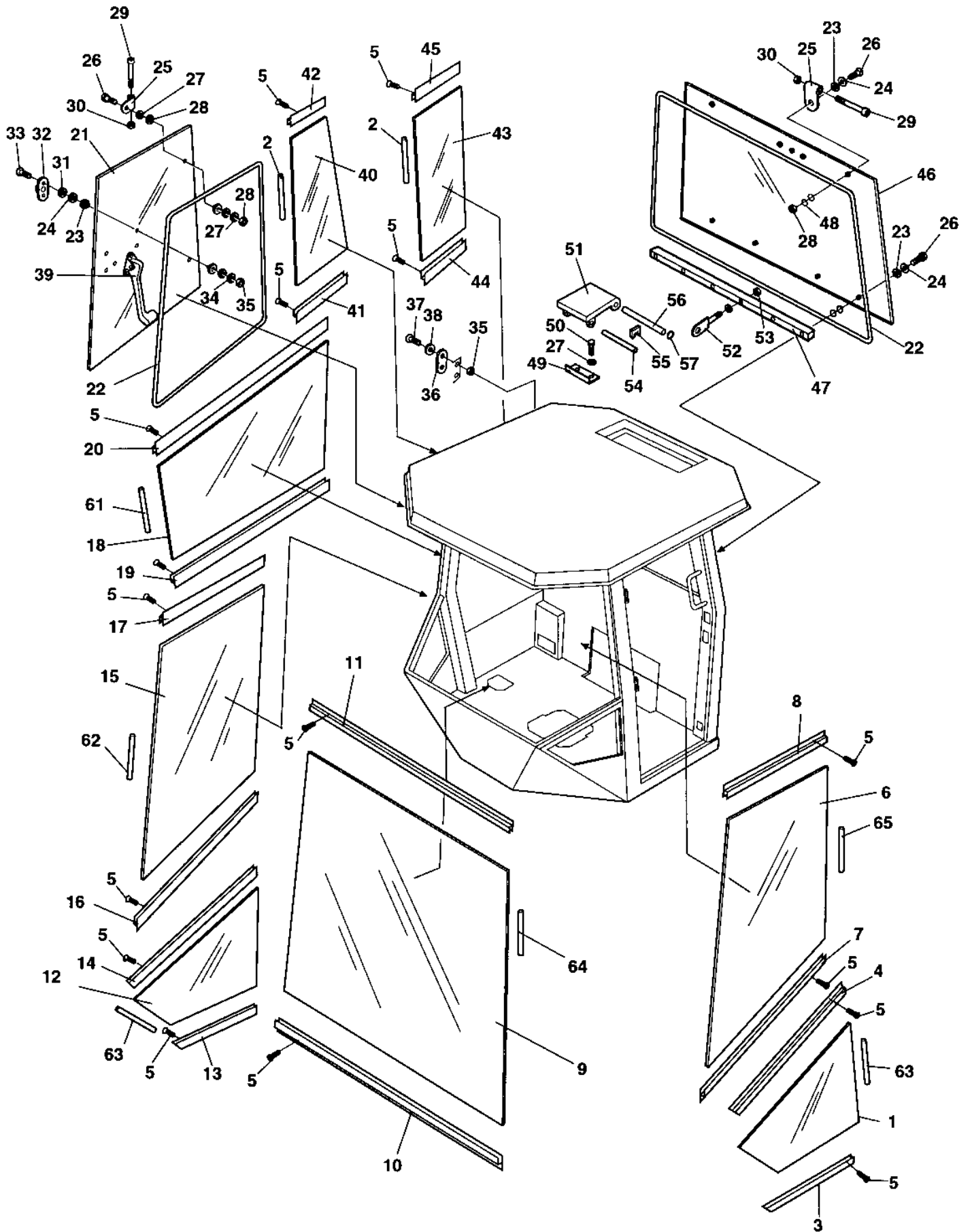
Cab Screens

Item	Part No	Rem	Qty	Description	Code
1	4700937380		1	Screen	
2	4700908545	A	2	Seal list	B
3	4700935278		1	List	
4	4700935279		1	List	
5	4700937932		80	Screw	D
6	4700937381		1	Screen, left	
7	4700935280		1	List	
8	4700935281		1	List	
9	4700937382		1	Screen	
10	4700935282		1	List	
11	4700935283		1	List	
12	4700937383		1	Screen	
13	4700935284		1	List	
14	4700935285		1	List	
15	4700937384		1	Screen	
16	4700935286		1	List	
17	4700935287		1	List	
18	4700937385		1	Screen	
19	4700935288		1	List	
20	4700935289		1	List	
21	4700938290		1	Screen	
22	4700908499	B	1	Rubber list	D
23	4700935271		20	Washer, Flexible rubber	
24	4700935272		20	Washer, Black	
25	4709335273		4	Hinge	
26	4700935274		8	Screw	
27	4700936277		4	Washer	C
28	4700586003		18	Lock nut M8	C
29	4700936934		4	Screw M10x100	
30	4700936935		4	Nut M10	
31	4700935275		2	Rubber washer	
32	4700935276		2	Bracket	
33	4700936600		2	Screw	
34	4700936601		2	Washer	
35	4700936602		4	Nut M5	
36	4700935277		2	Lock pin	
37	4700535007		9	Screw M5x16	D
38	4700904281		6	Washer 5,3x10x1 300HV	C
39	4700935290		1	Window lock, right	
40	4700938291		1	Screen	
41	4700935291		1	List	
42	4700938658		1	List	
43	4700938292		1	Screen	
44	4700935293		1	List	
45	4700938659		1	List	
46	4700937389		1	Screen	
47	4700935295		1	Screen holder	
48	4700935296		2	Washer	
49	4700935297		1	Bracket	
50	4700500019		7	Hexagon head screw M8x16H 8,8	C
51	4700935298		2	Bracket	
52	4700935299		2	Bolt	
53	4700570004		4	Nut M6X1,00 -8 A2K	C

A) L=1,4 m

B) L=2,7 m

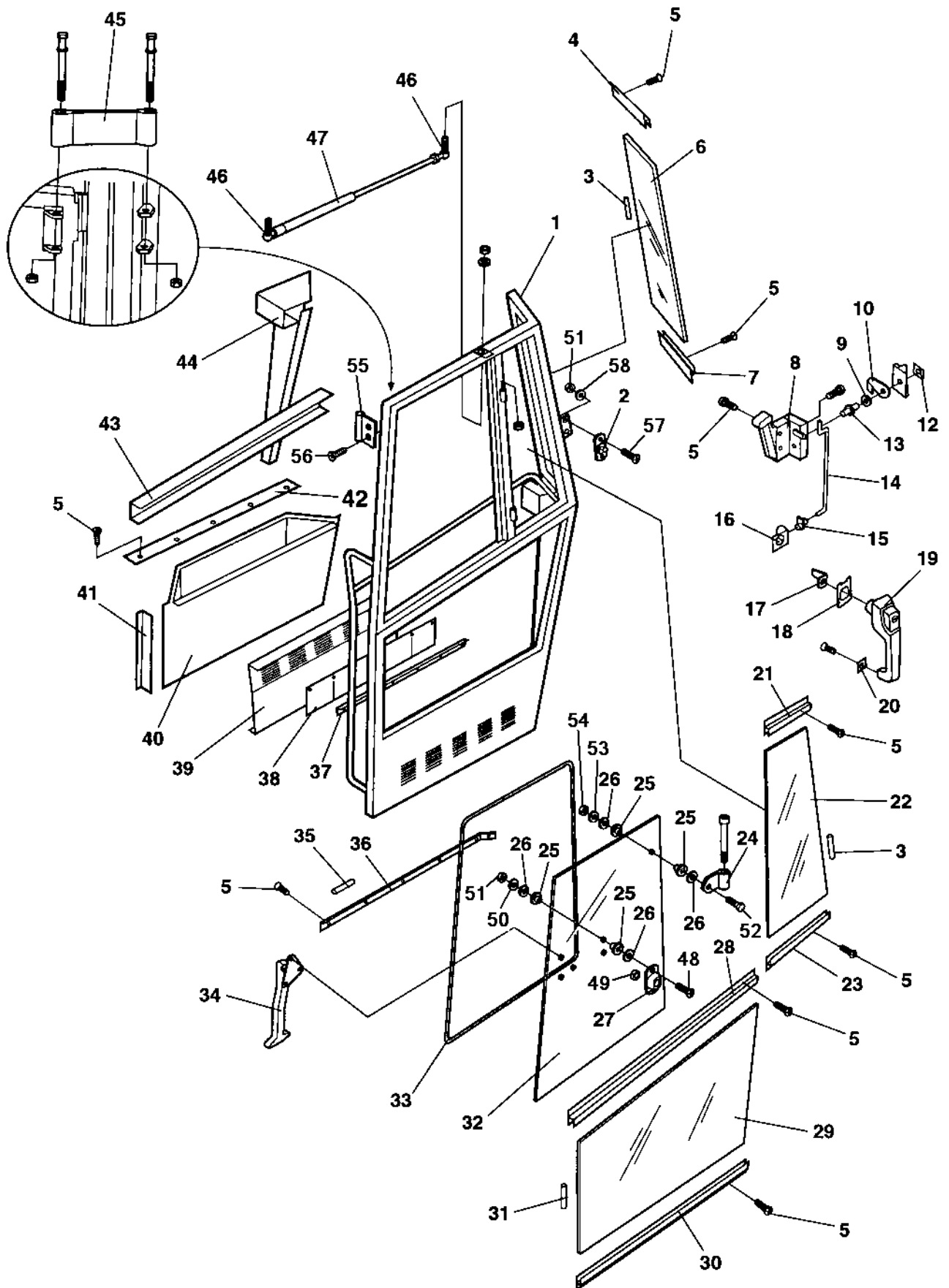
Cab Screens



Cab Screens

Item	Part No	Rem	Qty	Description	Code
54	4700935300		1	Shaft	
55	4700935301		2	Lock	
56	4700935302		1	Rod	
57	4700935303		1	Ring	
61	4700908545	C	1	Seal list	B
62	4700908545	D	1	Seal list	B
63	4700908545	E	2	Seal list	B
64	4700908545	F	1	Seal list	B
65	4700908545	G	1	Seal list	B
C)	L=1,1 M				
D)	L=1,9 M				
E)	L=0,8 M				
F)	L=2,1 M				
G)	L=0,9 M				

Cab Door

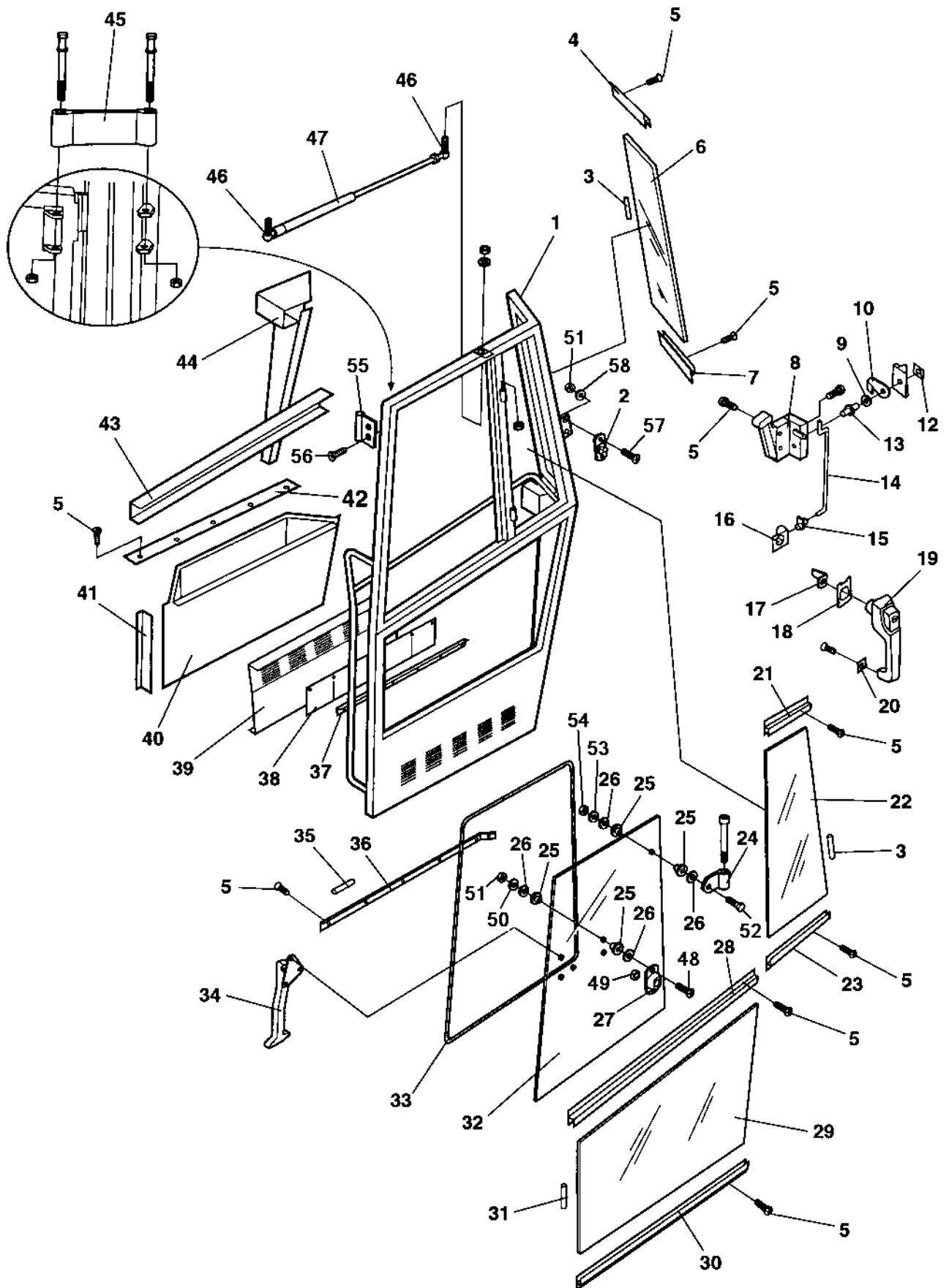


Cab Door

Item	Part No	Rem Qty	Description	Code
	4700938224	1	Door, cpl	
1	4700938016	1	. Door frame	
2	4700935277	2	. Lock pin	
3	4700908545	A 2	. Seal list	B
4	4700935268	1	. List	
5	4700937932	80	. Screw	D
6	4700937391	1	. Screen	
7	4700935267	1	. List	
8	4700938017	1	. Lock	
9	4700908581	1	. Washer	C
10	4700908582	1	. Cover	D
12	4700908583	1	. Bracket	D
13	4700908580	1	. Lock pin	C
14	4700935250	1	. Rod	
15	4700935249	1	. Retainer	
16	4700935248	1	. Turning mechanism	
17	4700935247	1	. Leader	
18	4700935246	1	. Seal	
19	4700935244	1	. Door handle with key	D
20	4700935245	1	. Seal	
21	4700935270	1	. List	
22	4700937392	1	. Screen	
23	4700935269	1	. List	
24	4700935273	2	. Hinge	
25	4700935271	4	. Washer, Flexible rubber	
26	4700935272	4	. Washer, Black	
27	4700935276	1	. Bracket	
28	4700935266	1	. List	
29	4700937390	1	. Screen	
30	4700935265	1	. List	
31	4700908545	B 1	. Seal list	B
32	4700937393	1	. Screen	
33	4700908499	1	. Rubber list	D
34	4700935253	1	. Lock	
35	4700908987	C 1	. Seal	B
36	4700935255	1	. List	
37	4700935256	1	. List	
38	4700935257	1	. Ventilating grill	
39	4700935258	1	. Panel plate	
40	4700935260	1	. Panel	
41	4700935261	1	. Panel	
42	4700935262	1	. Support list	
43	4700935263	1	. Panel	
44	4700938043	1	. Panel	
45	4700938024	1	. Door stop	
46	4700937121	2	. Ball joint	D
47	4700938018	1	. Gas spring	
48	4700936600	2	. Screw	
49	4700935275	1	. Rubber washer	
50	4700936601	2	. Washer	
51	4700936602	4	. Nut M5	
52	4700935274	2	. Screw	
53	4700600006	2	. Washer	C
54	4700586003	2	. Lock nut M8	C
55	4700937056	1	. Hinge, cpl	D
	4700937057	1	. . Pin	D
56	4700513025	4	. Screw	D

- A) L=1,4 M
- B) L=1,1 M
- C) L=0,75 M

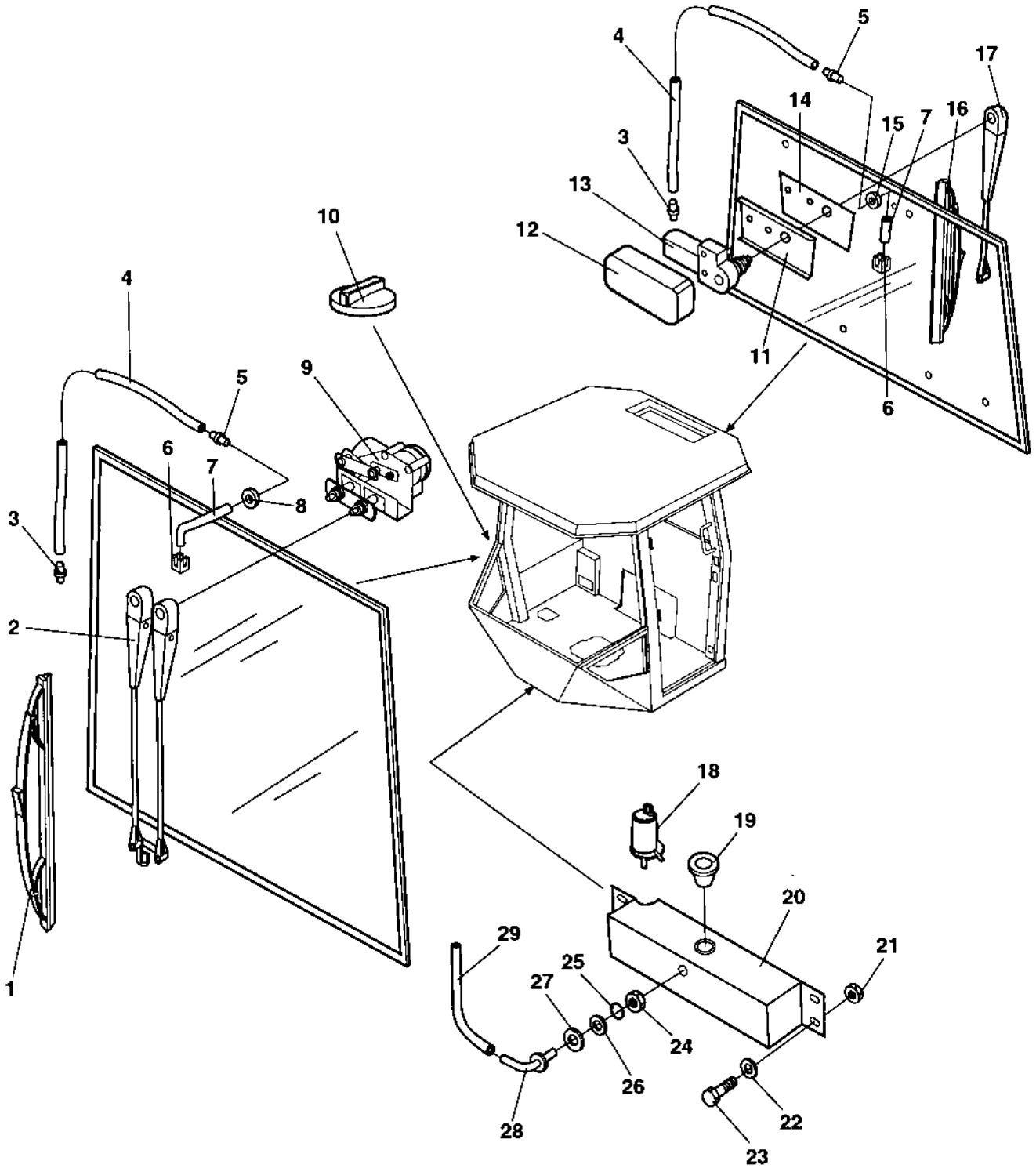
Cab Door



Cab Door

Item	Part No	Rem Qty	Description	Code
57	4700938318	2	. Screw	
58	4700938319	2	. Washer	

Cab Wipers front and rear



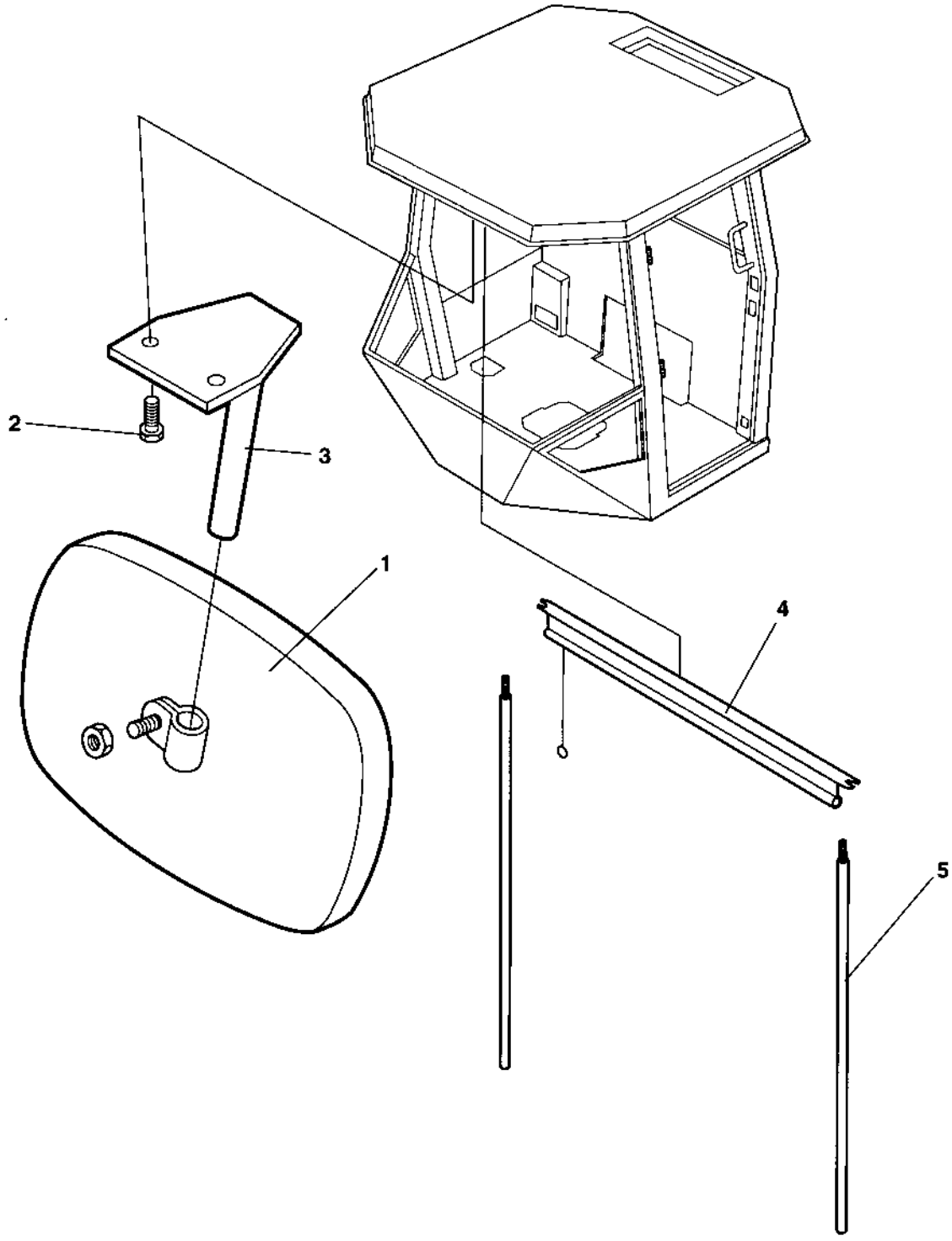
Cab Wipers front and rear

Item	Part No	Rem	Qty	Description	Code
1	4700905306		1	Wiper blade	B
2	4700905305		1	Wiper arm	C
3	4700908564		2	Check valve	C
4	4700908563	A	2	Plastic hose	D
5	4700938136		2	Elbow adapter 90	
6	4700908559		2	Nozzle	A
7	4700908560	B	2	Rubber hose	D
8	4700909510		1	Grommet	C
9	4700905304		1	Wiper motor	C
10	4700904114		1	Fuel cap	D
11	4700905309		1	Holder plate	D
12	4700905308		1	Protecting cover	D
13	4700905307		1	Wiper motor	C
14	4700905310		1	Shim	C
15	4700908497		1	Grommet	D
16	4700905312		1	Wiper blade	B
17	4700905311		1	Wiper arm	C
18	4700935335		1	Pump	
19	4700938660		1	Grommet	C
20	4700935334		1	Water reservoir	
21	4700586002		4	Lock nut M6 -8	C
22	4700904228		4	Washer 6,4x12x1,5	C
23	4700500075		4	Screw M6-1,0x25 8.8	C
24	4700938661		1	Nut	
25	4700938662		1	O-ring	
26	4700938664		1	Washer	
27	4700938663		1	Washer	
28	4700938665		1	Adapter	
29	4700938666		1	Hose	

A) L=5,0 M

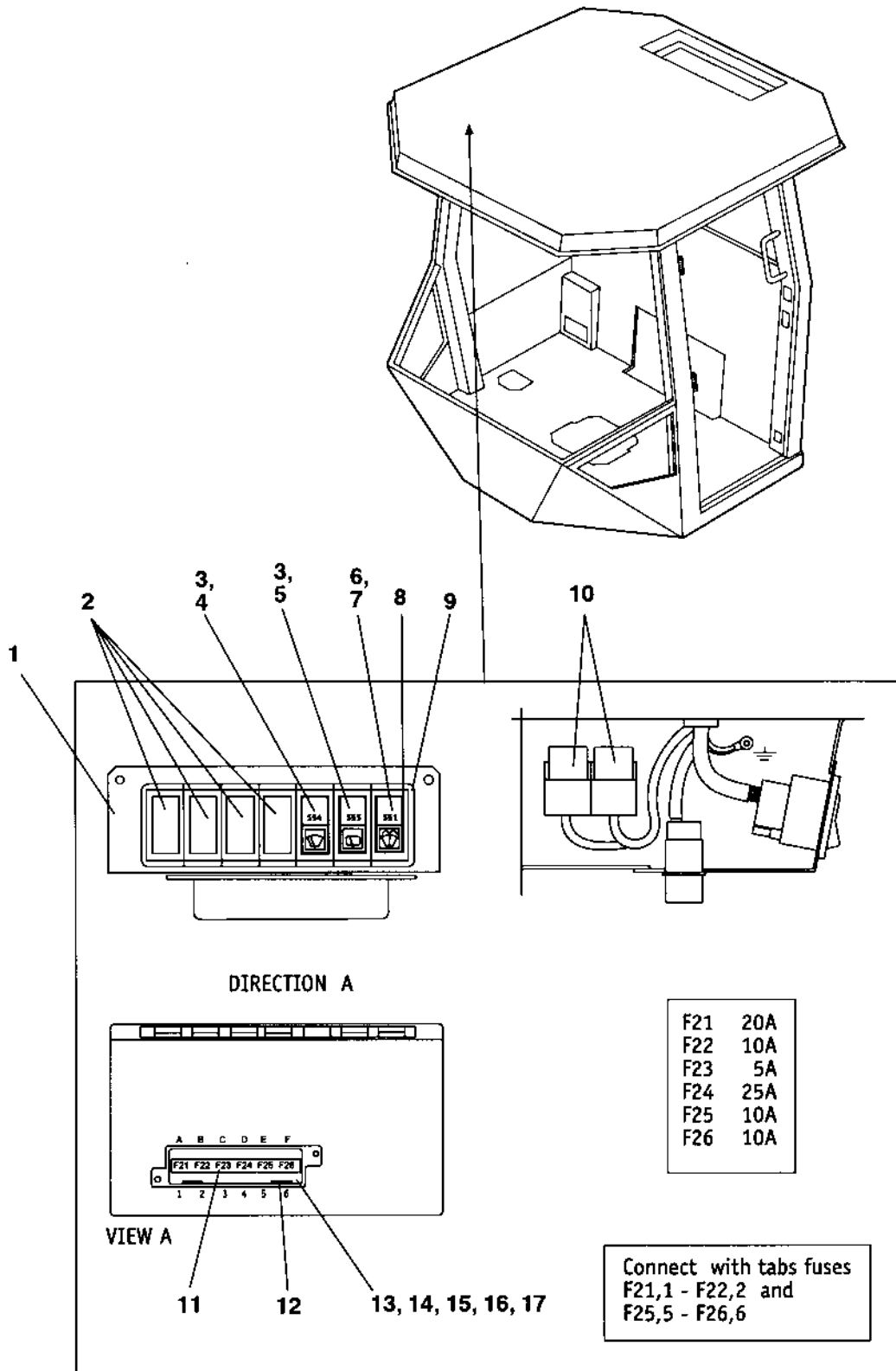
B) L=1.0 M

Cab Mirror, Sun curtain



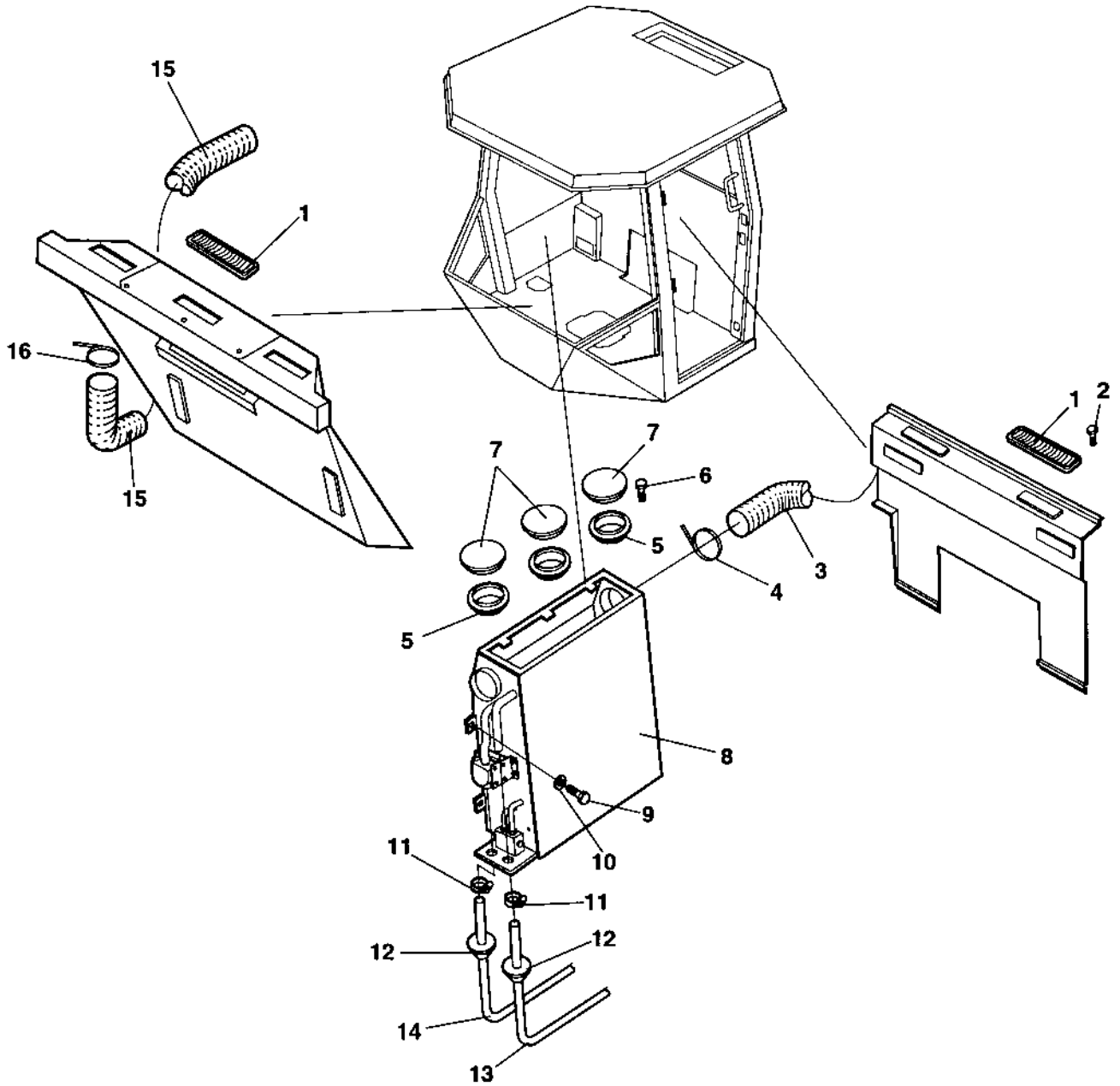
Cab Mirror, Sun curtain

Item	Part No	Rem Qty	Description	Code
1	4700908624	1	Rear mirror	D
2	4700500006	2	Screw M5x16	C
3	4700908623	1	Bracket	D
4	4700938667	1	Sun curtain	
5	4700938668	1	Sun curtain, bar kit	



Cab Electric

Item	Part No	Rem Qty	Description	Code
1	4700908611	1	Bracket	D
2	4700908607	4	Cover	D
3	4700908617	2	Switch	B
4	4700908605	1	Symbol, wiper	D
5	4700938687	1	Symbol, wiper	D
6	4700908618	1	Symbol, washer	D
7	4700908603	1	Switch	B
8	4700908610	2	Modular panel	D
9	4700908606	5	Modular panel	D
10	4700938022	1	Relay	
11	4700938688	1	Decal	
12	4700901240	2	Connector	B
13	4700908613	1	Fuse box	D
14	4700901225	1	Fuse 5A	A
15	4700903741	1	Fuse 20A Yellow Medium	A
16	4700901229	1	Fuse 25A	A
17	4700901227	3	Fuse 10A	A



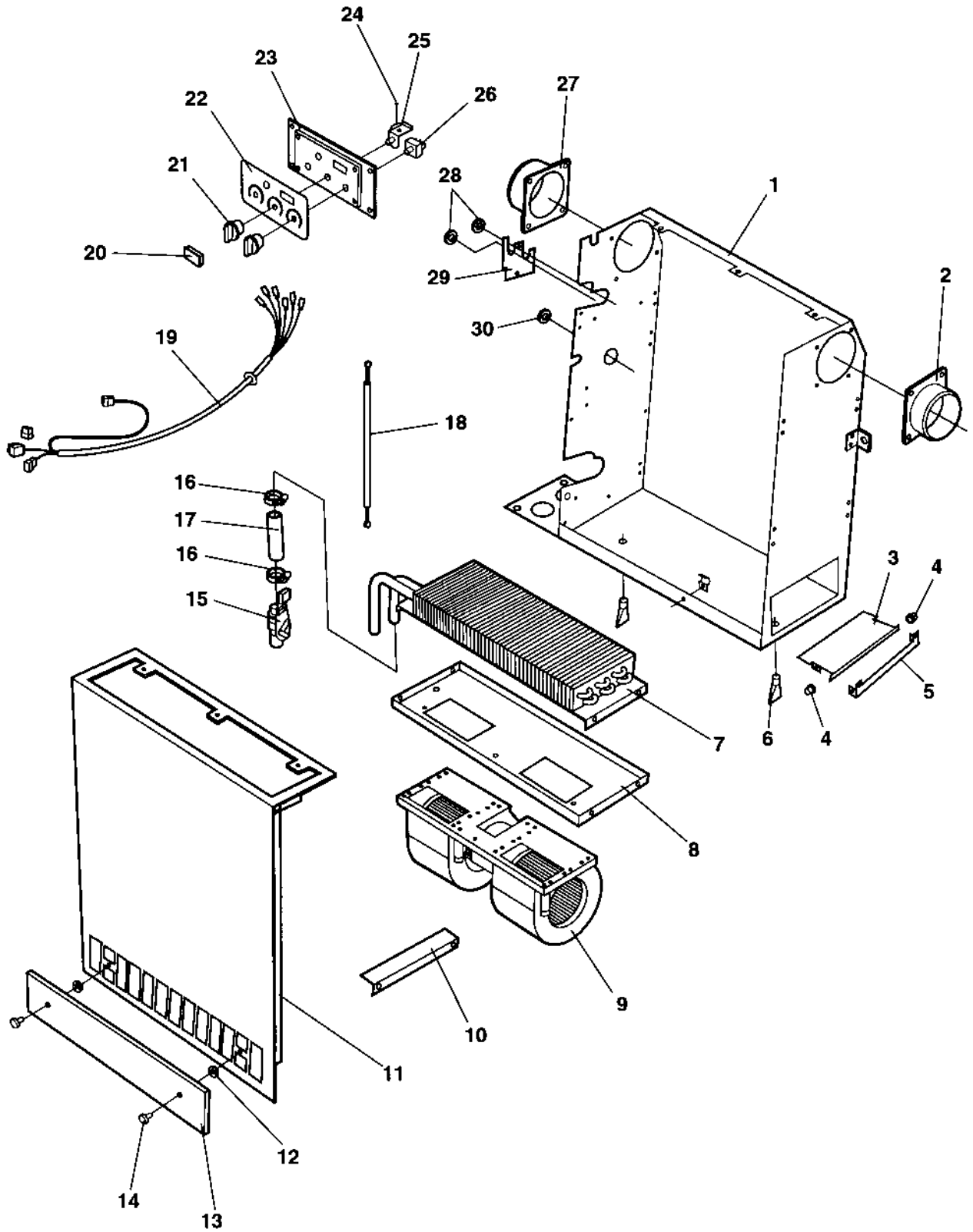
Cab Heater system

Item	Part No	Rem Qty	Description	Code
1	4700908598	11	Nozzle	A
2	4700938680	22	Screw	
3	4700935572	1	Hose	
4	4700935570	1	Clamp	
5	4700385443	3	Ring	D
6	4700938691	9	Screw	C
7	4700385442	3	Air nozzle	D
8	4700385434	1	Cab heater, cpl (Page 252)	
9	4700500015	7	Screw M6X30 8.8	C
10	4700904229	7	Steel plain washer 8,4x16x1,5	C
11	4700313003	2	Hose clamp	D
12	4700908496	5	Grommet	D
13	4700937737	A	Hose	
14	4700937737	B	Hose	
15	4700908599	1	Hose	C
16	4700908600	2	Clamp	D

A) L=3,6 M

B) L=2,8 M

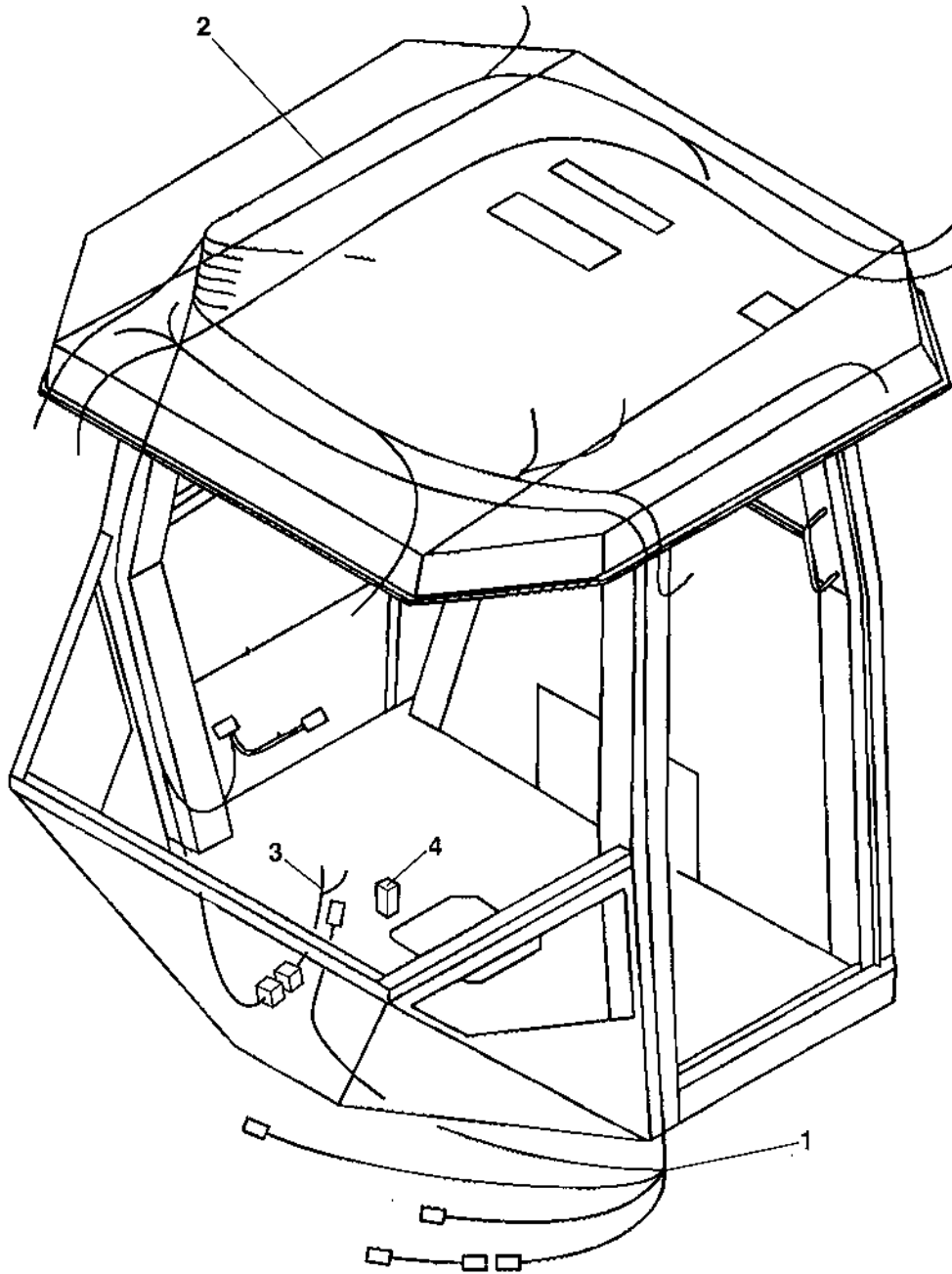
4700385434 Cab heater, cpl



4700385434 Cab heater, cpl

Item	Part No	Rem Qty	Description	Code
1	4700938625	1	Casing	
2	4700938633	1	Hose adapter	
3	4700938629	1	Cover	
4	4700938635	2	Sleeve	
5	4700938630	1	Bracket	
6	4700938636	2	Drain valve	C
7	4700938639	1	Heater coil	
8	4700938627	1	Fan bracket	
9	4700938638	1	Fan	C
10	4700938641	1	Coil bracket	
11	4700938626	1	Cover	
12	4700938643	1	Plug	C
13	4700938640	1	Cover	
14	4700938634	2	Knob	D
15	4700939693	A 1	Heater control valve	
16	4700313003	2	Hose clamp	D
17	4700384881	1	Hose	D
18	4700938645	1	Bowden cable	
19	4700938647	1	Cable harness	C
20	4700938643	1	Plug	C
21	4700938620	2	Knob	D
22	4700938618	1	Decal	D
23	4700938617	1	Control panel	D
24	4700385134	1	Lock washer	D
25	4700938621	1	Rotary control	
26	4700938622	1	Switch	B
27	4700938632	1	Hose adapter	C
28	4700384927	2	Grommet	D
29	4700938628	1	Cover	
30	4700938644	1	Cap	C

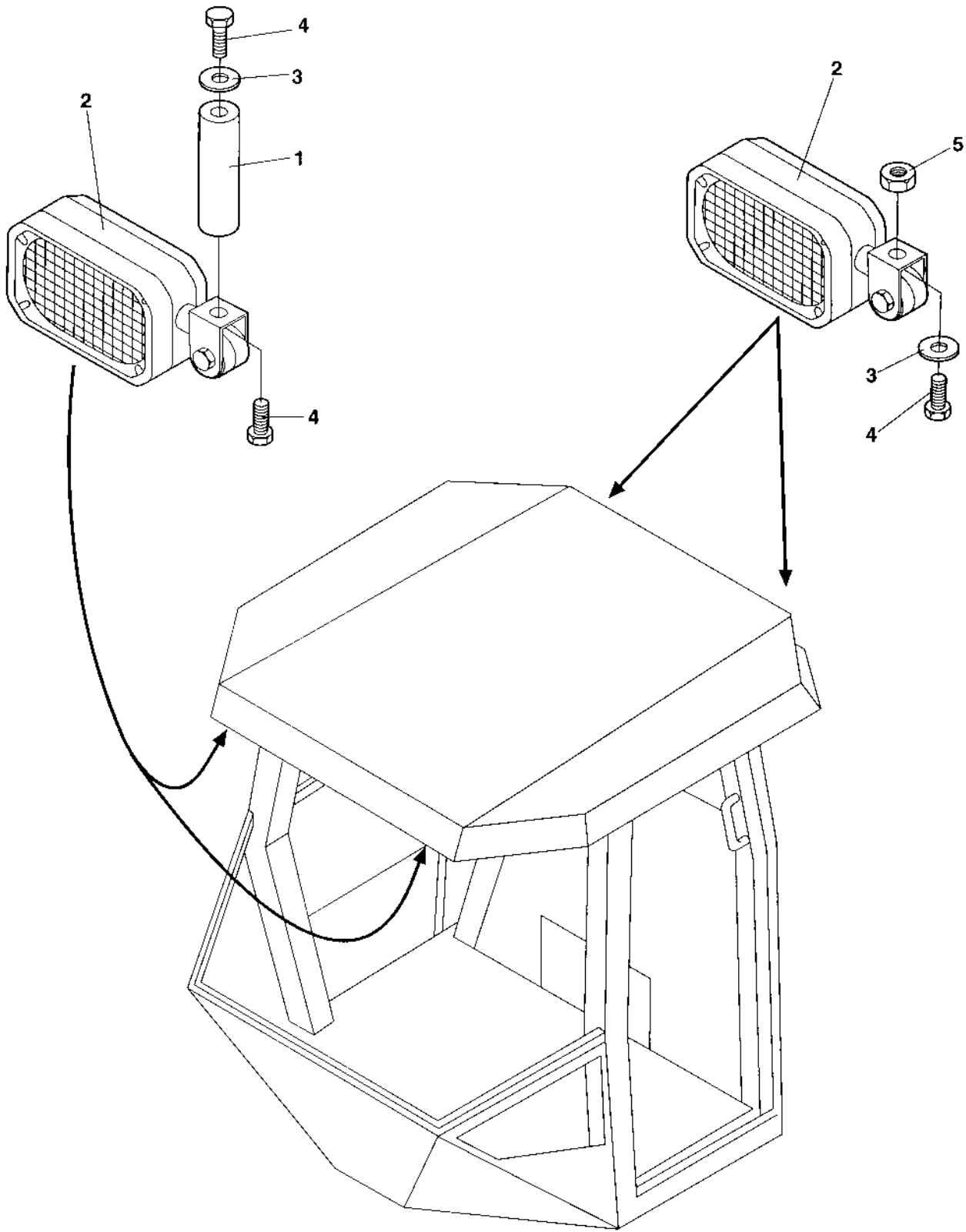
A) Replaces Heater control valve P/N 4700938642.



Cab Cable harness

Item	Part No	Rem	Qty	Description	Code
1	4700938689		1	Cable harness	
2	4700938690		1	Cable harness	
3	4700388981	A	1	Cable harness	D
4	4700901227	A	1	Fuse 10A	A

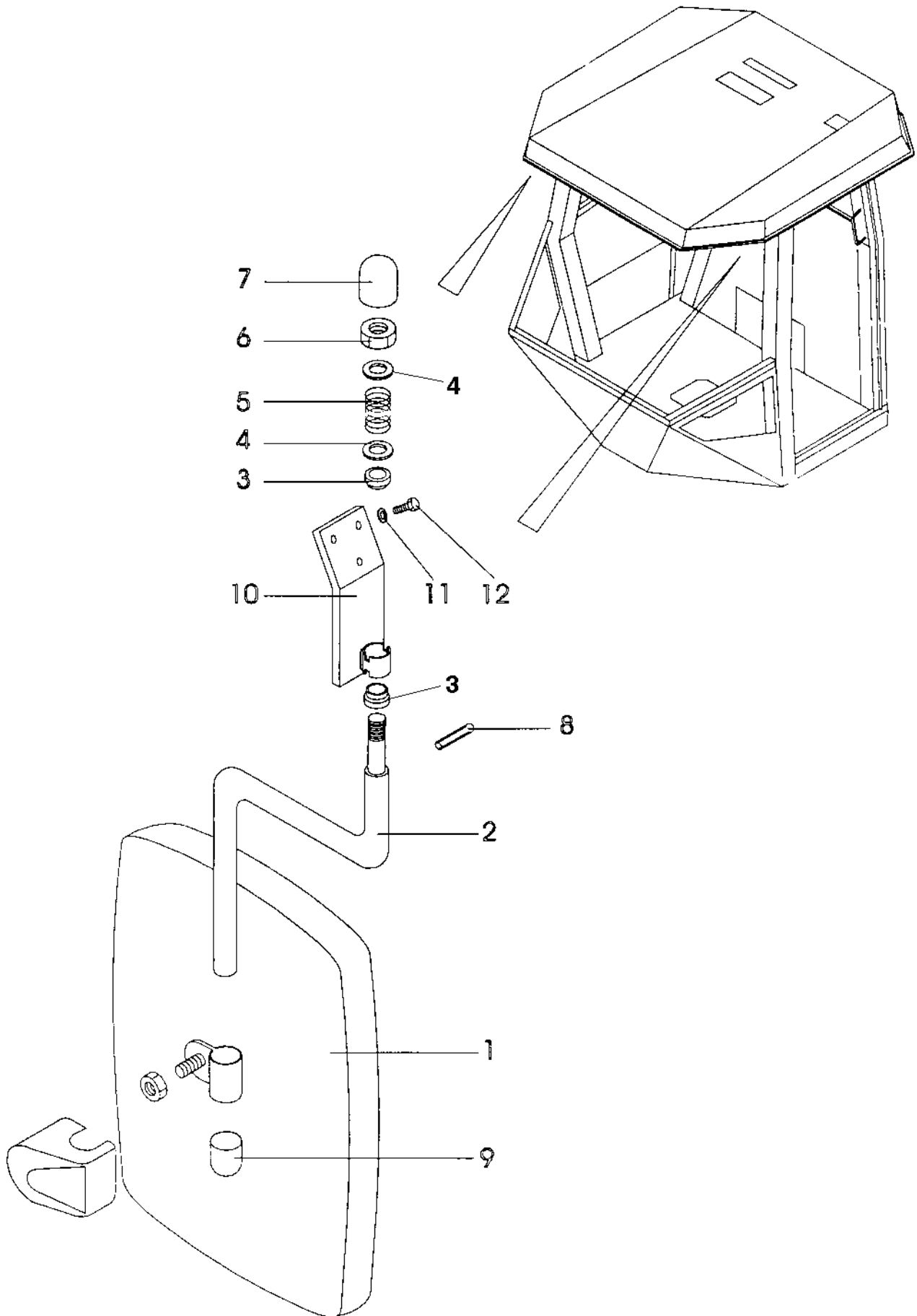
A) Used together with 12V contact.



Cab Work lights

Item	Part No	Rem Qty	Description	Code
1	4700908359	2	Distance	D
2	4700908267	4	Working light	B
3	4700904229	4	Steel plain washer 8,4x16x1,5	C
4	4700500019	6	Hexagon head screw M8x16H 8,8	C
5	4700586003	2	Lock nut M8	C

Cab Exterior, rear mirror

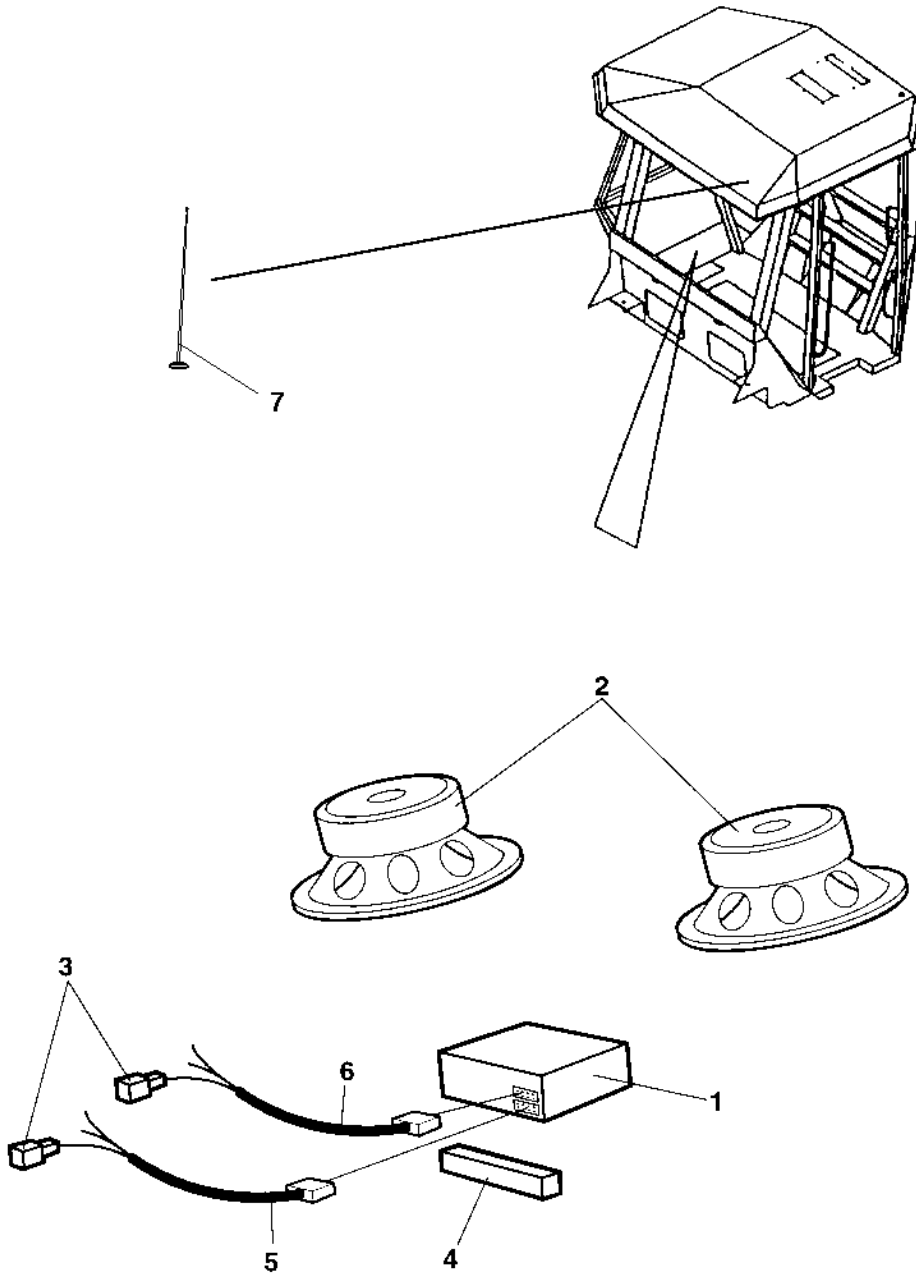


Cab Exterior, rear mirror

Item	Part No	Rem	Qty	Description	Code
1	4700371730	A	2	Rear view mirror, cpl	D
	4700908265		1	. Rear view mirror	D
2	4700908355		1	. Arm	D
3	4700908625		2	. Sleeve	C
4	4700904232		2	. Washer	C
5	4700908626		1	. Spring	D
6	4700586021		1	. Nut M16	
7	4700908627		1	. Cap	C
8	4700629066		1	. Spirol pin	D
9	4700908628		1	. Cap	C
10	4700908361		1	. Bracket	D
11	4700904229		6	Steel plain washer 8,4x16x1,5	C
12	4700500019		6	Hexagon head screw M8x16H 8,8	C

A) Option

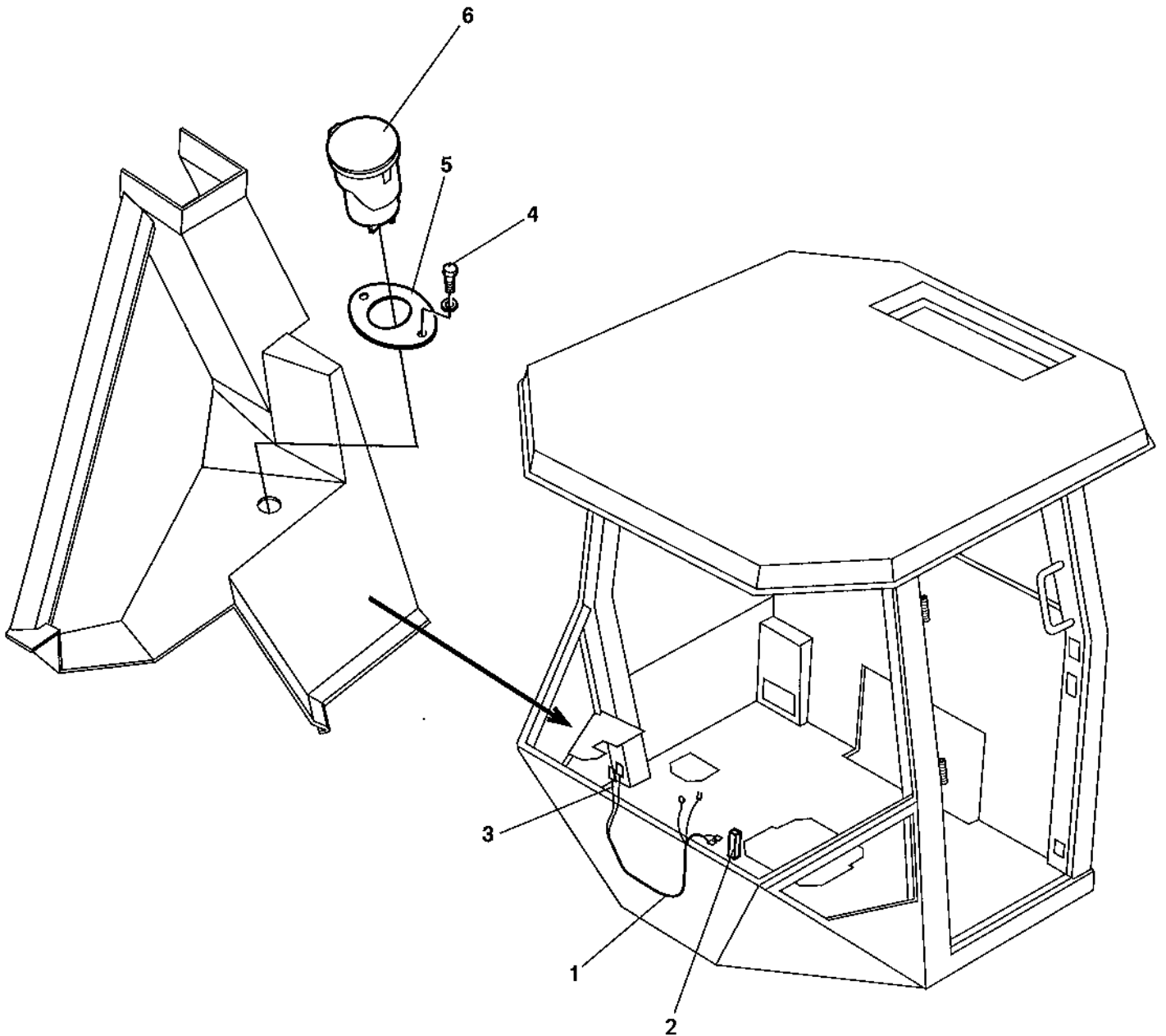
Radio and cassette/cd player Option



Radio and cassette/cd player Option

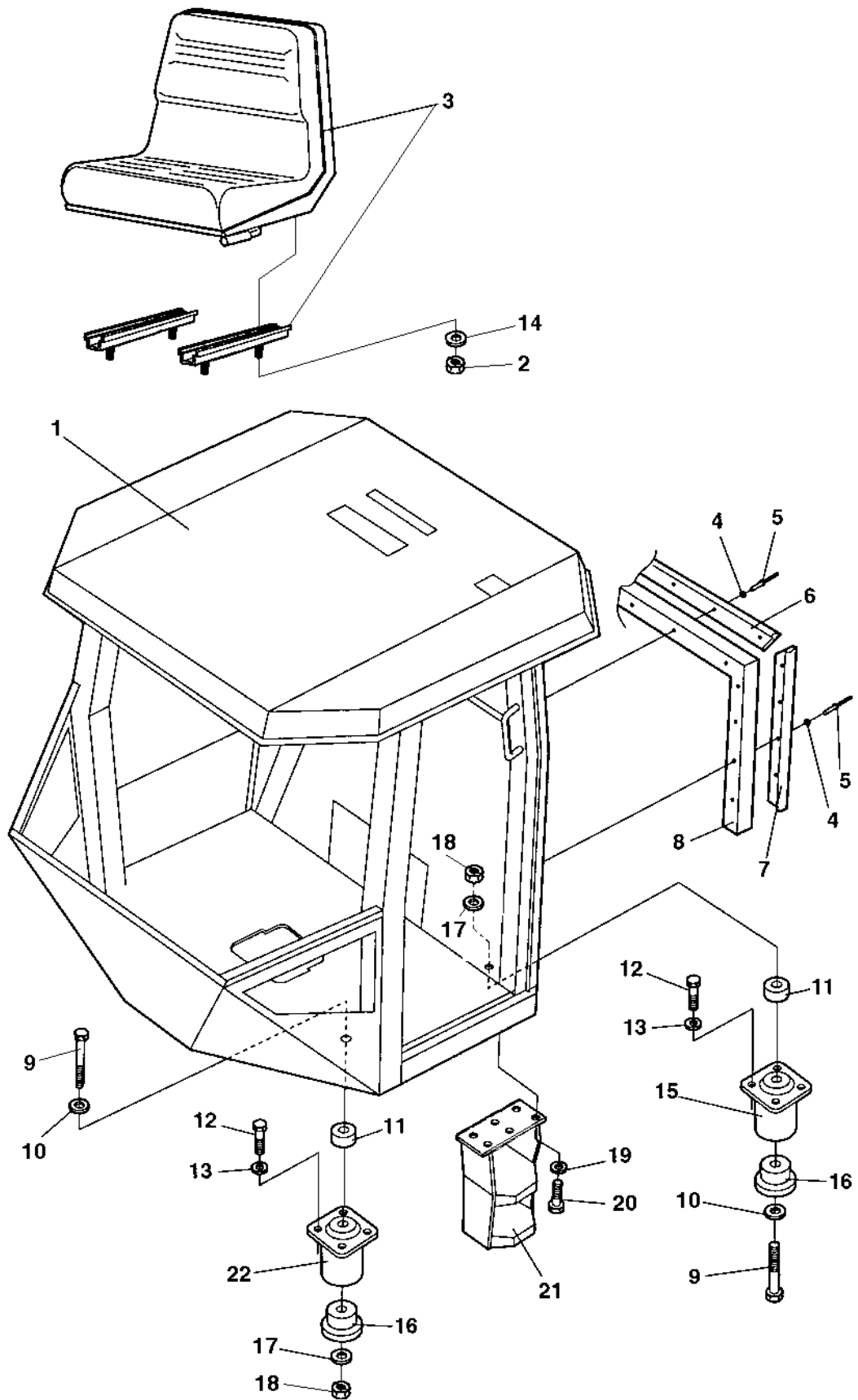
Item	Part No	Rem	Qty	Description	Code
1	4700904939		1	Radio and cassette player	D
	4700791967		1	Radio and cd player	D
2	4700791968	A	1	Loud speakers	
3	4700927403	B	7	Terminal	D
4	4700202043	C	1XL	Rubber strip	D
5	4700904969		1	Power connection	D
6	4700904970		1	Speaker connection	D
7	4700937165		1	Antenna	D

- A) 2 pcs
- B) Female
- C) L=0.2 m



Cab, 12V contact

Item	Part No	Rem Qty	Description	Code
1	4700388981	1	Cable harness	D
2	4700901227	1	Fuse 10A	A
3	4700939603	1	Cable harness	
4	4700938691	2	Screw	C
5	4700939521	1	Sign 12V	
6	4700939522	1	Contact 12V	



Cab mounting

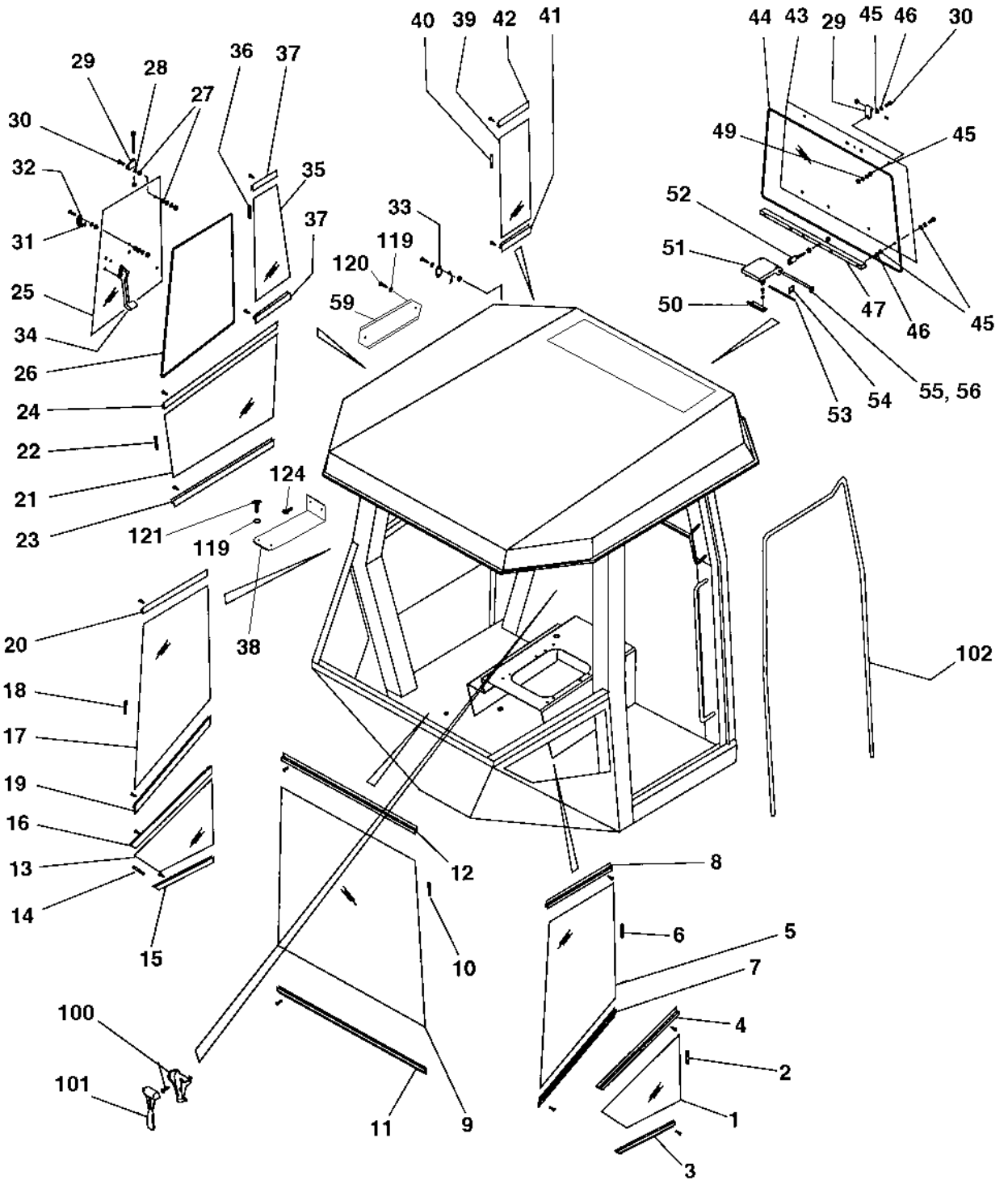
Item	Part No	Rem	Qty	Description	Code
1				Cab 4700378308 (Page 266)	
2	4700570005		4	Nut M8	C
3	4700377518	D	1	Drivers seat, cpl	D
4	4700927974		13	Washer	C
5	4700904433		13	Blind rivet	
6	4700372785		1	List	D
7	4700382582		2	List	D
8	4700372494	A	N	Rubber strip	D
9	4700791218		4	Screw M20x200	D
10	4700904233		4	Washer 21x36x3	C
11	4700384759		4	Spacer	D
12	4700500195		16	Screw	C
13	4700904231		16	Washer 13x24x2 300 HV	C
14	4700904229		4	Steel plain washer 8,4x16x1,5	C
15	4700374606	B	2	Shock absorber Green	D
16	4700372457		4	Back-up ring	C
17	4700903290		4	Washer 21x36x6	C
18	4700901145		4	Lock nut M20-10	
19	4700904230		6	Steel plain washer	C
20	4700500029		6	Hexagon head screw	C
21	4700376252		1	Step	D
22	4700374607	C	2	Shock absorber Yellow	D
23	4700382397		2	Spacer	D

- A) L=2400 mm
- B) Rear
- C) Front
- D) Option

Cab 4700378308

Item	Part No	Rem Qty	Description	Code
130			Cab Screens (Page 268)	
140			Cab Door, left side (Page 272)	
150			Cab Interior rear mirror (Page 274)	
170			Wiper arm with blade, front (Page 276)	
180			Cab Electric (Page 278)	

Cab Screens

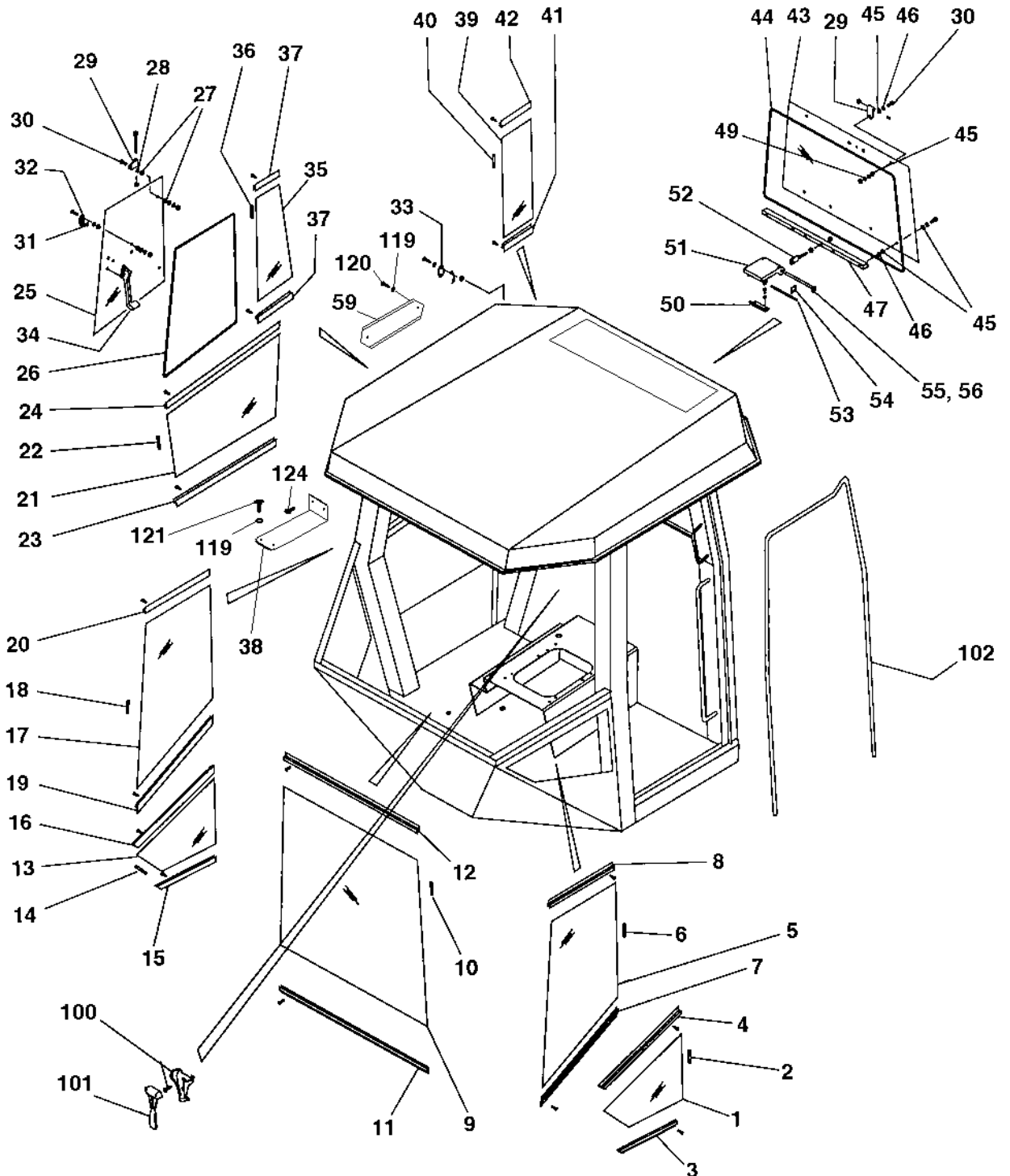


Cab Screens

Item	Part No	Rem Qty	Description	Code
1	4700937380	1	Screen	
2	4700908545	XL	Seal list	B
3	4700935278	1	List	
4	4700935279	1	List	
5	4700937381	1	Screen, left	
6	4700908545	XL	Seal list	B
7	4700935280	1	List	
8	4700935281	1	List	
9	4700937382	1	Screen	
10	4700908545	D	Seal list	B
11	4700935282	1	List	
12	4700935283	1	List	
13	4700937383	1	Screen	
14	4700908545	XL	Seal list	B
15	4700935284	1	List	
16	4700935285	1	List	
17	4700937384	1	Screen	
18	4700908545	C	Seal list	B
19	4700935286	1	List	
20	4700935287	1	List	
21	4700937385	1	Screen	
22	4700908545	A	Seal list	B
23	4700935288	1	List	
24	4700935289	1	List	
25	4700938290	1	Screen	
26	4700908499	E	Rubber list	D
27	4700935271	8	Washer, Flexible rubber	
28	4700935272	8	Washer, Black	
29	4700935273	4	Hinge	
30	4700935274	4	Screw	
31	4700935275	1	Rubber washer	
32	4700935276	1	Bracket	
33	4700935277	1	Lock pin	
34	4700935290	1	Window lock, right	
35	4700938291	1	Screen	
36	4700908545	B	Seal list	B
37	4700935291	1	List	
38	4700379608	1	Cover	D
39	4700938292	1	Screen	
40	4700908545	B	Seal list	B
41	4700935293	1	List	
42	4700938659	1	List	
43	4700937389	1	Screen	
44	4700908499	F	Rubber list	D
45	4700935271	12	Washer, Flexible rubber	
46	4700935272	12	Washer, Black	
47	4700935295	1	Screen holder	
49	4700935296	2	Washer	
50	4700935297	1	Bracket	
51	4700935298	2	Bracket	
52	4700935299	1	Bolt	
53	4700935300	1	Shaft	
54	4700935301	2	Lock	

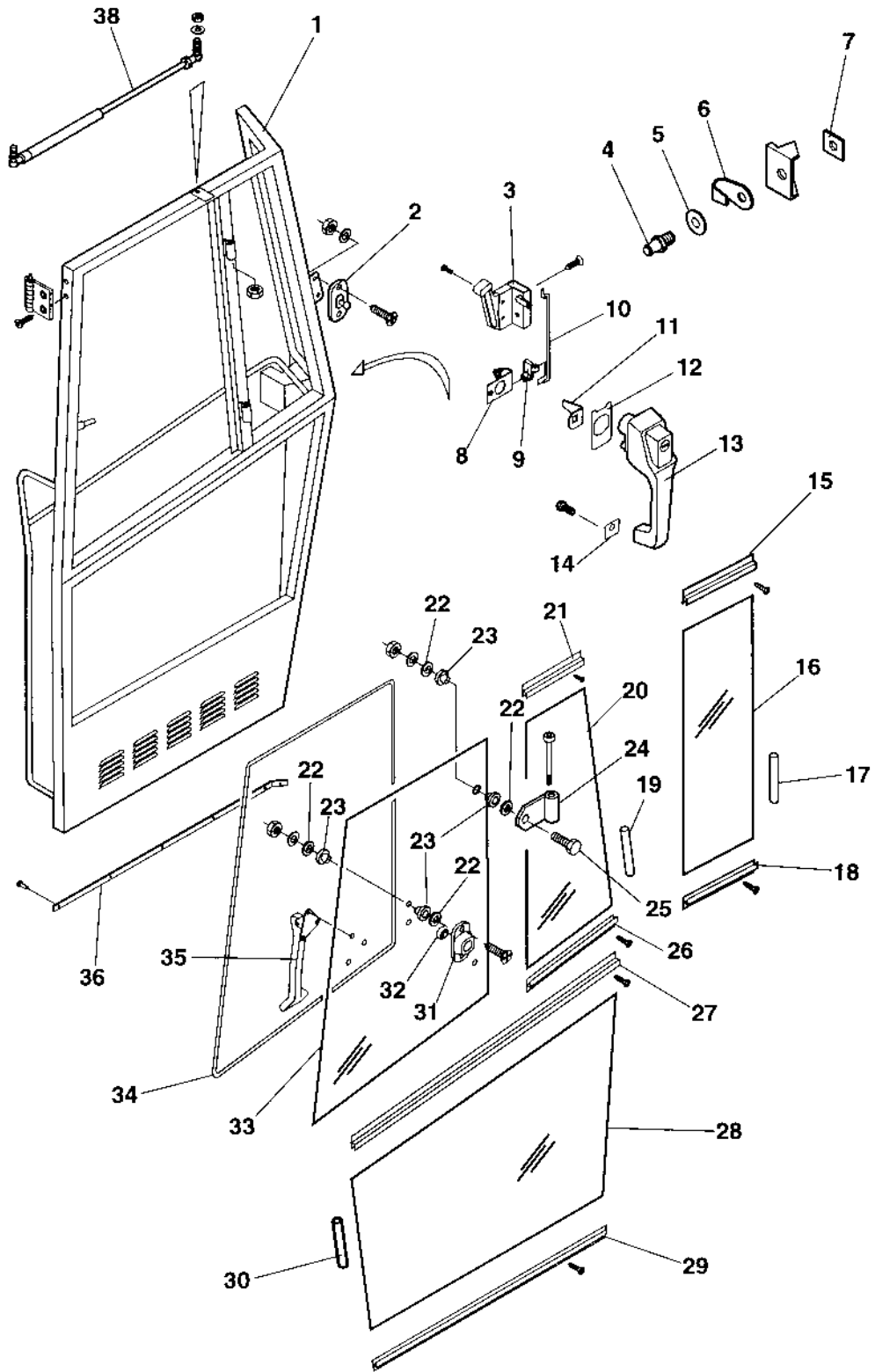
- A) L=1100 mm
- B) L=1400 mm
- C) L=1900 mm
- D) L=2100 mm
- E) L=2700 mm
- F) L=3300 mm

Cab Screens



Cab Screens

Item	Part No	Rem Qty	Description	Code
55	4700935302	1	Rod	
56	4700935303	1	Ring	
59	4700379236	1	Cover	D
100	4700908506	1	Emergency hammer	D
101	4700908507	1	Holder	D
102	4700908499	G 1	Rubber list	D
119	4700904229	16	Steel plain washer 8,4x16x1,5	C
120	4700500019	14	Hexagon head screw M8x16H 8,8	C
121	4700500053	2	Screw M8x20H 8.8	C
124	4700903782	2	Screw M5x12	C
G)	L=5 m			

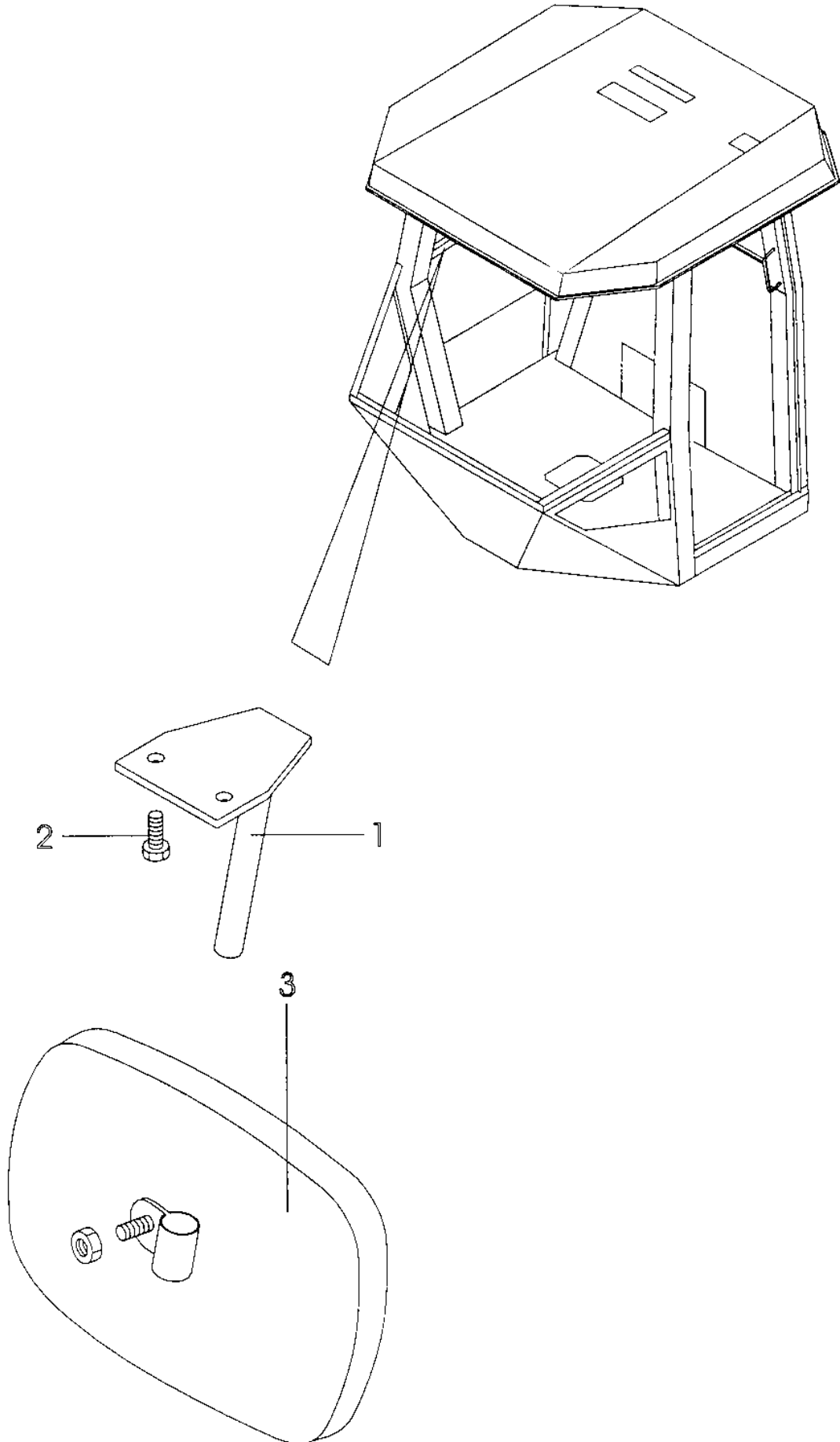


Cab Door, left side

Item	Part No	Rem Qty	Description	Code
	4700940678	1	Door, cpl	D
1	4700390927	1	. Door frame	D
2	4700935277	1	. Lock pin	
3	4700938017	1	. Lock	
4	4700908580	1	. Lock pin	C
5	4700908581	1	. Washer	C
6	4700908582	1	. Cover	D
7	4700908583	1	. Bracket	D
8	4700935248	1	. Turning mechanism	
9	4700935249	1	. Retainer	
10	4700935250	1	. Rod	
11	4700935247	1	. Leader	
12	4700935246	1	. Seal	
13	4700935244	1	. Door handle with key	D
14	4700935245	1	. Seal	
15	4700935268	1	. List	
16	4700937391	1	. Screen	
17	4700908545	A 1	. Seal list	B
18	4700935267	1	. List	
19	4700908545	A 1	. Seal list	B
20	4700937392	1	. Screen	
21	4700935270	1	. List	
22	4700935272	8	. Washer, Black	
23	4700935271	8	. Washer, Flexible rubber	
24	4700935273	2	. Hinge	
25	4700935274	2	. Screw	
26	4700935269	1	. List	
27	4700935266	1	. List	
28	4700937390	1	. Screen	
29	4700935265	1	. List	
30	4700908545	B 1	. Seal list	B
31	4700935276	1	. Bracket	
32	4700935275	1	. Rubber washer	
33	4700937393	1	. Screen	
34	4700908499	C 1	. Rubber list	D
35	4700935253	1	. Lock	
36	4700938101	XL	. Brush profile	
38	4700938018	1	. Gas spring	

- A) L=1400 mm
- B) L=1100 mm
- C) L=2700 mm

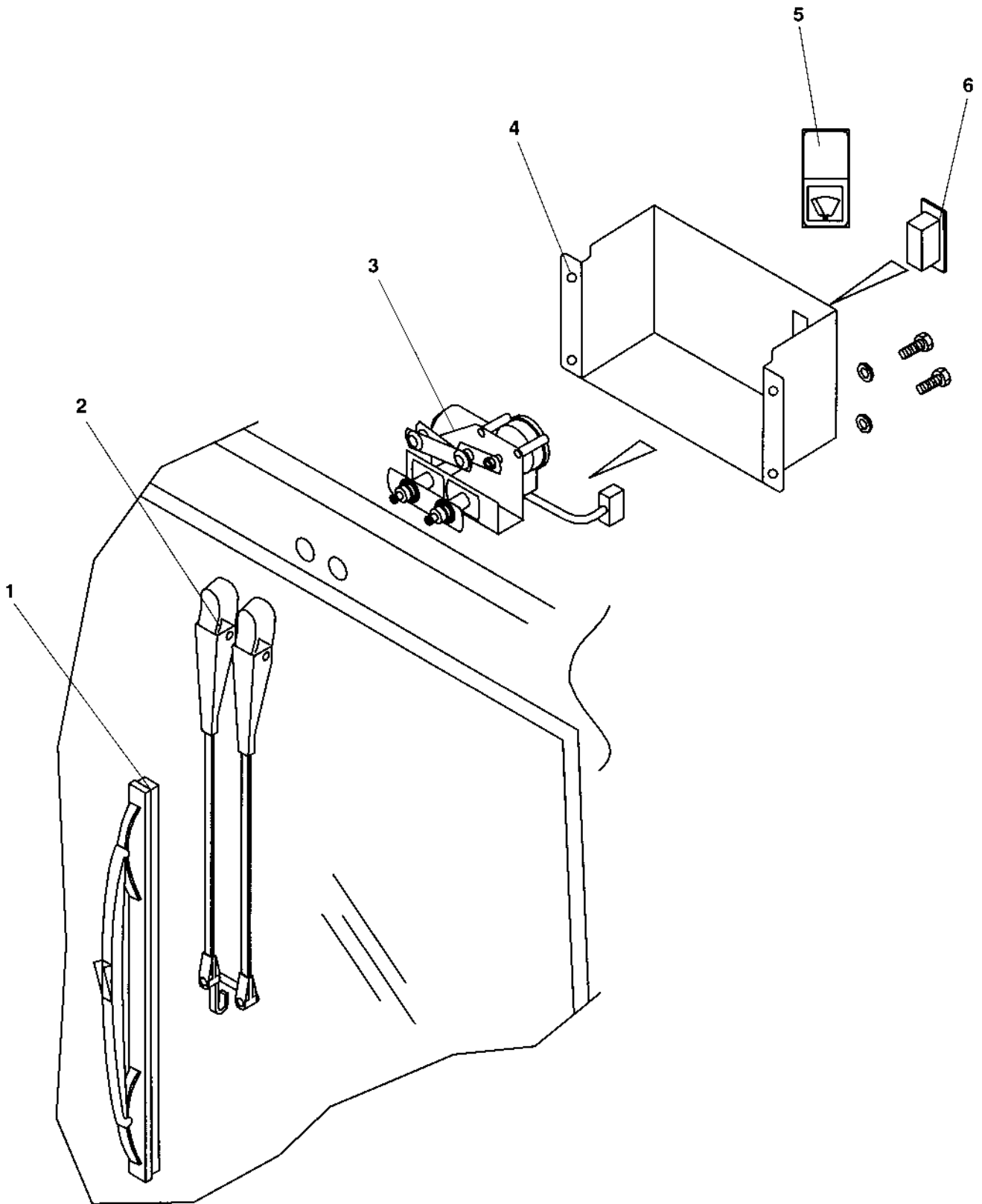
Cab Interior rear mirror



Cab Interior rear mirror

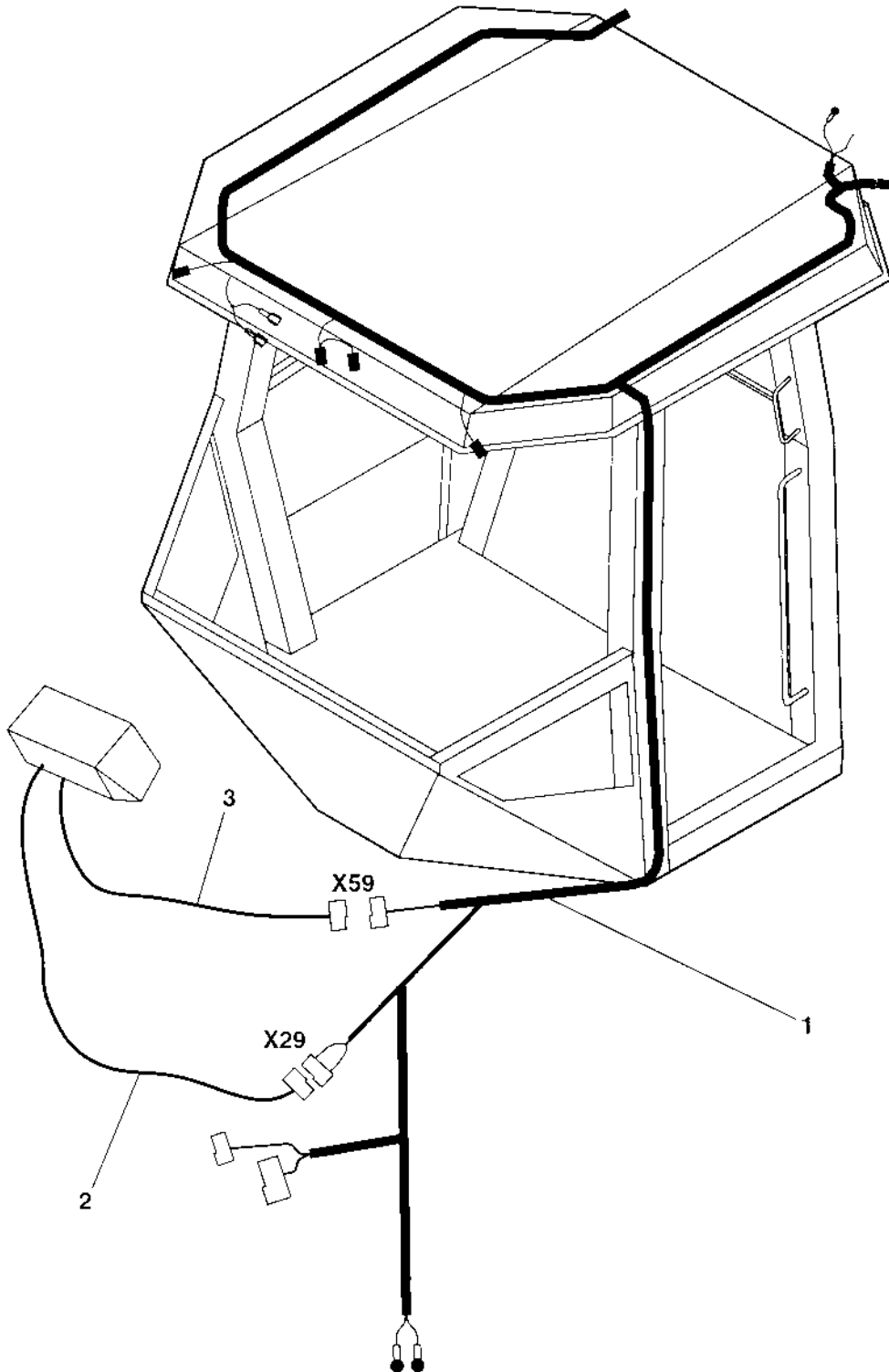
Item	Part No	Rem Qty	Description	Code
1	4700908623	1	Bracket	D
2	4700535005	2	Screw M5x12	D
3	4700908624	1	Rear mirror	D

Wiper arm with blade, front



Wiper arm with blade, front

Item	Part No	Rem Qty	Description	Code
1	4700905306	1	Wiper blade	B
2	4700905305	1	Wiper arm	C
3	4700905304	1	Wiper motor	C
4	4700937871	1	Cover	D
5	4700908605	1	Symbol, wiper	D
6	4700908617	1	Switch	B

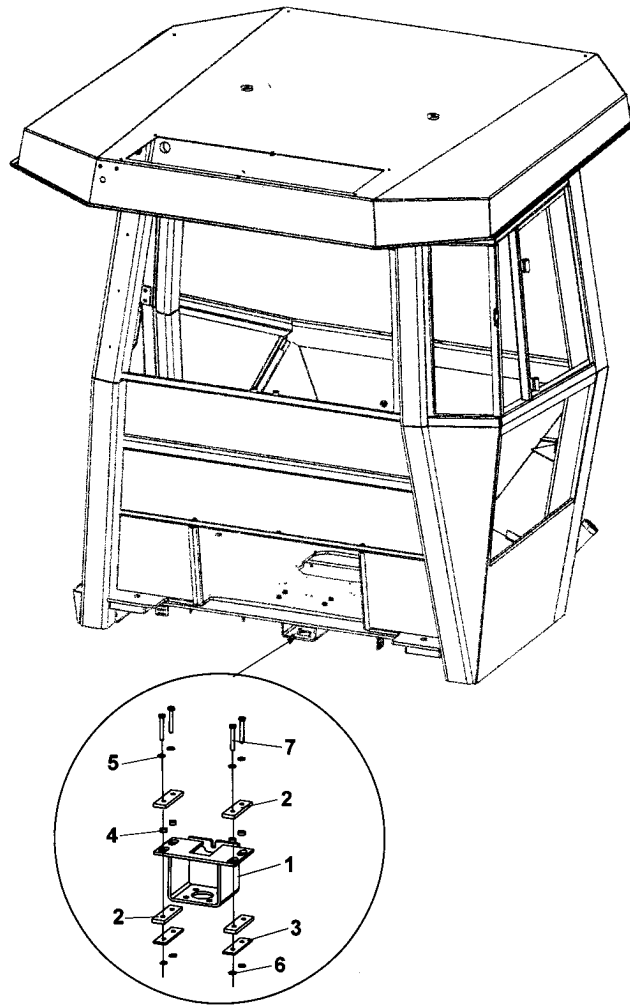


Cab Electric

Item	Part No	Rem	Qty	Description	Code
1	4700937870	A	1	Cable harness	D
2	4700384403	B	1	Cable harness	D
3	4700384402	C	1	Cable harness	D

- A) Main supply
- B) Horn
- C) Windshield wiper

Bracket, Steering valve vibration isolated Option



Bracket, Steering valve vibration isolated Option

Item	Part No	Rem	Qty	Description	Code
1	4812114277		1	Bracket	
2	4812114369		4	Rubber cloth	
3	4812114371		2	Flat bar	
4	4700904984	A	4	Fuel hose	C
5	4700904229		8	Steel plain washer 8,4x16x1,5	C
6	4700586003		4	Lock nut M8	C
7	4700500067		4	Screw M8-1,25x55 8,8	C

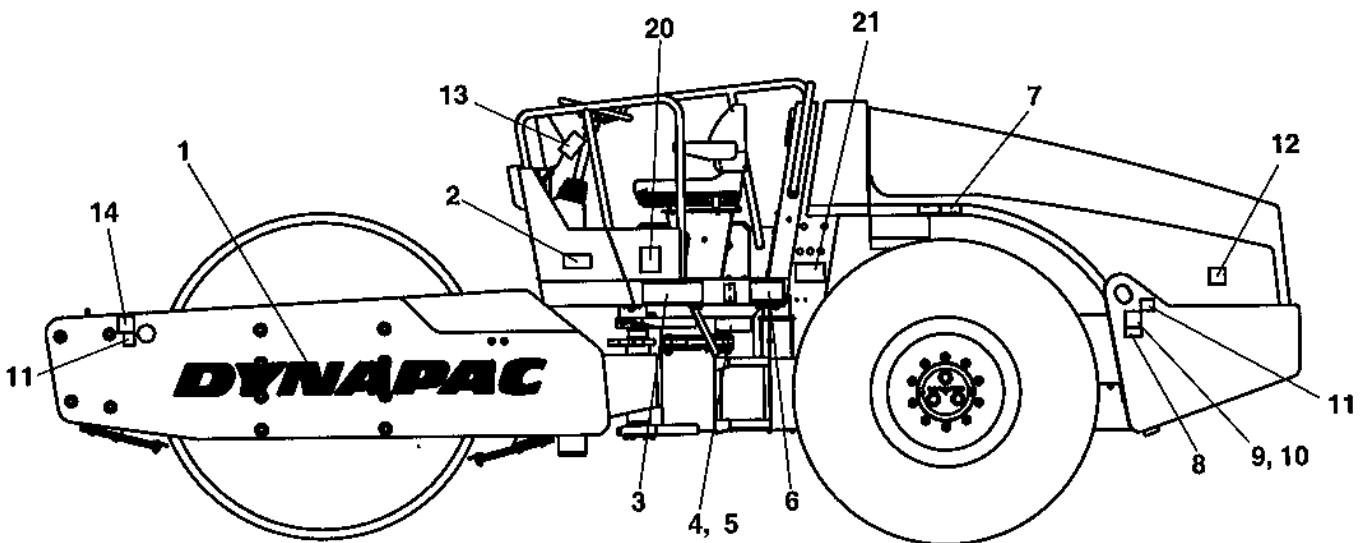
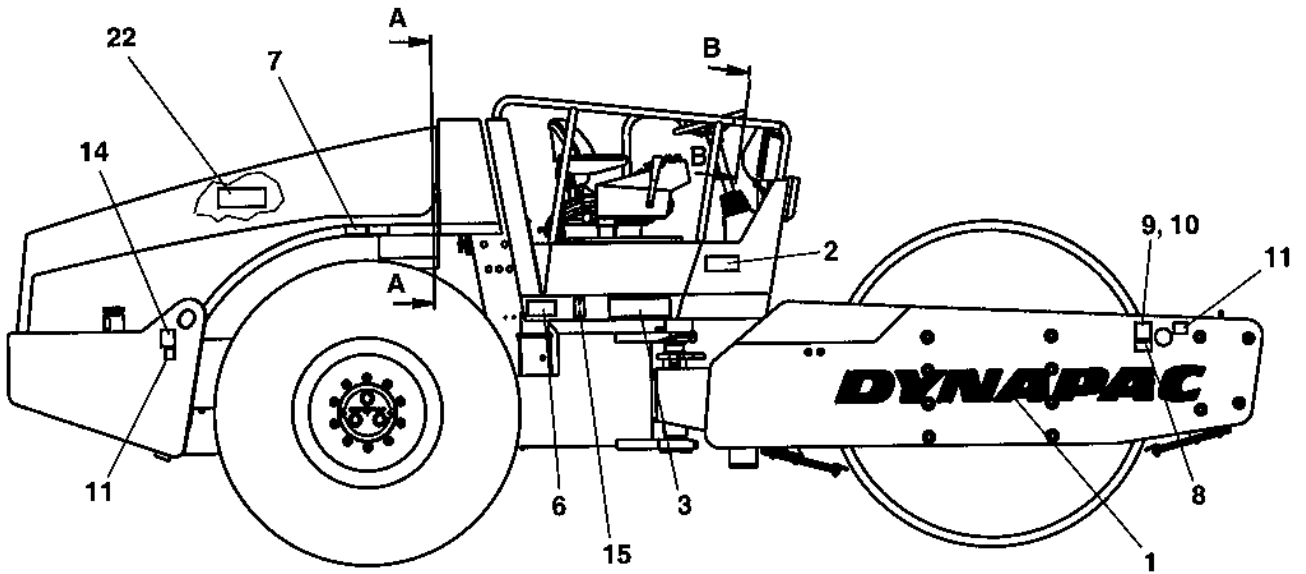
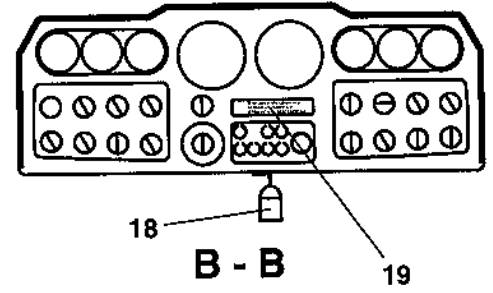
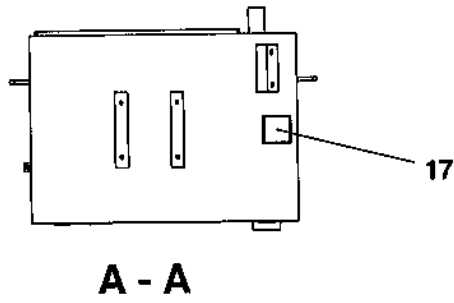
A) L = 0,3 m

Decals

Decals

Item	Part No	Rem Qty	Description	Code
10			Decals (Page 284)	
20			Decals (Page 286)	

Decals

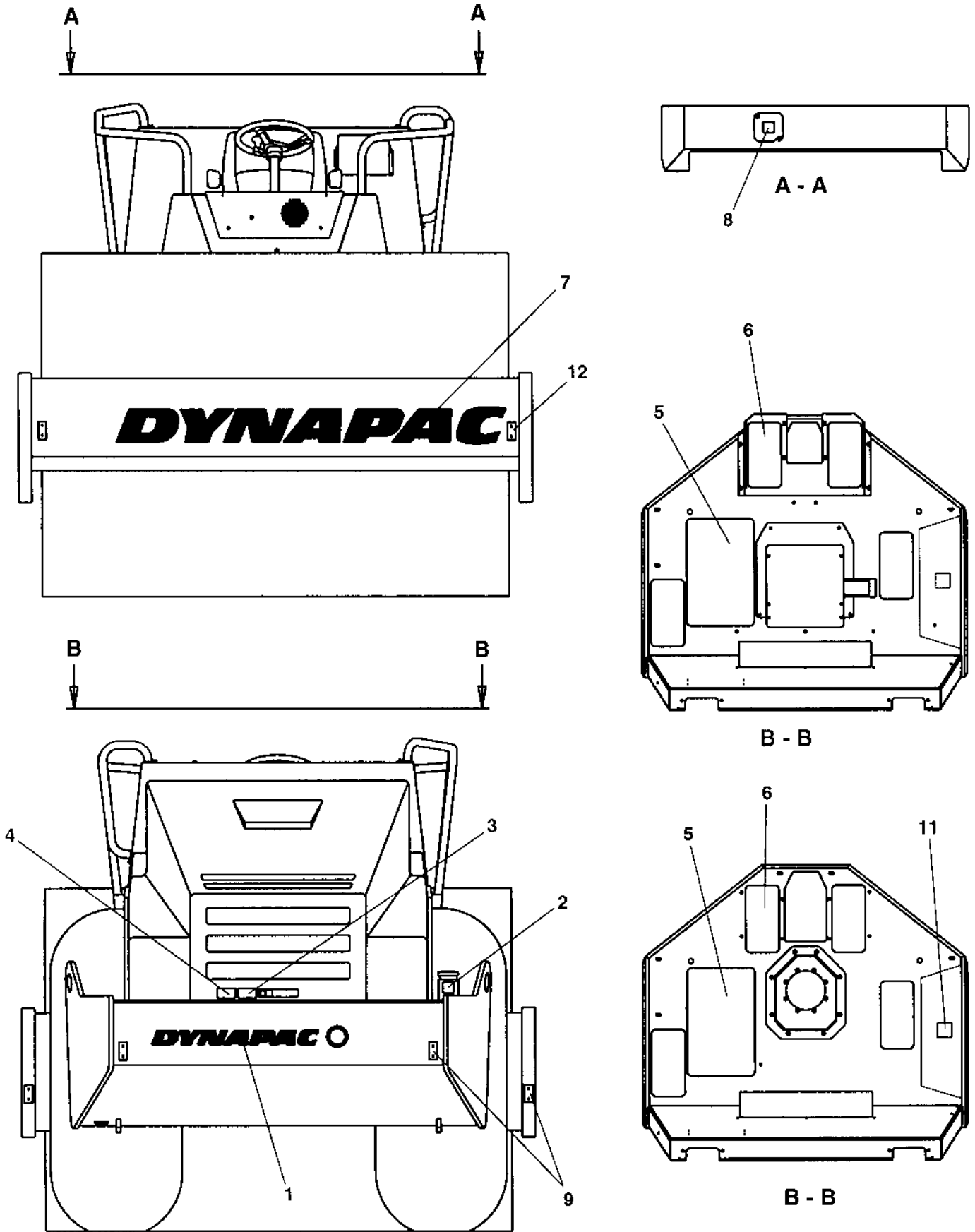


Decals

Item	Part No	Rem Qty	Description	Code
1	4700904068	2	Decal "DYNAPAC" L=1770 mm	
2	4700903422	2	Decal "SAFETY"	D
3	4700904072	2	Decal "MODEL CODE" White	D
	4700904073	2	Decal "MODEL CODE" Red	D
4	F	1	Product identification plate	
	A,F	1	Product identification plate CE	
5	4700624005	4	Blind rivet 3,2x6,1	C
6	4700903459	2	Decal "SAFETY"	D
7	4700991990	2	Decal "TYRE PRESSURE" 110-150kPA/16-21psi	D
8	4700908229	2	Safety decal	D
9	4700904870	2	Lifting sign	D
10	4700624005	8	Blind rivet 3,2x6,1	C
11	4700382751	4	Decal "TIE DOWN POINT"	D
12	4700904835	1	Decal "BATTERY POWER"	D
13	4700384160	1	Loading/Unloading instruction	D
14	4700588176	2	Decal "LIFT POINT"	D
15	4700377744	2	Reflector, yellow	D
17	4700272373	1	Decal "HYDRAULIC OIL"	D
18	4700358881	1	Pad lock	D
19	47386084SED,E	1	Warning plate Swedish	
	47386084END,E	1	Warning plate English	
	47386084DED,E	1	Warning plate German	
	47386084IT D,E	1	Warning plate Italian	
	47386084ESD,E	1	Warning plate Spanish	
	47386084FRD,E	1	Warning plate French	
	47386084NOD,E	1	Warning plate Norwegian	
	47386084DKD,E	1	Warning plate Danish	
	47386084FI D,E	1	Warning plate Finnish	
	47386084PTD,E	1	Warning plate Portuguese	
	47386084NLD,E	1	Warning plate Dutch	
	47386084GRD,E	1	Warning plate Greek	
	47386084IS D,E	1	Warning plate Icelandic	
	47386084CND,E	1	Warning plate Chinese	
	47386084BRD,E	1	Warning plate Brazil	
20	4700791279	1	Decal "Sound power level" 109dB	D
	4700791281	1	Decal "Sound power level" 111dB	D
21	4700791094	1	Decal "RUS 127 approved" Option	D
22	4700791642	1	Decal "WARNING" Use of starting fluid prohib.	D

- A) With CE-Mark
- D) Include country code when ordering plate.
- E) Use Blind rivet P/N 4700624017x2 when mounting.
- F) Not available as sparepart

Decals

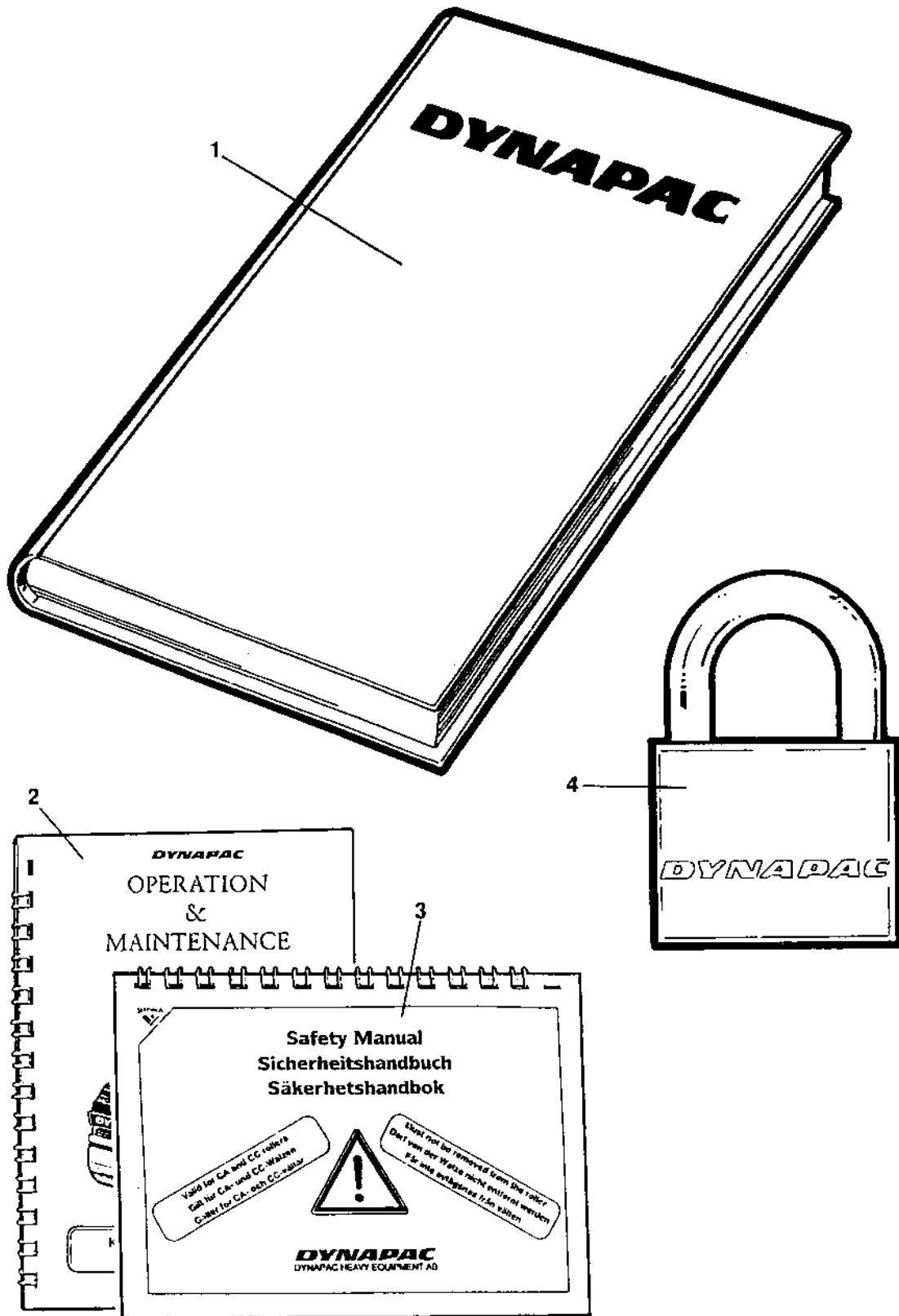


Decals

Item	Part No	Rem Qty	Description	Code
1	4700904069	1	Decal "DYNAPAC" L=760 mm	D
2	4700991658	1	Decal "FUEL"	D
3	4700903423	1	Decal "SAFETY"	D
4	4700903424	1	Decal "HOT SURFACE"	D
5	4700373364	1	Slip protection	D
6	4700373363	4	Slip protection	
7	4700904068	1	Decal "DYNAPAC" L=1770 mm	
8	4700272372	1	Decal "HYDRAULIC OIL"	D
	4700904601	1	Decal "BIO HYDRAULIC OIL"	D
	4700792772	1	Decal "BIO HYDRAULIC OIL" PANOLIN	D
9	4700377742	4	Reflector, red	D
11	4700903425	1	Decal "SAFETY MANUAL"	D
12	4700377743	2	Reflector, white	D

Standard equipment

Item	Part No	Rem Qty	Description	Code
10			Standard equipment (Page 290)	

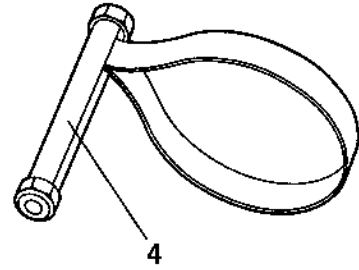
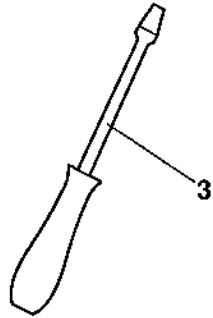
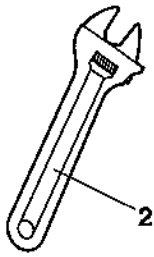


Standard equipment

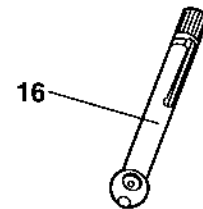
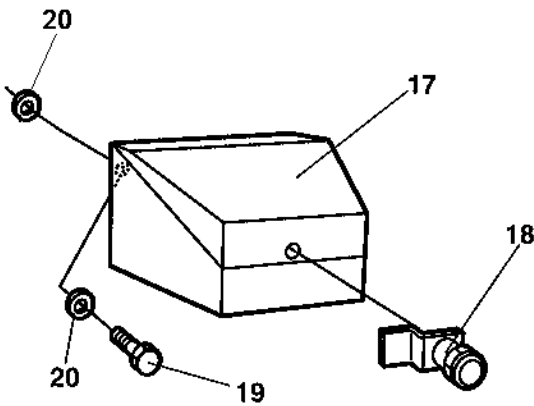
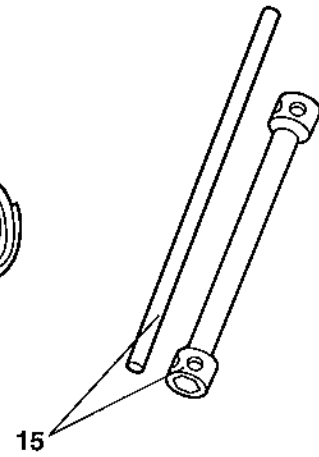
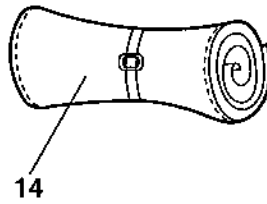
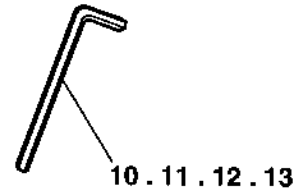
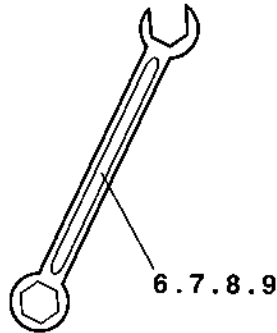
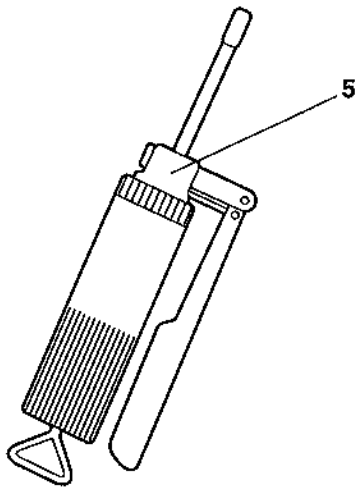
Item	Part No	Rem Qty	Description	Code
1		1	Documentation ISCA602PD	
		1	. Warranty registration card	
		1	. Spare parts catalogue SCA602PD	
		1	. Instruction manual Cummins QSB 6.7C	
2		1	. Operation / maintenance instruction ICA602	
3		1	. Safety manual RSAFE	
4	4700358881	1	Pad lock	D

Optional equipment

Item	Part No	Rem Qty	Description	Code
10			Tool equipment (Page 294)	
20			SMV-sign, First aid box (Page 296)	
30			Canopy (Page 298)	
45			Air conditioner assembly (Page 300)	
48			Air conditioner and heater, Simple cab (Page 302)	
50	4700383413		Condensor, cpl (Page 306)	
55			Air conditioner and heater unit (Page 308)	
70			Evaporator assembly (Page 310)	
100			Fire extinguisher assembly (Page 312)	
105			Fire extinguisher Platform (Page 314)	
110			Fire extinguisher Cab (Page 316)	
126			Anti-spin CA (Page 318)	
			Anti-spin CA (Page 330)	
130			Anti spin, Potentiometer installation (Page 332)	



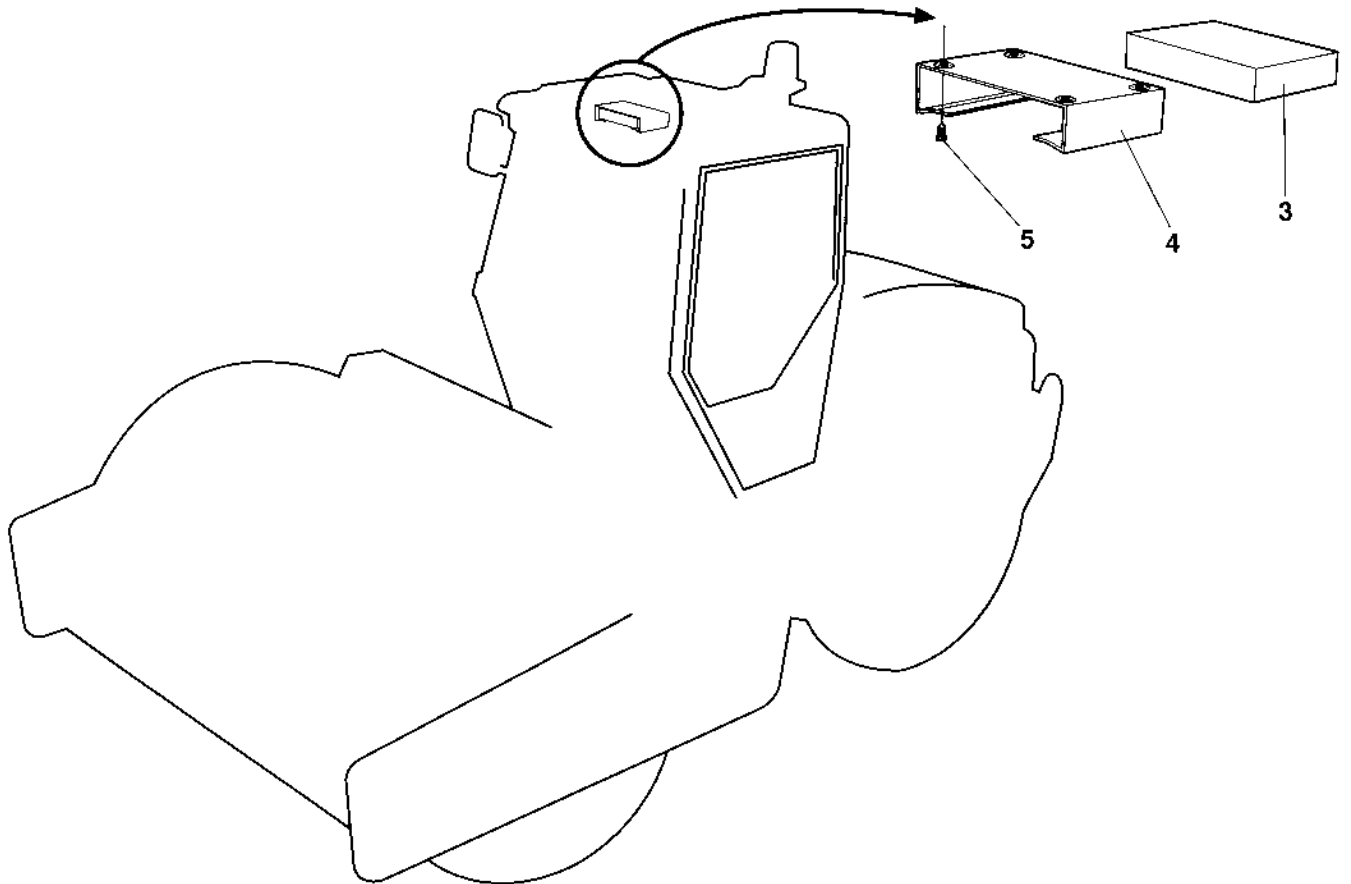
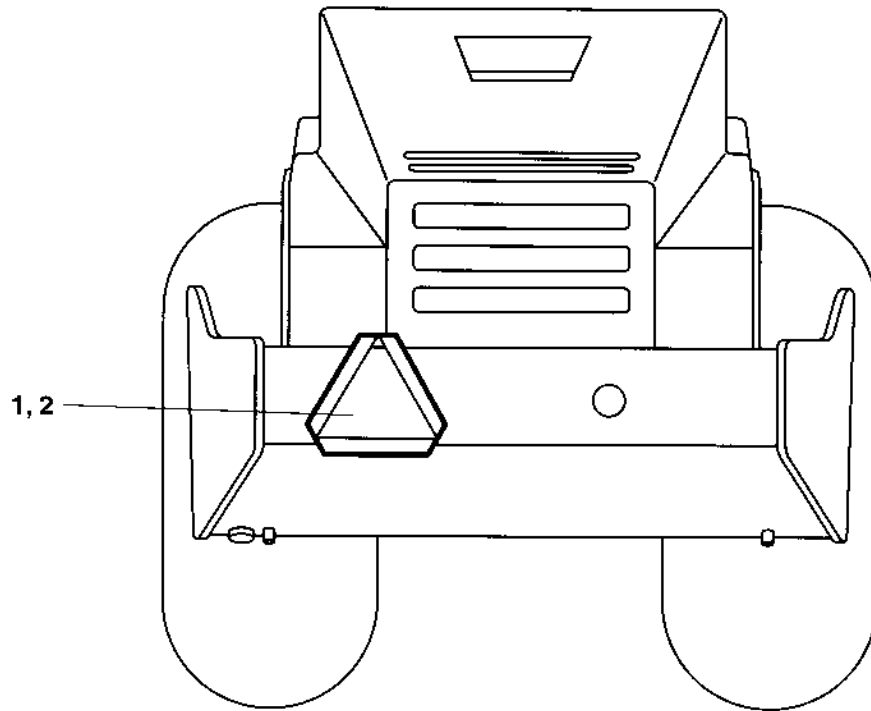
1



Tool equipment

Item	Part No	Rem Qty	Description	Code
1	4700355890	1	Tool set Cpl	D
2		1	. Adjustable wrench	
3		1	. Screw driver	
4	4700902610	1	. Belt pliers	D
5	4700311016	1	. Grease gun	D
6		1	. Open end spanner 10mm	
7		1	. Open end spanner 13mm	
8		1	. Open end spanner 16mm	
9		1	. Open end spanner 18mm	
10		1	. Allen wrench 10mm	
11		1	. Allen wrench 12mm	
12		1	. Allen wrench 6mm	
13		1	. Allen wrench 8mm	
14		1	. Tool bag	
15		1	. Wheel nut key 30/32mm	
16	4700901220	1	. Pressure gauge	B
17	4700372837	1	Tool box	D
18	4700372658	1	. Lock	D
19	4700500021	3	Screw M8-1,25x25 8.8	C
20	4700904640	6	Washer 8,4x22x3	C

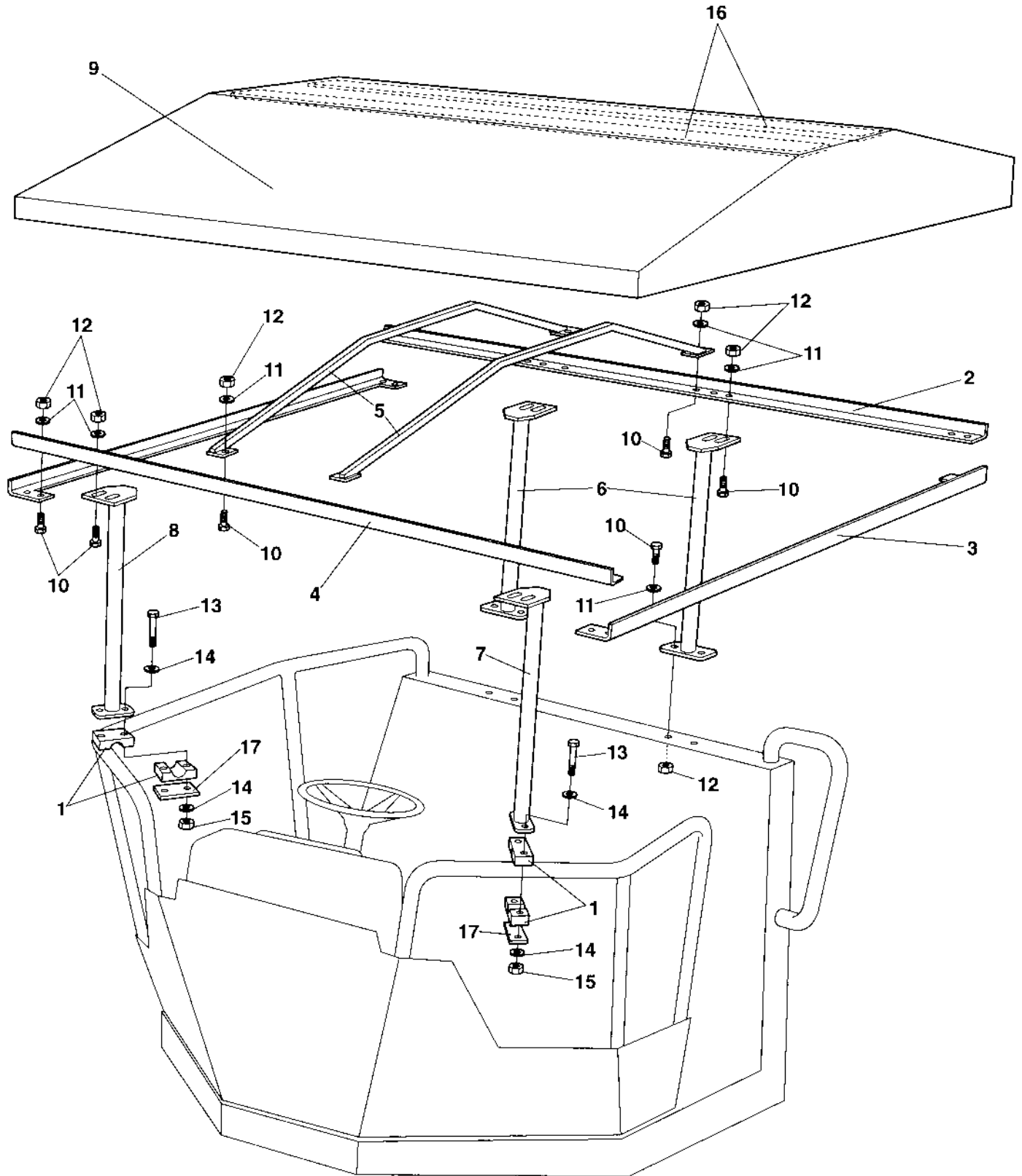
SMV-sign, First aid box



SMV-sign, First aid box

Item	Part No	Rem Qty	Description	Code
1	4700476019	1	SMV-sign	D
2	4700624005	6	Blind rivet 3,2x6,1	C
3	4700902508	1	First aid kit	D
4	4700371837	1	Holder	D
5	4700903969	4	Screw ST4,8x19 Black	C

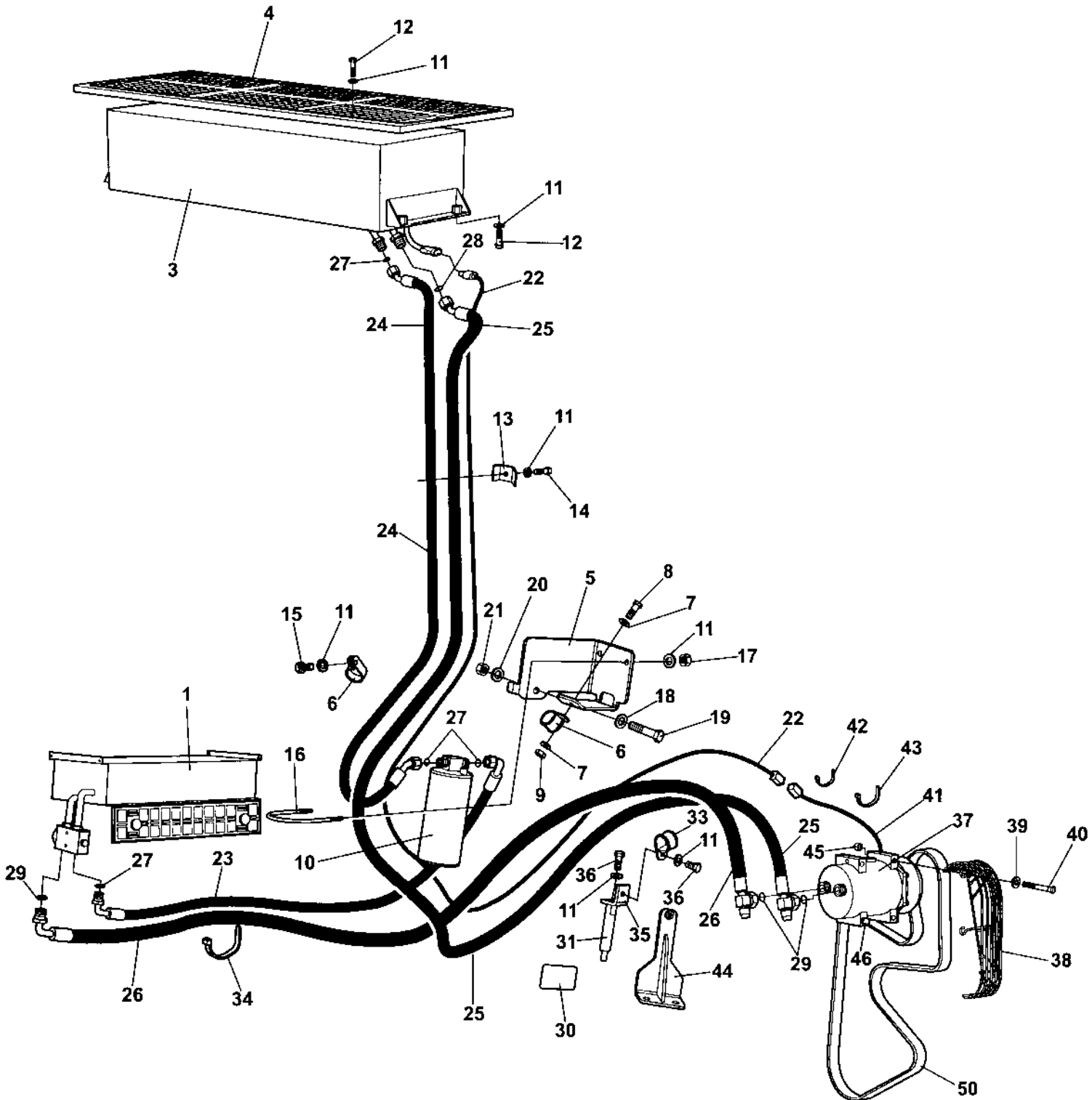
Canopy



Canopy

Item	Part No	Rem Qty	Description	Code
1	4700904340	2	Pipe clamp	
2	4700373746	1	Canopy profile	D
3	4700373747	2	Canopy profile	D
4	4700373748	1	Canopy profile	D
5	4700373749	4	Canopy rib	D
6	4700373750	2	Canopy anchor	D
7	4700373752	1	Canopy anchor	D
8	4700373756	1	Canopy anchor	D
9	4700373906	1	Roof	D
10	4700500021	24	Screw M8-1,25x25 8.8	C
11	4700904229	44	Steel plain washer 8,4x16x1,5	C
12	4700586003	20	Lock nut M8	C
13	4700500153	4	Screw	C
14	4700904228	8	Washer 6,4x12x1,5	C
15	4700586002	4	Lock nut M6 -8	C
16	4700373907	2	Lath	D
17	4700924791	2	Cover plate	

Air conditioner assembly

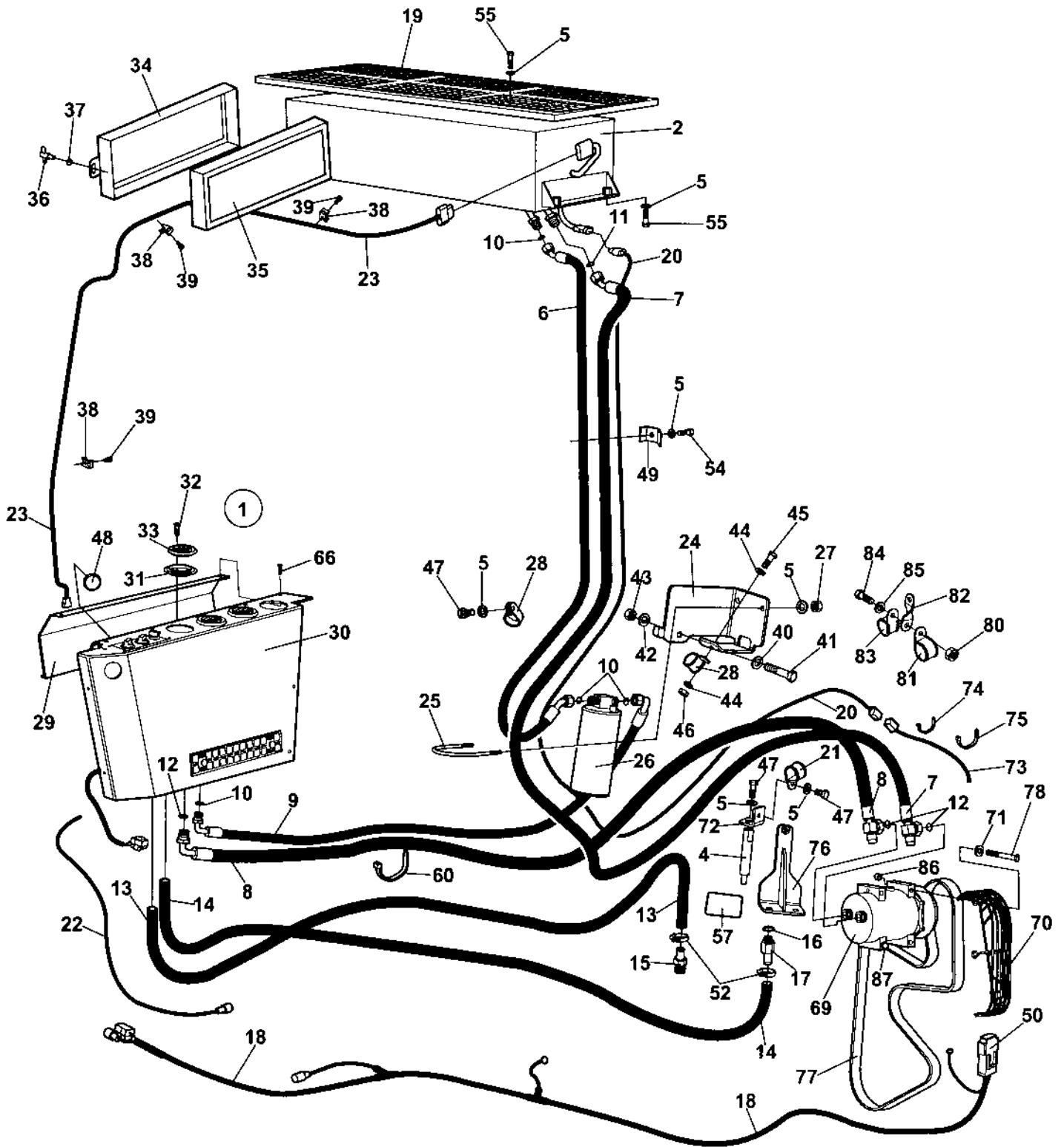


Air conditioner assembly

Item	Part No	Rem	Qty	Description	Code
1				Evaporator assembly (Page 310)	
3	4700383413			Condensor, cpl (Page 306)	
4	4700384589	1		Cover	D
5	4700393954	1		Holder	D
6	4700921056	2		Clamp	C
7	4700904228	2		Washer 6,4x12x1,5	C
8	4700500013	1		Screw M6-1x16 8,8	C
9	4700570004	1		Nut M6X1,00 -8 A2K	C
10	4700393955	1		Drying filter	D
11	4700904229	18		Steel plain washer 8,4x16x1,5	C
12	4700500022	10		Screw M8x30H 8.8 A2K	C
13	4700346230	3		Clamp	D
14	4700500023	3		Screw M8-1,25x40 8,8	C
15	4700500019	1		Hexagon head screw M8x16H 8,8	C
16	4700313093	1		Pipe clamp	D
17	4700570005	2		Nut M8	C
18	4700904230	1		Steel plain washer	C
19	4700500192	1		Screw M10x80	C
20	4700904567	1		Washer 10,5x28x6 HB305	C
21	4700570006	1		Nut	B
22	4700390824	1		Cable harness	D
23	4700384875	1		Hose	C
24	4700384876	1		Hose	C
25	4700390833	1		Hose	C
26	4700390834	1		Hose	C
27	4700384877	4		O-ring Size 6	C
28	4700384878	1		O-ring Size 8	C
29	4700384879	3		O-ring Size 10	C
30	4700904165	1		Safety decal Toxic gases	D
31	4700393855	1		Distance screw	D
33	4700921044	1		Clamp	C
34	4700313102			Cable ties	
35	4700908136	1		Bracket	D
36	4700500053	2		Screw M8x20H 8.8	C
37	4700390823	1		Compressor	D
38	4812113010	1		Belt guard	
39	4700904734	2		Steel plain washer	
40	4700500180	2		Screw	C
41	4700792015	1		Conduit	
42	4700313068			Cable ties L=92 mm	
43	4700925802			Cable ties L=142 mm	C
44	4700391761	A	1	Bracket Old version	D
45	4700945314		2	Guide ring	
46	4700945315		3	Screw M8X100	D
50		B	1	V-belt	

- A) Old version, replaced by item 31
 B) See section "Engine installation".

Air conditioner and heater, Simple cab



Air conditioner and heater, Simple cab

Item	Part No	Rem	Qty	Description	Code
1			1	Air conditioner and heater unit (Page 308)	
2	4700383413		1	Condensor, cpl (Page 306)	
4	4700393855		1	Distance screw	D
5	4700904229		18	Steel plain washer 8,4x16x1,5	C
6	4700384876		1	Hose	C
7	4700390833		1	Hose	C
8	4700390834		1	Hose	C
9	4700384875		1	Hose	C
10	4700384877		4	O-ring Size 6	C
11	4700384878		1	O-ring Size 8	C
12	4700384879		3	O-ring Size 10	C
13	4700937737	A	1XL	Hose	
14	4700937737	B	1XL	Hose	
15	4700387638		1	Hose connection	
16	4700330330		1	Copper washer	
17	4700391303		1	Hose connection	
18	4700387466		1	Cable harness	D
19	4700384589		1	Cover	D
20	4700390824		1	Cable harness	D
21	4700921044		1	Clamp	C
22	4700387467		1	Cable harness	D
23	4700379275		1	Cable harness	D
24	4700393954		1	Holder	D
25	4700313093		1	Pipe clamp	D
26	4700393955		1	Drying filter	D
27	4700586003		2	Lock nut M8	C
28	4700921056		2	Clamp	C
29	4700379285		1	Panel	D
30	4700379286		1	Panel	D
31	4700385443		3	Ring	D
32	4700938691		12	Screw	C
33	4700385442		3	Air nozzle	D
34	4700908501		1	Filter frame	D
35	4700908502		1	Filter	A
36	4700908504		2	Handle	D
37	4700908503		2	O-ring	D
38	4700904543		10	Cable tie holder	
39	4700903852		10	Screw ST4,2x13	C
40	4700904230		1	Steel plain washer	C
41	4700500192		1	Screw M10x80	C
42	4700904567		1	Washer 10,5x28x6 HB305	C
43	4700570006		1	Nut	B
44	4700904228		2	Washer 6,4x12x1,5	C
45	4700500013		1	Screw M6-1x16 8,8	C
46	4700570004		1	Nut M6X1,00 -8 A2K	C
47	4700500053		3	Screw M8x20H 8.8	C
48	4700345870		1	Plug	C
49	4700346230		3	Clamp	D
50	4700904039		1	Fuse 50A Red High	A
52	4700313004		2	Hose clamp	D
54	4700500023		3	Screw M8-1,25x40 8,8	C
55	4700500022		10	Screw M8x30H 8.8 A2K	C
57	4700904165		1	Safety decal Toxic gases	D
60	4700313102			Cable ties	
66	4700792248		5	Screw 4,2 X25	D
69	4700390823		1	Compressor	D
70	4812113010		1	Belt guard	

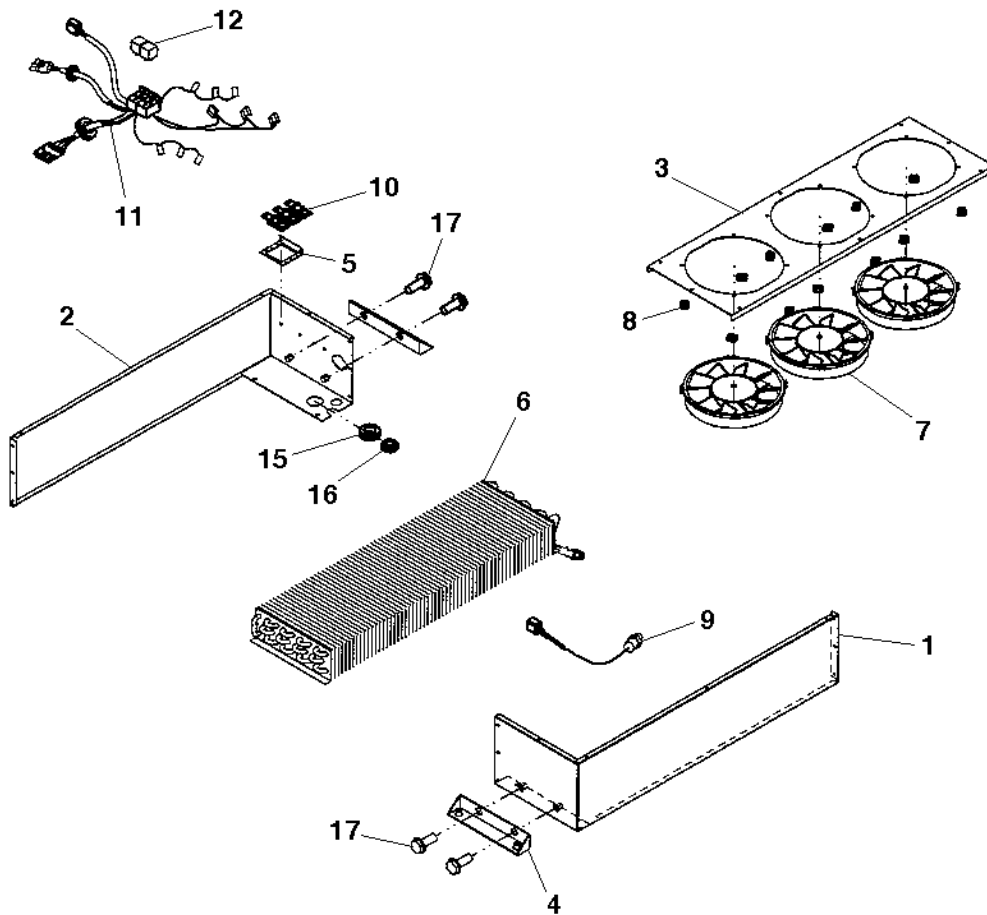
A) L=2.800M
B) L=3.200

Air conditioner and heater, Simple cab

Item	Part No	Rem Qty	Description	Code
71	4700904734	2	Steel plain washer	
72	4700908136	1	Bracket	D
73	4700792015	1	Conduit	
74	4700313068	4	Cable ties L=92 mm	
75	4700925802	1	Cable ties L=142 mm	C
76	4700391761	1	Bracket Old version	D
77		C 1	V-belt	
78	4700500180	2	Screw	C
80			Not used on this model	
81			Not used on this model	
82			Not used on this model	
83			Not used on this model	
84			Not used on this model	
85			Not used on this model	
86	4700945314	2	Guide ring	
87	4700945315	3	Screw M8X100	D

C) See section "Engine installation"

4700383413 Condensator, cpl

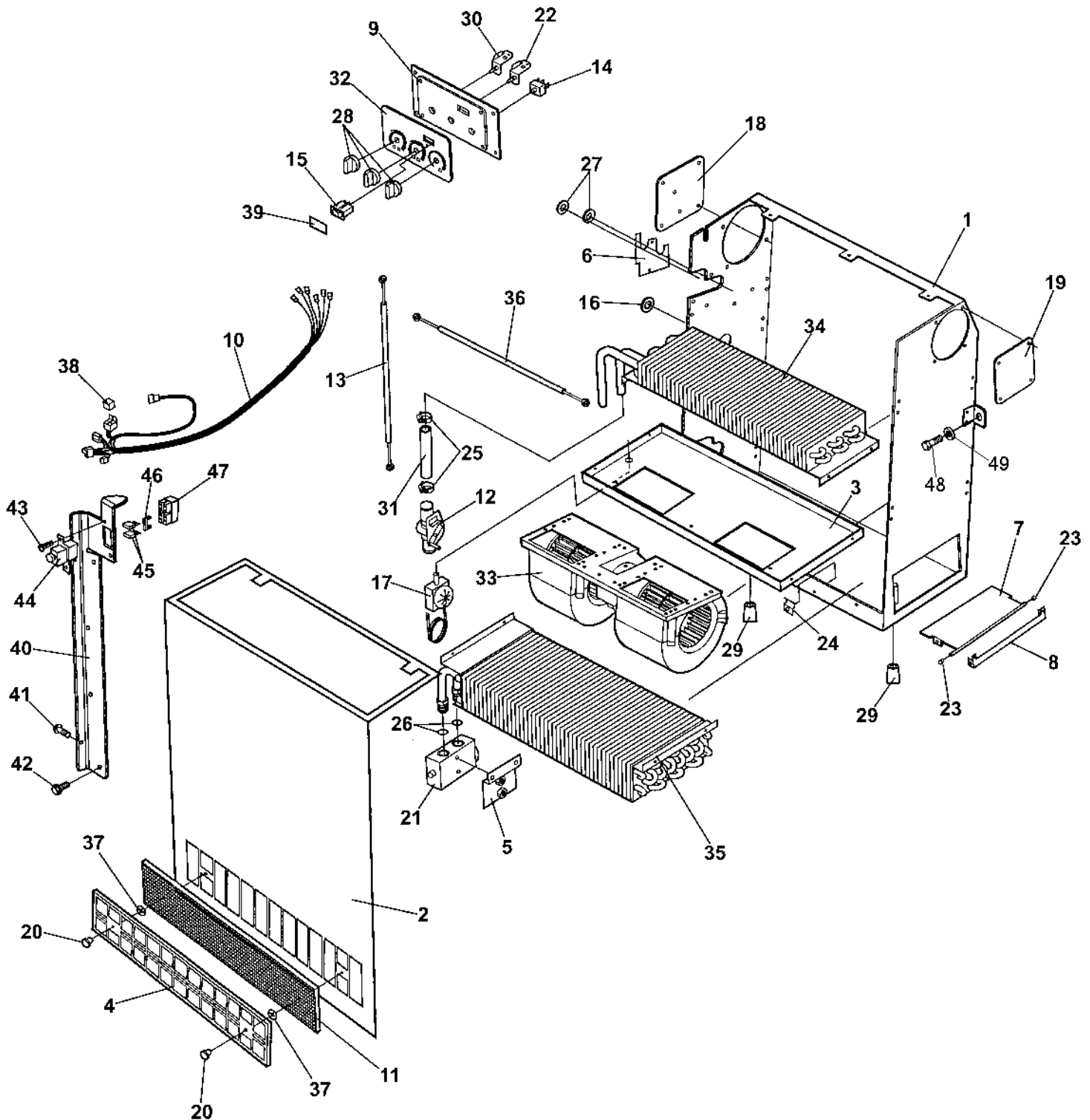


4700383413 Condensor, cpl

Item	Part No	Rem	Qty	Description	Code
1	4700938597		1	Cover	D
2	4700938598		1	Cover	D
3	4700938599		1	Fan bracket	D
4	4700938600		2	Condensor bracket	D
5	4700938601		1	Resistor bracket	D
6	4700938602		1	Condensor Coil	B
7	4700938603		3	Fan	C
8	4700938604		12	Clip	D
9	4700938605		1	Pressure switch	B
10	4700938606		3	Resistor	B
11	4700938607	A	1	Cable harness	D
	4812155890	B	1	Cable harness	
12	4700287598		2	Relay 12V-30A	A
	4700287598	C	3	Relay 12V-30A	A
15	4700938608		1	Grommet	D
16	4700938609		1	Grommet	
17	4700901832		4	Screw	C

- A) Replaced by Cable harness P/N 4812155890.
B) Cable harness withh 3 Relays, replaces Cable harness P/N 4700938607.
C) Used with Cable harness 4812155890.

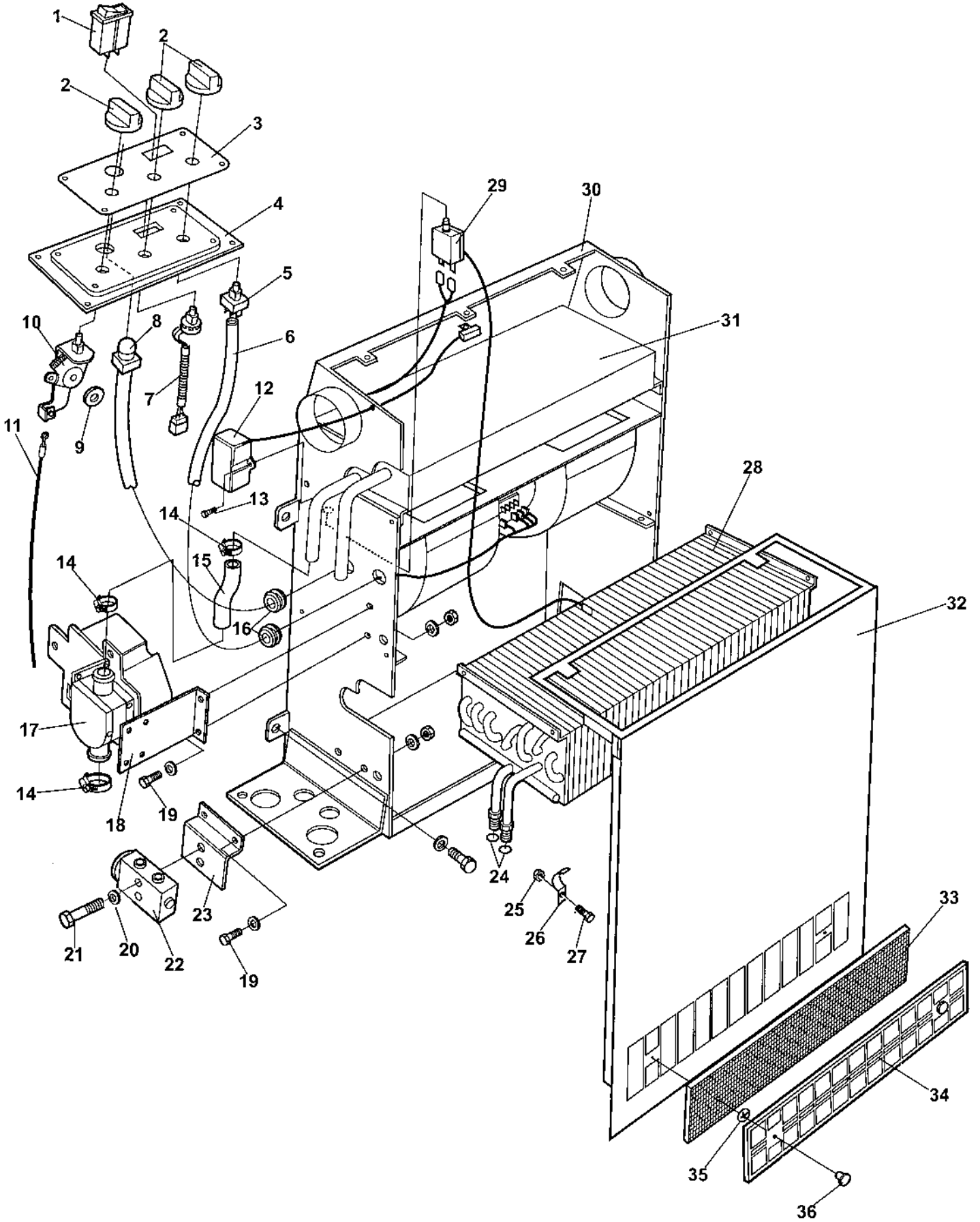
Air conditioner and heater unit



Air conditioner and heater unit

Item	Part No	Rem	Qty	Description	Code
1	4700938625		1	Casing	
2	4700938626		1	Cover	
3	4700938627		1	Fan bracket	
4	4700384760		1	Filter grill	D
5	4700384177		1	Holder	D
6	4700938628		1	Cover	
7	4700938629		1	Cover	
8	4700938630		1	Bracket	
9	4700945174		1	Panel	D
10	4700945175		1	Cable harness	D
11	4700384761		1	Air filter element	A
12	4700939693		1	Heater control valve	
13	4700938645		1	Bowden cable	
14	4700938622		1	Switch	B
15	4700938619		1	Switch	B
16	4700938644		1	Cap	C
17	4700384897		1	Thermostat	B
18	4700945176		1	Cover plate	D
19	4700945177		1	Cover plate	D
20	4700938634		2	Knob	D
21	4700384176		1	Expansion valve	C
22	4700938621		2	Rotary control	
23	4700938635		2	Sleeve	
24	4700384880		1	Wire clamp	D
25	4700313003		2	Hose clamp	D
26	4700384878		2	O-ring Size 8	C
27	4700384927		2	Grommet	D
28	4700938620		3	Knob	D
29	4700938636		2	Drain valve	C
30	4700385134		2	Lock washer	D
31	4700384881		1	Hose	D
32	4700945178		1	Panel overlay	D
33	4700938638		1	Fan	C
34	4700938639		1	Heater coil	
35	4700383414		1	Evaporator	D
36	4700384762		1	Wire	D
37	4700939413		2	Star lock	
38	4700287597		1	Relay	D
39	4700938643		1	Plug	C
40	4700379332	A	1	Holder	D
41	4700792187	A	2	Screw M5x14	
42	4700541703	A	4	Screw M6x16	D
43	4700901767	A	2	Screw ST3,5x9,5 Black	
44	4700792091	A	1	Fuse holder	C
45	4700903741	A	2	Fuse 20A Yellow Medium	A
46	4700901240	A	1	Connector	B
47	4700901699	A	1	Connector	D
48	4700500019		5	Hexagon head screw M8x16H 8,8	C
49	4700904229		5	Steel plain washer 8,4x16x1,5	C

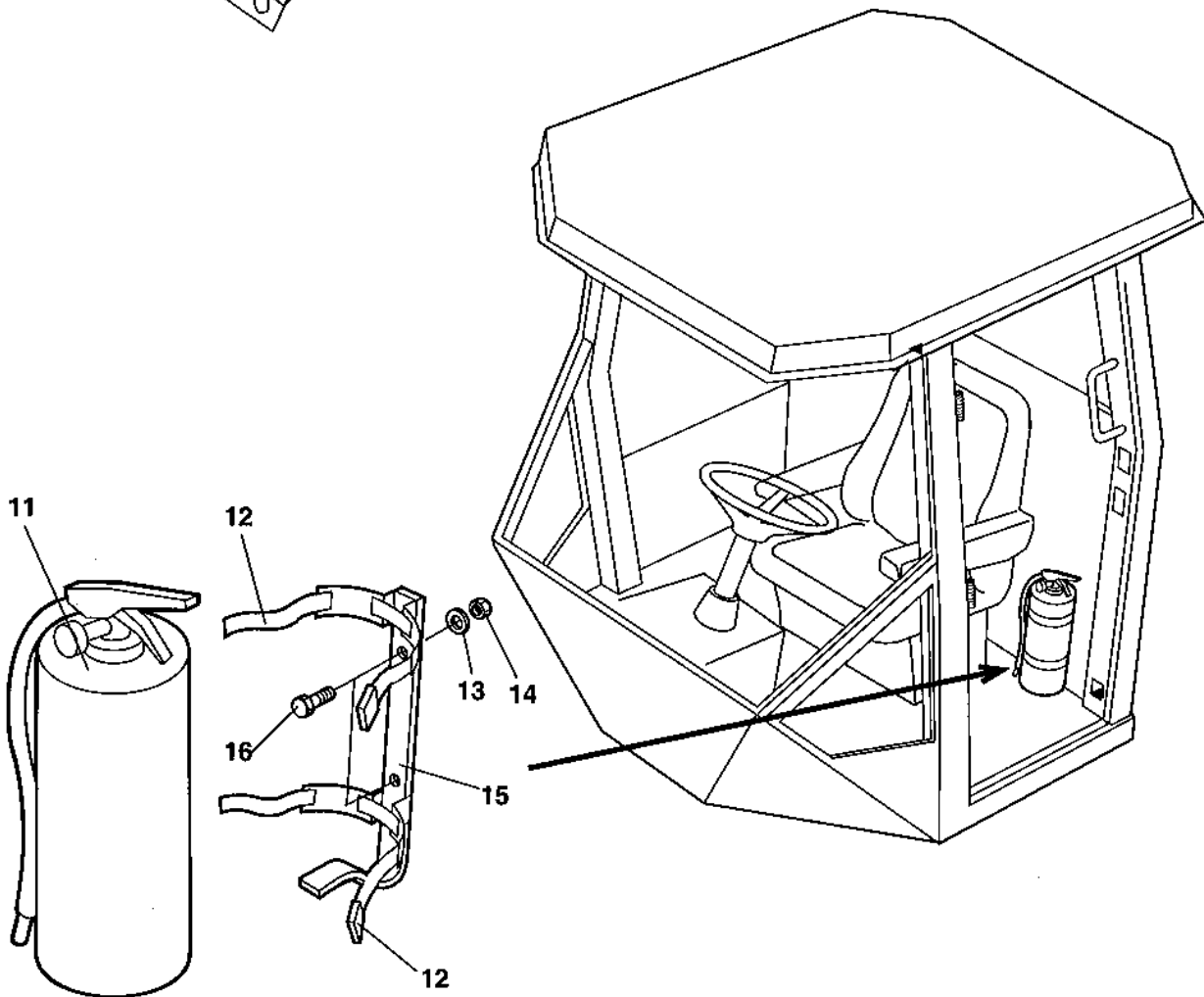
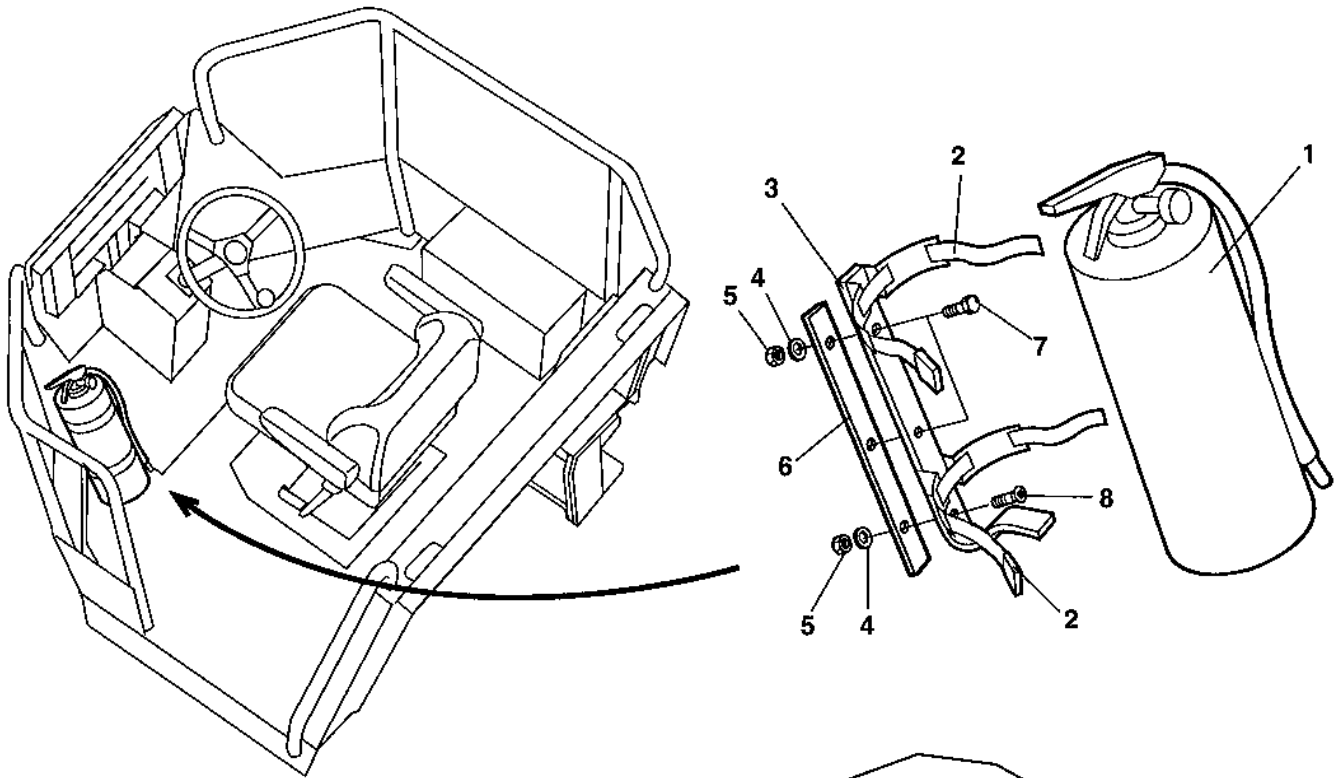
A) Only valid for simple cab



Evaporator assembly

Item	Part No	Rem Qty	Description	Code
1	4700938619	1	Switch	B
2	4700938620	3	Knob	D
3	4700938618	1	Decal	D
4	4700938617	1	Control panel	D
5	4700938622	1	Switch	B
6	4700938631	1	Cable harness	C
7	4700938623	1	Potentiometer	B
8	4700938624	1	Sensor	B
9	4700385134	1	Lock washer	D
10	4700938621	1	Rotary control	
11	4700384762	1	Wire	D
12	4700384187	1	Ecc-Box	D
13	4700791144	6	Screw	D
14	4700313003	3	Hose clamp	D
15	4700384881	1	Hose	D
16	4700384927	1	Grommet	D
17	4700383425	1	Electronic valve	D
18	4700384174	1	Holder	D
19	4700903782	4	Screw M5x12	C
20	4700904228	2	Washer 6,4x12x1,5	C
21	4700500061	2	Screw M6-1X35 8,8	C
22	4700384176	1	Expansion valve	C
23	4700384177	1	Holder	D
24	4700384878	2	O-ring Size 8	C
25	4700923976	1	Nut	C
26	4700384880	1	Wire clamp	D
27	4700500086	1	Screw	D
28	4700383414	1	Evaporator	D
29	4700384897	1	Thermostat	B
30	4700938625	1	Casing	
31	4700938639	1	Heater coil	
32	4700938626	1	Cover	
33	4700384761	1	Air filter element	A
34	4700384760	1	Filter grill	D
35	4700939413	2	Star lock	
36	4700938634	2	Knob	D

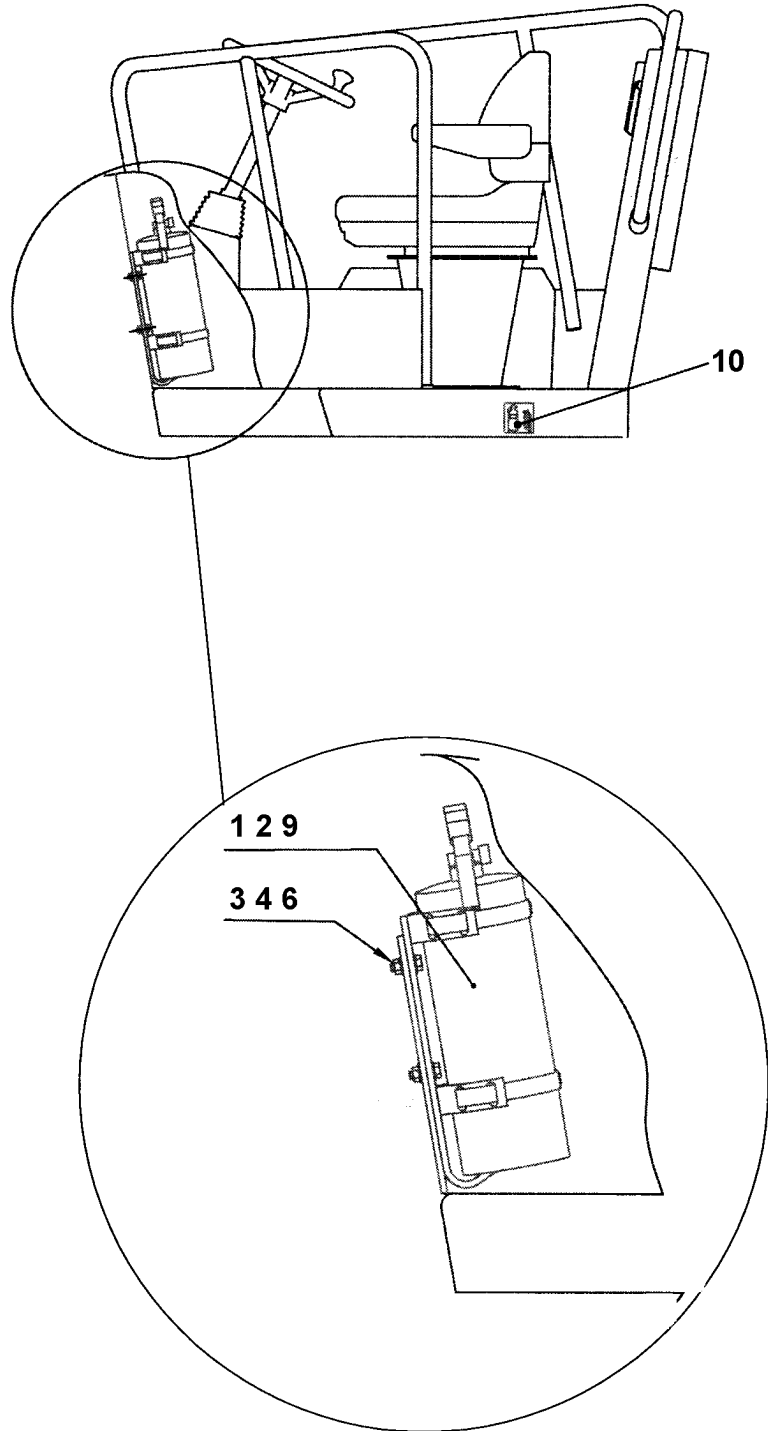
Fire extinguisher assembly



Fire extinguisher assembly

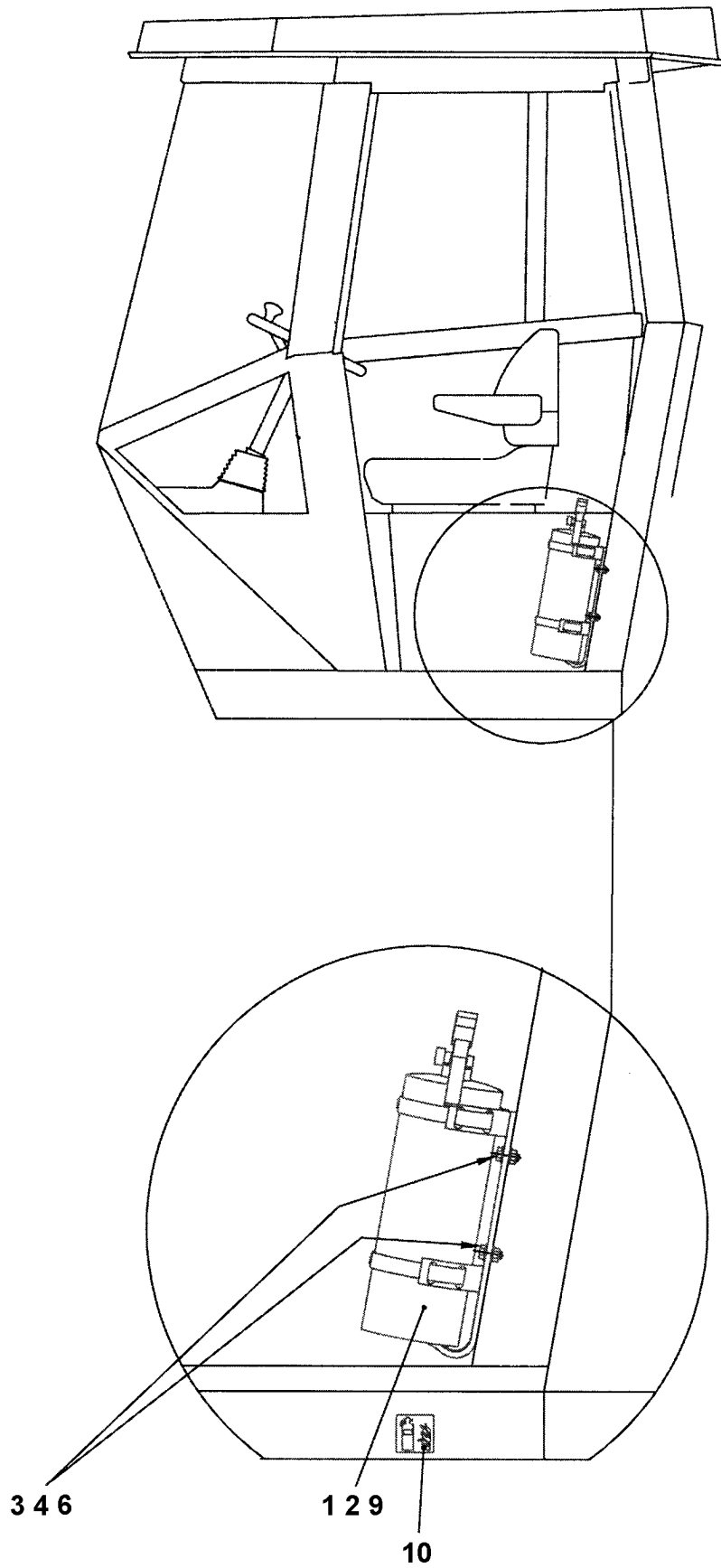
Item	Part No	Rem Qty	Description	Code
1		NA	Fire extinguisher 4 Kg	
2	4700791102	2	Toggle fastener belt	D
3	4700904994	1	Bracket	D
4	4700904230	5	Steel plain washer	C
5	4700570006	3	Nut	B
6	4700383932	1	Bracket	D
7	4700500029	2	Hexagon head screw	C
8	4700513025	1	Screw	D
11		NA	Fire extinguisher 4 Kg	
12	4700791102	2	Toggle fastener belt	D
13	4700904230	4	Steel plain washer	C
14	4700570006	2	Nut	B
15	4700904994	1	Bracket	D
16	4700500028	2	Screw	C

Fire extinguisher Platform



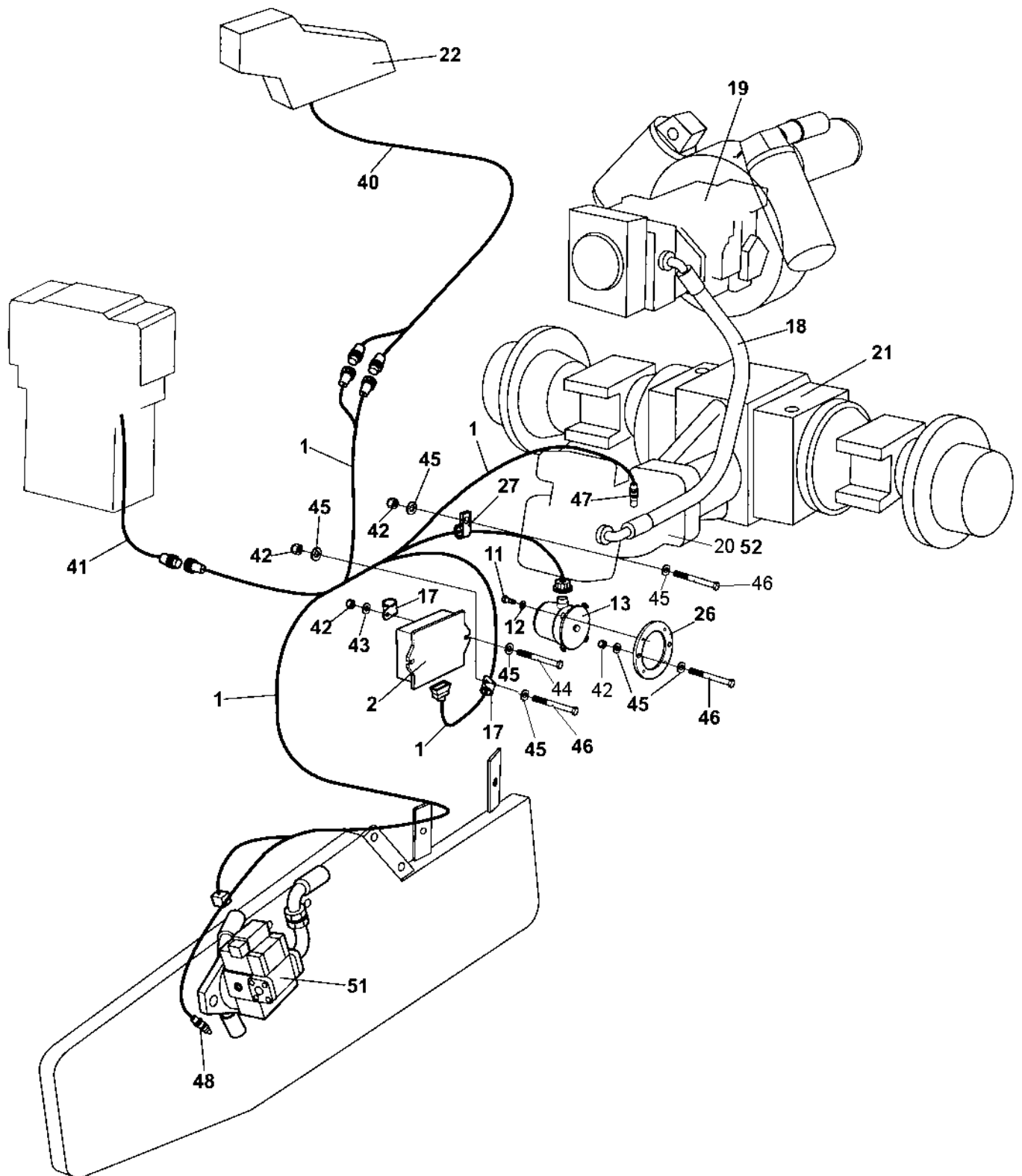
Fire extinguisher Platform

Item	Part No	Rem Qty	Description	Code
1		1	Fire extinguisher	
2	4700378860	1	Holder	D
3	4700570005	2	Nut M8	C
4	4700904229	4	Steel plain washer 8,4x16x1,5	C
6	4700500022	2	Screw M8x30H 8.8 A2K	C
9	4700378861	2	Strap	D
10	4700792634	1	Decal fire extinguisher	D



Fire extinguisher Cab

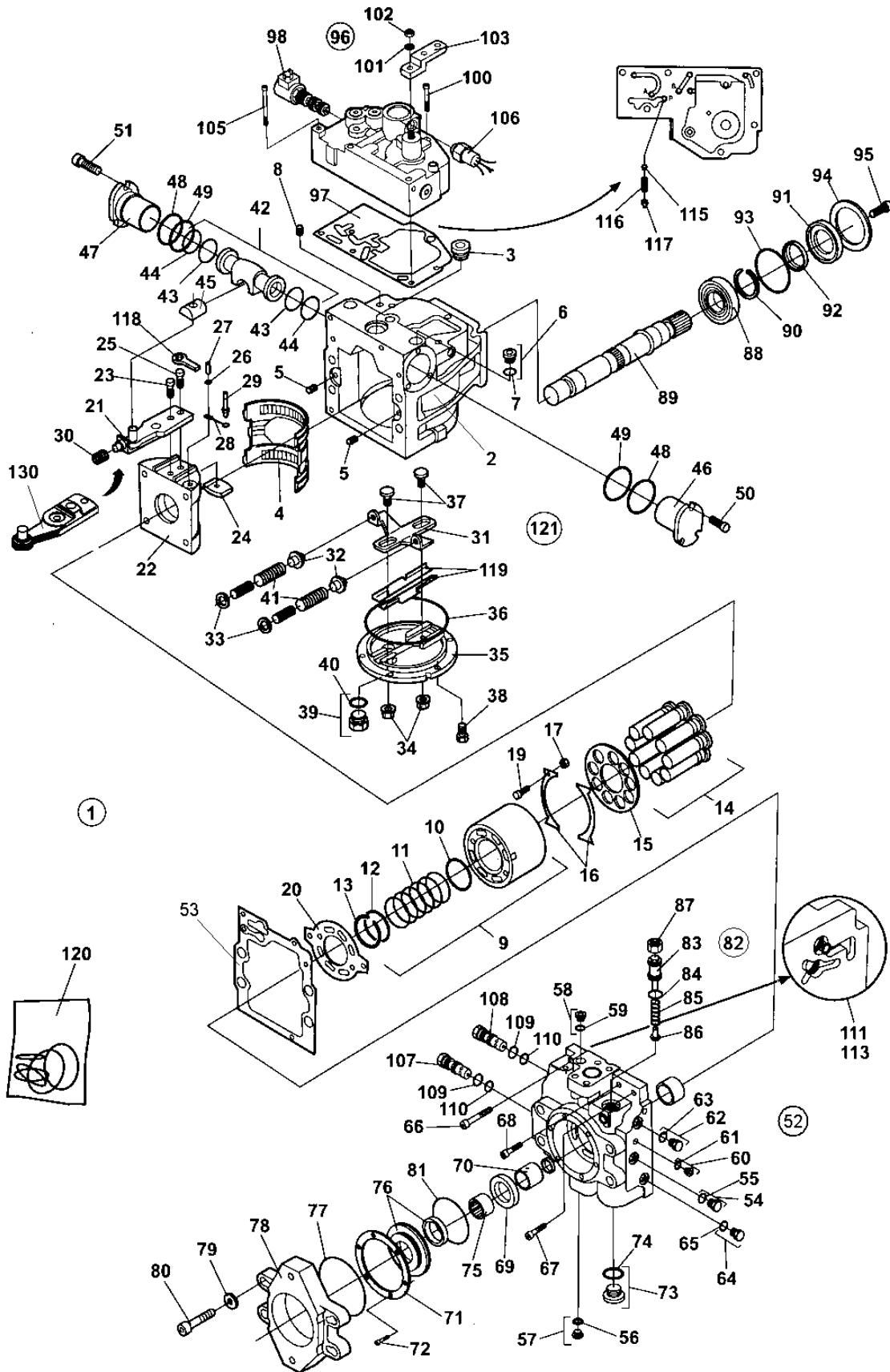
Item	Part No	Rem Qty	Description	Code
1		1	Fire extinguisher	
2	4700378860	1	Holder	D
3	4700570005	2	Nut M8	C
4	4700904229	4	Steel plain washer 8,4x16x1,5	C
6	4700500022	2	Screw M8x30H 8.8 A2K	C
9	4700378861	2	Strap	D
10	4700792634	1	Decal fire extinguisher	D



Anti-spin CA

Item	Part No	Rem Qty	Description	Code
1	4700378131	1	Cable harness	D
2	4700382098	1	Control unit	D
11	4700500006	4	Screw M5x16	C
12	4700904281	4	Washer 5,3x10x1 300HV	C
13	4700373902	1	Sensor	B
17	4700960727	2	Clamp	
18	4700483558	2	Hydraulic hose	D
19	4700382133	1	Propulsion pump (Page 320)	C
20	4700382089	1	Propulsion motor (Page 326)	C
21	4700383856	1	Rear axle No-Spin, Option (Page 78)	
22			Anti spin, Potentiometer installation (Page 332)	
26	4700394670	1	Spacer ring	D
27	4700921072	1	Clamp	
40	4700378132	1	Cable harness	D
41	4700378133	1	Cable harness	D
42	4700586003	6	Lock nut M8	C
43	4700904640	2	Washer 8,4x22x3	C
44	4700500090	2	Screw	C
45	4700904229	10	Steel plain washer 8,4x16x1,5	C
46	4700500026	4	Screw M8-1,25x60 8,8	
47	4700904216	1	Sensor	
48	4700904217	1	Sensor	
51	4700382088	1	Propulsion motor (Page 90)	

4700382133 Propulsion pump



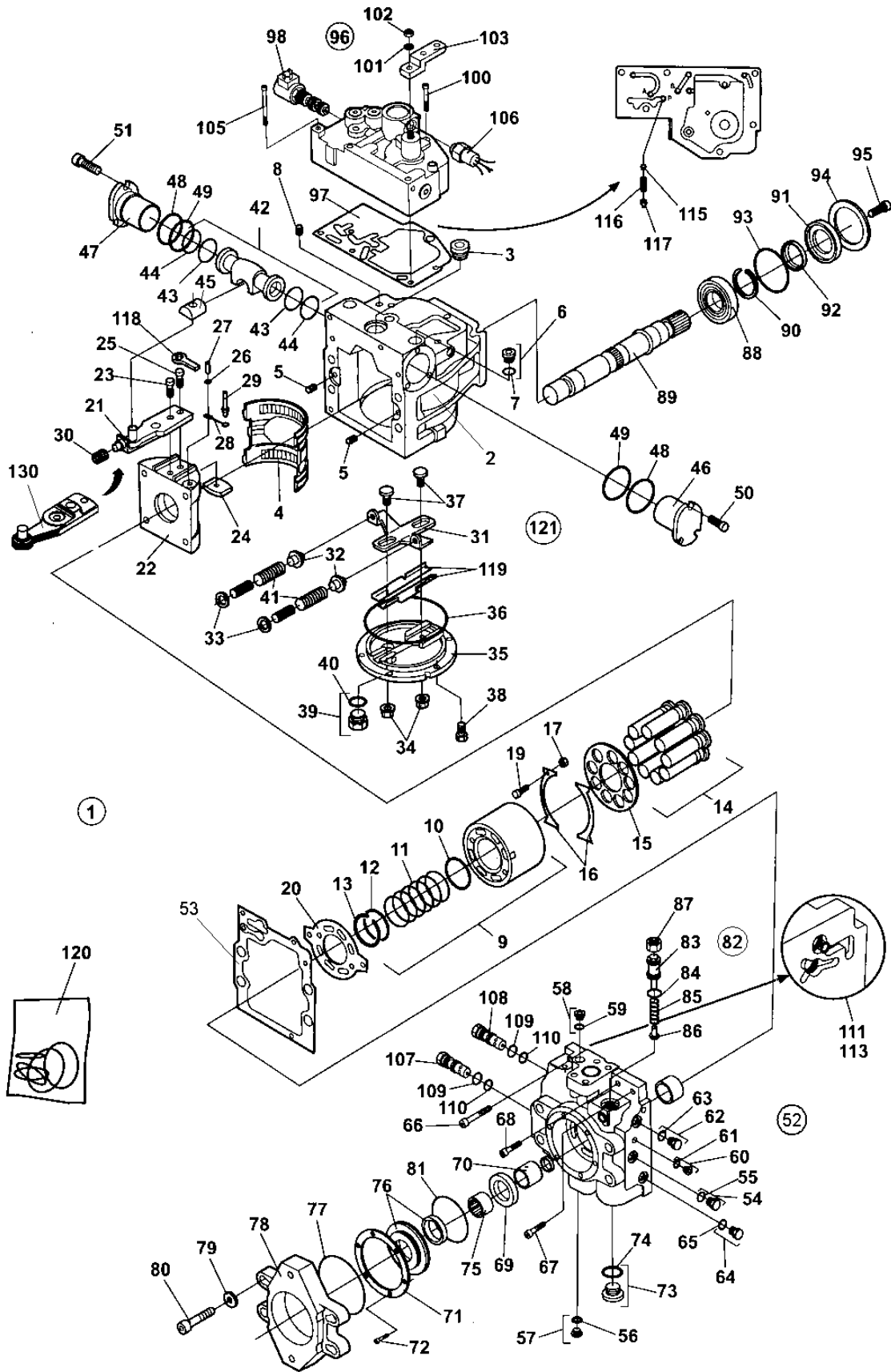
4700382133 Propulsion pump

Item	Part No	Rem	Qty	Description	Code
1			1	Hydraulic pump, Cpl	
2	4700936546		1	. Housing	
		2	1	. Housing	
3	4700902928		1	. Plug	C
4	4700901452		1	. Bearing	
		2	1	. Bearing	
5	4700813822		2	. Pin	D
6	4700908432		2	. Plug	C
7	4700923087	1	2	. . O-ring	C
8	4700901454		3	. Filter element	D
9	4700901455		1	. Cylinder block, cpl	
10			1	. . Spacer	
11			1	. . Spring	
12			1	. . Spring retainer	
13			1	. . Ring retainer	
14	4700903570		9	. Piston	D
15	4700903571		1	. Pressure plate	D
16	4700901458		2	. Retainer guide	D
17	4700935856		4	. Spacer	
19	4700909382		4	. Screw	C
20	4700936547		1	. Valve plate	
21	4700909727		1	. Servo arm, cpl	
22			1	. Swash plate	
		2	1	. Swash plate	
23	4700909386		1	. Screw	C
		2	1	. Screw	
24	4700909387		1	. Guide	
25	4700909388		1	. Screw	C
26	4700909389		1	. Washer	C
27	4700909390		1	. Pin	C
28	4700909391		1	. Link	C
29	4700909392		1	. Pin	C
30	4700909393		1	. Spring	C
31			1	. Lever	
32			2	. Spring support	
33			2	. Washer	
34	4700909398	1	2	. Seal lock nut	B
35			1	. Cover	
		2	1	. Cover	
36	4700936551	1	1	. O-ring	
37			2	. Guide post	
38	4700936553		6	. Screw	C
39	4700902928		1	. Plug	C
40	4700901453	1	1	. . O-ring	C
41	4700908352		2	. Spring	D
42	4700936582		1	. Piston, cpl	
43		1	2	. . O-ring	
44		1	2	. . Seal ring	
45			1	. . Guide	
46	4700903580		1	. Servo	
47	4700903580		1	. Servo	
48	4700936557	1	2	. O-ring	
49	4700936558	1	2	. O-ring	
50	4700936559		3	. Screw	
51	4700936559		3	. Screw	
52	4700936560		1	. End cap, cpl	
53	4700936561	1	1	. Gasket	
54	4700358388		1	. Plug	C

1) Included in item 120, Seal kit

2) Valid with item 130

4700382133 Propulsion pump



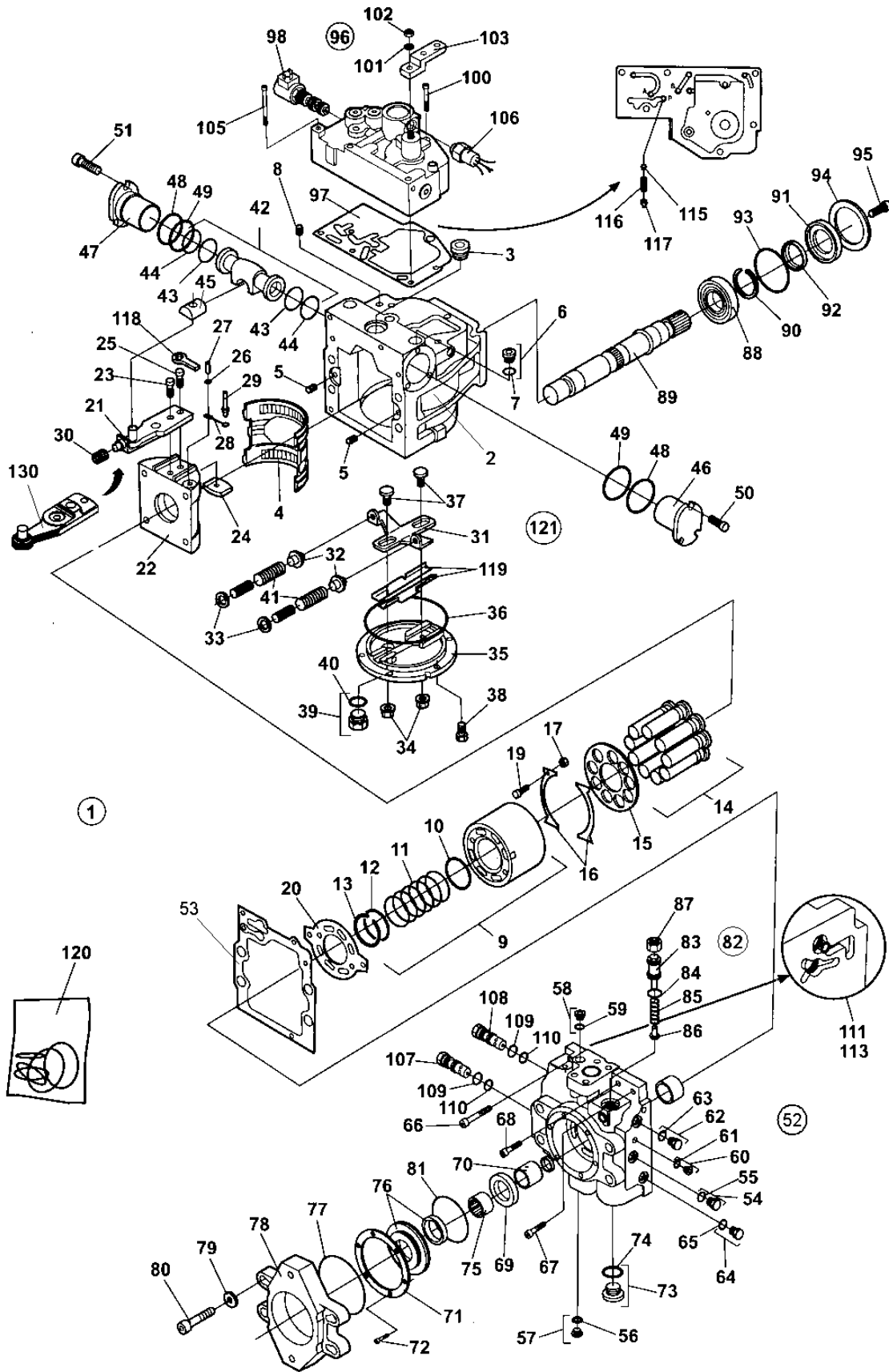
4700382133 Propulsion pump

Item	Part No	Rem	Qty	Description	Code
55	4700923087	1	1	. . O-ring	C
56	4700908432		1	. Plug	C
57	4700923087	1	1	. . O-ring	C
58	4700908432		1	. Plug	C
59	4700923087	1	1	. . O-ring	C
60	4700908432		1	. Plug	C
61	4700923087	1	1	. . O-ring	C
62	4700358388		1	. Plug	C
63	4700923087	1	1	. . O-ring	C
64	4700358388		1	. Plug	C
65	4700923087	1	1	. . O-ring	C
66	4700936562		1	. Screw	
67	4700936563		1	. Screw	
68	4700936564		1	. Screw	
69	4700950283		1	. Spacer	D
70	4700950284		1	. Spacer	D
71	4700935857		1	. Retaining plate	
72	4700936566		6	. Screw	
73	4700936567		1	. Plug, cpl	
74	4700936568	1	1	. . O-ring	
75			1	. Coupling sleeve	
76			1	. Cover assembly	
77	4700909399	1	1	. O-ring	C
78	4700936570		1	. Adapter	
79	4700936571		4	. Washer	
			4	.	
81	4700937150		1	. O-ring	D
82	4700936583		1	. Pressure relief valve, cpl	
83			1	. . Screw	
84		1	1	. . O-ring	
85			1	. . Spring	
86			1	. . Valve cone	
87			1	. . Nut	
88	4700901465		1	. Bearing	
89	4700901466		1	. Shaft	
90	4700901467		1	. Ring	
91			1	. Pressure plate	
92		1	1	. Seal	
		2	1	. Seal	
93		1	1	. O-ring	
94			1	. Retaining plate	
95			3	. Screw	
96	4700938170		1	. Control valve, cpl	
97	4700939489	1	1	. . Control valve gasket	
98	4700938252		1	. . Solenoid valve	
100			1	. . Screw	
101	4700909428		1	. . Washer	C
102	4700909429		1	. . O-ring	C
103	4700909432		1	. . Control lever	D
105	4700937857		5	. . Screw	D
106	4700938253		1	. . Neutral start switch	
107			1	. Valve	
108			1	. Valve	
109		1	2	. . O-ring	
110		1	2	. . O-ring	
111	4700901475		2	. Valve	D
113	4700901476		2	. Plug	D
115	4700909435		1	. Orifice	C

1) Included in item 120, Seal kit

2) Valid with item 130

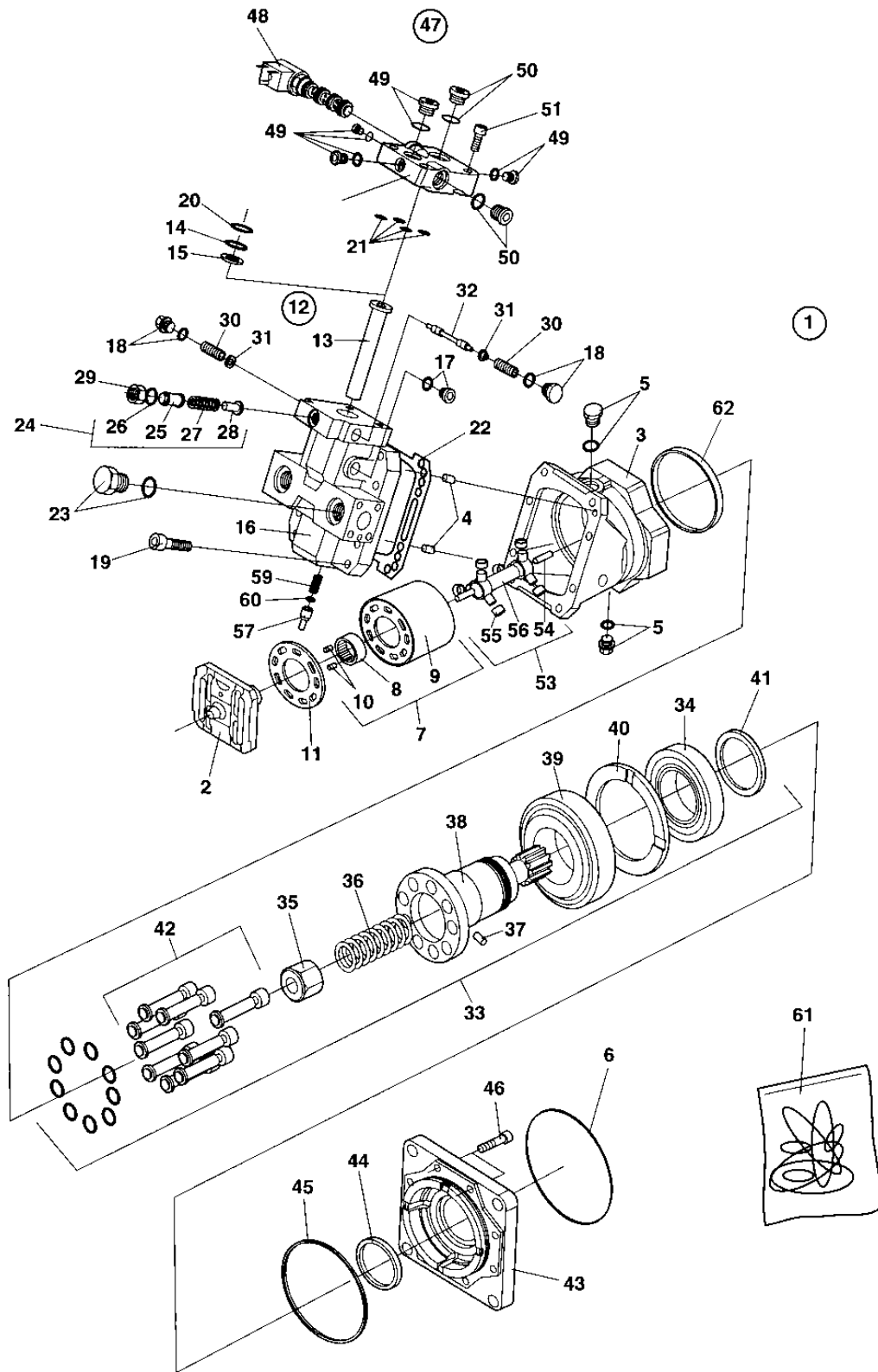
4700382133 Propulsion pump



4700382133 Propulsion pump

Item	Part No	Rem Qty	Description	Code
116	4700909436	1	. Spring	C
117	4700908448	1	. Spring retainer	C
118		1	. Link	
119		1	. Guide assy, 1pair	
120	4700901328	1	. Seal kit	D
121	4700936548	1	. Cover assembly	
130		1	. Servo arm	

4700382089 Propulsion motor

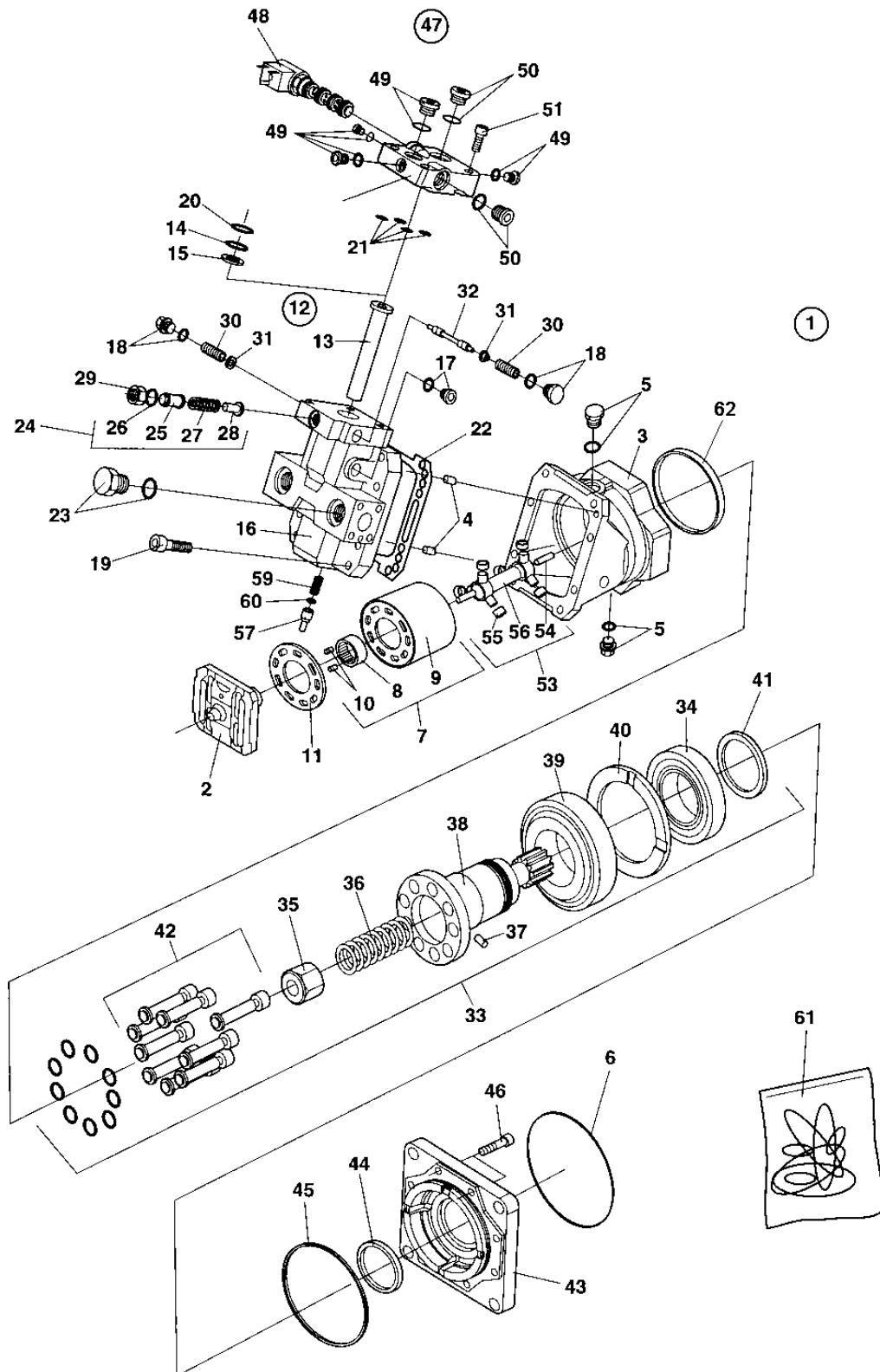


4700382089 Propulsion motor

Item	Part No	Rem Qty	Description	Code
1		1	Hydraulic motor, Cpl	
2	4700935521	1	. Valve segment	
3		1	. Housing	
4	4700813822	2	. Pin	D
5	4700902928	2	. Plug	C
	4700901453	1 2	. . O-ring	C
6	4700902581	1 1	. O-ring	D
7	4700902929	1	. Cylinder block	
8		1	. . Bush	
9		1	. . Cylinder block	
10		2	. . Pin	
11		1	. Bearing plate	
12	4700935527	1	. Piston assembly	
13	4700935526	1	. . Piston	
14	4700935525	1 1	. . O-ring	D
15	4700935524	1 1	. . Seal plug	D
16	4700935530	1	. End cap	
17	4700908432	1	. Plug	C
18	4700935741	2	. Plug, cpl	
19	4700902944	8	. Screw	
20	4700935531	1 1	. O-ring	D
21	4700908443	1 5	. Rect. seal	D
22	4700908427	1 1	. Gasket	D
23	4700902928	2	. Plug	C
	4700901453	1 2	. . O-ring	C
24	4700936589	1	. Loop Flushing assy.	
25		1	. . Adjusting screw	
26	4700926658	1 1	. . O-ring	C
27		1	. . Spring	
28		1	. . Valve cone	
29		1	. . Nut	
30	4700935749	2	. Spring	
31	4700935750	2	. Spring retainer	
32	4700935533	1	. Spool	
33	4700902960	1	. Shaft, cpl	
34		1	. . Bearing	
35		1	. . Spring guide	
36		1	. . Spring	
37		1	. . Pin	
38		1	. . Shaft	
39		1	. . Bearing	
40		1	. . Spacer	
41		1	. . Nut	
42		9	. . Piston assembly	
43	4700902961	1	. Flange	
44	4700935536	1	. Shaft seal 55x75x12	D
45	4700935664	1 1	. O-ring	D
46	4700936591	8	. Screw	
47		1	. Electric hydraulic control	
48	4700908435	1	. . Solenoid valve assy	C
49	4700908426	4	. . Plug, cpl	D
50	4700908432	2	. . Plug	C
51	4700935544	4	. . Screw	
52		1	. . Valve housing	
53	4700902984	1	. Shaft, cpl	
54		2	. . Pin	
55		6	. . Roller	
56		1	. . Shaft	
57	4700902996	1	. Plastic cap, green	

1) Includes in Seal kit item 61

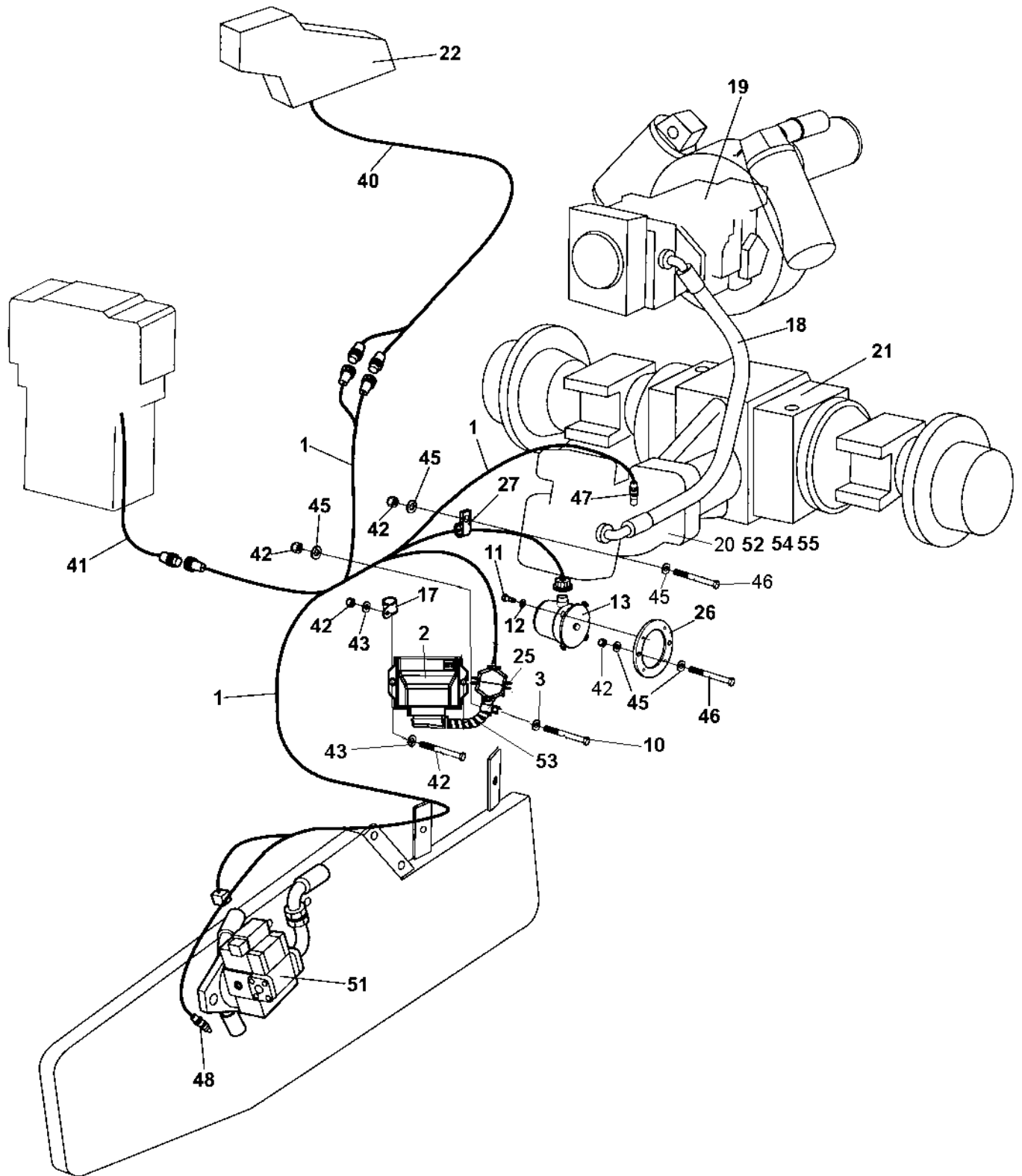
4700382089 Propulsion motor



4700382089 Propulsion motor

Item	Part No	Rem	Qty	Description	Code
58	4700936593		2	. Orifice	
59	4700397336		1	. Screw	D
60	4700909525	1	1	. Seal nut	
61	4700935520		1	Seal kit	D
62	4700935546		1	Magnetic ring	

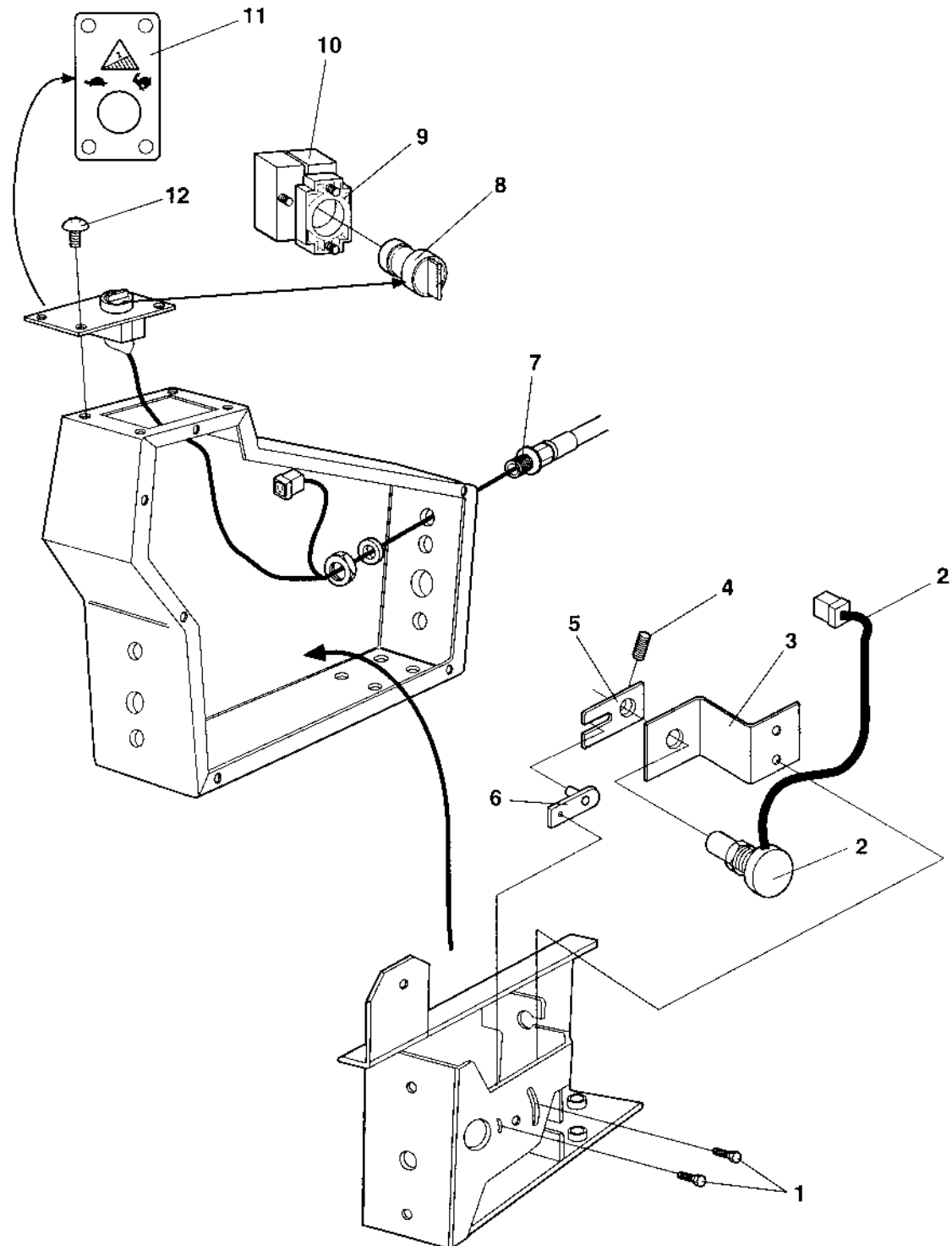
1) Includes in Seal kit item 61



Anti-spin CA

Item	Part No	Rem Qty	Description	Code
1	4700378131	1	Cable harness	D
2	4812112415	1	Control unit	
3	4700370222	1	Spacer sleeve	D
10	4700500190	1	Screw	
11	4700500006	4	Screw M5x16	C
12	4700904281	4	Washer 5,3x10x1 300HV	C
13	4700373902	1	Sensor	B
17	4700960727	1	Clamp	
18	4700483558	2	Hydraulic hose	D
19	4700382133	1	Propulsion pump (Page 320)	C
20	4700382089	1	Propulsion motor (Page 326)	C
21	4700383856	1	Rear axle No-Spin, Option (Page 78)	
22			Anti spin, Potentiometer installation (Page 332)	
25	4700902558	1	Clamp	D
26	4700394670	1	Spacer ring	D
27	4700921072	1	Clamp	
40	4700378132	1	Cable harness	D
41	4700378133	1	Cable harness	D
42	4700586003	7	Lock nut M8	C
43	4700904640	2	Washer 8,4x22x3	C
44	4700500115	2	Screw M8-1,25x90 8.8	C
45	4700904229	12	Steel plain washer 8,4x16x1,5	C
46	4700500026	4	Screw M8-1,25x60 8,8	
47	4700904216	1	Sensor	
48	4700904217	1	Sensor	
51	4700382088	1	Propulsion motor (Page 90)	
53	4812112785	1	Cable harness	

Anti spin, Potentiometer installation



Anti spin, Potentiometer installation

Item	Part No	Rem	Qty	Description	Code
1	4700533008		3	Screw M8x10H 4,8 A2K	D
2	4700374190		1	Potentiometer	B
3	4700373901	A	1	Bracket	D
4	4700904227	A	1	Set screw M3 x 4	
5	4700373903	A	1	Clevis	D
6	4700373905		1	Plate	D
7	4700382070		1	Cable harness	D
8	4700932058		1	Switch	B
9	4700903876		1	Connector	C
10	4700932060		1	Contact block	
11	4700382071		1	Control panel plate	D
12	4700904206		4	Screw	C

A) Removes with new part: 4700374190.

NUMERICAL INDEX

Part Number	Page	Part Number	Page	Part Number	Page
4700100040	15,35	4700313010	55	4700345874	15,35
4700116041	19,45	4700313035	53	4700345875	15,35
4700150004	221	4700313041	57,63,135,167	4700346230	301,303
4700160105	19,45		175,177,183,189	4700347119	27
4700160132	111		191,193,227	4700347512	207
4700160231	111	4700313068	301,305	4700348213	175
4700160272	89	4700313075	55	4700348331	213
4700160287	135	4700313093	61,65,301,303	4700348481	23,227
4700162004	109	4700313094	65	4700349682	43
4700162008	97	4700313102	57,97,121,133	4700349715	45
4700162011	45,47		175,177,191,301	4700349879	129
4700162017	45,47		303	4700349880	129
4700162018	45	4700313147	227	4700349909	89
4700162024	45	4700330328	55	4700349971	43
4700162027	45,47	4700330330	303	4700349972	43
4700167023	45	4700330331	53	4700349973	21,43
4700167032	15,35	4700330333	53,83,85	4700350009	221
4700167033	15,35	4700330383	53	4700355132	179
4700202028	211	4700330418	135	4700355135	179
4700202043	261	4700332038	109	4700355258	153,155,157
4700202046	55	4700334116	135	4700355301	163
4700202047	37	4700334121	111,121	4700355890	295
4700202056	39	4700334132	89,95	4700355983	69
4700212339	101	4700334135	131,133,135	4700356348	131
4700212553	73,81	4700334138	89,95	4700357138	11,129
4700230277	63	4700334142	135	4700357488	27
4700230515	53	4700334143	121	4700357526	151,161
4700232039	129	4700334144	135	4700357562	147
4700232041	27	4700334156	95	4700357643	209
4700232097	121	4700334158	97	4700357855	149
4700232210	43,45,47	4700334163	95	4700358172	21,43
4700233304	129	4700334196	131	4700358388	99,101,321,323
4700234218	121	4700334197	131	4700358452	173
4700234243	95,97	4700334203	121	4700358881	149,179,285,291
4700234379	135	4700334205	111,127	4700359043	225
4700234382	111	4700334235	135	4700359125	225
4700234388	131	4700334237	97	4700359223	109
4700234622	131	4700334238	135	4700359226	109
4700234626	121	4700334248	97	4700359340	153
4700234659	135	4700334264	131	4700359341	153
4700234667	121	4700334389	127	4700359343	155,157
4700234840	63	4700334419	111	4700359419	213,215
4700234843	127	4700334463	131	4700359550	95
4700234875	95	4700334468	95,97	4700359551	95
4700234888	97,127	4700334520	97	4700359552	95
4700234909	95	4700334523	131	4700359574	213,215
4700234919	63	4700334563	97	4700359575	227
4700234957	135	4700337042	35	4700359818	225
4700244054	63	4700337045	15,35	4700359820	225
4700272372	287	4700337221	15,35	4700359845	149
4700272373	285	4700340863	119	4700359900	213,215
4700287373	227	4700343159	35	4700359914	211,213,215
4700287597	309	4700343318	45	4700359915	211,213,215
4700287598	147,307	4700343550	153,163	4700359916	221
4700287724	89	4700343551	153	4700359917	215
4700288129	57,61	4700343744	45,47	4700359918	203,215,217
4700310008	15	4700343775	27	4700359919	221
4700311016	295	4700343801	43,205	4700359920	213,215
4700313001	63	4700345139	151,161	4700359921	221
4700313002	63	4700345234	111	4700359940	23
4700313003	251,253,309,311	4700345243	95	4700359971	215
4700313004	55,303	4700345870	153,155,157,303	4700359972	215

NUMERICAL INDEX

Part Number	Page	Part Number	Page	Part Number	Page
4700370165	149	4700372581	89,111	4700373901	333
4700370222	331	4700372586	89	4700373902	319,331
4700370231	45	4700372609	37	4700373903	333
4700370255	205	4700372649	139,143	4700373905	333
4700370745	63	4700372653	221	4700373906	299
4700370803	229	4700372654	221	4700373907	299
4700370955	225	4700372658	39,295	4700373955	37
4700370977	211	4700372663	151,161	4700373956	39
4700370978	221	4700372665	159	4700373957	39
4700371009	23,227	4700372671	225	4700373979	189,193
4700371100	205	4700372672	221	4700373980	189,193
4700371202	205	4700372678	229	4700374028	131
4700371213	211	4700372695	37	4700374029	167,171
4700371275	151	4700372709	27	4700374030	167,171
4700371364	173	4700372718	63	4700374059	95
4700371366	37	4700372722	65	4700374088	167
4700371374	225	4700372725	65	4700374089	167
4700371407	213	4700372757	205	4700374098	149
4700371418	225	4700372758	171	4700374099	149
4700371512	49	4700372772	53	4700374120	167
4700371620	53	4700372782	227	4700374168	167
4700371730	259	4700372785	205,209,265	4700374184	167
4700371737	55	4700372786	205,209	4700374190	333
4700371774	55	4700372836	175	4700374194	167
4700371837	297	4700372837	295	4700374195	167
4700371955	43	4700372961	225	4700374196	167
4700371956	43,45	4700372964	211,213,215	4700374217	111
4700371966	205	4700372965	225	4700374327	167
4700371967	205	4700372966	225	4700374379	149
4700371968	211	4700372997	139,143	4700374398	173
4700372018	111	4700373112	111	4700374417	225
4700372029	129	4700373123	35	4700374471	205
4700372044	129	4700373140	175,193	4700374526	167
4700372053	205	4700373184	167,171	4700374606	209,265
4700372083	225	4700373203	37	4700374607	209,265
4700372087	27	4700373204	37	4700374706	89
4700372103	149	4700373286	185	4700374707	111
4700372104	149	4700373309	37	4700374728	43
4700372105	149	4700373359	171	4700374744	27
4700372169	27	4700373360	171	4700374797	37
4700372206	139,143	4700373361	95,105,107	4700374798	37
4700372229	7,11,95	4700373363	287	4700374799	37
4700372235	89	4700373364	287	4700374854	39
4700372321	227	4700373442	43	4700374898	35
4700372322	227	4700373443	43	4700374933	221
4700372347	229	4700373460	63	4700374934	221
4700372409	229	4700373547	225	4700375041	65
4700372424	121,123	4700373574	63	4700375171	55
4700372435	95	4700373605	139,143	4700375172	55
4700372436	95	4700373746	299	4700375181	65
4700372457	209,265	4700373747	299	4700375669	121
4700372459	225	4700373748	299	4700375678	39
4700372489	229	4700373749	299	4700375681	39
4700372494	205,209,265	4700373750	299	4700376068	187
4700372495	183	4700373752	299	4700376079	207
4700372496	183	4700373756	299	4700376118	207
4700372497	179,183	4700373769	43	4700376252	207,209,265
4700372513	121	4700373770	43	4700376377	95,109
4700372514	121	4700373799	229	4700376488	229
4700372568	227	4700373854	229	4700376489	229
4700372578	89,111	4700373855	229	4700376551	29
4700372580	89,111	4700373860	189	4700376619	65

NUMERICAL INDEX

Part Number	Page	Part Number	Page	Part Number	Page
4700376622	29	4700379621	53	4700383933	69
4700376707	27	4700379630	121	4700383951	229
4700376763	27	4700379632	69	4700383955	69
4700376896	185	4700379691	69	4700383959	111,113
4700376935	177	4700379876	47	4700383975	69
4700376937	177	4700379878	45	4700384069	177
4700376938	177	4700379936	61	4700384070	189
4700377511	135	4700380018	45,47	4700384114	43,45
4700377518	211,213,265	4700380079	119	4700384121	43
4700377677	229	4700380109	37	4700384160	285
4700377742	287	4700380146	111,119	4700384162	171
4700377743	287	4700380490	95	4700384174	311
4700377744	285	4700380660	151	4700384176	309,311
4700378110	183	4700380727	205	4700384177	309,311
4700378131	319,331	4700380830	95,99,101,103	4700384187	311
4700378132	319,331	4700381027	45	4700384402	279
4700378133	319,331	4700381254	135	4700384403	279
4700378214	141,145	4700381400	213,215	4700384503	15
4700378408	53	4700381403	221	4700384584	207
4700378586	53	4700381413	55	4700384589	301,303
4700378690	55	4700381567	221	4700384759	209,265
4700378728	53	4700381571	221	4700384760	309,311
4700378729	53	4700381594	135	4700384761	309,311
4700378860	315,317	4700381595	135	4700384762	309,311
4700378861	315,317	4700381634	45,47	4700384875	301,303
4700378940	65	4700381676	227	4700384876	301,303
4700378941	65	4700381684	135	4700384877	301,303
4700379084	61	4700381874	153	4700384878	301,303,309,311
4700379085	61	4700381877	135	4700384879	301,303
4700379086	61	4700381989	39	4700384880	309,311
4700379153	27	4700382070	333	4700384881	253,309,311
4700379163	53	4700382071	333	4700384897	309,311
4700379164	53	4700382088	89,91,93,319,331	4700384927	253,309,311
4700379208	61	4700382089	319,327,329,331	4700385100	67,69,71
4700379209	61	4700382098	319	4700385134	253,309,311
4700379210	95	4700382129	37	4700385152	37
4700379211	95	4700382130	37	4700385376	61
4700379214	61	4700382131	37	4700385379	61
4700379215	61	4700382132	37	4700385404	61
4700379236	271	4700382133	319,321,323,325	4700385434	231,251,253
4700379245	61		331	4700385442	251,303
4700379246	39	4700382165	37	4700385443	251,303
4700379251	39	4700382335	37	4700385526	181,183
4700379252	37	4700382336	37	4700385527	181,183
4700379269	61	4700382355	39	4700385542	181
4700379275	303	4700382394	53	4700385551	179
4700379285	303	4700382397	265	4700385660	139,143
4700379286	303	4700382549	179	4700385691	61
4700379292	139	4700382582	265	4700385873	59
4700379293	139,143	4700382751	285	4700386091	55
4700379332	309	4700382782	147	4700386118	55
4700379478	61	4700382849	205	4700386189	155,157,161
4700379479	95	4700382884	227	4700386272	19
4700379480	53	4700383200	229	4700386298	193
4700379481	121	4700383413	293,301,303,307	4700386299	193
4700379482	95	4700383414	309,311	4700386300	193
4700379537	55	4700383425	311	4700386301	193
4700379538	57	4700383452	175	4700386410	65
4700379600	57	4700383705	209	4700386645	193
4700379601	57	4700383844	33	4700386646	193
4700379602	55	4700383856	67,79,319,331	4700386647	193
4700379608	269	4700383932	313	4700386653	135

NUMERICAL INDEX

Part Number	Page	Part Number	Page	Part Number	Page
4700386699	55	4700391179	211	4700482467	135
4700386966	61	4700391302	57	4700482482	135
4700387112	63	4700391303	303	4700482516	127
4700387128	53	4700391337	139,143	4700482613	97
4700387130	55	4700391346	213	4700482726	131
4700387218	57	4700391761	301,305	4700482782	135
4700387280	193	4700391772	171	4700482863	121
4700387281	193	4700392027	121,125	4700482912	97
4700387282	193	4700392106	125	4700482937	121
4700387283	193	4700392107	125	4700483022	89
4700387326	57	4700392108	125	4700483023	111
4700387466	303	4700392109	125	4700483024	111
4700387467	303	4700392110	125	4700483026	121
4700387571	191	4700392159	63	4700483031	111
4700387638	303	4700392283	53	4700483040	127
4700387699	65	4700392284	53	4700483049	121
4700387941	191	4700392420	45,47	4700483109	121
4700387968	191	4700392721	171	4700483128	97
4700387969	191	4700392930	147	4700483188	131
4700388146	69	4700393385	63	4700483445	131
4700388186	27	4700393386	63	4700483475	97
4700388189	191	47003933780	39	4700483558	97,319,331
4700388209	191	4700393781	39	4700483926	89
4700388210	175	4700393855	301,303	4700483941	89
4700388211	175	4700393954	301,303	4700483948	111
4700388212	191	4700393955	301,303	4700499097	27
4700388213	191	4700394417	143	4700499162	189,193
4700388466	171	4700394646	89	4700500004	181,183,195,233
4700388732	55	4700394650	89	4700500006	139,143,179,199
4700388800	65	4700394670	319,331		201,247,319,331
4700388855	53	4700394683	61	4700500012	55,139,143,167
4700388981	255,263	4700394690	9,11,61		171
4700389075	163	4700394691	11,61	4700500013	39,53,173,177
4700389119	163	4700395325	227		185,187,191,225
4700389129	65	4700396041	199,201		301,303
4700389564	89	4700396043	199	4700500015	65,251
4700389570	191	4700396044	199	4700500016	193
4700389577	173	4700396045	199,201	4700500018	39,55,131,133
4700389591	191	4700396046	199,201		233
4700389600	61	4700396047	199	4700500019	37,89,111,129
4700389786	189	4700396048	199,201		167,171,205,213
4700389840	165	4700397305	31		237,257,259,271
4700390083	61	4700397336	329		301,309
4700390182	37,39	4700416034	223	4700500021	37,61,173,205
4700390327	139,143	4700453949	111		211,213,221,225
4700390360	39	4700465013	227		227,229,295,299
4700390361	39	4700476019	297	4700500022	63,95,301,303
4700390377	139,143	4700480446	123		315,317
4700390474	57	4700480447	123	4700500023	121,301,303
4700390500	55	4700480449	123	4700500026	37,135,319,331
4700390510	65	4700480450	123	4700500028	37,61,89,95,111
4700390589	69	4700480456	123		213,215,313
4700390759	69	4700480468	123	4700500029	27,55,205,209
4700390760	69	4700482056	127		211,265,313
4700390823	301,303	4700482103	97	4700500030	37,63,129
4700390824	301,303	4700482182	97	4700500031	205,215
4700390833	301,303	4700482254	135	4700500033	95
4700390834	301,303	4700482306	135	4700500035	65,135
4700390896	17,45,47	4700482341	121	4700500037	35
4700390927	273	4700482391	97	4700500040	39,55,139,143
4700390962	191	4700482399	127		149,167,171,195
4700390963	211,213	4700482404	97		197,213,215,221

NUMERICAL INDEX

Part Number	Page	Part Number	Page	Part Number	Page
4700500042	195,197,199,201	4700508080	111	4700603001	221
4700500043	27,167,171	4700508092	227	4700603019	213
4700500044	121	4700509025	53	4700604007	111
4700500046	95,121,139,143	4700513003	225	4700604012	95
4700500047	53,175,233	4700513009	167	4700615041	223
4700500048	57	4700513013	225	4700624005	285,297
4700500053	55,61,65,131,133 135,139,143,183 199,201,205,211 215,227,233,271 301,303	4700513025	241,313	4700624016	223,229
4700500056	53	4700516051	221	4700624020	39
4700500060	179,199	4700527002	43	4700624021	191
4700500061	143,311	4700533008	197,333	4700629066	259
4700500067	141,145,281	4700533010	139,167	4700630035	225
4700500070	53	4700533013	147	4700635061	27,125
4700500075	55,139,183,211 245	4700533016	199	4700791094	285
4700500079	175	4700533024	223	4700791102	313
4700500082	43,45,47	4700533038	227	4700791119	129
4700500086	163,195,311	4700535004	179	4700791120	129
4700500088	39	4700535005	275	4700791138	147
4700500090	319	4700535007	233,237	4700791144	311
4700500092	89	4700535011	37	4700791156	45,47
4700500100	229	4700535013	179,205	4700791171	193
4700500101	89	4700535014	179	4700791175	69
4700500111	205	4700535015	205	4700791176	69
4700500115	233,331	4700541507	39	4700791182	61,95
4700500123	33	4700541535	233	4700791183	139,143
4700500133	37	4700541702	171,173	4700791185	139,143
4700500134	31,43	4700541703	189,193,309	4700791186	139,143
4700500146	43	4700541704	181	4700791211	139,143
4700500149	95	4700541705	195	4700791212	111
4700500153	299	4700570002	163,195	4700791213	95
4700500154	31,53	4700570003	141	4700791218	209,265
4700500163	45,47,63	4700570004	39,55,147,223 227,237,301,303	4700791226	209
4700500165	29	4700570005	37,57,61,139,143	4700791231	89
4700500169	223		211,213,215,265 301,315,317	4700791253	163
4700500180	301,305	4700570006	205,213,215,301 303,313	4700791279	285
4700500184	139,143	4700570008	177	4700791281	285
4700500188	27,35	4700573004	227	4700791304	199,201
4700500190	331	4700573008	225	4700791345	155
4700500192	89,111,301,303	4700582006	187	4700791346	155
4700500194	53,111,175,193	4700586001	139,143,167,179 191,195,199,201 233	4700791347	155
4700500195	209,265	4700586002	139,143,149,163 179,183,185,199 205,213,215,221 223,245,299	4700791349	155
4700500196	45		61,65,121,135 139,143,173,221 227,233,237,241 257,281,299,303 319,331	4700791371	139,143
4700500226	205	4700586003	61,65,121,135 139,143,173,221 227,233,237,241 257,281,299,303 319,331	4700791378	195,197
4700500238	143		89,171	4700791388	135
4700500239	229		53,227	4700791452	191,193
4700500263	95		177,259	4700791453	193
4700500267	227		205	4700791454	193
4700500292	179		43	4700791458	139,143
4700500505	39		285	4700791468	53
4700502034	121,211		147	4700791475	195,197
4700502036	221		241	4700791477	139,143
4700502078	111		197	4700791510	139,143
4700502132	89,95,111			4700791511	139,143
4700506018	111			4700791513	63
4700508004	53			4700791538	133
4700508029	53,121			4700791572	53
4700508048	57			4700791573	69
4700508056	225			4700791614	61,95
				4700791642	285
				4700791722	165
				4700791723	165
				4700791736	165
				4700791914	133

NUMERICAL INDEX

Part Number	Page	Part Number	Page	Part Number	Page
4700791967	261	4700901187	171	4700902695	113
4700791968	261	4700901209	179,181,183	4700902697	117
4700791976	177	4700901218	69	4700902724	113
4700792015	301,305	4700901220	295	4700902752	113
4700792069	135	4700901224	135,147,175,193	4700902783	117
4700792081	53	4700901225	139,143,147,249	4700902811	117
4700792091	309	4700901226	147	4700902814	117
4700792187	309	4700901227	139,143,147,249	4700902861	123
4700792248	303		255,263	4700902862	123
4700792261	69	4700901229	249	4700902866	37,39,207
4700792265	139,143	4700901230	139,143	4700902882	109
4700792268	139,143	4700901240	147,249,309	4700902919	27
4700792275	53	4700901256	147	4700902928	91,99,105,321
4700792294	139,143	4700901328	103,325		327
4700792299	111	4700901369	167,171	4700902929	91,105,327
4700792313	157	4700901443	69	4700902930	91,105
4700792314	157	4700901444	69	4700902940	91
4700792315	157	4700901452	99,321	4700902944	91,105,327
4700792317	157	4700901453	91,99,105,321	4700902960	105,327
4700792318	157		327	4700902961	105,327
4700792319	157	4700901454	99,321	4700902962	105
4700792320	157	4700901455	99,321	4700902984	93,105,327
4700792450	133	4700901458	99,321	4700902985	91
4700792526	63	4700901465	101,323	4700902995	93
4700792547	63	4700901466	101,323	4700902996	93,105,327
4700792548	163	4700901467	101,323	4700903189	45
4700792634	315,317	4700901475	101,323	4700903190	45
4700792654	111	4700901476	101,323	4700903290	89,207,209,265
4700792682	143	4700901688	199,201	4700903422	285
4700792772	287	4700901699	309	4700903423	287
4700792808	63	4700901767	147,309	4700903424	287
4700792814	63	4700901832	307	4700903425	287
4700801631	33	4700901834	71,79	4700903436	149
4700801669	177	4700901987	77,85	4700903457	123
4700802550	61	4700902064	167	4700903459	285
4700813391	27	4700902066	167	4700903570	99,321
4700813434	139,143	4700902115	111	4700903571	99,321
4700813444	121	4700902125	131	4700903580	99,321
4700813462	139,143	4700902166	37,55,65,89	4700903599	149
4700813499	95	4700902203	227	4700903600	149
4700813500	121	4700902223	147	4700903601	149
4700813618	49,105	4700902227	167,171	4700903602	149
4700813822	91,99,105,321	4700902260	119	4700903625	147
		4700902261	119	4700903631	139,143
4700900170	61	4700902264	119	4700903632	139,143
4700900229	95	4700902265	119	4700903640	143
4700900255	71,79	4700902284	37	4700903644	225
4700900528	193	4700902285	39,143,149,175	4700903653	149
4700900552	127		193,195,197	4700903657	151,155,157,159
4700900775	45,47	4700902286	37,135,175		161
4700900776	17,45,47	4700902287	95	4700903658	149,163,165,227
4700900782	17,45,47	4700902288	175,193	4700903678	149
4700900790	167	4700902496	175	4700903714	55
4700900807	35	4700902508	297	4700903717	183
4700900957	75,83	4700902520	225	4700903732	37
4700900966	75,83	4700902558	331	4700903741	147,249,309
4700900986	227	4700902581	95,105,327	4700903768	139,143
4700901145	69,209,265	4700902610	295	4700903769	177
4700901155	111	4700902624	113	4700903773	135
4700901157	111	4700902625	113,117	4700903782	271,311
4700901182	167,171	4700902638	113	4700903852	167,171,183,185
4700901183	167	4700902687	113		303

NUMERICAL INDEX

Part Number	Page	Part Number	Page	Part Number	Page
4700903875	159	4700904229	265,271,281,299	4700904698	195
4700903876	151,159,161,163 333		301,303,309,315 317,319,331	4700904703	53
4700903899	167	4700904230	27,39,55,61,89	4700904734	221,229,301,303
4700903907	179,205		95,111,121,167	4700904735	221
4700903914	215		171,205,209,211	4700904737	45,47
4700903915	55		215,221,265,301	4700904739	221
4700903916	55		303,313	4700904773	111
4700903917	221	4700904231	35,39,45,63,65	4700904780	195,197
4700903918	221		111,121,135,139	4700904802	221
4700903919	43		143,193,205,209	4700904819	153
4700903927	153		225,227,265	4700904835	285
4700903953	55	4700904232	29,31,33,43,45	4700904855	207
4700903956	147		47,53,111,177	4700904870	285
4700903961	149		259	4700904874	37
4700903962	205	4700904233	27,43,53,69,205	4700904889	153,175
4700903969	167,169,297		209,265	4700904890	153,175
4700903970	147	4700904234	43,229	4700904907	179
4700903985	69	4700904241	37,65	4700904908	179
4700904005	89,95,111,121	4700904244	37	4700904909	179
4700904015	183	4700904244	37	4700904910	185
4700904016	153	4700904281	139,143,167,179	4700904939	261
4700904036	139,143		181,183,199,233	4700904941	205
4700904037	139,143	4700904282	237,319,331	4700904969	261
4700904038	167,171		95	4700904970	261
4700904039	303	4700904289	193	4700904984	281
4700904068	285,287	4700904292	53	4700904985	63
4700904069	287	4700904313	167	4700904989	147
4700904072	285	4700904315	167	4700904994	313
4700904073	285	4700904316	167	4700905304	245,277
4700904075	39	4700904317	167	4700905305	245,277
4700904110	97	4700904318	167	4700905306	245,277
4700904114	245	4700904340	179,299	4700905307	245
4700904140	183	4700904346	141,145	4700905308	245
4700904165	301,303	4700904352	57	4700905309	245
4700904180	229	4700904385	125	4700905310	245
4700904206	63,163,193,205 213,215,333	4700904433	205,209,265	4700905311	245
4700904207	149	4700904479	35	4700905312	245
4700904208	149	4700904486	55	4700908110	147
4700904213	95	4700904495	111	4700908136	131,133,301,305
4700904214	221	4700904543	167,171,183,185	4700908187	223
4700904216	319,331		303	4700908188	223
4700904217	319,331	4700904551	55	4700908189	223
4700904227	333	4700904556	37,53,225,227	4700908190	223
4700904228	39,53,55,65,139 143,149,163,167 171,173,177,179 183,185,187,191 195,197,199,205 211,213,215,221 225,245,299,301 303,311	4700904557	27,37,63,205,211	4700908193	227
			213,215	4700908200	227
		4700904558	33	4700908229	285
		4700904562	229	4700908265	259
		4700904567	27,39,129,301	4700908267	257
			303	4700908352	99,321
		4700904601	287	4700908355	259
		4700904615	89	4700908359	257
		4700904619	229	4700908361	259
		4700904623	57	4700908383	113
4700904229	27,35,55,61,63 65,95,111,121 129,131,133,135 139,141,143,145 167,171,173,183 191,195,197,199 201,205,211,213 215,221,225,227 233,251,257,259	4700904637	53,121	4700908422	105
		4700904638	53,89,95,111	4700908426	91,105,327
		4700904639	139,143	4700908427	91,105,327
		4700904640	37,55,61,65,89 95,191,211,221 229,295,319,331	4700908432	91,93,99,101,105 321,323,327
			191	4700908435	91,105,327
		4700904653	15	4700908443	91,105,327
		4700904663	15	4700908448	101,323
		4700904698	139,143,163,179	4700908485	73,81

NUMERICAL INDEX

Part Number	Page	Part Number	Page	Part Number	Page
4700908496	183,233,251	4700909436	101,323	4700923371	95
4700908497	245	4700909469	113,117	4700923384	89,95,111
4700908499	233,237,241,269	4700909510	233,245	4700923843	43
	271,273	4700909514	113,117	4700923976	139,143,147,179
4700908500	233	4700909525	93,107,329		311
4700908501	233,303	4700909544	75,83	4700924620	15,35
4700908502	233,303	4700909550	73	4700924731	135
4700908503	233,303	4700909551	73	4700924791	179,299
4700908504	233,303	4700909552	73	4700925629	39
4700908505	233	4700909553	73	4700925723	127
4700908506	233,271	4700909558	73	4700925784	233
4700908507	233,271	4700909559	73	4700925802	167,171,185,301
4700908512	233	4700909560	73		305
4700908515	233	4700909561	73	4700926214	15,35,225
4700908545	237,239,241,269	4700909562	73	4700926611	167
	273	4700909563	73	4700926658	91,327
4700908559	245	4700909565	73	4700926781	77,85
4700908560	245	4700909566	73	4700926810	75,83
4700908563	245	4700909567	73,81	4700926847	75,83
4700908564	245	4700909568	73,81	4700926911	193
4700908580	241,273	4700909569	73,81	4700926985	39,55
4700908581	241,273	4700909570	73,81	4700927117	27
4700908582	241,273	4700909572	73,81	4700927233	223
4700908583	241,273	4700909574	73,81	4700927403	261
4700908587	233	4700909576	73,81	4700927637	37
4700908598	251	4700909580	73,81	4700927857	65
4700908599	251	4700909581	73,81	4700927974	37,195,197,205
4700908600	251	4700909582	71,79		209,265
4700908603	249	4700909584	71,79	4700928021	139,143
4700908605	249,277	4700909586	77,85	4700928346	199
4700908606	249	4700909596	83,85	4700928381	223
4700908607	249	4700909609	75,77,83,85	4700928497	23,227
4700908610	249	4700909616	75,83	4700928502	167
4700908611	249	4700909618	75,83	4700928850	27
4700908613	249	4700909619	75,83	4700928910	63
4700908617	249,277	4700909622	75,83	4700928927	193
4700908618	249	4700909624	75,83	4700929012	123
4700908623	247,275	4700909626	75,83	4700929013	123
4700908624	247,275	4700909727	99,321	4700929014	123
4700908625	259	4700909745	223	4700929023	139,143
4700908626	259	4700909747	227	4700929122	97
4700908627	259	4700909748	227	4700929217	69
4700908628	259	4700910161	121	4700929447	19,45
4700908987	241	4700910995	35	4700929455	167
4700909122	227	4700911456	151,159,161	4700929617	75,83
4700909130	197	4700911620	123	4700929626	81
4700909211	123	4700921028	53,141,145,167	4700929628	73
4700909382	99,321	4700921031	167,171,179,183	4700929629	73
4700909386	99,321	4700921039	171,173	4700929630	81
4700909387	99,321	4700921044	301,303	4700929631	81
4700909388	99,321	4700921046	191,193,199	4700929638	73,81
4700909389	99,321	4700921050	57,139,143	4700929644	73,81
4700909390	99,321	4700921056	301,303	4700929648	71,79
4700909391	99,321	4700921065	189	4700930150	139
4700909392	99,321	4700921072	175,319,331	4700930151	175
4700909393	99,321	4700921078	177	4700930153	161
4700909398	99,321	4700921080	141,145	4700930154	151,159,161,165
4700909399	101,323	4700921104	213	4700930161	159
4700909428	101,323	4700922325	227	4700930163	151,159,161,163
4700909429	101,323	4700923087	99,101,321,323		165
4700909432	101,323	4700923253	197	4700930165	193
4700909435	101,323	4700923342	73,81	4700930166	159

NUMERICAL INDEX

Part Number	Page	Part Number	Page	Part Number	Page
4700930192	161,163	4700935281	237,269	4700935541	91
4700930200	165	4700935282	237,269	4700935542	91
4700932032	165	4700935283	237,269	4700935543	105
4700932034	159,161	4700935284	237,269	4700935544	93,105,327
4700932050	151	4700935285	237,269	4700935545	105
4700932056	159,193	4700935286	237,269	4700935546	93,329
4700932057	159	4700935287	237,269	4700935570	251
4700932058	151,159,161,333	4700935288	237,269	4700935572	251
4700932060	333	4700935289	237,269	4700935577	233
4700935164	115	4700935290	237,269	4700935578	233
4700935172	117	4700935291	237,269	4700935579	233
4700935192	113	4700935293	237,269	4700935580	233
4700935212	117	4700935295	237,269	4700935581	233
4700935219	113	4700935296	237,269	4700935582	233
4700935225	227	4700935297	237,269	4700935583	233
4700935229	217	4700935298	237,269	4700935584	233
4700935230	217	4700935299	237,269	4700935585	233
4700935231	217	4700935300	237,269	4700935586	233
4700935232	217	4700935301	239,269	4700935589	233
4700935233	217	4700935302	239,269	4700935590	233
4700935234	217	4700935303	239,271	4700935591	233
4700935235	217	4700935334	245	4700935594	235
4700935236	217	4700935335	245	4700935598	235
4700935237	217	4700935380	49	4700935599	235
4700935238	217	4700935381	49	4700935600	235
4700935239	217	4700935382	49	4700935613	211,213,215
4700935240	217	4700935386	49	4700935614	211,213,215
4700935241	217	4700935387	49	4700935644	73
4700935242	217	4700935388	49	4700935664	105,327
4700935243	217	4700935389	49	4700935741	91,105,327
4700935244	241,273	4700935394	49	4700935749	91,105,327
4700935245	241,273	4700935395	49	4700935750	91,105,327
4700935246	241,273	4700935396	49	4700935771	223
4700935247	241,273	4700935397	49	4700935774	223
4700935248	241,273	4700935400	49	4700935781	109
4700935249	241,273	4700935401	49	4700935783	109
4700935250	241,273	4700935402	49	4700935856	99,321
4700935253	241,273	4700935403	49	4700935857	101,323
4700935255	241	4700935404	49	4700936277	237
4700935256	241	4700935405	49	4700936304	117
4700935257	241	4700935411	49	4700936305	117
4700935258	241	4700935413	49	4700936308	113
4700935260	241	4700935414	49	4700936313	117
4700935261	241	4700935415	49	4700936370	117
4700935262	241	4700935428	123	4700936394	117
4700935263	241	4700935429	123	4700936546	99,321
4700935265	241,273	4700935520	93,107,329	4700936547	99,321
4700935266	241,273	4700935521	91,105,327	4700936548	103,325
4700935267	241,273	4700935523	91	4700936551	99,321
4700935268	241,273	4700935524	91,105,327	4700936553	99,321
4700935269	241,273	4700935525	91,105,327	4700936557	99,321
4700935270	241,273	4700935526	91,105,327	4700936558	99,321
4700935271	237,241,269,273	4700935527	91,105,327	4700936559	99,321
4700935272	237,241,269,273	4700935530	91,105,327	4700936560	99,321
4700935273	241,269,273	4700935531	91,105,327	4700936561	99,321
4700935274	237,241,269,273	4700935533	91,105,327	4700936562	101,323
4700935275	237,241,269,273	4700935535	91	4700936563	101,323
4700935276	237,241,269,273	4700935536	91,105,327	4700936564	101,323
4700935277	237,241,269,273	4700935537	91	4700936566	101,323
4700935278	237,269	4700935538	91	4700936567	101,323
4700935279	237,269	4700935539	91	4700936568	101,323
4700935280	237,269	4700935540	91	4700936570	101,323

NUMERICAL INDEX

Part Number	Page	Part Number	Page	Part Number	Page
4700936571	101,323	4700937109	167	4700938603	307
4700936582	99,321	4700937121	241	4700938604	307
4700936583	101,323	4700937150	101,323	4700938605	307
4700936589	327	4700937165	261	4700938606	307
4700936590	91	4700937187	115	4700938607	307
4700936591	327	4700937240	117	4700938608	307
4700936593	105,327	4700937259	119	4700938609	307
4700936600	237,241	4700937363	107	4700938617	253,311
4700936601	237,241	4700937380	237,269	4700938618	253,311
4700936602	237,241	4700937381	237,269	4700938619	309,311
4700936609	113,117	4700937382	237,269	4700938620	253,309,311
4700936612	113	4700937383	237,269	4700938621	253,309,311
4700936613	117	4700937384	237,269	4700938622	253,309,311
4700936614	117	4700937385	237,269	4700938623	311
4700936616	115	4700937389	237,269	4700938624	311
4700936617	115	4700937390	241,273	4700938625	253,309,311
4700936618	115	4700937391	241,273	4700938626	253,309,311
4700936619	115	4700937392	241,273	4700938627	253,309
4700936620	115	4700937393	241,273	4700938628	253,309
4700936621	115	4700937620	215	4700938629	253,309
4700936622	115	4700937621	215	4700938630	253,309
4700936623	115	4700937675	119	4700938631	311
4700936627	115	4700937737	251,303	4700938632	253
4700936628	115	4700937857	101,323	4700938633	253
4700936629	115	4700937870	279	4700938634	253,309,311
4700936630	115	4700937871	277	4700938635	253,309
4700936631	115	4700937892	215	4700938636	253,309
4700936632	115	4700937931	135	4700938638	253,309
4700936633	115	4700937932	235,237,241	4700938639	253,309,311
4700936634	115	4700937964	135	4700938640	253
4700936636	115	4700937965	135	4700938641	253
4700936637	115	4700937966	135	4700938643	253,309
4700936642	113	4700937967	135	4700938644	253,309
4700936643	113	4700937968	135	4700938645	253,309
4700936644	113	4700937969	135	4700938647	253
4700936646	113	4700938014	113	4700938658	237
4700936647	113	4700938016	241	4700938659	237,269
4700936648	113	4700938017	241,273	4700938660	245
4700936654	113	4700938018	241,273	4700938661	245
4700936655	113	4700938022	249	4700938662	245
4700936656	113	4700938024	241	4700938663	245
4700936657	117	4700938043	241	4700938664	245
4700936658	117	4700938047	215	4700938665	245
4700936659	117	4700938101	273	4700938666	245
4700936660	117	4700938136	245	4700938667	247
4700936661	117	4700938170	101,323	4700938668	247
4700936662	117	4700938224	241	4700938670	233
4700936663	117	4700938252	101,323	4700938671	233
4700936664	117	4700938253	101,323	4700938672	233
4700936665	117	4700938290	237,269	4700938673	233
4700936673	117	4700938291	237,269	4700938674	233
4700936686	113	4700938292	237,269	4700938675	233
4700936689	113	4700938296	75,83	4700938676	233
4700936924	109	4700938318	241	4700938677	233,235
4700936925	109	4700938319	243	4700938678	233
4700936934	237	4700938562	13,15	4700938679	233
4700936935	237	4700938597	307	4700938680	251
4700937056	241	4700938598	307	4700938681	235
4700937057	241	4700938599	307	4700938682	235
4700937106	167	4700938600	307	4700938683	235
4700937107	167	4700938601	307	4700938684	235
4700937108	167	4700938602	307	4700938685	235

NUMERICAL INDEX

Part Number	Page	Part Number	Page	Part Number	Page
4700938686	191	4700939979	53	4700991990	285
4700938687	249	4700940263	55	4700999011	173
4700938688	249	4700940264	55	4700999027	139,143
4700938689	255	4700940505	113	4709335273	237
4700938690	255	4700940507	113	47386084BR	285
4700938691	251,263,303	4700940663	13,23	47386084CN	285
4700938883	13,21	4700940676	113	47386084DE	285
4700938891	13,19	4700940678	273	47386084DK	285
4700938983	75,83	4700945140	53	47386084EN	285
4700938984	75,83	4700945145	7,9,11,53	47386084ES	285
4700938989	73,81	4700945146	7,9,11,53	47386084FI	285
4700938991	81	4700945147	7,9,11,63	47386084FR	285
4700939003	77,85	4700945171	11	47386084GR	285
4700939015	77,85	4700945174	309	47386084IS	285
4700939016	77,85	4700945175	309	47386084IT	285
4700939017	77,85	4700945176	309	47386084NL	285
4700939019	77,85	4700945177	309	47386084NO	285
4700939026	75,83	4700945178	309	47386084PT	285
4700939035	75,83	4700945197	5,7	47386084SE	285
4700939036	75,83	4700945199	5,11	4811000152	43
4700939173	113	4700945313	53	4811000244	191
4700939255	75,83	4700945314	301,305	4811000299	97
4700939256	75,83	4700945315	301,305	4811000312	143
4700939257	73	4700945538	63	4811000328	133
4700939258	73,81	4700945587	47	4811000329	133
4700939259	73,81	4700945594	45	4811000332	133
4700939260	73,81	4700945622	211,213	4811000363	133
4700939261	73,81	4700945632	219	4811000388	135
4700939262	73	4700945633	219	4811000395	197
4700939263	77,85	4700945634	219	4811000457	197
4700939264	77,85	4700945635	219	4812110216	171
4700939265	77,85	4700945636	219	4812110290	121
4700939266	77,85	4700945637	219	4812110366	43
4700939267	77,85	4700945657	13,17	4812110422	133
4700939268	77,85	4700945661	211,213	4812110552	43
4700939269	77,85	4700945731	53	4812110560	141,145
4700939270	77,85	4700945757	91,105	4812110572	43
4700939271	77,85	4700945775	113	4812110576	43
4700939272	77,85	4700945776	113	4812110748	185
4700939273	77,85	4700945880	119	4812110773	39
4700939275	77,85	4700945977	37	4812110818	141,145
4700939276	77,85	4700947680	227	4812110835	43
4700939277	77,85	4700947698	33	4812110860	45
4700939278	77,85	4700950283	101,323	4812110865	163
4700939280	75,83	4700950284	101,323	4812110866	141,145
4700939281	75,83	4700950324	5,9	4812110867	141,145
4700939282	75,83	4700950339	139	4812110960	165
4700939283	75,83	4700950580	121	4812110967	165
4700939284	75,83	4700950635	117	4812110972	163
4700939285	75,83	4700960051	199,201	4812110986	27
4700939286	75,83	4700960727	135,141,145,319	4812111103	31,33
4700939287	75,83		331	4812111322	65
4700939348	75,77	4700960792	163	4812111323	65
4700939349	77,85	4700960796	141,145	4812112336	61
4700939350	77,85	4700985012	153,155,157,159	4812112413	45
4700939351	77,85		161,193	4812112415	331
4700939413	309,311	4700985013	167,233	4812112481	191
4700939489	101,323	4700985014	167	4812112749	45,47
4700939521	263	4700985051	233	4812112785	331
4700939522	263	4700985146	159,161	4812113003	27
4700939603	263	4700989151	129	4812113010	301,303
4700939693	253,309	4700991658	287	4812113030	177

NUMERICAL INDEX

Part Number	Page	Part Number	Page	Part Number	Page
4812113058	195,197				
4812113097	143				
4812113110	133				
4812113146	133				
4812113157	195				
4812113158	195,197				
4812113159	195,197				
4812113160	195,197				
4812113171	195				
4812113556	195				
4812113564	195				
4812114146	197				
4812114184	197				
4812114185	197				
4812114190	197				
4812114277	281				
4812114368	55				
4812114369	281				
4812114371	281				
4812114496	33				
4812114638	53				
4812114640	53				
4812114929	33				
4812155683	45				
4812155764	117				
4812155890	307				
4812156072	101				
4812156092	119				
4812156170	21				
4812156652	99				
4812156658	55				
4812156659	55				
4812156660	55				
4812156661	55				
4812156885	81				
4812156886	81				
4812156977	115				
4812156978	115				
D433722101	15,35				
D433722102	15,35				