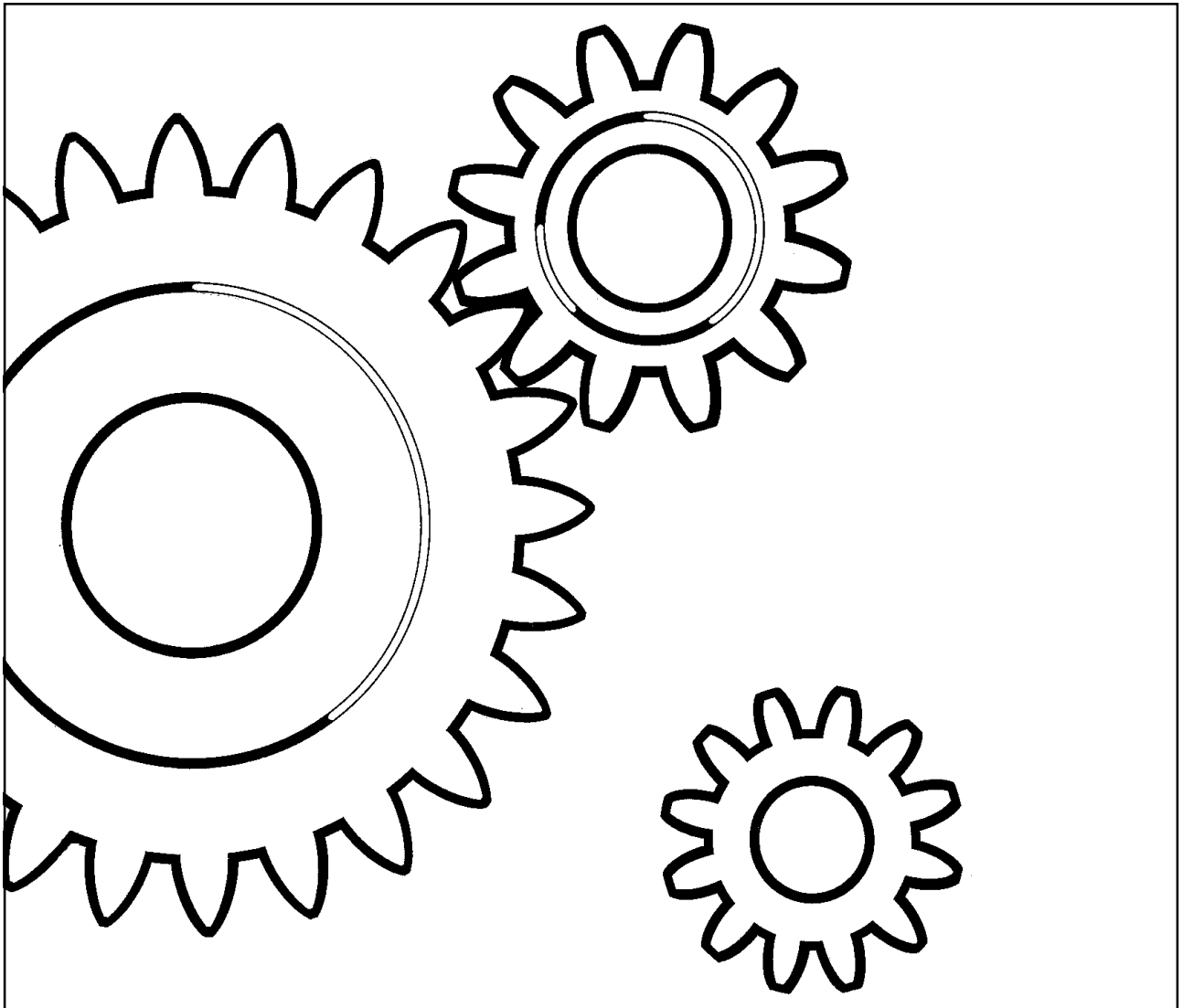


**DYNAPAC  
CC122C  
SPARE PARTS  
CATALOGUE  
SCC122C-3EN6**



***DYNAPAC***

Part of the Atlas Copco Group

Box 504, SE-371 23 Karlskrona, Sweden  
Phone: +46 455 30 60 00, Fax: +46 455 30 60 10  
[www.dynapac.com](http://www.dynapac.com)



## Vibratory Combination Roller CC122C

### Spare Parts Catalogue SCC122C-3EN6

*Valid from roller serial number:*

*\*60119077\* - \*60119999\**

*\*60130000\* -*

*Diesel engines:*

*DEUTZ F2L 2011*

*DEUTZ D2011 L02 I*

*Published catalogue issues valid for these rollers:*

<i>Catalogue</i>	<i>Issue date</i>	<i>Valid for serial numbers</i>
SCC122C-3EN1	2006-07	Replaced by SCC122C-3EN2
SCC122C-3EN2	2006-11	Replaced by SCC122C-3EN3
SCC122C-3EN3	2007-09	Replaced by SCC122C-3EN4
SCC122C-3EN4	2008-09	Replaced by SCC122C-3EN5
SCC122C-3EN5	2009-04	Replaced by SCC122C-3EN6
SCC122C-3EN6	2009-12	See above



**RESERVDLSBESTÄLLNING**

Följande uppgifter ska lämnas vid beställning av reservdelar för att undvika leveransfel:

1. Maskintyp.
2. Vältens serienummer.
3. Antal av önskad reservdel.
4. Reserdelens artikelnummer.
5. Reservdelens benämning.
6. Måttuppgifter vid beställning av metervara.

**ORDERING SPARE PARTS**

To avoid errors in delivery, please give the following information when ordering spare parts:

1. Type of machine.
2. Roller serial number.
3. Quantity required.
4. Part number.
5. Parts denomination.
6. Dimensions when ordering per length.

**ERSATZTEILBESTELLUNG**

Zur Vermeidung von Fehllieferungen sind bei der Bestellung von Ersatzteilen folgende Angaben zu machen:

1. Maschinentyp.
2. Herstellungsnummer.
3. Bestellmenge. (Quantity)
4. Ersatzteilnummer. (Part N°)
5. Ersatzteilbenennung. (Denomination)
6. Massangaben bei Bestellung von Meterware.

**ORDINI DI RICAMBI**

Per evitare errori nelle consegne di ricambi, Vi preghiamo di comunicarci le seguenti informazioni al momento dell'ordinazione:

1. Tipo di macchina.
2. Numero di serie della macchina.
3. Quantità dei pezzi desiderati. (Quantity)
4. Numero di codice del pezzo. (Part N°)
5. Descrizione del pezzo di ricambio. (Denomination)
6. Misura, in caso di ordine per metro.

**PEDIDO DE RECAMBIOS**

Para evitar errores en las entregas, deberán indicarse los siguientes datos al hacer un pedido de recambios:

1. Tipo de máquina.
2. Número de serie.
3. Cantidad de piezas deseadas. (Quantity)
4. Número de artículo de la pieza de recambio. (Part N°)
5. Denominación de la pieza. (Denomination)
6. Indíquese la medida al solicitar un artículo que se expide por metros.

**COMMANDE DE PIÉCES DE RECHANGE**

Les indications suivantes doivent être fournies lors de la commande de pièces de rechange, afin d'éviter toute erreur de livraison:

1. Type de machine.
2. Numéro de série.
3. Quantité désirée de pièce de rechange. (Quantity)
4. Numéro de la pièce de rechange. (Part N°)
5. Dénomination de la pièce de rechange. (Denomination)
6. Longueur en cas de commande au mètre.

**YOUR AGENT/DEALER:**





## PÄRMETIKETT

För att undvika fel vid reservdelsbeställning finns här nedan två etiketter som passar i fickorna på pärmarnas ryggar. På dessa kan man se från vilket vältnummer av aktuell maskin reservdelskatalogen gäller. Gör så här:

1. Tag denna sida ur pärmen.
2. Klipp ut etiketten till **VÄNSTER** (1) och sätt in den i fickan på **DENNA** pärmens rygg.
3. Finns det en etikett till **HÖGER** (2), kan denna användas på pärmen för **FÖREGÅENDE** utgåva av denna katalog.
4. Kasta detta papper.

## KATALOG-BESCHRIFTUNG

Zur Vermeidung von Fehlern bei der Ersatzteilbestellung benutzen Sie bitte die unteren Beschriftungen, um die Kataloge auf der Rückseite zu kennzeichnen. Auf der Beschriftung ist angegeben, für welche Maschinennummern der jeweilige Katalog gültig ist. Ablauf:

1. Nehmen Sie dieses Blatt aus dem Katalog.
2. Schneiden Sie die **LINKE** Beschriftung (1) aus. Schieben Sie die Beschriftung in die tasche auf **DEM** Katalogrücke.
3. Sollte die Beschriftung unten **RECHTS** (2) mitgeliefert werden, kennzeichnen Sie damit bitte die **ÄLTERE** Ausführung dieses Kataloges.
4. Den Rest dieses Blattes bitte vernichten.

## ETIQUETA PARA LA CARPETA

Para evitar errores al pedir repuestos utilicen las etiquetas abajo descritas para identificar los catálogos en la parte trasera de la carpeta. En la etiqueta se ven los números de referencia de la serie para la cual es válido el catálogo. Instrucciones:

1. Quitar esta página de la carpeta.
2. Corta la etiqueta **IZQUIERDA** (1) y ponerla en **ESTA** carpeta en la parte trasera.
3. Si hay una etiqueta en la parte **DERECHA** (2) se puede utilizar en la carpeta para el catálogo que **PRECEDE** a esta.
4. Tirar esta hoja.

## BINDER LABEL

To avoid errors when ordering spare parts use the labels below to identify the catalogues on the back of the binder. The label contain the serial number range for which the catalogue is valid. Do like this:

1. Remove this page from the binder.
2. Cut out the **LEFT** label (1) and put it on **THIS** binders back.
3. If there is a label to the **RIGHT** (2), it can be used on the binder for **PRECEDING** issue of this catalogue.
4. Throw away this paper.

## ETICHETTAPOSTASULRACCOGLITORE

Per evitare errori quando ordinate pezzi di ricambio, usate le etichette in calce che servono ad identificare i cataloghi sul retro del raccoglitore. L'etichetta indica il numero di matricola delle macchine prese in considerazione nel catalogo.

1. Rimuovete questa pagina dal raccoglitore.
2. Ritagliate l'etichetta posta a **SINISTRA** (1) e ponetela sul retro **DEL** raccoglitore.
3. Se trovate anche un'etichetta sulla **DESTRA** (2), ritagliatela e ponetela sul raccoglitore relativo alla **PRECEDENTE** edizione del catalogo.
4. Distruggete questo foglio.

## ETIQUETAGE DU CATALOGUE

Afin d'éviter des erreurs lors de commandes de pièces de rechange, nous vous conseillons d'apposer les marquages ci-dessous à l'arrière du classeur, pour identifier les catalogues. Ce marquage indique les numéros de série pour lesquels le catalogue est adapté. Il convient de procéder de la façon suivante:

1. Retirez cette page du classeur.
2. Découpez l'étiquette de **GAUCHE** (1), et apposez-la à l'arrière de **CE** catalogue.
3. Si il y a une étiquette à **DROITE** (2), vous pourrez l'apposer sur le classeur de l'édition **PRECEDENTE** du catalogue.
4. Détruire cette feuille.

1 .







<b>CC122C SN 60118678 - 9999, 60130000 -</b>	<b>2</b>
<b>Service kits</b>	<b>4</b>
4700938542 Service kit, Deutz 50 h	6
4700938543 Service kit, Deutz 500 h	8
4700938544 Service kit, Deutz 1000 h	10
<b>Repair kits</b>	<b>12</b>
4700938908 Eccentric shaft kit	14
4700938892 Drum rotation kit	16
4700938914 Scraper kit CC122/132 - (12 mm)	18
4700938885 Shock absorber kit, drum	20
4700938575 Steering hitch kit	22
4700940662 F/R control button kit	24
<b>Frame</b>	<b>26</b>
Frames Up to 601X8707	28
Frames From 601X8708 Up to 60131111	30
Frames From 60131112	32
Scrapers, STD	34
Scrapers, spring loaded	36
Scrapers, wheels	38
Scrapers, wheels	40
Steering hitch	42
Structure DEUTZ, F2L	44
Structure DEUTZ From 60130000	48
Sprinkler system Front tank	52
Sprinkler, front/rear	56
<b>Drum</b>	<b>60</b>
Drum	62
Wheels	64
<b>Engine</b>	<b>66</b>
Engine DEUTZ F2L 2011 Up to 60119621	68
Engine DEUTZ D2011 L02 I From 60119622 Up to 60119623	72
Engine DEUTZ F2L 2011 From 60119624 Up to 60119678	68
Engine DEUTZ D2011 L02 I From 60119679	72
Intake system DEUTZ	76
Fuel system DEUTZ	78
Fuel system DEUTZ	80
Exhaust system DEUTZ Up to 601X9192	82
Exhaust system DEUTZ From 601X9193	84
<b>Hydraulic system</b>	<b>86</b>
Hydraulic diagram	88
Propulsion system DEUTZ, ISUZU Up to 60119694	90
Propulsion system From 60119695 Up to 60131267	94
4700390742 Hydraulic motor, propulsion, drum	98
Propulsion system From 60131268	100
4700390742 Hydraulic motor, propulsion, drum	98
4700372352 Hydraulic pump, propulsion	104
Rotating group, valves, charge pump	106
Control unit, cpl	108
4700375631 Hydraulic motor, propulsion, drum	110
4700375632 Hydraulic motor, propulsion	112
4812110281 Junction block	114

**TABLE OF CONTENTS**

**Page**

	Vibration system DEUTZ .....	116
4700359524	Hydraulic pump, vibration DEUTZ .....	120
	Steering system Up to 601X8939 .....	122
	Steering system From 601X8940 .....	124
4700902099	Steering valve .....	126
4700374603	Steering cylinder .....	128
	Brake system DEUTZ / ISUZU Up to 60119694 .....	130
	Brake system From 60119695 .....	132

**Electrical equipment .....** **134**

	Electrical equipment DEUTZ .....	136
	Electrical equipment DEUTZ From 60130000 .....	140
	Control panel From 60131292 .....	146
	Control panel From 60131293 Up to 60131306 .....	150
	Control panel From 60131307 .....	146
	Control panel Up to 60131291 .....	150
	Control panel From 60131292 .....	146
	Control panel From 60131293 Up to 60131306 .....	150
	Control panel From 60131307 .....	146
	Electric battery switch DEUTZ .....	154
	Interlock .....	156
	Interlock Loxam Up to 60119776 .....	158
	Interlock Loxam From 60119777 .....	160
	Sprinkler timer .....	162
	Driving & side direction lights .....	164
	Working lights .....	168
	Licence plate light, parking lights .....	170
	Rotating beacon Up to 60129999 .....	172
	Rotating beacon From 60130000 .....	174

**Drivers platform .....** **176**

	Drivers platform Up to 601X8977 .....	178
	Drivers platform From 601X8978 .....	180
	Seat .....	182
	Control panel .....	184
	Arm rests, seat belt, laterally adjusting Up to 601X8977 .....	186
	Arm rests, seat belt, laterally adjusting From 601X8978 .....	188
	Comfort drivers seat, laterally adjusting and seat belt Up to 601X8977 .....	190
	Comfort drivers seat, laterally adjusting and seat belt From 601X8978 .....	192
	Engine and forward/reverse controls DEUTZ .....	194
	F/r controls dual, control panel mounted .....	196
	F/r control dual left side, platform mounted .....	198
	Rops and fops .....	200

**Decals .....** **202**

	Plates and decals, ce-marking approved .....	204
--	--	-----

**Standard equipment .....** **208**

	Standard equipment .....	210
--	--------------------------	-----

**Optional equipment .....** **212**

	Canopy .....	214
	SMV-sign .....	216
	SMV-sign placed on platform Up to 60129999 .....	218
	SMV-sign placed on platform From 60130000 .....	220
	Tool equipment .....	222
	Noise suppression DEUTZ , 78 dB .....	224
	Noise suppression DEUTZ , 73 dB .....	226
	Back-up alarm Up to 60131233 .....	228

**TABLE OF CONTENTS**

**Page**

Back-up alarm From 60131234 .....	230
Rear mirror .....	232
Rear mirror .....	234
Combination water supply .....	236
Combination water supply 2 rear sprinkler pipes .....	238
Cassette receiver .....	240
Towing valve .....	242
Flow divider .....	244
Vibration shut-off, front drum DEUTZ .....	246
Automatic vibration control .....	248
Service brake .....	250
Driving, restriction .....	252
Bio-hydraulic oil lock Old design .....	254
Brake release, propulsion motor Up to 60119694 .....	256
Brake release, propulsion motor From 60119695 .....	258
Brake release, propulsion motor Poclain From 60119695 .....	260





CC122C SN 60118678 - 9999, 60130000 -  
CC122120



**CC122C SN 60118678 - 9999, 60130000 -**

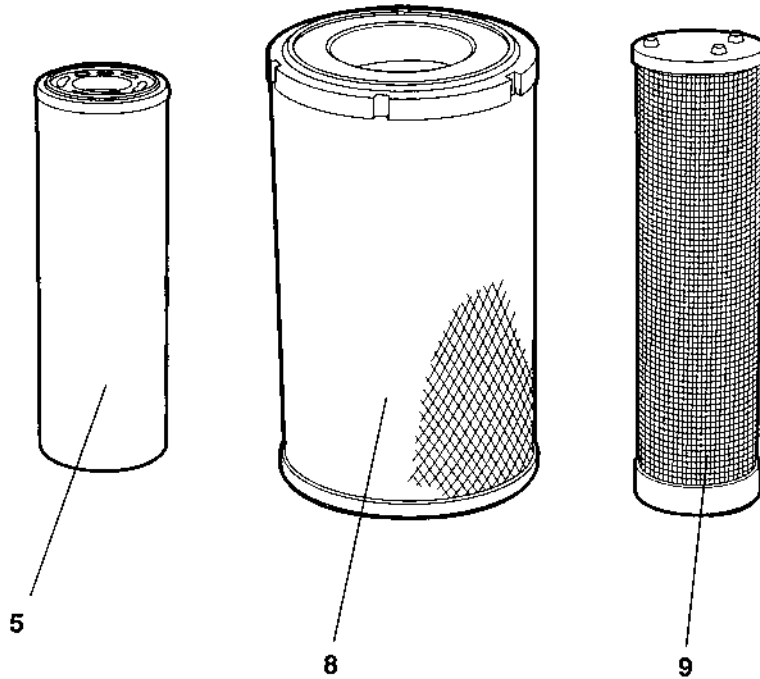
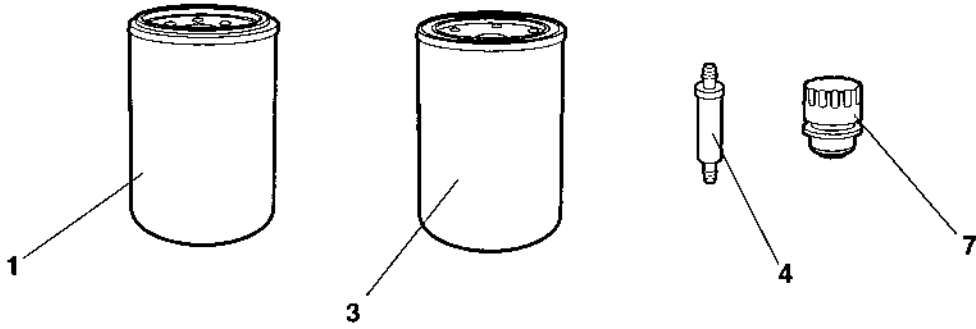
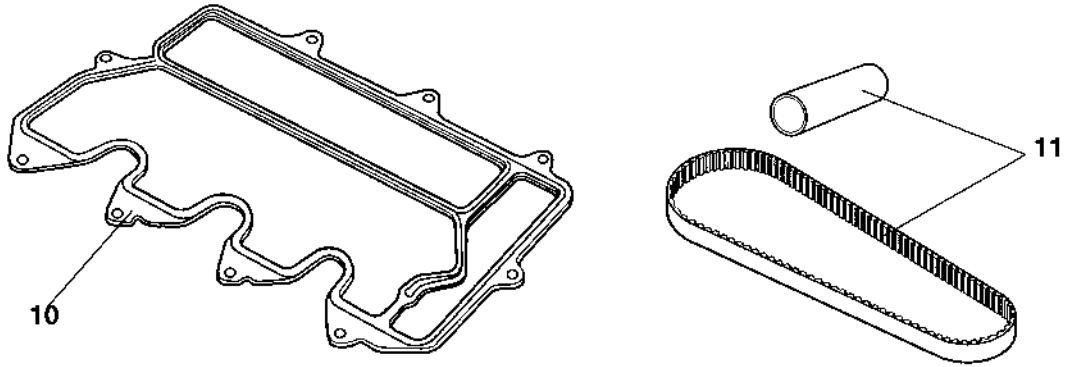
<b>Item</b>	<b>Part No</b>	<b>Rem Qty</b>	<b>Description</b>	<b>Code</b>
			Service kits ( Page 4 )	
			Repair kits ( Page 12 )	
10			Frame ( Page 26 )	
20			Drum ( Page 60 )	
30			Engine ( Page 66 )	
50			Hydraulic system ( Page 86 )	
60			Electrical equipment ( Page 134 )	
70			Drivers platform ( Page 176 )	
80			Decals ( Page 202 )	
90			Standard equipment ( Page 208 )	
91			Optional equipment ( Page 212 )	





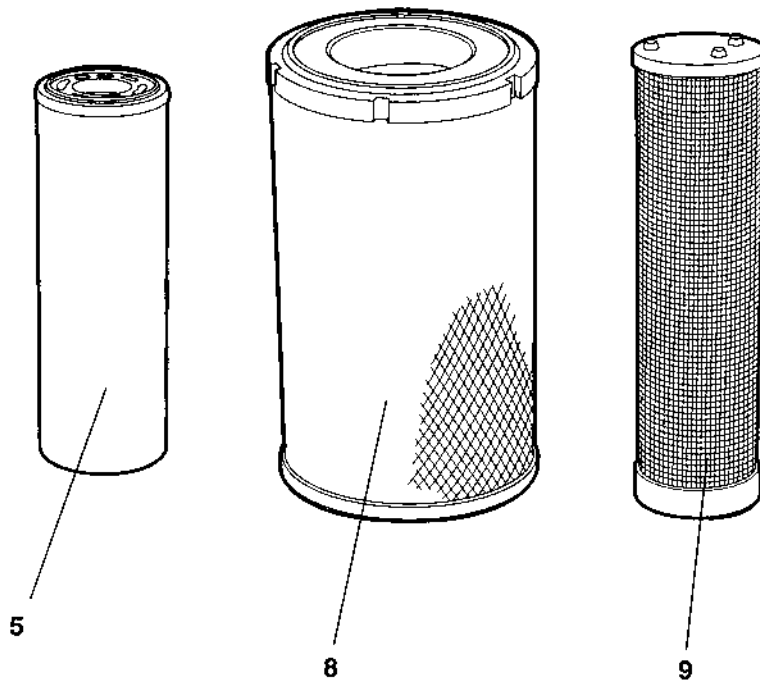
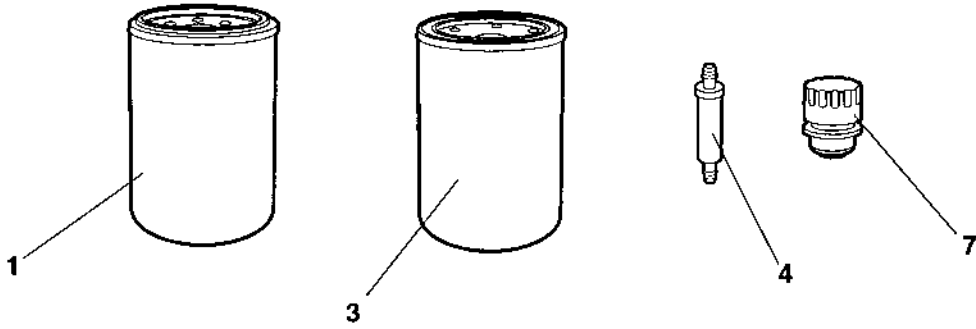
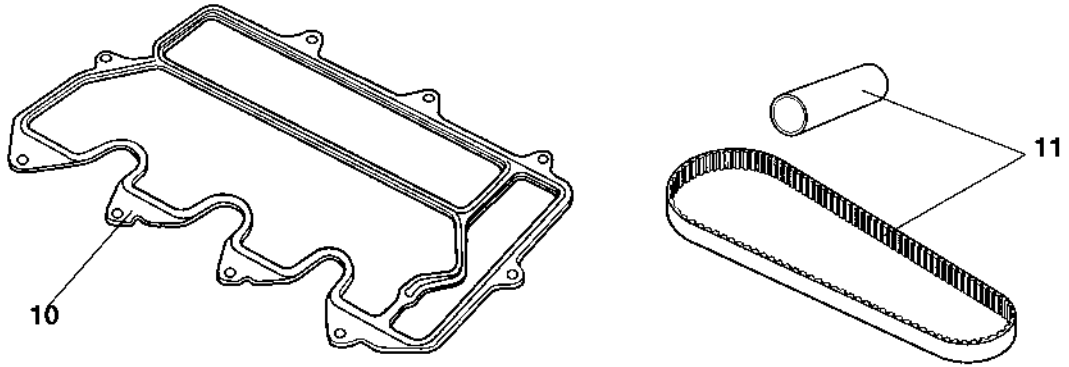
**Service kits**

<b>Item</b>	<b>Part No</b>	<b>Rem Qty</b>	<b>Description</b>	<b>Code</b>
1	4700938542	A	Service kit, Deutz ( Page 6 )	50 h
2	4700938543	A	Service kit, Deutz ( Page 8 )	500 h
3	4700938544	A	Service kit, Deutz ( Page 10 )	1000 h
A)	Deutz F2L 1011F/2011, F3L 2011, D2011 L02 I/L03 I			



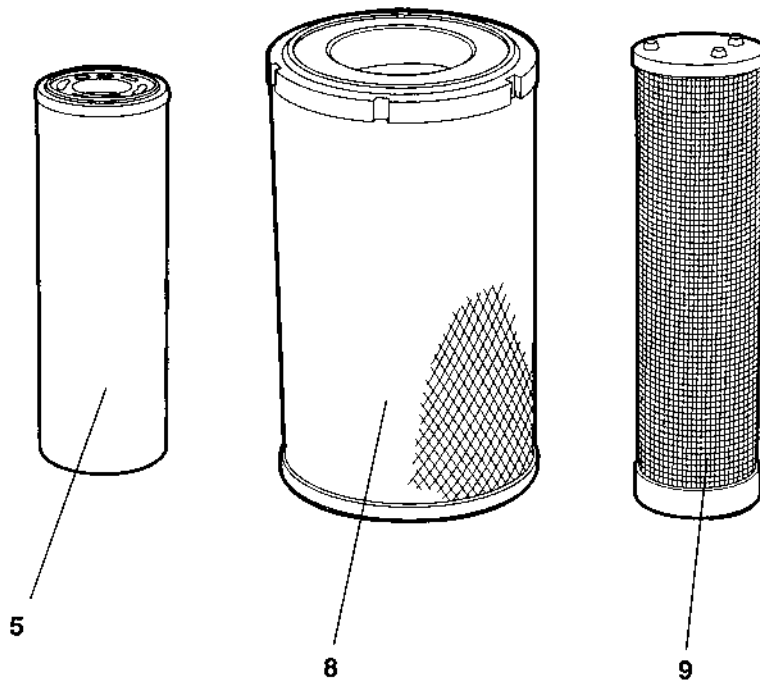
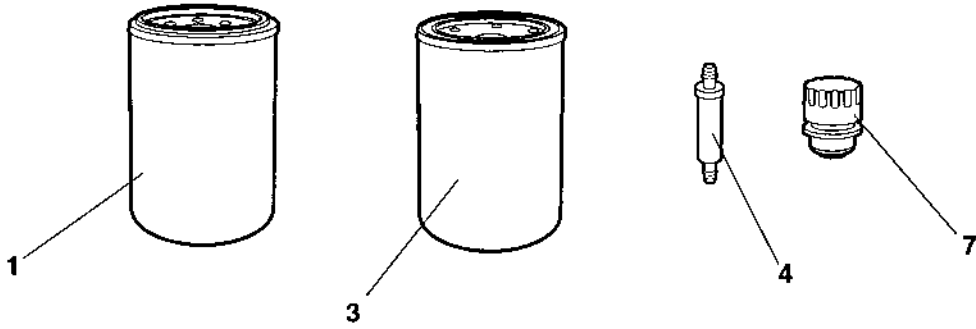
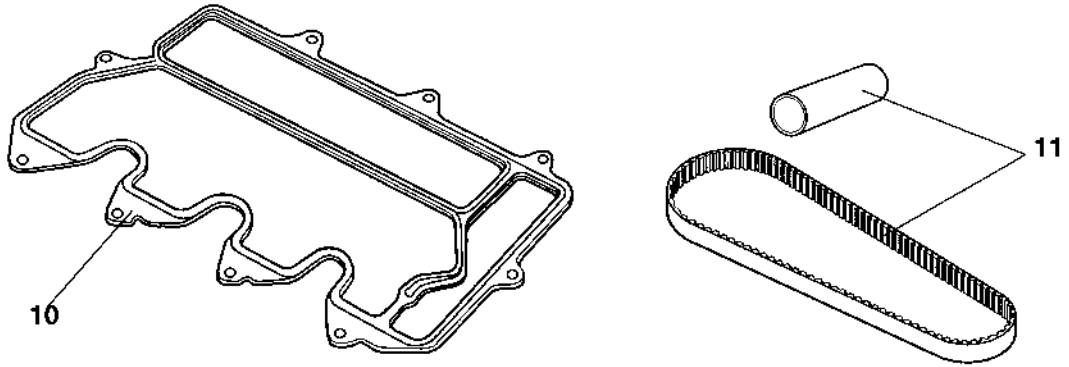
**4700938542 Service kit, Deutz 50 h**

<b>Item</b>	<b>Part No</b>	<b>Rem Qty</b>	<b>Description</b>	<b>Code</b>
	4700938542		Service kit, Deutz ( Page 6 )	50 h
1	4700939515	1	Oil filter	A
3	4700903938	1	Fuel filter	A
4	4700929322	1	Fuel strainer	B
5	4700903247	1	Filter element	A



**4700938543 Service kit, Deutz 500 h**

<b>Item</b>	<b>Part No</b>	<b>Rem Qty</b>	<b>Description</b>	<b>Code</b>
	4700938543		Service kit, Deutz ( Page 8 )	500 h
1	4700939515	1	Oil filter	A



**4700938544 Service kit, Deutz 1000 h**

<b>Item</b>	<b>Part No</b>	<b>Rem Qty</b>	<b>Description</b>	<b>Code</b>
	4700938544		Service kit, Deutz ( Page 10 )	1000 h
1	4700939515	1	Oil filter	A
3	4700903938	1	Fuel filter	A
4	4700929322	1	Fuel strainer	B
5	4700903247	1	Filter element	A
7	4700357138	1	Ventilating filter	A
8	4700380295	1	Main filter	A
9	4700380294	1	Safety filter	A
10	4700938584	1	Valve cover gasket	



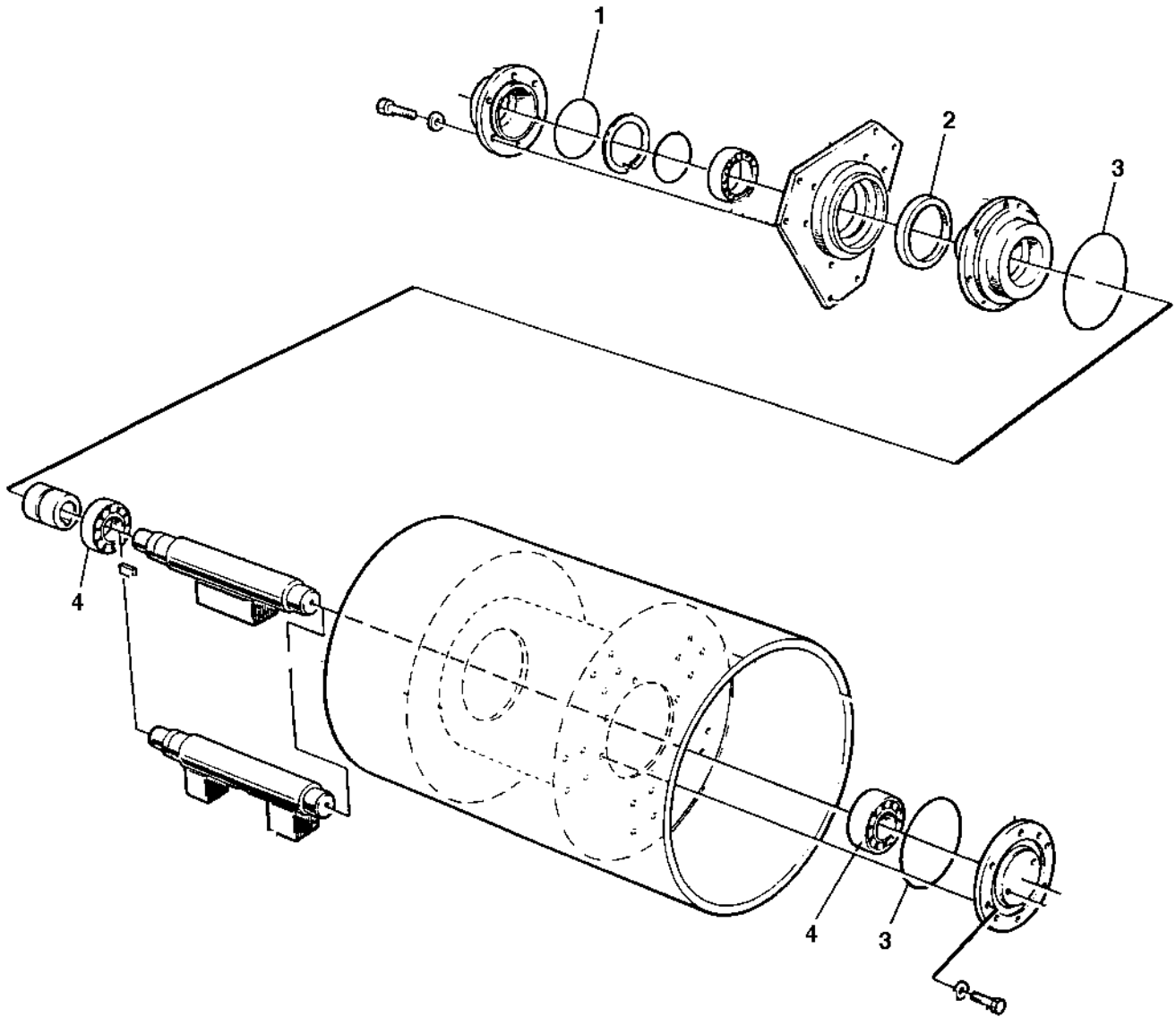


**Repair kits**

<b>Item</b>	<b>Part No</b>	<b>Rem Qty</b>	<b>Description</b>	<b>Code</b>
1	4700938908	1	Eccentric shaft kit ( Page 14 )	
2	4700938892	1	Drum rotation kit ( Page 16 )	
3	4700938914		Scraper kit ( Page 18 )	CC122/132 - (12 mm)
4	4700938885	1	Shock absorber kit, drum ( Page 20 )	
5	4700938575	1	Steering hitch kit ( Page 22 )	
6	4700940662		F/R control button kit ( Page 24 )	

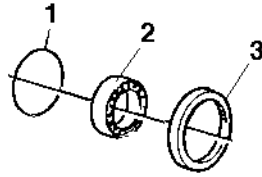
**4700938908 Eccentric shaft kit**

**938908**



**4700938908 Eccentric shaft kit**

<b>Item</b>	<b>Part No</b>	<b>Rem Qty</b>	<b>Description</b>	<b>Code</b>
	4700938908		Eccentric shaft kit ( Page 14 )	
1	4700160132	1	O-ring	D
2	4700163049	1	Sealing	D
3	4700923951	2	O-ring	D
4	4700904258	2	Spherical roller bearing	D

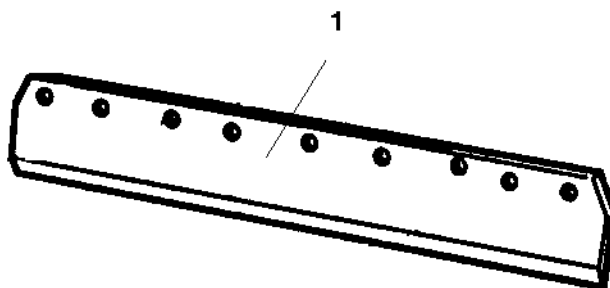


**4700938892 Drum rotation kit**

<b>Item</b>	<b>Part No</b>	<b>Rem Qty</b>	<b>Description</b>	<b>Code</b>
	4700938892		Drum rotation kit ( Page 16 )	
1	4700160132	1	O-ring	D
2	4700111018	1	Ball bearing	D
3	4700163049	1	Sealing	D

4700938914 Scraper kit CC122/132 - (12 mm)

SCRAPER

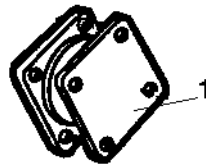


**4700938914 Scraper kit CC122/132 - (12 mm)**

<b>Item</b>	<b>Part No</b>	<b>Rem Qty</b>	<b>Description</b>	<b>Code</b>
	4700938914		Scraper kit ( Page 18 )	CC122/132 - (12 mm)
1	4700385675	4	Scraper	

**4700938885 Shock absorber kit, drum**

**SHOCK ABSORB.**



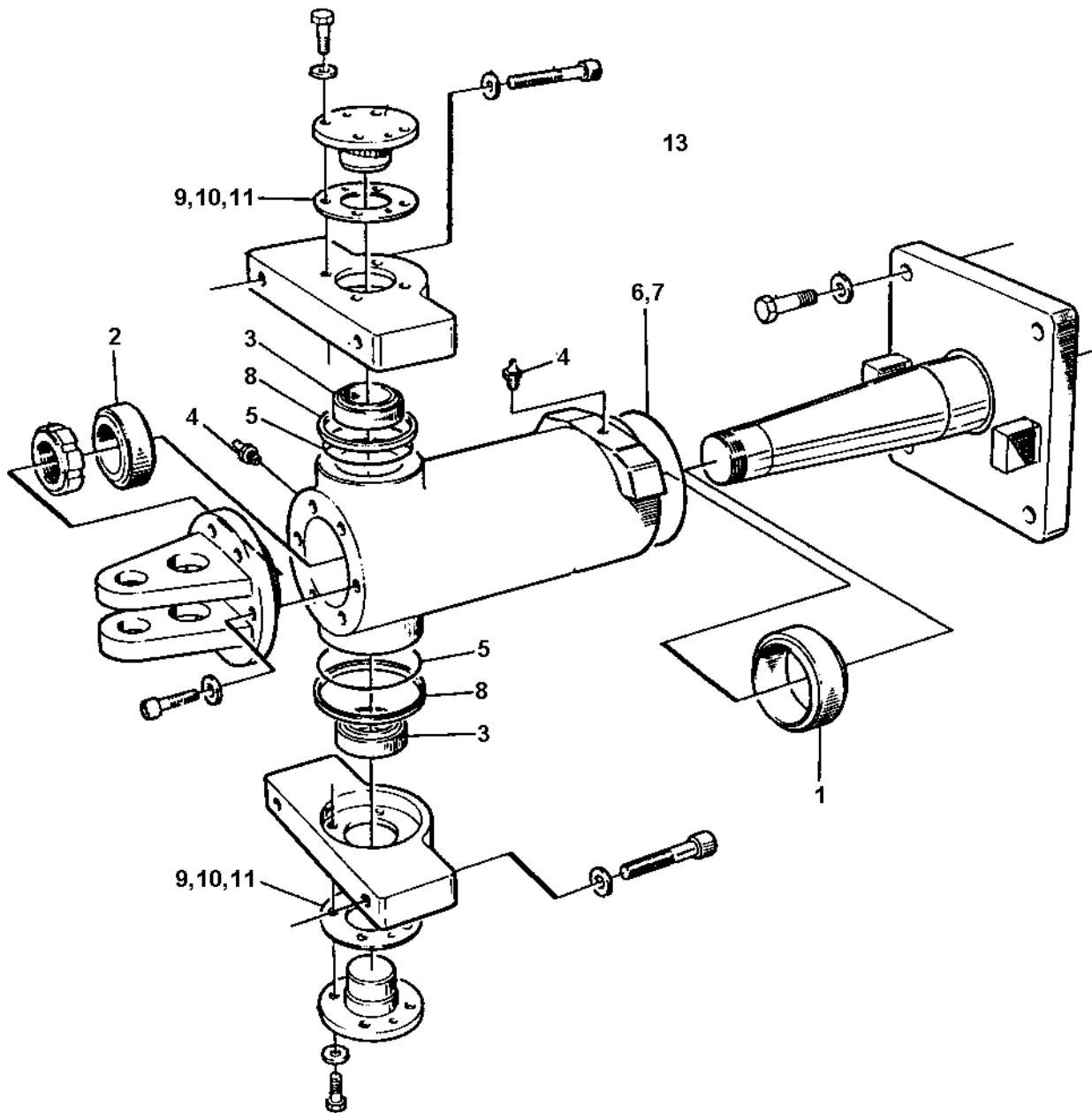


**4700938885 Shock absorber kit, drum**

<b>Item</b>	<b>Part No</b>	<b>Rem Qty</b>	<b>Description</b>	<b>Code</b>
	4700938885		Shock absorber kit, drum ( Page 20 )	
1	4700345215	8	Shock absorber	B

**4700938575 Steering hitch kit**

938575

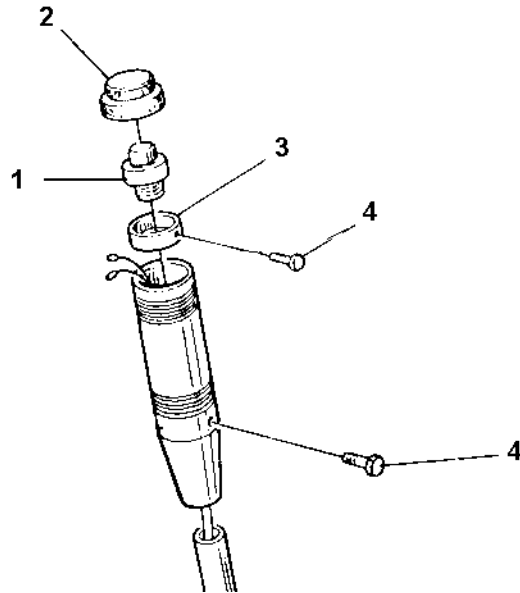


**4700938575 Steering hitch kit**

Item	Part No	Rem	Qty	Description	Code
	4700938575			Steering hitch kit ( Page 22 )	
1	4700902063		1	Bushing	D
2	4700902062		1	Bushing	D
3	4700902061		2	Bushing	D
4	4700926214		1	Grease fitting	C
5	4700167044	A	2	V-ring	D
6	4700160112		1	O-ring	D
7	4700892179		1	O-ring	D
8	4700357418		2	Sealing	D
9	4700347153		2	Shim	T=0,2 mm
10	4700347154		2	Shim	T=0,4 mm
11	4700347155		2	Shim	T=0,8 mm
13	4700938534		1	Lube grease	
14			1	Workshop manual	W1048***

A) For improved function this replaces earlier used 4700160032

**4700940662 F/R control button kit**  
**940662**



**4700940662 F/R control button kit**

<b>Item</b>	<b>Part No</b>	<b>Rem Qty</b>	<b>Description</b>	<b>Code</b>
1	4700928497	1	Push button	D
2	4700348481	1	Cover	B
3	4700285911	1	Bushing	D
4	4700533001	3	Screw	

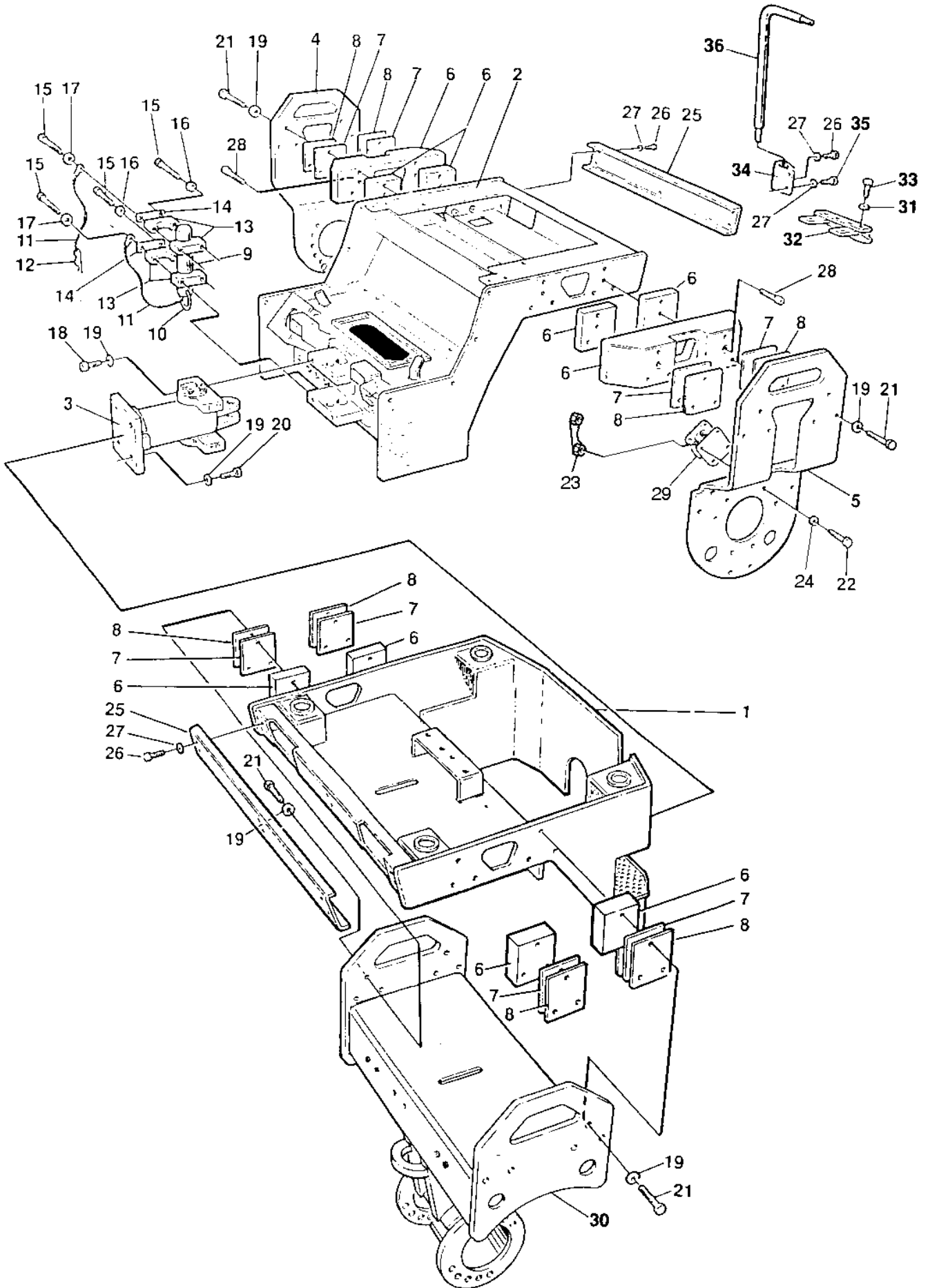


**Frame**

<b>Item</b>	<b>Part No</b>	<b>Rem Qty</b>	<b>Description</b>	<b>Code</b>
150			Frames Up to 601X8707 ( Page 28 )	
160			Frames From 601X8708 Up to 60131111 ( Page 30 )	
170			Frames From 60131112 ( Page 32 )	
230			Scrapers, STD ( Page 34 )	
260			Scrapers, spring loaded ( Page 36 )	
275			Scrapers, wheels ( Page 38 )	
280			Scrapers, wheels ( Page 40 )	
300			Steering hitch ( Page 42 )	
420			Structure ( Page 44 )	DEUTZ, F2L
430			Structure From 60130000 ( Page 48 )	DEUTZ
565			Sprinkler system ( Page 52 )	Front tank
580			Sprinkler, front/rear ( Page 56 )	

**Frames**

**15510-4**





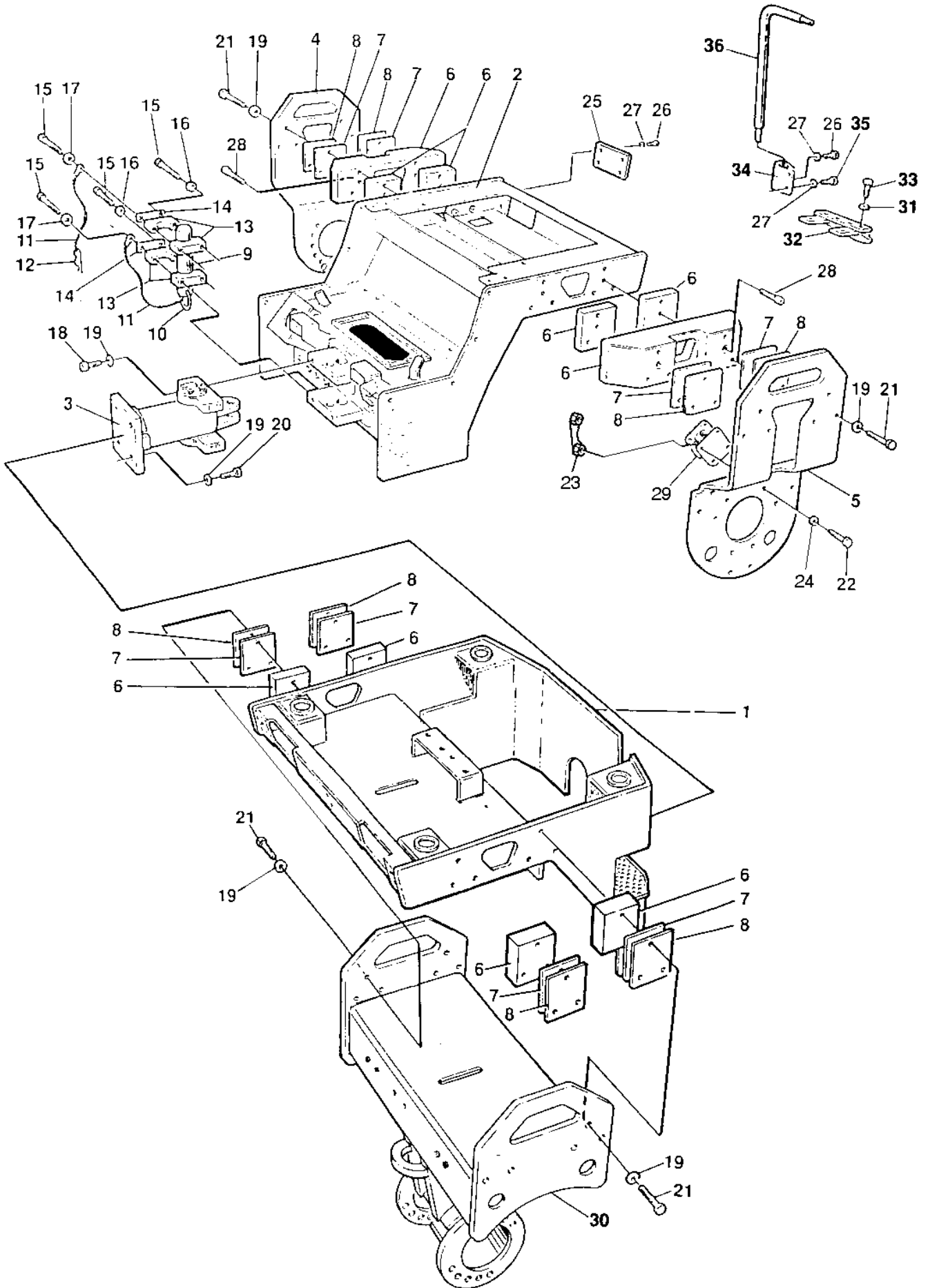
**Frames**

Item	Part No	Rem	Qty	Description	Code
1	4700357190		1	Frame, rear	
2	4700357120		1	Frame, front	
3			1	Steering hitch ( Page 42 )	
4	4700357235		1	Fork	
5	4700357236		1	Fork	
6	4700357218	F	4	Spacer block	
	4700357216	G	2	Spacer block	
7	4700357222		N	Shim	T=1 mm
8	4700357221		N	Shim	T=3 mm
9	4700357486		1	Shaft	
10	4700357488		1	Spring	C
11	4700343775		2	Wire	D
12	4700357483		1	Hair pin	
13	4700902171	A	2	Clamp	
14	4700902172		2	Cover plate	
15	4700500016		4	Screw	M6x55 8.8 A2K
16	4700600004		2	Washer	
17	4700615076		2	Washer	7,0x25x1,5
18	4700902100		4	Screw	
19	4700904232		32	Washer	
20	4700927396		4	Screw	
21	4700500094	F	12	Screw	
	4700923247	G	12	Screw	
22	4700500030		12	Hexagon head screw	C
23	4700379179	H	6	Holder	
24	4700904230		12	Steel plain washer	C
25	4700373628	C	2	Cover	
26	4700500053		12	Screw	M8x20H 8.8
27	4700904229		12	Washer	8,4x16x1,5
28	4700902101		4	Screw	
	4700508065	F	4	Screw	
29			8	Shock absorber	See group 20
30	4700357693		1	Engine bracket	
31	4700904231		6	Washer	13x24x2 300 HV
32	4700358743	D	1	Towing device	
33	4700947687	E	6	Screw	M12-1,75x30 10,9
34	4700358861	E	1	Mirror bracket	
35	4700500188	E	1	Screw	M8-1,25x14 8,8
36	4700373999	E	1	Rod	

- A) 2 pcs
- C) New, reinforced
- D) Option, front
- E) Option
- F) Rear
- G) Front
- H) Replaces earlier used Lock nut 4700586018; each holder has two nuts

**Frames**

**18360**



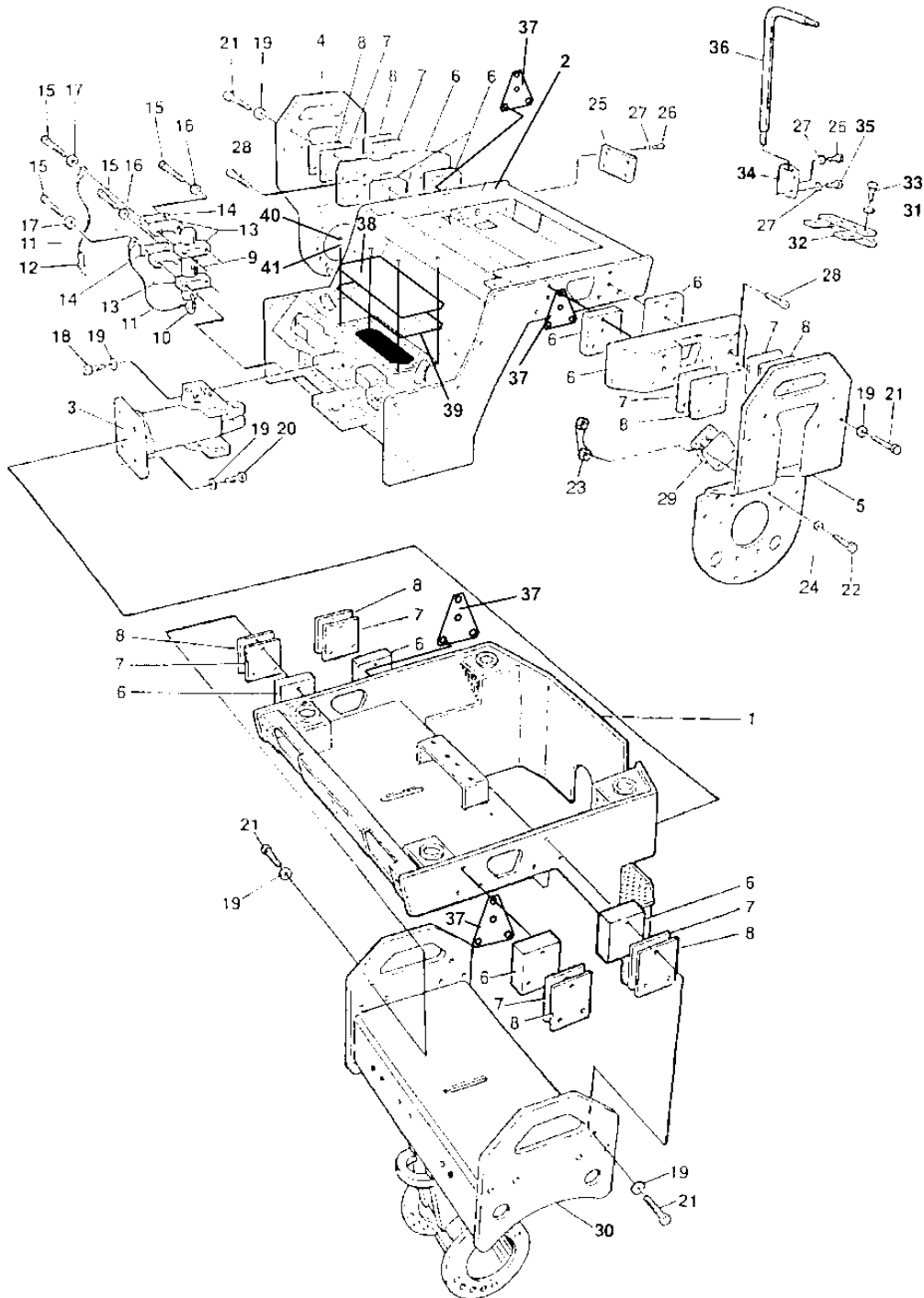
**Frames**

Item	Part No	Rem	Qty	Description	Code
1	4700378361		1	Frame, rear	
2	4700378359		1	Frame, front	
3			1	Steering hitch ( Page 42 )	
4	4700357235		1	Fork	
5	4700357236		1	Fork	
6	4700357218	F	4	Spacer block	
	4700357216	G	2	Spacer block	
7	4700357222		N	Shim	T=1 mm
8	4700357221		N	Shim	T=3 mm
9	4700357486		1	Shaft	
10	4700357488		1	Spring	C
11	4700343775		2	Wire	D
12	4700357483		1	Hair pin	
13	4700902171	A	2	Clamp	
14	4700902172		2	Cover plate	
15	4700500016		4	Screw	M6x55 8.8 A2K
16	4700600004		2	Washer	
17	4700615076		2	Washer	7,0x25x1,5
18	4700902100		4	Screw	
19	4700904232		32	Washer	
20	4700927396		4	Screw	
21	4700500094	F	12	Screw	
	4700923247	G	12	Screw	
22	4700500030		12	Hexagon head screw	C
23	4700379179	H	6	Holder	
24	4700904230		12	Steel plain washer	C
25	4700378868		4	Cover	
26	4700792187		16	Screw	M5x14
27	4700904281		16	Washer	5,3x10x1 300HV
28	4700902101		4	Screw	
	4700508065	F	4	Screw	
29			8	Shock absorber	See group 20
30	4700357693		1	Engine bracket	
31	4700904231		6	Washer	13x24x2 300 HV
32	4700358743	D	1	Towing device	
33	4700947687	E	6	Screw	M12-1,75x30 10,9
34	4700358861	E	1	Mirror bracket	
35	4700500188	E	1	Screw	M8-1,25x14 8,8
36	4700373999	E	1	Rod	

- A) 2 pcs
- D) Option, front
- E) Option
- F) Rear
- G) Front
- H) Replaces earlier used Lock nut 4700586018; each holder has two nuts

**Frames**

**18360-2**



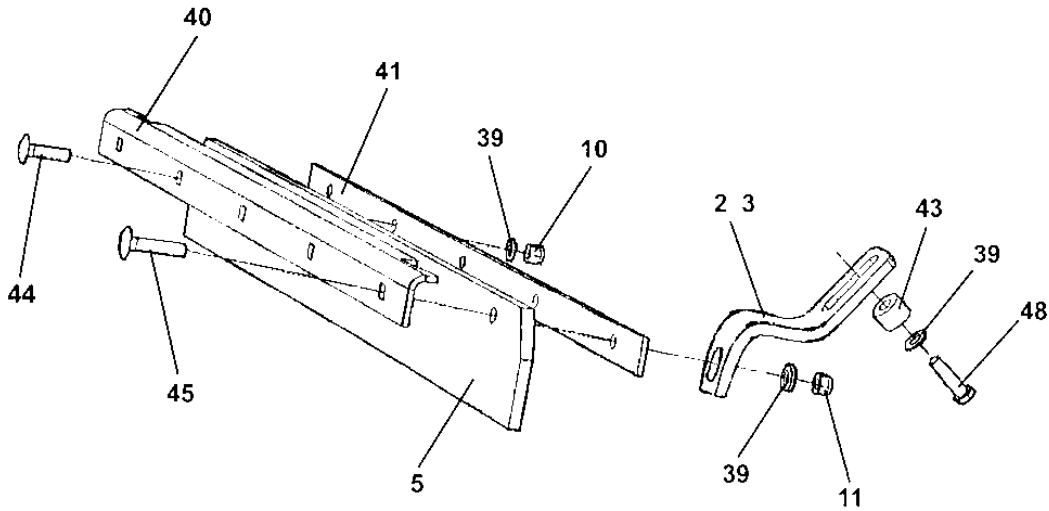
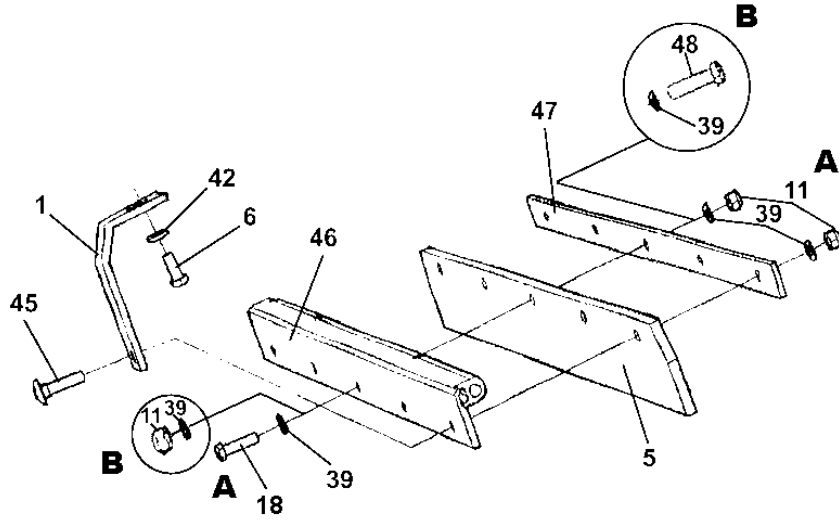
**Frames**

Item	Part No	Rem	Qty	Description	Code
1	4700378361		1	Frame, rear	
2	4700378359		1	Frame, front	
3			1	Steering hitch ( Page 42 )	
4	4700357235		1	Fork	
5	4700357236		1	Fork	
6	4700357218	F	4	Spacer block	
	4700357216	G	2	Spacer block	
7	4700357222		N	Shim	T=1 mm
8	4700357221		N	Shim	T=3 mm
9	4700357486		1	Shaft	
10	4700357488		1	Spring	C
11	4700343775		2	Wire	D
12	4700357483		1	Hair pin	
13	4700902171	A	2	Clamp	
14	4700902172		2	Cover plate	
15	4700500016		4	Screw	M6x55 8.8 A2K
16	4700600004		2	Washer	
17	4700615076		2	Washer	7,0x25x1,5
18	4700902100		4	Screw	
19	4700904232		32	Washer	
20	4700927396		4	Screw	
21	4700500094	F	12	Screw	
	4700923247	G	12	Screw	
22	4700500030		12	Hexagon head screw	C
23	4700379179	H	6	Holder	
24	4700904230		12	Steel plain washer	C
25	4700378868		4	Cover	
26	4700792187		16	Screw	M5x14
27	4700904281		16	Washer	5,3x10x1 300HV
28	4700902101		4	Screw	
	4700508065	F	4	Screw	
29			8	Shock absorber	See group 20
30	4700357693		1	Engine bracket	
31	4700904231		6	Washer	13x24x2 300 HV
32	4700358743	D	1	Towing device	
33	4700947687	E	6	Screw	M12-1,75x30 10,9
34	4700358861	E	1	Mirror bracket	
35	4700500188	E	1	Screw	M8-1,25x14 8,8
36	4700373999	E	1	Rod	
37	4700393540		8	Threaded plate	
38	4700349879		1	Cover From 60131278	
39	4700349880		1	O-ring From 60131278	
40	4700500019		14	Screw From 60131278	M8x16H 8.8 A2K
41	4700904229		14	Washer From 60131278	8,4x16x1,5

- A) 2 pcs
- D) Option, front
- E) Option
- F) Rear
- G) Front
- H) Replaces earlier used Lock nut 4700586018; each holder has two nuts

**Scrapers, STD**

18352-2



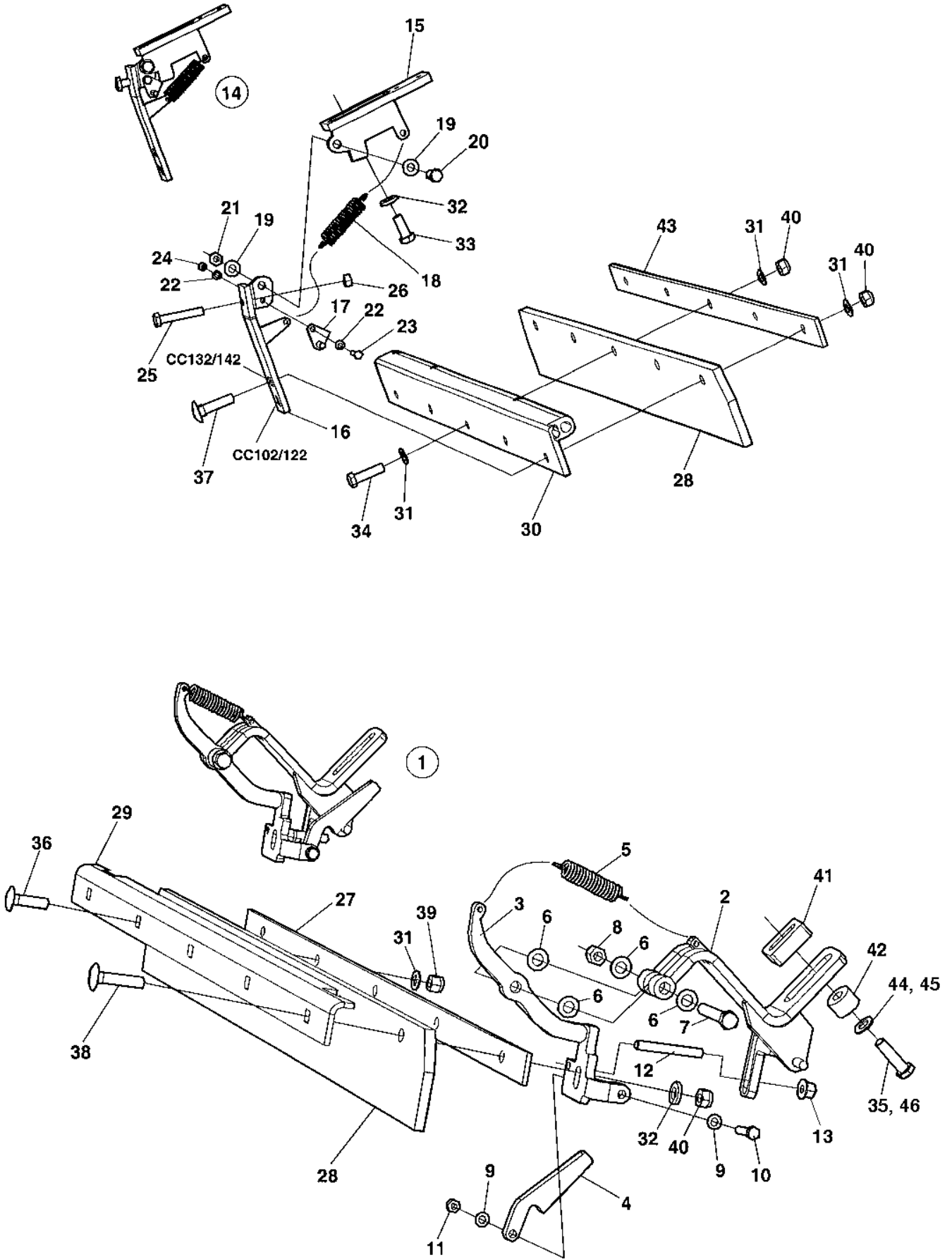
Scrapers, STD

Item	Part No	Rem	Qty	Description	Code
1	4700376624		2	Scraper bracket	
2	4700358588		2	Scraper bracket	
5	4700385675		2	Scraper	
6	4700500046		2	Screw	M12x025H C
10	4700586019		5	Lock nut	C
11	4700791963		9	Lock nut	M12 C
18	4700500056	A	7	Screw	C
	4700500056	B	5	Screw	C
39	4700904231		21	Washer	13x24x2 300 HV C
40	4700385672		1	Scraper bracket	
41	4700385674		1	Scraper bracket	
42	4700904703		2	Washer	C
43	4700384493		2	Spacer sleeve	
44	4700904342		5	Screw	M12x45
45	4700904424		4	Screw	M12x55
46	4700389148		1	Sprinkler pipe/bracket	
47	4700377795		1	Scraper bracket	
48	4812110229	B	2	Screw	M12x50

- A) Used together with alternative "A" in drawing
- B) Used together with alternative "B" in drawing

Scrapers, spring loaded

18111

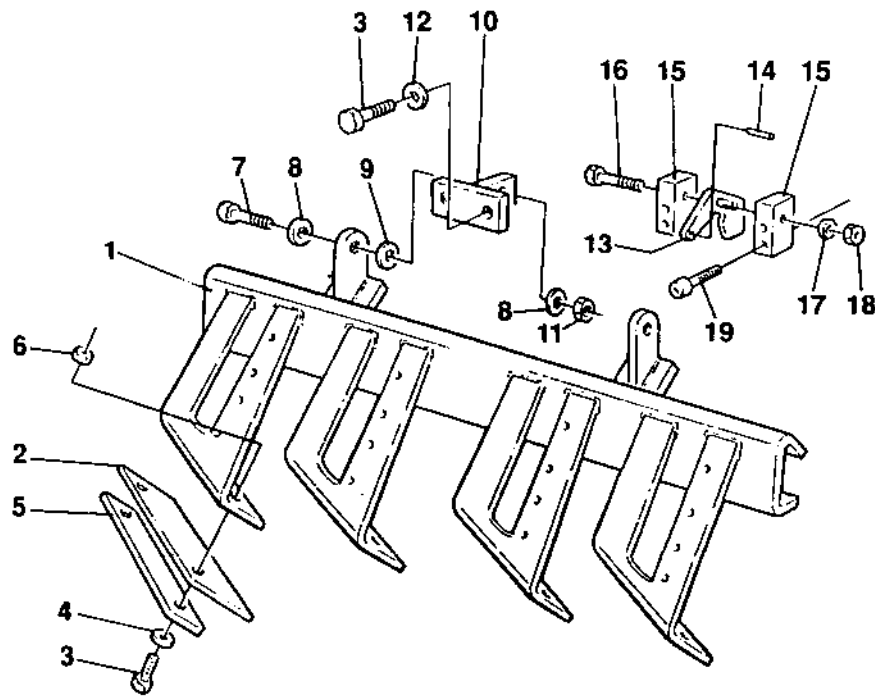




**Scrapers, spring loaded**

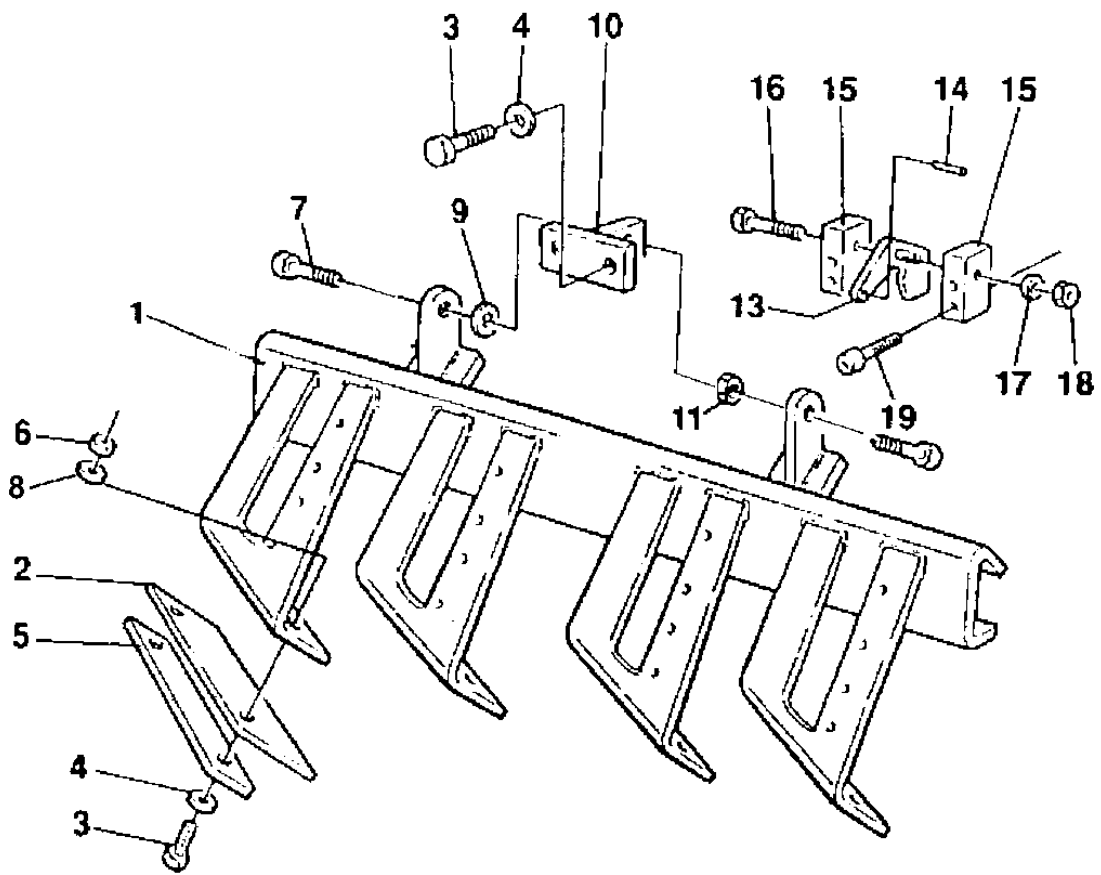
Item	Part No	Rem	Qty	Description	Code
1	4700389999		2	Scraper bracket	
2		D	1	.Bracket	
3		D	1	.Bracket	
4	4700385613	D	1	.Hook	
5	4700358876		1	.Spring	
6	4700904231		4	.Washer	13x24x2 300 HV
7	4700500133		1	.Screw	
8	4700586019		1	.Lock nut	
9	4700904229		2	.Washer	8,4x16x1,5
10	4700500047		1	.Hexagon head screw	
11	4700791182		1	.Lock nut	M8
12		D	1	.Stud	
13	4700902287		1	.Nut	
14	4700389998		2	Scraper bracket	
15		D	1	.Bracket	
16		D,C	1	.Bracket	
17		D	1	.Stop	
18	4700358876		1	.Spring	
19	4700904230		2	.Steel plain washer	
20	4700380255		1	.Screw	
21	4700586018		1	.Lock nut	
22	4700904228		3	.Washer	6,4x12x1,5
23	4700500015		1	.Screw	M6-1x30 8,8
24	4700586002		1	.Lock nut	M6 -8
25	4700791082		1	.Screw	
26	4700570006		1	.Nut	
27	4700385674		1	Scraper bracket	
28	4700385675		2	Scraper	
29	4700385672		1	Scraper bracket	
30	4700389148		1	Sprinkler pipe/bracket	
31	4700904231		17	Washer	13x24x2 300 HV
32	4700904703		4	Washer	
33	4700500046		2	Screw	M12x025H
34	4700500056		5	Screw	
36	4700904342		5	Screw	M12x45
37	4700901330		2	Screw	M12x50
38	4700904424		2	Screw	M12x55
39	4700586019		5	Lock nut	
40	4700791963		9	Lock nut	M12
42	4700384493	B	2	Spacer sleeve	
43	4700377795		1	Scraper bracket	
44	4700904231	B	2	Washer	13x24x2 300 HV
46	4700500056	B	2	Screw	

- B) In use at front lower scraper
- C) Mounting hole to be used for item 37 depending on model
- D) Not sold separately



Scrapers, wheels

Item	Part No	Rem Qty	Description	Code
1	4700370800	1	Scraper bracket	
2	4700373938	4	Scraper blade	B
3	4700500030	12	Hexagon head screw	C
4	4700904230	8	Steel plain washer	C
5	4700357789	4	Scraper bracket	
6	4700586018	8	Lock nut	C
7	4700500195	2	Screw	C
8	4700904703	4	Washer	C
9	4700904703	2	Washer	C
10	4700358186	2	Scraper bracket	
11	4700586019	2	Lock nut	C
12	4700904230	4	Steel plain washer	C
13	4700358897	1	Lever	
14	4700925263	1	Spirol pin	
15	4700358898	2	Bracket	
16	4700500079	1	Screw	M6-1x50 8,8
17	4700904228	1	Washer	6,4x12x1,5
18	4700586002	1	Lock nut	M6 -8
19	4700513017	4	Screw	M6x30H 10,9

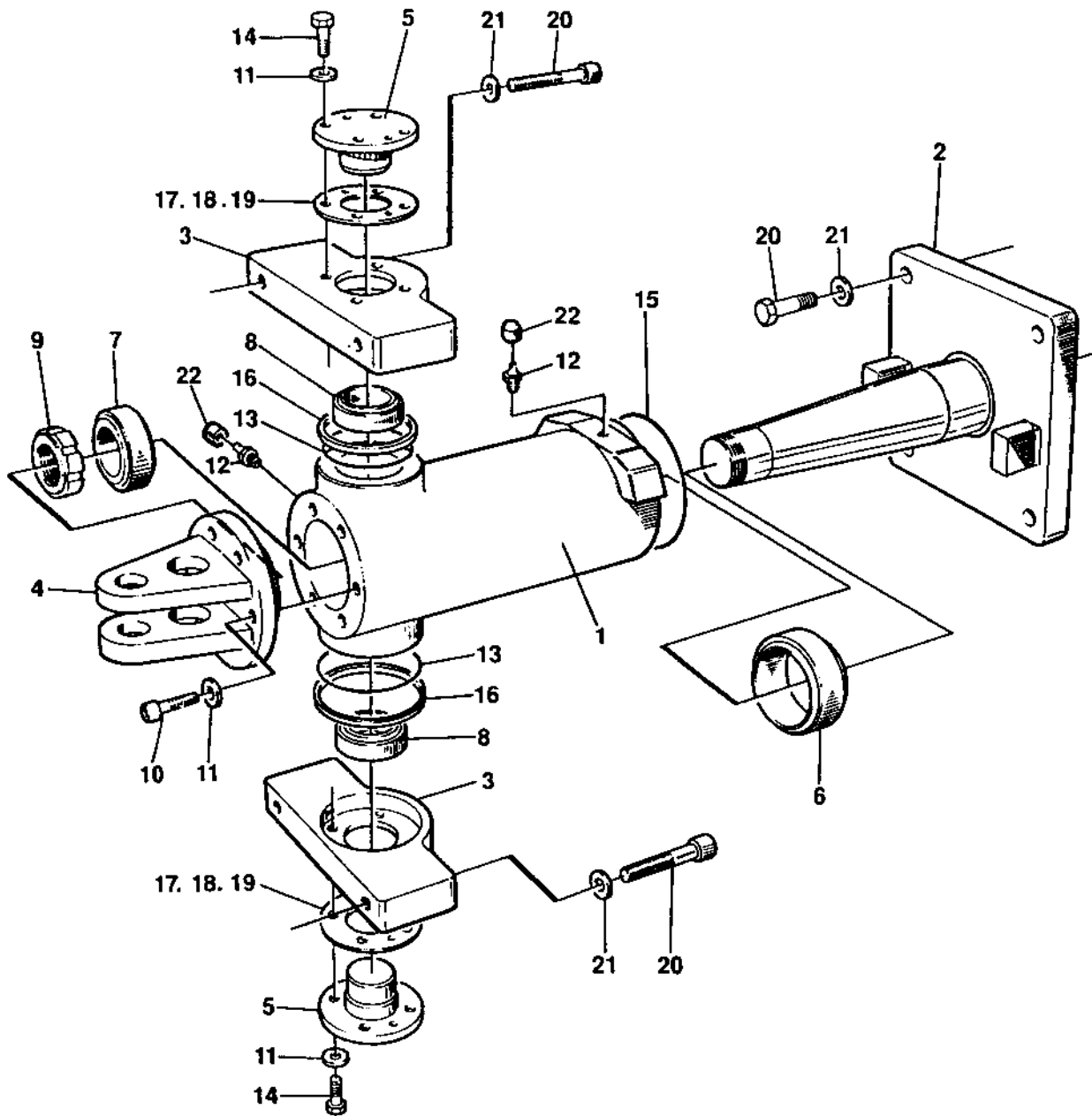


## Scrapers, wheels

Item	Part No	Rem Qty	Description	Code
1	4700370800	1	Scraper bracket	
2	4700358311	4	Scraper blade	B
3	4700500030	4	Hexagon head screw	C
4	4700904230	12	Steel plain washer	C
5	4700357789	4	Scraper bracket	
6	4700586018	8	Lock nut	C
7	4700500195	2	Screw	C
8	4700904557	8	Steel plain washer	C
9	4700904703	2	Washer	C
10	4700358186	2	Scraper bracket	
11	4700586019	2	Lock nut	C
13	4700358897	1	Lever	
14	4700925263	1	Spirol pin	
15	4700358898	2	Bracket	
16	4700500016	1	Screw	M6x55 8.8 A2K C
17	4700904228	1	Washer	6,4x12x1,5 C
18	4700586002	1	Lock nut	M6 -8 C
19	4700513017	4	Screw	M6x30H 10,9

**Steering hitch**

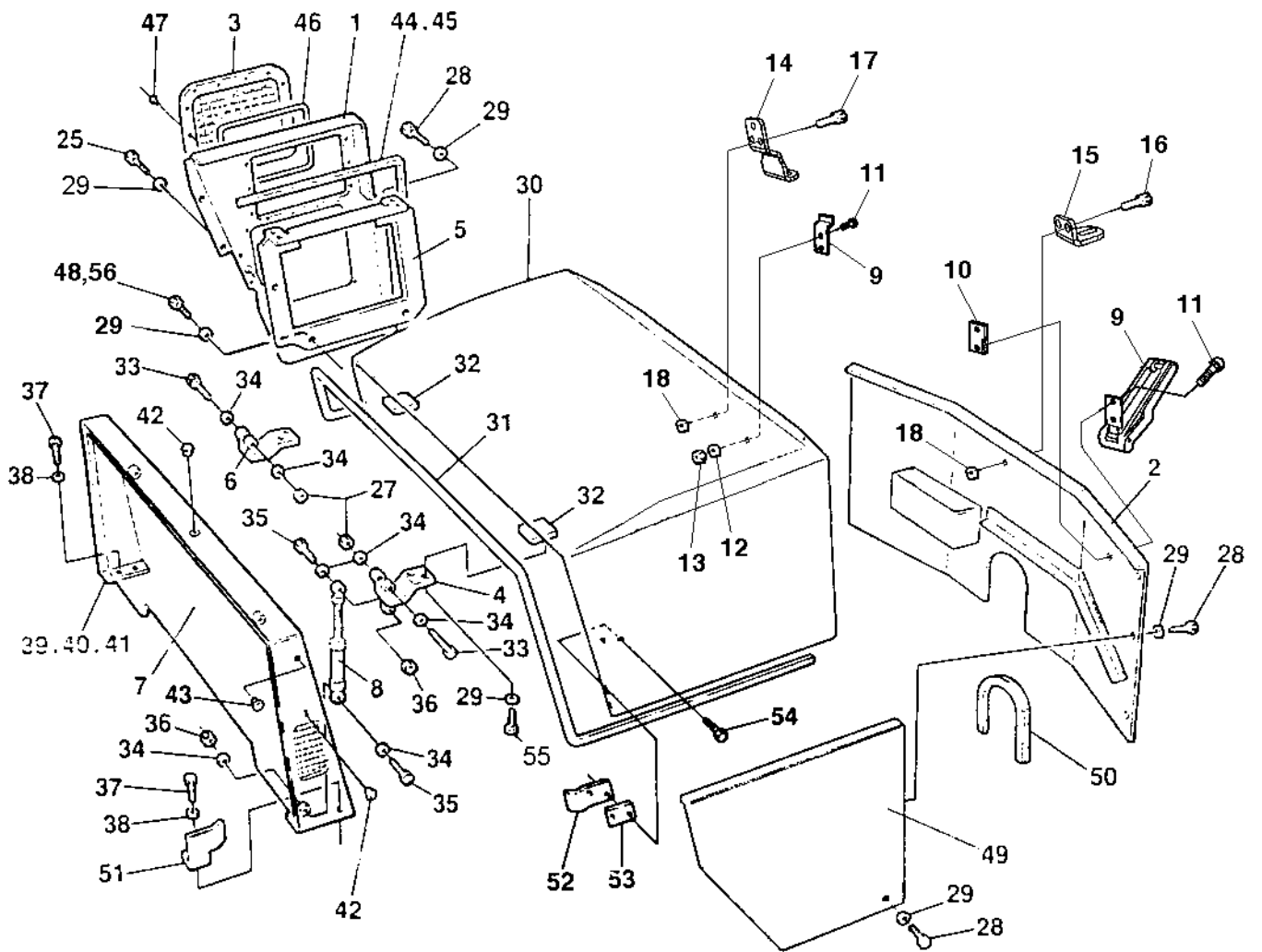
15465-1



Steering hitch

Item	Part No	Rem	Qty	Description	Code
1	4700358976		1	Bearing housing	
2	4700358978		1	Hitch shaft	
3	4700357031		2	Bracket	
4	4700357038		1	Bracket	
5	4700357039		2	Shaft	
6	4700902063		1	Bushing	D
7	4700902062		1	Bushing	D
8	4700902061		2	Bushing	D
9	4700902060		1	Lock nut	
10	4700902059		6	Screw	
11	4700600008		14	Washer	C
12	4700926214		2	Grease fitting	C
13	4700167044	A	2	V-ring	D
14	4700500028		8	Screw	C
15	4700892179		1	O-ring	D
16	4700357418		2	Sealing	D
17	4700347153		N	Shim	T=0,2 mm
18	4700347154		N	Shim	T=0,4 mm
19	4700347155		N	Shim	T=0,8 mm
20			8	Screw	
21			8	Washer	
22	4700902576		2	Cover	

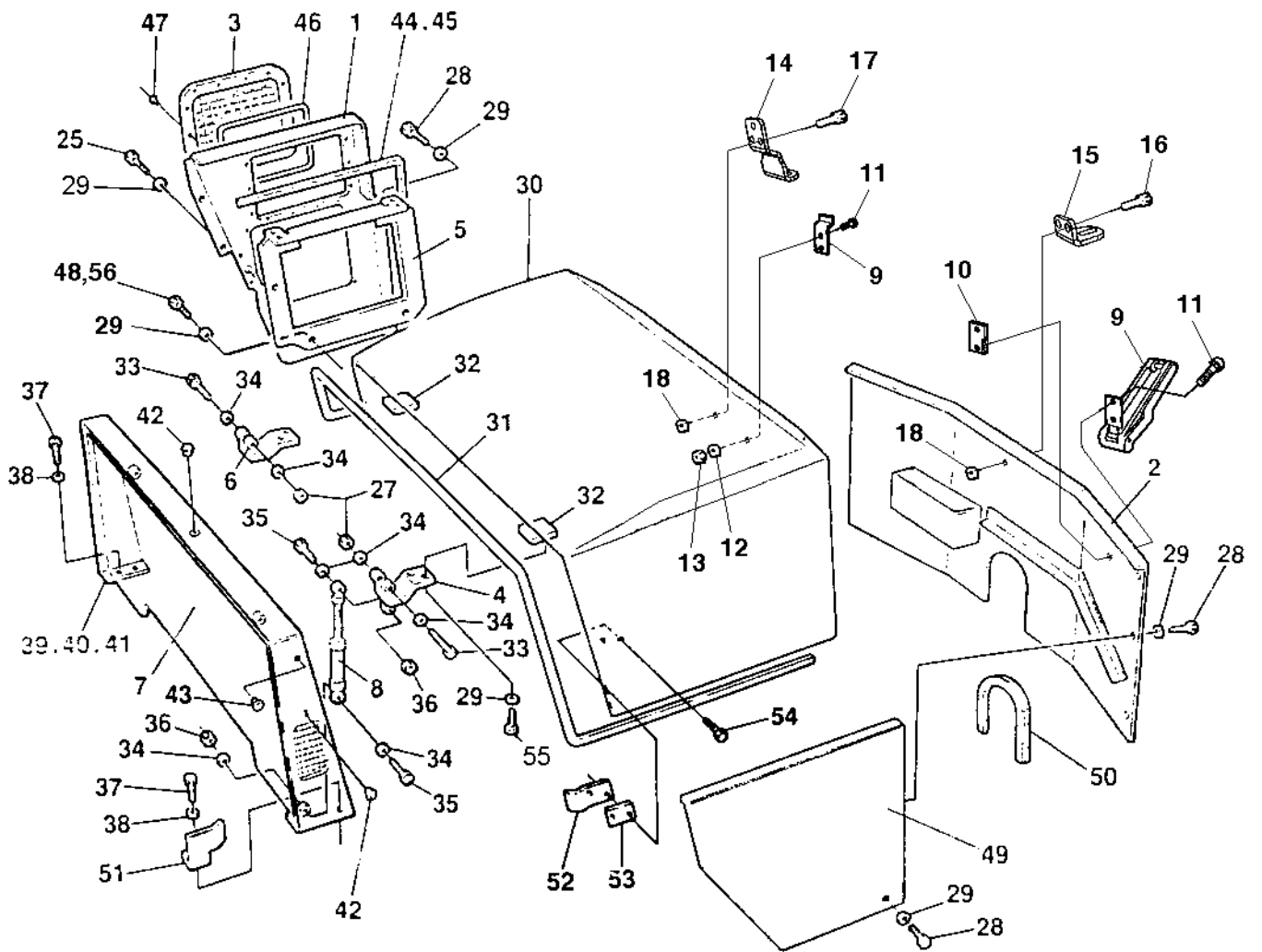
A) For improved function this replaces earlier used 4700160032





Item	Part No	Rem	Qty	Description	Code
1	4700374657	A	1	Cover Up to 601X9105	
	4700391121	A	1	Cover, cpl From 601X9106	
	4700391119		1	.Noise reducing plate	
	4700904206	K,J	4	.Screw	C
	4700373476	K,J	4	.Insulating washer	C
	4700391120		1	.Insulating material	
2	4700382565		1	Cover	
3	4700374627		1	Grid Up to 601X9105	
	4700391118	L	1	Grid From 601X9106	
4	4700357276		1	Hinge	
5	4700374625		1	Cooler frame	
6	4700357280		1	Hinge	
7	4700357248		1	Hood frame	
8	4700902256		1	Gas spring	D
9	4700388846		2	Latch	
10	4700387956		2	Stop plate	
11	4700508022		8	Screw	M4x16
12	4700904698		4	Washer	
13	4700923976		4	Nut	
14	4700377061		1	Lock plate	
15	4700388852		1	Lock plate	
16	4700791754		2	Blind rivet	
17	4700792180		3	Blind rivet	
18	4700904228		5	Washer	6,4x12x1,5
25	4700500021		2	Screw	M8-1,25x25 8.8
27	4700586003		2	Lock nut	M8
28	4700500053		16	Screw	M8x20H 8.8
29	4700904640		20	Washer	8,4x22x3
30	4700377952		1	Engine hood	
31	4700902166	C	1XL	.Edge trim	D
32	4700357863	N		Shim	T=2 mm
33	4700500249		2	Screw	
34	4700904229		7	Washer	8,4x16x1,5
35	4700508027		2	Screw	
36	4700570005		2	Nut	M8
37	4700500029		4	Hexagon head screw	
38	4700904557		4	Steel plain washer	
39	4700371994	N		Shim	T=2 mm
40	4700904090	N		Washer	
41	4700904091	N		Washer	
42	4700900519		3	Plug	
43	4700902804		4	Plug	
44	4700202042	D	1XL	Rubber strip	
45	4700202046	E	1XL	Rubber strip	25x10
46	4700904076	F	1XL	Edge trim	D
47	4700624018		14	Blind rivet Up to 601X9105	
	4700792210		10	Screw torx From 601X9106	
48	4700500047		2	Hexagon head screw	C
49	4700376866	G	1	Cover	
50	4700202028	H	1XL	Edge trim	D

- A) Right
- C) L=3,680 m
- D) L=0,800 m
- E) L=0,850 m
- F) L=0,998 m
- G) Left
- H) L=0,457 m
- J) Not illustrated
- K) For absorbent
- L) Included in 4700391121, item 1

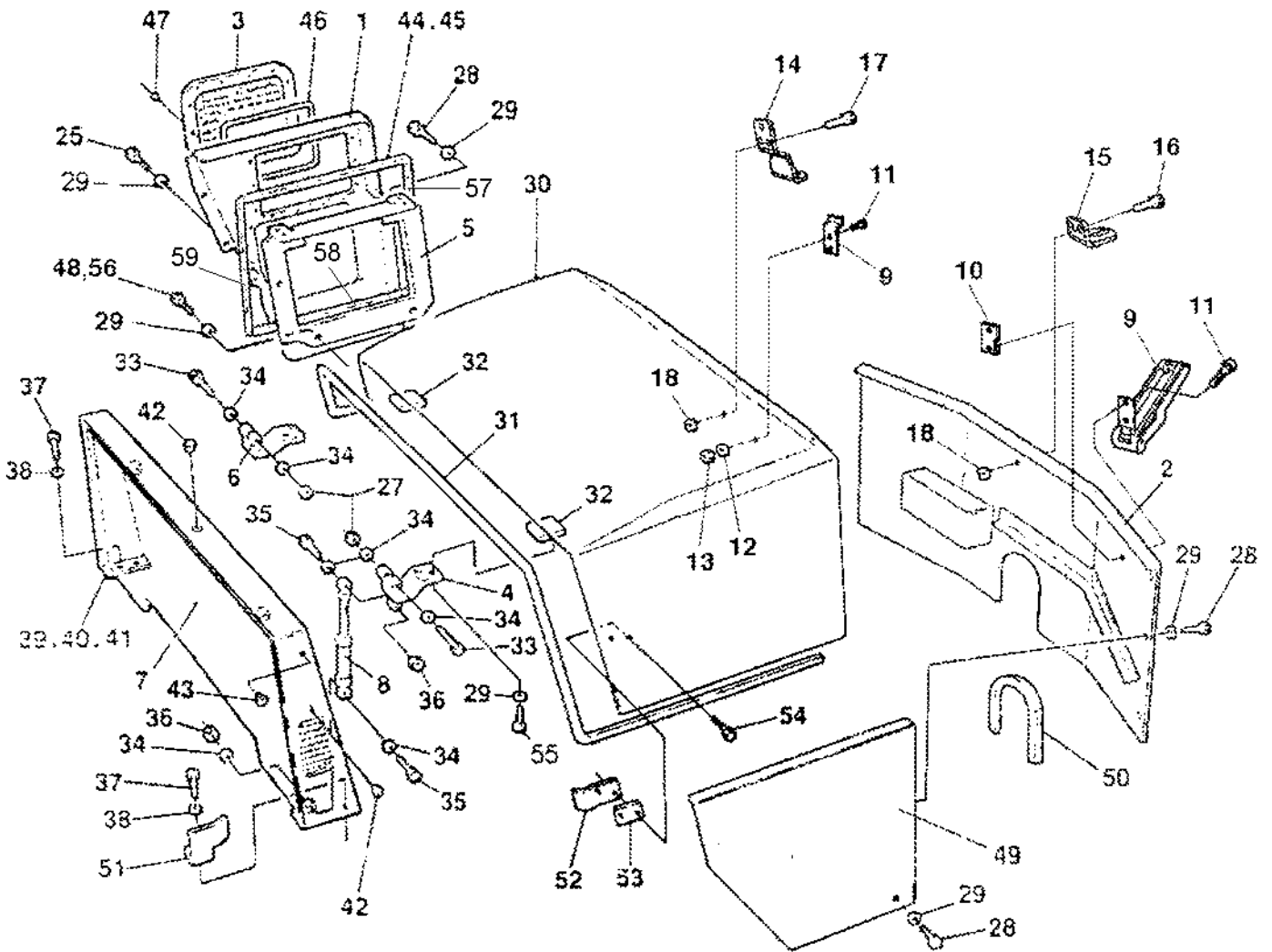


Structure DEUTZ, F2L

Item	Part No	Rem Qty	Description	Code
51	4700357866	1	Stop	
52	4700375594	1	Holder	
53	4700375595	1	Spacer	
54	4700904206	2	Screw	C
55	4700500020	4	Screw	C
56	4700500022	1	Screw	C

M8-1,25x22 8,8

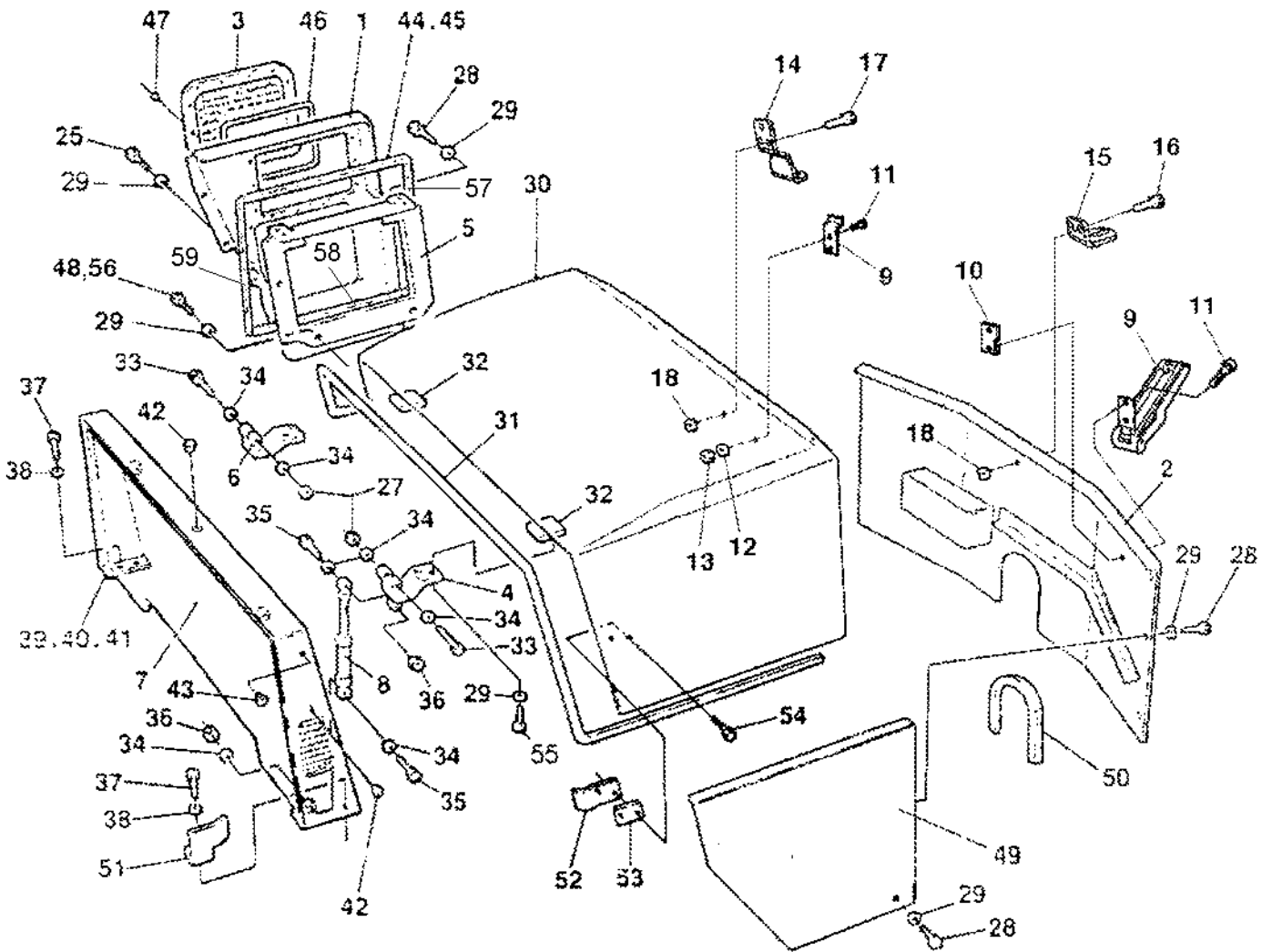
M8x30H 8.8 A2K



Structure DEUTZ

Item	Part No	Rem	Qty	Description	Code
1	4700391121	A	1	Cover, cpl	
	4700391119		1	.Noise reducing plate	
	4700904206	K,J	4	.Screw	C
	4700373476	K,J	4	.Insulating washer	C
	4700391120		1	.Insulating material	
2	4700382565		1	Cover	
3	4700391118	L	1	Grid	
4	4700357276		1	Hinge	
5	4700374625		1	Cooler frame	
6	4700357280		1	Hinge	
7	4700357248		1	Hood frame	
8	4700902256		1	Gas spring	D
9	4700388846		2	Latch	
10	4700387956		2	Stop plate	
11	4700508022		8	Screw	M4x16
12	4700904698		4	Washer	
13	4700923976		4	Nut	
14	4700377061		1	Lock plate	
15	4700388852		1	Lock plate	
16	4700791754		2	Blind rivet	
17	4700792180		3	Blind rivet	
18	4700904228		5	Washer	6,4x12x1,5
25	4700500021		2	Screw	M8-1,25x25 8.8
27	4700586003		2	Lock nut	M8
28	4700500053		16	Screw	M8x20H 8.8
29	4700904640		20	Washer	8,4x22x3
30	4700377952		1	Engine hood	
31	4700902166	C	1XL	.Edge trim	
32	4700357863		N	Shim	T=2 mm
33	4700500249		2	Screw	
34	4700904229		7	Washer	8,4x16x1,5
35	4700508027		2	Screw	
36	4700570005		2	Nut	M8
37	4700500031		4	Screw	
38	4700359434		4	Spacer sleeve	
39	4700371994		N	Shim	T=2 mm
40	4700792708		1	Washer	
41	4700792709		1	Wahser	
42	4700902203		3	Plug	
43	4700902804		4	Plug	
44	4700792796	D	1XL	Rubber strip	25x20
45	4700202046	E	1XL	Rubber strip	25x10
46	4700904076	F	1XL	Edge trim	
47	4700792210		10	Screw torx	
48	4700500047		2	Hexagon head screw	
49	4700376866	G	1	Cover	
50	4700202028	H	1XL	Edge trim	

- A) Right
- C) L=3,680 m
- D) L=0,350 m
- E) L=0,850 m
- F) L=0,998 m
- G) Left
- H) L=0,457 m
- J) Not illustrated
- K) For absorbent
- L) Included in 4700391121, item 1

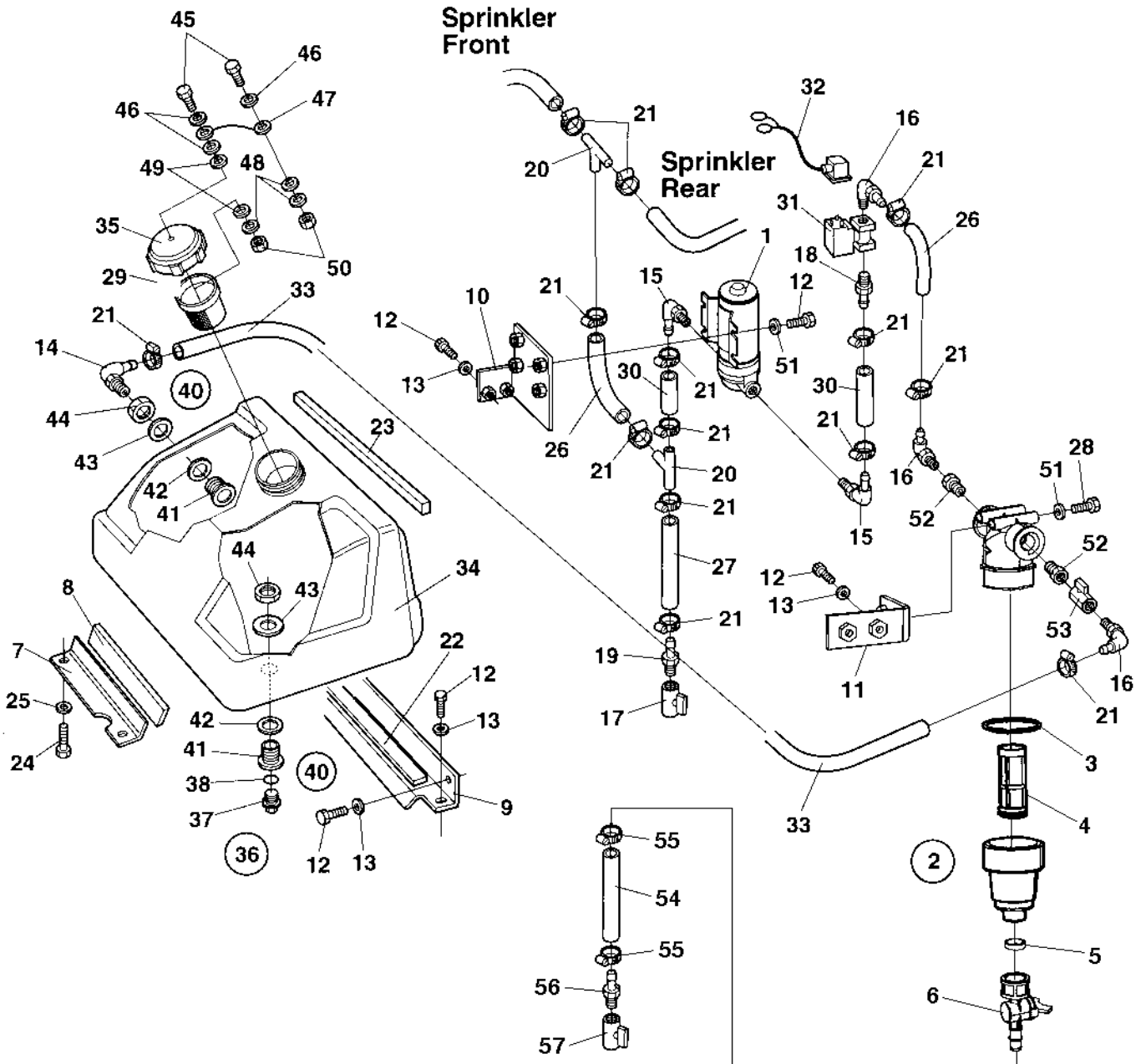


**Structure DEUTZ**

<b>Item</b>	<b>Part No</b>	<b>Rem</b>	<b>Qty</b>	<b>Description</b>	<b>Code</b>
51	4700357866		1	Stop	
52	4700375594		1	Holder	
53	4700375595		1	Spacer	
54	4700904206		2	Screw	C
55	4700500020		4	Screw	M8-1,25x22 8,8 C
56	4700500022		1	Screw	M8x30H 8.8 A2K C
57	4700792796	M	1XL	Rubber strip	25x20
58	4700792796	N	1XL	Rubber strip	25x20
59	4700792796	O	1XL	Rubber strip	25x20
M)	L=0,380 m				
N)	L=0,240 m				
O)	L=0,200 m				

**Sprinkler system Front tank**

18406





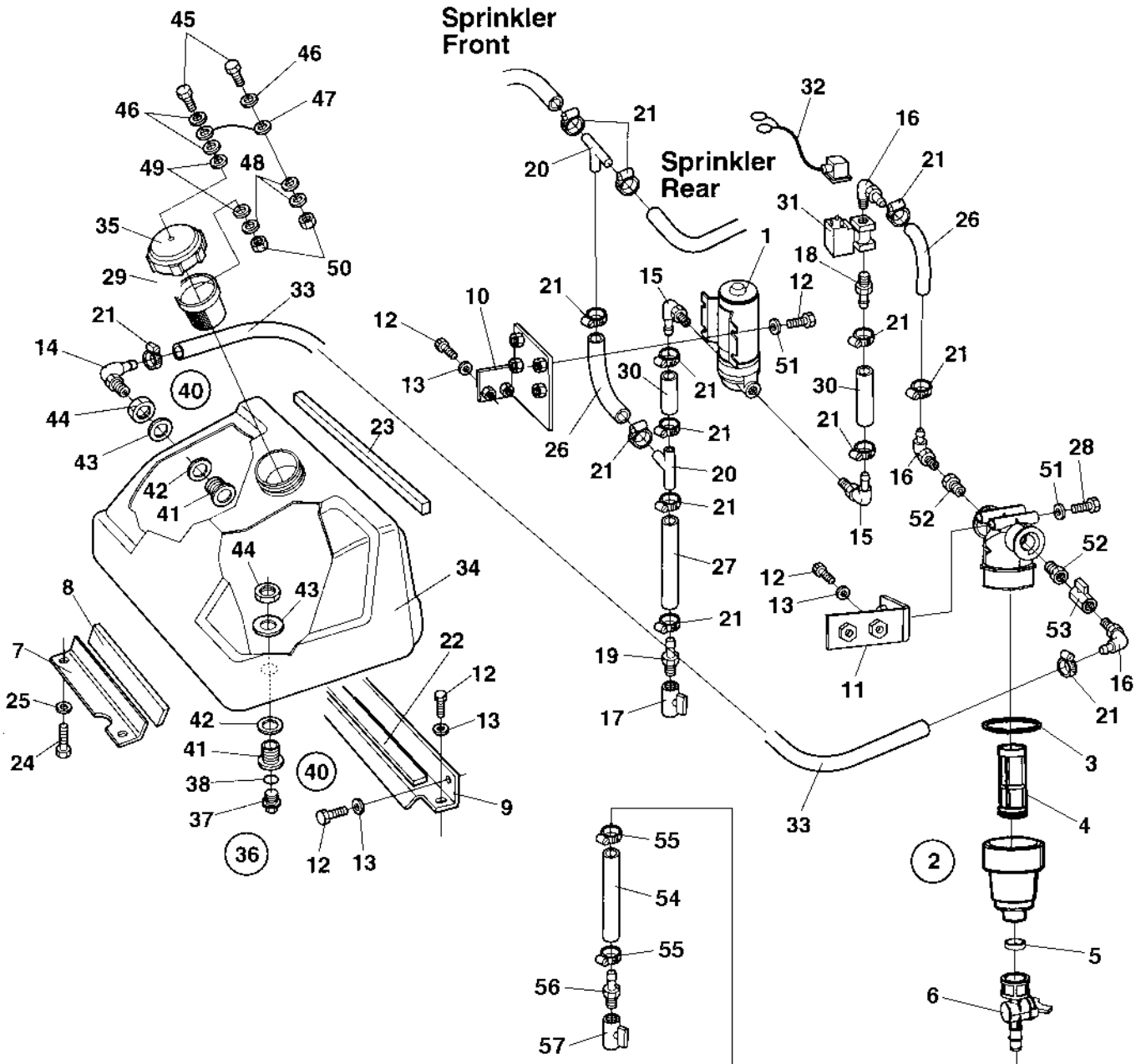
**Sprinkler system Front tank**

Item	Part No	Rem	Qty	Description	Code
1	4700383697		1	Water pump	C
2	4700791950		1	Water strainer, cpl	
3	4700791959		1	.O-ring	C
4	4700791949		1	.Filter element	A
5	4700791568		1	.Gasket	
6	4700379009		1	.Valve	
7	4700357395		1	Holder plate	
8	4700926911	A	1XL	Rubber strip	
9	4700357142		1	Holder plate	
10	4700382181		1	Holder plate	
11	4700390840		1	Filter bracket	
12	4700500053		13	Screw	M8x20H 8.8
13	4700904229		13	Washer	8,4x16x1,5
14	4700901431		1	Hose connection	C
15	4700923734		2	Hose connection	C
16	4700924996		3	Hose connection	C
17	4700925599		1	Valve	C
18	4700901432		1	Hose connection	
19	4700924544		1	Hose connection	C
20	4700923735		2	Hose connection	C
21	4700313002	J	14	Hose clamp	13-20 mm
	4700313001		14	Hose clamp	C
22	4700903478	B	1XL	Absorbent	
23	4700202042	C	1XL	Rubber strip	
24	4700500028		2	Screw	C
25	4700904230		2	Steel plain washer	C
26	4700904878	D	2XL	Hose reinforced	C
27	4700904878	D	1XL	Hose reinforced	C
28	4700500190		2	Screw	
29	4700358846		1	Strainer	A
30	4700904878	E	3XL	Hose reinforced	C
31	4700287713		1	Solenoid valve	C
32	4700358809		1	Cable harness	
33	4700904878	C	1XL	Hose reinforced	C
34	4700373797		1	Sprinkling tank	
35	4700359003		1	.Cap	C
36	4700937053		1	.Plug, cpl	
37			1	..Plug	
38			1	..Gasket	
40	4700902916		2	.Adapter kit	C
41			1	..Pipe fitting	C
42			1	..Sealing	C
43			1	..Washer	C
44			1	..Nut	C
45	4700500040		2	Screw	M6-1x20 8,8
46	4700904228		3	Washer	6,4x12x1,5
47	4700357643		1	Wire	D
48	4700615042		3	Conical spring washer	
49	4700615076		2	Washer	7,0x25x1,5
50	4700586002		2	Lock nut	M6 -8

- A) L=0,430 m
- B) L=0,670 m
- C) Length as required
- D) L=0,300 m
- E) L=0,070 m
- J) In use together with transparent hose; old design of 4700904878

**Sprinkler system Front tank**

18406

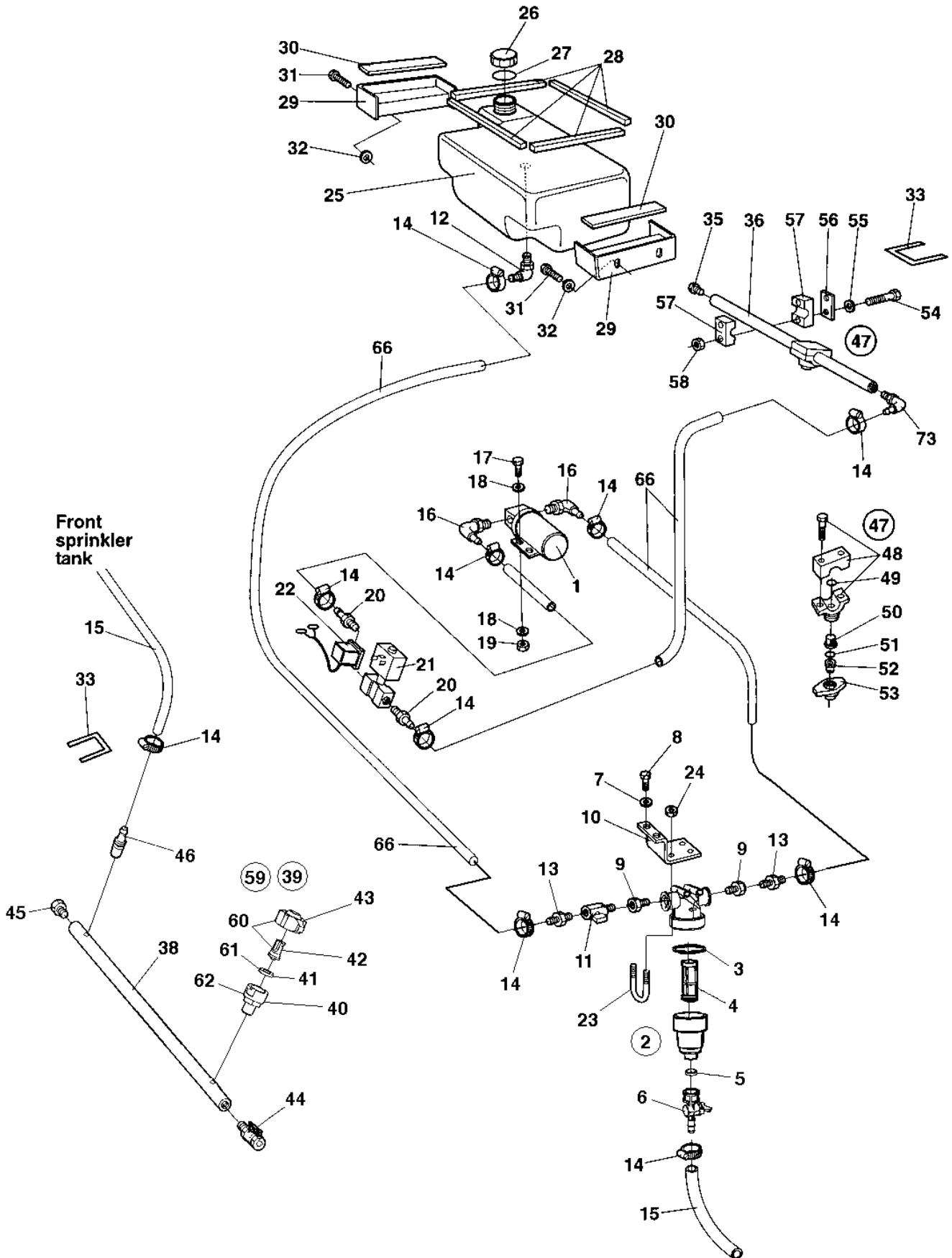


**Sprinkler system Front tank**

<b>Item</b>	<b>Part No</b>	<b>Rem</b>	<b>Qty</b>	<b>Description</b>	<b>Code</b>
51	4700904640		6	Washer 8,4x22x3	C
52	4700903886		2	Adapter	C
53	4700924986		1	Valve	C
54	4700904878	E,H	1	Hose reinforced	C
55	4700313001	H	2	Hose clamp	C
56	4700924544	H	1	Hose connection	C
57	4700925599	H	1	Valve	C

E) L=0,070 m

H) In use together with option: Noise suppression; See section for Optional equipment



**Sprinkler, front/rear**

Item	Part No	Rem	Qty	Description	Code
1	4700383697		1	Water pump	C
2	4700791950		1	Water strainer, cpl	
3	4700791959		1	.O-ring	C
4	4700791949		1	.Filter element	A
5	4700791568		1	.Gasket	
6	4700379009		1	.Valve	
7	4700904229		2	Washer	8,4x16x1,5 C
8	4700500021		2	Screw	M8-1,25x25 8.8 C
9	4700903886		2	Adapter	C
10	4700357813		1	Holder plate	
11	4700924986		1	Valve	C
	4700379753	J	2	Gasket	
12	4700924996		2	Hose connection	C
13	4700924544		2	Hose connection	C
14	4700313002	K	10	Hose clamp	13-20 mm
	4700313001		10	Hose clamp	C
15	4700904878	A	2XL	Hose reinforced	C
16	4700923734		2	Hose connection	C
17	4700500053		4	Screw	M8x20H 8.8 C
18	4700904229		12	Washer	8,4x16x1,5 C
19	4700902286		6	Hexagon lock nut with flange	C
20	4700901432		2	Hose connection	
21	4700287713		1	Solenoid valve	C
22	4700358809		1	Cable harness	
23	4700922944		2	Tube clamp	
24	4700902286		4	Hexagon lock nut with flange	C
25	4700375745	B	1	Sprinkling tank	
26	4700902268		1	.Cap	
27	4700902545		1	Seal ring	
28	4700202043	A	4XL	Rubber strip	D
29	4700375805		2	Holder plate	
30	4700357819		2	Rubber cloth	
31	4700500028		6	Screw	C
32	4700904230		6	Steel plain washer	C
33	4700902379	A	2XL	Edge trim	
35	4700923683		3	Plug	C
36	4700384300	B	1	Sprinkler pipe	
38		H	1	Sprinkler pipe/bracket	
39	4700376873	M	2	Spraying nozzle, cpl	A
40	4700376874	M	1	.Housing	D
41	4700376876	M	1	.Gasket	B
42	4700376877	M	1	.Nozzle and strainer, yellow	0,8 A
43	4700376875	M	1	.Retainer	B
44	4700233215		1	Ball valve	
45	4700791974		1	Plug threaded	C
46	4700791977		1	Hose connection	C
47	4700928781		4	Sprinkler, cpl	D
48	4700923680		1	.Nozzle clamp	A

A) Length as required

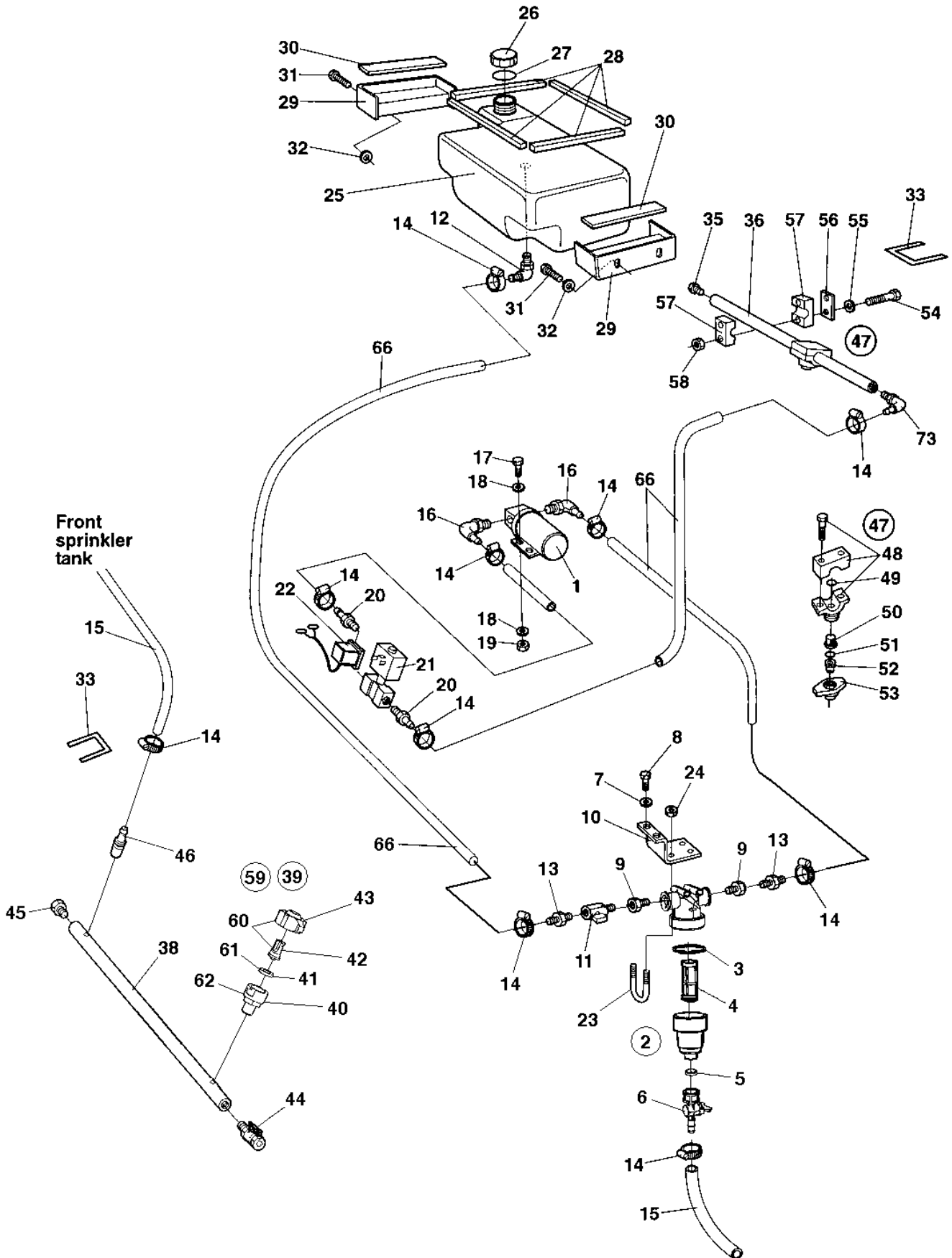
B) Rear, std

H) For correct view and PN; see Scraper assembly for same SN.

J) Not illustrated

K) In use together with transparent hose; old design of 4700904878

M) Recommendation: Replace with improved design item 59; interchangeable as a cpl. unit



Item	Part No	Rem	Qty	Description	Code
49	4700923962		1	.O-ring	C
50	4700499444		1	.Strainer	A
51	4700904116		1	.Gasket	B
52	4700791117		1	.Nozzle body	Orange
53	4700923681		1	.Quick coupling, black	C
54	4700500016		8	Screw	M6x55 8.8 A2K
55	4700904228		8	Washer	6,4x12x1,5
56	4700923859		8	Cover plate	
57	4700923876	D	4	Clamp	C
58	4700902285		8	Nut	C
59	4700392011	L	2	Spraying nozzle, cpl	A
60	4700392509	L	1	.Retainer, nozzle, strainer, yellow	0.8
61	4700392510	L	1	.Gasket	B
62	4700392508	L	1	.Housing	D
66	4700904878	A	4XL	Hose reinforced	C
73	4700923684		1	Hose connection	

- A) Length as required
- D) 2 pieces
- L) Improved design

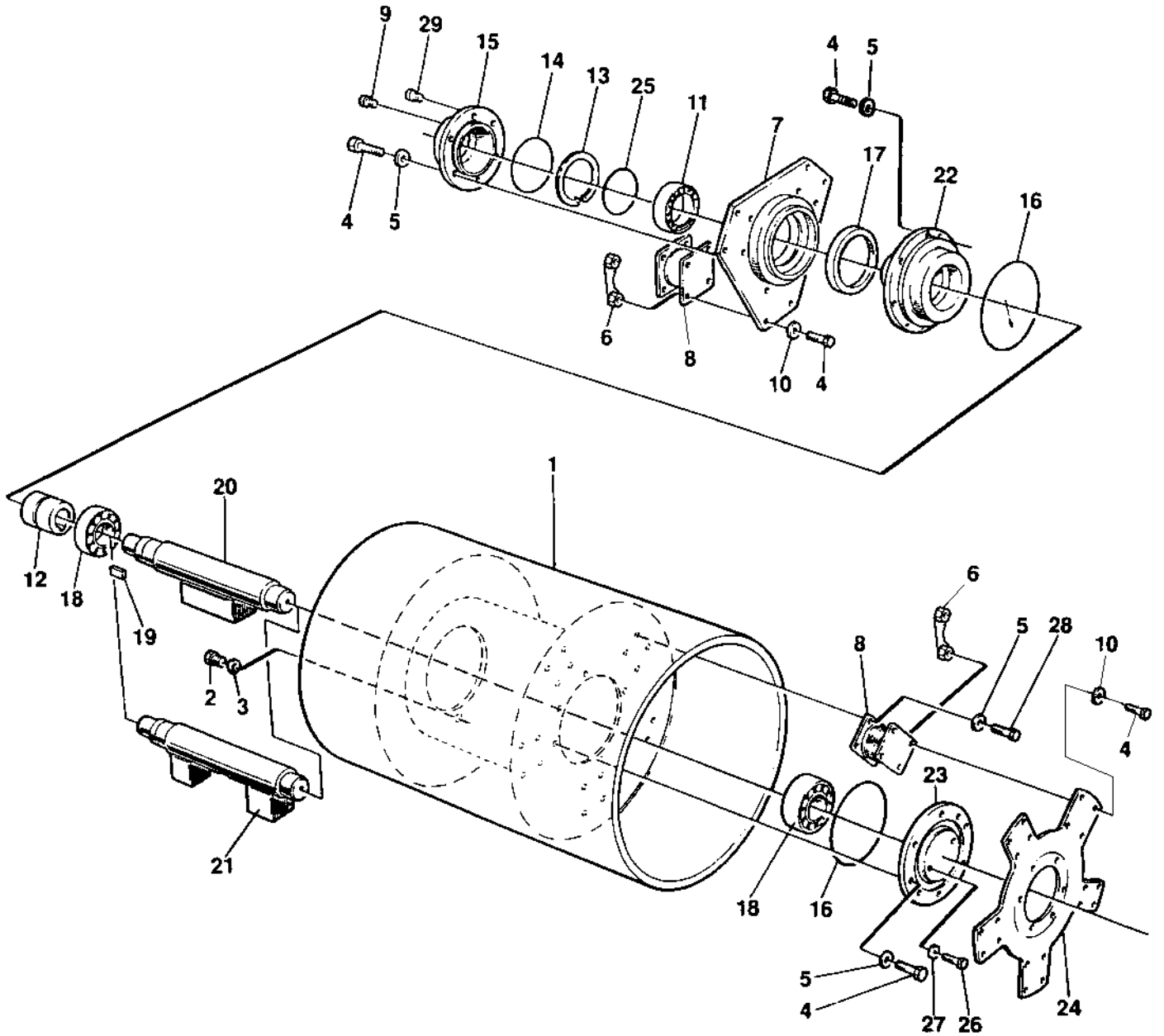




**Drum**

<b>Item</b>	<b>Part No</b>	<b>Rem Qty</b>	<b>Description</b>	<b>Code</b>
100			Drum ( Page 62 )	
210			Wheels ( Page 64 )	

**Drum**  
15468-2



**Drum**

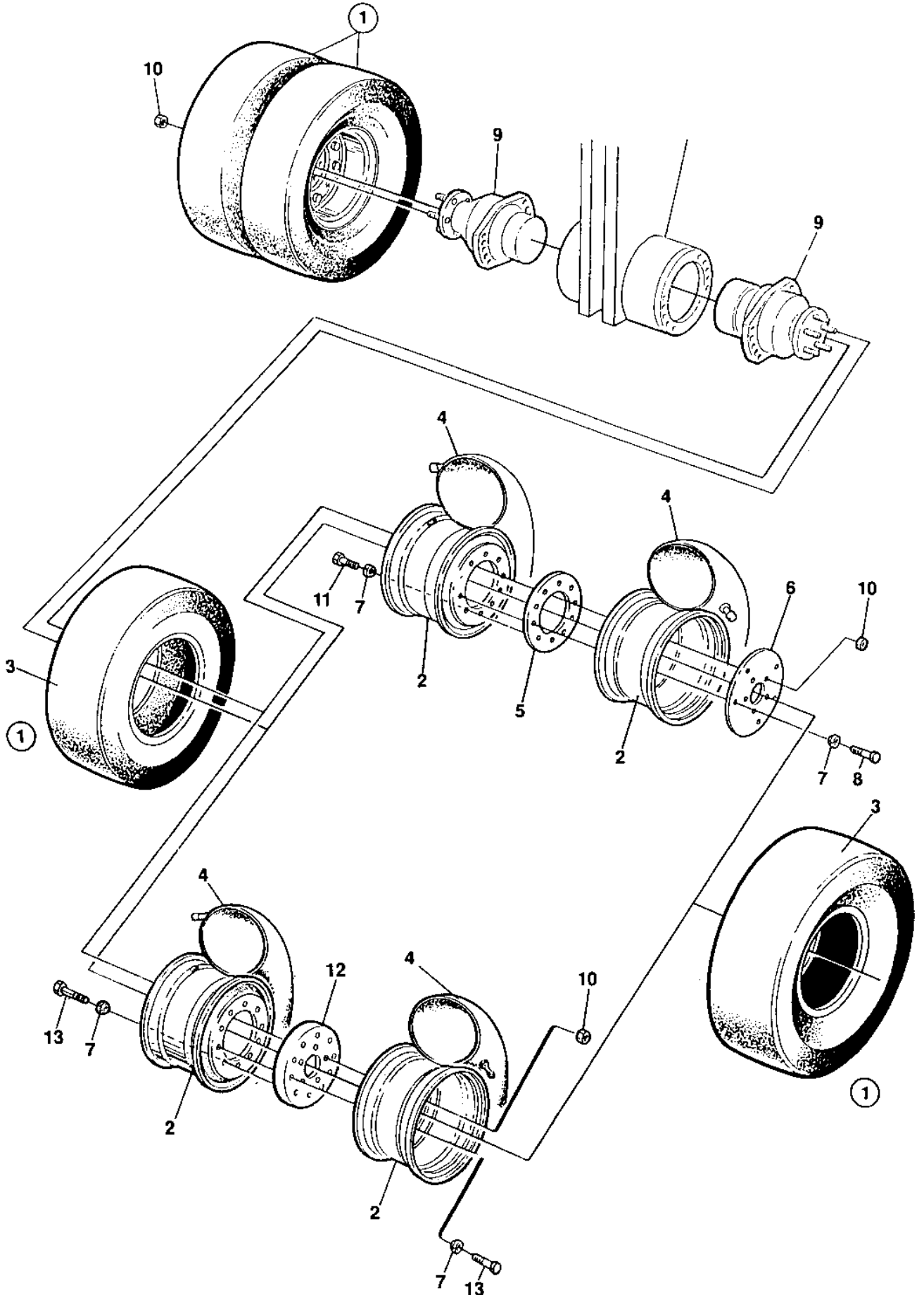
Item	Part No	Rem	Qty	Description	Code
1	4700357058		1	Drum	D
2	4700343744		1	Magnetic plug	C
3	4700162017		1	Seal ring	B
4	4700500029		50	Hexagon head screw	C
5	4700904230		38	Steel plain washer	C
6	4700379179	B	16	Holder	
7	4700346505		1	Mounting plate	
8	4700345215		8	Shock absorber	B
9	4700343490		1	Air breather	D
10	4700904230		32	Steel plain washer	C
11	4700111018		1	Ball bearing	D
12	4700349202	A	1	Coupling	D
	4700212160		1	.Rubber cross	Replaced by 4700391929
13	4700903154		1	Retaining ring	D
14	4700160132		1	O-ring	124, 50x3, 00
15	4700358666		1	Adapter	D
16	4700923951		2	O-ring	D
17	4700163049		1	Sealing	D
18	4700904258		2	Spherical roller bearing	D
19	4700350029		1	Key	
20				Not used on this model	
21	4700357060		1	Eccentric shaft	
22	4700358587		1	Bearing housing	
23	4700357020		1	Bearing housing	
24	4700357055		1	Drive disc	
25	4700358689		1	Spacer ring	
26	4700500044		2	Screw	M6x8
27	4700904228		2	Washer	6,4x12x1,5
28	4700508028		20	Screw	
29	4700903287		7	Plug	

A) CPL

B) Replaces earlier used Lock nut 4700586018; each holder has two nuts

**Wheels**

15776-1



**Wheels**

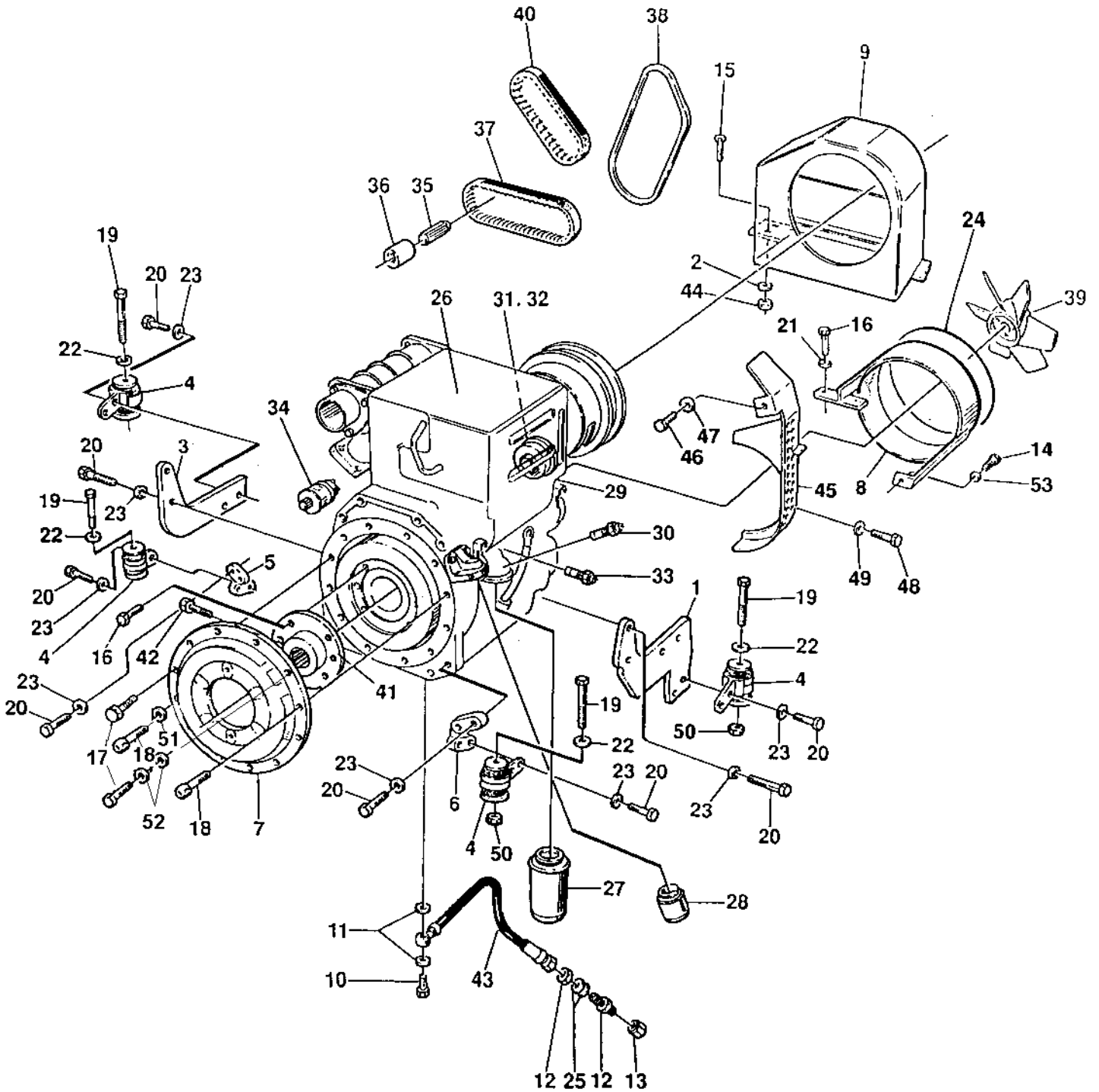
<b>Item</b>	<b>Part No</b>	<b>Rem</b>	<b>Qty</b>	<b>Description</b>	<b>Code</b>
1	4700370880	A	4	Wheel	
2	4700371112		1	.Rim	
3	4700903789		1	.Tyre	B
4	4700903790		1	.Inner tube	B
5				Not used on this model	B
6				Not used on this model	B
7	4700902252		20	Washer	C
8				Not used on this model	C
9			2	Hydraulic motor, propulsion	C
10			10	.Nut	C
11				Not used on this model	C
12	4700370879		2	Hub	
13	4700500179		20	Screw	

A) CPL



**Engine**

<b>Item</b>	<b>Part No</b>	<b>Rem Qty</b>	<b>Description</b>	<b>Code</b>
110			Engine Up to 60119621 ( Page 68 )	DEUTZ F2L 2011
115			Engine From 60119622 Up to 60119623 ( Page 69 )	DEUTZ D2011 L02 I
120			Engine From 60119624 Up to 60119678 ( Page 70 )	DEUTZ F2L 2011
125			Engine From 60119679 ( Page 72 )	DEUTZ D2011 L02 I
305			Intake system ( Page 76 )	DEUTZ
400			Fuel system ( Page 78 )	DEUTZ
410			Fuel system ( Page 80 )	DEUTZ
520			Exhaust system Up to 601X9192 ( Page 82 )	DEUTZ
521			Exhaust system From 601X9193 ( Page 84 )	DEUTZ

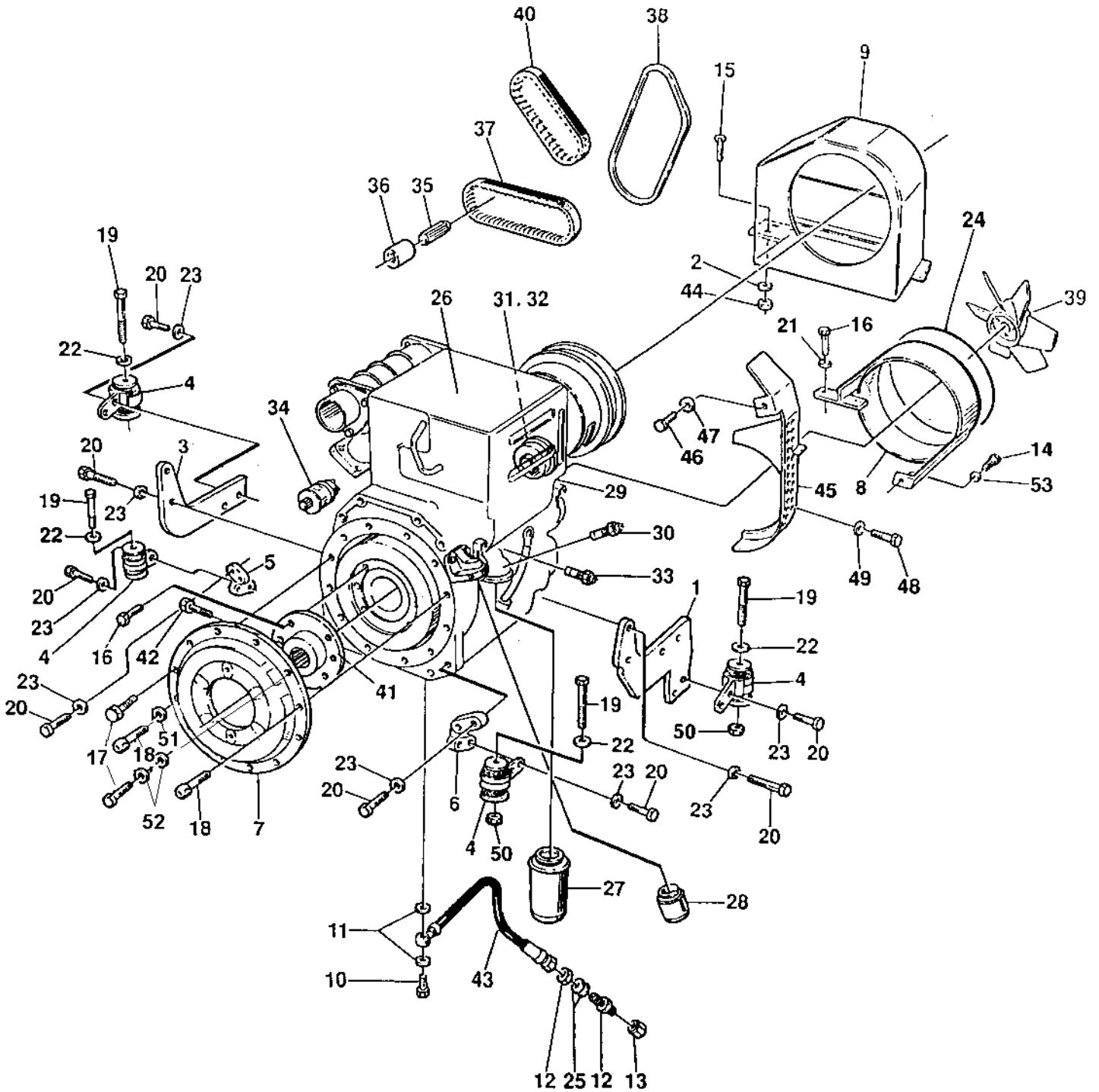




**Engine DEUTZ F2L 2011**

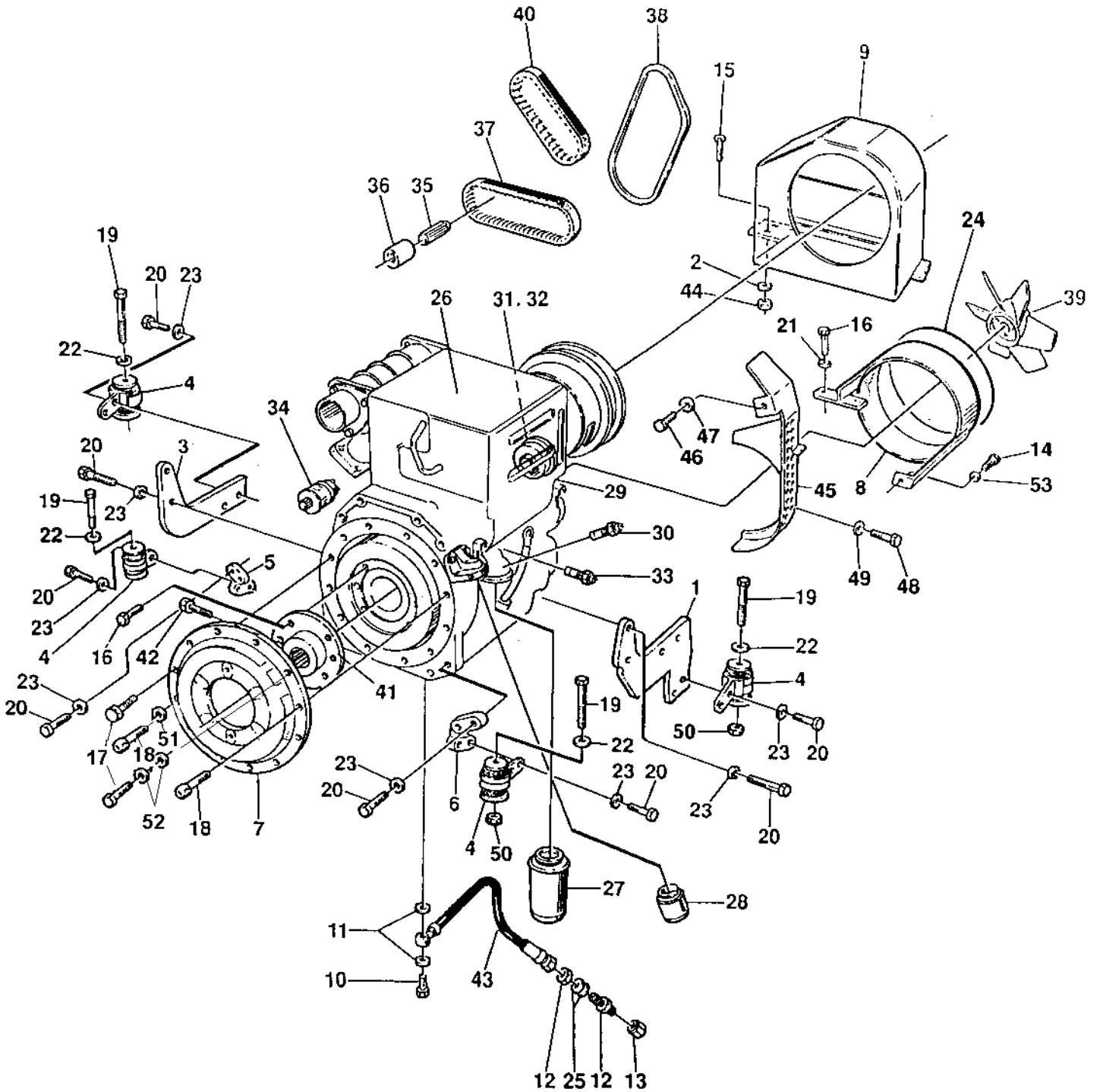
Item	Part No	Rem	Qty	Description		Code
1	4700358370		1	Engine bracket		
2	4700904640		2	Washer	8,4x22x3	C
3	4700358371		1	Engine bracket		
4	4700902902	A	4	Shock absorber		D
5	4700357165		1	Engine bracket		
6	4700357166		1	Engine bracket		
7	4700357005		1	Pump bracket		
8	4700387491		1	Cover		
9	4700370355		1	Cover		
10	4700904292		1	Hollow screw		
11	4700330331		2	Washer	18,2x23,9x1,5	C
12	4700230515		1	Connector		C
13	4700330383		1	Cap hydraulic		
14	4700500053		1	Screw	M8x20H 8.8	C
15	4700500047		2	Hexagon head screw		C
16	4700500021		8	Screw	M8-1,25x25 8.8	C
17	4700508096		6	Screw		C
	4700508029		3	Screw	M10-1,5x30H 8,8	C
18	4700508053		2	Screw		
19	4700500122		4	Screw		C
20	4700500050		16	Screw		C
21	4700904640		5	Washer	8,4x22x3	C
22	4700904231		4	Washer	13x24x2 300 HV	C
23	4700600017		16	Washer		
24	4700288129		1XL	Edge trim		
25	4700904233		2	Washer	21x36x3	C
26	4700388500		1	Diesel engine		
27	4700939515		1	.Oil filter		A
28	4700903938		1	.Fuel filter		A
29		D	1	.Solenoid		A
30			1	.Oil temp guard		A
31	4700909370		1	.Alternator		C
32	4700939478		1	..Charging regulator		B
33			1	.Oil pressure switch		B
34	4700939593		1	.Starter		
35		E,J	1	.Splined shaft		
36	4700945442	E	1	.Splined sleeve		
37	4700939976	E	1	.Toothed belt		A
38	4700902521		1	.V-belt		B
39	4700902548		1	.Fan		
40	4700939840	F	1	.Toothed belt kit		A
41	4700357003		1	Coupling		D
42	4700508095		1	.Screw		C
43	4700386133		1	Hydraulic hose		
44	4700586003		2	Lock nut	M8	C
45	4700390722	H	1	Belt guard		
46	4700508025		1	Screw	M6x20	
47	4700904228		1	Washer	6,4x12x1,5	C
48	4700500185		2	Screw	M6-1x14 8,8	
49	4700904228		2	Washer	6,4x12x1,5	C

- A) Included in item 26
- D) Engine shut-off
- E) For vibration pump drive
- F) Belt and roller
- H) Replaces earlier used 4700359869
- J) Not sold separately. If damaged; the housing cpl with gear has to be exchanged: PN 4700945443 and sleeve 4700945442. The sleeve has to be lubricated with graphite grease before assembly !



Engine DEUTZ F2L 2011

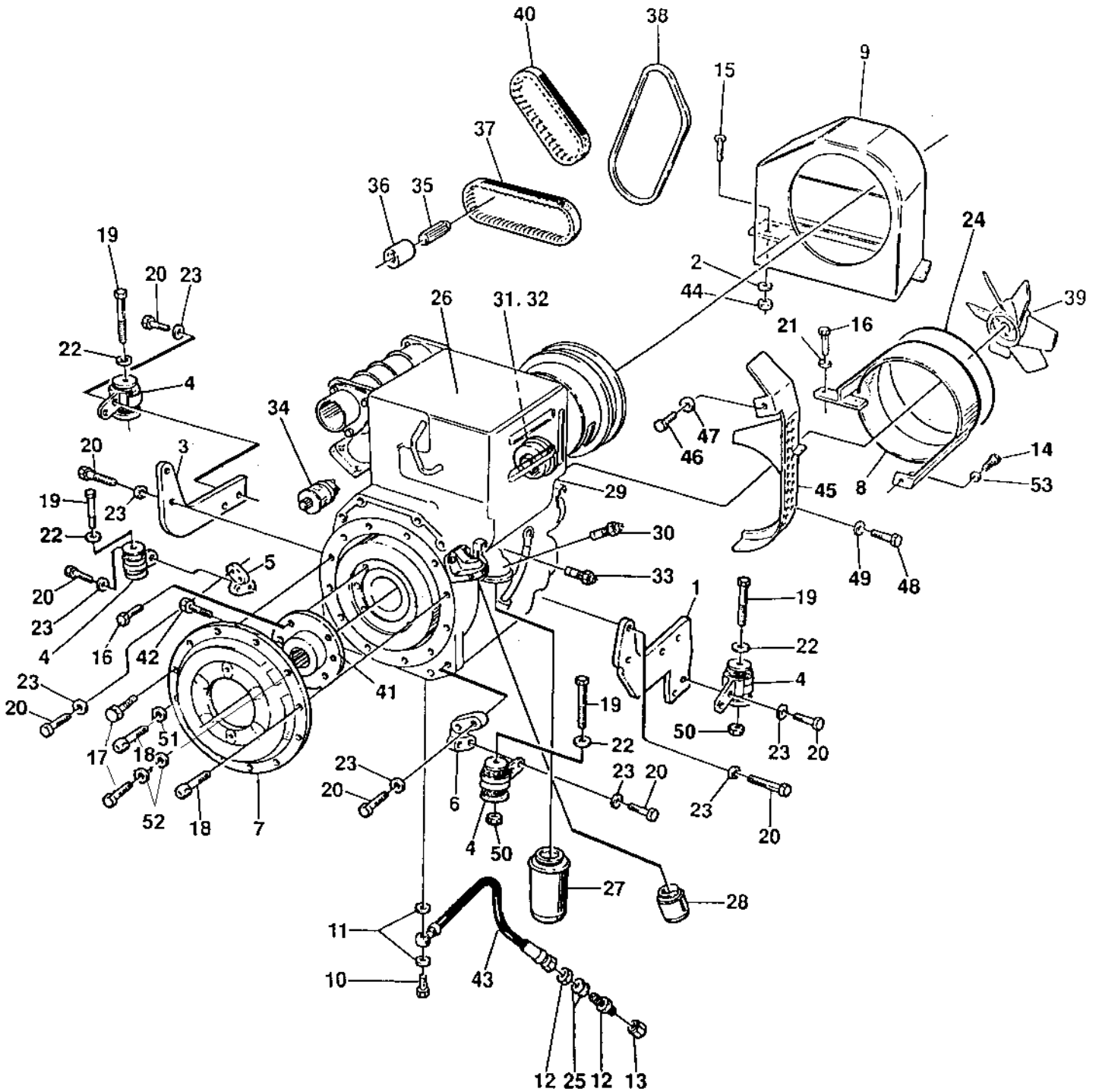
Item	Part No	Rem Qty	Description	Code
50	4700586019	2	Lock nut	C
51	4700904557	2	Steel plain washer	C
52	4700904230	2	Steel plain washer	C
53	4700904229	1	Washer 8,4x16x1,5	C



**Engine DEUTZ D2011 L02 I**

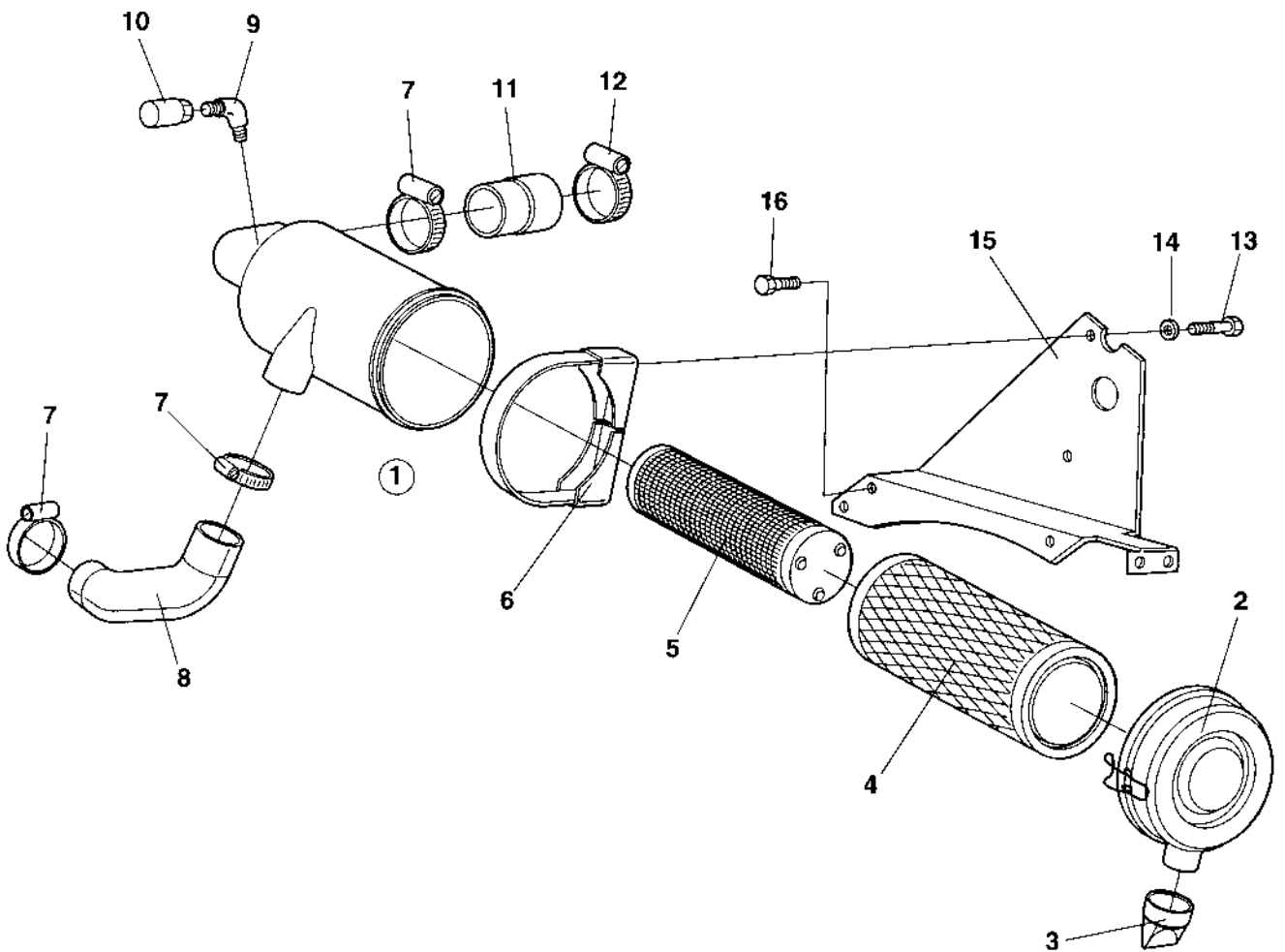
Item	Part No	Rem	Qty	Description	Code
1	4700358370		1	Engine bracket	
2	4700904640		2	Washer	8,4x22x3 C
3	4700358371		1	Engine bracket	
4	4700902902	A	4	Shock absorber	D
5	4700357165		1	Engine bracket	
6	4700357166		1	Engine bracket	
7	4700357005		1	Pump bracket	
8	4700387491		1	Cover	
9	4700370355		1	Cover	
10	4700904292		1	Hollow screw	
11	4700330331		2	Washer	18,2x23,9x1,5 C
12	4700230515		1	Connector	C
13	4700330383		1	Cap hydraulic	
14	4700500053		1	Screw	M8x20H 8.8 C
15	4700500047		2	Hexagon head screw	C
16	4700500021		8	Screw	M8-1,25x25 8.8 C
17	4700508096		6	Screw	C
	4700508029		3	Screw	M10-1,5x30H 8,8 C
18	4700508053		2	Screw	
19	4700500122		4	Screw	C
20	4700500050		16	Screw	C
21	4700904640		5	Washer	8,4x22x3 C
22	4700904231		4	Washer	13x24x2 300 HV C
23	4700600017		16	Washer	
24	4700288129		1XL	Edge trim	
25	4700904233		2	Washer	21x36x3 C
26	4700393290		1	Diesel engine	
27	4700939515		1	.Oil filter	A
28	4700903938		1	.Fuel filter	A
29	4700909369	D	1	.Solenoid	B
30			1	.Oil temp guard	B
31	4700909370		1	.Alternator	C
32	4700939478		1	..Charging regulator	B
33	4700945955		1	.Oil pressure switch	
34	4700939593		1	.Starter	
35		E,J	1	.Splined shaft	
36	4700945442	E	1	.Splined sleeve	
37	4700939976	E	1	.Toothed belt	A
38	4700902521		1	.V-belt	B
39	4700902548		1	.Fan	
40	4700939840	F	1	.Toothed belt kit	A
41	4700357003		1	Coupling	D
42	4700508095		1	.Screw	C
43	4700386133		1	Hydraulic hose	
44	4700586003		2	Lock nut	M8 C
45	4700390722	H	1	Belt guard	
46	4700508025		1	Screw	M6x20
47	4700904228		1	Washer	6,4x12x1,5 C
48	4700500185		2	Screw	M6-1x14 8,8
49	4700904228		2	Washer	6,4x12x1,5 C

- A) Included in item 26
- D) Engine shut-off
- E) For vibration pump drive
- F) Belt and roller
- H) Replaces earlier used 4700359869
- J) Not sold separately. If damaged; the housing cpl with gear has to be exchanged: PN 4700945443 and sleeve 4700945442. The sleeve has to be lubricated with graphite grease before assembly !



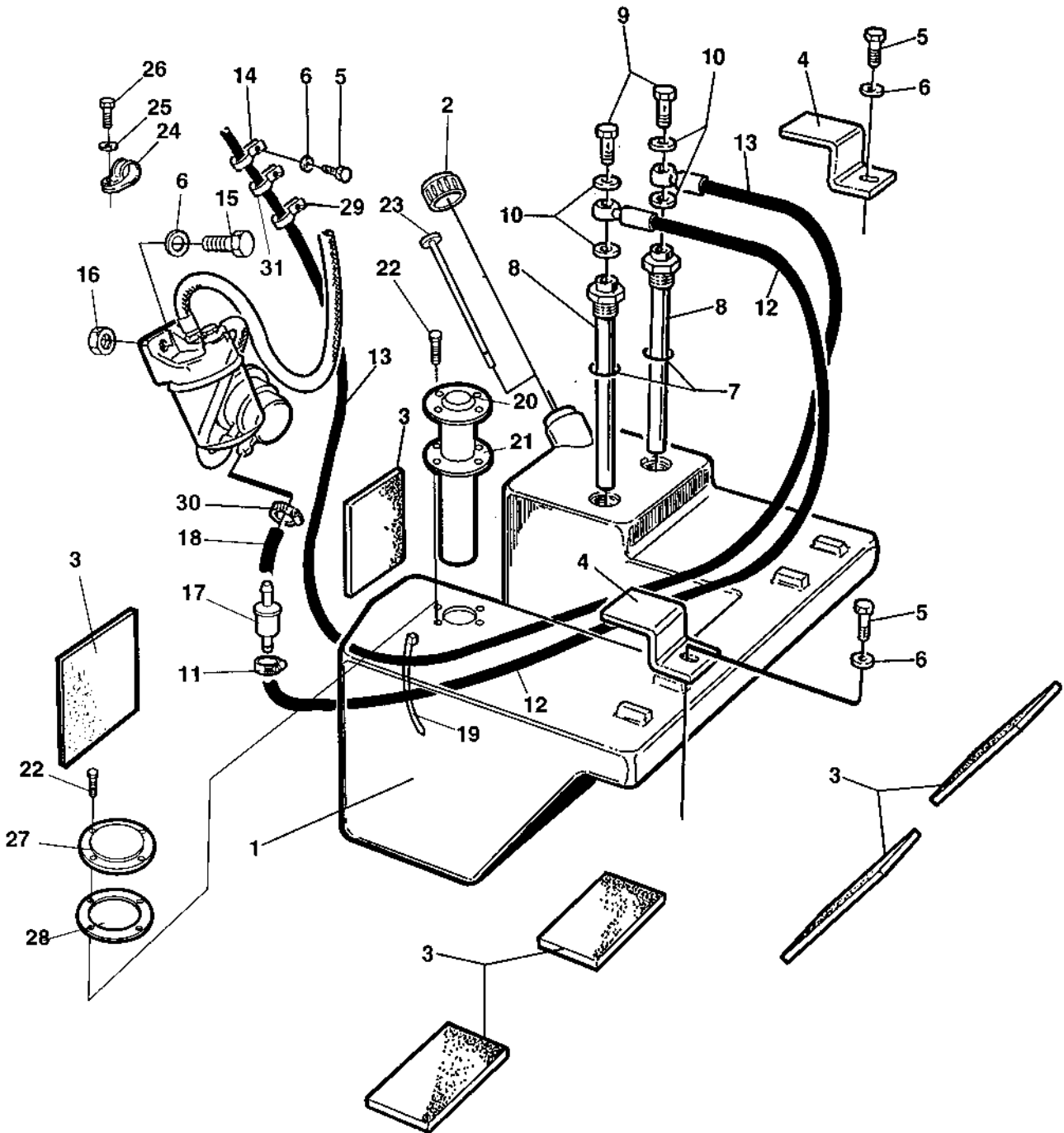
**Engine DEUTZ D2011 L02 I**

<b>Item</b>	<b>Part No</b>	<b>Rem Qty</b>	<b>Description</b>	<b>Code</b>
50	4700586019	2	Lock nut	C
51	4700904557	2	Steel plain washer	C
52	4700904230	2	Steel plain washer	C
53	4700904229	1	Washer	C
			8,4x16x1,5	





Item	Part No	Rem Qty	Description	Code
1	4700385712	1	Air cleaner, cpl	
2	4700385713	1	.Service cover	
3	4700380293	1	.Vacuator valve	D
4	4700380295	1	.Main filter	A
5	4700380294	1	.Safety filter	A
6	4700380296	1	Holder	
7	4700313023	3	Hose clamp	
8	4700380297	1	Air inlet hose	D
9			Not used on this model	D
10	4700902168	1	Indicator	D
11	4700380299	1	Air inlet hose	
12	4700313023	1	Hose clamp	
13	4700500022	2	Screw	M8x30H 8.8 A2K C
14	4700904640	2	Washer	8,4x22x3 C
15	4700380300	1	Bracket	
16	4700500509	3	Screw	

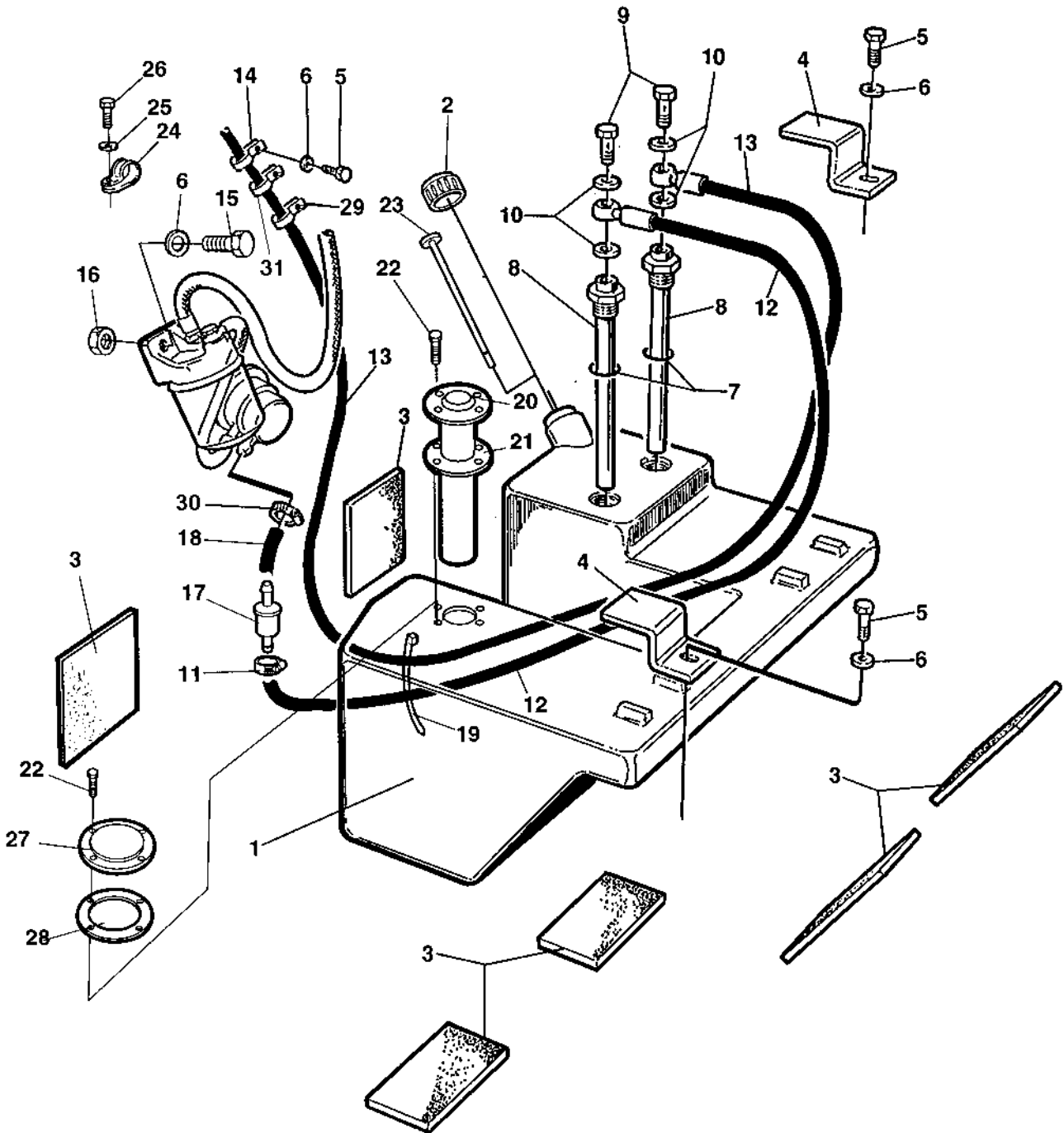


Fuel system DEUTZ

Item	Part No	Rem	Qty	Description	Code
1	4700384726		1	Fuel tank, cpl	
2	4700373461		1	Cap	D
	4700902866		1	.Key	Marked "455" A
	4700380459	F	1	Cap	
3	4700357459		6	Rubber cloth	C
4	4700357466		2	Holder plate	
5	4700500053		3	Screw	M8x20H 8.8 C
6	4700904640		5	Washer	8,4x22x3 C
7	4700160012		2	O-ring	D
8	4700357468		2	Fuel pipe	
9	4700330171		2	Hollow screw	C
10	4700747282		4	Copper washer	
11	4700313001		3	Hose clamp	C
12	4700902893		1	Fuel hose	
13	4700357470		1	Fuel hose	
14	4700921072		1	Clamp	
15	4700500021		2	Screw	M8-1,25x25 8.8 C
16	4700570005		2	Nut	M8 C
17	4700929322		1	Fuel strainer	B
18	4700904984	C	1XL	Fuel hose	C
19	4700925802		N	Cable ties	L=142 mm C
20	4700348923	E	1	Level sender	D
21	4700348924	E	1	.Gasket	D
22	4700903236		1 5	Screw, Thread rolling	K40x20
23	4700358355	E	1	Dipstick	
27	4700372627		1 1	Cover	
28	4700348924		1 1	Gasket	D
29	4700313075		1	Hose clamp	C
30	4700313108		1	Hose clamp	
31	4700792147		1	Hose clamp	

1) Included in Fuel tank, cpl PN 4700384726.

- C) L=200 mm
- E) Option
- F) Italy market



Fuel system DEUTZ

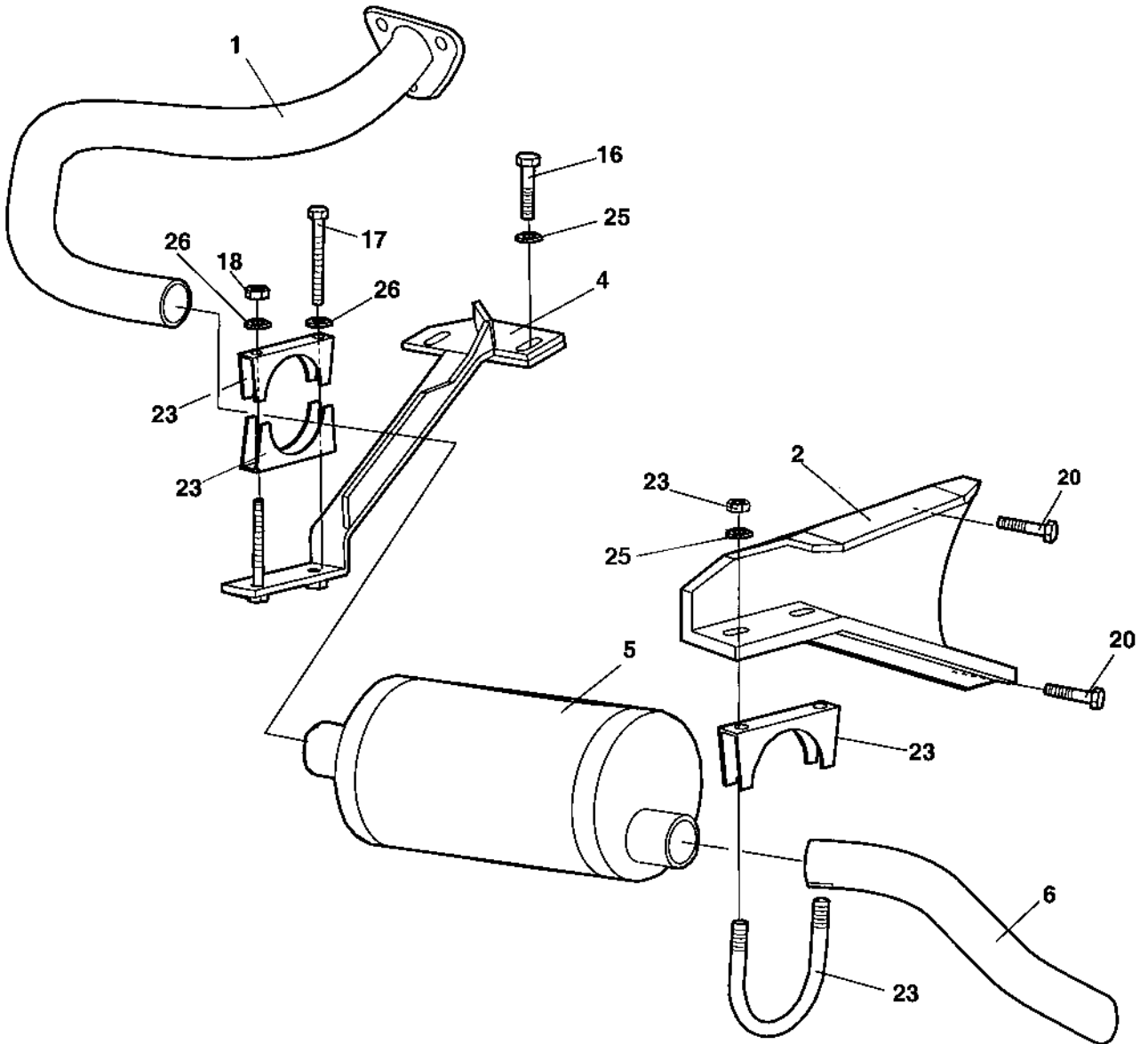
Item	Part No	Rem	Qty	Description	Code
1	4700384726		1	Fuel tank, cpl	
2	4700373461		1	Cap	D
	4700902866		1	.Key	A
	4700380459	F	1	Cap	Marked "455"
3	4700357459		6	Rubber cloth	C
4	4700357466		2	Holder plate	
5	4700500053		3	Screw	M8x20H 8.8
6	4700904640		5	Washer	8,4x22x3
7	4700160012		2	O-ring	D
8	4700357468		2	Fuel pipe	
9	4700330171		2	Hollow screw	C
10	4700747282		4	Copper washer	
11	4700313001		3	Hose clamp	C
12	4700902893		1	Fuel hose	
13	4700357470		1	Fuel hose	
14	4700921072		1	Clamp	
15	4700500021		2	Screw	M8-1,25x25 8.8
16	4700570005		2	Nut	M8
17	4700929322		1	Fuel strainer	B
18	4700904984	C	1XL	Fuel hose	C
19	4700925802		N	Cable ties	L=142 mm
20	4700348923	E	1	Level sender	D
21	4700348924	E	1	.Gasket	D
	4700945777	E	1	.Gasket	
22	4700903236		1 5	Screw, Thread rolling	K40x20
23	4700358355	E	1	Dipstick	
27	4700372627		1 1	Cover	
28	4700348924		1 1	Gasket	D
29	4700313075		1	Hose clamp	C
30	4700313108		1	Hose clamp	
31	4700792147		1	Hose clamp	

1) Included in Fuel tank, cpl PN 4700384726.

C) L=200 mm

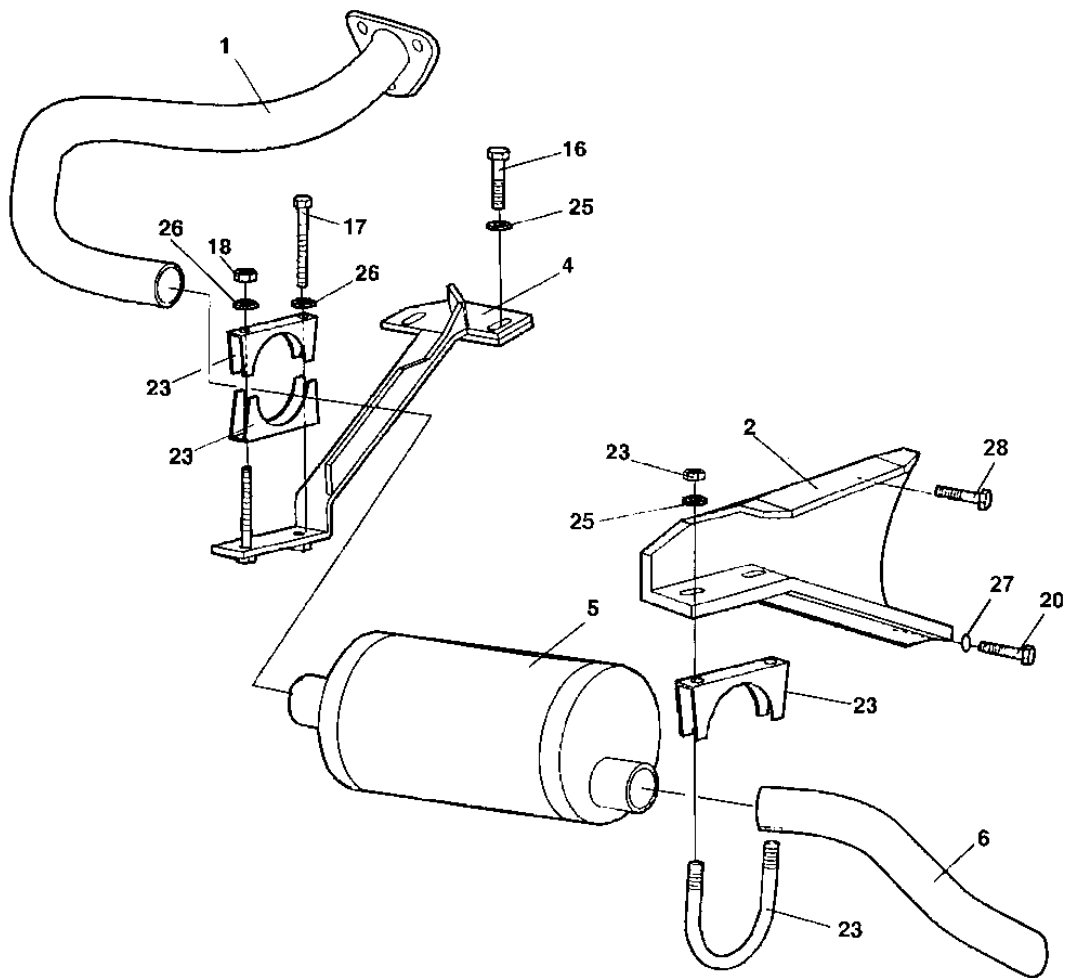
E) Option

F) Italy market



**Exhaust system DEUTZ**

<b>Item</b>	<b>Part No</b>	<b>Rem Qty</b>	<b>Description</b>	<b>Code</b>
1	4700359161	1	Exhaust pipe	
2	4700359119	1	Holder plate	
4	4700387471	1	Holder	
5	4700359163	1	Muffler	D
6	4700376941	1	Exhaust pipe	
16	4700500021	2	Screw	M8-1,25x25 8.8 C
17	4700500190	1	Screw	
18	4700570005	1	Nut	M8 C
20	4700508029	2	Screw	M10-1,5x30H 8,8 C
23	4700313086	3	Clamp	C
25	4700904640	4	Washer	8,4x22x3 C
26	4700904229	2	Washer	8,4x16x1,5 C





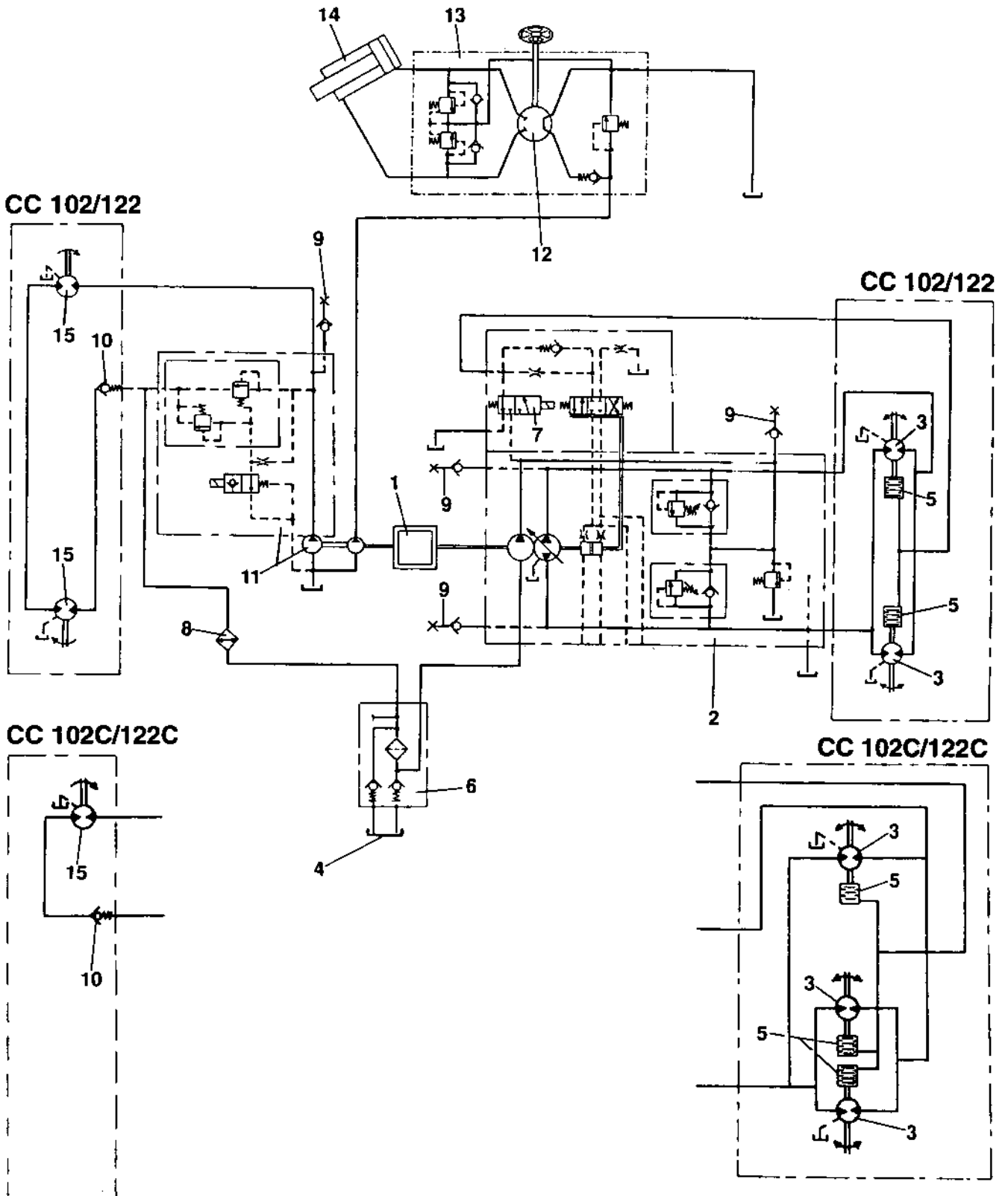
**Exhaust system DEUTZ**

Item	Part No	Rem Qty	Description	Code
1	4700359161	1	Exhaust pipe	
2	4700395728	1	Bracket	
4	4700395732	1	Holder	
5	4700359163	1	Muffler	D
6	4700376941	1	Exhaust pipe	
16	4700500022	3	Screw	M8x30H 8.8 A2K C
17	4700500115	1	Screw	M8-1,25x90 8.8 C
18	4700570005	1	Nut	M8 C
20	4700508080	1	Screw	
23	4700313086	3	Clamp	C
25	4700904640	5	Washer	8,4x22x3 C
26	4700904229	2	Washer	8,4x16x1,5 C
27	4700904557	1	Steel plain washer	C
28	4700508053	1	Screw	



**Hydraulic system**

Item	Part No	Rem Qty	Description	Code
100			Hydraulic diagram ( Page 88 )	
280			Propulsion system Up to 60119694 ( Page 90 DEUTZ, ISUZU	
285			Propulsion system From 60119695 Up to 60131267 ( Page 94 )	
290			Propulsion system From 60131268 ( Page 100 )	
315	4700372352		Hydraulic pump, propulsion ( Page 104 )	
316			Rotating group, valves, charge pump ( Page 106 )	
317			Control unit, cpl ( Page 108 )	
350	4700375631		Hydraulic motor, propulsion, drum ( Page 110 )	
380	4700375632		Hydraulic motor, propulsion ( Page 112 )	C
390	4812110281		Junction block ( Page 114 )	
420			Vibration system ( Page 116 )	DEUTZ
510	4700359524		Hydraulic pump, vibration ( Page 120 )	DEUTZ
612			Steering system Up to 601X8939 ( Page 122 )	
613			Steering system From 601X8940 ( Page 124 )	
650	4700902099		Steering valve ( Page 126 )	
710	4700374603		Steering cylinder ( Page 128 )	
860			Brake system Up to 60119694 ( Page 130 )	DEUTZ / ISUZU
865			Brake system From 60119695 ( Page 132 )	



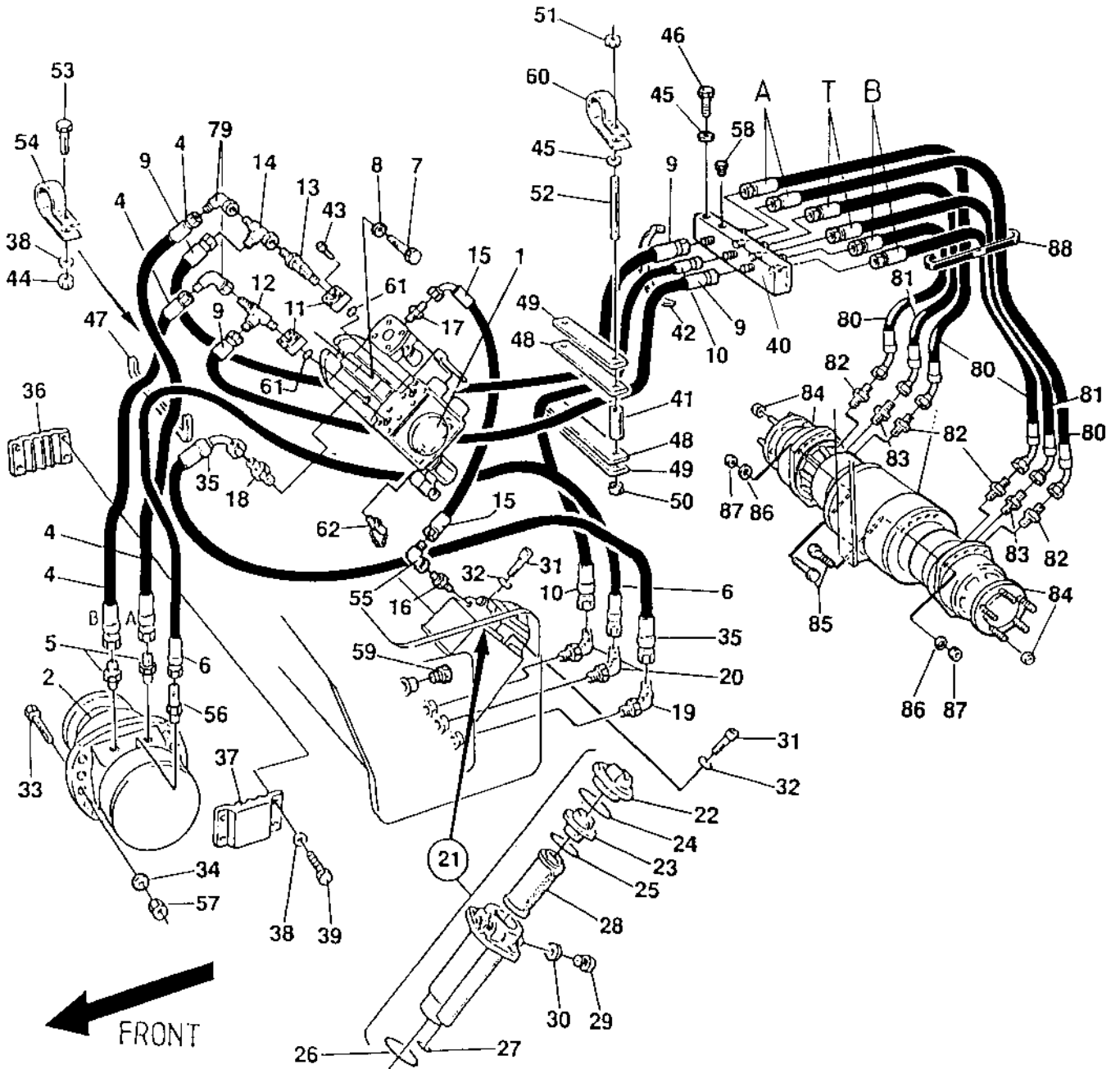
**Hydraulic diagram**

<b>Item</b>	<b>Part No</b>	<b>Rem</b>	<b>Qty</b>	<b>Description</b>	<b>Code</b>
1			1	Diesel engine	
2			1	Propulsion pump	
3			3	Propulsion motor	
4			1	Hydraulic oil tank	
5			3	Brake	
6			1	Filter	
7			1	Brake valve	
8			1	Oil cooler	
9			4	Measuring nipple	
10			1	Check valve	
11		A	1	Vibration pump	
12			1	Steering valve	
13			1	Valve block	
14			1	Steering cylinder	
15			1	Steering cylinder	

A) Incl. steering pump

**Propulsion system DEUTZ, ISUZU**

16500



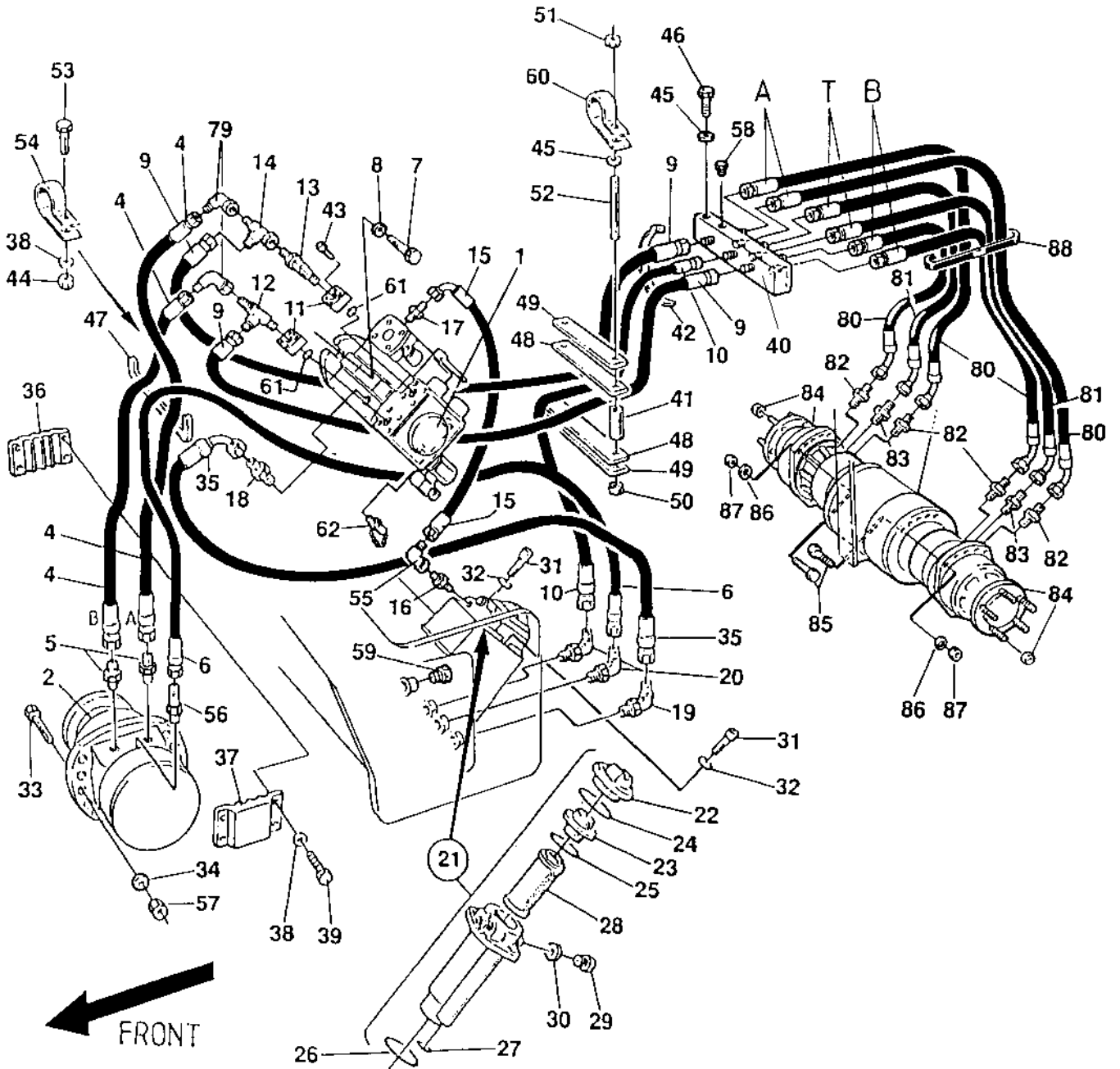
Propulsion system DEUTZ, ISUZU

Item	Part No	Rem Qty	Description	Code
1	4700372352	1	Hydraulic pump, propulsion ( Page 104 )	
2	4700375631	1	Hydraulic motor, propulsion, drum ( Page 110 )	
4	4700482998	2	Hydraulic hose	
5	4700334134	2	Connector	
6	4700482830	1	Hydraulic hose	
7	4700500037	2	Screw	C
8	4700904703	2	Washer	C
9	4700482898	2	Hydraulic hose	
10	4700482452	1	Hydraulic hose	
11	4700373402	2	Flange	
12	4700234218	1	Tee-connector	C
13	4700813444	1	Elbow 90, O-ring	
14	4700334135	1	Tee-connector	C
15	4700483118	1	Hydraulic hose	
16	4700334156	1	Adapter	C
17	4700901156	1	Connector	
18	4700903925	1	Connector	
19	4700813435	1	Elbow 90 Up to 601X7519	
	4700334238	1	Elbow 90 o-ring From 601X7520	
20	4700813321	2	Elbow 90 Up to 601X7519	C
	4700334235	2	Elbow 90 From 601X7520	
21	4700371183	1	Hydraulic oil filter	
22	4700902377	1	.Cover	D
23	4700902378	1	.Insert	
24	4700902229	1	.Sealing	D
25	4700902230	1	.O-ring	D
26	4700902231	1	.O-ring	D
27	4700902232	1	.O-ring	D
28	4700903247	1	.Filter element	A
29	4700901313	1	.Plug	
30	4700230277	1	.Copper washer	
31	4700508029	2	Screw	12,2x17,9x1,5 M10-1,5x30H 8,8 C
32	4700615044	2	Washer	D
33	4700500056	10	Screw	C
34	4700904231	10	Washer	13x24x2 300 HV C
35	4700482553	1	Hydraulic hose	
36	4700371313	1	Hose clamp	
37	4700371314	1	Hose clamp	
38	4700904229	5	Washer	8,4x16x1,5 C
39	4700500020	4	Screw	M8-1,25x22 8,8 C
40	4700380736	1	Junction block	
41	4700375616	2	Spacer sleeve	
42	4700313102	N	Cable ties	
43	4700508096	8	Screw	C
44	4700586003	1	Lock nut	M8 C
45	4700904230	6	Steel plain washer	C
46	4700500109	2	Screw	M10-1,5x65 8,8 C
47	4700902379	A 1XL	Edge trim	
48	4700357111	2	Rubber cloth	
49	4700357112	2	Cover plate	
50	4700355869	2	Spacer sleeve	
51	4700586018	4	Lock nut	C
52	4700902233	2	Threaded stud	
53	4700513013	1	Screw	C
54	4700921119	1	Pipe clamp	C
55	4700334155	1	Elbow 90	C
56	4700902551	1	Connector	
57	4700586019	10	Lock nut	C

A) L=0,185 m

**Propulsion system DEUTZ, ISUZU**

16500





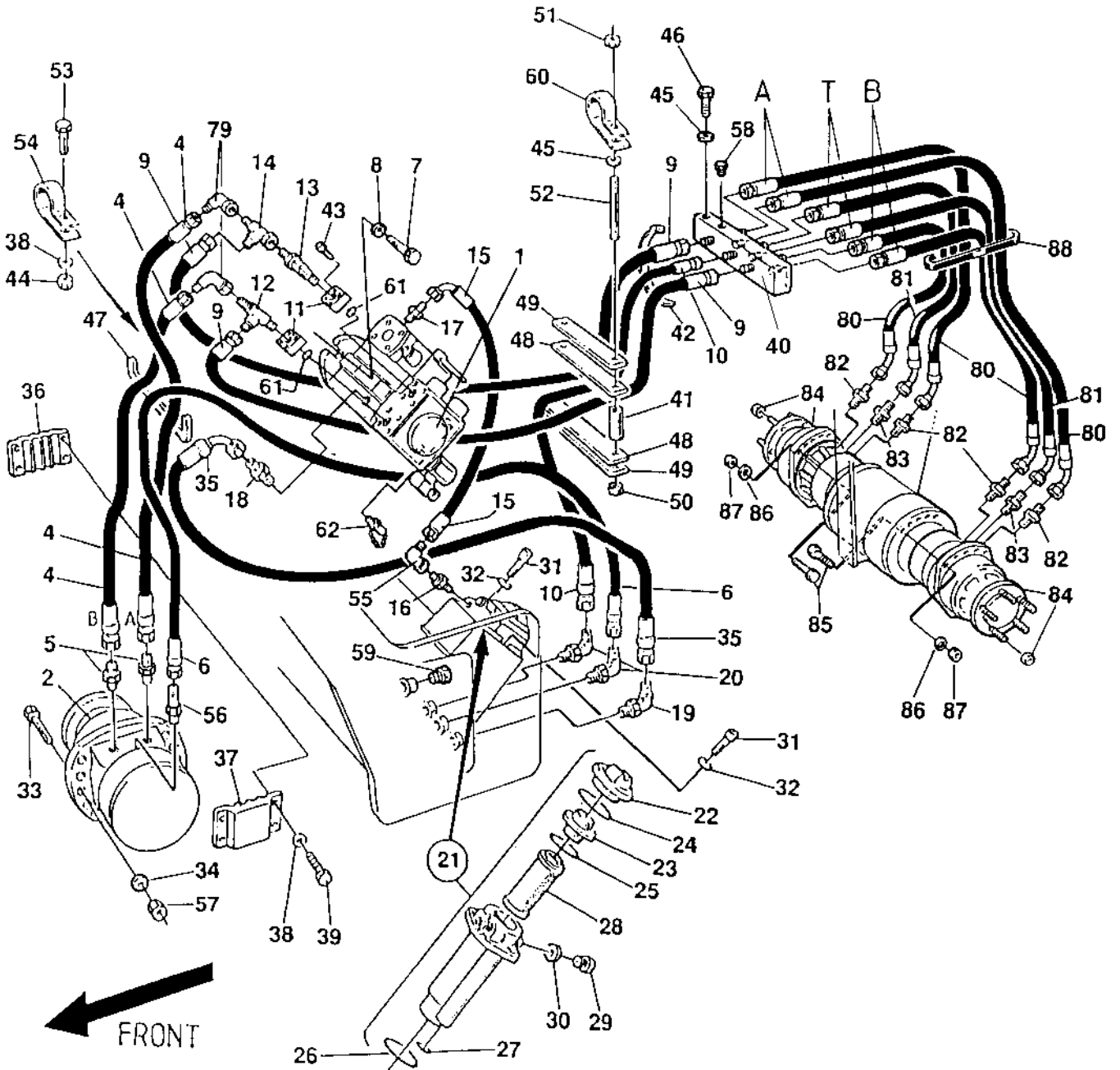
Propulsion system DEUTZ, ISUZU

Item	Part No	Rem	Qty	Description	Code
58	4700232070		3	Plug	
59	4700892446		1	Plug Up to 601X7519	C
60	4700921099		1	Clamp	
61	4700813443		2	O-ring	C
62	4700901157		2	Measuring nipple	C
79	4700334197		2	Elbow 90	C
80	4700483166		4	Hydraulic hose	
81	4700482941		2	Hydraulic hose	
82	4700234860		4	Connector	
83	4700234233		2	Adapter	C
84	4700375632		1	Hydraulic motor, propulsion ( Page 112 )	C
85	4700500195		20	Screw	C
86	4700904231		20	Washer	C
87	4700586019		20	Lock nut	C
88	4700902379	B	1XL	Edge trim	

B) L=0,360 m

**Propulsion system**

16500



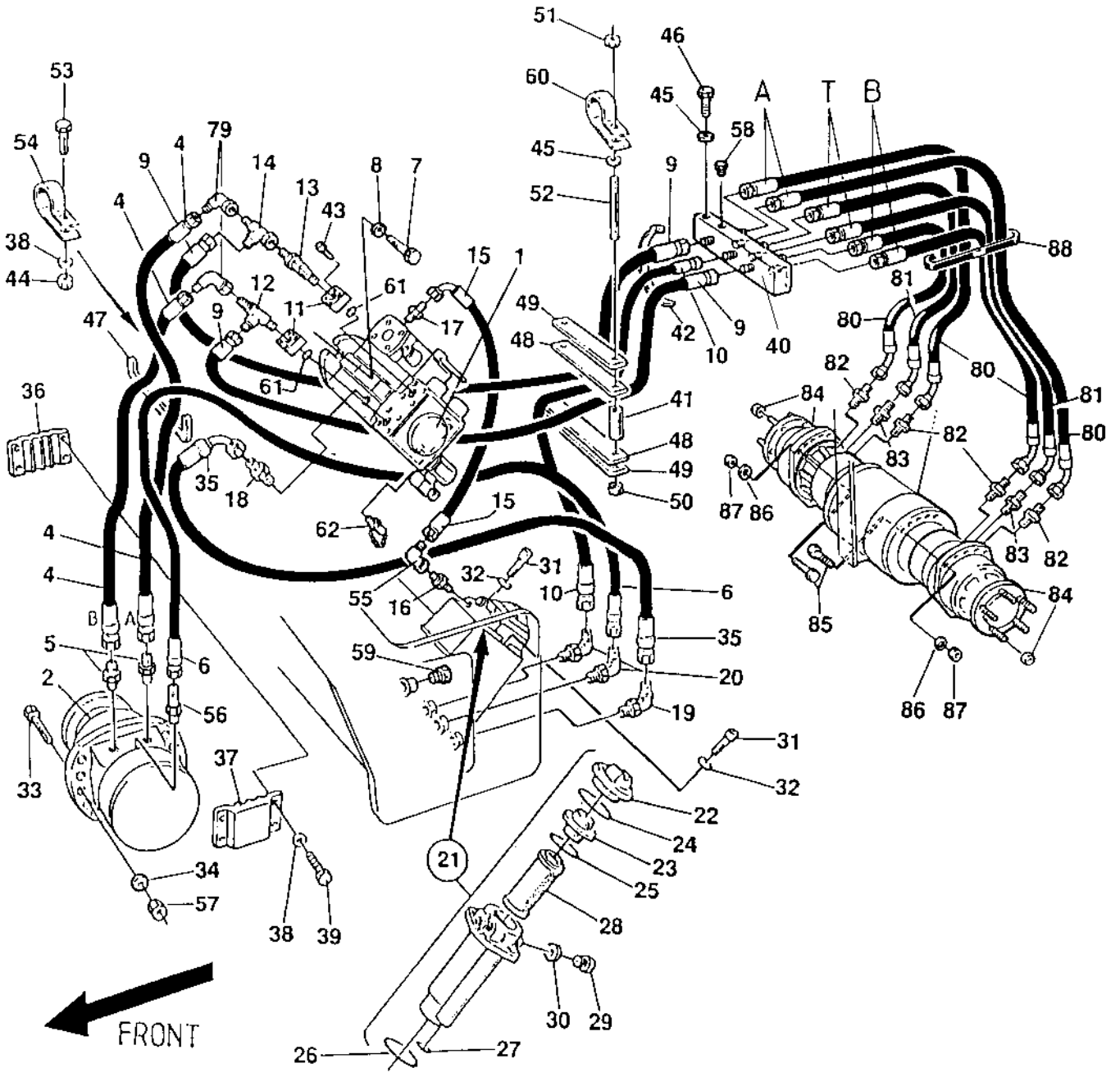
**Propulsion system**

Item	Part No	Rem Qty	Description	Code
1	4700372352	1	Hydraulic pump, propulsion ( Page 104 )	
2	4700390742	1	Hydraulic motor, propulsion, drum ( Page 98 )	
4	4700482998	2	Hydraulic hose	
5	4700334134	2	Connector	
6	4700482830	1	Hydraulic hose	
7	4700500037	2	Screw	C
8	4700904703	2	Washer	C
9	4700482898	2	Hydraulic hose	
10	4700482452	1	Hydraulic hose	
11	4700373402	2	Flange	
12	4700234218	1	Tee-connector	C
13	4700813444	1	Elbow 90, O-ring	
14	4700334135	1	Tee-connector	C
15	4700483118	1	Hydraulic hose	
16	4700334156	1	Adapter	C
17	4700901156	1	Connector	
18	4700903925	1	Connector	
19	4700334238	1	Elbow 90 o-ring	
20	4700334235	2	Elbow 90	
21	4700371183	1	Hydraulic oil filter	
22	4700902377	1	.Cover	D
23	4700902378	1	.Insert	
24	4700902229	1	.Sealing	D
25	4700902230	1	.O-ring	D
26	4700902231	1	.O-ring	D
27	4700902232	1	.O-ring	D
28	4700903247	1	.Filter element	A
29	4700901313	1	.Plug	
30	4700230277	1	.Copper washer	
31	4700508029	2	Screw	
32	4700615044	2	Washer	
33	4700500056	10	Screw	
34	4700904231	10	Washer	
35	4700482553	1	Hydraulic hose	
36	4700371313	1	Hose clamp	
37	4700371314	1	Hose clamp	
38	4700904229	5	Washer	
39	4700500020	4	Screw	
40	4812110281	1	Junction block ( Page 114 )	
41	4700375616	2	Spacer sleeve	
42	4700313102	N	Cable ties	
43	4700508096	8	Screw	
44	4700586003	1	Lock nut	
45	4700904230	6	Steel plain washer	
46	4700500109	2	Screw	
47	4700902379	A 1XL	Edge trim	
48	4700357111	2	Rubber cloth	
49	4700357112	2	Cover plate	
50	4700355869	2	Spacer sleeve	
51	4700586018	4	Lock nut	
52	4700902233	2	Threaded stud	
53	4700513013	1	Screw	
54	4700921119	1	Pipe clamp	
55	4700334155	1	Elbow 90	
56	4700924731	1	Connector	
57	4700586019	10	Lock nut	
58	4700232070	3	Plug	
60	4700921099	1	Clamp	

A) L=0,185 m

**Propulsion system**

16500



**Propulsion system**

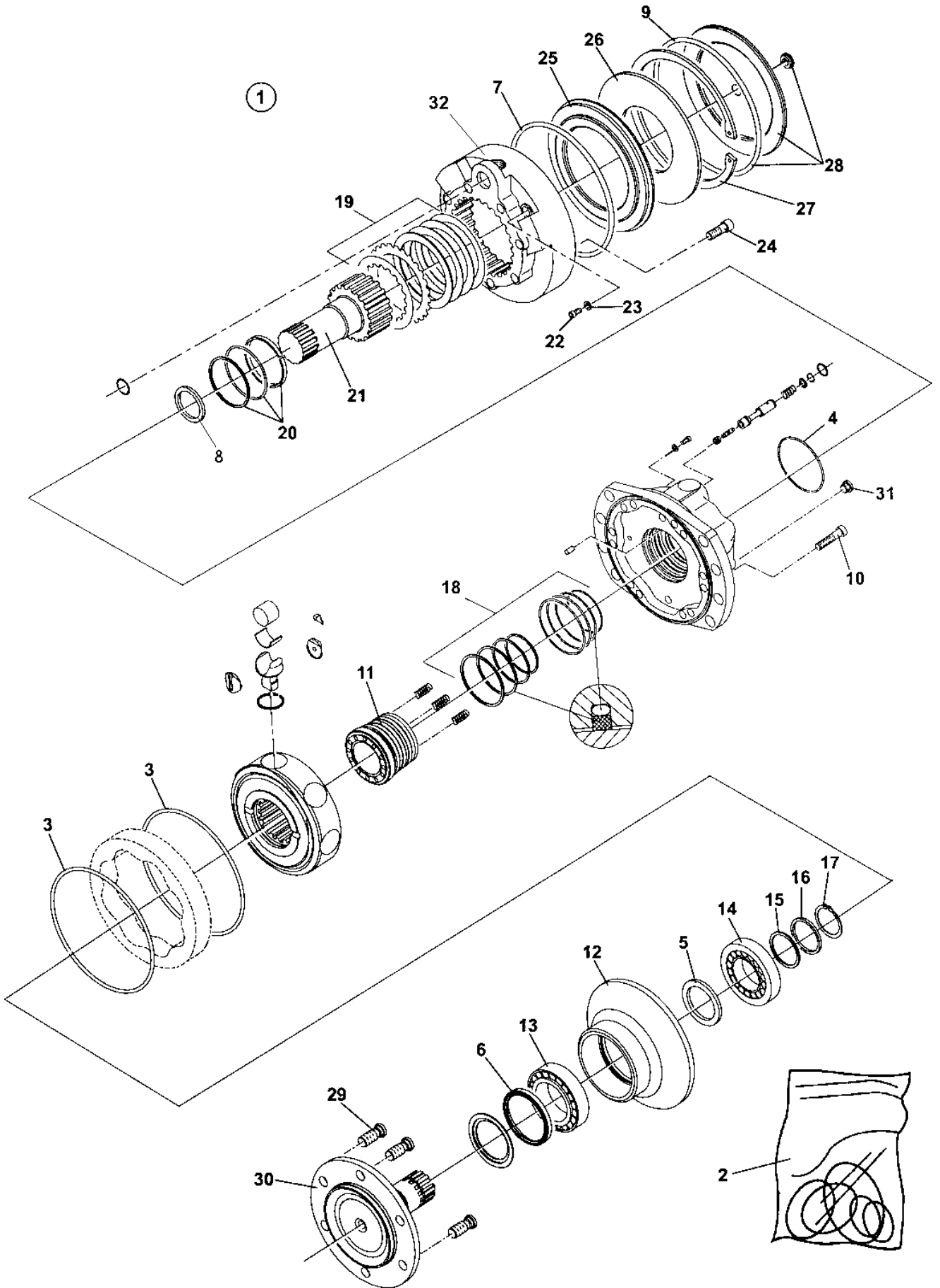
Item	Part No	Rem	Qty	Description	Code
61	4700813443		2	O-ring	C
62	4700901157		2	Measuring nipple	C
79	4700334197		2	Elbow 90	C
80	4700483166		4	Hydraulic hose	
81	4700482941		2	Hydraulic hose	
82	4700234860		4	Connector	
83	4700234233		2	Adapter	C
84	4700375632		1	Hydraulic motor, propulsion ( Page 112 )	C
85	4700500195		20	Screw	C
86	4700904231		20	Washer	C
87	4700586019		20	Lock nut	C
88	4700902379	B	1XL	Edge trim	

13x24x2 300 HV

B) L=0,360 m

**4700390742 Hydraulic motor, propulsion, drum**

18823

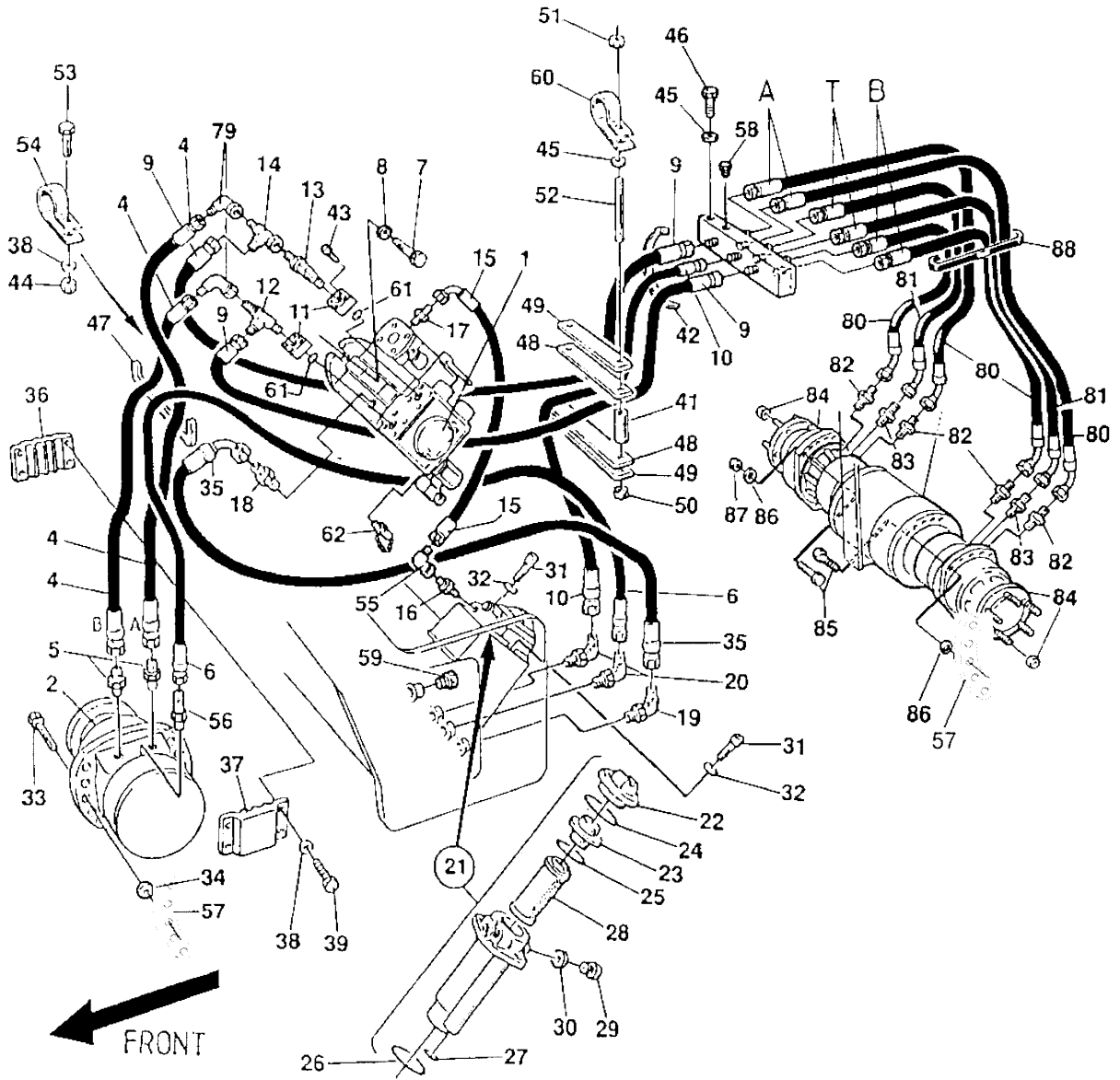


**4700390742 Hydraulic motor, propulsion, drum**

Item	Part No	Rem Qty	Description	Code
1	4700390742	1	Hydraulic motor, propulsion, drum ( Page 98 )	
2	4700950414	1	.Seal kit	
3		2	..O-ring	
4		1	..O-ring	
5		1	..Seal kit	
6		1	..Seal	
7	4700950293	1	..O-ring	
8		1	..Seal	
9		1	..O-ring	
10		12	.Screw	
11		1	.Distributor	
12		1	.Bearing support	
13		1	.Bearing	
14		1	.Bearing	
15		1	.Shim kit	
16		1	.Supporting plate	
17		1	.Snap ring	
18	4700950416	1	.Seal kit	
19	4700950415	1	.Brake disc kit	
20		1	.Seal kit	
21		1	.Shaft	
22		1	.Screw	
23		1	.Bonded seal	
24		8	.Screw	
25		1	.Brake piston	
26		1	.Spring washer	
27		1	.Snap ring	
28	4700950226	1	.End cap kit	
29		1	.Set of studs	
30		1	.Shaft	
31		1	.Plug	
32	4812155168	1	.Brake housing	

**Propulsion system**

16500-1





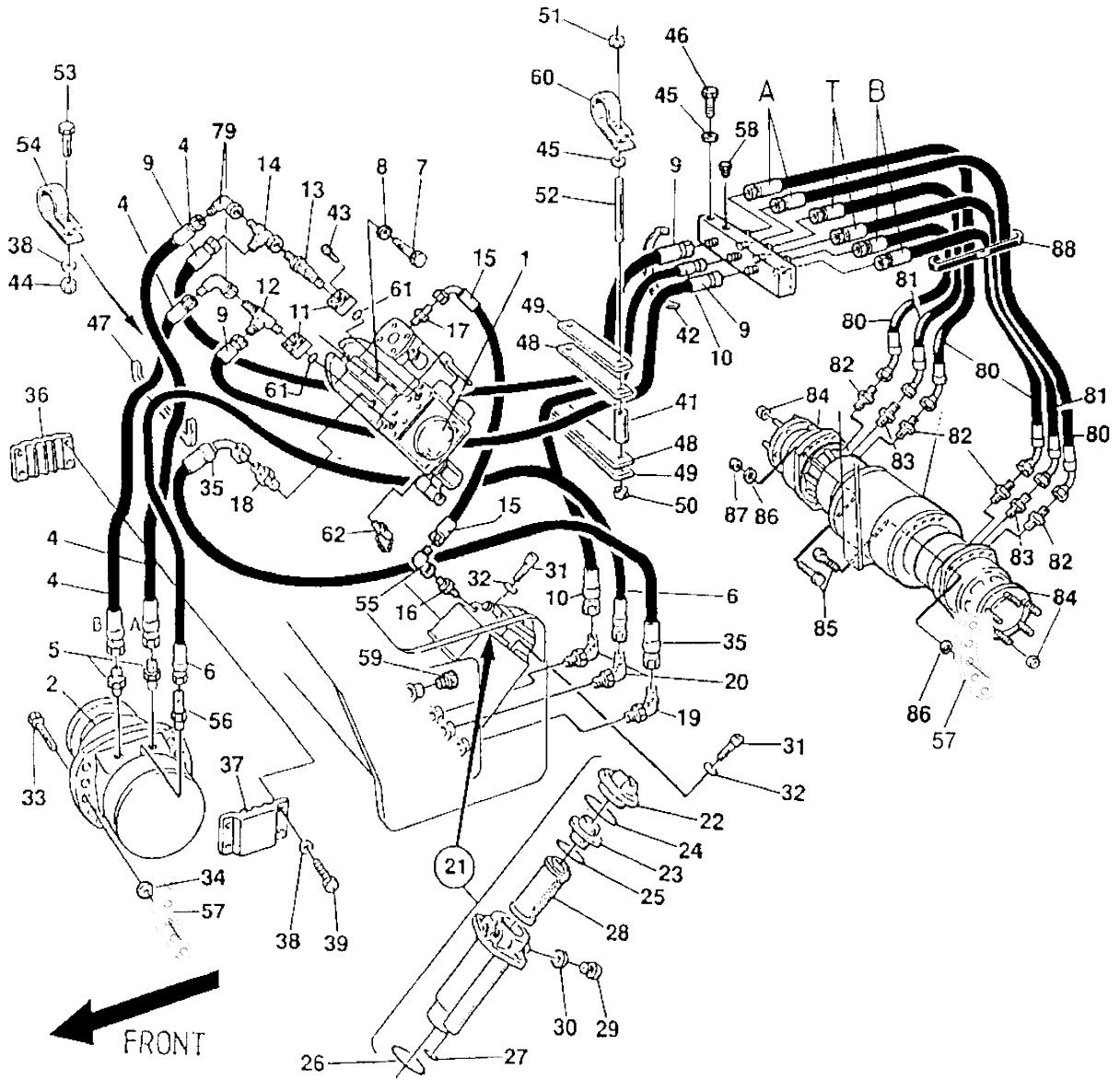
**Propulsion system**

Item	Part No	Rem Qty	Description	Code
1	4700372352	1	Hydraulic pump, propulsion ( Page 104 )	
2	4700390742	1	Hydraulic motor, propulsion, drum ( Page 98 )	
4	4700482998	2	Hydraulic hose	
5	4700334134	2	Connector	
6	4700482830	1	Hydraulic hose	
7	4700500037	2	Screw	C
8	4700904703	2	Washer	C
9	4700482898	2	Hydraulic hose	
10	4700482452	1	Hydraulic hose	
11	4700373402	2	Flange	
12	4700234218	1	Tee-connector	C
13	4700813444	1	Elbow 90, O-ring	
14	4700334135	1	Tee-connector	C
15	4700483118	1	Hydraulic hose	
16	4700334156	1	Adapter	C
17	4700901156	1	Connector	
18	4700903925	1	Connector	
19	4700334238	1	Elbow 90 o-ring	
20	4700334235	2	Elbow 90	
21	4700371183	1	Hydraulic oil filter	
22	4700902377	1	.Cover	D
23	4700902378	1	.Insert	
24	4700902229	1	.Sealing	D
25	4700902230	1	.O-ring	D
26	4700902231	1	.O-ring	D
27	4700902232	1	.O-ring	D
28	4700903247	1	.Filter element	A
29	4700901313	1	.Plug	
30	4700230277	1	.Copper washer	
31	4700508029	2	Screw	12,2x17,9x1,5 C
32	4700615044	2	Washer	M10-1,5x30H 8,8 D
33	4700500269	20	Screw	C
34	4700904231	20	Washer	13x24x2 300 HV C
35	4700482553	1	Hydraulic hose	
36	4700371313	1	Hose clamp	
37	4700371314	1	Hose clamp	
38	4700904229	5	Washer	8,4x16x1,5 C
39	4700500020	4	Screw	M8-1,25x22 8,8 C
40	4700380736	1	Junction block	
41	4700375616	2	Spacer sleeve	
42	4700313102	N	Cable ties	
43	4700508096	8	Screw	C
44	4700586003	1	Lock nut	M8 C
45	4700904230	6	Steel plain washer	C
46	4700500109	2	Screw	M10-1,5x65 8,8 C
47	4700902379	A 1XL	Edge trim	
48	4700357111	2	Rubber cloth	
49	4700357112	2	Cover plate	
50	4700355869	2	Spacer sleeve	
51	4700586018	4	Lock nut	C
52	4700902233	2	Threaded stud	
53	4700513013	1	Screw	C
54	4700921119	1	Pipe clamp	C
55	4700334155	1	Elbow 90	C
56	4700924731	1	Connector	
57	4812110490	4	Holder	
58	4700232070	3	Plug	
60	4700921099	1	Clamp	

A) L=0,185 m

**Propulsion system**

16500-1



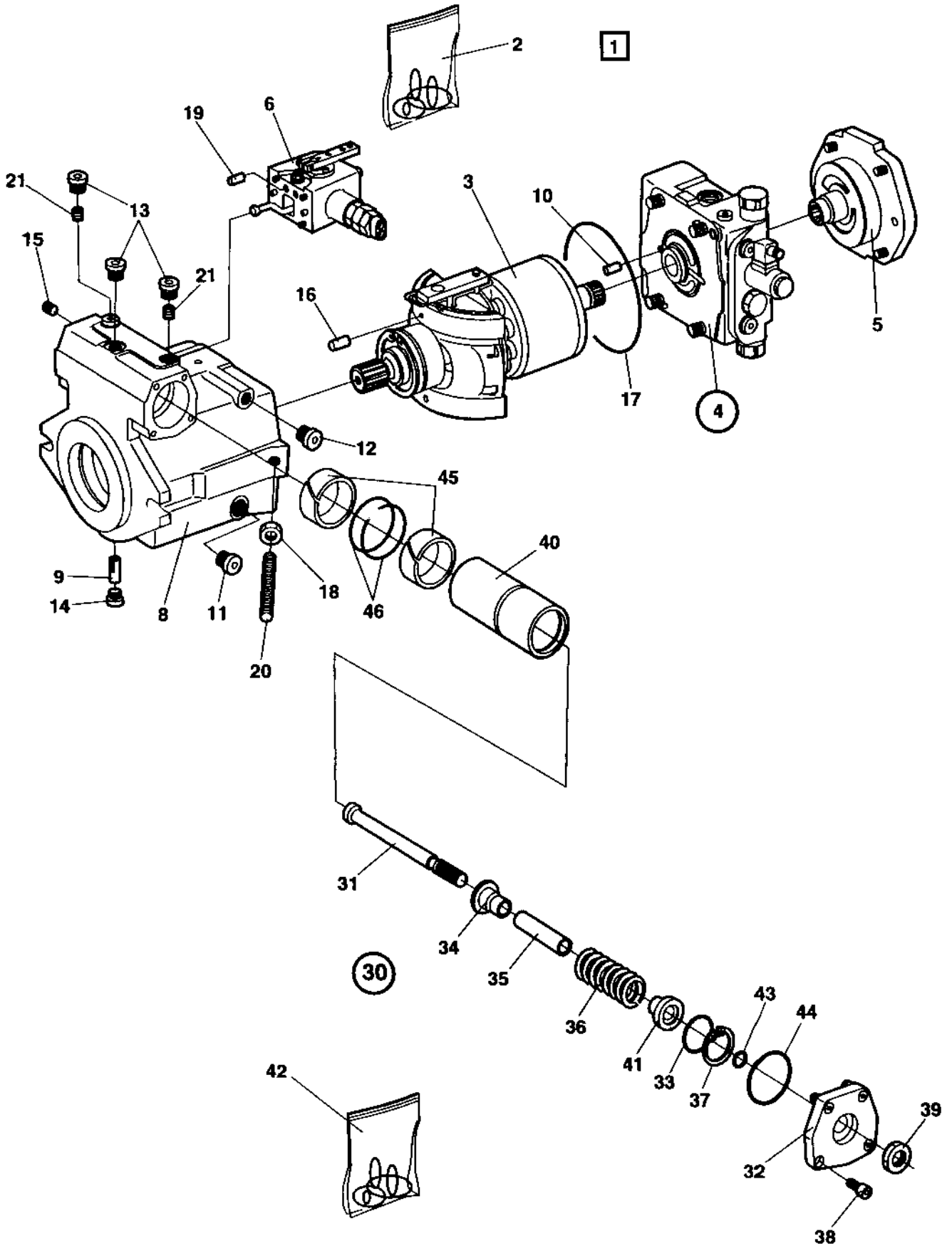
**Propulsion system**

Item	Part No	Rem	Qty	Description	Code
61	4700813443		2	O-ring	C
62	4700901157		2	Measuring nipple	C
79	4700334197		2	Elbow 90	C
80	4700483166		4	Hydraulic hose	
81	4700482941		2	Hydraulic hose	
82	4700234860		4	Connector	
83	4700234233		2	Adapter	C
84	4700375632		1	Hydraulic motor, propulsion ( Page 112 )	C
85	4700500195		20	Screw	C
86	4700904231		20	Washer	C
				13x24x2 300 HV	
88	4700902379	B	1XL	Edge trim	

B) L=0,360 m

4700372352 Hydraulic pump, propulsion

16514



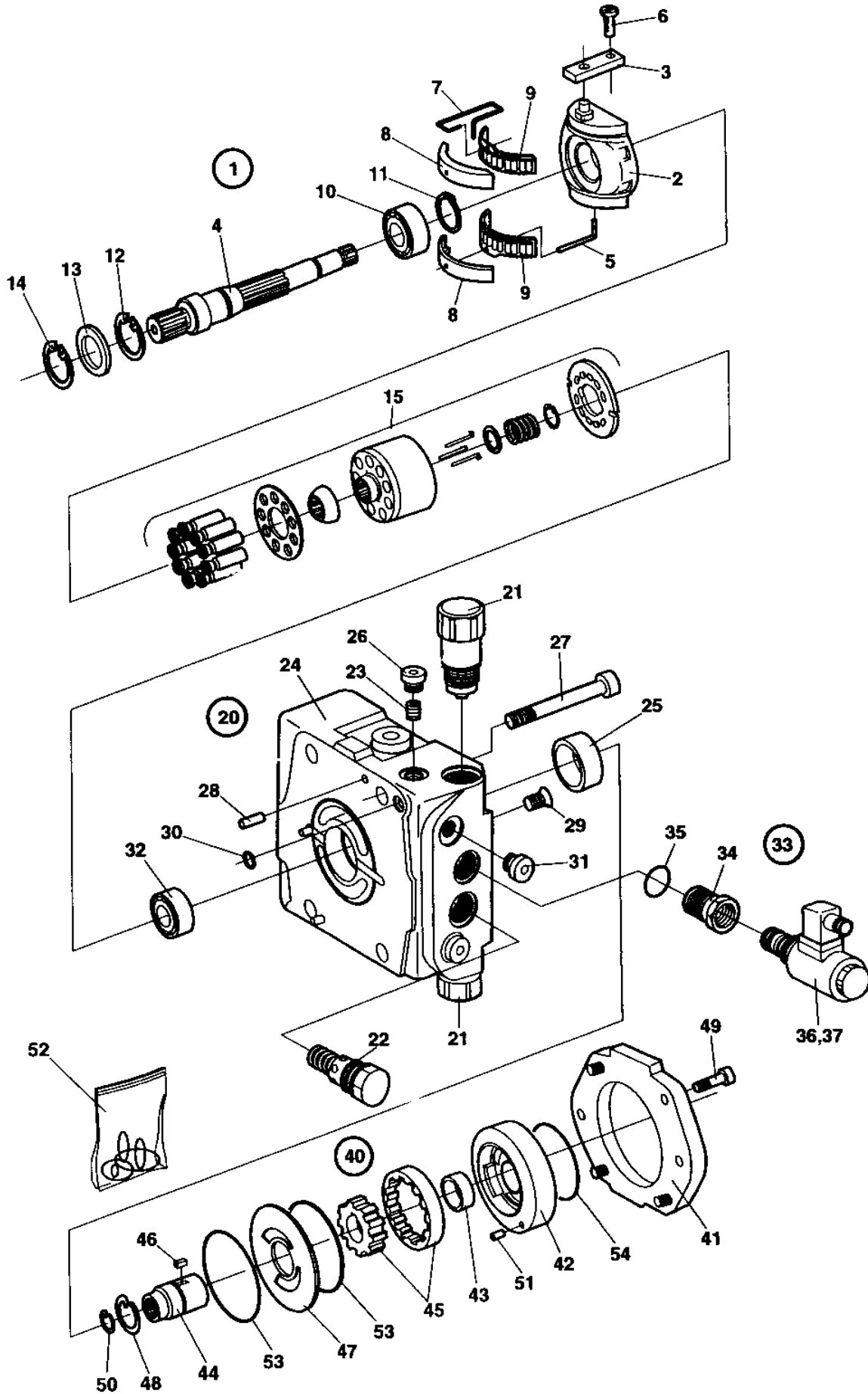
**4700372352 Hydraulic pump, propulsion**

Item	Part No	Rem	Qty	Description	Code
1		A	1	Hydraulic pump	
2	4700936690	1	1	.Seal kit	
3		2	1	.Rotating group, cpl	
4		2	1	.Valve block, cpl	
5		2	1	.Charge pump, cpl	
6			1	.Control unit, cpl ( Page 108 )	
8			1	.Housing	
9	4700935158		1	.Pin	
10	4700902670		1	.Pin	
11	4700935219		1	.Plug	
12	4700902724		1	.Plug	
13	4700902625		3	.Screw	
14	4700902624		1	.Screw	
15	4700909514		1	.Pin	
16	4700902792		1	.Pin	
17	4700935159		1	.O-ring	
18	4700902695		1	.Nut	
19	4700935160		1	.Orifice	
20	4700902687		1	.Pin	
21	4700902696		2	.Orifice	0,8
30	4700909757		1	.Control valve	
31			1	..Rod	
32			1	..Cover	
33			1	..Ring	
34			1	..Spring collar	
35			1	..Spacer	
36			1	..Spring	
37			1	..Snap ring	
38			4	..Screw	
39			1	..Nut	
40			1	..Piston	
41			1	..Spring collar	
42	4700909758		1	..Seal kit	D
43			1	...O-ring	D
44			1	...O-ring	D
45			2	...Seal ring	D
46			2	...Seal ring	D

- 1) Includes all gaskets and o-rings for the hydraulic pump
- 2) Exploded in section "Rotating group, valves, charge pump
- A) CPL

Rotating group, valves, charge pump

15940



Rotating group, valves, charge pump

Item	Part No	Rem	Qty	Description	Code
1	4700935161		1	Rotating group	
2	4700935171		1	.Cradle	
3	4700935162		1	.Ring	
4	4700935163		1	.Shaft	
5	4700902644		1	.Wire pin	
6	4700935164		1	.Pin	
7	4700935165		1	.Wire pin	
8	4700935166	A	1	.Bearing liner	
9	4700902620		1	.Bearing	D
10	4700902619		1	.Roller bearing	D
11	4700901750		1	.Retaining ring	
12	4700935170		1	.Retaining ring	
13	4700936691		1	.Seal ring	
14	4700935170		1	.Retaining ring	
15	4700935167		1	.Cylinder with pistons, cpl	
20			1	Valve block	
21	4700935172		2	.Pressure relief valve	350 bar
22	4700903471		1	.Relief valve	D
23	4700936692		1	.Check valve	D
24	4700936693		1	.Valve block	
25	4700903557		1	.Bearing bushing	
26	4700935176		1	.Plug	
27	4700935177		4	.Screw	
28	4700908384		2	.Pin	
29	4700909514		2	.Pin	
30	4700902641		2	.O-ring	
31	4700902625		2	.Screw	
32	4700901744		1	.Roller bearing	D
33		B	1	.Solenoid valve	D
34	4700935178		1	..Adapter	
35	4700927278		1	..O-ring	D
36	4700935179		1	..Valve, cpl	D
37	4700935180		1	...Solenoid	D
40	4700935181		1	Charge pump	
41	4700935182		1	.Cover	
42	4700935183		1	.Housing	
43	4700903557		1	.Bearing bushing	
44	4700935184		1	.Shaft	
45	4700936706		1	.Wheel set	D
46	4700935186		1	.Key	
47	4700935187		1	.Wear plate	
48	4700902654		1	.Retaining ring	
49	4700935188		4	.Screw	
50	4700935189		1	.Retaining ring	
51	4700935190		1	.Cylindrical pin	
52	4700935191		1	.Seal kit	D
53			2	..Seal	D
54			1	..O-ring	D

A) One pair  
B) CPL





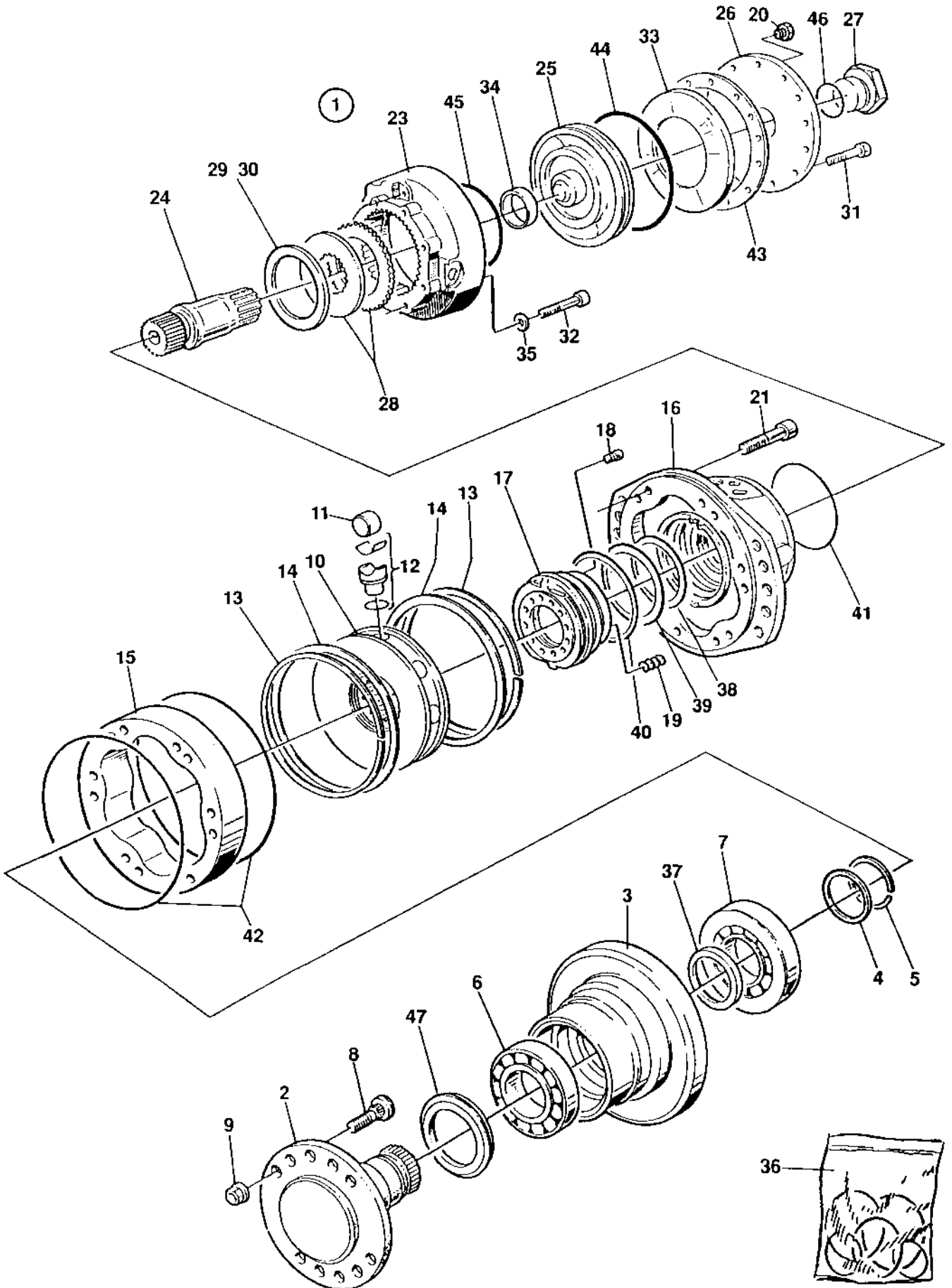
Control unit, cpl

Item	Part No	Rem	Qty	Description	Code
1	4700935194	A	1	Control unit	
2	4700935195		1	.Seal kit	D
3	4700935196		1	.Housing	
4	4700935197		1	.Bushing	
5	4700935198		1	.Shaft	
6	4700935199		1	.Spring bush	
7	4700935201		1	.Adapter	
8	4700935202		1	.Pressure spring	
9	4700935203		1	.Eccentric pin	
10			1	.Lever	
11	4700935204		1	.Cover	
12	4700935205		1	.Bushing	
13	4700935218	B	1	.Gasket	
14	4700935206		1	.Spring	
15	4700935207		1	.Spring collar	
16	4700935208		1	.Spring cage	
17	4700935209		1	.Pin	
18	4700935210		4	.Screw	
19	4700935211		1	.Screw	
20	4700902770		1	.Screw	
21		B	1	.O-ring	
22		B	1	.O-ring	
23		B	3	.O-ring	
24		B	1	.O-ring	
25	4700902767		1	.Needle roller	
26		B	1	.Nut	
27	4700902773		1	.Shim	
28	4700935212		1	.Pin	
29		B	1	.O-ring	
30	4700935190		1	.Cylindrical pin	
31	4700935214		1	.Nut	
32	4700902771		2	.Screw	
33	4700935215		1	.Plug	
34	4700935200		1	.Neutral start switch Cpl.	D
35	4700935216		1	Lever	

- A) CPL
- B) Incl. in item 2

**4700375631 Hydraulic motor, propulsion, drum**

16591



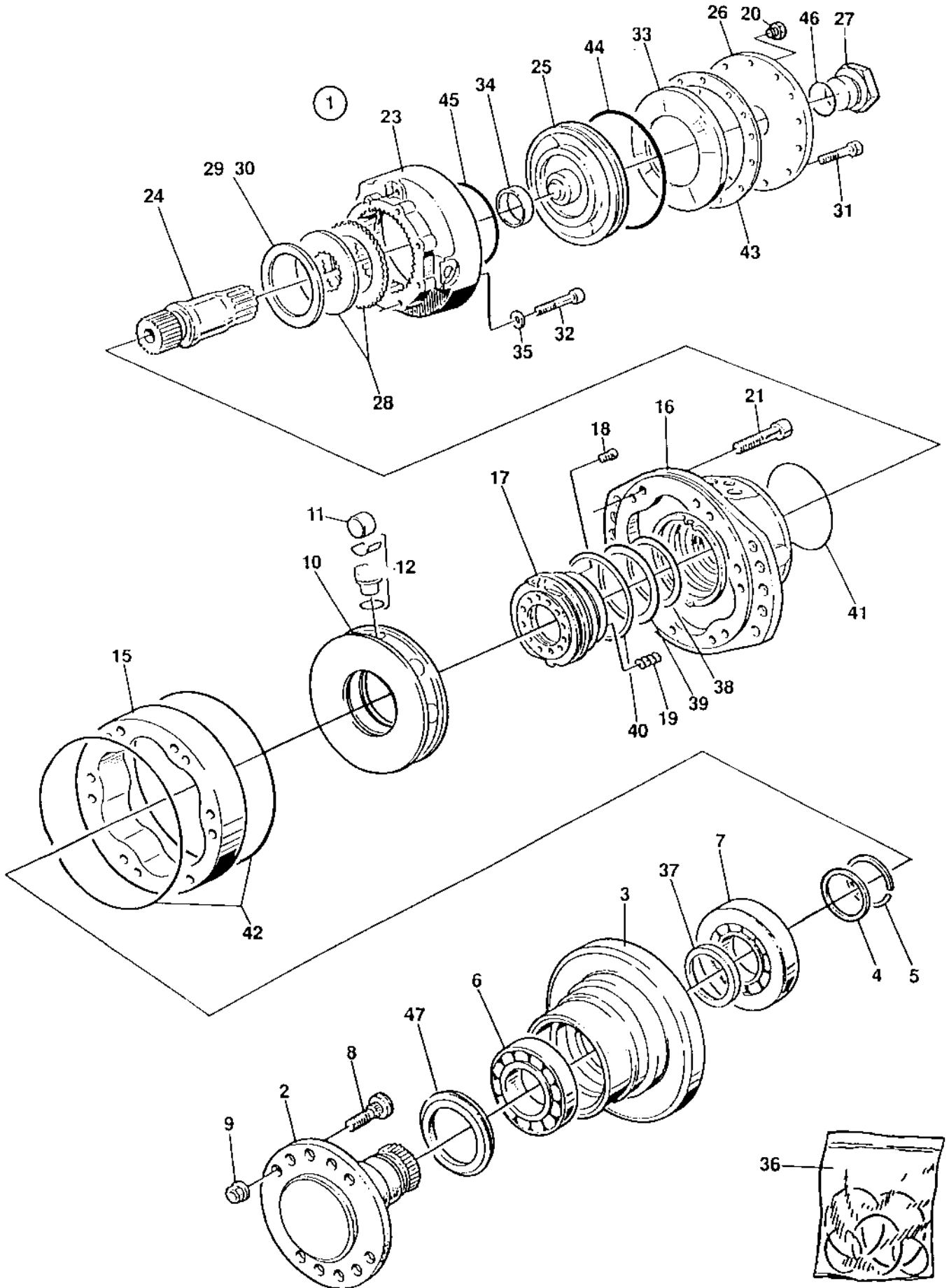
**4700375631 Hydraulic motor, propulsion, drum**

Item	Part No	Rem	Qty	Description	Code
1	4700375631		1	Hydraulic motor, propulsion, drum ( Page 110 )	
2	4700908788		1	.Shaft	
3	4700903292		1	.Housing	
4	4700902387		1	.Washer	T=2,0 mm
5	4700902388		1	.Split ring	
6	4700902389		1	.Bearing	D
7	4700902390		1	.Bearing	D
8	4700902391		5	.Wheel stud	
9	4700902392		5	.Wheel nut	D
10	4700908795		1	.Cylinder block	
11	4700903453		8	.Roller	
12	4700937091		8	.Piston	
13	4700937092		2	.Circlip	
14	4700908798		2	.Ring	
15	4700902394		1	.Piston cam	
16	4700937093		1	.Housing	
17	4700937094		1	.Distributor ring	
18	4700902397		1	.Pin	
19	4700902398		9	.Spring	
20	4700902399	A	1	.Plug	
21	4700902799		6	.Screw	
23	4700908790		1	.Brake housing	
24	4700908791		1	.Shaft	
25	4700908792		1	.Piston	
26	4700908328	A	1	.End cover	
27	4700903295		1	.Plug	
28	4700908800	B	1	.Disc kit	D
29	4700902410	N		.Shim	T=0,1 mm
30	4700902411	N		.Shim	T=0,3 mm
31	4700902412		12	.Screw	
32	4700902413		8	.Screw	
33	4700902416		1	.Spring	
34	4700908794		1	.Nylon buch	
35	4700903450		8	.Washer	
36	4700937089		1	.Seal kit	D
37	4700903324		1	..Shaft seal	
38			1	..Sealing	
39			1	..Sealing	
40			1	..Sealing	
41			1	..O-ring	
42			1	..O-ring	
43	4700902800		1	..Gasket	
44	4700903455		1	..Quad ring	D
45			1	..Sealing	D
46	4700903327		1	..O-ring	
47	4700937090		1	..Face seal	

- A) CPL
- B) 15+13 pcs

**4700375632 Hydraulic motor, propulsion**

16592



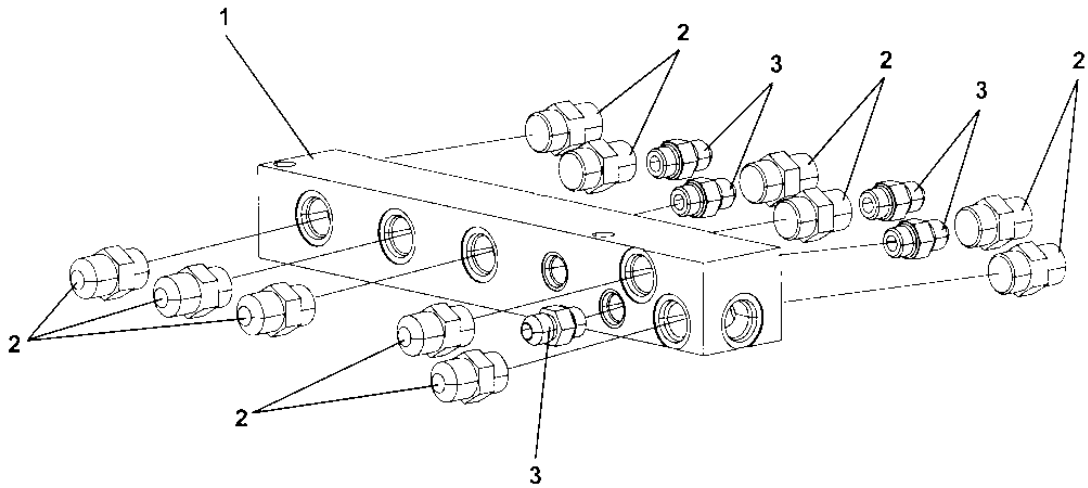
4700375632 Hydraulic motor, propulsion

Item	Part No	Rem	Qty	Description	Code
1	4700375632		1	Hydraulic motor, propulsion ( Page 112 )	C
2	4700908788		1	.Shaft	
3	4700903292		1	.Housing	
4	4700902387		1	.Washer	T=2,0 mm
5	4700902388		1	.Split ring	
6	4700902389		1	.Bearing	D
7	4700902390		1	.Bearing	D
8	4700902391		5	.Wheel stud	
9	4700902392		5	.Wheel nut	D
10	4700908789		1	.Cylinder block	
11	4700903448		8	.Roller	
12	4700937095		8	.Piston	
15	4700902394		1	.Piston cam	
16	4700937093		1	.Housing	
17	4700937094		1	.Distributor ring	
18	4700902397		1	.Pin	
19	4700902398		9	.Spring	
20	4700902399	A	1	.Plug	
21	4700902799		6	.Screw	
23	4700908790		1	.Brake housing	
24	4700908791		1	.Shaft	
25	4700908792		1	.Piston	
26	4700908328	A	1	.End cover	
27	4700903295		1	.Plug	
28	4700908800	B	1	.Disc kit	D
29	4700902410		N	.Shim	T=0,1 mm
30	4700902411		N	.Shim	T=0,3 mm
31	4700902412		12	.Screw	
32	4700902413		8	.Screw	
33	4700902416		1	.Spring	
34	4700908794		1	.Nylon buch	
35	4700903450		8	.Washer	
36	4700937089		1	.Seal kit	D
37	4700903324		1	..Shaft seal	
38			1	..Sealing	
39			1	..Sealing	
40			1	..Sealing	
41			1	..O-ring	
42			2	..O-ring	
43	4700902800		1	..Gasket	
44	4700903455		1	..Quad ring	D
45			1	..Sealing	D
46	4700903327		1	..O-ring	
47			1	..Shaft seal	

- A) CPL
- B) 15+13 pcs

**4812110281 Junction block**

18997

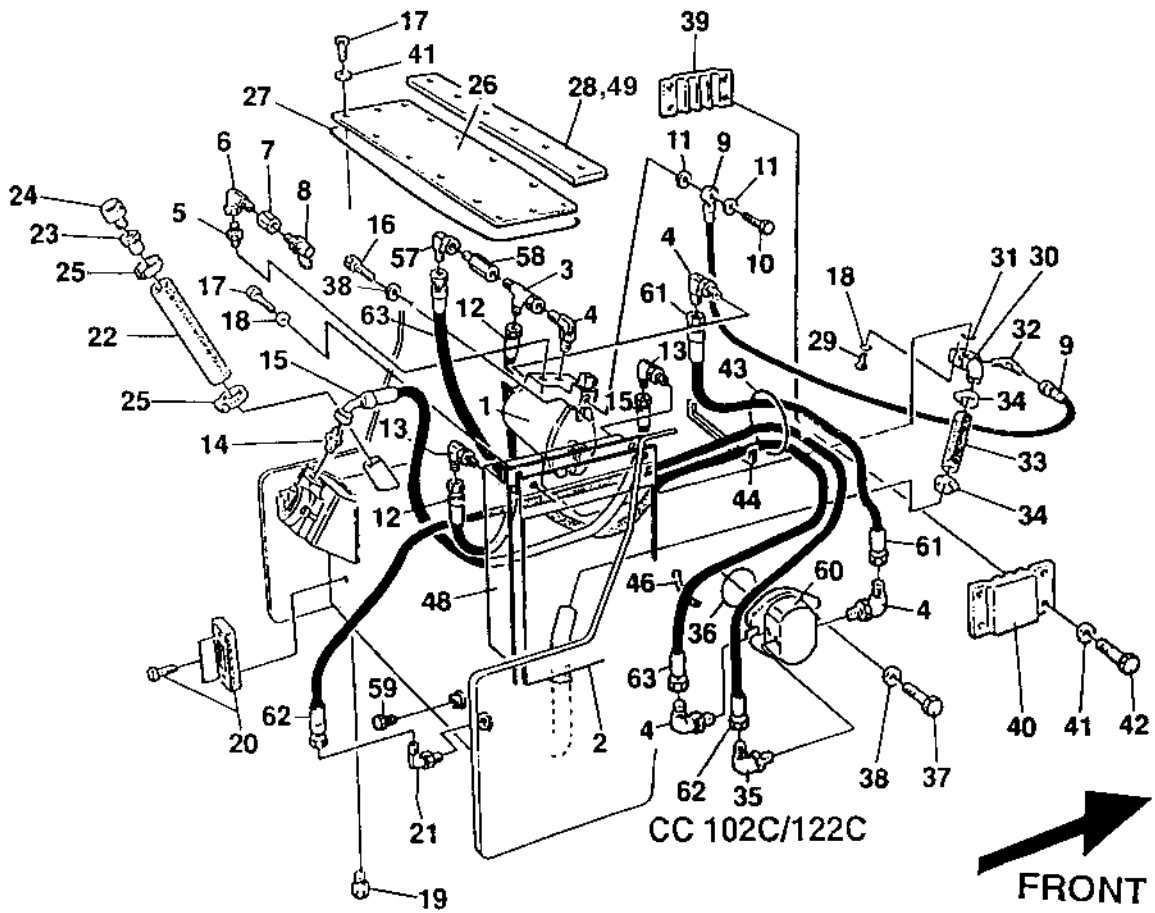


**4812110281 Junction block**

<b>Item</b>	<b>Part No</b>	<b>Rem Qty</b>	<b>Description</b>	<b>Code</b>
1	4812110282	1	Junction block	
2	4700334121	11	Straight connector	C
3	4700234233	5	Adapter	C

Vibration system DEUTZ

16501C-1





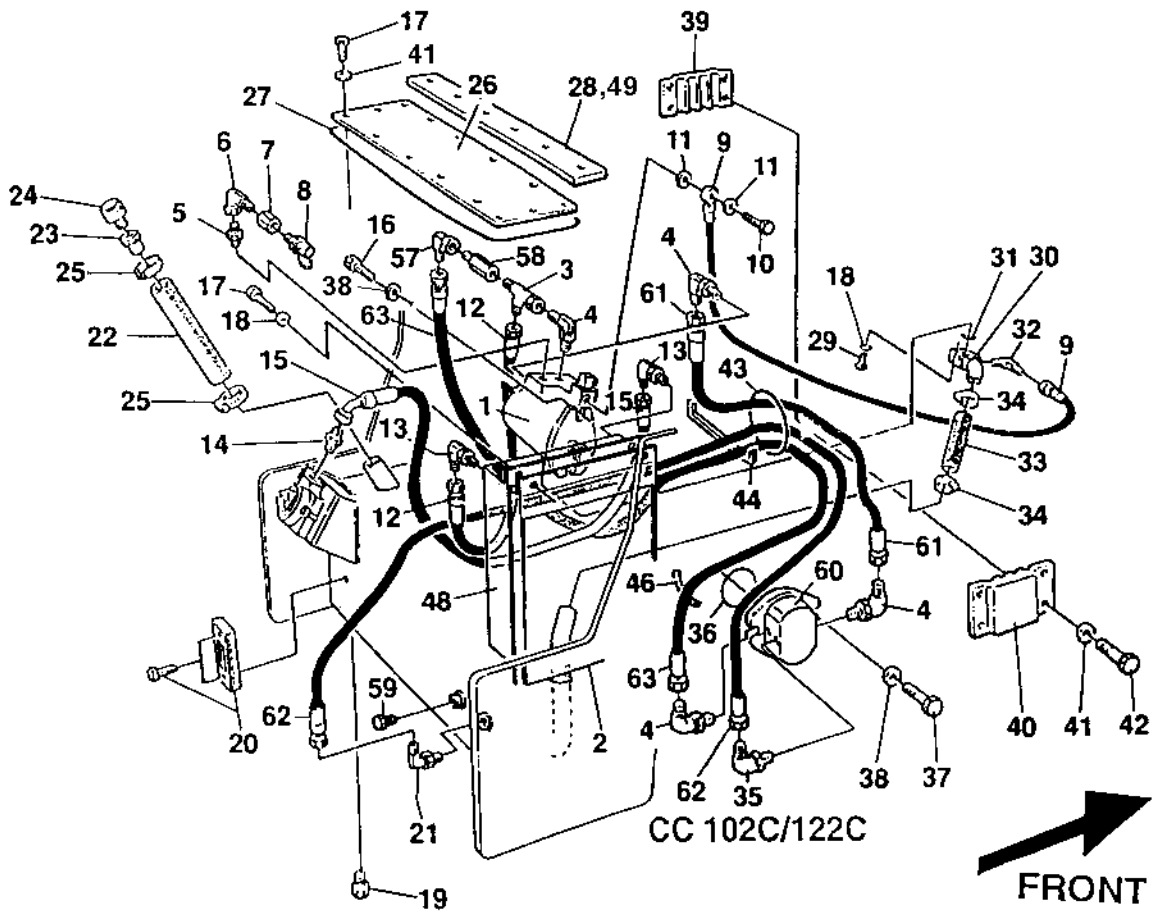
Vibration system DEUTZ

Item	Part No	Rem	Qty	Description	Code
1	4700359524		1	Hydraulic pump, vibration ( Page 120 )	DEUTZ
2	4700357373		1	Radiator	C
3	4700334135		1	Tee-connector	C
4	4700334238		4	Elbow 90 o-ring	
5	4700234390		1	Connector	
6	4700334524		1	Connector	C
7	D433830401		1	Connector	C
8	4700910161		1	Measuring nipple	C
9	4700386134		1	Hydraulic hose	
10	4700901692		1	Screw	
11	4700480124		2	Washer	
12	4700482606		1	Hydraulic hose	
13	4700234993		2	Elbow	
14	4700334156		1	Adapter	C
15	4700483281		1	Hydraulic hose	
16	4700508096		2	Screw	C
17	4700500019		16	Screw	M8x16H 8.8 A2K C
18	4700904556		6	Steel plain washer	C
19	4700232122		1	Plug	3/4NPTF C
20	4700989151		1	Oil level glass	C
21	4700813321		1	Elbow 90 Up to 601X7519	C
	4700334235		1	Elbow 90 From 601X7520	
22	4700373478		1	Rubber hose	
23	4700357139		1	Connector	C
24	4700357138		1	Ventilating filter	A
25	4700313008		2	Hose clamp	C
26	4700349879		1	Cover	
27	4700349880		1	O-ring	C
28	4700358486		1	Rubber strip	
29	4700500067		4	Screw	M8-1,25x55 8,8
30	4700359834		1	Flange	
31	4700160016		1	O-ring	D
32	4700234341		1	Elbow 45	
33	4700358504	A	1XL	Rubber hose	
34	4700902295		2	Clamp	
35	4700234481		1	Connector	
36	4700160031		1	O-ring	D
37	4700508029		2	Screw	M10-1,5x30H 8,8 C
38	4700904557		4	Steel plain washer	C
39	4700371313		1	Hose clamp	
40	4700371314		1	Hose clamp	
41	4700904229		18	Washer	8,4x16x1,5 C
42	4700500021		4	Screw	M8-1,25x25 8.8 C
43	4700902379	B	1XL	Edge trim	
44	4700902379	C	1XL	Edge trim	
46	4700313102		N	Cable ties	
48	4700374626		1	Cooling air cover	
49	4700904901	D	1XL	Tape	D
57	4700334197		1	Elbow 90	C
58	4700357543		1	Valve	D
59	4700892446		1	Plug Up to 601X7519	C
60	4700389078	F	1	Hydraulic motor Up to 601X9307	C
	4700391270		1	Hydraulic motor From 601X9308	
61	4700482242		1	Hydraulic hose	
62	4700482892		1	Hydraulic hose	C

- A) L=0,260 m
- B) L=0,305 m
- C) L=0,150 m
- D) L=2,0 m
- F) Replaced by 4700391270

Vibration system DEUTZ

16501C-1

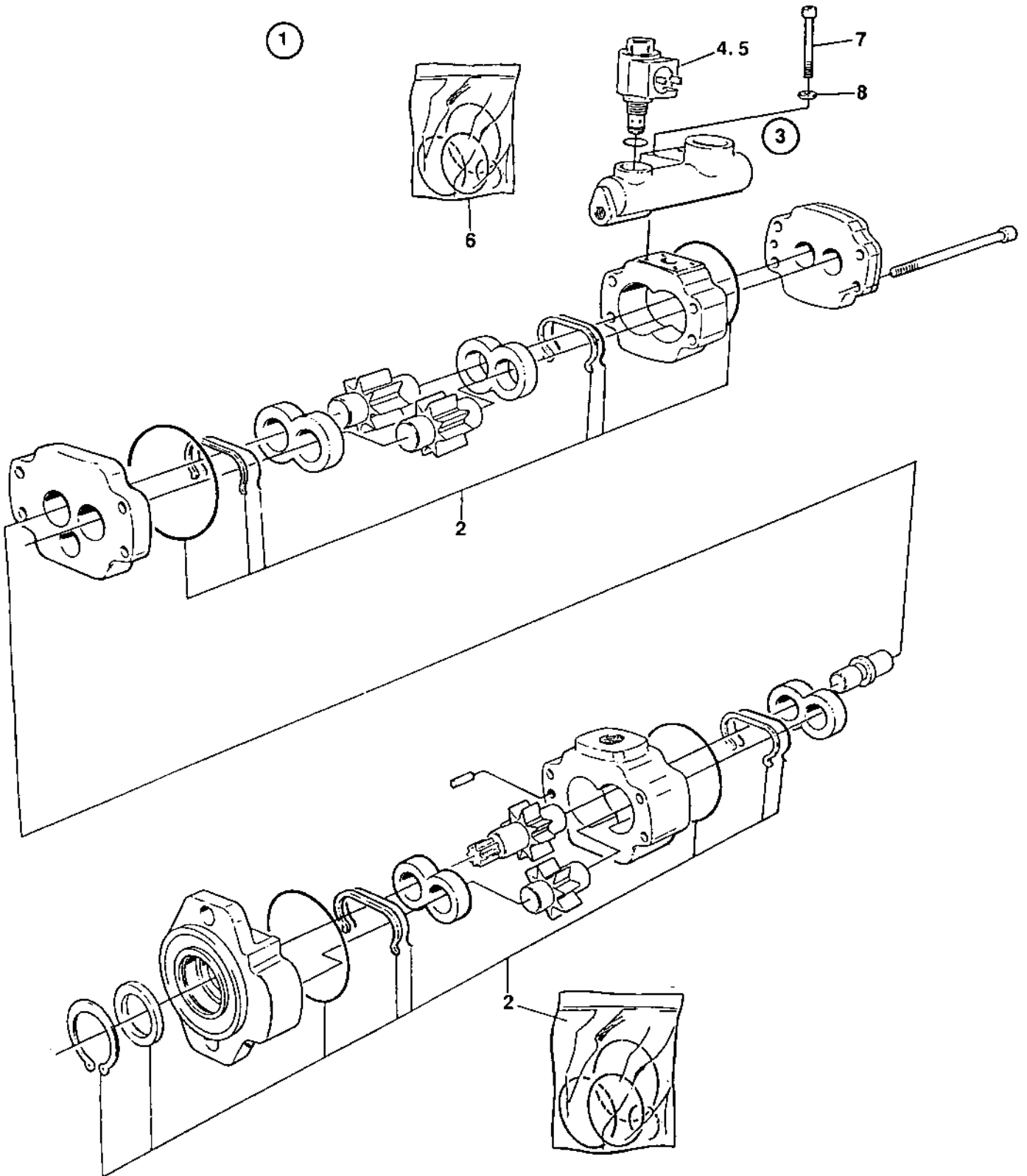


**Vibration system DEUTZ**

<b>Item</b>	<b>Part No</b>	<b>Rem Qty</b>	<b>Description</b>	<b>Code</b>
63	4700482889	1	Hydraulic hose	

**4700359524 Hydraulic pump, vibration DEUTZ**

15818



**4700359524 Hydraulic pump, vibration DEUTZ**

Item	Part No	Rem	Qty	Description	Code
1		A	1	Hydraulic pump	
			1	.Pump	
2	4700903430		1	..Seal kit	D
3	4700903637	A,B	1	.Valve	D
4	4700903330		1	..Solenoid valve	D
5	4700908804		1	...Solenoid	D
6	4700902810		1	..Seal kit	D
7	4700909483		4	.Screw	
8	4700909484		4	.Washer	

A) CPL

B) Included in cpl pump, item 1



**Steering system**

Item	Part No	Rem	Qty	Description		Code
1	4700374603	1	1	Steering cylinder ( Page 128 )		
2	4700334235	2	2	Elbow 90		
3	4700831179	2	2	Hydraulic hose		
4	4700482398	2	2	Hydraulic hose		
5	4700630019	4	4	Cotter pin		C
6	4700902183	1	1	Steering wheel		D
7	4700902184	1	1	Turning knob		D
8	4700902185	1	1	Insert adapter		C
9	4700902186	1	1	Cover plate		
10	4700928830	1	1	Rubber washer		
11	4700902123	1	1	Steering column		
12	4700500048	2	2	Hexagon head screw		C
13	4700334235	1	1	Elbow 90		
14	4700500030	2	2	Hexagon head screw		C
15	4700904230	4	4	Steel plain washer		C
16	4700902099	1	1	Steering valve ( Page 126 )		
17	4700234390	1	1	Connector		
18	4700903003	3	3	Connector		
19	4700313102	N	N	Cable ties		
20	4700357377	1	1	Connector		
21	4700355869	2	2	Spacer sleeve		
22	4700359524	1	1	Hydraulic pump, vibration ( Page 120 )	DEUTZ	
23	4700600016	4	4	Washer	26x45x4	C
24	4700334524	1	1	Connector		C
25	4700334524	1	1	Connector		C
26	4700334236	1	1	Adapter		C
27	4700375649	1	1	Hydraulic pump, vibration	ISUZU	
28	4700370173	1	1	Vibration valve	ISUZU	
29	4700923008	2	1	Clamp		
30	4700500021	2	1	Screw	M8-1,25x25 8.8	C
31	4700904556	2	1	Steel plain washer		C
32	4700904556	2	1	Steel plain washer		C
33	4700334234	1	1	Tee-connector		C
34	D433830401	1	1	Connector		C
35	4700910161	1	1	Measuring nipple		C
36	4700904703	1	1	Washer		C

- 1) For machines with Deutz engine
- 2) For machines with Isuzu engine





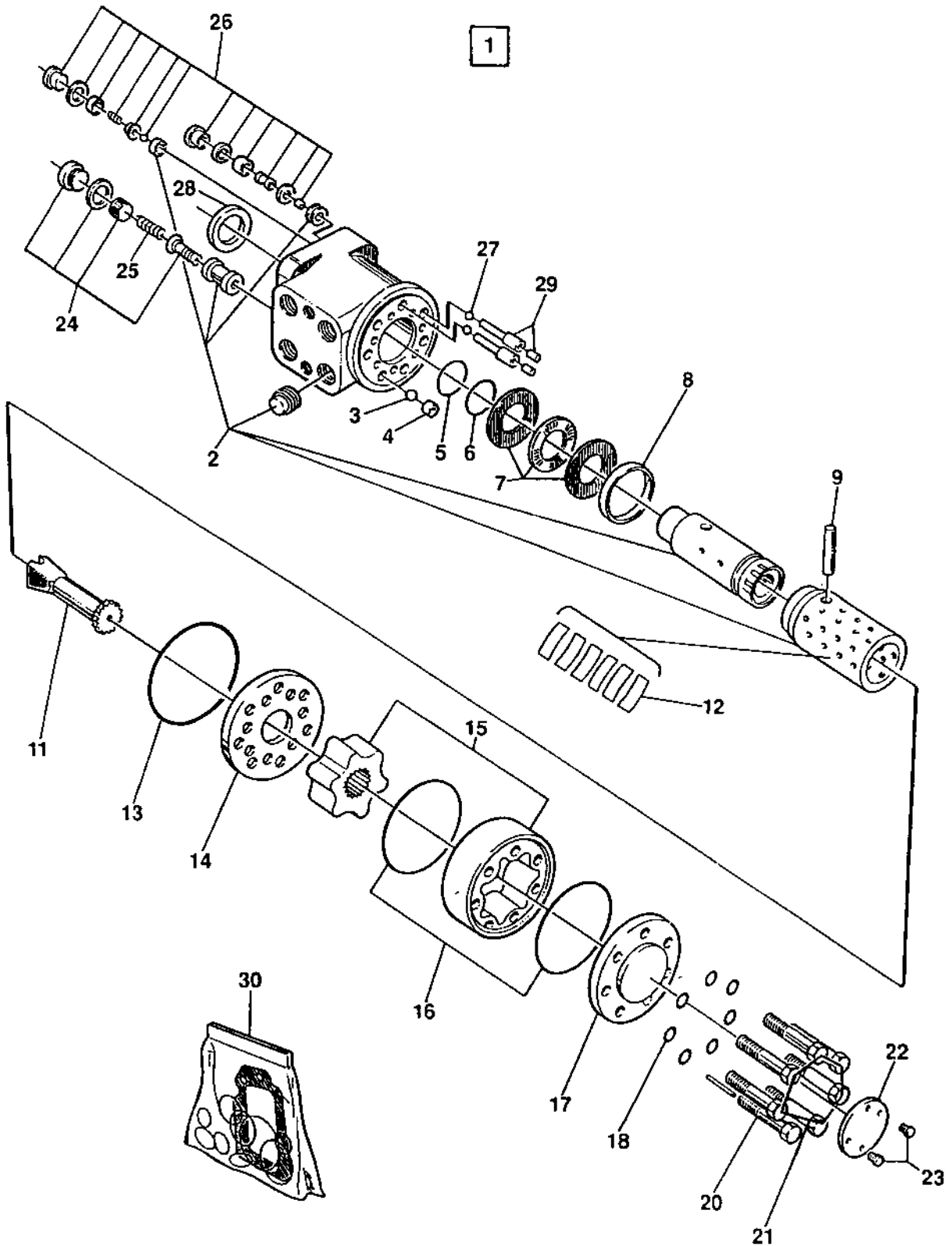
**Steering system**

Item	Part No	Rem Qty	Description	Code
1	4700374603	1	Steering cylinder ( Page 128 )	
2	4700334235	2	Elbow 90	
3	4700831179	2	Hydraulic hose	
4	4700482398	2	Hydraulic hose	
5	4700630019	4	Cotter pin	C
6	4700372964	1	Steering wheel, cpl	D
7	4700935614	1	.Turning knob	D
9	4700935613	1	.Cover	
10	4700928830	1	Rubber washer	
11	4700902123	1	Steering column	
12	4700500048	2	Hexagon head screw	C
13	4700334235	1	Elbow 90	
14	4700500030	2	Hexagon head screw	C
15	4700904230	4	Steel plain washer	C
16	4700902099	1	Steering valve ( Page 126 )	
17	4700234390	1	Connector	
18	4700903003	3	Connector	
19	4700313102	N	Cable ties	
20	4700357377	1	Connector	
21	4700355869	2	Spacer sleeve	
22	4700359524	1	Hydraulic pump, vibration ( Page 120 )	DEUTZ
23	4700600016	4	Washer	26x45x4 C
24	4700334524	1	Connector	C
25	4700334524	1	Connector	C
26	4700334236	1	Adapter	C
27	4700375649	1	Hydraulic pump, vibration	ISUZU
28	4700370173	1	Vibration valve	ISUZU
29	4700923008	2	Clamp	
30	4700500021	2	Screw	M8-1,25x25 8.8 C
31	4700904556	2	Steel plain washer	C
32	4700904556	2	Steel plain washer	C
33	4700334234	1	Tee-connector	C
34	D433830401	1	Connector	C
35	4700910161	1	Measuring nipple	C

- 1) For machines with Deutz engine
- 2) For machines with Isuzu engine

**4700902099 Steering valve**

15480-1



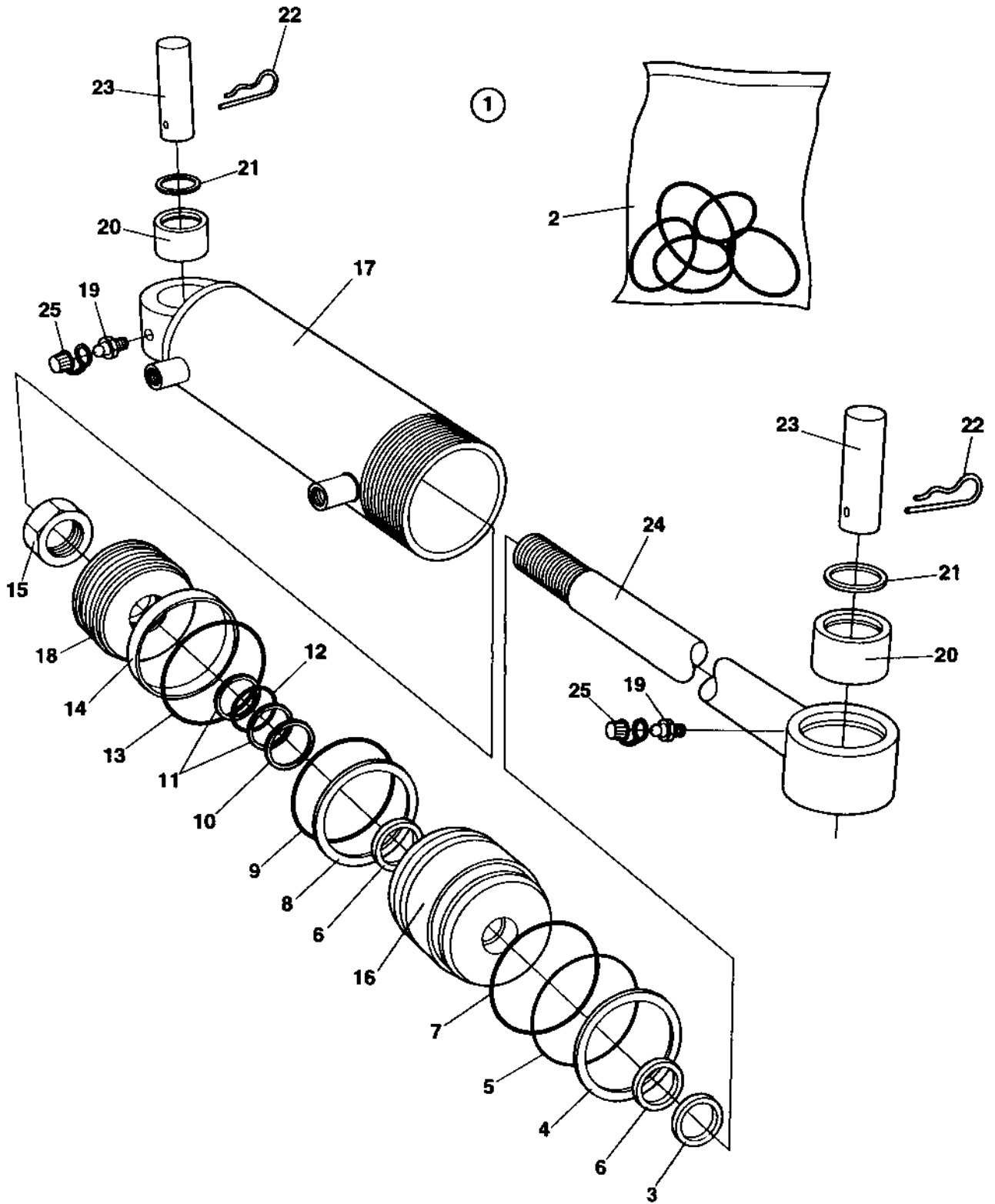
**4700902099 Steering valve**

Item	Part No	Rem	Qty	Description	Code
1		A	1	Steering valve	C
2			1	.Spool and sleeve	C
3	4700480468		1	.Ball	D
4	4700480446		1	.Threaded bushing	C
5		B	1	.O-ring	C
6		B	1	.Ring	C
7	4700911620		1	.Bearing	B
8	4700480449		1	.Ring	C
9	4700480447		1	.Cross pin	C
11	4700902861		1	.Cardan shaft	C
12	4700903521		1	.Spring kit	D
13		B	1	.O-ring	D
14	4700902862		1	.Valve plate	C
15	4700902863		1	.Gear kit	D
16		B	1	.O-ring	D
17	4700480450		1	.End cap	C
18		B	1	.Washer	C
20	4700929008		1	.Screw with bore	
21	4700929009		6	.Screw	
22	4700481303		1	.Name plate	
23	4700480464		2	.Drive screw	
24	4700929010	A	1	.Relief valve	17,0-17,5MPa
25			1	.Spring	
26	4700929012		2	.Shock valve	22,5-24,0 MPa
27	4700929013		2	.Ball	
28		B	1	.Seal ring	D
29	4700929014		2	.Rolled pin	C
30	4700480457		1	Spare parts kit	C

- A) CPL
- B) Included in item 30

**4700374603 Steering cylinder**

16513



**4700374603 Steering cylinder**

Item	Part No	Rem	Qty	Description	Code
1		A	1	Steering cylinder	C
2	4700909760		1	.Seal kit	D
3			1	..Scraper ring	D
4			1	..Retaining ring	D
5			1	..O-ring	D
6			2	..Guide ring	D
7			1	..Lock ring	D
8			1	..Sealing	D
9	4700160025		1	..O-ring	
10			1	..Sealing	
11			2	..Back-up ring	
12			1	..O-ring	
13			1	..Sealing	
14			1	..Guide ring	
15			1	..Nut	
16	4700909766		1	.Guide	
17	4700909765		1	.Cylinder tube	
18	4700909764		1	.Piston block	
19	4700926214		2	.Grease fitting	C
20	4700238272		2	.Slide bearing	B
21	4700151012		2	.Retaining ring	C
22	4700635061		4	.Hair clip	C
23	4700909761		2	.Shaft	
24	4700909759		1	.Piston rod	
25	4700902576		2	.Cover	

A) CPL

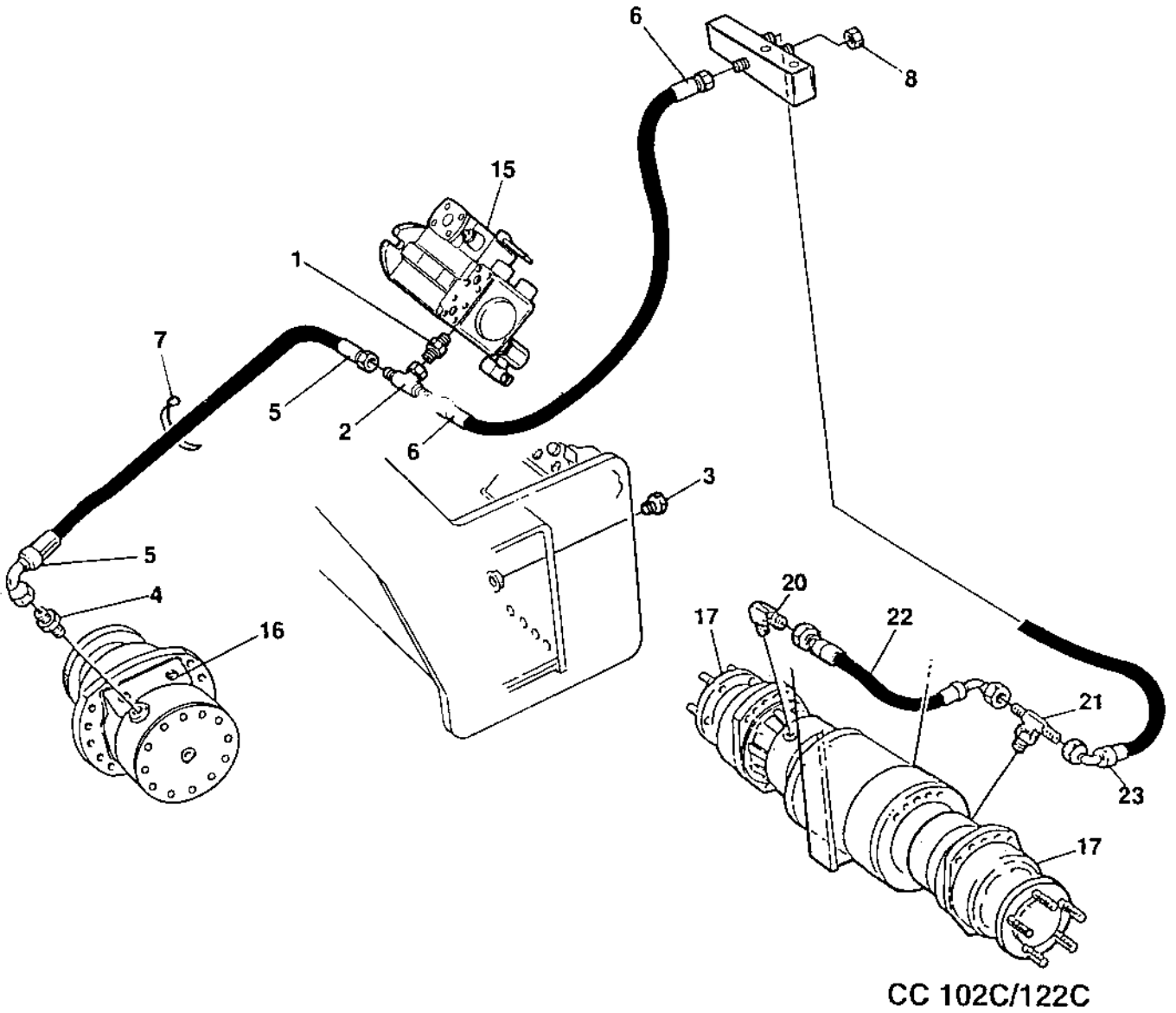


**Brake system DEUTZ / ISUZU**

<b>Item</b>	<b>Part No</b>	<b>Rem Qty</b>	<b>Description</b>	<b>Code</b>
1	4700334463	1	Connector	C
2	4700234888	1	Tee-connector	
3	4700892446	1	Plug Up to 601X7519	C
4	4700234233	1	Adapter	C
5	4700483167	1	Hydraulic hose	
6	4700482865	1	Hydraulic hose	C
7	4700313102	N	Cable ties	
8	4700230400	1	Cap	D
15		1	Hydraulic pump, propulsion	D
16		1	Hydraulic motor, propulsion	D
17		2	Hydraulic motor, propulsion	D
20	4700334389	1	Connector	C
21	4700234869	1	T-connector	C
22	4700482312	1	Hydraulic hose	C
23	4700482543	1	Hydraulic hose	

**Brake system**

16498C





**Brake system**

<b>Item</b>	<b>Part No</b>	<b>Rem Qty</b>	<b>Description</b>	<b>Code</b>
1	4700334463	1	Connector	C
2	4700234888	1	Tee-connector	
4	4700234233	1	Adapter	C
5	4700483419	1	Hydraulic hose	
6	4700482865	1	Hydraulic hose	C
7	4700313102	N	Cable ties	
8	4700230400	1	Cap	D
15		1	Hydraulic pump, propulsion	D
16		1	Hydraulic motor, propulsion	D
17		2	Hydraulic motor, propulsion	D
20	4700334389	1	Connector	C
21	4700234869	1	T-connector	C
22	4700482312	1	Hydraulic hose	C
23	4700482543	1	Hydraulic hose	

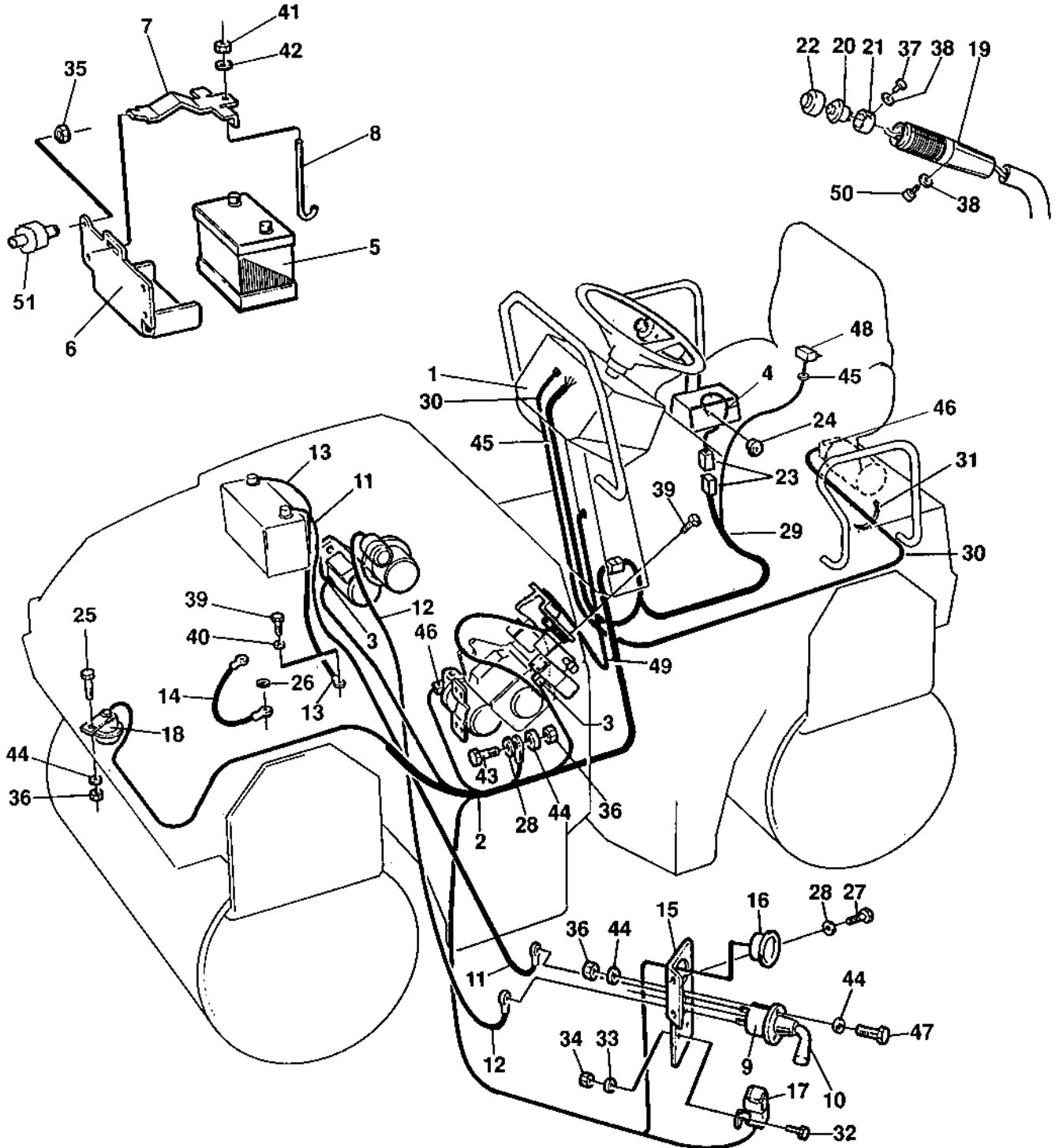


**Electrical equipment**

<b>Item</b>	<b>Part No</b>	<b>Rem Qty</b>	<b>Description</b>	<b>Code</b>
130			Electrical equipment ( Page 136 )	DEUTZ
140			Electrical equipment From 60130000 ( Page 140 )	DEUTZ
215			Control panel Up to 60131291 ( Page 150 )	
			Control panel From 60131292 ( Page 146 )	
			Control panel From 60131293 Up to 60131306 ( Page 150 )	
			Control panel From 60131307 ( Page 146 )	
240			Electric battery switch ( Page 154 )	DEUTZ
245			Interlock ( Page 156 )	
255			Interlock Loxam Up to 60119776 ( Page 158 )	
265			Interlock Loxam From 60119777 ( Page 160 )	
300			Sprinkler timer ( Page 162 )	
353			Driving & side direction lights ( Page 164 )	
355			Working lights ( Page 168 )	
358			Licence plate light, parking lights ( Page 170 )	
380			Rotating beacon Up to 60129999 ( Page 172 )	
390			Rotating beacon From 60130000 ( Page 174 )	

**Electrical equipment DEUTZ**

18089



Electrical equipment DEUTZ

Item	Part No	Rem	Qty	Description	Code
1			1	Control panel ( Page 150 )	
2	4700383961		1	Cable harness	
3	4700960796		2	.Connector	black, MPM 182 09 ND
4	4700357583	C	1	Cable harness	
5	4700902550	1	1	Battery Up to 601X8050	
		K	1	Battery From 601X8051	
6	4700377051		1	Battery shelf Up to 60130877	
	4700396108		1	Battery shelf From 60130878	
	4700377051		1	Battery shelf From 60130879	
	4700396108		1	Battery shelf From 60130880	
	4700377051		1	Battery shelf From 60130881 Up to 60130883	
	4700396108		1	Battery shelf From 60130884	
	4700377051		1	Battery shelf From 60130885 Up to 60213990	
	4700396108		1	Battery shelf From 60213991	
	4700377051		1	Battery shelf From 60213992	
	4700396108		1	Battery shelf From 60213993 Up to 60213994	
	4700377051		1	Battery shelf From 60213995	
	4700396108		1	Battery shelf From 60213996	
7	4700357684		1	Battery holder Up to 601X8050	
	4700378370		1	Battery holder From 601X8051	
8	4700903372		1	Battery screw	
9	4700357567		1	Battery switch, cpl	D
10	4700902560		1	.Handle	D
11	4700378743		1	Battery cable (+)	
12	4700904963		1	Connection wire	
13	4700902384		1	Battery cable Up to 60130877 (-)	
	4700904277		1	Ground cable From 60130878	B
	4700902384		1	Battery cable From 60130879 (-)	
	4700904277		1	Ground cable From 60130880	B
	4700902384		1	Battery cable From 60130881 Up to 60130883(-)	
	4700904277		1	Ground cable From 60130884	B
	4700902384		1	Battery cable From 60130885 Up to 60213990(-)	
	4700904277		1	Ground cable From 60213991	B
	4700902384		1	Battery cable From 60213992 (-)	
	4700904277		1	Ground cable From 60213993 Up to 60213994	B
	4700902384		1	Battery cable From 60213995 (-)	
	4700904277		1	Ground cable From 60213996	B
14	4700345728		1	Ground cable	B
15	4700357584		1	Holder plate	
16	4700801567		1	Hour meter	D
17	4700287597	G	1	Relay	D
18	4700999027		1	Horn	B
19	4700285909		1	Grab handle	D

1) This part has unfortunately become obsolete. In this case we recommend you to buy locally;  
The measurements are 271x161x226 mm, Voltage= 12 V, Capacity= 75 Ah

C) F/R control

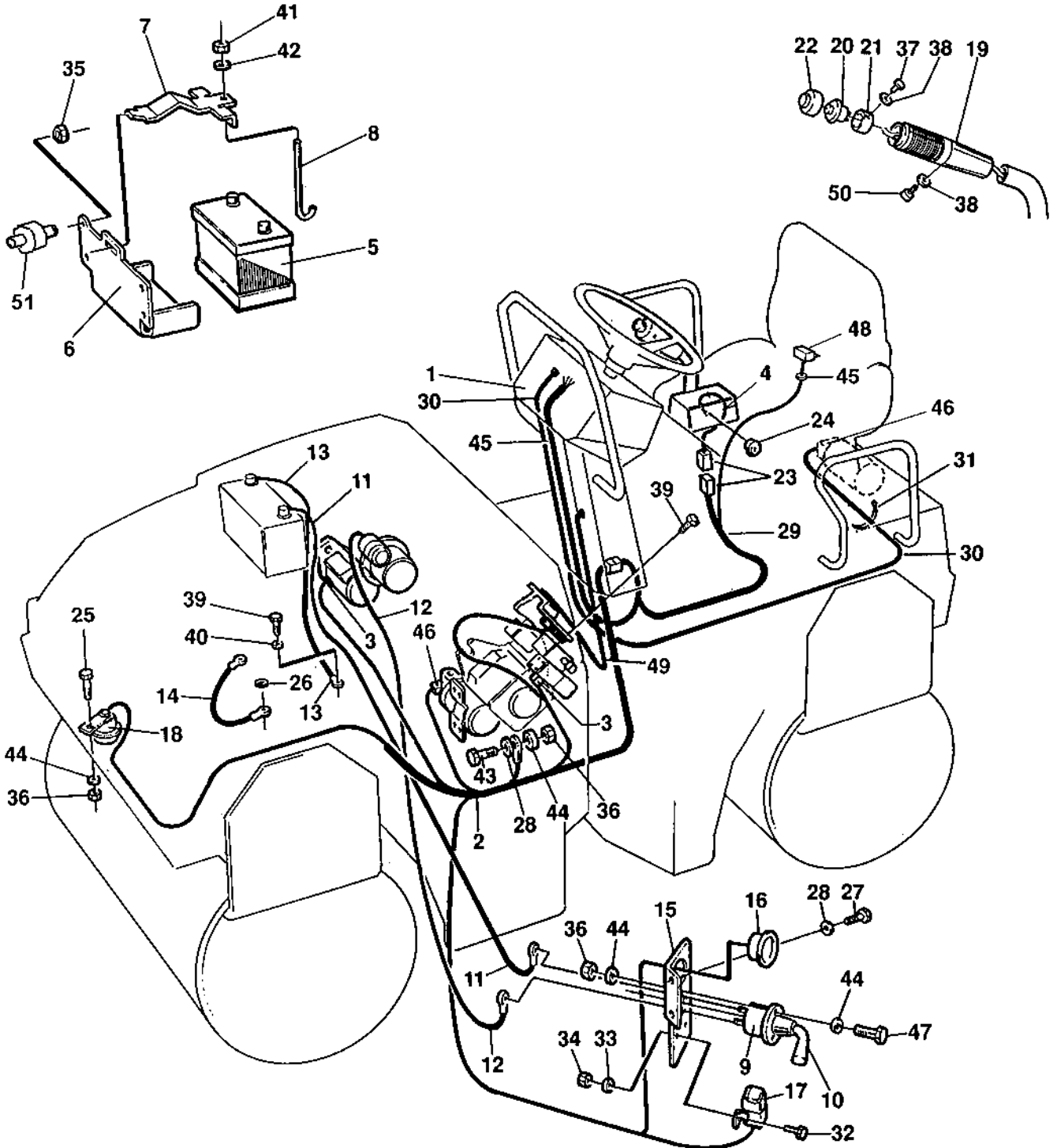
G) Start

K) Obsolete. The reason is that we don't have a dry charged version available.

In this situation we recommend you to buy locally; The measurements are  
278x175x205 mm, Voltage= 12 V, Capacity= 75 Ah, CCA (EN)= 600 A

**Electrical equipment DEUTZ**

18089



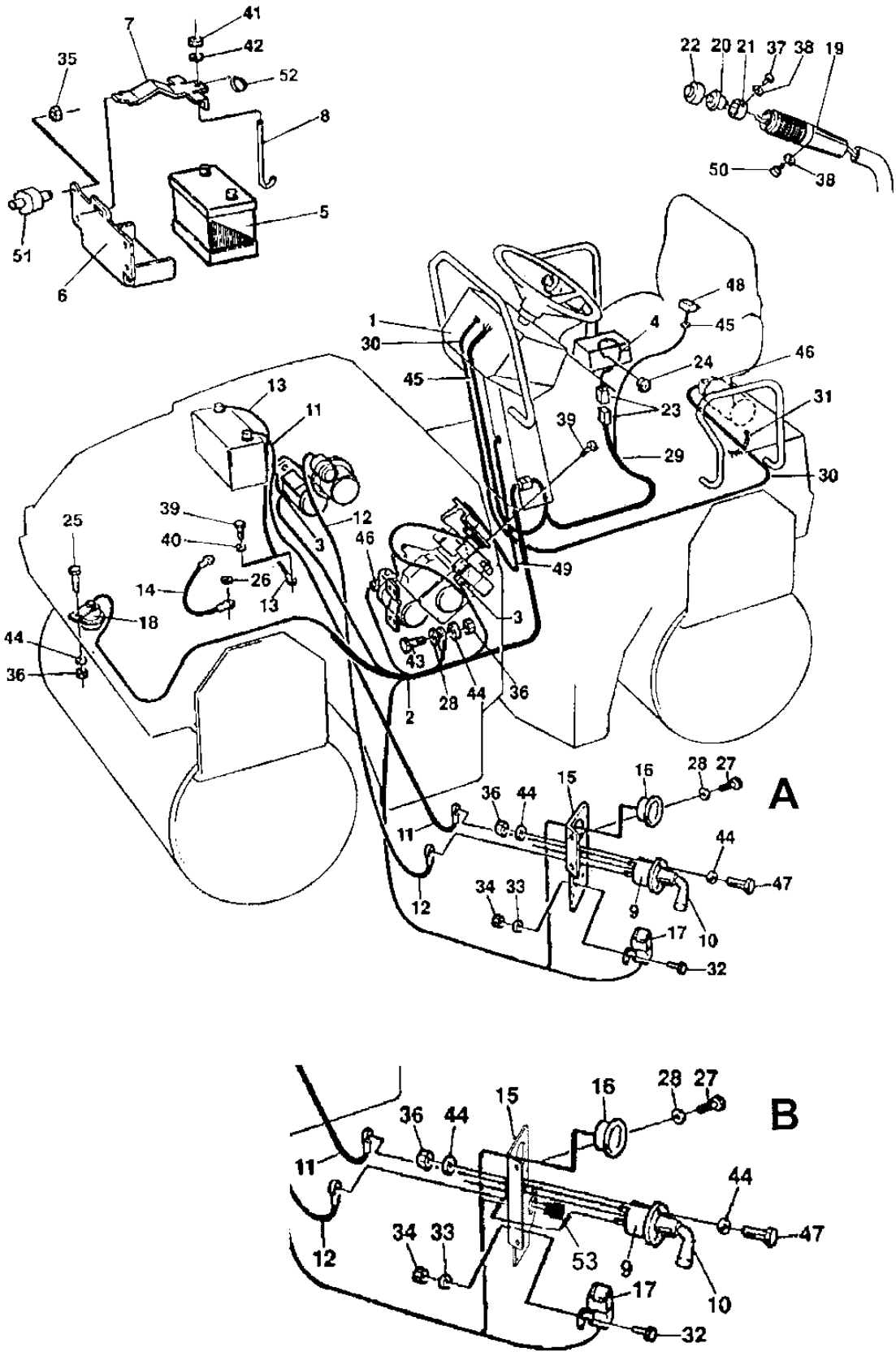
Electrical equipment DEUTZ

Item	Part No	Rem	Qty	Description	Code
20	4700928497	H	1	Push button	D
21	4700285911		1	Bushing	D
22	4700348481		1	Cover	B
23	4700925958		2	Connection	C
24	4700902203		1	Plug	C
25	4700500020		1	Screw	M8-1,25x22 8,8
26	4700904557		1	Steel plain washer	C
27	4700500019		2	Screw	M8x16H 8.8 A2K
28	4700904229		4	Washer	8,4x16x1,5
29		2	1	Cable harness	C
30	4700385146		1	Cable harness	
31	4700313041		N	Cable ties	
32	4700508020		1	Screw	C
33	4700904281		1	Washer	5,3x10x1 300HV
34	4700586001		1	Lock nut	C
35	4700791182		4	Lock nut	M8
36	4700586003		4	Lock nut	M8
37	4700533001		3	Screw	C
38	4700904697		5	Washer	3,2x6x0,5
39	4700500053		1	Screw	M8x20H 8.8
40	4700904640		1	Washer	8,4x22x3
41	4700586003		1	Lock nut	M8
42	4700904229		1	Washer	8,4x16x1,5
43	4700500047		2	Hexagon head screw	C
44	4700904229		7	Washer	8,4x16x1,5
45	4700909107		1	Grommet	C
46	4700901766		1	Connector	2-POL
47	4700500021		2	Screw	M8-1,25x25 8.8
48		3	1	Seat switch	C
49	4700385580		1	Cable harness	
50	4700901767		1	Screw	ST3,5x9,5 Black
51	4700376796		4	Shock absorber	

- 2) See section " Control panel "
- 3) See section " Drivers platform "
- H) Vibration

**Electrical equipment DEUTZ**

18089-2





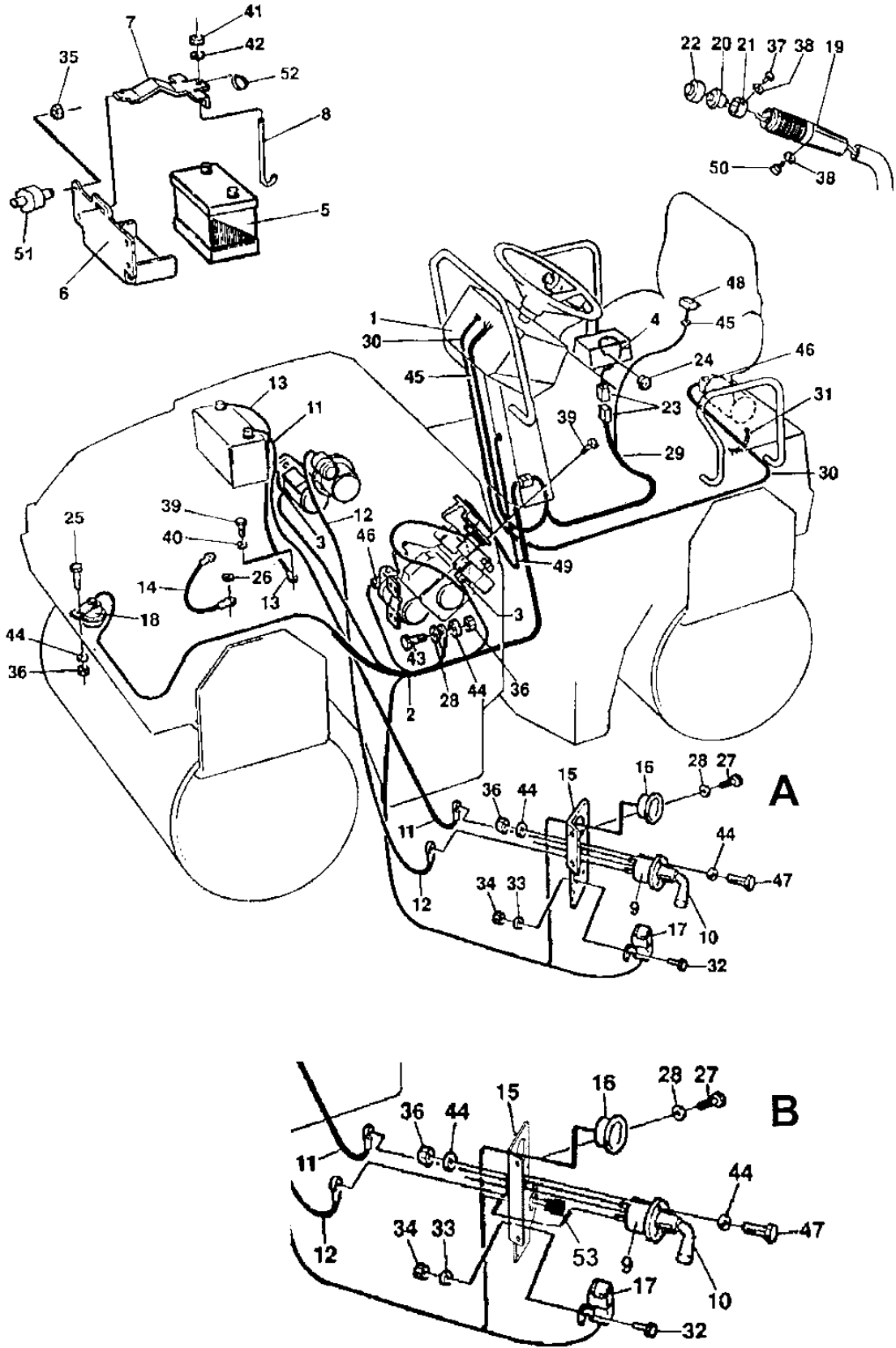
**Electrical equipment DEUTZ**

Item	Part No	Rem	Qty	Description	Code
1			1	Control panel Up to 60131291 ( Page 150 )	
			1	Control panel From 60131292 ( Page 146 )	
			1	Control panel From 60131293 Up to 60131306 ( Page 150 )	
			1	Control panel From 60131307 ( Page 146 )	
2	4700383961		1	Cable harness Up to 60131117	
	4700396974		1	Cable harness From 60131118 Up to 60131257	
	4812110657	N	1	Cable harness From 60131258 Up to 60131299	
	4812110855	O	1	Cable harness From 60131300	
	4812110657	N	1	Cable harness From 60131301 Up to 60131306	
	4812110855	O	1	Cable harness From 60131307	
3	4700960796		2	.Connector	black, MPM 182 09 ND
4	4700357583	C	1	Cable harness	
5	4700902550	1	1	Battery Up to 601X8050	
		K	1	Battery From 601X8051	
6	4700377051		1	Battery shelf Up to 60130877	
	4700396108		1	Battery shelf From 60130878	
	4700377051		1	Battery shelf From 60130879	
	4700396108		1	Battery shelf From 60130880	
	4700377051		1	Battery shelf From 60130881 Up to 60130883	
	4700396108		1	Battery shelf From 60130884	
	4700377051		1	Battery shelf From 60130885 Up to 60213990	
	4700396108		1	Battery shelf From 60213991	
	4700377051		1	Battery shelf From 60213992	
	4700396108		1	Battery shelf From 60213993 Up to 60213994	
	4700377051		1	Battery shelf From 60213995	
	4700396108		1	Battery shelf From 60213996	
7	4700357684		1	Battery holder Up to 601X8050	
	4700378370		1	Battery holder From 601X8051	
8	4700903372		1	Battery screw	
9	4700357567		1	Battery switch, cpl	D
10	4700902560		1	.Handle	D
11	4700378743		1	Battery cable	( + )
12	4700904963		1	Connection wire	
	4700791472		1	Connection cable, coarse From ECN 09266	
13	4700902384		1	Battery cable Up to 60130877	( - )
	4700904277		1	Ground cable From 60130878	B
	4700902384		1	Battery cable From 60130879	( - )
	4700904277		1	Ground cable From 60130880	B
	4700902384		1	Battery cable From 60130881 Up to 60130883( - )	
	4700904277		1	Ground cable From 60130884	B
	4700902384		1	Battery cable From 60130885 Up to 60213990( - )	

- 1) This part has unfortunately become obsolete. In this case we recommend you to buy locally;  
The measurements are 271x161x226 mm, Voltage= 12 V, Capacity= 75 Ah
- C) F/R control
- K) Obsolete. The reason is that we don't have a dry charged version available.  
In this situation we recommend you to buy locally; The measurements are  
278x175x205 mm, Voltage= 12 V, Capacity= 75 Ah, CCA (EN)= 600 A
- N) Used together with illustration "A" only.
- O) Used together with illustration "B" only.

**Electrical equipment DEUTZ**

18089-2



**Electrical equipment DEUTZ**

Item	Part No	Rem	Qty	Description	Code
13	4700904277		1	Ground cable From 60213991	B
	4700902384		1	Battery cable From 60213992 (-)	
	4700904277		1	Ground cable From 60213993 Up to 60213994	B
	4700902384		1	Battery cable From 60213995 (-)	
	4700904277		1	Ground cable From 60213996	B
14	4700345728		1	Ground cable	B
15	4700357584		1	Holder plate	
16	4700801567		1	Hour meter	D
17	4700287597	G	1	Relay	D
18	4700999027		1	Horn	B
19	4700285909		1	Grab handle	D
20	4700928497	H	1	Push button	D
21	4700285911		1	Bushing	D
22	4700348481		1	Cover	B
23	4700925958		2	Connection	C
24	4700902203		1	Plug	C
25	4700500020		1	Screw	M8-1,25x22 8,8
26	4700904557		1	Steel plain washer	C
27	4700500019		2	Screw	M8x16H 8.8 A2K
28	4700904229		4	Washer	8,4x16x1,5
29		2	1	Cable harness	C
30	4700385146		1	Cable harness	
31	4700313041	N		Cable ties	
32	4700508020		1	Screw	C
33	4700904281		1	Washer	5,3x10x1 300HV
34	4700586001		1	Lock nut	C
35	4700791182		4	Lock nut	M8
36	4700586003		4	Lock nut	M8
37	4700533001		3	Screw	C
38	4700904697		5	Washer	3,2x6x0,5
39	4700500053		1	Screw	M8x20H 8.8
40	4700904640		1	Washer	8,4x22x3
41	4700586003		1	Lock nut	M8
42	4700904229		1	Washer	8,4x16x1,5
43	4700500047		2	Hexagon head screw	C
44	4700904229		7	Washer	8,4x16x1,5
45	4700909107		1	Grommet	
46	4700901766		1	Connector	2-POL
47	4700500021		2	Screw	M8-1,25x25 8.8
48		3	1	Seat switch	C
49	4700385580		1	Cable harness	

- 2) See section " Control panel "
- 3) See section " Drivers platform "
- G) Start
- H) Vibration

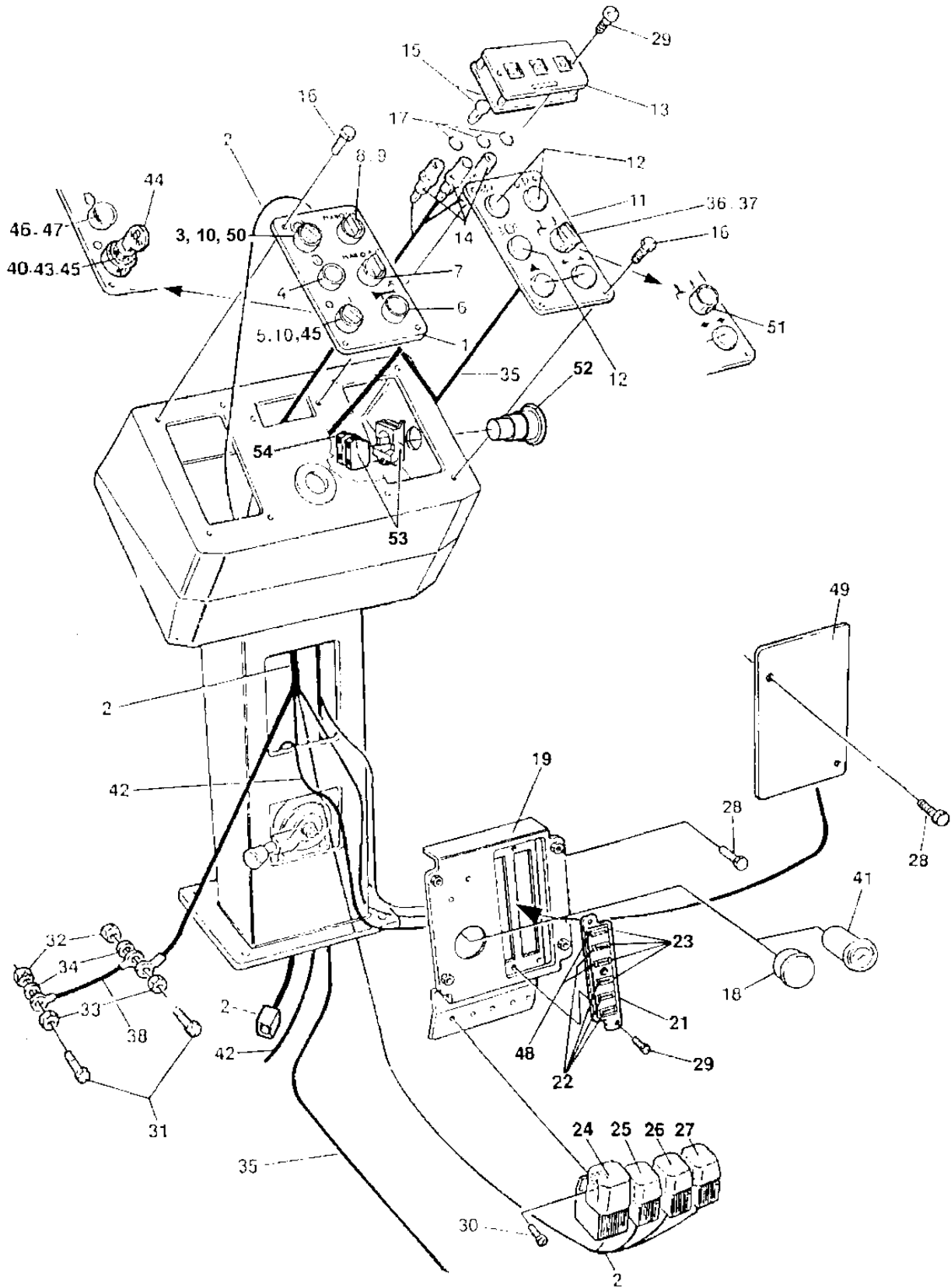


Electrical equipment DEUTZ

Item	Part No	Rem Qty	Description	Code
50	4700901767	1	Screw	ST3,5x9,5 Black
51	4700376796	4	Shock absorber	
52	4700921104	1	Clamp	C
53	4812110560	1	Power socket From 60131300	12V
	4812110560	1	Power socket From 60131307	12V

**Control panel**

**16517-1**



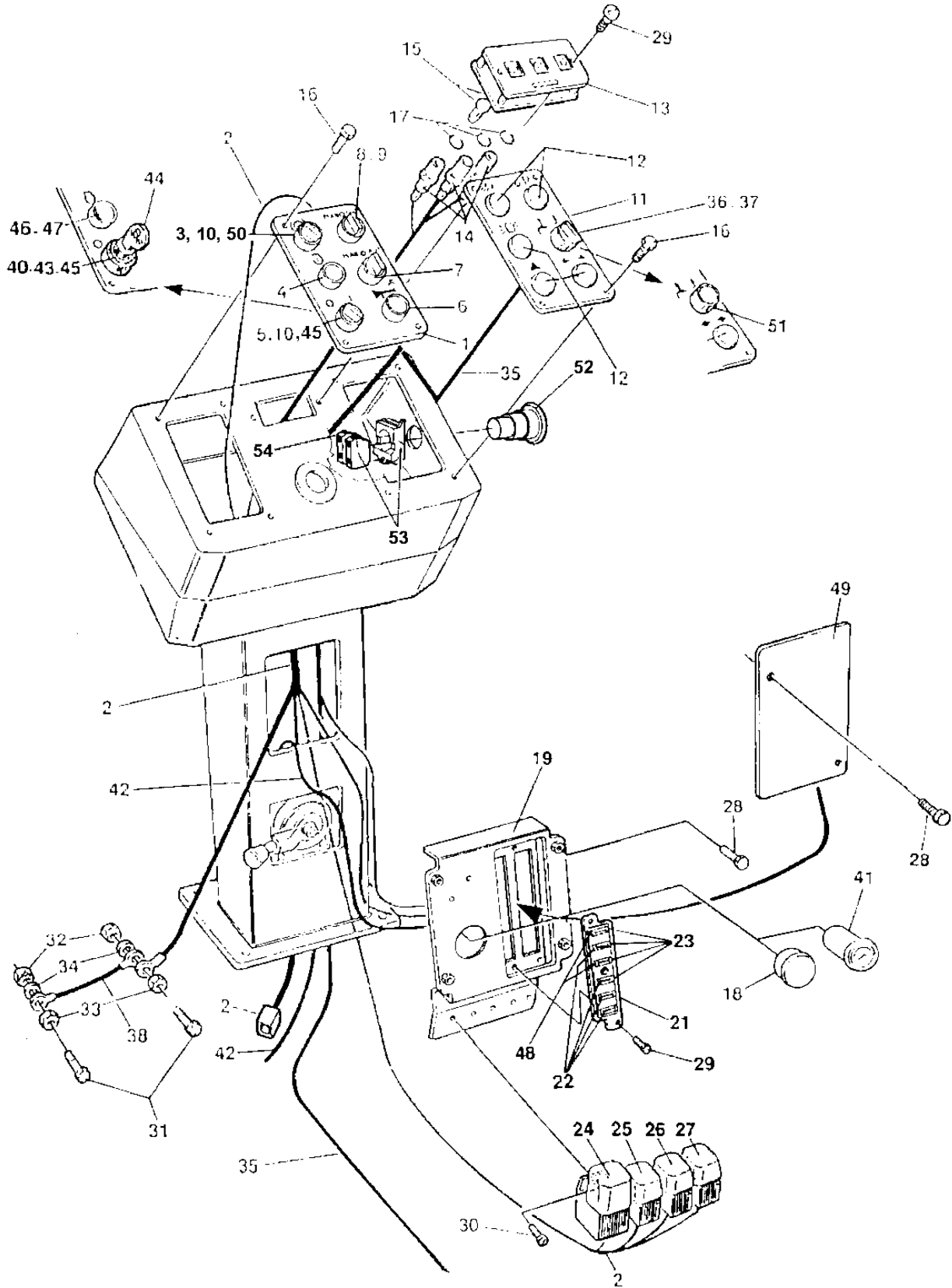
**Control panel**

Item	Part No	Rem	Qty	Description	Code
1	4700358663		1	Control panel plate	
2	4700384263		1	Cable harness	
3	4700930200		1	Emergency stop	B
	4700930154		1	.Contact piece, NC	B
4	4700928928	B	1	Push button	D
5	4700930151	C	1	Switch	B
	4700930153	H,M	1	Switch	D
	4700385644		1	Decal	
6	4700932032	D	1	Push button	B
7	4700930153	E	1	Switch	D
8	4700932058	F	1	Switch	B
9	4700930155		1	Connector	
10	4700930163		2	Contact piece, NO	B
11	4700357574		1	Control panel plate	
12	4700911456		6	Hole plug	C
13	4700357585		1	Display panel	
14	4700902225		3	Lamp socket	2-POL
15	4700985125		3	Bulb	12V
16	4700902224		8	Screw	M6x10
17	4700160269		3	O-ring	
18	4700345870		1	Plug	C
19	4700371326		1	Distribution control plate	
21	4700903820		1	Fuse box	D
22	4700901226		4	Fuse	7.5A
23	4700901240		4	Connector	B
24	4700382782		1	Relay, VBS	A
25	4700287597	I	1	Relay	D
26	4700287597		1	Relay	D
27	4700287597		1	Relay	D
28	4700541702		6	Screw	M6x12
29	4700901767		4	Screw	ST3,5x9,5 Black
30	4700902223		4	Screw	
31	4700500075		2	Screw	M6-1,0x25 8.8
32	4700586002		2	Lock nut	M6 -8
33	4700570004		2	Nut	M6X1,00 -8 A2K
34	4700904228		2	Washer	6,4x12x1,5
35		1	1	Cable harness	C
36	4700932050	E	1	Switch	B
37	4700930195		1	Contact block	B
38	4700903063		1	Ground cable	
40	4700930182	J	1	Contact block	
41	4700355468	J	1	Fuel gauge	D
	4700355258	J	1	.Lamp holder	D
	4700985012	J	1	.Bulb	B
42	4700358418	K	1	Cable harness	
43	4700903239	L	1	Switch	D

- 1) See section " Electrical equipment "
- B) Starter
- C) Ignition
- D) Horn
- E) Sprinkler
- F) Vibration
- H) Ignition, electrical battery switch.
- I) Hour meter
- J) Option
- K) Option, fuel gauge
- L) Option, key starter
- M) Three fixed positions.

**Control panel**

**16517-1**





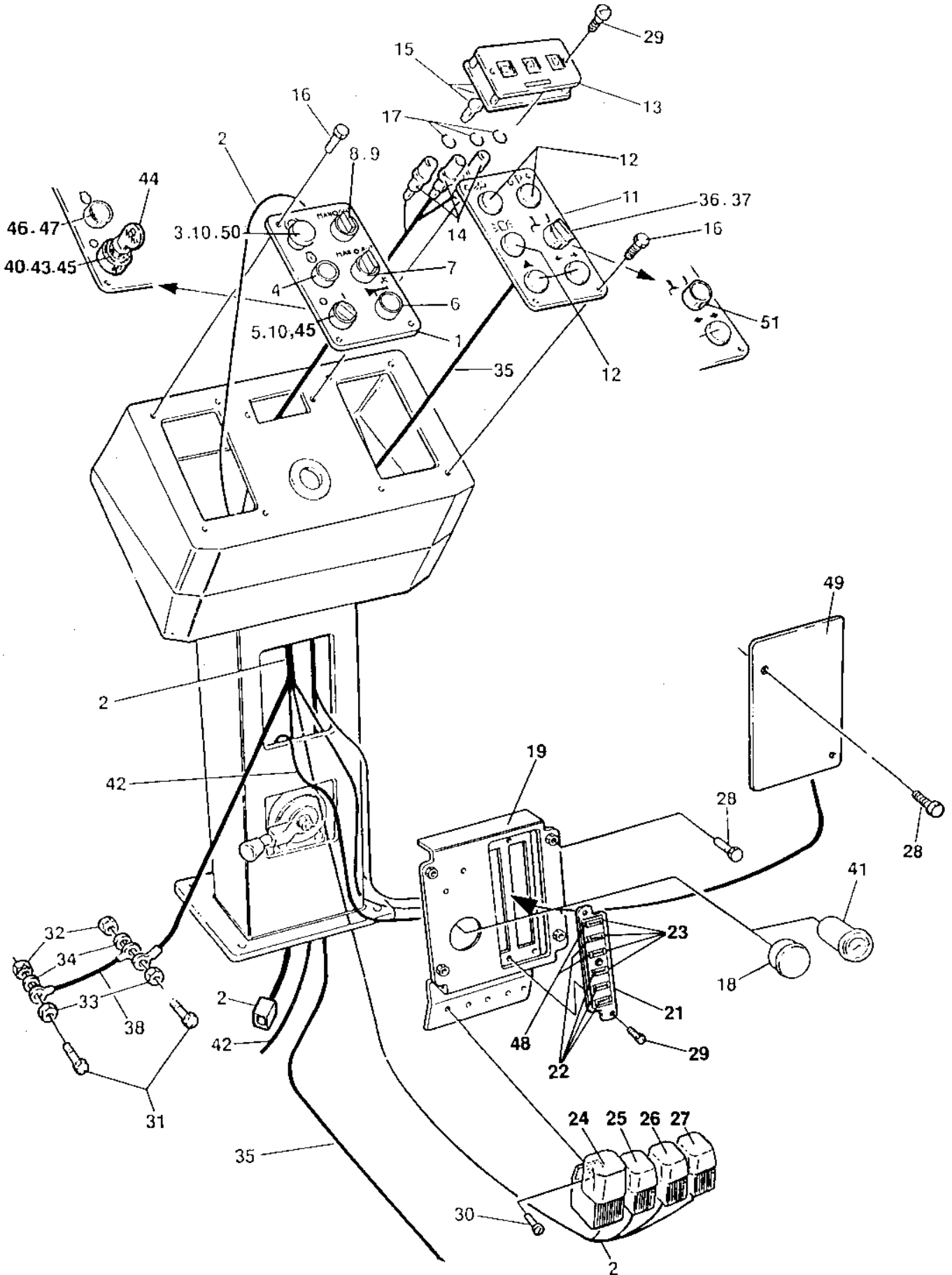
**Control panel**

Item	Part No	Rem	Qty	Description		Code
44	4700902866		1	.Key	Marked "455"	A
45	4700930154	H	4	Contact piece, NC		B
	4700930154	H	4	Contact piece, NC		B
46	4700932059	J	1	Pilot lamp cpl	Yellow	B
47	4700985012	J	1	Bulb		B
48	4700901227	N	2	Fuse	10A	A
49	4700371344		1	Cover		
50	4700930154		1	Contact piece, NC		B
51	4700932032	O	1	Push button		B
52	4700791739		1	Emergency stop		
53	4700389840		1	Connector		
54	4700791723		2	Connector		

- H) Ignition, electrical battery switch.
- J) Option
- N) Other fuses, options
- O) Option, sprinkler

**Control panel**

16517



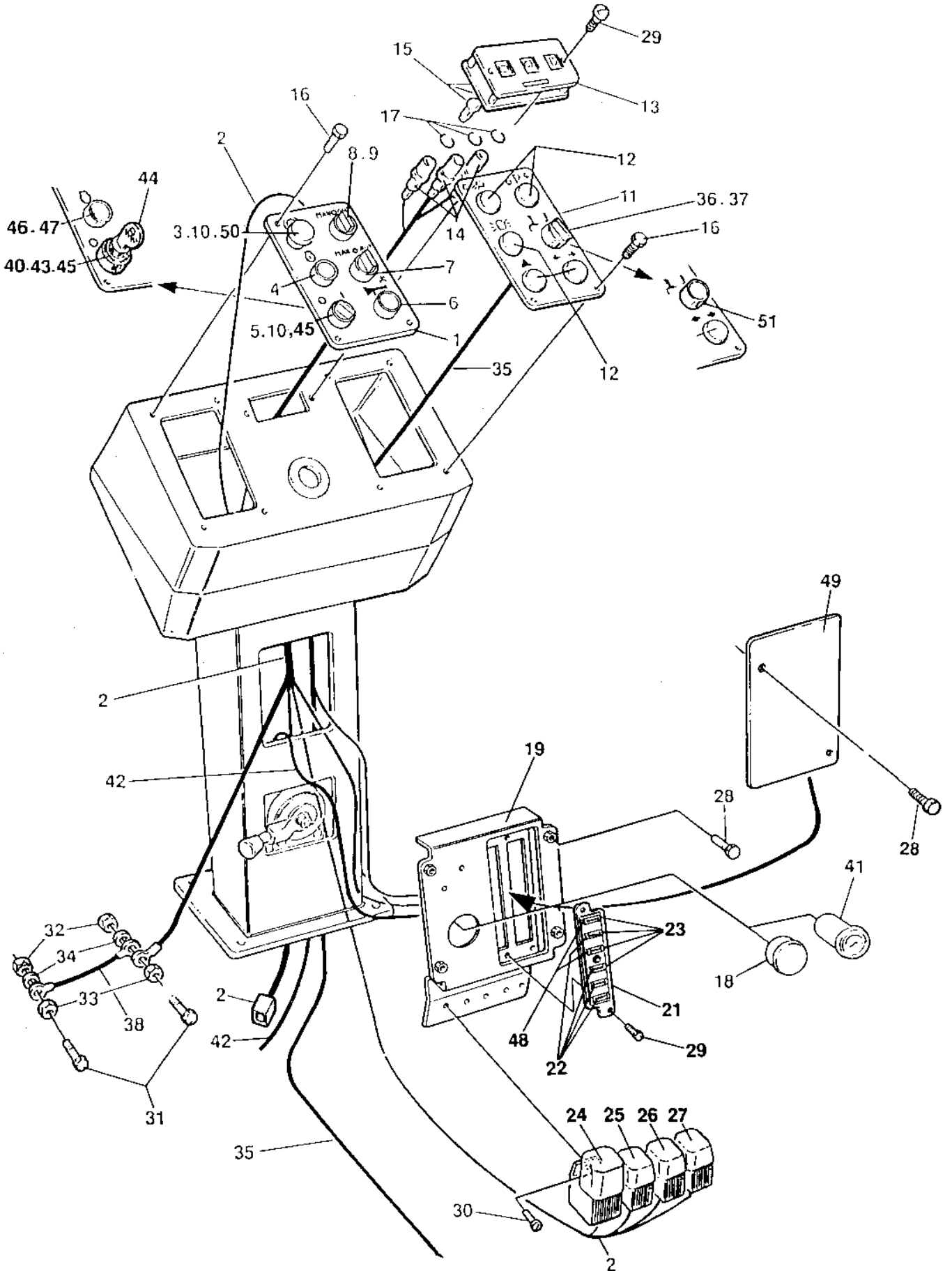
**Control panel**

Item	Part No	Rem	Qty	Description	Code
1	4700358663		1	Control panel plate	
2	4700384263		1	Cable harness	
3	4700930200		1	Emergency stop	B
	4700930154		1	.Contact piece, NC	B
4	4700928928	B	1	Push button	D
5	4700930151	C	1	Switch	B
	4700930153	H,M	1	Switch	D
	4700385644		1	Decal	
6	4700932032	D	1	Push button	B
7	4700930153	E	1	Switch	D
8	4700932058	F	1	Switch	B
9	4700930155		1	Connector	
10	4700930163		2	Contact piece, NO	B
11	4700357574		1	Control panel plate	
12	4700911456		6	Hole plug	C
13	4700357585		1	Display panel	
14	4700902225		3	Lamp socket	2-POL
15	4700985125		3	Bulb	12V
16	4700902224		8	Screw	M6x10
17	4700160269		3	O-ring	
18	4700345870		1	Plug	C
19	4700371326		1	Distribution control plate	
21	4700903820		1	Fuse box	D
22	4700901226		4	Fuse	7.5A
23	4700901240		4	Connector	B
24	4700382782		1	Relay, VBS	A
25	4700287597	I	1	Relay	D
26	4700287597		1	Relay	D
27	4700287597		1	Relay	D
28	4700541702		6	Screw	M6x12
29	4700901767		4	Screw	ST3,5x9,5 Black
30	4700902223		4	Screw	
31	4700500075		2	Screw	M6-1,0x25 8.8
32	4700586002		2	Lock nut	M6 -8
33	4700570004		2	Nut	M6X1,00 -8 A2K
34	4700904228		2	Washer	6,4x12x1,5
35		1	1	Cable harness	C
36	4700932050	E	1	Switch	B
37	4700930195		1	Contact block	B
38	4700903063		1	Ground cable	
40	4700930182	J	1	Contact block	
41	4700355468	J	1	Fuel gauge	D
	4700355258	J	1	.Lamp holder	D
	4700985012	J	1	.Bulb	B
42	4700358418	K	1	Cable harness	
43	4700903239	L	1	Switch	D

- 1) See section " Electrical equipment "
- B) Starter
- C) Ignition
- D) Horn
- E) Sprinkler
- F) Vibration
- H) Ignition, electrical battery switch.
- I) Hour meter
- J) Option
- K) Option, fuel gauge
- L) Option, key starter
- M) Three fixed positions.

**Control panel**

16517



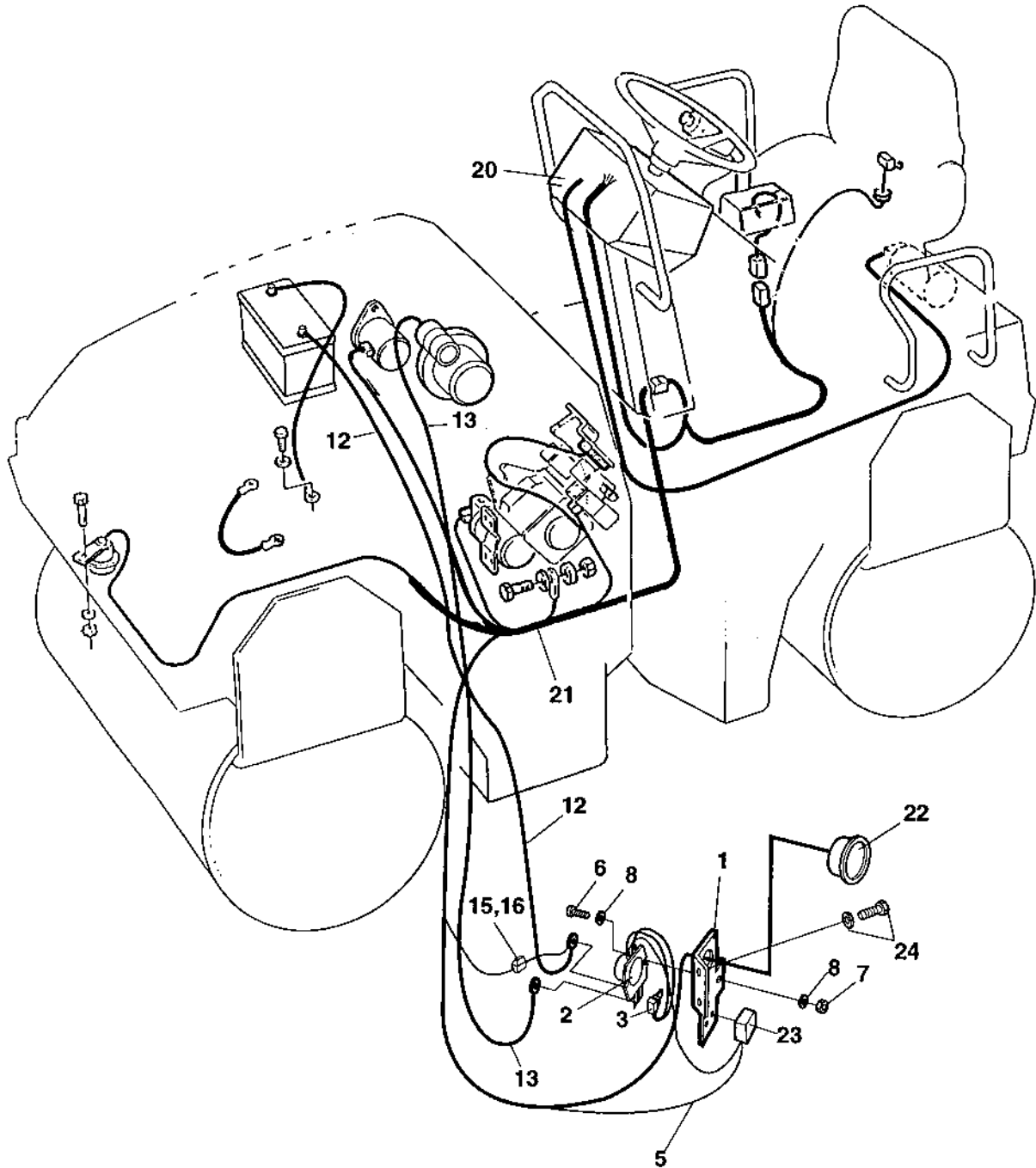
**Control panel**

Item	Part No	Rem	Qty	Description		Code
44	4700902866		1	.Key	Marked "455"	A
45	4700930154	H	4	Contact piece, NC		B
	4700930154	H	4	Contact piece, NC		B
46	4700932059	J	1	Pilot lamp cpl	Yellow	B
47	4700985012	J	1	Bulb		B
48	4700901227	N	2	Fuse	10A	A
49	4700371344		1	Cover		
50	4700930154		1	Contact piece, NC		B
51	4700932032	O	1	Push button		B

- H) Ignition, electrical battery switch.
- J) Option
- N) Other fuses, options
- O) Option, sprinkler

**Electric battery switch DEUTZ**

17433



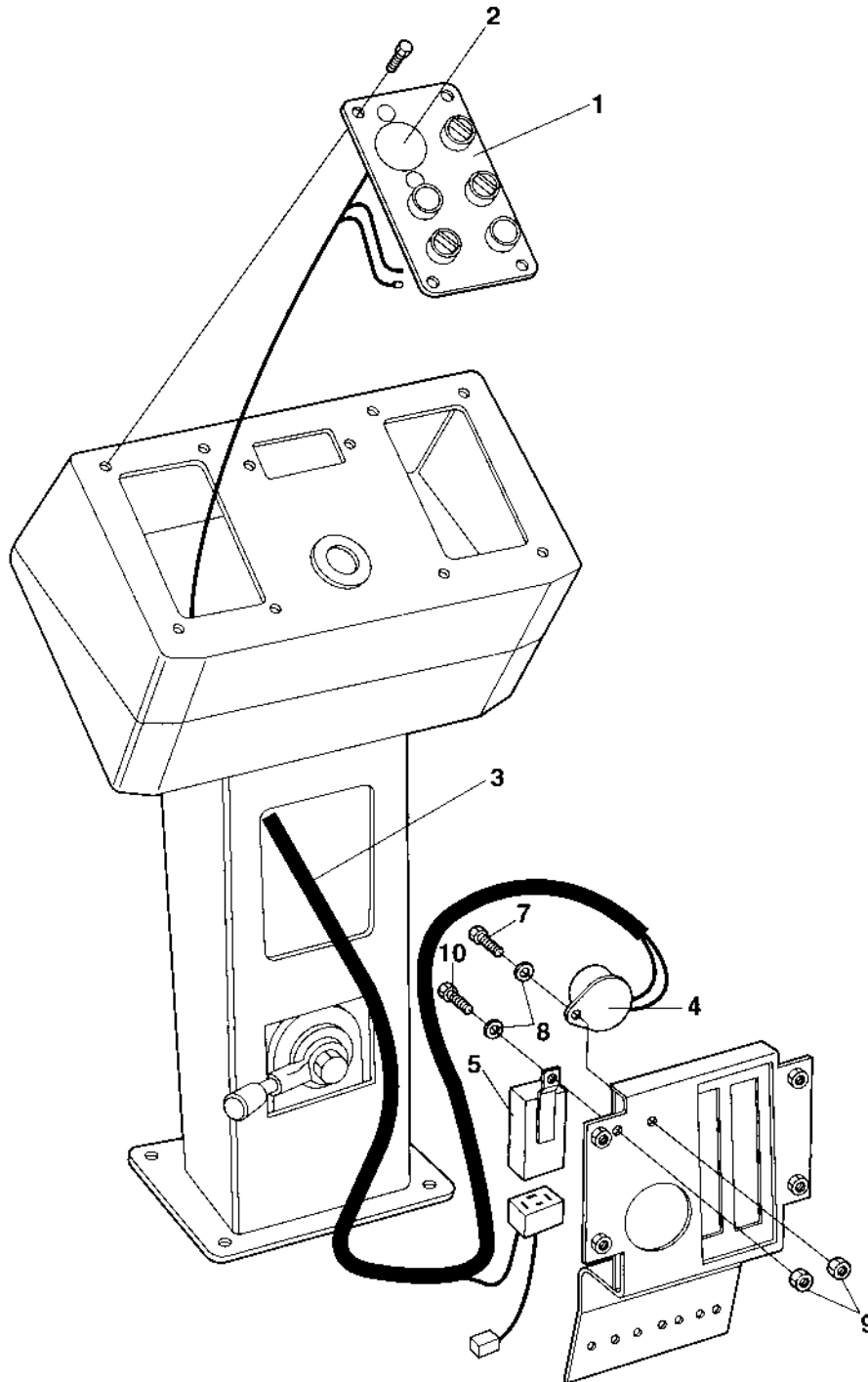
**Electric battery switch DEUTZ**

Item	Part No	Rem	Qty	Description	Code
1	4700384083		1	Holder plate	
2	4700791078		1	Electric battery switch	D
3	4700791079	2	1	Diode	D
5	4700384191		1	Cable harness	
6	4700500022		2	Screw	M8x30H 8.8 A2K
7	4700570005		2	Nut	M8
8	4700904229		4	Washer	8,4x16x1,5
12	4700378742		1	Battery cable	
13	4700791472		1	Connection cable, coarse	
15	4700904015		1	Fuse holder	
16	4700901225		1	Fuse	5A
20				Control panel	A
21		1		Cable harness	A
22		1		Hour meter	A
23		1		Starter relay	A
24		1		Fastener	A

- 1) See section " Electrical equipment ".
- 2) Delivered with Cable harness PN 4700384191.

**Interlock**

17258





**Interlock**

<b>Item</b>	<b>Part No</b>	<b>Rem</b>	<b>Qty</b>	<b>Description</b>	<b>Code</b>
1		A	1	Control panel plate	A
2			1	Emergency stop	A
3	4700381994		1	Cable harness	
4	4700355301		1	Buzzer	B
5	4700904846		1	Delay relay	
7	4700533070		1	Screw	
8	4700904281		2	Washer	5,3x10x1 300HV
9	4700586001		2	Lock nut	C
10	4700533025		1	Screw	M5x12
A)	Left				



**Interlock Loxam**

Item	Part No	Rem	Qty	Description	Code
1		A	1	Control panel plate	
2			1	Emergency stop	
3	4700381994		1	Cable harness	
5	4700904846		1	Delay relay	
6	4700999027	C	1	Horn	B
7	4700533070		1	Screw	
8	4700904281		2	Washer	5,3x10x1 300HV
9	4700586001		2	Lock nut	
10	4700533025		1	Screw	M5x12
11	4700904734		2	Washer	8,4x26x4
12	4700500022		2	Screw	M8x30H 8.8 A2K
13	4700377697		1	Cable harness	
14	4700903593		1	Diode	

- A) Left
- C) Extra horn for interlock placed beside STD horn, font left



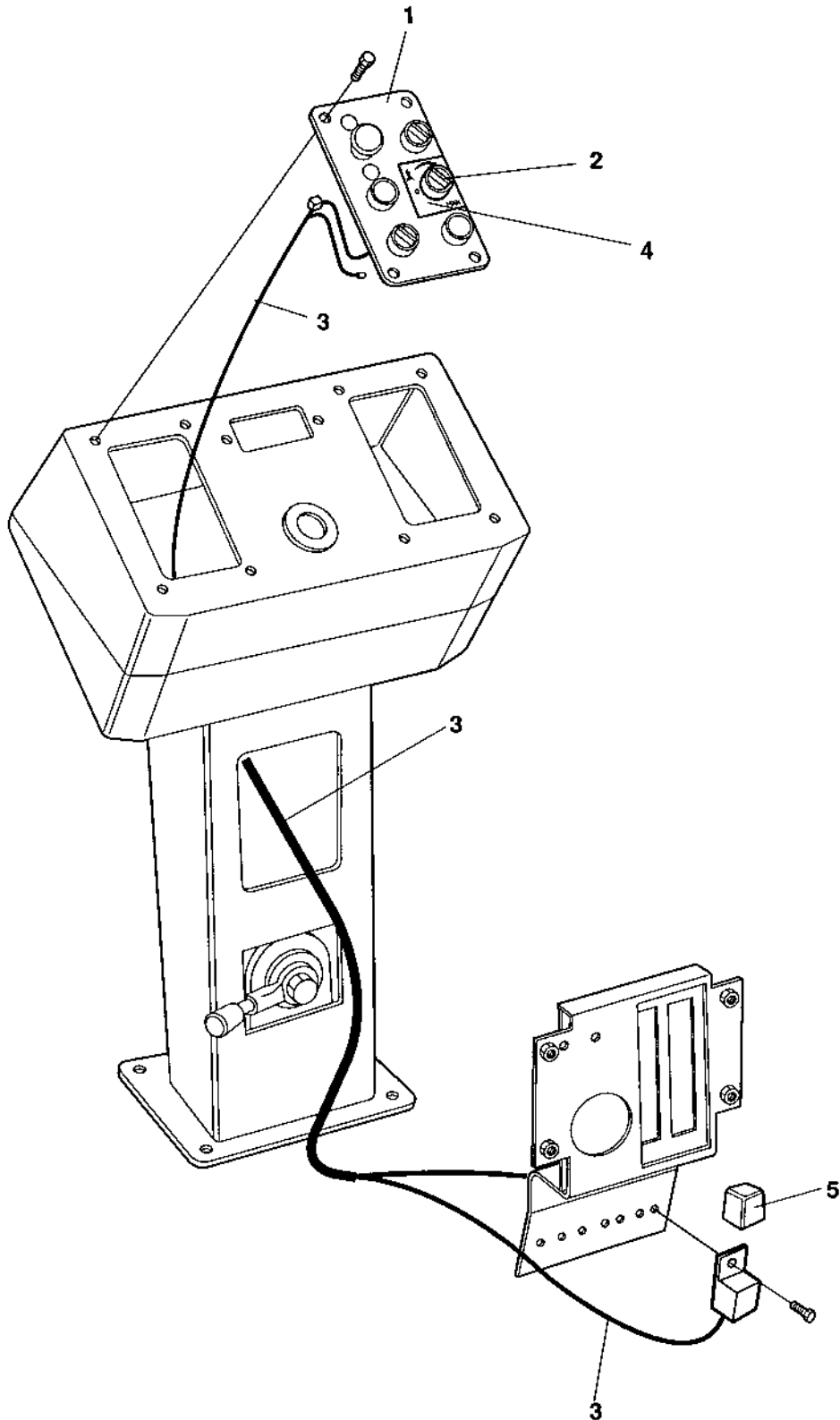
**Interlock Loxam**

<b>Item</b>	<b>Part No</b>	<b>Rem</b>	<b>Qty</b>	<b>Description</b>	<b>Code</b>
1		A	1	Control panel plate	
2			1	Emergency stop	
3	4700393808		1	Cable harness	
4	4700792548		1	Delay relay	
5	4700904281		1	Washer	5,3x10x1 300HV C
6	4700586001		1	Lock nut	C
7	4700533025		1	Screw	M5x12
8	4700999027		1	Horn	B
9	4700904734		1	Washer	8,4x26x4
10	4700500022		1	Screw	M8x30H 8.8 A2K C
11	4700377697		1	Cable harness	
12	4700903593		1	Diode	

A) Left

**Sprinkler timer**

17434

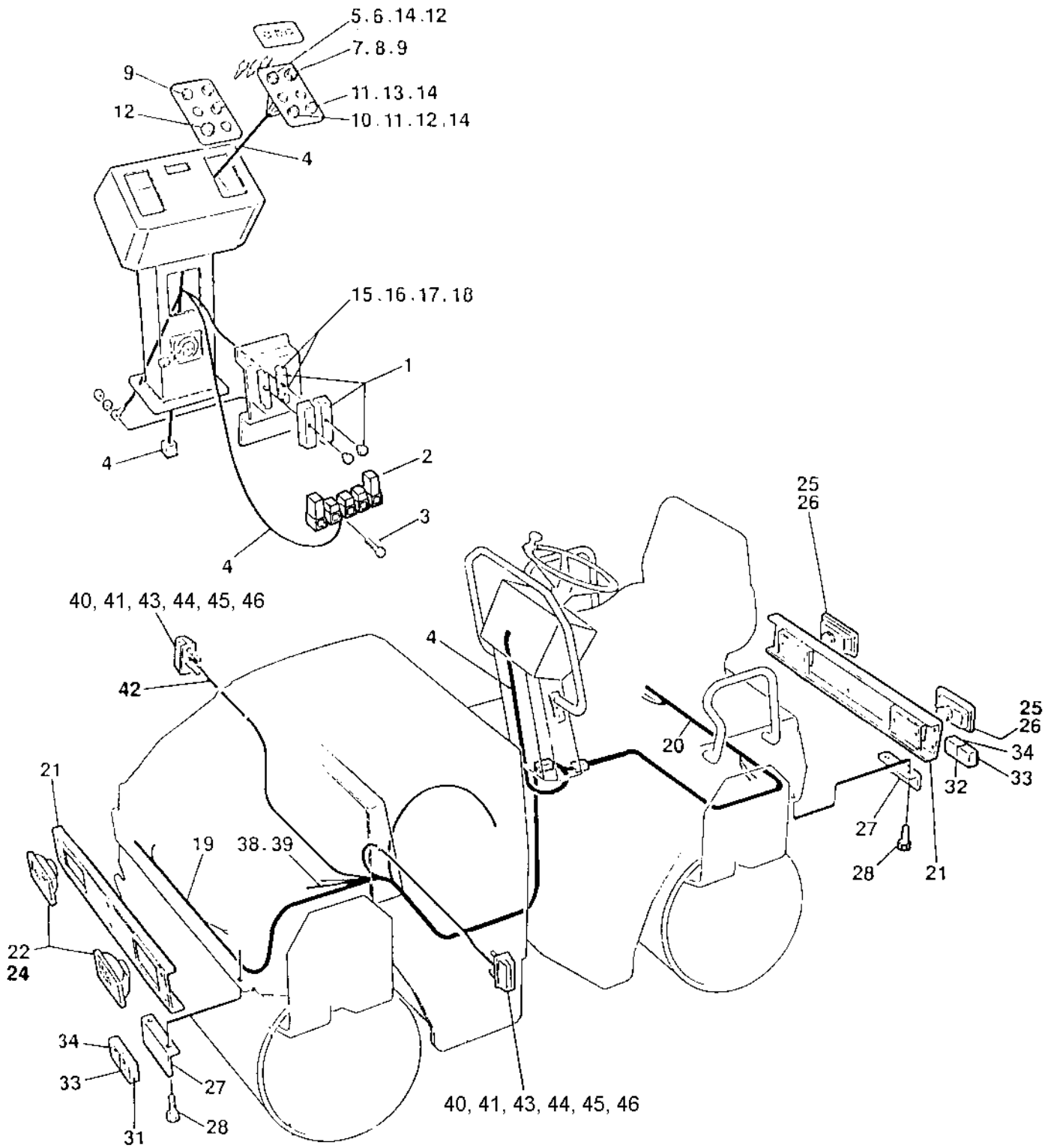


**Sprinkler timer**

<b>Item</b>	<b>Part No</b>	<b>Rem Qty</b>	<b>Description</b>	<b>Code</b>
1		1	Control panel plate	
2	4700383960	1	Switch, cpl	
3	4700383967	1	Cable harness	
	4700357562	1	.Relay holder	D
4	4700384359	1	Decal	
5	4700374213	1	Time relay	A

**Driving & side direction lights**

18097





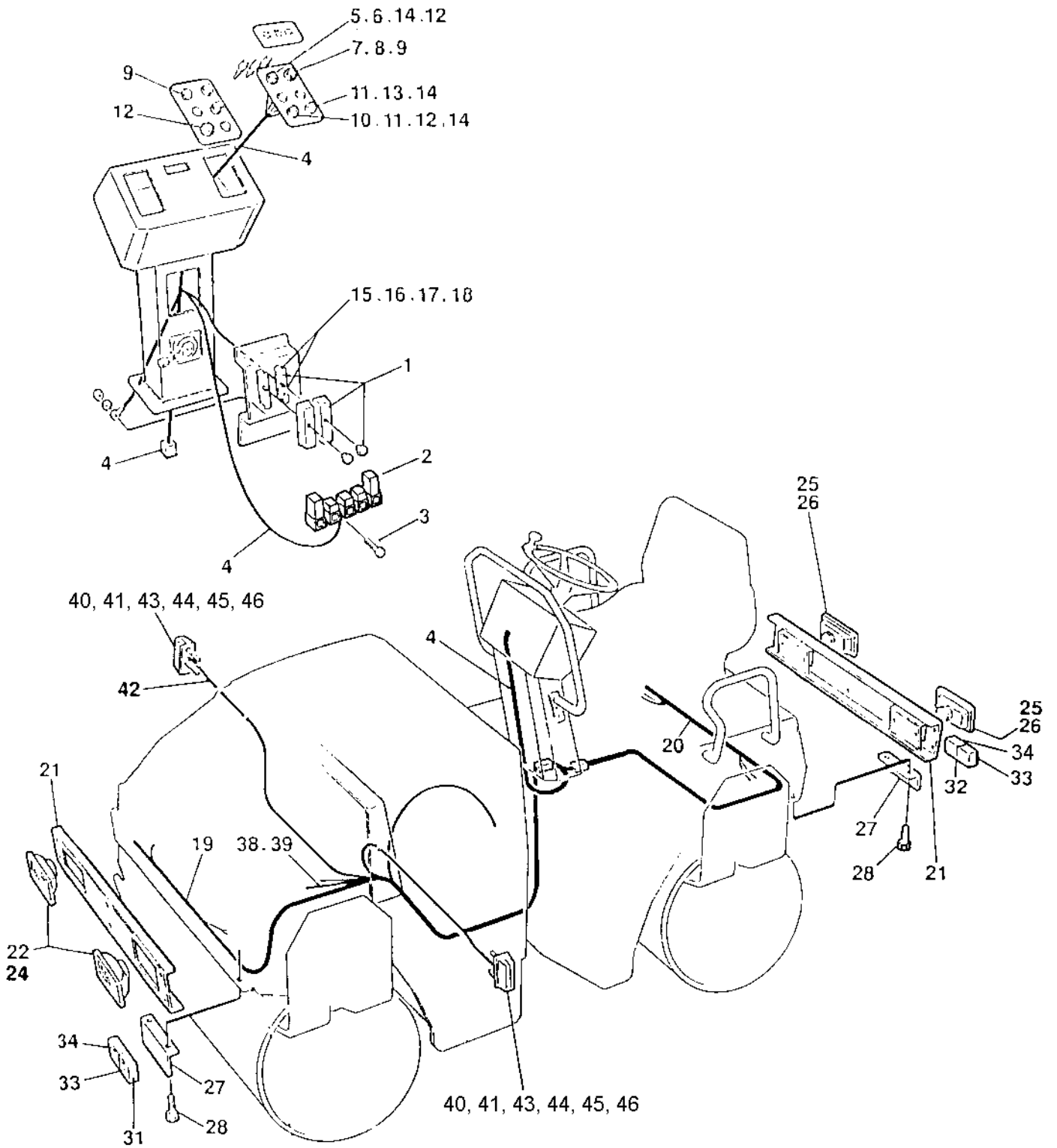
Driving & side direction lights

Item	Part No	Rem	Qty	Description	Code
1	4700903820		1	Fuse box	D
2	4700904989		1	Flash relay	A
3	4700902223		1	Screw	C
4	4700373493	A	1	Cable harness	
5	4700932055	B	1	Switch	D
6	4700930165		1	Contact block	B
7	4700932058	C	1	Switch	B
8	4700930182		1	Contact block	
9	4700930154	D	2	Contact piece, NC	B
10	4700932056	E	1	Switch	B
11	4700930162		2	Connector	B
12	4700930163	D	3	Contact piece, NO	B
13	4700930161	F	1	Switch	B
14	4700985012	G	3	Bulb	B
15	4700901240		1	Connector	B
16	4700901225		2	Fuse	5A A
17	4700901227		1	Fuse	10A A
18	4700901228		2	Fuse	15A A
19	4700373490	H	1	Cable harness	
20	4700357812	I	1	Cable harness	
21	4700371561	J	2	Lights bracket	
	4700380192	K	2	Lights bracket	
22	4700902066	L	2	Headlight	B
	4700904313	M	2	Headlight	B
24	4700900790	N	2	Bulb	60/55w H4 B
25	4700902227	O	2	Work light	B
26	4700901369	P	2	Bulb	55w H3 B
27	4700389631		4	Holder plate	
28	4700500006		8	Screw	M5x16 C
	4700904281	R	8	Washer	5,3x10x1 300HV C
31	4700904315	U	1	Direction lamp	B
	4700904316	V	1	Direction lamp	B
32	4700904317	X	1	Direction lamp	B
	4700904318	Y	1	Direction lamp	B
33	4700928502	F	6	Bulb	21w B

- A) Driving lights
- B) Head light
- C) Lights
- D) Small
- E) Hazard
- F) Turn signal/stop light
- G) Switch
- H) Front
- I) Rear
- J) Red
- K) Yellow
- L) Right asym, H4, front
- M) Left asym, H4, front
- N) H4, head light, front
- O) H3, rear
- P) H3, rear light
- R) Not illustrated
- U) Front left
- V) Front right
- X) Rear left
- Y) Rear right

**Driving & side direction lights**

18097



**Driving & side direction lights**

<b>Item</b>	<b>Part No</b>	<b>Rem</b>	<b>Qty</b>	<b>Description</b>		<b>Code</b>
34	4700985014	Q	4	Bulb	5w	B
38	4700904229		1	Washer	8,4x16x1,5	C
39	4700586003		1	Lock nut	M8	C
40	4700902064		2	Direction lights		B
41	4700985013		2	Bulb	12V,5W	B
42	4700358000	S	1	Cable harness		
43	4700600002	T	4	Washer		C
44	4700923976	T	4	Nut		C
45	4700508020	T	4	Screw		C
46	4700508075		4	Screw	M5x12	

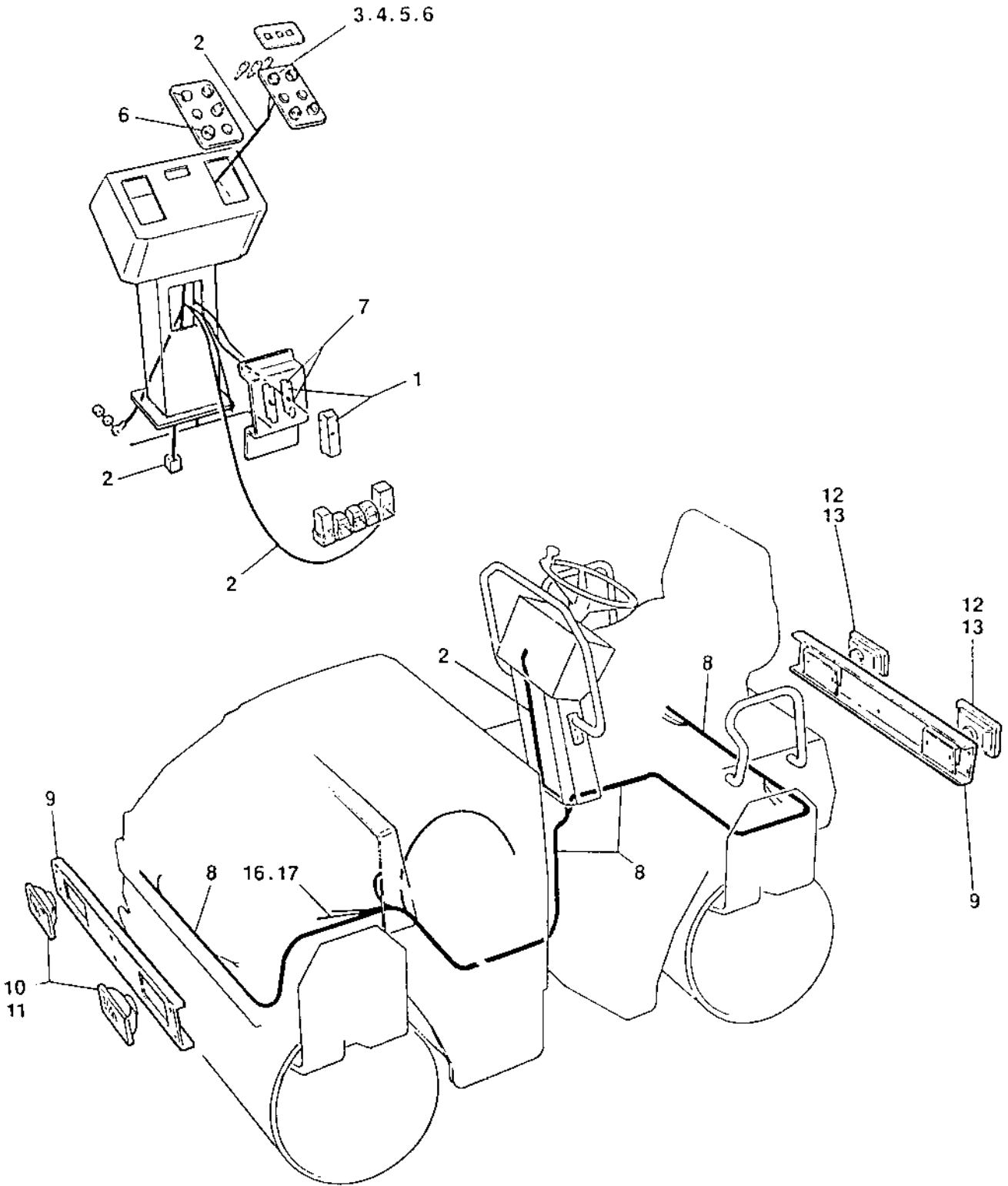
Q) Parking light

S) Direction lights

T) This item is not used in new design; where the holes in the hood frame are threaded.

**Working lights**

16666-1



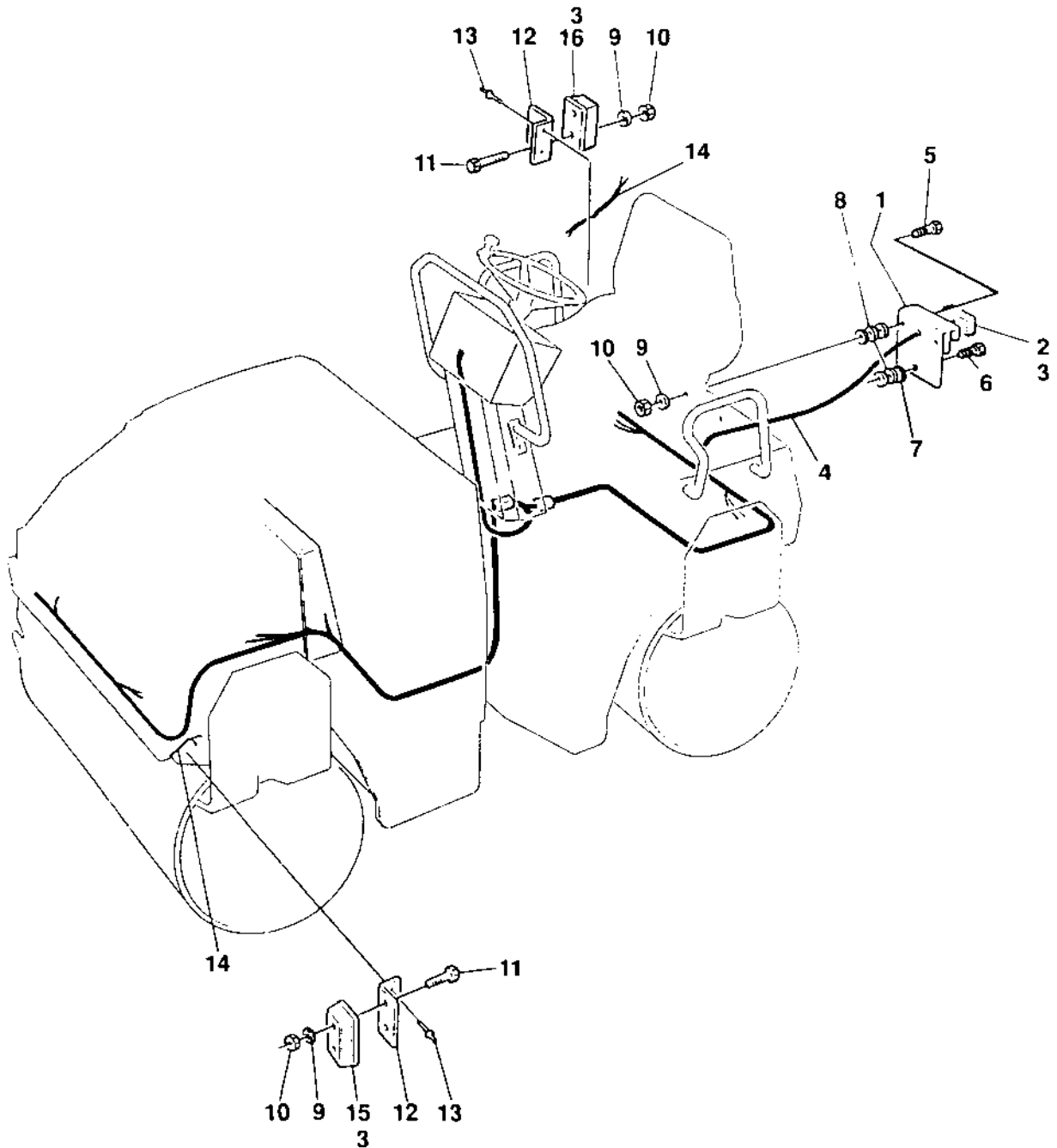
**Working lights**

Item	Part No	Rem	Qty	Description	Code
1	4700903820		1	Fuse box	D
2	4700358102	A	1	Cable harness	
3	4700932055	A	1	Switch	D
4	4700930165		1	Contact block	B
5	4700985012	B	1	Bulb	B
6	4700930163	C	3	Contact piece, NO	B
7	4700901227		2	Fuse	A
				10A	
8	4700376113	A	1	Cable harness	
9	4700371561	4	2	Lights bracket	
10	4700902227	E	2	Work light	B
11	4700901369	F	2	Bulb	B
				55w H3	
12	4700902227	G	2	Work light	B
13	4700901369	H	2	Bulb	B
				55w H3	
16	4700904229		1	Washer	C
				8,4x16x1,5	
17	4700586003		1	Lock nut	C
				M8	

- 4) Right asym., including machines originally delivered to France
- A) Work lights
- B) Switch
- C) Small
- E) H3, front
- F) H3, head light, front
- G) H3, rear
- H) H3, rear light

**Licence plate light, parking lights**

16667



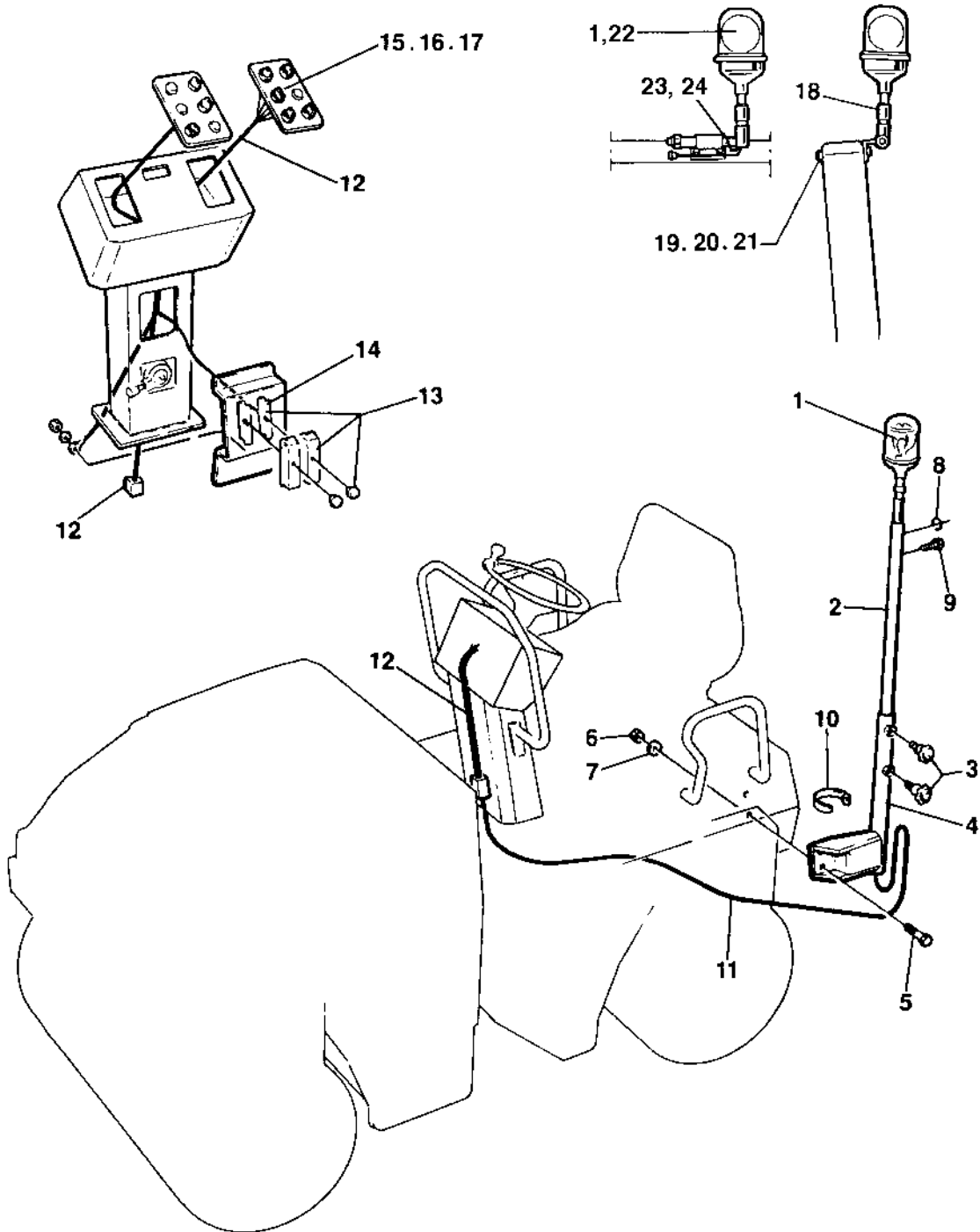
**Licence plate light, parking lights**

Item	Part No	Rem	Qty	Description	Code
1	4700355797		1	Licence plate holder	
2	4700929455		1	Licence plate light	D
3	4700985013	A	5	Bulb	B
4	4700355829	B	1	Cable harness	12V,5W
5	4700533032		3	Screw	
6	4700535010		1	Screw	
7	4700615042		1	Conical spring washer	
8	4700570003		3	Nut	M5
9	4700600003		23	Washer	C
10	4700586001		11	Lock nut	C
11	4700508020		8	Screw	C
12	4700358564	D	2	Lamp socket	
	4700358563	E	2	Lamp socket	
13	4700624027		8	Rivet	
14	4700903081	C	4	Cable	
	4700909152		4	.Rubber grommet	C
15	4700903078	D	2	Position light	
16	4700903079	E	2	Position light	

- A) Turn/position light
- B) Licence plate light
- C) Position light
- D) Front
- E) Rear

**Rotating beacon**

15489-4

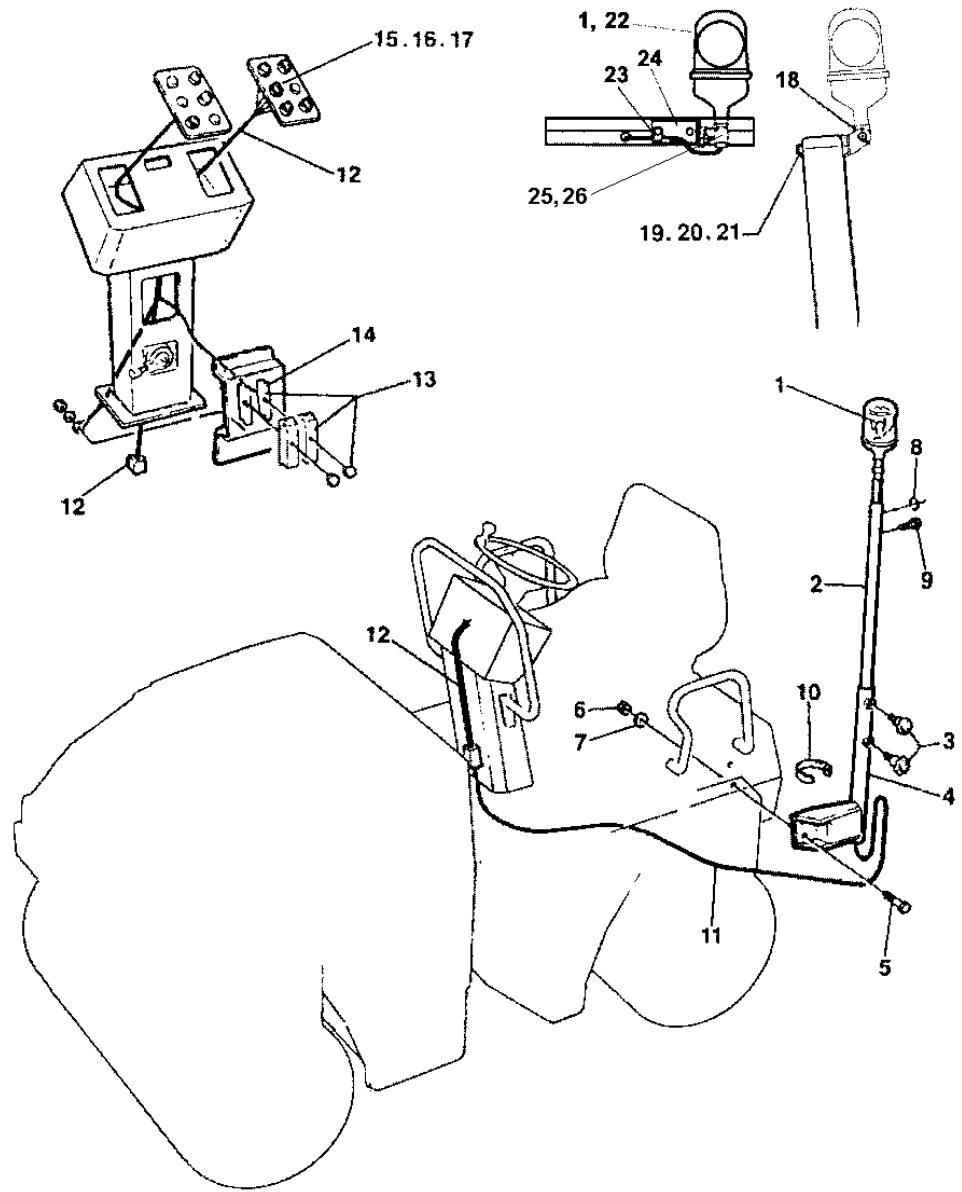




Rotating beacon

Item	Part No	Rem	Qty	Description	Code
1				Not used on this model	
2	4700357663	1	1	Lamp holder	
3	4700499162	1	2	Hand knob	
4	4700357679	1	1	Lamp holder	
5	4700500028	1	2	Screw	C
6	4700586018	1	2	Lock nut	C
7	4700904230	1	2	Steel plain washer	C
8	4700909152	1	1	Rubber grommet	C
9	4700500044		1	Screw	C
				M6x8	
10	4700313041		N	Cable ties	
11	4700357666		1	Cable harness	
12	4700357668	2	1	Cable harness	
13	4700903820	2	1	Fuse box	D
14	4700901227		1	Fuse	A
				10A	
15	4700930166	C	1	Switch	B
16	4700985012	E	1	Bulb	B
17	4700930165		1	Contact block	B
18	4700358452	3	1	Lamp holder	D
19	4700500237	3	2	Screw	
				M8x120	
20	4700586003	3	2	Lock nut	C
				M8	
21	4700904229	3	2	Washer	C
				8,4x16x1,5	
22	4700389577	5	1	Rotating beacon	D
23	4700500044		1	Screw	C
				M6x8	
24	4700902542		1	Lock fluid	

- 1) Not valid for rollers with rops
- 2) Existing on rollers with driving lights
- 3) Valid only for rollers with rops
- 5) Replaces PN 4700999011.
- C) Rot. beacon
- E) Switch



Rotating beacon

Item	Part No	Rem	Qty	Description	Code
1				Not used on this model	
2	4700357663	1	1	Lamp holder	
3	4700499162	1	2	Hand knob	
4	4700357679	1	1	Lamp holder	
5	4700500028	1	2	Screw	C
6	4700586018	1	2	Lock nut	C
7	4700904230	1	2	Steel plain washer	C
8	4700909152	1	1	Rubber grommet	C
9	4700500044		1	Screw	C
				M6x8	
10	4700313041		N	Cable ties	
11	4700396557		1	Cable harness	
12	4700357668	2	1	Cable harness	
13	4700903820	2	1	Fuse box	D
14	4700901227		1	Fuse	A
				10A	
15	4700930166	C	1	Switch	B
16	4700985012	E	1	Bulb	B
17	4700930165		1	Contact block	B
18	4700358452	3	1	Lamp holder	D
19	4700500143	3	2	Screw	
20	4700586003	3	2	Lock nut	C
21	4700904229	3	2	Washer	C
				M8	
				8,4x16x1,5	
22	4700389577	5	1	Rotating beacon	D
23	4700921072		1	Clamp	
24	4700389561		1	Bracket	
25	4700791980		1	Rubber protection	
26	4700791981		1	Connector plug	

- 1) Not valid for rollers with rops
- 2) Existing on rollers with driving lights
- 3) Valid only for rollers with rops
- 5) Replaces PN 4700999011.
- C) Rot. beacon
- E) Switch

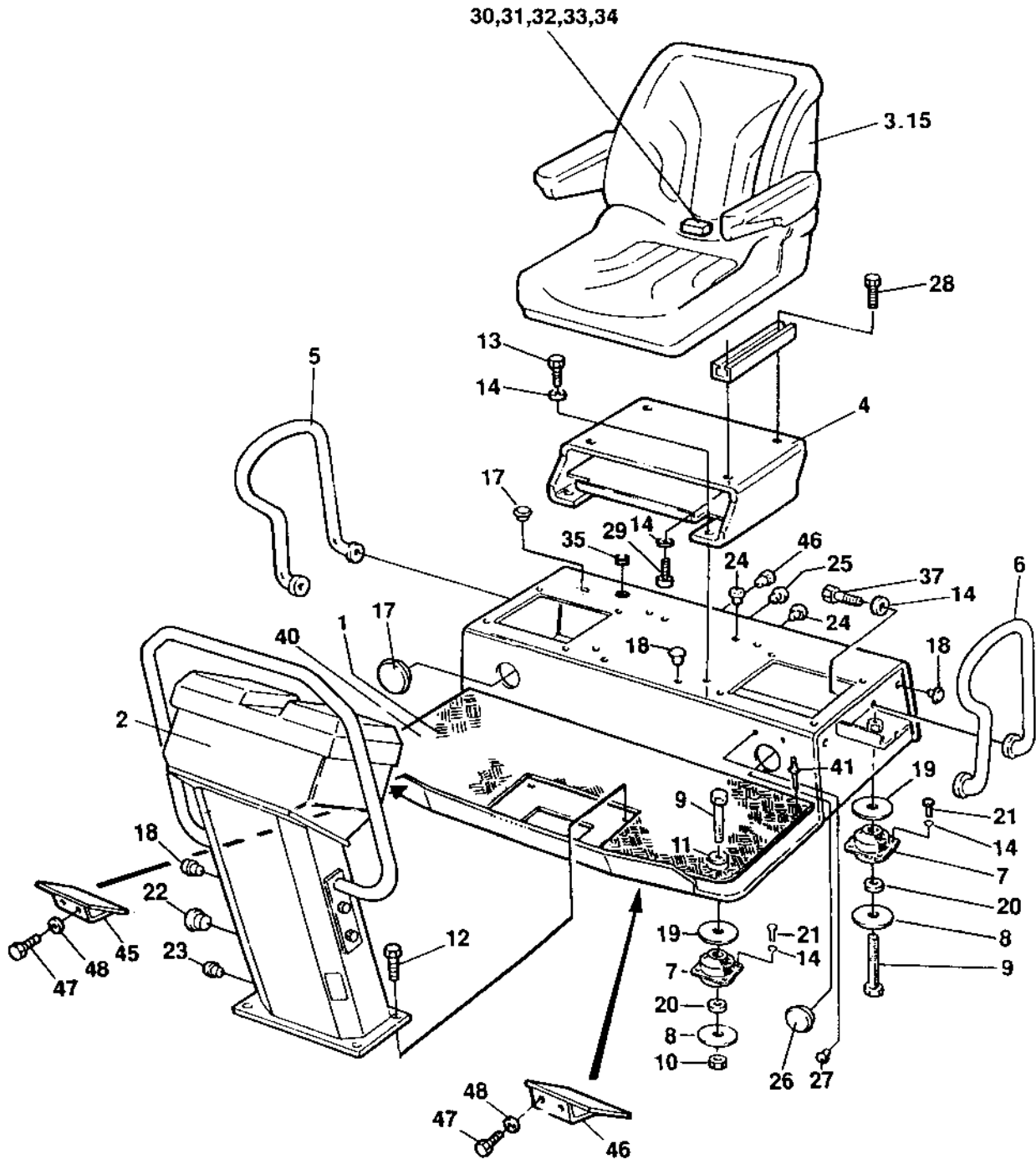


**Drivers platform**

<b>Item</b>	<b>Part No</b>	<b>Rem Qty</b>	<b>Description</b>	<b>Code</b>
120			Drivers platform Up to 601X8977 ( Page 178 )	
130			Drivers platform From 601X8978 ( Page 180 )	
150			Control panel ( Page 184 )	
175			Arm rests, seat belt, laterally adjusting Up to 601X8977 ( Page 186 )	
180			Arm rests, seat belt, laterally adjusting From 601X8978 ( Page 188 )	
185			Comfort drivers seat, laterally adjusting Up to (and seat belt)age 190 )	
187			Comfort drivers seat, laterally adjusting From (and seat belt)age 192 )	
220			Engine and forward/reverse controls ( Page 195 )	
300			F/r controls dual, control panel mounted ( Page 196 )	
350			F/r control dual left side, platform mounted ( Page 198 )	
400			Rops and fops ( Page 200 )	

**Drivers platform**

16518



Drivers platform

Item	Part No	Rem	Qty	Description	Code
1	4700358213		1	Platform	
2			1	Control panel	
3	4700372570	A,2	1	Seat	
	4700909535	B	1	.Sliding rail	Left D
	4700909536	C	1	.Sliding rail	Right D
	4700936283		1	.Seat switch	B
4	4700372523		1	Seat frame	
5	4700357407	B	1	Hand rail	D
6	4700357408	C	1	Hand rail	D
7	4700902797	1	4	Shock absorber	D
8	4700358232		4	Washer	
9	4700500117		4	Screw	M12x80H 8,8 C
10	4700586019		2	Lock nut	C
11	4700904231		2	Washer	13x24x2 300 HV C
12	4700500509		4	Screw	
13	4700500020		4	Screw	M8-1,25x22 8,8 C
14	4700904229		22	Washer	8,4x16x1,5 C
15	4700348331		1	Seat cover	D
17	4700923844		2	Plug	
18	4700902919		8	Plug	
19	4700615096	N		Washer	
20	4700902892		4	Washer	
21	4700500019		16	Screw	M8x16H 8.8 A2K C
22	4700902890		1	Plug	
23	4700900986		2	Plug	
24	4700926215		7	Protective plug	
25	4700902804		2	Plug	
26	4700904131		1	Plug	
27	4700901274		2	Plug	
28	4700508092		4	Screw	C
29	4700500053		2	Screw	M8x20H 8.8 C
30	4700904218		1	Holder	
31	4700533070		1	Screw	
32	4700570003		1	Nut	M5 C
33	4700904281		1	Washer	5,3x10x1 300HV C
34	4700313041		1	Cable ties	
35	4700903192		1	Grommet	
36	4700904225		1	Plug	
37	4700500020		4	Screw	M8-1,25x22 8,8 C
40	4700358089	D	1	Floor mat	D
41	4700902569	E	4	Rivet	
45	4700374132	F	1	Step	
46	4700374133	G	1	Step	
47	4700500053	D	4	Screw	M8x20H 8.8 C
48	4700600006	D	4	Washer	C

- 1) For rollers with cab see " Optional equipment"
- 2) Without arm rests.
- A) Black galon
- B) Left
- C) Right
- D) Option
- E) To floor mat
- F) Option, right
- G) Option, left



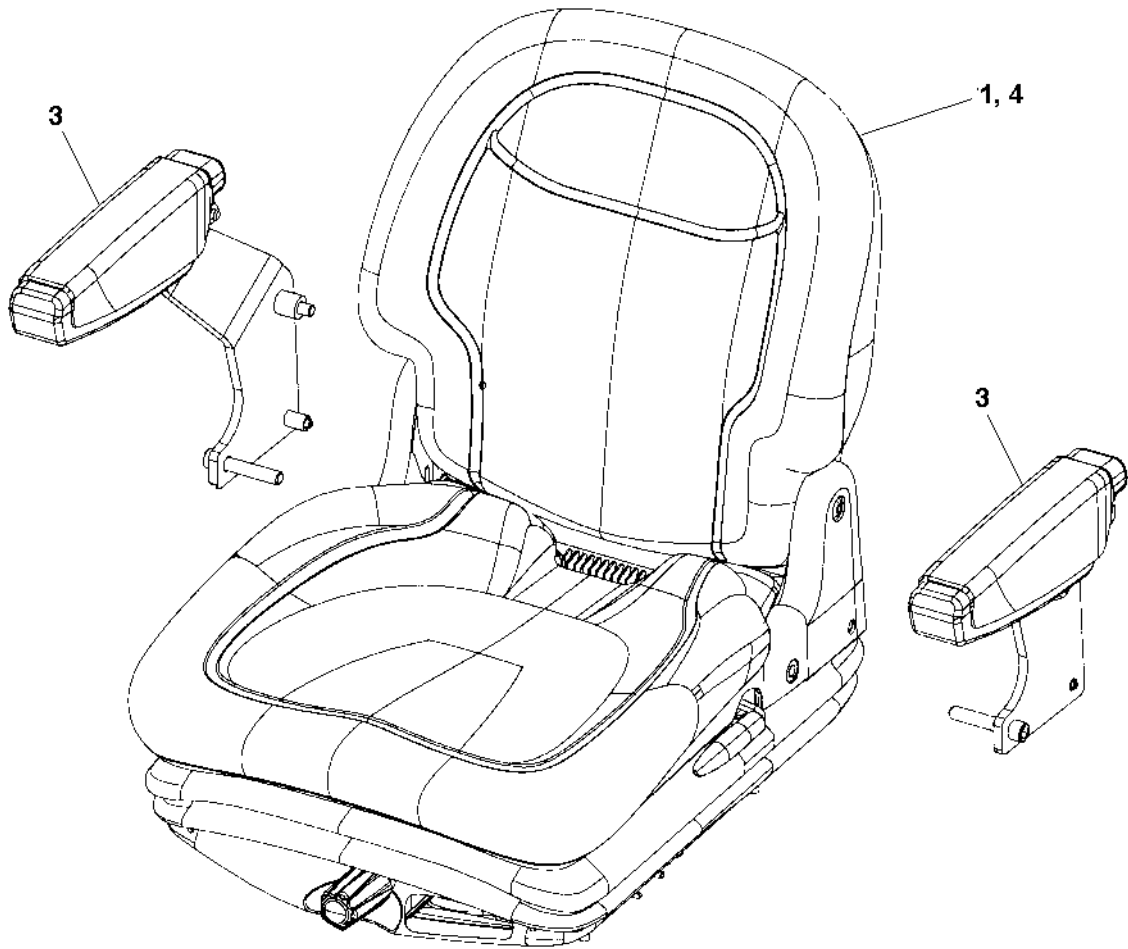


Drivers platform

Item	Part No	Rem	Qty	Description	Code
1	4700358213		1	Platform	
2			1	Control panel ( Page 184 )	
3			1	Seat ( Page 182 )	
4	4700372523		1	Seat frame	
5	4700357407	B	1	Hand rail	D
6	4700357408	C	1	Hand rail	D
7	4700902797	1	4	Shock absorber	D
8	4700358232		4	Washer	
9	4700500117		4	Screw	M12x80H 8,8
10	4700586019		2	Lock nut	
11	4700904231		4	Washer	13x24x2 300 HV
12	4700500509		4	Screw	
13	4700500020		4	Screw	M8-1,25x22 8,8
14	4700904229		28	Washer	8,4x16x1,5
15	4700348331		1	Seat cover	D
17	4700923844		2	Plug	
18	4700902919		8	Plug	
19	4700615096	N		Washer	
	4700904703		2	Washer	C
20	4700902892		4	Washer	
21	4700500019		16	Screw	M8x16H 8.8 A2K
22	4700902890		1	Plug	
23	4700900986		2	Plug	
24	4700926215		7	Protective plug	
25	4700902804		2	Plug	
26	4700904131		1	Plug	
27	4700901274		2	Plug	
29	4700586003		4	Lock nut	M8
35	4700903192		1	Grommet	
36	4700904225		1	Plug	
37	4700500020		4	Screw	M8-1,25x22 8,8
40	4700358089	D	1	Floor mat	D
41	4700902569	E	4	Rivet	
45	4700374132	F	1	Step	
46	4700374133	G	1	Step	
47	4700500053	D	4	Screw	M8x20H 8.8
48	4700600006	D	4	Washer	C

- 1) For rollers with cab see " Optional equipment"
- B) Left
- C) Right
- D) Option
- E) To floor mat
- F) Option, right
- G) Option, left

**Seat**  
**18391**



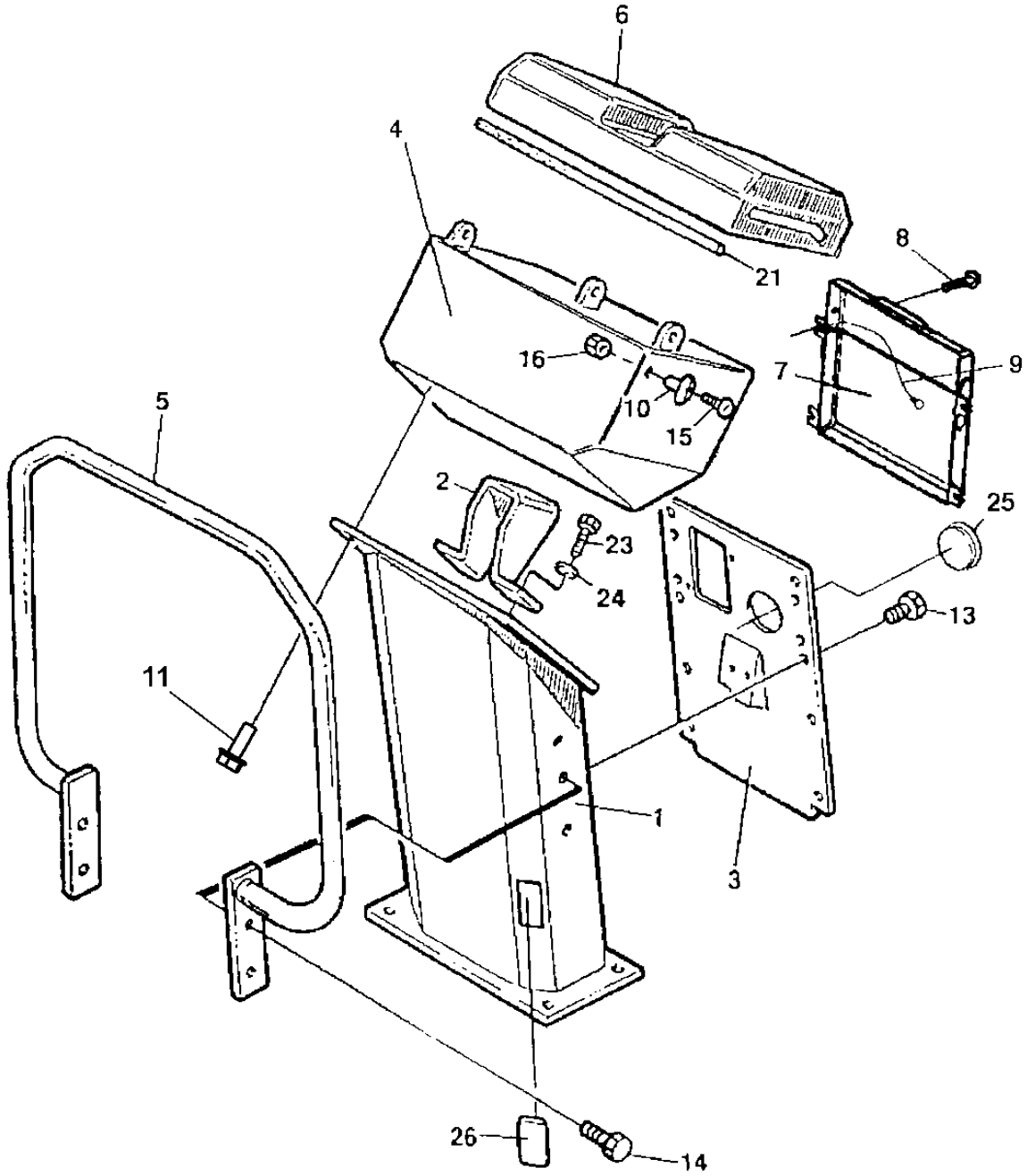
**Seat**

<b>Item</b>	<b>Part No</b>	<b>Rem</b>	<b>Qty</b>	<b>Description</b>	<b>Code</b>
1	4700377518	A	1	Drivers seat, cpl	D
3	4700390963	B	2	.Arm rest kit	D
4	4700945622		1	.Seat switch	B

- A) Black vinyl
- B) Valid for seat 4700377518 only.

**Control panel**

17697-1



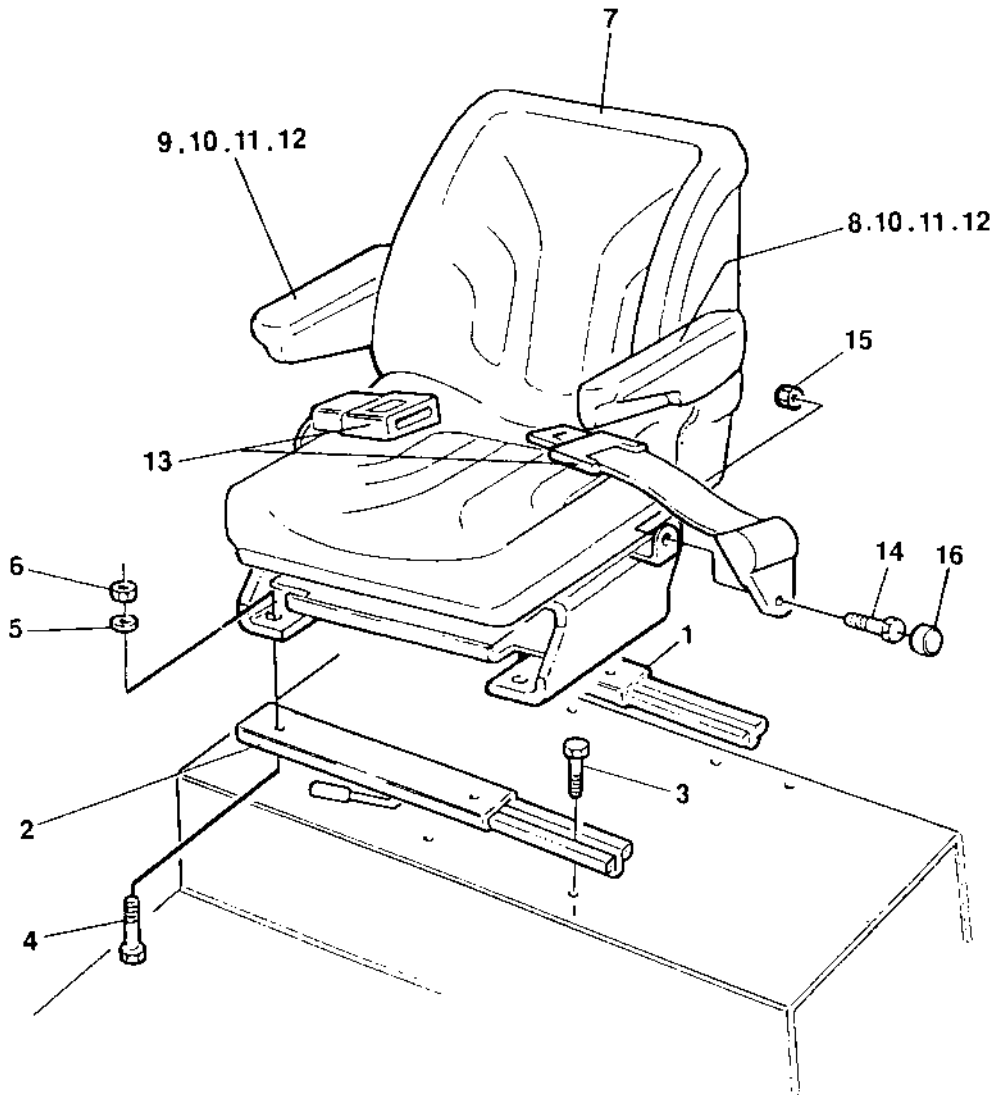
**Control panel**

Item	Part No	Rem	Qty	Description	Code
1	4700358142		1	Control panel	
2	4700357316		1	Bracket	
3	4700358143		1	Cover	
4	4700357320		1	Instrument box Up to 60131291	
	4812110857		1	Instrument box From 60131292	
	4700357320		1	Instrument box From 60131293 Up to 60131306	
	4812110857		1	Instrument box From 60131307	
5	4700357330	A	1	Hand rail	D
6	4700357424		1	Cover	
7	4700383705		1	Instruction book holder	D
8	4700791226		4	Screw	C
9	4700357643		1	Wire	D
10	4700357855		2	Bushing	C
11	4700541703		4	Screw	M6x16 C
13	4700541702		8	Screw	M6x12 C
14	4700500509		4	Screw	
15	4700924875		2	Screw	
16	4700586002		2	Lock nut	M6 -8 C
21	4700902379	D	1XL	Edge trim	
23	4700500021		4	Screw	M8-1,25x25 8.8 C
24	4700904640		4	Washer	8,4x22x3 C
25	4700345870		1	Plug	C
26	4700903727		1	Plug	

- A) Front
- D) L=0,350 m

Arm rests, seat belt, laterally adjusting

16672



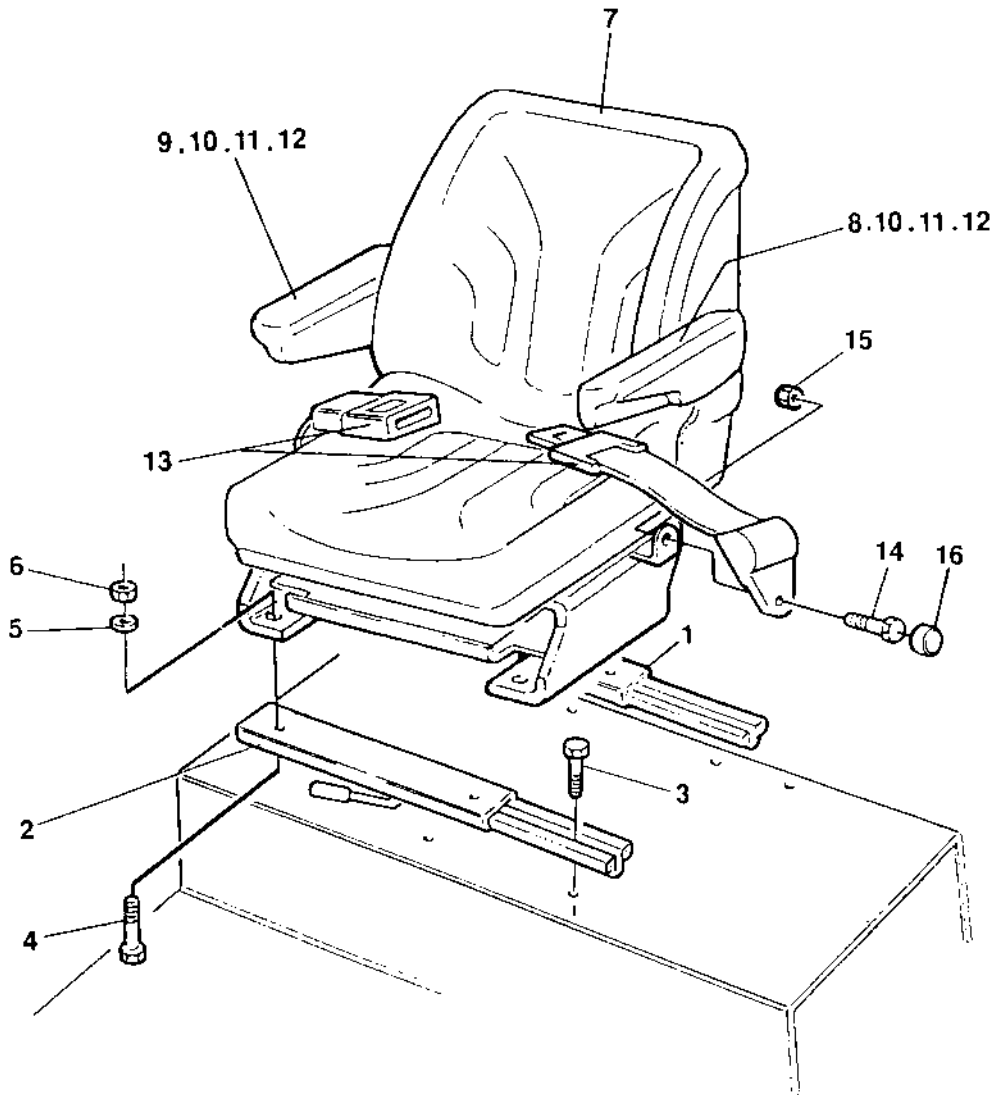
Arm rests, seat belt, laterally adjusting

Item	Part No	Rem	Qty	Description	Code
1	4700909536	A	1	Sliding rail	Right D
2	4700909535	B	1	Sliding rail	Left D
3	4700508092		4	Screw	C
4	4700500020		4	Screw	M8-1,25x22 8,8 C
5	4700904229		4	Washer	8,4x16x1,5 C
6	4700586003		4	Lock nut	M8 C
7	4700372570		1	Seat	
8	4700372696	C	1	Arm rest	D
9	4700372697	D	1	Arm rest	D
10	4700513013	E	4	Screw	C
11	4700570005	E	4	Nut	M8 C
12		E	4	Nut protection	C
13	4700372659	F	1	Seat belt	
	4700383200	G	1	Seat belt	3" B
14			2	.Screw	B
15			2	.Nut	B
16			2	.Protection cap	B

- A) Rear
- B) Front
- C) Left
- D) Right
- E) Incl in armrests
- F) CPL
- G) Option, 3 "

Arm rests, seat belt, laterally adjusting

16672



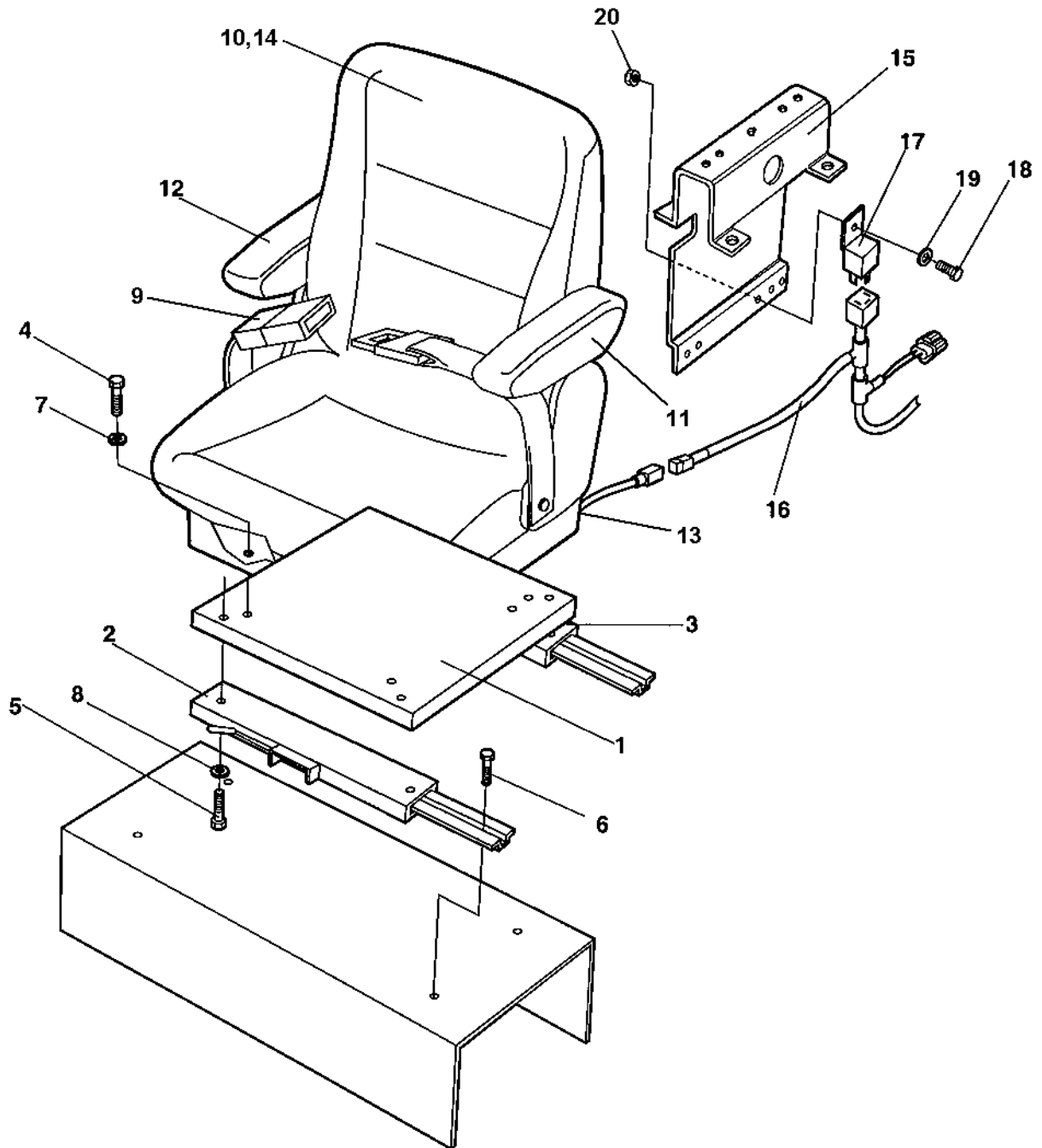


Arm rests, seat belt, laterally adjusting

Item	Part No	Rem	Qty	Description	Code
1	4700909536	A	1	Sliding rail	Right D
2	4700909535	B	1	Sliding rail	Left D
3	4700508092		4	Screw	C
4	4700500020		4	Screw	M8-1,25x22 8,8 C
5	4700904229		4	Washer	8,4x16x1,5 C
6	4700586003		4	Lock nut	M8 C
7	4700372570		1	Seat	
8	4700372696	C	1	Arm rest	D
9	4700372697	D	1	Arm rest	D
10	4700513013	E	4	Screw	C
11	4700570005	E	4	Nut	M8 C
12		E	4	Nut protection	C
13	4700377677	F	1	Seat belt	2" B
	4700379637	G	1	Seat belt	3" B
14			2	.Screw	B
15			2	.Nut	B
16			2	.Protection cap	B

- A) Rear
- B) Front
- C) Left
- D) Right
- E) Incl in armrests
- F) CPL
- G) Option, 3 "

Comfort drivers seat, laterally adjusting and seat belt  
18091

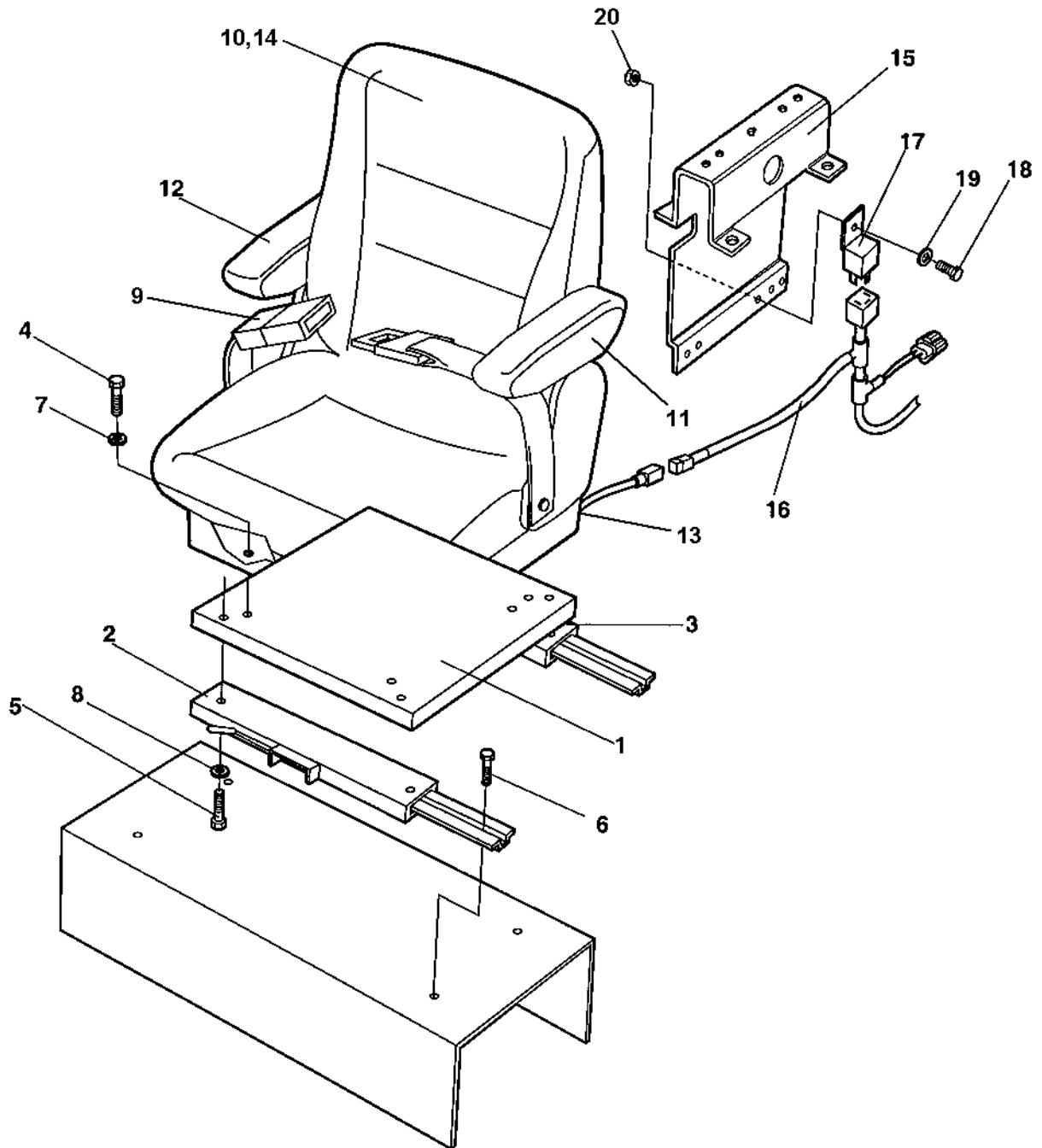


**Comfort drivers seat, laterally adjusting and seat belt**

Item	Part No	Rem	Qty	Description		Code
1	4700382237		1	Bracket		
2	4700909535	A	1	Sliding rail	Left	D
3	4700909536		1	Sliding rail	Right	D
4	4700508005		6	Screw		
5	4700508005		4	Screw		
6	4700508092		4	Screw		C
7	4700904556		6	Steel plain washer		C
8	4700904556		4	Steel plain washer		C
9	4700903671		1	Seat belt		
	4700383200	B	1	Seat belt	3"	B
10	4700381750		1	Drivers seat		
11	4700938738		1	.Arm rest, left		
12	4700938739		1	.Arm rest, right		
13	4700938740		1	.Seat switch		
14	4700386075		1	Seat protection		
15		C	1	Framing		
16	4700384532		1	Cable harness		
17	4700975077		1	Relay		
18	4700500006		1	Screw	M5x16	C
19	4700904281		1	Washer	5,3x10x1 300HV	C
20	4700570003		1	Nut	M5	C

- A) With handle
- B) Option, 3 "
- C) See section "F/r controls dual, control panel mounted"

Comfort drivers seat, laterally adjusting and seat belt  
18091



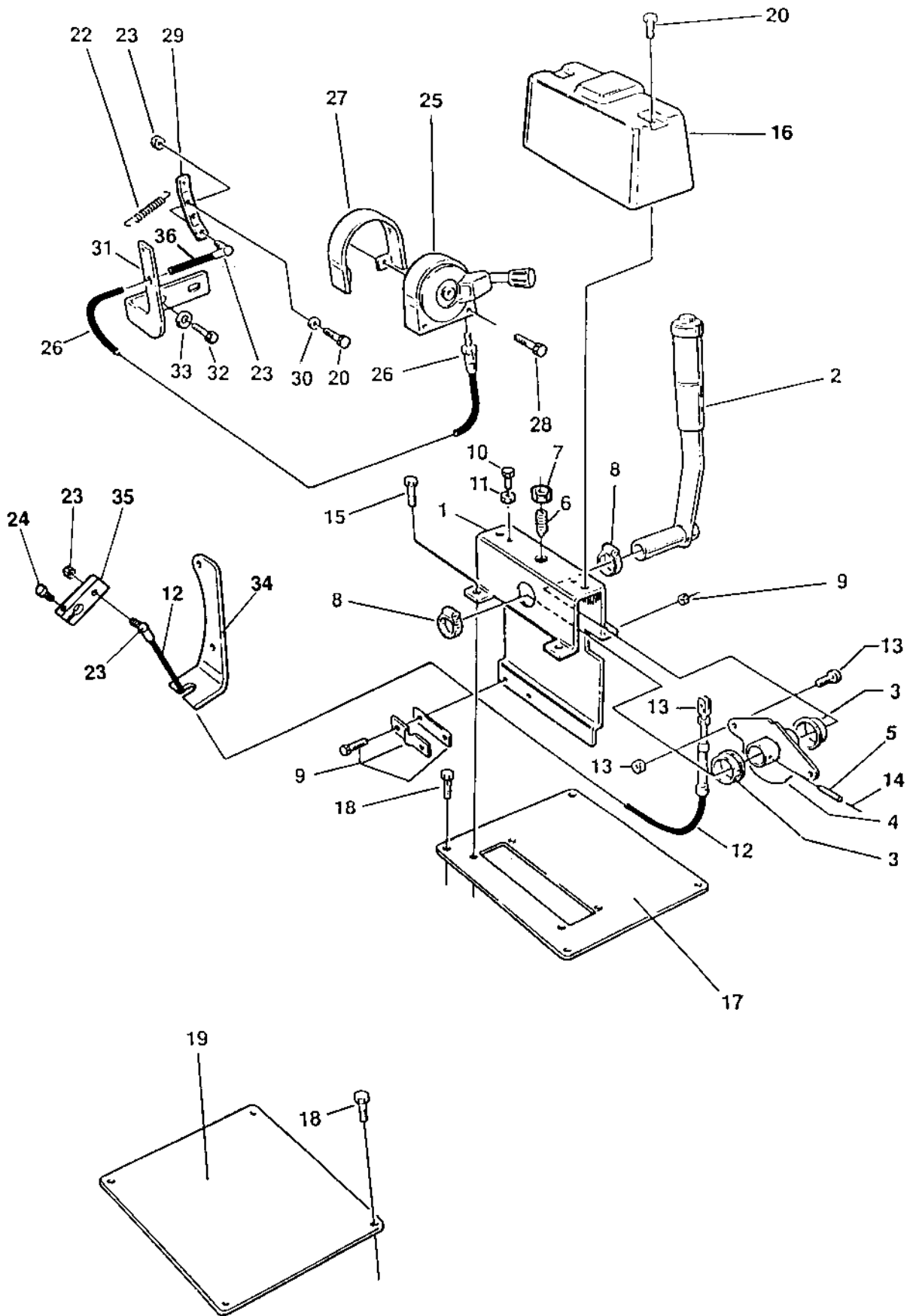
**Comfort drivers seat, laterally adjusting and seat belt**

Item	Part No	Rem	Qty	Description		Code
1	4700382237		1	Bracket		
2	4700909535	A	1	Sliding rail	Left	D
3	4700909536		1	Sliding rail	Right	D
4	4700508005		6	Screw		
5	4700508005		4	Screw		
6	4700508092		4	Screw		C
7	4700904556		6	Steel plain washer		C
8	4700904556		4	Steel plain washer		C
9	4700377677		1	Seat belt	2"	B
	4700379637	B	1	Seat belt	3"	B
10	4700381750		1	Drivers seat		
11	4700938738		1	.Arm rest, left		
12	4700938739		1	.Arm rest, right		
13	4700938740		1	.Seat switch		
14	4700386075		1	Seat protection		
15		C	1	Framing		
16	4700384532		1	Cable harness		
17	4700975077		1	Relay		
18	4700500006		1	Screw	M5x16	C
19	4700904281		1	Washer	5,3x10x1 300HV	C
20	4700570003		1	Nut	M5	C

- A) With handle
- B) Option, 3 "
- C) See section "F/r controls dual, control panel mounted"

Engine and forward/reverse controls DEUTZ

16520



Engine and forward/reverse controls DEUTZ

Item	Part No	Rem	Qty	Description	Code
1	4700902896		1	Framing	
2	4700357501	A	1	Control lever	
3	4700902187		2	Bearing	
4	4700902895		1	Cam disc	
5	4700629016		2	Expanding	C
6	4700922325		1	Spring ball plunger	C
7	4700573004		1	Nut	C
8	4700313035		2	Hose clamp	
9	4700902189		1	Bracket	
10	4700533038		2	Screw	C
11	4700570004		2	Nut	C
12	4700902191	B	1	Control cable	D
13	4700416004		1	Fork	C
14	4700903395		2	Spirol pin	C
15	4700541703		4	Screw	C
16	4700357494		1	Cover	
17	4700357495	C	1	Control bracket	
18	4700500501		8	Screw	
19	4700357496	D	1	Cover plate	
20	4700541703		4	Screw	C
22	4700357500		1	Spring	C
23	4700416034		2	Ball joint	C
24	4700508020		1	Screw	C
25	4700382213	E	1	Control Up to 601X7762	C
	4700389175		1	Control From 601X7763	C
	4700396215		1	Control From 60131279	
26	4700902193	E	1	Control cable Up to 601X7762	D
	4700389176		1	Control cable From 601X7763	
27	4700382226		1	Snap plate Up to 601X7762	
	4700374981	F	1	Snap plate Up to 601X7762	
	4700389177	G	1	Snap plate From 601X7763	D
28	4700904545		2	Screw	
29	4700357498		1	Control lever	D
30	4700615042		2	Conical spring washer	
31	4700357499		1	Control bracket	
32	4700500021		2	Screw	C
33	4700904556		2	Steel plain washer	C
34	4700390810		1	Control bracket	
35	4700372705		1	Control lever	
36	4700382349		1	Bellows	C

- A) Right, for electrical equipment see section " Electrical equipment "
- B) F/R control
- C) Right
- D) Left
- E) Throttle
- F) Option, dual frequency
- G) Not designed as illustrated





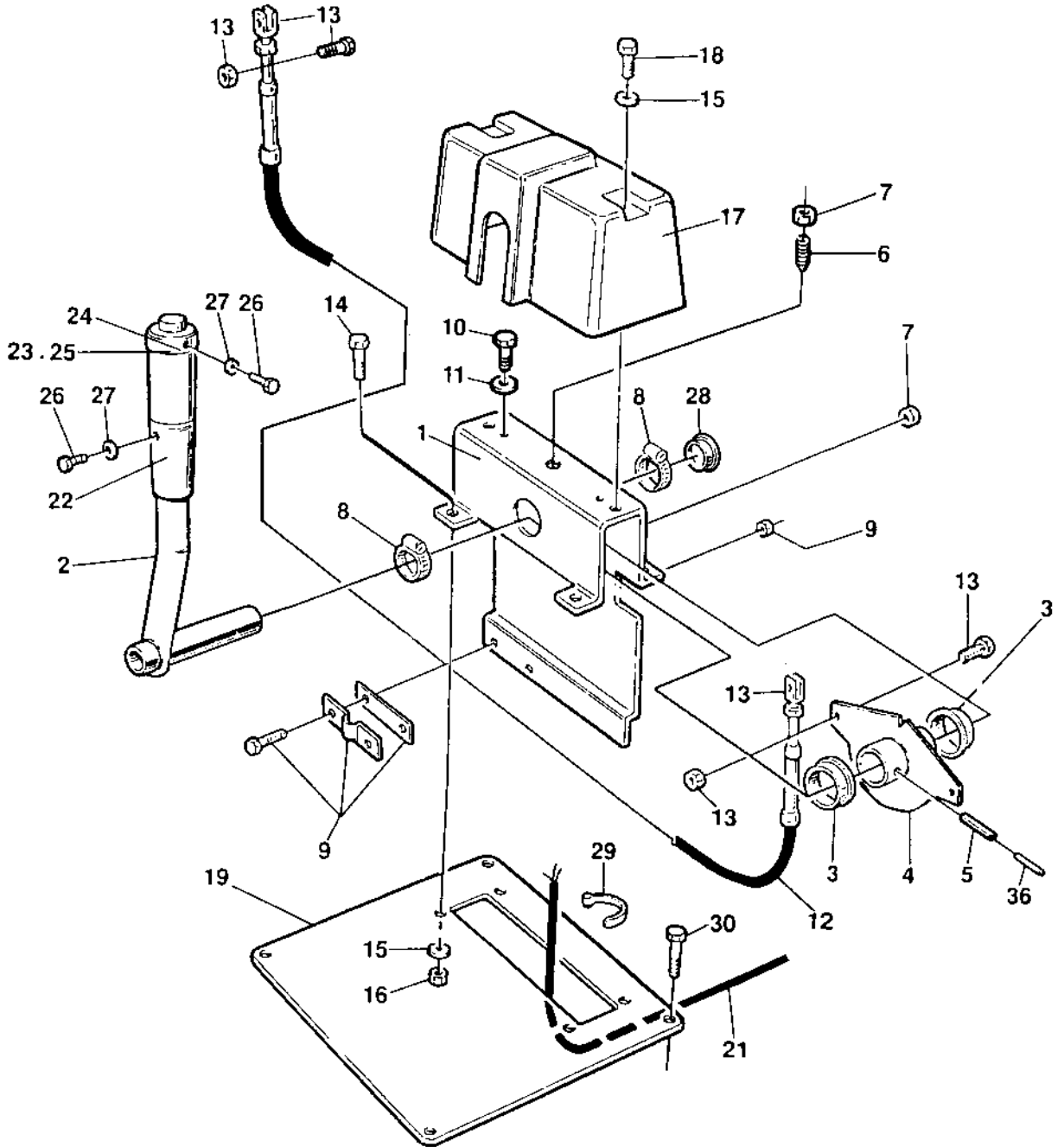
F/r controls dual, control panel mounted

Item	Part No	Rem	Qty	Description	Code
1	4700902896		2	Framing	
2	4700370263	A	1	Control lever	
3	4700902187		4	Bearing	
4	4700902895		2	Cam disc	
5	4700629016		4	Expanding	C
6	4700922325		2	Spring ball plunger	C
7	4700573004		2	Nut	C
8	4700313035		4	Hose clamp	
9	4700902189		3	Bracket	
10	4700533038		4	Screw	C
11	4700570004		4	Nut	M6X1,00 -8 A2K
12	4700903675		1	Control cable	D
13	4700416004		3	Fork	C
14	4700903395		4	Spirol pin	C
15	4700370241		2	Cover	
16	4700370242		2	Knob	
17	4700370273		1	Plate	
18	4700370272		1	Shaft	
19	4700516010		1	Screw	
20	4700370244		1	Cover	
21	4700357496		1	Cover plate	
22	4700370174		1	Instrument box	
23	4700371088		1	Hand rail	
24	4700541702		12	Screw	M6x12
25	4700921070		1	Clamp	
26	4700541705		1	Screw	
27	4700500013		4	Screw	M6-1x16 8,8
28	4700600004		6	Washer	C
29	4700500061		2	Screw	M6-1X35 8,8
30	4700202028	B	1XL	Edge trim	D
31	4700312001		1	Handle grip	
32	4700346431		1	Bolt	
33	4700923900		1	Spring loaded pin	
34	4700570005		1	Nut	M8
35	4700357583		1	Cable harness	
36	4700370274		1	Cable harness	
37	4700600006		2	Washer	C
38	4700586003		2	Lock nut	M8
39	4700500509		4	Screw	
40	4700541702		8	Screw	M6x12
41	4700382213	C	1	Control Up to 601X7762	C
	4700389175		1	Control From 601X7763	C
	4700396215	C	1	Control From 60131279	
42	4700902193	C	1	Control cable Up to 601X7762	D
	4700389176		1	Control cable From 601X7763	
43	4700370266	D	1	Control lever	
44	4700903676	E	1	Control cable	D

- A) Right, for electrical equipment see section " Electrical equipment "
- B) L=0,225 m
- C) Throttle
- D) Left, for electrical equipment see section " Electrical equipment "
- E) F/R control

F/r control dual left side, platform mounted

17969



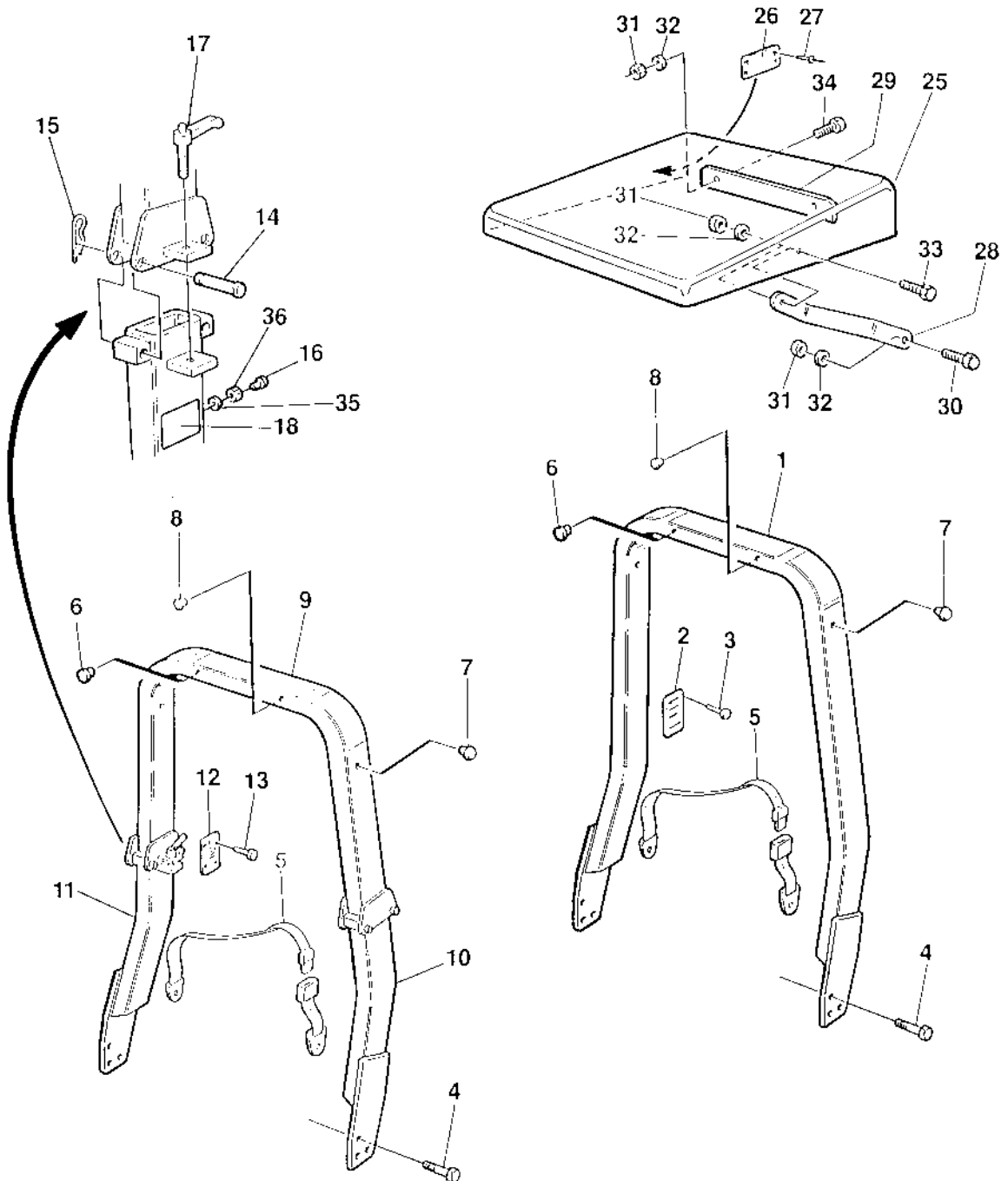
F/r control dual left side, platform mounted

Item	Part No	Rem	Qty	Description	Code
1	4700902896		1	Framing	
2	4700357502	A	1	Control lever	
3	4700902187		2	Bearing	
4	4700902895		1	Cam disc	
5	4700629016		2	Expanding	C
6	4700922325		1	Spring ball plunger	C
7	4700573004		1	Nut	C
8	4700313035		2	Hose clamp	
9	4700902189		2	Bracket	
10	4700533038		2	Screw	C
11	4700570004		2	Nut	M6X1,00 -8 A2K C
12	4700908484		1	Control cable	D
13	4700416004		2	Fork	C
14	4700500040		4	Screw	M6-1x20 8,8 C
15	4700904228		6	Washer	6,4x12x1,5 C
16	4700586002		4	Lock nut	M6 -8 C
17	4700357494		1	Cover	
18	4700500013		2	Screw	M6-1x16 8,8 C
19	4700357495	A	1	Control bracket	
21	4700357896		1	Cable harness	
22	4700285909		1	Grab handle	D
23	4700928497	C	1	Push button	D
24	4700285911		1	Bushing	D
25	4700348481		1	Cover	B
26	4700533001		3	Screw	
27	4700904697		5	Washer	3,2x6x0,5
28	4700902203		1	Plug	C
29	4700313068		2	Cable ties	L=92 mm
30			4	Screw	
36	4700903395		2	Spirol pin	C

- A) Left
- C) Vibration

**Rops and fops**

15580-3



**Rops and fops**

Item	Part No	Rem	Qty	Description	Code
1		A,B	1	Rops	C
2	4700370803		1	.Sign, rops	
3	4700902093		4	.Screw	
4	4700902889		6	Screw	
5		D	1	Seat belt	
6	4700900986		4	Plug	
7	4700902203		5	Plug	C
	4700902203	C	3	Plug	C
8	4700903378		8	Plug	
9		A,B	1	Rops, upper part	
10		A,B	1	Rops, lower part	
11		A,B	1	Rops, lower part	
12	4700370803		1	Sign, rops	
13	4700902093		4	Screw	
14	4700374009		4	Shaft	
15	4700635061		4	Hair clip	C
16	4700288357	E	2	Shock absorber	
17	4700904429		2	Lock handle	
18	4700908229		2	Safety decal	D
25	4700359074		1	Roof	
26			1	Sign, fops	
27	4700624016		4	Blind rivet	C
28	4700359063		2	Support bar	
29	4700359062		1	Holder plate	
30	4700500094		2	Screw	
31	4700586021		6	Nut	M16 C
32	4700904232		12	Washer	C
33	4700500070		2	Screw	M16x50 C
34	4700500164		2	Screw	M16-2,0x150 8,8 C
35	4700904229		2	Washer	8,4x16x1,5 C
36	4700570005		2	Nut	M8 C

- A) Not sold separately due to safety regulations
- B) Only available as a complete ROPS kit; please check the machine SN, and contact Dynapac for valid PN
- C) Foldable rops
- D) See section for Drivers seat
- E) Needs hole: threaded M8; 190 mm from the top of Rops, lower part, rear in the middle.

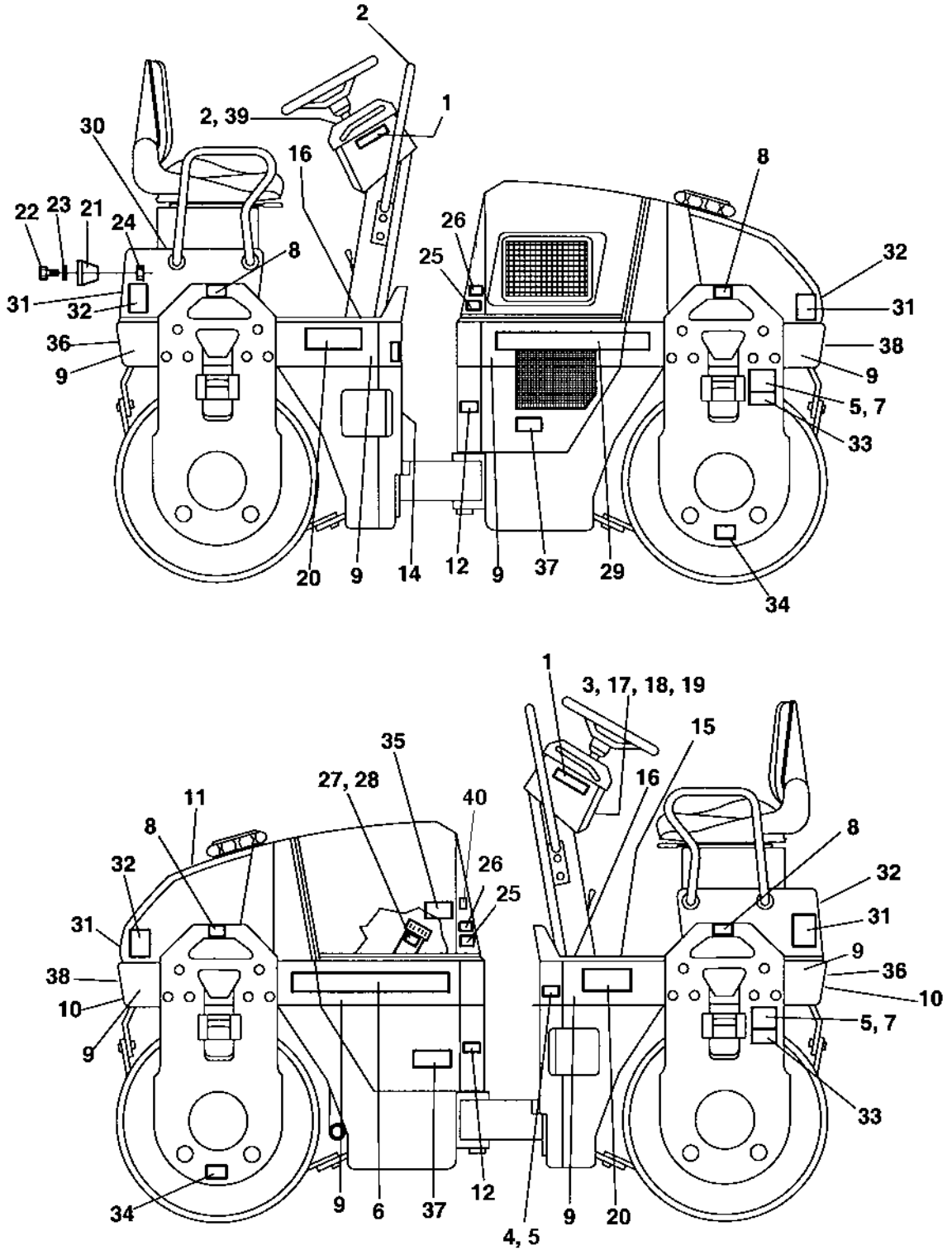


**Decals**

<b>Item</b>	<b>Part No</b>	<b>Rem Qty</b>	<b>Description</b>	<b>Code</b>
100			Plates and decals, ce-marking approved ( Page 204 )	

Plates and decals, ce-marking approved

18093





Plates and decals, ce-marking approved

Item	Part No	Rem	Qty	Description		Code
1	4700903459	A	2	Decal "SAFETY"		D
2	47386084SE		1	Warning plate	Swedish	
	47386084EN		1	Warning plate	English	
	47386084DE		1	Warning plate	German	
	47386084IT		1	Warning plate	Italian	
	47386084ES		1	Warning plate	Spanish	
	47386084FR		1	Warning plate	French	
	47386084NO		1	Warning plate	Norwegian	
	47386084DK		1	Warning plate	Danish	
	47386084FI		1	Warning plate	Finnish	
	47386084PT		1	Warning plate	Portuguese	
	47386084NL		1	Warning plate	Dutch	
	47386084GR		1	Warning plate	Greek	
	47386084IS		1	Warning plate	Icelandic	
	47386084CN		1	Warning plate	Chinese	
3	4700903425		1	Decal "SAFETY MANUAL"		D
4			1	Product identification plate		D
			1	Product identification plate CE		D
	4700357130	J	1	Plate cert. appr.		
	4700371173	K	1	Product plate		
5	4700624005	Z	12	Blind rivet	3,2x6,1	C
6	4700904096		1	Decal "DYNAPAC"	L=420 mm	
7	4700904870		2	Lifting sign		D
8	4700357587		2	Decal "LIFT POINT"		D
9	4700357592	M	NXL	Decal "RED"	W=148 mm	D
10	4700904094		2	Decal "DYNAPAC" Up to 601X8707	L=670 mm	
	4700904096	O	2	Decal "DYNAPAC" Up to 601X8707	L=420 mm	
	4700904097		2	Decal "DYNAPAC" From 601X8708	L=290 mm	
	4700379982	M	NXL	Decal "RED" From 601X8708	W=120 mm	
11	4700991657		1	Decal "WATER"		D
12	4700903422	P	2	Decal "SAFETY"		D
14	4700991658		1	Decal "FUEL"		D
15	4700357604	Q	1	Protection		
16	4700357605	R	2	Protection		
17	4700357643		1	Wire		D
18	4700904697		1	Washer	3,2x6x0,5	
19	4700358254		1	Key-ring		
20	4700902218		2	Decal "MODEL CODE"	CC122	
	4700371170	S	2	Decal "MODEL CODE"	CC122 II	
21	4700900684	X	1	Name plate "DYNAPAC"		
22	4700535008		2	Screw	M5x20	C
23	4700600003		2	Washer		
24	4700586001		2	Lock nut		C
25	4700903423	U	2	Decal "SAFETY"		D
26	4700903424	V	2	Decal "HOT SURFACE"		D
27	4700370127		1	Decal "HYDRAULIC OIL"		
	4700380343		1	Sign "BIO HYDRAULIC OIL"		

- A) Read instr manual
- J) Italy only
- K) Japan only
- M) Length as required
- O) For machines with lights
- P) Hazardous area
- Q) Rear
- R) Front
- S) Japan
- U) Engine fan
- V) Hot surface
- X) Option
- Z) Replaces earlier used 4700624015



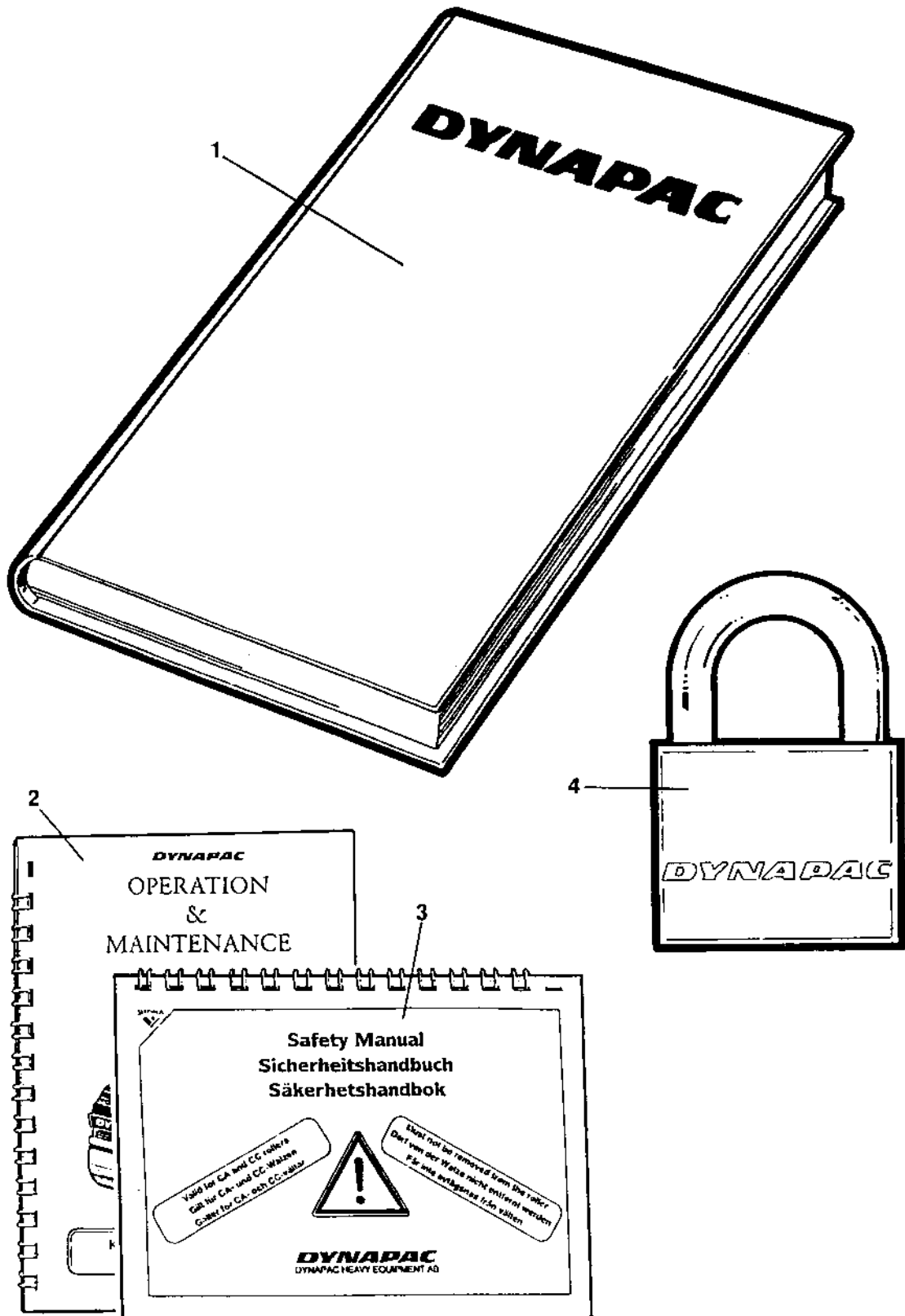
Plates and decals, ce-marking approved

Item	Part No	Rem Qty	Description		Code
27	4700792773	1	Sign "BIO HYDRAULIC OIL"	PANOLIN	
28	4700925802	2	Cable ties	L=142 mm	C
29	4700904097	1	Decal "DYNAPAC"	L=290 mm	
30	4700991657	1	Decal "WATER"		D
31	4700904403	4	Decal "Risk location"		
32	4700904404	4	Decal "Risk location"		
33	4700908229	2	Safety decal		D
34	4700382751	2	Decal "TIE DOWN POINT"		D
35	4700904835	1	Decal "BATTERY POWER"		D
36	4700377742	2	Reflector, red		D
37	4700377744	2	Reflector, yellow		D
38	4700377743	2	Reflector, white		D
39	4700624017	2	Blind rivet		C
40	4700791285	1	Decal "Sound power level"	99dB	
	4700791272	1	Decal "Sound power level"	102dB, Option	
	4700791275	1	Decal "Sound power level"	105dB	



**Standard equipment**

<b>Item</b>	<b>Part No</b>	<b>Rem Qty</b>	<b>Description</b>	<b>Code</b>
100			Standard equipment ( Page 210 )	



Item	Part No	Rem Qty	Description	Code
1		1	Documentation	OMS122C
		1	.Warranty registration card	
		1	.Operating instruction	O102
		1	.Maintenance instruction	M102
		1	.Spare parts catalogue	SCC122C
		1	.Instruction manual	DEUTZ / ISUZU
2		1	.Operating / maintenance instruction	OM102
3		1	.Safety manual	RSAFE
4	4700358881	1	Pad lock	D



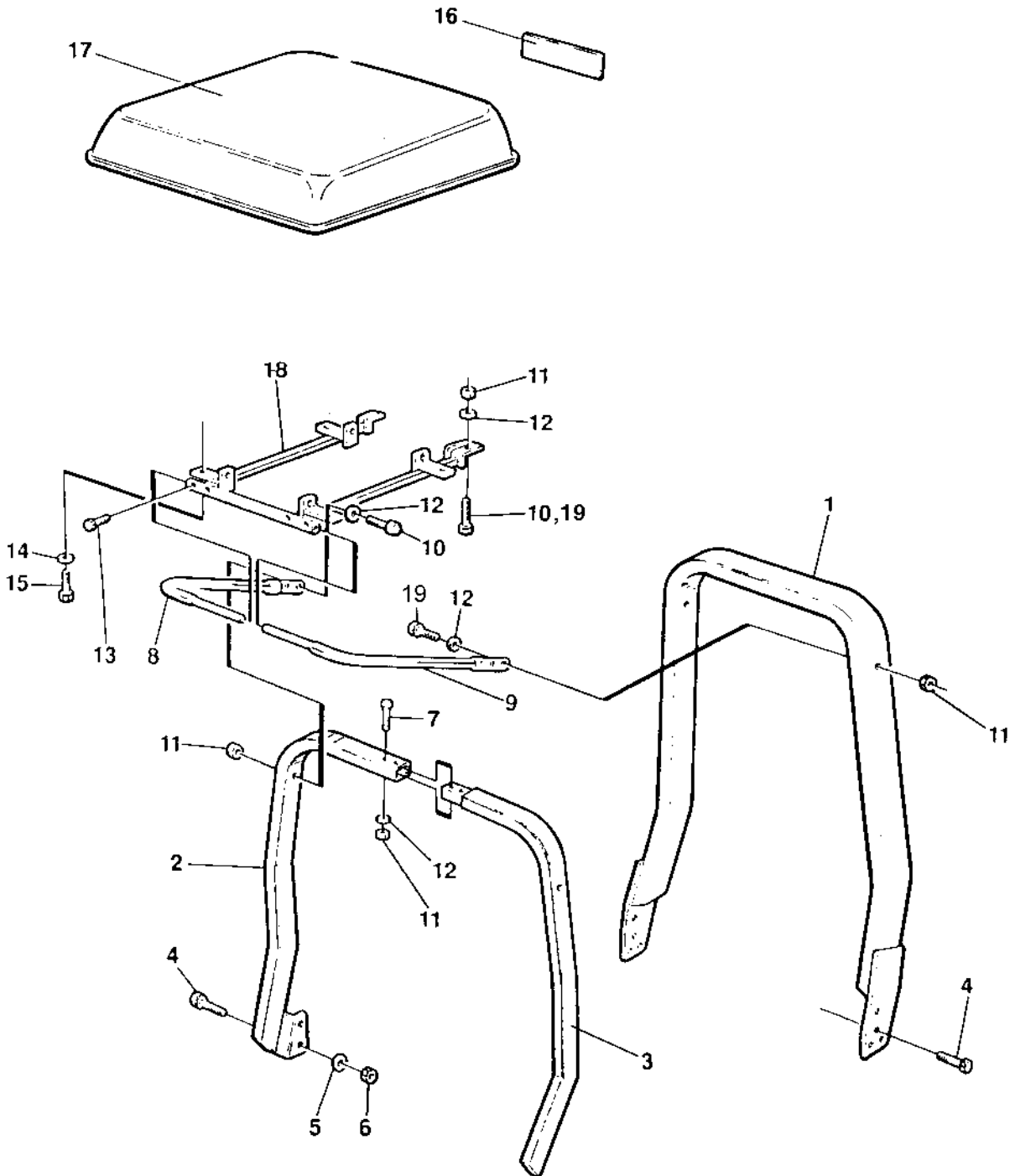


**Optional equipment**

<b>Item</b>	<b>Part No</b>	<b>Rem Qty</b>	<b>Description</b>	<b>Code</b>
41			Canopy ( Page 214 )	
60			SMV-sign ( Page 216 )	
65			SMV-sign placed on platform Up to 60129999 ( Page 218 )	
70			SMV-sign placed on platform From 60130000 ( Page 220 )	
90			Tool equipment ( Page 222 )	
101			Noise suppression ( Page 224 )	DEUTZ , 78 dB
106			Noise suppression ( Page 226 )	DEUTZ , 73 dB
110			Back-up alarm Up to 60131233 ( Page 228 )	
115			Back-up alarm From 60131234 ( Page 230 )	
120			Rear mirror ( Page 232 )	
125			Rear mirror ( Page 234 )	
180			Combination water supply ( Page 236 )	
185			Combination water supply ( Page 238 )	2 rear sprinkler pipes
200			Cassette receiver ( Page 240 )	
310			Towing valve ( Page 242 )	
400			Flow divider ( Page 244 )	
432			Vibration shut-off, front drum ( Page 246 )	DEUTZ
440			Automatic vibration control ( Page 248 )	
460			Service brake ( Page 250 )	
480			Driving, restriction ( Page 252 )	
500			Bio-hydraulic oil lock ( Page 254 )	Old design
550			Brake release, propulsion motor Up to 60119694 ( Page 256 )	
555			Brake release, propulsion motor From 60119695 ( Page 258 )	
560			Brake release, propulsion motor Poclain From 60119695 ( Page 260 )	

Canopy

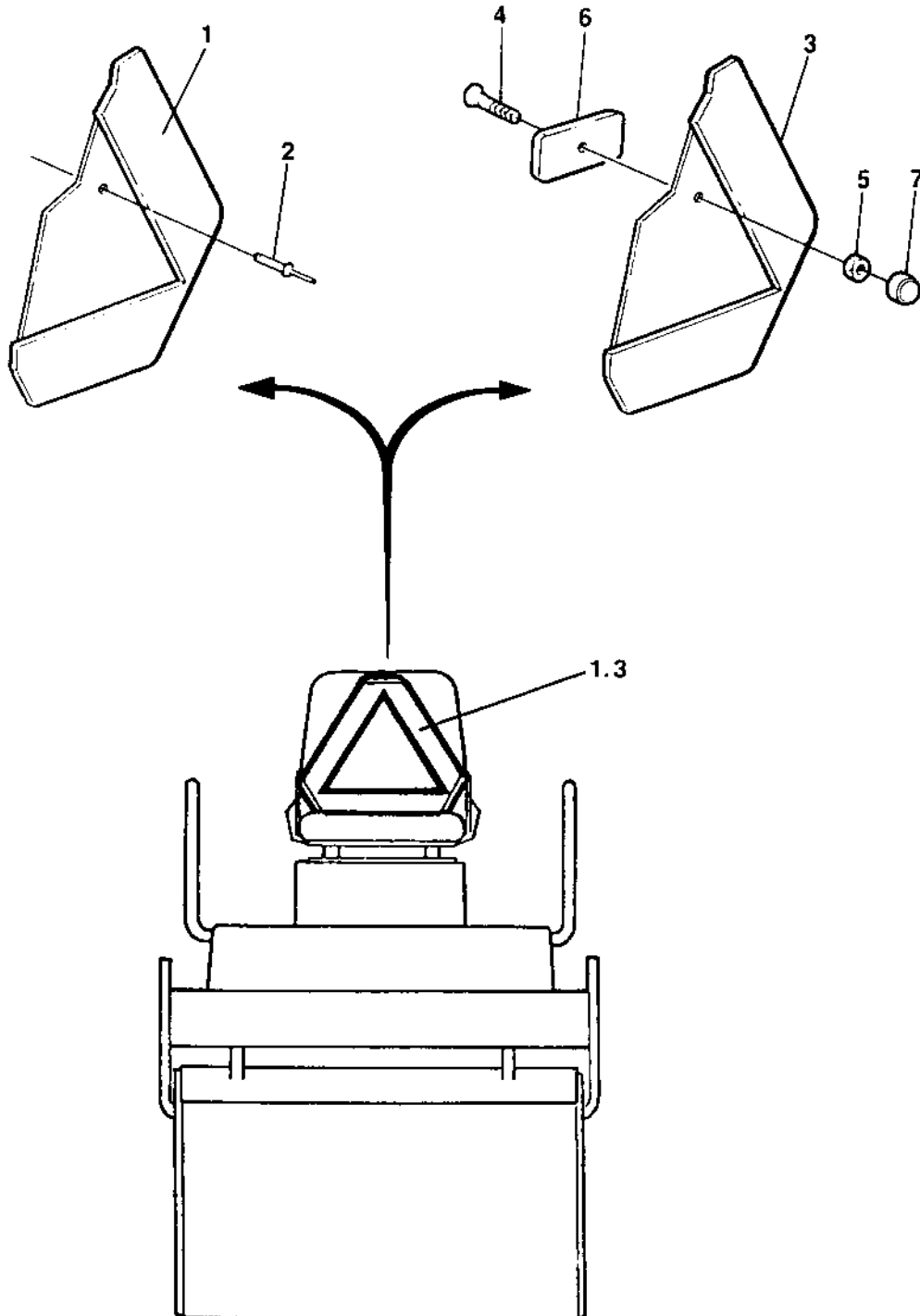
16647



**Canopy**

Item	Part No	Rem	Qty	Description	Code
1			1	Rops	
2	4700358801	A	1	Frame	
3	4700358802	B	1	Frame	
4	4700500030		4	Hexagon head screw	C
5	4700600008		6	Washer	C
6	4700586018		2	Lock nut	C
7	4700500195		2	Screw	C
8	4700358789	A	1	Frame	
9	4700358790	B	1	Frame	
10	4700500111		2	Screw	M12x55 8,8 C
	4700500133		2	Screw	C
11	4700586019		6	Lock nut	C
	4700586019	2	4	Lock nut	C
12	4700904231		12	Washer	13x24x2 300 HV C
	4700904231	2	8	Washer	13x24x2 300 HV C
13	4700516042		4	Stop screw	
14	4700904229		4	Washer	8,4x16x1,5 C
15	4700500021		4	Screw	M8-1,25x25 8.8 C
16	4700904094		1	Decal "DYNAPAC"	L=670 mm
17	4700358782		1	Canopy	
18	4700358783		1	Frame	
19	4700500071	2	4	Screw	M12-1,75x75 8,8 C

- 1) Rops, see section " Rops "
- 2) Canopy for rops
- A) Right
- B) Left



**SMV-sign**

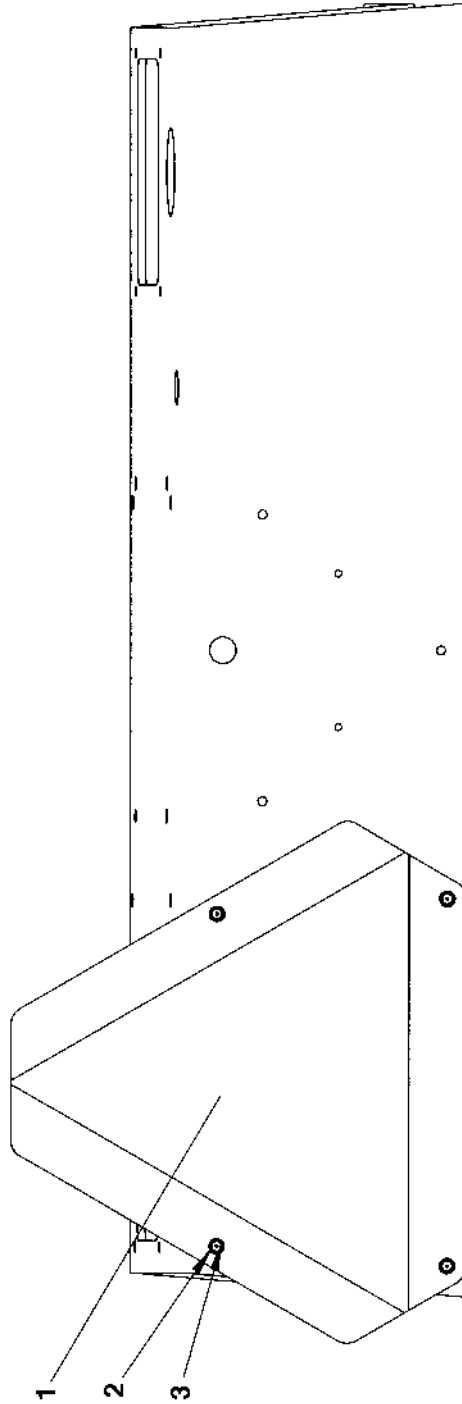
<b>Item</b>	<b>Part No</b>	<b>Rem</b>	<b>Qty</b>	<b>Description</b>	<b>Code</b>
1	4700476019		1	SMV-sign	D
2	4700624011		6	Pop rivet	C
3	4700476019		1	SMV-sign	D
4	4700513013	A	2	Screw	C
5	4700570005	A	2	Nut	C
6	4700374460	A	2	Spacer	
7	4700904203	A	2	Nut protection	

M8

A) S/N see item 3, on seats with armrests use existing

**SMV-sign placed on platform**

18404

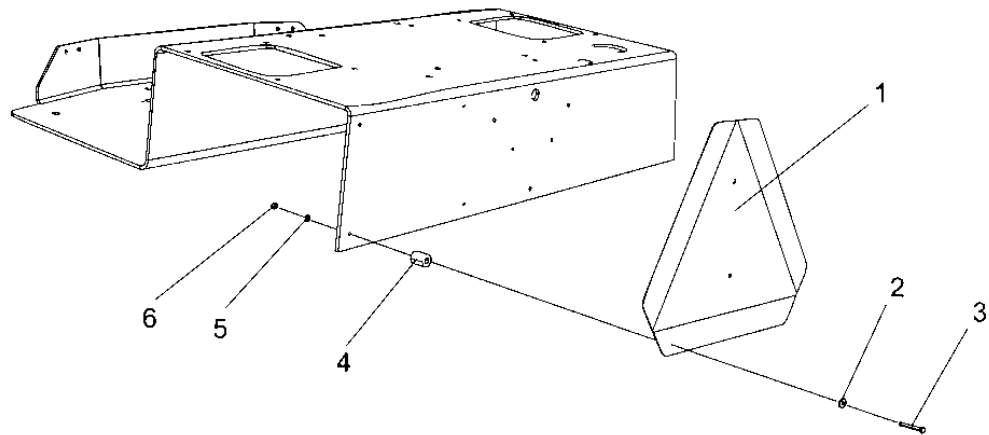


**SMV-sign placed on platform**

<b>Item</b>	<b>Part No</b>	<b>Rem Qty</b>	<b>Description</b>	<b>Code</b>
1	4700476019	1	SMV-sign	D
2	4700601001	4	Washer	C
3	4700923253	4	Rivet	C

**SMV-sign placed on platform**

18805



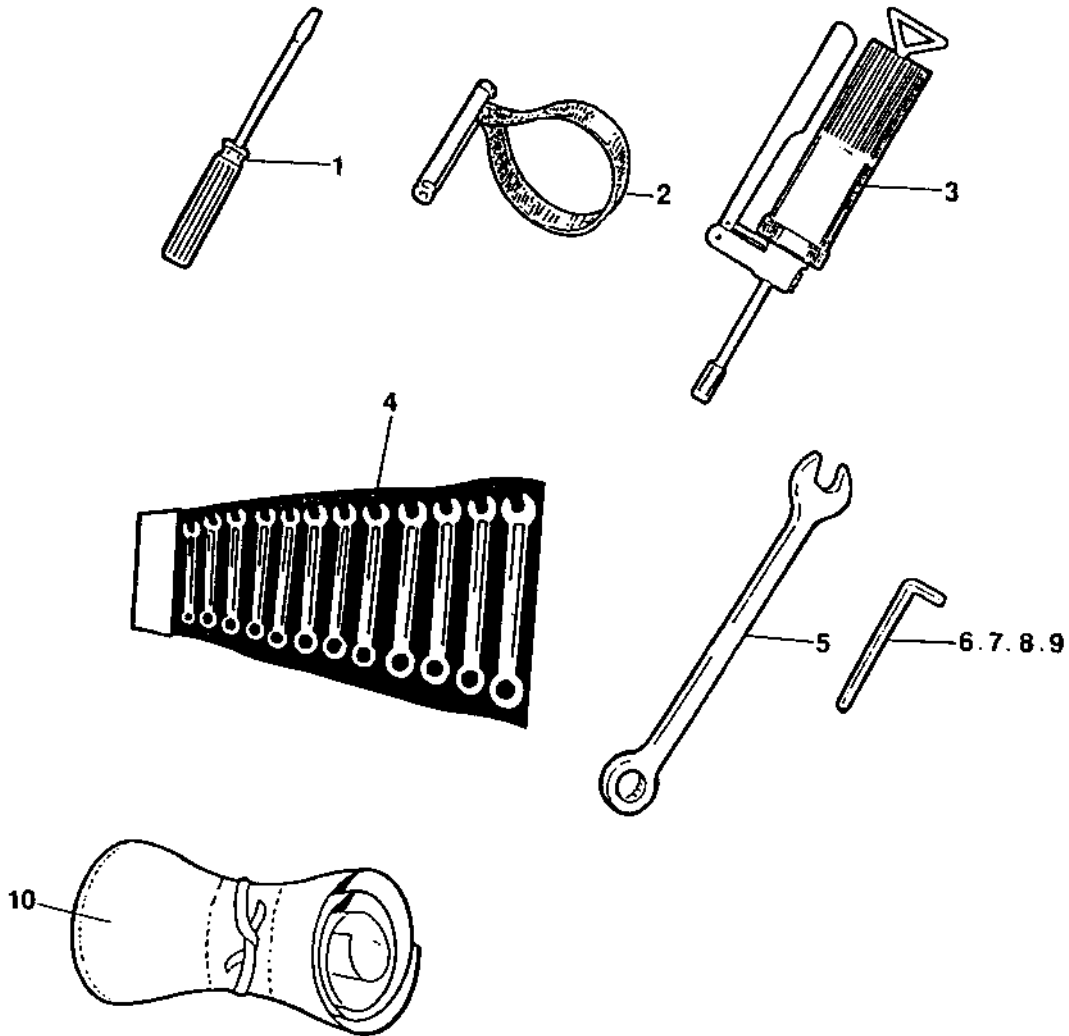


**SMV-sign placed on platform**

<b>Item</b>	<b>Part No</b>	<b>Rem Qty</b>	<b>Description</b>	<b>Code</b>
1	4700476019	1	SMV-sign	D
2	4700601001	4	Washer	C
3	4700500080	4	Screw	
4	4700355704	4	Spacer sleeve	
5	4700904281	4	Washer	
6	4700586001	4	Lock nut	
			5,3x10x1 300HV	C
				C

**Tool equipment**

15581

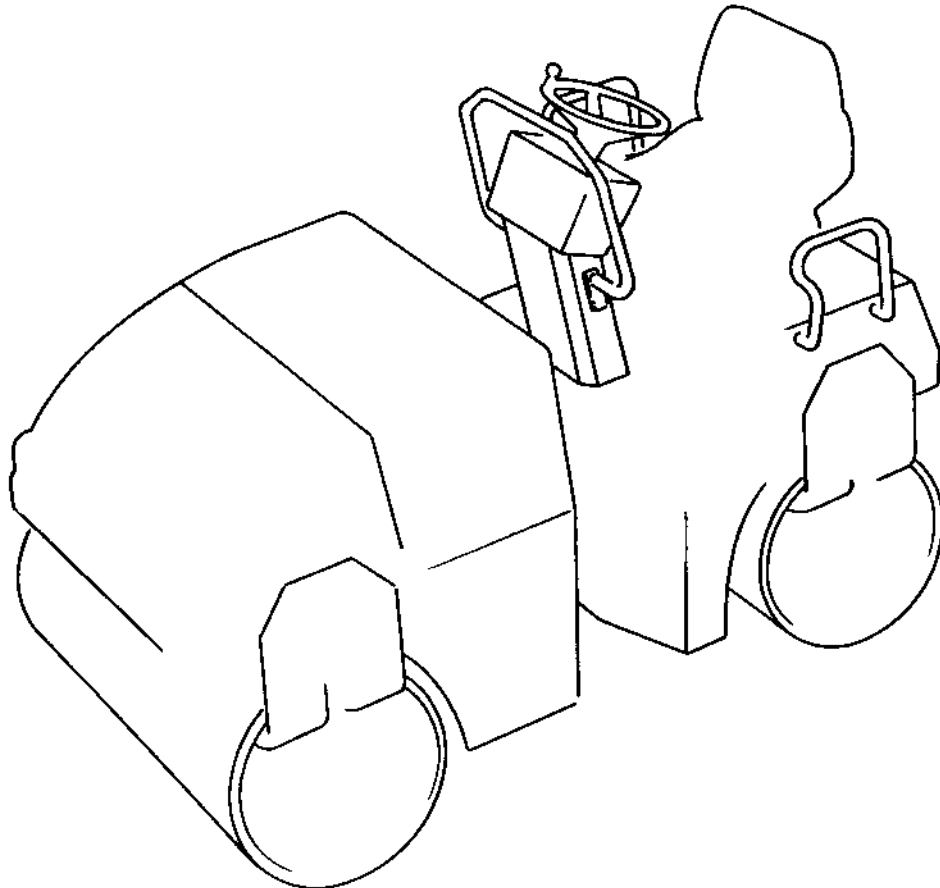
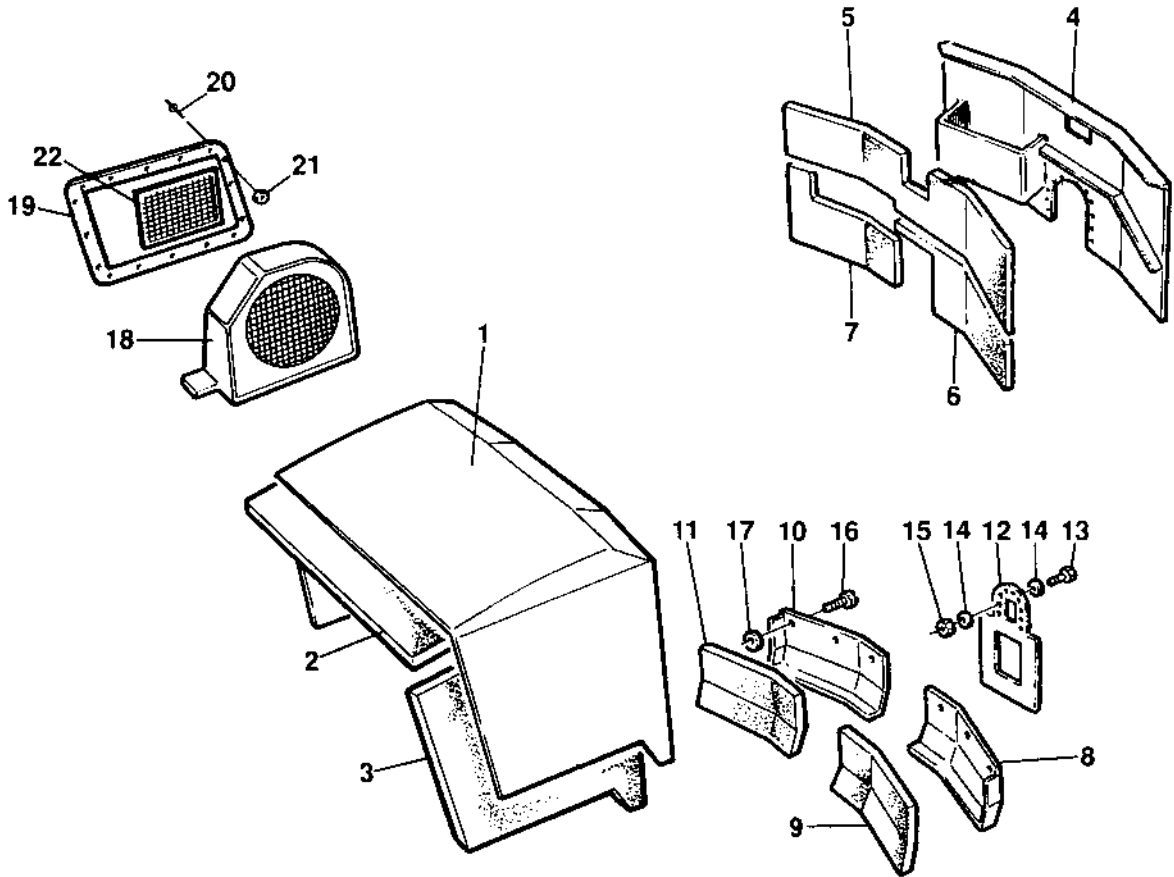


**Tool equipment**

<b>Item</b>	<b>Part No</b>	<b>Rem</b>	<b>Qty</b>	<b>Description</b>	<b>Code</b>
1	4700485019		1	Screw driver	
2	4700902610		1	Belt pliers	D
3	4700311016		1	Grease gun	D
4	4700901212	A	1	Open end spanner	
5	4700902578		1	Open end spanner	22 mm
6	4700485005		1	Allen wrench	1/4"
7	4700485037		1	Allen wrench	3/8"
8	4700485388		1	Allen wrench	6MM
9	4700485006		1	Allen wrench	8MM
10	4700277992		1	Tool bag	
A)	Kit				

Noise suppression DEUTZ , 78 dB

18365



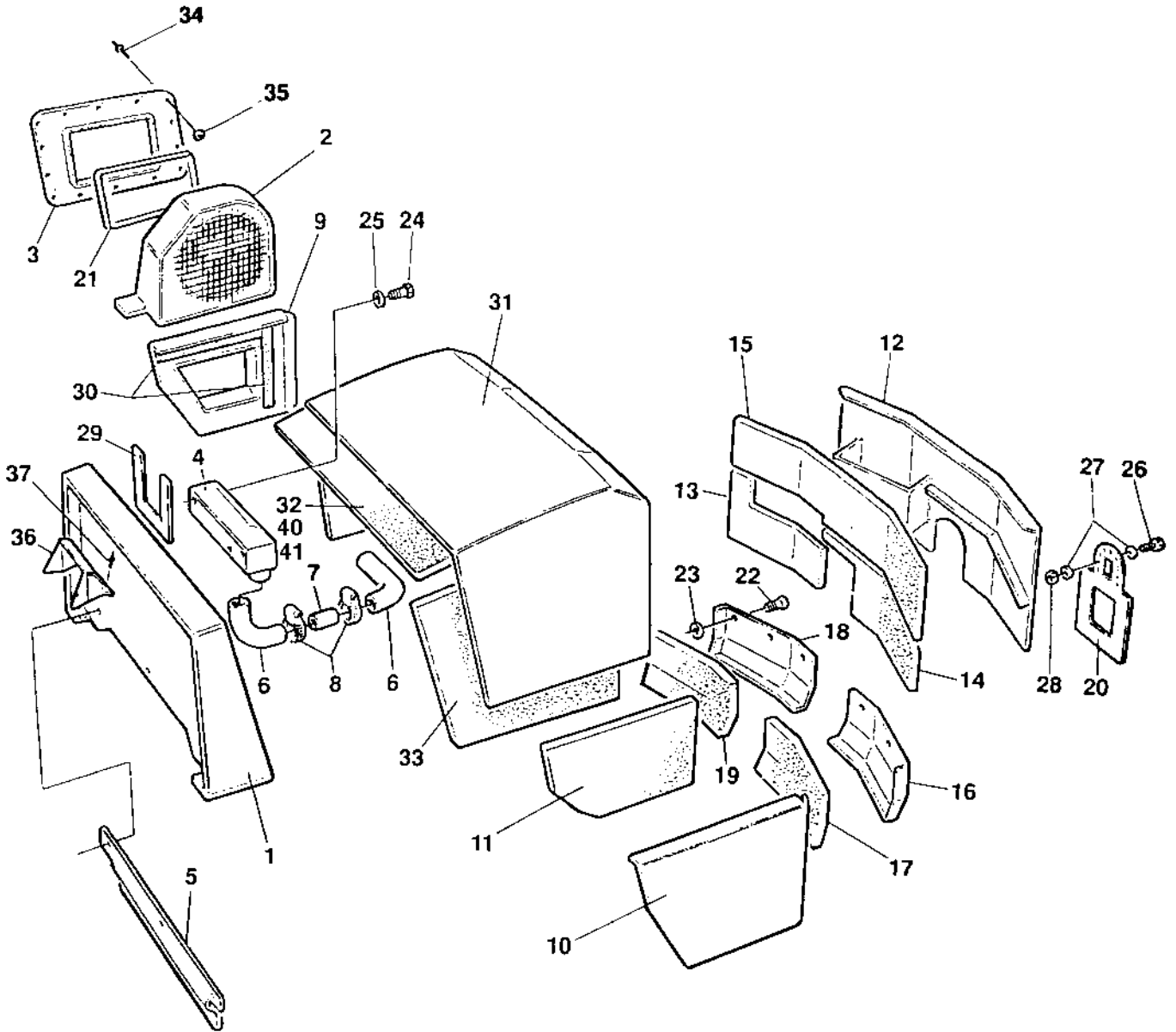
Noise suppression DEUTZ , 78 dB

Item	Part No	Rem	Qty	Description		Code
1		1	1	Hood		
2	4700358324		1	Absorbent		
3	4700358325		1	Absorbent		
4	4700382563		1	Cover		
5	4700358333		1	Absorbent		
6	4700358332		1	Absorbent		
7	4700382568		1	Absorbent		
8	4700358338		1	Cover		
9	4700358339		1	Absorbent		
10	4700358335		1	Cover		
11	4700358336		1	Absorbent		
12	4700358342		1	Rubber cloth		
13	4700500040		9	Screw	M6-1x20 8,8	C
14	4700615065		18	Steel plain washer		
15	4700586002		9	Lock nut	M6 -8	C
16	4700922875		6	Lock pin		
17	4700926985		6	Quick lock washer		C
18	4700374087		1	Cover		
	4700358558		1	.Absorbent		
	4700358561		1	.Absorbent		
19	4700358551		1	Cover		
20	4700903369		20	Rivet		
21	4700902111		20	Washer		
22	4700902166	A	1XL	Edge trim		D

- 1) See section " Structure "
- A) Length as required

Noise suppression DEUTZ , 73 dB

18364



Noise suppression DEUTZ , 73 dB

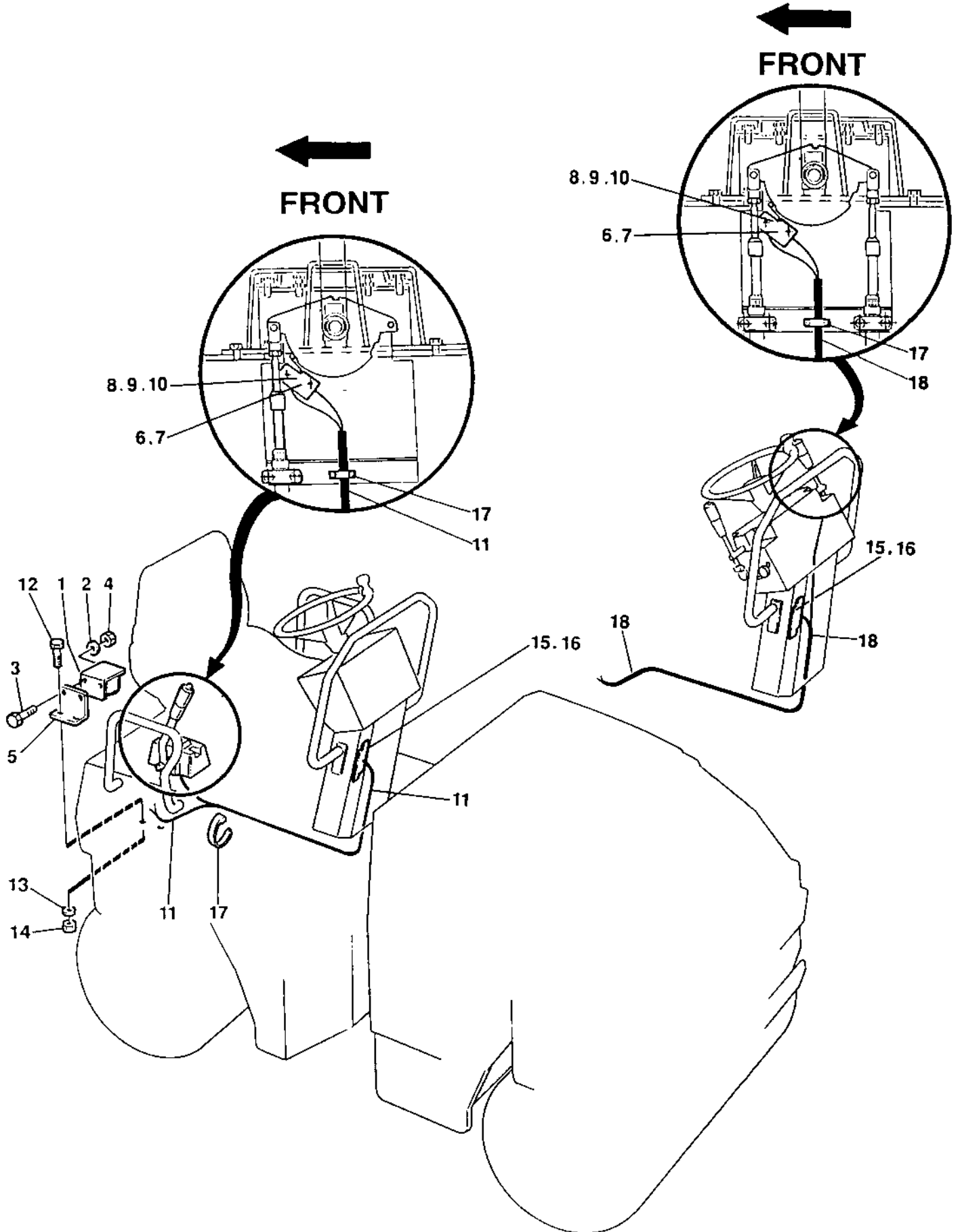
Item	Part No	Rem	Qty	Description	Code
1	4700358540		1	Hood frame	
2	4700374087		1	Cover	
	4700358558		1	.Absorbent	
	4700358561		1	.Absorbent	
3	4700358551		1	Cover	
4	4700358545		1	Cover	
5	4700358536		1	Cover	
6	4700358552		2	Air inlet hose	
7	4700358553		1	Pipe	
8	4700313023		2	Hose clamp	
9	4700358557		1	Cover	
10		1	1	Cover	
11	4700358341		1	Absorbent	
12	4700382563		1	Cover	
13	4700382568		1	Absorbent	
14	4700358332		1	Absorbent	
15	4700358333		1	Absorbent	
16	4700358338		1	Cover	
17	4700358339		1	Absorbent	
18	4700358335		1	Cover	
19	4700358336		1	Absorbent	
20	4700358342		1	Rubber cloth	
21	4700902166	A	1XL	Edge trim	D
22	4700922875		6	Lock pin	
23	4700926985		6	Quick lock washer	C
24	4700500190		3	Screw	
25	4700600006		3	Washer	C
26	4700500040		9	Screw	C
				M6-1x20 8,8	
27	4700615065		18	Steel plain washer	
28	4700586002		9	Lock nut	C
				M6 -8	
29	4700928937	A	1XL	Rubber strip	
30	4700202043	A	1XL	Rubber strip	D
31		1	1	Hood	D
32	4700358324		1	Absorbent	
33	4700358325		1	Absorbent	
34	4700903369		20	Rivet	
35	4700902111		20	Washer	
36	4700359769		1	Protecting cover	
37	4700903436		5	Blind rivet	C
40	4700791233		4	Holder	
41	4700791234		4	Insulating washer	

1) See section " Structure "

A) Length as required

**Back-up alarm**

15490-2





**Back-up alarm**

Item	Part No	Rem	Qty	Description		Code
1	4700903241		1	Back-up alarm	97 dB	B
2			4	.Washer		B
3			4	.Screw		B
4			4	.Nut		B
5	4700357993		1	Holder plate		
6	4700357994		1	Spacer nut		
7	4700902528		1	Micro switch		B
8	4700533057		2	Screw		
9	4700929602		2	Washer		
10	4700375892		1	Spacer nut		
11	4700357973	A	1	Cable harness		
12	4700500040		2	Screw	M6-1x20 8,8	C
13	4700600004		2	Washer		C
14	4700586002		2	Lock nut	M6 -8	C
15	4700901240		2	Connector		B
16	4700901226		1	Fuse	7.5A	A
17	4700313068		N	Cable ties	L=92 mm	
18	4700370660	C	1	Cable harness		

- A) DEUTZ
- C) ISUZU

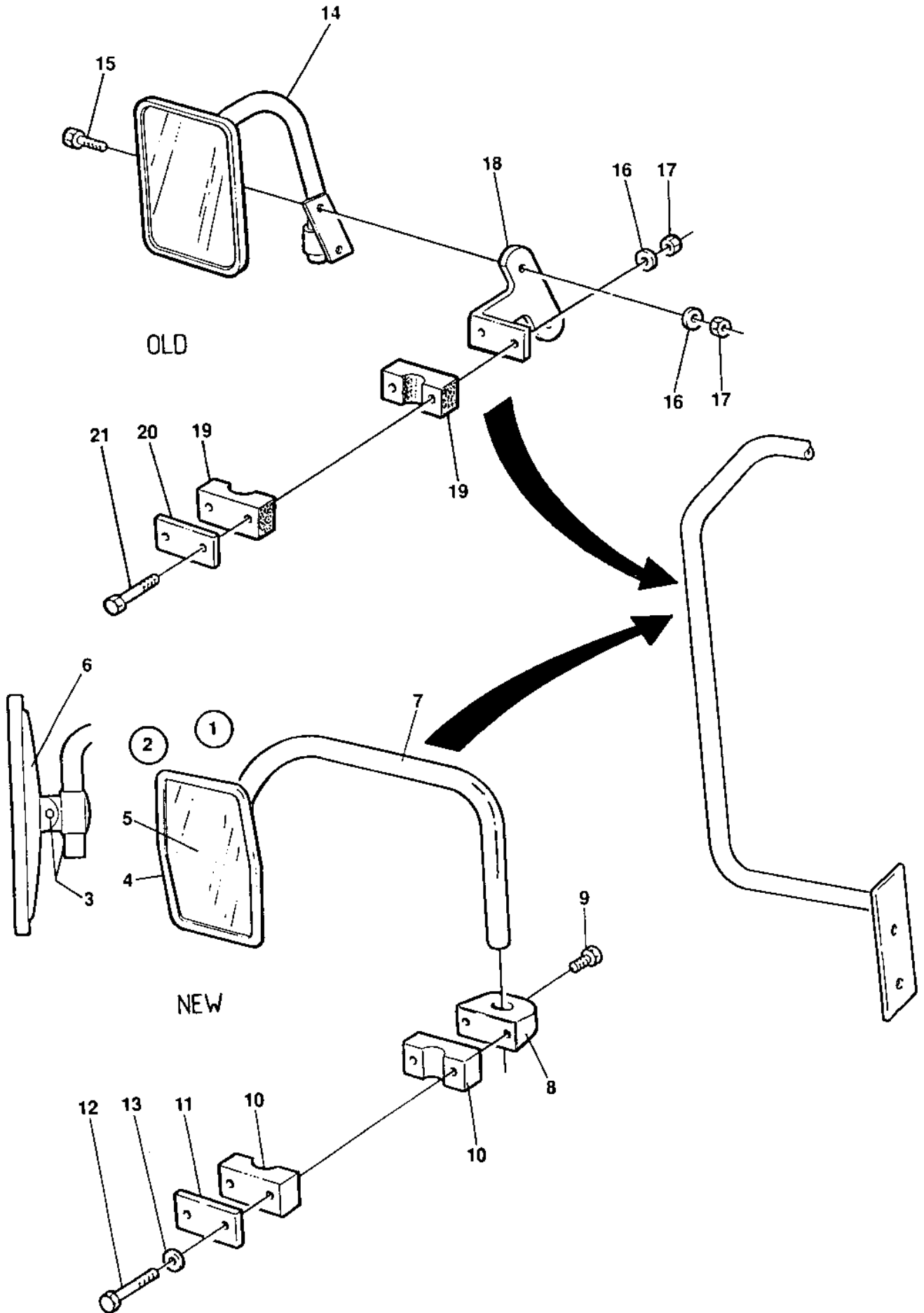


**Back-up alarm**

Item	Part No	Rem Qty	Description		Code
1	4700904911	1	Back-up alarm	97 dB	
6	4700357994	1	Spacer nut		
7	4700902528	1	Micro switch		B
8	4700900243	2	Screw	M3 x 30	
9	4700929602	2	Washer		
10	4700928927	2	Lock nut		
11	4812110276	1	Cable harness		
12	4700500040	4	Screw	M6-1x20 8,8	C
13	4700600004	2	Washer		C
14	4700586002	2	Lock nut	M6 -8	C
15	4700901240	2	Connector		B
16	4700901226	1	Fuse	7.5A	A
17	4700313068	N	Cable ties	L=92 mm	
19	4700904228	4	Washer	6,4x12x1,5	C
20	4700570004	2	Nut	M6X1,00 -8 A2K	C
22	4812110725	1	Bracket		

Rear mirror

15491-2



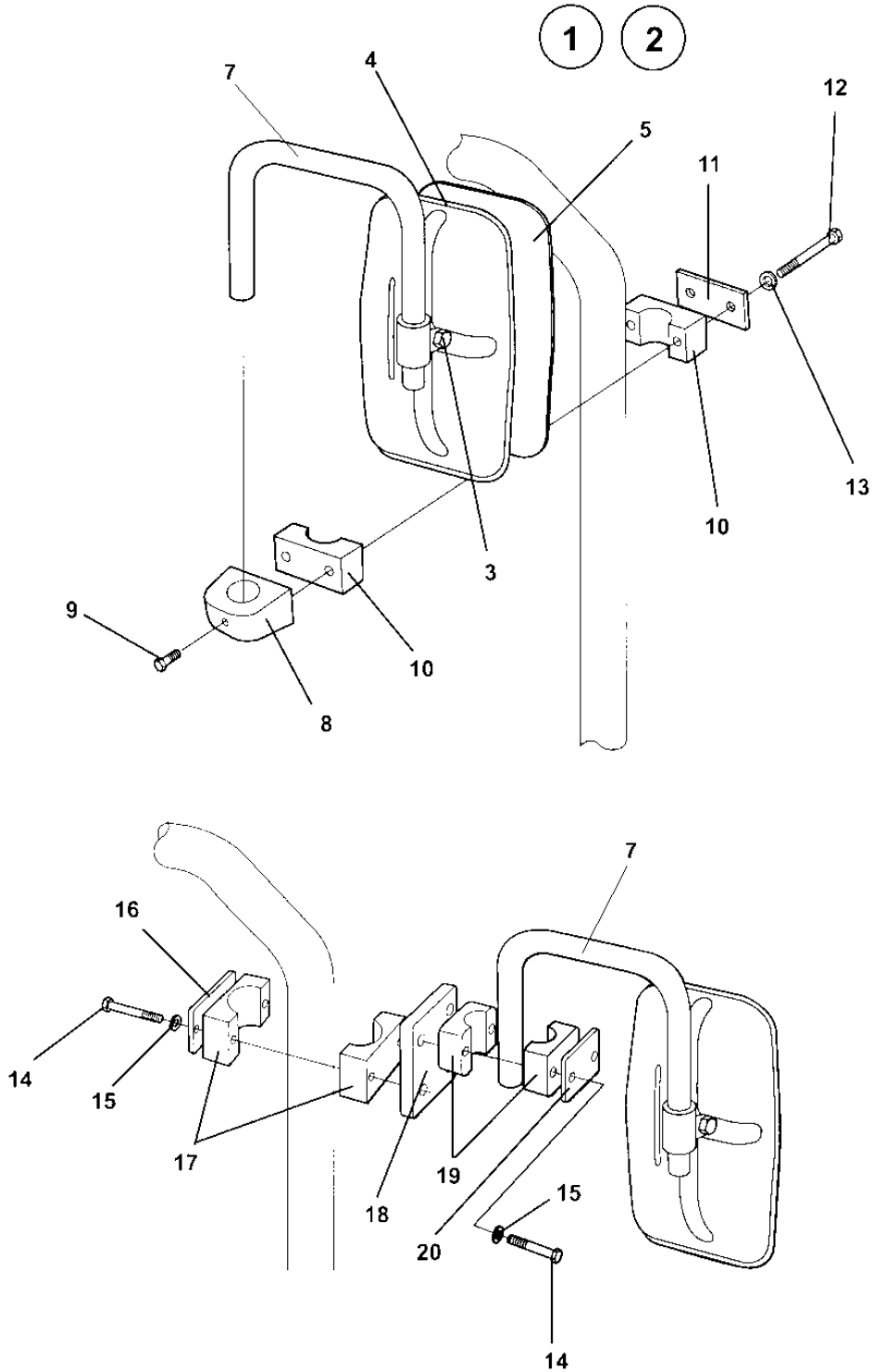
Rear mirror

Item	Part No	Rem	Qty	Description	Code
1	4700359662	A	1	Rear mirror Up to 60119554	
	4700393204		1	Rear mirror From 60119555	
2	4700909498		1	.Mirror Up to 60119554	
	4700393205		1	.Mirror From 60119555	
3	4700904203		1	..Nut protection From 60119555	
4	4700393206		1	..Edge trim From 60119555	
5	4700903722	B	1	..Mirror glass	D
7	4700359661		1	.Arm	
	4700900519		2	..Plug	
8	4700359660		1	Mirror bracket	
9	4700516043		1	Set screw	
10	4700902496	C	1	Clamp	
11	4700923859		1	Cover plate	
12	4700500079		2	Screw	M6-1x50 8,8
13	4700904228		2	Washer	6,4x12x1,5
14	4700355705		1	Rear mirror	
15	4700902845		2	Screw	
16	4700600004		4	Washer	
17	4700586002		4	Lock nut	M6 -8
18	4700357939		1	Holder plate	
19	4700902496	C	1	Clamp	
20	4700923859		1	Cover plate	
21	4700500016		2	Screw	M6x55 8.8 A2K

- A) CPL
- B) W. tape
- C) 2 pcs

**Rear mirror**

15491-3



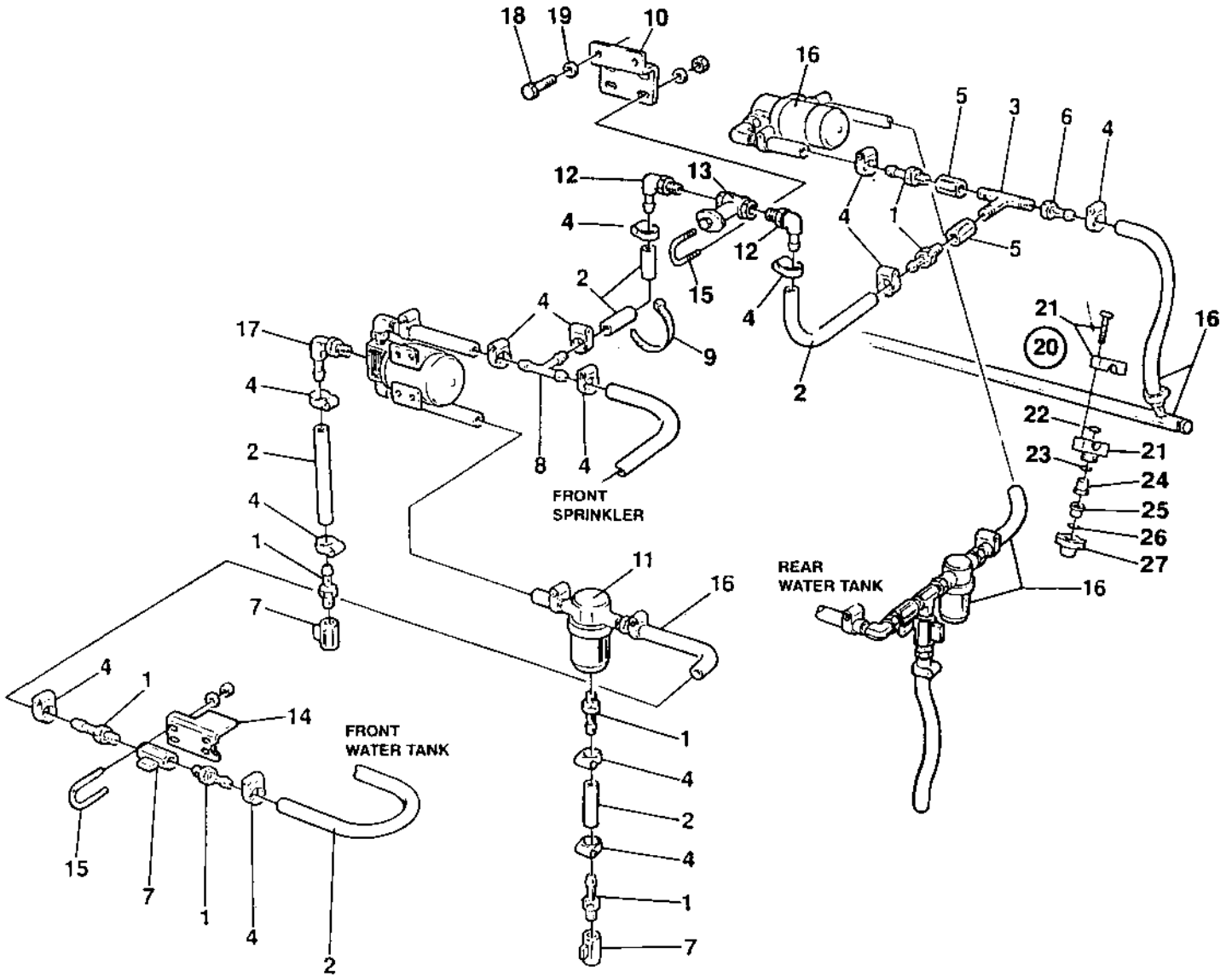
Rear mirror

Item	Part No	Rem	Qty	Description	Code
1	4700393204	A	1	Rear mirror From 60119555	
2	4700909498		1	.Mirror Up to 60119554	
	4700393205		1	.Mirror From 60119555	
3	4700904203		1	..Nut protection From 60119555	
4	4700393206		1	..Edge trim From 60119555	
5	4700903722	B	1	..Mirror glass	D
7	4700359661		1	.Arm	
	4700900519		2	..Plug	
8	4700359660		1	Mirror bracket	
9	4700516043		1	Set screw	
10	4700902496	C	1	Clamp	
11	4700923859		1	Cover plate	
12	4700500079		2	Screw	M6-1x50 8,8
13	4700904228		2	Washer	6,4x12x1,5
14	4700500079		4	Screw	M6-1x50 8,8
15	4700904228		4	Washer	6,4x12x1,5
16	4700923859		1	Cover plate	
17	4700902496	C	1	Clamp	
18	4812110283		1	Bracket	
19	4700791453	C	1	Pipe clamp block	
20	4700791454		1	Cover plate	

- A) CPL
- B) W. tape
- C) 2 pcs

Combination water supply

15584-1





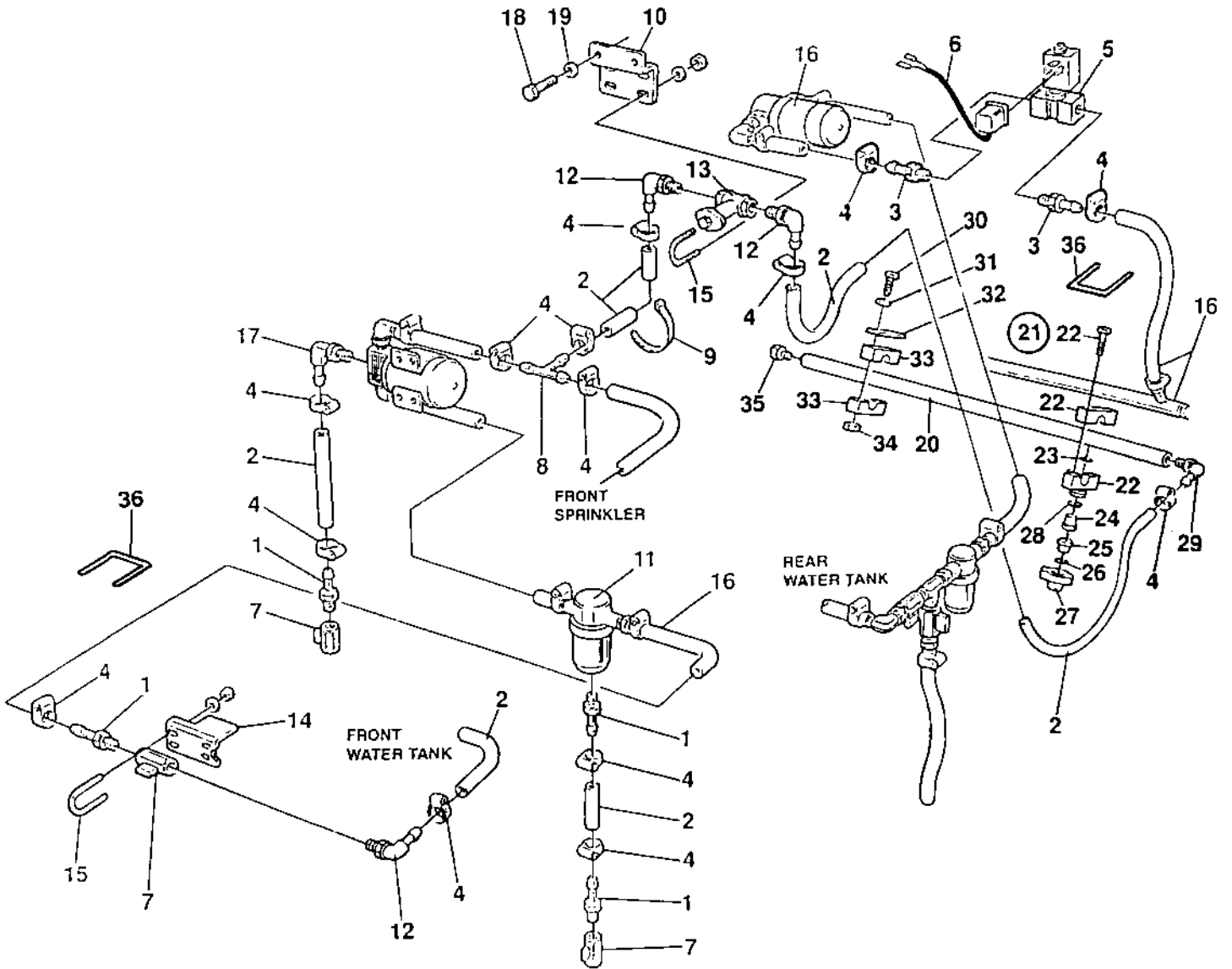
Combination water supply

Item	Part No	Rem	Qty	Description	Code
1	4700924544		7	Hose connection	C
2	4700244054	A	5XL	Hose reinforced	C
3	4700902105		1	Connector	
4	4700313002		14	Hose clamp	13-20 mm
5	4700358507		2	Check valve	
6	4700901300		1	Hose connection	C
7	4700925599		3	Valve	C
	4700379753	D	8	Gasket	
8	4700923735		1	Hose connection	C
9	4700313102		N	Cable ties	
10	4700370600		1	Holder plate	
11	4700358736	C	1	Strainer	
	4700921423		1	.Gasket	B
	4700921424		1	.Strainer	D
12	4700924996		2	Hose connection	C
13	4700904364		1	Valve	
14	4700358845		1	Holder plate	
15	4700313107		4	Clamp	
16			N	Existing	
17	4700901431		1	Hose connection	C
18	4700500021		2	Screw	M8-1,25x25 8.8
19	4700600006		4	Washer	C
20	4700902874		4	Sprinkler, cpl	C
21	4700923680		1	.Nozzle clamp	A
22	4700903962		1	..Blind rivet	
23	4700903010		1	.Gasket	B
24	4700902869		1	.Strainer	A
25	4700923679		1	.Nozzle	
26	4700904116		1	.Gasket	B
27	4700902868		1	.Coupling, red	

- A) Length as required
- C) CPL
- D) Not illustrated

Combination water supply 2 rear sprinkler pipes

15767-1



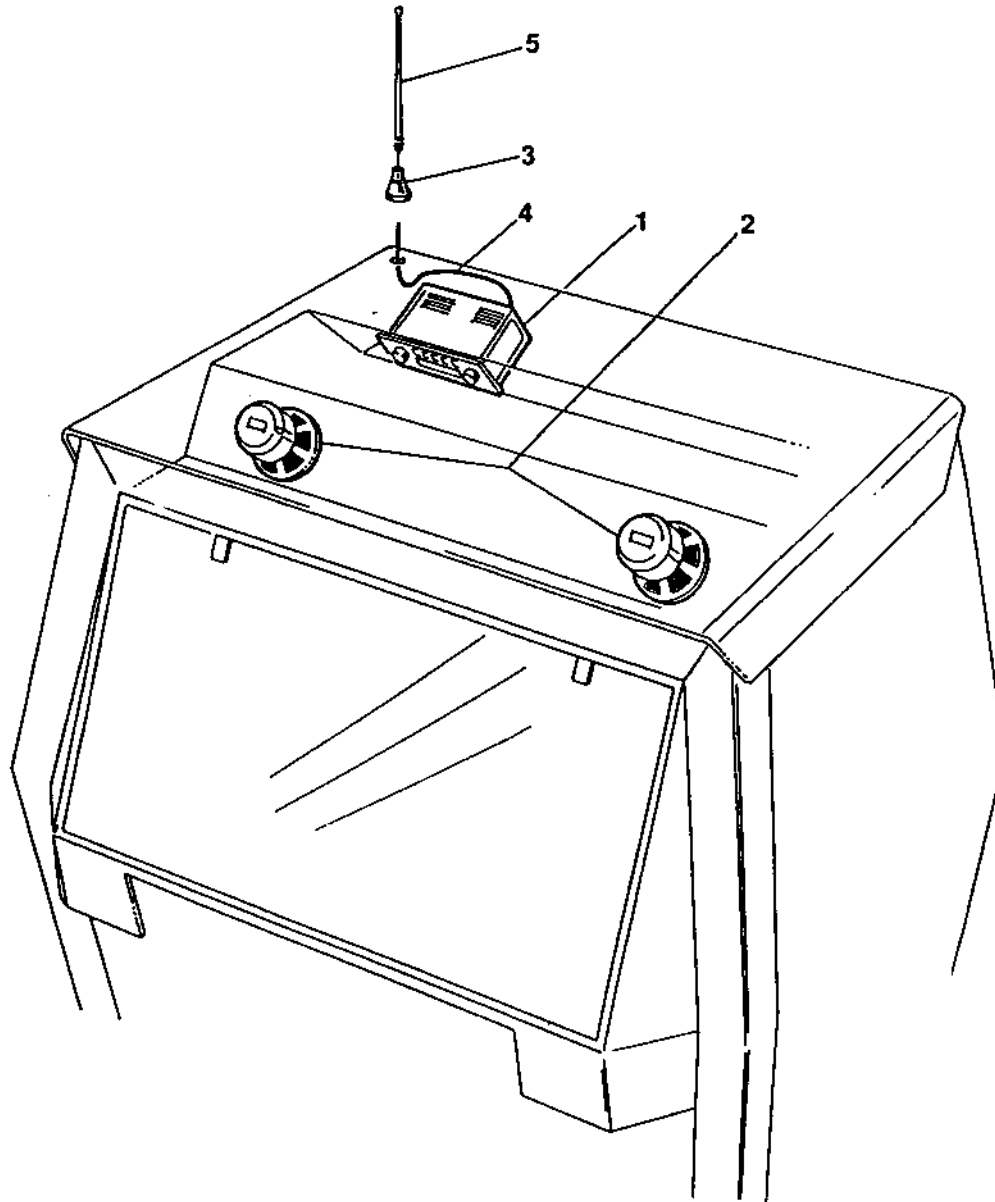
**Combination water supply 2 rear sprinkler pipes**

Item	Part No	Rem	Qty	Description	Code
1	4700924544		4	Hose connection	C
2	4700244054	A	5XL	Hose reinforced	C
3	4700901432		2	Hose connection	
4	4700313002		14	Hose clamp	13-20 mm
5	4700287713		1	Solenoid valve	C
6	4700358809		1	Cable harness	
7	4700925599		3	Valve	C
	4700379753	G	8	Gasket	
8	4700923735		1	Hose connection	C
9	4700313102		N	Cable ties	
10	4700370600		1	Holder plate	
11	4700358736	B	1	Strainer	
	4700921423		1	.Gasket	B
	4700921424		1	.Strainer	D
12	4700924996		3	Hose connection	C
13	4700904364		1	Valve	
14	4700358845		1	Holder plate	
15	4700313107		4	Clamp	
16			N	Existing	
17	4700901431		1	Hose connection	C
18	4700500021		2	Screw	M8-1,25x25 8.8
19	4700600006		4	Washer	C
20	4700372942	E	1	Sprinkler pipe, rear	
	4700372942	F	1	Sprinkler pipe, rear	
21	4700902874		4	Sprinkler, cpl	C
22	4700923680		1	.Nozzle clamp	A
23	4700923962		1	..O-ring	C
24	4700902869		1	.Strainer	A
25	4700923679		1	.Nozzle	
26	4700904116		1	.Gasket	B
27	4700902868		1	.Coupling, red	
28	4700903010		1	.Gasket	B
29	4700923684		1	Hose connection	
30	4700500016		4	Screw	M6x55 8.8 A2K
31	4700600004		4	Washer	C
32	4700923859		2	Cover plate	
33	4700923876	C	2	Clamp	C
34	4700586002		4	Lock nut	M6 -8
35	4700923683		1	Plug	C
36	4700902379	D	2XL	Edge trim	

- A) Length as required
- B) CPL
- C) 2 pcs
- D) L=0,180 m
- E) Valid with Deutz engine
- F) Valid with Isuzu engine
- G) Not illustrated

**Cassette receiver**

15120



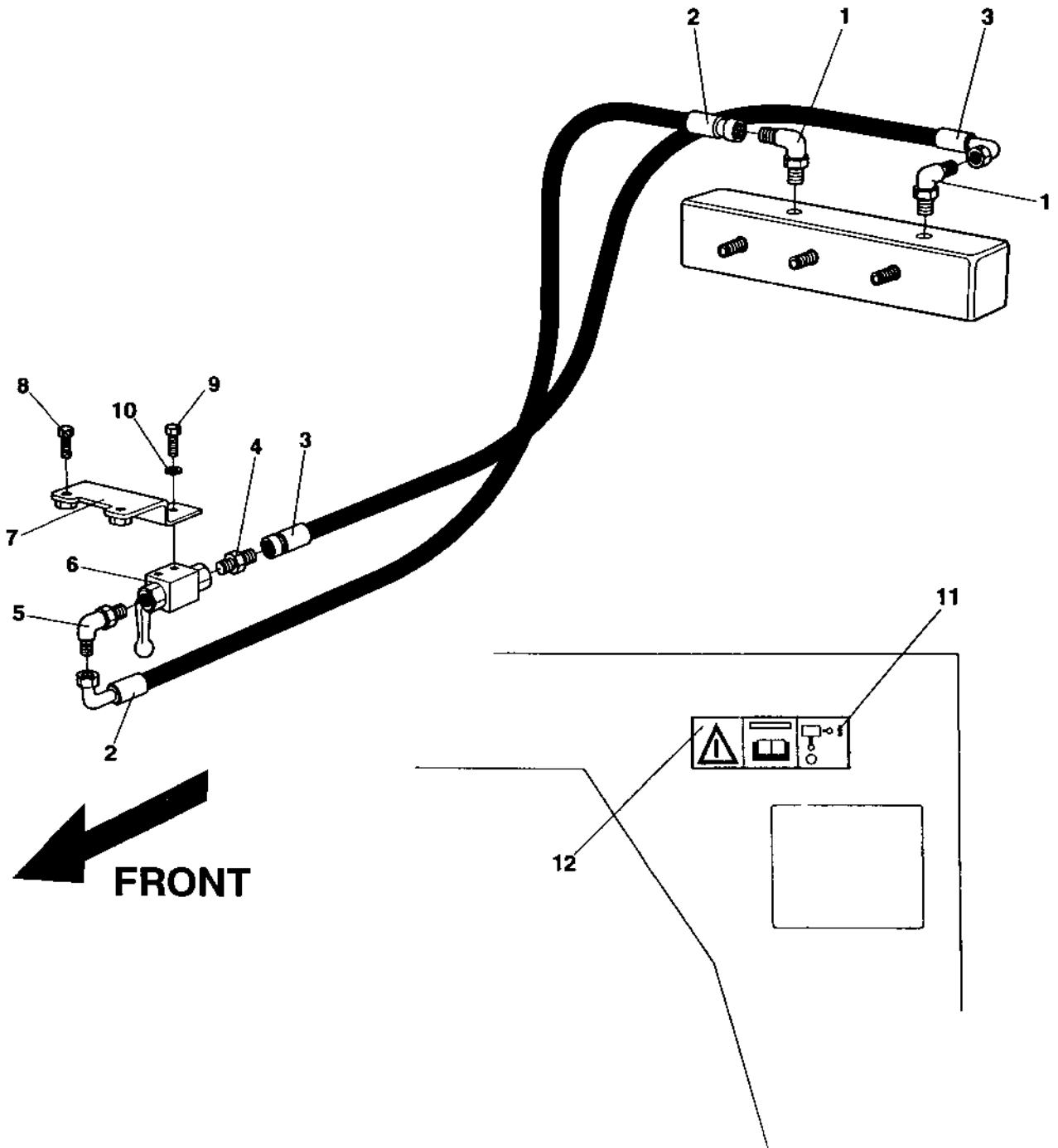
**Cassette receiver**

<b>Item</b>	<b>Part No</b>	<b>Rem</b>	<b>Qty</b>	<b>Description</b>	<b>Code</b>
1	4700901165		1	Cassette receiver	
2	4700901166	A	1	Loud speakers	
3	4700901168		1	Antenna holder	
4	4700901169		1	Antenna cable	
5	4700901167		1	Antenna	

A) 2 pcs

**Towing valve**

16570

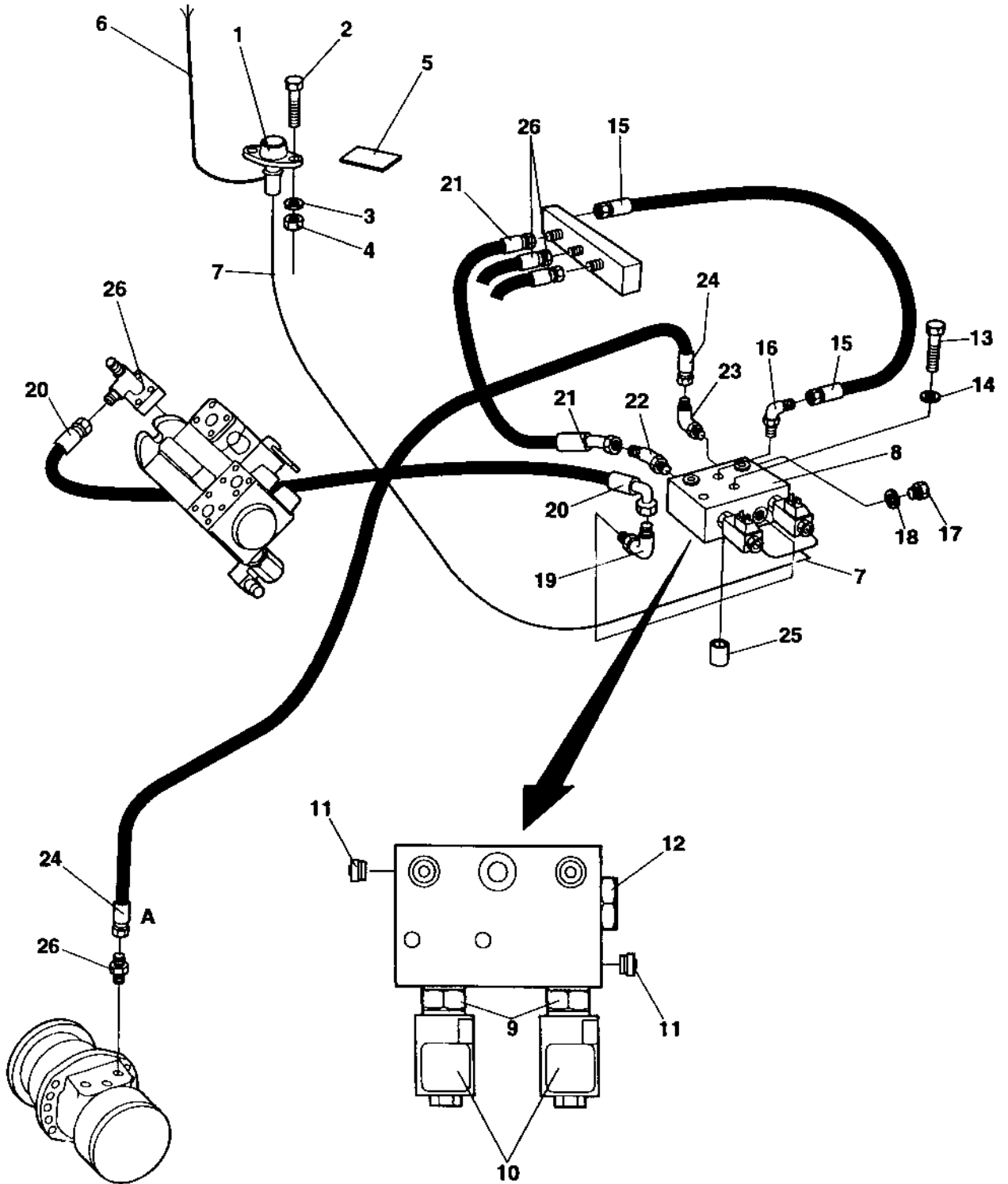


**Towing valve**

<b>Item</b>	<b>Part No</b>	<b>Rem Qty</b>	<b>Description</b>	<b>Code</b>
1	4700813444	2	Elbow 90, O-ring	
2	4700831150	1	Hydraulic hose	
3	4700831150	1	Hydraulic hose	
4	4700334117	1	Adapter	
5	4700813435	1	Elbow 90	
6	4700344138	1	Ball valve	C
7	4700358586	1	Holder plate	
8	4700500022	2	Screw	M8x30H 8.8 A2K C
9	4700500184	2	Screw	M5-0,8x14 8,8
10	4700615041	2	Washer	5,3x11 C
11	4700374101	1	Decal "SHUT-OFF VALVE"	D
12	4700903459	1	Decal "SAFETY"	D

**Flow divider**

16678



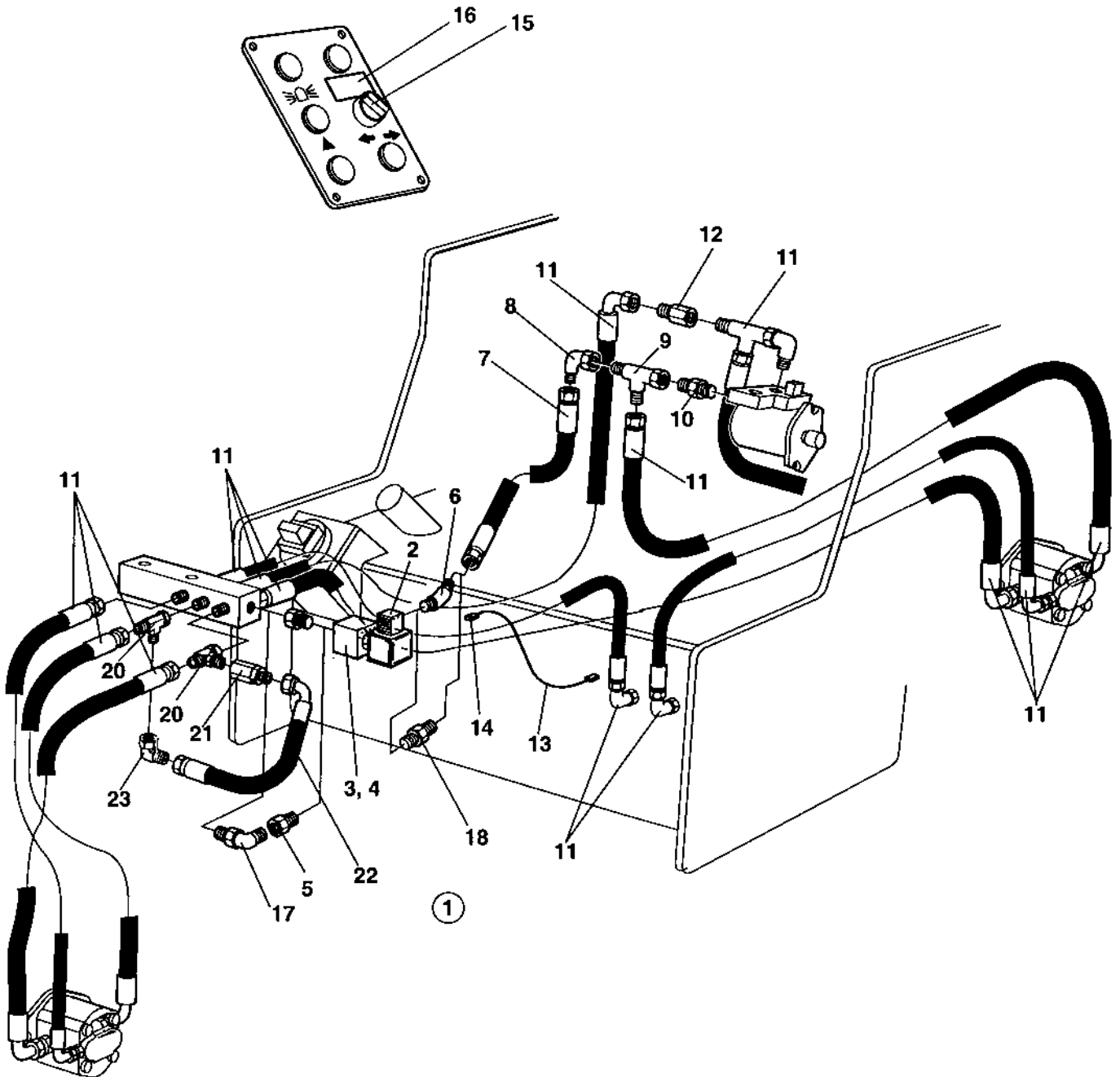


Flow divider

Item	Part No	Rem Qty	Description	Code
1	4700358239	1	Contact	D
2	4700533016	2	Screw	
3	4700600002	2	Washer	C
4	4700923976	2	Nut	C
5	4700355981	1	Decal	
6	4700358614	1	Cable harness	
7	4700358615	1	Cable harness	
8	4700358546	1	Flow divider	C
9	4700903141	2	.Valve	D
10	4700903142	2	.Coil	D
11	4700903144	2	.Check valve	D
12	4700903145	1	.Valve	D
13	4700500034	2	Screw	M10-1,5x100 8,8
14	4700904230	2	Steel plain washer	C
15	4700482773	1	Hydraulic hose	
16	4700334235	1	Elbow 90	
17	4700332038	2	Plug	C
18	4700162004	2	Sealing	B
19	4700923407	1	Adapter	
20	4700483283	1	Hydraulic hose	
21	4700482883	1	Hydraulic hose	
22	4700904175	1	Connector	
23	4700923407	1	Adapter	
24	4700482214	1	Hydraulic hose	
25	4700355869	2	Spacer sleeve	
26		N	Hydraulic details	

Vibration shut-off, front drum DEUTZ

16684-2



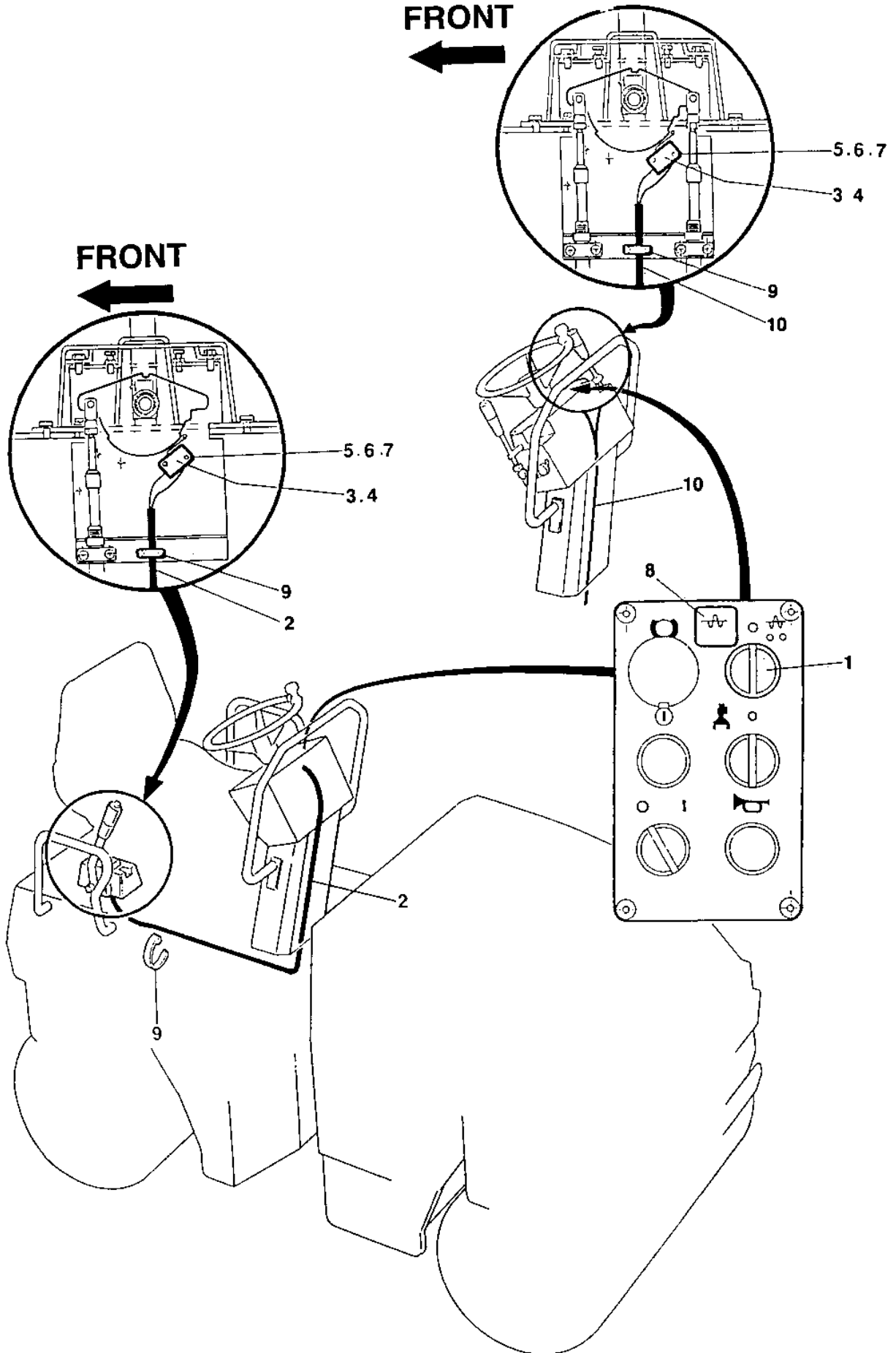
Vibration shut-off, front drum DEUTZ

Item	Part No	Rem	Qty	Description	Code
1	4700357934		1	Solenoid valve	
2	4700902535		1	.Coil	D
3	4700902536		1	.Valve	D
4	4700902537		1	.Housing	
5	4700923406		1	Connector	
6	4700904175		1	Connector	
7	4700482889		1	Hydraulic hose	
8	4700334197		1	Elbow 90	C
9	4700334135		1	Tee-connector	C
10	4700334116		1	Straight o-ring connector	C
11			N	Hydraulic details	C
12	4700357543		1	Valve	D
13	4700373849		1	Cable harness	
14	4700960796		1	.Connector	black, MPM 182 09 ND
15	4700930151		1	Switch	B
16	4700904224	B	1	Decal	
17	4700813500		1	Elbow 45, O-ring	C
18	4700334165		1	Adapter	
20	4700334135	C	2	Tee-connector	C
21	4700357543	C	1	Valve	D
22	4700483585	C	1	Hydraulic hose	
23	4700334197	C	1	Elbow 90	C

- B) Vibr. shut-off front
- C) Used in new machines

Automatic vibration control

15648-1

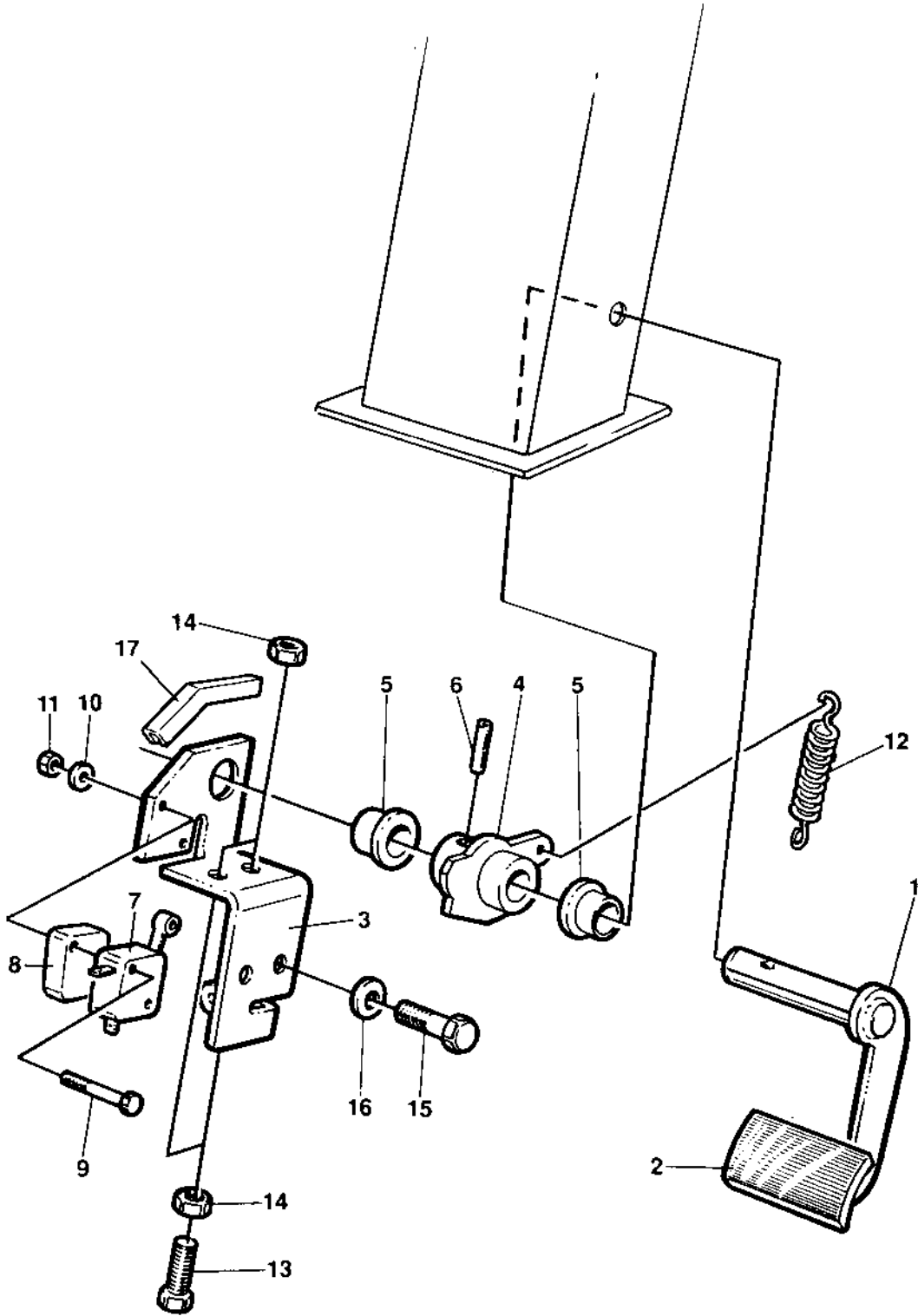


**Automatic vibration control**

<b>Item</b>	<b>Part No</b>	<b>Rem</b>	<b>Qty</b>	<b>Description</b>	<b>Code</b>
1	4700930163		1	Contact piece, NO	B
2	4700374483		1	Cable harness	
3	4700902528		1	Micro switch	B
4	4700357994		1	Spacer nut	
5	4700533057		2	Screw	
6	4700929602		2	Washer	
7	4700375892		2	Spacer nut	
8	4700359136	A	1	Decal	
9	4700313068		N	Cable ties	L=92 mm
10	4700370660		1	Cable harness	
A)	Vib. auto				

**Service brake**

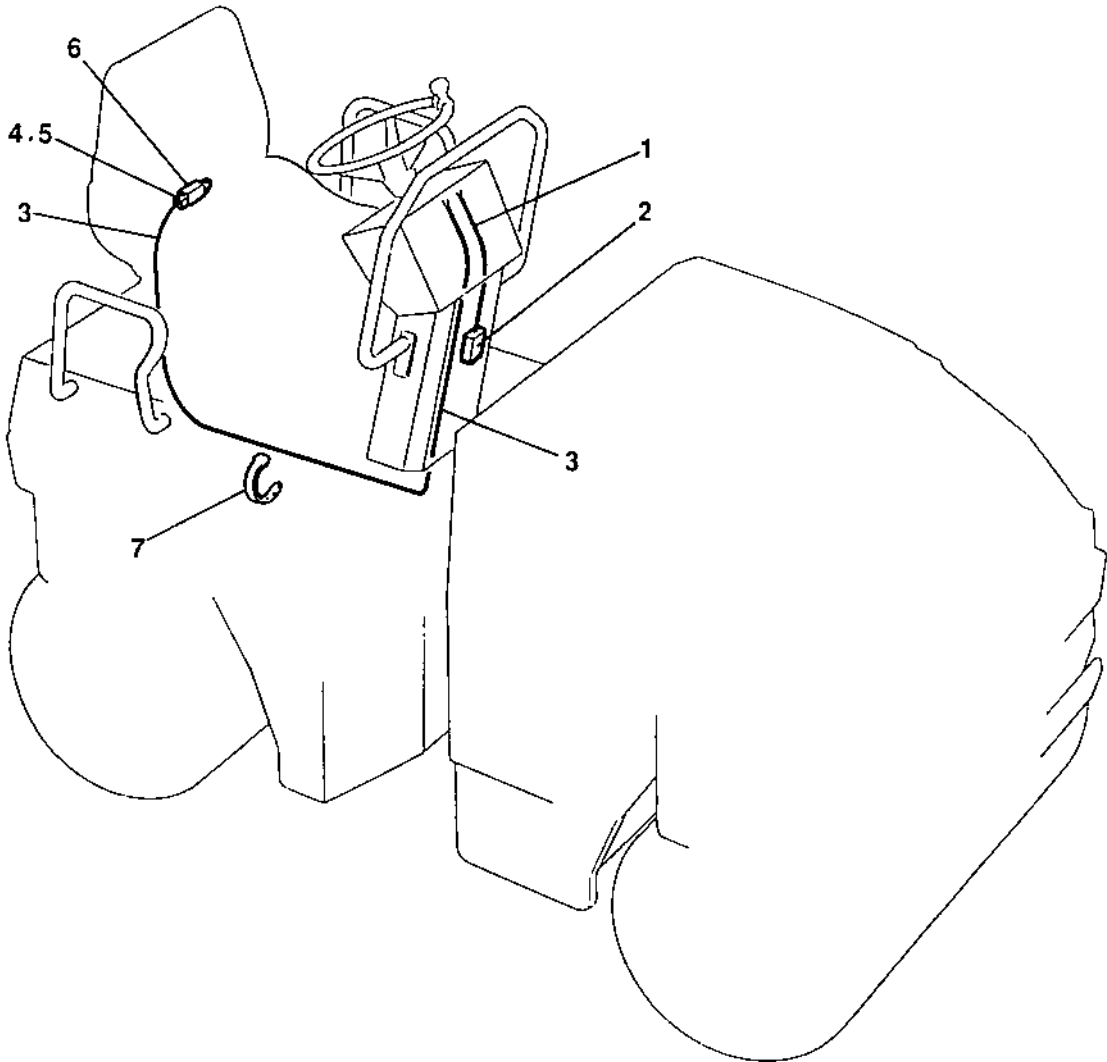
15583-1



**Service brake**

Item	Part No	Rem	Qty	Description	Code
1	4700358299		1	Brake pedal	
2	4700345800		1	Pedal rubber	D
3	4700358302		1	Bracket	
4	4700358303		1	Camshaft	
5	4700349492		2	Bushing	
6	4700629024		1	Pin	
7	4700902528	2	1	Micro switch	B
	4700382396	1	1	Micro switch	
8	4700357994		1	Spacer nut	
9	4700533057		2	Screw	
10	4700929602		2	Washer	
11	4700570001		2	Nut	
12	4700358306		1	Spring	
13	4700500022	B	1	Screw	M8x30H 8.8 A2K C
14	4700570005	B	1	Nut	M8 C
15	4700500053		2	Screw	M8x20H 8.8 C
16	4700904229		2	Washer	8,4x16x1,5 C
17	4700900904	A	1XL	Grommet	C

- 1) Can replace 4700902528
- 2) Can be replaced by 4700382396
- A) L=0,06 m
- B) Not valid for 4700382396



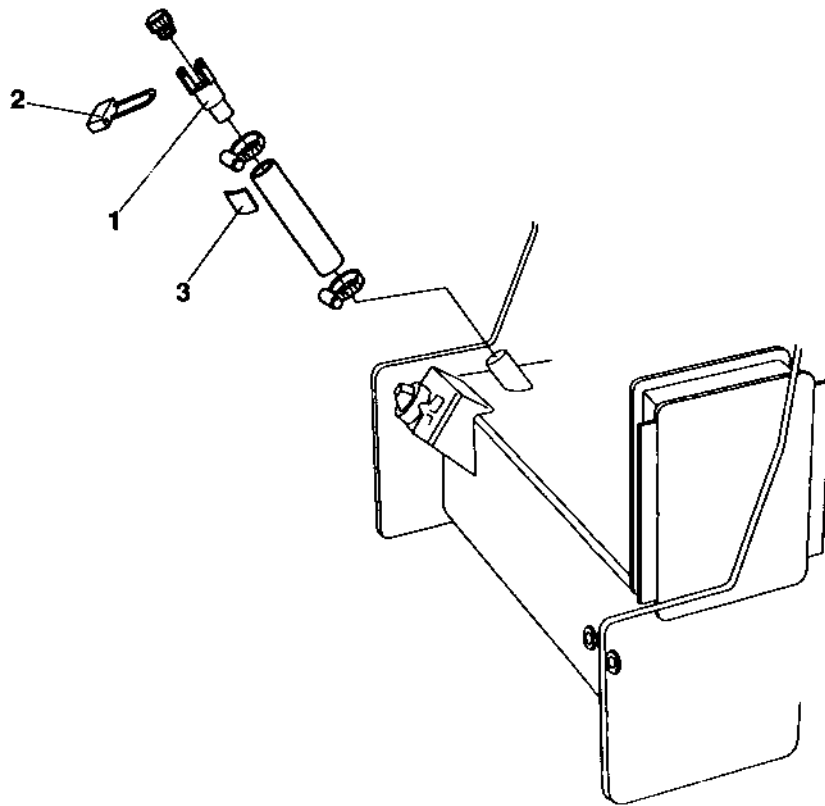


**Driving, restriction**

<b>Item</b>	<b>Part No</b>	<b>Rem</b>	<b>Qty</b>	<b>Description</b>	<b>Code</b>
1	4700371908		1	Cable harness	
2	4700287597		1	.Relay	D
3		1	1	Cable harness	D
4	4700903823		1	Connector	
5	4700960274		4	Terminal	
6			1	Seat switch	
7	4700925802		N	Cable ties	
				L=142 mm	C
1)	See section " Electrical equipment "				

Bio-hydraulic oil lock Old design

16689-1



**Bio-hydraulic oil lock Old design**

<b>Item</b>	<b>Part No</b>	<b>Rem</b>	<b>Qty</b>	<b>Description</b>	<b>Code</b>
1	4700376449	B,C	1	Connector	
2	4700904603	B	1	Pad lock	
	4700904711	B	2	.Key	
3	4700380343	A	1	Sign "BIO HYDRAULIC OIL"	
	4700792773		1	Sign "BIO HYDRAULIC OIL"	PANOLIN

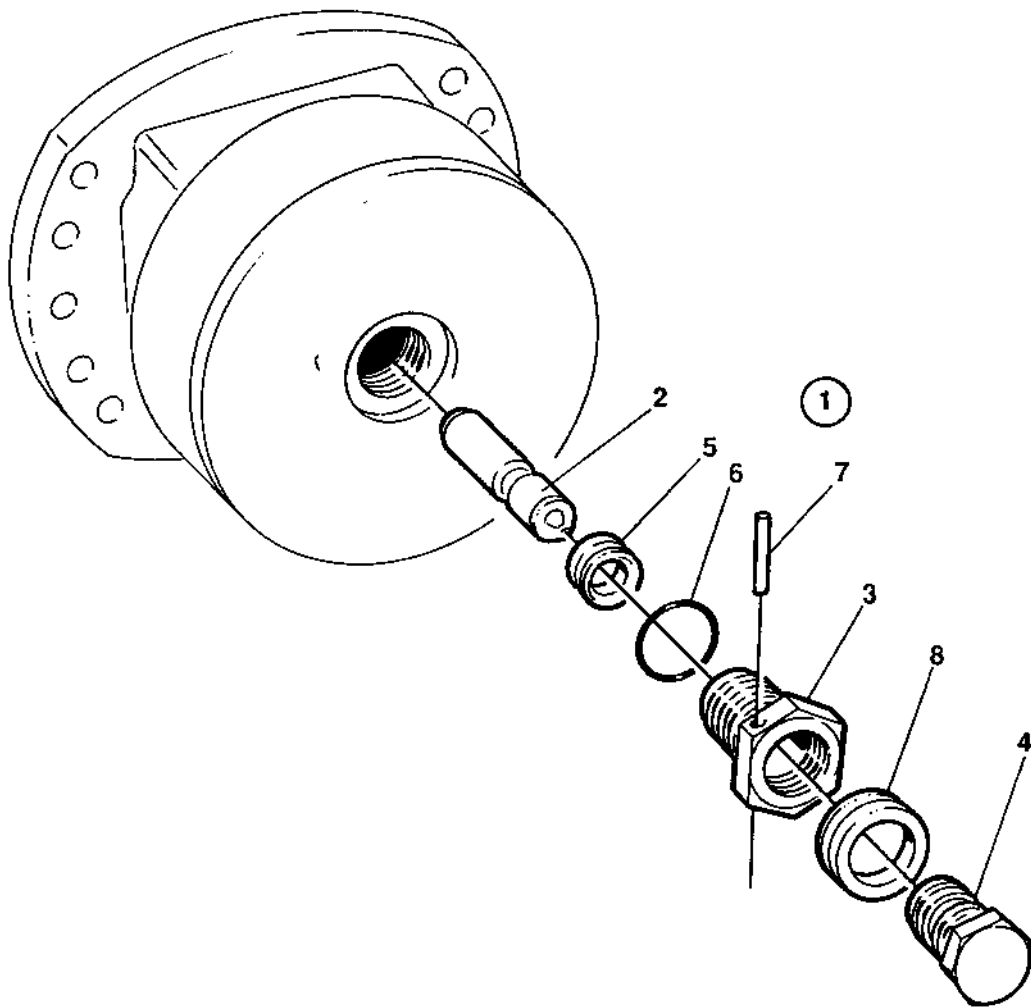
A) Bio-hydr.

B) Not used in new design

C) In new design; replaced by 4700357139, which is the same STD part as used in the unlocked version; See "Vibration system" in Hydraulic section.

**Brake release, propulsion motor**

15856



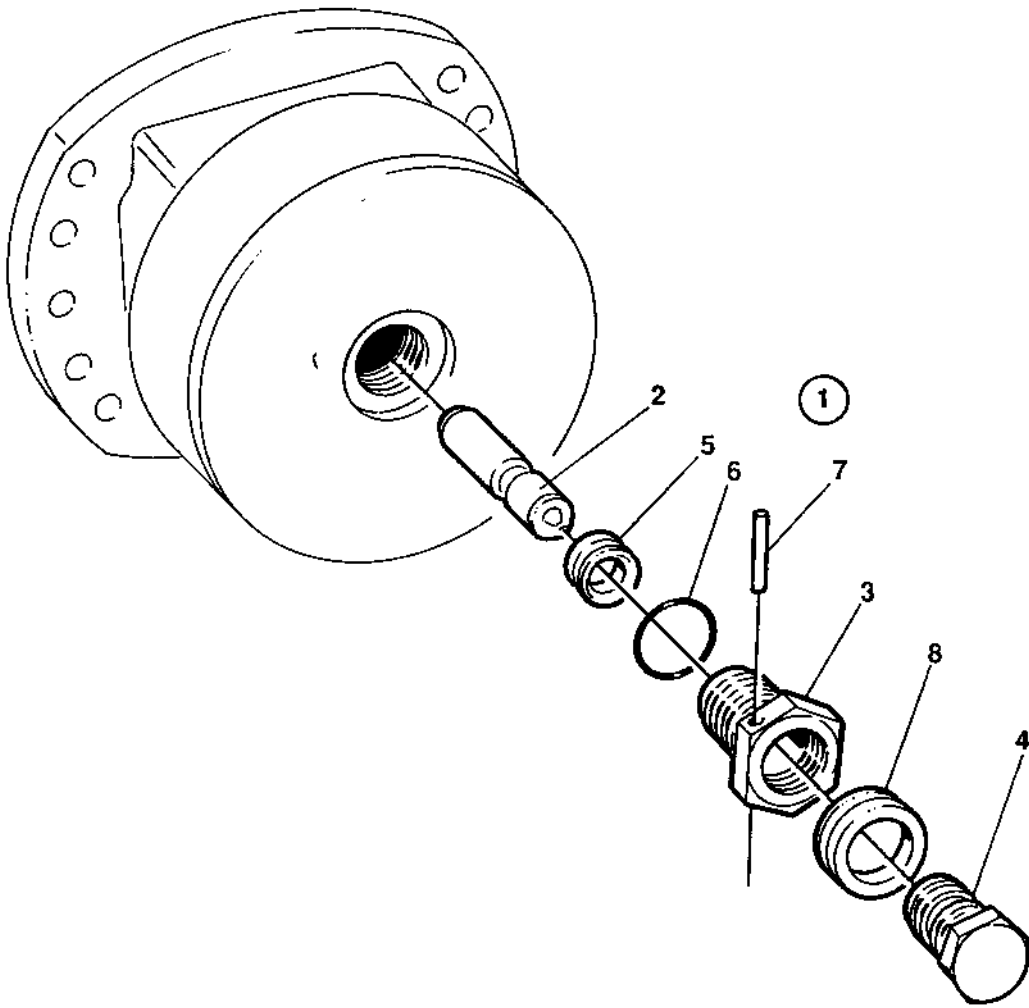
**Brake release, propulsion motor**

<b>Item</b>	<b>Part No</b>	<b>Rem</b>	<b>Qty</b>	<b>Description</b>	<b>Code</b>
1	4700373057	1	3	Brake release kit	
2	4700373029		1	.Stud	
3	4700381253		1	.Plug	
4	4700381252		1	.Plug	
5	4700904030		1	.Seal	
6	4700160363		1	.O-ring	
7	4700904029		1	.Pin	
8	4700903835		1	.Seal	

- 1) For hydraulic motors P/N 4700371542 and P/N 4700375631.

**Brake release, propulsion motor**

15856



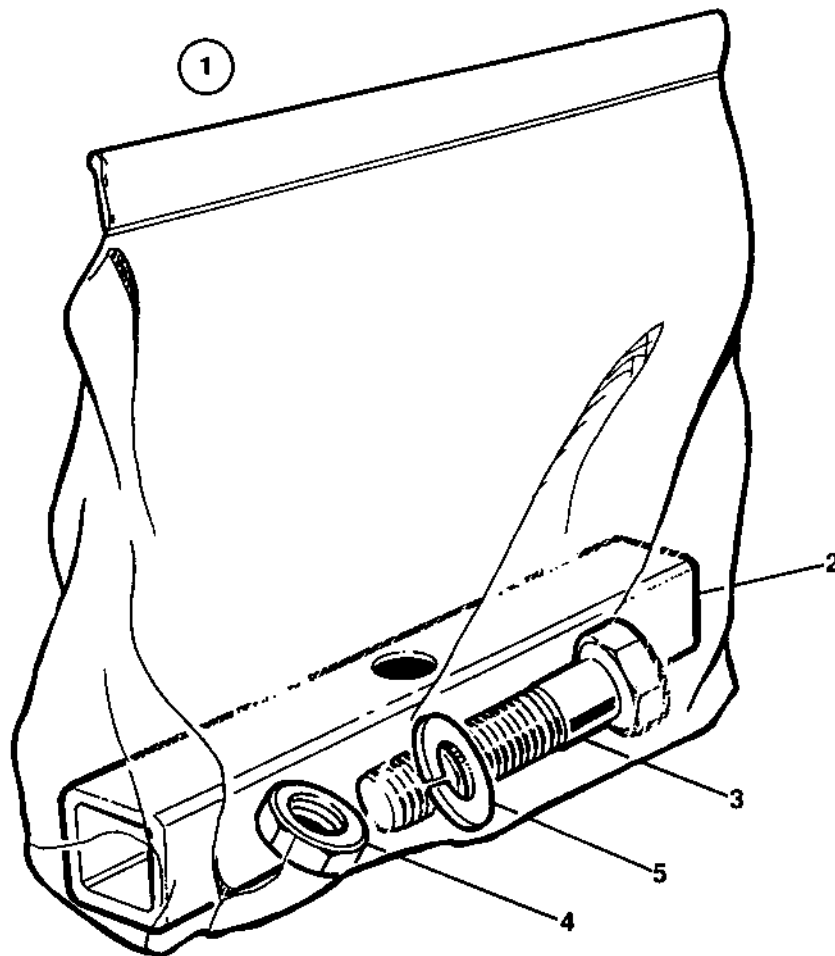
**Brake release, propulsion motor**

<b>Item</b>	<b>Part No</b>	<b>Rem</b>	<b>Qty</b>	<b>Description</b>	<b>Code</b>
1	4700373057	1	2	Brake release kit	
2	4700373029		1	.Stud	
3	4700381253		1	.Plug	
4	4700381252		1	.Plug	
5	4700904030		1	.Seal	
6	4700160363		1	.O-ring	
7	4700904029		1	.Pin	
8	4700903835		1	.Seal	

- 1) For hydraulic motors P/N 4700371542 and P/N 4700375631.

Brake release, propulsion motor Poclairn

15492





**Brake release, propulsion motor Poclain**

Item	Part No	Rem Qty	Description	Code
1	4700392070	1	Brake release kit	
2	4700357892	2	.Stirrup	
3	4700792550	2	.Screw	M12x100 10.9
4	4700928849	2	.Nut	M12-1,75
5	4700904213	4	.Washer	C
				C



**NUMERICAL INDEX**

Part Number	Page	Part Number	Page	Part Number	Page
4700111018	17,63	4700330171	79,81	4700357058	63
4700151012	129	4700330331	69,73	4700357060	63
4700160012	79,81	4700330383	69,73	4700357111	91,95,101
4700160016	117	4700332038	245	4700357112	91,95,101
4700160025	129	4700334116	247	4700357120	29
4700160031	117	4700334117	243	4700357130	205
4700160112	23	4700334121	115	4700357138	11,117
4700160132	15,17,63	4700334134	91,95,101	4700357139	117
4700160269	147,151	4700334135	91,95,101,117	4700357142	53
4700160363	257,259		247	4700357165	69,73
4700162004	245	4700334155	91,95,101	4700357166	69,73
4700162017	63	4700334156	91,95,101,117	4700357190	29
4700163049	15,17,63	4700334165	247	4700357216	29,31,33
4700167044	23,43	4700334197	93,97,103,117	4700357218	29,31,33
4700202028	45,49,197		247	4700357221	29,31,33
4700202042	45,53	4700334234	123,125	4700357222	29,31,33
4700202043	57,227	4700334235	91,95,101,117	4700357235	29,31,33
4700202046	45,49		123,125,245	4700357236	29,31,33
4700212160	63	4700334236	123,125	4700357248	45,49
4700230277	91,95,101	4700334238	91,95,101,117	4700357276	45,49
4700230400	131,133	4700334389	131,133	4700357280	45,49
4700230515	69,73	4700334463	131,133	4700357316	185
4700232070	91,95,101	4700334524	117,123,125	4700357320	185
4700232122	117	4700343490	63	4700357330	185
4700233215	57	4700343744	63	4700357373	117
4700234218	91,95,101	4700343775	29,31,33	4700357377	123,125
4700234233	93,97,103,115	4700344138	243	4700357395	53
	131,133	4700345215	21,63	4700357407	179,181
4700234341	117	4700345728	137,143	4700357408	179,181
4700234390	117,123,125	4700345800	251	4700357418	23,43
4700234481	117	4700345870	147,151,185	4700357424	185
4700234860	93,97,103	4700346431	197	4700357459	79,81
4700234869	131,133	4700346505	63	4700357466	79,81
4700234888	131,133	4700347153	23,43	4700357468	79,81
4700234993	117	4700347154	23,43	4700357470	79,81
4700238272	129	4700347155	23,43	4700357483	29,31,33
4700244054	237,239	4700348331	179,181	4700357486	29,31,33
4700277992	223	4700348481	25,139,143,199	4700357488	29,31,33
4700285909	137,143,199	4700348923	79,81	4700357494	195,199
4700285911	25,139,143,199	4700348924	79,81	4700357495	195,199
4700287597	137,143,147,151	4700349202	63	4700357496	195,197
	253	4700349492	251	4700357498	195
4700287713	53,57,239	4700349879	33,117	4700357499	195
4700288129	69,73	4700349880	33,117	4700357500	195
4700288357	201	4700350029	63	4700357501	195
4700311016	223	4700355258	147,151	4700357502	199
4700312001	197	4700355301	157	4700357543	117,247
4700313001	53,55,57,79,81	4700355468	147,151	4700357562	163
4700313002	53,57,237,239	4700355704	221	4700357567	137,141
4700313008	117	4700355705	233	4700357574	147,151
4700313023	77,227	4700355797	171	4700357583	137,141,197
4700313035	195,197,199	4700355829	171	4700357584	137,143
4700313041	139,143,173,175	4700355869	91,95,101,123	4700357585	147,151
	179		125,245	4700357587	205
4700313068	199,229,231,249	4700355981	245	4700357592	205
4700313075	79,81	4700357003	69,73	4700357604	205
4700313086	83,85	4700357005	69,73	4700357605	205
4700313102	91,95,101,117	4700357020	63	4700357643	53,185,205
	123,125,131,133	4700357031	43	4700357663	173,175
	237,239	4700357038	43	4700357666	173
4700313107	237,239	4700357039	43	4700357668	173,175
4700313108	79,81	4700357055	63	4700357679	173,175

**NUMERICAL INDEX**

Part Number	Page	Part Number	Page	Part Number	Page
4700357684	137,141	4700358587	63	4700371173	205
4700357693	29,31,33	4700358588	35	4700371183	91,95,101
4700357789	39,41	4700358614	245	4700371313	91,95,101,117
4700357812	165	4700358615	245	4700371314	91,95,101,117
4700357813	57	4700358663	147,151	4700371326	147,151
4700357819	57	4700358666	63	4700371344	149,153
4700357855	185	4700358689	63	4700371561	165,169
4700357863	45,49	4700358736	237,239	4700371908	253
4700357866	45,49	4700358743	29,31,33	4700371994	45,49
4700357892	261	4700358782	215	4700372352	87,91,95,101,105
4700357896	199	4700358783	215	4700372523	179,181
4700357934	247	4700358789	215	4700372570	179,187,189
4700357939	233	4700358790	215	4700372627	79,81
4700357973	229	4700358801	215	4700372659	187
4700357993	229	4700358802	215	4700372696	187,189
4700357994	229,231,249,251	4700358809	53,57,239	4700372697	187,189
4700358000	167	4700358845	237,239	4700372705	195
4700358089	179,181	4700358846	53	4700372942	239
4700358102	169	4700358861	29,31,33	4700372964	125
4700358142	185	4700358876	37	4700373029	257,259
4700358143	185	4700358881	211	4700373057	257,259
4700358186	39,41	4700358897	39,41	4700373402	91,95,101
4700358213	179,181	4700358898	39,41	4700373461	79,81
4700358232	179,181	4700358976	43	4700373476	45,49
4700358239	245	4700358978	43	4700373478	117
4700358254	205	4700359003	53	4700373490	165
4700358299	251	4700359062	201	4700373493	165
4700358302	251	4700359063	201	4700373628	29
4700358303	251	4700359074	201	4700373797	53
4700358306	251	4700359119	83	4700373849	247
4700358311	41	4700359136	249	4700373938	39
4700358324	225,227	4700359161	83,85	4700373999	29,31,33
4700358325	225,227	4700359163	83,85	4700374009	201
4700358332	225,227	4700359434	49	4700374087	225,227
4700358333	225,227	4700359524	87,117,121,123	4700374101	243
4700358335	225,227		125	4700374132	179,181
4700358336	225,227	4700359660	233,235	4700374133	179,181
4700358338	225,227	4700359661	233,235	4700374213	163
4700358339	225,227	4700359662	233	4700374460	217
4700358341	227	4700359769	227	4700374483	249
4700358342	225,227	4700359834	117	4700374603	87,123,125,129
4700358355	79,81	4700370127	205	4700374625	45,49
4700358370	69,73	4700370173	123,125	4700374626	117
4700358371	69,73	4700370174	197	4700374627	45
4700358418	147,151	4700370241	197	4700374657	45
4700358452	173,175	4700370242	197	4700374981	195
4700358486	117	4700370244	197	4700375594	47,51
4700358504	117	4700370263	197	4700375595	47,51
4700358507	237	4700370266	197	4700375616	91,95,101
4700358536	227	4700370272	197	4700375631	87,91,111
4700358540	227	4700370273	197	4700375632	87,93,97,103,113
4700358545	227	4700370274	197	4700375649	123,125
4700358546	245	4700370355	69,73	4700375745	57
4700358551	225,227	4700370600	237,239	4700375805	57
4700358552	227	4700370660	229,249	4700375892	229,249
4700358553	227	4700370800	39,41	4700376113	169
4700358557	227	4700370803	201	4700376449	255
4700358558	225,227	4700370879	65	4700376624	35
4700358561	225,227	4700370880	65	4700376796	139,143
4700358563	171	4700371088	197	4700376866	45,49
4700358564	171	4700371112	65	4700376873	57
4700358586	243	4700371170	205	4700376874	57

**NUMERICAL INDEX**

Part Number	Page	Part Number	Page	Part Number	Page
4700376875	57	4700384359	163	4700476019	217,219,221
4700376876	57	4700384493	35,37	4700480124	117
4700376877	57	4700384532	191,193	4700480446	127
4700376941	83,85	4700384726	79,81	4700480447	127
4700377051	137,141	4700385146	139,143	4700480449	127
4700377061	45,49	4700385580	139,143	4700480450	127
4700377518	183	4700385613	37	4700480457	127
4700377677	189,193	4700385644	147,151	4700480464	127
4700377697	159,161	4700385672	35,37	4700480468	127
4700377742	207	4700385674	35,37	4700481303	127
4700377743	207	4700385675	19,35,37	4700482214	245
4700377744	207	4700385712	77	4700482242	117
4700377795	35,37	4700385713	77	4700482312	131,133
4700377952	45,49	4700386075	191,193	4700482398	123,125
4700378359	31,33	4700386133	69,73	4700482452	91,95,101
4700378361	31,33	4700386134	117	4700482543	131,133
4700378370	137,141	4700387471	83	4700482553	91,95,101
4700378742	155	4700387491	69,73	4700482606	117
4700378743	137,141	4700387956	45,49	4700482773	245
4700378868	31,33	4700388500	69	4700482830	91,95,101
4700379009	53,57	4700388846	45,49	4700482865	131,133
4700379179	29,31,33,63	4700388852	45,49	4700482883	245
4700379637	189,193	4700389078	117	4700482889	117,119,247
4700379753	57,237,239	4700389148	35,37	4700482892	117
4700379982	205	4700389175	195,197	4700482898	91,95,101
4700380192	165	4700389176	195,197	4700482941	93,97,103
4700380255	37	4700389177	195	4700482998	91,95,101
4700380293	77	4700389561	175	4700483118	91,95,101
4700380294	11,77	4700389577	173,175	4700483166	93,97,103
4700380295	11,77	4700389631	165	4700483167	131
4700380296	77	4700389840	149	4700483281	117
4700380297	77	4700389998	37	4700483283	245
4700380299	77	4700389999	37	4700483419	133
4700380300	77	4700390722	69,73	4700483585	247
4700380343	205,255	4700390742	95,99,101	4700485005	223
4700380459	79,81	4700390810	195	4700485006	223
4700380736	91,101	4700390840	53	4700485019	223
4700381252	257,259	4700390963	183	4700485037	223
4700381253	257,259	4700391118	45,49	4700485388	223
4700381750	191,193	4700391119	45,49	4700499162	173,175
4700381994	157,159	4700391120	45,49	4700499444	59
4700382181	53	4700391121	45,49	4700500006	165,191,193
4700382213	195,197	4700391270	117	4700500013	197,199
4700382226	195	4700392011	59	4700500015	37
4700382237	191,193	4700392070	261	4700500016	29,31,33,41,59
4700382349	195	4700392508	59		233,239
4700382396	251	4700392509	59	4700500019	33,117,139,143
4700382563	225,227	4700392510	59		179,181
4700382565	45,49	4700393204	233,235	4700500020	47,51,91,95,101
4700382568	225,227	4700393205	233,235		139,143,179,181
4700382751	207	4700393206	233,235		187,189
4700382782	147,151	4700393290	73	4700500021	45,49,57,69,73
4700383200	187,191	4700393540	33		79,81,83,117,123
4700383697	53,57	4700393808	161		125,139,143,185
4700383705	185	4700395728	85		195,215,237,239
4700383960	163	4700395732	85	4700500022	47,51,77,85,155
4700383961	137,141	4700396108	137,141		159,161,243,251
4700383967	163	4700396215	195,197	4700500028	43,53,57,173,175
4700384083	155	4700396557	175	4700500029	45,63
4700384191	155	4700396974	141	4700500030	29,31,33,39,41
4700384263	147,151	4700416004	195,197,199		123,125,215
4700384300	57	4700416034	195	4700500031	49

**NUMERICAL INDEX**

Part Number	Page	Part Number	Page	Part Number	Page
4700500034	245	4700513013	189,217	4700624018	45
4700500037	91,95,101	4700513017	39,41	4700624027	171
4700500040	53,199,225,227	4700516010	197	4700629016	195,197,199
	229,231	4700516042	215	4700629024	251
4700500044	63,173,175	4700516043	233,235	4700630019	123,125
4700500046	35,37	4700533001	25,139,143,199	4700635061	129,201
4700500047	37,45,49,69,73	4700533016	245	4700747282	79,81
	139,143	4700533025	157,159,161	4700791078	155
4700500048	123,125	4700533032	171	4700791079	155
4700500050	69,73	4700533038	195,197,199	4700791082	37
4700500053	29,45,49,53,57	4700533057	229,249,251	4700791117	59
	69,73,79,81,139	4700533070	157,159,179	4700791182	37,139,143
	143,179,181,251	4700535008	205	4700791226	185
4700500056	35,37,91,95	4700535010	171	4700791233	227
4700500061	197	4700541702	147,151,185,197	4700791234	227
4700500067	117	4700541703	185,195	4700791272	207
4700500070	201	4700541705	197	4700791275	207
4700500071	215	4700570001	251	4700791285	207
4700500075	147,151	4700570003	171,179,191,193	4700791453	235
4700500079	39,233,235	4700570004	147,151,195,197	4700791454	235
4700500080	221		199,231	4700791472	141,155
4700500094	29,31,33,201	4700570005	45,49,79,81,83	4700791568	53,57
4700500109	91,95,101		85,155,187,189	4700791723	149
4700500111	215		197,201,217,251	4700791739	149
4700500115	85	4700570006	37	4700791754	45,49
4700500117	179,181	4700573004	195,197,199	4700791949	53,57
4700500122	69,73	4700586001	139,143,157,159	4700791950	53,57
4700500133	37,215		161,171,205,221	4700791959	53,57
4700500143	175	4700586002	37,39,41,53,147	4700791963	35,37
4700500164	201		151,185,199,225	4700791974	57
4700500179	65		227,229,231,233	4700791977	57
4700500184	243		239	4700791980	175
4700500185	69,73	4700586003	45,49,69,73,91	4700791981	175
4700500188	29,31,33		95,101,139,143	4700792147	79,81
4700500190	53,83,227		167,169,173,175	4700792180	45,49
4700500195	39,41,93,97,103		181,187,189,197	4700792187	31,33
	215	4700586018	37,39,41,91,95	4700792210	45,49
4700500237	173		101,173,175,215	4700792548	161
4700500249	45,49	4700586019	35,37,39,41,69	4700792550	261
4700500269	101		73,91,93,95,97	4700792708	49
4700500501	195		179,181,215	4700792709	49
4700500509	77,179,181,185	4700586021	201	4700792773	205,255
	197	4700600002	167,245	4700792796	49,51
4700508005	191,193	4700600003	171,205	4700801567	137,143
4700508020	139,143,167,171	4700600004	29,31,33,197,229	4700813321	91,117
	195		231,233,239	4700813435	91,243
4700508022	45,49	4700600006	179,181,197,227	4700813443	93,95,101
4700508025	69,73		237,239	4700813444	91,95,101,243
4700508027	45,49	4700600008	43,215	4700813500	247
4700508028	63	4700600016	123,125	4700831150	243
4700508029	69,73,83,91,95	4700600017	69,73	4700831179	123,125
	101,117	4700601001	219,221	4700892179	23,43
4700508053	69,73,85	4700615041	243	4700892446	93,117,131
4700508065	29,31,33	4700615042	53,171,195	4700900243	231
4700508075	167	4700615044	91,95,101	4700900519	45,233,235
4700508080	85	4700615065	225,227	4700900684	205
4700508092	179,187,189,191	4700615076	29,31,33,53	4700900790	165
	193	4700615096	179,181	4700900904	251
4700508095	69,73	4700624005	205	4700900986	179,181,201
4700508096	69,73,91,95,101	4700624011	217	4700901156	91,95,101
	117	4700624016	201	4700901157	93,97,103
NI 4 4700513013	91,95,101,187	4700624017	207	4700901165	241

**NUMERICAL INDEX**

Part Number	Page	Part Number	Page	Part Number	Page
4700901166	241	4700902252	65	4700902799	111,113
4700901167	241	4700902256	45,49	4700902800	111,113
4700901168	241	4700902268	57	4700902804	45,49,179,181
4700901169	241	4700902285	59	4700902810	121
4700901212	223	4700902286	57	4700902845	233
4700901225	155,165	4700902287	37	4700902861	127
4700901226	147,151,229,231	4700902295	117	4700902862	127
4700901227	149,153,165,169	4700902377	91,95,101	4700902863	127
	173,175	4700902378	91,95,101	4700902866	79,81,147,151
4700901228	165	4700902379	57,91,93,95,97	4700902868	237,239
4700901240	147,151,165,229		101,103,117,185	4700902869	237,239
	231		239	4700902874	237,239
4700901274	179,181	4700902384	137,141,143	4700902889	201
4700901300	237	4700902387	111,113	4700902890	179,181
4700901313	91,95,101	4700902388	111,113	4700902892	179,181
4700901330	37	4700902389	111,113	4700902893	79,81
4700901369	165,169	4700902390	111,113	4700902895	195,197,199
4700901431	53,237,239	4700902391	111,113	4700902896	195,197,199
4700901432	53,57,239	4700902392	111,113	4700902902	69,73
4700901692	117	4700902394	111,113	4700902916	53
4700901744	107	4700902397	111,113	4700902919	179,181
4700901750	107	4700902398	111,113	4700903003	123,125
4700901766	139,143	4700902399	111,113	4700903010	237,239
4700901767	139,143,147,151	4700902410	111,113	4700903063	147,151
4700902059	43	4700902411	111,113	4700903078	171
4700902060	43	4700902412	111,113	4700903079	171
4700902061	23,43	4700902413	111,113	4700903081	171
4700902062	23,43	4700902416	111,113	4700903141	245
4700902063	23,43	4700902496	233,235	4700903142	245
4700902064	167	4700902521	69,73	4700903144	245
4700902066	165	4700902528	229,231,249,251	4700903145	245
4700902093	201	4700902535	247	4700903154	63
4700902099	87,123,125,127	4700902536	247	4700903192	179,181
4700902100	29,31,33	4700902537	247	4700903236	79,81
4700902101	29,31,33	4700902542	173	4700903239	147,151
4700902105	237	4700902545	57	4700903241	229
4700902111	225,227	4700902548	69,73	4700903247	7,11,91,95,101
4700902123	123,125	4700902550	137,141	4700903287	63
4700902166	45,49,225,227	4700902551	91	4700903292	111,113
4700902168	77	4700902560	137,141	4700903295	111,113
4700902171	29,31,33	4700902569	179,181	4700903324	111,113
4700902172	29,31,33	4700902576	43,129	4700903327	111,113
4700902183	123	4700902578	223	4700903330	121
4700902184	123	4700902610	223	4700903369	225,227
4700902185	123	4700902619	107	4700903372	137,141
4700902186	123	4700902620	107	4700903378	201
4700902187	195,197,199	4700902624	105	4700903395	195,197,199
4700902189	195,197,199	4700902625	105,107	4700903422	205
4700902191	195	4700902641	107	4700903423	205
4700902193	195,197	4700902644	107	4700903424	205
4700902203	49,139,143,199	4700902654	107	4700903425	205
	201	4700902670	105	4700903430	121
4700902218	205	4700902687	105	4700903436	227
4700902223	147,151,165	4700902695	105	4700903448	113
4700902224	147,151	4700902696	105	4700903450	111,113
4700902225	147,151	4700902724	105	4700903453	111
4700902227	165,169	4700902767	109	4700903455	111,113
4700902229	91,95,101	4700902770	109	4700903459	205,243
4700902230	91,95,101	4700902771	109	4700903471	107
4700902231	91,95,101	4700902773	109	4700903478	53
4700902232	91,95,101	4700902792	105	4700903521	127
4700902233	91,95,101	4700902797	179,181	4700903557	107

**NUMERICAL INDEX**

Part Number	Page	Part Number	Page	Part Number	Page
4700903593	159,161	4700904313	165	4700909758	105
4700903637	121	4700904315	165	4700909759	129
4700903671	191	4700904316	165	4700909760	129
4700903675	197	4700904317	165	4700909761	129
4700903676	197	4700904318	165	4700909764	129
4700903722	233,235	4700904342	35,37	4700909765	129
4700903727	185	4700904364	237,239	4700909766	129
4700903789	65	4700904403	207	4700910161	117,123,125
4700903790	65	4700904404	207	4700911456	147,151
4700903820	147,151,165,169	4700904424	35,37	4700911620	127
	173,175	4700904429	201	4700921070	197
4700903823	253	4700904545	195	4700921072	79,81,175
4700903835	257,259	4700904556	117,123,125,191	4700921099	93,95,101
4700903886	55,57		193,195	4700921104	145
4700903925	91,95,101	4700904557	41,45,71,75,85	4700921119	91,95,101
4700903938	7,11,69,73		117,139,143	4700921423	237,239
4700903962	237	4700904603	255	4700921424	237,239
4700904015	155	4700904640	45,49,53,69,73	4700922325	195,197,199
4700904029	257,259		77,79,81,83,85	4700922875	225,227
4700904030	257,259		139,143,185	4700922944	57
4700904076	45,49	4700904697	139,143,199,205	4700923008	123,125
4700904090	45	4700904698	45,49	4700923247	29,31,33
4700904091	45	4700904703	35,37,39,41,91	4700923253	219
4700904094	205,215		95,101,123,181	4700923406	247
4700904096	205	4700904711	255	4700923407	245
4700904097	205,207	4700904734	159,161	4700923679	237,239
4700904116	59,237,239	4700904835	207	4700923680	57,237,239
4700904131	179,181	4700904846	157,159	4700923681	59
4700904175	245,247	4700904870	205	4700923683	57,239
4700904203	217,233,235	4700904878	53,55,57,59	4700923684	59,239
4700904206	45,47,49,51	4700904901	117	4700923734	53,57
4700904213	261	4700904911	231	4700923735	53,237,239
4700904218	179	4700904963	137,141	4700923844	179,181
4700904224	247	4700904984	79,81	4700923859	59,233,235,239
4700904225	179,181	4700904989	165	4700923876	59,239
4700904228	37,39,41,45,49	4700908229	201,207	4700923900	197
	53,59,63,69,73	4700908328	111,113	4700923951	15,63
	147,151,199,231	4700908384	107	4700923962	57,239
	233,235	4700908484	199	4700923976	45,49,167,245
4700904229	29,33,37,45,49	4700908788	111,113	4700924544	53,55,57,237,239
	53,57,71,75,83	4700908789	113	4700924731	95,101
	85,91,95,101,117	4700908790	111,113	4700924875	185
	139,143,155,167	4700908791	111,113	4700924986	55,57
	169,173,175,179	4700908792	111,113	4700924996	53,57,237,239
	181,187,189,201	4700908794	111,113	4700925263	39,41
	215,251	4700908795	111	4700925599	53,55,237,239
4700904230	29,31,33,37,39	4700908798	111	4700925802	79,81,207,253
	41,53,57,63,71	4700908800	111,113	4700925958	139,143
	75,91,95,101,123	4700908804	121	4700926214	23,43,129
	125,173,175,245	4700909107	139,143	4700926215	179,181
4700904231	29,31,33,35,37	4700909152	171,173,175	4700926911	53
	69,73,91,93,95	4700909369	73	4700926985	225,227
	97,101,103,179	4700909370	69,73	4700927278	107
	181,215	4700909483	121	4700927396	29,31,33
4700904232	29,31,33,201	4700909484	121	4700928497	25,137,143,199
4700904233	69,73	4700909498	233,235	4700928502	165
4700904258	15,63	4700909514	105,107	4700928781	57
4700904277	137,141,143	4700909535	179,187,189,191	4700928830	123,125
4700904281	31,33,139,143		193	4700928849	261
	157,159,161,165	4700909536	179,187,189,191	4700928927	231
	179,191,193,221		193	4700928928	147,151
NI 6 4700904292	69,73	4700909757	105	4700928937	227



**NUMERICAL INDEX**

Part Number	Page	Part Number	Page	Part Number	Page
4700929008	127	4700935199	109	4700950415	99
4700929009	127	4700935200	109	4700950416	99
4700929010	127	4700935201	109	4700960274	253
4700929012	127	4700935202	109	4700960796	137,141,247
4700929013	127	4700935203	109	4700975077	191,193
4700929014	127	4700935204	109	4700985012	147,149,151,153
4700929322	7,11,79,81	4700935205	109		165,169,173,175
4700929455	171	4700935206	109	4700985013	167,171
4700929602	229,231,249,251	4700935207	109	4700985014	165
4700930151	147,151,247	4700935208	109	4700985125	147,151
4700930153	147,151	4700935209	109	4700989151	117
4700930154	147,149,151,153	4700935210	109	4700991657	205,207
	165	4700935211	109	4700991658	205
4700930155	147,151	4700935212	109	4700999027	137,143,159,161
4700930161	165	4700935214	109	47386084CN	205
4700930162	165	4700935215	109	47386084DE	205
4700930163	147,151,165,169	4700935216	109	47386084DK	205
	249	4700935218	109	47386084EN	205
4700930165	165,169,173,175	4700935219	105	47386084ES	205
4700930166	173,175	4700935613	125	47386084FI	205
4700930182	147,151,165	4700935614	125	47386084FR	205
4700930195	147,151	4700936283	179	47386084GR	205
4700930200	147,151	4700936690	105	47386084IS	205
4700932032	147,149,151,153	4700936691	107	47386084IT	205
4700932050	147,151	4700936692	107	47386084NL	205
4700932055	165,169	4700936693	107	47386084NO	205
4700932056	165	4700936706	107	47386084PT	205
4700932058	147,151,165	4700937053	53	47386084SE	205
4700932059	149,153	4700937089	111,113	4812110229	35
4700935158	105	4700937090	111	4812110276	231
4700935159	105	4700937091	111	4812110281	87,95,115
4700935160	105	4700937092	111	4812110282	115
4700935161	107	4700937093	111,113	4812110283	235
4700935162	107	4700937094	111,113	4812110490	101
4700935163	107	4700937095	113	4812110560	145
4700935164	107	4700938534	23	4812110657	141
4700935165	107	4700938542	5,7	4812110725	231
4700935166	107	4700938543	5,9	4812110855	141
4700935167	107	4700938544	5,11	4812110857	185
4700935170	107	4700938575	13,23	4812155168	99
4700935171	107	4700938584	11	D433830401	117,123,125
4700935172	107	4700938738	191,193		
4700935176	107	4700938739	191,193		
4700935177	107	4700938740	191,193		
4700935178	107	4700938885	13,21		
4700935179	107	4700938892	13,17		
4700935180	107	4700938908	13,15		
4700935181	107	4700938914	13,19		
4700935182	107	4700939478	69,73		
4700935183	107	4700939515	7,9,11,69,73		
4700935184	107	4700939593	69,73		
4700935186	107	4700939840	69,73		
4700935187	107	4700939976	69,73		
4700935188	107	4700940662	13,25		
4700935189	107	4700945442	69,73		
4700935190	107,109	4700945622	183		
4700935191	107	4700945777	81		
4700935194	109	4700945955	73		
4700935195	109	4700947687	29,31,33		
4700935196	109	4700950226	99		
4700935197	109	4700950293	99		
4700935198	109	4700950414	99		

