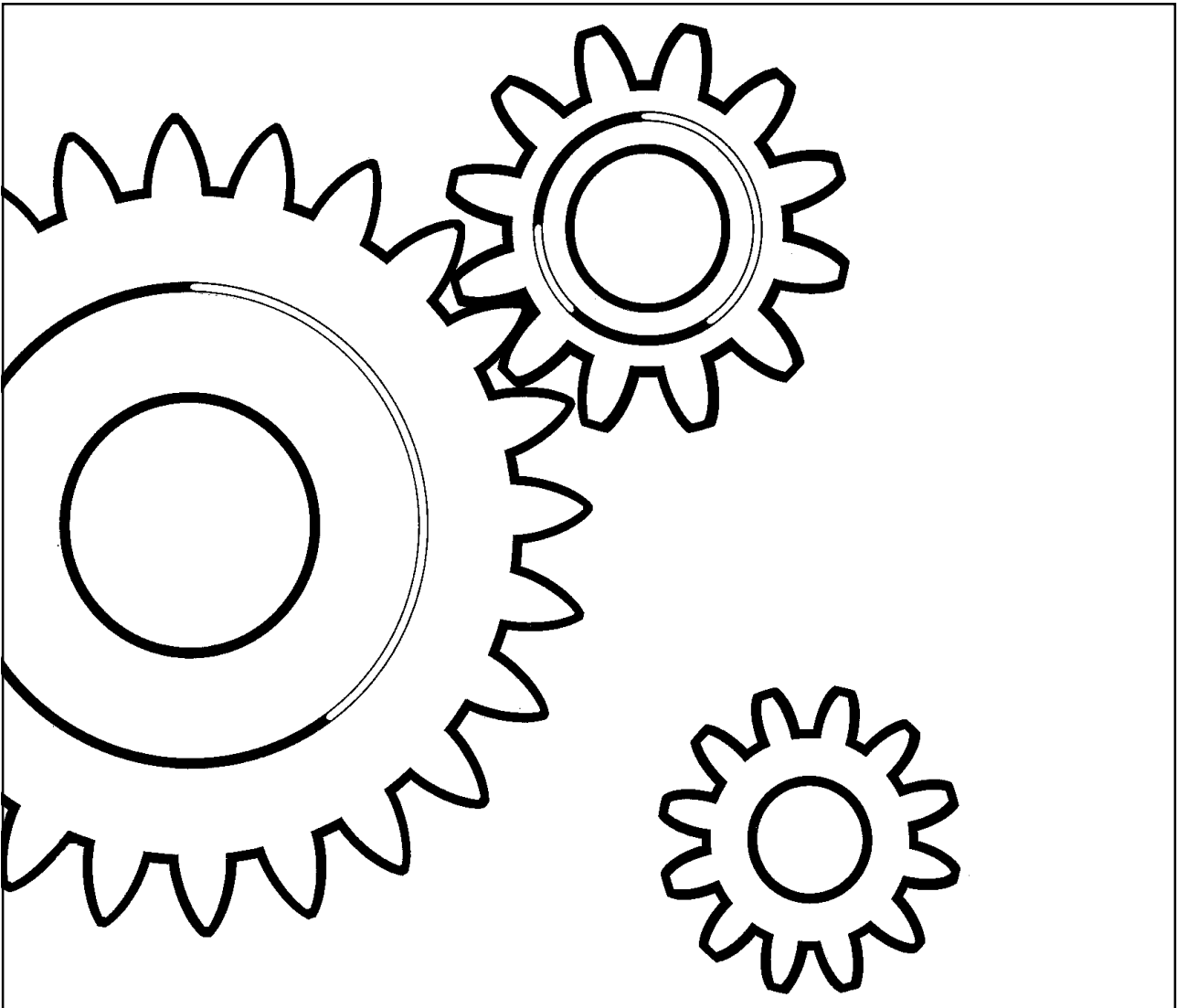


**DYNAPAC
CC142
SPARE PARTS
CATALOGUE
SCC142-2EN8**



DYNAPAC

Part of the Atlas Copco Group

Box 504, SE-371 23 Karlskrona, Sweden
Phone: +46 455 30 60 00, Fax: +46 455 30 60 10
www.dynapac.com

Vibratory Tandem Roller CC142

Spare Parts Catalogue SCC142-2EN8

*Valid from roller serial number:
60212800 -*

Diesel engines:

DEUTZ F3L 2011

DEUTZ D2011 L03 I

Published catalogue issues valid for these rollers:

<i>Catalogue</i>	<i>Issue date</i>	<i>Valid for serial numbers</i>
SCC142-2EN1	2004-01	Replaced by SCC142-2EN2
SCC142-2EN2	2005-03	Replaced by SCC142-2EN3
SCC142-2EN3	2006-07	Replaced by SCC142-2EN4
SCC142-2EN4	2006-11	Replaced by SCC142-2EN5
SCC142-2EN5	2007-09	Replaced by SCC142-2EN6
SCC142-2EN6	2008-09	Replaced by SCC142-2EN7
SCC142-2EN7	2009-04	Replaced by SCC142-2EN8
SCC142-2EN8	2009-12	See above



RESERVDLSBESTÄLLNING

Följande uppgifter ska lämnas vid beställning av reservdelar för att undvika leveransfel:

1. Maskintyp.
2. Vältens serienummer.
3. Antal av önskad reservdel.
4. Reserdelens artikelnummer.
5. Reservdelens benämning.
6. Måttuppgifter vid beställning av metervara.

ORDERING SPARE PARTS

To avoid errors in delivery, please give the following information when ordering spare parts:

1. Type of machine.
2. Roller serial number.
3. Quantity required.
4. Part number.
5. Parts denomination.
6. Dimensions when ordering per length.

ERSATZTEILBESTELLUNG

Zur Vermeidung von Fehllieferungen sind bei der Bestellung von Ersatzteilen folgende Angaben zu machen:

1. Maschinentyp.
2. Herstellungsnummer.
3. Bestellmenge. (Quantity)
4. Ersatzteilnummer. (Part N°)
5. Ersatzteilbenennung. (Denomination)
6. Massangaben bei Bestellung von Meterware.

ORDINI DI RICAMBI

Per evitare errori nelle consegne di ricambi, Vi preghiamo di comunicarci le seguenti informazioni al momento dell'ordinazione:

1. Tipo di macchina.
2. Numero di serie della macchina.
3. Quantità dei pezzi desiderati. (Quantity)
4. Numero di codice del pezzo. (Part N°)
5. Descrizione del pezzo di ricambio. (Denomination)
6. Misura, in caso di ordine per metro.

PEDIDO DE RECAMBIOS

Para evitar errores en las entregas, deberán indicarse los siguientes datos al hacer un pedido de recambios:

1. Tipo de máquina.
2. Número de serie.
3. Cantidad de piezas deseadas. (Quantity)
4. Número de artículo de la pieza de recambio. (Part N°)
5. Denominación de la pieza. (Denomination)
6. Indíquese la medida al solicitar un artículo que se expide por metros.

COMMANDE DE PIECES DE RECHANGE

Les indications suivantes doivent être fournies lors de la commande de pièces de rechange, afin d'éviter toute erreur de livraison:

1. Type de machine.
2. Numéro de série.
3. Quantité désirée de pièce de rechange. (Quantity)
4. Numéro de la pièce de rechange. (Part N°)
5. Dénomination de la pièce de rechange. (Denomination)
6. Longueur en cas de commande au mètre.

YOUR AGENT/DEALER:

Text pages

The text pages is structured as the picture on the right.

1. This is the remarks for specific items and the descriptions of the remarks is at the bottom of the parts list.

2. Parts indicated by a dot and moved to the right are included when buying the assembled unit above.

3. Spare parts and service code for a specific part, mainly for internal use at Dynapac. "A" = Service part, "B" = Fast moving part, "C" = Suggested exchanged part and "D" = Regular spare part.

COOLING SYSTEM Wear Dynapac AB

Ref. No.	Part No.	Wear	Qty	Description	Code
1	202000		1	Water cooler	③
2	235822			Pressure cap	2
3	235822	①	②	Cap	3
4	171221	A		Refrigerant hose	1
5	171221			Cap	
6	215214	C	10	Refrigerant oil	
7	171221	F		Refrigerant	J
8	221221			Refrigerant	J
9	221221			Refrigerant	
10	221221	C	15	Refrigerant	
11	221221			Refrigerant	
12	221221			Refrigerant	
13	900-20			Refrigerant	
14	900-20			Refrigerant	
15	900-20			Refrigerant	
16	900-20			Refrigerant	
17	900-20			Refrigerant	
18	900-20			Refrigerant	
19	900-20			Refrigerant	
20	900-20			Refrigerant	

① A: Service part
B: Fast moving part
C: Suggested exchanged part
D: Regular spare part

Changes

PARTS INFO	SERVICE INFO	GROUP	PAGE	NOTES

Notes

PÄRMETIKETT

För att undvika fel vid reservdelsbeställning finns här nedan två etiketter som passar i fickorna på pärmarnas ryggar. På dessa kan man se från vilket vältnummer av aktuell maskin reservdelskatalogen gäller. Gör så här:

1. Tag denna sida ur pärmen.
2. Klipp ut etiketten till **VÄNSTER** (1) och sätt in den i fickan på **DENNA** pärmens rygg.
3. Finns det en etikett till **HÖGER** (2), kan denna användas på pärmen för **FÖREGÅENDE** utgåva av denna katalog.
4. Kasta detta papper.

KATALOG-BESCHRIFTUNG

Zur Vermeidung von Fehlern bei der Ersatzteilbestellung benutzen Sie bitte die unteren Beschriftungen, um die Kataloge auf der Rückseite zu kennzeichnen. Auf der Beschriftung ist angegeben, für welche Maschinennummern der jeweilige Katalog gültig ist. Ablauf:

1. Nehmen Sie dieses Blatt aus dem Katalog.
2. Schneiden Sie die **LINKE** Beschriftung (1) aus. Schieben Sie die Beschriftung in die tasche auf **DEM** Katalogrücke.
3. Sollte die Beschriftung unten **RECHTS** (2) mitgeliefert werden, kennzeichnen Sie damit bitte die **ÄLTERE** Ausführung dieses Kataloges.
4. Den Rest dieses Blattes bitte vernichten.

ETIQUETA PARA LA CARPETA

Para evitar errores al pedir repuestos utilicen las etiquetas abajo descritas para identificar los catálogos en la parte trasera de la carpeta. En la etiqueta se ven los números de referencia de la serie para la cual es válido el catálogo. Instrucciones:

1. Quitar esta página de la carpeta.
2. Corta la etiqueta **IZQUIERDA** (1) y ponerla en **ESTA** carpeta en la parte trasera.
3. Si hay una etiqueta en la parte **DERECHA** (2) se puede utilizar en la carpeta para el catálogo que **PRECEDE** a esta.
4. Tirar esta hoja.

BINDER LABEL

To avoid errors when ordering spare parts use the labels below to identify the catalogues on the back of the binder. The label contain the serial number range for which the catalogue is valid. Do like this:

1. Remove this page from the binder.
2. Cut out the **LEFT** label (1) and put it on **THIS** binders back.
3. If there is a label to the **RIGHT** (2), it can be used on the binder for **PRECEDING** issue of this catalogue.
4. Throw away this paper.

ETICHETTAPOSTASULRACCOGLITORE

Per evitare errori quando ordinate pezzi di ricambio, usate le etichette in calce che servono ad identificare i cataloghi sul retro del raccoglitore. L'etichetta indica il numero di matricola delle macchine prese in considerazione nel catalogo.

1. Rimuovete questa pagina dal raccoglitore.
2. Ritagliate l'etichetta posta a **SINISTRA** (1) e ponetela sul retro **DEL** raccoglitore.
3. Se trovate anche un'etichetta sulla **DESTRA** (2), ritagliatela e ponetela sul raccoglitore relativo alla **PRECEDENTE** edizione del catalogo.
4. Distruggete questo foglio.

ETIQUETAGE DU CATALOGUE

Afin d'éviter des erreurs lors de commandes de pièces de rechange, nous vous conseillons d'apposer les marquages ci-dessous à l'arrière du classeur, pour identifier les catalogues. Ce marquage indique les numéros de série pour lesquels le catalogue est adapté. Il convient de procéder de la façon suivante:

1. Retirez cette page du classeur.
2. Découpez l'étiquette de **GAUCHE** (1), et apposez-la à l'arrière de **CE** catalogue.
3. Si il y a une étiquette à **DROITE** (2), vous pourrez l'apposer sur le classeur de l'édition **PRECEDENTE** du catalogue.
4. Détruire cette feuille.

1 .



CC142 SN 60212800 -	2
Service kits	4
4700938542 Service kit, Deutz 50 h	6
4700938543 Service kit, Deutz 500 h	8
4700940211 Service kit, Deutz F3L 2011 1000 h	10
Repair kits	12
4700938909 Eccentric shaft kit	14
4700938893 Drum rotation kit	16
4700938915 Scraper kit CC142 - (12 mm)	18
4700938887 Shock absorber kit, drum	20
4700938575 Steering hitch kit	22
4700940662 F/R control button kit	24
Frame	26
Frames Up to 602X3237	28
Frames From 602X3238 Up to 60214139	30
Frames From 60214140	32
Scrapers, standard drums Up to 602X2850	34
Scrapers, STD From 602X2851 Up to 602X3057	36
Scrapers, STD From 602X3058	38
Scrapers, spring loaded, front drum Up to 602X2850	40
Scrapers, spring loaded, rear drum Up to 602X2850	42
Scrapers, spring loaded From 602X2851	44
Steering hitch	46
Structure DEUTZ, F3L Up to 602X3054	48
Structure DEUTZ, F3L From 602X3055	52
Structure DEUTZ	56
Sprinkler system Front tank Up to 602X3202	60
Sprinkler system Front tank From 602X3203	62
Sprinkler, front/rear Up to 602X2850	66
Sprinkler front/rear From 602X2851	68
Drum	70
Drum	72
Engine	74
Engine DEUTZ F3L 2011 Up to 602X3529	76
Engine DEUTZ D2011 L03 I From 602X3530	78
Intake system DEUTZ	80
Fuel system DEUTZ	82
Fuel system DEUTZ	84
Exhaust system DEUTZ Up to 602X3392	86
Exhaust system DEUTZ From 602X3393	88
Hydraulic system	90
Hydraulic diagram	92
Propulsion system	94
4812110281 Junction block	98
4700372352 Hydraulic pump, propulsion	100
Rotating group, valves, charge pump	102
Control unit, cpl	104
4700357022 Hydraulic motor, propulsion, drum	106
4700380736 Junction block	108
Vibration system DEUTZ Up to 60214244	110
Vibration system DEUTZ From 60214245	114

TABLE OF CONTENTS

Page

4700359524	Hydraulic pump, vibration DEUTZ	118
	Steering system Up to 602X2957	120
	Steering system From 602X2958 Up to 602X3318	122
	Steering system From 602X3319	124
4700902099	Steering valve	126
4700374603	Steering cylinder	128
	Brake system	130

Electrical equipment **132**

	Electrical equipment DEUTZ Up to 602X2806	134
	Electrical equipment DEUTZ From 602X2807	138
	Control panel From 60214252	144
	Control panel From 60214253 Up to 60214254	148
	Control panel From 60214255	144
	Control panel Up to 60214251	148
	Control panel From 60214252	144
	Control panel From 60214253 Up to 60214254	148
	Control panel From 60214255	144
	Electric battery switch DEUTZ	152
	Interlock	154
	Interlock Loxam From 602X3084 Up to 602x3579	156
	Interlock Loxam From 602x3580	158
	Sprinkler timer	160
	Driving & side direction lights Up to 602X2821	162
	Driving & side direction lights From 602X2822	166
	Working lights	170
	Licence plate light, parking lights	172
	Rotating beacon Up to 60212800	174
	Rotating beacon From 60212801	176

Drivers platform **178**

	Drivers platform Up to 602X3331	180
	Drivers platform From 602X3332	182
	Seat	184
	Control panel	186
	Arm rests, seat belt, laterally adjusting Up to 602X3331	188
	Arm rests, seat belt, laterally adjusting From 602X3332	190
	Comfort drivers seat, laterally adjusting and seat belt Up to 602X3331	192
	Comfort drivers seat, laterally adjusting and seat belt From 602X3332	194
	Engine and forward/reverse controls DEUTZ	196
	F/r controls dual, control panel mounted	198
	F/r control dual left side, platform mounted	200
	Rops and fops	202

Decals **204**

	Plates and decals, ce-marking approved	206
--	--	-----

Standard equipment **210**

	Standard equipment	212
--	--------------------------	-----

Optional equipment **214**

	Cab, exterior Up to 602X3164	216
	Cab, interior Up to 602X3164	222
	Cab, heater Up to 602X3164	224
	Canopy	226
	SMV-sign	228
	SMV-sign placed on platform Up to 60212800	230
	SMV-sign placed on platform From 60212801	232
	Tool equipment	234

TABLE OF CONTENTS

Page

Noise suppression DEUTZ , 78 dB Up to 602X3054	236
Noise suppression DEUTZ , 78 dB From 602X3055	238
Noise suppression DEUTZ , 73 dB Up to 602X3054	240
Noise suppression DEUTZ , 73 dB From 602X3055	242
Back-up alarm Up to 60214229	244
Back-up alarm From 60214230	246
Rear mirror	248
Brake release, propulsion motor 357022	250
Cassette receiver	252
Towing valve	254
Flow divider	256
Vibration shut-off, front drum DEUTZ	258
Vibration shut-off, rear drum DEUTZ	260
Automatic vibration control	262
Service brake	264
Driving, restriction	266

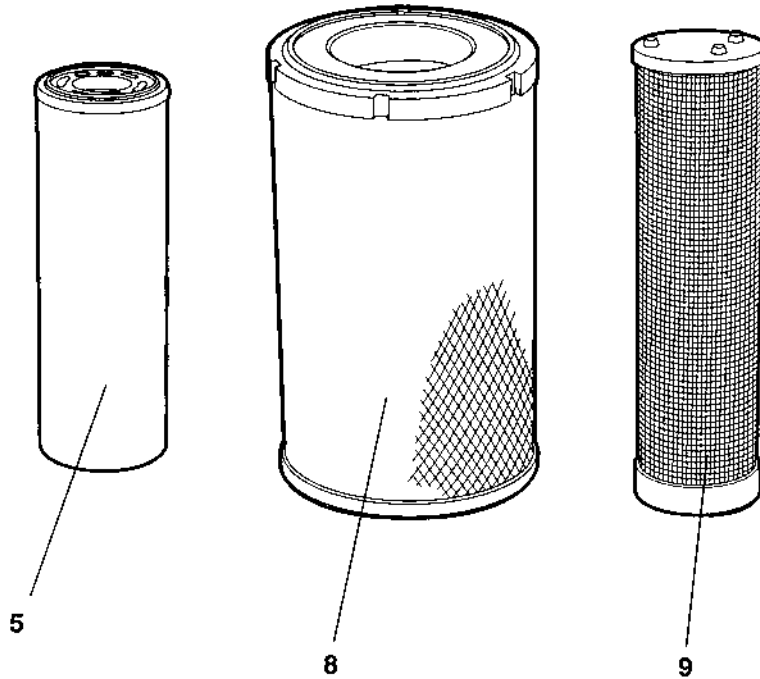
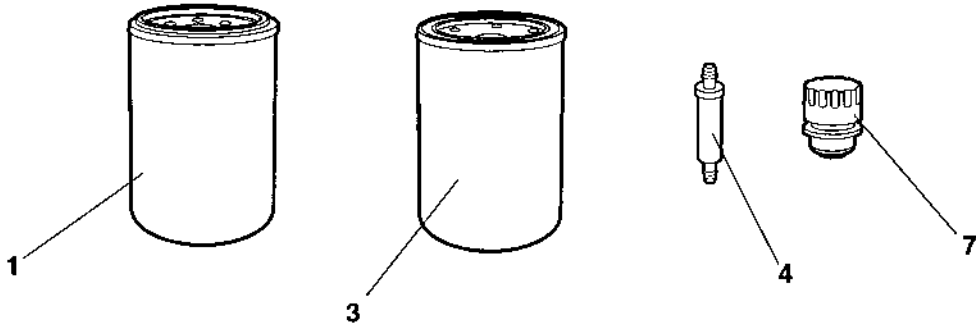
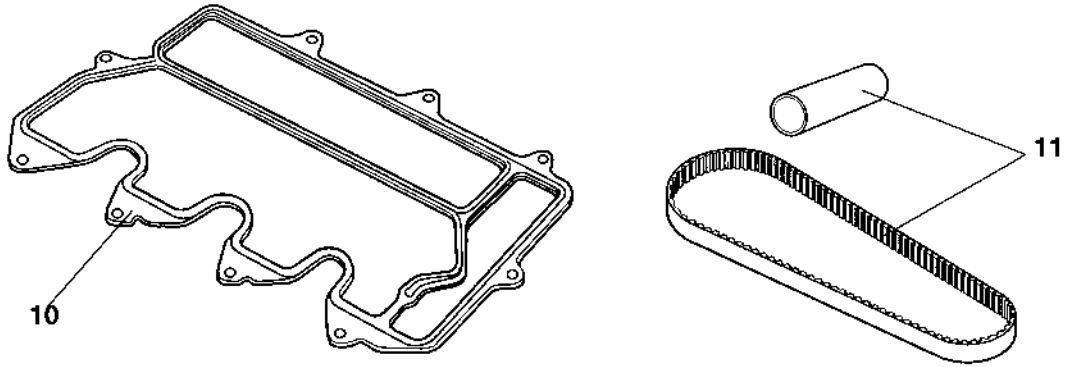


CC142 SN 60212800 -

Item	Part No	Rem Qty	Description	Code
			Service kits (Page 4)	
			Repair kits (Page 12)	
10			Frame (Page 26)	
20			Drum (Page 70)	
30			Engine (Page 74)	
50			Hydraulic system (Page 90)	
60			Electrical equipment (Page 132)	
70			Drivers platform (Page 178)	
80			Decals (Page 204)	
90			Standard equipment (Page 210)	
91			Optional equipment (Page 214)	

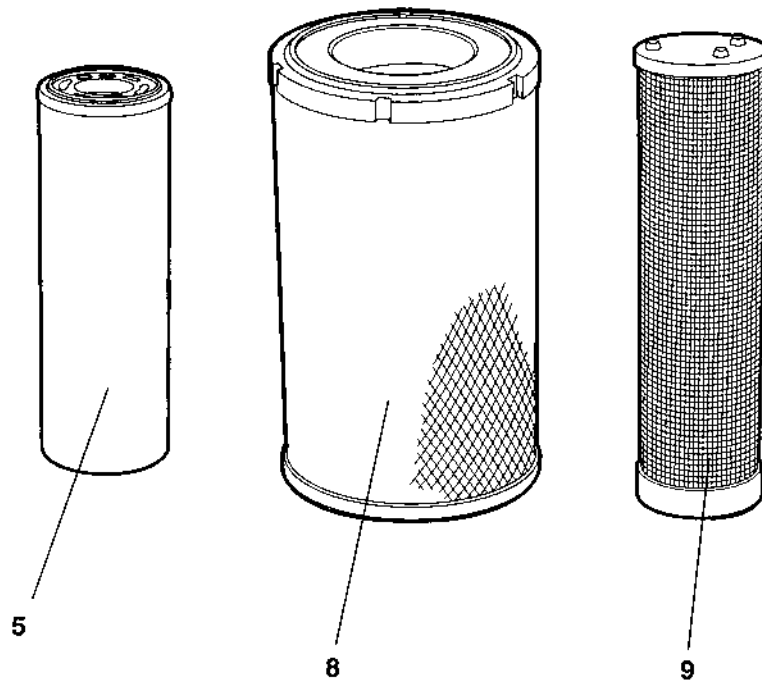
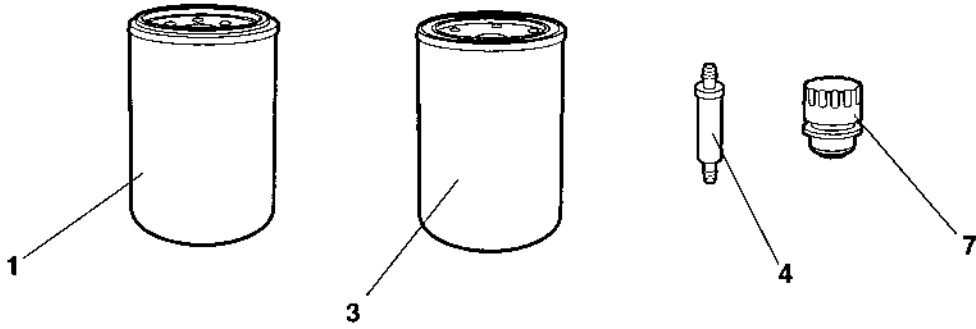
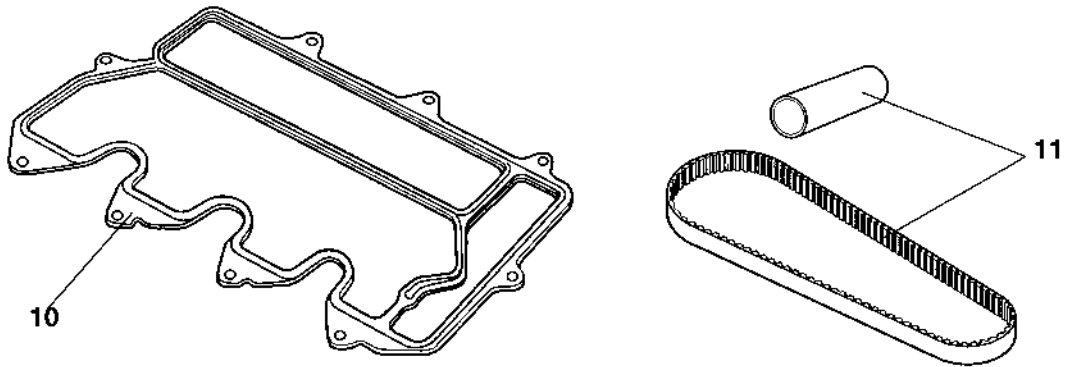
Service kits

Item	Part No	Rem Qty	Description	Code
1	4700938542	A	Service kit, Deutz (Page 6)	50 h
2	4700938543	A	Service kit, Deutz (Page 8)	500 h
3	4700940211		Service kit, Deutz F3L 2011 (Page 10)	1000 h
A)	Deutz F2L 1011F/2011, F3L 2011, D2011 L02 I/L03 I			



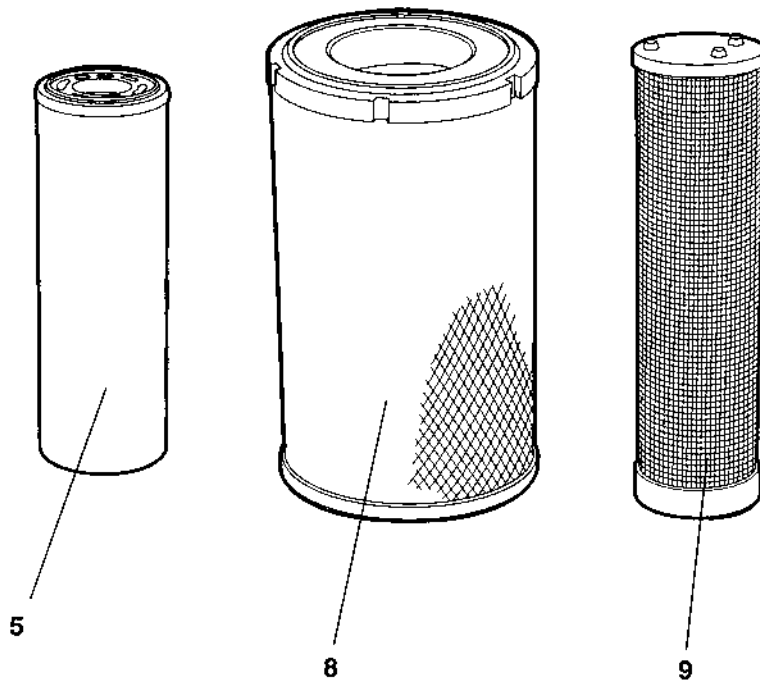
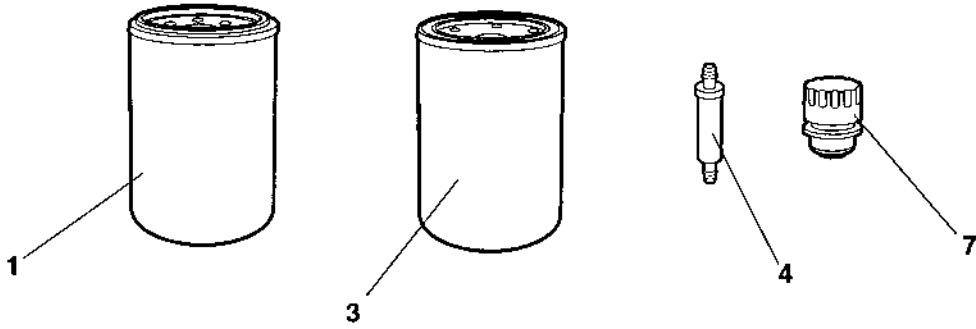
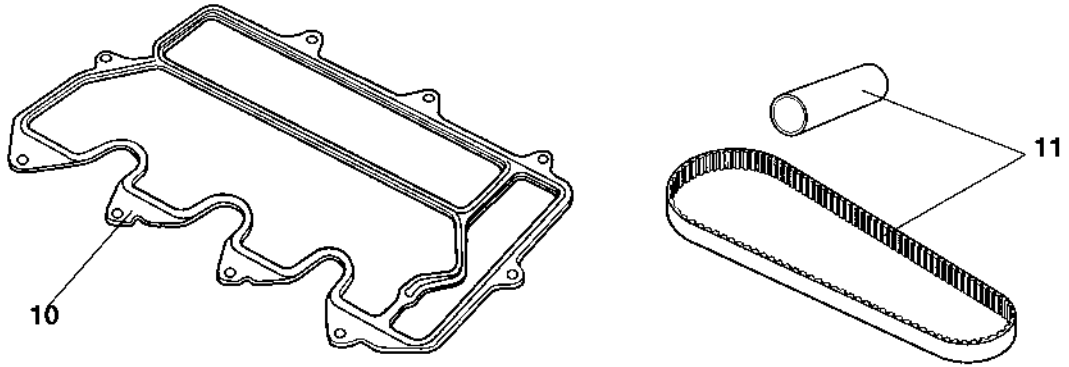
4700938542 Service kit, Deutz 50 h

Item	Part No	Rem Qty	Description	Code
	4700938542		Service kit, Deutz (Page 6)	50 h
1	4700939515	1	Oil filter	A
3	4700903938	1	Fuel filter	A
4	4700929322	1	Fuel strainer	B
5	4700903247	1	Filter element	A



4700938543 Service kit, Deutz 500 h

Item	Part No	Rem Qty	Description	Code
	4700938543		Service kit, Deutz (Page 8)	500 h
1	4700939515	1	Oil filter	A



4700940211 Service kit, Deutz F3L 2011 1000 h

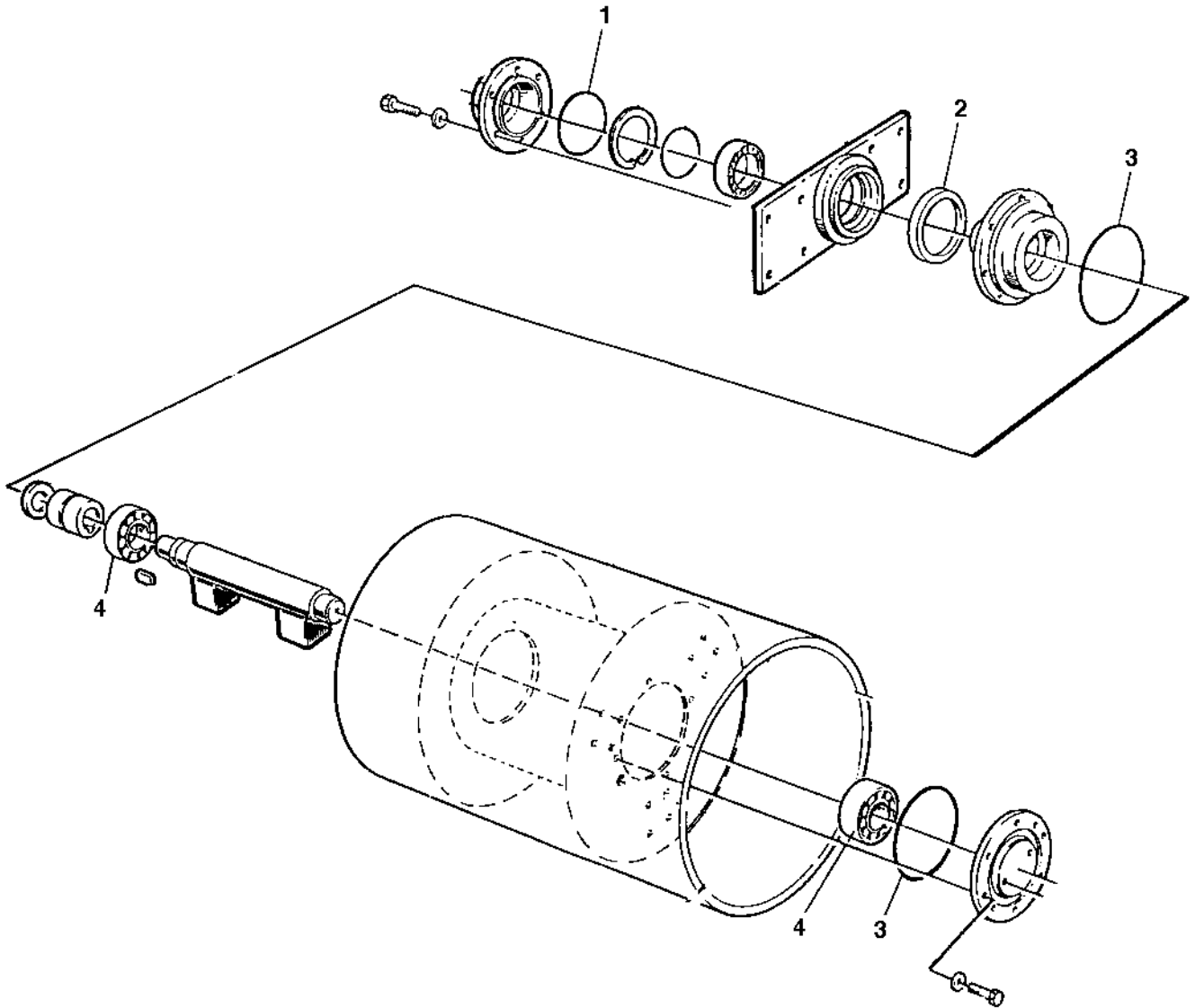
Item	Part No	Rem Qty	Description	Code
	4700940211		Service kit, Deutz F3L 2011 (Page 10)	1000 h
1	4700939515	1	Oil filter	A
3	4700903938	1	Fuel filter	A
4	4700929322	1	Fuel strainer	B
5	4700903247	1	Filter element	A
7	4700357138	1	Ventilating filter	A
8	4700380295	1	Main filter	A
9	4700380294	1	Safety filter	A
10	4700939895	1	Valve cover gasket	

Repair kits

Item	Part No	Rem Qty	Description	Code
1	4700938909	2	Eccentric shaft kit (Page 14)	
2	4700938893	2	Drum rotation kit (Page 16)	
3	4700938915		Scraper kit (Page 18)	CC142 - (12 mm)
4	4700938887	2	Shock absorber kit, drum (Page 20)	
5	4700938575		Steering hitch kit (Page 22)	
6	4700940662		F/R control button kit (Page 24)	

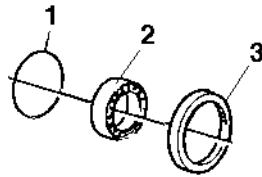
4700938909 Eccentric shaft kit

938909



4700938909 Eccentric shaft kit

Item	Part No	Rem Qty	Description	Code
	4700938909		Eccentric shaft kit (Page 14)	
1	4700160214	1	O-ring	D
2	4700163049	1	Sealing	D
3	4700923951	2	O-ring	D
4	4700904258	2	Spherical roller bearing	D

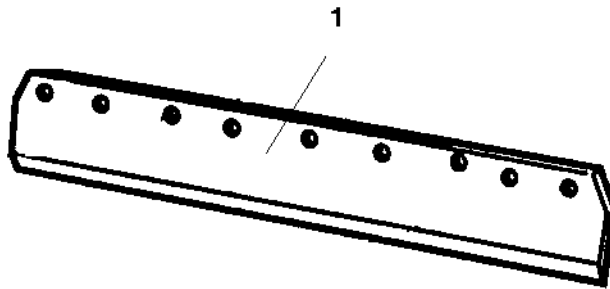


4700938893 Drum rotation kit

Item	Part No	Rem	Qty	Description	Code
	4700938893			Drum rotation kit (Page 16)	
1	4700160214		1	O-ring	D
2	4700381421		1	Ball bearing Up to 60221199	D
	4700397357	A	1	Ball bearing From 60221200	
3	4700163049		1	Sealing	D
A)	Lubricated by the drum oil				

4700938915 Scraper kit CC142 - (12 mm)

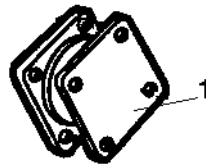
SCRAPER



4700938915 Scraper kit CC142 - (12 mm)

Item	Part No	Rem Qty	Description	Code
	4700938915		Scraper kit (Page 18)	CC142 - (12 mm)
1	4700385218	4	Scraper	B

4700938887 Shock absorber kit, drum
SHOCK ABSORB.

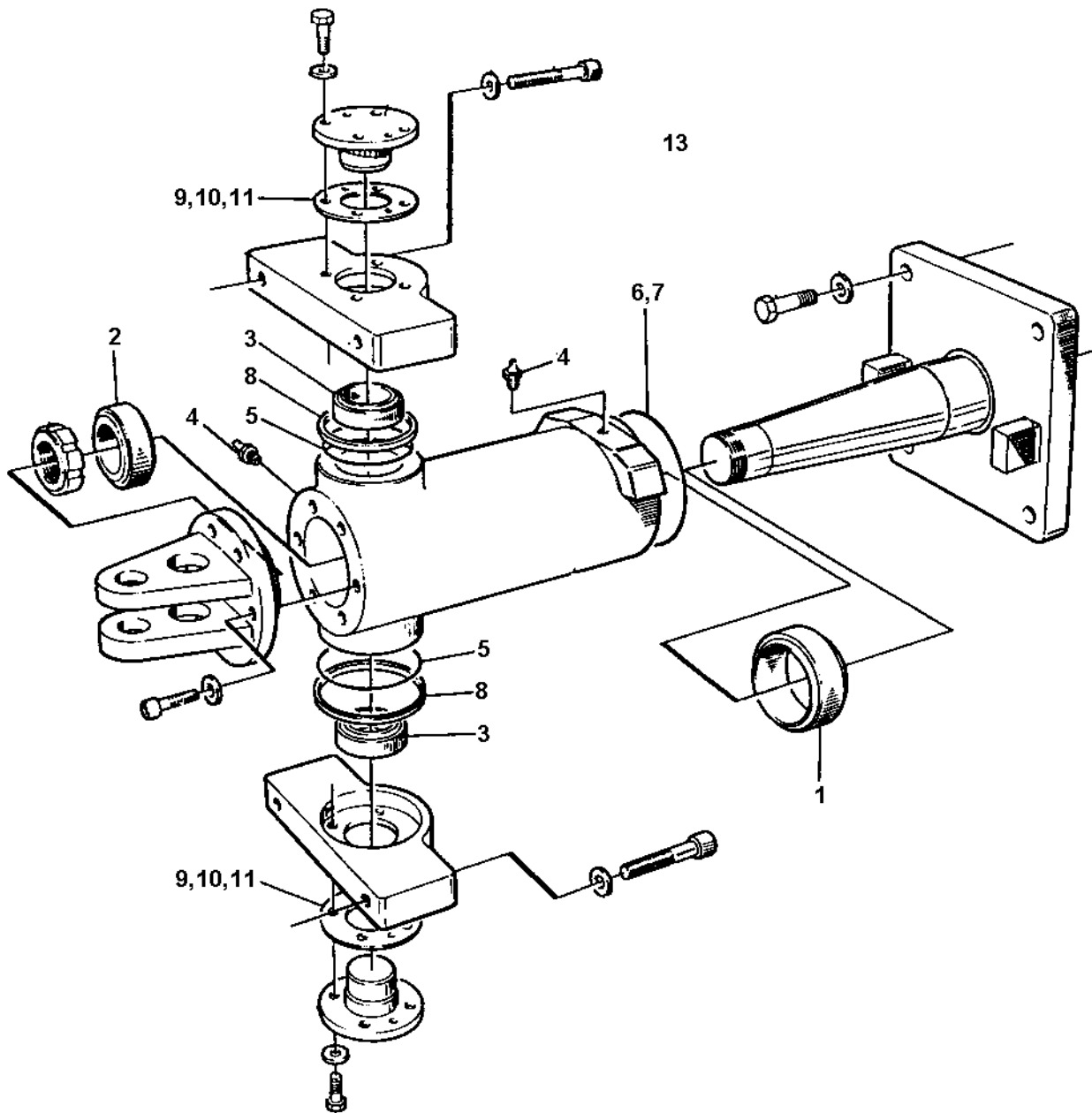


4700938887 Shock absorber kit, drum

Item	Part No	Rem Qty	Description	Code
	4700938887		Shock absorber kit, drum (Page 20)	
1	4700450122	5	Shock absorber	A

4700938575 Steering hitch kit

938575



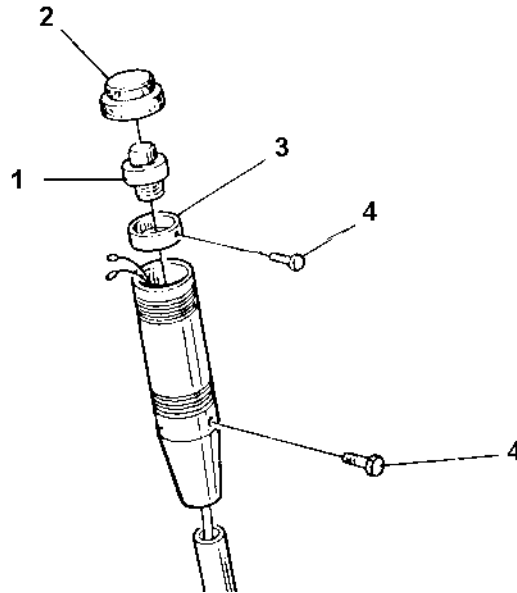
4700938575 Steering hitch kit

Item	Part No	Rem	Qty	Description	Code
	4700938575			Steering hitch kit (Page 22)	
1	4700902063		1	Bushing	D
2	4700902062		1	Bushing	D
3	4700902061		2	Bushing	D
4	4700926214		1	Grease fitting	C
5	4700167044	A	2	V-ring	D
6	4700160112		1	O-ring	D
7	4700892179		1	O-ring	D
8	4700357418		2	Sealing	D
9	4700347153		2	Shim	T=0,2 mm
10	4700347154		2	Shim	T=0,4 mm
11	4700347155		2	Shim	T=0,8 mm
13	4700938534		1	Lube grease	
14			1	Workshop manual	W1048***

A) For improved function this replaces earlier used 4700160032

4700940662 F/R control button kit

940662



4700940662 F/R control button kit

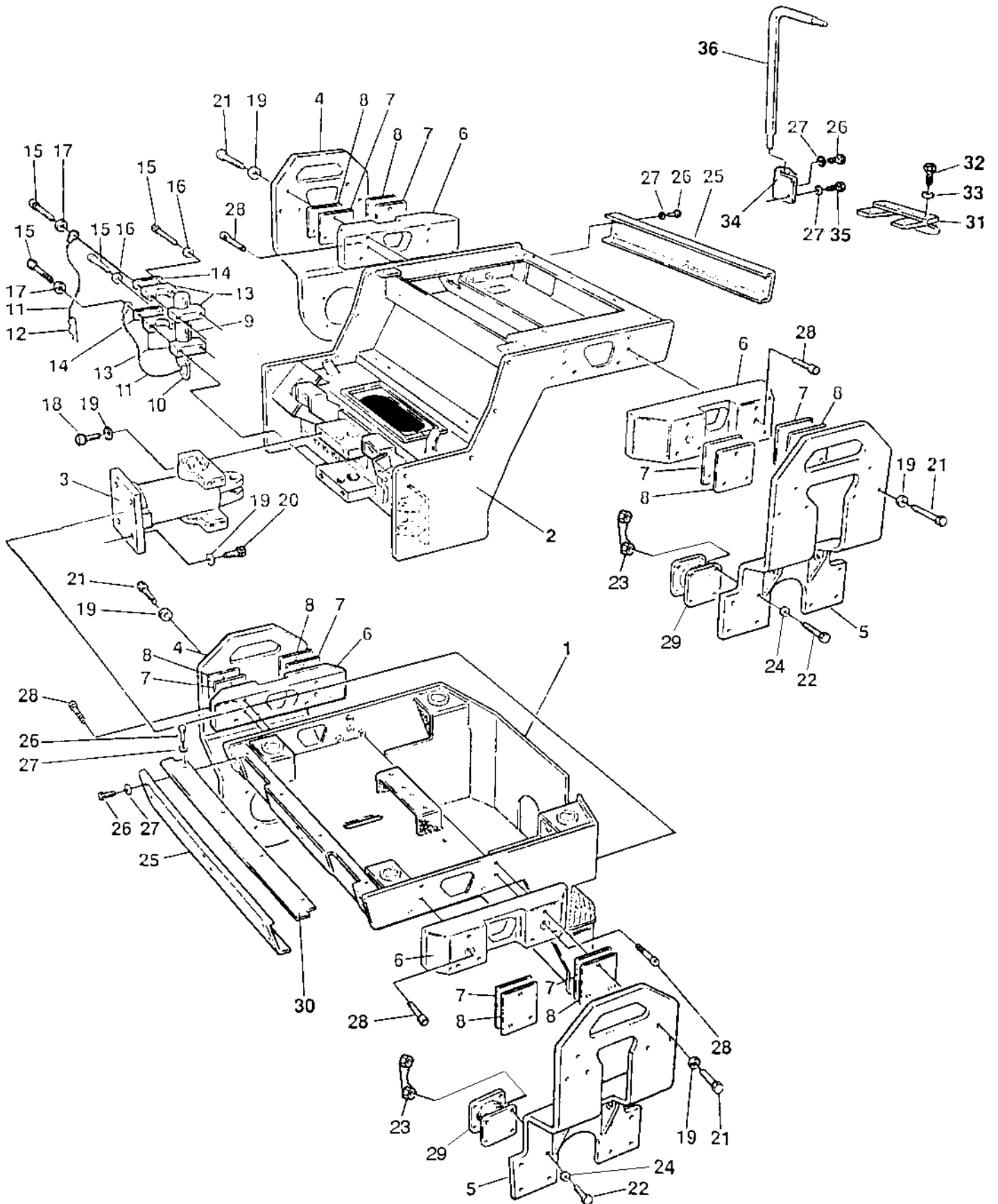
Item	Part No	Rem Qty	Description	Code
1	4700928497	1	Push button	D
2	4700348481	1	Cover	B
3	4700285911	1	Bushing	D
4	4700533001	3	Screw	

Frame

Item	Part No	Rem Qty	Description	Code
100			Frames Up to 602X3237 (Page 28)	
110			Frames From 602X3238 Up to 60214139 (Page 30)	
120			Frames From 60214140 (Page 32)	
200			Scrapers, standard drums Up to 602X2850 (Page 34)	
220			Scrapers, STD From 602X2851 Up to 602X3057 (Page 36)	
230			Scrapers, STD From 602X3058 (Page 38)	
250			Scrapers, spring loaded, front drum Up to 602X2850 (Page 40)	
260			Scrapers, spring loaded, rear drum Up to 602X2850 (Page 42)	
280			Scrapers, spring loaded From 602X2851 (Page 44)	
300			Steering hitch (Page 46)	
411			Structure Up to 602X3054 (Page 48)	DEUTZ, F3L
420			Structure From 602X3055 (Page 52)	DEUTZ, F3L
430			Structure (Page 56)	DEUTZ
505			Sprinkler system Up to 602X3202 (Page 60)	Front tank
510			Sprinkler system From 602X3203 (Page 62)	Front tank
520			Sprinkler, front/rear Up to 602X2850 (Page 66)	
530			Sprinkler front/rear From 602X2851 (Page 68)	

Frames

15493-4



Frames

Item	Part No	Rem Qty	Description	Code
1	4700357176	1	Frame, rear	
2	4700357070	1	Frame, front	
3		1	Steering hitch (Page 46)	
4	4700357237	2	Fork	
5	4700357238	2	Fork	
6	4700357217	4	Spacer block	
7	4700357222	N	Shim	T=1 mm
8	4700357221	N	Shim	T=3 mm
9	4700357486	1	Shaft	
10	4700357488	1	Spring	C
11	4700343775	2	Wire	D
12	4700357483	1	Hair pin	
13	4700902171	A 2	Clamp	
14	4700902172	2	Cover plate	
15	4700500016	4	Screw	M6x55 8.8 A2K C
16	4700600004	2	Washer	C
17	4700615076	2	Washer	7,0x25x1,5 C
18	4700902100	4	Screw	
19	4700904232	32	Washer	C
20	4700927396	4	Screw	
21	4700500272	24	Screw	M16-2,0x220 8,8
22	4700500195	16	Screw	C
23	4700383436	F 8	Holder	C
24	4700904231	16	Washer	13x24x2 300 HV C
25	4700357370	E 2	Cover	
	4700373628	B 2	Cover	
26	4700500053	16	Screw	M8x20H 8.8 C
27	4700904229	16	Washer	8,4x16x1,5 C
28	4700902376	8	Screw	M16-2,0x180 8,8
29		1 1	Shock absorber	
30	4700357412	1	Cover	
31	4700358743	C 1	Towing device	
32	4700947687	D 6	Screw	M12-1,75x30 10,9
33	4700904231	D 6	Washer	13x24x2 300 HV C
34	4700358861	D 1	Mirror bracket	
35	4700500188	D 1	Screw	M8-1,25x14 8,8
36	4700373999	D 1	Rod	

1) See section " Drum "

A) 2 pcs

B) New, reinforced

C) Option, front/rear

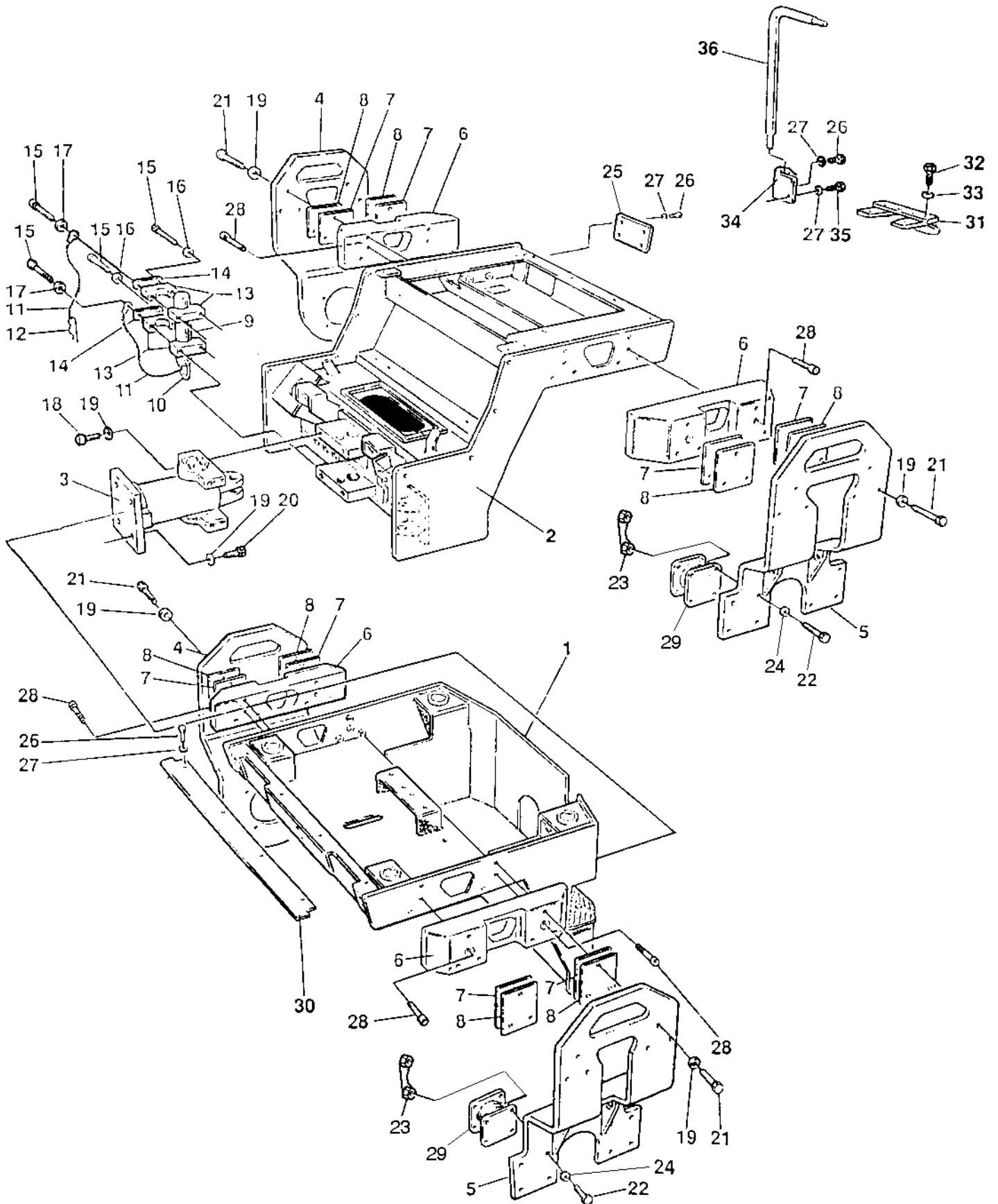
D) Option

E) Old

F) Replaces earlier used Lock nut 4700586019; each holder has two nuts

Frames

18362



Frames

Item	Part No	Rem Qty	Description	Code
1	4700378365	1	Frame, rear	
2	4700378363	1	Frame, front	
3		1	Steering hitch (Page 46)	
4	4700357237	2	Fork	
5	4700357238	2	Fork	
6	4700357217	4	Spacer block	
7	4700357222	N	Shim	T=1 mm
8	4700357221	N	Shim	T=3 mm
9	4700357486	1	Shaft	
10	4700357488	1	Spring	C
11	4700343775	2	Wire	D
12	4700357483	1	Hair pin	
13	4700902171	A 2	Clamp	
14	4700902172	2	Cover plate	
15	4700500016	4	Screw	M6x55 8.8 A2K C
16	4700600004	2	Washer	C
17	4700615076	2	Washer	7,0x25x1,5 C
18	4700902100	4	Screw	
19	4700904232	32	Washer	C
20	4700927396	4	Screw	
21	4700500272	24	Screw	M16-2,0x220 8,8
22	4700500195	16	Screw	C
23	4700383436	F 8	Holder	C
24	4700904231	16	Washer	13x24x2 300 HV C
25	4700378868	4	Cover	
26	4700792187	16	Screw	M5x14
27	4700904281	16	Washer	5,3x10x1 300HV C
28	4700902376	8	Screw	M16-2,0x180 8,8
29		1 1	Shock absorber	
30	4700357412	1	Cover	
31	4700358743	C 1	Towing device	
32	4700947687	D 6	Screw	M12-1,75x30 10,9
33	4700904231	D 6	Washer	13x24x2 300 HV C
34	4700358861	D 1	Mirror bracket	
35	4700500188	D 1	Screw	M8-1,25x14 8,8
36	4700373999	D 1	Rod	
40	4700500053	4	Screw	M8x20H 8.8 C
41	4700904229	4	Washer	8,4x16x1,5 C

1) See section " Drum "

A) 2 pcs

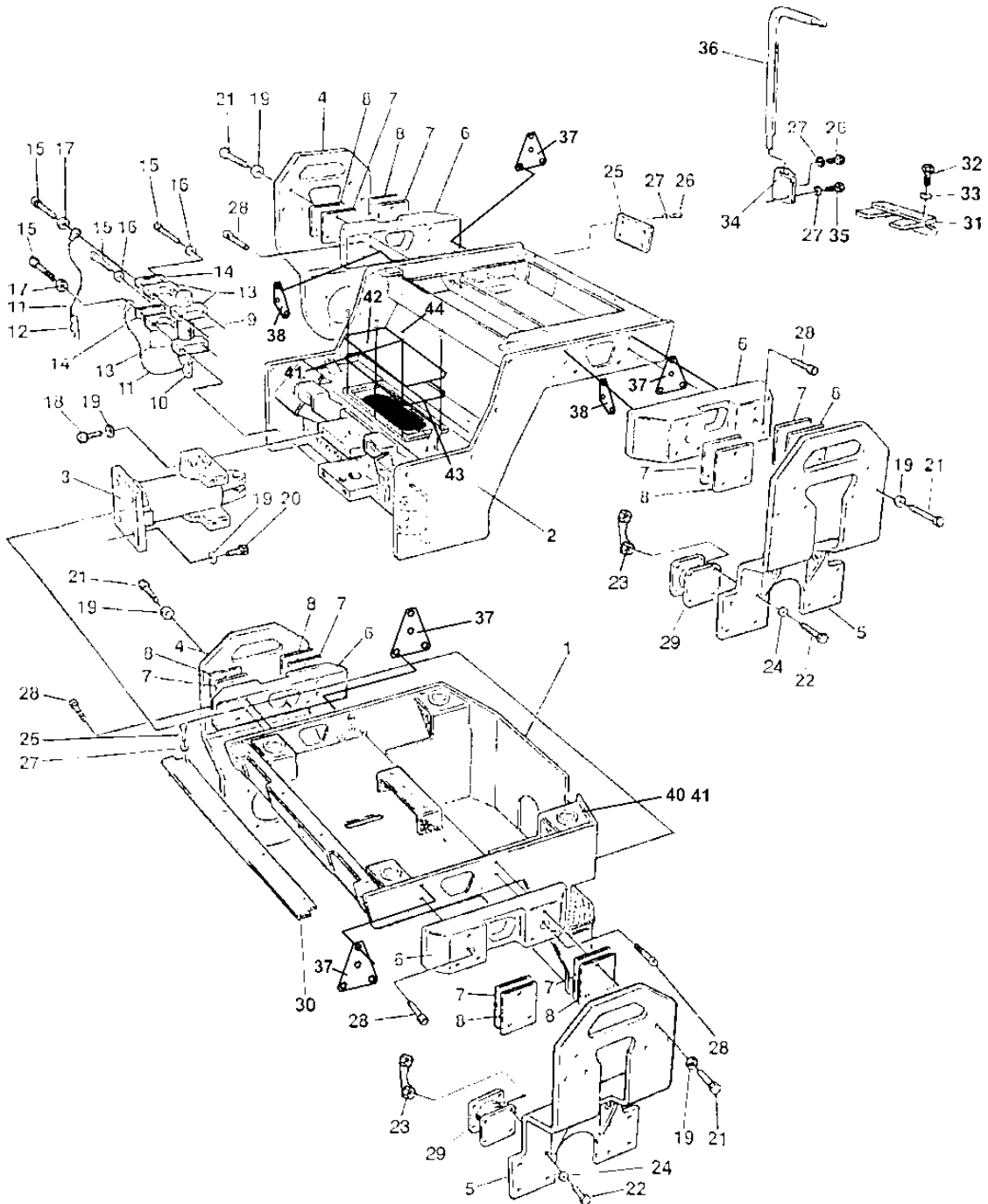
C) Option, front/rear

D) Option

F) Replaces earlier used Lock nut 4700586019; each holder has two nuts

Frames

18362-2



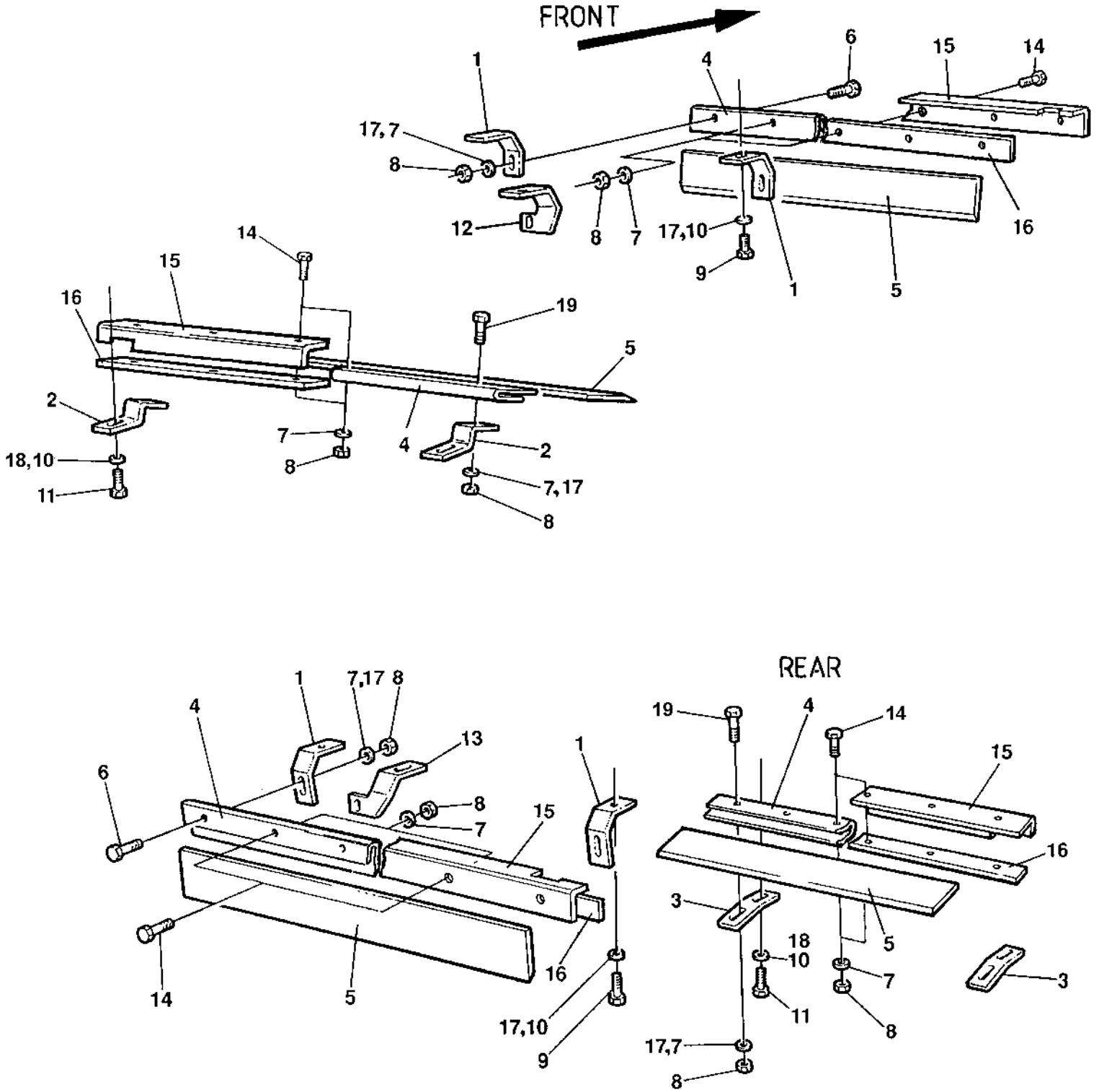
Frames

Item	Part No	Rem Qty	Description	Code
1	4700378365	1	Frame, rear	
2	4700378363	1	Frame, front	
3		1	Steering hitch (Page 46)	
4	4700357237	2	Fork	
5	4700357238	2	Fork	
6	4700357217	4	Spacer block	
7	4700357222	N	Shim	T=1 mm
8	4700357221	N	Shim	T=3 mm
9	4700357486	1	Shaft	
10	4700357488	1	Spring	C
11	4700343775	2	Wire	D
12	4700357483	1	Hair pin	
13	4700902171	A 2	Clamp	
14	4700902172	2	Cover plate	
15	4700500016	4	Screw	M6x55 8.8 A2K C
16	4700600004	2	Washer	C
17	4700615076	2	Washer	7,0x25x1,5 C
18	4700902100	4	Screw	
19	4700904232	32	Washer	C
20	4700927396	4	Screw	
21	4700500272	24	Screw	M16-2,0x220 8,8
22	4700500195	16	Screw	C
23	4700383436	F 8	Holder	C
24	4700904231	16	Washer	13x24x2 300 HV C
25	4700378868	4	Cover	
26	4700792187	16	Screw	M5x14
27	4700904281	16	Washer	5,3x10x1 300HV C
28	4700902376	8	Screw	M16-2,0x180 8,8
29		1 1	Shock absorber	
30	4700357412	1	Cover	
31	4700358743	C 1	Towing device	
32	4700947687	D 6	Screw	M12-1,75x30 10,9
33	4700904231	D 6	Washer	13x24x2 300 HV C
34	4700358861	D 1	Mirror bracket	
35	4700500188	D 1	Screw	M8-1,25x14 8,8
36	4700373999	D 1	Rod	
37	4700393540	6	Threaded plate	
38	4700396847	2	Threaded plate	
40	4700500053	4	Screw	M8x20H 8.8 C
41	4700904229	18	Washer	8,4x16x1,5 C
42	4700349879	1	Cover From 60214244	
43	4700349880	1	O-ring From 60214244	C
44	4700500019	14	Screw From 60214244	M8x16H 8.8 A2K C

- 1) See section " Drum "
- A) 2 pcs
- C) Option, front/rear
- D) Option
- F) Replaces earlier used Lock nut 4700586019; each holder has two nuts

Scrapers, standard drums

18066

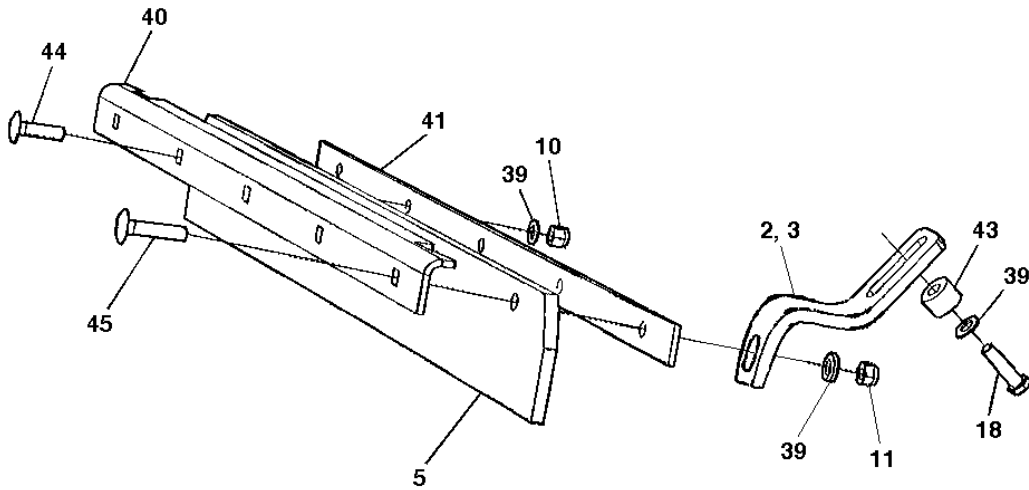
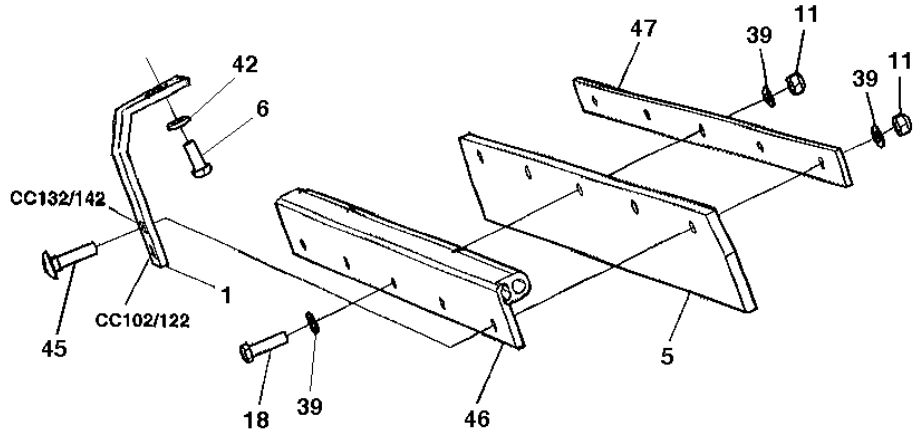


Scrapers, standard drums

Item	Part No	Rem Qty	Description	Code
1	4700374018	4	Scraper bracket	
2	4700358566	2	Scraper bracket	
3	4700358568	2	Scraper bracket	
4			Not used on this model	
5	4700385218	4	Scraper	B
6	4700500049	4	Screw	C
7	4700904231	28	Washer	C
8	4700586019	28	Lock nut	C
9	4700500046	4	Screw	C
10			Not used on this model	C
11	4700500056	4	Screw	C
12			Not used on this model	C
13			Not used on this model	C
14	4700904342	20	Screw	C
15	4700385673	4	Scraper bracket	
16	4700384050	4	Scraper bracket	
17	4700904213	12	Washer	C
18	4700384493	4	Spacer sleeve	
19	4700904343	4	Screw	

Scrapers, STD

18146



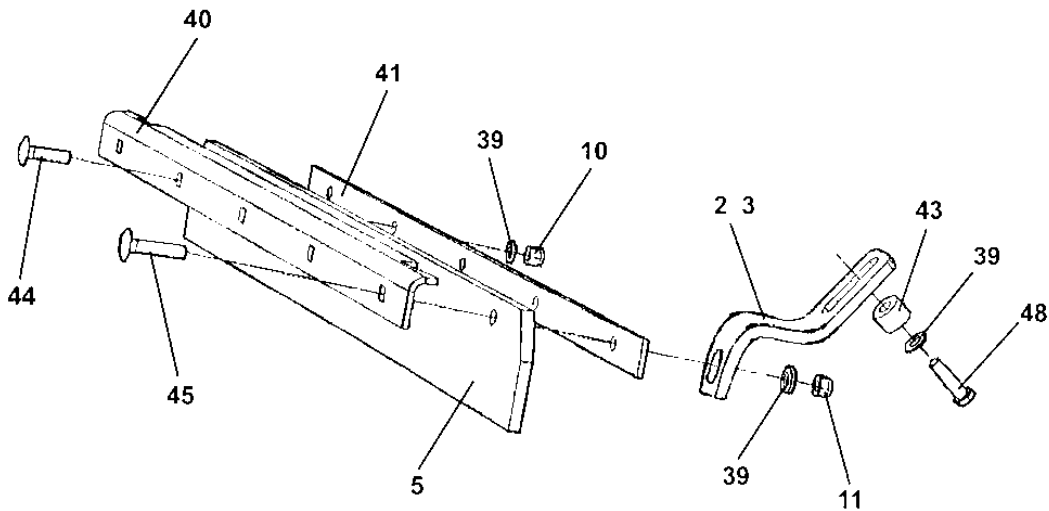
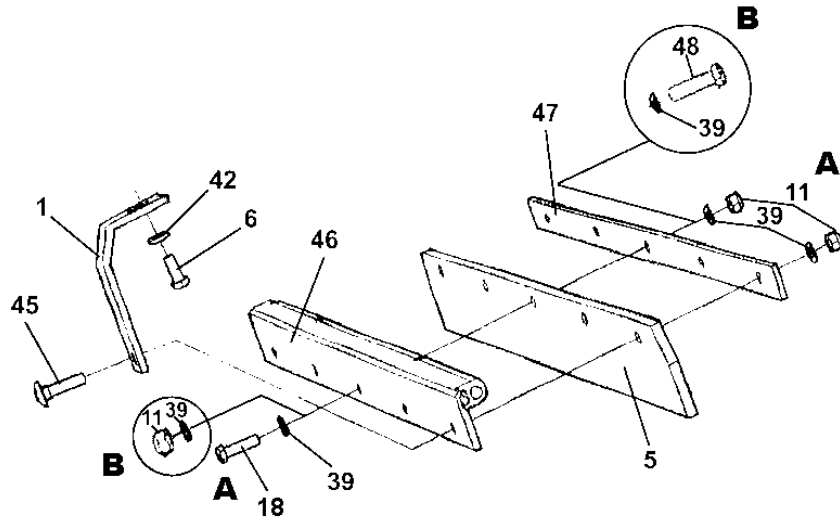
Scrapers, STD

Item	Part No	Rem	Qty	Description	Code
1	4700376624		4	Scraper bracket	
2	4700358566	A	2	Scraper bracket	
3	4700358568	B	2	Scraper bracket	
5	4700385218		4	Scraper	B
6	4700500046		4	Screw	M12x025H C
10	4700586019		10	Lock nut	C
11	4700791963		18	Lock nut	M12 C
18	4700500056		14	Screw	C
39	4700904231		42	Washer	13x24x2 300 HV C
40	4700385673		2	Scraper bracket	
41	4700384050		2	Scraper bracket	
42	4700904703		4	Washer	C
43	4700384493		4	Spacer sleeve	
44	4700904342		10	Screw	M12x45
45	4700904424		8	Screw	M12x55
46	4700389153		2	Sprinkler pipe/bracket	
47	4700377796		2	Scraper bracket	

- A) Front lower
- B) Rear lower

Scrapers, STD

18352-2



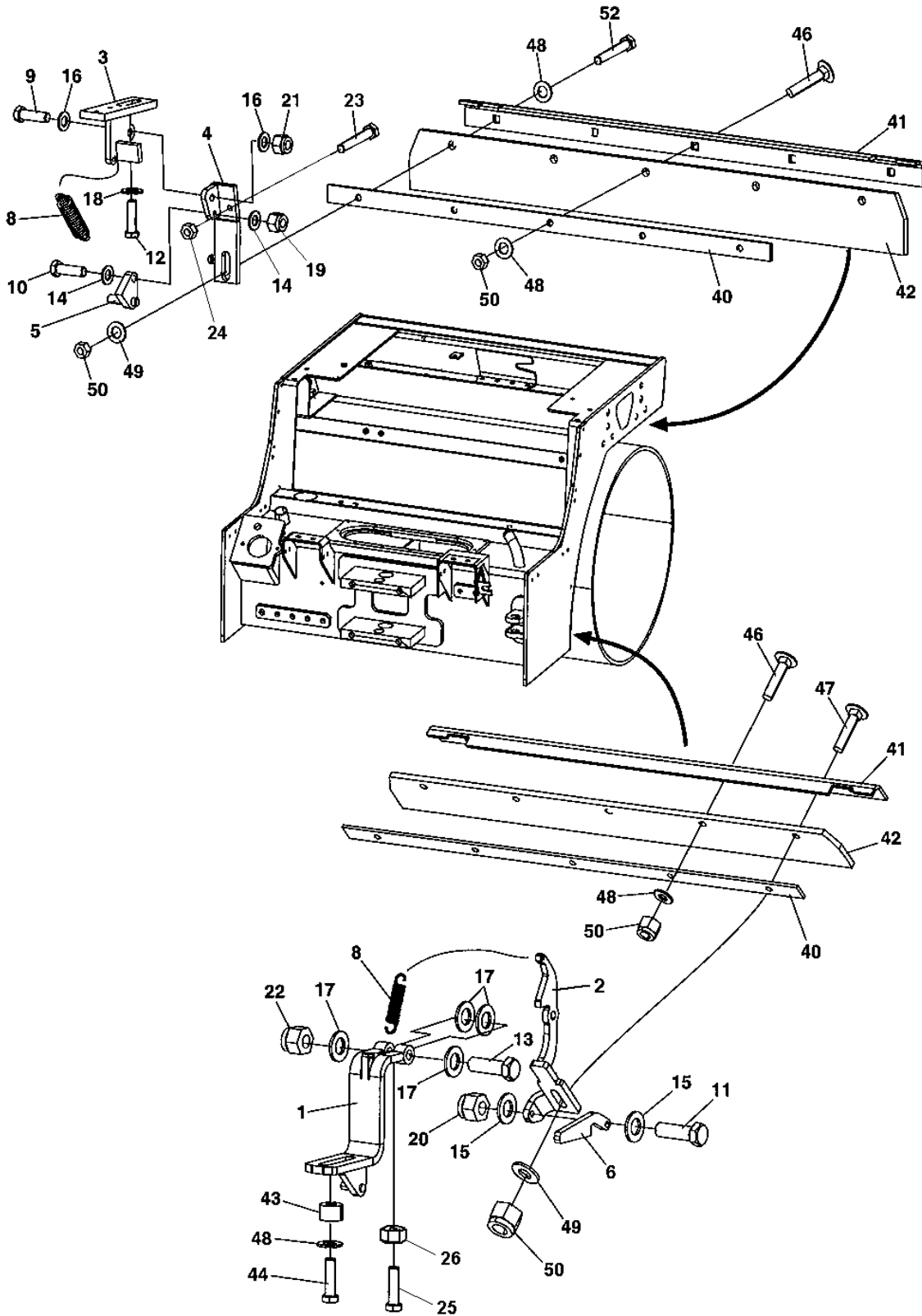
Scrapers, STD

Item	Part No	Rem	Qty	Description	Code
1	4700376624		4	Scraper bracket	
2	4700358566	A	2	Scraper bracket	
3	4700358568	B	2	Scraper bracket	
5	4700385218		4	Scraper	B
6	4700500046		4	Screw	M12x025H C
10	4700586019		10	Lock nut	C
11	4700791963		18	Lock nut	M12 C
18	4700500056	C	14	Screw	C
	4700500056	D	10	Screw	C
39	4700904231		42	Washer	13x24x2 300 HV C
40	4700385673		2	Scraper bracket	
41	4700384050		2	Scraper bracket	
42	4700904703		4	Washer	C
43	4700384493		4	Spacer sleeve	
44	4700904342		10	Screw	M12x45
45	4700904424		8	Screw	M12x55
46	4700389153		2	Sprinkler pipe/bracket	
47	4700377796		2	Scraper bracket	
48	4812110229	D	4	Screw	M12x50

- A) Front lower
- B) Rear lower
- C) Used together with alternative "A" in drawing
- D) Used together with alternative "B" in drawing

Scrapers, spring loaded, front drum

17790-1

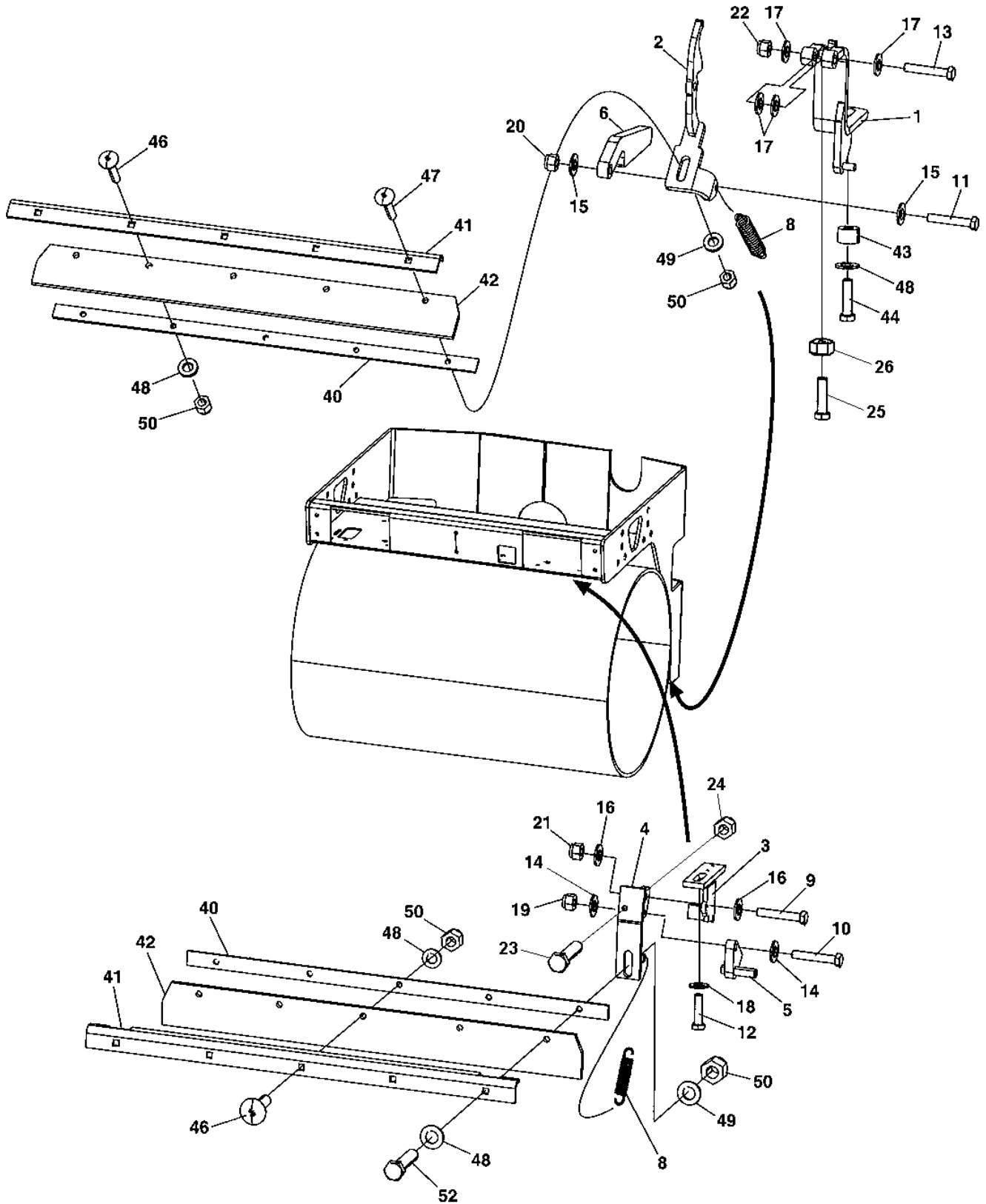


Scrapers, spring loaded, front drum

Item	Part No	Rem Qty	Description	Code
1	4700387806	2	Scraper bracket	
2	4700387807	2	Scraper bracket	
3	4700387808	2	Scraper bracket	
4	4700387809	2	Scraper bracket	
5	4700358874	2	Stop	
6	4700385613	2	Hook	
8	4700358876	4	Spring	
9	4700380255	2	Screw	
10	4700500015	2	Screw	M6-1x30 8,8 C
11	4700500047	2	Hexagon head screw	C
12	4700500046	2	Screw	M12x025H C
13	4700500133	2	Screw	C
14	4700904228	4	Washer	6,4x12x1,5 C
15	4700904229	4	Washer	8,4x16x1,5 C
16	4700904230	4	Steel plain washer	C
17	4700904231	4	Washer	13x24x2 300 HV C
18	4700904703	2	Washer	C
19	4700586002	2	Lock nut	M6 -8 C
20	4700791182	2	Lock nut	M8 C
21	4700586018	2	Lock nut	C
22	4700586019	2	Lock nut	C
23	4700791082	2	Screw	
24	4700570006	2	Nut	C
25	4700904241	2	Screw	C
26	4700570005	2	Nut	M8 C
40	4700384050	2	Scraper bracket	
41	4700385673	2	Scraper bracket	
42	4700385218	2	Scraper	B
43	4700384493	2	Spacer sleeve	
44	4700500056	2	Screw	C
46	4700904342	10	Screw	M12x45
47	4700904343	2	Screw	
48	4700904231	14	Washer	13x24x2 300 HV C
49	4700904703	4	Washer	C
50	4700586019	14	Lock nut	C
52	4700500111	2	Screw	M12x55 8,8 C

Scrapers, spring loaded, rear drum

17795-1

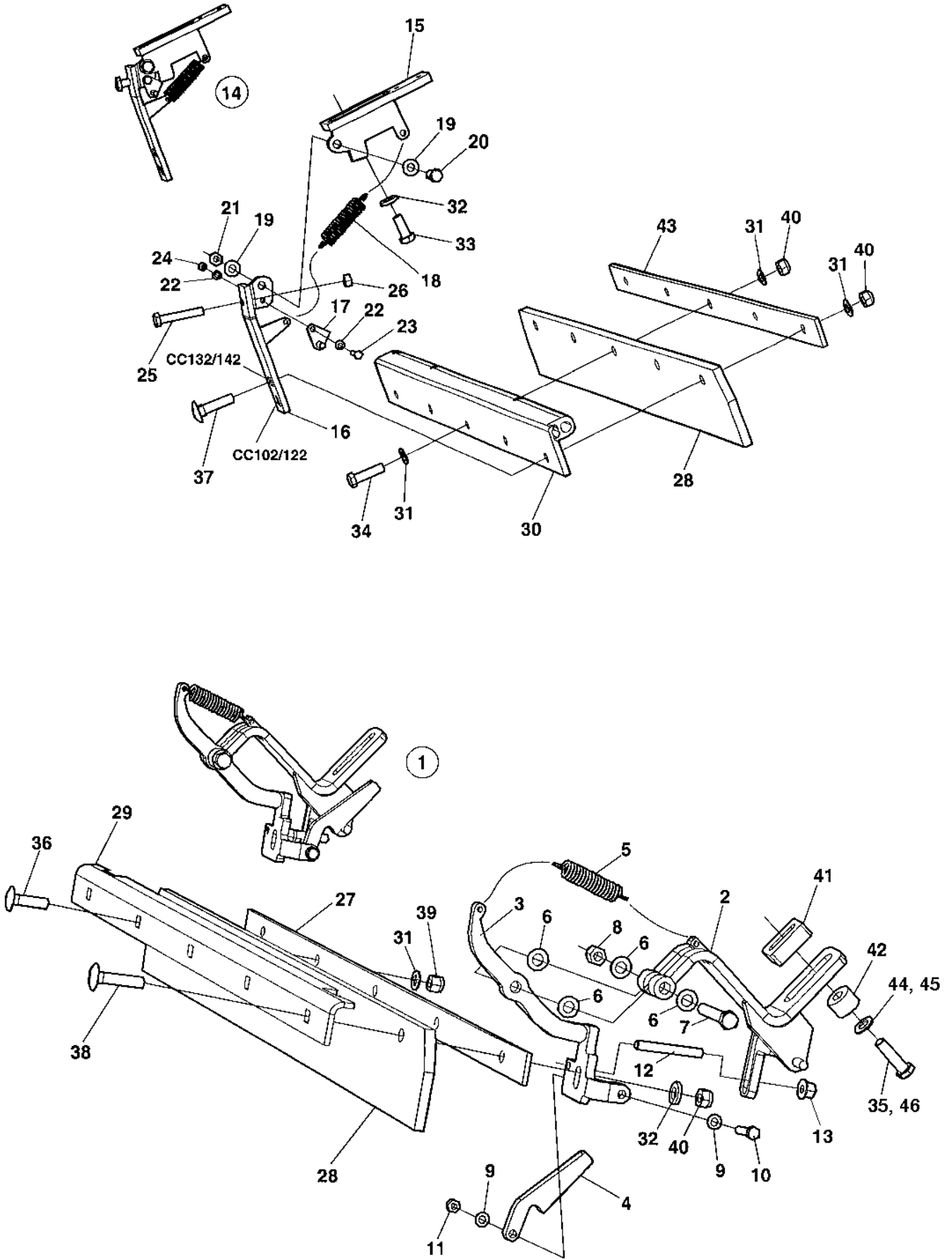


Scrapers, spring loaded, rear drum

Item	Part No	Rem Qty	Description	Code
1	4700387806	2	Scraper bracket	
2	4700387807	2	Scraper bracket	
3	4700387808	2	Scraper bracket	
4	4700387809	2	Scraper bracket	
5	4700358874	2	Stop	
6	4700385613	2	Hook	
8	4700358876	4	Spring	
9	4700380255	2	Screw	
10	4700500015	2	Screw	M6-1x30 8,8 C
11	4700500047	2	Hexagon head screw	C
12	4700500046	2	Screw	M12x025H C
13	4700500133	2	Screw	C
14	4700904228	4	Washer	6,4x12x1,5 C
15	4700904229	4	Washer	8,4x16x1,5 C
16	4700904230	4	Steel plain washer	C
17	4700904231	4	Washer	13x24x2 300 HV C
18	4700904703	2	Washer	C
19	4700586002	2	Lock nut	M6 -8 C
20	4700791182	2	Lock nut	M8 C
21	4700586018	2	Lock nut	C
22	4700586019	2	Lock nut	C
23	4700791082	2	Screw	
24	4700570006	2	Nut	C
25	4700904241	2	Screw	C
26	4700570005	2	Nut	M8 C
40	4700384050	2	Scraper bracket	
41	4700385673	2	Scraper bracket	
42	4700385218	2	Scraper	B
43	4700384493	2	Spacer sleeve	
44	4700500056	2	Screw	C
46	4700904342	10	Screw	M12x45
47	4700904343	2	Screw	
48	4700904231	14	Washer	13x24x2 300 HV C
49	4700904703	6	Washer	C
50	4700586019	14	Lock nut	C
52	4700500111	2	Screw	M12x55 8,8 C

Scrapers, spring loaded

18111



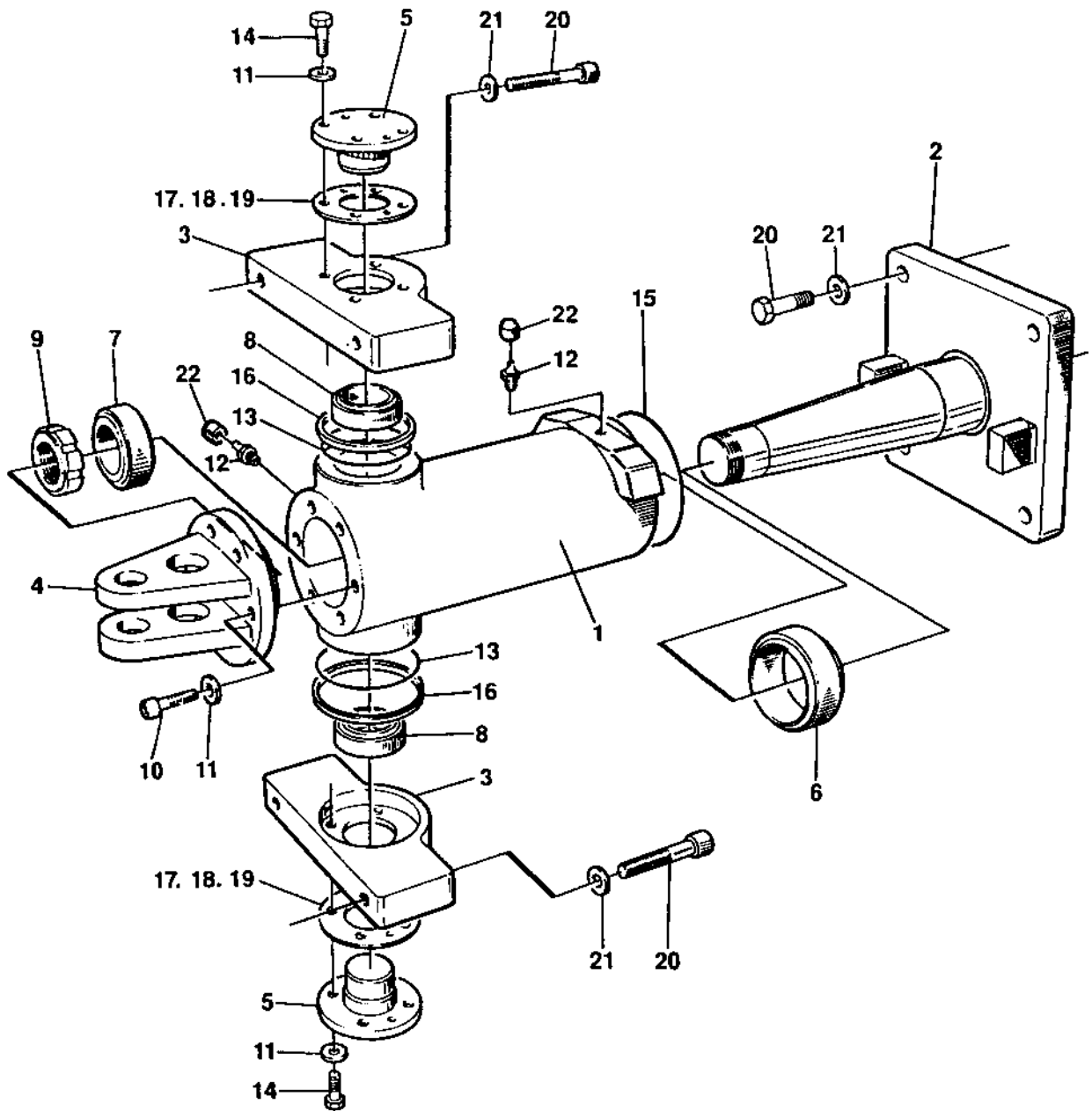
Scrapers, spring loaded

Item	Part No	Rem	Qty	Description	Code
1	4700389999		4	Scraper bracket	
2		D	1	.Bracket	
3		D	1	.Bracket	
4	4700385613	D	1	.Hook	
5	4700358876		1	.Spring	
6	4700904231		4	.Washer	13x24x2 300 HV
7	4700500133		1	.Screw	
8	4700586019		1	.Lock nut	
9	4700904229		2	.Washer	8,4x16x1,5
10	4700500047		1	.Hexagon head screw	
11	4700791182		1	.Lock nut	M8
12		D	1	.Stud	
13	4700902287		1	.Nut	
14	4700389998		4	Scraper bracket	
15		D	1	.Bracket	
16		D,C	1	.Bracket	
17		D	1	.Stop	
18	4700358876		1	.Spring	
19	4700904230		2	.Steel plain washer	
20	4700380255		1	.Screw	
21	4700586018		1	.Lock nut	
22	4700904228		3	.Washer	6,4x12x1,5
23	4700500015		1	.Screw	M6-1x30 8,8
24	4700586002		1	.Lock nut	M6 -8
25	4700791082		1	.Screw	
26	4700570006		1	.Nut	
27	4700384050		2	Scraper bracket	
28	4700385218		4	Scraper	
29	4700385673		2	Scraper bracket	
30	4700389153		2	Sprinkler pipe/bracket	
31	4700904231		34	Washer	13x24x2 300 HV
32	4700904703		8	Washer	
33	4700500046		4	Screw	M12x025H
34	4700500056		14	Screw	
36	4700904342		10	Screw	M12x45
37	4700901330		4	Screw	M12x50
38	4700904424		4	Screw	M12x55
39	4700586019		10	Lock nut	
40	4700791963		18	Lock nut	M12
42	4700384493		4	Spacer sleeve	
43	4700377796		2	Scraper bracket	
44	4700904231		4	Washer	13x24x2 300 HV
46	4700500056		4	Screw	

- C) Mounting hole to be used for item 37 depending on model
- D) Not sold separately

Steering hitch

15465-1



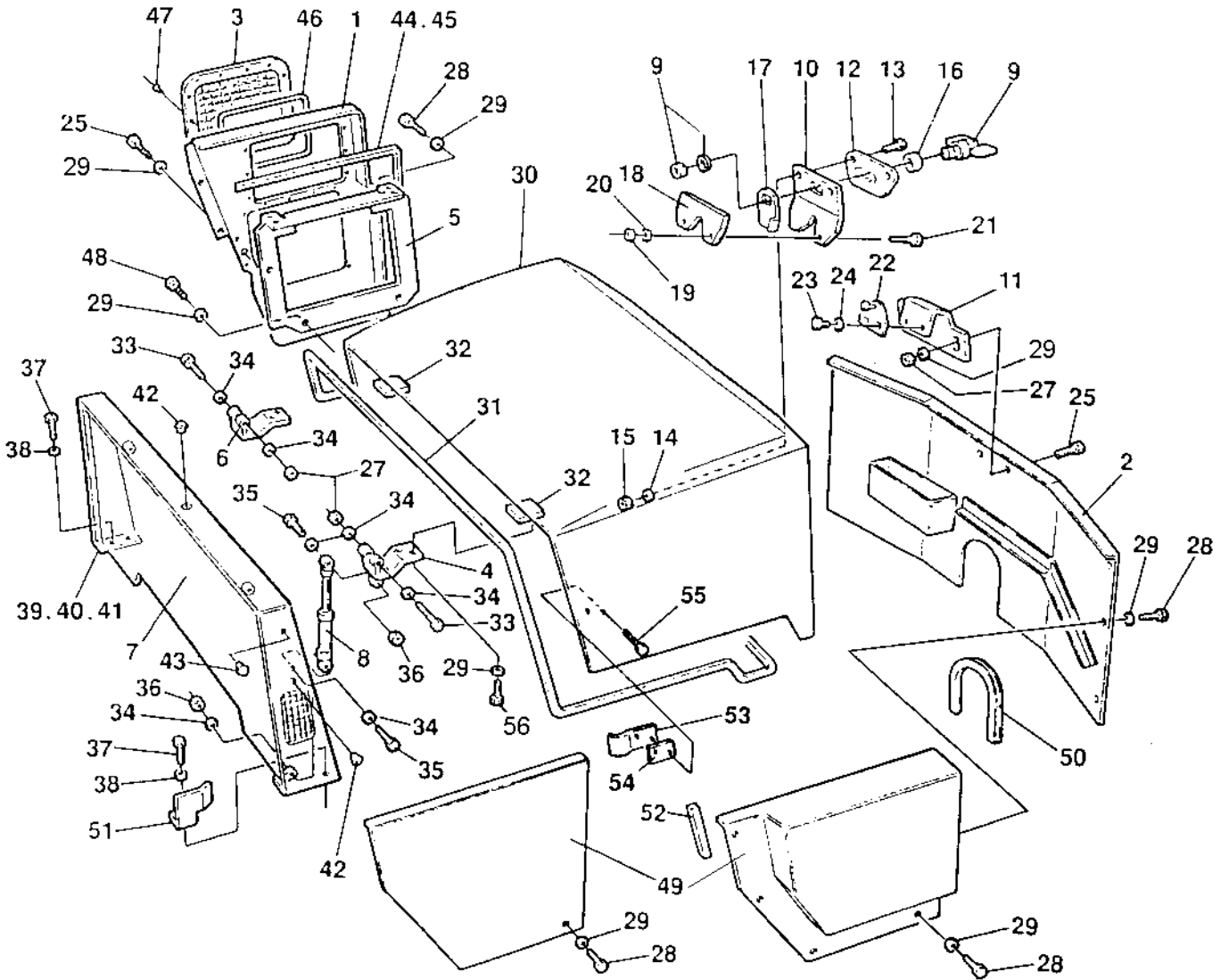
Steering hitch

Item	Part No	Rem	Qty	Description	Code
1	4700358976		1	Bearing housing	
2	4700358978		1	Hitch shaft	
3	4700357031		2	Bracket	
4	4700357038		1	Bracket	
5	4700357039		2	Shaft	
6	4700902063		1	Bushing	D
7	4700902062		1	Bushing	D
8	4700902061		2	Bushing	D
9	4700902060		1	Lock nut	
10	4700902059		6	Screw	
11	4700600008		14	Washer	C
12	4700926214		2	Grease fitting	C
13	4700167044	A	2	V-ring	D
14	4700500028		8	Screw	C
15	4700892179		1	O-ring	D
16	4700357418		2	Sealing	D
17	4700347153		N	Shim	T=0,2 mm
18	4700347154		N	Shim	T=0,4 mm
19	4700347155		N	Shim	T=0,8 mm
20			8	Screw	
21			8	Washer	
22	4700902576		2	Cover	

A) For improved function this replaces earlier used 4700160032

Structure DEUTZ, F3L

16475-1

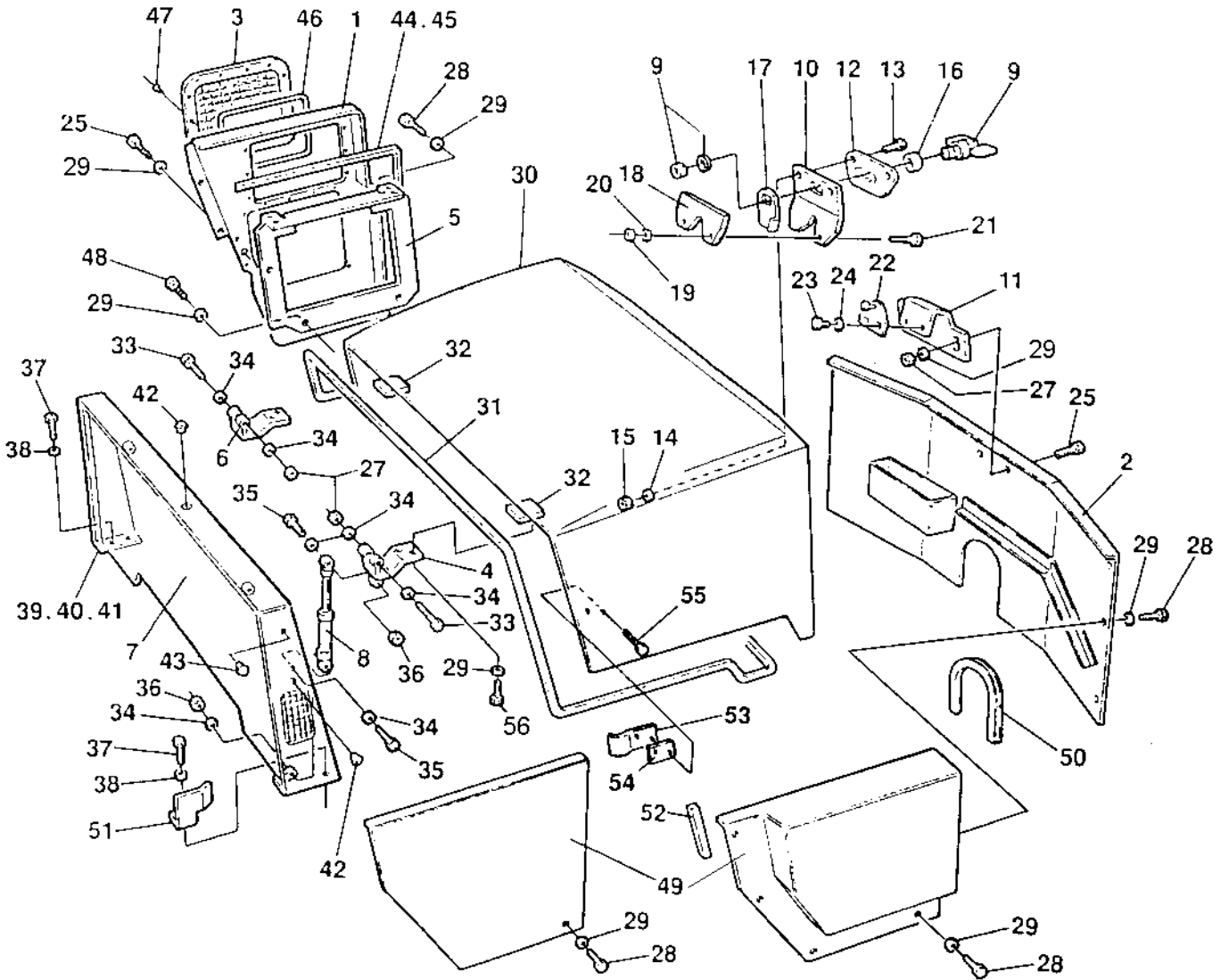


Item	Part No	Rem	Qty	Description	Code
1	4700374657	A	1	Cover	
	4700904206	1	4	Screw	C
	4700373476	1	4	Insulating washer	C
2	4700382565	L	1	Cover	
3	4700374627		1	Grid	
4	4700357276		1	Hinge	
5	4700374625		1	Cooler frame	
6	4700357280		1	Hinge	
7	4700357248		1	Hood frame	
8	4700902256		1	Gas spring	D
9	4700904368		1	Lock, outer	D
	4700902866		1	Key	A
				Marked "455"	
10	4700374400		1	Holder plate	
11	4700358160		1	Bracket	
12	4700376129		1	Spacer	
13	4700900485		2	Hexagon head screw	D
14	4700904228		2	Washer	C
				6,4x12x1,5	
15	4700586002		2	Lock nut	C
				M6 -8	
16	4700374401		1	Spacer sleeve	
17	4700374402		1	Lever	
18	4700371380		1	Lock	D
19	4700586001		2	Lock nut	C
20	4700600003		2	Washer	
21	4700904374		2	Screw	
22	4700374403		1	Lock pin	
23	4700500059		2	Screw	
24	4700904639		2	Washer	C
				6,7x14x1,5	
25	4700500021		2	Screw	C
				M8-1,25x25 8.8	
27	4700586003		4	Lock nut	C
				M8	
28	4700500053		16	Screw	C
				M8x20H 8.8	
29	4700904640		22	Washer	C
				8,4x22x3	
30	4700374629		1	Hood	
31	4700902166	E	1XL	.Edge trim	D
32	4700357863		N	Shim	
				T=2 mm	
33	4700500249		2	Screw	
34	4700904229		7	Washer	C
				8,4x16x1,5	
35	4700508027		2	Screw	
36	4700570005		2	Nut	C
				M8	
37	4700500029		4	Hexagon head screw	C
38	4700904557		4	Steel plain washer	C
39	4700371994		N	Shim	
				T=2 mm	
40	4700904090		N	Washer	
41	4700904091		N	Washer	
42	4700900519		3	Plug	
43	4700902804		4	Plug	
44	4700202043	F	1XL	Rubber strip	D
45	4700202046	G	1XL	Rubber strip	
				25x10	
46	4700904076	H	1XL	Edge trim	D
47	4700624018		14	Blind rivet	

- 1) For absorbent
- A) Right
- E) L=3,670 m
- F) L=0,800 m
- G) L=0,850 m
- H) L=0,998 m
- L) New design has to be slightly modified to fit

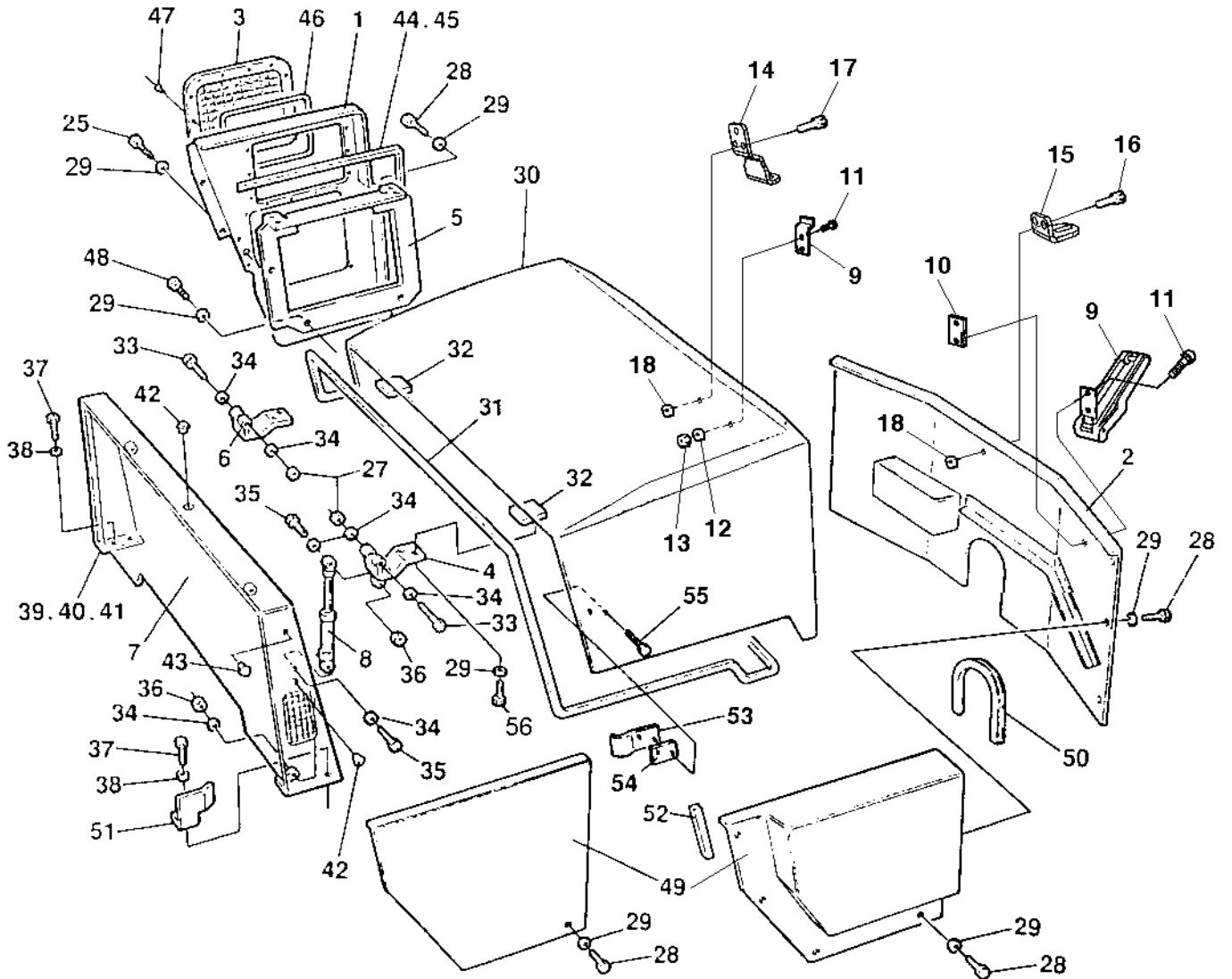
Structure DEUTZ, F3L

16475-1



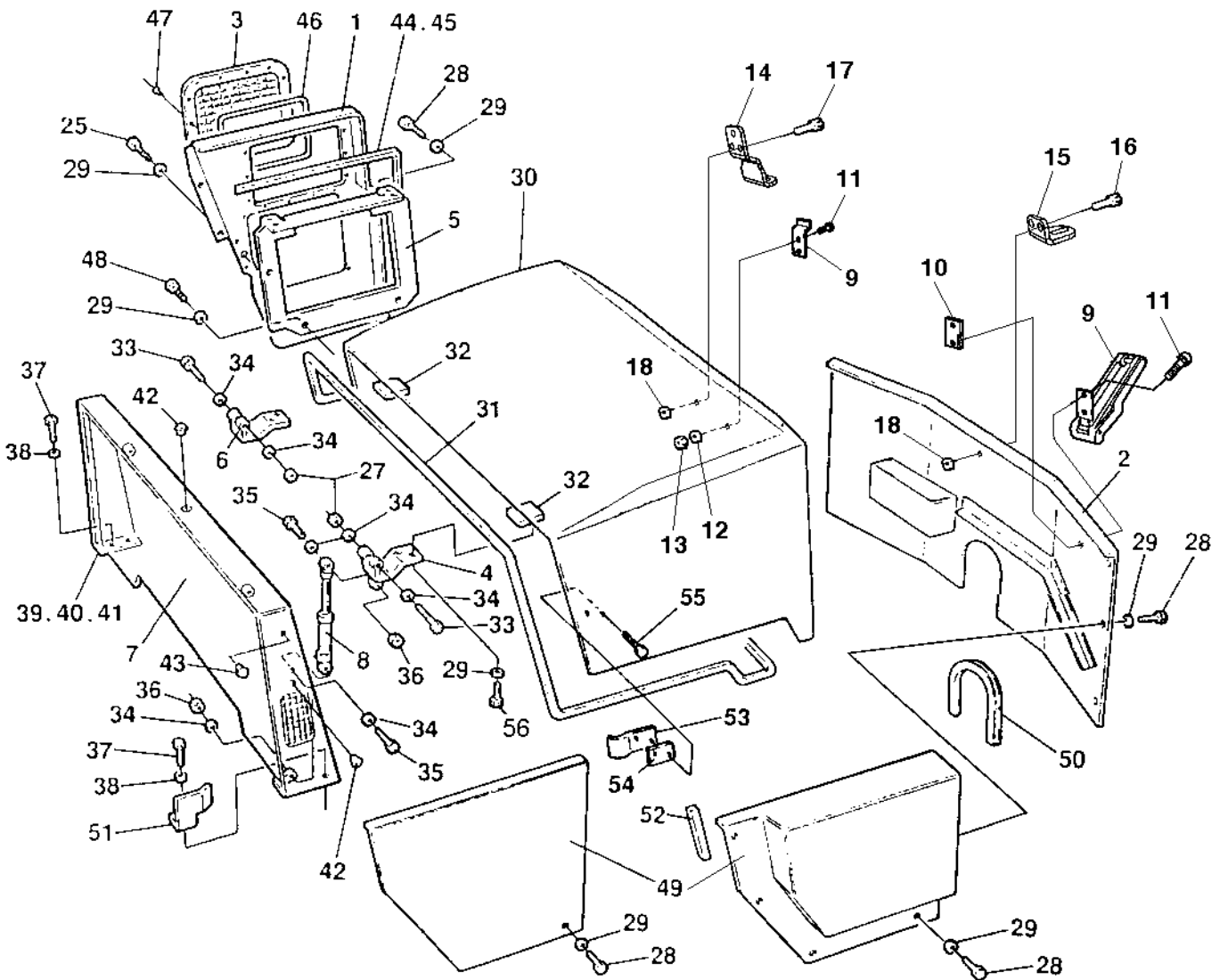
Structure DEUTZ, F3L

Item	Part No	Rem	Qty	Description	Code
48	4700500047		3	Hexagon head screw	C
49	4700357274	B	1	Cover	
50	4700202028	I	1XL	Edge trim	D
51				Not used on this model	D
52	4700902166	J	1XL	Edge trim	D
53	4700375594		1	Holder	
54	4700375595		1	Spacer	
55	4700904206		2	Screw	C
56	4700500020		4	Screw	C
				M8-1,25x22 8,8	
B)	Left				
I)	L=0,457 m				
J)	L=0,057 m				



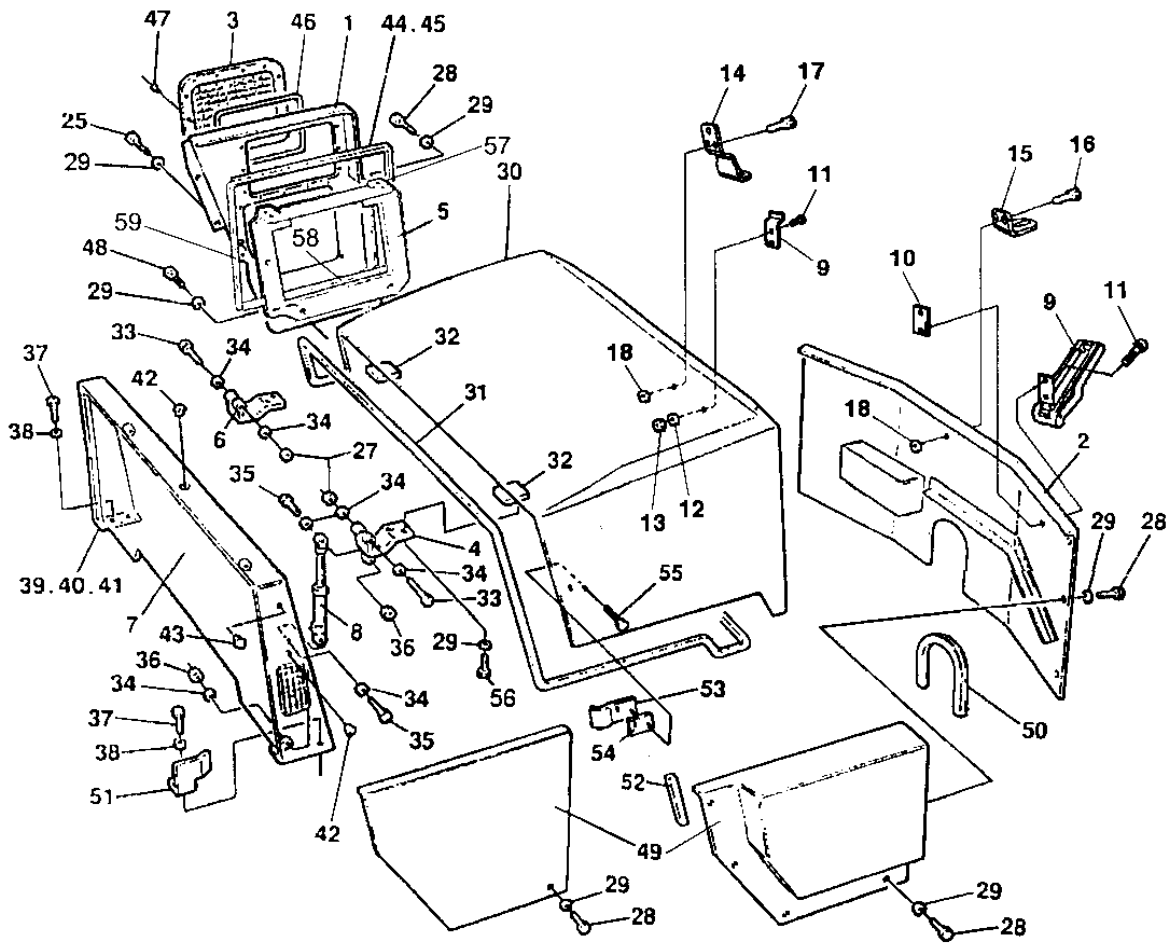
Item	Part No	Rem	Qty	Description	Code
1	4700374657	A	1	Cover Up to 602X3369	
	4700391121	A	1	Cover, cpl From 602X3370	
	4700391119		1	.Noise reducing plate	
	4700904206	M,N	4	.Screw	C
	4700373476	M,N	4	.Insulating washer	C
	4700391120		1	.Insulating material	
2	4700382565		1	Cover	
3	4700374627		1	Grid Up to 602X3369	
	4700391118	L	1	Grid From 602X3370	
4	4700357276		1	Hinge	
5	4700374625		1	Cooler frame	
6	4700357280		1	Hinge	
7	4700357248		1	Hood frame	
8	4700902256		1	Gas spring	D
9	4700388846		2	Latch	
10	4700387956		2	Stop plate	
11	4700508022		8	Screw	M4x16
12	4700904698		4	Washer	
13	4700923976		4	Nut	
14	4700377061		1	Lock plate	
15	4700388852		1	Lock plate	
16	4700791754		2	Blind rivet	
17	4700792180		3	Blind rivet	
18	4700904228		5	Washer	6,4x12x1,5
25	4700500021		2	Screw	M8-1,25x25 8.8
27	4700586003		2	Lock nut	M8
28	4700500053		16	Screw	M8x20H 8.8
29	4700904640		20	Washer	8,4x22x3
30	4700377951		1	Engine hood	
31	4700902166	E	1XL	.Edge trim	
32	4700357863	N		Shim	T=2 mm
33	4700500249		2	Screw	
34	4700904229		7	Washer	8,4x16x1,5
35	4700508027		2	Screw	
36	4700570005		2	Nut	M8
37	4700500029		4	Hexagon head screw	
38	4700904557		4	Steel plain washer	
39	4700371994	N		Shim	T=2 mm
40	4700904090	N		Washer	
41	4700904091	N		Washer	
42	4700900519		3	Plug	
43	4700902804		4	Plug	
44	4700202043	F	1XL	Rubber strip	
45	4700202046	G	1XL	Rubber strip	25x10
46	4700904076	H	1XL	Edge trim	
47	4700624018		14	Blind rivet Up to 602X3369	
	4700792210		10	Screw torx From 602X3370	
48	4700500047		3	Hexagon head screw	C
49	4700357274	B	1	Cover	

- A) Right
- B) Left
- E) L=3,670 m
- F) L=0,800 m
- G) L=0,850 m
- H) L=0,998 m
- L) Included in 4700391121, item 1
- M) For absorbent
- N) Not illustrated



Structure DEUTZ, F3L

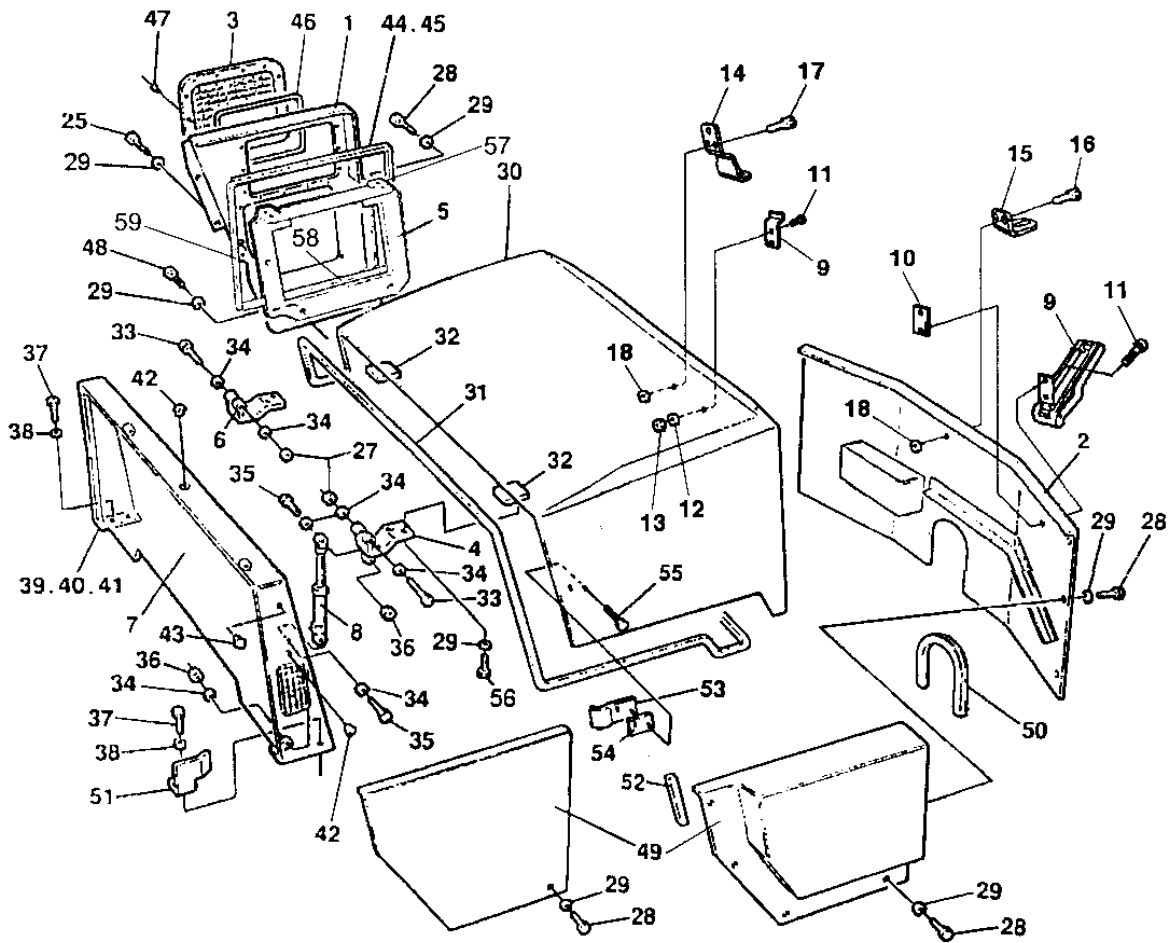
Item	Part No	Rem	Qty	Description	Code
50	4700202028	I	1XL	Edge trim	D
51				Not used on this model	D
52	4700902166	J	1XL	Edge trim	D
53	4700375594		1	Holder	
54	4700375595		1	Spacer	
55	4700904206		2	Screw	C
56	4700500020		4	Screw	C
				M8-1,25x22 8,8	
I)	L=0,457 m				
J)	L=0,057 m				



Structure DEUTZ

Item	Part No	Rem	Qty	Description	Code
1	4700374657	A	1	Cover Up to 602X3369	
	4700391121	A	1	Cover, cpl From 602X3370	
	4700391119		1	.Noise reducing plate	
	4700904206	M,N	4	.Screw	C
	4700373476	M,N	4	.Insulating washer	C
	4700391120		1	.Insulating material	
2	4700382565		1	Cover	
3	4700374627		1	Grid Up to 602X3369	
	4700391118	L	1	Grid From 602X3370	
4	4700357276		1	Hinge	
5	4700374625		1	Cooler frame	
6	4700357280		1	Hinge	
7	4700357248		1	Hood frame	
8	4700902256		1	Gas spring	D
9	4700388846		2	Latch	
10	4700387956		2	Stop plate	
11	4700508022		8	Screw	M4x16
12	4700904698		4	Washer	
13	4700923976		4	Nut	
14	4700377061		1	Lock plate	
15	4700388852		1	Lock plate	
16	4700791754		2	Blind rivet	
17	4700792180		3	Blind rivet	
18	4700904228		5	Washer	6,4x12x1,5
25	4700500021		2	Screw	M8-1,25x25 8.8
27	4700586003		2	Lock nut	M8
28	4700500053		16	Screw	M8x20H 8.8
29	4700904640		20	Washer	8,4x22x3
30	4700377951		1	Engine hood	
31	4700902166	E	1XL	.Edge trim	
32	4700357863	N		Shim	T=2 mm
33	4700500249		2	Screw	
34	4700904229		7	Washer	8,4x16x1,5
35	4700508027		2	Screw	
36	4700570005		2	Nut	M8
37	4700500031		4	Screw	
38	4700359434		4	Spacer sleeve	
39	4700371994	N		Shim	T=2 mm
40	4700792708		1	Washer	
41	4700792709		1	Wahser	
42	4700902203		3	Plug	
43	4700902804		4	Plug	
44	4700202043	F	1XL	Rubber strip	
45	4700202046	G	1XL	Rubber strip	25x10
46	4700904076	H	1XL	Edge trim	
47	4700624018		14	Blind rivet Up to 602X3369	

- A) Right
- E) L=3,670 m
- F) L=0,800 m
- G) L=0,850 m
- H) L=0,998 m
- L) Included in 4700391121, item 1
- M) For absorbent
- N) Not illustrated



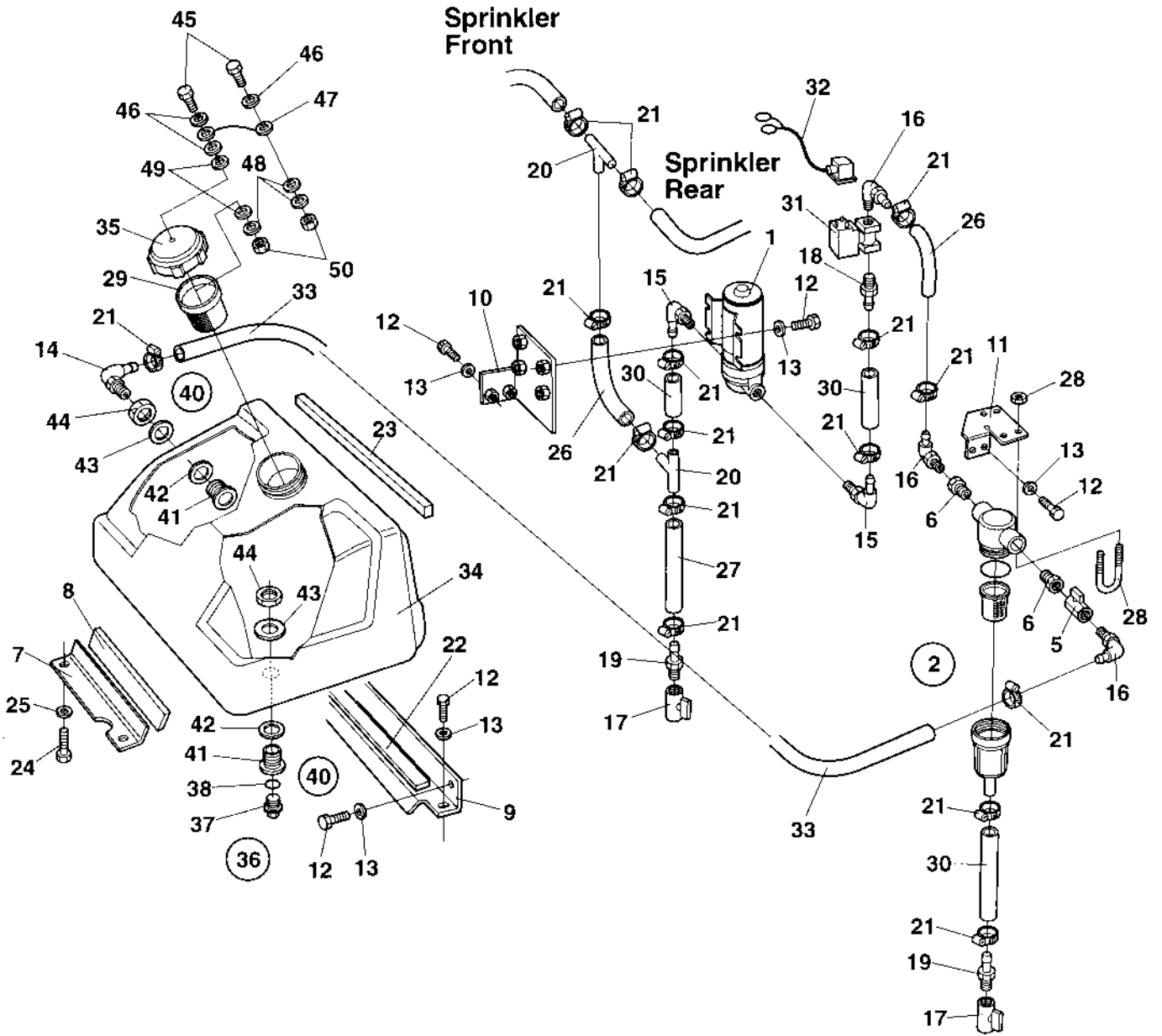
Structure DEUTZ

Item	Part No	Rem	Qty	Description	Code
47	4700792210		10	Screw torx From 602X3370	
48	4700500047		3	Hexagon head screw	C
49	4700357274	B	1	Cover	
50	4700202028	I	1XL	Edge trim	D
51				Not used on this model	D
52	4700902166	J	1XL	Edge trim	D
53	4700375594		1	Holder	
54	4700375595		1	Spacer	
55	4700904206		2	Screw	C
56	4700500020		4	Screw	C
57	4700792796	O	1	Rubber strip	M8-1,25x22 8,8 25x20
58	4700792796	P	1	Rubber strip	25x20
59	4700792796	Q	1	Rubber strip	25x20

- B) Left
- I) L=0,457 m
- J) L=0,057 m
- O) L = 0,380 m
- P) L = 0,240 m
- Q) L = 0,200 m

Sprinkler system Front tank

17198



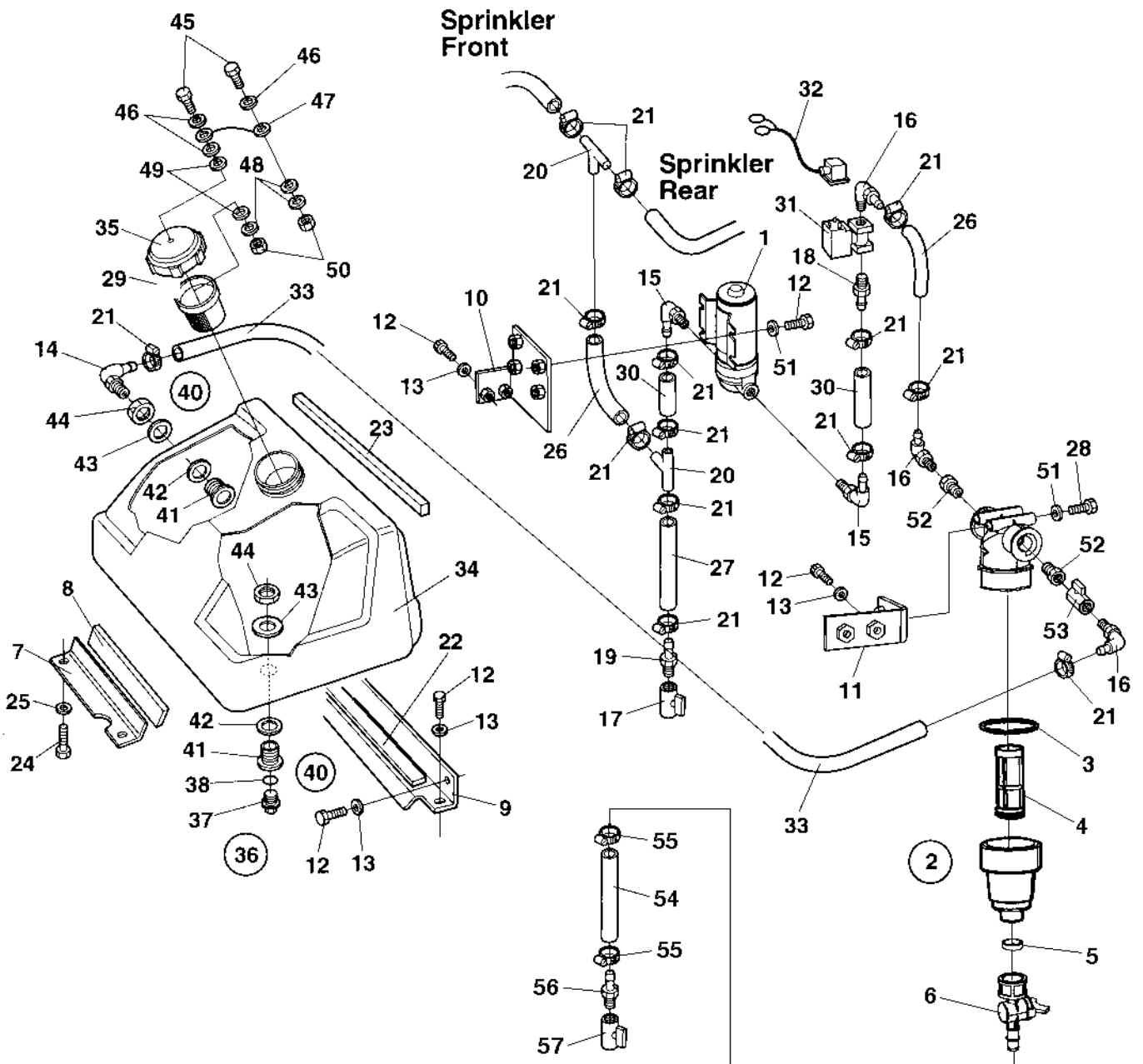
Sprinkler system Front tank

Item	Part No	Rem	Qty	Description	Code
1	4700904808		1	Water pump	C
2	4700904877		1	Strainer, cpl	
3	4700938307		1	.O-ring	C
4	4700938306		1	.Strainer	A
5	4700924986		1	Valve	C
6	4700903886		2	Adapter	C
7	4700357395		1	Holder plate	
8	4700926911	A	1XL	Rubber strip	
9	4700357142		1	Holder plate	
10	4700382181		1	Holder plate	
11	4700382180		1	Holder plate	
12	4700500021		13	Screw	M8-1,25x25 8.8 C
13	4700904229		13	Washer	8,4x16x1,5 C
14	4700901431		1	Hose connection	C
15	4700923734		2	Hose connection	C
16	4700924996		3	Hose connection	C
17	4700925599		2	Valve	C
18	4700901432		1	Hose connection	
19	4700924544		2	Hose connection	C
20	4700923735		2	Hose connection	C
21	4700313002		16	Hose clamp	13-20 mm
22	4700903478	B	1XL	Absorbent	
23	4700202042	C	1XL	Rubber strip	
24	4700500028		2	Screw	C
25	4700904230		2	Steel plain washer	C
26	4700904878	D	2XL	Hose reinforced	C
27	4700904878	D	1XL	Hose reinforced	C
28	4700927568		2	Clamp	
29	4700358846		1	Strainer	A
30	4700904878	E	3XL	Hose reinforced	C
31	4700287713		1	Solenoid valve	C
32	4700358809		1	Cable harness	
33	4700904878	C	1XL	Hose reinforced	C
34	4700373798		1	Sprinkling tank	
35	4700359003		1	.Cap	C
36	4700937053		1	.Plug, cpl	
37			1	..Plug	
38			1	..Gasket	
40	4700902916	F	1	.Adapter kit	C
	4700937118	G	1	.Adapter kit	
41			1	..Pipe fitting	
42			1	..Sealing	
43			1	..Washer	
44			1	..Nut	
45	4700500040		2	Screw	M6-1x20 8,8 C
46	4700904228		3	Washer	6,4x12x1,5 C
47	4700357643		1	Wire	D
48	4700615042		3	Conical spring washer	
49	4700615076		2	Washer	7,0x25x1,5 C
50	4700586002		2	Lock nut	M6 -8 C

- A) L=0,430 m
- B) L=0,670 m
- C) Length as required
- D) L=0,300 m
- E) L=0,070 m
- F) Side of tank
- G) Bottom of tank

Sprinkler system Front tank

18406



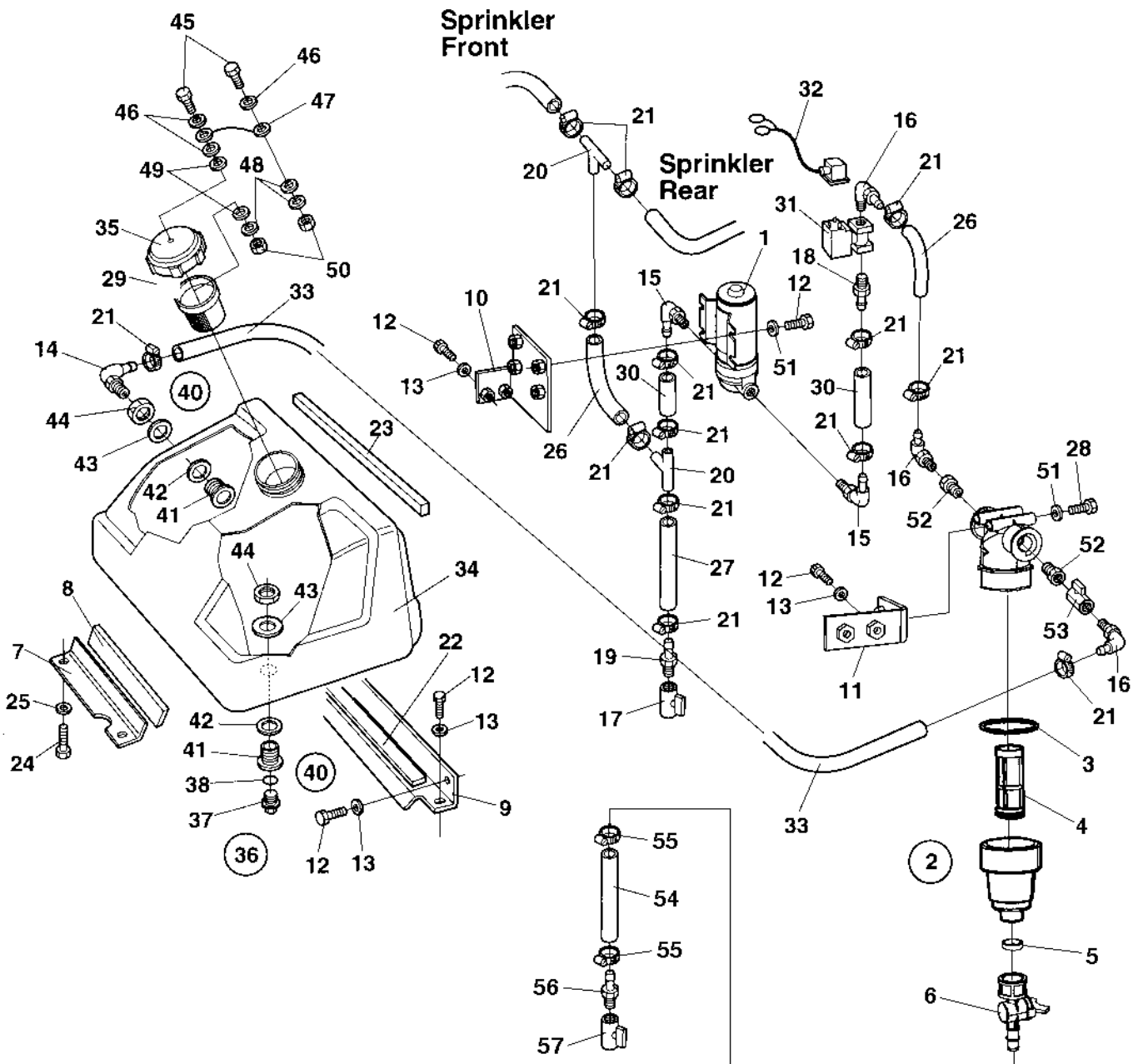
Sprinkler system Front tank

Item	Part No	Rem	Qty	Description	Code
1	4700383697		1	Water pump	C
2	4700791950		1	Water strainer, cpl	
3	4700791959		1	.O-ring	C
4	4700791949		1	.Filter element	A
5	4700791568		1	.Gasket	
6	4700379009		1	.Valve	
7	4700357395		1	Holder plate	
8	4700926911	A	1XL	Rubber strip	
9	4700357142		1	Holder plate	
10	4700382181		1	Holder plate	
11	4700390840		1	Filter bracket	
12	4700500053		13	Screw	M8x20H 8.8
13	4700904229		13	Washer	8,4x16x1,5
14	4700901431		1	Hose connection	C
15	4700923734		2	Hose connection	C
16	4700924996		3	Hose connection	C
17	4700925599		1	Valve	C
18	4700901432		1	Hose connection	
19	4700924544		1	Hose connection	C
20	4700923735		2	Hose connection	C
21	4700313002	J	14	Hose clamp	13-20 mm
	4700313001		14	Hose clamp	C
22	4700903478	B	1XL	Absorbent	
23	4700202042	C	1XL	Rubber strip	
24	4700500028		2	Screw	C
25	4700904230		2	Steel plain washer	C
26	4700904878	D	2XL	Hose reinforced	C
27	4700904878	D	1XL	Hose reinforced	C
28	4700500190		2	Screw	
29	4700358846		1	Strainer	A
30	4700904878	E	3XL	Hose reinforced	C
31	4700287713		1	Solenoid valve	C
32	4700358809		1	Cable harness	
33	4700904878	C	1XL	Hose reinforced	C
34	4700373798		1	Sprinkling tank	
35	4700359003		1	.Cap	C
36	4700937053		1	.Plug, cpl	
37			1	..Plug	
38			1	..Gasket	
40	4700902916	F	1	.Adapter kit	C
	4700937118	G	1	.Adapter kit	
41			1	..Pipe fitting	
42			1	..Sealing	
43			1	..Washer	
44			1	..Nut	
45	4700500040		2	Screw	M6-1x20 8,8
46	4700904228		3	Washer	6,4x12x1,5
47	4700357643		1	Wire	D

- A) L=0,430 m
- B) L=0,670 m
- C) Length as required
- D) L=0,300 m
- E) L=0,070 m
- F) Side of tank
- G) Bottom of tank
- J) In use together with transparent hose; old design of 4700904878

Sprinkler system Front tank

18406

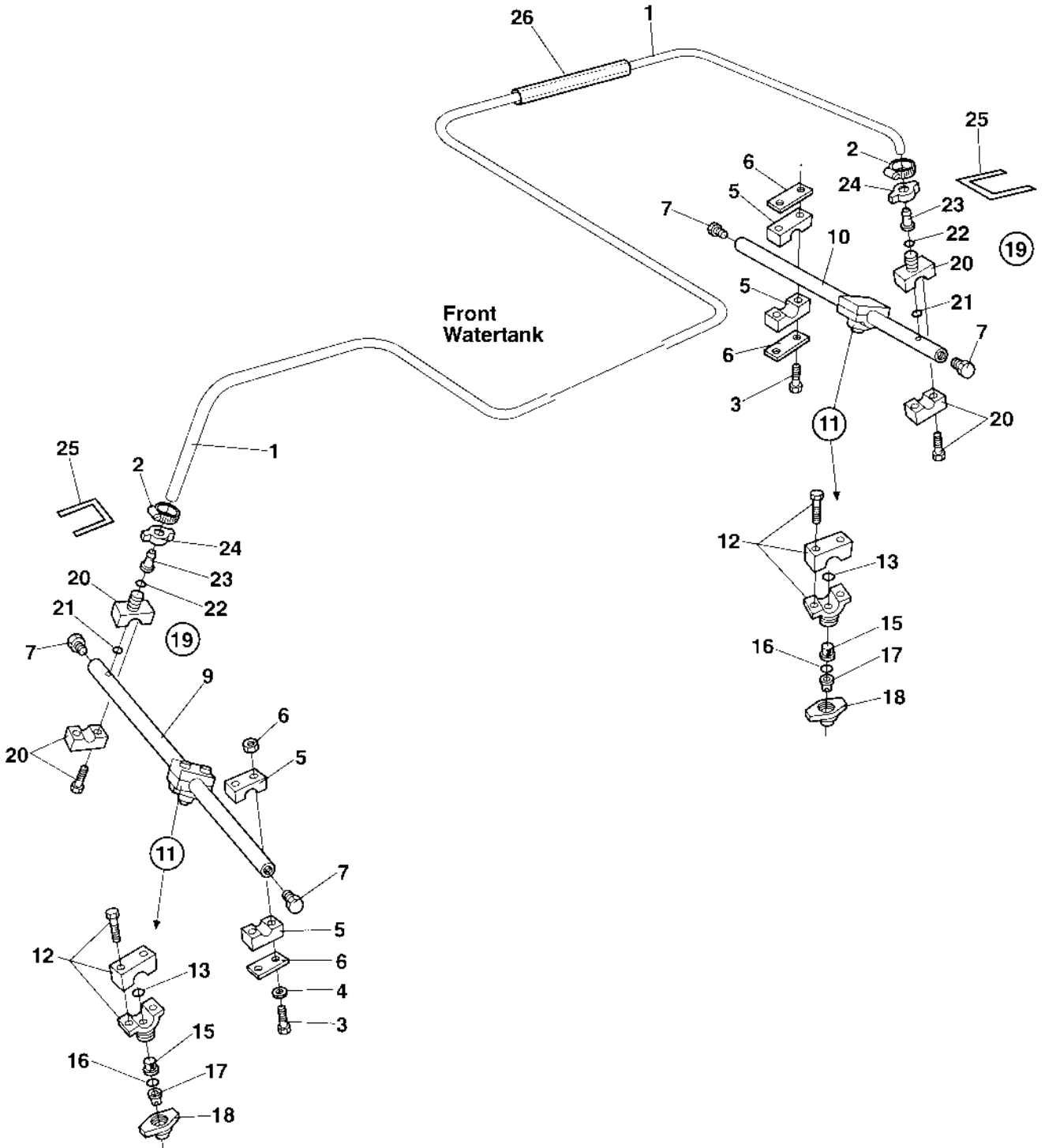


Sprinkler system Front tank

Item	Part No	Rem	Qty	Description	Code
48	4700615042		3	Conical spring washer	
49	4700615076		2	Washer	7,0x25x1,5
50	4700586002		2	Lock nut	M6 -8
51	4700904640		6	Washer	8,4x22x3
52	4700903886		2	Adapter	
53	4700924986		1	Valve	
54	4700904878	E,H	1XL	Hose reinforced	
55	4700313001	H	2	Hose clamp	
56	4700924544	H	1	Hose connection	
57	4700925599	H	1	Valve	

E) L=0,070 m

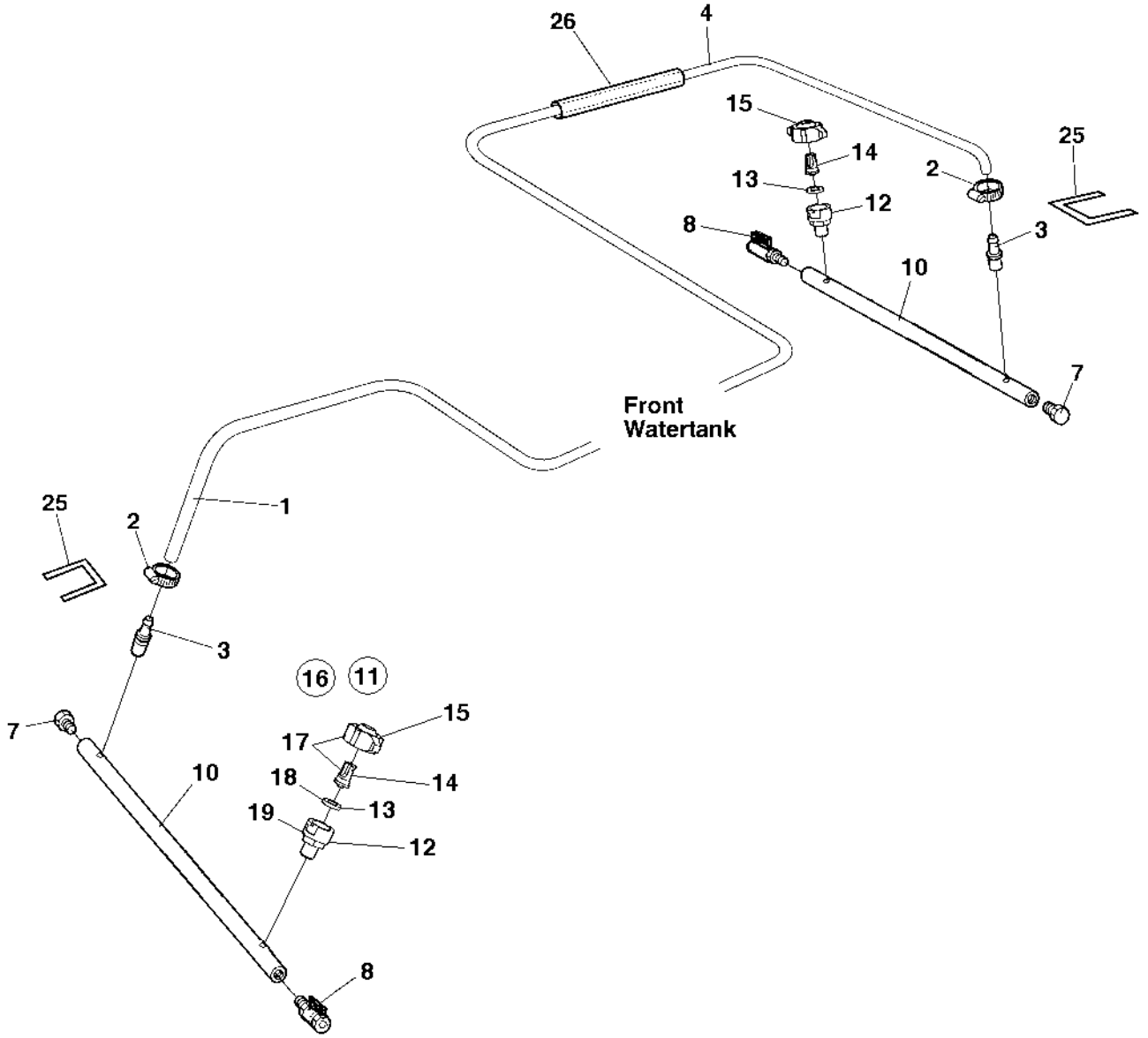
H) In use together with option: Noise suppression; See section for Optional equipment



Sprinkler, front/rear

Item	Part No	Rem	Qty	Description	Code
1	4700904878	A	2XL	Hose reinforced	C
2	4700313002		2	Hose clamp	13-20 mm
3	4700500079		8	Screw	M6-1x50 8,8
4	4700904228		8	Washer	6,4x12x1,5
5	4700923876	B	4	Clamp	C
6	4700923859		8	Cover plate	C
7	4700923683		4	Plug	C
9	4700384302	C	1	Sprinkler pipe	
	4700384303	F	1	Sprinkler pipe	
10	4700384302	D	1	Sprinkler pipe	
	4700384303	F	1	Sprinkler pipe	
11	4700928781		10	Sprinkler, cpl	D
12	4700923680		1	.Nozzle clamp	A
13	4700923962		1	..O-ring	C
15	4700499444		1	.Strainer	A
16	4700904116		1	.Gasket	B
17	4700923679		1	.Nozzle	
	4700791117	1	1	.Nozzle body	Orange
18	4700923681		1	.Quick coupling, black	C
19	4700903959		2	Hose connection, cpl	
20	4700923680		1	.Nozzle clamp	A
21	4700923962		1	..O-ring	C
22	4700904116		1	.Gasket	B
23	4700903957		1	.Hose connection	
24	4700903958		1	.Coupling	
25	4700902379	A	2XL	Edge trim	
26	4700901191	E	1XL	Protective hose	C

- 1) Can replace PN 4700923679.
- A) Length as required
- B) 2 pieces
- C) Front
- D) Rear
- E) L=0,340 m
- F) US-market



Sprinkler front/rear

Item	Part No	Rem	Qty	Description	Code
1	4700904878	B	1XL	Hose reinforced	C
2	4700313002	D	2	Hose clamp	13-20 mm
	4700313001		2	Hose clamp	C
3	4700791977		2	Hose connection	C
4	4700904878	C	1XL	Hose reinforced	C
7	4700791974		2	Plug threaded	C
8	4700233215		2	Ball valve	
10		A	2	Sprinkler pipe/bracket	
11	4700376873	F	4	Spraying nozzle, cpl	A
12	4700376874	F	1	.Housing	D
13	4700376876	F	1	.Gasket	B
14	4700376877	F	1	.Nozzle and strainer, yellow	0,8
15	4700376875	F	1	.Retainer	B
16	4700392011	E	4	Spraying nozzle, cpl	A
17	4700392509	E	1	.Retainer, nozzle, strainer, yellow	0.8
18	4700392510	E	1	.Gasket	B
19	4700392508	E	1	.Housing	D
25	4700902379		2XL	Edge trim	
26	4700901191		1XL	Protective hose	C

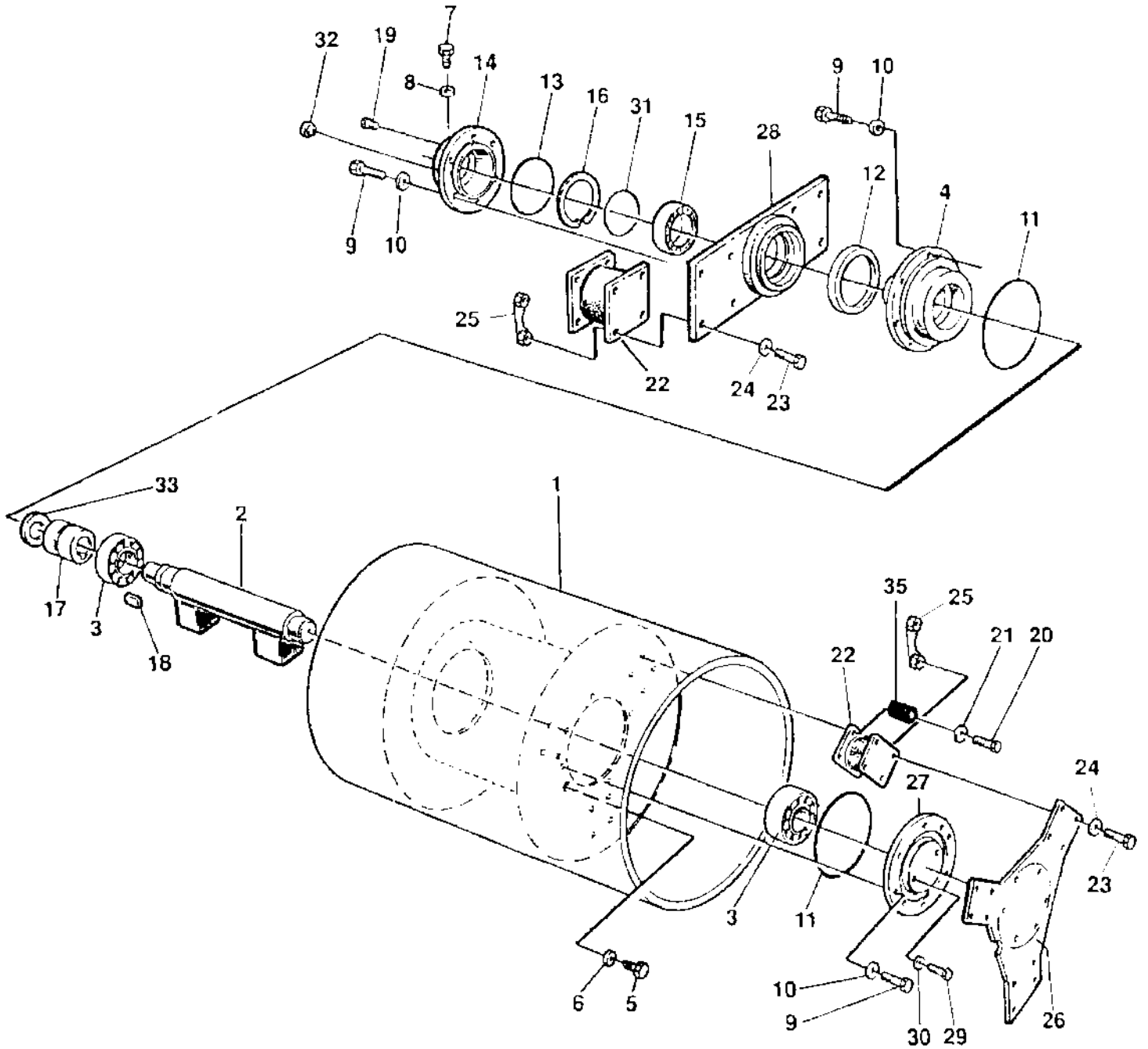
- A) For correct view and PN; see Scraper assembly for same SN.
 B) L=1,9 m
 C) L=2,3 m
 D) In use together with transparent hose; old design of 4700904878
 E) Improved design
 F) Recommendation: Replace with improved design item 16; interchangeable as a cpl. unit

Drum

Item	Part No	Rem Qty	Description	Code
100		2	Drum (Page 72)	

Drum

15496-4



Drum

Item	Part No	Rem Qty	Description	Code
1	4700357154	1	Drum	
2	4700373733	1	Eccentric shaft	
3	4700904258	2	Spherical roller bearing	D
4	4700358587	1	Bearing housing	
5	4700343744	1	Magnetic plug	C
6	4700162017	1	Seal ring	B
7	4700902098	1	Screw	
8	4700162009	1	Seal ring	D
9	4700500029	18	Hexagon head screw	C
10	4700600008	18	Washer	C
	4700904230	18	Steel plain washer	C
11	4700923951	2	O-ring	D
12	4700163049	1	Sealing	D
13	4700160214	1	O-ring	D
14	4700358795	1	Adapter	
15	4700381421	1	Ball bearing Up to 60214211	D
	4700397357	C 1	Ball bearing From 60214212	
16	4700903154	1	Retaining ring	
17	4700357159	A 1	Coupling	D
	4700212160	1	.Rubber cross	D
			Replaced by 4700391929	
18	4700350029	1	Key	
19	4700343490	1	Air breather	D
20	4700508084	12	Screw	C
	4812110640	12	Hexagon socket head cap screw From ECN 091M12x40H 8.8 A3K	
21	4700600009	12	Washer	C
			13x24x2,5	
22	4700450122	5	Shock absorber	A
23	4700500194	20	Screw	C
	4812110444	23	Hexagon head screw w Tuflok From ECN 093M12x40H 8.8 A3K	
24	4700600009	20	Washer	C
			13x24x2,5	
	4700904231	20	Washer	C
			13x24x2 300 HV	
25	4700383436	B 10	Holder	C
26	4700357160	1	Drive disc	
27	4700357020	1	Bearing housing	
28	4700357161	1	Mounting plate	
29	4700500044	2	Screw	C
			M6x8	
30	4700600004	2	Washer	C
	4700904228	2	Washer	C
			6,4x12x1,5	
31	4700357114	1	Spacer ring	
32	4700903287	6	Plug	
33			Not used on this model	
35	4812110346	12	Spacer	
			From ECN 09350	

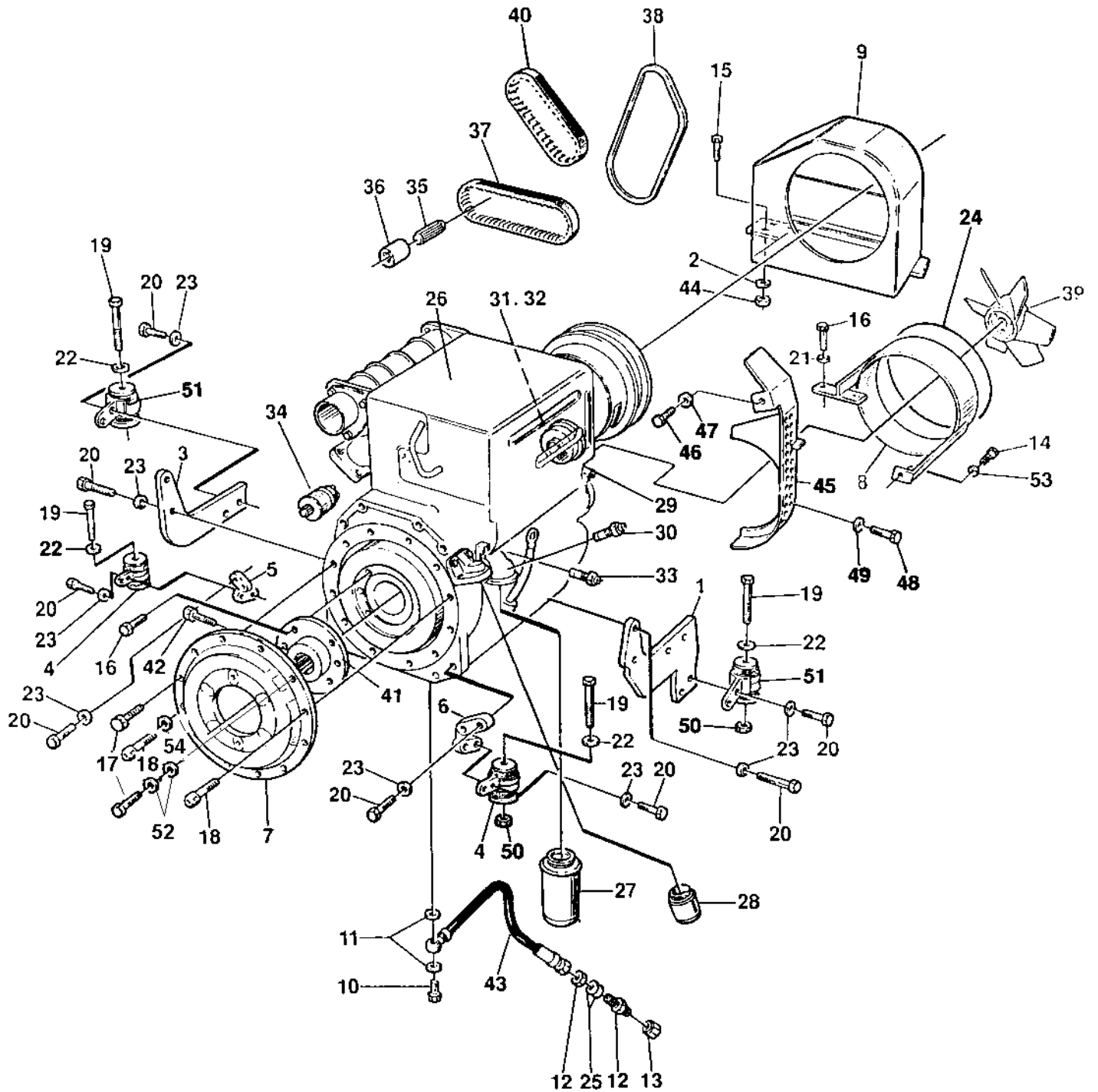
- A) CPL
- B) Replaces earlier used Lock nut 4700586019; each holder has two nuts
- C) Lubricated by the drum oil

Engine

Item	Part No	Rem Qty	Description	Code
80			Engine Up to 602X3529 (Page 76)	DEUTZ F3L 2011
85			Engine From 602X3530 (Page 78)	DEUTZ D2011 L03 I
305			Intake system (Page 80)	DEUTZ
400			Fuel system (Page 82)	DEUTZ
410			Fuel system (Page 84)	DEUTZ
520			Exhaust system Up to 602X3392 (Page 86)	DEUTZ
530			Exhaust system From 602X3393 (Page 88)	DEUTZ

Engine DEUTZ F3L 2011

15831-2



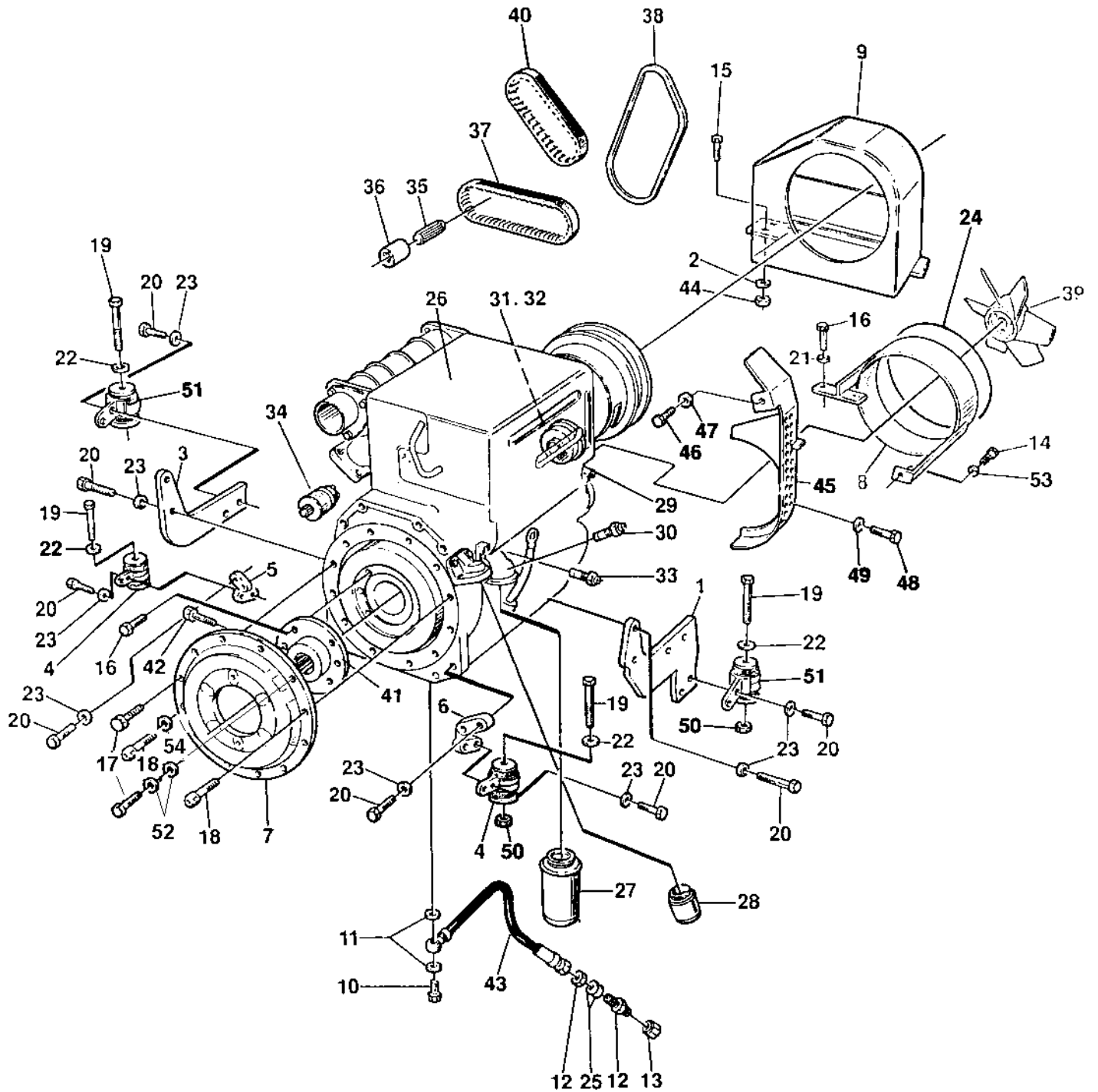
Engine DEUTZ F3L 2011

Item	Part No	Rem	Qty	Description	Code
1	4700358370		1	Engine bracket	
2	4700904640		2	Washer	8,4x22x3 C
3	4700358371		1	Engine bracket	
4	4700357506	A	2	Shock absorber	D
5	4700357165		1	Engine bracket	
6	4700357166		1	Engine bracket	
7	4700357005		1	Pump bracket	
8	4700387491		1	Cover	
9	4700370355		1	Cover	
10	4700904292		1	Hollow screw	
11	4700330331		2	Washer	18,2x23,9x1,5 C
12	4700230515		1	Connector	C
13	4700330383		1	Cap hydraulic	
14	4700500053		1	Screw	M8x20H 8.8 C
15	4700500047		2	Hexagon head screw	C
16	4700500021		8	Screw	M8-1,25x25 8.8 C
17	4700508096		6	Screw	C
	4700508029		3	Screw	M10-1,5x30H 8,8 C
18	4700508053		2	Screw	
19	4700500122		4	Screw	C
20	4700500050		16	Screw	C
21	4700904640		5	Washer	8,4x22x3 C
22	4700904231		4	Washer	13x24x2 300 HV C
23	4700904214		16	Washer	15x30x4 300 HV
24	4700288129		1XL	Edge trim	
25	4700904233		2	Washer	21x36x3 C
26	4700388501		1	Diesel engine	
27	4700939515		1	.Oil filter	A
28	4700903938		1	.Fuel filter	A
29		C	1	.Solenoid	A
30			1	.Oil temp guard	A
31	4700909370		1	.Alternator	C
32	4700939478		1	..Charging regulator	B
33			1	.Oil pressure sender	B
34	4700939593		1	.Starter	
35		D	1	.Splined shaft	
36		D	1	.Splined sleeve	
37	4700939976	D	1	.Toothed belt	A
38	4700902521		1	.V-belt	B
39	4700902548		1	.Fan	
40	4700939840	E	1	.Toothed belt kit	A
41	4700357003		1	Coupling	D
42	4700508095		1	.Screw	C
43	4700386133		1	Hydraulic hose	
44	4700586003		2	Lock nut	M8 C
45	4700390722	G	1	Belt guard	
46	4700508025		1	Screw	M6x20
47	4700904228		1	Washer	6,4x12x1,5 C
48	4700500185		2	Screw	M6-1x14 8,8
49	4700904228		2	Washer	6,4x12x1,5 C
50	4700586019		2	Lock nut	C
51	4700903320	A	2	Shock absorber	A
52	4700904230		2	Steel plain washer	C
53	4700904229		1	Washer	8,4x16x1,5 C
54	4700904557		2	Steel plain washer	C

- A) Included in item 26
- C) Engine shut-off
- D) For vibr. pump drive
- E) Belt and roller
- G) Replaces earlier used 4700359869

Engine DEUTZ D2011 L03 I

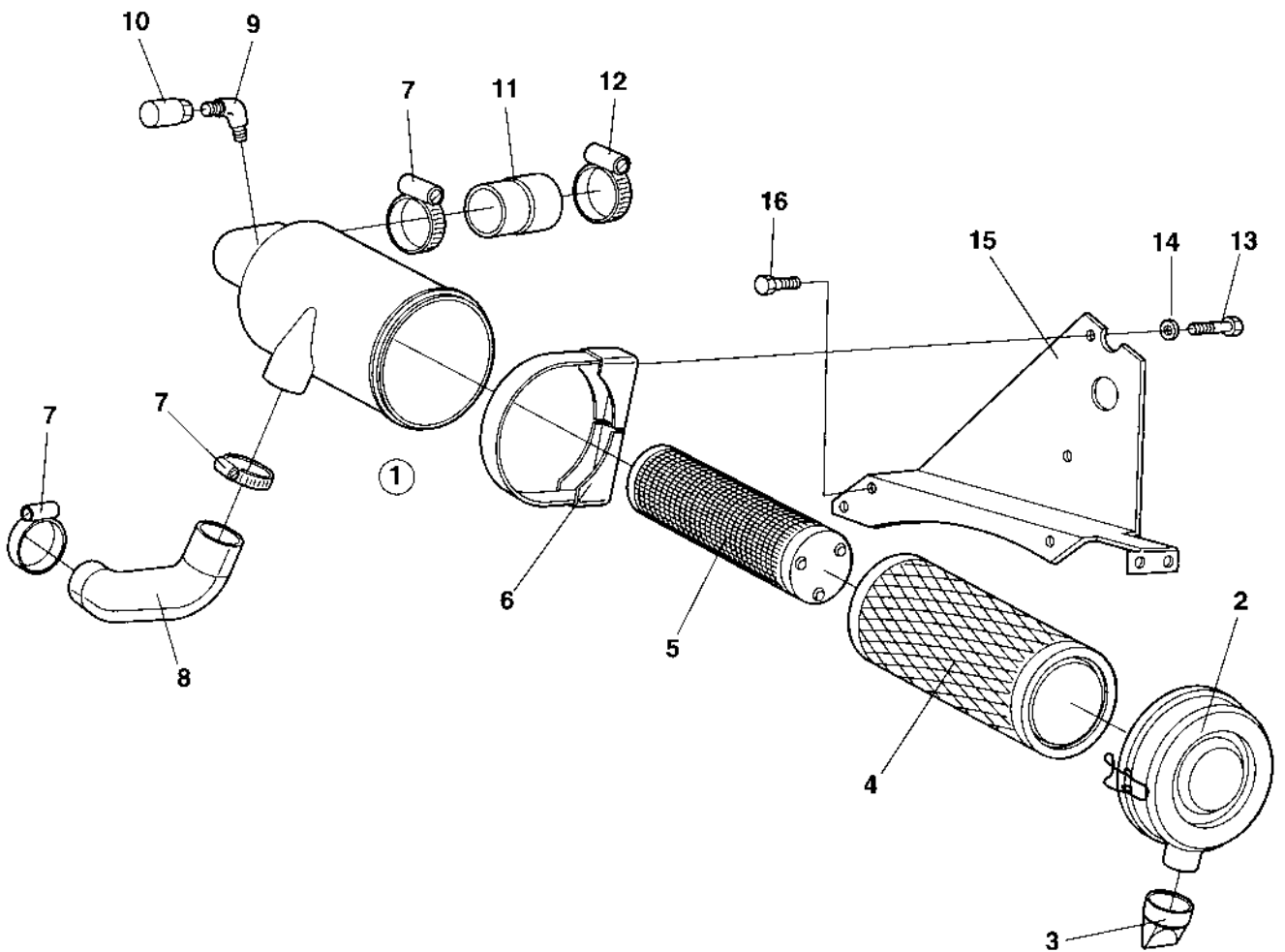
15831-2



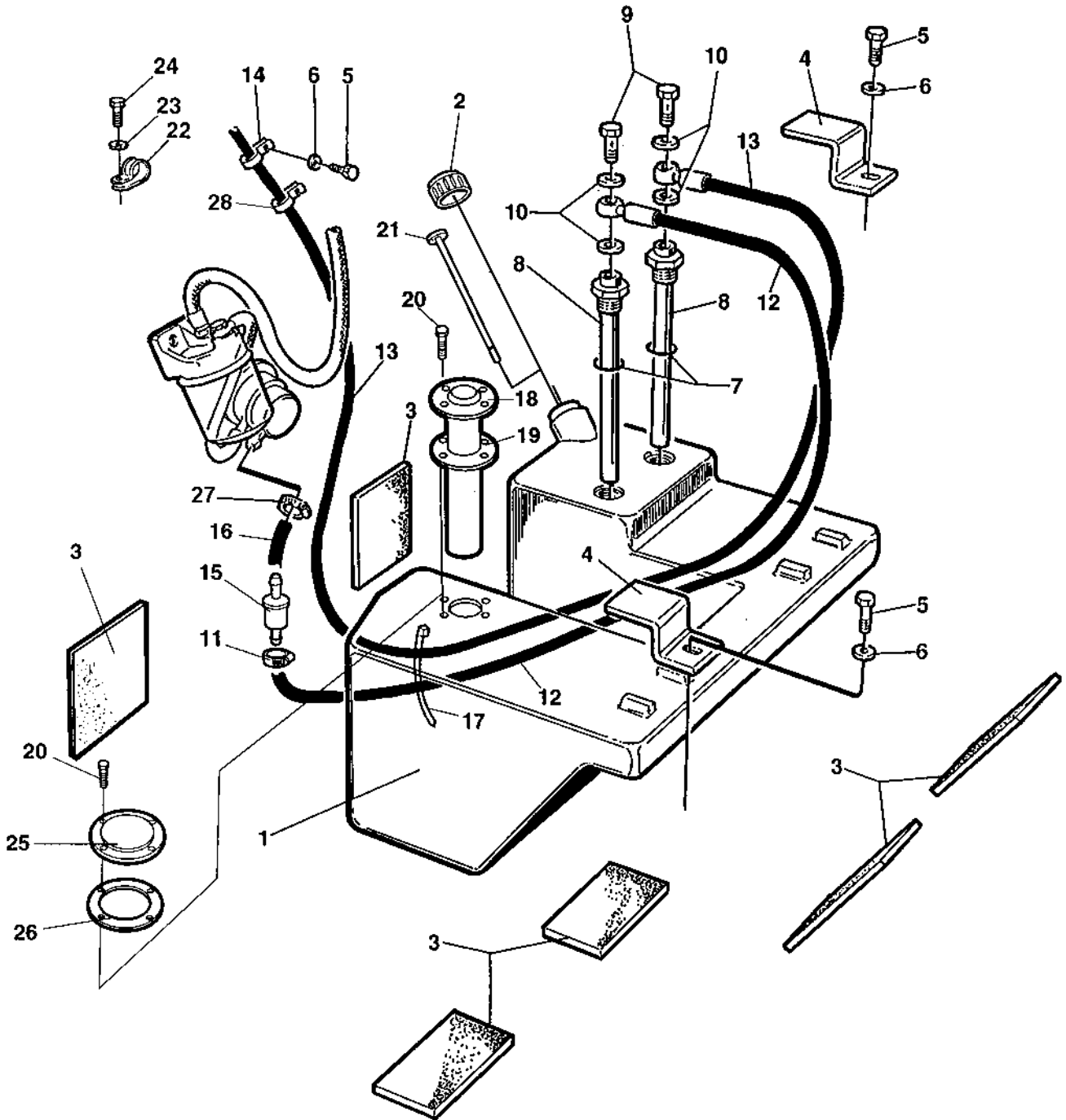
Engine DEUTZ D2011 L03 I

Item	Part No	Rem	Qty	Description	Code
1	4700358370		1	Engine bracket	
2	4700904640		2	Washer	8,4x22x3 C
3	4700358371		1	Engine bracket	
4	4700357506	A	2	Shock absorber	D
5	4700357165		1	Engine bracket	
6	4700357166		1	Engine bracket	
7	4700357005		1	Pump bracket	
8	4700387491		1	Cover	
9	4700370355		1	Cover	
10	4700904292		1	Hollow screw	
11	4700330331		2	Washer	18,2x23,9x1,5 C
12	4700230515		1	Connector	C
13	4700330383		1	Cap hydraulic	
14	4700500053		1	Screw	M8x20H 8.8 C
15	4700500047		2	Hexagon head screw	C
16	4700500021		8	Screw	M8-1,25x25 8.8 C
17	4700508096		6	Screw	C
	4700508029		3	Screw	M10-1,5x30H 8,8 C
18	4700508053		2	Screw	
19	4700500122		4	Screw	C
20	4700500050		16	Screw	C
21	4700904640		5	Washer	8,4x22x3 C
22	4700904231		4	Washer	13x24x2 300 HV C
23	4700904214		16	Washer	15x30x4 300 HV
24	4700288129	1XL		Edge trim	
25	4700904233		2	Washer	21x36x3 C
26	4700393291		1	Diesel engine	
27	4700939515		1	.Oil filter	A
28	4700903938		1	.Fuel filter	A
29		C	1	.Solenoid	A
30			1	.Oil temp guard	A
31	4700909370		1	.Alternator	C
32	4700939478		1	..Charging regulator	B
33			1	.Oil pressure sender	B
34	4700939593		1	.Starter	
35		D	1	.Splined shaft	
36		D	1	.Splined sleeve	
37	4700939976	D	1	.Toothed belt	A
38	4700902521		1	.V-belt	B
39	4700902548		1	.Fan	
40	4700939840	E	1	.Toothed belt kit	A
41	4700357003		1	Coupling	D
42	4700508095		1	.Screw	C
43	4700386133		1	Hydraulic hose	
44	4700586003		2	Lock nut	M8 C
45	4700390722	G	1	Belt guard	
46	4700508025		1	Screw	M6x20
47	4700904228		1	Washer	6,4x12x1,5 C
48	4700500185		2	Screw	M6-1x14 8,8
49	4700904228		2	Washer	6,4x12x1,5 C
50	4700586019		2	Lock nut	C
51	4700903320	A	2	Shock absorber	A
52	4700904230		2	Steel plain washer	C
53	4700904229		1	Washer	8,4x16x1,5 C
54	4700904557		2	Steel plain washer	C

- A) Included in item 26
- C) Engine shut-off
- D) For vibr. pump drive
- E) Belt and roller
- G) Replaces earlier used 4700359869



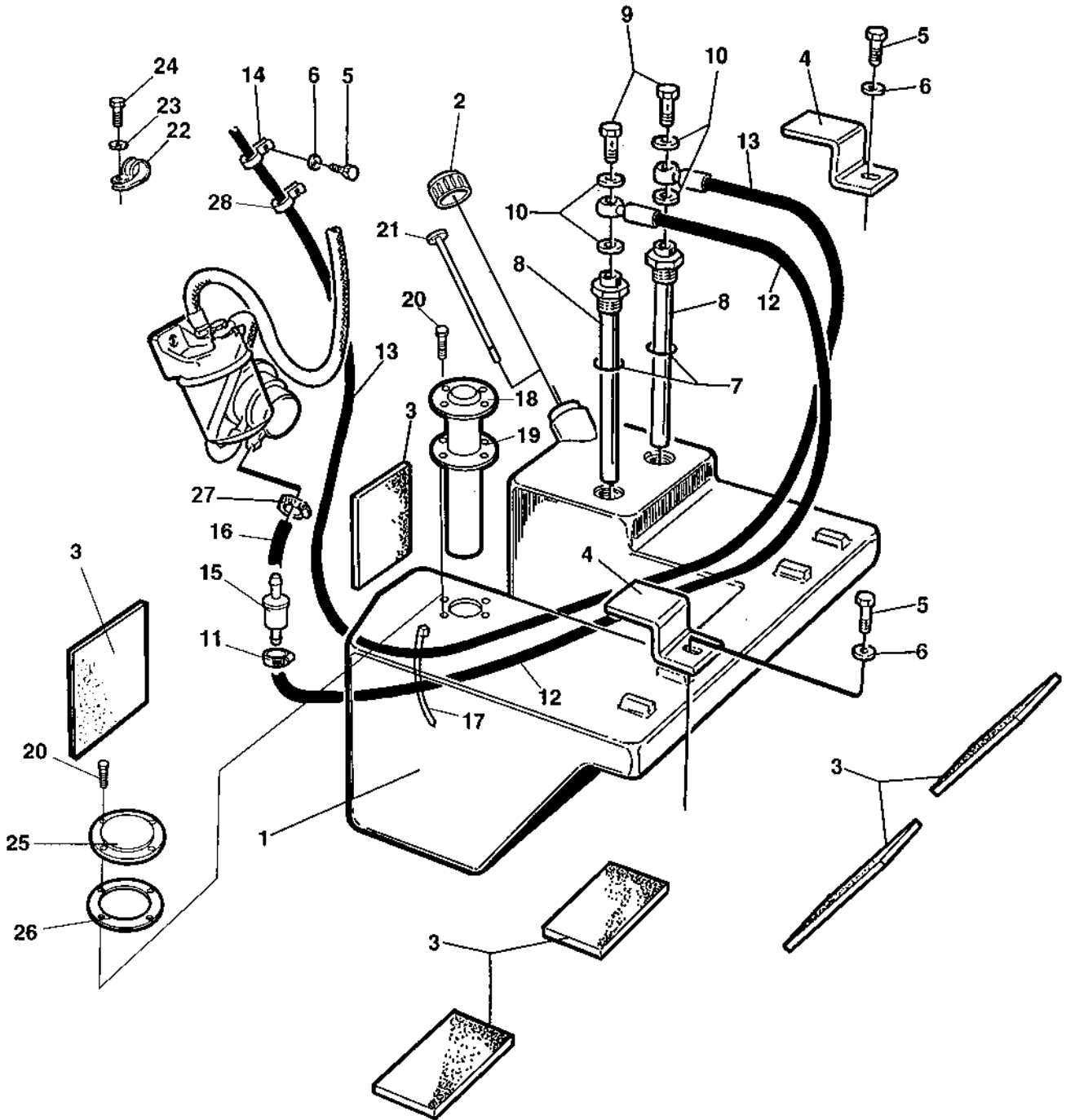
Item	Part No	Rem Qty	Description	Code
1	4700385712	1	Air cleaner, cpl	
2	4700385713	1	.Service cover	
3	4700380293	1	.Vacuator valve	D
4	4700380295	1	.Main filter	A
5	4700380294	1	.Safety filter	A
6	4700380296	1	Holder	
7	4700313023	3	Hose clamp	
8	4700380298	1	Air inlet hose	D
9			Not used on this model	D
10	4700902168	1	Indicator	D
11	4700380299	1	Air inlet hose	
12	4700313023	1	Hose clamp	
13	4700500022	2	Screw	M8x30H 8.8 A2K C
14	4700904640	2	Washer	8,4x22x3 C
15	4700380300	1	Bracket	
16	4700500509	3	Screw	



Fuel system DEUTZ

Item	Part No	Rem	Qty	Description	Code
1	4700384726		1	Fuel tank, cpl	
2	4700373461		1	Cap	D
	4700902866		1	.Key	A
	4700380459	F	1	Cap	
3	4700357459		6	Rubber cloth	C
4	4700357466		2	Holder plate	
5	4700500053		3	Screw	C
6	4700904640		5	Washer	C
7	4700160012		2	O-ring	D
8	4700357468		2	Fuel pipe	
9	4700330171		2	Hollow screw	C
10	4700747282		4	Copper washer	
11	4700313001		2	Hose clamp	C
12	4700902893		1	Fuel hose	
13	4700357470		1	Fuel hose	
14	4700921072		1	Clamp	
15	4700929322		1	Fuel strainer	B
16	4700904984	C	1XL	Fuel hose	C
17	4700925802		N	Cable ties	C
18	4700348923	E	1	Level sender	D
19	4700348924	E	1	.Gasket	D
20	4700903236		1 5	Screw, Thread rolling	
21	4700358355	E	1	Dipstick	
25	4700372627		1 1	Cover	
26	4700348924		1 1	Gasket	D
27	4700313108		1	Hose clamp	
28	4700792147		1	Hose clamp	

- 1) Included in Fuel tank, cpl PN 4700384726.
- C) L=200 mm
- E) Option
- F) Italy market



Fuel system DEUTZ

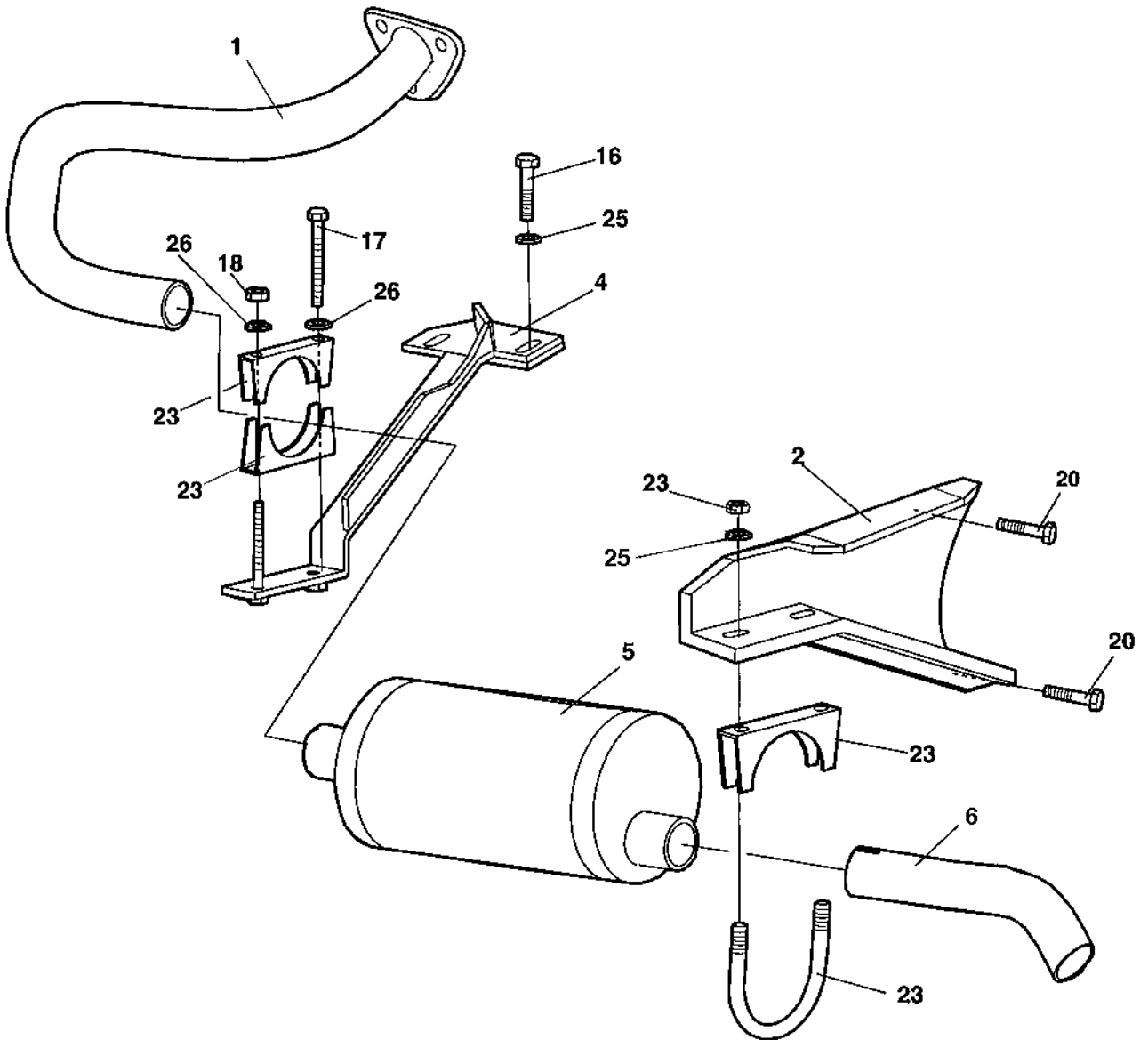
Item	Part No	Rem	Qty	Description	Code
1	4700384726		1	Fuel tank, cpl	
2	4700373461		1	Cap	D
	4700902866		1	.Key	Marked "455" A
	4700380459	F	1	Cap	
3	4700357459		6	Rubber cloth	C
4	4700357466		2	Holder plate	
5	4700500053		3	Screw	M8x20H 8.8 C
6	4700904640		5	Washer	8,4x22x3 C
7	4700160012		2	O-ring	D
8	4700357468		2	Fuel pipe	
9	4700330171		2	Hollow screw	C
10	4700747282		4	Copper washer	
11	4700313001		2	Hose clamp	C
12	4700902893		1	Fuel hose	
13	4700357470		1	Fuel hose	
14	4700921072		1	Clamp	
15	4700929322		1	Fuel strainer	B
16	4700904984	C	1XL	Fuel hose	C
17	4700925802		N	Cable ties	L=142 mm C
18	4700348923	E	1	Level sender	D
19	4700348924	E	1	.Gasket	D
	4700945777	E	1	.Gasket	
20	4700903236		1 5	Screw, Thread rolling	K40x20
21	4700358355	E	1	Dipstick	
25	4700372627		1 1	Cover	
26	4700348924		1 1	Gasket	D
27	4700313108		1	Hose clamp	
28	4700792147		1	Hose clamp	

1) Included in Fuel tank, cpl PN 4700384726.

C) L=200 mm

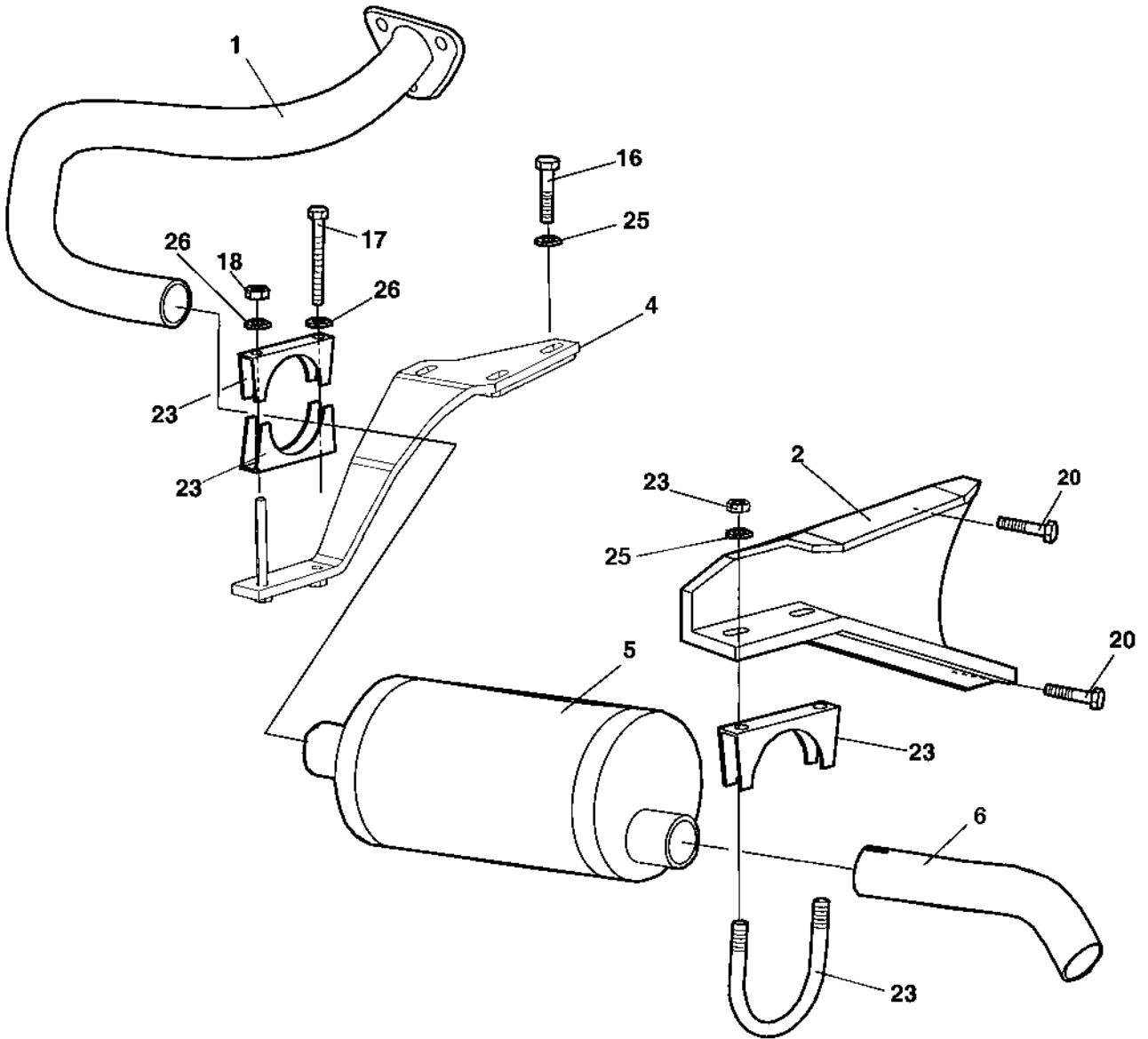
E) Option

F) Italy market



Exhaust system DEUTZ

Item	Part No	Rem Qty	Description	Code
1	4700359161	1	Exhaust pipe	
2	4700359114	1	Holder plate	
4	4700387471	1	Holder	
5	4700359163	1	Muffler	D
6	4700376828	1	Exhaust pipe	
16	4700500021	2	Screw	M8-1,25x25 8.8 C
17	4700500190	1	Screw	
18	4700570005	1	Nut	M8 C
20	4700508029	2	Screw	M10-1,5x30H 8,8 C
23	4700313086	3	Clamp	C
25	4700904640	4	Washer	8,4x22x3 C
26	4700904229	2	Washer	8,4x16x1,5 C

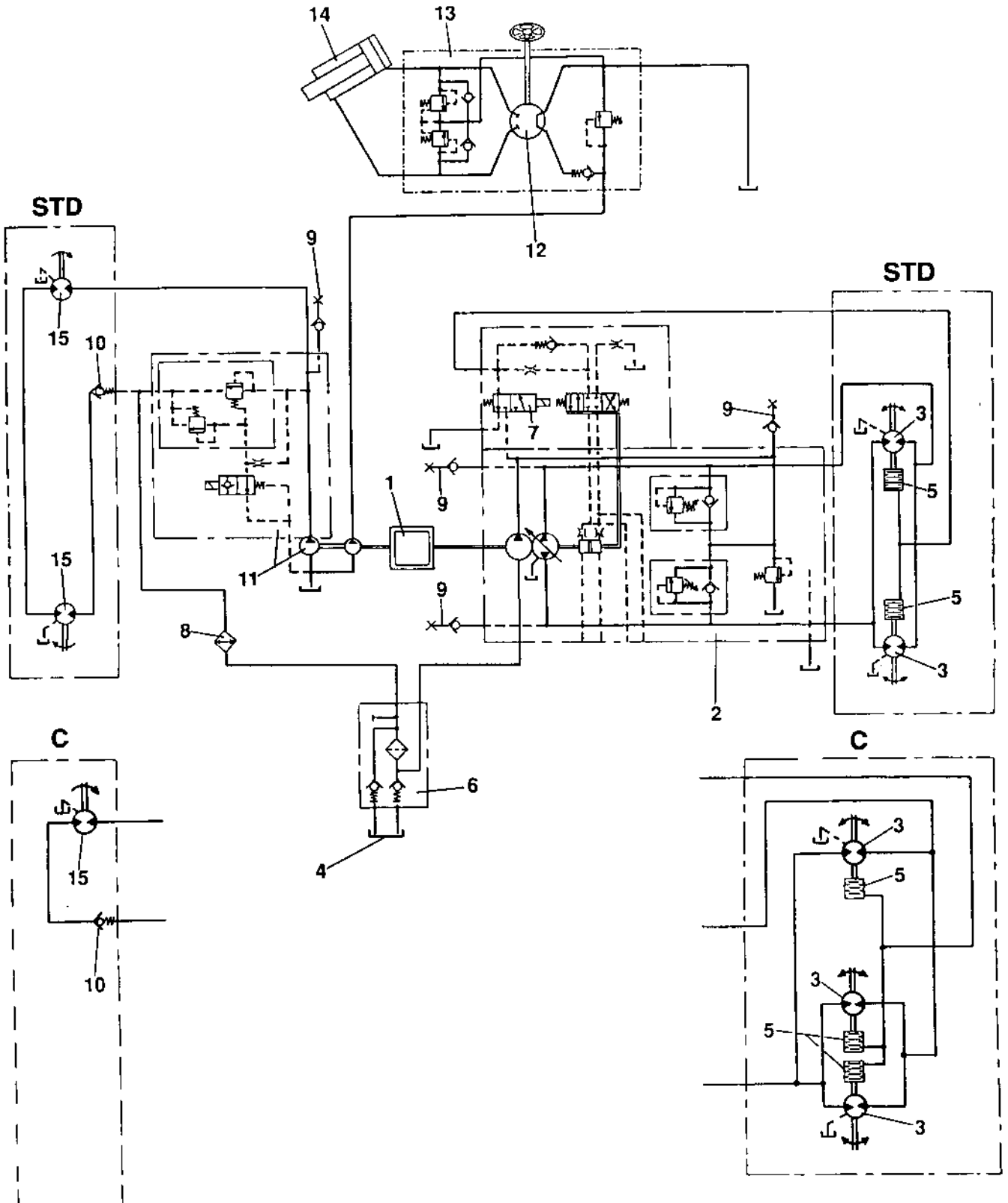


Exhaust system DEUTZ

Item	Part No	Rem Qty	Description	Code
1	4700359161	1	Exhaust pipe	
2	4700359114	1	Holder plate	
4	4700390701	1	Holder	
	4700395732	1	Holder	
5	4700359163	1	Muffler	D
6	4700376828	1	Exhaust pipe	
16	4700500022	3	Screw	M8x30H 8.8 A2K C
17	4700500115	1	Screw	M8-1,25x90 8.8 C
18	4700570005	1	Nut	M8 C
20	4700508029	2	Screw	M10-1,5x30H 8,8 C
23	4700313086	3	Clamp	C
25	4700904640	5	Washer	8,4x22x3 C
26	4700904229	2	Washer	8,4x16x1,5 C

Hydraulic system

Item	Part No	Rem Qty	Description	Code
100			Hydraulic diagram (Page 92)	
230			Propulsion system (Page 94)	
315	4700372352		Hydraulic pump, propulsion (Page 100)	
316			Rotating group, valves, charge pump (Page 102)	
317			Control unit, cpl (Page 104)	
340	4700357022		Hydraulic motor, propulsion, drum (Page 106)	C
380	4700380736		Junction block (Page 108)	
420			Vibration system Up to 60214244 (Page 110)DEUTZ	
425			Vibration system From 60214245 (Page 114)DEUTZ	
510	4700359524		Hydraulic pump, vibration (Page 118) DEUTZ	
611			Steering system Up to 602X2957 (Page 120)	
612			Steering system From 602X2958 Up to 602X3318 (Page 122)	
613			Steering system From 602X3319 (Page 124)	
650	4700902099		Steering valve (Page 126)	
710	4700374603		Steering cylinder (Page 128)	
860			Brake system (Page 130)	



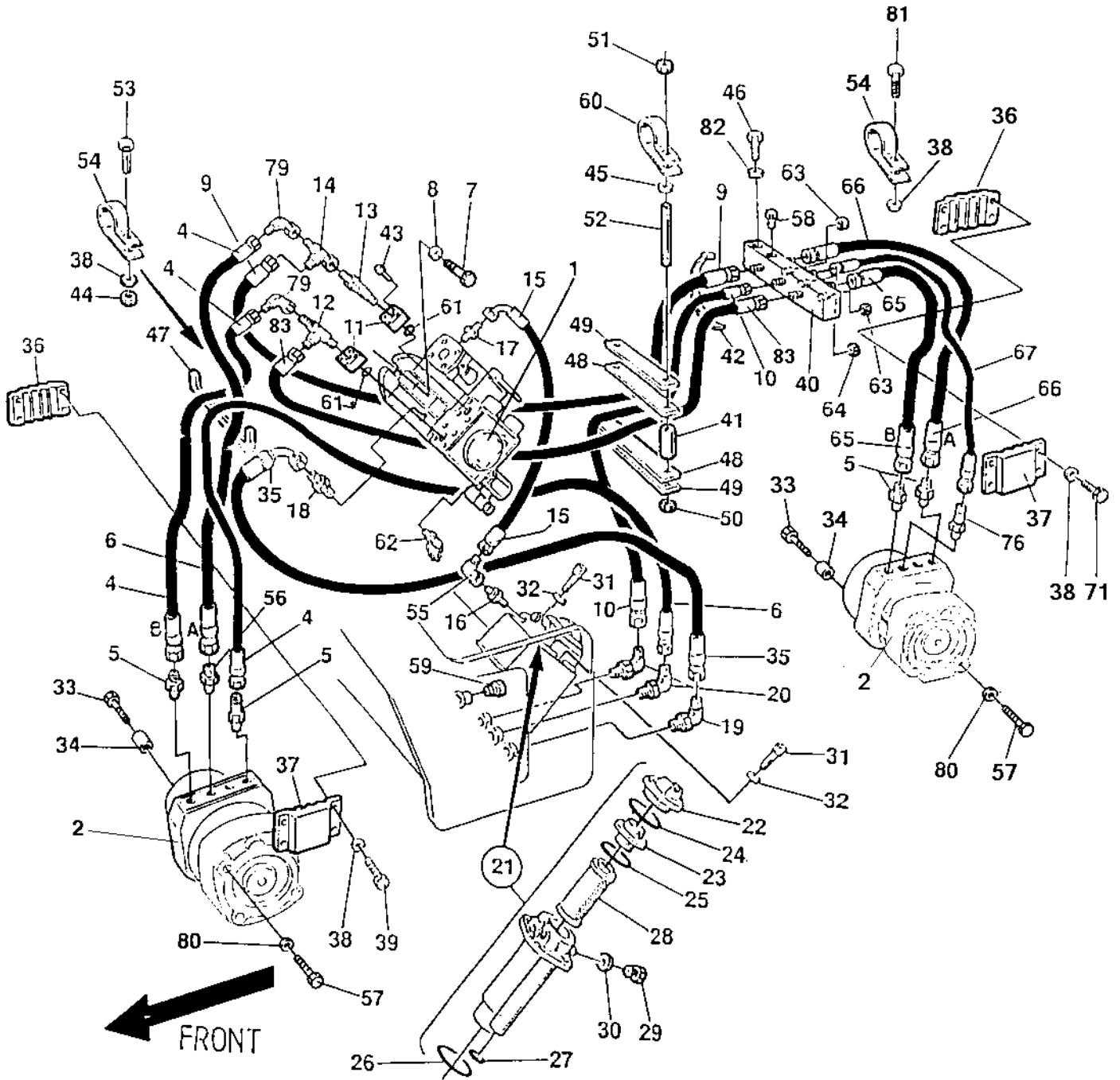
Hydraulic diagram

Item	Part No	Rem	Qty	Description	Code
1			1	Diesel engine	
2			1	Propulsion pump	
3			2	Propulsion motor	
4			1	Hydraulic tank	
5			2	Brake	
6			1	Filter	
7			1	Brake valve	
8			1	Oil cooler	
9			4	Measuring nipple	
10			1	Check valve	
11		A	1	Vibration pump	
12			1	Steering valve	
13			1	Valve block	
14			1	Steering cylinder	
15			2	Steering cylinder	

A) Incl. steering pump

Propulsion system

16704-2



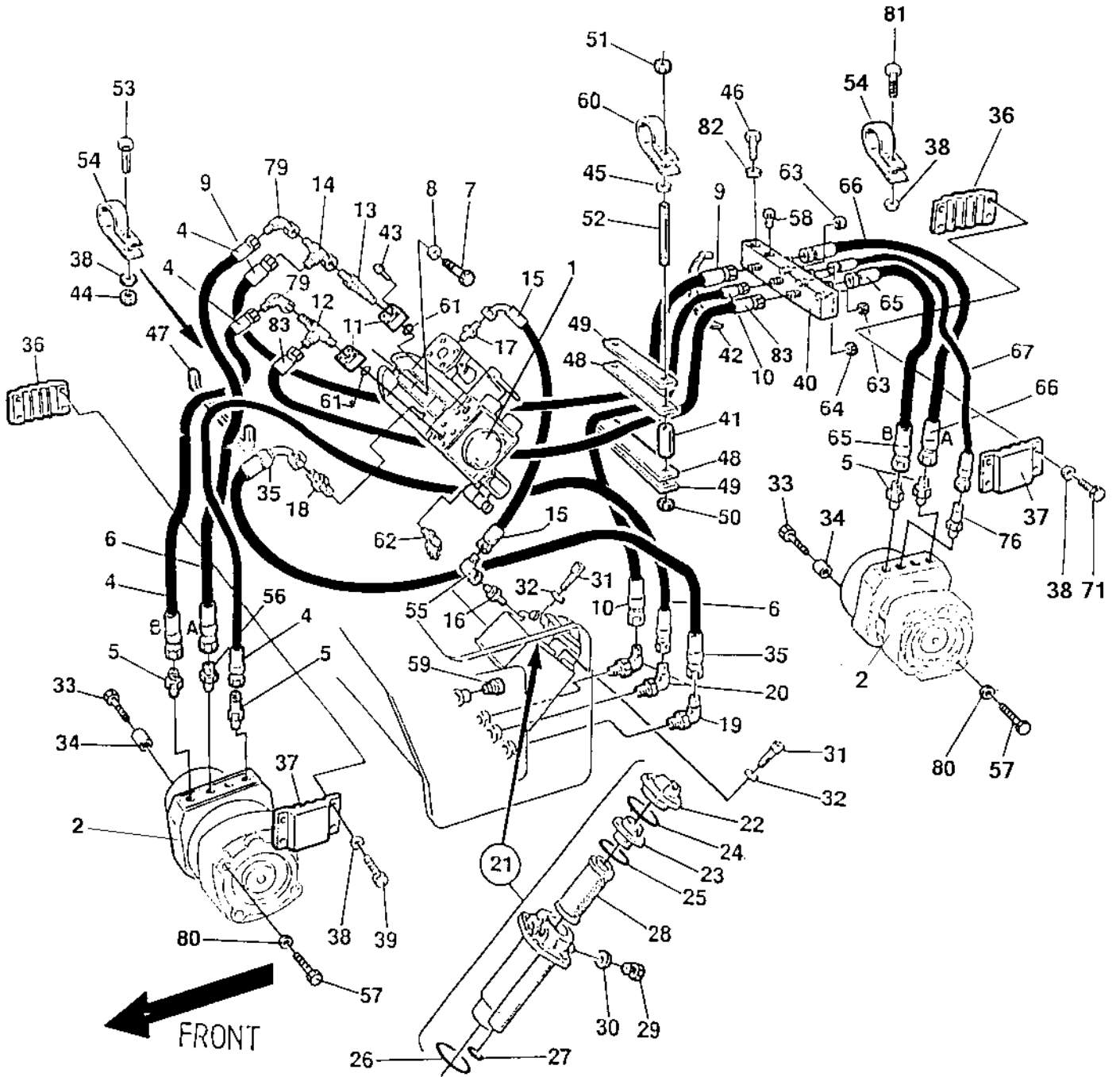
Propulsion system

Item	Part No	Rem Qty	Description	Code
1	4700372352	1	Hydraulic pump, propulsion (Page 100)	
2	4700357022	2	Hydraulic motor, propulsion, drum (Page 106)	C
4	4700483321	2	Hydraulic hose	
5	4700901155	4	Connector	C
6	4700483039	1	Hydraulic hose	
7	4700500037	2	Screw	C
8	4700904703	2	Washer	C
9	4811000084	1	Hydraulic hose	
10	4700482452	1	Hydraulic hose	
11	4700373402	2	Flange	
12	4700234218	1	Tee-connector	C
13	4700813444	1	Elbow 90, O-ring	
14	4700334135	1	Tee-connector	C
15	4700483118	1	Hydraulic hose	
16	4700334156	1	Adapter	C
17	4700901156	1	Connector	
18	4700903925	1	Connector	
19	4700813435	1	Elbow 90 Up to 602X2809	
	4700334238	1	Elbow 90 o-ring From 602X2810	
20	4700813321	2	Elbow 90 Up to 602X2809	C
	4700334235	2	Elbow 90 From 602X2810	
21	4700371183	1	Hydraulic oil filter	
22	4700902377	1	.Cover	D
23	4700902378	1	.Insert	
24	4700902229	1	.Sealing	D
25	4700902230	1	.O-ring	D
26	4700902231	1	.O-ring	D
27	4700902232	1	.O-ring	D
28	4700903247	1	.Filter element	A
29	4700901313	1	.Plug	
30	4700230277	1	.Copper washer	
31	4700508029	2	Screw	12,2x17,9x1,5 M10-1,5x30H 8,8
32	4700615044	2	Washer	D
33	4700928022	7	Screw	C
34	4700357384	7	Spacer sleeve	
35	4700482553	1	Hydraulic hose	
36	4700371313	2	Hose clamp	
37	4700371314	2	Hose clamp	
38	4700904229	10	Washer	8,4x16x1,5
39	4700500021	4	Screw	M8-1,25x25 8.8
40	4812110281	1	Junction block (Page 98)	
41	4700357113	2	Spacer sleeve	
42	4700313102	N	Cable ties	
43	4700508096	8	Screw	C
44	4700586003	1	Lock nut	M8
45	4700904230	6	Steel plain washer	C
46	4700500109	2	Screw	M10-1,5x65 8,8
47	4700902379	A 1XL	Edge trim	C
48	4700357111	2	Rubber cloth	
49	4700357112	2	Cover plate	
50	4700355869	2	Spacer sleeve	
51	4700586018	4	Lock nut	C
52	4700902233	2	Threaded stud	
53	4700513013	1	Screw	C
54	4700921119	2	Pipe clamp	C
55	4700334155	1	Elbow 90	C
56	4700925723	1	Connector	C
57	4700947698	8	Screw	M16x55 10.9
58	4700232070	3	Plug	

A) L=0,185 m

Propulsion system

16704-2

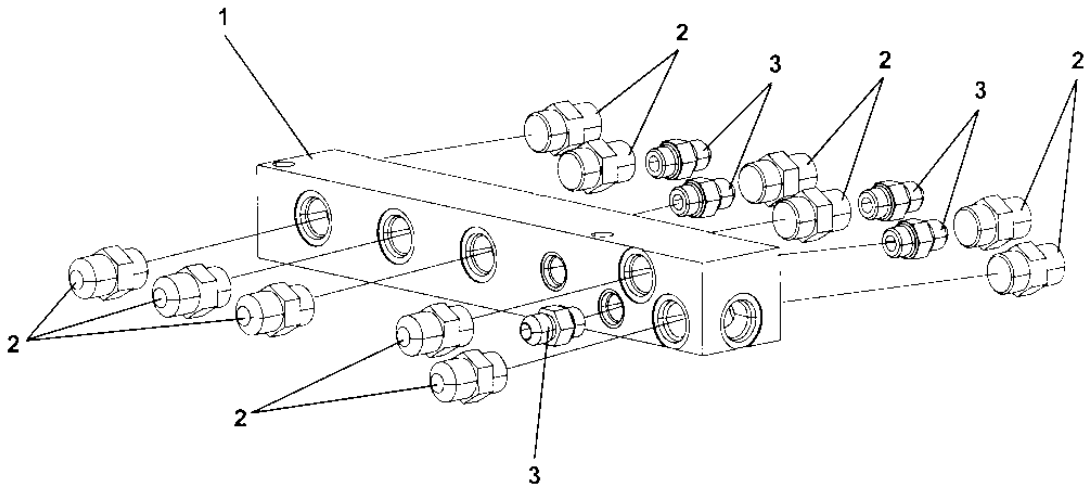


Propulsion system

Item	Part No	Rem Qty	Description	Code
59	4700892446	1	Plug Up to 602X2809	C
60	4700921099	1	Clamp	
61	4700813443	2	O-ring	C
62	4700901157	2	Measuring nipple	C
63	4700330383	2	Cap hydraulic	
64	4700230400	1	Cap	D
65	4700483165	1	Hydraulic hose	
66	4700482216	1	Hydraulic hose	
67	4700483168	1	Hydraulic hose	
71	4700500021	4	Screw	M8-1,25x25 8.8 C
73	4700928022	7	Screw	C
74	4700357384	7	Spacer sleeve	
76	4700925723	1	Connector	C
79	4700334197	2	Elbow 90	C
80	4700904232	8	Washer	C
81	4700500053	1	Screw	M8x20H 8.8 C
82	4700904640	2	Washer	8,4x22x3 C
83	4700483289	1	Hydraulic hose	

4812110281 Junction block

18997

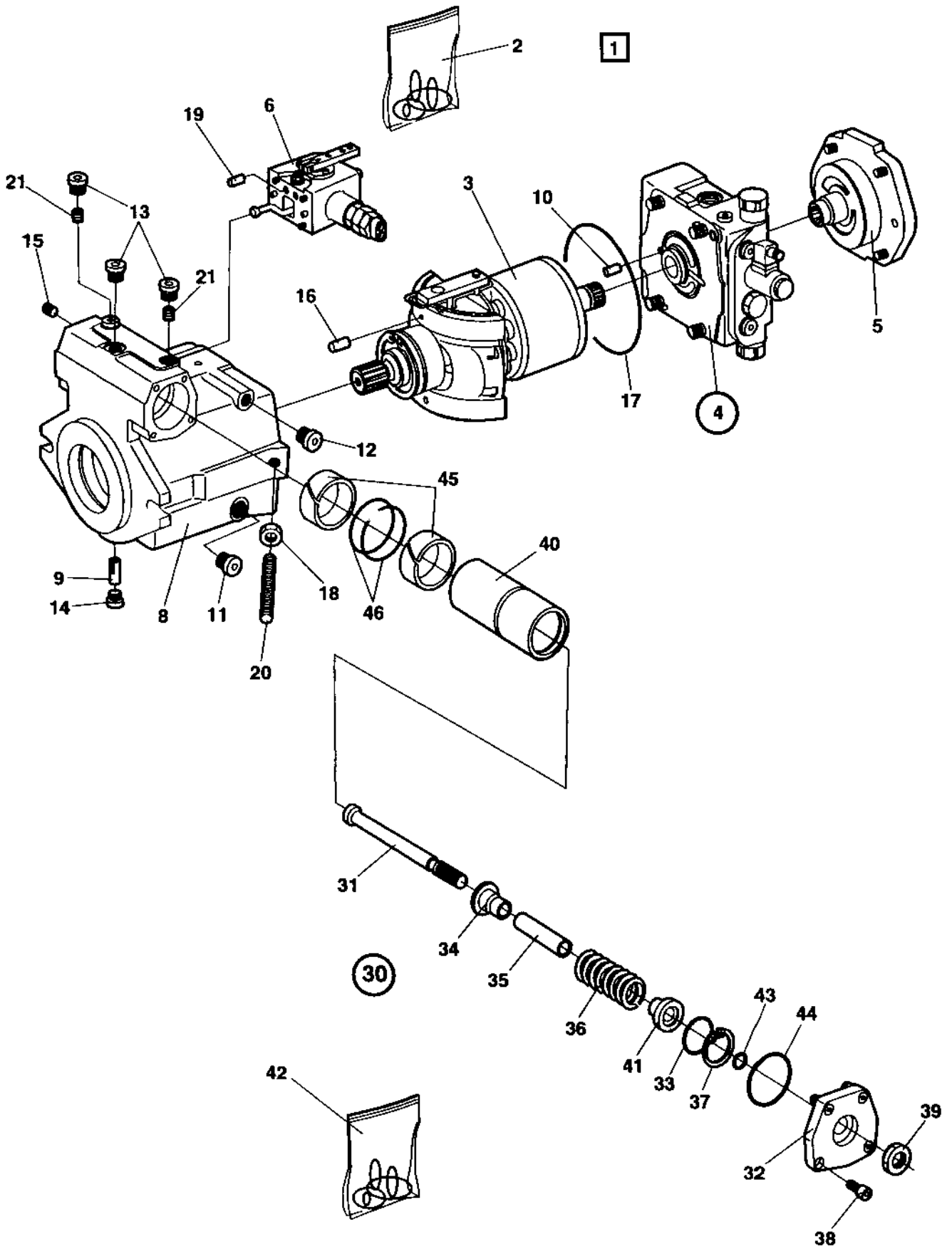


4812110281 Junction block

Item	Part No	Rem Qty	Description	Code
1	4812110282	1	Junction block	
2	4700334121	11	Straight connector	C
3	4700234233	5	Adapter	C

4700372352 Hydraulic pump, propulsion

16514



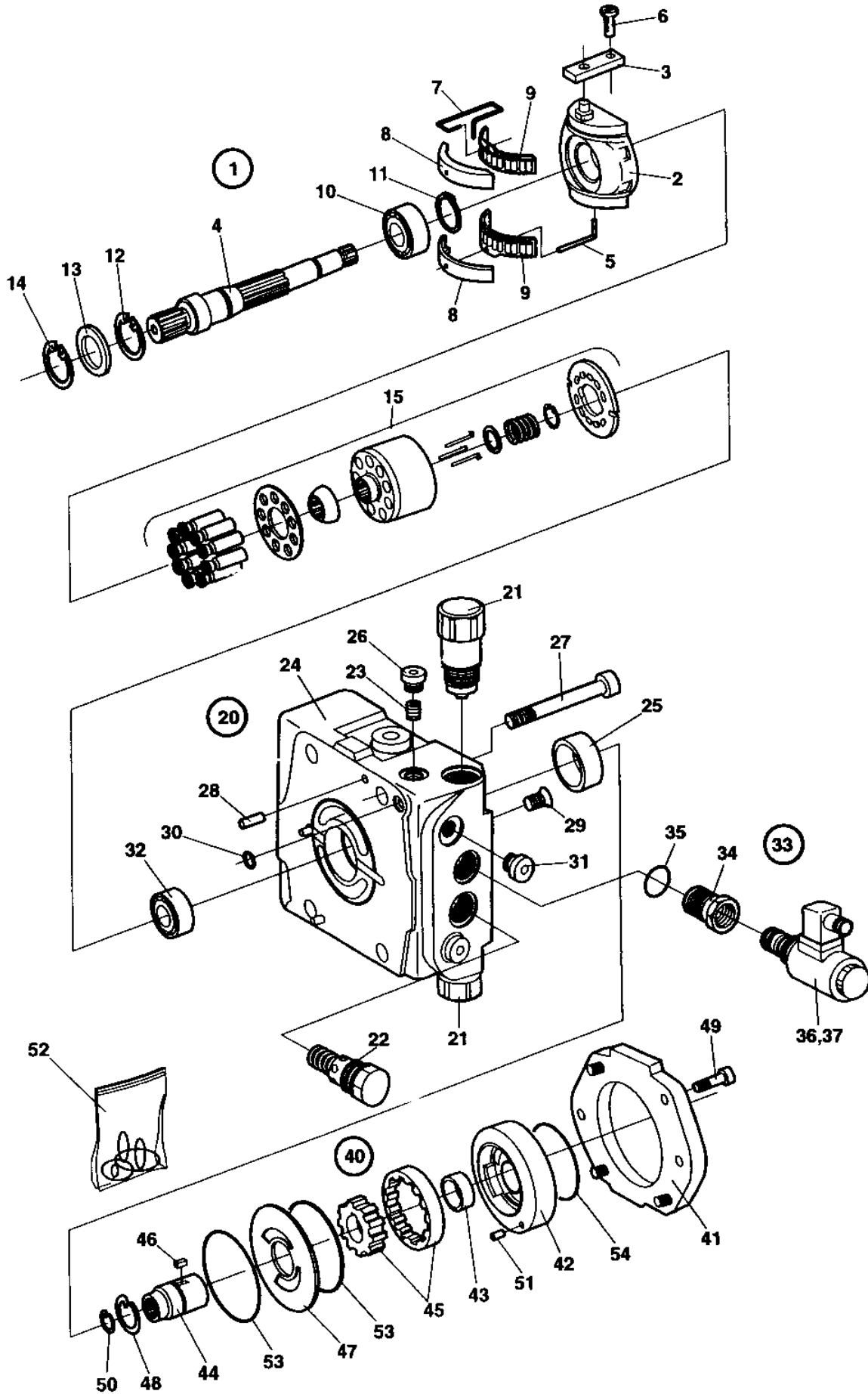
4700372352 Hydraulic pump, propulsion

Item	Part No	Rem	Qty	Description	Code
1		A	1	Hydraulic pump	C
2	4700936690	1	1	.Seal kit	
3		2	1	.Rotating group, cpl	
4		2	1	.Valve block, cpl	
5		2	1	.Charge pump, cpl	
6			1	.Control unit, cpl (Page 104)	
8			1	.Housing	
9	4700935158		1	.Pin	
10	4700902670		1	.Pin	
11	4700935219		1	.Plug	
12	4700902724		1	.Plug	
13	4700902625		3	.Screw	
14	4700902624		1	.Screw	
15	4700909514		1	.Pin	
16	4700902792		1	.Pin	
17	4700935159		1	.O-ring	
18	4700902695		1	.Nut	
19	4700935160		1	.Orifice	
20	4700902687		1	.Pin	
21	4700902696		2	.Orifice	0,8
30	4700909757		1	.Control valve	
31			1	..Rod	
32			1	..Cover	
33			1	..Ring	
34			1	..Spring collar	
35			1	..Spacer	
36			1	..Spring	
37			1	..Snap ring	
38			4	..Screw	
39			1	..Nut	
40			1	..Piston	
41			1	..Spring collar	
42	4700909758		1	..Seal kit	D
43			1	...O-ring	D
44			1	...O-ring	D
45			2	...Seal ring	D
46			2	...Seal ring	D

- 1) Includes all gaskets and o-rings for the hydraulic pump
- 2) Exploded in section "Rotating group, valves, charge pump
- A) CPL

Rotating group, valves, charge pump

15940



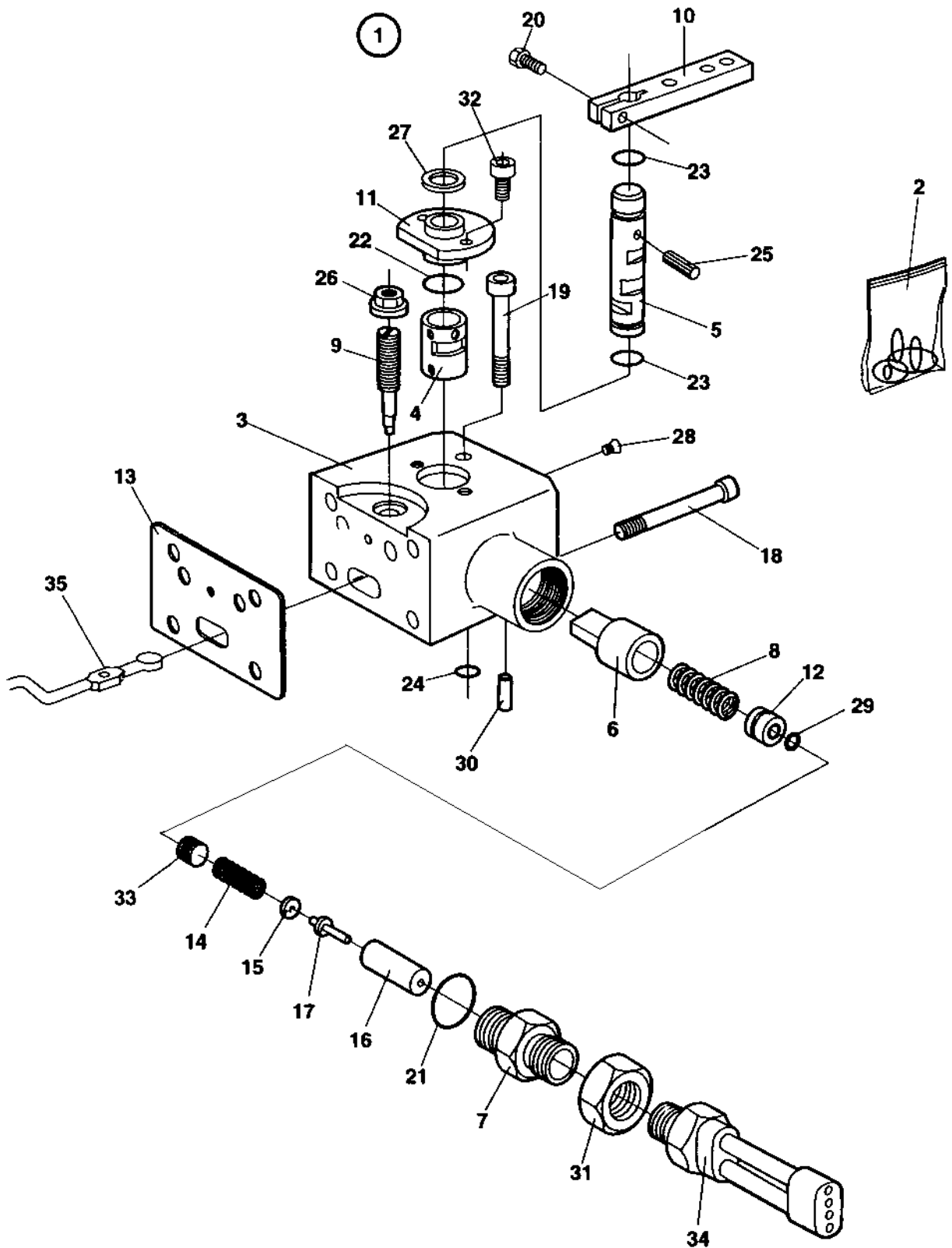
Rotating group, valves, charge pump

Item	Part No	Rem	Qty	Description	Code
1	4700935161		1	Rotating group	
2	4700935171		1	.Cradle	
3	4700935162		1	.Ring	
4	4700935163		1	.Shaft	
5	4700902644		1	.Wire pin	
6	4700935164		1	.Pin	
7	4700935165		1	.Wire pin	
8	4700935166	A	1	.Bearing liner	
9	4700902620		1	.Bearing	D
10	4700902619		1	.Roller bearing	D
11	4700901750		1	.Retaining ring	
12	4700935170		1	.Retaining ring	
13	4700936691		1	.Seal ring	
14	4700935170		1	.Retaining ring	
15	4700935167		1	.Cylinder with pistons, cpl	
20			1	Valve block	
21	4700935172		2	.Pressure relief valve	350 bar
22	4700903471		1	.Relief valve	D
23	4700936692		1	.Check valve	D
24	4700936693		1	.Valve block	
25	4700903557		1	.Bearing bushing	
26	4700935176		1	.Plug	
27	4700935177		4	.Screw	
28	4700908384		2	.Pin	
29	4700909514		2	.Pin	
30	4700902641		2	.O-ring	
31	4700902625		2	.Screw	
32	4700901744		1	.Roller bearing	D
33		B	1	.Solenoid valve	D
34	4700935178		1	..Adapter	
35	4700927278		1	..O-ring	D
36	4700935179		1	..Valve, cpl	D
37	4700935180		1	...Solenoid	D
40	4700935181		1	Charge pump	
41	4700935182		1	.Cover	
42	4700935183		1	.Housing	
43	4700903557		1	.Bearing bushing	
44	4700935184		1	.Shaft	
45	4700936706		1	.Wheel set	D
46	4700935186		1	.Key	
47	4700935187		1	.Wear plate	
48	4700902654		1	.Retaining ring	
49	4700935188		4	.Screw	
50	4700935189		1	.Retaining ring	
51	4700935190		1	.Cylindrical pin	
52	4700935191		1	.Seal kit	D
53			2	..Seal	D
54			1	..O-ring	D

A) One pair
B) CPL

Control unit, cpl

15941



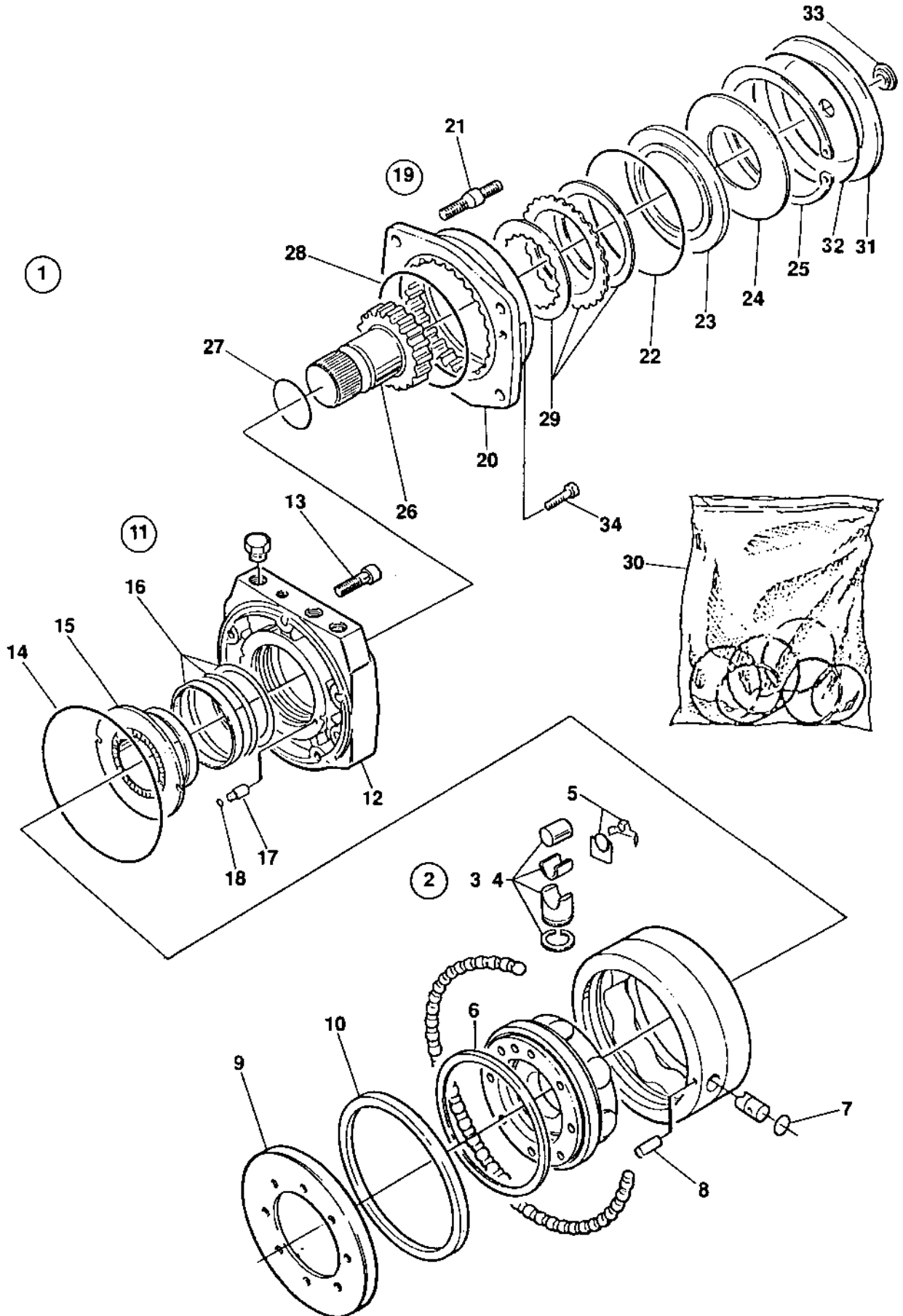
Control unit, cpl

Item	Part No	Rem	Qty	Description	Code
1	4700935194	A	1	Control unit	
2	4700935195		1	.Seal kit	D
3	4700935196		1	.Housing	
4	4700935197		1	.Bushing	
5	4700935198		1	.Shaft	
6	4700935199		1	.Spring bush	
7	4700935201		1	.Adapter	
8	4700935202		1	.Pressure spring	
9	4700935203		1	.Eccentric pin	
10			1	.Lever	
11	4700935204		1	.Cover	
12	4700935205		1	.Bushing	
13	4700935218	B	1	.Gasket	
14	4700935206		1	.Spring	
15	4700935207		1	.Spring collar	
16	4700935208		1	.Spring cage	
17	4700935209		1	.Pin	
18	4700935210		4	.Screw	
19	4700935211		1	.Screw	
20	4700902770		1	.Screw	
21		B	1	.O-ring	
22		B	1	.O-ring	
23		B	3	.O-ring	
24		B	1	.O-ring	
25	4700902767		1	.Needle roller	
26		B	1	.Nut	
27	4700902773		1	.Shim	
28	4700935212		1	.Pin	
29		B	1	.O-ring	
30	4700935190		1	.Cylindrical pin	
31	4700935214		1	.Nut	
32	4700902771		2	.Screw	
33	4700935215		1	.Plug	
34	4700935200		1	.Neutral start switch Cpl.	D
35	4700935216		1	Lever	

- A) CPL
- B) Incl. in item 2

4700357022 Hydraulic motor, propulsion, drum

15503-2



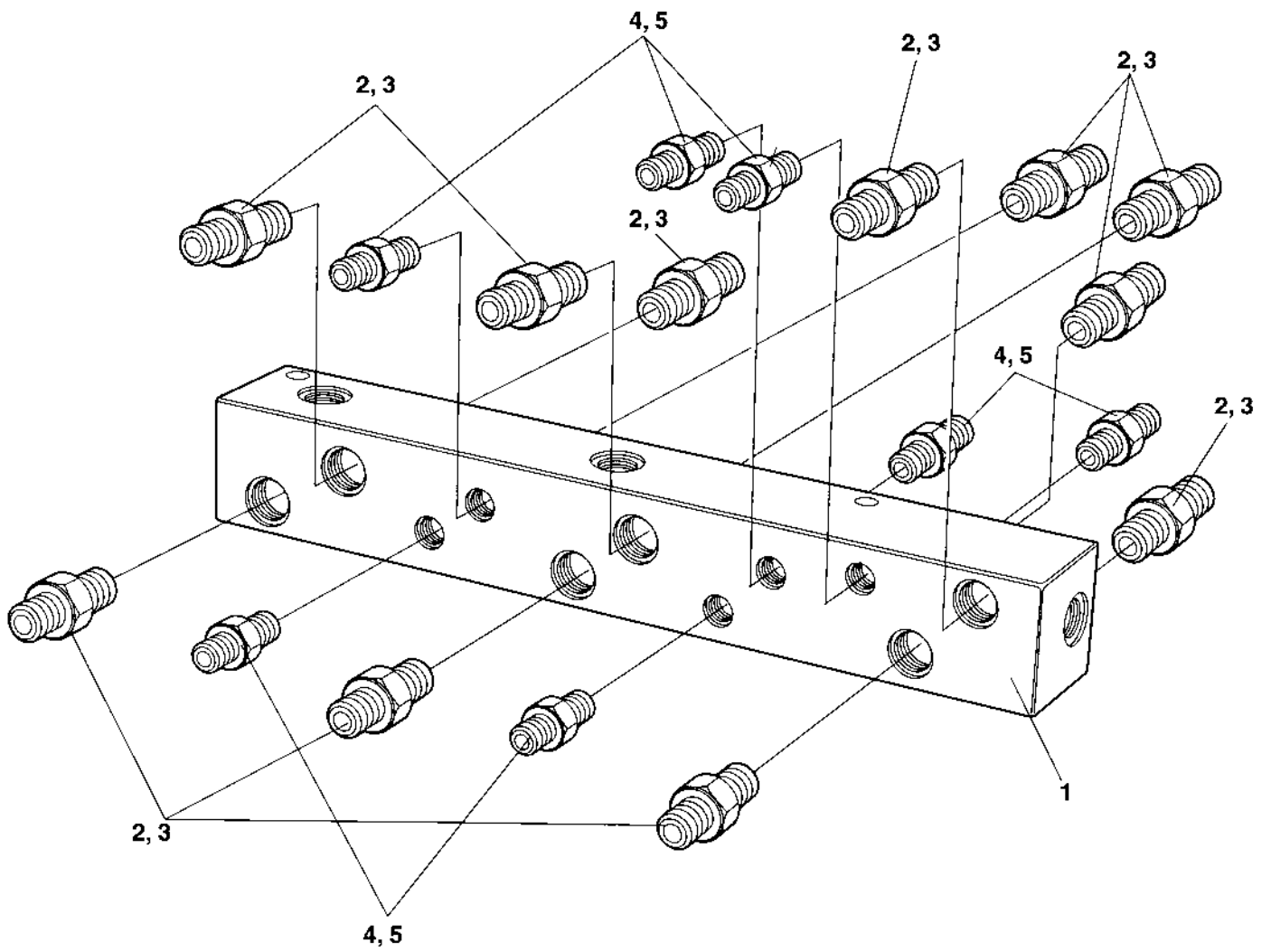
4700357022 Hydraulic motor, propulsion, drum

Item	Part No	Rem	Qty	Description	Code
1		A	1	Hydraulic motor	
2	4700902817	A	1	..Cylinder block	
3	4700902818	B	1	..Piston	
4	4700901780	C	1	..Piston	
5	4700902819		1	..Piston repair kit	D
6	4700902820	D	1	..Sealing	
7	4700902821	D	1	..O-ring	
8	4700902822		1	..Pin	
9	4700909534		1	..Deflector From 602X1115	
10	4700909497	D	1	..Seal	
11	4700902823	A	1	..Distributing valve	D
12	4700902824		1	..Cover	
13	4700902825		7	..Screw	
14	4700902826	D	1	..O-ring	
15	4700902827		1	..Flange	
16	4700902828	D	1	..Seal kit	D
17	4700902829		2	..Pin	
18	4700902830	D	2	..O-ring	
19	4700902831	A	1	..Brake	D
20	4700902832		1	..Brake housing	
21	4700902833		4	..Stud Up to 602X0251	
	4700902833		4	..Stud From 602X0263 Up to 602X0271	
		F	4	Screw	
22	4700902834		1	..O-ring	
23	4700902835		1	..Brake piston	
24	4700902836		1	..Disc spring	
25	4700928337		1	..Snap ring	
26	4700902837		1	..Shaft	
27	4700902838	D	1	..O-ring	
28	4700902839	D	1	..O-ring	
29	4700902840		1	..Brake disc kit	D
30	4700902841		1	Gasket kit	D
31	4700908063	E	1	Cover, cpl	
32	4700938209		1	..O-ring	
33			1	..Plug	
34	4700908786		4	Screw	

- A) CPL
- B) Class 0
- C) Class 1
- D) Incl in kit, item 30
- E) Steel
- F) See prop. system

4700380736 Junction block

16940



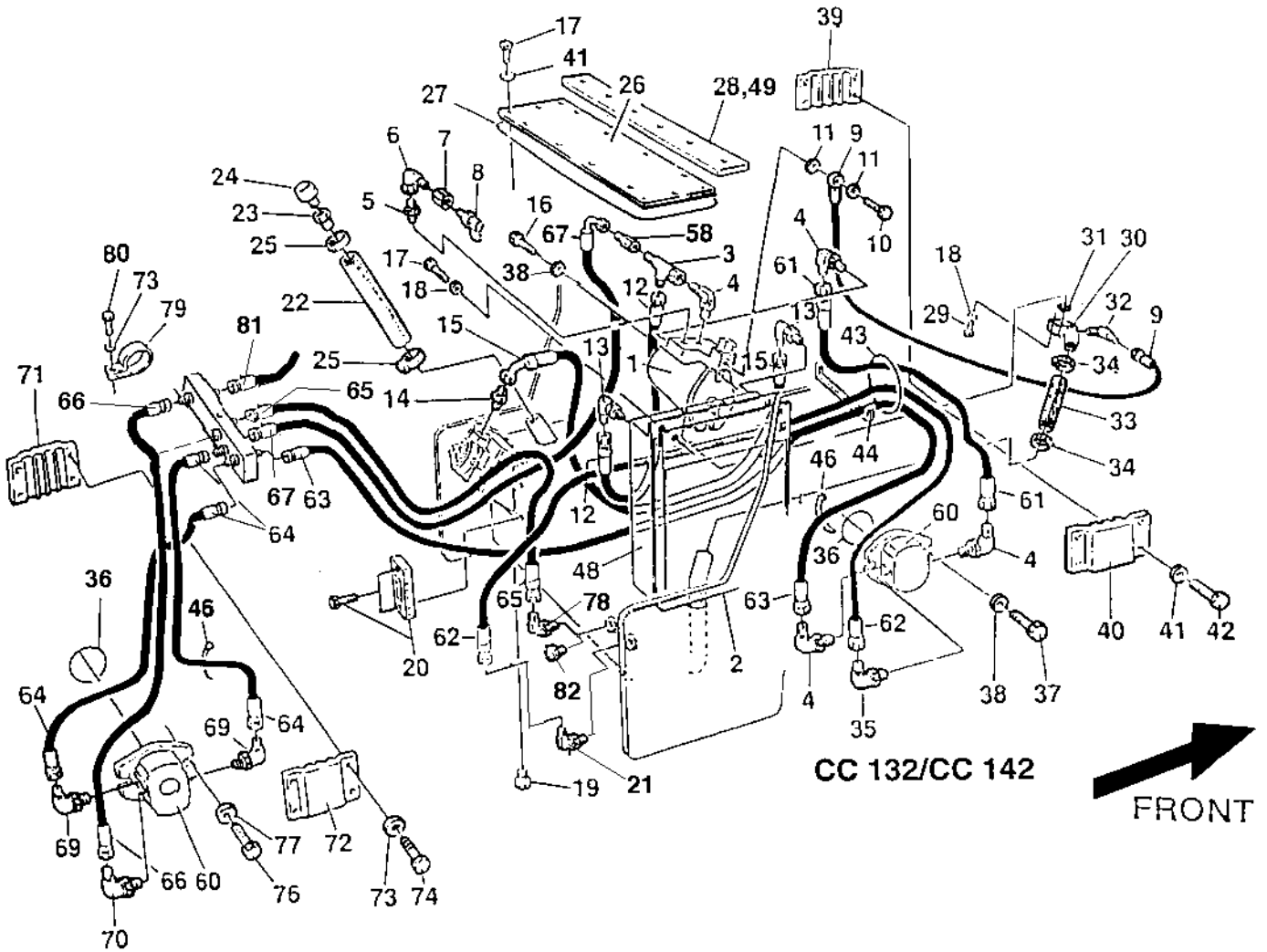
4700380736 Junction block

Item	Part No	Rem	Qty	Description	Code
			1	Junction block	
1			1	.Body	
2	4700334121		11	.Straight connector	C
3	4700904724		1	..O-ring	
4	4700234233	1	7	.Adapter	C
	4700234233		5	.Adapter	C
5	4700904725		1	..O-ring	

1) 7 pieces needed when machine is equipped with leakage hoses.

Vibration system DEUTZ

17787-1

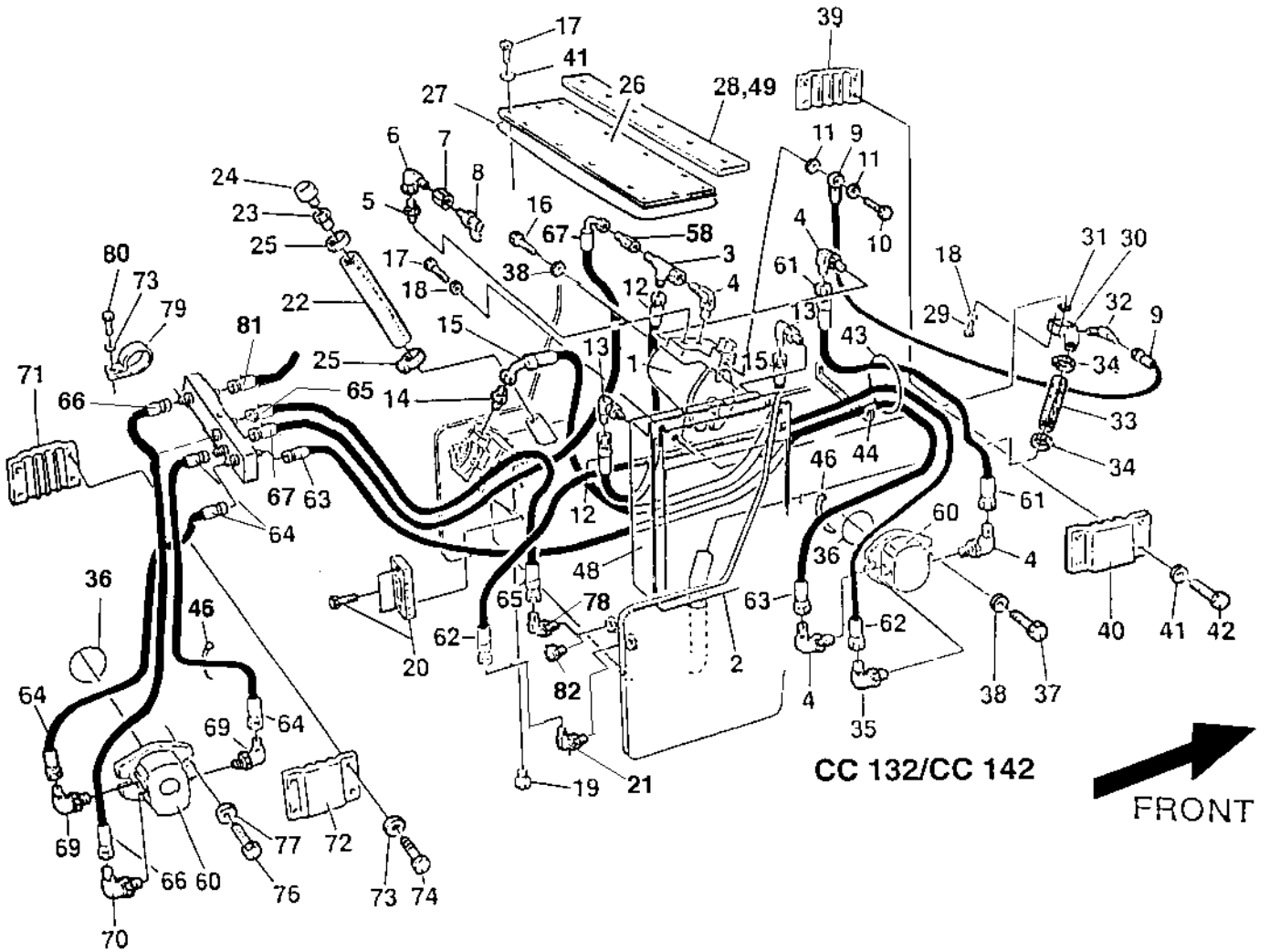


Vibration system DEUTZ

Item	Part No	Rem Qty	Description	Code
1	4700359524	1	Hydraulic pump, vibration (Page 118)	DEUTZ
2	4700357373	1	Radiator	C
3	4700334135	1	Tee-connector	C
4	4700334238	4	Elbow 90 o-ring	
5	4700234390	1	Connector	
6	4700334524	1	Connector	C
7	D433830401	1	Connector	C
8	4700910161	1	Measuring nipple	C
9	4700386134	1	Hydraulic hose	
10	4700901692	1	Screw	
11	4700480124	2	Washer	
12	4700482606	1	Hydraulic hose	
13	4700234993	2	Elbow	
14	4700334156	1	Adapter	C
15	4700483281	1	Hydraulic hose	
16	4700508096	2	Screw	C
17	4700500019	16	Screw	M8x16H 8.8 A2K C
18	4700904556	8	Steel plain washer	C
19	4700232122	1	Plug	3/4NPTF C
20	4700989151	1	Oil level glass	C
21	4700813321	1	Elbow 90 Up to 602X2809	C
	4700334235	1	Elbow 90 From 602X2810	
22	4700373478	1	Rubber hose	
23	4700357139	1	Connector	C
24	4700357138	1	Ventilating filter	A
25	4700313008	2	Hose clamp	C
26	4700349879	1	Cover	
27	4700349880	1	O-ring	C
28	4700358486	1	Rubber strip	
29	4700500067	4	Screw	M8-1,25x55 8,8
30	4700359834	1	Flange	
31	4700160016	1	O-ring	D
32	4700234341	1	Elbow 45	
33	4700358504	A 1XL	Rubber hose	
34	4700902295	2	Clamp	
35	4700234481	1	Connector	
36	4700160031	2	O-ring	D
37	4700508029	2	Screw	M10-1,5x30H 8,8 C
38	4700904557	4	Steel plain washer	C
39	4700371313	1	Hose clamp	
40	4700371314	1	Hose clamp	
41	4700904229	18	Washer	8,4x16x1,5 C
42	4700500021	4	Screw	M8-1,25x25 8.8 C
43	4700902379	B 1XL	Edge trim	
44	4700902379	C 1XL	Edge trim	
46	4700313102	N	Cable ties	
48	4700374626	1	Cooling air cover	
49	4700904901	D 1XL	Tape	D
58	4700357543	1	Valve	D
60	4700359526	2	Hydraulic motor Up to 602X3464	Replaced by 391271 C
	4700903431	E 1	.Seal kit	D
	4700391271	2	Hydraulic motor From 602X3465	
61	4700482898	1	Hydraulic hose	
A)	L=0,260 m			
B)	L=0,305 m			
C)	L=0,150 m			
D)	L=2,0 m			
E)	Valid for 4700359526			

Vibration system DEUTZ

17787-1



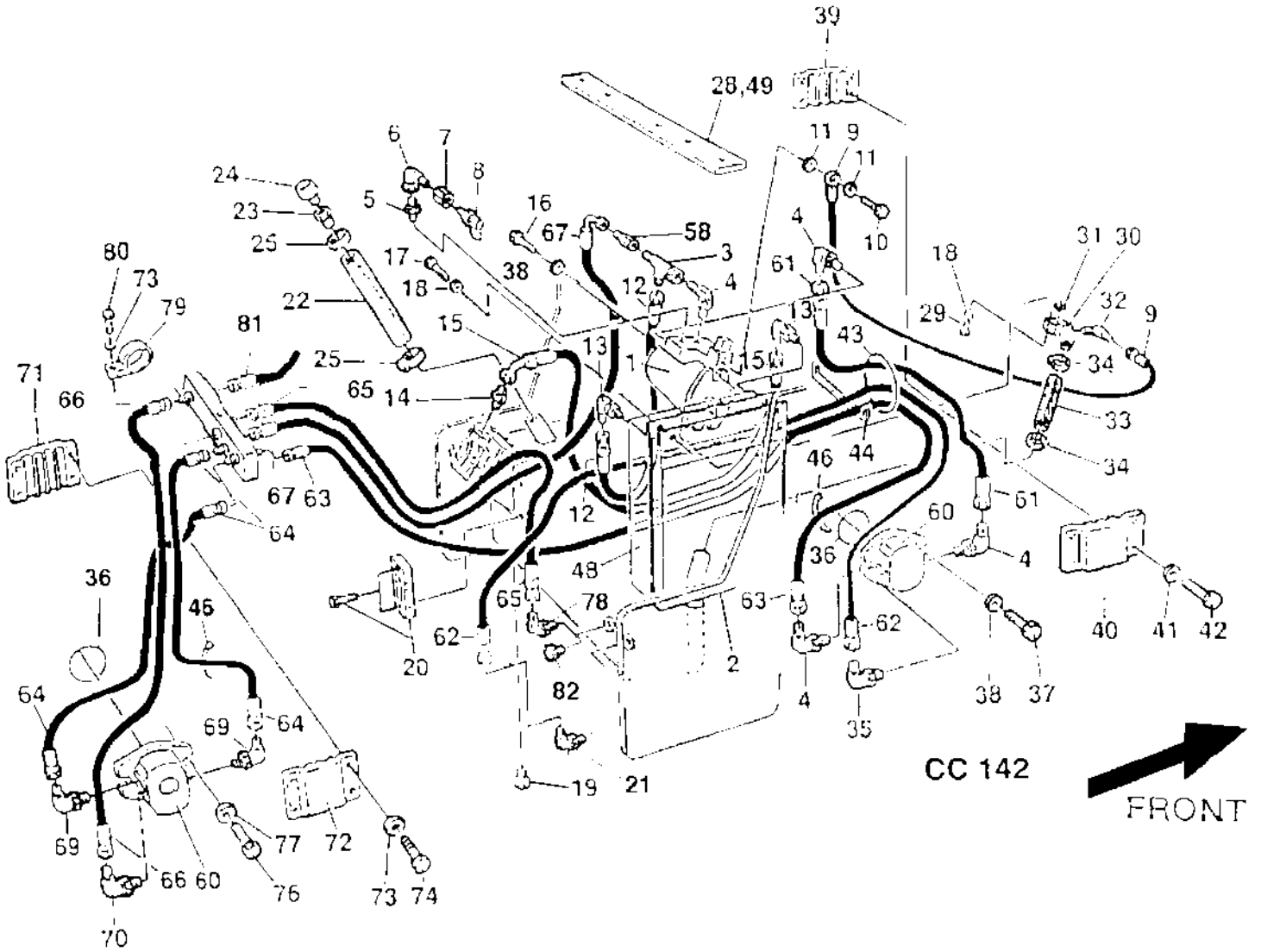
Vibration system DEUTZ

Item	Part No	Rem	Qty	Description	Code
62	4700482900		1	Hydraulic hose	
63	4700483160		1	Hydraulic hose	
64	4700483161		2	Hydraulic hose	
66	4700482892	F	1	Hydraulic hose	C
67	4700483282		1	Hydraulic hose	
69	4700334238		2	Elbow 90 o-ring	
70	4700234481		1	Connector	
71	4700371313		1	Hose clamp	
72	4700371314		1	Hose clamp	
73	4700904229		5	Washer	8,4x16x1,5 C
74	4700500021		4	Screw	M8-1,25x25 8.8 C
76	4700508029		2	Screw	M10-1,5x30H 8,8 C
77	4700603018		2	Washer	10x18x4 C
79	4700921119		1	Pipe clamp	C
80	4700500053		1	Screw	M8x20H 8.8 C
81		G	1	Hose	C
82	4700892446		1	Plug Up to 602X2809	C

- F) Moved to new port
- G) See section "Propulsion system"

Vibration system DEUTZ

17787-2



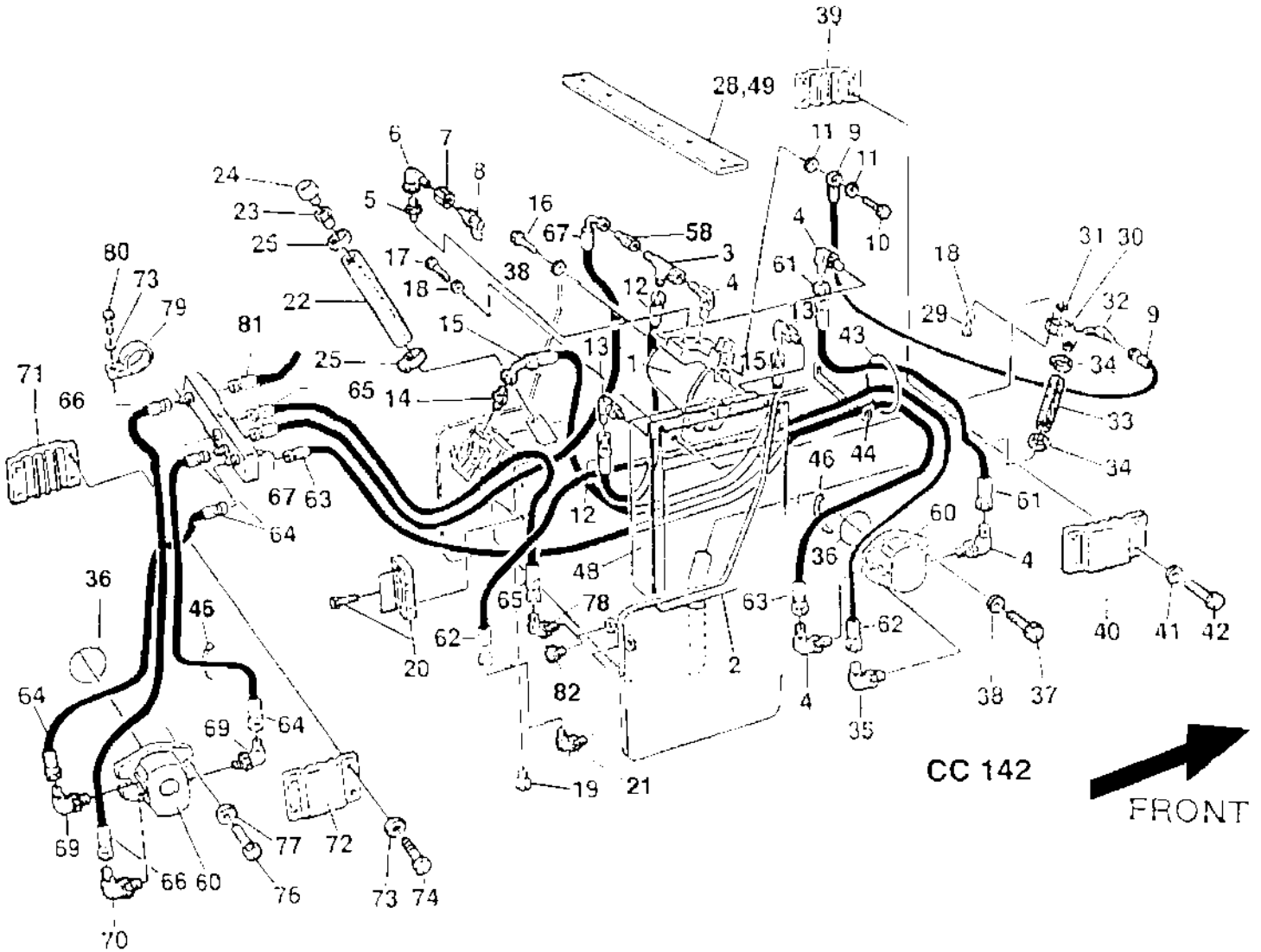
Vibration system DEUTZ

Item	Part No	Rem	Qty	Description	Code
1	4700359524		1	Hydraulic pump, vibration (Page 118)	DEUTZ
2	4700357373		1	Radiator	C
3	4700334135		1	Tee-connector	C
4	4700334238		4	Elbow 90 o-ring	
5	4700234390		1	Connector	
6	4700334524		1	Connector	C
7	D433830401		1	Connector	C
8	4700910161		1	Measuring nipple	C
9	4700386134		1	Hydraulic hose	
10	4700901692		1	Screw	
11	4700480124		2	Washer	
12	4700482606		1	Hydraulic hose	
13	4700234993		2	Elbow	
14	4700334156		1	Adapter	C
15	4700483281		1	Hydraulic hose	
16	4700508096		2	Screw	C
17	4700500019		2	Screw	M8x16H 8.8 A2K C
18	4700904556		8	Steel plain washer	C
19	4700232122		1	Plug	3/4NPTF C
20	4700989151		1	Oil level glass	C
21	4700813321		1	Elbow 90 Up to 602X2809	C
	4700334235		1	Elbow 90 From 602X2810	
22	4700373478		1	Rubber hose	
23	4700357139		1	Connector	C
24	4700357138		1	Ventilating filter	A
25	4700313008		2	Hose clamp	C
28	4700358486		1	Rubber strip	
29	4700500067		4	Screw	M8-1,25x55 8,8
30	4700359834		1	Flange	
31	4700160016		1	O-ring	D
32	4700234341		1	Elbow 45	
33	4700358504	A	1XL	Rubber hose	
34	4700902295		2	Clamp	
35	4700234481		1	Connector	
36	4700160031		2	O-ring	D
37	4700508029		2	Screw	M10-1,5x30H 8,8 C
38	4700904557		4	Steel plain washer	C
39	4700371313		1	Hose clamp	
40	4700371314		1	Hose clamp	
41	4700904229		4	Washer	8,4x16x1,5 C
42	4700500021		4	Screw	M8-1,25x25 8.8 C
43	4700902379	B	1XL	Edge trim	
44	4700902379	C	1XL	Edge trim	
46	4700313102		N	Cable ties	
48	4700374626		1	Cooling air cover	
49	4700904901	D	1XL	Tape	D
58	4700357543		1	Valve	D
60	4700359526		2	Hydraulic motor Up to 602X3464	Replaced by 391271 C
	4700903431	E	1	.Seal kit	D
	4700391271		2	Hydraulic motor From 602X3465	
61	4700482898		1	Hydraulic hose	
62	4700482900		1	Hydraulic hose	
63	4700483160		1	Hydraulic hose	

- A) L=0,260 m
- B) L=0,305 m
- C) L=0,150 m
- D) L=2,0 m
- E) Valid for 4700359526

Vibration system DEUTZ

17787-2



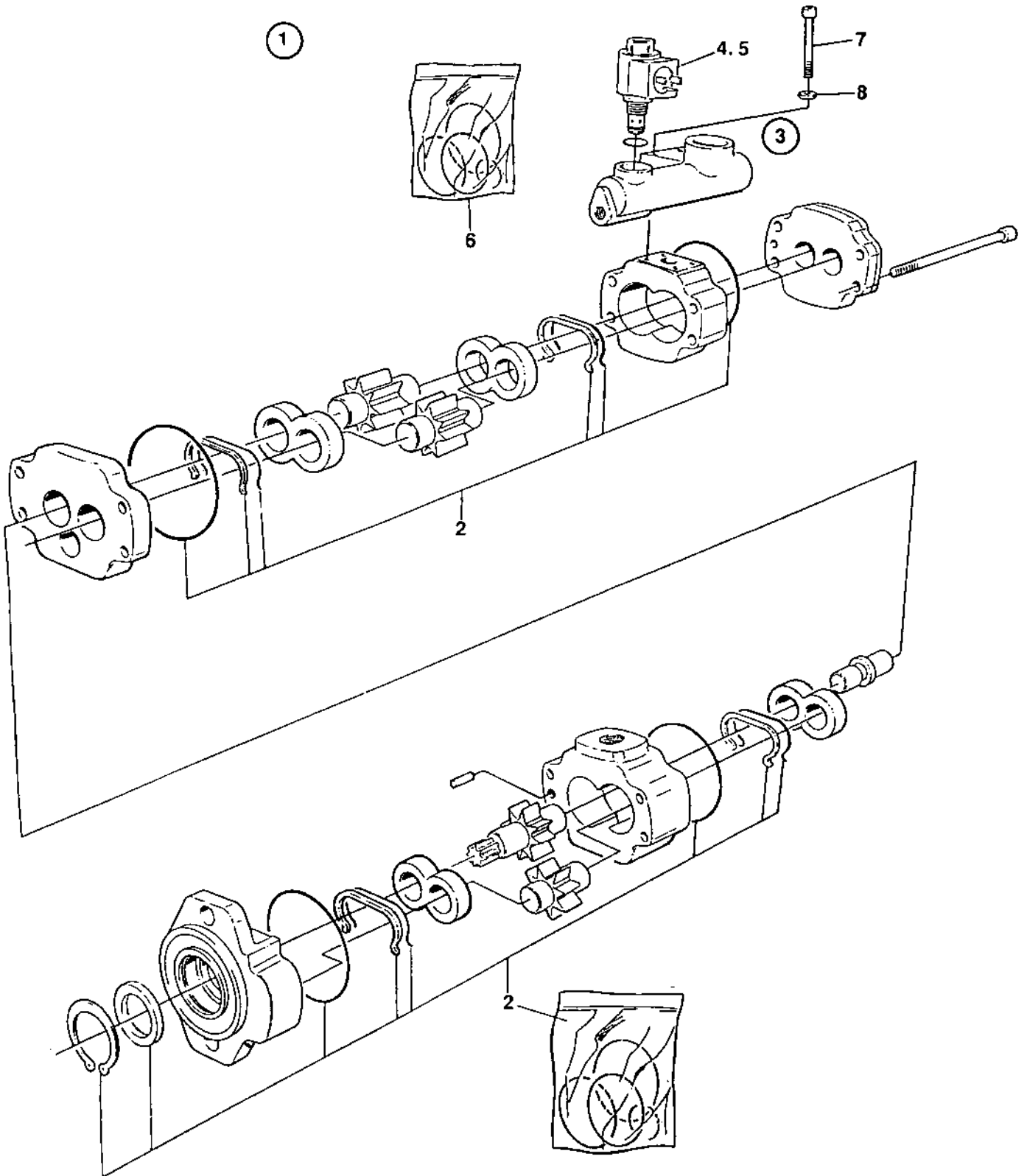
Vibration system DEUTZ

Item	Part No	Rem	Qty	Description	Code
64	4700483161		2	Hydraulic hose	
66	4700482892	F	1	Hydraulic hose	C
67	4700483282		1	Hydraulic hose	
69	4700334238		2	Elbow 90 o-ring	
70	4700234481		1	Connector	
71	4700371313		1	Hose clamp	
72	4700371314		1	Hose clamp	
73	4700904229		5	Washer	8,4x16x1,5 C
74	4700500021		4	Screw	M8-1,25x25 8.8 C
76	4700508029		2	Screw	M10-1,5x30H 8,8 C
77	4700603018		2	Washer	10x18x4 C
79	4700921119		1	Pipe clamp	C
80	4700500053		1	Screw	M8x20H 8.8 C
81		G	1	Hose	C
82	4700892446		1	Plug Up to 602X2809	C

- F) Moved to new port
- G) See section "Propulsion system"

4700359524 Hydraulic pump, vibration DEUTZ

15818



4700359524 Hydraulic pump, vibration DEUTZ

Item	Part No	Rem	Qty	Description	Code
1		A	1	Hydraulic pump	C
			1	.Pump	C
2	4700903430		1	..Seal kit	D
3	4700903637	A,B	1	.Valve	D
4	4700903330		1	..Solenoid valve	D
5	4700908804		1	...Solenoid	D
6	4700902810		1	..Seal kit	D
7	4700909483		4	.Screw	
8	4700909484		4	.Washer	

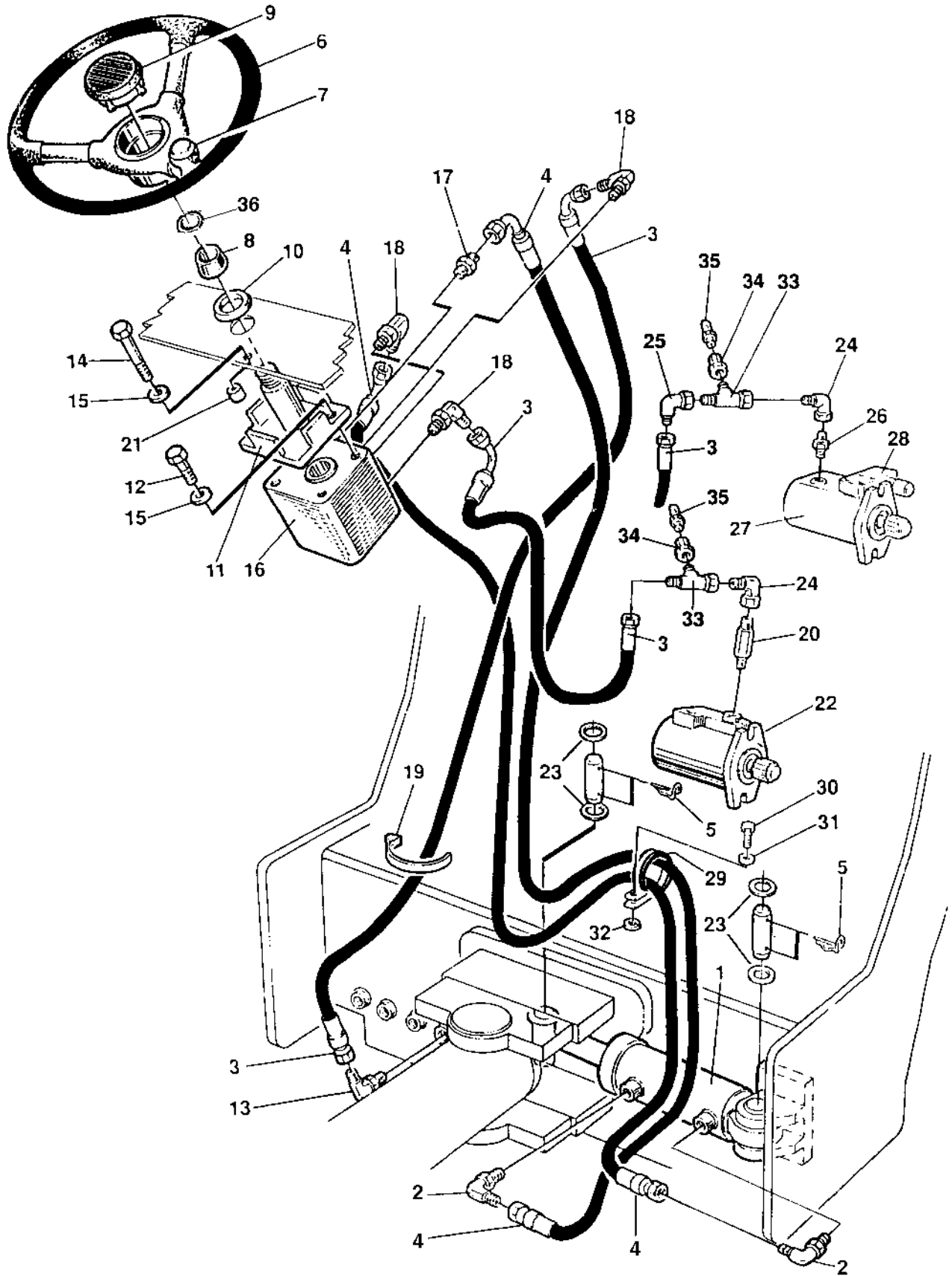
A) CPL

B) Included in cpl pump, item 1

Steering system

Item	Part No	Rem Qty	Description	Code
1	4700374603	1	Steering cylinder (Page 128)	
2	4700334235	2	Elbow 90	
3	4700831179	2	Hydraulic hose	
4	4700482398	2	Hydraulic hose	
5	4700630019	4	Cotter pin	C
6	4700902183	1	Steering wheel	D
7	4700902184	1	Turning knob	D
8	4700902185	1	Insert adapter	C
9	4700902186	1	Cover plate	
10	4700928830	1	Rubber washer	
11	4700902123	1	Steering column	
12	4700500048	2	Hexagon head screw	C
13	4700813321	1	Elbow 90 Up to 602X2809	C
	4700334235	1	Elbow 90 From 602X2810	
14	4700500030	2	Hexagon head screw	C
15	4700615044	4	Washer	D
16	4700902099	1	Steering valve (Page 126)	
17	4700234390	4	Connector	
18	4700903003	3	Connector	
19	4700313102	N	Cable ties	
20	4700357377	1	Connector	
21	4700355869	2	Spacer sleeve	
22	4700359524	1	Hydraulic pump, vibration (Page 118)	DEUTZ
23	4700600016	4	Washer	26x45x4 C
24	4700334524	1	Connector	C
25	4700334524	2	Connector	C
26	4700334236	2	Adapter	C
27	4700375649	1	Hydraulic pump, vibration	ISUZU
28	4700370173	1	Vibration valve	ISUZU
29	4700923008	2	Clamp	
30	4700500021	2	Screw	M8-1,25x25 8.8 C
31	4700904556	2	Steel plain washer	C
32	4700904556	2	Steel plain washer	C
33	4700334234	2	Tee-connector	C
34	D433830401	2	Connector	C
35	4700910161	2	Measuring nipple	C
36	4700904703	1	Washer	C

- 1) For machines with Deutz engine
- 2) For machines with Isuzu engine



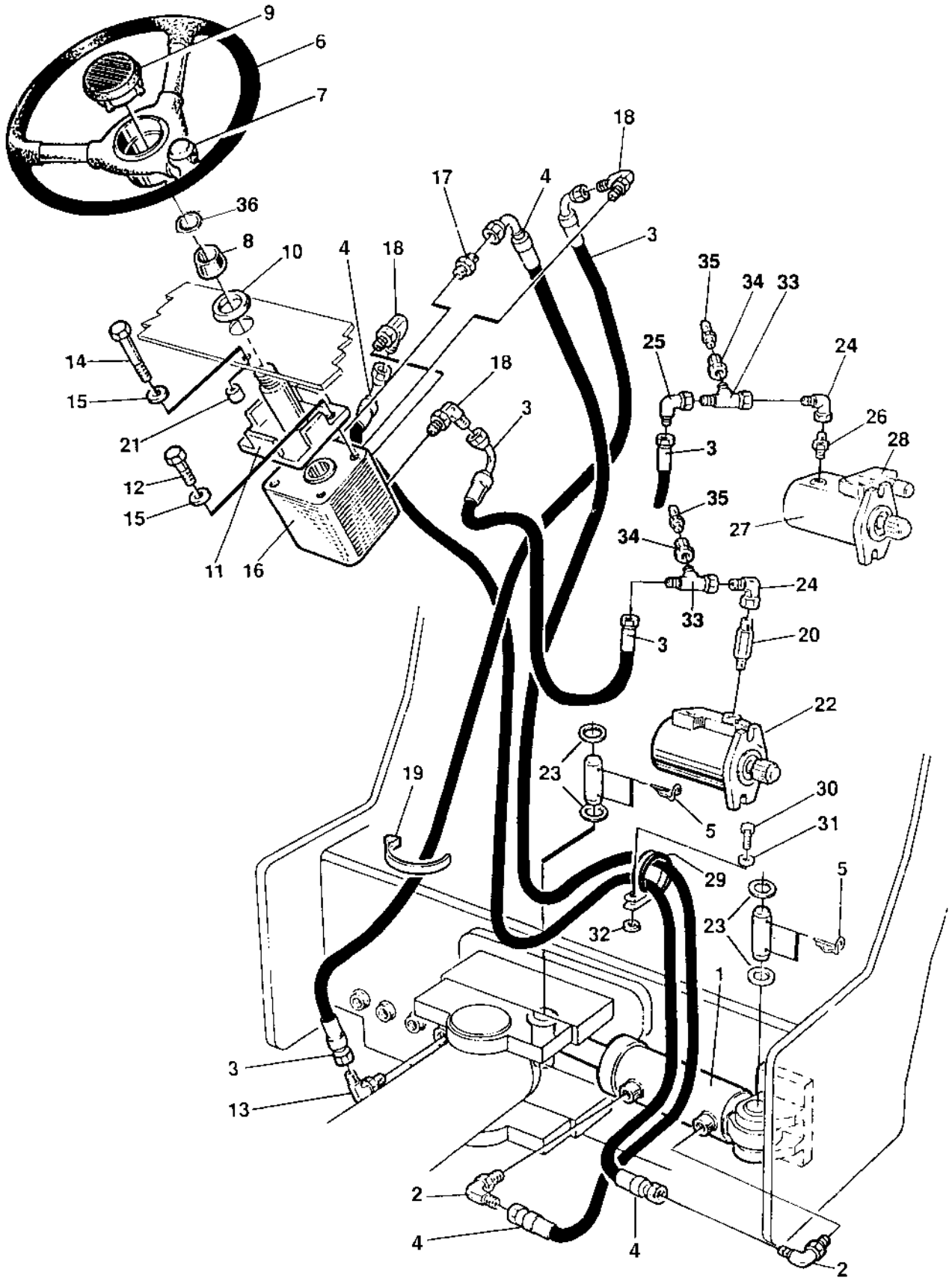
Steering system

Item	Part No	Rem	Qty	Description		Code
1	4700374603	1		Steering cylinder (Page 128)		
2	4700334235	2		Elbow 90		
3	4700831179	2		Hydraulic hose		
4	4700482398	2		Hydraulic hose		
5	4700630019	4		Cotter pin		C
6	4700902183	1		Steering wheel		D
7	4700902184	1		Turning knob		D
8	4700902185	1		Insert adapter		C
9	4700902186	1		Cover plate		
10	4700928830	1		Rubber washer		
11	4700902123	1		Steering column		
12	4700500048	2		Hexagon head screw		C
13	4700334235	1		Elbow 90		
14	4700500030	2		Hexagon head screw		C
15	4700615044	4		Washer		D
16	4700902099	1		Steering valve (Page 126)		
17	4700234390	4		Connector		
18	4700903003	3		Connector		
19	4700313102	N		Cable ties		
20	4700357377	1	1	Connector		
21	4700355869	2		Spacer sleeve		
22	4700359524	1		Hydraulic pump, vibration (Page 118)	DEUTZ	
23	4700600016	4		Washer	26x45x4	C
24	4700334524	1		Connector		C
25	4700334524	2	1	Connector		C
26	4700334236	2	1	Adapter		C
27	4700375649	1		Hydraulic pump, vibration	ISUZU	
28	4700370173	1		Vibration valve	ISUZU	
29	4700923008	2	1	Clamp		
30	4700500021	2	1	Screw	M8-1,25x25 8.8	C
31	4700904556	2	1	Steel plain washer		C
32	4700904556	2	1	Steel plain washer		C
33	4700334234	1		Tee-connector		C
34	D433830401	1		Connector		C
35	4700910161	1		Measuring nipple		C
36	4700904703	1		Washer		C

- 1) For machines with Deutz engine
- 2) For machines with Isuzu engine

Steering system

18086



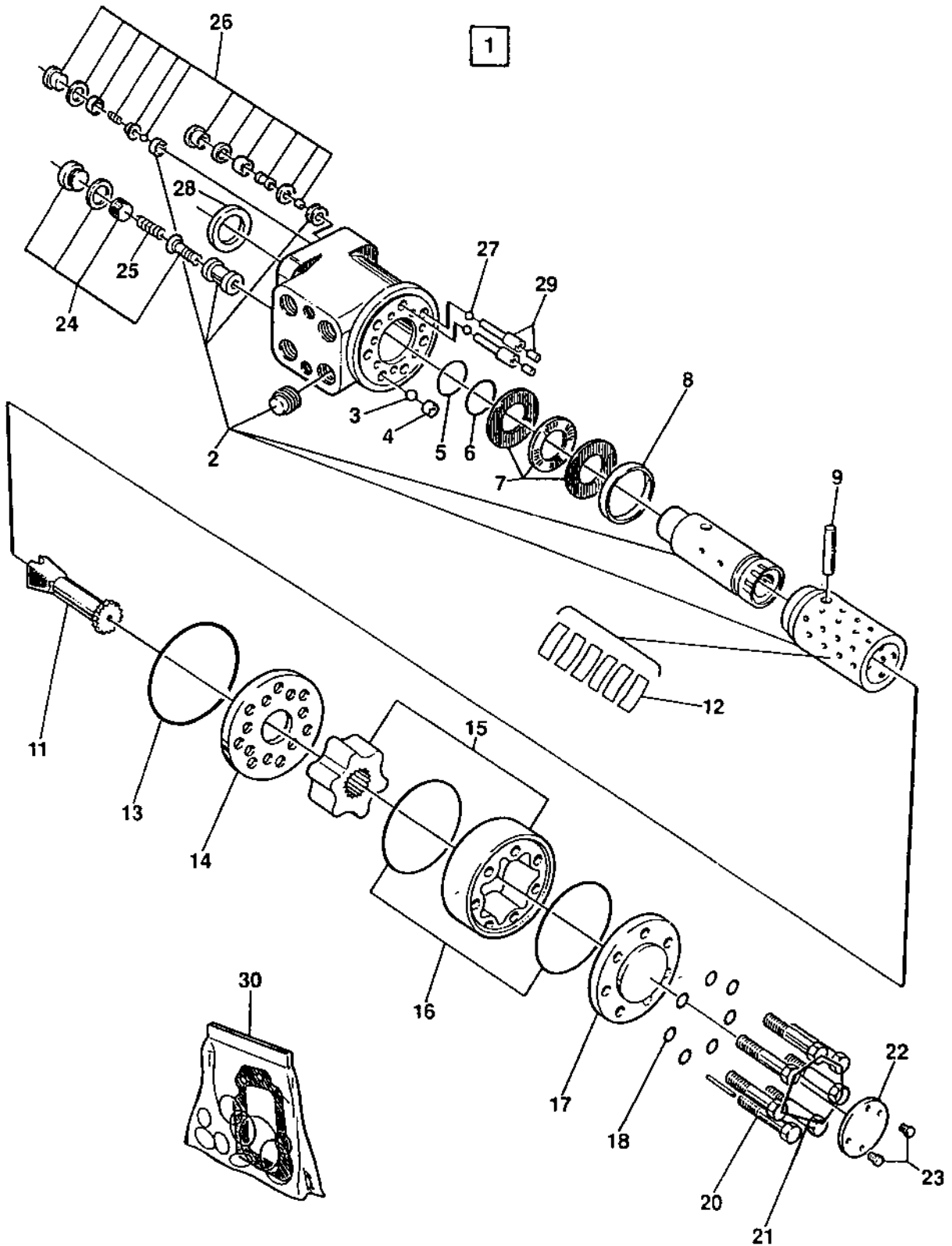
Steering system

Item	Part No	Rem Qty	Description	Code
1	4700374603	1	Steering cylinder (Page 128)	
2	4700334235	2	Elbow 90	
3	4700831179	2	Hydraulic hose	
4	4700482398	2	Hydraulic hose	
5	4700630019	4	Cotter pin	C
6	4700372964	1	Steering wheel, cpl	D
7	4700935614	1	.Turning knob	D
9	4700935613	1	.Cover	
10	4700928830	1	Rubber washer	
11	4700902123	1	Steering column	
12	4700500048	2	Hexagon head screw	C
13	4700334235	1	Elbow 90	
14	4700500030	2	Hexagon head screw	C
15	4700615044	4	Washer	D
16	4700902099	1	Steering valve (Page 126)	
17	4700234390	4	Connector	
18	4700903003	3	Connector	
19	4700313102	N	Cable ties	
20	4700357377	1	Connector	
21	4700355869	2	Spacer sleeve	
22	4700359524	1	Hydraulic pump, vibration (Page 118)	DEUTZ
23	4700600016	4	Washer	26x45x4 C
24	4700334524	1	Connector	C
25	4700334524	2	Connector	C
26	4700334236	2	Adapter	C
27	4700375649	1	Hydraulic pump, vibration	ISUZU
28	4700370173	1	Vibration valve	ISUZU
29	4700923008	2	Clamp	
30	4700500021	2	Screw	M8-1,25x25 8.8 C
31	4700904556	2	Steel plain washer	C
32	4700904556	2	Steel plain washer	C
33	4700334234	1	Tee-connector	C
34	D433830401	1	Connector	C
35	4700910161	1	Measuring nipple	C

- 1) For machines with Deutz engine
- 2) For machines with Isuzu engine

4700902099 Steering valve

15480-1



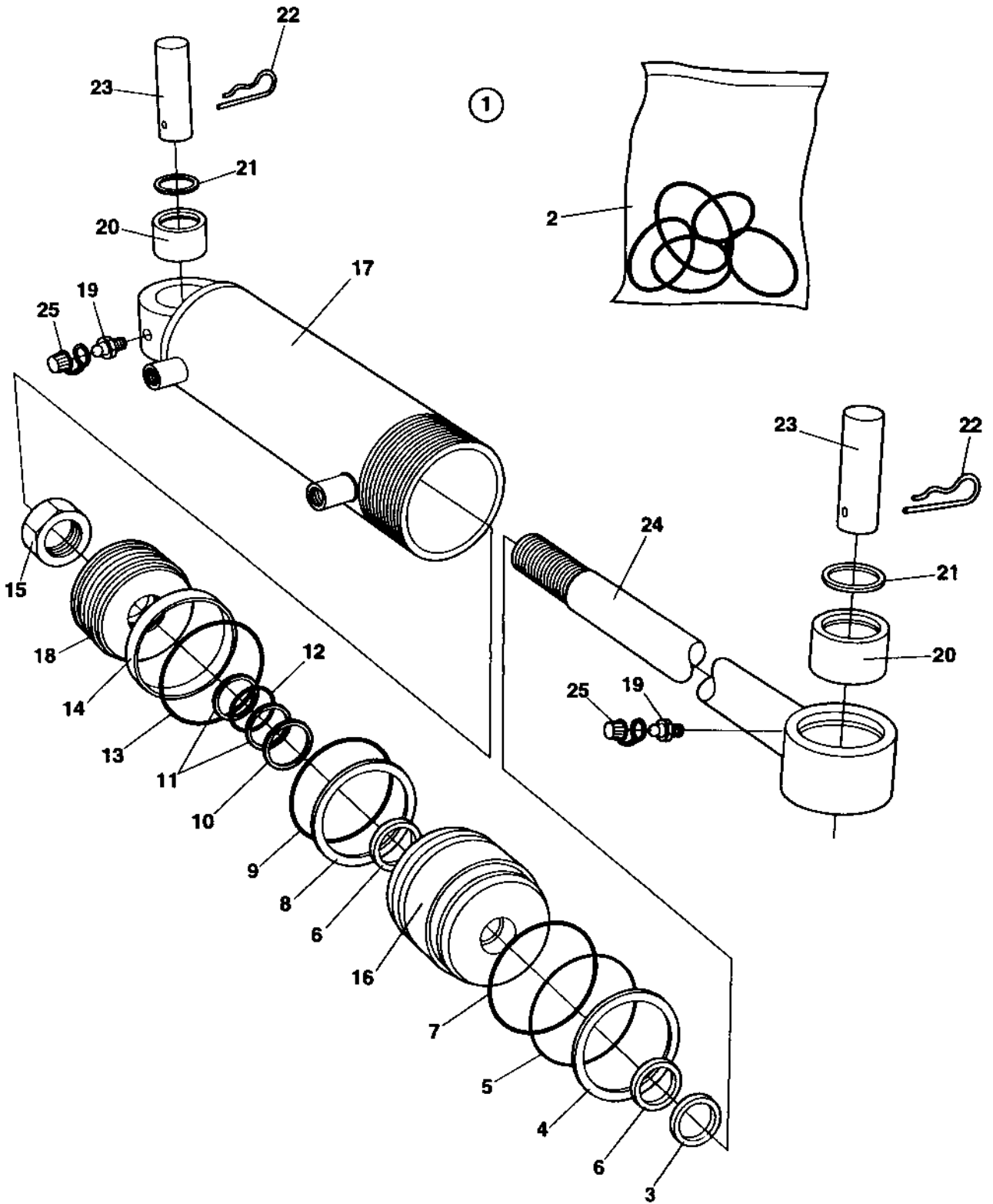
4700902099 Steering valve

Item	Part No	Rem	Qty	Description	Code
1		A	1	Steering valve	C
2			1	.Spool and sleeve	C
3	4700480468		1	.Ball	D
4	4700480446		1	.Threaded bushing	C
5		B	1	.O-ring	C
6		B	1	.Ring	C
7	4700911620		1	.Bearing	B
8	4700480449		1	.Ring	C
9	4700480447		1	.Cross pin	C
11	4700902861		1	.Cardan shaft	C
12	4700903521		1	.Spring kit	D
13		B	1	.O-ring	D
14	4700902862		1	.Valve plate	C
15	4700902863		1	.Gear kit	D
16		B	1	.O-ring	D
17	4700480450		1	.End cap	C
18		B	1	.Washer	C
20	4700929008		1	.Screw with bore	
21	4700929009		6	.Screw	
22	4700481303		1	.Name plate	
23	4700480464		2	.Drive screw	
24	4700929010	A	1	.Relief valve	17,0-17,5MPa
25			1	.Spring	
26	4700929012		2	.Shock valve	22,5-24,0 MPa
27	4700929013		2	.Ball	
28		B	1	.Seal ring	D
29	4700929014		2	.Rolled pin	C
30	4700480457		1	Spare parts kit	C

- A) CPL
- B) Included in item 30

4700374603 Steering cylinder

16513



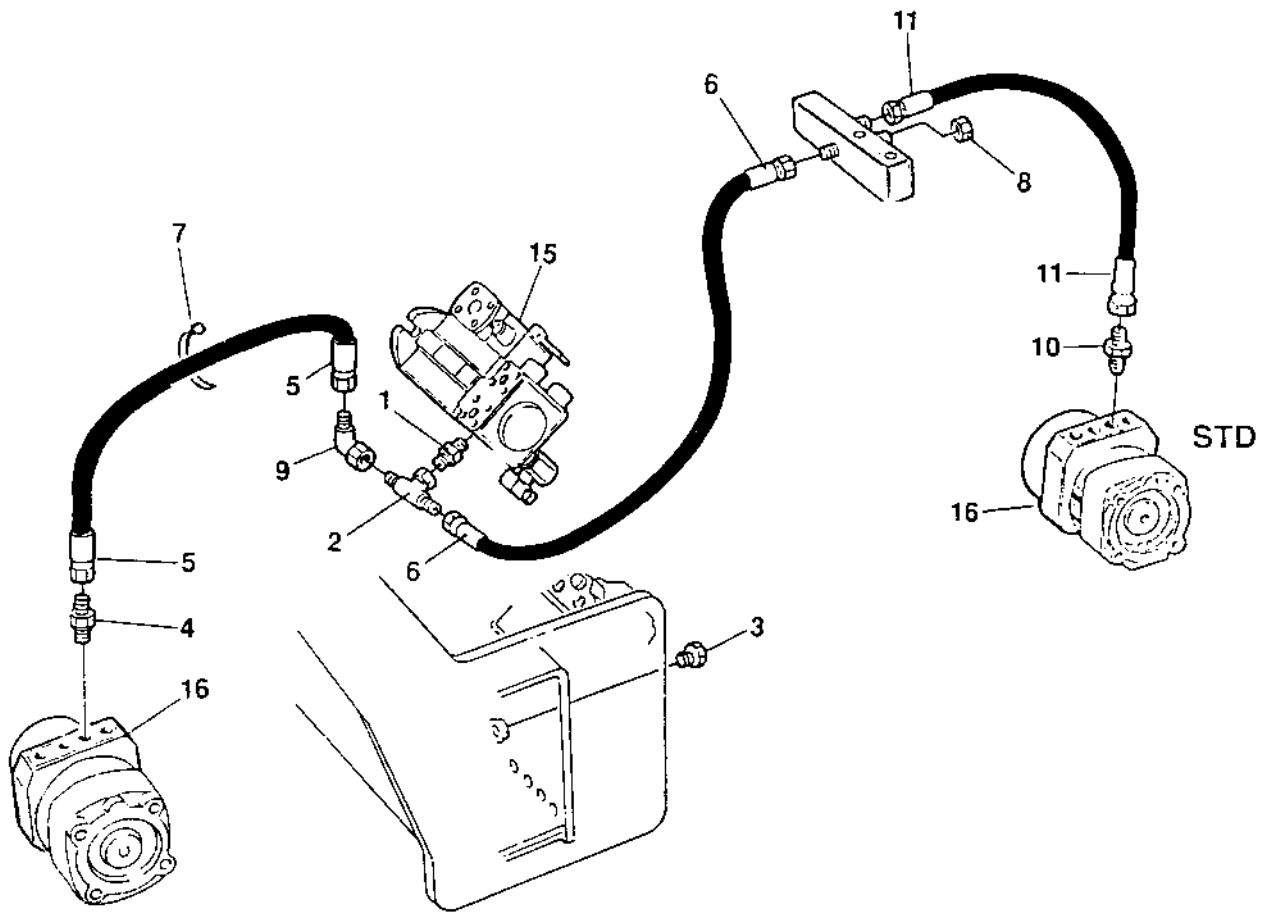
4700374603 Steering cylinder

Item	Part No	Rem	Qty	Description	Code
1		A	1	Steering cylinder	C
2	4700909760		1	.Seal kit	D
3			1	..Scraper ring	D
4			1	..Retaining ring	D
5			1	..O-ring	D
6			2	..Guide ring	D
7			1	..Lock ring	D
8			1	..Sealing	D
9	4700160025		1	..O-ring	
10			1	..Sealing	
11			2	..Back-up ring	
12			1	..O-ring	
13			1	..Sealing	
14			1	..Guide ring	
15			1	..Nut	
16	4700909766		1	.Guide	
17	4700909765		1	.Cylinder tube	
18	4700909764		1	.Piston block	
19	4700926214		2	.Grease fitting	C
20	4700238272		2	.Slide bearing	B
21	4700151012		2	.Retaining ring	C
22	4700635061		4	.Hair clip	C
23	4700909761		2	.Shaft	
24	4700909759		1	.Piston rod	
25	4700902576		2	.Cover	

A) CPL

Brake system

16702S



Brake system

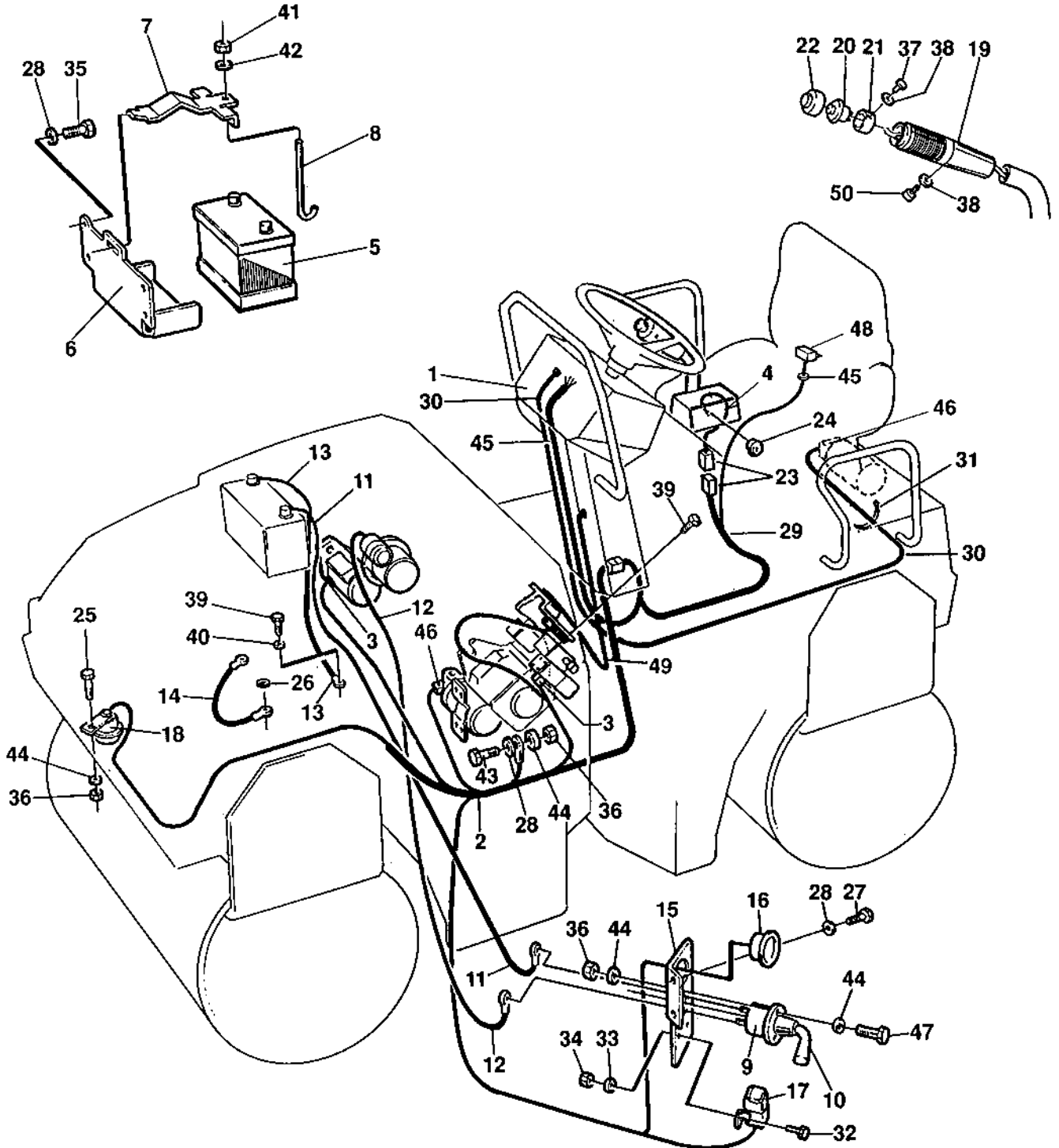
Item	Part No	Rem Qty	Description	Code
1	4700334463	1	Connector	C
2	4700234888	1	Tee-connector	
3	4700892446	1	Plug Up to 602X2809	C
4	4700902131	1	Adapter	
5	4700482930	1	Hydraulic hose	C
6	4700482544	1	Hydraulic hose	
7	4700313102	N	Cable ties	
8	4700230400	1	Cap	D
9	4700334524	1	Connector	C
10	4700902131	1	Adapter	
11	4700483171	1	Hydraulic hose	C
15	4700372352	1	Hydraulic pump, propulsion (Page 100)	
16	4700357022	2	Hydraulic motor, propulsion, drum (Page 106)	C

Electrical equipment

Item	Part No	Rem Qty	Description	Code
120			Electrical equipment Up to 602X2806 (Page 1DEUTZ	
130			Electrical equipment From 602X2807 (Page 1DEUTZ	
215			Control panel Up to 60214251 (Page 148)	
			Control panel From 60214252 (Page 144)	
			Control panel From 60214253 Up to 60214254 (Page 148)	
			Control panel From 60214255 (Page 144)	
240			Electric battery switch (Page 152)	DEUTZ
245			Interlock (Page 154)	
255			Interlock Loxam From 602X3084 Up to 602x3579 (Page 156)	
265			Interlock Loxam From 602x3580 (Page 158)	
300			Sprinkler timer (Page 160)	
352			Driving & side direction lights Up to 602X2821 (Page 162)	
353			Driving & side direction lights From 602X2822 (Page 166)	
355			Working lights (Page 170)	
358			Licence plate light, parking lights (Page 172)	
380			Rotating beacon Up to 60212800 (Page 174)	
390			Rotating beacon From 60212801 (Page 176)	

Electrical equipment DEUTZ

16515-1



Electrical equipment DEUTZ

Item	Part No	Rem	Qty	Description	Code
1			1	Control panel (Page 148)	
2	4700383961		1	Cable harness	
3	4700960796		2	.Connector	black, MPM 182 09 ND
4	4700357583	C	1	Cable harness	
5	4700902550	K	1	Battery	
6	4700357471	L	1	Battery shelf	
7	4700357684		1	Battery holder	
8	4700903372		1	Battery screw	
9	4700357567		1	Battery switch, cpl	
10	4700902560		1	.Handle	
11	4700904961		1	Battery cable	(+)
12	4700904963		1	Connection wire	
13	4700902384		1	Battery cable	(-)
14	4700345728		1	Ground cable	
15	4700357584		1	Holder plate	
16	4700801567		1	Hour meter	
17	4700287597	G	1	Relay	
18	4700999027		1	Horn	
19	4700285909		1	Grab handle	
20	4700928497	H	1	Push button	
21	4700285911		1	Bushing	
22	4700348481		1	Cover	
23	4700925958		2	Connection	
24	4700902203		1	Plug	
25	4700500020		1	Screw	M8-1,25x22 8,8
26	4700904557		1	Steel plain washer	
27	4700500019		2	Screw	M8x16H 8.8 A2K
28	4700904229		8	Washer	8,4x16x1,5
29		2	1	Cable harness	
30				Not used on this model	
31				Not used on this model	
32	4700508020		1	Screw	
33	4700904281		1	Washer	5,3x10x1 300HV
34	4700586001		1	Lock nut	
35	4700500053		4	Screw	M8x20H 8.8
36	4700586003		4	Lock nut	M8
37	4700533001		3	Screw	
38	4700904697		5	Washer	3,2x6x0,5
39	4700500053		1	Screw	M8x20H 8.8
40	4700904640		1	Washer	8,4x22x3
41	4700586003		1	Lock nut	M8
42	4700904229		1	Washer	8,4x16x1,5
43	4700500047		2	Hexagon head screw	
44	4700904229		7	Washer	8,4x16x1,5
45	4700909107		1	Grommet	
46	4700901766		1	Connector	2-POL

2) See section " Control panel "

C) F/R control

G) Start

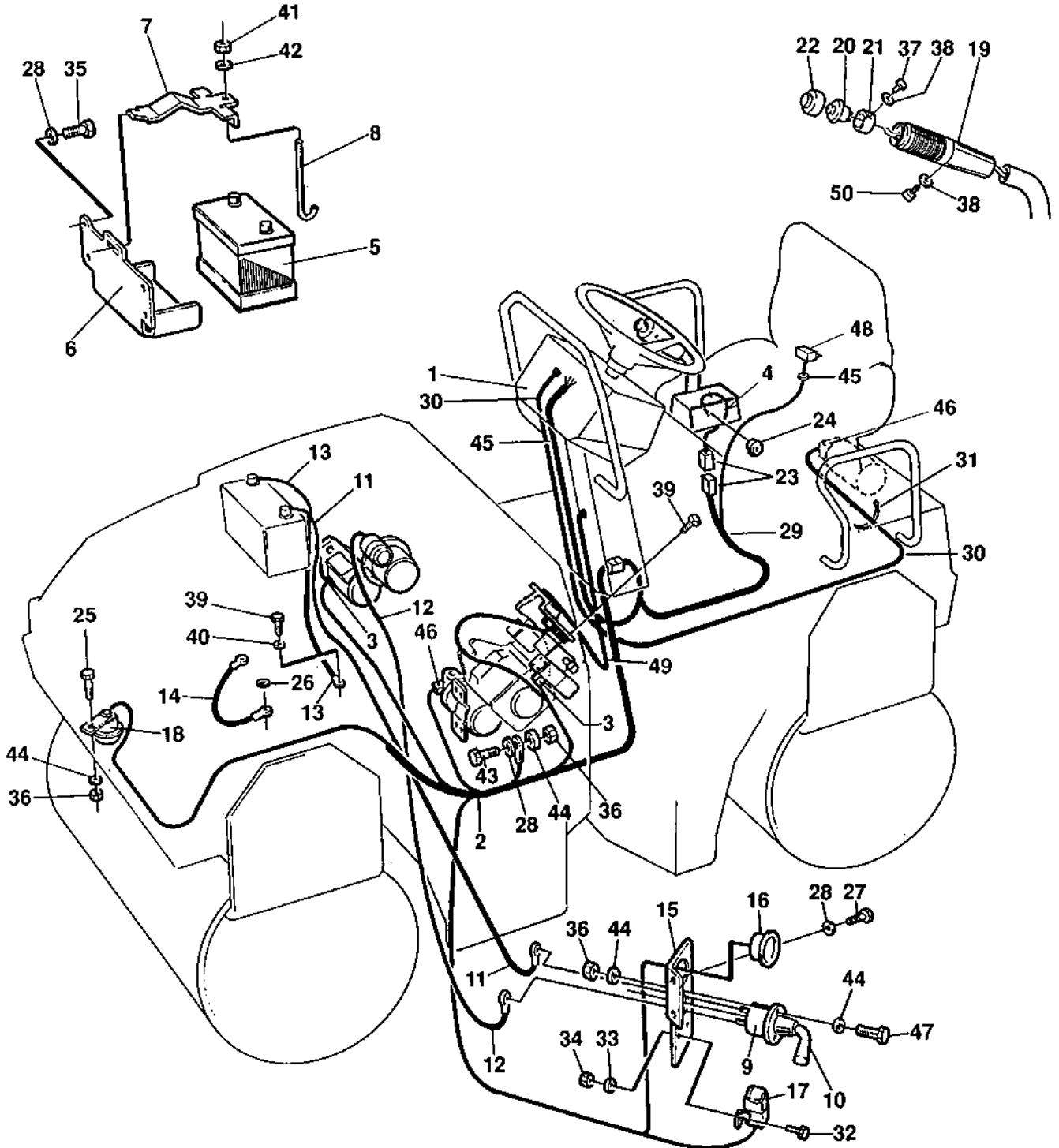
H) Vibration

K) This part has unfortunately become obsolete. In this case we recommend you to buy locally;
The measurements are 271x161x226 mm, Voltage= 12 V, Capacity= 75 Ah

L) Available; a modification kit 4700376797, which includes battery shelf, shock absorber 4 pcs
(which replaces earlier screw and washer), nut 4 pcs, and drawing.

Electrical equipment DEUTZ

16515-1



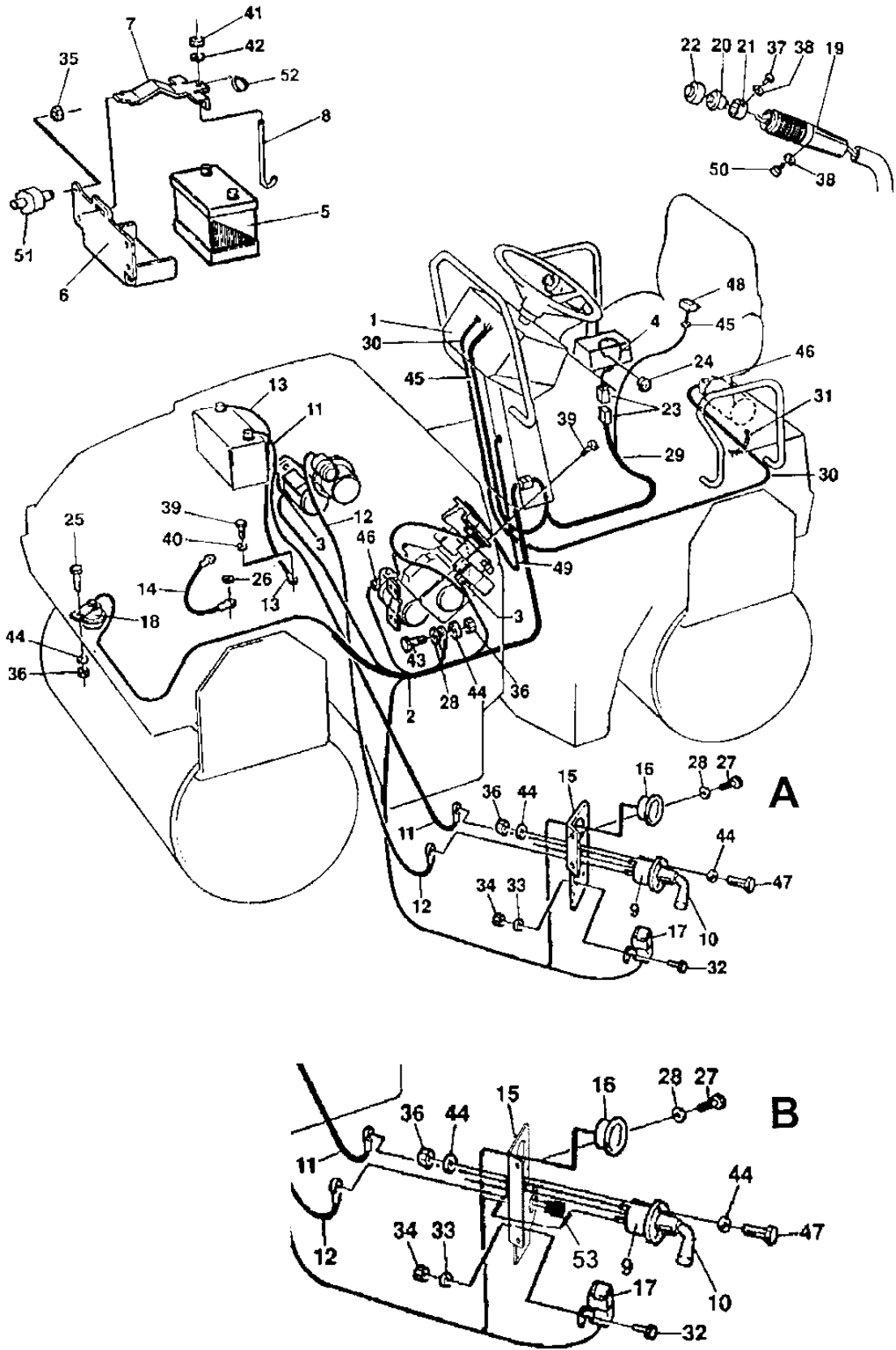
Electrical equipment DEUTZ

Item	Part No	Rem	Qty	Description	Code	
47	4700500021		2	Screw	M8-1,25x25 8.8	C
48		3	1	Seat switch		C
49	4700385580		1	Cable harness		
50	4700901767		1	Screw	ST3,5x9,5 Black	

3) See section " Drivers platform "

Electrical equipment DEUTZ

18089-2



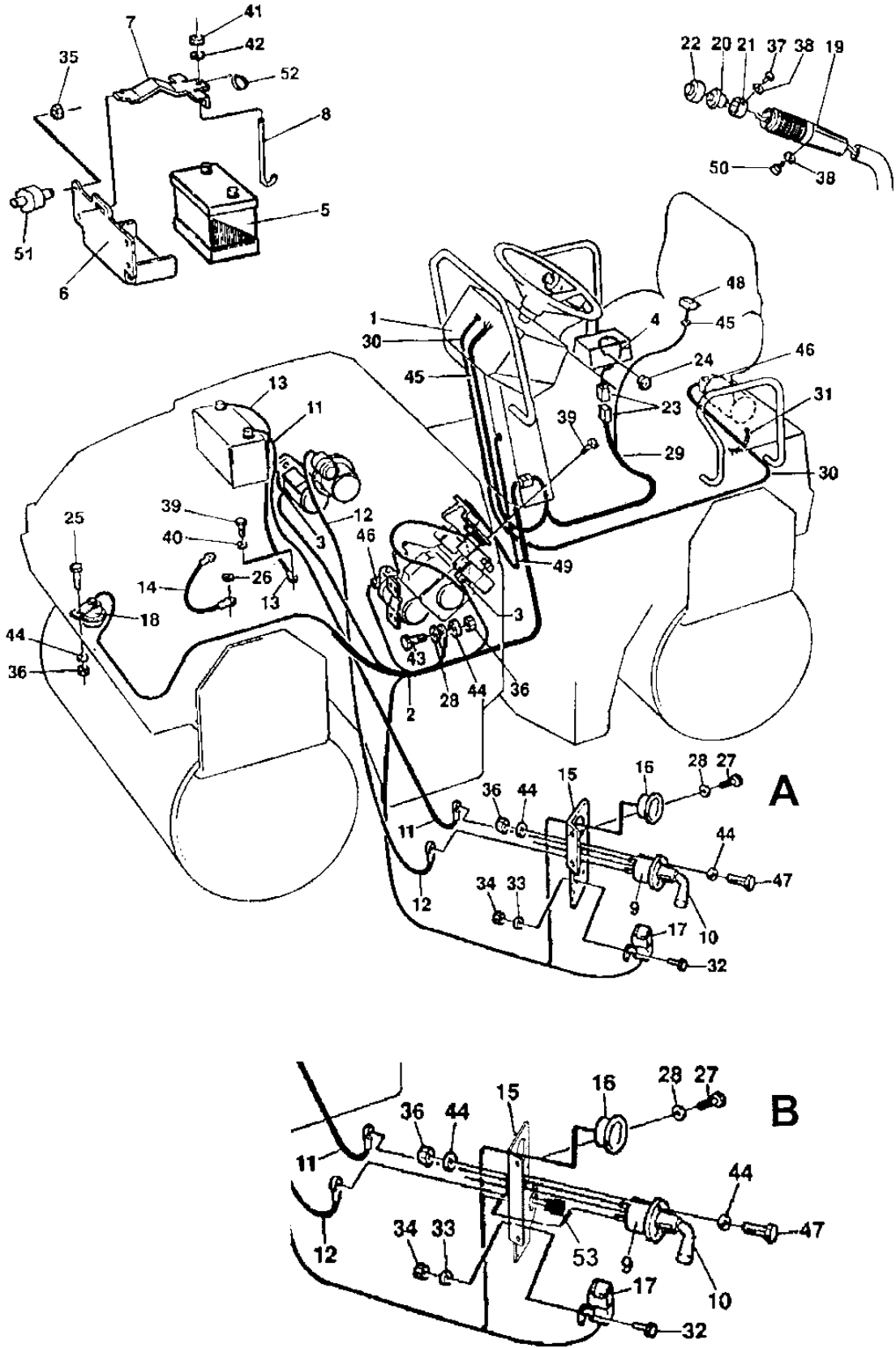
Electrical equipment DEUTZ

Item	Part No	Rem Qty	Description	Code
1		1	Control panel Up to 60214251 (Page 148)	
		1	Control panel From 60214252 (Page 144)	
		1	Control panel From 60214253 Up to 60214254 (Page 148)	
		1	Control panel From 60214255 (Page 144)	
2	4700383961	1	Cable harness	
	4700396974	1	Cable harness	
	4812110657	N 1	Cable harness Up to 60214251	
	4812110855	O 1	Cable harness From 60214252	
	4812110657	N 1	Cable harness From 60214253 Up to 60214254	
	4812110855	O 1	Cable harness From 60214255	
3	4700960796	2	.Connector	black, MPM 182 09 ND D
4	4700357583	C 1	Cable harness	
5	4700902550	K 1	Battery Up to 602X2982	
		L 1	Battery From 602X2983	
		M 1	Battery	
6	4700377051	1	Battery shelf Up to 60130877	
	4700396108	1	Battery shelf From 60130878	
	4700377051	1	Battery shelf Up to 60130879	
	4700396108	1	Battery shelf From 60130880	
	4700377051	1	Battery shelf From 60130881 Up to 60130883	
	4700396108	1	Battery shelf From 60130884	
	4700377051	1	Battery shelf From 60130885 Up to 602113990	
	4700396108	1	Battery shelf From 60213991	
	4700377051	1	Battery shelf From 60213992	
	4700396108	1	Battery shelf From 60213993 Up to 60213994	
	4700377051	1	Battery shelf From 60213995	
	4700396108	1	Battery shelf From 60213996	
7	4700357684	1	Battery holder Up to 602X2982	
	4700378370	1	Battery holder From 602X2983	
8	4700903372	1	Battery screw	
9	4700357567	1	Battery switch, cpl	D
10	4700902560	1	.Handle	D
11	4700378743	1	Battery cable	(+)
12	4700904963	1	Connection wire	
13	4700904277	1	Ground cable From 60130878	B
	4700904277	1	Ground cable From 60130879	B
	4700902384	1	Battery cable From 60130880	(-)
	4700904277	1	Ground cable From 60130881 Up to 60130883	B
	4700902384	1	Battery cable From 60130884	(-)
	4700904277	1	Ground cable From 60130885 Up to 60213990	B
	4700902384	1	Battery cable From 60213991	(-)
	4700904277	1	Ground cable From 60213992	B
	4700902384	1	Battery cable From 60213993 Up to 60213994(-)	
	4700904277	1	Ground cable From 60213995	B

- C) F/R control
- K) Used together with item 6 Battery shelf P/N 4700377051. Tudor 12V/75Ah, Size = 271x161x226 mm
- L) Used together with item 6 Battery shelf P/N 4700377501. Tudor 12V/70Ah, Size = 278x175x205 mm
- M) Used together with item 6 Battery shelf P/N 4700396108. Varta/Tudor 12V/74Ah, Size = 278x175x190 mm
- N) Used together with illustration "A" only.
- O) Used together with illustration "B" only.

Electrical equipment DEUTZ

18089-2



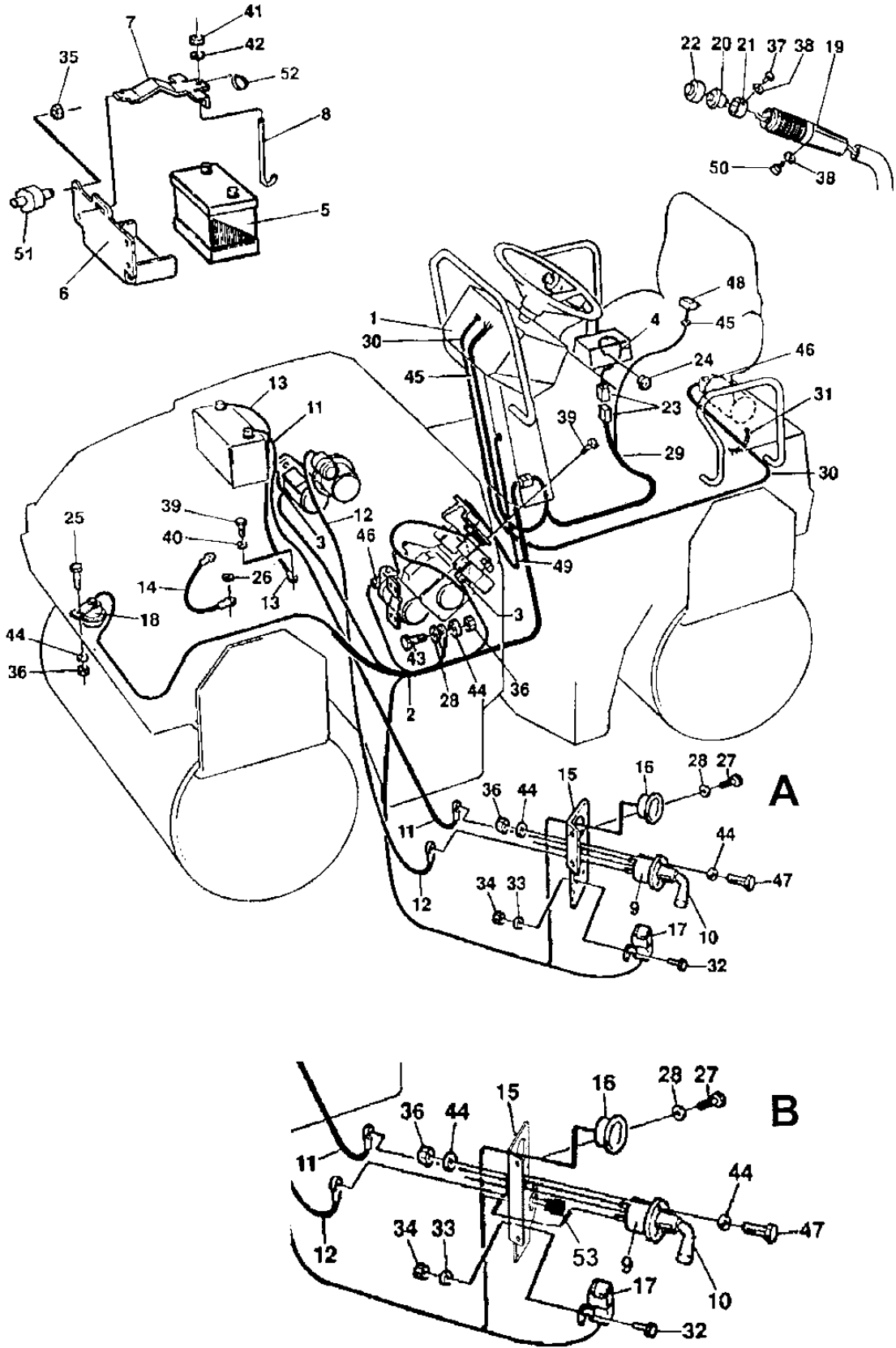
Electrical equipment DEUTZ

Item	Part No	Rem	Qty	Description	Code
13	4700902384		1	Battery cable From 60213996	(-)
	4700904277		1	Ground cable	B
14	4700345728		1	Ground cable	B
15	4700357584	N	1	Holder plate Up to 60214251	
	4812110856	O	1	Bracket From 60214252	
	4700357584	N	1	Holder plate From 60214253 Up to 60214254	
	4812110856	O	1	Bracket From 60214255	
16	4700801567		1	Hour meter	D
17	4700287597	G	1	Relay	D
18	4700999027		1	Horn	B
19	4700285909		1	Grab handle	D
20	4700928497	H	1	Push button	D
21	4700285911		1	Bushing	D
22	4700348481		1	Cover	B
23	4700925958		2	Connection	C
24	4700902203		1	Plug	C
25	4700500020		1	Screw	M8-1,25x22 8,8
26	4700904557		1	Steel plain washer	C
27	4700500019		2	Screw	M8x16H 8.8 A2K
28	4700904229		4	Washer	8,4x16x1,5
29		2	1	Cable harness	C
30				Not used on this model	C
31				Not used on this model	C
32	4700508020		1	Screw	C
33	4700904281		1	Washer	5,3x10x1 300HV
34	4700586001		1	Lock nut	C
35	4700791182		4	Lock nut	M8
36	4700586003		4	Lock nut	M8
37	4700533001		3	Screw	C
38	4700904697		5	Washer	3,2x6x0,5
39	4700500053		1	Screw	M8x20H 8.8
40	4700904640		1	Washer	8,4x22x3
41	4700586003		1	Lock nut	M8
42	4700904229		1	Washer	8,4x16x1,5
43	4700500047		2	Hexagon head screw	C
44	4700904229		7	Washer	8,4x16x1,5
45	4700909107		1	Grommet	C
46	4700901766		1	Connector	2-POL
47	4700500021		2	Screw	M8-1,25x25 8.8
48		3	1	Seat switch	C
49	4700385580		1	Cable harness	
50	4700901767		1	Screw	ST3,5x9,5 Black
51	4700376796		4	Shock absorber	
52	4700921104		1	Clamp	C

- 2) See section " Control panel "
- 3) See section " Drivers platform "
- G) Start
- H) Vibration
- N) Used together with illustration "A" only.
- O) Used together with illustration "B" only.

Electrical equipment DEUTZ

18089-2



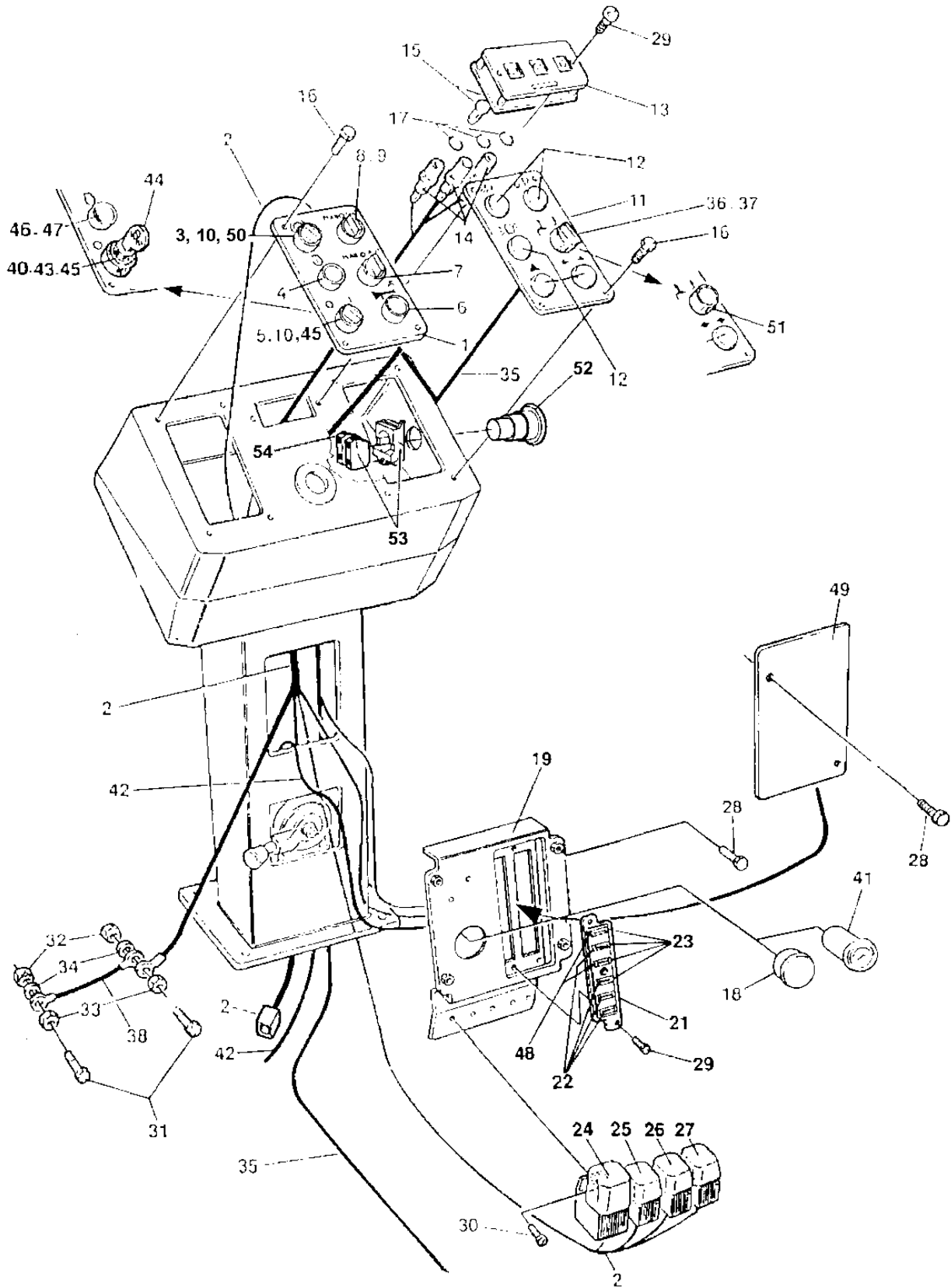
Electrical equipment DEUTZ

Item	Part No	Rem	Qty	Description	Code
53	4812110560	O	1	Power socket From 60214252	12V
	4812110560	O	1	Power socket From 60214255	12V

O) Used together with illustration "B" only.

Control panel

16517-1



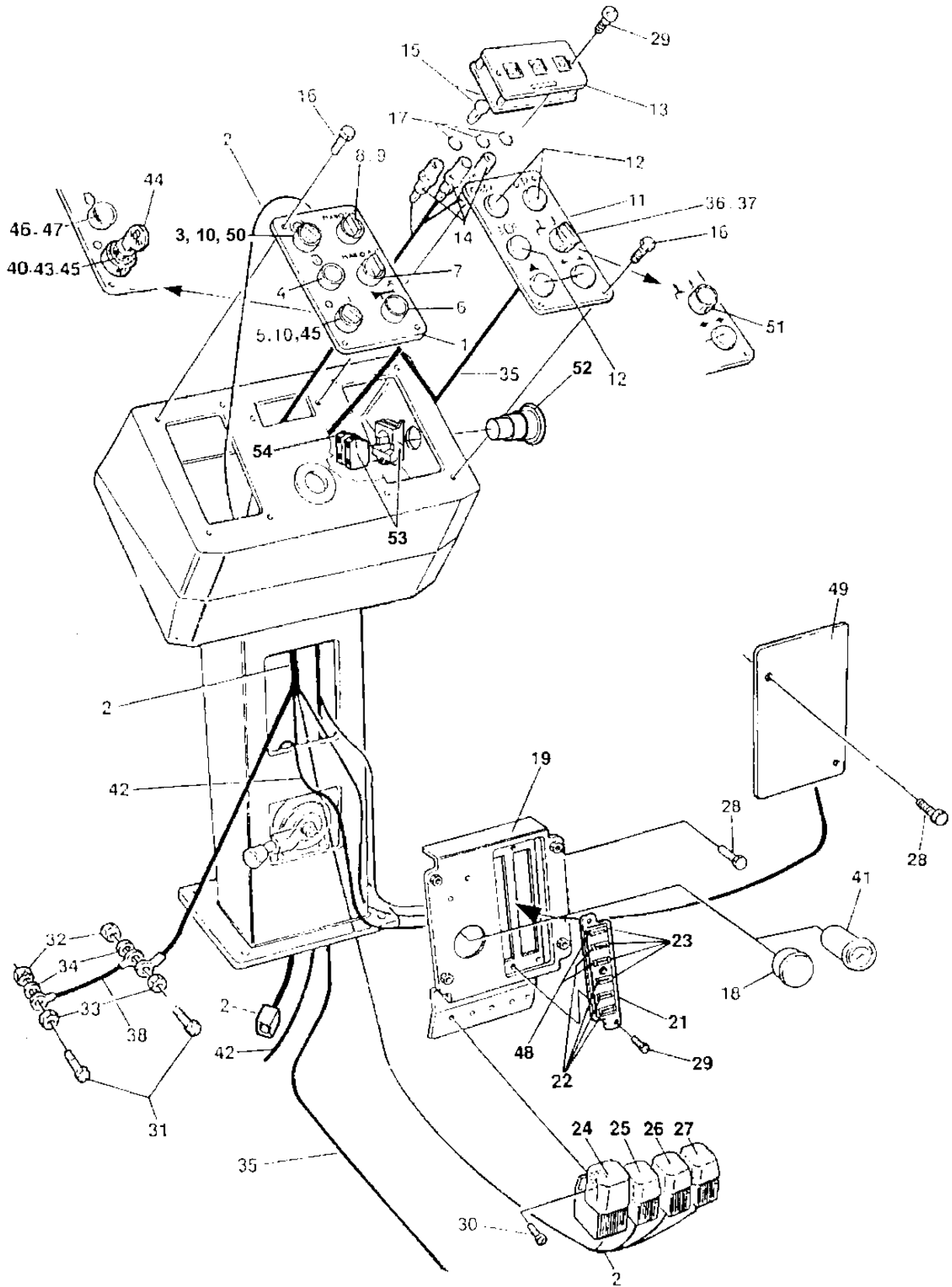
Control panel

Item	Part No	Rem	Qty	Description	Code
1	4812110723		1	Control panel	Left
2	4812110717		1	Cable harness	
3	4700791722	P	1	Switch, black	B
4	4700928928	B	1	Push button	D
5	4700930151	C	1	Switch	B
	4700930153	H,M	1	Switch	D
	4700385644		1	Decal	Electrical battery switch
6	4700932032	D	1	Push button	B
7	4700930153	E	1	Switch	D
8	4700932058	F	1	Switch	B
9	4700930155		1	Connector	
10	4700930163		1	Contact piece, NO	B
11	4700357574		1	Control panel plate	
12	4700911456		6	Hole plug	C
13	4700357585		1	Display panel	
14	4700902225		3	Lamp socket	2-POL
15	4700985125		3	Bulb	12V
16	4700902224		8	Screw	M6x10
17	4700160269		3	O-ring	
18	4700345870		1	Plug	C
19	4700371326		1	Distribution control plate	
21	4700903820		1	Fuse box	D
	4700909527		1	.Cover	
22	4700901226	G	4	Fuse	7.5A
23	4700901240		3	Connector	B
24	4700382782		1	Relay, VBS	A
25	4700287597	I	1	Relay	D
26	4700287597		1	Relay	D
27	4700287597		1	Relay	D
28	4700541702		6	Screw	M6x12
29	4700901767		4	Screw	ST3,5x9,5 Black
30	4700902223		4	Screw	
31	4700500075		2	Screw	M6-1,0x25 8.8
32	4700586002		2	Lock nut	M6 -8
33	4700570004		2	Nut	M6X1,00 -8 A2K
34	4700904228		2	Washer	6,4x12x1,5
35				Not used on this model	C
36				Not used on this model	C
37				Not used on this model	C
38	4700903063		1	Ground cable	
40	4700930182	J	1	Contact block	
41	4700355468	J	1	Fuel gauge	D
	4700355258	J	1	.Lamp holder	D
	4700985012	J	1	.Bulb	B
42	4700358418	K	1	Cable harness	
43	4700903239	L	1	Switch	D

- B) Starter
- C) Ignition
- D) Horn
- E) Sprinkler
- F) Vibration
- G) Other fuses, options
- H) Ignition, electrical battery switch
- I) Hour meter
- J) Option
- K) Option, fuel gauge
- L) Option, key starter
- M) Three fixed positions.
- P) Parking brake

Control panel

16517-1



Control panel

Item	Part No	Rem	Qty	Description		Code
44	4700902866		1	.Key	Marked "455"	A
45	4700930154	H	4	Contact piece, NC		B
46	4700932059	J	1	Pilot lamp cpl	Yellow	B
47	4700985012	J	1	Bulb		B
48	4700901227	N	2	Fuse	10A	A
49	4700371344		1	Cover		
50	4700930154		3	Contact piece, NC		B
51				Not used on this model		B
52	4700791739		1	Emergency stop		
53	4700389840		1	Connector		
54	4700791723		2	Connector		

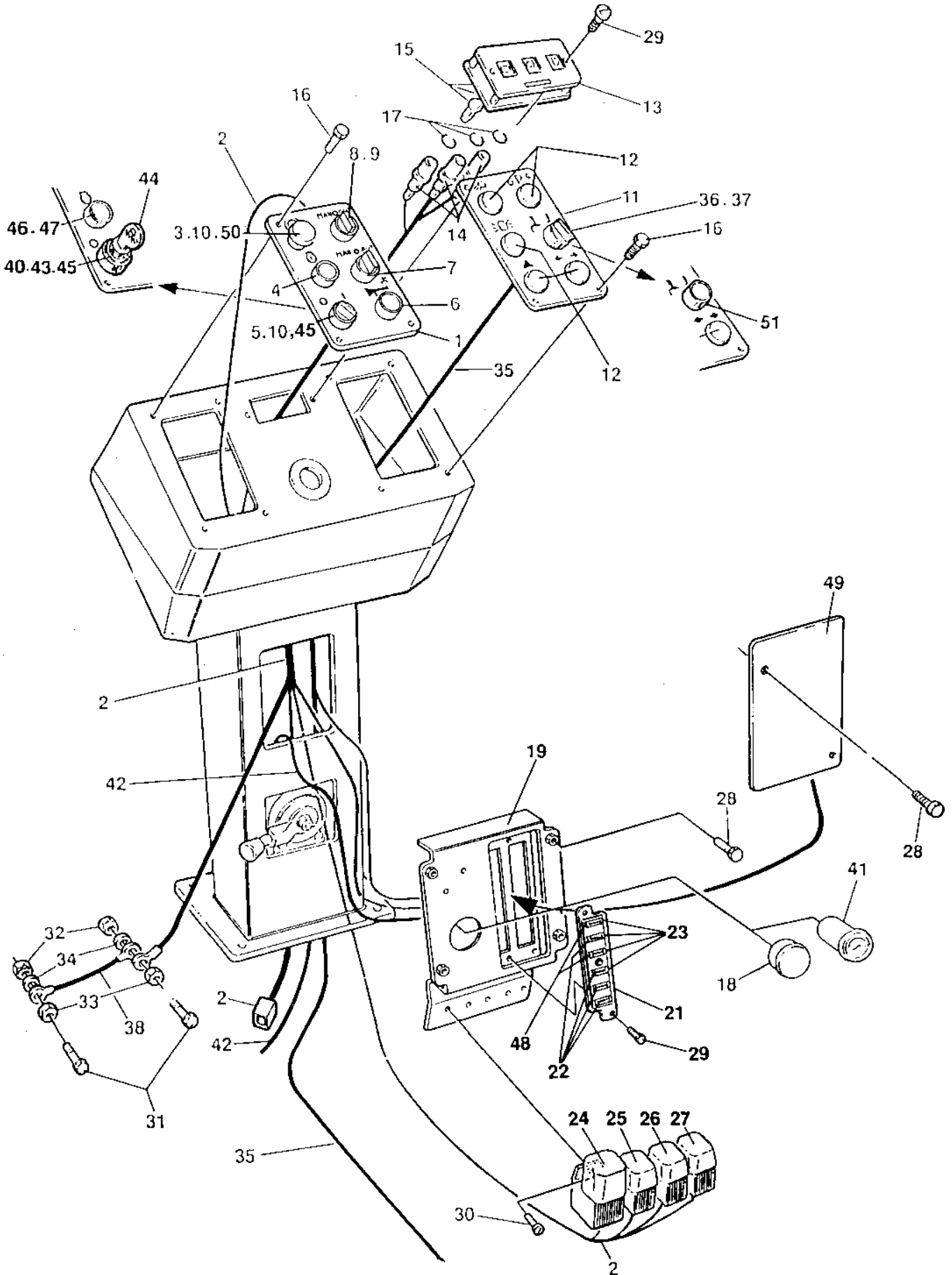
H) Ignition, electrical battery switch

J) Option

N) Other fuses, options

Control panel

16517



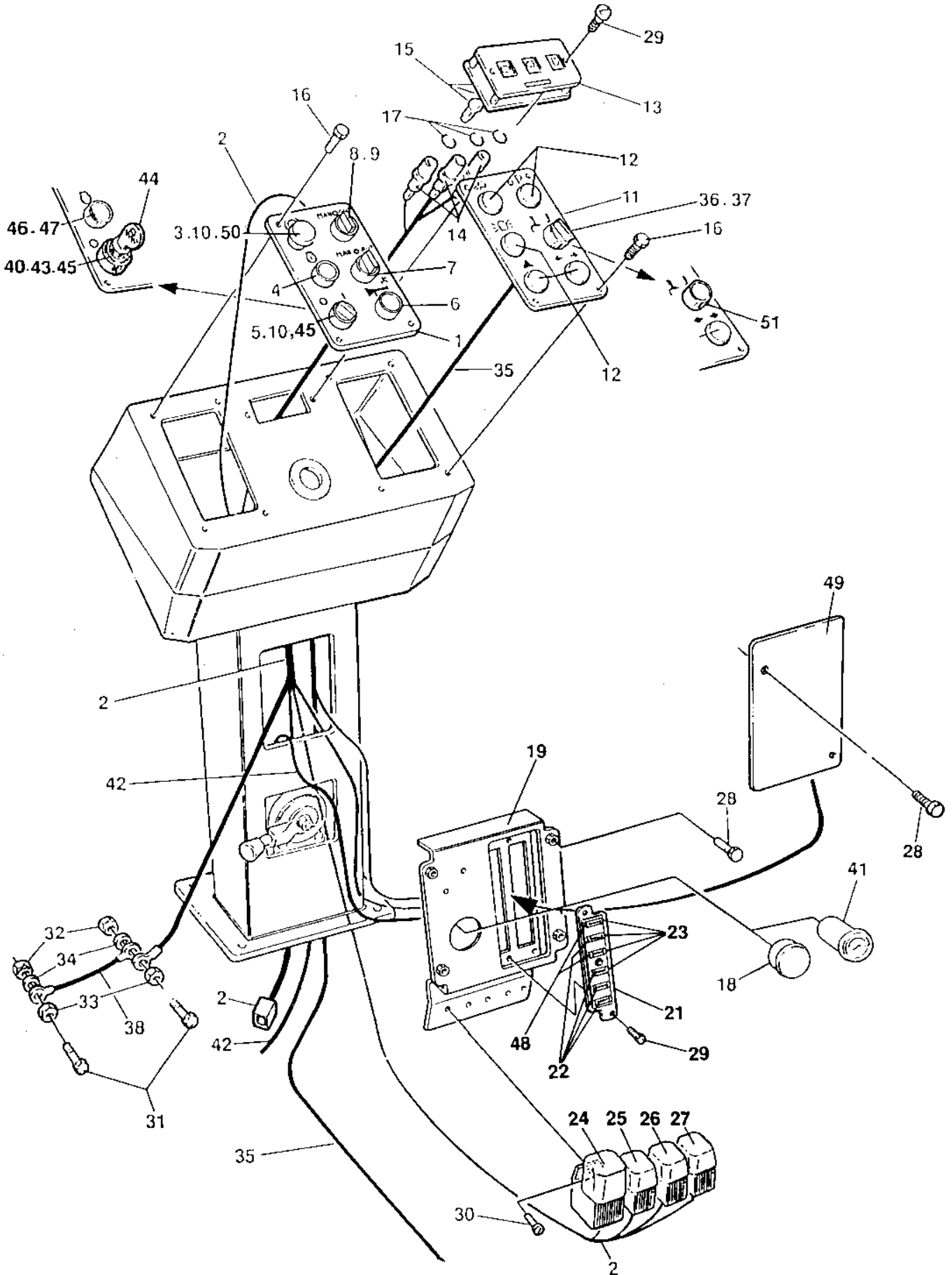
Control panel

Item	Part No	Rem	Qty	Description	Code
1	4700358663		1	Control panel plate	
2	4700384263		1	Cable harness	
3	4700930200		1	Emergency stop	B
	4700930154		1	.Contact piece, NC	B
4	4700928928	B	1	Push button	D
5	4700930151	C	1	Switch	B
	4700930153	H,M	1	Switch	D
	4700385644		1	Decal	
6	4700932032	D	1	Push button	B
7	4700930153	E	1	Switch	D
8	4700932058	F	1	Switch	B
9	4700930155		1	Connector	
10	4700930163		2	Contact piece, NO	B
11	4700357574		1	Control panel plate	
12	4700911456		6	Hole plug	C
13	4700357585		1	Display panel	
14	4700902225		3	Lamp socket	2-POL
15	4700985125		3	Bulb	12V
16	4700902224		8	Screw	M6x10
17	4700160269		3	O-ring	
18	4700345870		1	Plug	C
19	4700371326		1	Distribution control plate	
21	4700903820		1	Fuse box	D
	4700909527		1	.Cover	
22	4700901226	G	4	Fuse	7.5A
23	4700901240		3	Connector	B
24	4700382782		1	Relay, VBS	A
25	4700287597	I	1	Relay	D
26	4700287597		1	Relay	D
27	4700287597		1	Relay	D
28	4700541702		6	Screw	M6x12
29	4700901767		4	Screw	ST3,5x9,5 Black
30	4700902223		4	Screw	
31	4700500075		2	Screw	M6-1,0x25 8.8
32	4700586002		2	Lock nut	M6 -8
33	4700570004		2	Nut	M6X1,00 -8 A2K
34	4700904228		2	Washer	6,4x12x1,5
35				Not used on this model	C
36				Not used on this model	C
37				Not used on this model	C
38	4700903063		1	Ground cable	
40	4700930182	J	1	Contact block	
41	4700355468	J	1	Fuel gauge	D
	4700355258	J	1	.Lamp holder	D
	4700985012	J	1	.Bulb	B
42	4700358418	K	1	Cable harness	
43	4700903239	L	1	Switch	D

- B) Starter
- C) Ignition
- D) Horn
- E) Sprinkler
- F) Vibration
- G) Other fuses, options
- H) Ignition, electrical battery switch
- I) Hour meter
- J) Option
- K) Option, fuel gauge
- L) Option, key starter
- M) Three fixed positions.

Control panel

16517



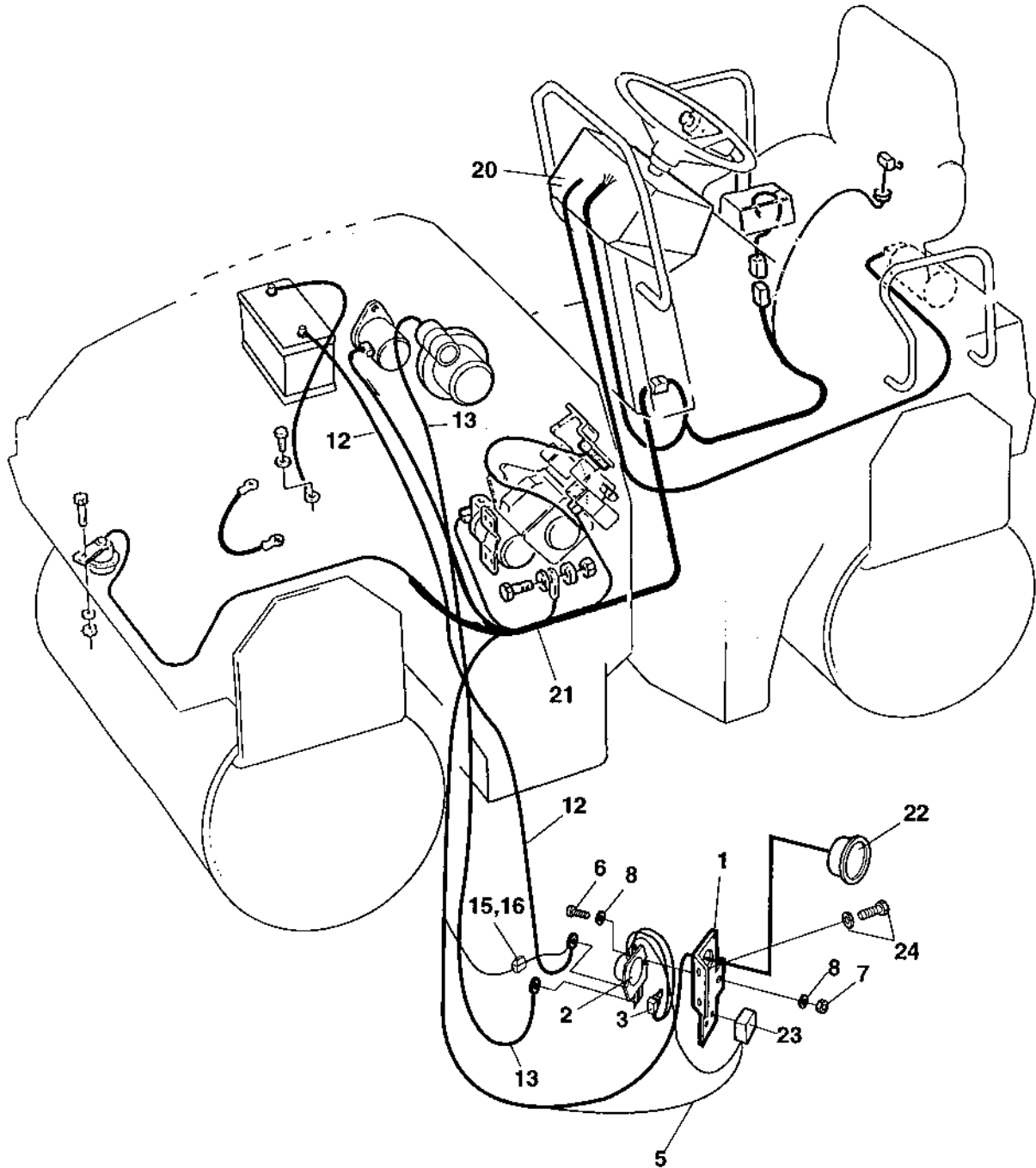
Control panel

Item	Part No	Rem	Qty	Description		Code
44	4700902866		1	.Key	Marked "455"	A
45	4700930154	H	4	Contact piece, NC		B
46	4700932059	J	1	Pilot lamp cpl	Yellow	B
47	4700985012	J	1	Bulb		B
48	4700901227	N	2	Fuse	10A	A
49	4700371344		1	Cover		
50	4700930154		2	Contact piece, NC		B
51				Not used on this model		B

- H) Ignition, electrical battery switch
- J) Option
- N) Other fuses, options

Electric battery switch DEUTZ

17433



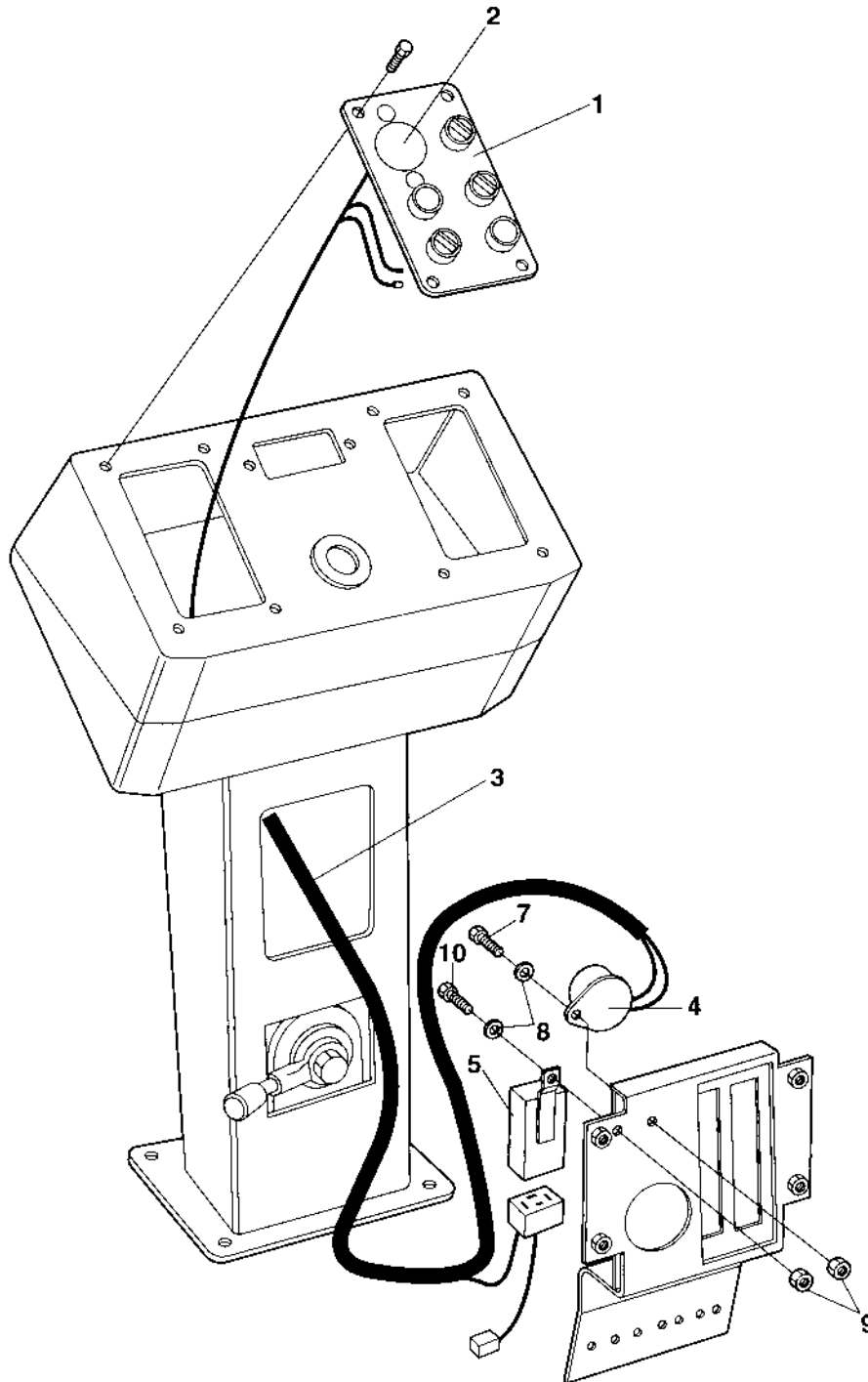
Electric battery switch DEUTZ

Item	Part No	Rem	Qty	Description	Code
1	4700384083		1	Holder plate	
2	4700791078		1	Electric battery switch	D
3	4700791079	2	1	Diode	D
5	4700384191		1	Cable harness	
6	4700500022		2	Screw	M8x30H 8.8 A2K
7	4700570005		2	Nut	M8
8	4700904229		4	Washer	8,4x16x1,5
12	4700378742		1	Battery cable	
13	4700791472		1	Connection cable, coarse	
15	4700904015		1	Fuse holder	
16	4700901225		1	Fuse	5A
20				Control panel	A
21		1		Cable harness	A
22		1		Hour meter	A
23		1		Starter relay	A
24		1		Fastener	A

- 1) See section " Electrical equipment ".
- 2) Delivered with Cable harness PN 4700384191.

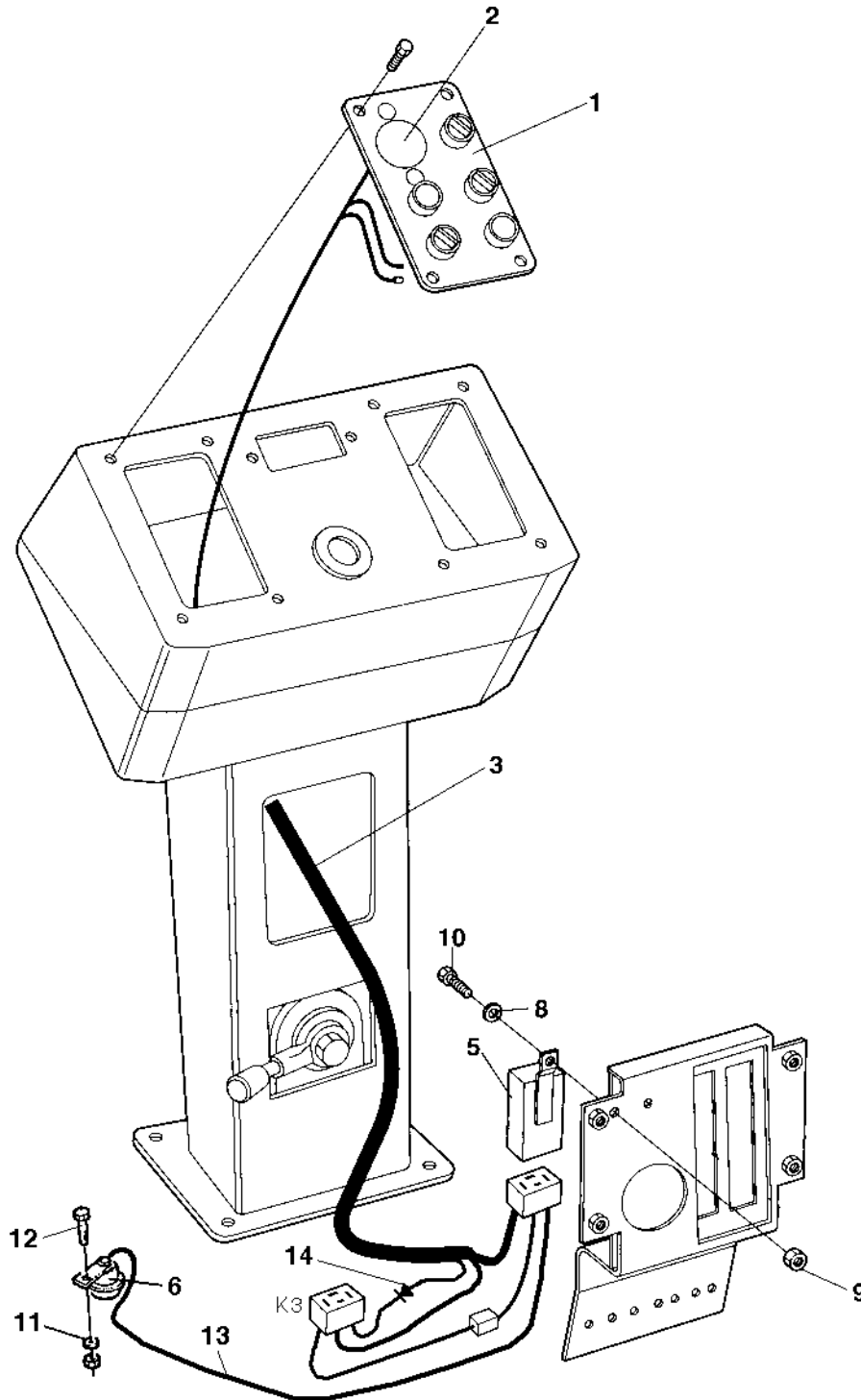
Interlock

17258



Interlock

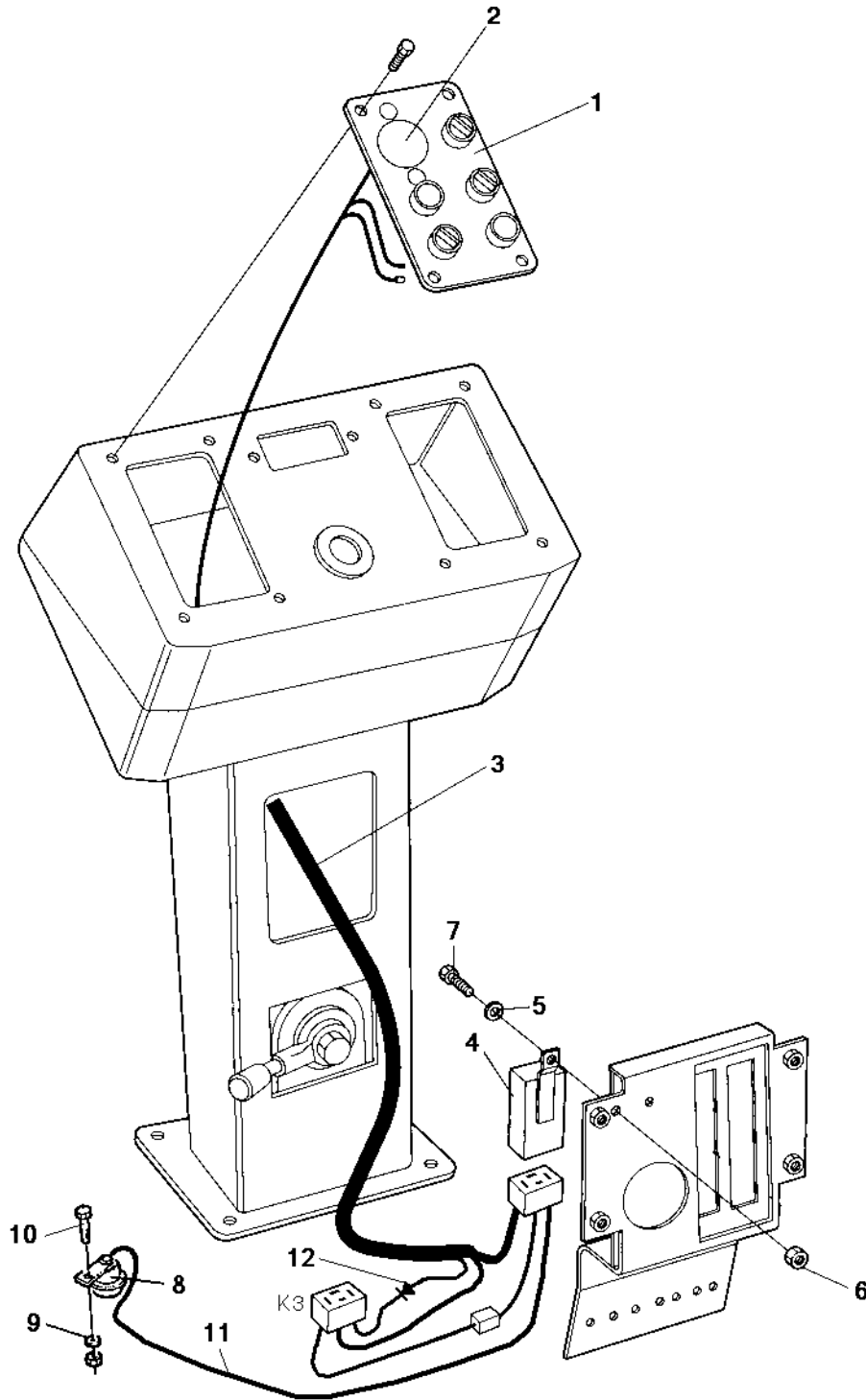
Item	Part No	Rem	Qty	Description	Code
1		A	1	Control panel plate	A
2			1	Emergency stop	A
3	4700381994		1	Cable harness	
4	4700355301		1	Buzzer	B
5	4700904846		1	Delay relay	
7	4700533070		1	Screw	
8	4700904281		2	Washer	5,3x10x1 300HV
9	4700586001		2	Lock nut	C
10	4700533025		1	Screw	M5x12
A)	Left				



Interlock Loxam

Item	Part No	Rem	Qty	Description	Code
1		A	1	Control panel plate	
2			1	Emergency stop	
3	4700381994		1	Cable harness	
5	4700904846		1	Delay relay	
6	4700999027	C	1	Horn	B
7	4700533070		1	Screw	
8	4700904281		2	Washer	5,3x10x1 300HV
9	4700586001		2	Lock nut	
10	4700533025		1	Screw	M5x12
11	4700904734		2	Washer	8,4x26x4
12	4700500022		2	Screw	M8x30H 8.8 A2K
13	4700377697		1	Cable harness	
14	4700903593		1	Diode	

- A) Left
- C) Extra horn for interlock placed beside STD horn, font left



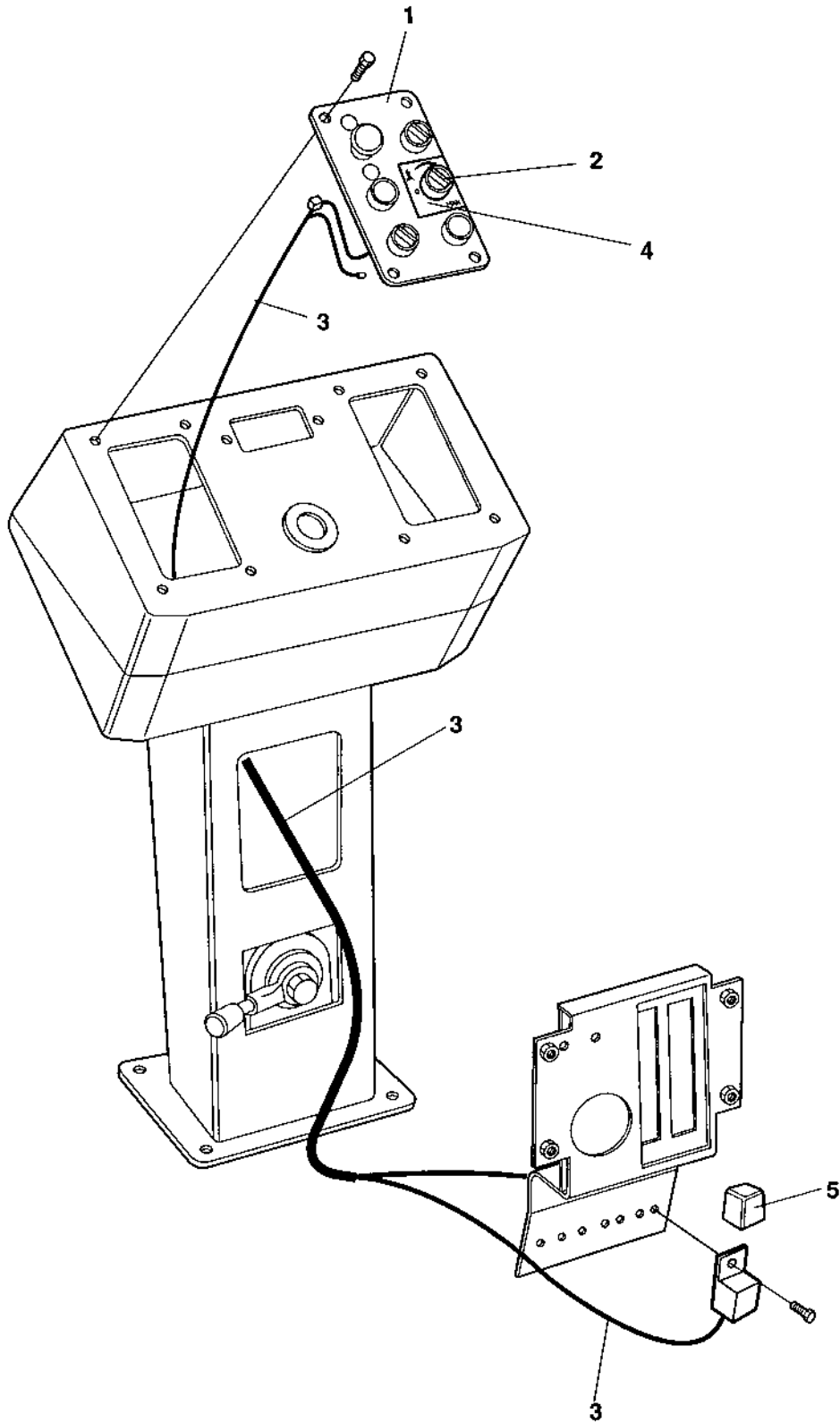
Interlock Loxam

Item	Part No	Rem	Qty	Description	Code
1		A	1	Control panel plate	
2			1	Emergency stop	
3	4700393808		1	Cable harness	
4	4700792548		1	Delay relay	
5	4700904281		1	Washer	5,3x10x1 300HV C
6	4700586001		1	Lock nut	C
7	4700533025		1	Screw	M5x12
8	4700999027		1	Horn	B
9	4700904734		1	Washer	8,4x26x4
10	4700500022		1	Screw	M8x30H 8.8 A2K C
11	4700377697		1	Cable harness	
12	4700903593		1	Diode	

A) Left

Sprinkler timer

17434

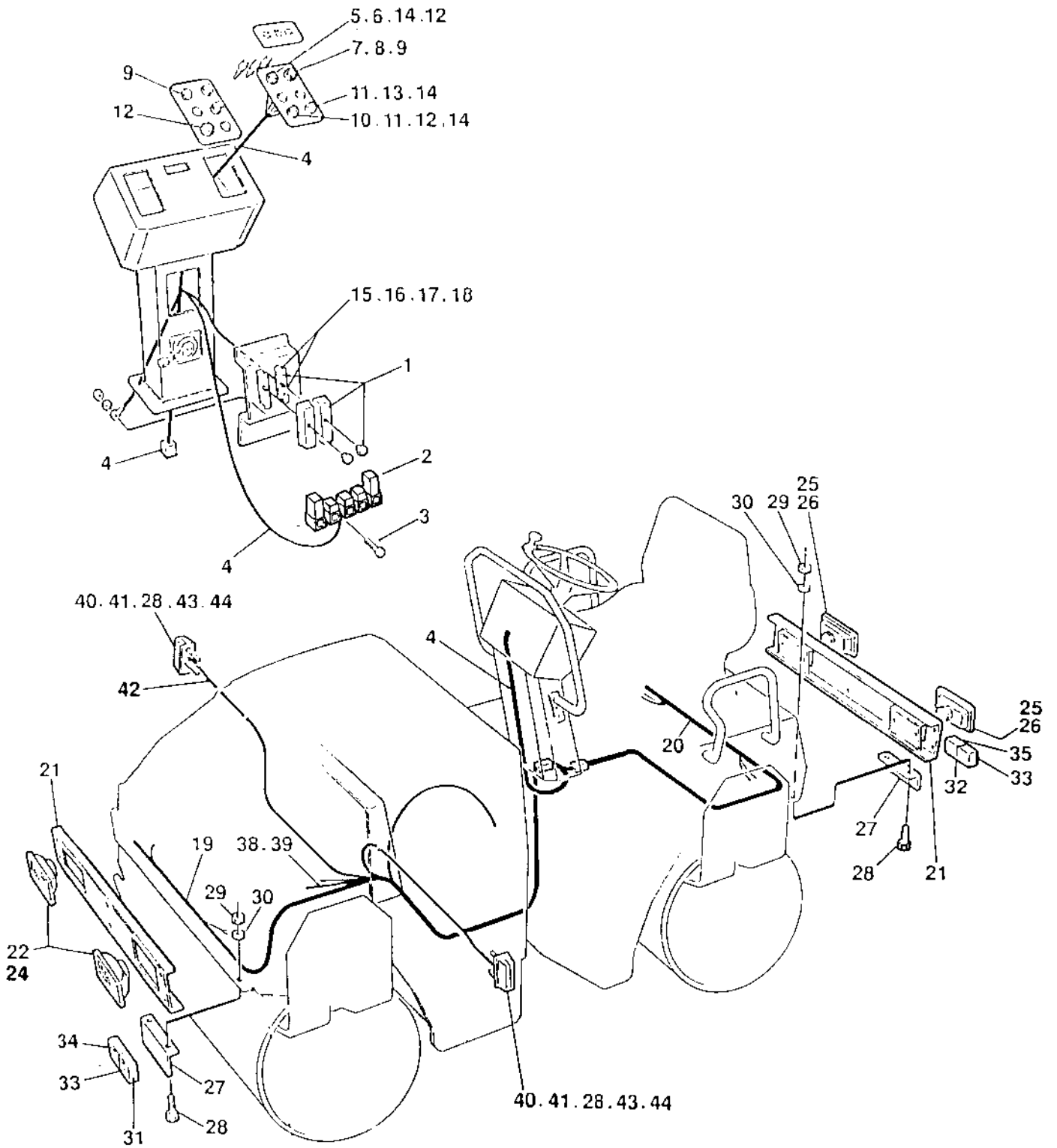


Sprinkler timer

Item	Part No	Rem Qty	Description	Code
1		1	Control panel plate	
2	4700383960	1	Switch, cpl	
3	4700383967	1	Cable harness	
	4700357562	1	.Relay holder	D
4	4700384359	1	Decal	
5	4700374213	1	Time relay	A

Driving & side direction lights

16688-1



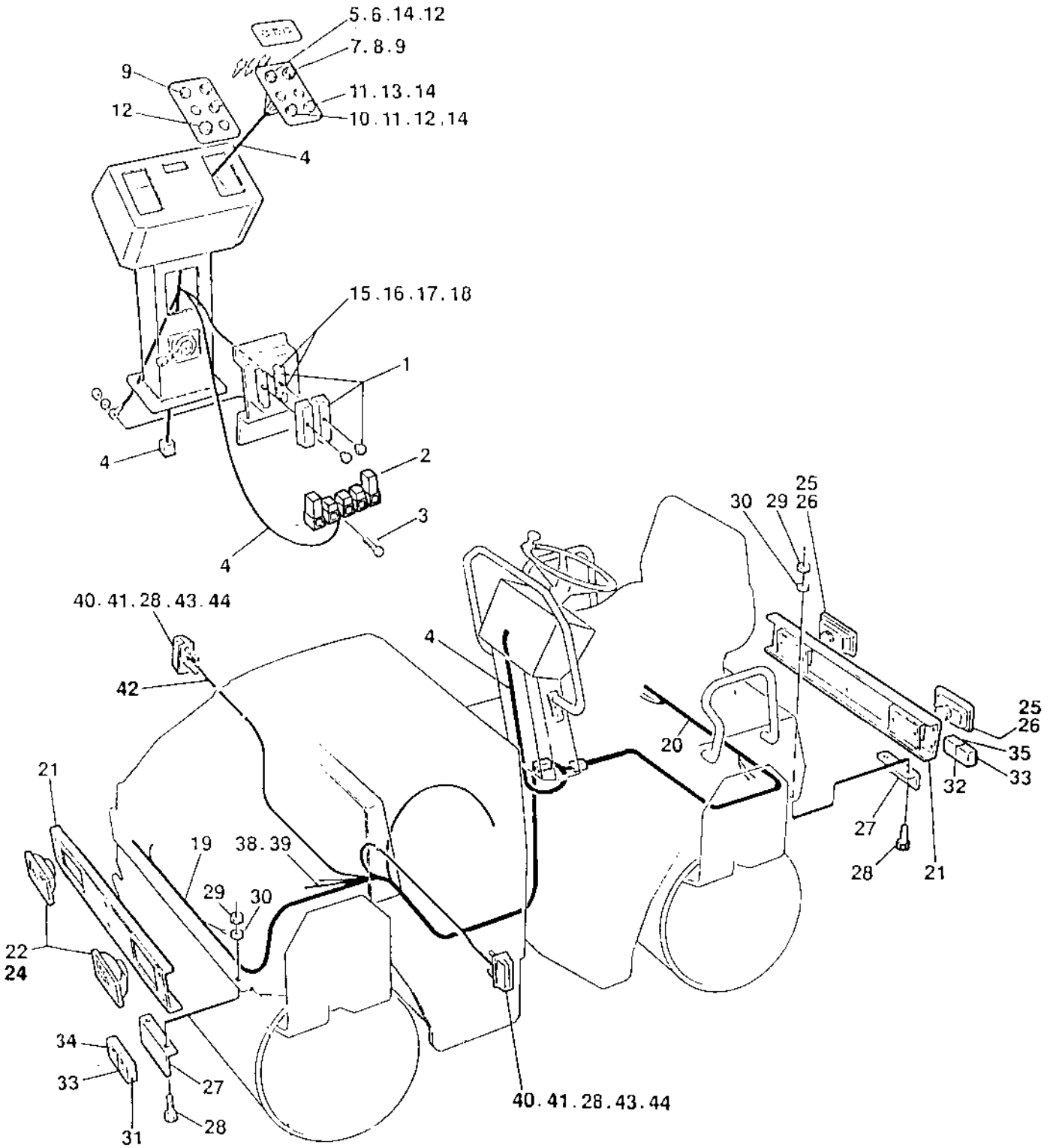
Driving & side direction lights

Item	Part No	Rem	Qty	Description	Code
1	4700903820		1	Fuse box	D
2	4700904989		1	Flash relay	A
3	4700902223		1	Screw	C
4	4700373493	A	1	Cable harness	
5	4700932055	B	1	Switch	D
6	4700930165		1	Contact block	B
7	4700932058	C	1	Switch	B
8	4700930182		1	Contact block	
9	4700930154	D	2	Contact piece, NC	B
10	4700932056	E	1	Switch	B
11	4700930162		2	Connector	B
12	4700930163	D	3	Contact piece, NO	B
13	4700930161	F	1	Switch	B
14	4700985012	G	3	Bulb	B
15	4700901240		1	Connector	B
16	4700901225		2	Fuse	5A
17	4700901227		1	Fuse	10A
18	4700901228		2	Fuse	15A
19	4700373490	H	1	Cable harness	
20	4700357812	I	1	Cable harness	
21	4700371561	J	2	Lights bracket	
	4700380192	K	2	Lights bracket	
22	4700902066	L	2	Headlight	B
	4700904313	M	2	Headlight	B
24	4700900790	N	2	Bulb	60/55w H4
25	4700902227	O	2	Work light	B
26	4700901369	P	2	Bulb	55w H3
27	4700349795		4	Holder plate	
28	4700508020		12	Screw	C
29	4700586001		8	Lock nut	C
30	4700904281		8	Washer	5,3x10x1 300HV
31	4700900794		2	Turn signals	D
32	4700900793		2	Tail light	B
33	4700928502	F	4	Bulb	21w
34	4700985014	Q	2	Bulb	5w
35	4700900791	R	2	Bulb	B
38	4700904229		1	Washer	8,4x16x1,5
39	4700586003		1	Lock nut	M8
40	4700902064		2	Direction lights	B
41	4700985013		2	Bulb	12V,5W
42	4700358000	S	1	Cable harness	B

- A) Driving lights
- B) Head light
- C) Lights
- D) Small
- E) Hazard
- F) Turn signal
- G) Switch
- H) Front
- I) Rear
- J) Red
- K) Yellow
- L) Right asym, H4 fr.
- M) Left asym, H4 fr.
- N) H4, head light, fr.
- O) H3 rear
- P) H3, rear light
- Q) Parking light
- R) Tail/stop light
- S) Direction lights

Driving & side direction lights

16688-1

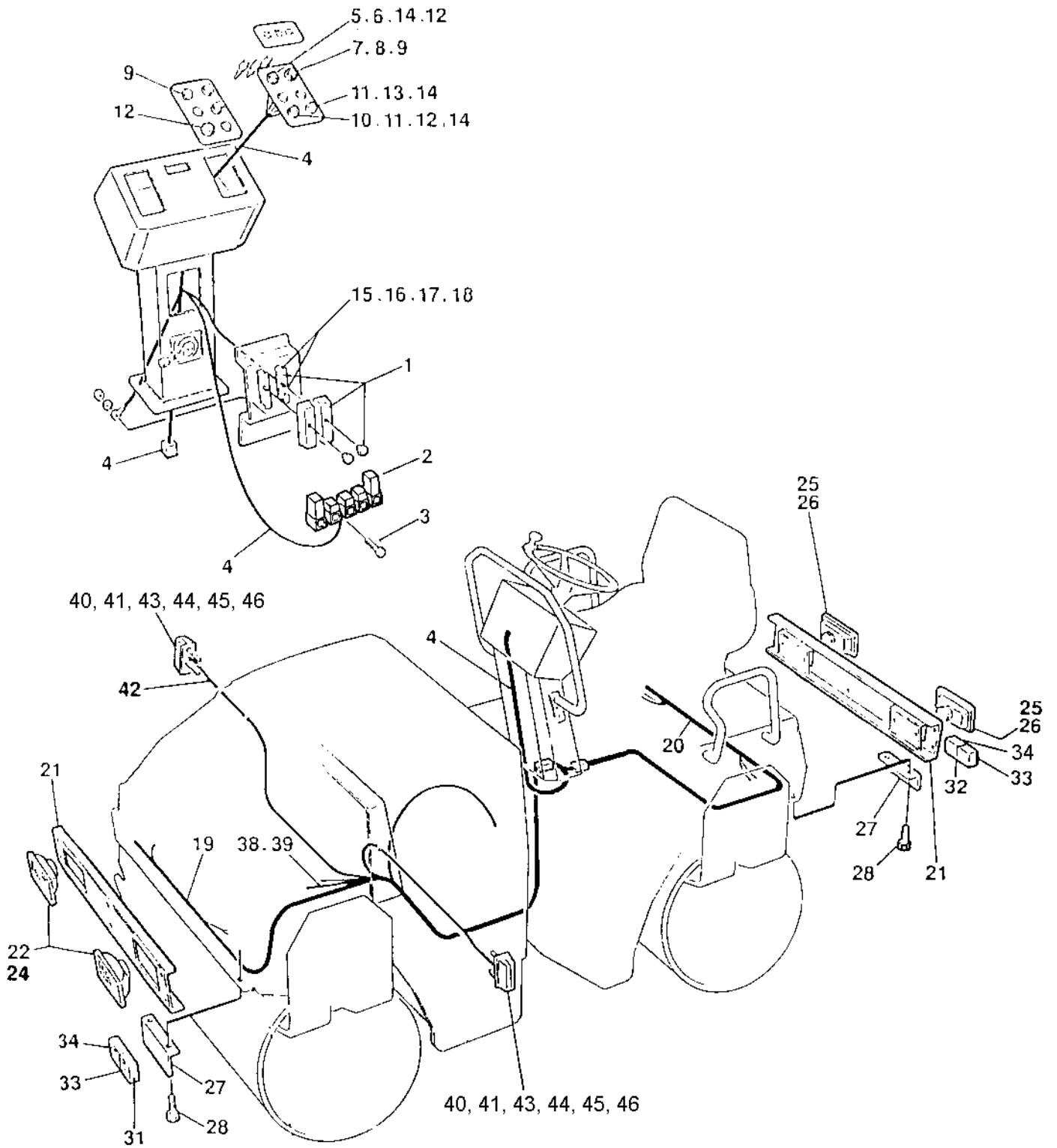


Driving & side direction lights

Item	Part No	Rem Qty	Description	Code
43	4700600002	4	Washer	C
44	4700923976	4	Nut	C

Driving & side direction lights

18097



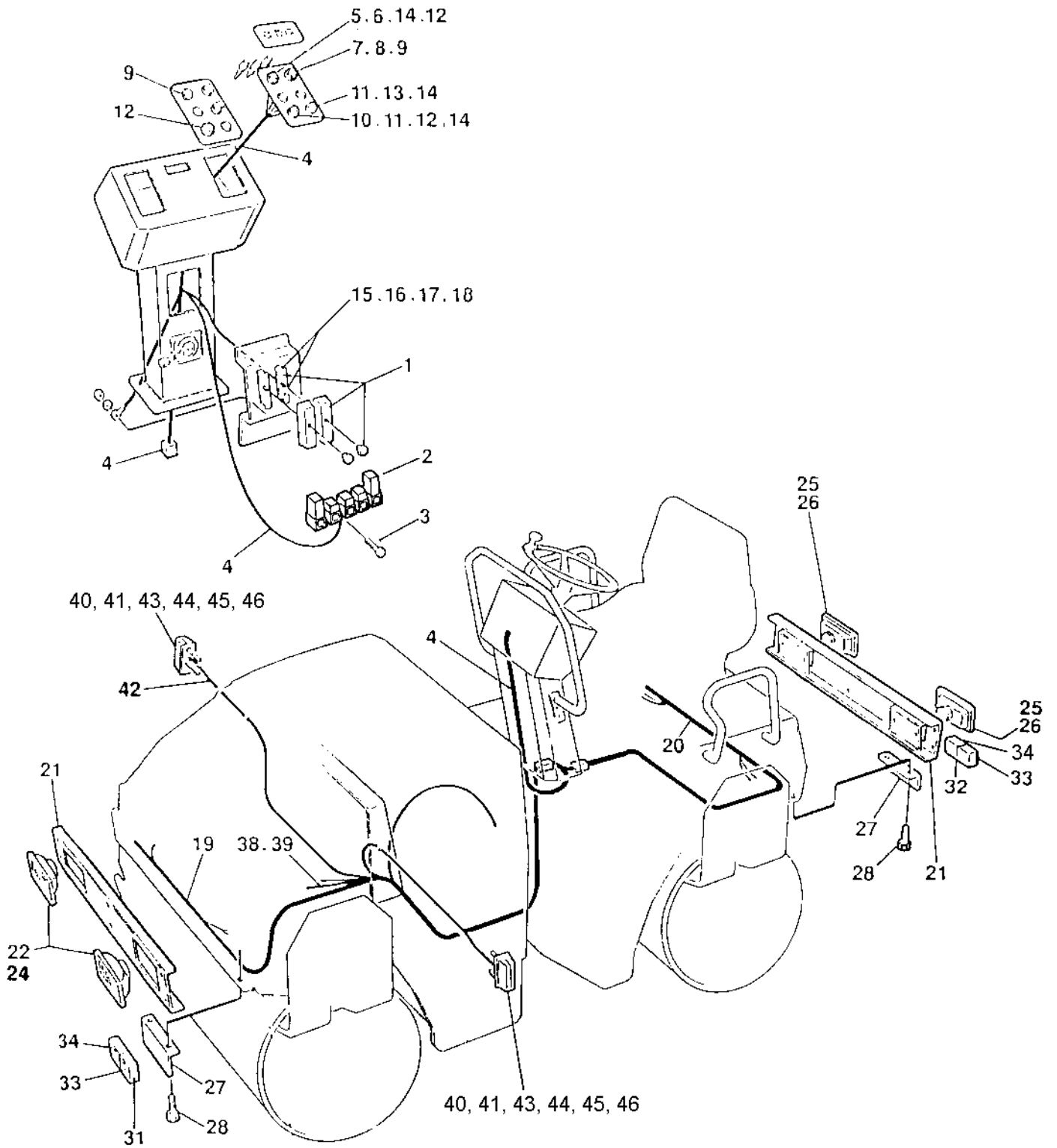
Driving & side direction lights

Item	Part No	Rem	Qty	Description	Code
1	4700903820		1	Fuse box	D
2	4700904989		1	Flash relay	A
3	4700902223		1	Screw	C
4	4700373493	A	1	Cable harness	
5	4700932055	B	1	Switch	D
6	4700930165		1	Contact block	B
7	4700932058	C	1	Switch	B
8	4700930182		1	Contact block	
9	4700930154	D	2	Contact piece, NC	B
10	4700932056	E	1	Switch	B
11	4700930162		2	Connector	B
12	4700930163	D	3	Contact piece, NO	B
13	4700930161	F	1	Switch	B
14	4700985012	G	3	Bulb	B
15	4700901240		1	Connector	B
16	4700901225		2	Fuse	5A A
17	4700901227		1	Fuse	10A A
18	4700901228		2	Fuse	15A A
19	4700373490	H	1	Cable harness	
20	4700357812	I	1	Cable harness	
21	4700371561	J	2	Lights bracket	
	4700380192	K	2	Lights bracket	
22	4700902066	L	2	Headlight	B
	4700904313	M	2	Headlight	B
24	4700900790	N	2	Bulb	60/55w H4 B
25	4700902227	O	2	Work light	B
26	4700901369	P	2	Bulb	55w H3 B
27	4700389631		4	Holder plate	
28	4700500006		8	Screw	M5x16 C
	4700904281	R	8	Washer	5,3x10x1 300HV C
31	4700904315	U	1	Direction lamp	B
	4700904316	V	1	Direction lamp	B
32	4700904317	X	1	Direction lamp	B
	4700904318	Y	1	Direction lamp	B
33	4700928502	F	6	Bulb	21w B

- A) Driving lights
- B) Head light
- C) Lights
- D) Small
- E) Hazard
- F) Turn signal/stop light
- G) Switch
- H) Front
- I) Rear
- J) Red
- K) Yellow
- L) Right asym, H4 fr.
- M) Left asym, H4 fr.
- N) H4, head light, fr.
- O) H3 rear
- P) H3, rear light
- R) Not illustrated
- U) Front left
- V) Front right
- X) Rear left
- Y) Rear right

Driving & side direction lights

18097



Driving & side direction lights

Item	Part No	Rem	Qty	Description		Code
34	4700985014	Q	4	Bulb	5w	B
38	4700904229		1	Washer	8,4x16x1,5	C
39	4700586003		1	Lock nut	M8	C
40	4700902064		2	Direction lights		B
41	4700985013		2	Bulb	12V,5W	B
42	4700358000	S	1	Cable harness		
43	4700600002	T	4	Washer		C
44	4700923976	T	4	Nut		C
45	4700508020	T	4	Screw		C
46	4700508075		4	Screw	M5x12	

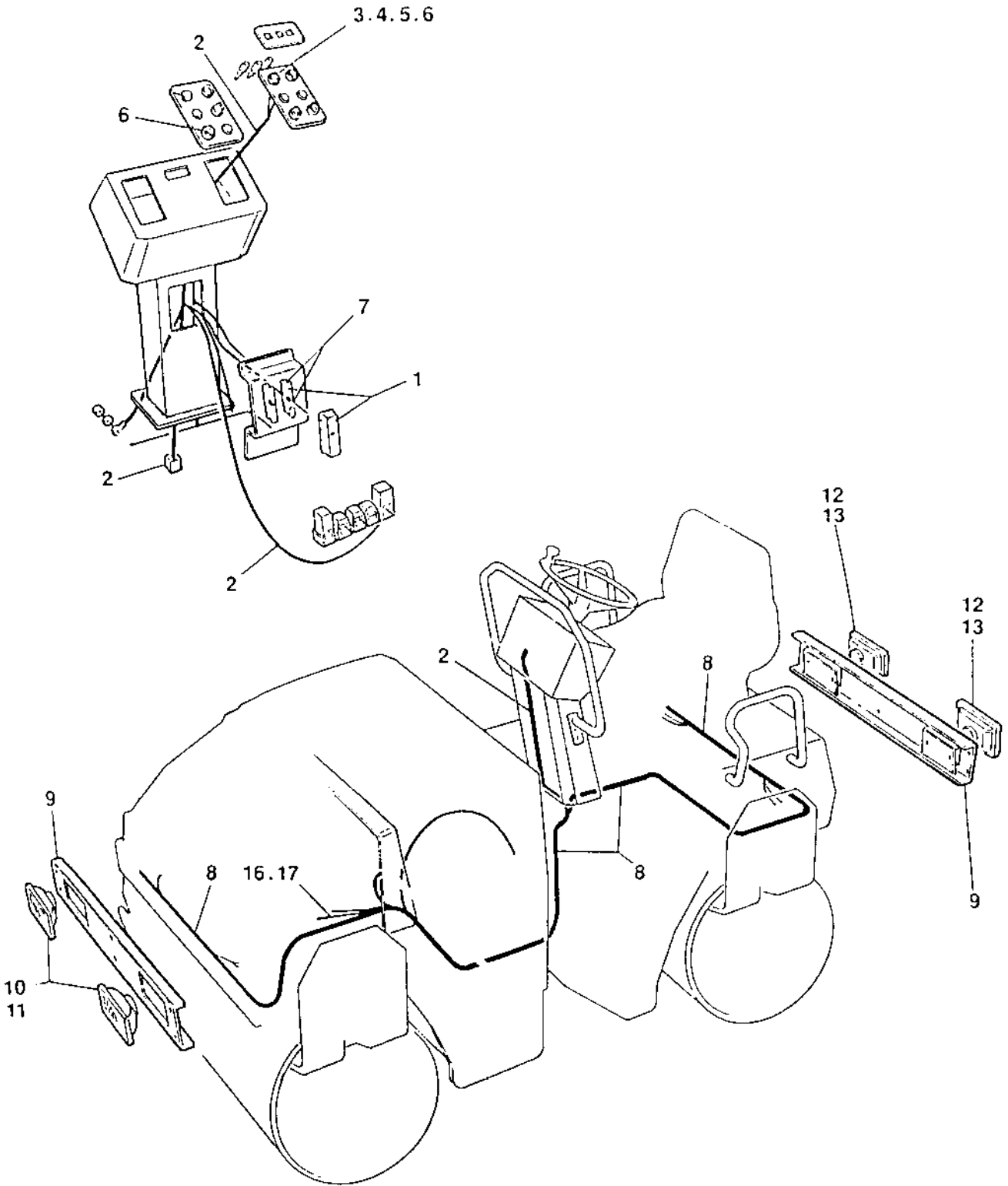
Q) Parking light

S) Direction lights

T) This item is not used in new design; where the holes in the hood frame are threaded.

Working lights

16666-1



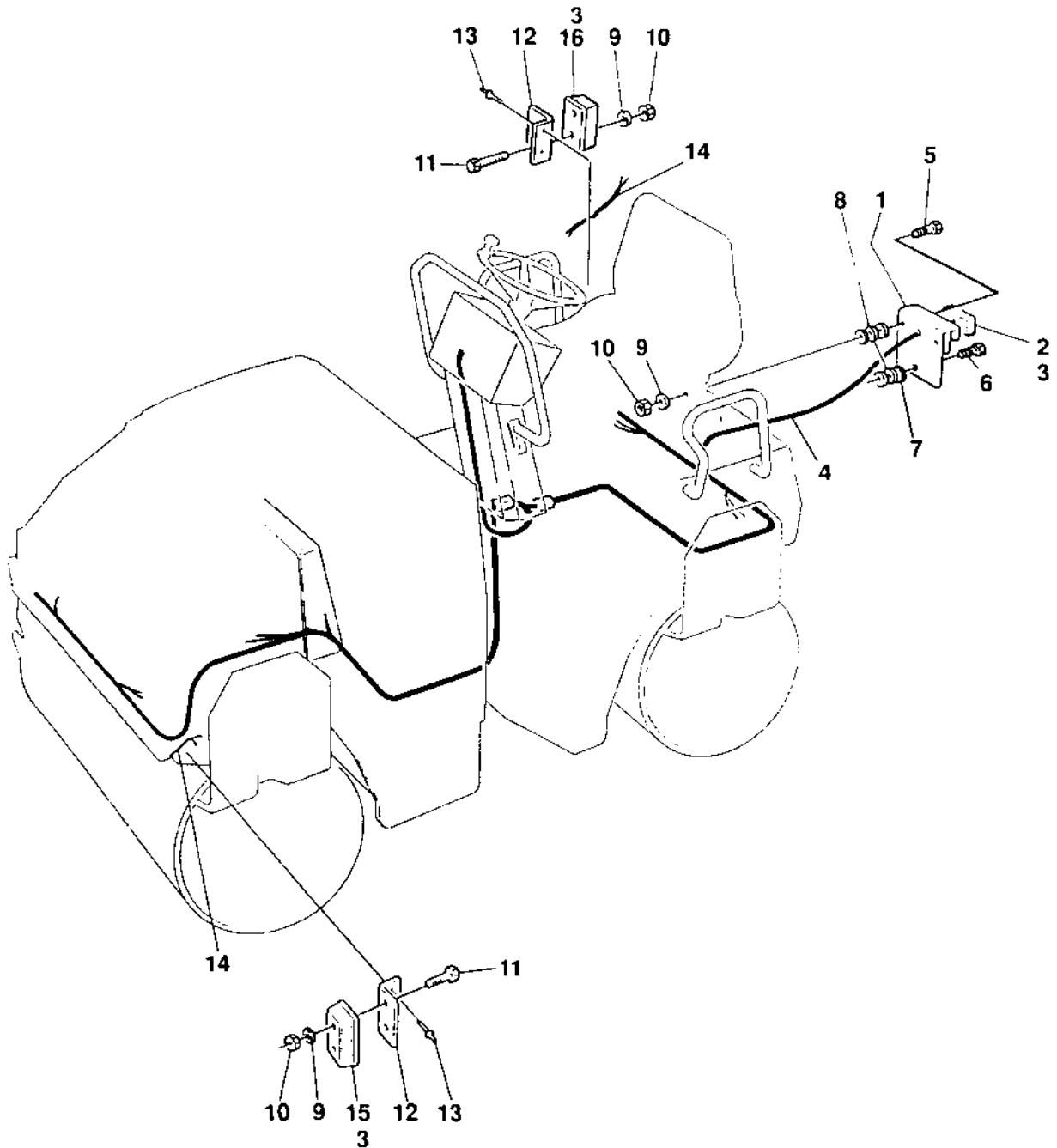
Working lights

Item	Part No	Rem	Qty	Description	Code
1	4700903820		1	Fuse box	D
2	4700358102	A	1	Cable harness	
3	4700932055	A	1	Switch	D
4	4700930165		1	Contact block	B
5	4700985012	B	1	Bulb	B
6	4700930163	C	3	Contact piece, NO	B
7	4700901227		2	Fuse	A
				10A	
8	4700376113	A	1	Cable harness	
9	4700371561	4	2	Lights bracket	
10	4700902227	E	2	Work light	B
11	4700901369	F	2	Bulb	B
				55w H3	
12	4700902227	G	2	Work light	B
13	4700901369	H	2	Bulb	B
				55w H3	
16	4700904229		1	Washer	C
				8,4x16x1,5	
17	4700586003		1	Lock nut	C
				M8	

- 4) Right asym., including machines originally delivered to France
- A) Work lights
- B) Switch
- C) Small
- E) H3, front
- F) H3, head light, front
- G) H3, rear
- H) H3, rear light

Licence plate light, parking lights

16667



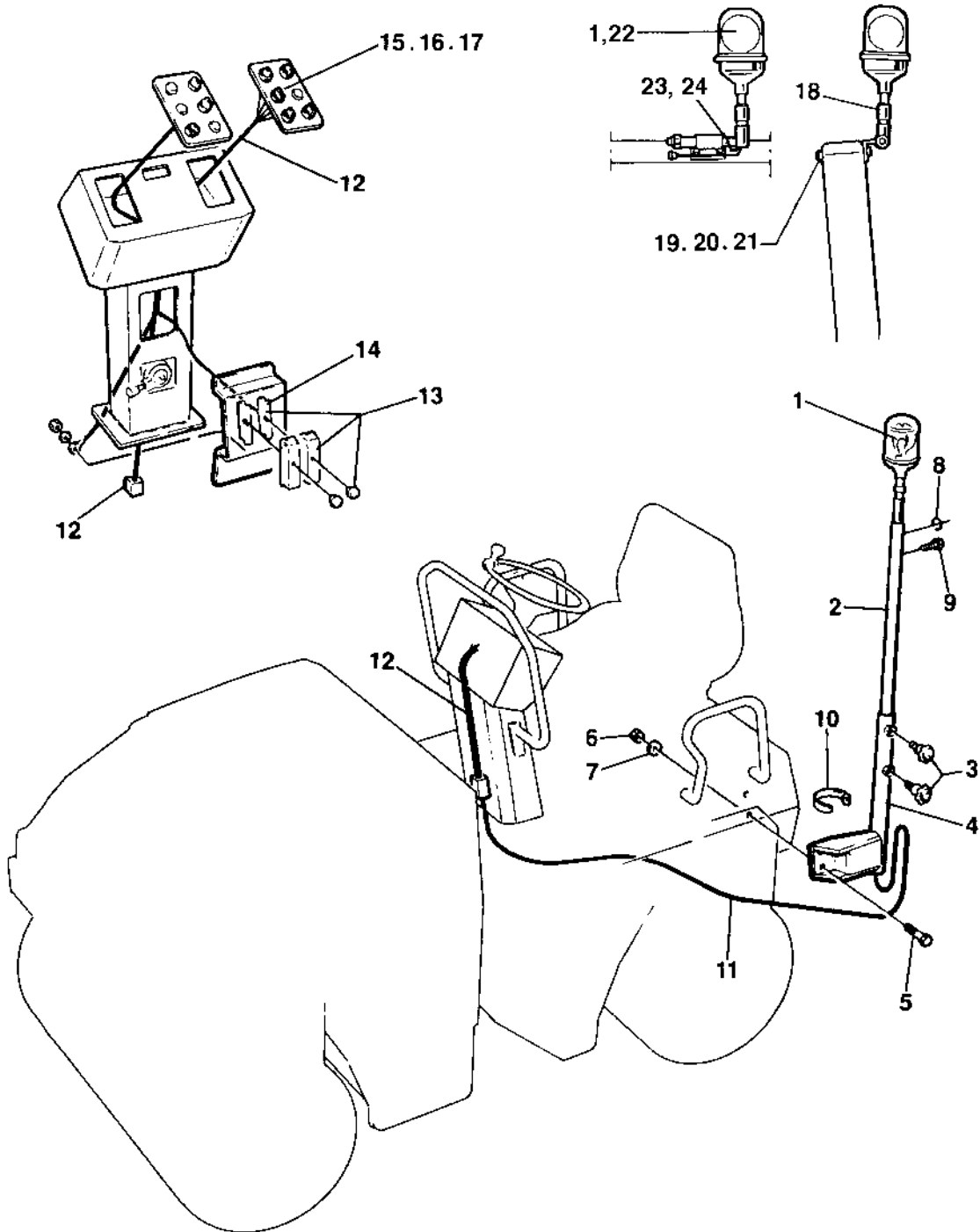
Licence plate light, parking lights

Item	Part No	Rem	Qty	Description	Code
1	4700355797		1	Licence plate holder	
2	4700929455		1	Licence plate light	D
3	4700985013	A	5	Bulb	B
4	4700355829	B	1	Cable harness	
5	4700533032		3	Screw	
6	4700535010		1	Screw	
7	4700615042		1	Conical spring washer	
8	4700570003		3	Nut	C
9	4700600003		23	Washer	
10	4700586001		11	Lock nut	C
11	4700508020		8	Screw	C
12	4700358564		4	Lamp socket	
13	4700624027		8	Rivet	
14	4700903081	E	4	Cable	
	4700909152		4	.Rubber grommet	C
15	4700903078	C	2	Position light	
16	4700903079	D	2	Position light	

- A) Turn/position light
- B) Licence plate light
- C) Front
- D) Rear
- E) Position light

Rotating beacon

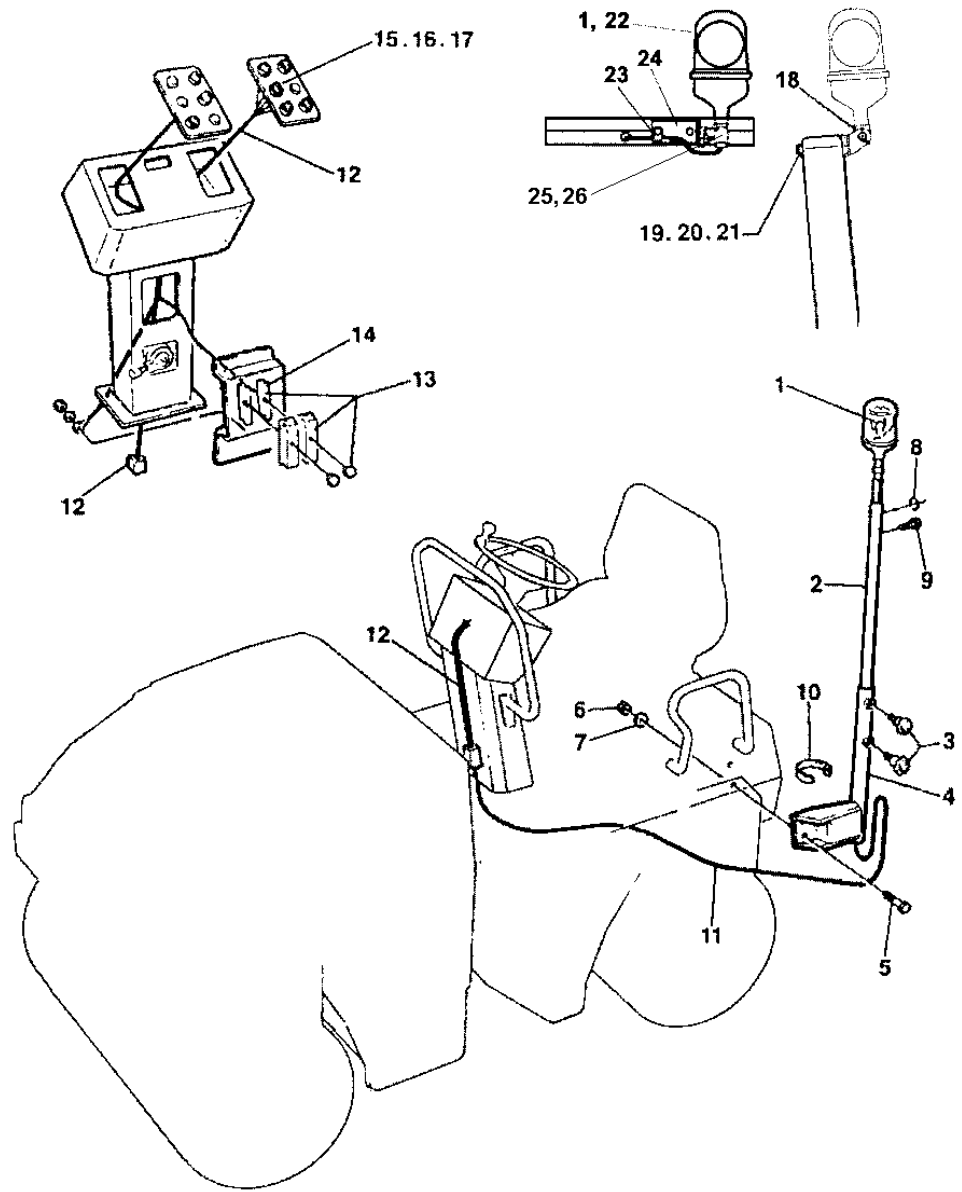
15489-4



Rotating beacon

Item	Part No	Rem	Qty	Description	Code
1				Not used on this model	
2	4700357663	1	1	Lamp holder	
3	4700499162	1	2	Hand knob	
4	4700357679	1	1	Lamp holder	
5	4700500028	1	2	Screw	C
6	4700586018	1	2	Lock nut	C
7	4700904230	1	2	Steel plain washer	C
8	4700909152	1	1	Rubber grommet	C
9	4700500044		1	Screw	C
				M6x8	
10	4700313041		N	Cable ties	
11	4700357666		1	Cable harness	
12	4700357668	2	1	Cable harness	
13	4700903820	2	1	Fuse box	D
14	4700901227		1	Fuse	A
				10A	
15	4700930166	C	1	Switch	B
16	4700985012	E	1	Bulb	B
17	4700930165		1	Contact block	B
18	4700358452	3	1	Lamp holder	D
19	4700500237	3	2	Screw	
				M8x120	
20	4700586003	3	2	Lock nut	C
				M8	
21	4700904229	3	2	Washer	C
				8,4x16x1,5	
22	4700389577	5	1	Rotating beacon	D
23	4700500044		1	Screw	C
				M6x8	
24	4700902542		1	Lock fluid	

- 1) Not valid for rollers with rops
- 2) Existing on rollers with driving lights
- 3) Valid only for rollers with rops
- 5) Replaces PN 4700999011.
- C) Rot. beacon
- E) Switch



Rotating beacon

Item	Part No	Rem	Qty	Description	Code
1				Not used on this model	
2	4700357663	1	1	Lamp holder	
3	4700499162	1	2	Hand knob	
4	4700357679	1	1	Lamp holder	
5	4700500028	1	2	Screw	C
6	4700586018	1	2	Lock nut	C
7	4700904230	1	2	Steel plain washer	C
8	4700909152	1	1	Rubber grommet	C
9	4700500044		1	Screw	C
				M6x8	
10	4700313041		N	Cable ties	
11	4700396557		1	Cable harness	
12	4700357668	2	1	Cable harness	
13	4700903820	2	1	Fuse box	D
14	4700901227		1	Fuse	A
				10A	
15	4700930166	C	1	Switch	B
16	4700985012	E	1	Bulb	B
17	4700930165		1	Contact block	B
18	4700358452	3	1	Lamp holder	D
19	4700500143	3	2	Screw	
20	4700586003	3	2	Lock nut	C
21	4700904229	3	2	Washer	C
				M8	
				8,4x16x1,5	
22	4700389577	5	1	Rotating beacon	D
23	4700921072		1	Clamp	
24	4700389561		1	Bracket	
25	4700791980		1	Rubber protection	
26	4700791981		1	Connector plug	

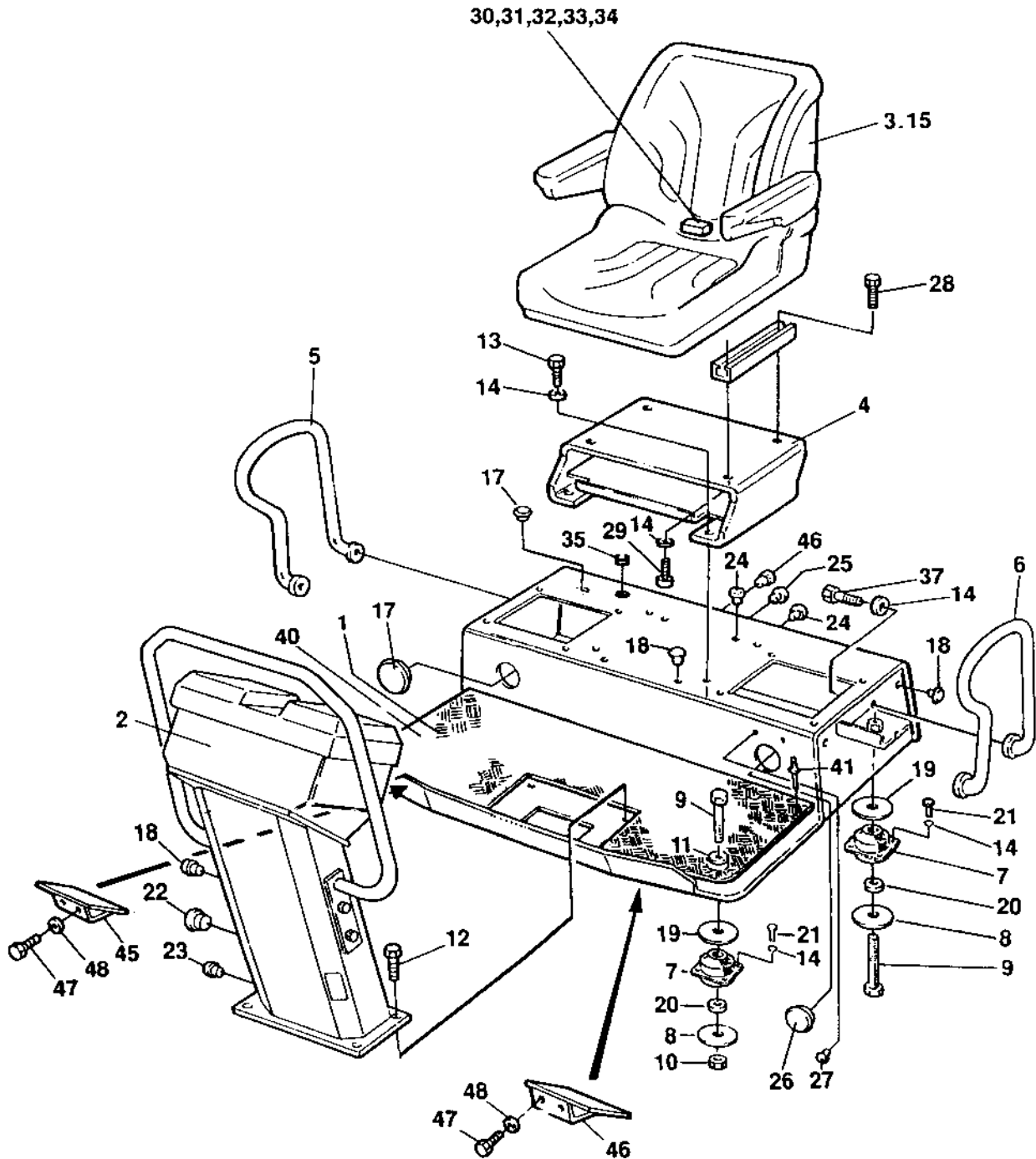
- 1) Not valid for rollers with rops
- 2) Existing on rollers with driving lights
- 3) Valid only for rollers with rops
- 5) Replaces PN 4700999011.
- C) Rot. beacon
- E) Switch

Drivers platform

Item	Part No	Rem Qty	Description	Code
120			Drivers platform Up to 602X3331 (Page 180)	
130			Drivers platform From 602X3332 (Page 182)	
150			Control panel (Page 186)	
175			Arm rests, seat belt, laterally adjusting Up to 602X3331 (Page 188)	
180			Arm rests, seat belt, laterally adjusting From 602X3332 (Page 190)	
185			Comfort drivers seat, laterally adjusting Up to (and seat belt)age 192)	
187			Comfort drivers seat, laterally adjusting From (and seat belt)age 194)	
220			Engine and forward/reverse controls (Page 19)	
300			F/r controls dual, control panel mounted (Page 198)	
350			F/r control dual left side, platform mounted (Page 200)	
400			Rops and fops (Page 202)	

Drivers platform

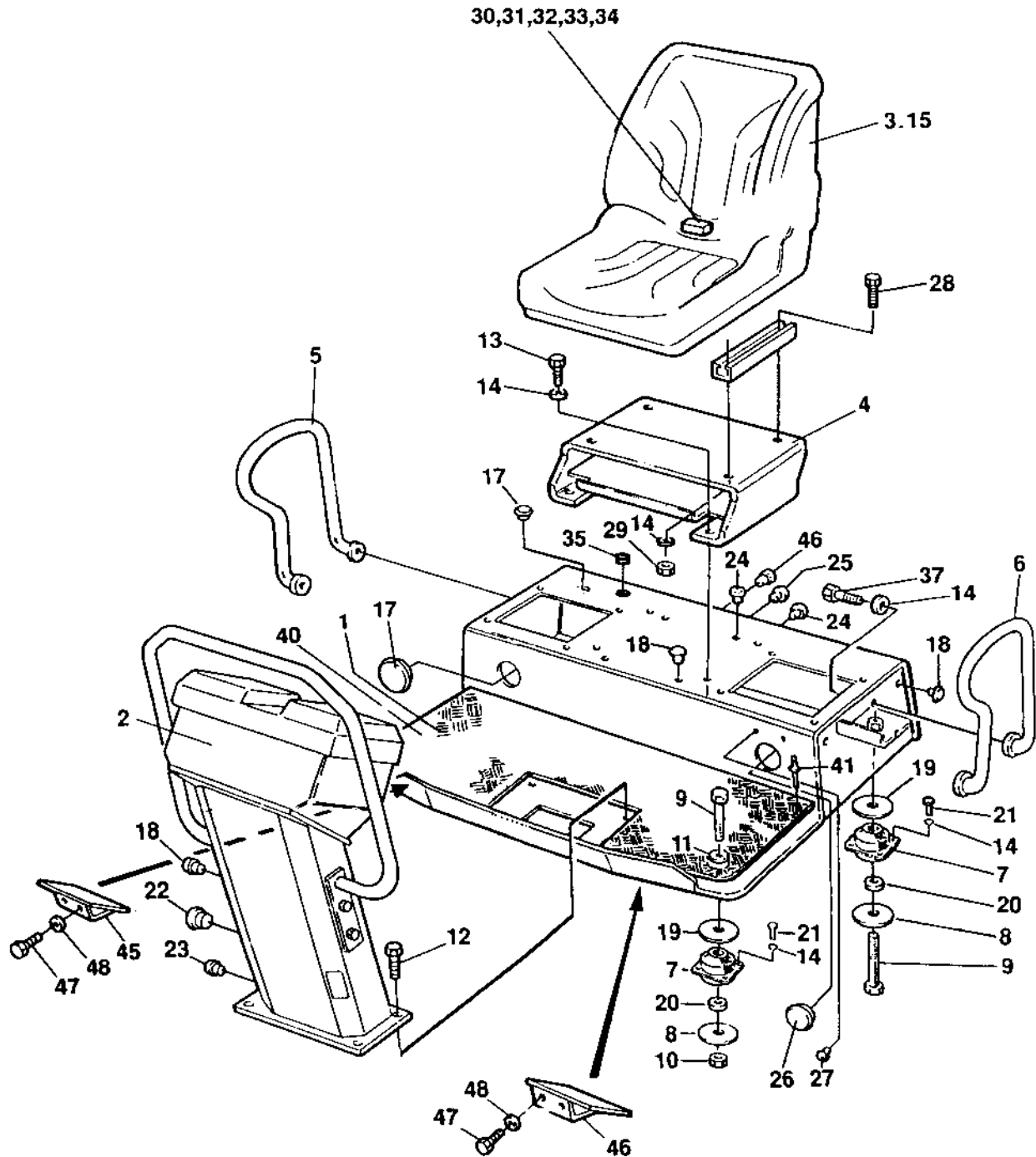
16518



Drivers platform

Item	Part No	Rem	Qty	Description	Code
1	4700358213		1	Platform	
2			1	Control panel	
3	4700372570	A,2	1	Seat	
	4700909535	B	1	.Sliding rail	Left D
	4700909536	C	1	.Sliding rail	Right D
	4700936283		1	.Seat switch	B
4	4700372523		1	Seat frame	
5	4700357407	B	1	Hand rail	D
6	4700357408	C	1	Hand rail	D
7	4700902797	1	4	Shock absorber	D
8	4700358232		4	Washer	
9	4700500117		4	Screw	M12x80H 8,8 C
10	4700586019		2	Lock nut	C
11	4700904231		2	Washer	13x24x2 300 HV C
12	4700500509		4	Screw	
13	4700500020		4	Screw	M8-1,25x22 8,8 C
14	4700904229		22	Washer	8,4x16x1,5 C
15	4700348331		1	Seat cover	D
17	4700923844		2	Plug	
18	4700902919		8	Plug	
19	4700615096	N		Washer	
20	4700902892		4	Washer	
21	4700500019		16	Screw	M8x16H 8.8 A2K C
22	4700902890		1	Plug	
23	4700900986		2	Plug	
24	4700926215		7	Protective plug	
25	4700902804		2	Plug	
26	4700904131		1	Plug	
27	4700901274		2	Plug	
28	4700508092		4	Screw	C
29	4700500053		2	Screw	M8x20H 8.8 C
30	4700904218		1	Holder	
31	4700533070		1	Screw	
32	4700570003		1	Nut	M5 C
33	4700904281		1	Washer	5,3x10x1 300HV C
34	4700313041		1	Cable ties	
35	4700903192		1	Grommet	
36	4700904225		1	Plug	
37	4700500020		4	Screw	M8-1,25x22 8,8 C
40	4700358089	D	1	Floor mat	D
41	4700902569	E	4	Rivet	
45	4700374132	F	1	Step	
46	4700374133	G	1	Step	
47	4700500053	D	4	Screw	M8x20H 8.8 C
48	4700600006	D	4	Washer	C

- 1) For rollers with cab see " Optional equipment"
- 2) Without arm rests.
- A) Black galon
- B) Left
- C) Right
- D) Option
- E) To floor mat
- F) Option, right
- G) Option, left

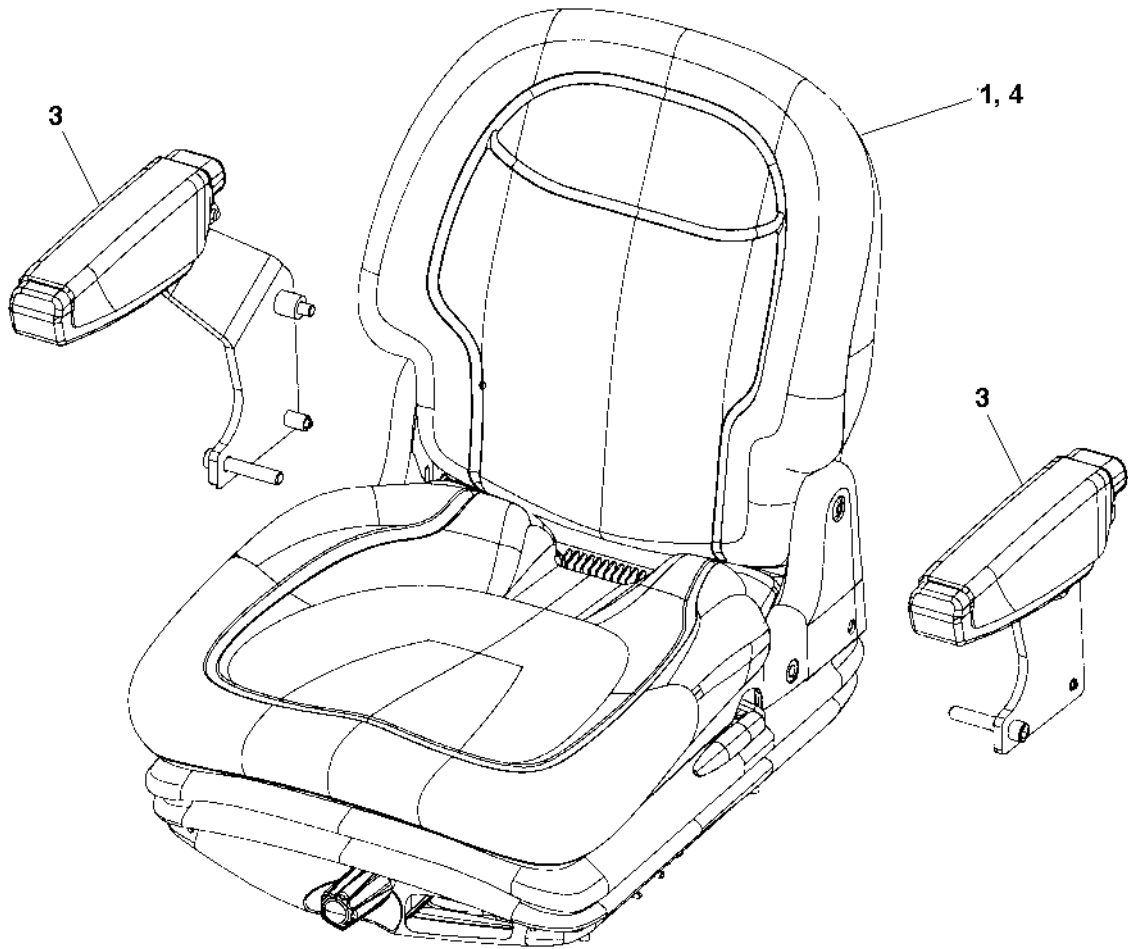


Drivers platform

Item	Part No	Rem	Qty	Description	Code
1	4700358213		1	Platform	
2			1	Control panel (Page 186)	
3			1	Seat (Page 184)	
4	4700372523		1	Seat frame	
5	4700357407	B	1	Hand rail	D
6	4700357408	C	1	Hand rail	D
7	4700902797	1	4	Shock absorber	D
8	4700358232		4	Washer	
9	4700500117		4	Screw	M12x80H 8,8 C
10	4700586019		2	Lock nut	C
11	4700904231		4	Washer	13x24x2 300 HV C
12	4700500509		4	Screw	
13	4700500020		4	Screw	M8-1,25x22 8,8 C
14	4700904229		28	Washer	8,4x16x1,5 C
15	4700348331		1	Seat cover	D
17	4700923844		2	Plug	
18	4700902919		8	Plug	
19	4700615096	N		Washer	
	4700904703		2	Washer	C
20	4700902892		4	Washer	
21	4700500019		16	Screw	M8x16H 8.8 A2K C
22	4700902890		1	Plug	
23	4700900986		2	Plug	
24	4700926215		7	Protective plug	
25	4700902804		2	Plug	
26	4700904131		1	Plug	
27	4700901274		2	Plug	
29	4700586003		4	Lock nut	M8 C
35	4700903192		1	Grommet	
36	4700904225		1	Plug	
37	4700500020		4	Screw	M8-1,25x22 8,8 C
40	4700358089	D	1	Floor mat	D
41	4700902569	E	4	Rivet	
45	4700374132	F	1	Step	
46	4700374133	G	1	Step	
47	4700500053	D	4	Screw	M8x20H 8.8 C
48	4700600006	D	4	Washer	C

- 1) For rollers with cab see " Optional equipment"
- B) Left
- C) Right
- D) Option
- E) To floor mat
- F) Option, right
- G) Option, left

Seat
18391



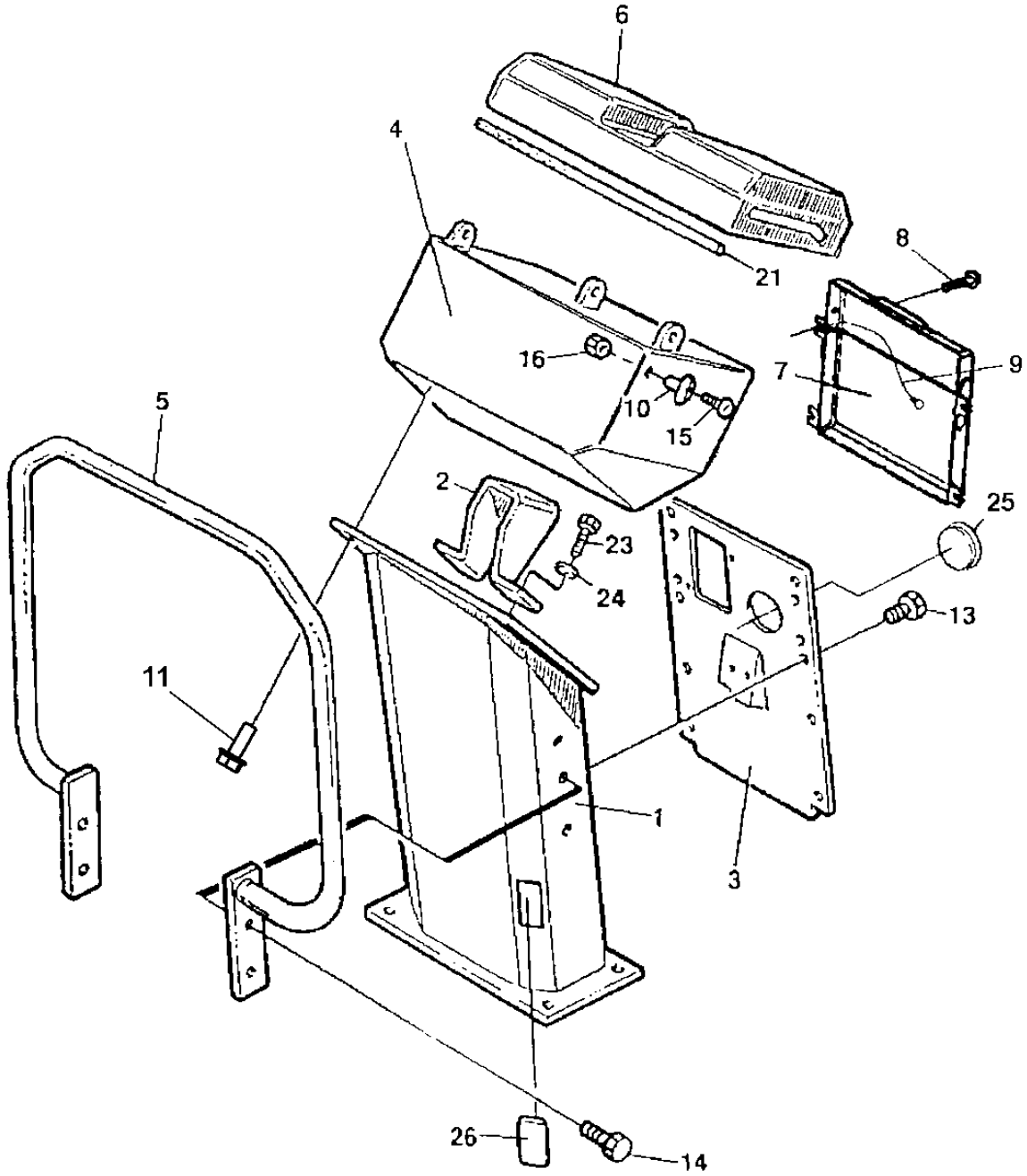
Seat

Item	Part No	Rem	Qty	Description	Code
1	4700377518	A	1	Drivers seat, cpl	D
3	4700390963	B	2	.Arm rest kit	D
4	4700945622		1	.Seat switch	B

- A) Black vinyl
- B) Valid for seat 4700377518 only.

Control panel

17697-1



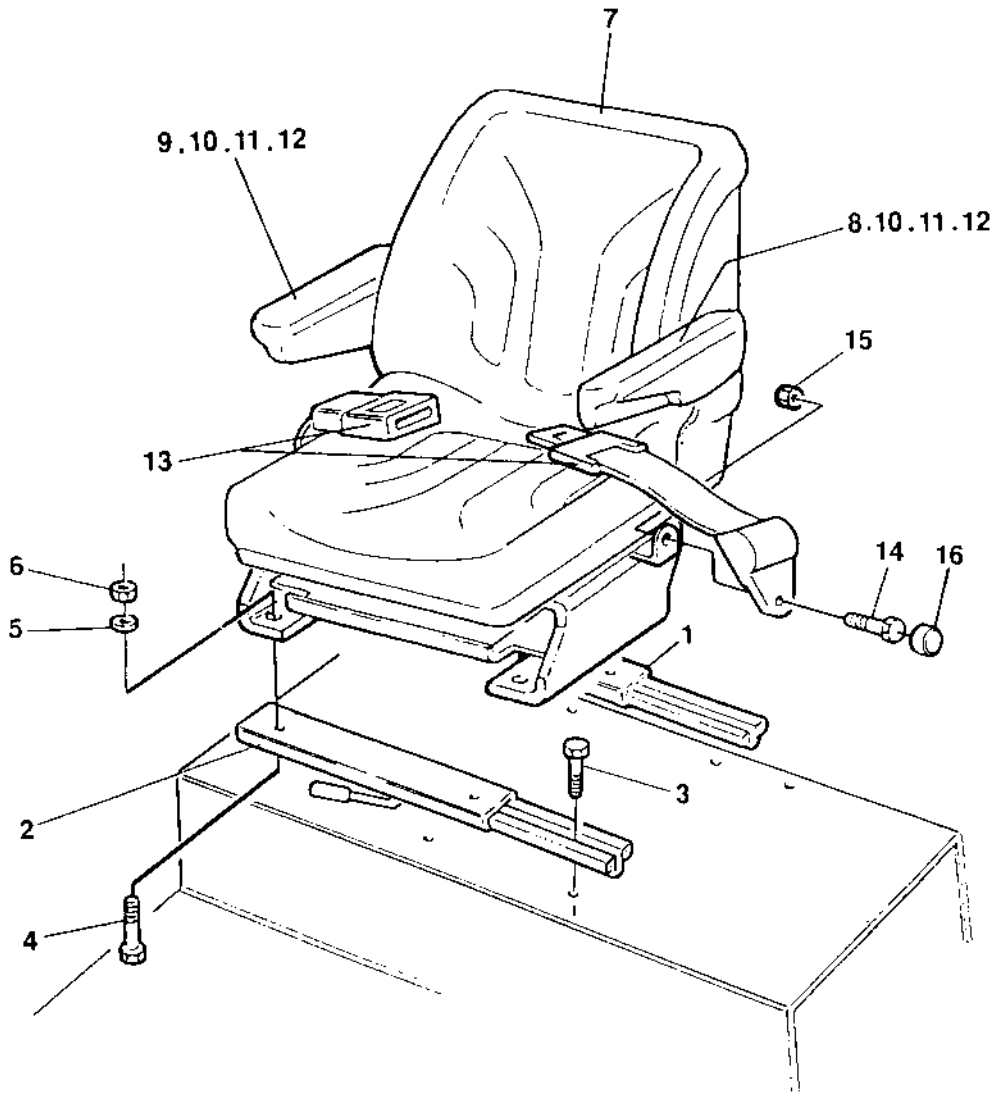
Control panel

Item	Part No	Rem	Qty	Description	Code
1	4700358142		1	Control panel	
2	4700357316		1	Bracket	
3	4700358143		1	Cover	
4	4700357320		1	Instrument box Up to 60214251	
	4812110857		1	Instrument box From 60214252	
	4700357320		1	Instrument box From 60214253 Up to 60214254	
	4812110857		1	Instrument box From 60214255	
5	4700357330	A	1	Hand rail	D
6	4700357424		1	Cover	
7	4700383705		1	Instruction book holder	D
8	4700791226		4	Screw	C
9	4700357643		1	Wire	D
10	4700357855		2	Bushing	C
11	4700541703		4	Screw	M6x16 C
13	4700541702		8	Screw	M6x12 C
14	4700500509		4	Screw	
15	4700924875		2	Screw	
16	4700586002		2	Lock nut	M6 -8 C
21	4700902379	D	1XL	Edge trim	
23	4700500021		4	Screw	M8-1,25x25 8.8 C
24	4700904640		4	Washer	8,4x22x3 C
25	4700345870		1	Plug	C
26	4700903727		1	Plug	

- A) Front
- D) L=0,350 m

Arm rests, seat belt, laterally adjusting

16672



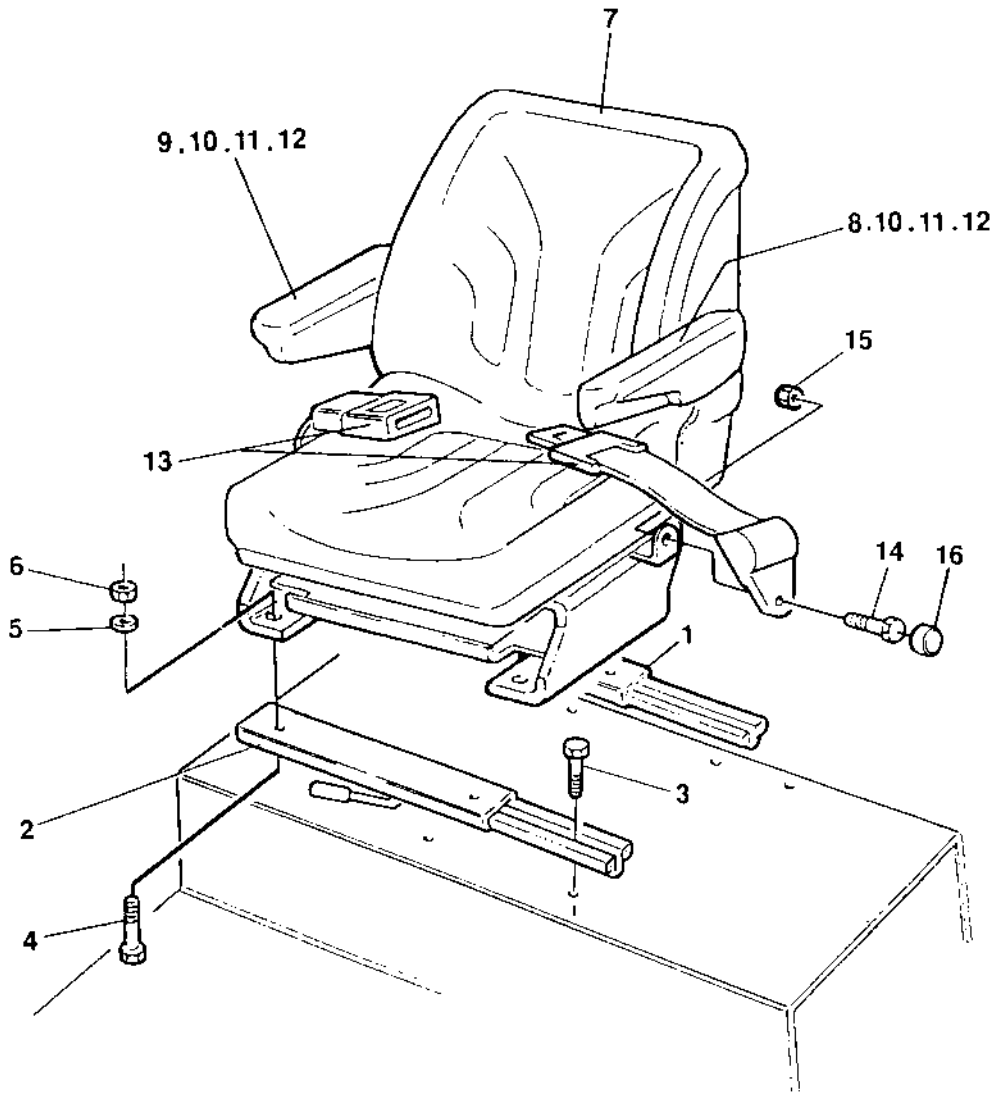
Arm rests, seat belt, laterally adjusting

Item	Part No	Rem	Qty	Description	Code
1	4700909536	A	1	Sliding rail	Right D
2	4700909535	B	1	Sliding rail	Left D
3	4700508092		4	Screw	C
4	4700500020		4	Screw	M8-1,25x22 8,8 C
5	4700904229		4	Washer	8,4x16x1,5 C
6	4700586003		4	Lock nut	M8 C
7	4700372570		1	Seat	
8	4700372696	C	1	Arm rest	D
9	4700372697	D	1	Arm rest	D
10	4700513013	E	4	Screw	C
11	4700570005	E	4	Nut	M8 C
12		E	4	Nut protection	C
13	4700372659	F	1	Seat belt	
	4700383200	G	1	Seat belt	3" B
14			2	.Screw	B
15			2	.Nut	B
16			2	.Protection cap	B

- A) Rear
- B) Front
- C) Left
- D) Right
- E) Incl in armrests
- F) CPL
- G) Option, 3 "

Arm rests, seat belt, laterally adjusting

16672

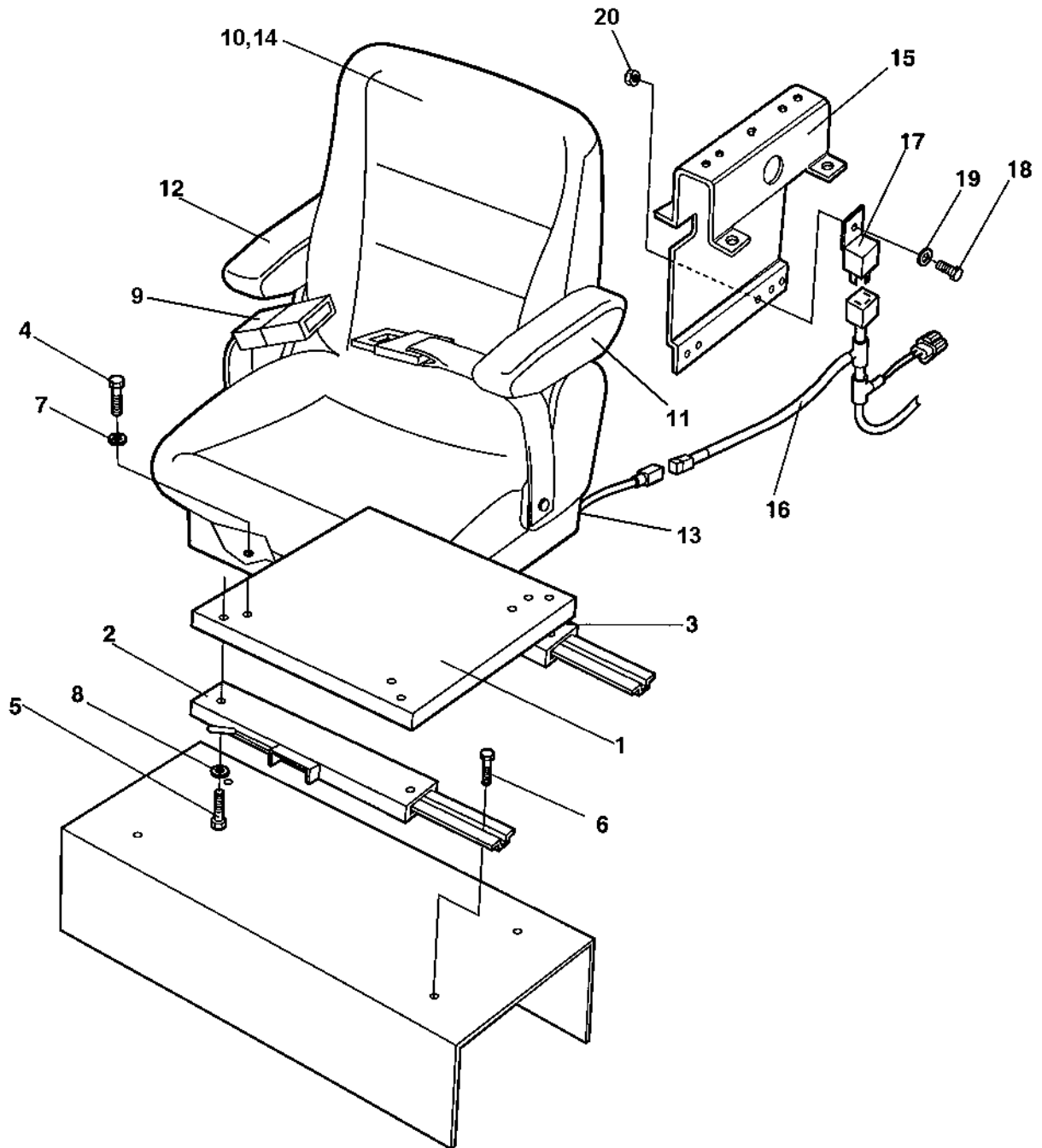


Arm rests, seat belt, laterally adjusting

Item	Part No	Rem	Qty	Description	Code
1	4700909536	A	1	Sliding rail	Right D
2	4700909535	B	1	Sliding rail	Left D
3	4700508092		4	Screw	C
4	4700500020		4	Screw	M8-1,25x22 8,8 C
5	4700904229		4	Washer	8,4x16x1,5 C
6	4700586003		4	Lock nut	M8 C
7	4700372570		1	Seat	
8	4700372696	C	1	Arm rest	D
9	4700372697	D	1	Arm rest	D
10	4700513013	E	4	Screw	C
11	4700570005	E	4	Nut	M8 C
12		E	4	Nut protection	C
13	4700377677	F	1	Seat belt	2" B
	4700379637	G	1	Seat belt	3" B
14			2	.Screw	B
15			2	.Nut	B
16			2	.Protection cap	B

- A) Rear
- B) Front
- C) Left
- D) Right
- E) Incl in armrests
- F) CPL
- G) Option, 3 "

Comfort drivers seat, laterally adjusting and seat belt
18091

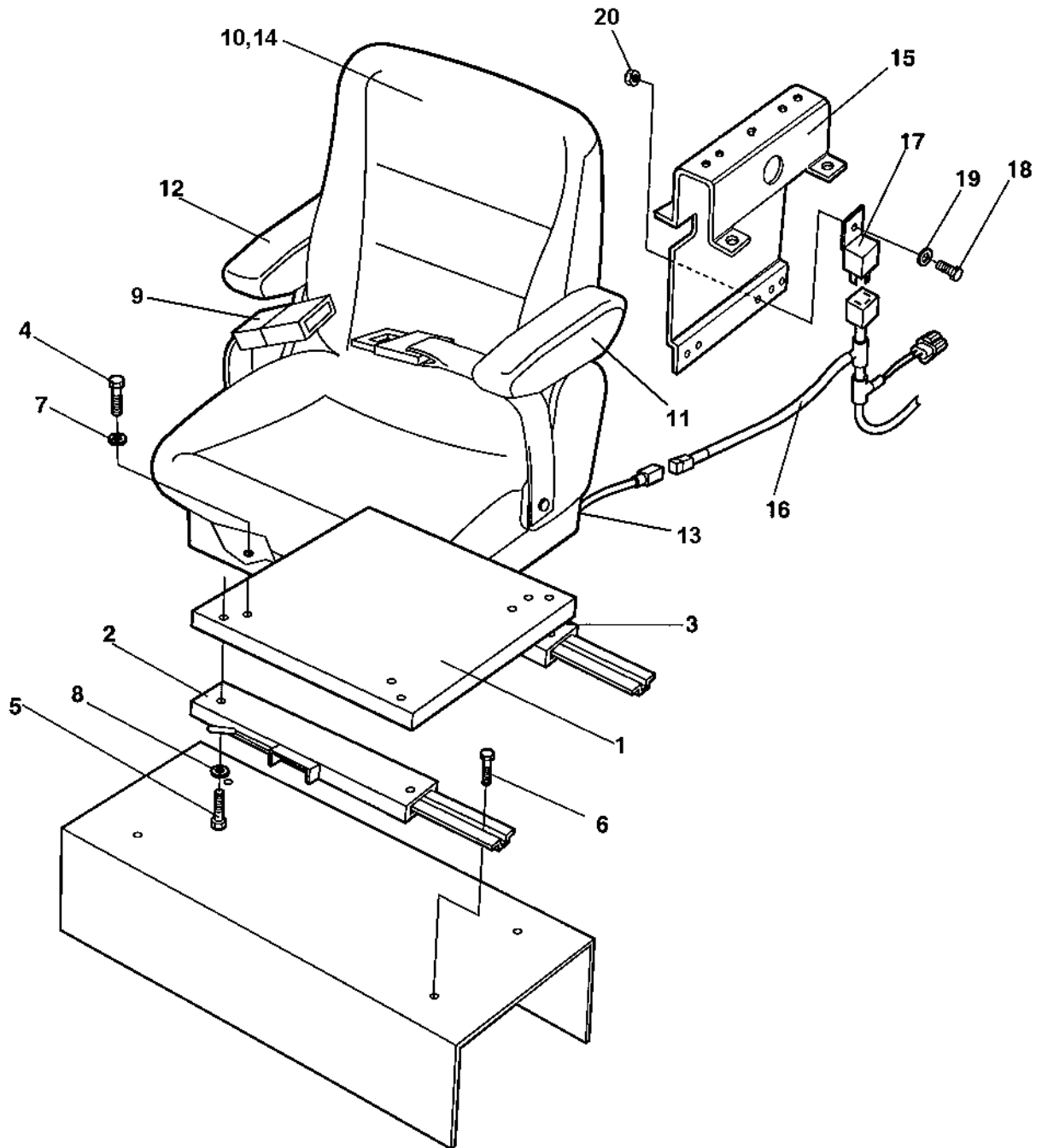


Comfort drivers seat, laterally adjusting and seat belt

Item	Part No	Rem	Qty	Description		Code
1	4700382237		1	Bracket		
2	4700909535	A	1	Sliding rail	Left	D
3	4700909536		1	Sliding rail	Right	D
4	4700508005		6	Screw		
5	4700508005		4	Screw		
6	4700508092		4	Screw		C
7	4700904556		6	Steel plain washer		C
8	4700904556		4	Steel plain washer		C
9	4700903671		1	Seat belt		
	4700383200	B	1	Seat belt	3"	B
10	4700381750		1	Drivers seat		
11	4700938738		1	.Arm rest, left		
12	4700938739		1	.Arm rest, right		
13	4700938740		1	.Seat switch		
14	4700386075		1	Seat protection		
15		C	1	Framing		
16	4700384532		1	Cable harness		
17	4700975077		1	Relay		
18	4700500006		1	Screw	M5x16	C
19	4700904281		1	Washer	5,3x10x1 300HV	C
20	4700570003		1	Nut	M5	C

- A) With handle
- B) Option, 3 "
- C) See section "F/r controls dual, control panel mounted"

Comfort drivers seat, laterally adjusting and seat belt
18091



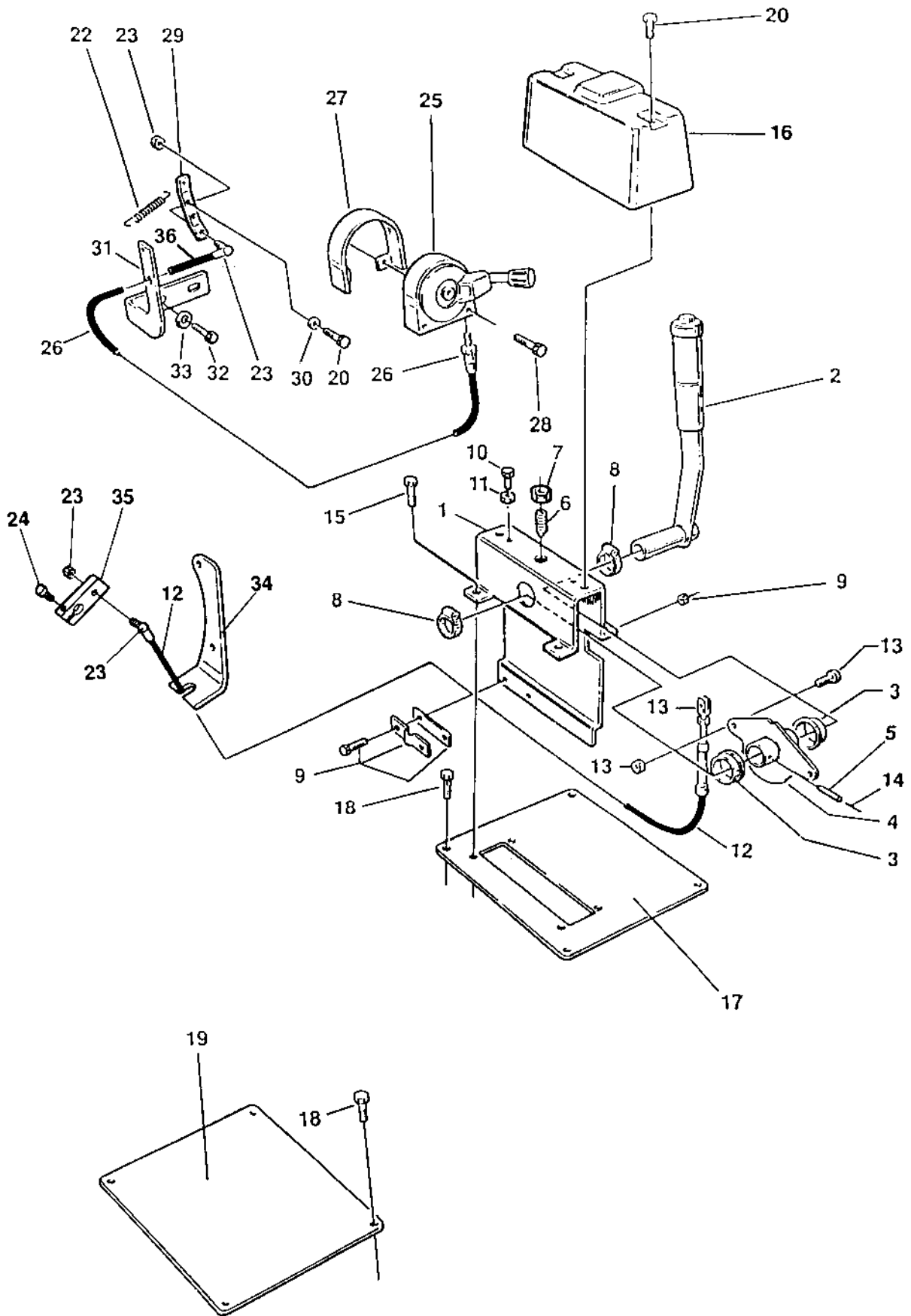
Comfort drivers seat, laterally adjusting and seat belt

Item	Part No	Rem	Qty	Description		Code
1	4700382237		1	Bracket		
2	4700909535	A	1	Sliding rail	Left	D
3	4700909536		1	Sliding rail	Right	D
4	4700508005		6	Screw		
5	4700508005		4	Screw		
6	4700508092		4	Screw		C
7	4700904556		6	Steel plain washer		C
8	4700904556		4	Steel plain washer		C
9	4700377677		1	Seat belt	2"	B
	4700379637	B	1	Seat belt	3"	B
10	4700381750		1	Drivers seat		
11	4700938738		1	.Arm rest, left		
12	4700938739		1	.Arm rest, right		
13	4700938740		1	.Seat switch		
14	4700386075		1	Seat protection		
15		C	1	Framing		
16	4700384532		1	Cable harness		
17	4700975077		1	Relay		
18	4700500006		1	Screw	M5x16	C
19	4700904281		1	Washer	5,3x10x1 300HV	C
20	4700570003		1	Nut	M5	C

- A) With handle
- B) Option, 3 "
- C) See section "F/r controls dual, control panel mounted"

Engine and forward/reverse controls DEUTZ

16520



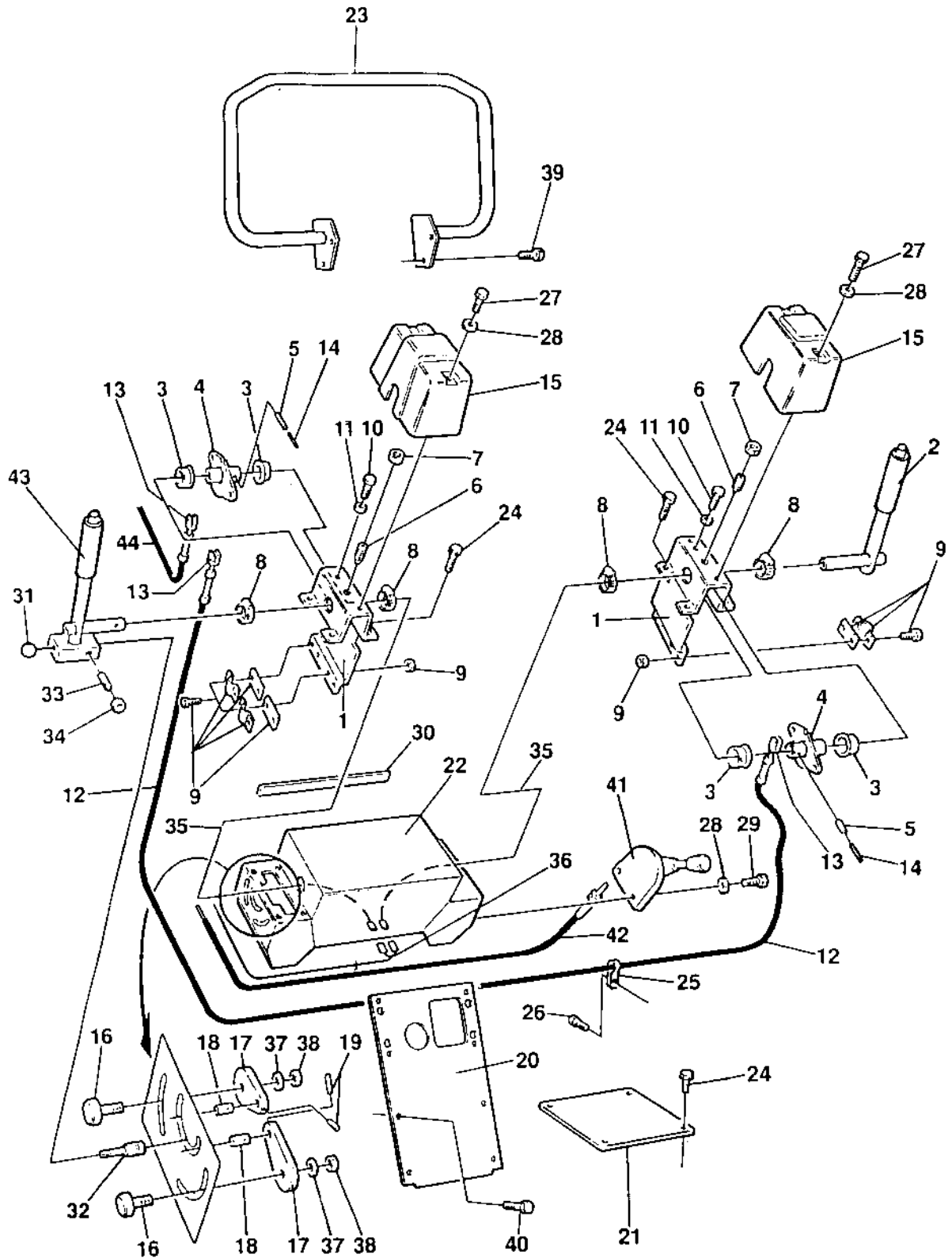
Engine and forward/reverse controls DEUTZ

Item	Part No	Rem	Qty	Description	Code
1	4700902896		1	Framing	
2	4700357501	A	1	Control lever	
3	4700902187		2	Bearing	
4	4700902895		1	Cam disc	
5	4700629016		2	Expanding	C
6	4700922325		1	Spring ball plunger	C
7	4700573004		1	Nut	C
8	4700313035		2	Hose clamp	
9	4700902189		1	Bracket	
10	4700500040		2	Screw	M6-1x20 8,8 C
11	4700570004		2	Nut	M6X1,00 -8 A2K C
12	4700902191	B	1	Control cable	D
13	4700416004		1	Fork	C
14	4700903395		2	Spirol pin	C
15	4700500040		4	Screw	M6-1x20 8,8 C
16	4700357494	C	1	Cover	
17	4700357495		1	Control bracket	
18	4700500501	D	8	Screw	M6x20
19	4700357496		1	Cover plate	
20	4700500013		4	Screw	M6-1x16 8,8 C
21	4700586002		2	Lock nut	M6 -8 C
22	4700357500		1	Spring	C
23	4700416034		2	Ball joint	C
24	4700508020		1	Screw	C
25	4700382213	E	1	Control Up to 602X2885	C
	4700389175		1	Control From 602X2886	C
	4700396215		1	Control From 60214244	
26	4700902193	E	1	Control cable Up to 602X2885	D
	4700389176		1	Control cable From 602X2886	
27	4700382226		1	Snap plate Up to 602X2885	
	4700389177	F	1	Snap plate From 602X2886	D
28	4700500061		2	Screw	M6-1X35 8,8 C
29	4700357498		1	Control lever	D
30	4700904228		10	Washer	6,4x12x1,5 C
31	4700357499		1	Control bracket	
32	4700500021		2	Screw	M8-1,25x25 8.8 C
33	4700904556		2	Steel plain washer	C
34	4700390810		1	Control bracket	
35	4700372705		1	Control lever	
36	4700382349		1	Bellows	C

- A) Right, for electrical equipment see section " Electrical equipment "
- B) F/R control
- C) Right
- D) Left
- E) Throttle
- F) Not designed as illustrated

F/r controls dual, control panel mounted

15745-1



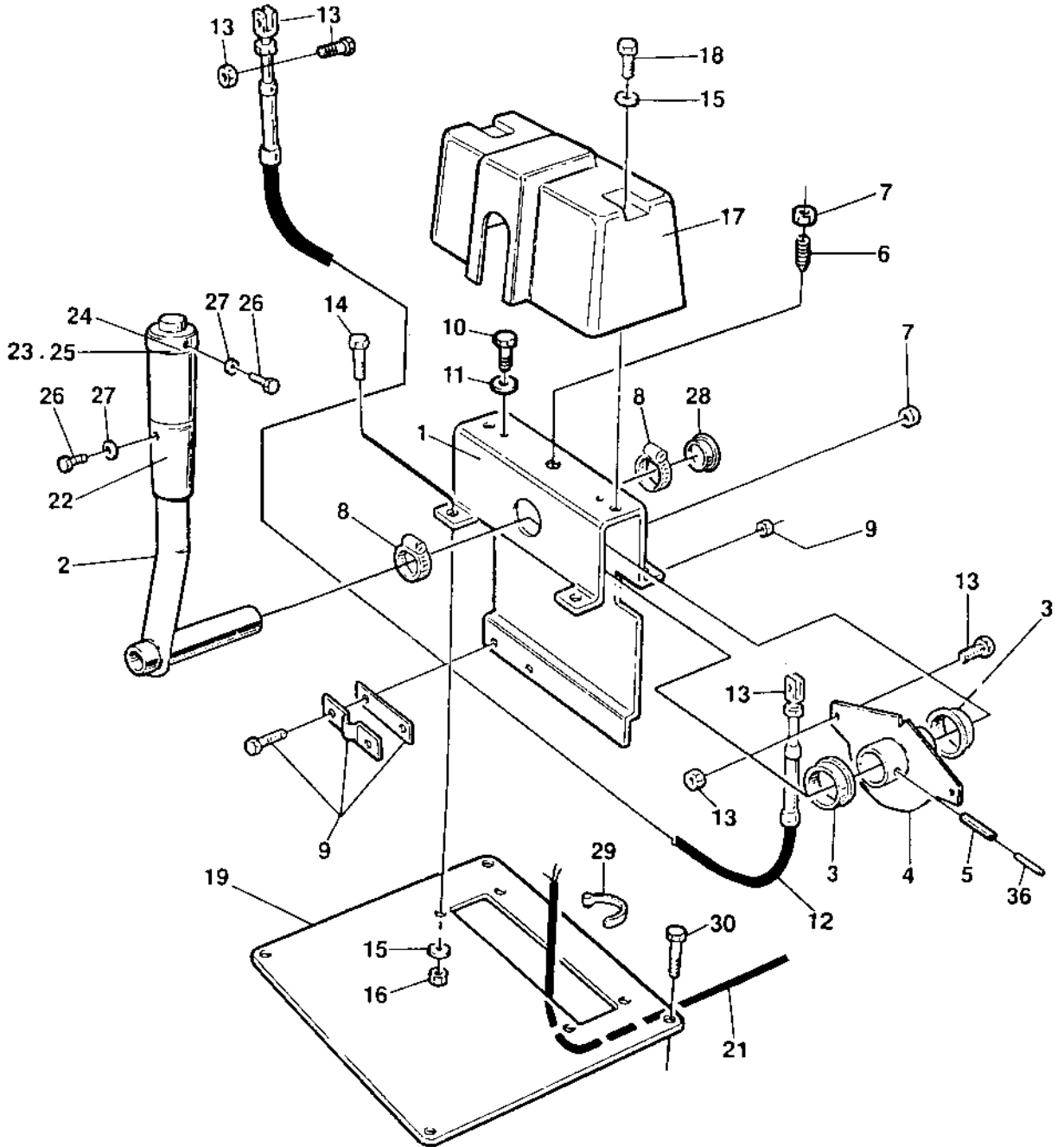
F/r controls dual, control panel mounted

Item	Part No	Rem	Qty	Description	Code
1	4700902896		2	Framing	
2	4700370263	A	1	Control lever	
3	4700902187		4	Bearing	
4	4700902895		2	Cam disc	
5	4700629016		2	Expanding	C
6	4700922325		2	Spring ball plunger	C
7	4700573004		2	Nut	C
8	4700313035		4	Hose clamp	
9	4700902189		3	Bracket	
10	4700500040		4	Screw	M6-1x20 8,8 C
11	4700570004		4	Nut	M6X1,00 -8 A2K C
12	4700903675		1	Control cable	D
13	4700416004		3	Fork	C
14	4700903395		2	Spirol pin	C
15	4700370241		2	Cover	
16	4700370242		2	Knob	
17	4700370273		1	Plate	
18	4700370272		1	Shaft	
19	4700516010		1	Screw	
20	4700370244		1	Cover	
21	4700357496		1	Cover plate	
22	4700370174		1	Instrument box	
23	4700371088		1	Hand rail	
24	4700541702		12	Screw	M6x12 C
25	4700921070		1	Clamp	
26	4700541705		1	Screw	
27	4700500013		4	Screw	M6-1x16 8,8 C
28	4700600004		6	Washer	C
29	4700500061		2	Screw	M6-1X35 8,8 C
30	4700202028	B	1XL	Edge trim	D
31	4700312001		1	Handle grip	
32	4700346431		1	Bolt	
33	4700923900		1	Spring loaded pin	
34	4700570005		1	Nut	M8 C
35	4700357583		1	Cable harness	
36	4700370274		1	Cable harness	
37	4700600006		2	Washer	C
38	4700586003		2	Lock nut	M8 C
39	4700500509		4	Screw	
40	4700541702		8	Screw	M6x12 C
41	4700382213	C	1	Control Up to 602X2885	C
	4700389175		1	Control From 602X2886	C
	4700396215		1	Control From 60214244	
42	4700902193	C	1	Control cable Up to 602X2885	D
	4700389176		1	Control cable From 602X2886	
43	4700370266	D	1	Control lever	
44	4700903676	E	1	Control cable	D

- A) Right, for electrical equipment see section " Electrical equipment "
- B) L=0,225 m
- C) Throttle
- D) Left, for electrical equipment see section " Electrical equipment "
- E) F/R control

F/r control dual left side, platform mounted

17969



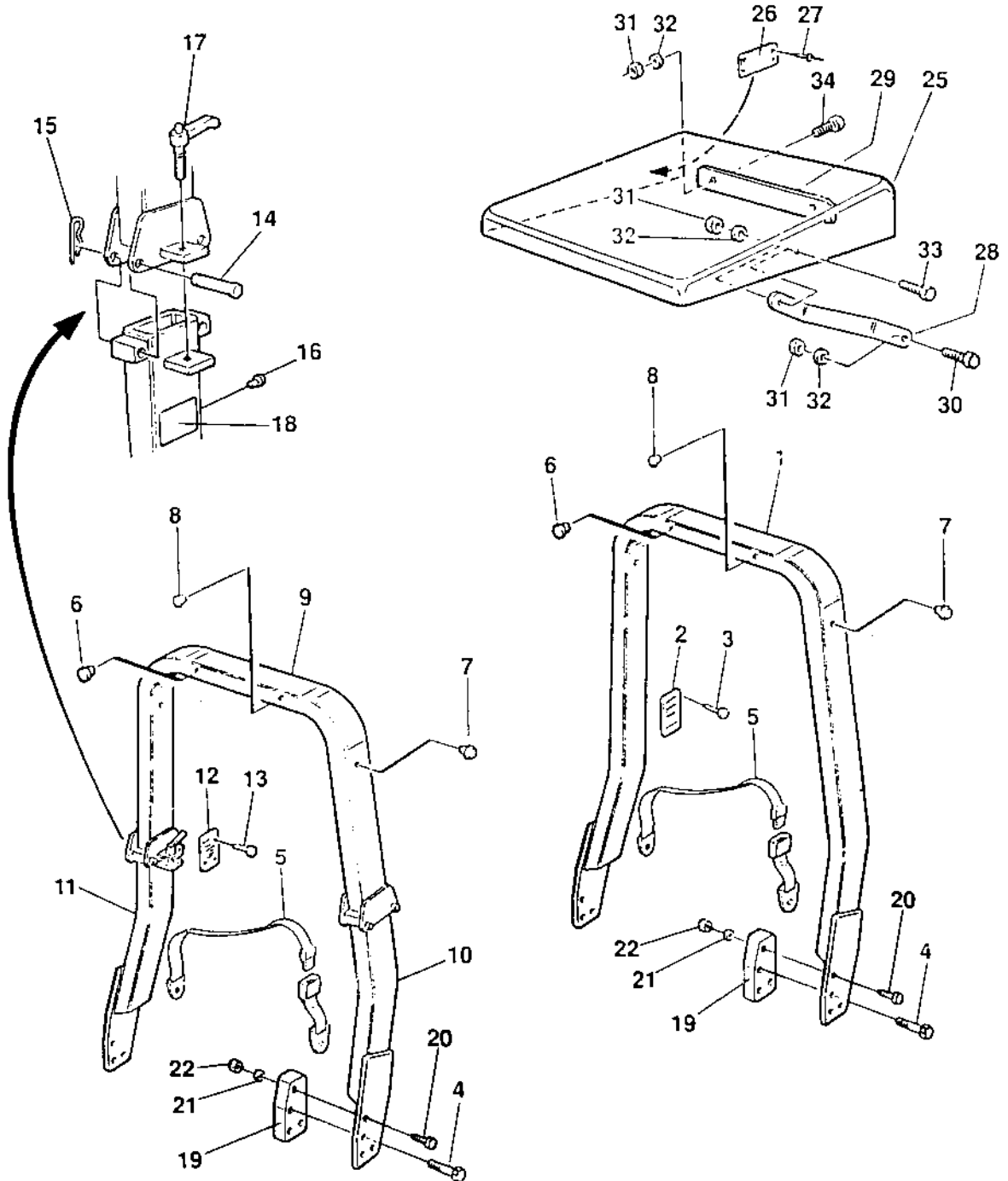
F/r control dual left side, platform mounted

Item	Part No	Rem	Qty	Description	Code
1	4700902896		1	Framing	
2	4700357502	A	1	Control lever	
3	4700902187		2	Bearing	
4	4700902895		1	Cam disc	
5	4700629016		2	Expanding	C
6	4700922325		1	Spring ball plunger	C
7	4700573004		1	Nut	C
8	4700313035		2	Hose clamp	
9	4700902189		2	Bracket	
10	4700533038		2	Screw	C
11	4700570004		2	Nut	M6X1,00 -8 A2K C
12	4700908484		1	Control cable	D
13	4700416004		2	Fork	C
14	4700500040		4	Screw	M6-1x20 8,8 C
15	4700904228		6	Washer	6,4x12x1,5 C
16	4700586002		4	Lock nut	M6 -8 C
17	4700357494		1	Cover	
18	4700500013		2	Screw	M6-1x16 8,8 C
19	4700357495	A	1	Control bracket	
21	4700357896		1	Cable harness	
22	4700285909		1	Grab handle	D
23	4700928497	C	1	Push button	D
24	4700285911		1	Bushing	D
25	4700348481		1	Cover	B
26	4700533001		3	Screw	
27	4700904697		5	Washer	3,2x6x0,5
28	4700902203		1	Plug	C
29	4700313068		2	Cable ties	L=92 mm
30			4	Screw	
36	4700903395		2	Spirol pin	C

- A) Left
- C) Vibration

Rops and fops

15579-2



Rops and fops

Item	Part No	Rem	Qty	Description	Code
1		A,B	1	Rops	C
2	4700370803		1	.Sign, rops	
3	4700902093		4	.Screw	
4	4700904717		6	Screw	
5		D	1	Seat belt	
6	4700900986		4	Plug	
7	4700902203		5	Plug	C
	4700902203	C	3	Plug	C
8	4700903378		8	Plug	
9		A,B	1	Rops, upper part	
10		A,B	1	Rops, lower part	
11		A,B	1	Rops, lower part	
12	4700370803		1	Sign, rops	
13	4700902093		4	Screw	
14	4700374009		4	Shaft	
15	4700635061		4	Hair clip	C
16	4700288357	E	2	Shock absorber	
17	4700904429		2	Lock handle	
18	4700908229		2	Safety decal	D
19				Not used on this model	D
20	4700947699		2	Screw	
21	4700904232		2	Washer	C
22	4700902382		2	Nut	
25	4700359074		1	Roof	
26			1	Sign, fops	
27	4700624016		4	Blind rivet	C
28	4700359065		2	Support bar	
29	4700359062		1	Holder plate	
30	4700500107		2	Screw	
31	4700586021		6	Nut	M16 C
32	4700904232		12	Washer	C
33	4700500070		2	Screw	M16x50 C
34	4700500164		2	Screw	M16-2,0x150 8,8 C
35	4700904229		2	Washer	8,4x16x1,5 C
36	4700570005		2	Nut	M8 C

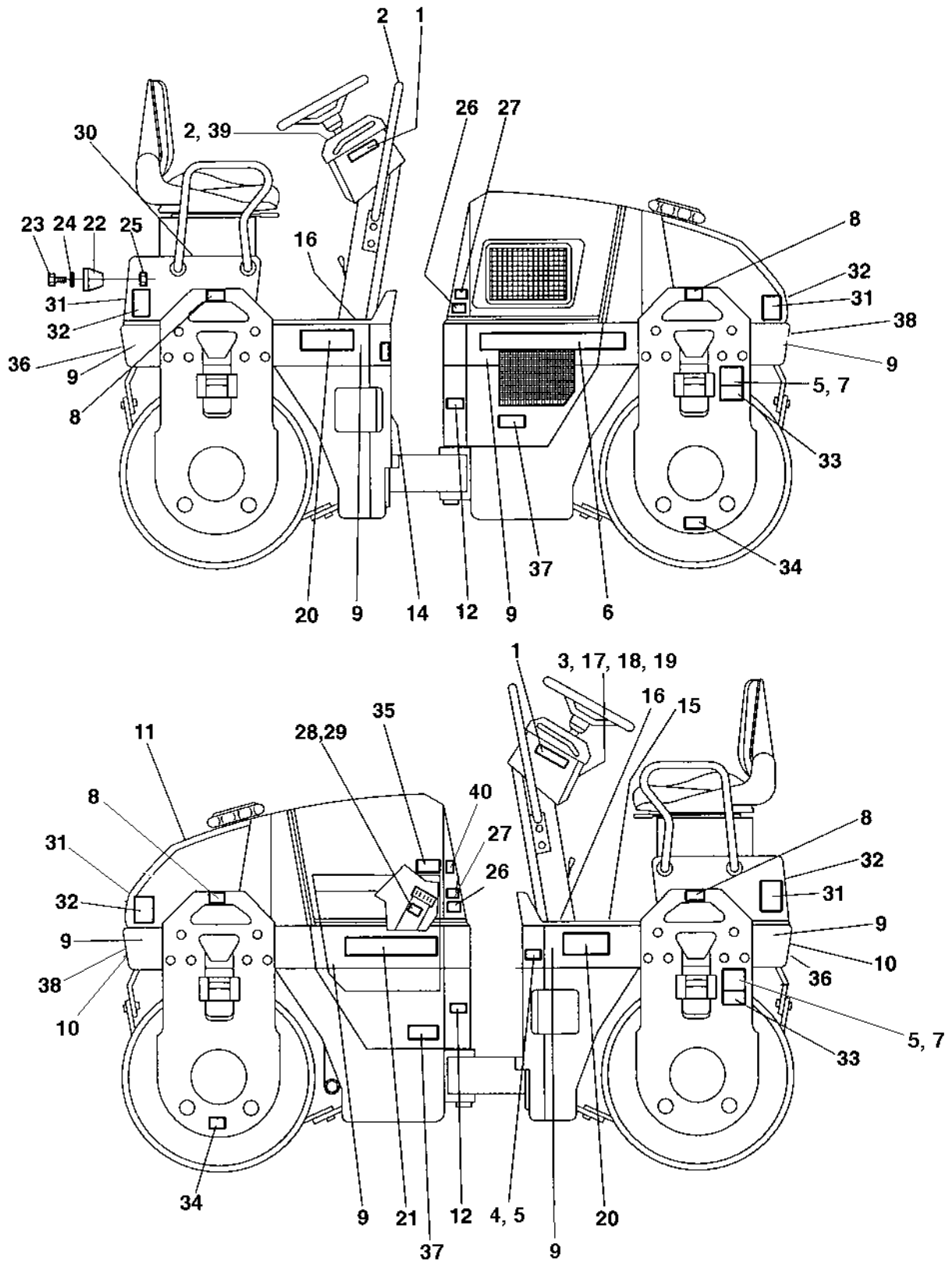
- A) Not sold separately due to safety regulations
- B) Only available as a complete ROPS kit; please check the machine SN, and contact Dynapac for valid PN
- C) Foldable rops
- D) See section for Drivers seat
- E) Needs hole: threaded M8; 190 mm from the top of Rops, lower part, rear in the middle.

Decals

Item	Part No	Rem Qty	Description	Code
100			Plates and decals, ce-marking approved (Page 206)	

Plates and decals, ce-marking approved

18094



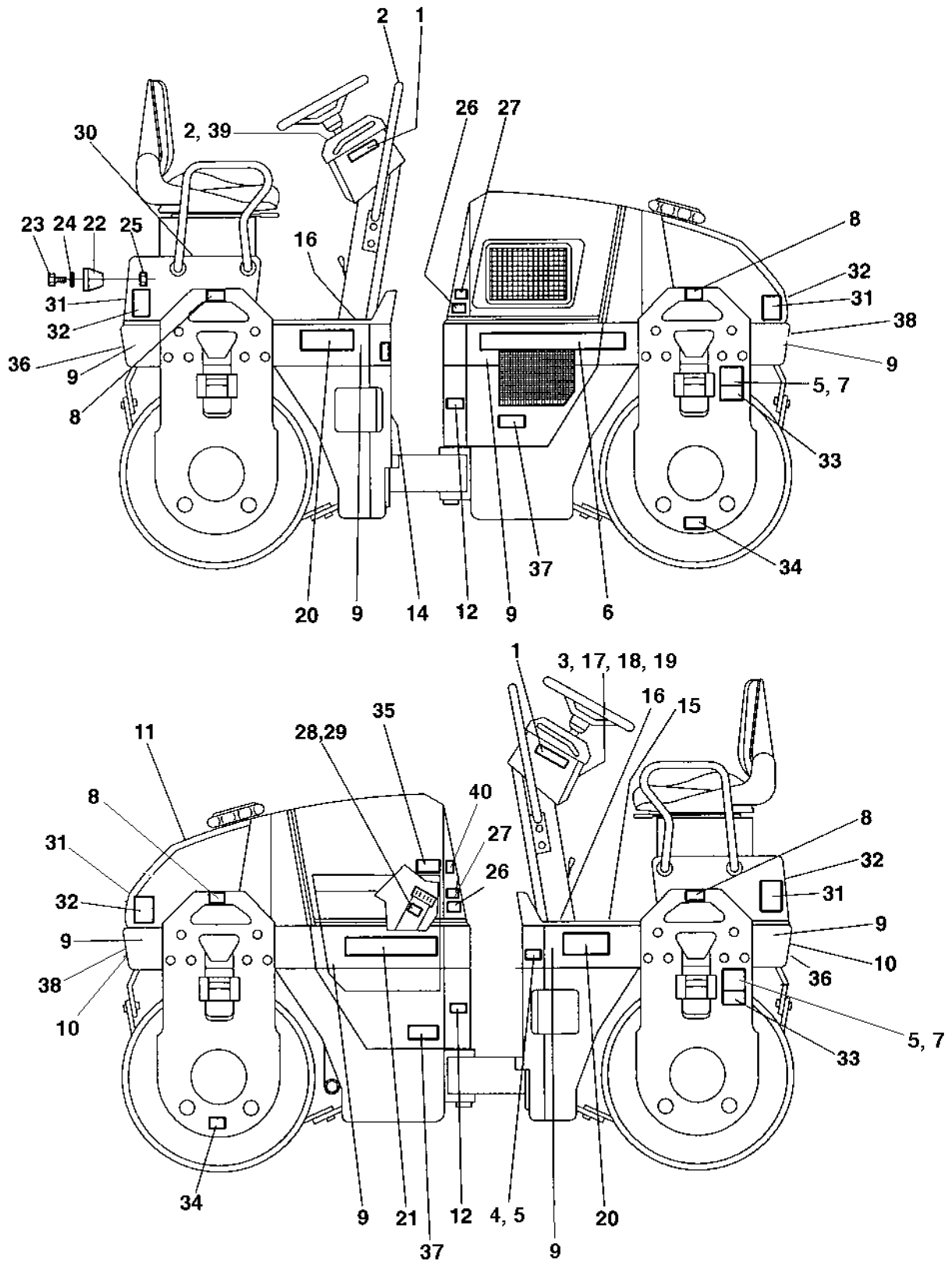
Plates and decals, ce-marking approved

Item	Part No	Rem	Qty	Description		Code
1	4700903459	A	2	Decal "SAFETY"		D
2	47386084SE		1	Warning plate	Swedish	
	47386084EN		1	Warning plate	English	
	47386084DE		1	Warning plate	German	
	47386084IT		1	Warning plate	Italian	
	47386084ES		1	Warning plate	Spanish	
	47386084FR		1	Warning plate	French	
	47386084NO		1	Warning plate	Norwegian	
	47386084DK		1	Warning plate	Danish	
	47386084FI		1	Warning plate	Finnish	
	47386084PT		1	Warning plate	Portuguese	
	47386084NL		1	Warning plate	Dutch	
	47386084IS		1	Warning plate	Icelandic	
	47386084CN		1	Warning plate	Chinese	
3	4700903425		1	Decal "SAFETY MANUAL"		D
4			1	Product identification plate		D
			1	Product identification plate CE		D
	4700900842	I	1	Product identification plate		
	4700357130	J	1	Plate cert. appr.		
	4700371173	K	1	Product plate		
5	4700624005	Z	12	Blind rivet	3,2x6,1	C
6	4700904097		1	Decal "DYNAPAC"	L=290 mm	
7	4700904870		2	Lifting sign		D
8	4700357587		2	Decal "LIFT POINT"		D
9	4700357592	N	NXL	Decal "RED"	W=148 mm	D
10	4700904094		2	Decal "DYNAPAC" Up to 602X3237	L=670 mm	
	4700904097	D	2	Decal "DYNAPAC" Up to 602X3237	L=290 mm	
	4700904097		2	Decal "DYNAPAC" From 602X3238	L=290 mm	
	4700379982	N	NXL	Decal "RED" From 602X3238	W=120 mm	
11	4700991657		1	Decal "WATER"		D
12	4700903422	Q	2	Decal "SAFETY"		D
14	4700991658		1	Decal "FUEL"		D
15	4700357604	R	1	Protection		
16	4700357605	S	2	Protection		
17	4700357643		1	Wire		D
18	4700904697		1	Washer	3,2x6x0,5	
19	4700358254		1	Key-ring		
20	4700902219		2	Decal "MODEL CODE"	CC 142	
	4700371171	Y	2	Decal "MODEL CODE"	CC 142 II	
21	4700904097		1	Decal "DYNAPAC"	L=290 mm	
22	4700900684	V	1	Name plate "DYNAPAC"		
23	4700535008		2	Screw	M5x20	C
24	4700600003		2	Washer		
25	4700586001		2	Lock nut		C
26	4700903423	W	2	Decal "SAFETY"		D
27	4700903424	X	2	Decal "HOT SURFACE"		D

- A) Rear instr. manual
- D) For machines with lights.
- I) France only
- J) Italy only
- K) Japan only
- N) Length as required
- Q) Hazardous area
- R) Rear
- S) Front
- V) Option
- W) Engine fan
- X) Hot surface
- Y) Japan
- Z) Replaces earlier used 4700624015

Plates and decals, ce-marking approved

18094



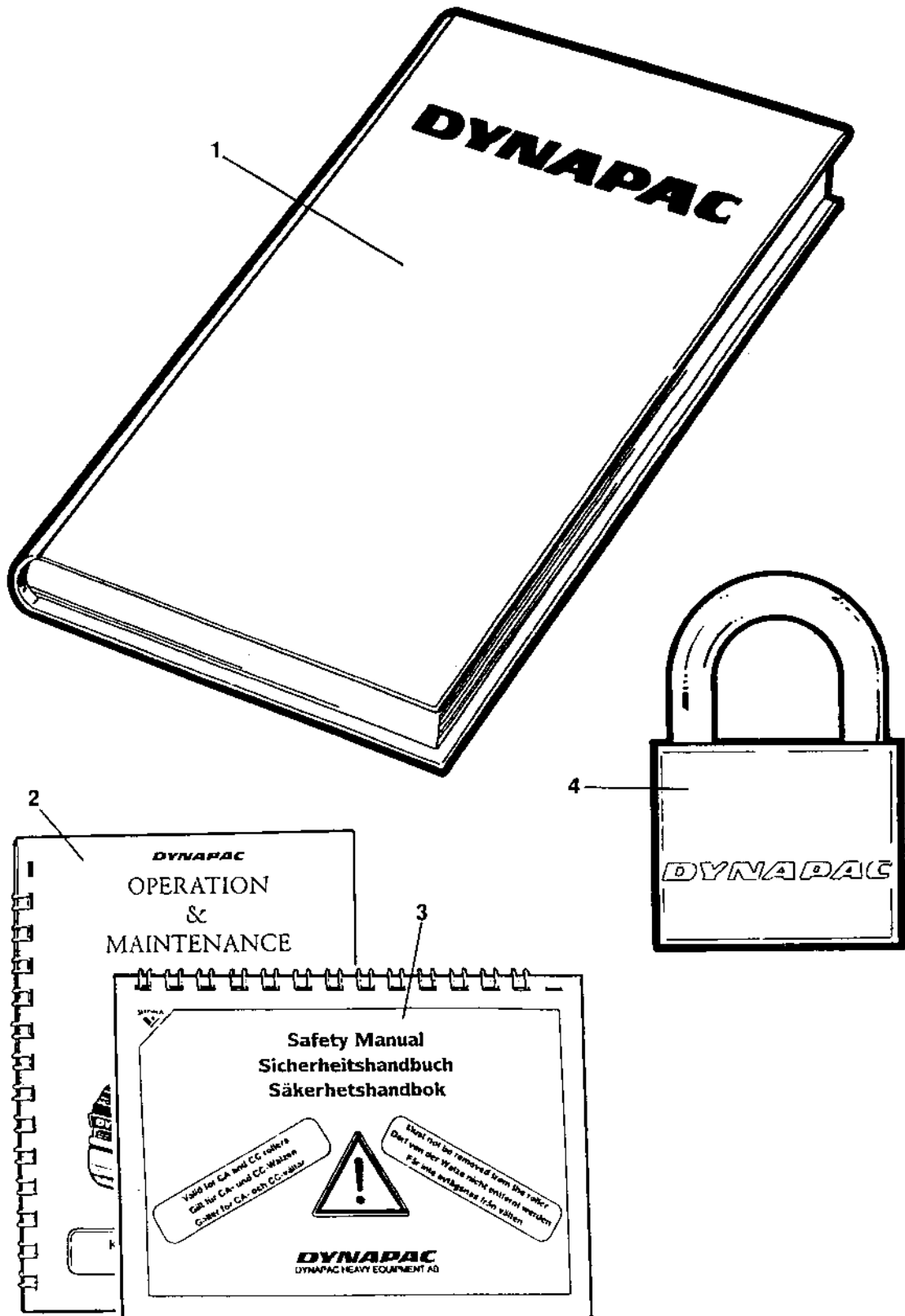
Plates and decals, ce-marking approved

Item	Part No	Rem	Qty	Description		Code
28	4700370127		1	Decal "HYDRAULIC OIL"		
	4700380343		1	Sign "BIO HYDRAULIC OIL"		
	4700792773		1	Sign "BIO HYDRAULIC OIL"	PANOLIN	
29	4700925802		2	Cable ties	L=142 mm	C
30				Not used on this model		C
31	4700904403		4	Decal "Risk location"		
32	4700904404		4	Decal "Risk location"		
33	4700908229		2	Safety decal		D
34	4700382751		2	Decal "TIE DOWN POINT"		D
35	4700904835		1	Decal "BATTERY POWER"		D
36	4700377742		2	Reflector, red		D
37	4700377744		2	Reflector, yellow		D
38	4700377743		2	Reflector, white		D
39	4700624017		2	Blind rivet		C
40	4700791276	V	1	Decal "Sound power level"	106dB	D

V) Option

Standard equipment

Item	Part No	Rem Qty	Description	Code
100			Standard equipment (Page 212)	



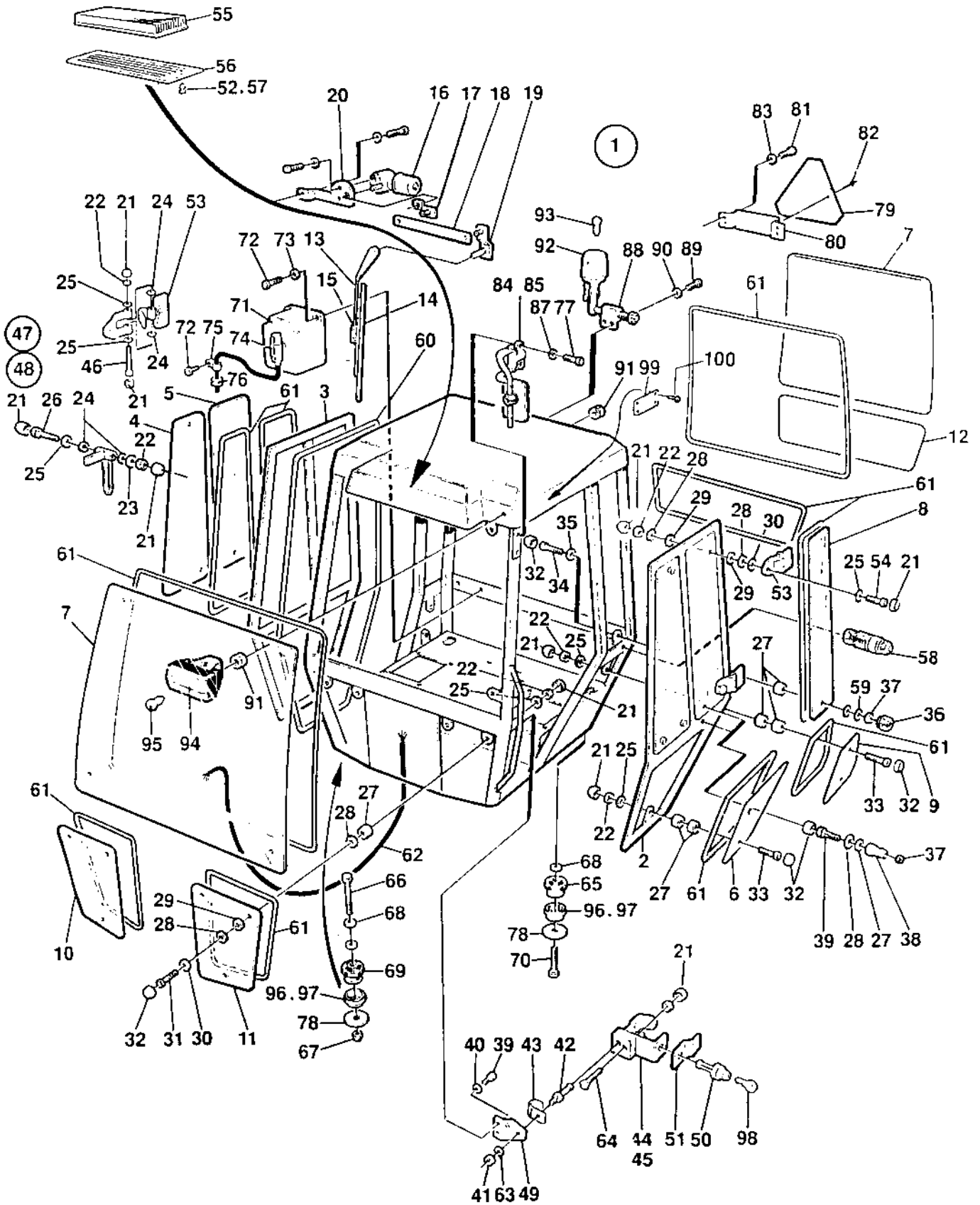
Item	Part No	Rem Qty	Description	Code
1		1	Documentation	OMS142
		1	.Warranty registration card	
		1	.Operating instruction	O142
		1	.Maintenance instruction	M142
		1	.Spare parts catalogue	SCC142
		1	.Instruction manual	DEUTZ / ISUZU
2		1	.Operating / maintenance instruction	OM142
3		1	.Safety manual	RSAFE
4	4700358881	1	Pad lock	D

Optional equipment

Item	Part No	Rem Qty	Description	Code
10			Cab, exterior Up to 602X3164 (Page 216)	
20			Cab, interior Up to 602X3164 (Page 222)	
30			Cab, heater Up to 602X3164 (Page 224)	
41			Canopy (Page 226)	
60			SMV-sign (Page 228)	
65			SMV-sign placed on platform Up to 60212800 (Page 230)	
70			SMV-sign placed on platform From 60212801 (Page 232)	
90			Tool equipment (Page 234)	
100			Noise suppression Up to 602X3054 (Page 23) DEUTZ , 78 dB	
101			Noise suppression From 602X3055 (Page 23) DEUTZ , 78 dB	
105			Noise suppression Up to 602X3054 (Page 24) DEUTZ , 73 dB	
106			Noise suppression From 602X3055 (Page 24) DEUTZ , 73 dB	
110			Back-up alarm Up to 60214229 (Page 244)	
115			Back-up alarm From 60214230 (Page 246)	
120			Rear mirror (Page 248)	
190			Brake release, propulsion motor (Page 250)	357022
200			Cassette receiver (Page 252)	
310			Towing valve (Page 254)	
400			Flow divider (Page 256)	
432			Vibration shut-off, front drum (Page 258)	DEUTZ
436			Vibration shut-off, rear drum (Page 260)	DEUTZ
440			Automatic vibration control (Page 262)	
460			Service brake (Page 264)	
480			Driving, restriction (Page 266)	

Cab, exterior

15631-1



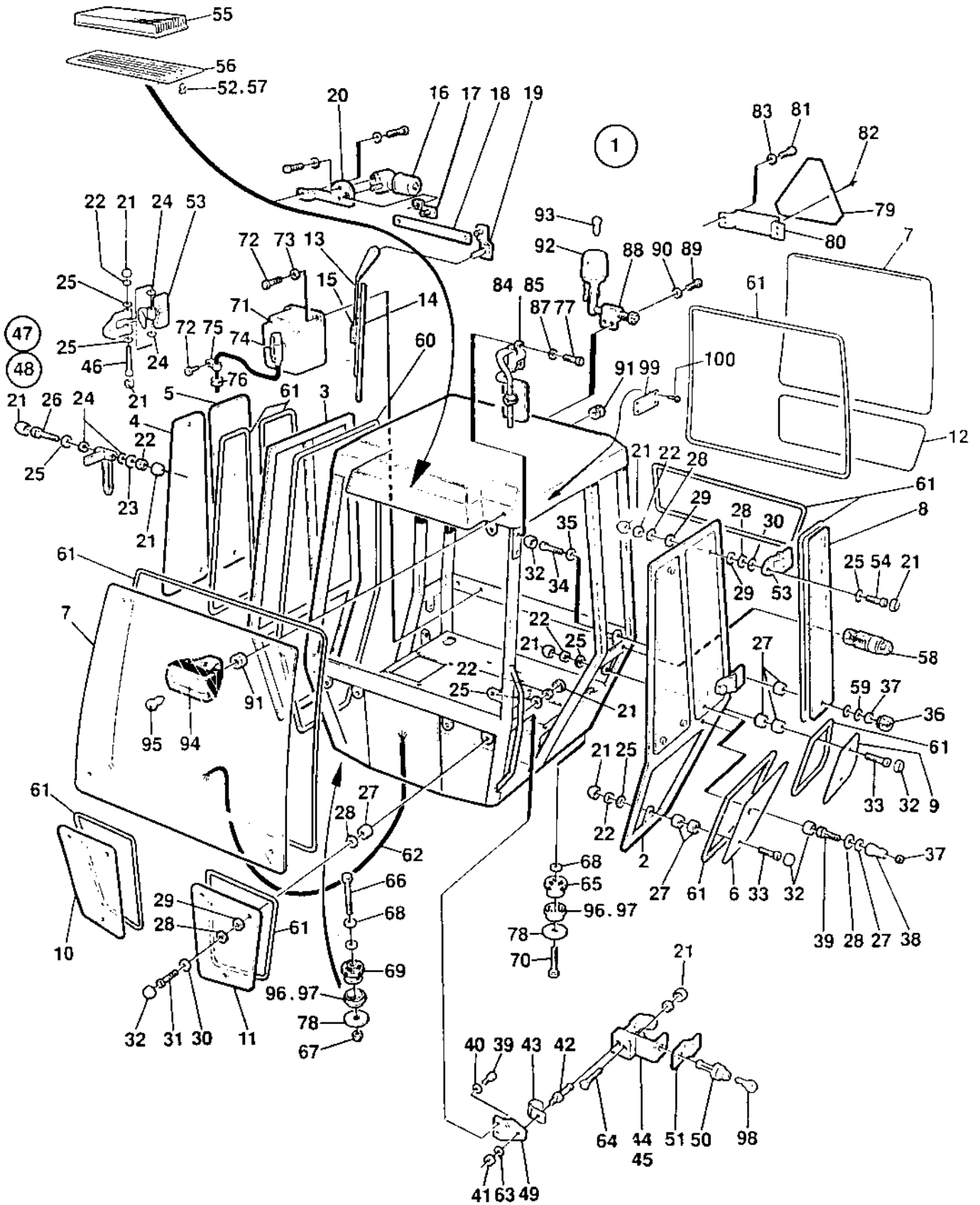
Cab, exterior

Item	Part No	Rem	Qty	Description	Code
1	4700358440		1	Cab	
2	4700903100		1	.Door left	
3	4700903101		1	.Door right	
4	4700358379	A	2	..Screen	D
5	4700358380	B	2	..Screen	D
6	4700358386	C	2	..Screen	D
7	4700358378	D	2	.Screen	D
8	4700358381	E	2	.Screen	D
9	4700358385	F	2	.Screen	D
10	4700358383	G	1	.Screen	D
11	4700358384	H	1	.Screen	D
12	4700358382	I	1	.Screen	D
13	4700903089		2	.Windshield wiper	
14	4700929965		2	..Wiper blade	
15	4700903000		2	.Nozzle	
16	4700903123		2	.Wiper motor	D
17	4700903125		2	.Shaft	
18	4700903126		2	.Connecting rod	
19	4700903127		2	.Shaft	
20	4700903124		2	.Bracket	
21	4700901341		63	.Nut cup	
22	4700586003		61	.Lock nut	M8 C
23	4700601003		2	.Washer	8,4x25x2 C
24	4700903094		24	.Spacer	
25	4700600006		24	.Washer	C
26	4700500189		2	.Screw	C
27	4700903104		40	.Spacer	
28	4700903103		32	.Plastic washer	
29	4700903105		4	.Rubber washer	
30	4700615117		12	.Washer	
31	4700903083		26	.Screw	
32	4700901340		40	.Screw cap	
33	4700903084		4	.Screw	
34	4700500015		2	.Screw	M6-1x30 8,8 C
35	4700600004		2	.Washer	C
36	4700929957		4	.Holder	Female
37	4700586002		2	.Lock nut	M6 -8 C
38	4700929956		4	.Holder	Male
39	4700500061		4	.Screw	M6-1X35 8,8 C
40	4700606015		4	.Washer	

- A) Upper dorr, front
- B) Upper door, rear
- C) Lower door
- D) Upper front/rear
- E) Upper side
- F) Lower side
- G) Lower front, RH
- H) Lower front, LH
- I) Lower rear

Cab, exterior

15631-1



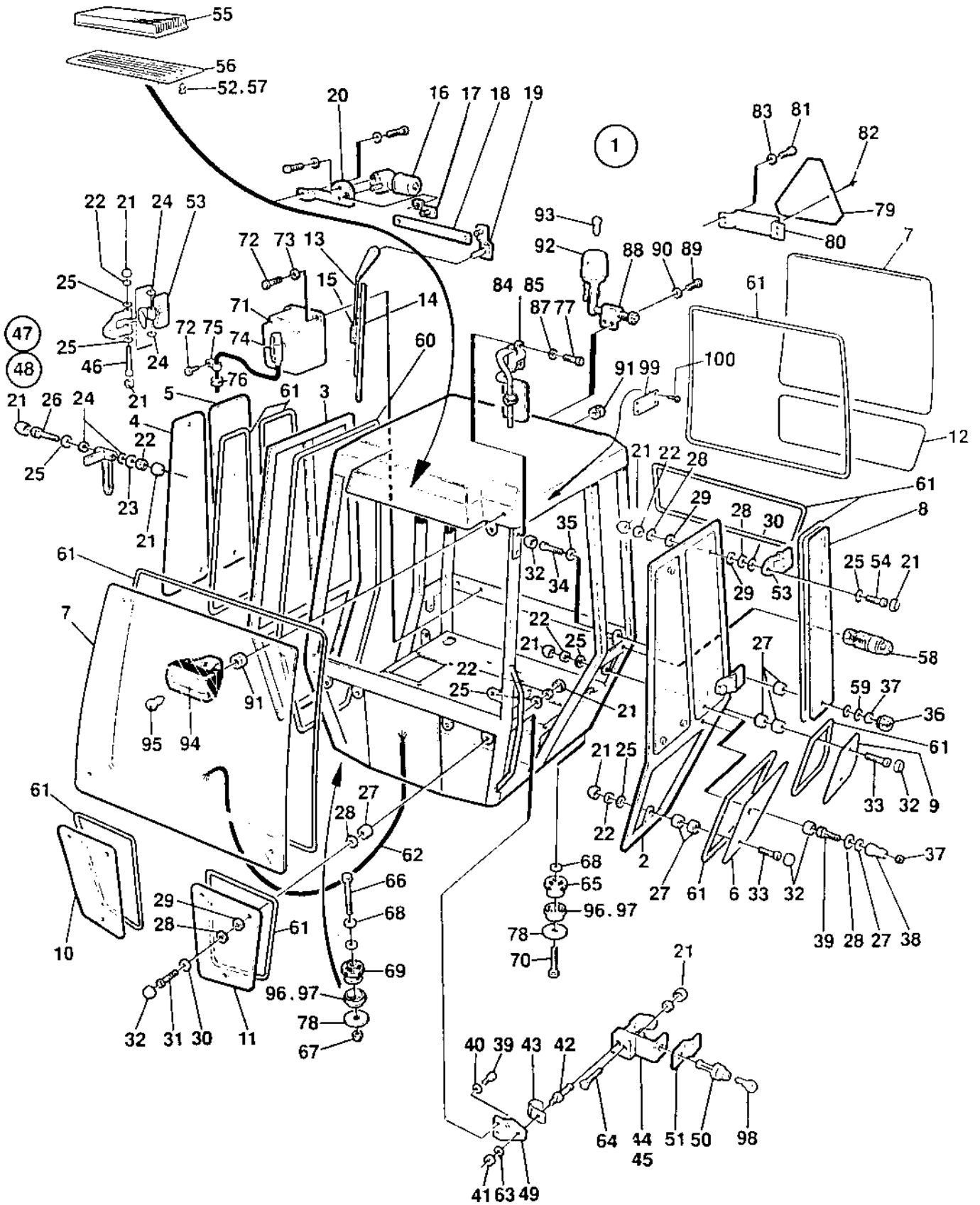
Cab, exterior

Item	Part No	Rem	Qty	Description	Code
41	4700903092		2	.Nut	
42	4700345388		2	.Bolt	
43	4700901242		2	.Hook	
44	4700901249	J	1	.Lock, left	
45	4700901273	K	1	.Lock, right	
46	4700500237		4	.Screw	M8x120
47	4700903097	L	1	.Grab handle	
48	4700903096	M	1	.Grab handle	
49	4700903326		2	.Holder plate	
50	4700903106		2	.Lock	
51	4700903107		2	.Lever	
52	4700903087		2	.Clips	
53	4700903095		4	.Hinge	
54	4700500189		4	.Screw	C
55	4700901296		1	.Air filter	B
56	4700903085		1	.Air inlet cover	
57	4700903086		2	.Quick fastener	
58	4700903102		2	.Door stop	
59	4700606003		1	.Washer	
60	4700901365		N	.Sealing strip	
61	4700901275		N	.Sealing strip	
62	4700358458	N	1	.Cable harness	
63	4700903323		2	.Washer	
64	4700927637		4	.Hexagon socket countersunk screw	
65	4700450166	O	2	Shock absorber	B
66	4700500142		2	Screw	
67	4700586021		2	Nut	M16 C
68	4700600011		N	Washer	C
69	4700801698	P	2	Shock absorber	B
70	4700500094		2	Screw	
71	4700900998		1	Water reservoir	D
72	4700541703		3	Screw	M6x16 C
73	4700615042		2	Conical spring washer	
74	4700900999		1	Pump	C
75	4700921039		1	Pipe clamp	C
76	4700909107		1	Grommet	
77	4700500013		4	Screw	M6-1x16 8,8 C
78	4700358224		4	Washer	85x17x10 FZB
79	4700476019		1	SMV-sign	D
80	4700358579		1	Holder plate	

- J) Right door
- K) Left door
- L) Right
- M) Left
- N) Main
- O) Rear
- P) Front

Cab, exterior

15631-1



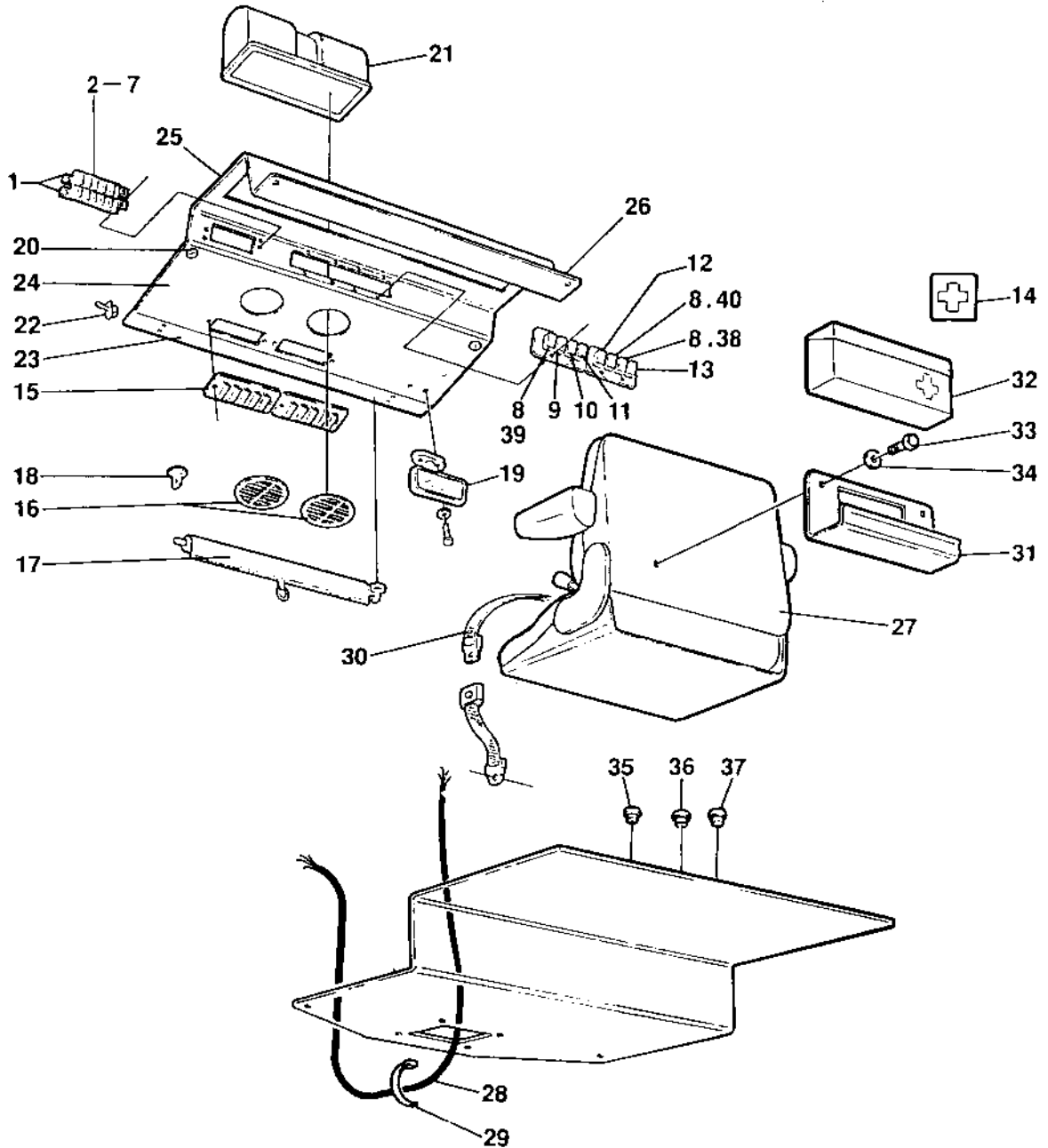
Cab, exterior

Item	Part No	Rem	Qty	Description		Code
81	4700500012		4	Screw	M6x12	C
82	4700903148		4	Rivet		
83	4700600004		4	Washer		C
84	4700901266	Q	1	Rear mirror		
85	4700901267	R	1	Rear mirror		
86	4700901375		1	.Mirror		
87	4700600004		4	Washer		C
88	4700358452		1	Lamp holder		D
89	4700500019		2	Screw	M8x16H 8.8 A2K	C
90	4700615043		2	Washer	8,4x18x2	C
91	4700902891		3	Grommet		
92	4700999011	S	1	Rotating beacon		B
93	4700985126		1	.Bulb		B
94	4700901258		4	Work light		
95	4700901369	U	4	Bulb	55w H3	B
96	4700358228		4	Spacer ring		
97	4700929164		16	Screw		
98	4700928672		2	Key	Marked "1001"	A
99	4700370803		1	Sign, rops		
100	4700527002		4	Drive screw		C

- Q) Right, CPL
- R) Left, CPL
- S) CPL, orange
- U) Work light

Cab, interior

15632



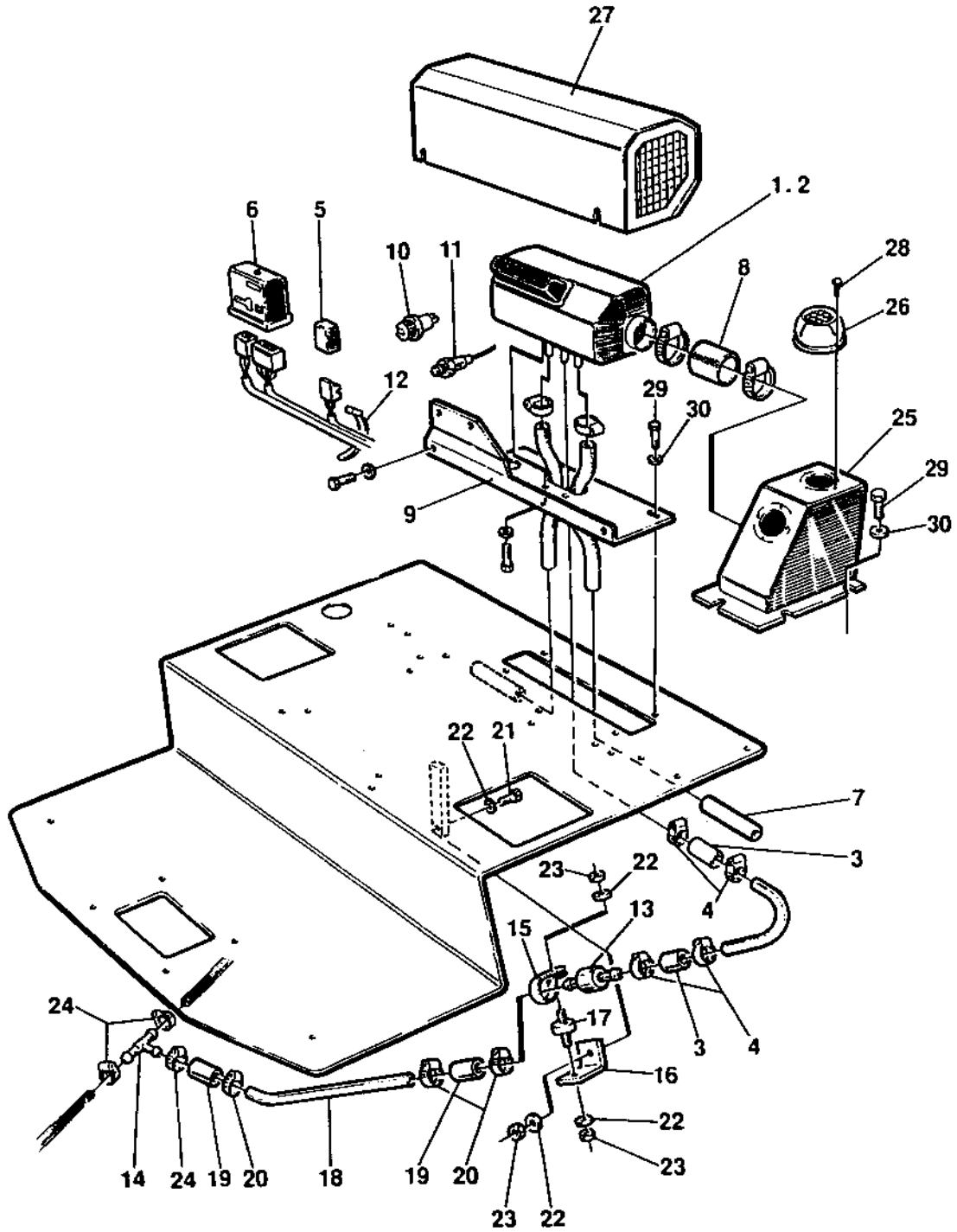
Cab, interior

Item	Part No	Rem	Qty	Description	Code
1	4700903820		1	Fuse box	D
2	4700901227		5	Fuse	A
3	4700901224		2	Fuse	A
4	4700901228		3	Fuse	A
5	4700901226		2	Fuse	A
6	4700901229		1	Fuse	A
7	4700901225		1	Fuse	A
8	4700903128		3	Cover plate	
9	4700357924	A	1	Switch	D
10	4700357925	B	1	Switch	D
11	4700357928	C	1	Switch	D
12	4700357927	D	1	Switch	D
13	4700901679	E	1	Switch	D
14	4700902509	F	1	Decal	
15	4700903110		2	Air inlet	
16	4700901366		2	Air inlet	
17	4700901239		1	Roller blind	
18	4700901245		2	Suction grip	
19	4700901572		1	Rear mirror	
20	4700901578		2	Screw	
21	4700901143		1	Fan	
22	4700901238		2	Switch	
23	4700903118		1	Sun-blind	
24	4700903119	G	1	Roof	
25	4700903120	H	1	Roof	
26	4700903121	I	1	Roof	
27	4700356415	J	1	Drivers seat	
28	4700358458		1	Cable harness	
29	4700313102		N	Cable ties	
30			1	Seat belt	
31	4700358098		1	Box holder	
32	4700902508		1	First aid kit	D
33	4700541508		2	Screw	
34	4700600002		2	Washer	C
35	4700926215		N	Protective plug	
36	4700902919		2	Plug	
37	4700902804		3	Plug	
38	4700358462	K	1	Switch	D
39	4700357930	L	1	Switch	D
40	4700357922	M	1	Switch	D

- A) Wiper front
- B) Wiper rear
- C) Washer rear
- D) Washer front
- E) Fan
- F) First aid box
- G) Front
- H) Headliner
- I) Rear
- J) Grey cloth
- K) Rot. beacon
- L) Rear work light
- M) Front work light

Cab, heater

15633



Cab, heater

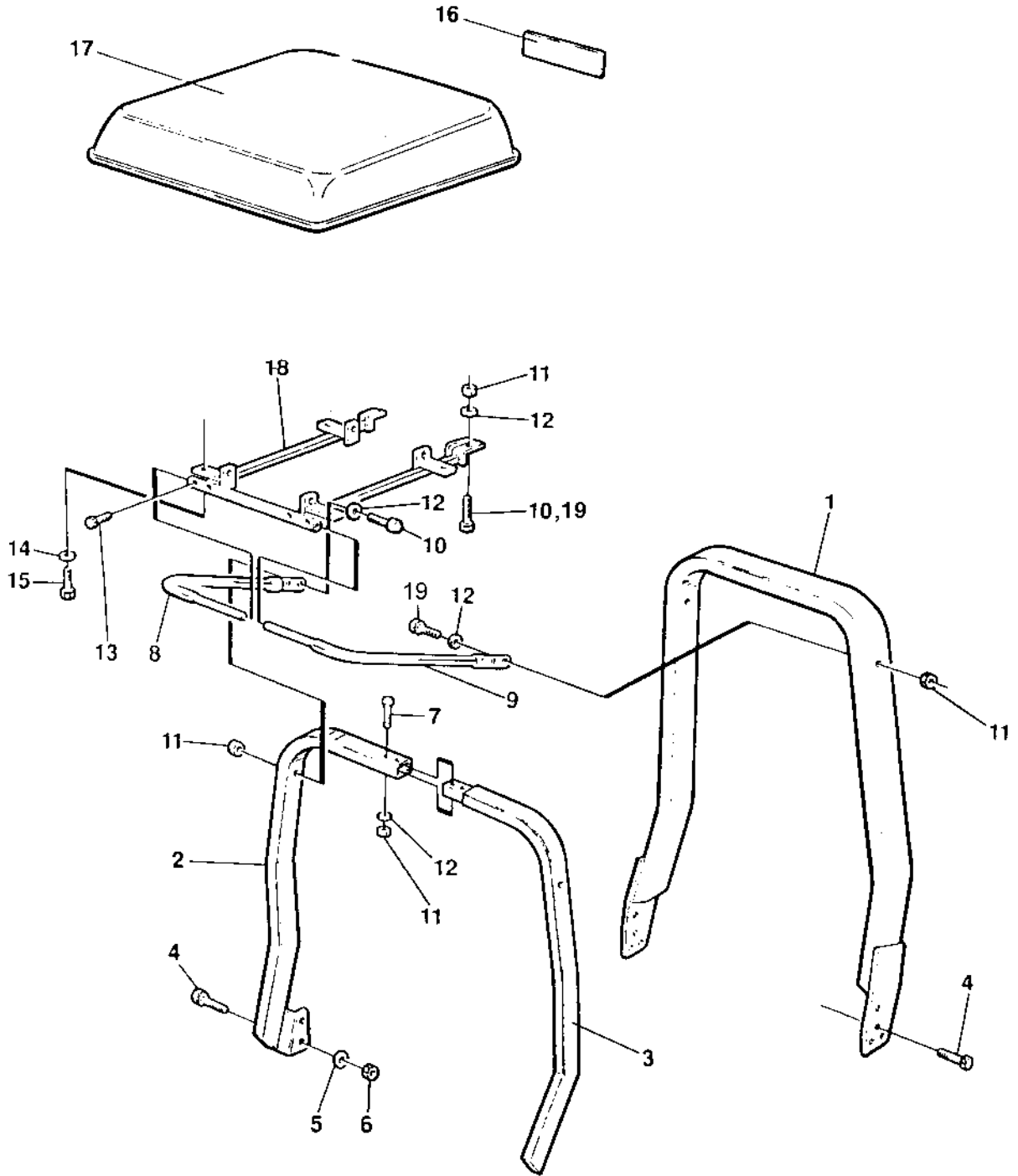
Item	Part No	Rem Qty	Description	Code
1	4700901561	1	Heater	
2	4700901562	1	Heater plug	M24
3	4700901556	B 2XL	Fuel hose	
4	4700901559	4	Hose clamp	
5	4700901565	C 1	Relay	
6	4700901564	1	Control unit	
7	4700901563	1	Exhaust hose	
8	4700901587	B 1XL	Warm air hose	
9	4700358622	1	Holder plate	D
10	4700901568	1	Control	
11	4700901566	1	Sensor	
12	4700925802	N	Cable ties	L=142 mm C
13	4700901550	1	Fuel pump	
14	4700903140	1	Connector	
15	4700901552	1	Clamp	
16	4700901553	1	Bracket	
17	4700901554	1	Shock absorber	
18	4700901555	B 2XL	Fuel pipe	
19	4700901557	B 2XL	Fuel hose	
20	4700901558	3	Hose clamp	
21	4700500013	1	Screw	M6-1x16 8,8 C
22	4700615042	4	Conical spring washer	
23	4700570004	3	Nut	M6X1,00 -8 A2K C
24	4700313108	3	Hose clamp	
25	4700358595	1	Air inlet cover	
26	4700901571	2	Air nozzle	
27	4700358620	1	Protecting cover	
28	4700526007	6	Screw	C
29	4700500012	10	Screw	M6x12 C
30	4700600004	10	Washer	C

B) Length as required

C) Heater

Canopy

16647



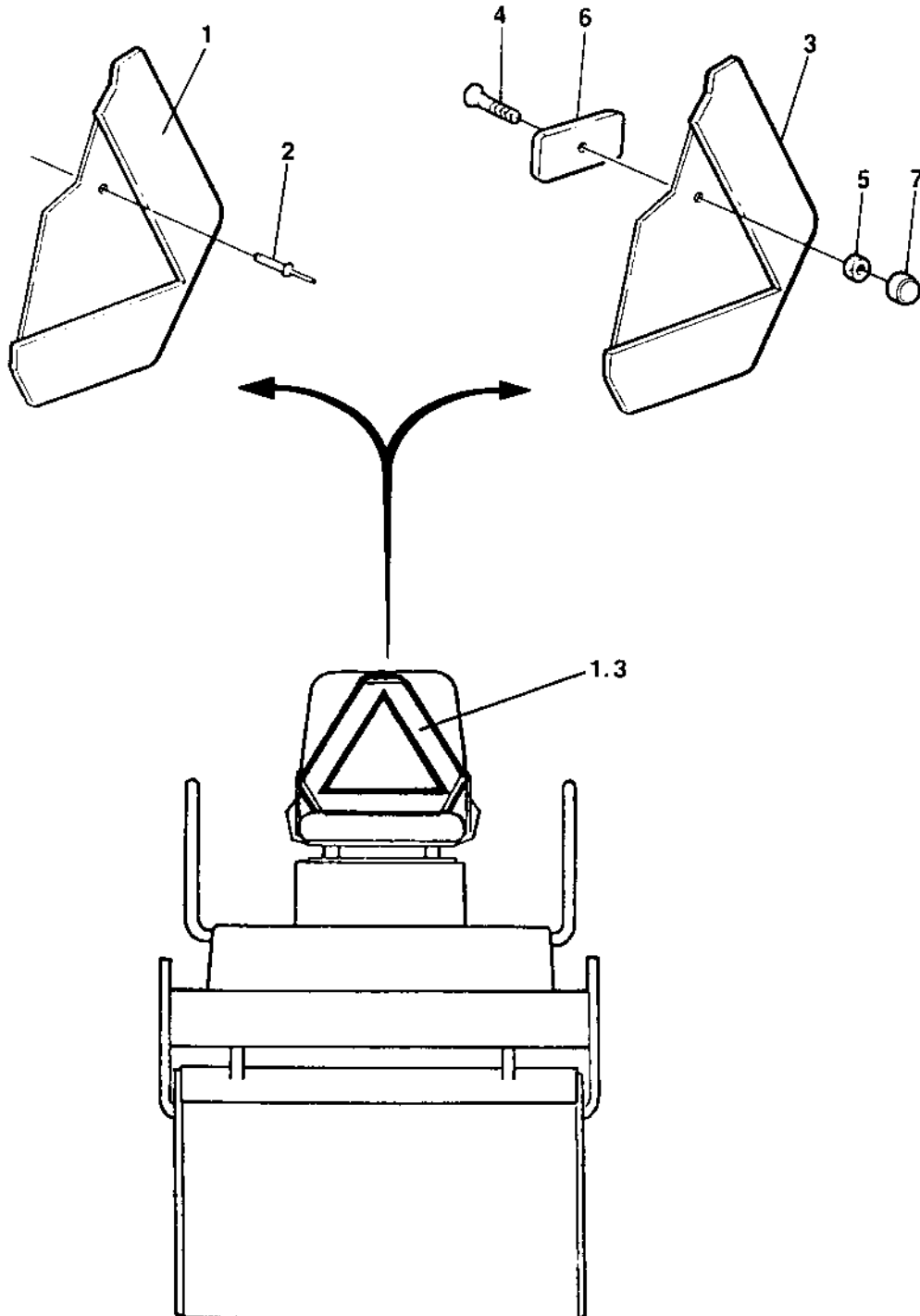
Canopy

Item	Part No	Rem	Qty	Description	Code
1			1	Rops	C
2	4700358801	A	1	Frame	
3	4700358802	B	1	Frame	
4	4700500030		4	Hexagon head screw	C
5	4700600008		6	Washer	C
6	4700586018		2	Lock nut	C
7	4700500195		2	Screw	C
8	4700358789	A	1	Frame	
9	4700358790	B	1	Frame	
10	4700500111		2	Screw	M12x55 8,8 C
	4700500133		2	Screw	C
11	4700586019		6	Lock nut	C
	4700586019	2	4	Lock nut	C
12	4700904231		12	Washer	13x24x2 300 HV C
	4700904231	2	8	Washer	13x24x2 300 HV C
13	4700516042		4	Stop screw	
14	4700904229		4	Washer	8,4x16x1,5 C
15	4700500021		4	Screw	M8-1,25x25 8.8 C
16	4700904094		1	Decal "DYNAPAC"	L=670 mm
17	4700358782		1	Canopy	
18	4700358783		1	Frame	
19	4700500071	2	4	Screw	M12-1,75x75 8,8 C

- 1) Rops, see section " Rops "
- 2) Canopy for rops
- A) Right
- B) Left

SMV-sign

16668



SMV-sign

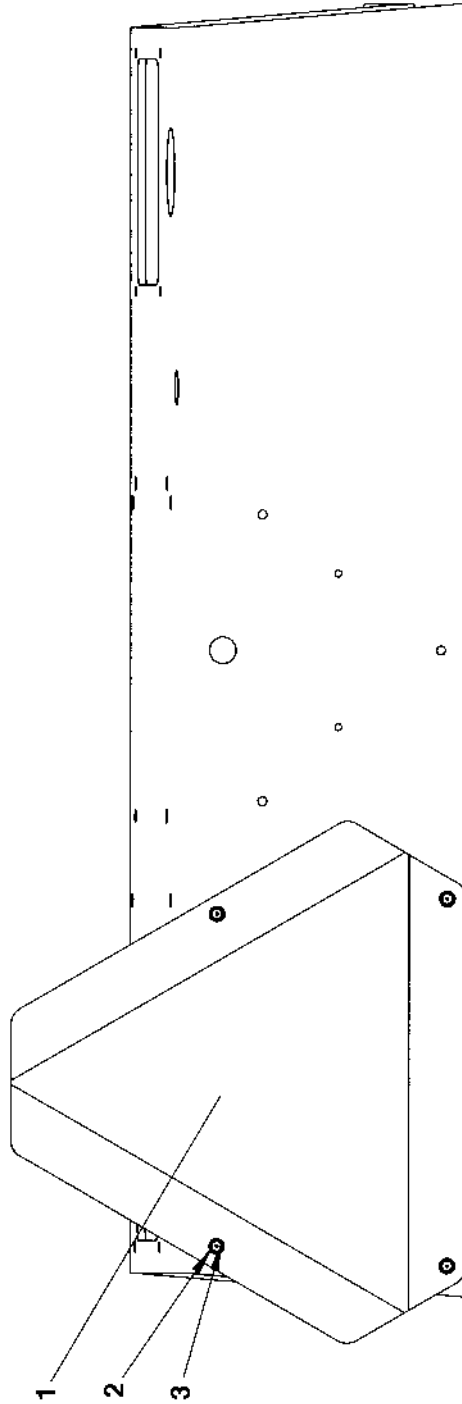
Item	Part No	Rem	Qty	Description	Code
1	4700476019		1	SMV-sign	D
2	4700624011		6	Pop rivet	C
3	4700476019		1	SMV-sign	D
4	4700513013	A	2	Screw	C
5	4700570005	A	2	Nut	C
6	4700374460	A	2	Spacer	
7	4700904203	A	2	Nut protection	

M8

A) S/N see item 3, on seats with armrests use existing

SMV-sign placed on platform

18404

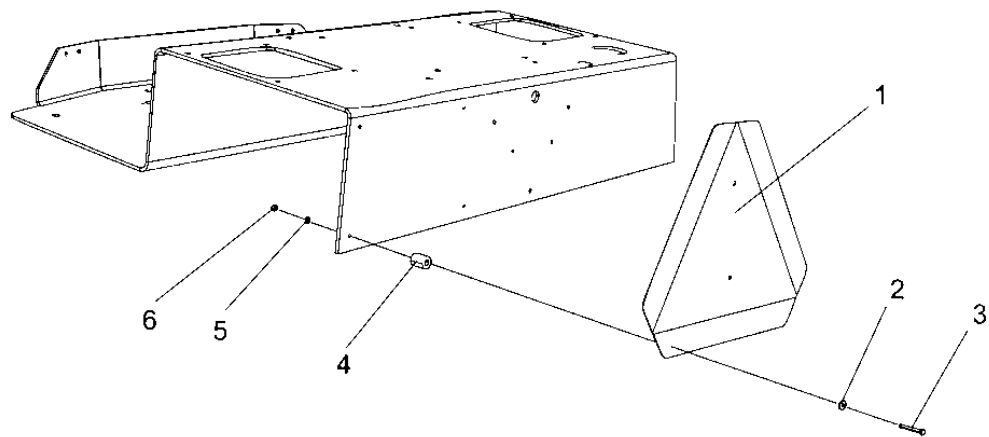


SMV-sign placed on platform

Item	Part No	Rem Qty	Description	Code
1	4700476019	1	SMV-sign	D
2	4700601001	4	Washer	C
3	4700923253	4	Rivet	C

SMV-sign placed on platform

18805



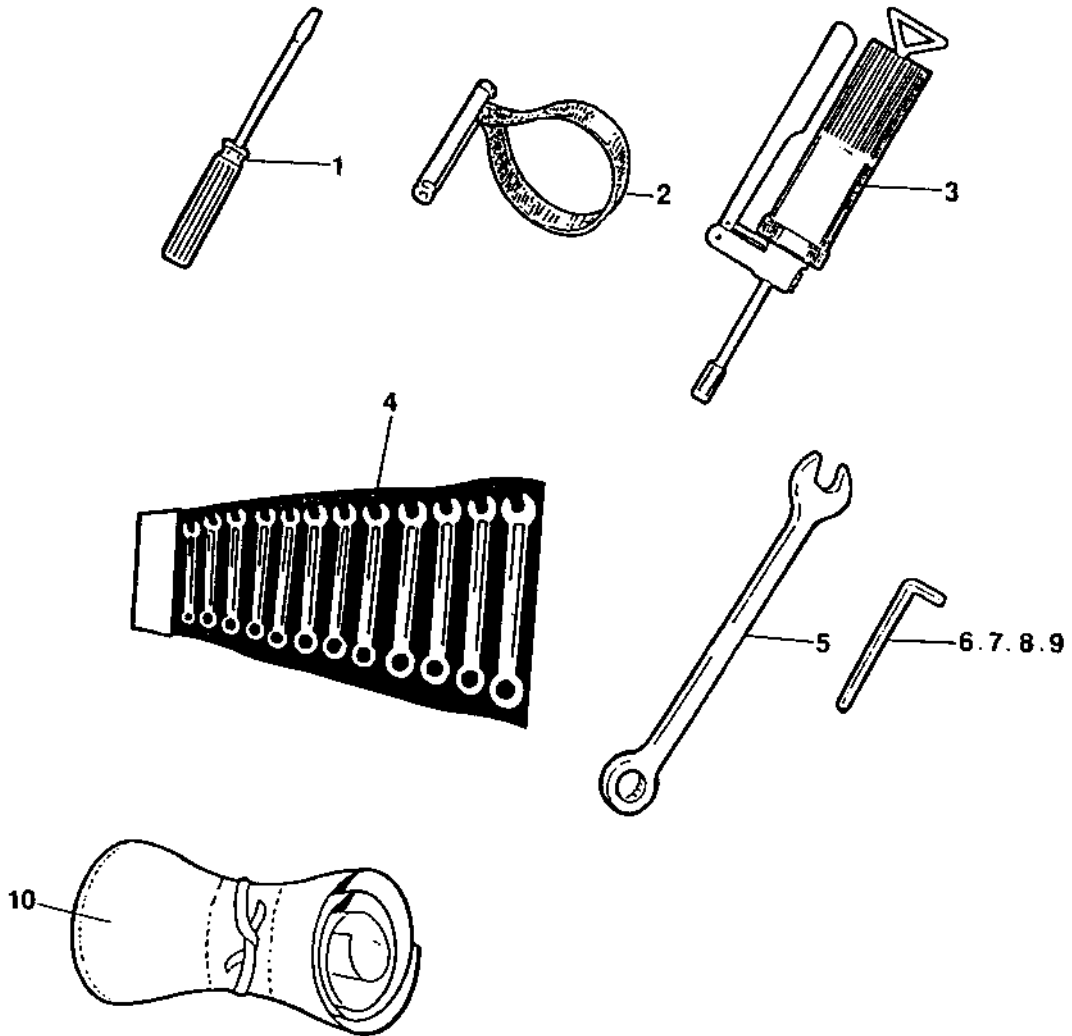
SMV-sign placed on platform

Item	Part No	Rem Qty	Description	Code
1	4700476019	1	SMV-sign	D
2	4700601001	4	Washer	C
3	4700500080	4	Screw	
4	4700355704	4	Spacer sleeve	
5	4700904281	4	Washer	
6	4700586001	4	Lock nut	

5,3x10x1 300HV

Tool equipment

15581



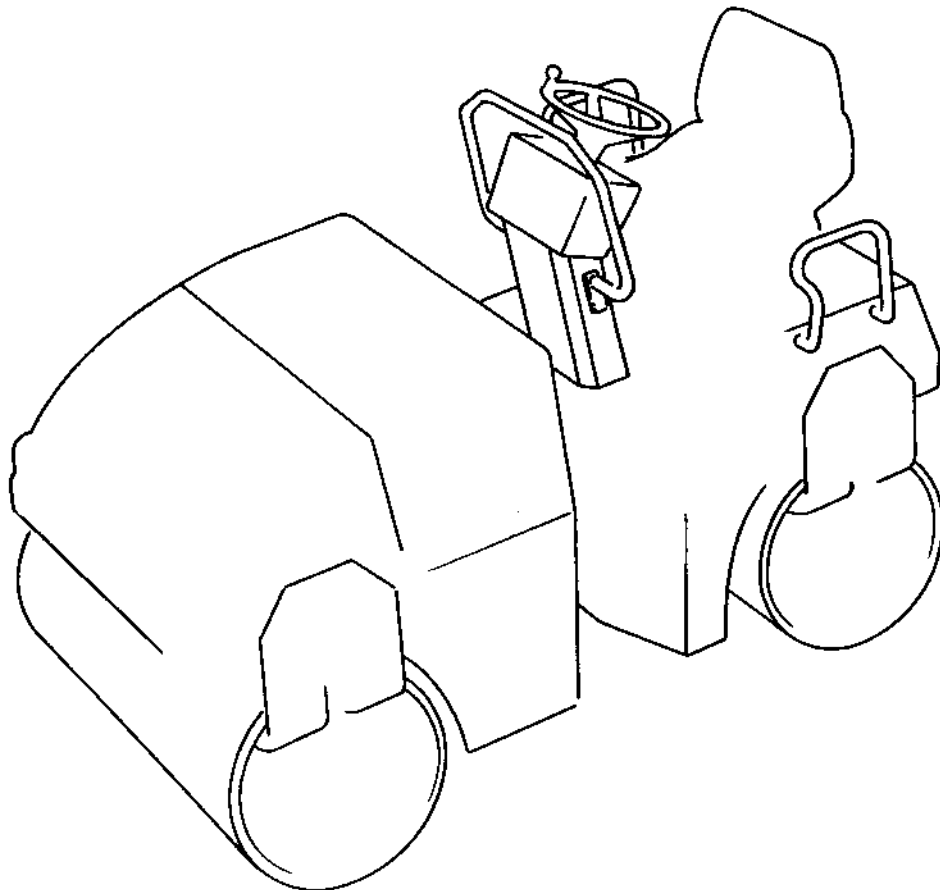
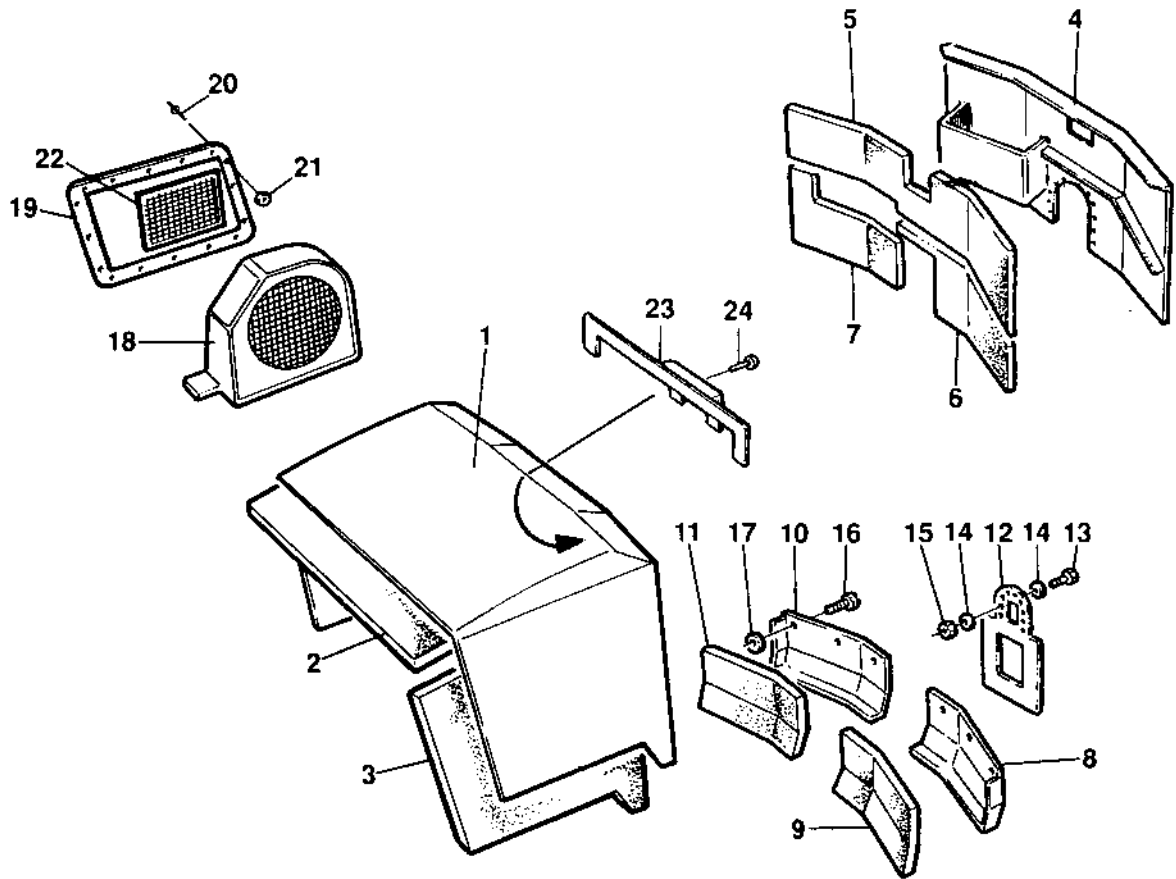
Tool equipment

Item	Part No	Rem	Qty	Description	Code
1	4700485019		1	Screw driver	
2	4700902610		1	Belt pliers	D
3	4700311016		1	Grease gun	D
4	4700901212	A	1	Open end spanner	
5	4700902578		1	Open end spanner	22 mm
6	4700485005		1	Allen wrench	1/4"
7	4700485037		1	Allen wrench	3/8"
8	4700485388		1	Allen wrench	6MM
9	4700485006		1	Allen wrench	8MM
10	4700277992		1	Tool bag	

A) Kit

Noise suppression DEUTZ , 78 dB

15586-1



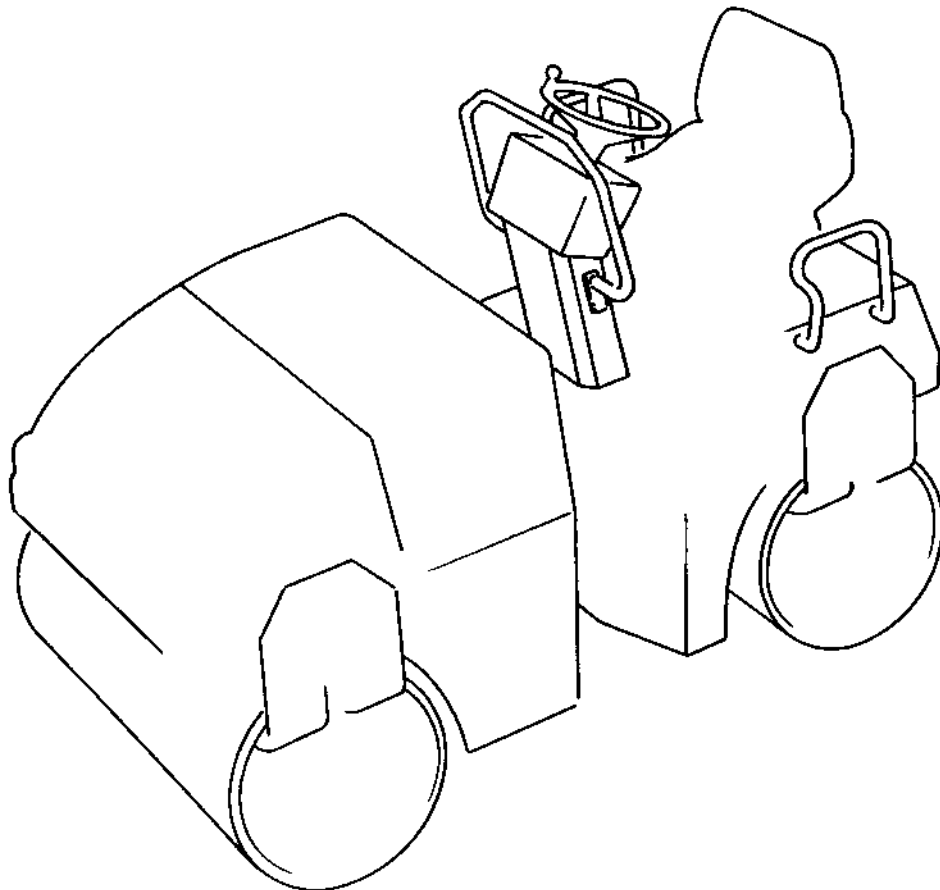
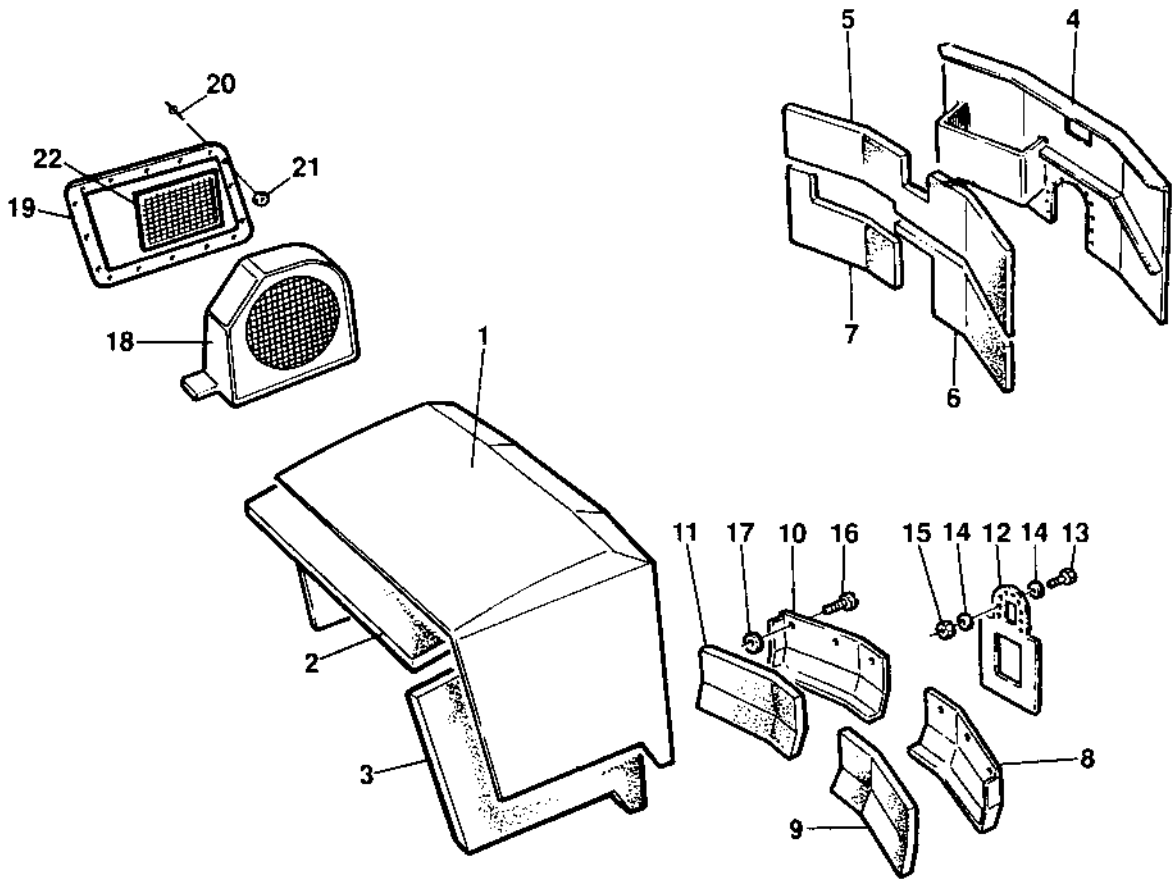
Noise suppression DEUTZ , 78 dB

Item	Part No	Rem	Qty	Description		Code
1		1	1	Hood		
2	4700358324		1	Absorbent		
3	4700358325		1	Absorbent		
4	4700382563	B	1	Cover		
5	4700358333		1	Absorbent		
6	4700358332		1	Absorbent		
7	4700382568		1	Absorbent		
8	4700358338		1	Cover		
9	4700358339		1	Absorbent		
10	4700358335		1	Cover		
11	4700358336		1	Absorbent		
12	4700358342		1	Rubber cloth		
13	4700500040		9	Screw	M6-1x20 8,8	C
14	4700615065		18	Steel plain washer		
15	4700586002		9	Lock nut	M6 -8	C
16	4700922875		6	Lock pin		
17	4700926985		6	Quick lock washer		C
18	4700374087		1	Cover		
	4700358558		1	.Absorbent		
	4700358561		1	.Absorbent		
19	4700358551		1	Cover		
20	4700903369		20	Rivet		
21	4700902111		20	Washer		
22	4700902166	A	1XL	Edge trim		D
23	4700374100		1	Holder		
24	4700500075		2	Screw	M6-1,0x25 8.8	C

- 1) See section " Structure "
- A) Length as required
- B) New design has to be slightly modified to fit

Noise suppression DEUTZ , 78 dB

18365



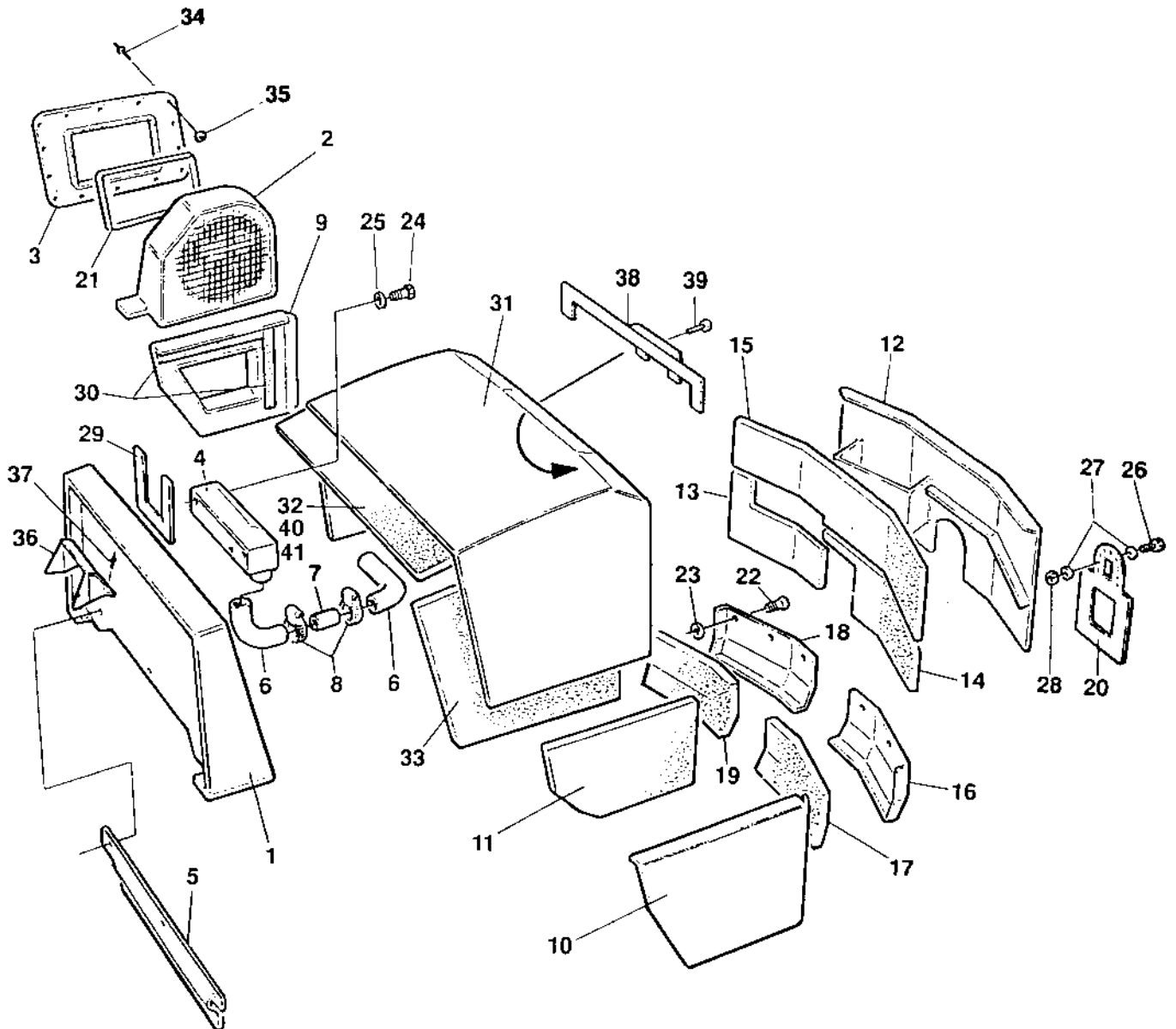
Noise suppression DEUTZ , 78 dB

Item	Part No	Rem	Qty	Description	Code
1		1	1	Hood	C
2	4700358324		1	Absorbent	
3	4700358325		1	Absorbent	
4	4700382563		1	Cover	
5	4700358333		1	Absorbent	
6	4700358332		1	Absorbent	
7	4700382568		1	Absorbent	
8	4700358338		1	Cover	
9	4700358339		1	Absorbent	
10	4700358335		1	Cover	
11	4700358336		1	Absorbent	
12	4700358342		1	Rubber cloth	
13	4700500040		9	Screw	M6-1x20 8,8 C
14	4700615065		18	Steel plain washer	
15	4700586002		9	Lock nut	M6 -8 C
16	4700922875		6	Lock pin	
17	4700926985		6	Quick lock washer	C
18	4700374087		1	Cover	
	4700358558		1	.Absorbent	
	4700358561		1	.Absorbent	
19	4700358551		1	Cover	
20	4700903369		20	Rivet	
21	4700902111		20	Washer	
22	4700902166	A	1XL	Edge trim	D

- 1) See section " Structure "
- A) Length as required

Noise suppression DEUTZ , 73 dB

15587-2



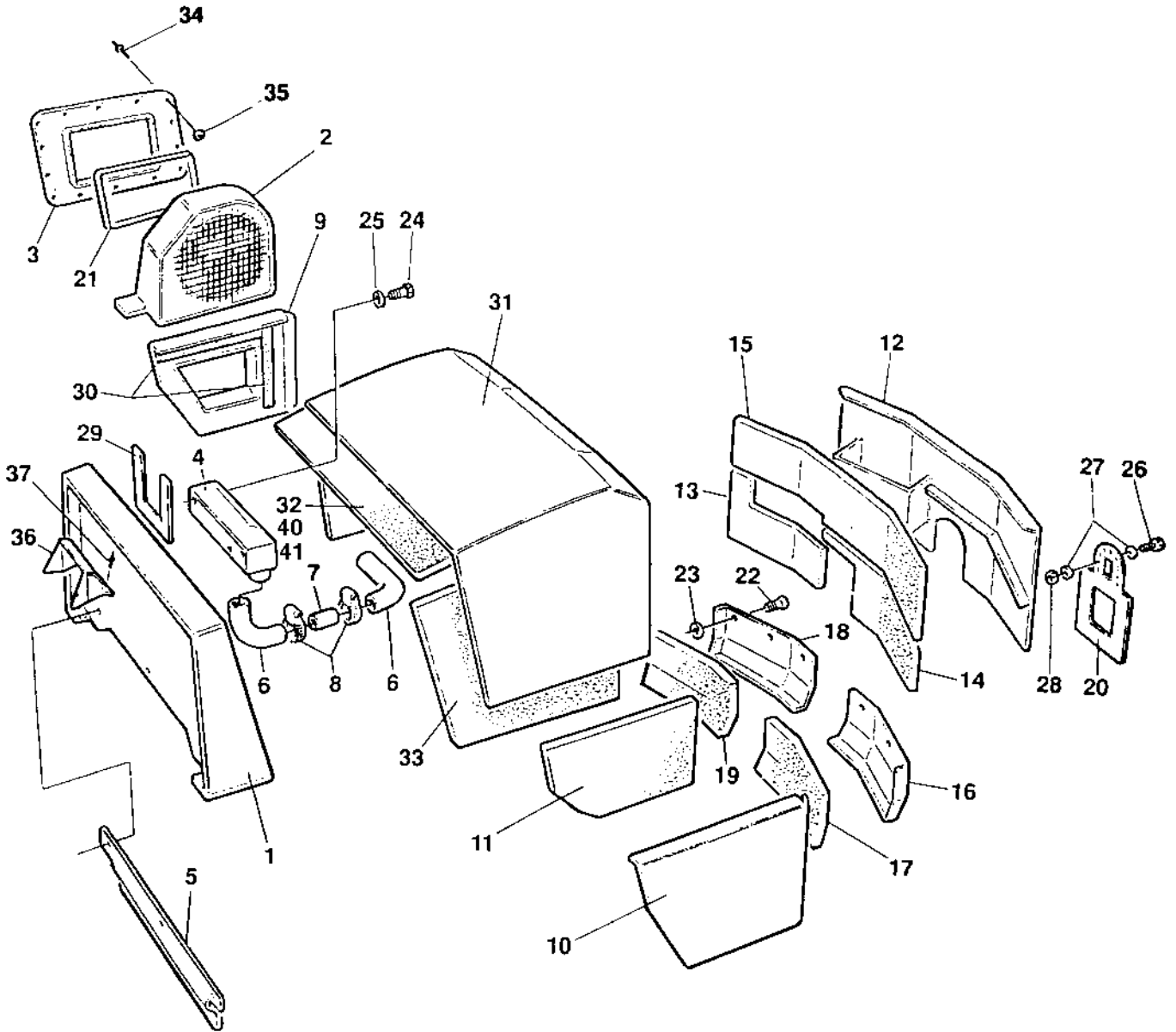
Noise suppression DEUTZ , 73 dB

Item	Part No	Rem	Qty	Description	Code
1	4700358540		1	Hood frame	
2	4700374087		1	Cover	
	4700358558		1	.Absorbent	
	4700358561		1	.Absorbent	
3	4700358551		1	Cover	
4	4700358545		1	Cover	
5	4700358536		1	Cover	
6	4700358552		2	Air inlet hose	
7	4700358553		1	Pipe	
8	4700313023		2	Hose clamp	
9	4700358557		1	Cover	
10		1	1	Cover	
11	4700358341		1	Absorbent	
12	4700382563	B	1	Cover	
13	4700382568		1	Absorbent	
14	4700358332		1	Absorbent	
15	4700358333		1	Absorbent	
16	4700358338		1	Cover	
17	4700358339		1	Absorbent	
18	4700358335		1	Cover	
19	4700358336		1	Absorbent	
20	4700358342		1	Rubber cloth	
21	4700902166	A	1XL	Edge trim	D
22	4700922875		6	Lock pin	
23	4700926985		6	Quick lock washer	C
24	4700500190		3	Screw	
25	4700600006		3	Washer	C
26	4700500040		9	Screw	C
27	4700615065		18	Steel plain washer	
28	4700586002		9	Lock nut	C
29	4700928937	A	1XL	Rubber strip	
30	4700202043	A	1XL	Rubber strip	D
31		1	1	Hood	D
32	4700358324		1	Absorbent	
33	4700358325		1	Absorbent	
34	4700903369		20	Rivet	
35	4700902111		20	Washer	
36	4700359769		1	Protecting cover	
37	4700903436		5	Blind rivet	C
38	4700374100		1	Holder	
39	4700500075		2	Screw	C
40	4700904798		4	Screw	
41	4700373476		4	Insulating washer	C

- 1) See section " Structure "
- A) Length as required
- B) New design has to be slightly modified to fit

Noise suppression DEUTZ , 73 dB

18364



Noise suppression DEUTZ , 73 dB

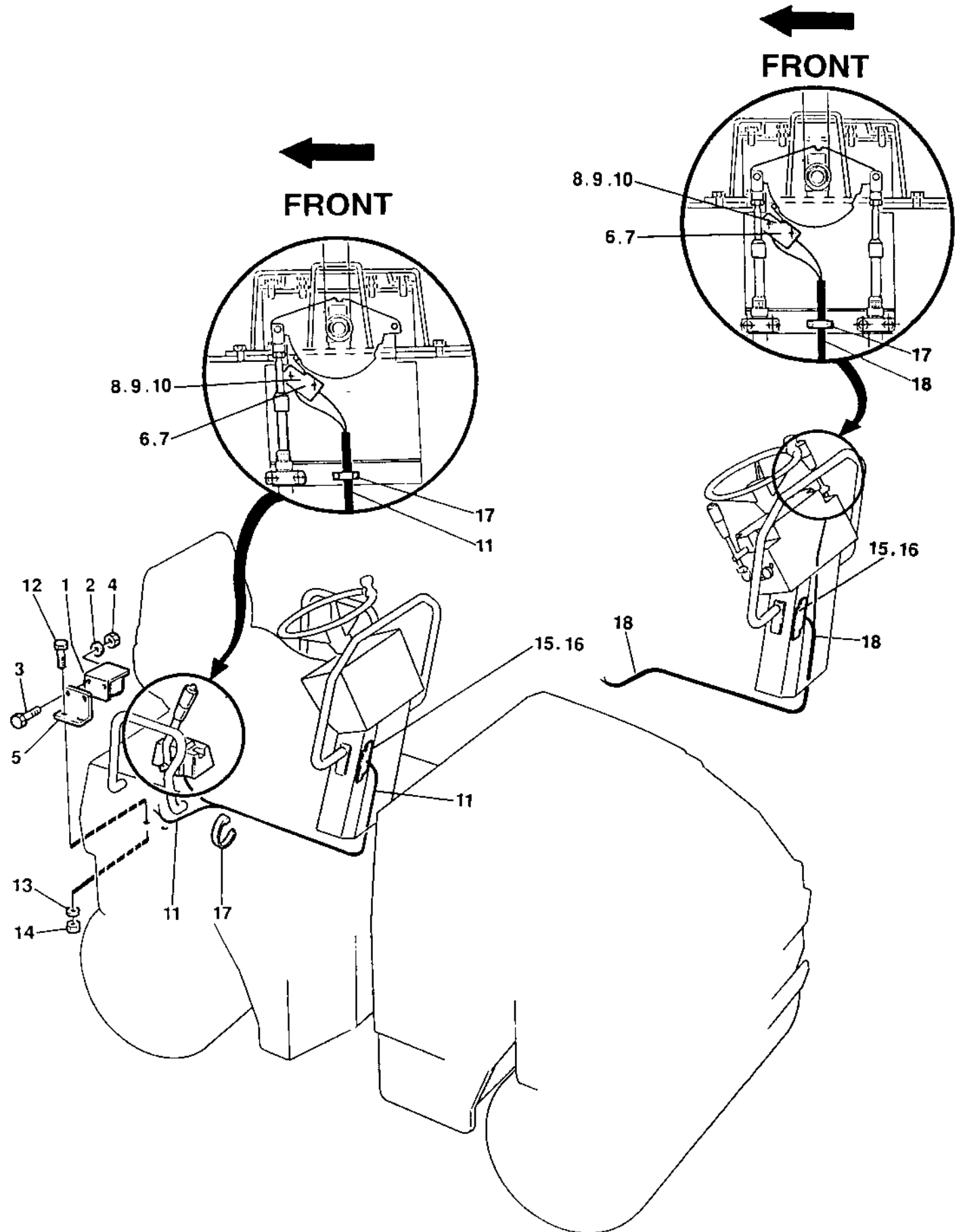
Item	Part No	Rem	Qty	Description	Code
1	4700358540		1	Hood frame	
2	4700374087		1	Cover	
	4700358558		1	.Absorbent	
	4700358561		1	.Absorbent	
3	4700358551		1	Cover	
4	4700358545		1	Cover	
5	4700358536		1	Cover	
6	4700358552		2	Air inlet hose	
7	4700358553		1	Pipe	
8	4700313023		2	Hose clamp	
9	4700358557		1	Cover	
10		1	1	Cover	
11	4700358341		1	Absorbent	
12	4700382563		1	Cover	
13	4700382568		1	Absorbent	
14	4700358332		1	Absorbent	
15	4700358333		1	Absorbent	
16	4700358338		1	Cover	
17	4700358339		1	Absorbent	
18	4700358335		1	Cover	
19	4700358336		1	Absorbent	
20	4700358342		1	Rubber cloth	
21	4700902166	A	1XL	Edge trim	D
22	4700922875		6	Lock pin	
23	4700926985		6	Quick lock washer	C
24	4700500190		3	Screw	
25	4700600006		3	Washer	C
26	4700500040		9	Screw	C
				M6-1x20 8,8	
27	4700615065		18	Steel plain washer	
28	4700586002		9	Lock nut	C
				M6 -8	
29	4700928937	A	1XL	Rubber strip	
30	4700202043	A	1XL	Rubber strip	D
31		1	1	Hood	D
32	4700358324		1	Absorbent	
33	4700358325		1	Absorbent	
34	4700903369		20	Rivet	
35	4700902111		20	Washer	
36	4700359769		1	Protecting cover	
37	4700903436		5	Blind rivet	C
40	4700791233		4	Holder	
41	4700791234		4	Insulating washer	

1) See section " Structure "

A) Length as required

Back-up alarm

15490-2



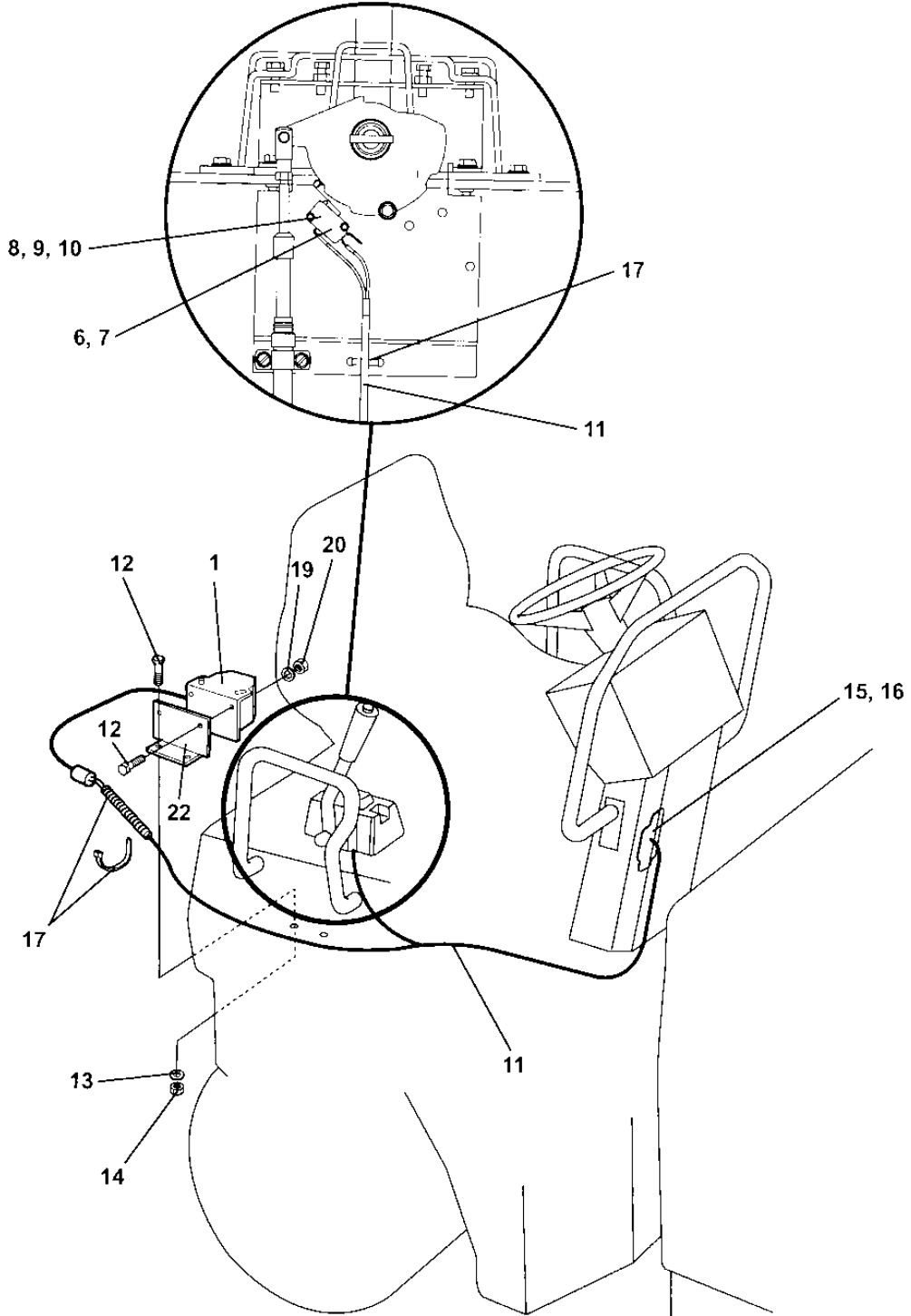
Back-up alarm

Item	Part No	Rem	Qty	Description		Code
1	4700903241		1	Back-up alarm	97 dB	B
2			4	.Washer		B
3			4	.Screw		B
4			4	.Nut		B
5	4700357993		1	Holder plate		
6	4700357994		1	Spacer nut		
7	4700902528		1	Micro switch		B
8	4700533057		2	Screw		
9	4700929602		2	Washer		
10	4700375892		1	Spacer nut		
11	4700357973	A	1	Cable harness		
12	4700500040		2	Screw	M6-1x20 8,8	C
13	4700600004		2	Washer		C
14	4700586002		2	Lock nut	M6 -8	C
15	4700901240		2	Connector		B
16	4700901226		1	Fuse	7.5A	A
17	4700313068		N	Cable ties	L=92 mm	
18	4700370660	C	1	Cable harness		

- A) DEUTZ
- C) ISUZU

Back-up alarm

15490-3

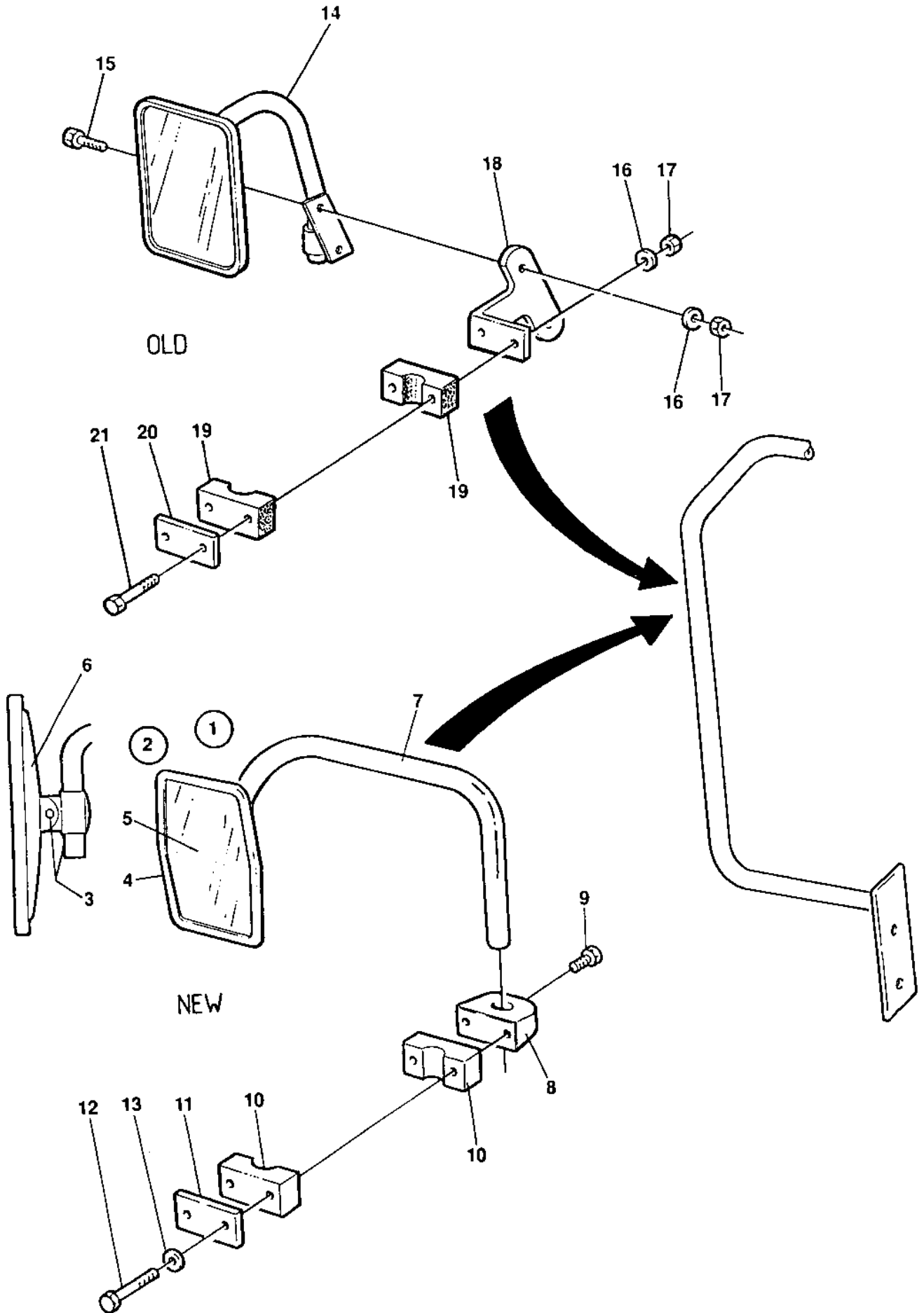


Back-up alarm

Item	Part No	Rem Qty	Description		Code
1	4700904911	1	Back-up alarm	97 dB	
6	4700357994	1	Spacer nut		
7	4700902528	1	Micro switch		B
8	4700900243	2	Screw	M3 x 30	
9	4700929602	2	Washer		
10	4700928927	2	Lock nut		
11	4812110276	1	Cable harness		
12	4700500040	4	Screw	M6-1x20 8,8	C
13	4700600004	2	Washer		C
14	4700586002	2	Lock nut	M6 -8	C
15	4700901240	2	Connector		B
16	4700901226	1	Fuse	7.5A	A
17	4700313068	N	Cable ties	L=92 mm	
19	4700904228	4	Washer	6,4x12x1,5	C
20	4700570004	2	Nut	M6X1,00 -8 A2K	C
22	4812110725	1	Bracket		

Rear mirror

15491-2



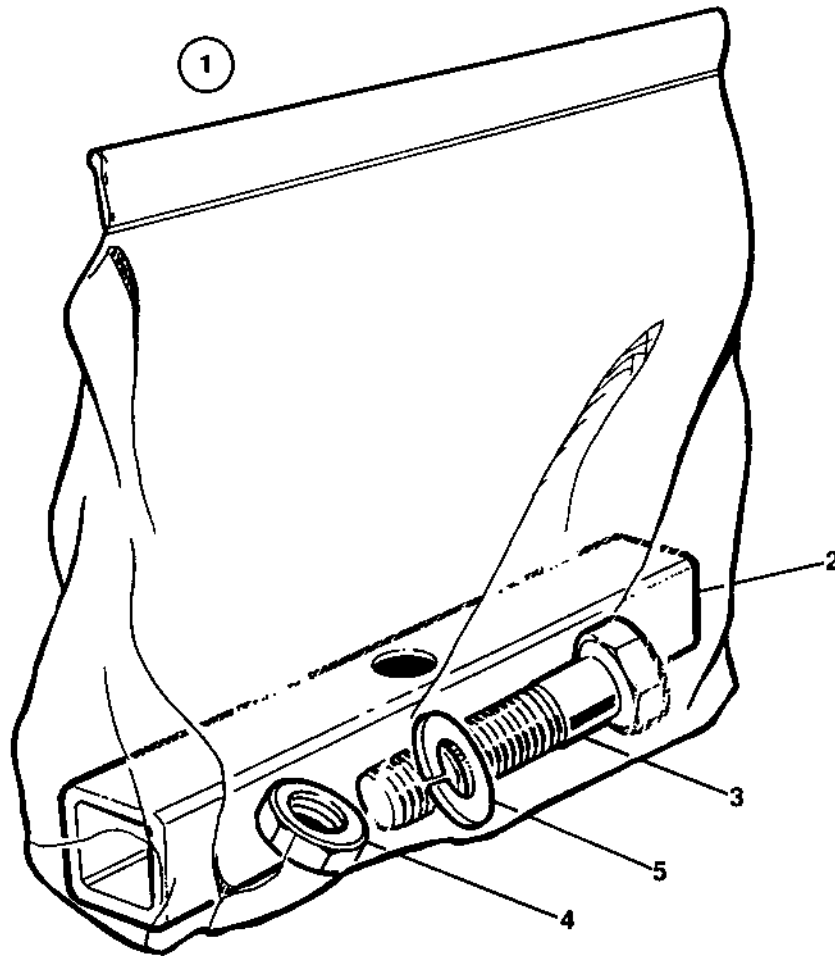
Rear mirror

Item	Part No	Rem	Qty	Description	Code
1	4700359662	A	1	Rear mirror Up to 60213505	
	4700393204		1	Rear mirror From 60213506	
2	4700909498		1	.Mirror Up to 60213505	
	4700393205		1	.Mirror From 60213506	
3	4700904203		1	..Nut protection From 60213506	
4	4700393206		1	..Edge trim From 60213506	
5	4700903722	B	1	..Mirror glass	D
7	4700359661		1	.Arm	
	4700900519		2	..Plug	
8	4700359660		1	Mirror bracket	
9	4700516043		1	Set screw	
10	4700902496	C	1	Clamp	
11	4700923859		1	Cover plate	
12	4700500079		2	Screw	M6-1x50 8,8
13	4700904228		2	Washer	6,4x12x1,5
14	4700355705		1	Rear mirror	
15	4700902845		2	Screw	
16	4700600004		4	Washer	
17	4700586002		4	Lock nut	M6 -8
18	4700357939		1	Holder plate	
19	4700902496	C	1	Clamp	
20	4700923859		1	Cover plate	
21	4700500016		2	Screw	M6x55 8.8 A2K

- A) CPL
- B) W. tape
- C) 2 pcs

Brake release, propulsion motor 357022

15492



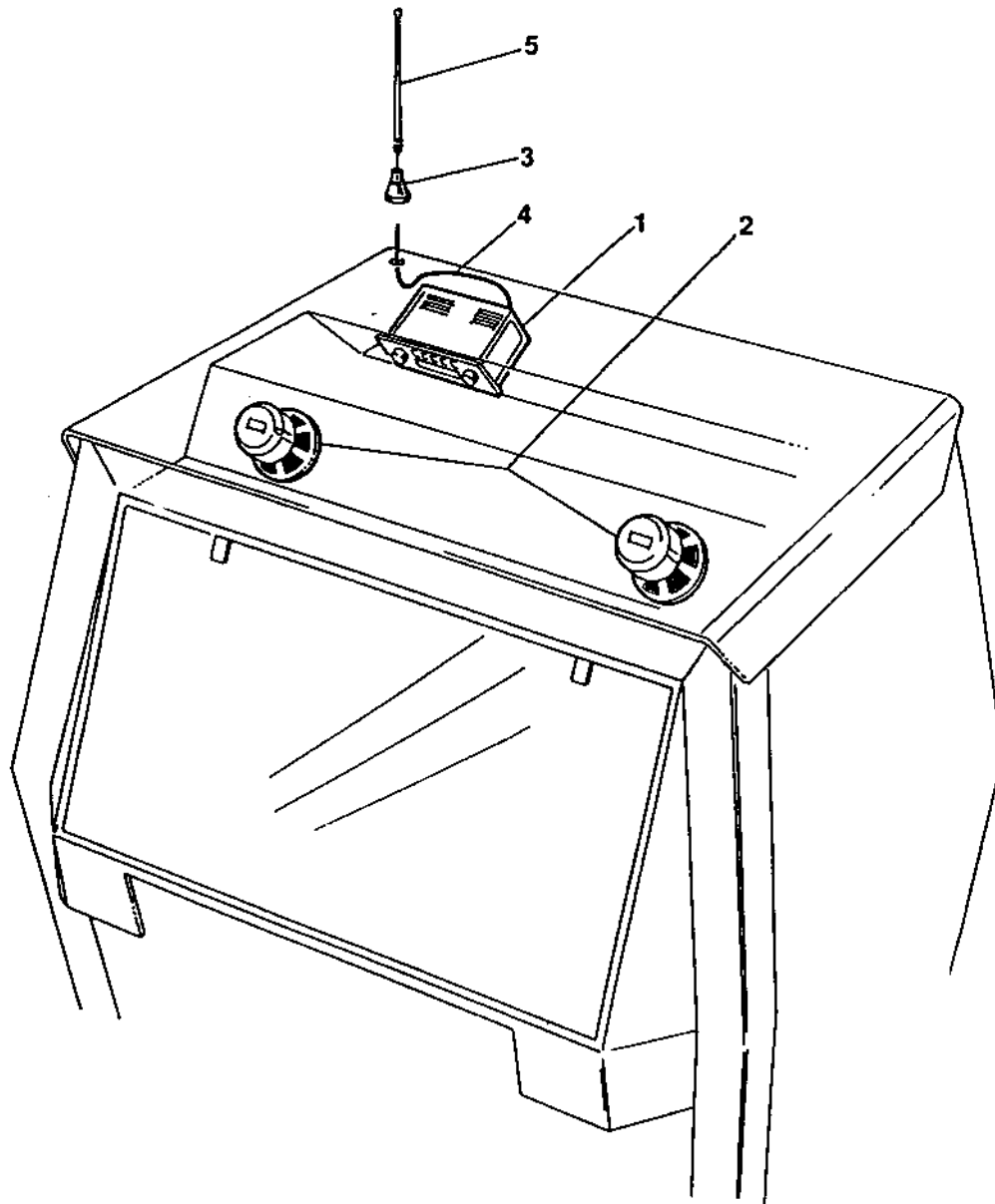
Brake release, propulsion motor 357022

Item	Part No	Rem	Qty	Description	Code
1	4700357893	A	2	Brake release kit	
2	4700357892		1	.Stirrup	
3	4700902458		1	.Screw	
4	4700570008		1	.Nut	M16 -8 C
5	4700600011		1	.Washer	C

A) CPL

Cassette receiver

15120



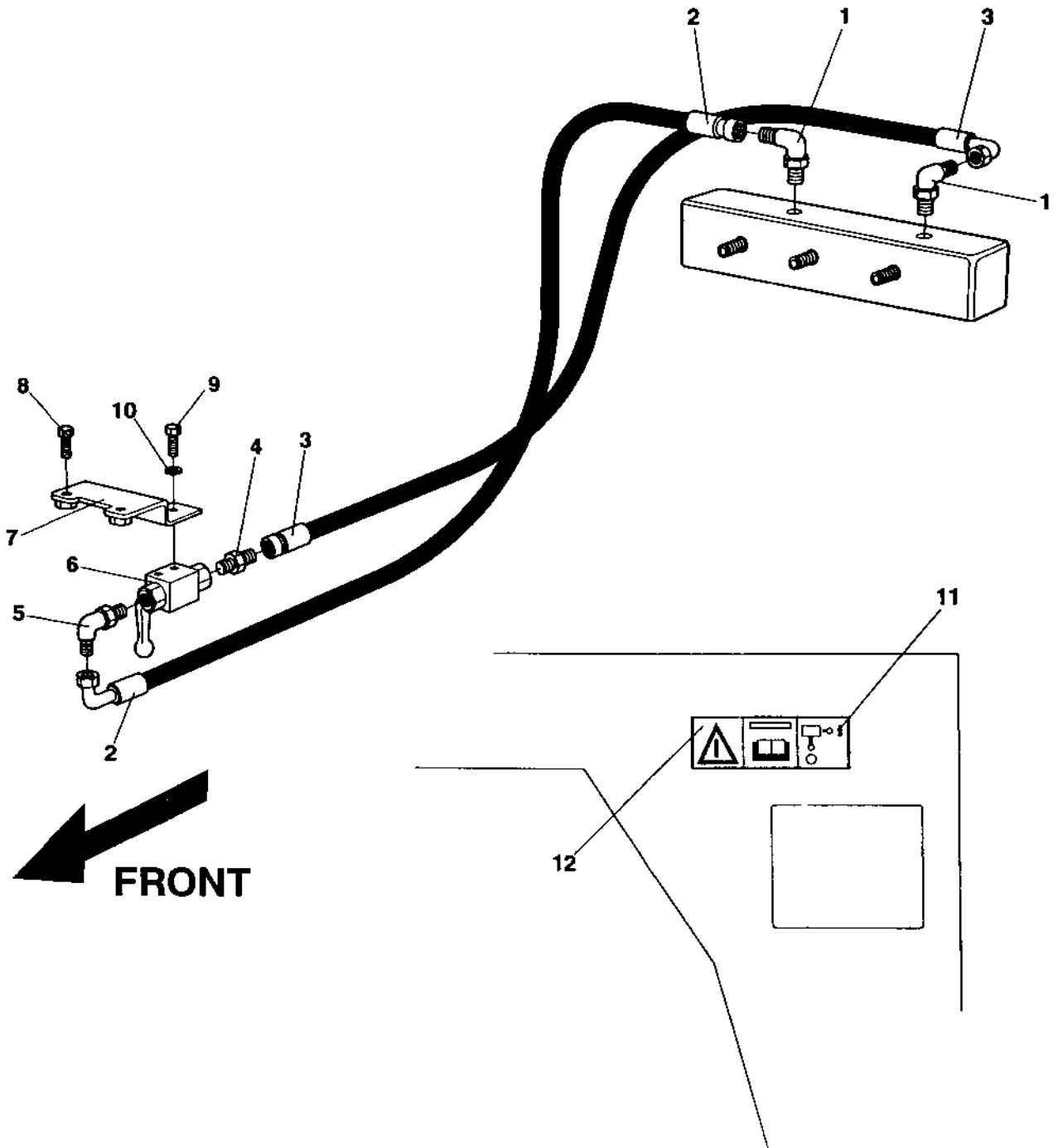
Cassette receiver

Item	Part No	Rem	Qty	Description	Code
1	4700901165		1	Cassette receiver	
2	4700901166	A	1	Loud speakers	
3	4700901168		1	Antenna holder	
4	4700901169		1	Antenna cable	
5	4700901167		1	Antenna	

A) 2 pcs

Towing valve

16570

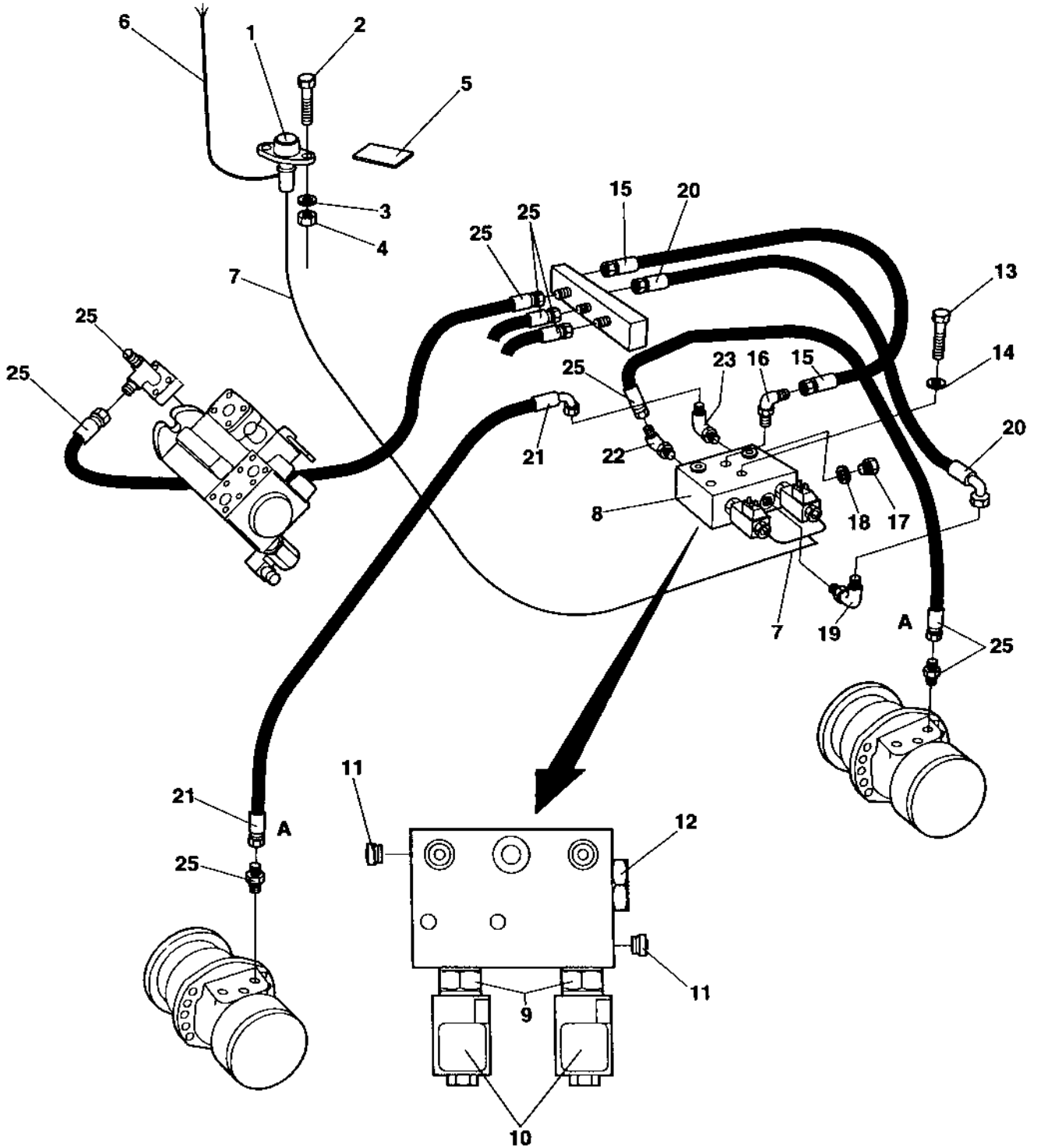


Towing valve

Item	Part No	Rem Qty	Description	Code
1	4700813444	2	Elbow 90, O-ring	
2	4700831150	1	Hydraulic hose	
3	4700831150	1	Hydraulic hose	
4	4700334117	1	Adapter	
5	4700813435	1	Elbow 90	
6	4700344138	1	Ball valve	C
7	4700358586	1	Holder plate	
8	4700500022	2	Screw	M8x30H 8.8 A2K C
9	4700500184	2	Screw	M5-0,8x14 8,8
10	4700615041	2	Washer	5,3x11 C
11	4700374101	1	Decal "SHUT-OFF VALVE"	D
12	4700903459	1	Decal "SAFETY"	D

Flow divider

16700

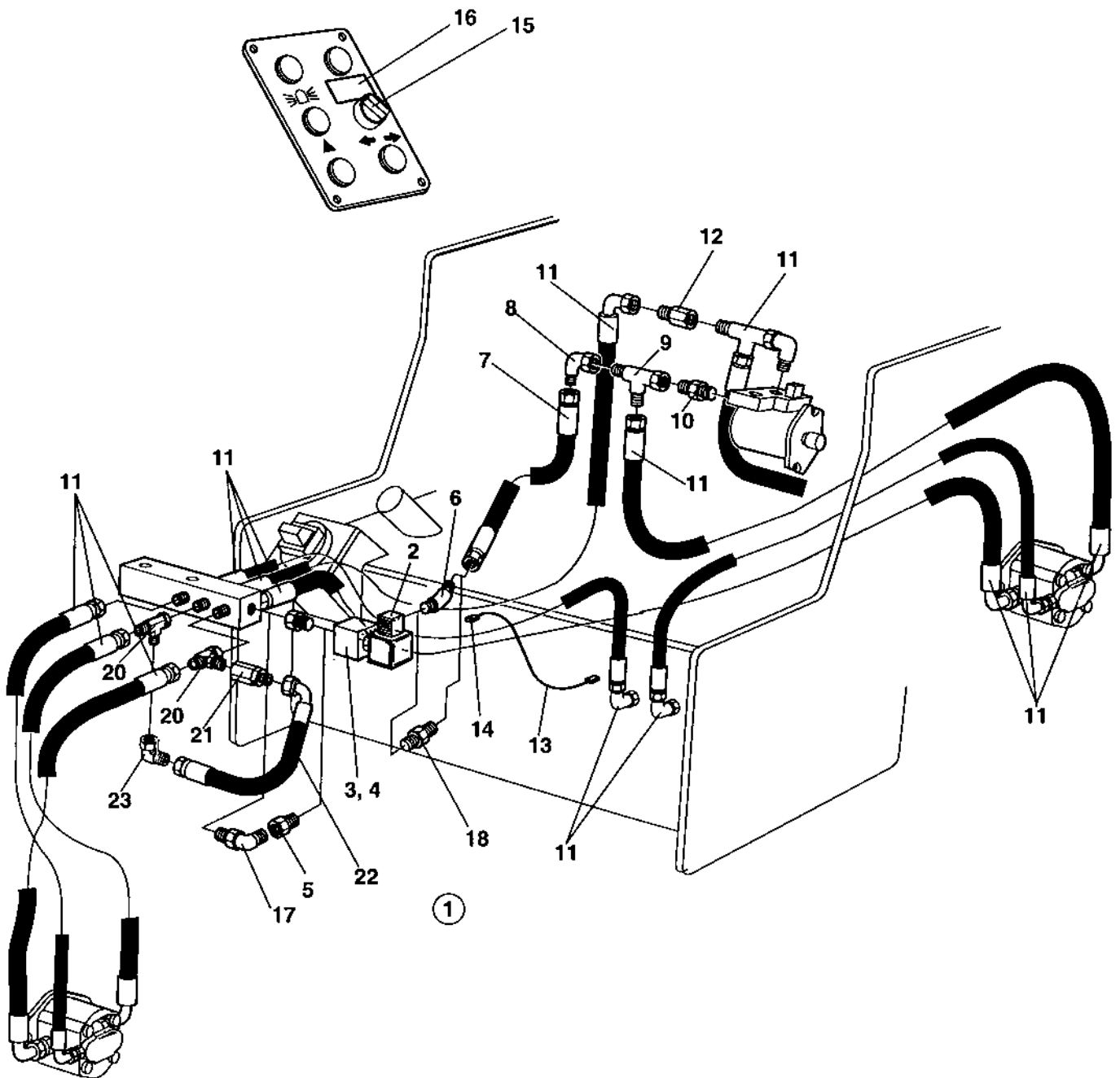


Flow divider

Item	Part No	Rem Qty	Description	Code
1	4700358239	1	Contact	D
2	4700533016	2	Screw	
3	4700600002	2	Washer	C
4	4700923976	2	Nut	C
5	4700355981	1	Decal	
6	4700358614	1	Cable harness	
7	4700358615	1	Cable harness	
8	4700358003	1	Flow divider	C
9	4700903141	2	.Valve	D
10	4700903142	2	.Coil	D
11	4700903144	2	.Check valve	D
12	4700903143	1	.Valve	D
13	4700904532	2	Screw	M10x85 8,8
14	4700600008	2	Washer	C
15	4700482773	1	Hydraulic hose	
16	4700334235	1	Elbow 90	
17	4700332038	2	Plug	C
18	4700162004	2	Sealing	B
19	4700923407	1	Adapter	
20	4700482208	1	Hydraulic hose	
21	4700482825	1	Hydraulic hose	
22	4700904175	1	Connector	
23	4700923407	1	Adapter	
25		N	Hydraulic details	

Vibration shut-off, front drum DEUTZ

16684-2



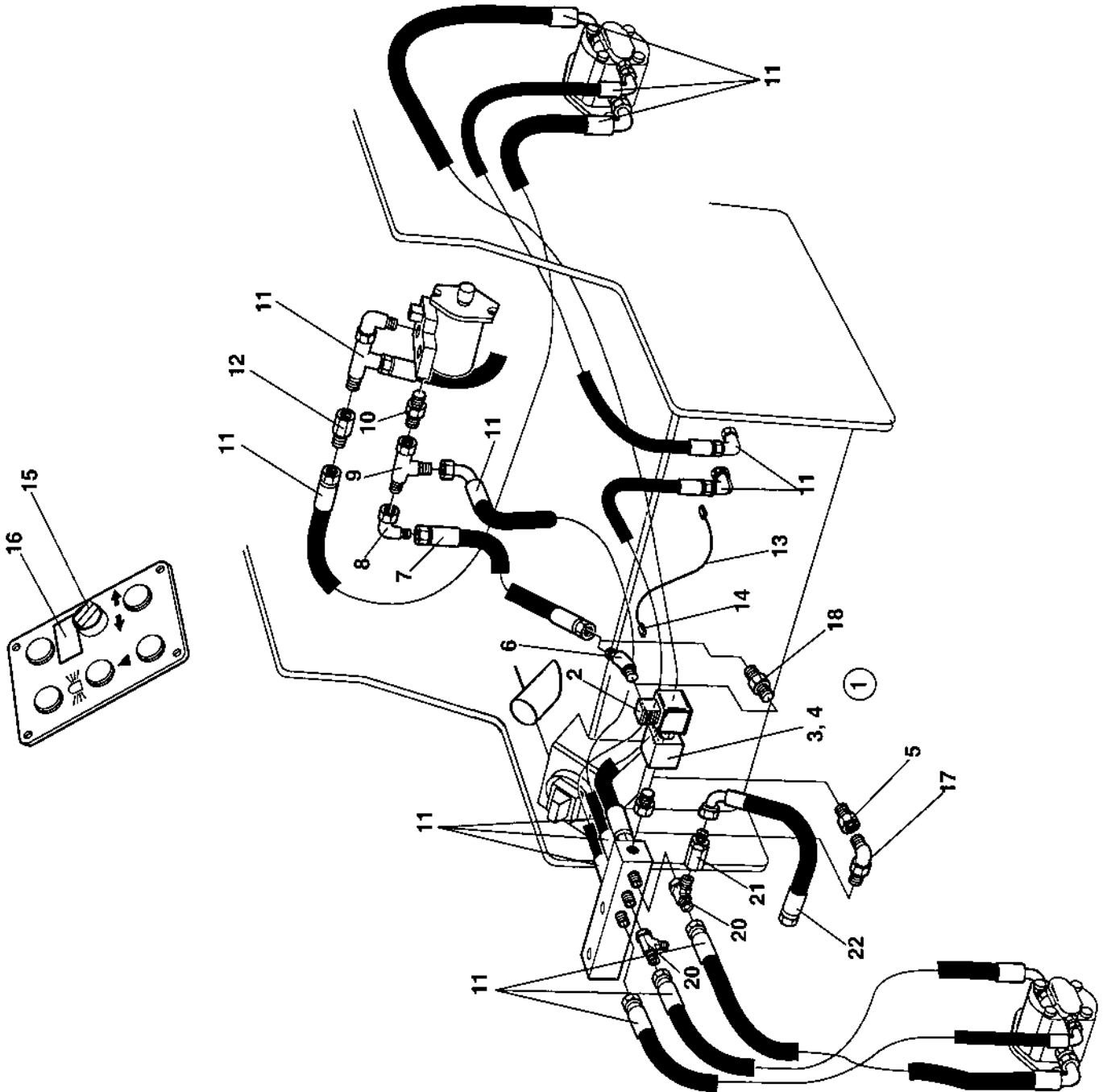
Vibration shut-off, front drum DEUTZ

Item	Part No	Rem	Qty	Description	Code
1	4700357934		1	Solenoid valve	
2	4700902535		1	.Coil	D
3	4700902536		1	.Valve	D
4	4700902537		1	.Housing	
5	4700923406		1	Connector	
6	4700904175		1	Connector	
7	4700482889		1	Hydraulic hose	
8	4700334197		1	Elbow 90	C
9	4700334135		1	Tee-connector	C
10	4700334116		1	Straight o-ring connector	C
11			N	Hydraulic details	C
12	4700357543		1	Valve	D
13	4700373849		1	Cable harness	
14	4700960796		1	.Connector	black, MPM 182 09 ND
15	4700930151		1	Switch	B
16	4700904224	B	1	Decal	
17	4700813500		1	Elbow 45, O-ring	C
18	4700334165		1	Adapter	
20	4700334135	C	2	Tee-connector	C
21	4700357543	C	1	Valve	D
22	4700483585	C	1	Hydraulic hose	
23	4700334197	C	1	Elbow 90	C

- B) Vibr. shut-off front
- C) Used in new machines

Vibration shut-off, rear drum DEUTZ

16686-2



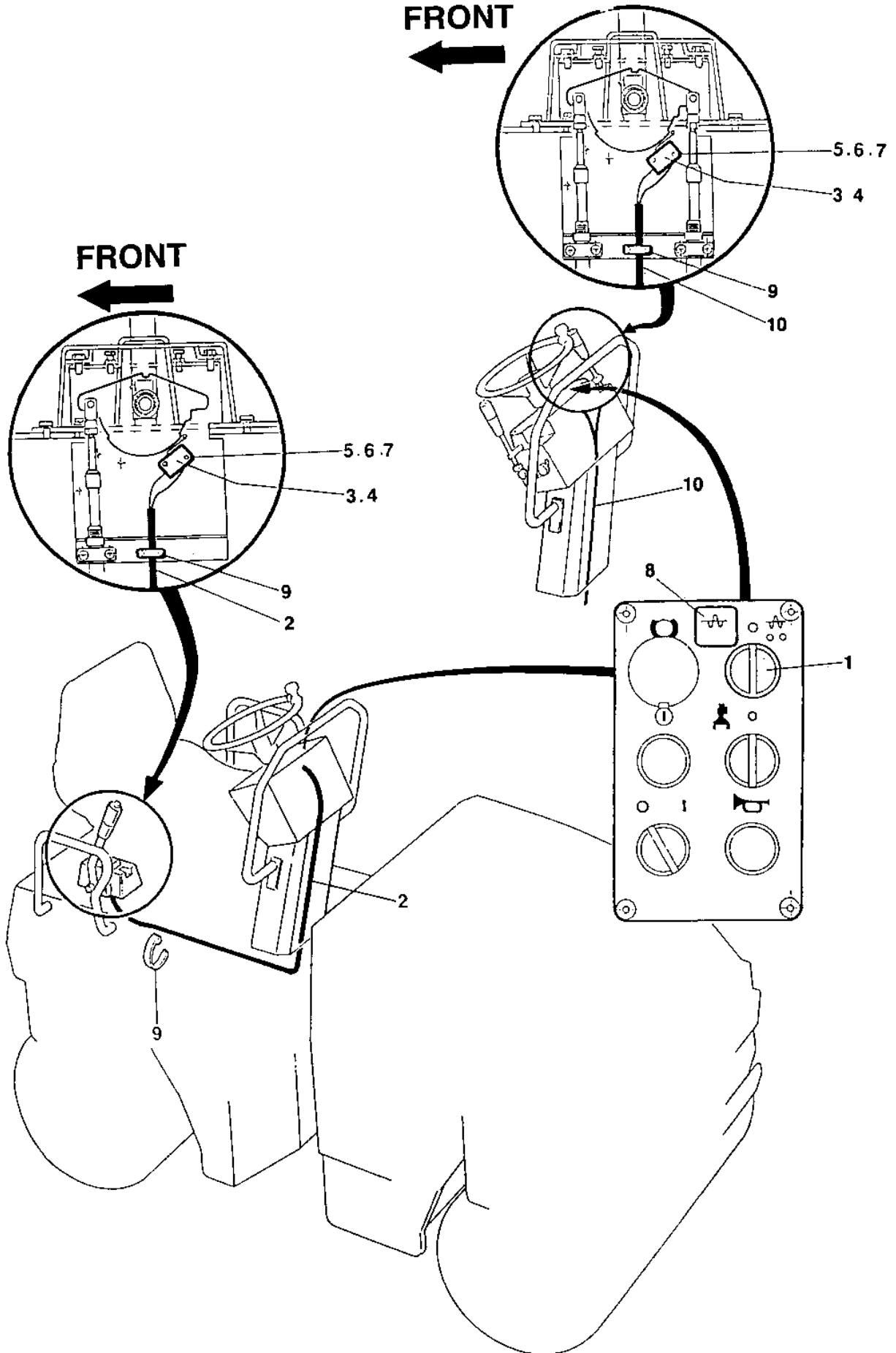
Vibration shut-off, rear drum DEUTZ

Item	Part No	Rem	Qty	Description	Code
1	4700357934		1	Solenoid valve	
2	4700902535		1	.Coil	D
3	4700902536		1	.Valve	D
4	4700902537		1	.Housing	
5	4700923406		1	Connector	
6	4700904175		1	Connector	
7	4700482889		1	Hydraulic hose	
8	4700334197		1	Elbow 90	C
9	4700334135		1	Tee-connector	C
10	4700334116		1	Straight o-ring connector	C
11			N	Hydraulic details	C
12	4700357543		1	Valve	D
13	4700373849		1	Cable harness	
14	4700960796		1	.Connector	black, MPM 182 09 ND
15	4700930151		1	Switch	B
16	4700904223	B	1	Decal	
17	4700813500		1	Elbow 45, O-ring	C
18	4700334165		1	Adapter	
20	4700334135	C	2	Tee-connector	C
21	4700357543	C	1	Valve	D
22	4700483585	C	1	Hydraulic hose	

- B) Vibr. shut-off rear
- C) Used in new machines

Automatic vibration control

15648-1

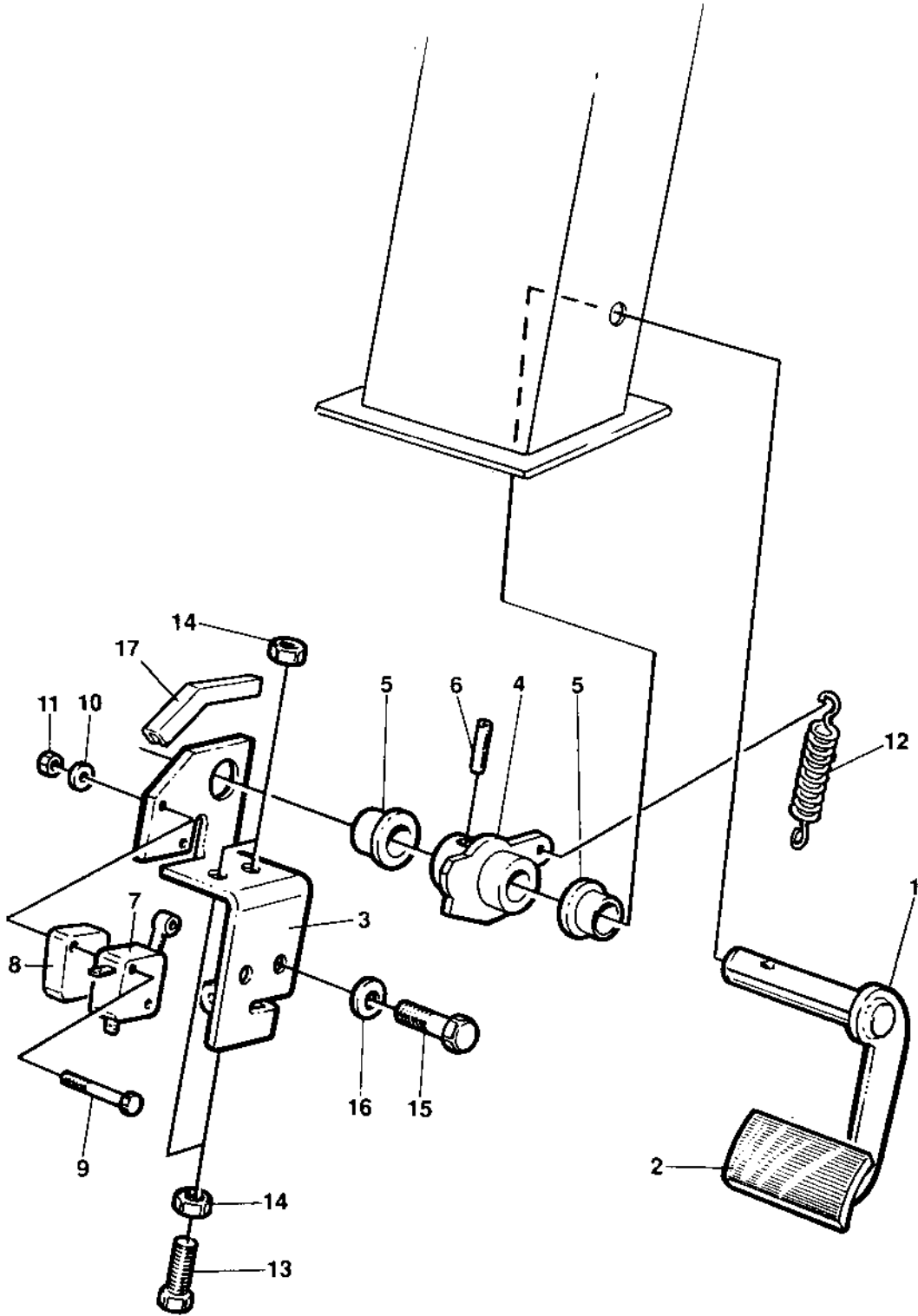


Automatic vibration control

Item	Part No	Rem	Qty	Description	Code
1	4700930163		1	Contact piece, NO	B
2	4700374483		1	Cable harness	
3	4700902528		1	Micro switch	B
4	4700357994		1	Spacer nut	
5	4700533057		2	Screw	
6	4700929602		2	Washer	
7	4700375892		2	Spacer nut	
8	4700359136	A	1	Decal	
9	4700313068		N	Cable ties	L=92 mm
10	4700370660		1	Cable harness	
A)	Vib. auto				

Service brake

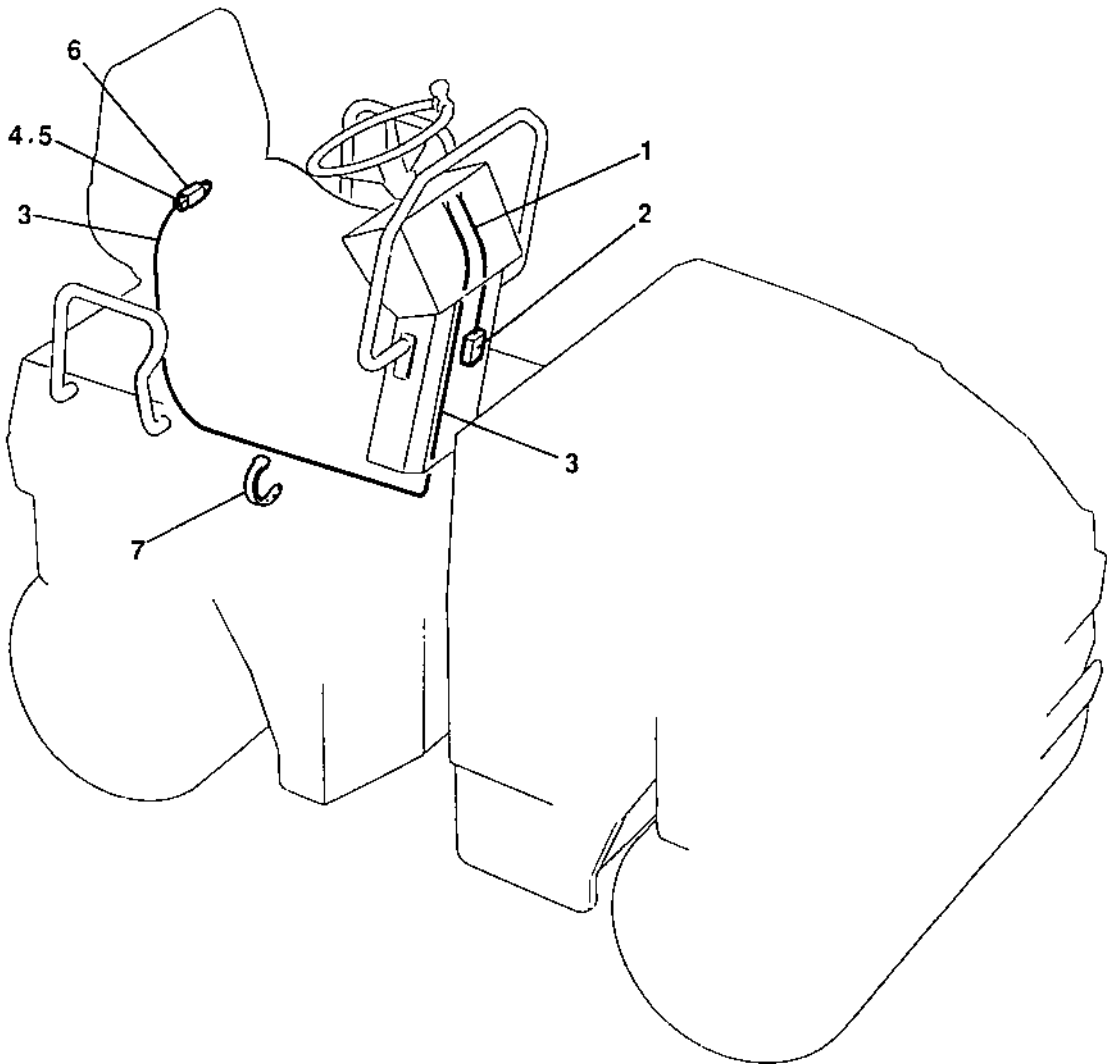
15583-1



Service brake

Item	Part No	Rem	Qty	Description	Code
1	4700358299		1	Brake pedal	
2	4700345800		1	Pedal rubber	D
3	4700358302		1	Bracket	
4	4700358303		1	Camshaft	
5	4700349492		2	Bushing	
6	4700629024		1	Pin	
7	4700902528	2	1	Micro switch	B
	4700382396	1	1	Micro switch	
8	4700357994		1	Spacer nut	
9	4700533057		2	Screw	
10	4700929602		2	Washer	
11	4700570001		2	Nut	
12	4700358306		1	Spring	
13	4700500022	B	1	Screw	M8x30H 8.8 A2K C
14	4700570005	B	1	Nut	M8 C
15	4700500053		2	Screw	M8x20H 8.8 C
16	4700904229		2	Washer	8,4x16x1,5 C
17	4700900904	A	1XL	Grommet	C

- 1) Can replace 4700902528
- 2) Can be replaced by 4700382396
- A) L=0,06 m
- B) Not valid for 4700382396



Driving, restriction

Item	Part No	Rem	Qty	Description	Code
1	4700371908		1	Cable harness	
2	4700287597		1	.Relay	D
3		1	1	Cable harness	D
4	4700903823		1	Connector	
5	4700960274		4	Terminal	
6			1	Seat switch	
7	4700925802		N	Cable ties	
				L=142 mm	C
1)	See section " Electrical equipment "				

NUMERICAL INDEX

Part Number	Page	Part Number	Page	Part Number	Page
4700151012	129	4700334135	261	4700357159	73
4700160012	83,85	4700334155	95	4700357160	73
4700160016	111,115	4700334156	95,111,115	4700357161	73
4700160025	129	4700334165	259,261	4700357165	77,79
4700160031	111,115	4700334197	97,259,261	4700357166	77,79
4700160112	23	4700334234	121,123,125	4700357176	29
4700160214	15,17,73	4700334235	95,111,115,121	4700357217	29,31,33
4700160269	145,149		123,125,257	4700357221	29,31,33
4700162004	257	4700334236	121,123,125	4700357222	29,31,33
4700162009	73	4700334238	95,111,113,115	4700357237	29,31,33
4700162017	73		117	4700357238	29,31,33
4700163049	15,17,73	4700334463	131	4700357248	49,53,57
4700167044	23,47	4700334524	111,115,121,123	4700357274	51,53,59
4700202028	51,53,59,199		125,131	4700357276	49,53,57
4700202042	61,63	4700343490	73	4700357280	49,53,57
4700202043	49,53,57,241,243	4700343744	73	4700357316	187
4700202046	49,53,57	4700343775	29,31,33	4700357320	187
4700212160	73	4700344138	255	4700357330	187
4700230277	95	4700345388	219	4700357370	29
4700230400	97,131	4700345728	135,141	4700357373	111,115
4700230515	77,79	4700345800	265	4700357377	121,123,125
4700232070	95	4700345870	145,149,187	4700357384	95,97
4700232122	111,115	4700346431	199	4700357395	61,63
4700233215	69	4700347153	23,47	4700357407	181,183
4700234218	95	4700347154	23,47	4700357408	181,183
4700234233	99,109	4700347155	23,47	4700357412	29,31,33
4700234341	111,115	4700348331	181,183	4700357418	23,47
4700234390	111,115,121,123	4700348481	25,135,141,201	4700357424	187
	125	4700348923	83,85	4700357459	83,85
4700234481	111,113,115,117	4700348924	83,85	4700357466	83,85
4700234888	131	4700349492	265	4700357468	83,85
4700234993	111,115	4700349795	163	4700357470	83,85
4700238272	129	4700349879	33,111	4700357471	135
4700277992	235	4700349880	33,111	4700357483	29,31,33
4700285909	135,141,201	4700350029	73	4700357486	29,31,33
4700285911	25,135,141,201	4700355258	145,149	4700357488	29,31,33
4700287597	135,141,145,149	4700355301	155	4700357494	197,201
	267	4700355468	145,149	4700357495	197,201
4700287713	61,63	4700355704	233	4700357496	197,199
4700288129	77,79	4700355705	249	4700357498	197
4700288357	203	4700355797	173	4700357499	197
4700311016	235	4700355829	173	4700357500	197
4700312001	199	4700355869	95,121,123,125	4700357501	197
4700313001	63,65,69,83,85	4700355981	257	4700357502	201
4700313002	61,63,67,69	4700356415	223	4700357506	77,79
4700313008	111,115	4700357003	77,79	4700357543	111,115,259,261
4700313023	81,241,243	4700357005	77,79	4700357562	161
4700313035	197,199,201	4700357020	73	4700357567	135,139
4700313041	175,177,181	4700357022	91,95,107,131	4700357574	145,149
4700313068	201,245,247,263	4700357031	47	4700357583	135,139,199
4700313086	87,89	4700357038	47	4700357584	135,141
4700313102	95,111,115,121	4700357039	47	4700357585	145,149
	123,125,131,223	4700357070	29	4700357587	207
4700313108	83,85,225	4700357111	95	4700357592	207
4700330171	83,85	4700357112	95	4700357604	207
4700330331	77,79	4700357113	95	4700357605	207
4700330383	77,79,97	4700357114	73	4700357643	61,63,187,207
4700332038	257	4700357130	207	4700357663	175,177
4700334116	259,261	4700357138	11,111,115	4700357666	175
4700334117	255	4700357139	111,115	4700357668	175,177
4700334121	99,109	4700357142	61,63	4700357679	175,177
4700334135	95,111,115,259	4700357154	73	4700357684	135,139

NUMERICAL INDEX

Part Number	Page	Part Number	Page	Part Number	Page
4700357812	163,167	4700358486	111,115	4700370263	199
4700357855	187	4700358504	111,115	4700370266	199
4700357863	49,53,57	4700358536	241,243	4700370272	199
4700357892	251	4700358540	241,243	4700370273	199
4700357893	251	4700358545	241,243	4700370274	199
4700357896	201	4700358551	237,239,241,243	4700370355	77,79
4700357922	223	4700358552	241,243	4700370660	245,263
4700357924	223	4700358553	241,243	4700370803	203,221
4700357925	223	4700358557	241,243	4700371088	199
4700357927	223	4700358558	237,239,241,243	4700371171	207
4700357928	223	4700358561	237,239,241,243	4700371173	207
4700357930	223	4700358564	173	4700371183	95
4700357934	259,261	4700358566	35,37,39	4700371313	95,111,113,115
4700357939	249	4700358568	35,37,39		117
4700357973	245	4700358579	219	4700371314	95,111,113,115
4700357993	245	4700358586	255		117
4700357994	245,247,263,265	4700358587	73	4700371326	145,149
4700358000	163,169	4700358595	225	4700371344	147,151
4700358003	257	4700358614	257	4700371380	49
4700358089	181,183	4700358615	257	4700371561	163,167,171
4700358098	223	4700358620	225	4700371908	267
4700358102	171	4700358622	225	4700371994	49,53,57
4700358142	187	4700358663	149	4700372352	91,95,101,131
4700358143	187	4700358743	29,31,33	4700372523	181,183
4700358160	49	4700358782	227	4700372570	181,189,191
4700358213	181,183	4700358783	227	4700372627	83,85
4700358224	219	4700358789	227	4700372659	189
4700358228	221	4700358790	227	4700372696	189,191
4700358232	181,183	4700358795	73	4700372697	189,191
4700358239	257	4700358801	227	4700372705	197
4700358254	207	4700358802	227	4700372964	125
4700358299	265	4700358809	61,63	4700373402	95
4700358302	265	4700358846	61,63	4700373461	83,85
4700358303	265	4700358861	29,31,33	4700373476	49,53,57,241
4700358306	265	4700358874	41,43	4700373478	111,115
4700358324	237,239,241,243	4700358876	41,43,45	4700373490	163,167
4700358325	237,239,241,243	4700358881	213	4700373493	163,167
4700358332	237,239,241,243	4700358976	47	4700373628	29
4700358333	237,239,241,243	4700358978	47	4700373733	73
4700358335	237,239,241,243	4700359003	61,63	4700373798	61,63
4700358336	237,239,241,243	4700359062	203	4700373849	259,261
4700358338	237,239,241,243	4700359065	203	4700373999	29,31,33
4700358339	237,239,241,243	4700359074	203	4700374009	203
4700358341	241,243	4700359114	87,89	4700374018	35
4700358342	237,239,241,243	4700359136	263	4700374087	237,239,241,243
4700358355	83,85	4700359161	87,89	4700374100	237,241
4700358370	77,79	4700359163	87,89	4700374101	255
4700358371	77,79	4700359434	57	4700374132	181,183
4700358378	217	4700359524	91,111,115,119	4700374133	181,183
4700358379	217		121,123,125	4700374213	161
4700358380	217	4700359526	111,115	4700374400	49
4700358381	217	4700359660	249	4700374401	49
4700358382	217	4700359661	249	4700374402	49
4700358383	217	4700359662	249	4700374403	49
4700358384	217	4700359769	241,243	4700374460	229
4700358385	217	4700359834	111,115	4700374483	263
4700358386	217	4700370127	207	4700374603	91,121,123,125
4700358418	145,149	4700370173	121,123,125		129
4700358440	217	4700370174	199	4700374625	49,53,57
4700358452	175,177,221	4700370241	199	4700374626	111,115
4700358458	219,223	4700370242	199	4700374627	49,53,57
4700358462	223	4700370244	199	4700374629	49

NUMERICAL INDEX

Part Number	Page	Part Number	Page	Part Number	Page
4700374657	49,53,57	4700383436	29,31,33,73	4700392509	69
4700375594	51,55,59	4700383697	63	4700392510	69
4700375595	51,55,59	4700383705	187	4700393204	249
4700375649	121,123,125	4700383960	161	4700393205	249
4700375892	245,263	4700383961	135,139	4700393206	249
4700376113	171	4700383967	161	4700393291	79
4700376129	49	4700384050	35,37,39,41,43	4700393540	33
4700376624	37,39		45	4700393808	159
4700376796	141	4700384083	153	4700395732	89
4700376828	87,89	4700384191	153	4700396108	139
4700376873	69	4700384263	149	4700396215	197,199
4700376874	69	4700384302	67	4700396557	177
4700376875	69	4700384303	67	4700396847	33
4700376876	69	4700384359	161	4700396974	139
4700376877	69	4700384493	35,37,39,41,43	4700397357	17,73
4700377051	139		45	4700416004	197,199,201
4700377061	53,57	4700384532	193,195	4700416034	197
4700377518	185	4700384726	83,85	4700450122	21,73
4700377677	191,195	4700385218	19,35,37,39,41	4700450166	219
4700377697	157,159		43,45	4700476019	219,229,231,233
4700377742	209	4700385580	137,141	4700480124	111,115
4700377743	209	4700385613	41,43,45	4700480446	127
4700377744	209	4700385644	145,149	4700480447	127
4700377796	37,39,45	4700385673	35,37,39,41,43	4700480449	127
4700377951	53,57		45	4700480450	127
4700378363	31,33	4700385712	81	4700480457	127
4700378365	31,33	4700385713	81	4700480464	127
4700378370	139	4700386075	193,195	4700480468	127
4700378742	153	4700386133	77,79	4700481303	127
4700378743	139	4700386134	111,115	4700482208	257
4700378868	31,33	4700387471	87	4700482216	97
4700379009	63	4700387491	77,79	4700482398	121,123,125
4700379637	191,195	4700387806	41,43	4700482452	95
4700379982	207	4700387807	41,43	4700482544	131
4700380192	163,167	4700387808	41,43	4700482553	95
4700380255	41,43,45	4700387809	41,43	4700482606	111,115
4700380293	81	4700387956	53,57	4700482773	257
4700380294	11,81	4700388501	77	4700482825	257
4700380295	11,81	4700388846	53,57	4700482889	259,261
4700380296	81	4700388852	53,57	4700482892	113,117
4700380298	81	4700389153	37,39,45	4700482898	111,115
4700380299	81	4700389175	197,199	4700482900	111,115
4700380300	81	4700389176	197,199	4700482930	131
4700380343	209	4700389177	197	4700483039	95
4700380459	83,85	4700389561	177	4700483118	95
4700380736	91,109	4700389577	175,177	4700483160	113,115
4700381421	17,73	4700389631	167	4700483161	113,115
4700381750	193,195	4700389840	147	4700483165	97
4700381994	155,157	4700389998	45	4700483168	97
4700382180	61	4700389999	45	4700483171	131
4700382181	61,63	4700390701	89	4700483281	111,115
4700382213	197,199	4700390722	77,79	4700483282	113,117
4700382226	197	4700390810	197	4700483289	97
4700382237	193,195	4700390840	63	4700483321	95
4700382349	197	4700390963	185	4700483585	259,261
4700382396	265	4700391118	53,57	4700485005	235
4700382563	237,239,241,243	4700391119	53,57	4700485006	235
4700382565	49,53,57	4700391120	53,57	4700485019	235
4700382568	237,239,241,243	4700391121	53,57	4700485037	235
4700382751	209	4700391271	111,115	4700485388	235
4700382782	145,149	4700392011	69	4700499162	175,177
4700383200	189,193	4700392508	69	4700499444	67

NUMERICAL INDEX

Part Number	Page	Part Number	Page	Part Number	Page
4700500006	167,193,195	4700500189	217,219	4700586002	247,249
4700500012	219,225	4700500190	63,87,241,243	4700586003	49,53,57,77,79
4700500013	197,199,201,219	4700500194	73		95,135,141,163
	225	4700500195	29,31,33,227		169,171,175,177
4700500015	41,43,45,217	4700500237	175,219		183,189,191,199
4700500016	29,31,33,249	4700500249	49,53,57		217
4700500019	33,111,115,135	4700500272	29,31,33	4700586018	41,43,45,95,175
	141,181,183,221	4700500501	197		177,227
4700500020	51,55,59,135,141	4700500509	81,181,183,187	4700586019	35,37,39,41,43
	181,183,189,191		199		45,77,79,181,183
4700500021	49,53,57,61,77	4700508005	193,195		227
	79,87,95,97,111	4700508020	135,141,163,169	4700586021	203,219
	113,115,117,121		173,197	4700600002	163,169,223,257
	123,125,135,141	4700508022	53,57	4700600003	49,173,207
	187,197,227	4700508025	77,79	4700600004	29,31,33,73,199
4700500022	81,89,153,157	4700508027	49,53,57		217,221,225,245
	159,255,265	4700508029	77,79,87,89,95		247,249
4700500028	47,61,63,175,177		111,113,115,117	4700600006	181,183,199,217
4700500029	49,53,73	4700508053	77,79		241,243
4700500030	121,123,125,227	4700508075	169	4700600008	47,73,227,257
4700500031	57	4700508084	73	4700600009	73
4700500037	95	4700508092	181,189,191,193	4700600011	219,251
4700500040	61,63,197,199		195	4700600016	121,123,125
	201,237,239,241	4700508095	77,79	4700601001	231,233
	243,245,247	4700508096	77,79,95,111,115	4700601003	217
4700500044	73,175,177	4700513013	95,189,191,229	4700603018	113,117
4700500046	35,37,39,41,43	4700516010	199	4700606003	219
	45	4700516042	227	4700606015	217
4700500047	41,43,45,49,53	4700516043	249	4700615041	255
	59,77,79,135,141	4700526007	225	4700615042	61,63,173,219
4700500048	121,123,125	4700527002	221		225
4700500049	35	4700533001	25,135,141,201	4700615043	221
4700500050	77,79	4700533016	257	4700615044	95,121,123,125
4700500053	29,31,33,49,53	4700533025	155,157,159	4700615065	237,239,241,243
	57,63,77,79,83	4700533032	173	4700615076	29,31,33,61,65
	85,97,113,117	4700533038	201	4700615096	181,183
	135,141,181,183	4700533057	245,263,265	4700615117	217
	265	4700533070	155,157,181	4700624005	207
4700500056	35,37,39,41,43	4700535008	207	4700624011	229
	45	4700535010	173	4700624016	203
4700500059	49	4700541508	223	4700624017	209
4700500061	197,199,217	4700541702	145,149,187,199	4700624018	49,53,57
4700500067	111,115	4700541703	187,219	4700624027	173
4700500070	203	4700541705	199	4700629016	197,199,201
4700500071	227	4700570001	265	4700629024	265
4700500075	145,149,237,241	4700570003	173,181,193,195	4700630019	121,123,125
4700500079	67,249	4700570004	145,149,197,199	4700635061	129,203
4700500080	233		201,225,247	4700747282	83,85
4700500094	219	4700570005	41,43,49,53,57	4700791078	153
4700500107	203		87,89,153,189	4700791079	153
4700500109	95		191,199,203,229	4700791082	41,43,45
4700500111	41,43,227		265	4700791117	67
4700500115	89	4700570006	41,43,45	4700791182	41,43,45,141
4700500117	181,183	4700570008	251	4700791226	187
4700500122	77,79	4700573004	197,199,201	4700791233	243
4700500133	41,43,45,227	4700586001	49,135,141,155	4700791234	243
4700500142	219		157,159,163,173	4700791276	209
4700500143	177		207,233	4700791472	153
4700500164	203	4700586002	41,43,45,49,61	4700791568	63
4700500184	255		65,145,149,187	4700791722	145
4700500185	77,79		197,201,217,237	4700791723	147
4700500188	29,31,33		239,241,243,245	4700791739	147

NUMERICAL INDEX

Part Number	Page	Part Number	Page	Part Number	Page
4700791754	53,57	4700901239	223	4700902111	237,239,241,243
4700791949	63	4700901240	145,149,163,167	4700902123	121,123,125
4700791950	63		245,247	4700902131	131
4700791959	63	4700901242	219	4700902166	49,51,53,55,57
4700791963	37,39,45	4700901245	223		59,237,239,241
4700791974	69	4700901249	219		243
4700791977	69	4700901258	221	4700902168	81
4700791980	177	4700901266	221	4700902171	29,31,33
4700791981	177	4700901267	221	4700902172	29,31,33
4700792147	83,85	4700901273	219	4700902183	121,123
4700792180	53,57	4700901274	181,183	4700902184	121,123
4700792187	31,33	4700901275	219	4700902185	121,123
4700792210	53,57	4700901296	219	4700902186	121,123
4700792548	159	4700901313	95	4700902187	197,199,201
4700792708	57	4700901330	45	4700902189	197,199,201
4700792709	57	4700901340	217	4700902191	197
4700792773	209	4700901341	217	4700902193	197,199
4700792796	59	4700901365	219	4700902203	57,135,141,201
4700801567	135,141	4700901366	223		203
4700801698	219	4700901369	163,167,171,221	4700902219	207
4700813321	95,111,115,121	4700901375	221	4700902223	145,149,163,167
4700813435	95,255	4700901431	61,63	4700902224	145,149
4700813443	97	4700901432	61,63	4700902225	145,149
4700813444	95,255	4700901550	225	4700902227	163,167,171
4700813500	259,261	4700901552	225	4700902229	95
4700831150	255	4700901553	225	4700902230	95
4700831179	121,123,125	4700901554	225	4700902231	95
4700892179	23,47	4700901555	225	4700902232	95
4700892446	95,113,117,131	4700901556	225	4700902233	95
4700900243	247	4700901557	225	4700902256	49,53,57
4700900485	49	4700901558	225	4700902287	45
4700900519	49,53,249	4700901559	225	4700902295	111,115
4700900684	207	4700901561	225	4700902376	29,31,33
4700900790	163,167	4700901562	225	4700902377	95
4700900791	163	4700901563	225	4700902378	95
4700900793	163	4700901564	225	4700902379	67,69,95,111,115
4700900794	163	4700901565	225		187
4700900842	207	4700901566	225	4700902382	203
4700900904	265	4700901568	225	4700902384	135,139
4700900986	181,183,203	4700901571	225	4700902458	251
4700900998	219	4700901572	223	4700902496	249
4700900999	219	4700901578	223	4700902508	223
4700901143	223	4700901587	225	4700902509	223
4700901155	95	4700901679	223	4700902521	77,79
4700901156	95	4700901692	111,115	4700902528	245,247,263,265
4700901157	97	4700901744	103	4700902535	259,261
4700901165	253	4700901750	103	4700902536	259,261
4700901166	253	4700901766	135,141	4700902537	259,261
4700901167	253	4700901767	137,141,145,149	4700902542	175
4700901168	253	4700901780	107	4700902548	77,79
4700901169	253	4700902059	47	4700902550	135,139
4700901191	67,69	4700902060	47	4700902560	135,139
4700901212	235	4700902061	23,47	4700902569	181,183
4700901224	223	4700902062	23,47	4700902576	47,129
4700901225	153,163,167,223	4700902063	23,47	4700902578	235
4700901226	145,149,223,245	4700902064	163,169	4700902610	235
	247	4700902066	163,167	4700902619	103
4700901227	147,151,163,167	4700902093	203	4700902620	103
	171,175,177,223	4700902098	73	4700902624	101
4700901228	163,167,223	4700902099	91,121,123,125	4700902625	101,103
4700901229	223		127	4700902641	103
4700901238	223	4700902100	29,31,33	4700902644	103

NUMERICAL INDEX

Part Number	Page	Part Number	Page	Part Number	Page
4700902654	103	4700903086	219	4700903671	193
4700902670	101	4700903087	219	4700903675	199
4700902687	101	4700903089	217	4700903676	199
4700902695	101	4700903092	217	4700903722	249
4700902696	101	4700903094	217	4700903727	187
4700902724	101	4700903095	219	4700903820	145,149,163,167
4700902767	105	4700903096	219		171,175,177,223
4700902770	105	4700903097	219	4700903823	267
4700902771	105	4700903100	217	4700903886	61,65
4700902773	105	4700903101	217	4700903925	95
4700902792	101	4700903102	219	4700903938	7,11,77,79
4700902797	181,183	4700903103	217	4700903957	67
4700902804	49,53,57,181,183	4700903104	217	4700903958	67
	223	4700903105	217	4700903959	67
4700902810	119	4700903106	219	4700904015	153
4700902817	107	4700903107	219	4700904076	49,53,57
4700902818	107	4700903110	223	4700904090	49,53
4700902819	107	4700903118	223	4700904091	49,53
4700902820	107	4700903119	223	4700904094	207,227
4700902821	107	4700903120	223	4700904097	207
4700902822	107	4700903121	223	4700904116	67
4700902823	107	4700903123	217	4700904131	181,183
4700902824	107	4700903124	217	4700904175	257,259,261
4700902825	107	4700903125	217	4700904203	229,249
4700902826	107	4700903126	217	4700904206	49,51,53,55,57
4700902827	107	4700903127	217		59
4700902828	107	4700903128	223	4700904213	35
4700902829	107	4700903140	225	4700904214	77,79
4700902830	107	4700903141	257	4700904218	181
4700902831	107	4700903142	257	4700904223	261
4700902832	107	4700903143	257	4700904224	259
4700902833	107	4700903144	257	4700904225	181,183
4700902834	107	4700903148	219	4700904228	41,43,45,49,53
4700902835	107	4700903154	73		57,61,63,67,73
4700902836	107	4700903192	181,183		77,79,145,149
4700902837	107	4700903236	83,85		197,201,247,249
4700902838	107	4700903239	145,149	4700904229	29,31,33,41,43
4700902839	107	4700903241	245		45,49,53,57,61
4700902840	107	4700903247	7,11,95		63,77,79,87,89
4700902841	107	4700903287	73		95,111,113,115
4700902845	249	4700903320	77,79		117,135,141,153
4700902861	127	4700903323	219		163,169,171,175
4700902862	127	4700903326	219		177,181,183,189
4700902863	127	4700903330	119		191,203,227,265
4700902866	49,83,85,145,149	4700903369	237,239,241,243	4700904230	41,43,45,61,63
4700902890	181,183	4700903372	135,139		73,77,79,95,175
4700902891	221	4700903378	203		177
4700902892	181,183	4700903395	197,199,201	4700904231	29,31,33,35,37
4700902893	83,85	4700903422	207		39,41,43,45,73
4700902895	197,199,201	4700903423	207		77,79,181,183
4700902896	197,199,201	4700903424	207		227
4700902916	61,63	4700903425	207	4700904232	29,31,33,97,203
4700902919	181,183,223	4700903430	119	4700904233	77,79
4700903000	217	4700903431	111,115	4700904241	41,43
4700903003	121,123,125	4700903436	241,243	4700904258	15,73
4700903063	145,149	4700903459	207,255	4700904277	139,141
4700903078	173	4700903471	103	4700904281	31,33,135,141
4700903079	173	4700903478	61,63		155,157,159,163
4700903081	173	4700903521	127		167,181,193,195
4700903083	217	4700903557	103		233
4700903084	217	4700903593	157,159	4700904292	77,79
4700903085	219	4700903637	119	4700904313	163,167

NUMERICAL INDEX

Part Number	Page	Part Number	Page	Part Number	Page
4700904315	167	4700909536	181,189,191,193	4700928781	67
4700904316	167		195	4700928830	121,123,125
4700904317	167	4700909757	101	4700928927	247
4700904318	167	4700909758	101	4700928928	145,149
4700904342	35,37,39,41,43	4700909759	129	4700928937	241,243
	45	4700909760	129	4700929008	127
4700904343	35,41,43	4700909761	129	4700929009	127
4700904368	49	4700909764	129	4700929010	127
4700904374	49	4700909765	129	4700929012	127
4700904403	209	4700909766	129	4700929013	127
4700904404	209	4700910161	111,115,121,123	4700929014	127
4700904424	37,39,45		125	4700929164	221
4700904429	203	4700911456	145,149	4700929322	7,11,83,85
4700904532	257	4700911620	127	4700929455	173
4700904556	111,115,121,123	4700921039	219	4700929602	245,247,263,265
	125,193,195,197	4700921070	199	4700929956	217
4700904557	49,53,77,79,111	4700921072	83,85,177	4700929957	217
	115,135,141	4700921099	97	4700929965	217
4700904639	49	4700921104	141	4700930151	145,149,259,261
4700904640	49,53,57,65,77	4700921119	95,113,117	4700930153	145,149
	79,81,83,85,87	4700922325	197,199,201	4700930154	147,149,151,163
	89,97,135,141	4700922875	237,239,241,243		167
	187	4700923008	121,123,125	4700930155	145,149
4700904697	135,141,201,207	4700923253	231	4700930161	163,167
4700904698	53,57	4700923406	259,261	4700930162	163,167
4700904703	37,39,41,43,45	4700923407	257	4700930163	145,149,163,167
	95,121,123,183	4700923679	67		171,263
4700904717	203	4700923680	67	4700930165	163,167,171,175
4700904724	109	4700923681	67		177
4700904725	109	4700923683	67	4700930166	175,177
4700904734	157,159	4700923734	61,63	4700930182	145,149,163,167
4700904798	241	4700923735	61,63	4700930200	149
4700904808	61	4700923844	181,183	4700932032	145,149
4700904835	209	4700923859	67,249	4700932055	163,167,171
4700904846	155,157	4700923876	67	4700932056	163,167
4700904870	207	4700923900	199	4700932058	145,149,163,167
4700904877	61	4700923951	15,73	4700932059	147,151
4700904878	61,63,65,67,69	4700923962	67	4700935158	101
4700904901	111,115	4700923976	53,57,165,169	4700935159	101
4700904911	247		257	4700935160	101
4700904961	135	4700924544	61,63,65	4700935161	103
4700904963	135,139	4700924875	187	4700935162	103
4700904984	83,85	4700924986	61,65	4700935163	103
4700904989	163,167	4700924996	61,63	4700935164	103
4700908063	107	4700925599	61,63,65	4700935165	103
4700908229	203,209	4700925723	95,97	4700935166	103
4700908384	103	4700925802	83,85,209,225	4700935167	103
4700908484	201		267	4700935170	103
4700908786	107	4700925958	135,141	4700935171	103
4700908804	119	4700926214	23,47,129	4700935172	103
4700909107	135,141,219	4700926215	181,183,223	4700935176	103
4700909152	173,175,177	4700926911	61,63	4700935177	103
4700909370	77,79	4700926985	237,239,241,243	4700935178	103
4700909483	119	4700927278	103	4700935179	103
4700909484	119	4700927396	29,31,33	4700935180	103
4700909497	107	4700927568	61	4700935181	103
4700909498	249	4700927637	219	4700935182	103
4700909514	101,103	4700928022	95,97	4700935183	103
4700909527	145,149	4700928337	107	4700935184	103
4700909534	107	4700928497	25,135,141,201	4700935186	103
4700909535	181,189,191,193	4700928502	163,167	4700935187	103
	195	4700928672	221	4700935188	103

NUMERICAL INDEX

Part Number	Page	Part Number	Page	Part Number	Page
4700935189	103	4700947698	95		
4700935190	103,105	4700947699	203		
4700935191	103	4700960274	267		
4700935194	105	4700960796	135,139,259,261		
4700935195	105	4700975077	193,195		
4700935196	105	4700985012	145,147,149,151		
4700935197	105		163,167,171,175		
4700935198	105		177		
4700935199	105	4700985013	163,169,173		
4700935200	105	4700985014	163,167		
4700935201	105	4700985125	145,149		
4700935202	105	4700985126	221		
4700935203	105	4700989151	111,115		
4700935204	105	4700991657	207		
4700935205	105	4700991658	207		
4700935206	105	4700999011	221		
4700935207	105	4700999027	135,141,157,159		
4700935208	105	47386084CN	207		
4700935209	105	47386084DE	207		
4700935210	105	47386084DK	207		
4700935211	105	47386084EN	207		
4700935212	105	47386084ES	207		
4700935214	105	47386084FI	207		
4700935215	105	47386084FR	207		
4700935216	105	47386084IS	207		
4700935218	105	47386084IT	207		
4700935219	101	47386084NL	207		
4700935613	125	47386084NO	207		
4700935614	125	47386084PT	207		
4700936283	181	47386084SE	207		
4700936690	101	4811000084	95		
4700936691	103	4812110229	39		
4700936692	103	4812110276	247		
4700936693	103	4812110281	95,99		
4700936706	103	4812110282	99		
4700937053	61,63	4812110346	73		
4700937118	61,63	4812110444	73		
4700938209	107	4812110560	141,143		
4700938306	61	4812110640	73		
4700938307	61	4812110657	139		
4700938534	23	4812110717	145		
4700938542	5,7	4812110723	145		
4700938543	5,9	4812110725	247		
4700938575	13,23	4812110855	139		
4700938738	193,195	4812110856	141		
4700938739	193,195	4812110857	187		
4700938740	193,195	D433830401	111,115,121,123		
4700938887	13,21		125		
4700938893	13,17				
4700938909	13,15				
4700938915	13,19				
4700939478	77,79				
4700939515	7,9,11,77,79				
4700939593	77,79				
4700939840	77,79				
4700939895	11				
4700939976	77,79				
4700940211	5,11				
4700940662	13,25				
4700945622	185				
4700945777	85				
4700947687	29,31,33				