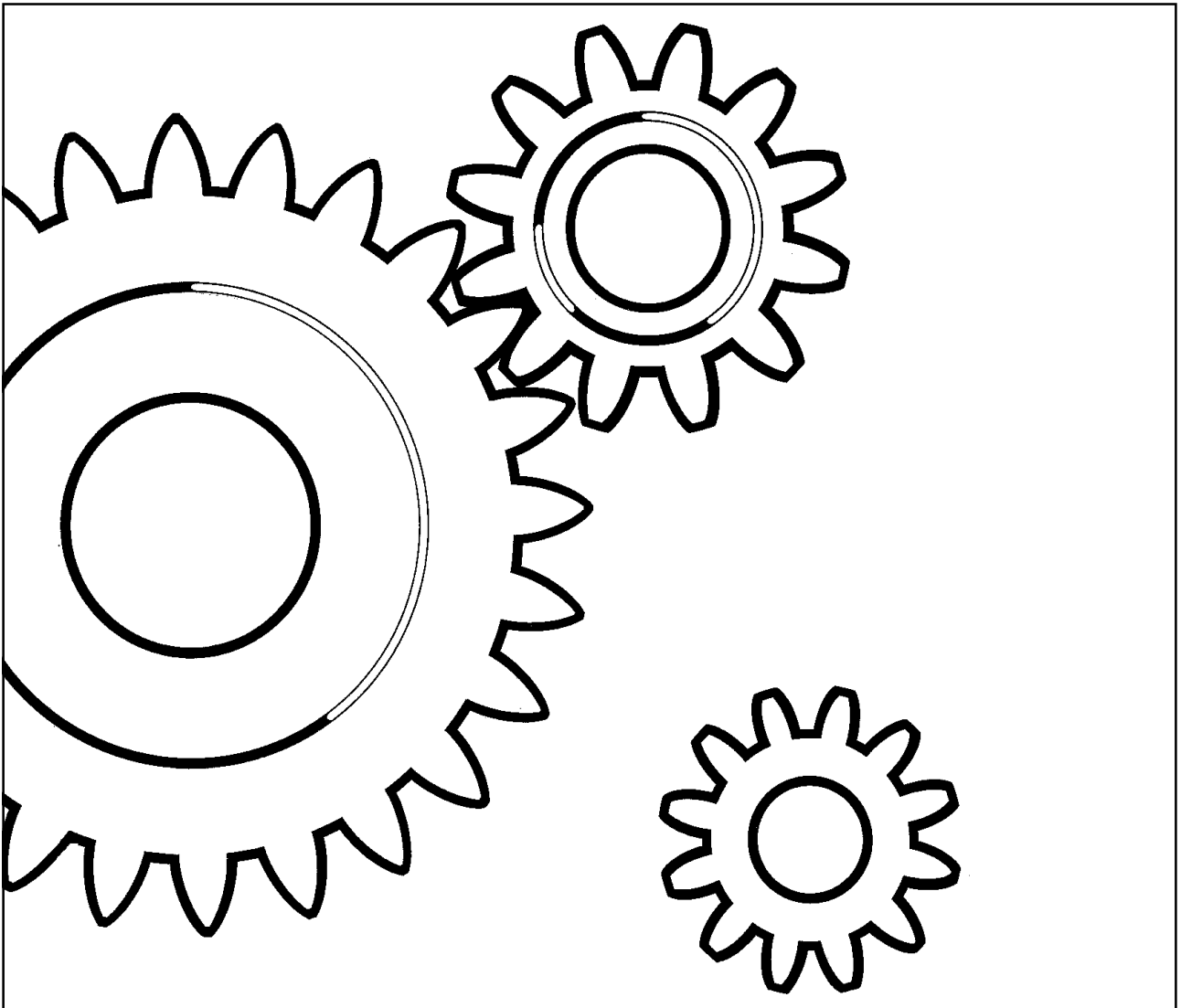


**DYNAPAC
CC900G
SPARE PARTS
CATALOGUE
SCC900G-1EN4**



DYNAPAC

Part of the Atlas Copco Group

Box 504, SE-371 23 Karlskrona, Sweden

Phone: +46 455 30 60 00, Fax: +46 455 30 60 10

www.dynapac.com

Vibratory Roller CC900G

Spare Parts Catalogue SCC900G-1EN4

Valid from roller serial number:

**88240233* -*

Gasoline engines:

Honda GX620 K1

Honda GX620 U1

Published catalogue issues valid for these rollers:

<i>Catalogue</i>	<i>Issue date</i>	<i>Valid for serial numbers</i>
SCC900G-1EN0,5	2004-11	Replaced by SCC900G-1EN1
SCC900G-1EN1	2005-01	Replaced by SCC900G-1EN2
SCC900G-1EN2	2006-05	Replaced by SCC900G-1EN3
SCC900G-1EN3	2008-03	Replaced by SCC900G-1EN4
SCC900G-1EN4	2009-04	See above



RESERVDLSBESTÄLLNING

Följande uppgifter ska lämnas vid beställning av reservdelar för att undvika leveransfel:

1. Maskintyp.
2. Vältens serienummer.
3. Antal av önskad reservdel.
4. Reserdelens artikelnummer.
5. Reservdelens benämning.
6. Måttuppgifter vid beställning av metervara.

ORDERING SPARE PARTS

To avoid errors in delivery, please give the following information when ordering spare parts:

1. Type of machine.
2. Roller serial number.
3. Quantity required.
4. Part number.
5. Parts denomination.
6. Dimensions when ordering per length.

ERSATZTEILBESTELLUNG

Zur Vermeidung von Fehllieferungen sind bei der Bestellung von Ersatzteilen folgende Angaben zu machen:

1. Maschinentyp.
2. Herstellungsnummer.
3. Bestellmenge. (Quantity)
4. Ersatzteilnummer. (Part N°)
5. Ersatzteilbenennung. (Denomination)
6. Massangaben bei Bestellung von Meterware.

ORDINI DI RICAMBI

Per evitare errori nelle consegne di ricambi, Vi preghiamo di comunicarci le seguenti informazioni al momento dell'ordinazione:

1. Tipo di macchina.
2. Numero di serie della macchina.
3. Quantità dei pezzi desiderati. (Quantity)
4. Numero di codice del pezzo. (Part N°)
5. Descrizione del pezzo di ricambio. (Denomination)
6. Misura, in caso di ordine per metro.

PEDIDO DE RECAMBIOS

Para evitar errores en las entregas, deberán indicarse los siguientes datos al hacer un pedido de recambios:

1. Tipo de máquina.
2. Número de serie.
3. Cantidad de piezas deseadas. (Quantity)
4. Número de artículo de la pieza de recambio. (Part N°)
5. Denominación de la pieza. (Denomination)
6. Indíquese la medida al solicitar un artículo que se expide por metros.

COMMANDE DE PIECES DE RECHANGE

Les indications suivantes doivent être fournies lors de la commande de pièces de rechange, afin d'éviter toute erreur de livraison:

1. Type de machine.
2. Numéro de série.
3. Quantité désirée de pièce de rechange. (Quantity)
4. Numéro de la pièce de rechange. (Part N°)
5. Dénomination de la pièce de rechange. (Denomination)
6. Longueur en cas de commande au mètre.

YOUR AGENT/DEALER:

Text pages

The text pages is structured as the picture on the right.

1. This is the remarks for specific items and the descriptions of the remarks is at the bottom of the parts list.

2. Parts indicated by a dot and moved to the right are included when buying the assembled unit above.

3. Spare parts and service code for a specific part, mainly for internal use at Dynapac. "A" = Service part, "B" = Fast moving part, "C" = Suggested exchanged part and "D" = Regular spare part.

Cooling system					Weight Dynapac AB
Ref. No.	Part No.	Warr	Qty	Description	Code
1	102001		1	Water cooler	③
2	102002			Water cooler cap	③
3	102003	①	②	Cap	③
4	102004	A		Water cooler	③
5	102005			Cap	③
6	102006	B	100	Water cooler	③
7	102007	C		Water cooler	③
8	102008			Water cooler	③
9	102009		100	Water cooler	③
10	102010			Water cooler	③
11	102011			Water cooler	③
12	102012			Water cooler	③
13	102013			Water cooler	③
14	102014			Water cooler	③
15	102015			Water cooler	③
16	102016			Water cooler	③
17	102017			Water cooler	③
18	102018			Water cooler	③
19	102019			Water cooler	③
20	102020			Water cooler	③

① A: Service part
B: Fast moving part
C: Suggested exchanged part
D: Regular spare part

Changes

PARTS INFO	SERVICE INFO	GROUP	PAGE	NOTES

Notes

PÄRMETIKETT

För att undvika fel vid reservdelsbeställning finns här nedan två etiketter som passar i fickorna på pärmarnas ryggar. På dessa kan man se från vilket vältnummer av aktuell maskin reservdelskatalogen gäller. Gör så här:

1. Tag denna sida ur pärmen.
2. Klipp ut etiketten till **VÄNSTER** (1) och sätt in den i fickan på **DENNA** pärmens rygg.
3. Finns det en etikett till **HÖGER** (2), kan denna användas på pärmen för **FÖREGÅENDE** utgåva av denna katalog.
4. Kasta detta papper.

KATALOG-BESCHRIFTUNG

Zur Vermeidung von Fehlern bei der Ersatzteilbestellung benutzen Sie bitte die unteren Beschriftungen, um die Kataloge auf der Rückseite zu kennzeichnen. Auf der Beschriftung ist angegeben, für welche Maschinennummern der jeweilige Katalog gültig ist. Ablauf:

1. Nehmen Sie dieses Blatt aus dem Katalog.
2. Schneiden Sie die **LINKE** Beschriftung (1) aus. Schieben Sie die Beschriftung in die tasche auf **DEM** Katalogrücke.
3. Sollte die Beschriftung unten **RECHTS** (2) mitgeliefert werden, kennzeichnen Sie damit bitte die **ÄLTERE** Ausführung dieses Kataloges.
4. Den Rest dieses Blattes bitte vernichten.

ETIQUETA PARA LA CARPETA

Para evitar errores al pedir repuestos utilicen las etiquetas abajo descritas para identificar los catálogos en la parte trasera de la carpeta. En la etiqueta se ven los números de referencia de la serie para la cual es válido el catálogo. Instrucciones:

1. Quitar esta página de la carpeta.
2. Corta la etiqueta **IZQUIERDA** (1) y ponerla en **ESTA** carpeta en la parte trasera.
3. Si hay una etiqueta en la parte **DERECHA** (2) se puede utilizar en la carpeta para el catálogo que **PRECEDE** a esta.
4. Tirar esta hoja.

BINDER LABEL

To avoid errors when ordering spare parts use the labels below to identify the catalogues on the back of the binder. The label contain the serial number range for which the catalogue is valid. Do like this:

1. Remove this page from the binder.
2. Cut out the **LEFT** label (1) and put it on **THIS** binders back.
3. If there is a label to the **RIGHT** (2), it can be used on the binder for **PRECEDING** issue of this catalogue.
4. Throw away this paper.

ETICHETTA POSTA SUL RACCOGLITORE

Per evitare errori quando ordinate pezzi di ricambio, usate le etichette in calce che servono ad identificare i cataloghi sul retro del raccoglitore. L'etichetta indica il numero di matricola delle macchine prese in considerazione nel catalogo.

1. Rimuovete questa pagina dal raccoglitore.
2. Ritagliate l'etichetta posta a **SINISTRA** (1) e ponetela sul retro **DEL** raccoglitore.
3. Se trovate anche un'etichetta sulla **DESTRA** (2), ritagliatela e ponetela sul raccoglitore relativo alla **PRECEDENTE** edizione del catalogo.
4. Distruggete questo foglio.

ETIQUETAGE DU CATALOGUE

Afin d'éviter des erreurs lors de commandes de pièces de rechange, nous vous conseillons d'apposer les marquages ci-dessous à l'arrière du classeur, pour identifier les catalogues. Ce marquage indique les numéros de série pour lesquels le catalogue est adapté. Il convient de procéder de la façon suivante:

1. Retirez cette page du classeur.
2. Découpez l'étiquette de **GAUCHE** (1), et apposez-la à l'arrière de **CE** catalogue.
3. Si il y a une étiquette à **DROITE** (2), vous pourrez l'apposer sur le classeur de l'édition **PRECEDENTE** du catalogue.
4. Détruire cette feuille.

1 .

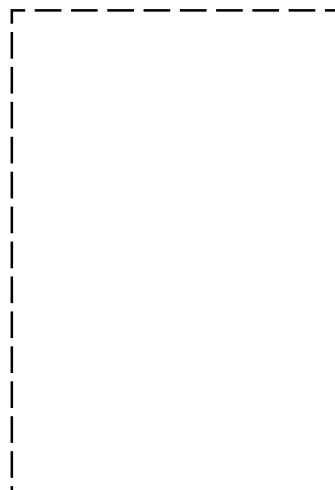


TABLE OF CONTENTS

Page

CC900G SN 88240233 -	2
Service kits	4
4700940463 Service kit 50h, HondaGX 620K1	6
4700940464 Service kit, 300h HondaGX 620K1	8
4700940465 Service kit 900h, HondaGX 620K1	10
Repair kit	12
4700940664 Shock absorber kit, drum Up to 88240485	14
4700940665 Shock absorber kit, drum From 88240486 Up to 88241630	16
4700945551 Shock absorber kit, drum From 88241631	18
4700940671 Scraper kit CC900/900G/900S	20
4700945928 Repair kit, Steering hitch	22
4700945710 Eccentric shaft kit	24
4700945711 Drum rotation kit	26
Frame	28
Frames	30
4700387057 Hitch	32
Scrapers	34
Engine hood	36
Sprinkler system	38
Drum	40
Drum	42
Drum static	44
Engine	46
Engine Honda GX620K1/GX620U1	48
Fuel system	50
Hydraulic system	52
Hydraulic propulsion and brake system motor	54
4700387270 Hydraulic motor	56
Hydraulic propulsion and brake system pump	58
Hydraulic vibration	60
Hydraulic steering	62
4700387274 Steering valve	64
4700387275 Hydraulic cylinder	66
Hydraulic cooling Option	68
Electrical equipment	70
Electrical equipment	72
Electrical equipment	74
Back-up alarm Option	76
Drivers platform	78
Drivers platform	80
F/R- , throttle- and choke control Up to 88241502	82
Forward and reverse control handle CC900G Up to 88241225	84
Forward and reverse control handle CC900G From 88241226	86
F/R- , throttle- and choke control From 88241503 Up to 88241503	88
Forward and reverse control handle CC900G	86
F/R- , throttle- and choke control From 88241504 Up to 88241511	90
Forward and reverse control handle CC900G	86
F/R- , throttle- and choke control From 88241512 Up to 88241512	88

TABLE OF CONTENTS

Page

Forward and reverse control handle CC900G	86
F/R- , throttle- and choke control From 88241513 Up to 88241522	90
Forward and reverse control handle CC900G	86
F/R- , throttle- and choke control From 88241523 Up to 88241524	88
Forward and reverse control handle CC900G	86
F/R- , throttle- and choke control From 88241525 Up to 88241535	90
Forward and reverse control handle CC900G	86
F/R- , throttle- and choke control From 88241536 Up to 88241537	88
Forward and reverse control handle CC900G	86
F/R- , throttle- and choke control From 88241538 Up to 88241545	90
Forward and reverse control handle CC900G	86
F/R- , throttle- and choke control From 88241546 Up to 88241547	88
Forward and reverse control handle CC900G	86
F/R- , throttle- and choke control From 88241548 Up to 88241554	90
Forward and reverse control handle CC900G	86
F/R- , throttle- and choke control From 88241555	88
Forward and reverse control handle CC900G	86
Forward and reverse control handle CC900G Up to 88241225	84
Forward and reverse control handle CC900G From 88241226	86
Rops Option	92
Decals and documentation	94
Decals and documentation CC900G	96
Standard equipment	98
Standard equipment	100

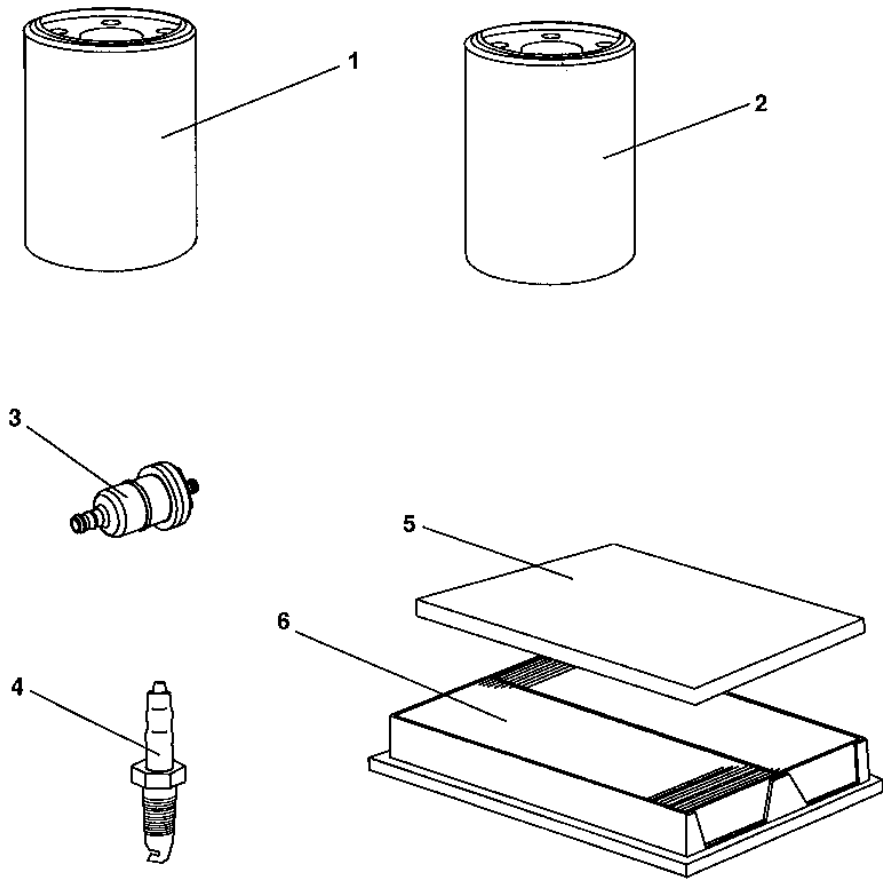


CC900G SN 88240233 -

Item	Part No	Rem Qty	Description	Code
-1		1	Service kits (Page 4)	
-2		1	Repair kit (Page 12)	
10			Frame (Page 28)	
20			Drum (Page 40)	
30			Engine (Page 46)	
50			Hydraulic system (Page 52)	
60			Electrical equipment (Page 70)	
70			Drivers platform (Page 78)	
80			Decals and documentation (Page 94)	
90			Standard equipment (Page 98)	

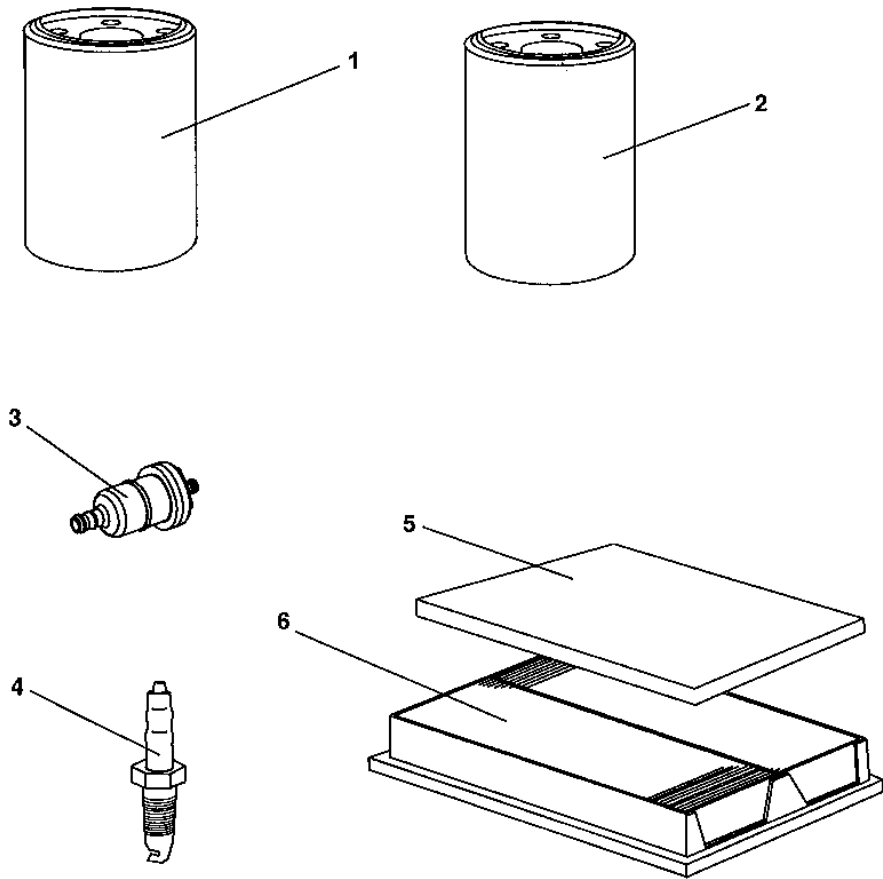
Service kits

Item	Part No	Rem Qty	Description	Code
1	4700940463	1	Service kit 50h, HondaGX 620K1 (Page 6)	
2	4700940464	1	Service kit, 300h HondaGX 620K1 (Page 8)	
3	4700940465	1	Service kit 900h, HondaGX 620K1 (Page 10)	



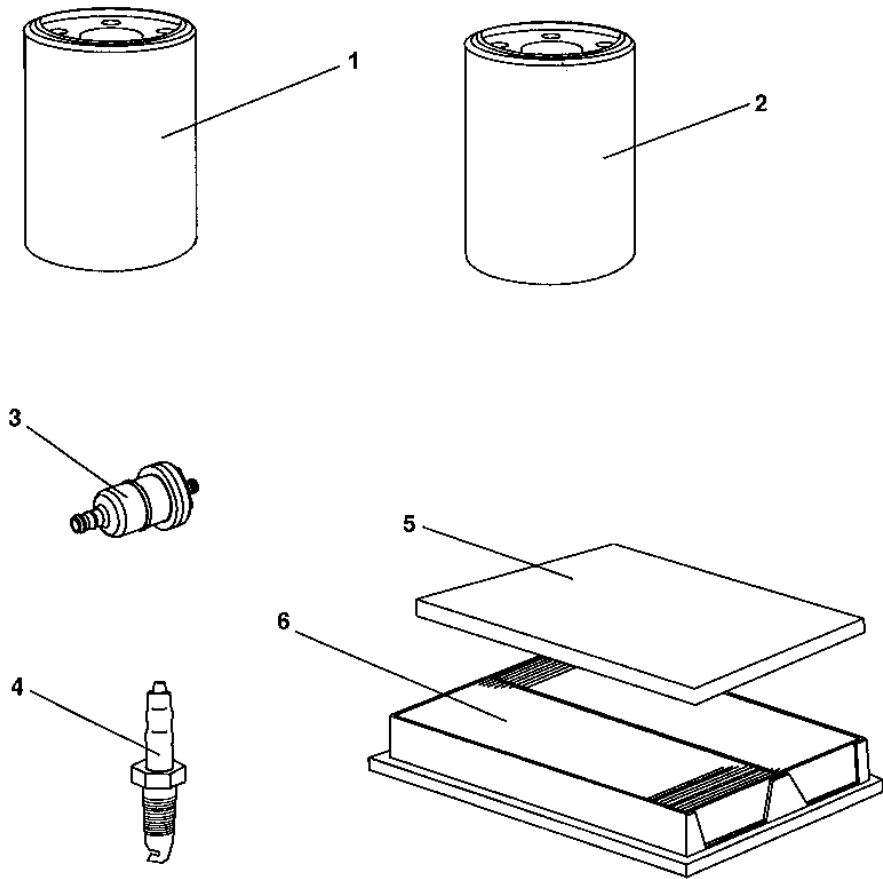
4700940463 Service kit 50h, HondaGX 620K1

Item	Part No	Rem Qty	Description	Code
	4700940463		Service kit 50h, HondaGX 620K1 (Page 6)	
1	4700376637	1	Filter element	A



4700940464 Service kit, 300h HondaGX 620K1

Item	Part No	Rem Qty	Description	Code
	4700940464		Service kit, 300h HondaGX 620K1 (Page 8)	
2	4700945136	1	Oil filter, engine	
3	4700940444	1	Fuel filter	
4	4700940462	2	Spark plug	
5	4700940381	1	Air cleaner element	
6	4700940380	1	Air cleaner element	



4700940465 Service kit 900h, HondaGX 620K1

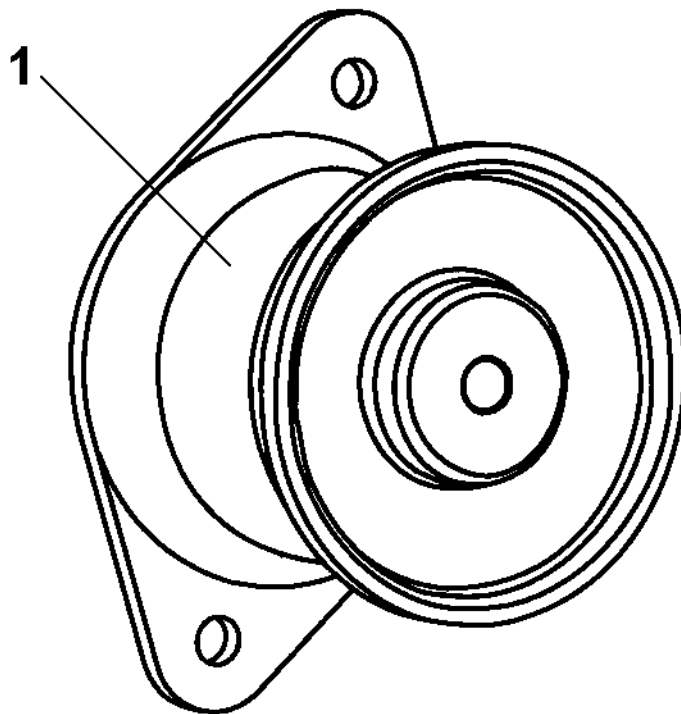
Item	Part No	Rem Qty	Description	Code
	4700940465		Service kit 900h, HondaGX 620K1 (Page 10)	
1	4700376637	1	Filter element	A
2	4700945136	1	Oil filter, engine	
3	4700940444	1	Fuel filter	
4	4700940462	2	Spark plug	
5	4700940381	1	Air cleaner element	
6	4700940380	1	Air cleaner element	

Repair kit

Item	Part No	Rem Qty	Description	Code
10	4700940664	2	Shock absorber kit, drum Up to 88240485 (Page 14)	
11	4700940665	2	Shock absorber kit, drum From 88240486 Up to 88241630 (Page 16)	
	4700945551	2	Shock absorber kit, drum From 88241631 (Page 18)	
12	4700940671	1	Scraper kit (Page 20)	CC900/900G/900S
13	4700945928	1	Repair kit, Steering hitch (Page 22)	
14	4700945710	1	Eccentric shaft kit (Page 24)	
15	4700945711	1	Drum rotation kit (Page 26)	

4700940664 Shock absorber kit, drum

940668

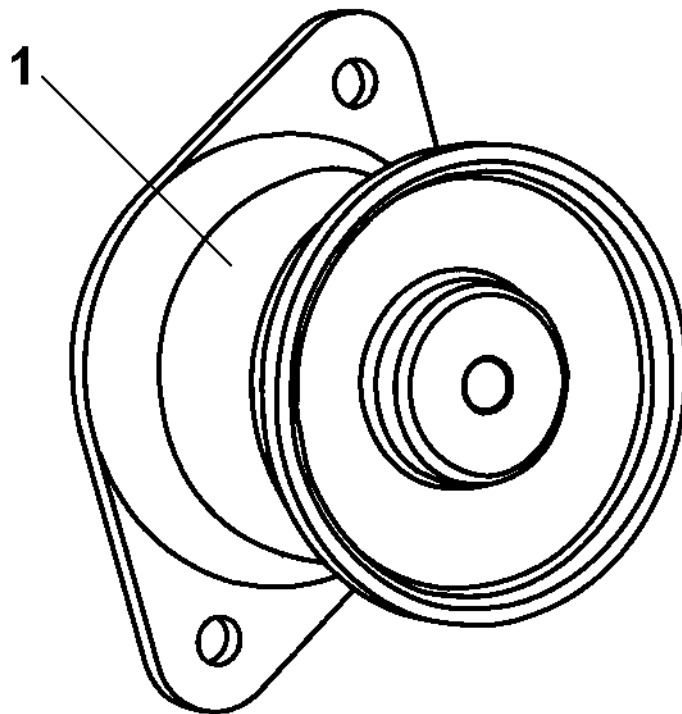


4700940664 Shock absorber kit, drum

Item	Part No	Rem Qty	Description	Code
	4700940664		Shock absorber kit, drum (Page 14)	
1	4700376783	7	Shock absorber	

4700940665 Shock absorber kit, drum

940668

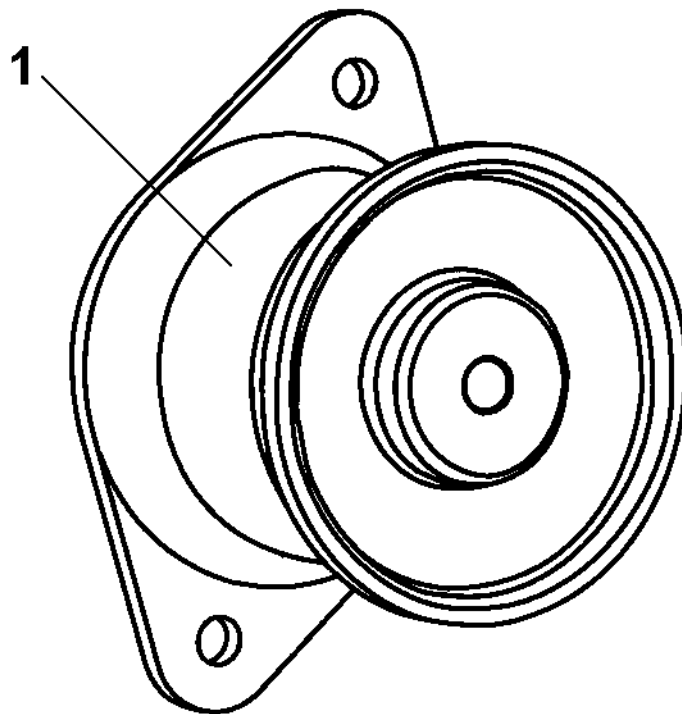


4700940665 Shock absorber kit, drum

Item	Part No	Rem Qty	Description	Code
	4700940665		Shock absorber kit, drum (Page 16)	
1	4700378746	7	Shock absorber From 88240485	

4700945551 Shock absorber kit, drum

940668

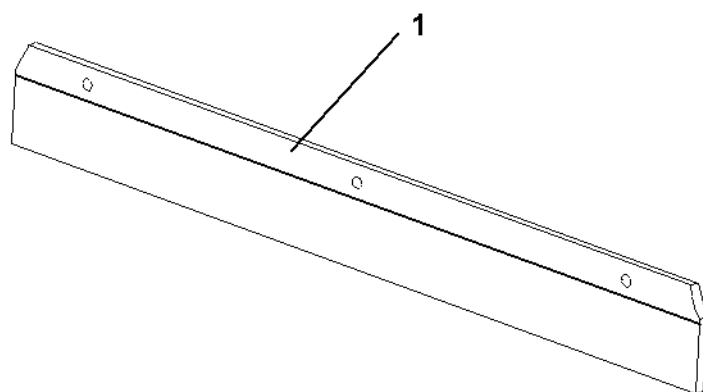


4700945551 Shock absorber kit, drum

Item	Part No	Rem Qty	Description	Code
	4700945551		Shock absorber kit, drum (Page 18)	
1	4700391985	7	Shock absorber From 88240485	

4700940671 Scraper kit CC900/900G/900S

18187

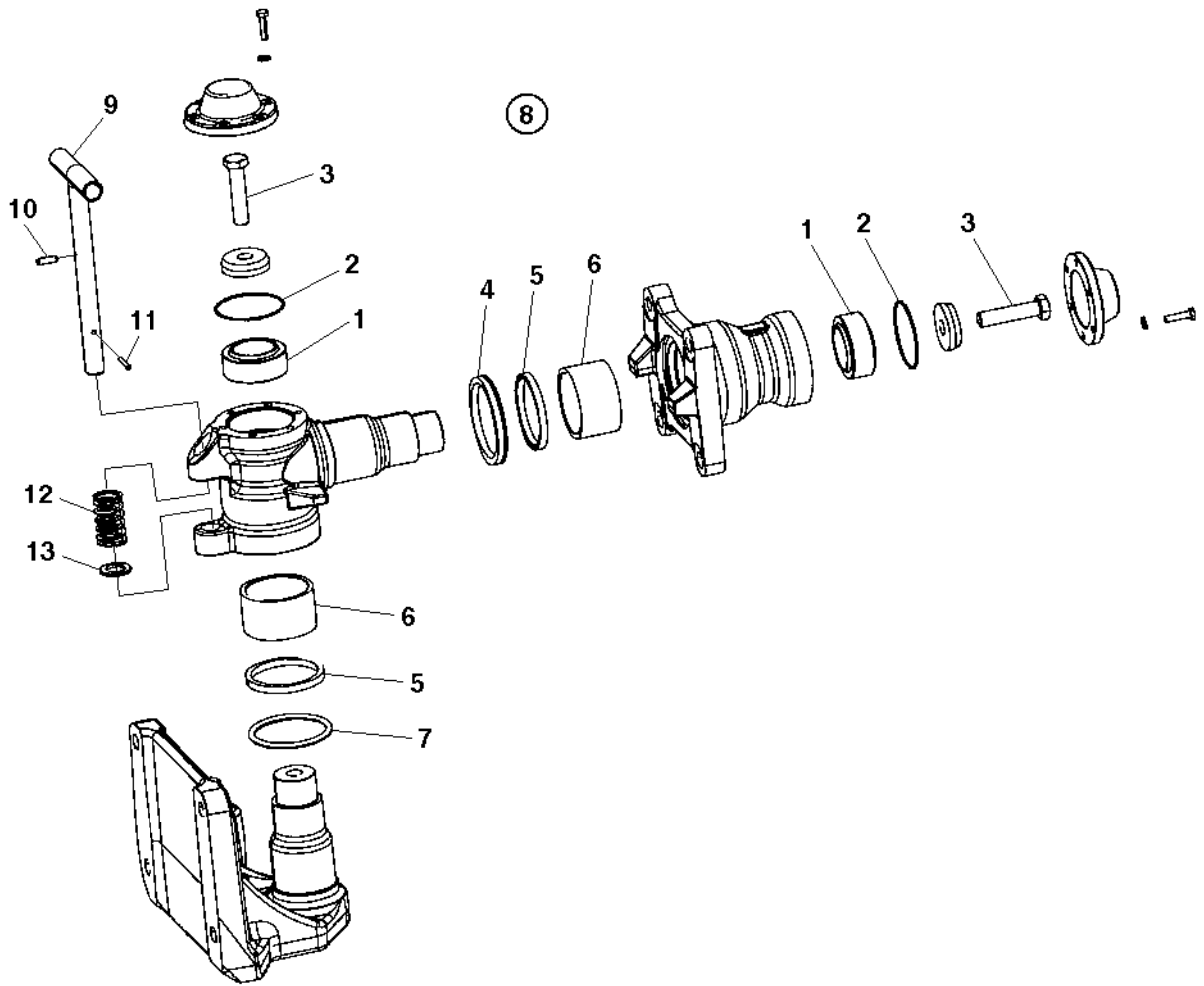


4700940671 Scraper kit CC900/900G/900S

Item	Part No	Rem Qty	Description	Code
	4700940671		Scraper kit (Page 20)	CC900/900G/900S
1	4700387346	4	Scraper blade	Polyurethan

4700945928 Repair kit, Steering hitch

18651

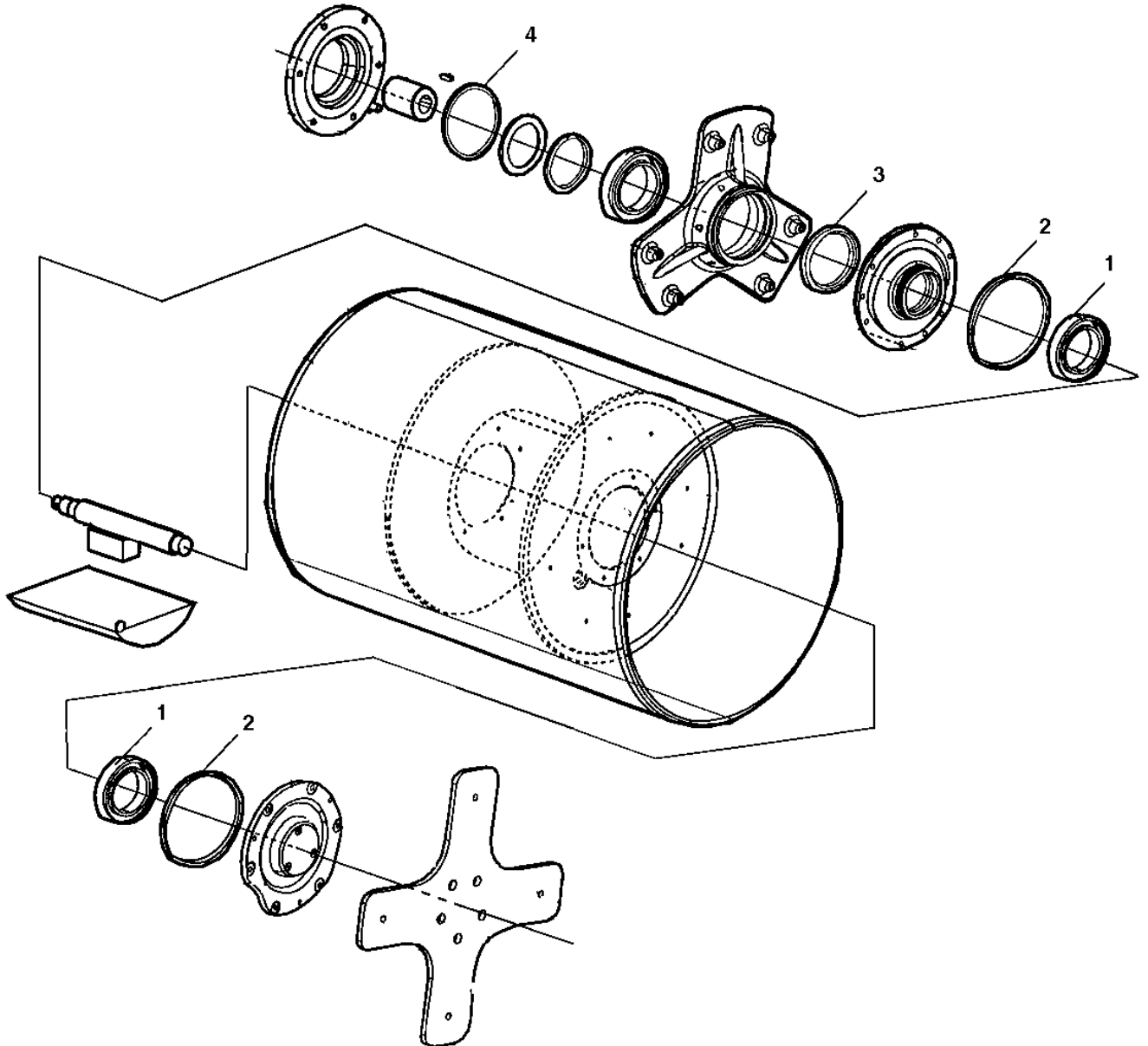


4700945928 Repair kit, Steering hitch

Item	Part No	Rem Qty	Description	Code
	4700945928		Repair kit, Steering hitch (Page 22)	
1	4700792611	2	Radial spherical plain bearing	
2	4700791962	2	O-ring	
3	4700500050	2	Screw	
4	4700388171	1	Sealing, v-ring	
5	4700388173	2	Shear wiper	
6	4700388172	2	Bushing	
7	4700160058	1	O-ring	D

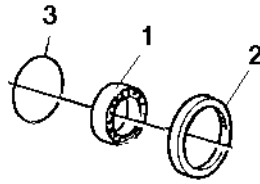
4700945710 Eccentric shaft kit

18701



4700945710 Eccentric shaft kit

Item	Part No	Rem Qty	Description	Code
	4700945710		Eccentric shaft kit (Page 24)	
1	4700791433	2	Spherical roller bearing	
2	4700791425	2	O-ring	174, 20x5, 70
3	4700791426	1	Radial lip seal	
4	4700160132	1	O-ring	124, 50x3, 00 D



4700945711 Drum rotation kit

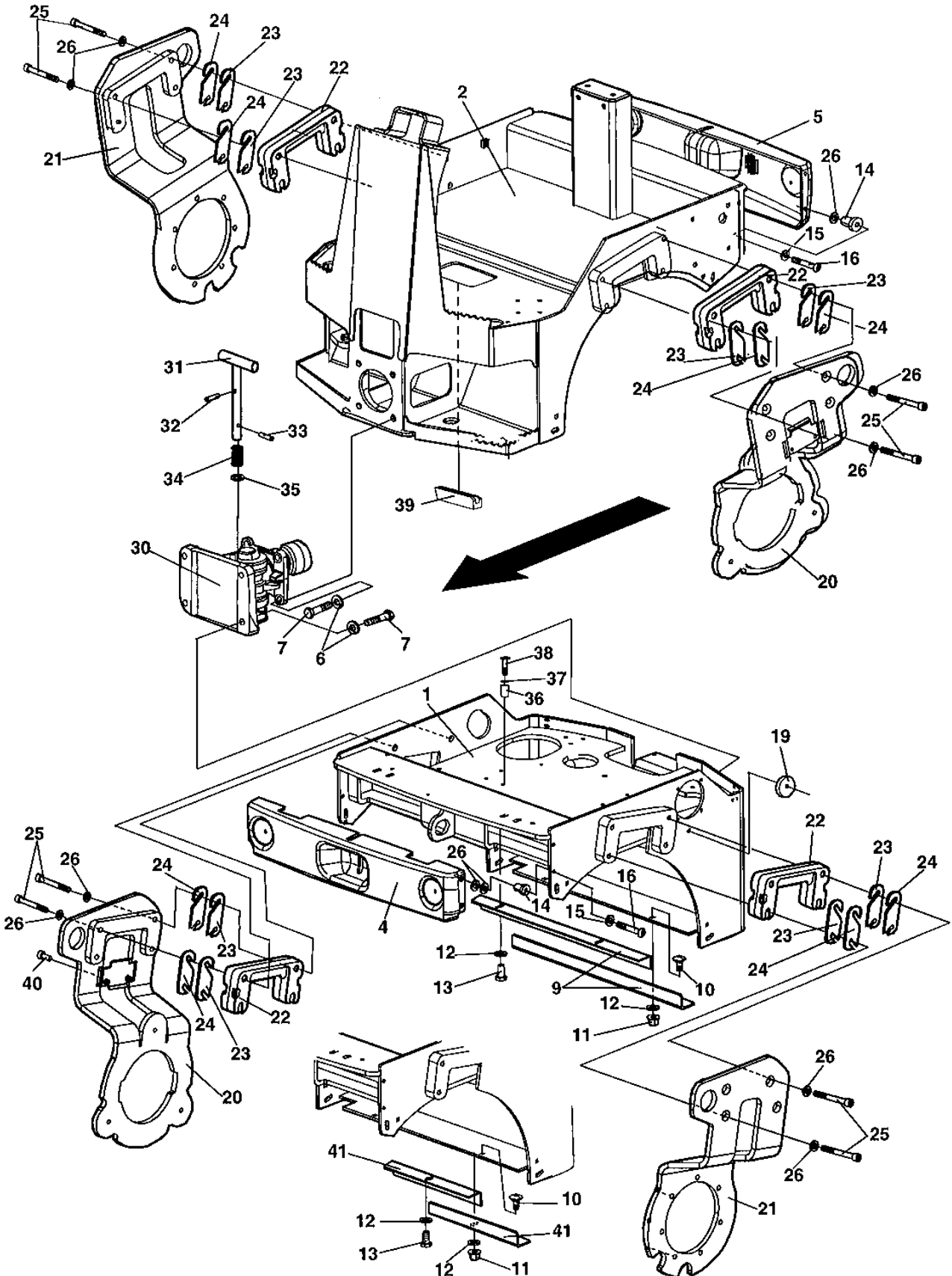
Item	Part No	Rem Qty	Description	Code
	4700945711		Drum rotation kit (Page 26)	
1	4700111018	1	Ball bearing	D
2	4700791426	1	Radial lip seal	
3	4700160132	1	O-ring	D
			124, 50x3, 00	

Frame

Item	Part No	Rem Qty	Description	Code
10			Frames (Page 30)	
20			Scrapers	
30			Scrapers (Page 34)	
40			Engine hood (Page 36)	
50			Sprinkler system (Page 38)	

Frames

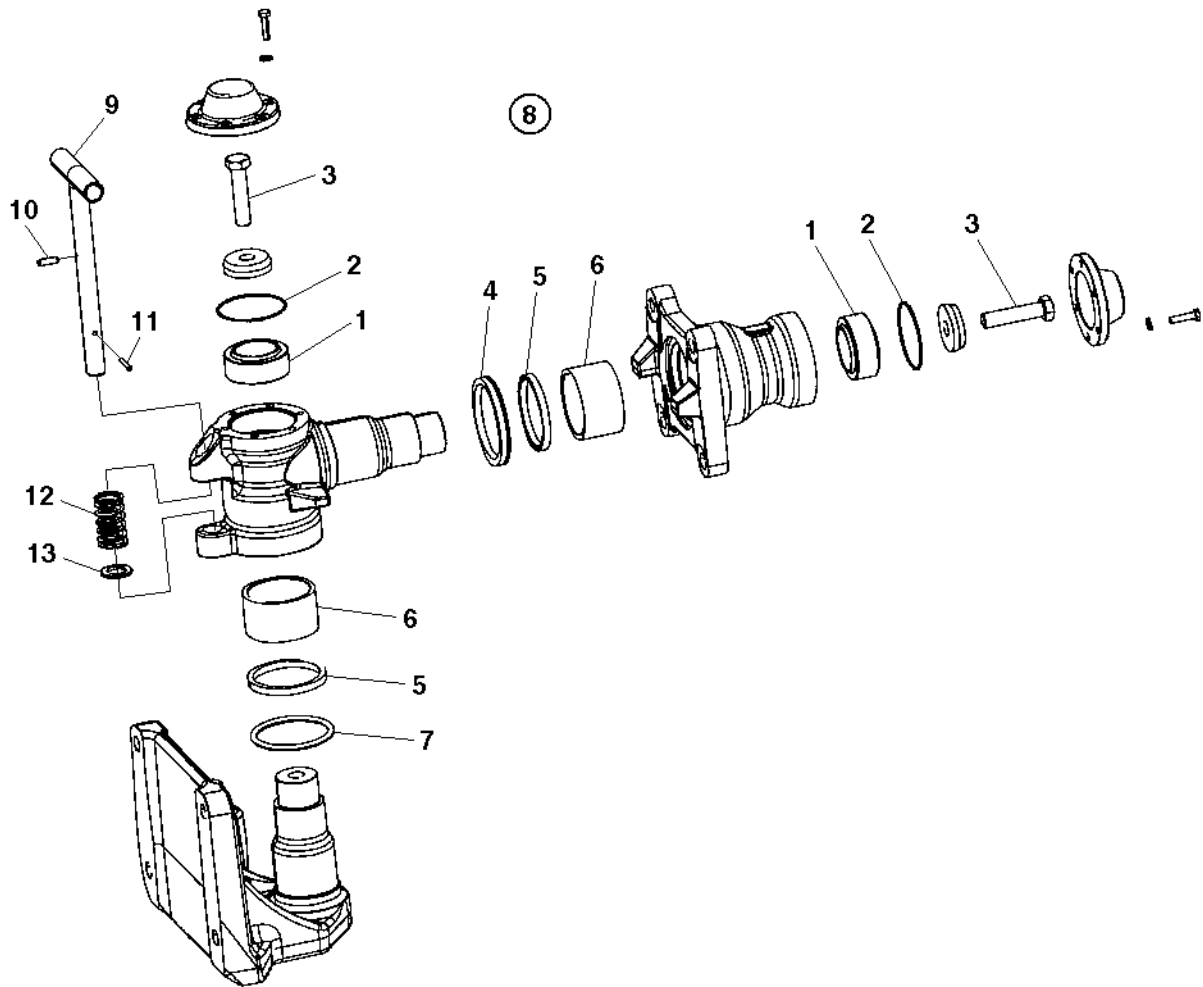
18073-1



Frames

Item	Part No	Rem	Qty	Description	Code
1		C	1	Frame, front	
2			1	Frame, rear	
4	4700387376		1	Cover, frame	
5	4700387886		1	Cover, frame	
6	4700904214		8	Washer	
7	4700500176		8	Screw	M14x060
9	4700387779		2	Press plate Up to 88241109	
10	4700929191		2	Bolt Up to 88241109	
	4700929191		1	Bolt From 88241110	
11	4700586003		2	Lock nut Up to 88241109	M8
	4700586003		1	Lock nut From 88241110	M8
12	4700904640		4	Washer Up to 88241109	8,4x22x3
	4700904640		2	Washer From 88241110	8,4x22x3
13	4700500019		2	Screw Up to 88241109	M8x16H 8.8 A2K
	4700500019		1	Screw From 88241110	M8x16H 8.8 A2K
14	4700387949		8	Rubber nut	
15	4700904228		8	Washer	6,4x12x1,5
16	4700792149		8	Screw	M6x35 8.8
17	4700500035		8	Screw	M12x020H
18	4700926215		4	Protective plug	
19		B	2	Reflector	
20	4700388850		2	Fork, vibration side	
21	4700388849		2	Fork, drive side	
22	4700388153		4	Spacer	
23	4700387425		N	Shim	
24	4700387424		N	Shim	
25	4700791972		16	Screw	M12x100
26	4700904231		16	Washer	13x24x2 300 HV
30	4700387057		1	Hitch (Page 32)	
31	4700387155		1	.Clevis pin	
32	4700388177		1	.Spring pin	
33	4700388176		1	.Spring pin	
34	4700388178		1	.Compression spring	
35	4700791961		1	.Washer	
36	4700387677		1	Spacer sleeve	
37	4700904556		1	Washer	8,4x16x3,0
38	4700500067		1	Screw	M8-1,25x55 8,8
39	4700902379		1	Edge trim	
40	4700926215		2	Protective plug	
41	4700379907		2	Bracket From 88241110	

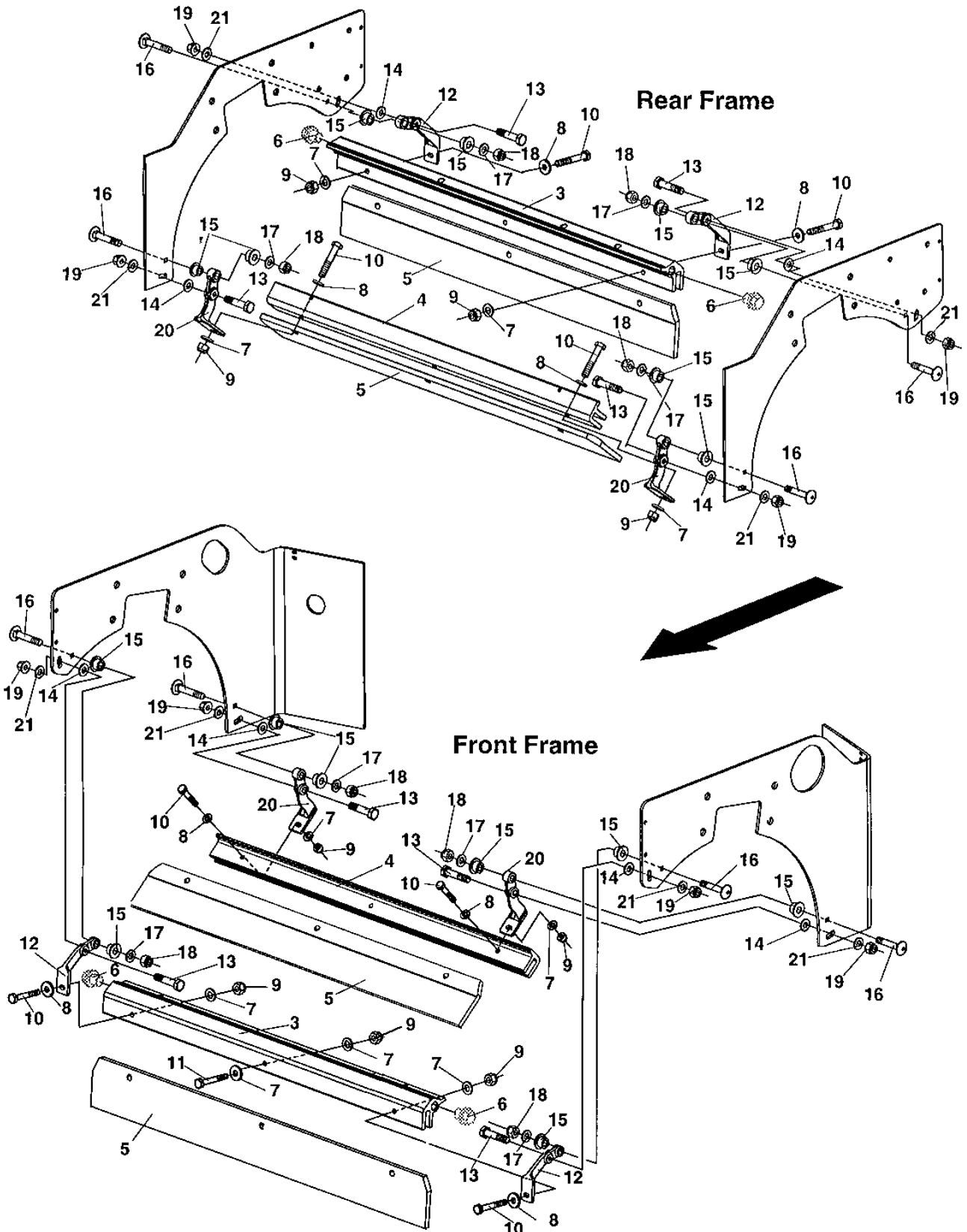
- B) See section " Decals and documentation"
C) Specify SN on the machine



Item	Part No	Rem Qty	Description	Code
1	4700792611	2	Radial spherical plain bearing	
2	4700791962	2	O-ring	
3	4700500050	2	Screw	
4	4700388171	1	Sealing, v-ring	
5	4700388173	2	Shear wiper	
6	4700388172	2	Bushing	
7	4700160058	1	O-ring	D
8	4700945928	1	Repair kit, Steering hitch (Page 22)	
9	4700387155	1	Clevis pin	
10	4700388177	1	Spring pin	
11	4700388176	1	Spring pin	
12	4700388178	1	Compression spring	
13	4700791961	1	Washer	

Scrapers

17884



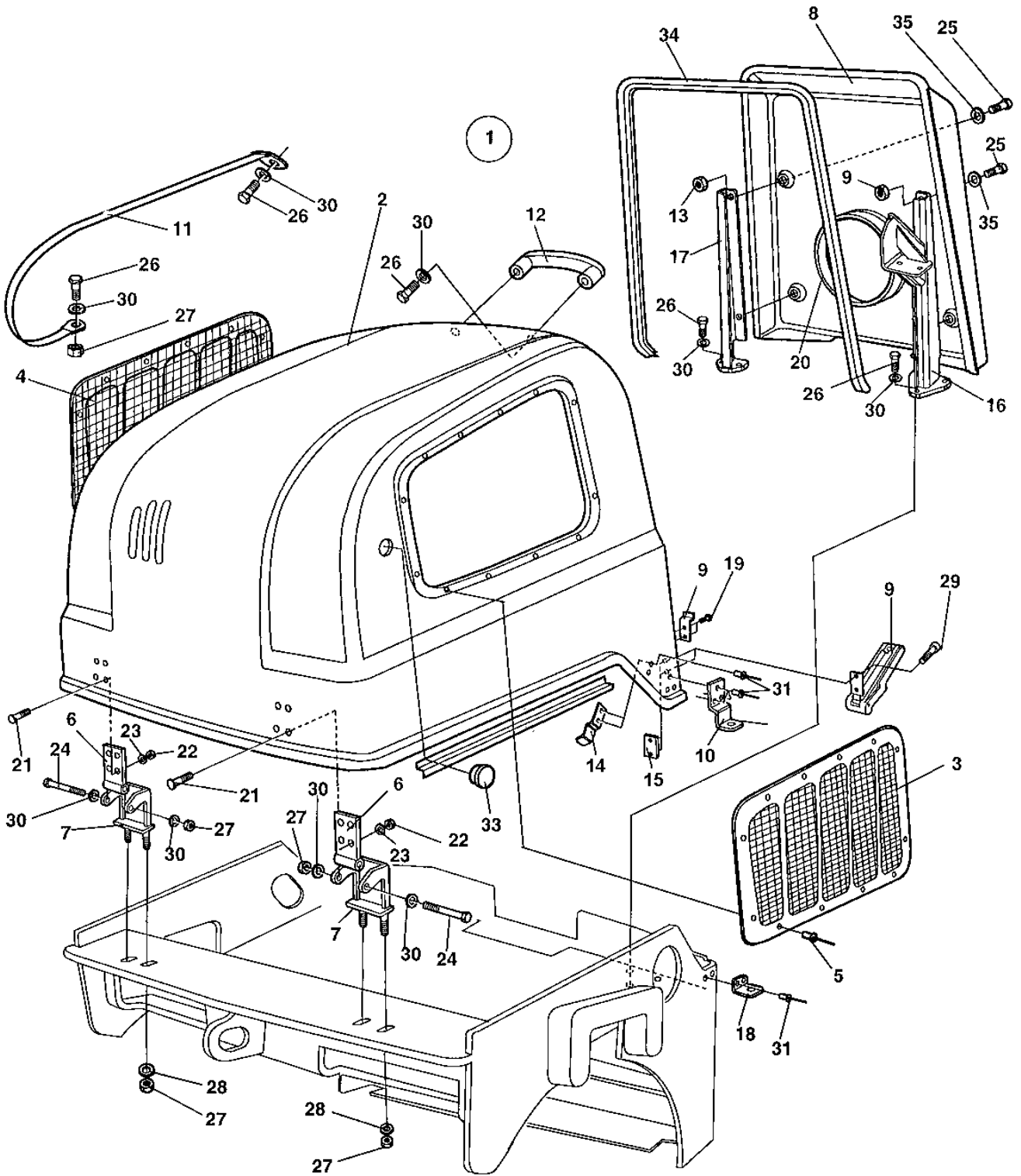
Scrapers

Item	Part No	Rem	Qty	Description	Code
3	4700377456		2	Sprinkler pipe	
4	4700387345		2	Scraper bracket	
5	4700387346		4	Scraper blade	Polyurethan
6	4700901174		4	Plug	
7	4700904229		16	Washer	8,4x16x1,5
8	4700904640		8	Washer	8,4x22x3
9	4700586003		12	Lock nut	M8
10	4700500067		8	Screw	M8-1,25x55 8,8
11	4700500024	A	4	Screw	M8x45
12	4700387039		4	Upper hold	
13	4700500105		8	Hexagon screw	
14	4700791938		8	Washer	
15	4700791939		16	Bushing	
16	4700792134		8	Bolt	
17	4700904229		8	Washer	8,4x16x1,5
18	4700586003		8	Lock nut	M8
19	4700902287		8	Nut	
20	4700387043		4	Lower hold	
21	4700791938		8	Washer	

A) Specify SN on the machine

Engine hood

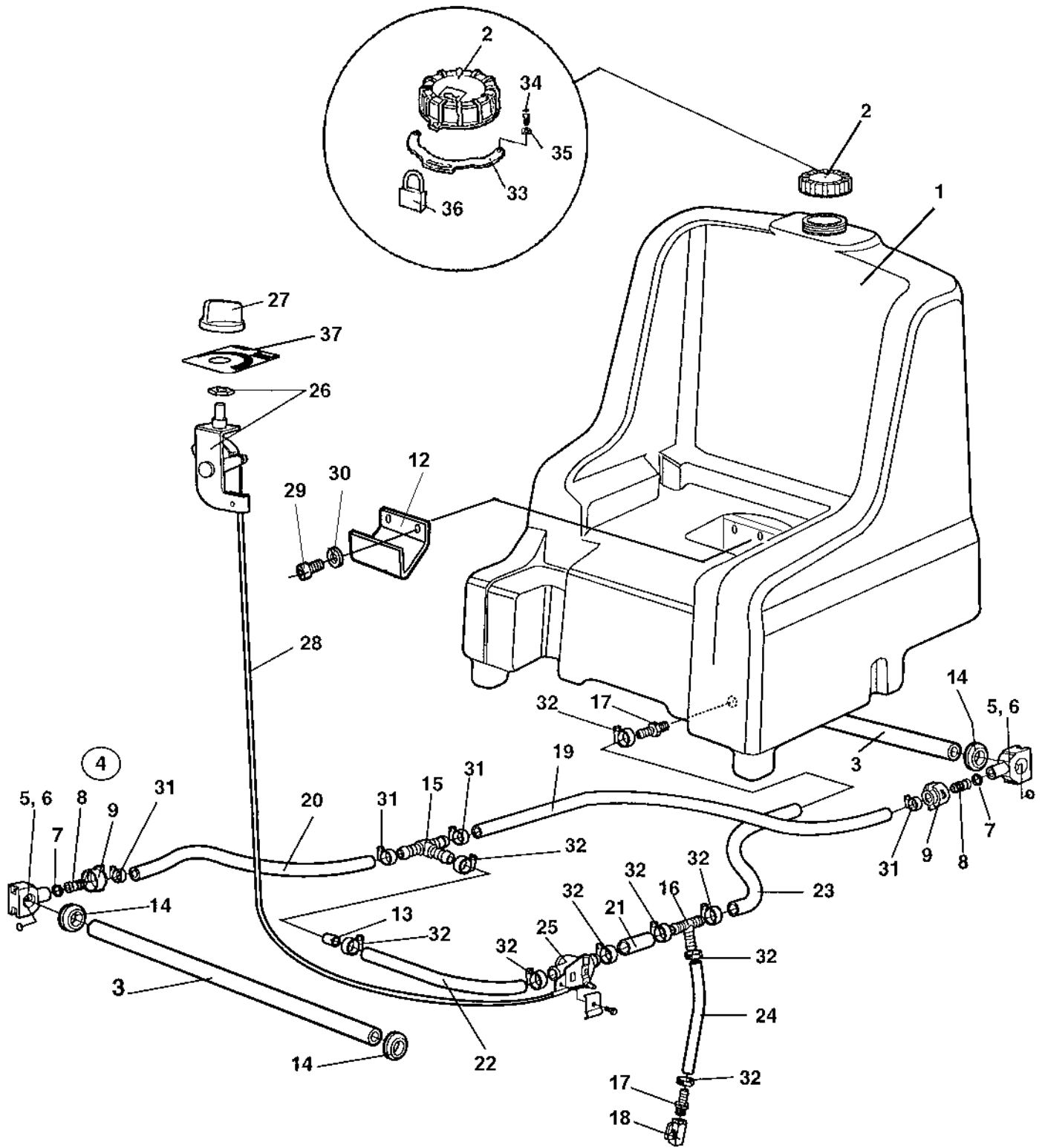
18074



Engine hood

Item	Part No	Rem Qty	Description	Code
1		1	Engine hood	
2	4700387147	1	.Engine hood	
3	4700377043	1	.Grid, left	
4	4700377044	1	.Grid, right	
5	4700792132	24	.Blind rivet	
6	4700387148	2	Hinge	
7	4700387151	2	Hinge	
8	4700388456	1	Cover	
9	4700388846	2	Latch	
10	4700377061	1	Lock plate	
11	4700387947	1	Metal strapping	
12	4700387948	1	Handle	
13	4700387949	4	Rubber nut	
14	4700388733	2	Controlling plate	
15	4700387956	1	Stop plate	
16	4700388454	1	Cover bracket	
17	4700388455	1	Cover bracket	
18	4700388852	1	Lock plate	
19	4700791643	4	Screw	
20	4700902166	A 1	Edge trim	
21	4700903856	8	Bolt	M06x30
22	4700586002	8	Lock nut	M6 -8
23	4700904228	8	Washer	6,4x12x1,5
24	4700500068	2	Screw	M08x65
25	4700792149	4	Screw	M6x35 8.8
26	4700500053	10	Screw	M8x20H 8.8
27	4700586003	6	Lock nut	M8
28	4700904556	4	Washer	8,4x16x3,0
29	4700508022	4	Screw	M4x16
30	4700904229	14	Washer	8,4x16x1,5
31	4700791666	9	Blind rivet	
32	4700297018	B 1	Rubber strip	
33	4700923270	2	Protective plug	
34	4700902166	1	Edge trim	
35	4700928381	4	Washer	6,4x18x1,6

- A) L = 1620 mm
- B) L = 900 mm



Sprinkler system

Item	Part No	Rem	Qty	Description	Code
1	4700389219		1	Water tank, cpl	
2	4700388087		1	.Tank cap	
3	4700377456		2	Sprinkler pipe	
4	4700903959		2	Hose connection, cpl	
5	4700923680		1	.Nozzle clamp	D
6	4700923962		1	.O-ring	D
7	4700904116		1	.Gasket	
8	4700903957		1	.Hose connection	
9	4700903958		1	.Coupling	
12	4700387935		1	Bracket	
13	4700377454	A	1	Hose	
14	4700903192		4	Grommet	
15	4700923735		1	Hose connection	
16	4700792065		1	Hose connection	
17	4700792064		2	Hose connection	
18	4700924986		1	Valve	
19	4700904878	B	1	Hose reinforced	
20	4700904878	C	1	Hose reinforced	
21	4700792073	D	1	Hose reinforced	D
22	4700792073	E	1	Hose reinforced	D
23	4700792073	F	1	Hose reinforced	D
24	4700792073	G	1	Hose reinforced	D
25	4700939693		1	Heater control valve	
26	4700377507		1	Rotary control	
27	4700377508		1	Knob	
28	4700377509		1	Cable	
29	4700500029		2	Screw	
30	4700904567		2	Washer	10,5x28x6 HB305
31	4700313001		4	Hose clamp	
32	4700313003		8	Hose clamp	D
33	4700389155	H	1	Lock bracket	
34	4700904696	H	2	Screw	
35	4700904281	H	2	Washer	5,3x10x1 300HV
36	4700358881	H	1	Pad lock	
37	4700378244		1	Decal "SPRINKLER"	

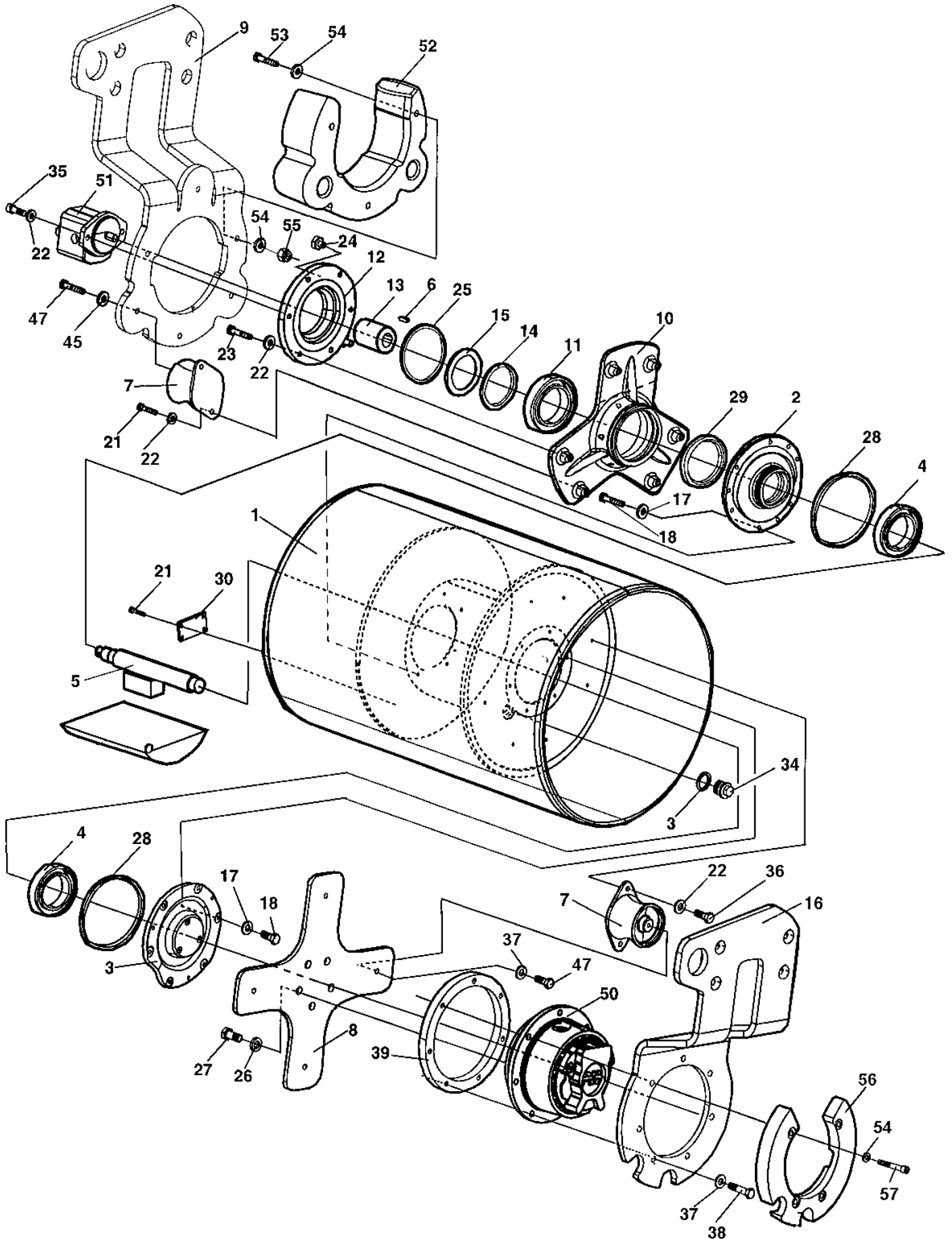
- A) L = 20 mm
- B) L = 1000 mm
- C) L = 1200 mm
- D) L = 60 mm
- E) L = 220 mm
- F) L = 370 mm
- G) L = 270 mm
- H) Option

Drum

Item	Part No	Rem Qty	Description	Code
10			Drum (Page 42)	
20			Drum static (Page 44)	

Drum

17866



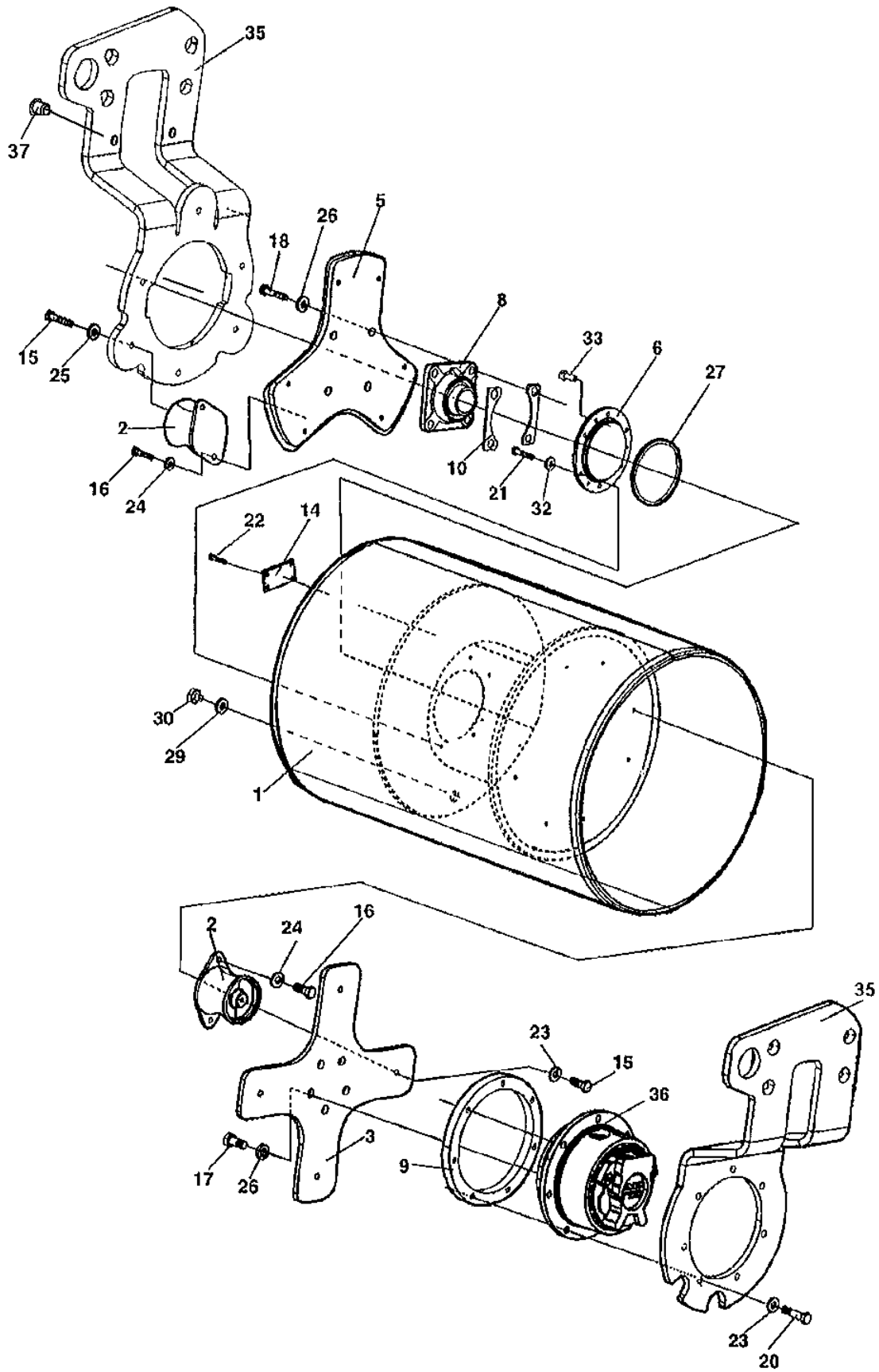
Drum

Item	Part No	Rem Qty	Description	Code
1	4700386865	1	Drum	
2	4700386619	1	Bearing housing	
3	4700386620	1	Bearing housing	
4	4700791433	2	Spherical roller bearing	
5	4700386624	1	Eccentric shaft	
6	4700350029	1	Key	
7	4700376783	7	Shock absorber Up to 88240485	
	4700378746	7	Shock absorber From 88240486 Up to 88241630	
	4700391985	7	Shock absorber From 88241631	
8	4700386622	1	Drive disc	
9		A 1	Fork, vibration side	
10	4700386241	1	Bearing housing	
11	4700111018	1	Ball bearing	D
12	4700358666	1	Adapter	
13	4700349202	1	Coupling	D
14	4700358689	1	Spacer ring	
15	4700903154	1	Retaining ring	
16		A 1	Fork, drive side	
17	4700904640	12	Washer	8,4x22x3
18	4700500022	12	Screw	M8x30H 8.8 A2K
19	4700904228	3	Washer	6,4x12x1,5
20	4700500012	3	Screw	M6x12
21	4700500212	6	Screw	
22	4700904557	22	Washer	
23	4700500031	6	Screw	
24	4700343490	1	Air breather	D
25	4700160132	1	O-ring	124, 50x3, 00 D
26	4700904558	5	Washer	17X30X6 300HV
27	4700947694	5	Screw	
28	4700791425	2	O-ring	174, 20x5, 70
29	4700791426	1	Radial lip seal	
30	4700343801	1	Sign plate	
31	4700527002	4	Drive screw	
33	4700162017	1	Seal ring	D
34	4700343744	1	Magnetic plug	D
35	4700508029	2	Screw	M10-1,5x30H 8,8
36	4700500280	8	Screw	M10x1,5x25
37	4700904703	11	Washer	
38	4700925519	7	Screw	M12x55 10.9 GEOMET
39	4700387137	1	Thread ring	
45	4700904231	3	Washer	13x24x2 300 HV
47	4700947687	7	Screw	M12-1,75x30 10,9
49	4700903374	6	Protective plug	
50		B 1	Hydraulic motor	
51		C 1	Hydraulic motor	
52			Not used on this model	
53			Not used on this model	
54			Not used on this model	
55			Not used on this model	
56			Not used on this model	
57			Not used on this model	

- A) See section "Frame"
- B) See section "Hydraulic propulsion and brake"
- C) See section "Hydraulic vibration"

Drum static

18078



Drum static

Item	Part No	Rem Qty	Description	Code
1	4700388413	1	Drum	
2	4700376783	7	Shock absorber Up to 88240485	
	4700378746	7	Shock absorber From 88240486 Up to 88241630	
	4700391985	7	Shock absorber From 88241631	
3	4700386622	1	Drive disc	
4	4700388850	1	Fork, vibration side	
5	4700388386	1	Support disc	
6	4700388387	1	Drum shaft	
7	4700388849	1	Fork, drive side	
8	4700388416	1	Bearing	
9	4700387137	1	Thread ring	
10	4700388259	2	Holder	
11	4700388153	2	Spacer	
12	4700387424	N	Shim	
13	4700387425	N	Shim	
14	4700343801	1	Sign plate	
15	4700947687	7	Screw	M12-1,75x30 10,9
16	4700500280	14	Screw	M10x1,5x25
17	4700947694	10	Screw	
18	4700500070	4	Screw	M16x50
19	4700791972	8	Screw	M12x100
20	4700925519	7	Screw	M12x55 10.9 GEOMET
21	4700500021	6	Screw	M8-1,25x25 8.8
22	4700527002	4	Drive screw	
23	4700904703	11	Washer	
24	4700904557	14	Washer	
25	4700904231	11	Washer	13x24x2 300 HV
26	4700904558	14	Washer	17X30X6 300HV
27	4700160041	1	O-ring	
29	4700162017	1	Seal ring	
30	4700232210	1	Plug	
32	4700904640	6	Washer	8,4x22x3
33	4700903374	3	Protective plug	
35		A 1	Fork	
36		B 1	Hydraulic motor	
37	4700926215	2	Protective plug	

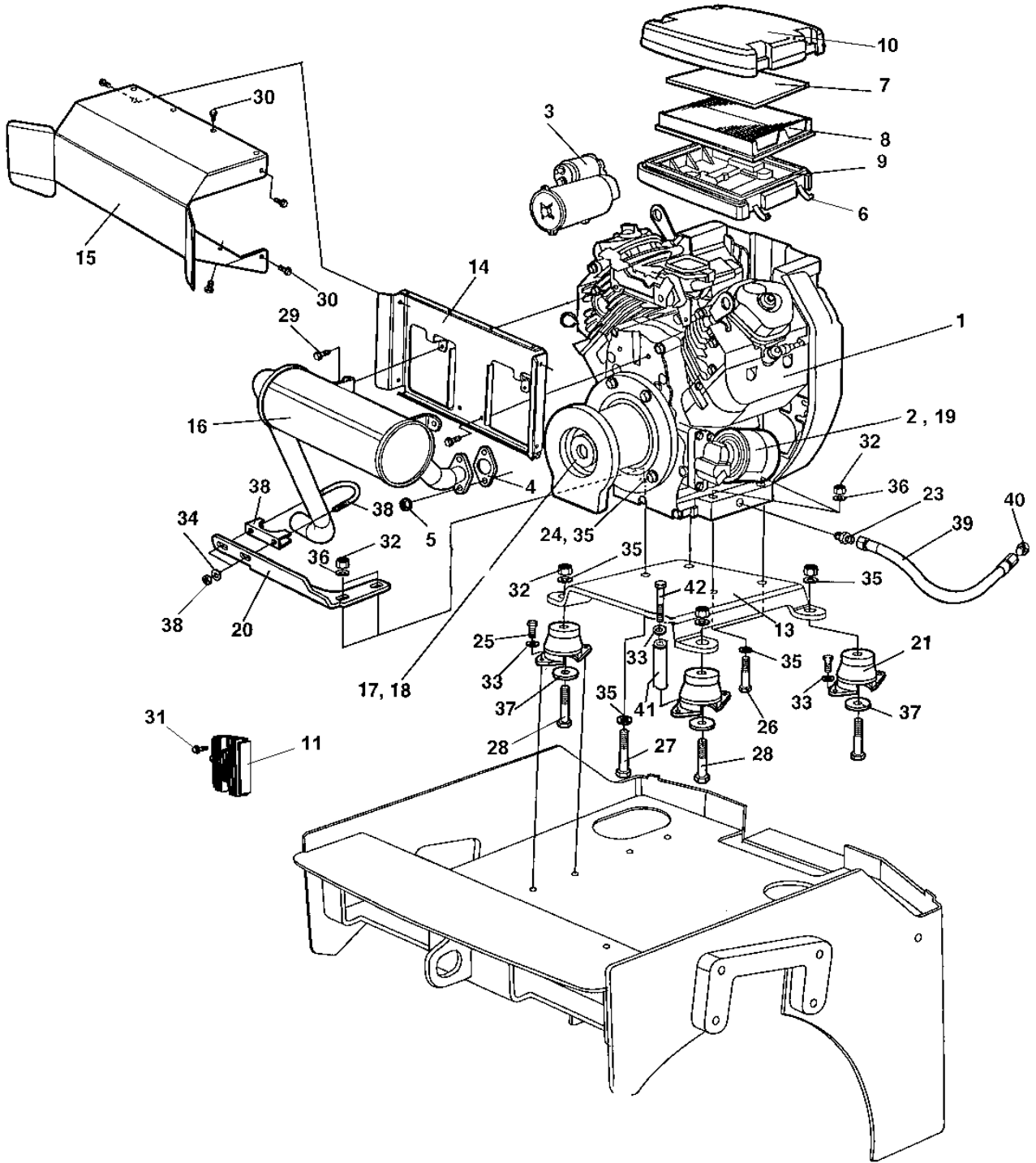
- A) See section "Frame"
B) See section "Hydraulic propulsion and brake"

Engine

Item	Part No	Rem Qty	Description	Code
10			Engine (Page 48)	Honda GX620K1/GX620U1
20			Fuel system (Page 50)	

Engine Honda GX620K1/GX620U1

18079-1



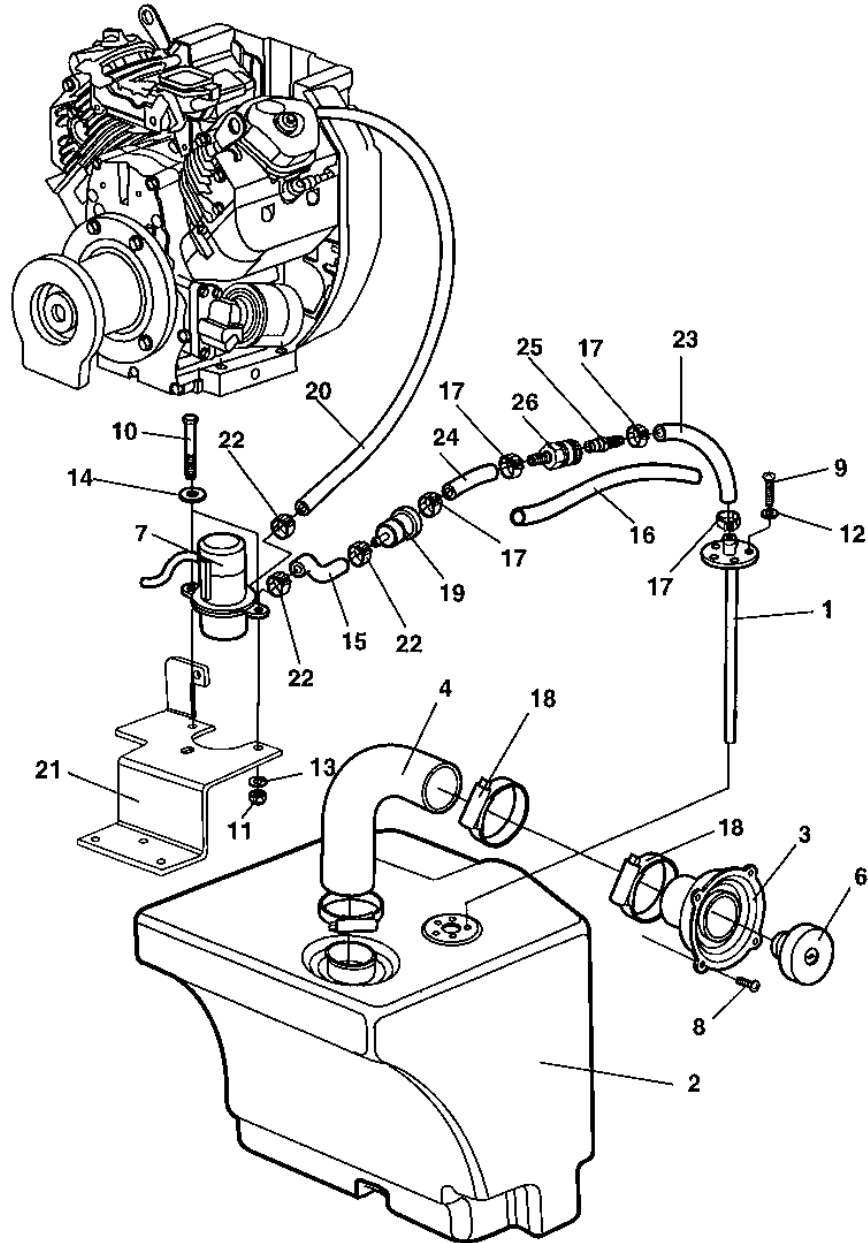
Engine Honda GX620K1/GX620U1

Item	Part No	Rem	Qty	Description	Code
1	4700388556		1	Engine	
2	4700945136		1	.Oil filter, engine	
3	4700940438		1	.Starter	
4	4700940382		2	.Gasket	
5			2	.Nut	
6	4700950103		4	.Clip	
7	4700940381		1	.Air cleaner element	
8	4700940380		1	.Air cleaner element	
9	4700950106		1	.Case	
10	4700950105		1	.Cover	
	4700950104	A	1	.Seal	
11	4700950107		1	.Regulator	20A
12	4700940462		2	.Spark plug	
13	4700388570		1	Engine plate	
14	4700389009		1	Bracket	
15	4700389010		1	Cover	
16	4700388664		1	Muffler	
17	4700377599		1	Pump adapter	
18	4700377660		1	Coupling	
19	4700377679		1	Decal "OIL FILTER"	
20	4700388591		1	Bracket	
21	4700387103		4	Shock absorber	
23	4700791536		1	Straight connector	
24	4700502036		4	Screw	3/8"-16UNCx1 1/4"8.8
25	4700500053		7	Screw	M8x20H 8.8
26	4700500032		2	Screw	M10 x 55
27	4700500033		2	Screw	M10-1,5x60 8,8
28	4700500109		4	Screw	M10-1,5x65 8,8
29	4700500505		4	Screw	M8x20 8.8
30	4700541703		12	Screw	M6x16
31	4700541704		2	Screw	
32	4700586018		8	Lock nut	
33	4700904556		8	Washer	8,4x16x3,0
34	4700904640		2	Washer	8,4x22x3
35	4700904230		12	Washer	
36	4700904557		4	Washer	
37	4700792079		4	Steel spacer	
38	4700927568		1	Clamp	
39	4700388688		1	Drain hose	
40	4700791493		1	Steel plug threaded	
41	4700387677		1	Spacer sleeve	
42	4700500067		1	Screw	M8-1,25x55 8,8

A) Not illustrated

Fuel system

18083-1



Fuel system

Item	Part No	Rem Qty	Description	Code
1	4700388566	1	Suction pipe	
2	4700387279	1	Fuel tank	
3	4700387682	1	Filler neck	
4	4700387695	1	Fuel hose	
5	4700348924	1	Gasket	D
6	4700388557	1	Fuel cap	D
		H	.Key	D
7	4700388521	C	Fuel pump	
8	4700791754	4	Blind rivet	
9	4700903236	5	Screw, Thread rolling	K40x20
10	4700500088	2	Screw	M6x40
11	4700586002	2	Lock nut	M6 -8
12	4700904698	5	Washer	
13	4700615065	2	Washer	
14	4700615065	2	Washer	
15	4700791422	A	Hose	
16	4700904983	B	Fuel hose Up to 88240566	
17	4700792147	2	Hose clamp	
18	4700313023	2	Hose clamp	
19	4700940444	1	Fuel filter	
20		C	Hose	
21		D	Battery shelf	
22	4700792146	3	Hose clamp	
23	4700904983	E	Fuel hose From 88240567	
24	4700904983	F	Fuel hose From 88240567	
25	4700792206	1	Hose connection From 88240567	
26	4700792205	1	Hose connection From 88240557	

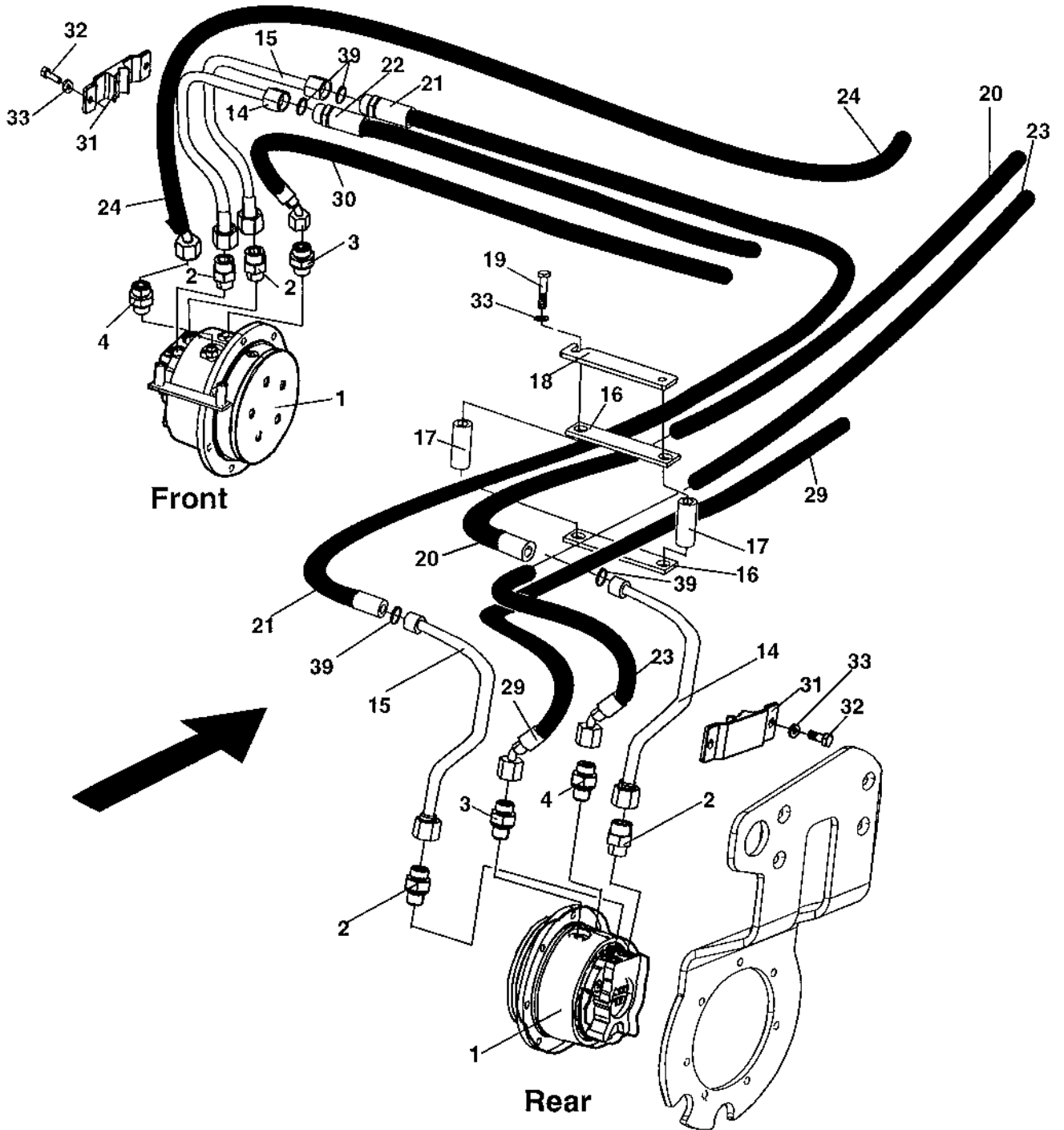
- A) L = 115 mm
- B) L = 170 mm
- C) Delivery with engine
- D) See section "Electric equipment"
- E) L = 135 mm
- F) L = 50 mm
- H) Not sold separately

Hydraulic system

Item	Part No	Rem Qty	Description	Code
10			Hydraulic propulsion and brake system (Pagemotor	
20			Hydraulic propulsion and brake system (Pagepump	
30			Hydraulic vibration (Page 60)	
31			Hydraulic steering (Page 62)	
60			Hydraulic cooling (Page 68)	Option

Hydraulic propulsion and brake system motor

18084

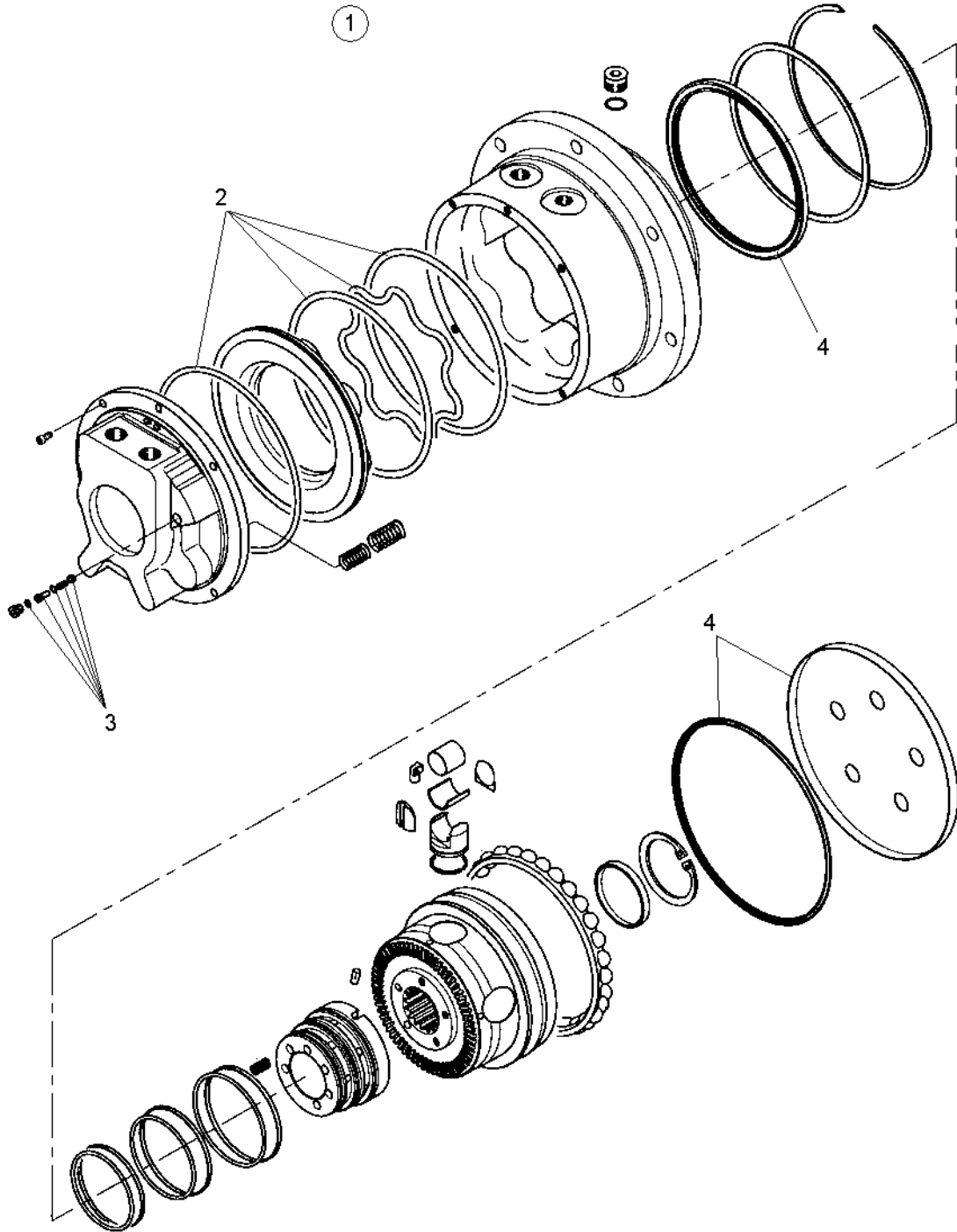


Hydraulic propulsion and brake system motor

Item	Part No	Rem	Qty	Description	Code
1	4700387270		2	Hydraulic motor (Page 56)	
2	4700904641		4	Connector	
3	4700791535		2	Connector	
4	4700791537		2	Straight connector	
14	4700387597		2	Pipe	
15	4700387598		2	Pipe	
16	4700387678		2	Rubber part	
17	4700387677		2	Spacer sleeve	
18	4700387676		1	Hose bracket	
19	4700500068		2	Screw	M08x65
20	4700483707	A	1	Hydraulic hose	
21	4700483646		1	Hydraulic hose	
22	4700483708	A	1	Hydraulic hose	
23	4700483689	A	1	Hydraulic hose	
24	4700483709	A	1	Hydraulic hose	
29	4700389403	A	1	Hydraulic hose	
30	4700389408	A	1	Hydraulic hose	
31	4700388960		2	Hose clamp	
32	4700500053		4	Screw	M8x20H 8.8
33	4700904229		6	Washer	8,4x16x1,5
39	4700904009		4	O-ring	

D

A) See section " Propulsion system, pump"

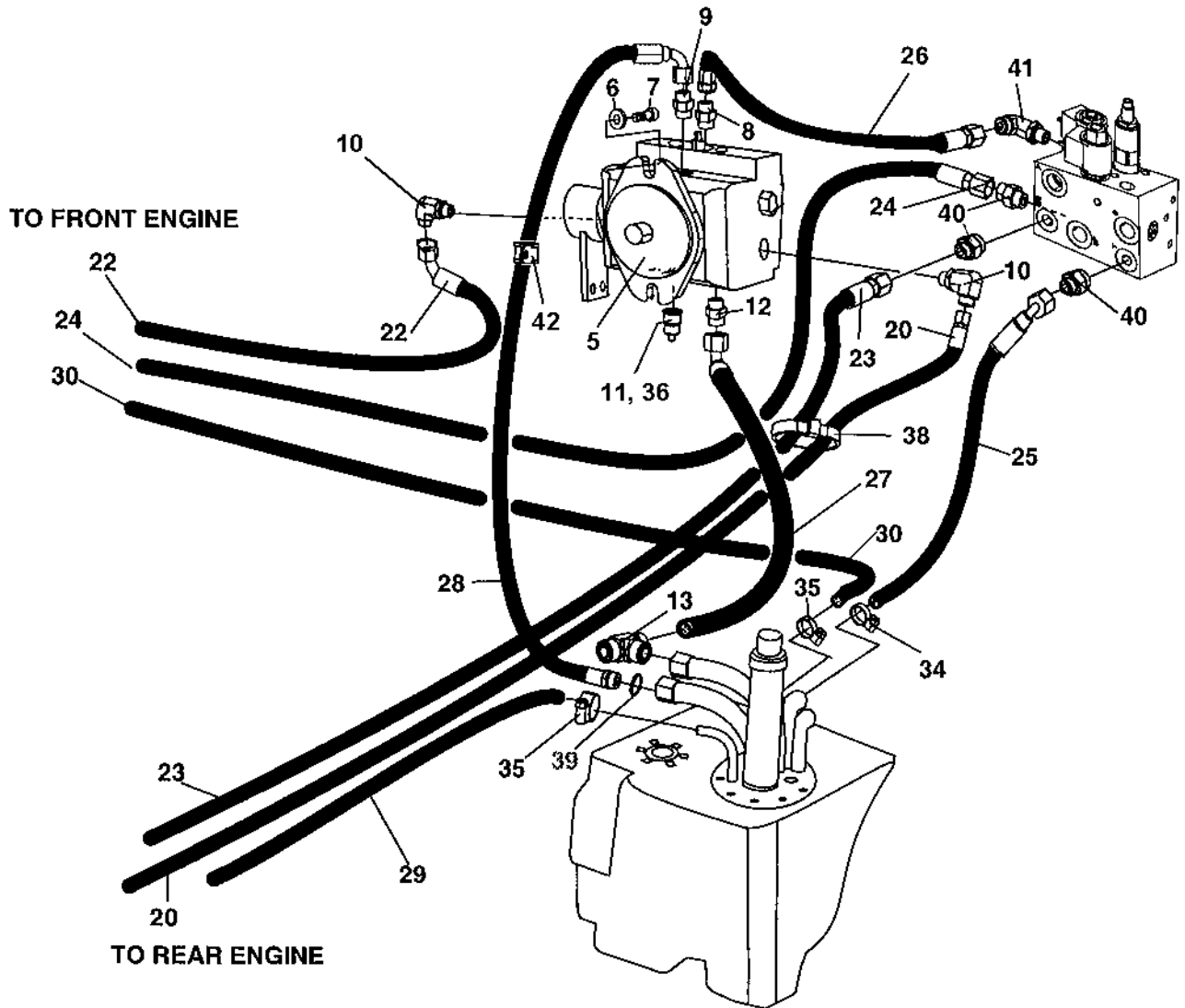


4700387270 Hydraulic motor

Item	Part No	Rem Qty	Description	Code
1	4700387270	1	Hydraulic motor (Page 56)	
2	4700945532	1	.Sealing kit	Debraking system
3		1	.Sealing kit	
4	4700945531	1	.Seal kit	Rotating parts

Hydraulic propulsion and brake system pump

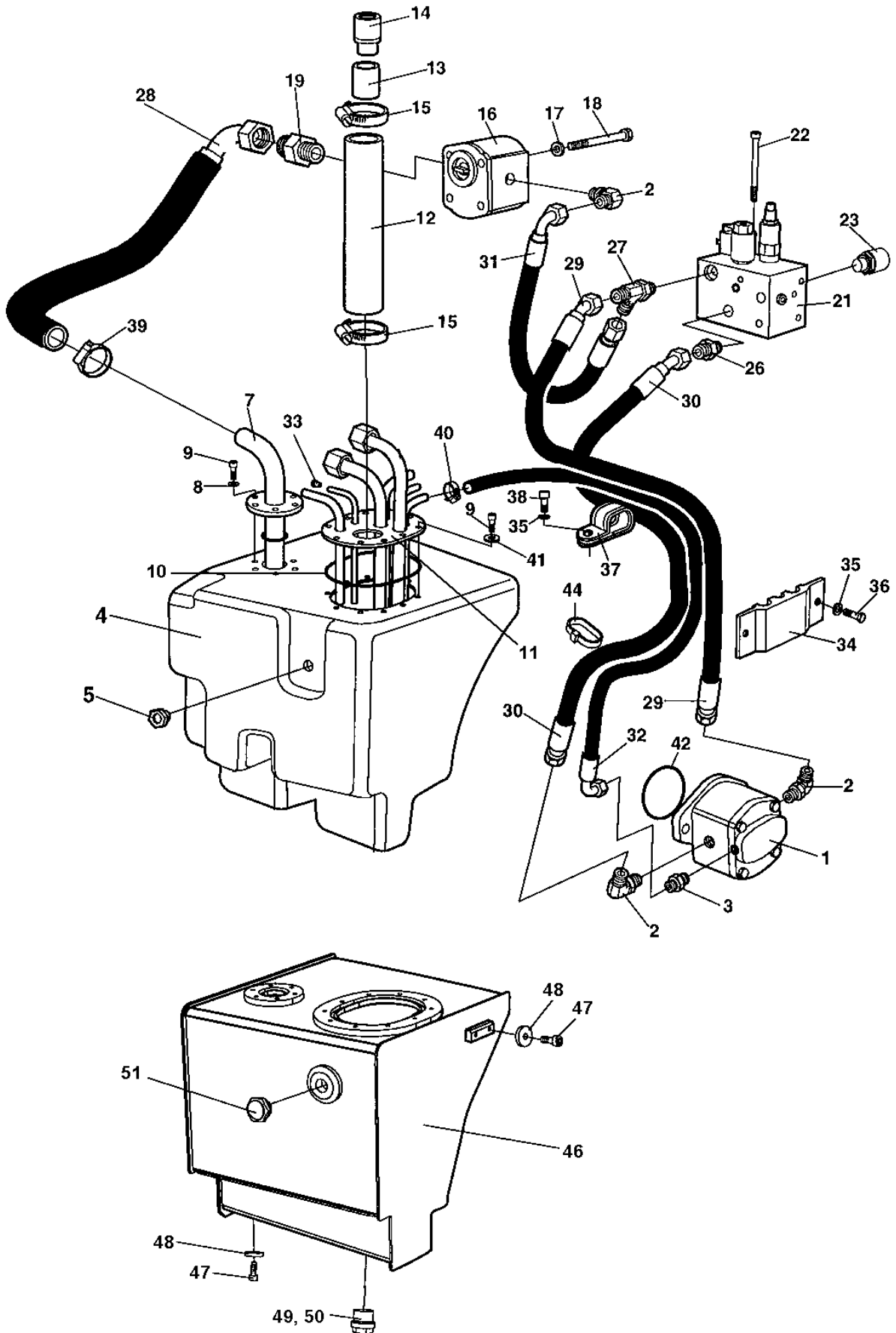
18085



Hydraulic propulsion and brake system pump

Item	Part No	Rem	Qty	Description	Code
5	4700377293		1	Hydraulic pump	
6	4700904557		2	Washer	
7	4700508029		2	Screw	M10-1,5x30H 8,8
8	4700791541		1	Straight connector	
9	4700904727		1	Adapter	
10	4700791699		2	Elbow 90	
11	4700377340	B	1	Temperature sensor Up to 88241109	
		A	1	Temperature sensor From 88241110	
12	4700792074		1	Straight connector	
13	4700791630		1	Tee-connector	
19	4700389404		1	Hydraulic hose	
20	4700483707		1	Hydraulic hose	
22	4700483708		1	Hydraulic hose	
23	4700483689		1	Hydraulic hose	
24	4700483709		1	Hydraulic hose	
25	4700389400		1	Hydraulic hose	
26	4700483652		1	Hydraulic hose	
27	4700483712		1	Hydraulic hose	
28	4700483714		1	Hydraulic hose	
29	4700389403		1	Hydraulic hose	
30	4700389408		1	Hydraulic hose	
34	4700313108		1	Hose clamp	
35	4700313001		2	Hose clamp	
36	4700162005	B	1	Washer sealing Up to 88241109	
38	4700313102		1	Cable ties	
39	4700904009		1	O-ring	D
40	4700791538		3	Straight connector	
41	4700792094		1	Elbow 90	
42	4700921028		1	Clamp	

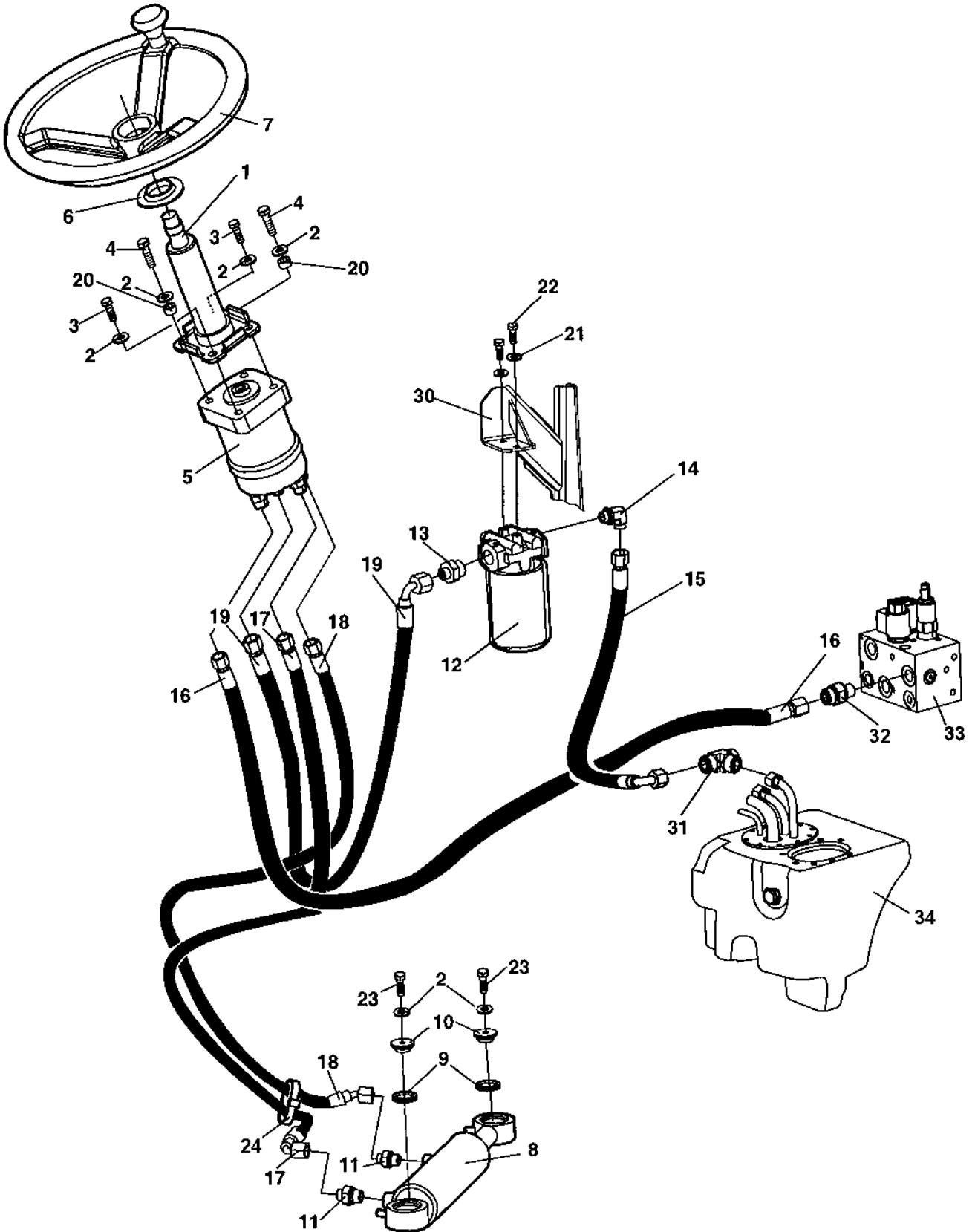
- A) See section "Hydraulic cooling , option"
 B) Used without hydraulic cooling,



Hydraulic vibration

Item	Part No	Rem Qty	Description	Code
1	4700387272	1	Hydraulic motor Up to 88241931	
	4700903431	1	Seal kit Up to 88241931	D
	4700390316	1	Hydraulic motor From 88241932	
	4700945340	1	Seal kit From 88241932	
2	4700791699	3	Elbow 90	
3	4700791541	1	Straight connector	
4	4700387278	1	Hydraulic oil tank Up to 88241119	
5	4700791395	1	Sight plug	
6	4700791794	1	O-ring	
7	4700387758	1	Suction pipe	
8	4700904735	6	Washer	
9	4700508002	16	Screw	
10	4700792070	1	O-ring Up to 88241931	
	4700792321	1	O-ring From 88241932	
11	4700387713	1	Return filler pipe Up to 88241931	
	4700391343	1	Hydraulic tank cover From 88241932	
12	4700205067	N	Rubber hose	
13	4700357139	1	Connector	
14	4700357138	1	Ventilating filter	A
15	4700313008	2	Hose clamp	D
16	4700377294	1	Hydraulic pump	
17	4700904230	2	Washer	
18	4700792092	2	Screw	
19	4700791631	1	Straight connector	
20	4700388194	1	Combination valve	
21	4700388194	1	Combination valve	
22	4700508094	2	Screw	
23	4700901157	1	Measuring nipple	D
26	4700791412	1	Straight o-ring connector	
27	4700791700	1	Tee-connector	
28	4700389414	A	Hydraulic hose	
29	4700483664	B	Hydraulic hose	
30	4700483664	B	Hydraulic hose	
31	4700483711	D	Hydraulic hose	
32	4700389402	A	Hydraulic hose	
33	4700389196	1	Protective plug	
34	4700388653	1	Hose clamp	
35	4700904229	3	Washer	8,4x16x1,5
36	4700500053	2	Screw	M8x20H 8.8
37	4700283711	1	Hose clamp	
38	4700508092	1	Screw	
39	4700313035	1	Hose clamp	
40	4700313108	1	Hose clamp	
41	4700904735	10	Washer	
42	4700160032	1	O-ring	D
44	4700313102	1	Cable ties	
46	4700379460	1	Hydraulic tank From 88241110	
47	4700500013	4	Screw From 88241110	M6-1x16 8,8
48	4700904735	4	Washer From 88241110	
49	4700791120	1	Sealing washer From 88211110	
50	4700232039	1	Plug From 88241110	G3/4
51	4700791395	1	Sight plug	

- A) L = 680 mm
- B) L = 790 mm
- D) L = 350 mm



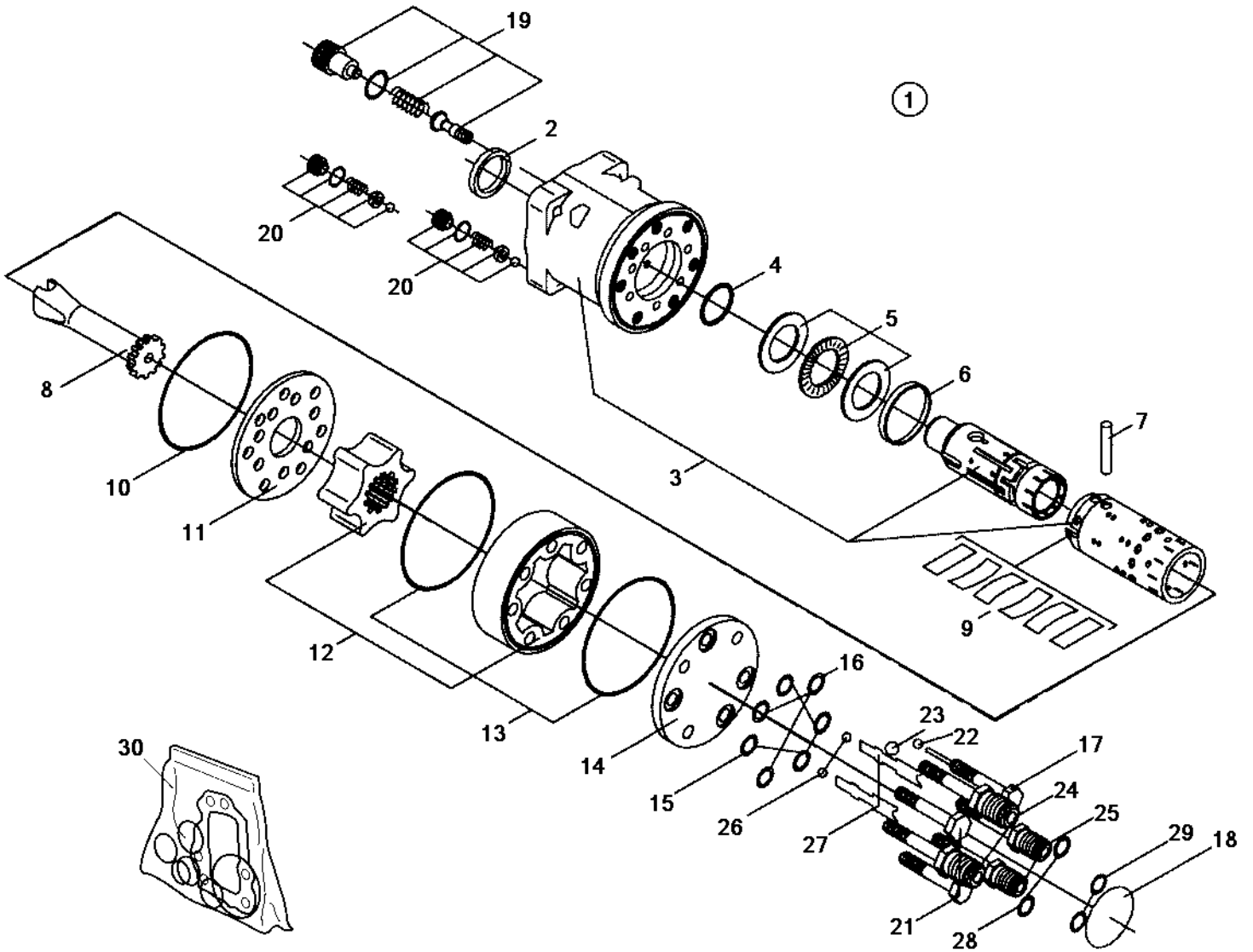
Hydraulic steering

Item	Part No	Rem Qty	Description	Code
1	4700902123	1	Steering column	
2	4700904230	6	Washer	
3	4700500048	2	Screw	M10-1,5x20 8,8
4	4700500031	2	Screw	
5	4700387274	1	Steering valve (Page 64)	
6	4700928830	1	Rubber washer	
7	4700372964	1	Steering wheel, cpl	
	4700935614	1	.Turning knob	D
	4700935613	1	.Cover	
8	4700387275	1	Hydraulic cylinder (Page 66)	
	4700945526	2	.Bearing	
9	4700791565	2	Sealing	
10	4700376861	2	Washer	
11	4700791542	2	Straight connector	
12	4700387277	1	Hydraulic oil filter, cpl	
	4700376636	1	.Cleaning filter element	Maximum 50 hours use
	4700376637	E 1	Filter element	A
13	4700791408	2	Straight o-ring connector	
14	4700792068	A 1	Elbow 90	
15	4700483716	A 1	Hydraulic hose	
16	4700483710	1	Hydraulic hose	
17	4700483654	1	Hydraulic hose	
18	4700483655	1	Hydraulic hose	
19	4700483656	1	Hydraulic hose	
20	4700355869	2	Spacer sleeve	
21	4700904229	2	Washer	8,4x16x1,5
22	4700500053	2	Screw	M8x20H 8.8
23	4700947684	2	Screw	
24	4700313102	1	Cable ties	
30		B 1	Bracket	
31		C 1	Tee-connector	
32	4700791412	1	Straight o-ring connector	
33		D 1	Combination valve	
34		D 1	Hydraulic tank	

- A) Together with hydraulic cooling see section "Hydraulic cooling"
- B) See section " Engine hood"
- C) See section "Hydraulic propulsion and brake"
- D) See section " Hydraulic vibration"
- E) Spare part for ordinary service

4700387274 Steering valve

18885



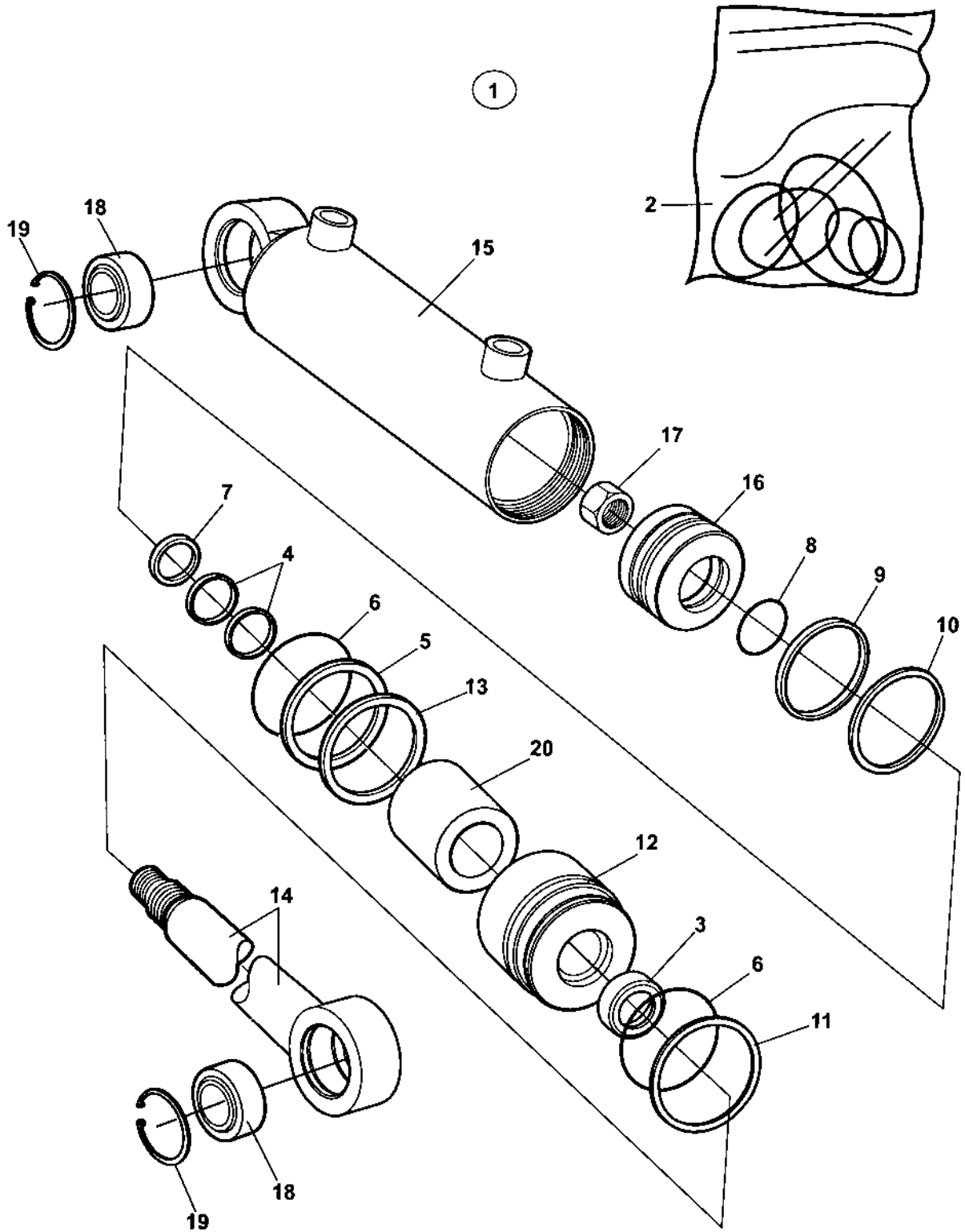
4700387274 Steering valve

Item	Part No	Rem	Qty	Description	Code
1			1	Steering valve, cpl	
2		A	1	.Seal ring	
3			1	.Housing, spool and sleeve	
4		A	1	.O-ring	
5			1	.Bearing	
6			1	.Ring	
7			1	.Cross pin	
8			1	.Cardan shaft	
9			1	.Set of springs	
10		A	1	.O-ring	
11			1	.Distributor plate	
12			1	.Gear wheel set	
13		A	2	.O-ring	
14			1	.End cover	
15		A	4	.O-ring	
16		A	3	.Washer	
17			1	.Screw with pin	
18			1	.Name plate	
19			1	.Relief valve	
20			2	.Shock valves	
21			2	.Screw	
22			1	.Ball	
23			1	.Ball	
24			2	.Port	
25			2	.Port	
26			2	.Ball	
27			2	.Ball stop	
28			2	.O-ring	
29			2	.O-ring	
30	4700935429		1	.Seal kit	

A) Included in sealkit, item 30

4700387275 Hydraulic cylinder

18812



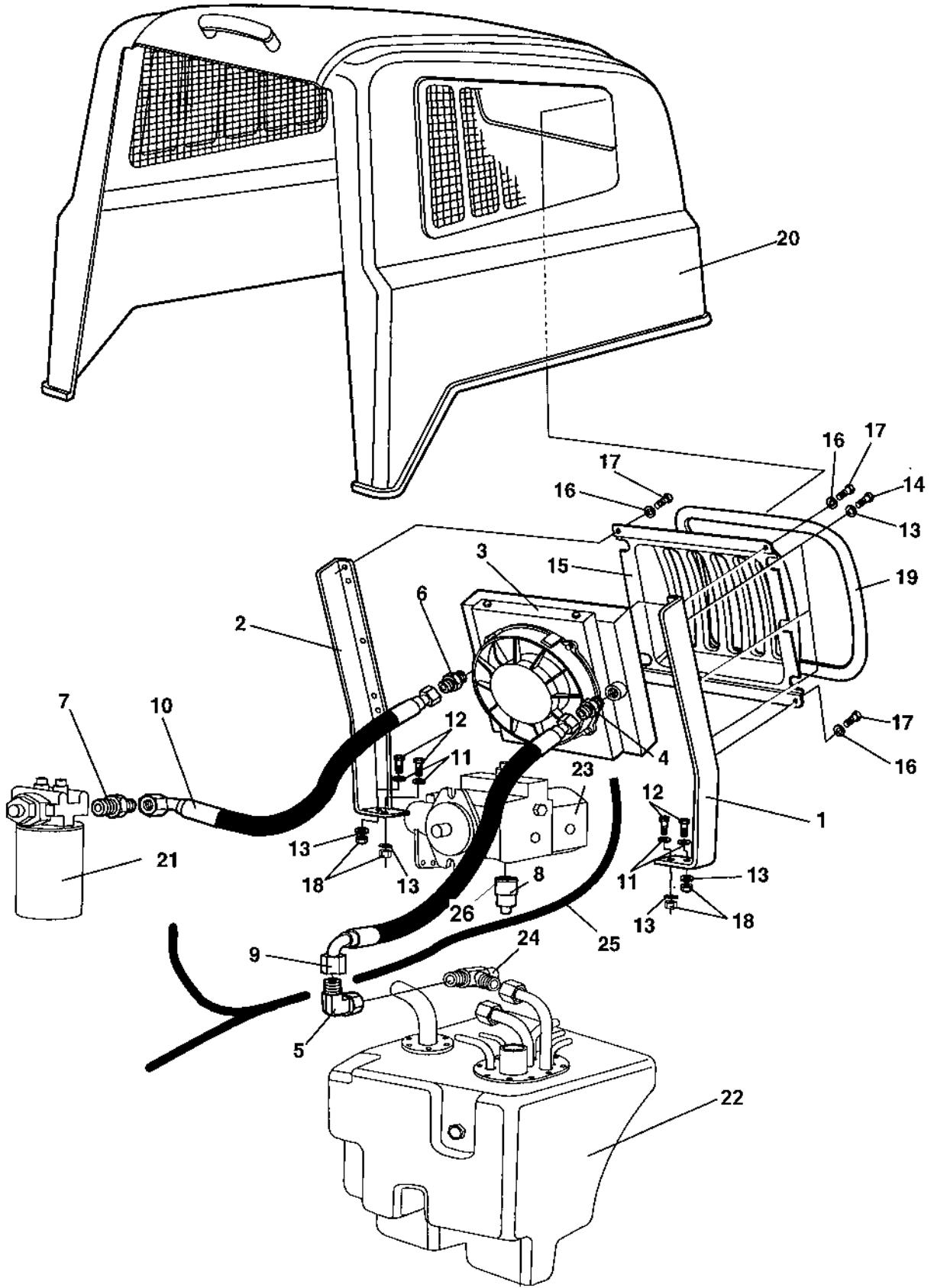
4700387275 Hydraulic cylinder

Item	Part No	Rem	Qty	Description	Code
1	4700387275		1	Hydraulic cylinder (Page 66)	
2			1	.Seal kit	
3			1	..Seal	
4			2	..Seal	
5			1	..Back-up ring	
6			2	..O-ring	
7			1	..Seal	
8			1	..O-ring	
9			1	..Seal	
10			1	..Seal	
11			1	.Retaining ring	
12			1	.Steering	
13			1	.Retaining ring	
14			1	.Piston rod	
15			1	.Cylinder	
16			1	.Piston block	
17			1	.Cylinder nut	
18	4700945526		1	.Bearing	
19			1	.Retaining ring	
20		A	1	.Spacer	

A) Not valid for this model

Hydraulic cooling Option

18095-1



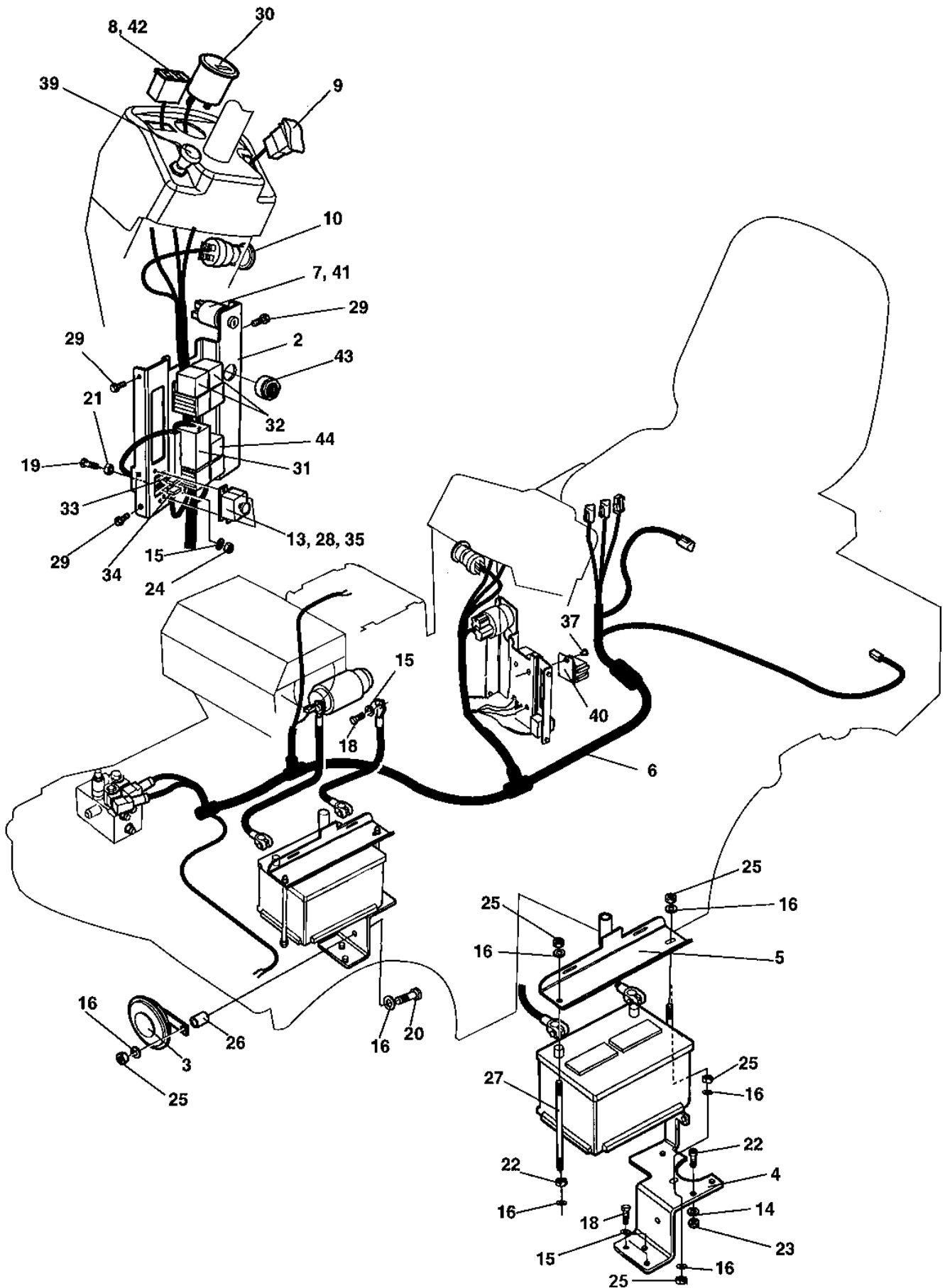
Hydraulic cooling Option

Item	Part No	Rem	Qty	Description	Code
1	4700388559		1	Cooler bracket	
2	4700388558		1	Cooler bracket	
3	4700387530		1	Hydraulic oil cooler	
4	4700904641		1	Connector	
5	4700904766		1	Elbow adapter 90	
6	4700791635	A	1	Straight connector	
7	4700791408		1	Straight o-ring connector	
8	4700377339		1	Temperature sensor	
9	4700483713		1	Hydraulic hose	
10	4700483715	C	1	Hydraulic hose	
11	4700904556		4	Washer	8,4x16x3,0
12	4700500022		4	Screw	M8x30H 8.8 A2K
13	4700904229		10	Washer	8,4x16x1,5
14	4700500018		6	Screw	M8-1,25x12 8,8
15	4700389146		1	Cover	
16	4700904228		4	Washer	6,4x12x1,5
17	4700500012		4	Screw	M6x12
18	4700586003		4	Lock nut	M8
19	4700902166		1	Edge trim	
20	4700377857	E	1	Engine hood, cpl	
21		G	1	Hydraulic oil filter	
22		F	1	Hydraulic oil tank	
23		B	1	Hydraulic pump	
24		B	1	Tee-connector	
25	4700390486		1	Cable harness From 88241110	
26	4700162005		1	Washer sealing	

- A) Replace elbow 4700792068 section "Hydraulic steering"
- B) See section "Hydraulic propulsion and brake"
- C) Replace hose 4700483716 "Hydraulic steering"
- E) Replace engine hood 4700387147
- F) See section "Hydraulic oil tank"
- G) See section "Hydraulic steering"

Electrical equipment

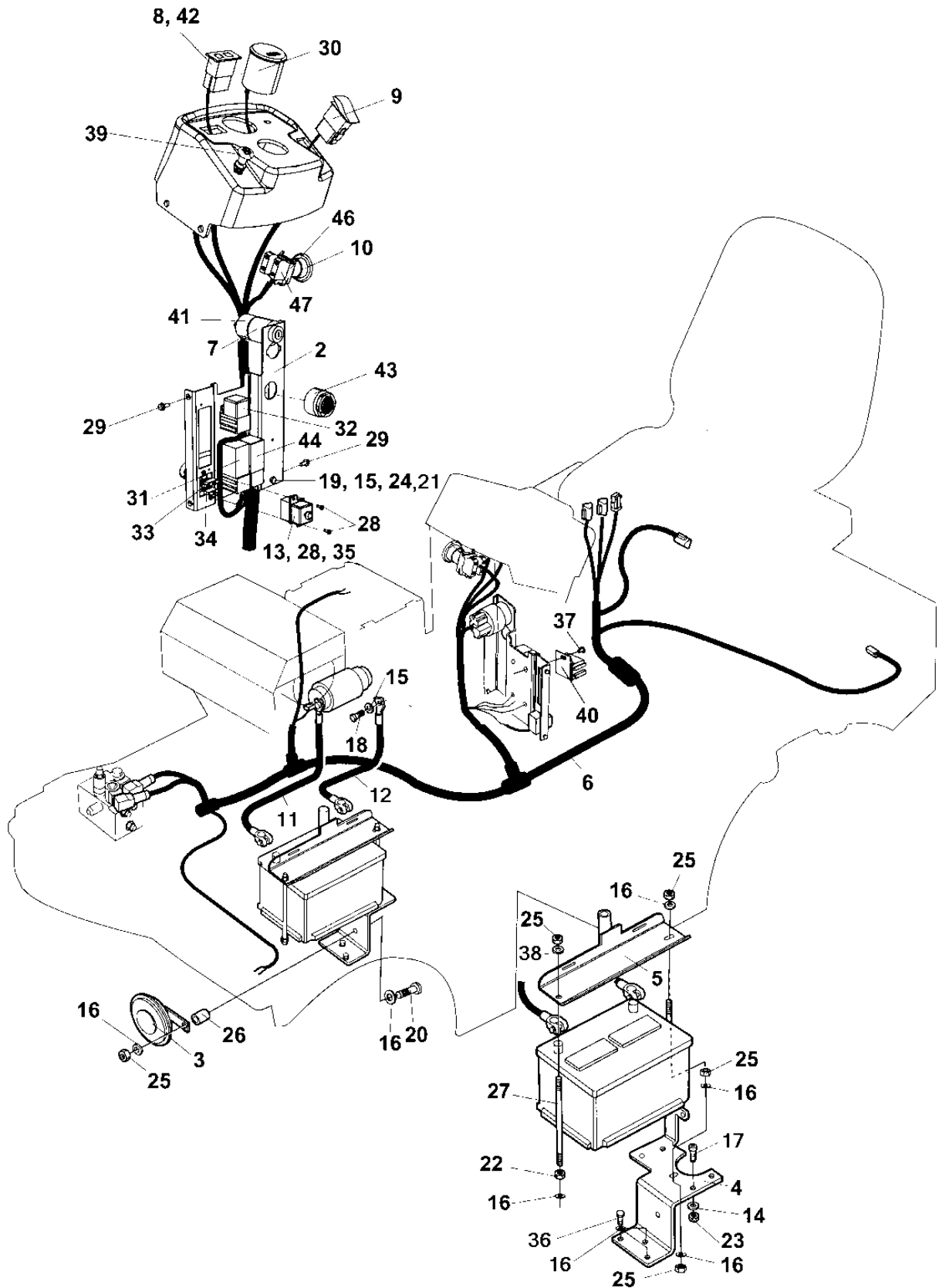
Item	Part No	Rem Qty	Description	Code
10			Electrical equipment (Page 72)	
15			Electrical equipment (Page 74)	
60			Back-up alarm (Page 76)	Option



Item	Part No	Rem	Qty	Description	Code
1	4700791502		1	Battery	
2	4700387683		1	Distribution control plate	
3	4700999027		1	Horn	D
4	4700387284		1	Battery shelf	
5	4700388721		1	Battery holder	
6	4700377325		1	Cable harness Up to 88240527	
	4700378778	B	1	Cable harness From 88240528 Up to 88211109	
	4700390514		1	Cable harness From 88241110	
7	4700792089		1	Ignition switch	
	4700792100		1	.Key	
8	4700792075		1	Display	
9	4700791578		1	Switch, horn	
10	4700791647		1	Emergency stop	
11	4700792095		1	Battery cable (+)	
12	4700792096		1	Battery cable (-)	
13	4700792091		1	Fuse holder	
14	4700904698		2	Washer	
15	4700904228		2	Washer	6,4x12x1,5
16	4700904229		8	Washer	8,4x16x1,5
17	4700508022		2	Screw	M4x16
18	4700500040		1	Screw	M6-1x20 8,8
19	4700500040		1	Screw	M6-1x20 8,8
20	4700500024		1	Screw	M8x45
21	4700570004		1	Nut	M6X1,00 -8 A2K
22	4700570005		3	Nut	M8
23	4700923976		2	Nut	
24	4700586002		1	Lock nut	M6 -8
25	4700586003		3	Lock nut	M8
26	4700355704		1	Spacer sleeve	
27	4700791550		2	Threaded stud	
28	4700901767		2	Screw	ST3,5x9,5 Black
29	4700903782		4	Screw	M5x12
30	4700389727		1	Hour meter	
31	4700382782		1	Relay, VBS	D
32	4700903956		3	Relay	D
33	4700901226		1	Fuse	7.5A
34	4700901228		1	Fuse	15A
35	4700901240		1	Connector	
36	4700500053		3	Screw	M8x20H 8.8
37	4700902223		4	Screw	
38	4700904640		2	Washer	8,4x22x3
39		A	1	Choke	
40			4	Relay holder	
41	4700792090		1	Connector	
42	4700792191		1	Gasket From 88240528	
43	4700385599	B	1	Buzzer From 88240528	
44	4700903956		1	Relay Up to 88240527	D
	4700904846	B	1	Delay relay From 88240528	
45	4700903956		1	Relay	D

A) See section "Forward/reverse control"

B) Included in rebuild kit 4700940867. (replacement for PN 4700377325)

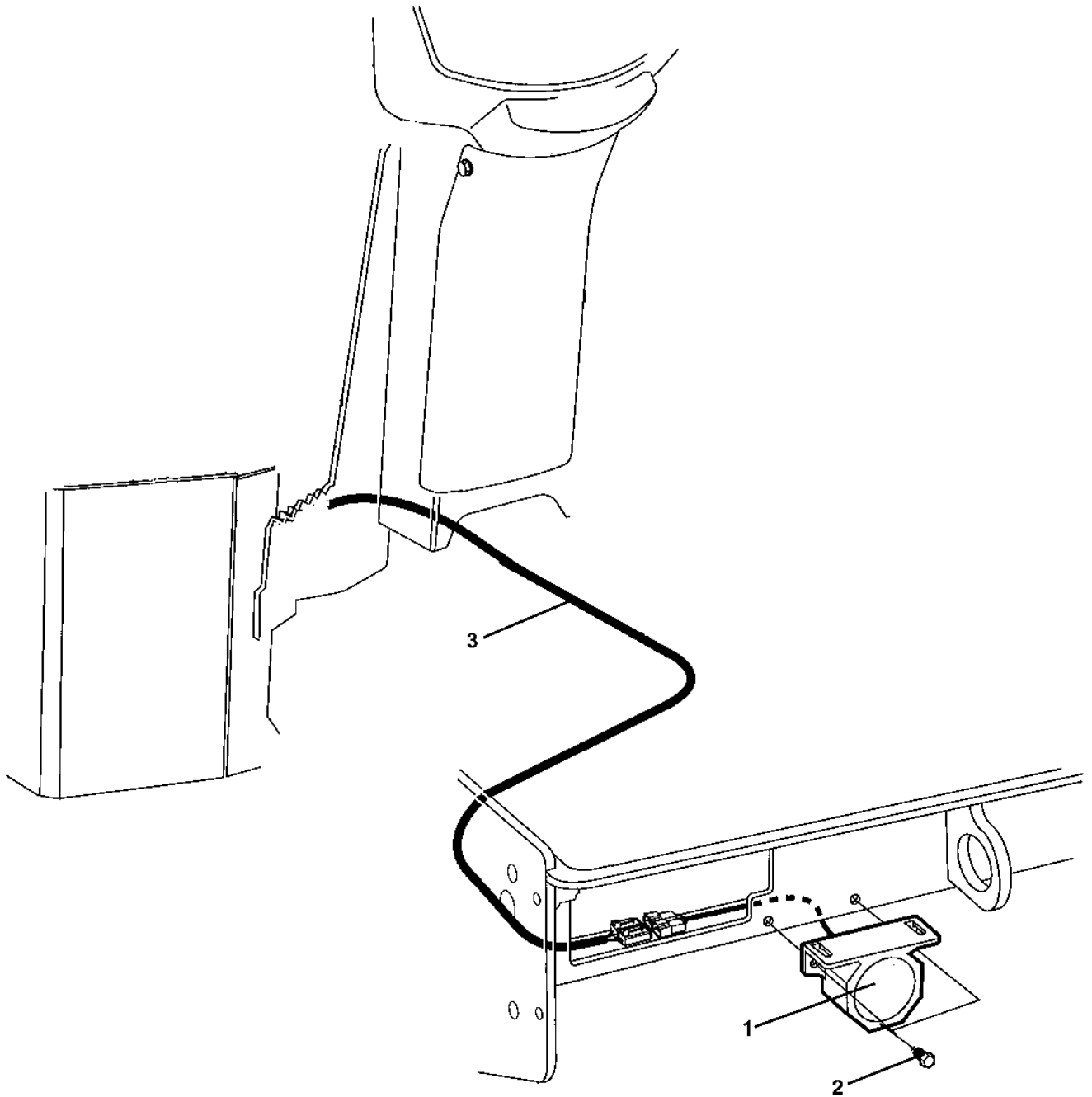


Item	Part No	Rem	Qty	Description	Code
1	4700791502		1	Battery	
2	4700387683		1	Distribution control plate	
3	4700999027		1	Horn	D
4	4700387284		1	Battery shelf	
5	4700388721		1	Battery holder	
6	4700377325		1	Cable harness Up to 88240527	
	4700378778	B	1	Cable harness From 88240528 Up to 88211109	
	4700390514		1	Cable harness From 88241110	
	4700397027		1	Cable harness	
7	4700792089		1	Ignition switch	
	4700792100		1	.Key	
8	4700792075		1	Display	
9	4700791578		1	Switch, horn	
10	4700791739		1	Emergency stop	
11	4700792095		1	Battery cable (+)	
12	4700792096		1	Battery cable (-)	
13	4700792091		1	Fuse holder	
14	4700904698		2	Washer	
15	4700904228		2	Washer	6,4x12x1,5
16	4700904229		8	Washer	8,4x16x1,5
17	4700508022		2	Screw	M4x16
18	4700500013		1	Screw	M6-1x16 8,8
19	4700500040		1	Screw	M6-1x20 8,8
20	4700500024		1	Screw	M8x45
21	4700570004	C	1	Nut	M6X1,00 -8 A2K
22	4700570005		3	Nut	M8
23	4700923976		2	Nut	
24	4700586002	C	1	Lock nut	M6 -8
25	4700586003		3	Lock nut	M8
26	4700355704		1	Spacer sleeve	
27	4700791550		2	Threaded stud	
28	4700901767		2	Screw	ST3,5x9,5 Black
29	4700903782		4	Screw	M5x12
30	4700389727		1	Hour meter	
31	4700382782		1	Relay, VBS	
32	4700903956		1	Relay	
33	4700901226		1	Fuse	7.5A
34	4700901228		1	Fuse	15A
35	4700901240		1	Connector	
36	4700500053		3	Screw	M8x20H 8.8
37	4700902223		3	Screw	
38	4700904640		2	Washer	8,4x22x3
39		A	1	Choke	
40			4	Relay holder	
41	4700792090		1	Connector	
42	4700792191		1	Gasket From 88240528	
43	4700385599	B	1	Buzzer From 88240528	
44	4700903956		1	Relay Up to 88240527	
	4700904846	B	1	Delay relay From 88240528	D
46	4700389840		1	Connector	
47	4700791723		1	Connector	

A) See section "Forward/reverse control"

B) Included in rebuild kit 4700940867. (replacement for PN 4700377325)

C) Not illustrated



Back-up alarm Option

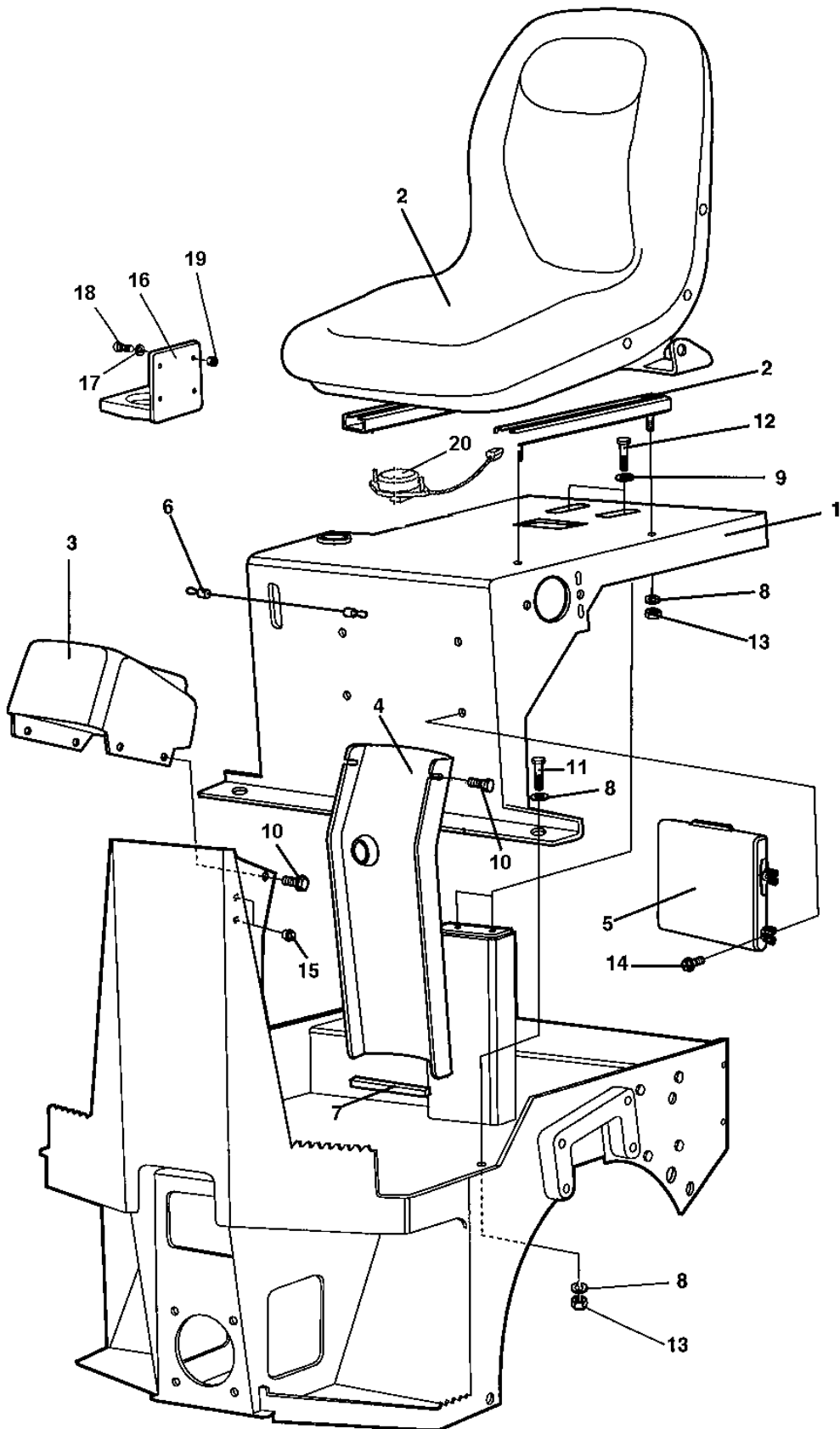
Item	Part No	Rem Qty	Description	Code
1	4700792098	1	Back-up alarm	
2	4700541702	2	Screw	M6x12
3		1	Cable harness	

Drivers platform

Item	Part No	Rem Qty	Description	Code
10			Drivers platform (Page 80)	
20			F/R- , throttle- and choke control Up to 88241502 (Page 82)	
21			F/R- , throttle- and choke control From 88241503 Up to 88241503 (Page 88)	
22			F/R- , throttle- and choke control From 88241504 Up to 88241511 (Page 90)	
23			F/R- , throttle- and choke control From 88241512 Up to 88241512 (Page 88)	
24			F/R- , throttle- and choke control From 88241513 Up to 88241522 (Page 90)	
25			F/R- , throttle- and choke control From 88241523 Up to 88241524 (Page 88)	
26			F/R- , throttle- and choke control From 88241525 Up to 88241535 (Page 90)	
27			F/R- , throttle- and choke control From 88241536 Up to 88241537 (Page 88)	
28			F/R- , throttle- and choke control From 88241538 Up to 88241545 (Page 90)	
29			F/R- , throttle- and choke control From 88241546 Up to 88241547 (Page 88)	
30			F/R- , throttle- and choke control From 88241548 Up to 88241554 (Page 90)	
31			F/R- , throttle- and choke control From 88241555 (Page 88)	
40			Forward and reverse control handle Up to 882-CC900G ³ age 84)	
45			Forward and reverse control handle From 882-CC900G ³ age 86)	
60			Rops (Page 92)	Option

Drivers platform

18075



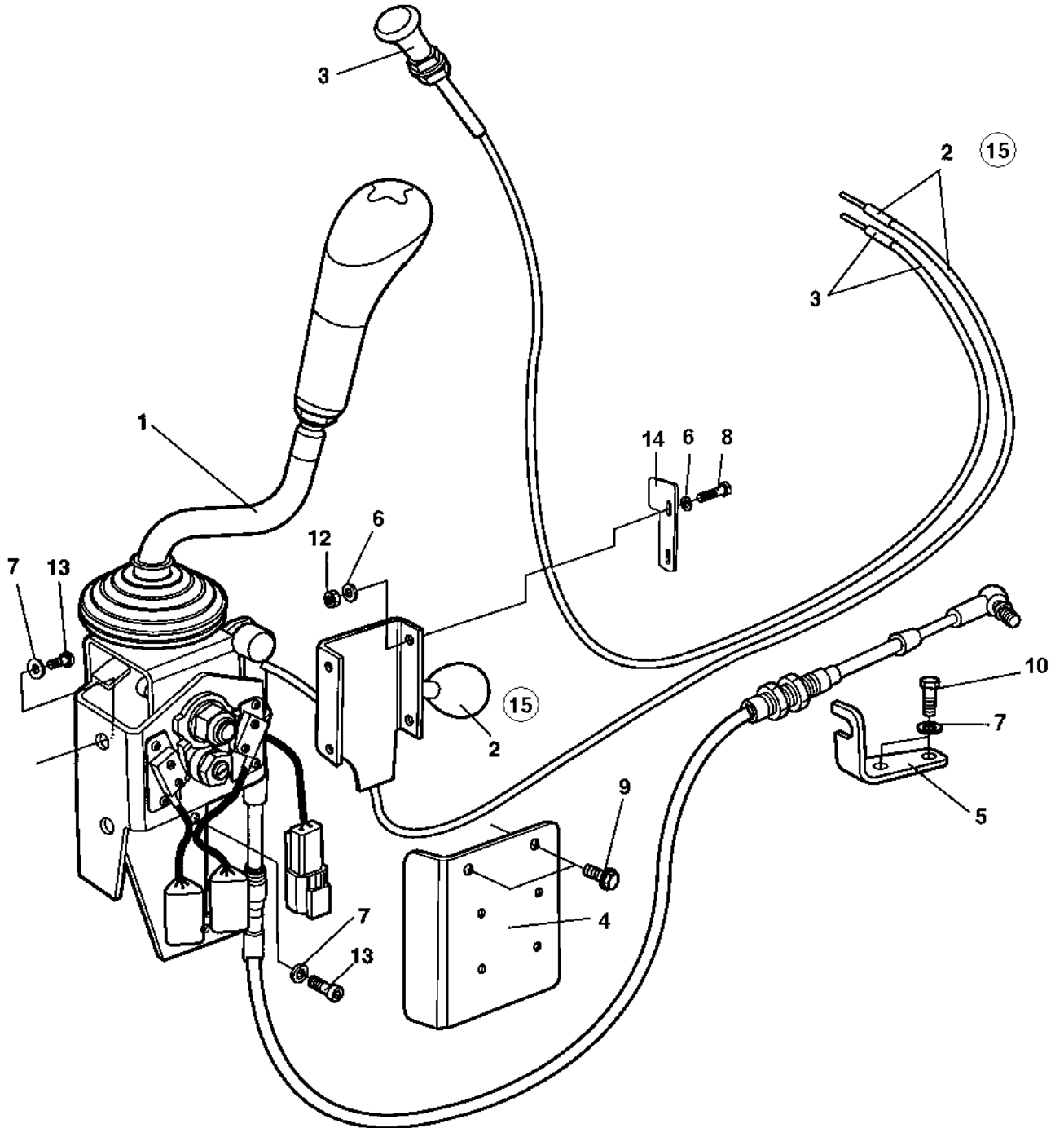
Drivers platform

Item	Part No	Rem	Qty	Description	Code
1	4700388056		1	Platform	
2	4700377556		1	Seat	
3	4700376595		1	Instrument panel	
4	4700387226		1	Column cover	
5	4700383705		1	Instruction book holder	
6	4700357643		1	Wire	
7	4700902166		1	Edge trim	
8	4700904229		8	Washer	8,4x16x1,5
9	4700904557		2	Washer	
10	4700904755		6	Screw	M8x12 8,8 FZB
11	4700500021		2	Screw	M8-1,25x25 8.8
12	4700500030		2	Screw	
13	4700586003		6	Lock nut	M8
14	4700791226		4	Screw	
15	4700902919		4	Plug	
16	4700377255	A	1	Cup holder	
17	4700904698	A	4	Washer	
18	4700513027	A	4	Screw	M4x16H 10,9
19	4700923976	A	4	Nut	
20	4700379635		1	Seat switch From 88241041	

A) Option

F/R- , throttle- and choke control

18080-1



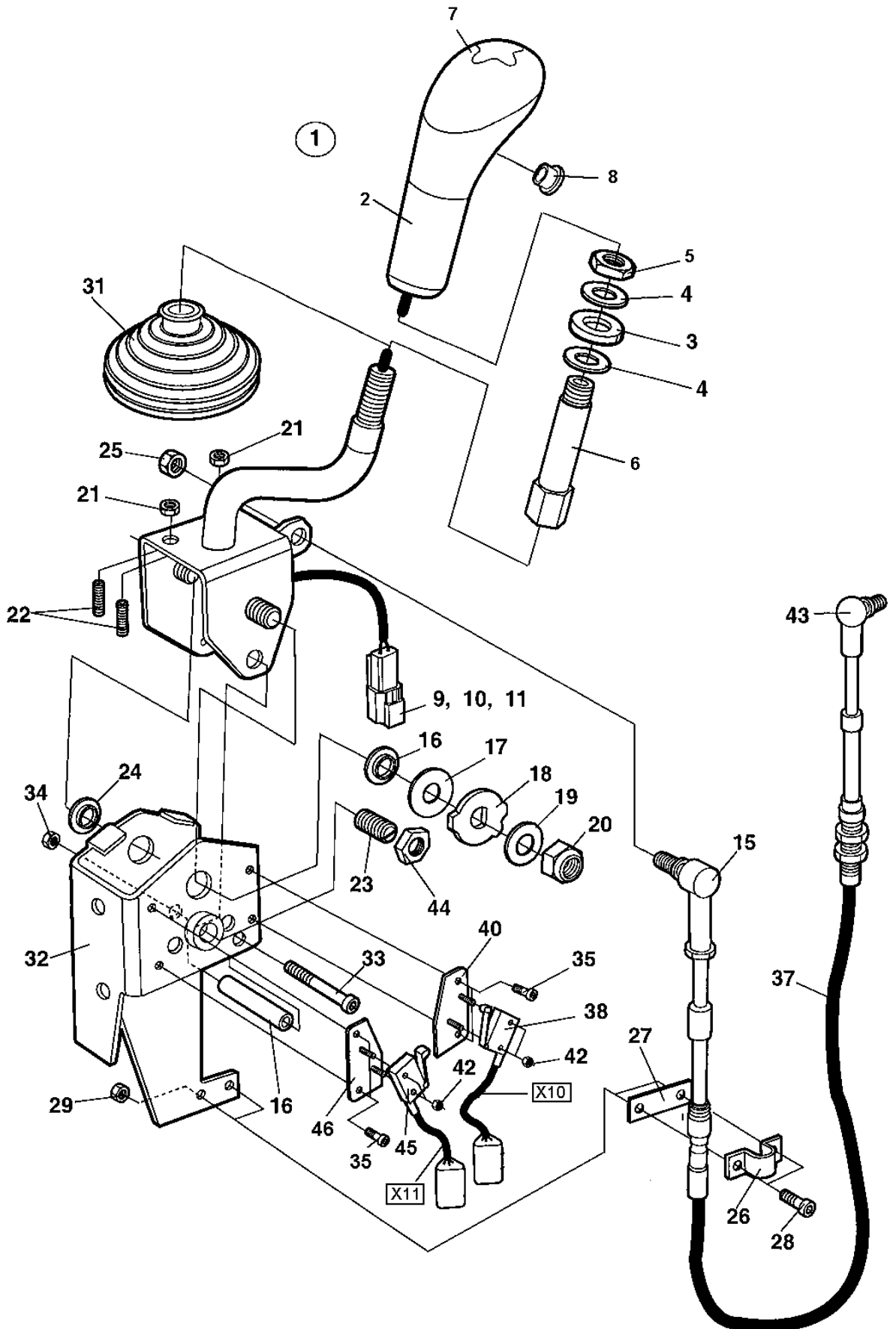
F/R- , throttle- and choke control

Item	Part No	Rem	Qty	Description	Code
1			1	Forward and reverse control handle Up to 882-CC900G ³ age 84)	
			1	Forward and reverse control handle From 882-CC900G ³ age 86)	
2	4700388458		1	Throttle control	
3	4700388459		1	Choke control	
4	4700388476		1	Control cover	
5	4700388460		1	Control bracket	
6	4700904281		4	Washer	5,3x10x1 300HV
7	4700904229		5	Washer	8,4x16x1,5
8	4700500060		2	Screw	M5-0,8x20 8.8
9	4700904755		2	Screw	M8x12 8,8 FZB
10	4700500053		2	Screw	M8x20H 8.8
12	4700791476		2	Nut	M5 -8
13	4700508092		3	Screw	
14	4700378349		1	Cover	
15	4700945837	B	1	Throttle control Repl. Kit	

B) Improved design

Forward and reverse control handle CC900G

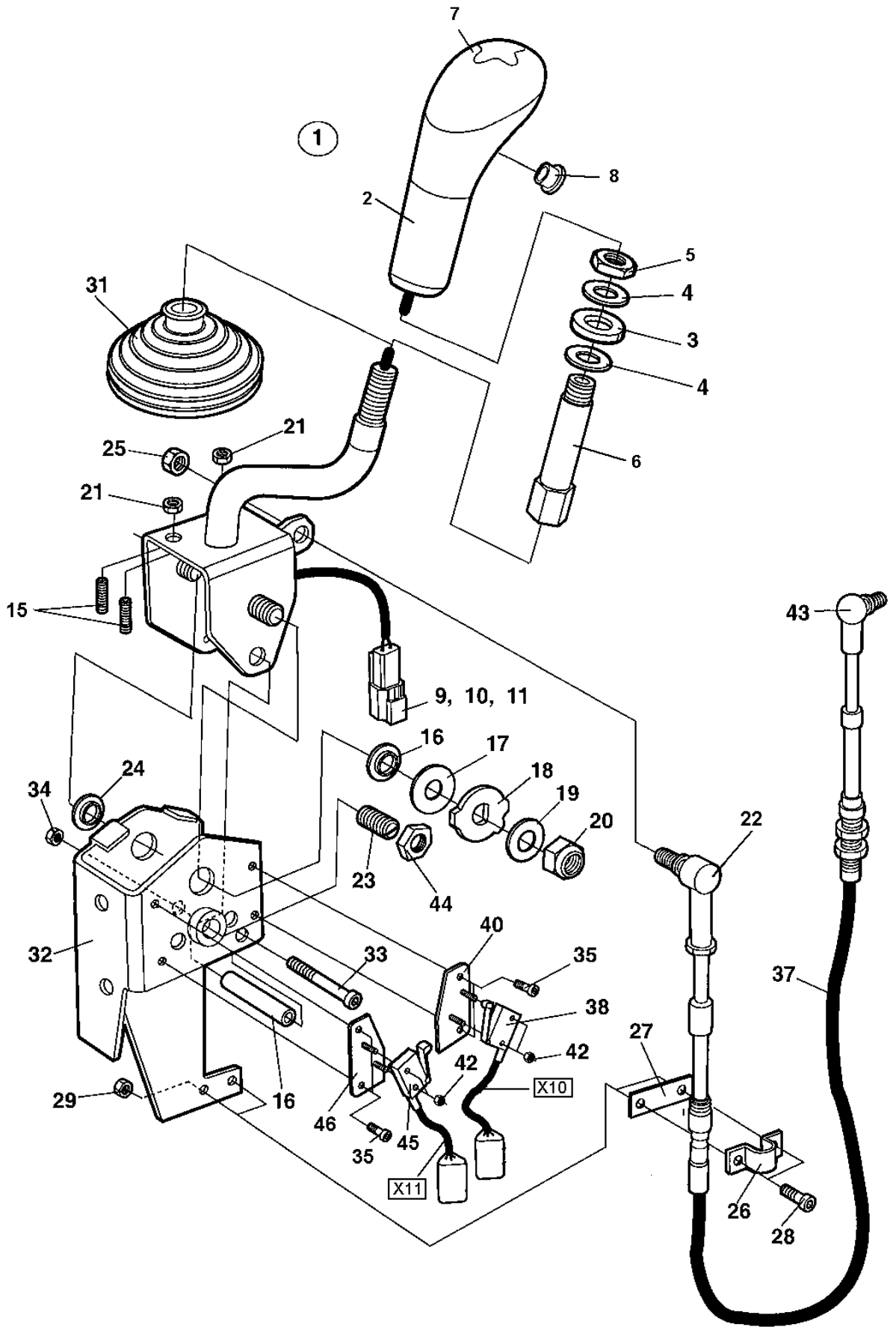
18072-1



Forward and reverse control handle CC900G

Item	Part No	Rem	Qty	Description	Code
1	4700940374	A	1	Handle kit, cpl	
2			1	.Handle	
			1	..Button	
			1	..Cable	
			1	.Lock fluid	
			1	.Service information	
3			1	.Washer	
4			2	.Washer	
5			1	.Nut	
6			1	.Rod	
7	4700378759		1	.Handle top	
8	4700377018		1	.Protection plug	
9			1	.Connector, receptable	
10			1	.Lock wedge	
11			2	.Pin	
15	4700377019		1	Ball joint	
16	4700377011		1	Spacer	
17	4700377012		1	Friction washer	
18	4700377013		1	Cam washer	
19	4700377014		1	Spring washer	
20	4700586019		1	Lock nut	
21	4700570004		2	Nut	M6X1,00 -8 A2K
22	4700377015		2	Set screw	
23	4700377016		1	Spring loaded pin	
24	4700377017		2	Bushing	
25	4700586003		1	Lock nut	M8
26	4700377020		1	Clamp	
27	4700377021		1	Spacer	
28	4700926537		2	Screw	M5-0,8x16H 8,8
29	4700586001		2	Lock nut	
30	4700377008		1	Holder	
31	4700377009		1	Bellows	
32	4700377010		1	Bracket	
33	4700508068		1	Screw	
34	4700904563		1	Lock nut	M6
35	4700377023		4	Screw	
36	4700377023		2	Screw	
37	4700377741		1	Cable	
38	4700940930	B	2	Micro switch, cpl left	
			1	.Connector plug	
			1	.Lock wedge	
			1	.Pin	
40			1	.Micro switch holder	
42	4700377704		4	Nut	
43	4700377706		1	Ball joint	
44	4700927233		1	Nut	
45	4700940929	C	1	Micro switch, cpl right	
			1	.Connector plug	
			1	.Lock wedge	
			1	.Pin	
46			1	.Micro switch holder	
A)	Upgraded kit with new reinforced handle.				
B)	For cable marked X10				
C)	For cable marked X11				

Forward and reverse control handle CC900G
CC900G100700030



Forward and reverse control handle CC900G

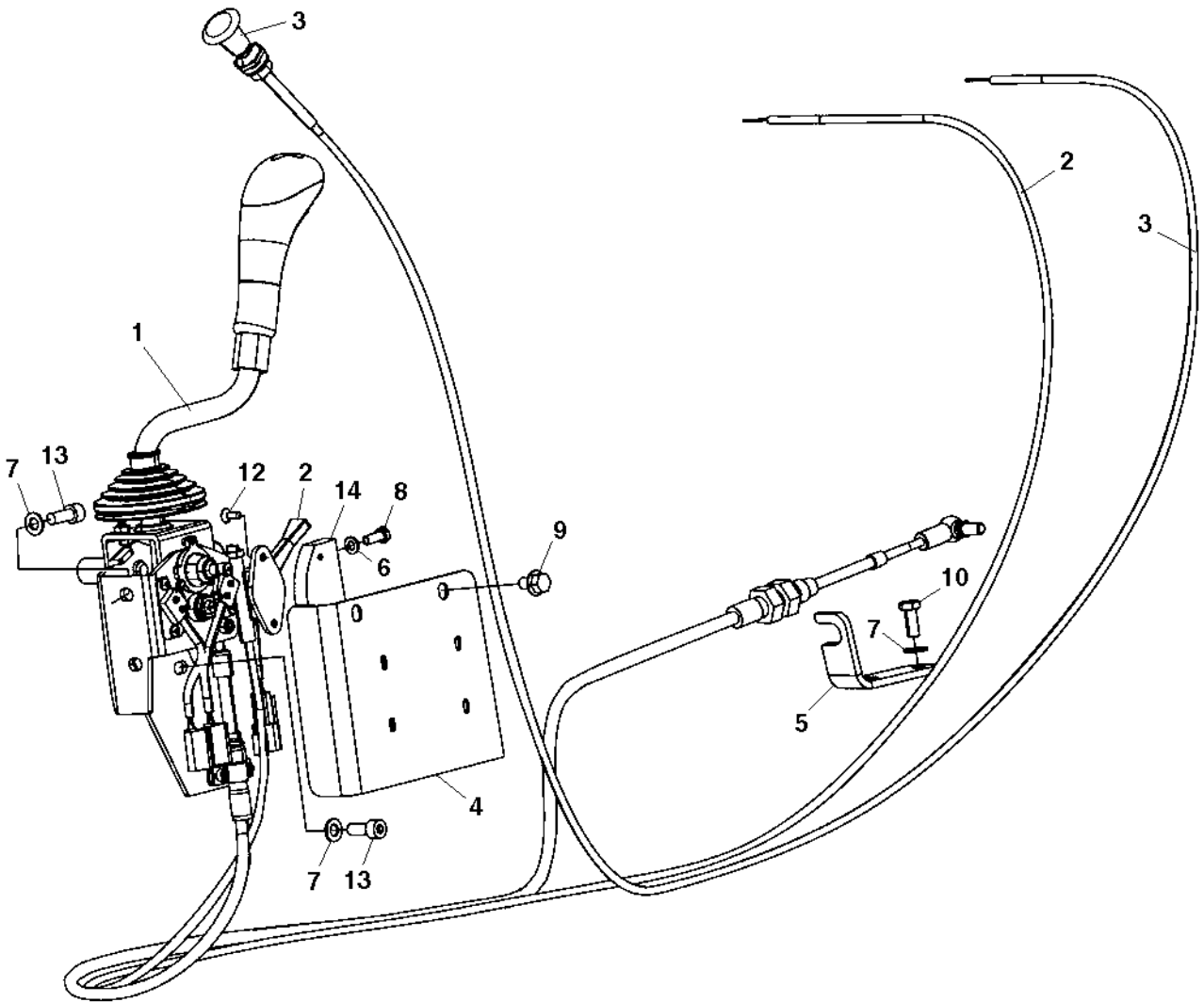
Item	Part No	Rem	Qty	Description	Code
1	4700945407		1	Lever, cpl	
2	4700940374		1	.Handle kit, cpl	
			1	..Handle	
			1	...Button	
			1	...Cable	
			1	..Lock fluid	
			1	..Service information	
3			1	..Washer	
4			2	..Washer	
5			1	..Nut	
6			1	..Rod	
7	4700378759		1	..Handle top	
8	4700377018		1	..Protection plug	
9			1	..Connector, receptable	
10			1	..Lock wedge	
11			2	..Pin	
12	4700391379		1	.Lever	
13	4700377009		1	.Bellows	
14	4700570004		2	.Nut	M6X1,00 -8 A2K
15	4700377015		2	Set screw	
16	4700377011		1	Spacer	
17	4700377012		1	Friction washer	
18	4700377013		1	Cam washer	
19	4700377014		1	Spring washer	
20	4700586019		1	Lock nut	
21	4700570004		2	Nut	M6X1,00 -8 A2K
22	4700377019		1	Ball joint	
23	4700377016		1	Spring loaded pin	
24	4700377017		2	Bushing	
25	4700586003		1	Lock nut	M8
26	4700377020		1	Clamp	
27	4700377021		1	Spacer	
28	4700926537		2	Screw	M5-0,8x16H 8,8
29	4700586001		2	Lock nut	
30	4700377008		1	Holder	
31	4700377009		1	Bellows	
32	4700377010		1	Bracket	
33	4700508068		1	Screw	
34	4700904563		1	Lock nut	M6
35	4700377023		4	Screw	
36	4700377023		2	Screw	
37	4700377741		1	Cable	
38	4700940930	B	2	Micro switch, cpl left	
			1	.Connector plug	
			1	.Lock wedge	
			1	.Pin	
40			1	.Micro switch holder	
42	4700377704		4	Nut	
43	4700377706		1	Ball joint	
44	4700927233		1	Nut	
45	4700940929	C	1	Micro switch, cpl right	
			1	.Connector plug	
			1	.Lock wedge	
			1	.Pin	
46			1	.Micro switch holder	

B) For cable marked X10

C) For cable marked X11

F/R- , throttle- and choke control

18590

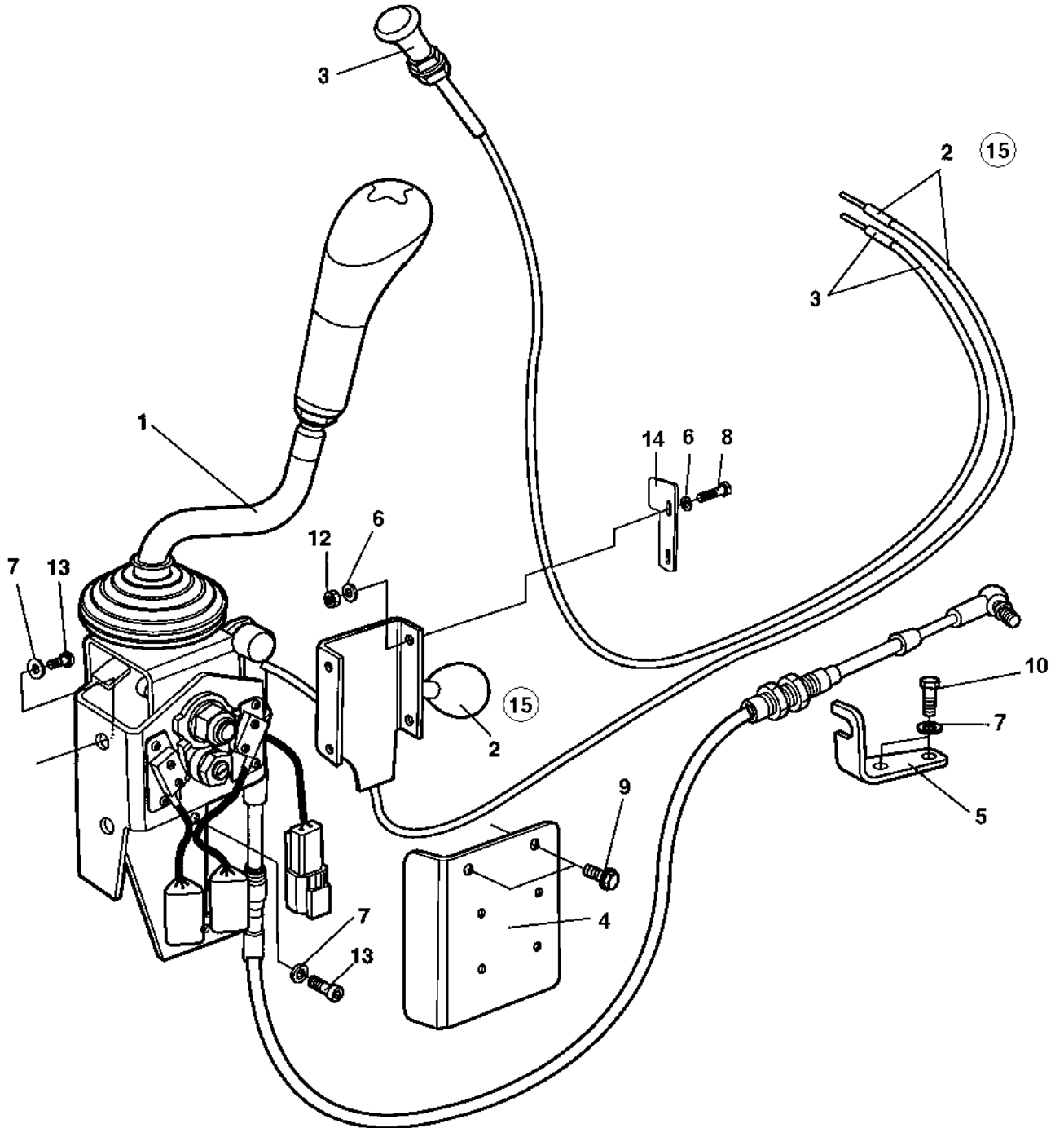


F/R- , throttle- and choke control

Item	Part No	Rem Qty	Description	Code
1		1	Forward and reverse control handle (Page 86CC900G	
2	4700391833	1	Throttle control	
3	4700388459	1	Choke control	
4	4700388476	1	Control cover	
5	4700388460	1	Control bracket	
6	4700904228	2	Washer	6,4x12x1,5
7	4700904229	5	Washer	8,4x16x1,5
8	4700500013	2	Screw	M6-1x16 8,8
9	4700904755	2	Screw	M8x12 8,8 FZB
10	4700500053	2	Screw	M8x20H 8.8
12	4700513004	2	Screw	M5x12H 10.9
13	4700508092	3	Screw	
14	4700393095	1	Bracket	

F/R- , throttle- and choke control

18080-1



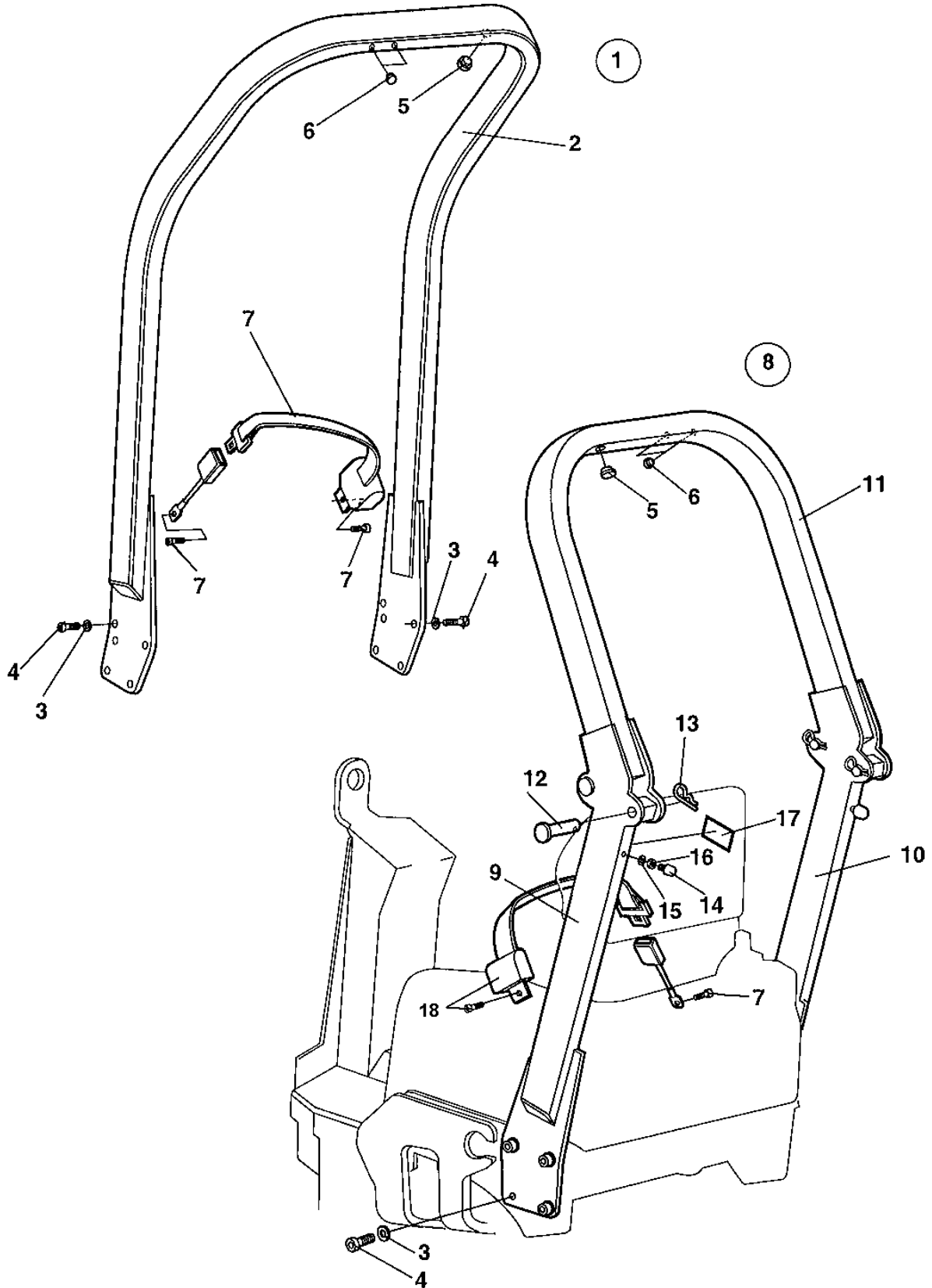
F/R- , throttle- and choke control

Item	Part No	Rem	Qty	Description	Code
1			1	Forward and reverse control handle (Page 86CC900G	
2	4700388458		1	Throttle control	
3	4700388459		1	Choke control	
4	4700388476		1	Control cover	
5	4700388460		1	Control bracket	
6	4700904281		4	Washer	5,3x10x1 300HV
7	4700904229		5	Washer	8,4x16x1,5
8	4700500060		2	Screw	M5-0,8x20 8.8
9	4700904755		2	Screw	M8x12 8,8 FZB
10	4700500053		2	Screw	M8x20H 8.8
12	4700791476		2	Nut	M5 -8
13	4700508092		3	Screw	
14	4700378349		1	Cover	
15	4700945837	B	1	Throttle control Repl. Kit	

B) Improved design

Rops Option

CC900G100700060



Rops Option

Item	Part No	Rem	Qty	Description	Code
1			1	Rops, cpl	
2	4700387142		1	Rops	
3	4700904231		8	.Washer	13x24x2 300 HV
4	4700508063		8	.Screw	
5	4700282603		1	.Plastic plug	
6	4700900986		1	.Plug	
7	4700383200	A,B	1	.Seat belt	3"
8			1	Rops foldable, cpl	
9	4700389794		1	.Rops beam	
10	4700389797		1	.Rops beam	
11	4700389790		1	.Rops beam	
12	4700389798		4	.Threaded spike	
13	4700635061		4	.Hair clip	D
14	4700280101		2	.Shock absorber	
15	4700904229		2	.Washer	8,4x16x1,5
16	4700573008		2	.Nut	M8
17	4700908229		1	.Safety decal	
18	4700377677		1	.Seat belt	2"

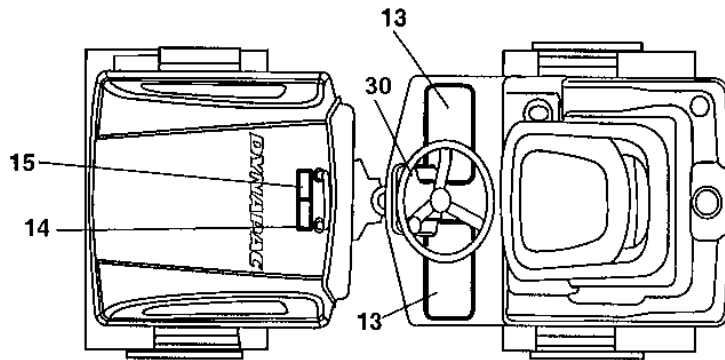
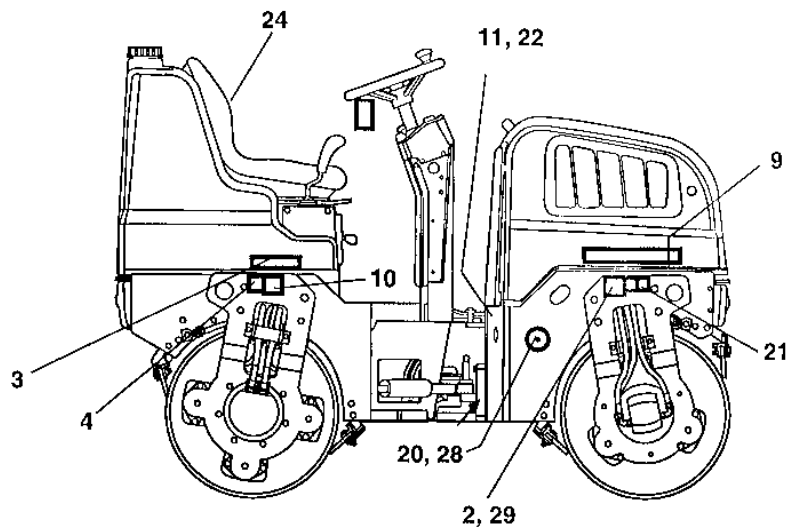
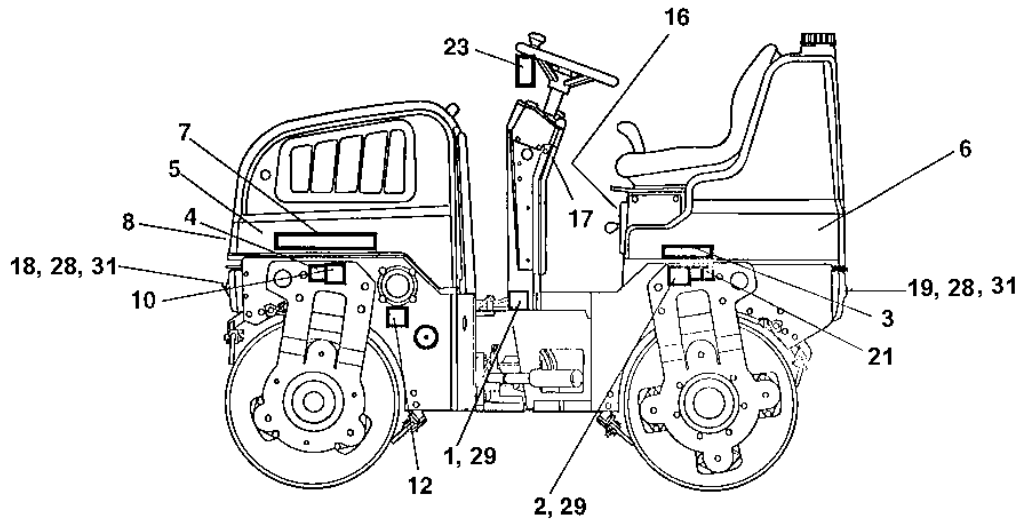
- A) Hardware supplied
- B) Option

Decals and documentation

Item	Part No	Rem Qty	Description	Code
10			Decals and documentation (Page 96)	CC900G

Decals and documentation CC900G

18090

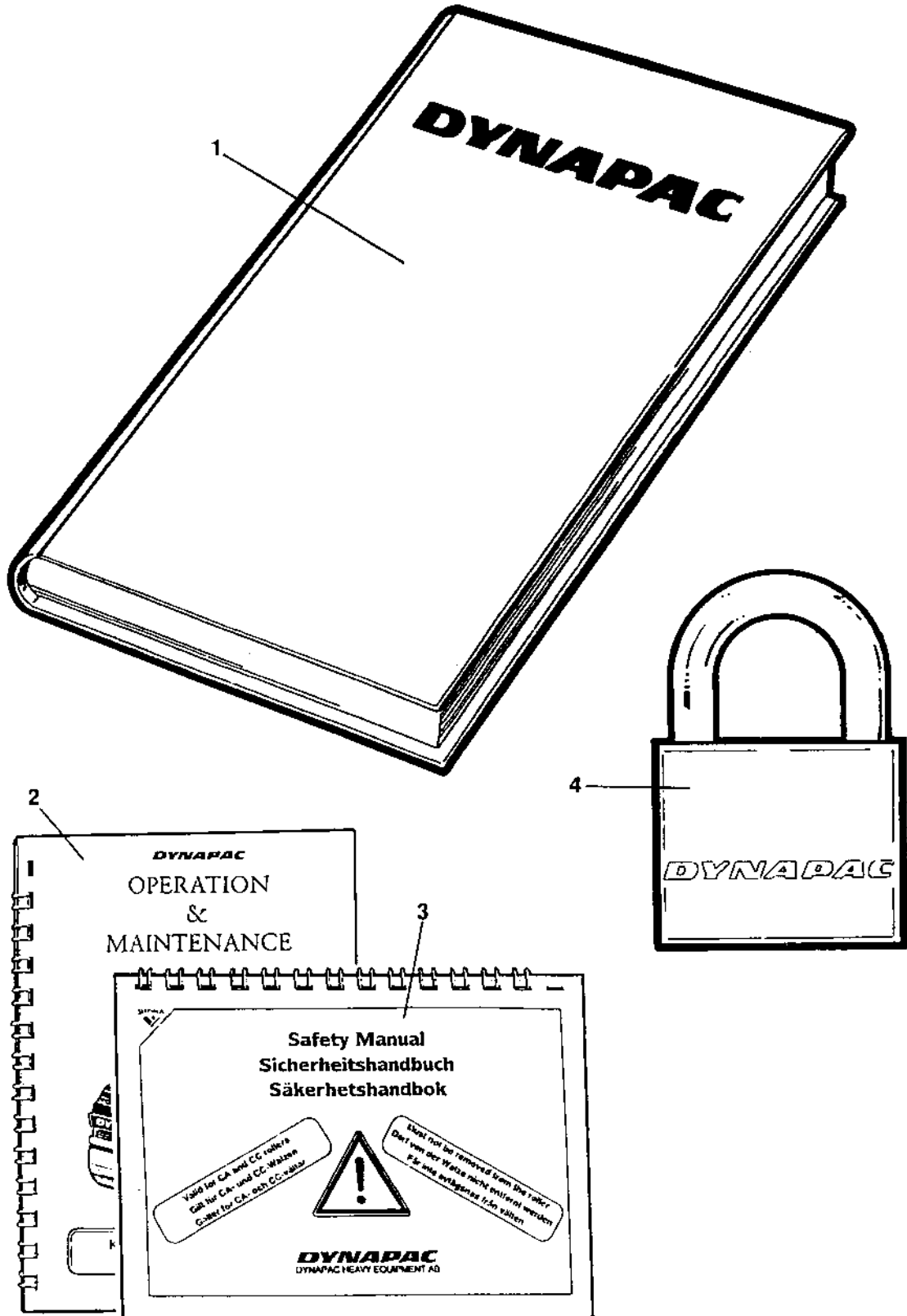


Decals and documentation CC900G

Item	Part No	Rem Qty	Description	Code
1		1	Product identification plate	
2	4700904870	2	Lifting sign	
3	4700792128	2	Decal "MODEL CODE"	
4	4700357587	2	Decal "LIFT POINT"	
5	4700389919	1	Engine hood decal	
6	4700377343	1	Decal	
7	4700904097	3	Decal "DYNAPAC"	L=290 mm
8	4700904092	1	Decal "DYNAPAC"	L=590 mm
9		1	Product identification	
10	4700382751	2	Decal "TIE DOWN POINT"	
11	4700903422	2	Decal "SAFETY"	
12	4700381371	1	Decal "FUEL"	
13	4700373363	2	Slip protection	
14	4700903423	1	Decal "SAFETY"	
15	4700903424	1	Decal "HOT SURFACE"	
16	4700903425	1	Decal "SAFETY MANUAL"	
17	4700903459	1	Decal "SAFETY"	
18	4700791957	2	Reflector, white	
19	4700791956	2	Reflector, red	
20	4700791958	2	Reflector, light	
21	4700908229	2	Safety decal	
22	4700272373	1	Decal "HYDRAULIC OIL"	
23	4700377066	1	Loading/Unloading instruction	
24	4700348331	1	Seat cover	D
28	4700791666	6	Blind rivet	
29	4700624015	12	Blind rivet	4,0x8,5
30	4700378244	1	Decal "SPRINKLER"	
31	4700904228	8	Washer	6,4x12x1,5

Standard equipment

Item	Part No	Rem Qty	Description	Code
10		1	Standard equipment (Page 100)	



Standard equipment

Item	Part No	Rem Qty	Description	Code
1		1	Documentation	ISCC900G
		1	.Warranty conditions	
		1	.Warranty registration certificate	
		1	.Spare parts catalogue	SCC900G
		1	.Warranty registration card	
		1	.Instruction manual	Honda GX620K1
2		1	.Operating / maintenance instruction	OM900G
3		1	.Safety manual	RSAFE
4	4700358881	1	Pad lock	

NUMERICAL INDEX

Part Number	Page	Part Number	Page	Part Number	Page
4700111018	27,43	4700377061	37	4700387345	35
4700160032	61	4700377066	97	4700387346	21,35
4700160041	45	4700377255	81	4700387376	31
4700160058	23,33	4700377293	59	4700387424	31,45
4700160132	25,27,43	4700377294	61	4700387425	31,45
4700162005	59,69	4700377325	73,75	4700387530	69
4700162017	43,45	4700377339	69	4700387597	55
4700205067	61	4700377340	59	4700387598	55
4700232039	61	4700377343	97	4700387676	55
4700232210	45	4700377454	39	4700387677	31,49,55
4700272373	97	4700377456	35,39	4700387678	55
4700280101	93	4700377507	39	4700387682	51
4700282603	93	4700377508	39	4700387683	73,75
4700283711	61	4700377509	39	4700387695	51
4700297018	37	4700377556	81	4700387713	61
4700313001	39,59	4700377599	49	4700387758	61
4700313003	39	4700377660	49	4700387779	31
4700313008	61	4700377677	93	4700387886	31
4700313023	51	4700377679	49	4700387935	39
4700313035	61	4700377704	85,87	4700387947	37
4700313102	59,61,63	4700377706	85,87	4700387948	37
4700313108	59,61	4700377741	85,87	4700387949	31,37
4700343490	43	4700377857	69	4700387956	37
4700343744	43	4700378244	39,97	4700388056	81
4700343801	43,45	4700378349	83,91	4700388087	39
4700348331	97	4700378746	17,43,45	4700388153	31,45
4700348924	51	4700378759	85,87	4700388171	23,33
4700349202	43	4700378778	73,75	4700388172	23,33
4700350029	43	4700379460	61	4700388173	23,33
4700355704	73,75	4700379635	81	4700388176	31,33
4700355869	63	4700379907	31	4700388177	31,33
4700357138	61	4700381371	97	4700388178	31,33
4700357139	61	4700382751	97	4700388194	61
4700357587	97	4700382782	73,75	4700388259	45
4700357643	81	4700383200	93	4700388386	45
4700358666	43	4700383705	81	4700388387	45
4700358689	43	4700385599	73,75	4700388413	45
4700358881	39,101	4700386241	43	4700388416	45
4700372964	63	4700386619	43	4700388454	37
4700373363	97	4700386620	43	4700388455	37
4700376595	81	4700386622	43,45	4700388456	37
4700376636	63	4700386624	43	4700388458	83,91
4700376637	7,11,63	4700386865	43	4700388459	83,89,91
4700376783	15,43,45	4700387039	35	4700388460	83,89,91
4700376861	63	4700387043	35	4700388476	83,89,91
4700377008	85,87	4700387057	31,33	4700388521	51
4700377009	85,87	4700387103	49	4700388556	49
4700377010	85,87	4700387137	43,45	4700388557	51
4700377011	85,87	4700387142	93	4700388558	69
4700377012	85,87	4700387147	37	4700388559	69
4700377013	85,87	4700387148	37	4700388566	51
4700377014	85,87	4700387151	37	4700388570	49
4700377015	85,87	4700387155	31,33	4700388591	49
4700377016	85,87	4700387226	81	4700388653	61
4700377017	85,87	4700387270	55,57	4700388664	49
4700377018	85,87	4700387272	61	4700388688	49
4700377019	85,87	4700387274	63,65	4700388721	73,75
4700377020	85,87	4700387275	63,67	4700388733	37
4700377021	85,87	4700387277	63	4700388846	37
4700377023	85,87	4700387278	61	4700388849	31,45
4700377043	37	4700387279	51	4700388850	31,45
4700377044	37	4700387284	73,75	4700388852	37

NUMERICAL INDEX

Part Number	Page	Part Number	Page	Part Number	Page
4700388960	55	4700500053	37,49,55,61,63	4700791635	69
4700389009	49		73,75,83,89,91	4700791643	37
4700389010	49	4700500060	83,91	4700791647	73
4700389146	69	4700500067	31,35,49	4700791666	37,97
4700389155	39	4700500068	37,55	4700791699	59,61
4700389196	61	4700500070	45	4700791700	61
4700389219	39	4700500088	51	4700791723	75
4700389400	59	4700500105	35	4700791739	75
4700389402	61	4700500109	49	4700791754	51
4700389403	55,59	4700500176	31	4700791794	61
4700389404	59	4700500212	43	4700791938	35
4700389408	55,59	4700500280	43,45	4700791939	35
4700389414	61	4700500505	49	4700791956	97
4700389727	73,75	4700502036	49	4700791957	97
4700389790	93	4700508002	61	4700791958	97
4700389794	93	4700508022	37,73,75	4700791961	31,33
4700389797	93	4700508029	43,59	4700791962	23,33
4700389798	93	4700508063	93	4700791972	31,45
4700389840	75	4700508068	85,87	4700792064	39
4700389919	97	4700508092	61,83,89,91	4700792065	39
4700390316	61	4700508094	61	4700792068	63
4700390486	69	4700513004	89	4700792070	61
4700390514	73,75	4700513027	81	4700792073	39
4700391343	61	4700527002	43,45	4700792074	59
4700391379	87	4700541702	77	4700792075	73,75
4700391833	89	4700541703	49	4700792079	49
4700391985	19,43,45	4700541704	49	4700792089	73,75
4700393095	89	4700570004	73,75,85,87	4700792090	73,75
4700397027	75	4700570005	73,75	4700792091	73,75
4700483646	55	4700573008	93	4700792092	61
4700483652	59	4700586001	85,87	4700792094	59
4700483654	63	4700586002	37,51,73,75	4700792095	73,75
4700483655	63	4700586003	31,35,37,69,73	4700792096	73,75
4700483656	63		75,81,85,87	4700792098	77
4700483664	61	4700586018	49	4700792100	73,75
4700483689	55,59	4700586019	85,87	4700792128	97
4700483707	55,59	4700615065	51	4700792132	37
4700483708	55,59	4700624015	97	4700792134	35
4700483709	55,59	4700635061	93	4700792146	51
4700483710	63	4700791120	61	4700792147	51
4700483711	61	4700791226	81	4700792149	31,37
4700483712	59	4700791395	61	4700792191	73,75
4700483713	69	4700791408	63,69	4700792205	51
4700483714	59	4700791412	61,63	4700792206	51
4700483715	69	4700791422	51	4700792321	61
4700483716	63	4700791425	25,43	4700792611	23,33
4700500012	43,69	4700791426	25,27,43	4700900986	93
4700500013	61,75,89	4700791433	25,43	4700901157	61
4700500018	69	4700791476	83,91	4700901174	35
4700500019	31	4700791493	49	4700901226	73,75
4700500021	45,81	4700791502	73,75	4700901228	73,75
4700500022	43,69	4700791535	55	4700901240	73,75
4700500024	35,73,75	4700791536	49	4700901767	73,75
4700500029	39	4700791537	55	4700902123	63
4700500030	81	4700791538	59	4700902166	37,69,81
4700500031	43,63	4700791541	59,61	4700902223	73,75
4700500032	49	4700791542	63	4700902287	35
4700500033	49	4700791550	73,75	4700902379	31
4700500035	31	4700791565	63	4700902919	81
4700500040	73,75	4700791578	73,75	4700903154	43
4700500048	63	4700791630	59	4700903192	39
4700500050	23,33	4700791631	61	4700903236	51

NUMERICAL INDEX

Part Number	Page	Part Number	Page	Part Number	Page
4700903374	43,45	4700935613	63		
4700903422	97	4700935614	63		
4700903423	97	4700939693	39		
4700903424	97	4700940374	85,87		
4700903425	97	4700940380	9,11,49		
4700903431	61	4700940381	9,11,49		
4700903459	97	4700940382	49		
4700903782	73,75	4700940438	49		
4700903856	37	4700940444	9,11,51		
4700903956	73,75	4700940462	9,11,49		
4700903957	39	4700940463	5,7		
4700903958	39	4700940464	5,9		
4700903959	39	4700940465	5,11		
4700904009	55,59	4700940664	13,15		
4700904092	97	4700940665	13,17		
4700904097	97	4700940671	13,21		
4700904116	39	4700940929	85,87		
4700904214	31	4700940930	85,87		
4700904228	31,37,43,69,73	4700945136	9,11,49		
	75,89,97	4700945340	61		
4700904229	35,37,55,61,63	4700945407	87		
	69,73,75,81,83	4700945526	63,67		
	89,91,93	4700945531	57		
4700904230	49,61,63	4700945532	57		
4700904231	31,43,45,93	4700945551	13,19		
4700904281	39,83,91	4700945710	13,25		
4700904556	31,37,49,69	4700945711	13,27		
4700904557	43,45,49,59,81	4700945837	83,91		
4700904558	43,45	4700945928	13,23,33		
4700904563	85,87	4700947684	63		
4700904567	39	4700947687	43,45		
4700904640	31,35,43,45,49	4700947694	43,45		
	73,75	4700950103	49		
4700904641	55,69	4700950104	49		
4700904696	39	4700950105	49		
4700904698	51,73,75,81	4700950106	49		
4700904703	43,45	4700950107	49		
4700904727	59	4700999027	73,75		
4700904735	61				
4700904755	81,83,89,91				
4700904766	69				
4700904846	73,75				
4700904870	97				
4700904878	39				
4700904983	51				
4700908229	93,97				
4700921028	59				
4700923270	37				
4700923680	39				
4700923735	39				
4700923962	39				
4700923976	73,75,81				
4700924986	39				
4700925519	43,45				
4700926215	31,45				
4700926537	85,87				
4700927233	85,87				
4700927568	49				
4700928381	37				
4700928830	63				
4700929191	31				
4700935429	65				

