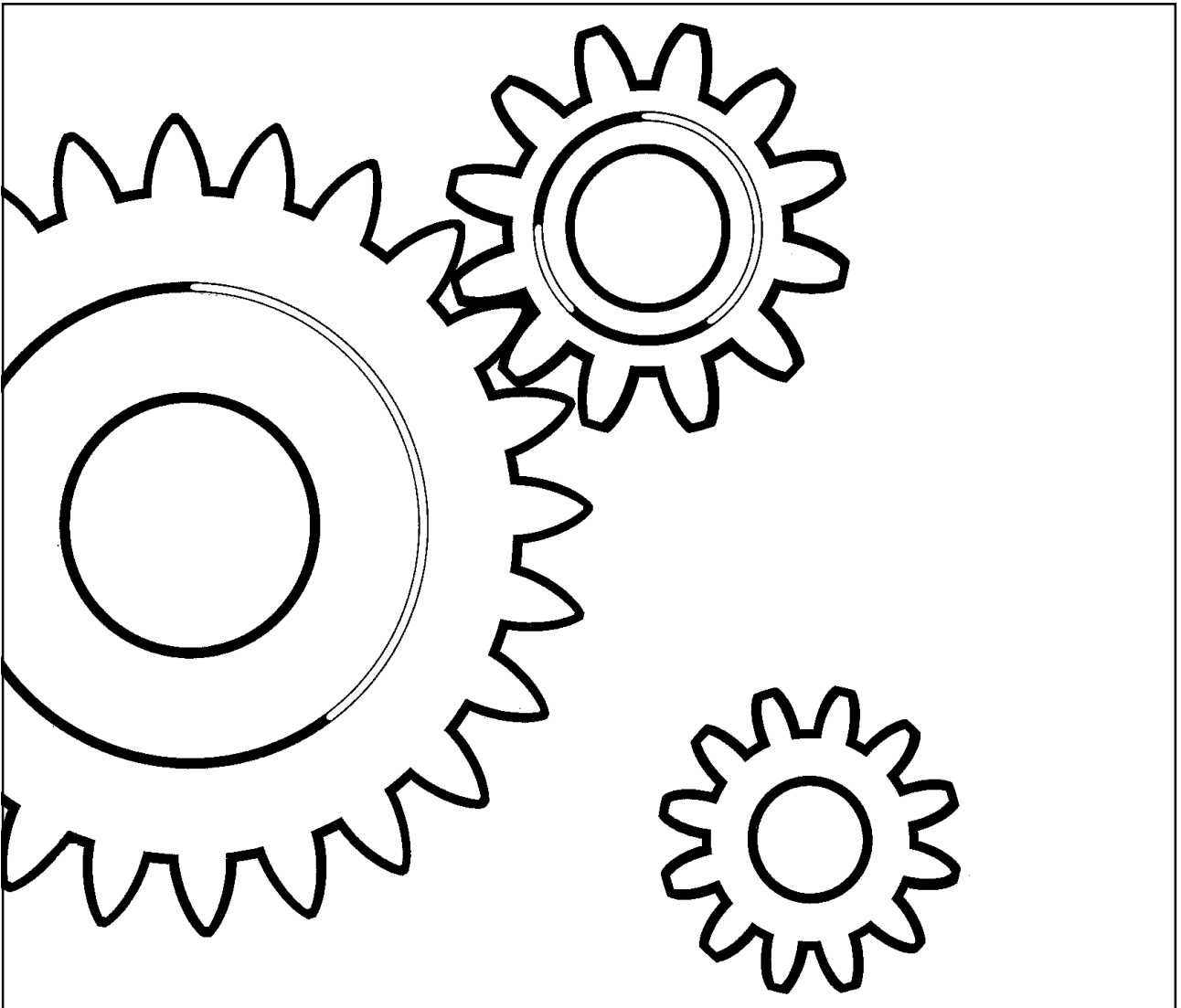


DYNAPAC
CG333HF
SPARE PARTS
CATALOGUE
SCG333HF-1EN4



DYNAPAC

Part of the Atlas Copco Group

Box 504, SE-371 23 Karlskrona, Sweden

Phone: +46 455 30 60 00, Fax: +46 455 30 60 10

www.dynapac.com

DYNAPAC

Part of the Atlas Copco Group

Vibratory Roller CG333HF

Spare Parts Catalogue SCG333HF-1EN4

Valid from roller serial number:

86120333

Diesel engines:

Deutz BF4M 2011 / TD2011 L04W

Published catalogue issues valid for these rollers:

<i>Catalogue</i>	<i>Issue date</i>	<i>Valid for serial numbers</i>
SCG333HF-1EN1	2007 - 05	Replaced by SCG333HF-1EN2
SCG333HF-1EN2	2007 - 12	Replaced by SCG333HF-1EN3
SCG333HF-1EN3	2008 - 05	Replaced by SCG333HF-1EN4
SCG333HF-1EN4	2009 - 05	*86120333* -



RESERVDLSBESTÄLLNING

Följande uppgifter ska lämnas vid beställning av reservdelar för att undvika leveransfel:

1. Maskintyp.
2. Vältens serienummer.
3. Antal av önskad reservdel.
4. Reserdelens artikelnummer.
5. Reservdelens benämning.
6. Måttuppgifter vid beställning av metervara.

ORDERING SPARE PARTS

To avoid errors in delivery, please give the following information when ordering spare parts:

1. Type of machine.
2. Roller serial number.
3. Quantity required.
4. Part number.
5. Parts denomination.
6. Dimensions when ordering per length.

ERSATZTEILBESTELLUNG

Zur Vermeidung von Fehllieferungen sind bei der Bestellung von Ersatzteilen folgende Angaben zu machen:

1. Maschinentyp.
2. Herstellungsnummer.
3. Bestellmenge. (Quantity)
4. Ersatzteilnummer. (Part N°)
5. Ersatzteilbenennung. (Denomination)
6. Massangaben bei Bestellung von Meterware.

ORDINI DI RICAMBI

Per evitare errori nelle consegne di ricambi, Vi preghiamo di comunicarci le seguenti informazioni al momento dell'ordinazione:

1. Tipo di macchina.
2. Numero di serie della macchina.
3. Quantità dei pezzi desiderati. (Quantity)
4. Numero di codice del pezzo. (Part N°)
5. Descrizione del pezzo di ricambio. (Denomination)
6. Misura, in caso di ordine per metro.

PEDIDO DE RECAMBIOS

Para evitar errores en las entregas, deberán indicarse los siguientes datos al hacer un pedido de recambios:

1. Tipo de máquina.
2. Número de serie.
3. Cantidad de piezas deseadas. (Quantity)
4. Número de artículo de la pieza de recambio. (Part N°)
5. Denominación de la pieza. (Denomination)
6. Indíquese la medida al solicitar un artículo que se expide por metros.

COMMANDE DE PIÉCES DE RECHANGE

Les indications suivantes doivent être fournies lors de la commande de pièces de rechange, afin d'éviter toute erreur de livraison:

1. Type de machine.
2. Numéro de série.
3. Quantité désirée de pièce de rechange. (Quantity)
4. Numéro de la pièce de rechange. (Part N°)
5. Dénomination de la pièce de rechange. (Denomination)
6. Longueur en cas de commande au mètre.

YOUR AGENT/DEALER:

PÄRMETIKETT

För att undvika fel vid reservdelsbeställning finns här nedan två etiketter som passar i fickorna på pärmarnas ryggar. På dessa kan man se från vilket välnummer av aktuell maskin reservdelskatalogen gäller. Gör så här:

1. Tag denna sida ur pärmen.
2. Klipp ut etiketten till **VÄNSTER** (1) och sätt in den i fickan på **DENNA** pärmens rygg.
3. Finns det en etikett till **HÖGER** (2), kan denna användas på pärmen för **FÖREGÅENDE** utgåva av denna katalog.
4. Kasta detta papper.

KATALOG-BESCHRIFTUNG

Zur Vermeidung von Fehlern bei der Ersatzteilbestellung benutzen Sie bitte die unteren Beschriftungen, um die Kataloge auf der Rückseite zu kennzeichnen. Auf der Beschriftung ist angegeben, für welche Maschinennummern der jeweilige Katalog gültig ist. Ablauf:

1. Nehmen Sie dieses Blatt aus dem Katalog.
2. Schneiden Sie die **LINKE** Beschriftung (1) aus. Schieben Sie die Beschriftung in die tasche auf **DEM** Katalogrücke.
3. Sollte die Beschriftung unten **RECHTS** (2) mitgeliefert werden, kennzeichnen Sie damit bitte die **ÄLTERE** Ausführung dieses Kataloges.
4. Den Rest dieses Blattes bitte vernichten.

ETIQUETAPARALACARPETA

Para evitar errores al pedir repuestos utilicen las etiquetas abajo descritas para identificar los catálogos en la parte trasera de la carpeta. En la etiqueta se ven los números de referencia de la serie para la cual es válido el catálogo. Instrucciones:

1. Quitar esta página de la carpeta.
2. Corta la etiqueta **IZQUIERDA** (1) y ponerla en **ESTA** carpeta en la parte trasera.
3. Si hay una etiqueta en la parte **DERECHA** (2) se puede utilizar en la carpeta para el catálogo que **PRECEDE** a esta.
4. Tirar esta hoja.

BINDER LABEL

To avoid errors when ordering spare parts use the labels below to identify the catalogues on the back of the binder. The label contain the serial number range for which the catalogue is valid. Do like this:

1. Remove this page from the binder.
2. Cut out the **LEFT** label (1) and put it on **THIS** binders back.
3. If there is a label to the **RIGHT** (2), it can be used on the binder for **PRECEDING** issue of this catalogue.
4. Throw away this paper.

ETICHETTA POSTA SUL RACCOGLITORE

Per evitare errori quando ordinate pezzi di ricambio, usate le etichette in calce che servono ad identificare i cataloghi sul retro del raccoglitore. L'etichetta indica il numero di matricola delle macchine prese in considerazione nel catalogo.

1. Rimuovete questa pagina dal raccoglitore.
2. Ritagliate l'etichetta posta a **SINISTRA** (1) e ponetela sul retro **DEL** raccoglitore.
3. Se trovate anche un'etichetta sulla **DESTRA** (2), ritagliatela e ponetela sul raccoglitore relativo alla **PRECEDENTE** edizione del catalogo.
4. Distruggete questo foglio.

ETIQUETAGE DU CATALOGUE

Afin d'éviter des erreurs lors de commandes de pièces de rechange, nous vous conseillons d'apposer les marquages ci-dessous à l'arrière du classeur, pour identifier les catalogues. Ce marquage indique les numéros de série pour lesquels le catalogue est adapté. Il convient de procéder de la façon suivante:

1. Retirez cette page du classeur.
2. Découpez l'étiquette de **GAUCHE** (1), et apposez-la à l'arrière de **CE** catalogue.
3. Si il y a une étiquette à **DROITE** (2), vous pourrez l'apposer sur le classeur de l'édition **PRECEDENTE** du catalogue.
4. Détruire cette feuille.

1.



CG333HF SN 86120333 -	2
Service kits	4
4700940592 Service kit 50h, Deutz 4cyl 2011	6
4700940238 Service kit 500h, Deutz 4cyl 2011	8
4700940593 Service kit 1000h, Deutz 4cyl 2011	10
Repair kits	12
4700945722 Eccentric shaft kit	14
4700945718 Shock absorber kit, drum CC232/CG233/CG333	16
Frame	18
Frame and drum modules	20
Rear drum module	22
Front drum module	24
Covers, handrails, footsteps	26
4700389504 Cover left side, cpl	28
4700389548 Cover right side, cpl	30
4700389617 Service cover, cpl	32
Front scrapers	34
Rear scrapers	36
Sprinkler system	38
Front sprinkler box	42
Rear sprinkler box	44
Drum	46
Drum	48
Engine	50
Engine installation	52
Engine module BF4M 2011 Up to 86120399	54
Engine module TD2011 L04W From 86120400	56
Combustion air system	58
Exhaust system Up to 86120399	60
Exhaust system From 86120400	62
Fuel system	64
Cooling system Up to 86120399	66
Cooling system From 86120400	68
4700394994 Cooler assembly	70
Hydraulic system	72
Propulsion and brake system, pump	74
4700393337 Hydraulic pump Propulsion and vibration	78
Hydraulic pump Propulsion pump	80
Valve block Middle part	84
Hydraulic pump Vibration pump	86
Propulsion and brake system, motors	88
4700392024 Gear box	92
Vibration system, pump	94
4700359140 Valve Vibration	96
Vibration system, motors	98
Steering system	100
4700376912 Steering valve, cpl	104
4700392505 Steering cylinder, cpl	106
4700389451 Multifunction block	108
Electrical equipment	110

TABLE OF CONTENTS

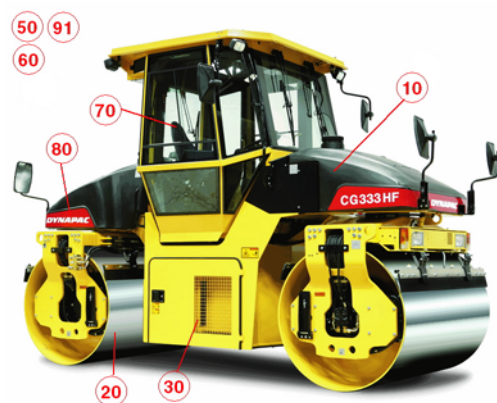
Page

Electrical equipment	112
Frame wiring	114
Engine wiring	116
Instrument box	118
Instrument panel, main	120
Instrument panel, upper left	122
Instrument panel, upper right	124
Instrument panel, lower left	126
Instrument panel, lower right	128
Instrument panel, relay, fuses	130
Forward and reverse control EDC	132
Driving lights Direction & licenseplate light	134
Rotating beacon	136
Tachograph	138
Drivers platform	140
Drivers platform For cab	142
Drivers seat Turn-over in cab	144
4700359918 Steering column	146
4700391163 Steering column	148
Cross sliding Controls	150
Cross sliding Carrier	152
Control bracket EDS	154
Controls	156
Cab, asymmetric	158
Cab, interior	160
Cab, screens	162
Cab, inside panels	164
Cab, wipers, right side	166
Cab, wipers, front and rear	168
Cab, door, left side (3-split)	170
Cab, heater and, fan system Up to 86120399	172
4700385769 Heater unit	174
Cab, heater and, fan system From 86120400	176
4700395136 Heater unit	178
Cab, electrical	180
Cab, symmetric	182
Cab, interior	184
Cab, screens	186
Cab Inside panels	188
Cab, wipers, front and rear	168
Cab, door, left side (3-split)	170
Cab, heater and, fan system Up to 86110399	172
4700385769 Heater unit	174
Cab, heater and, fan system From 86110400	176
4700395136 Heater unit	178
Cab, electrical	180
Cab, equipment	190
Cab, water tank/s wipers	192
Radio and cassette/cd player	194
Exterior rear mirrors	196
Decals	198
Decals	200
Optional equipment	202
Noise suppression	204
Roof hatch	206
SMV-sign	208
Rear mirrors	210

TABLE OF CONTENTS

Page

Protecting cover, Headlight	212
Asphalt temperature meter	214
Air conditioning Up to 86120399	216
4700385766 Heater/AC unit	218
4700383413 Condenser, cpl	220
Air conditioning From 86120400	222
4700383413 Condenser, cpl	220
Edge cutter	224
4700393869 Edge cutter, cpl	226
Hydraulics, edge cutter	228
Sprinkler system, edge cutter	230

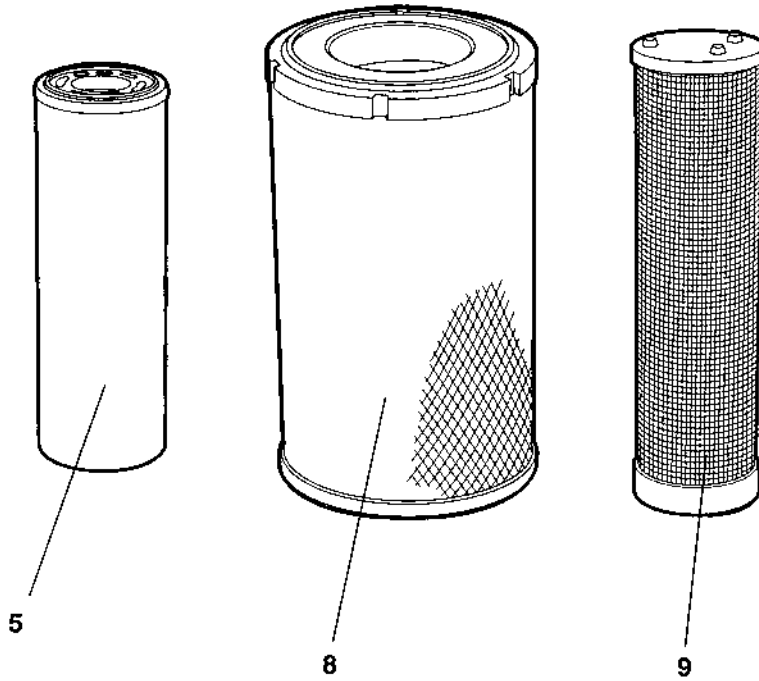
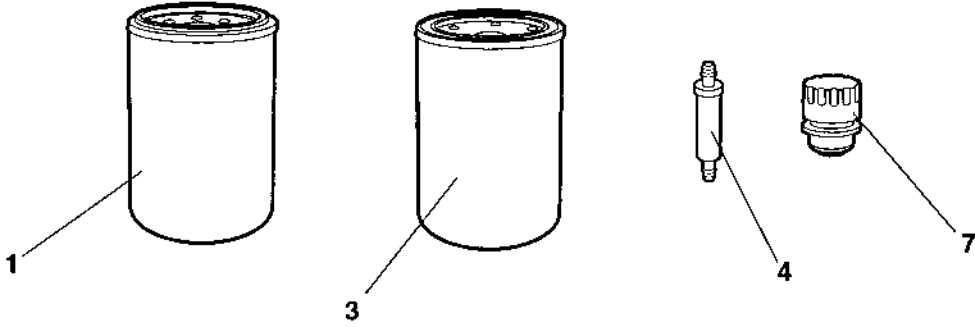
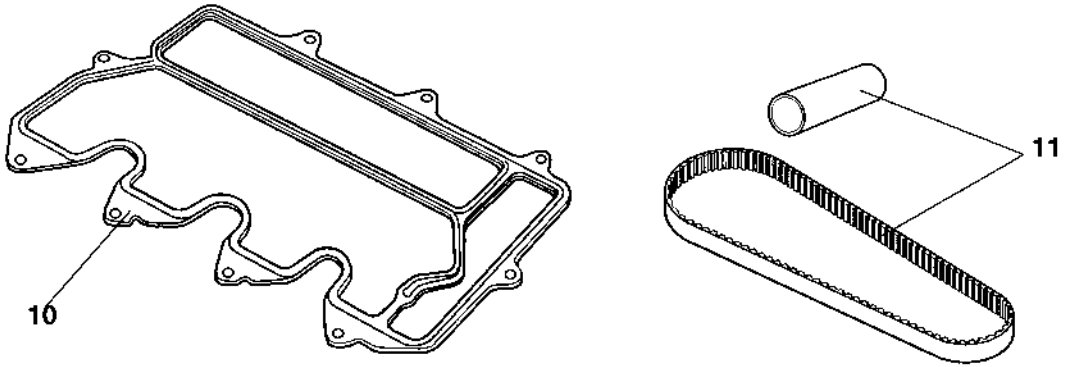


CG333HF SN 86120333 -

Item	Part No	Rem Qty	Description	Code
			Service kits (Page 4)	
			Repair kits (Page 12)	
10			Frame (Page 18)	
20			Drum (Page 46)	
30			Engine (Page 50)	
50			Hydraulic system (Page 72)	
60			Electrical equipment (Page 110)	
70			Drivers platform (Page 140)	
80			Decals (Page 198)	
91			Optional equipment (Page 202)	

Service kits

Item	Part No	Rem Qty	Description	Code
1	4700940592		Service kit (Page 6)	50h, Deutz 4cyl 2011
2	4700940238		Service kit (Page 8)	500h, Deutz 4cyl 2011
3	4700940593		Service kit (Page 10)	1000h, Deutz 4cyl 2011

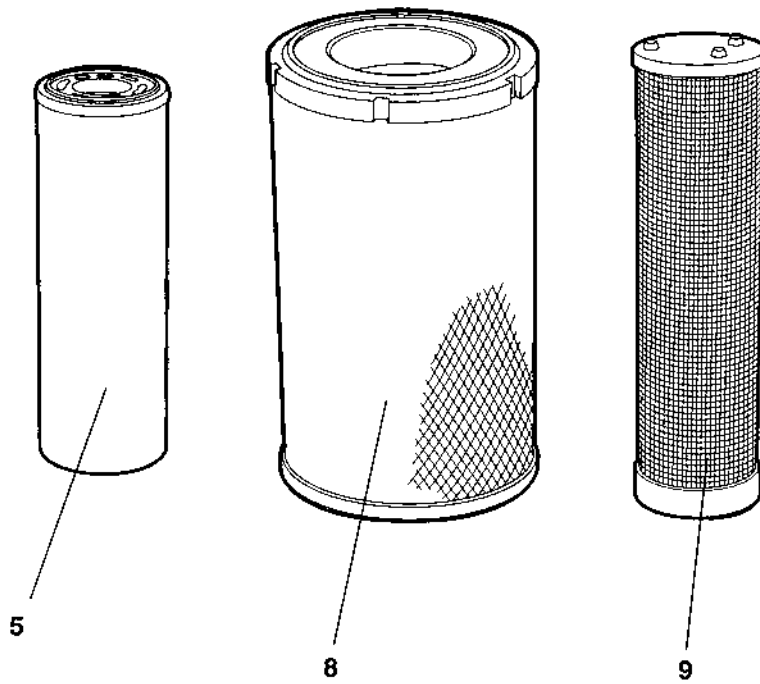
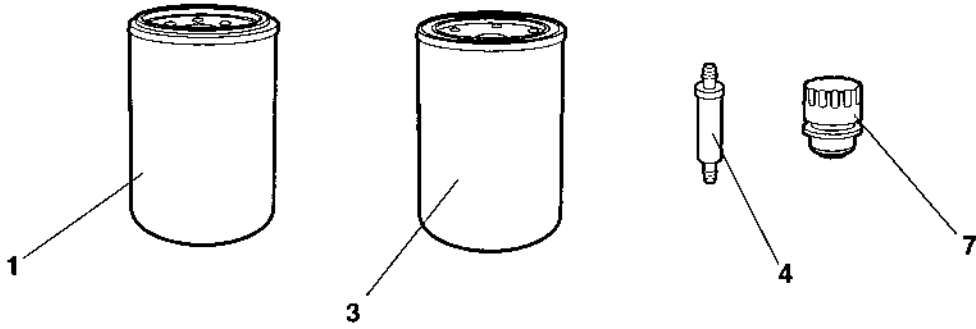
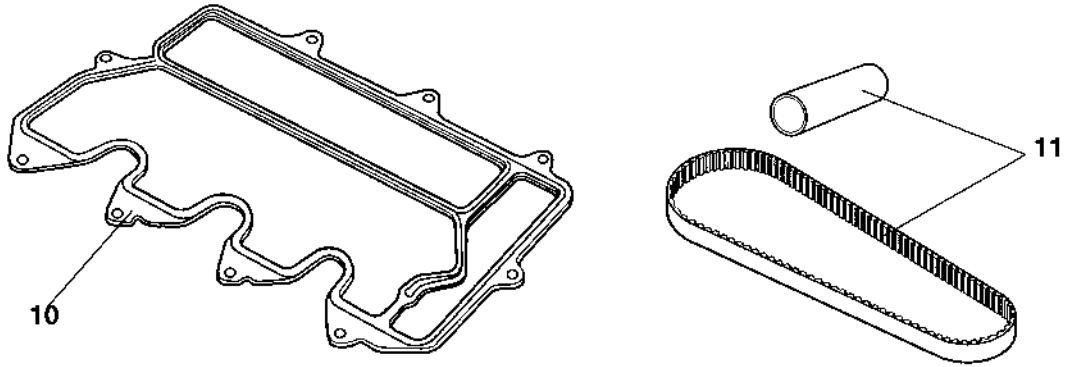


4700940592 Service kit 50h, Deutz 4cyl 2011

Item	Part No	Rem Qty	Description	Code
	4700940592		Service kit (Page 6)	50h, Deutz 4cyl 2011
1	4700939515	1	Oil filter	A
3	4700940570	1	Fuel filter	A
4	4700929322	1	Fuel strainer	A
5	4700372229	1	Hydraulic oil filter element	A

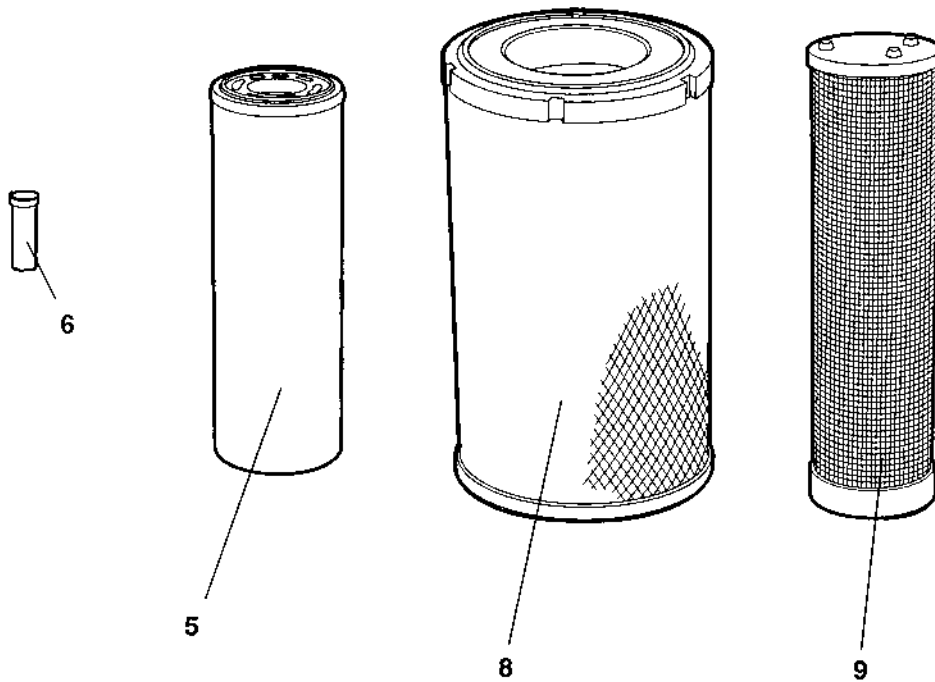
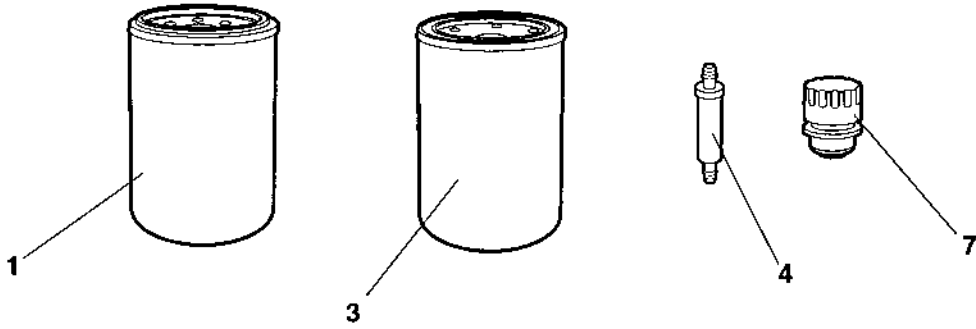
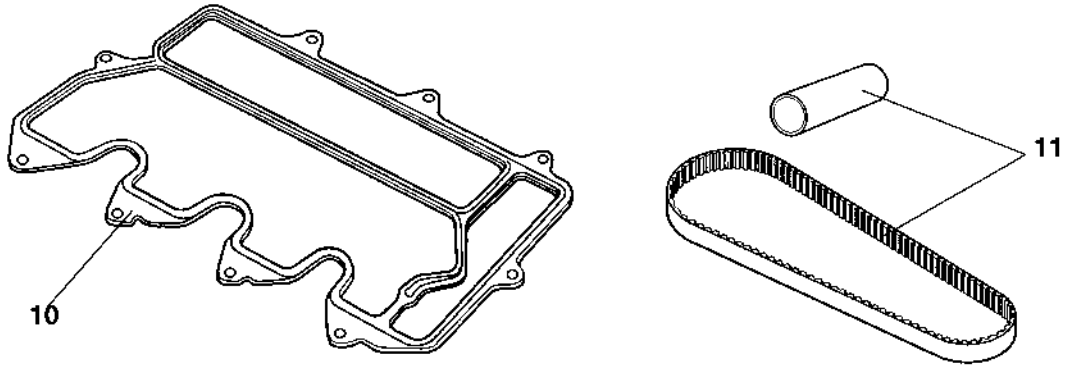
4700940238 Service kit 500h, Deutz 4cyl 2011

17423



4700940238 Service kit 500h, Deutz 4cyl 2011

Item	Part No	Rem Qty	Description	Code
	4700940238		Service kit (Page 8)	500h, Deutz 4cyl 2011
1	4700939515	1	Oil filter	A



4700940593 Service kit 1000h, Deutz 4cyl 2011

Item	Part No	Rem	Qty	Description	Code
	4700940593			Service kit (Page 10)	1000h, Deutz 4cyl 2011
1	4700939515		1	Oil filter	A
3	4700940570		1	Fuel filter	A
4	4700929322		1	Fuel strainer	A
5	4700372229		1	Hydraulic oil filter element	A
6	4700940304	A	1	Filter	
7	4700357138		1	Ventilating filter	A
8	4700394684		1	Main filter	A
9	4700394685		1	Safety filter	A
10	4700940235		1	Valve cover gasket	
A)	Multifunction block				

Repair kits

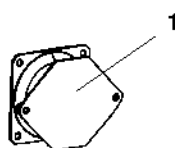
Item	Part No	Rem Qty	Description	Code
1	4700945722	2	Eccentric shaft kit (Page 14)	
3	4700945718	2	Shock absorber kit, drum (Page 16)	CC232/CG233/CG333

4700945722 Eccentric shaft kit

Item	Part No	Rem Qty	Description	Code
	4700945722		Eccentric shaft kit (Page 14)	
4	4700114060	2	Spherical roller bearing	D
19	4700900776	2	O-ring	D
30	4700904981	2	O-ring	D

4700945718 Shock absorber kit, drum CC232/CG233/CG333

945718



4700945718 Shock absorber kit, drum CC232/CG233/CG333

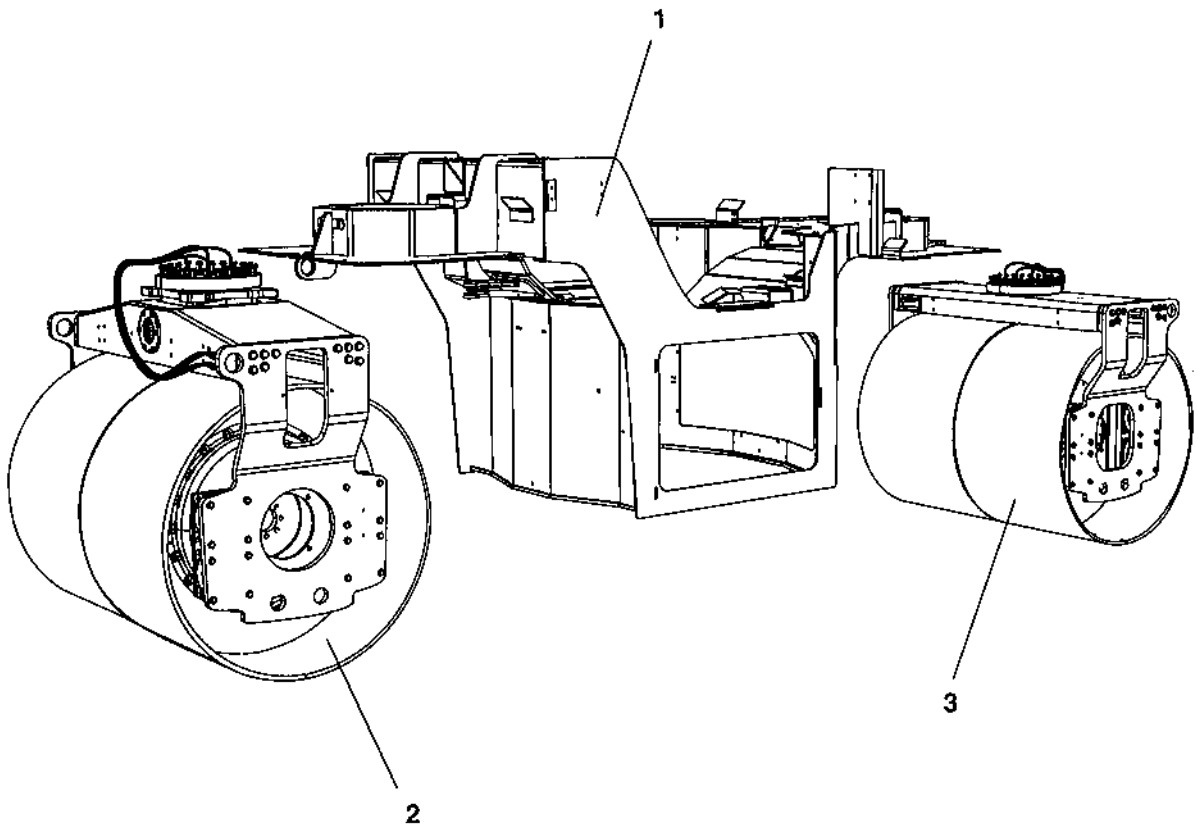
Item	Part No	Rem Qty	Description	Code
	4700945718		Shock absorber kit, drum (Page 16)	CC232/CG233/CG333
1	4700394251	8	Shock absorber	

Frame

Item	Part No	Rem Qty	Description	Code
1			Frame and drum modules (Page 20)	
2			Covers, handrails, footsteps (Page 26)	
3			Front scrapers (Page 34)	
4			Rear scrapers (Page 36)	
5			Sprinkler system (Page 38)	

Frame and drum modules

18102

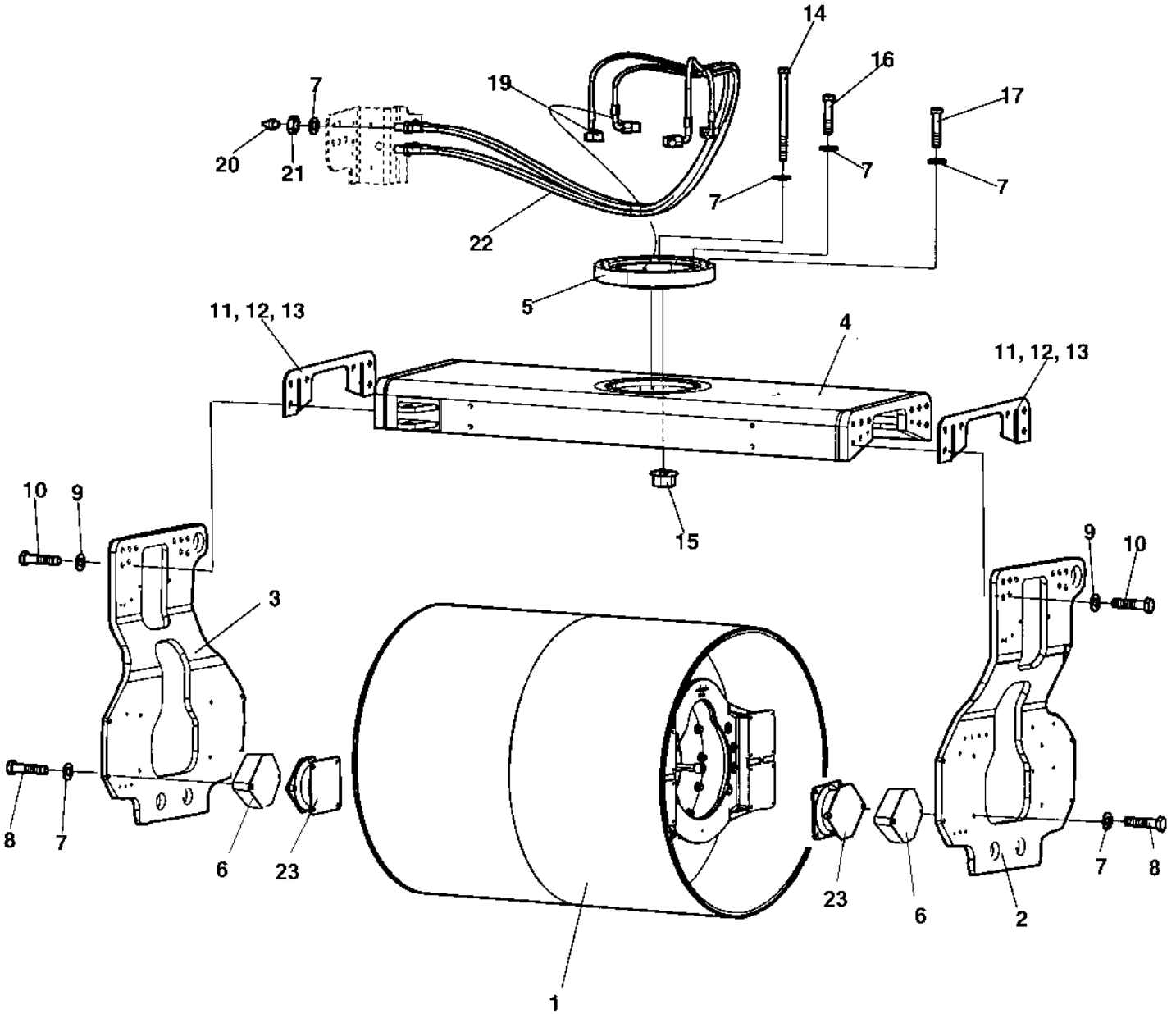


Frame and drum modules

Item	Part No	Rem Qty	Description	Code
1		1	Frame	
2		1	Rear drum module (Page 22)	
3		1	Front drum module (Page 24)	

Rear drum module

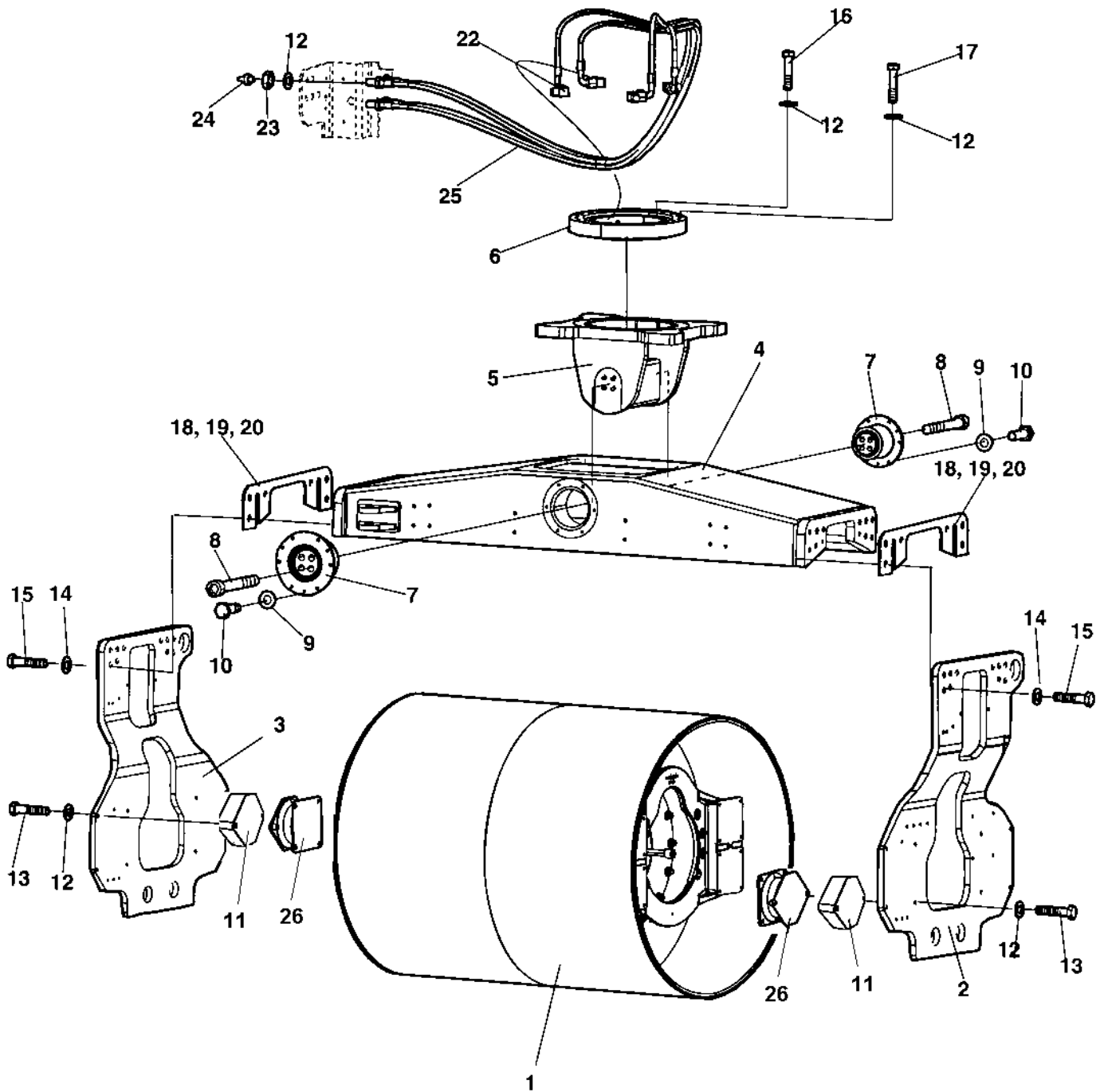
18408



Rear drum module

Item	Part No	Rem Qty	Description	Code
1		1	Drum (Page 48)	
2	4700393014	1	Fork	
3	4700393015	1	Fork	
4	4700377513	1	Yoke	
5	4700359192	1	Bearing	
6	4700392068	8	Spacer	
7	4700904231	71	Washer	13x24x2 300 HV
8	4700792721	16	Screw	
9	4700904232	20	Washer	
10	4700500074	20	Screw	
11	4700359515	N	Shim	T=5 mm
12	4700359516	N	Shim	T=3 mm
13	4700359517	N	Shim	T=1mm
14	4700903366	10	Screw	M12x160 10,9
15	4700570104	10	Nut	M12
16	4700500175	15	Screw	
17	4700500269	24	Screw	
18		A 8	Shock absorber	
19	4700373183	4	Elbow 90	
20	4700926214	4	Grease fitting	D
21	4700903831	4	Nut	
22	4700903813	4	Hydraulic hose	
23	4700947712	2	Screw	
25	4700374374	2	Spacer block	
26	4700904230	4	Washer	
27	4700500055	4	Screw	

A) See section drum



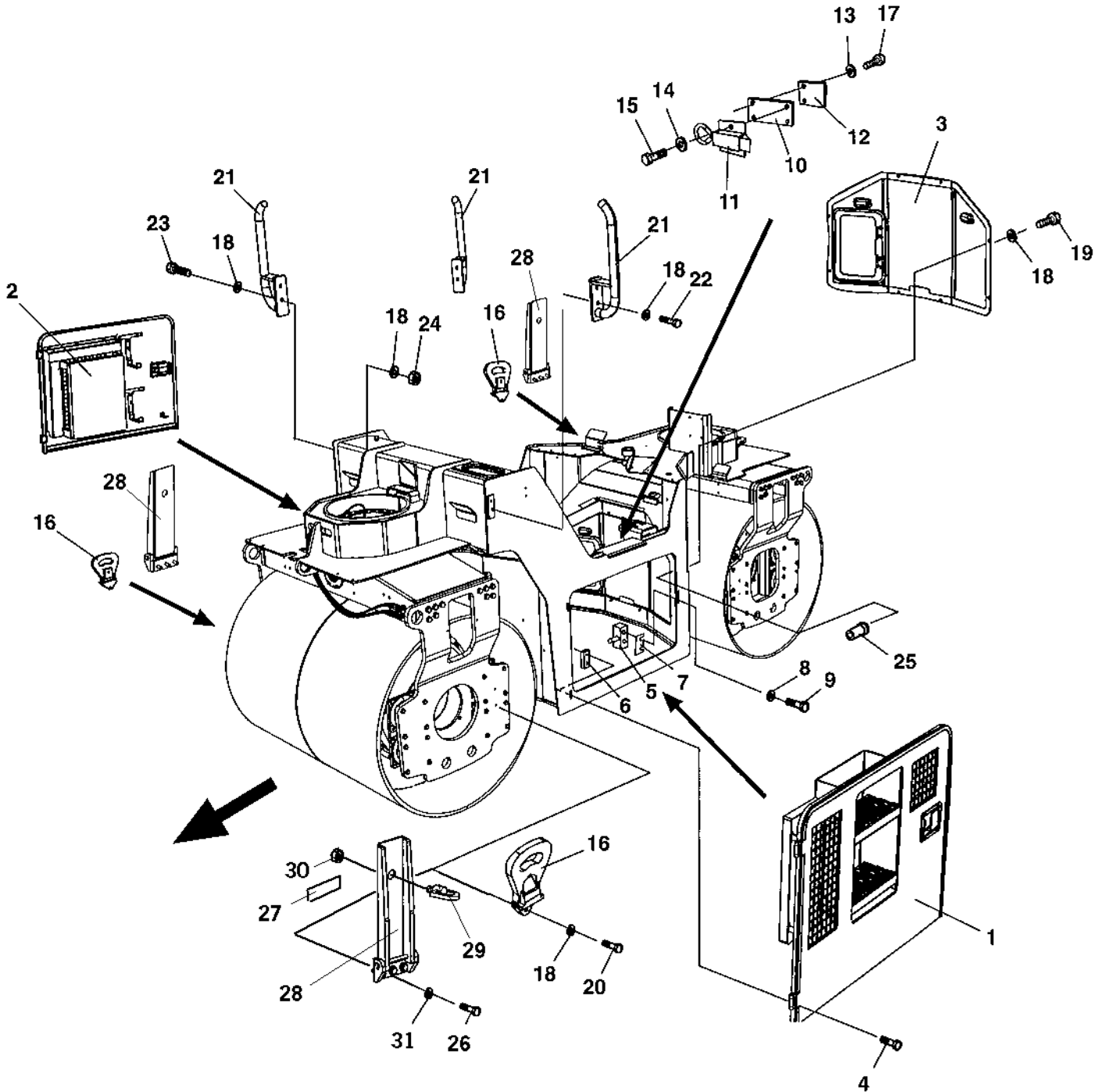
Front drum module

Item	Part No	Rem Qty	Description	Code
1		1	Drum (Page 48)	
2	4700393014	1	Fork	
3	4700393015	1	Fork	
4	4700388824	1	Tilt yoke	
5	4700389236	1	Tilt holder	
6	4700359192	1	Bearing	
7	4700389233	2	Rubber bushing	
8	4700903745	8	Screw	
9	4700904229	12	Washer	8,4x16x1,5
10	4700500022	12	Screw	M8x30H 8.8 A2K
11	4700392068	8	Spacer	
12	4700904231	71	Washer	13x24x2 300 HV
13	4700792721	16	Screw	
14	4700904232	20	Washer	
15	4700500074	20	Screw	
16	4700947712	27	Screw	
17	4700500269	24	Screw	
18	4700359515	N	Shim	T=5 mm
19	4700359516	N	Shim	T=3 mm
20	4700359517	N	Shim	T=1mm
22	4700373183	4	Elbow 90	
23	4700903831	4	Nut	
24	4700926214	4	Grease fitting	D
25	4700903813	4	Hydraulic hose	
26		A 8	Shock absorber	
28	4700374374	2	Spacer block	
29	4700904230	4	Washer	
30	4700500055	4	Screw	

A) See section drum

Covers, handrails, footsteps

18103-1

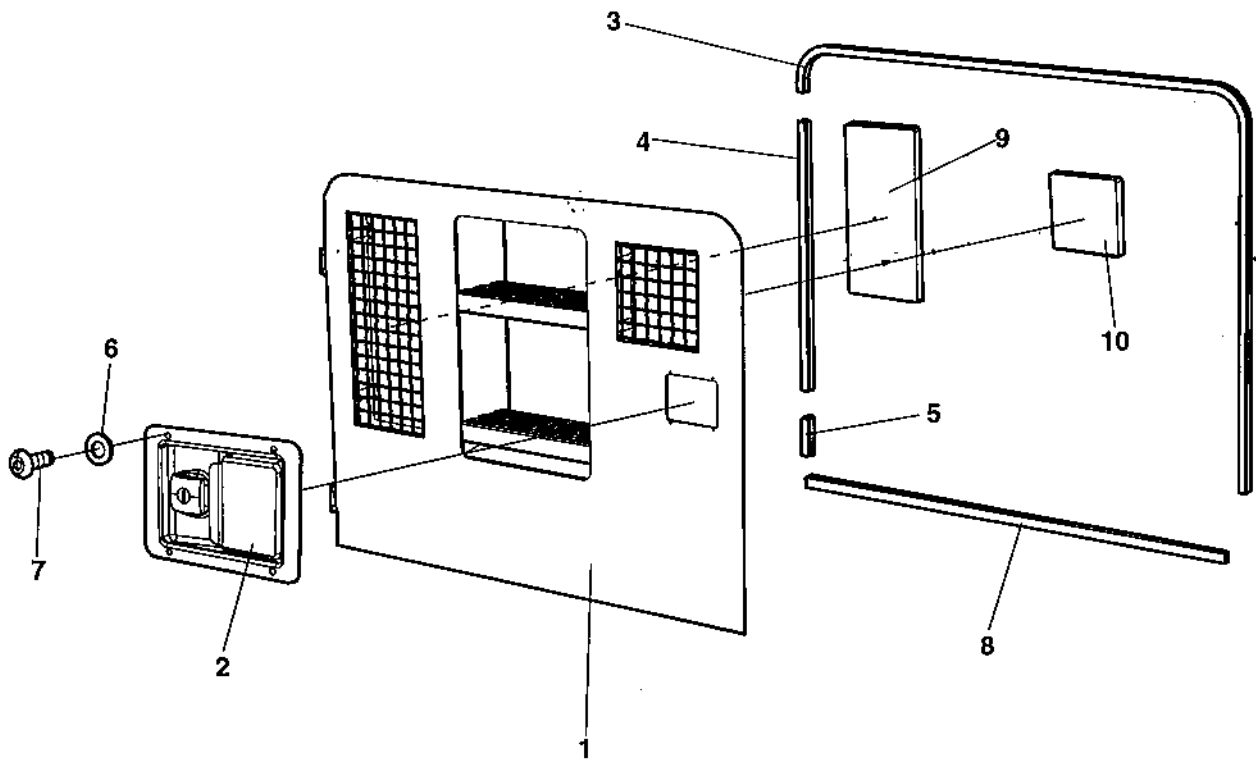


Covers, handrails, footsteps

Item	Part No	Rem Qty	Description	Code
1	4700389504	1	Cover left side, cpl (Page 28)	
2	4700389548	1	Cover right side, cpl (Page 30)	
3	4700389617	1	Service cover, cpl (Page 32)	
4	4700928784	8	Screw	
5	4700389857	4	Threaded plate	
6	4700378310	2	Lock bracket	
7	4700389859	N	Shims	
8	4700904640	4	Washer	8,4x22x3
9	4700500047	4	Screw	
10	4700389630	1	Bracket	
11	4700389629	1	Lock	
12	4700377334	1	Spacer	
13	4700904735	2	Washer	
14	4700904281	2	Washer	
15	4700500003	2	Screw	
16	4700377458	3	Folding step	
17	4700500061	2	Screw	M6-1X35 8,8
18	4700904229	24	Washer	8,4x16x1,5
19	4700500021	8	Screw	M8-1,25x25 8.8
20	4700500023	6	Screw	M8-1,25x40 8,8
21	4700370806	3	Grab handle	
22	4700500053	2	Screw	M8x20H 8.8
23	4700500022	4	Screw	M8x30H 8.8 A2K
24	4700570005	4	Nut	M8
25	4700792103	8	Blind insert nut	
26	4700500030	9	Screw	
27	4700370820	3	Rubber cloth	
28	4700379416	3	Folding step	
29	4700475064	3	Lock	
30	4700927233	3	Nut	
31	4700904557	9	Washer	

4700389504 Cover left side, cpl

18105

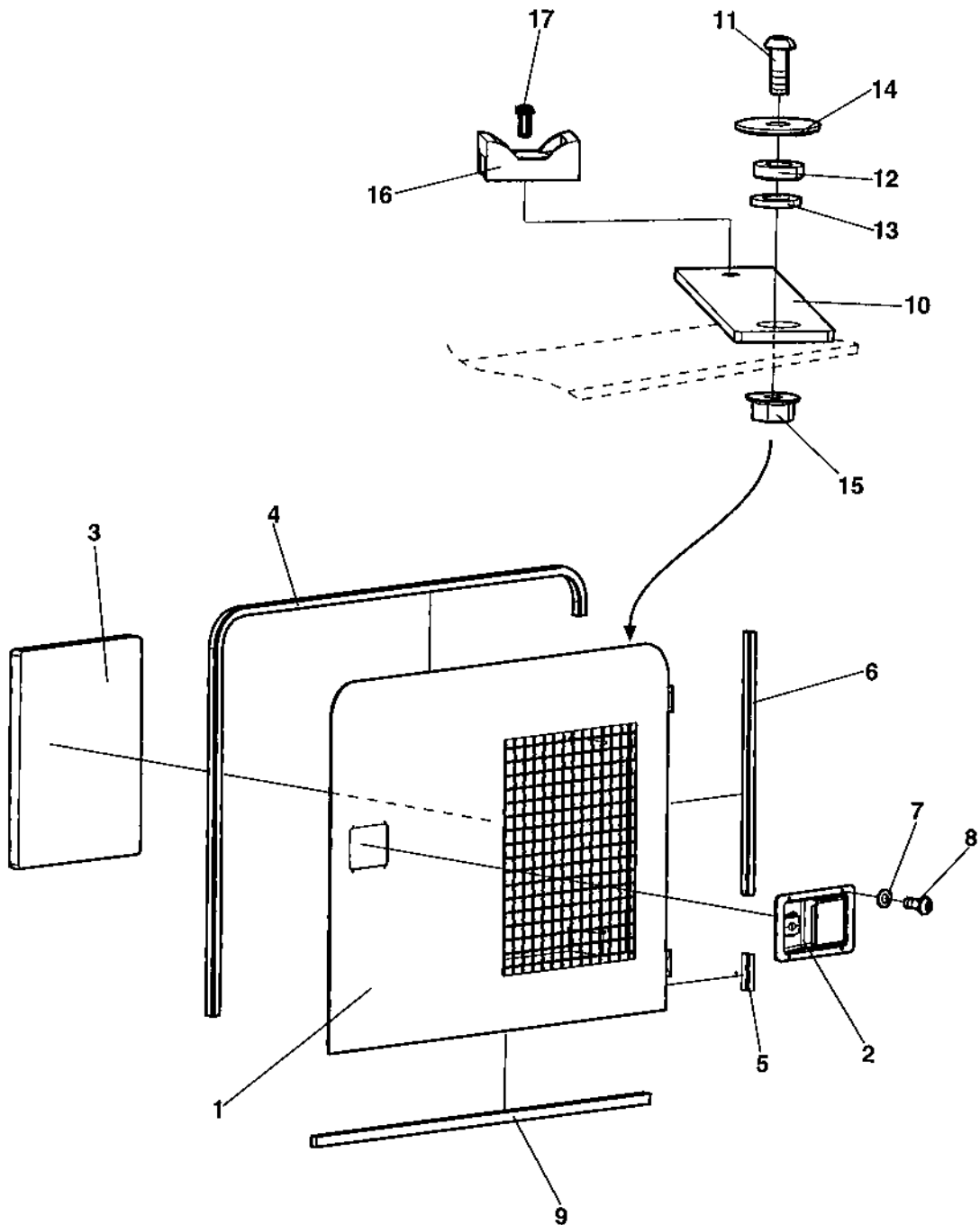


4700389504 Cover left side, cpl

Item	Part No	Rem Qty	Description	Code
1	4700389569	1	Cover	
2	4700378309	1	Lock	
	4700902866	1	.Key	
			Marked "455"	D
3	4700202057	1XL	Edge trim	D
4	4700202057	1XL	Edge trim	D
5	4700202057	1XL	Edge trim	D
6	4700904698	4	Washer	
7	4700904289	4	Screw	
8	4700202041	1XL	Rubber strip	
9	4700389512	1	Absorbent	
10	4700389516	1	Absorbent	

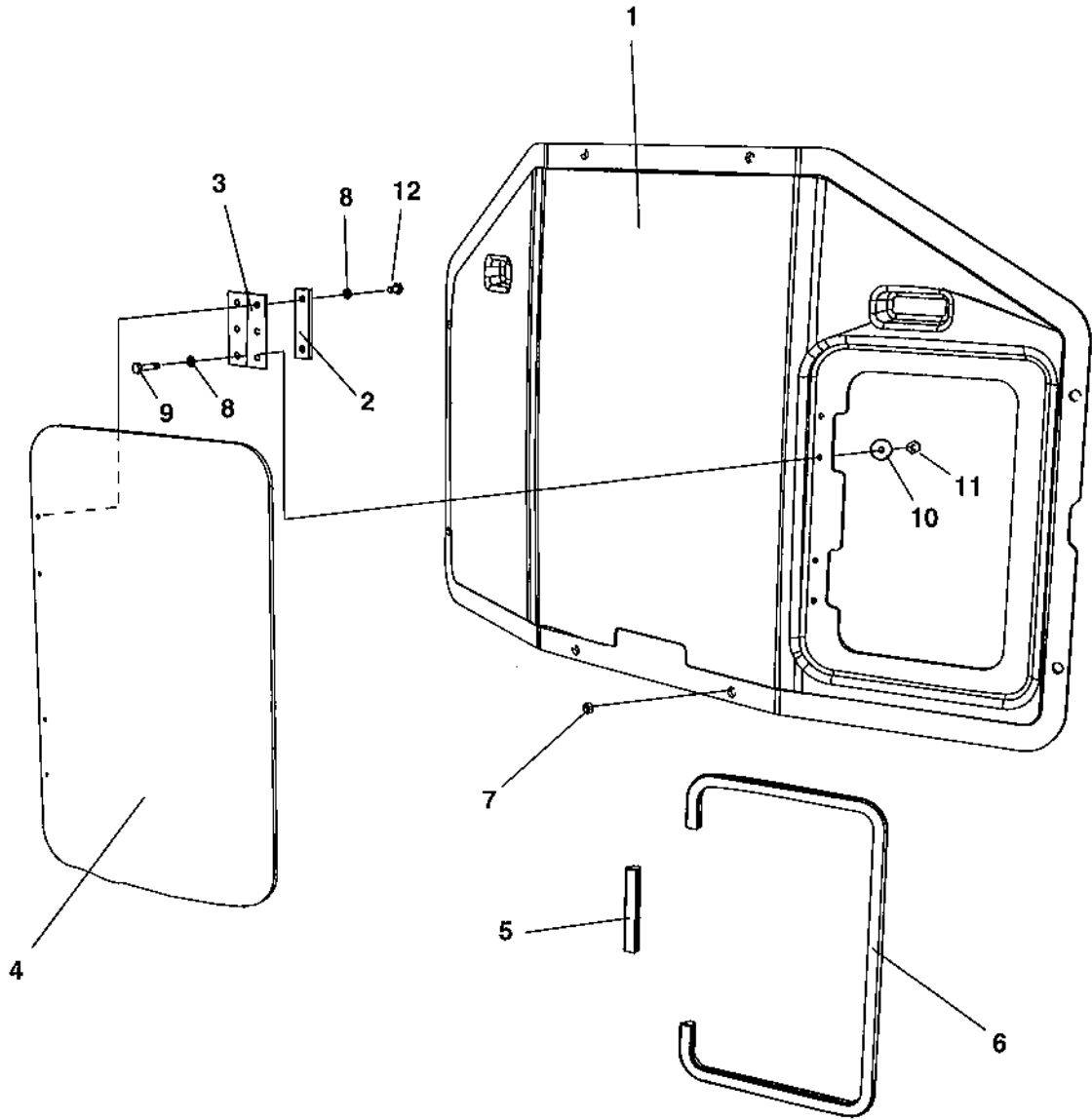
4700389548 Cover right side, cpl

18106



4700389548 Cover right side, cpl

Item	Part No	Rem Qty	Description	Code
1	4700389583	1	Cover	
2	4700378309	1	Lock	
	4700902866	1	.Key	Marked "455" D
3	4700389552	1	Absorbent	
4	4700202057	1XL	Edge trim	D
5	4700202057	1XL	Edge trim	D
6	4700202057	1XL	Edge trim	D
7	4700904698	4	Washer	
8	4700904289	4	Screw	
9	4700202041	1XL	Rubber strip	
10	4700378168	1	Cable holder	
11	4700904206	1	Screw	
12	4700603010	1	Washer	6,4X12X3
13	4700904228	1	Washer	
14	4700615076	1	Washer	7,0x25x1,5
15	4700570101	1	Nut	M6
16	4700904543	1	Cable tie holder	
17	4700923253	1	Rivet	



4700389617 Service cover, cpl

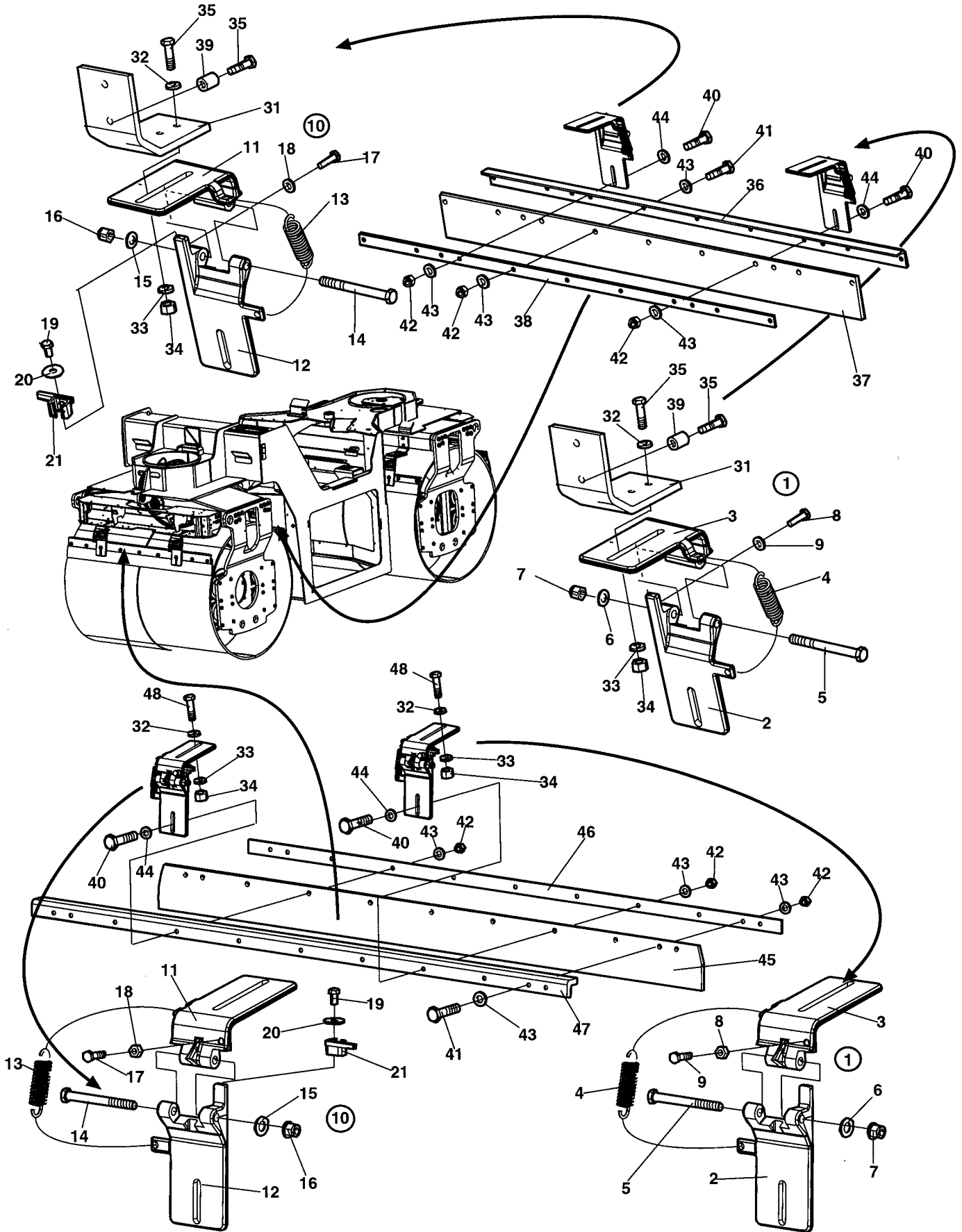
Item	Part No	Rem	Qty	Description	Code
1	4700389618		1	Cover	
2	4700389619		2	Spacer	
3	4700791804		2	Hinge	
4	4700389621		1	Cover	
5	4700792063	A	1XL	Edge trim	
6	4700792063	B	1XL	Edge trim	
7	4700389638		8	Spacer	
8	4700904698		8	Washer	
9	4700500258		4	Screw	M4-0,7x20 8,8
10	4700927974		4	Washer	
11	4700570002		4	Nut	M4
12	4700925784		4	Screw	

A) L= 0.10 m

B) L= 0.86 m

Front scrapers

18109

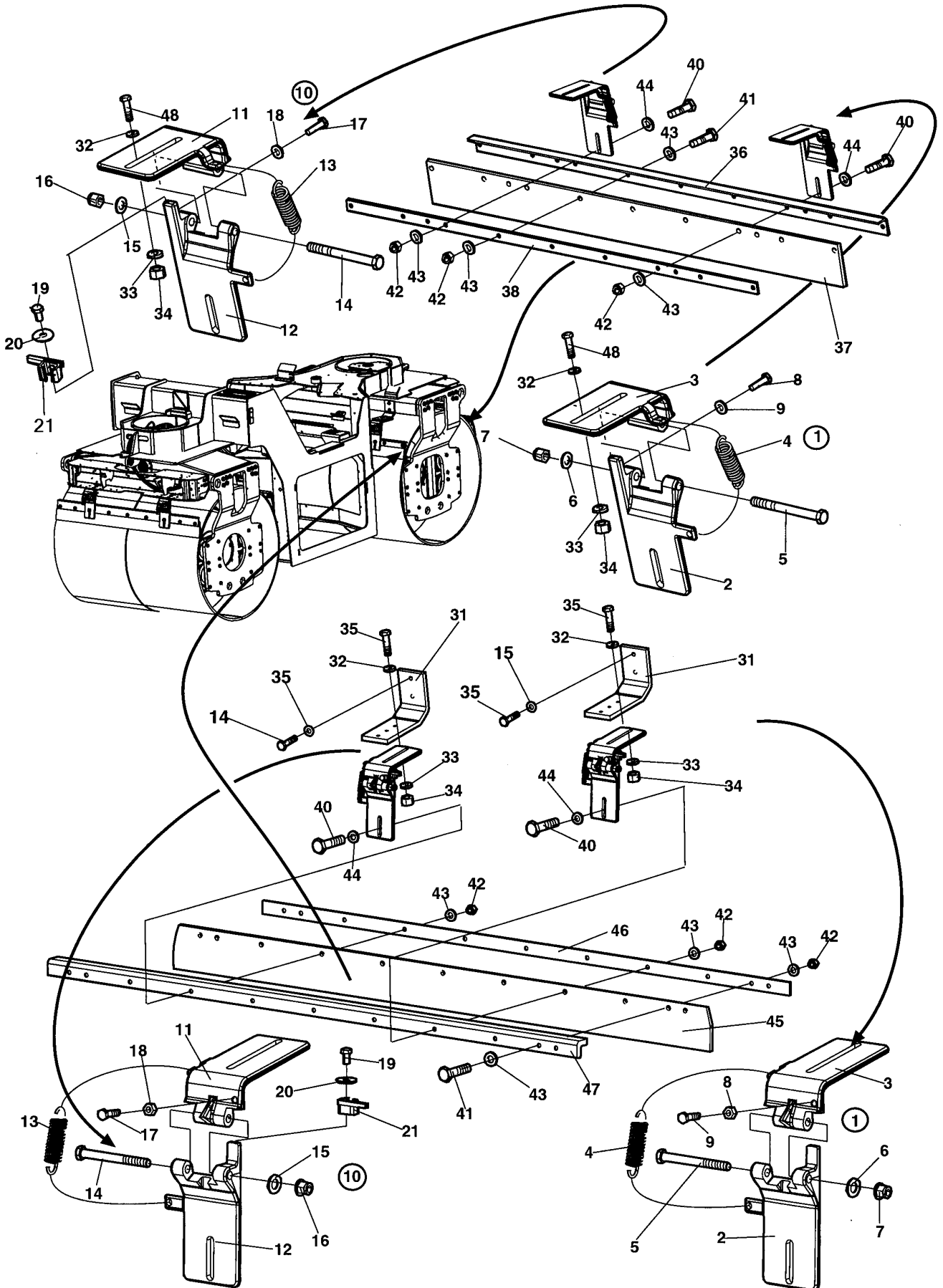


Front scrapers

Item	Part No	Rem Qty	Description	Code
1	4700387693	2	Scraper bracket, cpl	
2		1	.Scraper bracket	
3		1	.Scraper bracket	
4	4700390809	1	.Extension spring	
5	4700500267	1	.Screw	M12x120 8,8 FZB
6	4700904231	1	.Washer	13x24x2 300 HV
7	4700586019	1	.Lock nut	
8	4700500240	1	.Screw	M10x40H 8,8
9	4700570006	1	.Nut	
10	4700387690	2	Scraper bracket, cpl	
11		1	.Scraper bracket	
12		1	.Scraper bracket	
13	4700390809	1	.Extension spring	
14	4700500267	1	.Screw	M12x120 8,8 FZB
15	4700904231	1	.Washer	13x24x2 300 HV
16	4700586019	1	.Lock nut	
17	4700500240	1	.Screw	M10x40H 8,8
18	4700570006	1	.Nut	
19	4700500003	1	.Screw	
20	4700928381	1	.Washer	6,4x18x1,6
21	4700388490	1	.Release device	
30	4700570006	1	.Nut	
31	4700359455	2	Scraper bracket	
32	4700904230	8	Washer	
33	4700904557	8	Washer	
34	4700570006	8	Nut	
35	4700500031	8	Screw	
36	4700392620	1	Scraper bracket	
37	4700388648	1	Scraper	B
38	4700391710	1	Scraper bracket	
39	4700359434	4	Spacer sleeve	
40	4700500049	4	Screw	
41	4700500056	18	Screw	
42	4700586019	22	Lock nut	
43	4700904231	40	Washer	13x24x2 300 HV
44	4700904703	8	Washer	
45	4700388648	1	Scraper	B
46	4700391710	1	Scraper bracket	
47	4700376736	1	Sprinkler pipe	
48	4700500030	4	Screw	

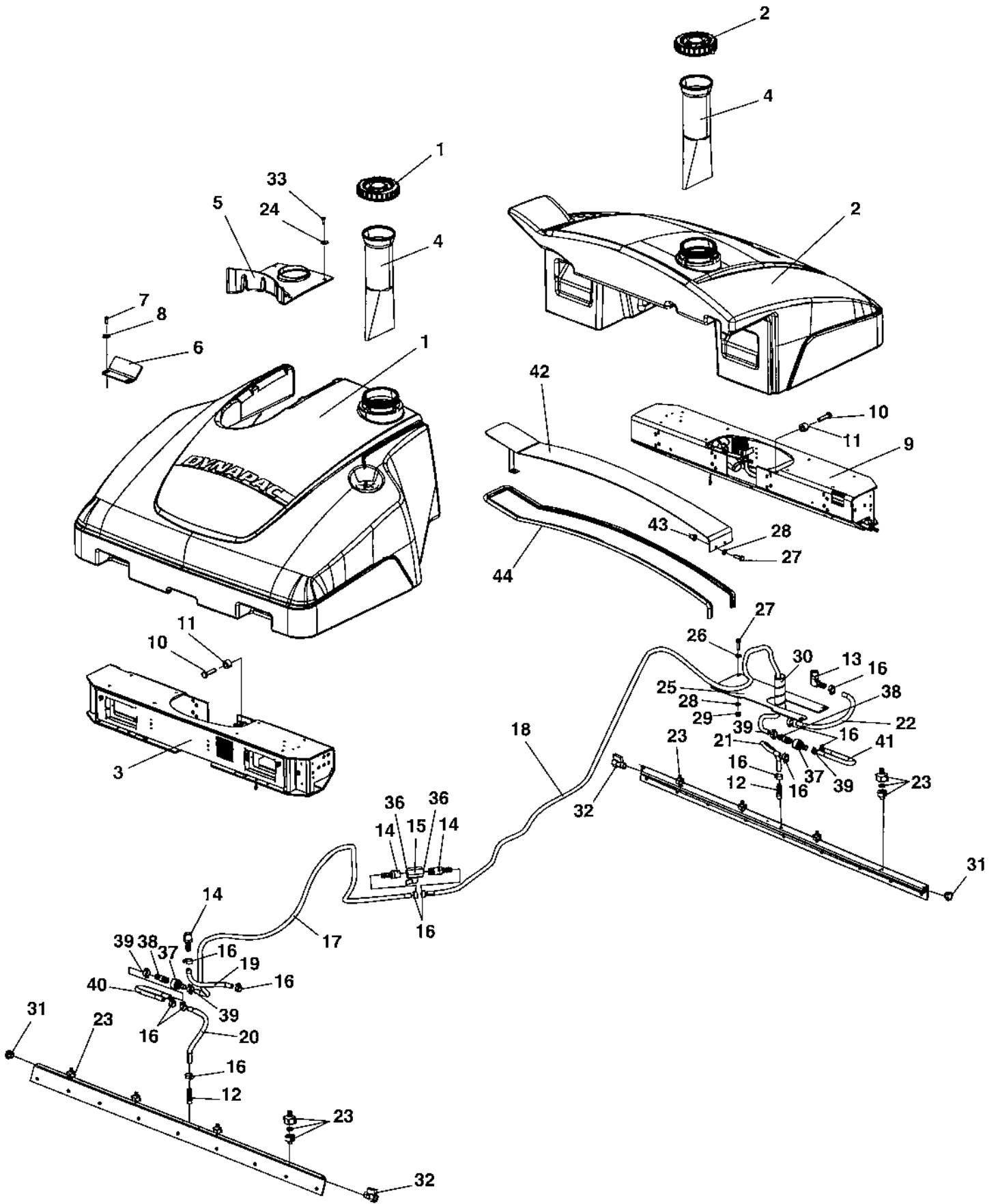
Rear scrapers

18110



Rear scrapers

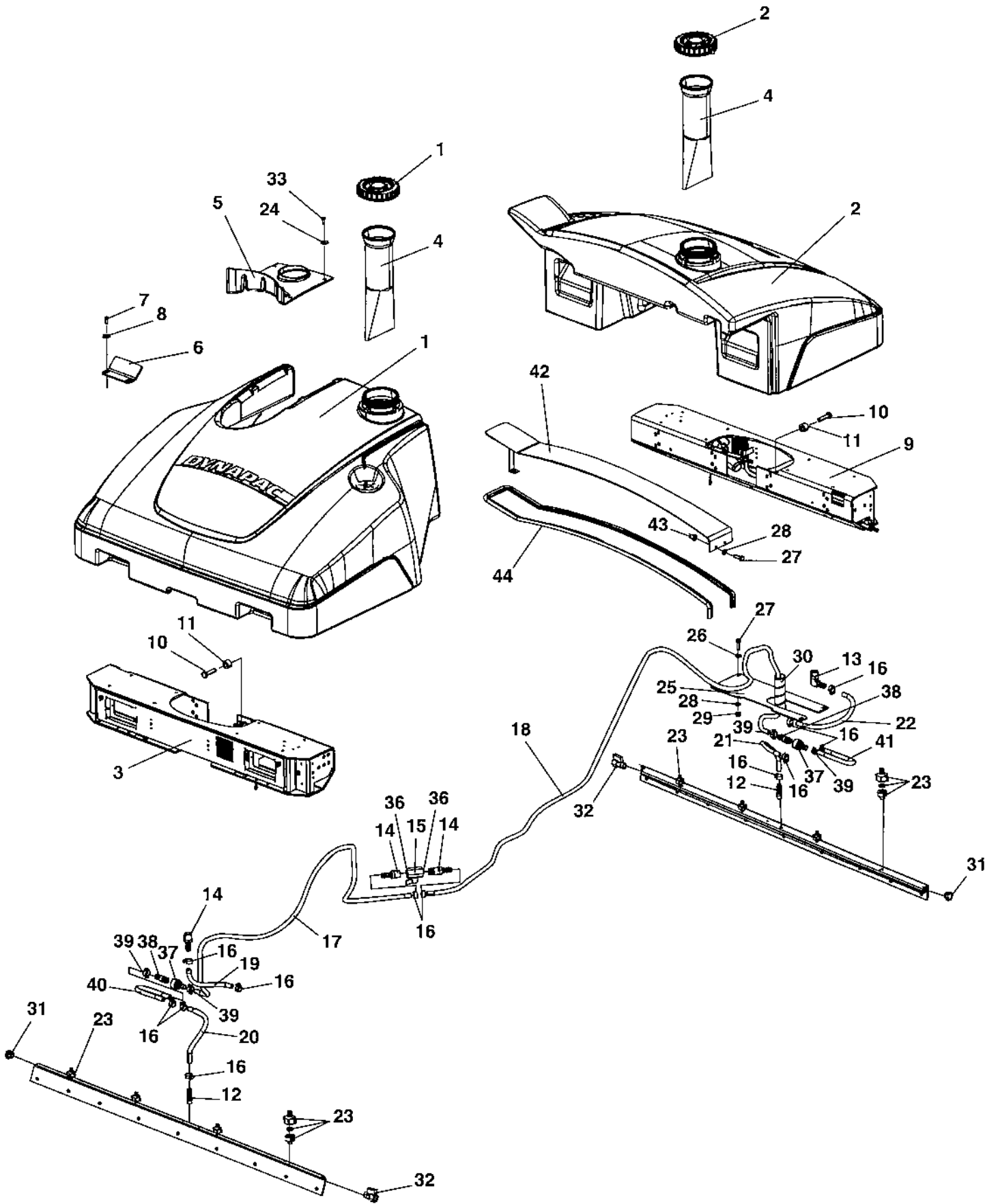
Item	Part No	Rem Qty	Description	Code
1	4700387693	2	Scraper bracket, cpl	
2		1	.Scraper bracket	
3		1	.Scraper bracket	
4	4700390809	1	.Extension spring	
5	4700500267	1	.Screw	M12x120 8,8 FZB
6	4700904231	1	.Washer	13x24x2 300 HV
7	4700586019	1	.Lock nut	
8	4700500240	1	.Screw	M10x40H 8,8
9	4700570006	1	.Nut	
10	4700387690	2	Scraper bracket, cpl	
11		1	.Scraper bracket	
12		1	.Scraper bracket	
13	4700390809	1	.Extension spring	
14	4700500267	1	.Screw	M12x120 8,8 FZB
15	4700904231	1	.Washer	13x24x2 300 HV
16	4700586019	1	.Lock nut	
17	4700500240	1	.Screw	M10x40H 8,8
18	4700570006	1	.Nut	
19	4700500003	1	.Screw	
20	4700928381	1	.Washer	6,4x18x1,6
21	4700388490	1	.Release device	
30	4700570006	1	.Nut	
31	4700359455	2	Scraper bracket	
32	4700904230	12	Washer	
33	4700904557	8	Washer	
34	4700570006	8	Nut	
35	4700500031	8	Screw	
36	4700376736	1	Sprinkler pipe	
37	4700388648	1	Scraper	B
38	4700391710	1	Scraper bracket	
40	4700500049	4	Screw	
41	4700500056	18	Screw	
42	4700586019	22	Lock nut	
43	4700904231	40	Washer	13x24x2 300 HV
44	4700904703	8	Washer	
45	4700388648	1	Scraper	B
46	4700391710	1	Scraper bracket	
47	4700392620	1	Scraper bracket	
48	4700500030	4	Screw	



Sprinkler system

Item	Part No	Rem	Qty	Description	Code
1	4700389234		1	Water tank, cpl	
	4700359003		1	.Cap	D
	4700902916	J	1	.Adapter kit	
	4700902917	K	1	.Adapter kit	
	4700902918	K	1	.Plug kit	
2	4700389235		1	Water tank, cpl	
	4700359003		1	.Cap	D
	4700902916	J	1	.Adapter kit	
	4700902917	K	1	.Adapter kit	
	4700902918	K	1	.Plug kit	
3			1	Front sprinkler box (Page 42)	
4	4700358846		2	Strainer	D
5	4700376579		1	Cover	
6	4700389873		4	Bracket	
7	4700500048		8	Screw	M10-1,5x20 8,8
8	4700904557		8	Washer	
9				Rear sprinkler box (Page 44)	
10	4700500031		16	Screw	
11	4700359434		16	Spacer sleeve	
12	4700791977		2	Hose connection	
13	4700924996		1	Hose connection	D
14	4700924544		3	Hose connection	
15	4700925599		1	Valve	
16	4700313002		12	Hose clamp	13-20 mm
17	4700904878	A	1XL	Hose reinforced	
18	4700904878	F	1XL	Hose reinforced	
19	4700904878	B	1XL	Hose reinforced	
20	4700904878	C	1XL	Hose reinforced	
21	4700904878	C	1XL	Hose reinforced	
22	4700904878	D	1XL	Hose reinforced	
23	4700392011		8	Spraying nozzle, cpl	
	4700392508		1	.Housing	
	4700392510		1	.Gasket	
	4700392509		1	.Retainer, nozzle, strainer, yellow	0.8
	4700393697		1	..Nozzle and strainer, yellow	0.8
	4700390615	G	1	..Nozzle and strainer, blue	1.0
	4700390616	G	1	..Nozzle and strainer, red	1.2
	4700390619	G	1	..Nozzle and strainer, brown	1.3
24	4700928467		4	Washer	
25	4700377428		1	Cover	
26	4700904556		4	Washer	8,4x16x3,0
27	4700500021		6	Screw	M8-1,25x25 8.8
28	4700904229		6	Washer	8,4x16x1,5
29	4700791182		4	Lock nut	M8
30	4700377661	E	1XL	Hose guard	
31	4700792072		2	End plug	
32	4700233215		2	Ball valve	
33	4700500013		4	Screw	M6-1x16 8,8
36	4700379753		4	Gasket	

- A) L=2,8 m
- B) L=0,52 m
- C) L=0,38 m
- D) L=0,41 m
- E) L=1,0 m
- F) L=2,97 m
- G) Option
- J) Water connection
- K) Draining



Sprinkler system

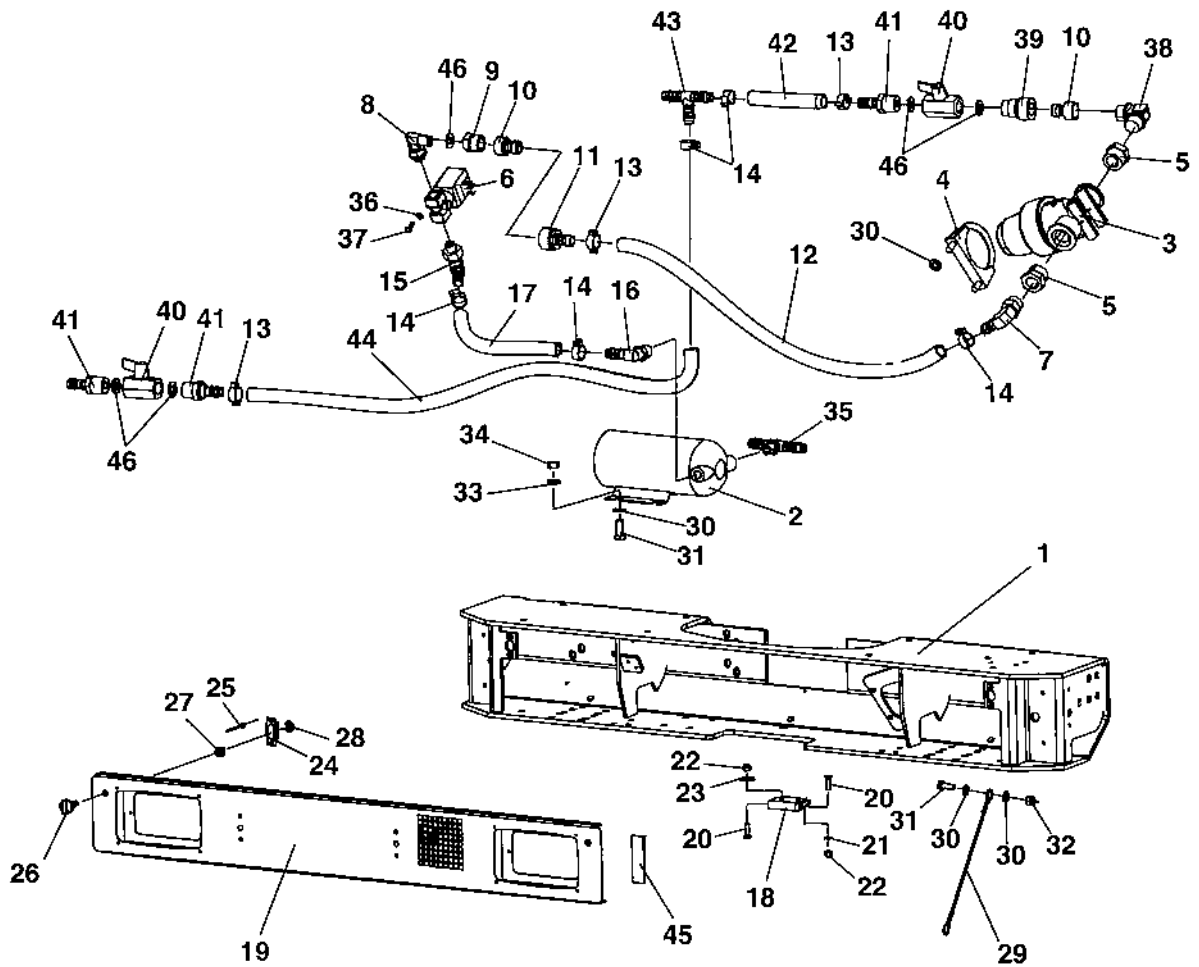
Item	Part No	Rem	Qty	Description	Code
37	4700791126		2	Quick coupling	
38	4700791127		2	Quick coupling	
39	4700814071		4	Hose clamp	
40	4700904878	H	1XL	Hose reinforced	
41	4700904878	H	1XL	Hose reinforced	
42	4700393589		1	Cover plate	
43	4700791569		2	Blind insert nut	
44	4700902166	I	1XL	Edge trim	

H) L=0,3 m

I) L=3,0 m

Front sprinkler box

18673

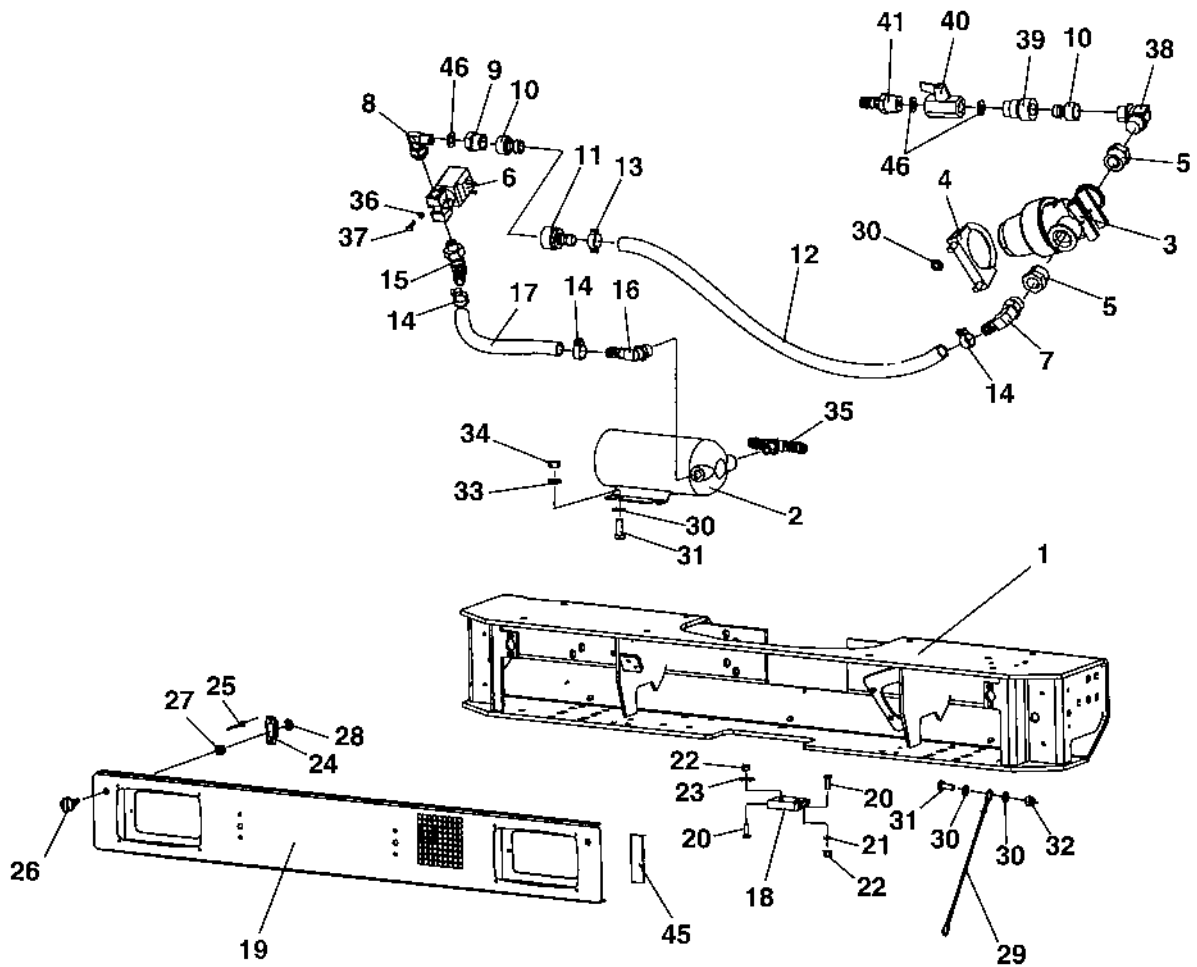


Front sprinkler box

Item	Part No	Rem Qty	Description	Code
1	4700382425	1	Sprinkler box	
2	4700383697	1	Water pump	
3	4700393272	1	Strainer, cpl	
	4700791959	1	.O-ring	
	4700791949	1	.Filter element	B
4	4700313086	1	Clamp	
5	4700903886	2	Adapter	
6	4700287713	1	Solenoid valve	
7	4700924996	1	Hose connection	D
8	4700791134	1	Elbow 90	
9	4700791135	1	Connector	
10	4700791128	2	Quick coupling	
11	4700791126	1	Quick coupling	
12	4700904878	A 1XL	Hose reinforced	
13	4700814071	4	Hose clamp	
14	4700313002	5	Hose clamp	13-20 mm
15	4700901431	1	Hose connection	
16	4700923734	1	Hose connection	
17	4700904878	B 1XL	Hose reinforced	
18	4700928041	2	Hinge	D
19	4700385339	1	Cover	
20	4700513012	10	Screw	M6x20 10,9
21	4700904228	6	Washer	
22	4700586002	10	Lock nut	
23	4700928467	4	Washer	
24	4700903344	2	Lock	
25	4700923253	4	Rivet	
26	4700904914	2	Tap	
27	4700904913	2	Washer	Neopren
28	4700903342	2	Retaining ring	
29	4700381619	1	Wire	
30	4700904229	9	Washer	8,4x16x1,5
31	4700500053	6	Screw	M8x20H 8.8
32	4700586003	2	Lock nut	M8
33	4700904556	4	Washer	8,4x16x3,0
34	4700570005	4	Nut	M8
35	4700792289	1	Adapter	
36	4700904698	2	Washer	
37	4700500002	2	Screw	M4-0,7x12H 8.8
38	4700901298	1	Connector	
39	4700791125	1	Quick coupling	
40	4700925599	2	Valve	
41	4700924544	2	Hose connection	
42	4700904878	C 1XL	Hose reinforced	
43	4700923735	1	Hose connection	
44	4700904878	D 1XL	Hose reinforced	
45	4700297018	1XL	Rubber strip	
46	4700379753	5	Gasket	
A)	L=0,54 m			
B)	L=0,21 m			
C)	L=0,10 m			
D)	L=0,71 m			

Rear sprinkler box

18674



Rear sprinkler box

Item	Part No	Rem Qty	Description	Code
1	4700382425	1	Sprinkler box	
2	4700383697	1	Water pump	
3	4700393272	1	Strainer, cpl	
	4700791959	1	.O-ring	
	4700791949	1	.Filter element	B
4	4700313086	1	Clamp	
5	4700903886	2	Adapter	
6	4700287713	1	Solenoid valve	
7	4700924996	1	Hose connection	D
8	4700791134	1	Elbow 90	
9	4700791135	1	Connector	
10	4700791128	2	Quick coupling	
11	4700791126	1	Quick coupling	
12	4700904878	A 1XL	Hose reinforced	
13	4700814071	1	Hose clamp	
14	4700313002	3	Hose clamp	13-20 mm
15	4700901431	1	Hose connection	
16	4700923734	1	Hose connection	
17	4700904878	B 1XL	Hose reinforced	
18	4700928041	2	Hinge	D
19	4700385339	1	Cover	
20	4700513012	10	Screw	M6x20 10,9
21	4700904228	6	Washer	
22	4700586002	10	Lock nut	
23	4700928467	4	Washer	
24	4700903344	2	Lock	
25	4700923253	4	Rivet	
26	4700904914	2	Tap	
27	4700904913	2	Washer	Neopren
28	4700903342	2	Retaining ring	
29	4700381619	1	Wire	
30	4700904229	9	Washer	8,4x16x1,5
31	4700500053	6	Screw	M8x20H 8.8
32	4700586003	2	Lock nut	M8
33	4700904556	4	Washer	8,4x16x3,0
34	4700570005	4	Nut	M8
35	4700792289	1	Adapter	
36	4700904698	2	Washer	
37	4700500002	2	Screw	M4-0,7x12H 8.8
38	4700901298	1	Connector	
39	4700791125	1	Quick coupling	
40	4700925599	1	Valve	
41	4700924544	2	Hose connection	
45	4700297018	1XL	Rubber strip	
46	4700379753	3	Gasket	

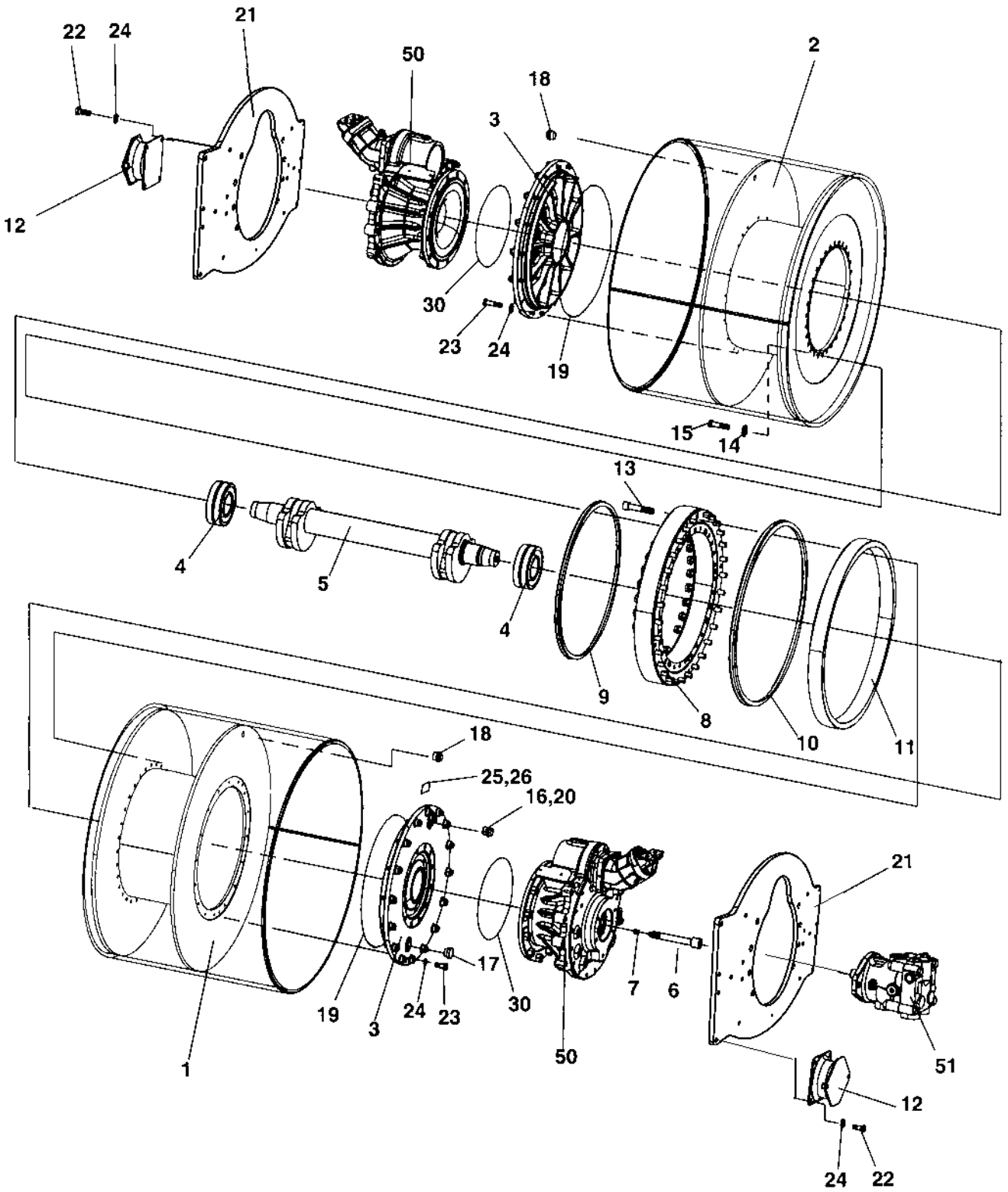
A) L=0,54 m

B) L=0,21 m

Drum

Item	Part No	Rem Qty	Description	Code
1			Drum (Page 48)	

Drum
18417



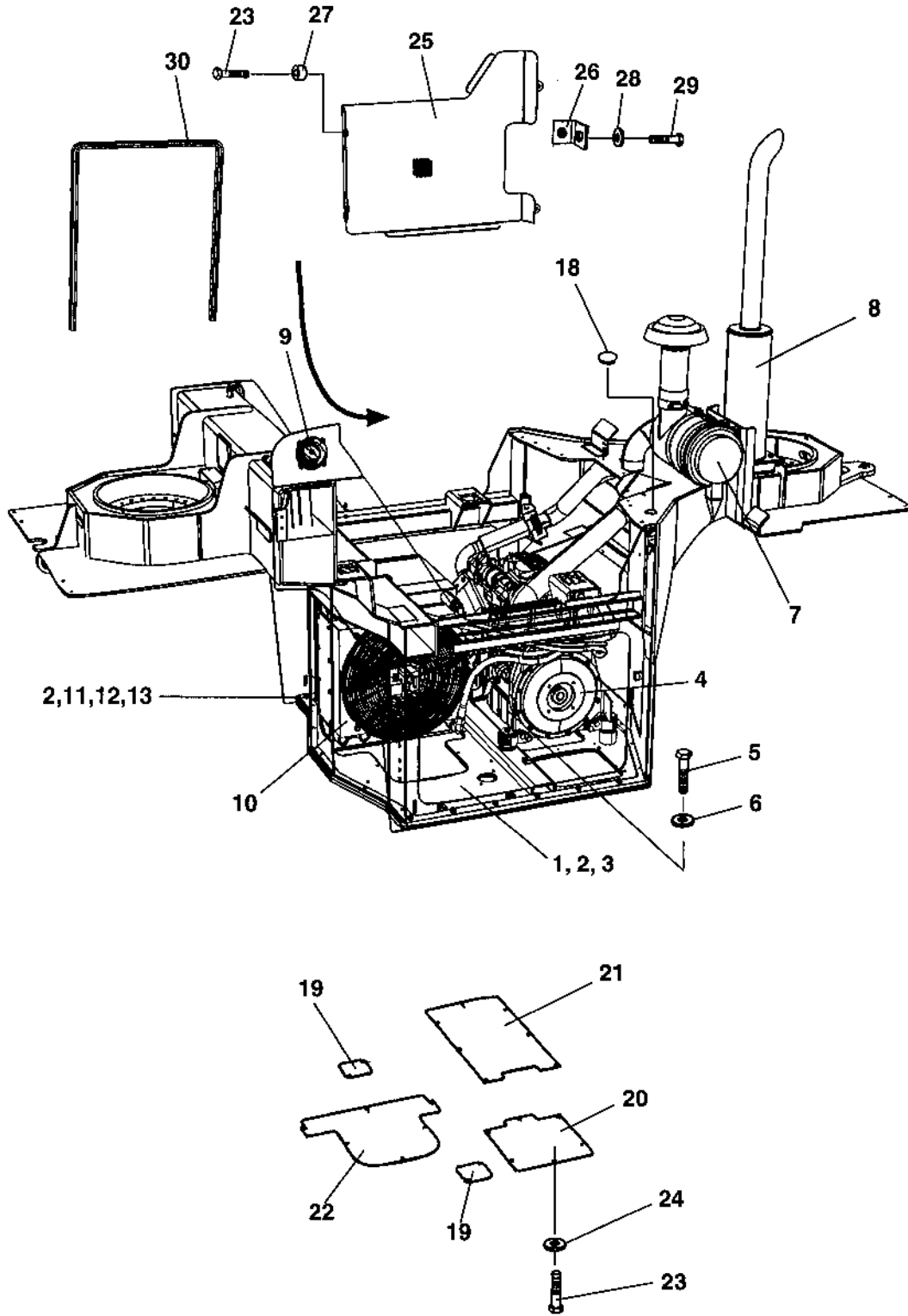
Drum

Item	Part No	Rem Qty	Description	Code
1	4700391790	1	Drum Up to 86120400	
	4700393106	1	Drum From 86120401	
2	4700391806	1	Drum Up to 86120400	
	4700393107	1	Drum From 86120401	
3	4700391778	2	Bearing housing	
4	4700114060	2	Spherical roller bearing	D
5	4700391954	1	Eccentric shaft,cpl	
6	4700392623	1	Splined shaft	
7	4700903870	1	Compression spring	
8	4700373508	1	Bearing Up to 86120400	
	4700391930	1	Bearing From 86120401	
9	4700904616	1	Seal	
10	4700904788	1	Sealing, v-ring Up to 86120400	
	4700392841	1	Sealing, v-ring From 86120401	
11	4700381275	2	Back-up ring Up to 86120400	
12	4700394251	8	Shock absorber	
13	4700508037	30	Screw Up to 86120400	
	4700508064	30	Hexagon socket head cap screw From 86120401	
14	4700904232	30	Washer Up to 86120400	
	4700904231	30	Washer From 86120401	13x24x2 300 HV
15	4700500135	30	Screw Up to 86120400	
	4700500133	30	Screw From 86120401	
16	4700343744	2	Magnetic plug	D
17	4700922552	2	Oil level glass	
18	4700232210	2	Plug	
19	4700900776	2	O-ring	D
20	4700162017	2	Seal ring	D
21	4700392026	2	Holder plate	
22	4700500046	32	Screw	
23	4700500195	32	Screw	
24	4700904231	64	Washer	13x24x2 300 HV
25	4700343801	1	Sign plate	
26	4700527002	4	Drive screw	
50		1	2 Drive unit	
51		1	1 Hydraulic motor, vibration	

- 1) See hydraulic sections.
- 2) Used on machines with old bearing PN 4700373508, item 8.

Engine

Item	Part No	Rem Qty	Description	Code
1			Engine installation (Page 52)	

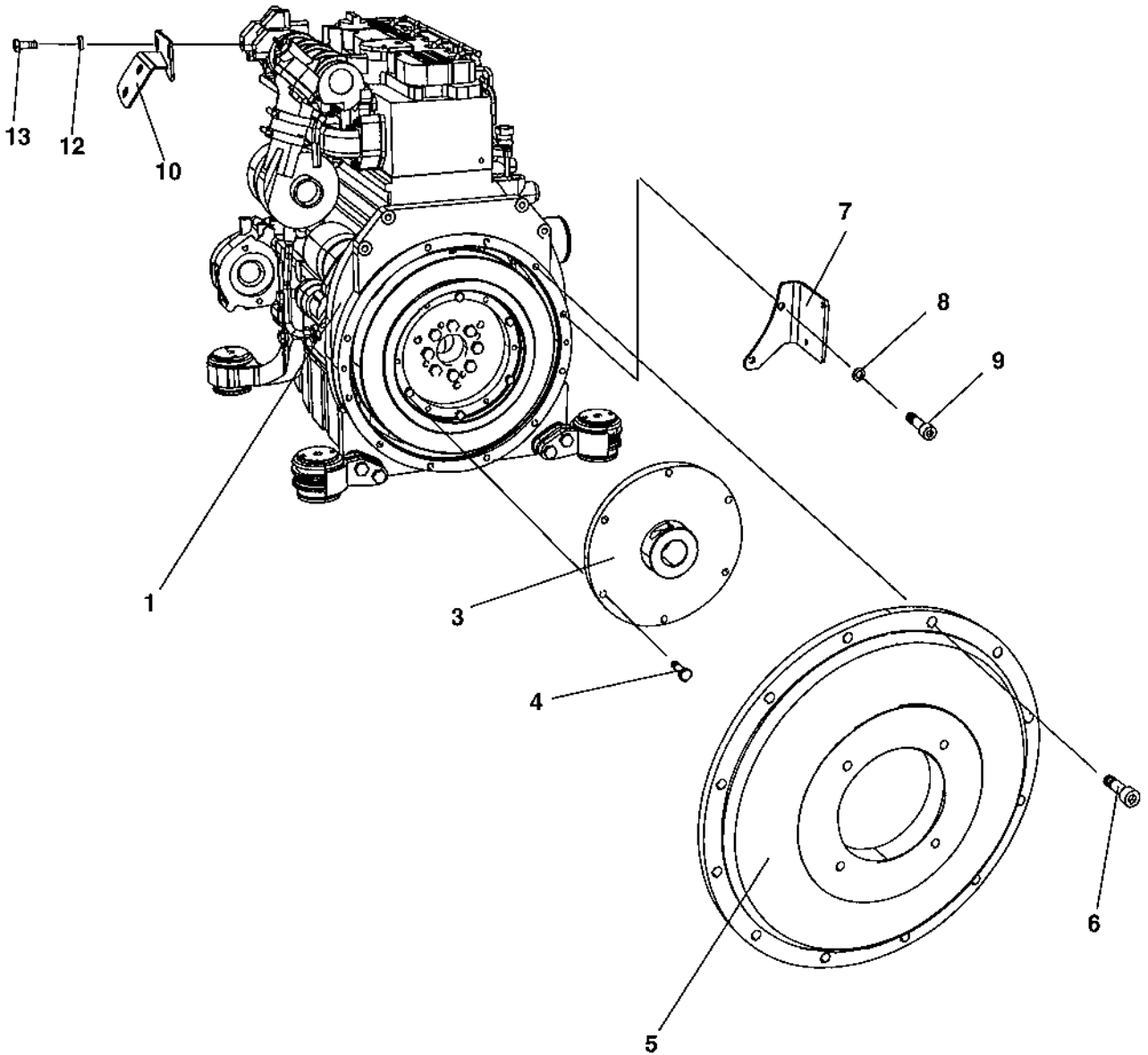


Engine installation

Item	Part No	Rem	Qty	Description	Code
1			1	Engine plate	
2	4700904557		33	Washer	
3	4700947684		24	Screw	
4				Engine module Up to 86120399 (Page 54)	BF4M 2011
				Engine module From 86120400 (Page 56)	TD2011 L04W
5	4700500122		4	Screw	
6	4700904231		4	Washer	13x24x2 300 HV
7				Combustion air system (Page 58)	
8				Exhaust system Up to 86120399 (Page 60)	
				Exhaust system From 86120400 (Page 62)	
9				Fuel system (Page 64)	
10				Cooling system Up to 86120399 (Page 66)	
				Cooling system From 86120400 (Page 68)	
11	4700500029		4	Screw	
12	4700500028		5	Screw	
13	4700904076		1XL	Edge trim	
18	4700902922		1	Plug	
19	4700381297		2	Cover	
20	4700377425		1	Cover	
21	4700377426		1	Cover	
22	4700377427		1	Cover	
23	4700500053		25	Screw	M8x20H 8.8
24	4700904229		23	Washer	8,4x16x1,5
25	4700378428		1	Belt guard	
26	4700378429		1	Bracket	
27	4700371728		2	Spacer sleeve	
28	4700904556		4	Washer	8,4x16x3,0
29	4700500021		4	Screw	M8-1,25x25 8.8
30	4700202028	A	1XL	Edge trim	
A)	L = 0,4 m				

Engine module BF4M 2011

18138



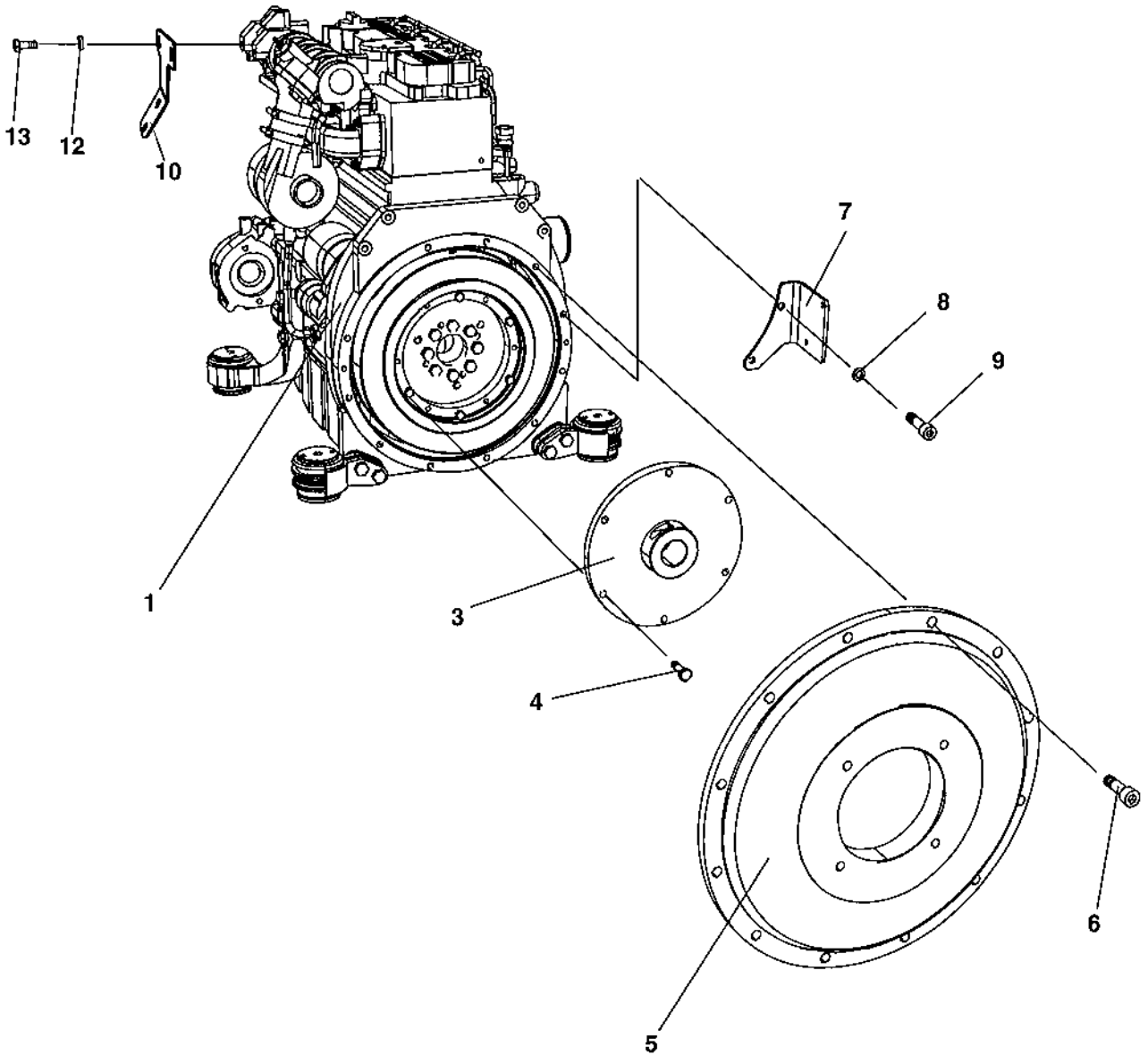
Engine module BF4M 2011

Item	Part No	Rem	Qty	Description	Code
1	4700388840		1	Diesel engine, cpl	
	4700395295	C	1	Diesel engine	
	4700395294	C	1	Diesel engine	CE
	4700939515		1	.Oil filter	A
	4700945955		1	.Oil pressure switch	
	4700940570		1	.Fuel filter	A
	4700690030		1	.Alternator with relay	65A
	4700940980		1	.Starter	
	4700902521	A	1	.V-belt	B
	4700909369		1	.Solenoid	D
	4700939840		1	.Toothed belt kit	B
	4700945107		1	.Oil temperature sender	
	4700939976	B	1	.Toothed belt	
3	4700359402		1	Coupling, cpl	
	4700902843		1	.Flange	D
	4700508095		1	.Screw	
4	4700500021		6	Screw	M8-1,25x25 8.8
5	4700359403		1	Pump bracket	
6	4700508096		10	Screw	
7	4700376913		1	Bracket	
8	4700904637		2	Washer	
9	4700508053		2	Screw	
10	4700389571		1	Bracket	
12	4700904556		2	Washer	8,4x16x3,0
13	4700500053		2	Screw	M8x20H 8.8

- A) Fan/Alternator
- B) Pump drive
- C) Exemption engine.

Engine module TD2011 L04W

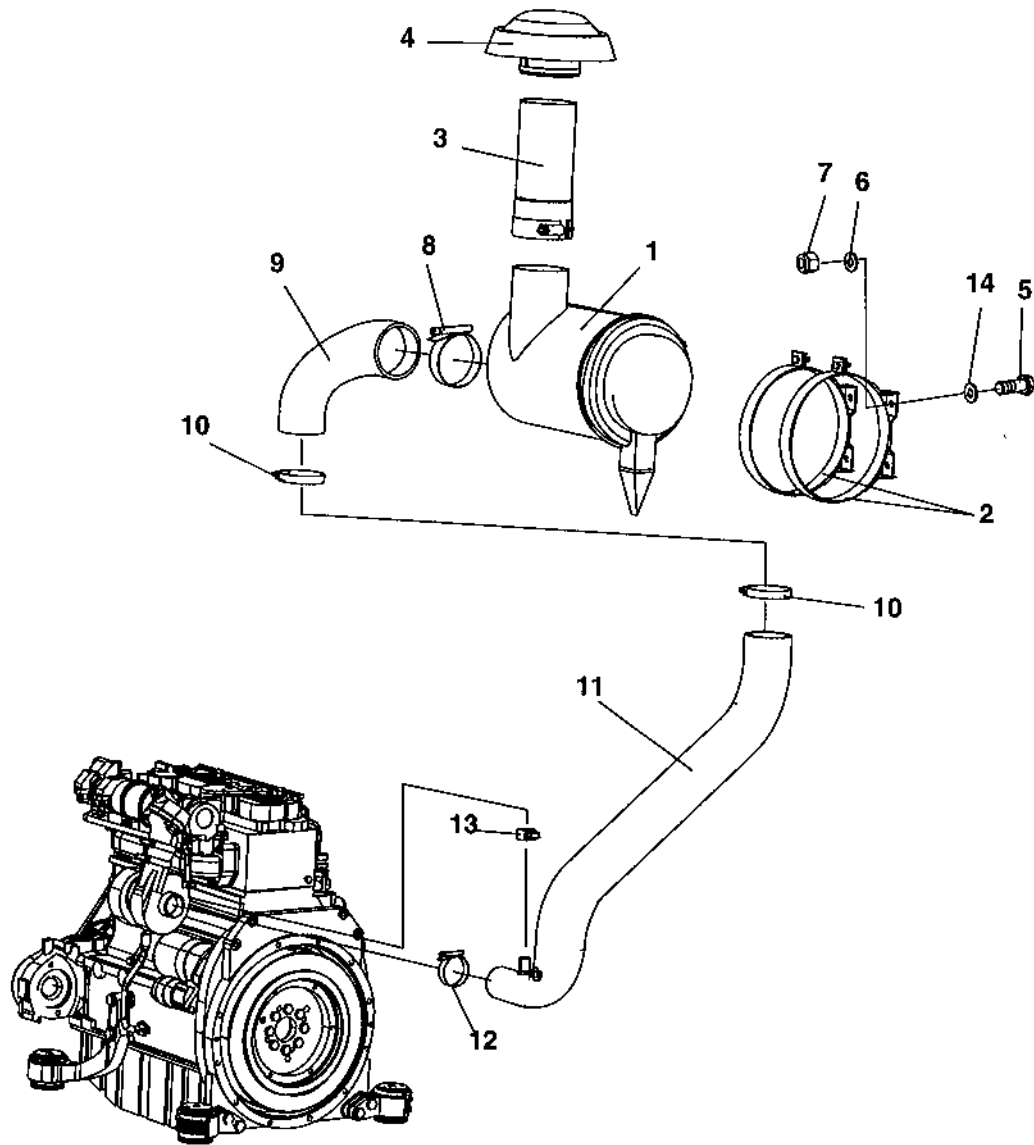
18767



Engine module TD2011 L04W

Item	Part No	Rem	Qty	Description	Code
1	4700394421		1	Diesel engine, cpl	TD2011 L04W
	4700939515		1	.Oil filter	A
	4700940570		1	.Fuel filter	A
	4700690030		1	.Alternator with relay	65A
	4700940980		1	.Starter	
	4700902521	A	1	.V-belt	B
	4700909369		1	.Solenoid	D
	4700939840		1	.Toothed belt kit	B
	4700945107		1	.Oil temperature sender	
	4700939976	B	1	.Toothed belt	
3	4700359402		1	Coupling, cpl	
	4700902843		1	.Flange	D
	4700508095		1	.Screw	
4	4700500021		6	Screw	M8-1,25x25 8.8
5	4700359403		1	Pump bracket	
6	4700508096		10	Screw	
7	4700376913		1	Bracket	
8	4700904637		2	Washer	
9	4700508053		2	Screw	
10	4700395083		1	Bracket	
12	4700904556		2	Washer	8,4x16x3,0
13	4700500053		2	Screw	M8x20H 8.8

- A) Fan/Alternator
- B) Pump drive

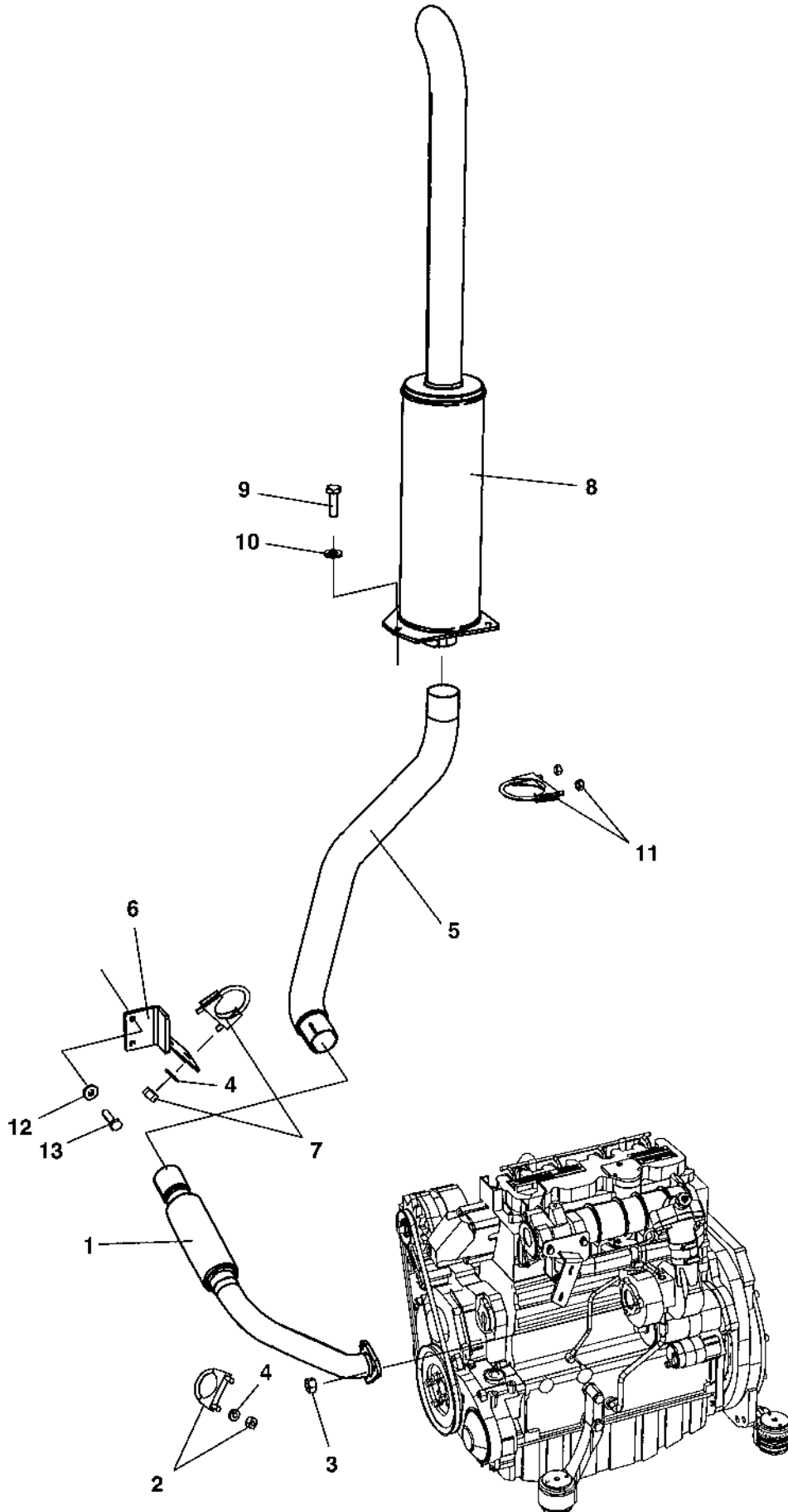


Combustion air system

Item	Part No	Rem Qty	Description	Code
1	4700370878	1	Air cleaner, cpl	
	4700394685	1	.Safety filter	A
	4700394684	1	.Main filter	A
	4700908452	1	.Cover	
	4700908399	1	.Vacuator valve	D
2	4700813791	2	Mounting band	
3	4700388854	1	Extension pipe	
4	4700499266	1	Protection cover	
5	4700500029	4	Screw	
6	4700904637	4	Washer	
7	4700586018	4	Lock nut	
8	4700904060	1	Hose clamp	
9	4700388839	1	Air inlet hose	
10	4700904059	2	Hose clamp	
11	4700388837	1	Air inlet hose	
12	4700904104	1	Clamp	
13	4700313003	1	Hose clamp	D
14	4700904230	4	Washer	

Exhaust system

18140

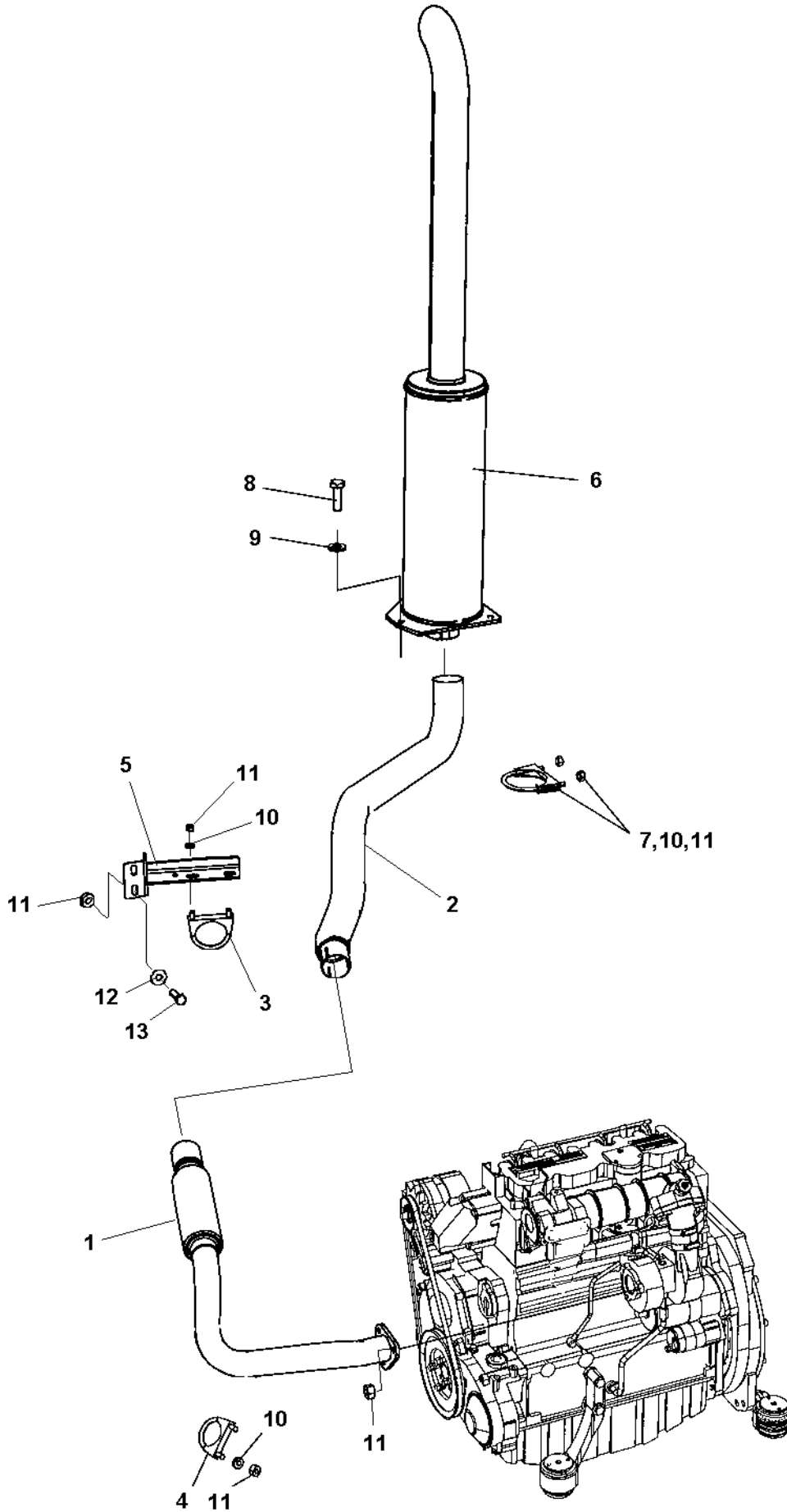


Exhaust system

Item	Part No	Rem Qty	Description	Code
1	4700388675	1	Exhaust pipe	
2	4700313100	1	Clamp	
3	4700570005	9	Nut	M8
4	4700904556	4	Washer	8,4x16x3,0
5	4700388676	1	Exhaust pipe	
6	4700389842	1	Bracket	
7	4700313036	1	Clamp	D
8	4700388677	1	Muffler	
9	4700500029	3	Screw	
10	4700904230	3	Washer	
11	4700313094	1	Pipe clamp	
12	4700904640	2	Washer	8,4x22x3
13	4700500022	2	Screw	M8x30H 8.8 A2K

Exhaust system

18768

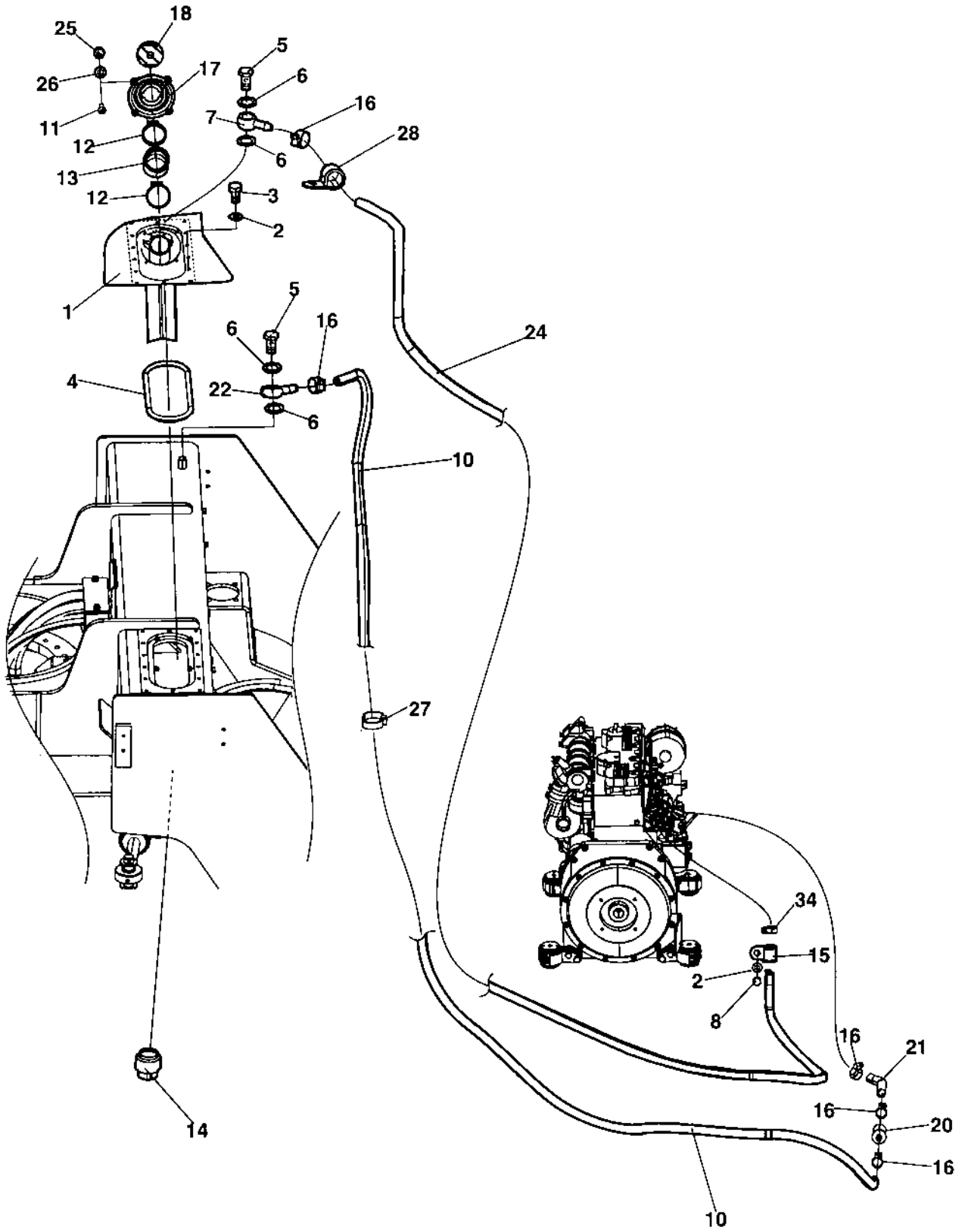


Exhaust system

Item	Part No	Rem Qty	Description	Code
1	4700395109	1	Exhaust pipe	
2	4700395110	1	Exhaust pipe	
3	4700313036	1	Clamp	D
4	4700313100	1	Clamp	
5	4700395339	1	Bracket	
6	4700388677	1	Muffler	
7	4700313094	1	Pipe clamp	
8	4700904230	3	Washer	
9	4700500029	3	Screw	
10	4700904556	6	Washer	8,4x16x3,0
11	4700570005	11	Nut	M8
12	4700904640	2	Washer	8,4x22x3
13	4700500022	2	Screw	M8x30H 8.8 A2K

Fuel system

18460



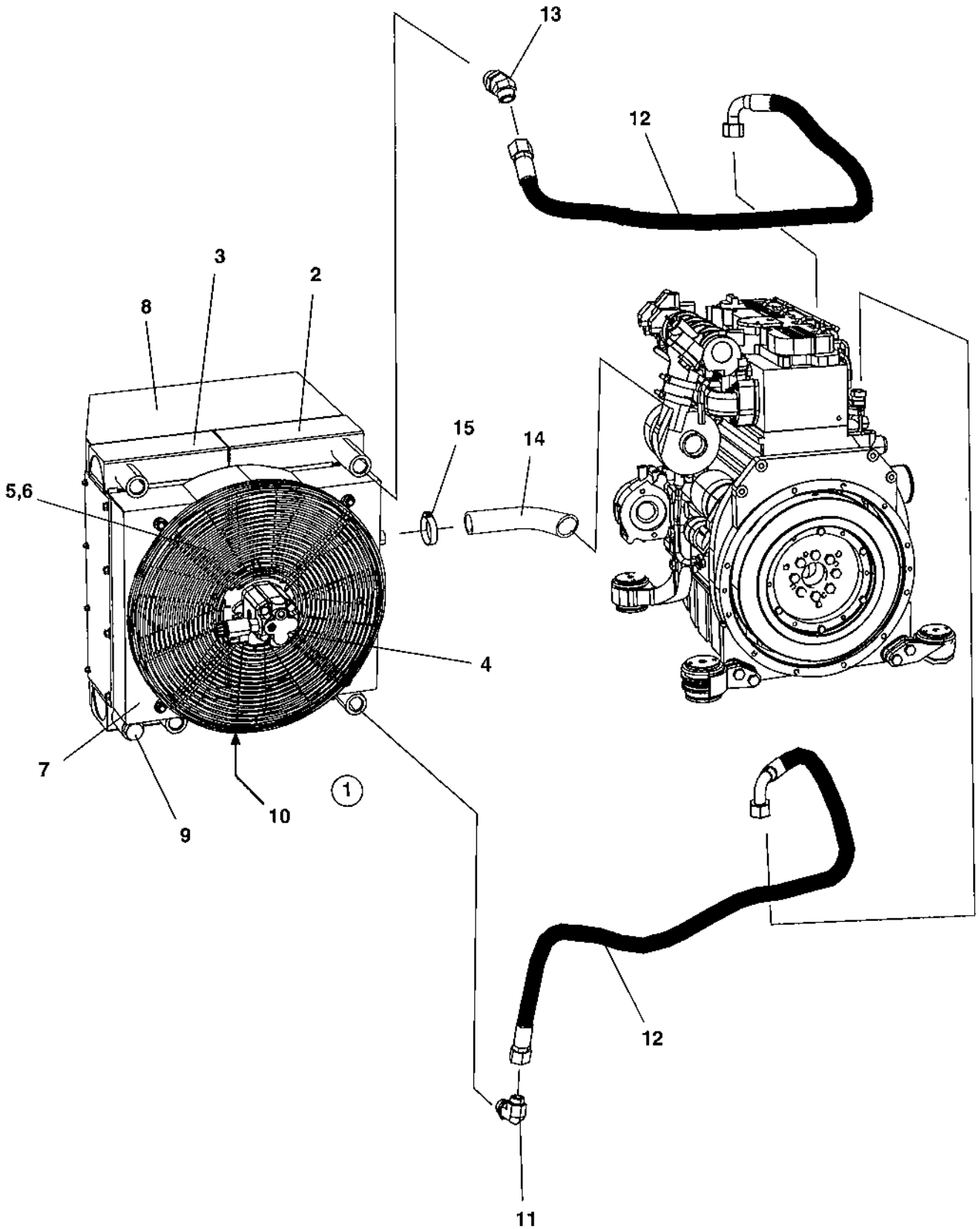
Fuel system

Item	Part No	Rem	Qty	Description	Code
1	4700389367		1	Cover	
2	4700904229		15	Washer	8,4x16x1,5
3	4700500019		14	Screw	M8x16H 8.8 A2K
4	4700389821		1	O-ring	
5	4700330171		2	Hollow screw	
6	4700747282		4	Copper washer	
7	4700330170		1	Banjo nipple	
8	4700500053		1	Screw	M8x20H 8.8
10	4700378028	B	1	Fuel hose	
11	4700904206		4	Screw	
12	4700313010		2	Hose clamp	
13	4700376659		1	Filter hose	
14	4700813391		1	Magnetic plug	D
15	4700921080		1	Clamp	
16	4700313001		5	Hose clamp	
17	4700387682		1	Filler neck	
18	4700394253		1	Fuel cap	D
	4700945753		1	.Key	2pcs "921"
20	4700929322		1	Fuel strainer	A
21	4700904985	C	1XL	Fuel hose	D
22	4700901121		1	Banjo fitting	14x6 Hose 8
24	4700904984	A	1XL	Fuel hose	D
25	4700570004		4	Nut	M6X1,00 -8 A2K
26	4700904228		4	Washer	
27	4700313102		N	Cable ties	
28	4700902558		1	Clamp	
34	4700313075		1	Hose clamp	

- A) Return fuel line
- B) Fuel feed line
- C) Connected to fuel feed pump

Cooling system

18135

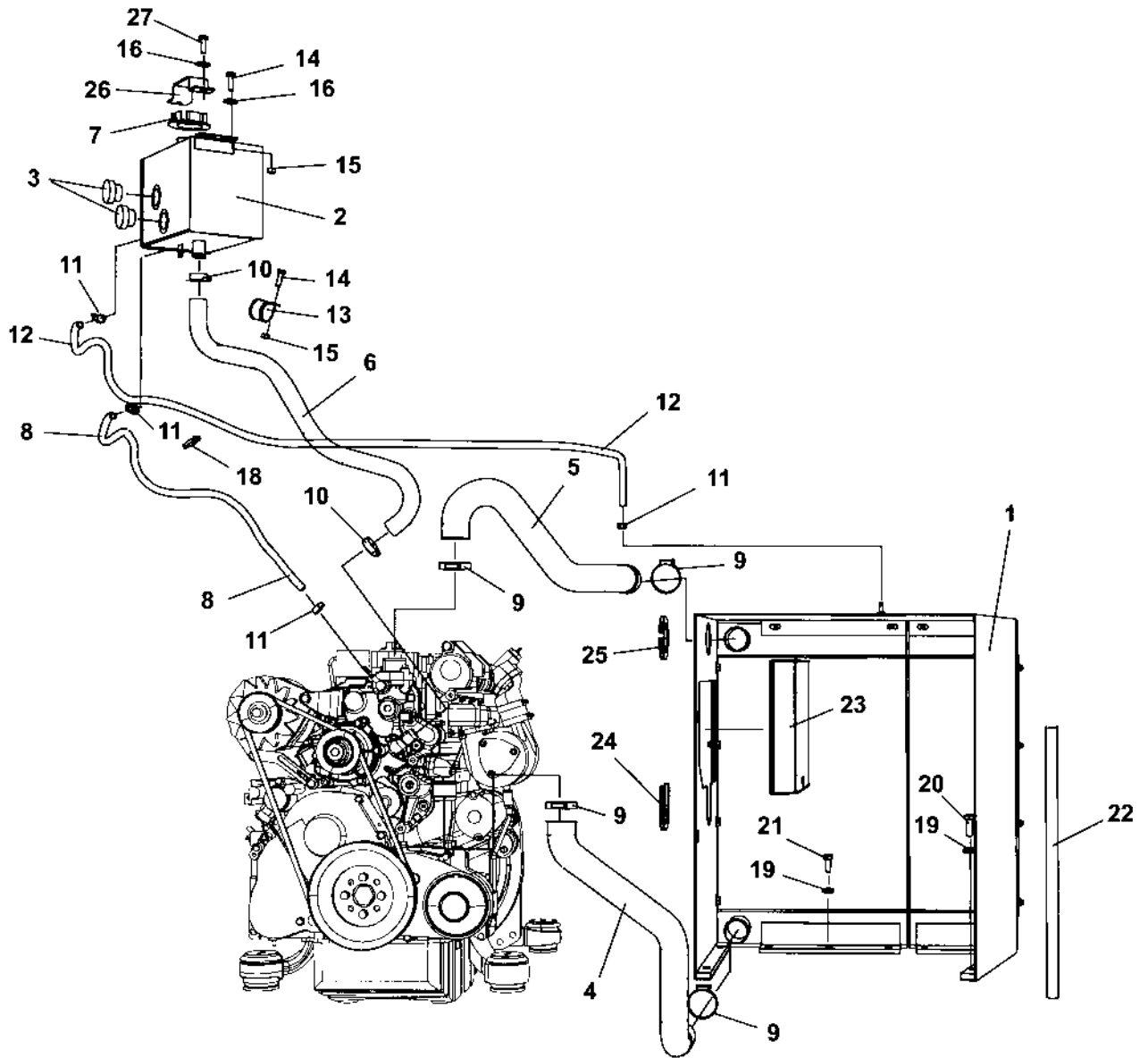


Cooling system

Item	Part No	Rem Qty	Description	Code
1	4700388667	1	Cooler	
2	4700940333	1	.Engine cooler	
3	4700940334	1	.Hydraulic cooler	
4	4700940335	1	.Hydraulic motor	
	4700940973	1	.Valve	
	4700940974	1	..Coil	
5	4700940336	1	.Fan	
6	4700940337	1	.Fan guard	
7	4700940338	1	.Fan cover	
8	4700940339	1	.Cover	
9	4700940362	1	.Plug	
10	4700940361	1	.Drain plug	
11	4700791321	1	Elbow adapter 90	
12	4700389773	2	Coolant hose	
13	4700791859	1	Elbow 45 orfs	
14	4700377364	1	Hose	
15	4700313007	1	Hose clamp	

Cooling system

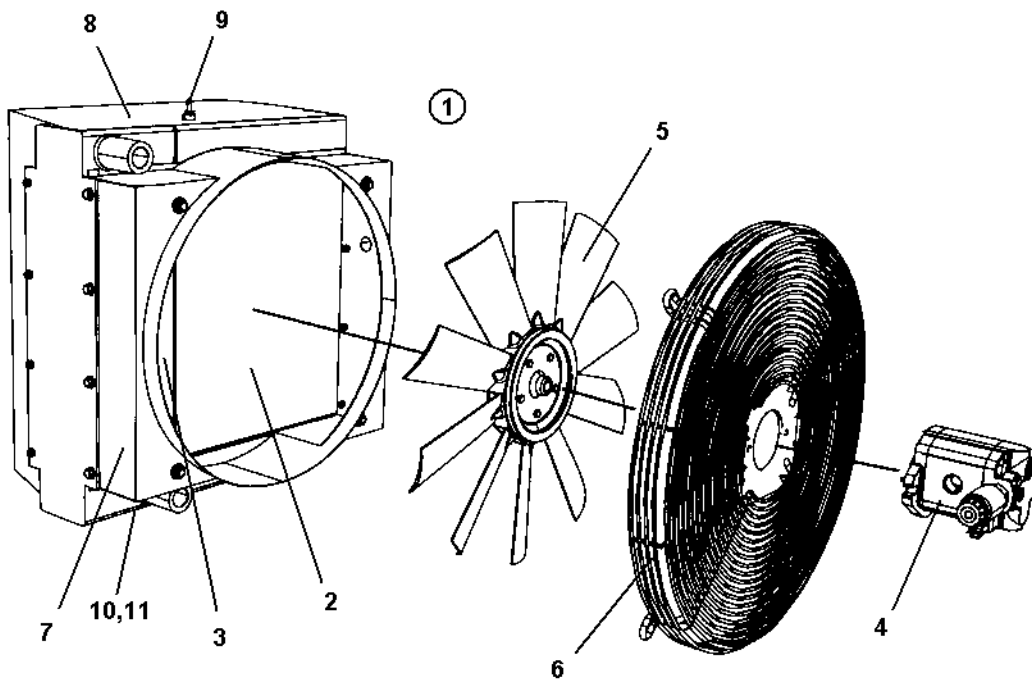
18773



Cooling system

Item	Part No	Rem Qty	Description	Code
1	4700394994	1	Cooler assembly (Page 70)	
2	4700394971	1	Expansion tank	
3	4700372597	2	Level glass	
4	4700395089	1	Coolant hose	
5	4700395090	1	Coolant hose	
6	4700395091	1	Coolant hose	
7	4700903714	1	Cap	
8	4700393126	A 1XL	Rubber hose	
9	4700313010	4	Hose clamp	
10	4700313004	2	Hose clamp	
11	4700313075	4	Hose clamp	
12	4700393126	B 1XL	Rubber hose	
13	4700921050	1	Clamp	
14	4700500021	4	Screw	M8-1,25x25 8.8
15	4700570005	4	Nut	M8
16	4700904640	5	Washer	8,4x22x3
18	4700313041	N	Cable ties	
19	4700904557	9	Washer	
20	4700500029	4	Screw	
21	4700500028	5	Screw	
22	4700904076	1XL	Edge trim	
23	4700395933	1	Cover	
24	4700202028	1XL	Edge trim	
25	4700202028	1XL	Edge trim	
26	4700397279	1	Protector	
27	4700500019	2	Screw	M8x16H 8.8 A2K

A) L= 0.75 m
B) L= 1.65 m



4700394994 Cooler assembly

Item	Part No	Rem Qty	Description	Code
1		1	Cooler assembly	
2	4700950245	1	.Radiator	
3	4700950246	1	.Oil cooler	
4	4700940335	1	.Hydraulic motor	
	4700940973	1	.Valve	
	4700940974	1	..Coil	
5	4700940336	1	.Fan	
6	4700950249	1	.Fan guard	
7	4700950248	1	.Fan cover	
8	4700950247	1	.Shroud	
9	4700950250	1	.Hose connector	
10	4700940361	2	.Drain plug	
11	4700950251	2	.Washer	

Hydraulic system

Item	Part No	Rem Qty	Description	Code
10			Propulsion and brake system, pump (Page 74)	
15			Propulsion and brake system, motors (Page 88)	
30			Vibration system, pump (Page 94)	
35			Vibration system, motors (Page 98)	
60			Steering system (Page 100)	

Propulsion and brake system, pump

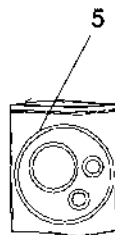
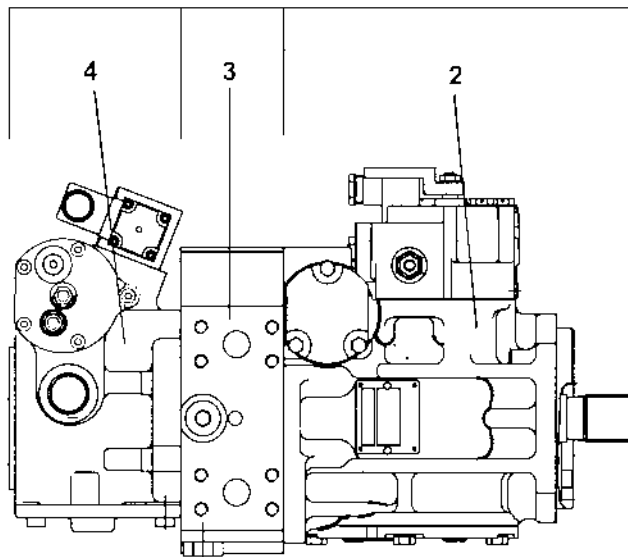
Item	Part No	Rem	Qty	Description		Code
3	4700393337		1	Hydraulic pump (Page 78)	Propulsion and vibration	C
6	4700359338		1	Flow divider		C
7	4700393339		1	Flushing valve		
8			1	Hydraulic oil filter, cpl		
	4700359551		1	.Filter head		
	4700372229	A	1	.Hydraulic oil filter element		A
	4700359552	B	1	Cleaning filter element	Maximum 50 hours use	
9	4700389447		1	Brake relief valve		
	4700940301		1	.Solenoid valve		
11	4700791402		1	Elbow 45, O-ring with swivel		
12	4700791846		3	Elbow 90, O-ring with swivel		
13	4700791318		1	Straight connector		
14	4700791825		2	Straight connector orfs		
15	4700791831		1	Tee-connector		
16	4700791791		1	Reducer		
21	4700791845		1	Elbow 90, O-ring with swivel		
22	4700791838		1	Elbow 90, O-ring with swivel		
23	4700603001		2	Washer		
25	4700791832		1	Tee-connector		
27	4700791850		1	Straight connector		
28	4700791414		4	T-connection, O-ring with swivel		
29	4700791409		4	Straight connector orfs		
30	4700791401		4	Elbow 90, O-ring with swivel		
31	4700791847		3	Straight connector		
32	4700923405		3	Measuring nipple		D
33	4700500192		2	Screw	M10x80	
34	4700791819		2	Flange fitting 90		
35	4700389430		1	Bracket		
37	4700904585		1	Reducer		
38	4700500028		2	Screw		
40	4700500186		2	Screw		
41	4700904557		4	Washer		
47	4700389779		1	Bracket		
49	4700904637		16	Washer		
50	4700900430		8	Flange half		
51	4700929226		6	Flange half		
52	4700500021		2	Screw	M8-1,25x25 8.8	
53	4700904004		3	O-ring		D
54	4700500019		2	Screw	M8x16H 8.8 A2K	
55	4700500194		4	Screw		
56	4700904213		4	Washer		
57	4700904229		20	Washer	8,4x16x1,5	
58	4700904228		4	Washer		
59	4700483749		1	Hydraulic hose		
60	4700483726		1	Hydraulic hose		
61	4700483791		1	Hydraulic hose		
66	4700376901		1	Hydraulic hose		
68	4700392582		2	Hydraulic hose		
79	4700483766		1	Hydraulic hose		
81	4700483960		1	Hydraulic hose		
82	4700483747		1	Hydraulic hose		
83	4700376906		1	Hydraulic hose		
85	4700483958		1	Hydraulic hose		
86	4700483718	C	1	Hydraulic hose		
87	4700483773	C	1	Hydraulic hose		
88	4700483959	C	1	Hydraulic hose		
89	4700483757		1	Hydraulic hose		

- A) Replacement
- B) Cleaning
- C) Hydraulic tank

Propulsion and brake system, pump

Item	Part No	Rem Qty	Description	Code
90	4700483758	1	Hydraulic hose	
91	4700483772	1	Hydraulic hose	
92	4700483771	1	Hydraulic hose	
93	4700502037	8	Screw	3/8"-16UNCx1.1/2" 8.8
94	4700500022	16	Screw	M8x30H 8.8 A2K
95	4700500029	4	Screw	
101	4700508053	4	Screw	
107	4700904230	4	Washer	
111	4700791231	1	Elbow 90	D
112	4700904003	4	O-ring	
113	4700791824	1	Straight connector	
114	4700376922	1	Check valve	
115	4700791698	1	Elbow 90, O-ring with swivel	
116	4700483730	1	Hydraulic hose	
117	4700904496	1	Connector	
126	4700392731	1	Bracket	
127	4700392743	1	Hand pump	
128	4700483771	1	Hydraulic hose	
129	4700483772	1	Hydraulic hose	
130	4700792246	3	Elbow 90 orfs	
131	4700791841	1	Elbow 90 orfs	
132	4700792362	1	Steel plug	
133	4700500013	2	Screw	M6-1x16 8,8

①

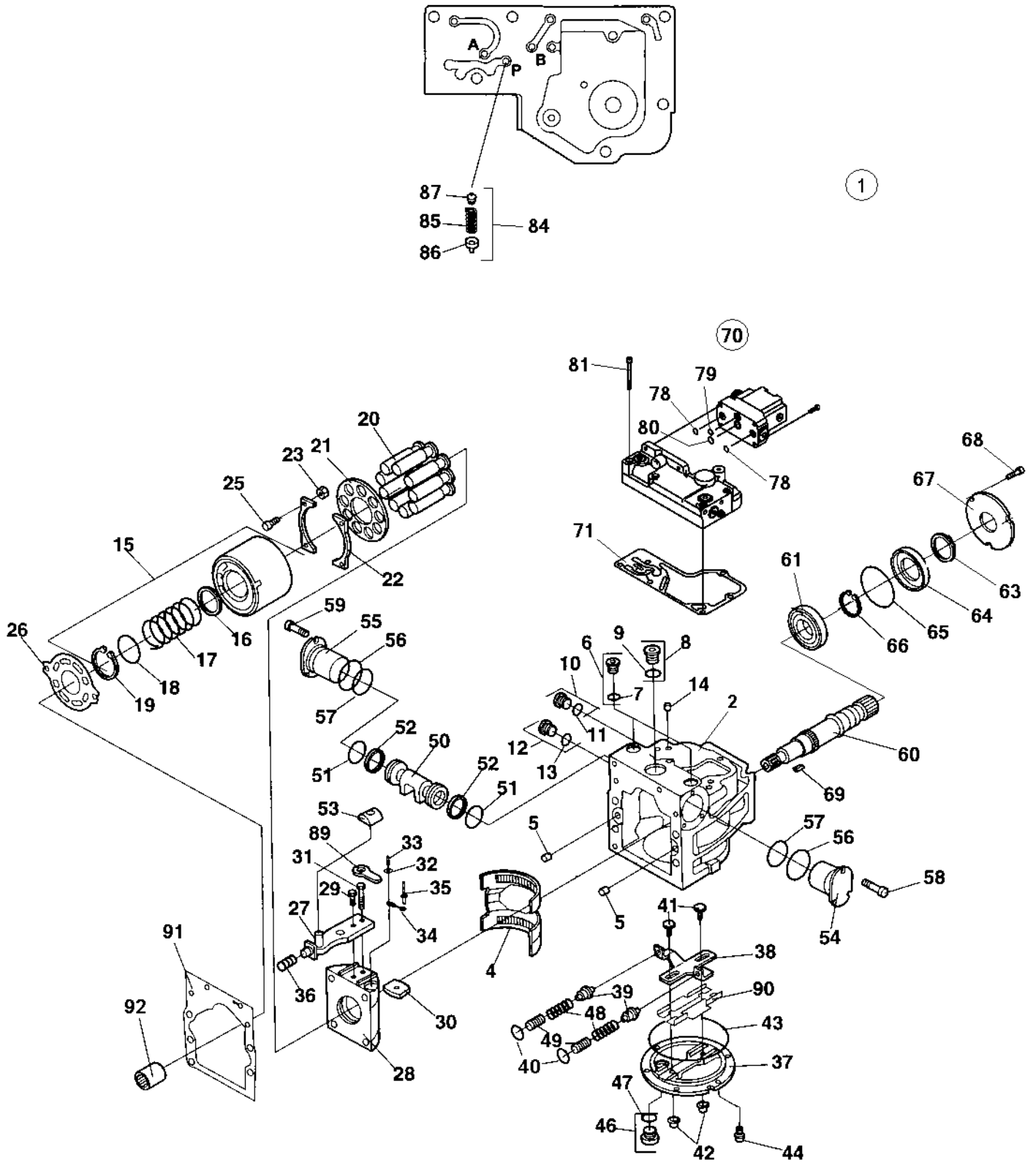


4700393337 Hydraulic pump Propulsion and vibration

Item	Part No	Rem Qty	Description	Code
1		1	Hydraulic pump, Cpl	Propulsion and Vibration
2		1	.Hydraulic pump (Page 80)	Propulsion pump
3		1	.Valve block (Page 84)	Middle part
4		1	.Hydraulic pump (Page 86)	Vibration pump
5		1	Seal kit	

Hydraulic pump Propulsion pump

16942-2



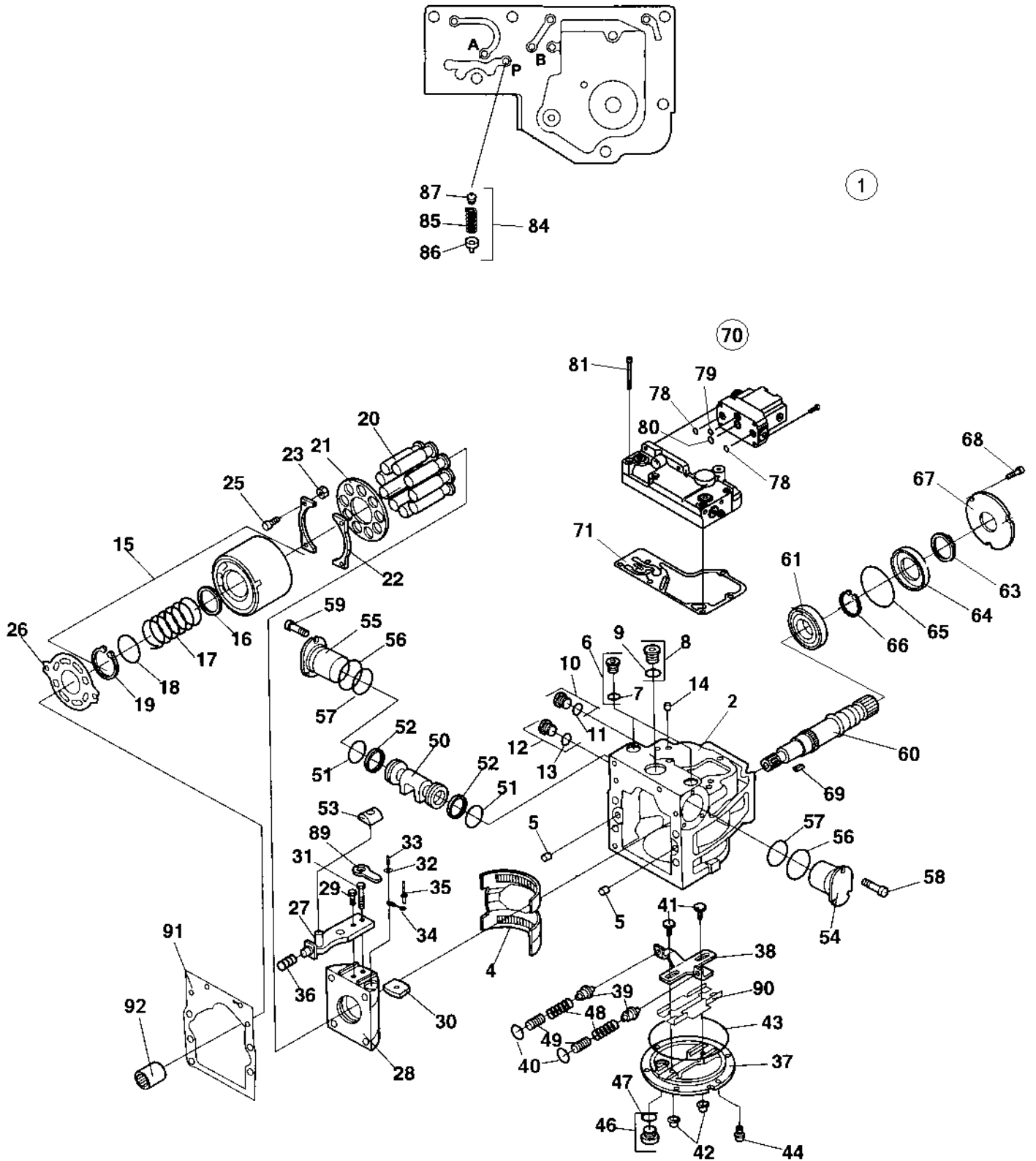
Hydraulic pump Propulsion pump

Item	Part No	Rem	Qty	Description	Code
1		1	1	Hydraulic pump	
2			1	.Housing	
4			1	.Bearing	
5			2	.Pin	
6			2	.Plug, cpl	
7		2	1	..O-ring	
8			1	.Plug	
9		2	1	..O-ring	
10			1	.Plug	
11		2	1	..O-ring	
12			1	.Plug	
13		2	1	..O-ring	
14			1	.Filter element	
15			1	.Rotating group, cpl	
16			1	..Spacer	
17			1	..Spring	
18			1	..Spring retainer	
19			1	..Retaining ring	
20	4700901720		9	.Piston	D
21	4700909246		1	.Retaining plate	
22			2	.Retainer guide	
23			4	.Spacer	
25			4	.Screw	
26			1	.Valve plate	
27	4700909384		1	.Servo arm, cpl	
28			1	.Swash plate	
29			1	.Screw	
30			1	.Guide	
31			1	.Screw	
32			1	.Washer	
33			1	.Pin	
34			1	.Link	
35	4700909392		1	.Pin	
36			1	.Spring	
37	4700937138		1	.Cover	
38			1	.Lever	
39	4700909396		2	.Spring retainer	
40			2	.Washer	
41	4700936552		2	.Guide post	
42		2	2	.Seal lock nut	
43		2	1	.O-ring	
44	4700936553		6	.Screw	
46			1	.Plug	
47		2	1	..O-ring	
48			2	.Spring	
49	4700909403		2	.Spring	
50	4700937140		1	.Piston, cpl	
51		2	2	..O-ring	
52		2	2	..Piston ring	
53	4700909407		1	.Guide	
54			1	.Servo sleeve	
55			1	.Servo sleeve	
56		2	2	.O-ring	
57		2	2	.O-ring	
58			3	.Screw	
59			3	.Screw	

- 1) This pump is an integrated part of pump PN 4700393337
- 2) Seals included in seal kit for cpl pump, PN 4700393337

Hydraulic pump Propulsion pump

16942-2



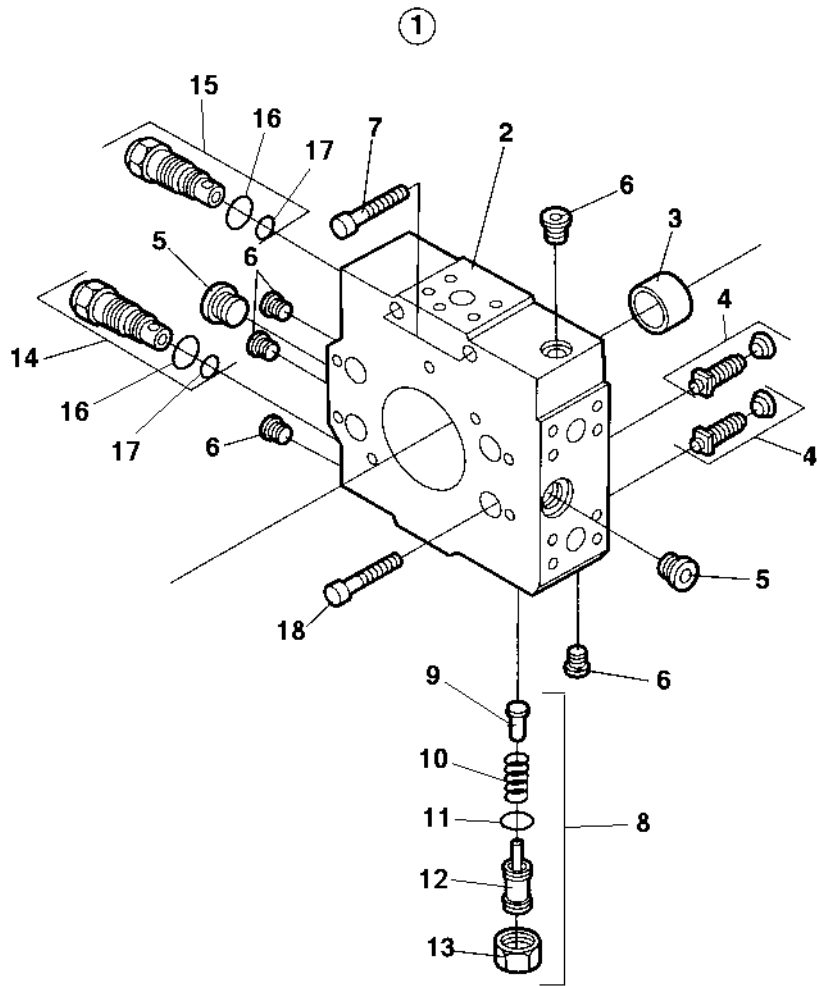
Hydraulic pump Propulsion pump

Item	Part No	Rem	Qty	Description	Code
60	4700909414	2	1	.Gasket	
61	4700901725		1	.Bearing	D
63	4700212346		1	.Shaft seal	D
64	4700909256		1	.Seal carrier	
65		2	1	.O-ring	
66	4700901727		1	.Snap ring	D
67			1	.Carrier seal	D
68			3	.Screw	D
69	4700909446		1	.Spring	
70	4700945656		1	.Control valve, cpl	
71		2	1	..Gasket	
78			2	..O-ring	
79			1	..O-ring	
80	4700909429		1	..O-ring	
81			6	..Screw	
83	4700909433		1	...O-ring	
84			1	.Orifice cpl	
85	4700909436		1	..Spring	
86	4700908448		1	..Spring retainer	
87	4700909435		1	..Orifice	
89			1	.Link	
90	4700937139		1	.Guide assy.	
91	4700909414		1	.Gasket	
92	4700909416		1	.Sleeve	

2) Seals included in seal kit for cpl pump, PN 4700393337

Valve block Middle part

17025-1



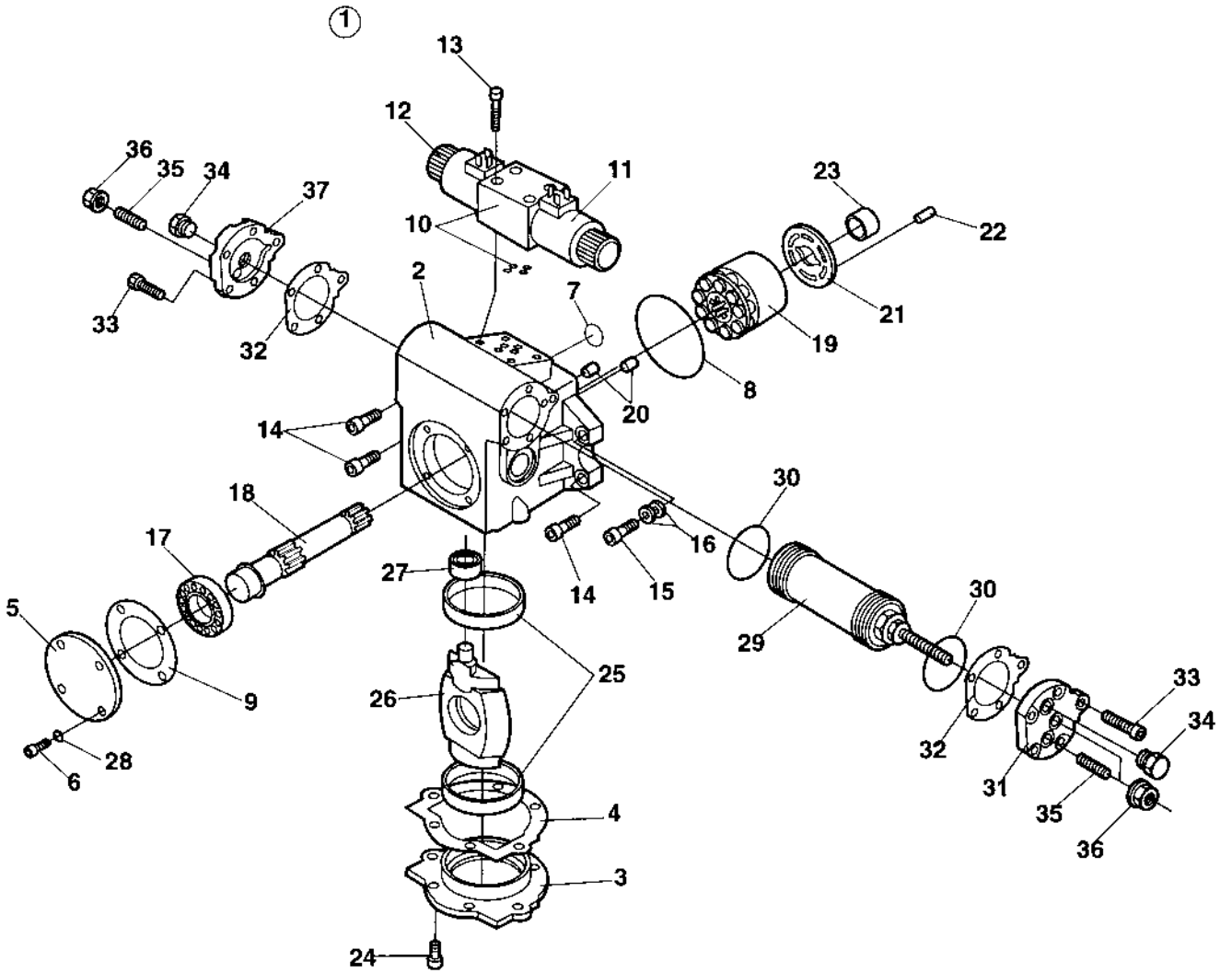
Valve block Middle part

Item	Part No	Rem	Qty	Description	Code
1		1	1	Valve block, cpl	
2	4700909412		1	.Valve block	
3	4700909413		1	.Bushing	
4	4700908455		2	.Relief valve	D
5	4700909243		2	.Plug	
6			5	.Plug	
7	4700909415		2	.Screw	
8			4	.Pressure relief valve	
9			1	..Valve cone	
10	4700937861		1	..Spring	D
11	4700813618	2	1	..O-ring	D
12	4700908428		1	..Adjustable screw, cpl	
13	4700902959		1	..Nut	
14	4700950605		1	.Valve	
15	4700950605		1	.Valve	
16	4700481126		2	.O-ring	D
17	4700936579		2	.O-ring	
18	4700909417		4	.Screw	

- 1) This valve block is an integrated part of pump PN 4700393337
- 2) Seals included in seal kit for cpl pump PN 4700393337

Hydraulic pump Vibration pump

17026



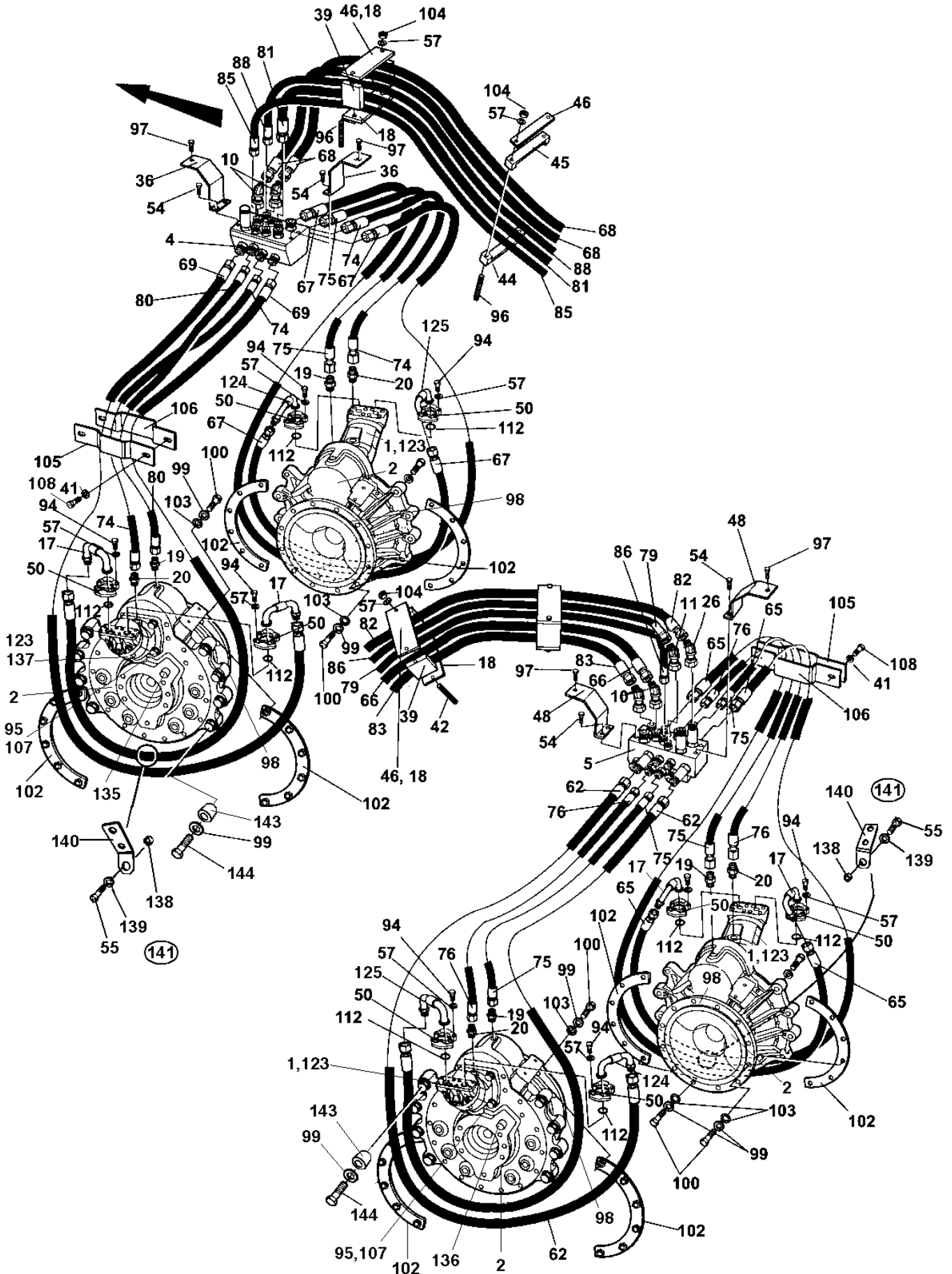
Hydraulic pump Vibration pump

Item	Part No	Rem	Qty	Description	Code
1		1	1	Hydraulic pump, vibration	
2			1	.Housing	
3	4700909439		1	.Cover	
4	4700909440	2	1	.Gasket	
5			1	.Valve plate	
6			4	.Screw	
7	4700910706	2	1	.O-ring	
8	4700909485	2	1	.O-ring	
9		2	1	.Gasket	
10	4700909215		1	.Solenoid valve	
11	4700940580		2	..Solenoid valve	
12			2	..Nut	
13	4700909204		4	.Screw	
14	4700902940		3	.Screw	
15	4700902940		1	.Screw	
16	4700909445		2	.Washer	
17	4700909448		1	.Bearing	
18			1	.Shaft	
19			1	.Cylinder block, cpl	
20			2	.Pin	
21	4700909471		1	.Valve plate	
22	4700909450		1	.Pin	
23	4700909344		1	.Needle roller bearing	
24	4700908773		6	.Screw	
25	4700909449		2	.Needle roller bearing	
26	4700909477		1	.Swash plate	
27	4700909472		1	.Needle roller bearing	
28		2	1	.Sealing ring	
29	4700909473		1	.Piston, cpl	
30	4700909474		2	.Seal ring	
31			1	.Cover	
32	4700908772	2	2	.Gasket	
33	4700908773		10	.Screw	
34			2	.Plug	
35	4700908775		2	.Screw	
36	4700908774	2	2	.Nut	
37			1	.Cover	

- 1) This pump is an integrated part of pump PN 4700393337
- 2) Seals included in seal kit for cpl pump PN 4700393337

Propulsion and brake system, motors

18463-1



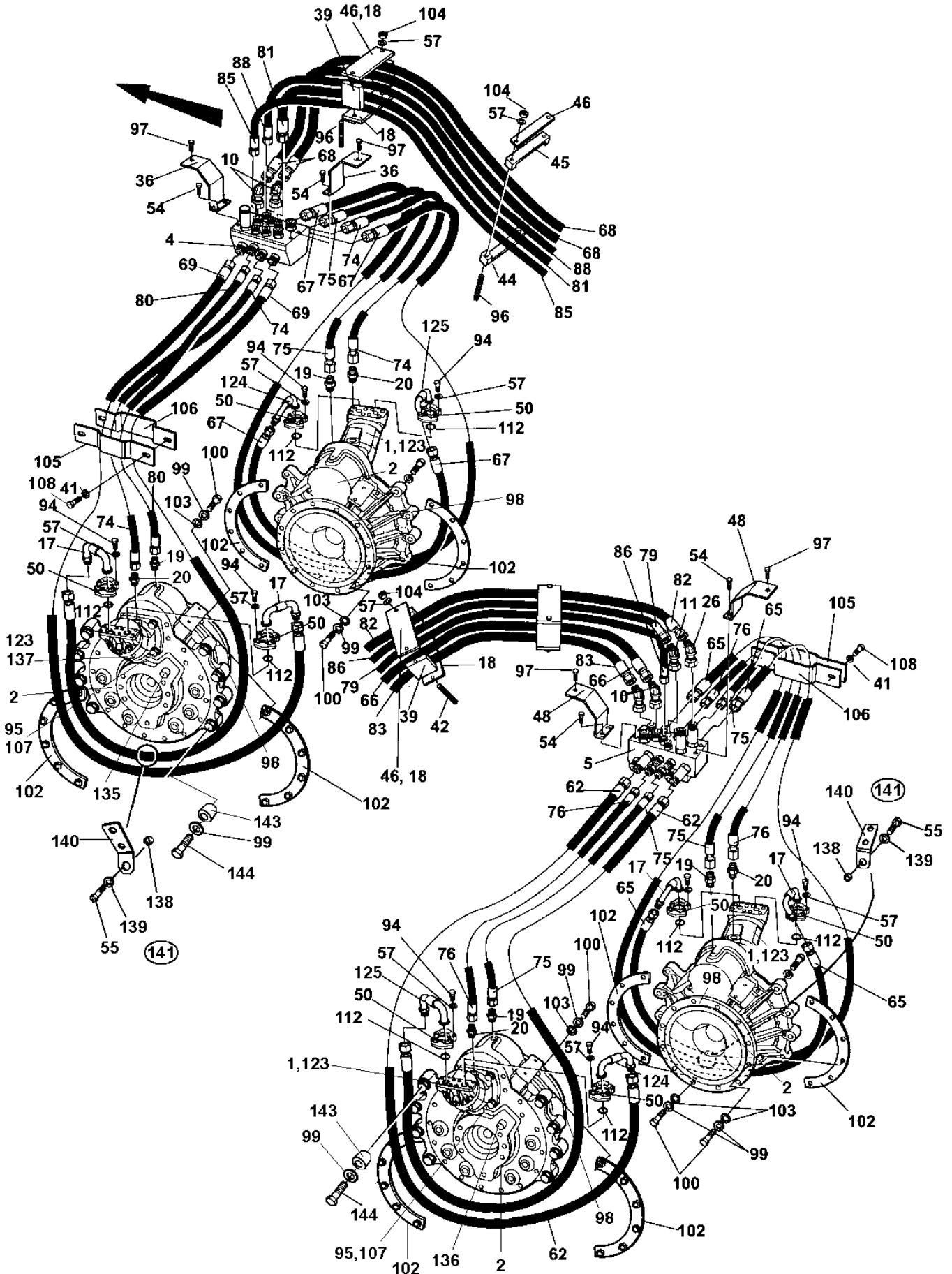
Propulsion and brake system, motors

Item	Part No	Rem Qty	Description	Code
1	4700391335	3	Hydraulic motor	
2	4700392024	4	Gear box (Page 92)	
4	4700389378	1	Connection block	
5	4700389419	1	Connection block	
10	4700791837	4	Elbow 45, O-ring with swivel	
	4700940970	1	.O-ring	
11	4700791402	1	Elbow 45, O-ring with swivel	
17	4700392858	4	Flange fitting	
18	4700373182	12	Hose clamp	
19	4700791536	4	Straight connector	
20	4700791535	4	Connector	
26	4700904781	1	Adapter	
36	4700389217	2	Bracket	
39	4700380084	6	Spacer	
41	4700904557	4	Washer	
42	4700791860	2	Stud	
44	4700382224	1	Hose clamp	
45	4700373181	1	Hose clamp	
46	4700373180	4	Bracket	
48	4700371986	2	Holder plate	
50	4700900430	16	Flange half	
54	4700500019	8	Screw	M8x16H 8.8 A2K
55	4700500194	8	Screw	
57	4700904229	40	Washer	8,4x16x1,5
62	4700392581	2	Hydraulic hose	
65	4700392583	2	Hydraulic hose	
66		1	1 Hydraulic hose	
67	4700392584	2	Hydraulic hose	
68		1	2 Hydraulic hose	
69	4700392585	2	Hydraulic hose	
74	4700483760	2	Hydraulic hose	
75	4700483954	3	Hydraulic hose	
76	4700483761	2	Hydraulic hose	
79		1	1 Hydraulic hose	
80	4700483957	1	Hydraulic hose	
81		1	1 Hydraulic hose	
82		1	1 Hydraulic hose	
83		1	1 Hydraulic hose	
85		1	1 Hydraulic hose	
86		1	1 Hydraulic hose	
88		1	1 Hydraulic hose	
94	4700500022	32	Screw	M8x30H 8.8 A2K
95	4700500029	16	Screw	
96	4700791807	6	Stud	
97	4700500163	4	Screw	M12x16
98	4700904981	4	O-ring	
99	4700904232	80	Washer	
100	4700947698	48	Screw	M16x55 10.9
102	4700392698	8	Holder	
103	4700162011	48	Washer, sealing	
104	4700791182	8	Lock nut	M8
105	4700383460	2	Hose clamp	
106	4700383462	2	Hose clamp	
107	4700904230	16	Washer	
108	4700500030	4	Screw	
112	4700904003	8	O-ring	

1) See section "Propulsion & brake system, pump".

Propulsion and brake system, motors

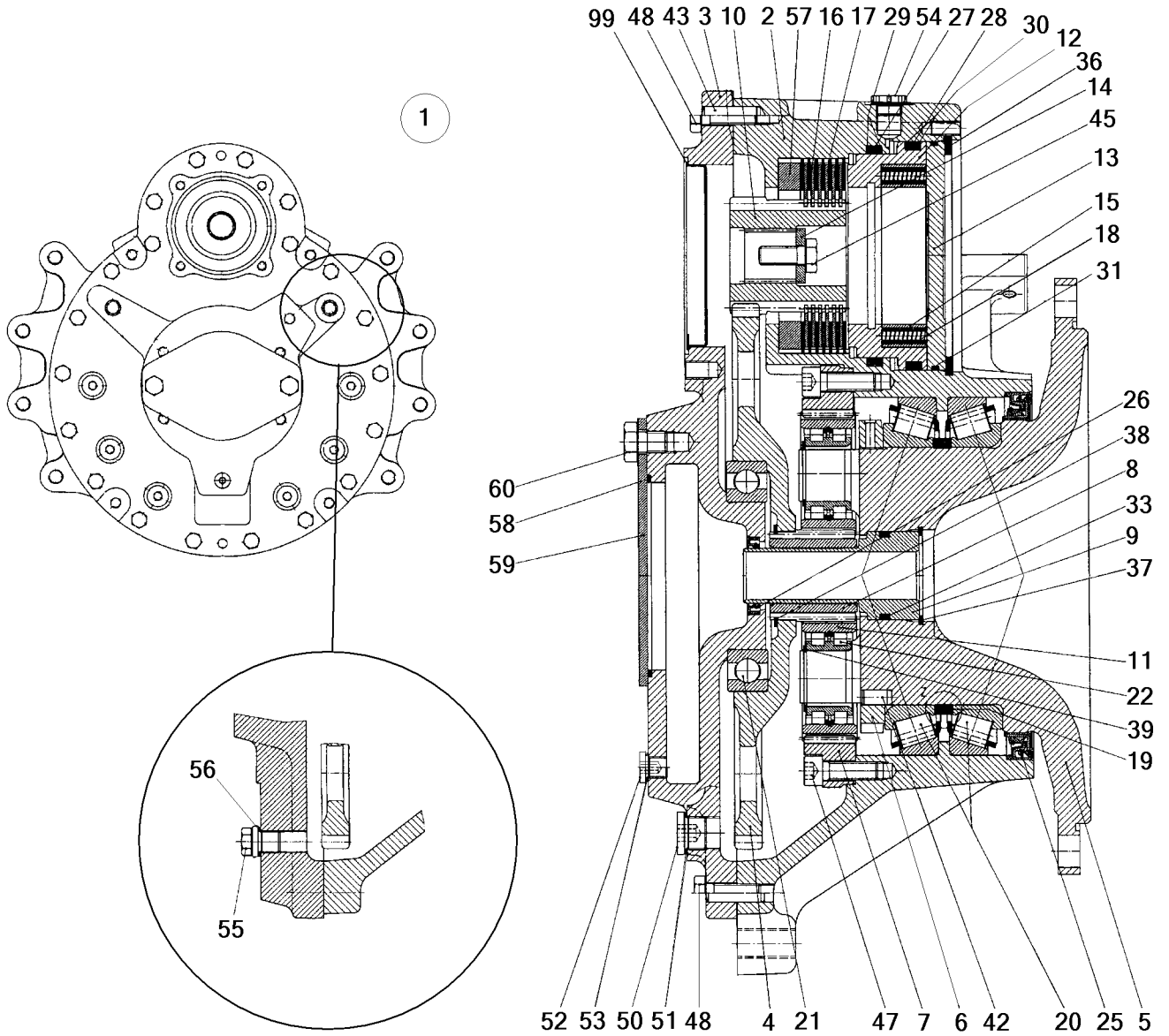
18463-1



Propulsion and brake system, motors

Item	Part No	Rem	Qty	Description	Code
118	4700921056		2	Clamp	
119	4700903768		2	Threaded stud	
120	4700902286		2	Lock nut	M8
121	4700570005		2	Nut	M8
123	4700792373		4	O-ring	
124	4700392858		2	Flange fitting	
125	4700392858		2	Flange fitting	
135	4700391780		2	Ventilating filter	
136	4700904951		2	Plug	
137	4700393961		1	Hydraulic motor	
138	4700383024		8	Spacer sleeve	
139	4700904231		8	Washer	13x24x2 300 HV
140	4700395883		8	Bracket	
141	4700313102		N	Cable ties	
142	4700396223	2	4	Rebuilding kit	
143	4700357384		32	Spacer sleeve	
144	4700947942		32	Screw	M16x70 10.9

2) Kit for one drum gear. Includes item 55x2,138x2,139x2,140x2 and 141x2.

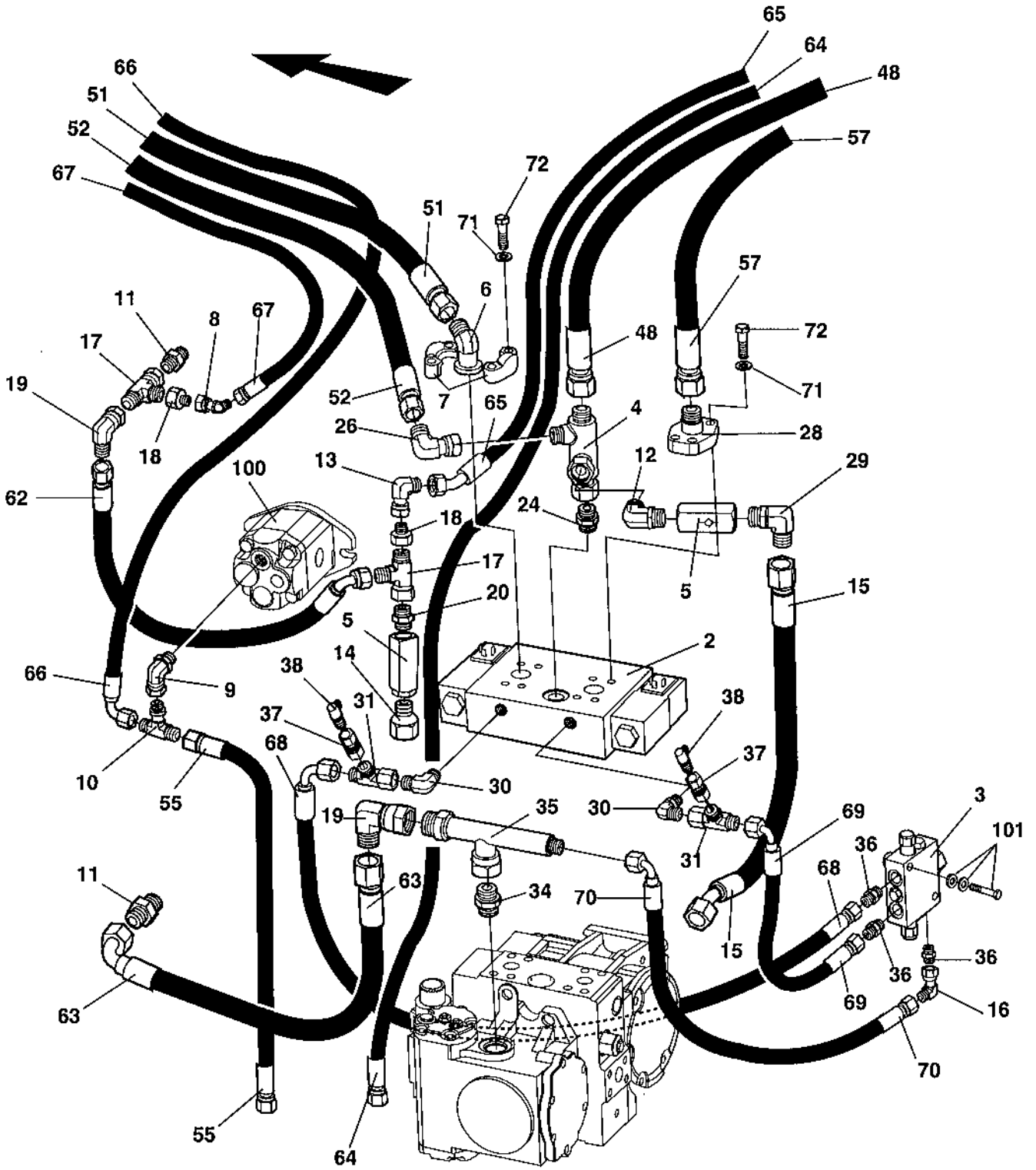


4700392024 Gear box

Item	Part No	Rem Qty	Description	Code
1	4700392024	1	Gear box (Page 92)	
2		1	.Housing	
3		1	.Housing	
4		1	.Spur wheel	
5		1	.Spindle	
6		1	.Shaft nut	
7		1	.Gear	
8		1	.Gear	
9		1	.Bushing	
10		1	.Shaft	
11		4	.Planet gear	
12		1	.Piston	
13		1	.Cover	
14		1	.Disc	
15		1	.Spacer ring	
16	4700950479	6	.Inner disc	
17	4700950480	7	.Outer disc	
18		12	.Pressure spring	
19		1	.Spacer ring	
20	4700950481	2	.Tapered roller bearing	
21	4700950482	1	.Ball bearing	
22	4700950483	4	.Roller bearing	
25	4700950484	1	.Lip seal	
26	4700950485	1	.Seal ring	
27	4700950486	1	.Piston seal	
28	4700950486	1	.Piston seal	
29	4700950487	2	.Supporting ring	
30	4700950488	2	.Supporting ring	
31	4700950489	1	.O-ring	
33	4700950490	1	.O-ring	
36		1	.Snap ring	
37		1	.Snap ring	
38		1	.Snap ring	
39		4	.Snap ring	
42		2	.Pin	
43		2	.Pin	
45		1	.Screw	
47		24	.Screw	
48		20	.Screw	
50	4700950491	6	.Plug	
51	4700950492	6	.Seal ring	
52	4700950493	1	.Plug	
53	4700950494	1	.Seal ring	
54	4700950495	1	.Plug	
55	4700950496	2	.Plug	
56	4700950494	2	.Seal ring	
57		1	.Ring	
58	4700950497	1	.O-ring	
59		1	.Motor plate	
60		2	.Screw	
99		1	.Plug	

Vibration system, pump

18207



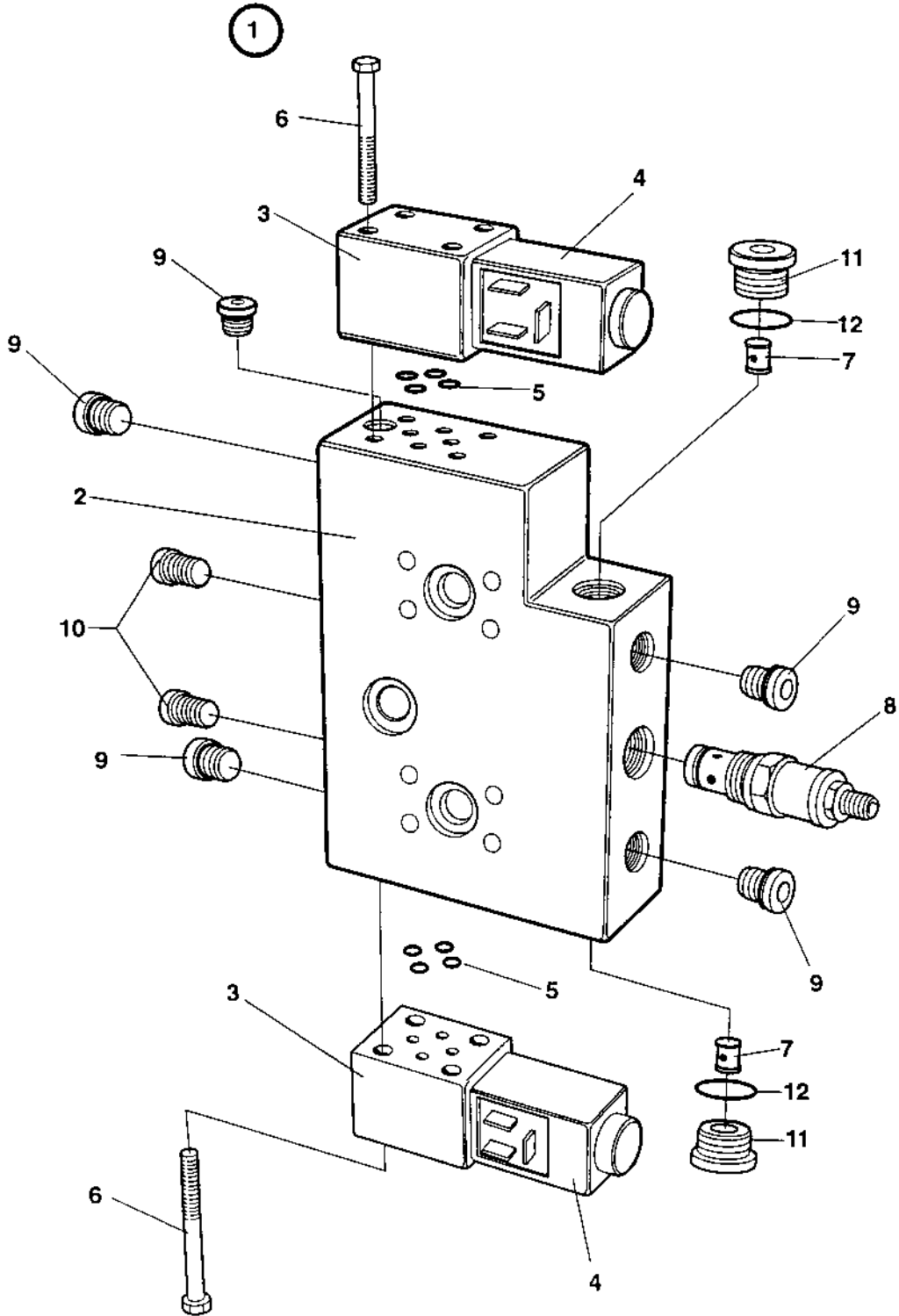
Vibration system, pump

Item	Part No	Rem Qty	Description	Code
2	4700359140	1	Valve (Page 96)	C
3	4700393339	1	Flushing valve	
4	4700376921	1	Connector	
5	4700903774	2	Check valve	
6	4700904690	1	Connector	
7	4700929226	2	Flange half	
8	4700791837	1	Elbow 45, O-ring with swivel	
	4700940970	1	.O-ring	
9	4700792111	1	Elbow 90, O-ring with swivel	
10	4700791797	1	Tee-connector orfs	
11	4700791318	2	Straight connector	
12	4700792068	1	Elbow 90	
13	4700791745	1	Elbow 90, O-ring with swivel	
14	4700791824	1	Straight connector	
15	4700483775	1	Hydraulic hose	
16	4700791401	1	Elbow 90, O-ring with swivel	
17	4700904496	2	Connector	
18	4700791791	2	Reducer	
19	4700904584	2	Elbow connector 90	
20	4700904728	1	Adapter	
24	4700791743	1	Straight connector orfs	
26	4700904766	1	Elbow adapter 90	
28	4700791857	1	Straight flange connector	
29	4700791698	1	Elbow 90, O-ring with swivel	
30	4700791846	2	Elbow 90, O-ring with swivel	
31	4700791414	2	T-connection, O-ring with swivel	
34	4700791823	1	Straight connector orfs	
35	4700376697	1	Connector	
36	4700791409	3	Straight connector orfs	
37	4700791847	2	Straight connector	
38	4700923405	2	Measuring nipple	D
48		1	Hydraulic hose	D
51	4700483966	1	Hydraulic hose	
52	4700483965	1	Hydraulic hose	
55	4700483909	1	Hydraulic hose	
57	4700483753	1	Hydraulic hose	
62	4700483731	1	Hydraulic hose	
63	4700483732	1	Hydraulic hose	
64	4700483719	1	Hydraulic hose	
65	4700483723	1	Hydraulic hose	
66	4700483964	1	Hydraulic hose	
67	4700483963	1	Hydraulic hose	
68	4700483759	1	Hydraulic hose	
69	4700483756	1	Hydraulic hose	
70	4700483770	1	Hydraulic hose	
71	4700904637	8	Washer	
72	4700502047	8	Screw	
100		2	Hydraulic motor	
101		3	Existing parts	

- 1) See section " Vibration system, motors "
- 2) See section " Cooling system"
- 3) See section "Propulsion and brake system, pump "

4700359140 Valve Vibration

15765-1

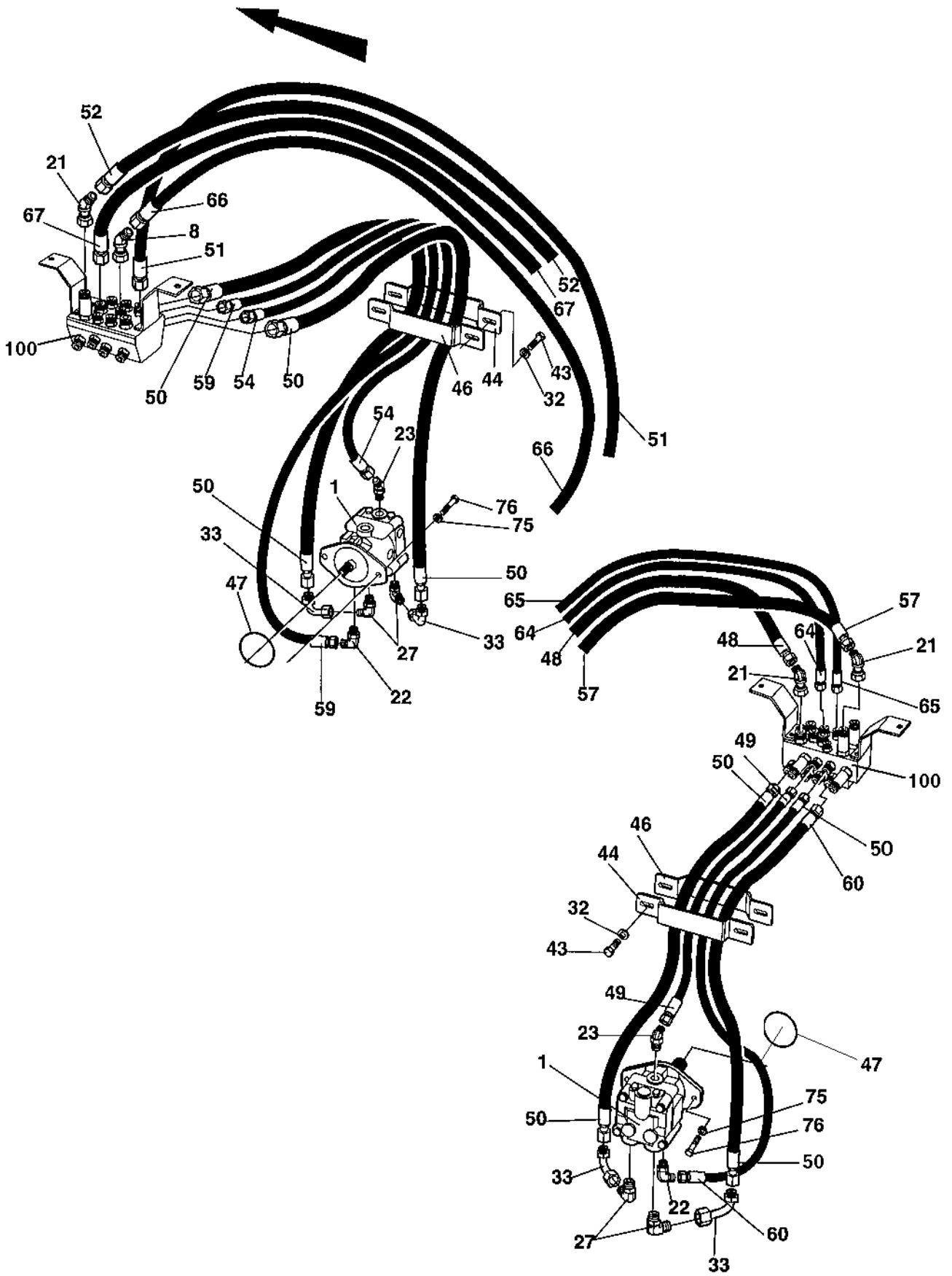


4700359140 Valve Vibration

Item	Part No	Rem Qty	Description	Code
1		1	Valve, cpl	Vibration
2	4700909201	1	.Valve block	
3	4700909202	2	.Solenoid valve	
5	4700909208	8	.O-ring	D
6	4700909204	8	.Screw	
7	4700909205	2	.Check valve	D
8	4700909206	1	.Pressure relief valve	D
9	4700909207	5	.Plug with sealing	
10	4700902937	2	.Plug	
11	4700909217	2	.Plug	
12	4700909216	2	.O-ring	

Vibration system, motors

18451



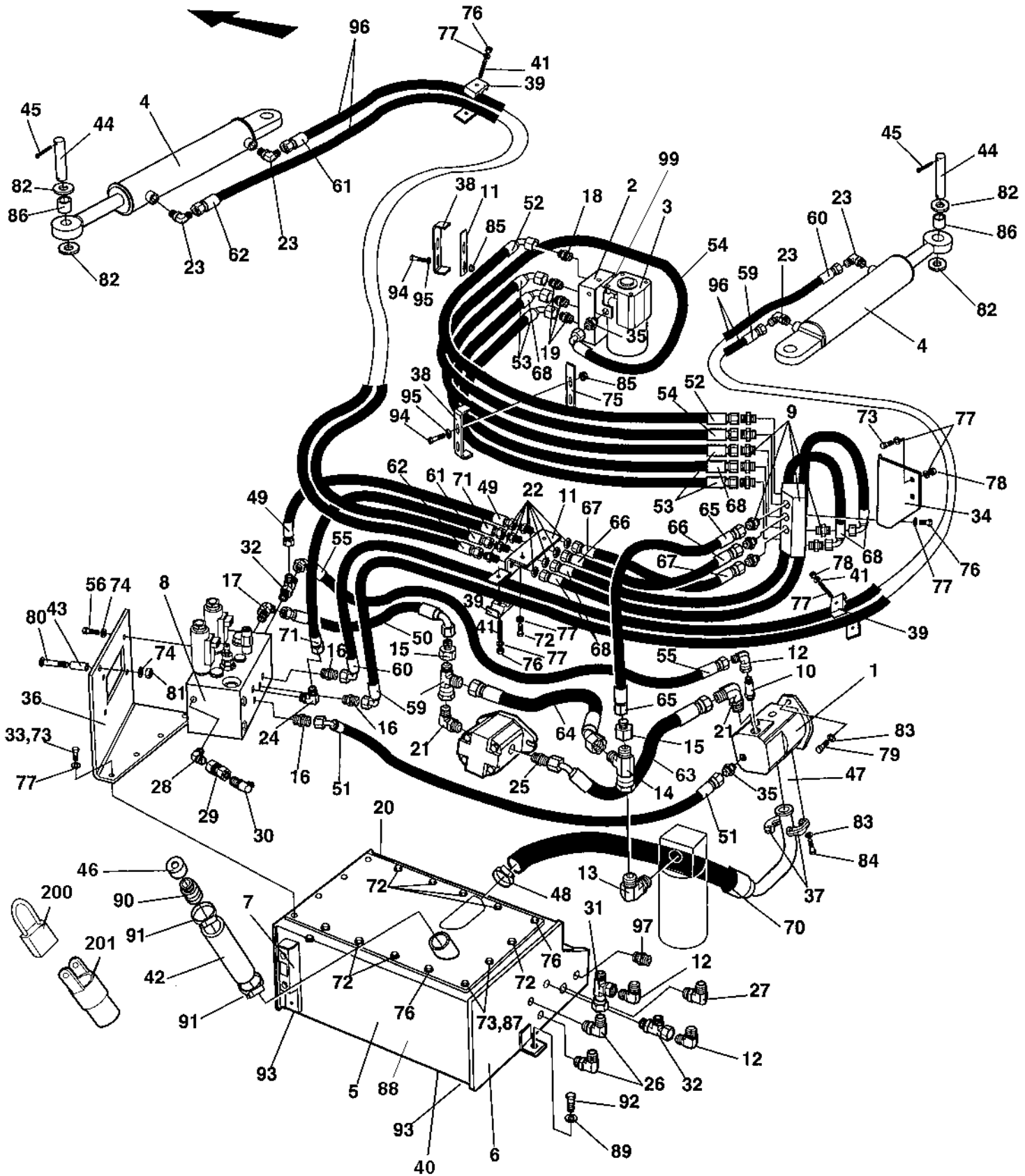
Vibration system, motors

Item	Part No	Rem	Qty	Description	Code
1	4700391331		2	Hydraulic motor, Cpl	C
8	4700791837		1	Elbow 45, O-ring with swivel	
	4700940970		1	.O-ring	
21	4700904781		3	Adapter	
22	4700791840		2	Elbow adapter 90, O-ring with swivel	
23	4700791796		2	Elbow 45, O-ring with swivel	
27	4700791843		4	Elbow 90, O-ring with swivel	
32	4700904557		4	Washer	
33	4700389446		4	Connector	
43	4700500030		4	Screw	
44	4700383459		2	Hose clamp	
46	4700383461		2	Hose clamp	
47	4700792373		2	O-ring	
48	4700483750		2	Hydraulic hose	
49	4700483968		1	Hydraulic hose	
50	4700483969		3	Hydraulic hose	
51		1	1	Hydraulic hose	
52		1	1	Hydraulic hose	
54	4700483968		1	Hydraulic hose	
57		1	1	Hydraulic hose	
59	4700483967		1	Hydraulic hose	
60	4700483967		1	Hydraulic hose	
64		1	1	Hydraulic hose	
65		1	1	Hydraulic hose	
66		1	1	Hydraulic hose	
67		1	1	Hydraulic hose	
75	4700904213		4	Washer	
76	4700500046		4	Screw	
100		2		Existing parts	

- 1) See section " Vibration system, pump"
- 2) See section " Propulsion and brake system, motors ".

Steering system

18208

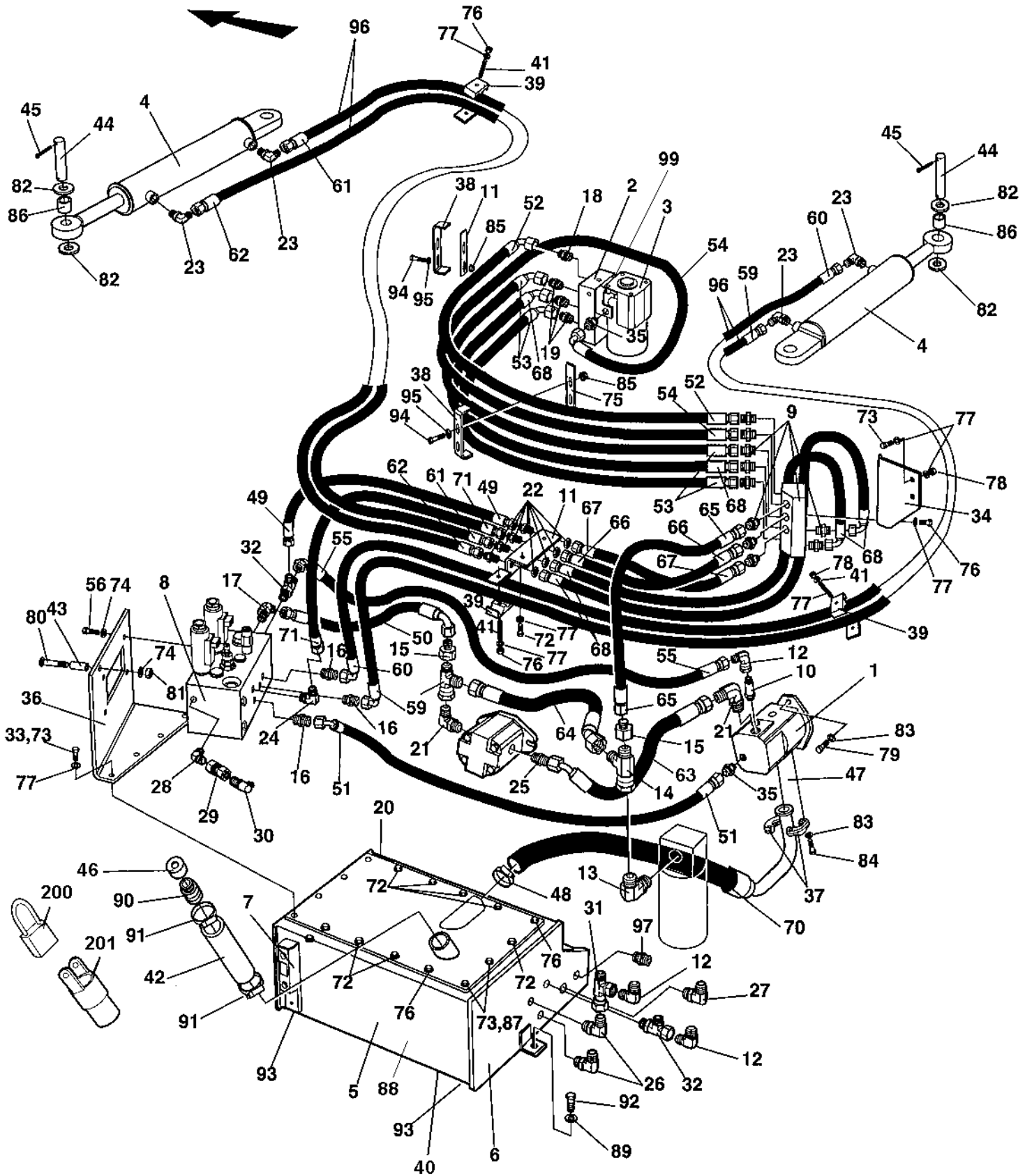


Steering system

Item	Part No	Rem Qty	Description	Code
1	4700376916	1	Hydraulic pump Up to 86120399	
	4700395952	1	Hydraulic pump From 86120400	
2	4700370155	1	Valve block	
3	4700376912	1	Steering valve, cpl (Page 104)	
4	4700392505	2	Steering cylinder w. linear sensor, cpl (Page 106)	
5	4700389427	1	Hydraulic oil tank	
6	4700389423	1	Tank cover	
7	4700989151	1	Oil level glass	D
8	4700389451	1	Multifunction block (Page 108)	
	4700940304	1	.Filter	
9	4700389448	1	Connection block	
10	4700791826	1	Straight connector orfs	
11	4700376574	1	Bracket	
12	4700791745	3	Elbow 90, O-ring with swivel	
13	4700791321	1	Elbow adapter 90	
14	4700904496	2	Connector	
15	4700791791	2	Reducer	
16	4700791409	3	Straight connector orfs	
17	4700791796	1	Elbow 45, O-ring with swivel	
18	4700791799	1	Straight connector orfs	
19	4700791828	3	Straight connector orfs	
20	4700357141	1	O-ring	
21	4700791838	2	Elbow 90, O-ring with swivel	
22	4700791830	4	Bulkhead union	
23	4700791398	4	Elbow 90, O-ring	
24	4700791846	1	Elbow 90, O-ring with swivel	
25	4700791539	1	Straight connector	
26	4700791841	2	Elbow 90 orfs	
27	4700791231	1	Elbow 90	D
28	4700791836	1	Elbow adapter 45	
29	4700791847	1	Straight connector	
30	4700923405	1	Measuring nipple	D
31	4700791798	1	T-connector	
32	4700791833	2	T-connector	
33	4700500022	2	Screw	M8x30H 8.8 A2K
34	4700389450	1	Bracket	
35	4700791827	2	Straight connector orfs	
36	4700389421	1	Bracket	
37	4700232119	2	Split flange	
38	4700359649	2	Hose clamp	
39	4700904085	4	Pipe clamp	
40	4700892446	1	Plug	
41	4700791858	4	Stud	
42	4700205067	1	Rubber hose	
43	4700389784	1	Spacer sleeve	
44	4700357419	4	Shaft	D
45	4700630019	8	Cotter pin	D
46	4700357138	1	Ventilating filter	A
47	4700813443	1	O-ring	D
48	4700923378	1	Hose clamp	
49	4700483739	1	Hydraulic hose	
50	4700483725	1	Hydraulic hose	
51	4700483740	1	Hydraulic hose	
52	4700483727	1	Hydraulic hose	
53	4700483745	2	Hydraulic hose	
54	4700483741	1	Hydraulic hose	
55	4700483746	1	Hydraulic hose	
56	4700500048	4	Screw	M10-1,5x20 8,8
59	4700483795	1	Hydraulic hose	

Steering system

18208



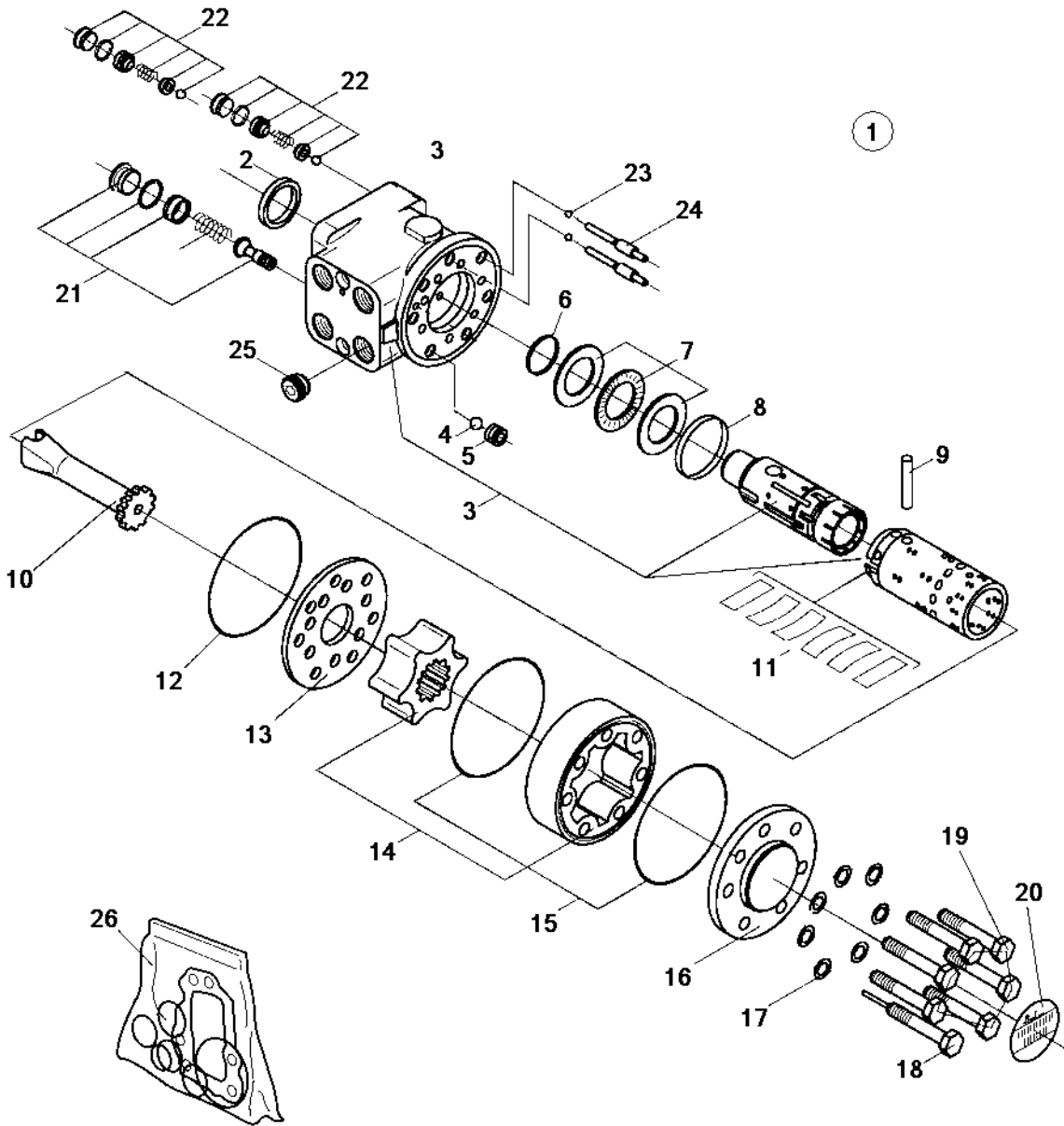
Steering system

Item	Part No	Rem	Qty	Description	Code
60	4700483796		1	Hydraulic hose	
61	4700483961		1	Hydraulic hose	
62	4700483962		1	Hydraulic hose	
63	4700483912		1	Hydraulic hose	
64	4700483730		1	Hydraulic hose	
65	4700483722		1	Hydraulic hose	
66	4700483737		1	Hydraulic hose	
67	4700483738		1	Hydraulic hose	
68	4700483744		3	Hydraulic hose	
70	4700389452		1	Hydraulic hose	
71	4700483736		1	Hydraulic hose	
72	4700500019		9	Screw	M8x16H 8.8 A2K
73	4700500021		6	Screw	M8-1,25x25 8.8
74	4700904230		5	Washer	
75	4700359650		2	Hose clamp	
76	4700500053		7	Screw	M8x20H 8.8
77	4700904229		28	Washer	8,4x16x1,5
78	4700791182		6	Lock nut	M8
79	4700508096		2	Screw	
80	4700903524		1	Bolt	
81	4700791172		1	Lock nut	
82	4700600016		8	Washer	26x45x4
83	4700904637		6	Washer	
84	4700500029		4	Screw	
85	4700902285		4	Lock nut	M6
86	4700376779		6	Spacer	
87	4700904640		2	Washer	8,4x22x3
88	4700376764		1	Rubber cloth	
89	4700904567		2	Washer	10,5x28x6 HB305
90	4700357139		1	Connector	
91	4700313008		2	Hose clamp	D
92	4700500028		2	Screw	
93	4700357459		2	Rubber cloth	
94	4700500061		4	Screw	M6-1X35 8,8
95	4700904228		4	Washer	
96	4700903082		NXL	Hose shield	
97	4700791823		1	Straight connector orfs	
99	4700160287		4	O-ring	D
200	4700904603	1	1	Pad lock	
201	4700376449	1	1	Connector	

1) Used when Bio-hydraulic oil.

4700376912 Steering valve, cpl

18884



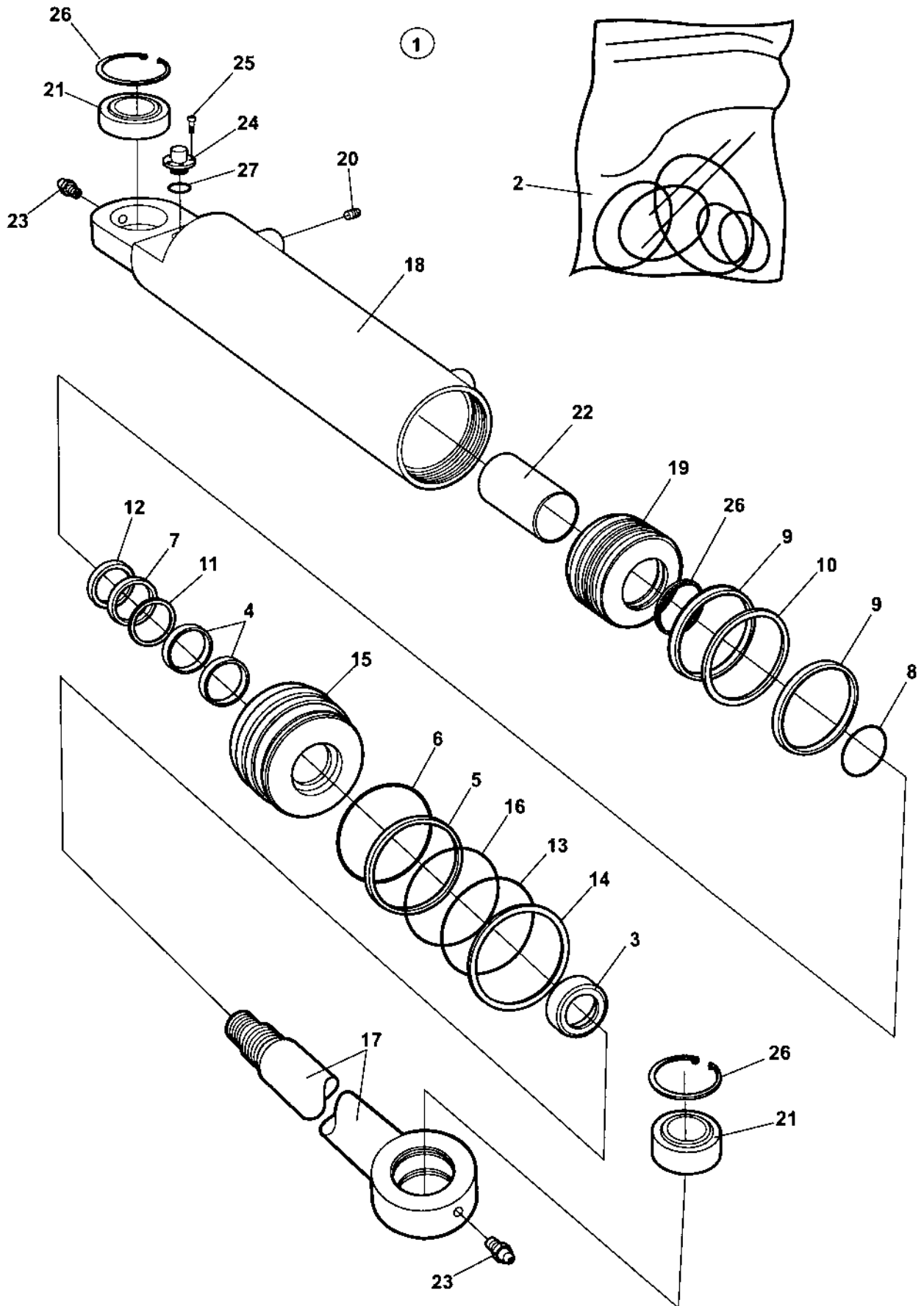
4700376912 Steering valve, cpl

Item	Part No	Rem	Qty	Description	Code
1	4700376912		1	Steering valve, cpl (Page 104)	
2		A	1	.Seal ring	
3			1	.Housing, seats and spool	
4			1	.Ball	
5			1	.Threaded bushing	
6		A	1	.O-ring	
7			1	.Bearing assembly	
8			1	.Ring	
9			1	.Cross pin	
10			1	.Cardan shaft	
11			1	.Set off springs	
12		A	1	.O-ring	
13			1	.Distributor plate	
14			1	.Gear wheel set	
15		A	2	.O-ring	
16			1	.End cover	
17		A	7	.Washer	
18			1	.Screw with pin	
19			6	.Screw	
20			1	.Name plate	
21			1	.Pilote relief valve	
22			2	.Shock valve	
23			2	.Ball	
24			2	.Bushing with pin	
25			1	.Check valve	
26	4700908783		1	.Seal kit	D

A) Included in seal kit, item 26

4700392505 Steering cylinder, cpl

18813

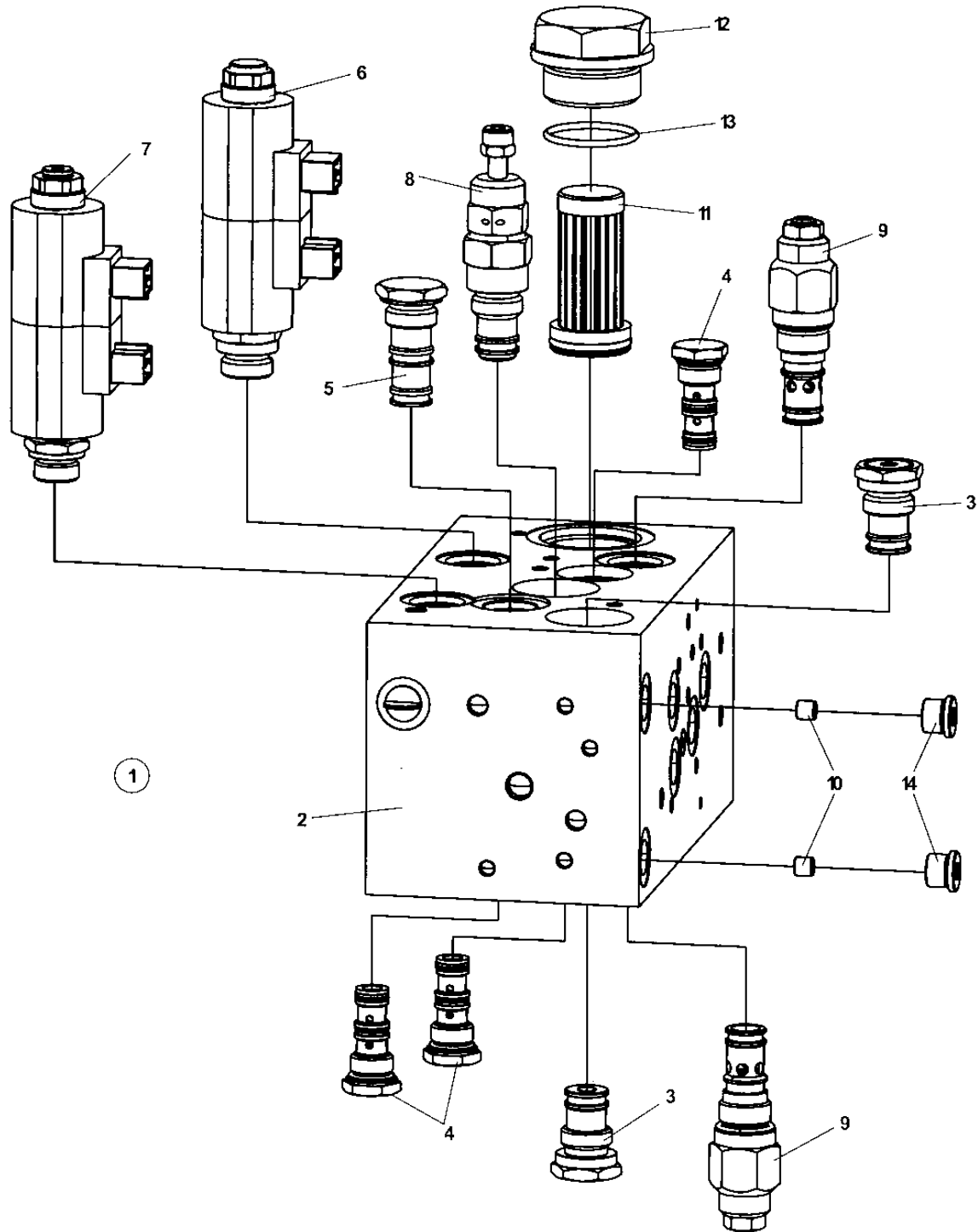


4700392505 Steering cylinder, cpl

Item	Part No	Rem Qty	Description	Code
1	4700392505	1	Steering cylinder w. linear sensor, cpl (Page 106)	
2		1	.Seal kit	
3		1	..Seal	
4		2	..Retaining ring	
5		1	..Back-up ring	
6		1	..O-ring	
7		1	..Seal	
8		1	..O-ring	
9		1	..Seal	
10		1	..Seal	
11		1	..Back-up ring	
12		1	..Retaining ring	
13		1	..O-ring	
14		1	.Retaining ring	
15		1	.Steering	
16		1	.Retaining ring	
17		1	.Piston rod	
18		1	.Cylinder tube	
19		1	.Piston	
20		1	.Cylindet nut	
21	4700945935	2	.Slide bearing	
22		2	.Electrical travel	
23		2	.Grease fitting	
24		1	.Electrical contact	
25		5	.Screw	
26		1	.Retaining ring	
27		1	.O-ring	

4700389451 Multifunction block

18934

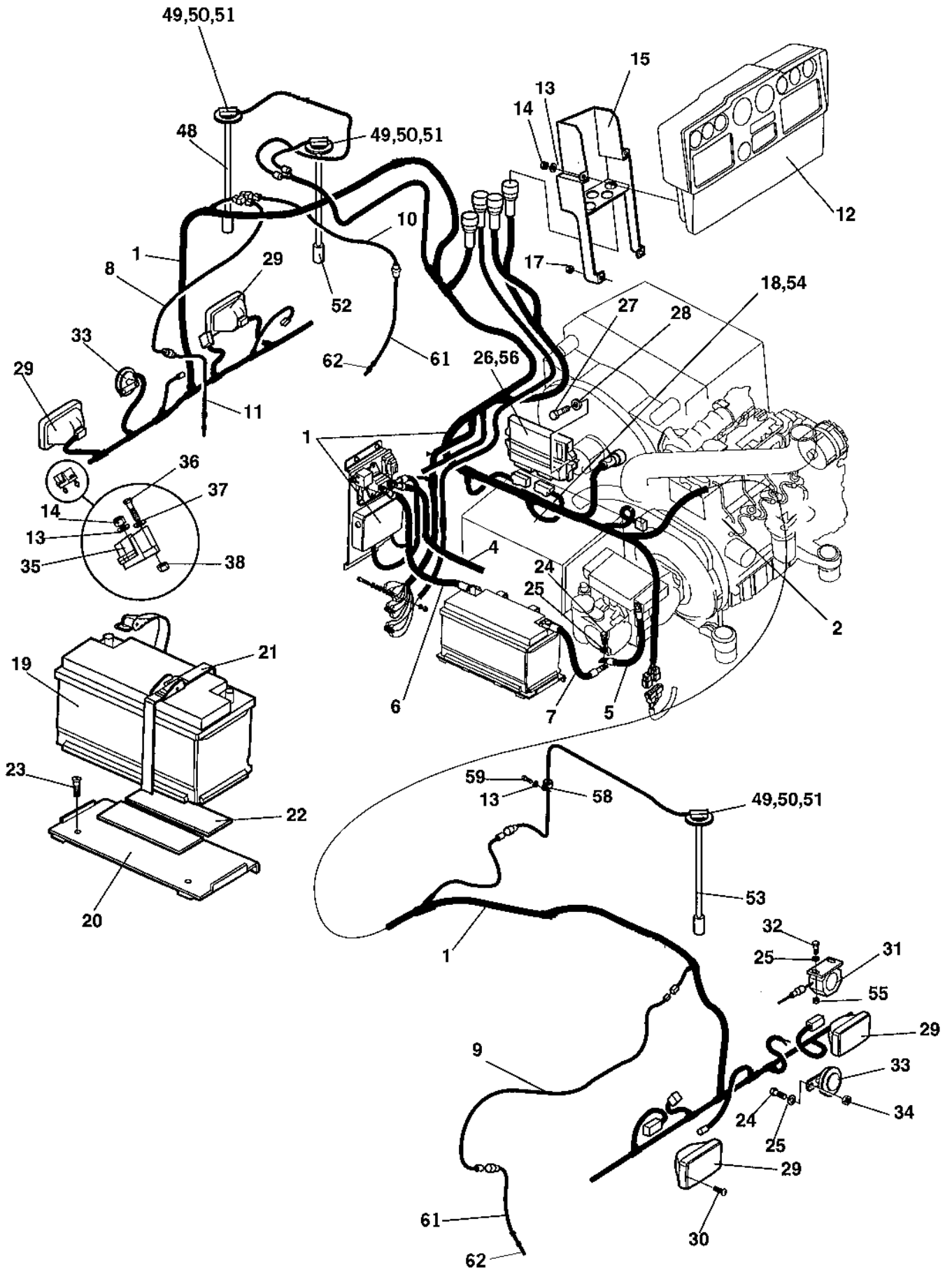


4700389451 Multifunction block

Item	Part No	Rem Qty	Description	Code
1	4700389451	1	Multifunction block (Page 108)	
2		1	.Valve block	
3		2	.Valve	
4	4700940572	3	.Shuttle valve	
5		1	.Shuttle valve	
6	4700940302	1	.Valve	
7	4700940303	1	.Valve	
8		1	.Pressure relief valve	
9		1	.Pressure relief valve	
10		2	.Orifice	
11	4700940304	1	.Filter	
12	4700940305	1	.Filter cap	
13	4700940306	1	.Gasket	
14		2	.Plug	

Electrical equipment

Item	Part No	Rem Qty	Description	Code
10			Electrical equipment (Page 112)	
20			Instrument box (Page 118)	
25			Instrument panel, main (Page 120)	
30			Instrument panel, upper left (Page 122)	
32			Instrument panel, upper right (Page 124)	
35			Instrument panel, lower left (Page 126)	
40			Instrument panel, lower right (Page 128)	
45			Instrument panel, relay, fuses (Page 130)	
50			Forward and reverse control (Page 132)	EDC
60			Driving lights (Page 134)	Direction & licenseplate light
62			Rotating beacon (Page 136)	
63			Tachograph (Page 138)	

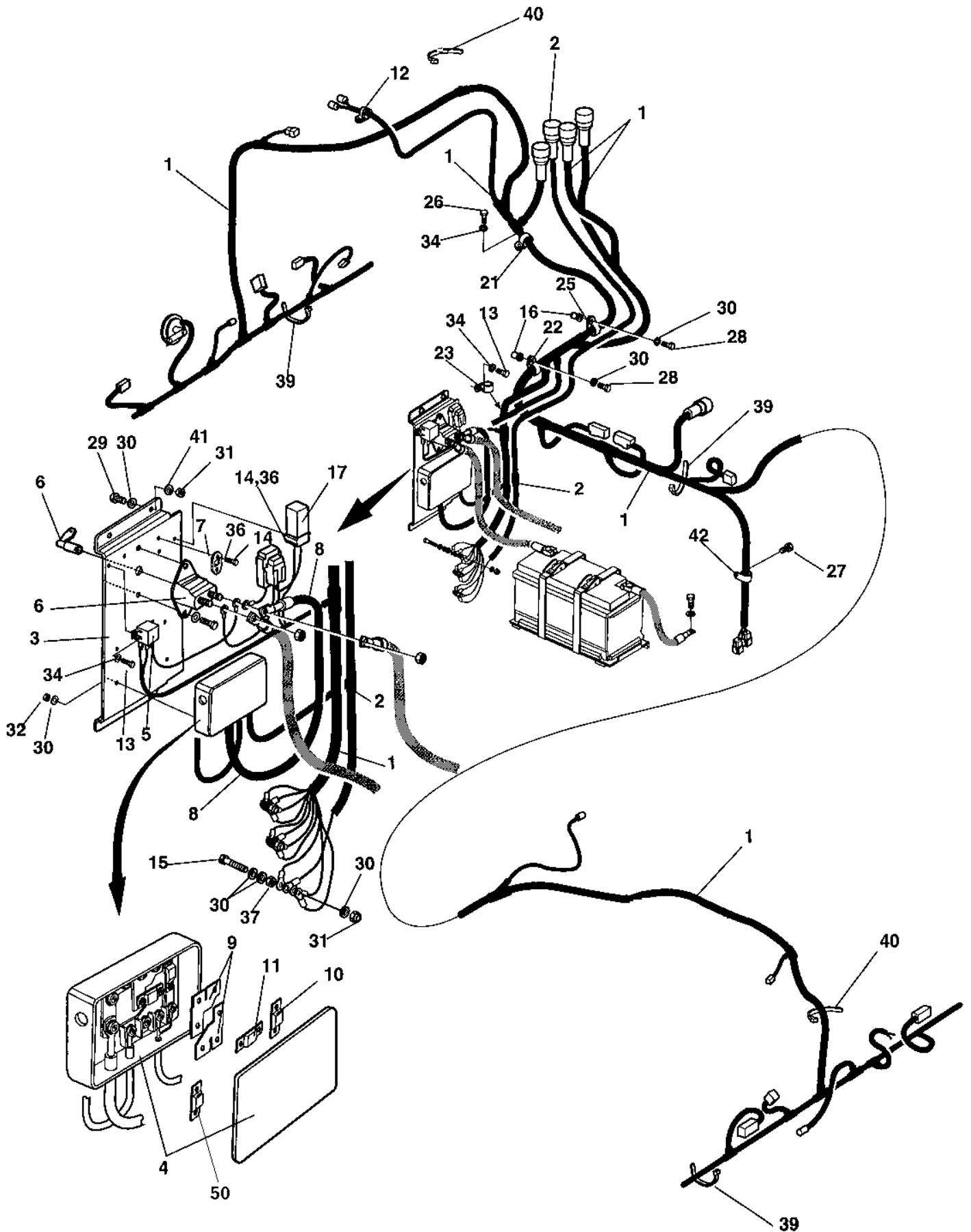


Item	Part No	Rem	Qty	Description	Code
1				Frame wiring (Page 114)	
2				Engine wiring (Page 116)	
4	4700791815		1	Connection cable, coarse	
5	4700791525		1	Connection cable, coarse	
6	4700791817		1	Battery cable	
7	4700791818		1	Battery cable	
8	4700389674		1	Cable harness	
9	4700392178		1	Cable harness	
10	4700392179		1	Cable harness	
11	4700393965		1	Sensor, cpl	
12			1	Instrument panel	
13	4700904228		7	Washer	
14	4700586002		6	Lock nut	
15	4700389660		1	Cable holder	
17	4700902286		4	Lock nut	M8
18	4700313041		0	Cable ties	
19	4700791719		1	Battery	
20	4700389658		1	Battery holder	
21	4700389662		2	Strap	
22	4700357459		2	Rubber cloth	
23	4700513009		2	Screw	
24	4700500053		3	Screw	M8x20H 8.8
25	4700904229		7	Washer	8,4x16x1,5
26	4700389661	1	1	Control unit	
27	4700500023		2	Screw	M8-1,25x40 8,8
28	4700904640		2	Washer	8,4x22x3
29	4700902227		4	Work light	
30	4700791389		8	Drive screw	
31	4700904910		1	Back-up alarm	
32	4700500021		2	Screw	M8-1,25x25 8.8
33	4700999027		2	Horn	
34	4700570005		2	Nut	M8
35	4700392930		2	Junction box	
36	4700500087		4	Screw	
37	4700904281		4	Washer	
38	4700586001		4	Lock nut	
48	4700389731		1	Level sender	
49	4700904206		15	Screw	
50	4700372718		3	Lid	
51	4700370745		3	Flange, cpl	
52	4700389730	A	1	Level sender	
53	4700389917		1	Level sender	
54	4700960727		3	Clamp	
55	4700791182		2	Lock nut	M8
56			1	Installed software register file	
58	4700791388		1	Clamp	
59	4700902224		1	Screw	M6x10
61	4700945169		2	Frequency sensor	
62	4700392221		2	Mount kit for sensor	

- 1) Machine model and serial number needed when order.
A) Fuel level

Frame wiring

18452



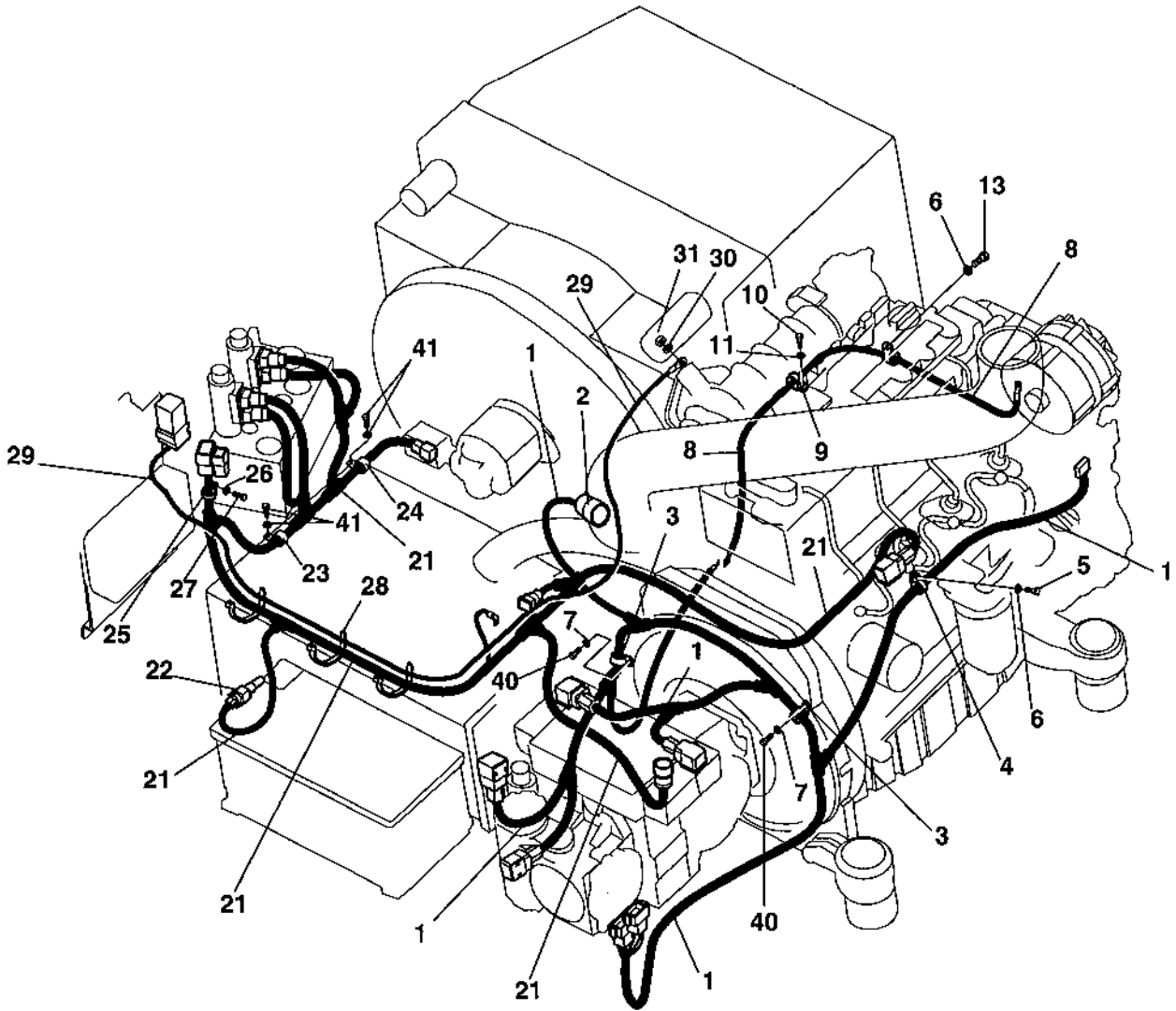
Frame wiring

Item	Part No	Rem	Qty	Description	Code
1	4700392177		1	Cable harness	
2	4700389733		1	Cable harness	
3	4700389659		1	Bracket	
4	4700791532		1	Fuse box	
5	4700904448		1	Relay	D
6	4700903640		1	Battery switch	D
	4700903641		1	.Key	D
7	4700904036		1	Fuse holder	
8	4700791816		1	Connection cable, coarse	
9	4700791814		2	Contact bridge	
10	4700791812		1	Fuse	30A - Pink
11	4700791813		1	Fuse	50A - Red
12	4700904346		1	Clamp	
13	4700500013		5	Screw	M6-1x16 8,8
14	4700500184		3	Screw	M5-0,8x14 8,8
15	4700500230		3	Screw	M8-1.25x35
16	4700791569		4	Blind insert nut	
17	4700939958		1	Relay	
18	4700960037		5	Cable clip	
19	4700960069		1	Ring terminal	
21	4700921047		1	Clamp	
22	4700921050		1	Clamp	
23	4700921028		1	Clamp	
25	4700921056		1	Clamp	
26	4700500012		1	Screw	M6x12
27	4700541708		1	Screw	M08x16
28	4700500053		2	Screw	M8x20H 8.8
29	4700500021		4	Screw	M8-1,25x25 8.8
30	4700904229		19	Washer	8,4x16x1,5
31	4700586003		7	Lock nut	M8
32	4700791182		4	Lock nut	M8
34	4700904228		6	Washer	
36	4700904281		3	Washer	
37	4700570005		3	Nut	M8
39	4700313102		N	Cable ties	
40	4700313041		N	Cable ties	
41	4700904556		4	Washer	8,4x16x3,0
42	4700960727		1	Clamp	
50	4700791557	A	1	Fuse	125A, green

A) Main

Engine wiring

18203



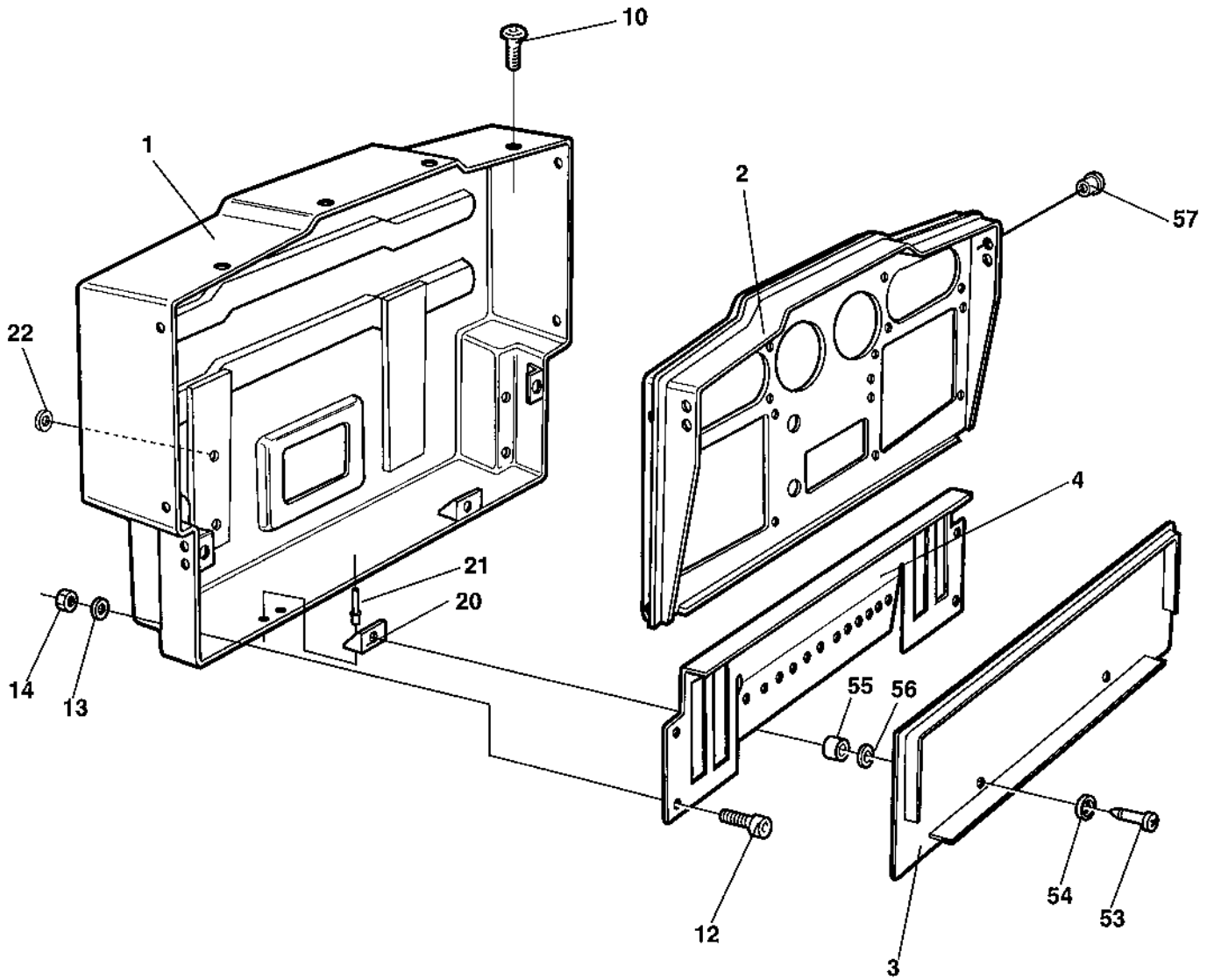
Engine wiring

Item	Part No	Rem Qty	Description	Code
1	4700389664	1	Cable harness	
2	4700924737	1	Indicator	
3	4700921080	2	Clamp	
4	4700904346	1	Clamp	
5	4700500019	1	Screw	M8x16H 8.8 A2K
6	4700904229	2	Washer	8,4x16x1,5
7	4700904637	2	Washer	
8	4700791811	1	Connection cable, coarse	
9	4700921039	1	Pipe clamp	
10	4700500013	1	Screw	M6-1x16 8,8
11	4700904228	1	Washer	
12	4700921072	1	Clamp	
13	4700500053	1	Screw	M8x20H 8.8
21	4700389665	1	Cable harness	
22	4700903631	1	Temperature sensor	Hydraulic oil
23	4700904346	1	Clamp	D
24	4700921072	1	Clamp	
25	4700921031	1	Clamp	
26	4700904228	1	Washer	
27	4700500185	1	Screw	M6-1x14 8,8
28	4700313102	N	Cable ties	
29	4700377467	1	Cable harness	
30	4700904281	2	Washer	
31	4700570003	1	Nut	M5
40		1	Existing parts	
41		2	Existing parts	

- 1) See section for "Engine module"
- 2) See section for "Steering system"

Instrument box

18246



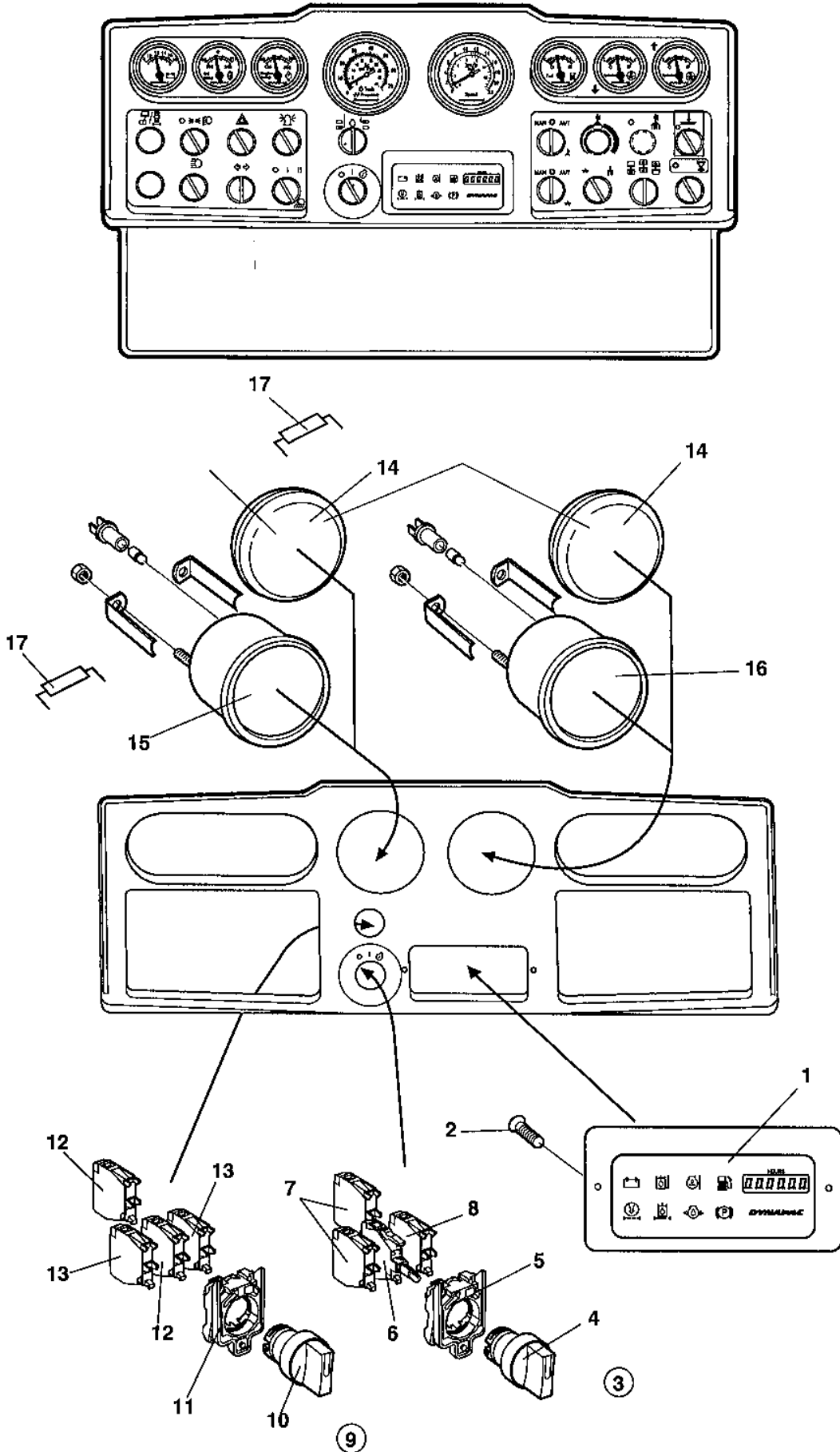
Instrument box

Item	Part No	Rem	Qty	Description	Code
1	4700374105	1	1	Instrument box	
2	4700374379	1	1	Control panel	
3	4700359845	1	1	Cover	
4	4700370165	1	1	Relay bracket	
10	4700903658	8	8	Screw	M5x10
12	4700500040	4	4	Screw	M6-1x20 8,8
13	4700904228	4	4	Washer	
14	4700902285	4	4	Lock nut	M6
20	4700903602	1	4	Locking device	
21	4700903436	1	8	Blind rivet	
22	4700903961	1	4	Washer	
53	4700903599	4	4	Trunnion	
54	4700903600	4	4	Rubber washer	
55	4700903601	4	4	Washer	
56	4700903678	4	4	Rubber washer	
57	4700903653	4	4	Plug	

1) Included in cpl. Instrument box, item 1.

Instrument panel, main

18247



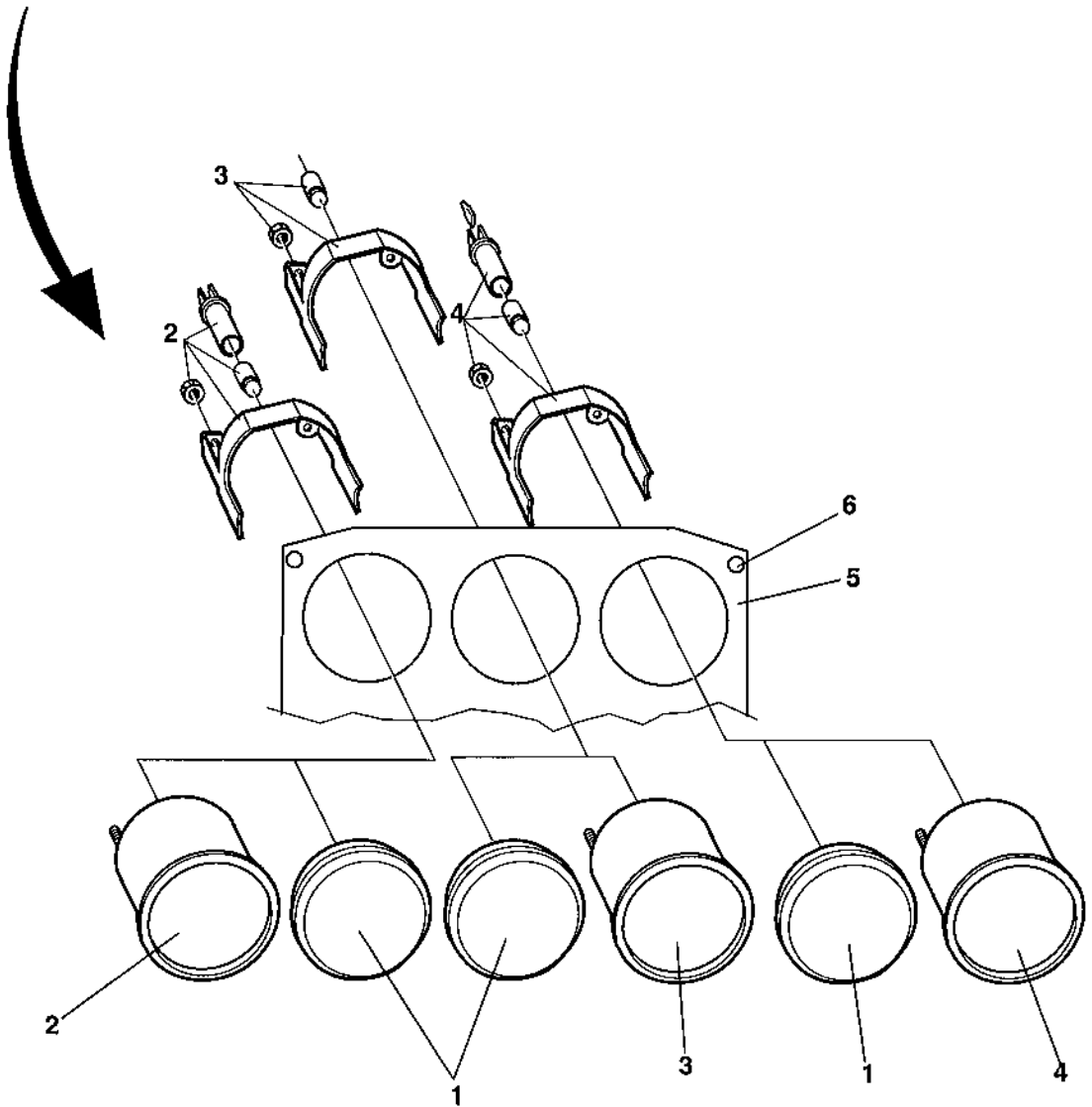
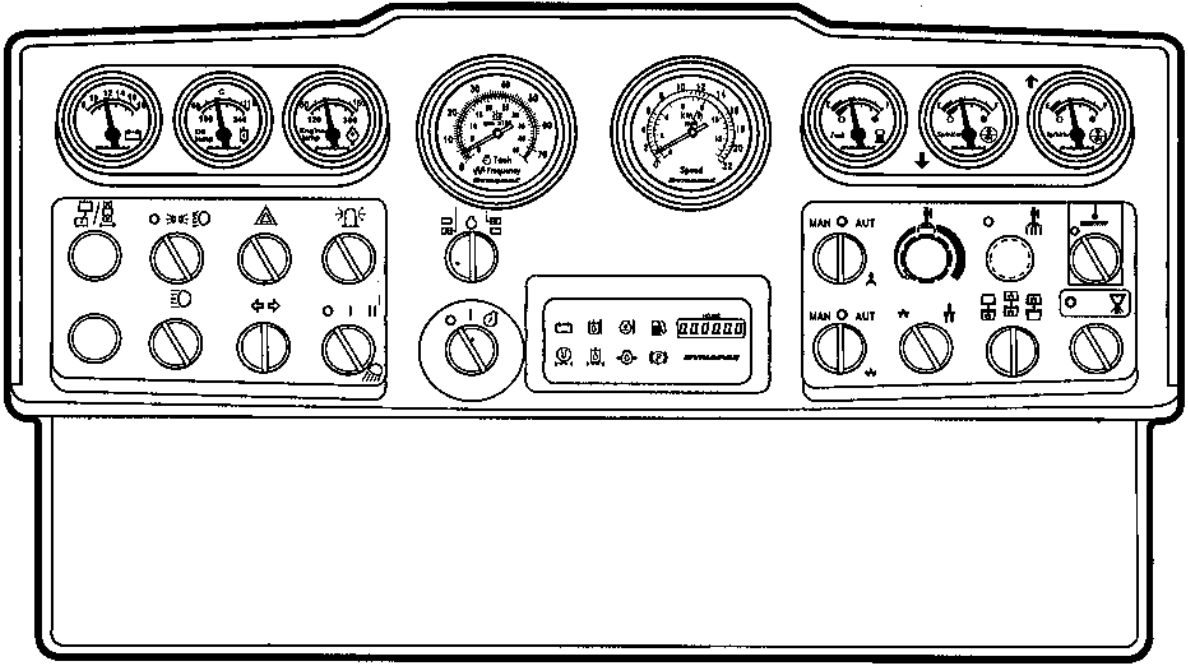
Instrument panel, main

Item	Part No	Rem	Qty	Description	Code
1	4700380660		1	Display	D
2	4700903657		2	Screw	
3		B	1	Switch, cpl	
4	4700791735		1	Illuminated switch, green	
5	4700791733		1	Fixing collar	
6	4700791729	F	1	Illuminated block	
7	4700791723		2	Connector	
8	4700791736		1	Connector	
9		C	1	Switch, cpl	
10	4700791725		1	Switch, black	
11	4700791733		1	Fixing collar	
12	4700791723		2	Connector	
13	4700791736		2	Connector	
14	4700345139	N		Hole plug	
15	4700389728		1	Tachometer and frequency meter Up to 86120399	
	4700904889		1	.Bulb Up to 86120399	
	4700904890		1	.Lamp holder Up to 86120399	
	4700371274		1	Tachometer and frequency meter From 86120400	D
	4700900871		1	.Bulb holder with bulb From 86120400	
		D	1	Sensor	
16	4700389729		1	Speedometer	
	4700904889		1	.Bulb	
	4700904890		1	.Lamp holder	
		D	1	Sensor	
17	4700904971		2	Reducer	
18	4700343550		1	Connection cable	

- B) Start
- C) Freq/tacho selector
- D) See speed and frequency sensors
- F) Green

Instrument panel, upper left

18248



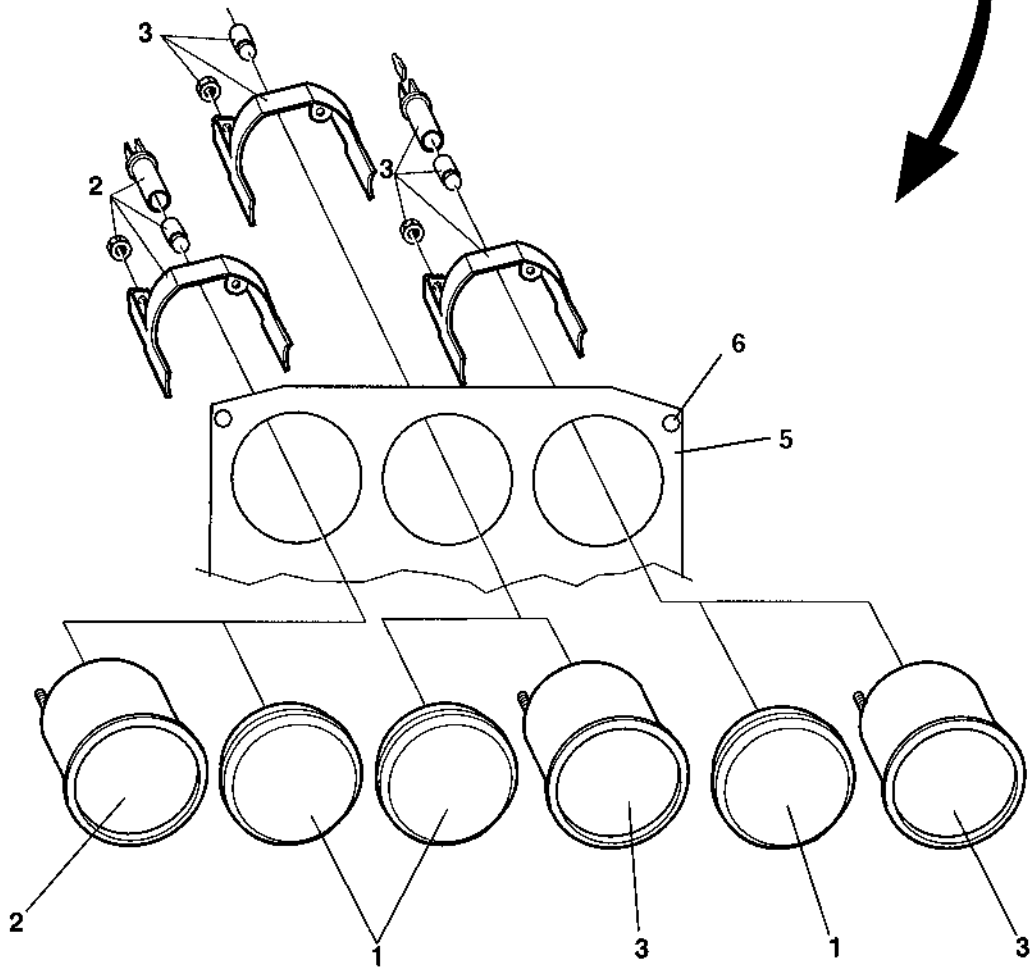
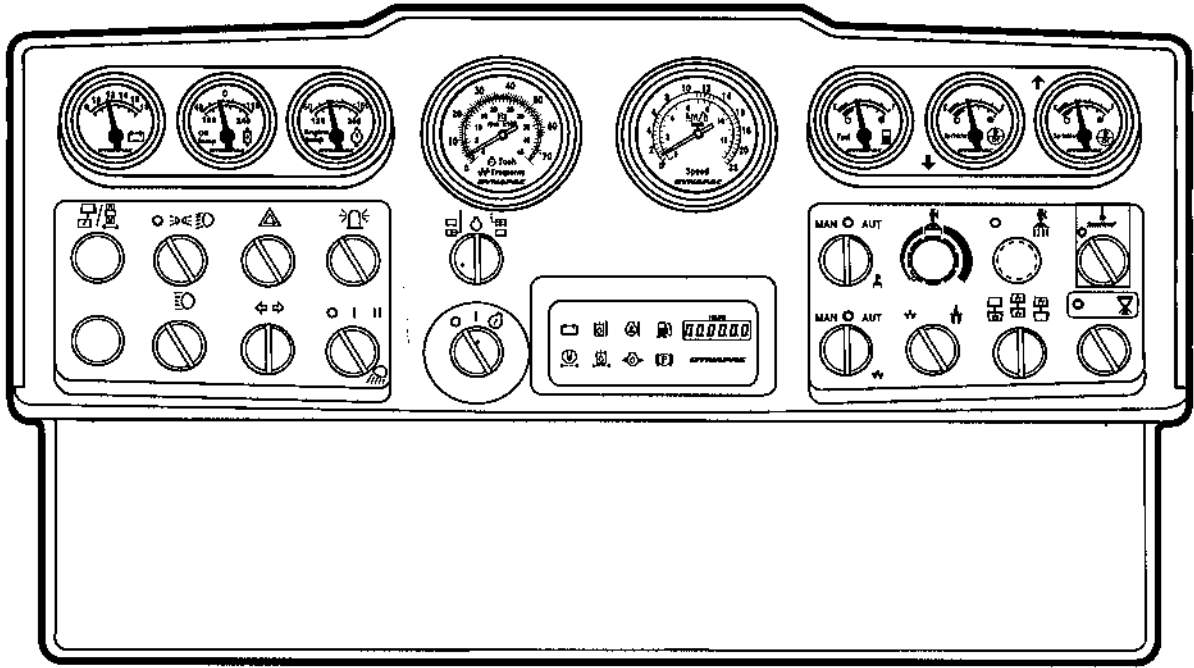
Instrument panel, upper left

Item	Part No	Rem	Qty	Description	Code
1	4700345870		N	Plug	
2	4700389721		1	Volt meter	
	4700904889		1	.Bulb	
	4700904890		1	.Lamp holder	
3	4700389722		1	Temperature meter, hydraulic oil	
	4700904889		1	.Bulb	
	4700904890		1	.Lamp holder	
		1	1	Temperature sender	
4	4700389723		1	Temperature meter, engine oil	
	4700904889		1	.Bulb	
	4700904890		1	.Lamp holder	
		2	1	Temperature sender	
5		3	1	Control panel plate	
6	4700903657		2	Screw	

- 1) See section " Electrical equipment "
- 2) See section " Engine "
- 3) See section " Instrument panel, lower left "

Instrument panel, upper right

18249



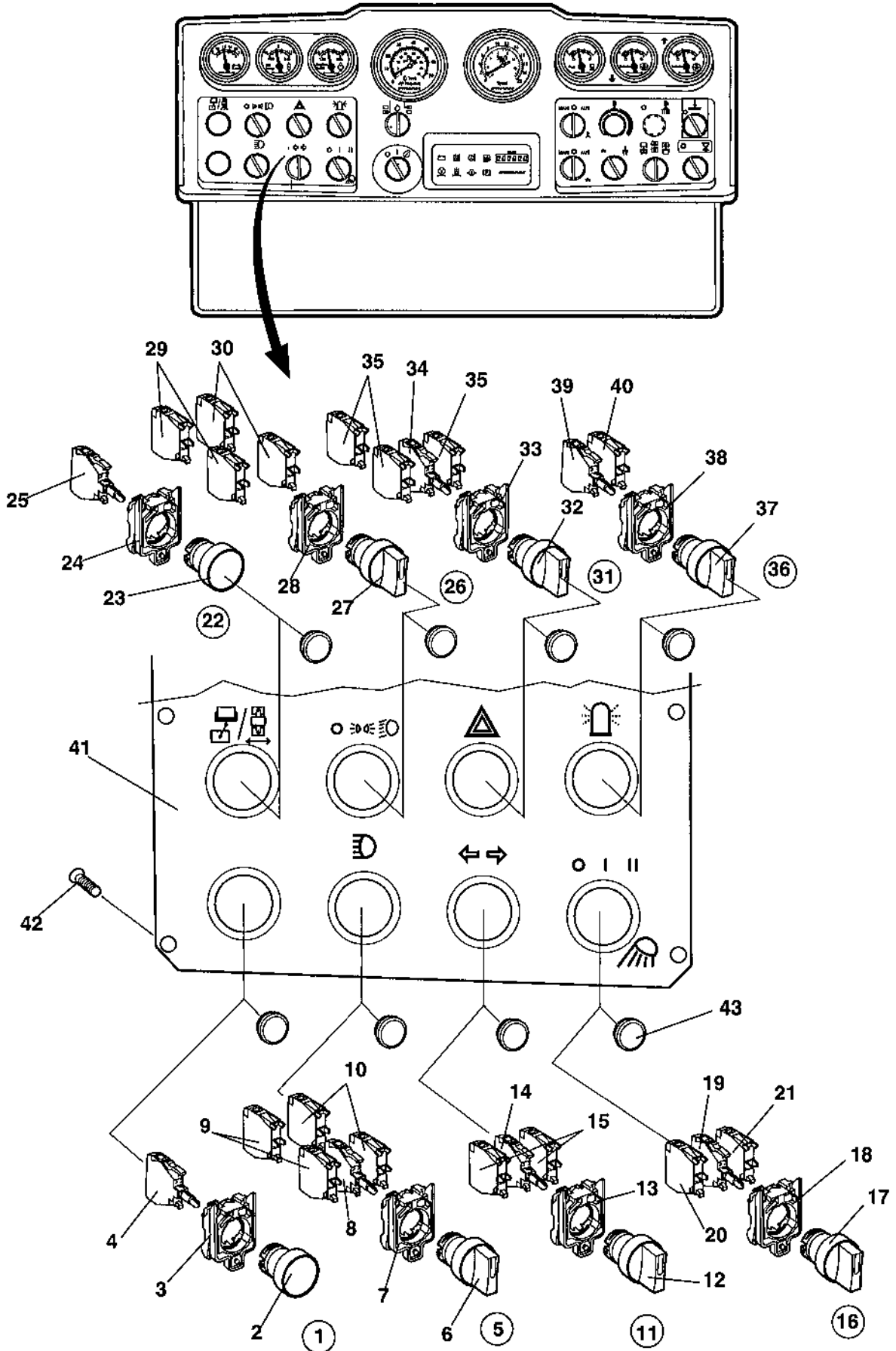
Instrument panel, upper right

Item	Part No	Rem	Qty	Description	Code
1	4700345870		1	Plug	
2	4700389725		1	Fuel gauge	
	4700904889		1	.Bulb	
	4700904890		1	.Lamp holder	
		1	1	Fuel level sender	
3	4700389726	A	2	Level gauge	
	4700904889		1	.Bulb	
	4700904890		1	.Lamp holder	
		2	2	Water level sender	
5		3	1	Control panel plate	
6	4700903657		2	Screw	

- 1) See section " Fuel system "
- 2) See section " Sprinkler system, tanks "
- 3) See section " Instrument panel, lower right "
- A) Sprinkler tanks

Instrument panel, lower left

18250



Instrument panel, lower left

Item	Part No	Rem	Qty	Description	Code
1		A	1	Switch, cpl	
2	4700791742		1	Pilot lamp, red	
3	4700791733		1	Fixing collar	
4	4700791728		1	Illuminated block	
5		B	1	Switch, cpl	
6	4700791727		1	Illuminated switch, blue	
7	4700791733		1	Fixing collar	
8	4700791726	C	1	Illuminated block	
9	4700791723		2	Connector	
10	4700791736		2	Connector	
11		D	1	Switch, cpl	
12	4700791740		1	Illuminated switch, green	D
13	4700791733		1	Fixing collar	
14	4700791729	E	1	Illuminated block	
15	4700791736		1	Connector	
16		F	1	Switch, cpl	
17	4700791741		1	Illuminated switch, yellow	
18	4700791733		1	Fixing collar	
19	4700791734	O	1	Illuminated block	
20	4700791723		1	Connector	
21	4700791736		1	Connector	
22		G	1	Lamp, cpl	
23	4700791732		1	Pilot lamp, yellow	
24	4700791733		1	Fixing collar	
25	4700791734	O	1	Illuminated block	
26		H	1	Switch, cpl	
27	4700791725		1	Switch, black	
28	4700791733		1	Fixing collar	
29	4700791723		2	Connector	
30	4700791736		2	Connector	
31		J	1	Switch, cpl	
32	4700791737		1	Illuminated switch, red	D
33	4700791733		1	Fixing collar	
34	4700791728	K	1	Illuminated block	
35	4700791736		3	Connector	
36		L	1	Switch, cpl	
37	4700791738		1	Illuminated switch, yellow	D
38	4700791733		1	Fixing collar	
39	4700791734	O	1	Illuminated block	
40	4700791736		1	Connector	
41	4700377030		1	Control panel plate	
42	4700903657		4	Screw	
43	4700911456	N	N	Hole plug	

- A) Warning lamp (error codes)
- B) Main beam
- C) Blue
- D) Direction indicator
- E) Green
- F) Working light
- G) Control lamp, offset position, steering limit
- H) Parking/dipped beam
- J) Hazard flasher
- K) Red
- L) Rotating beacon
- N) Quantity as required
- O) Yellow

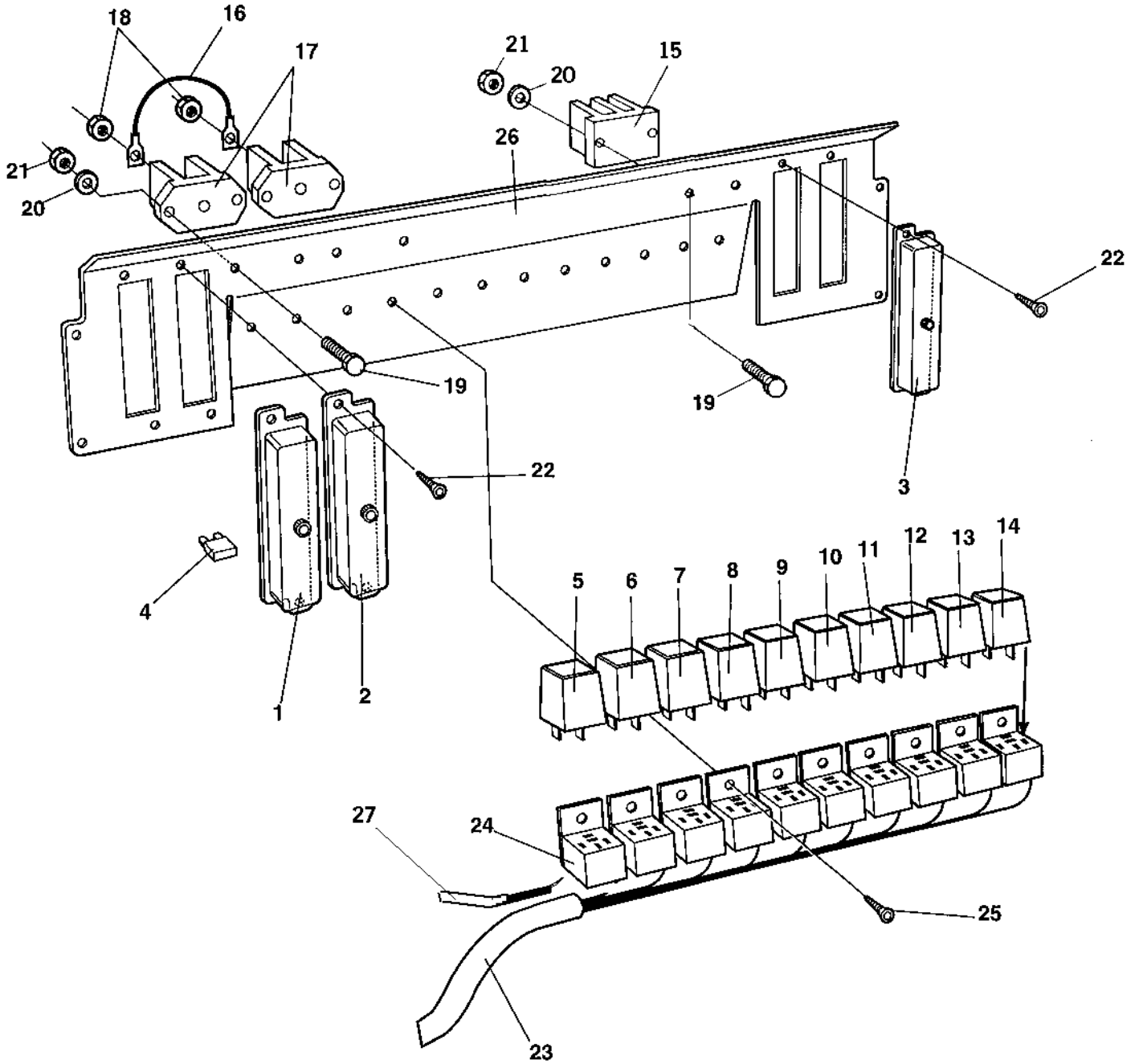
Instrument panel, lower right

Item	Part No	Rem	Qty	Description	Code
1		A	1	Switch, cpl	
2	4700791725		1	Switch, black	
3	4700791733		1	Fixing collar	
4	4700791736		2	Connector	
5		C	1	Switch, cpl	
6	4700791722		1	Switch, black	
7	4700791733		1	Fixing collar	
8	4700791736			Connector	
9		D	1	Switch, cpl	
10	4700791725		1	Switch, black	
11	4700791733		1	Fixing collar	
12	4700791736		2	Connector	
13		H	1	Switch, cpl	
14	4700791722		1	.Switch, black	
15	4700791733		1	.Fixing collar	
16	4700791736		1	.Connector	
17	4700377622		1	Decal	
18		F	1	Switch, cpl	
19	4700791724		1	Illuminated switch, blue	
20	4700791733		1	Fixing collar	
21	4700791726	G	1	Illuminated block	
22	4700791736		2	Connector	
23	4700388737		1	Potentiometer	
24	4700939826		1	.Knob	
40	4700388376		1	Control panel plate	
41	4700903657		4	Screw	
42	4700911456	N		Hole plug	

- A) Vibration manual/automatic
- C) Amplitude selector
- D) Vibration selector
- F) Sprinkler manual/automatic
- G) Blue
- H) Chip spreader

Instrument panel, relay, fuses

18456



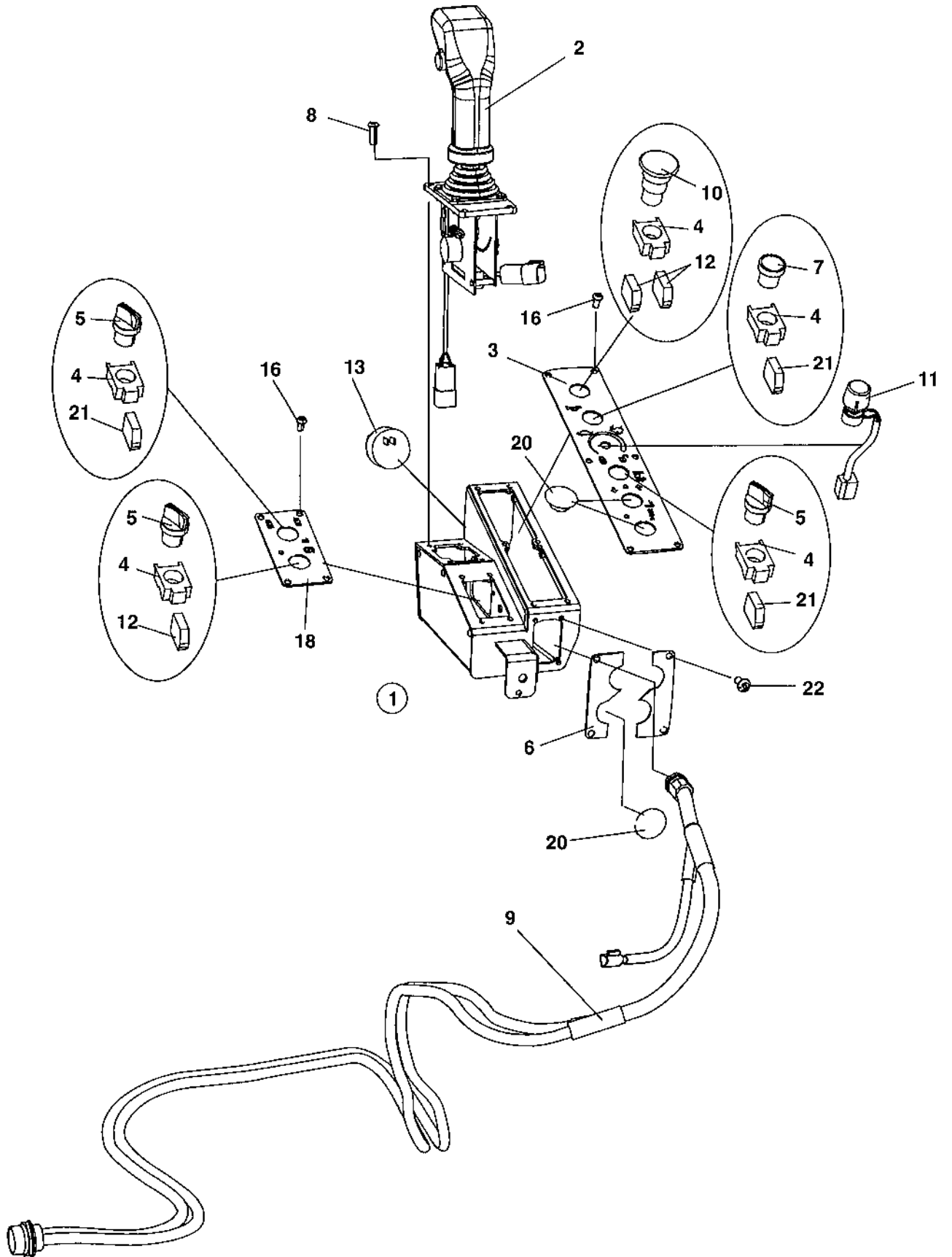
Instrument panel, relay, fuses

Item	Part No	Rem	Qty	Description	Code
1	4700791185	A	1	Fuse box	
2	4700791185		1	Fuse box	
3	4700791185		1	Fuse box	
4	4700901224	B	N	Fuse	3A D
	4700901225	B	N	Fuse	5A B
	4700901226	B	N	Fuse	7.5A
	4700901227	B	N	Fuse	10A B
	4700901228	B	N	Fuse	15A
	4700903741	B	N	Fuse	20A Yellow Medium B
	4700901229	B	N	Fuse	25A B
5	4700393981		1	Frequency converter	
6	4700791138	C	1	Relay	
7	4700791138	D	1	Relay	
8	4700791138	E	1	Relay	
9	4700791138	F	1	Relay	
10	4700791138	G	1	Relay	
11	4700791138	H	1	Relay	
12	4700791138	I	1	Relay	
13	4700904989	J	1	Flash relay	Option D
14	4700791138	K	1	Relay	
15	4700903625		1	Junction block	
16	4700903970		1	Cable	
17	4700392930		2	Junction box	
18	4700570004		2	Nut	M6X1,00 -8 A2K
19	4700533013		6	Screw	M4x20
20	4700904698		6	Washer	
21	4700923976		6	Nut	
22	4700901767		8	Screw	ST3,5x9,5 Black
23	4700392180		1	Cable harness	
24	4700357562	P	10	Relay holder	
25	4700902223		10	Screw	
26		1	1	Plate	
27	4700392492		1	Cable harness	

- 1) See section " Instrument box "
- A) Without fuses
- B) As required
- C) Main relay
- D) Fuel cut off valve
- E) Horn
- F) Sprinkler
- G) Main relay, lights
- H) Working lights, cab
- I) Working lights, frame
- J) Direction indicators
- K) Brake lights
- P) In cable harnesses

Forward and reverse control EDC

18145

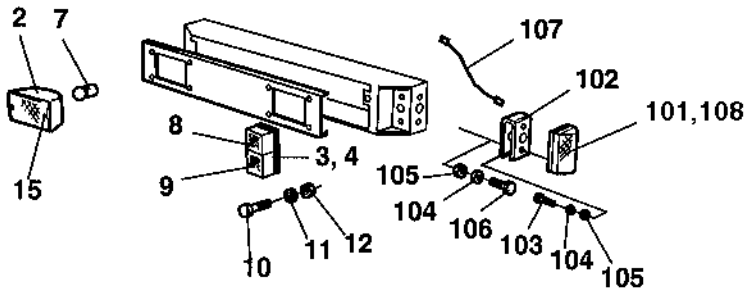
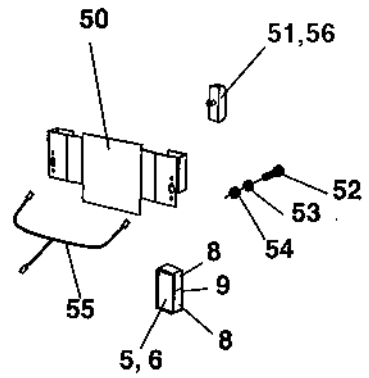
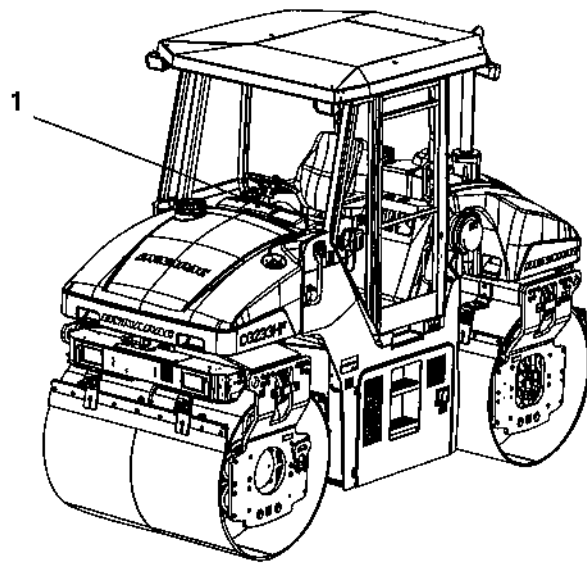


Forward and reverse control EDC

Item	Part No	Rem Qty	Description	Code
1		1	Control box, cpl	
2	4700388204	1	Control handle, cpl	
	4700945409	3	.Push button	
	4700945410	1	.Potentiometer	
	4700945411	1	.Boot	
	4700945412	3	.Micro switch	
3	4700377029	1	Control panel plate	
4	4700791733	5	Fixing collar	
5	4700791722	3	Switch, black	
6	4700388121	2	Lead through plate	
7	4700791730	1	Push button	
8	4700904653	4	Screw	M5x16 A2-70
9	4700389666	1	Cable harness	
10	4700791739	1	Emergency stop	
11	4700388737	1	Potentiometer	
12	4700791723	3	Connector	
13	4700385599	1	Buzzer	
16	4700904650	19	Screw	
18	4700389020	1	Control panel plate	
20	4700911456	3	Hole plug	
21	4700791736	3	Connector	
22	4700903658	4	Screw	M5x10

Driving lights Direction & licenseplate light

18241

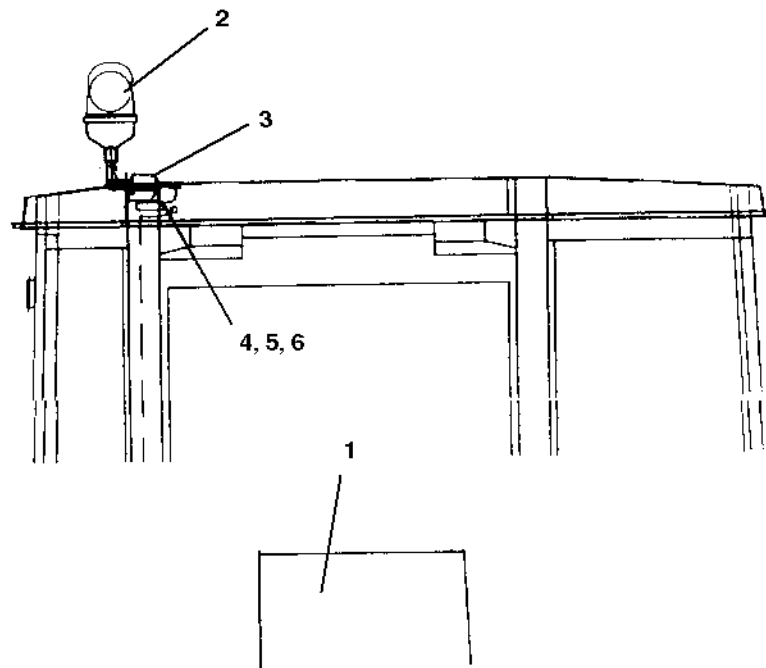


Driving lights Direction & licenseplate light

Item	Part No	Rem	Qty	Description	Code
1			1	Instrument panel, lower left	
2	4700902066	A	2	Headlight	
	4700904313	B	2	Headlight	
3	4700904315	D,H	1	Direction lamp	
	4700937106		1	.Lamp glass	
4	4700904316	D,I	1	Direction lamp	
	4700937107		1	.Lamp glass	
5	4700904317	C,F	1	Direction lamp	
	4700937108		1	.Lamp glass	
6	4700904318	C,G	1	Direction lamp	
	4700937109		1	.Lamp glass	
7	4700900790		2	Bulb	60/55w H4 B
8	4700928502		6	Bulb	21w B
9	4700985014		4	Bulb	5w B
10	4700533030		8	Screw	
11	4700601001		8	Washer	
12	4700586001		8	Lock nut	
15	4700791389		8	Drive screw	
50	4700381172		1	Bracket	
51	4700929455		2	Licence plate light	
52	4700500013		4	Screw	M6-1x16 8,8
53	4700904228		8	Washer	
54	4700570004		4	Nut	M6X1,00 -8 A2K
55	4700378964		1	Cable harness	
56	4700985013		2	Bulb	12V,5W B
101	4700902064		2	Direction lights	
102	4700378872		2	Bracket	
103	4700533031		4	Screw	
104	4700904281		12	Washer	
105	4700586001		8	Lock nut	
106	4700500060		4	Screw	M5-0,8x20 8.8
107	4700374526		2	Cable harness	
108	4700985013		2	Bulb	12V,5W B
A)	Right asym				
B)	Left asym				
C)	Yellow/red				
D)	Yellow/white				
F)	Rear, left				
G)	Rear, right				
H)	Front, left				
I)	Front, right				

Rotating beacon

18240



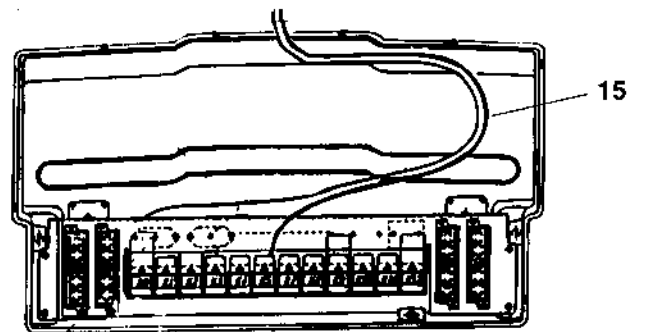
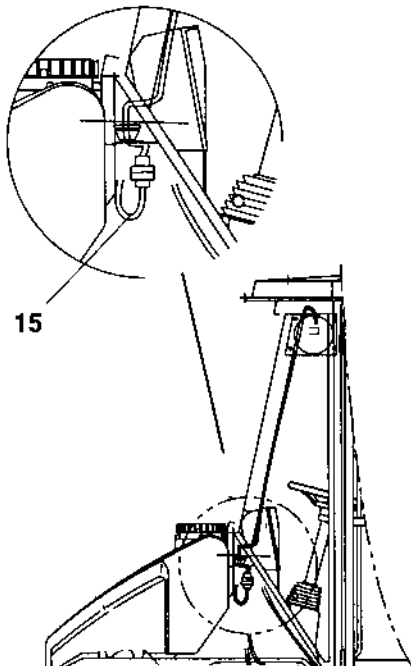
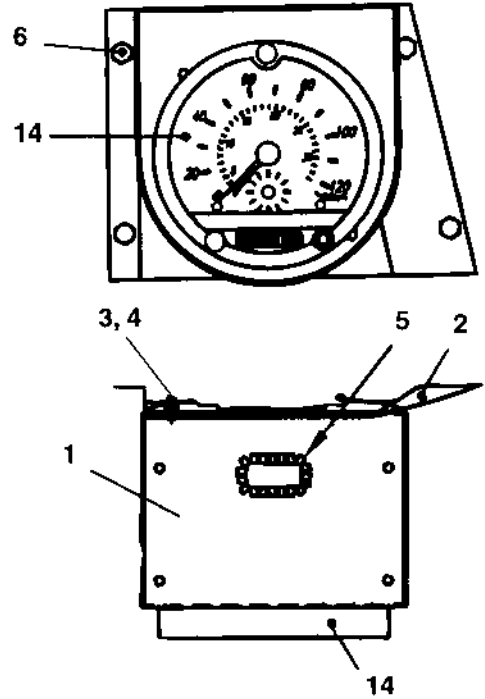
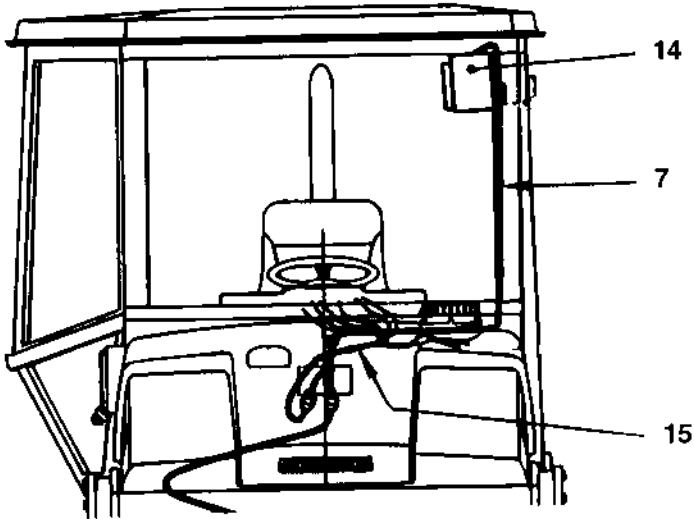
Rotating beacon

Item	Part No	Rem	Qty	Description	Code
1			1	Instrument panel, lower left	B
2	4700389577	A	1	Rotating beacon	D
3	4700358452		1	Lamp holder	
4	4700500021		2	Screw	M8-1,25x25 8.8
5	4700586003		2	Lock nut	M8
6	4700904229		2	Washer	8,4x16x1,5

A) Orange

Tachograph

18466



Tachograph

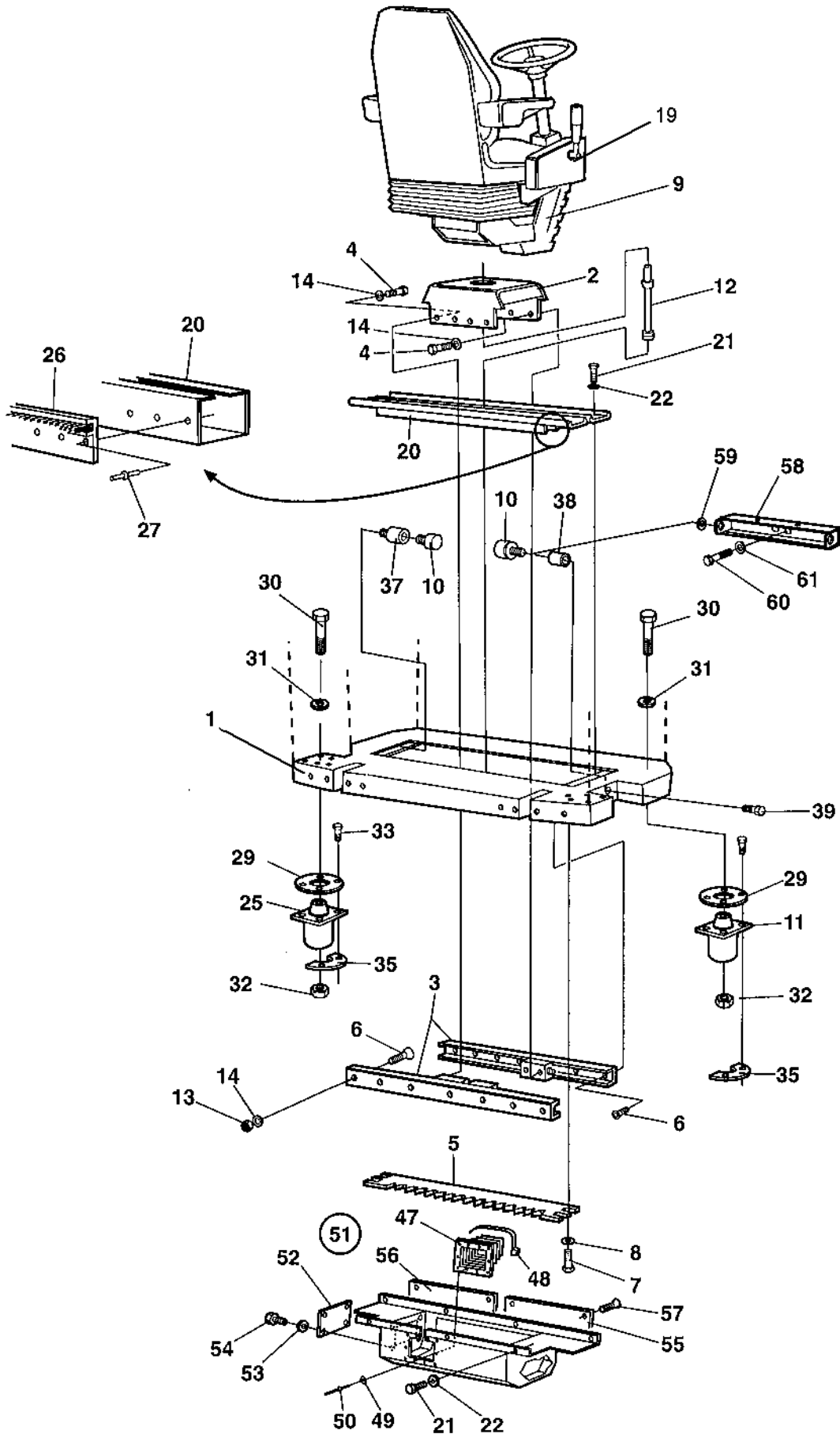
Item	Part No	Rem	Qty	Description	Code
1	4700371885		1	Instrument box	
2	4700370425		1	Support	
3	4700586002		2	Lock nut	
4	4700928381		2	Washer	6,4x18x1,6
5	4700900904	A	1XL	Grommet	
6	4700541703		4	Screw	M6x16
7	4700385406		1	Cable harness	
14	4700901209		1	Tachograph	
15	4700392567		1	Cable harness	
A)	L=200 mm				

Drivers platform

Item	Part No	Rem Qty	Description	Code
15			Drivers platform (Page 142)	For cab
20			Drivers seat (Page 144)	Turn-over in cab
50			Controls (Page 156)	
80			Cab, asymmetric (Page 158)	
85			Cab, symmetric (Page 182)	
90			Cab, equipment (Page 190)	
100			Cab, water tank/s wipers (Page 192)	
110			Radio and cassette/cd player (Page 194)	
120			Exterior rear mirrors (Page 196)	

Drivers platform For cab

18142



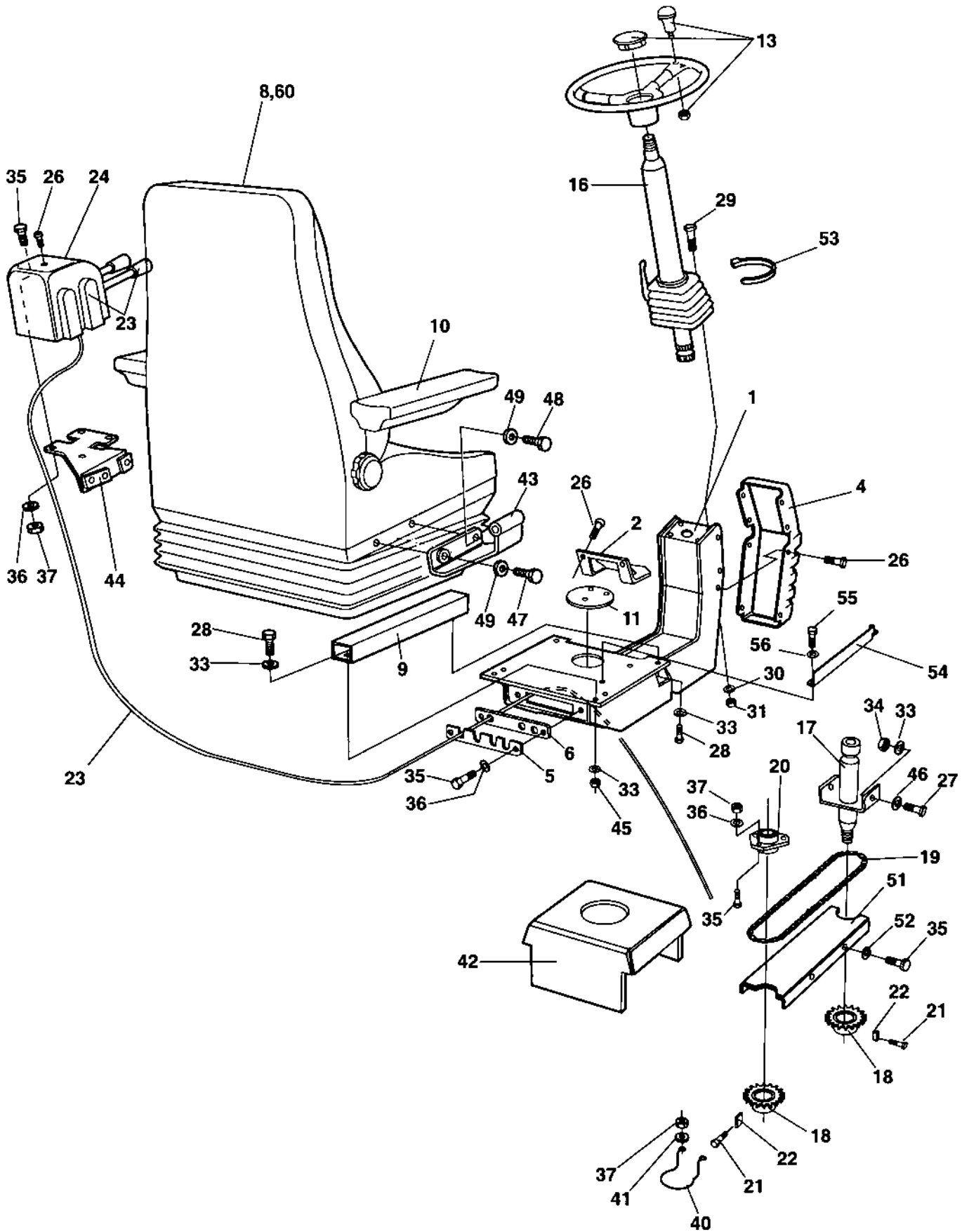
Drivers platform For cab

Item	Part No	Rem	Qty	Description	Code
1			1	Cab, interior	
2			1	Cross sliding (Page 152)	Carrier
3	4700359418		1	Linear bearing	
4	4700500021		6	Screw	M8-1,25x25 8.8
5	4700359885		1	Locking rail	
6	4700513013		13	Screw	
7	4700500029		4	Screw	
8	4700904557		4	Washer	
9			1	Drivers seat (Page 144)	Turn-over in cab
10	4700359887	A	2	Shock absorber	
11	4700359888		2	Shock absorber	Red
12	4700359889		1	Shaft	
13	4700570005		13	Nut	M8
14	4700904556		19	Washer	8,4x16x3,0
19			1	Controls (Page 156)	
20	4700359892		2	Cover plate	
21	4700500019		22	Screw	M8x16H 8.8 A2K
22	4700904229		22	Washer	8,4x16x1,5
25	4700359894		2	Shock absorber	
26	4700359895		6	Brush profile	
27	4700903731		36	Blind rivet	
29	4700359998		4	Back-up ring	
30	4700500229		4	Screw	M20-2.5x150
	4700924823	D	4	Screw	M20-2.5X160
31	4700904233		4	Washer	21x36x3
32	4700586022		4	Lock nut	M20-8
33	4700500194		16	Screw	
	4700500195	D	16	Screw	
35	4700372704		8	Holder	
37	4700370662		1	Spacer	
38	4700373227	B	1	Spacer	
39	4700500013		1	Screw	M6-1x16 8,8
47	4700371621		1	Bellows	
48	4700313041		4	Cable ties	
49	4700904698		11	Washer	
50	4700624004		11	Pop rivet	
51	4700371129		1	Noise suppression box, cpl	
52	4700371395		1	.Cover	
53	4700600004		6	.Washer	
54	4700500012		6	.Screw	M6x12
55	4700371396		1	.Cover	
56	4700371599		1	.Cover	
57	4700513008		11	.Screw	
58	4700385932	C	1	Spacer bracket	
59	4700603009		1	Washer	
60	4700500047		1	Screw	
61	4700904556		1	Washer	8,4x16x3,0

- A) For carrier stop
- B) For asymmetric cab.
- C) For symmetric cab.
- D) Used when item 29 is mounted.

Drivers seat Turn-over in cab

17627-1



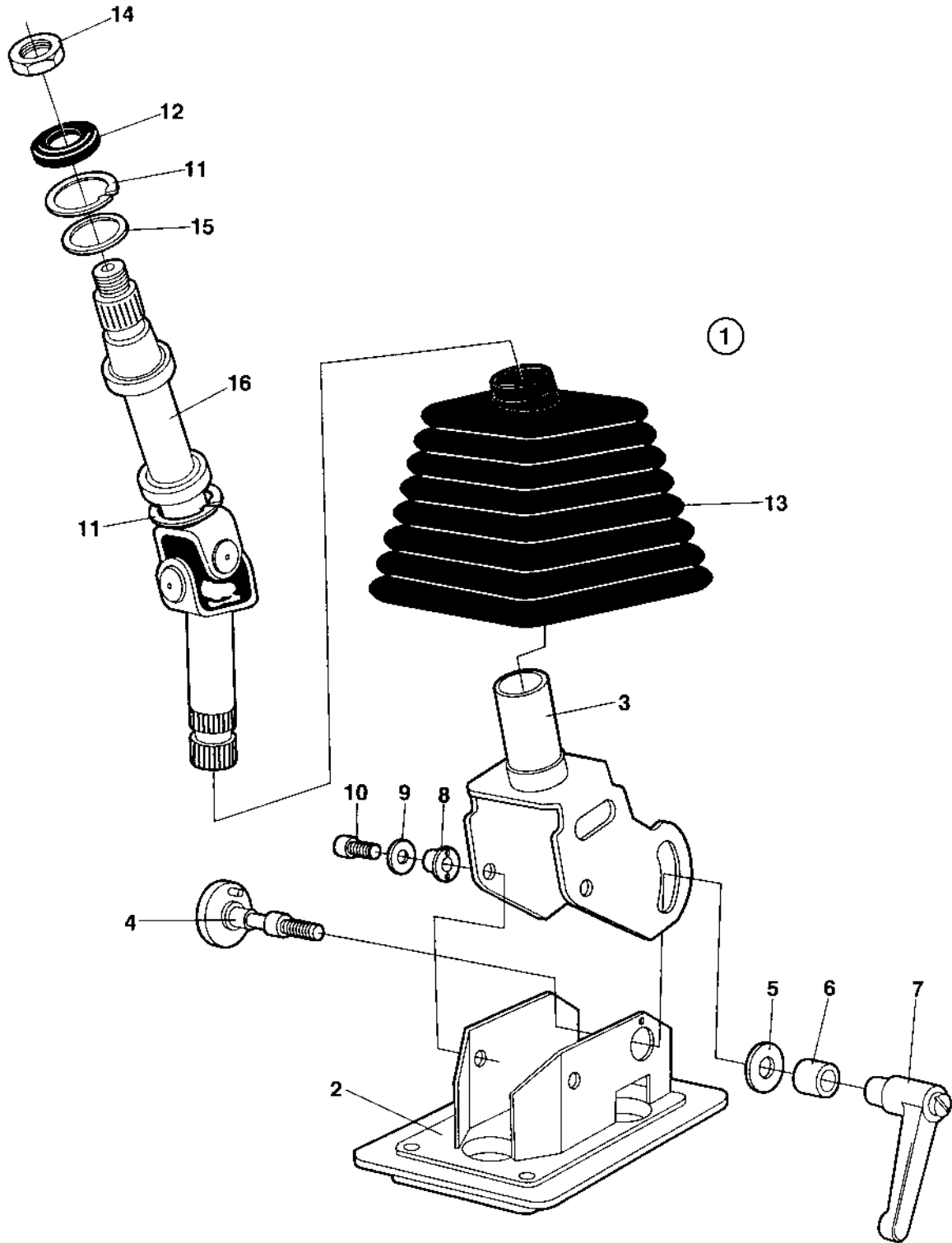
Drivers seat Turn-over in cab

Item	Part No	Rem	Qty	Description	Code
1	4700359900		1	Seat frame	
2	4700381400		1	Bearing cover	
4	4700359574		1	Cover	
5	4700359914		1	Cover	
6	4700359915		1	Grommet	
8	4700359917	A	1	Drivers seat	
	4700937892		1	.Seat switch	
9		B	1	.Slide rail	
10	4700937620		1	.Arm rest, right	
	4700937621		1	.Arm rest, left	
11	4700359920		1	Plug	
13	4700372964		1	Steering wheel, cpl	
			1	.Steering wheel and knob	
	4700935614		1	..Turning knob	D
	4700935613		1	.Cover	
16	4700359918		1	Steering column (Page 146)	C
	4700391163		1	Steering column (Page 148)	C
17	4700359919		1	Shaft	
18	4700359916		2	Chain wheel	D
19	4700359921		1	Chain	D
20	4700903917		1	Bearing outer	
	4700903918		1	Bearing inner	
21	4700516051		2	Set screw	
22	4700350009		2	Flat key	D
23			1	Cross sliding (Page 150)	Controls
24	4700359419		1	Control cover	
26	4700904206		16	Screw	
27	4700500021		2	Screw	M8-1,25x25 8.8
28	4700500053		6	Screw	M8x20H 8.8
29	4700500028		3	Screw	
30	4700904557		3	Washer	
31	4700570006		3	Nut	
33	4700904229		8	Washer	8,4x16x1,5
34	4700586003		2	Lock nut	M8
35	4700500040		10	Screw	M6-1x20 8,8
36	4700904228		7	Washer	
37	4700586002		7	Lock nut	
40	4700372672		1	Chain guard	
41	4700603001		2	Washer	
42			1	Cross sliding (Page 152)	Carrier
43			1	Control bracket (Page 154)	EDS
44	4700359972		1	Control cable holder	
45	4700570005		4	Nut	M8
46	4700904734		2	Washer	8,4x26x4
47	4700903914		2	Screw	
48	4700500031		3	Screw	
49	4700904638		5	Washer	12x22x2
51	4700381403		1	Chain supporter	
52	4700904735		4	Washer	
53	4700313041		1	Cable ties	
54	4700386128		1	Stop	
55	4700541703		2	Screw	M6x16
56	4700904228		4	Washer	
60	4700383200	C	1	Seat belt	3"

- A) With seat belt
- B) One pair
- C) Option, 3"

4700359918 Steering column

15944

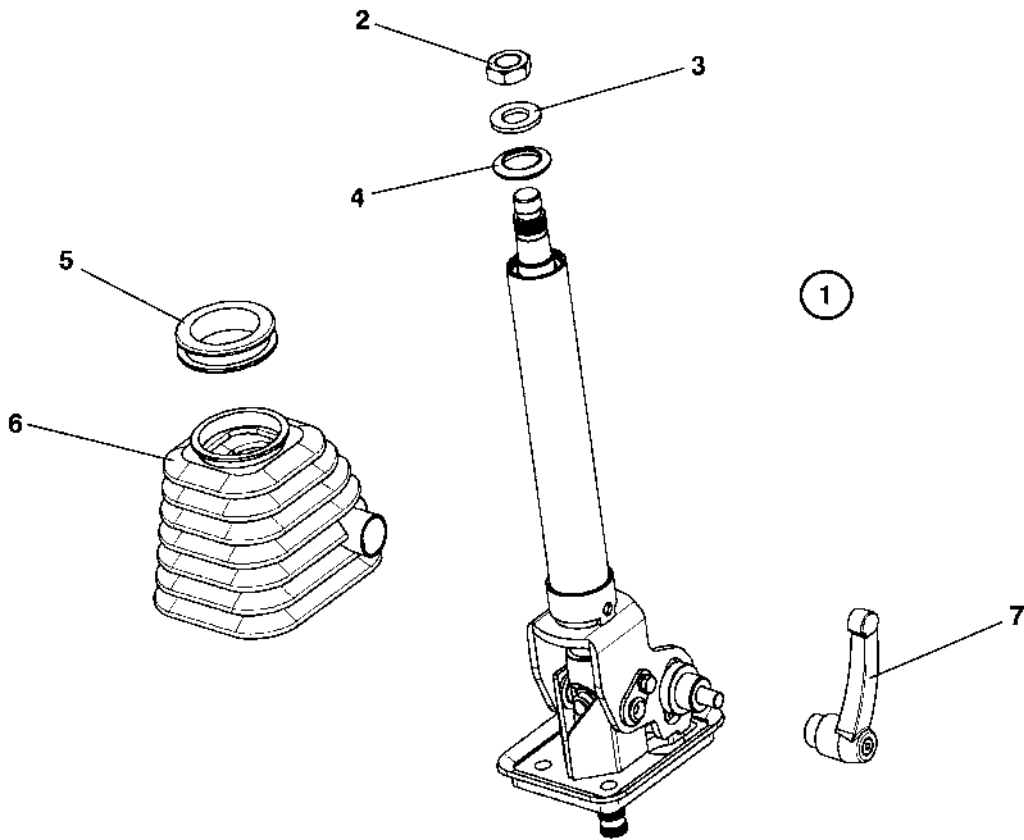


4700359918 Steering column

Item	Part No	Rem	Qty	Description	Code
1	4700359918		1	Steering column (Page 146)	C
2	4700935229	A	1	.Frame	
3	4700935230	B	1	.Frame	
4	4700935231		1	.Screw	
5	4700935232		1	.Washer	
6	4700935233		1	.Sleeve	
7	4700935234		1	.Lever	
8	4700935235		2	.Washer	
9	4700935236		2	.Washer	
10	4700935237		2	.Screw	
11	4700935238		2	.Retaining ring	
12	4700935239		1	.Seal	
13	4700935240		1	.Bellows	
14	4700935241		1	.Nut	
15	4700935242		1	.Washer	
16	4700935243		1	.Cardan shaft	

A) Lower

B) Upper



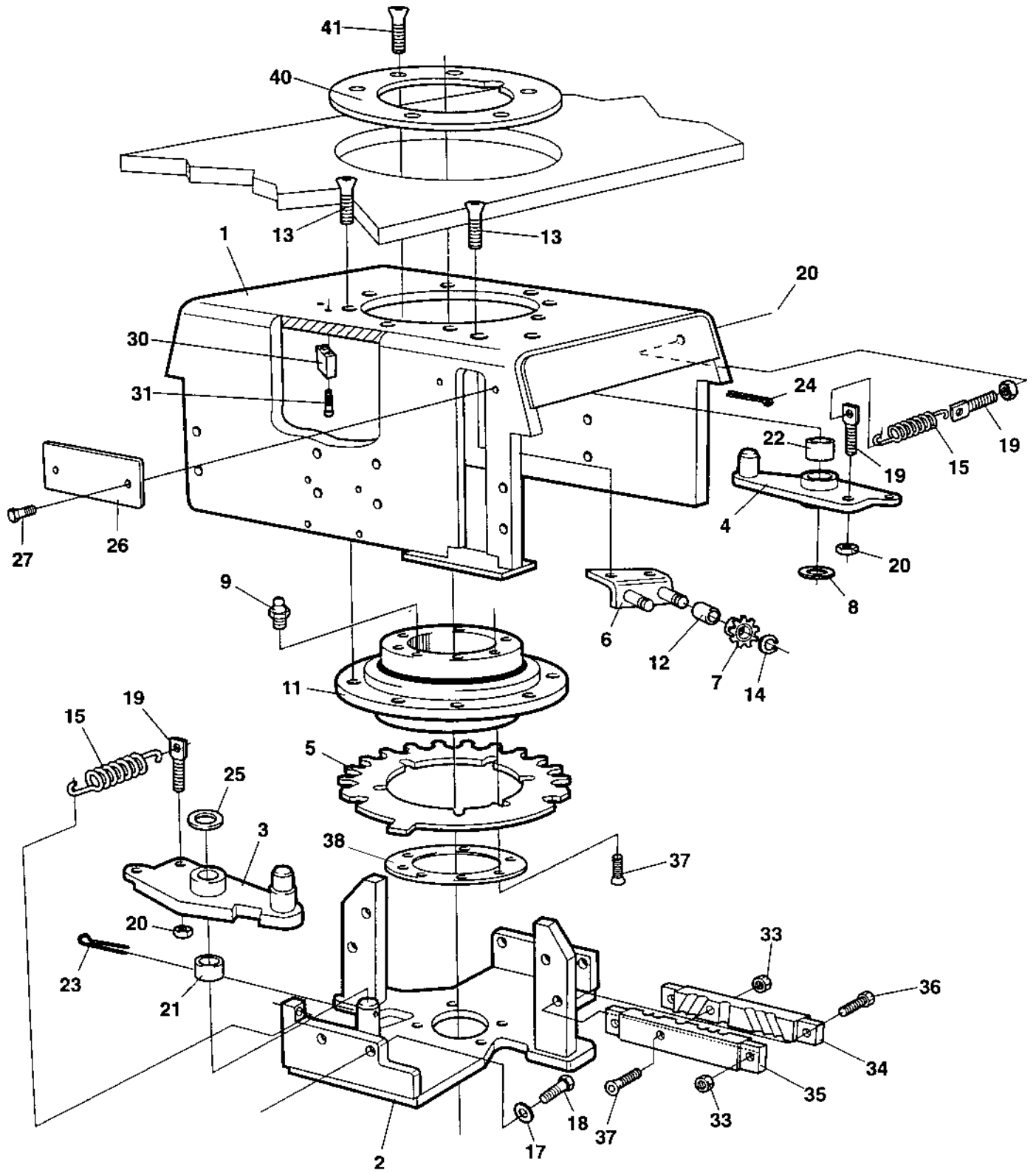
4700391163 Steering column

Item	Part No	Rem Qty	Description	Code
1	4700391163		Steering column (Page 148)	C
2	4700945632	1	.Nut	
3	4700945633	1	.Washer	
4	4700945634	1	.Rubber cap	
5	4700945635	1	.Bellows ring	
6	4700945636	1	.Bellows	
7	4700945637	1	.Locking handle	

Cross sliding Controls

Item	Part No	Rem	Qty	Description	Code
1	4700935771		1	Framing	
2	4700909745		2	Lever	
3	4700908190		2	Ball knob	
4	4700908189		1	Lever lock	
5			1	Rivet	
6	4700500001		1	Screw	
7	4700923976		1	Nut	
8	4700909746		2	Washer	
9	4700533024		2	Screw	
10	4700615041		2	Washer	5,3x11
11	4700586002		1	Lock nut	
12	4700928381		2	Washer	6,4x18x1,6
13	4700908187		4	Plain bearing	
14	4700500169		1	Screw	
17	4700570004	A	2	Nut	M6X1,00 -8 A2K
18	4700416004	A	2	Fork	
19	4700927233	B	4	Nut	
20	4700908184	C	1	Protection bellow	
21	4700359822		1	Spring holder	
22	4700359924		1	Chain with links	
23	4700937958	B	1	Clips	
24	4700935773	D	1	Cable, cpl	
25	4700935772	E	1	Cable, cpl	

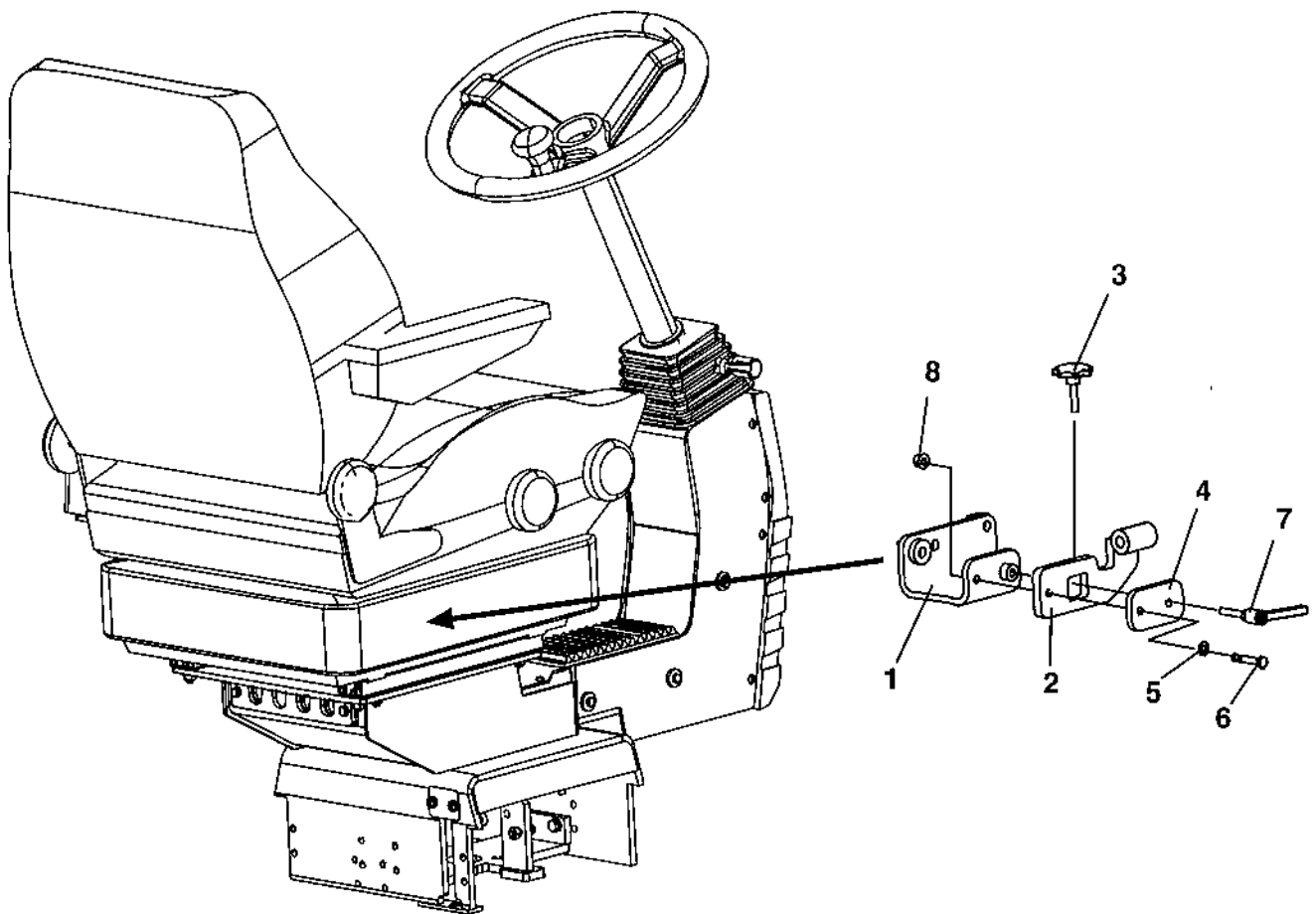
- A) Incl in item 24
- B) Incl in item 24,25
- C) Incl in item 25
- D) Sliding
- E) Turning



Cross sliding Carrier

Item	Part No	Rem	Qty	Description	Code
1	4700359788		1	Carrier	
2	4700359793		1	Bracket	
3	4700371101	A	1	Coupling link	
4	4700374417	B	1	Coupling link	
5	4700370955		1	Locking disc	
6	4700359810		1	Control bracket	
7	4700359813		2	Chain wheel	
8	4700904231		1	Washer	13x24x2 300 HV
9	4700926214		1	Grease fitting	
11	4700359125		1	Ball bearing	
12	4700359816		2	Bushing	
13	4700513003		10	Screw	
14	4700359817		2	Retaining ring	
15	4700359043		2	Spring	
17	4700904556		4	Washer	8,4x16x3,0
18	4700500021		4	Screw	M8-1,25x25 8.8
19	4700359818		3	Spring collar	
20	4700573008		3	Nut	M8
21	4700359819		1	Bushing	
22	4700359820		1	Bushing	
23	4700630008	A	1	Pin	
24	4700630035	B	1	Split pin	
25	4700904232		1	Washer	
26	4700359815		1	Cover	
27	4700926220		2	Screw	
30	4700359893	C	1	Stop	
31	4700508056	C	2	Screw	M8x40
33	4700570005		3	Nut	M8
34	4700389164		1	Clamp	
35	4700389163		1	Clamp	
36	4700500022		4	Screw	M8x30H 8.8 A2K
37	4700902520		7	Screw	
38	4700372966		1	Lock ring	
40	4700372965		1	Lock ring	
41	4700902520		6	Screw	

- A) For sliding
- B) For turning
- C) Only cab

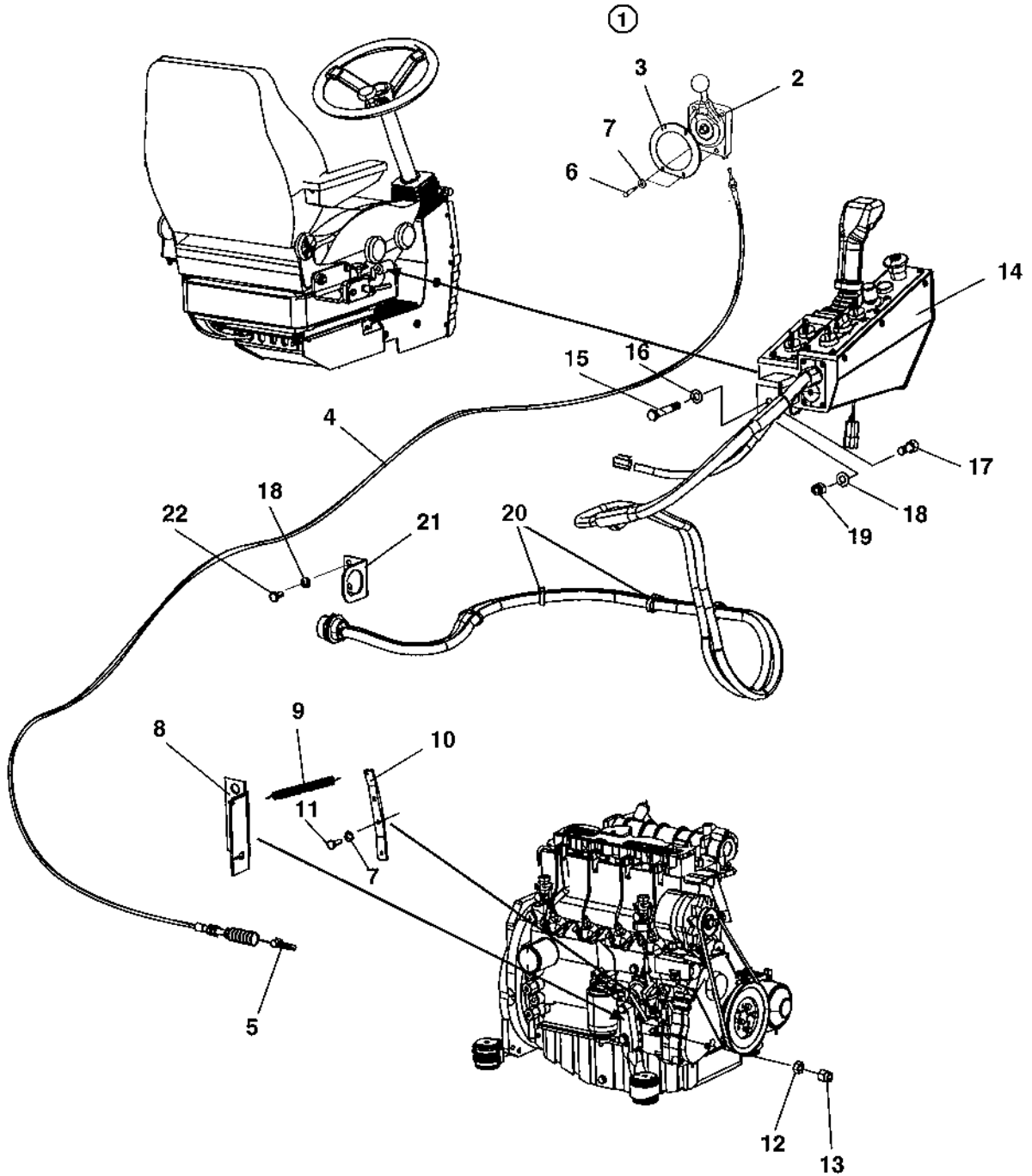


Control bracket EDS

Item	Part No	Rem Qty	Description	Code
1	4700388122	1	Control bracket	
2	4700388537	1	Control arm	
3	4700791715	1	Hand knob	
4	4700388538	1	Holder plate	
5	4700904229	2	Washer	8,4x16x1,5
6	4700500024	1	Screw	M8x45
7	4700791716	1	Lock handle	
8	4700902286	1	Lock nut	M8

Controls

18144



Controls

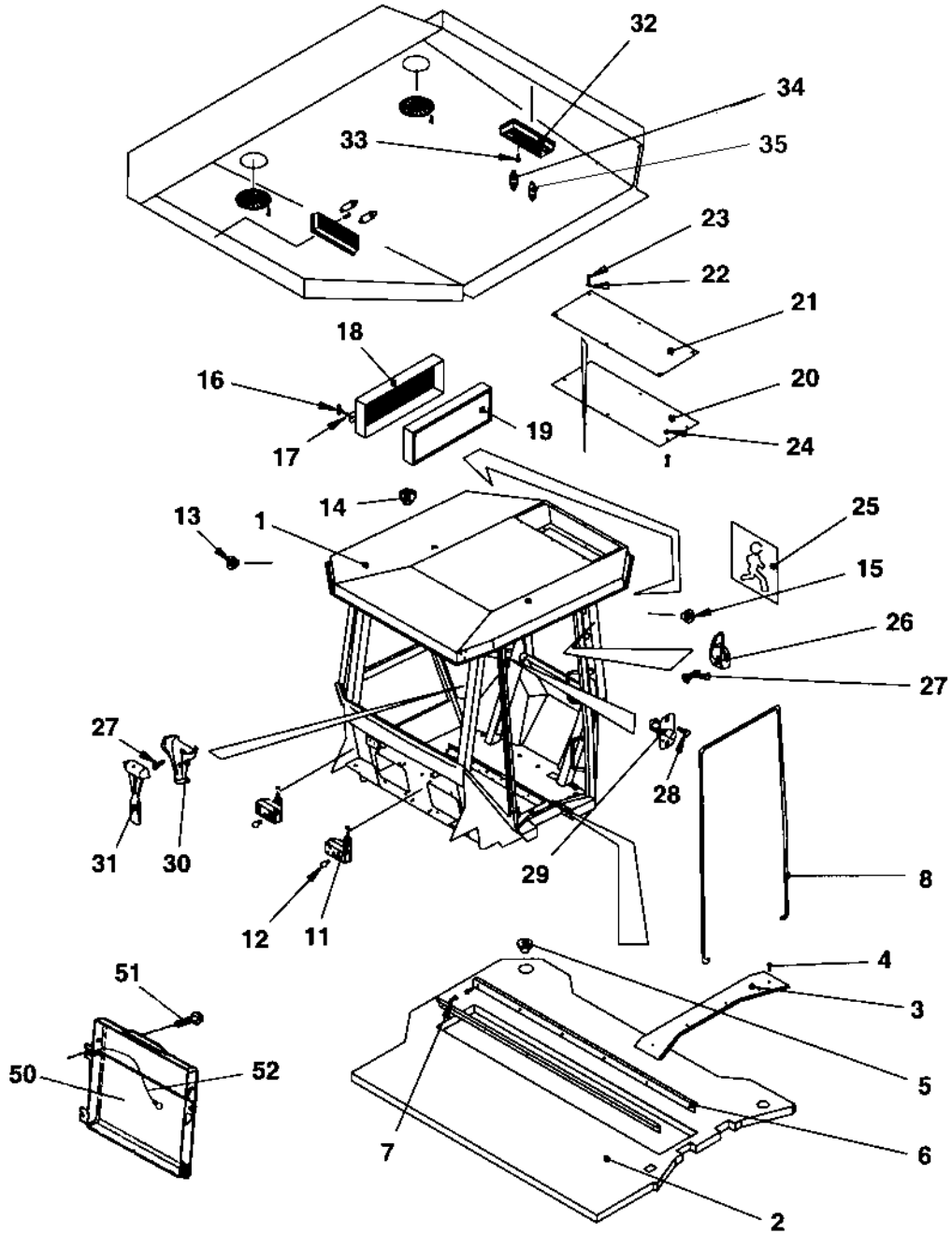
Item	Part No	Rem Qty	Description	Code
1	4700389668	1	Throttle control, cpl	
2	4700389175	1	.Control	
3	4700389177	1	.Snap plate	
4	4700940283	1	.Cable	
5	4700940285	1	.Spring	
6	4700900485	2	Screw	D
7	4700904228	4	Washer	
8	4700359936	1	Control bracket	
9	4700357500	1	Spring	
10	4700357498	1	Control lever	
11	4700500013	2	Screw	M6-1x16 8,8
12	4700570004	1	Nut	M6X1,00 -8 A2K
13	4700377413	1	Adjusting nut	
14			Forward and reverse control (Page 132)	EDC
15	4700500071	1	Screw	M12-1,75x75 8,8
16	4700904231	1	Washer	13x24x2 300 HV
17	4700508092	1	Screw	
18	4700904229	3	Washer	8,4x16x1,5
19	4700586003	1	Lock nut	M8
20	4700313102	N	Cable ties	
21	4700376789	1	Bracket	
22	4700500019	2	Screw	M8x16H 8.8 A2K

Cab, asymmetric

Item	Part No	Rem Qty	Description	Code
1			Cab, interior (Page 160)	
2			Cab, screens (Page 162)	
3			Cab, inside panels (Page 164)	
4			Cab, wipers, right side (Page 166)	
5			Cab, wipers, front and rear (Page 168)	
6			Cab, door, left side (3-split) (Page 170)	
7			Cab, heater and, fan system Up to 86120399 (Page 172)	
			Cab, heater and, fan system From 86120400 (Page 176)	
8			Cab, electrical (Page 180)	

Cab, interior

18149



Cab, interior

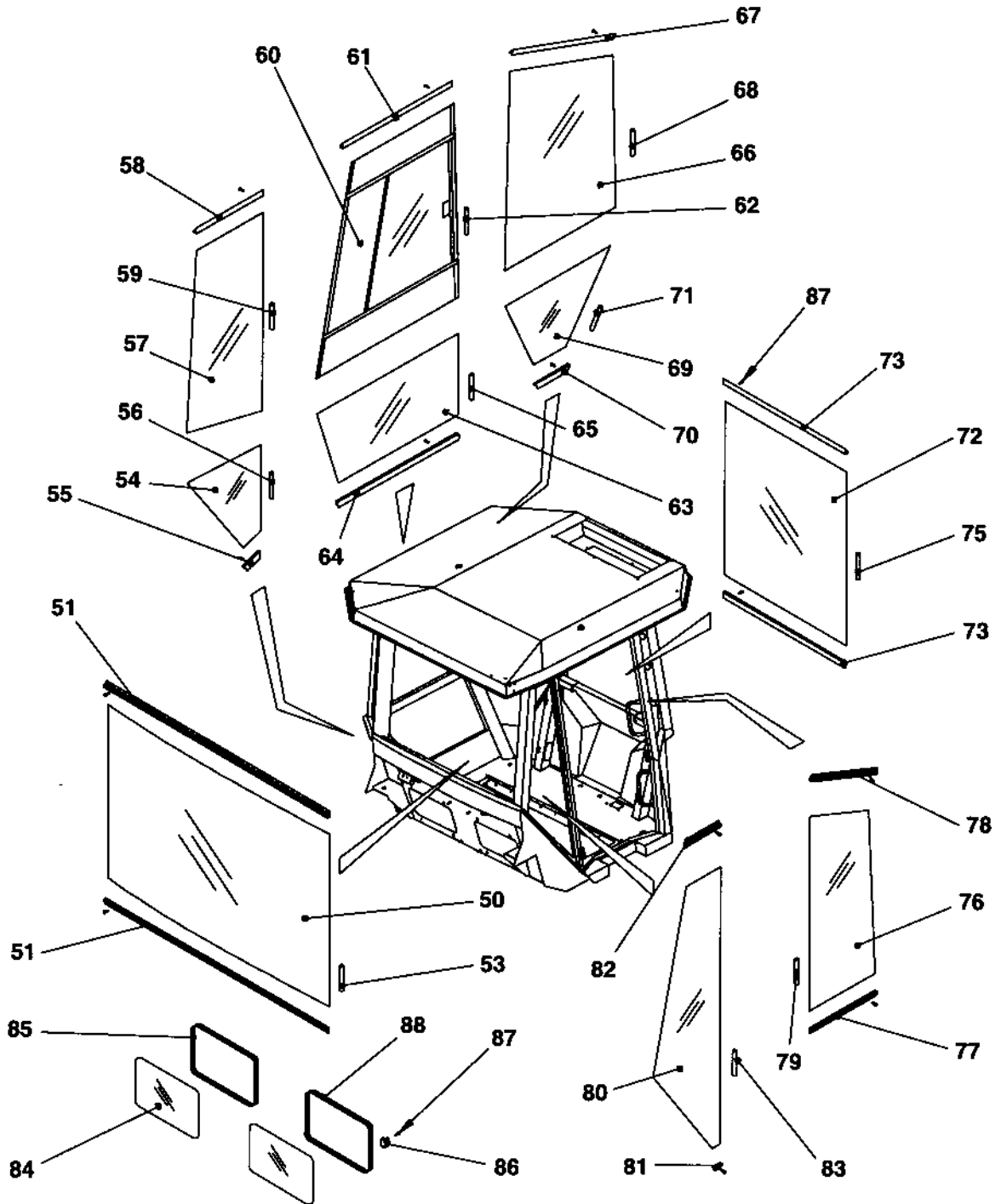
Item	Part No	Rem	Qty	Description	Code
1	4700389671		1	Cab, cpl	
2	4700939927		1	.Floor carpet	
3	4700908511		1	.List left	
4	4700903808		4	.Screw	
5	4700939928		1	.Cover	
6	4700908510		2	.List	
7	4700535005		12	.Screw	M5x12
8	4700938842	A	1XL	.Sealing strip	
11	4700908268		2	.Work light	
12	4700938845		2	.Bulb	10W 12V
13	4700938660		8	.Grommet	
14	4700908497		12	.Grommet	
15	4700909510		3	.Grommet	
16	4700908504		4	.Handle	
17	4700908503		4	.O-ring	
18	4700938846		2	.Filter housing	
19	4700938847		2	.Air filter	
20	4700938678		1	.Cover	
21	4700938679		1	.Cover	
22	4700936277		12	.Washer	
23	4700500053		12	.Screw	M8x20H 8.8
24	4700586003		8	.Lock nut	M8
25	4700935589		1	.Decal	
26	4700908505		1	.Hook	
27	4700938676		4	.Screw	
28	4700901315		2	.Screw	
29	4700908500		1	.Door switch	
30	4700908506		1	.Holder	
31	4700908507		1	.Emergency hammer	
32	4700908515		2	.Inner light	
33	4700541535		4	.Screw	
34	4700985051		4	.Bulb	12V,10W
35	4700985013		2	.Bulb	12V,5W
50	4700383705		1	Instruction book holder	
51	4700791226		4	Screw	
52	4700357643		1	Wire	

A) L=5,0 m

B
B

Cab, screens

17621



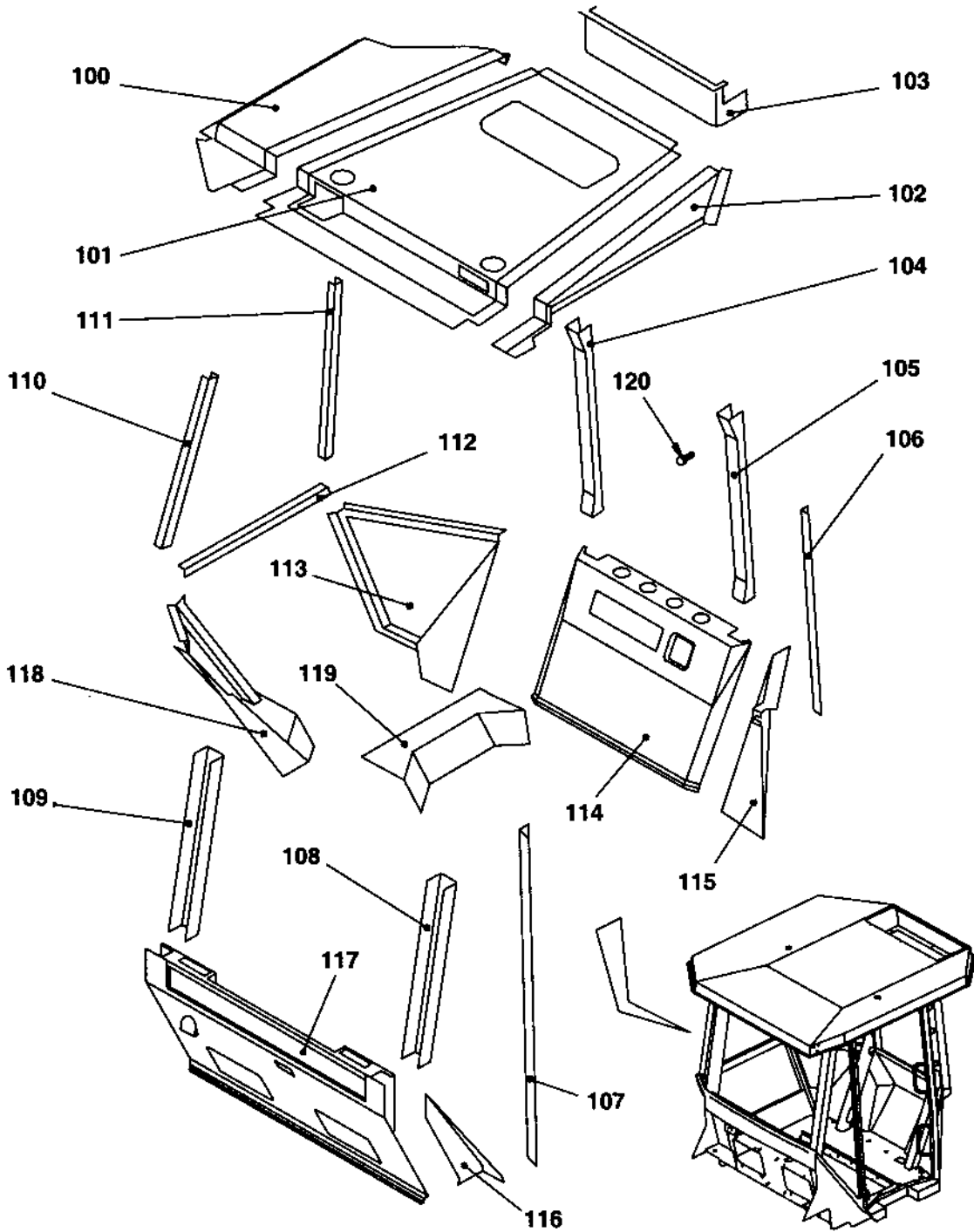
Cab, screens

Item	Part No	Rem Qty	Description	Code
			Cab, cpl	
50	4700937395	1	.Front screen	Green
51	4700908546	1	.List	
53	4700938834	A 1XL	.Sealing strip	
54	4700937398	1	.Screen	Green
55	4700908549	1	.List	
56	4700938834	B 1XL	.Sealing strip	
57	4700937397	1	.Screen	Green
58	4700908548	1	.List	
59	4700938834	C 1XL	.Sealing strip	
60	4700937399	1	.Screen sliding	Green
	4700940784	1	..Handle	
61	4700908550	1	.List	
62	4700938834	D 1XL	.Sealing strip	
63	4700937400	1	.Screen	Green
64	4700908551	1	.List	
65	4700938834	A 1XL	.Sealing strip	
66	4700938565	1	.Screen	
67	4700938835	1	.List	
68	4700938834	E 1XL	.Sealing strip	
69	4700937402	1	.Screen	Green
70	4700908553	1	.List	
71	4700938834	B 1XL	.Sealing strip	
72	4700937403	1	.Screen	Green
73	4700908764	2	.List	
75	4700938834	A 1XL	.Sealing strip	
76	4700938566	1	.Screen	Green
77	4700908556	1	.List	
78	4700938836	1	.List	
79	4700938834	F 1XL	.Sealing strip	
80	4700937405	1	.Screen	Green
81	4700908993	1	.List	
82	4700908557	1	.List	
83	4700938834	G 1XL	.Sealing strip	
84	4700938567	1	.Screen	Green
85	4700938837	H 1XL	.Sealing strip	
86	4700938838	8	.List	
87	4700937932	57	.Screw	
88	4700938837	H 1XL	.Sealing strip	

- A) L=1,8 m
- B) L=1,6 m
- C) L=2,4 m
- D) L=2,9 m
- E) L=2,5 m
- F) L=2,1 m
- G) L=3,0 m
- H) L=1,3 m

Cab, inside panels

17622

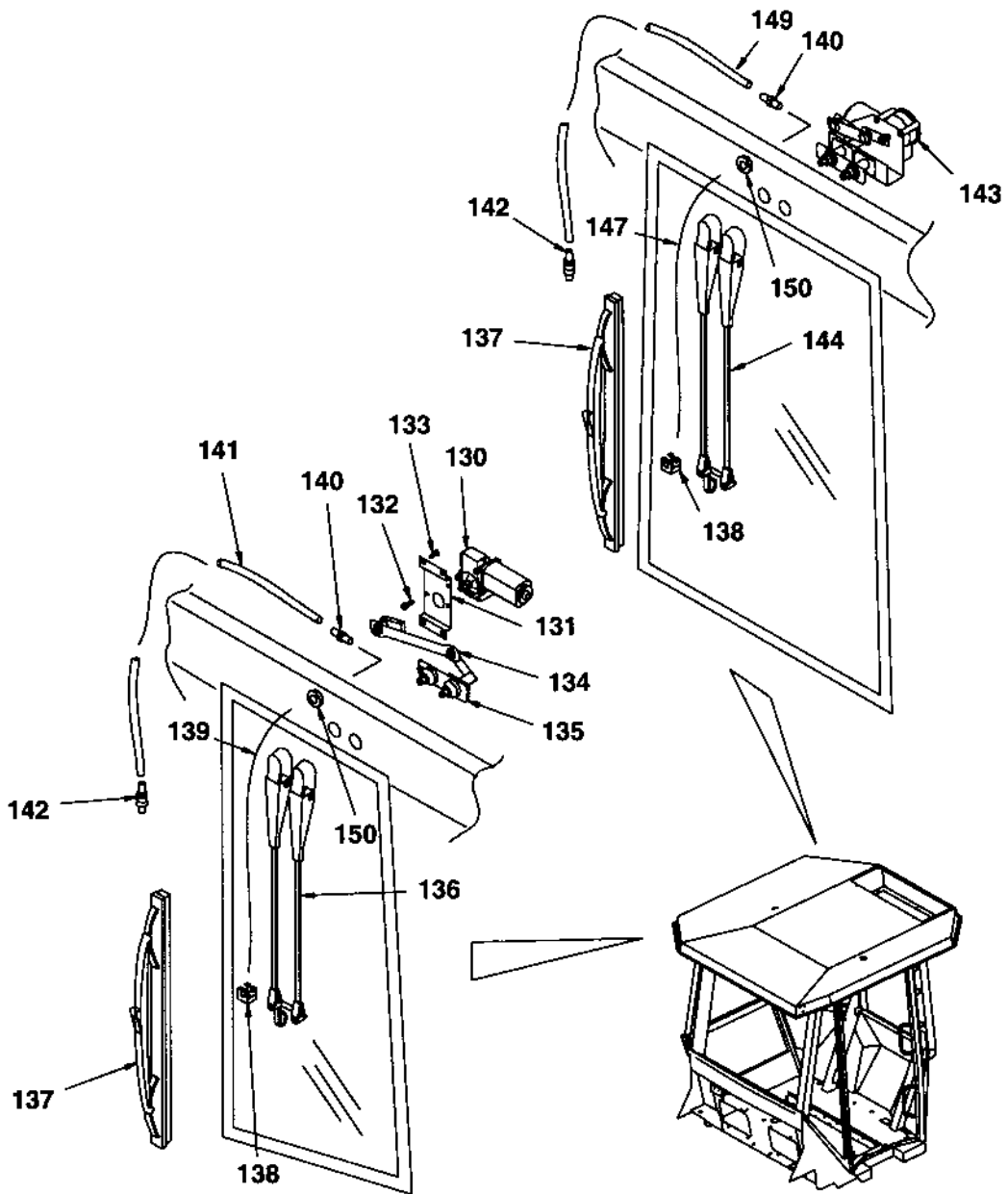


Cab, inside panels

Item	Part No	Rem Qty	Description	Code
			Cab, cpl	
100	4700938806	2	.Panel	
101	4700938807	1	.Panel	
102	4700938808	1	.Panel	
103	4700938809	1	.Panel	
104	4700938810	1	.Panel	
105	4700938811	1	.Panel	
106	4700908535	1	.Panel	
107	4700908536	1	.Panel	
108	4700908529	1	.Panel	
109	4700908530	1	.Panel	
110	4700908531	1	.Panel	
111	4700908532	1	.Panel	
112	4700908540	1	.Panel	
113	4700908542	1	.Panel	
114	4700938812	1	.Panel	
115	4700908544	1	.Panel	
116	4700908537	1	.Panel	
117	4700938813	1	.Panel	
118	4700908539	1	.Panel	
119	4700908541	1	.Panel	
120	4700938677	50	.Screw	

Cab, wipers, right side

17623



Cab, wipers, right side

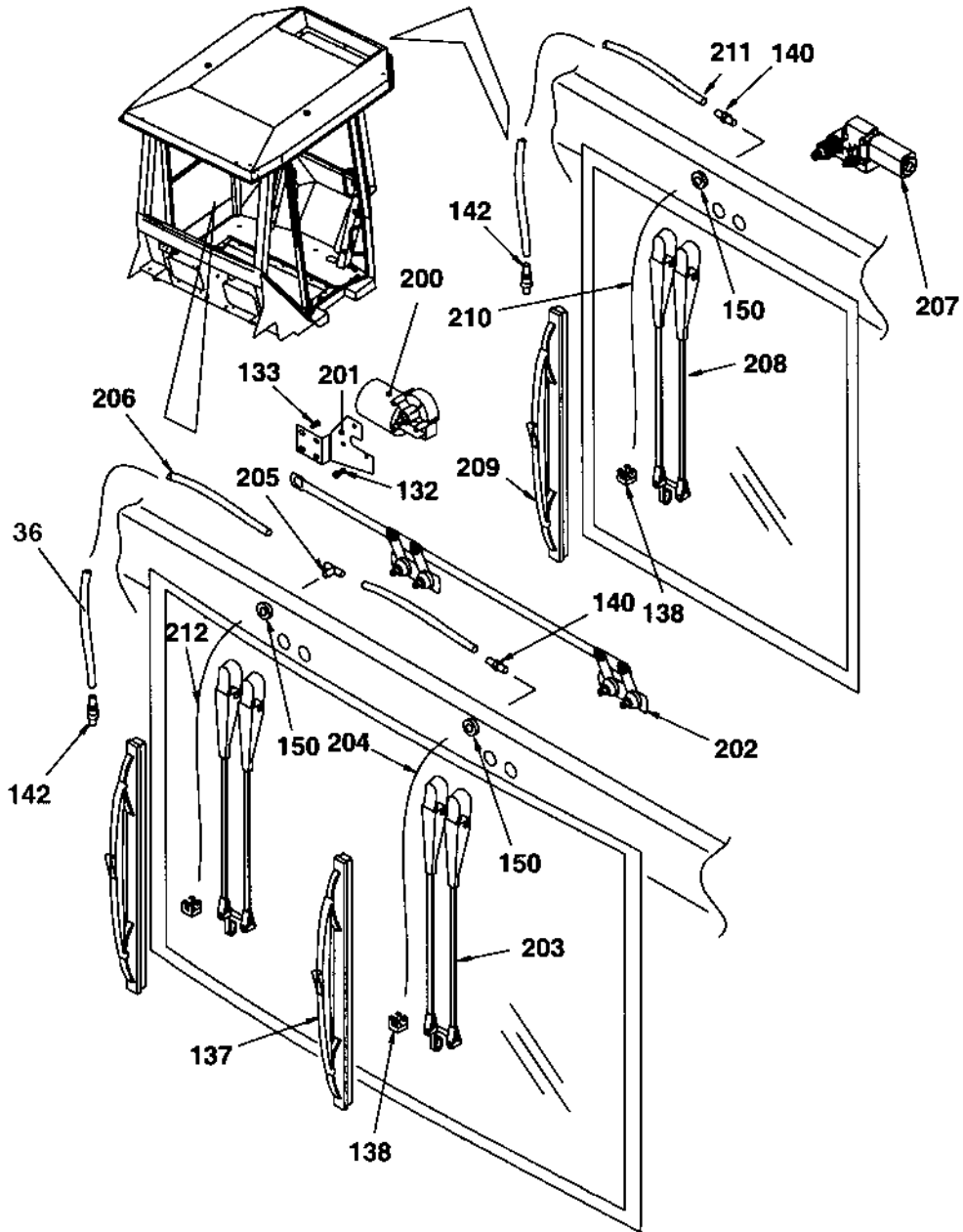
Item	Part No	Rem	Qty	Description	Code
				Cab, cpl	
130	4700908269		1	.Wiper motor	
131	4700908565		1	.Bracket	
132	4700500012		3	.Screw	M6x12
133	4700541702		4	.Screw	M6x12
134	4700908363		1	.Transmission	
135	4700908364		1	.Intermediate shaft	
136	4700908270		1	.Wiper arm	
137	4700908271		2	.Wiper blade	
138	4700908559		2	.Nozzle	
139	4700908560	A	1XL	.Rubber hose	
140	4700908561		2	.Grommet	
141	4700908563	B	1XL	.Plastic hose	
142	4700908564		2	.Check valve	
143	4700908281		1	.Wiper motor	
144	4700908282		1	.Wiper arm	
147	4700908560	A	1XL	.Rubber hose	
149	4700908563	B	1XL	.Plastic hose	
150	4700908496		4	.Grommet	

A) L=1,0 m

B) L=6,0 m

Cab, wipers, front and rear

17615



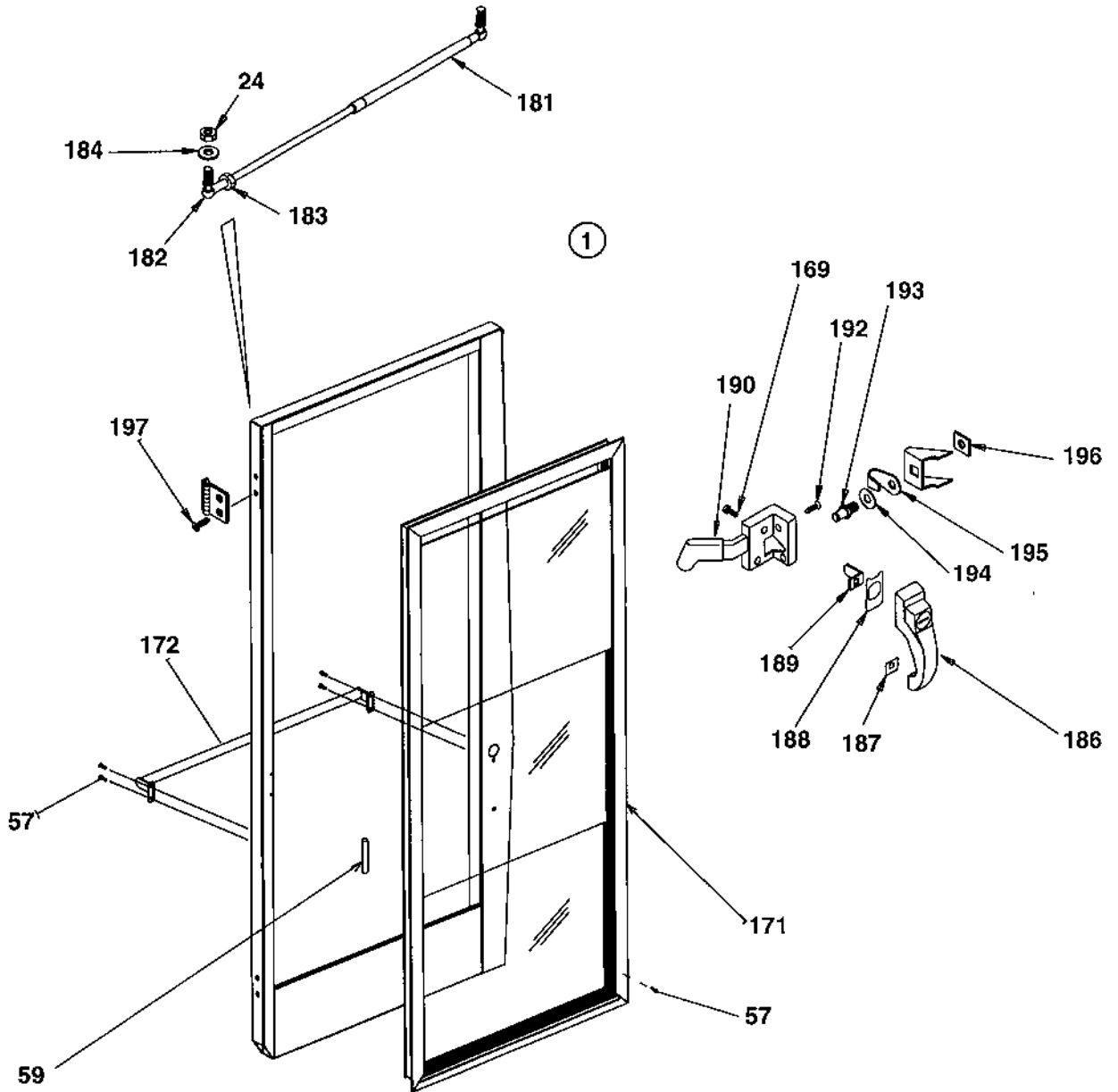
Cab, wipers, front and rear

Item	Part No	Rem	Qty	Description	Code
			1	Cab, cpl	
36	4700903082	C	1XL	.Hose shield	
132	4700500012		3	.Screw	M6x12
133	4700541702		4	.Screw	M6x12
137	4700908271		2	.Wiper blade	
138	4700908559		3	.Nozzle	
140	4700908561		2	.Grommet	
142	4700908564		2	.Check valve	
150	4700908496		3	.Grommet	
200	4700908272		1	.Wiper motor	
201	4700908558		1	.Bracket	
202	4700908362		1	.Transmission	
203	4700908273		2	.Wiper arm	
204	4700908560	A	1XL	.Rubber hose	
205	4700908562		1	.T-connection	
206	4700908563	B	1XL	.Plastic hose	
207	4700908278		1	.Wiper motor	
208	4700908279		1	.Wiper arm	
209	4700908280		1	.Wiper blade	
210	4700908560	A	1XL	.Rubber hose	
211	4700908563	B	1XL	.Plastic hose	
212	4700908560	A	1XL	.Rubber hose	

- A) L=1,0 m
- B) L=6,0 m
- C) L=1,8 m

Cab, door, left side (3-split)

18167



Cab, door, left side (3-split)

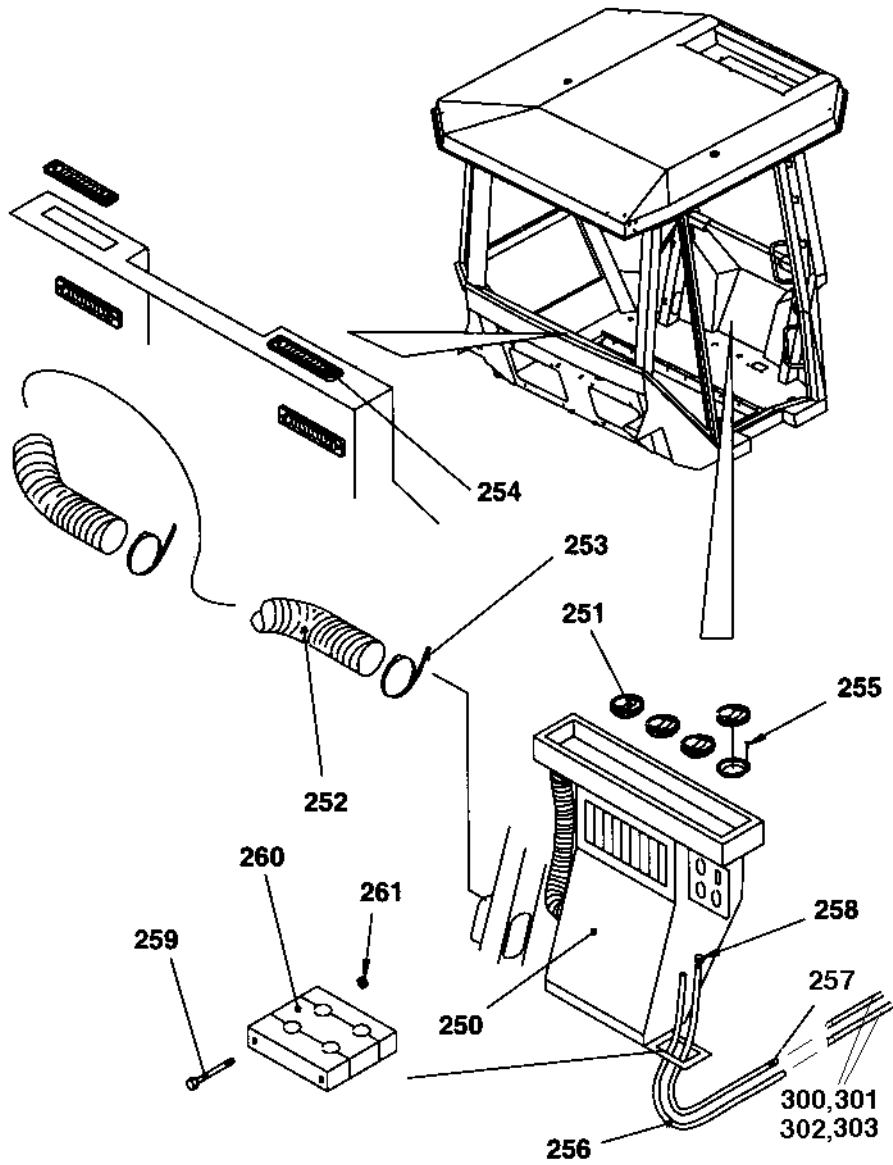
Item	Part No	Rem	Qty	Description	Code
			1	Cab, cpl	
1	4700940395		1	..Door, cpl	
24	4700586003		2	..Lock nut	M8
57	4700940389		16	..Screw	
59	4700940391	A	1XL	..List	
169	4700903805		8	..Screw	
171	4700940394		1	..Door window	
	4700945264		1	...Screen cpl, top	
	4700945265		1	...Screen cpl, middle	
	4700945266		1	...Screen cpl, bottom	
172	4700940392		1	..Handle	
181	4700908284		1	..Gas spring	
	4700908354	1	1	..Mounting kit	
182	4700908576		1	..Ball joint	
183	4700570005		1	..Nut	M8
184	4700904229		2	..Washer	8,4x16x1,5
186	4700935244		1	..Door handle with key	
	4700902866		1	...Key	Marked "455"
187	4700908577		1	..Washer	D
188	4700908578		1	..Washer	
189	4700908579		1	..Leader	
190	4700908287		1	..Lock	
192	4700903802		2	..Screw	
193	4700908580		1	..Lock pin	
194	4700908581		1	..Washer	
195	4700908582		1	..Cover	
196	4700908583		1	..Bracket	
197	4700513025		4	..Screw	

1) Includes item 24, 182,183 and 184.

A) L=3,9 m

Cab, heater and, fan system

17618

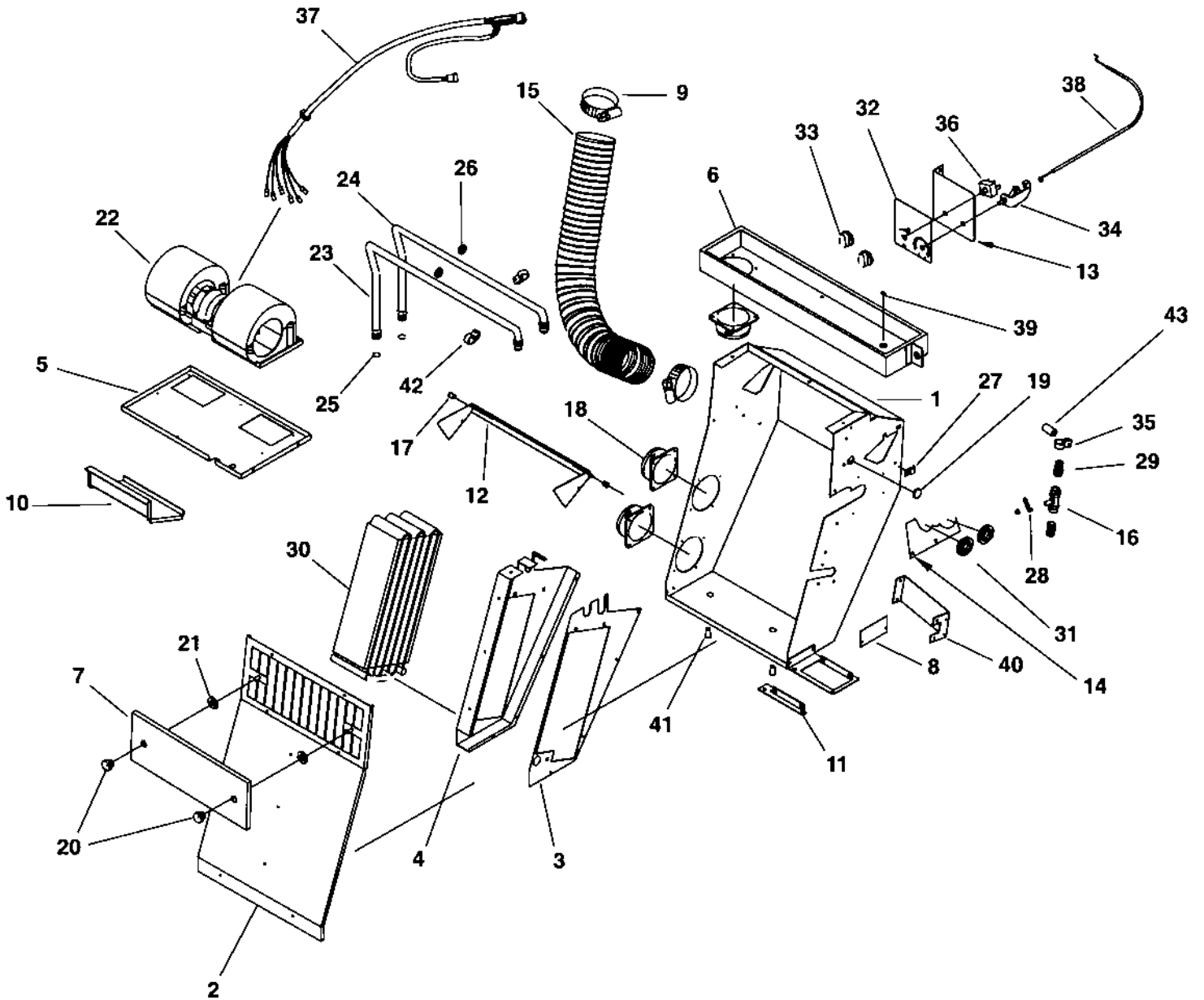


Cab, heater and, fan system

Item	Part No	Rem	Qty	Description	Code
			1	Cab, cpl	
250	4700385769		1	.Heater unit (Page 174)	
251	4700385442		4	.Air nozzle	
252	4700908599	A	1XL	.Hose	
253	4700908600		2	.Clamp	
254	4700908598		4	.Nozzle	
255	4700938691		16	.Screw	
256	4700938872	B	1XL	.Hose	
257	4700938873	C	1XL	.Hose	
258	4700938874		2	.Clamp	
259	4700500153		2	.Screw	
260	4700938871		1	.Hose clamp	
261	4700570004		2	.Nut	M6X1,00 -8 A2K
300	4700370761		2	Hose	
301	4700747691		2	Hollow screw	
302	4700330331		6	Washer	18,2x23,9x1,5
303	4700371727		4	Sleeve	
A)	L=1,50 m				
B)	L=2,75 m				
C)	L=2,90 m				

4700385769 Heater unit

17651

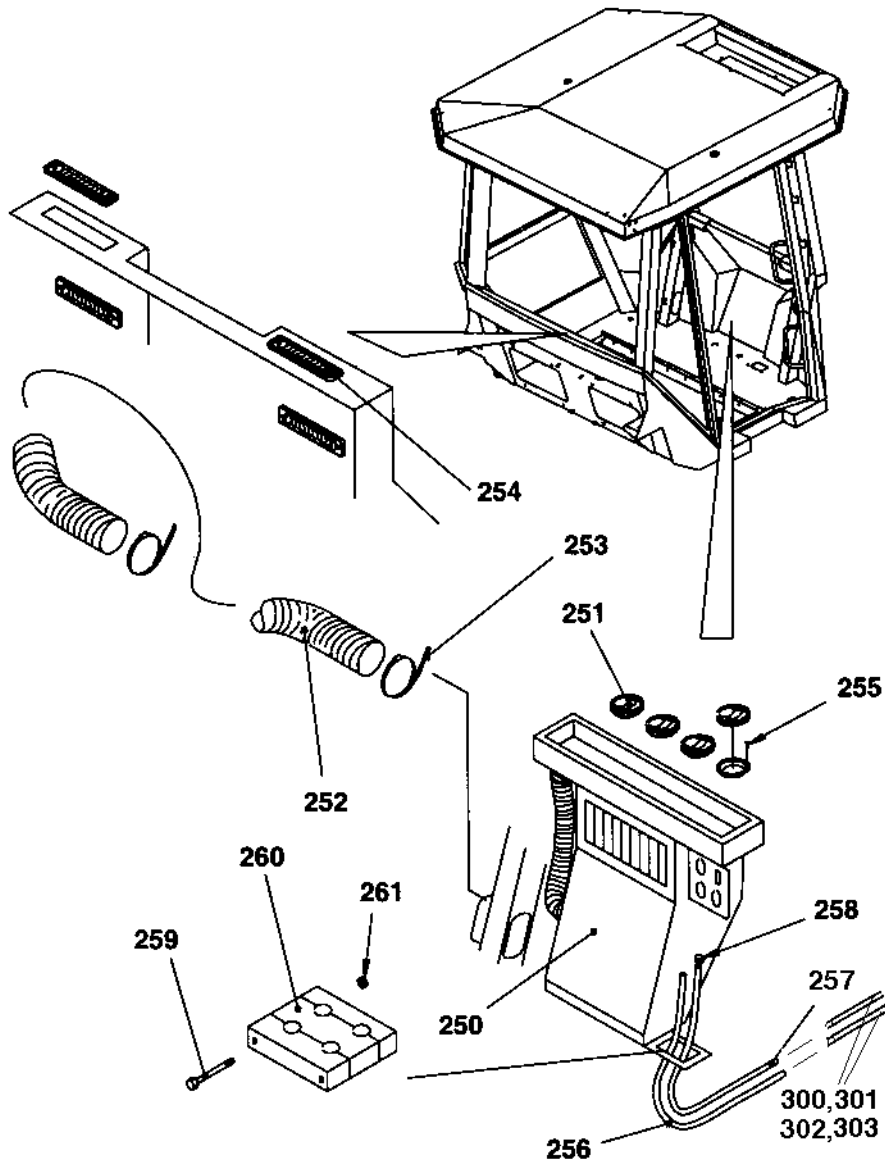


4700385769 Heater unit

Item	Part No	Rem Qty	Description	Code
1	4700938938	1	Casing	
2	4700938939	1	Cover	
3	4700938940	1	Coil bracket	
4	4700938941	1	Coil bracket	
5	4700938942	1	Blower bracket	
6	4700938943	1	Air distributor	
7	4700938864	1	Recirculation cover	
8	4700938865	1	Block valve cover	
9	4700938789	2	Clamp	
10	4700938945	1	Air channel	
11	4700938779	1	Hose bracket	
12	4700938780	1	Flapper	
13	4700938781	1	Control panel	
14	4700938946	1	Cover plate	
15	4700938783	1	Air duct	
16	4700938953	1	Heater valve	
17	4700938784	2	Bushing	
18	4700938632	3	Hose adapter	
19	4700938644	1	Cap	
20	4700938634	2	Knob	
21	4700938611	2	Star lock	
22	4700938638	1	Fan	
23	4700938947	1	Copper tube	
24	4700938948	1	Copper tube	
25	4700384878	2	O-ring	
26	4700384927	2	Grommet	
27	4700384880	1	Wire clamp	
28	4700938949	1	Arm	
29	4700938950	2	Fitting	
30	4700384133	1	Coil	
31	4700938608	2	Grommet	
32	4700938955	1	Overlay	
33	4700938620	2	Knob	
34	4700938788	1	Rotary control	
35	4700938951	1	Clamp	
36	4700938622	1	Switch	
37	4700938647	1	Cable harness	
38	4700938954	1	Bowden cable	
39	4700938867	1	Hole plug	
40	4700938944	1	Heater valve bracket	
41	4700938636	2	Drain valve	
42	4700938790	2	Clamp	
43	4700938952	1	Spacer	

Cab, heater and, fan system

17618



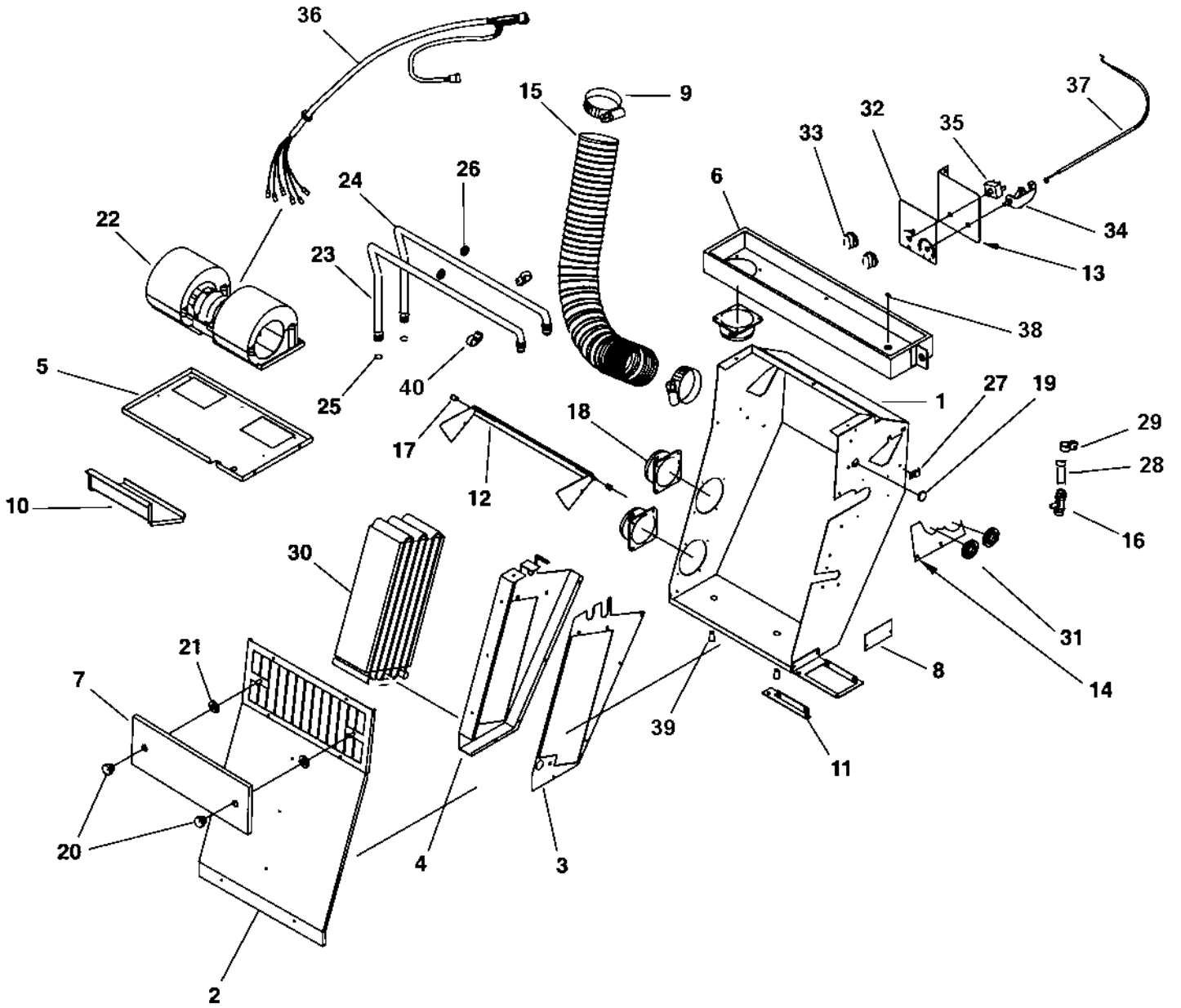
Cab, heater and, fan system

Item	Part No	Rem	Qty	Description	Code
			1	Cab, cpl	
250	4700395136		1	.Heater unit (Page 178)	
251	4700385442		4	.Air nozzle	
252	4700908599	A	1XL	.Hose	
253	4700908600		2	.Clamp	
254	4700908598		4	.Nozzle	
255	4700938691		16	.Screw	
256	4700937737	B	1XL	.Hose	
257	4700937737	B	1XL	.Hose	
258	4700938874		2	.Clamp	
259	4700500153		2	.Screw	
260	4700938871		1	.Hose clamp	
261	4700570004		2	.Nut	M6X1,00 -8 A2K
300	4700313004		4	Hose clamp	
301	4700791466		2	Adapter	
302	4700791465		1	Hose connection	
303	4700792690		1	Hose connection	

- A) L=1,50 m
- B) L=1,6 m

4700395136 Heater unit

18771

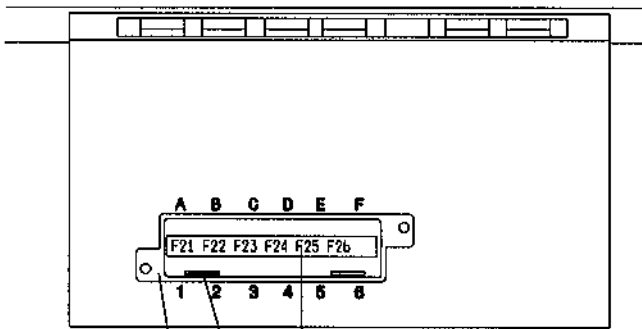
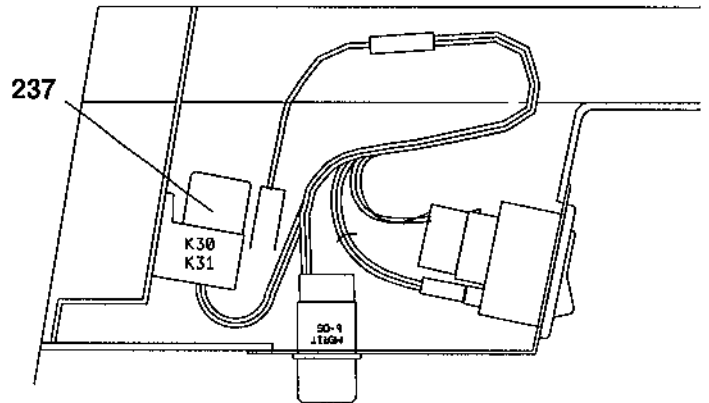
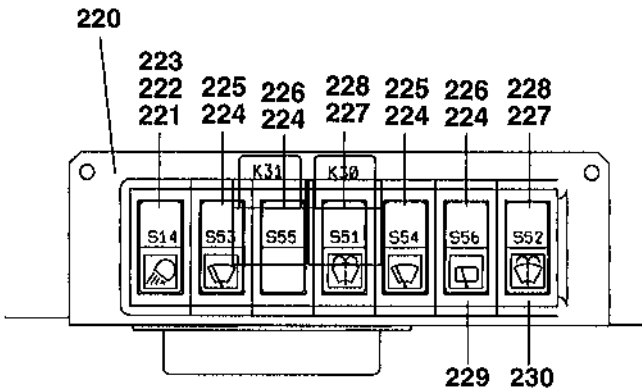


4700395136 Heater unit

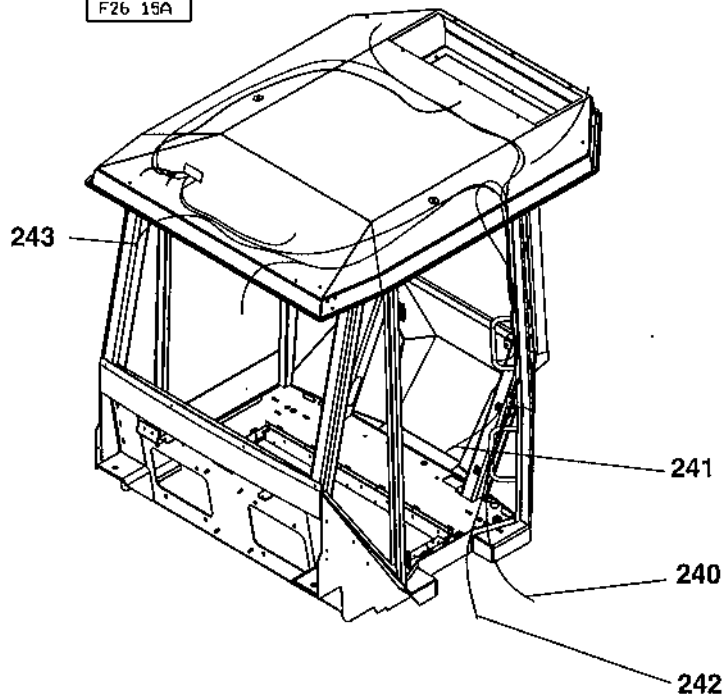
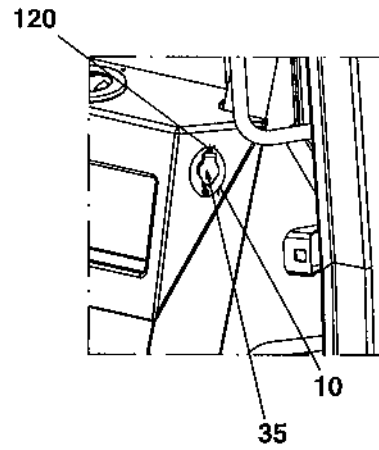
Item	Part No	Rem Qty	Description	Code
1	4700938938	1	Casing	
2	4700938939	1	Cover	
3	4700938940	1	Coil bracket	
4	4700938941	1	Coil bracket	
5	4700938942	1	Blower bracket	
6	4700938943	1	Air distributor	
7	4700938864	1	Recirculation cover	
8	4700938865	1	Block valve cover	
9	4700938789	2	Clamp	
10	4700938945	1	Air channel	
11	4700938779	1	Hose bracket	
12	4700938780	1	Flapper	
13	4700938781	1	Control panel	
14	4700938946	1	Cover plate	
15	4700938783	1	Air duct	
16	4700939699	1	Heater valve	
17	4700938784	2	Bushing	
18	4700938632	3	Hose adapter	
19	4700938644	1	Cap	
20	4700938634	2	Knob	
21	4700938611	2	Star lock	
22	4700938785	1	Copper tube	
23	4700938786	1	Copper tube	
24	4700938948	1	Copper tube	
25	4700384878	2	O-ring	
26	4700384927	2	Grommet	
27	4700384880	1	Wire clamp	
28	4700384881	1	Hose	
29	4700303003	2	Clamp	
30	4700384133	1	Coil	
31	4700938608	2	Grommet	
32	4700938938	1	Casing	
33	4700938620	2	Knob	
34	4700938788	1	Rotary control	
35	4700938622	1	Switch	
36	4700938647	1	Cable harness	
37	4700938645	1	Bowden cable	
38	4700938867	1	Hole plug	
39	4700938636	2	Drain valve	
40	4700938790	2	Clamp	

Cab, electrical

18171



F21	20A
F22	10A
F23	15A
F24	25A
F25	15A
F26	15A



Cab, electrical

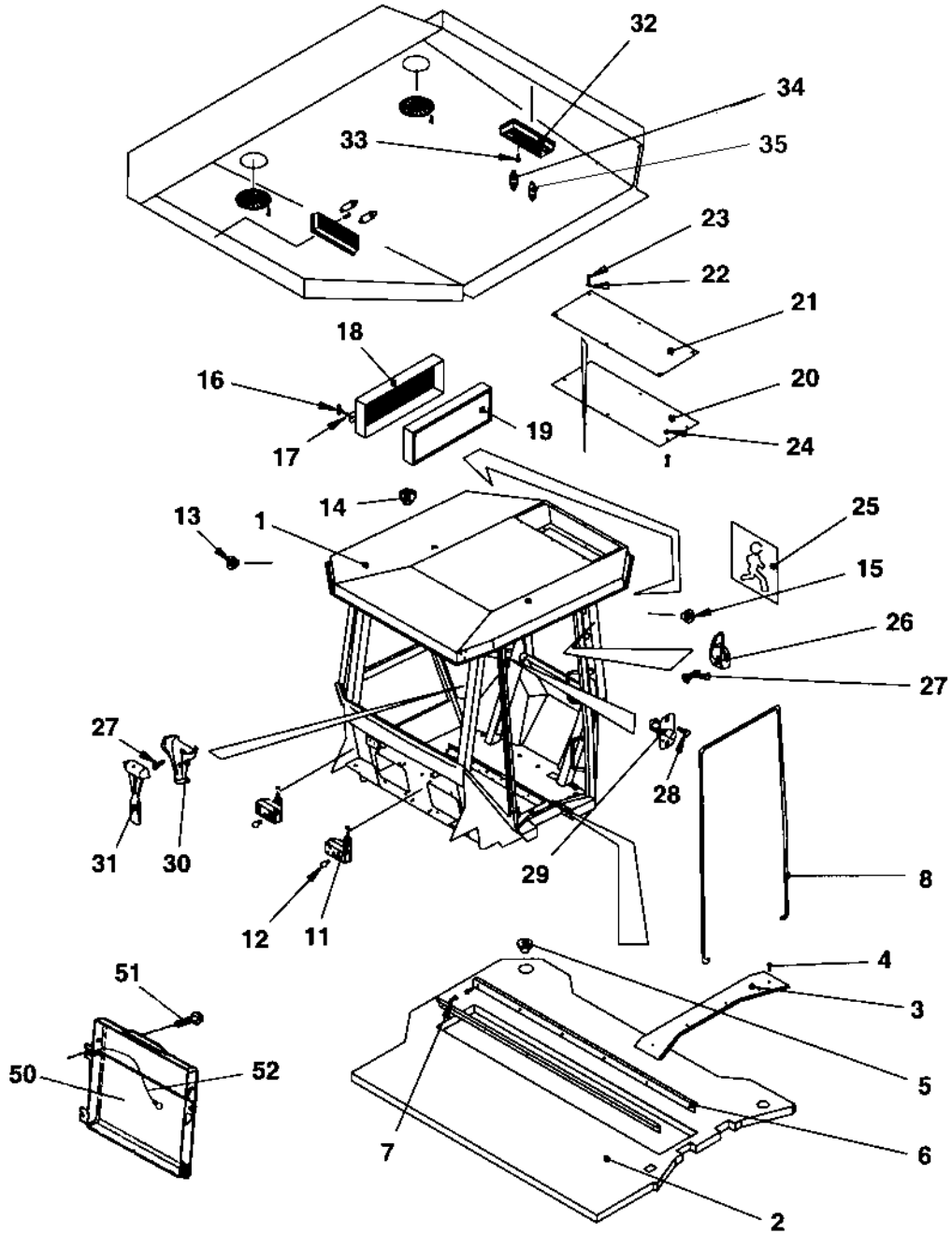
Item	Part No	Rem Qty	Description	Code	
		1	Cab, cpl		
10	4700939521	1	.Sign	12V	
35	4700939522	1	.Contact	12V	
120	4700938677	2	.Screw		
220	4700908611	1	.Bracket		
221	4700908602	1	.Switch		
222	4700908604	1	.Symbol, work lights		
223	4700908608	1	.Socket with bulb		
224	4700908617	4	.Switch		
225	4700908605	2	.Symbol, wiper		
226	4700938687	2	.Symbol, wiper		
227	4700908603	2	.Switch		
228	4700908618	2	.Symbol, washer		
229	4700908606	5	.Modular panel		
230	4700908610	2	.Modular panel		
231	4700908613	1	.Fuse box		
232	4700901240	2	.Connector		
233	4700901228	3	.Fuse	15A	
234	4700903741	1	.Fuse	20A Yellow Medium	B
235	4700901227	1	.Fuse	10A	B
236	4700901229	1	.Fuse	25A	B
237	4700287597	2	.Relay		D
240	4700938029	1	.Cable harness		
241	4700938854	1	.Cable harness	Roof	
242	4700377414	1	.Cable harness		
243	4700377415	1	.Cable harness		

Cab, symmetric

Item	Part No	Rem Qty	Description	Code
1			Cab, interior (Page 184)	
2			Cab, screens (Page 186)	
3			Cab (Page 188)	Inside panels
4			Cab, wipers, front and rear (Page 168)	
6			Cab, door, left side (3-split) (Page 170)	
7			Cab, heater and, fan system Up to 86110399 (Page 172)	
			Cab, heater and, fan system From 86110400 (Page 176)	
8			Cab, electrical (Page 180)	

Cab, interior

18149



Cab, interior

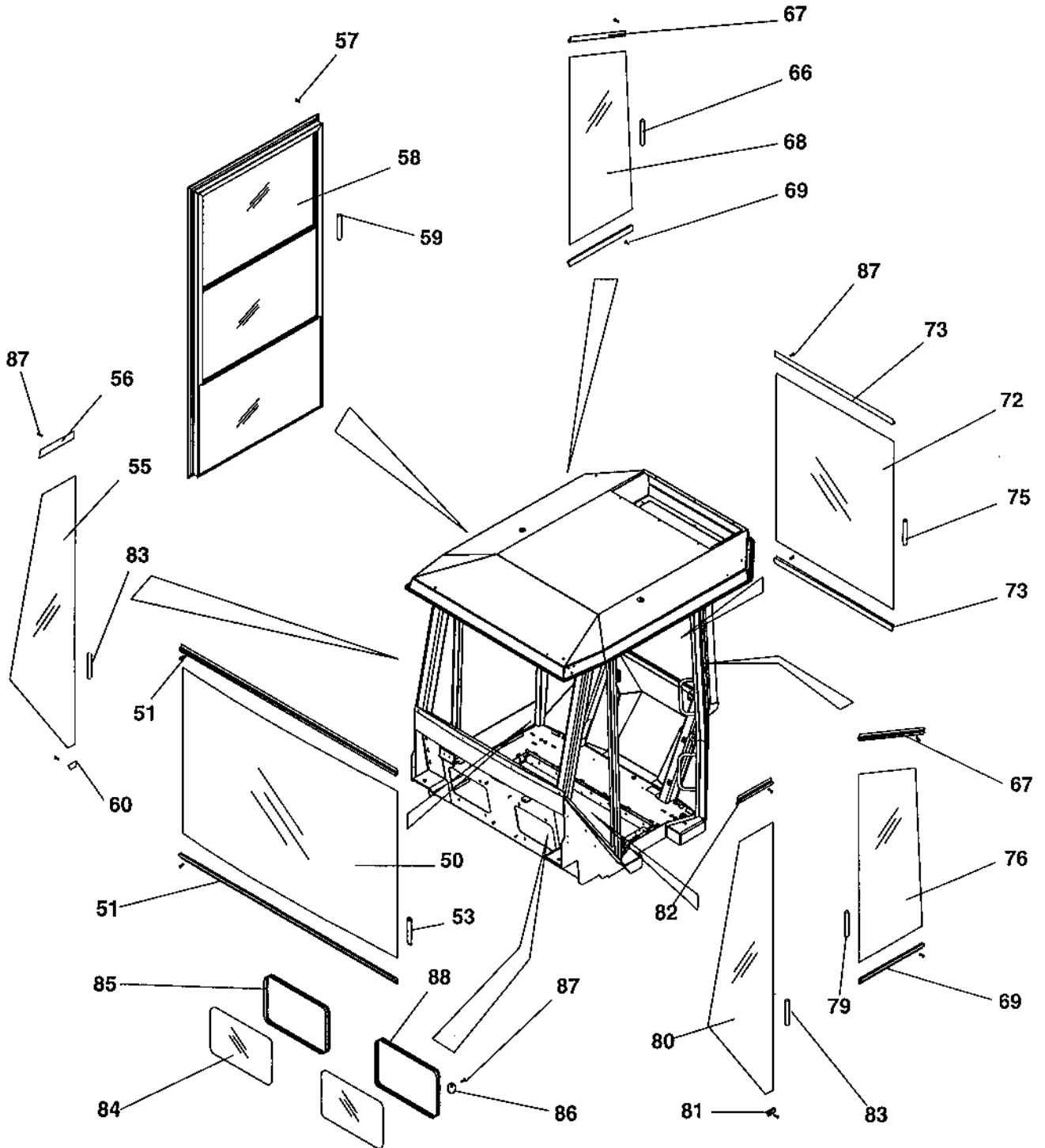
Item	Part No	Rem	Qty	Description	Code
1	4700378058		1	Cab, cpl	
2	4700939927		1	.Floor carpet	
3	4700908511		1	.List left	
4	4700903808		4	.Screw	
5	4700939928		1	.Cover	
6	4700908510		2	.List	
7	4700535005		12	.Screw	M5x12
8	4700938842	A	1XL	.Sealing strip	
11	4700908268		2	.Work light	
12	4700938845		2	.Bulb	10W 12V
13	4700938660		8	.Grommet	
14	4700908497		12	.Grommet	
15	4700909510		3	.Grommet	
16	4700908504		4	.Handle	
17	4700908503		4	.O-ring	
18	4700938846		2	.Filter housing	
19	4700938847		2	.Air filter	
20	4700938678		1	.Cover	
21	4700938679		1	.Cover	
22	4700936277		12	.Washer	
23	4700500053		12	.Screw	M8x20H 8.8
24	4700586003		8	.Lock nut	M8
25	4700935589		1	.Decal	
26	4700908505		1	.Hook	
27	4700938676		4	.Screw	
28	4700901315		2	.Screw	
29	4700908500		1	.Door switch	
30	4700908506		1	.Holder	
31	4700908507		1	.Emergency hammer	
32	4700908515		2	.Inner light	
33	4700541535		4	.Screw	
34	4700985051		4	.Bulb	12V,10W
35	4700985013		2	.Bulb	12V,5W
50	4700383705		1	Instruction book holder	
51	4700791226		4	Screw	
52	4700357643		1	Wire	

A) L=5,0 m

B
B

Cab, screens

18168

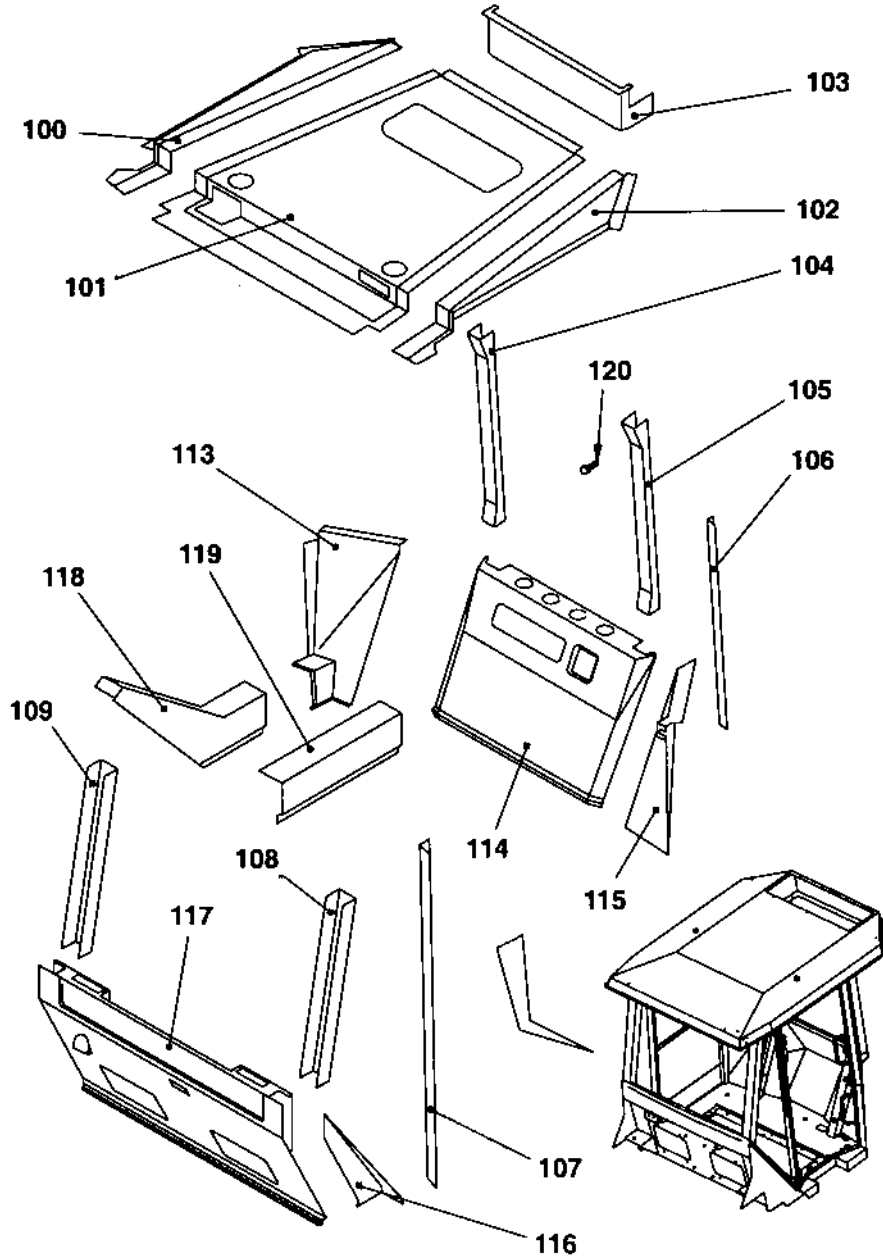


Cab, screens

Item	Part No	Rem	Qty	Description	Code
			1	Cab, cpl	
28	4700901315		8	.Screw	
50	4700937395		1	.Front screen	Green
51	4700908546		2	.List	
53	4700938834	A	1XL	.Sealing strip	
54	4700938616		1	.Screen	Green
55	4700937398		1	.Screen	Green
56	4700938840		1	.List	
57	4700940389		46	.Screw	
58	4700940390		1	.Side window, cpl	
59	4700940391	B	1XL	.List	
60	4700938839	C	1XL	.List	
66	4700908574	D	1XL	.Sealing	
67	4700938837	E	1XL	.Sealing strip	
68	4700938615		1	.Screen	Green
69	4700908556		2	.List	
72	4700937403		1	.Screen	Green
73	4700908764		2	.List	
75	4700938834	A	1XL	.Sealing strip	
76	4700938566		1	.Screen	Green
79	4700938834	G	1XL	.Sealing strip	
80	4700937405		1	.Screen	Green
81	4700908993		1	.List	
82	4700908557		1	.List	
83	4700938834	H	1XL	.Sealing strip	
84	4700938567		2	.Screen	Green
85	4700938837	E	1XL	.Sealing strip	
86	4700938838		8	.List	
87	4700937932		48	.Screw	
88	4700938835		1	.List	
A)	L=1,8 m				
B)	L=4,1 m				
C)	L=1,0 m				
D)	L=1,4 m				
E)	L=1,3 m				
G)	L=2,1 m				
H)	L=3,0 m				

Cab Inside panels

17614

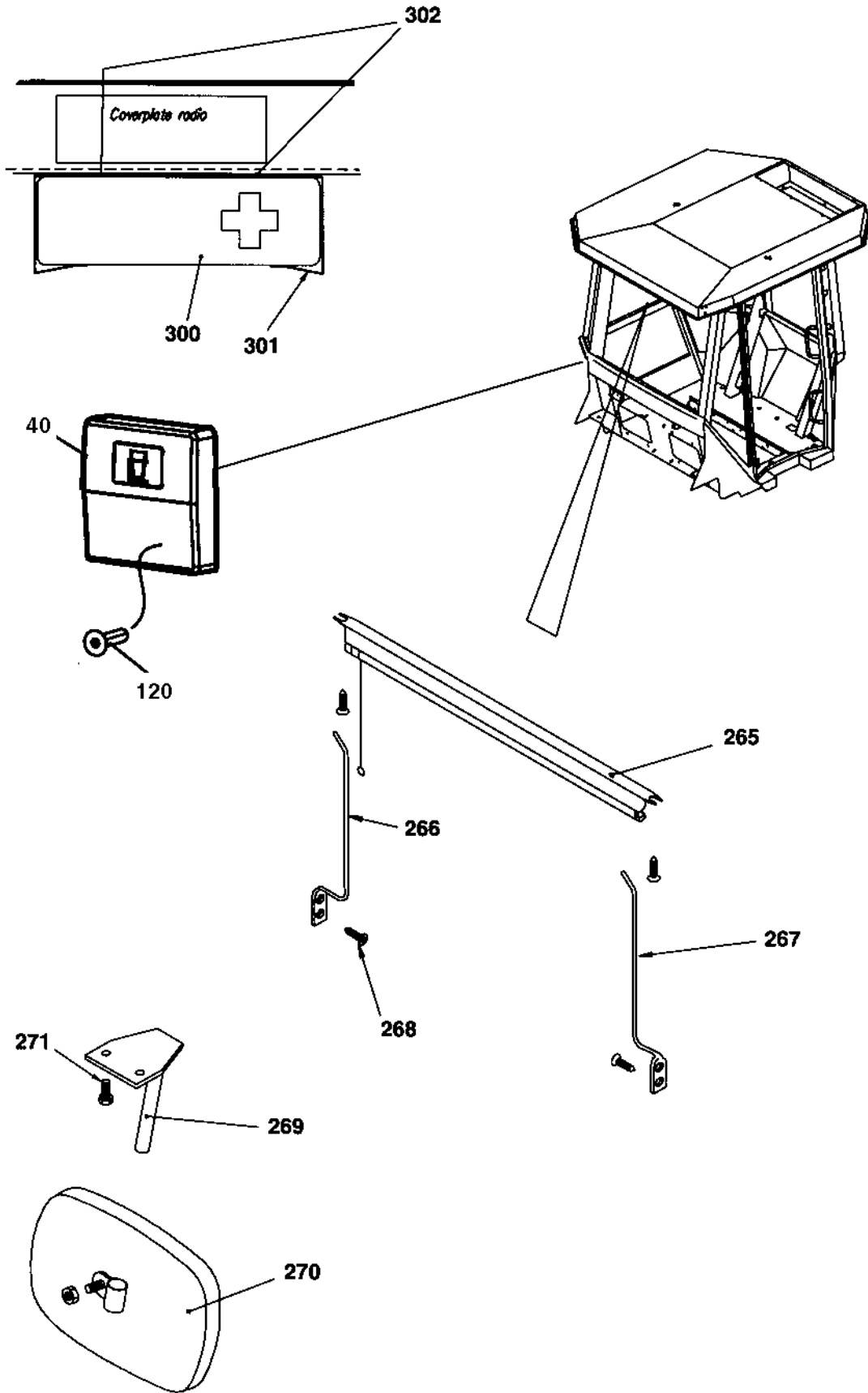


Cab Inside panels

Item	Part No	Rem Qty	Description	Code
		1	Cab, cpl	
100	4700938814	1	.Panel	
101	4700938807	1	.Panel	
102	4700938808	1	.Panel	
103	4700938809	1	.Panel	
104	4700938810	1	.Panel	
105	4700938811	1	.Panel	
106	4700908535	1	.Panel	
107	4700908536	1	.Panel	
108	4700908529	1	.Panel	
109	4700938815	1	.Panel	
113	4700938816	1	.Panel	
114	4700938812	1	.Panel	
115	4700908544	1	.Panel	
116	4700908537	1	.Panel	
117	4700938813	1	.Panel	
118	4700938817	1	.Panel	
119	4700938818	1	.Panel	
120	4700938677	50	.Screw	

Cab, equipment

18166

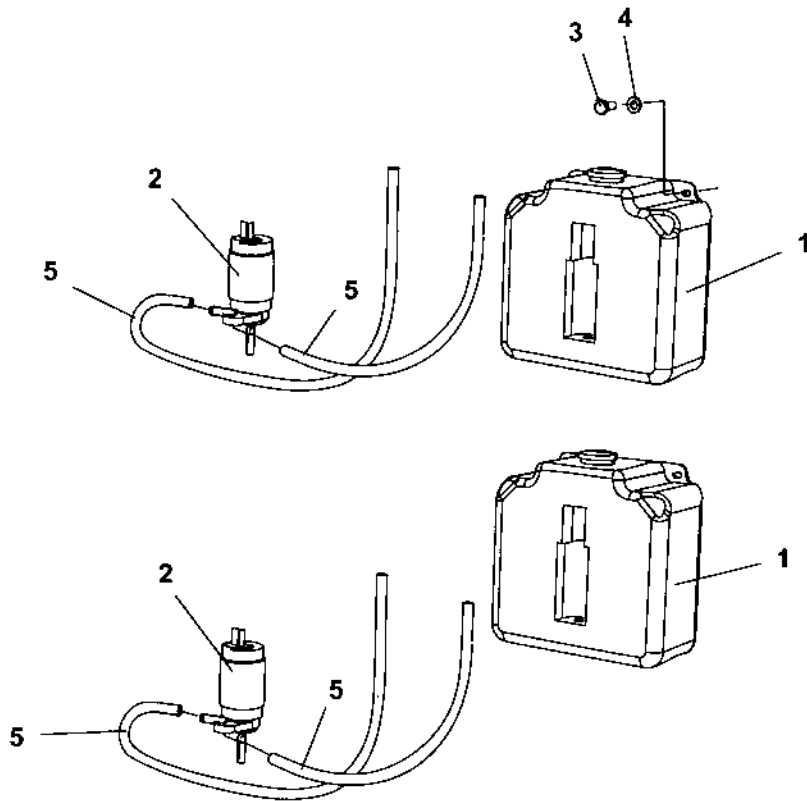


Cab, equipment

Item	Part No	Rem Qty	Description	Code
			Cab, cpl	
40	4700377255	1	.Cup holder	
120	4700938677	6	.Screw	
265	4700908356	1	.Sun curtain	
266	4700908358	1	.Bar	
267	4700908357	1	.Bar	
268	4700903803	4	.Screw	
269	4700908623	1	.Bracket	
270	4700908624	1	.Rear mirror	
271	4700513008	1	.Screw	
300	4700902508	1	First aid kit	
301	4700371837	1	Holder	
302	4700903969	4	Screw	ST4,8x19 Black

Cab, water tank/s wipers

18770



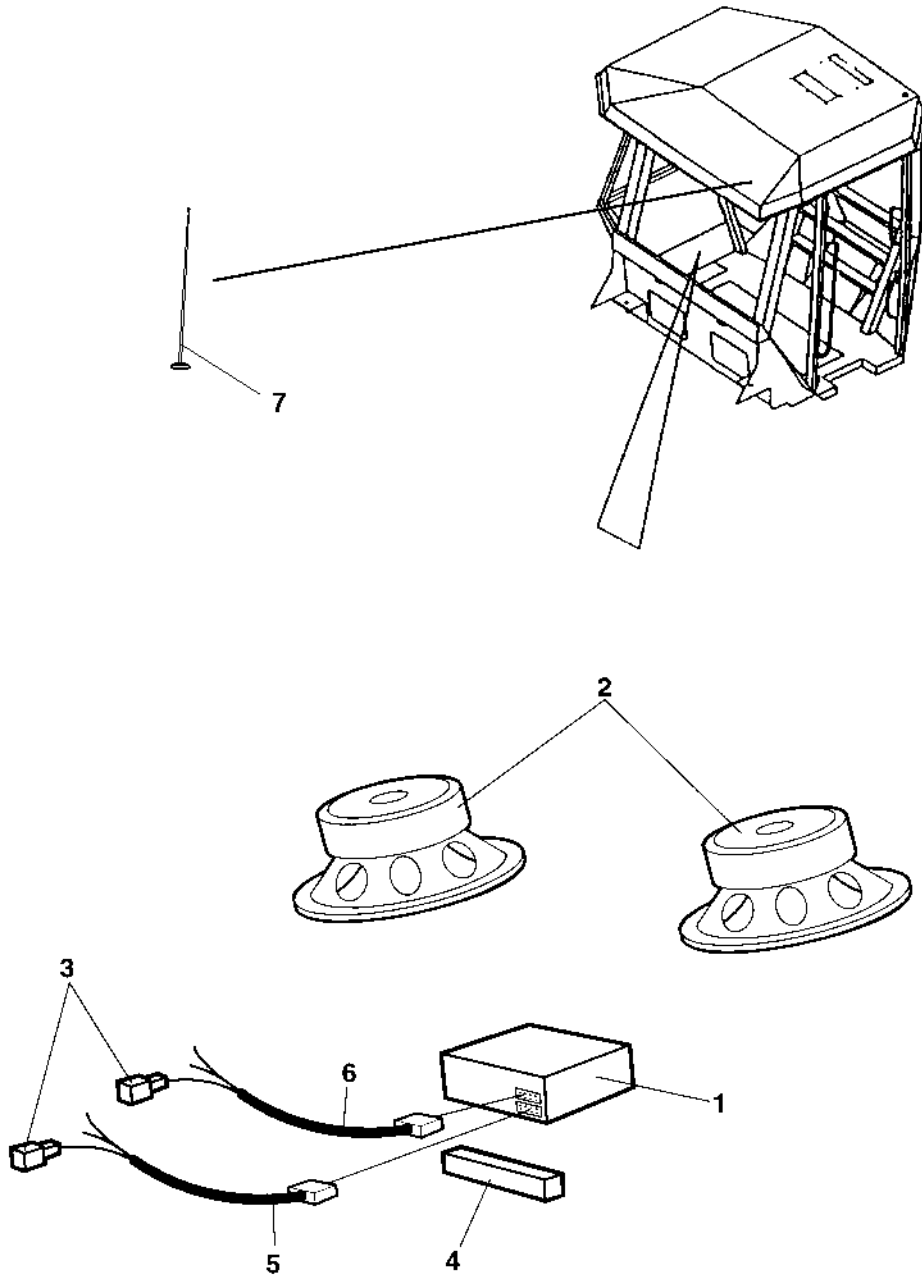
Cab, water tank/s wipers

Item	Part No	Rem	Qty	Description	Code
1	4700900998	A,1	2	Water reservoir	
	4700900998	A,2	1	Water reservoir	
2	4700900999	1	2	Pump	
	4700900999	2	1	Pump	
3	4700500185	1	4	Screw	M6-1x14 8,8
	4700500185	2	2	Screw	M6-1x14 8,8
4	4700904228	1	4	Washer	
	4700904228	2	2	Washer	
5		3	1	Hose	

- 1) Valid for asymmetric cab.
- 2) Valid for symmetric cab.
- 3) See sections for Cab, wipers.
- A) Windshield washer

Radio and cassette/cd player

17972



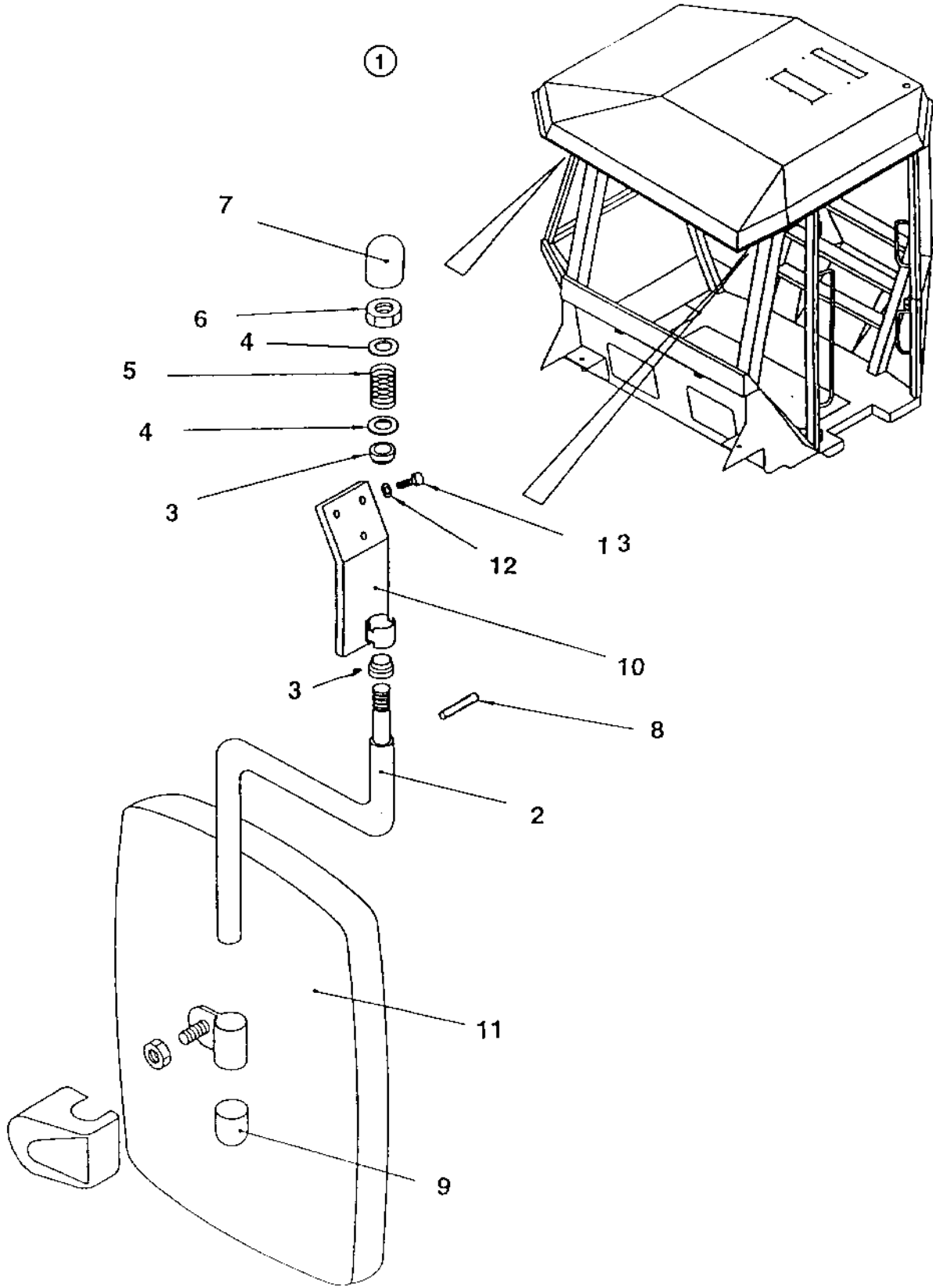
Radio and cassette/cd player

Item	Part No	Rem	Qty	Description	Code
1	4700904939		1	Radio and cassette player	
	4700791967		1	Radio and cd player	
2	4700791968	A	1	Loud speakers	
4	4700202043	C	1XL	Rubber strip	
7	4700937165	1	1	Antenna	

1) Included in cab.

A) 2 pcs

C) L=0,2 m



Exterior rear mirrors

Item	Part No	Rem	Qty	Description	Code
1	4700371730	A	1	Rear view mirror, cpl	
2	4700908355		1	.Arm	
3	4700908625		2	.Sleeve	
4	4700904232		2	.Washer	
5	4700908626		1	.Spring	
6	4700586021		1	.Nut	M16
7	4700908627		1	.Cap	
8	4700629066		1	.Spirol pin	
9	4700908623		1	.Bracket	
10	4700908361		1	.Bracket	
11	4700908265		1	.Rear view mirror	
12	4700904229		6	Washer	8,4x16x1,5
13	4700500019		6	Screw	M8x16H 8.8 A2K

A) Option

Decals

Item	Part No	Rem Qty	Description	Code
10			Decals (Page 200)	

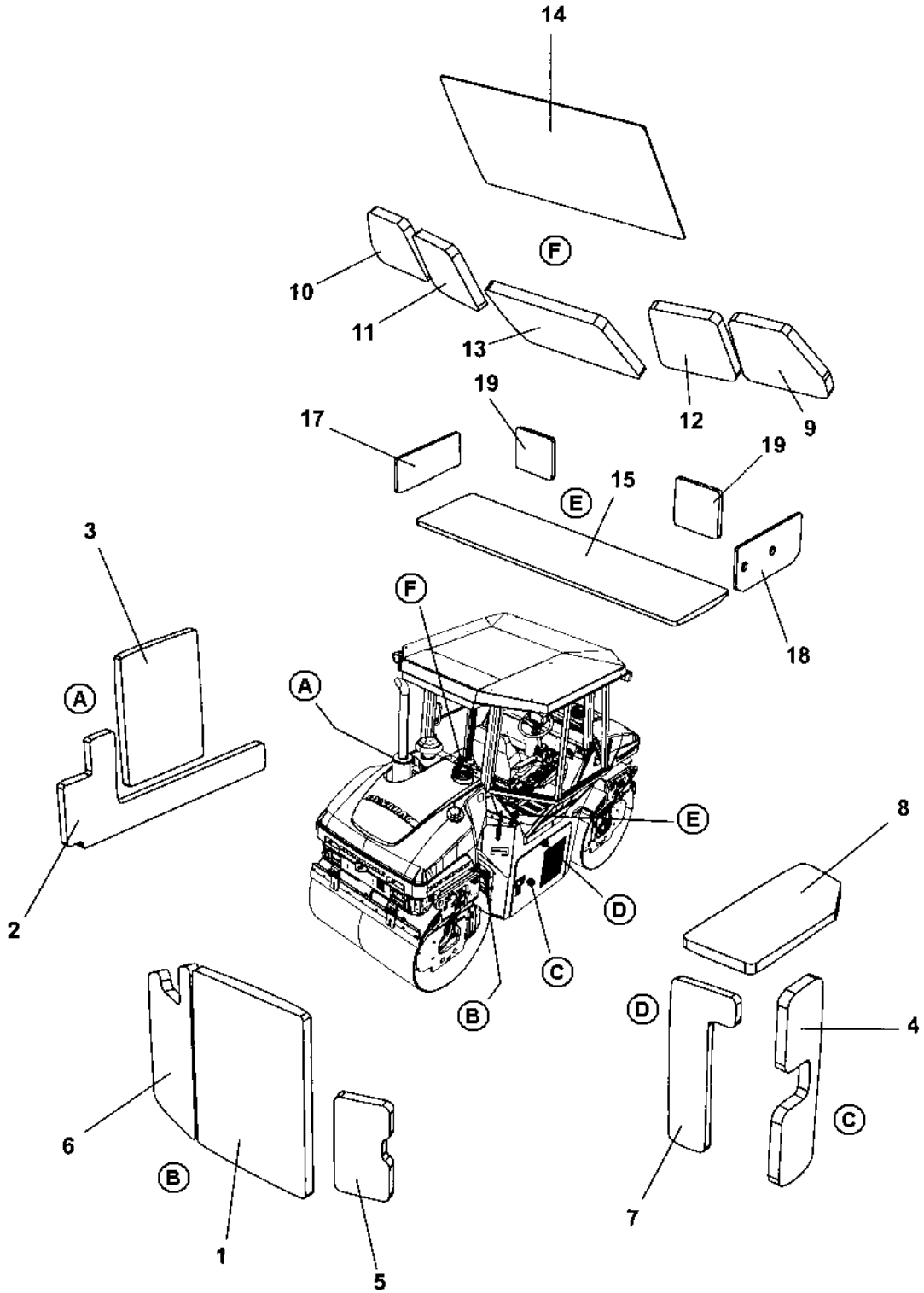
Decals

Item	Part No	Rem Qty	Description	Code
1	4700904092	4	Decal "DYNAPAC"	L=590 mm
2	4700904835	1	Decal "BATTERY POWER"	
3	4700357587	2	Decal "LIFT POINT"	
4	4700904870	2	Lifting sign	
5	4700624016	12	Blind rivet	
6	4700377743	2	Reflector, white	B
7	4700272373	1	Decal "HYDRAULIC OIL"	
	4700904601	1	Decal "BIO HYDRAULIC OIL"	
	4700792772	1	Decal "BIO HYDRAULIC OIL"	PANOLIN
8	4700991658	1	Decal "FUEL"	
9	4700382751	4	Decal "TIE DOWN POINT"	
10	4700903424	2	Decal "HOT SURFACE"	
11	4700903423	1	Decal "SAFETY"	
12	47386084XX	B 1	Plate "Don't leave platform"	
13	4700624017	2	Blind rivet	
14	4700377283	1	Decal	
15	4700377284	1	Decal	
16	4700792458	2	Decal "MODEL CODE"	CG333HF
17	4700377298	1	Decal	
18	4700377299	1	Decal	
19	4700377742	2	Reflector, red	B
20	4700377744	4	Reflector, yellow	B
21	4700903425	1	Decal "SAFETY MANUAL"	
22		1	Product identification plate CE	
23	4700791276	1	Decal "Sound power level"	106dB
24	4700991657	2	Decal "WATER"	
29	4700903422	4	Decal "SAFETY"	
30	4700903459	1	Decal "SAFETY"	
31	4700791642	1	Decal "WARNING"	Use of starting fluid prohib.
33	4700392919	1	Decal "Brake release, hand pump"	
40	4700904165	A 1	Safety decal	Toxic gases

- A) Option, Air Condition
- B) XX = language code

Optional equipment

Item	Part No	Rem Qty	Description	Code
5			Noise suppression (Page 204)	
10			Roof hatch (Page 206)	
20			SMV-sign (Page 208)	
30			Rear mirrors (Page 210)	
40			Protecting cover, Headlight (Page 212)	
50			Asphalt temperature meter (Page 214)	
60			Air conditioning Up to 86120399 (Page 216)	
			Air conditioning From 86120400 (Page 222)	
70			Edge cutter (Page 224)	



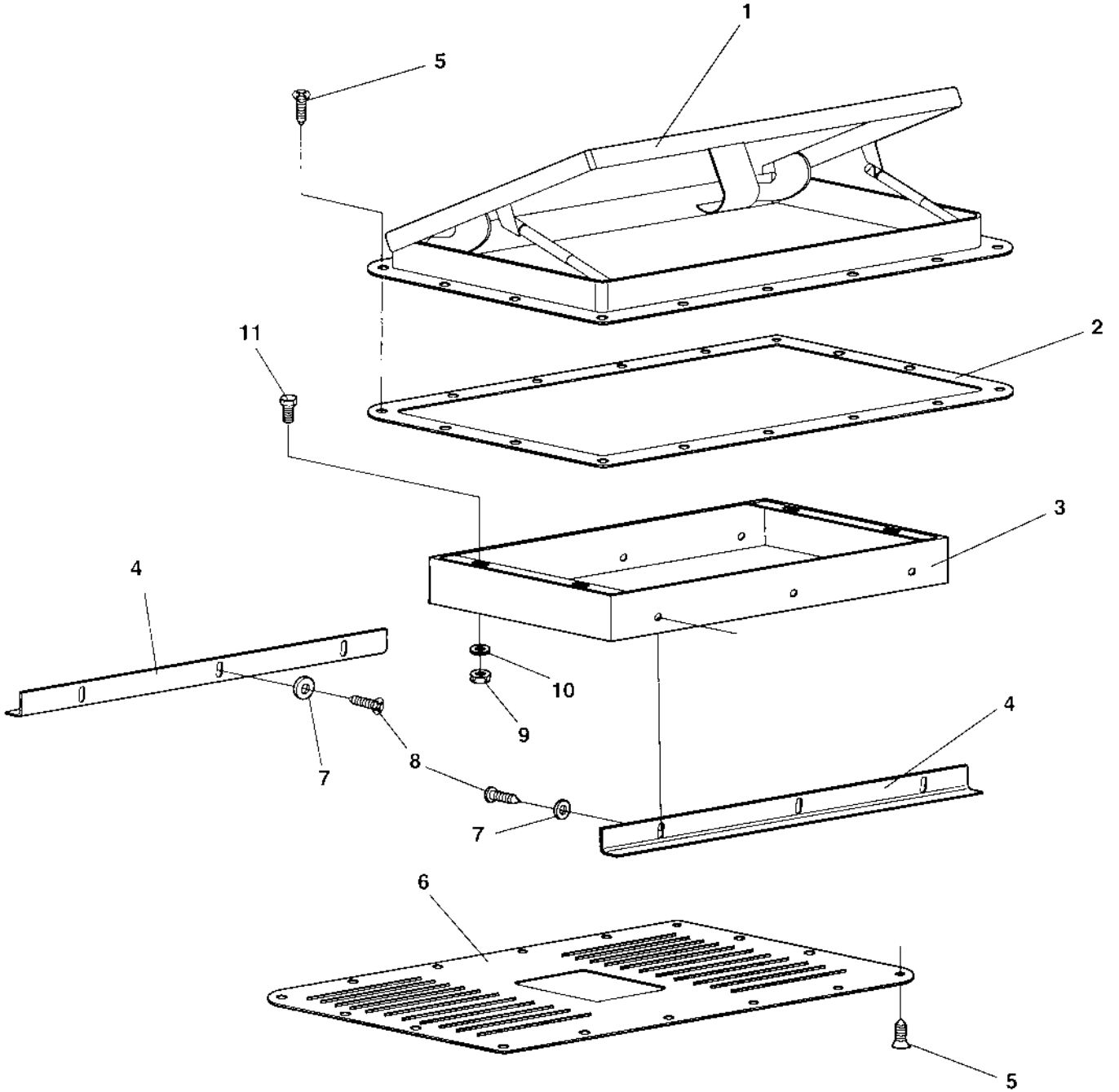
Noise suppression

Item	Part No	Rem	Qty	Description	Code
1	4700389625	B	1	Sound absorbent	
2	4700385919	A	1	Sound absorbent	
3	4700389520	A	1	Sound absorbent	
4	4700378557	C	1	Sound absorbent	
5	4700378558	B	1	Sound absorbent	
6	4700378559	B	1	Sound absorbent	
7	4700378560	D,G	1	Sound absorbent	
8	4700378561	D,G	1	Sound absorbent	
	4700396116	D,H	1	Sound absorbent	
9	4700378562	F	1	Sound absorbent	
10	4700378563	F	1	Sound absorbent	
11	4700378564	F	1	Sound absorbent	
12	4700378565	F	1	Sound absorbent	
13	4700378566	F	1	Sound absorbent	
14	4700378567	I	1	Sound absorbent	
15	4700378568	E	1	Sound absorbent	
17	4700378570	E	1	Sound absorbent	
18	4700378571	E	1	Sound absorbent	
19	4700378572	E	2	Sound absorbent	

- A) Cover, left side
- B) Service cover
- C) Cover, right side
- D) Radiator/Cooler
- E) Noise suppression box
- F) Cab, rear bottom
- G) Tier II
- H) Tier III
- I) Plastic cover, cab

Roof hatch

17374

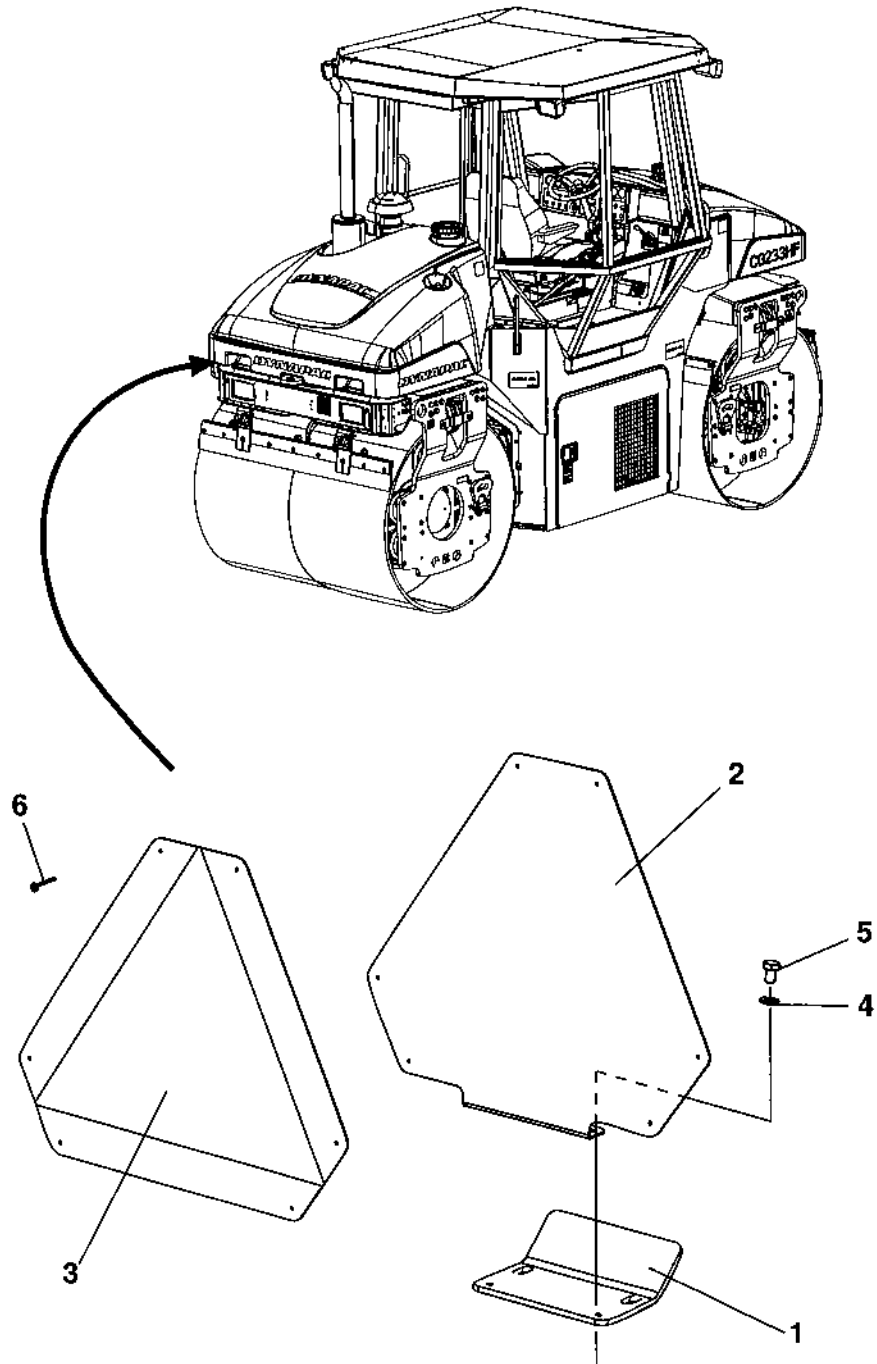


Roof hatch

Item	Part No	Rem Qty	Description	Code
1	4700382702	1	Roof hatch	
	4700384958	1	Roof hatch	
2	4700382701	1	Gasket	
	4700384954	1	Support plate	
3	4700382699	1	Inner roof insert	
4	4700383002	2	Inner roof holder	
5	4700904906	32	Screw	
6	4700382700	1	Inner cover	
7	4700601001	6	Washer	
8	4700903852	6	Screw	ST4,2x13
9	4700570004	4	Nut	M6X1,00 -8 A2K
10	4700904228	4	Washer	
11	4700500040	4	Screw	M6-1x20 8,8

SMV-sign

18236

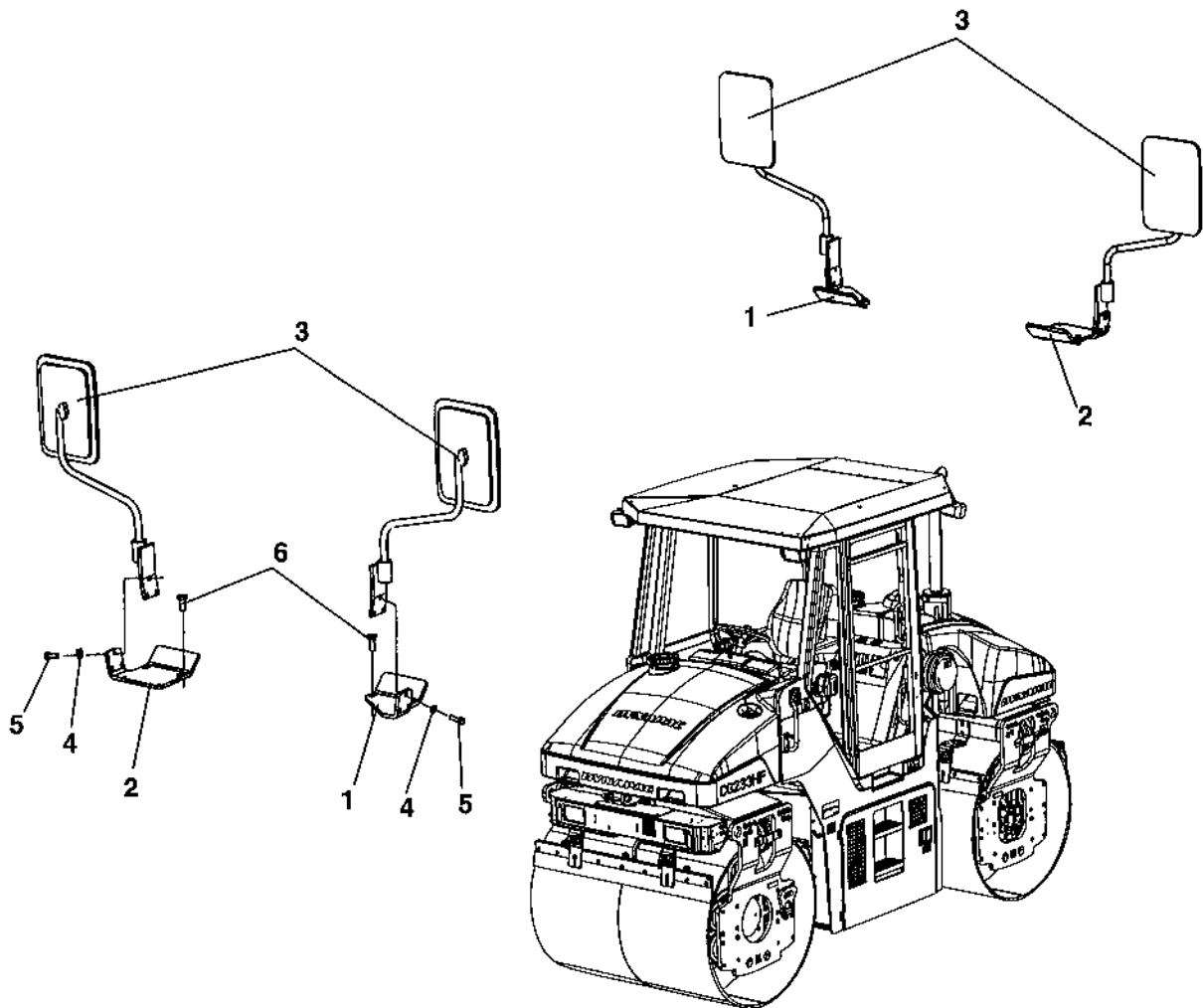


SMV-sign

Item	Part No	Rem Qty	Description	Code
1	4700377267	1	Bracket	
2	4700377268	1	Sign holder	
3	4700476019	1	SMV-sign	D
4	4700904229	2	Washer	8,4x16x1,5
5	4700500018	2	Screw	M8-1,25x12 8,8
6	4700624011	6	Pop rivet	

Rear mirrors

18238



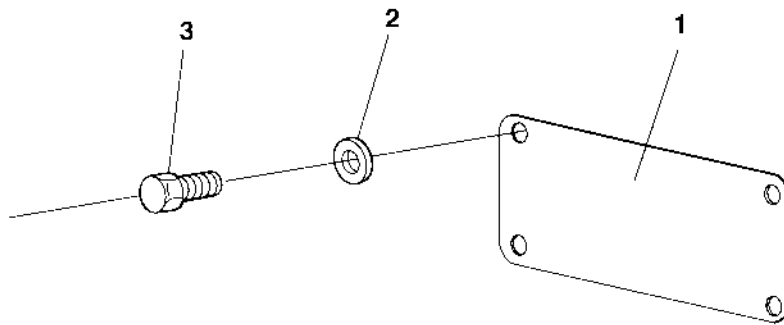
Rear mirrors

Item	Part No	Rem	Qty	Description	Code
1	4700377262	A	2	Bracket	
2	4700377263	B	2	Bracket	
3	4700371730		4	Rear view mirror, cpl	
	4700908265		1	.Rear view mirror	
4	4700600006		12	Washer	
5	4700500021		12	Screw	M8-1,25x25 8.8
6	4700500028		8	Screw	

- A) Front left, Rear right
B) Front right, Rear left

Protecting cover, Headlight

17080

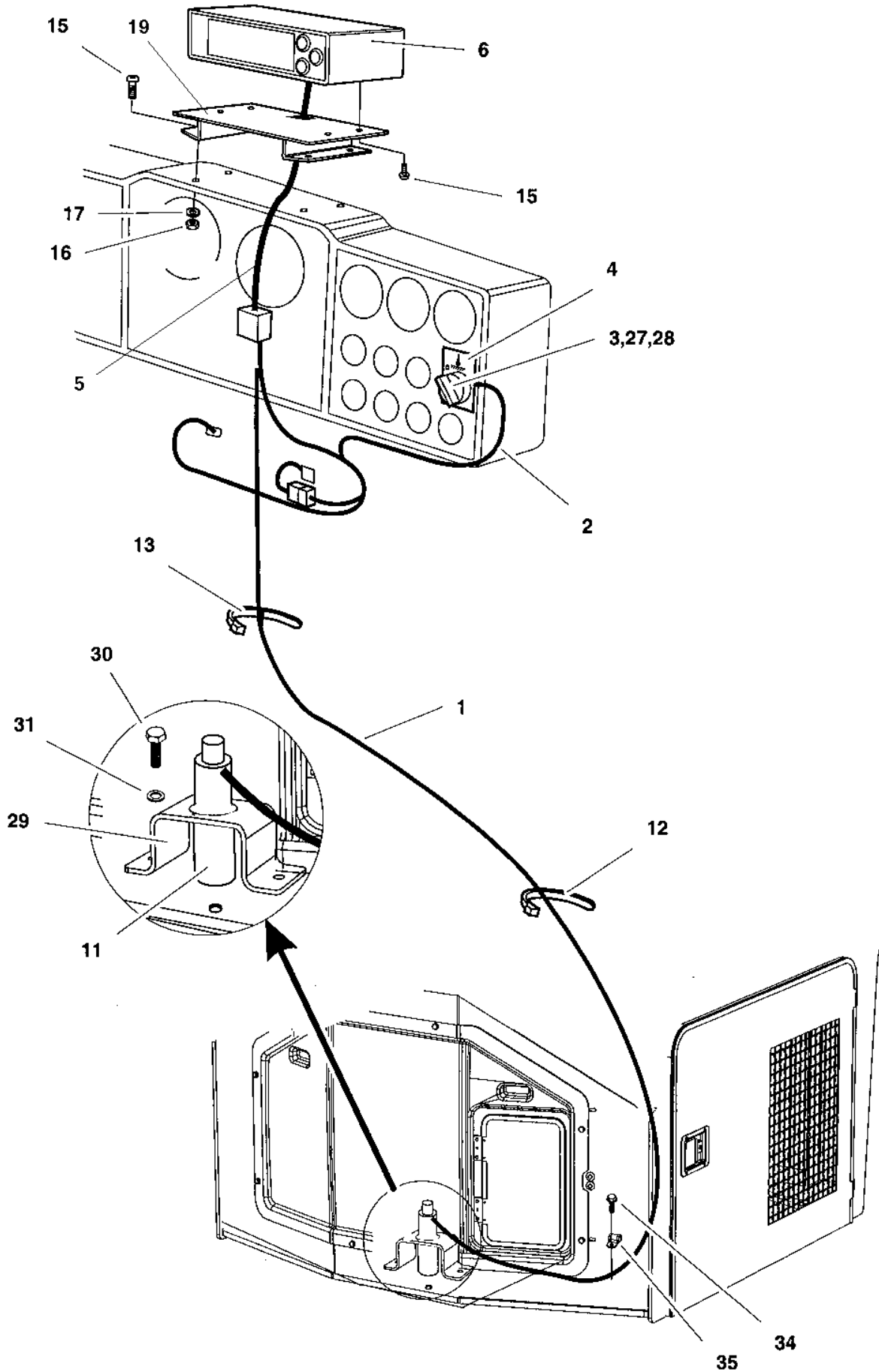


Protecting cover, Headlight

Item	Part No	Rem Qty	Description	Code
1	4700374756	1	Protecting cover	
2	4700904281	4	Washer	
3	4700791916	4	Screw	

Asphalt temperature meter

18257

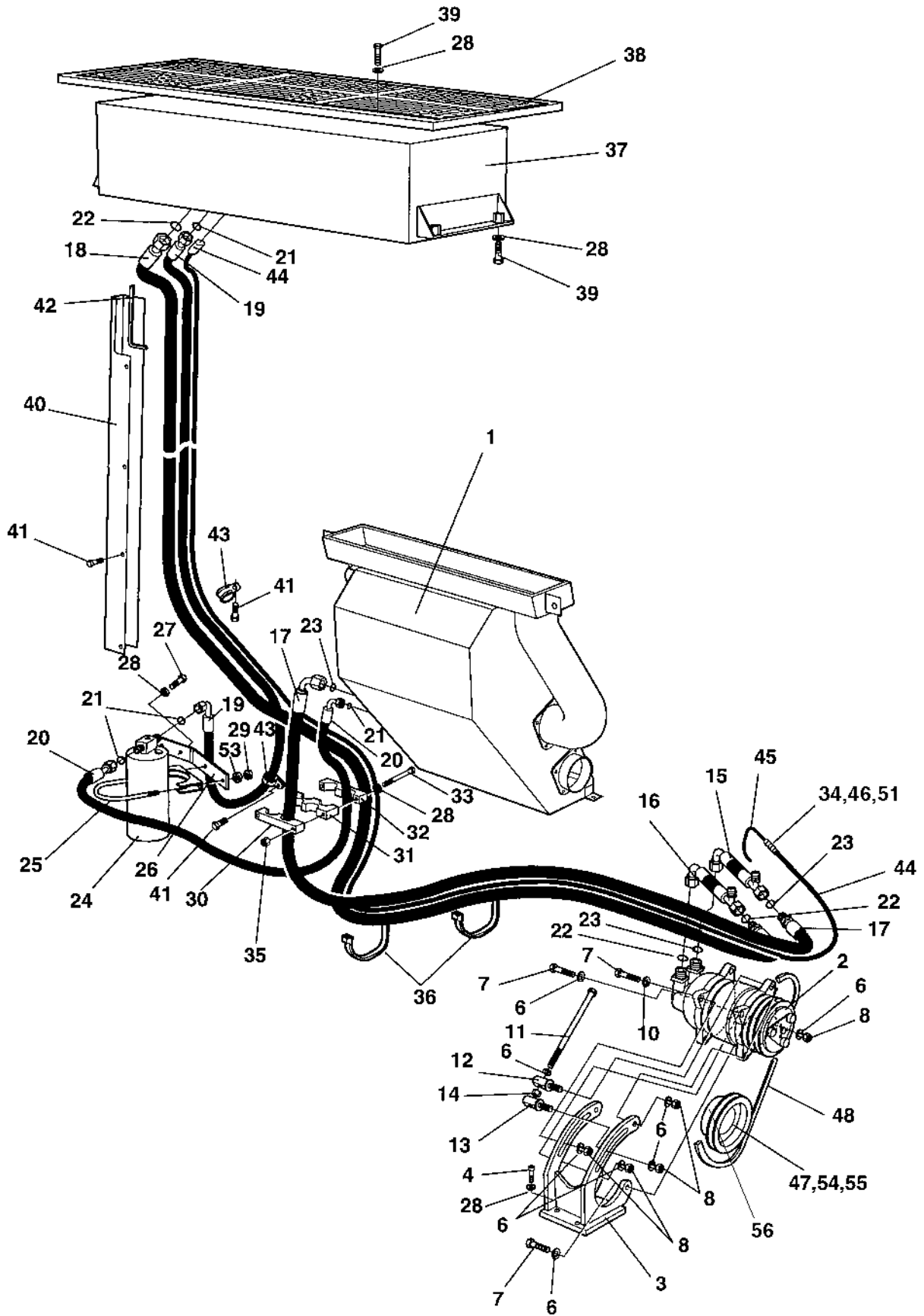


Asphalt temperature meter

Item	Part No	Rem Qty	Description	Code
1	4700388522	1	Cable harness	
2	4700378116	1	Cable harness	
3	4700791722	1	Switch, black	
4	4700388561	1	Sign	
5	4700377819	1	Cable harness	
6	4700388775	1	Temperature meter	
11	4700387982	1	Temperature sender	
12	4700313068	N	Cable ties	L=92 mm
13	4700925802	N	Cable ties	L=142 mm
15	4700904653	8	Screw	M5x16 A2-70
16	4700586001	4	Lock nut	
17	4700904281	4	Washer	
19	4700387988	1	Bracket	
27	4700791733	1	Fixing collar	
28	4700791736	1	Connector	
29	4700377422	1	Bracket	
30	4700500053	2	Screw	M8x20H 8.8
31	4700904229	2	Washer	8,4x16x1,5
34	4700541702	5	Screw	M6x12
35	4700791341	5	Clamp	

Air conditioning

18677



Air conditioning

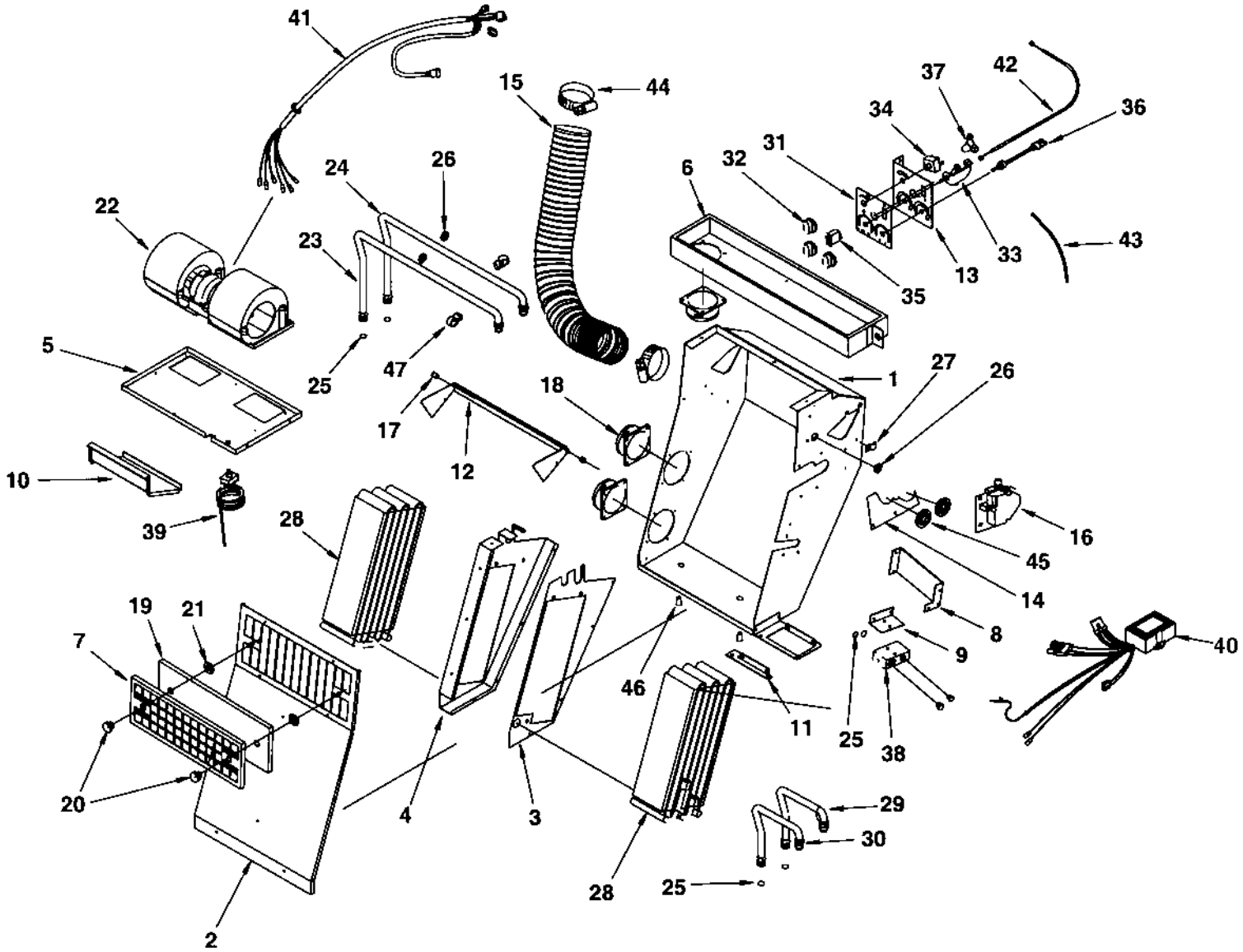
Item	Part No	Rem Qty	Description	Code
1	4700385766	1	Heater/AC unit (Page 218)	
2	4700384147	1	Compressor	
3	4700379623	1	Compressor bracket	
4	4700508048	4	Screw	
6	4700904230	8	Washer	
7	4700500031	3	Screw	
8	4700791172	5	Lock nut	
10	4700904557	1	Washer	
11	4700791665	1	Screw	
12	4700379812	1	Set screw	
13	4700379811	1	Set screw	
14	4700570006	1	Nut	
15	4700376689	1	Refrigerant hose	
16	4700376690	1	Refrigerant hose	
17	4700376533	1	Refrigerant hose	
18	4700376534	1	Refrigerant hose	
19	4700376535	1	Refrigerant hose	
20	4700376536	1	Refrigerant hose	
21	4700384877	4	O-ring	
22	4700384878	3	O-ring	
23	4700384879	3	O-ring	
24	4700383424	1	Drying filter	
25	4700313093	1	Pipe clamp	
26	4700377223	1	Bracket	
27	4700500021	2	Screw	M8-1,25x25 8.8
28	4700904229	18	Washer	8,4x16x1,5
29	4700570005	2	Nut	M8
30	4700384672	1	Hose holder	
31	4700384673	1	Hose holder	
32	4700384674	1	Hose holder	
33	4700500090	2	Screw	
34	4700960124	1	Terminal, female	
35	4700791182	2	Lock nut	M8
36	4700313102	N	Cable ties	
37	4700383413	1	Condenser, cpl (Page 220)	
38	4700384589	1	Cover	
39	4700500022	10	Screw	M8x30H 8.8 A2K
40	4700385163	1	Hose protection	
41	4700541703	7	Screw	M6x16
42	4700288128	A 1XL	Edge trim	
43	4700921036	3	Clamp	
44	4700385908	1	Cable harness	
45	4700902173	B 1XL	Conduit	
46	4700960123	1	Terminal, male	
47	4700384141	1	Pulley	
48	4700413074	1	V-belt	
51	4700903998	N	Shrink hose	
53	4700904556	2	Washer	8,4x16x3,0
54	4700500031	8	Screw	
55	4700904230	8	Washer	
56	4700391458	1	Spacer	

A) L= 0.24 m
B) L= 0.20 m

B

4700385766 Heater/AC unit

17705

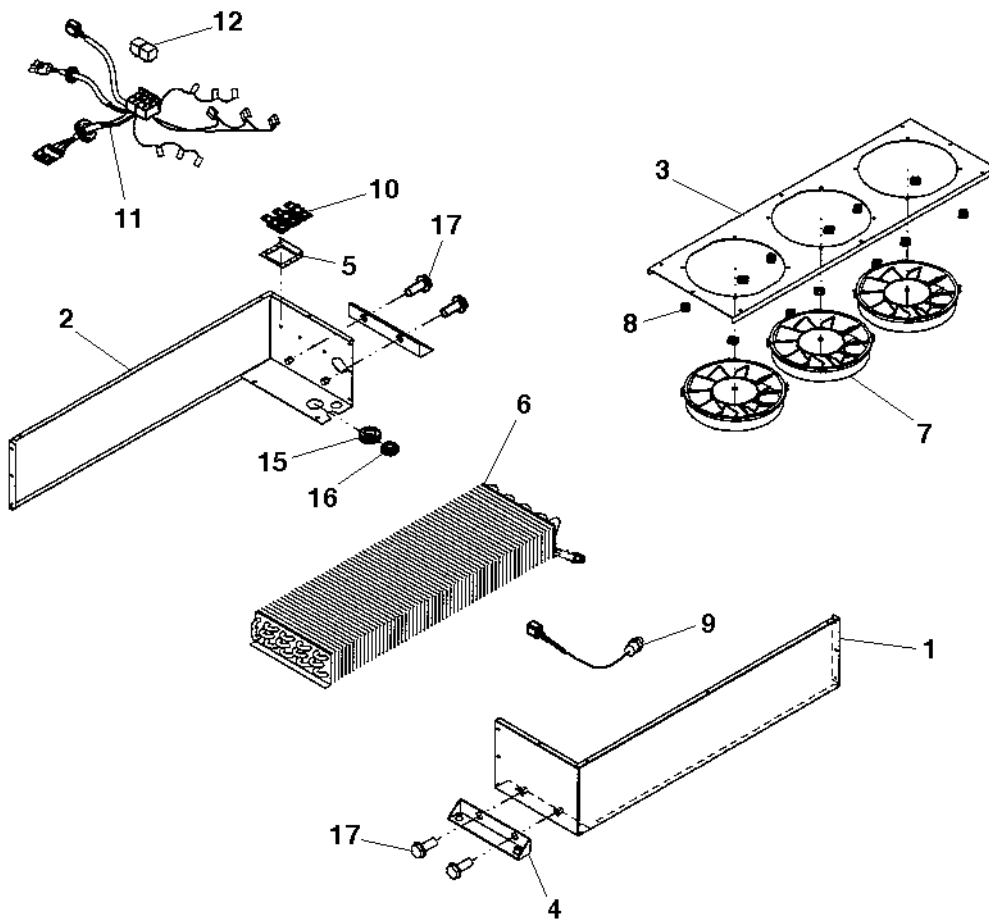


4700385766 Heater/AC unit

Item	Part No	Rem Qty	Description	Code
1	4700938938	1	Casing	
2	4700938939	1	Cover	
3	4700938940	1	Coil bracket	
4	4700938941	1	Coil bracket	
5	4700938942	1	Blower bracket	
6	4700938943	1	Air distributor	
7	4700385590	1	Filter grill	
8	4700938944	1	Heater valve bracket	
9	4700384835	1	Bracket	
10	4700938945	1	Air channel	
11	4700938779	1	Hose bracket	
12	4700938780	1	Flapper	
13	4700938781	1	Control panel	
14	4700938946	1	Cover plate	
15	4700938783	1	Air duct	
16	4700384136	1	Heater valve	
17	4700938784	2	Bushing	
18	4700938632	3	Hose adapter	
19	4700385589	1	Recirculation filter	
20	4700938643	2	Plug	
21	4700938611	2	Star lock	
22	4700938638	1	Fan	
23	4700938947	1	Copper tube	
24	4700938948	1	Copper tube	
25	4700384878	6	O-ring	
26	4700384927	5	Grommet	
27	4700384880	1	Wire clamp	
28	4700384133	2	Coil	
29	4700385576	1	Copper tube	
30	4700385577	1	Copper tube	
31	4700938787	1	Overlay	
32	4700938620	3	Knob	
33	4700938788	1	Rotary control	
34	4700938622	1	Switch	
35	4700938619	1	Switch	
36	4700938623	1	Potentiometer	
37	4700938624	1	Sensor	
38	4700384176	1	Valve	
39	4700384897	1	Thermostat	
40	4700385907	1	Heater control	
41	4700938631	1	Cable harness	
42	4700385588	1	Bowden cable	
43	4700938637	1	Hose	
44	4700938789	2	Clamp	
45	4700938608	2	Grommet	
46	4700938636	2	Drain valve	
47	4700938790	2	Clamp	

4700383413 Condenser, cpl

18385

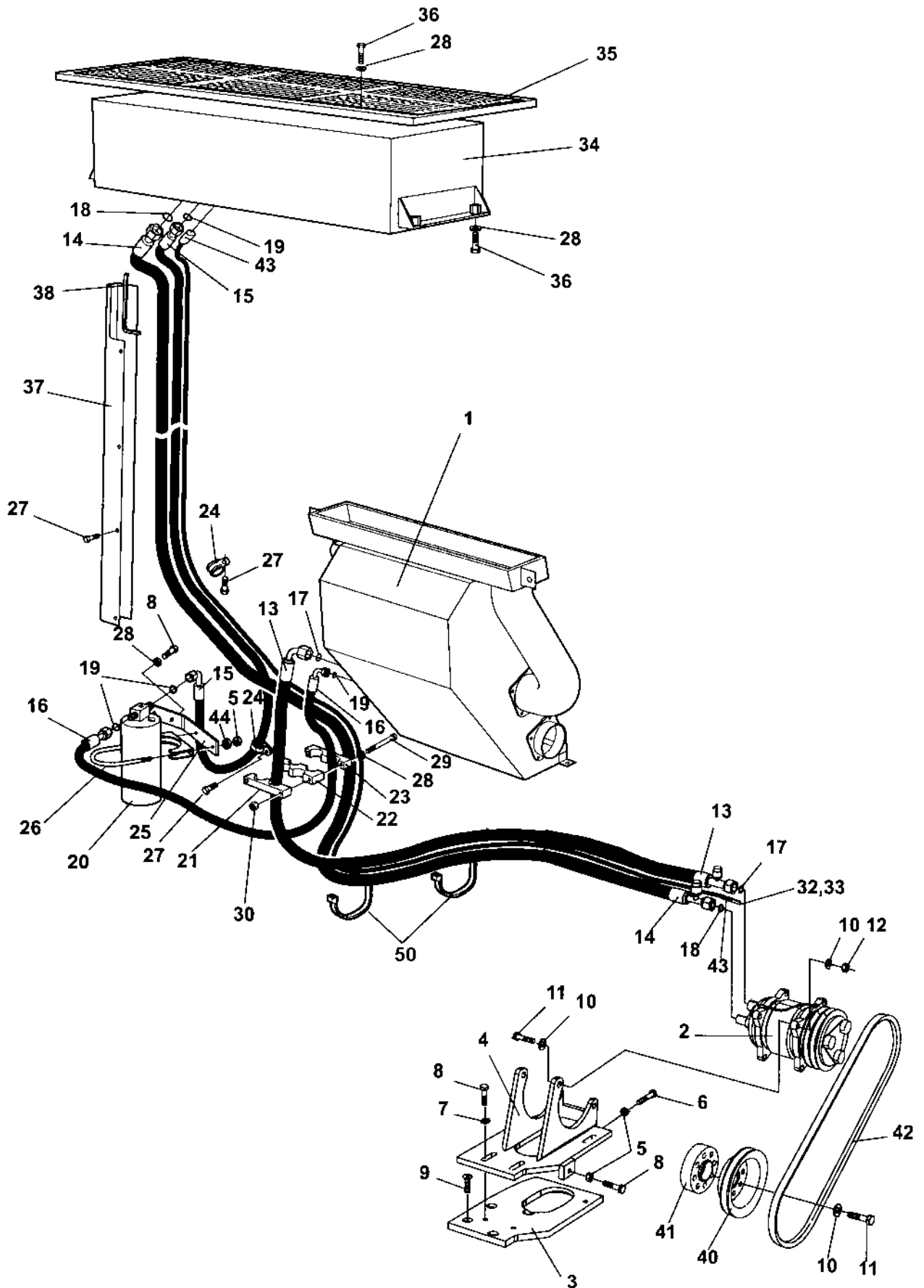


4700383413 Condenser, cpl

Item	Part No	Rem Qty	Description	Code
1	4700938597	1	Cover	
2	4700938598	1	Cover	
3	4700938599	1	Fan bracket	
4	4700938600	2	Condensor bracket	
5	4700938601	1	Resistor bracket	
6	4700938602	1	Condensor Coil	
7	4700938603	3	Fan	
8	4700938604	12	Clip	
9	4700938605	1	Pressure switch	
10	4700938606	3	Resistor	
11	4700938607	1	Cable harness	
12	4700287598	2	Relay	12V-30A
15	4700938608	1	Grommet	
16	4700938609	1	Grommet	
17	4700901832	4	Screw	

Air conditioning

18779



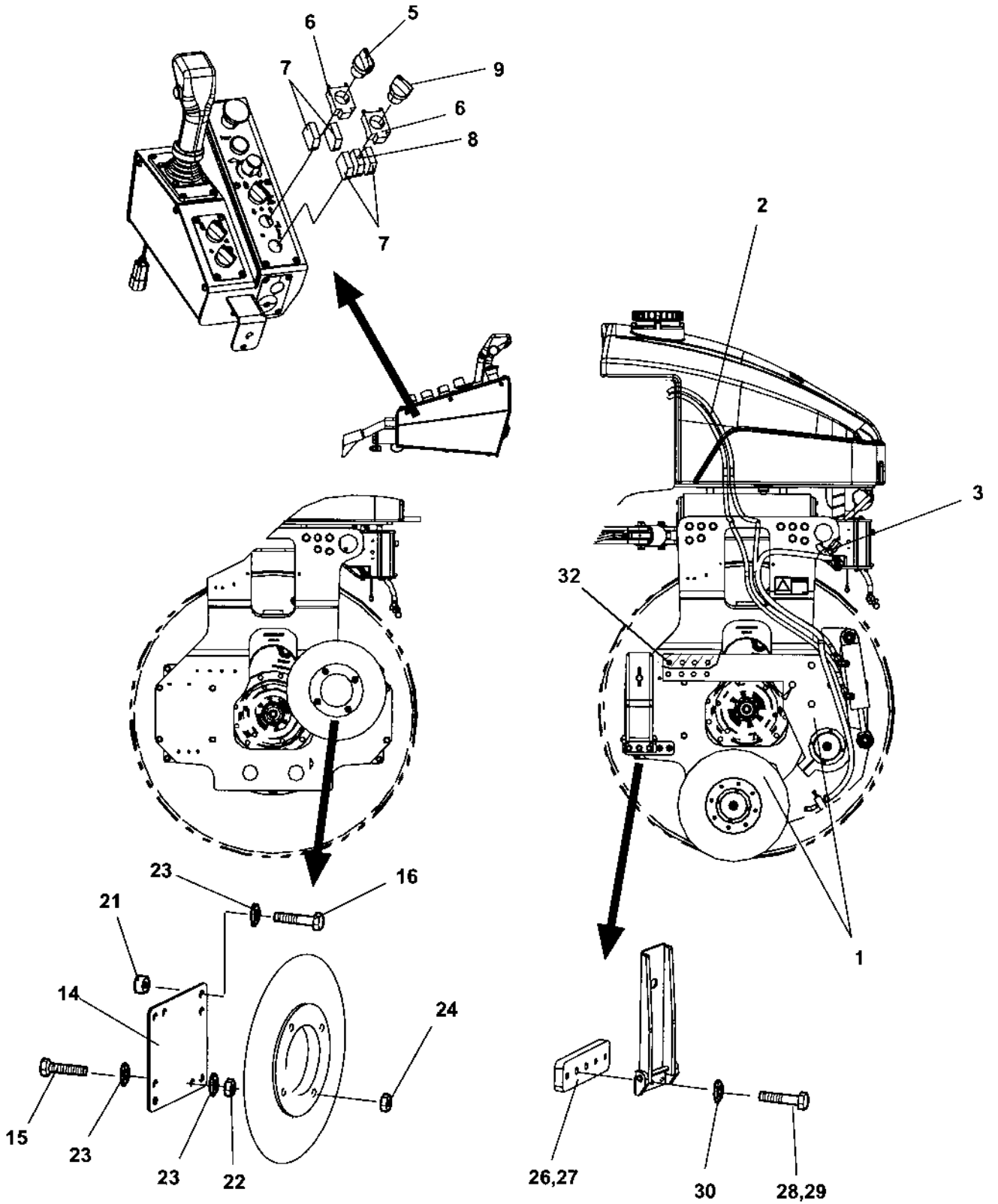
Air conditioning

Item	Part No	Rem Qty	Description	Code
1	4700395137	1	Heater/AC unit	
2	4700379304	1	Compressor	
3	4700395698	1	Bracket	
4	4700395703	1	Compressor bracket	
5	4700570005	4	Nut	M8
6	4700500025	1	Screw	M8-1,25x50 8,8
7	4700904640	3	Washer	8,4x22x3
8	4700500021	6	Screw	M8-1,25x25 8.8
9	4700902520	4	Screw	
10	4700904230	16	Washer	
11	4700500031	12	Screw	
12	4700791172	4	Lock nut	
13	4700396830	1	Refrigerant hose	
14	4700396831	1	Refrigerant hose	
15	4700395993	1	Refrigerant hose	
16	4700395994	1	Refrigerant hose	
17	4700384879	2	O-ring	
18	4700384878	2	O-ring	
19	4700384877	4	O-ring	
20	4700383424	1	Drying filter	
21	4700384672	1	Hose holder	
22	4700384673	1	Hose holder	
23	4700384674	1	Hose holder	
24	4700921036	3	Clamp	
25	4700377223	1	Bracket	
26	4700313093	1	Pipe clamp	
27	4700541703	7	Screw	M6x16
28	4700904229	14	Washer	8,4x16x1,5
29	4700500090	2	Screw	
30	4700791182	2	Lock nut	M8
32	4700903998	N	Shrink hose	
33	4700960124	1	Terminal, female	
34	4700383413	1	Condenser, cpl (Page 220)	
35	4700384589	1	Cover	
36	4700500022	10	Screw	M8x30H 8.8 A2K
37	4700385163	1	Hose protection	
38	4700288128	A 1XL	Edge trim	
40	4700384141	1	Pulley	
41	4700394907	1	Spacer	
42	4700792807	1	V-belt	
43	4700385908	1	Cable harness	
44	4700904556	2	Washer	8,4x16x3,0
50	4700313102	N	Cable ties	

A) L= 0.24 m

Edge cutter

18694

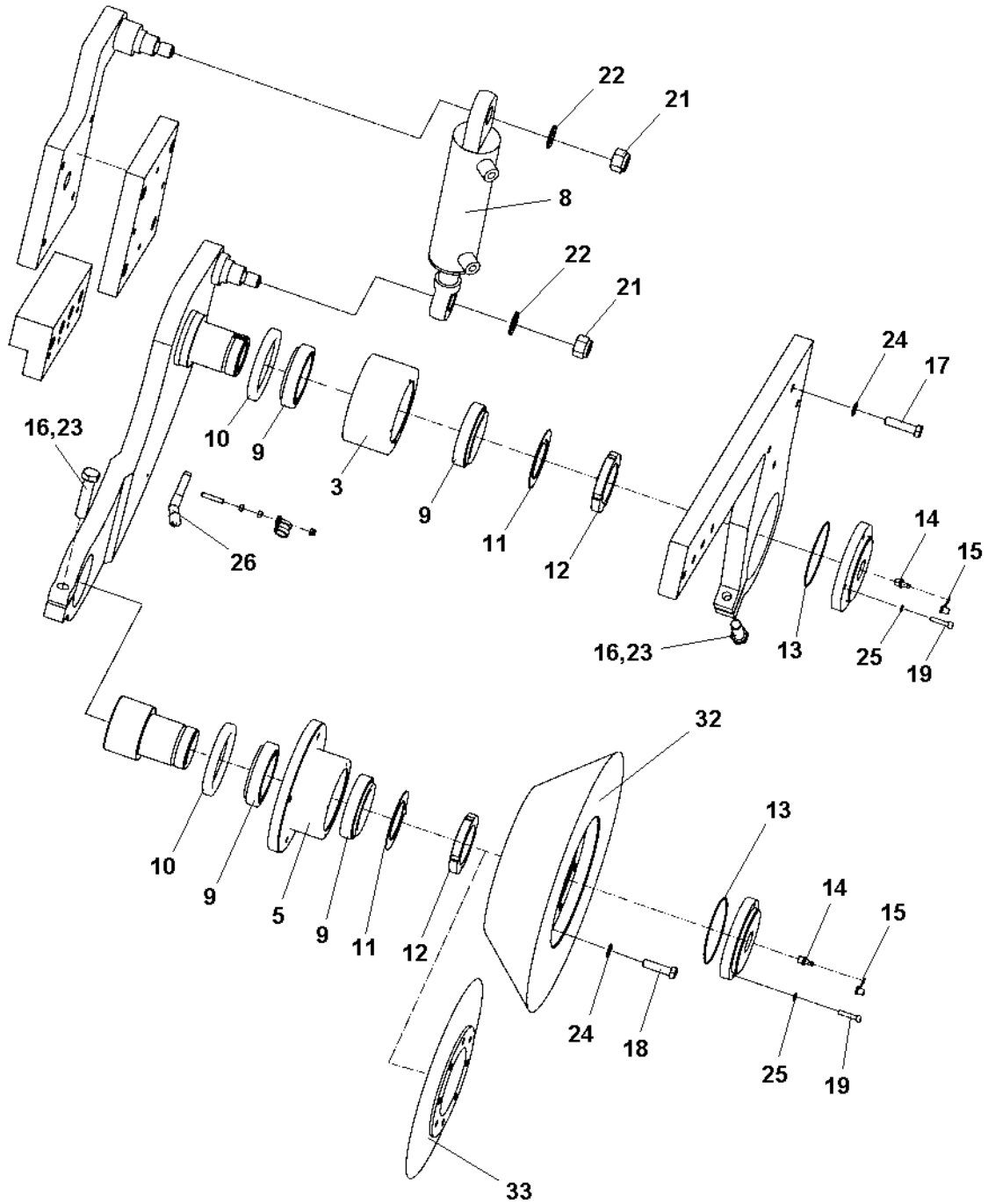


Edge cutter

Item	Part No	Rem Qty	Description	Code
1	4700393869	1	Edge cutter, cpl (Page 226)	
2			Hydraulics, edge cutter (Page 228)	
3			Sprinkler system, edge cutter (Page 230)	
5	4700791731	1	Switch	
6	4700791733	2	Fixing collar	
7	4700791736	4	Connector	
8	4700791726	1	Illuminated block	
9	4700791727	1	Illuminated switch, blue	
14	4700394206	1	Holder plate	
15	4700500117	4	Screw	M12x80H 8,8
16	4700500037	4	Screw	
21	4700359989	4	Spacer sleeve	
22	4700570007	4	Hexagon nut	M12
23	4700904231	16	Washer	13x24x2 300 HV
24	4700586019	4	Lock nut	
26	4700394702	1	Bracket	
27	4700370820	1	Rubber cloth	
28	4700500028	2	Screw	
29	4700500161	1	Screw	
30	4700904230	2	Washer	
32	4700792724	8	Screw	

4700393869 Edge cutter, cpl

393869

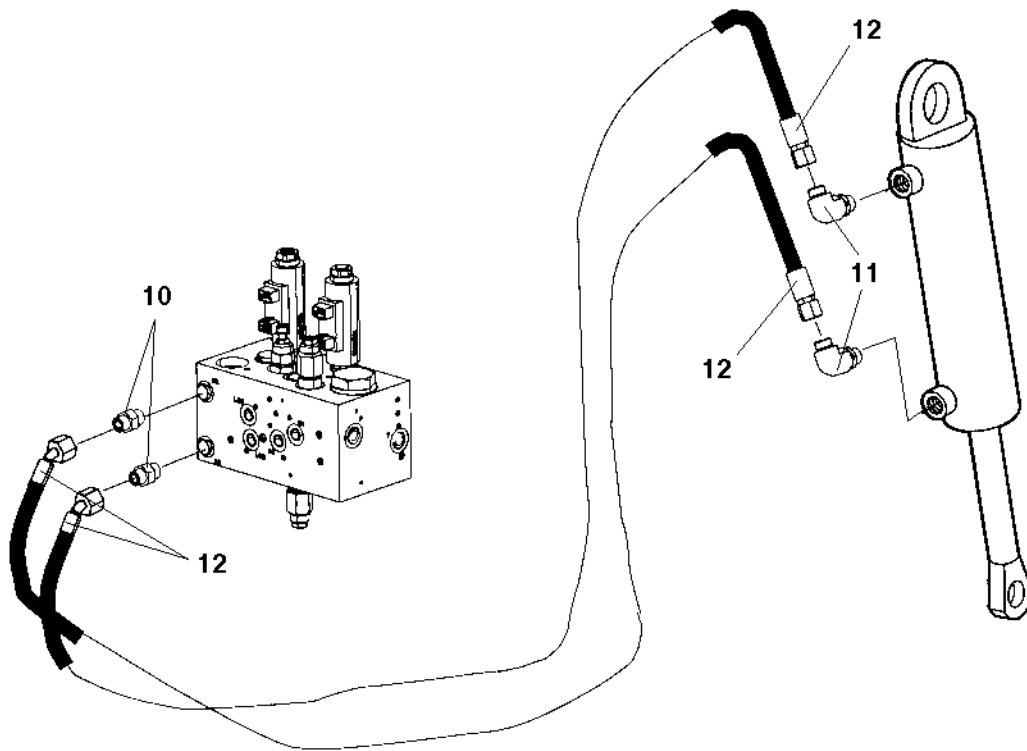


4700393869 Edge cutter, cpl

Item	Part No	Rem Qty	Description	Code
2		1	Cutting arm	
3		1	Housing	
5	4700909303	1	Tool holder	
6	4700909307	1	Cover	
8		1	Cylinder	
9	4700909302	4	Bearing	
10	4700909301	2	Seal	
11	4700909304	2	Washer	
12	4700909305	2	Nut	
13	4700909306	2	O-ring	
14	4700909308	2	Grease nipple	
15	4700909309	2	Protection	
16		2	Screw	
17	4700500175	8	Screw	
18		4	Screw	
19	4700909310	8	Screw	
21	4700909288	2	Nut	
22	4700909289	2	Washer	
23		2	Snap ring	
24	4700904231	12	Washer	13x24x2 300 HV
25	4700909311	8	Retaining washer	
26	4700909274	1	Sprinkler pipe	
32	4700909237	1	Edge roller	
33	4700909236	1	Cutting disc	8cm

Hydraulics, edge cutter

18697

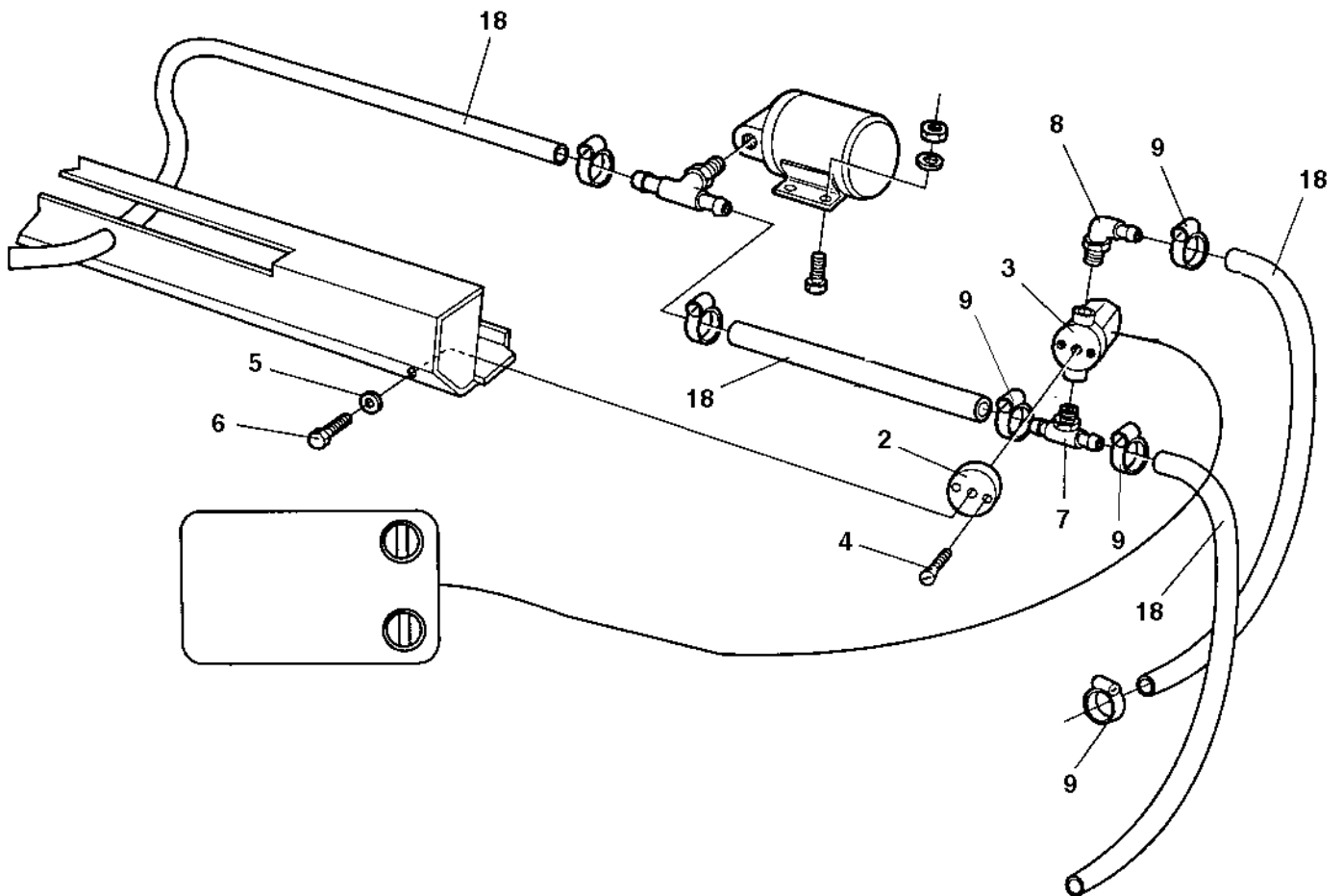


Hydraulics, edge cutter

Item	Part No	Rem Qty	Description	Code
10	4700791914	2	Straight connector orfs	
11	4700791398	2	Elbow 90, O-ring	
12	4700484123	2	Hydraulic hose	

Sprinkler system, edge cutter

18695



Sprinkler system, edge cutter

Item	Part No	Rem Qty	Description	Code
2	4700372315	1	Bracket	
3	4700287713	1	Solenoid valve	
4	4700535003	2	Screw	
5	4700904228	1	Washer	
6	4700500013	1	Screw	M6-1x16 8,8
7	4700792288	1	Hose connector	
8	4700901431	1	Hose connection	
9	4700313001	4	Hose clamp	
18	4700904878	1XL	Hose reinforced	

NUMERICAL INDEX

Part Number	Page	Part Number	Page	Part Number	Page
4700114060	15,49	4700359125	153	4700371101	153
4700160287	103	4700359140	95,97	4700371129	143
4700162011	89	4700359192	23,25	4700371274	121
4700162017	49	4700359338	75	4700371395	143
4700202028	53,69	4700359402	55,57	4700371396	143
4700202041	29,31	4700359403	55,57	4700371599	143
4700202043	195	4700359418	143	4700371621	143
4700202057	29,31	4700359419	145	4700371727	173
4700205067	101	4700359434	35,39	4700371728	53
4700212346	83	4700359455	35,37	4700371730	197,211
4700232119	101	4700359515	23,25	4700371837	191
4700232210	49	4700359516	23,25	4700371885	139
4700233215	39	4700359517	23,25	4700371986	89
4700272373	201	4700359551	75	4700372229	7,11,75
4700287597	181	4700359552	75	4700372315	231
4700287598	221	4700359574	145	4700372597	69
4700287713	43,45,231	4700359649	101	4700372672	145
4700288128	217,223	4700359650	103	4700372704	143
4700297018	43,45	4700359788	153	4700372718	113
4700303003	179	4700359793	153	4700372964	145
4700313001	65,231	4700359810	153	4700372965	153
4700313002	39,43,45	4700359813	153	4700372966	153
4700313003	59	4700359815	153	4700373180	89
4700313004	69,177	4700359816	153	4700373181	89
4700313007	67	4700359817	153	4700373182	89
4700313008	103	4700359818	153	4700373183	23,25
4700313010	65,69	4700359819	153	4700373227	143
4700313036	61,63	4700359820	153	4700373508	49
4700313041	69,113,115,143	4700359822	151	4700374105	119
	145	4700359845	119	4700374374	23,25
4700313068	215	4700359885	143	4700374379	119
4700313075	65,69	4700359887	143	4700374417	153
4700313086	43,45	4700359888	143	4700374526	135
4700313093	217,223	4700359889	143	4700374756	213
4700313094	61,63	4700359892	143	4700376449	103
4700313100	61,63	4700359893	153	4700376533	217
4700313102	65,91,115,117	4700359894	143	4700376534	217
	157,217,223	4700359895	143	4700376535	217
4700330170	65	4700359900	145	4700376536	217
4700330171	65	4700359914	145	4700376574	101
4700330331	173	4700359915	145	4700376579	39
4700343550	121	4700359916	145	4700376659	65
4700343744	49	4700359917	145	4700376689	217
4700343801	49	4700359918	145,147	4700376690	217
4700345139	121	4700359919	145	4700376697	95
4700345870	123,125	4700359920	145	4700376736	35,37
4700350009	145	4700359921	145	4700376764	103
4700357138	11,101	4700359924	151	4700376779	103
4700357139	103	4700359936	157	4700376789	157
4700357141	101	4700359972	145	4700376901	75
4700357384	91	4700359989	225	4700376906	75
4700357419	101	4700359998	143	4700376912	101,105
4700357459	103,113	4700370155	101	4700376913	55,57
4700357498	157	4700370165	119	4700376916	101
4700357500	157	4700370425	139	4700376921	95
4700357562	131	4700370662	143	4700376922	77
4700357587	201	4700370745	113	4700377029	133
4700357643	161,185	4700370761	173	4700377030	127
4700358452	137	4700370806	27	4700377223	217,223
4700358846	39	4700370820	27,225	4700377255	191
4700359003	39	4700370878	59	4700377262	211
4700359043	153	4700370955	153	4700377263	211

NUMERICAL INDEX

Part Number	Page	Part Number	Page	Part Number	Page
4700377267	209	4700381403	145	4700388121	133
4700377268	209	4700381619	43,45	4700388122	155
4700377283	201	4700382224	89	4700388204	133
4700377284	201	4700382425	43,45	4700388376	129
4700377298	201	4700382699	207	4700388490	35,37
4700377299	201	4700382700	207	4700388522	215
4700377334	27	4700382701	207	4700388537	155
4700377364	67	4700382702	207	4700388538	155
4700377413	157	4700382751	201	4700388561	215
4700377414	181	4700383002	207	4700388648	35,37
4700377415	181	4700383024	91	4700388667	67
4700377422	215	4700383200	145	4700388675	61
4700377425	53	4700383413	217,221,223	4700388676	61
4700377426	53	4700383424	217,223	4700388677	61,63
4700377427	53	4700383459	99	4700388737	129,133
4700377428	39	4700383460	89	4700388775	215
4700377458	27	4700383461	99	4700388824	25
4700377467	117	4700383462	89	4700388837	59
4700377513	23	4700383697	43,45	4700388839	59
4700377622	129	4700383705	161,185	4700388840	55
4700377661	39	4700384133	175,179,219	4700388854	59
4700377742	201	4700384136	219	4700389020	133
4700377743	201	4700384141	217,223	4700389163	153
4700377744	201	4700384147	217	4700389164	153
4700377819	215	4700384176	219	4700389175	157
4700378028	65	4700384589	217,223	4700389177	157
4700378058	185	4700384672	217,223	4700389217	89
4700378116	215	4700384673	217,223	4700389233	25
4700378168	31	4700384674	217,223	4700389234	39
4700378309	29,31	4700384835	219	4700389235	39
4700378310	27	4700384877	217,223	4700389236	25
4700378428	53	4700384878	175,179,217,219	4700389367	65
4700378429	53		223	4700389378	89
4700378557	205	4700384879	217,223	4700389419	89
4700378558	205	4700384880	175,179,219	4700389421	101
4700378559	205	4700384881	179	4700389423	101
4700378560	205	4700384897	219	4700389427	101
4700378561	205	4700384927	175,179,219	4700389430	75
4700378562	205	4700384954	207	4700389446	99
4700378563	205	4700384958	207	4700389447	75
4700378564	205	4700385163	217,223	4700389448	101
4700378565	205	4700385339	43,45	4700389450	101
4700378566	205	4700385406	139	4700389451	101,109
4700378567	205	4700385442	173,177	4700389452	103
4700378568	205	4700385576	219	4700389504	27,29
4700378570	205	4700385577	219	4700389512	29
4700378571	205	4700385588	219	4700389516	29
4700378572	205	4700385589	219	4700389520	205
4700378872	135	4700385590	219	4700389548	27,31
4700378964	135	4700385599	133	4700389552	31
4700379304	223	4700385766	217,219	4700389569	29
4700379416	27	4700385769	173,175	4700389571	55
4700379623	217	4700385907	219	4700389577	137
4700379753	39,43,45	4700385908	217,223	4700389583	31
4700379811	217	4700385919	205	4700389617	27,33
4700379812	217	4700385932	143	4700389618	33
4700380084	89	4700386128	145	4700389619	33
4700380660	121	4700387682	65	4700389621	33
4700381172	135	4700387690	35,37	4700389625	205
4700381275	49	4700387693	35,37	4700389629	27
4700381297	53	4700387982	215	4700389630	27
4700381400	145	4700387988	215	4700389638	33

NUMERICAL INDEX

Part Number	Page	Part Number	Page	Part Number	Page
4700389658	113	4700392583	89	4700476019	209
4700389659	115	4700392584	89	4700481126	85
4700389660	113	4700392585	89	4700483718	75
4700389661	113	4700392620	35,37	4700483719	95
4700389662	113	4700392623	49	4700483722	103
4700389664	117	4700392698	89	4700483723	95
4700389665	117	4700392731	77	4700483725	101
4700389666	133	4700392743	77	4700483726	75
4700389668	157	4700392841	49	4700483727	101
4700389671	161	4700392858	89,91	4700483730	77,103
4700389674	113	4700392919	201	4700483731	95
4700389721	123	4700392930	113,131	4700483732	95
4700389722	123	4700393014	23,25	4700483736	103
4700389723	123	4700393015	23,25	4700483737	103
4700389725	125	4700393106	49	4700483738	103
4700389726	125	4700393107	49	4700483739	101
4700389728	121	4700393126	69	4700483740	101
4700389729	121	4700393272	43,45	4700483741	101
4700389730	113	4700393337	75,79	4700483744	103
4700389731	113	4700393339	75,95	4700483745	101
4700389733	115	4700393589	41	4700483746	101
4700389773	67	4700393697	39	4700483747	75
4700389779	75	4700393869	225,227	4700483749	75
4700389784	101	4700393961	91	4700483750	99
4700389821	65	4700393965	113	4700483753	95
4700389842	61	4700393981	131	4700483756	95
4700389857	27	4700394206	225	4700483757	75
4700389859	27	4700394251	17,49	4700483758	75
4700389873	39	4700394253	65	4700483759	95
4700389917	113	4700394421	57	4700483760	89
4700390615	39	4700394684	11,59	4700483761	89
4700390616	39	4700394685	11,59	4700483766	75
4700390619	39	4700394702	225	4700483770	95
4700390809	35,37	4700394907	223	4700483771	77
4700391163	145,149	4700394971	69	4700483772	77
4700391331	99	4700394994	69,71	4700483773	75
4700391335	89	4700395083	57	4700483775	95
4700391458	217	4700395089	69	4700483791	75
4700391710	35,37	4700395090	69	4700483795	101
4700391778	49	4700395091	69	4700483796	101
4700391780	91	4700395109	63	4700483909	95
4700391790	49	4700395110	63	4700483912	103
4700391806	49	4700395136	177,179	4700483954	89
4700391930	49	4700395137	223	4700483957	89
4700391954	49	4700395294	55	4700483958	75
4700392011	39	4700395295	55	4700483959	75
4700392024	89,93	4700395339	63	4700483960	75
4700392026	49	4700395698	223	4700483961	103
4700392068	23,25	4700395703	223	4700483962	103
4700392177	115	4700395883	91	4700483963	95
4700392178	113	4700395933	69	4700483964	95
4700392179	113	4700395952	101	4700483965	95
4700392180	131	4700395993	223	4700483966	95
4700392221	113	4700395994	223	4700483967	99
4700392492	131	4700396116	205	4700483968	99
4700392505	101,107	4700396223	91	4700483969	99
4700392508	39	4700396830	223	4700484123	229
4700392509	39	4700396831	223	4700499266	59
4700392510	39	4700397279	69	4700500001	151
4700392567	139	4700413074	217	4700500002	43,45
4700392581	89	4700416004	151	4700500003	27,35,37
4700392582	75	4700475064	27	4700500012	115,143,167,169

NUMERICAL INDEX

Part Number	Page	Part Number	Page	Part Number	Page
4700500013	39,77,115,117 135,143,157,231	4700502047	95	4700624017	201
4700500018	209	4700508037	49	4700629066	197
4700500019	65,69,75,89,103 117,143,157,197	4700508048	217	4700630008	153
4700500021	27,39,53,55,57 69,75,103,113 115,137,143,145	4700508053	55,57,77	4700630019	101
4700500022	153,211,217,223 25,27,61,63,77 89,101,153,217 223	4700508056	153	4700630035	153
4700500023	27,113	4700508064	49	4700690030	55,57
4700500024	155	4700508092	157	4700747282	65
4700500025	223	4700508095	55,57	4700747691	173
4700500028	53,69,75,103,145 211,225	4700508096	55,57,103	4700791125	43,45
4700500029	53,59,61,63,69 77,89,103,143	4700513003	153	4700791126	39,43,45
4700500030	27,35,37,89,99	4700513008	143,191	4700791127	41
4700500031	35,37,39,145,217 223	4700513009	113	4700791128	43,45
4700500037	225	4700513012	43,45	4700791134	43,45
4700500040	119,145,207	4700513013	143	4700791135	43,45
4700500046	49,99	4700513025	171	4700791138	131
4700500047	27,143	4700516051	145	4700791172	103,217,223
4700500048	39,101	4700527002	49	4700791182	39,89,103,113 115,217,223
4700500049	35,37	4700533013	131	4700791185	131
4700500053	27,43,45,53,55 57,65,103,113 115,117,145,161 185,215	4700533024	151	4700791226	161,185
4700500055	23,25	4700533030	135	4700791231	77,101
4700500056	35,37	4700533031	135	4700791276	201
4700500060	135	4700535003	231	4700791318	75,95
4700500061	27,103	4700535005	161,185	4700791321	67,101
4700500071	157	4700541535	161,185	4700791341	215
4700500074	23,25	4700541702	167,169,215	4700791388	113
4700500087	113	4700541703	139,145,217,223	4700791389	113,135
4700500090	217,223	4700541708	115	4700791398	101,229
4700500117	225	4700570002	33	4700791401	75,95
4700500122	53	4700570003	117	4700791402	75,89
4700500133	49	4700570004	65,131,135,151	4700791409	75,95,101
4700500135	49	4700570005	157,173,177,207	4700791414	75,95
4700500153	173,177		27,43,45,61,63	4700791465	177
4700500161	225		69,91,113,115	4700791466	177
4700500163	89		143,145,153,171	4700791525	113
4700500169	151		217,223	4700791532	115
4700500175	23,227	4700570006	35,37,145,217	4700791535	89
4700500184	115	4700570007	225	4700791536	89
4700500185	117,193	4700570101	31	4700791539	101
4700500186	75	4700570104	23	4700791557	115
4700500192	75	4700573008	153	4700791569	41,115
4700500194	75,89,143	4700586001	113,135,215	4700791642	201
4700500195	49,143	4700586002	43,45,113,139	4700791665	217
4700500229	143	4700586003	145,151	4700791698	77,95
4700500230	115		43,45,115,137	4700791715	155
4700500240	35,37	4700586018	145,157,161,171	4700791716	155
4700500258	33	4700586019	185	4700791719	113
4700500267	35,37	4700586021	59	4700791722	129,133,215
4700500269	23,25	4700586022	35,37,225	4700791723	121,127,133
4700502037	77	4700600004	197	4700791724	129
		4700600006	143	4700791725	121,127,129
		4700600006	143	4700791726	127,129,225
		4700600016	211	4700791727	127,225
		4700601001	103	4700791728	127
		4700603001	135,207	4700791729	127
		4700603009	75,145	4700791730	121,127
		4700603010	143	4700791731	133
		4700615041	31	4700791732	225
		4700615076	151	4700791733	127
		4700624004	31		121,127,129,133
		4700624004	143		215,225
		4700624011	209	4700791734	127
		4700624016	201	4700791735	121

NUMERICAL INDEX

Part Number	Page	Part Number	Page	Part Number	Page
4700791736	121,127,129,133 215,225	4700792246	77	4700902940	87
4700791737	127	4700792288	231	4700902959	85
4700791738	127	4700792289	43,45	4700903082	103,169
4700791739	133	4700792362	77	4700903342	43,45
4700791740	127	4700792373	91,99	4700903344	43,45
4700791741	127	4700792458	201	4700903366	23
4700791742	127	4700792690	177	4700903422	201
4700791743	95	4700792721	23,25	4700903423	201
4700791745	95,101	4700792724	225	4700903424	201
4700791791	95,101	4700792772	201	4700903425	201
4700791796	99,101	4700792807	223	4700903436	119
4700791797	95	4700813391	65	4700903459	201
4700791798	101	4700813443	101	4700903524	103
4700791799	101	4700813618	85	4700903599	119
4700791804	33	4700813791	59	4700903600	119
4700791807	89	4700814071	41,43,45	4700903601	119
4700791811	117	4700892446	101	4700903602	119
4700791812	115	4700900430	75,89	4700903625	131
4700791813	115	4700900485	157	4700903631	117
4700791814	115	4700900776	15,49	4700903640	115
4700791815	113	4700900790	135	4700903641	115
4700791816	115	4700900871	121	4700903653	119
4700791817	113	4700900904	139	4700903657	121,123,125,127 129
4700791818	113	4700900998	193	4700903658	119,133
4700791819	75	4700900999	193	4700903678	119
4700791823	95,103	4700901121	65	4700903714	69
4700791824	77,95	4700901209	139	4700903731	143
4700791825	75	4700901224	131	4700903741	131,181
4700791826	101	4700901225	131	4700903745	25
4700791827	101	4700901226	131	4700903768	91
4700791828	101	4700901227	131,181	4700903774	95
4700791830	101	4700901228	131,181	4700903774	95
4700791831	75	4700901228	131,181	4700903802	171
4700791832	75	4700901229	131,181	4700903803	191
4700791833	101	4700901240	181	4700903805	171
4700791836	101	4700901298	43,45	4700903805	171
4700791837	89,95,99	4700901315	161,185,187	4700903808	161,185
4700791838	75,101	4700901431	43,45,231	4700903813	23,25
4700791840	99	4700901720	81	4700903831	23,25
4700791841	77,101	4700901725	83	4700903852	207
4700791843	99	4700901727	83	4700903870	49
4700791845	75	4700901767	131	4700903886	43,45
4700791846	75,95,101	4700901832	221	4700903914	145
4700791847	75,95,101	4700902064	135	4700903917	145
4700791850	75	4700902066	135	4700903918	145
4700791857	95	4700902166	41	4700903961	119
4700791858	101	4700902173	217	4700903969	191
4700791859	67	4700902223	131	4700903970	131
4700791860	89	4700902224	113	4700903998	217,223
4700791914	229	4700902227	113	4700904003	77,89
4700791916	213	4700902285	103,119	4700904004	75
4700791949	43,45	4700902286	91,113,155	4700904036	115
4700791959	43,45	4700902508	191	4700904059	59
4700791967	195	4700902520	153,223	4700904060	59
4700791968	195	4700902521	55,57	4700904076	53,69
4700791977	39	4700902558	65	4700904085	101
4700792063	33	4700902843	55,57	4700904092	201
4700792068	95	4700902866	29,31,171	4700904104	59
4700792072	39	4700902916	39	4700904165	201
4700792103	27	4700902917	39	4700904206	31,65,113,145
4700792111	95	4700902918	39	4700904213	75,99
		4700902922	53	4700904228	31,43,45,65,75 115
		4700902937	97		103,113,115,117

NUMERICAL INDEX

Part Number	Page	Part Number	Page	Part Number	Page
4700904228	119,135,145,157	4700904890	121,123,125	4700908539	165
	193,207,231	4700904906	207	4700908540	165
4700904229	25,27,39,43,45	4700904910	113	4700908541	165
	53,65,75,89,103	4700904913	43,45	4700908542	165
	113,115,117,137	4700904914	43,45	4700908544	165,189
	143,145,155,157	4700904939	195	4700908546	163,187
	171,197,209,215	4700904951	91	4700908548	163
	217,223	4700904971	121	4700908549	163
4700904230	23,25,35,37,59	4700904981	15,89	4700908550	163
	61,63,77,89,103	4700904984	65	4700908551	163
	217,223,225	4700904985	65	4700908553	163
4700904231	23,25,35,37,49	4700904989	131	4700908556	163,187
	53,91,153,157	4700908184	151	4700908557	163,187
	225,227	4700908187	151	4700908558	169
4700904232	23,25,49,89,153	4700908189	151	4700908559	167,169
	197	4700908190	151	4700908560	167,169
4700904233	143	4700908265	197,211	4700908561	167,169
4700904281	27,113,115,117	4700908268	161,185	4700908562	169
	135,213,215	4700908269	167	4700908563	167,169
4700904289	29,31	4700908270	167	4700908564	167,169
4700904313	135	4700908271	167,169	4700908565	167
4700904315	135	4700908272	169	4700908574	187
4700904316	135	4700908273	169	4700908576	171
4700904317	135	4700908278	169	4700908577	171
4700904318	135	4700908279	169	4700908578	171
4700904346	115,117	4700908280	169	4700908579	171
4700904448	115	4700908281	167	4700908580	171
4700904496	77,95,101	4700908282	167	4700908581	171
4700904543	31	4700908284	171	4700908582	171
4700904556	39,43,45,53,55	4700908287	171	4700908583	171
	57,61,63,115,143	4700908354	171	4700908598	173,177
	153,217,223	4700908355	197	4700908599	173,177
4700904557	27,35,37,39,53	4700908356	191	4700908600	173,177
	69,75,89,99,143	4700908357	191	4700908602	181
	145,217	4700908358	191	4700908603	181
4700904567	103	4700908361	197	4700908604	181
4700904584	95	4700908362	169	4700908605	181
4700904585	75	4700908363	167	4700908606	181
4700904601	201	4700908364	167	4700908608	181
4700904603	103	4700908399	59	4700908610	181
4700904616	49	4700908428	85	4700908611	181
4700904637	55,57,59,75,95	4700908448	83	4700908613	181
	103,117	4700908452	59	4700908617	181
4700904638	145	4700908455	85	4700908618	181
4700904640	27,61,63,69,103	4700908496	167,169	4700908623	191,197
	113,223	4700908497	161,185	4700908624	191
4700904650	133	4700908500	161,185	4700908625	197
4700904653	133,215	4700908503	161,185	4700908626	197
4700904690	95	4700908504	161,185	4700908627	197
4700904698	29,31,33,43,45	4700908505	161,185	4700908764	163,187
	131,143	4700908506	161,185	4700908772	87
4700904703	35,37	4700908507	161,185	4700908773	87
4700904728	95	4700908510	161,185	4700908774	87
4700904734	145	4700908511	161,185	4700908775	87
4700904735	27,145	4700908515	161,185	4700908783	105
4700904766	95	4700908529	165,189	4700908993	163,187
4700904781	89,99	4700908530	165	4700909201	97
4700904788	49	4700908531	165	4700909202	97
4700904835	201	4700908532	165	4700909204	87,97
4700904870	201	4700908535	165,189	4700909205	97
4700904878	39,41,43,45,231	4700908536	165,189	4700909206	97
4700904889	121,123,125	4700908537	165,189	4700909207	97

NUMERICAL INDEX

Part Number	Page	Part Number	Page	Part Number	Page
4700909208	97	4700921047	115	4700937139	83
4700909215	87	4700921050	69,115	4700937140	81
4700909216	97	4700921056	89,115	4700937165	195
4700909217	97	4700921072	117	4700937395	163,187
4700909236	227	4700921080	65,117	4700937397	163
4700909237	227	4700922552	49	4700937398	163,187
4700909243	85	4700923253	31,43,45	4700937399	163
4700909246	81	4700923378	101	4700937400	163
4700909256	83	4700923405	75,95,101	4700937402	163
4700909274	227	4700923734	43,45	4700937403	163,187
4700909288	227	4700923735	43	4700937405	163,187
4700909289	227	4700923976	131,151	4700937620	145
4700909301	227	4700924544	39,43,45	4700937621	145
4700909302	227	4700924737	117	4700937737	177
4700909303	227	4700924823	143	4700937861	85
4700909304	227	4700924996	39,43,45	4700937892	145
4700909305	227	4700925599	39,43,45	4700937932	163,187
4700909306	227	4700925784	33	4700937958	151
4700909307	227	4700925802	215	4700938029	181
4700909308	227	4700926214	23,25,153	4700938565	163
4700909309	227	4700926220	153	4700938566	163,187
4700909310	227	4700927233	27,151	4700938567	163,187
4700909311	227	4700927974	33	4700938597	221
4700909344	87	4700928041	43,45	4700938598	221
4700909369	55,57	4700928381	35,37,139,151	4700938599	221
4700909384	81	4700928467	39,43,45	4700938600	221
4700909392	81	4700928502	135	4700938601	221
4700909396	81	4700928784	27	4700938602	221
4700909403	81	4700929226	75,95	4700938603	221
4700909407	81	4700929322	7,11,65	4700938604	221
4700909412	85	4700929455	135	4700938605	221
4700909413	85	4700935229	147	4700938606	221
4700909414	81,83	4700935230	147	4700938607	221
4700909415	85	4700935231	147	4700938608	175,179,219,221
4700909416	83	4700935232	147	4700938609	221
4700909417	85	4700935233	147	4700938611	175,179,219
4700909429	83	4700935234	147	4700938615	187
4700909433	83	4700935235	147	4700938616	187
4700909435	83	4700935236	147	4700938619	219
4700909436	83	4700935237	147	4700938620	175,179,219
4700909439	87	4700935238	147	4700938622	175,179,219
4700909440	87	4700935239	147	4700938623	219
4700909445	87	4700935240	147	4700938624	219
4700909446	83	4700935241	147	4700938631	219
4700909448	87	4700935242	147	4700938632	175,179,219
4700909449	87	4700935243	147	4700938634	175,179
4700909450	87	4700935244	171	4700938636	175,179,219
4700909471	87	4700935589	161,185	4700938637	219
4700909472	87	4700935613	145	4700938638	175,219
4700909473	87	4700935614	145	4700938643	219
4700909474	87	4700935771	151	4700938644	175,179
4700909477	87	4700935772	151	4700938645	179
4700909485	87	4700935773	151	4700938647	175,179
4700909510	161,185	4700936277	161,185	4700938660	161,185
4700909745	151	4700936552	81	4700938676	161,185
4700909746	151	4700936553	81	4700938677	165,181,189,191
4700910706	87	4700936579	85	4700938678	161,185
4700911456	127,129,133	4700937106	135	4700938679	161,185
4700921028	115	4700937107	135	4700938687	181
4700921031	117	4700937108	135	4700938691	173,177
4700921036	217,223	4700937109	135	4700938779	175,179,219
4700921039	117	4700937138	81	4700938780	175,179,219

NUMERICAL INDEX

Part Number	Page	Part Number	Page	Part Number	Page
4700938781	175,179,219	4700939699	179	4700945955	55
4700938783	175,179,219	4700939826	129	4700947684	53
4700938784	175,179,219	4700939840	55,57	4700947698	89
4700938785	179	4700939927	161,185	4700947712	23,25
4700938786	179	4700939928	161,185	4700947942	91
4700938787	219	4700939958	115	4700950245	71
4700938788	175,179,219	4700939976	55,57	4700950246	71
4700938789	175,179,219	4700940235	11	4700950247	71
4700938790	175,179,219	4700940238	5,9	4700950248	71
4700938806	165	4700940283	157	4700950249	71
4700938807	165,189	4700940285	157	4700950250	71
4700938808	165,189	4700940301	75	4700950251	71
4700938809	165,189	4700940302	109	4700950479	93
4700938810	165,189	4700940303	109	4700950480	93
4700938811	165,189	4700940304	11,101,109	4700950481	93
4700938812	165,189	4700940305	109	4700950482	93
4700938813	165,189	4700940306	109	4700950483	93
4700938814	189	4700940333	67	4700950484	93
4700938815	189	4700940334	67	4700950485	93
4700938816	189	4700940335	67,71	4700950486	93
4700938817	189	4700940336	67,71	4700950487	93
4700938818	189	4700940337	67	4700950488	93
4700938834	163,187	4700940338	67	4700950489	93
4700938835	163,187	4700940339	67	4700950490	93
4700938836	163	4700940361	67,71	4700950491	93
4700938837	163,187	4700940362	67	4700950492	93
4700938838	163,187	4700940389	171,187	4700950493	93
4700938839	187	4700940390	187	4700950494	93
4700938840	187	4700940391	171,187	4700950495	93
4700938842	161,185	4700940392	171	4700950496	93
4700938845	161,185	4700940394	171	4700950497	93
4700938846	161,185	4700940395	171	4700950605	85
4700938847	161,185	4700940570	7,11,55,57	4700960037	115
4700938854	181	4700940572	109	4700960069	115
4700938864	175,179	4700940580	87	4700960123	217
4700938865	175,179	4700940592	5,7	4700960124	217,223
4700938867	175,179	4700940593	5,11	4700960727	113,115
4700938871	173,177	4700940784	163	4700985013	135,161,185
4700938872	173	4700940970	89,95,99	4700985014	135
4700938873	173	4700940973	67,71	4700985051	161,185
4700938874	173,177	4700940974	67,71	4700989151	101
4700938938	175,179,219	4700940980	55,57	4700991657	201
4700938939	175,179,219	4700945107	55,57	4700991658	201
4700938940	175,179,219	4700945169	113	4700999027	113
4700938941	175,179,219	4700945264	171	47386084XX	201
4700938942	175,179,219	4700945265	171		
4700938943	175,179,219	4700945266	171		
4700938944	175,219	4700945409	133		
4700938945	175,179,219	4700945410	133		
4700938946	175,179,219	4700945411	133		
4700938947	175,219	4700945412	133		
4700938948	175,179,219	4700945632	149		
4700938949	175	4700945633	149		
4700938950	175	4700945634	149		
4700938951	175	4700945635	149		
4700938952	175	4700945636	149		
4700938953	175	4700945637	149		
4700938954	175	4700945656	83		
4700938955	175	4700945718	13,17		
4700939515	7,9,11,55,57	4700945722	13,15		
4700939521	181	4700945753	65		
4700939522	181	4700945935	107		